

# VOGELZANG

*Affordable Heating Since 1974*

## DEFENDER HIGH EFFICIENCY AIR-TIGHT WOODSTOVE

EPA Certified (4.22 gram/hr)

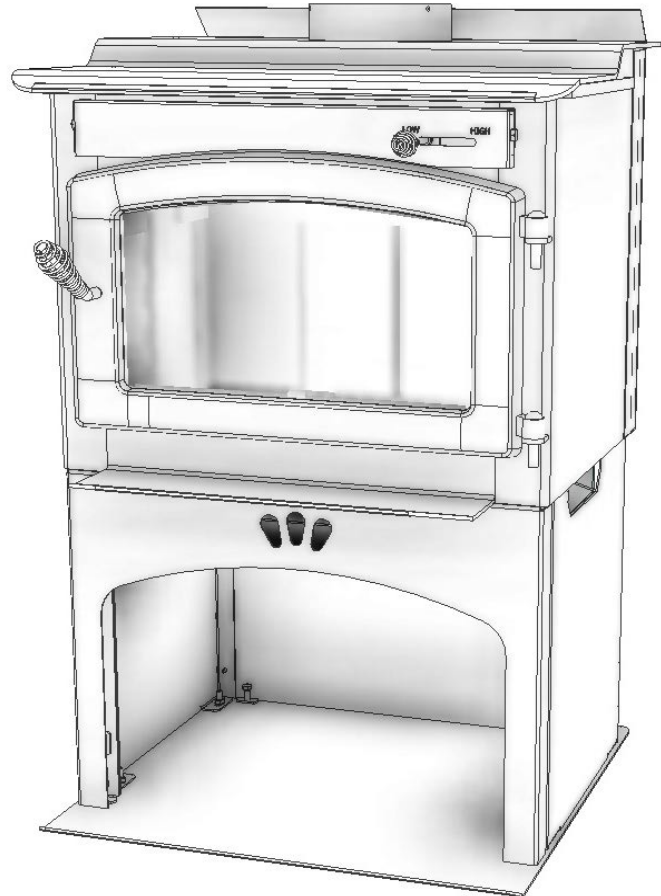
**MODEL TR001WS OWNER'S MANUAL**  
(Save These Instructions)

**U.S. Environmental Protection Agency**  
Certified to comply with 2015  
particulate emissions standards.

This stove meets test standards:  
US: UL 1482 (R2015) & CDN: ULC-S627-00

Read all instructions carefully before installing or operating this stove. Failure to follow instructions may result in property damage, bodily injury, or even death. Refer to markings on stove labels for additional information. Do NOT install in a mobile home. Note: It is recommended installation be completed by a qualified heating equipment installer!

Safety Notice: If this stove is not properly installed, a house/building fire may result. For your safety, contact local or municipal building or fire officials about permits, restrictions, and installation requirements for your area.



French version is available for download from the U.S. Stove website: <http://www.usstove.com/>  
La version française est disponible pour téléchargement à partir du site U.S. Stove: [http://www.usstove.com](http://www.usstove.com/)  
This unit is not intended to be used as a primary source of heat.

TESTED &  
LISTED BY  PORTLAND  
OREGON, USA  
c US  
OMNI-TEST LABORATORIES, INC.

Report No. 0215WS060S

U. S. Stove  
227 Industrial Park Road  
South Pittsburg, Tennessee 37380  
[www.usstove.com](http://www.usstove.com)  
Phone: 800-750-2723

852933-0901G

# SAFETY INSTRUCTIONS

This manual describes the installation and operation of the Vogelzang, TR001WS wood heater. This heater meets the 2015 U.S. Environmental Protection Agency's crib wood emission limits for wood heaters sold after May 15, 2015. Under specific test conditions this heater has been shown to deliver heat at rates ranging from 12,082 to 28,701 Btu/hr.

Note: The BTU ratings mentioned above are based on the EPA test protocol burning dimensional Douglas Fir lumber. Our advertised BTU's are based on the first hour of operation at high burn rate burning cordwood.

NOTE: A professional, licensed heating and cooling contractor must be consulted if you have questions regarding the installation of this solid fuel burning appliance.

1. The installation of this stove must comply with your local building code rulings. Please observe the clearances to combustibles (see reference figures 6-8). Do not place fuel, furniture or any other objects within the clearance area.
2. Verify that the stove is properly assembled and installed before firing the stove for the first time. After reading these instructions, if you have any doubt about your ability to complete your installation properly, you must obtain the services of a professional licensed installer familiar with all aspects of safe and correct installation. DO NOT use temporary or makeshift compromises during installation. There must be NO DEVIATION OR ALTERATION OF ANY KIND from the very specific instructions spelled out in this instruction manual as it pertains to the installation of this woodstove. NO EXCEPTIONS!
3. DO NOT store wood, kindling, flammable liquids, or other combustible materials in the vicinity of the appliance. Refer to certification label on back of unit and reference figures 6-8 in this manual.
4. DO NOT INSTALL THIS STOVE IN A MOBILE HOME, MANUFACTURED HOME, TRAILER, OR TENT NO EXCEPTIONS! (HUD Federal Standard: 24 CFR Ch.XX).
5. DO NOT ELEVATE THIS STOVE BY ANY MEANS (i.e. bricks under legs, cement blocks). Stove legs must set directly upon the solid-surface non-combustible floor as specified in this stove instruction manual.
6. DO NOT MODIFY THIS STOVE IN ANY WAY! Stove must be installed with legs and ash drawer provided, attached as shown in the instructions. DO NOT OPERATE WITHOUT ASH DRAWER OR ASH CLEAN OUT COVER IN PLACE – NO EXCEPTIONS. Assemble only with original parts as supplied and shown in this manual. DO NOT OPERATE A STOVE THAT IS MISSING ANY PARTS! If any parts are missing or defective, please notify the dealer or manufacturer immediately. Replace missing, broken, or worn parts with factory original parts only.
7. CAUTION: DO NOT ALTER COMBUSTION AIR CONTROL RANGE TO INCREASE FIRING OR FOR ANY REASON. Altering or tampering with air control beyond normal capacity will create unsafe and hazardous conditions.
8. Always connect this stove to a chimney and vent to the outside. Never vent to a room or inside a building. DO NOT CONNECT THIS UNIT TO A CHIMNEY FLUE SERVING ANOTHER APPLIANCE.
9. DO NOT CONNECT A WOOD BURNING STOVE TO AN ALUMINUM TYPE B GAS VENT. This is not safe. Use approved masonry or an Underwriters Laboratories Listed UL 103 HT (US)/ULC-S629 (CDN) Residential Type and Building Heating Appliance Chimney. Use a 6"/152mm diameter chimney, that is high enough to give a good draft. (See specifics in Chimney Connections instructions).
10. Be sure that your chimney is safely constructed and in good repair. Have the chimney inspected by the fire department or a qualified inspector. Your insurance company should be able to recommend a qualified inspector. Chimney connector pipe must be in good condition. Replace if necessary before using stove.
11. Creosote or soot may build up in the chimney connector and chimney and cause a house/building fire. Inspect the chimney connector and chimney twice monthly during the heating season and clean if necessary. (see Service Hints).
12. In the event of a chimney fire, turn the air controls to closed positions, leave the building and CALL THE FIRE DEPARTMENT IMMEDIATELY! Have a clearly understood plan on how to handle a chimney fire by contacting your local fire authority for information on proper procedures in the event of a chimney fire. After the fire is out, the chimney must be cleaned and inspected for any stress or cracks before starting another fire. Check the condition of any combustibles surrounding the chimney.
13. Ashes should not be allowed to accumulate above the top of the lower primary air orifice (LPAO, air vent at front of firebox, just inside of door).
14. DISPOSAL OF ASHES Ashes should be placed in a steel container with a tight fitting lid and moved outdoors immediately. The closed container of ashes should be placed on a noncombustible floor or on the ground, well away from all combustible materials, pending final disposal. If the ashes are disposed of by burial in soil or otherwise locally dispersed, they should be retained in the closed container until all cinders have completely cooled. Other waste shall not be placed in this container.
15. To prevent injury, do not allow anyone to use this stove who is unfamiliar with the correct operation of the stove.
16. Do not operate stove while under the influence of drugs or alcohol.

# SAFETY INSTRUCTIONS

17. DO NOT ELEVATE THE FIRE. Build fire directly on the bottom of the firebox. This stove has not been tested with the use of grates, and irons or other means of elevating the fire and must not be used.
18. The special paints used on your stove may give off some smoke and an odor while they are curing during the first 12 to 15 fires. Additional smoke and odor may be emitted from the light oils used in construction of the fire box. This should disappear after a short period of time and not occur again. Persons with lung conditions or owners of susceptible domestic pets (such as birds) should take prudent precautions. Open windows and doors as needed to clear smoke and/or odor. Paint discoloration will occur if the stove is over fired.
19. This stove has a painted surface which is durable but it will not stand rough handling or abuse. When installing your stove, use care in handling.
20. CLEAN STOVE FREQUENTLY as soot, creosote and ash may accumulate. Clean exterior with soap and warm water when stove is not hot. Do not use any acids or scouring soap, as these solvents wear and dull the finish.
21. ALERT ALL PERSONS TO THE HAZARDS OF HIGH SURFACE TEMPERATURES while stove is in operation – especially young children. Keep away from a hot stove to avoid burns or clothing ignition.
22. NEVER LEAVE SMALL CHILDREN UNSUPERVISED WHEN THEY ARE IN THE SAME ROOM AS THE STOVE. If small children will be in the same room as the stove during operation, provide a sturdy barrier to keep them at a safe distance from the stove.
23. Keep stove area clear and free from all combustible materials, gasoline, engine oil, naphtha and other flammable vapors and liquids.
24. WHILE TENDING THE FIRE ALWAYS WEAR PROTECTIVE CLOTHING, fire retardant hearth gloves and eye protection, to prevent burns.
25. Never operate this stove without ash drawer, ash clean out or with the door open except when refueling. Such actions can result in very dangerous operating conditions.
26. DO NOT OVER FIRE THE STOVE. Over firing will occur if combustion air is uncontrolled as when feed door is left open during operation. Such actions can result in very dangerous operating conditions. While in operation, keep the feed door closed and secured at all times except while tending the fire
27. When adding fuel be careful not to smother the fire. Do not build fires against glass and do not load fuel to a height or in such a manner that it creates a hazard when opening the door.
28. NEVER LEAVE THE STOVE UNATTENDED with door open. Always close the door after ignition.
29. DO NOT CONNECT TO OR USE IN CONJUNCTION WITH ANY AIR DISTRIBUTION DUCT WORK UNLESS SPECIFICALLY APPROVED FOR SUCH INSTALLATIONS.
30. A WOOD-BURNING STOVE MUST NEVER BE INSTALLED IN A HALLWAY OR NEAR A STAIRCASE, as it may block egress in the event of a fire.
31. DO NOT INSTALL IN A SLEEPING ROOM. DO NOT INSTALL IN AN ALCOVE OR INSIDE A FIREPLACE.
32. Install at least one smoke detector on each floor of your home. Detectors should be located away from the heating appliance to avoid false alarms. Detectors should be located close to sleeping areas. Follow the smoke detectors manufacturer's placement and installation instructions. Maintain smoke detector per manufacturer's instructions.
33. CARBON MONOXIDE (CO) HAZARD. Some fuels (e.g charcoal, which should never be used in this appliance) have the possibilities of generating carbon monoxide. A buildup of CO fumes is toxic and can be fatal. Carbon Monoxide is a colorless, odorless gas produced during combustion of wood, coal, oil, gas and by other fuel burning appliances. It is important to have a proper draft and adequate replacement air ventilation so fumes are drawn out the chimney. Installed as instructed this stove is designed to be as safe as possible yet it is recommended to install a CO detector. Follow the manufacturer's recommendations for proper installation and use. It is recommended to be placed at table-top level (not near the ceiling) to avoid false alarms. Realize that devices other than a stove (i.e. motor exhaust) can trigger CO alarms.
  - **If alarm sounds:**
  - Recognize the symptoms of CO poisoning (headaches, nausea & drowsiness).
  - Increase ventilation (open windows & doors).
  - Make sure stove doors and/or lids are closed and secured.
  - Check stove for smoking or puffing (open air flow controls).
  - Check chimney & connector pipe for leaks, blockage or down-draft conditions.
  - Check CO device for false alarm.
34. Keep power cords, electrical appliances and/or assemblies outside of the clearance area shown in this manual for combustible materials.
35. Consult your municipal building department or fire officials about restrictions, permits and installation requirements for your area.
36. For further information on using your stove safely, obtain a copy of the National Fire Protection Association (NFPA) publication, "Using Coal and Wood Stoves Safely" NFPA No. HS-10-1978. Write NFPA, Batterymarch Park, Quincy, MA 02269.

# ASSEMBLY INSTRUCTIONS

NOTICE: No warranty, stated or implied, has been granted for the installation or maintenance of this stove and assumes no responsibility of any incidental or consequential damages.

## TOOLS AND MATERIALS REQUIRED FOR INSTALLATION

(NOTE: The following items are NOT included with your stove and are required for proper installation.)

### Materials

- Flooring Protection as specified
- Chimney Connection: 6"/152mm dia. minimum 24 MSG black or
- 26 MSG blue steel straight stove pipe or elbow(s).
- 1/2"/13mm Sheet Metal Screws
- Chimney: Existing 6" Code-approved Lined Masonry Chimney
- or 6" Inside Dia. UL 103 HT (US)/ULC-S629 (CDN) listed manufactured chimney.
- Furnace Cement (manufacturer recommends Rutland Code 78

### Tools

- Pencil
- 6 foot Folding Rule or Tape Measure
- Tin Snips
- Drill: Hand or Electric
- 1/8" dia. Drill Bit (for sheet metal screws)
- Screwdrivers (blade and Phillips type)
- 9/16" Nut Driver or Ratchet with 9/16" Socket
- Safety Glasses
- Gloves

CAUTION: Stove is heavy. Make sure you have adequate help and use proper lifting techniques whenever moving stove.

Uncrate the stove and remove all packing materials and protective poly bag. NOTICE: DO NOT remove the ceramic blanket material from inside the stove pipe opening. This blanket provides an air seal on the side walls of the stove to direct combustion gasses over the secondary combustion tubes before exiting via the chimney. DO NOT REMOVE the ceramic blanket or your stove will not operate properly.

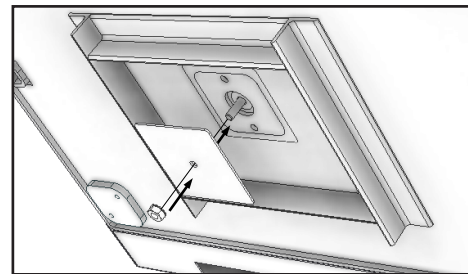
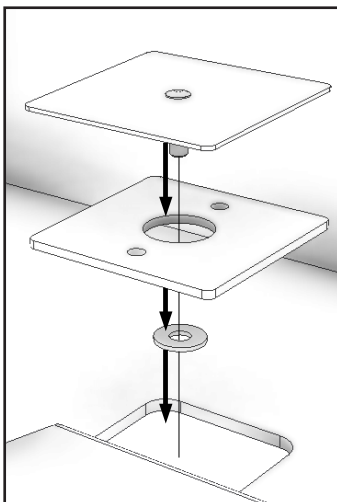
Remove all parts from inside the stove. NOTE: Stove may be lightened during installation by removing fire brick. Replace fire brick before using. There are six different sizes brick. Note the location of each while removing for proper location inside firebox.

Before attaching the stove to the base the ash hole will need to be covered as shown in the following instructions:

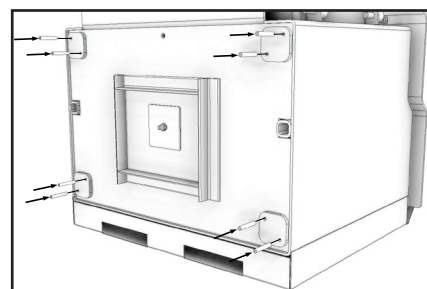


Figure 1 – DO NOT remove ceramic blanket from inside stove pipe opening. This is NOT packing material but an integral component of the stove combustion system.

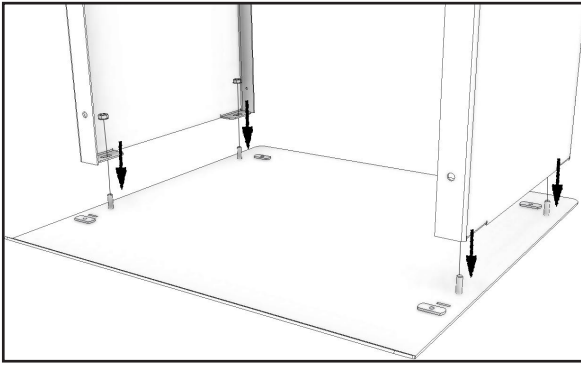
1. After the fire brick have been removed place the flattened carton on the floor and carefully lay the stove on it's back. Locate the ash hole, it is located inside the stove at the center of the firebox as shown. Assemble the ash hole cover in the following order:
  - a. Ash Hole Cover Assembly
  - b. Agitator Bracket Gasket
  - c. Washer
2. On the bottom of the stove use the provided ash hole cover and 1/4-20 kep nut to secure the ash hole plug into place as shown.



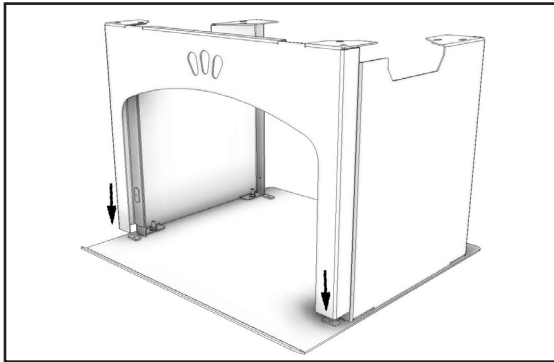
3. Screw the provided eight (8) 1/4-20 X 1.5 set screws into the threaded holes as shown. Use an allen wrench to completely tighten all of the set screw at each of the four corners.



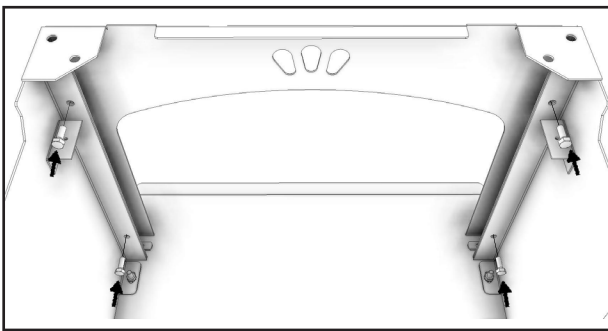
- Align the holes of the left and right pedestal side to the pegs located on the bottom base. Secure the pedestal sides to the base using the four (4) provided 1/4-20 kep nuts.



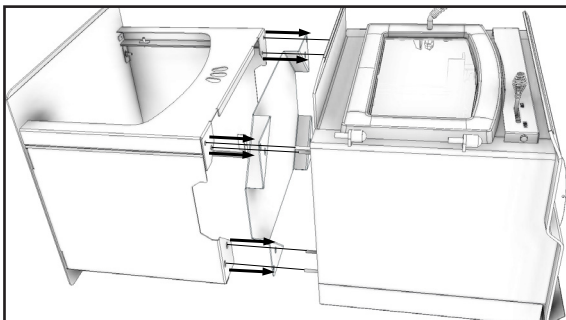
- Slide the two tabs located on the bottom of the pedestal front into the slots located on the bottom base.



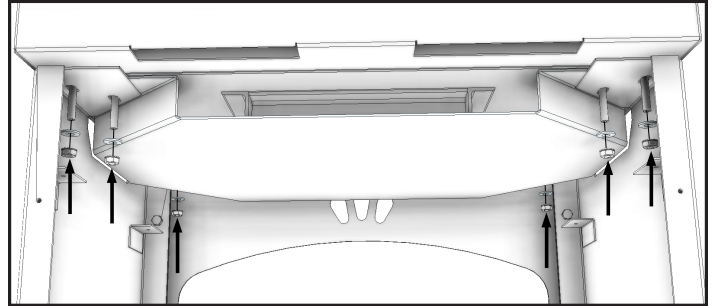
- Secure the pedestal front to the left and right pedestal sides using the four (4) provided 1/4-20 weldnuts as shown.



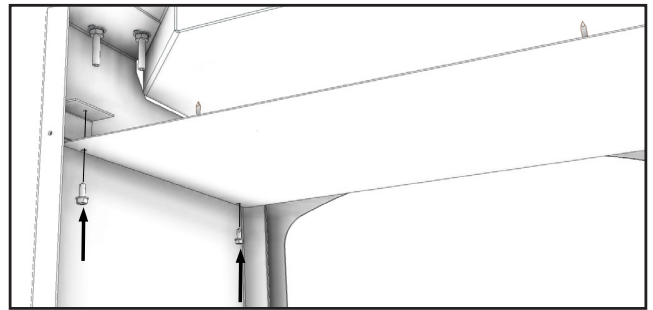
- Slide the heat shield onto the set screws that were previously installed in step 3. Next slide the log storage onto the same set screws as the heat shield.



- Use the provided eight (8) washers, and 1/4-20 kep nuts to secure the heat shield and log storage into place.

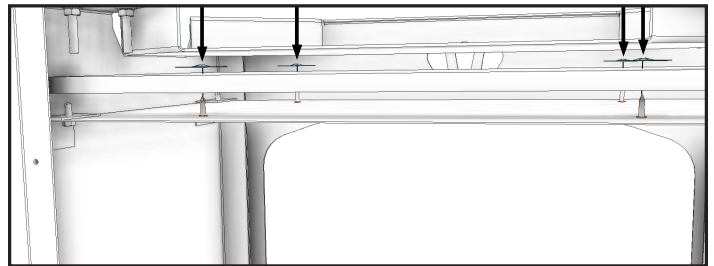


- Use four (4) #10 X 1/2 bolts to attach the insulation support to the bottom side of the insulation brackets located on the left and right pedestal sides as shown.



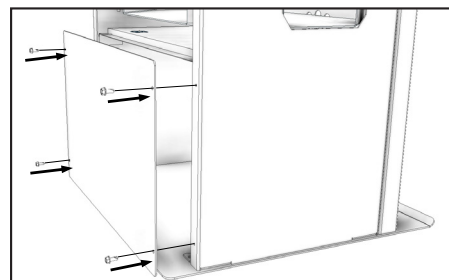
- Install the kao wool insulation and secure with the four (4) provided insulation holders as shown.

**Warning:** Do not fire the unit without insulation in its intended location.



- Carefully set the stove back into the upright position. Attach the back panel as shown using the four (4) provided #10 X 1/2 bolts.

**Caution!** The appliance is very heavy. The assistance from a second person is strongly suggested. Please use proper lifting technique when positioning the appliance for assembly and installation.



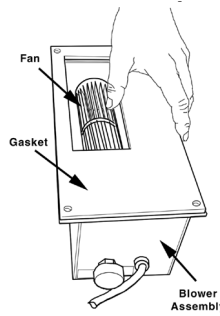
# ASSEMBLY INSTRUCTIONS

## **OPTIONAL BLOWER ATTACHMENT (NOT INCLUDED WITH STOVE)**

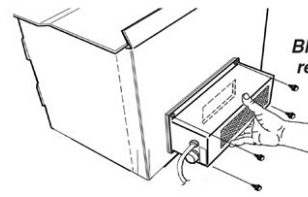
1. Attach blower assembly (fig.4) to back of rear deflector. (fig.5)

NOTE: Make sure ceramic gasket is positioned between rear deflector heat shield and blower assembly. Use four screws provided to fasten the blower to rear heat shield.

2. Route the power cord away from the stove. Do not allow the power cord to touch any hot surfaces. Keep power cord at least 12" from stove surfaces.
3. Once the stove is positioned, plug the power cord into a grounded 120v outlet.



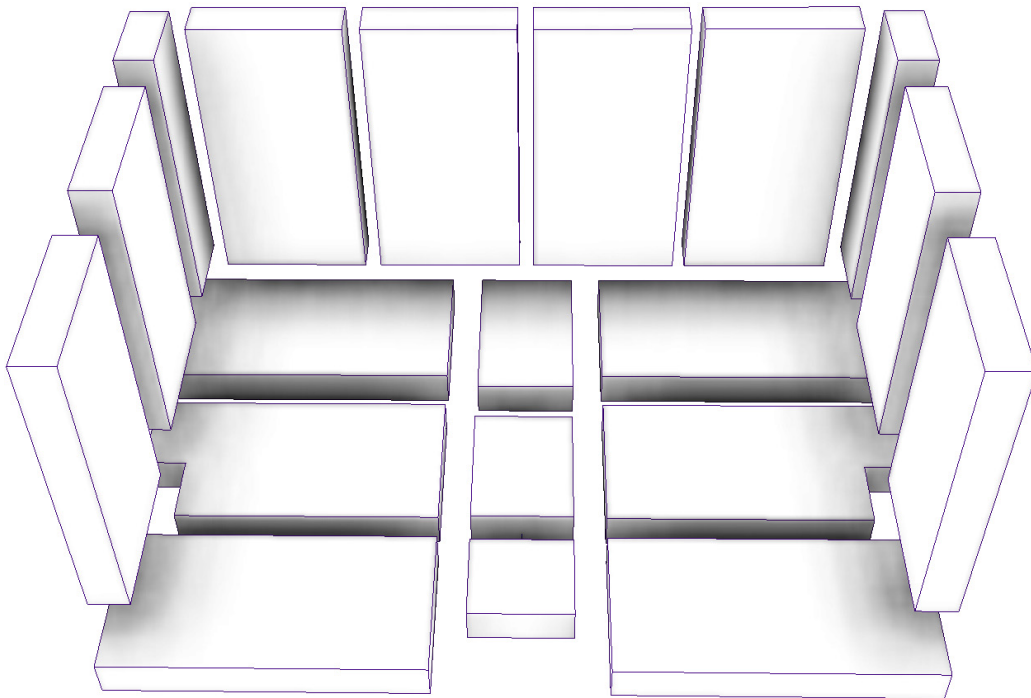
**Fig. 4 – Optional Blower Assembly**



**Fig. 5 – Mount Blower Assembly to rear Heat Deflector**

## **FIREBRICK ASSEMBLY**

Firebrick extends the life of your stove and radiates heat more evenly. Check to see that all firebricks are in their correct positions and have not become misaligned during shipping or assembly. If removed for ease of locating stove, firebrick and ash dump cover must be replaced before firing. See diagrams, for proper positioning.



**CAUTION: Never operate stove with missing or cracked fire bricks!**

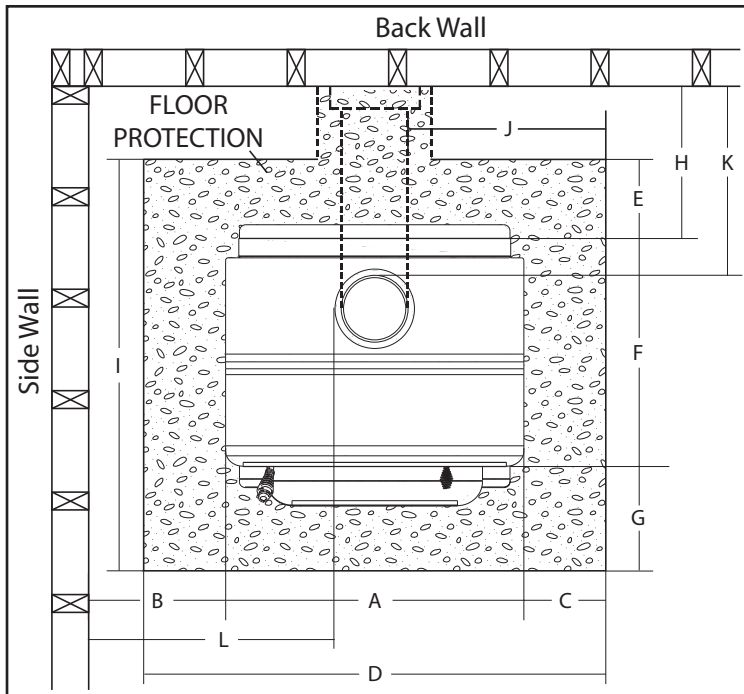
# LOCATING STOVE

1. The stove must be placed on solid concrete, solid masonry, or when installed on a combustible floor, the floor protector must conform to UL 1618, that provides at minimum of type 1 ember protection, and consist of a non combustible material or equivalent extending beneath the heater, and to the front/sides/rear as indicated in the diagram non-combustible material or equivalent.
2. US Requirements: The floor protector must extend at least 16"/41cm beyond the front of the access door, 8"/20.3cm to the sides, 2"/5.08cm beyond the rear, and must extend under and 2"/5.08mm beyond either side of the stove pipe connector if it is elbowed towards a wall. See the provided figures and consult local building codes and fire protection ordinances.
3. Canadian Requirements: The base must extend at least 18"/45.72cm beyond the front of the access door, 8"/20.3cm to the sides, 8"/20.3cm behind the stove and must extend under and 2"/5.08mm beyond either side of the stove pipe if it is elbowed towards a wall. See the provided figures and consult local building codes and fire protection ordinances.
4. The room in which the stove is installed must have a minimum floor to ceiling height of 7ft./2.13m and a minimum stove top to ceiling height of 49"/124.46cm.
5. The stove must have its own flue. Do not connect this unit to a chimney flue serving other appliances.
6. After observing the clearances to combustible materials (figures 6-8), locate your floor protector accordingly and carefully place the stove in your selected location. Install stove pipe, elbows, and thimble as required, utilizing either a recently cleaned and inspected 6"/152mm masonry chimney or a 6"/152mm i.d. UL 103 HT (US)/ULC-S629 (CDN) listed manufactured chimney.
7. Use round 6"/152mm dia., minimum 24 MSG clack or 26 MSG blue steel stove pipe to connect the stove to the chimney. **DO NOT USE GALVANIZED DUCT PIPE AS A CONNECTOR.** Secure pipe/elbow sections with a minimum of three (#) equally spaced sheet metal screws at each joint and at the stove collar to make the pipe rigid. Do not connect this stove to any air distribution or duct system.
8. Recheck clearances from the stove, connector stove pipe, and corner clearances using the illustrations in figures 6-8 and your local building codes or fire protection ordinances.

Notice: Any wall containing combustible materials such as wooden studs, drywall and faced with brick or stone must be considered a combustible surface.

9. **DO NOT** install this stove in a mobile home, manufactured home, trailer or tent - **NO EXCEPTIONS!** (HUD Federal Standard: 24CFR Ch.xx)
10. The clearances provided are minimum dimensions set by UL1482(R2015) and ULC S627-00, tested and applied by OMNI Test Laboratories, Inc., the manufacturer's testing laboratory. Installation of this stove must comply with the latest edition of NFPA 211 (US)/CAN/CSA-B365 (CDN) for reduced clearances and/or your local building code rulings. Use whichever minimum dimensions are the **LARGEST**. Clearances listed and shown **MUST** be adhered to for safe operation of this appliance. **CLEARANCES MAY NOT BE REDUCED BY ANY MEANS IN USA OR CANADA.**
11. **NEVER OPERATE THIS STOVE WITHOUT THE ASH CLEANOUT DOOR OR WITH THE ASH DRAWER REMOVED** - very dangerous operating conditions could result. Failure to follow these minimum clearance requirements may result in an unsafe installation and could cause a fire.
12. This stove meets U.S. Test Standard: 1482(R2015) & Canadian Standard: ULC-S627-00.
13. Always locate stove to provide a source of fresh air into the room where the unit is installed. Failure to do so may result in air starvation of other fuel burning appliances and the possible development of hazardous conditions.

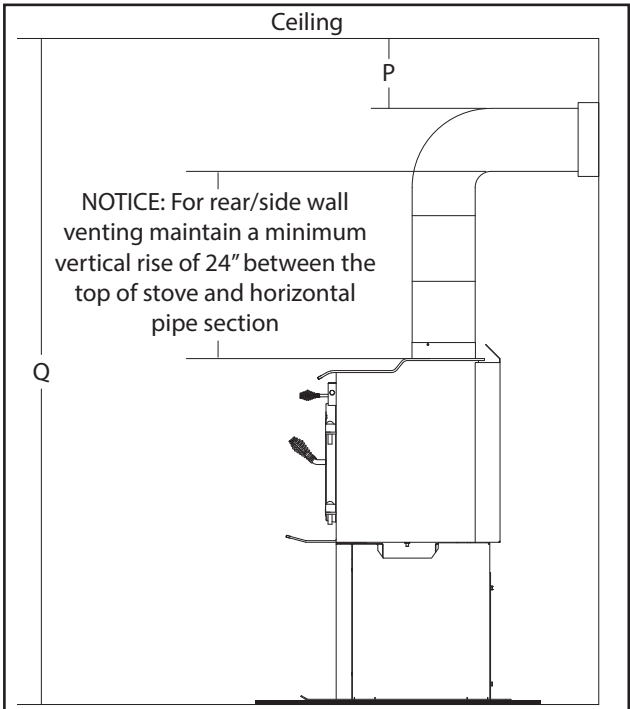
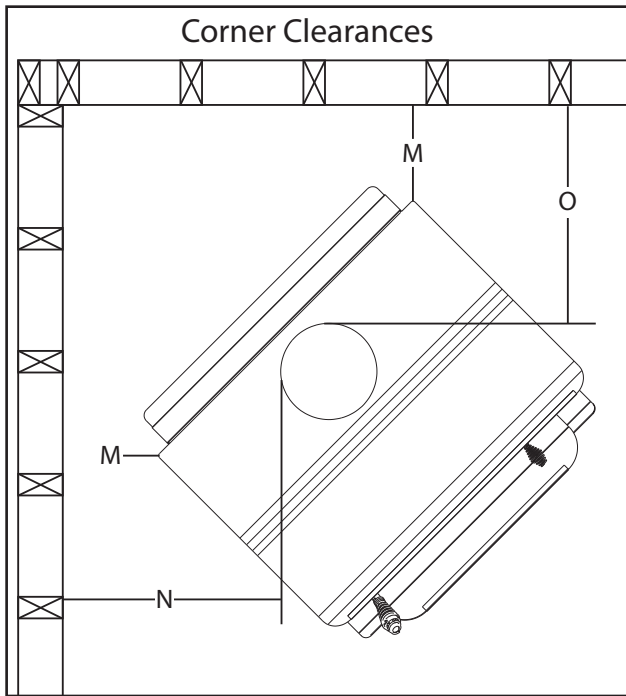
# LOCATING STOVE



Dashed lines show horizontal chimney connector and additional floor protector required beneath

Minimum clearances & minimum floor protector dimensions for United States installation are according to UL1482(R2015) and for Canadian installation according to ULC-S627

Liquidations		
	U. S. A.	CANADIAN
A	23" (58.4cm)	23" (58.4cm)
B	15" (38.1cm)	15" (38.1cm)
C	8" (20.3cm)	8" (20.3cm)
D	39" (99cm)	39" (99cm)
E	2" (5.08cm)	8" (20.3cm)
F	18" (45.7cm)	18" (45.7cm)
G	16" (40.6cm)	18" (45.7cm) min.
H	12" (30.5cm) min.	12" (30.5cm) min.
I	36" (91.5cm)	42" (106.7 cm)
J	24" (61cm)	24" (61cm)
K	15" (38.1cm)	15" (38.1cm)
L	24" (61cm)	24" (61cm)
M	12" (30.5cm)	12" (30.5cm)
N	21" (53.34)	21" (53.34)
O	21" (53.34)	21" (53.34)
P	18" (46cm)	18" (46cm)
Q	7' (2.13m)	7' (2.13m)



**CAUTION: (FIRE HAZARD) CARPETING AND OTHER COMBUSTIBLE MATERIAL SHALL NOT COVER THE FLOOR PROTECTOR. THESE MATERIALS MUST REMAIN OUTSIDE OF COMBUSTIBLE CLEARANCES.**

**CAUTION: Keep furnishings and other combustible materials away from the stove and outside minimum clearances.**

**CAUTION: Replace firebricks before firing woodstove. Position firebricks so no gaps remain between bricks.**

# CONNECTOR PIPE INSTALLATION

CONNECTOR PIPE INSTALLATION NOTE: CONNECTOR PIPE IS NOT INCLUDED. TO PURCHASE, VISIT YOUR LOCAL HARDWARE, HOME OR BUILDING CENTER. SEE "LOCATING STOVE" PAGE 6 FOR ADDITIONAL SPECIFICATIONS.

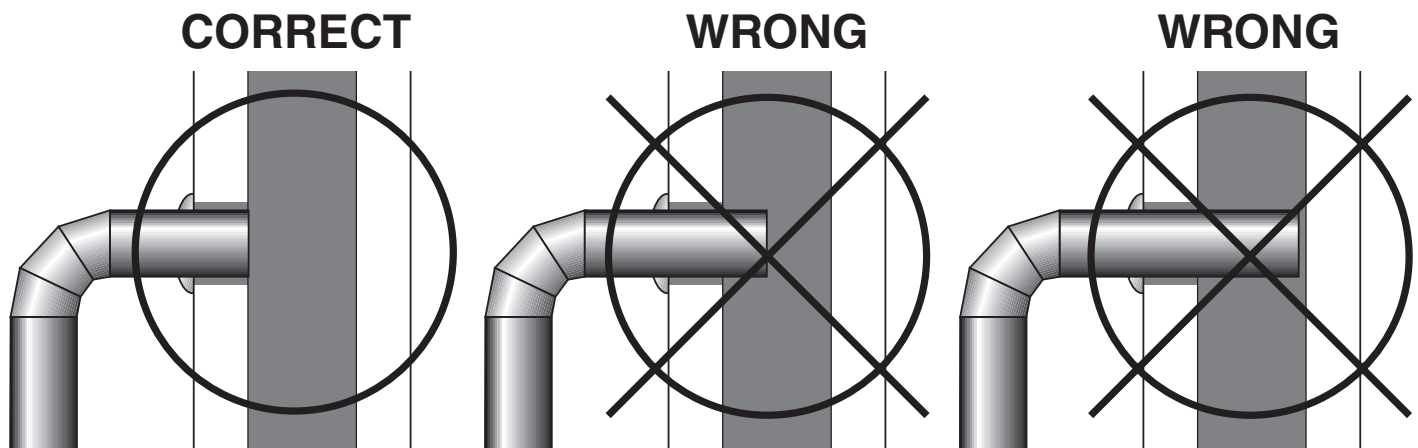
Connector pipe is used to make the connection from the final positioning of your stove to an approved chimney. Connector pipe is NOT included as part of the stove. Connector pipe must be 6"/152mm diameter minimum of 24 MSG (minimum standard gauge) black or 26 MSG blue steel stove pipe. Connector pipe is NOT rated to provide close contact to combustible materials and must have proper clearance from combustible materials as shown in the clearance diagrams on the previous pages. Connector pipe should never be used in place of a chimney. If proper clearances are not observed a house fire could result.

## **INSTALLATION INSTRUCTIONS**

PLEASE NOTE: Installation of a draft damper is NOT recommended. Combustion control is regulated by the intake of combustion air, not the exhaust.

1. The tapered end of the connector stovepipe fits into the stove flue collar. Secure with three sheet metal screws. Notice: For side or rear venting, you must have a minimum 24"/61cm vertical rise from top of stove to horizontal pipe sections (see fig. 7).
2. Horizontal pipe must slope up towards the chimney at least 1/4"/6.4mm per foot of horizontal run.
3. You must have at least 18"/46cm of clearance between any horizontal piping and the ceiling.
4. The pipe cannot extend into the chimney flue (fig. 10).
5. Secure pipe/elbow sections with three sheet metal screws at each joint to make the piping rigid. Screws may be no more than a maximum of 3"/76mm apart.
6. It is recommended that no more than two (2) 90 degree bends be used in the stovepipe installation. The use of more than two 90 degree bends may decrease the amount of draw and possibly cause smoke spillage. Where possible, use only corrugated (non-adjustable) elbows. These provide a better seal.
7. The connector pipe must not pass through an attic or roof space, trusses, closet, or any concealed space, or floor, ceiling, wall or combustible construction. (See Chimney Connector Systems & Clearances, page 19). A UL 103 HT (US)/ULCS629 (CDN) listed chimney must be used from the first penetration of ceiling or wall to the chimney cap. Where passage through a wall or partition of combustible construction is desired, the installation shall conform to NFPA 211 (US) or CAN/CSA-B365 (Canada)

WARNING: DO NOT USE SINGLE WALL CONNECTOR PIPE AS A CHIMNEY - A HOUSE FIRE COULD RESULT.



**Fig. 10 – Stovepipe/Flue Connections**

# CHIMNEY SIZING

Today's solid fuel heating appliances are much more efficient than those made in the past. Your heating appliance has been designed to provide the most efficient transfer of heat possible from the least amount of fuel. Controlled combustion is the key to optimum heating performance. Controlled combustion requires a flow of fresh air into the appliance, across the fuel and is finally exhausted up the chimney. Today's high efficiency stoves transfer more heat into the living area and less up the chimney. Exhaust gases are typically at a lower temperature than traditional type stoves. With lower exhaust temperatures, it is important that the chimney is correctly sized to the stove. If the chimney diameter is too large, it will be difficult to raise the chimney flue temperature to provide for adequate draft. This may result in a poor burn, smoke spillage, and rapid creosote creation. A 6" diameter chimney is best suited for this stove. Your heating appliance must have a minimum of a 6" diameter (152mm) chimney. Maximum chimney diameter must not exceed 10" (254mm) or have a cross sectional area greater than 85 sq. in. (550cm<sup>2</sup>). Proper draft for this heating appliance is minimum of 0.05 w.c. (water column measurement) and is required to prevent back puffing, smoke spillage and prevent safety hazards. Take into account the chimney's location to insure it is not too close to neighbors or in a valley which may cause unhealthy or nuisance conditions.

## **IMPORTANCE OF PROPER DRAFT**

Draft is the force which moves air from the appliance up through the chimney. The amount of draft in your chimney depends on the length of the chimney, local geography, nearby obstructions and other factors. Too much draft may cause excessive temperatures in the appliance. Inadequate draft may cause backpuffing into the room and 'plugging' of the chimney. Inadequate draft will cause the appliance to leak smoke into the room through appliance and chimney connector joints. "An uncontrollable burn or excessive temperature indicates excessive draft.

## **CHIMNEY CONNECTIONS**

The stove must be connected to either a code approved masonry chimney with flue liner or manufactured metal chimney system built and tested to the specifications listed on the previous pages. Chimneys perform two functions:

1. As a means of exhausting smoke and flue gases which are the result of fuel combustion.
2. The chimney (only) provides "draft" which allows oxygen to be continuously introduced into the appliance, so that proper combustion is possible. This stove relies on natural draft to operate.

NOTICE: Always provide a source of fresh air into the room where the stove is located. Failure to do so may result in air starvation of other fuel burning appliances and the possible development of hazardous conditions, fire or death.

A stove DOES NOT create draft. Draft is provided by the chimney. To achieve proper draft your chimney must meet the four minimum height requirements detailed in figures 11–13. If these minimum requirements are not met your stove will not operate properly. A minimum of 0.05 w.c. (measured in water column) is required for proper drafting to prevent back puffing, smoke spillage, and to maximize performance. (Gauges to measure draft are readily available at stove stores and are economical to rent or purchase.) Factors such as wind, barometric pressure, trees, terrain and chimney temperature can have an adverse effect on the draft. The manufacturer cannot be held responsible for external factors leading to less than optimal drafting. Should you have a problem with inadequate draft, you should contact a licensed heating and cooling contractor for assistance in solving the problem. For a more in-depth explanation see Chimney Draft.

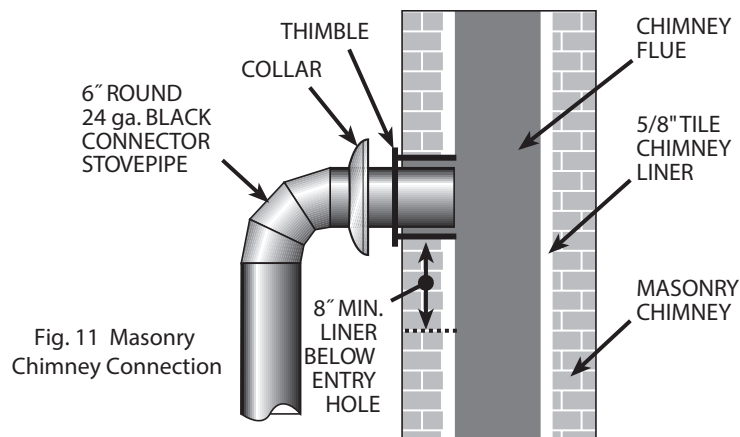


Fig. 11 Masonry Chimney Connection

# CHIMNEY CONNECTIONS

## IMPORTANT INSTALLATION POINTS

1. Size chimney flue to stove collar. This stove requires a minimum of a 6" diameter flue.
2. Never connect this unit to a chimney serving another appliance.
3. The chimney must meet all minimum height requirements.
4. Never use a chimney to ventilate a cellar or basement.
5. Contact your local building authority for approved methods of installation and any necessary permits and/or inspections.

## MASONRY CHIMNEY

Connection may be made to a code-approved masonry chimney with flue liner. Before using an existing masonry chimney, clean the chimney, inspect the flue liner and make any repairs needed to be sure it is safe to use. Make repairs before attaching the stove. The connector stove pipe and fittings you will need to connect directly to a lined masonry chimney are shown in figure 10. If the connector stove pipe must go through a combustible wall before entering the masonry chimney, consult a qualified mason or chimney dealer. The installation must conform to local building and fire codes and latest edition of NFPA 211. If there is a clean out opening in the base of the chimney, close it tightly.

## MANUFACTURED CHIMNEY

REFER TO CHIMNEY AND CHIMNEY CONNECTOR MAKER'S INSTRUCTIONS FOR INSTALLATION AND USE.

Use only 6" diameter chimney listed to UL 103 HT. Chimney made to this listing is High Temperature rated to 2100 degrees Fahrenheit. Use chimney from only one manufacturer. Never mix brands. Carefully follow the chimney manufacturer's stated requirements and clearances. Use the chimney manufacturer's attic guards, roof supports, flashing and fire stops when passing through a ceiling. Use a listed thimble when passing through a combustible wall. Do not use makeshift compromises during installation. **WARNING: DO NOT USE A SINGLE-WALL CONNECTION PIPE AS A CHIMNEY!**

When using a pre-existing chimney, have it's condition and installation inspected before using. Make sure that the chimney meets all of the UL rating requirements listed above. Be aware that not all manufactured chimney is of the UL 103 HT type. **NOTE:** It is recommended that you contact a licensed heating and cooling contractor (consult your local yellow pages) for chimney installation. Manufactured chimney with the proper required UL listing is available from most home centers, hardware stores, and HVAC supply stores. If you have access to the internet, you may wish to view chimney manufacturers' information on-line. See, [www.duravent.com](http://www.duravent.com), [www.selkirkinc.com](http://www.selkirkinc.com), or [www.mtlfab.com](http://www.mtlfab.com).

## VENTING TO EXISTING FIREPLACE

In some instances, people desire to convert an existing fireplace for stove use. Usually, safe connection to an existing masonry chimney requires more work than using a prefabricated chimney. The existing fireplace must be closed and sealed at the damper with high-temperature caulk, ceramic wool, or furnace cement. Prior to installation, clean and inspect the existing flue and smoke shelf. Installation should be designed so the system can be dismantled for periodic cleaning and inspection. Before conversion, make sure the existing chimney is structurally sound, the chimney incorporates a flue liner and make sure it is in good condition. (A flue liner consists of clay tile that protects the brickwork of a chimney. If a chimney does not have a liner, or it is damaged, have it relined by a professional.

Chimney Minimum Height Requirements:

- (1) Overall Height – 15 ft. min.
- (2) Height above roof – 3 ft
- (3) Height above slope – 2 ft. min. within 10 ft.
- (4) Minimum rise before horiz. section – 24 in.

**NOTICE:** If minimum chimney requirements are not met, your stove will not operate properly

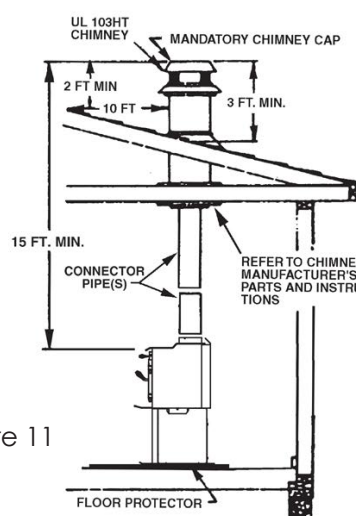


Figure 11

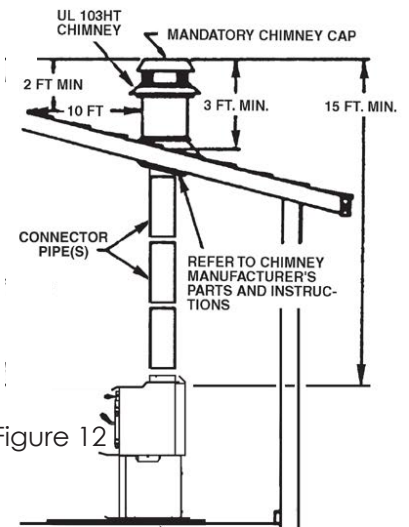


Figure 12

# CHIMNEY CONNECTIONS

Do Not use a chimney that is unlined or damaged! If you have any question regarding the condition of the chimney, consult a qualified licensed contractor, qualified engineer, competent mason, certified Chimney Sweep, or a knowledgeable inspector. Consult your insurance company if you cannot find a qualified expert. Many prefabricated fireplaces are of the "zero-clearance fireplace" category. These consist of multi layered metal construction. They are designed with enough insulation and/or air cooling on the base, back and sides so they can be safely installed in direct contact with combustible floors and walls. Although many prefabricated fireplaces carry endorsements from nationally recognized organizations for use as fireplaces, they have not been tested for connection to wood stove heaters. Connecting a stove to such a device will void the manufacturer's warranty. Venting a stove directly into a fireplace does not meet code and should not be attempted. The stove warranty will be void with such an installation. Do not create a hazard in your home by connecting in this manner.

## FIREPLACE INSTALLATION

NOTE: DO NOT ATTEMPT TO ROUTE THE CHIMNEY CONNECTOR PIPE THROUGH THE THROAT OF THE FIREPLACE. Directly connecting the stovepipe into the existing masonry chimney (figure 14 "Type A" Fireplace Conversion) of the fireplace is the ONLY approved method of installation. This is a complicated and involved process and to ensure safety should only be done by a qualified installer.

1. An entry hole must be cut through the masonry and tile liner with minimal damage to the liner. At least 8" of liner must remain below the entry position. When locating the stove and stovepipe, all minimum clearances must be observed from combustible surfaces including mantels, combustible trim work, ceilings, and walls. Positioning the center of the stove pipe entry into the chimney 24" below the ceiling should insure proper clearance for a 6" stovepipe.
2. Install a fire clay (5/8" minimum thickness) thimble. Make sure the thimble is flush with the inner surface of the chimney liner and does not protrude into the flue (see figure 10 on page 9).
3. Secure the thimble with refractory mortar. The thimble should be surrounded by 12" of solid unit masonry brickwork or 24" of stone.
4. Install the stovepipe into the thimble as far as possible without extending past the flue lining (see figures 9 & 10 on pages 8 & 9).
5. A small airspace (about 1/2") should remain between the stovepipe and thimble to allow for expansion of the pipe. Seal this airspace with high temperature caulking or ceramic wool.
6. Secure and seal the damper in the closed position using high-temp caulking, ceramic wool, or furnace cement. Also check to see if the chimney has a clean out. If it does, make sure it is closed and sealed as well. A leaky clean out will greatly reduce draft efficiency.

If you have any questions regarding venting your stove, contact the manufacturer or contact the National Fire Protection Association (NFPA) and request a copy of the latest editions of NFPA Standard 211 and NFPA Standard 908. Their address is: Battery March Park, Quincy, MA 02269.

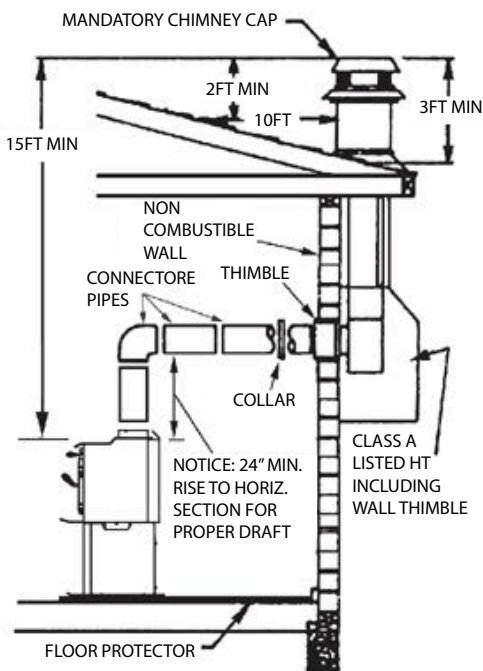


Figure 13 - Chimney Connection to Firebox through Masonry Wall

NOTE: Do not attempt to route the chimney connector pipe through the throat of the fireplace.

CAUTION: Not all fireplace chimneys are suitable for conversion to accommodate a wood stove. Check with a qualified expert.

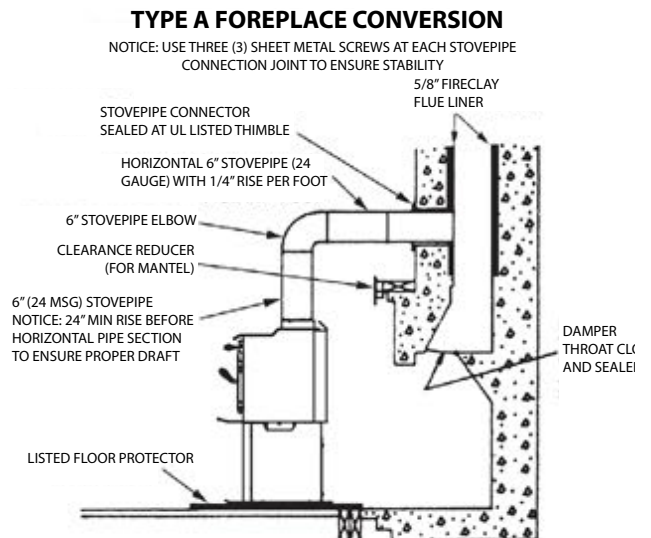
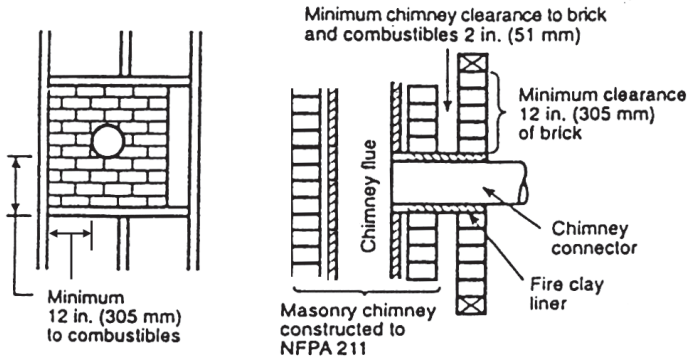


Fig. 14 - Fireplace Conversion

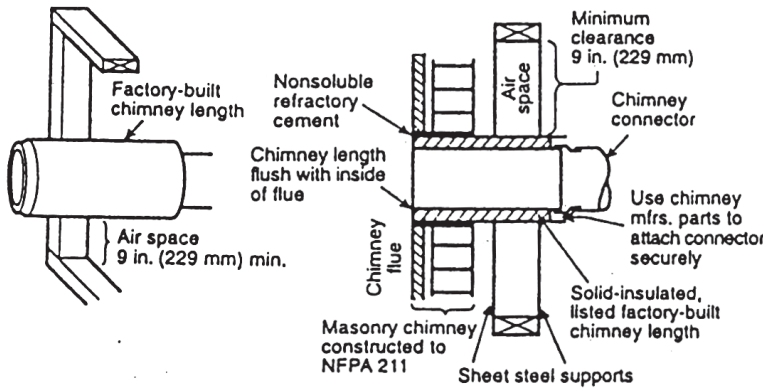
# CHIMNEY CONNECTOR SYSTEMS & CLEARANCES



## A. Brick Masonry Minimum

3.5"/89mm thick brick masonry all framed into combustible wall with a minimum of 12"/305mm brick separation from clay liner to combustibles. The fireclay liner shall run from outer surface of brick wall to, but not beyond, the inner surface of chimney flue liner and shall be firmly cemented in place.

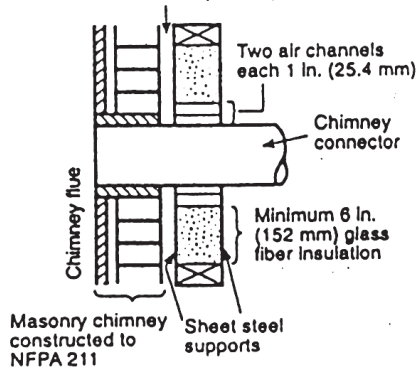
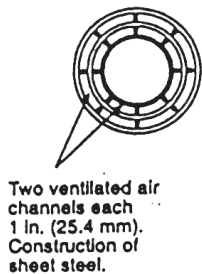
Minimum chimney clearance from masonry to sheet steel supports and combustibles 2 in. (51 mm)



## B. Insulated Sleeve

Solid-insulated, listed factory-built chimney length of the same inside diameter as the chimney connector and having 1"/25.4cm or more of insulation with a minimum 9"/229mm air space between the outer wall of the chimney length and combustibles.

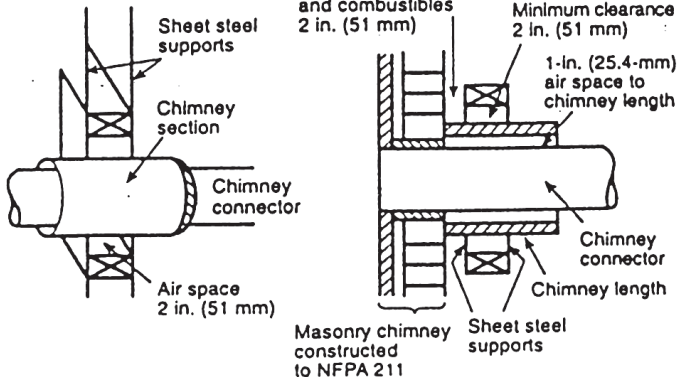
Minimum chimney clearance to sheet steel supports and combustibles 2 in. (51 mm)



## C. Ventilated Thimble

Sheet steel chimney connector, minimum 24 gauge in thickness, with a ventilated thimble, minimum 24 gauge in thickness, having two 1"/25.4mm air channels, separated from combustibles by a minimum of 6"/152mm of glass fiber insulation. Opening shall be covered, and thimble supported with a sheet steel support, minimum 24 gauge in thickness.

Minimum chimney clearance to sheet steel supports and combustibles 2 in. (51 mm)



## D. Chimney Section Pass-through

Solid insulated, listed factory-built chimney length with an inside diameter 2"/51mm larger than the chimney connector and having 1"/25.4mm or more of insulation, serving as a pass-through for a single wall sheet steel chimney connector of minimum 24 gauge thickness, with a minimum 2"/51mm air space between the outer wall of chimney section and combustibles. Minimum length of chimney section shall be 12"/305mm chimney section spaced 1"/25.4mm away from connector using sheet steel support plates on both ends of chimney section. Opening shall be covered, and chimney section supported on both sides with sheet steel support securely fastened to wall surfaces of minimum 24 gauge thickness. Fasteners used to secure chimney section shall not penetrate chimney flue liner.

# OPERATING INSTRUCTIONS

## CAUTION: HOUSE FIRE HAZARDS

- Do not store wood on floor protector, underneath stovepipe or anywhere within minimum clearances from combustible surfaces specified for this stove.
- Overfiring may cause a house fire. You are overfiring if a unit or chimney connector glows red.

## **OPERATING SAFETY PRECAUTIONS**

1. Never overfire this stove by building excessively hot fires as a house/ building fire may result. You are overfiring the stove if unit or stovepipe begins to glow or turn red.
2. Never build extremely large fires in this type of stove as damage to the stove or smoke leakage may result
3. Do not build fire too close to glass.
4. Unit is hot while in operation. Keep children, clothing, and furniture away. Contact may cause skin burns. Do not touch the stove after firing until it has cooled.
5. Provide air into the room for proper combustion.
6. Inspect stovepipe every 60 days. Replace immediately if stovepipe is rusting or leaking smoke into the room.
7. Attempts to achieve heat output rates that exceed heater design specifications can result in permanent damage to the heater.

## WARNING: EXPLOSION HAZARD

- Never use chemicals, gasoline, gasoline-type lantern fuel, kerosene, charcoal lighter fluid, or similar flammable liquids to start or "freshen-up" a fire in the stove.
- Keep all flammable liquids, especially gasoline, out of the vicinity of the stove whether in use or in storage.

## **THIS STOVE IS DESIGNED TO BURN NATURAL WOOD FUEL ONLY!**

Hardwood, 18"/46cm to 26"/66cm must be air dried (seasoned) for a minimum of 6 months. Logs greater than 6"/152mm in diameter should be split. Wood should be stored in a dry, well ventilated area. The humidity content for usable firewood must be less than 20% of the weight of the log. This heater is designed to burn wood only. Higher efficiencies and lower emissions generally result when burning air dried seasoned hardwoods, as compared to softwoods or to green or freshly cut hardwoods.

Attempts to use wet or unseasoned wood will cause:

- ignition problems
- rapid creosote build-up resulting in chimney fire
- incomplete combustion
- low heat yield
- blackened glass

DO NOT BURN:

1. Garbage;
2. Lawn clippings or yard waste;
3. Materials containing rubber, including tires;
4. Materials containing plastic;
5. Waste petroleum products, paints or paint thinners, or asphalt products;
6. Materials containing asbestos;
7. Construction or demolition debris;
8. Railroad ties or pressure-treated wood;
9. Manure or animal remains;
10. Salt water driftwood or other previously salt water saturated materials;
11. Unseasoned wood; or
12. Paper products, cardboard, plywood, or particleboard. The prohibition against burning these materials does not prohibit the use of fire starters made from paper, cardboard, saw dust, wax and similar substances for the purpose of starting a fire in an affected wood heater.

Burning these materials may result in release of toxic fumes or render the heater ineffective and cause smoke.

Dead wood lying on the forest floor should be considered wet, and requires full seasoning time. Standing dead wood can usually be considered to be about 2/3 seasoned. Splitting and stacking wood before it is stored accelerates drying time. Storing wood on an elevated surface from the ground and under a cover or covered area from rain or snow also accelerates drying time. A good indicator if wood is ready to burn is to check the piece ends. If there are cracks radiating in all directions from the center then the wood should be dry enough to burn. If your wood sizzles in the fire, even though the surface is dry, it may not be fully cured, and should be seasoned longer.

# OPERATING INSTRUCTIONS

NOTICE: Use solid wood materials only. Do not burn garbage or flammable fluids such as gasoline, naphtha or engine oil. Do not use coal. This stove is not designed to accommodate the air flow (draft) necessary to properly burn coal or coal products. Do not elevate fire or use grates or andirons. Build fire directly on bottom of firebox.

## **OPTIMAL FUEL CONSUMPTION**

This stove is designed to get the most efficient transfer of heat energy from the wood fuel and radiate it into your living environment. The fire box introduces combustion air through three sources. (1) Immediately beneath the door opening below the window is a Lower Primary Air Orifice (LPAO). (2) The door air inlet control brings air into the firebox and controls the rate of burn (and the amount of heat the stove radiates). (3) The secondary air tubes at the top of the firebox are designed to ignite the combustion gases (smoke) given off by the burning wood and increases the efficiency of the stove and reduces chimney emissions. Smoke given off by burning fuel consists of very small organic liquid droplets. If these droplets condense, they form a sticky tar-like substance called creosote. When operated properly, this stove is designed to burn these droplets. Burning these droplets releases heat that would otherwise be lost up the chimney as smoke. Following the instructions below will help you operate your stove properly to maximize the stove's performance. Actual performance is dependent on chimney height, weather, log size, wood species and moisture content. Some experimentation will initially be required to find that "sweet spot" where your stove performs best. The following will give you a starting point to find your optimum settings.

When first loading fuel set the door air inlet control at the wide open position for at least 15–20 minutes. When the stove is working properly you should be able to observe secondary combustion flames above the fuel pieces in front of the secondary air tubes at the top of the firebox. These secondary flames should continue to burn after the primary air inlet is reset from wide open to the desired operating setting. If the flames do not continue to burn, open the air control to re-establish the secondary flames then slowly reset the air control to the desired setting. Initially it may take several attempts to figure your stove out. But once you find the operating "sweet spot" and the correct mix of procedures to get there, only minor adjustments will be necessary. The best indicator of a properly operating stove is to look for smoke coming out of the chimney. You may see steam emissions that will quickly dissipate. Smoke will thin but continue to drift without totally disappearing. If you do detect smoke emissions, open the air control a little bit, let the stove adjust for 10–15 minutes and re-check your chimney. Remember – visible smoke represents lost heat. NOTICE - INITIAL BURNS TO CURE PAINT Because of the high operating temperatures, this stove uses a special high-temp paint which requires a series of burns to cure the paint for durability and a lifetime of service. Proper curing of the high-temp paint requires a series of three initial burns. The stove should be allowed to cool off between each burn. The first two burns should be small fires and low temperatures (250 degrees F) for a duration of 20 minutes each. The third fire should be at a medium-high temperature (500 F to 700 F) for twenty minutes. Provide adequate cross ventilation to clear any smoke or odor caused by initial firings.

## **TAMPER WARNING**

This wood heater has a manufacturer-set minimum low burn rate that must not be altered. It is against federal regulations to alter this setting or otherwise operate this wood heater in a manner inconsistent with operating instructions in this manual.

## **EFFICIENCIES**

Efficiencies can be based on either the lower heating value (LHV) or the higher heating value (HHV) of the fuel. The lower heating value is when water leaves the combustion process as a vapor, in the case of woodstoves the moisture in the wood being burned leaves the stove as a vapor. The higher heating value is when water leaves the combustion process completely condensed. In the case of woodstoves this would assume the exhaust gases are room temperature when leaving the system, and therefore calculations using this heating value consider the heat going up the chimney as lost energy. Therefore, efficiency calculated using the lower heating value of wood will be higher than efficiency calculated using the higher heating value. In the United States all woodstove efficiencies should be calculated using the higher heating value.

The best way to achieve optimum efficiencies is to learn the burn characteristic of you appliance and burn well-seasoned wood. Higher burn rates are not always the best heating burn rates; after a good fire is established a lower burn rate may be a better option for efficient heating. A lower burn rate slows the flow of usable heat out of the home through the chimney, and it also consumes less wood.

# OPERATING INSTRUCTIONS

## **STARTING A FIRE**

DO NOT LEAVE STOVE UNATTENDED WITH DOOR OPEN!

The top down method of fire building is recommended for this appliance. After making sure that the stove air intake controls are fully open (completely pull-out towards you), Place the largest pieces of wood on the bottom, laid in parallel and close together. Smaller pieces are placed in a second layer, crossways to the first. A third layer of still smaller pieces is laid crossways to the second, this time with some spaces between. Then a fourth layer of loose, small kindling and twisted newspaper sheets tops off the pile. Add large pieces of wood as the fire progresses being careful not to overload. (Do not fill firebox beyond firebrick area.) An ideal coal bed of 1 –2” should be established to achieve optimum performance. This unit is designed to function most effectively when air is allowed to circulate to all areas of the firebox. TIP: If ash or coals remain in the stove, make sure to clear them away from the Lower Primary Air Orifice (LPAO) and rake a slight (1-to-2 inch wide) trough down the center of the coal bed from front to back prior to loading the fuel. Once fuel has been loaded, close the door and leave the air inlet control fully open until fire is well established (at least 15–20 minutes) being careful not to overfire (if any of the exterior parts of the stove or chimney connections begin to glow you are overfiring the stove). Re-adjust the door air inlet control to desired burn rate. (If excessive smoke fills the firebox, open air inlet control slightly until flames resume and wood is sufficiently ignited.) The basic rule of thumb is “closed - low,” “half way open - medium” and “fully open - high.”

NOTE: The four (4) inlet holes in the primary air inlet control slide are designed to remain partially open with slide in the closed position.

## **VISIBLE SMOKE**

The amount of visible smoke being produced can be an effective method of determining how efficiently the combustion process is taking place at the given settings. Visible smoke consist of unburned fuel and moisture leaving your stove. Learn to adjust the air settings of your specific unit to produce the smallest amount of visible smoke. Wood that has not been seasoned properly and has a high wood moisture content will produce excess visible smoke and burn poorly.

## **ADDING FUEL**

If the coal bed is not hot and glowing, rake the coals to the front of the stove, close the door and adjust the air inlet control to the wide open position. Let the coals reheat for 10–15 minutes. When hot and glowing, spread them out and place your next fuel load into the stove (make sure no coals or ashes block the LPAO). Leave the door air inlet control in the wide open position for 15–20 minutes. Fuel load size can vary but should be kept 1–2 inches below the secondary air tubes. Also position the fuel to leave space so the air from the inlet can work down between the pieces of fuel. This reduces the time it takes for new fuel to burn properly.

When refueling, adjust air inlet control to the fully open position. When fire brightens, slowly and carefully open the door. This procedure will prevent gases from igniting causing smoke and flame spillage.

1. When adding fuel be careful not to hit, bump or damage the ceramic baffle board located at the top of the firebox. Be careful not to overload or over fire the stove.
2. When adding fuel be careful not to smother the fire. Do not build fires against glass and make sure the coal bed does not obstruct the air inlet. Do not load fuel to a height or in such a manner that it creates a hazard when opening the door.
3. Close the feed door and secure tightly.
4. Adjust the air inlet control as described above.
5. Empty ashes regularly. Do not allow ashes to pile up (see Safety Instructions #14 on page 2.)
6. Properly dispose of hot ashes (see Safety Instructions, item #14 on page 2.)
7. Do not over fire the stove (over firing is when any part of the stove exterior or chimney connections glow).

## **OPERATIONAL TIPS**

- Operational Tips for Good, Efficient, and Clean Combustion
- Get the appliance hot and establish a good coal bed before adjusting to a low burn rate (this may take 30 minutes or more depending on your wood)
- Use smaller pieces of wood during start-up and a high burn rate to increase the stove temperature
- Be considerate of the environment and only burn dry wood
- Burn small, intense fires instead of large, slow burning fires when possible
- Learn your appliance's operating characteristics to obtain optimum performance
- Burning unseasoned wet wood only hurts your stoves efficiency and leads to accelerated creosote buildup in your chimney.

# SERVICE HINTS

## **AIR TUBES**

The air tubes assembled in this unit are designed to provide an accurate mix of secondary air to insure the highest efficiency. Any damage or deterioration of these tubes may reduce the efficiency of combustion. The air tubes are held in position by either screws or snap pins. Locate these to either side of the tube and remove to allow the tube to be removed and replaced.

## **BLOWER OPERATION**

If your stove is equipped with the blower attachment, follow these instructions for optimal operation. LOW (door air control is fully closed to 1/4 open): Turn the fan on 30 minutes after fuel has been added and set the fan speed at low.

MEDIUM (door air control 1/4 to 3/4 open): Wait 15 minutes after fuel has been added and set the fan speed control at high. HIGH (door air control wide open): Wait 5 minutes after fuel has been added and set the fan speed at high.

### **CREOSOTE – FORMATION AND NEED FOR REMOVAL**

Failure to remove creosote may result in ignition and may cause a house/building fire. Creosote may be removed using a chimney brush or other commonly available materials from your local hardware retailer. Chimney fires burn very hot. If the unit or chimney connector should glow red, reduce the fire by closing the inlet air control and immediately call the fire department.

A fire in the firebox may be smothered by pouring a large quantity of coarse salt, baking soda, or cool ashes on top of the fire.

## **PREVENTING CREOSOTE BUILDUP**

1. Creosote will inevitably form in your chimney and connector pipe. Following these steps will help reduce the rate of build up.
2. BURN ONLY SEASONED WOOD that has dried for at least one year.
3. Burn hardwood rather than softwood. Hardwood is denser or heavier wood and burns hotter.
4. Do not attempt to burn (or mix in) green or wet wood. The use of green or wet wood will cause a rapid build up of creosote. Wood that hisses, sizzles and blackens without igniting in five minutes must be considered too wet to burn.

**CAUTION: RISK OF FIRE** When wood is burned slowly, it produces tar and other organic vapors, which combine with expelled moisture to form creosote. The creosote vapors condense in the relatively cool chimney flue of a slow-burning fire. As a result, creosote residue accumulates on the flue lining. When ignited this creosote makes an extremely hot fire. The chimney connector and chimney should be inspected at least once every two months during the heating season to determine if a creosote buildup has occurred.

If creosote has accumulated (3mm or more) it should be removed to reduce the risk of a chimney fire.

## **ASH DISPOSAL**

Whenever ashes get 3 to 4 inches deep in your firebox or ash pan, and when the fire has burned down and cooled, remove excess ashes. Leave an ash bed approximately 1 inch deep on the firebox bottom to help maintain a hot charcoal bed.

Ashes should be placed in a metal container with a tight-fitting lid. The closed container of ashes should be placed on a noncombustible floor or on the ground, away from all combustible materials, pending final disposal. The ashes should be retained in the closed container until all cinders have thoroughly cooled.

### **CAUTION:**

DO NOT OVER FIRE APPLIANCE. YOU ARE OVER FIRING IF THE CHIMNEY CONNECTORS OR STOVE GLOWS RED. CLOSE THE DOOR AND SHUT DAMPER IMMEDIATELY TO REDUCE THE AIR SUPPLY AND SLOW DOWN THE FIRE.

### **CAUTION:**

Slow burning fires and extended use may cause excessive creosote buildup. Ignition of creosote or over firing may cause a chimney fire. Chimney fires burn extremely hot and may ignite surrounding materials. In case of a chimney fire call the fire department immediately.

### **CAUTION:**

A chimney fire may cause ignition of wall studs or rafters which were assumed to be a safe distance from the chimney. If a chimney fire has occurred, have your chimney inspected by a qualified expert before using again

# SERVICE HINTS

## **SMOKE AND CO MONITORS**

Burning wood naturally produces smoke and carbon monoxide(CO) emissions. CO is a poisonous gas when exposed to elevated concentrations for extended periods of time. While the modern combustion systems in heaters drastically reduce the amount of CO emitted out the chimney, exposure to the gases in closed or confined areas can be dangerous. Make sure you stove gaskets and chimney joints are in good working order and sealing properly to ensure unintended exposure. It is recommended that you use both smoke and CO monitors in areas having the potential to generate CO.

1. Do not attempt to extend the burn time by using wet wood. Not only does burning wet wood rapidly build up creosote, but it reduces the heat output by up to 25 percent.
2. Burn the stove with the air inlet control wide open for 10-25 minutes every time fresh wood is loaded into the stove. Do not load more than ¼ to ½ of the fuel capacity at one time. Loading too much wood at once will cause excessive smoke which contains creosote. Mature fires or coals produce very little creosote-producing smoke.
3. Burn with the control open for several minutes at numerous intervals throughout the day, being careful not to over fire the unit. Following this process will help to warm the chimney and reduce the amount of creosote forming condensation within the chimney.
4. Establish a routine for the handling of fuel, firing, and operating the stove. Check daily for creosote build up until experience shows how often you need to clean for safe operation. Be aware that the hotter the fire, the less creosote is deposited and weekly cleaning may be necessary in mild weather even though monthly cleaning may be enough in the colder months.

### **WARNING: IN CASE OF CHIMNEY FIRE**

1. Close air inlet control
2. Get out of the house
3. Call the fire department.

## **CHIMNEY DRAFT**

The chimney is critical to the proper operation of the stove. It is the chimney that creates draft; THE STOVE DOES NOT AND CANNOT CREATE DRAFT. The chimney provides two vital functions for proper stove operation. First, it is the passage to exhaust smoke and hot gases created in the combustion process. Secondly, it supplies the draft (or pressure) to bring oxygen to the fire to sustain combustion. Draft is the natural movement of air or gases through a chimney. Chimney draft comes from the natural tendency for hot (less dense) air to rise. As the hot air rises within the chimney it creates a lower pressure at the bottom of the chimney to which the stove is connected. The higher pressure air outside the stove then rushes into the stove where the lower air pressure level exists, thus bringing oxygen to the fire. This constant flow of air is referred to as the draft. Many factors or combination of factors can act together to build or impede the draft. Without the correct amount of draft, the stove will not operate properly. If there is excessive draft, an unsafe condition will arise with too much air being drawn into the stove and creating an excessively hot fire. This could cause over firing which runs the risk of igniting structural elements around the stove and chimney. The most common experience is that of insufficient draft. Under insufficient draft conditions, the fire will be starved for oxygen, improper or incomplete combustion occurs resulting in smoke spillage into the area around the stove. A fire that is starved for oxygen will not burn well. Such a fire will produce excessive smoke that will cool and condense in the chimney creating creosote. Excessive amounts of creosote buildup can ignite causing a chimney fire with the possibility of structural elements igniting as well. Correct any draft related issues before using the stove. The following are some possible causes of insufficient draft. Please note that one or more factors may play a role in a draft issue and certain factors may change over time as conditions vary.

### **ATTENTION:**

This wood heater needs periodic inspection and repair for proper operation. It is against federal regulations to operate this wood heater in a manner inconsistent with operating instructions in this manual.

# SERVICE HINTS

1. Atmospheric Pressure and Air Supply - Atmospheric pressure that affects the draft may occur from outside the structure, inside the structure, or both. High pressure weather (clear and cold) usually produces a better chimney draft than low pressure (overcast and damp) conditions. Negative pressure can be created inside a home by appliances that expel air from within such as bathroom vents, range hoods, clothes dryers, and forced air furnaces. Do not allow such appliances to overcome the natural draft. Note that newer homes tend to be built more tightly allowing less make up air to seep freely in. Negative pressure may be overcome by opening a nearby door or window. In extreme conditions of negative draft, the airflow in the chimney will reverse direction. This is known as "down drafting."
2. Environmental Factors - Wind or air deflecting off external objects such as the roof, neighboring structures, trees, or hills. These can cause a pressure change in the air surrounding the chimney.
3. Chimney Temperature - The temperature of the chimney is an important factor in how well it drafts. Warm chimneys draft better than cold chimneys. This is based upon the principle that hot air rises while cold air sinks. Hot gases going up a cold chimney will cool rapidly. Warm the chimney by allowing a hot fire to burn for the first fifteen to thirty minutes after starting the fire. Be careful not to over fire the stove. If any part of the stove or chimney starts to glow, you are over firing the stove. Masonry chimneys will take longer to warm than manufactured chimneys on account of their greater structural mass. Chimneys that have a flue diameter larger than the stove outlet take more heat to warm, thus resulting in a faster cooling of the hot gases needed to build or maintain draft.
4. Chimney Installation and Maintenance - Confirm that all four minimum chimney height requirements listed in the Chimney Connections section of the manual have been met. The physics that link chimney height with draft creation are vital to the proper operation of the stove. Failure to meet each of these minimum requirements will have an adverse affect on draft. Avoid long horizontal runs or multiple elbows. Use stove cement to seal joints in the connector pipe section. Regularly clean the chimney, connector pipe, rain cap, and spark arrestor screen. Creosote build up can reduce the chimney draw and possibly create a chimney fire.
5. Temporarily out of Operation - After the fire has burned out, open the air control to its fully open position. This will allow warm room air to enter the chimney and keep it as warm as possible until the stove is used again. For assistance involving chimney draft issues, contact a knowledgeable licensed heating and cooling contractor in your area. For questions regarding manufactured chimney, contact the manufacturer of the chimney.

NOTE: a draft reading of 0.05 To 0.06 W.C. (Water column) is required for proper burning of this stove.

CAUTION:  
Do not operate with cracked or broken glass.

## **GLASS CARE**

Periodic cleaning of glass will be necessary to prevent accumulations of ash. Acidic ash buildup can eventually etch and weaken glass. Creosote accumulations should burn off during hot fires. The following usage and safety tips should be observed:

1. Inspect the glass regularly for cracks and breaks. If you detect a crack or break, extinguish the fire immediately and contact the manufacturer for a replacement before re-firing the stove.
2. Do not slam the door or otherwise impact the glass. When closing doors, make sure that logs or other objects do not protrude to impact the glass.
3. Do not build fires against (or that might fall against) the glass.
4. Do not clean the glass with materials that may scratch (or otherwise damage) the glass. Scratches on the glass can develop into cracks or breaks during operation.
5. Never attempt to clean the glass while the unit is hot; allow to dry thoroughly before reuse. If deposits are not very heavy, normal glass cleaners are adequate using a soft, non-abrasive cleaning pad.
6. Never put substances which can ignite explosively in the unit. Even small explosions in confined areas can blow out the glass.

WARNING:  
Replace glass only with 5mm high temperature ceramic glass of the proper size. Do not use substitute materials such as tempered glass or double thickness window glass! Contact the stove manufacturer for replacement glass.

# SERVICE HINTS

## GLASS REPLACEMENT

Gasket and glass cleaning products are available at local retail home centers. Manufacturers of cleaning products include, A.W. Perkins Co. ([www.Awperkins.Com](http://www.Awperkins.Com)) or Rutland products ([www.Rutland.Com](http://www.Rutland.Com)). After extensive use, the gasket material which provides glass and door seal may lose its resiliency and will need to be replaced. Inspect glass and door gaskets periodically to ensure proper seal; if gaskets become frayed or worn, replace immediately. This unit's door uses a 1 1/8" diameter rope gasket.

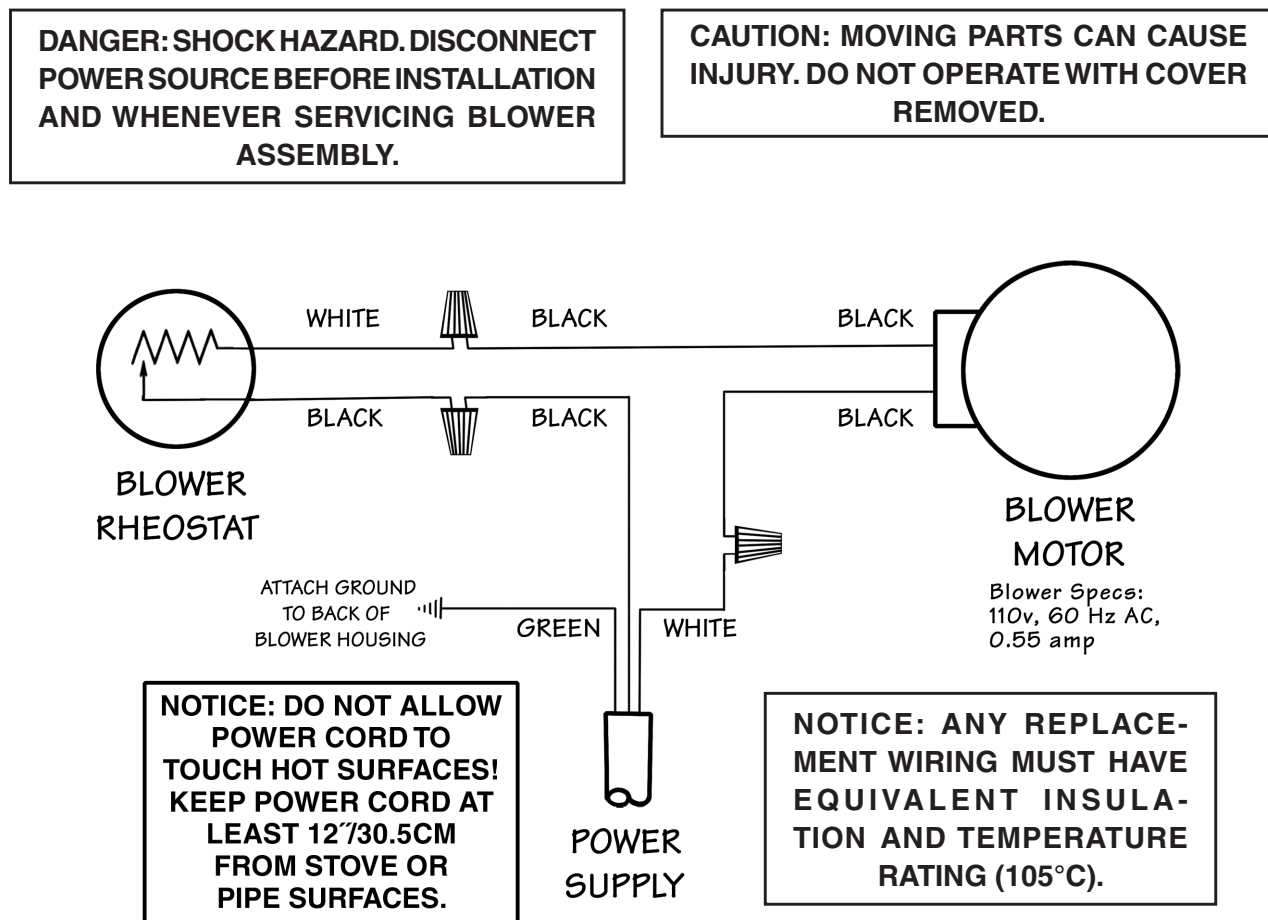
## GLASS REPLACEMENT PROCEDURE

1. Ensure appliance is not in operation and is thoroughly cooled.
2. Remove screw and glass clips. (See parts list and diagram.)
3. Remove glass from door frame.
4. If glass is broken, carefully remove and discard each broken piece to avoid cuts. Discard window gasket. Replace window and gasket with original factory replacement parts.
5. Replace new gasket starting at the bottom of glass working along edges, being sure to center gasket channel on glass.
6. Trim to length and butt ends together.
7. Perform replacement procedure in reverse order after replacing glass and gasket.
8. When replacing glass into door, be sure not to overtighten screws and clips.

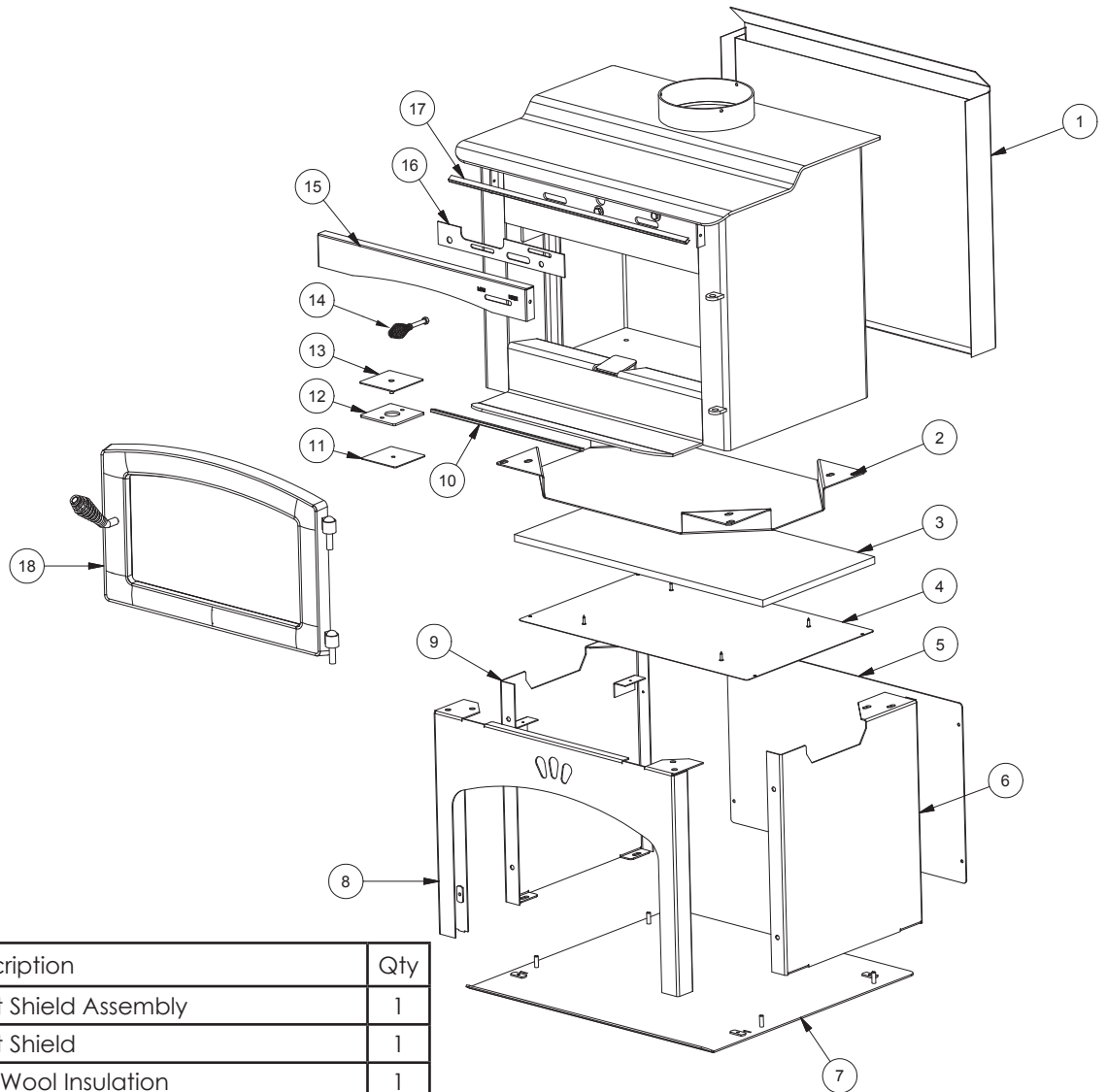
## BLOWER MAINTENANCE

The blower is maintenance free other than periodic cleaning. Lightly vacuum motor and air inlet to keep free of dust and dirt.

# WIRING DIAGRAM



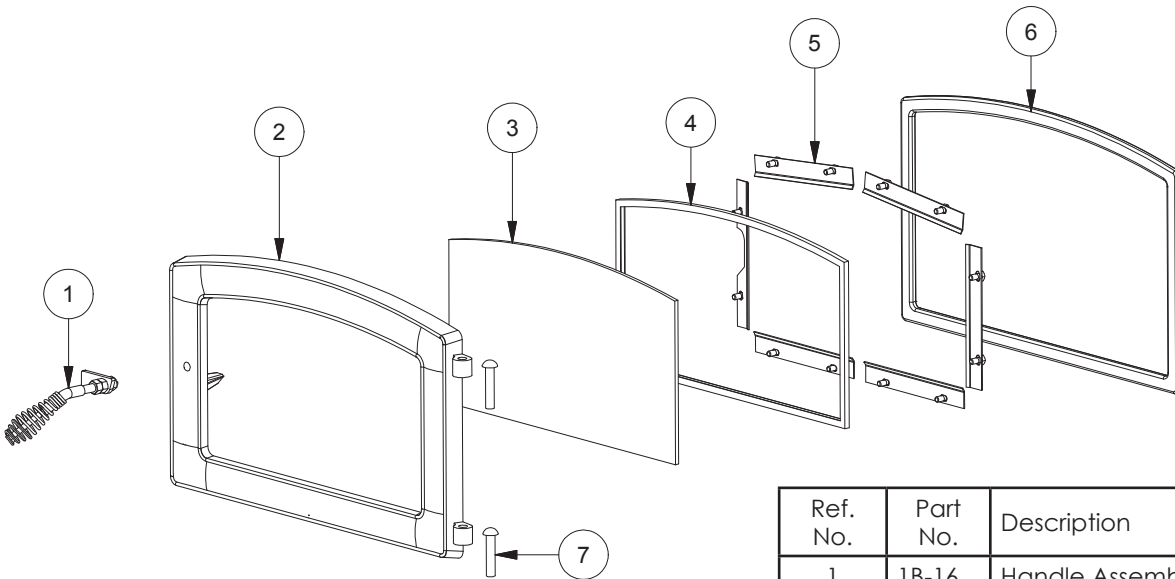
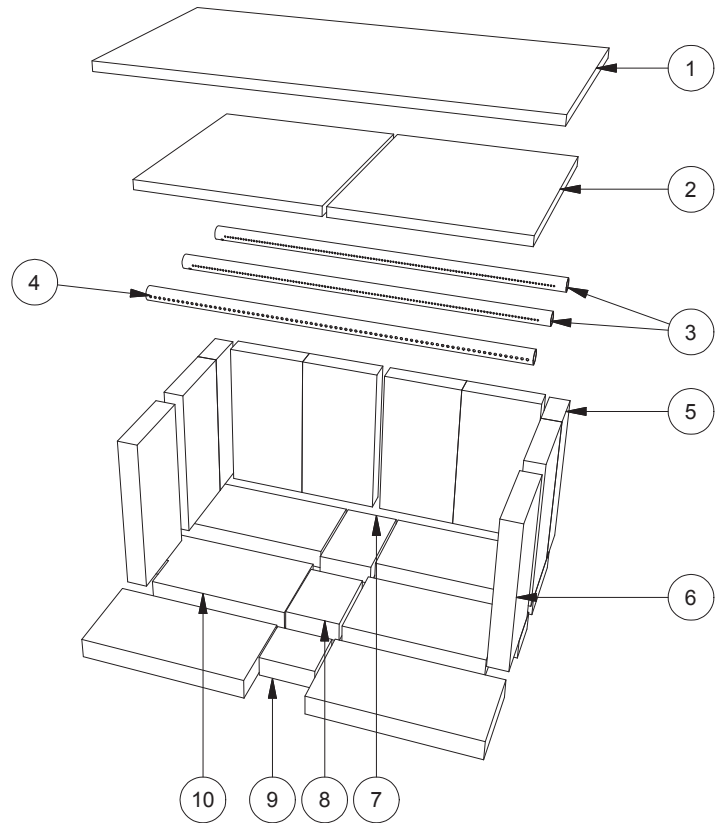
# REPLACEMENT PARTS



Ref. No.	Part No.	Description	Qty
1	610556	Heat Shield Assembly	1
2	27992	Heat Shield	1
3	88265	Kao Wool Insulation	1
4	610560	Insulation Support Weldment	1
5	27896	Pedestal Rear	1
6	610559	Pedestal R.H. Side Weldment	1
7	610534	Pedestal Base Weldment	1
8	610557	Pedestal Front Weldment	1
9	610558	Pedestal L.H. Side Weldment	1
10	892757	Bottom Hearth Trim	1
11	27881	Ash Hole Cover	1
12	88111	Gasket, Agitator Bracket	1
13	27881	Ash Hole Cover	1
14	891135	Handle Coil	1
15	27999	Air Wash Cover	1
16	28000	Air Wash Slide Plate	1
17	852	Top Hearth Trim	1
18	69976	Door Assembly	1

In order to maintain warranty, components must be replaced using original manufacturers parts purchased through your dealer or directly from the appliance manufacturer. Use of third party components will void the warranty.

Ref. No.	Part No.	Description	Qty
1	1B-01	Ceramic Fiber Pad	1
2	1B-02	C-Cast Fiber Board (9.3"x11"x0.5")	2
3	1B-03	Air Tube, Middle	2
4	1B-04	Air Tube, Front	1
5	892718	Firebrick M-2	2
6	892717	Firebrick A-1	12
7	892205	Firebrick B-1	1
8	892759	Firebrick U-2	1
9	892721	Firebrick U-1	1
10	892720	Firebrick V-2	2



Ref. No.	Part No.	Description	Qty
1	1B-16	Handle Assembly (complete)	1
2	1B-18	Door Frame	1
3	1B-19	Door Glass 891817	1
4	1B-20	Gasket, 3/8" Fiberglass Glass	1
5	1B-21	Retainer, Glass	5
6	1B-24	Gasket, Door	1
7	83922	Hinge Pin	2

In order to maintain warranty, components must be replaced using original manufacturers parts purchased through your dealer or directly from the appliance manufacturer. Use of third party components will void the warranty.

# Service Record

It is recommended that your heating system is serviced regularly and that the appropriate Service Interval Record is completed.

## **SERVICE PROVIDER**

Before completing the appropriate Service Record below, please ensure you have carried out the service as described in the manufacturer's instructions. Always use the manufacturer's specified spare part when replacement is necessary.

<b>Service 01</b>	Date: _____
Engineer Name: _____	
License No.: _____	
Company: _____	
Telephone No.: _____	
Stove Inspected: <input type="checkbox"/>	Chimney Swept: <input type="checkbox"/>
Items Replaced: _____	

<b>Service 02</b>	Date: _____
Engineer Name: _____	
License No.: _____	
Company: _____	
Telephone No.: _____	
Stove Inspected: <input type="checkbox"/>	Chimney Swept: <input type="checkbox"/>
Items Replaced: _____	

<b>Service 03</b>	Date: _____
Engineer Name: _____	
License No.: _____	
Company: _____	
Telephone No.: _____	
Stove Inspected: <input type="checkbox"/>	Chimney Swept: <input type="checkbox"/>
Items Replaced: _____	

<b>Service 04</b>	Date: _____
Engineer Name: _____	
License No.: _____	
Company: _____	
Telephone No.: _____	
Stove Inspected: <input type="checkbox"/>	Chimney Swept: <input type="checkbox"/>
Items Replaced: _____	

<b>Service 05</b>	Date: _____
Engineer Name: _____	
License No.: _____	
Company: _____	
Telephone No.: _____	
Stove Inspected: <input type="checkbox"/>	Chimney Swept: <input type="checkbox"/>
Items Replaced: _____	

<b>Service 06</b>	Date: _____
Engineer Name: _____	
License No.: _____	
Company: _____	
Telephone No.: _____	
Stove Inspected: <input type="checkbox"/>	Chimney Swept: <input type="checkbox"/>
Items Replaced: _____	

<b>Service 07</b>	Date: _____
Engineer Name: _____	
License No.: _____	
Company: _____	
Telephone No.: _____	
Stove Inspected: <input type="checkbox"/>	Chimney Swept: <input type="checkbox"/>
Items Replaced: _____	

<b>Service 08</b>	Date: _____
Engineer Name: _____	
License No.: _____	
Company: _____	
Telephone No.: _____	
Stove Inspected: <input type="checkbox"/>	Chimney Swept: <input type="checkbox"/>
Items Replaced: _____	

# *Limited Warranty*

## **Plate Steel Heaters**

### **(Inserts, Freestanding, and Pedestal)**

The operation of this heater in a manner inconsistent with the owner's manual will void the warranty and is also against federal regulations.

United States Stove Company warrants to the original purchaser its products against premature failure of any component due to workmanship, quality, or materials as follows:

#### **TIME PERIOD:**

Firebox .....	Three Years
Flue Collar - if equipped .....	Three Years
All Doors .....	Three Years
Firebox Baffle .....	One Year
Door Gaskets .....	One Year
All Electrical Components (Including Blower) - if equipped .....	One Year
Cabinet and Trim .....	One Year

#### **CLAIM PROCEDURE**

Any defects should be reported to United States Stove Company or its dealer and/or distributor giving descriptions and pertinent data, including proof of purchase which will be returned upon request.

Providing the heater has been installed and used in accordance with the Owners Manual supplied with the heater, United States Stove Company will either:

- 1) Replace the defective part free of charge
- 2) Replace the heater free of charge
- 3) Where the defect is of a cosmetic (non-functional) nature, United States Stove Company will bear reasonable expense to refurbish the heater, including such items as welding, painting, and incidental labor. A "Reasonable" is defined by terms of this warranty as \$30.00/hour with full refund for any purchase of parts.

#### **NOT COVERED**

Specifically not covered under terms of this limited warranty or any other warranty are problems relating to smoking or creosote. Smoking is attributable to inadequate draft due to the design or installation of the flue system or installation of the heater itself. Creosote formation is largely attributable to improper operation of the unit and/or draft as mentioned above. Also, not covered are:

- 1) Removal and re-installation cost.
- 2) Service calls to diagnose trouble (unless authorized in writing by the manufacturer, distributor, or dealer).
- 3) Painted surfaces, brass or brass-colored surfaces.
- 4) Damage or defect caused by improper installation, accidents, misuse, abuse (including overfiring) or alteration.
- 5) Transportation or shipping costs.

#### **LIMITATIONS AND EXCLUSIONS**

- 1) United States Stove Company shall not be liable for incidental, consequential, special, or contingent damages anyone might suffer as a result of their breach of this written warranty or any implied warranty.
- 2) Should the heater be replaced by United States Stove Company "free of charge", all further warranty obligations are thereby met.
- 3) Parts and/or service replacements made under the terms of this warranty are warranted only for the remaining period of the original heater warranty.
- 4) Without specific written exclusionary waivers, no one has authority to add to or vary this limited warranty, or to create for United States Stove Company any further obligation of liability in connection with this heater or any other applicable accessory. Any further warranty implication applicable to this heater or any applicable accessory is limited in duration to the same time period as the original statement in the above schedule.

#### **YOUR DUTIES**

- 1) This heater, including all applicable accessories, must be installed and operated in accordance with local authorities having jurisdiction and the instructions furnished with the Owners Manual.
- 2) You should keep as permanent record your proof of purchase (or canceled check or invoice).

#### **PROBLEM/RESOLUTION**

- 1) As purchaser, you must first contact the dealer and/or distributor from whom you purchased your heater.
- 2) If within a reasonable period of time you do not receive satisfactory service from the distributor and/or dealer, write or call United States Stove Company, Customer Service Department, including complete details of the problem and/or problems you are experiencing, details of your installation, your proof of purchase, and the heater serial number or test agency code number.

#### **WARRANTOR**

The warrantor of record is United States Stove Company, PO Box 151, 227 Industrial Park Road, South Pittsburg, Tennessee 37380.

Phone number 800-750-2723 • Web site [www.usstove.com](http://www.usstove.com)

#### **NOTE**

This warranty gives you specific legal rights; and, you may also have other rights which vary from state to state. Register your product on line at [www.usstove.com](http://www.usstove.com). Save your receipt with your records for any claims.

#### **IMPORTANT**

We congratulate you on your selection of United States Stove Company and its products. As the oldest solid fuel manufacturer in the United States (since 1869), the United States Stove Company is very proud of its products, service, employees, and satisfied customers. We would like to hear from you if you are not satisfied with the manner in which you have been handled by our distributor, dealer, representative, customer service department, parts department, or sales department. Please reach out to us by using any of the contact information listed above.

# NOTES

# NOTES

# HOW TO ORDER REPLACEMENT PARTS

This heating appliance is safe when installed properly and will provide you with years of service. However, always exercise good judgement when you are using this stove. You are dealing with FIRE. Fire is inherently dangerous and must be treated with respect. Stay warm and in good health! This manual will help you obtain efficient, dependable service from your stove, and enable you to order repair parts correctly.

Keep this manual in a safe place for future reference.

When writing, always give the full model number which is on the nameplate attached to the stove.

When ordering repair parts, always give the following information as shown in this list /

Cet appareil de chauffage est en sécurité lorsqu'il est installé correctement et vous fournira des années de service. Cependant, toujours exercer un bon jugement lorsque vous utilisez ce poêle. Vous avez affaire à feu. Le feu est intrinsèquement dangereux et doit être traité avec respect. Restez au chaud et en bonne santé! Ce manuel vous aidera à obtenir un service fiable et efficace de votre poêle, et vous permettre de commander correctement les pièces de rechange.

Conservez ce manuel dans un endroit sûr pour référence future.

Lors de l'écriture, toujours donner le numéro de modèle complet qui se trouve sur la plaque signalétique fixée sur le poêle.

Lors de la commande des pièces de rechange, fournir les informations suivantes comme indiqué dans cette liste

1. The part number / Le numéro de pièce \_\_\_\_\_
2. The part description / La description de la pièce \_\_\_\_\_
3. The model number / Le numéro de modèle \_\_\_\_\_
4. The serial number / Le numéro de série \_\_\_\_\_

DO NOT USE THIS STOVE IN A MOBILE HOME, MANUFACTURED HOME, TRAILER OR TENT! - NO EXCEPTIONS!

U. S. Stove  
227 Industrial Park Road  
South Pittsburg, Tennessee 37380  
[www.usstove.com](http://www.usstove.com)  
Phone: 800-750-2723

# FICHE DE SERVICE

Il est recommandé que votre système de chauffage est desservi régulièrement et que le Service Interval enregistré approprié est terminée.

## Fournisseur de services:

Avant de terminer l'enregistrement de service approprié ci-dessous, s'il vous plaît vous assurer que vous avez effectué le service tel que décrit dans les instructions du fabricant. Toujours utiliser pièce de rechange indiquée par le fabricant lors de remplacement est nécessaire.

Service de 01	Date _____	Ingénieur Nom: _____	Refustratuib No.: _____	Company _____	N ° de téléphone. _____	Poêle Inspecté: <input type="checkbox"/> Cheminée Swept: <input type="checkbox"/>	Articles Remplacé: _____
---------------	------------	----------------------	-------------------------	---------------	-------------------------	---	--------------------------

Service de 03	Date _____	Ingénieur Nom: _____	Refustratuib No.: _____	Company _____	N ° de téléphone. _____	Poêle Inspecté: <input type="checkbox"/> Cheminée Swept: <input type="checkbox"/>	Articles Remplacé: _____
---------------	------------	----------------------	-------------------------	---------------	-------------------------	---	--------------------------

Service de 04	Date _____	Ingénieur Nom: _____	Refustratuib No.: _____	Company _____	N ° de téléphone. _____	Poêle Inspecté: <input type="checkbox"/> Cheminée Swept: <input type="checkbox"/>	Articles Remplacé: _____
---------------	------------	----------------------	-------------------------	---------------	-------------------------	---	--------------------------

Service de 05	Date _____	Ingénieur Nom: _____	Refustratuib No.: _____	Company _____	N ° de téléphone. _____	Poêle Inspecté: <input type="checkbox"/> Cheminée Swept: <input type="checkbox"/>	Articles Remplacé: _____
---------------	------------	----------------------	-------------------------	---------------	-------------------------	---	--------------------------

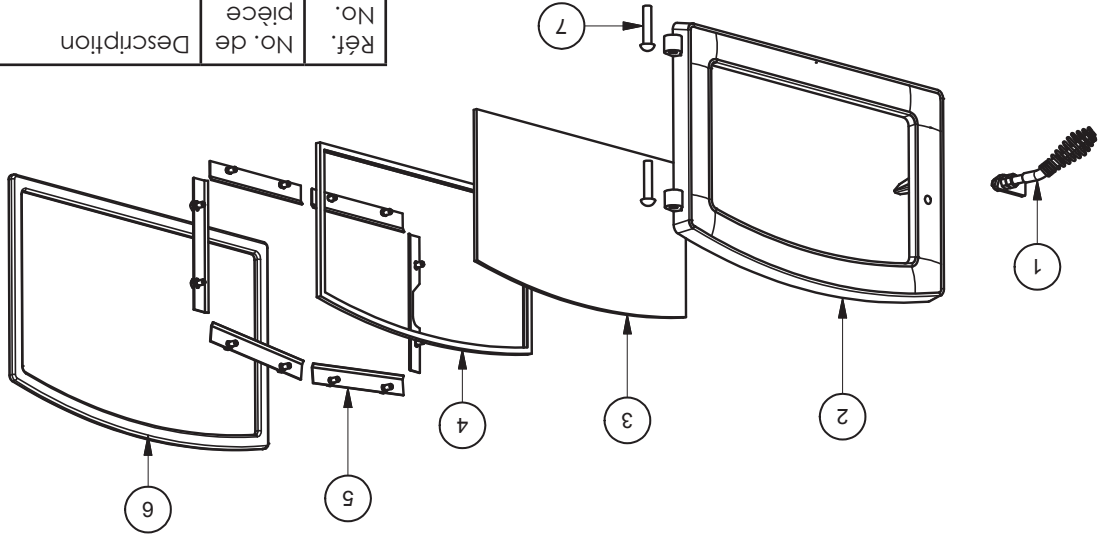
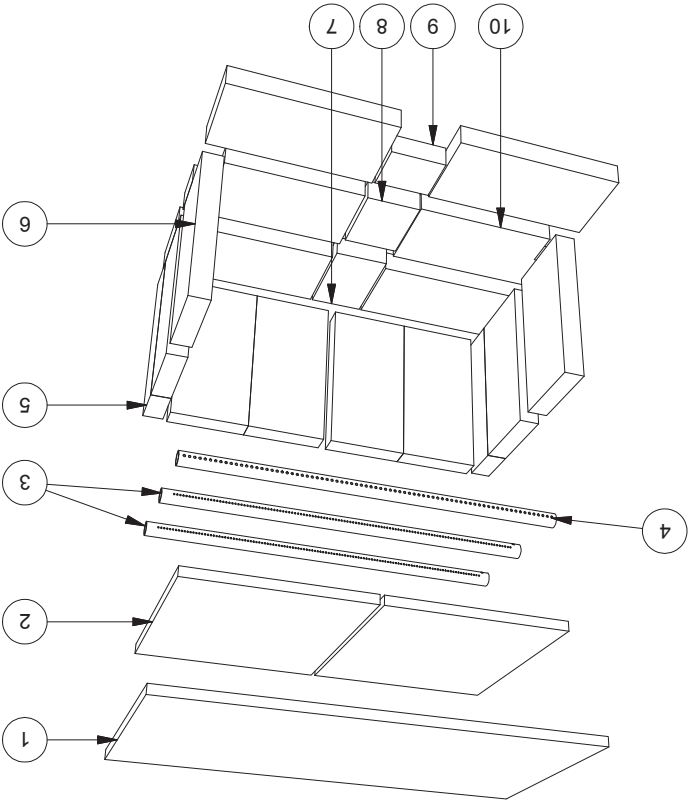
Service de 06	Date _____	Ingénieur Nom: _____	Refustratuib No.: _____	Company _____	N ° de téléphone. _____	Poêle Inspecté: <input type="checkbox"/> Cheminée Swept: <input type="checkbox"/>	Articles Remplacé: _____
---------------	------------	----------------------	-------------------------	---------------	-------------------------	---	--------------------------

Service de 07	Date _____	Ingénieur Nom: _____	Refustratuib No.: _____	Company _____	N ° de téléphone. _____	Poêle Inspecté: <input type="checkbox"/> Cheminée Swept: <input type="checkbox"/>	Articles Remplacé: _____
---------------	------------	----------------------	-------------------------	---------------	-------------------------	---	--------------------------

Service de 08	Date _____	Ingénieur Nom: _____	Refustratuib No.: _____	Company _____	N ° de téléphone. _____	Poêle Inspecté: <input type="checkbox"/> Cheminée Swept: <input type="checkbox"/>	Articles Remplacé: _____
---------------	------------	----------------------	-------------------------	---------------	-------------------------	---	--------------------------

# LES PIÈCES

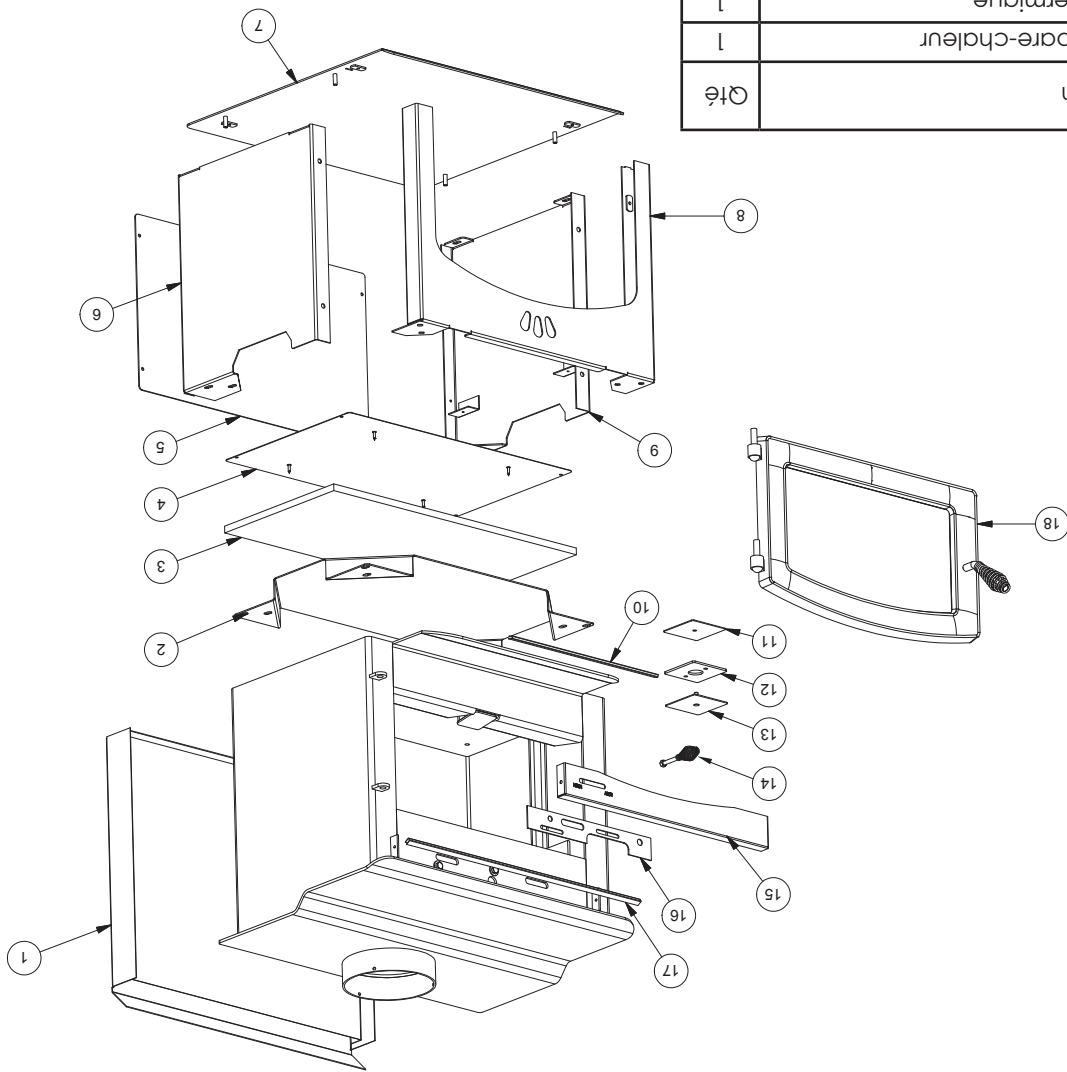
Réf.	No. de pièce	Description	Qté
1	1B-01	Ceramic Fiber Pad	1
2	1B-02	C-Cast Fiber Board (9.3"X11"X0.5")	2
3	1B-03	Air Tube, Middle	2
4	1B-04	Air Tube, Front	1
5	892718	Brique de feu M-2	2
6	892717	Firebrick A-1	12
7	892205	Brique réfractaire B-1	1
8	892759	Briquet de feu U-2	1
9	892721	Firebrick U-1	1
10	892720	Firebrick V-2	2



Réf.	No. de pièce	Description	Qté
1	1B-16	Manipuler Assemblée (complète)	1
2	1B-18	Cadre de porte	1
3	1B-19	porte en verre	1
4	1B-20	Joint 3/8" en fibre de verre en verre	1
5	1B-21	Réteneur, verre	5
6	1B-24	Joint, porte	1
7	83922	Charnière Pin	2

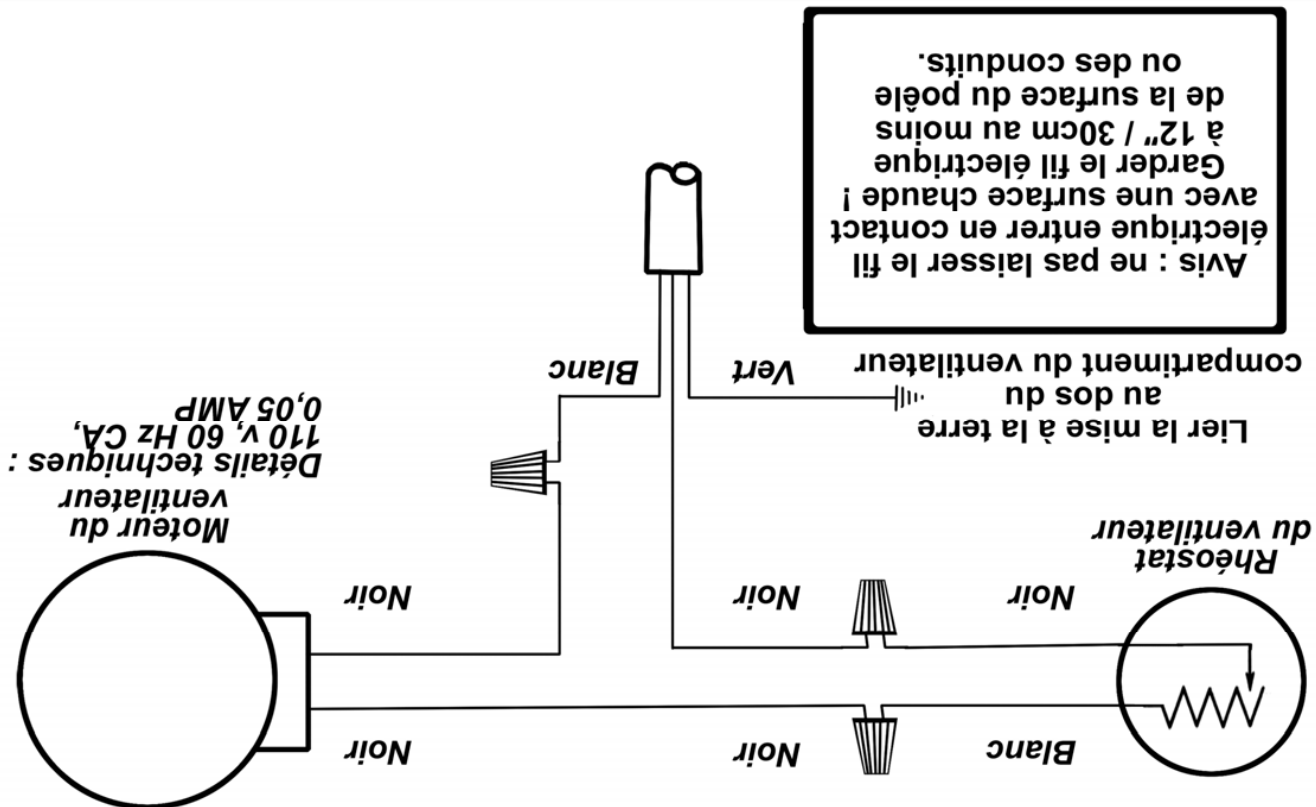
Afin de maintenir la garantie, les composants doivent être remplacés par des pièces d'origine du fabricant achetées auprès de votre revendeur ou directement auprès du fabricant. L'utilisation de composants tiers annulera la garantie.

# LES PIÈCES



Réf. No.	No. de pièce	Description	Qté
1	610556	Ensemble pare-chaleur	1
2	27992	Bouclier thermique	1
3	88265	Isolation de laine Kao	1
4	610560	Soudure d'isolation Soudure	1
5	27896	Arrière du piédestal	1
6	610559	Piédestal R.H. Side Weldment	1
7	610534	Soudure de base de piédestal	1
8	610557	Soudure avant de piédestal	1
9	610558	Piédestal L.H. Side Weldment	1
10	892757	Garniture inférieure de foyer	1
11	27881	Cache-cendres	1
12	88111	Joint, support d'agitateur	1
13	27881	Cache-cendres	1
14	891135	Bobine de poignée	1
15	27999	Couvercle de lavage de l'air	1
16	28000	Plaque à glissière Air Wash	1
17	852	Garniture supérieure de foyer	1
18	69976	Ensemble de portes	1

Afin de maintenir la garantie, les composants doivent être remplacés par des pièces d'origine du fabricant achetées auprès de votre revendeur ou directement auprès du fabricant. L'utilisation de composants tiers annulera la garantie.



## DIAGRAMME DE CÂBLAGE

1. Assurez-vous que l'appareil ne fonctionne pas et qu'il soit bien froid.
2. Retirez les joints de la porte et nettoyez les sillons
3. Appliquez une fine couche de pâte à joints chaude approuvée au fond du sillon.
4. En commençant au niveau des charnières, appliquez le joint dans le sillon autour de la porte et taillez les bouts.
5. Fermez la porte et laissez le ciment sécher pendant trois à quatre heures avant d'utiliser de nouveau l'appareil.

### MARCHE À SUIVRE

**AVERTISSEMENT:** Ne jamais utiliser un poêle dont les joints de porte sont manquants, puisque cela peut mener à la suralimentation du poêle et à des conditions de fonctionnement dangereuses.

### REPLACEMENT DU JOINT DE LA PORTE

Les conduits d'air assemblés dans cette unité sont conçus pour offrir un mélange précis d'air secondaire et assurer une plus grande efficacité. Tout dommage ou détérioration de ces conduits peut réduire l'efficacité de la combustion. Les conduits d'air sont maintenus en position par des vis ou par des goupilles de blocage. Localisez et enlevez-les des deux côtés du conduit pour le retirer et le remettre en place.

### CONDUITS D'AIR

## **FUMÉE VISIBLE**

La quantité visible de fumée produite peut être une méthode efficace pour déterminer comment le processus de combustion s'établit efficacement aux réglages donnés. La fumée visible est composée de combustibles non brûlés et de l'humidité s'échappant de votre poêle. Apprenez comment ajuster les réglages d'air de votre unité afin de produire la plus petite quantité de fumée visible. Le bois incorrectement séché a une teneur élevée en humidité et produira un excès de fumée visible et un mauvais brûlage.

## **EFFICACITÉ**

L'efficacité peut être basée sur le pouvoir calorifique inférieur (PCI) ou le pouvoir calorifique supérieur (PCS) du combustible. Le pouvoir calorifique inférieur, c'est lorsque l'eau quitte le poêle sous forme de vapeur, de vapeur, dans le cas des poêles à bois, l'humidité dans le bois brûlé quitte le poêle sous forme de vapeur calorifique supérieur, c'est lorsque l'eau quitte le processus de combustion sous forme entièrement condensée. Dans le cas des poêles à bois, ceci voudrait dire que les gaz d'évacuation sont à la température de la pièce en quittant le système, et donc, les calculs utilisant cette valeur de chaleur tiennent compte de l'élevation de la chaleur dans la cheminée comme une perte d'énergie. Ainsi, l'efficacité calculée en utilisant le pouvoir calorifique inférieur du bois sera plus élevée que celle calculée en utilisant le pouvoir calorifique supérieur. Aux États-Unis, toutes les efficacités des poêles à bois devraient être calculées par le pouvoir calorifique supérieur. La meilleure façon d'atteindre des efficacités optimales est d'apprendre les caractéristiques de brûlage de votre appareil et du bois bien séché. Des taux de combustion plus élevés ne sont pas toujours les meilleurs taux de combustion; après qu'un bon feu est établi, un taux de combustion plus bas peut être la meilleure option pour un chauffage efficace. Un taux de combustion plus bas ralentit la sortie du flux de chaleur utilisable hors de la maison par la cheminée, et il consomme également moins de bois.

## **CONSEILS DE FONCTIONNEMENT POUR UNE COMBUSTION DE QUALITÉ, EFFICACE ET PROPRE**

- Attendez que l'appareil soit chaud et qu'il y ait un bon lit de braises avant de régler à un taux de combustion plus bas (ce qui pourrait prendre 30 minutes ou plus selon le bois utilisé)
- Utilisez de plus petits morceaux de bois pendant l'allumage et un taux de combustion élevé pour augmenter la température du poêle
- Pensez à l'environnement et ne brûlez que du bois séché
- Allumez de feux petits et intenses, au lieu de grands feux lents, lorsque possible.
- Apprenez les caractéristiques de fonctionnement de votre appareil pour obtenir une performance optimale
- Brûlez du bois humide à un impact négatif sur l'efficacité de votre poêle et même à une accélération de l'accumulation de créosote dans la cheminée

## **SURCHAUFFE**

Tenter d'atteindre un taux de puissance calorifique dépassant les spécifications de conception du chauffage peut lui causer des dommages permanents, ainsi qu'au catalyseur de postcombustion s'il est présent.

## **ENLEVEMENT ET DISPOSITION DES CENDRES**

Lorsque les cendres atteignent 8 à 10 cm (3 à 4 po) d'épaisseur dans votre boîte à feu ou bac à cendres, et que le feu est éteint et froid, retirez les cendres en excès. Laissez un lit de cendres d'environ 3 cm (1 po) d'épaisseur sur le fond de la boîte à feu pour aider à conserver une couche chaude de charbon. Les cendres doivent être placées dans un récipient en métal recouvert d'un couvercle bien ajusté. Le récipient de cendres fermé doit être placé sur un plancher incombustible ou sur le sol, loin des matériaux combustibles, en attendant sa mise au rebut finale. Les cendres doivent être conservées dans le récipient fermé jusqu'à ce qu'elles aient pu complètement refroidir.

## **DÉTECTEURS DE FUMÉE ET DE CO**

Le brûlage du bois produit naturellement des émissions de fumée et du monoxyde de carbone (CO). Le CO est un gaz poison lorsque l'exposition se fait à des concentrations élevées pour une période de temps prolongée. Bien que les systèmes de combustion modernes des chauffages réduisent de façon importante la quantité de CO émis par la cheminée, l'exposition aux gaz dans des endroits fermés ou clos peut être dangereuse. Assurez-vous que les joints d'étanchéité de votre poêle et les joints de la cheminée soient en bon état et qu'ils scellent correctement, évitant les expositions indésirables. Il est recommandé que vous utilisiez des détecteurs de fumée et de CO dans les zones où se trouve un potentiel de génération de CO.

## **JOINTS**

La porte de cette unité utilise un joint de corde de 1-1/8po de diamètre.

1. Assurez-vous que l'appareil ne fonctionne pas et qu'il soit bien froid.
2. Retirez la vis et les pinces (voir liste des pièces et diagramme).
3. Retirez le verre du cadre de la porte.
4. Si le verre est cassé, retirez et jetez avec précautions chaque morceau cassé pour éviter les coupures. Jetez le joint de la vitre. Remplacez la vitre et le joint par des pièces de rechange d'usine originales.
5. Remplacez le nouveau joint en commençant au bas de la vitre et en travaillant le long des bords, tout en vous assurant de centrer le canal du joint sur le verre.
6. Ebarez à la bonne longueur et mettez les extrémités bout à bout.
7. Effectuez la procédure de remplacement dans l'ordre inverse après avoir remplacé la vitre et le joint.
8. Lors du placement de la vitre dans la porte, assurez-vous de ne pas trop serrer les vis et les pinces.

## **ÉTAPES DU REMPLACEMENT DE LA VITRE**

Des produits nettoyants pour les joints et le verre sont vendus dans les centres de rénovation. Ils sont fabriqués par, entre autres, A.W. Perkins Co. ([www.awperkins.com](http://www.awperkins.com)) ou Rutland Products ([www.rutland.com](http://www.rutland.com)). Après un usage prolongé, les joints des portes et du verre pourraient perdre de leur résistance et doivent être remplacés. Inspectez les joints de la vitre et de la porte régulièrement pour assurer qu'ils soient étanches. S'ils s'usent ou se défont, remplacez-les immédiatement.

**AVERTISSEMENT:** Ne remplacer le verre qu'avec une céramique-verre chaude de 5 mm du bon calibre. Ne jamais utiliser de verre trempé ou de double vitrage! Contactez le fabricant du poêle pour le remplacement d'une vitre.

## **REMPLACEMENT DU VERRE**

1. Les conseils de sécurité et d'utilisation suivants sont à prescrire.
2. Inspectez le verre régulièrement pour déceler les fissures et fêlures. Si vous en décelez une, éteignez immédiatement le feu et contactez le fabricant pour obtenir une vitre de remplacement.
3. NE JAMAIS claquer la porte ou causer un impact au verre. En fermant les portes, assurez-vous qu'AUCUNE bûche ou autre objet ne saillie et puisse frapper le verre.
4. NE JAMAIS monter de feu contre (ou pouvant tomber contre) le verre. 4. NE JAMAIS nettoyer le verre avec des matériaux abrasifs (ou pouvant endommager le verre). Les égratignures sur le verre peuvent se transformer en fissures ou fêlures pendant l'utilisation.
5. Ne jamais tenter de nettoyer le verre si l'appareil est chaud. Si les dépôts ne sont pas très épais, un nettoyage à vitres ordinaire devrait suffire avec un lingé doux et non abrasif. Les dépôts plus épais doivent être nettoyés avec des nettoyeurs à four.
6. Ne jamais appliquer de substances pouvant faire exploser l'appareil. Même de petites explosions dans des endroits fermés peuvent faire exploser le verre.

## **ENTRETIEN DU VERRE**

**AVIS:** Un tirage de 0,05 à 0,06 ce (colonne d'eau) est essentiel au bon fonctionnement de ce poêle.

La méthode descendante de préparation d'un feu est recommandée pour cet appareil. Après vous être assuré que les contrôles de prise d'air du poêle sont entièrement ouverts (complètement tirés vers vous), placez les plus grosses pièces de bois au bas en parallèle, et assez près l'une de l'autre. Les secondes pièces sont placées en une seconde couche, en travers aux premières. Une troisième couche de plus petites pièces est déposée en travers de la seconde, cette fois avec un certain espace entre elles. Ensuite, déposer une quatrième couche de bois d'allimage et de papier journal chiffonné sur le dessus de la pile.

## **DÉMARRAGE A FEU**

5. Temporairement hors d'usage Une fois le feu éteint, ouvrez complètement le régulateur d'air. Cela permet à l'air chaud ambiant d'entrer dans la cheminée et de la garder aussi chaude que possible jusqu'à la prochaine utilisation du poêle.

Pour toute question sur le tirage de la cheminée, adressez-vous à un technicien compétent autorisé en chauffage et en climatisation. Pour les questions sur les cheminées préfabriquées, contactez le fabricant.

tirage de la cheminée et même causer un incendie dans la cheminée.

La cheminée est critique au bon fonctionnement du poêle. C'est de la cheminée que vient le tirage. LE POËLE NE PEUT PAS TIRER D'AIR. La cheminée a deux fonctions cruciales pour le bon fonctionnement du poêle. D'abord, elle constitue la voie de passage de la fumée, des gaz d'échappement et des gaz chauds produits par la combustion. En outre, elle tire (par pression) l'oxygène vers le feu pour maintenir la combustion. Le tirage constitue le mouvement naturel de l'air ou des gaz par la cheminée. Le tirage de la cheminée est dû à la tendance naturelle de l'air chaud (moins dense) à monter. L'air chaud qui monte dans la cheminée fait diminuer la pression dans le bas de cette dernière, reliée au poêle. À l'extérieur du poêle, l'air chaud à pression plus élevée est attiré dans le poêle vers la pression plus faible, ce qui alimente le feu en oxygène. Ce débit d'air constant est le tirage. Plusieurs facteurs peuvent agir ensemble ou séparément pour augmenter ou limiter le tirage, mais s'il est insuffisant, le poêle ne fonctionnera pas correctement.

Trop de tirage entraîne des risques puisque trop d'air est attiré dans le poêle, ce qui crée un feu trop chaud. En suralimentant le feu, il peut créer un risque d'allumer des éléments structurels autour du poêle ou de la cheminée. Le manque de tirage est plus fréquent. Cela entraîne un manque d'oxygène, une combustion inadéquate ou insuffisante pouvant répandre de la fumée autour du poêle. Un feu manquant d'oxygène ne brûle pas bien, et dégage trop de fumée qui se refroidira et se condensera dans la cheminée pour y laisser de la créosote. Une accumulation excessive de créosote peut allumer un incendie dans la cheminée qui pourrait atteindre des éléments structurels. Corrigez les problèmes de tirage avant d'utiliser le poêle. Voici certaines causes possibles d'un tirage insuffisant. Veuillez noter que plus d'un facteur peuvent contribuer aux problèmes de tirage et que certains facteurs peuvent changer au fil du temps ou selon des circonstances externes.

1. Pression atmosphérique et alimentation en air La pression atmosphérique qui affecte le tirage peut être à l'extérieur ou à l'intérieur de la structure, ou les deux. En général la pression climatique chaude (temps dégagé et frais) est plus favorable au bon tirage de la cheminée qu'une pression à la baisse (nuageux et humide). La pression négative peut être créée à l'intérieur par les appareils qui rejettent de l'air comme les bouches d'aération de la salle de bains, les hottes, sècheuses et générateurs d'air pulsé. NE JAMAIS laisser ces appareils perturber le tirage naturel. Veuillez noter que les maisons récentes sont souvent plus compactes afin de diminuer la quantité de circulation artificielle dans la maison. La pression négative peut être compensée par l'ouverture d'une porte ou d'une fenêtre. Si le tirage est extrêmement négatif, la circulation de l'air dans la cheminée renversera sa direction. Cela s'appelle le « contre-tirage ».

2. Facteurs environnementaux En se percutant à certains objets, comme le toit, les structures avoisinantes, les arbres ou les collines, le vent ou l'air peuvent changer la température de l'air près de la cheminée.
3. Température de la cheminée La température de la cheminée est un facteur important pour le tirage. Les cheminées chaudes tirent mieux que les froides. Cela s'explique par le fait que l'air chaud monte et que l'air froid descend. Les gaz chauds qui remontent dans une cheminée froide refroidiront rapidement. Une cheminée chaude permettra de brûler un feu chaud pendant quinze à vingt minutes après l'allumage. Attention de ne pas suralimenter le poêle. Si une partie du poêle ou de la cheminée devient incandescente, vous suralimenter le poêle. Une cheminée de pierre taillée prendra plus de temps à chauffer qu'une cheminée préfabriquée, en raison de sa masse structurelle supérieure. Les cheminées dont le diamètre de la conduite d'air est supérieur à celui de la conduite de sortie du poêle prendront plus de chaleur à se réchauffer, ce qui rafraichira plus rapidement les gaz chauds nécessaires à créer ou maintenir le tirage.
4. Installation et entretien de la cheminée Confirmez que votre cheminée satisfait à toutes les quatre exigences minimales de hauteur de cheminée énoncées dans la section sur le Conduit de raccordement de ce manuel. Les relations physiques entre la hauteur de la cheminée et le débit du tirage sont essentielles au bon fonctionnement du poêle. Chacune de ces exigences minimales non satisfaites diminuera le tirage. Évitez les longues conduites horizontales ou les coudes trop nombreux. Utilisez du ciment pour poêle pour sceller les joints des sections de tuyau de raccordement. Nettoyez régulièrement la cheminée, le tuyau de raccordement, le clapet anti-pluie, et l'écran pare-étincelles. L'accumulation de créosote peut réduire le tirage de la cheminée et même causer un incendie dans la cheminée.

AVERTISSEMENT: EN CAS D'INCENDIE DE CHEMINÉE,  
 1. Fermez la trappe d'entrée d'air  
 2. Sortez de la maison et  
 3. Appelez les pompiers.

8. Prenez certaines habitudes de manipulation du combustible, d'allumage et d'utilisation du poêle. Vérifiez chaque jour l'accumulation de créosote jusqu'à ce que vous sachiez à quelle fréquence vous devez le nettoyer pour assurer la sécurité. Sachez que plus le feu est chaud, moins la créosote s'accumule, et qu'un nettoyage hebdomadaire est nécessaire dans la saison moins froide, bien que des nettoyages mensuels puissent suffire pendant le reste de l'année.

1. Au remplissage, ouvrez complètement la trappe d'entrée d'air. Lorsque le feu est allumé, ouvrez lentement et prudemment la porte. Cela empêche les gaz de s'allumer, de dégager de la fumée et de propager les flammes.
2. Lorsque vous ajouterez du combustible, faites attention de ne pas frapper, percuter ou endommager la cloison séparative de céramique sur le dessus de la chambre de combustion.
3. Lorsque vous ajoutez du combustible, faites attention de ne pas trop charger ou alimenter le poêle.
4. Lorsque vous ajoutez du combustible, veillez à ne pas étouffer le feu. NE JAMAIS mettre de verre et assurez-vous toujours que la couche de charbon ne bloque pas l'entrée d'air. NE JAMAIS mettre de combustible atteignant une hauteur qui pourrait créer un danger à l'ouverture de la porte.
5. Fermez la trappe d'alimentation et serrez-la bien.
6. Ajustez la trappe d'entrée d'air tel que décrit ci-dessus.
7. Videz les cendres régulièrement. NE JAMAIS les laisser s'accumuler (voir Consigne de sécurité # 14)
8. Jeter les cendres chaudes de manière appropriée (voir consigne de sécurité # 14)
9. NE JAMAIS trop alimenter le poêle (la suralimentation est indiquée par une partie du poêle ou de la cheminée qui devient incandescente)

**AVERTISSEMENT:** Ne jamais suralimenter l'appareil. La suralimentation est indiquée par un raccord ou un poêle devenant rouge incandescent. Fermez la porte et le registre de tirage immédiatement pour réduire l'alimentation en air et diminuer le feu.

## ASTUCES D'ENTRETIEN

Formation et nécessité d'enlever la créosote avvertissent: risque d'incendie La combustion lente du bois produit du goudron et d'autres vapeurs organiques qui, au contact de l'humidité libérée, forme la créosote. Les vapeurs de créosote se condensent par la température plus froide du conduit de cheminée où brûle un feu lent. Par conséquent, les résidus de créosote s'accumulent dans le conduit de cheminée. Lorsqu'elle est allumée, la créosote crée un feu extrêmement chaud. Le conduit de raccordement et la cheminée doivent être inspectés au moins tous les deux mois pendant la saison d'utilisation du poêle afin de décélérer l'accumulation de créosote. Si elle est décelée (accumulation de 3 mm et plus) elle devrait être enlevée pour réduire le risque d'incendie dans la cheminée. Si un dépôt épais (3 mm ou more) de créosote s'est formé, il devra être enlevé afin de réduire les risques, sans quoi un feu pourrait s'allumer et causer un incendie. La créosote peut être éliminée à l'aide d'une brosse à cheminée ou d'autres outils facilement accessibles chez votre quincaillier. Les incendies de cheminées sont très chauds. Si l'appareil ou la conduite de raccordement deviennent rouge incandescent, diminuez le feu en fermant le régulateur d'entrée d'air et appelez immédiatement les pompiers. Un feu dans la chambre de combustion peut être étouffé en versant une grande quantité de gros sel, de bicarbonate de soude ou de cendres froides sur le feu.

Avvertissement: un incendie de cheminée peut se propager aux goujons ou aux chevrons qui étaient considérés comme assez éloignés de la cheminée. Si un incendie s'est déclenché dans la cheminée, faites inspecter par un expert qualifié avant de la réutiliser.

## PRÉVENTION DE L'ACCUMULATION DE CRÉOSOTE

1. L'accumulation de créosote dans votre cheminée et tuyau de raccordement est inévitable. Afin de la ralentir, suivez les étapes suivantes:
2. NE FAITES BRÛLER QUE DU BOIS SECHÉ pendant au moins un an (<20 % humidité / poids).
3. Utilisez du bois d'espèces feuillues plutôt que résineuses. Les bois de feuillus sont plus denses et font des feux chauds.
4. NE JAMAIS tenter de faire brûler (ou mélanger) du bois vert ou du bois mouillé. Le bois vert ou mouillé entrainera une accumulation rapide de créosote. Le bois qui siffle, grésille et noircit sans s'allumer doit être considéré comme trop humide pour être brûlé.
5. NE JAMAIS tenter de prolonger le feu en y ajoutant du bois humide. Non seulement la combustion de bois humide mène-t-elle à l'accumulation rapide de créosote, mais elle réduit la chaleur dégagée jusqu'à 25 pour cent.
6. Allumez le poêle en laissant la trappe d'entrée complètement ouverte pendant 10-25 minutes chaque fois que du nouveau bois est inséré dans le poêle. NE JAMAIS le remplir à plus du quart ou de la moitié de sa capacité en une seule fois. Ajouter trop de bois à la fois entraine le dégagement de trop de fumée contenant de la créosote. Les longs feux ou charbons produisent très peu de fumée contenant de la créosote.
7. Laissez le feu brûler en maintenant ouvert le régulateur d'air pendant plusieurs minutes à différents intervalles pendant la journée, en veillant à ne pas suralimenter l'appareil. Ce processus permettra de réchauffer la cheminée et de réduire la condensation porteuse de créosote dans la cheminée.

La première fois que vous insérerez du combustible, laissez la porte de la trappe d'entrée d'air grand ouverte pendant au moins 15-20 minutes. Si le poêle fonctionne bien, vous devriez voir des flammes de combustion secondaires au-dessus des pièces en combustion qui devraient continuer de brûler une fois la trappe refermée dans la position souhaitée. Si les flammes s'arrêtent de brûler, ouvrez le régulateur d'air pour rétablir les flammes secondaires et remettez lentement le régulateur d'air dans la position souhaitée. Cela pourrait prendre plusieurs minutes au départ, mais une fois que vous connaissez le bon réglage et la marche à suivre, vous ne devez y apporter que des modifications mineures. Le meilleur moyen de savoir si votre poêle fonctionne bien est d'observer la fumée libérée par la cheminée. Il est possible que de la vapeur s'échappe : elle se dissipera rapidement. La fumée sera légère mais continuera de s'échapper sans disparaître complètement. Si vous décelez des émissions de fumée, ouvrez légèrement le régulateur d'air et laissez le poêle s'ajuster pendant 10-15 minutes. Révêtiez ensuite votre cheminée de nouveau. N'oubliez pas que la fumée visible indique la présence de perte de chaleur. Assurez-vous que l'aération transversale est suffisante pour disperser la fumée ou odeurs causées à l'allumage initial.

## ALLUMER UN FEU

1. Ouvrez complètement la trappe d'entrée d'air (glissez à droite). AVIS : Ouvert/Chaud=droite, Fermé/Moins chaud=gauche.
2. Ouvrez la trappe d'alimentation et placez plusieurs boules de papier dans la chambre de combustion.
3. Couvrez généreusement le papier de bois d'allumage en formant un tipi avec quelques petits morceaux de bois.
4. Allumez le papier et laissez la porte légèrement ouverte.

Ne jamais laisser le poêle sans surveillance si la porte est ouverte! Si vous ne manipulez pas le feu, laissez la porte du poêle ouverte ou le tiroir à cendres ouvert alors qu'il fonctionne peut causer un feu trop intense qui pourrait constituer un danger.

5. Ajoutez de plus gros morceaux de bois au fur et à mesure que le feu prend de l'ampleur, en veillant à ne pas trop l'alimenter (NE JAMAIS remplir la chambre de combustion au-delà du niveau de la brique rétractaire). Idéalement, une couche de charbon de 1 - 2 po (25 mm - 50 mm) devrait être déposée afin de garantir un rendement optimal.

6. L'appareil est conçu pour donner son rendement optimal lorsque l'air circule dans toute la chambre de combustion. ASTUCE : Si la cendre ou le bois brûlé restent dans le poêle, enlevez-les de la bouche d'aération primaire inférieure (BAPI) et grattez un petit sillon (1 - 2 po /25 mm- 50 mm de largeur) au centre des centres entre l'avant et l'arrière avant d'ajouter le combustible.

7. Une fois le combustible ajouté, fermez la porte et laissez la trappe d'entrée d'air complètement ouverte jusqu'à ce que le feu soit bien allumé (au moins 15-20 minutes) sans trop alimenter le feu (si une pièce extérieure du poêle ou du conduit de raccordement devient brillant le poêle est trop allumé).

8. Ajustez de nouveau la trappe d'entrée d'air au niveau de combustion souhaité. Pour un niveau « Faible », glissez le bouton complètement vers la gauche, pour « Chaud » enfoncez-le vers la droite (s'il y a trop de fumée dans la chambre de combustion, ouvrez légèrement la trappe d'entrée d'air jusqu'à ce que les flammes reprennent et que le bois soit assez allumé). Réglez de base : fermé = Faible « à moitié ouvert = Moyen » et « complètement ouvert = Chaud »

## AJOUTER DU COMBUSTIBLE

Si la couche de charbon n'est pas chaude ou incandescente, grattez le charbon vers l'avant du poêle, fermez la porte et ouvrez complètement la trappe d'entrée d'air. Laissez le charbon réchauffer pendant 10-15 minutes. S'il est chaud et incandescent, étalez-le et posez votre prochaine charge dans le poêle (aucune couche de charbon ou cendre ne doit bloquer le BAPI). Laissez la porte de la trappe d'entrée d'air complètement ouverte pendant 15-20 minutes. La quantité de combustible à ajouter varie mais devrait rester inférieure à 1-2" (25 mm-50 mm) sous le niveau des tubes d'aération secondaires. Ensuite, placez le combustible en laissant assez d'espace pour que l'air puisse circuler par la trappe entre les pièces de bois. Cela réduit le temps de combustion.

AVIS: Polymérisation initiales des peintures En raison des températures très élevées à l'utilisation, ce poêle est couvert d'une Peinture adaptée aux températures Elevées. Ces peintures devront brûler Plusieurs fois pour polymériser afin de Garantir leur durabilité tout au long de Leur cycle de vie.

# CONSIGNES DE OPÉRATION

## AVERTISSEMENT: RISQUES D'INCENDIE

- Ne jamais ranger du bois sur le tapis protecteur, sous la conduite du poêle, ou dans les zones de dégagement minimales pour les surfaces combustibles identifiées pour ce poêle.
- Des feux trop intenses peuvent causer des incendies. Ceci est indiqué lorsque l'appareil ou le conduit de raccordement devient rouge.

## MESURES DE SÉCURITÉ - UTILISATION

1. Ne jamais faire de feux trop intenses puisque cela peut causer un incendie. Le feu est trop chaud si l'appareil ou la conduite du poêle devient rouge ou lumineux.
2. Ne jamais faire de feux trop intenses dans ce type de poêle car cela pourrait l'endommager, ou causer de la fumée excessive
3. Sur les appareils munis d'une porte de verre, ne jamais faire de feu trop près du verre.
4. L'appareil devient très chaud pendant l'utilisation. Garder les enfants, vêtements et meubles loin de l'appareil. Des brûlures pourraient être causées au contact. Ne jamais toucher le poêle allumé jusqu'à ce qu'il soit refroidi.
5. Bien aérer la pièce pour assurer une combustion adéquate
6. Inspecter la conduite du poêle chaque 60 jours. Remplacer immédiatement toute conduite rouillée ou laissant échapper de la fumée dans la pièce.

## AVERTISSEMENT: RISQUE D'EXPLOSION

- Ne jamais utiliser de substance chimique, d'essence, de combustible à lanterne de type essence, de kérosène, d'essence à briquets ou d'autres liquides inflammables pour allumer ou entretenir le feu dans le poêle.
- Garder tous les liquides inflammables, surtout l'essence, loin du poêle — qu'il soit allumé ou non.

## CE POÊLE EST CONÇU POUR ÊTRE ALIMENTÉ EN BOIS SEULEMENT!

Les pièces de bois de 1 6 po à 18 po (41 à 46 cm) devraient être séchées à l'air libre pendant au moins 6 mois. Les bûches mesurant plus de 6" (152 mm) de diamètre devraient être coupées. Le bois devrait être rangé dans un lieu sec et bien aéré. La teneur en humidité du bois à brûler doit être inférieure à 20 % du poids de la bûche. Tenter de faire brûler du bois humide ou non séché aura pour conséquences :

- Des problèmes d'allumage
- L'accumulation rapide de créosote et éventuellement un incendie dans la cheminée
- La combustion partielle
- Un mauvais rendement
- Le noircissement des fenêtres

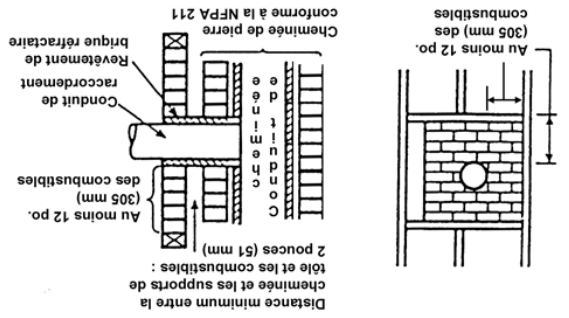
AVIS: N'utiliser que du bois solide. Ne jamais faire brûler des déchets ou des liquides inflammables comme l'essence, le naphthé ou l'huile à moteur. Ne jamais utiliser de Charbon. Ce poêle n'est pas conçu pour Fournir le tirage nécessaire à bien brûler Du charbon et des produits carbonés. Ne jamais soulever le feu ou utiliser des Grilles ou des chenets. Allumer le feu Directement sur le plancher de la chambre De combustion.

## COMBUSTION OPTIMALE DE CARBURANT

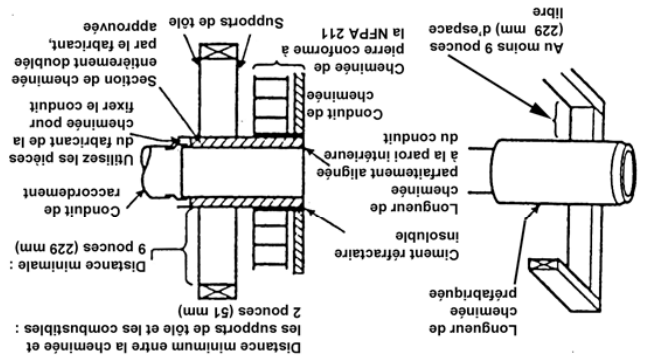
Ce poêle est conçu pour fournir le transfert le plus efficace de l'énergie thermique du bois pour le dégager dans votre demeure. La chambre de combustion prélève l'air de combustion de trois sources : (1) directement sous l'ouverture de la porte sous la fenêtre par la bouche de d'aération primaire inférieure (BAP1); (2) la trappe d'entrée d'air acheminée l'air vers la chambre de combustion et contrôle la vitesse de combustion (ainsi que la chaleur dégagée par le poêle); (3) les tuyaux d'aération secondaires sur le dessus de la chambre de combustion sont conçus pour allumer la combustion de gaz (fumée) produits par la combustion du bois, et augmenter l'efficacité du poêle tout en réduisant l'émission de fumée.

La fumée dégagée par la combustion est composée de minuscules gouttelettes de substances organiques. Lorsqu'elles se condensent, elles forment une substance collante ressemblant au goudron : la créosote. Un poêle bien utilisé pourra brûler ces gouttelettes, ce qui dégagera de la chaleur qui serait autrement perdue en se transformant en fumée. Les instructions ci-dessous vous permettront de bien utiliser votre poêle pour en maximiser le rendement. Le rendement réel repose sur la hauteur de la cheminée, les conditions climatiques, le volume des bûches, l'espèce de bois et la teneur en eau. Vous devrez faire des essais pour trouver les circonstances de fonctionnement idéales pour votre poêle. Vous trouverez ci-dessous un point de départ pour un réglage optimal.

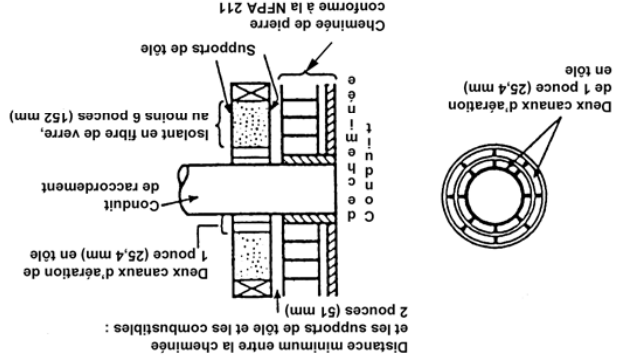
A. Briquetage - Briques d'au moins 3,5 po / 89 mm d'épaisseur encastrant le mur combustible avec une séparation de brique d'au moins 12 po / 305 mm entre le revêtement d'argile réfractaire doit couvrir la paroi extérieure du mur de brique, sans la dépasser, pour arriver à la paroi intérieure du conduit de doublage de la cheminée et doit être bien fixé par du ciment.



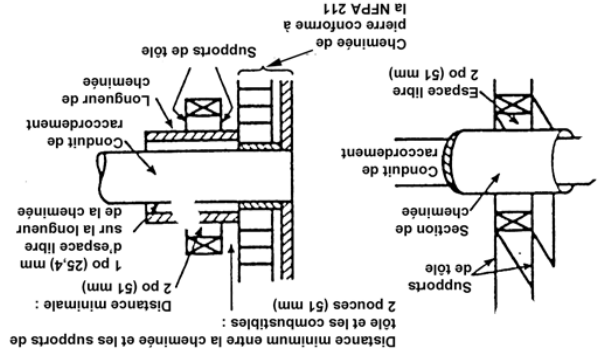
B. Manchon isolé - Tronçon de cheminée approuvé et entièrement isolé du même diamètre que le conduit de raccordement avec isolant d'au moins 1 po / 25,4 cm, avec au moins 9 po / 229 mm d'espace libre entre la paroi extérieure de la cheminée et les combustibles.



C. Manchon d'emboîtement aéré - Tuyau en acier de tôle d'un calibre égal ou supérieur à 24 d'épaisseur avec manchon d'emboîtement aéré de deux conduits égal ou supérieur à 24 d'épaisseur et deux conduits d'air de 1 po / 25,4 mm, séparés des combustibles par un isolant de fibre de verre d'au moins 6 po / 152 mm. Les ouvertures doivent être couvertes et le manchon d'emboîtement soutenu par un socle de tôle de calibre égal ou supérieur à 24 d'épaisseur.



D. Passe-plat dans la cheminée - Tronçon de cheminée approuvé et entièrement isolé d'un diamètre intérieur supérieur de 2 po / 51 mm à celui du conduit de raccordement, et dont l'isolant est d'une épaisseur d'au moins 1 po / 25,4 mm supérieure, servant de passe plat dans un conduit de raccordement à paroi simple dont l'épaisseur est de calibre égal ou supérieur à 24, avec au moins 2 po / 51 mm d'espace libre entre le mur extérieur de la section de cheminée et les combustibles. La longueur de la cheminée doit être d'au moins 12 po / 305 mm, interrompue par 1 po / 25,4 mm la séparant du raccord à l'aide de plaques de soutien de tôle aux deux extrémités de la section de cheminée. Les ouvertures doivent être fermées, et les sections de cheminées doivent être soutenues aux deux extrémités par un support de tôle solidement fixé aux surfaces des parois d'une épaisseur de calibre minimal de 24. Les attaches utilisées pour fixer les sections de cheminée ne doivent pas pénétrer le revêtement du conduit de cheminée.



# CONDUITS DE RACCORDEMENT

1. Un trou d'entrée doit être percé dans la pierre et le revêtement d'argile en causant le moins de dommages possible au revêtement. Au moins 8 po/203 mm du revêtement doit rester sous la position d'entrée. Lorsque vous posez le poêle et sa conduite, toutes les zones de dégagement minimales doivent être observées pour les surfaces combustibles, y compris les manteaux de foyer, boîseries combustibles, plafonds, et murs. Placez le centre du raccordement du poêle dans la cheminée à 24 po / 61 cm sous le plafond afin d'assurer un dégagement adéquat de 6 po/152 mm pour la conduite du poêle.
2. Installez un manchon d'emboutiment d'argile réfractaire (épaisseur minimum : 5/8 po / 16 mm). Assurez-vous que le manchon d'emboutiment est parfaitement aligné à la paroi intérieure du doublage de la cheminée et qu'il ne ressort pas de la conduite d'air (voir figure 14 à la page 10).
3. Fixez le manchon d'emboutiment avec du mortier réfractaire. Le manchon d'emboutiment devrait être recouvert de 12 po / 305 mm de brique solide ou de 24 po / 61 cm de pierre.
4. Installez la conduite du poêle dans le manchon d'emboutiment aussi loin que possible sans dépasser le doublage de la conduite d'air (voir figures 14 et 15 aux pages 10 et 11).
5. Laissez un peu d'espace libre (environ 1/2 po / 13 mm) entre la conduite du poêle et le manchon d'emboutiment, en prévision de la dilatation de la canalisation. Scellez cet espace avec un produit de calfeutrage à haute température ou de la fibre de céramique.
6. Fixez et scellez le registre de tirage dans l'espace clos avec un produit de calfeutrage à haute température, de la fibre de céramique, ou du ciment à calorifère. Vérifiez ensuite que la cheminée soit munie d'un orifice de nettoyage. Si c'est le cas, assurez-vous qu'il est fermé et scellé. Un orifice qui fuit réduira considérablement l'efficacité du tirage.

AVIS: Ne jamais tenter de faire passer le conduit de raccordement par l'avaloir du foyer.

Pour toute question sur la ventilation de votre poêle, contactez le fabricant ou l'Association nationale américaine de protection contre les incendies (NFPA) et demandez un exemplaire des dernières versions des normes NFPA 211 et 908. Voici son adresse: Battery March Park, Quincy, MA 02269 États-Unis.

NE PAS BRÛLER :

1. Des ordures;
2. Des déchets de tonte ou résidus de jardin;
3. Des matériaux contenant du caoutchouc, incluant les pneus;
4. Matériaux contenant du plastique;
5. Des déchets de produits du pétrole, des peintures ou diluants à peinture, ou des produits d'asphalte;
6. Matériaux contenant de l'amiante;
7. Débris de construction ou de démolition;
8. Traverses de voie ferrée ou bois traité sous pression;
9. Fumier ou restes d'animaux;
10. Bois de grève en eau salée ou autres matériaux précédemment saturés par de l'eau salée;
11. Bois non séché; ou
12. Produits du papier, carton, contreplaqué, ou panneau de particules. L'interdiction de brûlage de ces matériaux n'interdit pas l'utilisation d'allume-feu composés de papier, carton, sciure de bois, cire et substances similaires, aux fins de démarrer le feu dans un chauffage au bois modifié.

Le brûlage de ces matériaux peut causer des émanations de fumées toxiques ou rendre le chauffage inefficace en raison de la fumée. Le bois mort tombé des arbres doit être considéré comme mouillé et doit donc être séché. Le bois mort peut normalement être considéré comme sec à 66 %. Fendre et empiler le bois avant de l'entreposer accélère son séchage. Entrez le bois sur une surface surélevée du sol et sous un espace abrité de la pluie ou de la neige, accélérera le temps de séchage. Un bon indicateur pour savoir si le bois est prêt à brûler est de vérifier les extrémités du morceau. Si elles sont fendues de toutes parts à partir du centre, le bois devrait donc être suffisamment sec. Si votre bois grésille quand il brûle, même si la surface est sèche, il pourrait ne pas être entièrement sec et devrait être laissé à sécher plus longtemps.

## FUMÉE VISIBLE

La quantité visible de fumée produite peut être une méthode efficace pour déterminer comment le processus de combustion s'établit efficacement aux réglages donnés. La fumée visible est composée de combustibles non brûlés et de l'humidité s'échappant de votre poêle. Apprenez comment ajuster les réglages d'air de votre unité afin de produire la plus petite quantité de fumée visible. Le bois incorrectement séché a une teneur élevée en humidité et produira un excès de fumée visible et un mauvais brûlage.

# CONDUITS DE RACCORDEMENT

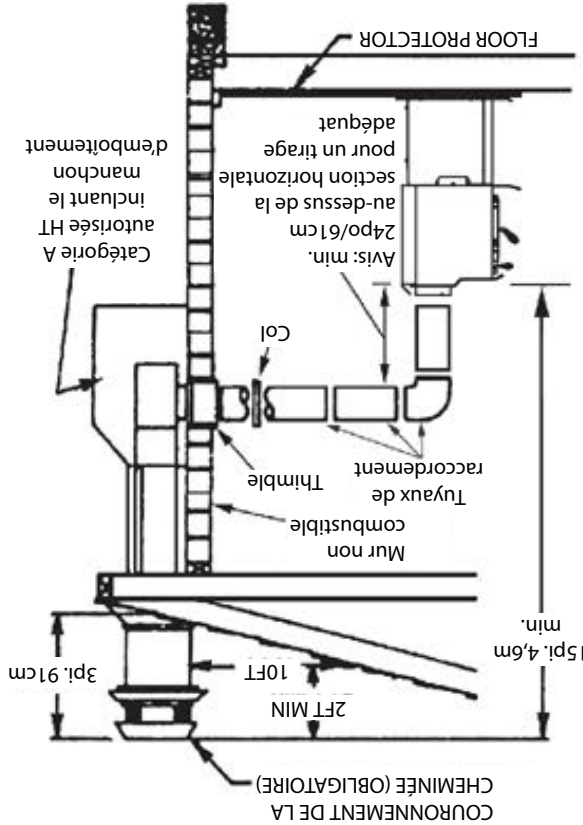
## AÉRATION VERS UN Foyer DÉJÀ EXISTANT

Si vous souhaitez transformer votre foyer en poêle, il est probable que l'établissement d'un raccord sécuritaire vers une cheminée de pierre taillée soit plus complexe que pour une cheminée préfabriquée. Le foyer en place doit être fermé et scellé au registre de tirage avec un produit de calfeutrage à haute température, de la fibre de céramique, ou du ciment à calcaire. Avant l'installation, nettoyez et inspectez la conduite d'air et la tablette à fumée. L'installation devrait faire en sorte que le système puisse être facilement démonté pour des inspections et des nettoyages périodiques. Avant les travaux, assurez-vous que la structure de la cheminée soit bien solide, que la conduite soit doublée et en bon état (le doublage de cheminée est composé de tuile en argile pour protéger le briquetage de la cheminée. Si la cheminée n'est pas doublée ou que la doublure est endommagée, il faut la faire doubler par un technicien professionnel. NE JAMAIS utiliser une cheminée non doublée ou endommagée!).

Pour toute question sur l'état de la cheminée, consultez un entrepreneur autorisé qualifié, un ingénieur qualifié, un maçon qualifié, un ramoneur certifié ou un inspecteur expert. Consultez votre compagnie d'assurance si vous ne trouvez pas d'expert qualifié. De nombreux foyers préfabriqués appartiennent à la catégorie des foyers sans zone de dégagement. Leur construction est

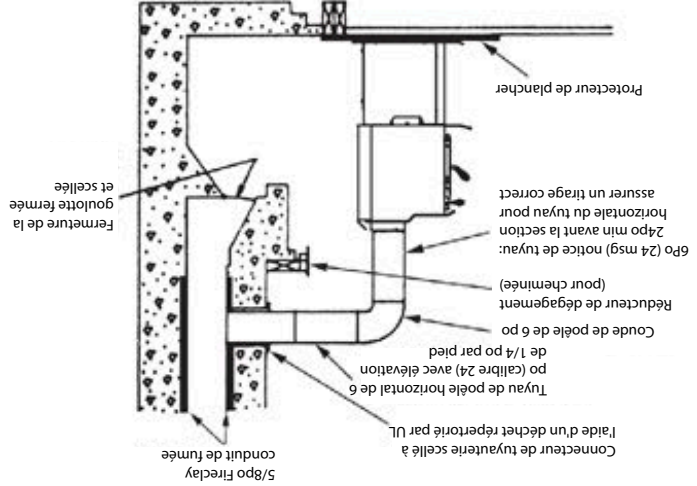
**AVERTISSEMENT:** Tous les foyers ne sont pas adaptés à la transformation en poêle à bois. Consultez un expert qualifié.

composée de plusieurs couches de métal superposées avec assez d'isolant et/ou refroidissement à air à la base, à l'arrière et sur les côtés pour qu'il soit possible de les installer en toute sécurité même en contact direct avec des planchers ou des murs combustibles. Bien que de nombreux foyers préfabriqués soient reconnus par des organismes de réglementation comme étant propres à l'utilisation en tant que foyers, ce type d'appareil n'a pas été testé pour sa capacité à être relié à un poêle à bois de chauffage. Brancher votre poêle à ce type d'appareil annulera la garantie fournie par le fabricant. Les foyers avec doublage d'acier sont munis d'une chambre de combustion avec doublage de 1/4 po / 6,4 mm et un réservoir d'air relié à des pierres de 8 po / 203 mm. Par conséquent, les foyers avec doublage d'acier peuvent être utilisés en toute sécurité avec les poêles à bois. Ils possèdent toutes les composantes essentielles d'un foyer : chambre de combustion, registre de tirage, avaloir, tablette à fumée, et chambre à fumée. Plusieurs sont identiques aux foyers de pierre et ils devraient être inspectés avec soin avant d'être reliés au poêle. La ventilation directe d'un poêle dans un foyer n'est pas conforme aux codes du bâtiment et ne devrait pas être effectuée (cela consiste à relier le poêle à un autre appareil, en l'occurrence le foyer). Les combustibles créent des dépôts et s'accumuleront dans la chambre de combustion ou le foyer. La garantie du poêle pour votre demeure avec une telle installation.



## Tappez une conversion de foyer

Remarque: Utilisez trois (3) Vis à tôle à chaque raccord de tuyau de tuyau pour assurer la stabilité



**AVIS: NE JAMAIS TENTER DE FAIRE PASSER LE CONDUIT DE RACCORDEMENT PAR L'AVALOIR DU Foyer.** Le lien direct de la conduite du poêle dans une cheminée de pierre taillée (figure 19: Transformation du foyer de «Type A») au foyer est la SEULE méthode d'installation approuvée. Elle est complexe et requiert de suivre une méthode visant à assurer la sécurité. Elle ne devrait être entreprise que par un technicien qualifié en installation.

## INSTALLATION D'UN Foyer

## CHEMINÉE DE PIERRE TAILLÉE

Avant d'utiliser votre cheminée de pierre taillée, nettoyez-la, inspectez le revêtement de la conduite d'air et effectuez toutes les réparations nécessaires afin que son utilisation soit sécuritaire. Terminez les réparations avant de relier le poêle. La conduite de raccordement du poêle et les accessoires nécessaires pour la relier directement à une cheminée de pierre taillée munie d'un revêtement sont indiqués à la figure 15.

Si la conduite de raccordement du poêle doit passer par un mur combustible avant de parvenir à la cheminée de pierre taillée, consultez un maçon professionnel qualifié ou le détaillant de la cheminée. L'installation doit être conforme aux codes du bâtiment en vigueur dans votre région et à la dernière version de la norme NFPA 211 (É. U.) ou CAN/CSA B365 (Canada). Si l'orifice de nettoyage est ouvert à la base de la cheminée, fermez-le solidement. Exigences minimales de hauteur - Cheminée :

1. Hauteur totale – 15 pi / 4,6 m min.
2. Au-dessus du toit – 3 pi / 91 cm
3. Au-dessus de l'inclinaison – 2 pi / 61 cm min. dans 10 pi / 3,05 m
4. Inclinaison minimale avant la section horiz. – 24 po/61 cm

AVIS : Si les exigences minimales de hauteur de la cheminée ne sont pas satisfaites, votre poêle ne fonctionnera pas correctement.

## IMPORTANT D'UN TIRAGE ADEQUAT

Le tirage est une force déplaçant l'air de l'appareil vers la cheminée. La quantité de tirage dans votre cheminée dépend de la longueur de la cheminée, son emplacement géographique local, les obstructions à proximité et d'autres facteurs. Trop de tirage peut causer des températures excessives dans l'appareil et pourrait l'endommager. Un tirage inadéquat peut causer des retours de fumée dans la pièce et causer l'obturation de la cheminée. Un tirage inadéquat causera des fuites de fumée par l'appareil dans la pièce, s'infiltrant par l'appareil, et les joints du conduit de raccordement. Un brulage incontrôlable ou une température excessive indique un tirage excessif.

## CHEMINÉE PRÉFABRIQUÉE

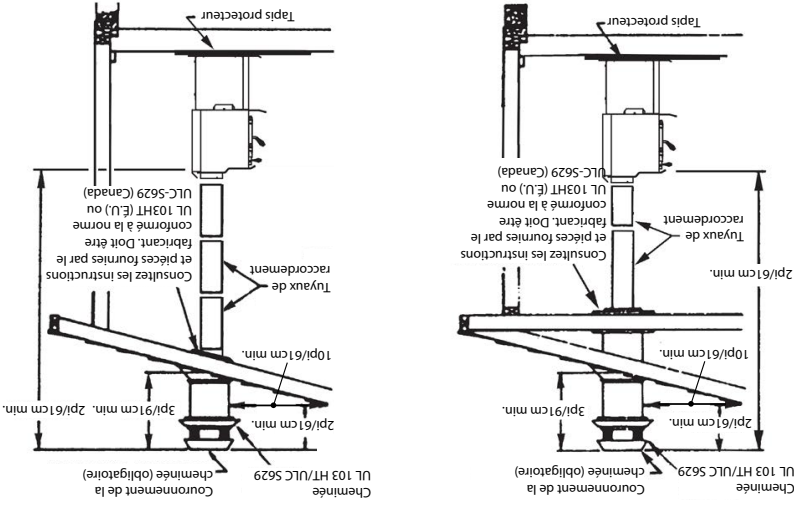
Consultez les instructions du fabricant de la cheminée et de sa conduite de raccordement concernant l'installation et l'utilisation.

Utilisez uniquement une cheminée de 6 po / 152 mm de diamètre répondant à la norme UL 103 HT ou LC-S629. Les cheminées visées par cette norme sont considérées comme adéquates pour les hautes températures : 2 100°F/1 149°C. Utilisez toujours les cheminées d'un seul fabricant, et n'agenciez jamais les marques. Suivez à la lettre les exigences et les zones de dégagement indiquées par le fabricant. Utilisez les protecteurs greniers, montants de toit, hoquets et coupe-feux pour la traverser du plafond fournis par le fabricant. Utilisez un passe-plat mural approuvé pour faire passer la conduite par un mur combustible. NE JAMAIS utiliser des méthodes improvisées pour ce type d'installation.

Si vous avez déjà une cheminée, il faut faire inspecter son état et son installation avant de l'utiliser. Assurez-vous que la cheminée répond à toutes les exigences de l'UL évaluées déjà énoncées. Sachez que toutes les cheminées préfabriquées n'ont pas nécessairement été évaluées aux fins de la norme UL 103 HT / ULC-S629.AVIS : Il recommandé de contacter un technicien autorisé en chauffage et en climatisation (dans les pages jaunes) pour installer une cheminée. Il est possible de se procurer une cheminée préfabriquée évaluée aux fins des normes UL/ULC dans la plupart des centres de rénovation, quincailleries et détaillants CVC.

Vous pouvez obtenir des renseignements auprès du fabricant de la cheminée en consultant son site Web : [www.duravent.com](http://www.duravent.com), [www.selkirking.com](http://www.selkirking.com) ou [www.mtffab.com](http://www.mtffab.com).

AVIS: Si les exigences minimales de hauteur de la cheminée ne sont pas satisfaites, votre poêle ne fonctionnera pas correctement.



# TAILLE DE LA CHEMINÉE

Aujourd'hui, les appareils de chauffage à combustible solide sont beaucoup plus efficaces que ceux d'autrefois. Votre appareil de chauffage a été conçu pour transférer la chaleur le plus efficacement possible en utilisant de moindres quantités de combustible. La combustion contrôlée est la pierre angulaire du rendement maximal en matière de chauffage. Ce contrôle exige l'acheminement d'air frais vers l'appareil, afin qu'il traverse le combustible et soit évacué par la cheminée. Le haut rendement des poêles d'aujourd'hui leur permet de transférer plus de chaleur dans les surfaces habitables et en garder moins dans la cheminée. En général, les gaz d'échappement sont moins chauds que dans les poêles traditionnels. La plus faible température des gaz d'échappement signifie que la dimension de la cheminée doit être adaptée à celle du poêle. Si son diamètre est trop élevé, il sera difficile d'augmenter la température de la conduite de cheminée pour que le tirage soit assez fort. Cela peut avoir pour résultats une combustion difficile, l'échappement de fumée et l'accumulation rapide de crasse. Une cheminée de 6 po / 152 mm de diamètre est la mieux adaptée à ce poêle. Votre appareil de chauffage doit avoir une cheminée d'un diamètre d'au moins 6 po/152 mm et au plus 10 po/254 mm, ou être muni d'une section transversale de plus de 85 pi<sup>2</sup>/550 cm<sup>2</sup>. Pour cet appareil de chauffage, le tirage doit être d'au moins 0,05 CE (colonne d'eau), afin de réduire les risques de renvoi de fumée et de fumée excédentaire et réduire les risques pour la sécurité.

## CONDUITS DE RACCORDEMENT

Le poêle doit être relié à une cheminée de pierre avec revêtement ou une cheminée de métal préfabriquée et testée pour répondre aux exigences techniques identifiées aux pages précédentes.

Les cheminées ont deux fonctions:

1. Evacuer la fumée et les gaz produits par la combustion.
2. La cheminée ne fait que « tirer » les gaz afin de permettre l'alimentation constante en oxygène dans l'appareil, qui rend possible une combustion adéquate. Ce poêle fonctionne par tirage naturel.

Un poêle NE CRÉE PAS de tirage. Le tirage est assuré par la cheminée. Pour que le tirage soit suffisant, votre cheminée doit répondre aux quatre critères de hauteur minimale indiqués sur les images 16-18. Si votre cheminée ne répond pas à ces exigences minimales, votre poêle ne fonctionnera pas correctement. Une CE d'au moins 0,05 (colonne d'eau) est nécessaire pour que le tirage puisse réduire le risque de renvoi de fumée et de dégagement de fumée excédentaire, et assurer une performance maximale. (Des calibres de mesure du tirage sont disponibles dans les points de vente de poêles : ils sont économiques à louer ou acheter.)

Certains facteurs comme le vent, la pression atmosphérique, les arbres, l'état du terrain et la température de la cheminée peuvent avoir un effet néfaste sur le tirage. Le fabricant ne peut être tenu responsable de l'effet des facteurs externes nuisant à la performance du tirage. Si vous avez des problèmes de tirage insuffisant, nous vous suggérons d'entrer en contact avec un technicien autorisé en chauffage et en climatisation qui pourra vous aider à résoudre le problème.

Pour une explication plus détaillée, consultez la section sur le tirage de la cheminée.

IMPORTANT : Points sur l'installation

1. Ajustez le conduit de cheminée au col du poêle. Ce poêle exige une conduite d'air d'au moins 6po/152m de diamètre.
2. Ne jamais relier cet appareil à une cheminée utilisée avec un autre appareil.
3. La cheminée doit répondre à toutes les exigences sur la hauteur minimale.
4. Ne jamais utiliser une cheminée pour aérer une cave ou un sous-sol.
5. Contactez les autorités locales du bâtiment afin de connaître les méthodes approuvées d'installation et les exigences sur les permis et/ou les inspections.

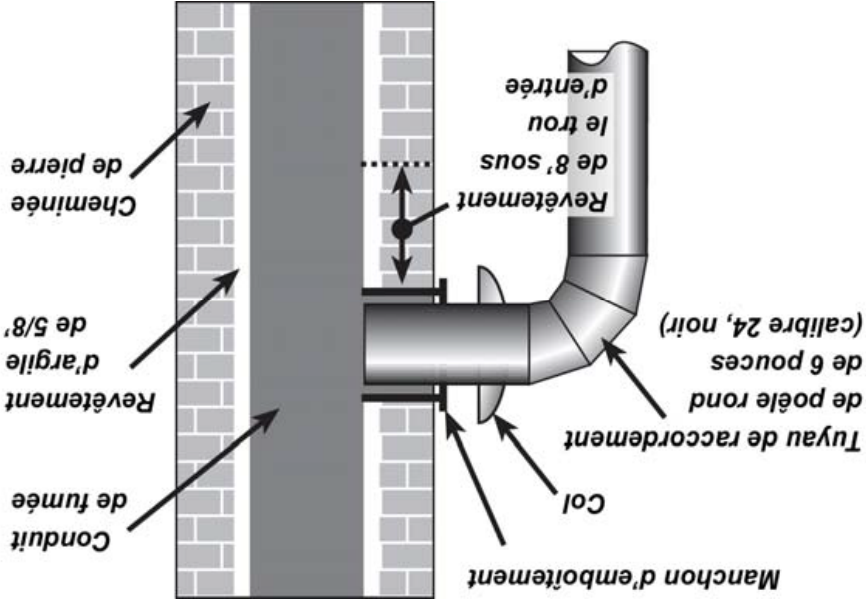


Fig. 11 – Relier a cheminée de pierre

# INSTALLATION DU TUYAU DE RACCORDEMENT

AVIS : Le tuyau de raccordement n'est pas inclus. Pour des instructions sur l'achat, visitez votre quincaillerie ou centre de rénovations local. Consultez la section « Placer le poêle » en page 6 pour plus de spécifications.

Le tuyau de raccordement sert à relier votre poêle (en position finale) à une cheminée approuvée. Le tuyau de raccordement ne constitue PAS une partie du poêle. Le tuyau de raccordement doit être un tuyau de poêle en acier d'un diamètre d'au moins 6 po / 152 mm avec calibre minimum standard 24 (noir) ou 26 (bleu). Le tuyau de raccordement n'est pas évalué, et doit donc être assez éloigné des matériaux combustibles tel qu'illustré dans les diagrammes de dégagement des pages précédentes. Le tuyau de raccordement ne devrait jamais remplacer la cheminée. Ne pas observer les zones de dégagement peut causer un incendie.

## INSTRUCTIONS D'INSTALLATION

Avis : L'installation d'un registre de tirage n'est PAS recommandée. La combustion est contrôlée par l'entrée d'air de combustion, et non par l'échappement.

1. Le bout ondulé du raccord du poêle se fixe à l'intérieur du col de la conduite d'air du poêle. Fixez-le avec trois (3) vis à tôle. La première section du tuyau de raccordement ne doit avoir qu'une seule paroi pour bien se fixer au col du poêle. Installez d'autres tuyaux et coudes, en orientant le bout ondulé vers le poêle. Cela permettra d'évacuer la condensation de la conduite vers la chambre de combustion.

2. Les canalisations horizontales doivent pointer vers le haut de la cheminée d'au moins 1/4 po (6,4 mm) par pied de canalisation horizontale.

3. Assurez-vous de dégager au moins 18 po / 457 mm entre toute canalisation horizontale et le plafond. La canalisation ne peut pas être prolongée dans la conduite de la cheminée (figure 14).

5. Fixez les sections de canalisation/coudes avec trois vis à tôle à chaque joint afin de rendre la canalisation rigide.

6. Il est recommandé de ne pas utiliser plus de deux (2) coudes de 90° dans l'installation de la conduite du poêle. L'utilisation de plus de deux coudes de 90° réduit le débit du tirage et peut causer le dégagement de fumée. Si possible, n'utilisez que des coudes ondulés (non réglable) qui fournissent un joint plus étanche.

7. Le tuyau de raccordement ne doit jamais passer par un grenier, comble, ferme, garde-robe ou aucun autre espace isolé, plancher, plafond, mur, ou installation combustible (voir systèmes de conduites de raccordement et zones de dégagement, page 23). Les cheminées conformes à la norme UL 103 HT/ULC-S629 doivent être utilisées à la première pénétration du plafond ou du mur vers le couronnement de la cheminée. Si vous souhaitez le faire passer par un mur ou une cloison combustible, l'installation doit être conforme aux directives prescrites par la norme CAN/CSA-B365 (Canada).

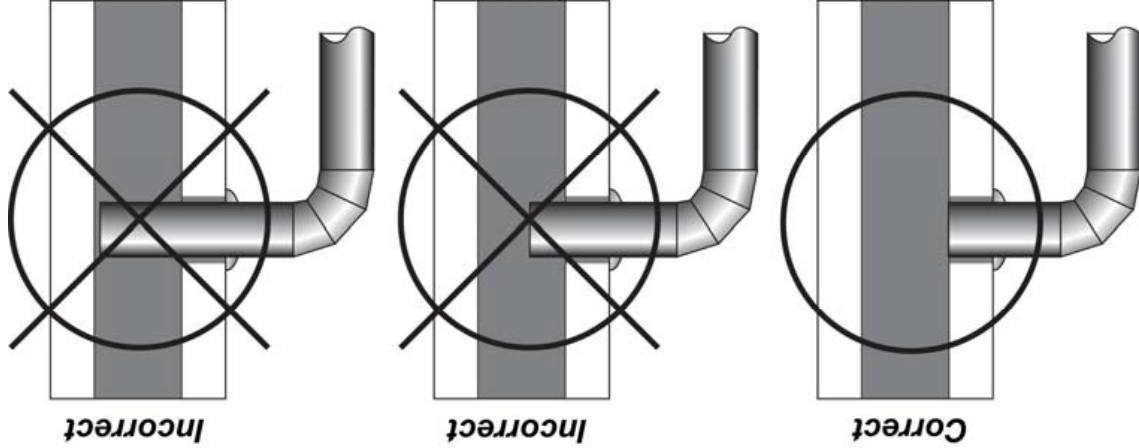


Figure 10 : Le tuyau de raccordement et la cheminée

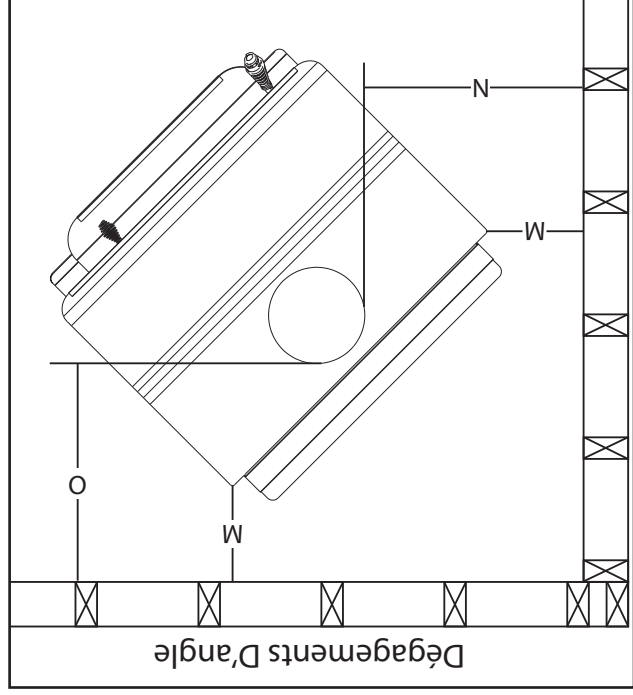
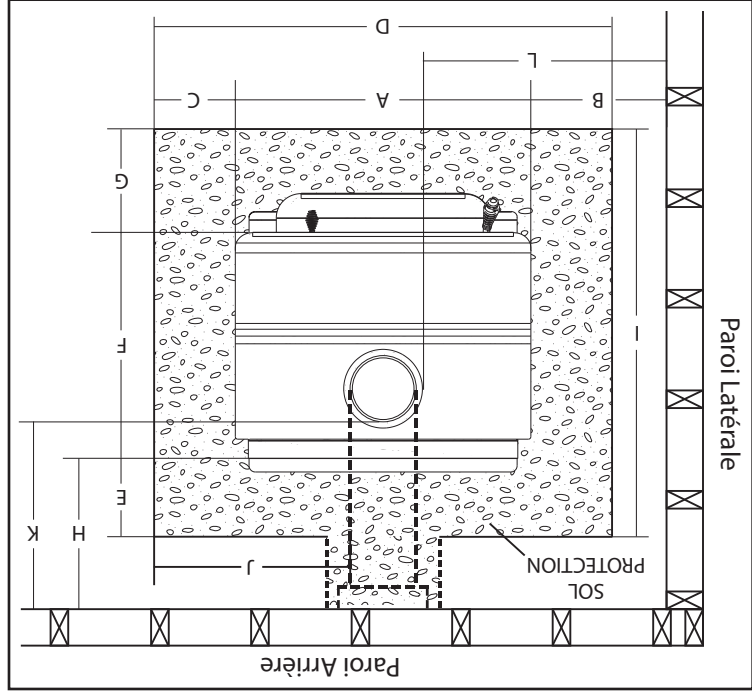
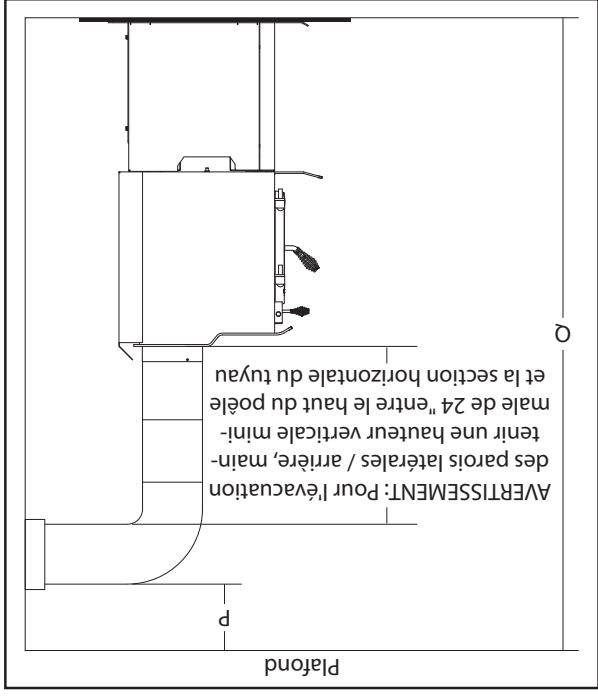
Tenez compte de l'emplacement de la cheminée pour veiller à ce qu'elle ne soit pas trop près des voisins ou dans une vallée pouvant causer des conditions malsaines ou nuisibles.

# POSER LE POËLE

Les lignes pointillées montrent un connecteur de cheminée horizontal et un protecteur de sol supplémentaire reçus sous

Les distances minimales et les dimensions minimales des protecteurs de sol pour l'installation aux États-Unis sont conformes à la norme UL1482 (R2015) et à l'installation canadienne selon UL-C-5627

Liquidations		CANADIEN	
A	23" (58.4cm)	23" (58.4cm)	
B	15" (38.1cm)	15" (38.1cm)	
C	8" (20.3cm)	8" (20.3cm)	
D	39" (99cm)	39" (99cm)	
E	2" (5.08cm)	8" (20.3cm)	
F	18" (45.7cm)	18" (45.7cm)	
G	16" (40.6cm)	18" (45.7cm) min.	
H	12" (30.5cm) min.	12" (30.5cm) min.	
I	36" (91.5cm)	42" (106.7 cm)	
J	24" (61cm)	24" (61cm)	
K	15" (38.1cm)	15" (38.1cm)	
L	24" (61cm)	24" (61cm)	
M	12" (30.5cm)	12" (30.5cm)	
N	21" (53.34)	21" (53.34)	
O	21" (53.34)	21" (53.34)	
P	18" (46cm)	18" (46cm)	
Q	7" (2.13m)	7" (2.13m)	



**PRÉCAUTION:** (RISQUE D'INCENDIE) LA COUCHETTE ET AUTRES MATÉRIAUX COMBUSTIBLES NE COUVRONT PAS LE PROTECTEUR DE PLANCHER. CES MATÉRIAUX DOIVENT RESTER À L'EXTÉRIEUR DES DISPOSITIFS COMBUSTIBLES.

**ATTENTION:** Tirez les meubles et autres matériaux combustibles éloignés du poêle et les dégagements minimaux à l'extérieur.

**ATTENTION:** Rempilacer les briques réfractaires avant de tirer le poêle. Placez les briques réfractaires de sorte qu'il n'y ait plus d'espace entre les briques.

# POSER LE POËLE

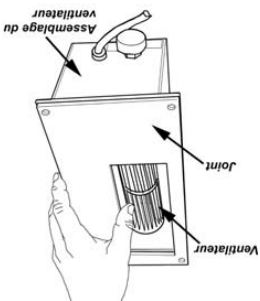
1. Le poêle doit être placé sur un béton solide, une maçonnerie pleine ou, lorsqu'il est installé sur un plancher combustible, le protecteur de sol doit être conforme à la norme UL 1618 qui prévoit au moins une protection contre la brasure de type 1 et est constitué d'un matériau non combustible ou équivalent. L'appareil de chauffage et à l'avant / aux côtés / à l'arrière comme indiqué sur le schéma de matériau incombustible ou équivalent.
2. US Exigences: Le protecteur de sol doit s'étendre au moins 16" / 41cm au-delà de l'avant de la porte d'accès, 8" / 20.3cm sur les côtés, 2" / 5.08cm au-delà de l'arrière, et doit s'étendre sous et 2" / 5.08mm Delà des deux côtés du raccord de tuyau de poêle s'il est coulé vers un mur. Voir les chiffres fournis et consulter les codes locaux du bâtiment et les ordonnances de protection incendie.
3. Exigences canadiennes: La base doit s'étendre d'au moins 18 po / 45,72 cm au-delà de la porte d'accès, de 8" / 20,3 cm sur les côtés, de 8" / 20,3 cm derrière le poêle et doit s'étendre sous et de 2" / 5,08 mm au-delà De chaque côté du tuyau du poêle s'il est coulé vers un mur. Voir les chiffres fournis et consulter les codes locaux du bâtiment et les ordonnances de protection incendie.
4. La pièce dans laquelle le poêle est installé doit avoir une hauteur minimum de plancher au plafond de 7ft./2.13m et une hauteur minimale de cuisinière au plafond de 49" / 124,46cm.
5. Le poêle doit avoir sa propre cheminée. Ne pas raccorder cet appareil à un conduit de cheminée servant d'autres appareils.
6. Après avoir observé les dégagements sur les matériaux combustibles (figures 6-8), placez votre pare-soleil en conséquence et placez soigneusement le poêle à l'endroit choisi. Installer le tuyau de poêle, les coudes et le dé à coude au besoin, en utilisant soit une cheminée de maçonnerie de 6" / 152mm récemment nettoyée et inspectée, soit une cheminée de 6" / 152 mm i.d. UL 103 HT (US) / UL-C-5629 (CDN).
7. Utilisez des rondes de 6" / 152 mm de diamètre, 24 minimum MSG clack ou 26 MSG tuyau de poêle en acier bleu pour connecter le poêle à la cheminée. NE PAS UTILISER DE TUYAUX DE CONDUIT GALVANISÉ COMME CONNECTEUR. Fixer les sections de tuyau / coude avec au moins trois (#) vis à tôle équidistantes à chaque joint et au niveau du collier du poêle pour rendre le tuyau rigide. Ne connectez pas ce poêle à un système de distribution d'air ou de conduit.
8. Vérifiez à nouveau les dégagements du poêle, du tuyau du poêle du raccord et des dégagements des coins en utilisant les illustrations des figures 6-8 et les codes locaux du bâtiment ou les ordonnances de protection incendie.
- Remarque: Tout mur contenant des matériaux combustibles tels que des poteaux en bois, des cloisons sèches et des briques ou des pierres doit être considéré comme une surface combustible.
9. NE PAS installer ce poêle dans une maison mobile, une maison préfabriquée, une remorque ou une tente - AUCUNE EXCEPTION! (Norme fédérale HUD: 24CFR Ch.xx)
10. Les dégagements fournis sont des dimensions minimales définies par UL1482 (R2015) et UL-C-5627-00, testées et appliquées par OMNI Test Laboratories, Inc., le laboratoire d'essai du fabricant. L'installation de ce poêle doit être conforme à la dernière édition de la norme NFPA 211 (US) / CAN / CSA-B365 (CDN) pour les dégagements réduits et / ou les régléments locaux du bâtiment. Utilisez les dimensions minimales les plus importantes. Les dégagements indiqués doivent être respectés pour un fonctionnement sûr de cet appareil. LES DÉGAGEMENTS NE PEUVENT PAS ÊTRE RÉDUITS DANS TOUS LES MOYENS AUX ÉTATS-UNIS OU AU CANADA.
11. NE JAMAIS FONCTIONNER CE POËLE SANS LA PORTE DE CLEANOUT DE CENDRE OU AVEC LE TIROIR DE CENDRE ENLEVÉ - des conditions de fonctionnement très dangereuses pourraient en résulter. Le non respect de ces exigences minimales de dégagement peut entraîner une installation dangereuse et provoquer un incendie.
12. Ce poêle satisfait à la norme d'essai des États-Unis: 1482 (R2015) et norme canadienne: UL-C-5627-00.
13. Toujours placer le poêle pour fournir une source d'air frais dans la pièce où l'unité est installée. Ne pas le faire peut entraîner la famine d'air d'autres appareils à combustion et le développement éventuel de conditions dangereuses.

## VENTILATEUR REFOULANT OPTIONNEL (NON INCLUS) AVEC LE POÊLE

1. Fixer le ventilateur assemblé (fig. 4) au dos du déflecteur arrière. (fig.5)
- AVIS: Assurez-vous que le joint de céramique soit bien placé entre le protecteur thermique du déflecteur arrière et le ventilateur assemblé. Utilisez quatre vis fournies pour attacher le ventilateur au protecteur thermique arrière. 2. Eloignez le fil électrique du poêle. Ne pas laisser le fil électrique entrer en contact avec aucune surface chaude et gardez-le à moins de 12" des surfaces du poêle.
3. Une fois la position du poêle établie, branchez le fil électrique à une prise avec mise à la terre de 120 v.

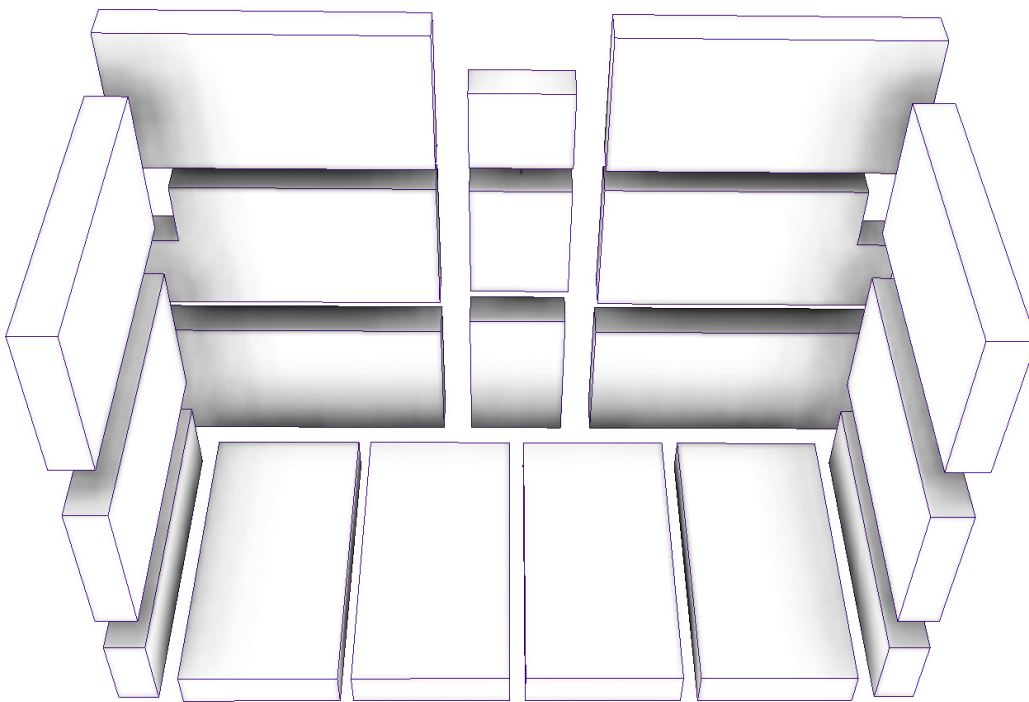


Fig. 4: Assemblage du ventilateur optionnel



**ENSEMBLE BRIQUE**

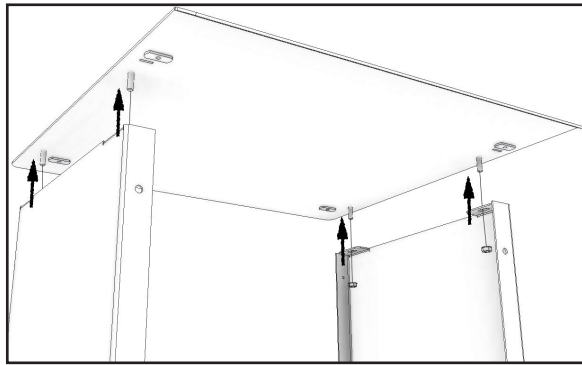
Firebrick prolonge la vie de votre poêle et rayonne la chaleur plus uniformément. Vérifiez que toutes les briques réfractaires sont dans leurs positions correctes et ne se sont pas désalignées lors de l'expédition ou d'assemblage. Si elle est enlevée pour faciliter la localisation poêle, firebrick et couverture de décharge de cendres doit être remplacé avant le tir. Voir les diagrammes, pour un bon positionnement.



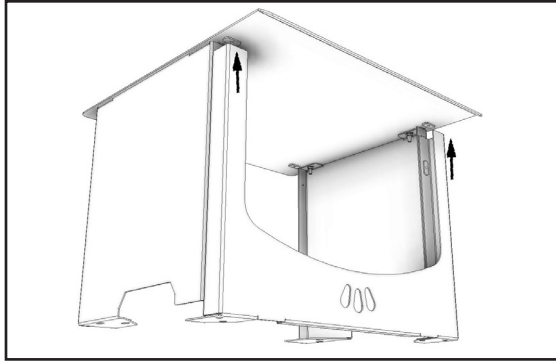
**ATTENTION: Ne jamais faire fonctionner le poêle avec des briques d'incendie manquantes ou craquées!**

4. Alignez les trous du côté gauche et droit du

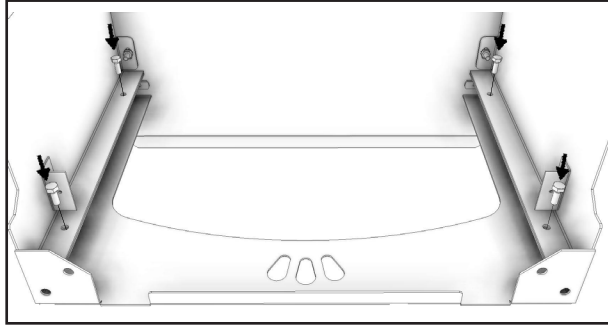
piédestal aux chevilles situées sur la base inférieure. Fixez les côtés du socle à la base à l'aide des quatre (4) écrous prévus de 1 / 4-20 kep.



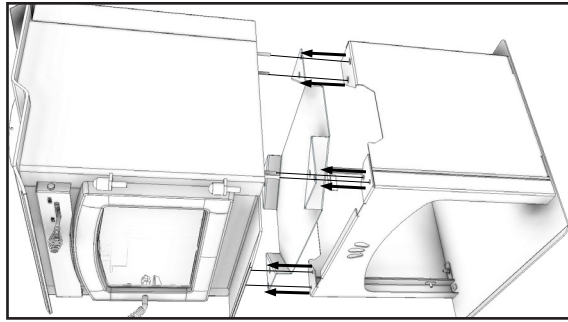
5. Faites glisser les deux languettes situées au bas du piédestal avant dans les fentes situées sur la base inférieure.



6. Fixez l'avant du piédestal aux côtés du piédestal gauche et droit en utilisant les quatre (4) bornes fournies 1 / 4-20 comme illustré.

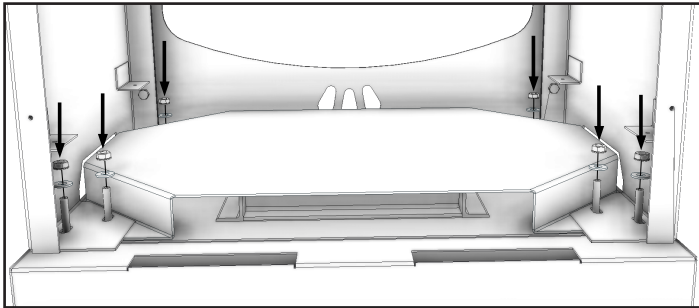


7. Faites glisser le bouclier thermique sur les vis de réglage qui ont été précédemment installées à l'étape 3. Glissez ensuite le magasin de stockage sur les mêmes vis de réglage que le bouclier thermique.

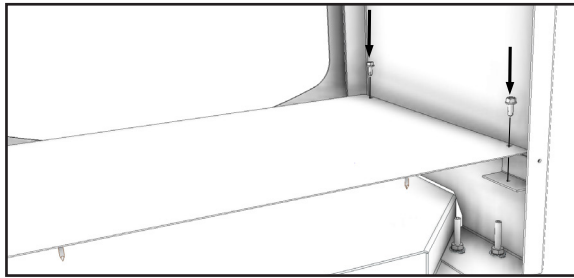


-6-

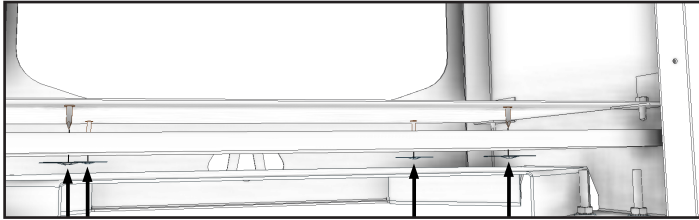
8. Utilisez les huit (8) rondelles fournies et les écrous de 1 / 4-20 kep pour fixer le bouclier thermique et la rondelle de rangement en place.



9. Utilisez quatre (4) boulons # 10 X 1/2 pour fixer le support isolant à la partie inférieure des supports d'isolation situés sur les côtés gauche et droit du piédestal comme illustré.

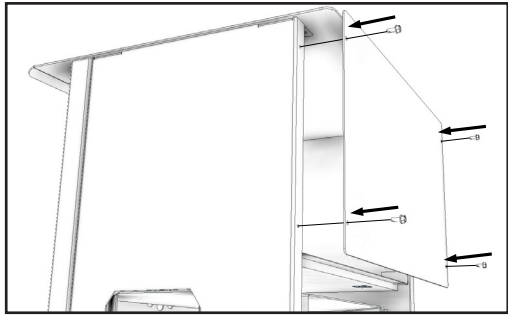


10. Installez l'isolant en laine kaolin et fixez-le avec les quatre (4) supports isolants fournis comme indiqué.



11. Régler soigneusement le poêle en position verticale. Fixez le panneau arrière comme illustré à l'aide des quatre (4) boulons # 10 X 1/2 fournis.

Mise en garde! L'appareil est très lourd. L'aide d'une deuxième personne est fortement suggérée. Veuillez utiliser une technique de levage appropriée lors du positionnement de l'appareil pour le montage et l'installation.



# INSTRUCTIONS DE MONTAGE

NOTICE: No warranty, stated or implied, has been granted for the installation or maintenance of this stove and assumes no responsibility of any incidental or consequential damages.

## OUTILS ET MATÉRIAUX NÉCESSAIRES POUR L'INSTALLATION

(AVIS: Les objets suivants ne sont pas inclus avec votre poêle)

### MATÉRIAUX

- Tapis protecteur: selon exigences (voir page 7)
- Conduit de raccordement: coudé ou tuyau droit de 6 po / 152 mm dia., calibre standard minimum: 24 noir or calibre standard minimum 26 bleu, en acier.
- Vis à tôle de 1/2 po / 13 mm
- Cheminée :
- Cheminée en pierre taillée existante de 6 po / 152 mm, approuvée avec revêtement
- Ou cheminée préfabriquée d'un diamètre intérieur de 6 po / 152 mm, approuvée par les normes UL/ULC Type HT.
- Ciment à calorifère (le fabricant recommande le Rutland Code 78 ou équivalent)

### OUTILS

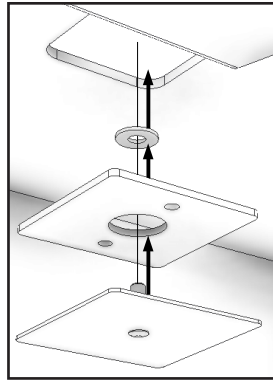
- Crayon
- Règle pliante ou ruban à mesurer de 6 pi / 2m
- Cisaille de ferblantier
- Perceuse manuelle ou électrique
- Fleuret de 1/8 po / 3 mm de diamètre (pour les vis à tôle)
- Tournevis (à bout plat et Phillips)
- Tourne-écrou de 10 mm ou cliquer avec embout de 10 mm
- Lunettes de sécurité
- Gants

**AVERTISSEMENT:** Le poêle est lourd. Asseyez-vous toujours de vous faire aider et d'utiliser les bonnes techniques de soulèvement avant de déplacer le poêle.

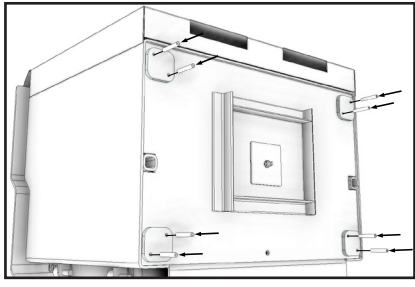
Détachez le poêle et retirez tous les matériaux d'emballage et le sac protecteur. AVIS: NE PAS enlever le matériau de couverture en céramique de l'intérieur de l'ouverture du tuyau de poêle. Cette couverture fournit un joint d'étanchéité à l'air sur les parois latérales du poêle pour diriger les gaz de combustion sur les tubes de combustion secondaires avant de sortir par la cheminée. NE PAS RETIRER la couverture en céramique ou votre poêle ne fonctionnera pas correctement. Retirez toutes les pièces de l'intérieur du poêle. REMARQUE: Le poêle peut être allégé pendant l'installation en enlevant la brique de feu. Remplacer la brique de feu avant de l'utiliser. Il ya six briques de tailles différentes. Notez l'emplacement de chaque enlevant pour l'endroit approprié à l'intérieur de firebox.

Avant de fixer le poêle à la base, il faut recouvrir le cendrier comme indiqué dans les instructions suivantes: 1. Après la brique de feu ont été enlevés placez le carton apliqué sur le plancher et posez soigneusement le poêle sur son dos. Localisez le trou de cendre, il est situé à l'intérieur du poêle au centre de la chambre de combustion comme indiqué. Assemblez le couvercle du cendrier dans l'ordre suivant:

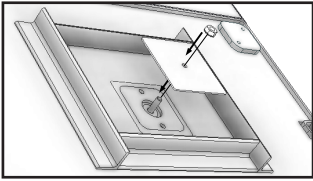
- Ensemble de couverture de cendres
- Joint d'agitation
- Machine à laver



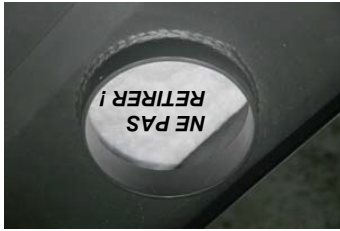
3. Visser les huit (8) 1 / 4-20 X 1,5 vis de réglage dans les trous filetés comme indiqué. Utilisez une clé Allen pour serrer complètement la vis de réglage à chacun des quatre coins.



2. Au fond du poêle, utilisez le couvercle du trou de cendre fourni et un écrou de 1 / 4-20 KP pour fixer le bouchon du cendrier en place, comme indiqué.



**Figure 1**  
NE PAS retirer le filtre de céramique de la paroi intérieure de l'ouverture de la conduite du poêle. Il ne s'agit PAS de matériel d'emballage mais d'une partie intégrante du système de combustion du poêle.



# MESURES DE SÉCURITÉ

28. NE CONNECTEZ PAS OU N'UTILISEZ PAS EN CONJONCTION AVEC TOUTS LES TRAVAUX DE CONDUITS DE DISTRIBUTION D'AIR, SAUF QU'IL SOIT SPÉCIFIQUEMENT APPROUVÉ POUR CES INSTALLATIONS.
29. UN POÊLE À BOIS NE DOIT JAMAIS ÊTRE INSTALLÉ DANS UN CHEMIN DE CHALET OU PRÈS D'UN ESCALIER, car il peut bloquer l'évacuation en cas d'incendie.
30. NE PAS INSTALLER DANS UNE CHAMBRE. NE PAS INSTALLER DANS UN ALCOVE OU DANS UN FOYER.
31. Installez au moins un détecteur de fumée à chaque étage de votre maison. Les détecteurs doivent être placés loin de l'appareil de chauffage pour éviter de fausses alarmes. Les détecteurs doivent être situés à proximité des zones de chauffage. Suivez les instructions de montage et d'installation du fabricant des détecteurs de fumée. Maintenir le détecteur de fumée selon les instructions du fabricant.
32. RISQUE DE MONOXYDE DE CARBONE (CO). Certains combustibles (par exemple le charbon de bois, qui ne devrait jamais être utilisé dans cet appareil) ont la possibilité de générer du monoxyde de carbone. Une accumulation de vapeurs de CO est toxique et peut être fatale. Le monoxyde de carbone est un gaz incolore et inodore produit lors de la combustion du bois, du charbon, du pétrole, du gaz et d'autres appareils à combustion. Il est important d'avoir un bon tirage et une ventilation d'air de remplacement adéquate afin que les fumées soient tirées de la cheminée. Installez comme indiqué, ce poêle est conçu pour être aussi sûr que possible, mais il est recommandé d'installer un détecteur de CO. Suivez les recommandations du fabricant pour

- une installation et une utilisation appropriées. Il est recommandé d'être placé au niveau du dessus de table (pas près du plafond) pour éviter de fausses alarmes. S'assurer que les dispositifs autres qu'un poêle (c'est-à-dire l'échappement du moteur) peuvent déclencher des alarmes CO.
- **Si l'alarme retentit:**
  - Reconnaître les symptômes de l'empoisonnement au CO (maux de tête, nausées et somnolence).
  - Augmenter la ventilation (fenêtres et portes ouvertes).
  - Assurez-vous que les portes et / ou les couvercles des poêles sont fermés et sécurisés. Vérifiez que le poêle ne fume pas ou qu'il ne souffle pas.
  - Vérifiez que la cheminée et le tuyau de raccord ne présentent pas de fuites, de blocage ou de tirage.
  - Vérifiez le détecteur de fausses alarmes.
33. Gardez les cordons d'alimentation, les appareils électriques et / ou les ensembles à l'extérieur de la zone de dégagement indiquée dans ce manuel pour les matériaux combustibles.
34. Consultez le service du bâtiment municipal ou les responsables des incendies pour connaître les restrictions, les permis et les exigences d'installation pour votre région.
35. Pour obtenir de plus amples renseignements sur l'utilisation de votre poêle en toute sécurité, obtenez une copie de la publication de la National Fire Protection Association (NFPA) intitulée «Utiliser le charbon et les poêles à bois en toute sécurité», NFPA n ° HS-10-1978. Écrire NFPA, Batterymarch Park, Quincy, MA 02269.

# MESURES DE SÉCURITÉ

11. En cas d'incendie de cheminée, tournez les commandes d'air à des positions fermées, quittez le bâtiment et appelez le service d'incendie IMMÉDIATEMENT! Avoir un plan clairement compris sur la façon de gérer un incendie de cheminée en communiquant avec votre autorité locale d'incendie pour des informations sur les procédures appropriées en cas d'incendie de cheminée. Après que le feu est sorti, la cheminée doit être nettoyée et inspectée pour tout stress ou fissures avant de commencer un autre incendie. Vérifier l'état des combustibles entourant la cheminée.
12. Les cendres ne doivent pas s'accumuler au-dessus du haut de l'orifice d'air primaire inférieur (LPAO), évent à l'avant de la chambre de combustion, juste à l'intérieur de la porte).
13. ELIMINATION DES CENDRES Les cendres doivent être placées dans un contenant en acier muni d'un couvercle étanche et déplacées immédiatement à l'extérieur. Le contenant fermé de cendres doit être placé sur un sol incombustible ou au sol, loin de toute matière combustible, en attendant l'élimination finale. Si les cendres sont éliminées par enfouissement dans le sol ou autrement localement dispersées, elles doivent être conservées dans le récipient fermé jusqu'à ce que toutes les cendres aient complètement refroidi. Les autres déchets ne doivent pas être placés dans ce récipient.
14. Pour éviter les blessures, ne laissez personne utiliser ce poêle qui n'est pas familier avec le bon fonctionnement du poêle.
15. Ne pas faire fonctionner le poêle sous l'influence de drogues ou d'alcool.
16. NE PAS ÉLEVER LE FEU. Construire feu directement sur le fond de la chambre de combustion. Ce poêle n'a pas été testé avec l'utilisation de grilles, et des fers ou d'autres moyens d'élever le feu et ne doit pas être utilisé.
17. Les peintures spéciales utilisées sur votre poêle peuvent dégager de la fumée et une odeur pendant qu'ils durcissent pendant les 12 à 15 premiers incendies. Des fumées et odeurs supplémentaires peuvent être émises par les huiles légères utilisées dans la construction du foyer. Cela devrait disparaître après une courte période de temps et ne pas se reproduire. Les personnes souffrant d'affections pulmonaires ou les propriétaires d'animaux domestiques sensibles (comme les oiseaux) doivent prendre des précautions prudentes. Ouvrez les fenêtres et les portes au besoin pour dégager la fumée et / ou l'odeur. Une décoloration de la peinture se produira si le poêle est surchauffé.
18. Ce poêle a une surface peinte qui est durable, mais il ne supportera pas de manipulation brutale ou d'abus. Lors de l'installation de votre poêle, faire attention lors de la manipulation.
19. NETTOYEZ LE POÊLE FROIDEMENT comme de la suie, la crotte et les cendres peuvent s'accumuler. Nettoyez l'extérieur avec du savon et de l'eau chaude lorsque le poêle n'est pas chaud. N'utilisez pas d'acide ou de savon à récuser, car ces solvants portent une teinte terne.
20. ALERTEZ TOUTES LES PERSONNES AUX RISQUES DE TEMPÉRATURES DE SURFACE ÉLEVÉES pendant que le poêle fonctionne - surtout les jeunes enfants. Tenir éloigné d'un poêle chaud pour éviter les brûlures ou les vêtements d'allumage.
21. NE LAISSEZ JAMAIS LES PETITS ENFANTS SANS SURVEILLANCE QUAND ILS SONT DANS LA MÊME CHAMBRE QUE LE POÊLE. Si les petits enfants sont dans la même pièce que le poêle pendant l'opération, fournir une barrière robuste pour les garder à une distance sûre du poêle.
22. Gardez la zone du poêle dégagée et exempte de tous matériaux combustibles, essence, huile moteur, naphtha et autres vapeurs et liquides inflammables.
23. EN UTILISANT TOUJOURS VÊTEMENTS DE PROTECTION, Gants de protection contre le feu et protection oculaire, pour éviter les brûlures.
24. Ne faites jamais fonctionner ce poêle sans le tiroir à cendres, le nettoyage des cendres ou la porte ouverte, sauf en cas de ravitaillage. De telles actions peuvent entraîner des conditions d'exploitation très dangereuses.
25. NE PAS TOUCHER LE POÊLE. Une surchauffe se produira si l'air de combustion est incontrôlé comme lorsque la porte d'alimentation est laissée ouverte pendant le fonctionnement. De telles actions peuvent entraîner des conditions d'exploitation très dangereuses.
26. Lorsque vous ajoutez du carburant, veillez à ne pas étouffer le feu. Ne pas construire de feu contre le verre et ne pas charger de carburant à une hauteur ou d'une manière qui crée un danger lors de l'ouverture de la porte.
27. NE LAISSEZ JAMAIS LE POÊLE SANS ARRÊTER avec la porte ouverte. Fermez toujours la porte après l'allumage.

# MESURES DE SÉCURITÉ

AVIS DE SÉCURITÉ: Si ce poêle n'est pas bien installé, cela pourrait causer un incendie. Pour votre sécurité, contactez les autorités locales ou municipales ou le service des incendies Pour connaître les exigences en cours dans votre région sur les permis, restrictions et installations.

Ce manuel décrit l'installation et le fonctionnement du chauffe-bois Vogelzang, TR001WS. Cet appareil de chauffage satisfait aux limites d'émission de bois de berceau de l'Agence de protection de l'environnement des États-Unis de 2015 pour les chauffe-bois vendus après le 15 mai 2015. Dans des conditions d'essai spécifiques, ce radiateur a fourni de la chaleur à des taux allant de 12 082 à 28 701 BTU / h.

Note: Les cotes de BTU mentionnées ci-dessus sont basées sur le protocole d'essai EPA brûlant le bois de sapin de Douglas dimensionnel. Nos BTU annoncés sont basés sur la première heure d'opération au brûlage brûlant à haute fréquence.

REMARQUE: Si vous avez des questions au sujet de l'installation de cet appareil à combustible solide, consultez un entrepreneur professionnel agréé de chauffage et de refroidissement.

1. L'installation de ce poêle doit être conforme aux prescriptions du code du bâtiment. Respecter les dégagements aux combustibles (voir figures de référence 6-8). Ne placez pas de carburant, de meubles ou tout autre objet dans la zone de dégagement.
2. Vérifiez que le poêle est correctement assemblé et installé avant de cuire le poêle pour la première fois. Après avoir lu ces instructions, si vous avez des doutes quant à votre capacité à terminer votre installation correctement, vous devez obtenir les services d'un installateur agréé professionnel familier avec tous les aspects d'installation sûre et correcte. N'UTILISEZ PAS de compromis temporaires ou improvisés pendant l'installation. Il ne doit y avoir AUCUNE DÉVIATION OU MODIFICATION DE QUELQUE TYPE que ce soit des instructions très précises énoncées dans ce manuel d'instructions en ce qui concerne l'installation de ce poêle à bois. AUCUNE EXCEPTION!
3. NE PAS stocker de bois, de bûches, de liquides inflammables ou d'autres matières combustibles à proximité de l'appareil. Reportez-vous à l'étiquette de certification à l'arrière de l'appareil et aux figures de référence 6-8 de ce manuel.
4. N'INSTALLEZ PAS CE POÊLE DANS UNE MAISON MOBILE, UNE MAISON FABRIQUÉE, UNE REMORQUE OU UNE TENTE N'EXFÉDANT PAS! (Norme fédérale HUD: 24 CFR Ch. XX).
5. NE PAS ÉLEVATEZ CE POÊLE D'UNE MANIÈRE quelconque (c'est-à-dire les briques sous les jambes, les blocs de ciment). Les pieds de cuisinière doivent être placés directement sur le plancher non combustible de surface solide tel que spécifié dans ce mode d'emploi.
6. NE PAS MODIFIER CE POÊLE DE QUELQUE CHOSE! Le poêle doit être installé avec les pieds et le tiroir à cendres fournis, fixés comme indiqué dans les instructions. NE PAS FAIRE FONCTIONNER SANS TIROIR DE CENDRE OU CACHE DE NETTOYAGE DE CENDRE EN PLACE - AUCUNE EXCEPTION.

7. ATTENTION: NE PAS ALTERER LA GAMME DE COMMANDE D'AIR DE COMBUSTION POUR AUGMENTER LE TIR OU POUR QUELQUE RAISON. L'altération ou l'altération du contrôle aérien au-delà de la capacité normale créera des conditions dangereuses et dangereuses.
8. Branchez toujours ce poêle à une cheminée et à l'extérieur. Ne jamais évacuer dans une pièce ou dans un bâtiment. NE CONNECTEZ PAS UN POÊLE À BOIS À UN VENTILATEUR DE GAZ DE TYPE B EN ALUMINIUM. Ce n'est pas sûr. Utilisez une maçonnerie homologuée ou une cheminée résidentielle de type résidentiel et de chauffage de bâtiment UL 103 HT (US) / UL-C-5629 (CDN) de Underwriters Laboratories. Utilisez une cheminée de 6" / 152mm de diamètre, assez haute pour donner un bon tirage. (Voir détails dans les instructions de raccordement de cheminée).
9. Assurez-vous que votre cheminée est en bon état et en bon état. Faites inspecter la cheminée par le service d'incendie ou par un inspecteur qualifié. Votre compagnie d'assurance devrait être en mesure de recommander un inspecteur qualifié. Le tuyau de raccord de cheminée doit être en bon état. Remplacer si nécessaire avant d'utiliser le poêle.
10. La créosote ou la suie peut s'accumuler dans le raccord de la cheminée et la cheminée et provoquer un incendie dans la maison ou le bâtiment. Inspectez le raccord de cheminée et la cheminée deux fois par mois pendant la saison de chauffage et nettoyez si nécessaire. (Voir Conseils d'entretien).



*Affordable Heating Since 1974*

# POLE À BOIS DÉFENDRE™ HERMÉTIQUE A HAUTE CAPACITÉ

CERTIFIÉ EPA (4,22 gram/hrs)

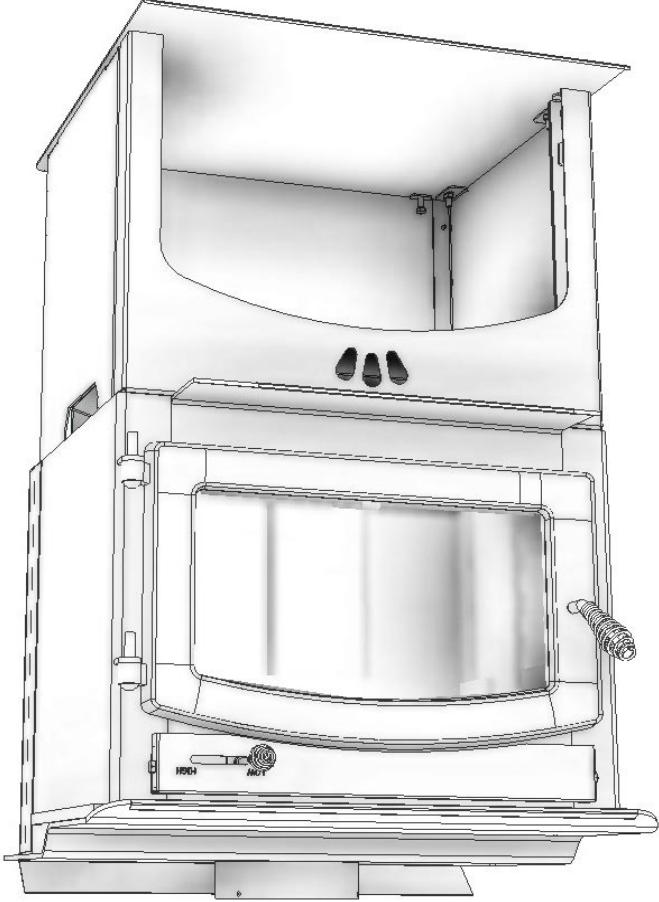
Manuel d'instructions, Modèle TR001WS  
(Conserve ce manuel pour consultation ultérieure)

**U.S. Environmental Protection Agency**  
Certifié conforme aux normes  
d'émissions de 2015 à particules.

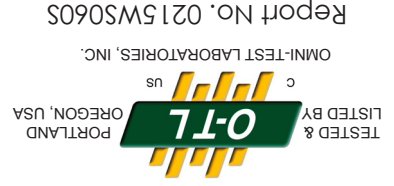
Ce poêle répond aux exigences des essais mènes  
pour les normes:  
US: UL1482(R2015) & CDN: ULC-S627-00

Veillez lire attentivement toutes les instructions  
avant d'installer ou d'utiliser ce poêle. Omettre de  
lire les instructions pourrait entraîner d'importants  
dommages matériels et physiques, voire mortels. Se  
référer aux indications sur le poêle pour de plus amples  
renseignements. Note: Seul un technicien qualifié en  
appareils de chauffage peut installer cet appareil! Ne  
pas utiliser ce poêle dans une maison mobile.

**Safety Notice:** If this stove is not properly installed, a  
house/building fire may result. For your safety, contact  
local or municipal building or fire officials about  
permits, restrictions, and installation requirements for  
your area.



French version is available for download from the U.S. Stove website: <http://www.usstove.com/>  
La version française est disponible pour téléchargement à partir du site U.S. Stove: [http://www.usstove.com](http://www.usstove.com/)  
This unit is not intended to be used as a primary source of heat.



U. S. Stove  
227 Industrial Park Road  
South Pittsburg, Tennessee 37380  
[www.usstove.com](http://www.usstove.com)  
Phone: 800-750-2723