

VOGELZANG

Affordable Heating Since 1974

MODEL: VG5770



Certified for installations in the USA
and Canada.

French version is available for download from the Vogelzang website: <http://www.Vogelzang.com/>

OWNER'S MANUAL

- △ **PLEASE READ THIS ENTIRE MANUAL BEFORE INSTALLATION AND USE OF THIS APPLIANCE. FAILURE TO FOLLOW THESE INSTRUCTIONS COULD RESULT IN PROPERTY DAMAGE, BODILY INJURY, OR EVEN DEATH.**
- △ **CONTACT YOUR LOCAL BUILDING OR FIRE OFFICIALS ABOUT OBTAINING PERMITS, RESTRICTIONS AND INSTALLATION INSPECTION REQUIREMENTS IN YOUR AREA.**
- △ **SAVE THESE INSTRUCTIONS.**

U.S. Stove Company
227 Industrial Park Road, South Pittsburg, TN 37380
FOR TECHNICAL ASSISTANCE: Phone 1-800-222-6950 www.Vogelzang.com

Part No.: 852050

Table of Contents

TABLE OF CONTENTS	2
WARRANTY REGISTRATION	3-4
SAFETY PRECAUTIONS	5
SPECIFICATIONS.....	6
Heating Specifications.....	6
Dimensions	6
Electrical Specifications	6
Fuel Considerations	6
Safety and EPA Compliance	6
INSTALLATION	7
Installation Options.....	7
Floor Protection.....	7
Clearances	7
Venting Requirements.....	9
Maximum Venting Distance.....	9
Pellet Vent Type	9
Pellet Vent Installation.....	9
Pellet Vent Termination	9
Vent Termination Clearances	10
Through the Wall Installation.....	11
Through the Roof/Ceiling Installation	11
Outside Air Supply.....	12
Special Mobile Home Requirements.....	12
CONTROL PANEL	13
OPERATION	14-15
Unit Preparation	14
Proper Fuel	14
Pre Start-up Check.....	14
Building a Fire	14
The HOT ROD Automatic Fire Starter.....	15
Damper Control.....	15
Opening Door.....	15
Room Air Fan	15
Re-Starting a Warm Stove	15
If Stove Runs Out of Fuel.....	15
Refueling	15
Shut Down Procedure	15
Safety Features.....	15
MAINTENANCE	16-17
Exhaust System	16
Interior Chambers	16
Ash Disposal	16
Check and Clean the Hopper.....	16
Main Door Gaskets	16
Blower Motors	16
Painted Surfaces.....	16
Glass	17
Fall Start-Up.....	17
Spring Shut Down	17
Maintenance Schedule.....	17
Baffle Removal/Cleaning Tools	17
TROUBLE SHOOTING	18
REPAIR PARTS DIAGRAM/LIST	25-26
WIRING DIAGRAM	27

CUT HERE



WARRANTY INFORMATION CARD

Name _____ Telephone #: (_____) _____

City _____ State _____ Zip _____

Email Address _____

Model # of Unit _____ Serial # _____

Fuel Type: Wood Coal Pellet Gas Other _____

Place of Purchase (Retailer) _____

City _____ State _____ Zip _____

If internet purchase, please list website address _____

Date of Purchase _____

Reason for Purchase: Alternative Heat Main Heat Source

Decoration Cost Other _____

What was the determining factor for purchasing your new USSC appliance? _____

I have read the owner's manual that accompanies this unit and fully understand the:
Installation Operation and Maintenance of my new USSC appliance.

Print Name

Signature

Date

Please attach a copy of your purchase receipt.

Warranty not valid without a Proof of Purchase.

Warranty information must be received within 30 days of original purchase.

Detach this page from this manual, fold in half with this page to the inside and tape together. Apply a stamp and mail to the address provided. You may use an envelope if you choose.

You may register online by going to www.Vogelzang.com

All information submitted will be kept strictly confidential. Information provided will not be sold for advertising purposes.
Contact information will be used solely for the purpose of product notifications.

CUT HERE



CUT HERE



CUT HERE



Fold Here

Fold Here

PLACE
STAMP
HERE

United States Stove Company
 P.O. Box 151
 South Pittsburg, TN 37380

Safety Precautions

- △ **IMPORTANT:** Read this entire manual before installing and operating this product. Failure to do so may result in property damage, bodily injury, or even death. Proper installation of this stove is crucial for safe and efficient operation.
- △ Install vent at clearances specified by the vent manufacturer.
- △ Do not connect the pellet vent to a vent serving any other appliance or stove.
- △ Do not install a flue damper in the exhaust venting system of this unit.
- △ Use of outside air is not required for this unit.
- △ Contact your local building officials to obtain a permit and information on any additional installation restrictions or inspection requirements in your area.
- △ Do not throw this manual away. This manual has important operating and maintenance instructions that you will need at a later time. Always follow the instructions in this manual.
- △ This appliance is designed for the use of pelletized fuel that meet or exceed the standard set by the Pellet Fuel Institute(PFI), The use of other fuels will void warranty.
- △ Never use gasoline, gasoline-type lantern fuel, kerosene, charcoal lighter fluid, or similar liquids to start or 'freshen up' a fire in this stove. Keep all such liquids well away from the stove while it is in use.
- △ A working smoke detector must be installed in the same room as this product.
- △ Install a smoke detector on each floor of your home; incase of accidental fire from any cause it can provide time for escape.
- △ The smoke detector must be installed at least 15 feet (4,57 M) from the appliance in order to prevent undue triggering of the detector when reloading.
- △ Do not unplug the stove if you suspect a malfunction. Turn the ON/OFF SWITCH to "OFF" and contact your dealer.
- △ Your stove requires periodic maintenance and cleaning (see "MAINTENANCE "). Failure to maintain your stove may lead to improper and/or unsafe operation.
- △ Disconnect the power cord before performing any maintenance! NOTE: Turning the ON/OFF Switch to "OFF" does not disconnect all power to the electrical components of the stove.
- △ Never try to repair or replace any part of the stove unless instructions for doing so are given in this manual. All other work should be done by a trained technician.
- △ Do not operate your stove with the viewing door open. The auger will not feed pellets under these circumstances and a safety concern may arise from sparks or fumes entering the room.
- △ Allow the stove to cool before performing any maintenance or cleaning. Ashes must be disposed in a metal container with a tight fitting lid. The closed container of ashes should be placed on a non-combustible surface or on the ground, well away from all combustible materials, pending final disposal.
- △ The exhaust system should be checked monthly during the burning season for any build-up of soot or creosote.
- △ Do not touch the hot surfaces of the stove. Educate all children on the dangers of a high-temperature stove. Young children should be supervised when they are in the same room as the stove.
- △ The hopper and stove top will be hot during operation; therefore, you should always use some type of hand protection when refueling your stove.
- △ A power surge protector is required. This unit must be plugged into a 110 - 120V, 60 Hz grounded electrical outlet. Do not use an adapter plug or sever the grounding plug. Do not route the electrical cord underneath, in front of, or over the heater. Do not route the cord in foot traffic areas or pinch the cord under furniture.
- △ The heater will not operate during a power outage. If a power outage does occur, check the heater for smoke spillage and open a window if any smoke spills into the room.
- △ The feed door must be closed and sealed during operation.
- △ Never block free airflow through the open vents of the unit.
- △ Keep foreign objects out of the hopper.
- △ The moving parts of this stove are propelled by high torque electric motors. Keep all body parts away from the auger while the stove is plugged into an electrical outlet. These moving parts may begin to move at any time while the stove is plugged in.
- △ Do not place clothing or other flammable items on or near this stove.
- △ When installed in a mobile home, the stove must be grounded directly to the steel chassis and bolted to the floor. **WARNING—THIS UNIT MUST NOT BE INSTALLED IN THE BEDROOM (per HUD requirements).** **CAUTION—THE STRUCTURAL INTEGRITY OF THE MOBILE HOME FLOOR, WALL, AND CEILING/ROOF MUST BE MAINTAINED.**
- △ This appliance is not intended for commercial use.
- △ **CAUTION:** Burning fuel creates carbon monoxide and can be hazardous to your health if not properly vented.

* This appliance is a freestanding heater. It is not intended to be attached to any type of ducting. It is not a furnace.

SPECIFICATIONS

Heating Specifications

Fuel Burn Rate* (lowest setting)	1.5 lbs./hr. (0.5 kg/hr)
Burn Time (lowest setting)	40 hrs. (approximate)
Hopper Capacity	60 lbs. (55kg)

* Pellet size may effect the actual rate of fuel feed and burn times. Fuel feed rates may vary by as much as 20%. Use PFI listed fuel for best results.

Dimensions

Height	44.5 in. (1130mm)
Width	23 in. (584mm)
Depth	23.5 in. (597mm)
Weight	245 lbs. (111.1kg)

Electrical Specifications

Electrical Rating	110-120 volts, 60 HZ, 3.0 Amps
Watts (operational)	180
Watts (igniter running)	346

FUEL CONSIDERATIONS

Your pellet stove is designed to burn premium hardwood pellets that comply with Association of Pellet Fuel Industries standards. (Minimum of 40 lbs density per cubic ft, 1/4" to 5/16" diameter, length no greater than 1.5", not less than 8,200 BTU/lb, moisture under 8% by weight, ash under 1% by weight, and salt under 300 parts per million). Pellets that are soft, contain excessive amounts of loose sawdust, have been, or are wet, will result in reduced performance. Store your pellets in a dry place. DO NOT store the fuel within the installation clearances of the unit or within the space required for refueling and ash removal. Doing so could result in a house fire.

Do not overfire or use volatile fuels or combustibles, doing so may cause a personal and property damage hazards.

SAFETY AND EPA COMPLIANCE

Your pellet stove has been approved for installation in the USA and Canada. It may also be installed in a manufactured or mobile home. Your stove conforms to ASTM E 1509, 2004, and Certified to ULC S627, 2000, and(UM) 84-HUD by INTERTEK Testing Services in Fairview, Oregon USA.

INSTALLATION

INSTALLATION OPTIONS

△ **Read this entire manual before you install and use your pellet stove. Failure to follow instructions may result in property damage, bodily injury, or even death!**

(See specific installation details for clearances and other installation requirements)

A **Freestanding Unit**—supported by pedestal/legs and placed on a non-combustible floor surface in compliance with clearance requirements for a freestanding stove installation.

An **Alcove Unit**—supported by pedestal/legs and placed on a non-combustible floor surface in compliance with clearance requirements for an alcove installation.

Your pellet stove may be installed to code in either a **conventional** or **mobile home** (see SPECIAL MOBILE HOME REQUIREMENTS). The installation must comply with the Manufactured Home and Safety Standard (HUD), CFR3280, Part 24.

It is recommended that only a authorized technician install your pellet stove, preferably an NFI certified specialist.

DO NOT CONNECT THIS UNIT TO ANY AIR DISTRIBUTION DUCT OR SYSTEM.

The use of other components other than stated herein could cause bodily harm, heater damage, and void your warranty.

IMPROPER INSTALLATION: The manufacturer will not be held responsible for damage caused by the malfunction of a stove due to improper venting or installation. Call (800) 750-2723 and/or consult a professional installer if you have any questions.

CLEARANCES

Your pellet stove has been tested and listed for installation in residential, mobile home, and alcove applications in accordance with the clearances given in FIGURES 3-6 and TABLE 1. For safety reasons, please adhere to the installation clearances and restrictions. Any reduction in clearance to combustibles may only be done by means approved by a regulatory authority.

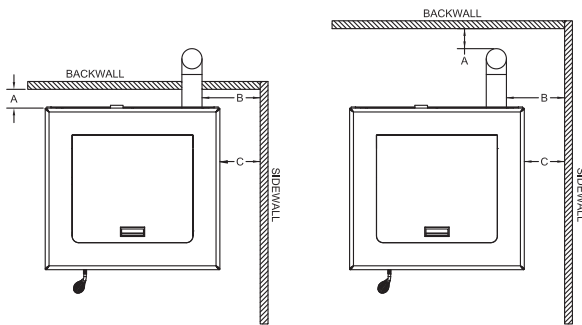


FIGURE 3
SIDEWALL CLEARANCES
PARALLEL INSTALLATION

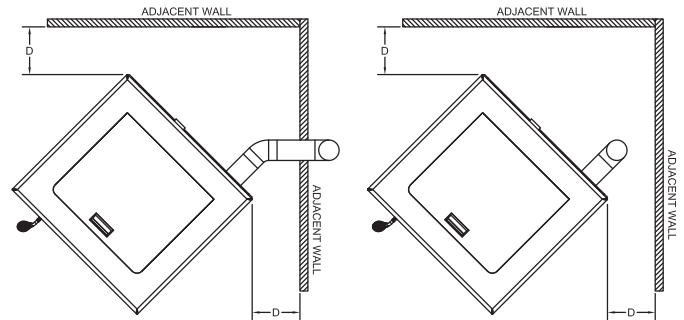
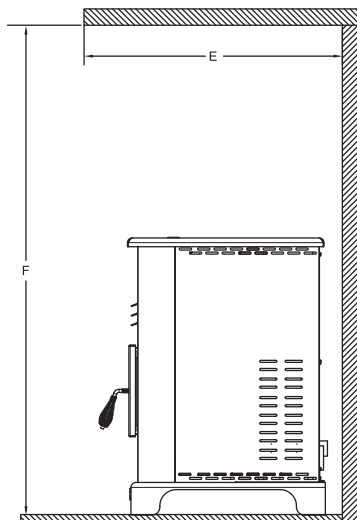


FIGURE 4
SIDEWALL CLEARANCES
CORNER INSTALLATION



PARALLEL	A - Backwall to unit	3.00 / 76mm
	B - Sidewall to flue	11.00 / 280mm
	C - Sidewall to top edge of unit	8.00 / 203mm
CORNER	D - Adjacent wall to unit	8.00 / 203mm
ALCOVE	E - Alcove depth	36.00 - 914mm
	F - Alcove height	60.00 - 1520mm

TABLE 1
CLEARANCES

Installation

FLOOR PROTECTION

This heater must have a non-combustible floor protector (ember protection) installed beneath it if the floor is of combustible material. If a floor pad is used, it should be UL listed or equal. The floor pad or non-combustible surface should be large enough to cover at least the area under the product and 6 in. (152 mm) beyond the front and beyond each side of the fuel loading and ash removal openings. Your heater will need a minimum 31" x 38" floor protector. Floor protection must extend under and 2 in. (50.8mm) to each side of the chimney tee for an interior vertical installation (see FIGURE 2).

Canadian Installations require a minimum of 450 mm [17.7"] beyond the front of the unit and 200mm [7.8"] beyond each side of the unit. A Floor Protector of ¼ inch thick is recommended for this installation.

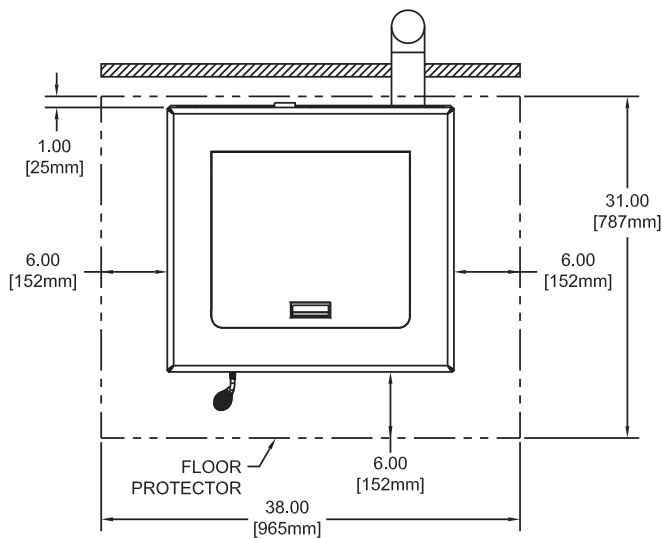


FIGURE 1

THROUGH THE WALL INSTALLATION

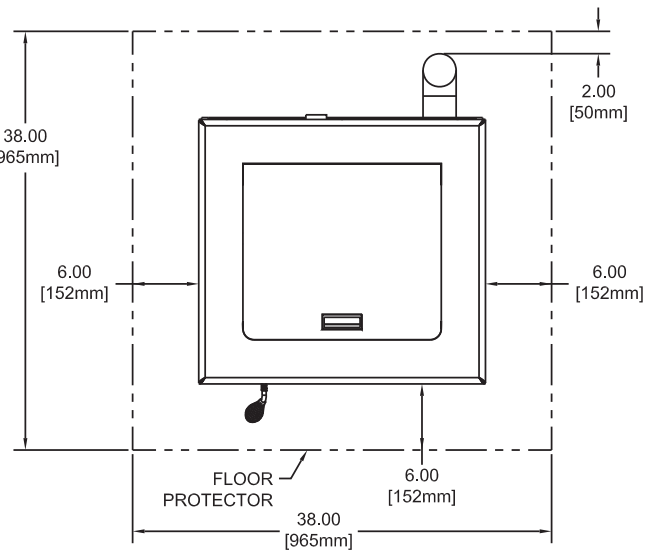


FIGURE 2

INTERIOR VERTICAL INSTALLATION

Installation

VENTING REQUIREMENTS

- △ **Install vent at clearances specified by the vent manufacturer.**
- △ **Do not connect the pellet vent to a vent serving any other appliance or stove.**
- △ **Do not install a flue damper in the exhaust venting system of this unit.**

The following installation guidelines must be followed to ensure conformity with both the safety listing of this stove and to local building codes. Do not use makeshift methods or compromise in the installation.

IMPORTANT! This unit is equipped with a negative draft system that pulls air through the burn pot and pushes the exhaust out of the dwelling. If this unit is connected to a flue system other than the way explained in this manual, it will not function properly.

MAXIMUM VENTING DISTANCE

Installation **MUST** include at least 3-feet of vertical pipe outside the home. This will create some natural draft to reduce the possibility of smoke or odor during appliance shutdown and keep exhaust from causing a nuisance or hazard by exposing people or shrubs to high temperatures. The maximum recommend vertical venting height is 12-feet for 3-inch type “PL” vent. Total length of horizontal vent **MUST NOT** exceed 4-feet. This could cause back pressure. Use no more than 180 degrees of elbows (two 90-degree elbows, or two 45-degree and one 90-degree elbow, etc.) to maintain adequate draft.

PELLET VENT TYPE

A UL listed 3-inch or 4-inch type “PL” pellet vent exhaust system must be used for installation and attached to the pipe connector provided on the back of the stove (use a 3-inch to 4-inch adapter for 4-inch pipe). Connection at back of stove must be sealed using Hi-Temp RTV. Use 4-inch vent if the vent height is over 12-feet or if the installation is over 2,500 feet above sea level.

We recommend the use of Simpson Dura-Vent® or Metal-Fab® pipe (if you use other pipe, consult your local building codes and/or building inspectors). Do not use Type-B Gas Vent pipe or galvanized pipe with this unit. The pellet vent pipe is designed to disassemble for cleaning and should be checked several times during the burning season. Pellet vent pipe is not furnished with the unit and must be purchased separately.

PELLET VENT INSTALLATION

The installation must include a clean-out tee to enable collection of fly ash and to permit periodic cleaning of the exhaust system. 90-degree elbows accumulate fly ash and soot thereby reducing exhaust flow and performance of the stove. Each elbow or tee reduces draft potential by 30% to 50%.

All joints in the vent system must be fastened by at least 3 screws, and all joints must be sealed with Hi-Temp RTV silicone sealant to be airtight. The area where the vent pipe penetrates to the exterior of the home must be sealed with silicone or other means to maintain the vapor barrier between the exterior and the interior of the home.

Vent surfaces can get hot enough to cause burns if touched by children. Noncombustible shielding or guards may be required.

PELLET VENT TERMINATION

Do not terminate the vent in an enclosed or semi-enclosed area, such as; carport, garage, attic, crawl space, under a sundeck or porch, narrow walkway, or any other location that can build up a concentration of fumes. Termination in one of these areas can also lead to unpredictable pressure situations with the appliance, and could result in improper performance and/or malfunction

The termination must exhaust above the outside air inlet elevation.

The termination must not be located where it will become plugged by snow or other materials.

Do not terminate the venting into an existing steel or masonry chimney.

Installation

VENT TERMINATION CLEARANCES:

- A) Minimum 4-foot (1.22m) clearance below or beside any door or window that opens.
- B) Minimum 1-foot (0.3m) clearance above any door or window that opens.
- C) Minimum 3-foot (0.91m) clearance from any adjacent building.
- D) Minimum 7-foot (2.13m) clearance from any grade when adjacent to public walkways.
- E) Minimum 2-foot (0.61m) clearance above any grass, plants, or other combustible materials.
- F) Minimum 3-foot (0.91m) clearance from an forced air intake of any appliance.
- G) Minimum 2-foot (0.61m) clearance below eaves or overhang.
- H) Minimum 1-foot (0.3m) clearance horizontally from combustible wall.
- I) Must be a minimum of 3 foot (0.91m) above the roof and 2 foot (0.61m) above the highest point or the roof within 10 feet (3.05m).

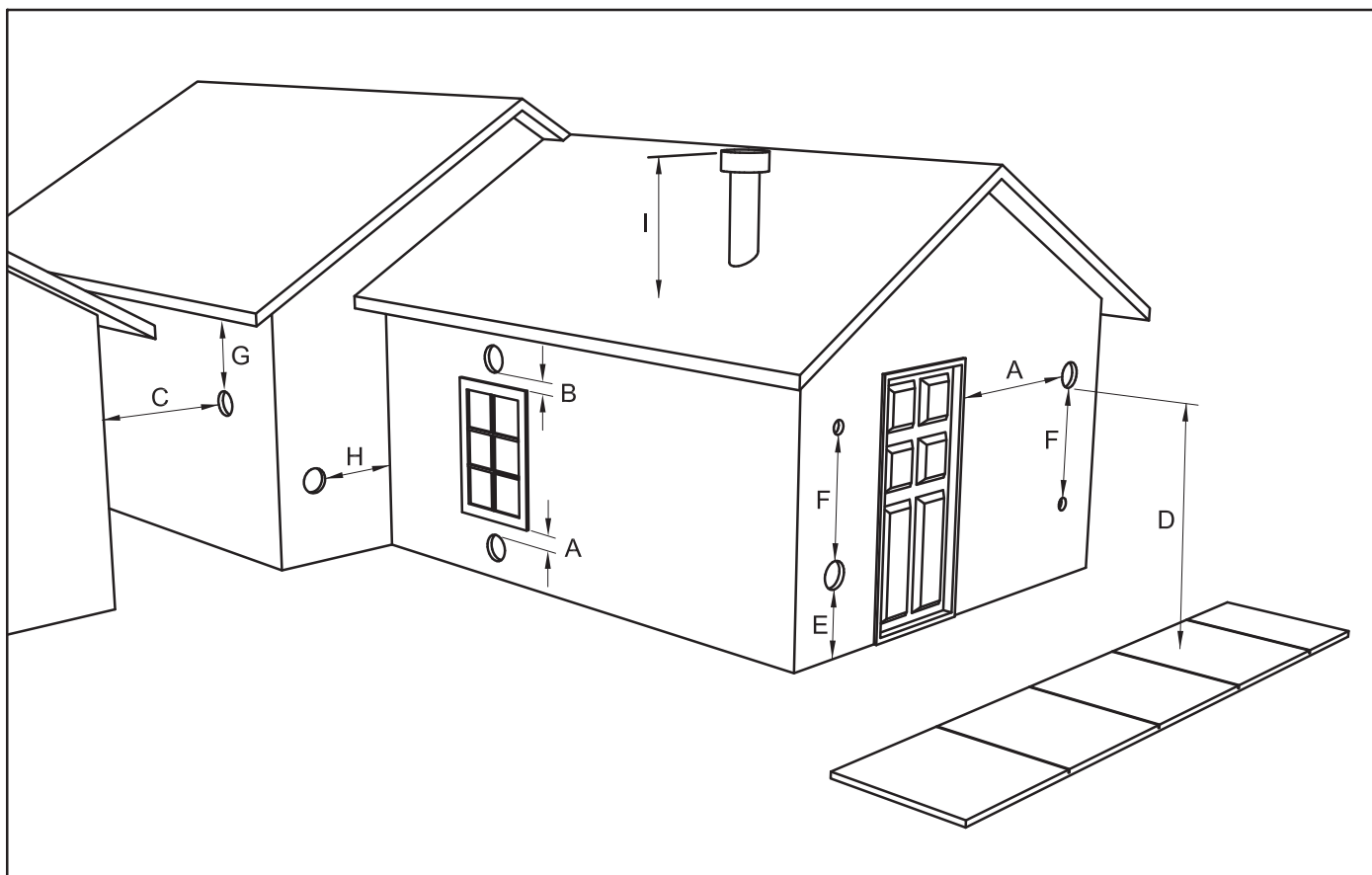


FIGURE 6

VENT TERMINATION CLEARANCES

Installation

THROUGH THE WALL INSTALLATION (RECOMMENDED INSTALLATION)

Canadian installations must conform to CAN/CSA-B365.

To vent the unit through the wall, connect the pipe adapter to the exhaust motor adapter. If the exhaust adapter is at least 18 in.(457mm) above ground level, a straight section of pellet vent pipe can be used through the wall.

Your heater dealer should be able to provide you with a kit that will handle most of this installation, which will include a wall thimble that will allow the proper clearance through a combustible wall. Once outside the structure, a 3 in.(76mm) clearance should be maintained from the outside wall and a clean out tee should be placed on the pipe with a 90-degree turn away from the house. At this point, a 3ft (0.91m) (minimum) section of pipe should be added with a horizontal cap, which would complete the installation (see FIGURE 7).

A support bracket should be placed just below the termination cap or one every 4ft (1.22m) to make the system more stable. If you live in an area that has heavy snowfall, it is recommended that the installation be taller than 3ft (0.91m) to get above the snowdrift line. This same installation can be used if your heater is below ground level by simply adding the clean-out section and vertical pipe inside until ground level is reached. With this installation you have to be aware of the snowdrift line, dead grass, and leaves. We recommend a 3ft (0.91m) minimum vertical rise on the inside or outside of the house.

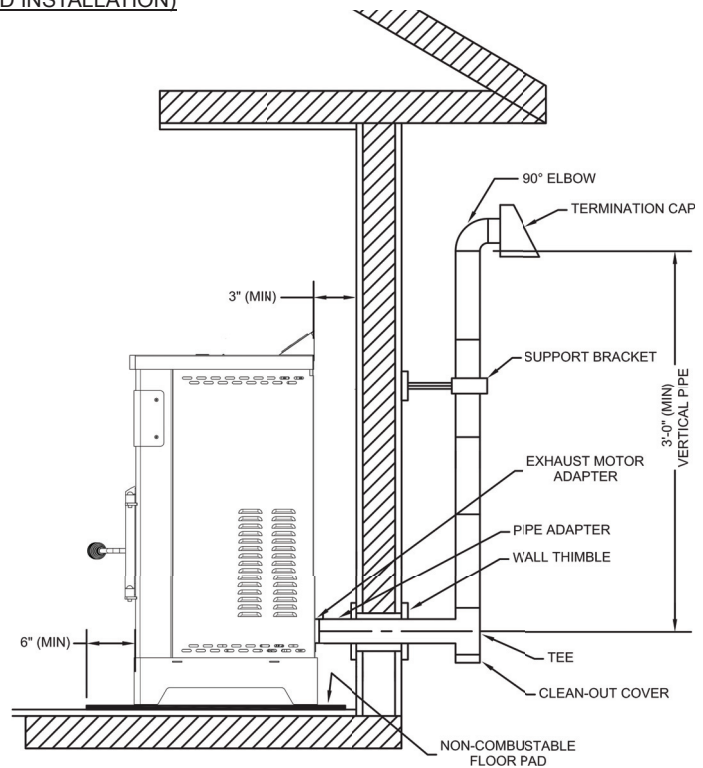


FIGURE 7
TYPICAL THROUGH THE WALL INSTALLATION

The “through the wall” installation is the least expensive and simplest installation. Never terminate the end vent under a deck, in an alcove, under a window, or between two windows. We recommend Simpson Dura-Vent® or Metal-Fab® kits.

THROUGH THE ROOF/CEILING INSTALLATION

When venting the heater through the ceiling, the pipe is connected the same as through the wall, except the clean-out tee is always on the inside of the house, and a 3 in.(76mm) adapter is added before the clean-out tee.

You must use the proper ceiling support flanges and roof flashing (supplied by the pipe manufacturer; follow the pipe manufacturer’s directions). It is important to note that if your vertical run of pipe is more than 12ft (3.7m), the pellet vent pipe size should be increased to 4 in. (102mm) in diameter.

Do not exceed more than 4ft (1.22m) of pipe on a horizontal run and use as few elbows as possible. If an offset is required, it is better to install 45-degree elbows rather than 90-degree elbows.

Installation

OUTSIDE AIR SUPPLY (optional, unless installing in a mobile home)

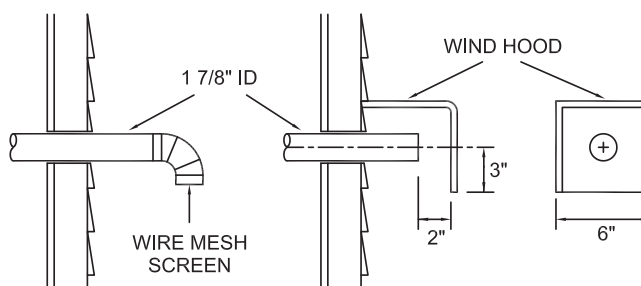
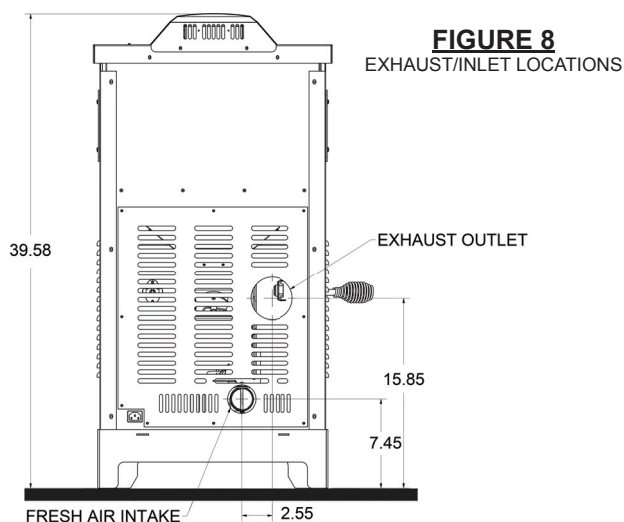
Adequate ventilation air is required to operate this heater. During operation, the heater draws air for combustion which can be assisted by the installation of outside combustion air inlets. However, certain weather conditions such as icing or use of kitchen exhaust fans may impact and reduce the effectiveness of vents. It is important to note that room air starvation will negatively impact the operation of the heater.

Depending on your location and home construction, outside air may be necessary for optimal performance.

Metal pipe (solid or flexible) must be used for the outside air installation. PVC pipe is NOT approved and should NEVER be used.

A wind shield over the termination of the outside air pipe or a 90-degree elbow or bend away from the prevailing winds MUST be used when an outside air pipe is installed through the side of a building. The outside air termination MUST be at least 1ft (0.305m) away from the exhaust system termination.

The outside air pipe on your heater is 2" (50.8mm) OD. The outside air connecting pipe must be at least 2" (50.8mm) ID. The outside air connection used MUST NOT restrict the amount of air available to your heater. The outside air connecting pipe must be as short and free of bends as possible, and it must fit over, not inside, the outside air connection to the heater.



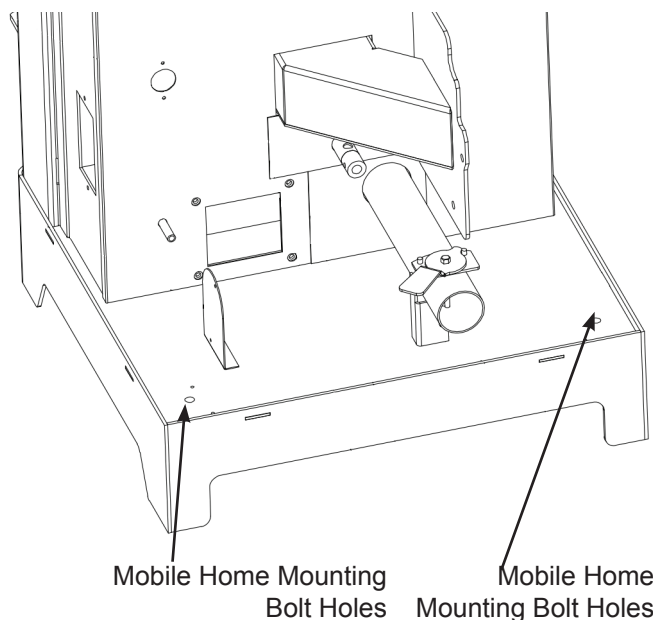
NOTE: Dimensions from the floor to your stoves inlet/exhaust pipes are approximate and may vary depending on your installation.

SPECIAL MOBILE HOME REQUIREMENTS

- △ **WARNING!** - DO NOT INSTALL IN A SLEEPING ROOM
- △ **CAUTION!** - THE STRUCTURAL INTEGRITY OF THE MOBILE HOME FLOOR, WALL, AND CEILING/ROOF MUST BE MAINTAINED.

In addition to the previously detailed installation requirements, mobile home installations must meet the following requirements:

- The unit must be secured to the floor using lag bolts in the holes provided in the pedestal base.
- The heater must be electrically grounded to the steel chassis of the mobile home with 8 GA copper wire using a serrated or star washer to penetrate paint or protective coating to ensure grounding.
- Vent must be 3 or 4-inch "PL" Vent and must extend a minimum of 36 in. (914mm) above the roof line of the mobile home and must be installed using a UL listed ceiling fire stop and rain cap.
- When moving your mobile home, all exterior venting must be removed while the mobile home is being relocated. After relocation, all venting must be reinstalled and securely fastened.
- Outside Air is mandatory for mobile home installation. See Outside Air Supply section and your dealer for purchasing.
- Check with your local building officials as other codes may apply.



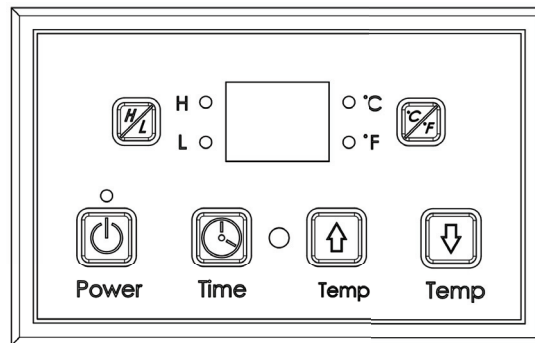
Control Panel

PANEL CONTROLS

The blowers and automatic fuel supply are controlled from a panel on the top of the VG5770. The control panel functions are as follows.

A. ON/OFF SWITCH (“POWER” BUTTON)

- When pushed, the stove will automatically ignite. No other fire starter is necessary. The igniter will stay on for at least 10 and up to 12 minutes, depending on when Proof of Fire is reached. The fire should start in approximately 5 minutes.
- The red light located above the “POWER” button will turn green when pressed and remain green until the stove is turned off.
- After pushing “POWER”, the auger motor is on for 3.5 minutes, off for 1 minute. During the remainder of the start-up period, the auger motor operates on the heat range “1” setting.
- During start up the heat level advance (Up and Down keys) will change the heat range indicator level accordingly, but there is no change in the stove's operating conditions until start-up is completed.
- During start-up ignition must occur within 12 minutes or the stove will error out and show E4.
- During the start-up phase, the Mode key does not function.



B. LEVEL / TEMP ARROW BUTTONS

- These buttons when pushed will set the pellet feed rate, hence the heat output or heat range of your stove.
- The levels of heat output will incrementally change on the bar graph starting from heat range “1” to heat range “5”.

C. °C / °F Button

- The °C / °F button changes you two digit display from degrees Celsius to degrees Fahrenheit.

D. MODE (M/T) BUTTON

- The Mode of the stove can be switched between manual and controlled with a Thermostat. Separate LEDs to the left of the two digit display indicate the mode of operation – Manual or T-Stat. The stove has to be in normal operation to be switched from Manual to T-Stat mode.
- Manual mode operates according to the 5 set levels of feed on the bar graph from heat range “1” to heat range “5”.
- T-Stat mode works as follows:
 - The stove has a built in Thermostat into the controls of the appliance. The temperature sensor for the T-Stat is located on the back of the stove behind the display board.
 - Once the stove has gone into run mode the stove can be switched into T-Stat mode.
 - The Up and Down Level / Temp Arrow buttons are used to change the desired set-point temperature. Once the desired temperature is reached the two digit display will flash for four seconds and reset to the actual room temperature.
 - Once the stove reaches within 3°F of the desired temperature set point, it returns to the heat range that the stove was set on before it was switched to T-Stat mode (if the stove was running on heat range “5” when switched to T-stat mode when it gets within 3°F of the set point it will return to heat range “5”).
 - Once the stove reaches the desired set-point, the stove will drop to heat range “1”.
 - When room temperature drops below desired set-point the stove will ramp back up until it reaches the desired temperature.

Operation

- △ **DO NOT USE CHEMICALS OR FLUIDS TO START THE FIRE - NEVER USE GASOLINE, GASOLINE-TYPE LANTERN FUEL, KEROSENE, CHARCOAL LIGHTER FLUID, OR SIMILAR LIQUIDS TO START OR “FRESHEN UP” A FIRE IN THIS STOVE. KEEP ALL SUCH LIQUIDS WELL AWAY FROM THE STOVE WHILE IT IS IN USE.**
- △ **DO NOT BURN GARBAGE OR FLAMMABLE FLUIDS SUCH AS GASOLINE, NAPHTHA, OR ENGINE OIL.**
- △ **HOT WHILE IN OPERATION. KEEP CHILDREN, CLOTHING AND FURNITURE AWAY. CONTACT MAY CAUSE SKIN BURNS.**

PROPER FUEL

THIS STOVE IS APPROVED FOR BURNING PELLETIZED WOOD FUEL ONLY ! Factory-approved pellets are those 1/4” or 5/16” in diameter and not over 1” long. Longer or thicker pellets sometimes bridge the auger flights, which prevents proper pellet feed. Burning wood in forms other than pellets is not permitted. It will violate the building codes for which the stove has been approved and will void all warranties. The design incorporates automatic feed of the pellet fuel into the fire at a carefully prescribed rate. Any additional fuel introduced by hand will not increase heat output but may seriously impair the stove's performance by generating considerable smoke. Do not burn wet pellets. The stove's performance depends heavily on the quality of your pellet fuel. Avoid pellet brands that display these characteristics:

1. Excess Fines – “Fines” is a term describing crushed pellets or loose material that looks like sawdust or sand. Pellets can be screened before being placed in hopper to remove most fines.
2. Binders – Some pellets are produced with materials to hold the together, or “bind” them.
3. High ash content – Poor quality pellets will often create smoke and dirty glass. They will create a need for more frequent maintenance. You will have to empty the burn pot plus vacuum the entire system more often. Poor quality pellets could damage the auger. We cannot accept responsibility for damage due to poor quality pellet.

PRE-START-UP CHECK

Remove burn pot, making sure it is clean and none of the air holes are plugged. Clean the firebox, and then reinstall burn pot. Clean door glass if necessary (a dry cloth or paper towel is usually sufficient). Never use abrasive cleaners on the glass or door. Check fuel in the hopper, and refill if necessary.

NOTE: The VG5770 Hopper can hold up to 60 lbs. of pellets.

BUILDING A FIRE

Never use a grate or other means of supporting the fuel. Use only the burn pot supplied with this heater.

Hopper lid must be closed in order for the unit to feed pellets.

During the start-up period:

1. Make sure burn pot is free of pellets.
2. DO NOT open the viewing door.
3. DO NOT open the damper, the damper needs to be closed during start up.
4. DO NOT add pellets to the burn pot by hand.

NOTE: During the first few fires, your stove will emit an odor as the high temperature paint cures or becomes seasoned to the metal. Maintaining smaller fires will minimize this. Avoid placing items on stove top during this period because paint could be affected.

THE HOTROD AUTOMATIC FIRESTARTER

1. Fill hopper and clean burn pot.
2. Press “On/Off” button. Make sure green light comes on.
3. The damper should be completely closed or open no more than ¼ of the way during start-up. This will vary depending on your installation and elevation. Once fire is established adjust for desired flame increasing the amount the damper is open as the heat setting is increased. (See “DAMPER CONTROL”)
4. Adjust feed rate to desired setting by pressing “Heat Level Advance” button.

If fire doesn't start in 12 minutes, press “On/Off”, wait a few minutes, clear the burn pot, and start procedure again.

DAMPER CONTROL

The damper control lever is located on the back of the stove on the lower left side. The dampener adjusts the combustion air. This control is necessary due to the varied burn characteristics of individual installations, different pellet brands and pellet feed rates. It allows you to improve the efficiency of your stove. Providing correct combustion air will reduce the frequency of cleaning your glass door and prevent the rapid buildup of creosote inside your stove and

Operation

chimney.

You should adjust the damper based on the fire's appearance. A low, reddish, dirty fire can be improved by turning the dampener slightly to the right. A "blow torch" fire can be improved by turning the dampener to the left a little bit.

As a general rule, on lower feed rate settings, the damper should be farther to the left closing it off. On higher feed rates, the damper should be open more by having it set more towards the right. Through trial and error, you will find the best setting. Consult your dealer if you need help.

NOTE: On heat range "1", damper should be either completely closed or open no more than a ¼ of the way. If damper is open to far, it can cause the fire to go out.

OPENING DOOR

If the door is opened while the stove is in operation it must be closed within 30 seconds or the stove will shut down. If the stove shuts down push the "On/Off" button to re-start your stove. The stove will have to fully shut down and turn off before you will be able to restart the stove.

ROOM AIR FAN

When starting your stove the Room Air Fan will not come on until the stove's heat exchanger warms up. This usually takes about 10 minutes from start-up.

IF STOVE RUNS OUT OF PELLETS

The fire goes out and the auger motor and blowers will run until the stove cools. This will take 30 minutes or longer depending on the heat remaining in the appliance. After the stove components stop running all lights on the display will go out and the two digit display will begin flashing "E3"

REFUELING

- The hopper and stove top will be hot during operation; therefore, you should always use some type of hand protection when refueling your stove.
- Never place your hand near the auger while the stove is in operation.

We recommend that you not let the hopper drop below ¼ full.

KEEP HOPPER LID CLOSED AT ALL TIMES EXCEPT WHEN REFILLING.

DO NOT OVERFILL HOPPER.

SHUTDOWN PROCEDURE

Turning your stove off is a matter of pressing the "POWER" button on the display board. The green light will turn back to red when the "POWER" button is pushed. The auger motor will stop, and the blowers will continue to operate until the internal firebox temperatures have fallen to a preset level.

WARNING: Never shut down this unit by unplugging it from the power source.

1. Your stove is equipped with a high temperature thermodisc. This unit has a manual reset thermodisc. This safety switch has two functions.
 - A. To recognize an overheat situation in the stove and shut down the fuel feed or auger system.
 - B. In case of a malfunctioning convection blower, the high-temperature thermodisc will automatically shut down the auger, preventing the stove from overheating.

NOTE: On some units, once tripped, like a circuit breaker, the reset button will have to be pushed before restarting your stove. On other units the thermodisc has no reset button and will reset itself once the stove has cooled. The manufacturer recommends that you call your dealer if this occurs as this may indicate a more serious problem. A service call may be required.

2. If the combustion blower fails, an air pressure switch will automatically shut down the auger.

NOTE: Opening the stove door for more than 30 seconds during operation will cause enough pressure change to activate the air switch, shutting the fuel feed off. The stove will shut down and show "E2" on the two digit display. The stove has to fully shut down before restarting.

Maintenance

- △ **Failure to clean and maintain this unit as indicated can result in poor performance and safety hazards.**
- △ **Unplug your stove's electrical cord prior to removing the back panel or opening the exhaust system for any inspection, cleaning, or maintenance work.**
- △ **Never perform any inspections, cleaning, or maintenance on a hot stove.**
- △ **Do not operate stove with broken glass, leakage of flue gas may result.**

Exhaust System

Creosote Formation – When any wood is burned slowly, it produces tar and other organic vapors, which combine with expelled moisture to form creosote. The creosote vapors condense in the relatively cool chimney flue or a newly started fire or from a slow-burning fire. As a result, creosote residue accumulates on the flue lining. When ignited, this creosote makes an extremely hot fire, which may damage the chimney or even destroy the house. Despite their high efficiency, pellet stoves can accumulate creosote under certain conditions.

Fly Ash – This accumulates in the horizontal portion of an exhaust run. Though non-combustible, it may impede the normal exhaust flow. It should therefore be periodically removed.

Inspection and Removal – The chimney connector and chimney should be inspected by a qualified person annually or per ton of pellets to determine if a creosote or fly ash build-up has occurred. If creosote has accumulated, it should be removed to reduce the risk of a chimney fire. Inspect the system at the stove connection and at the chimney top. Cooler surfaces tend to build creosote deposits quicker, so it is important to check the chimney from the top as well as from the bottom. The creosote should be removed with a brush specifically designed for the type of chimney in use. A qualified chimney sweep can perform this service. It is also recommended that before each heating season the entire system be professionally inspected, cleaned and, if necessary, repaired. To clean the chimney, disconnect the vent from the stove.

Interior Chambers

- **Burn Pot:** Periodically remove and clean the burn pot and the area inside the burn pot housing. In particular, it is advisable to clean out the holes in the burn pot to remove any build up that may prevent air from moving through the burn pot freely.
- **Heat Exchanger:** There is a clean out plate on both sides of the heat exchanger that need to be removed to clean fly ash out of the heat exchanger. The cleanouts are located inside the cabinet doors, on the lower front corners of the heat exchanger.

If a vacuum is used to clean your stove, we suggest using a vacuum designed for ash removal. Some regular vacuum cleaner (i.e. shop vacs) may leak ash into the room.

DO NOT VACUUM HOT ASH

Ash Disposal

Remove ashes when unit has cooled. Ashes should be placed in a metal container with a tight fitting lid. The closed container of ashes should be placed on a noncombustible floor or on the ground, well away from all combustible materials, pending final disposal. If the ashes are disposed of by burial in soil or otherwise locally dispersed, they should be retained in the closed container until all embers have been thoroughly cooled. The container shall not be used for other trash or waste disposal. If combined with combustible substances, ashes and embers may ignite.

Check and Clean the Hopper

Check the hopper periodically to determine if there is any sawdust (fines) that is building up in the feed system or pellets that are sticking to the hopper surface. Clean as needed.

Door and glass Gaskets

Inspect the main door and glass window gaskets periodically. The main door may need to be removed to have frayed, broken, or compacted gaskets replaced by your authorized dealer.

Blower Motors

Clean the air holes on the motors of both the exhaust and distribution blowers annually. Remove the exhaust blower from the exhaust duct and clean out the internal fan blades as part of your fall start-up.

Painted Surfaces

Painted surfaces may be wiped down with a damp cloth. If scratches appear, or you wish to renew your paint, contact your authorized dealer to obtain a can of suitable high-temperature paint.

Maintenance

GLASS - Cleaning, Removal and Replacement of Broken Door Glass

Cleaning - We recommend using a high quality glass cleaner. Should a buildup of creosote or carbon accumulate, you may wish to use 000 steel wool and water to clean the glass. DO NOT use abrasive cleaners. DO NOT perform the cleaning while the glass is HOT. ,

In the event you need to replace the glass, remove the four (4) screws and glass retainers. While wearing leather gloves (or any other gloves suitable for handling broken glass), carefully remove any loose pieces of glass from the door frame. Dispose of all broken glass properly. ONLY high temperature ceramic glass of the correct size and thickness may be used. DO NOT substitute alternative materials for the glass. Contact your authorized dealer to obtain this glass. Re-install the new glass by re-attaching the retainers and screws, be careful not to over tighten the screws for this could damage the glass.

DO NOT abuse the door glass by striking, slamming or similar trauma. Do not operate the stove with the glass removed, cracked or broken.

FALL START UP

Prior to starting the first fire of the heating season, check the outside area around the exhaust and air intake systems for obstructions. Clean and remove any fly ash from the exhaust venting system. Clean any screens on the exhaust system and on the outside air intake pipe. Turn all of the controls on and make sure that they are working properly. This is also a good time to give the entire stove a good cleaning throughout.

SPRING SHUTDOWN

After the last burn in the spring, remove any remaining pellets from the hopper and the auger feed system. Scoop out the pellets and then run the auger until the hopper is empty and pellets stop flowing (this can be done by pressing the "ON" button with the viewing door open). Vacuum out the hopper. Thoroughly clean the burn pot, and firebox. It may be desirable to spray the inside of the cleaned hopper with an aerosol silicone spray if your stove is in a high humidity area. The exhaust system should be thoroughly cleaned.

SPRING SHUTDOWN

After the last burn in the spring, remove any remaining pellets from the hopper and the auger feed system. Scoop out the pellets and then run the auger until the hopper is empty and pellets stop flowing (this can be done by pressing the "ON" button with the viewing door open). Vacuum out the hopper. Thoroughly clean the burn pot, and firebox. It may be desirable to spray the inside of the cleaned hopper with an aerosol silicone spray if your stove is in a high humidity area. The exhaust system should be thoroughly cleaned.

MAINTENANCE SCHEDULE

Use the following as a guide under average use conditions.

Gaskets around door and door glass should be inspected and repaired or replaced when necessary.

	Daily	Weekly	Monthly or as needed
Burn Pot	Stirred	Empty	
Combustion Chamber		Brushed	
Ashes		Check	Empty
Interior Chambers			Vacuumed
Combustion Blower Blades			Vacuumed / Brushed
Convection Blower Impeller			Vacuumed / Brushed
Vent System			Cleaned
Gaskets			Inspected
Glass	Wiped	Cleaned	
Hopper (end of season)			Emptied and vacuumed

Trouble Shooting Guide

When your stove acts out of the ordinary, the first reaction is to call for help. This guide may save time and money by enabling you to solve simple problems yourself. Problems encountered are often the result of only five factors: 1) poor fuel; 2) poor operation or maintenance; 3) poor installation; 4) component failure; 5) factory defect. You can usually solve those problems related to 1 and 2. Your dealer can solve problems relating to 3, 4 and 5. Refer to diagrams on page 25 to help locate indicated parts.

For the sake of troubleshooting and using this guide to assist you, you should look at your heat level setting to see which light is flashing.

- △ **Disconnect the power cord before performing any maintenance! NOTE: Turning the ON/OFF Switch to "OFF" does not disconnect all power to the electrical components of the stove.**
- △ **Never try to repair or replace any part of the stove unless instructions for doing so are given in this manual. All other work should be done by a trained technician.**

Display is Flashing "E1"	
Possible Causes	Possible Remedies: (Unplug stove first when possible)
1. The convection blower is overheating and tripping the internal temperature shutoff.	Clean any dust off of the windings and fan blade. If oiling the blower does not help, the blower may be bad.
2. The stove is being left on the highest setting for extended periods of time.	If operating the heater on the highest heat setting, the room temperature could increase enough and lead to potential overheating situations. If this happens try operating at a lower heat setting.
3. Fuel other than wood pellets is being burned in the stove.	This pellet stove is designed and tested to use wood pellets. Check for signs of fuel other than wood pellets. No other types of fuel have been approved for this pellet stove. If there are signs of other types of fuel being used, stop using them immediately.
4. Power surge or brown out situation.	A power surge, spike, or voltage drop could cause the high limit switch to trip. Check to see if a surge protector is being used on the stove. If not, recommend one to the customer.
5. High Limit Switch is malfunctioning.	If the other items check out OK, replace the high limit switch.

Trouble Shooting Guide

Display is Flashing “E2”	
Possible Causes	Possible Remedies: (Unplug stove first when possible)
1. Airflow switch hose or stove attachment pipes for hose are blocked.	Unhook air hose from the air switch and blow through it. If air flows freely, the hose and tube are fine. If air will not flow through the hose, use a wire coat hanger to clear the blockage.
2. The air inlet, burnpot, interior combustion air chambers, combustion blower, or exhaust pipe are blocked with ash or foreign material.	Follow all cleaning procedures in the maintenance section of the owner's manual.
3. The firebox is not properly sealed.	Make sure the door is closed and that the gasket is in good shape.
4. Vent pipe is incorrectly installed.	Check to make sure vent pipe installation meets criteria in owner's manual.
5. The airflow switch wire connections are bad.	Check the connectors that attach the gray wires to the air switch.
6. Combustion blower failure.	With the stove on, check to see if the combustion blower is running. If it is not, you will need to check for power going to the combustion blower. It should be a full current. If there is power, the blower is bad. If there is not, see #8.
7. Control board not sending power to combustion blower.	If there is no current going to the combustion blower, check all wire connections. If all wires are properly connected, you have a bad control board.
8. Control board not sending power to air switch.	There should be a 5-volt current (approximately) going to the air switch after the stove has been on for 30 seconds.
9. Air switch has failed.	To test the air switch, you will need to disconnect the air hose from the body of the stove. With the other end still attached to the air switch, very gently suck on the loose end of the hose (you may want to remove the hose entirely off the stove and the air switch first and make sure it is clear). If you hear a click, the air switch is working. BE CAREFUL TOO MUCH VACUUM CAN DAMAGE THE AIR SWITCH.

Trouble Shooting Guide

Display is Flashing "E3"

Possible Causes	Possible Remedies: (Unplug stove first when possible)
1. The hopper is out of pellets	Refill the hopper.
2. The air dampener is too far open for a low feed setting	If on the low setting, you may need to close the dampener all the way.
3. The burnpot holes are blocked.	Remove the burnpot and thoroughly clean it.
4. The air inlet, the interior chambers, or exhaust system has a partial blockage.	Follow all cleaning procedures in the maintenance section of the owner's manual
5. The hopper safety switch has failed or hopper is open.	When operating the unit, be sure the hopper lid is closed so that the hopper safety switch will activate. Check the wires leading from the hopper safety switch to the control panel and auger motor for secure connections. Use a continuity tester to test the hopper safety switch; replace if necessary.
6. The auger shaft is jammed.	"Start by emptying the hopper. Then remove the auger motor by removing the auger pin, then remove the two bolts that hold the auger bracket to the auger tube. The auger bracket will now be able to be removed from the auger tube. Remove the two bolts on the side of the auger tube to remove the lower bearing of the auger. Pull the auger out of the tube to free the jam. "
7. The auger motor has failed.	Remove the auger motor from the auger shaft and try to run the unit. If the motor will turn the shaft is jammed on something. If the motor will not turn, the motor is bad.
8. The Proof of Fire (POF) thermodisc has malfunctioned.	Temporarily bypass the POF thermodisc by disconnecting the two wires and connecting them with a short piece of wire. Then plug the stove back up. If the stove comes on and works, you need to replace the POF thermodisc. This is for testing only. DO NOT LEAVE THE THERMODISC BYPASSED. Your blowers will never shut off and if the fire went out the auger will continue to feed pellets until the hopper is empty if you leave the POF thermodisc bypassed.
9. The control board is not sending power to the POF thermodisc or other auger system components.	There should be a 5-volt (approximately) current going to the POF thermodisc after the stove has been on for 10 minutes.

Trouble Shooting Guide

Display is Flashing "E4"

Possible Causes	Possible Remedies: (Unplug stove first when possible)
1. The air inlet, burnpot, interior combustion air chambers, combustion blower, or exhaust pipe are blocked with ash or foreign material.	Follow all cleaning procedures in the maintenance section of the owner's manual.
2. The Proof of Fire (POF) thermodisc has come unplugged	Check the (POF) thermodisc to see if the wires are connected properly.
3. The Proof of Fire (POF) thermodisc has malfunctioned.	Temporarily bypass the POF thermodisc by disconnecting the two wires and connecting them with a short piece of wire. Then plug the stove back up. If the stove comes on and works, you need to replace the POF thermodisc. This is for testing only. DO NOT LEAVE THE THERMODISC BYPASSED. Your blowers will never shut off and if the fire went out the auger will continue to feed pellets until the hopper is empty if you leave the POF thermodisc bypassed.
4. The hopper is out of Pellets.	Refill the hopper.
5. The hopper safety switch has failed or hopper is open.	When operating the unit, be sure the hopper lid is closed so that the hopper safety switch will activate. Check the wires leading from the hopper safety switch to the control panel and auger motor for secure connections. Use a continuity tester to test the hopper safety switch; replace if necessary.
6. The auger shaft is jammed.	Start by emptying the hopper. Then remove the auger motor by removing the auger pin. Remove the auger shaft inspection plate in the hopper so that you can see the auger shaft. Gently lift the auger shaft straight up so that the end of the auger shaft comes up out of the bottom auger bushing. Next, remove the two nuts that hold the top auger biscuit in. Then rotate the bottom end of the auger shaft up towards you until you can lift the shaft out of the stove. After you have removed the shaft, inspect it for bent flights, burrs, or broken welds. Remove any foreign material that might have caused the jam. Also, check the auger tube for signs of damage such as burrs, rough spots, or grooves cut into the metal that could have caused a jam.
7. The auger motor has failed.	Remove the auger motor from the auger shaft and try to run the unit. If the motor will turn the shaft is jammed on something. If the motor will not turn, the motor is bad.

Display is Flashing "E5"

Possible Causes	Possible Remedies: (Unplug stove first when possible)
1. The stove automatically flashes "E5" when turned on	The T-stat sensor has come unplugged from the control board. Check to see if the sensor is unplugged. If the sensor is not unplugged then the sensor is damaged or has a short. If the sensor is damaged or has a short it will need to be replaced.

Trouble Shooting Guide

STOVE FEEDS PELLETS, BUT WILL NOT IGNITE	
Possible Causes:	Possible Remedies: (Unplug stove first when possible)
1. Air damper open too far for ignition.	Push the air damper in closer to the side of the stove for startup. In some situations it may be necessary to have the damper completely closed for ignition to take place. After there is a flame, the damper can then be adjusted for the desired feed setting.
2. Blockage in igniter tube or inlet for igniter tube.	Find the igniter housing on the backside of the firewall. The air intake hole is a small hole located on bottom side of the housing. Make sure it is clear. Also, look from the front of the stove to make sure there is not any debris around the igniter element inside of the igniter housing.
3. The burnpot is not pushed completely to the rear of the firebox.	Make sure that the air intake collar on the burnpot is touching the rear wall of the firebox.
4. Bad igniter element.	Put power directly to the igniter element. Watch the tip of the igniter from the front of the stove. After about 2 minutes the tip should glow. If it does not, the element is bad.
5. The control board is not sending power to the igniter.	Check the voltage going to the igniter during startup. It should be a full current. If the voltage is lower than full current, check the wiring. If the wiring checks out good, the board is bad.

SMOKE SMELL COMING BACK INTO THE HOME	
Possible Causes:	Possible Remedies: (Unplug stove first when possible)
1. There is a leak in the vent pipe system.	Inspect all vent pipe connections. Make sure they are sealed with RTV silicone that has a temperature rating on 500 degree F or higher. Also, seal joints with UL-181-AP foil tape. Also, make sure the square to round adapter piece on the combustion blower has been properly sealed with the same RTV.
2. The gasket on the combustion blower has gone bad.	Inspect both gaskets on the combustion blower to make sure they are in good shape.

Because it is a wood-burning device, your pellet heater may emit a faint wood-burning odor. If this increases beyond normal, or if you notice an unusual soot build-up on walls or furniture, check your exhaust system carefully for leaks. All joints should be properly sealed. Also clean your stove, following instructions in "MAINTENANCE". If problem persists, contact your dealer.

CONVECTION BLOWER SHUTS OFF AND COMES BACK ON	
Possible Causes:	Possible Remedies: (Unplug stove first when possible)
1. The convection blower is overheating and tripping the internal temperature shutoff.	Clean any dust off of the windings and fan blades. If cleaning the blower does not help, the blower may be bad.
2. Circuit board malfunction.	Test the current going to the convection blower. If there is power being sent to the blower when it is shut off, then the control board is fine. If there is NOT power being sent to the blower when it shuts off during operation, then you have a bad control board.

Trouble Shooting Guide

STOVE WILL NOT FEED PELLETS, BUT FUEL FEED LIGHT COMES ON AS DESIGNED	
Possible Causes:	Possible Remedies: (Unplug stove first when possible)
1. High limit switch has tripped or is defective.	Wait for the stove to cool for about 30 - 45 minutes. Locate the High Limit thermodisc and press the reset button on the back of it. If the heater will not restart, check the thermodisc to see if it's bad. To test if the thermodisc is bad, you can bypass it as described previously for the POF thermodisc.
2. Bad Auger Motor.	Remove the auger motor from the auger shaft and try to run the unit. If the motor will turn the shaft is jammed on something. If the motor will not turn, the motor is bad.
3. Auger Jam.	Start by emptying the hopper. Then remove the auger motor by removing the auger pin. Remove the auger shaft inspection plate in the hopper so that you can see the auger shaft. Gently lift the auger shaft straight up so that the end of the auger shaft comes up out of the bottom auger bushing. Next, remove the two nuts that hold the top auger biscuit in. Then rotate the bottom end of the auger shaft up towards you until you can lift the shaft out of the stove. After you have removed the shaft, inspect it for bent flights, burrs, or broken welds. Remove any foreign material that might have caused the jam. Also, check the auger tube for signs of damage such as burrs, rough spots, or grooves cut into the metal that could have caused a jam.
4. Loose wire or connector.	Check all wires and connectors that connector to the auger motor, high limit switch, and the Molex connector.
5. Bad control board.	If the fuse is good, the wires and connectors check out good, and the high limit switch did not trip, test for power going to the auger motor. If there is not a full current going to the auger motor when the fuel feed light is on, you have a bad control board.

HIGH LIMIT SWITCH KEEPS TRIPPING	
Possible Causes:	Possible Remedies: (Unplug stove first when possible)
1. The convection blower is overheating and tripping the internal temperature shutoff.	Clean any dust off of the windings and fan blades. If oiling the blower does not help, the blower may be bad.
2. The stove is being left on the highest setting for extended periods of time.	If operating the heater on the highest heat setting, the room temperature could increase enough and lead to potential overheating situations. If this happens, try operating at a lower heat setting.
3. Fuel other than wood pellets is being burned in the stove.	This pellet stove is designed and tested to use wood pellets. Check for signs of fuel other than wood pellets. No other types of fuel have been approved for this pellet stove. If there are signs of other types of fuel being used, stop using them immediately.
4. Power surge or brown out situation.	A power surge, spike, or voltage drop could cause the high limit switch to trip. Check to see if a surge protector is being used on the stove. If not, recommend one to the consumer.
5. High limit switch is malfunctioning.	If the other items check out OK, replace the high limit switch.

Trouble Shooting Guide

- **GLASS “SOOT’S” UP AT A VERY FAST RATE**
- **FLAME IS LAZY, DARK, AND HAS BLACK TIPS**
- **AFTER STOVE HAS BEEN ON FOR A WHILE, THE BURNPOT OVERFILLS**

<u>Possible Causes:</u>	<u>Possible Remedies: (Unplug stove first when possible)</u>
1. Stove or vent pipe is dirty, which restricts airflow through the burnpot.	Follow all cleaning procedure in the maintenance section of the owner's manual.
2. Vent pipe installed improperly.	Check to make sure the vent pipe has been installed according to the criteria in the owner's manual.
3. Air damper is set too far in (closed) for a higher setting.	Pull the damper knob farther out away from the side of the stove and try to burn the unit again.
4. Burnpot holes are blocked.	Remove the burnpot and thoroughly clean it.
5. Air damper is broken.	Visually inspect the damper assembly. Make sure the damper plate is attached to the damper rod. When the damper rod is moved the plate should move with it.
6. Blockage in air intake pipe.	Visually inspect the air intake pipe that leads into the burnpot for foreign material.
7. Circuit board malfunction.	Time the fuel feed light at each setting (after the stove has completed the startup cycle). Make sure the times match the auger timing chart. If the auger motor runs constantly, the board is bad.
8. Combustion blower is not spinning fast enough.	Test the RPM on the blower after the blades have been cleaned. The RPM should be approximately 3000 RPM.
9. Bad Pellets. (Applies to GLASS “SOOT’S” UP AT A VERY FAST RATE Only)	The brand of pellets or the batch of pellets that are being used may be of poor quality. If possible, try a different brand of pellets. You might also want to try a brand that is made from a different type of wood (softwood vs. hardwood). Different woods have different characteristics when being burned.

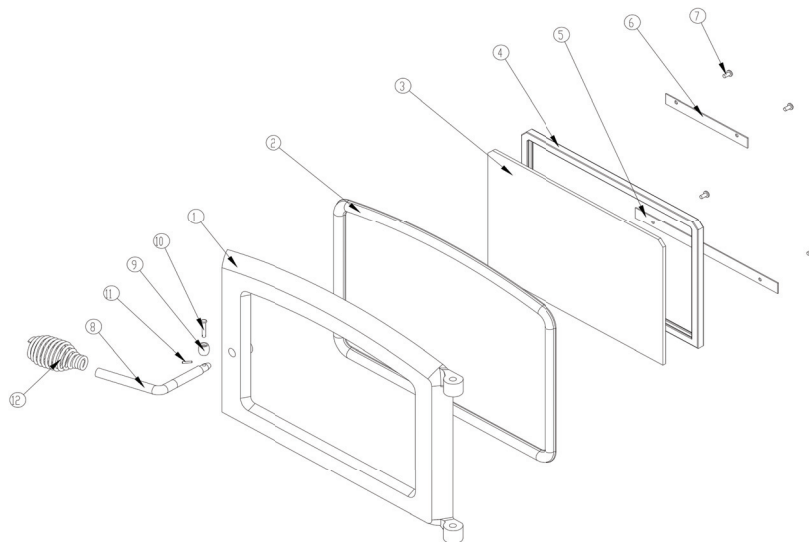
Parts List

Key	Part No.	Description	Qty.
1	892183	Main Weldment	1
2	83538	Shaft Collar - Ignitor Tube	1
3	892184	Hopper	1
4	892185	Auger Housing Weld.	1
5	892186	Plate, Auger Bushing	1
6	892187	Auger	1
7	891132	Agitator Bushing	1
8	892188	Auger Motor Mounting Bracket	1
9	892189	Auger Motor Shock Absorber	2
10	83917	Plastic Grommet	1
11	892190	Rubber Grommet	1
12	80631	PCBA	1
13	83918	PCBA Standoff	1
14	80488	Auger Motor	1
15	83529	Auger Motor Hair Pin	1
16	80462	AC Electrical Connector	1
17	80491	Lid Switch	1
18	83013	Rivets	40
19	892191	Ash Clean-Out Covers	2
20	892192	Top Weldment	1
21	891148	Lid Latch	1
22	892193	Door Assembly	1
23	892198	Warm Air Outlet Grill	1
24	892199	Controller Panel Assembly	1
25	80629	PCBA Mounting Box	1
26	80630	PCBA, Controller	1
27	892200	Vented Side Panel, Right	1
28	892201	Vented Side Panel, Left	1
29	892202	Vented Back Panel	1

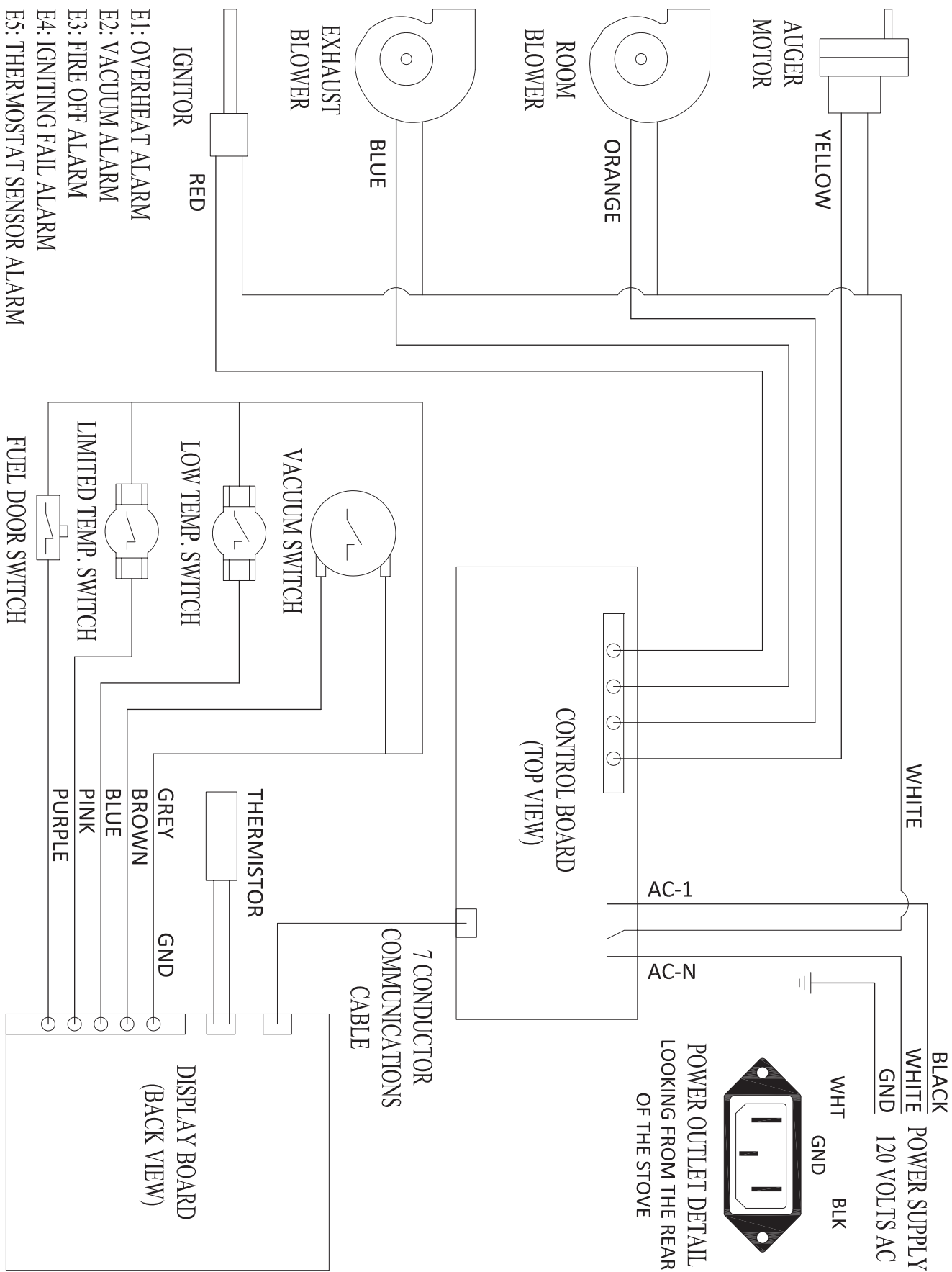
Key	Part No.	Description	Qty.
30	86624	Burnpot	1
31	891121	Hose, Silicon	1
32	83537	Hose Clamp	1
33	88176	Insulating Blanket	1
34	88177	Gasket, Ash Clean-out	2
35	88175	Gasket, T-disc	2
36	80601	T-Disc, Room Air	1
37	88167	Gasket, Room Blower	1
38	80604	Igniter	1
39	80622	Room Blower	1
40	80549	Vacuum Switch	1
41	88166	Gasket, Exhaust Blower	1
42	80602	Exhaust Blower	1
43	80599	T-Disc, Exhaust	1
44	892203	Hinge Pin	2

Door Parts List

Key	Part No.	Description	Qty.
1	40586	Feed Door	1
2	88066	3/4" Round Rope Gasket-Black	55 in
3	892197	Door Glass	1
4	88087	1/8 x 1 Window Gasket w/Adhesive	39 in
5	892194	Retainer, Bottom, Glass	1
6	892195	Retainer, Top,. Glass	1
7	83202	Glass Retainer Screw	4
8	892196	Door Handle Arm	1
9	891085	Handle Bearing	1
10	891086	Handle Bearing	1
11	891087	Roll Pin	1
12	891135	Spring Handle	1
13	89284	Silicone Sealant	A/R



Wiring Diagram



How to Order Repair Parts

THIS MANUAL WILL HELP YOU OBTAIN EFFICIENT, DEPENDABLE SERVICE FROM YOUR PELLET STOVE, AND ENABLE YOU TO ORDER REPAIR PARTS CORRECTLY.

KEEP THIS MANUAL IN A SAFE PLACE FOR FUTURE REFERENCE.

WHEN WRITING, ALWAYS GIVE THE FULL MODEL NUMBER WHICH IS ON THE NAMEPLATE ATTACHED TO THE HEATER.

WHEN ORDERING REPAIR PARTS, ALWAYS GIVE THE FOLLOWING INFORMATION AS SHOWN IN THIS LIST:

1. THE PART NUMBER
2. THE PART DESCRIPTION
3. THE MODEL NUMBER: _____
4. THE SERIAL NUMBER: _____



VOGELZANG
Affordable Heating Since 1974

227 Industrial Park Road, South Pittsburg, TN 37380

www.vogelzang.com

Phone 1-800-222-6950