

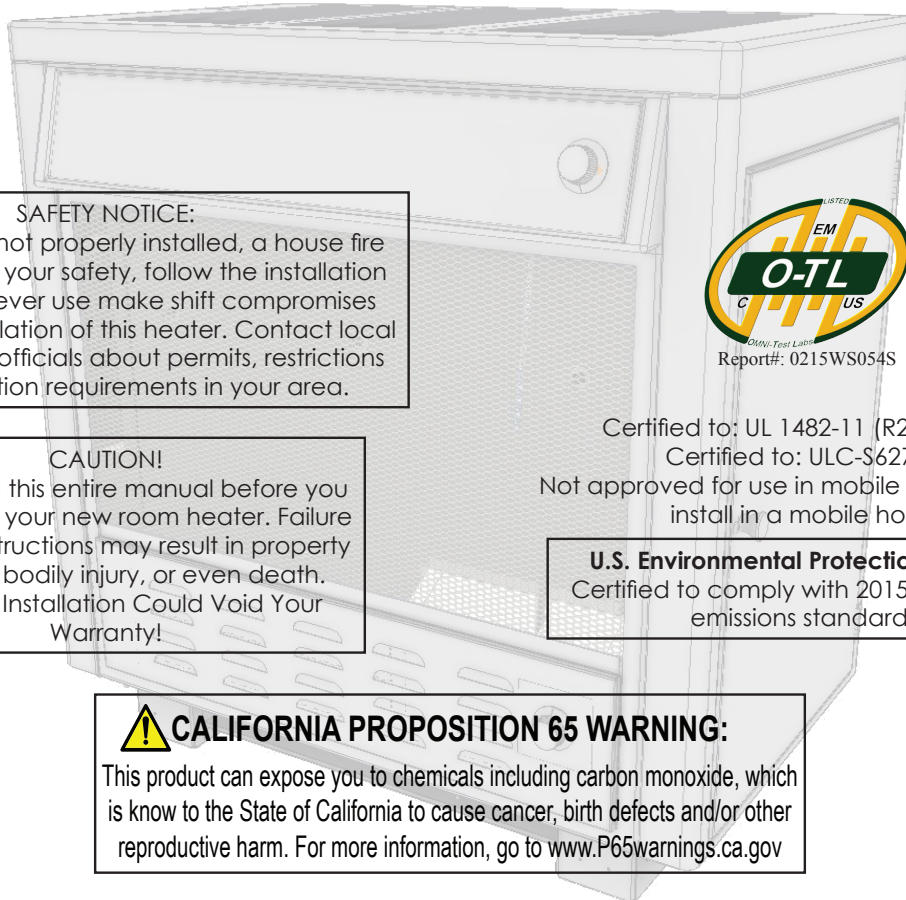
Owner's Operation and Instruction Manual



MODEL: BEC95E(B)

SAVE THESE INSTRUCTIONS

THIS MANUAL WILL HELP YOU TO OBTAIN EFFICIENT, DEPENDABLE SERVICE FROM THE HEATER, AND ENABLE YOU TO ORDER REPAIR PARTS CORRECTLY. KEEP IN A SAFE PLACE FOR FUTURE REFERENCE.



SAFETY NOTICE:

If this heater is not properly installed, a house fire may result. For your safety, follow the installation instructions. Never use make shift compromises during the installation of this heater. Contact local building or fire officials about permits, restrictions and installation requirements in your area.

CAUTION!

Please read this entire manual before you install or use your new room heater. Failure to follow instructions may result in property damage, bodily injury, or even death. Improper Installation Could Void Your Warranty!



Report#: 0215WS054S

Certified to: UL 1482-11 (R2015) and
Certified to: ULC-S627-00

Not approved for use in mobile homes, do not install in a mobile home

U.S. Environmental Protection Agency
Certified to comply with 2015 particulate emissions standards.



CALIFORNIA PROPOSITION 65 WARNING:

This product can expose you to chemicals including carbon monoxide, which is know to the State of California to cause cancer, birth defects and/or other reproductive harm. For more information, go to www.P65warnings.ca.gov

United States Stove Company
227 Industrial Park Road
P.O. Box 151
South Pittsburg, TN 37380

853137-0405H

CONGRATULATIONS!

You've purchased a heater from North America's oldest manufacturer of wood burning products.

By heating with wood you're helping to CONSERVE ENERGY! Wood is our only Renewable Energy Resource.

Please do your part to preserve our wood supply. Plant at least one tree each year. Future generations will thank you. The instructions pertaining to the installation of your wood stove comply with UL-1482-11 (R2015), and ULC-S627-00 standards. This manual describes the installation and operation of the Ashley, BEC95E(B) wood heater. This heater meets the 2015 U.S. Environmental Protection Agency's crib wood emission limits for wood heaters sold after May 15, 2015. Under specific test conditions this heater has been shown to deliver heat at rates ranging from 11,817 to 31,713 Btu/hr. Note: The BTU ratings mentioned above are based on the EPA test protocol burning dimensional Douglas Fir lumber. Our advertised BTU's are based on the first hour of operation at high burn rate burning cordwood.

Combustible:	Wood
Colors:	Metallic Black
Flue Pipe Diameter:	6" (152.5mm)
Flue Pipe Type: (Standard Single Wall or Double Wall):	Black or Blued Steel 2100°F (650°C)
Minimum Chimney Height:	12' (3.7m)
Maximum Log Length:	21" (533.5mm)
Dimensions	
Overall: Depth x Width x Height:	21.5" x 32" x 33.5" (547mm x 813mm x 864mm)
Combustion Chamber: Width x Depth:	11-3/8" x 24-3/4" (289mm x 629mm)
Volume: Cubic Feet:	1.86 ft ³ (.0527m ³)
Door Opening: Width x Height:	10" x 11-3/8" (854mm x 289mm)

CAUTIONS:

- Hot while in operation. Keep children, clothing and furniture away. Contact may cause skin burns.
- Do not use chemicals or fluids to ignite the fire.
- Do not leave the stove unattended when the door is slightly opened.
- Do not burn garbage, flammable fluid such as gasoline, naphtha or motor oil.
- Do not connect to any air distribution duct or system.
- Always close the door after the ignition.

Note: Register your product on line at www.usstove.com. See "Limited Warranty" section for specific warranty information for your new purchase. Save your receipt with your records for any claims.

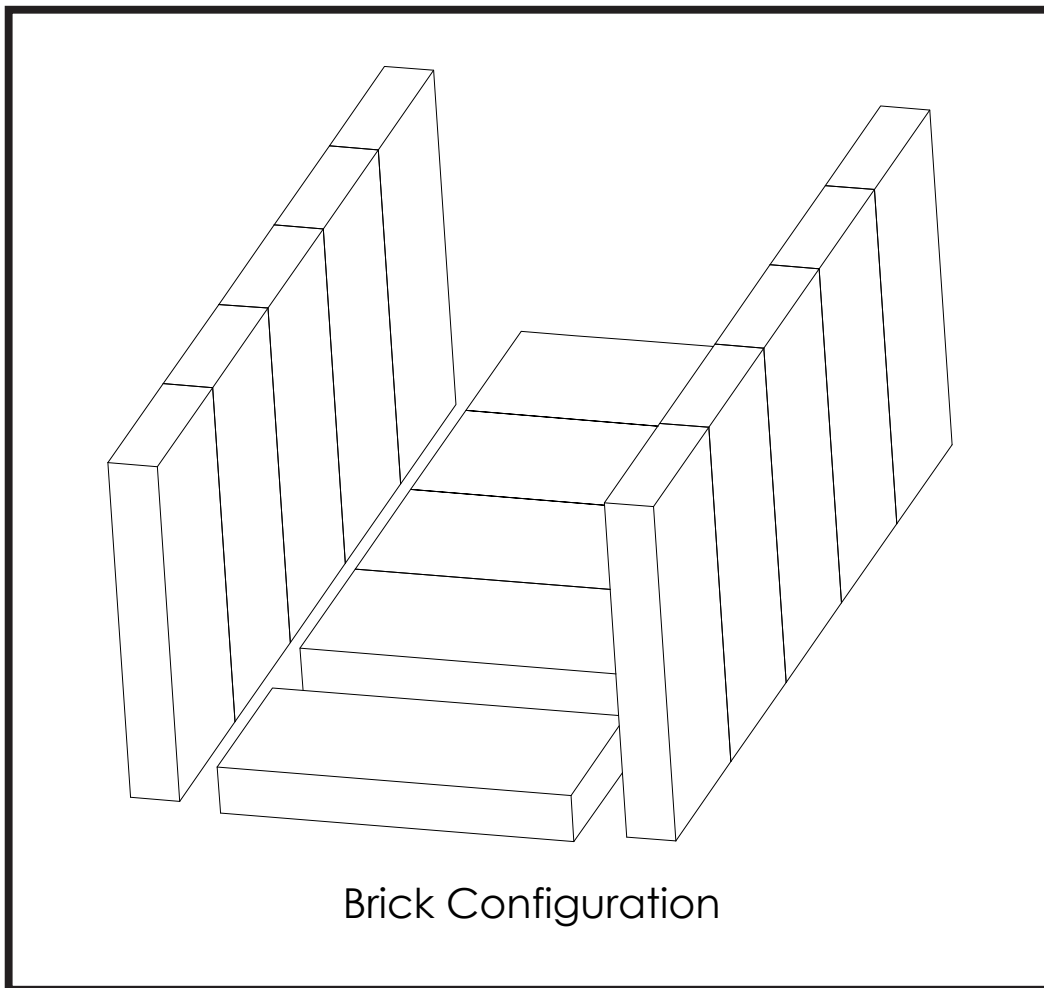
TOOLS AND MATERIALS NEEDED FOR INSTALLATION

TOOLS

- Pencil
- Masuring Tape or 6 foot rule
- Tin Snips
- Drill and 1/8" dia. bit
- Gloves
- Screwdriver (Blade type)
- 5/16" Nut Driver or 5/16" Socket w/Ratchet

MATERIALS

- Chimney Connection- 6" Diameter Black Steel pipe (24 gauge minimum) and elbow(s) either adjustable¹ or corrugated as necessary
- 1/2" Sheet Metal Screws
- 6" Inside Diameter Underwriters Laboratories (UL) listed Residential Type and Building Heating Appliance Chimney, Type "HT", or 6" existing Masonry Chimney with flue liner.
- Floor Protector Material: 3' x 4'-6" (as specified on page 4.)
- • Furnace Cement (Manufacturer recommends: Rutland Code 78 or Equivalent)
- 1 Avoid adjustable elbows, they leak!



Assembly Instructions

BLOWER ASSEMBLY-OPTIONAL

INSTALLATION

1. Remove the Panel (A) using tin snips or knock out using a hammer and chisel careful not to distort the mounting surface.
2. Attach the Blower Mounting Box (B) to the rear of the unit using four(4) of the supplied #10 screws.
3. Then mount the Blower Assembly with the four(4) remaining screws.

OPERATION

1. Rotating the rheostat control knob clockwise will turn ON the blower.
2. When turned on, the blower comes on HIGH, then as the knob is rotated clockwise, the blower speed reduces.
3. Rotate the knob counter-clockwise to turn OFF.

Caution! Route the Power Supply Cord away from the heat source and out of high traffic areas.

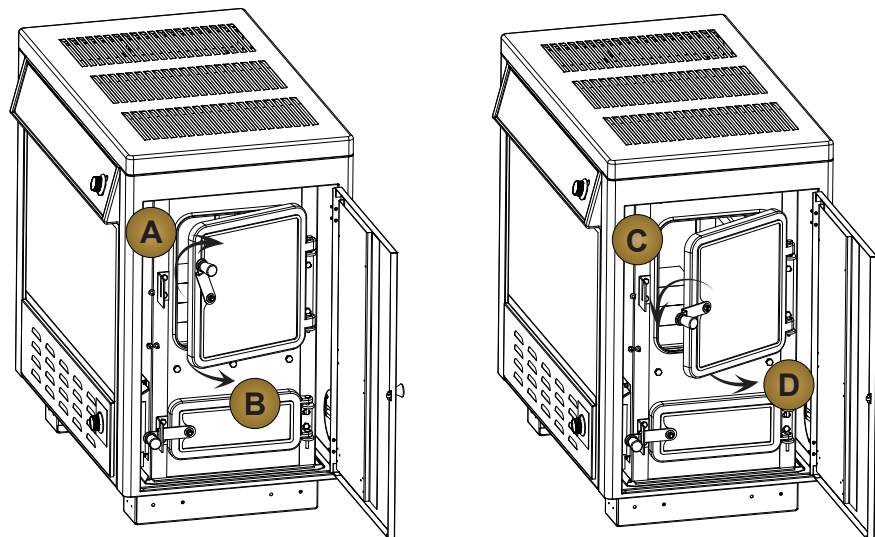
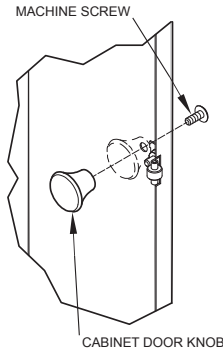
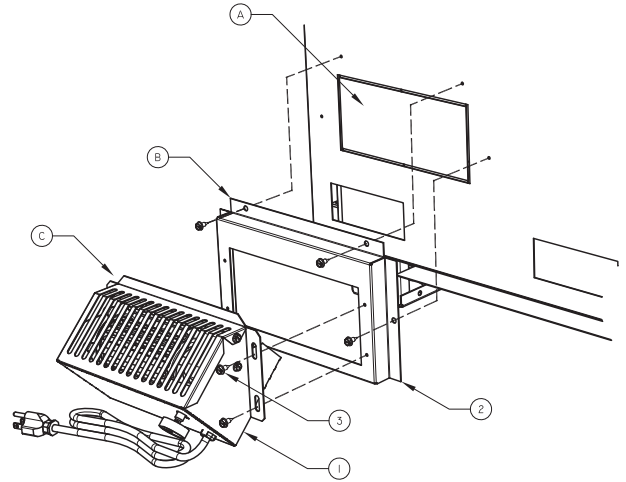
CABINET DOOR KNOB ASSEMBLY

The cabinet door knob is mounted on the inside of the cabinet door to facilitate shipping and must be removed and re-installed for proper usage.

To get the cabinet door open, place your hand under the cabinet frame (right hand side of the cabinet door) and push door out.

FOLLOW THESE INSTRUCTIONS FOR DOOR KNOB ASSEMBLY:

1. Remove the machine screw and the door knob.
2. Place the knob on the outside of the cabinet door, re-install the machine screw and tighten being careful not to strip out the threads in the plastic handle.

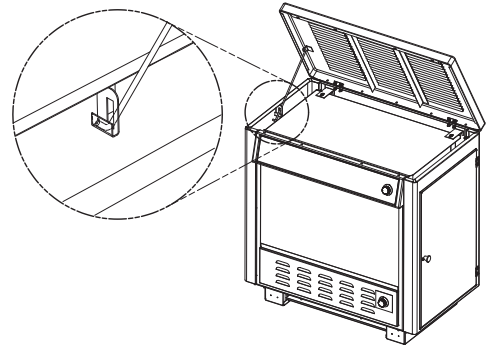


NOTE: During opening and closing of the feed and ash doors of this heater, it may seem that the fit of the door is "too tight". As the heater is fired, the gasketing "settles" or "seats" itself in the door. The tight fit at the factory and before the heater's initial firing is to insure a good seal after the gasketing "settles".

INSTRUCTIONS FOR LATCH OPERATION

Follow these instructions to operate you unit safely when operating the feed door.

1. Turn handle clockwise to the 12 o'clock position (A), pull the door open until you engage the second step (B).
2. Hold the door in that position for approximately 10 seconds.
3. Then to open door, turn the handle counter clockwise to the 9 o'clock position (C) and then continue to pull the door open. (D)
4. To close and latch the door, reverse steps 1 thru 4.

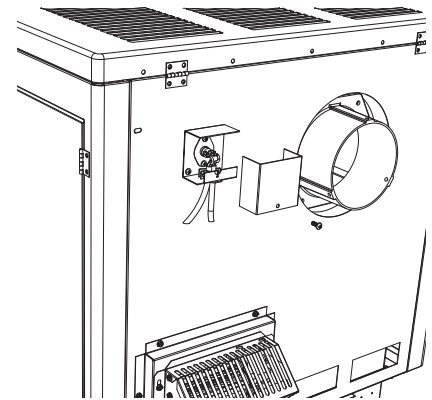


HOW TO OPEN THE TOP LID

CAUTION! DO NOT OPEN OR CLOSE THE TOP WHEN THE HEATER IS HOT!

To open, grasp the top at the front or on each corner and lift all the way up until the support rod stops the motion. Then gently lower the top allowing the support rod to settle in the cup, holding the top open.

To Close, lift the top until the support rod is out of the cup. Pull the rod forward and lower the lid closed.



THERMODISC KIT FOR B36 BLOWER - OPTIONAL

Wish your blower would turn ON and OFF as the heater gets warm and cold? It can with this optional kit from U.S. Stove. It connects in line with your power supply cord and mounts to the back of the heater. When the snap disc reaches 120 degrees, the blower automatically turns ON and turns itself OFF if it reaches 90 degrees. See your Dealer for details or call U.S. Stove directly.

SAFETY NOTICE

- If this stove is not properly installed, a house fire may result. To reduce the risk of fire, follow the installation instructions.
- Consult your municipal building department or fire officials about permits, restrictions and installations requirements in your area.
- Use smoke detectors in the room where your stove is installed.
- Keep furniture and drapes well away from the stove.
- Never use gasoline, gasoline-type lantern fuel, kerosene, charcoal lighter fluid, or similar liquids to start or "freshen up" a fire in this heater. Keep all such liquids well away from the heater while it is in use.
- In the event of a chimney fire, push the air control full closed to deprive the fire of oxygen. Call the fire department.
- Do not connect to any air distribution duct or system.
- A source of fresh air into the room or space heated shall be provided when required.

POSITIONING THE STOVE

It is very important to position the wood stove as close as possible to the chimney, and in an area that will favour the most efficient heat distribution possible throughout the house. The stove must therefore be installed in the room where the most time is spent, and in the most spacious room possible. Wood stoves produce radiating heat, that is the heat we feel when we are close to a wood stove. A wood stove also functions by convection. Convection is the displacement of hot air accelerated upwards and its replacement with cooler air. If necessary, the hot air distribution from the stove may be facilitated by the installation of a blower.

The wood stove must not be hooked up to a hot air distribution system since an excessive accumulation of heat may occur.

A wood stove must never be installed in a hallway or near a staircase, since it may block the way in case of fire or fail to respect required clearances.

CLEARANCES TO COMBUSTIBLES

It is of utmost importance that the clearances to combustible materials be strictly adhered to during installation of the stove. Refer to the tables below.

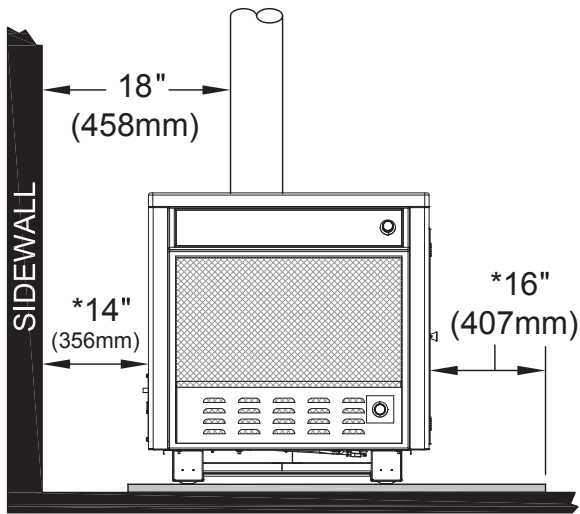


FIG. 1 (FRONT VIEW)

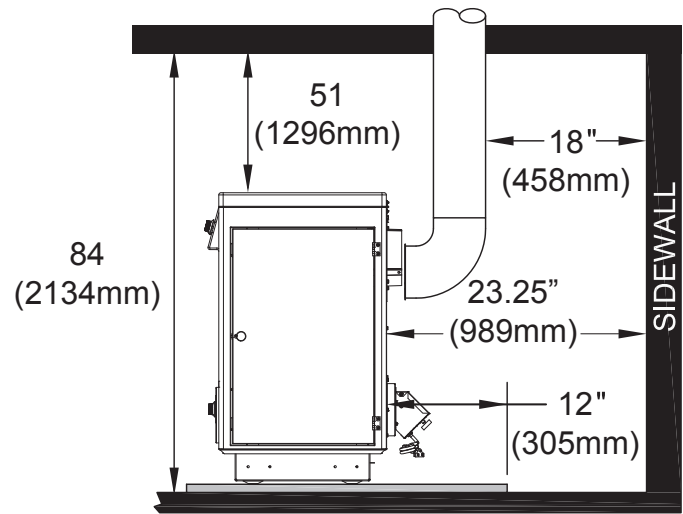
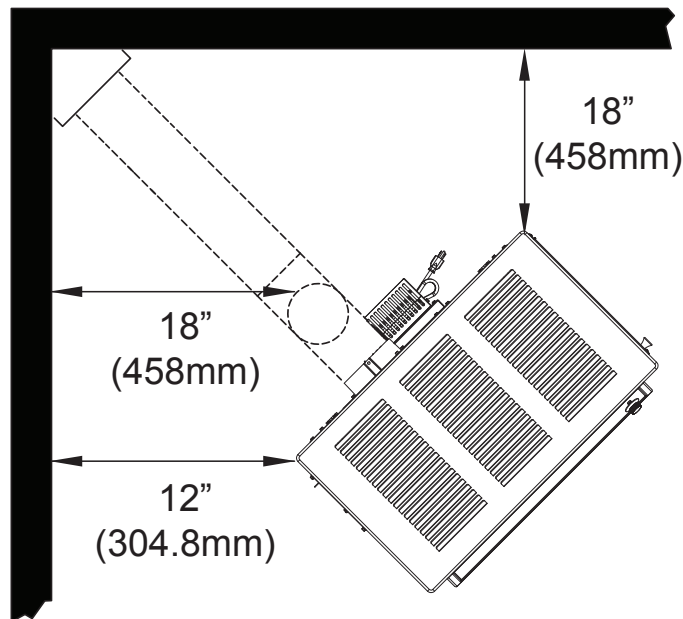


FIG. 2 (SIDE VIEW)

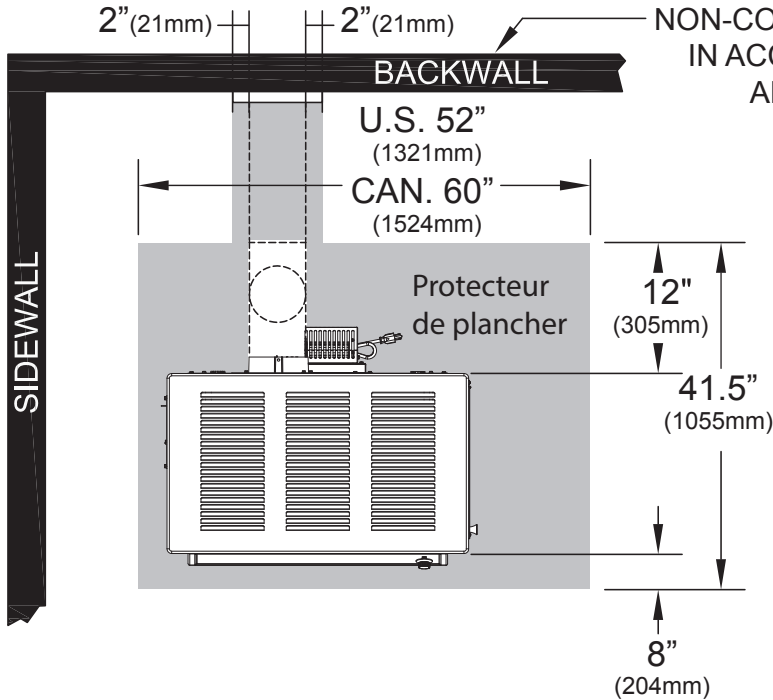
- Floor to ceiling height must be at least 7' (2.13m) in all cases.
- Do not place any combustible material within 4' (1.2m) of the front of the unit.
- The clearance between the flue pipe and a wall are valid only for vertical walls and for vertical flue pipe.
- The chimney connector must not pass through an attic or roof space, closet or similar concealed space, a floor, or a ceiling.
- For Canadian installations, where passage through a wall, or partition of combustible construction is desired, the installation must conform to CAN/CSA-B365.
- A flue pipe crossing a combustible wall must have a minimum clearance of 18" (457.2mm).
- To reduce flue clearances from combustible materials, contact your local safety department.
- The provision that clearances may only be reduced by means approved by regulatory authority



FLOOR PROTECTOR

When the heater is used on a combustible floor, use an Underwriters Listed floor protector that conforms to UL Standards (UL 1618) and CAN/ULC for Canada, that provides at minimum type 1 ember protection. The floor protector should be under the stove, 16" (18" for Canadian Installations) beyond the front and 8" beyond each side of the fuel loading and ash removal opening. If there is a horizontal section of chimney connector, the floor protector should go under it and 2 inches beyond each side

The floor protector should exceed the stove as follows:



INCHES (METRIC)

NOTE: DASHED LINES SHOW STRAIGHTUP AND DOWN THROUGH THE WALL INSTALLATION.

*CANADIAN INSTALLATIONS REQUIRE A MINIMUM OF 18" (450mm) ON THE FUEL LOADING SIDE AND 8"(203mm) ON ALL OTHER SIDES.

FIG. 3 (TOP VIEW)

CHIMNEY CONNECTOR (STOVE PIPE)

Your chimney connector and chimney must have the same diameter as the stove outlet (6"). If this is not the case, we recommend you contact your dealer in order to insure there will be no problem with the draft.

The stove pipe must be made of aluminized or cold roll steel with a minimum thickness of 0.021" or 0.53 mm. It is strictly forbidden to use galvanized steel.

Your smoke pipe should be assembled in such a way that the male section (crimped end) of the pipe faces down. Attach each of the sections to one another with three equidistant metal screws.

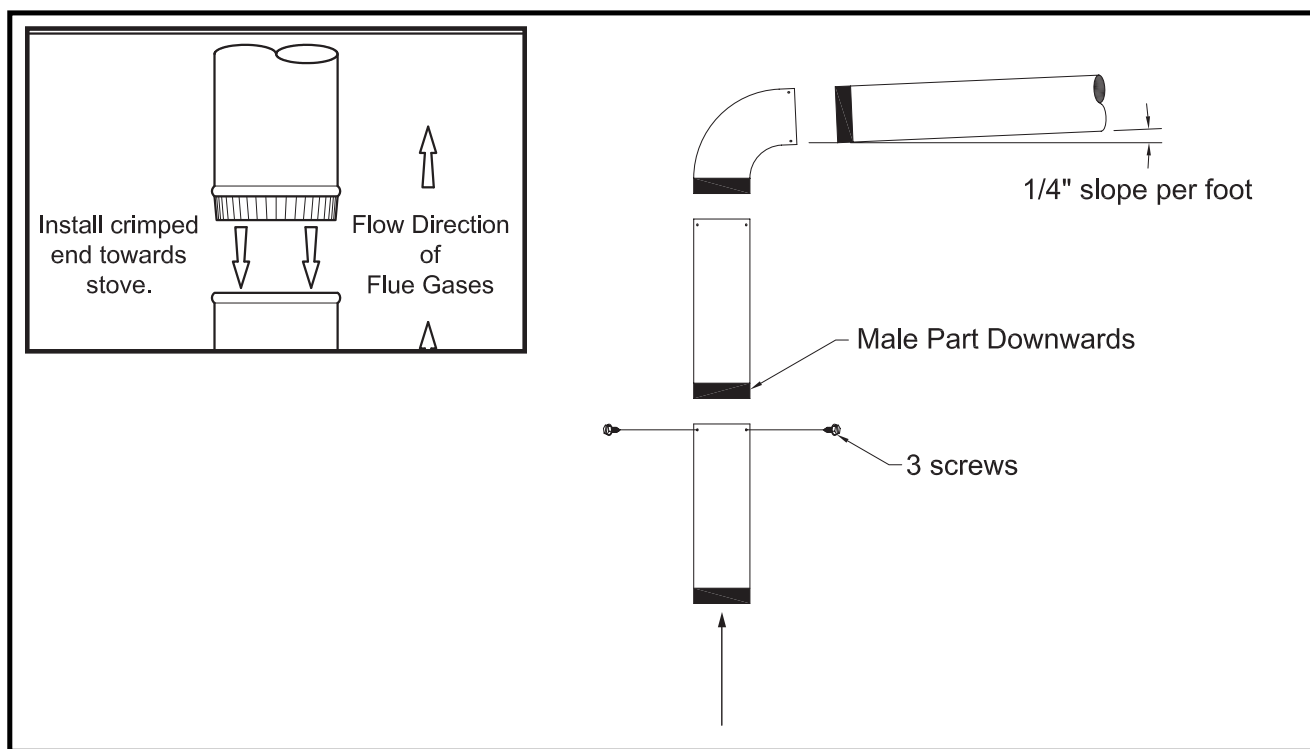
The pipe must be short and straight. All sections installed horizontally must slope at least 1/4 inch per foot, with the upper end of the section toward the chimney. Any installation with a horizontal run of chimney pipe must conform to NFPA 211. You may contact NFPA (National Fire Protection Association) and request the latest edition of the NFPA Standard 211.

To insure a good draft, the total length of the coupling pipe should never exceed 8' to 10' (2.4m to 3.04 m). (Except for cases of vertical installation, cathedral-roof style where the smoke exhaust system can be much longer and connected without problem to the chimney at the ceiling of the room).

There should never be more than two 90 degrees elbows in the smoke exhaust system.

Installation of a "barometric draft stabilizer" (fireplace register) on a smoke exhaust system is prohibited.

Furthermore, installation of a draft damper is not recommended. Indeed, with a controlled combustion wood stove, the draft is regulated upon intake of the combustion air in the stove and not at the exhaust.



IMPORTANCE OF PROPER DRAFT

Draft is the force which moves air from the appliance up through the chimney. The amount of draft in your chimney depends on the length of the chimney, local geography, nearby obstructions and other factors. Too much draft may cause excessive temperatures in the appliance. Inadequate draft may cause backpuffing into the room and 'plugging' of the chimney. Inadequate draft will cause the appliance to leak smoke into the room through appliance and chimney connector joints. An uncontrollable burn or excessive temperature indicates excessive draft.

CHIMNEY

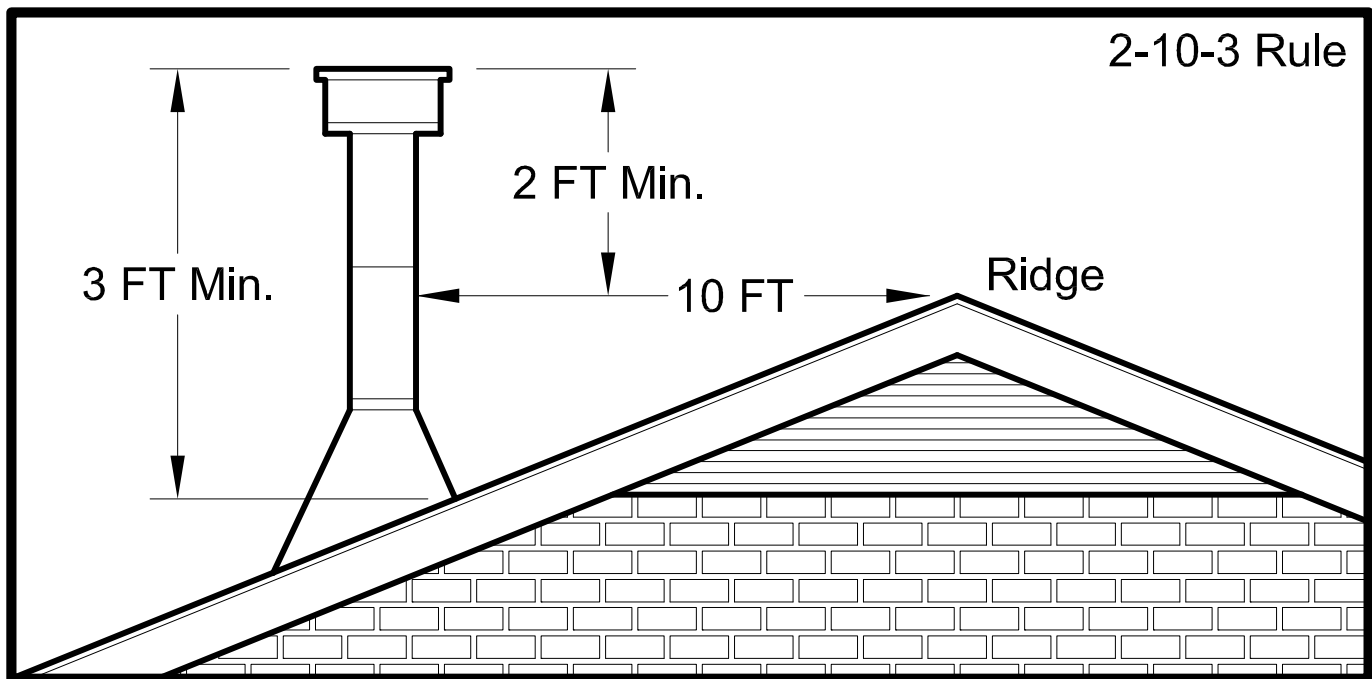
Take into account the chimney's location to insure it is not too close to neighbours or in a valley which may cause unhealthy or nuisance conditions. Your wood stove may be hooked up with a 6" factory built or masonry chimney. If you are using a factory built chimney, it must comply with UL 103 or CSA-B365 standard; therefore it must be a Type HT (2100°F). It is extremely important that it be installed according to the manufacturer's specifications.

If you are using a masonry chimney, it is important that it be built in compliance with the specifications of the National Building Code. It must be lined with fire clay bricks, metal or clay tiles sealed together with fire cement. (Round flues are the most efficient).

The interior diameter of the chimney flue must be identical to the stove smoke exhaust. A flue which is too small may cause draft problems, while a large flue favours rapid cooling of the gas, and hence the build-up of creosote and the risk of chimney fires. Note that it is the chimney and not the stove which creates the draft effect; your stove's performance is directly dependent on an adequate draft from your chimney.

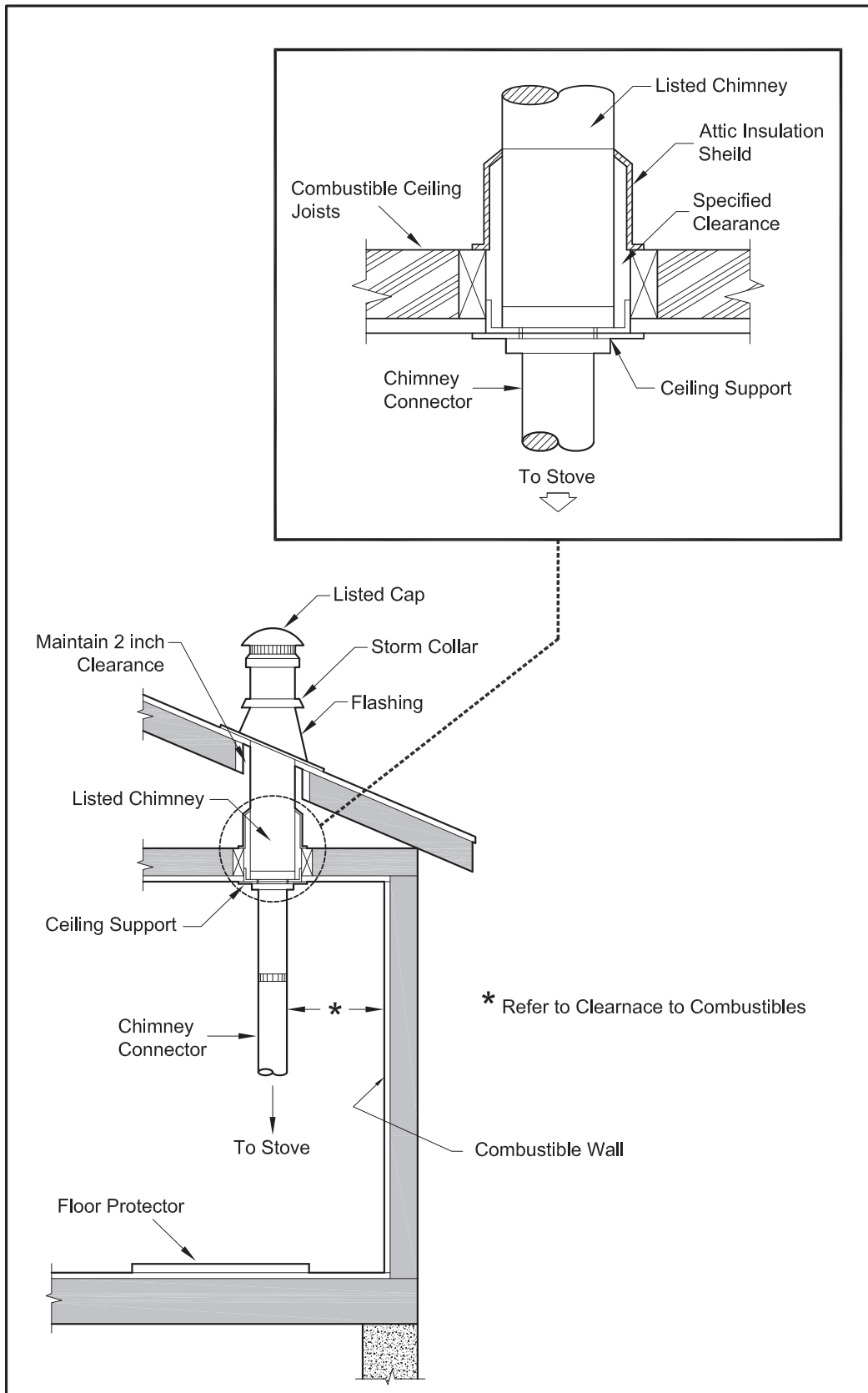
The following recommendations may be useful for the installation of your chimney:

1. Do not connect this unit to a chimney flue serving another appliance.
2. It must rise above the roof at least 3' (0.9m) from the uppermost point of contact.
3. The chimney must exceed any part of the building or other obstruction within a 10' (3.04m) distance by a height of 2' (0.6m).
4. Installation of an interior chimney is always preferable to an exterior chimney. Indeed, the interior chimney will, by definition, be hotter than an exterior chimney, being heated up by the ambient air in the house. Therefore the gas which circulates will cool more slowly, thus reducing the build-up of creosote and the risk of chimney fires.
5. The draft caused by the tendency for hot air to rise will be increased with an interior chimney.
6. Using a fire screen at the extremity of the chimney requires regular inspection in order to insure that it is not obstructed thus blocking the draft, and it should be cleaned when used regularly.



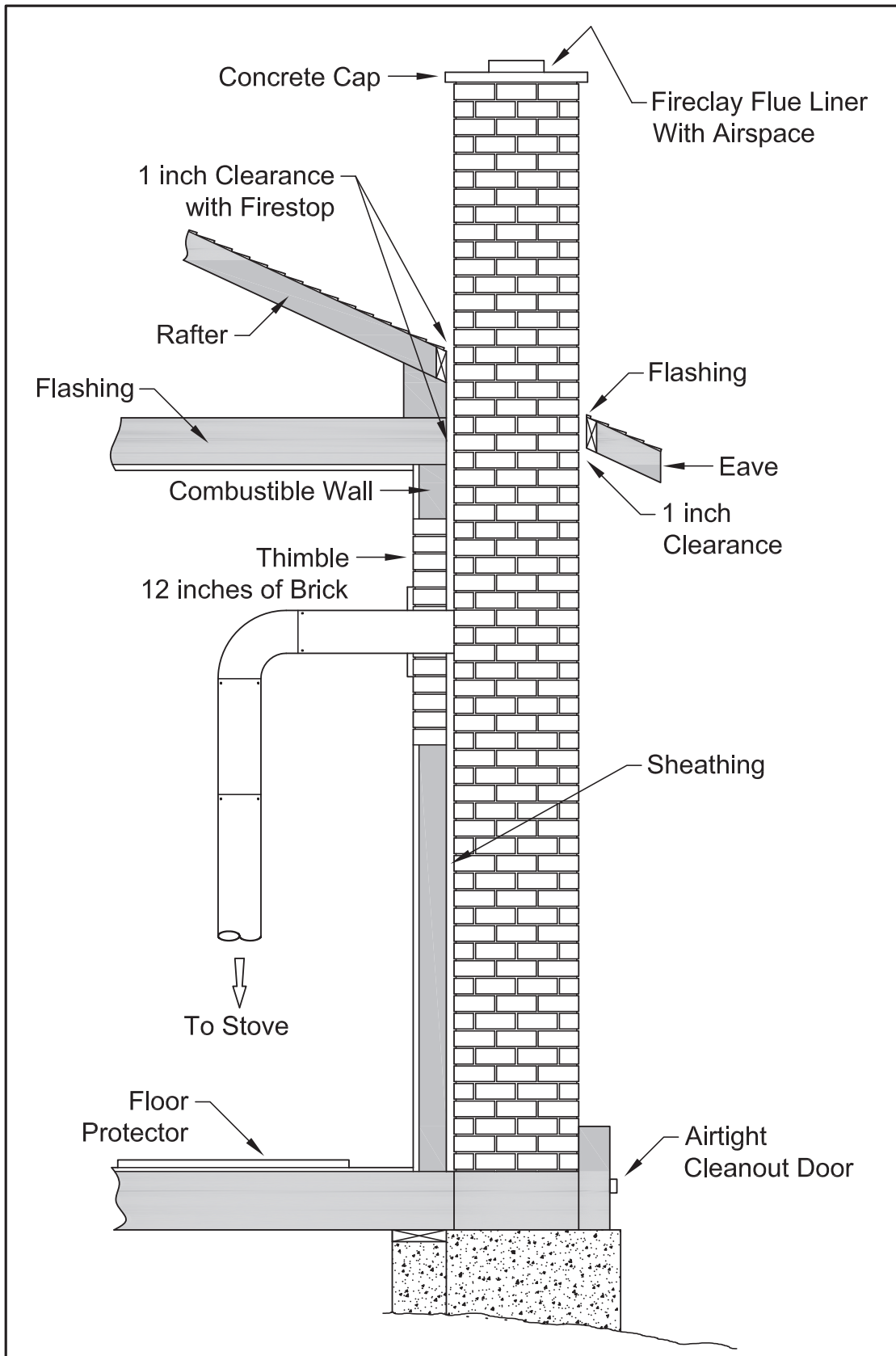
FACTORY BUILT CHIMNEY

When a metal prefabricated chimney is used, the manufacturer's installation instructions must be followed. You must also purchase (from the same manufacturer) and install the ceiling support package or wall pass-through and "T" section package, firestops (where needed), insulation shield, roof flashing, chimney cap, etc. Maintain proper clearance to the structure as recommended by the manufacturer. The chimney must be the required height above the roof or other obstructions for safety and proper draft operation.

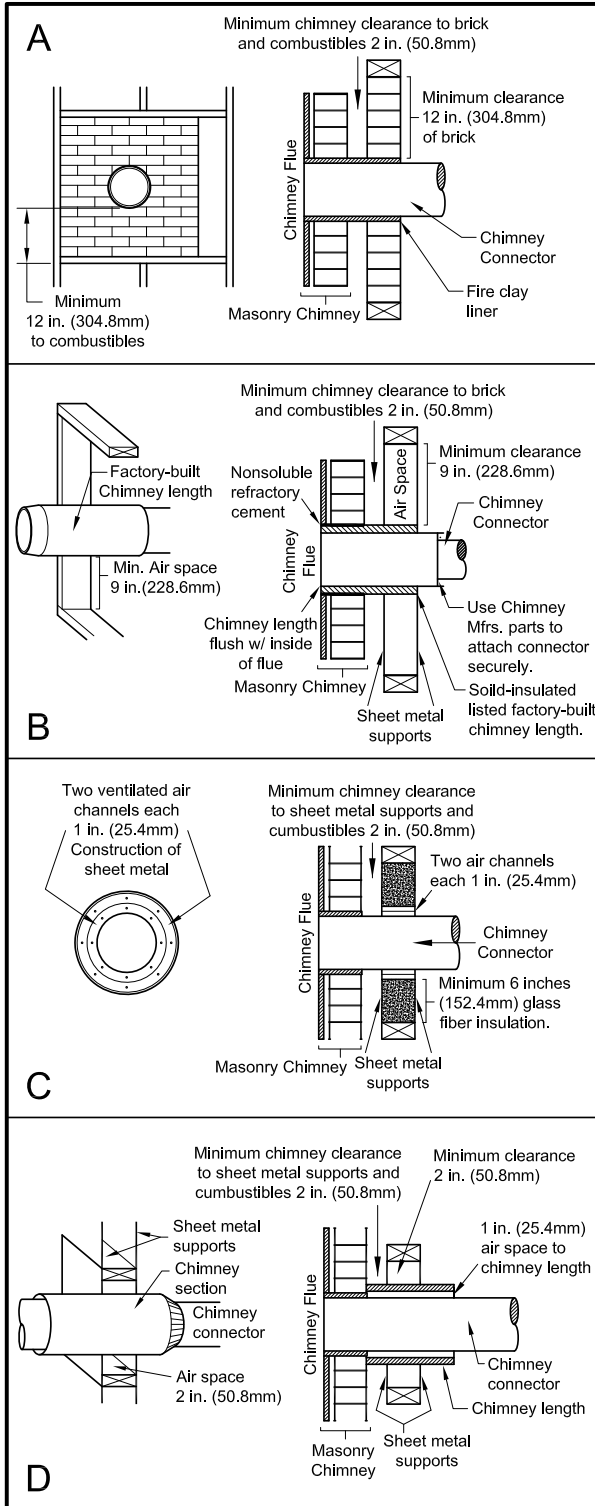


MASONRY CHIMNEY

Ensure that a masonry chimney meets the minimum standards of the National Fire Protection Association (NFPA) by having it inspected by a professional. Make sure there are no cracks, loose mortar or other signs of deterioration and blockage. Have the chimney cleaned before the stove is installed and operated. When connecting the stove through a combustible wall to a masonry chimney, special methods are needed.



COMBUSTIBLE WALL CHIMNEY CONNECTOR PASS-THROUGHS



Method A. 12" (304.8 mm) Clearance to Combustible Wall Member: Using a minimum thickness 3.5" (89 mm) brick and a 5/8" (15.9 mm) minimum wall thickness clay liner, construct a wall pass-through. The clay liner must conform to ASTM C315 (Standard Specification for Clay Fire Linings) or its equivalent. Keep a minimum of 12" (304.8 mm) of brick masonry between the clay liner and wall combustibles. The clay liner shall run from the brick masonry outer surface to the inner surface of the chimney flue liner but not past the inner surface. Firmly grout or cement the clay liner in place to the chimney flue liner.

Method B. 9" (228.6 mm) Clearance to Combustible Wall Member: Using a 6" (152.4 mm) inside diameter, listed, factory-built Solid-Pak chimney section with insulation of 1" (25.4 mm) or more, build a wall pass-through with a minimum 9" (228.6 mm) air space between the outer wall of the chimney length and wall combustibles. Use sheet metal supports fastened securely to wall surfaces on all sides, to maintain the 9" (228.6 mm) air space. When fastening supports to chimney length, do not penetrate the chimney liner (the inside wall of the Solid-Pak chimney). The inner end of the Solid-Pak chimney section shall be flush with the inside of the masonry chimney flue, and sealed with a non-water soluble refractory cement. Use this cement to also seal to the brick masonry penetration.

Method C. 6" (152.4 mm) Clearance to Combustible Wall Member: Starting with a minimum 24 gage (.024" [.61 mm]) 6" (152.4 mm) metal chimney connector, and a minimum 24 gage ventilated wall thimble which has two air channels of 1" (25.4 mm) each, construct a wall pass-through. There shall be a minimum 6" (152.4 mm) separation area containing fiberglass insulation, from the outer surface of the wall thimble to wall combustibles. Support the wall thimble, and cover its opening with a 24-gage minimum sheet metal support. Maintain the 6" (152.4 mm) space. There should also be a support sized to fit and hold the metal chimney connector. See that the supports are fastened securely to wall surfaces on all sides. Make sure fasteners used to secure the metal chimney connector do not penetrate chimney flue liner.

Method D. 2" (50.8 mm) Clearance to Combustible Wall Member: Start with a solid-pak listed factory built chimney section at least 12" (304 mm) long, with insulation of 1" (25.4 mm) or more, and an inside diameter of 8" (2 inches [51 mm] larger than the 6" [152.4 mm] chimney connector). Use this as a pass-through for a minimum 24-gauge single wall steel chimney connector. Keep solid-pak section concentric with and spaced 1" (25.4 mm) off the chimney connector by way of sheet metal support plates at both ends of chimney section. Cover opening with and support chimney section on both sides with 24 gage minimum sheet metal supports. See that the supports are fastened securely to wall surfaces on all sides. Make sure fasteners used to secure chimney flue line.

NOTES:

1. Connectors to a masonry chimney, excepting method B, shall extend in one continuous section through the wall pass-through system and the chimney wall, to but not past the inner flue liner face.
2. A chimney connector shall not pass through an attic or roof space, closet or similar concealed space, or a floor, or ceiling.

WOODSTOVE UTILIZATION

This heater is designed to burn natural wood only. Higher efficiencies and lower emissions generally result when burning air dried seasoned hardwoods, as compared to softwoods or to green or freshly cut hardwoods.

DO NOT BURN:

1. Garbage;
2. Lawn clippings or yard waste;
3. Materials containing rubber, including tires;
4. Materials containing plastic;
5. Waste petroleum products, paints or paint thinners, or asphalt products;
6. Materials containing asbestos;
7. Construction or demolition debris;
8. Railroad ties or pressure-treated wood;
9. Manure or animal remains;
10. Salt water driftwood or other previously salt water saturated materials;
11. Unseasoned wood; or
12. Paper products, cardboard, plywood, or particleboard. The prohibition against burning these materials does not prohibit the use of fire starters made from paper, cardboard, saw dust, wax and similar substances for the purpose of starting a fire in an affected wood heater.

Burning these materials may result in release of toxic fumes or render the heater ineffective and cause smoke.

Dead wood lying on the forest floor should be considered wet, and requires full seasoning time. Standing dead wood can usually be considered to be about 2/3 seasoned. Splitting and stacking wood before it is stored accelerates drying time. Storing wood on an elevated surface from the ground and under a cover or covered area from rain or snow also accelerates drying time. A good indicator if wood is ready to burn is to check the piece ends. If there are cracks radiating in all directions from the center then the wood should be dry enough to burn. If your wood sizzles in the fire, even though the surface is dry, it may not be fully cured, and should be seasoned longer. Waste and other flammable materials should not be burned in your stove.

Do not burn manufactured logs made of wax impregnated sawdust or logs with any chemical additives. Manufactured logs made of 100% compressed sawdust can be burned, but be careful burning too much of these logs at the same time. Start with one manufactured log and see how the stove reacts. You can increase the number of logs burned at a time to making sure the temperature never rises higher than 475 °F (246 °C) on a magnetic thermometer for installation on single wall stove pipes or 900 °F (482 °C) on a probe thermometer for installation on double wall stove pipe. The thermometer should be placed about 18" (457 mm) above the stove. Higher temperatures can lead to overheat and damage your stove. Any type of wood may be used in your stove, but specific varieties have better energy yields than others. Please consult the following table in order to make the best possible choice.



TYPE	WEIGHT (LBS. CU. FT., DRY)	PER CORD	EFFICIENCY RANKING	SPLITS	MILLIONS BTU's/CORD
Hickory	63	4500	1.0	Well	31.5
White Oak	48	4100	.9	Fair	28.6
Red Oak	46	3900	.8	Fair	27.4
Beech	45	3800	.7	Hard	26.8
Sugar Maple	44	3700	.6	Fair	26.2
Black Oak	43	3700	.6	Fair	25.6
Ash	42	3600	.5	Well	25.0
Yellow Birch	40	3400	.4	Hard	23.8
Red Maple	38	3200	.3	Fair	22.6
Paper Birch	37	3100	.3	Easy	22.1
Elm/Sycamore	34	2900	.2	Very Difficult	20.1
Red Spruce	29	1800	.1	Easy	16.1

It is EXTREMELY IMPORTANT that you use DRY WOOD only in your wood stove. The wood should have dried for 9 to 15 months, such that the humidity content (in weight) is reduced below 20% of the weight of the log. It is very important to keep in mind that even if the wood has been cut for one, two or even more years, it is not necessarily dry, if it has been stored in poor conditions. Under extreme conditions it may rot instead of drying. This point cannot be over stressed; the vast majority of the problems related to the operation of a wood stove is caused by the fact that the wood used was too damp or had dried in poor conditions. These problems can be:

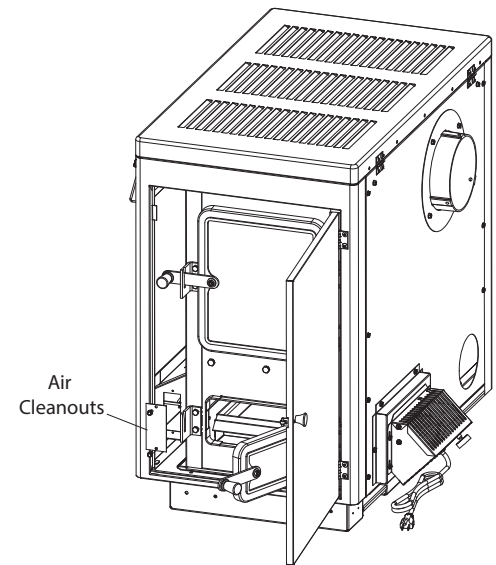
- ignition problems
- creosote build-up causing chimney fires
- low energy yield
- blackened windows
- incomplete log combustion

Smaller pieces of wood will dry faster. All logs exceeding 6" in diameter should be split. The wood should not be stored directly on the ground. Air should circulate through the cord. A 24" to 48" air space should be left between each row of logs, which should be placed in the sunniest location possible. The upper layer of wood should be protected from the elements but not the sides.

OPERATIONAL TIPS

- Operational Tips for Good, Efficient, and Clean Combustion
- Get the appliance hot and establish a good coal bed before adjusting to a low burn rate (this may take 30 minutes or more depending on your wood)
- Use smaller pieces of wood during start-up and a high burn rate to increase the stove temperature
- Be considerate of the environment and only burn dry wood
- Burn small, intense fires instead of large, slow burning fires when possible
- Learn your appliance's operating characteristics to obtain optimum performance

Burning unseasoned wet wood only hurts your stoves efficiency and leads to accelerated creosote buildup in your chimney. The clean outs are secured to the firebox with (2) 5/16" screws. Remove the clean outs and vacuum out any accumulated ash. This should be done at least once per month or more frequently if large amounts of ash are noticed while cleaning or if the stove does not seem to be burning properly. The firing and ash doors must be closed and sealed during operation.



TESTING YOUR WOOD

When the stove is thoroughly warmed, place one piece of split wood (about five inches in diameter) parallel to the door on the bed of red embers.

Keep the air control full open by pulling on it and close the door. If ignition of the piece is accomplished within 90 seconds from the time it was placed in the stove, your wood is correctly dried. If ignition takes longer, your wood is damp.

If your wood hisses and water or vapor escapes at the ends of the piece, your wood is soaked or freshly cut. Do not use this wood in your stove. Large amounts of creosote could be deposited in your chimney, creating potential conditions for a chimney fire.

TAMPER WARNINGS

This wood heater has a manufacturer-set minimum low burn rate that must not be altered. It is against federal regulations to alter this setting or otherwise operate this wood heater in a manner inconsistent with operating instructions in this manual.

THE FIRST FIRES

The fresh paint on your stove needs to be cured to preserve its quality. Once the fuel charge is properly ignited, only burn small fires in your stove for the first four hours of operation. Never open the air control more than necessary to achieve a medium burn rate.

Make sure that there's enough air circulation while curing the stove. The odors could be smelled during the 3 or 4 first fires. Never start your stove outside. You will not be able to see if you are over heating.

CAUTION: Never alter the damper slide or the adjustment range to increase firing for any reason. Doing so could result in heater damage and will void your warranty.

IGNITION

The top down method of fire building is recommended for this appliance. Place the largest pieces of wood on the bottom, laid in parallel and close together. Smaller pieces are placed in a second layer, crossways to the first. A third layer of still smaller pieces is laid crossways to the second, this time with some spaces between. Then a fourth layer of loose, small kindling and twisted newspaper sheets tops off the pile.

Before igniting the paper and kindling wood, it is recommended that you warm up the chimney. This is done in order to avoid back draft problems often due to negative pressure in the house. If such is the case, open a window slightly near the stove and twist together a few sheets of newspaper into a torch. Light up this paper torch and hold it as close as possible to the mouth of the pipe inside the combustion chamber to warm up the chimney. Once the up-draft movement is initiated, you are ready to ignite the stove by lighting the paper and kindling wood inside the combustion chamber.

POSSIBLE FLUE OR CHIMNEY DEFECTS

From the foregoing basic principles for the regulation of chimney flues, it will be seen that unsatisfactory stove operation may be the result of any of the following possible chimney flue defects:

1. Insufficient height.
2. Surrounding nearby objects throwing air currents down the chimney.
3. Flues enlarged or contracted at some point.
4. Rubbish or soot obstruction in the flue.
5. Air leakage in cracks where mortar has fallen out.
6. Floor support or a pipe passing through or entering the flue.
7. Too abrupt offsets.
8. Other connecting flues
9. Chimney being used for ventilating basement
10. Chimneys too large for stove being used.
11. Flues being long and narrow
12. More than one smoke-pipe connected to the flue.
13. Chimney connector protruding too far into the chimney.

FUEL

Seasoned cordwood will give the most heat. Your heater will burn most any type of cordwood. Seasoned hardwood produces more heat, and will hold a fire longer, leaving a hotter coal bed than seasoned softwood. Coal should never be used in a heater designed for burning wood. Never use driftwood that has been in salt water. The salt content will cause corrosion that will destroy the stainless steel in the Class A chimney, the flue connector and the firebox. Hard wood cut to 20" maximum length, and split 3" to 6" cross section is recommended for best operating efficiency. CAUTION: Burn untreated cordwood only. Wood containing preservative, metal foils, coal, plastic, garbage, sulphur or oil is environmentally hazardous and will damage the appliance.

LOADING OF FUEL

Do not overfill the firebox above the firebrick. Wood should be 3 to 4" below top of firebrick. A burned-out heat chamber may result. Do not use artificial or wax logs. Build fire on the floor of the stove. Do not use additional grates or andirons to support the fire as these may create excessive heat. For the most heat, combustion air must be able to circulate around and through the fire. Do not block the air entrances inside the firebox with ashes. When loading each additional fuel charge, clear the ashes away from the lower primary air orifices behind the bottom of the door opening.

PREPARATION AND STORAGE OF FUEL

Solid fuel should be cut and split prior to the heating season and stored in a well, aired dry place. Do not store fuel within the room heater clearances or within the space required for fuelling or ash removal. Fuel should be kept at least 5ft clear (1.5m) from the heater. The space around the heater should be kept free of litter and wood residue.

TYPES OF COMBUSTION AIR FOR WOOD HEATING

Unlike older airtight box stoves, low emission woodstoves have more than one location and control for supplying combustion air into the firebox. These additional air inlets allow for complete combustion of wood gases and particulates. Thus it is important to understand how these different air supplies work. PRIMARY AIR starts the fire. Opening or closing this air supply then regulates how fast the stove will burn. Primary air is supplied by the following: a dial with settings for burn rates and a thermostat. Use the Primary Air Control (PAC) dial (on right) to control the burn. Adjust the settings to obtain the desired heat output. Always start a fire with the PAC set on high and leave it on high until the secondary flames continue to burn after the PAC has been adjusted to a lower setting. Reset the PAC to high when reloading. The thermostat also controls the amount of primary air entering the unit. Set it on "Open" when starting a fire and leave it on "Open" until the stove has been burning long enough to keep the secondary flames burning when it is closed. Set the thermostat on "Open" for 10 to 20 minutes when reloading.

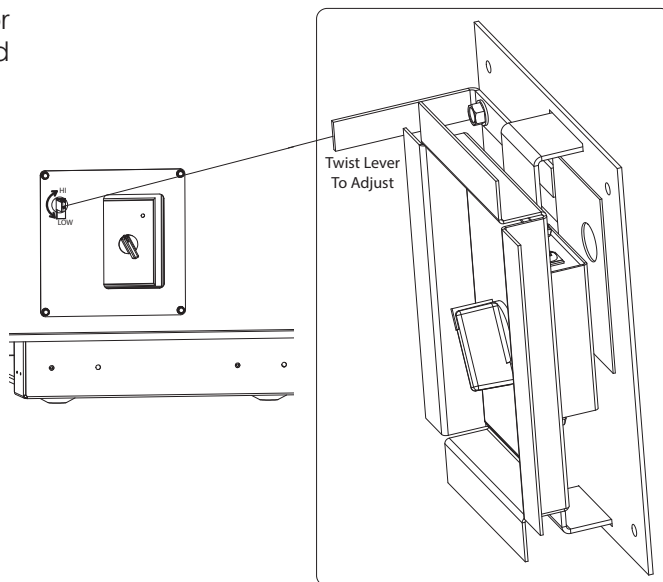
It is very important to keep the secondary flames burning to maximize heat output and minimize air pollution, so some experimentation will be necessary because each installation is different. Wood moisture content will also affect the amount of time that a unit will need to burn on high after each reload.

SECONDARY AIR allows the woodstove to burn clean. This preheated air enters the upper firebox just below the baffle plate. This superheated air mixed with the wood gases and flames ignites, reaching temperatures in this unit range. Without Secondary Air these volatile gases would exit the stove unburned as creosote, smoke, particulates, and high levels of Carbon Monoxide, greatly decreasing efficiency. Heat comes from burning the wood gases, not the wood, which itself turns into black charcoal after the gases are all released. Secondary air increases a stoves efficiency by approximately 40% greatly reducing the amount of wood required for a heating season (easily up to 1/3 less wood).

Secondary air timer (SAT) located on the left side of this appliance. Never attempt to burn your stove with the timer knob set in the off position. This closes Off the secondary air and your stove will burn dirty and produce creosote. The SAT should be left in the open position and locked with the timer stop lever set on

"Hi" and your stove will burn optimally. It is not necessary to use the timer except if you wish to extend the length of the coal bed time, after the wood has finished burning The Secondary Air Timer (SAT) is used to control the duration of secondary air entering the stove. When burning the stove be sure the timer is set to open (Timer Knob past One Hour and Timer Lever to "HI". The SAT is only used if you wish to extend the coal bed time on Medium Low or Low setting. To do so:

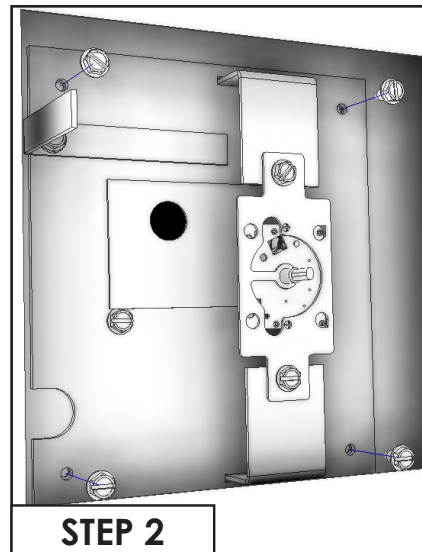
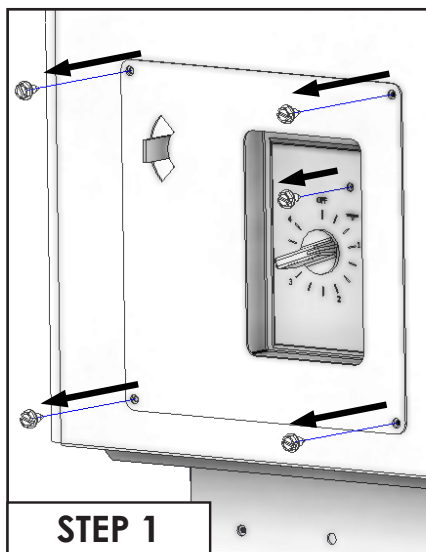
1. GENTLY rotate Timer Knob clockwise to 2.5 to 3 hours for Medium Low and 3 to 3.5 hours for Low as designated on the timer plate.
2. Turn the timer lever down to "LO" to allow the timer to close. Observe that the timer closes after there are no more flames present
3. THE TIMER MUST BE OPENED AND THE LEVER SET TO "HI" BEFORE ADDING MORE FUEL.
4. The above settings are based upon a 15 foot chimney. The actual settings may vary slightly due to your chimney height and the outside temperatures. Taller chimneys and colder outside temperatures cause a stove to burn faster. This means the SA timer does not have to be opened as long. The same is true of wood moisture – drier fuel will burn faster than wetter fuel.



TIMER INSTRUCTIONS

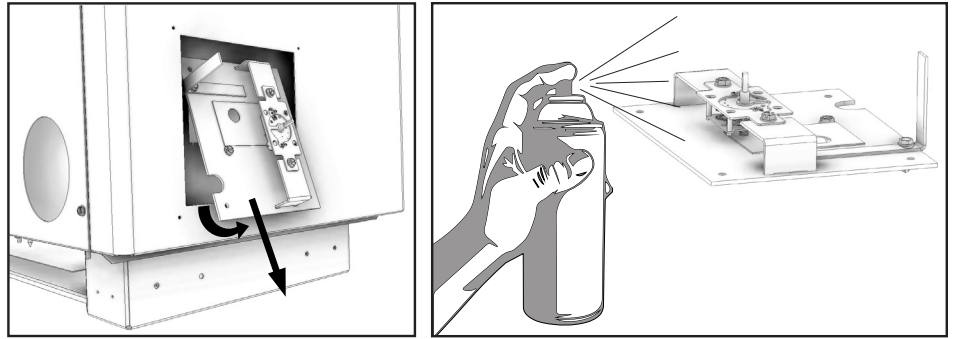
The timer assembly on this unit requires periodic maintenance to ensure proper operation. Locate the timer on the left-hand side of the appliance, then follow the steps below to facilitate the annual cleaning of the timer assembly.

CAUTION: Allow the stove to cool completely before carrying out any maintenance or cleaning



STEP 3

Using a canned air duster, gently spray any accumulative dust or buildup off of the timer.



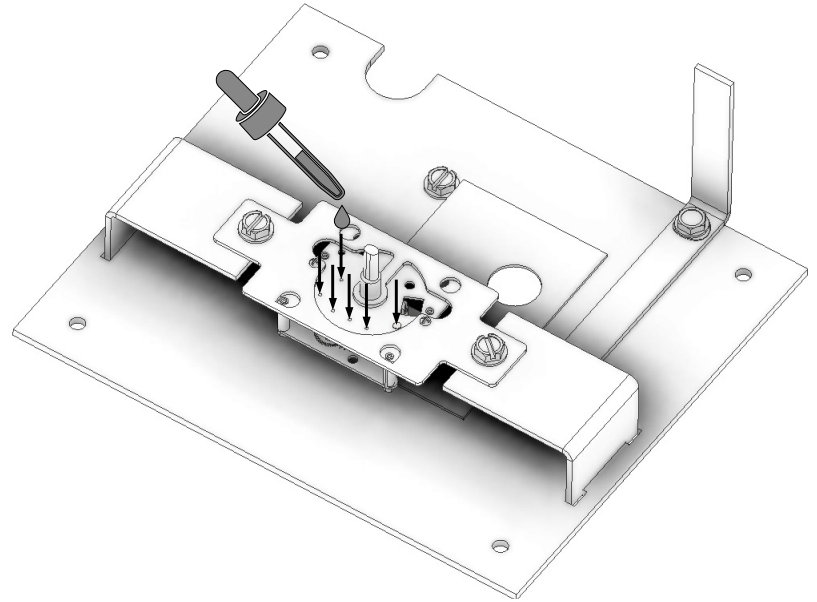
WARNING:

Be careful not to use too much air pressure as this may cause potential damage to the timer

STEP 4

Use a general machine oil (3-IN-ONE) to apply a small drop of oil to each of the locations shown below.

To reassemble the timer simply reverse the previous steps. Ensure proper operation before attaching the final cover plate.



LIGHTING AND OPERATION

1. IMPORTANT! – NEVER OPERATE THIS WOODSTOVE WITHOUT THE SECONDARY AIR TIMER IN THE LOCKED OPEN POSITION WHEN LIGHTING A FIRE OR RELOADING!
2. Set the PAC dial and the thermostat on HIGH to provide maximum draft.
3. Note that the Secondary Air Inlet is in the "LOCKED OPEN POSITION" on the left side of the stove.
4. Open loading door and lay fire, using ample kindling to ensure rapid ignition.
5. Prime chimney if necessary holding lighted newspaper up towards flue baffle. A CANDLE WORKS BEST AND WILL NOT SMOKE UP THE ROOM IF THE COLD AIR BLOWS THE NEWSPAPER OUT.
6. Light fire and close loading door.
7. Wait 3 - 5 minutes then add seasoned firewood. (See section concerning Fuel).
8. Set the PAC dial to maintain desired temperature in room. Medium setting is normally satisfactory. Set high or lower for desired temperature.
9. Once fire is established set the Burn Rate dial to the desired rate. This will maintain a steady temperature after the thermostat closes.

CAUTION: Do not operate this heater with the loading door open. Continuous operation with a door open will over heat the unit. This heater is designed for Thermostatic and Burn Rate Dial operation.

THERMOSTAT ADJUSTMENT DIAL

The adjustment plate in the thermostat may be set to change the burn rate. Open to increase and close to decrease burn rate. Leave adjustment for a few days after changing to see if burn rate is better for your situation.

REFUELLING

CAUTION: Read the section on back-puffing before refuelling heater. The loading door should be closed at all times except when refuelling. If the door is allowed to remain open, the thermostat will not function, as it should. Before opening the loading door, make sure the thermostat is open. Allow the fire to burn rather briskly for a few minutes. Then open the loading door slowly. By allowing the fire to increase for a short period, a high draft condition has eliminated smoke in the firebox and the temperature has been raised which prevents a back or down draft. After refueling, run the dial on High and thermostat on open for 10 to 30 minutes to insure the secondaries ignite and stay lit when the air controls are adjusted to the desired settings. Keeping the secondaries lit is important for two reasons:

1. More heat is obtained from the wood
2. Smoke is particulate matter which is air pollution

HEATING

Controlled combustion is the most efficient technique for wood heating because it enables you to select the type of combustion you want for each given situation. The wood will burn slowly if the wood stove air intake control is adjusted to reduce the oxygen supply in the combustion chamber to a minimum. On the other hand, wood will burn quickly if the air control is adjusted to admit a larger quantity of oxygen in the combustion chamber. Real operating conditions may give very different results than those obtained during testing according to the species of wood used, its moisture content, the size and density of the pieces, the length of the chimney, altitude and outside temperature.

EFFICIENCY

Efficiencies can be based on either the lower heating value (LHV) or the higher heating value (HHV) of the fuel. The lower heating value is when water leaves the combustion process as a vapor, in the case of woodstoves the moisture in the wood being burned leaves the stove as a vapor. The higher heating value is when water leaves the combustion process completely condensed. In the case of woodstoves this would assume the exhaust gases are room temperature when leaving the system, and therefore calculations using this heating value consider the heat going up the chimney as lost energy. Therefore, efficiency calculated using the lower heating value of wood will be higher than efficiency calculated using the higher heating value. In the United States all woodstove efficiencies should be calculated using the higher heating value. The best way to achieve optimum efficiencies is to learn the burn characteristic of your appliance and burn well-seasoned wood. Higher burn rates are not always the best heating burn rates; after a good fire is established a lower burn rate may be a better option for efficient heating. A lower burn rate slows the flow of usable heat out of the home through the chimney, and it also consumes less wood.

WARNING:

- Never over fire your stove. If any part of the stove starts to glow red, over firing is happening. Readjust the air intake control at a lower setting.
- The installation of a log cradle or grates is not recommended in your wood stove. Build fire directly on firebrick.
- Never put wood above the firebrick lining of the firebox.
- Attempts to achieve heat output rates that exceed heater design specifications can result in permanent damage to the heater.

VISIBLE SMOKE

The amount of visible smoke being produced can be an effective method of determining how efficiently the combustion process is taking place at the given settings. Visible smoke consist of unburned fuel and moisture leaving your stove. Learn to adjust the air settings of your specific unit to produce the smallest amount of visible smoke. Wood that has not been seasoned properly and has a high wood moisture content will produce excess visible smoke and burn poorly.

CREOSOTE FORMATION AND NEED FOR REMOVAL

When wood is burned slowly, it produces tar and other organic vapors, which combine with expelled moisture to form creosote. The creosote vapors condense in the relatively cool chimney flue of a slow-burning fire. As a result, creosote residue accumulates on the flue lining. When ignited this creosote makes an extremely hot fire. The chimney connector and chimney should be inspected at least once every two months during the heating season to determine if a creosote build-up has occurred. If creosote has accumulated (3mm or more), it should be removed to reduce the risk of a chimney fire. We strongly recommend that you install a magnetic thermometer on your smoke exhaust pipe, approximately 18" above the stove. This thermometer will indicate the temperature of your gas exhaust fumes within the smoke exhaust system. The ideal temperature for these gases is somewhere between 275°F and 500°F. Below these temperatures, the build-up of creosote is promoted. Above 500 degrees, heat is wasted since a too large quantity is lost into the atmosphere.

TO PREVENT CREOSOTE BUILD UP

- Always burn dry wood. This allows clean burns and higher chimney temperatures, therefore less creosote deposit.
- Leave the air control full open for about 5 min. every time you reload the stove to bring it back to proper operating temperatures. The secondary combustion can only take place if the firebox is hot enough.
- Always check for creosote deposit once every two months and have your chimney cleaned at least once a year.

If a chimney or creosote fire occurs, close all dampers immediately. Wait for the fire to go out and the heater to

Attention:

This wood heater needs periodic inspection and repair for proper operation. It is against federal regulations to operate this wood heater in a manner inconsistent with operating instructions in this manual.

cool, then inspect the chimney for damage. If no damage results, perform a chimney cleaning to ensure there is no more creosote deposits remaining in the chimney.

ASH DISPOSAL

Whenever ashes get 3 to 4 inches deep in your firebox or ash pan, and when the fire has burned down and cooled, remove excess ashes. Leave an ash bed approximately 1 inch deep on the firebox bottom to help maintain a hot charcoal bed. Ashes should be placed in a metal container with a tight-fitting lid. The closed

CAUTIONS:

- Ashes could contain hot embers even after two days without operating the stove.
- The ash pan can become very hot. Wear gloves to prevent injury.
- Never burn the stove with the ash trap open. This would result in over firing the stove. Damage to the stove and even house fire may result.

container of ashes should be placed on a noncombustible floor or on the ground, away from all combustible materials, pending final disposal. The ashes should be retained in the closed container until all cinders have thoroughly cooled.

SMOKE AND CO MONITORS

Burning wood naturally produces smoke and carbon monoxide(CO) emissions. CO is a poisonous gas when exposed to elevated concentrations for extended periods of time. While the modern combustion systems in heaters drastically reduce the amount of CO emitted out the chimney, exposure to the gases in closed or confined areas can be dangerous. Make sure your stove gaskets and chimney joints are in good working order and sealing properly to ensure unintended exposure. It is recommended that you use both smoke and CO monitors in areas having the potential to generate CO.

MAINTENANCE

Your wood stove is a high efficiency stove and therefore requires little maintenance. It is important to perform a visual inspection of the stove every time it is emptied, in order to insure that no parts have been damaged, in which case repairs must be performed immediately. Inspect and clean the chimney and connector pipe periodically for creosote build-up or obstructions.

GASKETING

This unit's door uses a 1 inch diameter rope gasket. It is recommended that you change the door gasket (which makes your stove door air tight) once a year, in order to insure good control over the combustion, maximum efficiency and security. To change the door gasket, simply remove the damaged one. Carefully clean the available gasket groove, apply a high temperature silicone sold for this purpose, and install the new gasket. You may light up your stove again approximately 24 hours after having completed this operation.

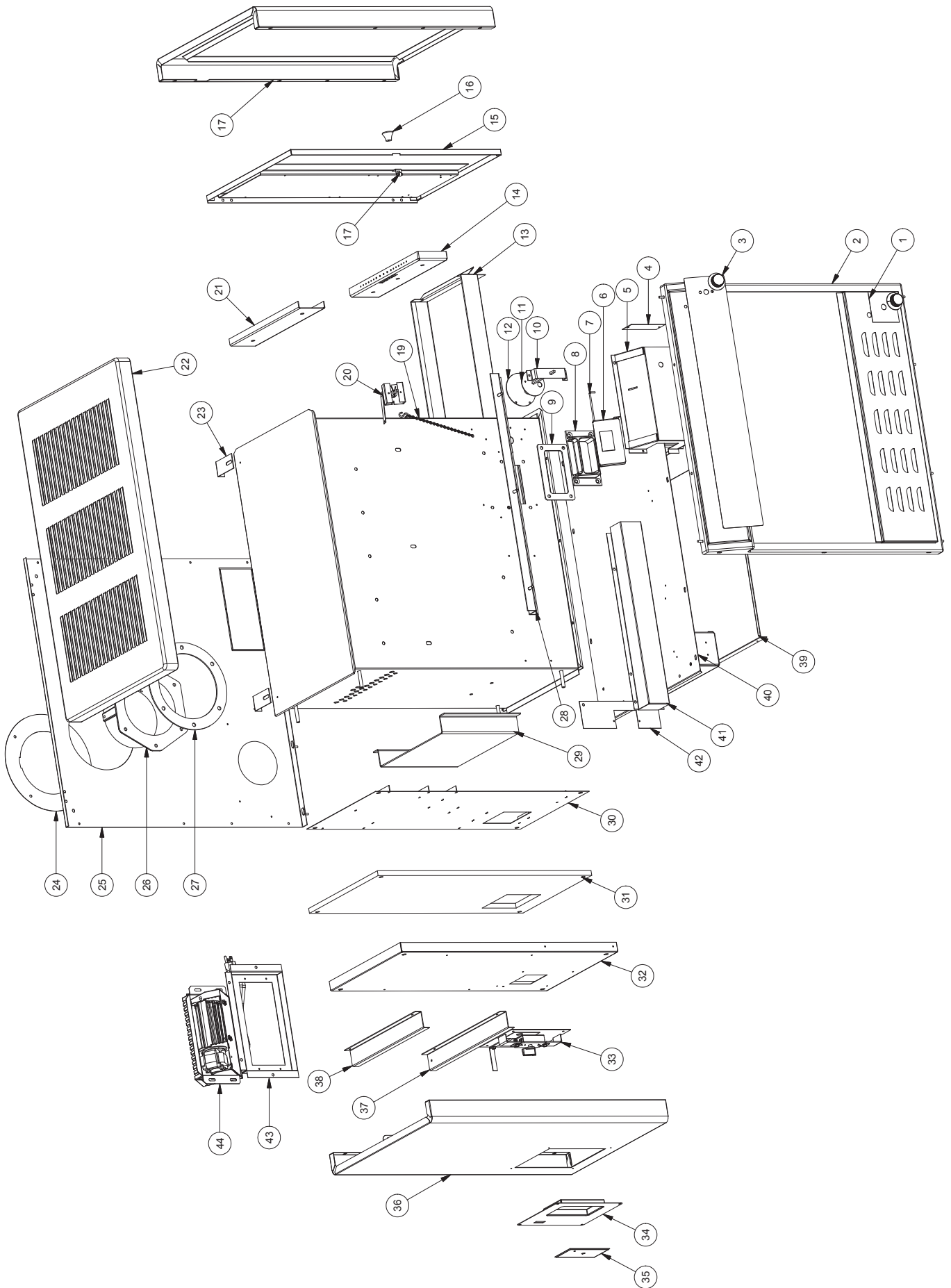
WARNING:

Never operate the stove without a gasket or with a broken one
Damage to the stove or even house fire may result

PAINT

Only clean your stove with a dry soft cloth that will not harm the paint finish. If the paint becomes scratched or damaged, it is possible to give your wood stove a brand new look, by repainting it with a 1200° F heat resistant paint. For this purpose, simply scrub the surface to be repainted with fine sand paper, clean it properly, and apply thin coats (2) of paint successively.

Repair Parts

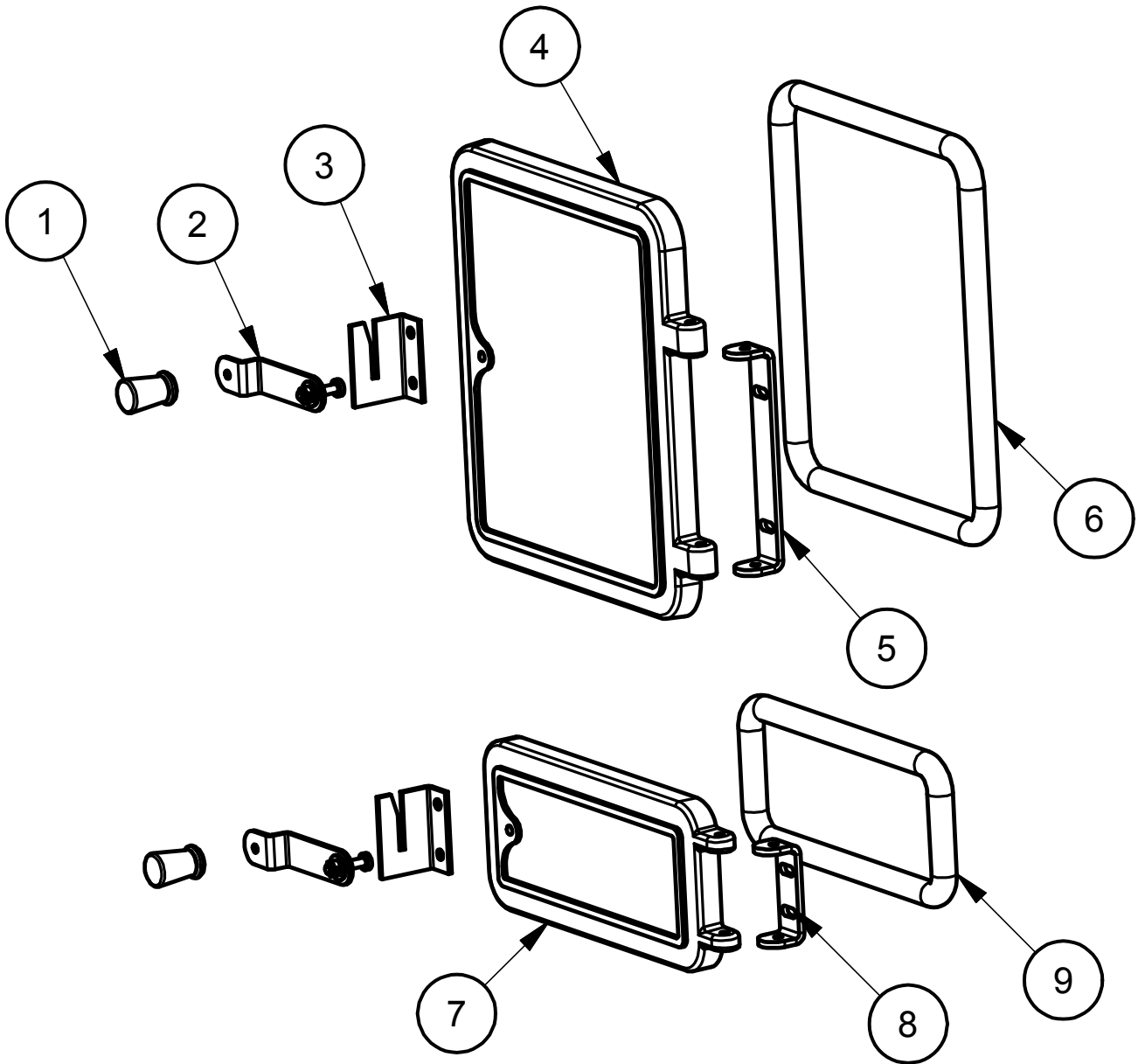


Repair Parts

Key	Part No.	Description	Qty.
1	852472	Hi/Lo Label	1
2	610835	Cabinet Front Weldment/Assy.	1
3	89687	Thermostat Knob Black	2
4	27468	Air Box Cover	1
5	610184	Air Distribution Box	1
6	69207	Draft Plate Weld Assembly	1
7	25550	H.pin Drft Damper	1
8	40075	Frame, Draft Door	1
9	88090	Gasaket	1
10	27388	Dial Bracket	1
11	610183	Burn Rate Dial	1
12	27471	Burn Dial Plate	1
13	67444	Ash Pan Weldment	1
14	610227	Primary Air Outlet (Welded)	1
15	610836	Assy., Cabinet Door	1
16	89635	Knob, Door	1
17	610837	Assy., Cabinet Door Frame	1
18	83093	Latch, Stove Spring	1
19	3070019	Jack Chain	1
20	67743	Assembly, Thermostat	1
21	27291	Front Liner Top	1
22	610838	Assy., Cabinet Top	1
23	27459	Brace, Back	2
24	22761	Ring, Flue Collar	1
25	610839	Casing Back	1
26	40246	Flue Collar, 6" C.i.	1
27	88032	Gasket, Flue Collar	1
28	610230	Top Brick Rack	1
29	27478	Rear Brick Spacer	1
30	610180	Superwool Ret. c/w With Sec. Fins	1
31	88240	Kao Wool (13.25 X 25.125)	1
32	27470	Secondary Air Panel	1
33	892733	Timer Assembly	1
34	610231	Timer Cover Weldment	1
35	83684	Timer Face Plate	1
36	610840	Casing Left Side	1
37	27467	Bottom Back Spacer	1
38	27466	Top Back Spacer	1
39	22110	Heat Shield	1
40	27491	Air Channel Stop	1
41	27461	Main Air Channel	1
42	67859	Base Weldment	1
43	25598	Box, Blower Mounting (optional)	1
44	69354	Blower Assembly (B36) (optional)	1

In order to maintain warranty, components must be replaced using original manufacturers parts purchased through your dealer or directly from the appliance manufacturer. Use of third party components will void the warranty.

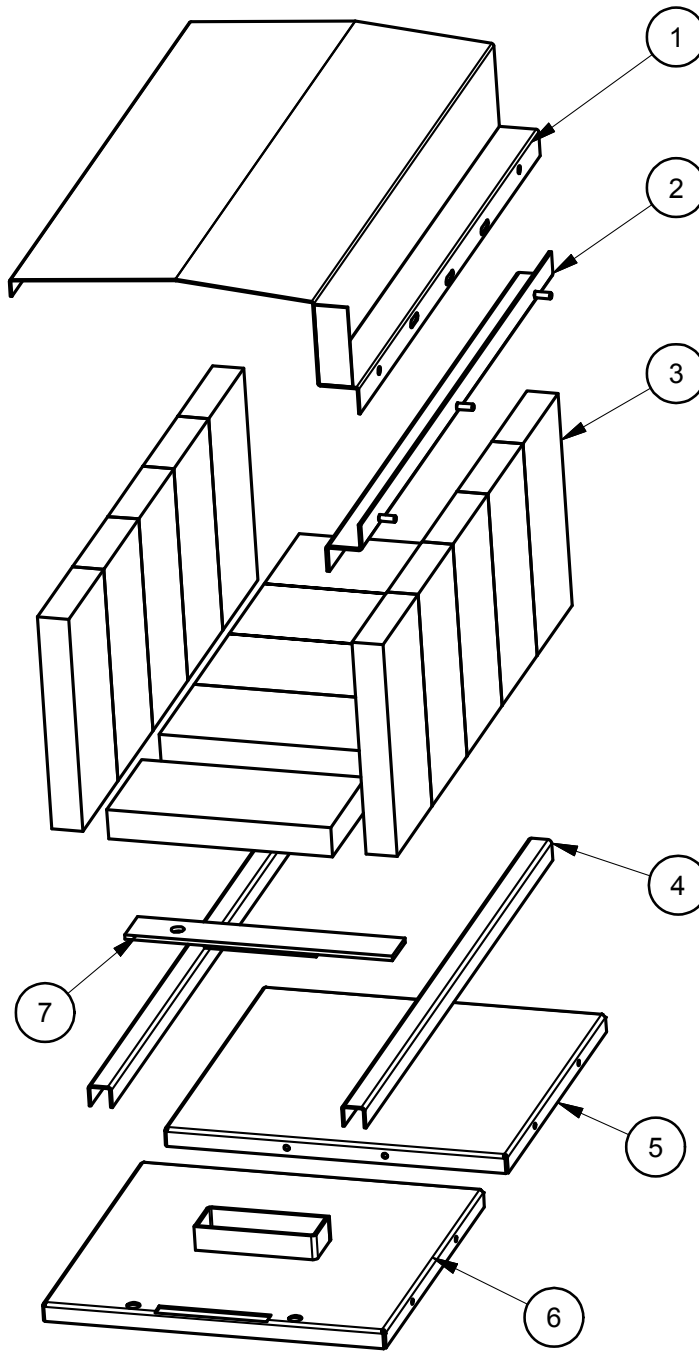
Repair Parts



Key	Part No.	Description	Qty.
1	892767	Wooden Knob	2
2	27486	Door Handle	2
3	27462	Door Catch	2
4	40763	Feed Door	1
5	27489	Fire Door Hinge	1
6	88032	1" Rope Fiber	41"
7	40764	Cast Door	1
8	27460	Ash Door Hinge	1
9	88032	1" Rope Fiber	27"

In order to maintain warranty, components must be replaced using original manufacturers parts purchased through your dealer or directly from the appliance manufacturer. Use of third party components will void the warranty.

Repair Parts



Key	Part No.	Description	Qty.
1	610235	Baffle Weldment	1
2	610230	Top Brick Rack	1
3	89066	Firebrick (4-1/2 X 9)	15
4	27472	Brick Spacers	2
5	27564	Floor Back	1
6	610221	Floor (Welded)	1
7	610223	Cleanout Cover Weldment	1

In order to maintain warranty, components must be replaced using original manufacturers parts purchased through your dealer or directly from the appliance manufacturer. Use of third party components will void the warranty.

Limited Warranty

The operation of this unit in a manner inconsistent with the owner's manual will void the warranty and is also against federal regulations. United States Stove Company warrants this product to be free from defects in material and workmanship, to the original retail purchaser only, for the time period identified below, measured from the date of the initial purchase as evidenced on an invoice, cancelled check, sales receipt, etc., to receipt of a claim by United States Stove Company ("USSC") or an authorized dealer, as follows:

TIME PERIOD	
Firebox / Heat Exchanger	Limited Lifetime
Door	One Year
Cabinets and Trim	One Year
Gaskets	One Year
All Electrical Components (Blower, Auger / Agitator Motor, PC Board, Switches)	One Year
Ceramic Glass	One Year

WARRANTY CONDITIONS

- This warranty only covers USSC appliances that are purchased through an USSC authorized retailer, dealer or distributor.
- This warranty is only valid while the USSC appliance remains at the site of original installation. This warranty does not apply to products purchased for rental use.

CLAIM PROCEDURE

Contact United States Stove Company for warranty service. You will be asked to provide detailed descriptions and pertinent data, including proof of purchase which will be returned upon request. Providing the heater has been installed and used in accordance with the Owner's Manual supplied with the heater and the issue does not fall under a situation of exclusion, United States Stove Company will either:

- Replace the defective part free of charge. Parts and/or service replacements made under the terms of this warranty are warranted only for the remaining period of the original heater warranty.
- Replace the heater free of charge. Should the heater be replaced by United States Stove Company "free of charge", all further warranty obligations are thereby met.
- Where the defect is of a cosmetic (non-functional) nature, United States Stove Company will bear reasonable expense to repair the heater, including such items as welding, painting, and incidental labor. A "reasonable expense" is defined by terms of this warranty as \$30.00/hour with full refund for any purchase of parts.

WARRANTY EXCLUSIONS

This warranty does not cover the following:

- Damage to or changes in surface finishes as a result of normal use. As a heating appliance, some changes in color or interior and exterior surface finishes may occur. This is not a flaw and is not covered under warranty.
- Damage to printed, plated, or enameled surfaces caused by fingerprints, accidents, misuse, scratches, melted items, or other external sources and residues left on the plated surfaces from the use of abrasive cleaners or polishes.
- Repair or replacement of parts that are subject to normal wear and tear during the warranty period. These parts include: paint, pellet, and the discoloration of glass.
- Minor expansion, contraction, or movement of certain parts causing noise. These conditions are normal and complaints related to this noise are not covered by this warranty.
- Damages resulting from: (1) failure to install, operate, or maintain the appliance in accordance with the installation instructions, operating instructions, and listing agent identification label furnished with the appliance; (2) failure to install the appliance in accordance with local building codes and/or authorities having jurisdiction; (3) shipping or improper handling; (4) improper operation, abuse, misuse, continued operation with damaged, corroded or failed components, accident, alteration, or improperly/incorrectly performed repairs; (5) environmental conditions, weather, inadequate ventilation, negative pressure, or drafting caused by tightly sealed constructions, insufficient make-up air supply, or handling devices such as exhaust fans or forced air furnaces or other such causes; (6) use of fuels other than those specified in the operating

instructions; (7) installation or use of components not supplied with appliance or any other components not expressly authorized and approved by USSC; (8) modification of the appliance not expressly authorized and approved by USSC in writing; and/or (9) interruptions or fluctuations of electrical power supply to the appliance.

- Non-USSC venting components, hearth components or other accessories used in conjunction with the appliance.
- USSC's obligation under this warranty does not extend to the appliance's capability to heat the desired space. Information is provided to assist the consumer and the dealer in selecting the proper appliance for the application. Consideration must be given to appliance location and configuration, environmental conditions, insulation and air tightness of the structure.
- Problems relating to smoking or creosote. Smoking is attributable to inadequate draft due to the design or installation of the flue system or installation of the heater itself. Creosote formation is largely attributable to improper operation of the unit and/or draft as mentioned above.
- Any cost associated with product removal and re-installation, travel, transportation, or shipping.
- Service calls to diagnose trouble (unless authorized in writing by the manufacturer, distributor, or dealer).

THIS WARRANTY IS VOID IF

- The appliance has been over-fired or operated in atmospheres contaminated by chlorine, fluorine, or other damaging chemicals. Over-firing can be identified by, but not limited to, warped plates or tubes, rust colored cast iron, bubbling, cracking and discoloration of steel or enamel finishes.
- The appliance is subjected to prolonged periods of dampness or condensation.
- There is any damage to the appliance or other components due to water or weather damage which is the result of, but not limited to, improper chimney or venting installation.

LIMITATIONS OF LIABILITY

The owner's exclusive remedy and USSC's sole obligation under this warranty, under any other warranty, express or implied, or in contract, tort or otherwise, shall be limited to replacement, repair, or refund, in USSC's sole and absolute discretion. In no event will USSC be liable for any incidental or consequential damages. THE LIMITED WARRANTY SET FORTH HEREIN IS THE SOLE WARRANTY PROVIDED TO PURCHASER AND IS IN LIEU OF ALL OTHER WARRANTIES AND REPRESENTATIONS, EXPRESS OR IMPLIED. USSC MAKES NO REPRESENTATIONS OR WARRANTIES WHATSOEVER, EXPRESS OR IMPLIED, WITH RESPECT TO THE PRODUCT, OTHER THAN (i) THE LIMITED WARRANTY ABOVE, AND (ii) ANY IMPLIED WARRANTIES IMPOSED BY APPLICABLE LAW WHICH CANNOT BE WAIVED OR DISCLAIMED UNDER APPLICABLE LAW. ALL OTHER WARRANTIES OF ANY KIND, INCLUDING WITHOUT LIMITATION IMPLIED WARRANTIES OF MERCHANTABILITY AND FITNESS FOR A PARTICULAR PURPOSE, ARE HEREBY DISCLAIMED AND EXCLUDED TO THE FULLEST EXTENT NOT PROHIBITED BY APPLICABLE LAW. This Limited Warranty gives the purchaser specific legal rights; a purchaser may have other rights depending upon where he or she resides. Some states do not allow the exclusion or limitation of special, incidental or consequential damages, or state law may affect the duration of limitations, so the above exclusion and limitations may not be applicable.

WARRANTOR

The warrantor of record is United States Stove Company, PO Box 151, 227 Industrial Park Road, South Pittsburg, Tennessee 37380. Phone number: (800)-750-2723. Register your product on line at www.usstove.com. Save your proof of purchase, as documented in a receipt or invoice, with your records for any claims.

IMPORTANT

We congratulate you on your selection of United States Stove Company and its products. As the oldest solid fuel manufacturer in the United States (since 1869), the United States Stove Company is very proud of its products, service, employees, and satisfied customers. We would like to hear from you if you are not satisfied with the manner in which you have been handled by our distributor, dealer, representative, customer service department, parts department, or sales department. Please reach out to us by using any of the contact information listed above.

Service Record

It is recommended that your heating system is serviced regularly and that the appropriate Service Interval Record is completed.

Service Provider:

Before completing the appropriate Service Record below, please ensure you have carried out the service as described in the manufacturer's instructions. Always use the manufacturer's specified spare part when replacement is necessary.

Service 01	Date: _____
Engineer Name: _____	
License No.: _____	
Company: _____	
Telephone No.: _____	
Stove Inspected: <input type="checkbox"/> Chimney Swept: <input type="checkbox"/>	
Items Replaced: _____	

Service 02	Date: _____
Engineer Name: _____	
License No.: _____	
Company: _____	
Telephone No.: _____	
Stove Inspected: <input type="checkbox"/> Chimney Swept: <input type="checkbox"/>	
Items Replaced: _____	

Service 03	Date: _____
Engineer Name: _____	
License No.: _____	
Company: _____	
Telephone No.: _____	
Stove Inspected: <input type="checkbox"/> Chimney Swept: <input type="checkbox"/>	
Items Replaced: _____	

Service 04	Date: _____
Engineer Name: _____	
License No.: _____	
Company: _____	
Telephone No.: _____	
Stove Inspected: <input type="checkbox"/> Chimney Swept: <input type="checkbox"/>	
Items Replaced: _____	

Service 05	Date: _____
Engineer Name: _____	
License No.: _____	
Company: _____	
Telephone No.: _____	
Stove Inspected: <input type="checkbox"/> Chimney Swept: <input type="checkbox"/>	
Items Replaced: _____	

Service 06	Date: _____
Engineer Name: _____	
License No.: _____	
Company: _____	
Telephone No.: _____	
Stove Inspected: <input type="checkbox"/> Chimney Swept: <input type="checkbox"/>	
Items Replaced: _____	

Service 07	Date: _____
Engineer Name: _____	
License No.: _____	
Company: _____	
Telephone No.: _____	
Stove Inspected: <input type="checkbox"/> Chimney Swept: <input type="checkbox"/>	
Items Replaced: _____	

Service 08	Date: _____
Engineer Name: _____	
License No.: _____	
Company: _____	
Telephone No.: _____	
Stove Inspected: <input type="checkbox"/> Chimney Swept: <input type="checkbox"/>	
Items Replaced: _____	

How To Order Repair Parts / Comment Commander Des Pièces De Rechange

This manual will help you obtain efficient, dependable service from your heater, and enable you to order repair parts correctly.

Keep this manual in a safe place for future reference.

When writing, always give the full model number which is on the nameplate attached to the heater.

When ordering repair parts, always give the following information as shown in this list /

Ce manuel vous aidera à obtenir un service fiable et efficace de votre appareil de chauffage, et vous permettre de commander correctement les pièces de rechange.

Conservez ce manuel dans un endroit sûr pour référence future.

Lors de l'écriture, toujours donner le numéro de modèle complet qui se trouve sur la plaque signalétique fixée sur l'appareil de chauffage.

Lors de la commande des pièces de rechange, fournir les informations suivantes comme indiqué dans cette liste:

1. The part number / Le numéro de pièce _____
2. The part description / La description de la pièce _____
3. The model number / Le numéro de modèle _____
4. The serial number / Le numéro de série _____

United States Stove Company
227 Industrial Park Road
P.O. Box 151
South Pittsburg, TN 37380
800-750-2723
www.usstove.com

Fiche de service

Il est recommandé que votre système de chauffage est desservi régulièrement et que le Service Interval enregistré approprié est terminée.

Fournisseur de services:

Avant de terminer l'enregistrement de service approprié ci-dessous, si'il vous plaît vous assurer que vous avez effectué le service tel que décrit dans les instructions du fabricant. Toujours utiliser pièce de rechange indiquée par le fabricant lors de remplacement est nécessaire.

Service de 01	Date	Ingénieur Nom:	Refustratuib No.:	Company	N ° de téléphone:	Poêle inspecté: <input type="checkbox"/> Cheminée Swept: <input type="checkbox"/>	Articles Remplacé:
---------------	------	----------------	-------------------	---------	-------------------	---	--------------------

Service de 03	Date	Ingénieur Nom:	Refustratuib No.:	Company	N ° de téléphone:	Poêle inspecté: <input type="checkbox"/> Cheminée Swept: <input type="checkbox"/>	Articles Remplacé:
---------------	------	----------------	-------------------	---------	-------------------	---	--------------------

Service de 04	Date	Ingénieur Nom:	Refustratuib No.:	Company	N ° de téléphone:	Poêle inspecté: <input type="checkbox"/> Cheminée Swept: <input type="checkbox"/>	Articles Remplacé:
---------------	------	----------------	-------------------	---------	-------------------	---	--------------------

Service de 05	Date	Ingénieur Nom:	Refustratuib No.:	Company	N ° de téléphone:	Poêle inspecté: <input type="checkbox"/> Cheminée Swept: <input type="checkbox"/>	Articles Remplacé:
---------------	------	----------------	-------------------	---------	-------------------	---	--------------------

Service de 06	Date	Ingénieur Nom:	Refustratuib No.:	Company	N ° de téléphone:	Poêle inspecté: <input type="checkbox"/> Cheminée Swept: <input type="checkbox"/>	Articles Remplacé:
---------------	------	----------------	-------------------	---------	-------------------	---	--------------------

Service de 07	Date	Ingénieur Nom:	Refustratuib No.:	Company	N ° de téléphone:	Poêle inspecté: <input type="checkbox"/> Cheminée Swept: <input type="checkbox"/>	Articles Remplacé:
---------------	------	----------------	-------------------	---------	-------------------	---	--------------------

Service de 08	Date	Ingénieur Nom:	Refustratuib No.:	Company	N ° de téléphone:	Poêle inspecté: <input type="checkbox"/> Cheminée Swept: <input type="checkbox"/>	Articles Remplacé:
---------------	------	----------------	-------------------	---------	-------------------	---	--------------------

L'utilisation de cette unité en contradiction avec le manuel de l'utilisateur annule la garantie, tout en enfreignant les réglementations fédérales. United States Stove Company garantit, uniquement à l'acheteur au détail original, que ce produit est exempt de détectivités des matériaux et de qualité de l'exécution, pendant la période indiquée ci-dessous, de la date initiale d'achat prouvée par une facture, un chèque obliéré, un reçu de vente, etc., de United States Stove Company (« USSC ») ou d'un détaillant autorisé, comme suit:

DÉLAI PRÉSCRIT	
Boîte à feu/échangeur de chaleur	À vie limitée
Porte	Un an
Cabinets et garniture	Un an
Joints d'étanchéité	Un an
Tous les composants électriques (Souffleur, moteur de la vis/agitateur, carte de circuit imprimé, commutateurs)	Un an
Vitre céramique	Un an

CONDITIONS DE LA GARANTIE

- La garantie ne couvre que les appareils USSC achetés chez un détaillant ou distributeur USSC autorisé.
- Cette garantie n'est valide que si l'appareil USSC demeure sur le site d'installation d'origine. Cette garantie ne s'applique pas aux produits achetés pour la location.

PROCÉDURE DE RÉCLAMATION

Contactez United States Stove Company pour un service sur garantie. Il vous sera demandé de fournir les descriptions et données pertinentes, incluant la preuve d'achat qui sera retournée sur demande. Sous réserve que l'appareil de chauffage ait été installé et utilisé conformément avec le Manuel du propriétaire fourni avec cet appareil de chauffage et que le problème ne porte pas sur une situation d'exclusion, United States Stove Company:

- Remplacera sans frais la pièce détectée. Les pièces et/ou les remplacements d'entretien effectués selon les termes de cette garantie le sont uniquement pour le reste de la période originale de la garantie de ce produit.
 - Remplacer l'appareil de chauffage sans frais. Si l'appareil de chauffage doit être remplacé par United States Stove Company « sans frais », tous les engagements au titre de cette garantie seront respectés.
 - Si le défaut est de nature esthétique (non fonctionnel), United States Stove Company assumera les frais pour réparation de l'appareil de chauffage, incluant les éléments comme la soudure, la peinture et la main-d'œuvre accessoire. Les « frais raisonnables » définis aux termes de cette garantie sont de 30,00 \$/heure avec un remboursement complet pour tout achat de pièces.
- EXCLUSIONS DE LA GARANTIE**
- Cette garantie ne couvre pas ce qui suit:

- Domage ou modification du fini de la surface causé par une utilisation normale.
- Comme il s'agit d'un appareil de chauffage, il pourra se produire une certaine modification de la couleur et des finis de la surface intérieure et extérieure. Il ne s'agit pas d'un défaut et ce n'est pas couvert par la garantie.
- Détérioration des surfaces imprimées, plaquées ou émaillées par les marques externes, ainsi que les résidus laissés sur les surfaces plaquées par l'utilisation de nettoyeurs ou produits à polir abrasifs.
- Réparation ou remplacement des pièces soumises à une usure normale pendant le période de garantie. Ces pièces comprennent : peinture, granules et décoloration de la vitre.
- Bruit causé par la dilatation, contraction ou déplacements mineurs de certaines pièces. Ces conditions sont normales et les réclamations liées à ce bruit ne sont pas couvertes par cette garantie.
- Domages causés par : (1) l'installation, l'utilisation ou la maintenance de l'appareil sans tenir compte des instructions d'installation et d'utilisation, et sans consulter l'étiquette d'identification de l'agent de liste; (2) le non-respect des codes du bâtiment locaux et/ou des autorités ayant juridiction pendant l'installation de l'appareil; (3) l'expédition ou la mauvaise manipulation; (4) la mauvaise utilisation, l'abus, l'utilisation continue alors que des composants liés à l'environnement et à la météo, une mauvaise ventilation, une pression négative ou un mauvais tirage en raison de l'étanchéité de la construction, l'approvisionnement insuffisant en air d'appoint ou d'autres dispositifs tels que

Garantie limitée

des ventilateurs de tirage, des chaudières à air pulsé ou toute autre cause; (6) l'utilisation de combustibles autres que ceux mentionnés dans les instructions d'utilisation; (7) l'installation ou l'utilisation de composants qui n'ont pas été fournis avec l'appareil ou de tout autre composant n'ayant pas été expressément autorisé et approuvé par USSC; (8) les modifications de l'appareil qui n'ont pas été expressément autorisées et approuvées par écrit par USSC; et/ou (9) les interruptions ou fluctuations de l'alimentation électrique de l'appareil. Composants d'évacuation des gaz, composants de l'âtre ou accessoires utilisés avec l'appareil et qui n'ont pas été fournis par USSC.

- Obligations de USSC, en vertu de cette garantie, ne couvrent pas la capacité de l'appareil à chauffer l'espace souhaité. Des informations sont fournies pour aider le consommateur et le détaillant lors de la sélection de l'appareil adéquat pour l'application envisagée. On doit tenir compte de l'emplacement et de la configuration de l'appareil, des conditions liées à l'environnement, de l'isolation et de l'étanchéité de la structure.
- Problèmes liés à la fumée ou au creosote. La fumée provient généralement d'un tirage inadéquat en raison de la conception ou de l'installation du système de conduit ou de l'installation de l'appareil de chauffage lui-même. La formation de creosote est largement attribuable au mauvais fonctionnement de l'unité et/ou du tirage, comme il est mentionné ci-dessus.
- Tous les coûts associés à l'enlèvement et à la réinstallation du produit, son déplacement, transport ou expédition.
- Appels de service afin de diagnostiquer les problèmes (à moins d'être reconnu par écrit par le fabricant, le distributeur ou le détaillant).

CETTE GARANTIE EST ANNULÉE SI

- L'appareil a subi une surchauffe ou a été utilisé avec de l'air contaminé par le chlore, le fluor ou d'autres produits chimiques nuisibles. La surchauffe peut être établie, sans s'y limiter, par la déformation des plaques ou tubes, la couleur rouille de la fonte, l'apparition de bulles et de craquelures, et la décoloration des surfaces en acier ou émaillées.
- L'appareil est soumis à l'humidité ou à la condensation pendant de longues périodes.
- Les dommages causés à l'appareil ou aux autres composants par l'eau ou les intempéries en raison, entre autres, d'une mauvaise installation de la cheminée ou du conduit d'évacuation.

RESTRICTIONS DE LA GARANTIE

Le seul recours du propriétaire et la seule obligation de USSC en vertu de cette garantie ou de toute autre garantie, expresse ou tacite, contractuelle, à tort ou à raison, sont limités au remplacement, à la réparation ou au remboursement. En aucun cas, USSC ne saurait être tenue responsable des dommages fortuits ou consécutifs. LA GARANTIE LIMITEE INCLUSE AUX PRESENTES EST LA SEULE DISPONIBLE POUR L'ACHETEUR, TENANT LIEU DE TOUTES AUTRES GARANTIES OU DECLARATIONS, FORMELLE OU TACITE, USSC NE FAIT AUCUNE DECLARATION OU GARANTIE DE TOUTE SORTIE, QU'ELLE SOIT TACITE OU FORMELLE, RELATIVEMENT AU PRODUIT, AUTRE QUE (i) LA GARANTIE LIMITEE MENTIONNEE CI-DESSUS, ET (ii) TOUTE GARANTIE IMPOSEE PAR LE DROIT APPLICABLE PAR LAQUELLE ELLE NE PEUT ETRE ANNULEE OU DECLINEE SELON LE DROIT APPLICABLE. TOUS AUTRES GARANTIES DE TOUT GENRE, INCLUANT, MAIS SANS S'Y LIMITER, AUX GARANTIES TACITES DE QUALITE MARCHANDE OU D'APPUYI, SONT DONC AUX PRESENTES, DECLINEES ET EXCLUES JUSQU'A LA LIMITE DU DROIT APPLICABLE. Cette garantie limitee confère à l'acheteur des droits juridiques spécifiques, les droits de l'acheteur pourraient différer selon son lieu de résidence. Certains Etats ne permettent pas l'exclusion ou la limitation de dommages particuliers, accessoires ou indirects, ou des lois d'Etat peuvent avoir un impact sur la durée des limitations; ainsi, l'exclusion et les limitations précédentes pourraient ne pas s'appliquer.

GARANT

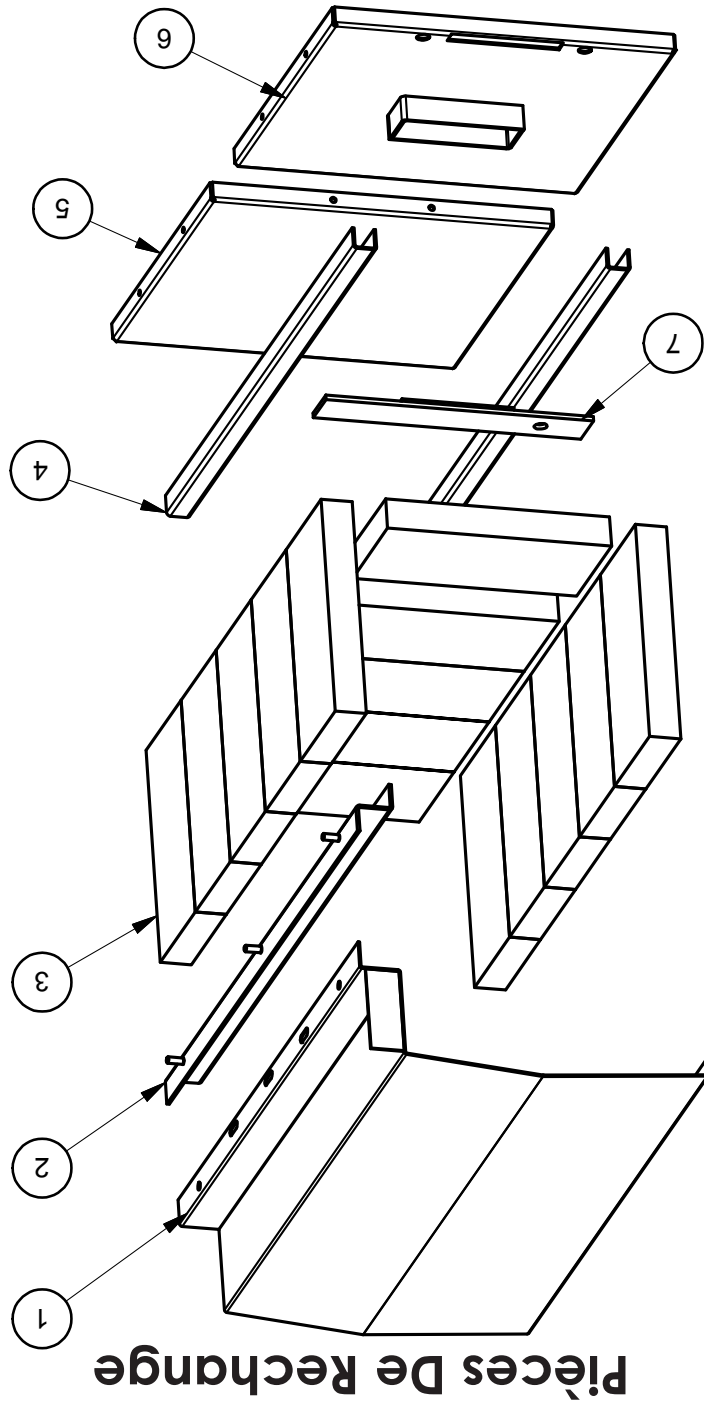
Le garant de ce dossier est United States Stove Company, PO Box 151, 227 Industrial Park Road, South Pittsburg, Tennessee 37380. Numéro de téléphone : (800)-750-2723. Enregistrez votre produit en ligne au www.usstove.com. Conservez votre preuve d'achat, documentée sous forme de facture ou de reçu, en cas de réclamation.

IMPORTANT

Félicitation d'avoir choisi United States Stove Company et ses produits. Étant le plus ancien fabricant de combustible solide aux États-Unis (depuis 1869), United States Stove Company est fière de ses produits, son service, ses employés, et ses clients satisfaits. Nous aimerions le savoir si vous êtes insatisfait de la façon dont vous auriez répondu l'un de nos distributeurs, détaillants, représentants, service à la clientèle, service des pièces ou service des ventes. Veuillez nous joindre en utilisant l'un des moyens pour nous contacter indiqués ci-dessous.

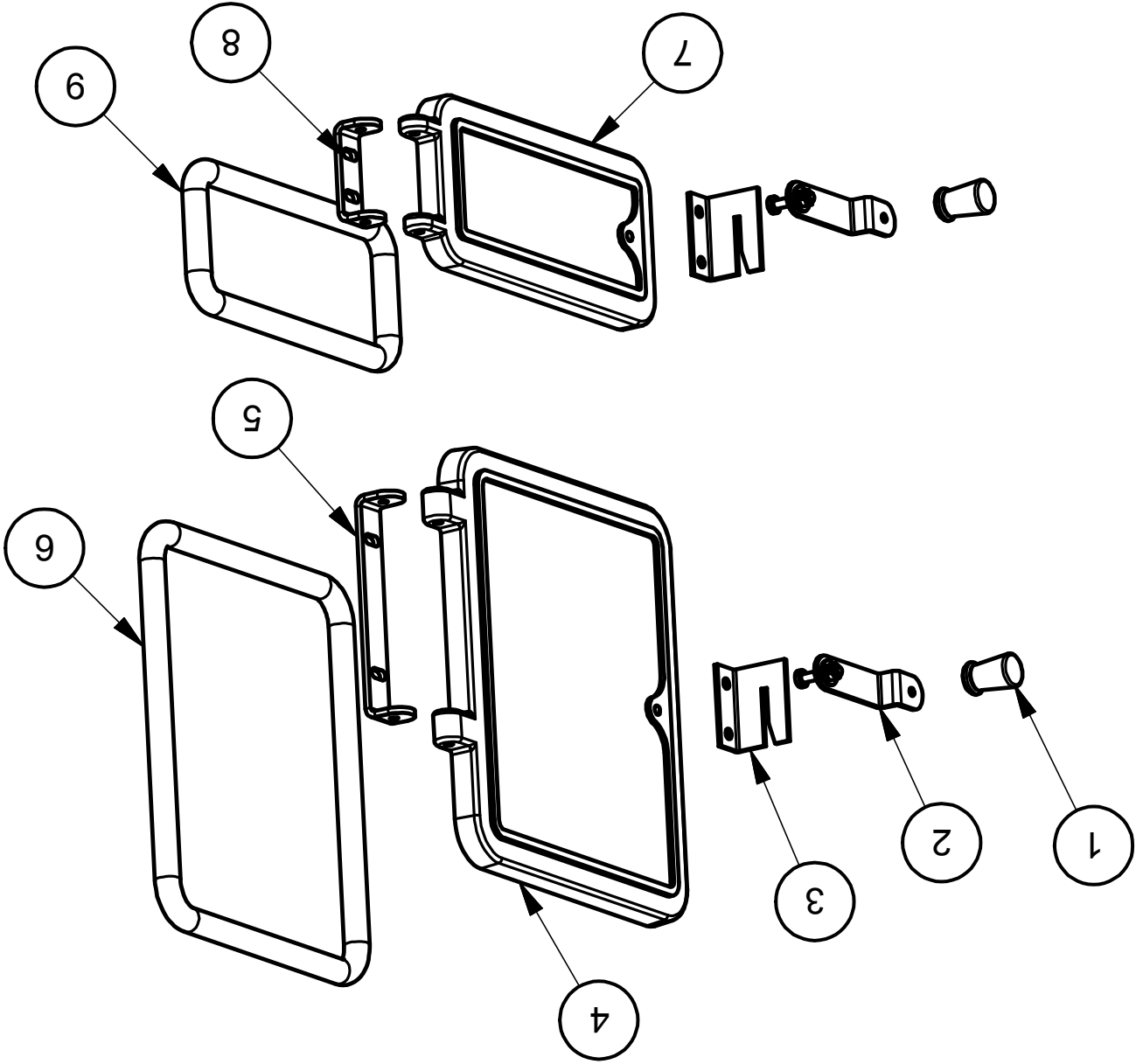
Afin de maintenir la garantie, les composants doivent être remplacés par des pièces d'origine du fabricant achetées auprès de votre revendeur ou directement depuis le fabricant de l'appareil. L'utilisation de composants tiers annule la garantie.

Légende	N° de pièce	Description	Qté.
1	610235	Baffle Weldment	1
2	610230	Rack Haut Brique	1
3	89066	Firebrick (4-1 / 2 X 9)	15
4	27472	Spacers Brick	2
5	27564	Etage Retour	1
6	610221	Etage (soudé)	1
7	610223	Cleanout Cover Weldment	1



Afin de maintenir la garantie, les composants doivent être remplacés par des pièces d'origine du fabricant achetées auprès de votre revendeur ou directement depuis le fabricant de l'appareil. L'utilisation de composants tiers annule la garantie.

Légende	N° de pièce	Description	Qté.
	1	Bouton en bois	2
	2	Poignée de porte	2
	3	Catch porte	2
	4	Nourrissez porte	1
	5	Feu Charnière	1
	6	88032 1po Fiber Rope 41"	1
	7	40764 porte Cast	1
	8	27460 Ash Charnière	1
	9	88032 1po Fiber Rope 27"	1



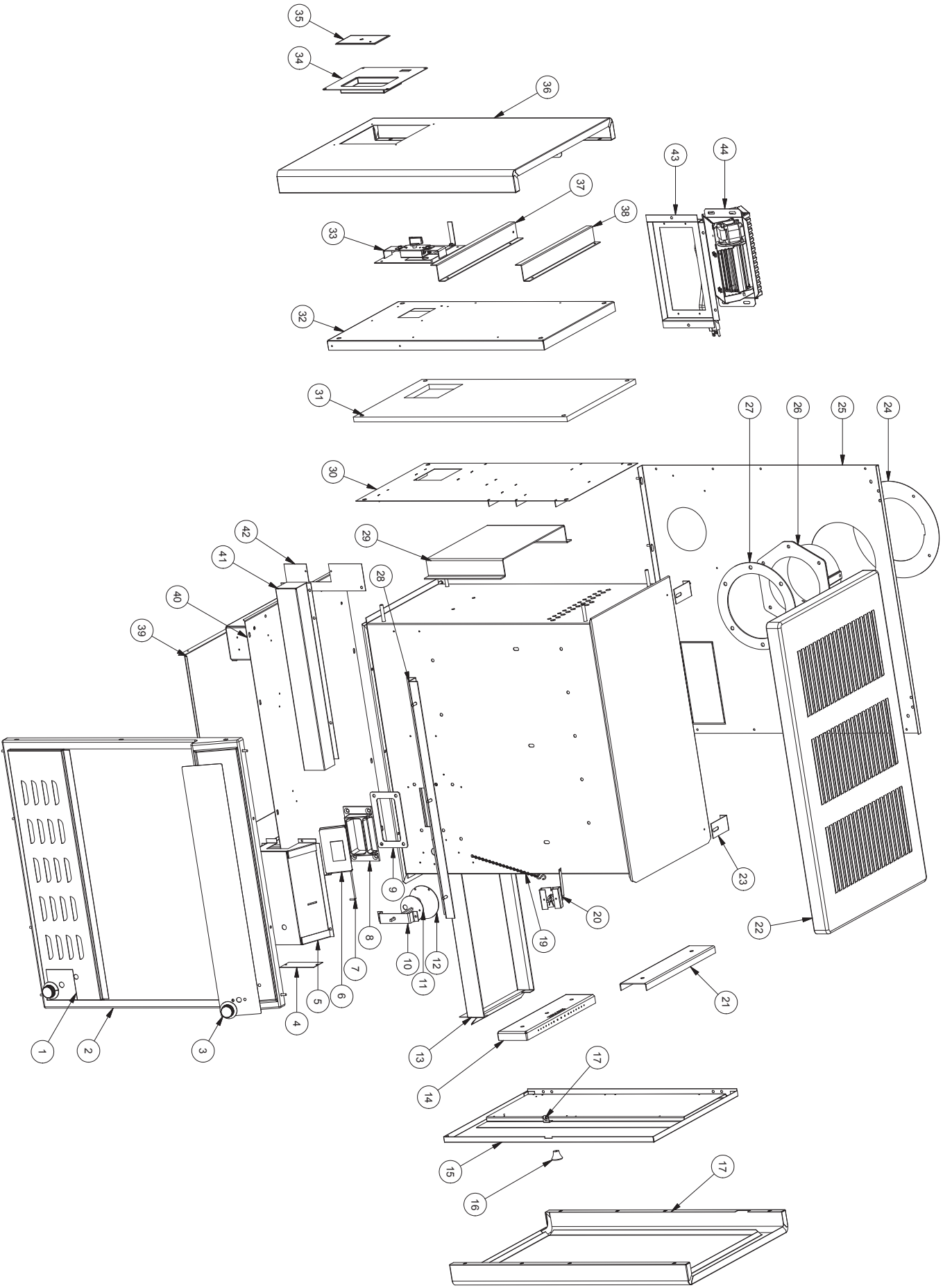
Pièces De Remplacement

Pièces De Remplacement

Qté.	Description	N° de pièce
1	Salut / Lo Etiquette	852472
1	Cabinet avant Weldment / Assy.	610835
2	Thermostat Bouton Noir	89687
1	Air Box Cover	27468
1	Air Boîte de distribution	610184
1	Projet Plate Assemblée Weld	69207
1	H-pin drft Damper	25550
1	Frame, Projet de porte	40075
1	Gasaket	88090
1	Dial Bracket	27388
1	Graver Rate Dial	610183
1	Gravez Dial Plate	27471
1	Ash Pan Weldment	67444
1	Primaire Sortie d'air (soudé)	610227
1	Assy., Porte Cabinet	610836
1	Knob, Porte	89635
1	Assy., Cadre porte Cabinet	610837
1	Loquet, Cuisinière Spring	83093
1	Jack Chain	3070019
1	Assemblée, Thermostat	67743
1	Avant Liner Top	27291
1	Assy., Cabinet Top	610838
2	Brace, Retour	27459
1	Bague, collier Flue	22761
1	Boitier Retour	610839
1	Collier Flue, 6" C.I.	40246
1	Joint, Col Flue	88032
1	Rack Haut Brique	610230
1	Arrière Brique Spacer	27478
1	Superwool Ret. c / w Avec Sec. aliettes	610180
1	Kao Laine (13,25 X 25,125)	88240
1	Panneau d'air secondaire	27470
1	Sa Assemblée Minuteur	892733
1	Soudage de la minuterie	610231
1	Minuteur Visage Plate	83684
1	Boitier côté gauche	610840
1	Bas Retour Spacer	27467
1	Top Retour Spacer	27466
1	Bouclier thermique	22110
1	Fin du canal Air	27491
1	Principal Air Channel	27461
1	base de Weldment	67859
1	Box, Souffleur de montage (optionnel)	25598
1	Assemblée Blower (de B36) (optionnel)	69354

Afin de maintenir la garantie, les composants doivent être remplacés par des pièces d'origine du fabricant achetées auprès de votre revendeur ou directement depuis le fabricant de l'appareil. L'utilisation de composants tiers annule la garantie.

Pièces De Remplacement



ENTRETIEN

Votre poêle à bois est un poêle à haute efficacité et nécessite donc peu d'entretien. Il est important d'effectuer une inspection visuelle du poêle à chaque fois qu'il est vidé, afin d'assurer qu'aucune pièce ont été endommagées, dans lequel cas la réparation doit être effectuée immédiatement. Inspecter et nettoyer le tuyau de la cheminée et le connecteur périodiquement pour l'accumulation de créosote ou obstructions.

GASKETING

La porte ce ce cette unité utilise un joint de corde de 1po de diamètre. Il est recommandé de changer le joint de la porte (ce qui rend votre porte du poêle étanche à l'air) une fois par an, afin d'assurer un bon contrôle de la combustion, l'efficacité et la sécurité maximale. Pour changer le joint de la porte, il suffit de retirer la pièce endommagée. Nettoyer soigneusement le joint rainure disponible, appliquer un silicone haute température vendu à cet effet, et installer le nouveau joint. Vous pouvez rallumer votre poêle environ 24 heures après avoir complété cette opération

PEINDRE

Nettoyez votre poêle avec un chiffon doux et sec qui ne sera pas nuire à la peinture de finition. Si la peinture est égratignée ou endommagée, il est possible de donner à votre poêle un nouveau look, en le repeignant avec une peinture résistante à 1200 ° F de chaleur. À cet effet, il suffit de frotter la surface à repeindre avec un papier de sable fin, le nettoyer correctement et appliquer les couches (2) minces de peinture successivement.

ATTENTION:

Ne jamais utiliser le poêle sans joint ou avec une vitre cassée. Dommages au poêle ou un incendie peut provoquer.

FORMATION DE CRÉOSOTE ET NEED FOR REMOVAL

Lorsque le bois brûle lentement, il produit du goudron et d'autres vapeurs organiques qui se combinent à l'humidité évacuée pour former la créosote. Les vapeurs de créosote se condensent dans la cheminée relativement froide d'un feu à combustion lente. En conséquence, les résidus de créosote accumulent sur les parois du conduit de fumée. Lorsque enflammé, la créosote fait un feu extrêmement chaud. Le connecteur et la cheminée doivent être inspectés au moins une fois tous les deux mois pendant la saison de chauffage pour déterminer si une accumulation de créosote est survenue. Si la créosote a accumulé (3 mm ou plus), il doit être retiré pour réduire le risque d'un feu de cheminée. Nous vous recommandons fortement d'installer un thermomètre magnétique sur votre tuyau d'évacuation de fumée, environ 18 "au-dessus du poêle. Ce thermomètre vous indiquera la température de vos gaz d'échappement des gaz dans le système d'évacuation des fumées. La température idéale pour ces gaz se situe entre 275 ° F et 500 ° F. En dessous de ces températures, l'accumulation de créosote est promue. Au-dessus de 500 degrés, la chaleur est gaspillée car une trop grande quantité est perdue dans l'atmosphère.

POUR ÉVITER CRÉOSOTE BUILD UP

- Toujours brûler du bois sec. Cela permet à des brûlures propres et des températures plus élevées de la cheminée, le dépôt de créosote donc moins.
 - Laissez le contrôle d'air complètement ouverts pendant environ 5 min. chaque fois que vous rechargez le poêle pour le ramener à des températures de fonctionnement appropriées. La combustion secondaire ne peut avoir lieu que si le foyer est assez chaud.
 - Vérifiez toujours l'état de créosote, une fois tous les deux mois et ont ramoner votre cheminée au moins une fois par an.
- If a chimney or creosote fire occurs, close all dampers immediately. Wait for the fire to go out and the heater to cool, then inspect the chimney for damage. If no damage results, perform a chimney cleaning to ensure there is no more creosote deposits remaining in the chimney.

ATTENTION:

Ce poêle à bois doit inspection périodique et la réparation pour un fonctionnement correct. Il est contre les règlements fédéraux pour faire fonctionner ce poêle à bois d'une manière incompatible avec les instructions de ce manuel.

ENLÈVEMENT ET DISPOSITION DES CENDRES

Lorsque les cendres atteignent 8 à 10 cm (3 à 4 po) d'épaisseur dans votre boîte à feu ou bac à cendres, et que le feu est éteint et froid, retirez les cendres en excès. Laissez un lit de cendres d'environ 3 cm (1 po) d'épaisseur sur le fond de la boîte à feu pour aider à conserver une couche chaude de charbon.

Les cendres doivent être placées dans un récipient en métal recouvert d'un couvercle bien ajusté. Le récipient de cendres fermé doit être placé sur un plancher incombustible ou sur le sol, loin des matériaux combustibles, en attendant sa mise au rebut finale. Les cendres doivent être conservées dans le récipient fermé jusqu'à ce qu'elles aient pu complètement refroidir.

DÉTECTEURS DE FUMÉE ET DE CO

Le brûlage du bois produit naturellement des émissions de fumée et du monoxyde de carbone (CO). Le CO est un gaz poison lorsque l'exposition se fait à des concentrations élevées pour une période de temps prolongée. Bien que les systèmes de combustion modernes des chauffages réduisent de façon importante la quantité de CO émis par la cheminée, l'exposition aux gaz dans des endroits fermés ou clos peut être dangereuse. Assurez-vous que les joints d'étanchéité de votre poêle et les joints de la cheminée soient en bon état et qu'ils scellent correctement, évitant les expositions indésirables. Il est recommandé que vous utilisiez des détecteurs de fumée et de CO dans les zones où se trouve un potentiel de génération de CO.

AVERTISSEMENTS:

- Les cendres peuvent contenir tisons même après deux jours sans le poêle.
- La cendres peut devenir très chaud. Porter des gants pour prévenir les blessures.
- Le poêle avec la trappe à cendres ouverte. Cela se traduirait par le surchauffant poêle. Dommages au poêle et un incendie peut provoquer.

La quantité visible de fumée produite peut être une méthode efficace pour déterminer comment le processus de combustion s'établit efficacement aux réglages donnés. La fumée visible est composée de combustibles brûlés et de l'humidité s'échappant de votre poêle. Apprenez comment ajuster les réglages d'air de votre unité afin de produire la plus petite quantité de fumée visible. Le bois incorrectement séché a une teneur élevée en humidité et produira un excès de fumée visible et un mauvais brûlage.

FUMÉE VISIBLE

ATTENTION:

- Ne jamais plus de feu de votre poêle. Si une partie du poêle devient rouge, la surchauffe est arrivée. Fermez la commande d'admission d'air dans un cadre inférieur.
- L'installation d'un socle log ou grilles est pas recommandé dans votre poêle à bois. Construire le feu directement sur brique.
- Ne pas mettre de bois au dessus doublure brique du foyer.
- Tenter d'atteindre un taux de puissance calorifique dépassant les spécifications de conception du chauffage peut lui causer des dommages permanents, ainsi qu'au catalyseur de postcombustion s'il est présent.

L'efficacité peut être basée sur le pouvoir calorifique inférieur (PCI) ou le pouvoir calorifique supérieur (PCS) du combustible. Le pouvoir calorifique inférieur, c'est lorsque l'eau quitte le processus de combustion sous forme de vapeur, dans le cas des poêles à bois, l'humidité dans le bois brûlé quitte le poêle sous forme de vapeur. Le pouvoir calorifique supérieur, c'est lorsque l'eau quitte le processus de combustion sous forme entièrement condensée. Dans le cas des poêles à bois, ceci voudrait dire que les gaz d'évacuation sont à la température de la pièce en quittant le système, et donc, les calculs utilisant cette valeur de chaleur tiennent compte de l'élevation de la chaleur dans la cheminée comme une perte d'énergie. Ainsi, l'efficacité calculée en utilisant le pouvoir calorifique inférieur du bois sera plus élevée que celle calculée en utilisant le pouvoir calorifique supérieur. Aux États-Unis, toutes les efficacités des poêles à bois devraient être optimales est d'apprendre les caractéristiques de brûlage de votre appareil et du bois bien séché. Des taux de combustion plus élevés ne sont pas toujours les meilleurs taux de combustion; après qu'un bon feu est établi, un taux de combustion plus bas ralentit la sortie du flux de chaleur utilisable hors de la maison par la cheminée, et il consomme également moins de bois.

EFFICACITÉ

Combustion contrôlée est la technique la plus efficace pour le chauffage au bois, car il vous permet de sélectionner le type de combustion que vous voulez pour chaque situation donnée. Le bois brûle lentement si le contrôle d'admission d'air du poêle à bois est ajustée pour réduire l'apport d'oxygène dans la chambre de combustion à un minimum. D'autre part, le bois va brûler rapidement si le contrôle de l'air est ajustée à admettre une plus grande quantité d'oxygène dans la chambre de combustion. Les conditions de fonctionnement réelles peuvent donner des résultats très différents de ceux obtenus lors de l'essai selon les essences de bois utilisées, sa teneur en humidité, la taille et la densité des pièces, la longueur de la cheminée, l'altitude et la température extérieure.

CHAUFFAGE

1. Plus de chaleur est obtenue à partir du bois
2. La fumée est la matière particulaire qui est la pollution de l'air

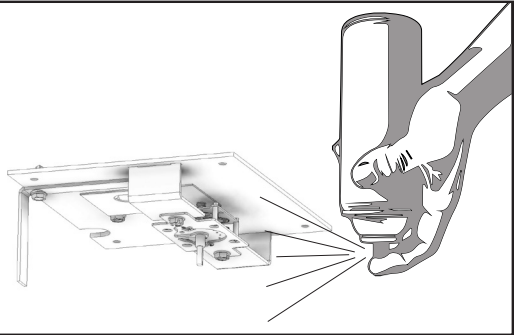
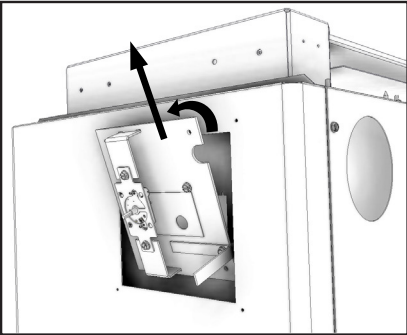
ATTENTION: Lisez la section sur le dos-soufflage avant le ravitaillage de chauffage. La porte de chargement doit être fermée en tout temps, sauf lors du ravitaillage. Si la porte est autorisée à rester ouverte, le thermostat ne fonctionne pas, comme il se doit. Avant d'ouvrir la porte de chargement, assurez-vous que le thermostat est ouvert. Laissez le feu brûler assez vivement pendant quelques minutes. Ensuite, ouvrir lentement la porte de chargement. En permettant au feu d'augmenter pendant une courte période, un projet de haute condition a éliminé la fumée dans la chambre de combustion et la température a été élevée qui empêche un retour ou un projet vers le bas. Après le ravitaillage, exécutez le cadran haut et thermostat ouvert pendant 10 à 30 minutes pour assurer les secondaires efficacement et restent allumés lorsque les commandes d'air sont adaptés aux paramètres souhaités. Garder les secondaires éclairés est important pour deux raisons:

RAVITAILLEMENT

STEP 3

À l'aide d'un pistolet à air comprimé, pulvériser doucement toute poussière accumulée ou accumulation hors de la minuterie.

AVERTISSEMENTS:
Veillez à ne pas utiliser une pression d'air trop importante car cela pourrait endommager le temporisateur



STEP 4

Utilisez une huile de machine générale (3-IN-ONE) pour appliquer une petite goutte d'huile dans chacun des endroits indiqués ci-dessous. Pour réassembler la minuterie, inversez simplement les étapes précédentes. Assurez-vous d'un bon fonctionnement avant de fixer la plaque de finition.

ÉCLAIRAGE ET OPERATION

1. IMPORTANT! - NE JAMAIS FAIRE

FONCTIONNER CE BOIS SANS LA MINUTERIE D'AIR SECONDAIRE DANS LA POSITION D'OUVERTURE VERROUILLEE LORSQUE L'ALLUMAGE D'UN FEU OU LE RECHARGEMENT!

2. Réglez le cadran PAC et le thermostat sur HIGH pour fournir un tirage maximum. Notez que l'entrée d'air secondaire est dans la «POSITION D'OUVERTURE VERROUILLEE» sur le côté gauche du poêle.

3. Ouvrez la porte de chargement et mettez le feu, en utilisant un grand allumage pour assurer un allumage rapide.

4. Prélèvez la cheminée si nécessaire en tenant le papier journal éclairé vers le déflecteur de fumée. UNE BOUGIE TRAVAILLERA LE MEILLEUR ET NE FUMERA PAS LA CHAMBRE S'IL Y A AIR FROID DE FONCTIONNELLE JOURNAUX.

5. Allumez le feu et fermez la porte de chargement.
6. Attendez 3 à 5 minutes puis ajoutez du bois de chauffage assaisonné. (Voir la section concernant le carburant).

7. Réglez le cadran PAC pour maintenir la température désirée dans la pièce. Le réglage du milieu est normalement satisfaisant. Réglez la température désirée à la température souhaitée.
8. Une fois que le feu est établi, réglez le cadran de taux de brûlage au taux souhaité. Cela maintiendra une température constante après la fermeture du thermostat.

DIAL D'AJUSTEMENT THERMOSTAT

La plaque de réglage du thermostat peut être réglée pour changer le taux de combustion. Ouvrir pour augmenter et fermer pour diminuer le taux de brûlure. Laissez le réglage pendant quelques jours après avoir changé pour voir si le taux de combustion est meilleur pour votre situation.

l'opération de changement de température thermostatique et de fréquence de combustion.

ATTENTION: Ne pas utiliser cet appareil de chauffage lorsque la porte de chargement est ouverte. Le fonctionnement continu avec une porte ouverte surchauffera l'appareil. Ce réchauffeur est conçu pour

le PAC à haute lors du rechargement. Le thermostat contrôle également la quantité d'air primaire entrant dans l'unité. Réglez-le sur "Ouvrir" lors du démarrage d'un feu et le laissez sur "Ouvrir" jusqu'à ce que le poêle a brûlé assez longtemps pour garder les flammes secondaires brûlant quand il est fermé. Réglez le thermostat sur "Ouvrir" pour maximiser la production de chaleur et de réduire la pollution de l'air, donc une certaine expérimentation sera nécessaire parce que chaque installation est différente. Bois teneur en humidité va également affecter la quantité de temps qu'une unité aura besoin de brûler le haut après chaque rechargement. AIR SECONDAIRE permet au poêle à bois à combustion propre. Cet air préchauffé pénètre dans la chambre de combustion supérieure, juste au-dessous de la plaque de chicane. Cet air surchauffé mélangé avec les gaz de bois et des flammes enflamme, atteignant des températures dans cette gamme de l'unité. Sans air secondaire ces gaz volatils seraient quitter le poêle non brûlé comme la créosote, la fumée, les particules, et des niveaux élevés de monoxyde de carbone, ce qui diminue considérablement l'efficacité. La chaleur provient de la combustion des gaz de bois, et non pas du bois, qui se transforme en charbon noir après que les gaz sont tous libérés. L'air secondaire augmente une efficacité de poêles d'environ 40% ce qui réduit considérablement la quantité de bois nécessaire pour une saison de chauffage (facilement jusqu'à 1/3 moins de bois). Minuterie d'air secondaire (SAT) situé sur le côté gauche de cet appareil. Ne tentez jamais de brûler votre poêle avec le bouton de la minuterie mis en position d'arrêt. Cette ferme l'air secondaire et votre poêle brûlera sale et produire de la créosote. La SAT devrait être laissée en position ouverte et verrouillée avec le levier d'arrêt de la minuterie est réglée sur "Salut" et votre poêle brûlera de manière optimale. Il ne faut pas utiliser la minuterie, sauf si vous souhaitez prolonger la durée du temps de lit de charbon, après que le bois a fini de brûler la minuterie d'air secondaire (SAT) est utilisé pour contrôler la durée d'air secondaire entrant dans le poêle. Lors de la combustion du poêle être sûr que la minuterie est réglée pour ouvrir (minuterie knob passé une heure et la minuterie Levier «HI»). La SAT est utilisée uniquement si vous souhaitez prolonger le temps de lit de charbon sur Medium Low et Low. Pour ce faire :

1. DOUCEMENT Tourner le bouton de minuterie dans le sens horaire à 2,5 à 3 heures pour Medium Low et 3 à 3,5 heures pour les bas désigné sur la plaque de la minuterie.

2. Tournez le levier de la minuterie vers le bas pour "LO" pour permettre à la minuterie de fermer. Remarquez que la minuterie se ferme après il n'y a plus de flammes présentes
3. LA MINUTERIE DOIT OUVRIR ET LE LEVIER SET TO "HI" avant d'ajouter plus CARBURANT.

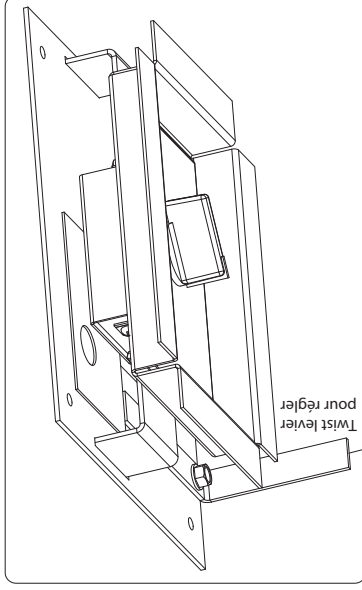
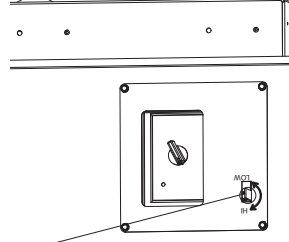
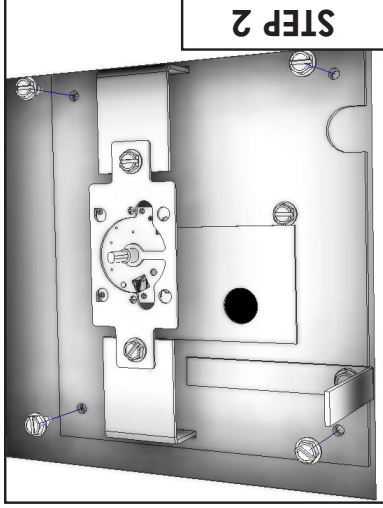
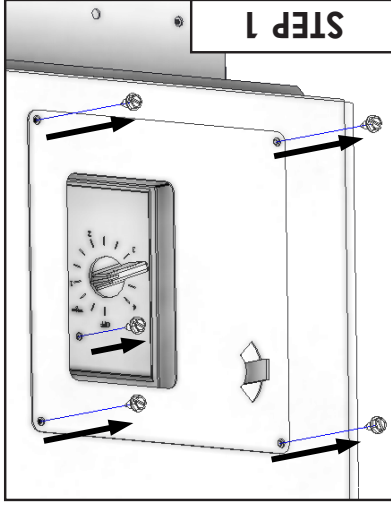
4. Les paramètres ci-dessus sont basés sur une cheminée de 15 pieds. Les paramètres réels peuvent varier légèrement en raison de la hauteur de votre cheminée et les températures extérieures. Cheminées Tallier et des températures extérieures plus froides provoquent un poêle à brûler plus rapidement. Cela signifie que le temporisateur SA n'a pas besoin d'être ouverte aussi longtemps. La même chose est vraie de l'humidité du bois - carburant plus sec va brûler plus rapidement que le carburant plus humide.

INSTRUCTIONS DE MINUTERIE

Le montage de la minuterie sur cet appareil nécessite une maintenance périodique pour assurer un fonctionnement correct. Localisez la minuterie sur le côté gauche de l'appareil, puis suivez les étapes ci-dessous pour faciliter le nettoyage annuel de l'ensemble de la minuterie.

ATTENTION: Laissez le poêle refroidir complètement avant d'effectuer tout entretien ou nettoyage

-16-



Contrairement poêles bois hermétiques âgés, poêles à bois à faibles émissions ont plus d'un emplacement et de contrôle pour fournir de l'air de combustion dans la chambre de combustion. Ces entrées d'air supplémentaires permettent la combustion complète des gaz et des particules de bois. Ainsi, il est important de comprendre comment ces différentes alimentations d'air fonctionnent. AIR PRIMAIRE commence le feu. L'ouverture ou la fermeture de cette alimentation en air puis règle la vitesse du poêle brûlera. L'air primaire est fourni par les éléments suivants: un cadran avec les paramètres de taux de combustion et d'un thermostat. Utilisez la molette de commande d'air primaire (PAC) (à droite) pour contrôler la brûlure. Réglez les paramètres pour obtenir la sortie de chaleur souhaitée. Toujours commencer un feu avec l'ensemble PAC sur haute et laissez-le haut jusqu'à ce que les flammes secondaires continuent à brûler après la PAC a été ajusté à une valeur inférieure. Réinitialiser

TYPES DE COMBUSTION AIR POUR LE CHAUFFAGE AU BOIS

Combustible solide doit être coupé et divisé avant la saison de chauffage et stocké dans un endroit sec et bien, diffusé. Ne pas stocker le carburant dans les dégagements de chauffage de la chambre ou dans l'espace requis pour le ravitailllement ou l'élimination des cendres. Le carburant doit être maintenue au moins 5ft clair (1.5m) du chauffe-eau. L'espace autour de l'appareil doit être exempt de déchets et de résidus de bois.

PRÉPARATION ET DE CARBURANT STOCKAGE

Ne surchargez pas le foyer au-dessus du firebrick. Le bois doit être de 3 à 4 "sous le haut du firebrick. Une chambre de chaleur brûlé-out peut entraîner. Ne pas utiliser les bûches artificielles ou cire. Construire le feu sur le plancher de la cuisinière. Ne pas utiliser de grilles ou chenets supplémentaires pour soutenir le feu car ils peuvent créer de la chaleur excessive. Pour le plus de chaleur, l'air de combustion doit pouvoir circuler autour et à travers le feu. Ne pas obstruer les entrées d'air dans la chambre de combustion avec de la cendre. Lors du chargement de chaque charge de carburant supplémentaire, effacer les cendres loin des orifices d'air primaire inférieurs derrière le fond de l'ouverture de la porte.

CHARGEMENT DE CARBURANT

Cordwood chevrons donneront le plus de chaleur. Votre appareil va brûler plus de tout type de cordwood. Bois dur assaisoné produit plus de chaleur, et tiendra un feu plus, en laissant un lit de charbon plus chaud que le bois assaisoné. Le charbon ne doit jamais être utilisé dans un appareil de chauffage conçu pour la combustion du bois. Ne jamais utiliser de bois flotté qui a été dans l'eau salée. La teneur en sel provoque une corrosion qui peut détruire l'acier inoxydable dans la cheminée de classe A, le raccord de cheminée et la chambre de combustion. Bois dur coupé à 20 "longueur maximale, et de diviser 3" à 6 "section est recommandé pour une meilleure efficacité opérationnelle. ATTENTION: brûlez non traité seulement. Bois contenant un conservateur, des feuilles métalliques, du charbon, du plastique, des ordures, de soufre ou de l'huile est dangereux pour l'environnement et endommager l'appareil.

CARBURANT

1. Hauteur insuffisante.
2. Autour des objets proches de lancer des courants d'air dans la cheminée.
3. Conduits agrandis ou contractés à un moment donné.
4. Obstruction Rubbish ou de la suie dans la cheminée.
5. Les fuites d'air dans les fissures où le mortier est tombé.
6. Le support du sol ou d'un tuyau de passage ou entrant dans la cheminée.
7. Décalages trop brusques.
8. Autres conduits de raccordement
9. Cheminée utilisée pour la ventilation sous-sol
10. Cheminées trop grandes pour poêle utilisés.
11. Conduits étant trop longue et étroite
12. Plus d'une fumée tuyau relié à la cheminée.
13. Le connecteur de cheminée en saillie trop loin dans la cheminée.

À partir des principes de base ci-dessus pour la réglementation des conduits de cheminée, on voit que le fonctionnement du poêle insatisfaisant peut être le résultat de l'une des cheminées possibles défauts de combustion suivants:

FUMÉE OU CHEMINÉE DÉFAUTS

Avant d'allumer le papier et bois d'allumage, il est recommandé que vous réchauffer la cheminée. Ceci tuya à l'intérieur de la chambre de combustion pour est fait afin d'éviter un phénomène d'inversement en raison de la pression négative dans la maison. Si tel est le cas, ouvrez une fenêtre légèrement près du poêle et tourner ensemble quelques feuilles de papier journal dans une torche. Allumez cette torche de papier et

La méthode descendante de préparation d'un feu est recommandée pour cet appareil. Placez les plus grosses pièces de bois au bas en parallèle, et assez près l'une de l'autre. Les secondes pièces sont placées en une seconde couche, en travers aux premières. Une troisième couche de plus petites pièces est déposée en travers de la seconde, cette fois avec un certain espace entre elles. Ensuite, déposer une quatrième couche de bois d'allumage et de papier journal chiffonné sur le dessus de la pile.

ALLUMAGE

ATTENTION: Ne modifiez jamais la lame d'amortisseur ou la plage de réglage pour augmenter la cuisson pour une raison quelconque. Cela pourrait entraîner des dommages de chauffage et annuler votre garantie.

La peinture fraîche de votre poêle doit être cuite pour en préserver la qualité. Une fois la charge de carburant est bien allumée, ne brûler les petits feux dans votre poêle pour les quatre premières heures de fonctionnement. Ne jamais ouvrir le contrôle de l'air plus que nécessaire pour obtenir un taux de combustion moyen. Assurez-vous qu'il y a assez de circulation de l'air pendant le durcissement du poêle. Les odeurs peuvent réapparaître pendant les 3 ou 4 premiers feux. Ne jamais démarrer votre poêle à l'extérieur. Vous ne serez pas en mesure de voir si vous êtes sur le chauffage.

LES INCENDIES PREMIERS

Ce chauffage au bois a un taux de combustion minimum réglé à la fabrication, et qui ne peut être modifié. La modification de ce réglage ou une utilisation autre de ce chauffage au bois qui ne respecterait pas les directives du présent manuel contrevient aux réglementations fédérales.

TAMPER AVERTISSEMENT

Lorsque le poêle est bien allumé, placez un morceau de bois fendu (environ cinq pouces de diamètre) parallèle à la porte sur le lit de braises rouges. Gardez le contrôle de plein air ouverte en tirant dessus et fermer la porte. Si l'allumage de la pièce est réalisée dans les 90 secondes à partir du moment qu'il eut été placé dans le poêle, votre bois est bien séché. Si l'allumage prend plus, le bois est humide. Si votre bois et siffle eau ou de vapeur échappe aux extrémités de la pièce, votre bois est trempé ou fraîchement coupé. Ne pas utiliser ce bois dans votre poêle. De grandes quantités de créosote pourraient être déposés dans votre cheminée, créant des conditions potentielles pour un feu de cheminée.

TESTS DE BOIS

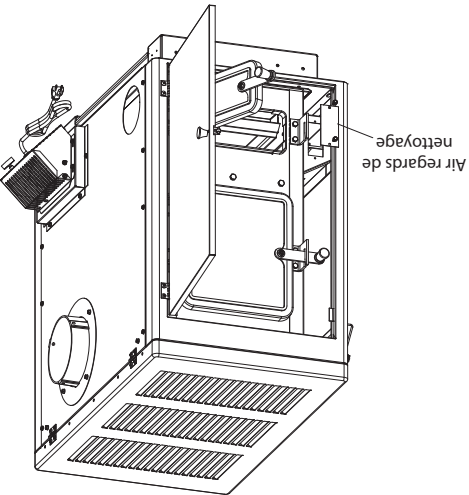
Apprenez les caractéristiques de fonctionnement de votre appareil pour obtenir une performance optimale de brûler du bois humide à un impact négatif sur l'efficacité de votre poêle et même à une accélération de l'accumulation de créosote dans la cheminée. La combustion du bois humide unseasoned ne blesse que l'efficacité de vos poêles et conduit à accélérer l'accumulation de créosote dans votre cheminée. Les sorties propres sont fixées à la chambre de combustion avec (2) vis 5/16". Retirez les feuilles propres et aspirez les grandes quantités de cendres sont remarqués lors du nettoyage ou si le poêle ne semble pas être brûler correctement. Les portes de tir et de cendres doivent être fermées et scellées pendant le fonctionnement.

- Attendez que l'appareil soit chaud et qu'il y ait un bon lit de braises avant de régler à un taux de combustion plus bas (ce qui pourrait prendre 30 minutes ou plus selon le bois utilisé)
- Utilisez de plus petits morceaux de bois pendant l'allumage et un taux de combustion élevé pour augmenter la température du poêle
- Pensez à l'environnement et ne brûlez que du bois séché
- Allumez de feux petits et intenses, au lieu de grands feux lents, lorsque possible.
- Apprenez les caractéristiques de fonctionnement de votre appareil pour obtenir une performance optimale de brûler du bois humide à un impact négatif sur l'efficacité de votre poêle et même à une accélération de l'accumulation de créosote dans la cheminée

QUALITÉ, EFFICACE ET PROPRE

CONSEILS DE FONCTIONNEMENT POUR UNE COMBUSTION DE

Les petits morceaux de bois vont sécher plus rapidement. Tous les journaux dépassant 6" de diamètre devraient être divisés. Le bois ne doit pas être stocké directement sur le sol. L'air doit circuler à travers le cordon. A 24" à 48" l'espace aérien doit être laissé entre chaque rangée de billes, qui doit être placé dans endroit le plus ensoleillé possible. La couche supérieure de bois doit être protégé contre les éléments, mais pas les côtés.



POÊLE UTILISATION

Cet appareil est conçu pour brûler du bois naturel. Des rendements plus élevés et des émissions plus basses lorsque l'air brûlant dur séché par rapport à résineux ou feuillus verts ou fraîchement coupés.

NE PAS BRÛLER :

1. Des ordures;
 2. Des déchets de tonte ou résidus de jardin;
 3. Des matériaux contenant du caoutchouc,
 4. Matériaux contenant du plastique;
 5. Des déchets de produits du pétrole, des peintures ou diluants à peinture, ou des produits d'asphalte;
 6. Matériaux contenant de l'amiante;
 7. Débris de construction ou de démolition;
 8. Traverses de voie ferrée ou bois traité sous pression;
 9. Fumier ou restes d'animaux;
- Le brûlage de ces matériaux peut causer des émanations de fumées toxiques ou rendre le chauffage inefficace en raison de la fumée. Le bois mort tombé des arbres doit être considéré comme étant mouillé et doit donc être séché. Le bois mort peut normalement être considéré comme sec à 66%. Fendrez et empiler le bois avant de l'entreposer accélère son séchage. Entrez le bois sur une surface surélevée du sol et sous un espace abrité de la pluie ou de la neige, accélérera le temps de séchage. Un bon indicateur pour savoir si le bois est prêt à brûler est de vérifier les extrémités du morceau. Si elles sont fendues de toutes parts à partir du centre, le bois devrait donc être suffisamment sec. Si votre bois grésille quand il brûle, même si la surface est sèche, il pourrait ne pas être entièrement sec et devrait être laissé à sécher plus longtemps.

Ne pas brûler les bûches fabriquées à partir de sciure imprégnée de cire ou de bûches avec des additifs chimiques. Les bûches fabriquées à partir de sciure de bois compressée à 100% peuvent être brûlées, mais faites attention à brûler trop de ces bûches en même temps. Commencez avec une bûche fabriquée et voyez comment le poêle réagit. Vous pouvez augmenter le nombre de bûches brûlées à la fois pour vous assurer que la température ne dépasse jamais 246 ° C (475 ° F) sur un thermomètre magnétique pour une installation sur des tuyaux de poêle à paroi simple ou 482 ° C (900 ° F) sur sonde thermométrique pour l'installation sur un tuyau de poêle à double paroi. Le thermomètre doit être placé à environ 18 "(457 mm) au-dessus du poêle. Des températures plus élevées peuvent entraîner une surchauffe et endommager votre poêle.



TYPE	POIDS (LBS, CU. FT., À VIDE)	PAR CORDON	CLASSEMENT D'EFFICACITÉ	SE FEND	MILLIONS BTU/CORDON
Hickory	63	4500	1,0	Bien	31,5
Chêne blanc	48	4100	0,9	Correct	28,6
Chêne rouge	46	3900	0,8	Correct	27,4
Hêtre	45	3800	0,7	Dur	26,8
Érable à sucre	44	3700	0,6	Correct	26,2
Chêne noir	43	3700	0,6	Correct	25,6
Frêne	42	3600	0,5	Bien	25,0
Bouleau jaune	40	3400	0,4	Dur	23,8
Érable rouge	38	3200	0,3	Correct	22,6
Bouleau à papier	37	3100	0,3	Facile	22,1
Orme/Platane	34	2900	0,2	Très difficile	20,1
Épinette rouge	29	1800	0,1	Facile	16,1

Il est extrêmement important que vous utilisiez WOOD DRY seulement dans votre poêle à bois. Le bois doit avoir séché pendant 9 à 15 mois, de telle sorte que la teneur en humidité (en poids) est réduite en dessous de 20% du poids de la bûche. Il est très important de garder à l'esprit que même si le bois a été coupé pour un, deux ans ou même plus, il est pas nécessairement sèche, si elle a été stockée dans de mauvaises conditions. Dans des conditions extrêmes, il peut pourrir au lieu de sécher. Ce point ne peut pas être plus souligné; la grande majorité des problèmes liés à l'exploitation d'un poêle à bois est causée par le fait que le bois utilisé est trop humide ou séché dans de mauvaises conditions. Ces problèmes peuvent être:

- problèmes d'allumage
- créosote feux de cheminée accumulation causant
- fenêtres noircies
- la combustion incomplète du journal
- rendement énergétique faible

PASSAGES DE RACCORDEMENT DE CHEMINÉE À TRAVERS UNE PAROI COMBUSTIBLE

Méthode A. Dégagement de 12" (304,8 mm) avec un membre de paroi combustible : En utilisant des briques d'une épaisseur minimale de 3,5" (89 mm) et un revêtement en argile d'une épaisseur minimale de 5/8" (15,9 mm), construisez un passage à travers la paroi. Le revêtement en argile et les matières combustibles de la paroi. Le revêtement en argile devra s'étendre de la surface extérieure de la maçonnerie en briques jusqu'à la surface intérieure du revêtement du carneau de la cheminée mais pas au-delà de la surface intérieure. Coulez ou cimentez fermement le revêtement en argile en place dans le revêtement du carneau de la cheminée.

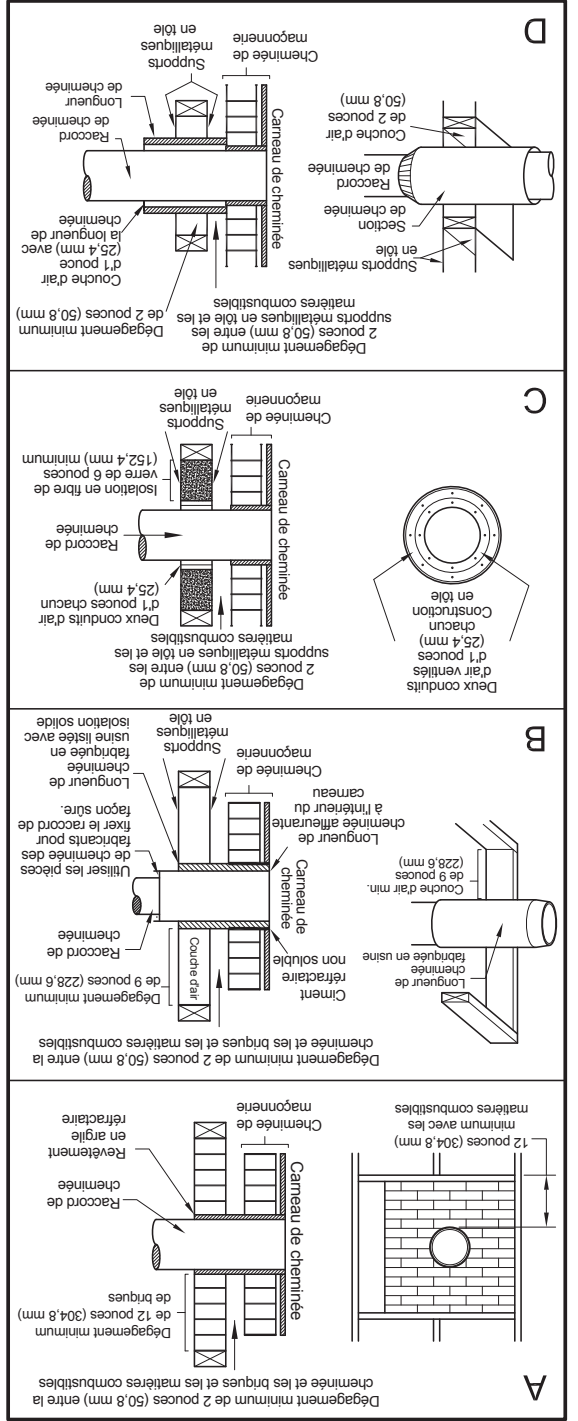
Méthode B. Dégagement de 9" (228,6 mm) avec un membre de paroi combustible : En utilisant une partie de cheminée Solid-Fak fabriquée en usine, agréeée, de 6" (152,4 mm) de diamètre intérieur avec une isolation de 1" (25,4 mm) ou plus, construisez un passage à travers la paroi avec une couche d'air de 9" (228,6 mm) minimum entre la paroi extérieure de la cheminée et les matières combustibles de la paroi. Lors de la fixation des supports sur la longueur de la cheminée, ne pénétrez pas dans le revêtement de la cheminée (la paroi intérieure de la cheminée Solid-Fak). L'extrémité du revêtement de la section de la cheminée Solid-Fak devra affleurer l'intérieur du carneau de la cheminée en maçonnerie, et être scellée avec un ciment réfractaire non soluble dans l'eau. Utilisez ce ciment pour également calfeutrer la pénétration de la maçonnerie en briques.

Méthode C. Dégagement de 6" (152,4 mm) avec un membre de paroi combustible : En commençant avec un raccord de cheminée métallique de 6" (152,4 mm) de diamètre ayant deux conduits d'air de 1" (25,4 mm) chacun, construisez un passage à travers la paroi. Il devra y avoir une zone de séparation de 6" (152,4 mm) minimum contenant une isolation en fibre de verre de 6 pouces (152,4 mm) minimum. Soutenez le manchon mural jusqu'aux matières combustibles de la paroi. Soutenez également le manchon mural avec un support métallique en tôle de calibre 24 minimum. Maintenez un espace de 6" (152,4 mm). Il devra également avoir un support dimensionné pour adapter et maintenir le raccord de cheminée métallique. Vérifiez que les supports soient fixés de façon sûre aux surfaces de la paroi sur tous les côtés. Assurez-vous que les éléments de fixation utilisés pour maintenir le raccord de cheminée métallique ne pénétrât pas dans le revêtement du carneau de la cheminée.

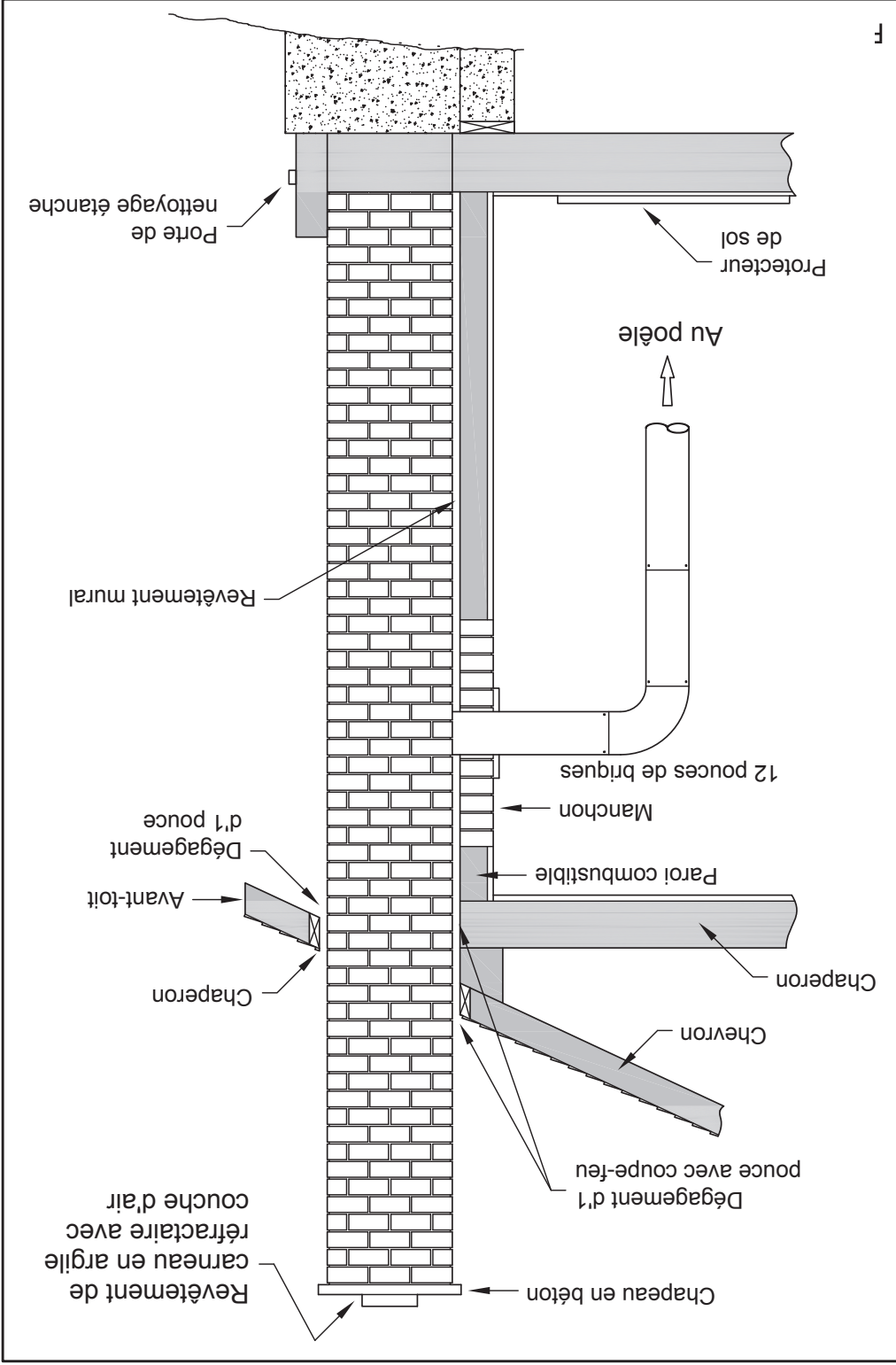
Méthode D. Dégagement de 2" (50,8 mm) avec un membre de paroi combustible : Commencez avec une partie de cheminée Solid-Fak fabriquée en usine, agréeée, d'au moins 12" (304 mm) de diamètre intérieur avec une isolation de 1" (25,4 mm) ou plus, et un raccord de cheminée de 8" de diamètre intérieur (de 2 pouces [51 mm] plus grand que celui de la cheminée intérieure de la cheminée de 24 minimum. Maintenez une section concentrique solid-pak avec le raccord de la cheminée et à une distance de 1" (25,4 mm) de ce dernier grâce aux platines-supports en tôle situées aux deux extrémités de la section de la cheminée. Couvrez l'ouverture et soutenez la section de la cheminée de la paroi sur tous les côtés. Assurez-vous des éléments de fixation utilisés pour maintenir le conduit de carneau de la cheminée.

1. Les raccords d'une cheminée de maçonnerie, sauf ceux de la méthode B, devront s'étendre sur une section continue à travers le système de passage mural et la paroi de la cheminée, jusqu'à la surface du revêtement intérieur du carneau mais sans le dépasser.
2. Un raccord de cheminée ne devra pas passer à travers un grenier ou un plancher ou un plafond.

confiés similaires, un plancher ou un plafond.



Assurez-vous qu'une cheminée en maçonnerie répondre aux standards minimum de l'Association nationale de protection contre les incendies (NFPA) en la faisant inspecter par un professionnel. Assurez-vous qu'il n'y ait pas de fissures, de mortiers perdus ou d'autres signes de détérioration et de blocage. Faites nettoyer la cheminée avant d'installer et de faire fonctionner le poêle. Lors du raccordement du poêle à travers une paroi combustible vers une cheminée en maçonnerie, des méthodes spéciales sont requises.



Votre poêle à bois doit être raccordé avec une cheminée fabriquée en usine ou en maçonnerie de 6". Si vous utilisez une cheminée fabriquée en usine, elle doit répondre à la norme UL 103 et CAN/CSA-B365 ; par conséquent elle doit être de type HT (2100 °F). Il est extrêmement important qu'elle soit installée conformément aux spécifications du fabricant.

Si vous utilisez une cheminée en maçonnerie, il est important qu'elle soit construite conformément aux spécifications du Code national de construction. Elle doit être revêtue de briques en argile réfractaires, de tuiles métalliques ou en argile scellées ensemble avec un ciment réfractaire. (Les carnaux cylindriques sont les plus efficaces).

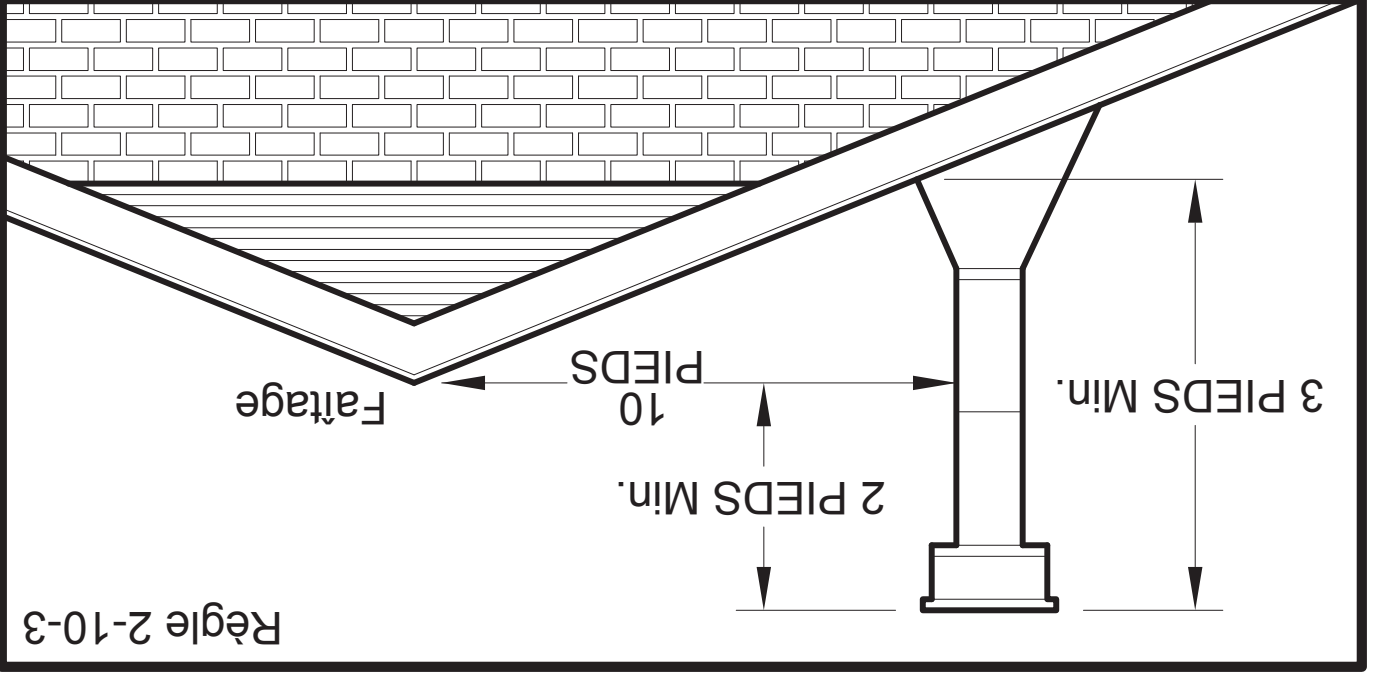
Le diamètre intérieur du carneau de cheminée doit être identique à l'aspiration des fumées du poêle. Un carneau trop petit peut entraîner des problèmes de tirage, tandis qu'un grand carneau favorise un refroidissement rapide des gaz, et donc l'accumulation de crésote et le risque de feu de cheminée. Remarquez que c'est la cheminée et non le poêle qui crée l'effet de tirage ; les performances de votre poêle dépendent directement du bon tirage de votre cheminée.

Les recommandations suivantes peuvent être utiles pour l'installation de votre cheminée :

1. Ne connectez pas cette unité à un carneau de cheminée utilisé par un autre appareil.
2. Elle doit s'élever au-dessus du toit d'au moins 3' (0,9 m) à partir du point le plus haut de contact.
3. La cheminée doit dépasser toute partie de la construction ou autre obstruction à moins de 10' (3,04 m) d'une hauteur de 2' (0,6 m).

4. L'installation d'une cheminée intérieure est toujours préférable à une cheminée extérieure. En effet, la cheminée intérieure, sera, par définition, plus chaude qu'une cheminée extérieure, étant donné qu'elle est chauffée par l'air ambiant de la maison. Par conséquent, le gaz qui circule se refroidira plus lentement, réduisant ainsi l'accumulation de crésote et le risque de feu de cheminée.

5. Le tirage entraîné par la tendance de l'air chaud à s'élever sera augmenté avec une cheminée intérieure. L'utilisation d'un pare-feu à l'extrémité de la cheminée requiert une inspection régulière afin de garantir qu'il n'est pas obstrué, bloquant donc le tirage et devra être nettoyé lorsqu'il est utilisé régulièrement.



RACCORD DE CHEMINÉE (TUYAU PISSE)

Votre raccord de cheminée et votre cheminée doivent avoir le même diamètre que la sortie du poêle (6"). Si ce n'est pas le cas, nous vous recommandons de contacter votre vendeur afin de vous assurer qu'il n'y aura aucun problème de tirage.

Le tuyau de poêle doit être fabriqué dans un acier laminé à froid d'une épaisseur minimale de 0,021" ou 0,53 mm. Il est strictement interdit d'utiliser un acier galvanisé.

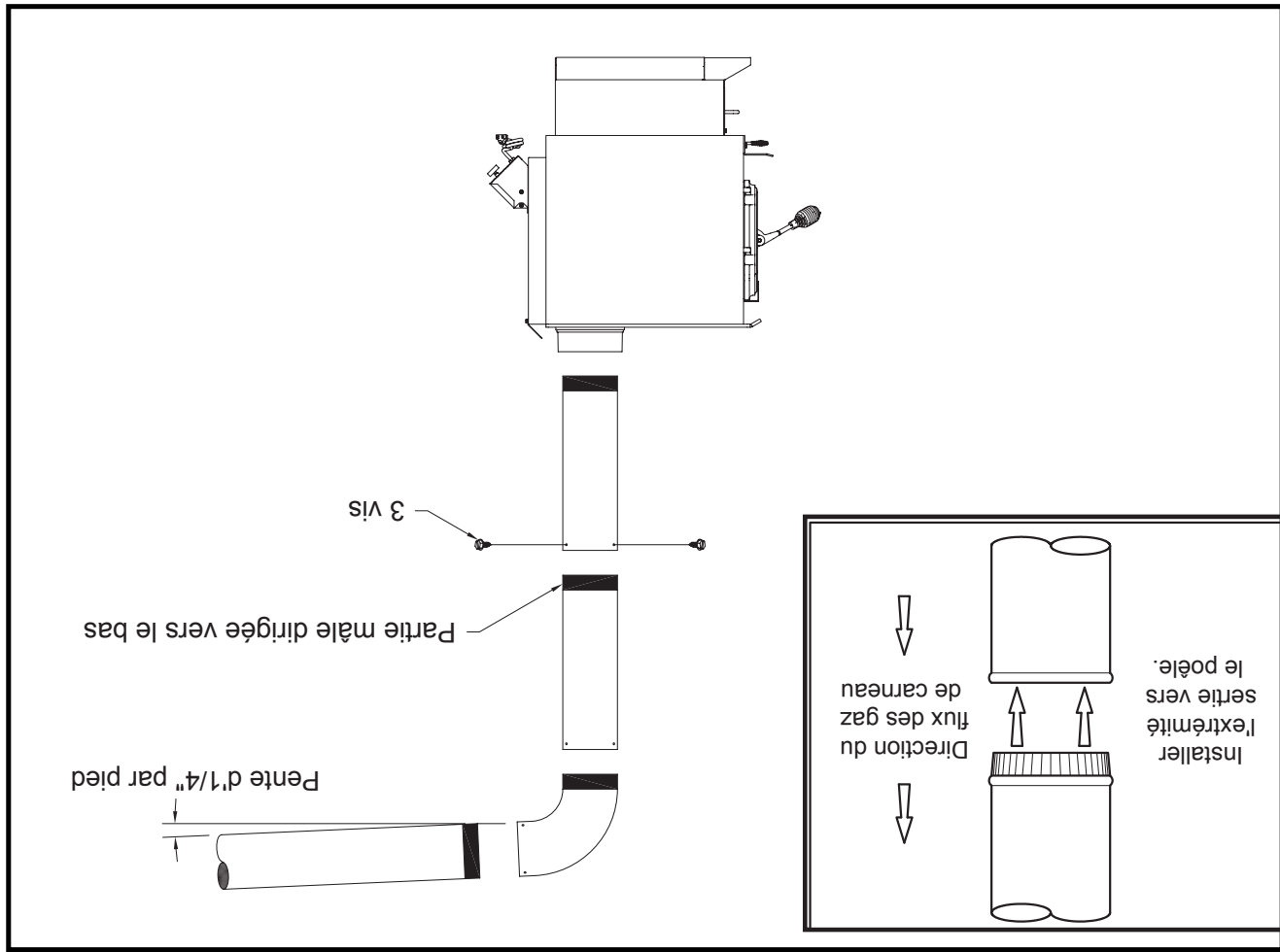
Votre tuyau de fumée devra être assemblé de telle sorte que la partie mâle (extrémité sortie) du tuyau pointe vers le bas. Fixez chacune des parties à une autre avec trois vis à tôle équidistantes.

Le tuyau doit être court et droit. Toutes les parties installées horizontalement doivent avoir une pente d'au moins 1/4 de pouces par pied, avec l'extrémité supérieure de la partie dirigée vers la cheminée. Une installation avec une section horizontale de tuyau de cheminée doit être conforme à NFPA 211. Vous pouvez contacter la NFPA (Association nationale de protection contre les incendies) et demander la dernière édition du standard 211 de la NFPA.

Pour assurer un bon tirage, la longueur totale du tuyau de raccordement ne devra jamais dépasser 8' à 10' (2,4 m à 3,04 m). (Excepté dans le cas d'installations verticales, de type plafond cathédrale ou le système d'aspiration des fumées peut être beaucoup plus long et raccordé sans problème au plafond de la pièce).

Il ne devra jamais y avoir plus de deux coudes à 90 degrés dans le système d'aspiration des fumées. L'installation d'un « stabilisateur de tirage barométrique » (registre de cheminée) sur un système d'aspiration des fumées est interdite.

De plus, l'installation d'un registre de tirage n'est pas recommandée. En effet, avec un poêle à bois de combustion contrôlée, le tirage est régulé dès l'admission de l'air de combustion dans le poêle et non à l'évacuation.



PLANCHER PROTECTEUR

Lorsque le chauffage est utilisé sur un plancher combustible, utiliser un protecteur Underwriters Liste de plancher qui est conforme aux normes UL (UL 1618) et CAN / ULC pour le Canada, qui fournit au minimum de type 1 protection de braises. Le protecteur de plancher doit être placé sous le poêle, 16" (18" pour installations canadiennes) au-delà de l'avant et 8" au-delà de chaque côté de l'ouverture de chargement de carburant et l'enlèvement des cendres. S'il y a une section horizontale du connecteur de cheminée, le protecteur de plancher doit passer sous et 2 pouces au-delà de chaque côté.

Le protecteur de plancher doit dépasser le poêle comme suit:

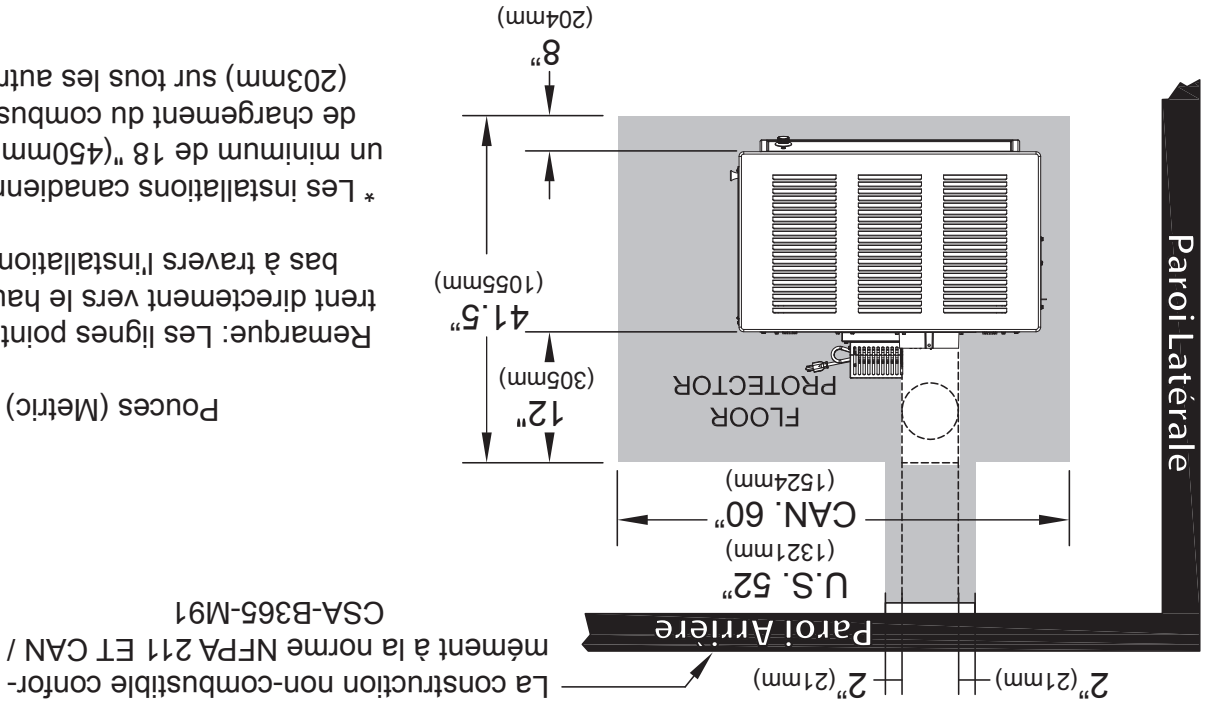


Figure. 3 Vue de dessus

DÉGAGEMENTS AVEC LES MATIÈRES COMBUSTIBLES

Il est extrêmement important que les dégagements avec les matières combustibles soient strictement respectés lors de l'installation du poêle. Consultez les tableaux ci-dessous:

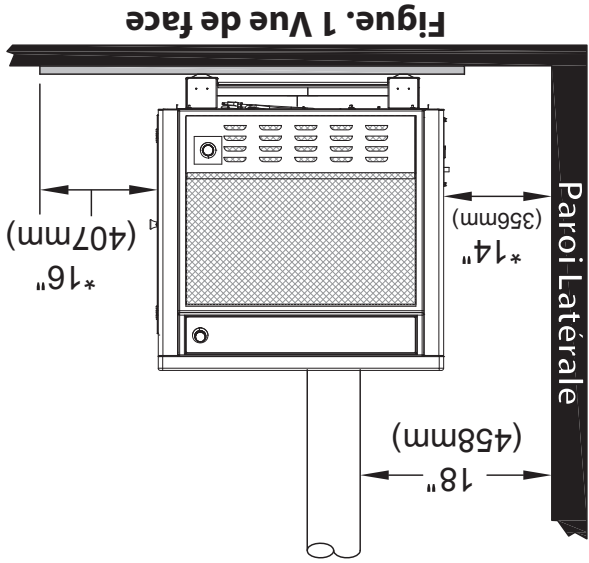


Figure. 1 Vue de face

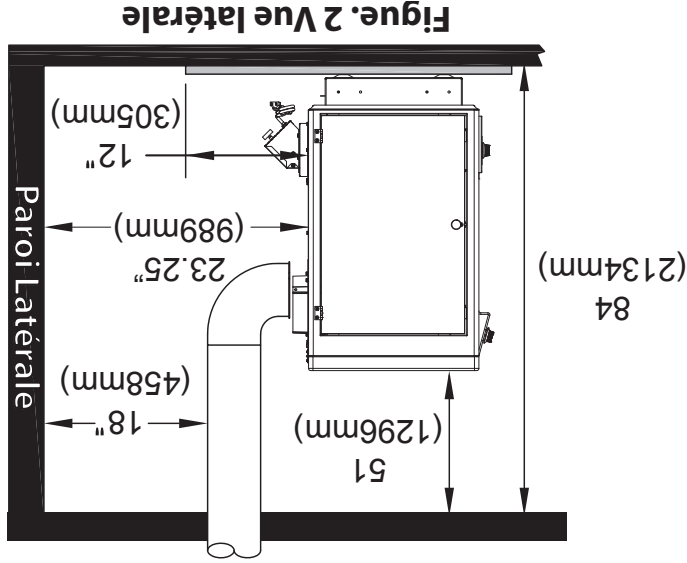
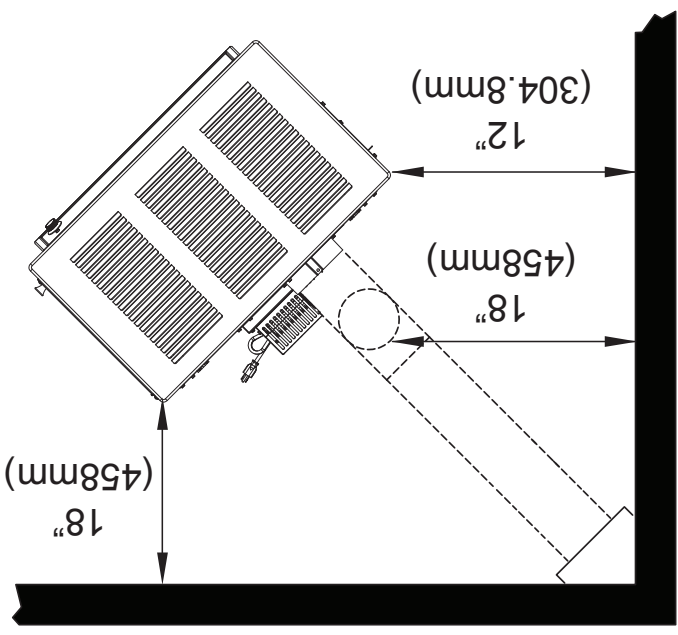


Figure. 2 Vue latérale

- La hauteur entre le plancher et le plafond doit être d'au moins 7' (2,13 m) dans tous les cas.
- Ne placez pas de matériaux combustibles à moins de 4 pi (1,2 m) de l'avant de l'appareil.
- Le jeu entre le conduit de fumée et un mur est valable uniquement pour les parois verticales et conduit de fumée vertical.
- Le connecteur de cheminée ne doit pas passer à travers un grenier ou combles, toillettes ou similaire espaces confinés, le plancher ou le plafond.
- Dans une usine canadienne dans laquelle un passage à travers un mur, ou une partie de construction combustible est souhaitée, l'installation doit être conforme à la norme CAN / CSA-B365.
- Un tuyau de raccordement traversant un mur combustible doit avoir un dégagement minimum de 18" (457,2 mm).
- Pour réduire les dégagements de fumée aux combustibles, contactez votre service de sécurité local.



Il est très important de localiser le poêle à bois le plus près possible de la cheminée, et dans un endroit qui favorisera la distribution de chaleur la plus efficace possible dans toute la maison. Le poêle doit donc être installé dans la pièce où le plus de temps est passé, et dans la salle la plus vaste possible. Rappelons que la chaleur des poêles à bois par rayonnement, la chaleur que nous ressentons lorsque nous sommes près d'un poêle à bois. Un poêle à bois fonctionne aussi par convection, qui est par le déplacement de l'air chaud vers le haut et son remplacement avec refroidisseur d'air. Si nécessaire, la distribution d'air chaud du poêle peut être facilitée par l'installation d'un ventilateur.

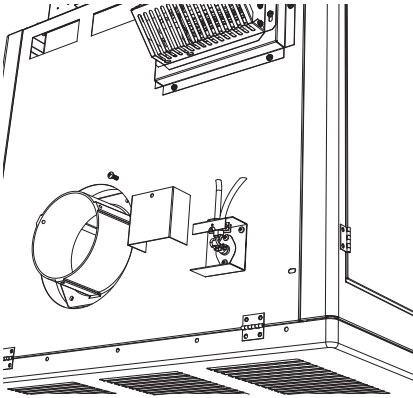
Le poêle à bois ne doit pas être relié à un système de distribution d'air chaud depuis une accumulation excessive de chaleur peut se produire.

Un poêle à bois ne doit jamais être installé dans un couloir ou près d'un escalier, car il peut bloquer le passage en cas d'incendie ou de ne pas respecter les dégagements requis.

POSITIONNEMENT DU POELE

- AVIS DE SÉCURITÉ
- SI VOTRE POÊLE EST MAL INSTALLÉ, UN INCENDIE PEUT PROVOQUER. POUR RÉDUIRE LE RISQUE D'INCENDIE, SUIVRE LES INSTRUCTIONS D'INSTALLATION.
 - CONSULTER VOTRE SERVICE MUNICIPAL IMMEUBLE OU D'INCENDIE À PROPOS DE PERMIS, RESTRICTIONS ET INSTALLATIONS EXIGENCES DANS VOTRE RÉGION.
 - UTILISATION DETECTEUR DE FUMÉE DANS LA PIÈCE OÙ EST INSTALLÉ VOTRE POÊLE.
 - GARDER VÊTEMENTS ET LES MEUBLES LOIN DU POÊLE.
 - NE JAMAIS UTILISER D'ESSENCE, ESSENCE-TYPE LANTERNE, KÉROSÈNE, ALLUME FLUIDE, OU LIQUIDES SIMILAIRES POUR COMMENCER OU "rafraîchir" UN FEU DANS CET APPAREIL. GARDEZ TOUS CES LIQUIDES LOIN DU CHAUFFAGE PENDANT QU'IL EST UTILISÉ.
 - EN CAS D'UN FEU DE CHEMINÉE, APPUYER SUR LE CONTRÔLE D'AIR EN POSITION FERMÉE POUR PRIVÉ LE FEU D'OXYGÈNE. APPELEZ LES POMPIERS.
 - NE PAS CONNECTER À UN CONDUIT DE DISTRIBUTION D'AIR OU SYSTÈME.
 - UNE SOURCE D'AIR FRAIS DANS LA PIÈCE OU L'ESPACE CHAUFFÉ EST FOURNI LORSQUE REQUIS.

Installation



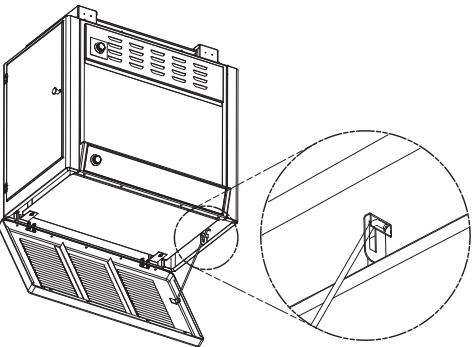
Souhaitez votre souffleur serait allumer et éteindre le chauffe devient chaud et le froid? Il peut avec ce kit optionnel de Stove États-Unis. Il se connecte en ligne avec votre cordon d'alimentation et monte à l'arrière de l'appareil. Lorsque le disque de pression atteint 120 degrés, le ventilateur se met automatiquement en marche et se met hors tension si elle atteint 90 degrés. Consultez votre concessionnaire pour les détails ou appeler directement Poêle États-Unis.

THERMODISQUE KIT POUR B36 SOUFFLEUR - EN OPTION

CHAUDI
PRUDENCE! NE PAS OUVRIR OU FERMER LE TOP LORSQUE LE CHAUFFE EST

Pour ouvrir, saisissez le haut à l'avant ou à chaque coin et soulever tout le chemin jusqu'à la tige de support arrête le mouvement. Abaissez ensuite doucement le haut permettant à la tige de support pour se déposer dans la tasse, en tenant la partie supérieure ouverte.

Pour fermer, soulevez le haut jusqu'à ce que la tige de support est hors de la coupe. Tirez sur la tige avant et abaissez le couvercle fermé.



COMMENT OUVRIR LE COUVERCLE SUPÉRIEUR

Instructions De Montage

ASSEMBLÉE BLOWER-OPTIONNEL

INSTALLATION

1. Retirez le panneau (A) en utilisant des cisailles ou frapper à l'aide d'un marteau et un burin attention à ne pas déformer la surface de montage.
2. Fixer le boîtier de montage du ventilateur (B) à l'arrière de l'appareil à l'aide de quatre (4) des N° 10 vis fournies.
3. Montez ensuite l'Assemblée Blower avec les quatre vis (4) restantes.

OPERATION

1. En tournant le bouton du rhéostat dans le sens horaire se mettra en marche le ventilateur.
2. Lorsqu'elle est activée, le ventilateur est en haut, alors que le bouton est tourné dans le sens horaire, la vitesse du ventilateur réduit.
3. Tourner le bouton dans le sens antihoraire pour éteindre.
4. Prudence! Route du cordon d'alimentation de la source de chaleur et hors des zones à fort trafic.

CABINET PORTE ENSEMBLE BOUTON

La poignée de la porte de l'armoire est montée à l'intérieur de la porte de l'armoire pour faciliter la navigation et doit être retiré et réinstallé pour une utilisation appropriée.

Pour obtenir la porte de l'armoire ouverte, placez votre main sous le châssis de l'armoire (côté droit de la porte de l'armoire) et pousser la porte dehors.

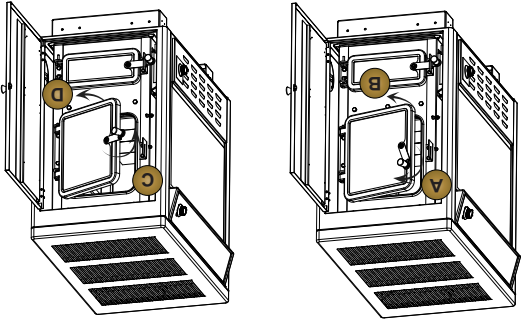
SUIVRE CES INSTRUCTIONS POUR LE MONTAGE PORTE BOUTON:

1. Retirez la vis de la machine et la poignée de porte.
2. Placez le bouton sur l'extérieur de la porte de l'armoire, réinstallez la vis de la machine et serrez en faisant attention de ne pas dépouiller les fils dans la poignée en plastique.

INSTRUCTIONS POUR LATCH OPERATION

Suivez ces instructions pour fonctionner en toute sécurité vous unité lors de l'utilisation de la porte d'alimentation.

1. Tourner la poignée dans le sens horaire à la position 12 heures (A), tirez la porte ouverte jusqu'à ce que vous vous engagez la deuxième étape (B).
2. Maintenir la porte dans cette position pendant 10 secondes environ.
3. Ensuite, pour ouvrir la porte, tourner la poignée dans le sens antihoraire à la position 9 heures (C), puis continuer à tirer la porte ouverte. (RE)
4. Pour fermer et verrouiller la porte, inverser les étapes 1 à 4.



NOTE: Ce nouveau mécanisme de verrouillage répond aux codes et fournit plus de sécurité pour l'utilisateur de ce poêle.

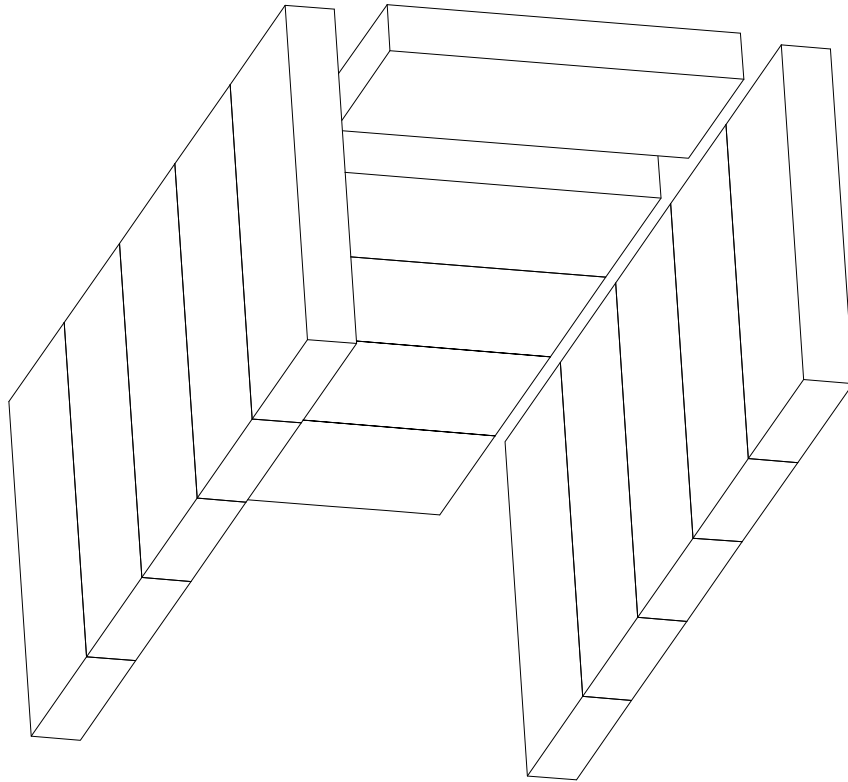
REMARQUE: Au cours de l'ouverture et la fermeture des portes d'alimentation et de cendres de cet appareil, il peut sembler que l'ajustement de la porte est "trop serré". Comme l'appareil de chauffage est tiré, les joints d'étanchéité "installés" ou "sièges" lui-même dans la porte. L'ajustement serré à l'usine et avant le tir initial de l'appareil de chauffage est d'assurer une bonne étanchéité après la gasketing "installé".

OUTILS

- Crayon
- Mesure de la règle de bande ou 6 pieds
- Cisailles
- Perçer et 1/8" dia. bit
- Des gants
- Tournevis (type de lame)
- 5/16" Nut Driver ou 5/16" Socket w / Ratchet

Matériaux

- Cheminée Connection- 6" pipe Diamètre noir en acier (minimum de calibre 24) et le coude (s) soit ajustable l ou ondulé nécessaire
- Vis de 1/2" de tôle
- 6" Diamètre intérieur Underwriters Laboratories (UL) énumérés type résidentiel et appareil de chauffage de cheminée, de type " HT ", ou 6" cheminée de maçonnerie existante avec fumée liner.
- Protecteur de plancher Matériel: 3' x 4'-6" (comme indiqué à la page 4.)
- Ciment Furnace (fabriquant recommandé: Code Rutland 78 ou équivalent)
- Evitez les coudes réglables, ils fuient!



**Configuration
brique**

FÉLICITATIONS À VOUS!

Vous avez acheté un appareil de chauffage du plus ancien fabricant nord-américain de produits de chauffage au bois. Par chauffage au bois vous aidez à économiser l'énergie! Le bois est notre seule ressource renouvelable de l'énergie. S'il vous plaît faire votre part pour préserver notre approvisionnement en bois. Plante au moins un arbre chaque année. Les générations futures vous en seront reconnaissants. Les instructions concernant l'installation de votre poêle à bois se conforment à la norme UL-1482-11 (R2015), et les normes UL-C-627-00. Ce manuel décrit l'installation et le fonctionnement du chauffage au bois, Ashley, AW100E, BEC95E. Ce chauffage respecte les limites d'émission 2015 de bois en cuisson de la U.S. Environmental Protection Agency pour les chauffages au bois solide après le 15 mai 2015. Sous les conditions spécifiques du test, ce chauffage a démontré un taux de chauffage de 11,817 à 31,713 Btu/h.

Remarque : Les classifications BTU mentionnées ci-haut sont basées sur les protocoles de test EPA brûlant du bois de construction de dimensions courantes de sapin Douglas. Nos BTU publiés sont basés sur la première heure de fonctionnement à un taux élevé de combustion brûlant du bois de corde

Combustible:	Bois
Couleurs:	noir métallisé
Flue Diamètre du tuyau:	6" (152.5mm)
Flue Type de tuyau: (Simple Standard mur ou double mur):	Noir ou acier bleu 2100 ° F (650 ° C)
Hauteur minimum:	12' (3.7m)
Longueur maximale du journal:	21" (533.5mm)
Dimensions	
Dans l'ensemble: Profondeur x Largeur x Hauteur:	21,5" x 32" x 33,5" (547mm x 813mm x 864mm)
Chambre de combustion: Largeur x Profondeur:	11-3 / 8" x 24-3 / 4" (289mm x 629 mm)
Volume: Cubic Feet:	1.86 pi³ (.0527m³)
Ouverture de la porte: Largeur x Hauteur:	10" x 11-3 / 8" (854mm x 289mm)

AVERTISSEMENTS:

- Chaud en fonctionnement. Gardez les enfants, les vêtements et les meubles. Le contact peut causer des brûlures cutanées.
- Ne pas utiliser des produits chimiques ou autres liquides pour allumer le feu.
- Ne pas laisser le poêle sans surveillance lorsque la porte est ouverte.
- Ne pas brûler de déchets, liquide inflammables comme l'essence, le naphtha ou l'huile à moteur.
- Ne pas connecter à un conduit de distribution d'air ou système.
- Toujours fermer la porte après la allumage.

Remarque: Enregistrez votre produit en ligne à www.usstove.com, section «Garantie limitée» pour obtenir des informations de garantie spécifique pour votre nouvel achat. Voir. Conservez votre reçu avec vos dossiers pour toute réclamation.

Mode d'emploi et mode d'emploi du propriétaire

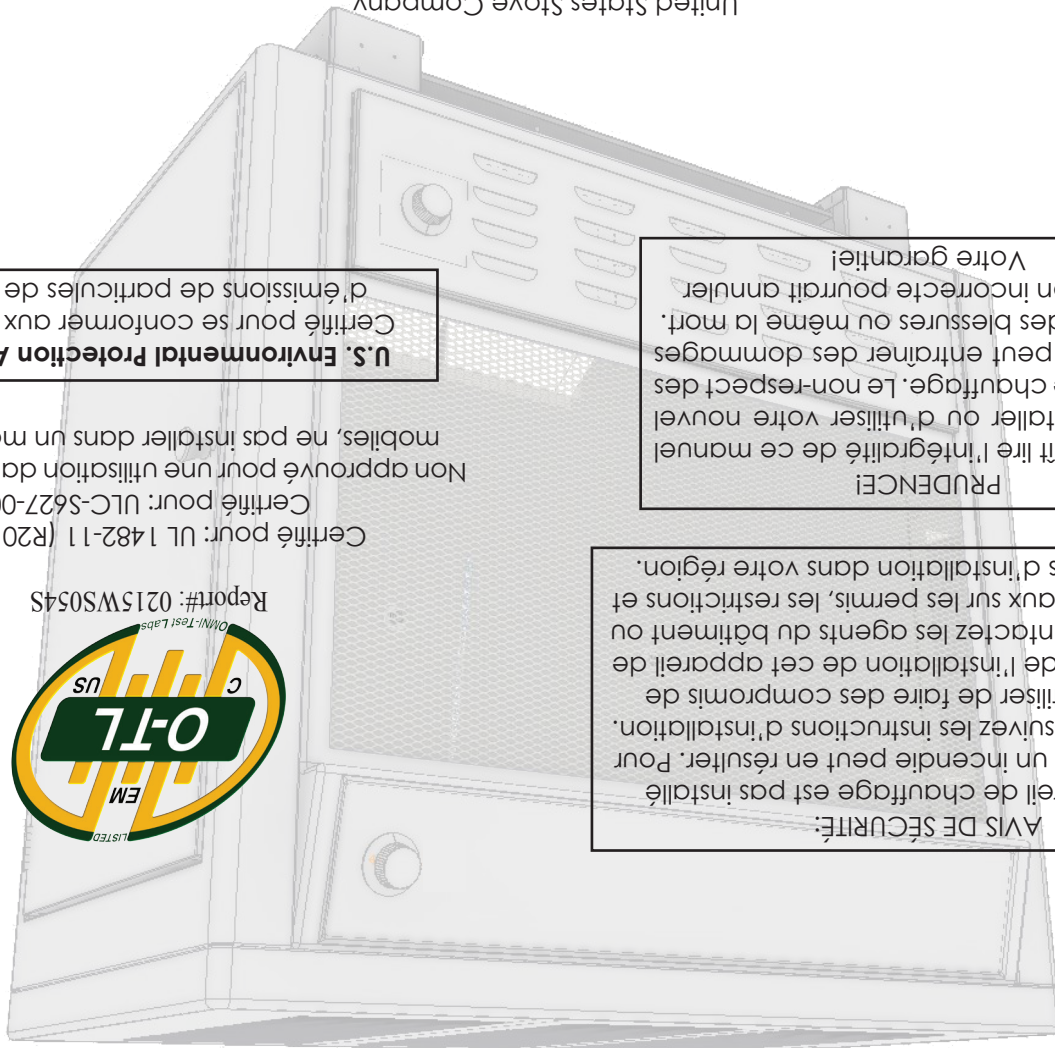


MODÈLE: BEC95E(B)

CONSERVEZ CES INSTRUCTIONS

CE MANUEL VOUS AIDERA À OBTENIR UN SERVICE EFFICACE ET FIABLE À PARTIR DU RADIATEUR ET VOUS PERMETTRA DE COMMANDER CORRECTEMENT LES PIÈCES DE RÉPARATION. GARDEZ DANS UN ENDROIT SÛR

POUR RÉFÉRENCE FUTURE.



AVIS DE SÉCURITÉ:
Si cet appareil de chauffage est pas installé correctement, un incendie peut en résulter. Pour votre sécurité, suivez les instructions d'installation. Ne jamais utiliser de faire des compromis de décalage lors de l'installation de cet appareil de chauffage. Contactez les agents du bâtiment ou d'incendie locaux sur les permis, les restrictions et les exigences d'installation dans votre région.

PRUDENCE!
S'il vous plaît lire l'intégralité de ce manuel avant d'installer ou d'utiliser votre nouvel appareil de chauffage. Le non-respect des instructions peut entraîner des dommages matériels, des blessures ou même la mort. Installation incorrecte pourrait annuler votre garantie!

U.S. Environmental Protection Agency
Certifié pour se conformer aux normes d'émissions de particules de 2015.

Certifié pour: UL 1482-11 (R2015) et
Certifié pour: UL-C-5627-00
Non approuvé pour une utilisation dans les maisons mobiles, ne pas installer dans un mobile home



Report#: 0215WS054S

United States Stove Company
227 Industrial Park Road
P.O. Box 151
South Pittsburg, TN 37380