

Owner's Operation and Instruction Manual



MODEL: 2200IE

Fireplace Insert

Masonry Fireplace Insert or Zero-Clearance (metal) Fireplace Insert

SAFETY TESTED TO UL 1482 and ULC-S628

U.S. Environmental Protection Agency
Certified to comply with 2015 particulate emissions standards.

DO NOT use this appliance in a mobile home, manufactured home, trailer, or tent.

CAUTION!

Please read this entire manual before you install and use your new heater. Failure to follow instructions may result in property damage, bodily injury, or even death.

SAFETY NOTICE:

If this heater is not properly installed, a house fire may result. For your safety, follow the installation instructions. Contact local building or fire officials about restrictions and installation in your area.

SAVE THESE INSTRUCTIONS

THIS MANUAL WILL HELP YOU TO OBTAIN EFFICIENT, DEPENDABLE SERVICE FROM THE HEATER, AND ENABLE YOU TO ORDER REPAIR PARTS CORRECTLY. KEEP IN A SAFE PLACE FOR FUTURE REFERENCE.

French version is available for download from the United States Stove Company website: <http://www.usstove.com/>

La version française est disponible pour téléchargement à partir du site United States Stove Company: <http://www.usstove.com/>

United States Stove Company

227 Industrial Park Road

P.O. Box 151

South Pittsburg, TN 37380, USA

1-800-750-2723



Intertek

852497-4805E

You've purchased a heater from North America's oldest manufacturer of wood burning products. By heating with wood you're helping to CONSERVE ENERGY! Wood is our only Renewable Energy Resource. Please do your part to preserve our wood supply.

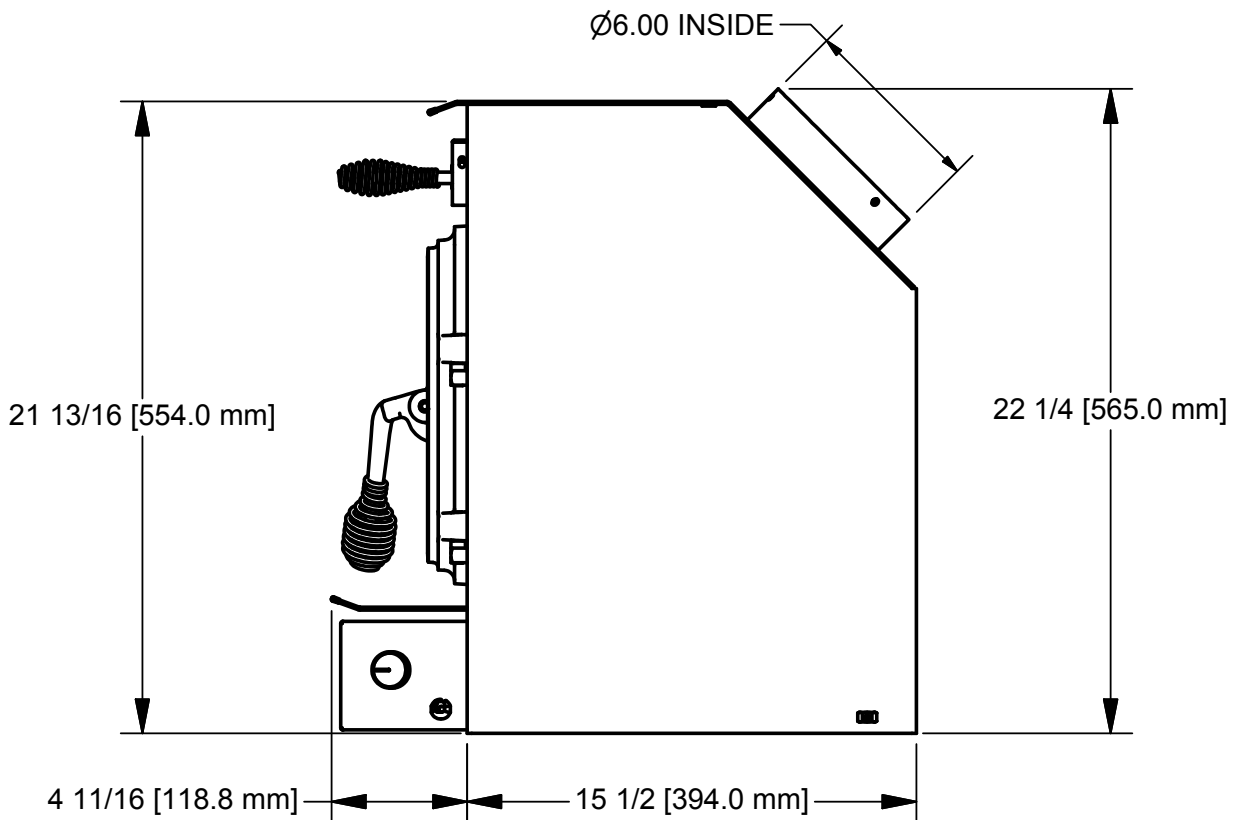
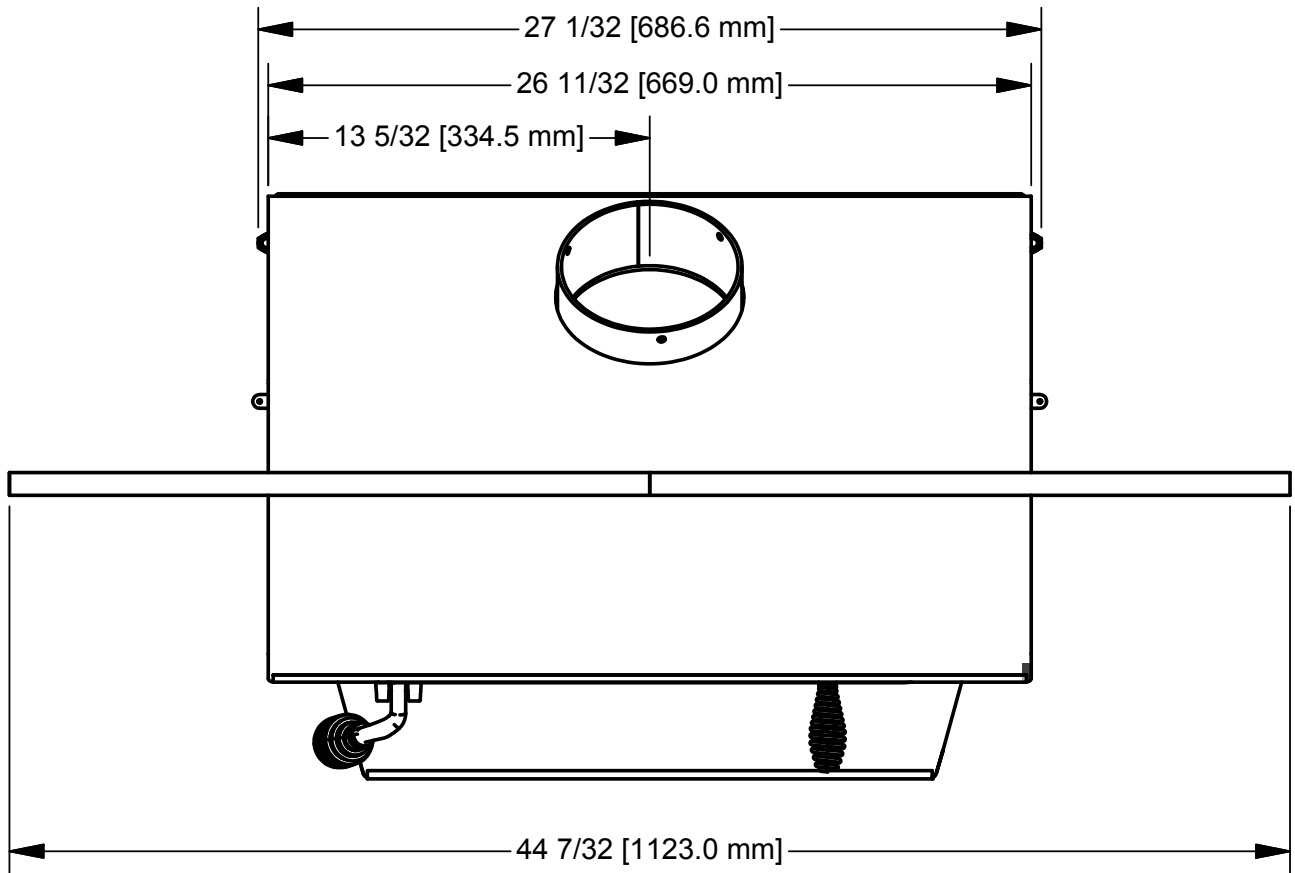
Plant at least one tree each year. Future generations will thank you. The instructions pertaining to the installation of your wood stove comply with UL-1482 and ULC-S628 standards.

This manual describes the installation and operation of the Country Hearth, 2200IE wood heater. This heater meets the 2015 U.S. Environmental Protection Agency's crib wood emission limits for wood heaters sold after May 15, 2015. Under specific test conditions this heater has been shown to deliver heat at rates ranging from 11,335 to 21,170 Btu/hr.

Note: The BTU ratings mentioned above are based on the EPA test protocol burning dimensional Douglas Fir lumber. Our advertised BTU's are based on the first hour of operation at high burn rate burning cordwood.

1. The installation of this appliance must comply with your local building code rulings.
2. **DO NOT INSTALL THIS APPLIANCE IN A MOBILE HOME, MANUFACTURED HOME, TRAILER OR TENT (NO EXCEPTIONS PER HUD FEDERAL STANDARD: 24 CFR CH.XX).**
3. Verify that the appliance is properly installed before firing for the first time. This appliance should be installed by a qualified installer to insure a correct and safe installation. **NEVER use temporary or makeshift compromises during the installation.**
4. If there are any missing or damaged components of the appliance, contact your dealer immediately. **DO NOT OPERATE THIS APPLIANCE WITH MISSING OR DAMAGED PARTS.**
5. **WARNING: RISK OF FIRE.** Observe the minimum clearances to combustibles stated in this manual and on the labels attached to the appliance. **DO NOT store wood, any type of flammable vapors or liquids, place furniture, rugs, carpet, clothing or other combustible objects within the clearance area.**
6. **DO NOT** connect this appliance to any air distribution duct or system.
7. **DO NOT** tamper with the combustion air control of this unit beyond normal adjustment range.
8. Provide adequate combustion air to the room where the appliance is installed. Restricting combustion air will result in a lazy fire which causes soot or creosote buildup and greatly reduces efficiency.
9. Always connect this appliance to a chimney that vents to the outside. Never vent into another room, crawl space, attic, or inside a building. **DO NOT CONNECT THIS UNIT TO A CHIMNEY FLUE SERVING ANOTHER APPLIANCE.**
10. **DO NOT** connect a wood burning appliance to an aluminum Type B gas vent. This is not safe. Use approved masonry or a UL 103 HT (U.S.) Listed Residential Type and Building Heating Appliance Chimney. Use a 6" diameter chimney, that is high enough to create sufficient draft.
11. Be sure your chimney is safely constructed and in good repair. Have the chimney inspected by the fire department or a qualified inspector. Your insurance company should be able to recommend a qualified inspector.
12. Creosote or soot may build up in the chimney liner or chimney and cause a house/building fire. Inspect the chimney and chimney liner twice monthly during the heating season and clean if necessary.
13. In the event of a chimney fire, turn the air controls to the closed position, leave the building and **CALL THE FIRE DEPARTMENT IMMEDIATELY!**
14. To prevent injury, do not allow anyone to use this appliance that is not familiar with its correct operation. Do not operate this appliance while under the influence of alcohol or drugs.
15. **CAUTION: HOT SURFACES. KEEP CHILDREN AWAY. DO NOT TOUCH WHILE IN OPERATION. CONTACT MAY CAUSE SKIN BURNS.**
16. Children should be alerted to the hazards from high surface temperatures. Never leave small children unsupervised when they are in the same room as the appliance during operation. To prevent burns, always wear protective clothing, leather hearth gloves, and eye protection when refueling or fire maintenance. Always be aware of heated surfaces. Heat radiating from the appliance can potentially discolor, melt, or even ignite combustible materials. **KEEP ALL COMBUSTIBLE MATERIALS WELL AWAY FROM THE HEATER!**
17. **WARNING: RISK OF FIRE.** Keep the feed door tightly closed at all times except when tending the fire.
18. **DO NOT** overfire this appliance. Overfiring will occur if the feed door is left open during operation. If any part of the appliance glows, you are overfiring. Adjust air controls to a lower setting to slow down the fire.
19. **DO NOT ELEVATE THE FIRE!** Build the fire directly on the firebrick. This appliance has not been tested with the use of any means to elevate the fire and it should not be attempted.
20. Ashes should not be allowed to accumulate more than two to three inches in the firebox.
21. The paint on your appliance is durable but will not stand rough handling or abuse. The paint used may give off smoke and/or an odor during the first few fires. This will occur until the paint has cured. Animals / people with lung problems should not be present during the curing process. Build small fires at first to help this process and open windows and doors as needed to clear the smoke and odor. If the appliance is overfired, the paint will discolor. When installing your unit, take care in handling. Clean with soap and water when the appliance is not in use. Do not use any acids, abrasive cleaners or scouring soap as these solvents wear and dull the finish.
22. **DO NOT ROUTE THE BLOWER POWER SUPPLY CORD NEAR OR ACROSS HOT SURFACES!**
23. Canada Installations requires that this fireplace must be installed with a continuous chimney liner of 6 inch diameter extending from the fireplace insert to the top of the chimney. The chimney liner must conform to the Class 3 requirements of CAN/ULC-S635, Standard for Lining Systems for Existing Masonry or Factory-Built Chimneys and Vents, or CAN/ULC-S640, Standard for Lining Systems for New Masonry Chimneys.
24. Permanently seal any opening between the masonry of the fireplace and the facing masonry.
25. Fireplace insert surround panels may be removed to inspect fireplace insert and fireplace.
26. U.S. Stove Company requires installing smoke detectors in the same room as the heater if not already installed. Smoke expelled from the unit by either paint curing, opening the fuel loading door, or a negative pressure inside the home could trigger the smoke detectors.
27. For further information on using your heater safely, obtain a copy of the National Fire Protection Association (NFPA) publication "Using Coal and Wood Stoves Safely" NFPA No. HS-10-1978. The address of the NFPA is 1 Battery March Park, Quincy, MA. 02269.

2200IE DIMENSIONS



PRE-INSTALLATION REQUIREMENTS

FIREPLACE CONDITION AND ZERO CLEARANCE REQUIREMENTS

A masonry fireplace must meet minimum code requirements, National Fire Protection Association, (NFPA) 211, or the equivalent for a safe installation. Contact a professional, licensed installer, your local building inspector or the local fire authority for the requirements in your area. Your insurance company should be able to recommend a qualified inspector.

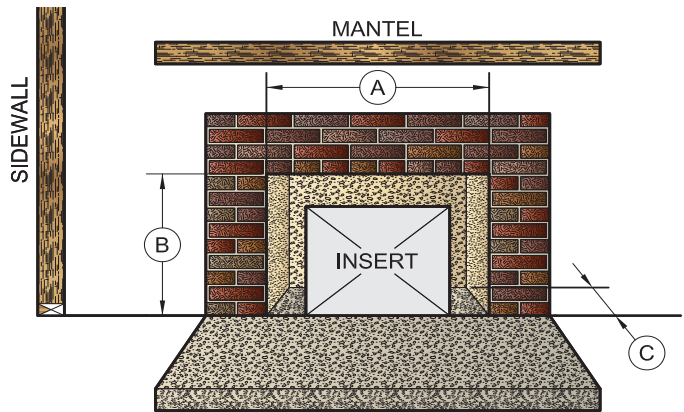
Inspections should include the following:

- 1. Condition of the fireplace and chimney.** A masonry fireplace and chimney **MUST** be inspected prior to installation of this appliance. They must be free from cracks, loose mortar, creosote deposits, blockage or other evidence of deterioration. If found, these items **MUST** be repaired prior to installation. **DO NOT REMOVE BRICKS or MORTAR** from existing fireplace when installing this unit.
- 2. Chimney Size.** Minimum chimney size is 6" (152mm) diameter. Maintain a 15 ft. minimum overall chimney height measured from the top of appliance to the top of the chimney. Chimneys must extend at least 3 ft. above the roof and at least 2 ft. above the highest point within 10 ft. of the chimney top. See the Chimney Connections section of this manual.
- 3. Zero Clearance or Metal Heatform Fireplaces.** These fireplaces and chimneys must meet the minimum code specifications as noted above. Factory built zero clearance fireplaces must be listed and suitable for solid fuel use. Chimneys must be at least 7 inch diameter to accommodate a required, continuous, stainless steel liner from the appliance's flue collar to the top termination of the chimney.

Only detachable parts that can be easily replaced (i.e. damper parts, screens, doors and side, and back refractory panels) are to be removed. These parts must be stored and readily available for replacement if the appliance is ever removed. The removal of any parts that render the fireplace unusable for burning solid fuel requires a permanent label to be affixed by the installer that states the fireplace is unsuitable for burning solid fuel unless the missing parts are replaced and the fireplace is restored to its original, certified condition.
- 4. Chimney Caps.** Mesh type chimney caps and spark arrestors must be able to be removed for regular inspection and cleaning. Otherwise the mesh should be removed to prevent possible plugging. Check your local fire and building codes.
- 5. Chimney Liner.** The chimney must be suitable for burning solid fuel. Install a continuous stainless steel liner from the flue collar of the appliance to the top of the chimney. Liner must be UL Listed to UL1777.

6. Fireplace Opening Dimensions.

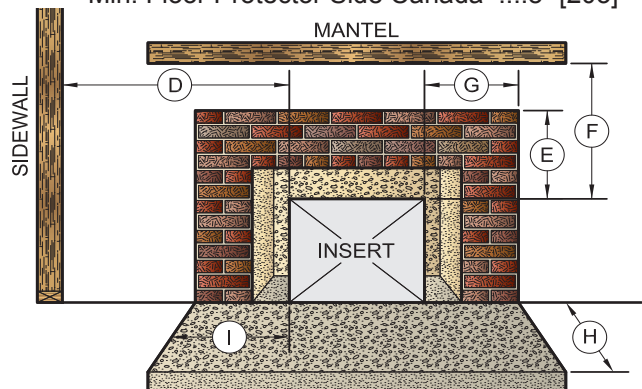
- A. Minimum Width 29" [737mm]
- B. Minimum Height 23" [584mm]
- C. Minimum Depth 14" [356mm]



7. Combustible Material Clearances.

The fireplace and chimney must be inspected to make sure there is adequate clearance to combustible materials. This includes the top, side, front, and back as well as concealed combustibles in the chimney and mantle areas. Your local building inspector or fire authority should have information on whether older fireplace meet current codes and are suitable for use. See also figure 1 and figure 2.

- D. Min. Distance to Sidewall9" [228mm]
- E. Min. Distance to Top Trim 14" [355mm]
- F. Min. Distance to Mantle 19" [482mm]
- G. Min. Distance to Side Trim9" [228mm]
- H. Min. Floor Protector Front 12" [304mm]
- I. Min. Floor Protector Side6" [152mm]
Min. Floor Protector Side Canada8" [203]



8. Makeup Air Requirements.

This appliance requires an adequate supply of makeup air to operate safely and efficiently. In some areas, this is a building code requirement. Inadequate air supply will cause poor combustion, inefficient operation, creosote buildup, back drafting and smoke puffing into the living areas. If any of the following conditions are evident, a make-up air supply **MUST** be installed.

PRE-INSTALLATION REQUIREMENTS

- Existing fuel-fired equipment shows evidence of back puffing, smoke roll-out, inefficient operation, or excessive smell in the living area.
- Opening a window or door alleviates any of the above problems or symptoms.
- The building is constructed with a well-sealed vapor barrier, tight fitting windows, or has powered exhaust fans.
- Excessive condensation on windows in the winter.
- The building has a ventilation system installed.
- If, once installed, the solid-fuel appliance does not draw steadily, burns poorly or inefficiently, back-drafts or experiences back-puffing when adding fuel.

VENTING (DRAFT) REQUIREMENTS

The chimney flue is a critical component to the proper and efficient operation of any heating appliance. Heating appliances do not create draft, draft is provided by the chimney. This appliance requires a draft of 0.05 in. water column (0.1 Pa) at the flue collar.

WARNING: RISK OF FIRE - EXCESSIVE DRAFT CAN CAUSE OVERFIRING AND A POSSIBLE STRUCTURE FIRE. DO NOT OPERATE THIS APPLIANCE WITH THE FLUE DRAFT EXCEEDING 0.06 in. w.c. (0.1 Pa).

To achieve proper draft, your chimney must meet three minimum height requirements; minimum height from top of appliance (15 ft. total height from top of appliance), minimum height above roof penetration (3 ft.), and minimum height (2 ft.) above highest point of roof within a 10 ft. diameter from the chimney.

The chimney must also meet minimum and maximum cross sectional requirements. For that reason a continuous 6" stainless steel liner from the flue collar to the top of the chimney is required. A stainless steel adapter is recommended for fastening the stainless steel liner to the flue collar. The male (or crimped) end of the adapter must be installed inside the flue collar to allow condensation or creosote in the liner to drain back into the firebox. Chimney liners and/or adapters must be permanently fastened using a minimum of three (3) screws at each connection.

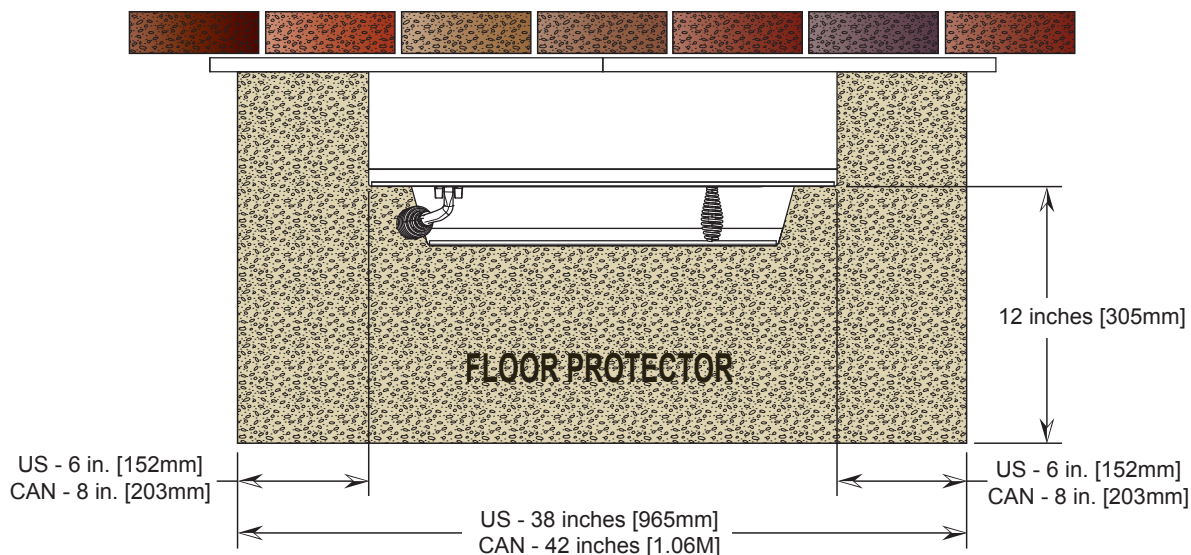
Chimneys outside of the home or on an exterior wall are difficult to keep at operating temperatures and may result in increased creosote buildup, less draft, back drafting problems and poor appliance performance and should be avoided.

FLOOR PROTECTOR

A solid non-combustible floor, concrete or solid masonry, must extend 6" to either side of the body of the appliance and 12" in front of the face of the appliance.

When combustible flooring falls within these minimum dimensions, it must be covered with a listed floor protector meeting the requirements of UL 1618, such as Hy-C or Imperial Model UL 2840BK or equivalent with 0.84 R-factor, 1" thick. (Note: to calculate R-value of alternative materials see *Floor Protector Material Calculations* at the back of this manual.) A grouted ceramic floor tile that meets local building codes and the minimum 0.84 R-factor requirements is considered a durable equivalent.

WARNING: RISK OF FIRE - DO NOT ALLOW COMBUSTIBLE MATERIALS (CARPET, FURNITURE, FUELS) TO BE PLACED ON OR COVER THE FLOOR PROTECTOR. ALL COMBUSTIBLE MATERIALS MUST REMAIN OUTSIDE OF THE MINIMUM CLEARANCE DIMENSIONS.



Minimum Floor Protector Specifications

ASSEMBLY INSTRUCTIONS

TOOLS AND MATERIALS REQUIRED FOR INSTALLATION

TOOLS

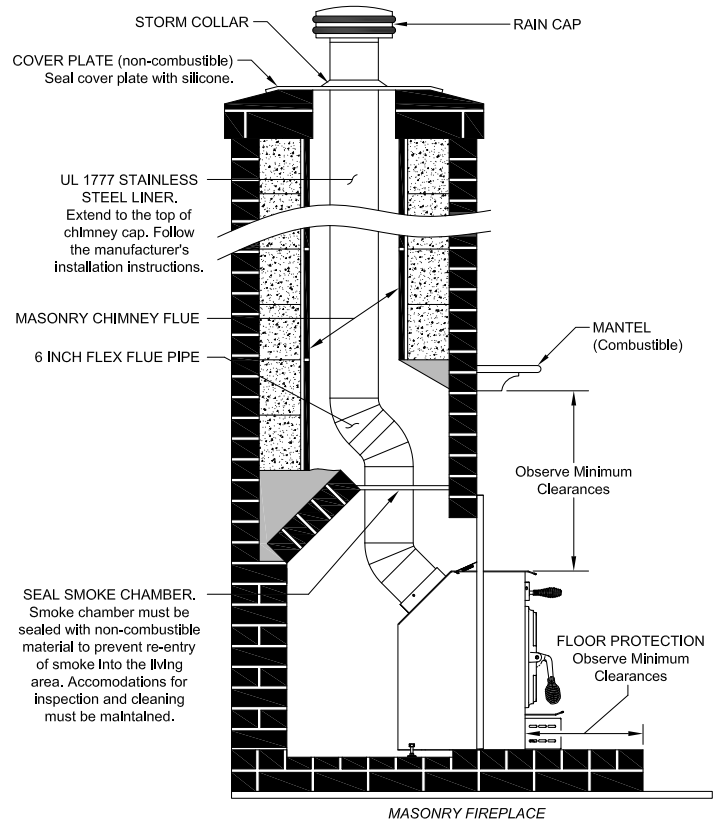
- Pencil
- 6 foot Folding Ruler or Measuring Tape
- Tin Snips
- Drill: Hand or Electric
- 1/8" dia. Drill Bit (for sheet metal screws)
- Screwdrivers (Blade and Phillips type)
- 14mm Nut Driver or Ratchet with 14mm Socket

CAUTION: THIS APPLIANCE IS HEAVY. MAKE SURE THAT YOU HAVE ADEQUATE HELP AND USE PROPER LIFTING TECHNIQUES WHENEVER MOVING THIS APPLIANCE.

1. Clean the fireplace opening properly disposing of any ashes in a closed metal container. See Safety Instructions.
2. Install a 6" (152mm) minimum diameter, continuous stainless steel chimney liner into the existing chimney. The liner must extend to the top of the existing chimney. Use only listed chimney liners that meet UL1777 standards. Follow liner manufacturer installation instructions.
3. Remove or lock the fireplace damper in the open position. Note: Masonry or damper plate may be removed to accommodate the chimney liner provided this does not weaken any structural components of the existing fireplace or chimney nor reduces protection of combustible materials required by national building codes. Consult with your local building or fire authority before doing this.
4. Uncrate the appliance, remove all packing materials, and any items stored in the firebox.
5. **WARNING:** Any fireplace which has had parts removed or modified to accommodate the installation of this appliance **MUST** have a warning plate permanently installed in a visible location stating that the fireplace is unfit for use with solid fuel. Permanently attach the warning plate to a visible location in the fireplace.
6. Position the appliance into the fireplace opening until the top lip of the air jacket is flush with the fireplace facing.
8. Level the appliance with the adjusting screws at the rear of the appliance.

MATERIALS

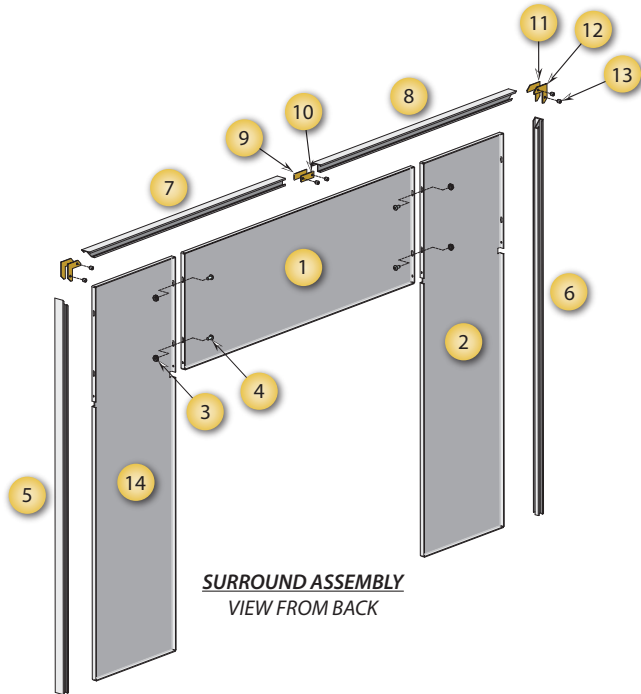
- (NOTE: The following items are NOT included with your stove.)
- Flooring Protection: as specified herein.
- Chimney Liner: Continuous stainless steel chimney liner (as required)
- Stainless Steel Adapter (connects the liner to the flue collar)
- 1/2" Sheet Metal Screws
- Furnace Cement (manufacturer recommends Rutland Code 78 or equivalent)



9. Connect the chimney liner to the appliance using a stainless steel adapter and securing with a minimum of three (3) sheet metal screws. The liner **MUST** be attached with the male (or crimped) end of the adapter inside the flue collar of the appliance to allow condensation and/or creosote to drain back into the firebox.
10. Assemble the Surround. Lay pieces face down on carpet or other soft surface to protect finish during assembly. The Surround consists of two side panels, a top panel, and a decorative trim frame.

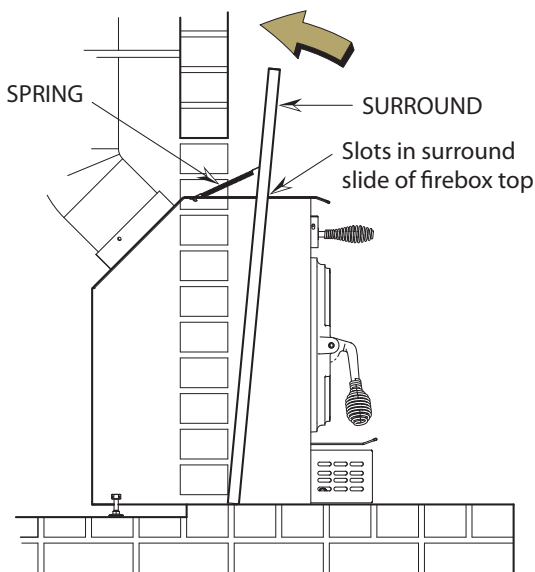
ASSEMBLY INSTRUCTIONS

11. Bolt the top panel (1) to the side panels (2 and 14) so the top surfaces are flush to one another using items 3 and 4.
12. Assemble the trim frame. The trim consists of a left (6) and right (5) side piece and a split top piece (left #8, right #7). These are joined by corner connectors (11-13) and two straight center connectors (9-10). These slide into the channel on the back of the frame and are secured with two set screws (13) in each piece.



13. The trim slides over the surround assembly and is secured at the base of each side with a machine screw.
14. The Surround Assembly is then slid over the appliance. Slots in the two side panels accommodate the hood at the top of the appliance (figure 6).

Figure 6. Surround Installation

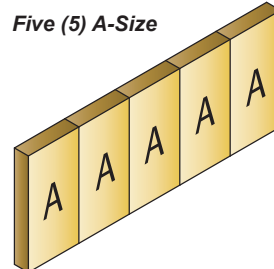


15. The surround assembly is held in place with two springs at the top of either corner of the appliance (figure 6).
16. Connect power cord of blower to grounded receptacle.
17. Firebrick extends the life of your stove and radiates heat more evenly. If firebricks were removed to position appliance, replace them before firing appliance. See figure 7 for proper orientation and positioning. Install the back row first, then sides and finally install bottom firebricks.

CAUTION: RISK OF FIRE!

- REPLACE FIREBRICKS BEFORE FIRING WOOD-STOVE. POSITION FIREBRICKS SO NO GAPS REMAIN BETWEEN BRICKS.
- NEVER OPERATE THIS APPLIANCE WITH MISSING OR CRACKED FIREBRICK.
- KEEP FURNISHINGS AND OTHER COMBUSTIBLE MATERIALS AWAY FROM THE STOVE AND OUTSIDE MINIMUM CLEARANCES.

Figure 7a - Back Firebrick Arrangement



Firebrick Dimensions: (inches)	
A	4.50" x 9.00"
B	3.33" x 9.00"
C	3.38" x 9.00"
D	2.25" x 9.00"
E	1.25" x 2.25"
Note: All Firebrick is 1.25" Thick	

Figure 7b - Side Firebrick Arrangement

Six (6) B-Size

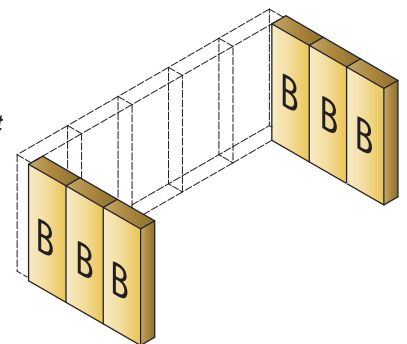
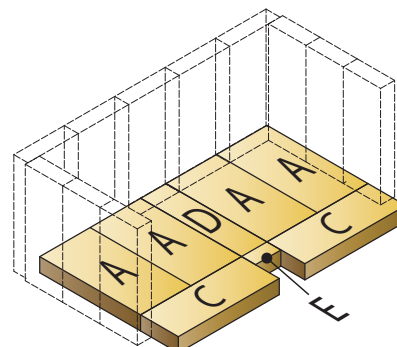


Figure 7c - Bottom Firebrick Arrangement

Four (4) A-Size
Two (2) C-Size
One (1) D-Size
One (1) E-Size



CHIMNEY SPECIFICATIONS

This appliance must be connected to a listed Stainless Steel Liner, that meets UL1777, which extends from the collar to the chimney cap according to the specifications listed on the previous pages. Take into account the chimney's location to insure it is not too close to neighbors or in a valley which may cause unhealthy or nuisance conditions.

Chimneys perform two functions:

1. As a means of exhausting smoke and flue gases which are the result of fuel combustion.
2. The chimney provides "draft," which allows oxygen to be continuously introduced into the appliance, so that proper combustion is possible. This stove relies on natural draft to operate.

NOTICE: Always provide a source of fresh air into the room where the stove is located. Failure to do so may result in air starvation of other fuel burning appliances and the possible development of hazardous conditions, fire, or death.

Your appliance itself does not create draft. Draft is provided by the chimney. To achieve proper draft your chimney must meet the three minimum height requirements detailed in figure 8. A minimum draft of 0.05 w.c. (measured in water column) is required for proper drafting to prevent back puffing, smoke spillage, and to maximize performance. (Gauges to measure draft are readily available at stove stores and are economical to rent or purchase.)

Factors such as wind, barometric pressure, trees, terrain and chimney temperature can have an adverse effect on the draft. The manufacturer cannot be held responsible for external factors leading to less than optimal drafting.

Should you have a problem with inadequate draft, you should contact a licensed heating and cooling contractor for assistance in solving the problem.

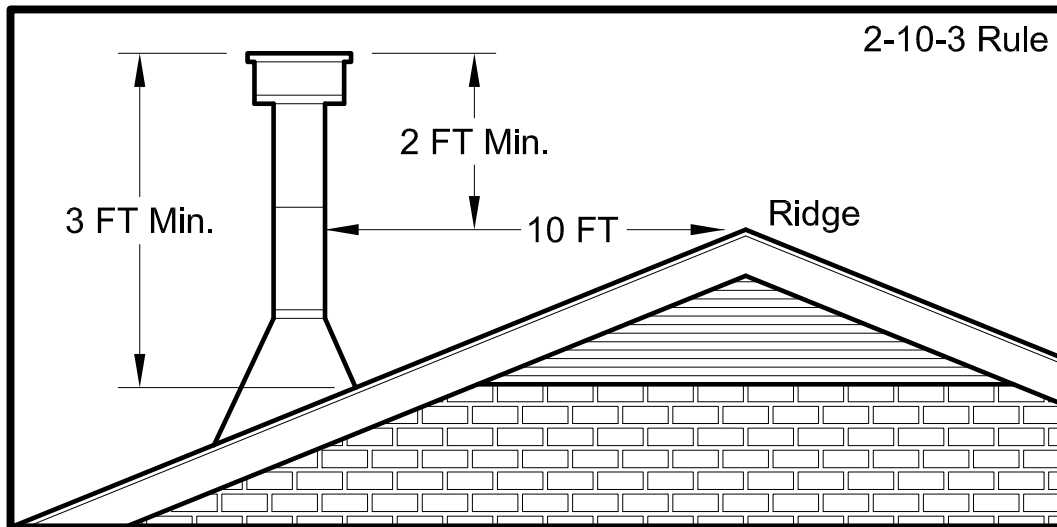
IMPORTANT INSTALLATION POINTS

1. Size chimney flue to appliance collar. This stove requires a minimum 6" diameter flue.
2. Never connect this unit to a chimney serving another appliance.
3. The chimney must meet all minimum height requirements.
4. Never use a chimney to ventilate a cellar or basement.
5. Contact your local building authority for approved methods of installation and any necessary permits and/or inspections.

MASONRY CHIMNEY

Before using an existing masonry chimney, clean the chimney, inspect the flue liner, and make any repairs needed to be sure it is safe to use. As mentioned previously, this appliance requires a continuous stainless steel liner from the appliance collar to the chimney cap. Make repairs before attaching the stove. The connector stove pipe and fittings you will need to connect directly to a masonry chimney are detailed in the installation instructions. If the fireplace chimney must go through a combustible wall before entering the main chimney, consult a qualified mason or chimney dealer regarding proper materials that meet all local building and fire authority codes. The installation must conform to local building and fire codes and latest edition of NFPA 211.

If there is a cleanout opening in the base of the chimney, close it tightly.



IMPORTANCE OF PROPER DRAFT

"Draft is the force which moves air from the appliance up through the chimney. The amount of draft in your chimney depends on the length of the chimney, local geography, nearby obstructions and other factors. Too much draft may cause excessive temperatures in the appliance. Inadequate draft may cause backpuffing into the room and 'plugging' of the chimney.

"Inadequate draft will cause the appliance to leak smoke into the room through appliance and chimney connector joints."

"An uncontrollable burn or excessive temperature indicates excessive draft."

FUEL RECOMMENDATIONS

WOODSTOVE UTILIZATION

This heater is designed to burn natural wood only. Higher efficiencies and lower emissions generally result when burning air dried seasoned hardwoods, as compared to softwoods or to green or freshly cut hardwoods.

DO NOT BURN:

1. Garbage;
2. Lawn clippings or yard waste;
3. Materials containing rubber, including tires;
4. Materials containing plastic;
5. Waste petroleum products, paints or paint thinners, or asphalt products;
6. Materials containing asbestos;
7. Construction or demolition debris;
8. Railroad ties or pressure-treated wood;
9. Manure or animal remains;
10. Salt water driftwood or other previously salt water saturated materials;
11. Unseasoned wood; or
12. Paper products, cardboard, plywood, or particleboard. The prohibition against burning these materials does not prohibit the use of fire starters made from paper, cardboard, saw dust, wax and similar substances for the purpose of starting a fire in an affected wood heater.

Burning these materials may result in release of toxic fumes or render the heater ineffective and cause smoke.

Dead wood lying on the forest floor should be considered wet, and requires full seasoning time. Standing dead wood can usually be considered to be about 2/3 seasoned. Splitting and stacking wood before it is stored accelerates drying time. Storing wood on an elevated surface from the ground and under a cover or covered area from rain or snow also accelerates drying time. A good indicator if wood is ready to burn is to check the piece ends. If there are cracks radiating in all directions from the center then the wood should be dry enough to burn. If your wood sizzles in the fire, even though the surface is dry, it may not be fully cured, and should be seasoned longer.

Waste and other flammable materials should not be burned in your stove. Any type of wood may be used in your stove, but specific varieties have better energy yields than others. Please consult the following table in order to make the best possible choice.

TYPE	WEIGHT (LBS. CU. FT., DRY)	PER CORD	EFFICIENCY RANKING	SPLITS	MILLIONS BTU's/CORD
Hickory	63	4500	1.0	Well	31.5
White Oak	48	4100	.9	Fair	28.6
Red Oak	46	3900	.8	Fair	27.4
Beech	45	3800	.7	Hard	26.8
Sugar Maple	44	3700	.6	Fair	26.2
Black Oak	43	3700	.6	Fair	25.6
Ash	42	3600	.5	Well	25.0
Yellow Birch	40	3400	.4	Hard	23.8
Red Maple	38	3200	.3	Fair	22.6
Paper Birch	37	3100	.3	Easy	22.1
Elm/Sycamore	34	2900	.2	Very Difficult	20.1
Red Spruce	29	1800	.1	Easy	16.1

It is **EXTREMELY IMPORTANT** that you use **DRY WOOD** only in your wood stove. The wood should have dried for 9 to 15 months, such that the humidity content (in weight) is reduced below 20% of the weight of the log. It is very important to keep in mind that even if the wood has been cut for one, two, or even more years, it is not necessarily dry, if it has been stored in poor conditions. Under extreme conditions it may rot instead of drying. This point cannot be over stressed; the vast majority of the problems related to the operation of a wood stove is caused by the fact that the wood used was too damp or had dried in poor conditions. These problems can be:

- ignition problems
- low energy yield
- incomplete log combustion
- creosote build-up causing chimney fires
- blackened windows

Smaller pieces of wood will dry faster. All logs exceeding 6" in diameter should be split. The wood should not be stored directly on the ground. Air should circulate through the cord. A 24" to 48" air space should be left between each row of logs, which should be placed in the sunniest location possible. The upper layer of wood should be protected from the element but not the sides.

OPERATING INSTRUCTIONS

CAUTIONS: HOUSE FIRE HAZARDS

- DO NOT STORE WOOD ON FLOOR PROTECTOR, UNDERNEATH STOVEPIPE(S) IF APPLICABLE, OR ANYWHERE WITHIN CLEARANCES TO COMBUSTIBLE SURFACES SPECIFIED FOR THIS APPLIANCE.
- NEVER OPERATE WITH SECONDARY TUBES, FIBER BOARD, OR INSULATION REMOVED.

OPERATING SAFETY PRECAUTIONS

- NEVER OVERFIRE THIS APPLIANCE BY BUILDING EXCESSIVELY HOT FIRES AS A HOUSE/BUILDING FIRE MAY RESULT. YOU ARE OVERFIRING THE APPLIANCE IF IT BEGINS TO GLOW OR TURN RED.
- NEVER BUILD EXCESSIVELY LARGE FIRES IN THIS TYPE OF APPLIANCE AS DAMAGE TO THE FIREBOX OR SMOKE LEAKAGE MAY RESULT.
- DO NOT BUILD FIRE TOO CLOSE TO GLASS.
- HOT WHILE IN OPERATION. KEEP CHILDREN, CLOTHING, AND FURNITURE AWAY. CONTACT MAY CAUSE SKIN BURNS. DO NOT TOUCH THE APPLIANCE UNTIL IT HAS COOLED.
- PROVIDE ADEQUATE AIR FOR COMBUSTION TO THE ROOM WHERE THE APPLIANCE IS INSTALLED.
- INSPECT CHIMNEY LINER EVERY 60 DAYS. REPLACE LINER IMMEDIATELY IF IT IS RUSTING OR LEAKING SMOKE INTO THE ROOM.
- ATTEMPTS TO ACHIEVE HEAT OUTPUT RATES THAT EXCEED HEATER DESIGN SPECIFICATIONS CAN RESULT IN PERMANENT DAMAGE TO THE HEATER.

WARNING: EXPLOSION HAZARD

- NEVER USE CHEMICALS, GASOLINE, GASOLINE-TYPE LANTERN FUEL, KEROSENE, CHARCOAL LIGHTER FLUID, OR SIMILAR FLAMMABLE LIQUIDS TO START OR "FRESHEN UP" A FIRE IN THE APPLIANCE.
- KEEP ALL FLAMMABLE LIQUIDS, ESPECIALLY GASOLINE, OUT OF THE VICINITY OF THE APPLIANCE - WHETHER IN USE OR IN STORAGE.

TESTING YOUR WOOD

When the stove is thoroughly warmed, place one piece of split wood (about five inches in diameter) parallel to the door on the bed of red embers.

Keep the air control full open and close the door. If ignition of the piece is accomplished within 90 seconds from the time it was placed in the stove, your wood is correctly dried. If ignition takes longer, your wood is damp.

If your wood hisses and water or vapor escapes at the ends of the piece, your wood is soaked or freshly cut (green). Do not use this wood in your stove. Large amounts of creosote could be deposited in your chimney, creating potential conditions for a chimney fire.

This appliance is designed to burn WOOD FUEL ONLY!

NOTICE: USE SOLID WOOD FUEL ONLY! DO NOT BURN GARBAGE, OR FLAMMABLE FLUIDS. DO NOT USE COAL. THIS APPLIANCE IS NOT DESIGNED TO ACCOMMODATE THE AIR FLOW (DRAFT) REQUIRED TO PROPERLY BURN COAL OR COAL PRODUCTS. DO NOT ELEVATE THE FIRE USING GRATES OR IRONS. BUILD THE FIRE DIRECTLY ON THE FIREBRICK.

Hardwood, 17" to 19", should be split and air dried (seasoned) for 6 months to obtain maximum burning efficiency. Wood should be stored in a dry, well ventilated area.

Burning fuels other than intended, chemicals, or waste in this appliance could result in damages to the heater or result in bodily injury. It will also void any warranty on the appliance.

OPTIMAL FUEL CONSUMPTION

This appliance is designed to get the most efficient transfer of heat energy from the wood fuel and radiate it into your living environment. The fire box introduces combustion air through three sources; (1) Immediately beneath the door opening below the window is a Lower Primary Air Orifice (LPAO), (2) The door air inlet control brings air into the firebox and controls the rate of burn (and the amount of heat the appliance radiates), (3) The secondary air tubes at the top of the firebox are designed to ignite the combustion gases (smoke) given off by the burning wood and increases the efficiency of the appliance and reduces chimney emissions.

Smoke given off by burning fuel consists of very small organic liquid droplets. If these droplets condense, they form a sticky tar-like substance called creosote. When operated properly, this appliance is designed to burn these droplets. Burning these droplets releases heat that would otherwise be lost up the chimney as smoke. Following the instructions below will help you operate your appliance properly to maximize the appliance's performance. Actual performance is dependent on chimney height, weather, log size, wood species, and moisture content. Some experimentation will initially be required to find that spot where your appliance performs best. The following will give you a starting point to find your optimum settings.

When first loading fuel, set the door air inlet control at the wide open position for at least 15–20 minutes. When the appliance is working properly, you should be able to observe secondary combustion flames above the fuel pieces in front of the secondary air tubes at the top of the firebox. These secondary flames should continue to burn after the primary air inlet

OPERATING INSTRUCTIONS

is reset from wide open to the desired operating setting. If the flames do not continue to burn, open the air control to re-establish the secondary flames then slowly reset the air control to the desired setting. Initially it may take several attempts to figure your appliance out. But once you find the efficient operating spot and the correct mix of procedures to get there, only minor adjustments will be necessary.

The best indicator of a properly operating appliance is to look for smoke coming out of the chimney. You may see steam emissions that will quickly dissipate. Smoke will thin but continue to drift without totally disappearing. If you do detect smoke emissions, open the air control a little bit, let the appliance adjust for 10–15 minutes and re-check your chimney. Remember – visible smoke represents lost heat.

TAMPER WARNING

This wood heater has a manufacturer-set minimum low burn rate that must not be altered. It is against federal regulations to alter this setting or otherwise operate this wood heater in a manner inconsistent with operating instructions in this manual.

EFFICIENCY

Efficiencies can be based on either the lower heating value (LHV) or the higher heating value (HHV) of the fuel. The lower heating value is when water leaves the combustion process as a vapor, in the case of woodstoves the moisture in the wood being burned leaves the stove as a vapor. The higher heating value is when water leaves the combustion process completely condensed. In the case of woodstoves this would assume the exhaust gases are room temperature when leaving the system, and therefore calculations using this heating value consider the heat going up the chimney as lost energy. Therefore, efficiency calculated using the lower heating value of wood will be higher than efficiency calculated using the higher heating value. In the United States all woodstove efficiencies should be calculated using the higher heating value.

The best way to achieve optimum efficiencies is to learn the burn characteristic of your appliance and burn well-seasoned wood. Higher burn rates are not always the best heating burn rates; after a good fire is established a lower burn rate may be a better option for efficient heating. A lower burn rate slows the flow of usable heat out of the home through the chimney, and it also consumes less wood.

NOTICE - INITIAL BURNS TO CURE PAINT

BECAUSE OF THE HIGH OPERATING TEMPERATURES, THIS APPLIANCE IS COATED WITH A SPECIAL HIGH TEMP PAINT WHICH REQUIRES A SERIES OF LOW TO MEDIUM BURNS TO FULLY CURE FOR DURABILITY AND A LIFETIME OF SERVICE.

Proper curing of the high-temp paint requires a series of three initial burns. The appliance should be allowed to cool off between each burn. The first two burns should be small fires and low temperatures (250 degrees F) for a duration of 20 minutes

each. The third fire should be at a temperature of approximately 500 F for 20 minutes. Provide adequate cross ventilation to clear any smoke or odor caused by initial firings.

STARTING A FIRE

DO NOT LEAVE APPLIANCE UNATTENDED WITH DOOR OPEN! The top down method of fire building is recommended

CAUTION:

DO NOT OVERFIRE APPLIANCE. YOU ARE OVERFIRING IF ANY PART OF THE APPLIANCE GLOWS RED. CLOSE THE DOOR AND SHUT DAMPER IMMEDIATELY TO REDUCE THE AIR SUPPLY AND SLOW DOWN THE FIRE.

for this appliance. After making sure that the stove air intake controls are fully open (completely pull-out towards you), Place the largest pieces of wood on the bottom, laid in parallel and close together. Smaller pieces are placed in a second layer, crossways to the first. A third layer of still smaller pieces is laid crossways to the second, this time with some spaces between. Then a fourth layer of loose, small kindling and twisted newspaper sheets tops off the pile. Add large pieces of wood as the fire progresses being careful not to overload. (Do not fill firebox beyond firebrick area.) An ideal ember bed of 1 – 2” should be established to achieve optimum performance. This unit is designed to function most effectively when air is allowed to circulate to all areas of the firebox. TIP: If ash or embers remain in the appliance, make sure to clear them away from the Lower Primary Air Orifice (LPAO) and rake a slight (1-to-2 inch wide) trough down the center of the embers from front to back prior to loading the fuel. Once fuel has been loaded, close the door and leave the air inlet control fully open until fire is well established (at least 15–20 minutes) being careful not to over fire (if any of the exterior parts of the appliance or chimney connections begin to glow you are over firing the appliance). Re-adjust the door air inlet control to desired burn rate. (If excessive smoke fills the firebox, open air inlet control slightly until flames resume and wood is sufficiently ignited.) The basic rule of thumb is “closed - low,” “half way open - medium” and “fully open - high.”

VISIBLE SMOKE

The amount of visible smoke being produced can be an effective method of determining how efficiently the combustion process is taking place at the given settings. Visible smoke consist of unburned fuel and moisture leaving your stove. Learn to adjust the air settings of your specific unit to produce the smallest amount of visible smoke. Wood that has not been seasoned properly and has a high wood moisture content will produce excess visible smoke and burn poorly.

ADDING FUEL

If the embers are not hot and glowing, rake the embers to the front of the appliance, close the door and adjust the air inlet control to the wide open position. Let the embers re-heat for 10–15 minutes. When hot and glowing, spread them out and

OPERATING INSTRUCTIONS

place your next fuel load into the appliance (make sure no embers or ashes block the LPAO). Leave the door air inlet control in the wide open position for 15–20 minutes.

Fuel load size can vary but should be kept 1–2 inches below the secondary air tubes. Also position the fuel to leave space so the air from the inlet can work down between the pieces of fuel. This reduces the time it takes for new fuel to burn properly.

1. When refueling, adjust air inlet control to the fully open position. When fire brightens, slowly and carefully open the door. This procedure will prevent gases from igniting causing smoke and flame spillage.
2. Add fuel being careful not to overload or overfire the appliance.
3. When adding fuel be careful not to smother the fire. Do not build fires against glass and make sure the embers do not obstruct the air inlet. Do not allow logs to roll and strike the glass.
4. Close the feed door and secure tightly.
5. Adjust the air inlet control as described above.
6. Empty ashes regularly. Do not allow ashes to pile up.
7. Properly dispose of hot ashes.
8. Do not overfire the appliance (overfiring is when any part of the appliance's exterior or chimney connections glow).

OPERATIONAL TIPS

Operational Tips for Good, Efficient, and Clean Combustion

- Get the appliance hot and establish a good coal bed before adjusting to a low burn rate (this may take 30 minutes or more depending on your wood)
- Use smaller pieces of wood during start-up and a high burn rate to increase the stove temperature

- Be considerate of the environment and only burn dry wood
- Burn small, intense fires instead of large, slow burning fires when possible
- Learn your appliance's operating characteristics to obtain optimum performance
- Burning unseasoned wet wood only hurts your stoves efficiency and leads to accelerated creosote buildup in your chimney

BLOWER OPERATION

The variable speed blower circulates air warmed by the fire-box into the living area to distribute the heat more evenly. The blower control knob is located on the side of the blower housing.

Turn the knob clockwise to turn the blower on. The speed is controlled by turning the knob clockwise for slower speeds and counter-clockwise for faster speeds. To turn the blower off, turn the speed control knob fully counter-clockwise. It is recommended to turn the blower off when the unit is not in operation.

AIR TUBES

The air tubes assembled in this unit are designed to provide an accurate mix of secondary air to insure the highest efficiency. Any damage or deterioration of these tubes may reduce the efficiency of combustion. The air tubes are held in position by either screws or snap pins. Locate these to either side of the tube and remove to allow the tube to be removed and replaced.

CHIMNEY MAINTENANCE

CAUTION:

SLOW BURNING FIRES FOR EXTENDED USE OR BURNING GREEN WOOD MAY CAUSE EXCESSIVE CREOSOTE BUILD-UP. IGNITION OF CREOSOTE OR OVERFIRING COULD CAUSE A CHIMNEY FIRE. CHIMNEY FIRES BURN EXTREMELY HOT AND MAY IGNITE SURROUNDING COMBUSTIBLE MATERIALS. IN CASE OF A CHIMNEY FIRE, CALL THE FIRE DEPARTMENT IMMEDIATELY!

CREOSOTE - Formation and Removal

When wood is burned slowly, it produces tar and other organic vapors which combine with expelled moisture to form creosote. The creosote vapors condense in the relatively cool chimney flue of a slow-burning fire and can accumulate on the flue lining. If ignited, this creates an extremely hot fire in the chimney which may ignite surrounding materials resulting in a building fire.

The chimney connector and chimney should be inspected (at least) **twice a month** during the heating season to determine if a creosote buildup has occurred. If it has, it should be removed. Failure to remove creosote may result in ignition and may cause a house/building fire. Creosote may be removed using a chimney brush or other commonly available materials from your local hardware retailer.

Chimney fires burn very hot. If the unit or chimney connector should glow red, reduce the fire by closing the inlet air control and immediately call the fire department.

A fire in the firebox may be smothered by pouring a large quantity of coarse salt, baking soda, or cool ashes on top of the fire.

CAUTION:

A CHIMNEY FIRE MAY CAUSE IGNITION OF WALL STUDS OR RAFTERS WHICH WERE ASSUMED TO BE A SAFE DISTANCE AWAY FROM THE CHIMNEY. IF A CHIMNEY FIRE OCCURS, HAVE YOUR CHIMNEY INSPECTED BY A QUALIFIED EXPERT BEFORE USING AGAIN.

PREVENTING CREOSOTE BUILD-UP

1. Burn with air control open for several minutes at numerous intervals throughout the day during the heating season, being careful not to overfire the unit.
2. Burn appliance with air inlet control wide open for 15–20 minutes every time you apply fresh wood. This allows wood to achieve the charcoal stage faster and burns wood vapors which might otherwise be deposited within the heating system.
3. **BURN ONLY SEASONED WOOD.** Avoid burning wet or green wood. Seasoned wood has been dried for at least one year.

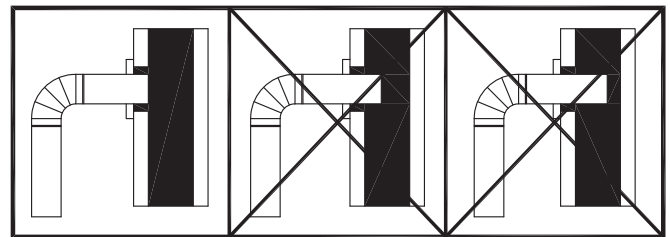
4. A small hot fire is preferable to a large smoldering one that can deposit creosote within the heating system.
5. Establish a routine for the handling of fuel, wood burner and firing technique. Check daily for creosote buildup until experience shows how often you need to clean for safe operation. Be aware that the hotter the fire, the less creosote is deposited, and weekly cleanings may be necessary in mild weather even though monthly cleanings may be enough in colder months.

CHIMNEY DRAFT

NOTE: A DRAFT READING OF 0.05[12.45] to 0.06[14.94] (Water Column[Pascals]) IS REQUIRED FOR PROPER BURNING OF THIS APPLIANCE.

Draft is a function of the chimney, NOT THE APPLIANCE — Do not expect the appliance to draw. Smoke spillage into the house or excess buildup of condensation or creosote in the chimney are warnings that the chimney is NOT functioning properly. Correct the problem before using the appliance. Following are some possible causes for improper draft.

1. The connector pipe may be pushed into the chimney too far, stopping the draft.



2. If the chimney is operating too cool, water will condense in the chimney and run back into the appliance. Creosote formation will be rapid and may block the chimney. Operate the appliance at a fire level high enough to keep the chimney warm preventing this condensation.
3. If the fire burns well but sometimes creates excessive smoke or burns slowly, it may be caused by the chimney top being lower than another part of the house or a nearby tree. The wind blowing over a house or tree falls on top of the chimney like water over a dam, beating down the smoke. The top of the chimney should be at least three (3) feet above the roof and be at least two (2) feet higher than any point of the roof within ten (10) feet.

SERVICE HINTS

ASH REMOVAL AND DISPOSAL

Whenever ashes get 3 to 4 inches deep in your firebox or ash pan, and when the fire has burned down and cooled, remove excess ashes. Leave an ash bed approximately 1 inch deep on the firebox bottom to help maintain a hot charcoal bed.

Ashes should be placed in a metal container with a tight-fitting lid. The closed container of ashes should be placed on a noncombustible floor or on the ground, away from all combustible materials, pending final disposal. The ashes should be retained in the closed container until all cinders have thoroughly cooled.

SMOKE AND CO MONITORS

Burning wood naturally produces smoke and carbon monoxide(CO) emissions. CO is a poisonous gas when exposed to elevated concentrations for extended periods of time. While the modern combustion systems in heaters drastically reduce the amount of CO emitted out the chimney, exposure to the gases in closed or confined areas can be dangerous. Make sure you stove gaskets and chimney joints are in good working order and sealing properly to ensure unintended exposure. It is recommended that you use both smoke and CO monitors in areas having the potential to generate CO.

GLASS CARE

The following usage and safety tips should be observed:

1. Inspect the glass regularly for cracks and breaks. If you detect a crack or break, extinguish the fire immediately and contact the manufacturer for a replacement.
2. Do not slam the door or otherwise impact the glass. When closing doors, make sure that logs or other objects do not protrude to impact the glass.
3. Do not build fires against (or that might fall against) the glass.
4. Do not clean the glass with materials that may scratch (or otherwise damage) the glass. Scratches on the glass can develop into cracks or breaks during operation.
5. Never attempt to clean the glass while the unit is hot. If deposits are not very heavy, normal glass cleaners are adequate using a soft, non-abrasive cleaning pad. Heavier deposits may be removed with oven cleaners.
6. Never put substances which can ignite explosively in the unit. Even small explosions in confined areas can blow out the glass.

ATTENTION:

THIS WOOD HEATER NEEDS PERIODIC INSPECTION AND REPAIR FOR PROPER OPERATION. IT IS AGAINST FEDERAL REGULATIONS TO OPERATE THIS WOOD HEATER IN A MANNER INCONSISTENT WITH OPERATING INSTRUCTIONS IN THIS MANUAL.

Gasket and Glass cleaning products are available at local retail home centers. Manufacturers of cleaning products for wood stoves include, A.W. Perkins Co. (www.awperkins.com) or Rutland Products (www.rutland.com).

GLASS REPLACEMENT

1. Ensure appliance is not in operation and is thoroughly cooled.
2. Remove screw and glass clip. (See parts list and diagram.)
3. Lift glass out from glass clip.
4. Remove old gasket and clean glass.
5. Replace new gasket starting at the bottom of glass working along edges, being sure to center gasket channel on glass.
6. Trim to length and butt ends together.
7. Replace glass into door, being sure not to overtighten screw and clip.

After extensive use, the gasket material which provides glass and door seal may lose its resiliency and will need to be replaced. Inspect glass and door gaskets periodically to ensure proper seal; if gaskets become frayed or worn, replace immediately.

DOOR GASKET REPLACEMENT

This unit's door uses a 5/8" diameter rope gasket.

1. Ensure appliance is not in operation and is thoroughly cooled.
2. Remove old door gasket and clean channel.
3. Using an approved, high temperature gasket cement, apply a thin coat in bottom of channel.
4. Starting at hinge side of door, work gasket into channel around door unit, end butt and trim to length.
5. Close door and allow three to four hours for cement to set before firing appliance.

REMOVING THE INSERT FOR PURPOSE OF INSPECTION.

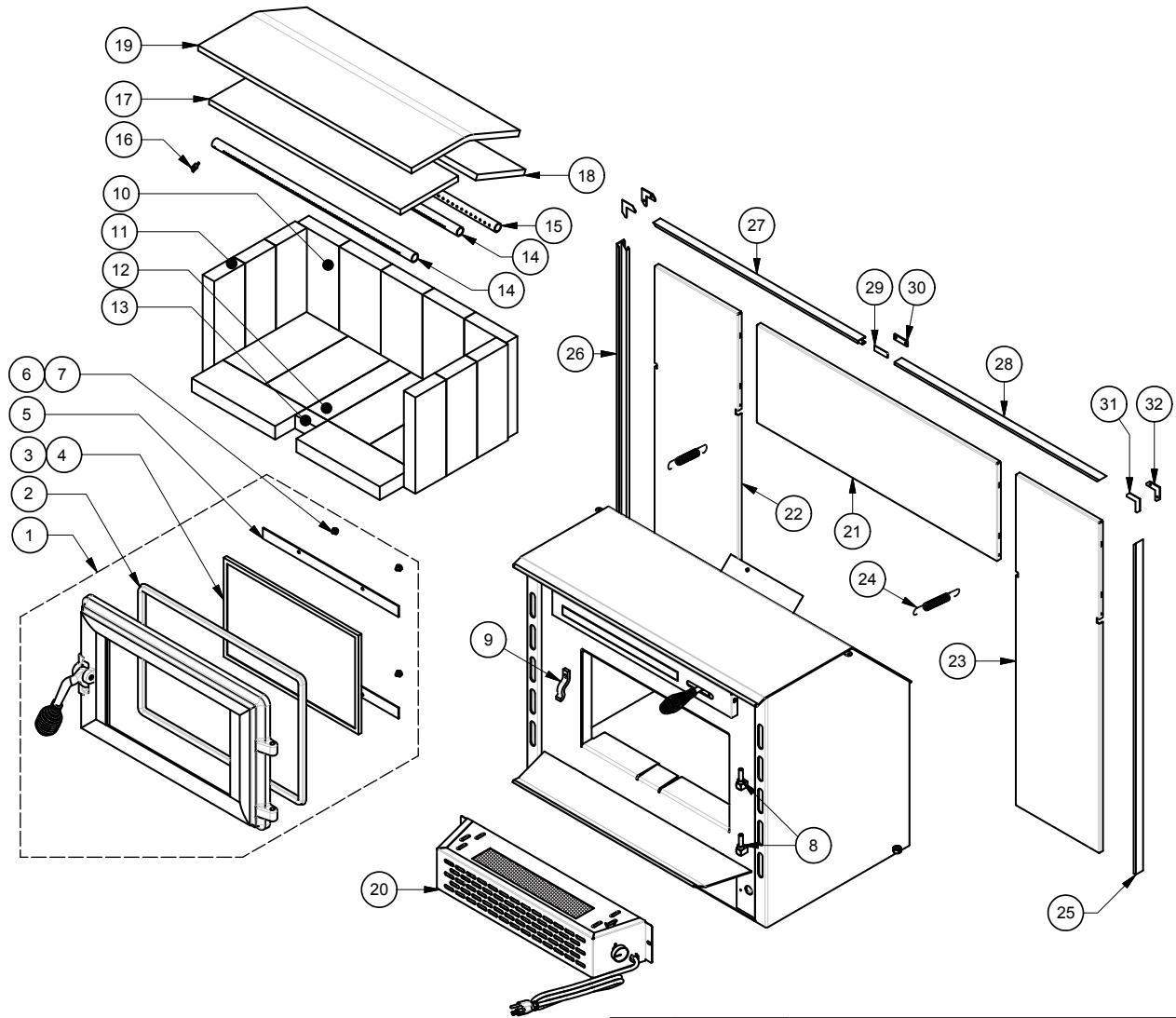
If for any reason you must remove the insert for inspection of the appliance or fireplace, follow these rules.

1. Ensure appliance is not in operation and is thoroughly cooled.
2. Remove the surround by removing the springs retaining it to the appliance.
3. Disconnect the flue gas pipe from the appliance.
4. Slide appliance out to perform inspection.

CAUTION:

REPLACE GLASS ONLY WITH 5mm HIGH TEMPERATURE CERAMIC GLASS OF THE PROPER SIZE. DO NOT USE TEMPERED GLASS OR DOUBLE THICKNESS WINDOW GLASS.

REPAIR PARTS



Key	Part No.	Description	Qty.
1	69660	Complete Door Assembly	1
2	88066	5/8" Rope Gasket	6 ft.
3	891813	Door Glass	1
4	88174	Gasket-Flat, Glass (3/16T x 3/8W)	6 ft.
*		Joint Tape	
5	25465	Glass Retainers	2
6	83202	Machine Screw - 10-24 x 3/8 Ph Hd.	4
7	83278	Washer - 7/32 ID X 1/2 OD	4
8	891373	Hinge Pad	2
9	25080	Door Latch (Uses 83508 - 5/16-18 x 3/4 bolt)	1
10	89066	Firebrick (4.5 x 9)	9
11	891989-1	Firebrick (3.33 x 9)	6
12	891414	Firebrick (2.25 x 9)	1
13	891989-2	Firebrick (1.25 x 2.25)	1
14	86669	Tube #1, Secondary Comb.	2
15	86670	Tube #2, Secondary Comb.	1

Key	Part No.	Description	Qty.
16	891990	Retainer, Tube	3
17	88158	Fiber Board, Front	1
18	88159	Fiber Board, Rear	1
19	88160	Fiber Blanket	1
20	80598	Blower Assembly	1
21	26269	Surround, Top	1
22	26270	Surround, Left Side	1
23	26364	Surround, Right Side	1
24	83913	Spring	2
25	891992-1	Trim-R, Surround	1
26	891992-2	Trim-L, Surround	1
27	891992-3	Trim-Top_L, Surround	1
28	891992-4	Trim-Top_R, Surround	1
29	891993	Key, Straight	1
30		Key, Blank Straight	1
31		Key, Blank Corner (Can Use 89420)	2
32		Key, Corner (Can Use 89419)	2

IN ORDER TO MAINTAIN WARRANTY, COMPONENTS MUST BE REPLACED USING ORIGINAL MANUFACTURERS PARTS PURCHASED THROUGH YOUR DEALER OR DIRECTLY FROM THE APPLIANCE MANUFACTURER.
USE OF THIRD PARTY COMPONENTS WILL VOID THE WARRANTY.

FLOOR PROTECTOR

The stove must be placed on solid concrete, solid masonry, or when installed on a combustible floor, on a Type 2 floor protector listed to standard UL 1618 with a minimum R value of 1.2 or equivalent. The floor protector is required to provide heat, live ember, and ash protection and must be of a non-combustible, continuous solid surface to protect against infiltration of live embers and ash. For UL Listed floor protectors, refer to manufacturers instructions for installation directions. Manufacturers of listed floor protectors include Imperial Metal Products and Hy-C among others. To calculate R-Values for alternative methods, see below for calculation methods.

Alternate materials may be rated with C-factor (Thermal Conductance) or k-factor (Thermal Conductivity) ratings which must be converted to R-value to determine if the alternate material meets the tested requirements. The following instructions provide the proper information and formulas for conversion to R-value.

To determine if alternate materials are acceptable follow this sequence.

1. Convert material specifications to R-value:
 - a. R-value given — no conversion necessary
 - b. k-factor is given with a required thickness (T) in inches: $R = 1/k \times T$
 - c. C-factor is given: $R = 1/C$
2. Determine the R-value of proposed alternate floor protector:
 - a. Use formulas in step 1 above to calculate R-value of proposed material(s).
 - b. For multiple layers, add R-values of each layer to determine overall R-value.
3. If the overall R-value of the floor protector system is equal to or greater than the floor protector specifications given, the alternate is acceptable.

Definitions:

$$\begin{aligned} \text{Thermal conductance (C)} &= \frac{\text{BTU}}{(\text{hr})(\text{ft}^2)(\text{°F})} = \frac{\text{W}}{(\text{m}^2)(\text{°K})} \\ \text{Thermal conductivity (k)} &= \frac{(\text{Btu})(\text{inch})}{(\text{hr})(\text{ft}^2)(\text{°F})} = \frac{\text{W}}{(\text{m}^2)(\text{°K})} = \frac{\text{BTU}}{(\text{hr})(\text{ft}^2)(\text{°F})} \\ \text{Thermal resistance (R)} &= \frac{(\text{hr})(\text{ft}^2)(\text{°F})}{\text{BTU}} = \frac{(\text{m}^2)(\text{°K})}{\text{W}} \end{aligned}$$

Example:

The specs of floor protector material should be 3/4-inch thick material with a k-factor of 0.84. The proposed alternative material is 4” brick with a C-factor of 1.25 over 1/8-inch mineral board with a k-factor of 0.29.

Step 1: Convert specs to R-value.

$$R = 1/k \times T = 1/0.84 \times 0.75 = 0.893 \text{ System must have a R-value of } 0.893 = R_{\text{specs}}$$

Step 2: Calculate R-value of individual components

$$4" \text{ Brick with C-factor} = 1.25. R = 1/C = 1/1.25 = 0.80 = R_{\text{brick}}$$

$$1/8\text{-inch (0.125") mineral board with k-factor} = 0.29. R = 1/0.29 \times 0.125 = 0.431 = R_{\text{min.brd.}}$$

Step 3: Add R-values of components to get total R-value of system

$$R_{\text{brick}} + R_{\text{min.brd}} = 0.80 + 0.431 = 1.231 = R_{\text{system}}$$

Step 4: Compare Rsystem to Rspecs

Rsystem = 1.231 is larger than Rspecs of 0.893. System R-value exceeds the required specifications and therefore is an acceptable alternative.

NOTES

HOW TO ORDER REPAIR PARTS

THIS MANUAL WILL HELP YOU OBTAIN EFFICIENT, DEPENDABLE SERVICE FROM YOUR HEATER, AND ENABLE YOU TO ORDER REPAIR PARTS CORRECTLY.

KEEP THIS MANUAL IN A SAFE PLACE FOR FUTURE REFERENCE.

WHEN WRITING, ALWAYS GIVE THE FULL MODEL NUMBER WHICH IS ON THE NAMEPLATE ATTACHED TO THE HEATER.

WHEN ORDERING REPAIR PARTS, ALWAYS GIVE THE FOLLOWING INFORMATION AS SHOWN IN THIS LIST:

1. THE PART NUMBER
2. THE PART DESCRIPTION
3. THE MODEL NUMBER: 2200IE
4. THE SERIAL NUMBER: _____

UNITED STATES STOVE COMPANY

227 INDUSTRIAL PARK ROAD
P.O. BOX 151
SOUTH PITTSBURG, TN 37380, USA
800-750-2723
WWW.USSTOVE.COM

CUT HERE



WARRANTY INFORMATION CARD

Name _____ Telephone#: (____) _____

City _____ State _____ Zip _____

Email Address _____

Model# of Unit _____ Serial# _____

Fuel Type: Wood Coal Pellet Gas Other _____

Place of Purchase (Retailer) _____

City _____ State _____

Zip _____

If internet purchase, please list website address _____

Date of Purchase _____

Reason for Purchase: Alternative Heat Main Heat Source

Decoration Cost Other _____

What was the determining factor for purchasing your new appliance? _____

I have read the owner's manual that accompanies this unit and fully understand the:
Installation Operation and Maintenance of my new appliance.

Print Name Signature Date

Please attach a copy of your purchase receipt.

Warranty not valid without a Proof of Purchase.

Warranty information must be received within 30 days of original purchase.

Detach this page from this manual, fold in half with this page to the inside and tape together.
Apply a stamp and mail to the address provided. You may use an envelope if you choose.

You may register online by going to www.usstove.com

All information submitted will be kept strictly confidential. Information provided will not be sold for advertising purposes.
Contact information will be used solely for the purpose of product notifications.

CUT HERE




CUT HERE



CUT HERE



 Fold Here

Fold Here 

PLACE
STAMP
HERE

United States Stove Company
P.O. Box 151
South Pittsburg, TN 37380
USA