

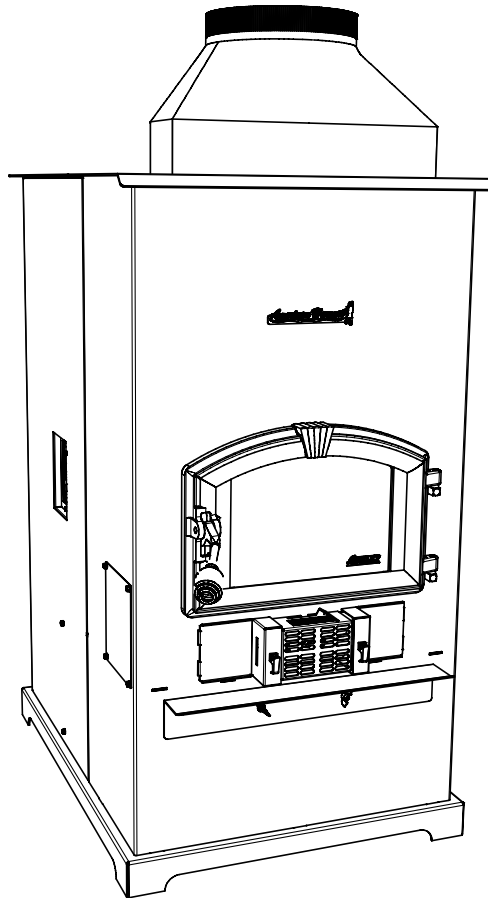


UNITED STATES STOVE COMPANY

"Keeping North America Warm Since 1869"

American Harvest

MULTI-FUEL FURNACE



Owner's Manual

- △ Please read this entire manual before installation and use of this appliance. Failure to follow these instructions could result in property damage, bodily injury, or even death.
- △ Contact your local building or fire officials about restrictions and installation inspection requirements in your area.
- △ Save these instructions.



UNITED STATES STOVE COMPANY • 227 INDUSTRIAL PARK ROAD • SOUTH PITTSBURG, TENNESSEE 37380 • WWW.USSTOVE.COM
FOR TECHNICAL ASSISTANCE: PHONE: (800) 750-2723 FAX: (423) 837-2109

Part No.: 851566

Table of Contents

TABLE OF CONTENTS	2
SAFETY PRECAUTIONS	3
SPECIFICATIONS	4
Heating Specifications	4
Dimensions	4
Electrical Specifications	4
Safety and EPA Compliance	4
Fuel Considerations	5
INSTALLATION	5
Installation Options	6
Floor Protection	6
Clearances	7
Venting Requirements	8
Maximum Venting Distance	8
Pellet Vent Type	8
Pellet Vent Installation	8
Pellet Vent Termination	8
Vent Termination Clearances	9
Through the Wall Installation	10
Through the Roof/Ceiling Installation	10
Primary and Secondary Furnace Illustrations	11
OPERATION	12
How Your Furnace Works	12
Damper Control Adjustment	12
Control Panel	13
Unit Preparation	14
Start-Up Procedure	14
Shut Down Procedure	14
Daily Operation	15
Safety and Convenience Features	15
MAINTENANCE	15
Exhaust System	15
Interior Chambers	16
Ash Disposal	16
Check and Clean the Hopper	16
Main Door Gaskets	16
Blower Motors	16
Painted Surfaces	16
Glass	16
Fall Start-Up	16
Spring Shut Down	16
Yearly Servicing	16
REPAIR PARTS DIAGRAM & LIST	17-18
WIRING DIAGRAM	19
TROUBLE SHOOTING	20
ERROR CODES	21
FLASHING INDICATORS	21
NOTES	22-23

Safety Precautions

- △ **IMPORTANT:** Read this entire manual before installing and operating this product. Failure to do so may result in property damage, bodily injury, or even death. Proper installation of this furnace is crucial for safe and efficient operation.
- △ Install vent at clearances specified by the vent manufacturer.
- △ Do not connect the pellet vent to a vent serving any other appliance or furnace.
- △ Do not install a flue damper in the exhaust venting system of this unit.
- △ Use of outside air is not required for this unit. However, fresh air and return air make-up is recommended.
- △ Contact your local building officials to obtain a permit and information on any additional installation restrictions or inspection requirements in your area.
- △ Do not throw this manual away. This manual has important operating and maintenance instructions that you will need at a later time. Always follow the instructions in this manual.
- △ This heater is designed and approved as a multi-fuel, such as corn or wood pellets, burning furnace. Use only dried shelled corn with a moisture content of 11% or less (which provides the best results). A pellet type fuel used should have an ash content of 1% or less. If not, efficiency will suffer, and your warranty may be voided.
- △ Never use gasoline, gasoline-type lantern fuel, kerosene, charcoal lighter fluid, or similar liquids to start or 'freshen up' a fire in this furnace. Keep all such liquids well away from the furnace while it is in use.
- △ A working smoke detector must be installed in the same room as this product.
- △ Do not unplug the furnace if you suspect a malfunction. Turn the ON/OFF SWITCH to "OFF" and contact your dealer.
- △ Your furnace requires periodic maintenance and cleaning (see "MAINTENANCE"). Failure to maintain your furnace may lead to improper and/or unsafe operation.
- △ Disconnect the power cord before performing any maintenance! NOTE: Turning the ON/OFF Switch to "OFF" does not disconnect all power to the electrical components of the furnace.
- △ Never try to repair or replace any part of the furnace unless instructions for doing so are given in this manual. All other work should be done by a trained technician.
- △ Allow the furnace to cool before performing any maintenance or cleaning. Ashes must be disposed in a metal container with a tight fitting lid. The closed container of ashes should be placed on a non-combustible surface or on the ground, well away from all combustible materials, pending final disposal.
- △ The exhaust system should be checked monthly during the burning season for any build-up of soot or creosote.
- △ Do not touch the hot surfaces of the furnace. Educate all children on the dangers of a high-temperature furnace. Young children should be supervised when they are in the same room as the furnace.
- △ A power surge protector is recommended. This unit must be plugged into a 110 - 120V, 60 Hz grounded electrical outlet. Do not use an adapter plug or sever the grounding plug. Do not route the electrical cord underneath, in front of, or over the furnace. Do not route the cord in foot traffic areas or pinch the cord under furniture.
- △ The furnace will not operate during a power outage. If a power outage does occur, check the furnace for smoke spillage and open a window if any smoke spills into the room.
- △ The feed door must be closed and sealed during operation.
- △ Never block free airflow through the open vents of the unit.
- △ Keep foreign objects out of the hopper.
- △ The moving parts of this furnace are propelled by high torque electric motors. Keep all body parts away from the auger while the furnace is plugged into an electrical outlet. These moving parts may begin to move at any time while the furnace is plugged in.
- △ Do not place clothing or other flammable items on or near this furnace.
- △ This appliance is not intended for commercial use.

Specifications

Heating Specifications

Heat Output ¹	50,000 to 75,000 BTU/hr.
Heating Capacity ²	800 - 2,000 sq. ft.
Fuel Burn Rate ³	2.0 - 6.0 lbs./hr.
Burn Time (lowest setting)	125 hours continuous
Hopper Capacity	250 lbs

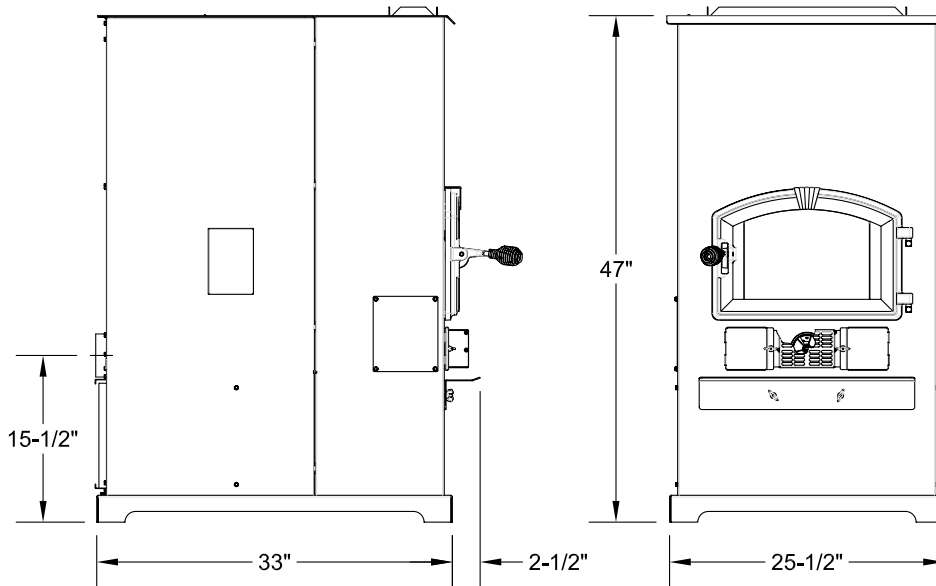
¹ BTU output will vary depending on the quality and type of fuel. Use PFI listed fuels for the best results.

² Heating capacity will vary depending on floor plan layout of your home, degree of insulation, and the outside temperature.

³ Fuel size may effect the actual rate of fuel feed and burn times. Fuel feed rates may vary by as much as 20%. Use PFI listed fuel for best results.

Dimensions

Height	47 in.
Width	25-1/2 in.
Depth	35-1/2 in.
Weight	350 lbs.



Electrical Specifications

Electrical Rating	110-120 volts, 60 HZ, 8.0 Amps
Watts (operational)	960 (max. approx.)

SAFETY AND EPA COMPLIANCE

Your American Harvest Furnace has been safety tested and listed to CAN/CSA B366.1, and (UM) 84-HUD, by OMNI-Test Laboratories, Inc. Beaverton, Oregon, USA. It is also exempt from EPA Phase II requirements.

Fuel Considerations

SHELLED CORN (Dry, preferably corn with 11% or less moisture content)

- **Optimum moisture content of corn should be 11% or less.** Wet corn will rapidly deteriorate furnace components, reduce efficiency and void all warranties. Purchase a moisture tester if in doubt.
- Corn must be clean and free from debris. Never burn corn right from the field. Damage caused by dirty corn is not covered by the product warranty. Ask for clean **filtered** bagged corn only. Stalk parts, excessive fines and cob remnants will clog the auger.
- **NEVER BURN SEED CORN IN YOUR FURNACE.** Seed corn is treated with chemical pesticides that are harmful or fatal if swallowed, therefore, seed corn is dangerous to have in the house, especially where children can reach it.
- Never burn “Deer Corn.” It frequently contains molasses/sugars.
- Store your corn supply in a dry place and keep bags or container sealed to prevent your corn from absorbing excess moisture. Test the moisture content periodically to ensure the proper dryness.
- There are many varieties of corn grown around the world. Each variety has unique characteristics including the shape and size of the kernel. Your furnace will burn more consistently with a small to midsize kernel corn. If the kernel size of the corn varies greatly or if you switch sources frequently, you will get a less consistent burn. Therefore, purchasing corn from the same source will help achieve a more consistent burn. **DO NOT USE CORN WITH A HIGH WAX CONTENT!**
- Oyster shell is highly recommended for best burn operations and to reduce clinker build-up

WOOD PELLETS

- As with corn, be consistent in your pellet supplier. Pellets will vary in content and burn characteristics from supplier to supplier. A consistent supply of pellets will result in a more consistent and efficient burn.
- Check your pellets for foreign objects. Your furnace warranty will not cover damage done to your furnace due to foreign objects in the fuel supply.
- Store your pellets in a dry place to prevent them from absorbing added moisture.
- To decrease sawdust buildup, the hopper will need to be vacuumed out after every 6-8 bags of pellets or more often if the pellets are poor quality. You may have to screen each bag of pellets if sawdust becomes a problem.
- Wood Pellets vary in size and ash content from less than 1% to 3% or more. Your furnace will burn more efficiently with small to midsize pellets. Low ash content pellets will allow you to burn the furnace longer between cleanings. Only wood pellets manufactured to the Association of Pellet Fuel Industries (A.P.F.I.) standard for residential pellet fuels are recommended. Performance will suffer if nonstandard pellets are used. Consult your local American Harvest reseller for more information on approved wood pellet fuel.

CAUTION: DO NOT PLACE SUCH FUELS WITHIN THE SPACE HEATER’S INSTALLATION CLEARANCES OR WITHIN THE SPACE REQUIRED FOR CHARGING AND ASH REMOVAL.

Installation

INSTALLATION OPTIONS

△ **Read this entire manual before you install and use your Multi-Fuel Furnace. Failure to follow instructions may result in property damage, bodily injury, or even death!**

(See specific installation details for clearances and other installation requirements)

As a **Primary Furnace**—the unit functions independently of any other system. The “Room Air” blowers will come on when the plenum and Exhaust temperatures reach a preset point on the furnace’s circuit board (PCB). Unit may also be used as a stand-alone shop heater

As a **Secondary (Add-On) Furnace**—the unit aids an existing gas/electric furnace helping cut down on operation time.

It is recommended that only a authorized technician install your Multi-Fuel Furnace, preferably an NFI certified specialist.

IMPROPER INSTALLATION: The manufacturer will not be held responsible for damage caused by the malfunction of a furnace due to improper venting or installation. Call (800) 750-2723 and/or consult a professional installer if you have any questions.

ADDITIONAL ITEMS NEEDED FOR INSTALLATION

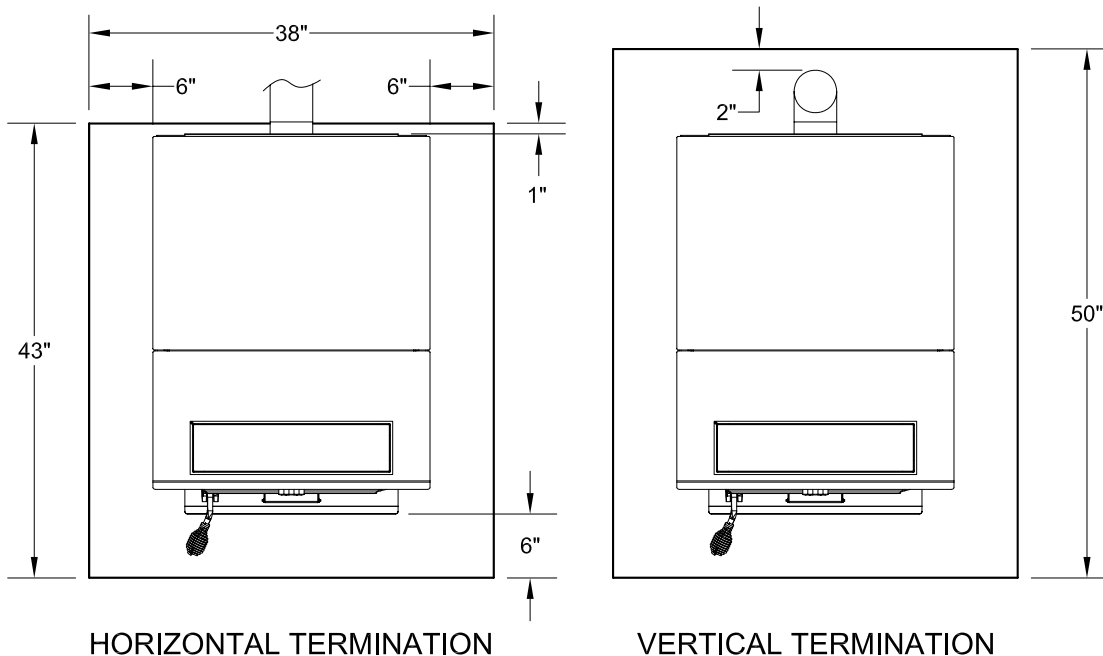
- UL listed 3 inch or 4 inch (Depending on application) “PL” pellet venting exhaust system.
- Air distribution duct work. Transition from 4.5 inch x 18.5 inch rectangle to 10 inch round is provided.
- Air filter (Optional). Size: 10 x 20 x 1
- Floor Protection (If not installed on a non-combustible floor)
- Air return vent from the house to the room where furnace is installed.
- Fresh air for combustion if located in a small, tightly constructed room.

FLOOR PROTECTION

This unit must be installed on a non-combustible floor surface. If a floor pad is used, it should be UL listed or equal. The floor pad or non-combustible surface should be large enough to extend a minimum of 6-inches in front, 6-inches on each side, and 1-inch behind the furnace for horizontal termination.

Floor protection must extend under and 2-inches to each side of the chimney tee for an interior vertical termination.

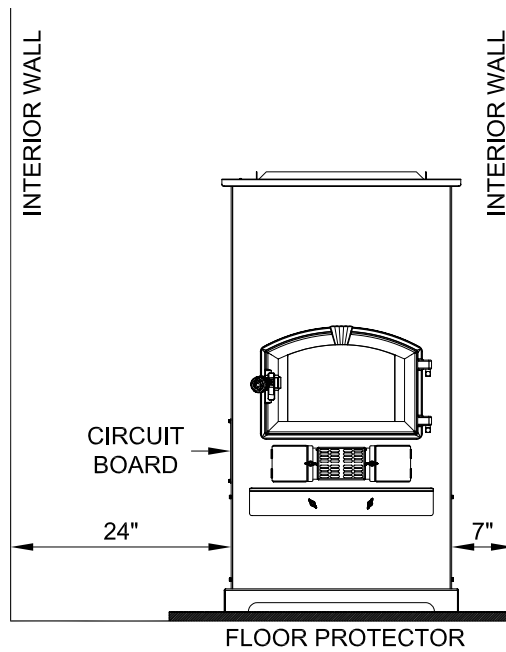
A Floor Protector of 1 inch thick is recommended for this installation.



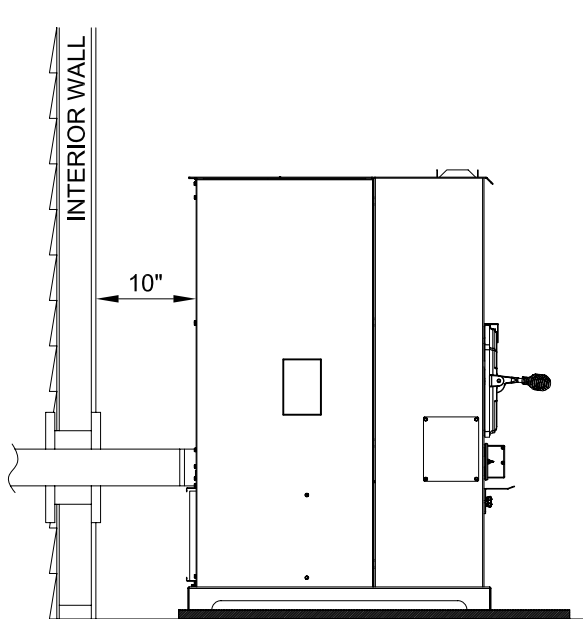
Installation

CLEARANCES

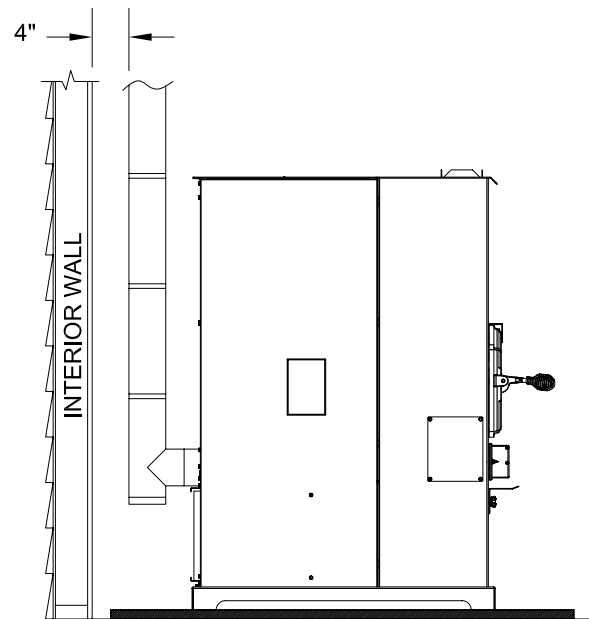
NOTE: Distance on the left-hand side of your *Multi-Fuel Furnace* is set at 24 inches for suitable access to the control panel and for fuel loading. This distance may be less, but not less than 7 inches.



FRONT VIEW



**SIDE VIEW
HORIZONTAL TERMINATION**



**SIDE VIEW
VERTICAL TERMINATION**

Installation

VENTING REQUIREMENTS

- △ Install vent at clearances specified by the vent manufacturer.
- △ Do not connect the pellet vent to a vent serving any other appliance or furnace.
- △ Do not install a flue damper in the exhaust venting system of this unit.

The following installation guidelines must be followed to ensure conformity with both the safety listing of this furnace and to local building codes.

IMPORTANT! This unit is equipped with a negative draft system that pulls air through the burn pot and pushes the exhaust out of the dwelling. If this unit is connected to a flue system other than the way explained in this manual, it will not function properly.

MAXIMUM VENTING DISTANCE

Installation MUST include at least 3-feet of vertical pipe. This will create some natural draft to reduce the possibility of smoke or odor during appliance shutdown and keep exhaust from causing a nuisance or hazard by exposing people or shrubs to high temperatures. The maximum recommend vertical venting height is 12-feet for 3-inch type "PL" vent. Total length of horizontal vent MUST NOT exceed 4-feet. Use no more than 180 degrees of elbows (two 90-degree elbows, or two 45-degree and one 90-degree elbow, etc.) to maintain adequate draft.

PELLET VENT TYPE

A UL listed 3-inch or 4-inch type "PL" pellet vent exhaust system must be used for installation and attached to the pipe connector provided on the back of the furnace (use a 3-inch to 4-inch adapter for 4-inch pipe). Use 4-inch vent if the vent height is over 12-feet or if the installation is over 2,500 feet above sea level.

We recommend the use of Simpson Dura-Vent® or Metal-Fab® pipe (if you use other pipe, consult your local building codes and/or building inspectors). Do not use Type-B Gas Vent pipe or galvanized pipe with this unit. The pellet vent pipe is designed to disassemble for cleaning and should be checked several times during the burning season. Pellet vent pipe is not furnished with the unit and must be purchased separately.

PELLET VENT INSTALLATION

The installation must include a clean-out tee to enable collection of fly ash and to permit periodic cleaning of the exhaust system. 90-degree elbows accumulate fly ash and soot thereby reducing exhaust flow and performance of the furnace. Each elbow or tee reduces draft potential by 30% to 50%.

All joints in the vent system must be fastened by at least 3 screws, and all joints must be sealed with HI-TEMP RTV silicone sealant to be airtight. The area where the vent pipe penetrates to the exterior of the home must be sealed with silicone or other means to maintain the vapor barrier between the exterior and the interior of the home.

Vent surfaces can get hot enough to cause burns if touched by children. Noncombustible shielding or guards may be required.

PELLET VENT TERMINATION

Do not terminate the vent in an enclosed or semi-enclosed area, such as; carport, garage, attic, crawl space, under a sundeck or porch, narrow walkway, or any other location that can build up a concentration of fumes.

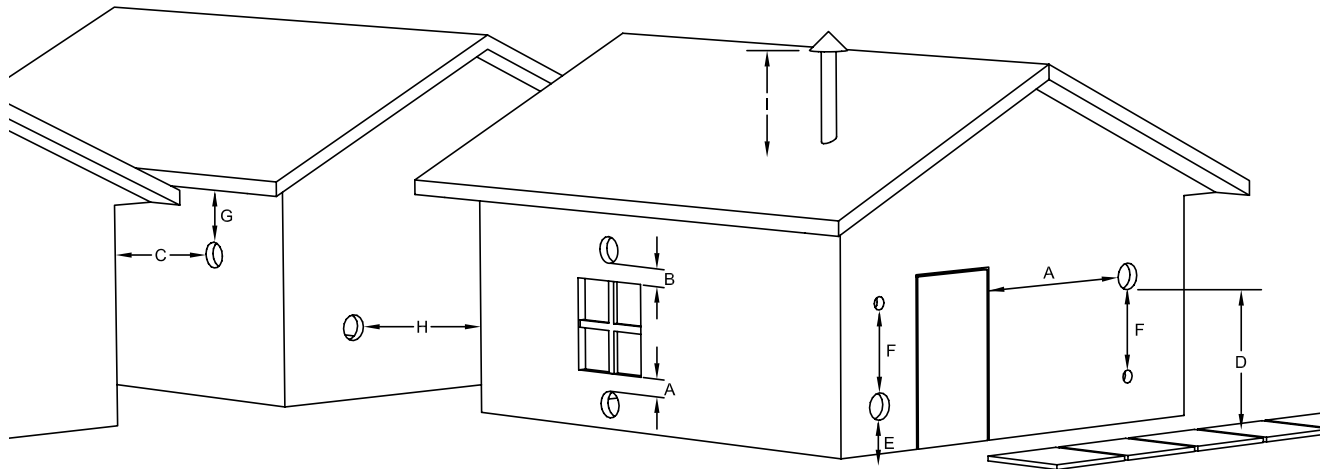
The termination must exhaust above the outside air inlet elevation.

The termination must not be located where it will become plugged by snow or other materials.

Installation

VENT TERMINATION CLEARANCES:

- A ----- Minimum 4-foot clearance below or beside any door or window that opens.
- B ----- Minimum 1-foot clearance above any door or window that opens.
- C ----- Minimum 3-foot clearance from any adjacent building.
- D ----- Minimum 7-foot clearance from any grade when adjacent to public walkways.
- E ----- Minimum 2-foot clearance above any grass, plants, or other combustible materials.
- F ----- Minimum 3-foot clearance from a forced air intake of any appliance.
- G ----- Minimum 2-foot clearance below eaves or overhang.
- H ----- Minimum 1-foot clearance horizontally from combustible wall.
- I ----- Must be a minimum of 36-inches above the roof and 24-inches above the highest point of the roof within 10-feet.



VENT TERMINATION CLEARANCES

Installation

THROUGH THE WALL INSTALLATION (RECOMMENDED INSTALLATION)

To vent the unit through the wall, connect the pipe adapter to the exhaust motor adapter. If the exhaust adapter is at least 18-inches above ground level, a straight section of pellet vent pipe can be used through the wall.

Your furnace dealer should be able to provide you with a kit that will handle most of this installation, which will include a wall thimble that will allow the proper clearance through a combustible wall. Once outside the structure, a 3-inch clearance should be maintained from the outside wall and a clean out tee should be placed on the pipe with a 90-degree turn away from the house. At this point, a 3-foot (minimum) vertical section of pipe should be added with a horizontal cap, which would complete the installation.

A support bracket should be placed just below the termination cap or one every 4-feet to make the system more stable. If you live in an area that has heavy snowfall, it is recommended that the installation be taller than 3-feet to get above the snowdrift line. This same installation can be used if your furnace is below ground level by simply adding the clean-out section and vertical pipe inside until ground level is reached. With this installation you have to be aware of the snowdrift line, dead grass, and leaves. We recommend a 3-foot minimum vertical rise on the inside or outside of the house.

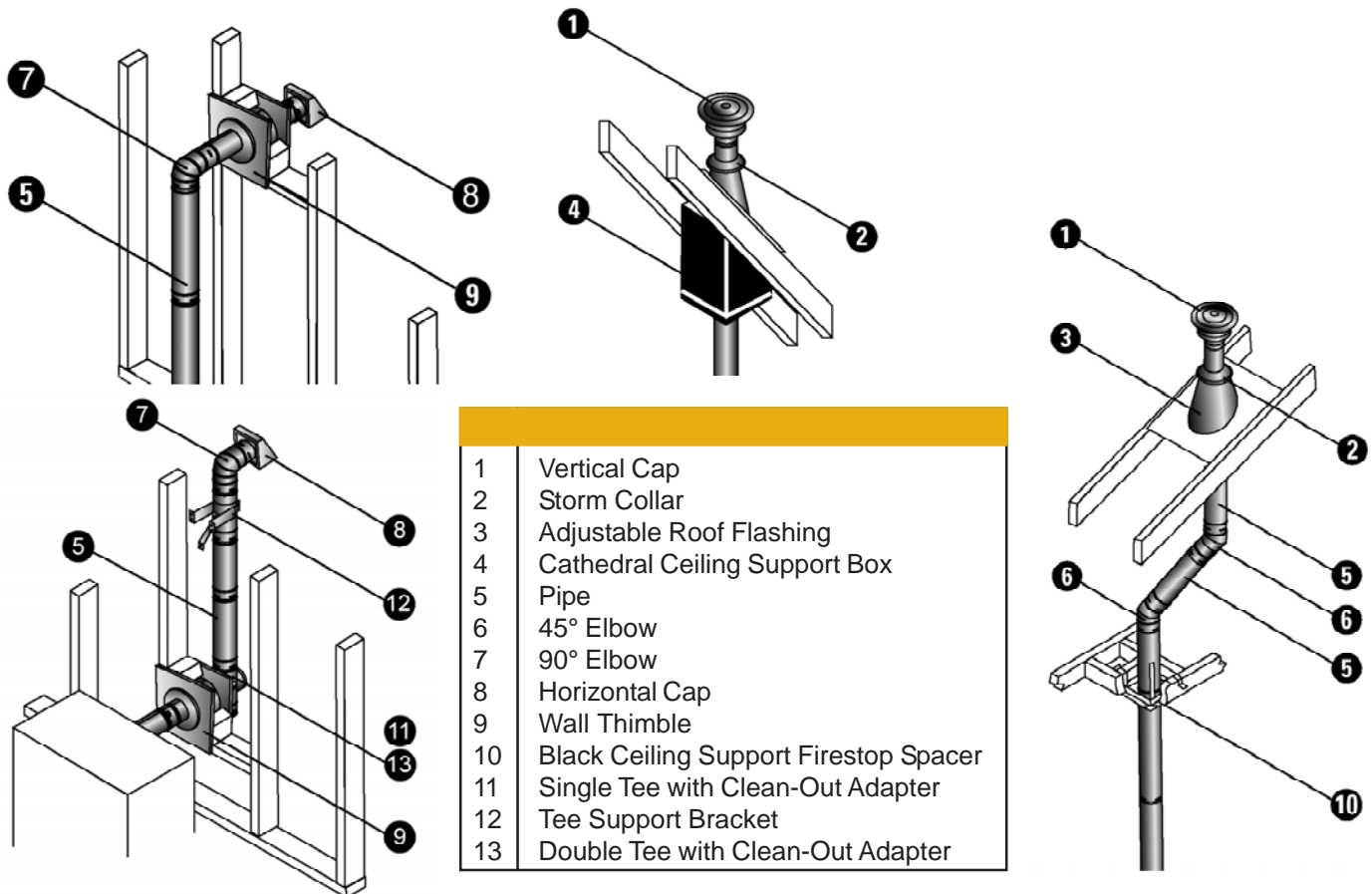
The “through the wall” installation is the least expensive and simplest installation. Never terminate the end vent under a deck, in an alcove, under a window, or between two windows. We recommend Simpson Dura-Vent® or Metal-Fab® kits.

THROUGH THE ROOF/CEILING INSTALLATION

When venting the furnace through the ceiling, the pipe is connected the same as through the wall, except the clean-out tee is always on the inside of the house, and a 3-inch adapter is added before the clean-out tee.

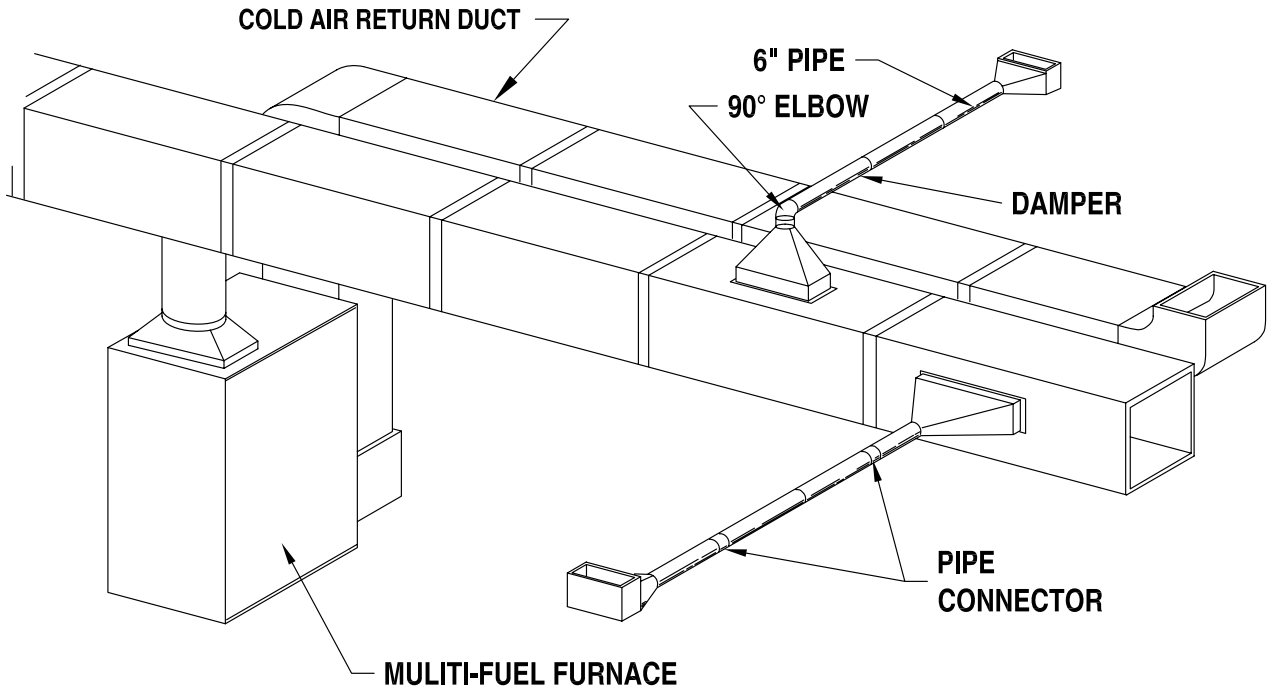
You must use the proper ceiling support flanges and roof flashing (supplied by the pipe manufacturer; follow the pipe manufacturer’s directions). It is important to note that if your vertical run of pipe is more than 15-feet, the pellet vent pipe size should be increased to 4-inches in diameter.

Do not exceed more than 4-feet of pipe on a horizontal run and use as few elbows as possible. If an offset is required, it is better to install 45-degree elbows rather than 90-degree elbows.



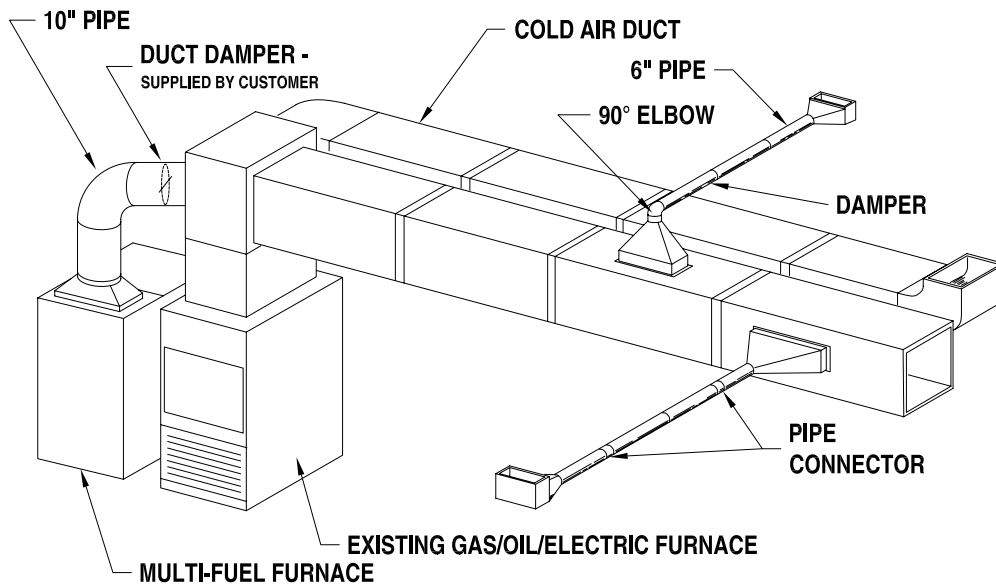
Installation

PRIMARY FURNACE



SECONDARY (ADD-ON) FURNACE

When installed as a secondary furnace, a Duct Damper must be installed between the air discharge of the Pellet furnace and the primary (Gas, Electric, etc.). Damper must be an electric style damper in order to connect to the multi fuel furnace's PCB (Printed Circuit Board). See wiring diagram in this manual.



Operation

- △ Do not operate your furnace with the viewing door open. The auger will not feed fuel under these circumstances and a safety concern may arise from sparks or fumes entering the room.
- △ A working smoke detector must be installed in the same room as this product.
- △ Hopper Lid must be closed during operation. The auger will not feed fuel if the lid is open.

HOW YOUR FURNACE WORKS

Your Multi-Fuel Furnace utilizes a inclined auger fuel feed system that is operated by a microprocessor controlled digital circuit board. The digital circuit board allows the inclined auger fuel feed system to run in a timer-based, non-continuous cycle; this cycling allows the auger to run for a predetermined period of seconds. The auger pushes fuel up a chute located at the front/bottom of the hopper which in turn falls through another chute into the burnpot . As fuel enters the burn pot, outside air is drawn across the fuel and heated during the combustion process. This heated combustion air is then pulled through the heat exchanger by the Draft Fan, where it is used to heat air that is drawn into the heat exchanger system by the distribution blower.

Because a forced draft pressure is required for the combustion process inside your furnace, it is extremely important that the exhaust system be properly installed and maintained. And, that when operating your furnace, you make sure that the viewing door is properly sealed.

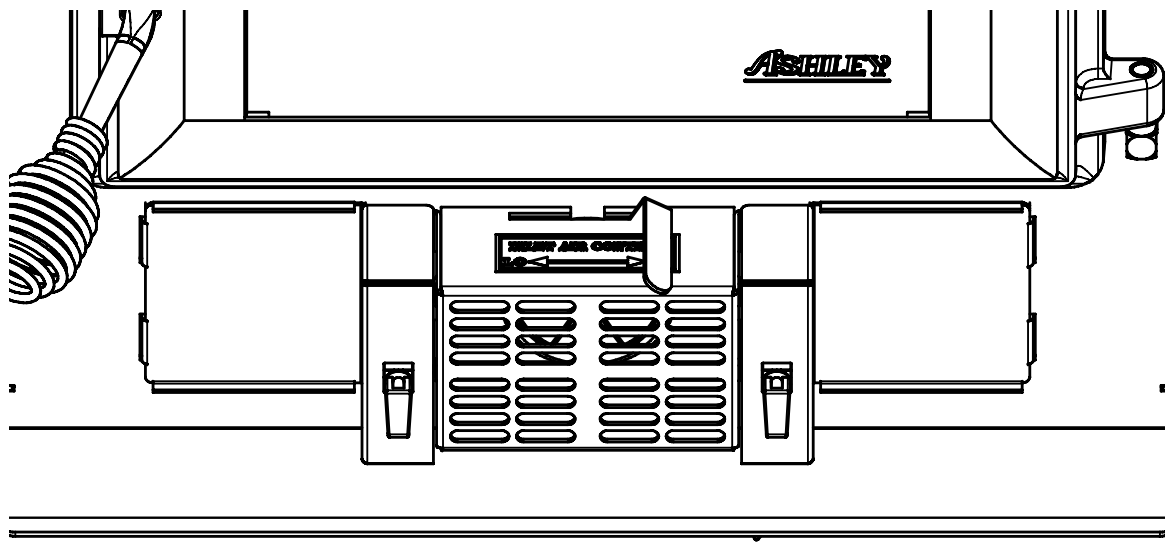
Your furnace's heat output can vary from Hi to Low by adjusting the settings on the control panel (located on the lower left-hand side of the furnace). The "**HEAT RANGE**" setting will vary the auger systems feed rate (i.e. fuel to combustion air ratio) and has three settings, low / medium / high. This is indicated by displaying a Hr-1 thru Hr-3 under Heat Range.

Your furnace has two distribution "Room Air" blowers. Fan "A" located on the left side of the unit, same side as the (PCB) Printed Circuit Board, will come on when flue gas temperatures reaches the (POT) Programmable Operating Temperature (200°F) preset on the control board. During shutdown, Fan "A" will remain on until the operating temperature reaches the preset temp. 110°F. Fan "B" will come on when plenum temperatures reach the preset (PPT) Programmable Plenum Temperatures (95°F). The fan will remain on until the plenum temperature drops 5°F below the programmed duct temp.

Your furnace can run efficiently over extended periods of time and at different heat output levels as long as the air/fuel mixture is correct and the fuel supply is uninterrupted along with **proper cleaning and when maintenance is performed.**

DAMPER CONTROL ADJUSTMENT

Your furnace has an adjustable intake damper located behind the Backdraft Assembly just under the Feed Door. This damper can be adjusted for fine tuning fuels to burn at optimum performance and can help with efficiency when burning inconsistent fuels. When burning corn, it is suggested that the damper position be on Medium to HI. When burning wood pellets, it is suggested that the damper position be on low to medium. These conditions will vary with your type of fuel.



Operation

CONTROL PANEL

Turning the furnace OFF/ON, as well as adjustments for the fuel feed rate and room fan speed are performed by pressing the appropriate button(s) on the control panel which is located on the lower left-hand side of your **American Harvest** furnace.

This unit can be changed between an automatic operation or a manual operation. The controller comes default in the automatic mode.

Pressing the “**ON**” button on the control panel will begin the start-up sequence for the furnace. Fuel will begin to feed through the auger feed system after 3 minutes. Pressing and holding the “**ON**” button will rotate the auger continuously until button is released, which feeds additional fuel.

Pressing the “**OFF**” button on the control panel will cause the furnace to enter its shut-down sequence. The fuel feed system will stop pulling fuel from the hopper and, once the fire goes out and the furnace cools down, the blowers will stop running.

Pressing the “**Heat Range**” arrows, up or down, will adjust the amount of fuel being delivered to the burnpot.

The draft fan (exhaust) will come on as soon as the “**ON**” button is pressed. The fan will automatically adjust its speed in accordance to the heat range setting. However, this speed can be manually operated by pressing the “**Draft Fan**” arrows up or down. “**Draft Fan**” when pressed, the display will show “Df-A”, which is automatic. Press the arrows again to adjust fan speed. When the furnace is in the manual mode, the optional thermostat will not properly control the unit. When adjusting the Draft Fan setting, try only 1 setting above or below the heat setting.

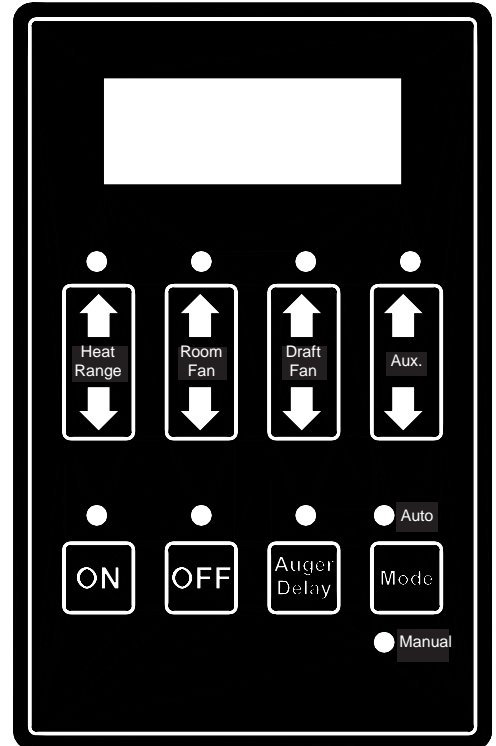
The room fan(s) will come on once the unit has reached operating temperature. The room fans will automatically adjust their speed in accordance with the heat range setting. By pressing the “**Room Fan**” buttons, the display will show “Rf-A” which is automatic or how many fans are running.

The “**Aux**” button is for Agitator operation. When the unit is “**OFF**”, pressing the “**Aux**” arrows will rotate the agitator for easy removal for cleaning. The agitator, when in Automatic mode, will operate at set intervals. However, these can be changed by pressing the arrows on the “**Aux**” button. The agitator can be adjusted from 0 to 9, setting “0” is off and setting “9” is high.

The “**Auger Delay**” button can be used to pause rotation of the Auger and Agitator for approx. 1 minute. This can be cancelled by pressing the “**ON**” button.

The “**Mode**” button is used to switch between manual and automatic mode. When in auto mode, the fans, auger, and agitator will operate at preset intervals unless changed manually using the buttons mentioned above. When in manual mode, the draft fan (exhaust) will operate at full speed (100%), so the air must be controlled with the damper just below the viewing door.

During normal operation, the unit is constantly monitored for problems. In the event of an error condition, the unit will stop and an error will be displayed. See the list of error codes found at the end of this manual.



Operation

UNIT PREPARATION

After carefully unpacking and reading the instructions for installing your furnace, you will need to perform the following steps:

- 1.) Attach the included spring handle to the door handle by screwing it on in a respective location.
- 2.) Attach the electrical cord to the back of the furnace first; then plug it into a 110-volt outlet (an outlet surge protector is highly recommended).

START-UP PROCEDURE

△ Never use gasoline, gasoline-type lantern fuel, kerosene, charcoal lighter fluid, or similar liquids to start or “freshen up” a fire in this furnace. Keep all such liquids well away from the furnace while it is in use.

- 1.) Verify that the hopper is clean and free of foreign matter.
- 2.) Verify that all of the required exhaust/inlet connections have been made in accordance with this manual and that the furnace is plugged into an outlet (an outlet surge protector is highly recommended).
- 3.) Fill the hopper with fuel; do not allow any part of the bag or any other foreign material into the hopper, as this may jam the auger. Ensure that all fuel matter is cleared from the hopper seating surface. Close the hopper lid.
- 4.) Make sure that the furnace is in the “OFF” mode and place a small handful of wood pellets or fire starter pellets (Pellets that already contain fire starter.) in the burnpot. Squirt a small amount of fire starter gel on the pellets. (Not needed if using fire starter pellets.) Light the fire then wait approx. 1 minute for the fire to start burning the pellets.

NOTE: Even if you are burning corn, wood pellets make an excellent source of starter fuel.

- 5.) Close the viewing door then press the “ON” button on the control pad and set the “HEAT SETTING” to Hr-1. It is a good idea to start at a lower setting to allow the fire to stabilize, then adjust to higher settings.
- 6.) The damper located on the front of the unit can be adjusted for optimum performance. Whether using wood pellets or corn, small adjustments to the damper can make a big difference. When adjusted properly, there should be very minimal amount of ash in the burn chamber. This also depends on the quality of the fuel used. When burning corn, set the damper to the mid position. (approx. 12 o'clock position)
- 7.) Fuel will start feeding after three(3) minutes

First Fire: Adjust the “HEAT RANGE” and “BLOWER SPEED” to a medium setting and allow the furnace to operate in this manner for approximately three (3) hours (or more if necessary), allowing the furnace to “cure out” as the paint and oils from the manufacturing process burn off. We recommend that you open doors and windows in your home during this process.

SHUT DOWN PROCEDURE

WARNING: Never shut down this unit by unplugging it from the power source.

Press the “OFF” button on the control panel to put the furnace in shut down mode. At this time, the red light above the “OFF” button will illuminate. Once this is done, the auger will stop feeding fuel, but the room air blower(s) and draft fan will continue to operate. When the internal temperature of the unit drops below the factory preset temperatures, the room air blowers and draft fans will cease to operate. The red light will then shut off and the unit will be completely shut down.

The hotter the unit is during its operation, the longer it will take for the furnace to complete the shut down cycle. If the furnace stays on for more than 2 hours after pressing the “OFF” button and you are sure that the fire is out, the furnace can be unplugged from the outlet. After approximately 10 seconds, the unit can be re-connected to the power source and the control board will be reset.

Operation

DAILY OPERATION

- △ **The hopper and furnace top will be hot during operation; therefore, you should always use some type of hand protection when refueling your furnace.**
- △ **Never place your hand near the auger while the furnace is in operation.**

In the event of a **power outage**, the furnace WILL NOT function. It is very important that unit be vented properly, as the natural draft is needed to clear the smoke from the furnace during a power outage. If the unit was “**ON**” when the power outage occurred, one of the following will take place when power is restored:

- 1.) If the furnace is still warm, it will resume feeding fuel and continue to operate normally. If the fire has gone out, you will have to press the “**OFF**” button and then the “**ON**” button again to begin a new start-up sequence.
- 2.) If the furnace has cooled-off, it will reset to its “**OFF**” condition. At this point, you may press the “**ON**” button to begin a new start-up sequence.

NOTE: The unit will also shut down in the event of an draft fan failure; if this is the case, the unit will not re-start and you must contact Customer Service at (800) 750-2723.

SAFETY AND CONVENIENCE FEATURES

Your *American Harvest* incorporates a **safety pressure switch** that helps ensure that everything is in proper working order before feeding fuel to the burn pot. Because the furnace works using an induced draft pressure, the furnace will not continue to operate if the viewing door is left open; or if the exhaust blower fails or the exhaust system is blocked.

The **temperature limit control** will prevent your furnace from operating at abnormally high temperatures. Should the furnace temperature begin to approach the factory pre-set limit, the temperature limit control will automatically slow down the auger feed rate until the temperature returns to a normal condition. Both room air blowers will operate at full speed also until the furnace returns to normal operating temperatures.

If your furnace continues to cut back because it is reaching the temperature limits, reduce the “heat setting” to the next lower setting.

Maintenance

- △ **Failure to clean and maintain this unit as indicated can result in poor performance and safety hazards.**
- △ **Unplug your stove’s electrical cord prior to removing the back panel or opening the exhaust system for any inspection, cleaning, or maintenance work.**
- △ **Never perform any inspections, cleaning, or maintenance on a hot furnace.**
- △ **Do not operate furnace with broken glass , leakage of flue gas may result.**

EXHAUST SYSTEM

The by products of combustion contain small particles of fly ash. Fly ash will collect in the exhaust venting system and restrict the flow of flue gases. Incomplete combustion, such as during startup, shutdown, or incorrect operation of the furnace will lead to soot formation which will collect in the exhaust system. Therefore, it is important that the exhaust system be **inspected and cleaned at least monthly** during the burning season.

Check the clean out tees periodically to determine the required cleaning schedule. 3 or 4-inch chimney brushes are available for chimney cleaning. If the exhaust system or outside air pipes have screens on them, frequently clean the screen. A plugged screen will shut off combustion air and cause a fire to die or burn poorly.

Maintenance

INTERIOR CHAMBERS

Remove the two(2) cleanout plates on each side of the damper control. Using the cleaning tools provided, clean all ash and fuel matter from the burn chamber. This may need to be done daily depending on fuel consumption.

Periodically remove and clean the burnpot and the area inside the burnpot housing. In particular it is advisable to clean out the holes in the burnpot to remove any build up that may prevent air from moving through the burn pot freely.

Placing the Burnpot and the Agitator in a bucket of water and allowing to soak will help with the clinker build-up and removal.

Remove the two cleanout slides on each side of the burnpot at the rear of the burn chamber to clean out all ash.

Remove the hearth and clean out the exhaust duct of all ash.

If a vacuum is used to clean your furnace, we suggest using a vacuum designed for ash removal. Some regular vacuum cleaner (i.e. shop vacs) may leak ash into the room.

ASH DISPOSAL

Ashes should be placed in a metal container with a tight fitting lid. The closed container of ashes should be placed on a noncombustible floor or on the ground, well away from all combustible materials, pending final disposal. If the ashes are disposed of by burial in soil or otherwise locally dispersed, they should be retained in the closed container until all cinders have been thoroughly cooled.

CHECK AND CLEAN THE HOPPER

Check the hopper periodically to determine if there is any fuel or fuel matter that is sticking to the hopper surface. Clean as needed.

GASKETS

Inspect the main door and glass window gaskets periodically. The main door may need to be removed to have frayed, broken, or compacted gaskets replaced by your Authorized "**American Harvest**" Dealer.

Also, be careful not to damage the gaskets on the backside of the cleanouts on the front of the unit. If gaskets become torn or damaged, they must be replaced.

BLOWER MOTORS

Clean the air holes on the motors of both the draft fan and room air blowers annually. Remove the draft fan from the exhaust duct and clean out the internal fan blades as part of your fall start-up. A new gasket may be purchased from U S Stove's Customer Service Department.

Replace the customer supplied air filter on the back of the furnace on a regular basis if installed.

PAINTED SURFACES

Painted surfaces may be wiped down with a damp cloth. If scratches appear, or you wish to renew your paint, contact your Authorized "**American Harvest**" Dealer to obtain a can of suitable high-temperature paint.

GLASS

We recommend using a high quality glass cleaner. Should a build up of creosote or carbon accumulate, you may wish to use 000 steel wool and water to clean the glass. In the event you need to replace the glass, only high temperature ceramic glass of the correct size and thickness may be used. Contact your Authorized "**American Harvest**" Dealer to obtain this glass.

FALL START UP

Prior to starting the first fire of the heating season, check the outside area around the exhaust and air intake systems for obstructions. Clean and remove any fly ash from the exhaust venting system. Clean any screens on the exhaust system and on the outside air intake pipe. Turn all of the controls on and make sure that they are working properly. This is also a good time to give the entire furnace a good cleaning throughout.

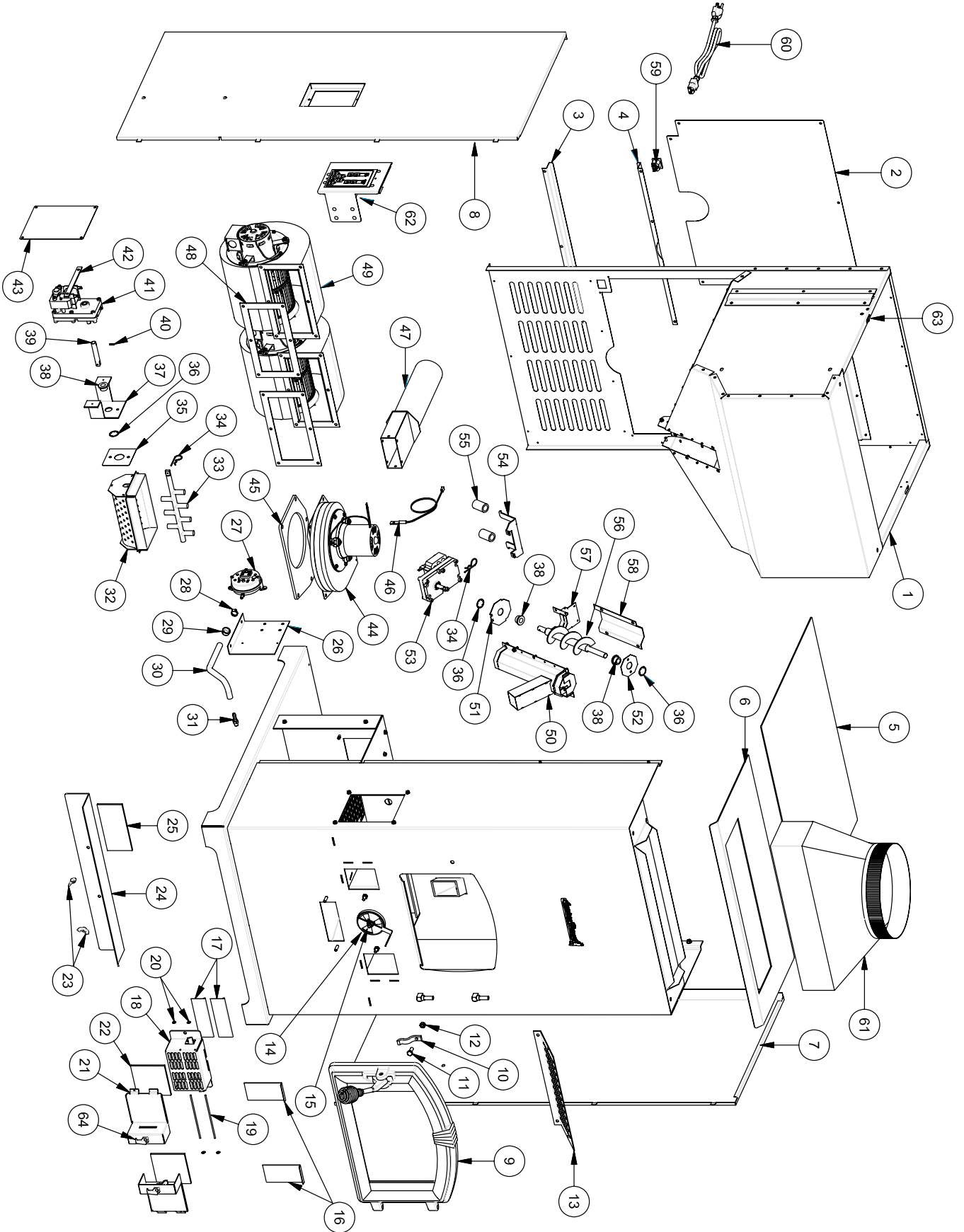
SPRING SHUTDOWN

After the last burn in the spring, remove any remaining fuel from the hopper and the auger feed system. Scoop out the fuel and then run the auger until the hopper is empty and fuel stops flowing (this can be done by pressing the "**ON**" button with the viewing door open). Vacuum out the hopper. Thoroughly clean the burnpot, and firebox. It may be desirable to spray the inside of the cleaned hopper with an aerosol silicone spray if your furnace is in a high humidity area. The exhaust system should be thoroughly cleaned.

YEARLY SERVICING

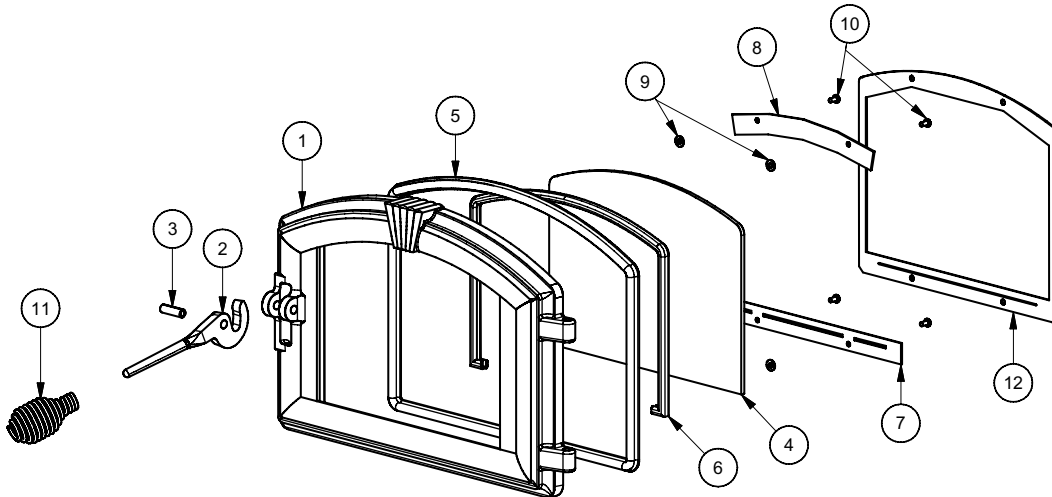
A yearly servicing and cleaning by your Authorized "**American Harvest**" Dealer is recommended. A fee may be charged for this service.

Parts Diagram



Parts List

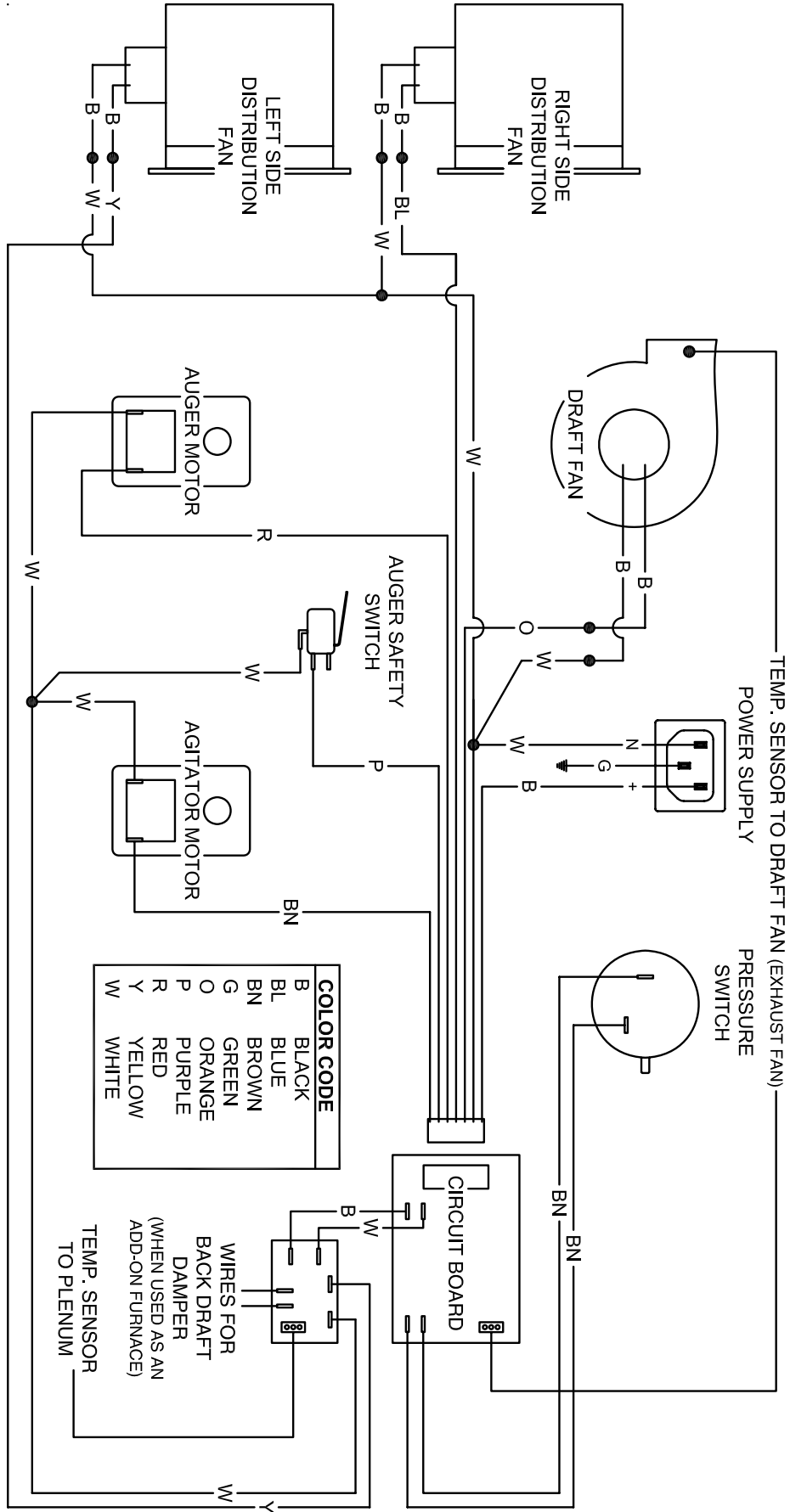
Item	Part No.	Title	Qty.	Item	Part No.	Title	Qty.
1	891282	Assembly, Hopper	1	36	83534	Retaining Ring	3
2	891267	Access Panel, Back	1	37	891220	Mounting Bracket for 3/4" Bushing	1
3	891266	Filter Guide, Bottom	1	38	891132	3/4" Bushing	3
4	891265	Filter Guide, Top	1	39	86620	Agitator	1
5	891287	Assembly, Lid	1	40	83901	Roll Pin	1
6	891247	Assembly, Top Cover	1	41	80488	Drive Motor	1
7	891292	Side Panel, Right	1	42	25427	Retainer, Agitator Motor	1
8	891251	Weld., Left Side Panel	1	43	891284	Access Panel, Agitator Motor	1
9	69524	Assembly, Feed Door	1	44	80495	120 CFM Blower	1
10	25080	Latch, Door	1	45	88123	Gasket, Blower 120 CFM	1
11	83508	5/16-18 x 3/4 Bolt	1	46	80480	Thermistor	1
12	83338	5/16-18 Lock Nut	1	N/S	80501	Thermistor (Long Lead)	1
13	891262	Baffle	1	47	891300	Transition, Exhaust Blower	1
14	891319	Damper	1	48	89319	Gasket, Blower	2
15	83206	5/16-18 Hex Nut	1	49	80230	500 CFM Room Blower	2
16	891283	Cleanout, Ash	2	-	80496	500 CFM Room Blower (Sealed Ball Bearings)	-
17	891290	Flap, Backdraft	2	50	891269	Assy, Auger Housing	1
18	891289	Housing, Backdraft	1	-	69513	Assy, Bushing Retainer Bot. (Items 51, 36, 38)	1
19	891291	Rod, Flap	2	51	891190	Plate, Bottom Bushing	1
20	83550	Fastener, Pushnut (0.125 Dia. Stud)	4	52	891189	Plate, Top Bushing	1
21	891238	Door, Ash Cleanout	1	53	80488	Motor, Drive	1
22	88125	Gasket, Ash Cleanout	2	54	891195	Bracket, Drive Motor	1
23	83551	Wing Nut, 1/4-20 Brass	4	55	891169	Hose, Heater	2
24	891250	Hearth Plate	1	56	891141	Auger	1
25	88124	Gasket, Exhaust Cleanout	1	57	891248	Weldment, Bottom Plate Retainer	1
26	891187	Brkt, Pressure Switch/PCB	1	58	891180	Cover, Auger	1
27	80478	Pressure Switch	1	59	80462	Recepticle, 3 Prong	1
28	83537	Hose Clamp (#4)	1	60	80461	Cord, Power Supply	1
29	83905	3/4" Snap Bushing	2	61	891296	Transition Duct, 10" Round	1
30	891121	Hose, Silicone	1 FT	62	80498	Assembly, Circuit Board	1
31	89586	Nipple, Auger	1	63	80491	Micro-Switch, Hopper Lid	1
32	891258	Weldment, Burnpot	1	64	891327	Latch, Mini-Lift & Turn	2
33	891249	Agitator	1	N/S	80497	Wiring Harness, Main	1
34	83901	Hairpin	2	N/S	80499	Wiring Harness, Lid Switch	1
35	88111	Gasket, Agitator Bracket	1	N/S = Not Shown			
-	891232	Assy, Agitator Bracket (Items 36, 37, 38)	1				



PARTS LIST

Item	Part No.	Title	Qty.	Item	Part No.	Title	Qty.
1	25507	Feed Door	1	9	83278	Washer	4
2	25492	Handle, Door	1	10	83202	Machine Screw	4
3	83506	3/8 x 1 1/4 Roll Pin	1	11	89574	Spring Handle	1
4	891053	Door Glass w/o Logo	1	12	25393	Retainer, Glass (Alternate For 7 & 8)	1
5	88066	5/8" Rope Gasket	4.5 ft	N/S	25080MB	Door Latch	1
6	88087	Glass Gasket (1 x 1 3/16)	3 ft	N/S	83508	5/16-18 x 1-3/4 Bolt	1
7	25520	Bottom Glass Retainer	1	N/S	83338	5/16-18 Lock-Nut	1
8	25521	Top Glass Retainer	1	N/S - Not Shown			

Wiring Diagram



COLOR CODE	
B	BLACK
BL	BLUE
BN	BROWN
G	GREEN
O	ORANGE
P	PURPLE
R	RED
Y	YELLOW
W	WHITE

WIRES FOR
BACK DRAFT
DAMPER
(WHEN USED AS AN
ADD-ON FURNACE)
TEMP. SENSOR
TO PLENUM

Trouble Shooting

- △ **Disconnect the power cord before performing any maintenance! NOTE: Turning the ON/OFF Switch to "OFF" does not disconnect all power to the electrical components of the furnace.**
- △ **Never try to repair or replace any part of the furnace unless instructions for doing so are given in this manual. All other work should be done by a trained technician.**

PROBLEM	CAUSE: To rich air/fuel mixture
Orange, lazy flame_excessive fuel build-up in the burnpot	<ul style="list-style-type: none"> • Clean out the burnpot and burnpot housing • Adjust the air damper on the front of the furnace to an open position. • Make sure that the viewing door is closed and sealed properly. If not, check door gasket.. • Check that all outside connections are clear of any obstructions. • Check the exhaust system; clean as needed.
PROBLEM	CAUSE: Burnpot burns out of fuel
Fire goes out or furnace shuts down.	<ul style="list-style-type: none"> • Hopper is empty, refill the hopper. • Loss of draft pressure. Make sure that the viewing door is closed and sealed properly. Check that all outside connections are clear of any obstructions. Check the exhaust system; clean as needed. • Check that the pressure switch connection to the firebox is free of ash or clear of obstructions. • Auger system is jammed or there is a "bridging" of the fuel in the hopper, preventing fuel from flowing into the auger feed system. • Stove may be shutting down to an over temperature condition.
PROBLEM	CAUSE: Not enough combustion air; Fuel has too much moisture.
Viewing window becoming black shortly after start-up.	<ul style="list-style-type: none"> • Adjust the air damper to a more open position. • Use a fuel with less moisture content
PROBLEM	CAUSE: Not enough combustion air; Fuel has too much moisture.
"Black Popcorn" is present in the burn chamber.	<ul style="list-style-type: none"> • Adjust the air damper to a more open position. • Use a fuel with less moisture content • Stove might be cycling excessively due to temperature cut backs. • Reduce heat setting
PROBLEM	CAUSE: Chemical reaction between the starch in corn and the heat.
"Clinkers" form in burnpot.	<ul style="list-style-type: none"> • Add calcium carbonate (aka chicken scratch or oyster shell). • Adjust air mixture • Use corn with less moisture or starch.
PROBLEM	CAUSE: Unit is reaching the "Almost Over-temp" preset.
Unit cycles up and down when on the "HIGH" heat setting.	<ul style="list-style-type: none"> • Adjust the heat range to lower setting. • Fuel burns hot causing the furnace to cycle between high setting and lower settings.

Error Codes

Below is a chart describing the Error Codes that might be displayed if your unit has the Type B controller.

Error Code	Error Description	Possible Causes
Err1	The high limit temperature sensor has tripped.	<ul style="list-style-type: none"> • Inadequate ventilation. • Room fan failure. • Exhaust Blockage. • Electrical Open in the over temperature switch or wiring.
Err2	Furnace ran out of fuel during normal operation.	<ul style="list-style-type: none"> • Hopper Empty. • Auger output failure or jam. • Flame or fuel quality caused fire to burn too slowly or go out. • Electrical Open in low temperature switch or wiring.
Err3	The furnace was unable to reach the Room Fan On temperature within the startup time.	<ul style="list-style-type: none"> • Flame or Fuel quality caused the fire to burn too slowly or go out. • Auger output failure or jam Hopper empty on startup. • Electrical Open in low temperature switch or wiring.
Err4	The power failed while the furnace was hot, and when power was restored, the fire was out.	<ul style="list-style-type: none"> • Power loss • Electrical Open in low temperature switch or wiring.
Err5	The Auger output fuse has blown.	Auger motor jammed or bad.
Err6	The Agitator output fuse has blown.	Agitator motor jammed or bad.
Err7	The Draft Fan (Exhaust Fan) output fuse has blown.	Draft Fan motor jammed or bad.
Err8	The Room Fan blower output fuse has blown.	Room fan motor jammed or bad.

Flashing Indicators

Several situations or events are indicated in normal operation by blinking display indicators or segments in the display:

Flashing On Indicator : This means that the furnace is in the “Lighting” state waiting for either a 3 minute timeout to begin burning or for the furnace to reach the warm temperature whichever comes first.

Flashing Off Indicator : This indicates that the furnace is in the “Shutdown” state waiting for the OFF button, or for a 15 minute period after the furnace was turned off, or for the furnace to cool down, or for the door to be closed.

Flashing dash “-“ in Heat Range Display : This indicates that the furnace is in the normal run mode and is ramping from the current heat range setting to the target heat range setting. Once the ramp is complete, the “-“ will stop flashing. For ramping from heat range 1 to 3, the default time is 90 seconds between internal settings.

Flashing Automatic Mode Indicator : This indicates that the furnace is in normal operation and is running in the automatic mode. However, either the Draft Fan or Auxiliary setting is manually configured.

Flashing Draft Fan Setting Indicator : This indicates that the furnace is in normal operation and that the vacuum sensor detects a loss of pressure either because the door is open or because there is a negative pressure in the room with respect to the exhaust.

Flashing Heat Range Setting Indicator : This indicates that the furnace is in normal operation and that an overtemperature condition exists causing the fuel to stop.

Flashing Auger Delay Indicator : This indicates that the furnace is in normal operation and that the hopper lid is open.

Notes

Notes

HOW TO ORDER REPAIR PARTS

THIS MANUAL WILL HELP YOU OBTAIN EFFICIENT, DEPENDABLE SERVICE FROM YOUR KING OR ASHLEY, AND ENABLE YOU TO ORDER REPAIR PARTS CORRECTLY.

KEEP THIS MANUAL IN A SAFE PLACE FOR FUTURE REFERENCE.

WHEN WRITING, ALWAYS GIVE THE FULL MODEL NUMBER WHICH IS ON THE NAMEPLATE ATTACHED TO THE HEATER.

WHEN ORDERING REPAIR PARTS, ALWAYS GIVE THE FOLLOWING INFORMATION AS SHOWN IN THIS LIST:

1. THE PART NUMBER
2. THE PART DESCRIPTION
3. THE MODEL NUMBER: 6100
4. THE SERIAL NUMBER: _____

United States Stove Company
227 Industrial Park Road
P.O. Box 151
South Pittsburg, TN 37380
(423) 837-2100
WWW.USSTOVE.COM