



*Keeping
North America Warm
Since 1869*

American Harvest



CORN & PELLET MULTIFUEL STOVE 6037 OWNER'S MANUAL

Installation - Operation - Maintenance Instructions - Repair Parts

READ THIS ENTIRE MANUAL, THOROUGHLY, BEFORE ATTEMPTING TO INSTALL AND/OR BURN YOUR NEW AMERICAN HARVEST CORN AND PELLET MULTI-FUEL STOVE. FAILURE TO FOLLOW THESE INSTRUCTIONS MAY RESULT IN PROPERTY DAMAGE, BODILY INJURIES OR EVEN DEATH.

Safety Notice: If this stove is not properly installed, a **house fire may result**. For your safety, follow the installation directions. Contact local building or fire officials about restrictions and installation requirements peculiar to your area. **Do Not Plug** this appliance into an electrical outlet before reading and understanding all operations and **always unplug** the unit before attempting any work or maintenance. Do not connect this stove to any chimney flue already serving another appliance. Carefully observe and maintain all **clearances and combustibles**.

A note about fuel: Use only **dried shelled corn** with a moisture content of 14% or less (**11 to 12% provides the best results**); any pellet fuel used should have an ash content of 1% or less. If not efficiency will suffer, and your warranty may be voided.

Your American Harvest Corn/Pellet Stove operates on a negative pressure. Therefore, **all venting connections (elbows, T-pipe) must be sealed and airtight**.

Use Hi-Temp silicone at each joint or connection.

SAVE THESE INSTRUCTIONS

UNITED STATES STOVE COMPANY GRANTS NO WARRANTY, IMPLIED OR STATED, FOR THE INSTALLATION OR MAINTENANCE OF THE STOVE AND ASSUMES NO RESPONSIBILITY FOR ANY CONSEQUENTIAL DAMAGE(S).

UNITED STATES STOVE COMPANY - 227 INDUSTRIAL PARK ROAD-SOUTH PITTSBURG, TN. 37380
TECHNICAL ASSISTANCE (423) 837-2100 - (423) 837-2109 FAX

CONGRATULATIONS!

You've purchased one of America's Finest Multifuel Burning Stoves. By heating with fuels such as corn and pellets, you're helping CONSERVE AMERICA'S ENERGY!

NOTE: YOUR UNIT MUST BE INSTALLED BY A QUALIFIED INSTALLER, such as an NFI Certified Specialist

We strongly suggest installing smoke detectors in your home if not already installed.
Initial burn off may cause slight smoke and odor the first few hours of operation.

SPECIFICATIONS

United States Stove Company (manufacturer of the **American Harvest Multifuel Pellet Stove**) reserves the right to alter products, specifications and price without notice.

Safety Tested & Listed to ASTM- E 1509, ULC-C 1482, (UM) 84-HUD, by OMNI Test Laboratories, Inc., Beaverton, Oregon USA

Heat Output ☆	53,200 BTU/HR
Heating Capacity	1,200 Sq. Ft ★
Fuel Storage Capacity	60 Lbs.
Width	28 in./711mm
Height	33 in./838mm
Depth	28 in./711mm

☆ BTU output will vary, depending on the brand, type and quality of fuel and the moisture content. Consult your dealer for best results.

★ Based on house construction, post 1982

Remember, this stove should not be used as the only source of heat in the house. Power outages and periodic maintenance will result in a total loss of heat.

SAFETY STEPS

IMPORTANT: Proper installation of this stove is necessary for safe and efficient operation. Installing this product improperly may result in a house fire and personal injury. All applicable building codes for your location must be followed. In areas where building codes require additional steps to the installation of this product not included in this manual the building codes will take precedent and must be followed. Contact your local building inspector to obtain any necessary permits or inspection guidelines before installing the product.

- The **American Harvest** stove is designed to burn dry shelled corn, cherry pits, or pelletized fuel such as wood pellets. The burning of other solid fuels such as cord wood or wood chips in this stove is not permitted.
- This product requires simple periodic maintenance for proper operation and long life of the stove. Read and follow the maintenance schedule closely.
- **DISCONNECT THE POWER CORD BEFORE SERVICING THIS STOVE!**
- **A power surge protector is required.** The unit must be plugged in to a **grounded** 110-volt power source.
- Always route the power cord away from the unit. Do not route cord in foot traffic areas. Do not pinch cord under furniture.
- A working smoke detector must be installed in the same room as this product.
- Flammable or explosive liquids such as gasoline, naphtha, alcohol or engine oil must **NEVER** be used in or around this stove. These liquids must be stored well away from this stove as the open flame in the burner chamber could ignite the fumes of such liquids. Do not burn garbage in this unit.
- The moving parts of this stove are propelled by high torque electric motors. The auger and Fuel Agitator can cause severe injury to body parts that may get near them. Keep all body parts away from the auger and Fuel Agitator while the stove is plugged into an electrical outlet. These moving parts may begin to move at any time while the stove is plugged in.
- According to HUD requirements, when installed in a mobile home, this stove must be grounded directly to the steel chassis of the mobile home and bolted to the floor. Direct air access must be provided - Use 67FAK Fresh Air Kit
- This stove is not intended for use in commercial installations.
- Do not connect this stove to "B" vent. **Use UL Listed Pell Vent ONLY!**

BURNING SOLID FUELS

Ashes will have to be Removed from the stove periodically. See cleaning procedure. You can minimize cleaning required and maximize efficiency by maintaining the correct draft settings. See "Setting the Draft" further in the manual.

The draft setting on your stove may have to be changed from time to time to accommodate your specific burning conditions. Proper draft setting will be discussed later in this manual. The point we wish to make here is that your **American Harvest** stove, due to the nature of solid fuels, will require brief periodic attention. Please do not expect to light your stove and walk away from it. A few moments of adjustment and cleaning from time to time is an important part of burning solid fuels, due to the vast differences in fuel, humidity and outside temperature.

The **American Harvest** stove has been designed to burn dry shelled corn, wood pellets and other pelletized fuels that meet Association of Pellet Fuel Industries standards.

BURNING SOLID FUELS continued...

SHELLED CORN (Dry, preferably corn with 11- 12% moisture content)

- **Corn must contain less than 14% moisture content.** Wet corn will rapidly deteriorate stove components, reduce efficiency and void all warranties. Purchase a moisture tester if in doubt.
- Corn must be clean and free from debris. Never burn corn right from the field. Damage caused by dirty corn is not covered by the product warranty. Ask for clean **filtered** bagged corn only. Stalk parts, excessive fines and cob remnants will clog the auger.
- **NEVER BURN SEED CORN IN YOUR STOVE.** Seed corn is treated with chemical pesticides that are harmful or fatal if swallowed, therefore, seed corn is dangerous to have in the house, especially where children can reach it.
- Never burn "Deer Corn." It frequently contains molasses/sugars.
- Store your corn supply in a dry place and keep bags or container sealed to prevent your corn from absorbing excess moisture. Test the moisture content periodically to ensure the proper dryness.
- There are many varieties of corn grown around the world. Each variety has unique characteristics including the shape and size of the kernel. Your stove will burn more consistently with a small to midsize kernel corn. If the kernel size of the corn varies greatly or if you switch sources frequently, you will get a less consistent burn, which will require more attention to the draft setting on your stove. Therefore, purchasing corn from the same source will help achieve a more consistent burn. **DO NOT USE CORN WITH A HIGH WAX CONTENT!**

WOOD PELLETS

- As with corn, be consistent in your pellet supplier. Pellets will vary in content and burn characteristics from supplier to supplier. A consistent supply of pellets will require fewer adjustments to the draft of the stove.
- Check your pellets for foreign objects. Your stove warranty will not cover damage done to your stove due to foreign objects in the fuel supply.
- Store your pellets in a dry place to prevent them from absorbing added moisture.
- To decrease sawdust buildup, the hopper will need to be vacuumed out after every 6-8 bags of pellets or more often if the pellets are poor quality. You may have to screen each bag of pellets if sawdust becomes a problem.
- Wood Pellets vary in size and ash content from less than 1% to 3% or more. Your stove will burn more efficiently with small to midsize pellets. Low ash content pellets will allow you to burn the stove longer between cleanings. Only wood pellets manufactured to the Association of Pellet Fuel Industries (A.P.F.I.) standard for residential pellets fuels are recommended. Performance will suffer if nonstandard pellets are used. Consult your local **American Harvest** reseller for more information on approved wood pellet fuel.

CAUTION: DO NOT PLACE SUCH FUELS WITHIN THE SPACE HEATER'S INSTALLATION CLEARANCES OR WITHIN THE SPACE REQUIRED FOR CHARGING AND ASH REMOVAL.

INSTALLATION REQUIREMENTS

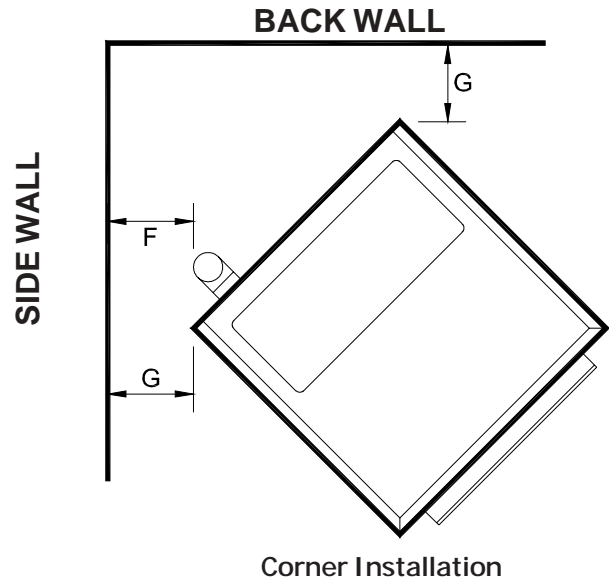
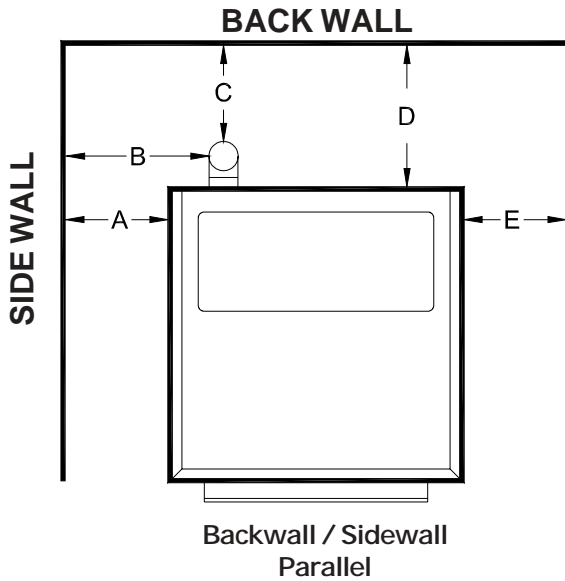
FLOOR PROTECTION

The **American Harvest Multifuel Stove** may be installed on a combustible floor, **with proper floor protection**, or on a masonry hearth. The hearth or noncombustible floor protector must extend a minimum of (6) inches (152mm) in front and (6) inches (152mm) from each side of the ash removal door.

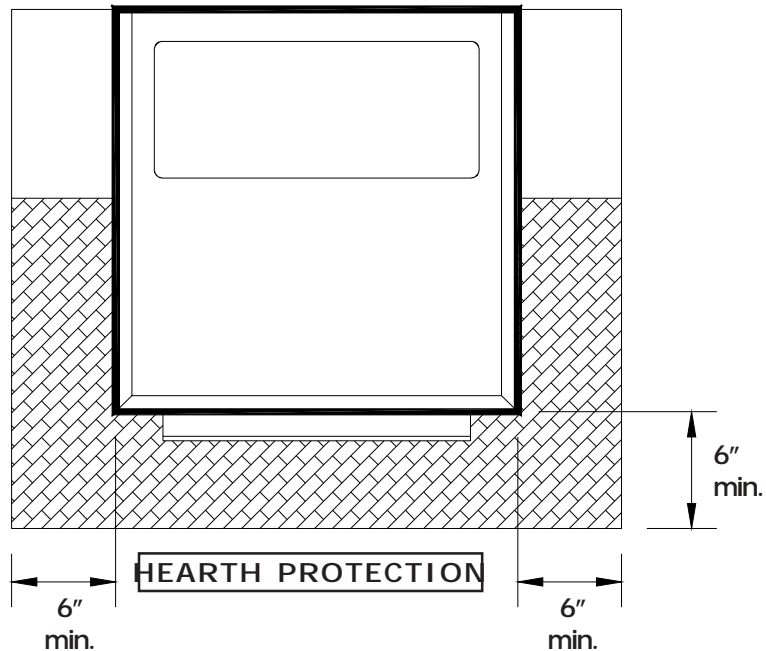
CLEARANCES TO COMBUSTIBLES

The stove must be installed with the following minimum clearances to side and back wall combustible materials. **NOTE:** These are minimum clearances to combustible walls established by the testing lab. The amount of room needed on the left side of the unit to access the electrical panel is (6) six inches (152mm).

PARALLEL -	A - Left Sidewall to Top Edge of Unit	6 in./152mm
	B - Sidewall to Flue	5 in./127mm
	C - Backwall to Flue	3 in./75mm
	D - Backwall to Unit	9 in./228mm
	E - Right Sidewall to Top Edge of Unit	2 in./50mm
CORNER -	F - Adjacent Wall to Flue	3 in./75mm
	G - Adjacent Wall to Unit	4 in./100mm



NOTE:
Allow sufficient space to remove the left and right side panels for maintenance purposes.



These clearances must be maintained and may only be reduced by means approved by the regulatory authority

GUIDELINES FOR EXHAUST VENTING SYSTEMS DESIGN

It is recommended that only an authorized installer install your pellet/corn stove, preferably an NFI certified specialist. The following installation guidelines must be followed to ensure conformity with both the safety listing of this stove and to local building codes.

INSTALL VENT AT CLEARANCES SPECIFIED BY THE VENT MANUFACTURER.

- A UL listed 3" or 4" type "PL" pellet vent exhaust system must be used for installation and attached to the pipe connector provided on the back of the stove. Use a 3" to 4" adapter for 4" pipe. A cap must be used at the termination of type "L" vent chimneys. 4" PL is required for elevations above 2,500 feet above sea level.
- Do not terminate vent in any enclosed or semi-enclosed area, such as; carports, garage, attic, crawl space, under a sundeck or porch, narrow walkway or close area, or any location that can build up a concentration of fumes such as a stairwell, covered breezeway etc.
- Vent surfaces can get hot enough to cause burns if touched by children. Noncombustible shielding or guards may be required.
- **Do not install a flue damper in the exhaust vent of this unit.**
- Termination must exhaust above air inlet elevation. Installation MUST include three (3) vertical feet of pellet vent pipe. This will create some natural draft to prevent the possibility of smoke or odor during appliance shutdown and to keep exhaust from causing a nuisance or hazard from exposing people or shrubs to high temperatures. **Do not connect this unit to a chimney flue serving another appliance. Do not connect directly to a masonry chimney.**
- Distance from doors and windows, gravity or ventilation air inlet into building:
Not less than 4 ft./1.2m below, 4ft./1.2m horizontally from, 1ft./305mm above(This does not apply if the windows are non-opening or have been fixed so they cannot open.)
- Distance from bottom of termination and grade-1ft./305mm minimum. This is conditional upon the plants and nature of grade surface. The exhaust gases are not hot enough to ignite grass, plants or shrubs located in the vicinity of the termination. The grade surface must not be a lawn. Distance from bottom of termination and public walkway is 7ft./2.1m minimum.
- Distance to combustible materials-2ft./610mm. This includes adjacent building, fences, protruding parts of the structure, roof overhang, plants and shrubs, etc.
- The installation must include a cleanout tee to enable collection of fly ash and to permit periodic cleaning of the exhaust system. 90° elbows accumulate fly ash and soot thereby reducing exhaust flow and performance of the stove. Each elbow or tee reduces draft potential by 30% to 50%.
- Total length of horizontal vent must not exceed 48"(4ft.)/1,200mm. All joints in the vent system must be fastened by at least 3 screws, and all joints must be sealed with RTV silicone sealer to be airtight.
- The "PL" vent or single wall stainless exhaust system must be installed so as to be GAS TIGHT! The vent manufacturer's installation procedures must be followed. In addition, pipe connections, joints and all pipe seams within the home should be sealed with high temperature RTV silicone sealer.
- The area where the vent pipe penetrates to the exterior of the home must be sealed with silicone or other means to maintain the vapor barrier between the exterior and the interior of the home.

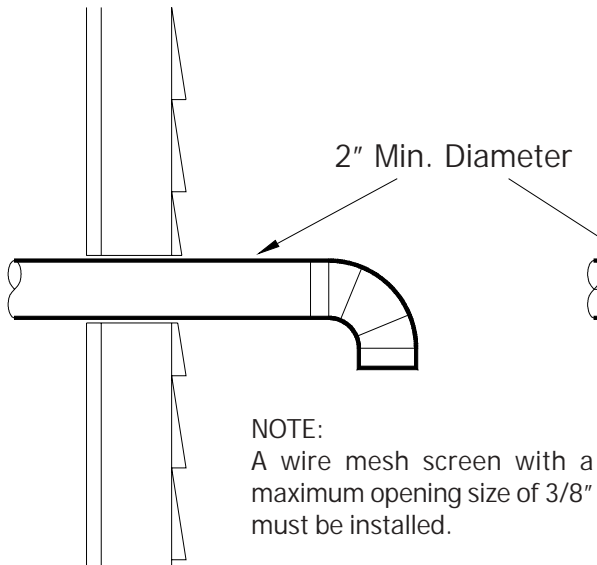
NOTE: These are guidelines only. Proper venting is accomplished by design and common sense. In most installations 3" inch diameter venting is adequate. If it does not vent properly you will have to change it to 4".

DO NOT CONNECT TO ANY AIR DISTRIBUTION DUCT OR SYSTEM

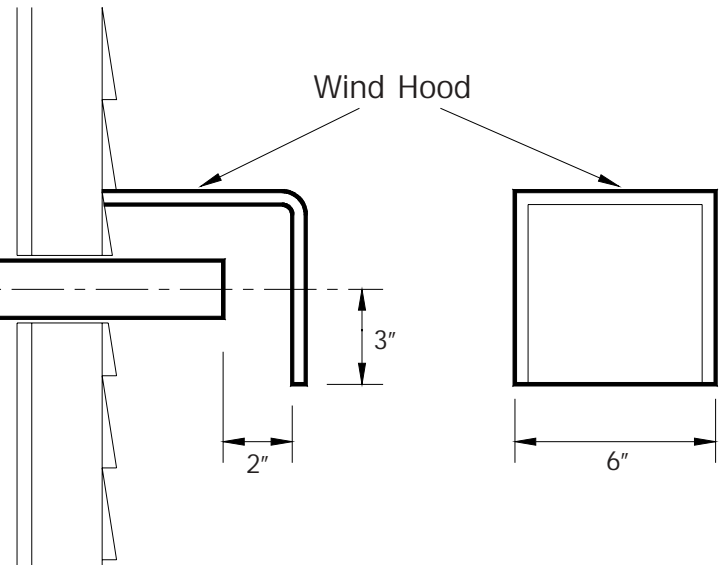
DESIGN GUIDELINES FOR OUTSIDE COMBUSTION AIR CONNECTION

- 1) For installations with horizontal through-the-wall exhaust, it is strongly recommended that the stove combustion air be connected to the outside. If the home is newer or has been tightly insulated it is required to install outside combustion air.
- 2) Connection to outside the house is REQUIRED for mobile home installations. We strongly urge use of the 67FAK Fresh Air Kit.

90 DEGREE BEND TERMINATION



WIND HOOD TERMINATION



- 3) Only noncombustible pipe 2 inches in diameter is approved to use for outside air connections (straight or flexible). PVC pipe is NOT approved and should NEVER be used.
- 4) If the air inlet is connected to the outside, it MUST be terminated with a vertical 90-degree bend (down) or with a wind hood. Failure to do so could result in a burn back during high winds blowing directly up the air inlet during a simultaneous power failure (see diagram above).
- 5) Blockage, excessive length, or extra bends in the air intake pipe will starve the stove of combustion air. A 90-degree bend is equivalent in restriction to approximately 30 inches of straight inlet pipe.

CAUTION: The operation of exhaust fans such as bath room fans, attic fans, etc. might starve the heater of combustible air creating a negative pressure in the room. Provide adequate ventilation in the room accompanying the heater. If not, the pressure switch may shut off operation of the heater. (Due to negative pressure)

INSTALLATION CONFIGURATIONS

Note: Where passage through a wall, or partition of combustible construction is desired, the installation shall conform to CAN/CSA -B365

The American Harvest Corn/Pellet Stove Model 6037 may be installed as follows:

- 1) A freestanding unit

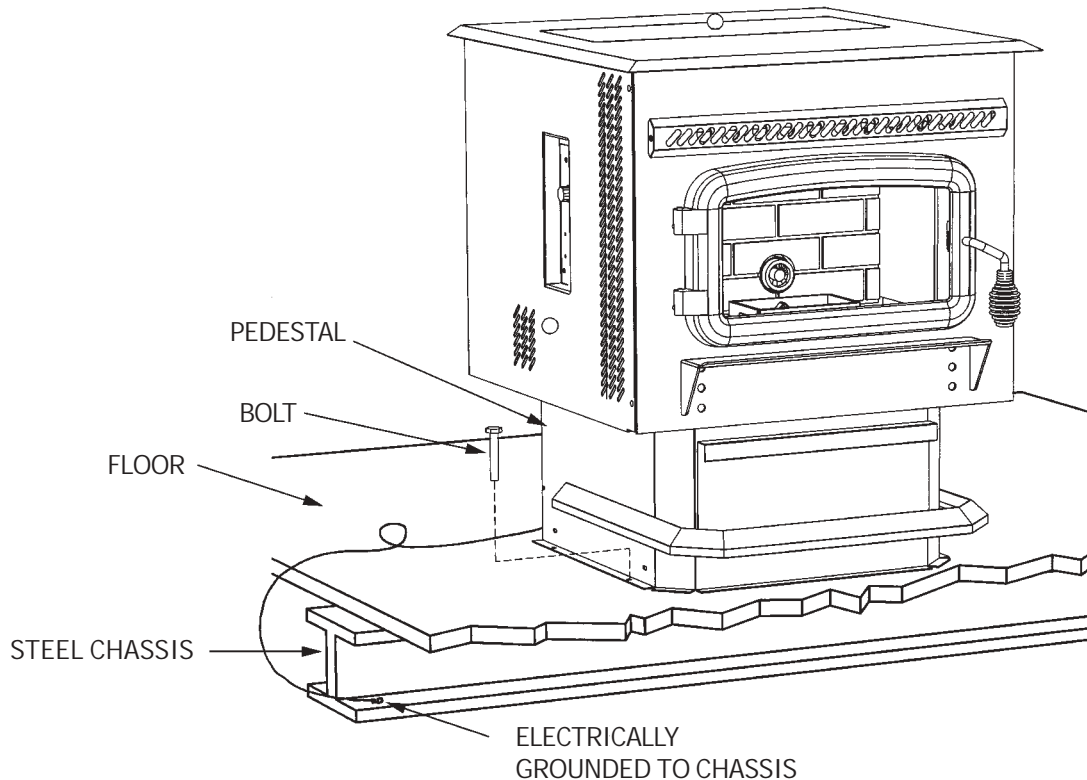
MOBILE HOME INSTALLATION REQUIREMENTS

IN ADDITION TO THE STANDARD INSTALLATION INSTRUCTION, THE FOLLOWING REQUIREMENTS ARE MANDATORY FOR INSTALLATION IN A MOBILE HOME:

WARNING
DO NOT INSTALL IN SLEEPING ROOM

- 1) Stove must be permanently bolted to the floor. Remove the Base Trim and bolt thru the base flange.
- 2) Stove must have permanent outside air source. (67FAK)
- 3) Stove must be permanently electrically ground to the steel chassis of the mobile home.
- 4) All vertical chimney vent must have wall supports.
- 5) All exhaust systems must have a spark arrestor.

CAUTION
**THE STRUCTURAL INTEGRITY OF THE MOBILE HOME FLOOR, WALL AND CEILING/
ROOF MUST BE MAINTAINED.**
Check with your local building official as other codes may apply.

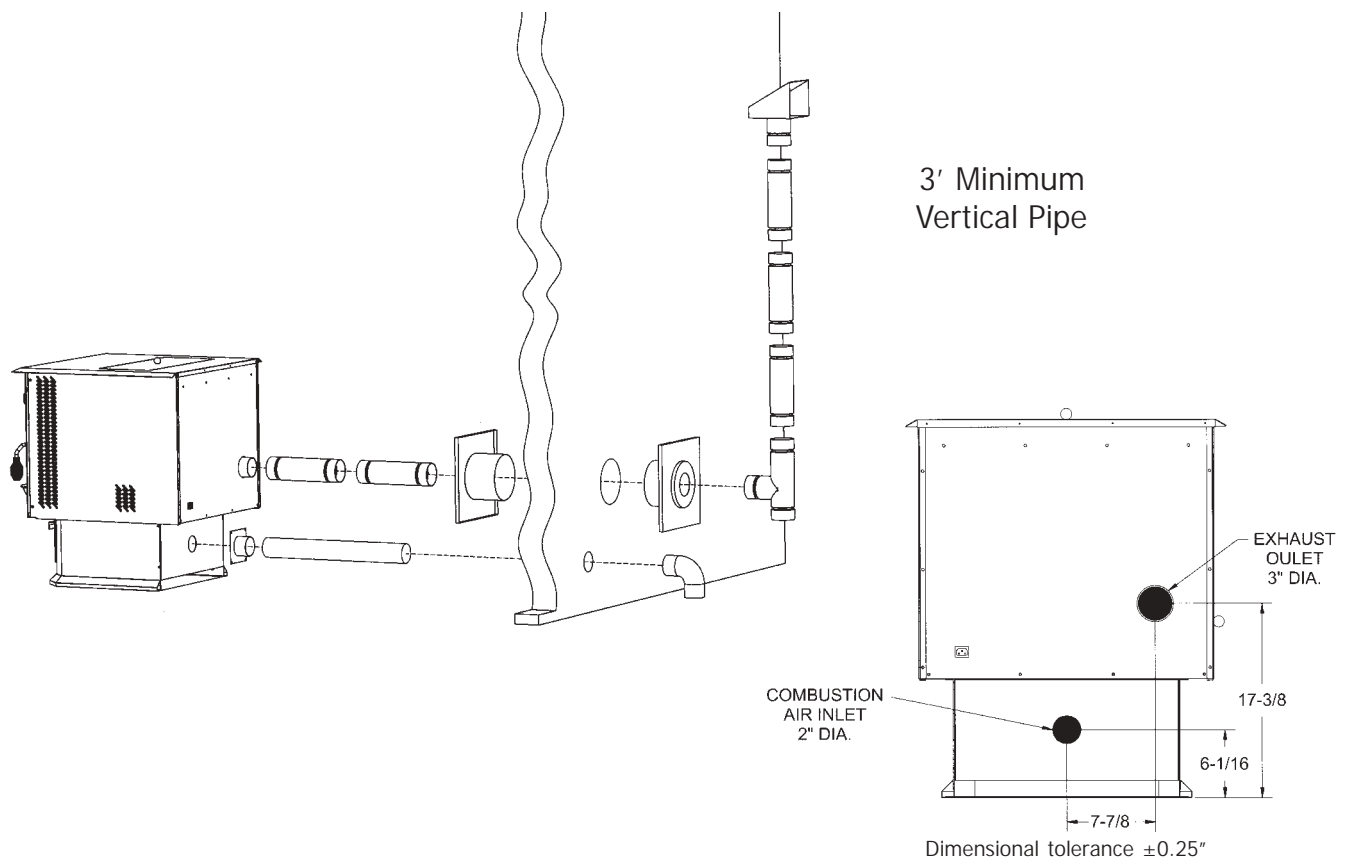


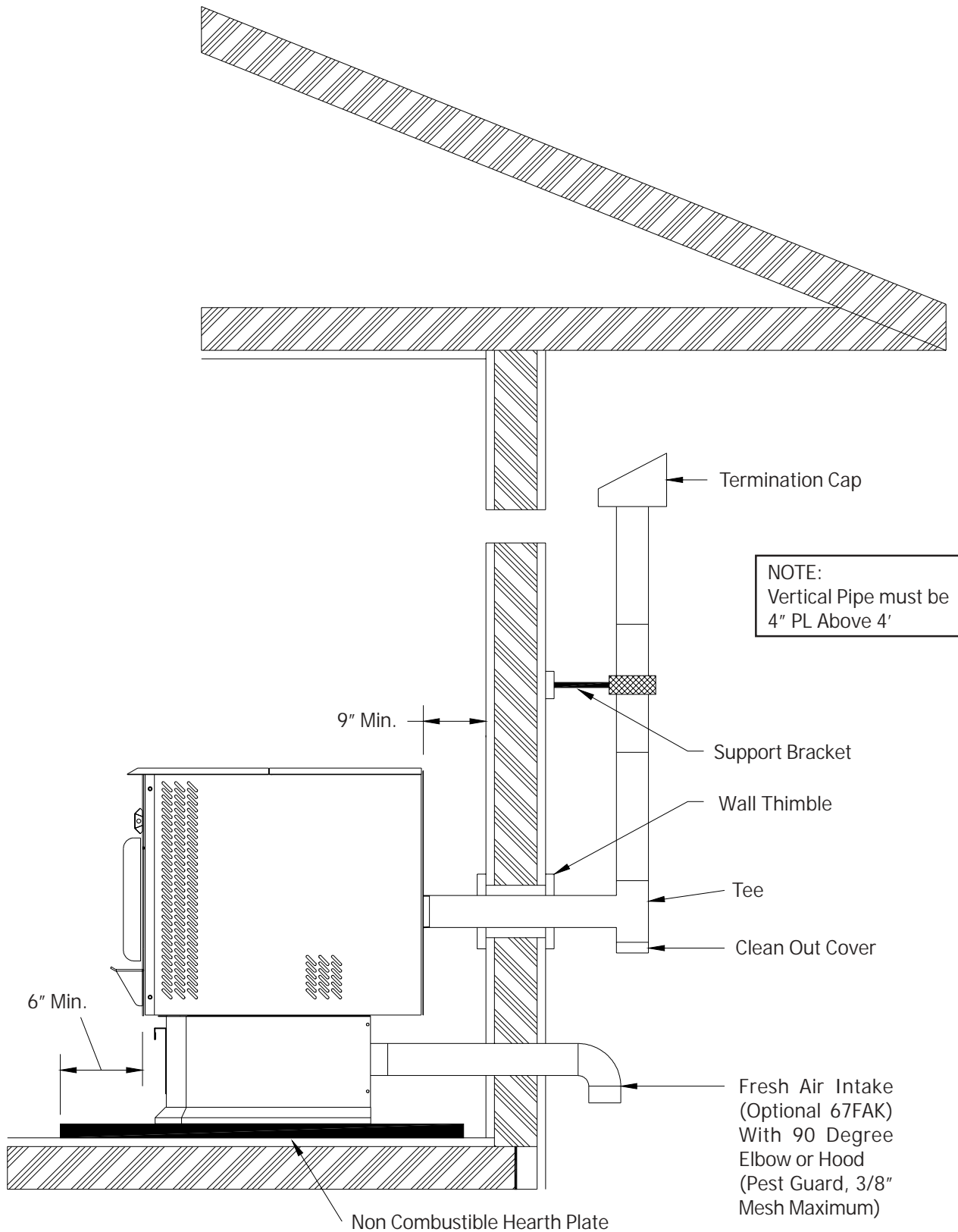
FREESTANDING STOVE INSTALLATION REQUIREMENTS

Horizontal Exhaust Termination:

- 1) Locate proper position for the type "PL" wall thimble (F).
- 2) Use a saber saw or keyhole saw to cut a 7 1/4-inch diameter hole through the wall (E) for a 3-inch pipe. For a 4-inch pipe, cut an 8 1/4-inch hole. Install the wall thimble (F) in the hole. The size of hole opening will vary with brand of wall thimble.
- 3) Position stove approximately 12" from the wall on the noncombustible floor pad. Push the type "PL" pipe (B) through the wall thimble (D). Squeeze a bead of high temperature RTV silicone sealer (A) around the outside of the 3" diameter exhaust pipe approximately 1/2" from the stove back panel. Firmly push on a section of type "PL" pipe (B) until the inner pipe liner pushes up against the bead of RTV sealer. Don't seal the entire 3" diameter pipe as you will not be able to disassemble the pipe at a later date. The bead of silicone will act as a gasket right on the end of the 3" pipe (B).
Alternate Method: An approved type "PL" connector back clamp may be used to allow easy disconnect for maintenance. (The RTV sealant must be used in mobile home installation)
- 4) Push stove with pipe attached towards wall. Pipe (B) will go through the wall thimble (F). Be careful not to dislodge the thimble. Position stove not closer than 9" to the wall.
- 5) Install type "PL" termination cap (G) with rodent screen cap (optional) on outside end of pipe. **Note:** The end of the exhaust pipe must extend a minimum of 12 inches from the outside of the building. Rodent screen cannot be less than 3/8" opening mesh.
- 6) If installing with combustion air from outside, cut a separate hole through the wall for the fresh air tube (C). This tube must be 2" minimum diameter pipe. Connect outside air pipe inlet on stove. This tube must be terminated with a 90 degree elbow or hood.

Note: Always check dimensions on unit before cutting hole in wall





The Hearth Pad is not required under the unit if the floor is noncombustible but is required 6 inches (152mm) beyond the front of the unit and 6 inches (152mm) beyond each side of the door.

THROUGH THE WALL, VERTICAL PIPE INSTALLATION WITH TERMINATION CAP

GLASS MAINTENANCE, REMOVAL AND REPLACEMENT

Your **American Harvest Corn/Pellet Stove** comes to you with the glass door installed in place, ready for use. The glass is surrounded on the edges with a gasket and seated in a glass channel. It is held in place with four (4) clips.

REMOVAL OF BROKEN OR DAMAGED CERAMIC GLASS

Open the door and lift off of hinges. If the door is tight, tap gently on the bottom of the door with your hand or rubber hammer. Lay door down on newspaper with glass clips facing you. Using a #2 Phillips screwdriver, loosen the screws and take off the glass clips. Remove the broken glass carefully and discard.

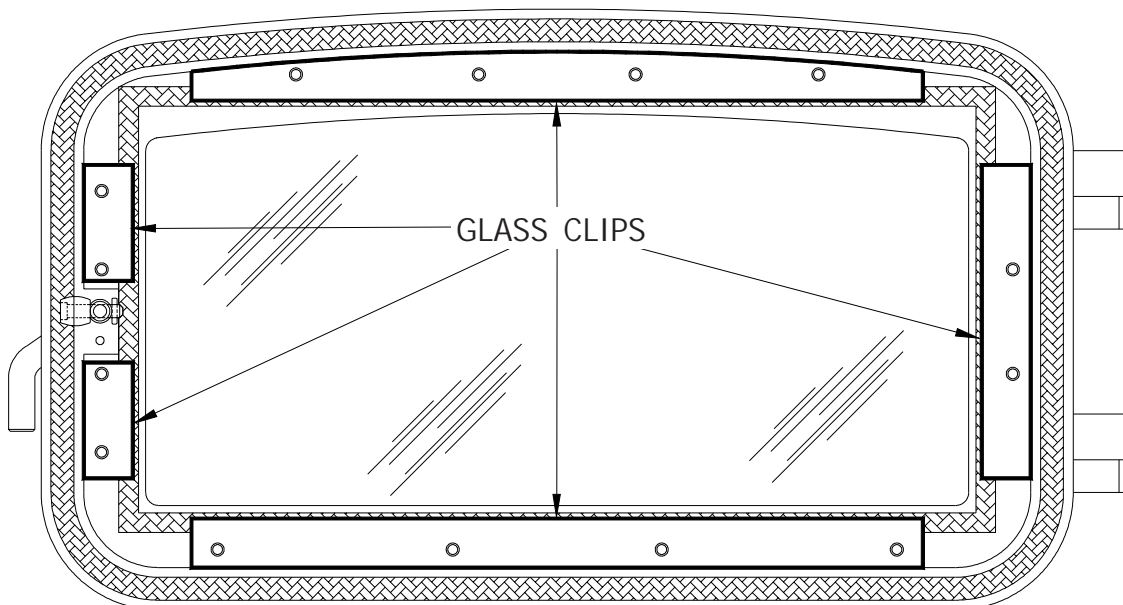
Reverse the above procedure for replacing new glass with new gasket.

WARNING

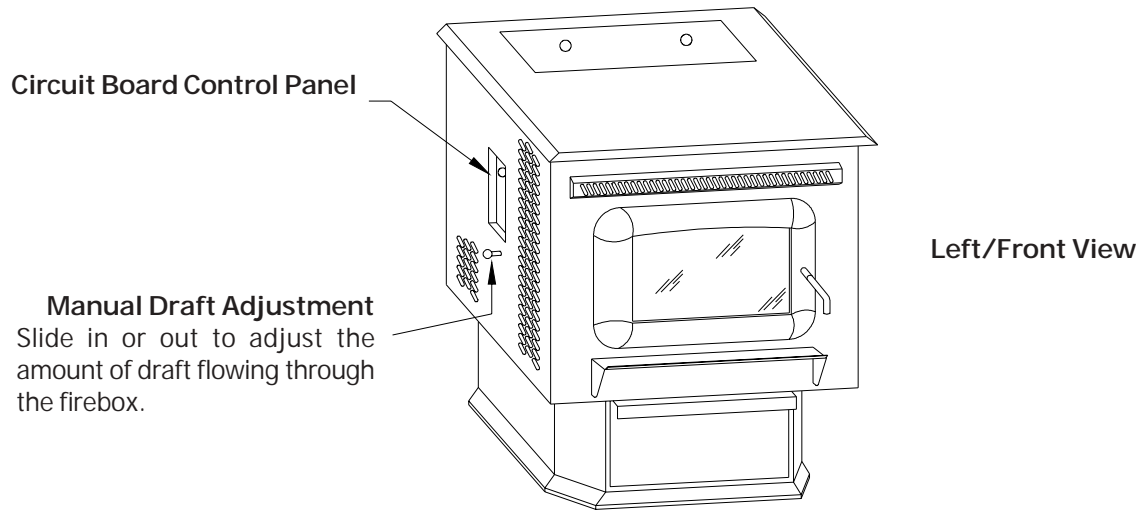
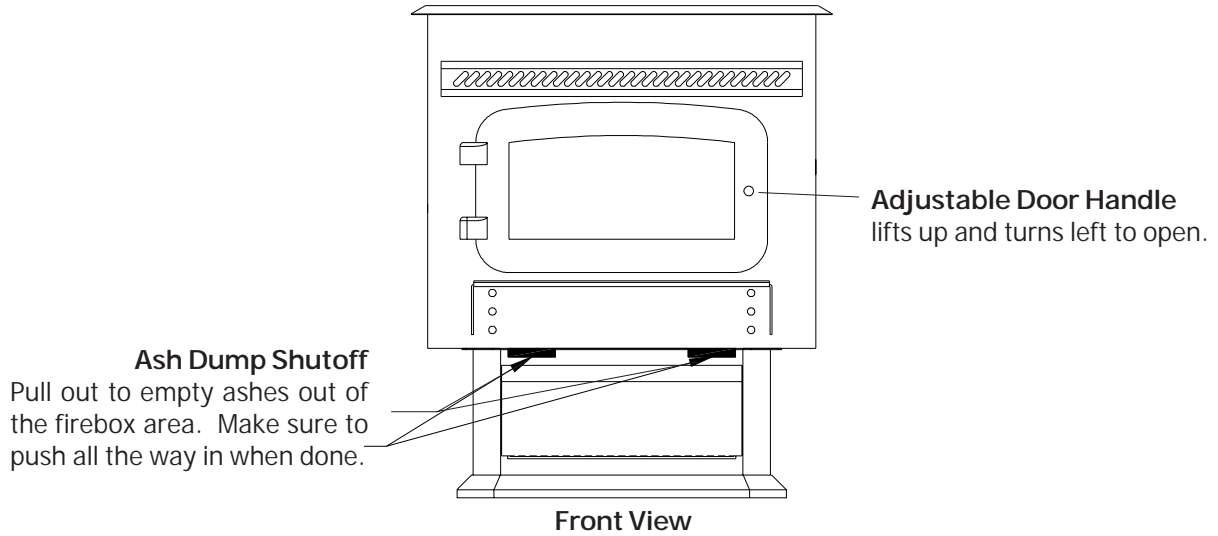
**Do not operate unit with broken glass.
Do not substitute original factory glass.
You must use only factory authorized glass;
Do not slam door shut.
Do not strike glass.
Do not use abrasive cleaners.
Do not clean when glass is hot.**

CLEANING THE GLASS

When the fire is first started, it will produce some smoke. The smoke might accumulate on the glass surface. Before the fire gets hot, open the door and wipe the glass surface off with a damp rag. Do not touch the surface with your hands. If after constant use, the glass is dirty, you must clean the glass so that it will not become etched with the fly ash. When the glass has cooled off, take a damp rag, put a little fly ash from the unit on it and clean the glass. If this does not clean the glass use a non-abrasive spray; 409 works well.



STOVE CONTROLS



Service Note:

For service needed inside the cabinet, remove the retaining screws at front and rear. **CAUTION!** Use care, panel is heavy. When removing either panel, remove top screw last. Remove draft knob and remove panel with care, in order to not damage the wiring harness. **BE SURE** that the unit is unplugged from the power source before servicing.

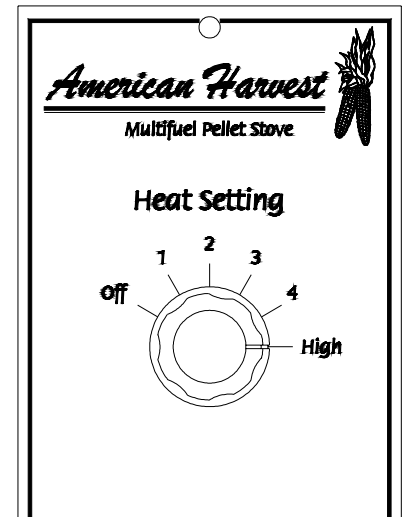
LIGHTING INSTRUCTIONS

CAUTION: DO NOT USE CHEMICALS OR FLUIDS TO START THE FIRE HOT WHILE IN OPERATION. KEEP CHILDREN, CLOTHING AND FURNITURE AWAY. CONTACT MAY CAUSE SKIN BURNS.

Before lighting your **American Harvest** for the first time, make sure that all items are out of the hopper, ash pan and firebox area. Turn the heat settings knob to the High position and pull the manual draft out as far as it will go. Allow your American Harvest to run for at least 4 minutes to check for proper operation. Once your American Harvest is started, you will notice the exhaust blower starts immediately. After running for 3 minutes the agitator and auger should begin rotating. **Note:** The distribution blower will not operate at this time, as a temperature of at least 110 degrees must be reached before operating. If proper operation of your American Harvest is confirmed, you can add fuel to the hopper and allow the auger to purge the fuel to the firepot.

TO START:

- Turn the **American Harvest** to the "OFF" position and place a small handful of wood pellets or fire starting pellets (Pellets that already contain fire starter) in the firepot.
- Squirt only a small amount of fire starter gel on top of the wood pellets (NOT necessary if using fire starting pellets).
- Light the fire starter and wait approx. 1-minute for it to start actively burning.
- Turn the heat setting knob to the number 1 setting and pull out the manual draft knob approx. 1/4 inch. (Adjust as necessary).
- Adjust the manual draft knob so that you have an active fire with occasional sparks flying from the firepot. This level cannot be determined quickly as minor adjustments will have to be made until the main fuel starts feeding and the unit is up to temperature.
- **NOTE: Even if you are burning corn or other fuels in your unit, wood pellets make an excellent source of starter fuel. Corn takes too much starter to get lit and up to temperature.**
- Three minutes after the heat knob is turned to the #1 setting the fuel will start to feed into the firepot. If the firepot begins to fill up with unburned fuel, open the manual draft knob a little to burn up excess fuel. **If the fire is going out because there is too much fuel coming in, turn the heat setting knob off and then turn back on. This will give you another 3 minutes before fuel feeds in.**
- If the fire is burning too fast and the fuel is being burned up too quickly, increase the heat setting or push the manual draft knob in a little to slow the fire down. This should be done in small 1/8" increments so that the fire doesn't change too quickly.
- Once the fire has established itself (usually within 10 minutes) set the heat setting to the #3 position and adjust the manual draft knob so that there is approximately 1/2 - 1 inch of fuel in the bottom of the firepot. **Do not let the fuel build up any higher than that or it will cause the fire to burn dirty and you will get excessive ash. If the fuel level is too low (below 1/4") the fire may go out.**
- As you begin to have better understanding of how **American Harvest** operates and the amount of heat you require, you can adjust the heat settings up or down to your satisfaction.
- **Never use gasoline, gasoline-type lantern fuel, kerosene, charcoal lighter fluid, or similar liquids to start or 'freshen up' a fire in this heater. Keep all such liquids well away from the heater while it is in use.**
- **Do Not Overfire** - If the heater is being overfired, burned too hot, the heater will automatically shutdown to avoid damage to components in the heater. Refer to "Lighting Instructions" for proper use.



Damper Control Function

The damper control knob is located on the left side of the unit close to the circuit board access panel. You pull out on the knob to increase the air to the firepot and push in to decrease the air to the firepot. The proper setting will vary from home to home and with fuel quality, so fine tuning has to be done in the home with the fuel that you plan to use.

When you change fuel sources it may become necessary to readjust the damper control knob. You may have to continually adjust the manual knob when changing the fuel setting.

SETTING THE DRAFT

A proper draft setting is crucial to the successful burning of solid fuels. Draft refers to the amount of air flowing through the burn chamber of your stove. Too much or too little draft will cause your stove to burn improperly and may result in the fire burning out or excessive deposits (clinkers). Please follow these guidelines carefully as you operate your stove to achieve maximum efficiency and enjoyment.

- The amount of draft required for your stove to burn properly will depend upon your installation and the fuel you use. You can set your draft by looking at the flame and following these guidelines. The manual draft knob is the rod and knob on the left side of the stove. Pulling the knob out increases the draft and pushing the knob in decreases the draft. A little movement of the knob goes a long way to changing the flame. It may take several trial and error adjustments on the draft to achieve the correct setting.
- The flame should be an "active" flame. A flame that moves around lazily and emits visible smoke needs more draft. To give the fire more draft, pull the damper out 1/8" and check the flame again. If the status of the flame has not changed, move damper another 1/8" until you get a clean "dancing" flame.
- The base of the flame should be blue in color and the top of the flame should be yellow.
- If the flame does not have enough draft, fuel will build up in the firepot and eventually smother the flame. If this happens, or if you notice the firepot is filling up with partially burned fuel, open the damper 1/8" at a time until the fire is clean and dancing.
- If the flame has too much draft, the flame will look like a torch in that it will be moving rapidly and blowing fuel and sparks out of the firepot. If you find that you have this condition, move the damper inward 1/8" at a time until the condition of the flame changes.

DISPOSAL OF ASHES

Disposal of Ashes

Ashes should be placed in a metal container with a tight fitting lid. The closed container of ashes should be placed on a noncombustible floor or on the ground, well away from all combustible materials, pending final disposal. If the ashes are disposed of by burial in soil or otherwise locally dispersed, they should be retained in the closed container until all cinders have been thoroughly cooled.

MAINTENANCE INSTRUCTIONS

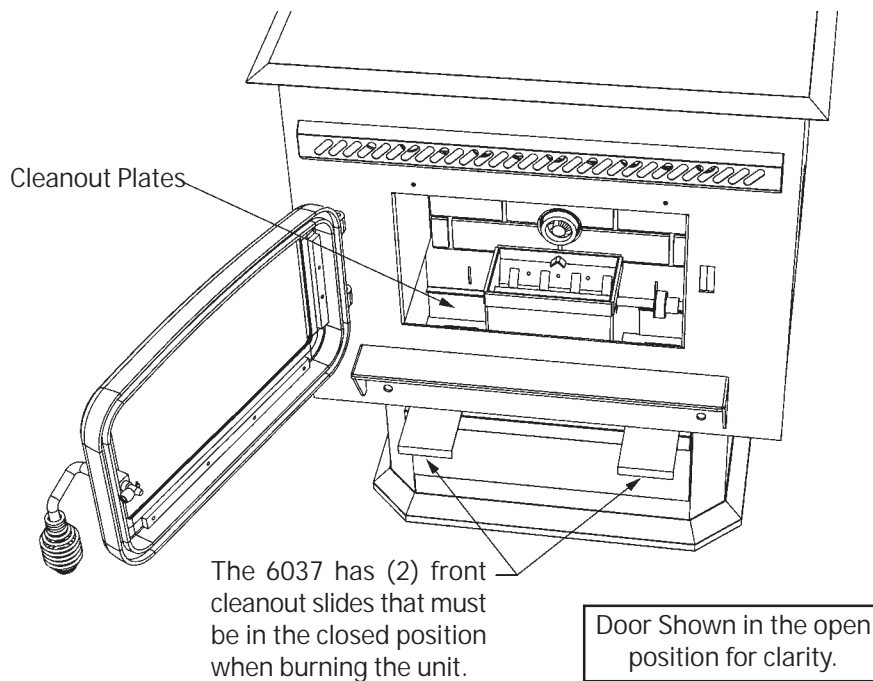
Soot and Flyash - Formation and Need for Removal

The products of combustion will contain small particles of flyash. The flyash will collect in the exhaust venting system and restrict the flow of flue gases. Incomplete combustion, such as occurs during startup, shutdown, or incorrect operation of the room heater will lead to some soot formation which will collect in the exhaust venting system. The exhaust venting system should be inspected at least once per month (of heavy use) to determine if cleaning is necessary. Corn has a high ash content.

Daily Maintenance

- **Surfaces on the front of the stove will be extremely hot during operation.** Always wear heat resistant gloves to perform periodic maintenance.
- Using a wooden stick, tap the side heat exchangers that are located on the left and right sides of the firebox. When you open the door, they are located directly inside to the left and right. When you tap the sides with the wooden stick the loose fly ash will drop out of these holes.
- Pull the lower front ash clean-outs out and scrape any fly ash down into the pedestal ash pan. Push them back in all the way.
- While you are tapping the side heat exchangers, we recommend that you pull the draft knob all the way out for a minute or two and put the unit on high fire. This will allow the unit to self-clean the heat exchanger area, the draft fan and exhaust chimney pipe.
- If clinkers develops in the firepot, clean thoroughly. You may have to do this once or twice a day depending on the moisture content of the corn. If this is not cleaned out, it could cause the fuel stirrer to jam. Clinkers are a direct result of excessive corn moisture, or excessive air, and do not indicate a problem with the stove. USSC highly recommends an additive (see Additive Pg. 17) be added to your corn to eliminate these clinkers. Contact your local Feed and Seed for availability and cost. You will need this additive if the agitator "fingers" develop an accumulation or build-up.

Maintenance Instructions Continued...



SPECIAL CLEANING/OPERATIONAL INSTRUCTIONS:

After cleaning or when operating the unit you need to make sure that the clean-out plates, the two inside the firebox and the two just under the firebox on the front of the unit, are in the closed position. Push the front (2) clean-out slides all the way in and make sure that you have replaced the left & right clean-out plates that are located on the inside of the unit (these plates are located inside the firebox to the left and right of the firepot in the lower corners of the firebox). If these plates are not in the closed position the unit will burn dirty.

Weekly Maintenance

- Set the stove on high fire. Open the draft to 100% and allow the stove to burn for 15 minutes. Resume desired heat and draft setting.
- Shut down the stove as directed in the operating instructions. Allow the stove to cool to room temperature. Remove the small clean-out slides in the lower corners of the firebox. Tap the sides of the burn chamber with a wooden stick. Do not tap the firewall behind the burn box as it may damage the insulation. Scrape the fly ash from the clean-out chambers toward the front of the burn chamber. Remove the fly ash from the burn chamber and replace the clean-out chamber doors.
- Remove the ash pan and dump the ash into a metal container.
- Cleaning of the exhaust system will depend upon the ash and debris content of your fuel. If your fuel has a high ash content and/or significant debris in it, your exhaust system will require weekly cleaning. Cleaner fuels will allow for monthly cleaning of the exhaust system. Remove the exhaust pipe from the back of your stove and remove any ash that may have collected in the pipes. Replace the pipes to the stove and seal with high temperature seal tape. If you have installed proper clean out tees you will not have to take the chimney sections apart.
- While you are doing your weekly cleaning, have the unit set on high and the draft knob all the way out. Remember the unit is not burning. After cleaning, push the draft knob back into the closed position.

REMEMBER: A clean unit burns efficiently and will remain trouble free!

SPRING CLEANING:

When the heating season is over make sure that you clean out all of the fuel in the hopper, firebox area, ash pan and firepot area. Corn and any ash can accumulate moisture over the summer months causing the unit to rust and the fuel to mold.

It is recommended that prior to shutting down the unit in the spring, run the unit on the higher settings for a day to help clean out the heat exchanger system, venting system and firebox area.

When the unit is cleaned out, take the venting apart, clean out the fly ash, rinse the venting out with a water hose and let dry, take the draft blower off and clean, clean out all areas such as back heat exchanger and lubricate the auger, auger tube, firepot area, fuel stirrer shaft and bearings and hopper area with a light oil (something like Pam cooking oil works great to coat the inside of the unit and the moving parts). Clean the glass, doors and outer cabinet so that you are ready for the next heating season. Use of a wet/dry vacuum makes all clean out easier and cleaner.

AUTOMATIC SAFETY FEATURES

WARNING

These automatic safety features must not be bypassed

- **Power Outage**
During a power outage, the stove will shut down safely. It will not automatically restart when the power returns, unless the exhaust is still up to temperature (see "Lighting Instructions" page 16).
- **Overheating**
A high temperature switch will automatically shut down the stove if it overheats. The stove will need to be manually relit. Allow 45 minutes before relighting.
- **Auger Guard**
A heavy gauge wire grid (guard) is installed near the top of the hopper. DO NOT REMOVE! It's purpose is to prevent contact with the auger.

FUEL ADDITIVE

Chicken Scratch for my Corn Burner?

Yes - Crazy as it may sound, ground Oyster Shells, (calcium carbonate) same as fed to chickens, is the ideal additive to promote clean burning, especially when the Corn Fuel is extra high in starch. And it's available at your local Feed and Seed.

The "average" mixture is 1/2 pound of Oyster Shells (about 2 handfuls) to 60 pound of Corn, a full hopper. IF the "fingers" on your agitator (stirrer or rouser) have a noticeable buildup of "clinkers" or stubborn deposits, you have either a high starch fuel OR are burning with too much air for proper combustion and are reaching the "fusion" temperature of the Potassium and/or Starch in the Corn. You need Oyster Shells - and maybe more than a couple handfuls.

If you notice a heavy accumulation of "whitish powder" in your burn pot, reduce the amount of Oyster Shell Additive.

Remember, using this additive- as necessary - promotes efficiency (higher heat output), reduces maintenance, clinkers and ash content.

CIRCUIT BOARD FUNCTIONS

START-UP SEQUENCE OF EVENTS

Once the control panel is turned to one of the five heat settings, a timer begins that will start, stop and continue operation of the **American Harvest** as a preset temperature is achieved.

COMPONENT	OPERATION START	OPERATION END
Exhaust Blower	Starts Immediately	Will continue until shutdown. Shutdown will occur when the operating temperature is below 90 degrees.
Agitator	Three minutes after starting the agitator will begin to turn	Will continue intermittently, has determined by the "HEAT SETTING", until shutdown
Auger	Three minutes after starting the auger will begin to turn	The auger will continue at the feed rate specified by the "HEAT SETTING". NOTE: Safety switches, HI limit and vacuum sensor, must be activated to continue proper operation.
Room Fan	Begins when 110 degrees is reached.	Will continue to operate until the AMERICAN HARVEST cools down to below 90 degrees. This may take several minutes up to an hour.
Automatic Shutdown	If after 15 minutes, the American Harvest has not reached the preset operating temperature, the unit will begin to automatically shut down. This will be evident by the green light on the control board flashing.	Should the timer expire before the preset operating temperature is achieved, resetting the time is possible by switching the control knob to the "OFF" position and back on to one of the "HEAT SETTINGS".
Normal Operation	If after 15 minutes the preset operating temperature of 110 degrees is achieved, normal operation will continue.	Operation will continue until either the AMERICAN HARVEST control knob is turned to the "OFF" position, or the operating temperature falls below 90 degrees. At such time the AMERICAN HARVEST will default to the "Automatic Shut Down".

CIRCUIT BOARD FUNCTIONS continued...

SHUTDOWN SEQUENCE OF EVENTS

Once the **AMERICAN HARVEST** has reached the normal operating temperature and switched to the “OFF” position, the unit will continue to operate on a much lower setting for 10 minutes. (Approximately half of the “1” setting). After 10 minutes the auger will slow down further and continue at this feed rate until the **AMERICAN HARVEST** “LOW LIMIT SAFTEY” sensor tells the control board it is safe to shutdown.

COMPONENT	SHUTDOWN	OPERATION END
Exhaust Blower	Unchanged operation until preset “OFF” temperature is achieved.	Continues until the operating temperature falls below 90 degrees. May take several minutes up to an hour.
Agitator	Continues at a lower sequence	Continues until the operating temperature falls below 90 degrees.
Auger	Slows down to a “ <i>HALF SETTING</i> ” for 10 minutes and then to a “ <i>QUARTER SETTING</i> ” for the duration of the shutdown.	The auger will continue at the lower feed rates until the operating temperature falls below 90 degrees. NOTE: Safety switches, HI limit and vacuum sensor, must be activated to continue proper operation.
Room Fan	Unchanged operation until preset “OFF” temperature is achieved.	Will continue to operate until the AMERICAN HARVEST cools down to below 90 degrees. This may take several minutes up to an hour.
Automatic Shutdown	If the American Harvest “HI LIMIT” sensor snaps open, this will cause an automatic shutdown. This will be evident by the green light on the control board flashing. NOTE: “HI LIMIT” errors are usually the result of operating at the highest heat setting for long periods of time, room fan failure or loose wire connection.	It is rare that the HI LIMIT temperature is reached. However, should this error occur, let the AMERICAN HARVEST cool down for an hour then restart.

CAUTION: When performing any internal electrical maintenance

- Moving parts inside of the cabinet may cause injury. Do not operate unit with panels removed or open.
- **HOT** parts. Do not operate the unit with panel open.
- Risk of electric shock. Disconnect power before servicing unit.
- In the event of component failure, replace with the original factory equipment.

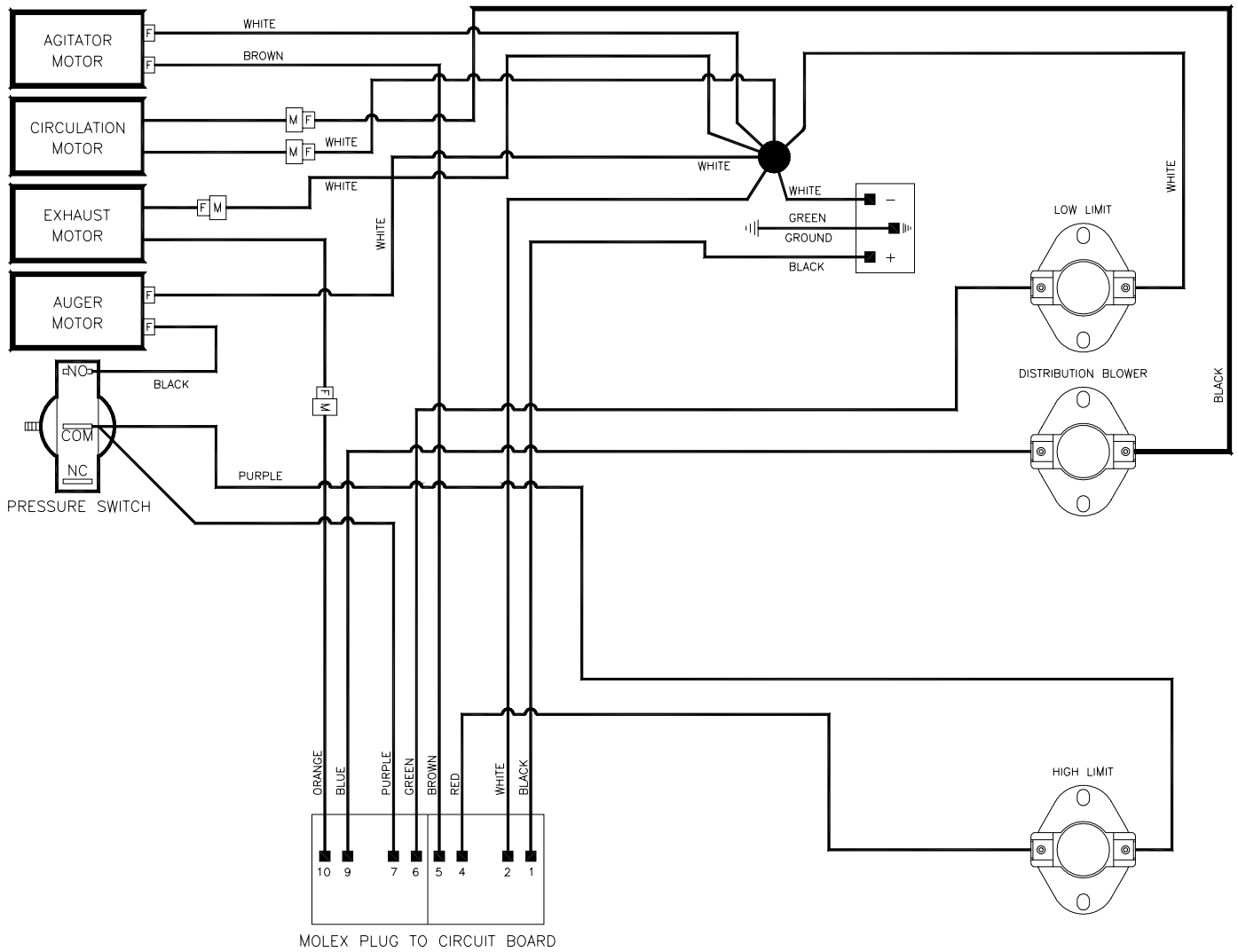
TROUBLE SHOOTING

Unplug stove before performing any maintenance

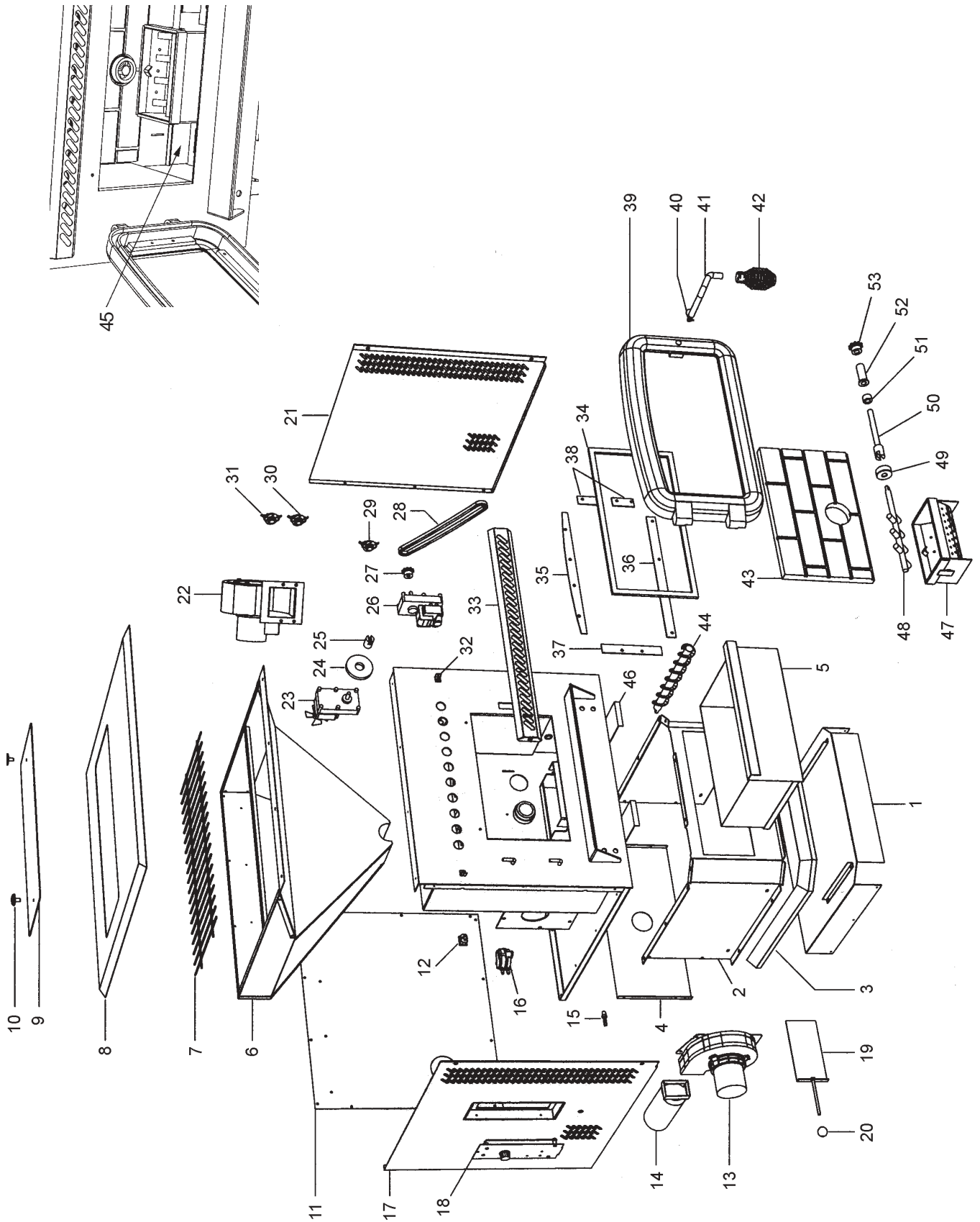
PROBLEM	CAUSE: Too rich air/fuel mixture	
<p>? Fire burns with a lazy, orange flame and/or fuel builds up in the firepot. Glass may become dirty.</p>	<ul style="list-style-type: none"> ✓ Increase air by pulling out air damper. ✓ Make sure glass door is shut and sealed tightly. If not, adjust door handle or replace gasket. ✓ Check ash removal slide plates are pushed completely in. ✓ Check that exhaust fan is running and venting properly. If not, check connection and clean or replace. ✓ Moisture content above 15%. Allow fuel to dry or mix with wood pellets. 	<ul style="list-style-type: none"> ✓ Check inside stove and exhaust pipes for blockage. Tap inside walls of firebox, clean behind lower access plates (located on the back inside wall, next to the firepot) clean firepot and firebox vent holes above firebrick panel. ✓ Feed rate is too HI for fuel, reduce heat setting. ✓ Inadequate combustion air available, add outside combustion air. (Optional kit 67FAK)
<p>? Fire goes out or stove shuts down. Fuel may stop feeding.</p>	CAUSE: Firepot burns out of fuel	
	<ul style="list-style-type: none"> ✓ Hopper empty, refill ✓ Auger jams. Remove auger and clean. (Auger jams can be a problem if poor quality fuel is used. Or excessive fines (sawdust, corn cobs or husk) are found in hopper. Auger jams are evident when the auger turns but no fuel is delivered. 	<ul style="list-style-type: none"> ✓ Improper air mixture can cause the stove to burn fuel faster than the auger is feeding. Reduce combustion air by adjusting air damper or increase feed rate by changing the heat setting.
<p>? Fire goes out or stove shuts down. Fuel may stop feeding.</p>	CAUSE: Auger stops turning	
	<ul style="list-style-type: none"> ✓ Auger has come loose. Check to see if auger motor is turning and auger is not. NOTE: Auger is held to the auger motor by a coupler that is fastened to the auger motor with a setscrew. Simply slide the auger into the auger housing and rotate until it fits into the coupler. If coupler is loose, remove auger motor and tighten setscrew in coupler. ✓ Low limit sensor. If green light on control board is flashing, turn stove off and back on to reset. 	<ul style="list-style-type: none"> ✓ Hi limit sensor. Evident when stove is extremely hot and green light on control board is flashing. Allow stove to cool for 1 hour and restart. ✓ Vacuum switch tripped. Caused by exhaust blower not running or venting blocked. Check blower, clean or replace. Clean venting of blockage. ✓ Auger motor not operating. Inspect connection and replace if necessary.

NOTE: Negative pressure in a home is a serious issue. All American Harvest appliances should be installed with the optional fresh air kit (67FAK).

WIRING DIAGRAM



REPAIR PARTS DIAGRAM-6037



REPAIR PARTS LIST-6037

KEY	PART #	DESCRIPTION	QTY.
1	69437B	Ash Pan Guide Assy., Painted	1
2	25309B	Pedestal, Painted	1
3	25158B	Pedestal Trim, Painted	1
4	25317B	Pedestal Back, Painted	1
5	69364B	Ash Pan, Painted	1
6	69443	Hopper Assembly	1
7	891118	Safety Guard	1
8	25315B	Cabinet Top, Painted	1
9	25316B	Hopper Lid, Painted	1
10	89899	Brass Knob	2
11	25314B	Cabinet Back, Painted	1
12	80462	Power Supply Plug	1
N/S	80461	Power Supply Cord	1
13	80454	Exhaust Blower	1
14	86592	Exhaust Pipe	1
15	89586	Brass Nipple	1
16	80471	Pressure Switch	1
N/S	80312	Neoprene Tubing	3 ft.
N/S	80312	Neoprene Tubing	14 in.
17	69444B	Cabinet Side - Left, Painted	1
18	80470	Circuit Board	1
19	69383	Draft Adjustment Slide	1
20	891066	Knob	1
21	25312B	Cabinet Side - Right, Painted	1
22	80453	Distribution Blower	1
23	80456	Auger Motor	1
24	83511	Rubber Washer	1
25	891055	Coupling	1
26	80457	Agitator Motor	1
27	891083	Agitator Sprocket	1
28	891058	Chain	1
29	80455	Auger Safety Switch (F250 Thermodisc- 60T11)	1
30	80381	Low Limit Switch (F110 Thermodisc- 60T12)	1
31	80381	Distribution Blower Limit Switch (F110 Thermodisc- 60T12)	1
N/S	80477	Wiring Harness	1
N/S	80446	Wire (Green - 13") - Ground	1
32	25170	Gold Trim Bracket	2
33	891073	Gold Trim	1
34	891075	Glass & Gasket	1
35	891076	Top Glass Retainer	1
36	891079	Bottom Glass Retainer	1
37	891078	Right Side Glass Retainer	1
38	891077	Left Side Glass Retainer	2
39	891074	Door	1
40	891089	Roller Latch Stop	1
41	891084	Door Handle	1
42	89574	Spring Handle	1
N/S	891089	Spring Pin, Door	1
43	891064	Ceramic Brick	1
44	891054	Auger	1
45	25173	Cleanout, Firebox	2
46	25325B	Cleanout Slides, Painted	2
47	69363	Burn Pot	1
48	891059	Agitator	1
49	69358	Shaft Collar	1
50	69359	Drive Shaft Weldment	1
51	83510	Drive Shaft Set Coupling	1
52	891092	Agitator Bushing	1
53	891057	Drive Shaft Sprocket	1

FOR MODEL: 6037

N/S = NOT SHOWN

Notes

HOW TO ORDER REPAIR PARTS

THIS MANUAL WILL HELP YOU OBTAIN EFFICIENT, DEPENDABLE SERVICE FROM YOUR AMERICAN HARVEST, AND ENABLE YOU TO ORDER REPAIR PARTS CORRECTLY.

KEEP THIS MANUAL IN A SAFE PLACE FOR FUTURE REFERENCE.

WHEN WRITING, ALWAYS GIVE THE FULL MODEL NUMBER WHICH IS ON THE NAMEPLATE ATTACHED TO THE HEATER.

WHEN ORDERING REPAIR PARTS, ALWAYS GIVE THE FOLLOWING INFORMATION AS SHOWN IN THIS LIST:

1. THE PART NUMBER
2. THE PART DESCRIPTION
3. THE MODEL NUMBER: 6037
4. THE SERIAL NUMBER: _____



United States Stove Company
227 Industrial Park Road
P.O. Box 151
South Pittsburg, TN 37380
(423) 837-2100
WWW.USSTOVE.COM