



MODEL / MODÈLE : PB260PSP2
PART / PIÈCE : 10725



PIT STOP PORTABLE PELLET GRILL

IMPORTANT, READ CAREFULLY, RETAIN FOR FUTURE REFERENCE. MANUAL MUST BE READ BEFORE OPERATING!

GRILL À GRANULES PORTABLE PIT STOP

IMPORTANT, PRENEZ CONNAISSANCE DE CE DOCUMENT ET CONSERVEZ-LE POUR RÉFÉRENCE ULTÉRIEURE. VOUS DEVEZ LIRE CE GUIDE AVANT D'UTILISER LE BARBECUE!

FOR OUTDOOR AND HOUSEHOLD USE ONLY. NOT FOR COMMERCIAL USE.
RÉSERVÉ À L'USAGE EXTÉRIEUR ET RÉSIDENTIEL UNIQUEMENT.
NON DESTINÉ À UN USAGE COMMERCIAL.



PATIO POSITION
POSITION DU PATIO

TAILGATING &
TRAVEL POSITION
POSITION D'ACCROCHAGE
ET DE VOYAGE

INSTRUCTIONS AND RECIPES | INSTRUCTIONS ET RECETTES

WARNING: Please read the entire manual before installation and use of this electric, pellet fuel burning appliance. Failure to follow these instructions could result in property damage, bodily injury or even death. Contact local building or fire officials about restrictions and installation inspection requirements in your area.

AVERTISSEMENT : Veuillez lire l'intégralité du manuel avant l'installation et l'utilisation de cet appareil électrique, à granules. Ne pas suivre ces instructions peut entraîner des dégâts matériels ou des blessures corporelles graves pouvant aller jusqu'à la mort. Contactez les responsables locaux de la construction ou des incendies au sujet des restrictions et des exigences d'inspection de l'installation dans votre région.

**RECIPES INCLUDED
RECETTES INCLUSES**

SAFETY INFORMATION

MAJOR CAUSES OF APPLIANCE FIRES ARE A RESULT OF POOR MAINTENANCE AND A FAILURE TO MAINTAIN REQUIRED CLEARANCE TO COMBUSTIBLE MATERIALS. IT IS OF UTMOST IMPORTANCE THAT THIS PRODUCT BE USED ONLY IN ACCORDANCE WITH THE FOLLOWING INSTRUCTIONS.

Please read and understand this entire manual before attempting to assemble, operate or install the product. This will ensure you receive the most enjoyable and trouble-free operation of your new wood pellet grill. We also advise you retain this manual for future reference.

DANGERS AND WARNINGS

You must contact your local home association, building or fire officials, or authority having jurisdiction, to obtain the necessary permits, mission or information on any installation restrictions, such as any grill being installed on a combustible surface, inspection requirements or even ability to use, in your area.

1. A minimum clearance of 914mm (36 inches) from combustible constructions to the sides of the grill, and 914mm (36 inches) from the back of the grill to combustible constructions must be maintained. **Do not install appliance on combustible floors, or floors protected with combustible surfaces unless proper permits and permissions are obtained by authorities having jurisdiction.** Do not use this appliance indoors, in an enclosed or unventilated area, inside homes, vehicles, tents, garages. This wood pellet appliance must not be placed under overhead combustible ceiling or overhang. Keep your grill in an area clear and free from combustible materials, gasoline and other flammable vapors and liquids.

Should a grease fire occur, turn the grill OFF and leave the lid closed until the fire is out. Unplug the power cord. Do not throw water on the unit. Do not try to smother the fire. Use of an all-class (class ABC) approved fire extinguisher is valuable to keep on site. If an uncontrolled fire does occur, call the Fire Department.

2. Keep electrical supply cords and the fuel away from heated surfaces. Do not use your grill in the rain or around any water source.
3. After a period of storage, or non-use, check the fire pot for obstructions, the hopper for foreign objects, and any air blockage around the fan intake or chimney. Clean before use. Regular care and maintenance is required to prolong the lifespan of your unit. **If the grill is stored outside during the rainy season or seasons of high humidity, care should be taken to insure that water does not get into the hopper.** When wet or exposed to high humidity, wood pellets will expand greatly, decompose, and may jam the feed system. Always disconnect the power, before performing any service or maintenance.

Do not transport your grill while in use or while the grill is hot. Ensure the fire is completely out and that the grill is completely cool to the touch before moving.

4. It is recommended to use heat-resistant barbecue mitts or gloves when operating the grill. Do not use accessories not specified for use with this appliance. Do not put a barbecue cover or anything flammable in the storage space area under the barbecue.
5. To prevent fingers, clothing or other objects from coming in contact with the auger feed system, the appliance is equipped with a metal safety screen, mounted to the interior of the hopper. This screen must not be removed unless directed by Customer Service or an authorized dealer.

This appliance is not recommended for children, persons with reduced physical, sensory or mental capabilities, or lack of experience and knowledge, unless they are under direct supervision or instruction by a person responsible for their safety.

6. Parts of the barbecue may be very hot, and serious injury may occur. Keep young children and pets away while in use.
7. Do not enlarge ignitor holes or fire pots. Failure to follow this warning could lead to a fire hazard and bodily harm and will void your warranty.
8. Product may have sharp edges or points. Contact may result in injury. Handle with care.

DISPOSAL OF ASHES

Ashes should be placed in a metal container with a tight-fitting lid. The closed container of ashes should be placed on a non-combustible floor or on the ground, well away from all combustible materials, pending final disposal. When ashes are disposed by burial in soil, or otherwise locally dispersed, they should be retained in a closed container until all cinders have thoroughly cooled.

WOOD PELLET FUEL

This pellet cooking appliance is designed and approved for pelletized, all natural, wood fuel only. Any other type of fuel burned in this appliance will void the warranty and safety listing. You must only use all natural wood pellets, designed for burning in pellet barbecue grills. Do not use fuel with additives. Wood pellets are highly susceptible to moisture and should always be stored in an airtight container. If you are storing your grill, without use, for an extended period, we recommend clearing all pellets from your grill's hopper and auger, to prevent jams. The pellet fuel mean heating value in 8000-8770 BTU/LB, ash content < 1%.

Do not use spirit, petrol, gasoline, lighter-fluid or kerosene for lighting or refreshing a fire in your grill. Keep all such liquids well away from the appliance when in use.

At the time of printing, there is no industry standard for barbecue wood pellets, although most pellet mills use the same standards to make wood pellets for domestic use. Further information, can be found at www.pelletheat.org or the *Pellet Fuel Institute*.

Contact your local dealer on the quality of pellets in your area, and for information on brand quality. As there is no control over the quality of pellets used, moisture affected pellets, we assume no responsibility to damage caused by poor quality of fuel.

CREOSOTE

Creosote, or soot, is a tar-like substance. When burning, it produces black smoke with a residue which is also black in color. Soot or creosote is formed when the appliance is operated incorrectly, such as: blockage of the combustion fan, failure to clean and maintain the burn area, or poor air-to-fuel combustion.

It is dangerous to operate this appliance should the flame become dark, sooty, or if the fire pot is overfilled with pellets. When ignited, this creosote makes an extremely hot and uncontrolled fire, similar to a grease fire. Should this happen, turn the unit OFF, let it cool completely, then inspect for maintenance and cleaning. It commonly accumulates along exhaust areas.

If creosote has formed within the unit; allow the unit to warm up at a low temperature, turn off the appliance, then wipe away any formation with a hand towel. Similar to tar, it is much easier to clean when warm, as it becomes liquid.

CARBON MONOXIDE ("THE SILENT KILLER")

Carbon monoxide is a colorless, odorless, tasteless gas produced by burning gas, wood, propane, charcoal or other fuel. Carbon monoxide reduces the blood's ability to carry oxygen. Low blood oxygen levels can result in headaches, dizziness, weakness, nausea, vomiting, sleepiness, confusion, loss of consciousness or death. Follow these guidelines to prevent this colorless, odorless gas from poisoning you, your family, or others:

- See a doctor if you or others develop cold or flu-like symptoms while cooking or in the vicinity of the appliance. Carbon monoxide poisoning, which can easily be mistaken for a cold or flu, is often detected too late.
- Alcohol consumption and drug use increase the effects of carbon monoxide poisoning.

Carbon monoxide is especially toxic to mother and child during pregnancy, infants, the elderly, smokers, and people with blood or circulatory system problems, such as anemia, or heart disease.

SAFETY LISTING

In accordance with the procedures and specifications listed in the UL 2728A-2019 "pellet fuel burning cooking appliances" and ULC/ORD C2728-19 "pellet fuel burning equipment." Pit Boss® Grills pellet cooking appliances have been independently tested and listed by CSA (an accredited testing laboratory) to UL and ULC standards.



COPYRIGHT NOTICE

Copyright 2021. All right reserved. No part of this manual may be copied, transmitted, transcribed, stored in a retrieval system, in any form or by any means without expressed written permission of,

Dansons

3411 North 5th Avenue, Suite 500, Phoenix, AZ, USA 85013
sales@pitboss-grills.com | service@pitboss-grills.com
www.pitboss-grills.com

Customer Service

Monday through Sunday, 4am - 8pm PST (EN/FR/ES)
Toll-Free: 1-877-303-3134, Fax: 1-877-303-3135

TABLE OF CONTENTS

Safety Information	2	Care & Maintenance	18
Parts & Specs.....	6	Using Wood Pellet Fuel.....	19
Assembly Preparation.....	7	Cooking Guidelines	20
Assembly Instructions		Tips & Techniques	22
Mounting The Wheels To The Cart Assembly	7	Troubleshooting	23
Installing The Side Shelf Handle	8	Electrical Wire Diagram	25
Mounting The Cart To The Grill Body	8	Replacement Parts	
Expanding The Cart For Use.....	9	Grill Replacement Parts	26
Installing The Lid Handle.....	9	Hopper Replacement Parts.....	27
Installing The Flame Broiler Components.....	10	Warranty	
Installing The Cooking Components.....	10	Conditions.....	27
Placing The Grease Cup.....	11	Exceptions.....	28
Connecting To A Power Source.....	11	Ordering Replacement Parts	28
Operating Instructions		Contact Customer Service	28
Grill Environment	12	Warranty Service	28
Grill Temperature Ranges.....	13	Recipes	29
Understanding The Probes	13		
Tailgating and Travel Position.....	14		
Understanding The Control Board	15		
Understanding The "P" Setting	16		
Hopper Priming Procedure	16		
First Use – Grill Burn-Off.....	16		
Automatic Start-Up Procedure.....	17		
Manual Start-Up Procedure	17		
Shutting Off Your Smoker	17		

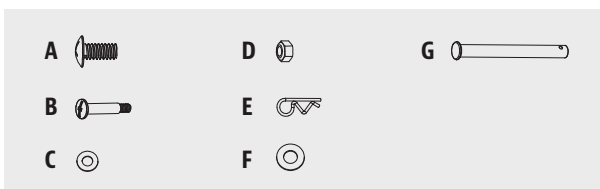
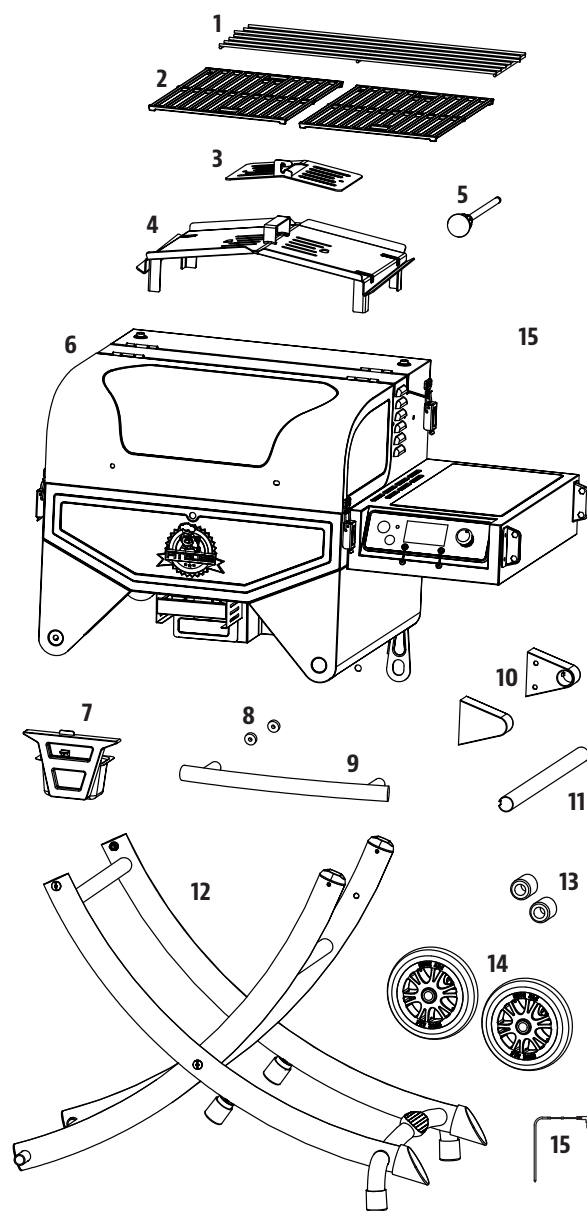
PARTS & SPECS

ENGLISH

Part#	Description
1	Porcelain-Coated Steel Upper Cooking Rack (x1)
2	Porcelain-Coated Cast-Iron Cooking Grid (x2)
3	Flame Broiler Slider (x1)
4	Flame Broiler Main Plate (x1)
5	Flame Broiler Adjusting Bar (x1)
6	Grill Body / Hopper Assembly (x1)
7	Grease Cup (x1)
8	Lid Handle Bezel (x2)
9	Lid Handle (x1)
10	Side Shelf Handle Mounts (x2)
11	Side Shelf Handle (x1)
12	Cart Assembly (x1)
13	Wheel Bushing (x2)
14	Wheel (x2)
15	Meat Probe (x1)
A	Screw (x4)
B	Screw (x2)
C	Washer (x2)
D	Locking Nut (x2)
E	Wheel Cotter Pin (x2)
F	Wheel Washer (x2)
G	Wheel Axle Pin (x2)

NOTE: Due to ongoing product development, parts are subject to change without notice. Contact Customer Service if parts are missing when assembling the unit.

PB – ELECTRIC REQUIREMENTS
110-120V, 60HZ, 250W, 3-PRONG GROUNDED PLUG



MODEL	ASSEMBLED (WxHxD)	WEIGHT	COOKING AREA	TEMPERATURE RANGE
PB PB260PSP2	974 X 954 X 640 MM / 38.3 X 37.5 X 25.2 IN	35.8 KG / 78.9 LB	MAIN - 1,658 CM ² / 257 SQ. IN. UPPER RACK - 838 CM ² / 130 SQ. IN. TOTAL - 2,496 CM ² / 387 SQ. IN.	82-260°C / 180-500°F

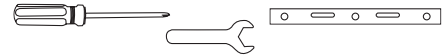
ASSEMBLY PREPARATION

Parts are located throughout the shipping carton, including underneath the grill. Inspect the grill, parts, and hardware blister pack after removing from the protective shipping carton. Discard all packaging materials from inside and outside of the grill before assembly, then review and inspect all parts by referencing the parts list. If any part is missing or damaged, do not attempt to assemble. Shipping damage is not covered under warranty. Contact your dealer or Pit Boss® Customer Service for parts: Monday through Sunday, 4am - 8pm PST (EN/FR/ES).

service@pitboss-grills.com | Toll-Free: 1-877-303-3134 | Toll-Free Fax: 1-877-303-3135

IMPORTANT: To ease installation, using two people is helpful (but not necessary) when assembling this unit.

Tools required for assembly: screwdriver, wrench and level. *Tools not included.*



ENGLISH

ASSEMBLY INSTRUCTIONS

IMPORTANT: It is advised to read each step entirely before starting assembly on instructions. Do not tighten screws completely until all screws for that step have been installed. Hardware combination involving a locking washer and washer should be installed with the locking washer closest to the head of the screw.

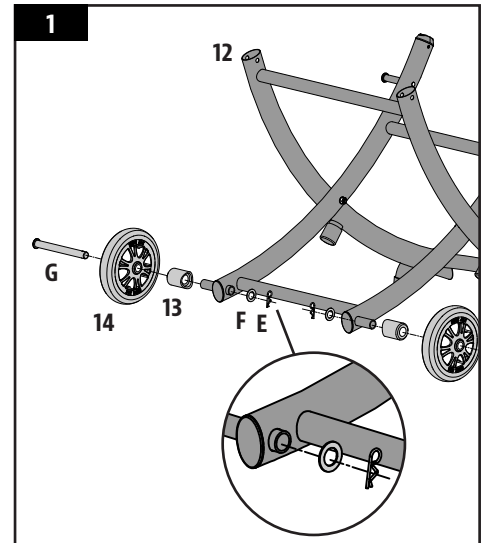
1. MOUNTING THE WHEELS TO THE CART ASSEMBLY

Parts Required:

- 1 x Cart Assembly (#12)
- 2 x Wheel (#14)
- 2 x Wheel Bushing (#13)
- 2 x Wheel Cotter Pin (#E)
- 2 x Wheel Washer (#F)
- 2 x Wheel Axle Pin (#G)

Installation:

- Place a piece of cardboard on the floor to prevent scratching the unit and parts during assembly.
- Attach the Wheel to the Cart Assembly by inserting the Wheel Axle Pin through the Wheel, Wheel Bushing, the leg hole on the Cart Assembly, then secure using the Wheel Washer and Wheel Cotter Pin. Repeat installation for other Wheel on the Cart Assembly.



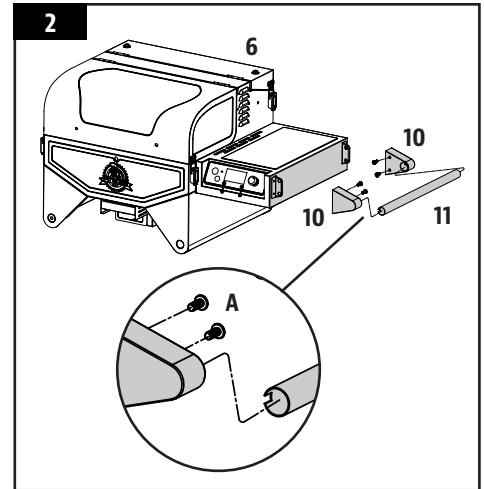
2. INSTALLING THE SIDE SHELF HANDLE

Parts Required:

- 1 x Grill Body / Hopper Assembly (#6)
- 2 x Side Shelf Handle Mounts (#10)
- 1 x Side Shelf Handle (#11)
- 4 x Screw (#A)

Installation:

- Note the alignment groove on each side of the Side Shelf Handle. Insert the Side Shelf Handle into the embossed hole of the inside of each Side Shelf Handle Mount.
- Next, secure the Side Shelf Handle Mounts to the Side Shelf using four screws, two in each piece.



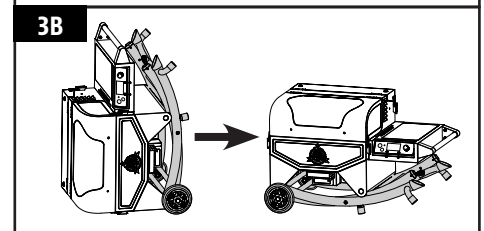
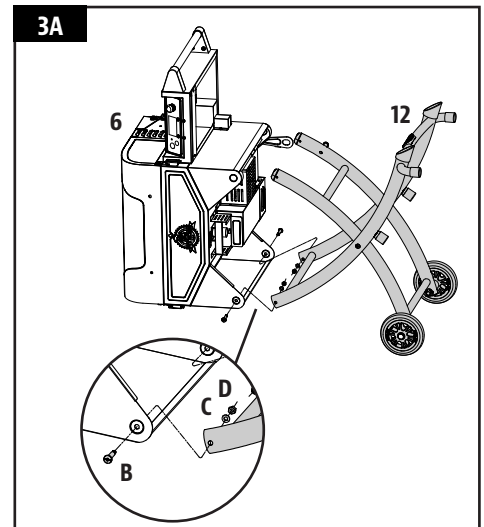
3. MOUNTING THE CART TO THE GRILL BODY

Parts Required:

- 1 x Grill Body / Hopper Assembly (#6)
- 1 x Cart Assembly (#12)
- 2 x Screw (#B)
- 2 x Washer (#C)
- 2 x Nut (#D)

Installation:

- Lay the Grill Body on the cardboard on its side with the Side Shelf Handle pointed upward. Place the Cart Assembly next to the Grill Body, on its side, with the Wheels on the bottom.
- Attached the cart leg to the Grill Body brace by inserting the Screw (#B) (from the outside) and secure using the Washer and Locking Nut. Note 3A. Repeat installation for the other cart leg.
- Once the Cart has been securely mounted to the Grill Body, carefully turn the grill into an upright position. Note 3B.

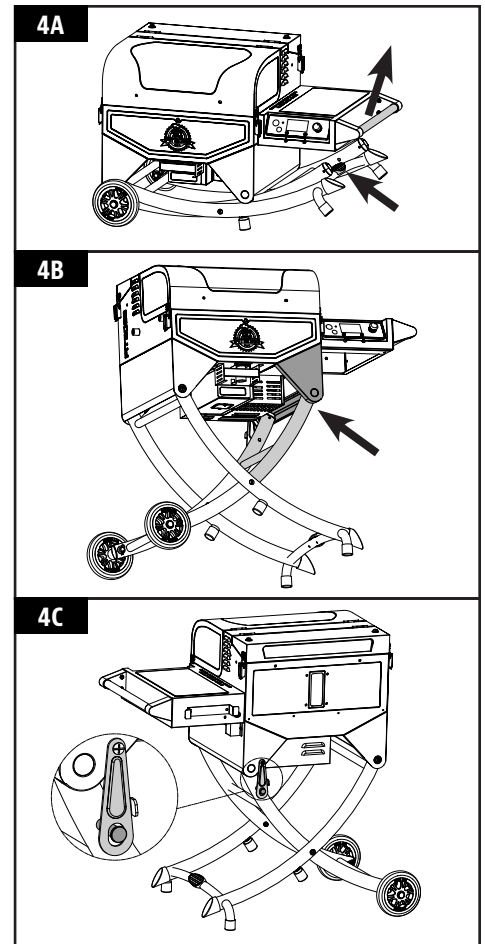


4. EXPANDING THE CART FOR USE

Installation:

- Anchor the Grill and Cart by placing your foot on the cart foot pedal. Next, carefully lift the Side Shelf Handle to expand the grill into a patio position. Note 4A.
- Once the Cart is fully expanded, position the cart legs under the right support of the Grill Body brace. Note 4B.
- To lock the Cart for use, swing the locking plate onto the locking pin of the cart leg. Note 4C.

IMPORTANT: Re-tighten the screws on the legs of the Cart to ensure they are completely secure after expanding the grill for the first time.



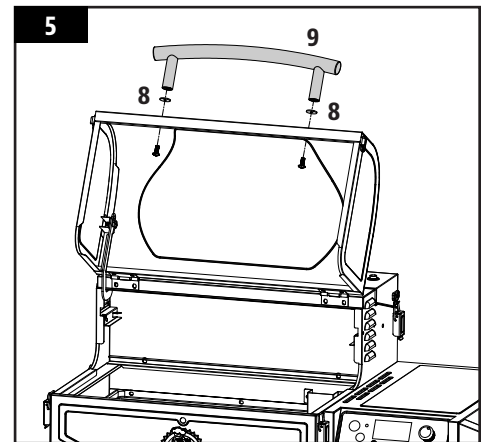
5. INSTALLING THE LID HANDLE

Parts Required:

- 2 x Lid Handle Bezel (#8)
- 1 x Lid Handle (#9)

Installation:

- Remove the pre-installed screws from the Lid Handle. From inside the barrel lid, insert one screw to protrude to the outside. Add a Lid Handle Bezel on the screw, then hand-tighten the screw (from the inside) into the Lid Handle. Repeat the same installation for the other end of Lid Handle.



6. INSTALLING THE FLAME BROILER COMPONENTS

Parts Required:

- 1 x Flame Broiler Main Plate (#4)
- 1 x Flame Broiler Slider (#3)
- 1 x Flame Broiler Adjusting Bar (#5)

Installation:

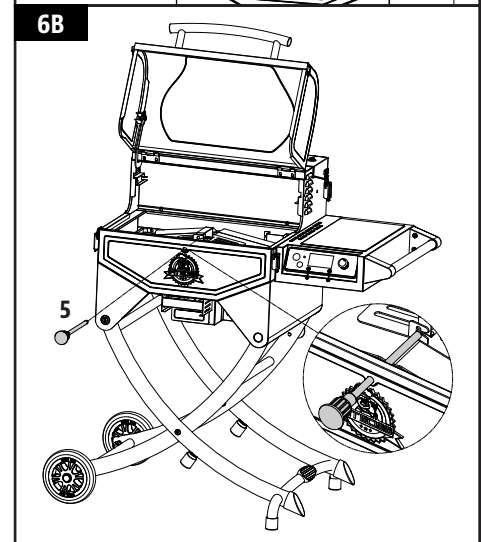
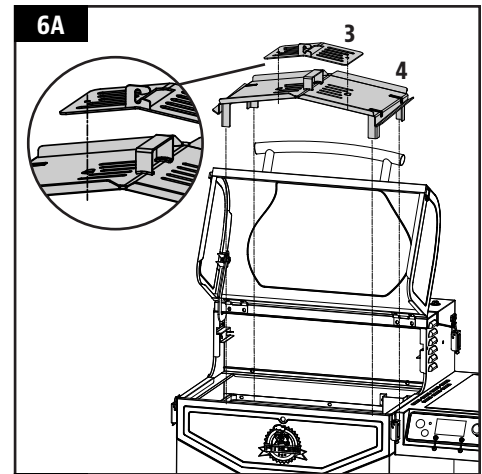
NOTE: Both flame broiler parts are lightly coated with oil to avoid rusting when shipped.

- Insert the Flame Broiler Main Plate into the Grill Body. Rest the four feet of the Flame Broiler Main Plate on the four debossed markings of the base of the Grill Body. Place the flame broiler slider on top of the Flame Broiler Main Plate, covering the slotted openings. Ensure the raised tab is towards the front of the Grill Body and that the two anchor pins of the Flame Broiler Slider are placed into the holes of the Flame Broiler Main Plate. Note 6A.

IMPORTANT: The Flame Broiler Main Plate should sit level in the Grill Body; however, the grease grooves on the left and right sides should be angled downwards towards the grease cup (at the front).

- Insert the Flame Broiler Adjusting Bar through the hole on the front of the Grill Body. Slide the inside end of the the Flame Broiler Adjusting Bar into the raised tab on the Flame Broiler Slider. This will give you adjustable access of the Flame Broiler Slider while the grill is being used. Note 6B.

WARNING: When the Flame Broiler Slider is open and direct flame is used during cooking, do not leave the grill unattended for any period of time.



7. INSTALLING THE COOKING COMPONENTS

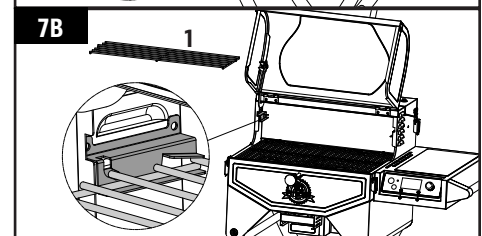
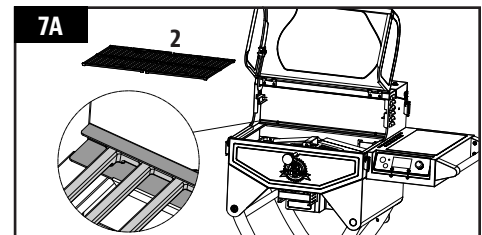
Parts Required:

- 2 x Cooking Grids (#2)
- 1 x Upper Cooking Rack (#1)

Installation:

- Place the Cooking Grids, side-by-side, on the grid ledges inside the Grill Body. Ensure the back end of the Cooking Grids are placed below the lipped-edge, as this keeps the cooking grids in position. Note 7A.
- Place the Upper Cooking Rack on the upper ledge inside the Grill Body. The cooking rack will lock into place. Note 7B.

NOTE: To maintain the searing and grilling performance of your cooking grids, regular care and maintenance is required.



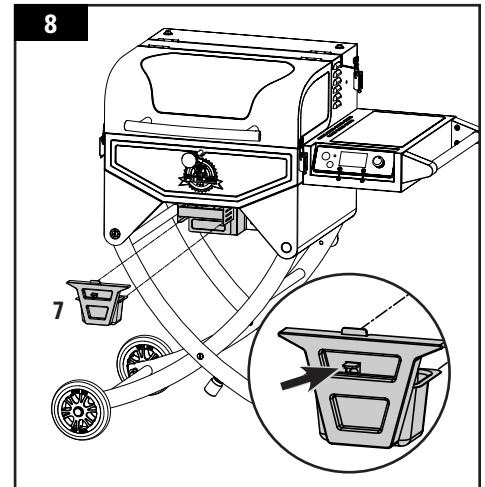
8. PLACING THE GREASE CUP

Parts Required:

- 1 x Grease Cup (#7)

Installation:

- Press down and while holding the release button, slide the Grease Cup into the grease cup brackets on the underside of the Grill Body. Release the button to lock the Grease Cup into position. The unit is now completely assembled.

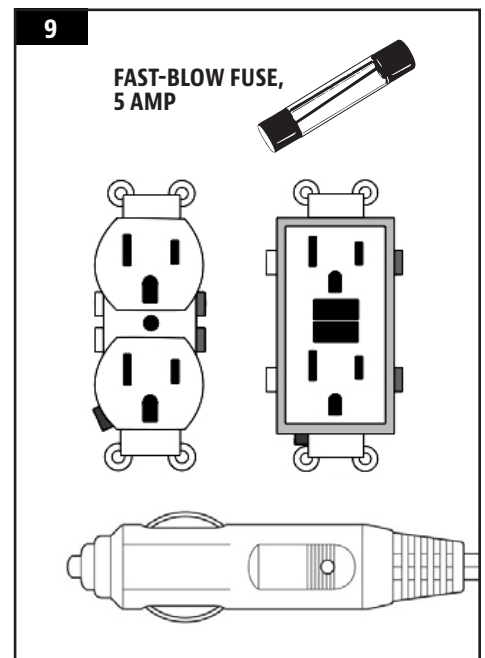


9. CONNECTING TO A POWER SOURCE

NOTE: Before plugging your Pit Boss® into any electrical outlet, ensure the temperature dial is in the OFF position.

- STANDARD OUTLET**
This appliance requires 110-120 Volt, 60 Hz, 250 W. It must be a 3-prong grounded plug. Ensure grounded end is not broken off before use. The control uses a 110-120 volt, fast-blow fuse to protect the board from the igniter.
- GFCI OUTLETS**
This appliance will work on most GFCI outlets, with a recommended size of 15 amp service. If your GFCI outlet is highly sensitive to power surges, it will likely trip during the start-up phase of operation. During the start-up phase, the igniter draws 200-700 watts of electricity, which can be too much power for a GFCI outlet to handle. Each time it trips, it increases in sensitivity. If the GFCI keeps tripping, replace the outlet or change to a non-GFCI outlet.
- ON THE ROAD**
Disconnect the igniter from the main wiring harness. Use the manual start-up procedure. A Pit Boss® unit can operate using a 12 volt, 100 watt inverter plugged into your automobile outlet. To use the automatic igniter, it is recommended to use a minimum of a 1000 watt inverter.

IMPORTANT: Disconnect unit from power source when not in use.



OPERATING INSTRUCTIONS

With today's lifestyle of striving to eat healthy and nutritious foods, one factor to consider is the importance of reducing fat intake. One of the best ways to cut down on fat in your diet is to use a low fat method of cooking, such as grilling. As a pellet grill uses natural wood pellets, the savory wood flavor is cooked into the meats, reducing the need for high sugar content sauces. Throughout this manual, you will notice the emphasis on grilling food slowly at LOW or MEDIUM temperature settings.

GRILL ENVIRONMENT

1. WHERE TO SET-UP THE GRILL

With all outdoor appliances, outside weather conditions play a big part in the performance of your grill and the cooking time needed to perfect your meals. All Pit Boss® units should keep a minimum clearance of 914 mm (36 inches) from combustible constructions and this clearance must be maintained while the grill is operational. This appliance must not be placed under an overhead combustible ceiling or overhang. Keep your grill in an area clear from combustible materials, gasoline and other flammable vapors and liquids.

2. COLD WEATHER COOKING

As it becomes cooler outside, that does not mean that grilling season is over! The crisp cool air and heavenly aroma of smoked foods will help cure your winter blues.

Follow these suggestions on how to enjoy your grill throughout the cooler months:

- If smoking at low temperatures fails, increase the temperature slightly to achieve the same results.
- Organize – Get everything you require ready in the kitchen before you head outdoors. During the winter, move your grill to an area that is out of the wind and direct cold. Check local bylaws regarding the proximity of your grill in relation to your home and/or other structures. Put everything you need on a tray, bundle up tight, and get it done!
- To help keep track of the outside temperature, place an outdoor thermometer close to your cooking area. Keep a log or history of what you cooked, the outdoor temperature, and the cooking time. This will help later down the road to help you determine what to cook and how long it will take.
- In very cold weather, increase your preheating time by at least 20 minutes.
- Avoid lifting the lid any more than necessary. Cold gusts of wind can completely cool your grill temperature. Be flexible with your serving time; add extra cooking time each time you open the lid.
- Have a heated platter or a dish cover ready to keep your food warm while making the trip back inside.
- Ideal foods for winter cooking are those that require little attention, such as roasts, whole chickens, ribs, and turkey. Make your meal preparation even easier by adding simple items such as vegetables and potatoes.

3. HOT WEATHER COOKING

As it becomes warmer outdoors, the cooking time will decrease. Proper dress is important when it gets really hot: shorts, shirt, shoes, hat, apron and a generous slab of suntan lotion is recommended.

Follow these few suggestions on how to enjoy your grill throughout the hot months:

- Adjust your cooking temperatures downward. This helps to avoid unwanted flare-ups.
- Use a meat thermometer to determine the internal temperature of your foods. This helps in preventing your meat from over cooking and drying out.
- Even in hot weather it is still better to cook with the lid of your grill down.
- You can keep foods hot by wrapping them in foil, and placing them in an insulated cooler. Stuff crumpled up newspaper around the foil and this will keep food hot for 3 to 4 hours.

GRILL TEMPERATURE RANGES

Temperature readouts on the control board may not exactly match the thermometer. All temperatures listed below are approximate and are affected by the following factors: outside ambient temperature, the amount and direction of wind, the quality of pellet fuel being used, the lid being opened, and the quantity of food being cooked.

- *HIGH TEMPERATURE (205-260°C / 401-500°F)*

This range is best used to sear and grill at a high heat. Use in tandem with the flame broiler (slide plate) for indirect or direct flame cooking. With the **flame broiler open**, direct flame is used to create those “blue” steaks, as well as flame-kissed vegetables, garlic toast or s’mores! When the **flame broiler is closed**, the air circulates around the barrel, resulting in convection heat. High temperature is also used to preheat your grill, burn-off the cooking grids, and to achieve high heat in extreme cold weather conditions.

- *MEDIUM TEMPERATURE (135-180°C / 275-356°F)*

This range is best for baking, roasting, and finishing off that slow smoked creation. Cooking at these temperatures will greatly reduce the chances of a grease flare-up. Ensure that the flame broiler slider is in the closed position, covering the slotted openings. Great range for cooking anything wrapped in bacon, or where you want versatility with control.

- *LOW TEMPERATURE (82-125°C / 180-257°F)*

This range is used to slow roast, increase smoky flavor, and to keep foods warm. Infuse more smoke flavor and keep your meats juicy by cooking longer at a lower temperature (also known as **low and slow**). Recommended for the big turkey at Thanksgiving, juicy ham at Easter, or the huge holiday feast.

Smoking is a variation on true barbecuing and is truly the main advantage of grilling on a wood pellet grill. **Hot smoking**, another name for **low and slow** cooking, is generally done between 82-125°C / 180-257°F. Hot smoking works best when longer cooking time is required, such as large cuts of meats, fish, or poultry.

TIP: To intensify that savory flavor, switch to SMOKE (low) temperature range immediately after putting your food on the grill. This allows the smoke to penetrate the meats.

The key is to experiment with the length of time you allow for smoking, before the meal is finished cooking. Some outdoor chefs prefer to smoke at the end of a cook, allowing the food to keep warm until ready to serve. Practice makes perfect!

UNDERSTANDING THE PROBES

- *TEMPERATURE PROBE*

Located inside the main grill body, on the back right-side wall, is the temperature probe. It is a small, vertical piece of stainless steel. The temperature probe measures the internal temperature of the unit. When the temperature is adjusted on the Control Board, the temperature probe will read the actual temperature inside the unit and adjust to the desired temperature.

IMPORTANT: The temperature of your unit is highly affected by ambient outdoor weather, quality of pellets used, flavor of pellets, and the quantity of food being cooked.

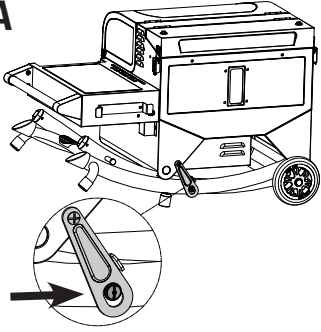
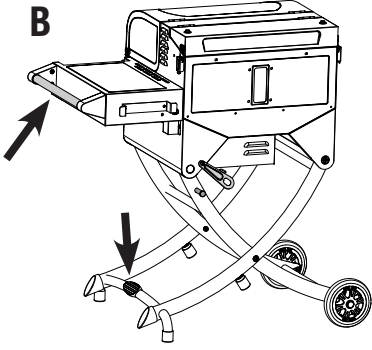
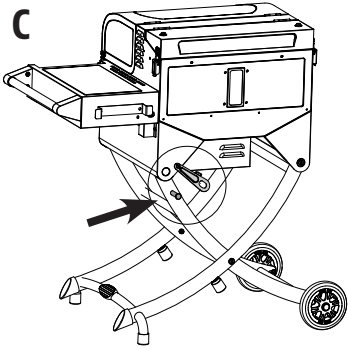
- *MEAT PROBE*

The meat probe measures the internal temperature of your meat in the grill, similar to your indoor oven. Plug-in the meat probe adapter to the meat probe connection port on the Control Board and insert the stainless steel meat probe into the thickest portion of your meat and the temperature will be displayed on the control board. **To ensure the meat probe is connected properly to the connection port, feel and hear it snap into place.**

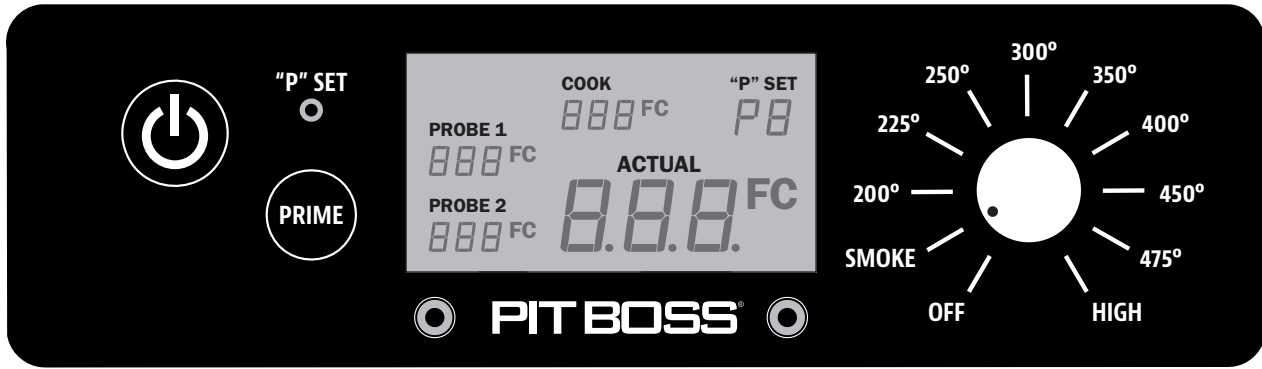
NOTE: When placing the meat probe into your meat, ensure the meat probe and meat probe wires avoid direct contact with flame or excess heat. This can result in damage to your meat probe. Run the excess wire out the rear exhaust holes of the main grill or the top of the main grill (near the grill lid hinge). When not in use, disconnect from the meat probe connection port and place aside to keep protected and clean.

TAILGATING AND TRAVEL POSITION








Collapsing your grill into the travel and tailgating position allows the grill to be used in very limited space and can easily be tucked away for storage. Built with its own carrying handle, you just became a griller-on-the-go! Get fired up for the game, enjoy a weekend away, or start grilling on your home patio; there is always good reason for a quick and easy meal with your grill!

<p>A</p> 	<p><i>HOW TO COLLAPSE (FOLLOW IMAGES IN ORDER: C-B-A)</i></p> <ol style="list-style-type: none"> 1. Ensure the unit is unplugged, and the grease cup is empty or removed. <p>NOTE: It is highly recommended to have the latches of the grill lid and the hopper locked when the unit is changing positions.</p> <ol style="list-style-type: none"> 2. Remove the locking plate from the locking pin. Note illustration A. 3. Anchor the Grill by placing your foot on the cart food pedal. <u>Slowly and carefully</u>, lift the Side Shelf Handle, folding the grill into a travel position. Note illustration B. 4. Lock the Grill into the travel position by swinging the locking plate onto the locking pin of the cart leg. Note illustration C. The grill is now ready for travel or tailgating!
<p>B</p> 	<p><i>HOW TO EXPAND (FOLLOW IMAGES IN ORDER: A-B-C)</i></p> <ol style="list-style-type: none"> 1. Ensure the unit is unplugged, and the grease cup is empty or removed. <p>NOTE: It is highly recommended to have the latches of the grill lid and the hopper locked when the unit is changing positions.</p> <ol style="list-style-type: none"> 2. Remove the locking plate from the locking pin of the cart leg. Note illustration C. 3. Anchor the Grill by placing your foot on the cart food pedal. Carefully lift the Side Shelf Handle to expand the grill into a patio position. Once the Cart is fully expanded, position the cart legs under the right support of the Grill Body brace. Note illustration B. 4. Lock the Grill into the patio position by swinging the locking plate onto the locking pin of the cart leg. Note illustration A. The grill is now ready for use!
<p>C</p> 	<p>NOTE: It is recommended to have the hopper empty, or near empty, to help reduce the weight of the unit when collapsing and expanding.</p>

UNDERSTANDING THE CONTROL BOARD



ENGLISH

CONTROL	DESCRIPTION
	<p>Press the Power Button to power on the unit. The button will glow blue if connected to a power source. Press the button again to turn the unit off.</p>
	<p>The Temperature Control Dial allows you to set your desired smoking temperature. Once connected to a power source and the Power Button is pressed, turn the dial and select from any of the ten preset temperatures, between 82-260°C / 180-500°F. When the dial is turned to a temperature preset, the Digital LCD Screen will light up, displaying that it is ready to operate. When the dial is turned to off, the Digital LCD Screen will remain off.</p>
<p data-bbox="142 934 232 966">"P" SET</p> 	<p>The "P" Set Button is used to select one of the eight fine tunings when the Temperature Control Dial is set to the Smoke Setting. Press the button to change the "P" setting to accommodate to your cooking style and cooking environment, as preferred. With a <u>short push</u> of the button, the setting increases from P0 to P7, then repeats. Adjustments are only possible in the Smoke Setting. Factory default setting is "P4". If the "P" setting is adjusted, your preference will be locked-in (saved) until further adjustment is made.</p> <p>The "P" Set Button is also used as a Temperature Switch Control to change the temperature readout on the LCD Screen. Press and hold the button for two seconds to switch to Celsius (°C) or to Fahrenheit (°F), as preferred. Default is set to Fahrenheit.</p>
	<p>The LCD Screen is used as the information center for your unit. The LCD screen will display your Desired Cook Temperature, Actual Cook Temperature, and Meat Probe Temperatures (if connected). If only one Meat Probe is connected, only one reading will be displayed.</p>
	<p>Press and hold the Prime Button to activate an extra feed of pellets to the fire pot. This can be used to add more fuel to the fire before opening the barrel lid, resulting in a quick heat recovery time. It can also be used while smoking, to increase the intensity of clean smoke flavor. Requested from competition cookers.</p>
<p data-bbox="142 1486 232 1518">SMOKE</p>	<p>The Smoke Setting on the Temperature Control Dial is the start-up mode for the unit. The grill operates at the lowest temperature, without the fire going out.</p>
	<p>The plug-in connection port(s) on the front of the Control Board are for a Meat Probe(s). When a meat probe is connected, the temperature is displayed on the LCD Screen. When not in use, disconnect the meat probe from the connection port. <i>Compatible with Pit Boss® branded meat probes only. Additional meat probe(s) sold separately.</i></p> 

UNDERSTANDING THE "P" SETTING

When the recessed "P" SET button is pushed, the "P" setting displayed on the LCD screen will flash and change to the next value (upward). Once P7 is reached, it will restart at P0. There are eight "P" settings, ranging from P0 to P7. The recessed "P" SET button can be pushed using a thin-tipped object.

IMPORTANT: Do not push the "P" SET button too hard, as this may cause damage. Only a light push is needed.

- *USING THE "P" SETTING IN SMOKE MODE*

Anytime the temperature dial is set to SMOKE, such as the start-up cycle, the auger will run on more of a manual mode of cooking versus using one of the preset dial temperatures. First, the auger will continuously turn and feed pellets for four minutes. After four minutes, the auger begins to run a feed cycle based on the "P" setting selected on the Digital Control Board. The default setting is P4.

"P" SET	AUGER CYCLE (seconds)	
	ON	OFF
P0	18	55
P1	18	70
P2	18	85
P3	18	100
*P4	18	115
P5	18	130
P6	18	140
P7	18	150

**default setting*

HOPPER PRIMING PROCEDURE

These instructions should be followed the first time the grill is ignited, and each time the grill runs out of pellets in the hopper. The auger must be primed to allow pellets to travel through the length of the auger, and fill the fire pot. **If not primed, the igniter will timeout before the pellets are ignited, and no fire will start.** Follow these steps to prime the hopper:

1. Open the hopper lid. Make sure there are no foreign objects in the hopper or blocking the auger feed system at the bottom.
2. Remove all cooking components from the interior of the grill. Locate the fire pot in the bottom of the grill body.
3. Plug the power cord into a power source. Press the **Power Button** to turn the unit on, and turn the **Temperature Control Dial** to the SMOKE position. Check the following items:
 - That you can hear the auger turning. Place your hand above the fire pot and feel for air movement. Do not place your hand or fingers inside the fire pot. This can cause injury.
 - After approximately a minute, you should smell the igniter burning and begin to feel the air getting warmer in the fire pot. The igniter tip does not glow red, but gets extremely hot and will burn. Do not touch the igniter.
4. Once verified that all electric components are working correctly, press the **Power Button** to turn the unit off.
5. Fill the hopper with all natural barbecue wood pellets.
6. Press the **Power Button** to turn the unit on. Keep the **Temperature Control Dial** in the SMOKE position. Press and hold the **Prime Button** until you see pellets on the inside of the grill from the auger tube. Once pellets begin to drop into the fire pot, release the **Prime Button**.
7. Press the **Power Button** to turn the unit off.
8. Re-install the cooking components into the grill body. The grill is now ready to use. (See *Assembly Instructions* to ensure proper installation of cooking components.)

FIRST USE – GRILL BURN-OFF

Once your hopper has been primed and before cooking on your grill for the first time, it is important to complete a grill burn-off. Start the grill and operate at any temperature over 176°C / 350°F (with the lid down) for 30 to 40 minutes to burn-off the grill and rid it of any foreign matter.

AUTOMATIC START-UP PROCEDURE

1. Plug the power cord into a grounded power source. Open the grill body lid. Check the fire pot to ensure there is no obstruction for proper ignition. Open the hopper lid. Ensure there are no foreign objects in the hopper or auger feed system. Fill the hopper with dry, all natural barbecue hardwood pellets.
2. Ensure the **Temperature Control Dial** is in the SMOKE position. Press the **Power Button** to turn the unit on. This will activate the start-up cycle. The auger feed system will begin to turn, the igniter will begin to glow and the fan will supply air to the fire pot. The grill will begin to produce smoke while the start-up cycle is taking place. The barrel lid must remain open during the start-up cycle. To confirm the start-up cycle has begun properly, listen for a torchy roar, and notice some heat being produced.
3. Once the heavy, white smoke has dissipated, the start-up cycle is complete and you are ready to enjoy your grill at your desired temperature!

IGNITER FAILURE PROCEDURE

If for any reason your electric igniter fails or your grill's flame dies out during a cook, check the following steps, or start your grill using the manual method.

1. Ensure the **Temperature Control Dial** is off and in the SMOKE position. Open the barrel lid. Remove the cooking components from inside. Remove all unburnt pellets and ash from the fire pot. Avoid touching the igniter to avoid injury, as it may be extremely hot.
2. Once all cooking components are removed and cleaned, press the **Power Button** to turn the unit on. Check the following:
 - Visually confirm that the igniter is working by placing your hand above the fire pot and feeling for heat.
 - Visually confirm that the igniter is protruding approximately 13mm / 0.5 inches in the fire pot.
 - Visually confirm that the auger is dropping pellets into the fire pot.
 - Confirm that the combustion fan is working by listening for a torchy roar.
3. If any of the above points are not working, follow **Troubleshooting** instructions.

MANUAL START-UP PROCEDURE

1. Ensure the **Temperature Control Dial** is in the SMOKE position. Plug the power cord into a grounded power source.
2. Check fire pot to ensure there is no obstruction for proper ignition. Open the hopper lid. Ensure there are no foreign objects in the hopper or auger feed system. Fill hopper with dry, all natural hardwood barbecue pellets.
3. Open the barrel lid. Remove the cooking components to expose the fire pot. Place a generous handful of pellets into the fire pot. Squirt a gelled fire starter, or other appropriate pellet starter, over the top of the pellets. A small amount of solid fuel fire starter, such as one composed of sawdust and wax, or wood shavings, is also appropriate. Add another small amount of pellets in the fire pot.

NOTE: Do not use spirit, petrol, gasoline, lighter-fluid or kerosene for lighting or refreshing a fire in your grill.

4. Light the contents of the fire pot using a long match or long-nosed lighter. Allow the starter to burn for 3 to 5 minutes. Do not attempt to add more starter into the fire pot. This can cause injury.
5. Quickly and carefully replace the cooking components to the inside of the grill body. Continue start-up at step two of **Automatic Start-Up Procedure**.

SHUTTING OFF YOUR GRILL

1. When finished cooking, with the grill body lid remaining closed, press the **Power Button** to turn the unit off and turn the **Temperature Control Dial** to OFF. The grill will begin its automatic cool-down cycle. The auger system will stop feeding fuel, the flame will burn out, and the fan will continue to run until the cool-down cycle is complete.

CARE AND MAINTENANCE

Any Pit Boss® unit will give you many years of flavorful service with minimum cleaning. An important step is allowing the grill and cooking grids to self-clean by running the grill at a high temperature for 5 to 10 minutes after each use. Follow these cleaning and maintenance tips to service your grill:

1. HOPPER ASSEMBLY

- Running all pellets out of your auger system is recommended if your grill will be unused for an extended period of time. This can be done by simply running your grill, on an empty hopper, until all pellets have emptied from the auger tube.
- Check and clean off any debris from the fan air intake vent, found on the bottom of the hopper. Once the hopper access panel is removed (see **Electric Wire Diagram** for diagram), carefully wipe off any grease build-up directly on the fan blades. This ensures airflow is sufficient to the feed system.

NOTE: Use a long handled brush or shop-vac to remove excess pellets, sawdust, and debris for a complete clean-out through the hopper screen.

2. PROBES

- Kinks or folds in the probe wires may cause damage to the part. Wires should be rolled up in a large, loose coil.
- Although the probes are stainless steel, do not place in the dishwasher or submerge in water. Water damage to the internal wires will cause the probe to short-out, causing false readings. If a probe is damaged, it should be replaced.

3. INSIDE SURFACES

- It is recommended to clean your fire pot after every few uses. This will ensure proper ignition and avoid any hard build-up of debris or ash in the fire pot.
- Use a long-handled grill cleaning brush, remove any food or build-up from the cooking grids. Best practice is to do this while they are still warm from a previous cook. Grease fires are caused by too much fallen debris on the cooking components of the grill. Clean the inside of your grill on a consistent basis. In the event you experience a grease fire, keep the grill lid closed to choke out the fire. If the fire does not go out quickly, carefully remove the food, turn the grill off, and shut the lid until the fire is completely out. Lightly sprinkle baking soda, if available.
- Check your grease bucket often, and clean out as necessary. Keep in mind the type of cooking you do.

IMPORTANT: Due to high heat, do not cover the flame broiler or probes with aluminum foil.

4. OUTSIDE SURFACES

- Wipe your grill down after each use. Use warm soapy water to cut the grease. Do not use oven cleaner, abrasive cleansers or abrasive cleaning pads on the outside grill surfaces. **All painted surfaces are not covered under warranty, but rather are part of general maintenance and upkeep.** For paint scratches, wearing, or flaking of the finish, all painted surfaces can be touched up using high heat BBQ paint.
- Use a grill cover to protect your grill for complete protection! A cover is your best protection against weather and outside pollutants. When not in use or for longterm storage, keep the unit under a cover in a garage or shed.

CLEANING FREQUENCY TIME TABLE (NORMAL USE)

ITEM	CLEANING FREQUENCY	CLEANING METHOD
Bottom of Main Grill	Every 5-6 Grill Sessions	Scoop Out, Shop-Vac Excess Debris
Fire Pot	Every 2-3 Grill Sessions	Scoop Out, Shop-Vac Excess Debris
Cooking Grids	After Each Grill Session	Burn Off Excess, Brass Wire Brush
Flame Broiler	Every 5-6 Grill Sessions	Scrape Main Plate with Slider, Do Not Wash Clean
Side Shelf	After Each Grill Session	Scrub Pad & Soapy Water
Grease Cup	After Each Grill Session	Scrub Pad & Soapy Water
Auger Feed System	When Pellet Bag is Empty	Allow Auger to Push Out Sawdust, Leaving Hopper Empty
Hopper Electric Components	Once A Year	Dust Out Interior, Wipe Fan Blades with Soapy Water
Air Intake Vent	Every 5-6 Grill Sessions	Dust, Scrub Pad & Soapy Water
Meat Probe	After Each Grill Session	Scrub Pad & Soapy Water
Temperature Probe	Every 2-3 Grill Sessions	Scrub Pad & Soapy Water

USING WOOD PELLET FUEL

Clean-burning barbecue wood pellets generate about 8200 BTU's per pound with very little ash, a low moisture content (5-7%), and are carbon neutral. Barbecue wood pellets are produced by pure raw material (sawdust) being pulverized with a hammer-mill, and the material is pushed through a die with pressure. As the pellet is forced through the die, it is cut, cooled, screened, vacuumed, and then bagged for consumer use. Check with your local dealer for flavors available in your area.



NOTE: Always store wood pellets in a dry area. Any contact or exposure to moisture will result in lower heat output or cause the pellets to swell and break apart. Use a moisture proof, resealable tub or bucket for proper storage.

COOKING GUIDELINES

Smoking and grilling styles of cooking can give you different results based on time and temperature. For best results, keep a record of what you cooked, at what temperature, how long you cooked for, and the results. Adjust to your taste for the next time. Practice makes perfect. The culinary art of hot smoking refers to longer cooking times, but results in more natural wood flavor (and a sought-after **smoke ring**) on your meats. Higher cooking temperatures result in a shorter cooking time, locking in less smoke flavor.

TIP: For best results, allow time for meats to rest after cooking. This allows the natural juices to migrate back into the meat fiber, giving a much juicier, flavorful cut. Resting times can be as little as 3 minutes and up to 60 minutes, depending on the size of the protein.

STYLE OF COOKING	HOT SMOKING (Very Low)	ROAST (Low)	BAKING (Medium)	GRILL/BAKE (Medium/High)	SEAR (High)
Temp Range	93-135°C / 199-275°F	135-162°C / 275-323°F	162-190°C / 323-374°F	190-232°C / 374-449°F	232-260°C / 449-500°F

POULTRY	Size	Rare - 54°C / 130°F	Medium - 60°C / 140°F	Well Done - 77°C / 170°F
Turkey (<i>whole</i>)	4.5-5.0 kg / 10-11 lbs. 5.3-6.4 kg / 12-14 lbs. 6.8-7.7 kg / 15-17 lbs. 8.2-10.0 kg / 18-22 lbs. 10.4-11.3 kg / 23-25 lbs.			Grill 90 - 120 minutes Grill 110 - 140 minutes Grill 130 - 160 minutes Grill 140 - 170 minutes Grill 150 - 180 minutes
Chicken (<i>whole</i>)	1.36-2.26 kg / 3-5 lbs.			Grill 1 - 1.5 hours
Drumsticks, Breasts	0.45 - 0.86 kg / 1 - 1½ lbs.			Grill 30-60 minutes
Small Game Birds	0.45 - 0.86 kg / 1 - 1½ lbs.			Grill 30-45 minutes
Duck	1.36-2.26 kg / 3-5 lbs.			Roast or grill 2 - 2.5 hours

PORK	SIZE	Precooked to Reheat 60°C / 140°F	Medium 66°C / 150°F	Well Done 71°C / 160°F
Ham (Fully Cooked & Boneless Portion, Smoked Picnic Whole & Bone-In)	2.5 cm / 1" 1.36-1.81 kg / 3-4 lbs. 1.81-2.72 kg / 4-6 lbs. 2.26-3.62 kg / 5-8 lbs. 4.53-5.44 kg / 10-12 lbs.	12 minutes 50 minutes - 1 hour 1 - 2 hours 1 - 2½ hours 2 - 2¾ hours		
Loin Roast	1.36-1.81 kg / 3 - 4 lbs.		1 - 2 hours	2 - 3 hours
Rib Crown Roast	1.81-2.26 kg / 4 - 5 lbs.		1½ - 2 hours	2 - 3 hours
Chop (loin, rib)	1.9-2.5 cm / ¾" - 1" 3.1-3.9 cm / 1¼" - 1½"		10 - 12 minutes 14 - 18 minutes	
Tenderloin	1.9-2.5 cm / ¾" - 1"		20 - 30 minutes	30 - 45 minutes
Loin Roast (<i>boneless</i>)	1.36-2.26 kg / 3-5 lbs.		1¼ - 1¾ hours	1¾ - 2½ hours
Boston Butt (Pork Shoulder)	3.62-4.53 kg / 8-10 lbs.			93 - 98°C / 200 - 210°F Internal Temperature

BEEF	SIZE	HEAT	Rare - 54°C / 130°F	Medium - 60°C / 140°F	Well Done - 65°C / 150°F
Steak (<i>New York, Porter-house, Rib-eye, Sirloin, T-bone, or Tenderloin</i>)	1.9 cm / ¾" 2.5 cm / 1" 3.8 cm / 1½" 5 cm / 2"	High	Sear 8-10 minutes Sear 10-12 minutes Sear 10 minutes, grill 8-10 minutes Sear 10 minutes, grill 10-14 minutes		
Skirt Steak	0.6 - 12.7 cm / ¼" - ½"	High	Sear 5-7 minutes		
Flank Steak	0.45 - 0.86 kg / 1 - 1½ lbs., 1.9 cm / ¾"	Medium	Sear 4 minutes, grill 8-10 minutes		
Kabob	2.5 - 3.8 cm / 1-1½" cubes	Medium	Grill 10 - 12 minutes		
Tenderloin, whole	1.58 - 1.81 kg / 3½ - 4 lbs.	High/Medium	Sear 10 minutes, grill 15-20 minutes		
Ground Beef Patty	1.9 cm / ¾"	High/Medium	Sear 4 minutes, grill 4-6 minutes		
Rib-eye Roast (<i>boneless</i>)	2.26 - 2.72 kg / 5 - 6 lbs.	Medium	Grill 1½ - 2 hours		
Tri-tip Roast	0.9 - 1.13 kg / 2 - 2½ lbs.	High/Medium	Sear 10 minutes, grill 20-30 minutes		
Rib Roast	5.44 - 6.35 kg / 12 - 14 lbs.	Medium	2½ - 2¾ hours		
Veal Loin Chop	2.5cm / 1"	Medium	10 - 12 minutes direct		
Brisket	7.25 - 3.62 kg / 16 -18 lbs.	Hot Smoke	Cook until internal temperature reaches 91°C / 195°F		

LAMB	Size	Rare - 54°C / 130°F	Medium - 60°C / 140°F	Well Done - 71°C / 160°F
Roast (<i>fresh</i>)	2.26 - 2.72 kg / 5 - 6 lbs.		1 - 2 hours	
Rib Crown Roast	1.36-2.26 kg / 3-5 lbs.		1 - 1½ hours	1½ hours

SEAFOOD	Size	Rare - 54°C / 130°F	Medium - 60°C / 140°F	Well Done - 82°C / 180°F
Fish (<i>whole</i>)	0.5 kg / 1 lb. 0.9 - 1.1 kg / 2 - 2½ lbs. 1.4 kg / 3 lbs.			Grill 10 - 20 minutes Grill 20 - 30 minutes Grill 30 - 45 minutes
Fish (<i>filets</i>)	0.6-1.3 cm / ¼" - ½"			Grill 3 - 5 minutes, until flaky
Lobster Tail	0.15 kg / 5 oz. 0.3 kg / 10 oz.			Grill 5 - 6 minutes Grill 10 - 12 minutes

WILD GAME	Size	Rare - 60°C / 140°F	Medium - 71°C / 160°F	Well Done - 77°C / 170°F
Roast (<i>fresh</i>)	2.26 - 2.72 kg / 5 - 6 lbs.		1 - 1½ hours	1½ - 2 hours
Large Cuts (<i>fresh</i>)	3.62-4.53 kg / 8-10 lbs.		1 hours	1½ hours

TIPS & TECHNIQUES

Follow these helpful tips and techniques, passed on from Pit Boss® owners, our staff, and customers just like you, to become more familiar with your grill:

1. *FOOD SAFETY*

- Keep everything in the kitchen and cooking area clean. Use different platters and utensils for the cooked meat than the ones you used to prepare or transport the raw meat out to the grill. This will prevent cross contamination of bacteria. Each marinade or basting sauce should have its own utensil.
- Keep hot foods hot (above 60°C / 140°F), and keep cold foods cold (below 3°C / 37°F).
- A marinade should never be saved to use at a later time. If you are going to use it to serve with your meat, be sure to bring it to a boil before serving.
- Cooked foods should not be left out in the heat for more than an hour. Do not leave hot foods out of refrigeration for more than two hours.
- Defrost and marinade meats by refrigeration. Do not thaw meat at room temperature or on a counter top. Bacteria can grow and multiply rapidly in warm, moist foods. Wash hands thoroughly with hot, soapy water before starting any meal preparation and after handling fresh meat, fish and poultry.

2. *COOKING PREPARATION*

- Be prepared, or ***Mise en Place***. This refers to preparing the cooking recipe, fuel, accessories, utensils, and all ingredients you require at grill side before you start cooking. Also, read the entire recipe, start to finish, before lighting the grill.
- A BBQ floor mat is very useful. Due to food handling accidents and cooking spatter, a BBQ floor mat would protect a deck, patio, or stone platform from the possibility of grease stains or accidental spills.

3. *GRILLING TIPS AND TECHNIQUES*

- To infuse more smoke flavor into your meats, cook longer and at lower temperatures (also known as ***low and slow***). Meat will close its fibers after it reaches an internal temperature of 49°C / 120°F. Misting, or mopping, are great ways to keep meat from drying out.
- While searing your meats, cook with the lid down. Always use a meat thermometer to determine the internal temperature of the foods you are cooking. Smoking foods with hardwood pellets will turn meats and poultry pink. The band of pink (after cooking) is referred to as a ***smoke ring*** and is highly prized by outdoor chefs.
- Sugar-based sauces are best applied near the end of cooking to prevent burning and flare-ups.
- Leave open space between the foods and the extremities of the barrel for proper heat flow. Food on a crowded grill will require more cooking time.
- Use a set of long-handled tongs for turning meats, and a spatula for turning burgers and fish. Using a piercing utensil, such as a fork, will prick the meat and allow the juices to escape.
- Foods in deep casserole dishes will require more time to cook than a shallow baking pan.
- It's a good idea to put cooked food onto a heated platter, keeping the food warm. Red meats, such as steak and roasts, benefit from resting for several minutes before serving. It allows the juices that were driven to the surface by heat to ease back to the center of the meat, adding more flavor.

TROUBLESHOOTING

Proper cleaning, maintenance and the use of clean, dry, quality fuel will prevent common operational problems. When your Pit Boss grill is operating poorly, or on a less frequent basis, the following troubleshooting tips may be helpful. For FAQ, please visit www.pitboss-grills.com. You may also contact your local Pit Boss authorized dealer or contact Customer Service for assistance.

WARNING: Always disconnect the electrical cord prior to opening the grill for any inspection, cleaning, maintenance or service work. Ensure the grill is completely cooled to avoid injury.

PROBLEM	CAUSE	SOLUTION
No Power Lights On The Control Board	Temperature Control Dial is still off.	Press the Power Button, and ensure the button glows blue to show there is a power connection. Turn the Temperature Control Dial to a temperature setting.
	Not Connected To Power Source	Ensure unit is plugged into a working power source. Reset breaker. Ensure GFCI is a minimum 10 Amp service (see Electric Wire Diagram for access to electric components) Ensure all wire connections are firmly connected and dry.
	Fuse Blown On The Control Board	Remove hopper access panel (see Electric Wire Diagram for diagram), press in plastic tabs holding the control board in place and carefully pull controller inside the hopper to release controller. Check the fuse for a broken wire or if the wire has turned black. If yes, fuse needs to be manually replaced.
	The GFCI outlet has been tripped.	Ensure GFCI is a minimum 10 Amp service.
	Faulty Control Board	Control Board needs to be replaced. Contact Customer Service for a replacement part.
Fire in Fire pot Will Not Light	Auger Not Primed	Before the unit is used for the first time <u>or</u> anytime the hopper is completely emptied out, the auger must be primed to allow pellets to fill the auger tube. If not primed, the igniter will timeout before the pellets reach the fire pot. Follow Hopper Priming Procedure .
	Auger Motor Is Jammed	Remove cooking components from the grill body. Press the Power Button to turn the unit on, turn Temperature Control Dial to SMOKE, and inspect the auger feed system. Visually confirm that the auger is dropping pellets into the fire pot. If not operating properly, call Customer Service for assistance.
	Igniter Failure	Remove cooking components from the grill body. Press the Power Button to turn the unit on, turn Temperature Control Dial to SMOKE, and inspect the igniter. Visually confirm that the igniter is working by placing your hand above the fire pot and feeling for heat. Visually confirm that the igniter is protruding approximately 13mm / 0.5 inches in the fire pot. If not operating properly, follow Manual Start-up Procedure to continue use of grill; however, call Customer Service for assistance or a replacement part.
	Insufficient Air Flow Through Fire pot	Check fire pot for ash build-up or obstructions. Follow Care and Maintenance instructions for ash build-up. Check fan. Ensure it is working properly and air intake is not blocked. Follow Care and Maintenance instructions if dirty.
Flashing Dots On LCD Screen	The Igniter Is On	This is not an error that effects the grill. Used to show that the unit has power and is in Start-Up mode (igniter is on). The igniter will turn off after five minutes. Once the flashing dots disappear, the grill will begin to adjust to the desired temperature selected.
Flashing Temperature On LCD Screen	Grill Temperature Is Below 65°C /150°F	This is not an error that effects the unit; however, it is used to show that there is some risk that the fire could go out. Check hopper for sufficient fuel or if there is an obstruction in the feed system. Remove pellets and follow Care and Maintenance instructions. Check grill temperature probe and follow Care and Maintenance instructions if dirty. Check fire pot for ash build-up or obstructions, and follow Care and Maintenance instructions for ash build-up. Check fan. Ensure it is working properly and air intake is not blocked. Follow Care and Maintenance instructions if dirty. Check auger motor to confirm operation (rotation), and ensure there is no blockage in the auger tube.

"ErH" Error Code	The Unit Has Overheated, Possibly Due To Grease Fire Or Excess Fuel.	Press the Power Button to turn the unit off, and allow grill to cool. Follow Care and Maintenance instructions. After maintenance, remove pellets, and confirm positioning of all component parts. Once cooled, press the Power Button to turn the unit on, then select desired temperature. If error code still displayed, contact Customer Service.
"ErI" Error Code	Temperature probe wire not making connection.	Remove hopper access panel (see Electric Wire Diagram for diagram), and check for any damage to the Temperature Probe wires. Ensure Temperature Probe molex connectors are firmly connected, and connected correctly, to the Control Board.
"ErP" Error Code	Unit Not Turned Off Properly When Last Connected To Power.	Safety feature prevents an automatic restart. Press the Power Button to turn the unit off, wait two minutes, then press the Power Button to turn the unit on again. Turn Temperature Control Dial to SMOKE or desired temperature. If error code still displayed, contact Customer Service.
	Power Outage While Unit In Operation.	
"ErL" Error Code	Grill fails to perform start-up cycle	Check proper positioning of cooking components. Check hopper for sufficient fuel or if there is an obstruction in the feed system. Remove pellets and follow Care and Maintenance instructions. Check grill probe. Confirm if actual temperature is correct and accurate. Follow Care and Maintenance instructions if dirty. Check ignitor positioning and that it is heating up properly. In extreme cold, the grill may require a second start. Turn grill off, wait, then turn on again. Check fan. Ensure it is working properly. Follow Care and Maintenance instructions if dirty.
	Grill will not stay lit	
"noP" Error Code	Bad Connection At Connection Port	Disconnect meat probe from connection port on the Control Board, and reconnect. Ensure the meat probe adapter is firmly connected. Check for signs of damage to the adapter end. If still failed, call Customer Service for replacement part.
	Meat Probe Damaged	Check for signs of damage to the wires of the meat probe. If damaged, call Customer Service for replacement part.
	Faulty Control Board	Control Board needs to be replaced. Contact Customer Service for a replacement part.
Grill Temperature on SMOKE is too high	"P" Setting is too LOW	Push the "P" SET button, and increase the "P" setting.
Grill Will Not Achieve Or Maintain Stable Temperature	Insufficient Air Flow Through Fire pot	Check fire pot for ash build-up or obstructions. Follow Care and Maintenance instructions for ash build-up. Check fan. Ensure it is working properly and air intake is not blocked. Follow Care and Maintenance instructions if dirty. Check auger motor to confirm operation, and ensure there is no blockage in the auger tube. Once all the above steps have been done, start the grill, set temperature to SMOKE and wait for 10 minutes. Check that the flame produced is bright and vibrant.
	Lack Of Fuel, Poor Fuel Quality, Obstruction In Feed System	Check hopper to check that fuel level is sufficient, and replenish if low. Should the quality of wood pellets be poor, or the length of the pellets too long, this may cause an obstruction in the feed system. Remove pellets and follow Care and Maintenance instructions.
	Temperature Probe	Check status of temperature probe. Follow Care and Maintenance instructions if dirty. Contact Customer Service for a replacement part if damaged.
Grill Produces Excess Or Discolored Smoke	Grease Build-Up	Follow Care and Maintenance instructions.
	Wood Pellet Quality	Remove moist wood pellets from hopper. Follow Care and Maintenance instructions to clean out. Replace with dry wood pellets.
	Fire pot Is Blocked	Clear fire pot for ash and other debris. Follow Hopper Priming Procedure .
	Insufficient Air Intake For Fan	Check fan. Ensure it is working properly and air intake is not blocked. Follow Care and Maintenance instructions if dirty.
Frequent Flare-Ups	Cooking Temperature	Attempt cooking at a lower temperature. Grease does have a flash point. Keep the temperature under 176°C / 350°F when cooking highly greasy food.
	Grease Build-Up On Cooking Components	Follow Care and Maintenance instructions.

ELECTRICAL WIRE DIAGRAM

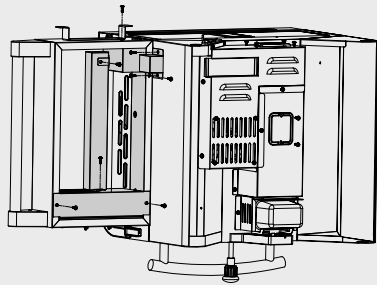
The Digital Control Board system is an intricate and valuable piece of technology. For protection from power surges and electrical shorts, consult the wire diagram below to ensure your power source is sufficient for the operation of the unit.

PB – ELECTRIC REQUIREMENTS 110-120V, 60HZ, 250W, 3-PRONG GROUNDED PLUG

NOTE: Electrical components, passed by product safety testing and certification services, comply with a testing tolerance of ± 5-10 percent.

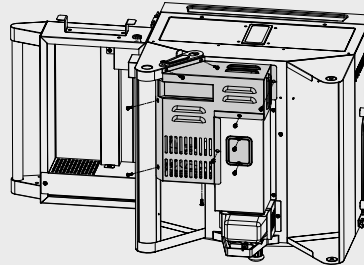
①

To gain access to the electrical components, first locate and remove the **EIGHT SCREWS** on the underside of the side shelf. Set screws and pieces aside.



②

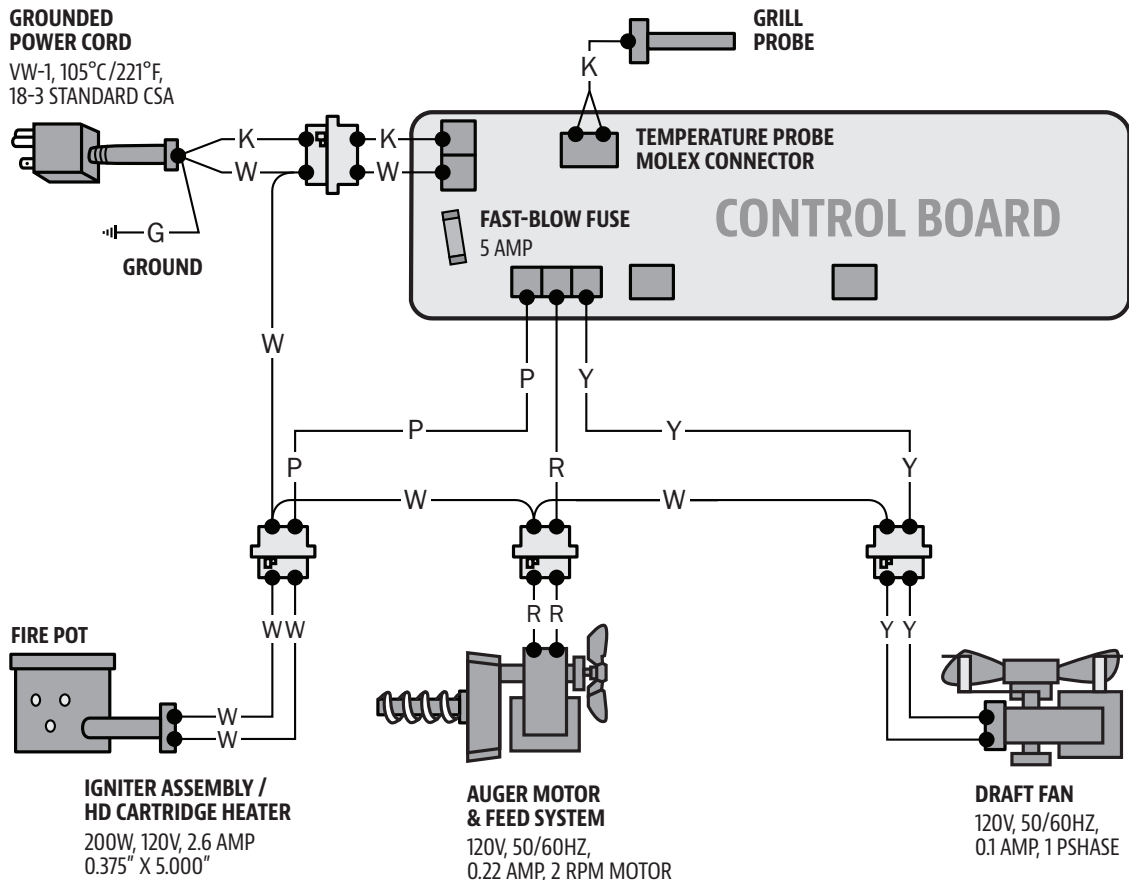
Next locate and remove the **TEN SCREWS** on the underside of the main grill body. Set screws and pieces aside. Perform electrical maintenance required.



FUEL INPUT RATING:
1.0 KG/H
(2.2 LB/H)

INDEX

W : WHITE
Y : YELLOW
P : PURPLE
R : RED
K : BLACK
G : GREEN

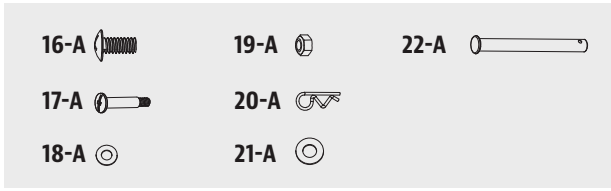
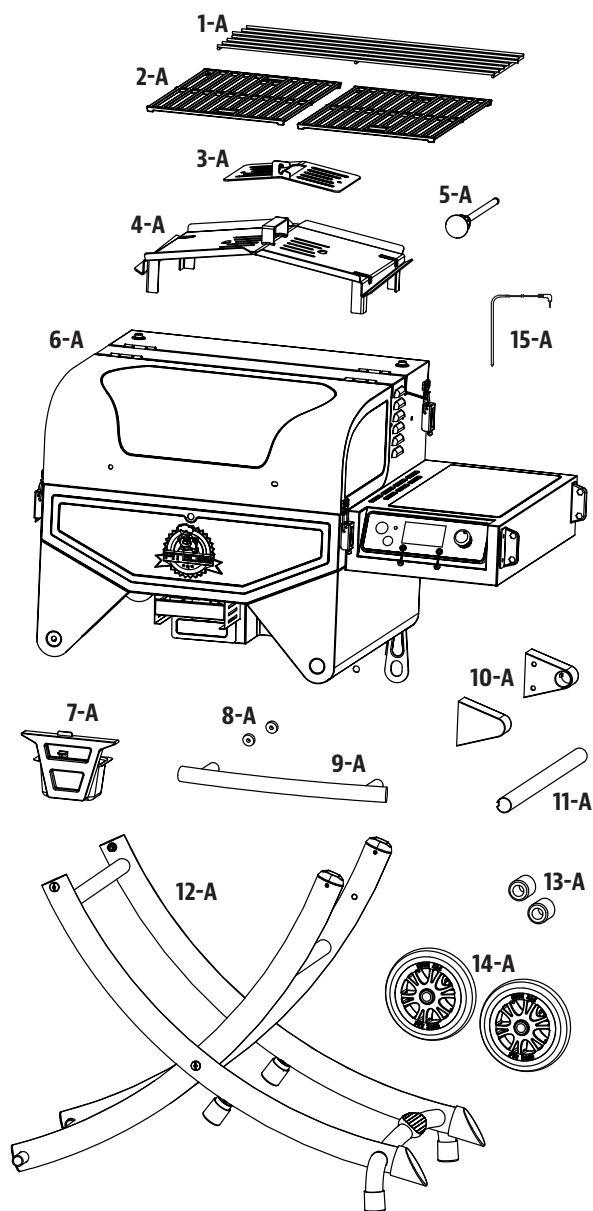


GRILL REPLACEMENT PARTS

ENGLISH

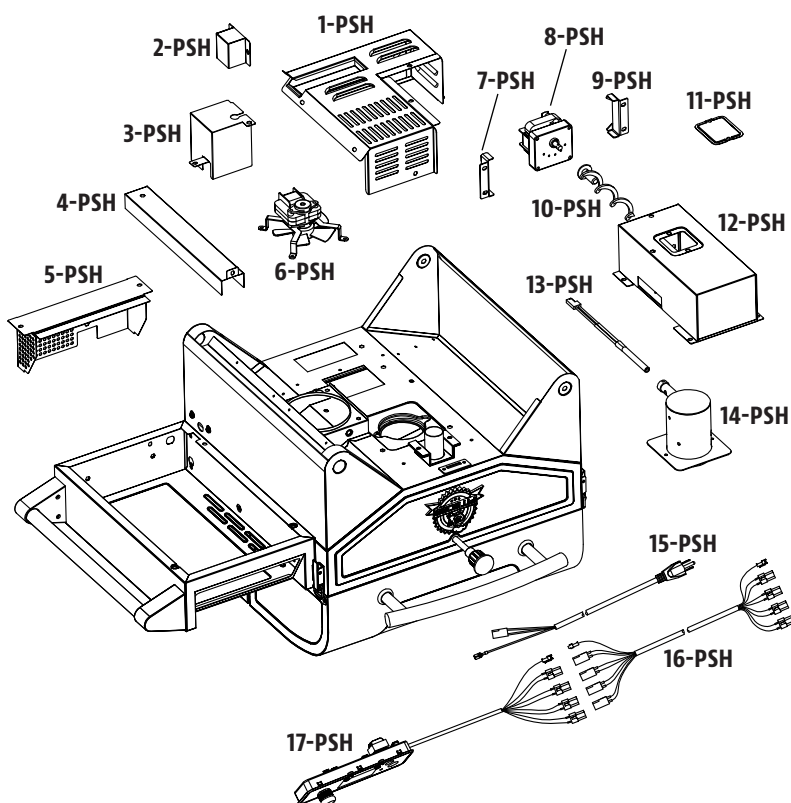
Part#	Description
1-A	Porcelain-Coated Steel Upper Cooking Rack (x1)
2-A	Porcelain-Coated Cast-Iron Cooking Grid (x2)
3-A	Flame Broiler Slider (x1)
4-A	Flame Broiler Main Plate (x1)
5-A	Flame Broiler Adjusting Bar (x1)
6-A	Grill Body / Hopper Assembly (x1)
7-A	Grease Cup (x1)
8-A	Lid Handle Bezel (x2)
9-A	Lid Handle (x1)
10-A	Side Shelf Handle Mounts (x2)
11-A	Side Shelf Handle (x1)
12-A	Cart Assembly (x1)
13-A	Wheel Bushing (x2)
14-A	Wheel (x2)
15-A	Meat Probe (x1)
16-A	Screw (x4)
17-A	Screw (x2)
18-A	Washer (x2)
19-A	Locking Nut (x2)
20-A	Wheel Cotter Pin (x2)
21-A	Wheel Washer (x2)
22-A	Wheel Axle Pin (x2)

NOTE: Due to ongoing product development, parts are subject to change without notice.



HOPPER REPLACEMENT PARTS

Part#	Description
1-PSH	Electrical Wire Cover / A
2-PSH	Electrical Wire Cover / B
3-PSH	Electrical Wire Cover / C
4-PSH	Electrical Wire Cover / D
5-PSH	Electrical Wire Cover / E
6-PSH	Fan Motor (x1)
7-PSH	Auger Motor Bracket / Left (x1)
8-PSH	Auger Motor (x1)
9-PSH	Auger Motor Bracket / Right (x1)
10-PSH	Auger Flighting Assembly (x1)
11-PSH	Igniter Access Panel (x1)
12-PSH	Auger Box Housing (x1)
13-PSH	Igniter (x1)
14-PSH	Fire Pot (x1)
15-PSH	Power Cord (x1)
16-PSH	Wire Harness (x1)
17-PSH	Pit Boss® HRI Control Board (x1)



ENGLISH

WARRANTY

CONDITIONS

All wood pellet grills by Pit Boss®, manufactured by Dansons, carry a limited warranty from the date of sale by the original owner. The warranty coverage begins on the original date of purchase and proof of date of purchase, or copy of original bill of sale, is required to validate the warranty. Customers will be subject to parts, shipping, and handling fees if unable to provide proof of the purchase or after the warranty has expired.

Dansons carries a five (5) year warranty against defects and workmanship on all parts, and five (5) years on electrical components. Dansons warrants that all part(s) are free of defects in material and workmanship, for the length of use and ownership of the original purchaser. Warranty does not cover damage from wear and tear, such as scratches, dents, dings, chips or minor cosmetic cracks. These aesthetic changes of the grill do not affect its performance. Repair or replacement of any part does not extend past the limited warranty beyond the five (5) years from date of purchase.

During the term of the warranty, Dansons' obligation shall be limited to furnishing a replacement for defective and/or failed components. As long as it is within the warranty period, Dansons' will not charge for repair or replacement for parts returned, freight prepaid, if the part(s) are found by Dansons' to be defective upon examination. Dansons' shall not be liable for transportation charges, labor costs, or export duties. Except as provided in these conditions of warranty, repair or replacement of parts in the manner and for the period of time mentioned heretofore shall constitute the fulfillment of all direct and derivate liabilities and obligations from Dansons to you.

Dansons takes every precaution to utilize materials that retard rust. Even with these safeguards, the protective coatings can be compromised by various substances and conditions beyond Dansons' control. High temperatures, excessive humidity, chlorine, industrial fumes, fertilizers, lawn pesticides and salt are some of the substances that can affect metal coatings. For these reasons, the warranty does not cover rust or oxidization, unless there is loss of structural integrity on the grill component. Should any of

the above occur, kindly refer to the care and maintenance section to prolong the lifespan of your unit. Danson's recommends the use of a grill cover when the grill is not in use.

This warranty is based on normal domestic use and service of the grill and neither limited warranty coverage's apply for a grill which is used in commercial applications.

EXCEPTIONS

There is no written or implied performance warranty on Pit Boss® grills, as the manufacturer has no control over the installation, operation, cleaning, maintenance or the type of fuel burned. This warranty will not apply nor will Danson's assume responsibility if your appliance has not been installed, operated, cleaned and maintained in strict accordance with this owner's manual. Any use of gas not outlined in this manual may void the warranty. The warranty does not cover damage or breakage due to misuse, improper handling or modifications.

Neither Danson's, or authorized Pit Boss® dealer, accepts responsibility, legal or otherwise, for the incidental or consequential damage to the property or persons resulting from the use of this product. Whether a claim is made against Danson's based on the breach of this warranty or any other type of warranty expressed or implied by law, the manufacturer shall in no event be liable for any special, indirect, consequential or other damages of any nature whatsoever in excess of the original purchase of this product. All warranties by manufacturer are set forth herein and no claim shall be made against manufacturer on any warranty or representation.

Some states do not allow the exclusion or limitation of incidental or consequential damages, or limitations of implied warranties, so the limitations or exclusions set forth in this limited warranty may not apply to you. This limited warranty gives you specific legal rights and you may have other rights, which vary from state to state.

ORDERING REPLACEMENT PARTS

To order replacement parts, please contact your local Pit Boss® dealer or visit our online store at: www.pitboss-grills.com

CONTACT CUSTOMER SERVICE

If you have any questions or problems, contact Customer Service, Monday through Sunday, 4am - 8pm PST (EN/FR/ES).

service@pitboss-grills.com | Toll-Free: 1-877-303-3134 | Toll-Free Fax: 1-877-303-3135

WARRANTY SERVICE

Contact your nearest Pit Boss® dealer for repair or replacement parts. Danson's requires proof of purchase to establish a warranty claim; therefore, retain your original sales receipt or invoice for future reference. The serial and model number of your Pit Boss® can be found on the back of the hopper. Record numbers below as the label may become worn or illegible.

MODEL

SERIAL NUMBER

DATE OF PURCHASE

AUTHORIZED DEALER

RECIPES

CLASSIC BRISKET

Makes 4 - 6 Servings

A whole beef brisket weighs 7.25-3.62 kg / 16-18 pounds and has three separate parts: the cap, the point, and the flat. Use the flat section, as it is lean, compact, and creates nice slices when carved.

Ingredients:

1	Beef Brisket <small>2.2-3.6 kg / 5-8 lbs, Layer of fat is at least 0.6 cm / ¼" thick</small>
1 bottle	Prepared Yellow Mustard
75 ml / 5 tbsp	Seasoning
1 bottle	Chili Sauce
1 pack	Dry Onion Soup Mix
375 ml / 1½ c.	Beef Broth
40 ml / 8 tsp	Black Pepper

Suggested Wood Pellet Flavor: Hickory / Competition

Instructions:

- Lay out a large piece of plastic wrap on your working station. Large enough to encase the brisket. Using a sharp knife, cut a single cut on the underside of the brisket against the grain. This will aid in slicing the finished brisket, against the grain which results in a tender, melt-in-your-mouth cut. The underside is the non-fat cap side. Slather on a generous amount of prepared mustard. Rub lightly onto the entire area. Sprinkle a generous amount of seasoning onto the mustard, then again light rub into the meat. Flip the brisket over and repeat the process. Wrap the prepared brisket in the plastic wrap and refrigerate 2 to 4 hours, or overnight.
- Prepare the basting mixture. Mix the chili sauce, dry onion soup mix, beef broth, and black pepper. Set aside.
- Turn on grill to SMOKE or low temperature.**
- Place the brisket, fat side up, in the center of the grill. Close the grill lid. Slow cook until tender, about 10 to 12 hours.
- Baste the brisket with the basting mixture every half hour for the first 3 hours.
- Continue the slow cooking process until the internal temperature reaches 60-66°C / 140-150°F. Remove from grill. **Turn grill up to 176°C / 350°F.**
- Place the brisket into a pouch of double-layered aluminum foil. Pour 50 ml / ¼ cup of basting mixture over the brisket in the pouch. Close the pouch shut.
- Lay foil pouch carefully on the grill. Steam for 1 to 1½ hours.
- Open the pouch, and use a meat thermometer; internal temperature should reach 91°C / 195°F. The brisket should be firm but be able to pull the meat apart with your fingers.
- Transfer the meat to a cutting board, and let it rest for 10 minutes. Thinly slice across the grain to serve.

SAUSAGE WITH MANGO CHUTNEY

Makes 4 - 6 Servings

Ingredients:

2	Mangoes (finely chopped)
0.9 kg / 2 lbs	Italian Sausage (hot or mild)
10 ml / 2 tsp	Fresh Parsley (minced)
15 ml / 1 tbsp	Red Pepper (diced)
10 ml / 2 tsp	Honey
½	Red Onion (diced)
½ bulb	Fennel (diced)
5 ml / 1 tsp	Lime Juice
Pinch	Salt

Suggested Wood Pellet Flavor: Hickory / Competition

Instructions:

- Turn on grill to LOW-MEDIUM (82 - 107°C / 180 - 225°F)**
- Place sausages on grill, spaced evenly apart. Rotate every ten minutes so all sides are grilled.
- Combine all remaining ingredients to make the chutney. Chill until ready to serve.
- Slice grilled sausage diagonally, then serve with side of chutney.

BLUE CHEESE STEAK

Makes 4 Servings

Ingredients:

4	Steak, T-bone or Rib-Eye <small>2.54cm / 1" thick 0.28-0.62 kg / 10-12 ounces each</small>
113 g / 4 oz.	Blue Cheese (crumbled)
50 ml / ¼ c.	Green Onion (thinly sliced)

Suggested Wood Pellet Flavor: Hickory / Competition / Whiskey

Instructions:

- Turn on grill to higher temperature (204-260°C / 400-500°F)**
- Trim excess fat from meat and discard.
- Place steaks on grill. Sear each side, flipping every few minutes.
- Reduce heat to 135°C/275°F or 163°C/ 325°F.** Flip the steaks a final time. Combine blue cheese and onions. Sprinkle over steaks, close grill lid, and grill until desired doneness. Check doneness by cutting a slit in meat near the bone.

Variation: REVERSE-SEAR METHOD

Turn grill to SMOKE, then place steaks on grill. Smoke at 82°C / 180°F for 5 to 15 minutes. Once smoked to desired doneness, turn grill up to HIGH and sear to your liking.

BBQ RIBS

Makes 4 - 6 Servings

Ingredients:

1.3-1.8 kg / 3-4 lbs	Ribs <small>Meaty pork spareribs / loin back ribs</small>
45 ml / 3 tbsp	Oil
5 ml / 1 tsp	Salt
5 ml / 1 tsp	Pepper
2 whole	Onions (chopped)
30 ml / 2 tbsp	Vinegar
30 ml / 2 tbsp	Worcestershire sauce
125 ml / ½ c.	Apple Juice or Soda
5 ml / 1 tsp	Paprika
5 ml / 1 tsp	Chili Powder

Suggested Wood Pellet Flavor: Hickory / Competition / Apple

Instructions:

1. Turn on grill to **SMOKE** or low (82-107°C / 180-225°F).
2. Prepare ribs by peeling off the tough layer of skin on the back side. Season the ribs with salt and pepper, to taste.
3. Place ribs on grill, spaced evenly apart. Smoke for 3 to 4 hours.
4. Mix remaining ingredients in a saucepan and bring to a boil. Let sauce boil for five minutes to thicken.
5. Remove from grill. **Turn grill up to 176°C / 350°F.**
6. Place each rack into a pouch of double-layered aluminum foil. Pour 50 ml / ¼ cup of sauce over the ribs in the pouch. Close the pouch shut.
7. Lay foil pouch carefully on the grill. Steam for 1 to 1½ hours.
8. Open the pouch. The meat will have exposed the rib ends and be very tender. **Turn grill up to HIGH (260°C / 500°F).** Place ribs back on the grill and baste with sauce on both sides of ribs.
9. Once the sauce is caramelized and the ribs are sticky, remove from grill and serve.

Variation: MEMPHIS-DRY METHOD

Turn grill up to HIGH (260°C / 500°F). Place ribs back on the grill and season with a dry seasoning or rub. Sear the ribs, remove from grill and serve.

MOM'S JUICY HAMBURGERS

Makes 4 - 6 Servings

Ingredients:

900 g / 2 lbs	Ground Beef or Buffalo
15 ml / 3 tsp	Seasoning
2 whole	Eggs, room temperature
500 ml / 2 c.	Bread Crumbs (Dried, Fine)
6 - 8	Hamburger / Kaiser Buns
6 - 8 slices	Cheese (slices, thin)
30 ml / 2 tbsp	Butter

Suggested Wood Pellet Flavor: Hickory / Competition

Instructions:

1. Turn on grill to higher temperature (204-260°C / 400-500°F)
2. Combine meat, seasoning, eggs and bread crumbs in a mixing bowl and blend together. Divide the meat into portions, and gently shape into patties to fit the buns. Make patties about 1.9 cm / ¾ inches thick.
3. Place patties on grill. Grill six minutes per side, taking care not to press down on the meat. Test for doneness, using a meat thermometer; internal temperature should reach 71°C / 160°F. Meat may turn pink on the outside due to smoking.
4. In the last few minutes of grilling, brush buns with butter and lightly toast on the grill.
5. Remove buns, burgers when done. Top the burgers with cheese to melt, and serve.

TIP: A slightly fattier meat makes for a juicier burger. For a lean alternative, try ground buffalo.

SIRLOIN STEAK WITH SWEET ONION & PEPPERS

Makes 4 Servings

Ingredients:

2	Steak, Top Sirloin <small>1" thick, cut into 4 pieces. 0.45kg/1 lb</small>
10 ml / 2 tsp	Seasoning or rub
5 medium	Sweet Onions (coursed chopped)
2 whole	Bell Peppers (all kinds, chopped)
60 ml / 4 tbsp	Soy Sauce
60 ml / 4 tbsp	Olive Oil
Dash	Salt

Suggested Wood Pellet Flavor: Hickory / Mesquite / Whiskey

Instructions:

1. Turn on grill to **218°C / 425°F.**
2. Season both sides of the steak with the seasoning or rub. Cover and refrigerate at least 1 hour.
3. Place onions and bell peppers into a covered tray of aluminum foil. Mix soy sauce and olive oil together, then drizzle over tray. Sprinkle with salt. Seal the foil packet completely.
4. Place the foil on the grill for 10 - 15 minutes or until vegetables are soft and tender. Remove from grill, and keep covered.
5. Place steaks on grill. Sear each side, flipping every few minutes.
6. Grill until desired doneness, then remove from grill. Place on serving plates and top with warm vegetables.

CORNISH HENS WITH MANDARIN RICE

Makes 4 Servings

Ingredients:

4 whole Cornish Game Hens
750 ml / 3 c. Mandarin Rice
15 ml / 1 tbsp Olive Oil
5 ml / 1 tsp Smoked Paprika
250 ml / 1 c. Orange Marmalade

Mandarin Rice

59 ml / ¼ c. Almonds (slivered)
30 ml / 2 tbsp Celery (chopped)
1 small Green Onion (sliced, thin)
30 ml / 2 tbsp Butter
1 can Mandarin Orange Segments (drained)
0.4 kg/11oz.
30 ml / 2 tbsp Orange Juice (concentrate)
500 ml / 2 c. Cooked Rice

Suggested Wood Pellet Flavor: Hickory / Mesquite / Competition

Instructions:

1. Prepare mandarin rice by cooking almonds, celery, green onion, and butter in small skillet until almonds are lightly toasted. Combine mixture with orange segments, orange juice and cooked rice in a bowl, and set aside.
2. **Turn on grill to medium temperature (135-177°C / 275-350°F).**
3. Rinse Cornish hens and pat dry with paper towel. Stuff with rice mixture and tie legs with a string. Brush Cornish hens lightly with olive oil, and sprinkle with paprika.
4. Place Cornish hens on grill. Grill for 45 to 60 minutes, until the drumstick meat is tender when pressed.
5. Baste with orange marmalade during last 20 minutes of cooking time. Remove from grill and arrange on serving platter.

TIP: If you want to catch the drippings to make gravy, place the hens in a foil pan and add enough water or juice to cover the bottom about 0.6 cm / ¼ inch thick.

SHRIMP KABOBS WITH CURRY BUTTER

Makes 4 Servings

Ingredients:

900g / 2 lbs Shrimp (peeled, deveined)
125ml / ½ c. Curry Butter
15 ml / 1 tbsp Olive Oil
1 Lime
Fresh Dill

Curry Butter

125 ml / ½ c. Butter
30 ml / 2 tbsp Onion (chopped)
15 ml / 1 tbsp Fresh Dill
5 ml / 1 tsp Curry Powder
Dash Garlic Powder

Suggested Wood Pellet Flavor: Mesquite / Competition

Instructions:

1. Soak wooden skewers in water for 1 hour.
2. **Turn on grill to 135-163°C / 275-325°F.**
3. Prepare curry butter by melting butter in small pan over medium-high heat. Stir in onion, dill, curry powder and garlic powder. Cook for five minutes, then remove from heat.
4. Thread shrimp on skewers, leaving space between pieces. Lightly brush with olive oil.
5. Place skewers on grill, and grill until shrimp are white and tender. Shrimp grill quickly; take care not to overcook. Turn skewers of shrimp once and brush with curry butter halfway through cooking time.
6. Arrange grilled shrimp on serving plate. Garnish with lime wedge and dill.

TIP: To skewer shrimp so that it is straight, hold it in a stretched-out position with one hand. Start at the tail end and insert a bamboo or wooden skewer into the shrimp so that it runs the full length. Keep unbending the shrimp with your fingers as you go.

BACON BASIL SHRIMP ON A STICK

Makes 4 - 6 Servings

Ingredients:

24 large Shrimp (peeled, deveined)
24 whole Fresh Basil Leaves
24 slices Bacon (sliced thin)

Suggested Wood Pellet Flavor: Cherry / Apple

Instructions:

1. Soak wooden skewers in water for 1 hour.
2. **Turn on grill to 135-163°C / 275-325°F.**
3. Wrap a piece of shrimp and basil leaf in a thin slice of bacon, then thread onto skewer, leaving space between pieces.
4. Place skewers on grill, and cook until shrimp are white and tender, and the bacon is nicely browned. Shrimp grill quickly; take care not to overcook. Turn skewers often to avoid burning.
5. Remove from heat and serve.

WHOLE SMOKED TURKEY

Feeds a small army - leftovers are great!

Ingredients:

1 whole Turkey (thawed)
9-11.3 kg / 20-25 lbs
60 ml / 4 tbsp Seasoning
5 ml / 1 tsp Smoked Paprika
45 ml / 3 tbsp Butter

Suggested Wood Pellet Flavor: Hickory / Cherry / Competition

Instructions:

1. **Turn on grill to 135-177°C / 275-350°F.**
2. Remove the turkey neck and giblets. Rinse turkey thoroughly and pat the exterior dry with paper towel.
3. In a small bowl, mix butter, ¼ of the seasoning and paprika together to form a paste. Gently insert your hand between the outer skin and the breast meat. Rub paste into the meat.
4. With the remaining seasoning, rub the outer surface of the turkey.
5. Place turkey, breast side up, in center of grill, and cook until turkey is tender and golden brown; internal temperature should reach 82°C / 180°F in the thickest part of the thigh and 77°C / 170°F in the breast.
6. Remove turkey, cover with foil and let rest for 10 minutes before carving.

TIP: If you want to catch the drippings to make gravy, place the turkey on a rack inside a large aluminum foil roast pan. Add 0.6 cm / ¼" of water or broth and some seasoning into the bottom of the pan. Monitor the juices, as you may need to add more during the roasting period.

BEER CAN CHICKEN

Makes 2 - 6 Servings

Ingredients:

1 whole Chicken
1.8-2.7 kg / 4-6 lbs
1 can Beer, any kind
45 ml / 3 tbsp Seasoning

Suggested Wood Pellet Flavor: Hickory / Apple / Competition

Instructions:

1. **Turn on grill to 135-177°C / 275-350°F.**
2. Open can, and pour half of the beer into a glass to drink. Leave half in the can, and make a few more holes in the top of the can to increase ventilation. Add a ¼ of the seasoning to the can.
3. Rinse chicken thoroughly and pat the exterior dry with paper towel. Add a ¼ of the rub inside the cavity of the chicken. With the remaining seasoning, rub the outer surface of the chicken.
4. Insert the upright can into the cavity of the chicken, place on the grill, and close the grill lid. Cook until the chicken is golden

brown and crispy; internal temperature should reach 74°C/165°F.

5. Using tongs, carefully remove the upright chicken and can from the grill. Let rest for five minutes, then carefully remove the can from the cavity of the chicken. Be cautious not to spill, as the liquid will be hot.
6. Carve chicken and serve.

Variation: NON- ALCOHOLIC, BEER-CAN CHICKEN

Using the same instructions as above, but substitute the can of beer with a can of your favorite non-diet cola, fruit juice, or water with additional seasoning.

EASY RANCH CHICKEN SATAY

Makes 2 - 6 Servings

Ingredients:

450g / 1 lb Chicken Breasts or Thighs (boneless, skinless)
112 ml / ½ c. Prepared Ranch or Italian Salad Dressing
Dash Salt
Dash Pepper

Suggested Wood Pellet Flavor: Apple / Cherry

Instructions:

1. Cut chicken, lengthwise, into 0.63 cm / ¼" or slightly thicker pieces. Rinse chicken and pat dry with paper towel.
2. Place chicken pieces into a plastic lock-top bag. Add salad dressing, salt and pepper. Seal the bag closed, and carefully shake, coating chicken evenly. Place in refrigerator for 1 - 2 hours, or overnight. Shake the bag once or twice so the chicken marinades evenly.
3. Soak wooden skewers in water for 1 hour before use.
4. **Turn on grill to 218°C / 425°F.**
5. Remove chicken from plastic bag, and weave in-and-out onto the skewers, like a ribbon.
6. Place skewers on grill, and cook until chicken is white and firm. Turn skewers often to avoid burning.
7. Remove from heat and serve.

INFORMATIONS DE SÉCURITÉ

LES CAUSES MAJEURES DES INCENDIES D'APPAREILS SONT LE RÉSULTAT D'UN MAUVAIS ENTRETIEN ET D'UN DÉFAUT DE MAINTENIR DU DÉGAGEMENT REQUIS POUR LES MATÉRIAUX COMBUSTIBLES. IL EST D'UNE IMPORTANCE CRUCIALE QUE CE PRODUIT SOIT UTILISÉ SEULEMENT CONFORMÉMENT AUX INSTRUCTIONS SUIVANTES.

Veillez lire et comprendre ce manuel avant d'assembler, d'utiliser ou d'installer le produit. Cela vous assurera de profiter au mieux et sans soucis de votre nouveau gril à granulés de bois. Nous vous conseillons également de conserver ce manuel pour référence ultérieure.

DANGERS ET AVERTISSEMENTS

Vous devez communiquer avec votre municipalité, vos autorités locales en matière de feu ou de construction ou toute autre autorité compétente afin d'obtenir les permis nécessaires, la permission ou des renseignements sur toutes les restrictions d'installation, y compris ceux relatifs à l'installation d'un gril sur une surface combustible, aux règles d'inspection ou encore aux permis d'utilisation dans votre région.

1. Un dégagement minimum de 914 mm (36 pouces) des constructions combustibles sur les côtés du grill et 914 mm (36 pouces) de l'arrière du gril aux constructions combustibles doit être maintenu. **Ne pas installer l'appareil sur des planchers non combustibles ou des planchers protégés par des surfaces non combustibles à moins que des permis et autorisations adéquates n'aient été obtenus par les autorités compétentes.** Cet appareil à granulés de bois ne doit pas être placé sous un plafond ou un surplomb combustible. Gardez votre gril dans une zone dégagée et exempte de matières combustibles, d'essence et d'autres vapeurs et liquides inflammables.

En cas d'incendie de graisse, éteignez le grill et laissez le couvercle fermé jusqu'à ce que le feu soit éteint. Débranchez le cordon d'alimentation de la prise connectée. NE PAS jeter d'eau dessus. NE PAS essayer d'étouffer le feu. L'utilisation d'un extincteur approuvé toutes classes (classe ABC) est précieuse à conserver sur place. Si un incendie non contrôlé se produit, appelez les pompiers.

2. Gardez les cordons d'alimentation électrique et le carburant loin des surfaces chauffées. Ne pas utiliser votre gril sous la pluie ou autour d'une source d'eau.
3. Après une période de stockage ou de non utilisation, vérifiez qu'il n'y a pas d'obstruction au niveau de la grille de combustion et ps de blocage de l'air au niveau de la trémie. Nettoyer avant utilisation. **Si le grill est entreposé dehors pendant la saison des pluies ou les saisons de forte humidité, toutes les précautions devraient être prises pour veiller à ce que l'eau n'entre pas dans la trémie.** Vous devez toujours débrancher le gril avant d'effectuer un service ou un entretien.

Ne pas transporter votre gril pendant son utilisation ou pendant qu'il est chaud. Assurez-vous que le feu est complètement éteint et que le grill est complètement frais avant le déplacement.

4. Il est recommandé d'utiliser des gants ou des gants de barbecue résistant à la chaleur lors de l'utilisation du grill. Ne pas utiliser d'accessoires n'ayant pas été conçus pour être utilisés avec cet appareil. Ne pas mettre de couvercle de barbecue ou tout autre matière inflammable dans la zone d'espace de stockage sous le barbecue.
5. Pour éviter toute blessure ou endommagement de la tanière, l'appareil comporte un écran de sécurité de la trémie métallique. Cet écran ne doit pas être retiré sauf indication contraire du service à la clientèle de dansons ou d'un fournisseur de service autorisé.

Cet appareil n'est pas conçu pour être utilisé par des enfants, des personnes à capacités physiques, sensorielles ou intellectuelles réduites ou sans expérience ni connaissances, à moins qu'elles soient surveillées directement par une personne responsable de leur sécurité.

6. Certaines parties du barbecue peuvent être très chaudes et des blessures graves peuvent survenir. Tenir hors de portée des jeunes enfants et des animaux domestiques lors de l'utilisation.
7. Ne pas élargir les orifices de la grille de combustion, des trous de l'allumeur ou des pots de combustion. Le non-respect de cet avertissement pourrait entraîner un risque d'incendie et des dommages corporels et annulera votre garantie.
8. El producto puede tener bordes o puntos afilados. El contacto puede provocar lesiones. Tratar con cuidado.

ÉLIMINATION DES CENDRES

Les cendres devraient être déposées dans un contenant métallique avec couvercle hermétique. Le contenant fermé de cendres devrait être placé sur un plancher non combustible ou sur le sol, loin de toute matière combustible en attendant leur élimination définitive. Lorsque les cendres sont disposées par enterrement dans le sol, ou dispersées localement, elles doivent être conservées dans un récipient fermé jusqu'à ce que toutes les cendres aient été complètement refroidies.

COMBUSTIBLE GRANULES DE BOIS

Cet appareil de cuisson à granules est conçu et approuvé uniquement pour le bois aggloméré, entièrement naturel. Tout autre type de consommation de carburant dans cet appareil annulera la garantie et la norme de sécurité. Vous devez uniquement utiliser les pastilles de bois naturelles, conçues pour brûler dans les grils de bbq à pastilles. Ne pas utiliser de carburant avec des additifs. Les granules de bois sont très sensibles à l'humidité et doivent toujours être stockés dans un contenant hermétique. Si vous rangez votre gril sans utilisation pendant une période prolongée, nous vous recommandons de retirer tous les granulés de votre trémie et de votre vis sans fin pour éviter les bourrages. Le pouvoir calorifique moyen des granulés se situe entre 5,17 et 5,67 kWh/kg, avec un taux de cendre < 1 %.

Ne pas utiliser d'alcool, d'essence, de pétrole, d'essence à briquet ou du kérosène pour allumer ou faire reprendre un feu dans votre gril. Conservez tous ces liquides loin du gril lorsque celui-ci fonctionne.

Au l'impression de ce manuel, il n'y a pas de norme industrielle pour les granulés de bois de barbecue, bien que la plupart des usines de granulés utilisent les mêmes normes pour fabriquer des granulés de bois à usage domestique. Vous trouverez plus d'informations sur www.pelletheat.org ou sur *Pellet Fuel Institute*.

Contactez votre revendeur local au sujet de la qualité des granulés dans votre région et pour des informations sur la qualité de la marque. Comme il n'y a pas de contrôle sur la qualité des pastilles utilisées, nous n'assumons aucune responsabilité à l'égard des dommages causés par une mauvaise qualité du carburant.

CRÉOSOTE

La créosote, ou la suie, est une substance semblable à celle du goudron. Lors de la combustion, il produit de la fumée noire avec un résidu qui est également de couleur noire. La suie ou la créosote est formée lorsque l'appareil fonctionne incorrectement, par exemple: position incorrecte de la grille de combustion, blocage du ventilateur de combustion, défaut de nettoyage et entretien de la zone de combustion, granules touchés par l'humidité, ou mauvaise combustion air-carburant.

Il est dangereux de faire fonctionner cet appareil si la flamme devient sombre, de suie, ou si le pot de combustion est trop rempli de granulés. Lorsqu'elle est enflammée, cette accumulation de créosote produit un feu extrêmement vif et non maîtrisé, similaire à un feu de graisse. Dans ce cas, éteignez l'appareil, laissez-le refroidir complètement, puis inspectez-le pour l'entretien et le nettoyage. Il s'accumule généralement le long des zones d'échappement.

Si de la créosote s'est accumulée dans l'unité, laissez l'unité se réchauffer à basse température, éteignez l'appareil, puis essuyez toute formation à l'aide d'une serviette à main. À l'instar du goudron, il est beaucoup plus facile de nettoyer au chaud, car il devient liquide.

LE MONOXYDE DE CARBONE (« LE TUEUR SILENCIEUX »)

Le monoxyde de carbone est un gaz incolore, inodore et sans goût produit par la combustion des gaz, du bois, du propane, du charbon ou d'autres combustibles. Le monoxyde de carbone réduit la capacité du sang à transporter l'oxygène. Les faibles niveaux d'oxygène sanguin peuvent entraîner des maux de tête, des étourdissements, des faiblesses, des nausées, des vomissements, de la somnolence, de la confusion, de la perte de conscience ou la mort. Suivez les directives suivantes pour empêcher ce gaz incolore et inodore de vous empoisonner ainsi que votre famille et les autres :

- Consultez un médecin si vous ou les autres développez des symptômes similaires à un rhume ou la grippe quand vous cuisinez ou quand vous vous trouvez à proximité de l'appareil. L'empoisonnement au monoxyde de carbone, qui peut facilement être confondu avec le rhume ou la grippe, est souvent détecté trop tard.
- La consommation d'alcool et de drogues augment les effets de l'empoisonnement au monoxyde de carbone.

Le monoxyde de carbone est particulièrement toxique pour la mère et l'enfant pendant la grossesse, pour les nourrissons, les personnes âgées, les fumeurs et les personnes souffrant de problèmes de circulation sanguine ou du système circulatoire, tels que l'anémie ou les maladies cardiaques.

INFORMATIONS DE SÉCURITÉ

Conformément aux procédures et spécifications homologuées dans UL 2728A-2019 « Appareils de cuisson à combustible à granulés » et ULC/ORD C2728-19 "équipement de combustion de carburant à granulés". Les appareils de cuisson à granulés de Pit Boss® Grills ont été testés indépendamment et classés par CSA (un laboratoire d'essai accrédité) aux normes UL et ULC.



AVIS SUR LES DROITS D'AUTEUR

Droit d'auteur 2021. Tous droits réservés. Nulle partie de ce manuel ne peut être reproduite, transmises, transcrite ou stockée dans un système de recherche de quelque façon que ce soit sans l'autorisation préalable écrite de,

Dansons

3411 North 5th Avenue, Suite 500, PSPhoenix, AZ, USA 85013
sales@pitboss-grills.com | service@pitboss-grills.com
www.pitboss-grills.com

Service à la clientèle

Du lundi au samedi, de 4 h à 20 h HP (ANG/FR/ES)

Ligne sans frais: 1-877-303-3134, télécopie: 1-877-303-3135

TABLE DES MATIÈRES

Informations de sécurité	34	Entretien et maintenance	50
Pièces et spécifications	38	Utilisation du combustible en granulés de bois	51
Préparation de l'assemblage	39	Lignes directrices pour la cuisine	52
Instructions d'assemblage		Conseils et techniques	54
Montage des roues sur l'assemblage du chariot	39	Dépannage	55
Installation des poignées de la tablette latérale	40	Diagramme de fil électrique	58
Montage du chariot sur le corps du gril	40	Pièces de rechange	
Extension du chariot pour l'utiliser	41	Pièces de rechange de gril	59
Fixer la poignée du couvercle.....	41	Pièces de rechange de trémie	60
Installer les composants du chaudière	42	Garantie	
Installer les composants de cuisson	42	Conditions.....	60
Placer la godet à graisse	43	Exceptions.....	61
Connexion à une source d'alimentation	43	Commande de pièces de remplacement.....	61
Mode d'emploi		Appelez le service à la clientèle	61
Environnement du gril.....	44	Service de garantie	61
Gammes de température du gril	45	Recettes.....	62
Comprendre les sondes	45		
Position d'accrochage et de voyage	46		
Comprendre le tableau de contrôle	47		
Comprendre le réglage « P »	48		
Procédure d'amorçage de la trémie.....	48		
Première utilisation – Brûler le gril.....	48		
Procédure de démarrage automatique.....	49		
Procédure de démarrage manuelle.....	49		
Éteindre votre gril.....	50		

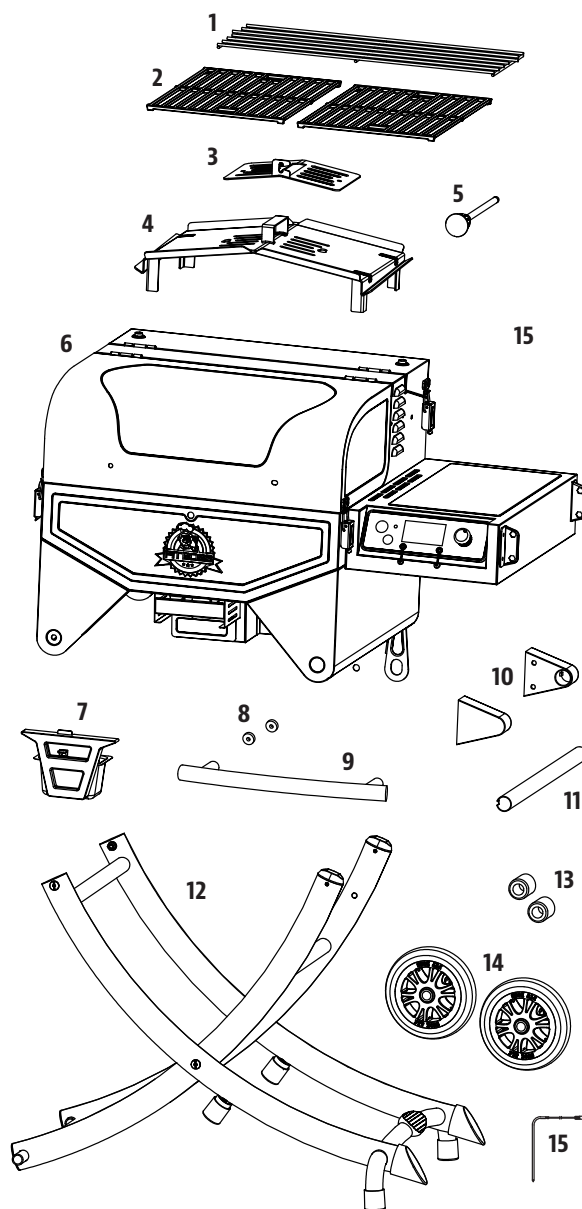
PIÈCES ET SPÉCIFICATIONS

No.	Description des pièces
1	Grille de cuisson supérieure en acier recouvert de porcelaine (x1)
2	Grille de cuisson en fonte recouverte de porcelaine (x2)
3	Glissière de la chaudière (x1)
4	Plateau principal de la chaudière (x1)
5	Barre de réglage pour chaudière (x1)
6	Corps du gril / assemblage de la trémie (x1)
7	Godet de graisse (x1)
8	Cadran de la poignée du couvercle (x2)
9	Poignée du couvercle (x1)
10	Supports de poignée pour tablette latérale (x2)
11	Poignée de la tablette latérale (x1)
12	Assemblage du chariot (x1)
13	Bague d'étanchéité de roue (x2)
14	Roue (x2)
15	Sonde à viande (x1)
A	Vis (x4)
B	Vis (x2)
C	Rondelle (x2)
D	Écrou de blocage (x2)
E	Goupille de l'essieu des roues (x2)
F	Rondelle de l'essieu des roues (x2)
G	Goupille fendue de la roue (x2)

REMARQUE : En raison du développement continu du produit, les pièces peuvent être modifiées sans préavis. Contactez le service clientèle si des pièces manquent lors de l'assemblage de l'appareil.

PB - EXIGENCES ÉLECTRIQUES

110-120V, 60HZ, 250W, FICHE À 3 BROCHES MISE À LA TERRE



MODÈLE	ASSEMBLÉE (WxHxD)	POIDS	SURFACE DE CUISSON	GAMME DE TEMPÉRATURES
PB PB260PSP2	974 X 954 X 640 MM / 38,3 X 37,5 X 25,2 PO.	35,8 KG / 78,9 LB	PRINCIPALE - 1 658 CM ² / 257 PO ² GRILLE SUPÉRIEURE - 838 CM ² / 130 PO ² TOTAL - 2 496 CM ² / 387 PO ²	82-260 °C / 180-500 °F

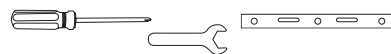
PRÉPARATION DE L'ASSEMBLAGE

Les pièces sont situées dans tout le carton d'expédition, y compris sous le gril. Inspectez la grille, les pièces et l'emballage de matériel après avoir retiré de l'emballage de protection en carton. Avant l'assemblage du produit, examinez toutes les pièces et référez-vous à la liste des pièces. En cas de pièce manquante ou endommagée, ne tentez pas d'assembler. Les dommages lors de l'expédition ne sont pas couverts par la garantie. Contactez votre revendeur ou le service à la clientèle de Pit Boss pour les pièces : du lundi au samedi, de 4 h à 20 h HP (ANG/FR/ES).

service@pitboss-grills.com | Ligne sans frais : 1-877-303-3134 | Télécopieur sans frais : 1-877-303-3135

IMPORTANT : Pour faciliter l'installation, être deux personnes est utile (mais pas nécessaire) lors de l'assemblage de cette unité.

Outils nécessaires pour l'assemblage : tournevis, clé et niveau d'eau. *Outils non inclus.*



INSTRUCTIONS D'ASSEMBLAGE

REMARQUE : Pour toutes les étapes suivantes, ne pas serrer complètement les vis jusqu'à ce que toutes les vis de cette étape aient été installées. Une fois toutes les vis installées, serrez-les correctement. La combinaison de matériel impliquant une rondelle et une rondelle de blocage doit être installée avec la rondelle de verrouillage la plus proche de la tête de la vis.

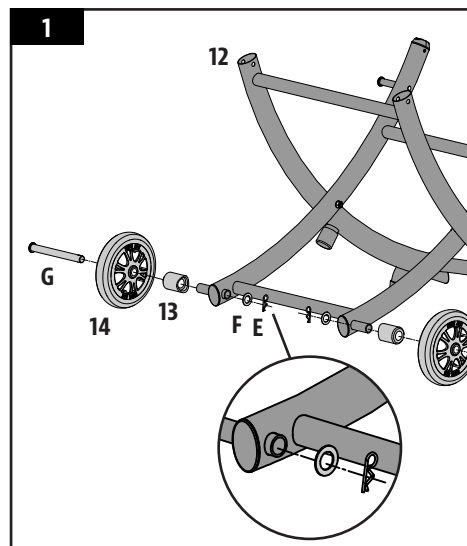
1. MONTAGE DES ROUES SUR L'ASSEMBLAGE DU CHARIOT

Pièces nécessaires :

- 1 x Assemblage du chariot (# 12)
- 2 x Roue (# 14)
- 2 x Bague d'étanchéité de roue (# 13)
- 2 x Goupille de l'essieu des roues (# E)
- 2 x Rondelle de l'essieu des roues (# F)
- 2 x Goupille fendue de la roue (# G)

Installation :

- Placez un morceau de carton sur le sol pour éviter de rayer l'unité et les pièces pendant l'assemblage.
- Fixez la roue à l'assemblage du chariot en insérant la goupille de l'axe de roue dans la roue, la bague de roue, le trou de jambe sur l'assemblage du chariot, puis fixez-la à l'aide de la rondelle de roue et de la goupille fendue. Répétez l'installation pour l'autre roue sur le chariot.



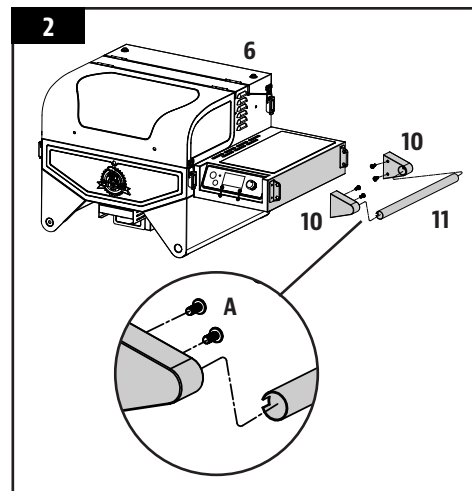
2. INSTALLATION DES POIGNÉES DE LA TABLETTE LATÉRALE

Pièces nécessaires :

- 1 x Corps du grill / assemblage de la trémie (# 6)
- 2 x Supports de poignée pour tablette latérale (# 10)
- 1 x Poignée de la tablette latérale (# 11)
- 4 x Vis (# A)

Installation :

- Notez la rainure d'alignement de chaque côté de la poignée de la tablette latérale. Insérez la poignée de la tablette latérale dans le trou en relief à l'intérieur de chaque support de poignée de la tablette latérale.
- Ensuite, fixez les supports de poignée de la tablette latérale à la tablette latérale à l'aide de quatre vis, deux dans chaque pièce.



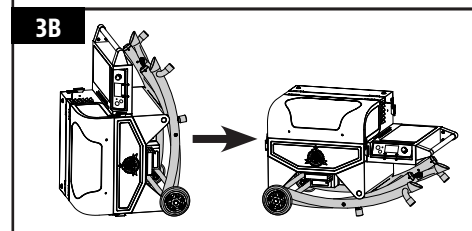
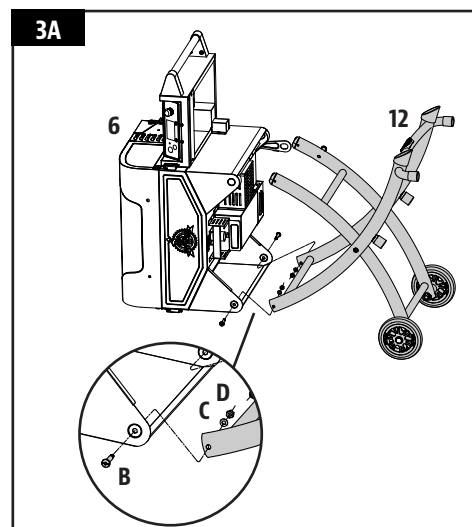
3. MONTAGE DU CHARIOT SUR LE CORPS DU GRIL

Pièces nécessaires :

- 1 x Corps du grill / assemblage de la trémie (# 6)
- 1 x Assemblage du chariot (# 12)
- 2 x Vis (# B)
- 2 x Rondelle (# C)
- 2 x Écrou de blocage (# D)

Installation :

- Posez le corps du grill sur le carton sur le côté, la poignée de la tablette latérale dirigée vers le haut. Placez le chariot à côté du corps du grill, sur le côté, avec les roues en bas.
- Fixez le pied du chariot à l'entretoise du corps du grill en insérant la vis (de l'extérieur) et fixez-la à l'aide de la rondelle et de l'écrou de blocage. Remarque 3A. Répétez l'installation pour l'autre jambe du chariot.
- Une fois le chariot solidement fixé au corps du grill, tournez délicatement le grill en position verticale. Remarque 3B.



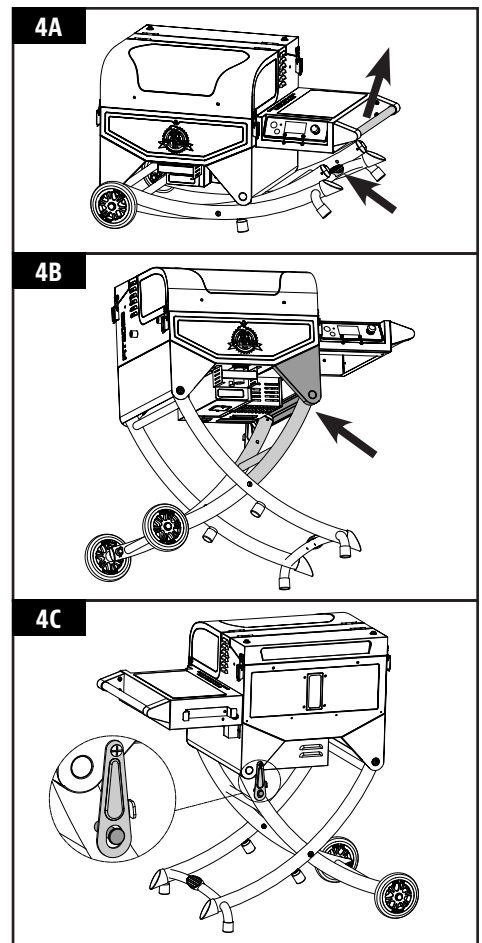
4. EXTENSION DU CHARIOT POUR L'UTILISER

Installation :

- Ancrez le gril et le chariot en plaçant votre pied sur la pédale du chariot. Ensuite, soulevez délicatement la poignée de la tablette latérale pour étendre le gril en position de patio. Remarque 4A.
- Une fois que le chariot est complètement déployé, placez les pieds du chariot sous le support droit de l'attelle du corps du gril. Remarque 4B.

- Pour verrouiller le chariot en vue de son utilisation, faites pivoter la plaque de verrouillage sur la goupille de verrouillage du pied du chariot. Remarque 4C.

IMPORTANT: resserrez les vis sur les pieds du chariot pour vous assurer qu'elles sont complètement fixées après avoir déployé le gril pour la première fois.



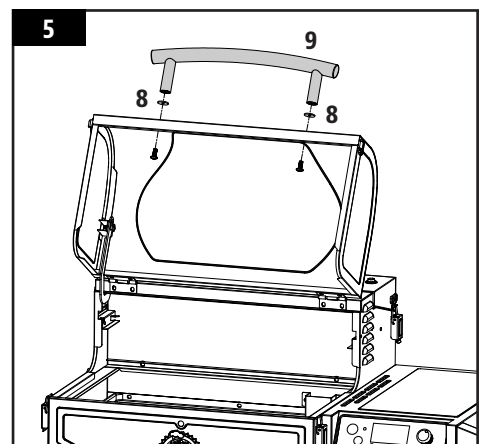
5. FIXER LA POIGNÉE DU COUVERCLE

Pièces nécessaires :

- 2 x Cadran de la poignée du couvercle (# 8)
- 1 x Poignée du couvercle (# 9)

Installation :

- Retirez les vis préinstallées de la poignée du couvercle. De l'intérieur du couvercle du canon, insérez une vis pour faire saillie vers l'extérieur. Ajoutez un cadre de poignée de couvercle sur la vis, puis serrez à la main la vis (de l'intérieur) dans la poignée de couvercle. Répétez la même installation pour l'autre extrémité de la poignée du couvercle.



6. INSTALLER LES COMPOSANTS DU CHAUDIÈRE

Pièces nécessaires :

- 1 x Plateau principal de la chaudière (# 4)
- 1 x Glissière de la chaudière (# 3)
- 1 x Barre de réglage pour chaudière (# 5)

Installation :

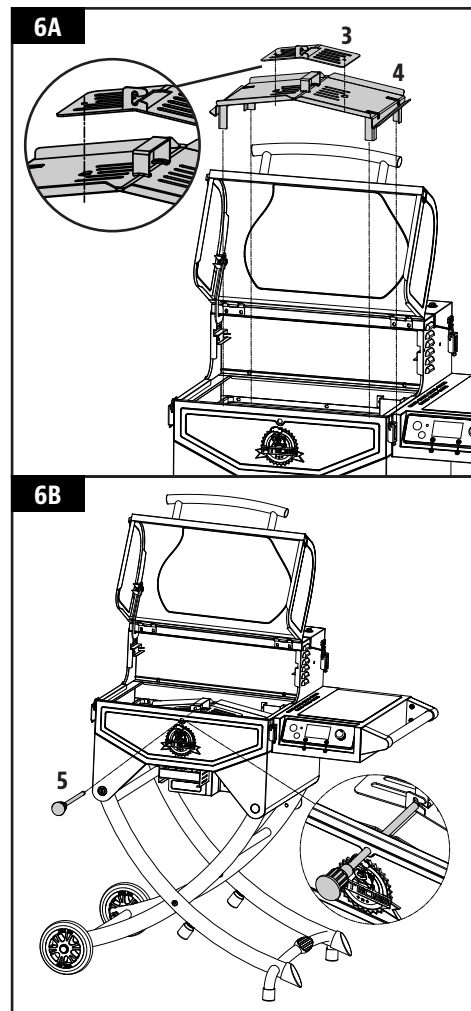
REMARQUE : Les deux pièces de flamme sont légèrement recouvertes d'huile pour éviter la rouille lorsqu'elles sont expédiées.

- Insérez la plaque principale du grill à flamme dans le corps du grill. Posez les quatre pieds de la plaque principale du grill à flamme sur les quatre marquages en creux de la base du corps du grill. Placez le curseur du grill à flamme sur le dessus de la plaque principale du grill à flamme, couvrant les ouvertures à fentes. Assurez-vous que la languette surélevée est vers l'avant du corps du grill et que les deux goupilles d'ancrage du coulisseau du grill à flamme sont placées dans les trous de la plaque principale du grill à flamme. Note 6A.

IMPORTANT: la plaque principale du chaudière doit être à niveau dans le corps du grill; cependant, les rainures de graisse sur les côtés gauche et droit doivent être inclinées vers le bas vers le godet à graisse (à l'avant).

- Insérez la barre de réglage du chaudière dans le trou à l'avant du corps du grill. Faites glisser l'extrémité intérieure de la barre de réglage pour chaudière dans l'onglet relevé du glissière de la chaudière. Cela vous donnera un accès réglable au glissière de la chaudière pendant que le grill est utilisé. Note 6B.

REMARQUE : Lorsque la glissière de la chaudière est ouverte, et que la flamme directe est utilisée pendant la cuisson, ne laissez pas le grill sans surveillance pendant une période quelconque.



7. INSTALLER LES COMPOSANTS DE CUISSON

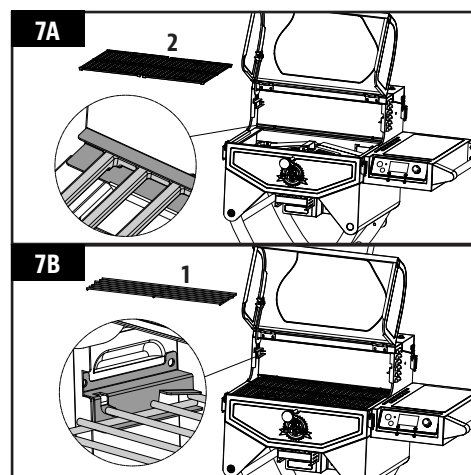
Pièces nécessaires :

- 2 x Grilles de cuisson (# 2)
- 1 x Grille de cuisson supérieure (# 1)

Installation :

- Placez les grilles de cuisson côte à côte sur les rebords de la grille à l'intérieur du corps du grill. Assurez-vous que l'arrière des grilles de cuisson est placé sous le bord des lèvres, car cela maintient les grilles de cuisson en position. Note 7A.
- Placez la grille de cuisson supérieure sur le rebord supérieur à l'intérieur du corps du grill. La grille de cuisson se verrouille en place. Note 7B.

REMARQUE : Pour maintenir les performances abrasives et griller de vos grilles de cuisson, des soins et une maintenance réguliers sont nécessaires.



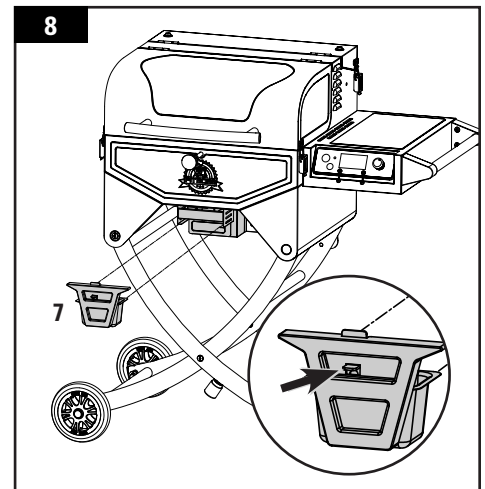
8. PLACER LA GODET À GRAISSE

Pièces nécessaires :

- 1 x Godet de graisse (# 7)

Installation :

- Appuyez vers le bas et, tout en maintenant le bouton de déverrouillage, faites glisser le godet à graisse dans les supports du godet à graisse sous le corps du grill. Relâchez le bouton pour verrouiller le godet à graisse en position. L'unité est maintenant complètement assemblée.

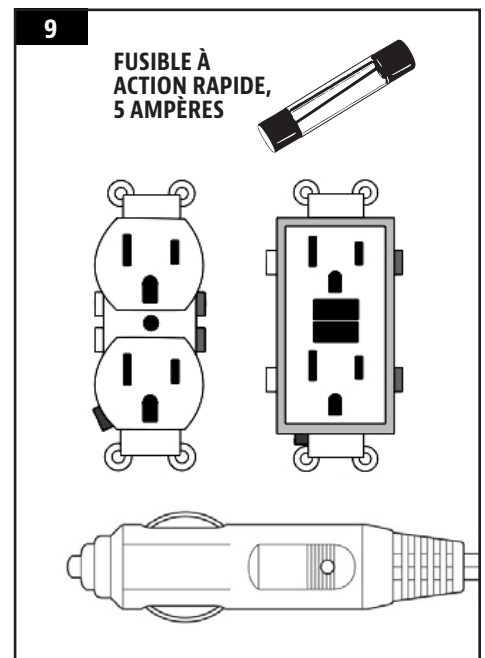


9. CONNEXION À UNE SOURCE D'ALIMENTATION

REMARQUE : Avant de brancher votre Pit Boss® dans une prise électrique, assurez-vous que le cadran de réglage des températures est en position OFF.

- PRISE STANDARD**
Cet appareil nécessite un voltage de 110-120 Volts, 60 Hz, 250 W. Il doit utiliser une fiche de mise à la terre à 3 broches. Assurez-vous que la mise à la terre n'est pas rompue avant utilisation. Le contrôle utilise un fusible à action rapide et 110-120 volts pour protéger le panneau de l'allumeur.
- LES PRISES GFCI**
Cet appareil fonctionnera sur la plupart des prises GFCI, avec une taille recommandée de 15 ampères. Si votre prise GFI est très sensible aux surtensions, elle sera probablement touchée par un court-circuit pendant la phase d'allumage. Pendant la phase d'allumage, l'allumeur nécessite entre 200 et 700 watts de tension, ce qui peut représenter trop de puissance pour une prise GFI. Chaque fois qu'il y a une surtension, il augmente sa sensibilité. Si le GFCI continue de sauter, remplacez la prise ou passez à une prise non GFCI.
- SUR LA ROUTE**
Débranchez l'allumeur du faisceau de câbles principal. Utilisez la procédure de démarrage manuelle. Une unité Pit Boss peut fonctionner en utilisant un onduleur de 12 volts et 100 watts branché sur votre prise automobile. Pour utiliser l'allumeur automatique, il est recommandé d'utiliser au minimum un onduleur de 1000 watts.

IMPORTANT: Débranchez l'appareil de la source d'alimentation lorsqu'il n'est pas utilisé.



MODE D'EMPLOI

Avec le style de vie actuel pour s'efforcer de manger des aliments sains et nutritifs, un facteur à considérer est l'importance de réduire la consommation de graisse. L'une des meilleures façons de réduire les graisses dans votre régime alimentaire est d'utiliser une méthode de cuisson faible en matières grasses, tel que le gril. Comme une grille à granulés utilise des granulés de bois naturels, la saveur de bois savoureux est cuite dans les viandes, ce qui réduit le besoin de sauces à haute teneur en sucre. Tout au long de ce manuel, vous remarquerez l'accent mis sur le grillage des aliments lentement aux réglages de température FAIBLE ou MOYENNE.

ENVIRONNEMENT DU GRIL

1. OÙ INSTALLER LE GRILL

Avec tous les appareils extérieurs, les conditions météorologiques extérieures jouent un rôle important dans la performance de votre gril et le temps de cuisson nécessaire pour parfaire vos repas.

Toutes les unités Pit Boss® devraient garder un dégagement minimum de 914 mm (36 pouces) des constructions combustibles, et cette distance doit être maintenue pendant la cuisson. Cet appareil ne doit pas être placé sous un plafond ou un surplomb combustible. Gardez votre gril dans une zone dégagée et exempte de matières combustibles, d'essence et d'autres vapeurs et liquides inflammables.

2. CUISINER PAR TEMPS FROIDS

Lorsqu'il commence à faire plus frais à l'extérieur, cela ne signifie pas que la saison des grillades est terminée! L'air frais et l'arôme divin des aliments fumés aideront à guérir votre blues d'hiver.

Suivez ces suggestions sur la façon de profiter de votre gril pendant les mois les plus frais:

- Si le fumage à basse température échoue, augmentez légèrement la température pour obtenir les mêmes résultats.
- Organisez – Préparez tout ce dont vous avez besoin dans la cuisine avant de vous diriger à l'extérieur. Pendant l'hiver, déplacez votre gril dans un endroit protégé du vent et du froid. Vérifiez les règlements locaux concernant la proximité de votre gril par rapport à votre maison et/ou autres constructions. Mettez tout ce dont vous avez besoin sur un plateau, emballez et lancez-vous!
- Pour suivre la température extérieure, placez un thermomètre extérieur près de votre zone de cuisson. Gardez un journal ou un historique de ce que vous avez préparé, de la température extérieure et du temps de cuisson. Cela sera utile plus tard pour vous aider à déterminer ce qu'il faut cuisiner et combien de temps cela prendra.
- Par temps très froid, augmentez votre temps de préchauffage d'au moins 20 minutes.
- Évitez de soulever le couvercle du gril plus que nécessaire. Les rafales de vents froids peuvent refroidir complètement la température de votre gril. Soyez souple quant au moment de servir; ajoutez environ 10 à 15 minutes de plus à la cuisson à chaque fois que vous ouvrez le couvercle.
- Ayez un plateau chauffé ou un couvercle de plat prêt à garder votre nourriture au chaud tout en faisant le voyage à l'intérieur.
- Les aliments idéaux pour la cuisine d'hiver sont ceux qui nécessitent peu d'attention, comme les rôtis, les poulets entiers, les côtes et la dinde. Rendez votre préparation de repas encore plus facile en ajoutant des éléments simples comme les légumes et les pommes de terre.

3. CUISINER PAR TEMPS CHAUDS

À mesure qu'il fait plus chaud à l'extérieur, le temps de cuisson diminue.

Suivez ces suggestions sur la façon de profiter de votre gril pendant les mois chauds:

- Ajustez à la baisse vos températures de cuisson. Cela permet d'éviter les poussées indésirables.
- Utilisez un thermomètre à viande pour déterminer la température interne de vos aliments. Ceci permet d'éviter que votre viande ne soit trop cuite ou se dessèche.
- Même par temps chaud, c'est mieux de cuisiner en gardant le couvercle de votre gril baissé.
- Vous pouvez garder vos aliments chauds au chaud en les enveloppant dans du papier aluminium et en les plaçant dans une glacière isolée. Placez du papier journal froissé autour du papier aluminium et cela tiendra la nourriture chaude pendant 3 à 4 heures.

GAMMES DE TEMPÉRATURE DU GRIL

Les lectures de température sur le panneau de contrôle peuvent ne pas correspondre exactement au thermomètre. Toutes les températures indiquées ci-dessous sont approximatives et sont affectées par les facteurs suivants: la température ambiante extérieure, la quantité et la direction du vent, la qualité du combustible à granulés utilisé, le couvercle ouvert et la quantité de nourriture en cours de cuisson.

- **TEMPÉRATURES ÉLEVÉES (205-260 °C / 401-500 °F)**

Cette gamme est de préférence utilisée pour sécher et griller à haute température. Utiliser en tandem avec la chaudière (plateau latéral) pour une cuisson indirecte ou directe de la flamme. Lorsque **la chaudière est ouverte**, la flamme directe est utilisée pour créer ces steaks « blue » ainsi que des légumes à la flamme, des toasts à l'ail ou même des s'mores! Lorsque **la chaudière est fermée**, l'air circule autour du baril ce qui conduit à une chaleur de convection. La température élevée est également utilisée pour préchauffer votre gril, brûler les grilles de cuisson et obtenir un feu vif par froid extrême.

- **TEMPÉRATURE MOYENNE (135-180 °C / 275-356 °F)**

Cette gamme est idéale pour cuire au four, rôtir et terminer votre création à fumaison lente. La cuisson à ces températures réduira considérablement les risques de poussée de graisse. Assurez-vous que la glissière de chaudière est en position fermée, couvrant les ouvertures à fente. Excellente gamme pour cuisiner n'importe quoi enveloppé dans du bacon, ou où vous voulez une polyvalence avec contrôle.

- **BASSE TEMPÉRATURE (82-125 °C / 180-257 °F)**

Cette gamme permet rôtir lentement, d'augmenter la saveur fumée et de garder les aliments au chaud. Infusez plus de saveur fumée et gardez vos viandes juteuses en cuisinant plus longtemps à une température plus basse (également connu sous le nom de **faible et lent**). Il est recommandé pour la grande dinde pour Thanksgiving, jambon juteux à Pâques, ou l'immense fête de Noël.

Le fumage est une variation de vrai barbecue et est vraiment le premier avantage de la cuisson sur un gril à pastilles de bois. **Le fumage à chaud**, un autre nom pour la cuisson **faible et lente**, se fait généralement à 82-122°C / 180-250°F. Le fumage à chaud fonctionne mieux lorsqu'un temps de cuisson plus long est nécessaire, comme pour les grandes coupes de viande, de poisson ou de volaille.

CONSEIL: Pour intensifier cette saveur salée, passez à la température de fumée (basse) immédiatement après avoir mis vos aliments sur le gril. Cela permet à la fumée de pénétrer dans les viandes.

La clé consiste à expérimenter le temps que vous autorisez à fumer, avant que le repas ne soit cuit. Certains chefs de plein air préfèrent fumer à la fin d'une cuisson, ce qui permet à la nourriture de rester au chaud jusqu'à ce qu'elle soit prête à être servie. La pratique rend parfait!

COMPRENDRE LES SONDÉS

- **SONDE DE TEMPÉRATURE**

Situé à l'intérieur du corps principal du gril, sur la paroi arrière droite, se trouve la sonde de température. C'est un petit morceau vertical d'acier inoxydable. La sonde de température mesure la température interne de l'appareil. Lorsque la température est réglée sur la carte de contrôle, la sonde de température lit la température réelle à l'intérieur de l'unité et la règle à la température désirée.

IMPORTANT: La température de votre appareil est fortement affectée par les conditions ambiantes extérieures, la qualité des pastilles utilisées, la saveur des pastilles et la quantité de nourriture cuite.

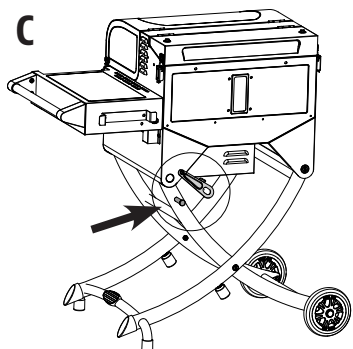
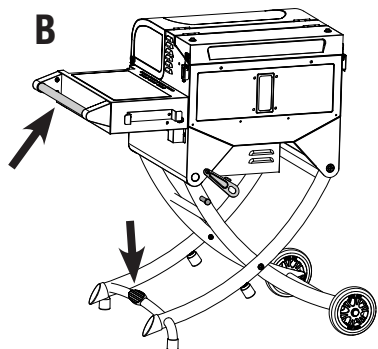
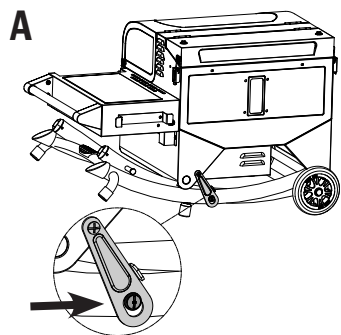
- **SONDE DE VIANDE**

La sonde à viande mesure la température interne de votre viande dans la grille, similaire à votre four intérieur. Branchez l'adaptateur de sonde de viande au port de connexion de la sonde de viande sur le panneau de contrôle et insérez la sonde de viande en acier inoxydable dans la partie la plus épaisse de votre viande et la température sera affichée sur le tableau de commande. **Pour vous assurer que la sonde à viande est correctement connectée au port de connexion, sentez-la et entendez-la s'enclencher.**

REMARQUE: Lorsque vous placez la sonde de viande dans votre viande, assurez-vous que la sonde de viande et les fils de la sonde de viande évitent un contact direct avec la flamme ou un excès de chaleur. Cela peut endommager votre sonde de viande. Exécutez l'excès de fil des orifices d'échappement arrière de la grille principale ou du haut de la grille principale (près de la charnière du couvercle du gril). Lorsqu'il n'est pas utilisé, débranchez-vous du port de connexion de la sonde de viande et placez-les à côté afin de protéger et de nettoyer.

POSITION D'ACCROCHAGE ET DE VOYAGE

Pliez votre grill en position de voyage et d'accrochage permet aux grill d'être utilisés dans un espace très limité et peut être facilement rangé quelque part. Construit avec sa propre poignée transport, le grill vous permet d'être un expert du grill sur le pouce! Préparez-vous pour le match, profitez d'une fin de semaine loin de chez vous ou commencez à griller sur le patio de votre maison; vous trouverez toujours une bonne raison pour préparer un repas rapide et facile avec votre grill!



COMMENT PLIER LE GRIL (SUIVRE LES IMAGES DANS L'ORDRE: A-B-C)

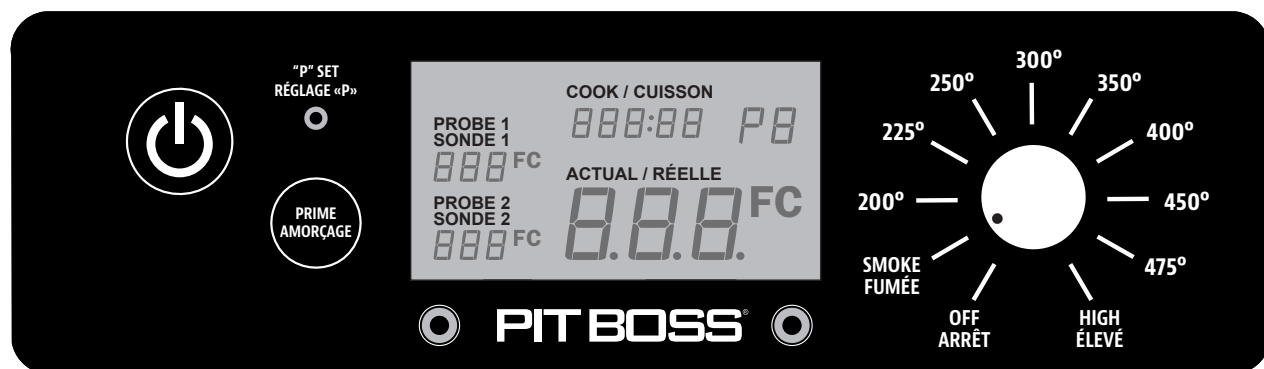
1. Vérifiez que l'unité est débranchée et que le godet à graisse est vide ou retiré.
REMARQUE: Il est fortement recommandé de verrouiller les loquets du couvercle du grill et de la trémie lorsque l'unité change de position.
2. Retirez la plaque de verrouillage de la goupille de verrouillage. Remarquez l'illustration A.
3. Ancrez le grill en plaçant votre pied sur la pédale du chariot. Lentement et avec précaution, soulevez la poignée de la tablette latérale, en repliant le grill en position de déplacement. Remarquez l'illustration B.
4. Verrouillez le grill en position de déplacement en faisant pivoter la plaque de verrouillage sur la goupille de verrouillage du pied du chariot. Remarquez l'illustration C. Le grill est maintenant prêt pour le voyage ou le talonnage!








COMMENT ÉLARGIR (SUIVRE LES IMAGES DANS L'ORDRE: C-B-A)

1. Vérifiez que l'unité est débranchée et que le godet à graisse est vide ou retiré.
REMARQUE: Il est fortement recommandé de verrouiller les loquets du couvercle du grill et de la trémie lorsque l'unité change de position.
2. Retirez la plaque de verrouillage de la goupille de verrouillage du pied du chariot. Remarquez l'illustration C.
3. Ancrez le grill en plaçant votre pied sur la pédale du chariot. Soulevez délicatement la poignée de la tablette latérale pour étendre le grill en position de patio. Une fois que le chariot est complètement déployé, placez les pieds du chariot sous le support droit de l'attelle du corps du grill. Remarquez l'illustration B.
4. Verrouillez le grill en position patio en faisant pivoter la plaque de verrouillage sur la goupille de verrouillage du pied du chariot. Remarquez l'illustration A. Le grill est maintenant prêt à l'emploi!

REMARQUE: Il est recommandé de vider ou presque la trémie pour aider à réduire le poids de l'unité lors de plier et d'élargir le grill.

COMPRENDRE LE TABLEAU DE CONTRÔLE



CONTRÔLE	DESCRIPTION
	Appuyez sur le bouton d'alimentation pour allumer l'appareil. Une fois connecté à une source d'alimentation et appuyé sur le bouton d'alimentation, l'écran LCD numérique s'allume pour indiquer qu'il est prêt à fonctionner. Appuyez et maintenez poussé le bouton pour allumer l'appareil.
	La molette de réglage de la température vous permet de régler la température de fumage désirée. Une fois connecté à une source d'alimentation et après avoir appuyé sur le bouton d'alimentation, tournez la molette et sélectionnez l'un des dix températures présélectionnées sur la commande de cadran, entre 82 et 260 ° C / 180 et 500 ° F. Lorsque le cadran est réglé sur une température, l'écran LCD numérique s'allume et indique qu'il est prêt à fonctionner. Lorsque la molette est réglé sur ARRÊT, l'écran LCD numérique reste éteint.
"P" SET RÉGLAGE «P» 	Le bouton de réglage "P" est utilisé pour sélectionner l'un des huit ajustements fins lorsque la molette de réglage de la température est réglée sur le paramètre de fumée. Modifier le réglage «P» afin de l'adapter à votre style de cuisson et à votre environnement de cuisson. En appuyant brièvement sur le bouton, le réglage augmente de P0 à P7, puis se répète. Les réglages sont possibles seulement quand la molette de réglage de la température est réglée sur le paramètre de fumée. Le paramètre par défaut de fabrication est "P4". Si le réglage « P » est réglé, votre préférence sera mémorisée (enregistrée) jusqu'à nouvel ajustement. Le bouton de réglage "P" est également utilisé comme contrôle de la température pour modifier l'affichage de la température sur l'écran LCD . Appuyez et <u>maintenez poussé</u> le bouton pendant cinq secondes pour passer en degrés Celsius (° C) ou Fahrenheit (° F), comme vous le souhaitez. La valeur par défaut est Fahrenheit.
	L' écran LCD est utilisé comme centre d'information pour votre appareil. L'écran LCD affichera la température de cuisson désirée, la température de cuisson réelle et la température de la sonde de viande (si elle est connectée). Si une seule sonde de viande est connectée, une seule lecture sera affichée.
PRIME AMORÇAGE 	Appuyez et maintenez enfoncé le bouton d'amorçage pour activer un flux supplémentaire de granulés dans le pot de combustion. Cela peut être utilisé pour ajouter plus de carburant au feu avant d'ouvrir le couvercle du baril ce qui entraîne un temps de récupération rapide de la chaleur. Il peut également être utilisé en fumant, afin d'augmenter l'intensité de la saveur propre de la fumée. Cela a été demandé aux cuisinières de compétition.
SMOKE FUMÉE 	Le réglage de fumée sur la molette de réglage de la température est le mode de démarrage de l'appareil. Le grill fonctionne à la température la plus basse, sans que le feu ne s'éteigne.
	Les ports de connexion enfichables à l'avant de la carte de contrôle sont destinés aux sondes à viande . Lorsqu'une sonde à viande est connectée, la température est affichée sur l'écran LCD. Lorsqu'ils ne sont pas en cours d'utilisation, débranchez la sonde de la viande du port de connexion. <i>Compatible uniquement avec les sondes de viande de marque Pit Boss®. Sonde(s) de viande additionnelles sont vendue séparément.</i>



COMPRENDRE LE RÉGLAGE « P »

Lorsque le bouton du réglage « P » en retrait est enfoncé, le réglage « P » affiché sur l'écran LCD clignotera et passera à la valeur suivante (vers le haut). Une fois que P7 est atteint, il redémarre à P0. Il existe huit paramètres « P », allant de P0 à P7. Le bouton du réglage « P » en retrait peut être enfoncé à l'aide d'un objet à pointe fine.

IMPORTANT: N'appuyez pas trop fort sur le bouton du réglage « P », cela pourrait causer des dommages. Seule une poussée légère est nécessaire.

• UTILISATION DU PARAMÈTRE « P » EN MODE FUMÉE

Chaque fois que le cadran de température est réglé sur FUMÉE, tel que le cycle de démarrage, la tარიère fonctionnera plus sur un mode de cuisson manuel en fonction de l'une des températures de numérotation prédéfinies. Tout d'abord, la vis sans fin tournera en permanence et alimentera les granulés pendant quatre minutes. Au bout de quatre minutes, la vis commence à exécuter un cycle d'alimentation en fonction du réglage "P" sélectionné sur la carte de commande numérique. Le réglage par défaut est P4.

RÉGLAGE "P"	CYCLE DE LA TARIÈRE (secondes)	
	ACTIVÉE	ARRÊTER
P0	18	55
P1	18	70
P2	18	85
P3	18	100
*P4	18	115
P5	18	130
P6	18	140
P7	18	150

* Réglage par défaut

PROCÉDURE D'AMORÇAGE DE LA TRÉMIE

Ces instructions doivent être suivies la première fois que le gril est allumé, et à chaque fois que le gril est à court de granulés dans la trémie. La tარიère doit être amorcée pour permettre aux granulés de traverser la longueur de la vis sans fin et remplir le pot de combustion. **S'il n'est pas amorcé, l'allumeur s'arrêtera avant que les granulés ne soient allumés et aucun feu commencera.** Suivez ces étapes pour amorcer la trémie:

1. Ouvrez le couvercle de la trémie. Veillez à ce qu'il n'y ait pas d'objets étrangers dans la trémie ou dans la vis sans fin.
2. Retirez tous les composants de cuisson de l'intérieur du gril. Trouver le pot de combustion dans le fond du baril principal.
3. Branchez le cordon d'alimentation dans une source d'alimentation. Appuyez sur le **bouton d'alimentation** pour allumer l'appareil et tournez la **molette de réglage de la température** sur la position FUMÉE. Vérifiez les éléments suivants:
 - Que la tარიère tourne. Placez votre main au-dessus du pot de feu et sentez s'il y a un mouvement d'air. Ne placez pas votre main ou vos doigts dans le pot de feu. Ceci peut provoquer des blessures.
 - Après environ une minute, vous devriez sentir l'allumeur brûler et commencer à sentir l'air qui devient plus chaud. Le bout de l'allumeur ne deviendra pas rouge. Cet élément devient extrêmement chaud et brûlant. Ne touchez pas l'allumeur.
4. Une fois vérifié que tous les composants électriques fonctionnent correctement, appuyez et maintenez poussé le bouton d'alimentation pour éteindre l'appareil.
5. Remplissez la trémie avec des granules de bois de barbecue naturel.
6. Appuyez sur le **bouton d'alimentation** pour allumer l'appareil. Maintenez la **molette de contrôle de la température** en position FUMÉE. Appuyez sur le **bouton d'amorçage** et maintenez-le enfoncé jusqu'à ce que vous voyiez des granules à l'intérieur du baril par la vis sans fin. Une fois que les granules commencent à tomber dans le pot de combustion, relâchez le **bouton d'amorçage**.
7. Appuyez le **bouton d'alimentation** pour éteindre l'appareil..
8. Réinstallez les composants de cuisson à l'intérieur. Le gril est maintenant prêt à l'emploi. (Voir les *instructions d'assemblage* pour assurer une installation correcte des composants de cuisson.)

PREMIÈRE UTILISATION – BRÛLER LE GRIL

Une fois que votre trémie a été amorcée et avant de cuisiner sur votre gril pour la première fois, il est important de compléter le brûler du gril. Démarrez le gril et faites le fonctionner à toute température supérieure à 176 ° C / 350 ° F avec le couvercle fermé pendant 30 à 40 minutes pour brûler le gril et le débarrasser de toute matière étrangère.

PROCÉDURE DE DÉMARRAGE AUTOMATIQUE

1. Branchez le cordon d'alimentation dans une source d'alimentation mise à la terre. Ouvrez le couvercle du baril. Vérifiez le pot de combustion pour s'assurer qu'il n'y a pas d'obstruction pour un allumage correct. Ouvrez le couvercle de la trémie. Veillez à ce qu'il n'y ait pas d'objets étrangers dans la trémie ou le système d'alimentation. Remplir la trémie avec des granulés de bois de barbecue durs.
2. Assurez-vous que la **molette de contrôle de la température** est en position FUMÉE. Appuyez sur le **bouton d'alimentation** pour allumer l'appareil. Cela activera le cycle de démarrage. Le système d'alimentation de la tარიère commencera à tourner, l'allumeur commencera à briller et le ventilateur fournira de l'air au pot de combustion. La grille commencera à produire de la fumée pendant le cycle de démarrage. Le couvercle du baril doit rester ouvert pendant le cycle de démarrage. Pour confirmer que le cycle de démarrage a commencé correctement, écoutez un rugissement torche et remarquez que de la chaleur est produite.
3. Une fois que la fumée blanche épaisse s'est dissipée, le cycle de démarrage est terminé et vous êtes prêt à profiter de votre grill!

PROCÉDURE DE DÉFAILLANCE D'ALLUMAGE

Si, pour une raison quelconque, votre allumeur électrique échoue ou la flamme de votre grill s'éteint pendant la cuisson, vérifiez les étapes suivantes ou allumez votre grill en utilisant la méthode manuelle.

1. Assurez-vous que la **molette de contrôle de la température** est éteint et en position de FUMÉE. Ouvrez le couvercle. Retirez les composants de cuisson du grill. Enlevez tous les granulés non brûlés et les cendres du pot de combustion. Évitez de toucher l'allumeur pour éviter les blessures, car il sera extrêmement chaud.
2. Une fois que toutes les pièces sont retirées et nettoyées, appuyez sur le **bouton d'alimentation** pour allumer l'appareil. Vérifiez ce qui suit:
 - Confirmez visuellement que l'allumeur fonctionne en plaçant votre main au-dessus du pot de combustion et en sentant s'il émet de la chaleur.
 - Confirmez visuellement que l'allumeur dépasse environ 13 mm / 0,5 pouces dans le pot de combustion.
 - Confirmez visuellement que la tარიère large des granulés dans le pot de combustion
 - Confirmez que le ventilateur de combustion fonctionne en écoutant.
3. Si l'un des points ci-dessus ne fonctionne pas, suivez les instructions de **dépannage**.

PROCÉDURE DE DÉMARRAGE MANUELLE

1. Assurez-vous de la **molette de contrôle de la température** est en position de FUMÉE. Branchez le cordon d'alimentation dans une source d'alimentation mise à la terre..
2. Vérifiez le pot de combustion pour s'assurer qu'il n'y a pas d'obstruction pour un allumage correct. Ouvrez le couvercle de la trémie. Veillez à ce qu'il n'y ait pas d'objets étrangers dans la trémie ou le système d'alimentation. Remplissez la trémie avec des granulés de bois de barbecue naturels et secs.
3. Ouvrez le couvercle du baril. Retirez les composants de cuisson pour exposer le pot de combustion. Déposez une poignée généreuse de granulés dans le pot de combustion. Jetez un démarreur à froid gélifié, ou un autre démarreur approprié, sur le dessus des granulés. Une petite quantité d'allume feu de combustibles solides, comme par exemple composé de sciure de bois et de cire, ou des copeaux de bois, est également appropriée. Ajoutez une autre petite quantité de granulés dans le pot de combustion.

REMARQUE : NE PAS utiliser d'alcool, d'essence, de pétrole, d'essence à briquet ou du kérosène pour allumer ou faire reprendre un feu dans votre grill.

4. Allumez le contenu du pot de combustion à l'aide d'une longue allumette ou d'un briquet à nez long. Laissez l'allume-feu brûler pendant 3 à 5 minutes. N'essayez pas d'ajouter plus de d'allume-feux dans le pot de combustion. Ceci peut provoquer des blessures.
5. Remplacez rapidement et soigneusement les composants de cuisson à l'intérieur du baril. Continuez le démarrage en suivant l'étape deux de la **procédure de démarrage automatique**.

ÉTEINDRE VOTRE GRIL

1. Lorsque vous avez terminé de cuisiner sur votre grill, le couvercle du baril principal restant fermé, poussez le **bouton d'alimentation** pour éteindre l'appareil et tournez la **molette de réglage de la température** sur « OFF ». Cela activera le cycle de refroidissement automatique. Le système d'alimentation cessera d'alimenter le combustible, la flamme s'éteindra et le ventilateur continuera de fonctionner jusqu'à ce que le cycle de refroidissement soit terminé. Une fois le cycle de refroidissement terminé, le ventilateur s'arrêtera.

ENTRETIEN ET MAINTENANCE

Votre grill à granulés Pit Boss® vous servira fidèlement pendant de longues années tout en minimisant les efforts de nettoyage. Une étape importante est de laisser le grill et les grilles de cuisson s'auto-nettoyer en allumant le grill à une température élevée opérant 5 à 10 minutes après chaque utilisation. Suivez ces conseils de nettoyage et de maintenance pour réviser votre grill:

1. ASSEMBLAGE DE LA TRÉMIE

- Faire sortir tous les granulés de votre système de trémie est recommandé si votre grill ne sera pas utilisé pendant une période prolongée. Cela peut être fait en faisant simplement fonctionner votre grill, sur une trémie vide, jusqu'à ce que tous les granulés se soient vidés du tube de la vis sans fin.
- Vérifiez et nettoyez les débris dans les bouches d'aération du ventilateur, situé au bas de la trémie. Une fois que le panneau d'accès de la trémie est retiré (voir **Diagramme de fils électriques** pour le schéma), essayez soigneusement toute accumulation de graisse directement sur les pales du ventilateur. Cela garantit que le flux d'air est suffisant pour le système d'alimentation.

REMARQUE : Utilisez une brosse à manche long ou un aspirateur d'atelier pour retirer les excès de granulés, de sciure de bois et de débris pour un nettoyage complet à travers l'écran de la trémie.

2. SONDÉS

- Tout noeud ou pli des fils de la sonde peuvent endommager la pièce. Les fils devraient être enroulés dans une grande bobine desserrée.
- Bien que la sonde de température et la sonde de viande soient toutes deux en acier inoxydable, ne les placez pas dans le lave-vaisselle et ne les plongez pas dans l'eau. Les dégâts d'eau sur les fils internes provoquent un court-circuit de la sonde, entraînant de fausses lectures. Si une sonde est endommagée, elle doit être remplacée.

3. SURFACES INTERNES

- Il est recommandé de nettoyer votre grille de combustion après chaque utilisation. Cela assurera un allumage correct et évitera toute accumulation de débris ou de cendres dans le pot de combustion.
- Utilisez une brosse de nettoyage à barbecue à long manche et retirez tout aliment ou accumulation des grilles de cuisson. La meilleure pratique est de faire cela alors qu'elles sont encore chaudes d'une précédente cuisson. Les feux de graisse sont causés par trop de débris tombés sur les composants de cuisson du barbecue. Nettoyez l'intérieur de votre barbecue de façon régulière. Dans le cas où vous êtes confronté à un feu de graisse, gardez le couvercle du barbecue fermé pour étouffer l'incendie. Si l'incendie ne s'éteint pas rapidement, retirez soigneusement les aliments, éteignez le barbecue et fermez le couvercle jusqu'à ce que le feu soit complètement éteint. Saupoudrez légèrement de bicarbonate de soude, si disponible.
- Vérifiez souvent votre godet à graisse et nettoyez-le si nécessaire. Gardez à l'esprit le type de cuisson que vous faites.

IMPORTANT : En raison de chaleur élevée, ne couvrez pas le grilloir à flamme ni les sondes avec du papier d'aluminium.

4. LES SURFACES EXTERNES

- Essuyez votre grill après chaque utilisation. Utilisez de l'eau chaude savonneuse pour briser la graisse. Ne pas utiliser de nettoyant à four, nettoyant abrasif ou pad sur les surfaces externes du grill. **Toutes les surfaces peintes ne sont pas couvertes par la garantie**, mais font partie de la maintenance générale et de l'entretien. Pour les rayures de peinture, l'usure ou l'écaillage de la finition, toutes les surfaces peintes peuvent être retouchées à l'aide d'une peinture à barbecue à haute chaleur.

Utilisez une couverture pour gril afin de protéger votre gril pour une protection complète! Une couverture est votre meilleure protection contre les intempéries et les polluants extérieurs. Lorsqu'il n'est pas utilisé ou pour un stockage à long terme, conservez l'unité sous une couverture dans un garage ou un hangar.

TABLEAU DE FRÉQUENCE DE NETTOYAGE (UTILISATION NORMALE)

ARTICLE	FRÉQUENCE DE NETTOYAGE	MÉTHODE DE NETTOYAGE
Dessous du baril principal	Toutes les 5-6 sessions de cuisson	Retirez, aspirez les excès de débris
Pot de combustion	Toutes les 2-3 sessions de cuisson	Retirez, aspirez les excès de débris
Grilles de cuisson	Après chaque session de cuisson	Brûlez les graisses en trop, utilisez une brosse de nettoyage pour barbecue
Chaudière	Toutes les 5-6 sessions de cuisson	Gratter la plaque principale avec un patin, ne pas laver
Tablette latérale	Après chaque session de cuisson	Éponge à gratter et eau savonneuse
Godet de graisse	15 jours	Éponge à gratter et eau savonneuse
Système d'alimentation de la vis d'alimentation	Lorsque le récipient de granulés est vide	Permettre à la vis d'alimentation de faire sortir la sciure de bois, en laissant la trémie vide
Composants électriques de la trémie	Une fois par an	Retirez le panneau d'accès, essuyez les lames de ventilateur avec de l'eau savonneuse
Conduits d'évacuation d'air	Toutes les 5-6 sessions de cuisson	Éponge à gratter et eau savonneuse
Sonde de viande	Après chaque session de cuisson	Éponge à gratter et eau savonneuse
Sondes de température	Toutes les 2-3 sessions de cuisson	Éponge à gratter et eau savonneuse

UTILISATION DU CARBURANT DE GRANULÉS DE BOIS

Ces granulés de bois propres combustibles génèrent environ 8200 BTU par livre avec très peu de cendres, une faible teneur en humidité (5 à 7 %) tout en étant également neutres en carbone. Les granules de bois pour barbecue sont produits avec des matières premières pures (sciures) qui sont pulvérisées avec un broyeur à marteaux et forcées avec pression à travers une filière. Quand le granulé est forcé à travers la filière, il est cisailé, refroidi, trié, aspiré, puis emballé pour la consommation. Vérifiez auprès de votre distributeur local pour connaître la gamme d'essences disponibles dans votre région.



MÉLANGE DE HICKORY



MÉLANGE MESQUITE



MÉLANGE POMME



MÉLANGE DE CHARBON DE BOIS



MÉLANGE CLASSIQUE



MÉLANGE ARBRE FRUITIER



MÉLANGE DE LA COMPÉTITION

REMARQUE : Conservez toujours vos granulés de bois dans un endroit sec. Les exposer à l'humidité poussera les granulés à absorber l'humidité et produira un rendement calorifique plus faible ou provoquera un gonflement et une dissolution des granulés. Utilisez un bac ou sceau résistant à l'humidité et pouvant être scellé à nouveau pour la conservation.

LIGNES DIRECTRICES POUR LA CUISINE

Les styles de cuisson de fumage et de grillage peuvent vous donner des résultats différents dépendant du temps et la température. Pour obtenir de meilleurs résultats, conservez un registre de tout ce que vous cuisinez, à quelle température vous le cuisinez, ainsi que les résultats. Ajustez toutes ces variables, selon vos goûts, la prochaine fois. Ce n'est qu'en s'exerçant qu'on s'améliore. L'art culinaire du fumage à chaud équivaut à des temps de cuisson plus longs, mais il produit également une saveur de bois plus naturelle (et une « **bande de fumage** ») dans vos viandes. Une température de cuisson plus élevée, ce qui veut dire moins de temps de cuisson, vous offrira moins de saveur fumée.

CONSEIL : Pour de meilleurs résultats, laissez reposer les viandes après la cuisson. Ceci permet aux jus naturels de revenir dans les fibres de la viande, produisant ainsi une coupe plus juteuse et plus savoureuse. Le temps de repos peut n'être que 3 minutes et peut même aller jusqu'à 60 minutes, selon la taille des protéines.

STYLE DE CUISSON	FUMAGE CHAUD (très faible)	RÔTI (faible)	CUISSON FOUR (moyen)	GRILLAGE/CUISSON FOUR (moyen/élevé)	SAISIR (élevé)
Gamme de températures	93-135 °C / 199-275 °F	135-162 °C / 275-323 °F	162-190 °C / 323-374 °F	190-232 °C / 374-449 °F	232-260 °C / 449-500 °F

VOLAILLE	TAILLE	Saignant - 54 °C / 130 °F	À point - 60 °C / 140 °F	Bien cuit - 77 °C / 170 °F
Dinde (<i>entière</i>)	4,5-5,0 kg / 10-11 lb 5,3-6,4 kg / 12-14 lb 6,8-7,7 kg / 15-17 lb 8,2-10,0 kg / 18-22 lb 10,4-11,3 kg / 23-25 lb			Griller 90 - 120 minutes Griller 110 - 140 minutes Griller 130 - 160 minutes Griller 140 - 170 minutes Griller 150 - 180 minutes
Poulet (<i>entier</i>)	1,36-2,26 kg / 3-5 lb			Griller 1 - 1,5 heures
Pilons, poitrines	0,45 - 0,86 kg / 1 - 1,5 lb			Griller 30-60 minutes
Petits gibiers à plumes	0,45 - 0,86 kg / 1 - 1,5 lb			Griller 30-45 minutes
Canard	1,36-2,26 kg / 3-5 lb			Rôti ou sur le gril 2 - 2,5 heures

PORC	TAILLE	Précuit prêt à être réchauffé - 60 °C / 140 °F	À point 66 °C / 150 °F	Bien cuit 71 °C / 160 °F
Jambon (<i>Partie entièrement cuite et désossée, Porc fumé entier et avec os</i>)	2,5 cm / 1 po 1,36-1,81 kg / 3-4 lb 1,81-2,72 kg / 4-6 lb 2,26-3,62 kg / 5-8 lb 4,53-5,44 kg / 10-12 lb	12 minutes 50 minutes - 1 heure 1 - 2 heures 1 - 2½ heures 2 - 2¾ heures		
Longe de porc	1,36-1,81 kg / 3 - 4 lb		1 - 2 heures	2 - 3 heures
Rôti de couronne de côte	1,81-2,26 kg / 4 - 5 lb		1½ - 2 heures	2 - 3 heures
Côtelette (<i>longe, côte</i>)	1,9-2,5 cm / 0,75 - 1 po 3,1-3,9 cm / 1,25 - 1,5 po		10 - 12 minutes 14 - 18 minutes	
Filet	1,9-2,5 cm / 0,75 - 1 po		20 - 30 minutes	30 - 45 minutes
Rôti de longe de porc, sans os	1,36-2,26 kg / 3-5 lb		1¼ - 1¾ heures	1¾ - 2½ heures
Boston Butt (<i>Épaule de porc</i>)	3,62-4,53 kg / 8-10 lb			93 - 98 °C / 200 - 210 °F Température interne

BOEUF	TAILLE	CHALEUR	DURÉE APPROXIMATIVE DU TEMPS DE CUISSON		
			Saignant 54 °C / 130 °F	À point 60 °C / 140 °F	Bien cuit 65 °C / 150 °F
Steak (<i>New York, Porterhouse, faux filet, surlonge, T-bone, ou filet</i>)	1,9 cm / 0,75 po 2,5 cm / 1 po 3,8 cm / 1,5 po 5 cm / 2 po	Haut	Saisir pendant 8 à 10 minutes Saisir pendant 10 à 12 minutes Saisir pendant 10 minutes, griller pendant 8 à 10 minutes Saisir pendant 10 minutes, griller pendant 10 à 14 minutes		
Bifteck de hampe	0,6 - 12,7 cm / 0,25 - 0,5 po	Haut	Saisir 5-7 minutes		
Bavette	0,45 - 0,86 kg / 1 - 1,5 lb, 1,9 cm / 0,75 po	Moyen	Saisir pendant 4 minutes, griller pendant 8 à 10 minutes		
Kébab	2,5 - 3,8 cm / 1 - 1,5 po cubes	Moyen	Griller 10 - 12 minutes		
Filet	1,58 - 1,81 kg / 3,5 - 4 lb	Haut/Moyen	Saisir pendant 10 minutes, griller pendant 15 à 20 minutes		
Steak haché	1,9 cm / 0,75 po	Haut/Moyen	Saisir pendant 4 minutes, griller pendant 4 à 6 minutes		
Rôti de bœuf de faux-filet, sans os	2,26 - 2,72 kg / 5 - 6 lb	Moyen	Griller 1,5 - 2 heures		
Rôti trois pointes	0,9 - 1,13 kg / 2 - 2,5 lb	Haut/Moyen	Saisir pendant 10 minutes, griller pendant 20 à 30 minutes		
Rôti de côtes	5,44 - 6,35 kg / 12 - 14 lb	Moyen	2,5 - 2,75 heures		
Côtelettes de veau	2,5cm / 1 po	Moyen	10 - 12 minutes direct		
Poitrine	7,25 - 3,62 kg / 16 -18 lb	Fumage chaud	Cuire jusqu'à ce que la température interne atteigne 91 °C / 195 °F		

AGNEAU	TAILLE	Saignant - 54 °C / 130 °F	À point - 60 °C / 140 °F	Bien cuit - 71 °C / 160 °F
Rôti (frais)	2,26 - 2,72 kg / 5 - 6 lb		1 - 2 heures	
Rôti de couronne de côte	1,36 - 2,26 kg / 3-5 lb		1 - 1,5 heures	1,5 heures

FRUITS DE MER	TAILLE	Saignant - 54 °C / 130 °F	À point - 60 °C / 140 °F	Bien cuit - 82 °C / 180 °F
Poisson (entier)	0,5 kg / 1 lb. 0,9 - 1,1 kg / 2 - 2,5 lb 1,4 kg / 3 lb			Griller 10 - 20 minutes Griller 20 - 30 minutes Griller 30 - 45 minutes
Poisson (filets)	0,6-1,3 cm / 0,25 - 0,5 po			Griller 3 - 5 minutes jusqu'à ce que le poisson s'émiette
Queue de homard	0,15 kg / 5 onces 0,3 kg / 10 onces			Griller 5 - 6 minutes Griller 10 - 12 minutes

GIBIER SAUVAGE	TAILLE	Saignant - 60 °C / 140 °F	À point - 71 °C / 160 °F	Bien cuit - 77 °C / 170 °F
Rôti (frais)	2,26 - 2,72 kg / 5-6 lb		1 - 1,5 heures	1,5 - 2 heures
Grandes coupes (frais)	3,62 - 4,53 kg / 8-10 lb		1 heure	1,5 heures

CONSEILS ET TECHNIQUES

Suivez ces conseils et techniques utiles, transmis par des propriétaires de Pit Boss®, notre personnel et clients comme vous, afin de vous familiariser avec votre gril:

1. SÉCURITÉ ALIMENTAIRE

- Garder propre tout ce qui se trouve dans la cuisine et dans la surface de cuisson. Utilisez un plat et des ustensiles différents pour la viande cuite et pour préparer ou transporter la viande crue sur le gril. Ceci permettra d'éviter toute contamination croisée des bactéries. Chaque marinade ou sauce pour badigeonner devrait avoir son propre ustensile.
- Gardez les aliments chauds au chaud (au-dessus de 60°C / 140°F) et gardez les aliments froids au froids (moins de 3°C / 37°F).
- Une marinade ne devrait jamais être conservée pour une utilisation ultérieure. Si vous comptez l'utiliser pour la servir avec votre viande, assurez-vous de la faire bouillir avant de servir.
- Les aliments cuits et les salades ne devraient pas être laissés dehors dans la chaleur pendant plus d'une heure. Ne laissez pas les aliments chauds à l'extérieur du réfrigérateur pendant plus de deux heures.
- Décongeler et mariner les viandes par réfrigération. Ne décongelez pas la viande à température ambiante ou sur le comptoir. Les bactéries peuvent grandir et se multiplient rapidement dans les aliments chauds et humides. Lavez-vous bien les mains avec de l'eau tiède savonneuse avant de commencer à préparer votre plat, et après avoir manipulé de la viande fraîche, du poisson et de la volaille.

2. PRÉPARATION DE CUISSON

- Soyez préparé ou **Mise en place**. Ceci fait référence à la préparation de la recette, le combustible, les accessoires, les ustensiles et tous les ingrédients dont vous aurez besoin à côté du gril avant de commencer la cuisson. Aussi, lisez la recette complète, du début à la fin, avant d'allumer le gril.
- Un tapis protecteur pour BBQ peut être très utile. En raison des accidents qui surviennent en raison de la manipulation des aliments et des différents styles de cuisson, ce tapis aidera à protéger les dalles de votre patio ou de votre terrasse contre tout risque de tache de graisse ou déversements accidentels

3. CONSEILS ET TECHNIQUES DE GRILLADE

- Pour infuser plus de saveur fumée et gardez vos viandes juteuses, cuisez-les plus longtemps à une température plus basse (également connu sous le nom de **faible et lent**). La viande fermera ses fibres après avoir atteint une température interne de 49°C (120°F). La pulvérisation en brouillard et l'épandage sont d'excellents moyens permettant d'éviter que la viande ne se dessèche.
- Lorsque vous saisissez vos viandes, cuisinez toujours avec le couvercle fermé. Utilisez toujours un thermomètre à viande pour évaluer la température interne des aliments que vous cuisinez. Fumer la nourriture avec des granulés de bois fait rosir la viande et la volaille. **La bande rose** (après la cuisson) est aussi appelée anneau de fumée et est très appréciée par les chefs de plein air.
- Il est fortement recommandé d'appliquer les sauces à base de sucre vers la fin de la cuisson pour éviter les brûlures et flambées.
- Laissez un espace de dégagement entre les aliments et les extrémités du baril pour une bonne circulation de la chaleur. Beaucoup d'aliments sur une grille de cuisson encombrée prendront plus de temps à cuire.
- Utilisez des pinces avec une longue poignée pour retourner toutes les viandes et des spatules pour retourner les burgers et le poisson. L'utilisation d'un ustensile perçant, comme une fourchette, permet de piquer la viande et de laisser s'évacuer les jus.
- Les aliments dans des casseroles profondes nécessitent plus de temps pour cuire que dans une poêle peu profonde.
- C'est une bonne idée de mettre les aliments grillés sur une grande assiette préchauffée pour garder vos aliments chauds. Les viandes rouges comme les steaks et rôtis seront meilleurs si vous les laissez reposer pendant quelques minutes avant de les servir. Ceci permet aux jus délicieux que la chaleur a fait remonter à la surface de retourner au centre et de lui donner plus de saveur.

DÉPANNAGE

Un bon nettoyage et un bon entretien, ainsi que le fait d'utiliser du combustible propre, sec et de qualité aidera à prévenir la plupart des problèmes de fonctionnement du gril. Toutefois, quand votre gril à granulés de bois Pit Boss ne fonctionne pas bien ou moins fréquemment, les conseils de dépannage suivants peuvent être utiles. Pour les FAQ, rendez-vous sur www.pitboss-grills.com. Vous pouvez également contacter votre revendeur agréé local Pit Boss ou contacter le Service à la clientèle pour obtenir de l'aide.

AVERTISSEMENT : Débranchez toujours le cordon électrique avant d'ouvrir la plaque d'inspection de votre gril pour effectuer toute inspection, nettoyage, maintenance ou entretien. Veillez à ce que le gril soit complètement froid pour éviter des blessures.

PROBLÈME	CAUSE	SOLUTION
Pas d'alimentation sur la carte de contrôle	La molette de température est sur OFF.	Appuyez sur le bouton d'alimentation , puis assurez-vous que le bouton s'allume en bleu pour indiquer qu'il y a une connexion à la source d'alimentation. Tournez la molette de température sur un réglage de température.
	Le gril n'est pas branché correctement.	Assurez-vous que le gril est branché à une prise d'alimentation qui fonctionne. Retirez le panneau d'accès de la trémie (voir diagramme de fils électrique pour le schéma) et assurez-vous que tous les raccords de câbles sont solidement branchés.
	Le fusible sur la carte de circuit a explosé	Enlevez le panneau d'accès à la trémie (voir diagramme de fils électrique pour le schéma), appuyez sur les pattes en plastique maintenant la carte de contrôle en place et tirez délicatement le contrôleur à l'intérieur de la trémie pour libérer le contrôleur. Vérifiez le fusible pour voir s'il y a un fil cassé ou si le fil est devenu noir. Si oui, le fusible doit être remplacé manuellement.
	La prise GFCI est déclenchée	Assurez-vous que le GFCI est porté au minimum à 10 ampères.
	Carte de contrôle défectueuse	La carte de contrôle doit être remplacée. Contactez le service clientèle pour une pièce de rechange.
Le feu dans le pot de combustion ne s'allume pas	La tarière n'est pas amorcée	Avant que l'appareil ne soit utilisé pour la première fois <u>ou</u> lorsque la trémie est complètement vidée, la tarière doit être amorcée pour permettre aux granulés de remplir le pot de combustion. S'il n'est pas amorcé, l'allumeur s'éteindra avant que les granulés n'atteignent le pot de combustion. Suivez la procédure d'amorçage de la trémie .
	Moteur de la tarière est coincé	Retirer les composants de cuisson du baril principal. Appuyez sur le bouton d'alimentation pour allumer l'appareil, tournez la molette de réglage de la température sur FUMÉE et inspectez le système d'alimentation de la tarière. Confirmez visuellement que la tarière laisse tomber les granulés dans le pot de combustion. S'il ne fonctionne pas correctement, appelez le service clientèle pour obtenir de l'aide.
	Panne de l'allumeur	Retirer les composants de cuisson du baril principal. Appuyez sur le bouton d'alimentation pour allumer l'appareil, tournez la molette de réglage de la température sur FUMÉE et inspectez l'allumeur. Confirmez visuellement que l'allumeur fonctionne en plaçant votre main au-dessus du pot de combustion et en sentant la chaleur. Vérifier visuellement que l'allumeur dépasse d'environ 13 mm dans le pot de combustion. S'il ne fonctionne pas correctement, suivez la procédure de démarrage manuelle pour continuer à utiliser le gril; aussi, appelez le service à la clientèle pour obtenir de l'aide ou une pièce de rechange.
	Le flux d'air dans le pot de combustion est insuffisant	Vérifiez que le pot de combustion ne contient pas de cendres ou d'obstructions. Suivez les instructions d'entretien et de maintenance pour l'accumulation de cendres. Vérifiez le ventilateur. Assurez-vous qu'il fonctionne correctement et que la prise d'air n'est pas bloquée. Suivez les instructions d'entretien et d'entretien si elles sont sales.
Points clignotants sur l'écran LCD	L'allumeur est en marche	Ceci n'est pas une erreur qui a une incidence sur le gril. Utilisé pour démontrer que l'unité est en mode de mise en marche. L'allumeur s'éteindra après 5 minutes. Une fois que les points clignotants sont éteints, le gril commence à fonctionner à la température désirée sélectionnée.

La température clignote sur l'écran LCD	La température du gril est inférieure à 65°C / 150°F	Ceci n'est pas une erreur qui a une incidence sur le gril, néanmoins elle est utilisée pour démontrer qu'il y a un risque que le feu pourrait s'éteindre. Vérifiez qu'il y a suffisamment de combustible dans la trémie ou s'il y a obstruction dans le système d'alimentation. Retirez les granulés et suivez les instructions d'entretien et de maintenance . Vérifiez la sonde de température du gril. Suivez les instructions d'entretien et de maintenance si sale. Vérifiez le pot de combustion pour déceler la présence de toute accumulation de cendres ou d'obstructions. Suivez les instructions d'entretien et de maintenance en cas d'accumulation de cendres. Contrôlez le ventilateur. Assurez-vous qu'il fonctionne correctement et que l'entrée d'air n'est pas bloquée. Suivez les instructions d'entretien et de maintenance si sale. Vérifiez le moteur de la tarière pour confirmer le fonctionnement et assurez-vous qu'il n'y a pas de blocage dans le tube de la tarière.
Code d'erreur « ErH »	Le gril a surchauffé, possiblement en raison d'un feu de graisse ou d'un excès de combustible	Appuyez sur le bouton d'alimentation et tournez la molette de température sur OFF et permettez au gril de refroidir. Suivez les instructions d'entretien et de maintenance . Après la maintenance, enlevez les granulés en trop et confirmez que les parties composantes sont bien placées. Pour effacer le message d'erreur, tournez la molette de température à la position OFF (ARRÊT), ouvrez le couvercle, attendez 3 à 4 minutes, puis sélectionnez la température souhaitée.
Code d'erreur « ErI »	Le fil de la sonde de température n'établit pas de connexion.	Retirez le panneau d'accès de la trémie (voir diagramme de fils électrique pour le schéma) et vérifiez s'il y a un endommagement. Vérifiez que tous les raccords de câbles sont connectés fermement et connectés correctement à la carte de contrôle numérique.
Code d'erreur « ErP »	Le sélecteur de température n'était pas éteint lorsqu'il a été connecté à la prise secteur la dernière fois. Une panne de courant s'est produite pendant que le gril fonctionnait.	La fonction de sécurité empêche un redémarrage automatique. Appuyez et maintenez le bouton d'alimentation pour éteindre l'appareil, attendez deux minutes, puis appuyez sur le bouton d'alimentation pour rallumer l'appareil. Tournez le cadran de commande de température sur FUMÉE ou la température désirée. Si le code d'erreur est toujours affiché, contactez le service clientèle.
Code d'erreur « ErL »	Le gril ne fonctionne pas cycle de démarrage Le gril ne restera pas allumé	Vérifiez le bon positionnement des éléments de cuisson. Vérifiez que la trémie contient assez de combustible ou que le système d'alimentation n'est pas obstrué. Retirez les granulés et suivez les instructions d'entretien et de maintenance . Vérifiez la sonde du gril. Confirmez si la température réelle est correcte et précise. Suivez les instructions d'entretien et de maintenance si elles sont sales. Vérifiez le positionnement de l'allumeur et s'il chauffe correctement. En cas de froid extrême, le gril peut nécessiter un second démarrage. Éteignez le gril, attendez, puis rallumez-le. Vérifiez le ventilateur. Assurez-vous qu'il fonctionne correctement. Suivez les instructions d'entretien et de maintenance si elles sont sales.
Code d'erreur « noP »	Mauvaise connexion au port de connexion Sonde de viande endommagée Carte de contrôle défectueuse	Débranchez la sonde de viande du port de connexion sur la carte de contrôle, puis reconnectez-vous. Assurez-vous que l'adaptateur de sonde de viande est fermement connecté. Vérifiez s'il y a des signes d'endommagement de l'adaptateur. En cas d'échec, appeler le service clientèle pour la pièce de rechange. Vérifiez les signes de dommages aux fils de la sonde de viande. Si elle est endommagée, appelez le service à la clientèle pour une partie de remplacement. La carte de contrôle doit être remplacée. Contactez le service clientèle pour une pièce de rechange.
Température du gril sur FUMÉE est trop élevée	Le réglage « P » est trop FAIBLE.	Appuyez sur le bouton de réglage « P » et augmentez le réglage « P ».

Le grill n'atteint pas ou n'arrive pas à maintenir une température stable	Le flux d'air dans le pot de combustion est insuffisant	Vérifiez le pot de combustion pour déceler la présence de toute accumulation de cendres ou d'obstructions. Suivez les instructions d'entretien et de maintenance en cas d'accumulation de cendres. Contrôlez le ventilateur. Assurez-vous qu'il fonctionne correctement et que l'entrée d'air n'est pas bloquée. Suivez les instructions d'entretien et de maintenance si sale. Vérifiez le moteur de la tarière pour confirmer le fonctionnement et assurez-vous qu'il n'y a pas de blocage dans le tube de la tarière. Assurez-vous que tout ce qui a été mentionné ci-dessus a été effectué, démarrez le grill, réglez la température sur FUMÉE et patientez pendant 10 minutes. Vérifiez que la flamme produite est vive et lumineuse.
	Manque de carburant, mauvaise qualité du carburant, obstruction dans le système d'alimentation	Vérifier la trémie pour vérifier que le niveau de carburant est suffisant, et reconstituer si faible. Si la qualité des granulés de bois est médiocre ou si la longueur des granulés est trop longue, cela peut provoquer une obstruction dans le système d'alimentation. Retirer les granulés et suivre les instructions d'entretien et de maintenance .
	Sonde de température	Vérifiez l'état de la sonde de température. Suivez les instructions d'entretien et de maintenance si elles sont sales. Contactez le service clientèle pour une pièce de rechange si elle est endommagée.
Le grill produit de la fumée excessive ou décolorée	Accumulation de graisse	Suivez les instructions d'entretien et de maintenance .
	Qualité des granulés de bois	Retirez les granulés de bois humides de la trémie. Suivez les instructions d'entretien et de maintenance pour le nettoyage. Remplacez par des granulés de bois secs.
	Le pot de combustion est bloqué	Retirez les granulés de bois humides du pot de combustion. Suivez la procédure d'amorçage de la trémie .
	Prise d'air insuffisante pour le ventilateur	Vérifier le ventilateur. Assurez-vous qu'il fonctionne correctement et la prise d'air ne soit pas bloquée. Suivez les instructions d'entretien et de maintenance si sale.
Embrasements fréquents	Température de cuisson	Essayez de cuisiner à une température plus basse. La graisse possède un point d'ignition. Gardez la température en-dessous de 176°C / 350°F lorsque vous cuisinez des aliments très gras.
	Accumulation de graisse sur les composants de cuisson	Suivez les instructions d'entretien et de maintenance .

DIAGRAMME DE FIL ÉLECTRIQUE

Le panneau de commande numérique est un matériel technologique hautement sophistiqué et de grande valeur. Pour une protection contre les surtensions et les courts-circuits électriques, consultez le schéma de fil ci-dessous pour vous assurer que votre source d'alimentation est suffisante pour le fonctionnement de l'appareil.

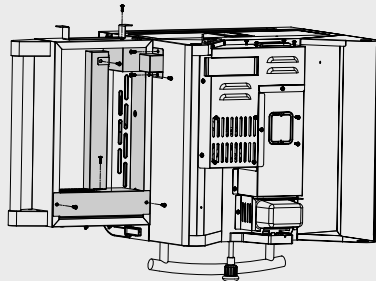
PB – EXIGENCES ÉLECTRIQUES

110-120V, 60HZ, 250W, FICHE À 3 BROCHES MISE À LA TERRE

REMARQUE : Les composants électriques, passés par les tests de sécurité des produits et les services de certification, sont conformes avec une tolérance de test de ± 5 à 10%.

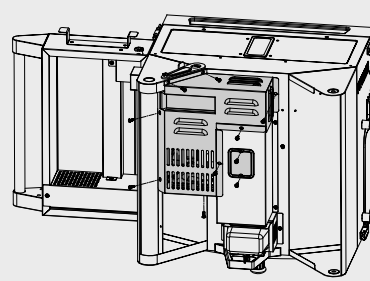
①

Pour avoir accès aux composants électriques, localisez et retirez d'abord les HUIT VIS situées sous la tablette latérale. Mettez les vis et les pièces de côté.



②

Ensuite, localisez et retirez les DIX VIS sur le dessous du corps principal du grill. Mettez les vis et les pièces de côté. Effectuer l'entretien électrique nécessaire.

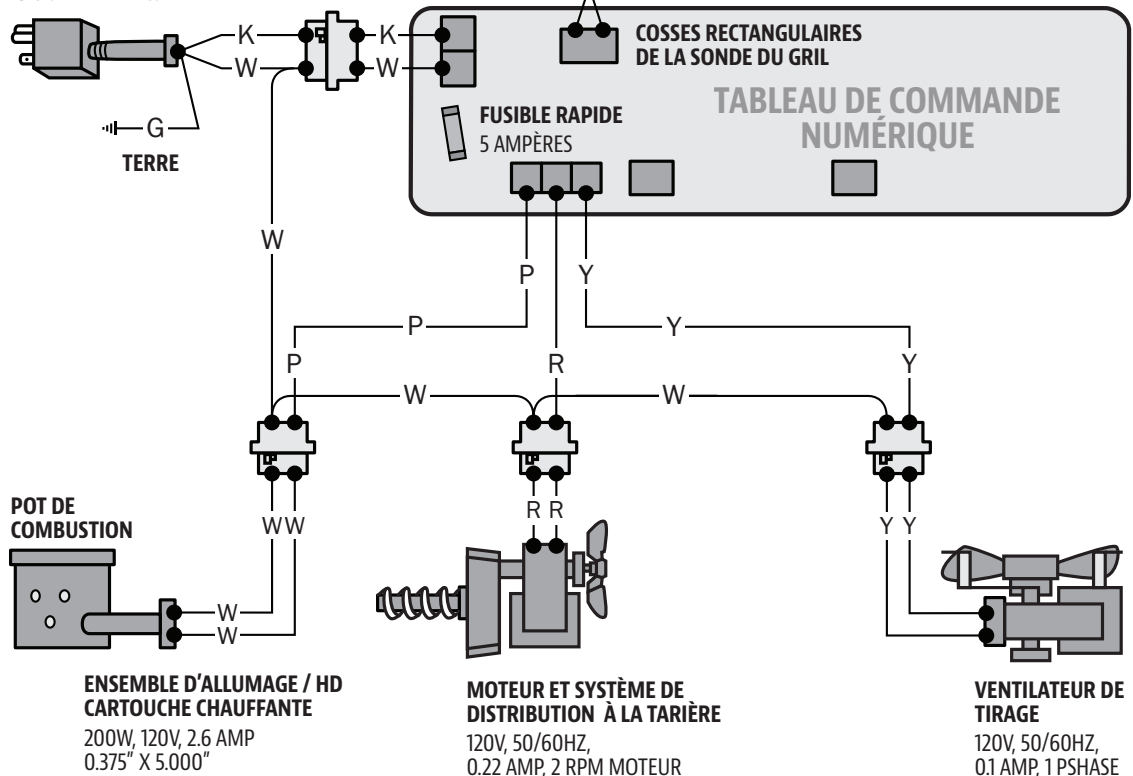


INDICE DE CONSOMMATION DE CARBURANT:
1.0 KG/H
(2.2 LB/H)

INDICE
W : BLANC
Y : JAUNE
P : MAUVE
R : ROUGE
K : NOIR
G : VERT

CORDON D'ALIMENTATION MIS À LA TERRE

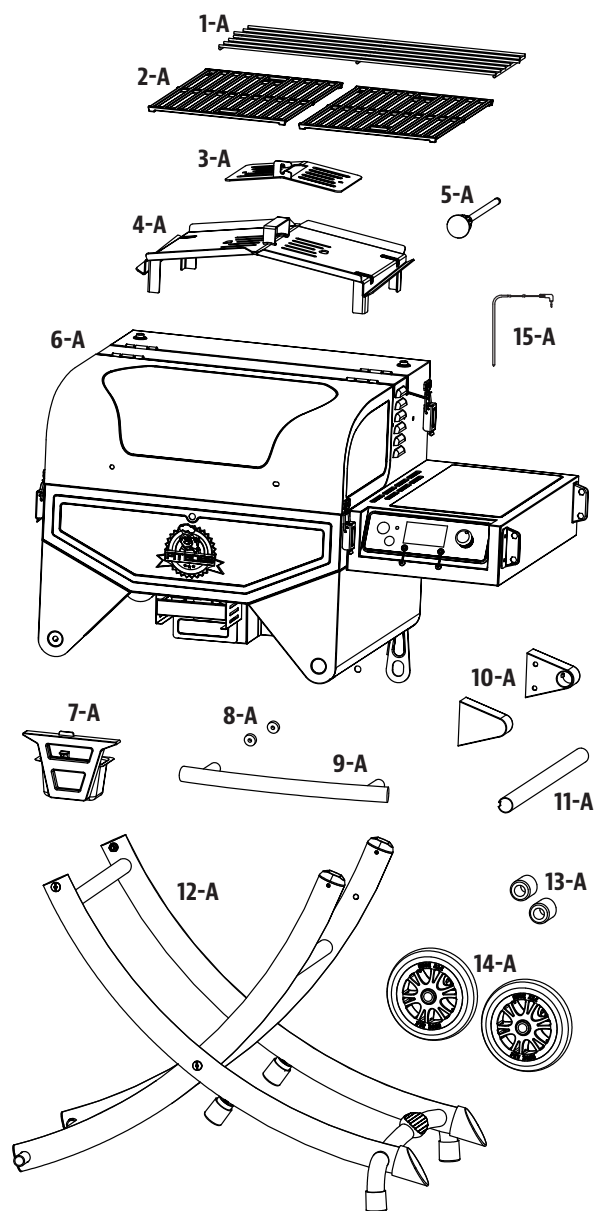
VW-1, 105°C/221°F,
18-3 STANDARD CSA



PIÈCES DE RECHANGE DU GRIL

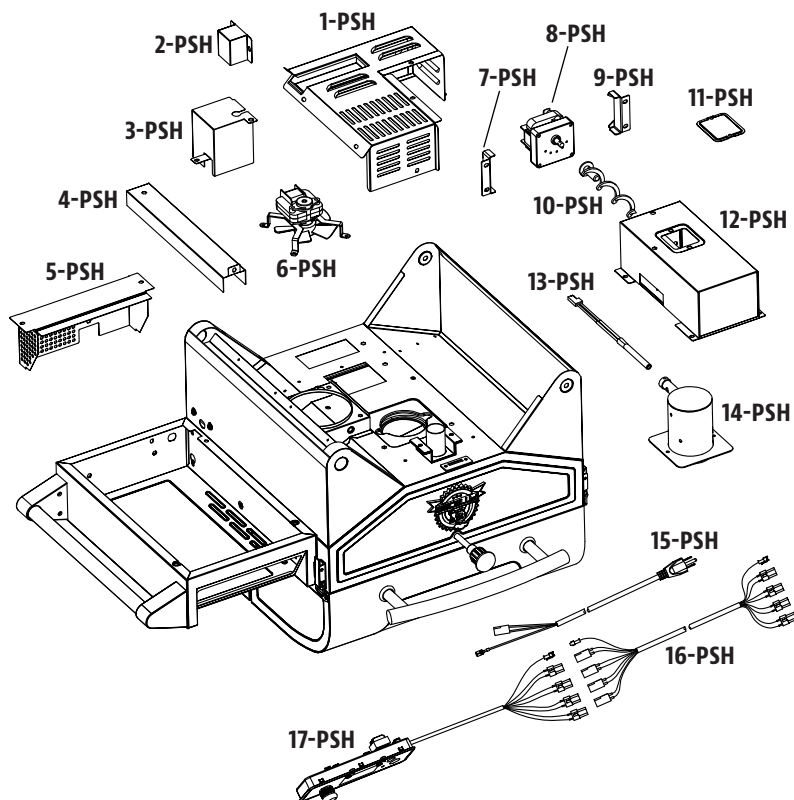
No.	Description des pièces
1-A	Grille de cuisson supérieure en acier recouvert de porcelaine (x1)
2-A	Grille de cuisson en fonte recouverte de porcelaine (x2)
3-A	Glissière de la chaudière (x1)
4-A	Plateau principal de la chaudière (x1)
5-A	Barre de réglage pour chaudière (x1)
6-A	Corps du grill / assemblage de la trémie (x1)
7-A	Godet de graisse (x1)
8-A	Cadran de la poignée du couvercle (x2)
9-A	Poignée du couvercle (x1)
10-A	Supports de poignée pour tablette latérale (x2)
11-A	Poignée de la tablette latérale (x1)
12-A	Assemblage du chariot (x1)
13-A	Bague d'étanchéité de roue (x2)
14-A	Roue (x2)
15-A	Sonde à viande (x1)
16-A	Vis (x4)
17-A	Vis (x2)
18-A	Rondelle (x2)
19-A	Écrou de blocage (x2)
20-A	Goupille de l'essieu des roues (x2)
21-A	Rondelle de l'essieu des roues (x2)
22-A	Goupille fendue de la roue (x2)

REMARQUE: En raison du développement en cours du produit, les pièces peuvent être modifiées sans préavis.



PIÈCES DE RECHANGE DE TRÉMIE

No.	Description des pièces
1-PSH	Couvercle de fil électrique / A
2-PSH	Couvercle de fil électrique / B
3-PSH	Couvercle de fil électrique / C
4-PSH	Couvercle de fil électrique / D
5-PSH	Couvercle de fil électrique / E
6-PSH	Ventilateur de combustion (x1)
7-PSH	Support de moteur de la tarière / gauche (x1)
8-PSH	Moteur de la tarière (x1)
9-PSH	Support de moteur de la tarière / droit (x1)
10-PSH	Assemblage du filet de tarière (x1)
11-PSH	Panneau d'accès à l'allumeur (x1)
12-PSH	Boîtier de la trémie (x1)
13-PSH	Allumeur (x1)
14-PSH	Pot de combustion (x1)
15-PSH	Cordon d'alimentation (x1)
16-PSH	Harnais de câbles (x1)
17-PSH	Panneau de commande HR1 du Pit Boss® (x1)



GARANTIE

CONDITIONS

Tous les grils de granulés de bois de Pit Boss®, fabriqués par Dansons, contiennent une garantie limitée à partir de la date de vente par le propriétaire initial. La garantie entre en vigueur la date d'achat, et une preuve de la date d'achat ou copie de votre achat de vente original est requise pour valider la garantie. Si le client n'est pas en mesure de produire une preuve de l'achat ou si la date de couverture de la garantie est dépassée, il sera tenu de payer les pièces, l'expédition et la main-d'œuvre.

Dansons offre une garantie de cinq (5) ans contre les défauts et fabrication sur toutes les pièces, et cinq (5) ans sur les composants électriques. Dansons garantit que toute partie(s) sont exempte de défauts de matériel et de fabrication, pour la durée d'utilisation et de propriété de l'acheteur initial. La garantie ne couvre pas les dommages causés par l'usure, tels que les rayures, les bosses, les coups, les éclats ou les fissures cosmétiques mineures. Ces changements esthétiques du gril n'affectent pas sa performance. La réparation ou le remplacement d'une pièce ne prolonge pas la garantie limitée au-delà de cinq (5) ans à partir de la date d'achat.

Pendant la période de la garantie limitée, l'obligation de Dansons sera limitée à fournir le remplacement des composants couverts et/ou défectueux. Tant que cela se produit pendant la période de la garantie, Dansons ne vous facturera pas sur la réparation ou le remplacement des pièces retournées, le port-payé, si Dansons détermine que ces pièces se révèlent défectueuses après inspection. Dansons ne sera pas tenu responsable des frais de transport, du coût salarial ou des droits d'exportation. Sauf disposition contraire dans ces conditions de garantie, la réparation ou le remplacement des pièces de la façon et pour la durée fixée ci-dessous, remplira le devoir de toutes les responsabilités et obligations directes et dérivées de Dansons envers vous.

Dansons prend toutes les précautions pour utiliser les matériaux qui retardent la formation de la rouille. Même avec ces garanties, le revêtement protecteur peut être compromis par diverses substances et conditions qui échappent au contrôle de Dansons. Les hautes températures, l'humidité excessive, le chlore, les gaz industriels, les engrais, les pesticides utilisés pour les pelouses et le sel sont quelques-unes des substances pouvant affecter les revêtements métalliques. C'est pour ces raisons que les garanties limitées

ne couvrent pas la rouille ni l'oxydation, à moins que le composant du gril présente une perte d'intégrité structurelle. Si les scénarios décrits ci-dessus devaient se produire, veuillez vous référer à la section de soin et de maintenance pour prolonger la durée de vie de votre appareil. Dansons recommande l'utilisation d'une couverture de gril lorsqu'il n'est pas utilisé.

Les garanties s'appliquent à un usage domestique et utilisation normale du gril et aucune des garanties limitées ne s'applique à un gril utilisé pour des applications commerciales.

EXCEPTIONS

Il n'existe pas de garantie de performance écrite ou implicite sur les appareils Pit Boss®, car le fabricant ne contrôle pas l'installation, le fonctionnement, le nettoyage, l'entretien ou le type de combustible brûlé. La garantie limitée ne s'appliquera pas, et Dansons n'assumera aucune responsabilité, si votre appareil n'a pas été installé, opéré, nettoyé et entretenu conformément aux instructions du fabricant. Toute utilisation de gaz non précisée dans ce manuel peut annuler la garantie. La garantie ne couvre pas les dommages ou ruptures causées par une mauvaise utilisation, mauvaise manutention ou des modifications.

Dansons et les fournisseurs autorisés Pit Boss®, déclinent toute responsabilité, légale ou autre, quant aux dommages accidentels ou consécutifs à la propriété ou aux personnes résultant de l'utilisation de ce produit. Si une réclamation est retournée contre Dansons basée sur la violation de cette garantie ou de tout autre type de garantie explicite ou implicite en droit, le fabricant ne sera en aucun cas tenu responsable des dommages-intérêts spéciaux, punitifs ou indirects de quelque nature que ce soit en surplus du prix d'achat original de ce produit. Toutes les garanties du fabricant sont énoncées ici et aucune réclamation ne sera effectuée contre le fabricant par le biais d'une garantie ou de représentation.

Certaines provinces n'autorisent pas l'exclusion ou la limitation des dommages accidentels ou consécutifs, ou les limitations des garanties implicites, de sorte qu'il est possible que les exclusions et limitations énoncées dans cette garantie limitée ne s'appliquent pas à vous. Cette garantie limitée vous donne des droits légaux spécifiques, et vous pourriez aussi avoir d'autres droits légaux qui pourront varier selon l'état ou la province.

COMMANDE DE PIÈCES DE REMPLACEMENT

Pour commander des pièces de rechange, contactez votre revendeur local Pit Boss® ou visitez notre boutique en ligne à l'adresse suivantet: www.pitboss-grills.com

APPELEZ LE SERVICE À LA CLIENTÈLE

Si vous avez des questions ou des problèmes, veuillez communiquer avec le Service à la clientèle, du lundi au dimanche, de 4h à 20h HP (anglais / français / espagnol).

service@pitboss-grills.com | Ligne sans frais: 1-877-303-3134 | Fax sans frais : 1-877-303-3135

SERVICE DE GARANTIE

Appelez votre fournisseur de Pit Boss® le plus proche pour une réparation ou un remplacement de vos pièces. Dansons exige une preuve d'achat pour établir une réclamation sous garantie; Conservez donc votre reçu ou facture originale pour référence future. Le numéro de série et de modèle de votre Pit Boss® se trouve sur la trémie. Enregistrez les numéros ci-dessous, car l'étiquette peut s'user ou devenir illisible.

MODÈLE

NUMÉRO DE SÉRIE

DATE D'ACHAT

CONCESSIONNAIRE AUTORISÉ

RECETTES

UNE POITRINE CLASSIQUE

4 à 6 portions

Une poitrine entière de bœuf pèse environ 7,25 à 3,62 kg / 16 à 18 livres et possède trois parties distinctes : la couronne, le bout et la section plate. Utilisez la section plate car elle est maigre, compacte et produit de très belles tranches lorsque vous la tranchez.

Ingrédients :

1	poitrine de bœuf 2,2-3,6 kg / 5-8 lbs, 0,6 cm / ¼ po d'épaisseur de graisse
1 bouteille	moutarde jaune préparée
75 ml / 5 c. à s	assaisonnement
1 bouteille	sauce au piment fort
1 paquet	mélange sec de soupe aux oignons
375 ml / 1 ½ c.	bouillon de bœuf
40 ml / 8 cc	poivre noir

Saveur de granulés de bois suggérée : Hickory / Compétition

Instructions :

1. Déposez une grande pellicule de plastique sur votre station de cuisine. Assez grande pour enrober une poitrine de bœuf. À l'aide d'un couteau aiguisé, faites une marque sur le dessous de la poitrine, une seule fois à contre sens. Ceci vous aidera à couper la poitrine une fois qu'elle est cuite, la coupe à contre sens vous offrira également un morceau de viande tendre qui fond dans la bouche. Le dessous est le côté non-gras, avec la couronne. Enduire avec une généreuse portion de moutarde préparée. Frottez légèrement sur toute la surface. Saupoudrer une bonne quantité d'assaisonnement sur la moutarde, puis frottez délicatement sur toute la surface. Retournez la poitrine de bœuf et répétez le processus. Enroulez la poitrine dans la feuille de plastique et conservez au frigo pendant la nuit ou pour environ 2 à 4 heures.
2. Préparez le mélange de badigeonnage. Mélangez la sauce au chili, le mélange de soupe à l'oignon sec, le bouillon de bœuf et le poivre noir. Laisser reposer.
3. **Préchauffez le grill, puis réduire le réglage à SMOKE ou faible température.**
4. Placez la poitrine, côté gras vers le haut, au centre du grill préchauffé. Fermez le couvercle du grill. Faites cuire lentement jusqu'à ce que la viande soit tendre, environ 10-12 heures.
5. Badigeonner la poitrine avec le mélange préparé toutes les demi-heures pendant les 3 premières heures.
6. Continuez le processus de cuisson lente jusqu'à ce que la température atteigne 60-66°C / 140-150°F. Enlevez la poitrine du grill. **Faites monter la température du grill à 176°C / 350°F.**
7. Placez la poitrine dans une poche en aluminium double couche. Versez 50 ml / ¼ de tasse de mélange de badigeonnage sur la poitrine dans la poche. Fermez la poche.

8. Déposez la poche délicatement sur le grill. Faites fumer pendant 1 à 1 1/2 heures.
9. Ouvrez la poche et utilisez un thermomètre à viande; La température interne doit atteindre 91°C / 195°F. La poitrine devrait être ferme, mais vous devriez quand même être en mesure de déchirer la viande à l'aide de vos doigts.
10. Transférez la viande à un plateau et laissez-la reposer pendant 10 minutes. Coupez des tranches minces à contre sens pour servir.

SAUCISSE AVEC SAUCE CHUTNEY À LA MANGUE

4 à 6 portions

Ingrédients :

2	mangues (tranchées finement)
0.9 kg / 2 lbs	saucisse italienne (piquante ou douce)
10 ml / 2 cc	persil frais (haché)
15 ml / 1 c. à s.	poivron rouge (coupé en dés)
10 ml / 2 cc	miel
½	oignon rouge (coupé en dés)
½ bulbe	fenouil (coupé en dés)
5 ml / 1 cc	jus de lime
Pincée	sel

Saveur de granulés de bois suggérée : Hickory / Compétition

Instructions :

1. **Préchauffez le grill, puis réduire le réglage à FAIBLE-MOYEN (82 - 107°C / 180- 225°F).**
2. Placez les saucisses sur le grill, espacées uniformément. Tournez toutes les dix minutes afin que tous les côtés soient grillés.
3. Combinez tous les ingrédients restants pour fabriquer les chutney. Réfrigérez jusqu'à ce que vous soyez prêt à servir.
4. Coupez la saucisse grillée en diagonale, puis servir avec le chutney sur le côté.

STEAK DE FROMAGE BLEU

4 portions

Ingrédients :

- 4 steak, T-bone ou faux-filet
2,54 cm / 1" d'épaisseur
0.28-0.62 kg / 10-12 onces chaque
- 113 g / 4 oz. fromage bleu (émietté)
50 ml / ¼ c. oignon vert (en fines tranches)

Saveur de granulés de bois suggérée : Hickory / Compétition / Whiskey

Instructions :

1. **Préchauffer le grill, puis laisser ou réduire légèrement (204-260°C / 400-500°F).**
2. Enlevez l'excédent de gras de la viande et jetez.
3. Placez les steaks sur le grill. Saisissez chaque côté, en retournant toutes les minutes.
4. **Réduisez la température à 135°C/275°F ou 163°C/ 325°F.** Retournez les steaks une dernière fois. Mélangez le fromage bleu et les oignons. Saupoudrez les steaks, fermez le couvercle du grill et faites griller jusqu'à ce qu'ils atteignent la cuisson désirée. Vérifiez la cuisson en coupant une tranche de viande près de l'os.

Variation : FAIRE SAISIR AVEC LA MÉTHODE INVERSÉE

Allumez le grill en mode SMOKE, puis placez les steaks sur le grill. Faites fumer à 82°C / 180°F, pendant 5 à 15 minutes. Une fois fumé à la cuisson désirée, tournez le grill sur HIGH et saisissez à votre goût.

CÔTES LEVÉES BBQ

4 à 6 portions

Ingrédients :

- 1.3-1.8 kg / 3-4 lbs côtelettes
Côtes levées de porc juteuses / longue
- 45 ml / 3 c. à s. huile
5 ml / 1 cc sel
5 ml / 1 cc poivre
2 entiers oignons (hachés)
30 ml / 2 c. à s. vinaigre
30 ml / 2 c. à s. sauce Worcestershire
125 ml / ½ c. jus de pomme ou Soda
5 ml / 1 cc paprika
5 ml / 1 cc poudre de piment chili

Saveur de granulés de bois suggérée : Hickory / Compétition / Pomme

Instructions :

1. **Préchauffez le grill, puis réduire le réglage à SMOKE ou faible (82-107°C / 180-225°F).**
2. Préparez les côtes levées en enlevant la couche épaisse de peau à l'arrière. Saupoudrez les côtes avec du sel et du poivre, pour goûter.

3. Placez les côtes sur le grill, espacées uniformément. Faites fumer pendant 3 à 4 heures.
4. Mélangez le reste des ingrédients dans une casserole et porter à ébullition. Laisser bouillir la sauce pendant cinq minutes pour épaissir.
5. Enlevez du grill. **Faites monter la température du grill à 176°C / 350°F.**
6. Placez chaque côte dans une poche en aluminium double couche. Versez 50 ml / ¼ de tasse de sauce sur les côtes dans la poche. Fermez la poche.
7. Déposez la poche délicatement sur le grill. Faites fumer pendant 1 à 1 1/2 heures.
8. Ouvrez la poche. La viande aura exposé les extrémités des côtes et sera très tendre. Faites monter la température du grill à ÉLEVÉ (260°C / 500°F). Remettez les côtes sur le grill et badigeonnez avec de la sauce sur les deux côtés.
9. Lorsque la sauce est caramélisée et collantes, retirez du grill et servez.

Variation: MÉTHODE « MEMPHIS DRY »

Faites monter la température du grill à ÉLEVÉ (260°C / 500°F). Remettez les côtes sur le grill et assaisonnez ou frottez avec un assaisonnement sec. Saisissez les côtes, retirez du grill et servez.

LES HAMBURGERS JUTEUX DE MAMAN

4 à 6 portions

Ingrédients :

- 900 g / 2 lbs bœuf haché ou de buffle
15 ml / 3 cc assaisonnement
2 entiers œufs, à la température de la pièce
500 ml / 2 c. chapelure (séché, fin)
6 - 8 hamburger / petits pains
6 - 8 slices tranches de fromage (tranches fines)
30 ml / 2 cc beurre

Saveur de granulés de bois suggérée : Hickory / Compétition

Instructions :

1. **Préchauffer le grill, puis laisser ou réduire légèrement (204-260°C / 400-500°F)**
2. Mélangez la viande, l'assaisonnement, les œufs et la chapelure dans un bol. Divisez la viande en plusieurs portions et formez-les en petites boulettes de taille et de forme similaires au pain que vous servirez. Gardez les boulettes à environ 1,9 cm / ¾ po d'épaisseur.
3. Déposez les boulettes sur le grill. Faites griller environ 6 minutes chaque côté, en évitant d'appuyer sur la viande. Faites un test pour vérifier la cuisson, à l'aide d'un thermomètre à viande instantané : la température interne devrait atteindre 71°C / 160°F. La viande peut devenir rose à l'extérieur en raison de la saveur fumée.

- Au cours des dernières minutes de cuisson, badigeonnez les petits pains avec du beurre et grillez légèrement sur le gril.
- Retirez les pains, burgers lorsqu'ils sont prêts. Ajoutez aux hamburgers du fromage à fondre, et servez.

CONSEIL: Une viande légèrement plus grasse rendra le hamburger plus juteux. Pour un choix plus léger, essayez le buffle haché.

STEAK DE SURLONGE AVEC DES OIGNONS DOUX ET DES POIVRONS

4 portions

Ingrédients :

- | | |
|------------------|---|
| 2 | steak de surlonge
<small>épaisseur d'un pouce, coupé en 4 morceaux
0.45kg/1 lb</small> |
| 10 ml / 2 cc | assaisonnement |
| 5 moyens | oignons doux (coupés grossièrement) |
| 2 entiers | poivrons (toutes sortes, hachée) |
| 60 ml / 4 c. à s | sauce soja |
| 60 ml / 4 c. à s | huile d'olive |
| Pincée | sel |

Saveur de granulés de bois suggérée : Hickory / Mesquite / Whiskey

Instructions :

- Préchauffez le gril, puis réduire le réglage à 218°C / 425°F.**
- Saupoudrez les deux côtés des steaks avec l'assaisonnement. Recouvrez et réfrigérez pendant au moins 1 heure.
- Placez les oignons et les poivrons dans un plateau recouvert de papier d'aluminium. Mélangez l'huile d'olive et la sauce soja ensemble, puis versez sur le plateau. Saupoudrez de sel. Fermez complètement le paquet d'aluminium.
- Placez le paquet sur le gril pendant environ 10 - 15 minutes ou bien jusqu'à ce que les légumes soient doux et tendres. Enlevez du gril, mais gardez sous l'emballage.
- Placez les steaks sur le gril. Saisissez chaque côté, en retournant toutes le minutes.
- Grillez jusqu'à la cuisson désirée, puis enlevez du gril. Placez sur les plats de service et garnissez-les avec les légumes chauds.

POULES DE CORNOUILLES AVEC DU RIZ MANDARIN

4 portions

Ingrédients :

- | | |
|------------------|------------------------|
| 4 entiers | poules de Cornouailles |
| 750 ml / 3 c. | riz Mandarin |
| 15 ml / 1 c. à s | huile d'olive |
| 5 ml / 1 tsp | paprika fumé |
| 250 ml / 1 c. | marmelade d'orange |

Riz Mandarin

- | | |
|------------------|---|
| 59 ml / ¼ c. | amandes (effilées) |
| 30 ml / 2 c. à s | céleri (haché) |
| 1 petit | oignon vert (tranché finement) |
| 30 ml / 2 c. à s | beurre |
| 1 conserve | segments d'orange mandarine (égouttée)
<small>0.4 kg/11oz.</small> |
| 30 ml / 2 c. à s | jus d'orange (concentré) |
| 500 ml / 2 c. | riz cuit |

Saveur de granulés de bois suggérée : Hickory / Mesquite / Compétition

Instructions :

- Préparez le riz mandarin en faisant sauter les amandes, le céleri et les oignons avec du beurre dans une petite poêle jusqu'à ce que les amandes soient légèrement grillées. Combinez le mélange avec les segments d'orange, jus d'orange et le riz cuit dans un bol et mettre de côté.
- Préchauffez le gril, puis réduire à MEDIUM (135-177°C / 275-350°F).**
- Rincez les poules de Cornouailles et essuyez à l'aide d'un papier absorbant. Remplissez les poules de Cornouailles avec la garniture et attachez les pattes à l'aide d'une ficelle. Badigeonnez légèrement les poules avec de l'huile; saupoudrez avec du paprika.
- Placez les poules de Cornouailles sur le gril. Grillez pendant 45 à 60 minutes, jusqu'à ce que la viande soit tendre lorsqu'on la presse.
- Badigeonnez les poules avec la marmelade à l'orange pendant les 20 dernières minutes de cuisson. Enlevez du gril et présentez sur un plateau de service.

CONSEIL : Si vous souhaitez récolter les gouttes de graisse pour faire une sauce, placez les poules dans un plat en aluminium et ajoutez assez d'eau ou de jus pour couvrir le fond à environ 0,6 cm / ¼ po d'épaisseur.

KEBABS DE CREVETTES AVEC BEURRE AU CURRY

4 portions

Ingrédients :

900g / 2 lbs crevettes (décortiquées, déveinées)
125ml / ½ c. beurre de curry
15 ml / 1 c. à s huile d'olive
1 lime
aneth frais

Beurre de curry

125 ml / ½ c. beurre
30 ml / 2 c. à s oignons (hachés)
15 ml / 1 c. à s aneth frais
5 ml / 1 cc poudre de curry
Pincée poudre d'ail

Saveur de granulés de bois suggérée : Mesquite / Compétition

Instructions :

1. Faites tremper les brochettes de bois dans l'eau pendant environ 1 heure.
2. **Préchauffez le grill, puis réduire à 135-177°C / 275-350°F.**
3. Préparez le beurre Curry en faisant fondre le beurre dans une petite casserole à feu moyen-élevé. Ajoutez les oignons, l'aneth, la poudre de curry et la poudre d'ail. Faites cuire pendant cinq minutes, puis retirez du feu.
4. Étalez les crevettes sur les brochettes, en laissant de l'espace entre les morceaux. Badigeonner légèrement d'huile d'olive.
5. Placez les brochettes sur le grill et griller jusqu'à ce que les crevettes soient blanches et tendres. Les crevettes grillent rapidement; prenez soin de ne pas trop les cuire. Tournez les brochettes une fois et badigeonnez-les avec du beurre de curry vers la moitié du temps de cuisson.
6. Déposez les crevettes grillées sur un plateau. Garnissez de quarts de lime et d'aneth.

CONSEIL : Pour enfourcher une crevette afin qu'elle soit droite, tenez-la en position écartée avec une main. Commencez par le bout (la queue) et insérez une brochette de bois ou de bambou dans la crevette afin qu'elle occupe toute sa longueur. Continuez à déplier la crevette avec vos doigts pendant cette étape.

CREVETTES AU BACON ET BASILIC SUR UN BÂTON

4 à 6 portions

Ingrédients :

24 grandes crevettes (décortiquées, déveinées)
24 entières feuilles de basilic frais
24 tranches bacon (tranches fines)

Saveur de granulés de bois suggérée : Cerise / Pomme

Instructions :

1. Faites tremper les brochettes de bois dans l'eau pendant environ 1 heure.

2. **Préchauffez le grill, puis réduire à 135-177°C / 275-350°F.**
3. Enroulez un morceau de crevettes et une feuille de basilic dans une fine tranche de bacon, puis enfilez sur une brochette, en laissant un espace entre les pièces.
4. Placez les brochettes sur le grill et griller jusqu'à ce que les crevettes soient blanches et tendres et le bacon soit joliment grillé. Les crevettes grillent rapidement; prenez soin de ne pas trop les cuire. Retournez les brochettes régulièrement pour éviter de les brûler.
5. Retirez du grill et servir.

DINDE ENTIÈRE FUMÉE

Nourri une petite armée - les restes sont délicieux!

Ingrédients :

1 entière dinde (déglacée)
9-11,3 kg / 20-25 lbs
60 ml / 4 c. à s assaisonnement
5 ml / 1 cc paprika fumé
45 ml / 3 c. à s beurre

Saveur de granulés de bois suggérée : Hickory / Cerise / Compétition

Instructions :

1. **Préchauffez le grill, puis réduire à 135-177°C / 275-350°F.**
2. Enlevez les cous et les abattis de la dinde. Rincez soigneusement la dinde et essuyez à l'aide d'un papier absorbant.
3. Dans un petit contenant, mélangez le beurre, 1/4 de l'assaisonnement et le paprika afin de former une pâte. Insérez délicatement votre main entre la peau extérieure et la viande de la poitrine. Bourrez la pâte à l'intérieur de la viande.
4. Avec l'assaisonnement restant, frotter la surface extérieure de la dinde.
5. Placez la dinde, poitrine vers le haut, dans le centre de la grille de cuisson et faites griller jusqu'à ce que la dinde soit tendre et brune dorée; la température interne doit atteindre 82°C / 180°F dans la partie la plus épaisse de la cuisse et 77°C / 170°F dans la poitrine.
6. Enlevez la dinde, couvrez-la avec une feuille d'aluminium et laissez-la reposer pendant 10 minutes avant de la découper.

CONSEIL : Si vous aimez utiliser la graisse et les jus qui se sont écoulés pour en faire une sauce onctueuse, alors placez la dinde sur une grille à l'intérieur d'un grand plat à rôtir en aluminium. Ajoutez environ 0,6 cm / ¼ po d'eau ou de bouillon et des épices dans le fond de la poêle. Surveillez les jus, vous devrez peut-être en ajouter plus pendant la période de rôtissage.

POULET À LA BIÈRE

2 à 6 portions

Ingrédients :

1 entier poulet
1.8-2.7 kg / 4-6 lbs
1 cannette bière, n'importe laquelle
45 ml / 3 c. à s assaisonnement

Saveur de granulés de bois suggérée : Hickory / Pomme / Compétition

Instructions :

- 1. Préchauffez le grill, puis réduire à 135-177°C / 275-350°F.**
- Ouvrez la boîte et versez la moitié de la bière dans un verre à boire. Laissez la moitié dans la boîte, et faites quelques trous supplémentaires dans la partie supérieure de la boîte pour augmenter la ventilation. Ajoutez un ¼ de l'assaisonnement à la boîte.
- Rincez soigneusement le poulet et essuyez à l'aide d'un papier absorbant. Saupoudrez 1/4 de l'appât à l'intérieur du trou du poulet. Avec l'assaisonnement restant, frotter la surface extérieure du poulet.
- Insérez délicatement la cannette verticale dans le creux du poulet, placez sur le grill et fermez le couvercle du grill. Cuire jusqu'à ce que le poulet soit doré et croustillant; la température interne doit atteindre 74°C / 165°F.
- A l'aide de pinces, retirez délicatement le poulet avec la boîte en position verticale du grill. Laissez-le reposer pendant 5 minutes, puis enlevez délicatement la cannette de la poule. Soyez prudent de ne pas renverser, le liquide sera chaud.
- Taillez le poulet et servez-le.

Variation : POULET À LA BIÈRE SANS ALCOOL

À l'aide de la même méthode décrite ci-dessus, mais au lieu d'une bière vous pouvez utiliser votre boisson favorite comme du cola (pas diète), jus de fruit ou de l'eau avec des assaisonnements en plus.

POULET SATAY DE STYLE RANCH

2 à 6 portions

Ingrédients :

450g / 1 lb poitrines de poulet ou Cuisses (sans os, sans peau)
112 ml / ½ c. mélange à la vinaigrette italienne ou ranch
Pincée sel
Pincée poivre

Saveur de granulés de bois suggérée : Pomme / Cerise

Instructions :

- Coupez le poulet, sur la longueur, en morceaux de 0,63 cm / 1/4 po ou plus épais. Rincez le poulet et essuyez à l'aide d'un papier absorbant.
- Placer les morceaux de poulet dans un sac en plastique lock-top. Ajouter la vinaigrette, le sel et le poivre. Fermez le sac en plastique et secouez délicatement le sac, en vous assurant de

bien imprégner le poulet avec la sauce. Placez dans le frigo pendant 1 à 2 heures ou toute la nuit. Secouez le sac une ou deux fois afin que le poulet se marinde de manière uniforme.

- Faites tremper les brochettes de bois dans l'eau pendant environ 1 heure avant de les utiliser.
- 4. Préchauffez le grill, puis réduire le réglage à 218°C / 425°F.**
- Retirez le poulet du sac en plastique, et tissez-le en va-et-sur les brochettes, comme un ruban.
- Placez les brochettes sur le grill et grillez jusqu'à ce que le poulet soit blanc et ferme. Retournez les brochettes régulièrement pour éviter de les brûler.
- Retirez du grill et servir.



IMPORTANT

DO NOT RETURN PRODUCT TO STORE

For all questions, comments, or inquiries, please contact Dansons directly. Our Customer Service department is available:

Monday through Sunday, 4am - 8pm PST (EN/FR/ES)
TOLL FREE: 1-877-303-3134 | TOLL FREE FAX: 1-877-303-3135
service@pitboss-grills.com

IMPORTANT

NE RETOURNEZ PAS LE PRODUIT AU MAGASIN

Pour toute questions, commentaires ou demandes de renseignements, veuillez communiquer avec Dansons directement. Le service à la clientèle est ouvert:

DU LUNDI AU DIMANCHE, DE 4H À 20H HP (ANG/FR/ES)
NUMÉRO SANS FRAIS : 1-877-303-3134 | TÉLÉCOPIEUR SANS FRAIS : 1-877-303-3135
service@pitboss-grills.com

! **WARNING:** This product can expose you to chemicals including wood dust, which is known to the state of California to cause cancer. Combustion of this product can expose you to chemicals including carbon monoxide, which is known to the state of California to cause birth defects or other reproductive harm. For more information go to WWW.P65WARNINGS.CA.GOV

! **AVERTISSEMENT :** Ce produit peut vous exposer à des produits chimiques incluant la poussière de bois, connue par l'état de californie pour causer le cancer. La combustion de ce produit peut vous exposer à des produits chimiques incluant le monoxyde de carbone, connu par l'état de la californie comme causant des anomalies congénitales ou autres effets nocifs sur la reproduction. Pour accéder à d'autres informations, rendez-vous à WWW.P65WARNINGS.CA.GOV

MADE IN CHINA | FABRIQUE EN CHINE

WWW.PITBOSS-GRILLS.COM



780201207WMV

