

# FRANCESCA - MONICA - RV 80 - ROMA- RV100 CLASSIC- RV 100 - SPILLO

**User and maintenance manual for stoves with RDS technology**

**Manuel d'utilisation et d'entretien pour les poêles dotés de la technologie RDS**

*(For model with flash motherboard)*

*(Pour le modèle avec carte mère flash)*

**Ravelli**<sup>®</sup>  
il fuoco intelligente

#### **SAVE THESE INSTRUCTIONS**

Please read this entire manual before installation and use of this pellet fuel-burning room heater. Failure to follow these instructions could result in property damage, bodily injury or even death. Contact local building or fire officials about restrictions and installation inspection requirements in your area. Contact local authorities to see if a permit must be obtained before installation.

#### **CONSERVER CES INSTRUCTIONS**

Veillez lire ce manuel en entier avant l'installation et l'utilisation de cet appareil de chauffage à pellets. Le non-respect de ces instructions peut entraîner des dégâts matériels, des blessures corporelles voire même la mort. Contactez les représentants du bâtiment ou des pompiers concernant les restrictions et les exigences d'inspection de l'installation dans votre région. Contactez les autorités locales pour voir si un permis doit être obtenu avant l'installation.

ASTM E 1509-12 • UL 1482 - 11 • ULC S627-00 • Oregon Administration Rules 814-23-909 • Mobile Home Approved

Norme ASTM E 1509-12 • UL 1482 - 11 • ULC S627-00 • Règles d'administration de l'Oregon 814-23-909 • Approuvé pour maison mobile



**User and maintenance manual for stoves with RDS technology** pag 3

**Manuel d'utilisation et d'entretien pour les poêles dotés de la technologieRDS** pag 36

**Index**

<b>1. Introduction.....</b>	<b>pag 4</b>
<b>2. Safety information.....</b>	<b>pag 5</b>
<b>3. General.....</b>	<b>pag 6</b>
<b>4. Safety devices.....</b>	<b>pag 10</b>
<b>5. Technical features.....</b>	<b>pag 10</b>
<b>6. Positioning, assembly and installation .....</b>	<b>pag 10</b>
<b>6.1 Minimum distance from combustible material.....</b>	<b>pag 10</b>
<b>6.2 Environment of use .....</b>	<b>pag 12</b>
<b>6.3 Mobile Home Requirements.....</b>	<b>pag 12</b>
<b>6.4. Examples of installation.....</b>	<b>pag 13</b>
<b>7. Description of the functioning and symbology of the display.....</b>	<b>pag 21</b>
<b>8. Description of the functions.....</b>	<b>pag 28</b>
<b>9. Description of alarms.....</b>	<b>pag 31</b>
<b>10. The electrical wiring diagram.....</b>	<b>pag 32</b>
<b>11. Maintenance.....</b>	<b>pag 33</b>
<b>12. Guarantee.....</b>	<b>pag 34</b>

## Introduction

### Important:

Please read this manual carefully. It describes all the phases necessary for perfect functioning of the stove.

### Warning:

The regulations on installation and operation in this manual may differ from the regulations in force locally. In this case, the indications of the competent local authorities must always be followed. The drawings shown in this manual are indicative and not to scale.

### Information:

The packaging that we have used offers good protection against any damage due to transport. Always check the stove immediately after delivery: in the event of any damage, please inform your Ravelli dealer immediately.

### Description of use and maintenance manual

With this use and maintenance manual, Ravelli wishes to provide the user with all the information on safety in using the stove, in order to avoid damage to persons or things or parts of the stove. Please read this manual carefully before use and any work on the product.

## WARNINGS

Ravelli stoves are manufactured taking care even on the individual components in order to protect both the user and the installer from any accidents.

**The authorized personnel, after any work on the product, should therefore always pay special attention to the electrical connections. Installation must be performed by authorized personnel, who must give the purchaser a declaration of conformity of the appliance, and who will assume all responsibility for the final installation and consequent good functioning of the product installed. It is also necessary to take into consideration all the laws and national, regional, provincial and local regulations present in the country in which the appliance has been installed. In the event of failure to respect these precautions, Aico S.p.A. declines all responsibility.** This instruction manual is an integral part of the product: please make sure that it is always with the stove, including in the case of transfer to another owner or user, or transfer to another place. In the case of its damage or loss, please request another copy from the Technical service.

This stove must be used for the purpose for which it has been specifically manufactured. Do not use the appliance as an incinerator or in any way other than that for which it was designed. All contractual and tort responsibility of the manufacturer is excluded for damage caused to persons, animals or things, due to errors of installation, maintenance regulation or improper use. No other fuel except the pellets must be used. Do not use liquid fuels.

After having removed the packaging, please make sure that the contents are complete and intact.

All the electrical components that make up the stove must be replaced with original spare parts exclusively from an authorized technical assistance centre. **Maintenance of the stove must be performed at least once a year, planning it in time with the technical assistance centre.** Do not make any unauthorized modification to the appliance.

For safety reasons, please remember that:

- the stove must not be used by children or disabled people without assistance;
- do not touch the stove when barefoot or when any parts of the body are wet;
- the safety devices or adjustment devices must not be modified without the authorization or instructions of Ravelli.

The stove, especially the external surfaces, reaches very high temperatures when it is in operation; take care when touching it to avoid burns.

**The stove has been designed to function in any climatic condition; in the event of particularly adverse conditions (wind, freezing), safety systems could switch off the stove.**

If this occurs, contact the technical assistance and, in any case, do not disable the safety systems.

## 1.Thank you

Dear Customer,

We would like to thank you and congratulate you on the excellent choice you have made.

With the Ravelli stove, you will see that quality and economy can go hand in hand, offering excellent performances with limited consumption and being totally practical. Please find below some suggestions, which we would like to give you, to obtain the most from your stove and to fully enjoy all the advantages that it can give you.

Through this, we want to be close to our customers to offer the maximum technical support to all those who use our technology.

Aico S.p.A. thanks you for your confidence and wishes you happy times in the company of your pellet stove.

## 2. Safety information

The stove must be installed and tested by specialized personnel instructed by the Ravelli. Please read this use and maintenance manual before installing and putting the stove into operation!

If you require further information, please contact your Ravelli dealer.

### IMPORTANT

- The place of installation of the stove must comply with local, national and Federal regulations.
- The stove must be fuelled only with quality pellets with a diameter of 6 mm as described in the specific chapter.

### The stove cannot operate with traditional wood

### The stove must not be used as an incinerator. FIRE HAZARD!!!

- **Installation, the electrical connections, checking the functioning and maintenance must be performed by qualified and authorized personnel.**
- **Improper installation or poor maintenance (not compliant with what is shown in the following manual) may cause damage to persons and things. In this condition, Ravelli is relieved of all civil or criminal responsibility.**
- Before connecting the stove electrically, the connection of the exhaust tubes must be completed (specifically for pellet stoves, not made from aluminium) with the flue.
- The protection grille inside the pellet hopper must never be removed.
- There must be sufficient circulation of air in the room where the stove is installed.
- Never open the door of the stove whilst it is functioning. **FIRE HAZARD!!!**
- **The stove must not be used with the door open or with the glass broken. FIRE HAZARD!!!**
- When the stove is operating, the surfaces, the glass, the handle and the pipes become overheated: during functioning, these parts must only be touched with the adequate protection.
- **Do not light the stove without having first performed the daily inspection as described in the MAINTENANCE chapter of this manual.**
- **Do not place any washing on the stove to dry. Keep clothes and similar at a suitable distance from the stove. FIRE HAZARD!!!**

### -DO NOT INSTALL A FLUE DAMPER

### -DO NOT CONNECT THIS UNIT TO A CHIMNEY FLUE SERVING ANOTHER APPLIANCE

- Attachment and securement of the exhaust venting system to the product and to each adjoining section. All joints for connector pipe shall be required to be fastened with at least three screws. If vented horizontally, joints shall be made gaslight in a manner that shall be specified.
- Perform regular inspection, maintenance, and cleaning of the chimney and chimney connector
- **Disposal of Ashes:** Ashes should be placed in a metal container with a tight fitting lid. The closed container of ashes should be placed on a noncombustible floor or on the ground, well away from all combustible materials, and moved outdoors immediately. If the ashes are disposed of by burial in soil or otherwise locally dispersed, they should be retained in the closed container until all cinders have thoroughly cooled. Other waste shall not be placed in this container.
- **Caution against the storage or use of flammable liquids, as follows:** Never use gasoline, gasoline-type lantern fuel, kerosene, charcoal lighter fluid, or similar liquids to start or 'freshen up' a fire in this heater. Keep all such liquids well away from the heater while it is in use.

### - Creosote - Formation and Need for Removal

When wood is burned slowly, it produces tar and other organic vapors, which combine with expelled moisture to form creosote. The creosote vapors condense in the relatively cool chimney flue of a slow-burning fire. As a result, creosote residue accumulates on the flue lining. When ignited this creosote makes an extremely hot fire

The exhaust venting system should be inspected at least once every two months during the heating season to determine if a creosote buildup has occurred.

If creosote has accumulated it should be removed to reduce the risk of a chimney fire.

- Scrupulously follow the maintenance programme.
- Do not switch off the stove by disconnecting the electricity mains supply.
- Do not clean the stove until the structure and the ashes have cooled down completely.
- Carry out all operations in maximum safety and tranquillity.
- Comply with exhaust venting system termination requirements including location restrictions to air inlets, distances from windows, doors, and air inlets and distance to combustible materials.
- do not connect to or use in conjunction with any air distribution ductwork
- hot while in operation. Keep children, clothing and furniture away. Contact may cause skin burns.
- The type of chimney shall be suitable for solid fuel and the chimney connector must be in good condition and kept clean.
- Establish a routine for the fuel, pellet burner and firing technique. Check daily for creosote build-up until experience shows how often you need to clean to be safe. Be aware that the hotter the fire the less creosote is deposited and weekly cleaning may be necessary in mild weather even though monthly cleaning may be enough in the coldest months. Contact your local or fire authority for information on how to handle a chimney fire. Have a clearly understood plan to handle a chimney fire.

- Keep firing and deashing doors closed and maintain all seals in good conditions.

- Do not strike or slam shut the door, the glass can break. The glass shall be cleaned only when cold, do not clean a hot glass.

Use a dry cloth with normal glass detergent, do not use any abrasive cleaner.

- The type of chimney shall be suitable for solid fuel and the chimney connector must be in good condition and kept clean.

- When this room heater is not properly installed, a house fire may result. To reduce the risk of fire, follow the installation instructions. Contact local building or fire officials about restrictions and installation inspection requirements in your area.

- This room heater must be connected to a chimney complying with the requirements for type HT chimneys in the standard UL 103 or a code-approved masonry chimney with a flue liner.

- This wood heater needs periodic inspection and repair for proper operation. It is against federal regulations to operate this wood heater in a manner inconsistent with operating instructions in this manual. - This wood heater has a manufacturer-set minimum low burn rate that must not be altered. It is against federal regulations to alter this setting or otherwise operate this wood heater in a manner inconsistent with operating instructions in this manual.
- This heater is designed to burn wood pellet only.DONOT BURN ANY OTHER FUEL. Burning other materials may result in release of toxic fumes or render the heater ineffective and cause smoke.
- Do not overfire. Attempts to achieve heat output rates that exceed heater design specifications can result in permanent damage to the heater.
- Flues gases contain carbon monoxide (CO), it is recommended to install smoke monitors and CO monitors for areas that are expected to generated CO. Inspect the the chimney to minimize visible emissions.
- Soot and Flyash: Formation and Need for Removal—The products of combustion will contain small particles of flyash. The flyash will collect in the exhaust venting system and restrict the flow of the flue gases. Incomplete combustion, such as occurs during startup, shutdown, or incorrect operation of the room heater will lead to some soot formation which will collect in the exhaust venting system. The exhaust venting system should be inspected at least once every year to determine if cleaning is necessary.

### 3. General

The Stove must only operate in rooms. As it is controlled by an electronic board, combustion is completely automatic and controlled and the control unit regulates the ignition phase, 5 levels of power and the switching off phase, guaranteeing safe functioning.

Most of the ashes produced by the combustion of the pellets fall into the collection drawer.

However, always check the fire pot every day, as not all pellets have high standards of quality and could leave residue that is difficult to remove.

The glass has a special air circulation for self-cleaning. However, a slight greyish film cannot be avoided after a few hours of functioning.

As already mentioned earlier, pellets with a diameter of 6 mm must be used with the stove.

#### 3.1 Responsibility

Ravelli declines all responsibility, both civil and criminal, with the delivery of this manual, for any accidents deriving from partial or total failure to observe the instructions it contains,

Ravelli declines all responsibility deriving from the improper use of the stove, from its incorrect use by the user, by unauthorized modifications and/or repairs or from the use of spare parts which are not original.

The manufacturer declines all direct civil or criminal responsibility due to:

- poor maintenance
- failure to observe the instructions in the manual
- use not compliant with the safety instructions
- installation that is not compliant with the regulations in force in the country.
- installation by personnel who are not qualified or authorized
- modifications and repairs that are not authorized by the manufacturer
- use of spare parts that are not original
- exceptional events

#### 3.2 Compliance status

This manual describes the installation and operation of the Ravelli, Francesca 2015, Monica 2015, RV80 ceramica wood pellet heater. This heaters meet the 2020 U.S. Environmental Protection Agency's wood pellet emission limits for wood heaters sold after May 15<sup>th</sup> 2015. Under specific test conditions this heater has been shown to deliver heat at rates ranging from 10733 to 26556 Btu/hr.

	Emission Rate (g/hr)	Heating Efficiency (% Overall)	1st hour Emission Rate (g/hr)	CO emission gr/hr
<b>Francesca 2015, Monica 2015 and RV80 Ceramica</b>	<b>0.58</b>	<b>77.90%</b>	<b>1.36</b>	<b>23</b>
<b>RV100 Classic</b>	<b>0.7</b>	<b>80.2%</b>	<b>0.67</b>	<b>2.72</b>
<b>Roma</b>	<b>0.74</b>	<b>75.5%</b>	<b>1.33</b>	<b>9.45</b>

This manual describes the installation and operation of the Ravelli, Roma wood pellet fireplace insert. This heater meets the 2020 U.S. Environmental Protection Agency's wood pellet emission limits for wood heaters sold after May 15<sup>th</sup> 2015. Under specific test conditions this heater has been shown to deliver heat at rates ranging from 10250 to 31500 Btu/hr.

This manual describes the installation and operation of the Ravelli, RV100 cLASSIC wood pellet heater. This heaters meet the 2020 U.S. Environmental Protection Agency's wood pellet emission limits for wood heaters sold after May 15<sup>th</sup> 2015. Under specific test conditions this heater has been shown to deliver heat at rates ranging from 10750 to 34500 Btu/hr.

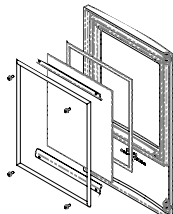
#### 3.3 Spare parts

Use original spare parts only. Do not use any substitute material. Do not wait for the components to be worn before replacing them. Replace a worn component before it is completely broken to prevent any accidents caused by the sudden breakage of components, perform the periodic maintenance checks as described in the dedicated chapter. Removal of broken or damaged components shall be only done by authorized technical service.

### 3.3.1 Glass and gasket replacement

Use only ceramic type glass. To replace the glass the door needs to be disassembled according to the below drawing.

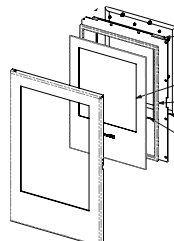
#### Francesca 2015 -Monica 2015



**Ceramic glass dimensions:**  
250 x 307 mm (9.8" x 12.08")  
thickness 4mm (0.16")

**Glass twist tricovet gasket:**  
diam. 10 mm / 0.39"  
L1230 mm / 48.43"

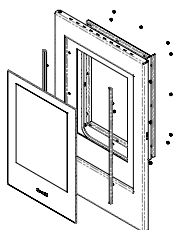
#### RV 80 Ceramica



**Ceramic glass dimensions:**  
305 x 449 mm (12" x 17.68")  
thickness 4mm (0.16")

**Glass twist tricovet gasket:**  
diam. 14 mm / 0.55"  
L1250 mm / 49.21"

#### RV 100 Classic

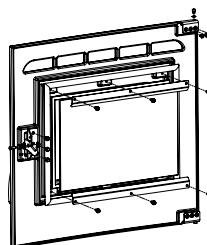


**Ceramic glass dimensions:**  
319 x 460 mm (12.55" x 18.11")  
thickness 5 mm (0.20")

**Glass ribbon trecotee gasket:**  
10 mm x 3 mm (0.39" x 0.12")  
L1344 mm (52.91")

**Door tricovet gasket:**  
diam. 14 mm / 0.55"  
L1365 mm / 53.77"

#### Roma



**Ceramic glass dimensions:**  
260 x 375 mm (10.24" x 14.76")  
thickness 5mm (0.20")

**Glass ribbon trecotee gasket:**  
10 mm x 3 mm (0.39" x 0.12")  
L1100 mm (43.31")

**Door tricovet gasket:**  
diam. 10 mm / 0.39"  
L1500 mm / 59.06"

### 3.3. Majolica finishes

Due to the special hand finish of the majolica surface imperfections such as shadowing may occur. Those are details that make every majolica one of its kind. As it is a delicate material, please handle with care whilst cleaning and avoid blows as sudden breakage may occur. Please also take care when loading the hopper (Ed.'s note; tank containing the pellets) with the bag of pellets: do not place it on the stove!

### 3.4. What are the wood pellets

The wood pellets are made from sawdust and wood shavings produced in joiners' shops. The material used cannot contain any foreign substance such as glue, varnish or synthetic substances.

Subjecting it to high pressure, the wood is pressed through a plate with holes and due to the high pressure the sawdust is heated activating the natural binders of the wood. Thus, the pellets keep their shape even without the addition of bonding substances. The density of the wood pellet varies according to the type of wood and can be 1.5 – twice greater than that of natural wood.

The diameter of the cylindrical rods is 6 mm and their length can vary between 10 and 40 mm.

Their real weight is greater than 650 kg/m<sup>3</sup>. Due to the low content of water (<10%) they have a high energy content.

The standards ISO 17225-2:2014 define the quality of the pellets:

Length:	< 40 mm
Diameter:	6 mm approx.
Real weight:	> 600 kg/m <sup>3</sup>
Lower heating value:	≥ 16,5 MJ/kg (≥ 7100 BTU/lb)
Residual humidity:	< 10 %
Ashes:	< 1.2 %
Specific weight:	>1000 kg/m <sup>3</sup>

Do not put the bag of pellets on the ceramic parts during the loading operations.



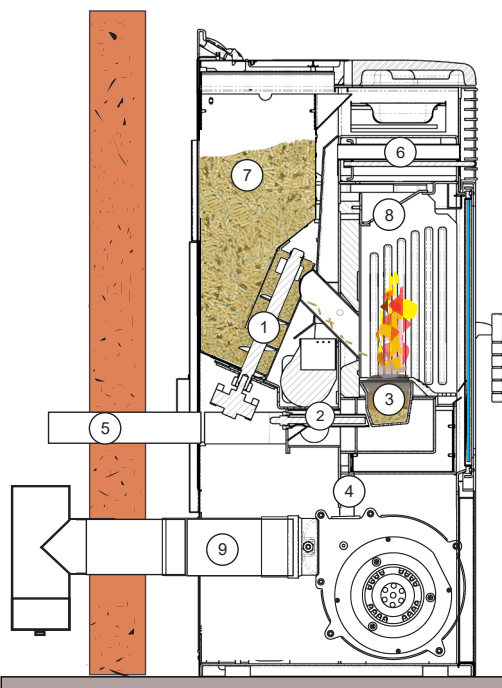
Pic.1



Pic.2

The pellets must be transported and stored in a dry place. They swell on contact with damp, and cannot be used. They must always be protected from the damp both during transport and in storage. Do not place such fuel within the space heater installation clearances or within the space required for charging and ash removal.

### 3.5. The components of the stove



1. pellet loading screw
2. electrical igniter
3. combustion fire pot
4. tube for passage of smoke
5. air intake tube
6. stainless steel heat exchanger
7. pellet hopper
8. baffle
9. smoke exhaust tube

This drawing shows the internal parts of a pellet stove.

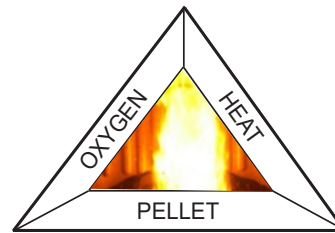
By filling the hopper (7), the pellets are loaded into the fire pot (3) through the loading screw (1).

Ignition is by means of the electrical igniter (2), which overheats the air from the special entrance (5) which on contact with the pellets will allow the development of the flame. At this point the exhaust smoke is deviated towards the stainless steel exchanger (6) and through the smoke extraction tube (4) it is released into the flue, through the connection with the smoke exhaust pipe. (9).

### 3.6. The combustion

The combustion is a chemical reaction between fuel and oxidizer. The result of this reaction is the heat. The three elements that are required for the combustion are:

- Fuel (pellet)
- oxidizer (oxygen available in the air)
- Ignition (heat of embers or electrical ignitor)



To get the combustion, the combustible and the carburant must be available in a correct proportion.

The reaction between combustible and carburant is made by an external starter. The start can be made by the hot reaction or by a sparkle. The combustion is NOT CORRECT, the flame is too tight with too much incandescent pellet in the firepot. Adjust the Set pellet/air reducing the air percentage (from 0 up to -5); in the vent this is not enough to get a proper flame, increase the loading quantity of the pellet (from 0 up to +5) to reach the flame condition shown in picture 3.



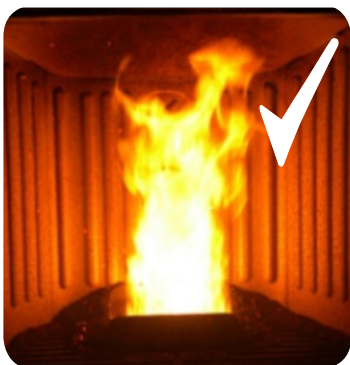
Pic. 1

INCORRECT combustion, flame too drawn, in “blowtorch” style with a high quantity of incandescent pellets coming out of the grate. Correct the pellet/air set by reducing the percentage of air (from 0 to -5); if not sufficient, also increase the percentage of falling pellets (from 0 to +5) to arrive to the condition in Figure 3. If the changes made to the settings do not bring the stove to the right combustion conditions in Figure 3, contact the Technical Support Centre.



Pic. 2

INCORRECT combustion, “spring” flame in “wood stove” style with high quantity of pellets not burning on the grate. Firstly, check the door is closed and the ash pan. Secondly, correct the pellet/air set by increasing the percentage of air (from 0 to +5); if not sufficient, also reduce the percentage of falling pellets (from 0 to -5) to arrive to the condition in Figure 3. If the changes made to the settings do not bring the stove to the right combustion conditions in Figure 3, contact the Technical Support Centre.



Pic. 3

The combustion IS CORRECT, full flame yellow/white and minimum quantity of pellet in the firepot.  
The combustion is fine and no ad.

The picture 3 shows a flame done with a stove working at power P5.

#### 4. Safety devices

The stove is fitted with sophisticated safety systems so that, in the case of breakage of one of the individual parts or defects in the flue, no damage will be caused to the stove and the room in which it is installed. In any case, when a problem arises, the pellets stop falling immediately and the "switch off" phase is activated.

The corresponding alarm will be shown on the display. The details can be seen in chapter 9 "DESCRIPTION OF ALARMS".

#### 5. TECHNICAL FEATURES

	Unit of measurement	Francesca 2015	RV 80 Ceramica	Monica 2015	RV 100 Classic	Roma	SPILLO	RV 100
Height	Inch	37.67	39	39.3	44.1	31.5	30.30	42.5
Width	Inch	17.32	20.20	20.27	21.7	43.4	28	20.87
Depth	Inch	18.46	19.1	18.58	21.9	29.5	25.6	21.25
Weight	Lbs	200	270	264	320	550	451	264-242
Diameter of smoke exit tube	Inch	3.14	3.14	3.14	3.14	3.14	3.14	3.14
Min-max. hourly consumption of pellets	Lbs/h	1.1 - 3.5	1.1 - 3.5	1.1 - 3.5	1.5 - 5.1	1.6-5	1.8-6.6	1.1-5.0
Supply	V - Hz	120 - 60	120 - 60	120 - 60	120 - 60	120-60	120-60	120-60
Hopper capacity	Lbs	35	35	35	50	50	44	44
Efficiency *	%	77.9	77.9	77.9	80.2	75.5	85	84
Smoke temperature min - max	°F	176 - 302	176 - 302	176 - 302	200 - 415	240-410	158-195	217-408

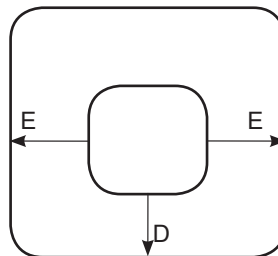
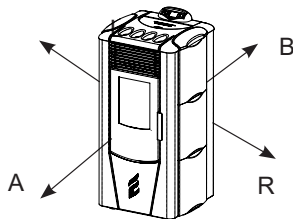
\*overall heating efficiency is determined using higher heating value of the fuel.

The data shown above are indicative and not binding. Ravelli reserves the right to make any modifications for the purpose of improving the performances of the product.

#### 6. Positioning, assembly and installation

##### 6.1 Minimum distance from combustible material

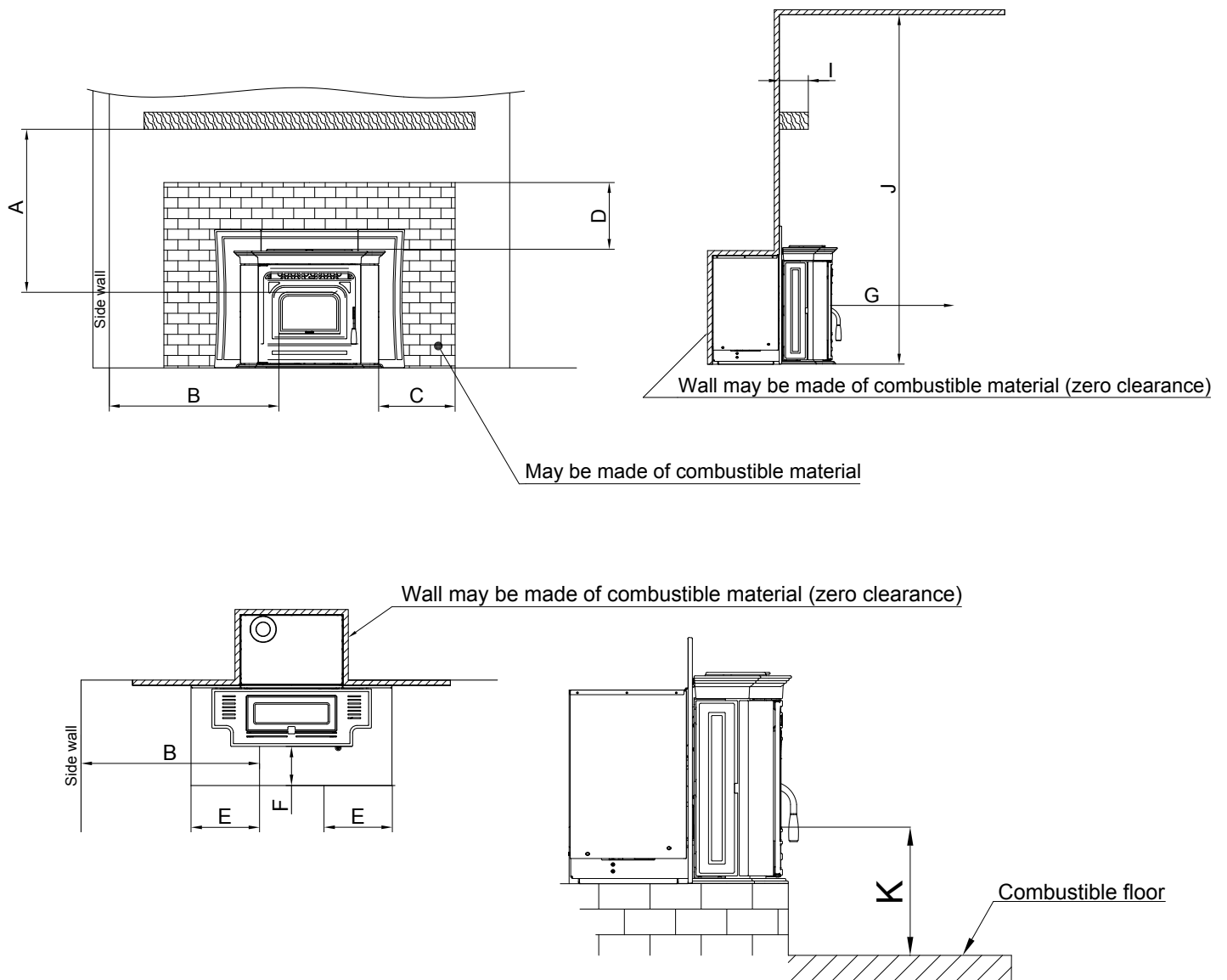
**NOTE:** Install vent at clearances specified by the vent manufactures.



	Unit of measurement	Francesca 2015	RV 80 Ceramica	Monica 2015	RV 100 Classic	Spillo	RV 100
R = right side	Inch/mm	4 / 101,6	4 / 101,6	4 / 101,6	4 / 101,6	7,87 / 200	11,81 / 300
L = left side	Inch/mm	4 / 101,6	4 / 101,6	4 / 101,6	4 / 101,6	7,87 / 200	11,81 / 300
B = rear side	Inch/mm	2 / 50,8	2 / 50,8	2 / 50,8	4 / 101,6	7,87 / 200	7,87 / 200
A = front side	Inch/mm	39,37 / 1000	39,37 / 1000	39,37 / 1000	39,37 / 1000	39,37 / 1000	39,37 / 1000
D = FRONT floor protection	Inch/mm	6 / 152,4	6 / 152,4	6 / 152,4	6 / 152,4	6 / 152,4	6 / 152,4
E = SIDE floor protection	Inch/mm	6 / 152,4	6 / 152,4	6 / 152,4	6 / 152,4	6 / 152,4	6 / 152,4
F = Ceiling	Inch/mm	57 / 1450	57 / 1450	57 / 1450	52 / 1321	--	--

N.B. The floor protection must extend under the chimney connector and 2 inches (50.8mm) beyond each side

**6.1.1 Minimum distance from combustible material**



	Unit of measurement	Roma
A = clearance to mantel	Inch/mm	18,5/470
B= clearance to sidewall	Inch/mm	15/381
C = clearance to face trim (side)	Inch/mm	0/0
D = clearance to face trim (top)	Inch/mm	0/0
E = floor protection	Inch/mm	6/152.4
F = floor protection	Inch/mm	6/152.4
G = clearence to front	Inch/mm	48/1219
I = mantel depth	Inch/mm	6/152.4
J = ceiling from bottom of unit	Inch/mm	72/ 1828.8
K = combustible floor from bottom of the glass	Inch/mm	9.5/241.3

## 6.2 Environment of use

The positioning of the stove is decisive for a successful and equal heating of the room. Before deciding where to place the stove, the following must be taken into account:

- The stove must be installed on a floor with a sufficient carrying capacity. If the existing building does not meet this requisite, appropriate measures must be taken (i.e. load distribution plate).
- The combustion air cannot be obtained from a garage or from an area without ventilation or exchange of air, but from a free or external space
- The stove must not be installed in a bedroom, bathroom or shower, or where there is already another heating appliance without an autonomous air flow (chimney, stove etc.)
- A non-combustible Hearth board 6" from front of unit and 6" from the sides must be installed before unit is placed on the floor.
- Installation is better in a large and central room in the house to ensure maximum circulation of the heat;
- Connection to the main supply is recommended using a grounded outlet (if the cable supplied is not long enough to reach the nearest outlet, use an extension cord with a surge protector);
- The stove must be placed in a position that receives the necessary level of air for appropriate combustion of the pellets (at least 131.23 f<sup>3</sup>/h must be available), in accordance with installation regulation and local legislations;
- All joints for connector pipe is required to be fastened with at least three screws.
- If vented horizontally joint should be siliconed with hi-temp. silicone and screwed so they are gas tight. (RTU 500 silicone)
- the chimney connector shall not pass through an attic or roof space, closet or similar concealed space, or a floor or ceiling. Where passage through a wall, or partition of combustible construction is desired, the installation shall conform to CAN/CSA-B365.

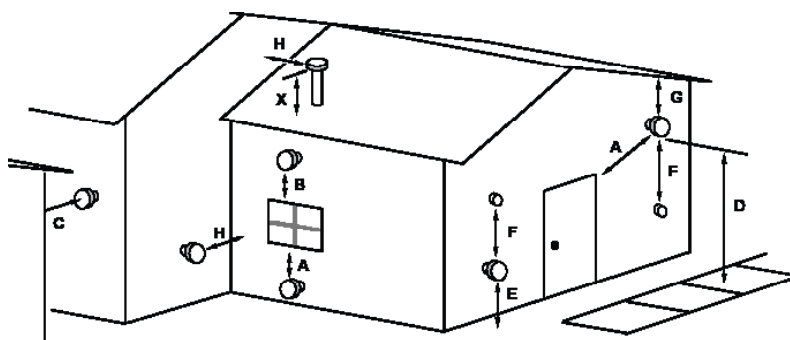
**The stove must be installed and assembled by qualified personnel.**

The room must be:

- Prepared for the environmental functioning conditions
- Prepared with an adequate system of evacuation of smoke
- Have a 120V 60 Hz electricity mains supply
- Do not connect this unit to a chimney flue serving another appliance
- Use only UL Listed Type L Vent or Pellet Vent 3" in. I.D. venting system to exhaust. Do not install flue damper in the exhaust system of this unit.
- The chimney connector and each other adjoining section must be firmly attached and secured to the stove.

## 6.3 Mobile Home Requirements

- Outside air is required
- The heater must be secured to the floor using lag bolts.
- The heater must be grounded to the chassis of the mobile home.
- Installation should be in accordance with the manufactured home.
- When outside air is required, system parts, such as vent sections, supports, spark arresters, rodent screens, etc. must be used.
- The space heater is to be connected to a factory built chimney conforming to CAN/ULC-S629.
- It is important to use all the specified components, do not use other components.
- Installation shall maintain an effective vapour barrier at the location where the chimney or other component penetrates to the exterior of the structure.
- Operating the space heater with open firing doors can cause serious injuries and health damages due to escaping flames or carbon monoxide generation inside the room.
- Adequate ventilation is required to avoid air starvation and icing which can determine an unhealthy indoor environment.
- Do not overfire.
- If the space heater is not correctly installed and operated it can interfere with smoke detectors.



**WARNING: Do not install in bedroom**

**CAUTION: The structural integrity of the mobile home floor, ceiling, walls, roof must be maintained.**

**Refer to HUD Requirements, CFR 3280, Part 24**

**NOTE:** Install vent at clearances specified by the vent manufactures.

**NOTE:** Measure clearances to the nearest edge of the exhaust hood.

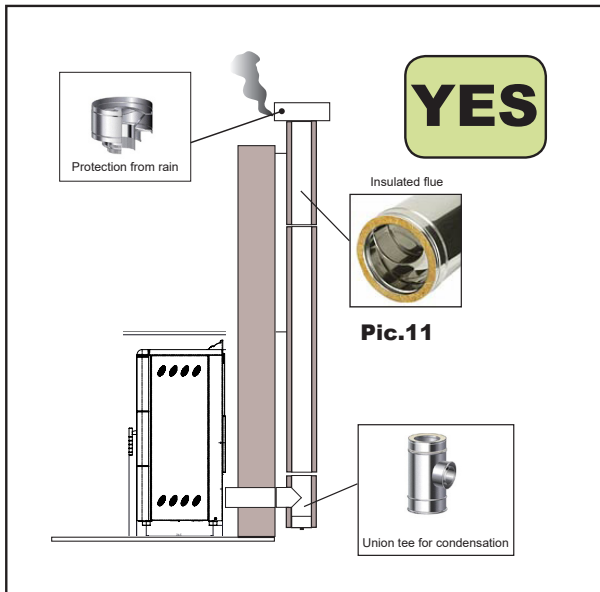
**NOTE:** Vent may not terminate in covered walkway or breezeway.

**NOTE:** If venting horizontally, check your venting specifications for distance pipe should extrude from building.

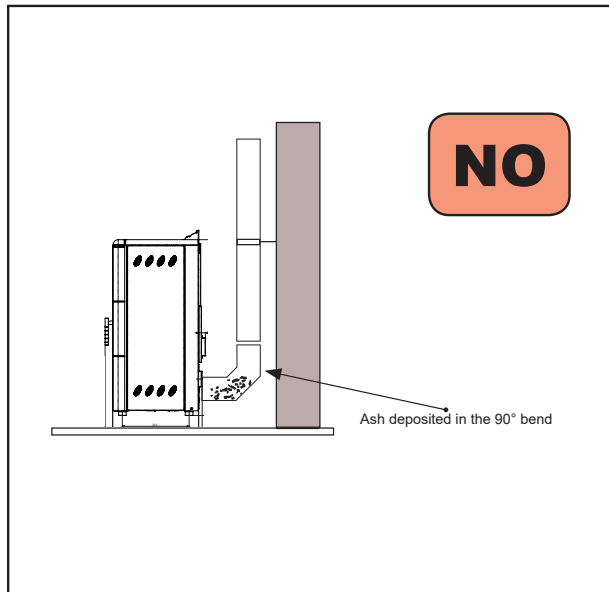
- |   |   |
|---|---|
| A | Minimum 4' clearance below or beside any door or window that opens( with outside air installed, 1' below or beside) |
|   | Minimum 1' clearance below or beside any window that does not open.   |
| B | Minimum 1' clearance above any door or window that opens  |
| C | Minimum 2' clearance from any adjacent building   |
| D | Minimum 7' clearance above any grade when adjacent to public walkways   |
| E | Minimum 2' clearance above any grass, plants, or other combustible materials  |
| F | Minimum 3' clearance from any forced air intake of any other appliance  |
| G | Minimum 2' clearance below eaves or overhangs   |
| H | Minimum 1' clearance horizontally from combustible wall   |
| X | Must be a minimum of 2' above the roof  |

6.4. Examples of installation

Pic.9



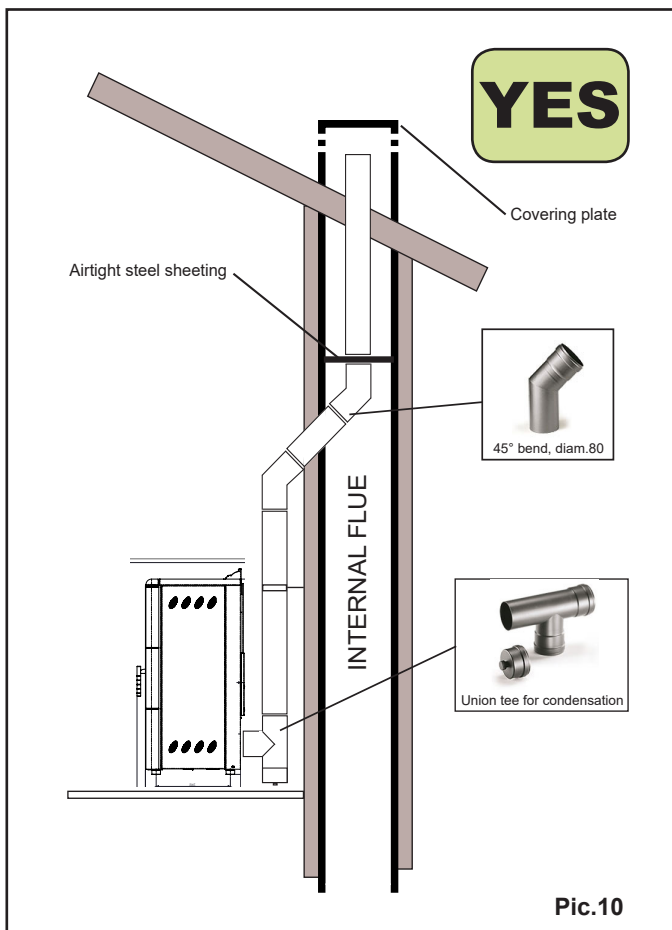
Pic.6



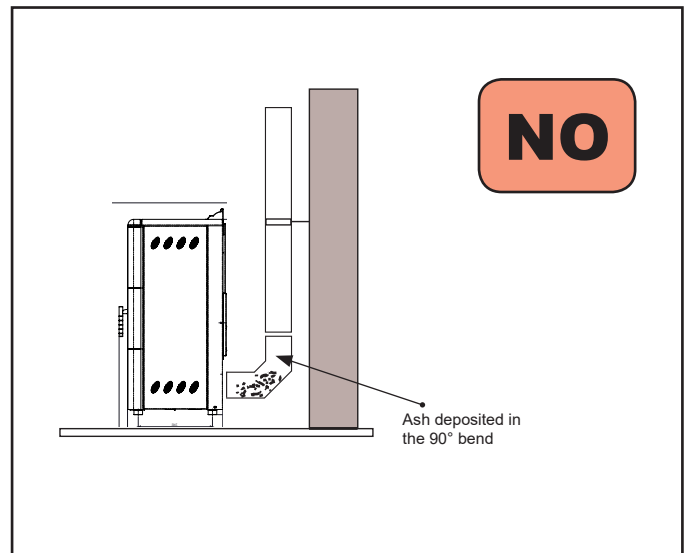
This type of installation (see Pic. 9) requires an insulated flue, as all the smoke pipe has been installed outside the house.

In the lower part of the flue, a union tee has been mounted with an inspection cap.

A 90° bend should not be installed as the first initial piece as the ashes would quickly obstruct the passage of smoke, causing problems for the draught of the flue. (See Pic. 6).



Pic.6



This type of installation (see Pic. 10) does not require an insulated flue as the smoke tube has been assembled partly inside the house and partly inside an existing flue.

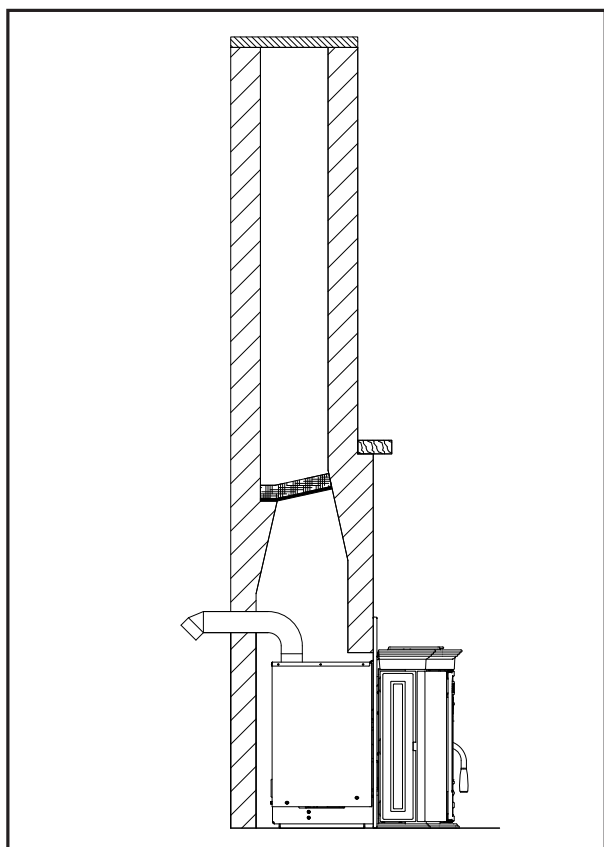
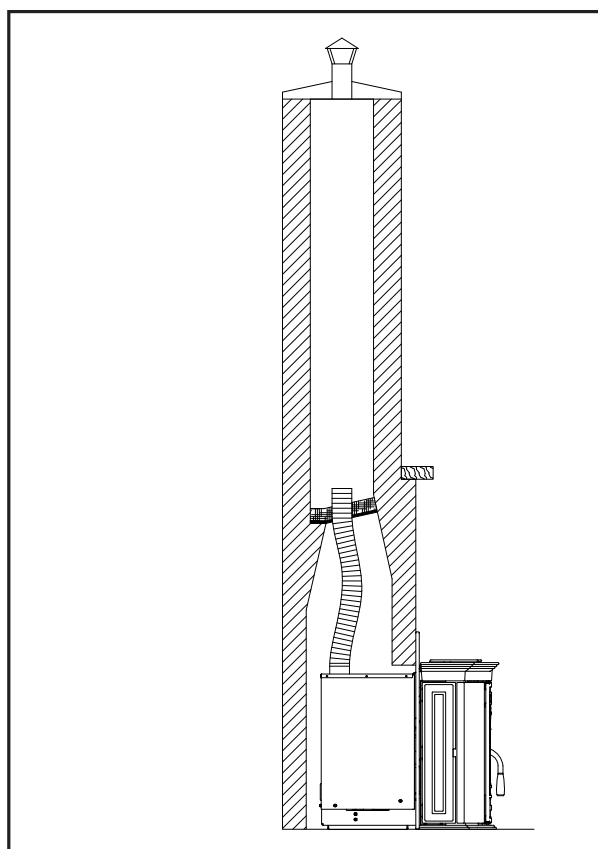
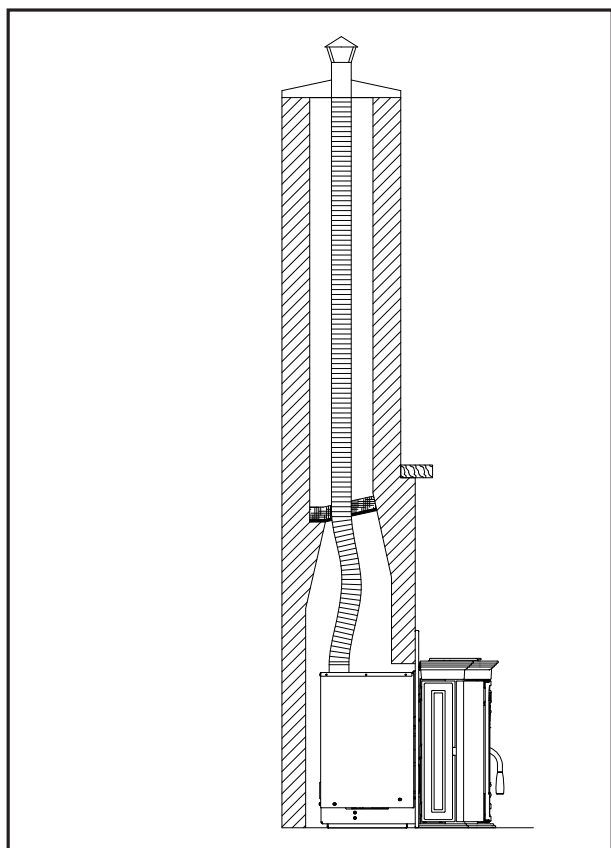
In the lower part of the flue a union tee has been installed with a peephole cap.

A 90° bend should not be installed as the ash would quickly block the passage of smoke, causing problems for the draught of the flue (See Pic. 6).

Please note the use of 2 45° bends, to guarantee that the ash falls in the union tee with a peephole.

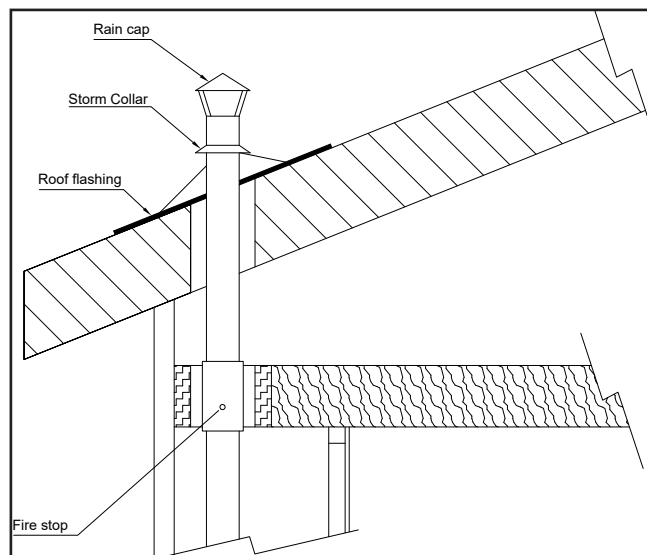
Pic.10

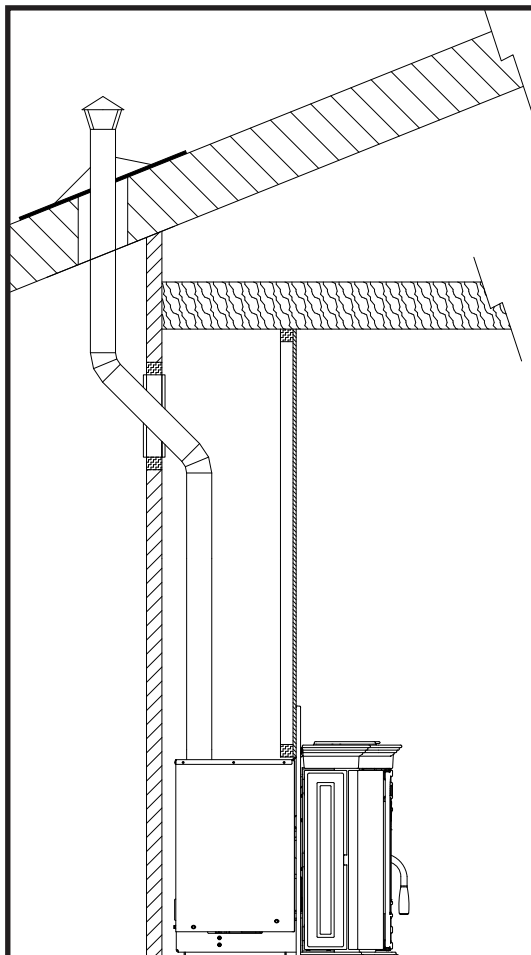
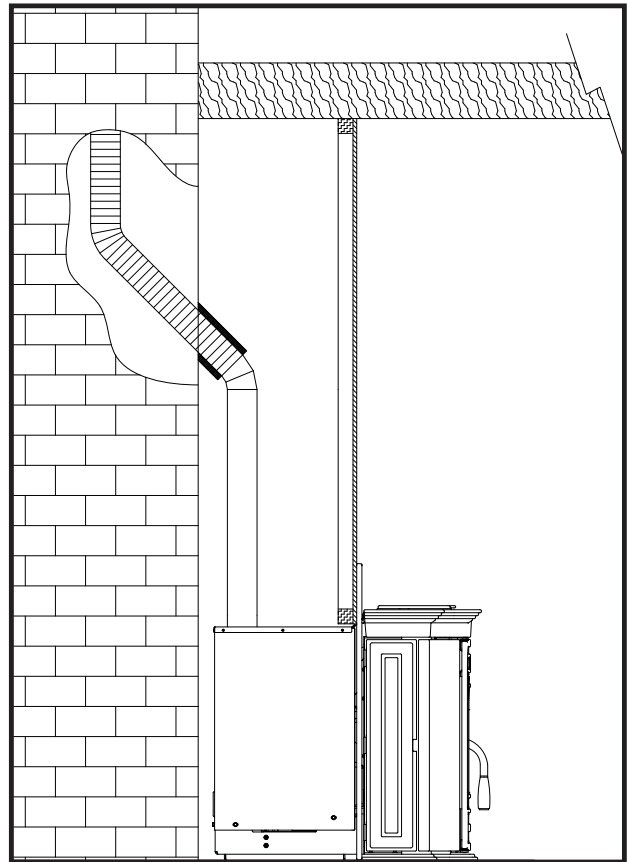
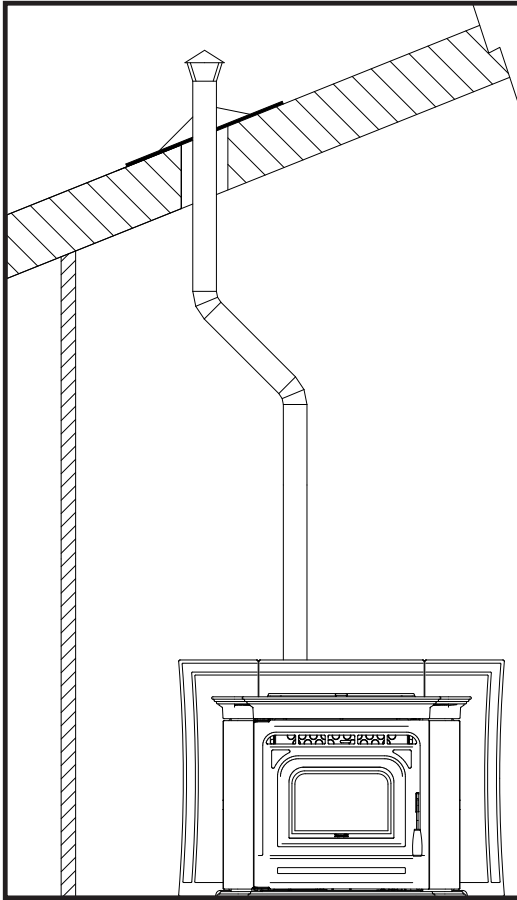
**6.4. Examples of installation (only for pellet fireplace insert)**



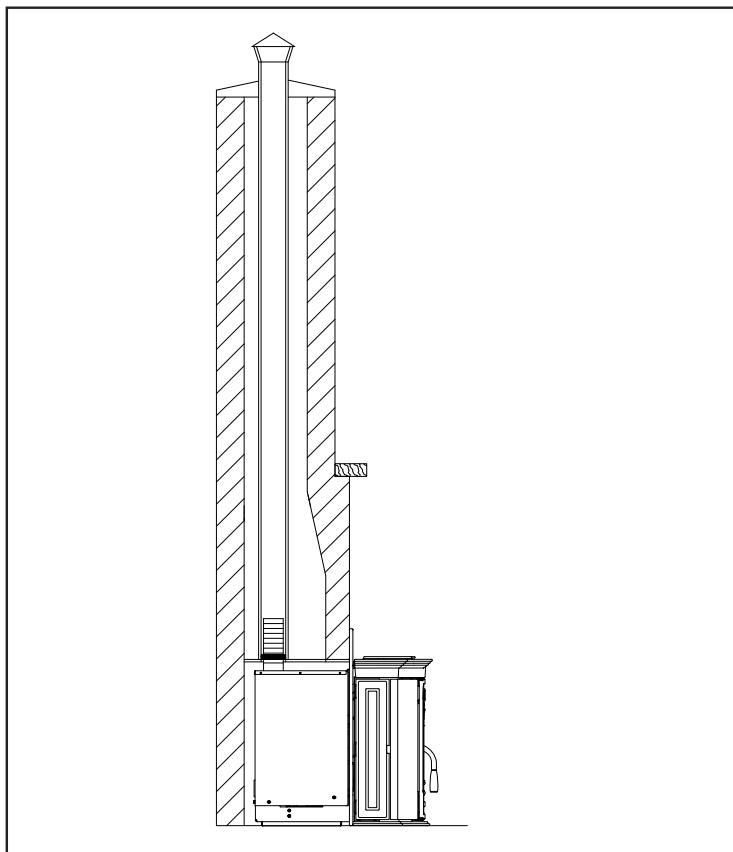
The damper area must be sealed with a steel plate and a non-combustible insulation on the top of the plate to reduce the possibility of condensation.

**This fireplace has not been tested with unvented Gas log set. To reduce risk of injury, do not install an unvented gas log set into this fireplace. Do not pack required air spaces with insulation or other materials. Do not use a fireplace insert or other products not specified for use with this fireplace.**

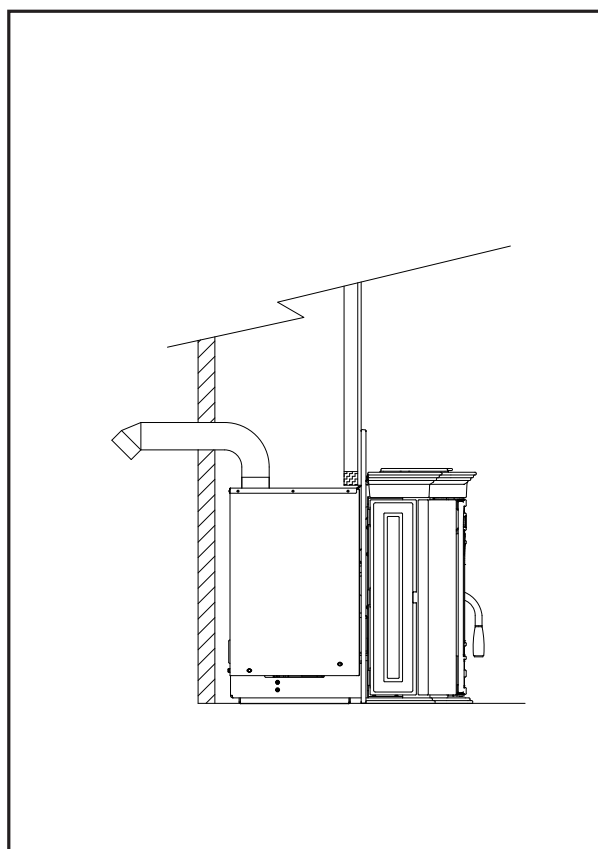
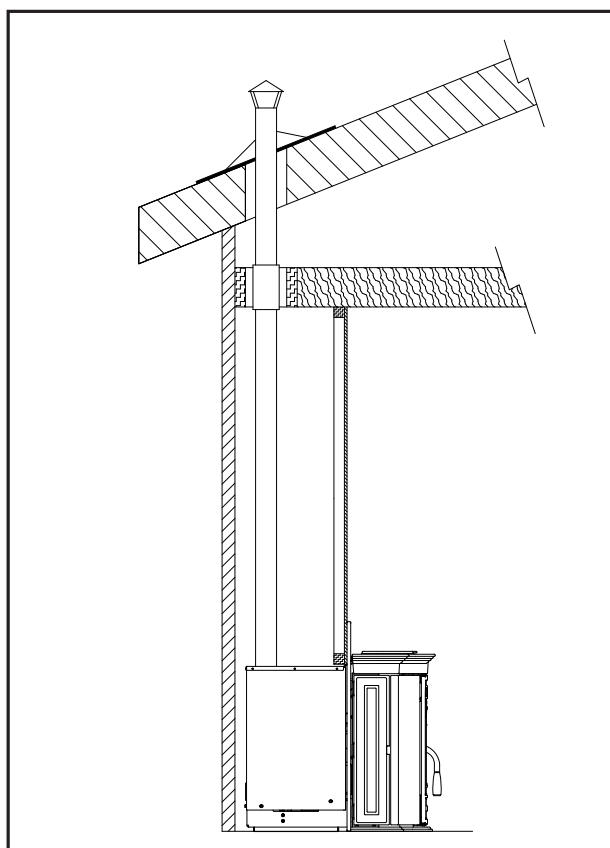




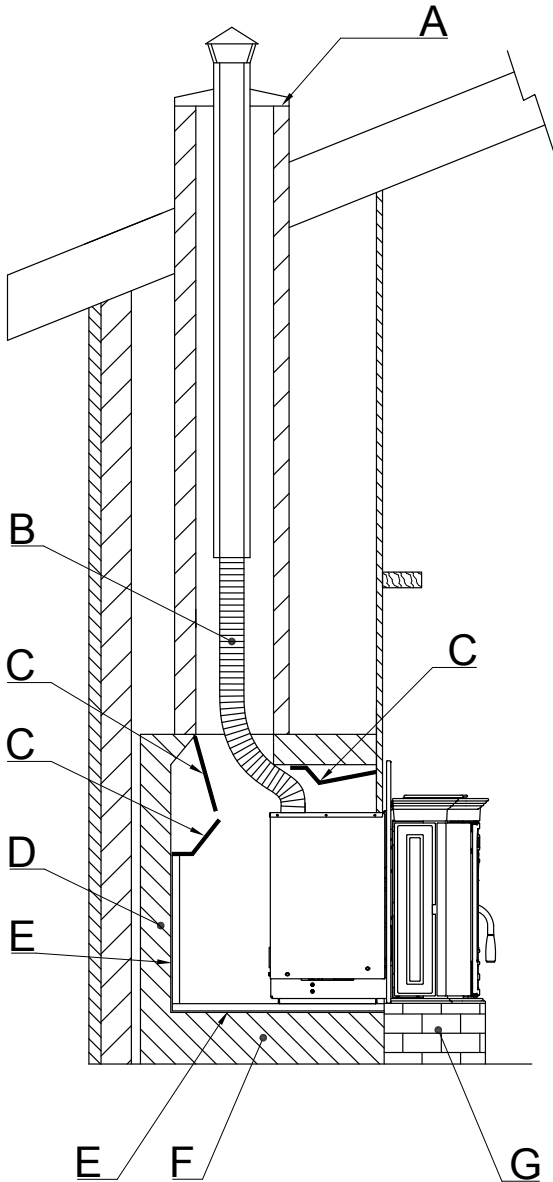
**Use only 45° or 30° bends, do not use 90° bends.**



In Canada this fireplace insert must be installed with a continuous chimney liner of a minimum 3" diameter extending from the insert to the top of the chimney. The chimney liner must conform to the class 3 requirements of CAN/ULC-S635, Standard for Lining Systems for Existing Masonry or Factory Built Chimneys and Vents, or CAN/ULC-S640, Standard for Lining Systems for New Masonry Chimneys.



This pellet insert is suitable for Zero Clearance installation.  
Flex pipe for vent is not approved these types of installation.



**A.-Seal the cover plate (non-combustible);**

**B.-“L” vent flex section;**

**C.-The smoke baffle, damper and shields may be removed if attached with mechanical fasteners;**

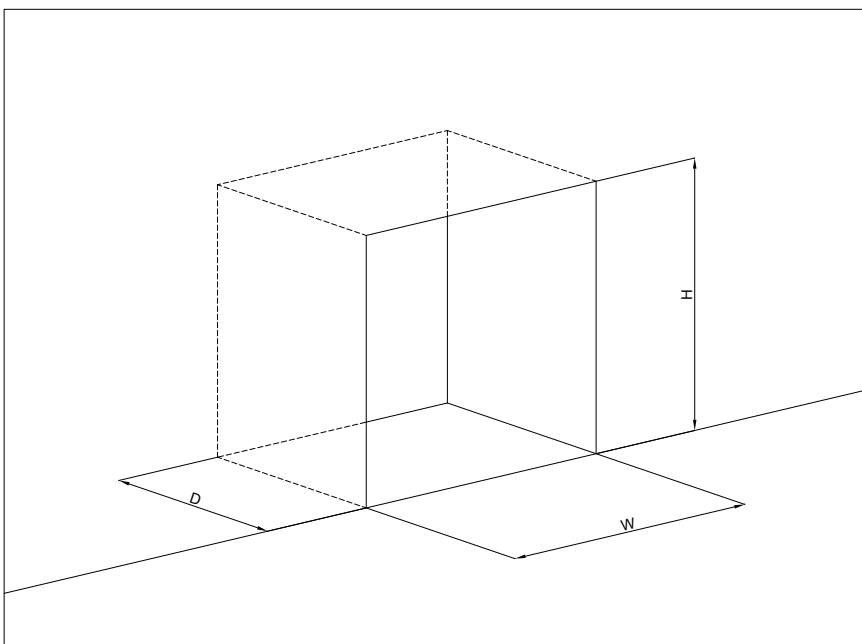
**D.-The metal sides, frame members, or other structural components of the factory built fireplace may not be removed or altered;**

**E.-The firebrick (refractory) may be removed;**

**F.-The metal floor of the firebox may be removed leaving the fireplace floor or outer wrap;**

**G.-You shall built a support for insert on raised fireplace.**

**Minimum opening for masonry and manufactured fireplace (only for pellet fireplace insert)**



**D = 16.5 “ / 419 mm**

**W = 22.5” / 571.5 mm**

**H = 26” / 660.4 mm**

**Determining Size of Pipe to install**

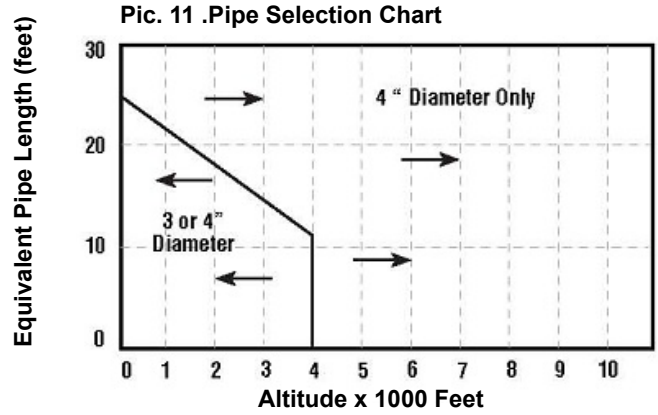
To determine the diameter of pipe to use (3" or 4"), you can use the following guidelines.

Fillout the installation chart (table 1), and calculate your total equivalent pipe length.

Then use the total equivalent pipe length and the altitude in the pipe selection chart. (pic.11) to determine if your installation requires 3" or 4" exhaust pipe.

**Table 1: Installation chart**

Type of Pipe	# of Elbows or Feet of Pipe		Equivalent
90° Elbows/ Tee (A & G)		x	5 feet (1.5 m)
45° Elbows (C)		x	3 feet (1.0 m)
Horizontal (B & F)		x	1 feet (0.3 m)
Vertical (E)		x	0.5 feet (0.15 m)



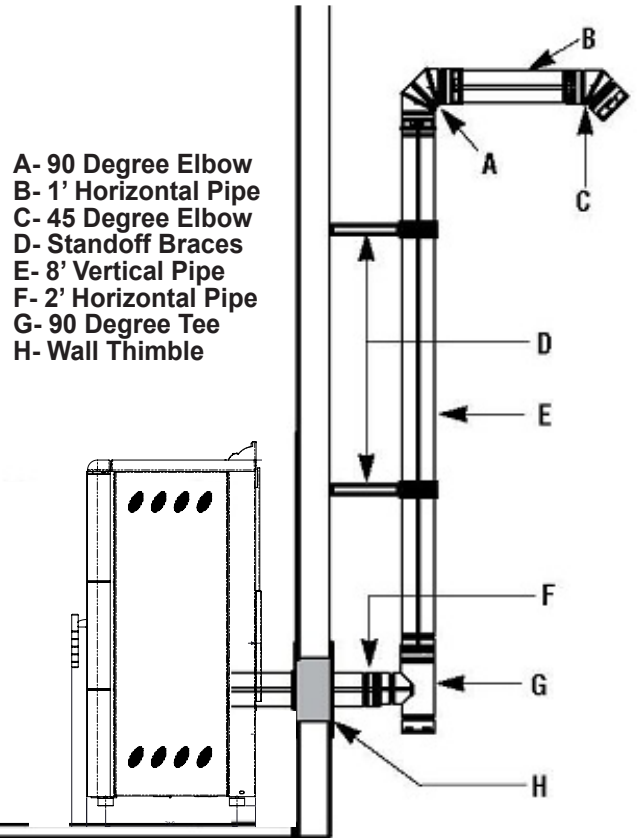
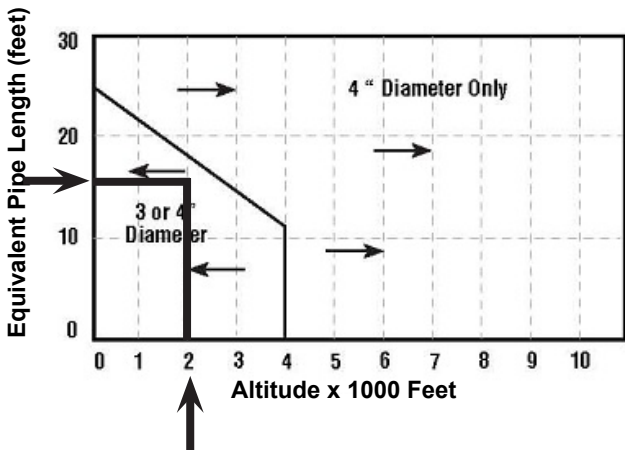
**Sample installation chart**

Type of Pipe	# of Elbows or Feet of Pipe		Equivalent	Total Equivalent
90° Elbows/ Tee (A & G)	2	x	5 feet (1.5 m)	10 feet (3.0 m)
45° Elbows (C)	1	x	3 feet (1.0 m)	3 feet (1.0 m)
Horizontal (B & F)	3	x	1 feet (0.3 m)	1 feet (1,0 m)
Vertical (E)	8	x	0.5 feet (0.15m)	1 feet (1,2 m)

**Table 2 - Sample chart for pic.12**

Equivalent pipe length = (10 + 3 + 1 + 1) ft = 15 ft

If the stove is installed in a place with an altitude of 2000 ft, it is possible to use either a pipe of 3" or of 4", as you can see in the pipe selection chart below.



**Pic. 12. See sample installation chart**

**Standard horizontal installation configurations**

1. Locate the proper position for the listed type “PL” wall thimble. Avoid cutting wall studs when installing your pipe. Use a saber saw or keyhole saw to cut the proper diameter hole through the wall to accommodate the wall thimble. Use extreme caution to avoid cutting into power lines within the wall of the home. The hole size will depend on the brand of pellet vent that you are using. Install the wall thimble in the hole.

2. ALL INTERLOCKING PIPE CONNECTIONS WITH-IN THE ROOM MUST BE SEALED WITH HIGH TEMPERATURE RTV AND SECURED WITH A MINIMUM OF 3 FASTENERS PER CONNECTION. Position the stove approximately 12” (305 mm) from the wall on the floor pad. Push the “PL” pipe through the wall thimble. Squeeze a bead of high temperature silicone (RTV) sealer around the end of the machined portion of the 3” (76mm) pipe connector on the back of the stove. Firmly push on a section of “PL” pipe until inner pipe liner pushes into the bead of RTV sealer.

3. Push the stove with pipe attached towards the wall (the pipe will go through the wall thimble). Do not position the back of the stove closer than 2” (51mm) from the wall.

4. Install listed type “PL” 45 degree elbow with optional rodent screen or cap (recommended) on outside end of pipe. The rodent screen should be no less than 1/2” (13 mm) mesh and may clog with soot and ash if left unattended during the burn season.

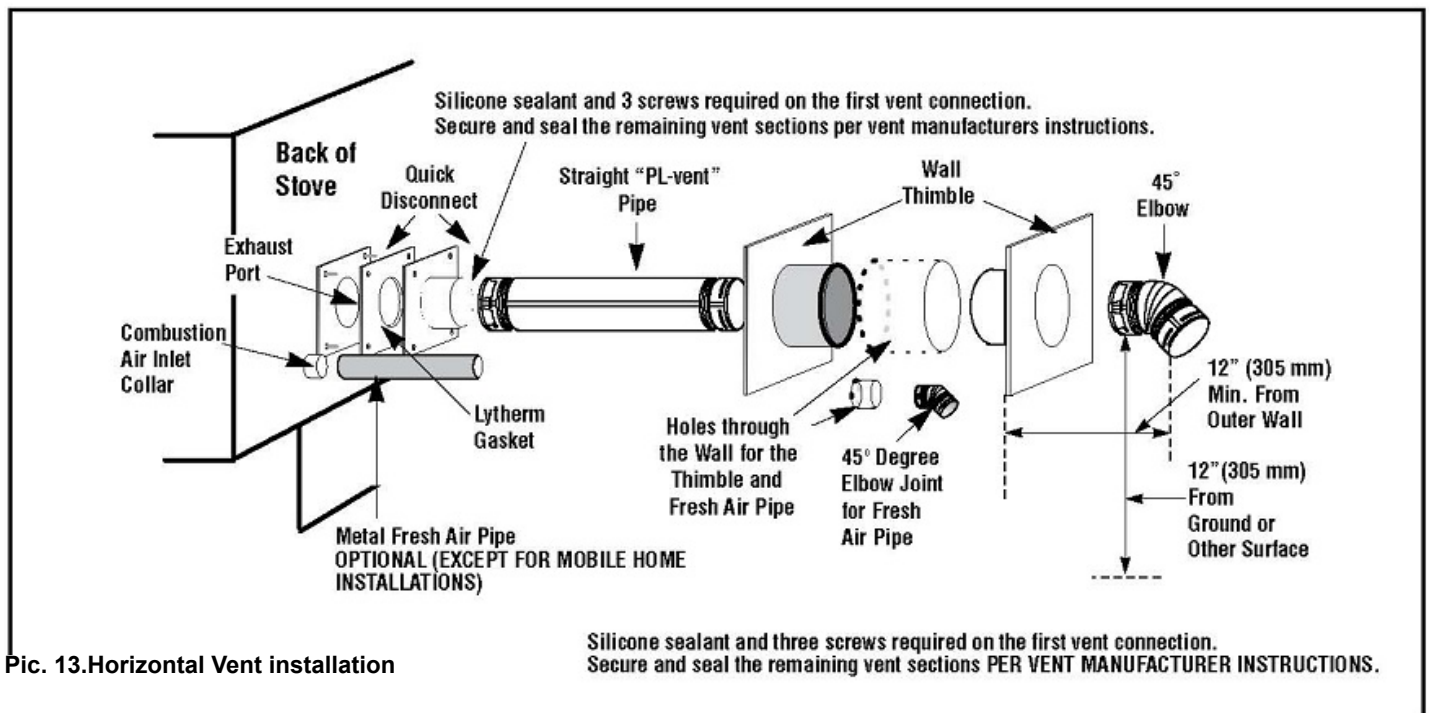
NOTE: The end of the exhaust pipe must extend a minimum of 12” (305 mm) from the outside of the building.

5. If the installation includes a source of outside combustion air; cut a separate hole through the wall for the fresh air tube. Use a galvanized or stainless steel pipe for the duct. The minimum size for the duct shall be not less than 50% of the cross sectional flue area. Connect outside air pipe to air inlet on stove. This tube must be terminated with a 45 degree elbow or hood.

**NOTES:**

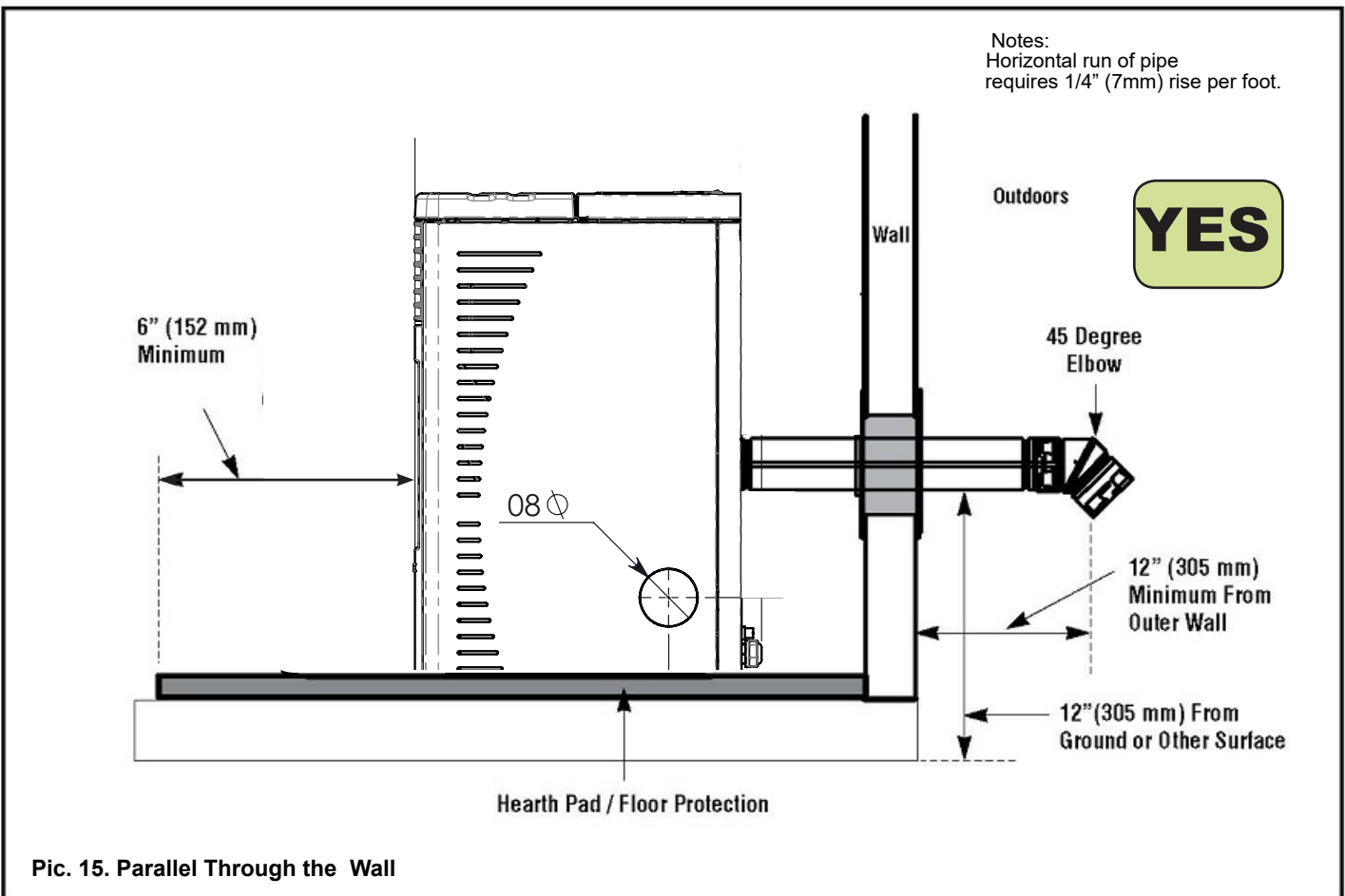
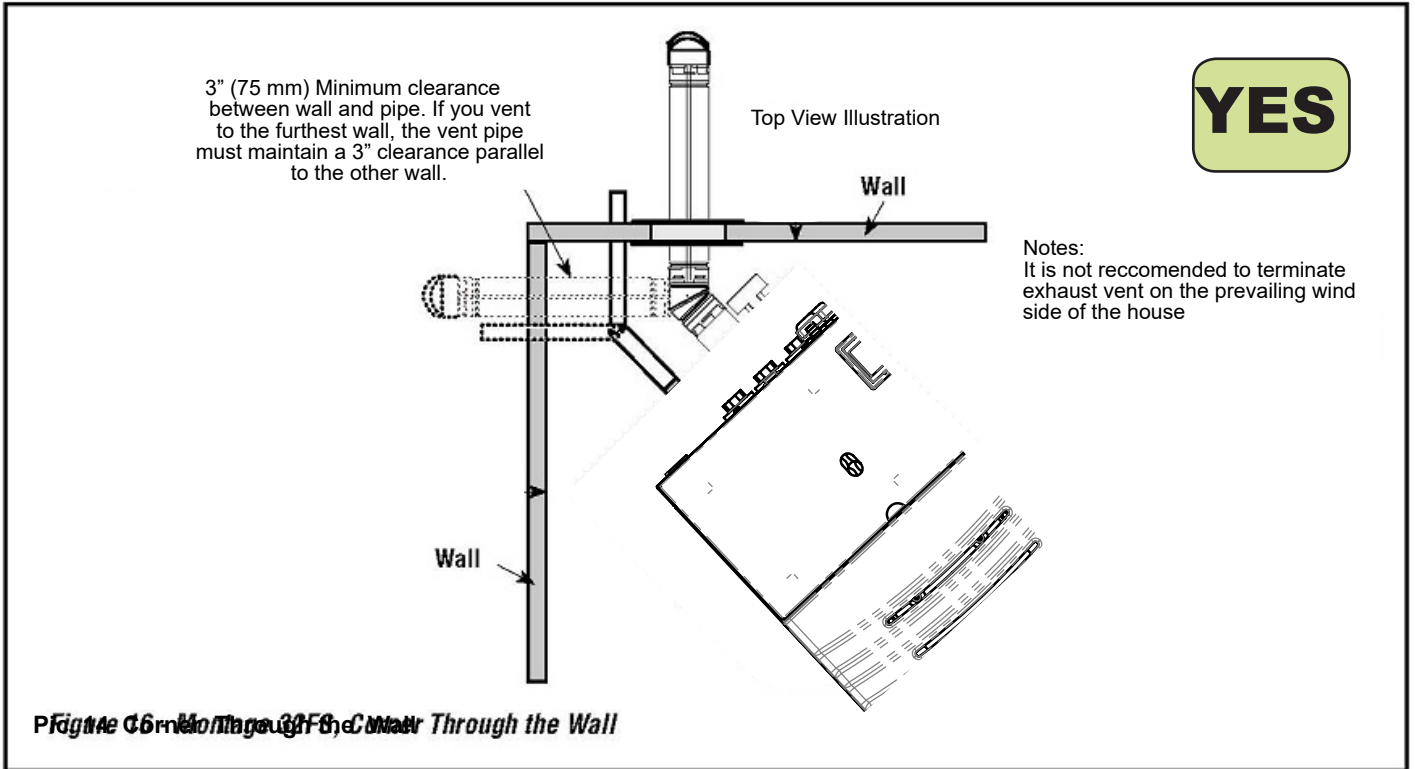
Combustion air may also be drawn from a vented crawl space under the home.

All joints for connector pipe are required to be fastened with at least three screws. If vented horizontally, joints shall be made gas-tight (air tight, sealed connection) in a manner as specified on this page (see instruction #2). Install vent at clearances specified by the vent manufacturer.



**Pic. 13. Horizontal Vent installation**

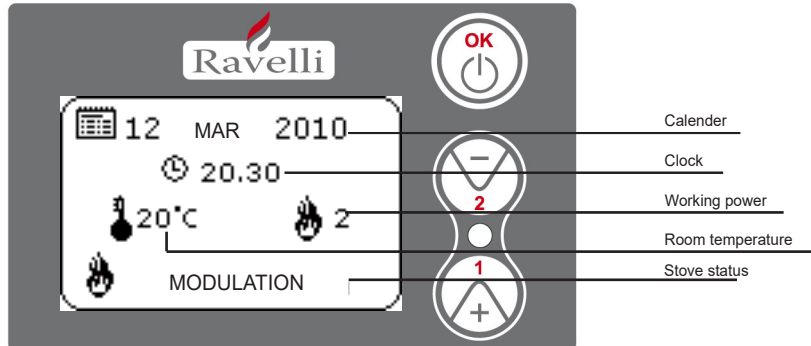
Standard horizontal installation configurations



## 7. Description of the functioning and symbology of the display

The innovation of this particular display is the communication through low voltage conveyed waves (12 volts) between the electronic motherboard and the display. The communication is made through a bipolar cable (ex: the cable for the stereo speakers) and the novelty is the possibility to install the display in the wall using the optional standard frame for electrical box 503.

### 7.1. Display with mode "MAIN SCREEN"



Key "1": access key to "set room temperature" and regulation

Key "2": access key to "set power" and regulation

Key "OK": short press of the key to confirm and come back to the main screen; press the key 3 seconds long to switch ON and switch OFF the stove.

The functionalities of this display when used in mode "MAIN SCREEN" are:

- Switch on and switch off of the stove
- Set of the room temperature and selection of the type of sensor (supplied sensor connected to the motherboard or sensor integrated to the display)
- Set of the working power (1,2,3,4,5)

#### 7.1.1. switch "on" and switch "off" of the stove

Before starting the stove please follow following procedure :

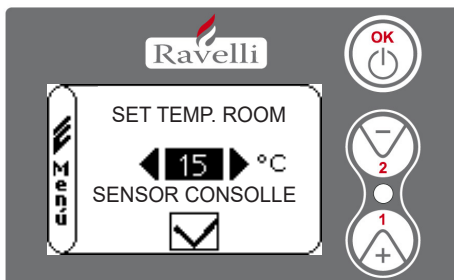
- 1- Check that the installation is connected to the chimney
- 2- Connect the power cable
- 3- Set the switch on the backside of the stove on position 1
- 4- Load the pellet hopper with 6 mm pellets
- 5- Load the screw as described in paragraph 8.6
- 6- Press key OK for 3 seconds long.

At this stage the stove will begin the ignition phase.

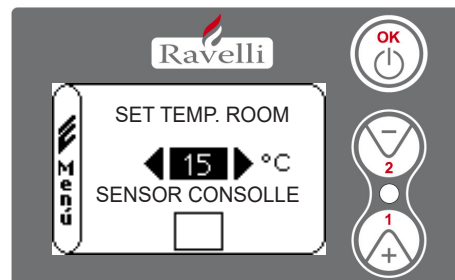
On the display will appear following writings:

- IGNITION (waiting time is different depending on default settings)
- WAITING FLAME (waiting time is different depending on default settings)
- FLAME LIGHT (waiting time is different depending on default settings)
- WORK (waiting time is different depending on default settings)

#### 7.1.2. Set of the room temperature



Pic. 1



Pic. 2

The functioning of the stove with room thermostat activated can be of 3 types:

- A-With supplied room sensor positioned on the backside of the stove ( not available for insert models)
- B-With room sensor integrated to the display
- C-With external thermostat (not supplied)

#### A- MODE WITH SUPPLIED ROOM SENSOR (DEFAULT AND SUGGESTED USE)

If you use the supplied room sensor , the display will show the room temperature.

To set and modify the room temperature press key number 1 to enter in the dedicated menu and set the desired value with key 1 and 2.

Confirm with key OK 2 times and keep deselected the box SENSOR CONSOLLE (flag, see pic.2). Once reached the set temperature the display will show MODULATION, so the stove will reduce to minimum the pellet consumption and the power as well.

### B-MODE WITH ROOM SENSOR INTEGRATED TO THE DISPLAY

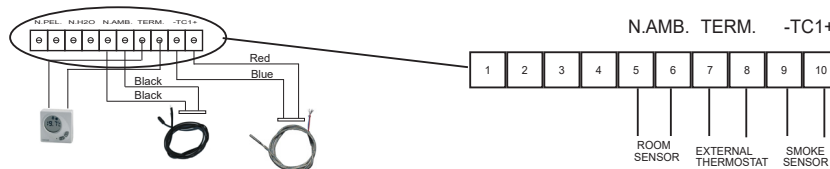
in case you want to install the display on the wall instead of on the stove as from the factory, please reference to the functioning with supplied room sensor (as above explicated) with just one difference: the box (flag) SENSOR CONSOLLE, if you work in this mode, should be selected by using key 2. Then confirm with the key OK (reference to pic. 1 paragraph 7.1.2.)

### C-EXTERNAL THERMOSTAT MODE

if you use an external thermostat correctly connected as shown in the electrical scheme (reference paragraph 10), the display will not show the room temperature but the writing T ON (when the contact is closed) or T OFF (when the contact is open).

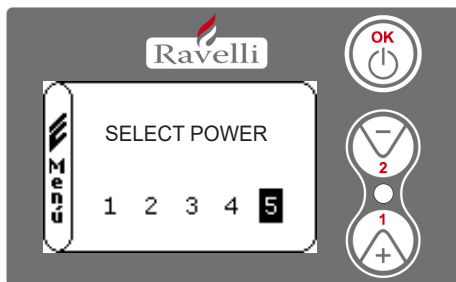
REMARK: TO ENABLE THE EXTERNAL THERMOSTAT, ENTER IN THE SET TEMPERATURE USING KEY 1 AND THEN PRESS REPEATEDLY TO REACH THE VALUE "EST" ON THE DISPLAY; CONFIRM TWO TIMES WITH THE KEY OK KEEPING DESELECTED THE BOX (FLAG) "SENSOR CONSOLLE".

Once reached the set temperature of the thermostat the display will show MODULATION WORK, so the stove will reduce to minimum the pellet consumption and the power as well. If activated the mode CONFORT CLIMA, the stove will switch on and off automatically (for details reference paragraph 8.2.)



**REMARK: if you want to use the CONFORT CLIMA is advisable an external thermostat with OFF-SET of at least 3°C.**

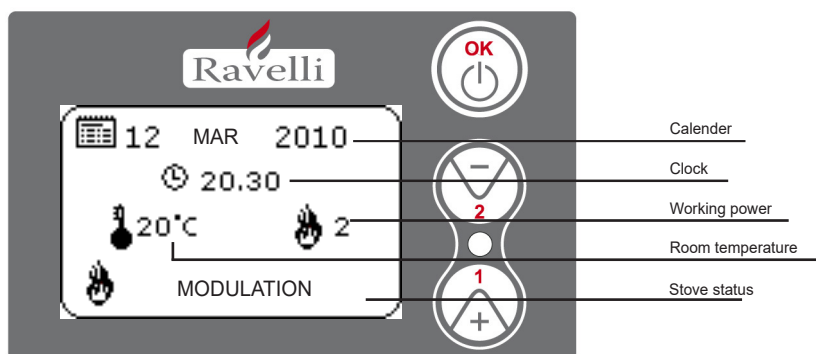
#### 7.1.3. set of the working power



To modify the working power press key 2 to enter in the dedicated menu and with keys 1 and 2 to set the power you desire from 1 to 5 and confirm with key OK. Increasing the power also the pellet consumption and the speed of the fan increase as well.

**NOTE- It is not possible to modify the set power during the phase of MODULATION WORK.**

#### 7.2. Display with mode "ADVANCED"



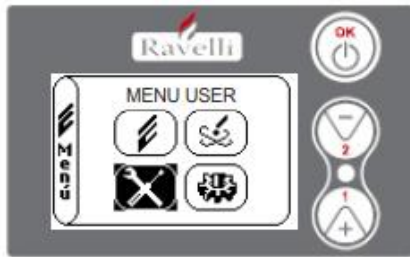
**Key "OK": access key to the complete menu and confirmation of the settings chosen**

**Key "1": scroll key and modification of the settings**

**Key "2": scroll key and modification of the settings**

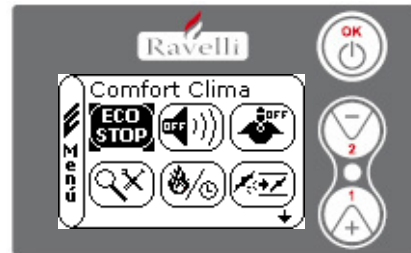
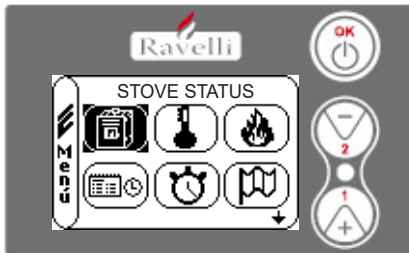
The stove is equipped with many functions available in each menu programming. Some of these menu are accessible for the end user, other are protected with a password so they are accessible only by authorized technician.

The three pictures which follow show the menu with all its icons for the advanced functionalities



The use of the display in advanced mode provides the view of four main menus:

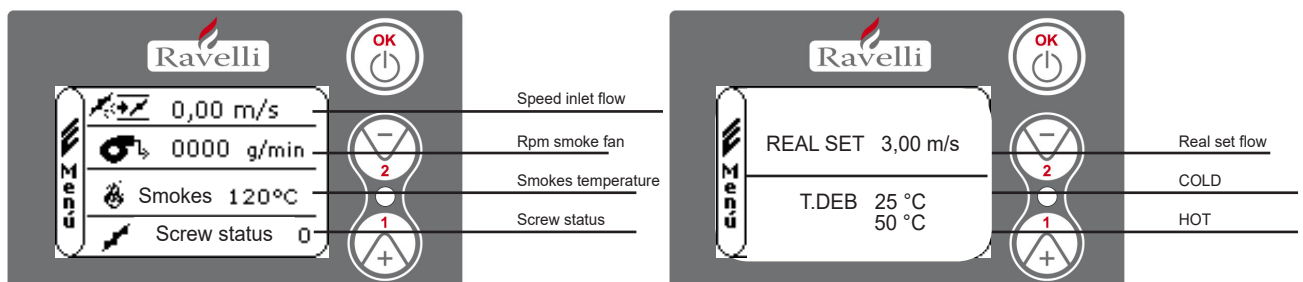
- USER MENU
- DEFAULT SETTINGS (protected by a password)
- BASIC PARAMETERS (protected by a password)
- RDS SETTINGS (protected by a password)



To enter in the USER MENU press two times key OK. The submenus of the USER MENU (the only one accessible for the end user) are the following:

- Menu STOVE STATUS
- Menu SET ROOM TEMPER ROOM
- Menu SET POWER
- Menu SET CLOCK
- Menu TIMER
- Menu LANGUAGE
- Menu COMFORT CLIMA
- SILENCE
- Mode SELF CONTROL SYSTEM
- Menu VIEW SETTINGS
- Menu VIEW WORKING HOURS
- Menu SET DRAUGHT/PELLET

### 7.2.1 Menu "STOVE STATUS"



In this menu you can check the correct functioning of the most important components of the pellet stove, and some values which distinguish its correct functioning.

To enter in this menu press 3 times the key OK from main screen.

This menu is used both by the authorized technician to understand the reason of the malfunctioning of the stove and by the end user as well as to prime the auger.

### 7.2.2. menu "SET ROOM TEMPERATURE"

To enter in the USER MENU press two times key OK.

To enter in the menu "SET ROOM TEMPERATURE" press once key 2 and confirm with OK.

TO MODIFY THE SETTING PLEASE REFERENCE TO PARAGRAPH 7.1.2.

To return to the main screen press at the same time keys 1 and 2.

Alternatively it is possible to exit by step from the menus by pressing each time the key OK.

### 7.2.3. menu "SET POWER"

To enter in the USER MENU press two times key OK.

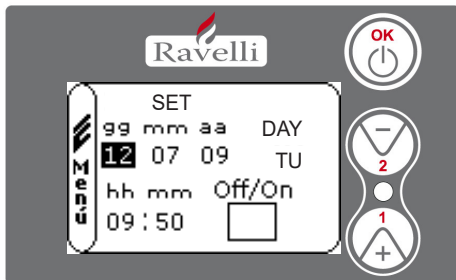
To enter in the menu "SET POWER" press 2 times key 2 and confirm with OK.

TO MODIFY THE SETTING PLEASE REFERENCE TO PARAGRAPH 7.1.3.

To return to the main screen press at the same time keys 1 and 2.

Alternatively it is possible to exit by step from the menus by pressing each time the key OK.

### 7.2.4. Menu "SET CLOCK"



To enter in the USER MENU press two times key OK.

To enter in the menu "SET CLOCK" press 3 times key 2 and confirm with OK. To modify the settings use keys 1 and 2 and by pressing OK you confirm the data and go on to the following one. By activating the box (flag) ON/OFF you enable the function chrono ( see paragraph 7.2.5.)

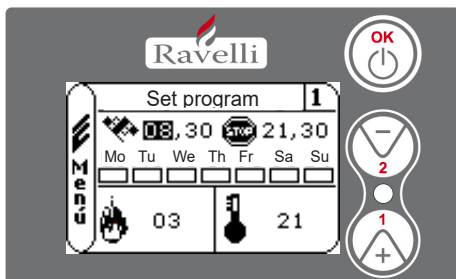
By last confirmation with OK you save all settings and return automatically to the screen with the icons.


To return to the main screen press at the same time keys 1 and 2.


Alternatively it is possible to exit by step from the menus by pressing each time the key OK.

### 7.2.5. Menu "TIMER"

With the function timer is possible to program for each day of the week the switch on and off of the stove in FOUR independent intervals time (PROGAM 1 ,2,3,4).




 START: switch "on" time of the chrono (prog.1-prog.2)

 STOP: switch "off" time of the chrono (prog.1-prog.2)

 DAY: days of activation of the program

 POWER: desired power at the time of switch ON of the stove

 **TEMPERATURE:** ideal temperature that you want to achieve in the room where the stove is installed, during the boot with chrono activated. The setting is overwritten in one set in terms of manual work.

To enter in the USER MENU press two times key OK.

To choose the prog.tion use keys 1 and 2; confirms with OK.

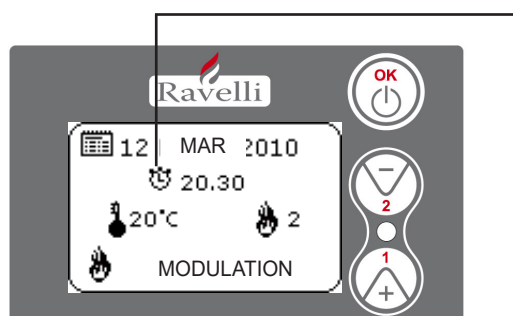
-Program 1: use keys 1 and 2 to modify the settings and by each press of OK you confirm the data you entered and proceed to the following one.

-Program 2: use keys 1 and 2 to modify the settings and by each press of OK you confirm the data and go on to the following one.

By last confirmation with OK you save all settings and return automatically to the screen with the icons.

To return to the main screen press at the same time keys 1 and 2.

Alternatively it is possible to exit by step from the menus by pressing each time the key OK.

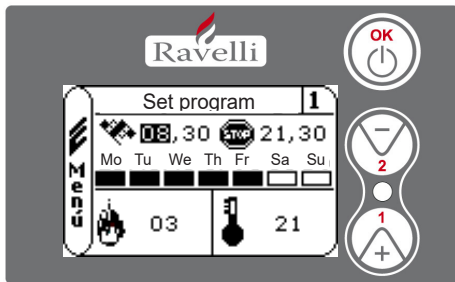


If this black segment is not lit up on the display corresponding with the symbol of the clock, it will not be possible to programme anything. To activate it, please see the chapter on setting the current day (7.2.5 MENU 'TIMER) as the value must be other than OFF (7.2.4 MENU Clock).

**DESCRIPTION OF THE LINES :**

Description	Values
START PROG - 1	from OFF to 23:50 by step of 10'
STOP PROG - 1	from OFF to 23:50 by step of 10'
DAY PROG - 1	on/off for the days from monday to sunday
POWER PROG - 1	from 01 to 05
SET TAMB PROG - 1	from EST to MAN
START PROG - 2	from OFF to 23:50 by step of 10'
STOP PROG - 2	from OFF to 23:50 by step of 10'
DAY PROG - 2	on/off for the days from monday to sunday
POWER PROG - 2	from 01 to 05
SET TAMB PROG - 2	from EST to MAN

**EXAMPLE:**



Pic.1

Suppose that the user want to switch on the stove at 08:30 and switch it off at 21:30 all days of the week, with the exception of the weekend (PROGRAM 1), suppose moreover that the user want a room temperature of 21°C and to reach this temperature he sets a working power of 3. The passages to do will be the following:

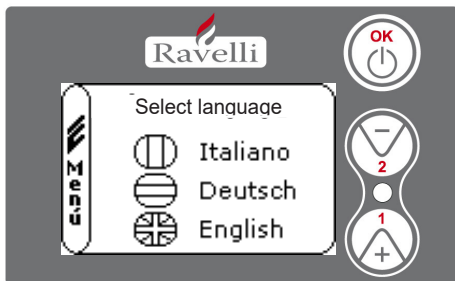
- From the MENU TIMER confirm with key OK and set the program you want to modify using key 1 and 2;
- By confirming with key OK you go to the set of the switch on hour, set the hour (hh:mm) using keys 1 and 2;
- By confirming with key OK you go to the set of the switch off hour, set the hour (hh:mm) using keys 1 and 2;
- By confirming with key OK you go to the scroll of the days, with keys 1 and 2 activate/deactivate the days (ex: PIC 1, Monday, Tuesday, Wednesday, Thursday and Friday active).
- By confirming with key OK you go to the set of the power, with keys 1 and 2 set the value (ex: PIC 1, Power 3).
- By confirming with key OK you go to the set of the room temperature, with keys 1 and 2 set set the degrees (ex: 20°C).

When the stove is working and the set room temperature is reached the stove goes into MODULATION or COMFORT CLIAMA (if activated).

**! IMPORTANT**

**BY USING THIS MODE IT IS NECESSARY TO CHECK THAT AFTER EVERY AUTOMATIC SWITCHING OFF THE FIREPOT IS ALWAYS WELL CLENAED IN ORDER TO GUARANTEE A PERFECT AUTOMATIC IGNITION.**

**7.2.6 menu "LANGUAGE"**



To enter in the USER MENU press two times key OK.

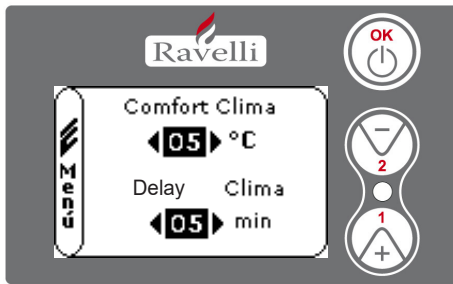
To enter in the menu "SET LANGUAGE" press 5 times key 2 and confirm with OK. To select language please use keys 1 and 2.

By last confirmation with OK you save all settings and return automatically to the screen with the icons.

To return to the main screen press at the same time keys 1 and 2.

Alternatively it is possible to exit by step from the menus by pressing each time the key OK.

**7.2.7. Menu “COMFORT CLIMA”** 



To enter in the USER MENU press two times key OK.

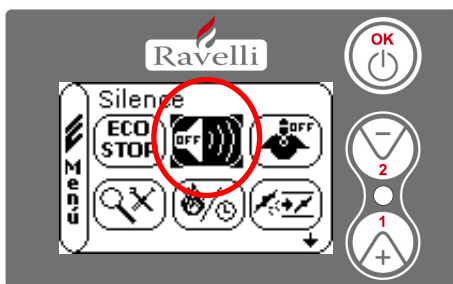
To enter in the menu “COMFORT CLIMA” press 6 times key 2 and confirm with OK. To modify the settings use keys 1 and 2 and by pressing OK you confirm the data and go on to the following one.

By last confirmation with OK you save all settings and return automatically to the screen with the icons.

To return to the main screen press at the same time keys 1 and 2.

Alternatively it is possible to exit by step from the menus by pressing each time the key OK.

**7.2.8. Mode “SILENCE”** 



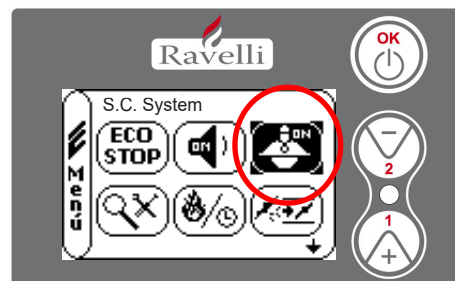
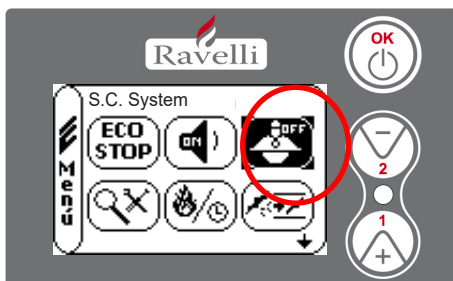
To enter in the USER MENU press two times key OK.

To enter in the MODE SILENCE press 7 times key 2 and confirm with OK. Enable or disable the function by using key OK.

To return to the main screen press at the same time keys 1 and 2.

Alternatively it is possible to exit by step from the menus by pressing each time the key OK.

**7.2.9 Mode “SELF CONTROL SYSTEM”** 



To enter in the USER MENU press two times key OK.

To enter in the MODE S.C.SYSTEM press 8 times key 2 and confirm with OK. Enable or disable the function by using key OK.

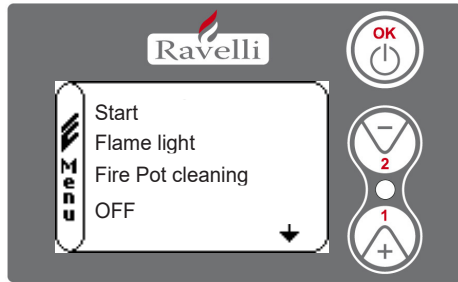
To return to the main screen press at the same time keys 1 and 2.

Alternatively it is possible to exit by step from the menus by pressing each time the key OK.

### 7.2.10 Menu "VIEW SETTINGS"



In this menu you can verify the parameters set in the motherboard, without having the possibility to change them. Such settings can be adjusted by authorized technician only.



To enter in the USER MENU press two times key OK.

To enter in the menu "VIEW SETTINGS" press 9 times key 2. By confirming with OK you enter in the list of set parameters. To scroll the list of parameters use key 1 and 2. You can view such settings by pressing "OK" key.

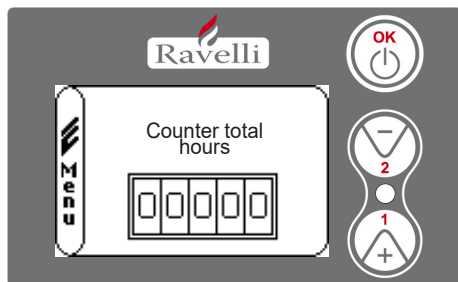
To return to the main screen press at the same time keys 1 and 2.

Alternatively it is possible to exit by step from the menus by pressing each time the key OK.

### 7.2.11. Menu "VIEW WORKING HOURS"



In the menu VIEW WORKING HOURS you can check the total or partial working hours and also the number of ignitions of the stove has made. It is possible sometimes that the working hours are not reset and you see numbers like 5000/15000/25000. It will be care of the technician to reset these numbers by first ignition. This does not means that the stove has already worked for so many hours, it is just a setting made during the tests we make in Ravelli, before the stoves are packed and delivered. This menu is used by the After Sales Center to evaluate the total working hours of the stove during the season and consequently to evaluate the need of cleaning ("service hours").



To enter in the USER MENU press two times key OK.

To enter in the menu "VIEW WORKING HOURS" press 10 times key 2. By confirming with OK you see the working hours of the stove. To scroll the different counters (total or partial hours and number of ignitions) use key 1 and 2.

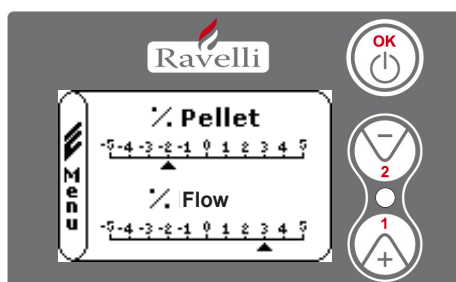
To return to the main screen press at the same time keys 1 and 2.

Alternatively it is possible to exit by step from the menus by pressing each time the key OK.

### 7.2.12 Menu "SET AIR/PELLET"



The set of the draught-pellet blend allow to modify immediately the quantity of inlet air and the quantity of pellet loaded in the firepot. The stove is tested with pellet certified DIN PLUS. If you do not use certified pellet could be necessary to set the combustion. Normally the modification is made on the "% FLUX" to adjust the inlet air and consequently the combustion; if the regulation of the flux is not sufficient could be necessary to adjust also the "% PELLETT".



**! IMPORTANT**

**BY USING THIS MODUS IT IS NECESSARY TO CHECK THAT AFTER EVERY AUTOMATIC SWITCH OFF THE FIREPOT IS CLEANED IN ORDER TO GUARANTEE A CORRECT AUTOMATIC SWITCH ON.**

**8. Description of the functions**

**8.1. The modulation**

During the working phase the stove has to reach the set room temperature; once the set temperature is satisfied, the stove goes into MODULATION WORK, during which the consumption of pellet is minimum and the room fan works at minimum power.

**8.2. Comfort clima**

To enter in the USER MENU press two times key OK.

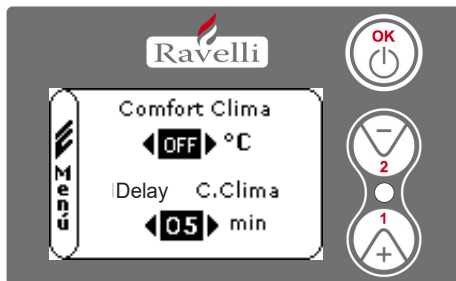
To enter in the menu "COMFORT CLIMA" press 6 times key 2 and confirm with OK. To modify the settings use keys 1 and 2 and by pressing OK you confirm the data and go on to the following one.

By last confirmation with OK you save all settings and return automatically to the screen with the icons.

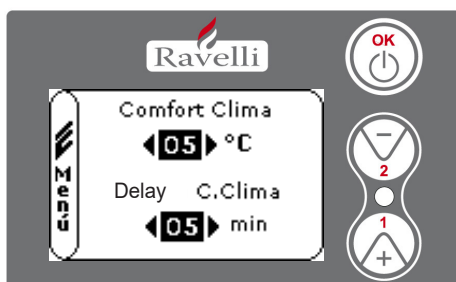
To return to the main screen press at the same time keys 1 and 2.

Alternatively it is possible to exit by step from the menus by pressing each time the key OK.

**EXAMPLE:**



to activate it, press button OK setting a value other than OFF and the following strings will appear on the display



The value set (in this case 5) has activated the Comfort Clima function.

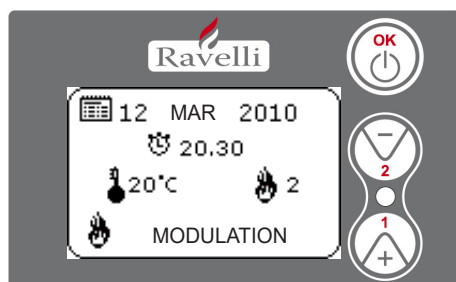
**FUNCTIONING:**

The value sets the temperature the stove goes back ON again.

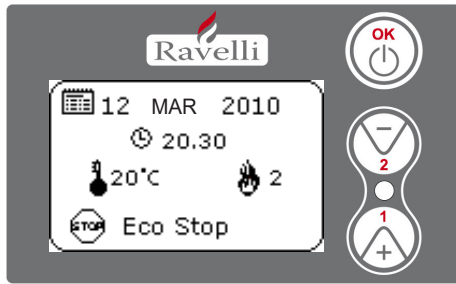
**Example:**

- room temperature set at 21°
- Comfort Clima value set at 2

with this setting, the stove will switch off when 21°C is reached and will be switched back on when the room temperature is 18°C (21°C – 2 – 0,5 = 18°C). The following strings will appear in sequence on the display:



The modulation phase is reached, as the set room temperature has been reached. If the temperature is maintained for about 5 minutes, the stove will shut down.



After the switching off phase, the display will show ECO STOP. The stove will remain in this state until the temperature drops to approximately 18°C and only then the stove will start again.

The functioning of the stove in COMFORT CLIMA mode can start up the phase of ignition and switching off several times through the day: this can compromise the duration of the ignitor for the automatic ignition of the stove.

### 8.3. Mode SILENCE (to activate see para. 7.2.8)

Mode SILENCE has been realized for reducing noise level of fan. It reduce the speed of the fan in all five working power. Use is suggested especially during night time.

### 8.4. Mode SELF CONTROL SYSTEM (S.C.S. to activate see para 7.2.9)

Mode SELF CONTROL SYSTEM (S.C.S) has been realized allowing the stove to recognize faster an eventual problem just in case you are out of home or far from the stove.

### 8.5. SERVICE HOURS

All our models need in addition to the regular cleaning (reference to the paragraph dedicated to the maintenance of the stove in the user manual), also a special cleaning which should be done by the installer (authorized by the producer).

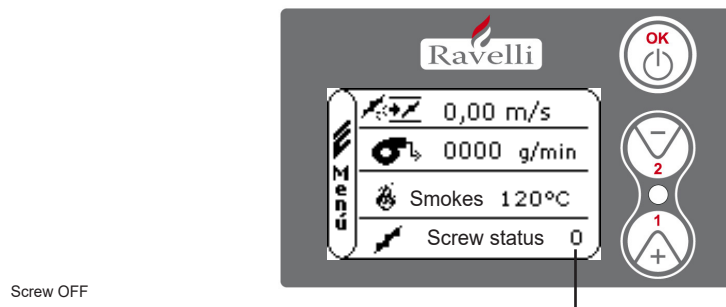
The timing for this cleaning is regulated by a preset countdown of working hours. At the end of these hours on the display will appear the message "SERVICE HOURS" followed by an acoustic signal. When this message appears please contact the installer to do the special cleaning of the stove.

If the cleaning is not done the message will appear by each ignition but will not interrupt the functioning of the stove.

### 8.6. Automatic loading of the screw

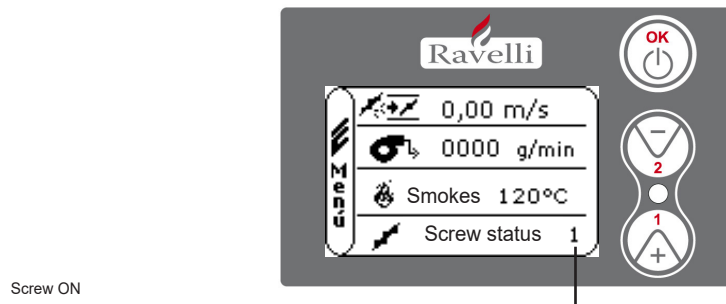
To load automatically the screw (when the stove is new or the loading sciew is empty) please do following operations:

Enter in the menu "stove status"



Screw OFF

Press key OK to activate the screw



Screw ON

To return to the main screen press at the same time keys 1 and 2.

Alternatively it is possible to exit by step from the menus by pressing each time the key OK.

Repeat the operation several times until you see the pellet fall into the firepot.

It is possible to do this operation only if the stove is in FINAL CLEANING phase or OFF.

### 8.7 Operating precautions

- In case of faulty operation turn the stove off pressing button no. 3.
- Do not manually load the fire pot with pellets.
- Any build up of unburned pellets inside the fire pot after repeatedly trying to light the stove, must be removed before further attempts.
- Do not use any fuels other than wood pellets.
- Should the ignition system be faulty, do not attempt to light the stove using flammable materials.

### 8.8. Remote control (only for free standing stoves)

IR receiver for remote control (12 volts batteries code LRV08 not included)



#### BASIC FUNCTIONS

- **P1 - P2 Set temperature** : allows to set the desired value for the room temperature from 44 °F to 104 °F and set "EST" or "MAN"
- **P4 - P5 Set power** : allows to set the working power between a range of minimum 1 to maximum 5
- **OK** : by keeping pressed for 3 second longs it allows the manual switch on and off of the stove.

#### ADVANCED FUNCTIONS

- **OK multifunction** : if you press one time you can enter in the main menu and the confirmation of the setting. It is possible to exit step by step from each menu by keeping pressed each time.
- **P1 - P4 multifunction** : to scroll the icons in the menu
- **P2 - P5 multifunction** : to modify the setting in the menu

### 8.9. Synthetic table of phases

PHASE	DESCRIPTION
<b>FINAL CLEANING</b>	The stove is switching off, the cooling phase is not yet completed.
<b>IGNITION</b>	The ignition phase has started, the pellets are loaded into firebox.
<b>WAITING FOR FLAME</b>	The pellet is lighted by the hot air passing through the electrical igniter.
<b>FLAME PRESENT</b>	The flame is visible in the fire pot.
<b>WORKING</b>	The stove completed switch ON phase; you can change power.
<b>MODULATION WORKING</b>	The room temperature set has been reached.
<b>ECO STOP</b>	Comfort Climate activated, temperature set has been reached; the stove is off.
<b>T ON</b>	The room sensor is off or an external thermostat has been connected.
<b>COOLING/WAITING FOR START</b>	The stove is cooling DOWN: when stove is cooled down can start automatically.
<b>COOLING/WAITING FOR RESTART</b>	The stove is in the cooling DOWN: when the stove is cooled down can restart automatically.
<b>ON/WAITING FOR RESTART</b>	The switch ON phase, when the stove is warm, started. The operation is same of phase ON
<b>HOT SMOKE</b>	The max temperature of smokes is reached: to reduce temperature, feeding pellets and air draft reduce at POWER 01.
<b>OFF</b>	The stove is off.

## 9. Description of alarms

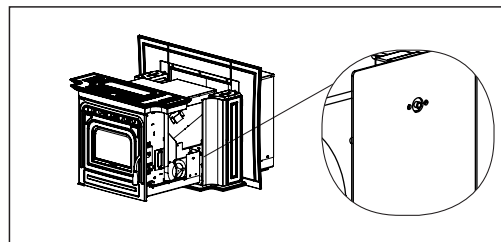
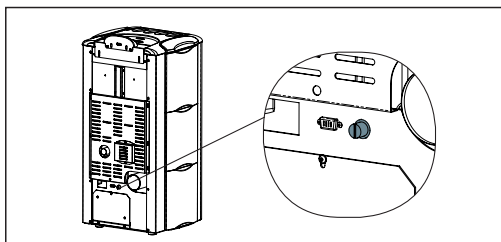
WARNING	REASON	SOLUTION
<b>NO PELLETT</b>	• The pellet hopper is empty	• Check whether there are pellets in the hopper
	• The gearmotor does not load pellets.	• Empty the hopper to check that no objects have fallen inside which could prevent the correct functioning of the screw
	• No pellet loading	• Regulate the pellet setting
		• <b>If the problem continues, contact the area Technical Assistance Centre.</b>
<b>BLACK - OUT</b>	• No electricity supply during working phase	• Press the off button and repeat switching on the stove
		• <b>If the problem continues, contact the area Technical Assistance Centre.</b>
<b>NO IGNITION ALARM</b>	• The pellet hopper is empty.	• Check if there are pellets inside the hopper.
	• Setting of pellets and of intake during ignition phase insufficient.	• <b>Contact local Technical Assistance Centre.</b>
	• The igniter is defective or not in correct position.	• <b>Contact local Technical Assistance Centre.</b>
<b>ALARM LOW FLAME</b>	• The pellet hopper is empty.	• Check pellet is in the hopper
	• Bad setting of pellet and air for the ignition phase	• <b>Contact local Technical Assistance Centre</b>
<b>ALARM FAN RPM</b>	• The speed of flue fan is lower more then 15% of set value.	• <b>Contact local Technical Assistance Centre</b>
<b>ALARM FAN BROKEN</b>	• Flue fan encoder is not working or not correctly connected	• <b>Contact local Technical Assistance Centre.</b>
	• No power supply to flue fan	• <b>Contact local Technical Assistance Centre.</b>
	• The flue fan is blocked	• <b>Contact local Technical Assistance Centre.</b>
<b>DEPRESSION ALARM</b>	• The combustion chamber is dirty	• Follow the cleaning operations of the stove in the booklet
	• The chimney is blocked	• Check that the chimney is clear and clean
	• The pressure switch is malfunctioning	• <b>Please contact local Technical Assistance Centre</b>
<b>THERMAL ALARM WITH RESET</b>	• The thermostat with manual reset has intervened	• Reset the thermostat pressing the button on the back of the stove (see Pic. below).
	• The air fan is defective	• <b>Please contact local Technical Assistance Centre.</b>
	• Combustion in the fire pot is not optimal	• Switch off the stove, clean the fire pot and regulate combustion with the setting of the pellets.
		• <b>If the problem continues, contact the area Technical Assistance Centre.</b>
<b>HOT SMOKE ALARM</b>	• Combustion in the fire pot is not optimal	• Switch off the stove, clean the fire pot and regulate combustion with the setting of the pellets.
	• The air fan is defective	• <b>Contact local Technical Assistance Centre.</b>
		• <b>If the problem continues, contact the area Technical Assistance Centre.</b>
<b>SMOKE SENSOR ALARM</b>	The smoke sensor is malfunctioning	• <b>Please contact the local Technical Assistance Centre</b>
	The smoke sensor has been disconnected from the board	• <b>Please contact the local Technical Assistance Centre</b>
<b>FLOWMETER (only if the RDS system is provided)</b>	• The device is disconnected or defective	• <b>Please contact the local Technical Assistance Centre</b>
<b>PHASE SCREW ALARM</b>	• The gear motor is not correctly connected	• <b>Please contact the local Technical Assistance Centre</b>
<b>TRIAC SCREW ALARM</b>	• The device in the motherboard which commands the feeding screw is defective	• <b>Please contact the local Technical Assistance Centre</b>
<b>NO FLOW (only if the RDS system is provided)</b>	• The flow meter does not measure inlet air flow	• Check if the ash pan and door are closed correctly and check if the air inlet pipe is obstructed. • <b>If the problem persists, contact the Support Service</b>

SIGNALLING	REASON	SOLUTION
<b>Do CLEANING Fire pot (only if the RDS system is provided)</b>	• The door and the ash box are not closed correctly	• <b>Make sure they are properly closed.</b>
	• Poor combustion in grate.	• Switch off the stove, clean the fire pot and check the cleanliness of the support bench, clean the tube bundle by activating the turbolators. and adjust the combustion through Pellet/Air settings.
	• Presence of foreign body in air intake tube.	• Check for any foreign body and remove it
	• The air flow meter may be dirty.	• <b>Clean the flow meter with the stove in "Switched off" state</b>
		• <b>Contact the Support Service</b>

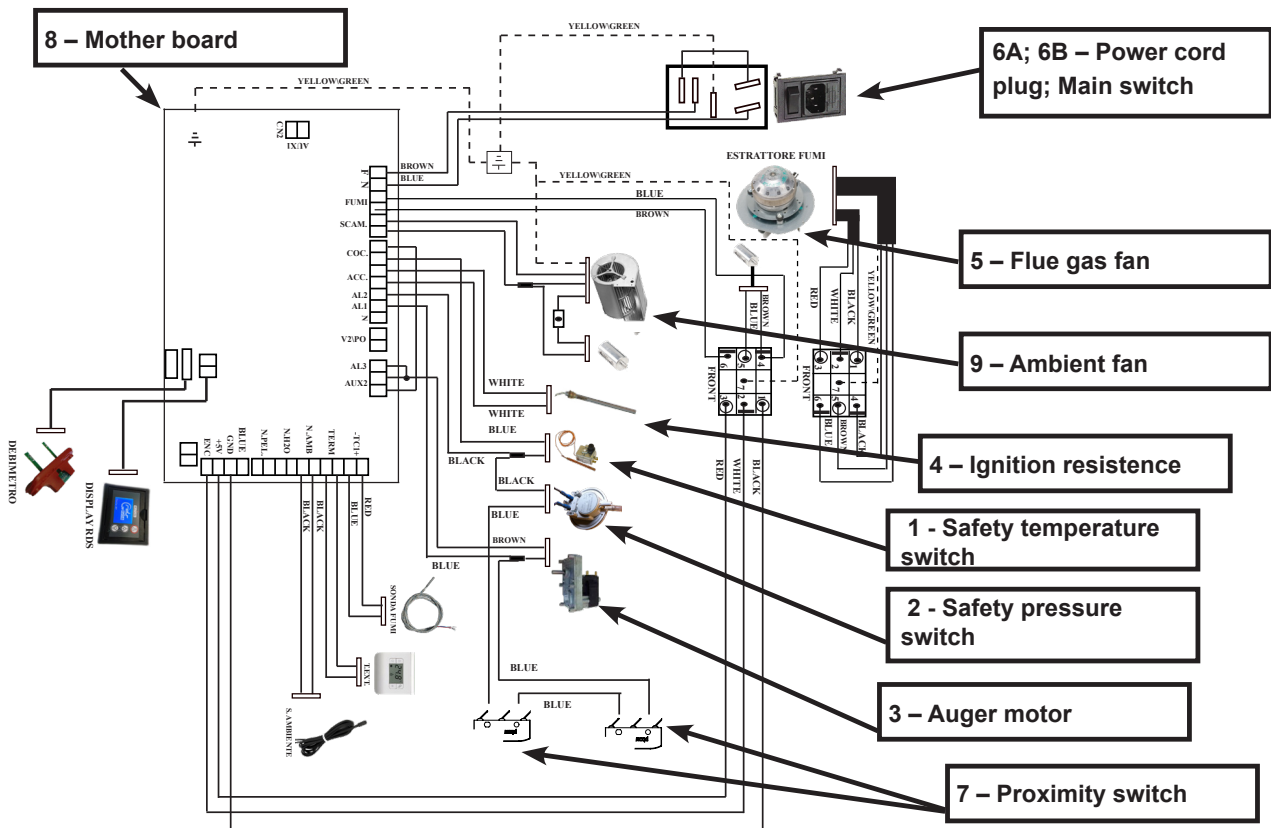
### THERMAL ALARM WITH RESET

- 1 - By pressing the button OK on the display, the alarm can be reset.
- 3 - Try and repeat lighting after the cooling phase.

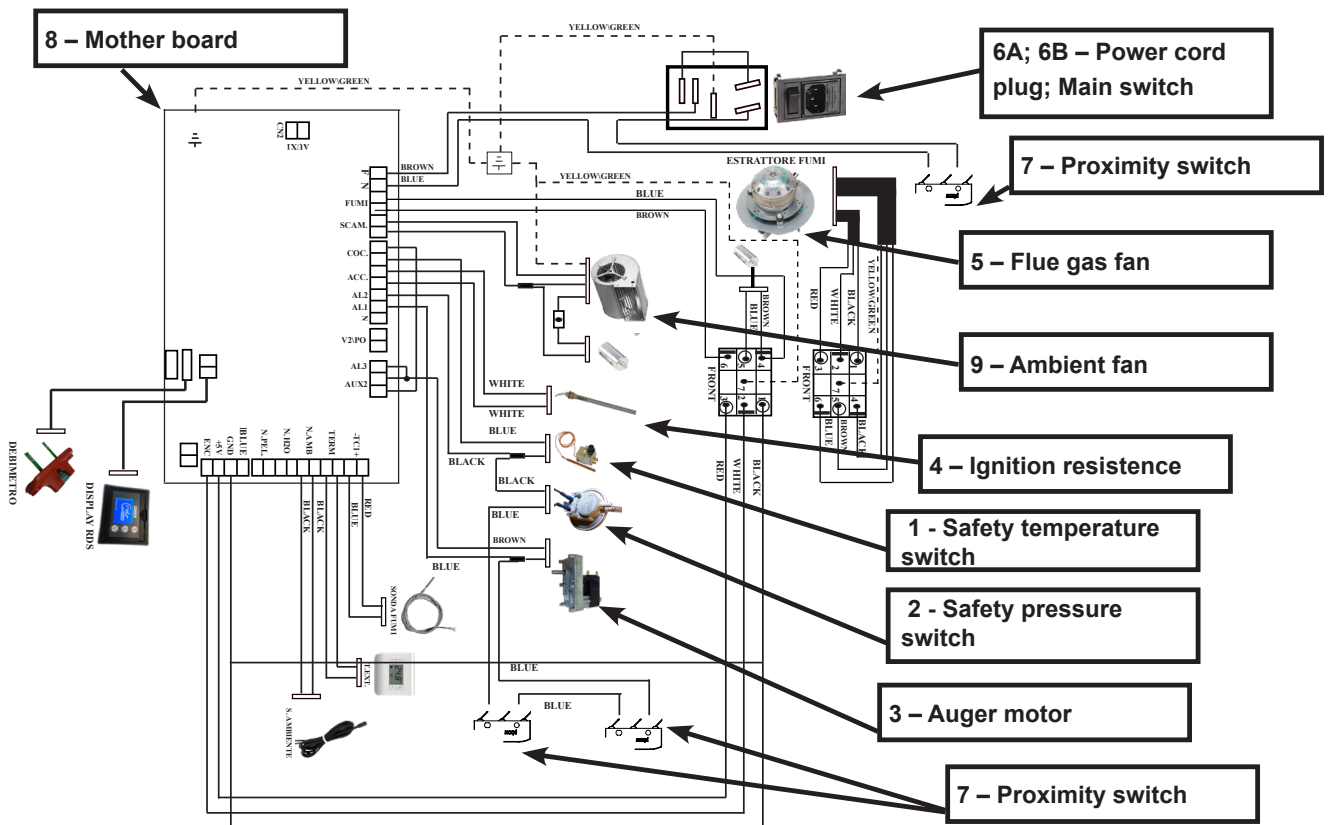
- 2 - Unscrew the protection cap and press the button to reset the thermostat alarm.



**10. The electrical wiring diagram for Francesca 2015, Monica 2015, Rv80 ceramica, Rv100 classic**



**The electrical wiring diagram for Roma**



## 11. Maintenance

Before carrying out any maintenance operation on the stove, please take the following precautions:

- Make sure that all the parts of the stove are cold
- Make sure that the ashes are completely extinguished
- Make sure that the general switch is in the zero position (off)
- Make sure that the plug is disconnected from the socket, thus avoiding accidental contacts.

### IMPORTANT

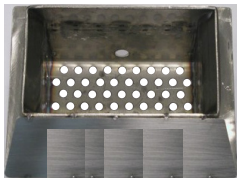
Please follow the instructions for cleaning shown below carefully! Failure to observe them may lead to problems in the functioning of the stove AND FIRE HAZZARD.

#### 11.1. Cleaning the surfaces

To clean the surfaces on the painted metal parts, use a wet cloth in water or at the most, water and soap. Important: the use of aggressive detergents or diluents can damage the surfaces of the stove.

#### 11.2. Cleaning the fire pot before each ignition

You must check that the fire pot, where the combustion takes place, is clean and that no waste or residue blocks the holes, in order to always guarantee excellent combustion of the stove, thus avoiding possible overheating, which could causes changes in the colour of the paint or flaking of the door. as well as failing to light the stove.



Clean fire pot with all the holes clearly visible



Fire pot needing cleaning with the holes blocked by ashes

Only a clean fire pot guarantees that the pellet stove functions without problems. During functioning deposits may be formed. It is easy to see when the fire pot has to be cleaned! It only needs a glimpse, each day, before switching on. For minor cleansing, it can be left in the stove, but if the residue is difficult to remove, it has to be extracted from its housing and the waste scraped out. The residue of ash depends on the quality of pellets used. Important: even with a new batch of pellets, although using the same brand, there may be differences during combustion and therefore they may dirty to a greater or lesser extent. Correct cleaning, done on a daily basis, allows the stove to burn optimally and to have a good yield, avoiding malfunctioning which in the long term could require technical assistance to reset the stove.

#### 11.3. Cleaning the FIREX 600



All Ravelli products have a combustion chamber made with FIREX 600, a material based on vermiculite, the result of research and development by Ravelli. The main features of FIREX 600 are resistant to heat, its lightness and excellent insulating capacities, improving the combustion and performance of the stove. During combustion, FIREX 600 turns white, due to an effect called PYROLYSIS, making the flame clear and shining. If the combustion is regulated in an optimal way, the FIREX 600 interior always remains clean and white.

The condition of FIREX 600 is therefore a thermometer to understand whether the combustion is good or not.  
FIREX 600 LIGHT – GOOD COMBUSTION  
FIREX 600 DARK – POOR COMBUSTION

Firex 600 does not require special maintenance, it only has to be dusted with a soft brush to remove the ash that is deposited during combustion. Abrasive sponges to clean to most resistant waste should not be used as they could compromise the thickness of the FIREX600 panel, creating critical points of breakage.

The tube of the vacuum cleaner should not be used in direct contact with FIREX 600.

Wet cloths should not be used to clean FIREX 600.

FIREX 600 is resistant to heat but not to knocks; handle with care if moved.

FIREX 600 may show a slight abrasion after a few hours of functioning, this is perfectly normal as the flame creates microgrooves in the panel without compromising it.

The duration of FIREX 600 depends only on how maintenance is carried out.

**The pellet stove is a generator of heat with a solid fuel and as such requires servicing by qualified personnel at least once a year at the start of the season. This maintenance has the purpose of ascertaining and ensuring the perfect efficiency of all the components.**

**We recommend you draw up an annual contract for maintenance of the product with your installer/dealer.**

## 12. Guarantee

### 12.1. Certificate of Guarantee

Ravelli thanks you for the confidence you have placed in it with the purchase of one of our pellet stoves and invites the purchaser to:

- examine the instructions for the installation, use and maintenance of the stove.
- examine the conditions of guarantee shown below.

The enclosed coupon must be filled in and stamped by the installer. If this does not occur, the product will not be covered by the guarantee.

### 12.2. Conditions of guarantee

The limited guarantee covers defects of manufacturing materials, on condition that the product has not been broken due to an incorrect use, carelessness, wrong connections or errors of installation.

The following are not covered by guarantee:

- vermiculite (Firex 600);
- the glass of the door;
- the fibre gaskets;
- the painting;
- the fire pot;
- ignitor;
- the cast majolica;
- any damage caused by inappropriate installation and/or handling of the stove and/or shortcomings by the consumer.

The use of poor quality pellets or of any other material could damage components of the stove causing the termination of their guarantee and the annexed responsibility of the manufacturer.

The pellets which meet the requisites listed in the chapter on them should be used.

All damage caused by transport are not acknowledged, therefore please carefully check the goods on receipt, immediately advising the dealer of any damage.

All the manufacturer's guarantees are shown here and no complaint may be made to the manufacturer according to any other guarantee, report or request.

For guarantee claims and instructions for return shipments please refer to your local dealer.

The guarantee coupon must be detached and sent to the following address within eight days of purchase:

Ravelli c/o Aico S.p.A.  
Via Kupfer 31  
25036  
Palazzolo s/O Brescia ITALY

### 12.3. Information and problems

For any information or problems, please contact your dealer or service centre, the only people who can meet any request you may have end, if necessary, who can intervene directly.



**Index**

<b>1. Introduction .....</b>	<b>page 37</b>
<b>2. Informations sur la sécurité .....</b>	<b>page 38</b>
<b>3. Généralités .....</b>	<b>page 39</b>
<b>4. Dispositifs de sécurité .....</b>	<b>page 43</b>
<b>5. Caractéristiques techniques .....</b>	<b>page 43</b>
<b>6. Positionnement, assemblage et installation .....</b>	<b>page 43</b>
<b>6.1 Distance minimale par rapport aux matières combustibles.....</b>	<b>page 43</b>
<b>6.2 Environnement d'utilisation .....</b>	<b>page 45</b>
<b>6.3 Exigences concernant les maisons mobiles .....</b>	<b>page 45</b>
<b>6.4. Exemples d'installation .....</b>	<b>page 47</b>
<b>7. Description du fonctionnement et symboles de l'affichage .....</b>	<b>page 54</b>
<b>8. Description des fonctions.....</b>	<b>page 61</b>
<b>9. Description des alarmes.....</b>	<b>page 64</b>
<b>10. Le schéma de câblage électrique .....</b>	<b>page 65</b>
<b>11. Entretien .....</b>	<b>page 66</b>
<b>12. Garantie .....</b>	<b>page 67</b>

## Introduction

### Important :

Veillez lire scrupuleusement ce manuel. Il décrit toutes les étapes nécessaires pour un fonctionnement parfait du poêle.

Avertissement :

Les réglementations relatives à l'installation et au fonctionnement contenues dans ce manuel peuvent différer de la réglementation en vigueur sur le plan local. Dans ce cas, les indications des autorités locales compétentes doivent toujours être respectées. Les schémas indiqués dans ce manuel servent à titre indicatif et ne sont pas à l'échelle.

### Information :

L'emballage que nous avons utilisé offre une bonne protection des marchandises contre tout dommage lié au transport. Toujours vérifier le poêle immédiatement après livraison : en cas de dommage, informer immédiatement votre revendeur Ravelli.

### Description du manuel d'utilisation et d'entretien

Avec ce manuel d'utilisation et d'entretien, Ravelli souhaite fournir à l'utilisateur toutes les informations de sécurité relatives à l'utilisation de ce poêle, afin d'éviter des dommages à des personnes ou des objets ou des pièces du poêle. Veillez lire scrupuleusement ce manuel avant toute utilisation et toute intervention sur le produit.

## AVERTISSEMENTS

Les poêles Ravelli sont fabriqués en attachant une grande importance aux composants individuels afin de protéger à la fois l'utilisateur et l'installateur contre tout accident.

**Le personnel autorisé, après toute intervention sur le produit, doit donc toujours porter une attention particulière aux raccordements électriques.**

**L'installation doit être effectuée par un personnel autorisé, qui doit remettre à l'acheteur une déclaration de conformité de l'appareil, et qui assume l'entière responsabilité de l'installation finale et du bon fonctionnement ultérieur du produit installé. Il est également nécessaire de prendre en considération l'ensemble des lois et des réglementations nationales, régionales, provinciales et locales en vigueur dans le pays d'installation de l'appareil. En cas de non-respect de ces précautions, Aico S.p.A. décline toute responsabilité.**

Le présent manuel d'instructions fait partie intégrante du produit : veuillez-vous assurer qu'il accompagne toujours le poêle, y compris en cas de transfert à un autre propriétaire ou utilisateur, ou de déménagement. En cas de dommage ou de perte, veuillez demander une autre copie auprès du Service Technique.

Ce poêle doit être utilisé aux fins pour lesquelles il a été spécialement fabriqué. Ne pas utiliser l'appareil comme un incinérateur ou d'une manière autre que celle pour laquelle il a été conçu. Toute la responsabilité contractuelle et délictuelle du fabricant est exclue en cas de dommages causés aux personnes, à des animaux ou des objets et dus à des erreurs d'installation, d'entretien ou d'utilisation incorrecte. Aucun autre combustible à part les pellets ne doit être utilisé. Ne pas utiliser de combustibles liquides.

Après avoir retiré l'emballage, s'assurer que le contenu est complet et intact.

Tous les composants électriques qui composent le poêle doivent être remplacés par des pièces de rechange d'origine exclusivement et provenant d'un centre d'assistance technique autorisé. **L'entretien du poêle doit être effectué au moins une fois par an, en le planifiant au temps opportun avec le centre d'assistance technique.** Ne pas effectuer de modification non autorisée sur l'appareil.

Pour des raisons de sécurité, ne pas oublier que :

- le poêle ne doit pas être utilisé par des enfants ou des personnes handicapées sans assistance ;
- ne pas toucher le poêle les pieds nus ou si certaines parties du corps sont humides ;
- les dispositifs de sécurité ou les dispositifs de réglage ne doivent pas être modifiés sans l'autorisation ou les instructions de Ravelli.

Le poêle, en particulier les surfaces externes, atteint des températures très élevées lorsqu'il fonctionne ; faire preuve de prudence en cas de contact pour éviter les brûlures.

**Le poêle a été conçu pour fonctionner dans n'importe quelle condition climatique ; en cas de conditions particulièrement défavorables (vent, gel), des systèmes de sécurité pourraient désactiver le poêle.**

Si cela se produit, contacter l'assistance technique et dans ce cas, ne pas désactiver les systèmes de sécurité.

## 1. Merci

Cher Client,

Nous tenons à vous remercier et vous féliciter pour l'excellent choix que vous avez fait.

Avec le poêle Ravelli, vous découvrirez que qualité et économie peuvent aller de pair, en vous offrant d'excellentes performances et une consommation limitée et en restant tout à fait pratique. Vous trouverez ci-dessous quelques suggestions que nous aimerions vous donner, pour que vous puissiez tirer le meilleur parti de votre poêle et pour profiter pleinement de tous les avantages qu'il peut vous apporter.

A l'aide de ce document, nous voulons être proches de nos clients pour offrir le meilleur support technique à tous ceux qui utilisent notre technologie.

Aico S.p.A. vous remercie de votre confiance  
et vous souhaite de merveilleux moments en compagnie de  
votre poêle à pellets.

## 2. Informations sur la sécurité

Le poêle doit être installé et testé par un personnel spécialisé formé par Ravelli. Veuillez lire attentivement ce manuel d'utilisation et d'entretien avant d'installer et de faire fonctionner le poêle !

Si vous avez besoin de plus amples informations, veuillez contacter votre revendeur Ravelli.

### IMPORTANT

- L'emplacement d'installation du poêle doit être conforme aux réglementations locales, nationales et fédérales.
- Le poêle doit être alimenté uniquement avec des pellets de qualité d'un diamètre de 6 mm tel que décrit dans le chapitre spécifique.
- Le poêle ne peut pas fonctionner avec du bois traditionnel**
- Le poêle ne doit pas être utilisé comme un incinérateur. RISQUE D'INCENDIE !!!**
- **L'installation, les raccordements électriques, le contrôle du fonctionnement et l'entretien doivent être effectués par un personnel qualifié et autorisé.**
- **Une installation incorrecte ou un entretien insuffisant (non conforme avec ce qui est indiqué dans le présent manuel) peut provoquer des dommages aux personnes et aux biens. Dans cette situation, Ravelli est déchargé de toute responsabilité civile ou pénale.**
- Avant de procéder au raccordement électrique du poêle, le raccordement des tubes d'échappement avec la cheminée doit être achevé (spécialement pour les poêles à pellets, qui ne sont pas en aluminium).
- La grille de protection à l'intérieur de la trémie de pellets ne doit jamais être retirée.
- Il doit y avoir une circulation d'air suffisante dans la pièce où le poêle est installé.
- Ne jamais ouvrir la porte du poêle pendant son fonctionnement. **RISQUE D'INCENDIE !!!**
- **Le poêle ne doit pas être utilisé avec la porte ouverte ou avec la vitre cassée. RISQUE D'INCENDIE !!!**
- Lorsque le poêle fonctionne, les surfaces, la vitre, la poignée et les tuyaux surchauffent : pendant le fonctionnement, il est nécessaire de porter une protection adéquate pour toucher ces pièces;
- **Ne pas allumer le poêle sans avoir effectué au préalable l'inspection quotidienne telle que décrite dans le chapitre ENTRETIEN de ce manuel.**
- **Ne pas placer de linge sur le poêle pour le faire sécher. Garder les vêtements et éléments similaires à une distance appropriée du poêle. RISQUE D'INCENDIE !!!**
- **NE PAS INSTALLER DE REGULATEUR DE TIRAGE**
- **NE PAS RACCORDER CETTE UNITE A UN CONDUIT DE FUMEE SERVANT POUR UN AUTRE APPAREIL**
- La fixation et la sécurisation du système de ventilation de sortie du produit et de chaque section adjacente. Il est nécessaire de fixer tous les joints des raccords de tuyaux avec au moins trois vis. En cas de ventilation horizontale, les joints doivent être effectués à la lampe à gaz d'une manière qui doit être spécifiée.
- Effectuer régulièrement le contrôle, l'entretien et le nettoyage de la cheminée et du raccord de cheminée
- **Élimination des cendres** : Les cendres doivent être récupérées dans un récipient en métal avec un couvercle étanche. Le récipient fermé contenant les cendres doit être placé sur un plancher non combustible ou sur le sol, à bonne distance de tous matériaux combustibles, et déplacé immédiatement à l'extérieur. Si les cendres sont éliminées par enfouissement dans le sol ou dispersées localement, elles doivent être conservées dans le récipient fermé jusqu'à leur refroidissement complet. Aucun autre déchet ne doit être déposé dans ce récipient.
- **Faire preuve de prudence vis-à-vis du stockage ou de l'utilisation de liquides inflammables, comme suit** : n'utilisez jamais d'essence, de carburant type lampe à pétrole, de kérosène, d'allume feu liquide pour charbon de bois ou tout autre liquide combustible pour allumer ou ranimer un feu dans cet appareil de chauffage. Garder tous ces liquides à l'écart de l'appareil de chauffage lorsqu'il est en fonctionnement.
- **Créosote - Formation et élimination nécessaire**  
Lorsque le bois brûle lentement, il produit du goudron et d'autres vapeurs organiques qui se combinent avec l'humidité expulsée pour former la créosote. Les vapeurs de créosote se condensent dans le conduit de cheminée relativement froid d'un feu à combustion lente. Par conséquent, les résidus de créosote s'accumulent sur les parois du conduit de cheminée. Si elle s'enflamme, la créosote produit un feu extrêmement chaud  
Le système de ventilation de sortie doit être inspecté au moins une fois tous les deux mois pendant la saison de chauffage pour déterminer s'il y a eu accumulation de créosote.  
En cas d'accumulation de créosote, elle doit être éliminée pour réduire le risque d'un feu de cheminée.
- Respecter scrupuleusement le programme d'entretien.
- Ne pas éteindre le poêle en déconnectant l'alimentation secteur.
- Ne pas nettoyer le poêle avant que la structure et les cendres n'aient totalement refroidi.
- Effectuer les opérations dans un maximum de sécurité et de tranquillité.
- Respecter les exigences de terminaison du système de ventilation de sortie y compris les restrictions d'emplacement des entrées d'air, les distances par rapport aux fenêtres, portes et entrées d'air, et la distance par rapport aux matériaux combustibles.
- Ne pas raccorder ou utiliser en association avec un conduit de distribution d'air
- Devient chaud en fonctionnement. Garder hors de portée des enfants, des vêtements et des meubles. Tout contact peut occasionner des brûlures cutanées.
- Le type de cheminée doit convenir au combustible solide et le raccord de cheminée doit être dans un état correct et propre.
- Établir une routine pour le combustible, le brûleur à pellets et la technique Fring. Vérifier tous les jours le dépôt de créosote jusqu'à ce que l'expérience vous montre à quelle fréquence vous devez procéder au nettoyage pour être en sécurité. Garder à l'esprit que plus le feu est chaud moins le dépôt de créosote est important, et qu'un nettoyage hebdomadaire peut être nécessaire par temps doux, même si le nettoyage mensuel peut être suffisant durant les mois les plus froids. Contacter votre autorité locale ou votre autorité incendie pour plus d'informations sur la façon de gérer un feu de cheminée. Mettre en place un plan clair pour traiter un feu de cheminée.
  - Maintenir les portes de combustion et de retrait des cendres fermées et maintenir tous les joints en bon état.
  - Ne pas heurter ou claquer la porte, le verre peut se briser. Nettoyer la vitre lorsqu'elle est froide, ne pas nettoyer une vitre chaude. Utiliser un chiffon sec imbibé d'un nettoyant à vitre normal, ne pas utiliser de détergent abrasif.
  - Le type de cheminée doit convenir au carburant solide et le raccord de cheminée doit être dans un état correct et propre.
- Si cet appareil de chauffage n'est pas installé correctement, il peut provoquer un incendie. Pour réduire le risque d'incendie, suivre les instructions d'installation. Contactez les représentants du bâtiment ou des pompiers concernant les restrictions et les exigences d'inspection de l'installation dans votre région.
- Cet appareil de chauffage doit être raccordé à une cheminée conforme aux exigences qui s'appliquent aux cheminées de type HT dans la norme UL 103 ou à une cheminée de maçonnerie homologuée dotée d'un conduit de cheminée.
- Cet appareil de chauffage au bois nécessite une inspection et une réparation périodiques pour garantir son bon fonctionnement. Est considérée comme allant à l'encontre des réglementations fédérales, une utilisation de cet appareil de chauffage au bois d'une manière incompatible avec les instructions de fonctionnement contenues dans ce manuel. - Cet appareil de chauffage au bois dispose d'un taux de combustion faible minimum réglé par le fabricant, qui ne doit pas être modifié. Est considérée comme allant à l'encontre des

règlementations fédérales la modification de ce paramètre ou bien l'utilisation de cet appareil de chauffage au bois d'une manière incompatible avec les instructions de fonctionnement de ce manuel.

- Cet appareil de chauffage est conçu pour brûler des pellets de bois uniquement. **NE PAS BRÛLER D'AUTRE COMBUSTIBLE.** La combustion d'autres matériaux peuvent entraîner un rejet de vapeurs toxiques ou rendre l'appareil de chauffage inefficace et provoquer de la fumée.
- Ne pas surchauffer. Toute tentative d'atteindre des taux de rendement calorifiques qui dépassent les spécifications de conception de l'appareil de chauffage peut provoquer des dommages permanents à l'appareil de chauffage.
- Les gaz de fumée contiennent du monoxyde de carbone (CO), il est recommandé d'installer des dispositifs de contrôle de la fumée et des dispositifs de contrôle du CO pour les zones susceptibles de produire du CO. Inspecter la cheminée pour réduire les émissions visibles.
- Suie et cendres volantes : Formation et élimination nécessaire - Les produits de combustion contiennent de petites particules de cendres volantes. Les cendres volantes s'accumulent dans le système de ventilation de sortie et diminuent la circulation des gaz de fumée. Une combustion incomplète, telle qu'elle se produit durant le démarrage, l'arrêt ou un fonctionnement incorrect de l'appareil de chauffage se traduit par la formation de suie qui s'accumule dans le système de ventilation de sortie. Le système de ventilation de sortie doit être inspecté au moins une fois par an pour déterminer si un nettoyage est nécessaire.

### 3. Généralités

Le poêle doit fonctionner uniquement dans des pièces. Étant donné qu'il est commandé par une carte électronique, la combustion est entièrement automatique et contrôlée ; l'unité de commande régule la phase d'allumage, les 5 niveaux de puissance et la phase d'arrêt, ce qui garantit un fonctionnement en toute sécurité.

La plupart des cendres produites par la combustion des pellets se retrouvent dans le tiroir de récupération.

Néanmoins, vérifiez toujours la cuve de combustion, étant donné que tous les pellets ne disposent pas de normes élevées de qualité et pourraient laisser des résidus qui sont difficiles à éliminer.

La vitre possède un système spécial de circulation d'air pour l'auto-nettoyage. Néanmoins, il n'est pas possible d'éviter la présence d'un film grisâtre au bout de quelques heures de fonctionnement.

Comme déjà mentionné précédemment, des pellets d'un diamètre de 6 mm doivent être utilisés avec le poêle.

#### 3.1 Responsabilité

Ravelli décline toute responsabilité, à la fois civile et pénale, après fourniture de ce manuel, pour des accidents découlant du non-respect partiel ou total des instructions qu'il contient.

Ravelli décline toute responsabilité découlant de l'utilisation incorrecte du poêle, de son utilisation incorrecte par l'utilisateur, de modifications et/ou de réparations non autorisées ou de l'utilisation de pièces de rechange qui ne sont pas d'origine.

Le fabricant décline toute responsabilité directe civile ou pénale pour les motifs suivants :

- mauvais entretien
- non-respect des instructions contenues dans le manuel
- utilisation non conforme aux instructions de sécurité
- installation non conforme à la réglementation en vigueur dans le pays
- installation par un personnel non qualifié ou non autorisé
- modifications et réparations non autorisées par le fabricant
- utilisation de pièces de rechange qui ne sont pas d'origine
- événements exceptionnels

#### 3.2 Statut de conformité

Le présent manuel décrit l'installation et l'exploitation de l'appareil de chauffage à pellets en bois de Ravelli, modèles Francesca 2015, Monica 2015, RV80 ceramica. Ces appareils de chauffage répondent aux limites d'émissions des pellets de bois de l'Agence de protection de l'environnement des États-Unis 2020, pour les appareils de chauffage au bois vendus après le 15 mai 2015. Sous certaines conditions spécifiques d'essai, cet appareil de chauffage a démontré qu'il pouvait fournir une puissance thermique à des taux compris entre 10 733 et 26 556 Btu/h.

	Taux d'émission (g/h)	Efficacité de chauffage (% de l'ensemble)	Taux d'émission 1e heure (g/h)	Émission CO (g/h)
<b>Francesca 2015, Monica 2015 et RV80 Ceramica</b>	<b>0,58</b>	<b>77,90%</b>	<b>1,36</b>	<b>23</b>
<b>RV100 Classic</b>	<b>0,7</b>	<b>80,2%</b>	<b>0,67</b>	<b>2,72</b>
<b>Roma</b>	<b>0,74</b>	<b>75,5%</b>	<b>1,33</b>	<b>9,45</b>

Le présent manuel décrit l'installation et l'exploitation de l'insert de cheminée à pellets en bois de Ravelli, modèle Roma. Cet appareil de chauffage répond aux limites d'émissions des pellets de bois de l'Agence de protection de l'environnement des États-Unis 2020, pour les appareils de chauffage au bois vendus après le 15 mai 2015. Sous certaines conditions spécifiques d'essai, cet appareil de chauffage a démontré qu'il pouvait fournir une puissance thermique à des taux compris entre 10250 et 31500 Btu/h.

Le présent manuel décrit l'installation et l'exploitation de l'appareil de chauffage à pellets en bois de Ravelli, modèle RV100 CLASSIC. Ces appareils de chauffage répondent aux limites d'émissions des pellets de bois de l'Agence de protection de l'environnement des États-Unis 2020, pour les appareils de chauffage au bois vendus après le 15 mai 2015. Sous certaines conditions spécifiques d'essai, cet appareil de chauffage a démontré qu'il pouvait fournir une puissance thermique à des taux compris entre 10750 et 34500 Btu/h.

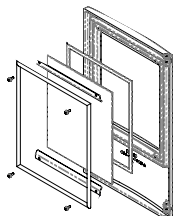
#### 3.3 Pièces de Rechange

Utilisez uniquement des pièces de rechange d'origine. N'utilisez pas de matériel de substitution. N'attendez pas que les composants soient usés avant de les remplacer. Remplacez un composant usé avant qu'il ne soit complètement cassé pour éviter tout accident causé par la rupture soudaine des composants, effectuez les contrôles d'entretien périodique comme décrit dans le chapitre dédié. Le retrait de composants brisés ou endommagés doit être effectué uniquement par un service technique agréé.

### 3.3.1 Remplacement de la vitre et du joint

Utilisez uniquement une vitre de type céramique. Pour remplacer la vitre, il faut démonter la porte conformément au dessin ci-dessous.

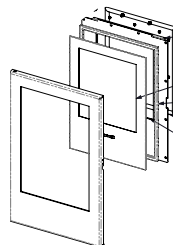
#### Francesca 2015 -Monica 2015



**Dimensions vitre céramique :**  
250 x 307 mm (9,8" x 12,08")  
épaisseur 4 mm (0,16")

**Joint twist tricovet de la vitre :**  
diam. 10 mm / 0,39"  
L1230 mm / 48,43"

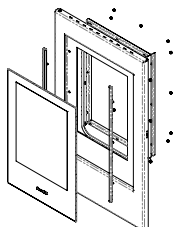
#### RV 80 Ceramica



**Dimensions vitre céramique :**  
305 x 449 mm (12" x 17,68")  
épaisseur 4 mm (0,16")

**Joint twist tricovet de la vitre :**  
diam. 14 mm / 0,55"  
L1250 mm / 49,21"

#### RV 100 Classic

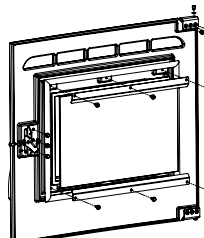


**Dimensions vitre céramique :**  
319 x 460 mm (12,55" x 18,11")  
épaisseur 5 mm (0,20")

**Joint ruban trecotee de la vitre :**  
10 x 3 mm (0,39" x 0,12")  
L1344 mm / 52,91"

**Joint tricovet de la porte :**  
diam. 14 mm / 0,55"  
L1365 mm / 53,77"

#### Roma



**Dimensions vitre céramique :**  
260 x 375 mm (10,24" x 14,76")  
épaisseur 5mm (0,20")

**Joint ruban trecotee de la vitre :**  
10 x 3 mm (0,39" x 0,12")  
L1100 mm / 43,31"

**Joint tricovet de la porte :**  
diam. 10 mm / 0,39"  
L1500 mm / 59,06"

### 3.3. Finitions Majolique

En raison de la finition spéciale réalisée à la main de la surface en majolique, il peut y avoir des imperfections telles que des ombres. Il s'agit de détails qui font de chaque majolique un exemplaire unique. Cette matière est fragile, par conséquent manipulez-la avec précaution lors du nettoyage et évitez les chocs car cela peut provoquer une rupture soudaine. Veuillez également faire attention lors du chargement de la trémie (note de l'éditeur ; réservoir contenant les pellets) avec le sac de pellets : ne le posez pas sur le poêle !

### 3.4. Qu'est-ce qu'un pellet en bois

Les pellets en bois sont fabriqués à partir de sciure et copeaux de bois produits dans les ateliers des menuisiers. Le matériau utilisé ne contient aucune substance étrangère comme de la colle, du vernis ou des substances synthétiques.

Sous l'action d'une pression élevée, le bois est comprimé à travers une plaque dotée de trous ; sous l'action de la pression élevée, la sciure est chauffée ce qui active les liants naturels du bois. Ainsi, les pellets gardent leur forme sans avoir à ajouter de substances liantes. La densité des pellets de bois varie en fonction du type de bois et peut être 1,5 fois supérieure à celle du bois naturel.

Le diamètre des tiges cylindriques est de 6 mm et leur longueur peut varier entre 10 et 40 mm.

Leur poids réel est supérieur à de 650 kg/m<sup>3</sup>. En raison de leur faible teneur en eau (<10%), ils contiennent une part élevée d'énergie.

Les normes ISO 17225-2:2014 définissent la qualité des pellets :

Longueur :	< 40 mm
Diamètre :	6 mm env.
Poids réel :	> 600 kg/m <sup>3</sup>
Pouvoir calorifique inférieur :	≥ 16,5 MJ/kg (≥ 7 100 BTU/lb)
Humidité résiduelle :	< 10 %
Cendres :	< 1,2 %
Poids spécifique :	> 1 000 kg/m <sup>3</sup>

Ne pas poser le sac de pellets sur les pièces en céramique pendant les opérations de chargement.



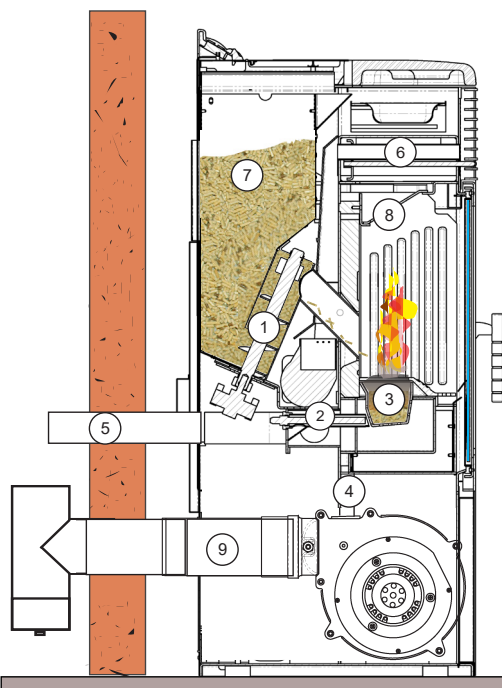
Fig. 1



Fig. 2

Les pellets doivent être transportés et entreposés dans un endroit sec. Ils gonflent au contact de l'humidité et ne peuvent pas être utilisés. Ils doivent toujours être protégés de l'humidité à la fois pendant le transport et l'entreposage. Ne placez pas un tel combustible dans les espaces autour de l'appareil ou dans l'espace requis pour le chargement et le déplacement du bois ou des cendres.

### 3.5. Les composants du poêle



1. Vis de chargement de pellets
2. Dispositif d'allumage électrique
3. Cuve de combustion
4. Tuyau pour le passage de la fumée
5. Tuyau d'admission d'air
6. Échangeur thermique en acier inoxydable
7. Trémie à pellet
8. Déфлекteur
9. Tuyau d'évacuation des fumées

Ce dessin montre les pièces situées à l'intérieur d'un poêle à pellets.

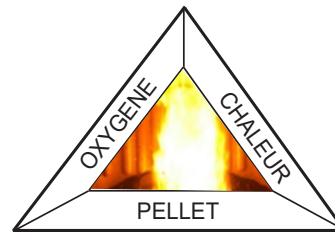
En remplissant la trémie (7), les pellets sont chargés dans la cuve de combustion (3) en passant par la vis de chargement (1).

L'allumage s'effectue à l'aide du dispositif d'allumage électrique (2), qui surchauffe l'air provenant d'une entrée spécifique (5), au contact des pellets, va permettre le développement de la flamme. A ce stade, la fumée d'échappement est déviée vers l'échangeur en acier inoxydable (6) et à travers le tuyau d'évacuation des fumées (4), elle est relâchée dans le conduit, via le raccordement avec la conduite de fumée. (9).

### 3.6. La combustion

La combustion est une réaction chimique entre le combustible et le comburant. Le résultat de cette réaction est la chaleur. Les trois éléments requis pour la combustion sont les suivants :

- combustible (pellet)
- comburant (oxygène disponible dans l'air)
- allumage (chaleur des braises ou dispositif d'allumage électrique)



Pour obtenir une combustion, le combustible et le comburant doivent être disponibles dans une proportion appropriée.

La réaction entre le combustible et le comburant est initiée par un démarreur extérieur. Le démarrage peut être déclenché par une réaction à chaud ou par une étincelle.

La combustion N'EST PAS CORRECTE, la flamme est trop étroite avec trop de pellets incandescents dans la chambre de combustion. Régler le couple pellet/air en réduisant le pourcentage d'air (de 0 jusqu'à -5) ; si cela n'est pas suffisant pour obtenir une bonne flamme, augmentez la quantité de chargement du pellet (de 0 jusqu'à +5) pour obtenir la même flamme que celle indiquée dans la figure 3.



Fig. 1

Combustion INCORRECTE, flamme trop étirée, du type « chalumeau » avec une quantité élevée de pellets incandescents qui sortent de la grille. Corrigez le couple pellet/air en réduisant le pourcentage d'air (de 0 jusqu'à -5) ; si cela n'est pas suffisant pour obtenir une bonne flamme, augmentez la quantité d'alimentation en pellets (de 0 jusqu'à +5) pour obtenir la condition de la figure 3. Si les modifications apportées aux paramètres ne se traduisent pas par une combustion correcte du poêle semblable aux conditions de la figure 3, contactez le Centre de Support Technique.



Fig. 2

Combustion « INCORRECTE », flamme « ressort » de type « poêle à bois » avec quantité élevée de pellets qui ne brûlent pas sur la grille. Tout d'abord vérifiez que la porte est fermée ainsi que le collecteur de cendres. Ensuite, corrigez le couple pellet/air en augmentation du pourcentage d'air (de 0 à +5) ; si ce n'est suffisant, réduisez également le pourcentage d'alimentation en pellets (de 0 à -5) pour obtenir la condition décrite dans la figure 3. Si les modifications apportées aux paramètres ne se traduisent pas par une combustion correcte du poêle semblable aux conditions de la figure 3, contactez le Centre de Support Technique.



Fig. 3

La combustion est CORRECTE, flamme pleine jaune/blanc et quantité minimale de pellets dans la cuve de combustion. La combustion est correcte.

La figure 3 montre une flamme générée avec un poêle qui fonctionne à puissance P5.

#### 4. Dispositifs de sécurité

Le poêle est équipé de systèmes de sécurité sophistiqués afin qu'aucun dommage ne soit causé au poêle et à la pièce dans laquelle il est installé, en cas de rupture individuelle d'une des pièces ou de défauts dans le conduit. Dans tous les cas, si un problème survient, les pellets arrêtent immédiatement d'être alimentés et la phase « arrêt » est activée.

L'alarme correspondante s'affiche à l'écran. Voir les détails dans le chapitre 9 « DESCRIPTION DES ALARMES »

#### 5. CARACTÉRISTIQUES TECHNIQUES

	Unité de mesure	Francesca 2015	RV 80 Ceramica	Monica 2015	RV 100 Classic	Roma
Hauteur	Pouces	37,67	39	39,3	44,1	31,5
Largeur	Pouces	17,32	20,20	20,27	21,7	43,4
Profondeur	Pouces	18,46	19,1	18,58	21,9	29,5
Poids	Lbs	200	270	264	320	550
Diamètre du tube de sortie de fumée	Pouces	3,14	3,14	3,14	3,14	3,14
Consommation horaire min-max des pellets	Lbs/h	1,1 - 3,5	1,1 - 3,5	1,1 - 3,5	1,5 - 5,1	1,6 - 5
Alimentation	V - Hz	120 - 60	120 - 60	120 - 60	120 - 60	120 - 60
Capacité de la trémie	Lbs	35	35	35	50	50
Efficacité*	%	77,9	77,9	77,9	80,2	75,5
Température des fumées min - max	°F	176 - 302	176 - 302	176 - 302	200 - 415	240 - 410

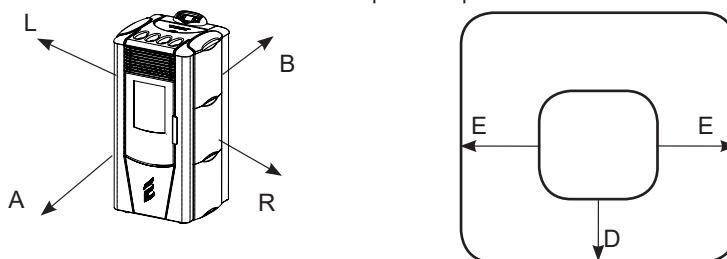
\* L'efficacité de chauffage totale est déterminée en utilisant une valeur calorifique supérieure du combustible.

Les données ci-dessus sont indiquées à titre indicatif et ne sont pas contractuelles. Ravelli se réserve le droit d'effectuer des modifications à des fins d'amélioration des performances du produit.

#### 6. Positionnement, assemblage et installation

##### 6.1 Distance minimale par rapport aux matières combustibles

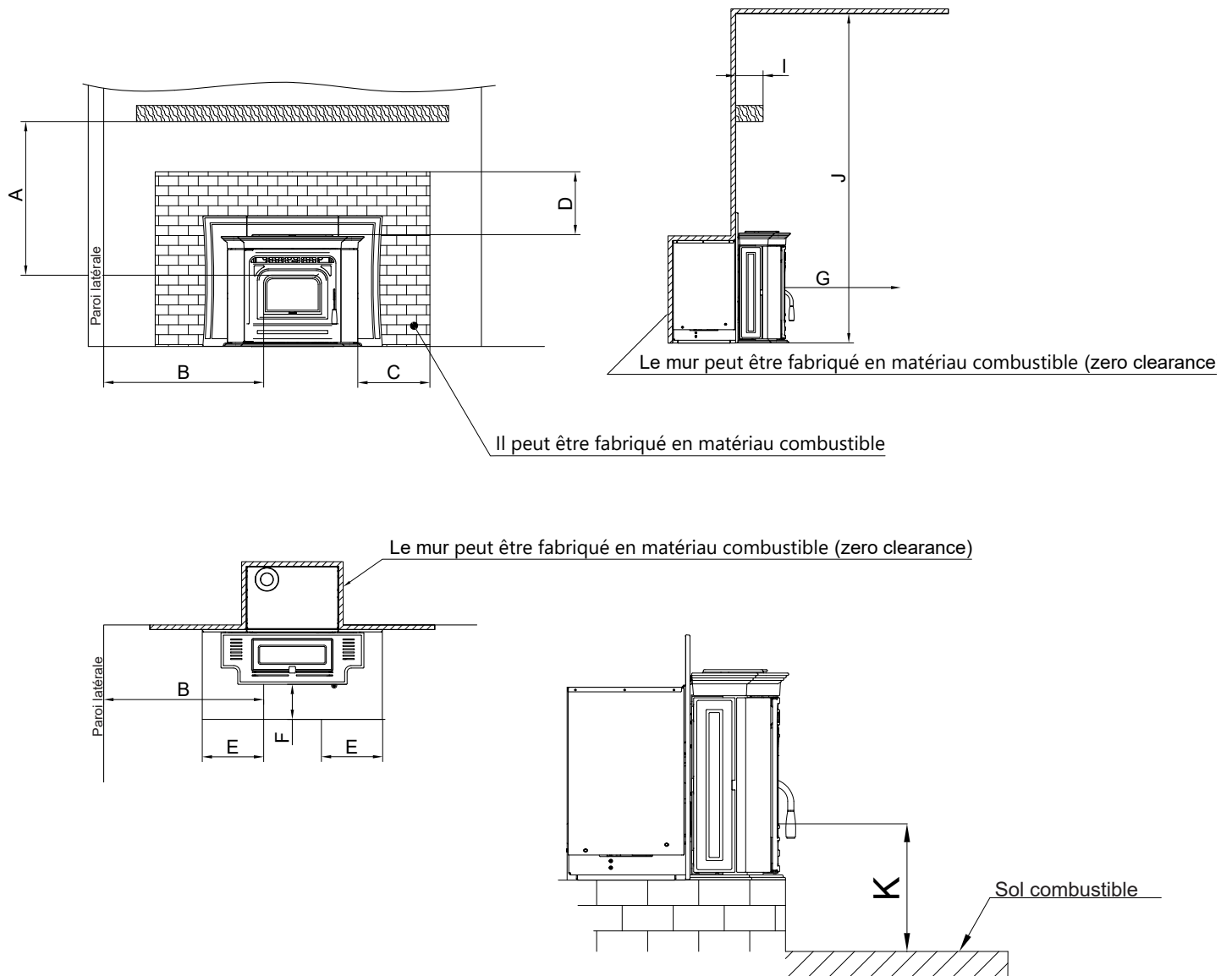
**REMARQUE :** Installez une ventilation aux distances spécifiées par le fabricant de la ventilation.



	Unité de mesure	Francesca 2015	RV 80 Ceramica	Monica 2015	RV 100 Classic
R = Côté droit	Pouce/mm	4 / 101,6	4 / 101,6	4 / 101,6	4 / 101,6
L = Côté gauche	Pouce/mm	4 / 101,6	4 / 101,6	4 / 101,6	4 / 101,6
B = arrière	Pouce/mm	2 / 50,8	2 / 50,8	2 / 50,8	4 / 101,6
A = avant	Pouce/mm	39,37 / 1000	39,37 / 1000	39,37 / 1000	39,37 / 1000
D = Protection du sol AVANT	Pouce/mm	6 / 152,4	6 / 152,4	6 / 152,4	6 / 152,4
D = Protection du sol LATE-RALE	Pouce/mm	6 / 152,4	6 / 152,4	6 / 152,4	6 / 152,4
F = Plafond	Pouce/mm	57 / 1450	57 / 1450	57 / 1450	52 / 1321

N.B. La protection du sol doit s'étendre sous le raccord de cheminée et 2 pouces (50,8 mm) au-delà de chaque côté.

### 6.1.1 Distance minimale par rapport aux matières combustibles



	Unité de mesure	Roma
A = Distance par rapport au manteau	Pouce/mm	18,5/470
B = Distance par rapport aux parois latérales	Pouce/mm	15/381
C = Distance par rapport à la façade (côté)	Pouce/mm	0/0
D = Distance par rapport à la façade (dessus)	Pouce/mm	0/0
E = Protection du sol	Pouce/mm	6/152,4
F = Protection du sol	Pouce/mm	6/152,4
G = Distance par rapport à la partie avant	Pouce/mm	48/1219
I = Profondeur de manteau	Pouce/mm	6/152,4
J = Plafond depuis le bas de l'unité	Pouce/mm	72/1828,8
K = sol combustible depuis le bas de la vitre	Pouce/mm	9,5/241,3

## 6.2 Environnement d'utilisation

Le positionnement du poêle est déterminant pour obtenir un chauffage efficace et uniforme de la pièce. Avant de décider où placer le poêle, il convient de prendre en compte les éléments suivants :

- Le poêle doit être installé sur un sol présentant une capacité de charge suffisante. Si le bâtiment existant ne satisfait pas à ce prérequis, il convient de prendre des mesures appropriées (par ex. plaque de répartition de charge).
- L'air de combustion ne peut pas être obtenu à partir d'un garage ou d'une zone sans ventilation ou échange d'air, mais à partir d'un espace libre ou extérieur
- Le poêle ne doit pas être installé dans une chambre à coucher, une salle de bains ou une douche, où à un endroit où se trouve déjà un autre appareil de chauffage sans un débit d'air autonome (cheminée, poêle etc.)
- Un panneau de foyer non combustible dépassant de 6" sur l'avant de l'unité et de 6" sur les côtés doit être installé avant de placer l'unité sur le sol.
- L'installation est préférable dans une grande pièce centrale de la maison pour assurer une circulation maximale de la chaleur ;
- Il est recommandé de prévoir le raccordement à l'alimentation secteur à l'aide d'une prise de terre (si le câble fourni n'est pas suffisamment long pour atteindre la prise la plus proche, utilisez une rallonge avec parasurtenseur) ;
- Le poêle doit être placé dans une position permettant de recevoir le volume d'air nécessaire pour une combustion appropriée des pellets (il faut disposer d'au moins 131,23F<sup>3</sup>/h), conformément à la réglementation de l'installation et aux législations locales ;
- Il est nécessaire de fixer tous les joints des raccords de tuyaux avec au moins trois vis.
- En cas de ventilation horizontale, le joint doit être siliconé avec du silicone haute température et vissé afin d'être étanche aux gaz. (silicone RTU 500)
- Le raccord de cheminée ne doit pas traverser un grenier ou un espace du toit, une armoire ou un espace confiné similaire, ou un plancher ou un plafond. Si l'on souhaite traverser un mur, ou une cloison d'une construction combustible, l'installation doit être conforme à la norme CAN/CSA-B365.

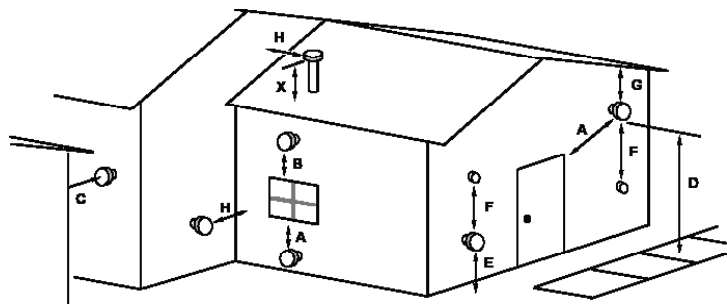
**L'installation et l'assemblage du poêle doivent être effectués par un personnel qualifié.**

La pièce doit être :

- Préparée pour des conditions de fonctionnement environnemental
- Préparée avec un système approprié d'évacuation des fumées
- Équipée d'une alimentation électrique secteur de 120 V - 60 Hz
- Ne pas raccorder cette unité à un conduit de fumée servant pour un autre appareil
- Utilisez uniquement une ventilation de type L homologuée UL ou une ventilation pour pellet 3" po. diamètre intérieur système de ventilation d'échappement. N'installez pas le registre de tirage dans le système d'échappement de cette unité.
- Le raccord de cheminée et toute autre section attenante doivent être solidement fixés et sécurisés sur le poêle.

## 6.3 Exigences concernant les maisons mobiles

- Un air extérieur est nécessaire
- L'appareil de chauffage doit être fixé au sol à l'aide de tire-fonds.
- L'appareil de chauffage doit être raccordé à la terre au niveau du châssis de la maison mobile.
- L'installation doit être conforme aux instructions du fabricant de la maison.
- Lorsqu'un air extérieur est nécessaire, des pièces système, telles que des sections de ventilation, des supports, des pare-étincelles, des écrans anti-rongeurs etc. doivent être utilisés.
- L'appareil de chauffage doit être raccordé à une cheminée fabriquée en usine conforme à la norme à la norme CAN/ULC-S629.
- Il est important d'utiliser tous les composants spécifiés, n'utilisez pas d'autres composants.
- L'installation doit maintenir un pare-vapeur efficace à l'endroit où la cheminée ou un autre composant traverse à l'extérieur de la structure.
- Une utilisation de l'appareil de chauffage à feu ouvert, peut causer de graves blessures et des dommages pour la santé en raison de flammes qui s'échappent ou d'émanations de monoxyde de carbone à l'intérieur de la pièce.
- Une ventilation adéquate est nécessaire pour éviter un manque d'air et une apparition de givre qui signifierait un environnement intérieur malsain.
- Ne pas surchauffer.
- Si l'appareil de chauffage n'est pas correctement installé et exploité, il peut interférer avec les détecteurs de fumée.



**AVERTISSEMENT : Ne pas installer dans la chambre**

**ATTENTION : Il convient de conserver l'intégrité structurelle du sol, du plafond, du toit de la maison mobile.**

**Reportez-vous à aux exigences HUD, CFR 3280, Partie 24**

**REMARQUE :** Installez une ventilation aux distances spécifiées par le fabricant de la ventilation.

**REMARQUE :** Mesurez la distance avec le bord le plus proche de la hotte d'extraction.

**REMARQUE :** La ventilation ne doit pas se trouver dans un passage couvert.

**REMARQUE :** En cas de ventilation horizontale, vérifiez vos spécifications de ventilation au niveau de la distance car le tuyau devrait ressortir du bâtiment.

- A Distance minimale de 4" en-dessous ou à côté de toute porte ou fenêtre qui s'ouvre (avec air extérieur, 1' en-dessous ou à côté)
- B Distance minimale de 1" au-dessus de toute porte ou fenêtre qui s'ouvre.
- C Distance minimale de 2" par rapport à tout bâtiment adjacent
- D Distance minimale de 7" au-dessus du sol en cas de proximité avec des voies publiques
- E Distance minimale de 2" au-dessus du gazon, des plantes ou de tout autre matériau combustible
- F Distance minimale de 3" par rapport à une admission d'air forcée de tout autre appareil
- G Distance minimale de 2" au-dessus des avant-toits ou des avancées
- H Distance minimale de 1" horizontalement par rapport à un mur combustible
- X Doit se trouver à une distance minimale de 2" au-dessus du toit

## 6.4. Exemples d'installation

Fig. 9

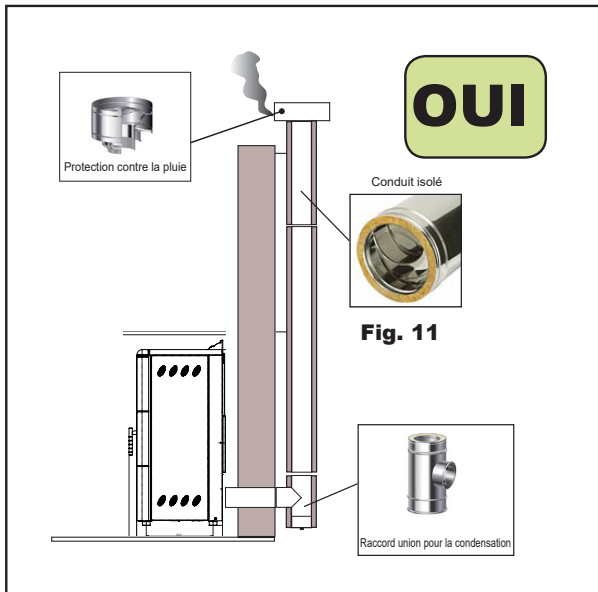
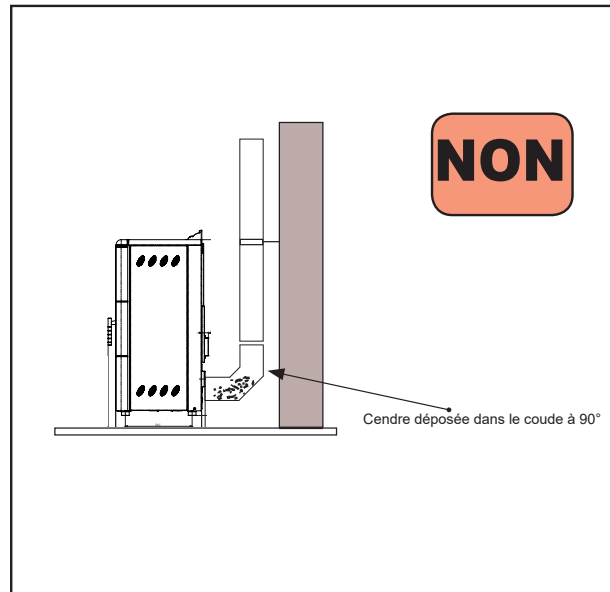


Fig. 6



Ce type d'installation (voir Fig. 9) nécessite un conduit isolé, étant donné que le tuyau de fumée a été installé à l'extérieur de la maison. Dans la partie inférieure du conduit, un raccord union a été monté avec un bouchon d'inspection.

Un coude de 90° ne doit pas être installé comme première pièce de départ étant donné que les cendres bloqueraient rapidement le passage de la fumée, ce qui pourrait causer des problèmes pour le tirage du conduit. Voir Fig. 6).

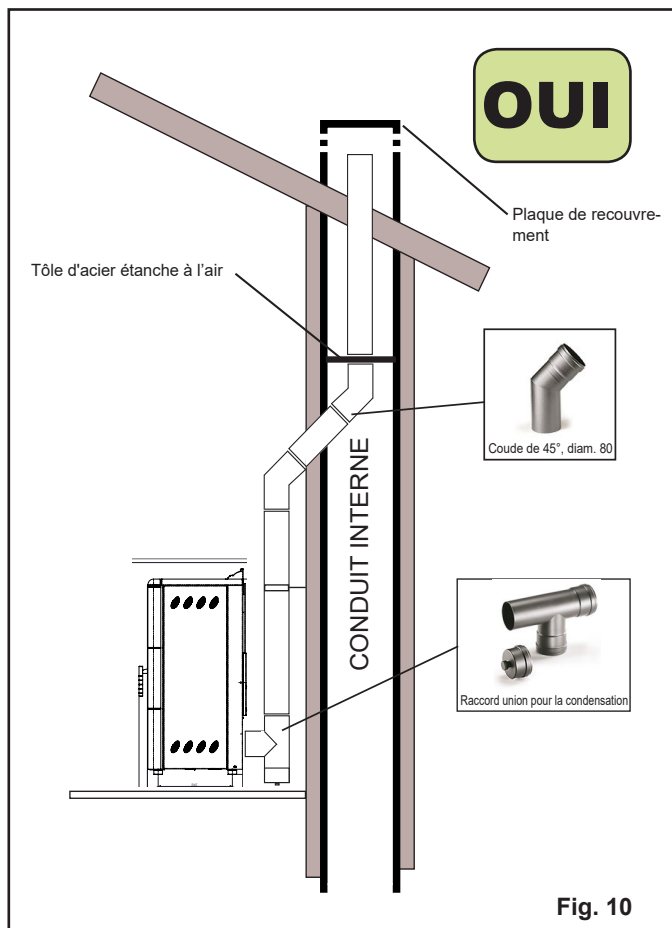
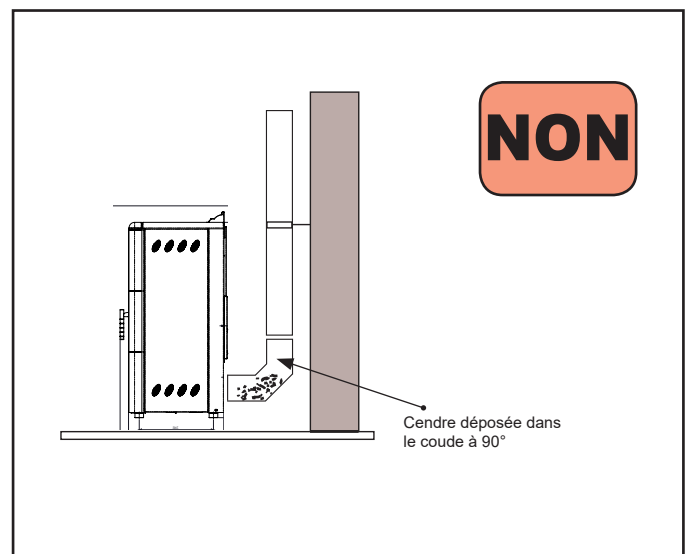


Fig. 6



Ce type d'installation (voir Fig. 10) ne nécessite pas de conduit isolé étant donné que le tuyau de fumée a été partiellement assemblé à l'intérieur de la maison et partiellement à l'intérieur d'un conduit existant.

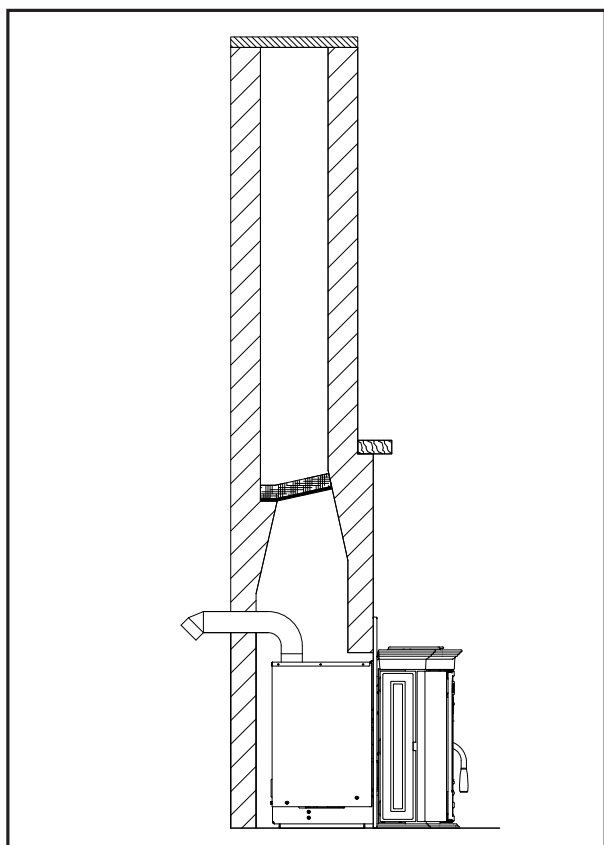
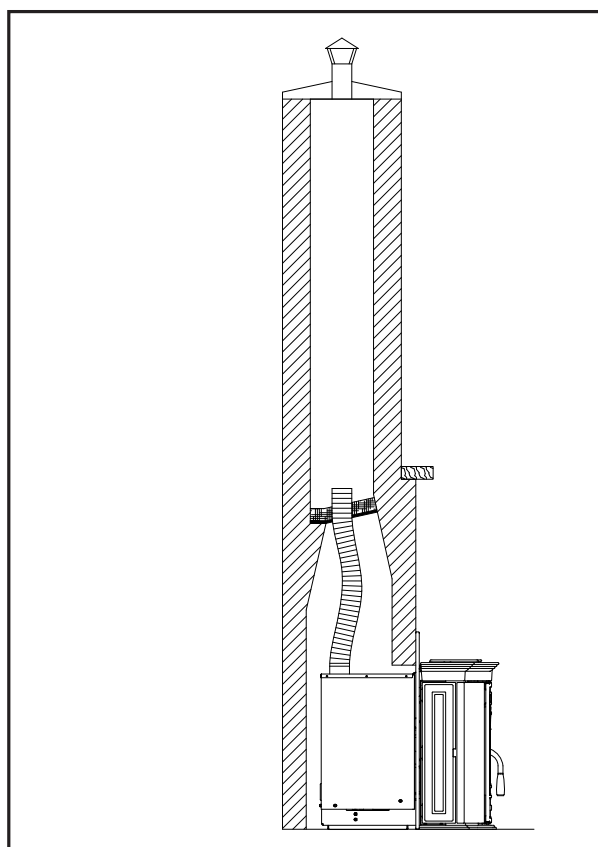
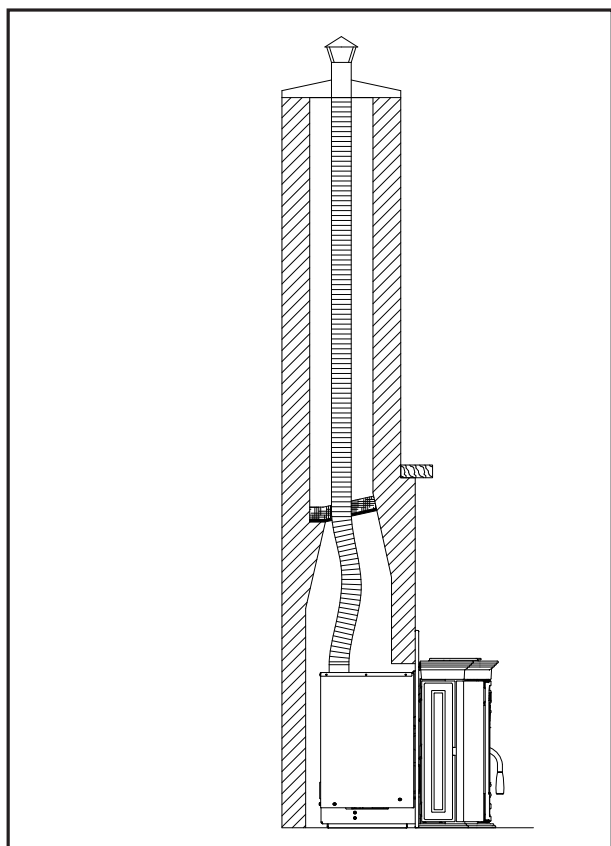
Dans la partie inférieure du conduit, un raccord union a été installé avec un cache de judas.

Un coude de 90° ne doit pas être installé comme première pièce étant donné que les cendres bloqueraient rapidement le passage de la fumée, ce qui pourrait causer des problèmes pour le tirage du conduit (Voir Fig. 6).

Veillez noter l'utilisation de 2 coudes à 45° pour garantir que les cendres retombent dans le raccord union muni du judas.

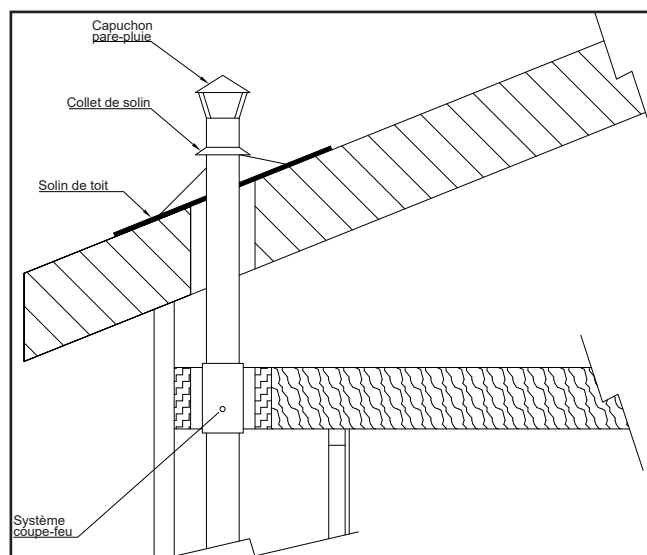
Fig. 10

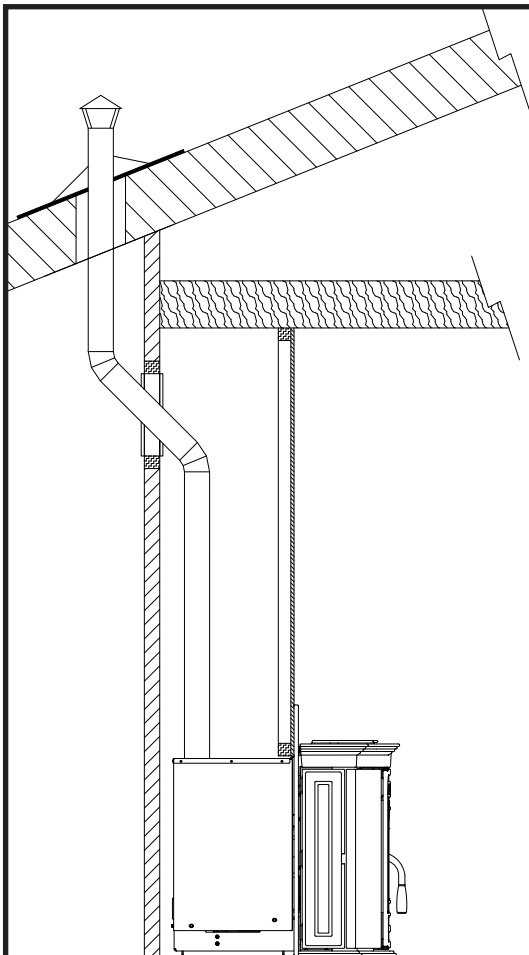
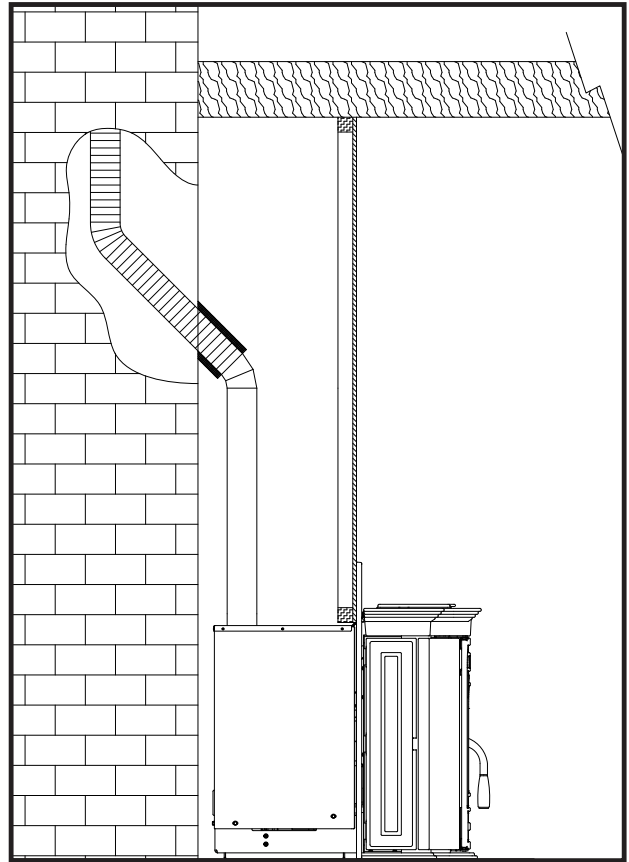
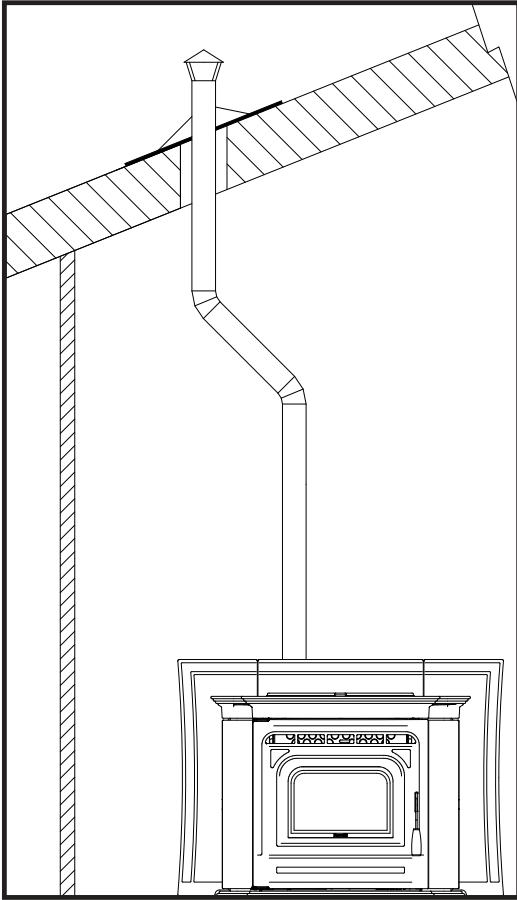
#### 6.4. Exemples d'installation (uniquement pour insert de cheminée à pellets)



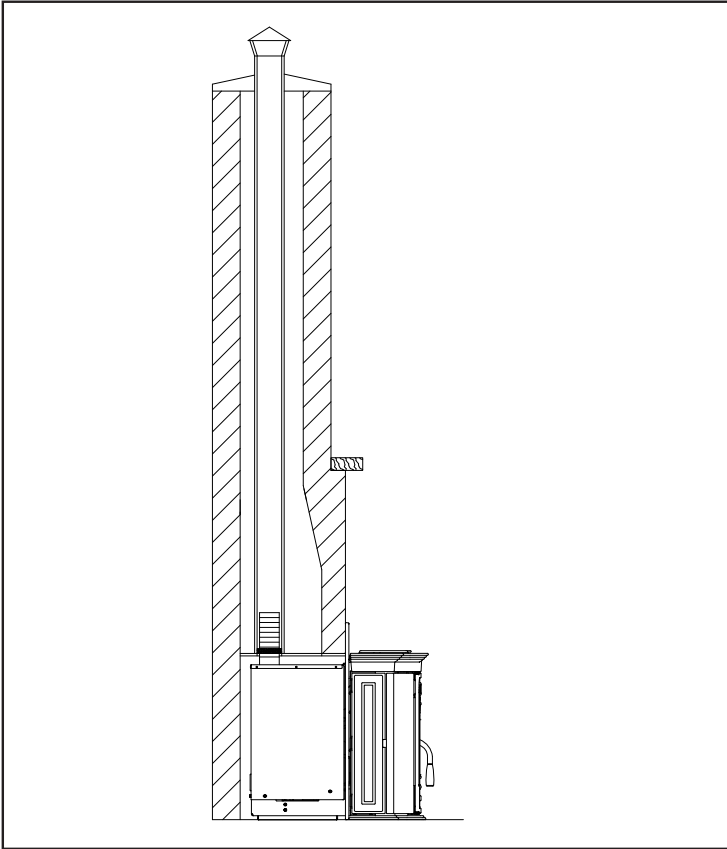
La zone occupée par le registre doit être scellée avec une plaque d'acier et une isolation non combustible sur le dessus de la plaque pour réduire les risques de condensation.

**Cette cheminée n'a pas été testée avec un foyer à gaz non ventilé. Pour réduire les risques de blessure, n'installez pas un foyer à gaz non ventilé dans cette cheminée. Ne pas bloquer ou remplir les espaces d'air avec des matériaux isolants ou d'autres matériaux. N'utilisez pas un insert de cheminée ou d'autres produits non spécifiés pour cette cheminée.**

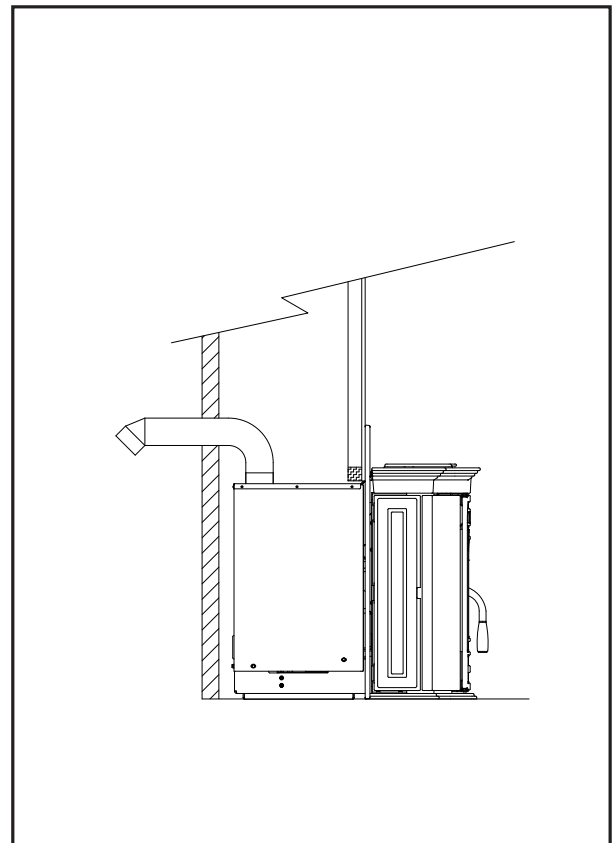
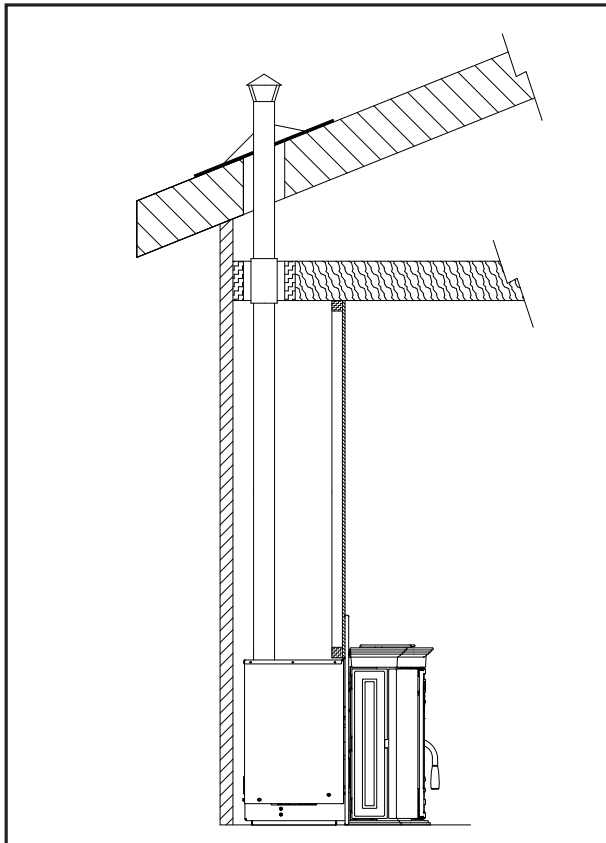




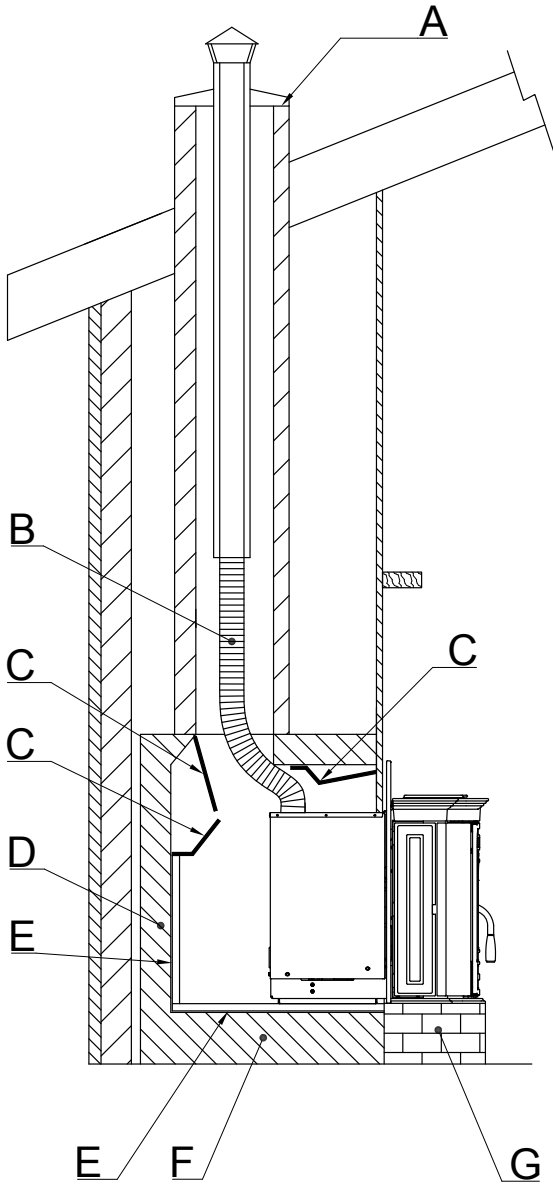
**Utilisez uniquement des coudes à 45° ou 30°, n'utilisez pas de coudes à 90°.**



Au Canada, cet insert de cheminée doit être installé avec une gaine de cheminée continue d'un diamètre minimum de 3", s'étendant de l'insert jusqu'en haut de la cheminée. La gaine de la cheminée doit être conforme aux exigences de la classe 3 de la norme CAN/ULC-S635, réglementant les systèmes de gaine pour les cheminées existantes de maçonnerie ou préfabriquées, ou de la norme CAN/ULC-S640 réglementant les systèmes de gaine pour les cheminées de maçonnerie nouvelles.



Cet insert à pellets convient pour une installation à dégagement zéro.  
Un tuyau flexible pour la ventilation n'est pas homologué pour ces types d'installation.



**A.-Sceller la plaque de recouvrement (non combustible) ;**

**B.-Section flexible ventilation « L » ;**

**C.-Le déflecteur de fumée, le registre et les coupe-fumées peuvent être retirés s'ils sont fixés à l'aide d'attaches mécaniques ;**

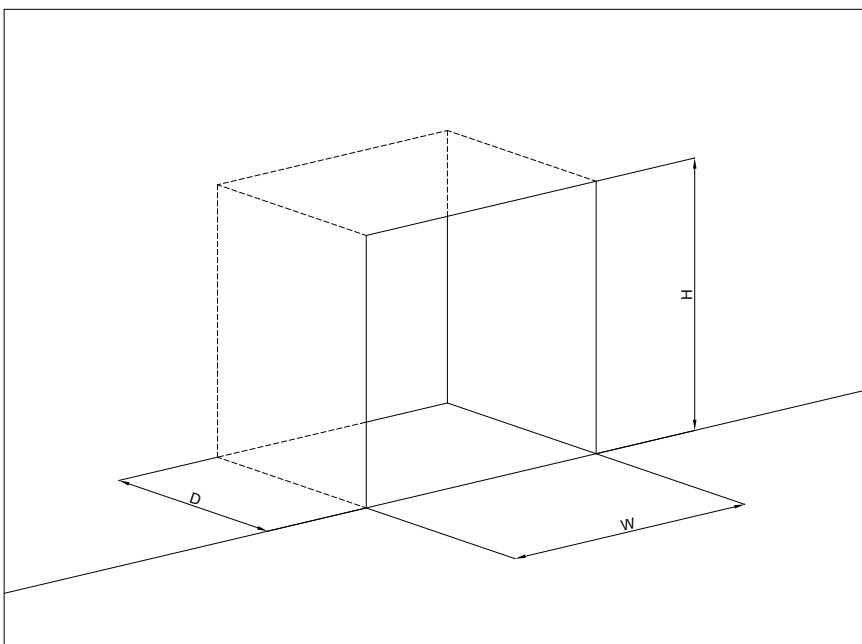
**D.-Les parois métalliques, les membres du châssis ou d'autres composants de la structure de la cheminée fabriquée en usine ne doivent pas être retirés ou modifiés ;**

**E.-Les briques réfractaires peuvent être retirées ;**

**F.-Le fond métallique de la chambre de combustion peut être retiré en laissant l'enveloppe extérieure du fond de la cheminée ;**

**G.-Vous devez construire un support pour un insert sur cheminée surélevée.**

**Ouverture minimale pour la maçonnerie et la cheminée fabriquée (uniquement pour insert de cheminée à pellets)**



**P = 16.5 " / 419 mm**

**I = 22.5" / 571.5 mm**

**H = 26" / 660.4 mm**

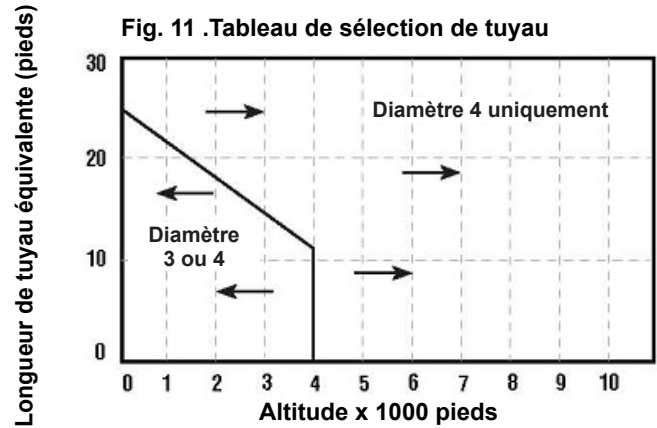
### Déterminer la taille du tuyau à installer

Pour déterminer le diamètre du tuyau à utiliser (3" ou 4"), vous pouvez utiliser les directives suivantes.

Remplissez le tableau d'installation (tableau 1) et calculez votre longueur de tuyau totale équivalente. Ensuite utilisez la longueur de tuyau totale équivalente et l'altitude dans le tableau de sélection du tuyau. (Fig. 11) pour déterminer si votre installation nécessite un conduit de fumée de 3" ou 4".

**Tableau 1 : Schéma d'installation**

Type de tuyau	Nb de coudes ou de pieds de tuyaux		Equivalent
Coudes à 90°/raccord (A & G)		x	5 pieds (1,5 m)
Coudes à 45° (C)		x	3 pieds (1,0 m)
Horizontal (B & F)		x	1 pied (0,3 m)
Vertical (E)		x	0,5 pied (0,15 m)



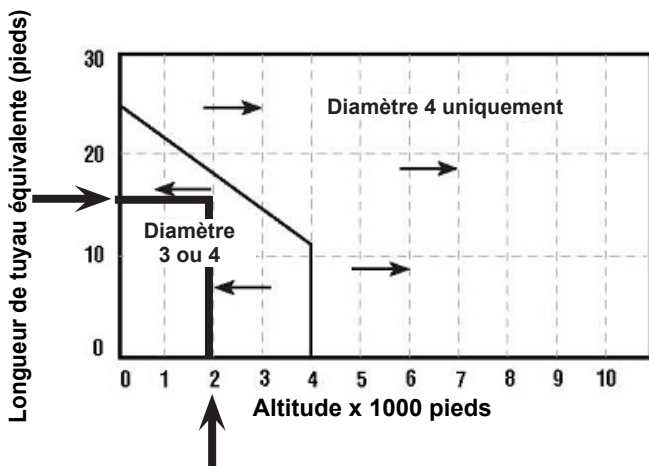
### Exemple de schéma d'installation

Type de tuyau	Nb de coudes ou de pieds de tuyaux		Equivalent	Total Equivalent
Coudes à 90°/raccord (A & G)	2	x	5 pieds (1,5 m)	10 pieds (3,0 m)
Coudes à 45° (C)	1	x	3 pi (1,0 m)	3 pi (1,0 m)
Horizontal (B & F)	3	x	1 pied (0,3 m)	1 pied (1,0 m)
Vertical (E)	8	x	0,5 pied (0,15m)	1 pied (1,2 m)

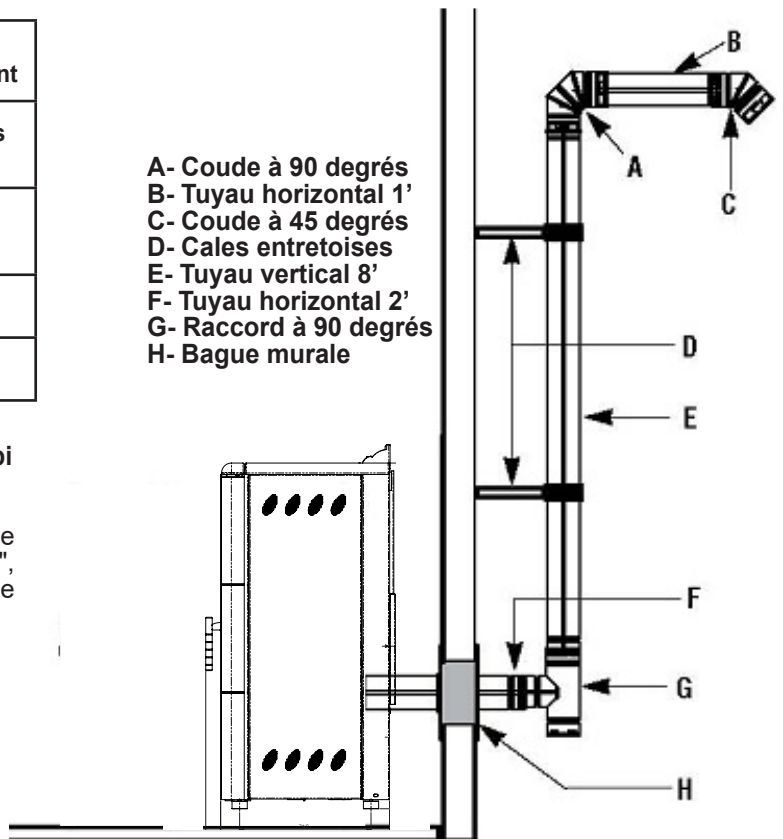
**Tableau 2 - Exemple de tableau pour fig. 12**

Longueur du tuyau équivalent = (10 + 3 + 1 + 1) pi = 15 pi

Si le poêle est installé dans un endroit à une altitude de 2000 pi, il est possible d'utiliser soit un tuyau de 3" ou de 4", comme vous pouvez le voir dans le tableau de sélection de tuyau ci-dessous.



- A- Coude à 90 degrés
- B- Tuyau horizontal 1'
- C- Coude à 45 degrés
- D- Cales entretoises
- E- Tuyau vertical 8'
- F- Tuyau horizontal 2'
- G- Raccord à 90 degrés
- H- Bague murale



**Fig. 12. Voir exemple de schéma d'installation**

### Configurations d'installation horizontale standard

1. Localisez le positionnement approprié pour la bague murale de type « PL ». Évitez de couper les poteaux muraux lors de l'installation de votre tuyau. Utilisez une scie sauteuse ou scie à guichet pour couper le bon diamètre de trou à travers le mur pour installer la bague murale. Faites preuve d'une extrême vigilance pour éviter de couper dans des lignes électriques situées à l'intérieur des murs de votre maison.  
La taille du trou dépend de la marque de ventilation de pellets que vous utilisez. Installez la bague murale dans le trou.

2. TOUS LES RACCORDS DE TUYAUX EMBOÎTES AU SEIN DE LA PIÈCE DOIVENT ÊTRE ÉTANCHEIFIÉS AVEC DU SILICONE RTV HAUTE TEMPÉRATURE AVEC UN MINIMUM DE 3 FIXATIONS PAR RACCORDS; Positionnez le poêle à environ 12" (305 mm) du mur sur l'assise de plancher. Poussez le tuyau « PL » à travers la bague murale de type « PL ». Écrasez une perle de silicone haute température (RTV) autour de l'extrémité de la section usinée du raccord de tuyau 3" (76 mm) sur l'arrière du poêle. Poussez fermement sur une section du tuyau « PL » jusqu'à ce que la gaine de tuyau intérieure appuie dans la perle du mastic RTV.

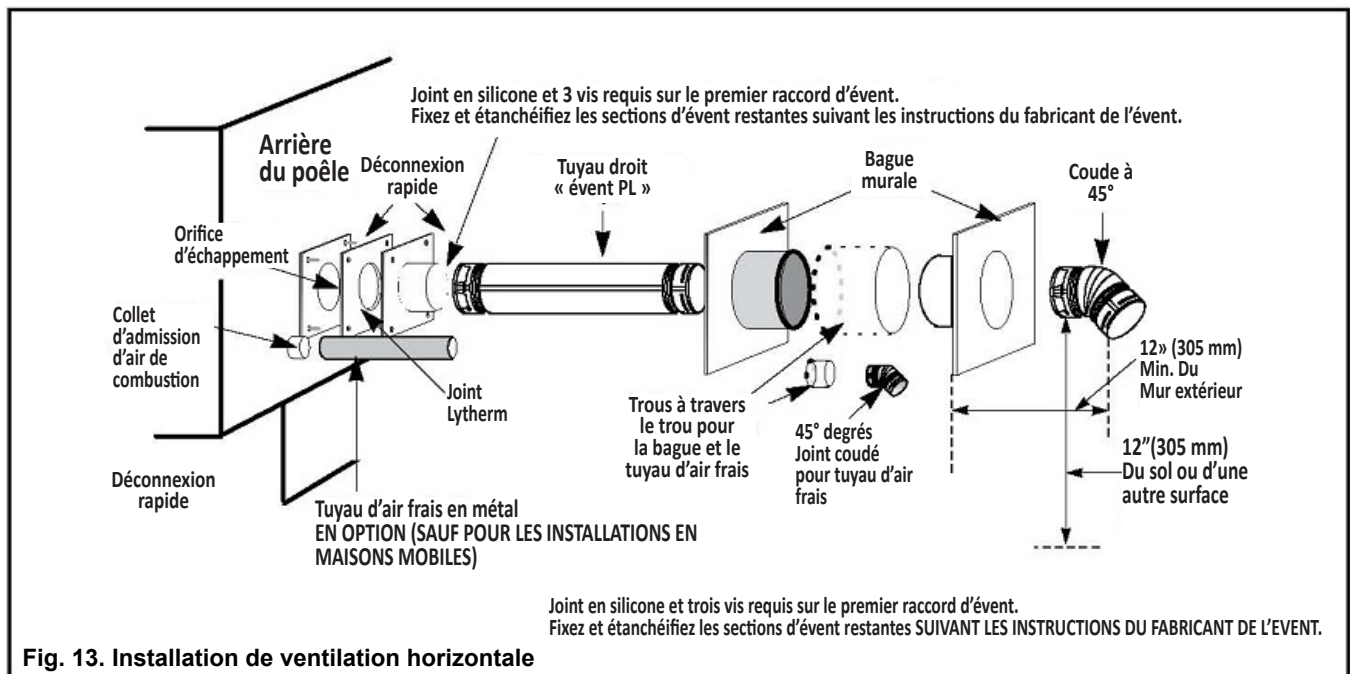
3. Poussez le poêle avec le tuyau fixé vers le mur (le tuyau traversera la bague murale). Ne positionnez l'arrière du poêle à moins de 2" (51 mm) du mur.

4. Installez le coude à 45 degrés de type « PL » avec un écran anti-rongeurs ou un bouchon (recommandé) sur l'extrémité extérieure du tuyau. L'écran anti-rongeurs doit être composé d'une maille qui soit pas inférieure à 1/2" (13 mm) et peut se retrouver bouché avec de la suie et des cendres si vous le laissez sans surveillance pendant la saison de combustion.  
REMARQUE : L'extrémité du tuyau d'échappement doit dépasser de minimum 12" (305 mm) de l'extérieur du bâtiment.

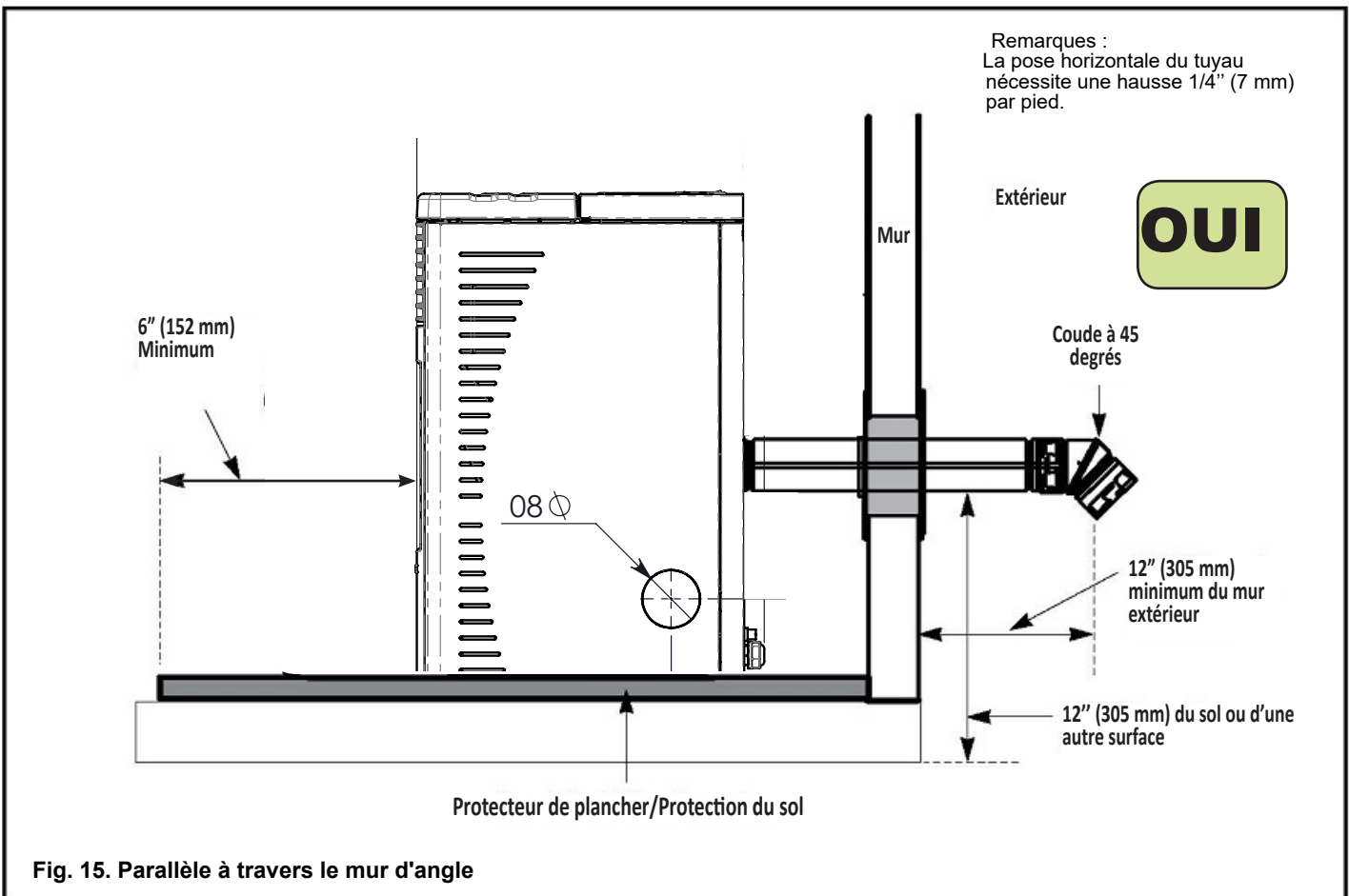
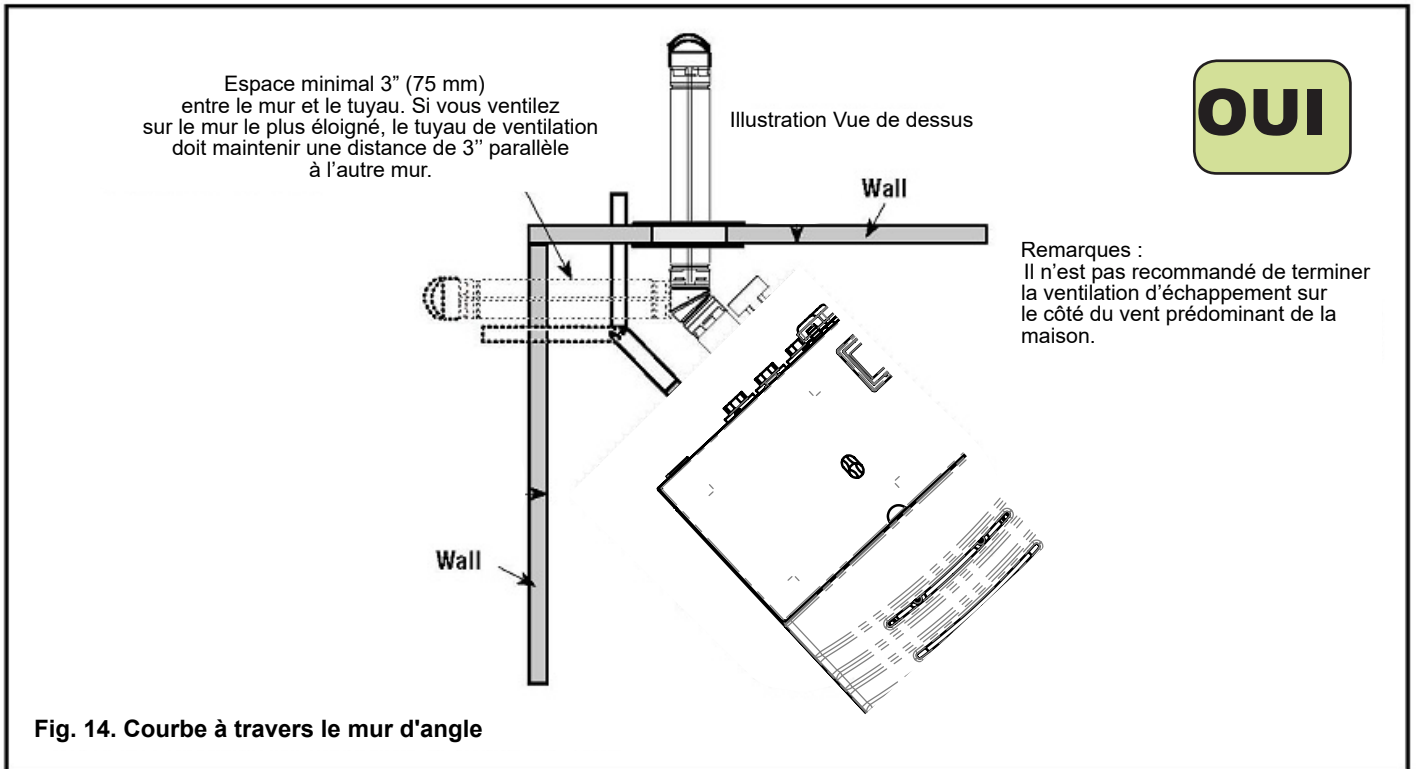
5. Si l'installation inclut une source d'air de combustion extérieur ; coupez un trou séparé à travers le mur pour le tuyau d'air frais. Utilisez un tuyau en acier inoxydable ou galvanisé pour le conduit. La taille minimale pour le conduit doit être inférieure à 50 % de la section transversale de la cheminée. Raccordez le tuyau d'air extérieur à l'entrée d'air sur le poêle. Ce tuyau doit se terminer par un coude à 45 degrés ou un cache.

#### REMARQUES :

L'air de combustion peut également provenir de l'espace du vide sanitaire sous la maison.  
Tous les joints des raccords de tuyaux doivent être fixés avec au moins trois vis. En cas de ventilation horizontale, les joints doivent être étanches aux gaz (étanches à l'air, raccordement étanche) d'une manière identique à celle indiquée sur cette page (voir instruction n°2).  
Installez une ventilation aux distances spécifiées par le fabricant de la ventilation.



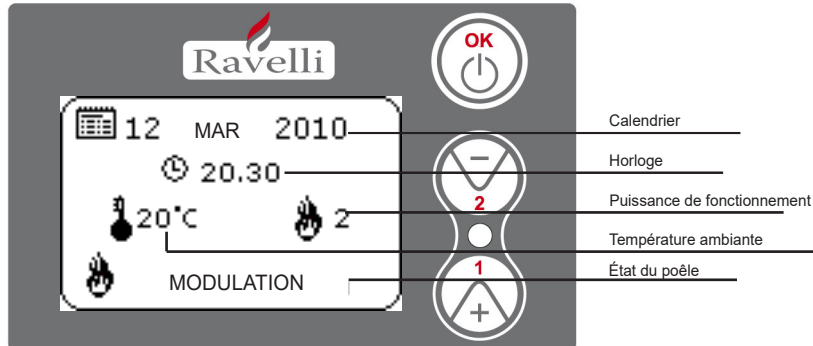
Configurations d'installation horizontale standard



## 7. Description du fonctionnement et symboles de l'affichage

La caractéristique innovante de cet écran spécifique est la communication à travers les ondes transmises à basse tension (12 volts) entre la carte mère électronique et l'affichage. La communication s'effectue à travers un câble bipolaire (ex : le câble pour les haut-parleurs) et la nouveauté, c'est qu'il est possible d'installer l'affichage dans le mur à l'aide du bâti standard en option pour le boîtier électrique 503.

### 7.1. Affichage avec mode « ECRAN PRINCIPAL »



Touche « 1 » : touche d'accès pour « régler la température ambiante » et la régulation

Touche « 2 » : touche d'accès pour « régler la puissance » et la régulation

Touche « OK » : effectuez une brève pression sur la touche pour confirmer et revenir à l'écran principal ; appuyez sur la touche pendant 3 secondes pour activer et désactiver le poêle.

Les fonctionnalités de cet affichage lorsqu'il est utilisé en mode « ECRAN PRINCIPAL », sont les suivantes :

- Allumez et éteignez le poêle
- Définissez la température ambiante et sélectionnez le type de capteur (capteur fourni raccordé à la carte mère ou capteur intégré à l'affichage)
- Définissez la puissance de fonctionnement (1,2,3,4,5)

#### 7.1.1 Allumer et éteindre le poêle

Avant de démarrer le poêle, veuillez suivre la procédure suivante :

- 1- Vérifiez que l'installation est raccordée à la cheminée
- 2- Branchez le câble électrique
- 3- Définissez l'interrupteur à l'arrière du poêle en position 1
- 4- Chargez la trémie à pellets avec des pellets de 6 mm
- 5- Chargez la vis comme décrit au paragraphe 8.6
- 6- Appuyez sur OK pendant 3 secondes.

A ce stade, le poêle démarre la phase d'allumage.

Les inscriptions suivantes apparaissent sur l'affichage :

- **ALLUMAGE** (le temps d'attente diffère en fonction des paramètres par défaut)
- **EN ATTENTE DE FLAMME** (le temps d'attente diffère en fonction des paramètres par défaut)
- **FLAMME ALLUMÉE** (le temps d'attente diffère en fonction des paramètres par défaut)
- **FONCTIONNEMENT** (le temps d'attente diffère en fonction des paramètres par défaut)

#### 7.1.2. Définissez la température ambiante

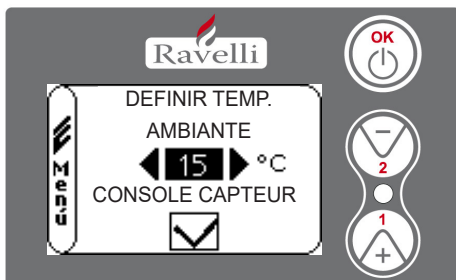


Fig. 1

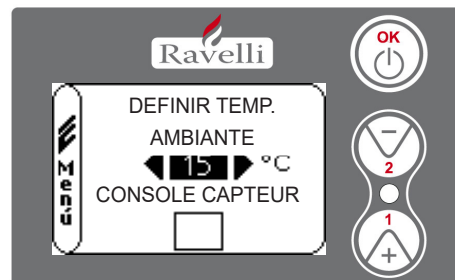


Fig. 2

Le fonctionnement du poêle avec un thermostat d'ambiance activé se divise en 3 catégories :

- A- Avec capteur d'ambiance fourni positionné sur l'arrière du poêle (non disponible pour les modèles d'insert)
- B- Avec capteur d'ambiance intégré à l'affichage
- C- Avec thermostat externe (non fourni)

#### D-MODE AVEC CAPTEUR D'AMBIANTE FOURNI (UTILISATION PAR DEFAUT ET SUGGEREE)

Si vous utilisez le capteur d'ambiance fourni, l'affichage indique la température ambiante.

Pour définir et modifier la température, appuyez sur la touche numéro 1 pour accéder au menu dédié et définissez la valeur souhaitée avec les touches 1 et 2.

Confirmez avec la touche OK 2 fois et gardez décochée la case CONSOLE CAPTEUR (balise, voir fig. 2). Une fois la température de consigne atteinte, l'affichage indique MODULATION, donc le poêle réduit au minimum la consommation de pellets ainsi que la puissance.

### B-MODE AVEC CAPTEUR D'AMBIANCE INTEGRE A L'AFFICHAGE

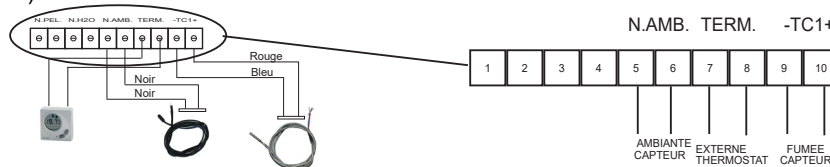
Si vous souhaitez installer l'affichage sur le mur au lieu du poêle comme dans les paramètres d'usine, veuillez-vous référer au fonctionnement avec un capteur d'ambiance fourni (tel que décrit ci-dessus) avec une seule différence : la case (balise) CONSOLE CAPTEUR, si vous travaillez dans ce mode, vous pouvez le sélectionner avec la touche 2. Puis confirmez avec la touche OK (voir Fig. 1 paragraphe 7.1.2.)

### C-MODE THERMOSTAT EXTERNE

Si vous utilisez un thermostat externe correctement raccordé tel qu'indiqué dans le schéma électrique (voir le paragraphe 10), l'affichage n'indiquera pas la température ambiante mais l'inscription T ON (lorsque le contact est fermé) ou T OFF (lorsque le contact est ouvert).

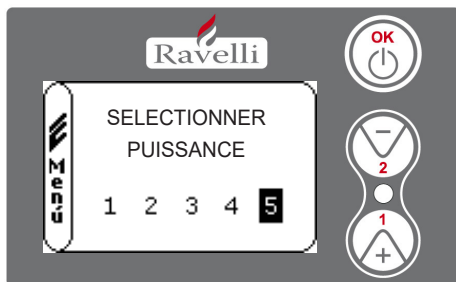
REMARQUE : POUR ACTIVER LE THERMOSTAT EXTERNE, SAISISSEZ LA TEMPERATURE DE CONSIGNE A L'AIDE DE LA CLE 1 ET APPUYEZ A MAINTES REPRISES POUR ATTEINDRE LA VALEUR « EST » SUR L'AFFICHAGE ; CONFIRMEZ DEUX FOIS AVEC LA TOUCHE OK EN MAINTENANT LA CASE (BALISE) « CONSOLE CAPTEUR » COCHEE.

Une fois la température de consigne atteinte, l'affichage indique MODULATION MARCHE, donc le poêle réduit au minimum la consommation de pellets ainsi que la puissance. Si le mode CONFORT CLIMAT est activé, le poêle s'allume et s'éteint automatiquement (pour plus de détails, voir le paragraphe 8.2)



**REMARQUE : si vous voulez utiliser le mode CONFORT CLIMAT, il est recommandé d'utiliser un thermostat avec CONSIGNE ARRÊT d'au moins 3°C.**

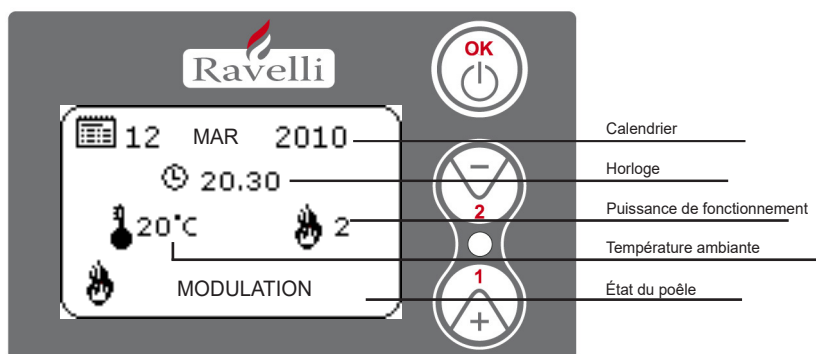
### 7.1.3 Définir la puissance de fonctionnement



Pour modifier la puissance de fonctionnement, appuyez sur la touche 2 pour accéder au menu dédié et sur les touches 1 et 2 pour régler la puissance souhaitée entre 1 et 5 et confirmez avec la touche OK. Si vous augmentez la puissance et la consommation de pellets, la vitesse du ventilateur augmente aussi.

REMARQUE - Il n'est pas possible de modifier la puissance définie de MARCHE MODULATION.

### 7.2. Affichage avec le mode « AVANCE »



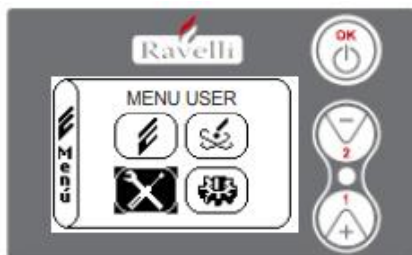
**Touche « OK » : touche d'accès au menu complet et confirmation des réglages choisis**

**Touche « 1 » : touche de défilement et modification des paramètres**

**Touche « 2 » : touche de défilement et modification des paramètres**

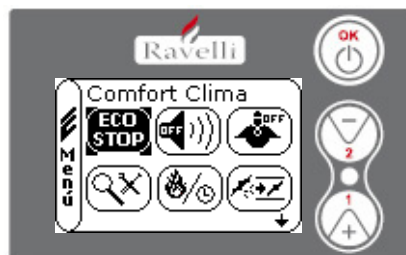
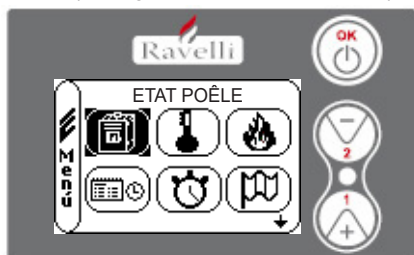
Le poêle est équipé de nombreuses fonctions disponibles dans chaque menu de programmation. Certains de ces menus sont accessibles par l'utilisateur final, d'autres sont protégés par un mot de passe et sont donc accessibles uniquement par le technicien autorisé.

Les trois images qui suivent montrent le menu avec toutes ses icônes pour les fonctionnalités avancées



L'utilisation de l'affichage en mode avancé offre une vue de quatre menus principaux :

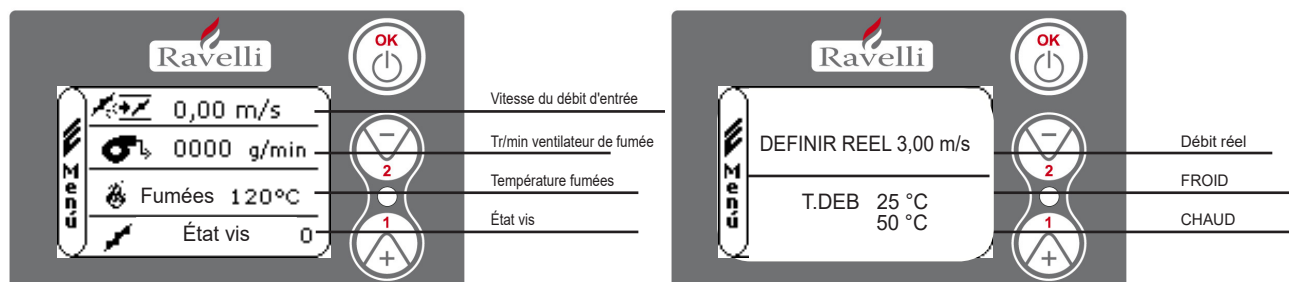
- MENU UTILISATEUR
- PARAMETRES PAR DEFAUT (protégés par un mot de passe)
- PARAMETRES DE BASE (protégés par un mot de passe)
- PARAMETRES RDS (protégés par un mot de passe)



Pour accéder au MENU UTILISATEUR, appuyer deux fois sur la touche OK. Les sous-menus du MENU UTILISATEUR (le seul accessible pour l'utilisateur final) sont les suivants :

- Menu ETAT POËLE
- Menu DEFINIR TEMP. AMBIANTE PIECE
- Menu DEFINIR PUISSANCE
- Menu REGLER HORLOGE
- Menu MINUTEUR
- Menu LANGUE
- Menu CONFORT CLIMAT
- SILENCE
- Mode SYSTEME AUTOCONTRÔLE
- Menu AFFICHER PARAMETRES
- Menu AFFICHER HEURES DE FONCTIONNEMENT
- Menu DEFINIR TIRAGE/PELLET

### 7.2.1 Menu « ETAT POËLE »



Dans ce menu, vous pouvez vérifier le bon fonctionnement des composants les plus importants du poêle à pellets, et certaines valeurs qui signalent son bon fonctionnement.

Pour accéder à ce menu, appuyez 3 fois sur la touche OK sur l'écran principal.

Ce menu est utilisé à la fois par le technicien autorisé pour comprendre la raison du dysfonctionnement du poêle et par l'utilisateur final pour l'amorçage.

### 7.2.2 Menu « DEFINIR TEMPERATURE AMBIANTE »

Pour accéder au MENU UTILISATEUR, appuyez deux fois sur la touche OK.

Pour accéder au menu « DEFINIR TEMPERATURE AMBIANTE », appuyez une fois sur la touche 2 et confirmez avec OK.

POUR MODIFIER LE PARAMETRE, VEUILLEZ-VOUS REPORTER AU PARAGRAPHE 7.1.2.

Pour retourner dans le menu principal, appuyez simultanément sur les touches 1 et 2.

Ou bien il est également possible de quitter pas à pas les menus en appuyant à chaque fois sur la touche OK.

### 7.2.3 Menu « DEFINIR PUISSANCE »

Pour accéder au MENU UTILISATEUR, appuyez deux fois sur la touche OK.

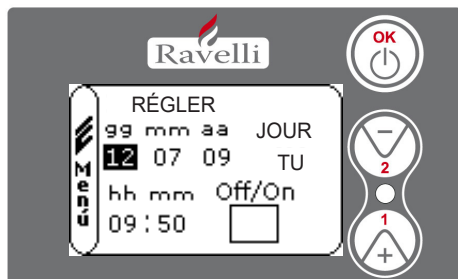
Pour accéder au menu « DEFINIR PUISSANCE », appuyez 2 fois sur la touche 2 et confirmez avec OK.

POUR MODIFIER LE PARAMETRE, VEUILLEZ-VOUS REPORTER AU PARAGRAPHE 7.1.3.

Pour retourner dans le menu principal, appuyez simultanément sur les touches 1 et 2.

Ou bien il est également possible de quitter pas à pas les menus en appuyant à chaque fois sur la touche OK.

### 7.2.4. Menu « REGLER HORLOGE »



Pour accéder au MENU UTILISATEUR, appuyer deux fois sur la touche OK.

Pour accéder au menu « REGLER HORLOGE », appuyez 3 fois sur la touche 2 et confirmez avec OK. Pour modifier les paramètres, utilisez les touches 1 et 2 et en appuyant sur OK vous confirmez les données et vous passez au paramètre suivant. En cochant la case (balise) ON/OFF, vous activez la fonction chrono (voir le paragraphe 7.2.5).

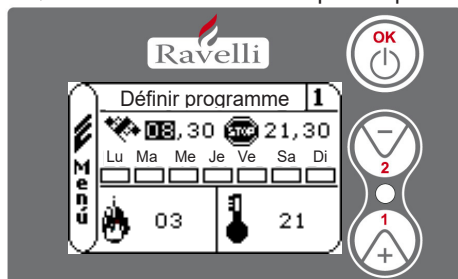
Au moment de la dernière confirmation avec OK, vous enregistrez tous les paramètres et retournez automatiquement à l'écran avec les icônes.



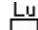


Pour retourner dans le menu principal, appuyez simultanément sur les touches 1 et 2.

Ou bien il est également possible de quitter pas à pas les menus en appuyant à chaque fois sur la touche OK.

### 7.2.5. Menu « MINUTEUR »

Avec la fonction Minuteur, il est possible de programmer pour chaque jour de la semaine, l'activation et la désactivation du poêle dans QUATRE intervalles de temps indépendants (PROGRAMME 1, 2, 3, 4).



-  DEPART : heure d'activation du chrono (prog.1-prog.2)
-  ARRÊT : heure de désactivation du chrono (prog.1-prog.2)
-  JOUR : jours d'activation du programme
-  PUISSANCE : puissance souhaitée au moment de l'activation du poêle
-  TEMPERATURE : la température idéale que vous souhaitez atteindre dans la pièce d'installation du poêle, pendant le démarrage avec fonction chrono activée. Le paramètre est écrasé par celui défini manuellement.

Pour accéder au MENU UTILISATEUR, appuyer deux fois sur la touche OK.

Pour choisir les options de programmation, utilisez les touches 1 et 2 ; confirmez avec OK.

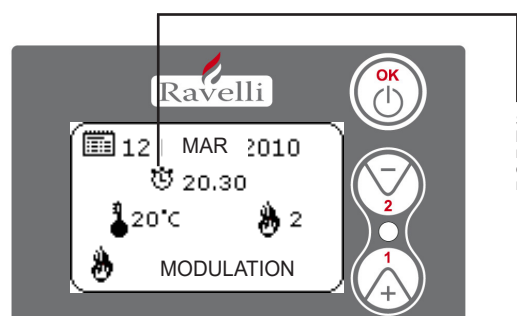
- Programme 1 : utilisez les touches 1 et 2 pour modifier les paramètres et à chaque pression sur la touche OK, vous confirmez les données que vous avez saisies et passez au paramètre suivant.

- Programme 2 : utilisez les touches 1 et 2 pour modifier les paramètres et à chaque pression sur la touche OK, vous confirmez les données que vous avez saisies et passez au paramètre suivant.

Au moment de la dernière confirmation avec OK, vous enregistrez tous les paramètres et retournez automatiquement à l'écran avec les icônes.

Pour retourner dans le menu principal, appuyez simultanément sur les touches 1 et 2.

Ou bien il est également possible de quitter pas à pas les menus en appuyant à chaque fois sur la touche OK.



Si le segment noir n'est pas allumé sur l'affichage correspondant à l'icône de l'horloge, cela signifie qu'il est pas possible de procéder à la programmation. Pour l'activer, veuillez-vous référer au chapitre sur le réglage du jour actuel (7.2.5 MENU MINUTEUR) étant donné que la valeur ne doit pas être égale à OFF (7.2.4 MENU Horloge).

**DESCRIPTION DES LIGNES :**

Description	Valeurs
DEPART PROG - 1	De OFF jusqu'à 23:50 par intervalles de 10'
ARRÊT PROG - 1	De OFF jusqu'à 23:50 par intervalles de 10'
JOUR PROG - 1	Activation/désactivation des jours du lundi au dimanche
PUISSANCE PROG - 1	de 01 à 05
DEFINIR T AMB PROG - 1	De EST à MAN
DEPART PROG - 2	De OFF jusqu'à 23:50 par intervalles de 10'
ARRÊT PROG - 2	De OFF jusqu'à 23:50 par intervalles de 10'
JOUR PROG - 2	Activation/désactivation des jours du lundi au dimanche
PUISSANCE PROG - 2	de 01 à 05
DEFINIR T AMB PROG - 2	De EST à MAN

**EXEMPLE :**

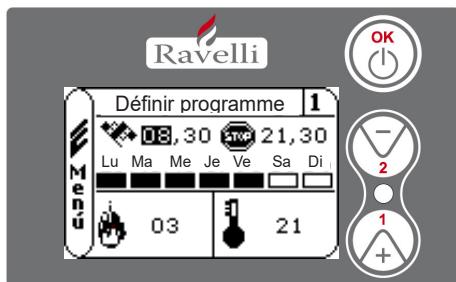


Fig. 1

Supposons que l'utilisateur souhaite activer le poêle à 08:30 et le désactiver à 21:30 tous les jours de la semaine, à l'exception du week-end (PROGRAMME 1), supposons en outre que l'utilisateur souhaite une température ambiante de 21°C et pour atteindre cette température, il définit une puissance de fonctionnement de 3. Procéder alors comme suit :

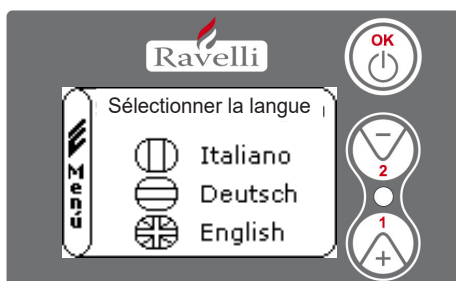
- Dans le MENU MINUTEUR, confirmez avec la touche OK et définissez le programme que vous souhaitez modifier à l'aide de la touche 1 et 2 ;
- En confirmant avec la touche OK, vous accédez au réglage de l'heure d'activation, définissez l'heure (hh:mm) à l'aide des touches 1 et 2 ;
- En confirmant avec la touche OK, vous accédez au réglage de l'heure de désactivation, définissez l'heure (hh:mm) à l'aide des touches 1 et 2 ;
- En confirmant avec la touche OK, vous accédez au défilement des jours, et vous activez/désactivez les jours à l'aide des touches 1 et 2 (ex. : Fig. 1, activation lundi, mardi, mercredi, jeudi et vendredi).
- En confirmant avec la touche OK, vous accédez au réglage de la puissance, et vous définissez les valeurs à l'aide des touches 1 et 2 (ex. : Fig 1, Puissance 3).
- En confirmant avec la touche OK, vous accédez au réglage de la température ambiante, et vous définissez les degrés à l'aide des touches 1 et 2 (ex. : 20°C).

Lorsque le poêle fonctionne et que la consigne de température ambiante est atteinte, le poêle bascule en MODULATION ou en CONFORT CLIMAT (si activé).

**! IMPORTANT**

**SI VOUS UTILISEZ CE MODE, IL EST NECESSAIRE DE VERIFIER APRES CHAQUE DESACTIVATION AUTOMATIQUE, QUE LA CUVE DE COMBUSTION EST TOUJOURS PARFAITEMENT NETTOYEE AFIN DE GARANTIR UN PARFAIT ALLUMAGE AUTOMATIQUE.**

**7.2.6 Menu « LANGUE »**



Pour accéder au MENU UTILISATEUR, appuyer deux fois sur la touche OK.

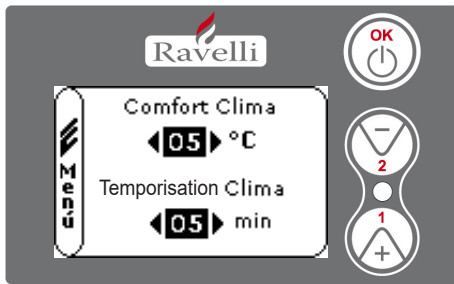
Pour accéder au menu « DEFINIR LANGUE », appuyez 5 fois sur la touche 2 et confirmez avec OK. Pour sélectionner la langue, utilisez les touches 1 et 2.

Au moment de la dernière confirmation avec OK, vous enregistrez tous les paramètres et retournez automatiquement à l'écran avec les icônes.

Pour retourner dans le menu principal, appuyez simultanément sur les touches 1 et 2.

Ou bien il est également possible de quitter pas à pas les menus en appuyant à chaque fois sur la touche OK.

7.2.7. Menu « CONFORT CLIMAT » 



Pour accéder au MENU UTILISATEUR, appuyer deux fois sur la touche OK.

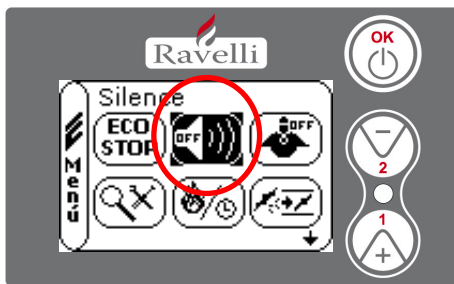
Pour accéder au menu « CONFORT CLIMAT », appuyez 6 fois sur la touche 2 et confirmez avec OK. Pour modifier les paramètres, utilisez les touches 1 et 2 et en appuyant sur OK vous confirmez les données et vous passez au paramètre suivant.

Au moment de la dernière confirmation avec OK, vous enregistrez tous les paramètres et retournez automatiquement à l'écran avec les icônes.

Pour retourner dans le menu principal, appuyez simultanément sur les touches 1 et 2.

Ou bien il est également possible de quitter pas à pas les menus en appuyant à chaque fois sur la touche OK.

7.2.8. Mode « SILENCE » 



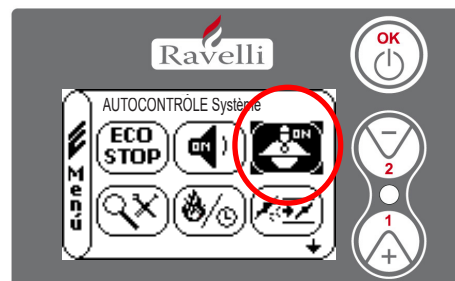
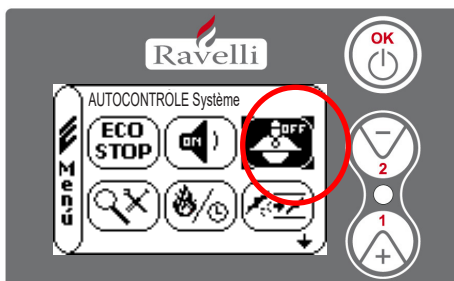
Pour accéder au MENU UTILISATEUR, appuyer deux fois sur la touche OK.

Pour accéder au MODE SILENCE, appuyez 7 fois sur la touche 2 et confirmez avec OK. Vous pouvez activer/désactiver la fonction en utilisant la touche OK.

Pour retourner dans le menu principal, appuyez simultanément sur les touches 1 et 2.

Ou bien il est également possible de quitter pas à pas les menus en appuyant à chaque fois sur la touche OK.

7.2.9 Mode « SYSTEME AUTOCONTRÔLE » 



Pour accéder au MENU UTILISATEUR, appuyer deux fois sur la touche OK.

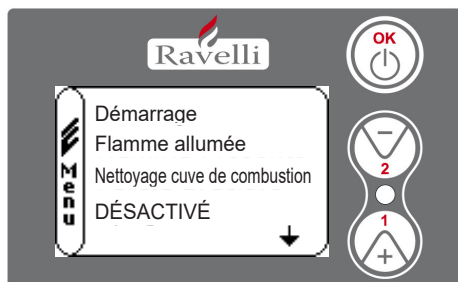
Pour accéder au MODE SYSTEME AUTOCONTRÔLE, appuyez 8 fois sur la touche 2 et confirmez avec OK. Vous pouvez activer/désactiver la fonction en utilisant la touche OK.

Pour retourner dans le menu principal, appuyez simultanément sur les touches 1 et 2.

Ou bien il est également possible de quitter pas à pas les menus en appuyant à chaque fois sur la touche OK.

### 7.2.10 Menu « AFFICHER PARAMETRES »

Dans ce menu, vous pouvez vérifier les paramètres définis dans la carte mère, sans avoir la possibilité de les changer. Ces paramètres peuvent être ajustés uniquement par un technicien autorisé.



Pour accéder au MENU UTILISATEUR, appuyer deux fois sur la touche OK.

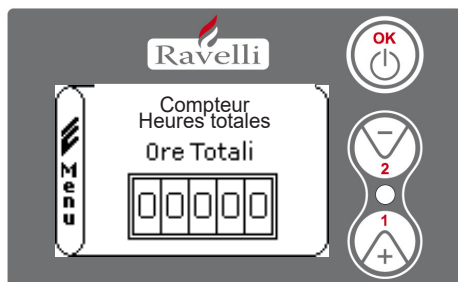
Pour accéder au menu « AFFICHER PARAMETRES », appuyez 9 fois sur la touche 2. En confirmant avec OK, vous accédez à la liste des paramètres définis. Pour faire défiler la liste des paramètres, utilisez les touches 1 et 2. Vous pouvez visualiser ces paramètres en appuyant sur la touche « OK ».

Pour retourner dans le menu principal, appuyez simultanément sur les touches 1 et 2.

Ou bien il est également possible de quitter pas à pas les menus en appuyant à chaque fois sur la touche OK.

### 7.2.11. Menu « AFFICHER HEURES DE FONCTIONNEMENT »

Dans le menu AFFICHER HEURES DE FONCTIONNEMENT, vous pouvez vérifier le nombre total ou partiel des heures de fonctionnement ainsi que le nombre d'allumages du poêle. Il est possible parfois que les heures de fonctionnement ne soient pas remises à zéro et vous voyez des chiffres comme 5000/15000/25000. Il incombera au technicien de remettre à zéro ces chiffres au premier allumage. Cela ne signifie pas que le poêle a déjà fonctionné pendant toutes ces heures, il s'agit simplement d'un réglage effectué pendant les tests à Ravelli, avant d'emballer et de livrer les poêles. Ce menu est utilisé par le Centre après-vente afin d'évaluer le nombre total d'heures de fonctionnement du poêle pendant la saison et ainsi d'évaluer la nécessité d'un nettoyage (« heures de service »).



Pour accéder au MENU UTILISATEUR, appuyer deux fois sur la touche OK.

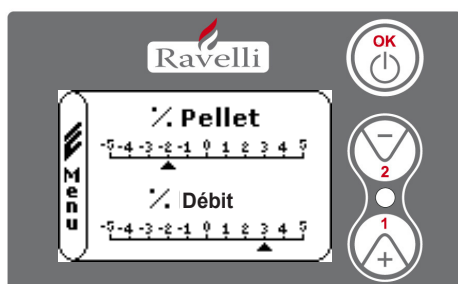
Pour accéder au menu « AFFICHER HEURES DE FONCTIONNEMENT », appuyez 10 fois sur la touche 2. En confirmant avec OK, vous voyez les heures de fonctionnement de votre poêle. Pour faire défiler les différents compteurs (heures totales ou partielles et nombre d'allumages), utilisez les touches 1 et 2.

Pour retourner dans le menu principal, appuyez simultanément sur les touches 1 et 2.

Ou bien il est également possible de quitter pas à pas les menus en appuyant à chaque fois sur la touche OK.

### 7.2.12 Menu « DEFINIR AIR/PELLET »

Le réglage de l'ensemble tirage-pellet permet de modifier immédiatement la quantité d'air d'admission et la quantité de pellets chargés dans la cuve de combustion. Le poêle est testé avec des pellets certifiés DIN PLUS. Si vous n'utilisez pas de pellets certifiés, il pourra être nécessaire de régler la combustion. Normalement, la modification s'effectue sur « % DEBIT » pour ajuster l'air d'entrée et donc la combustion ; si la régulation du débit n'est pas suffisante, il peut être nécessaire de régler aussi « % PELLETT ».



**! IMPORTANT**

**SI VOUS UTILISEZ CE MODE, IL EST NECESSAIRE DE VERIFIER APRES CHAQUE DESACTIVATION AUTOMATIQUE, QUE LA CUVE DE COMBUSTION EST TOUJOURS PARFAITEMENT NETTOYEE AFIN DE GARANTIR UN PARFAIT ALLUMAGE AUTOMATIQUE.**

**8. Description des fonctions**

**8.1. La modulation**

Pendant la phase de fonctionnement, le poêle doit atteindre la température ambiante définie ; une fois la consigne de température atteinte, le poêle passe en mode FONCTIONNEMENT MODULATION, durant lequel la consommation de pellets est minimale et le ventilateur d'air ambiant tourne à puissance minimale.

**8.2. Confort Climat**

Pour accéder au MENU UTILISATEUR, appuyer deux fois sur la touche OK.

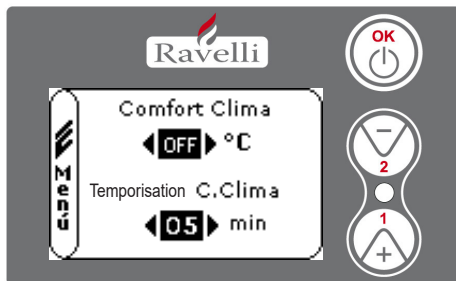
Pour accéder au menu « CONFORT CLIMAT », appuyez 6 fois sur la touche 2 et confirmez avec OK. Pour modifier les paramètres, utilisez les touches 1 et 2 et en appuyant sur OK vous confirmez les données et vous passez au paramètre suivant.

Au moment de la dernière confirmation avec OK, vous enregistrez tous les paramètres et retournez automatiquement à l'écran avec les icônes.

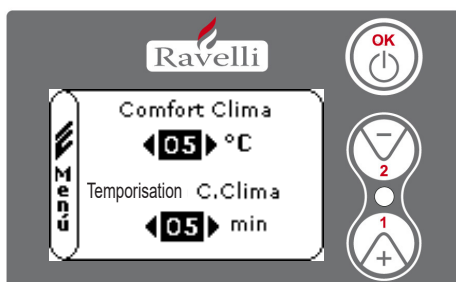
Pour retourner dans le menu principal, appuyez simultanément sur les touches 1 et 2.

Ou bien il est également possible de quitter pas à pas les menus en appuyant à chaque fois sur la touche OK.

**EXEMPLE :**



Pour l'activer, appuyez sur la touche OK pour définir une valeur autre que OFF et les chaînes suivantes s'affichent sur l'affichage

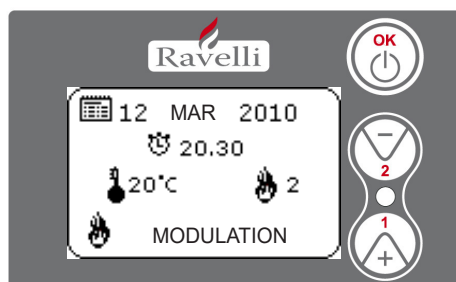


La valeur définie (dans ce cas 5) a activé la fonction Confort Climat. FONCTIONNEMENT :

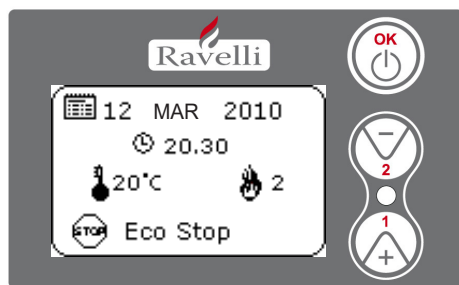
La valeur définit la température, le poêle s'active à nouveau. Exemple :

- température ambiante fixée à 21°
- valeur Confort Climat fixée à 2

Avec cette consigne, le poêle se désactive lorsque la température de 21°C est atteinte, et se remet en marche lorsque la température ambiante est de 18°C ( $21^{\circ}\text{C} - 2 - 0,5 = 18^{\circ}\text{C}$ ). Les chaînes suivantes apparaissent l'une après l'autre sur l'affichage :



La phase de modulation est atteinte dès que la température ambiante a été atteinte. Si la température est maintenue pendant environ 5 minutes, le poêle s'arrête.



Après la phase de désactivation, l'affichage indique ARRÊT ECO. Le poêle reste dans cet état jusqu'à ce que la température descende à environ 18°C et ensuite seulement le poêle redémarre à nouveau.

Le fonctionnement du poêle en mode CONFORT CLIMAT peut démarrer la phase d'allumage et d'arrêt plusieurs fois par jour ; cela peut compromettre la durée du dispositif d'allumage qui sert à l'allumage automatique du poêle.

### 8.3. Mode SILENCE (pour l'activer, voir le par. 7.2.8)

Le mode SILENCE a été mis en place pour réduire le niveau de bruit du ventilateur. Il réduit la vitesse du ventilateur dans les cinq niveaux de puissance de fonctionnement.

Son utilisation est conseillée en particulier la nuit.

### 8.4. Mode SYSTEM AUTOCONTRÔLE (S.C.S., pour l'activer voir par. 7.2.9)

Le mode SYSTEM AUTOCONTRÔLE (S.C.S.) a été conçu pour permettre au poêle de détecter plus rapidement un éventuel problème dans le cas où

vous n'êtes pas chez vous ou que vous n'êtes pas auprès du poêle.

### 8.5. HEURES DE SERVICE

En plus d'un nettoyage régulier (reportez-vous au paragraphe consacré à l'entretien du poêle dans le manuel de l'utilisateur), tous nos modèles ont besoin d'un nettoyage spécial qui doit être effectué par l'installateur (agréé par le fabricant).

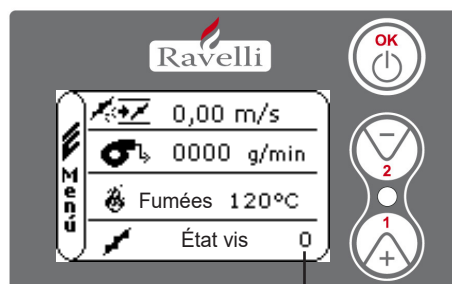
Le calendrier de ce nettoyage est régi par un décompte prédéfini d'heures de fonctionnement. A la fin de ces heures, le message « HEURES DE SERVICE » apparaît sur l'affichage et est suivi par un signal acoustique. Lorsque ce message apparaît, veuillez contacter l'installateur pour effectuer le nettoyage du poêle.

Si le nettoyage n'est pas effectué, le message apparaît à chaque allumage mais n'interrompt pas le fonctionnement du poêle.

### 8.6. Chargement automatique de la vis

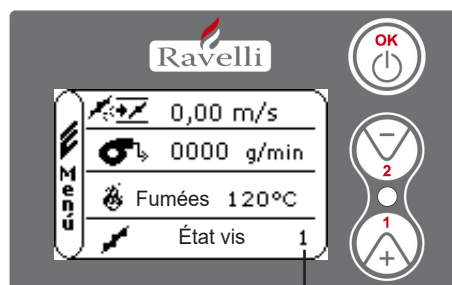
Pour charger automatiquement la vis (lorsque le poêle est neuf, la vis de chargement est vide), veuillez procéder aux opérations suivantes :

Accédez au menu « ETAT POËLE »



Désactiver vis

Appuyez sur la touche OK pour activer la vis



Activer vis

Pour retourner dans le menu principal, appuyez simultanément sur les touches 1 et 2.

Ou bien il est également possible de quitter pas à pas les menus en appuyant à chaque fois sur la touche OK.

Répétez l'opération plusieurs fois jusqu'à ce que vous voyiez des pellets tomber dans la cuve de combustion.

Il est possible de procéder à cette opération uniquement si le poêle est en phase NETTOYAGE FINAL ou s'il est éteint.

### 8.7 Précautions d'utilisation

- En cas de dysfonctionnement, désactivez le poêle en appuyant sur le bouton n°3.
- Ne chargez pas manuellement la chambre de combustion avec des pellets.
- Toute accumulation de pellets non brûlés à l'intérieur de la cuve de combustion après plusieurs tentatives pour allumer le poêle, doit être éliminée avant de procéder à d'autres tentatives.
- N'utilisez pas d'autres combustibles que des pellets en bois.
- Si le système d'allumage est défectueux, n'essayez pas d'allumer le poêle à l'aide de matériaux inflammables.

### 8.8. Commande à distance (uniquement pour les poêles à poser)

Récepteur à infrarouge pour commande à distance (piles 12 V code LRV08 non incluses)



#### FONCTIONS DE BASE

- **P1 - P2 Définir température** : permet de définir la valeur souhaitée pour la température ambiante entre 44°F et 104°F et de définir sur « EST » ou « MAN »
- **P4 - P5 Définir puissance** : permet de définir la puissance de fonctionnement dans une plage comprise entre minimum 1 à maximum 5
- **OK** : en maintenant la touche enfoncée pendant 3 secondes, elle permet d'activer et de désactiver le poêle manuellement.

#### FONCTIONS AVANCEES

- **OK multifonctions** : si vous appuyez une fois sur cette touche, vous pouvez accéder au menu principal et confirmer le réglage. Il est possible de quitter pas à pas chaque menu en maintenant la touche enfoncée à chaque fois.
- **P1 - P4 multifonctions** : permet de faire défiler les icônes dans le menu
- **P2 - P5 multifonctions** : permet de modifier le réglage dans le menu

### 8.9. Tableau récapitulatif des phases

PHASE	DESCRIPTION
<b>NETTOYAGE FINAL</b>	Le poêle s'arrête, la phase de refroidissement n'est pas encore terminée.
<b>ALLUMAGE</b>	La phase d'allumage a commencé, les pellets sont chargés dans la chambre de combustion.
<b>EN ATTENTE FLAMME</b>	Les pellets sont allumés par le passage d'air chaud à travers le dispositif d'allumage électrique.
<b>FLAMME PRESENTE</b>	La flamme est visible dans la cuve de combustion.
<b>FONCTIONNEMENT</b>	Le poêle a terminé la phase d'activation ; vous pouvez modifier la puissance.
<b>FONCTIONNEMENT MO-DULATION</b>	La température ambiante définie est atteinte.
<b>ARRÊT ECO</b>	Mode Confort Climat activé, la température définie est atteinte ; le poêle est éteint.
<b>T EN MARCHE</b>	Le capteur d'ambiance est éteint ou un thermostat externe a été branché.
<b>REFROIDISSEMENT/EN ATTENTE DÉMARRAGE</b>	Le poêle est en cours de refroidissement : lorsqu'il aura terminé, il démarrera automatiquement.
<b>REFROIDISSEMENT/EN ATTENTE REDÉMARRAGE</b>	Le poêle est en cours de refroidissement : lorsqu'il aura terminé, il redémarrera automatiquement.
<b>ACTIVE/EN ATTENTE REDÉMARRAGE</b>	La phase d'activation a démarré lorsque le poêle était chaud. L'opération est identique à la phase Activation.
<b>FUMÉE CHAUDE</b>	La température maximale des fumées est atteinte : pour réduire la température, alimenter en pellets et réduire le tirage d'air à PUISSANCE 01.
<b>DÉSACTIVÉ</b>	Le poêle est désactivé.

## 9. Description des alarmes

AVERTISSEMENT	EXPLICATION	SOLUTION
<b>ABSENCE DE PELLETT</b>	• La trémie à pellets est vide	• Vérifier s'il y a des pellets dans la trémie
	• Le motoréducteur ne charge pas les pellets.	• Videz la trémie pour vérifier qu'aucun objet n'est tombé à l'intérieur, ce qui pourrait empêcher le fonctionnement correct de la vis
	• Aucun chargement de pellets	• Ajuster le réglage des pellets
<b>PANNE</b>	• Absence d'alimentation électrique pendant la phase de fonctionnement	• Appuyer sur le bouton Arrêt et répéter l'activation du poêle
		• Si le problème persiste, contactez le Centre d'Assistance technique local.
<b>ALARME AUCUN ALLUMAGE</b>	• La trémie à pellets est vide	• Vérifier s'il y a des pellets à l'intérieur de la trémie.
	• Réglage insuffisant des pellets et de l'air d'admission pendant la phase d'allumage.	• Contactez le Centre d'Assistance technique local.
	• Le dispositif d'allumage est défectueux ou n'est pas dans la bonne position.	• Contactez le Centre d'Assistance technique local.
<b>ALARME FLAMME BASSE</b>	• La trémie à pellets est vide	• Vérifier s'il y a des pellets dans la trémie
	• Réglage incorrect des pellets et de l'air pour la phase d'allumage.	• Contactez le Centre d'Assistance technique local.
<b>ALARME VITESSE VENTILATEUR</b>	• La vitesse du ventilateur est inférieure à la valeur de consigne de plus de 15 %.	• Contactez le Centre d'Assistance technique local.
<b>ALARME VENTILATEUR CASSE</b>	• L'encodeur du ventilateur ne fonctionne pas ou n'est pas correctement raccordé	• Contactez le Centre d'Assistance technique local.
	• Absence d'alimentation électrique sur le ventilateur	• Contactez le Centre d'Assistance technique local.
	• Le ventilateur est bloqué	• Contactez le Centre d'Assistance technique local.
<b>ALARME DEPRESSION</b>	• La chambre de combustion est encrassée	• Suivre les instructions de nettoyage du poêle dans la brochure
	• La cheminée est bloquée	• Vérifier que la cheminée est dégagée et propre
	• Le pressostat est défectueux	• Contactez le Centre d'Assistance technique local
<b>ALARME THERMIQUE AVEC REINITIALISATION</b>	• Le thermostat à réinitialisation manuelle s'est déclenché	• Réinitialiser le thermostat en appuyant sur le bouton à l'arrière du poêle (voir Fig. ci-dessous).
	• Le ventilateur d'air est défectueux	• Contactez le Centre d'Assistance technique local.
	• La combustion dans la cuve de combustion n'est pas optimale	• Désactiver le poêle, nettoyer la cuve de combustion et régler la combustion avec les paramètres des pellets.
		• Si le problème persiste, contactez le Centre d'Assistance technique local.
<b>ALARME FUMEE CHAUDE</b>	• La combustion dans la cuve de combustion n'est pas optimale	• Désactiver le poêle, nettoyer la cuve de combustion et régler la combustion avec les paramètres des pellets.
	• Le ventilateur d'air est défectueux	• Contactez le Centre d'Assistance technique local.
		• Si le problème persiste, contactez le Centre d'Assistance technique local.
<b>ALARME DETECTEUR DE FUMEE</b>	Le détecteur de fumée est défectueux	• Contactez le Centre d'Assistance technique local.
	Le détecteur de fumée a été débranché de la carte	• Contactez le Centre d'Assistance technique local.
<b>DEBITMETRE (uniquement si le système RDS est fourni)</b>	• L'appareil est débranché ou défectueux	• Contactez le Centre d'Assistance technique local
<b>ALARME PHASE VIS</b>	• Le motoréducteur n'est pas raccordé correctement	• Contactez le Centre d'Assistance technique local
<b>ALARME VIS TRIAC</b>	• L'appareil situé dans la carte mère et qui commande la vis d'alimentation est défectueux	• Contactez le Centre d'Assistance technique local
<b>ABSENCE DE DEBIT (uniquement si le système RDS est fourni)</b>	- Le débitmètre ne mesure pas le débit d'air d'admission	- Vérifier si le collecteur de cendres et la porte sont correctement fermés et vérifier si le tuyau d'entrée d'air est obstrué.  - Si le problème persiste, contactez le Service d'assistance

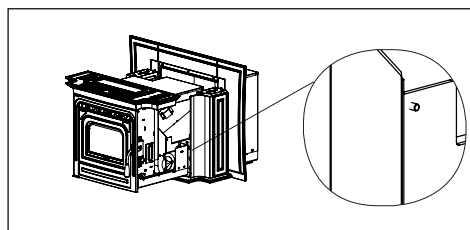
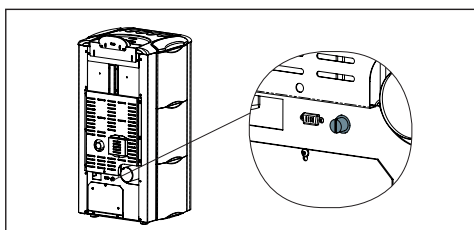
  

SIGNALISATION	EXPLICATION	SOLUTION
<b>Effectuer le NETTOYAGE de la cuve de combustion (uniquement si le système RDS est fourni)</b>	• La porte et le compartiment à cendres ne pas fermés correctement	• Assurez-vous qu'ils sont correctement fermés.
	• Mauvaise combustion dans la grille.	• Éteindre le poêle, nettoyer la cuve de combustion et vérifier la propreté de la platine support, nettoyer le faisceau de tuyaux en activant les turbo-lateurs, et ajuster la combustion à l'aide des paramètres Pellet/Air.
	• Présence d'un corps étranger dans le tuyau d'admission d'air.	• Vérifier la présence de tout corps étranger et le retirer
	• Le débitmètre peut être encrassé.	• Nettoyer le débitmètre après avoir éteint le poêle
		• Contactez le Service d'assistance

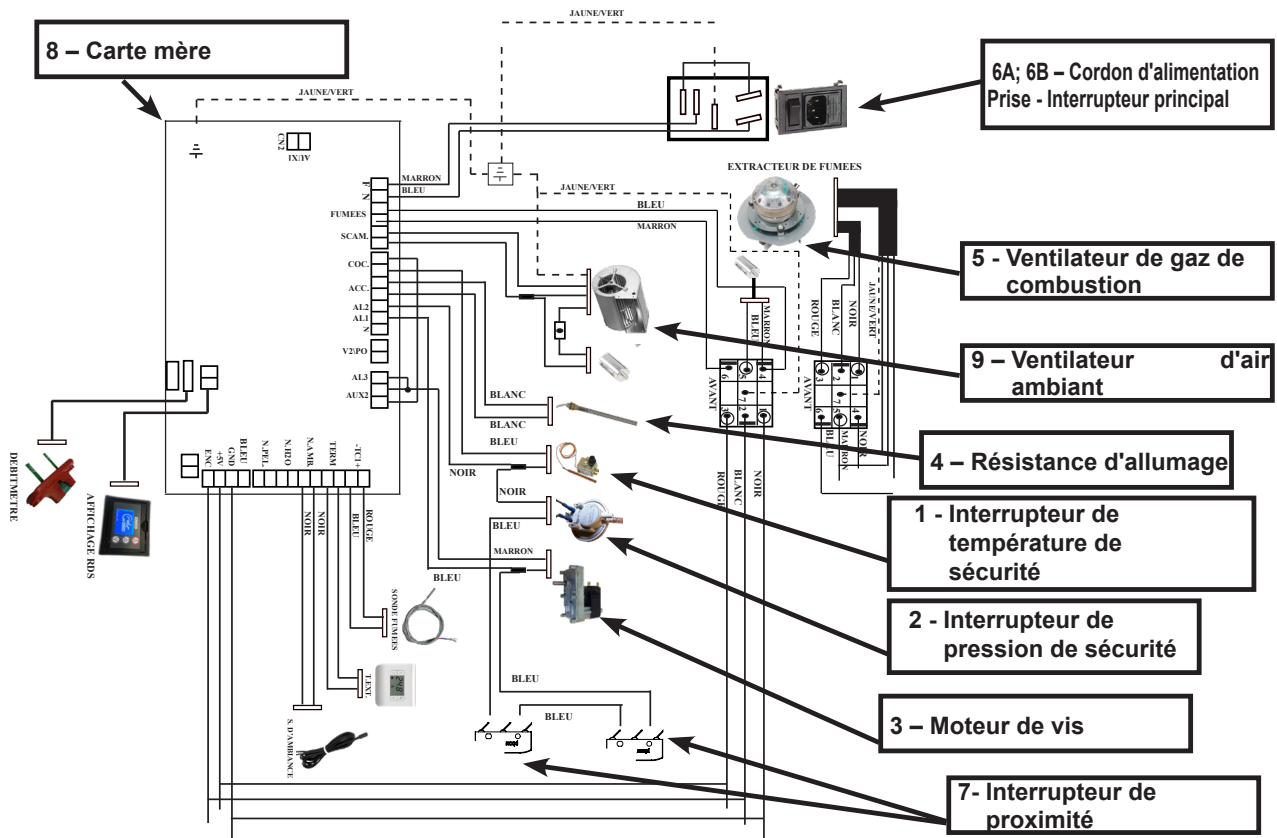
### ALARME THERMIQUE AVEC REINITIALISATION

- 1 - En appuyant sur le bouton OK de l'affichage, il est possible de réinitialiser l'alarme.
- 3 - Essayer de répéter l'allumage après la phase de refroidissement.

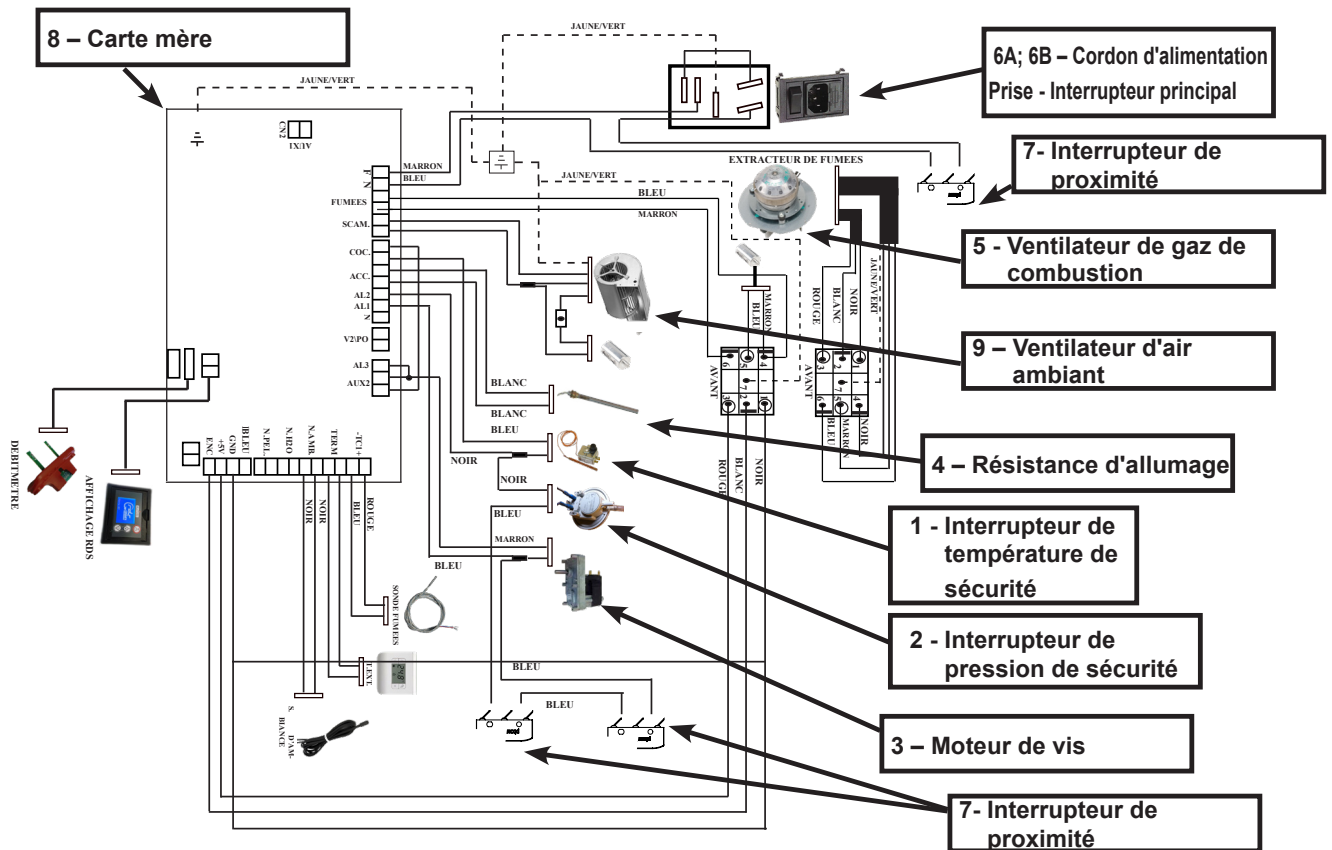
- 2 - Dévisser le capuchon de protection et appuyer sur le bouton pour réinitialiser l'alarme du thermostat.



**10. Schéma de câblage électrique pour Francesca 2015, Monica 2015, Rv80 ceramica, Rv100 Classic**



**Schéma de câblage électrique pour Roma**



## 11. Entretien

Avant d'effectuer toute opération d'entretien sur le poêle, veuillez prendre les précautions suivantes :

- Assurez-vous que toutes les pièces du poêle sont froides
- Assurez-vous que les cendres sont complètement éteintes
- Assurez-vous que l'interrupteur général est à la position zéro (désactivé)
- Assurez-vous que la fiche est débranchée de la prise secteur, afin d'éviter des contacts accidentels.

### IMPORTANT

**Veuillez suivre soigneusement les instructions de nettoyage indiquées ci-dessous ! Tout non-respect de ces instructions peut se traduire par des problèmes de fonctionnement du poêle et un RISQUE D'INCENDIE.**

#### 11.1. Nettoyage des surfaces

Pour nettoyer les surfaces sur les pièces métalliques peintes, utilisez un chiffon imbibé d'eau, ou tout au plus, de l'eau savonneuse. Important : l'utilisation de détergents agressifs ou de diluants peut endommager les surfaces du poêle.

#### 11.2. Nettoyage de la cuve de combustion avant chaque allumage

Vous devez vérifier que la cuve de combustion, l'endroit où la combustion a lieu, est propre et qu'aucun déchet ou résidu ne bloque les trous, afin de toujours garantir l'excellente combustion du poêle, et d'éviter ainsi une possible surchauffe, qui pourrait entraîner une décoloration de la peinture ou un écaillage de la porte, ainsi qu'une absence d'allumage du poêle.



Nettoyer la cuve de combustion ainsi que les trous clairement visibles



Cuve de combustion nécessitant un nettoyage avec les trous obstrués par des cendres

Seule une cuve de combustion propre peut garantir un fonctionnement sans problème du poêle à pellets. Pendant le fonctionnement, des dépôts peuvent se former.

Il est facile de voir quand la cuve de combustion doit être nettoyée ! Un simple coup d'œil suffit chaque jour avant l'activation. Pour le nettoyage léger, elle peut rester dans le poêle, mais si les résidus sont difficiles à enlever, elle doit être retirée de son logement afin de racler les déchets.

Les résidus de cendres dépendent de la qualité des pellets.

Important : même avec un nouveau lot de pellets, même avec la même marque, il peut y avoir des différences pendant la combustion ; ils peuvent être plus ou moins sales.

Un nettoyage correct, effectué quotidiennement, permet au poêle de brûler de façon optimale et d'avoir un bon rendement, et d'éviter tout dysfonctionnement, ce qui pourrait signifier à long terme de nécessiter une assistance technique pour réinitialiser le poêle.

#### 11.3. Nettoyage du FIREX 600



Tous les produits Ravelli ont une chambre de combustion fabriquée en FIREX 600, un matériau à base de vermiculite, issu de la recherche et développement de Ravelli. Les principales caractéristiques de FIREX 600 sont sa résistance à la chaleur, son faible poids et ses excellentes capacités isolantes, qui améliorent la combustion et la performance du poêle.

Pendant la combustion, FIREX 600 devient blanc, par un effet appelé PYROLYSE, ce qui rend la flamme claire et brillante. Si la combustion est régulée de façon optimale, l'intérieur en FIREX 600 reste toujours propre et blanc.

L'état du FIREX 600 est donc un thermomètre permettant de comprendre si la combustion est correcte ou non.

FIREX 600 CLAIR – COMBUSTION CORRECTE

FIREX 600 FONCE – MAUVAISE COMBUSTION

Firex 600 ne requiert pas d'entretien particulier, il suffit de l'épousseter avec une brosse douce pour éliminer les cendres qui se déposent pendant la combustion.

Il n'est pas recommandé d'utiliser des éponges abrasives pour nettoyer les déchets les plus récalcitrants, étant donné qu'elles peuvent compromettre l'épaisseur du panneau de FIREX600, et créer des points critiques de rupture.

Le tuyau de l'aspirateur ne doit pas être utilisé en contact direct avec FIREX 600.

Ne pas utiliser de chiffons humides pour nettoyer le FIREX 600.

FIREX 600 résiste à la chaleur mais pas aux chocs ; manipulez-le avec précautions.

FIREX 600 peut présenter une légère abrasion après quelques heures de fonctionnement, cela est tout à fait normal étant donné que la flamme produit des micro-rainures dans le panneau sans l'affecter.

La longévité du FIREX 600 dépend uniquement de la manière d'effectuer les entretiens.

**Le poêle à pellets est un générateur de chaleur avec un combustible solide, qui en tant que tel nécessite un entretien par du personnel qualifié au moins une fois par an au début de la saison. Cet entretien a pour but de confirmer et d'assurer la parfaite efficacité de tous les composants.**

**Nous vous recommandons d'établir un contrat annuel d'entretien du produit avec votre installateur/revendeur.**

## 12. Garantie

### 12.1. Certificat de garantie

Ravelli vous remercie de la confiance que vous nous témoignez en achetant l'un de nos poêles à pellets et invite l'acheteur à :

- examiner les instructions pour l'installation, l'utilisation et l'entretien du poêle.

- examiner les conditions de garantie ci-dessous.

Le coupon ci-joint doit être renseigné et visé par l'installateur. Si ce n'est pas le cas, le produit ne sera pas couvert par la garantie.

### 12.2. Conditions de garantie

La garantie limitée couvre les défauts des matériaux de fabrication, à condition que le produit n'ait pas été cassé suite à une mauvaise utilisation, une négligence, de mauvais raccordements ou des erreurs d'installation.

Les éléments suivants ne sont pas couverts par la garantie :

- vermiculite (Firex 600) ;

- la vitre de la porte ;

- les garnitures en fibre ;

- la peinture ;

- la cuve de combustion ;

- le dispositif d'allumage ;

- la majolique ;

- tout dommage causé par une mauvaise installation et/ou mauvaise manipulation du poêle et/ou des défaillances du consommateur.

L'utilisation de pellets de mauvaise qualité ou de tout autre matériau risque d'endommager les composants du poêle et se traduire par une résiliation de leur garantie et de la responsabilité afférente du fabricant.

Les pellets qui répondent aux prérequis énumérés dans le chapitre à ce sujet, doivent être utilisés.

Tout dommage dû au transport n'est pas pris en compte, par conséquent vérifiez soigneusement les marchandises à leur réception, et informez immédiatement le revendeur en cas de dommage.

Toutes les garanties du fabricant sont présentées ici et aucune réclamation ne pourra être formulée auprès du fabricant d'après toute autre garantie, compte-rendu ou demande.

Pour les réclamations de garantie et instructions pour les expéditions de retour veuillez-vous référer à votre revendeur local.

Le coupon de garantie doit être détaché et envoyé à l'adresse suivante dans un délai de huit jours après l'achat :

Ravelli c/o Aico S.p.A.  
Via Kupfer 31  
25036  
Palazzolo s/O Brescia ITALIE

### 12.3. Informations et problèmes

Pour toute information ou tout problème, veuillez contacter votre revendeur ou un centre de service, les seules personnes qui peuvent répondre à toutes vos demandes, et si nécessaire, qui peuvent intervenir directement.

# Ravelli<sup>®</sup>

il fuoco intelligente

**Aico S.p.A.**

Via Kupfer, 31 - 25036 Palazzolo sull'Oglio / BS - ITALY

Tel. +39.030.7402939

Fax. +39.030.7301758

Internet : [www.ravelligroup.it](http://www.ravelligroup.it)

E-mail : [info@ravelligroup.it](mailto:info@ravelligroup.it)

Aico does not assume any responsibility for any errors in this booklet and considers itself free to make any variations to the features of its products without notice.

Aico n'assume aucune responsabilité pour les erreurs contenues dans cette brochure et se considère libre de procéder à des modifications sur les fonctionnalités de ses produits sans préavis.