

QUADRA-FIRE®

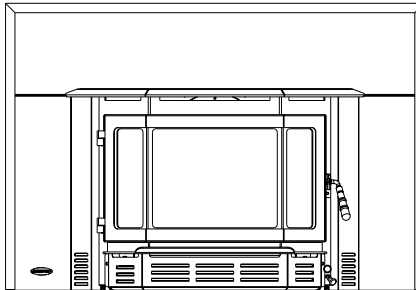
BODEGA BAY WOOD INSERT

Advanced Combustion Technology (ACT)

OWNER'S MANUAL Installation and Operation

Model:

BODBAY



This manual contains instructions for Installation, Operation & Maintenance. Please read this entire manual before you install and use your new room heater. Failure to follow instructions may result in property damage, bodily injury, or even death.

IMPORTANT SAFETY NOTES:

- 1) When installing your stove, particular attention should be paid to fire protection. If this room heater is not properly installed, a house fire may result. To reduce the risk of fire, follow the installation instructions. Contact local building or fire officials or authority having jurisdiction about restrictions, installation inspection and permit requirements in your area.
- 2) CAUTION: Never use gasoline or gasoline-type lantern fuel, kerosene, charcoal lighter fluid, or similar liquids to start or "freshen up" a fire in this heater. Keep all such liquids well away from heater while it is in use.
- 3) During operation, if any part of the stove starts to glow, the stove is in an overfired condition. Close the air controls completely until the glowing has stopped. **OVERFIRING VOIDS YOUR WARRANTY!**
- 4) Cool ashes should be disposed of carefully, using a metal container.
- 5) Do not burn wet or green wood. Store wood in a dry location.
- 6) **DO NOT BURN GARBAGE OR FLAMMABLE FLUIDS SUCH AS GASOLINE, NAPHTHA OR ENGINE OIL.** Do not burn treated wood, or wood with salt (driftwood, etc.). Burning materials other than wood (including charcoal) under adverse conditions may generate carbon monoxide in the home, resulting in illness or possible death.
- 7) Do not permit creosote or soot to accumulate excessively in the chimney or inside the firebox.
- 8) Check your chimney system thoroughly when installing into an existing metal or masonry chimney. Seek professional advice if in doubt about its condition.
- 9) Do not connect this unit to a chimney flue already serving another appliance.
- 10) Comply with all minimum clearances to combustibles as shown in this manual for this appliance.
- 11) Build fire on brick firebox floor. Do not use grates, andirons or other methods to support fuel.
- 12) **HOT WHILE IN OPERATION!** Keep children, pets, clothing and furniture away. Contact can cause skin burns.
- 13) Do not connect to any air distribution duct or system
- 14) **RISK OF FIRE!** Do not operate with stove door open, without the firescreen, or ash removal system door open.
- 15) For further information refer to NFPA 211 (USA) or CAN/CSA-B365 (Canada).
- 16) Do not operate without fully assembling all components. Burning your stove without the legs attached (if supplied with unit) will void your warranty, and could present a serious safety hazard
- 17) Do not operate with broken glass..

PRIOR TO FIRST FIRE: Remove all labels from glass. Clean plated surfaces with a glass cleanser and soft cloth to prevent staining from fingerprint oils.

SAVE THESE INSTRUCTIONS

Congratulations 

and Welcome to the Quadra-Fire Family!


Hearth & Home Technologies welcomes you to our tradition of excellence! In choosing a Quadra-Fire appliance, you have our assurance of commitment to quality, durability, and performance.

This commitment begins with our research of the market, including 'Voice of the Customer' contacts, ensuring we make products that will satisfy your needs. Our Research and Development facility then employs the world's most advanced technology to achieve the optimum operation of our stoves, inserts and fireplaces. And yet we are old-fashioned when it comes to

craftsmanship. Each unit is meticulously fabricated and surfaces are hand-finished for lasting beauty and enjoyment. Our pledge to quality is completed as each model undergoes a quality control inspection. From design, to fabrication, to shipping: Our guarantee of quality is more than a word, it's Quadra-Fire tradition, and we proudly back this tradition with a Limited Lifetime Warranty.


We wish you and your family many years of enjoyment in the warmth and comfort of your hearth appliance. Thank you for choosing Quadra-Fire.

SAMPLE OF SERIAL NUMBER / SAFETY LABEL
LOCATION: On Beaded Chain, Left Side Behind Outer Skin



CAUTION: HOT WHILE IN OPERATION DO NOT TOUCH, KEEP CHILDREN AND CLOTHING AWAY. CONTACT MAY CAUSE SKIN BURNS. KEEP FURNISHINGS AND OTHER COMBUSTIBLE MATERIAL FAR AWAY FROM THE APPLIANCE. SEE NAMEPLATE AND INSTRUCTIONS.

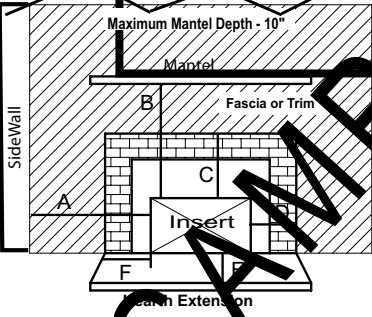
QUADRA-FIRE

Tested and Listed by  Beaverton Oregon USA
OMNI-Test Laboratories, Inc.
 Report #061-S-40-2
TESTED TO:
 UL 1482, ULC S628-93

Model:
BODEGA BAY

Serial No / Numéro De Série
007

LISTED ROOM HEATER, SOLID FUEL TYPE. "For Use with Solid Wood Fuel Only." Also for use in Mobile Home.



Maximum Mantel Depth - 10"
 Mantel
 Fascia or Trim
 SideWall
 Insert
 Hearth Extension


Minimum Clearances To Combustible Material Masonry, Heat-Circulating & Zero Clearance *

*Refer to Clearances on reverse side for Canada

A	Sidewall to Stove	15"
B	Mantel to Stove	26"
C	Top Trim to Stove	20"
D	Side Trim to Stove	6"
E	Hearth Extension from Glass	16"
F	Hearth Extension from Side of Insert	8"

Thermal Protection USA & Canada
 1/2 inch (12.7mm) of k=0.84

*Zero Clearance Installations USA Only

Manufactured by:

 1445 N. Highway, Colville, WA 99114
 www.quadrafire.com

DO NOT REMOVE THIS LABEL
Made in U.S.A.

U.S. ENVIRONMENTAL PROTECTION AGENCY - Certified to comply with July 1990 particulate emission standards.

2008	2009	2010	Jan	Feb	Mar	Apr	May	June	July	Aug	Sept	Oct.	Nov.	Dec.
■	■	■	■	■	■	■	■	■	■	■	■	■	■	■

435-1330

Serial Number
Model Name

Test Lab & Report No.

Manufactured Date

Table of Contents

SAFETY & OVERVIEW OF APPLIANCE

Location & Sample of Serial Number Label	2
Dimensions	4
Minimum Clearances to Combustibles	4
Listings	5
Chimney Height & Draft and 2-10-3 Rule	5
Installation Recommendations	5
General Installation Procedures	6
Alternate Floor Protection Worksheet	6
Chimney Requirements	7
Ovalizing Round Stainless Steel Liner	7

INSTALLATION OPTIONS

Mobile Home	8
Masonry Fireplace	9
Metal Heat Circulating Masonry	9
Zero Clearance Factory Built Fireplace	10
Canadian Masonry & Heat Circulating	11
Leveling Bolts and Sheet Metal Shims	11
Securing Liner to Chimney Ring	12

PARTS & ACCESSORY INSTALLATION

Outside Air Installation	12
Panel and Trim Set	13
Door Handle Assembly	13
Door Latch Adjustment	13
Blower Cord Installation	14
Fan (Blower) Assembly Replacement	14
Zero Clearance Adjustable Trim Support	15

OPERATION OVERVIEW

Wood Selection & Storing	16
Overfiring	16
Building A Fire	16
Operating Tips	17
Burn Rates & Opacity	17
Fan Operation Instructions	17
Ash Removal	17
Air Quality	18
Air Controls, Primary & Start-up	18

MAINTENANCE

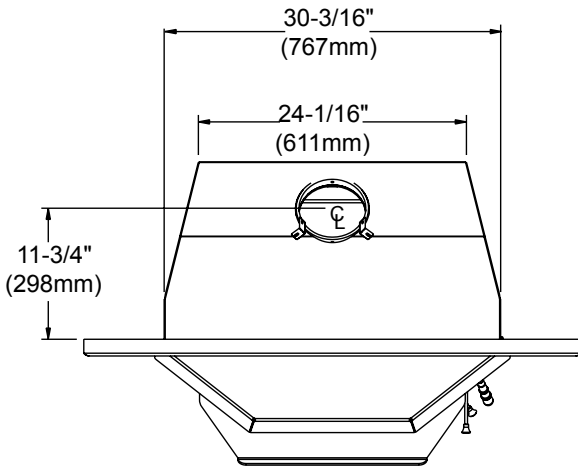
Plated Surfaces	19
Glass Cleaning & Replacement	19
Creosote Formation & Removal	19
Chimney	19
Brick Replacement	20
Baffle Removal and Installation	20
Exploded View	21

PARTS & ACCESSORIES LIST

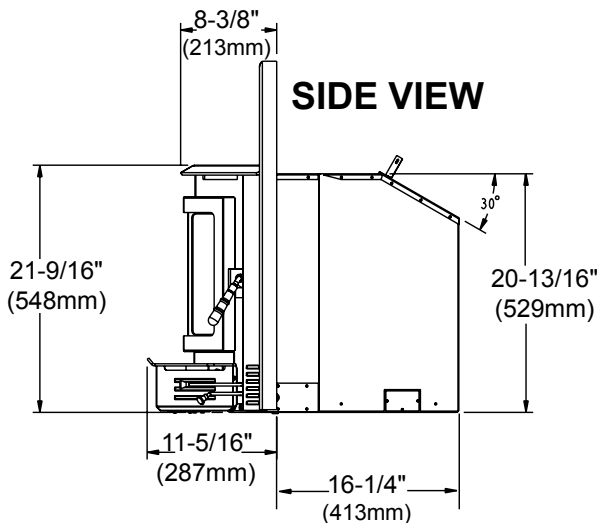
Service & Maintenance Log	23-24
Homeowner's Notes	25
Warranty Policy	26-27
Contact Information	28

DIMENSIONS

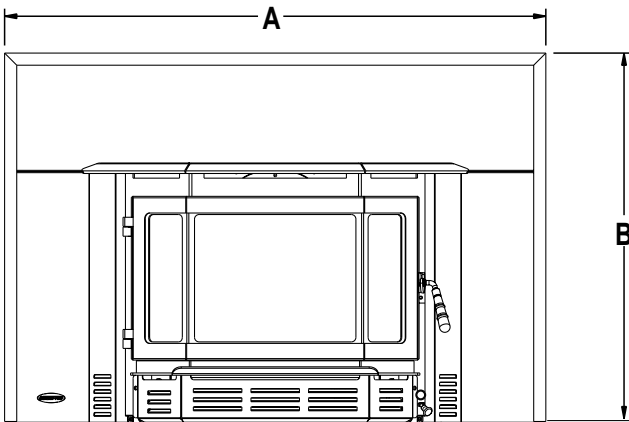
TOP VIEW



SIDE VIEW

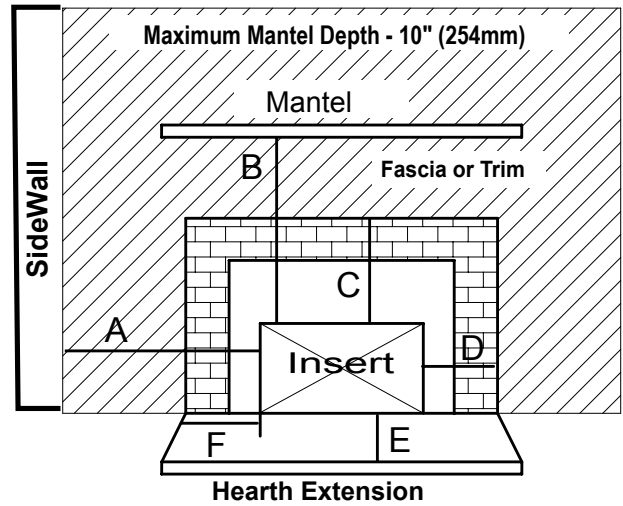


FRONT VIEW



Panel Size	A	B
Small	44-5/8" (1133mm)	30-1/2" (775mm)
Large	50-1/2" (1283mm)	34" (867mm)

**CLEARANCES TO COMBUSTIBLES
United States and Canada**



	USA	CANADA
A Sidewall to Stove	15" (381mm)	15" (381mm)
B Mantel to Stove	26" (660mm)	23" (584mm)
C Top Trim to Stove	20" (508mm)	20" (508mm)
D Side Trim to Stove	6" (152mm)	6" (152mm)
E Hearth Extension from Glass	16" (406mm)	18" (457mm)
F Hearth Extension from Side of Insert	8" (203mm)	8" (203mm)

Thermal Protection USA & Canada
Thermal protection must be 1/2 Inch (12.7mm) minimum thickness ("k" value = 0.84) or equivalent material*

***Zero Clearance Installations USA Only**

*See Alternative Floor Protection Worksheet on page 6.

In Canada a full length six inches (152mm) S635 flue liner required as per ULC S628.

NOTE: When installing into a masonry fireplace, the fireplace must be built to UBC Chapter 37 standards. Do not remove brick or mortar from masonry fireplace to accommodate insert. The permanent metal warning plate provided must be attached to the back of the fireplace stating the fireplace may have been altered to accommodate the insert and must be returned to original condition for use as a conventional fireplace.

**SERIAL NUMBER LABEL LOCATION:
ON BEADED CHAIN, LEFT SIDE
BEHIND OUTER SKIN**

LISTINGS

These installation instructions describe the installation and operation of the Quadra-Fire Bodega Bay Wood Insert. This insert meets the U.S. Environmental Protection Agency's 1990 particulate emission standards. This product is listed by OMNI-Test Laboratories, Inc. to UL Safety Standard 1482, and ULC S628, and (UM) 84-HUD. It is approved for mobile home installations when not installed in a sleeping room and when an outside combustion air inlet is provided. The structural integrity of the mobile home floor, ceiling, and walls must be maintained. The insert must be properly grounded to the frame of the mobile home.

Check with your local building code agency before you begin your installation to ensure compliance with local codes, including the need for permits and follow-up inspections. Be sure local building codes do not supersede UL specifications and always obtain a building permit so that insurance protection benefits cannot be unexpectedly cancelled. If any assistance is required during installation, please contact your local dealer.

CHIMNEY HEIGHT/DRAFT

To be sure that your Quadra-Fire insert burns properly, the chimney draft (static pressure) should be approximately $-0.10''$ water column (W.C.) during a high burn and $-0.04''$ W.C. during a low burn, measured 6" (152mm) above the top of the insert after one hour of operation at each burn setting.

NOTE: These are guidelines only, and may vary somewhat for individual installations.

The insert was designed for and tested on a six inch (152mm) chimney, 12-14 ft (360-420cm) high, measured from the base of the insert. The further your stack height or diameter varies from this configuration, the possibility of performance problems increases. In addition, exterior conditions such as roof line, surrounding trees, prevailing winds and nearby hills can influence insert's performance.

A masonry chimney or a listed factory-built UL103 HT Class "A" chimney must be the required height above the roof and any other nearby obstructions. The chimney must be at least 3 ft (91cm) higher than the highest point where it passes through the roof and at least 2 ft (61cm) higher than the highest part of the roof or structure that is within 10 ft (305cm) of the chimney, measured horizontally. **See 2-10-3 Rule (Figure 5A). These are safety requirements and are not meant to assure proper flue draft.**

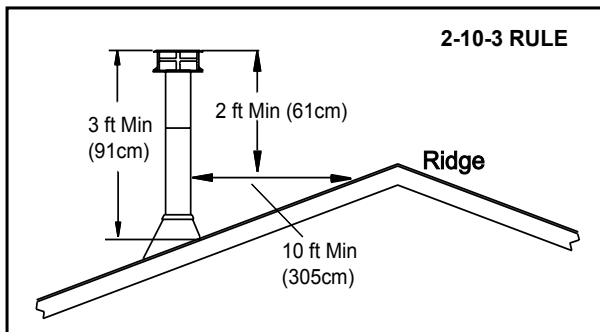


Figure 5A

CHIMNEY HEIGHT/DRAFT (CONT'D)

AVOID FIRE: To ensure that insulation or any other combustible material does not contact the chimney, a chimney inside the house must have at least 2 inches (51mm) of air space clearance around the chimney. A chimney outside the house must have at least 1 inch (25mm) clearance to the combustible structure. Noncombustible fire stops must be installed at the spaces where the chimney passes through floors and/or ceilings. **Refer to Figures 7A & 7B on page 7. Canadian installations require a full reline of the chimney**

NOTE: Clearances may only be reduced by means approved by the regulatory authority having jurisdiction.

WE RECOMMEND that a qualified building inspector and your insurance company representative review your plans before installation.

INSTALLATION RECOMMENDATIONS

This product has met and surpassed the most stringent emissions standards in the United States. The sophistication of the interior firebox design requires that a proper draft be supplied by the chimney, therefore adherence to the following factors will enable your insert to operate at its optimum capability.

REQUIRED: A minimum starter pipe reaching to the base of the existing code approved masonry chimney and an airtight face seal, but a full chimney liner for factory-built fireplaces is recommended for USA and is required in Canada.

BETTER: Direct connection to the first flue liner in accordance with the requirements of the NFPA 211.

BEST: A complete relining of the chimney system with a 6 inch (152mm) diameter listed, stainless liner. Required for factory-built fireplace installations in Canada, recommended in USA. The sections must be attached to the insert and to each other with the crimped (male) end pointing toward the insert. See **Figure 5B**. All joints, including the connection at the flue collar, should be secured with three sheet metal screws. Make sure to follow the minimum clearances to combustibles as set out on **page 4** of the manual.

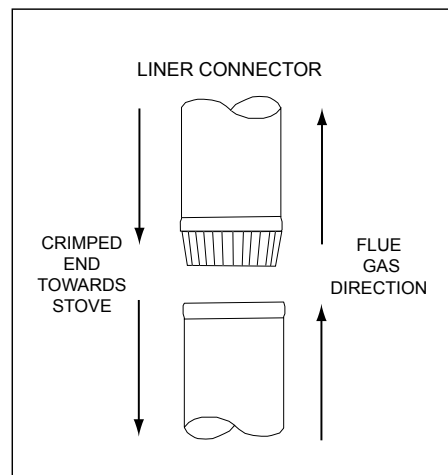


Figure 5B

GENERAL INSTALLATION PROCEDURE

- **DO NOT CONNECT THIS UNIT TO A CHIMNEY FLUE SERVING ANOTHER APPLIANCE.**
- Install liner, if required, for your chosen installation.
- Attach metal warning plate to the back of the fireplace with screws or nails.
- Set appliance on the hearth (See Hearth Requirements **page 4** and Support Kit information on **page 15.**)
- Complete the vent connection required for your installation type.
- Relocate plate for Outside Air. (Required for Mobile Home Installation) **page 12**; Assemble Panel & Trim Set and install as one piece. **See page 13.**
- Position unit into fireplace leaving width enough for fiberglass batting to be inserted around face seal.
- Work unit securely into the fireplace using sheet metal shims if leveling bolts are needed. **See Figure 11B on page 11.**
- Remove all labels from glass prior to building first fire.
- Ensure that plated surfaces are cleaned prior to building first fire. **See page 19.**
- Read Operation Instructions found on **pages 17 and 18.**

IF INSTALLING THIS MODEL TO A MASONRY CHIMNEY, ALWAYS BE SURE THE CHIMNEY IS IN GOOD CONDITION AND THAT IT MEETS THE MINIMUM STANDARDS OF THE NATIONAL FIRE PROTECTION ASSOCIATION (NFPA) STANDARD 211. A FACTORY BUILT CHIMNEY MUST BE 6 INCH (152mm) UL 103 HT AND ULC S629.

THIS APPLIANCE IS MADE WITH A 6 INCH (152mm) DIAMETER CHIMNEY CONNECTOR AS THE FLUE COLLAR ON THE UNIT. CHANGING THE DIAMETER OF THE CHIMNEY CAN AFFECT DRAFT AND CAUSE POOR PERFORMANCE. IT IS NOT RECOMMENDED TO USE OFFSETS OR ELBOWS AT ALTITUDES ABOVE 4000 FEET ABOVE SEA LEVEL OR WHEN THERE ARE OTHER FACTORS THAT AFFECT FLUE DRAFT. SEE PAGE 5.

CAUTION: THIS APPLIANCE IS HOT WHILE IN OPERATION AND MAY REMAIN SO UP TO 40 MINUTES AFTER THERE IS NO FUEL IN THE FIREBOX. IF THIS APPLIANCE IS IN A HIGH TRAFFIC AREA OR CHILDREN MAY BE NEAR, IT IS RECOMMENDED THAT YOU PURCHASE A DECORATIVE BARRIOR TO GO IN FRONT OF THE APPLIANCE.

ALTERNATE FLOOR PROTECTION WORKSHEET

How to determine if alternate floor protection materials are acceptable:

All floor protection must be non-combustible (i.e., metals, brick, stone, mineral fiber boards, etc.). Any organic materials (i.e., plastics, wood paper products, etc.) are combustible and must not be used. The floor protection specified includes some form of thermal designation such as R-value (thermal resistance) or k-factor (thermal conductivity).

PROCEDURE:

1. Convert specification to R-value:

R-value given - no conversion needed.	K-factor is given with a required thickness (T) in inches: $R = \frac{1}{K \times 12} \times T$
k-factor is given with a required thickness (T) in inches: $R = \frac{1}{k} \times T$	r-factor is given with a required thickness (T) in inches: $R =$

2. Determine the R-value of the proposed alternate floor protector.

- i. Use the formula in step (1) to convert values not expressed as "R".
- ii. For multiple layers, add R-values of each layer to determine overall R-value.

3. If the overall R-value of the system is greater than the R-value of the specified floor protector, the alternate is acceptable.

EXAMPLE: The specified floor protector should be 3/4 inch thick material with a k-factor of 0.84. The proposed alternate is 4" brick with an R-factor of 0.2 over 1/8" mineral board with a k-factor of 0.29.

Step (a): Use formula above to convert specification to R-value. $R = \frac{1}{k} \times T = \frac{1}{.84} \times 0.75 = 0.893$

Step (b): Calculate R of proposed system.

4" brick of R = 0.2, therefore: $R = 0.2 + 0.2 = 0.4$ 1/8" mineral board of k = 0.29, therefore: $R = \frac{1}{0.29} \times 0.125 = 0.424$

Step (c): Compare proposed system R_{total} of 1.231 to specified R of 0.893. Since proposed system R_{total} is greater than required, the system is acceptable.

$$R = \frac{(ft^2)(hr)(^{\circ}F)}{Btu} \quad k = \frac{Btu(in)}{ft^2(hr)(^{\circ}F)} = K \times 12 \quad K = \frac{Btu(ft)}{ft^2(hr)(^{\circ}F)} \quad r = \frac{(ft^2)(hr)(^{\circ}F)}{(Btu)(in)} = \frac{1}{k}$$

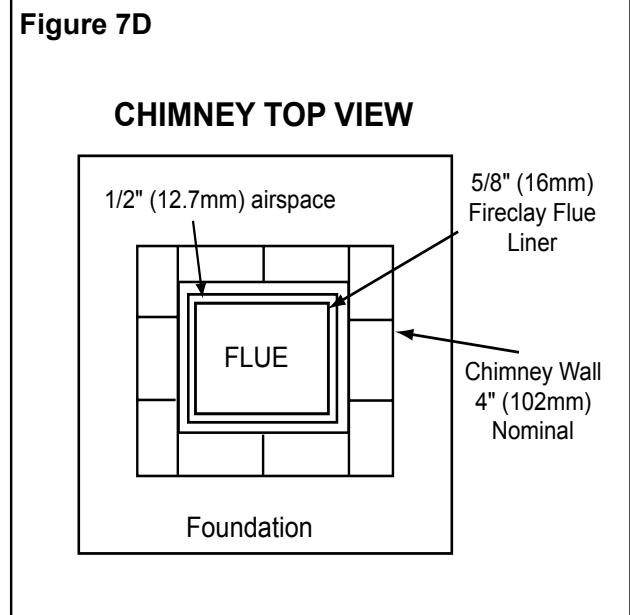
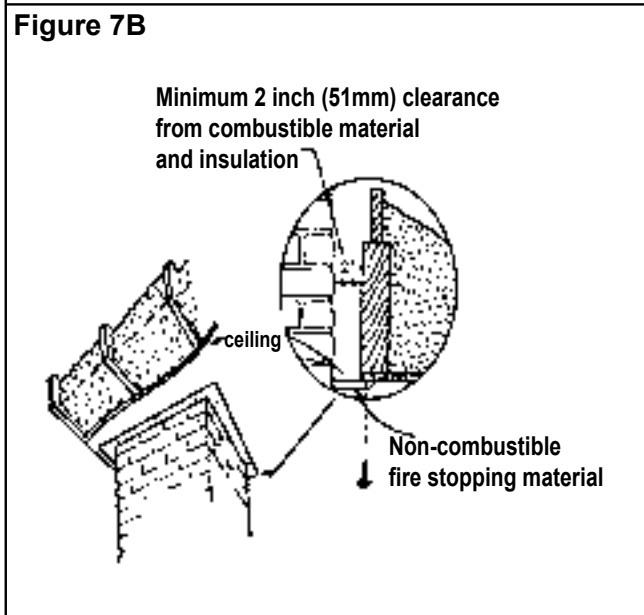
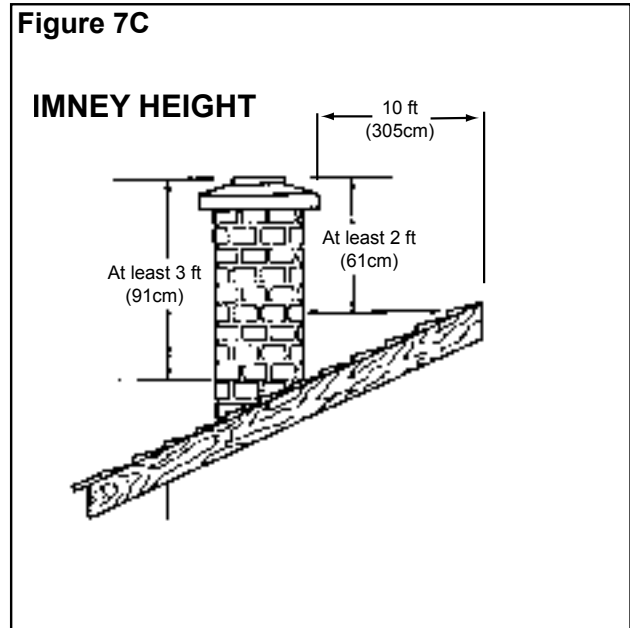
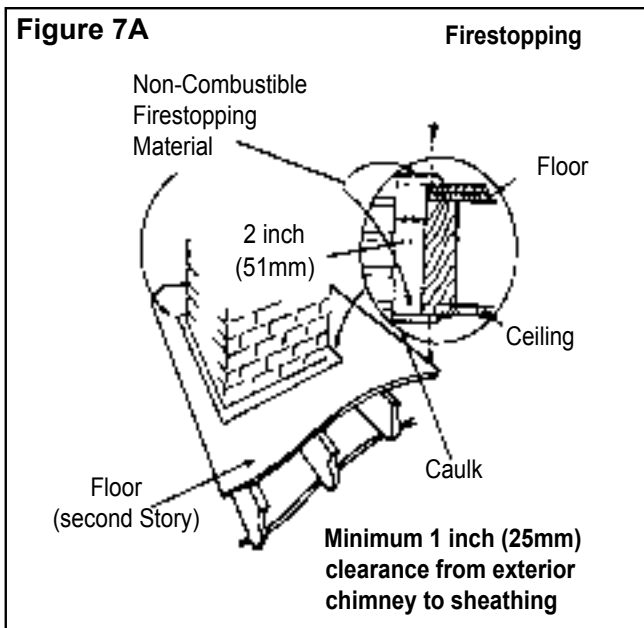
CHIMNEY REQUIREMENTS

A chimney must be the required height above the roof or other obstruction for safety and for proper draft operation. The requirement is that the chimney must be at least 3 ft (91cm) higher than the highest point where it passes through the roof, and at least 2 ft (61cm) higher than the highest part of the roof or structure that is within 10 ft (305cm) of the chimney, measured horizontally. Refer to Figure 7C.

OVALIZING ROUND STAINLESS STEEL LINERS

Ovalizing round stainless steel liners to accommodate the liner passing through the damper region of a fireplace is an allowable and acceptable practice.

Ensure that the ovalization is minimized to the extent required to fit through the damper.



**INSTALLATIONS INTO ZERO CLEARANCE FIREPLACES IN MOBILE HOMES
(IN USA ONLY)**

1. An outside air inlet must be provided for combustion and must remain clear of leaves, debris, ice and/or snow. It must be unrestricted while unit is in use to prevent room air starvation which can cause smoke spillage and an inability to maintain a fire. Smoke spillage can also set off smoke alarms.
2. Unit must be secured to the mobile home structure. Remove bolts from each side of insert and use plumbers tape to secure to structure (a washer may be required). Reinstall bolts.
3. Unit must be grounded with #8 solid copper grounding wire or equivalent and terminated at each end with N.E.C. approved grounding device.
4. The factory-built fireplace must meet (UM)84-HUD requirements for outside combustion air supply to the fireplace fire chamber and the chimney must be listed to UL103-HT or a listed UL-1777 full length 6 inch (152mm) diameter liner must be used. It must be equipped with a spark arrestor cap and the outside air must be installed on the insert. **(See Figure 8A and installation instructions of page 12.)**
5. Refer to **page 4** of this manual or the Serial Number/Safety Label for clearances to combustibles. The label is located on the left side behind outer skin on a beaded chain
6. Floor protection requirements on **page 4** must be followed precisely.
7. Use silicone to create an effective vapor barrier at the location were the chimney or other component penetrates to the exterior of the structure.
8. Follow the chimney and chimney connector manufacturer's instructions when installing the flue system for use in a mobile home.

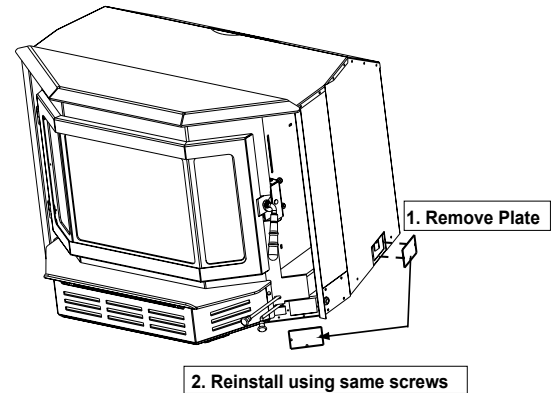
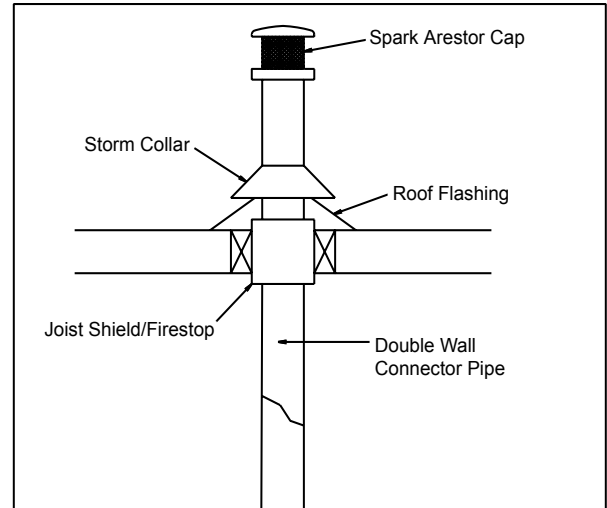


Figure 8A - Installing Outside Air

NOTE: Offsets from the vertical, not exceeding 45°, are allowed per Section 905(a) of the Uniform Mechanical Code (UMC). Offsets greater than 45° are considered horizontal and are also allowed, providing the horizontal run does not exceed 75% of the vertical height of the vent. Construction, clearance and termination must be in compliance with the UMC Table 9C. This installation must also comply with NFPA 211.

NOTE: Top sections of chimney must be removable to allow maximum clearance of 13.5 tft (405cm) from ground level for transportation purposes.

9. Burn wood only. Other types of fuels may generate poisonous gases (e.g., carbon monoxide).

CAUTION:
THE STRUCTURAL INTEGRITY OF THE MOBILE HOME FLOOR, WALL AND CEILING/ROOF MUST BE MAINTAINED.
 (i.e., DO NOT CUT THROUGH FLOOR JOIST, WALL STUD, CEILING TRUSS, ETC.)

WARNING: DO NOT INSTALL IN SLEEPING ROOM.

WARNING: NEVER DRAW COMBUSTION AIR FROM A WALL, FLOOR OR CEILING CAVITY OR FROM ANY ENCLOSED SPACE SUCH AS AN ATTIC OR GARAGE.

INSTALLATION OPTIONS

Refer to: Clearances to Combustibles on page 4, Canadian Installation Requirements on page 11, Hearth Requirements on page 4 and Zero Clearance Adjustable Support Kit on page 15.

MASONRY FIREPLACE USING DIRECT-CONNECT METHOD

This product conforms with the UL Standard for Safety 1482 and ULC S628 (Canada) in all respects, and is approved to UL & ULC safety standards for installation and use within a fireplace with a masonry chimney in accordance with NFPA No. 211, with or without a direct flue collar connection. A starter pipe is required to reach to the bottom of the existing flue.

1. Secure the fireplace damper in the open position. If this cannot be accomplished, it will be necessary to remove the damper.
2. Seal either the damper area around the chimney liner or the fireplace front with fiberglass batting.

3. The chimney should be examined for cracks, loose mortar, and other signs of deterioration and blockage. The insert should not be installed until it is determined that the chimney is safe for use. Since an oversized flue contributes to the accumulation of creosote, the size of the flue should be checked to determine that it is not too large for the insert. The chimney should also be checked to ensure it meets the minimum standard of the National Fire Protection Association (NFPA) Standard 211. The following bullets list the more critical requirements for a properly constructed chimney:

- The masonry wall of the chimney, if brick or modular block, must be a minimum of 4 inches (102mm) nominal thickness. A chimney of rubble stone must be at least 12 inches (305mm) thick.

- The chimney must have a fire clay flue liner (or equivalent) with a minimum thickness of 5/8" (16mm) and must be installed with refractory mortar. An equivalent liner must be a listed chimney liner system or other approved material.

- A chimney inside the house must have at least 2 inches (51mm) of clearance to the combustible structure. A chimney outside the house must have at least 1 inch (25mm) clearance to the combustible structure. Non-combustible fire stops must be installed at the spaces where the chimney passes through floors and/or ceiling (See Figure 7A and 7B on page 7).

NOTE: In Canada, a full reline is required.

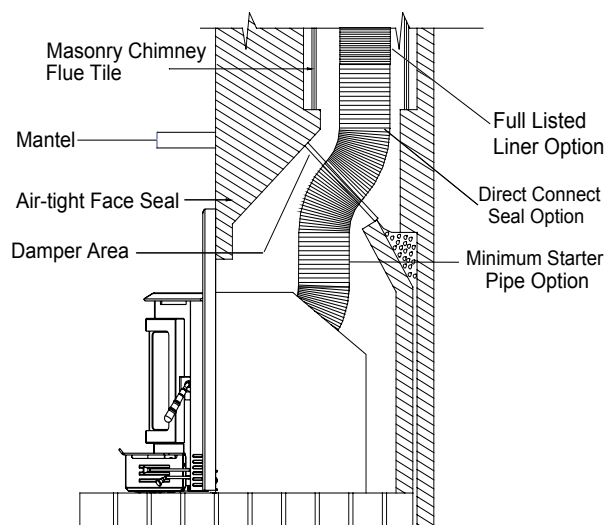


Figure 9A - Installation Into Masonry Fireplace

METAL HEAT CIRCULATING MASONRY

This product conforms with the safety standard UL-1482 and ULC S628 (Canada) in all respects and is approved to UL & ULC safety standards for installation and use within a fireplace with masonry chimney, in accordance with NFPA No. 211, with or without a direct flue collar connection. A starter pipe is required into existing chimney.

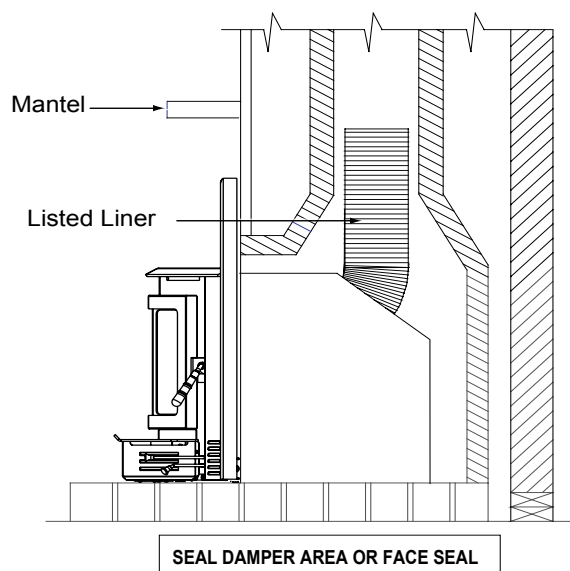


Figure 9B - Installation Into Metal Heat Circulating Showing Use Of Starter Pipe

**FACTORY BUILT ZERO CLEARANCE FIREPLACE
(USA INSTALLATIONS ONLY)**

The Quadra-Fire Bodega Bay ACT Wood Stove Insert is listed to UL 1482 Standard and approved for installation into listed factory built zero clearance fireplaces listed to UL 127 conforming to the following specifications and instructions:

The original factory-built clearance fireplace chimney cap must be re-installed after installing the approved chimney liner meeting type H.T. requirements (2100°F) per UL 1777. The air flow of the factory-built zero-clearance fireplace system must not be altered. The flue liner top support attachment must not reduce the air flow for the existing air-cooled chimney system.

NOTE: Refer to chimney liner manufacturer for recommendations on supporting the liner.

Minimum Width of cavity opening:	30 in.
Minimum Height:	21 in.
Minimum Depth from front to rear:	16-1/4 in.

The following modifications of factory built fireplaces are permissible: 1) removal of damper; 2) removal of smoke shelf or baffle; 3) removal of ember catches; 4) removal of fire grate; 5) removal of viewing screen/curtain; and, 6) removal of doors.

NOTE: Installation into fireplaces without a permit will void the listing.

The factory built chimney must be listed per UL 127 and meet the type HT requirements of UL 103. Factory built fireplace chimneys tested to UL 127-1998, may be at the fireplace manufacturer's option, tested to the same criteria as UL 103 HT requirements. If the chimney is not listed as meeting HT requirements, or if the factory built fireplace was tested prior to 1998, a full height listed chimney liner must be installed from the appliance flue collar to the chimney top. The liner must meet type HT requirements (2100°F) per UL 1777.

The liner must be securely attached to the insert flue collar and the chimney top. To prevent room air passage to the chimney cavity of the fireplace, seal either the damper area around the chimney liner with high temperature sealant or the fireplace front with fiberglass batting.

The fireplace must not be altered, except that the damper may be removed to accommodate a direct-connect starter pipe or chimney liner, and external trim pieces which do not affect the operation of the fireplace may be removed providing they can be stored on or within the fireplace for reassembly if the insert is removed.

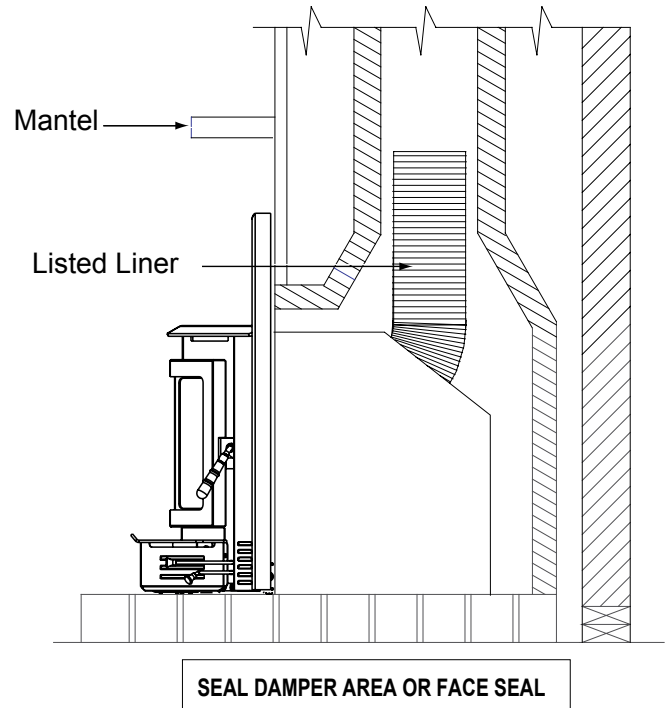



Figure 10A - Installation Into A Factory-Built Zero Clearance Fireplace

The permanent metal warning label provided must be attached to the back of the fireplace, with screws or nails, stating that the fireplace may have been altered to accommodate the insert, and must be returned to original condition for use as a conventional fireplace.

If the hearth extension is lower than the fireplace opening, the portion of the insert extending onto the hearth must be supported. Manufacturer designed adjustable support kit can be ordered from your dealer. **(See page 14).**

Final approval of this installation type is contingent upon the authority having jurisdiction.



WARNING

Fire Risk.

When lining air-cooled factory-built chimneys:

- Run chimney liner approved to UL 1777 Type HT requirements (2100 degrees F)
- Re-install original factory built chimney cap ONLY
- DO NOT block cooling air openings in chimney
- Blocking cooling air will overheat the chimney

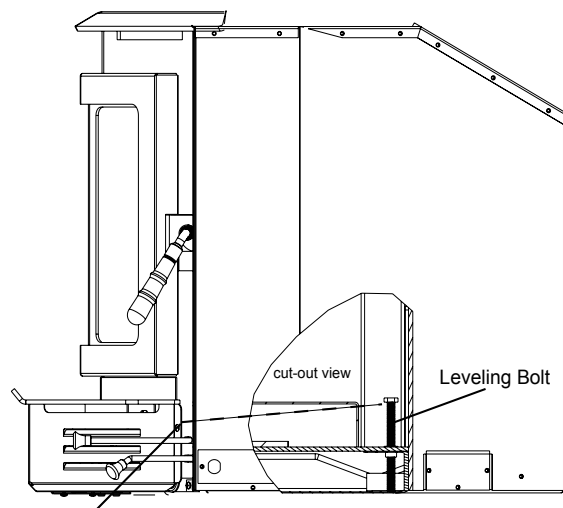
INSTALLATION IN CANADA MASONRY and HEAT-CIRCULATING

(INSTALLATIONS INTO FACTORY-BUILT FIREPLACES ARE PROHIBITED IN CANADA)

Whether installed in a masonry or heat-circulating fireplace, this fireplace insert must be installed with a continuous chimney liner of six inch (152mm) diameter extending from the fireplace insert to the top of the chimney. The chimney liner must conform to the Class 3 requirements of CAN/ULC-S635, Standard for Lining Systems for Existing Masonry or Factory-Built Chimneys and Vents, or CAN/ULC-S640, Standard for Lining Systems for New Masonry Chimneys.

- Do not remove bricks or mortar from fireplace to accommodate insert.
- The face of the fireplace must be sealed to prevent room air passage into the chimney cavity.
- The permanent metal warning label provided must be affixed to the back of the fireplace with screws or nails to the fireplace, in a location readily visible should the fireplace insert be removed, stating that the fireplace may have been altered to accommodate the insert, and must be returned to original condition for use as a conventional fireplace.
- Circulating air chambers may not be blocked.

LEVELING BOLTS AND SHEET METAL SHIMS



Reach between side of insert and outer skin

Figure 11A

The insert is shipped with 2 leveling bolts and 2 sheet metal guides for ease in sliding the insert into place when using the leveling bolts. Not all installations will require the use of the leveling bolts. The sheet metal guides are used only when the leveling bolts are necessary. Discard if not needed.

ADJUSTING THE LEVELING BOLTS

It is best to use a 1/2" (12.7mm) socket wrench with an extended handle for ease in adjusting bolts to the desired level. The bolts will adjust from 0 inches to 2 inches (0 - 51mm). You can also reach in and adjust the bolts by hand, although space is limited. See Figure 11A.

SHEET METAL GUIDES

Slide each guide under the insert on each side placing them directly under leveling bolts. If they are not directly under the bolts, the bolts may hang up on uneven material when sliding the insert into place. See Figure 11B.

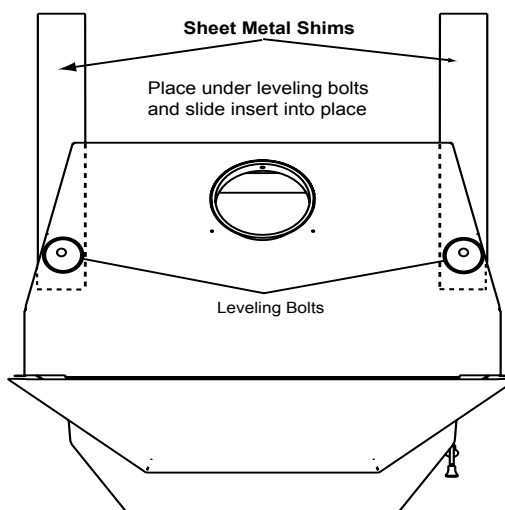


Figure 11B

SECURING LINER TO CHIMNEY RING

There are 2 options to secure the liner to the chimney ring: (See Figure 12A).

Option One: If there is enough room on the top of the insert to work, hand bend the two tabs upward 90°. Secure the liner with the supplied hex head bolts 1/4-20-3/4.

Option Two: Remove the manifold tubes, fiberboard baffle and ceramic blanket. From inside the firebox, pull liner down through the chimney ring below the outer skin. There are 2 pre-drilled holes in the chimney ring 180° apart. Secure the liner with the supplied hex head bolts 1/4-20-3/4.

NOTE: Tabs are shipped from factory in a flat position. Bend upwards 90 degrees.

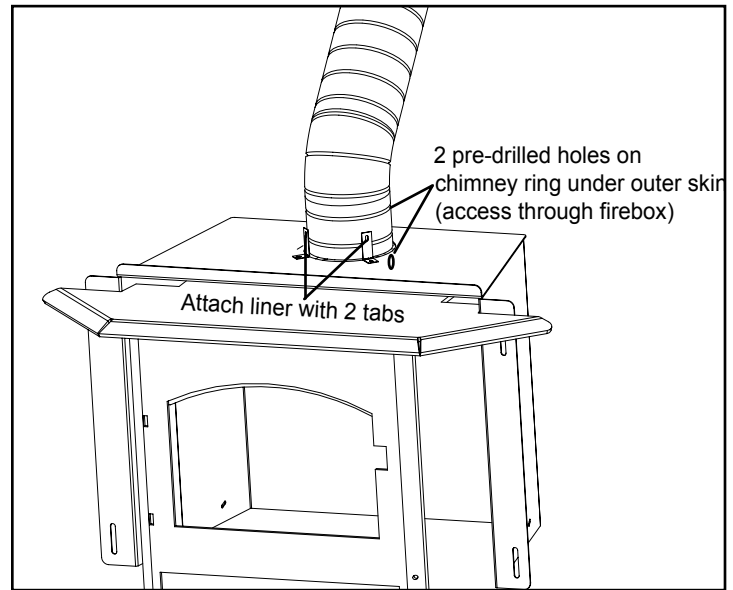


Figure 12A

OUTSIDE AIR INSTALLATION

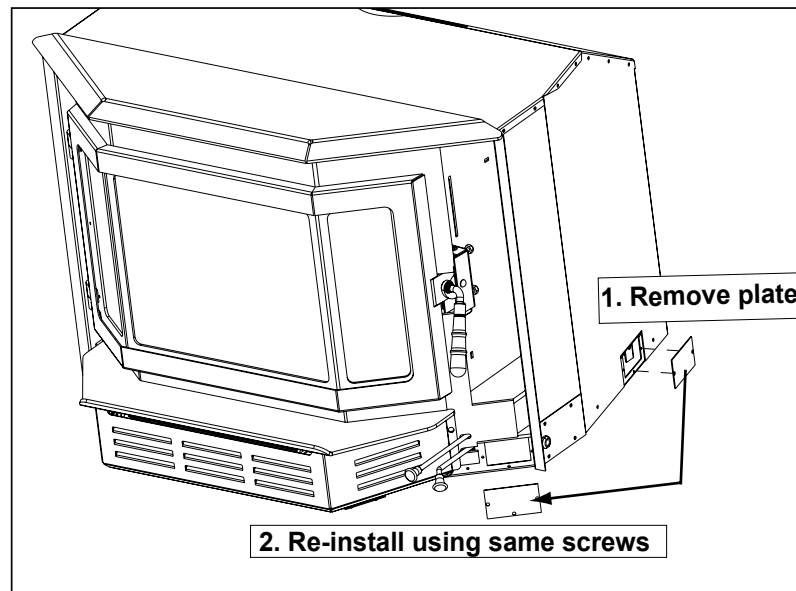


Figure 12B

Tools Needed: Phillips Head Screwdriver

1. Remove 3 screws and cover plate from back side of insert. Save the screws.
2. Reattach the cover plate using the same screws to front side of the insert as shown in **Figure 12B**.
3. Repeat same procedure for other side of insert.

NOTE: This product requires replacement of combustion air. If your home is fairly air-tight, it is recommended that you install outside air. If you are installing into a Mobile Home, outside air is required. See page 8.

PANEL and GOLD or NICKEL TRIM SET

STANDARD: 30-1/2" h x 44-5/8"w

LARGE: 34"h x 50-1/2"w

SP-BB3044-GD	Panel & Trim Set, Std, Gold
SP-BB3044-NL	Panel & Trim Set, Std, Nickel
SP-BB3450-GD	Panel & Trim Set, Large, Gold
SP-BB3450-NL	Panel & Trim, Set, Large, Nickel

Included in Panel Kit: (2) side panels, left and right; (1) panel top; (2) trim sides, left and right; (1) trim top (1) fastener package.

Tools Needed: Powered Phillips head Screw Driver

1. Remove contents from box being careful not to scratch or damage trim pieces.
2. Lay the panel set face down on protective covering to prevent scratching the painted surface.
3. Secure panel set together with screws provided. **See Figure 13A**
4. To assemble the trim, attach the 2 side trim pieces to the top trim at each corner using the "L" bracket included in fasteners package. **See Figure 13B**
5. Slide panel and trim as 1 piece over top of the insert and into position.
6. Secure panel set to insert. **See Figure 13A.**

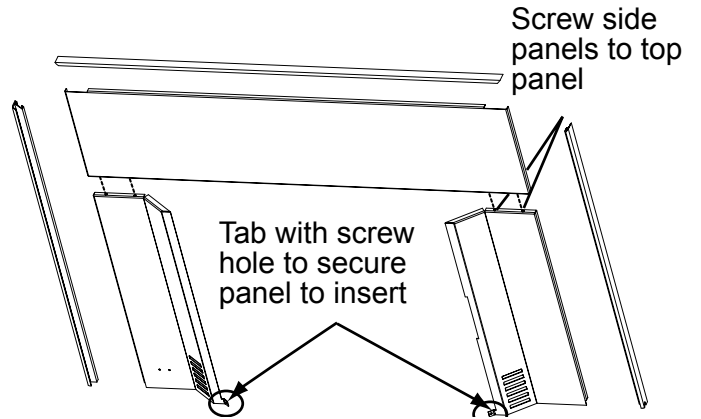


Figure 13A

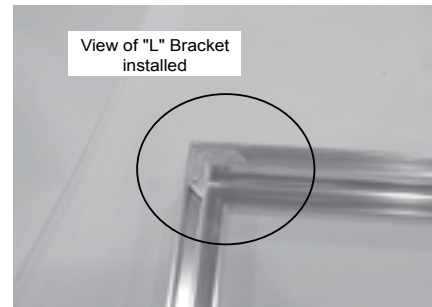


Figure 13B

DOOR HANDLE ASSEMBLY

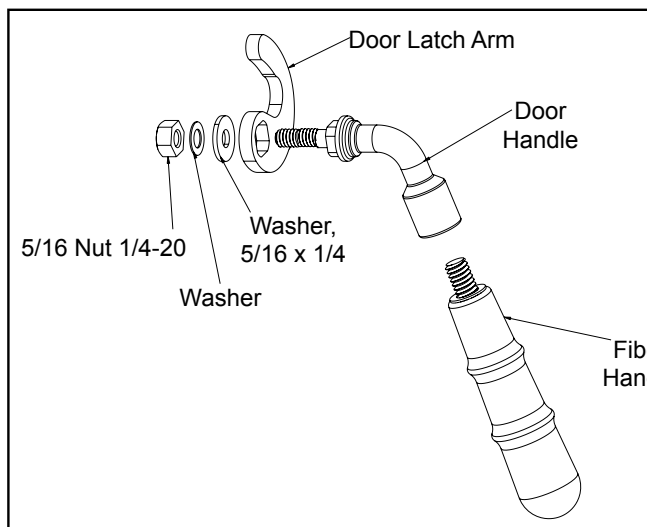


Figure 13C

DOOR LATCH ADJUSTMENT

It is important the door gasket has a proper seal. As the gasket compresses or "seats" during use, it may become necessary to adjust or tighten the door latch.

1. Loosen securing screw (do not remove).
2. Turn adjustment bolts as need for adjustment (in or out) using 7/16" end wrench.
3. Tighten securing screw to hold adjusted position in place.

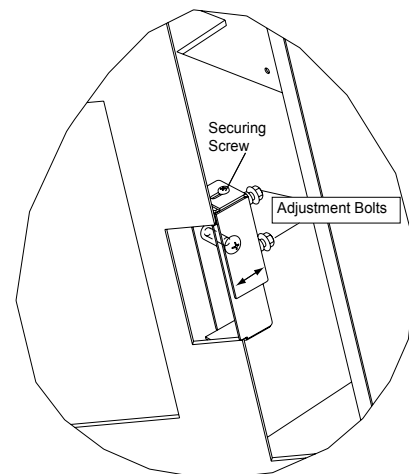


Figure 13D

BLOWER CORD LOCATION & BLOWER CONTROL BOX WITH SWITCH

This insert comes standard with a blower, installed at the factory with blower cord on right side of insert (as you face the unit). The blower cord can also be installed on the left side. Disconnect the cord from right side. ROUTE WIRES IN FRONT OF FAN. Re-install on the left side. Do not route cord behind the cooling fan.

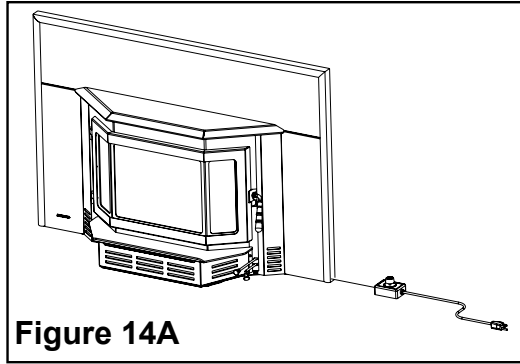


Figure 14A

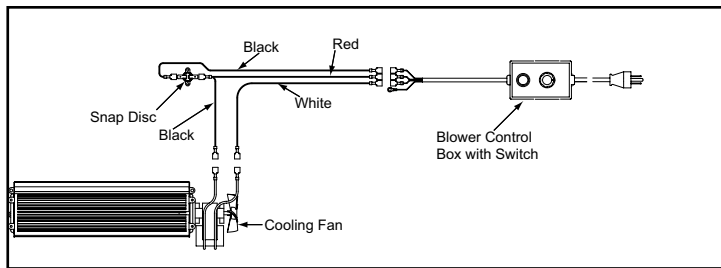


Figure 14B - Right Side Location

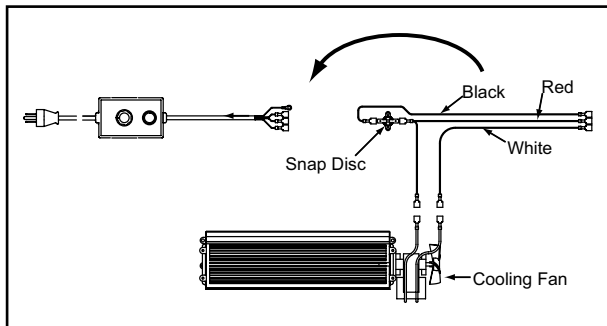


Figure 14C - Left Side Location

FAN (BLOWER) REPLACEMENT

Included in Kit: Replacement Blower

Tools Needed: 5-32 Wrench and Phillips Head Screwdriver.

1. Remove bolts from both sides of the insert and slide the lower cover towards you. **See Figure 14D**
2. Remove 6 that secures motor to the housing. Remove the motor. **See Figure 14E.**
3. Attach new motor using the same screws to the blower housing.
4. Re-attach lower cover to insert using the bolts removed in Step 1.

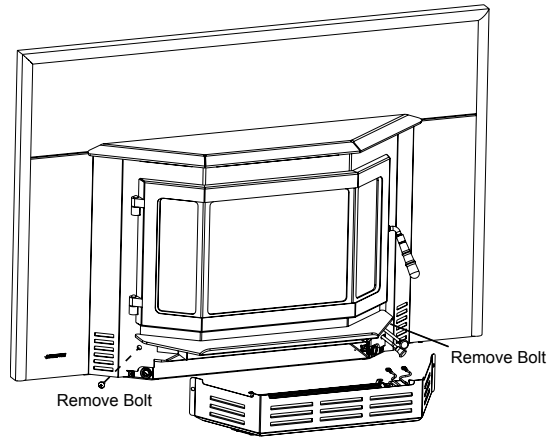


Figure 14D

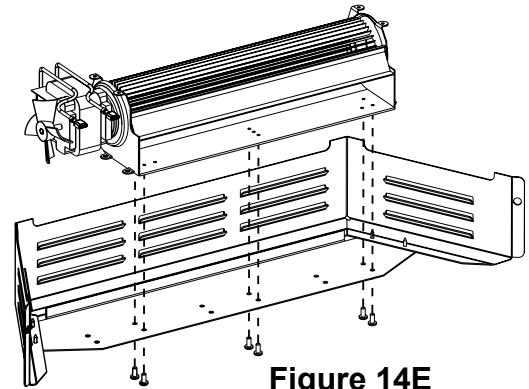


Figure 14E

Operating the Blower Control Box with Switch

1. The blower will turn on/off automatically when set to AUTO.
2. When set to MANUAL, the fan will turn on/off only when you turn it on or off. This setting over-rides the internal snap disc.
3. Adjust the speed of the fan by turning the HIGH/LOW knob to the desired setting.

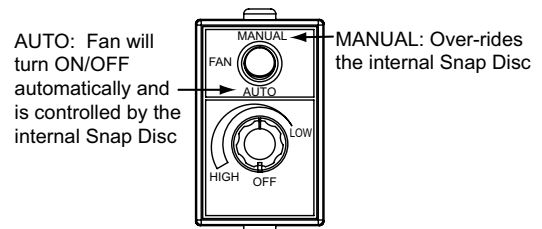


Figure 14C

ZERO CLEARANCE ADJUSTABLE TRIM SUPPORT, 2" to 10"

Part No. 841-0990, size 9"d x 45"w and Part No. ADJSPT-12, size 12"d x 50"w

Included in Kit: (1) Trim Top, (1) Trim Front, (2) Trim Sides, Double-Sided Tape (already installed)**Tools Needed:** Phillips Head Screwdriver, Sheet Metal Shears, Measuring Tape, Gloves

1. The 10 screws on each set of scissors will already be loose when shipped. **See Figure 15A.**
2. Expand scissors to desired height. Tighten screws to hold in place using Phillips Head screwdriver. **See Figure 15B.**
3. Measure front and side trims to required height to cover scissors and mark pieces for cutting. Cut excess material from **top** of trim's edge, not bottom. This edge will be sharp; wear gloves to prevent injury to your hands. **See Figure 15B.**
4. Using sheet metal shears, cut trim along the marked edge. The cut edge fits under lip of top trim, so it allows for some variance in your straight edge.
5. The double-sided tape that holds front and side trims to scissors has a particularly powerful bonding adhesive. Adjustments are extremely difficult once trim has adhered to tape. Do a dry run first without removing paper from tape.
6. Place cut edge of trim under top lip and into position on scissors. Place side pieces on first and then front piece. The front piece overlaps side pieces. **NOTE:** The trim in the Flush Mount Kit is one piece.
7. Once you are satisfied with the positioning, remove trim and set aside.
8. Remove the paper from double-sided tape that is to accept trim side. Align side and then press hard against tape to secure side piece. Repeat for other side. Install front trim piece last.

NOTE: 3/8" (9.5mm) thick tile or like material can be cut to size and fit under lip of top trim edge for a decorative touch. **See Figure 15C.**

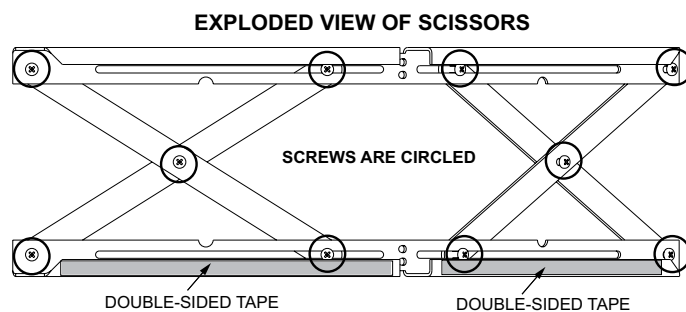


Figure 15A

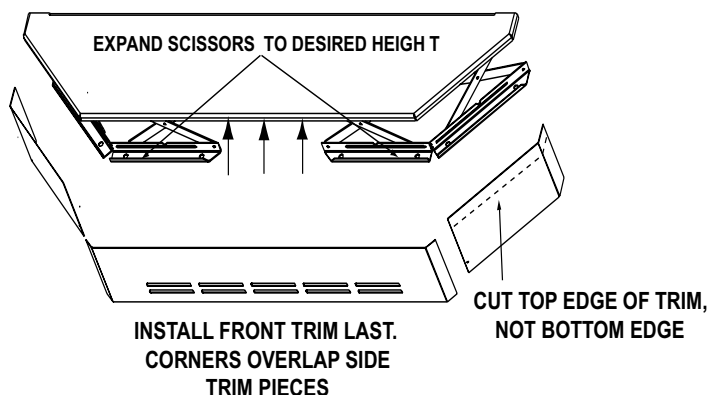


Figure 15B

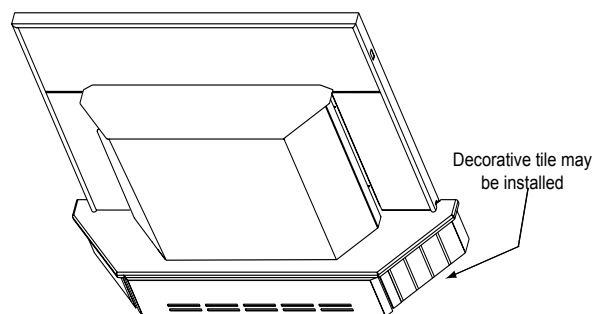


Figure 15C

OPERATION

WOOD SELECTION AND STORAGE

Burn only dry seasoned wood. Dry, well-seasoned wood will not only minimize the chance of creosote formation but will give you the most efficient heat output. Even dry wood contains at least 15% moisture by weight and should be burned hot enough to keep the chimney hot enough to maintain particulate (smoke) burning. Burning unseasoned wood of any variety defeats the inserts' efficiency.

Dead wood lying on the forest floor should be considered wet, and requires full seasoning time. Standing wood can be considered to be about 2/3 seasoned. Wood is dry enough to burn if the ends of the logs have cracks radiating in all directions from the center. If your wood sizzles in the fire, even though the surface is dry, it may not be fully cured.

Drying time can be reduced by splitting wood prior to storage. Since the majority of drying occurs through the cut ends rather than the sides, stack the wood so both ends of each piece are exposed to air. Store wood under cover, such as in a shed, or covered with a tarp, plastic, tarpaper, sheets of scrap plywood, etc.

OVERFIRING

Do not overfire. Overfiring can result in crazing, an effect causing a white, non-removable film to be deposited on the inside of the glass. Using flammable liquids, too much wood or burning trash in the insert may result in overfiring. If the chimney connector or insert glows red, or worse, white, the insert is overfired. This condition may ignite creosote in the chimney, possibly causing a house fire. If any part of the insert starts to glow, you are in an overfire situation. If you overfire, immediately close the insert air controls and door, if open, to reduce the air supply to the fire. **Overfiring your insert voids your warranty.**

BUILDING A FIRE

NOTE: Remove all labels from glass front prior to lighting the first fire.

Before lighting your first fire in the insert, make certain that the baffle is correctly positioned. It should be resting against the rear support. Also refer to care and cleaning of plated surfaces on **page 19** before lighting your first fire.

CAUTION: Never use gasoline, gasoline-type lantern fuel, kerosene, charcoal lighter fluid, or similar liquids to start or "freshen up" a fire in this heater. Keep all such liquids well away from the heater while it is in use.

There are many ways to build a fire. The basic principle is to light easily-ignitable tinder or paper, which ignites the fast-burning kindling, which in turn ignites the slow-burning firewood. Here is one method that works well:

1. Place several wads of crushed paper on the firebox floor. *Heating flue with slightly crumpled newspaper before adding kindling keeps smoke to a minimum.*
2. Place several wads of crushed paper on the firebox floor.
3. Open Start-Up Air Control (bottom rod) and Primary Air Control (top rod) fully. **See Figure 18A on page 18**
4. Ensure that no matches or other combustibles are in the immediate area of the insert, that the room is adequately ventilated, and the flue is unobstructed.
5. Light the paper in the insert. NEVER light or rekindle insert with kerosene, gasoline, or charcoal lighter fluid; the results can be fatal.
6. Once the kindling is burning quickly, add several full-length logs 3 inches (76mm) or 4 inches (102mm) in diameter. Be careful not to smother the fire. Stack the pieces of wood carefully. They should be near enough to keep each other hot, but far enough away from each other to allow adequate air flow between them.
7. When ready to reload the insert, add more logs. Large logs burn slowly, holding a fire longer. Small logs burn fast and hot, giving quick heat.
8. Adjust the Start-Up Air Control and Primary Air Control, maintaining flames above the fuel. The more you close down the Primary Control, the lower and slower the fire will burn. The more you open the Primary Control the more heat will be produced. The Start-Up Air Control (bottom rod) is only used for the first 5 to 15 minutes.

As long as there are hot coals, repeating steps 7 and 8 will maintain a continuous fire.

NOTE: The special high temperature finish paint applied to the insert will cure as your insert heats. You will notice an odor and perhaps see some vapor rise from the insert surface, this is normal. We recommend that you open a window until the odor dissipates and the paint is cured.

OPERATING TIPS

For maximum operating efficiency with the lowest emissions, follow these operating procedures:

1. Regardless of desired heat output, when loading stove, burn your Quadra-Fire with both air controls wide open for a minimum of 5 to 15 minutes.
2. Regulate burn rate (heat output) by using the Primary Control (top rod). The Start-Up Air Control (bottom rod) is mainly for initial start-up and reloading.
3. Heat output settings: Follow burn rate instructions listed below.
4. **Burn only dry, well-seasoned wood.**

BTU / Hr	Start-Up Air Control	Primary Control
Below 10,000	Closed after 5 to 15 minutes	Pull to Stop
10,000 - 15,000	Closed after 5 to 15 minutes	1" - 1-1/4" open
15,000 - 30,000	Closed after 5 to 15 minutes	1-1/4" - 2-1/2" open
Maximum Heat	Closed after 5 to 15 minutes	Fully open

These are approximate settings, and will vary with type of wood or chimney draft.

WARNING: Do not operate with Start-Up Air Control in the open position in excess of 15 minutes! Risk of extreme temperatures! Prolonged operation of this insert with the Start-Up Air Control in the open position may cause the combustible materials around the insert to exceed safe temperature limits.

BURN RATES

STARTING FIRE: Open both controls (push in) completely. After a wood load has been burning on high for 5 to 15 minutes or longer for very large pieces, close the Start-Up Air Control (bottom rod) by pulling it out.

HIGH: Leave the Primary Air Control fully open (top rod). It is especially important to fully open both controls when reloading the insert as failure to do so could result in excessive emissions, also referred to as 'opacity'.

After a wood load has been burning for 5 to 15 minutes on High to achieve the following burn rates set the controls as listed below:

MEDIUM HIGH: Close the Primary Air Control to 1-1/4" to 2-1/2" (32 to 64mm) open. Start-Up Air is closed.

MEDIUM: Close the Primary Air Control to 1" to 1-1/4" (25 to 32mm) open. Start-Up Air is closed.

LOW: Gradually close down the Primary Air Control by pulling out making sure to maintain flames in the insert. (Start-Up Air is closed). It is very important to maintain flames in your insert during the first few hours of a low burn to avoid excessive air pollution.

OPACITY

Opacity is the measure of how clean your insert is burning and is measured in percentages. An opacity of 100% in the smoke column from a chimney will totally obscure an object. Whereas 0% opacity means that no smoke column can be seen. A periodic check of the opacity emitted from your chimney will enable you to burn your insert as smoke free as possible.

FAN OPERATING INSTRUCTIONS

1. **Initial (cold) startup:** Leave fan off until your insert is hot and a good coal bed is established, approximately 30 minutes after fuel is lit.
2. **High Burn Setting:** The fan may be left on throughout the burn.
3. **Medium or Medium High Burn Setting:** The fan should be left off until a good burn is established, then turned on a medium or high rate.
4. **Low Burn Setting:** The fan tends to cool the insert. Leave fan off until the burn is well established; then, if you wish, turn the fan on at a low rate.
5. The fan is equipped with a rheostat (speed control). The highest fan speed is obtained by turning the rheostat on, then adjusting back towards "OFF" as far as possible without turning the fan off. For a low fan speed, turn the control knob clockwise as far as possible.

ASH REMOVAL

Remove cold ashes (not hot) from the insert at regular intervals, depending on your usage. Ashes should be placed in a metal container with a tight fitting lid. The closed container of ashes should be placed on a non-combustible floor or on the ground, well away from all combustible materials, pending final disposal. If the ashes are disposed of by burial in soil or otherwise locally dispersed, they should be retained in the closed container until all cinders have thoroughly cooled. Always treat ashes as if they contain hot coals.

AIR QUALITY AND YOUR QUADRA-FIRE INSERT

In recent years there has been an increasing concern about the quality of our air. Much of the blame for poor air quality has been placed on the burning of wood for home heating. In order to improve this situation we at Quadra-Fire have developed cleaner burning inserts that surpass the stringent requirements for emissions established by our governing agencies. Your Bodega Bay Wood Insert, like any other appliance, must be properly operated in order to ensure that they perform the way they are designed to perform. Improper operation and maintenance may cause any wood burning unit to release more particulate, adversely affecting the environment.

The story of the Three Burning Stages . . .

It helps to know a little about the actual burn process, which entails three discernible burning stages. The first stage is called the kindling stage. During this stage the fuel reaches the boiling temperature of water, 212°F, evaporating the moisture found to some degree in all wood.

Because the process takes heat from the insert during this initial drying stage, each new load of wood reduces the chances for a good, clean burn. For this reason it is always best to burn dry, seasoned firewood, and operate the controls properly. The bottom control on the right side of your insert is called the Start-Up Air Control and is used primarily during this first kindling stage of burning.

During the secondary stage, the wood gives off flammable gases which burn above the fuel with bright flames. These flames above the fuel must be maintained until the third stage to ensure proper burning. During this stage you may adjust your insert for a low burn rate. To achieve a low burn rate it is necessary to close down the air while still maintaining some flames. If the flames tend to go out, the setting is too low. The Primary Control, located above the Start-Up Air Control, will assist you in adjusting the insert for a low burn rate.

The third stage of burning is the charcoal stage. This happens when the flammable gases have been burned and the charcoal remains. The coals burning with hot blue flames is a naturally clean portion of the burn. It is very important to reload your insert while enough lively hot coals remain in order to provide the amount of heat needed to dry and rekindle the next load of wood. Open up both controls for a short while before reloading to liven up the coal bed. You should also break up any large chunks and distribute the coals so the new wood is laid on hot coals. Leave both controls open (close the Start-Up-Air after 15 minutes) until the new wood load is burning well enough to maintain the secondary stage of burning and then set the Primary Control to your desired heat output setting.

START-UP AIR SYSTEM

The combustion air enters at the rear of the firebox through the rear air tubes. This air supply is controlled by the Start-Up Air Control. **See Figure 18A.**

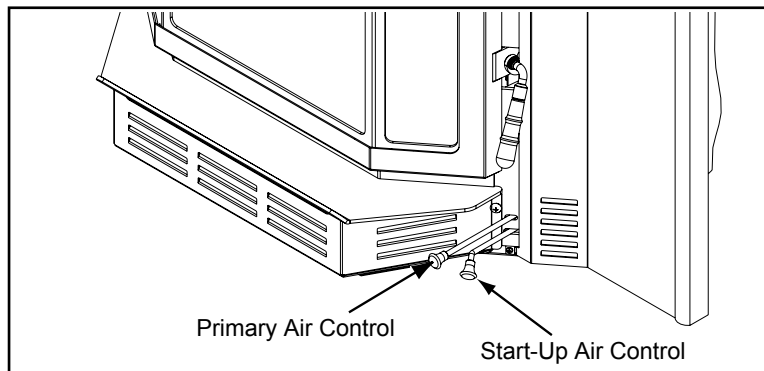
PRIMARY AIR SYSTEM

The primary air enters at the upper front of the firebox near the top of the glass door. This preheated air supplies the necessary fresh oxygen to mix with the unburned gases, helping to create second, third and fourth stages of combustion. This air is regulated by the Primary Air Control. For more primary air (more heat), push rod in. For less primary air (less heat), pull rod out. **See Figure 18A.**

In other words . . .

Pulling either control towards you closes off the air available to the insert in that area. Pushing either control opens it, allowing air circulation to the area. A good analogy to remember for this procedure is the gas pedal on your car. Pushing in the gas pedal makes the engine run faster. Letting off (pulling the control back) makes the car run slower.

Figure 18A



OPEN - PUSH IN

CLOSE - PULL OUT

MAINTENANCE

CARE AND CLEANING OF PLATED SURFACES

IMPORTANT: You must clean all the fingerprints and oils from the plated surfaces before firing the insert for the first time. Use warm soapy water and a soft rag, glass cleaner and a paper towel, or vinegar and a paper towel to remove the oils. DO NOT use abrasive cleaners! If not cleaned properly prior to lighting the first fire, the oils can cause permanent stains. The plating will be cured upon firing of the insert and oils will no longer affect the finish. Subsequently, little maintenance is then required. Wipe clean as needed with a soft towel.

CARE AND CLEANING OF GLASS

NOTE: Remove all labels from glass prior to lighting the first fire.

Quadra-Fire inserts are equipped with super heat resistant ceramic glass which can only be broken by impact or misuse. Clean glass with any non-abrasive glass cleaner. Abrasive cleaners may scratch and cause glass to crack. Inspect glass regularly. If you find a crack or break, immediately put the fire out and return the door to your authorized dealer for replacement of glass before further use. Do not substitute materials for glass replacement.

WARNING! DO NOT SLAM INSERT DOOR OR IMPACT THE GLASS WHEN CLOSING THE DOOR, MAKE SURE THAT LOGS DO NOT PROTRUDE AGAINST THE GLASS.

WARNING! DO NOT OPERATE WITH BROKEN GLASS.

WARNING! DO NOT CLEAN GLASS WHEN HOT.

GLASS REPLACEMENT INSTRUCTIONS

Replace with 5mm ceramic glass only

1. Remove door from insert and lay on a padded flat surface.
2. Remove glass retainer screws using a Phillips screwdriver.
3. Lift glass out of the door frame and/or side frames.
4. Lay new glass with fiberglass tape around it into door frame and/or side frames.
5. Place glass retainers over the fiberglass tape on the edges of the glass and reinstall screws. Be sure glass is centered in the opening (i.e. same space top and bottom, left and right).
6. Tighten screws enough to hold frame and glass in place.
7. Check again for centering of glass in door and/or side frames and give all screws a final tightening.

CREOSOTE FORMATION AND NEED FOR REMOVAL

When wood is burned slowly it produces tar and other organic vapors which combine with expelled moisture, and, in turn forms creosote. These creosote vapors condense in the relatively cool chimney flue when a fire is newly started, or from a slowly burning fire, and accumulate on the flue lining of the chimney.

A build up of creosote can then be ignited by sparks rising up the chimney. When ignited, this situation makes an extremely hot fire which may damage the chimney and even destroy your home. The chimney connector and chimney should be inspected at least once every 2 months during the heating season to determine if a creosote buildup has occurred. It is extremely important that this residue is removed at regular intervals, usually once a year depending on your burning habits, to prevent the occurrence of a chimney fire. It is highly recommended that you contact a professional chimney cleaner for this area of maintenance.

CHIMNEY

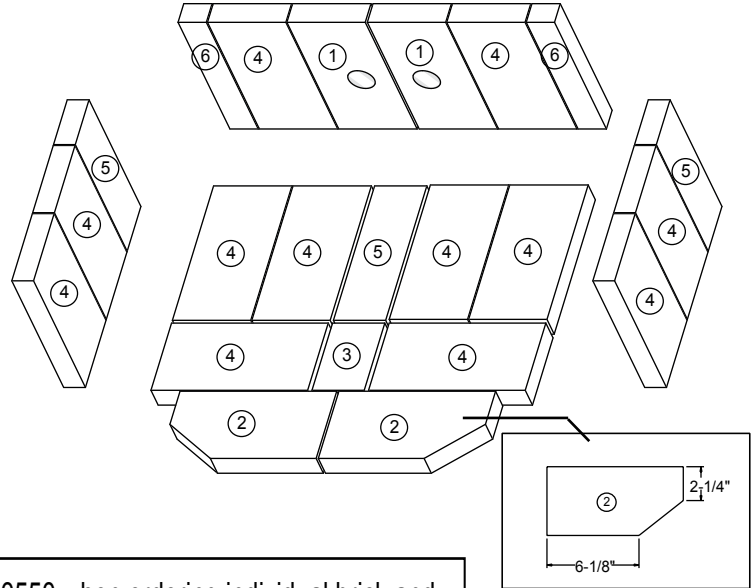
If your type of installation involves a full reline of the chimney, it will be necessary to either remove the baffle from the insert, or remove the insert from the fireplace and disconnect the vent prior to cleaning the chimney. Refer to **page 20** in this manual for instructions on Baffle Removal.

If your type of installation is direct connect within a masonry chimney, the insert will need to be pulled out from the fireplace and disconnected from the flue prior to cleaning the chimney. The creosote can either be caught in a large garbage bag secured to the pipe or swept and vacuumed out of the fireplace. Reconnect the pipe and reinstall the insert following installation instructions in this manual on **page 9**.

**BRICK REPLACEMENT INSTRUCTIONS
PART 832-3500**

The firebox of your insert is lined with high quality fire-brick which has exceptional insulating properties. There is no need for a grate, simply build a fire on the firebox of your insert.

1. Be certain coals are completely cold. Remove all old brick and ash from unit and vacuum out firebox.
2. Remove new brick set from box and lay out to the diagram as shown.
3. Lay bottom bricks in unit.
4. Install rear bricks on the top of the bottom bricks. Slide top of bricks under clip on back of firebox wall and push bottom of brick back.
5. Install side bricks. Slide top of brick under clips on side of firebox and push the bottom of the brick until it is flush with the side of the unit.



Nbr	Brick Size	Qty in Set
1	9 x 4-1/2 x 1-1/4" with hole	2
2	9 x 4 x 1-1/4" with cut	2
3	4-1/2 x 3 x 1-1/4"	1
4	9 x 4-1/2 x 1-1/4"	12
5	9 x 3 x 1-1/4"	3
6	9 x 1-1/2 x 1-1/4"	2

Use Part #832-0550 when ordering individual brick and provide brick dimension or copy this page and mark the desired brick and take it to your authorized dealer.

BAFFLE REMOVAL & INSTALLATION

NOTE: The baffle is 2700° Fiber Board. Removing hardware exposed to combustion processes can be frustrating. If your reason for removing the baffle is to clean the chimney, you have alternatives which will save time and effort. Call a qualified chimney sweep or an authorized Quadra-Fire dealer for details.

1. Remove all ash from firebox, and extinguish all hot embers before disposal into a metal container.
2. Remove ceramic blanket from above the baffle.
3. With a 3/16" Allen wrench, remove 2 front manifold tube retainer bolts on the air channel under the end of the front tubes. **NOTE:** Soak the bolts with penetrating oil for at least 15 minutes before trying to remove them. **See Figure 20A.**
4. To remove manifold tubes, slide the tube to one side until one end is out of its hole. Then, while lifting that end of the fiber board baffle, pull tube up over the air channel and out of hole at the other end. It is necessary to remove the first 2 tubes in order to remove the baffle. **NOTE:** When replacing the manifold tubes, be sure the tube with the larger holes is placed in the front for your insert to operate properly.
5. Slide fiber board baffle forward to front of stove and straight out through door. **See Figure 20B.**
6. To install the fiber board baffle, repeat steps 2 through 4 in reverse order. Be sure the fiber board baffle and ceramic blanket are pushed back fully into position and the ceramic blanket lays flat.

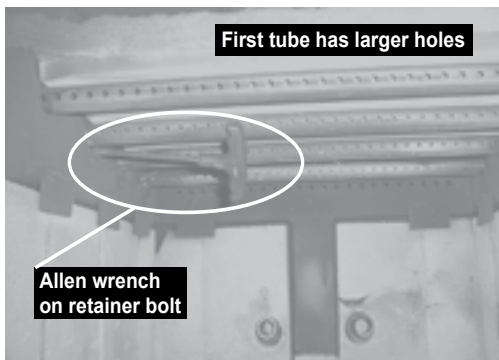


Figure 20A - Manifold tubes in roof of firebox.

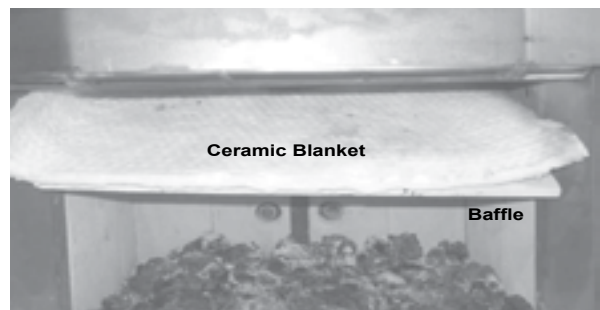
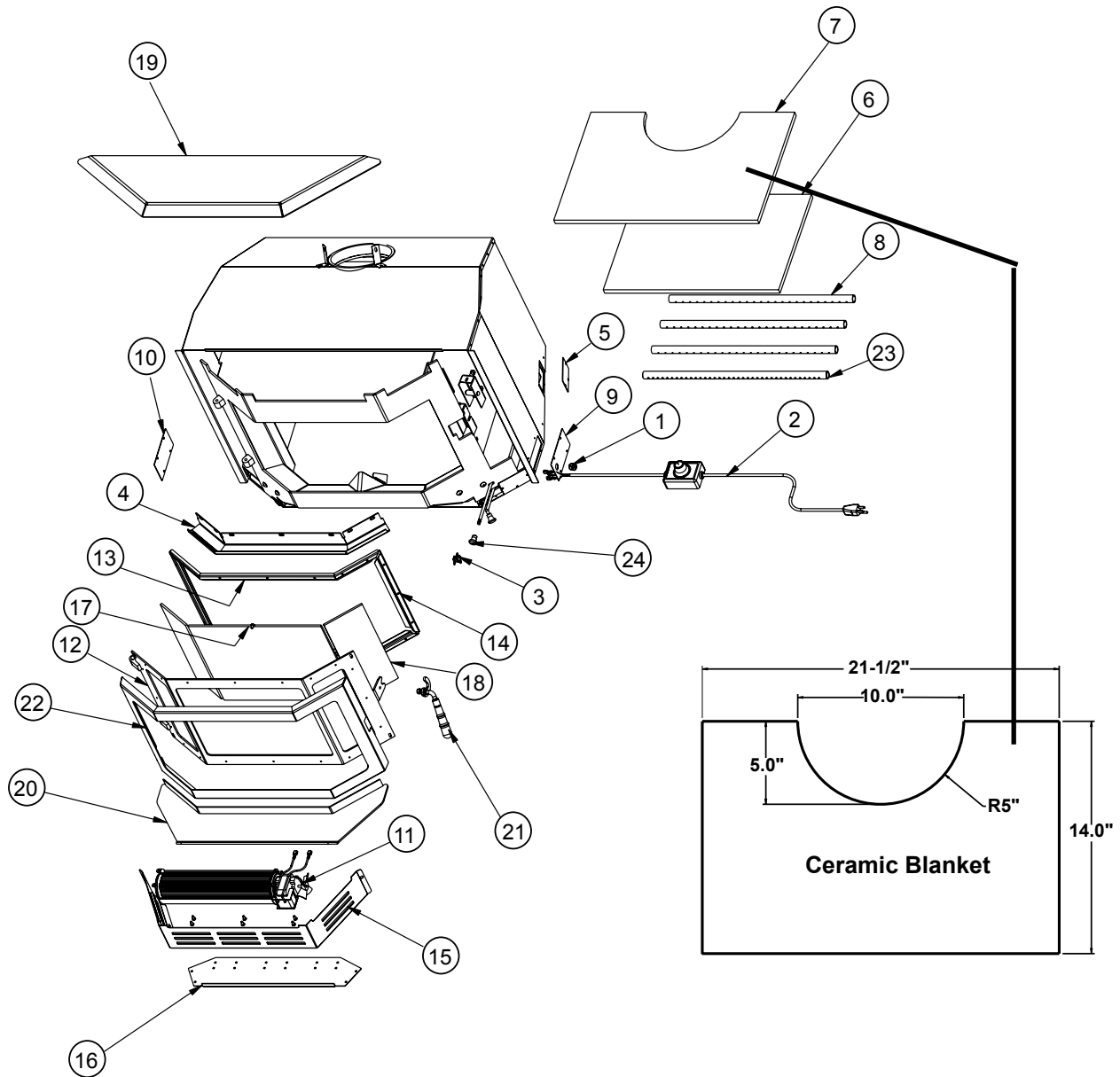


Figure 20B - Baffle & Ceramic Blanket on top.

EXPLODED VIEW



Item	Part Name	Item	Part Name	Item	Part Name
1	Strain Relief Bushing	9	Wire Access Panel	17	Glass, Front
2	Speed Control (Rheostat)	10	Cover Plate	18	Glass, Sides
3	Snap Disc	11	Blower	19	Top
4	Airwash	12	Door Frame	20	Ashlip
5	Outside Air Cover Plate	13	Glass Frame, Horizontal	21	Door Handle Assembly
6	Fiberboard Baffle	14	Glass Frame, Vertical	22	Crown Assembly
7	Ceramic Blanket	15	Blower Housing	23	Manifold Tube #1
8	Manifold Tubes #2, #3, #4	16	Blower Mount Base	24	Air Control Knob

ACCESSORIES

DC-BB-GD	Door Crown, Gold
DC-BB-NL	Door Crown, Nickel
SP-BB3044-GD	Panel & Gold Trim Set, Small, 30-1/2”h x 44-5/8”w
SP-BB3044-NL	Panel & Nickel Trim Set, Small, 30-1/2”h x 44-5/8”w
SP-BB3450-GD	Panel & Gold Trim Set, Large, 34”h x 50-1/2”w
SP-BB3450-NL	Panel & Nickel Trim Set, Large, 34”h x 50-1/2”w
831-0182	Offset Adapter
841-0990	Zero Clearance Adj Trim Support, 9”d x 45”w, 2”-10” high
ADJSPT-12	Zero Clearance Adj Trim Support, 12”d x 50”w, 2”-10” high

SERVICE PARTS

832-3520	Baffle, Fiber Board
832-3490	Blower Motor
832-0550	Brick, Single (<i>give dimensions needed, see page 20</i>)
832-3500	Brick Set
SRV436-0380	Bricks with holes
435-5490	Ceramic Blanket, 1/2” (<i>field cut to size, see drawing page 21</i>)
435-5500	Component Pack (<i>includes Owner’s Manual, Touch-up Paint, Efficiency Card, Warranty Card, Door Handle, Blower Cord Extension Wire for left side install, Permanent Label “If Fireplace Altered”</i>)
SRV433-1380	Door Handle , Fiber
435-5260	Door Handle Assembly
834-4170	Door Gasket, 1/2”, high density
832-3550	Glass Assembly, Door Front
832-3560	Glass Assembly, Side
832-3530	Manifold Tube Set (4)
812-4670	Snap Disc

APPLIANCE

Advanced Combustion Technology (ACT)

BODBAY	Bodega Bay Wood Insert, Black Crown
--------	-------------------------------------

Warranty Policy



LIMITED LIFETIME WARRANTY

The Hearth & Home Technologies limited Lifetime Warranty guarantees that the following components will work as designed for the lifetime of the stove or Hearth & Home Technologies will repair or replace them. These items include but are not limited to steel and cast iron components, all gas burners, gas logs, combustion chambers, heat exchanger systems, stainless steel firebox components, plating, doors, glass damaged by thermal breakage, steel baffle supports, steel and ceramic baffles and manifold tubes. Labor is for the first five years.

THREE YEAR WARRANTY

Our pellet firepots are covered under Hearth & Home Technologies three-year warranty program. Labor is for 3 years.

TWO YEAR WARRANTY

All electrical components such as but not limited to blowers, wiring, vacuum switches, speed controls, control boxes, thermodisc switches, pilot assembly, gas valves, thermostats and remotes are covered under Hearth & Home Technologies two-year warranty program. Effective April, 2005 igniters are also covered under the two year warranty. Labor is for two years.

ONE YEAR WARRANTY

Porcelain and Powder Coat finishes are warranted against manufacturer defects for one year. Labor to repair or replace these parts is covered for one year, reimbursed per our warranty service fee schedule.

CONDITIONS

This warranty is non-transferable and is made to the original retail purchaser only provided that the purchase was made through an authorized dealer of Hearth & Home Technologies. It must be installed and operated at all times in accordance with the Installation and Operating Instructions furnished with this product, as well as any applicable local and national codes. Any alteration, willful abuse, accident, or misuse of the product shall nullify this warranty.

Labor to repair or replace items covered under the limited Lifetime Warranty will be covered for the first five years per our warranty service fee reimbursement schedule. Parts covered under the limited Lifetime Warranty will be covered for the lifetime of the appliance up to a maximum of ten (10) years after Hearth & Home Technologies discontinues the model and two (2) years for optional accessories. Adjustments, regular maintenance, cleaning and temporary repairs do not qualify for a service call fee and will not be covered. The replacement of consumer replaceable items and installation of upgraded component parts do not qualify for a service call fee, and will not be covered.

This limited Lifetime Warranty does not extend to or include surface finish on the appliance, door gasketing, glass gasketing, glass, firebrick, pellet logs, kaowool or other ceramic insulating materials. It does not cover installation or operational-related problems such as overfiring, use of corrosive driftwood, downdrafts or spillage caused by environmental conditions, nearby trees, buildings, hilltops, mountains, inadequate venting or ventilation, excessive offsets, or negative air pressures caused by mechanical systems such as furnaces, fans, clothes dryers, etc.

Any installation, construction, transportation, or other related costs or expenses arising from defective part(s), repair, replacement, etc., will not be covered by this warranty, nor will Hearth & Home Technologies assume responsibility for them. Further, Hearth & Home Technologies will not be responsible for any incidental, indirect, or consequential damages, except as results in damage to the interior or exterior of the building in which this appliance is installed. This limited Lifetime Warranty does not apply to the venting components, hearth components or other accessories used in conjunction with the installation of this product not manufactured by Hearth & Home Technologies

This warranty is void if the stove has been overfired or operated in atmospheres contaminated by chlorine, fluorine, or other damaging chemicals, the stove is subjected to prolonged periods of dampness or condensation, or there is any damage to the stove or other components due to water or weather damage which is the result of, but not limited to, improper chimney or venting installation. Hearth & Home Technologies may, at its discretion, fully discharge all obligations with respect to this warranty by either repairing or replacing the unit, or refunding the wholesale price of the defective part(s).

This limited Lifetime Warranty is effective on all appliances sold after May 1, 2002 and supersedes any and all warranties currently in existence.



Policy 250-8620 Rev K

QUADRA-FIRE®

CONTACT INFORMATION:

Hearth & Home Technologies
1445 North Highway
Colville, WA 99114
Division of HNI INDUSTRIES

Please contact your Quadra-Fire dealer with any questions or concerns.
For the number of your nearest Quadra-Fire dealer,
log onto www.quadrafire.com

	CAUTION
	<ul style="list-style-type: none">• Do NOT discard this manual.• Important operating and maintenance instructions included.• Read, understand and follow these instructions for safe installation and operation.• Leave this manual with party responsible for use and operation.



Your Records for Model: Bodega Bay Wood Insert

DEALERSHIP WHERE PURCHASED:

SERIAL NUMBER: _____

DATE PURCHASED: _____

DATE INSTALLED: _____

DEALER TELEPHONE: _____

This product may be covered by one or more of the following patents: (United States) 4593510, 4686807, 4766876, 4793322, 4811534, 5000162, 5016609, 5076254, 5113843, 5191877, 5218953, 5263471, 5328356, 5341794, 5347983, 5429495, 5452708, 5542407, 5601073, 5613487, 5647340, 5688568, 5762062, 5775408, 5890485, 5931661, 5941237, 5947112, 5996575, 6006743, 6019099, 6048195, 6053165, 6145502, 6170481, 6237588, 6296474, 6374822, 6413079, 6439226, 6484712, 6543698, 6550687, 6601579, 6672860, 6688302B2, 6715724B2, 6729551, 6736133, 6748940, 6748942, D320652, D445174, D462436; (Canada)1297749, 2195264, 2225408; or other U.S. and foreign patents pending.

