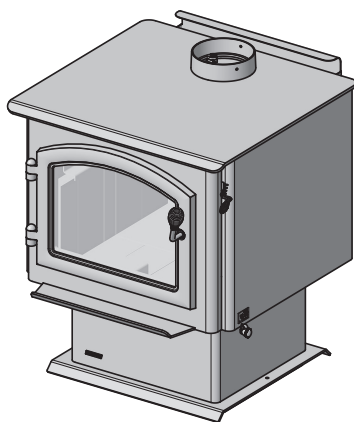


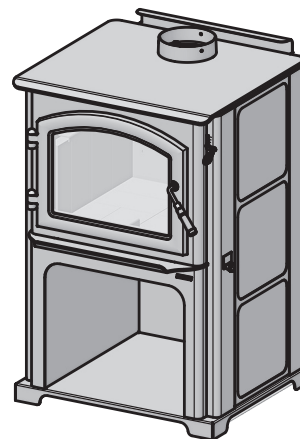
QUADRA-FIRE

QUADRA-FIRE 3100 SERIES ACC WOOD BURNER INSTALLATION INSTRUCTIONS

**Model:
31M-ACC-AU**



**Model:
31LE-ACC-AU**



INSTALLATIONS TO COMPLY WITH AS/NZS2918:2001
AND WILL REQUIRE A BUILDING CONSENT

IMPORTANT: Read all instructions carefully before starting installation. Failure to follow these instructions may result in a fire hazard and will void the warranty.

- Fig. 3,4,5,6, 7 and Table 1,2,3,4 relate to installations with tested flue systems; as per **AS/NZS 2918:2001 - Appendix F**, with a ceiling angle between 0° - 30° inclusive.
- For installations with a ceiling angle greater than 30°, refer to Fig. 7 & 8 and **AS/NZS 2918:2001 4.6.3(b)**
- Ceiling Plate may vary in size depending on ceiling angle. Please specify ceiling pitch prior to ordering the ceiling plate.
- Quadra-Fire 3100 series ACC wood burner's are tested and approved to the N.Z. National Environmental Standards;

31M-ACC-AU 3100 Millennium Hardwood Certified
31LE-ACC-AU 3100 Limited Edition Hardwood Certified
Particulate Emissions = 1.4 g/kg Space Heating Efficiency = 71%

Congratulations 

and Welcome to the Quadra-Fire Family!

Hearth & Home Technologies welcomes you to our tradition of excellence! In choosing a Quadra-Fire appliance, you have our assurance of commitment to quality, durability, and performance.

This commitment begins with our research of the market, including 'Voice of the Customer' contacts, ensuring we make products that will satisfy your needs. Our Research and Development facility then employs the world's most advanced technology to achieve the optimum operation of

our stoves, inserts and fireplaces. And yet we are old-fashioned when it comes to craftsmanship. Each unit is meticulously fabricated and surfaces are hand-finished for lasting beauty and enjoyment. Our pledge to quality is completed as each model undergoes a quality control inspection.

We wish you and your family many years of enjoyment in the warmth and comfort of your hearth appliance. Thank you for choosing Quadra-Fire.

3100 Series ACC

QUADRA-FIRE® **QUADRA-FIRE WOODFIRE COMPLIANCE LABEL**

This appliance has been TESTED TO AS/NZS4013 for Hardwood by HRL Technology Report # HCMG/12/043A - Date tested: May 2012

MODEL QUADRA-FIRE 3100 SERIES ACC FREESTANDING WOOD STOVE

OVERALL AVERAGE EFFICIENCY BURNING SOFTWOOD
 WHEN TESTED IN ACCORDANCE WITH AS/NZS 4012:71%

AVERAGE PARTICULATE EMISSION FACTOR BURNING SOFTWOOD
 WHEN TESTED IN ACCORDANCE WITH AS/NZS 4013:1.4 g/kg

MAXIMUM AVERAGE HEAT OUTPUT BURNING SOFTWOOD:7.1 kW

APPROVED FUEL:BURN ONLY HARDWOOD WITH A MOISTURE CONTENT
 LESS THEN 25% (dry basis).

Wetback - All Models:Wetbacks are NOT an approved option and must not be fitted.

Manufactured by:Hearth & Home Technologies, 352 Mountain House Road,
 Halifax, PA 17032 United States of America

Serial No. /
N° de série: **HF**

BARCODE LABEL

MILLENIUM

Date of Manufacture / Date de fabrication:

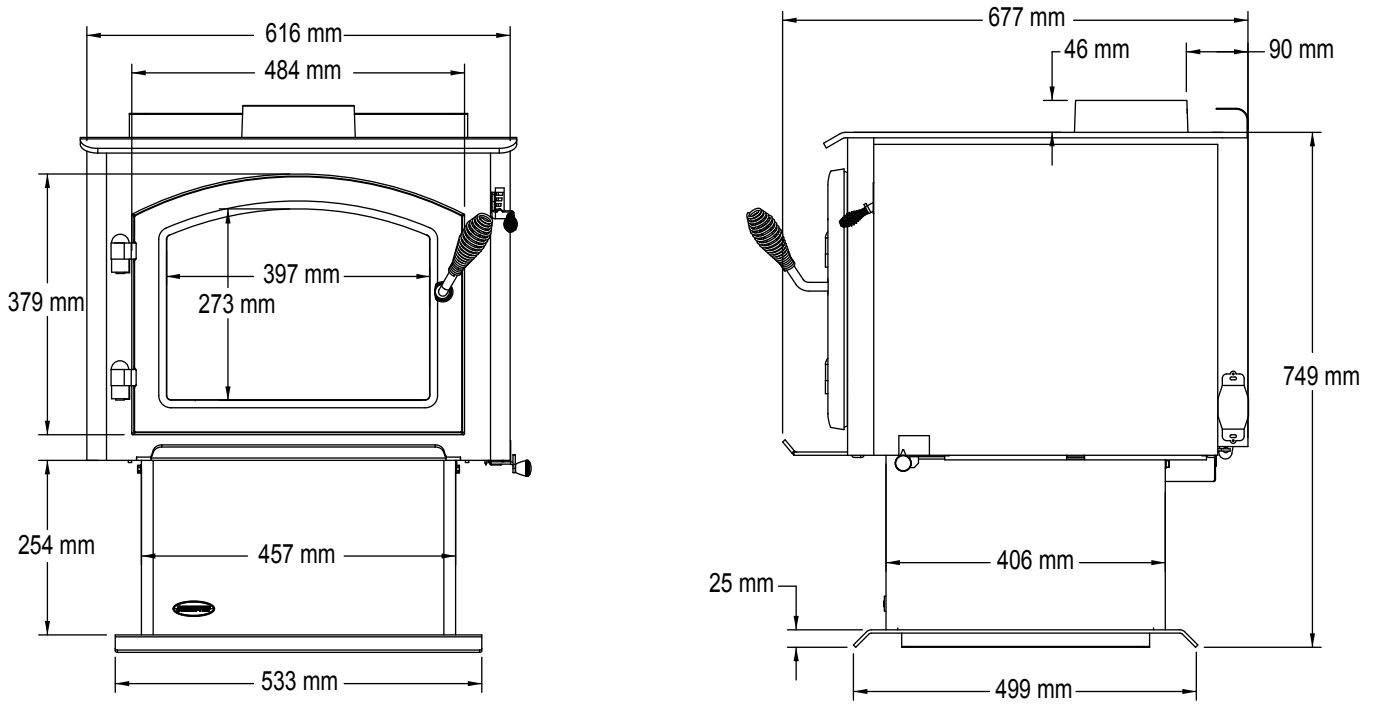
2017	2018	2019	JAN	FEB	MAR	APR	MAY	JUN	JUL	AUG	SEP	OCT	NOV	DEC
■	■	■	■	■	■	■	■	■	■	■	■	■	■	■

7033-309_R4

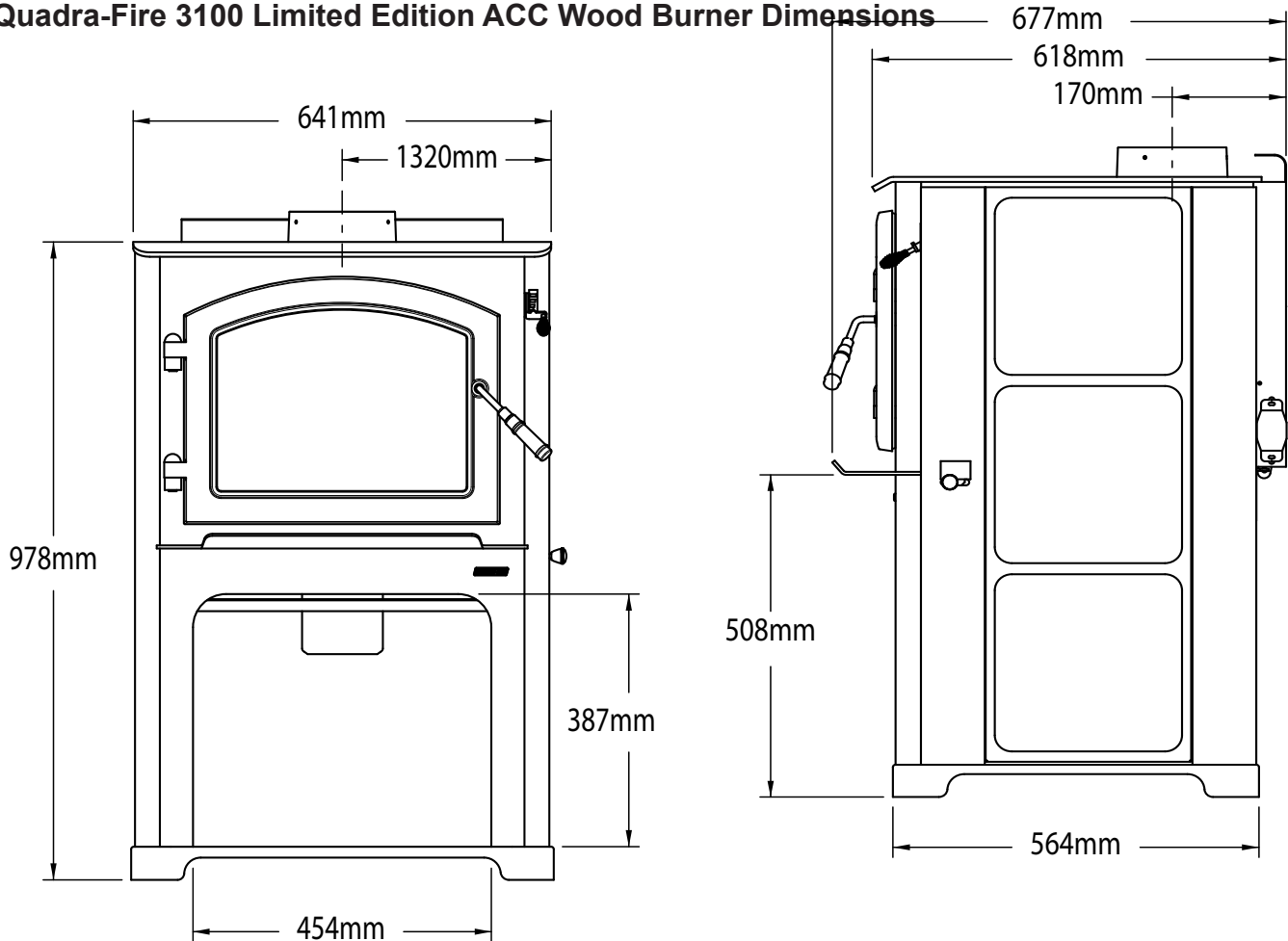
NOTE: PERFORMANCE MAY VARY FROM TEST VALUES DEPENDING ON ACTUAL OPERATING CONDITIONS.
 U.S. ENVIRONMENTAL PROTECTION AGENCY
 Export stove. May not be operated within the United States

INSTALLATION
DATE: / /

Quadra-Fire 3100 Millenium ACC Wood Burner Dimensions



Quadra-Fire 3100 Limited Edition ACC Wood Burner Dimensions



FLOOR PROTECTOR - 31M and 31LE

Quadra-fire 3100 Millennium and 3100 LE ACC products do not require a insulating Floor Protector, as they are tested and comply with the minimum Floor Protector requirements of **AS/NZS 2918:2001**.

Note:

- The minimum Floor Protector sizes are specified in the clearance chart, see Table 1 & 2.
- A Floor Protector can include ceramic tiles with grouted joints fixed directly onto a wooden floor or a sheet of toughened glass, panel steel or any other non combustible material laid directly onto a wooden floor.
- If installed directly onto a concrete slab, the concrete slab can be considered as the floor protector, but must maintain the minimum measurement listed.

PARALLEL POSITIONING - 31M and 31LE

Fig. 3

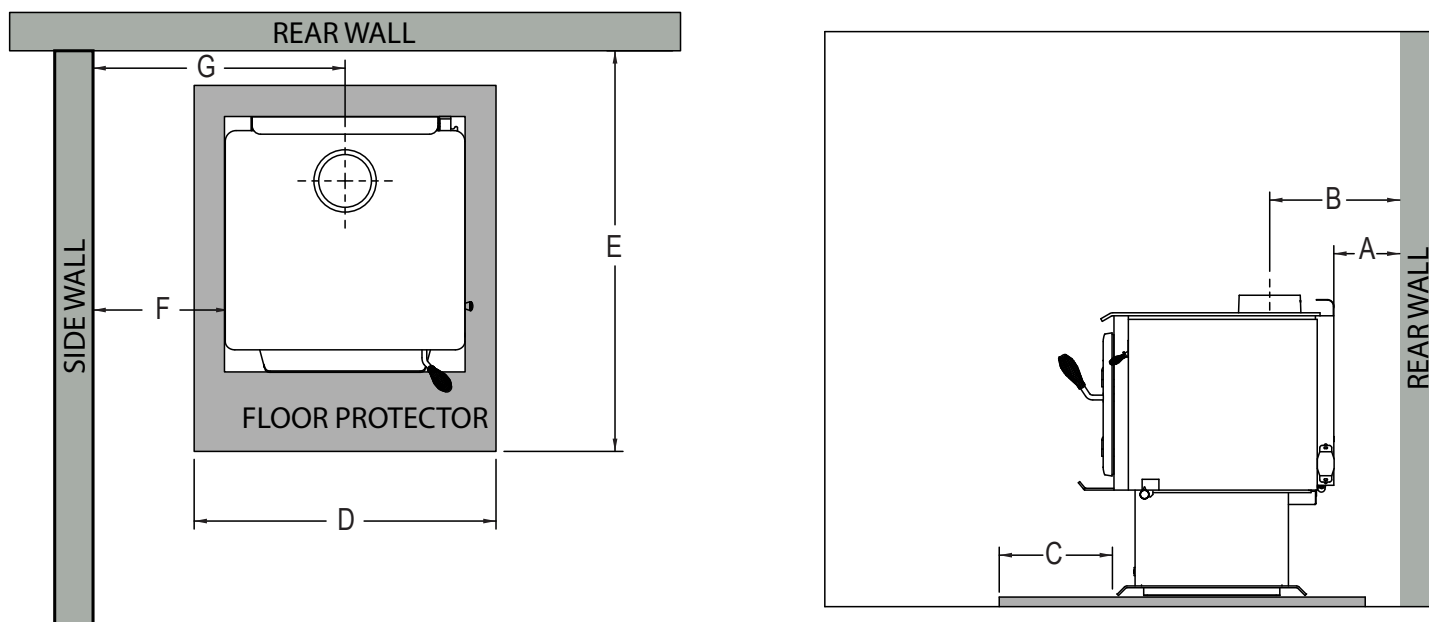


Table 1

	DESCRIPTION Pioneer Double Flue Mounted Shield Universal Shall be Fitted	With Double Flue Shield Fitted
A	Min. Clearance from back of unit to rear wall	175mm
B	Min. clearance from center of spigot to rear wall	345mm
C	Min. distance from front of base to floor protector front	300mm
D	Min. floor protector front width	800mm
E	Min. distance from rear wall to front of floor protector	1062mm
F	Min. distance from unit side to side wall	360mm
G	Min. clearance from center of spigot to side wall	668mm

NOTE: HEAT SHIELD REQUIREMENTS FOR HEAT SENSITIVE WALLS

Clearances may be reduced by provision of an appropriately located heat shield refer to **AS/NZS 2198:2001 3.2.3 TABLE 3.1**

CORNER POSITIONING (45°) - 31M and 31LE

Fig. 4

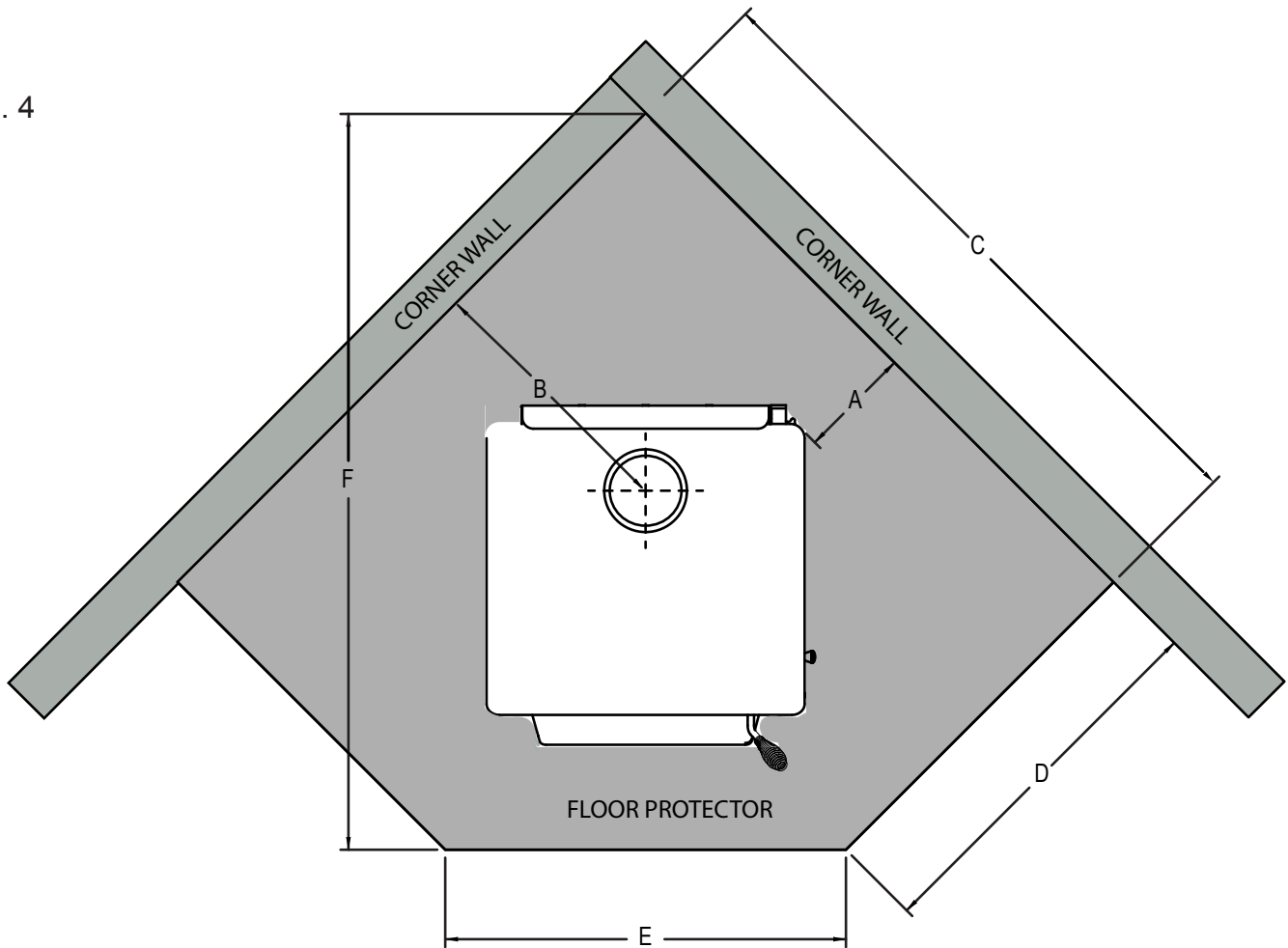


Table 2

	DESCRIPTION Pioneer Double Flue Mounted Shield Universal Shall be Fitted	With Double Flue Shield Fitted
A	Min. clearance from firebox corner to corner walls	225mm
B	Min. distance from center of spigot to corner walls	532mm
C	Min. distance from corner wall to floor protector front	1322mm
D	Min. floor protector projection from corner wall	756mm
E	Min. floor protector front width	800mm
F	Min. overall floor protector depth	1469mm

FIREBOX INSTALLATION

1. If a separate floor protector is being used position now. Place the firebox on the floor protector to suit the minimum installation clearances. (See Fig 3 or 4).
2. Systemically restrain the firebox and the floor protector to the floor.
3. Fit 2 x 6mm fixings suitable for the floor material. DO NOT over tighten.
4. Fit timber trim pedestal edging to front and back of base (optional).

FUEL REQUIREMENTS

Burn only dry seasoned wood. Store wood under cover, out of the rain and snow. Dry and well-seasoned wood will not only minimize the chance of creosote formation, but will give you the most efficient fire. Even dry wood contains at least 15% moisture by weight, and should be burned hot enough to keep the chimney hot for as long as it takes to dry the wood out - about one hour. It is a waste of energy to burn unseasoned wood of any kind.

Dead wood lying on the forest floor should be considered wet, and requires full seasoning time. Standing dead wood can be considered to be about 2/3 seasoned. To tell if wood is dry enough to burn, check the ends of the logs. If there are cracks radiating in all directions from the center, it is dry. If your wood sizzles in the fire, even though the surface is dry, it may not be fully cured.

Splitting wood before it is stored reduces drying time. Wood should be stacked so that both ends of each piece are exposed to air, since more drying occurs through the cut ends than the sides. This is true even with wood that has been split. Store wood under cover, such as in a shed, or covered with a tarp, plastic, tar paper, sheets of scrap plywood, etc., as uncovered wood can absorb water from rain or snow, delaying the seasoning process.

WARNING



Fire Risk.

Keep combustible materials, gasoline and other flammable vapors and liquids clear of appliance.

- Combustible materials may ignite.
- Do NOT store flammable materials in the appliance's vicinity.
- DO NOT USE GASOLINE, LANTERN FUEL, KEROSENE, CHARCOAL LIGHTER FLUID OR SIMILAR LIQUIDS TO START OR "FRESHEN UP" A FIRE IN THIS APPLIANCE.
- Keep all such liquids well away from the appliance while it is in use.

WARNING



Fire Risk.

• DO NOT BURN GARBAGE OR FLAMMABLE FLUIDS SUCH AS GASOLINE, NAPHTHA OR ENGINE OIL.

- Do NOT burn treated wood or wood with salt (drift-wood).
 - May generate carbon monoxide if burn material other than wood.
- May result in illness or possible death.

WARNING



Fire Risk.

- Do NOT burn wet or green wood.
 - Store wood in dry location.
 - Stack wood so both ends are exposed to air.
- Wet, unseasoned wood can cause accumulation of creosote.

WARNING

DO NOT PLACE COMBUSTIBLE OBJECTS IN FRONT OF THE APPLIANCE. High temperatures may ignite clothing, furniture or draperies.

3100 Limited Edition Special Instructions**REMOVING FROM PALLET**

1. Remove Tile frames from both sides by lifting up and away. (Fig. 7.1)
2. Remove both side panels using a Phillips screwdriver to remove 4 screws on back (Fig. 7.1)
3. Using a 11mm socket or wrench, remove 4 wood lag bolts located in corners of pedestal base. (Fig. 7.2)
4. Lift stove off of pallet and reassemble sides.

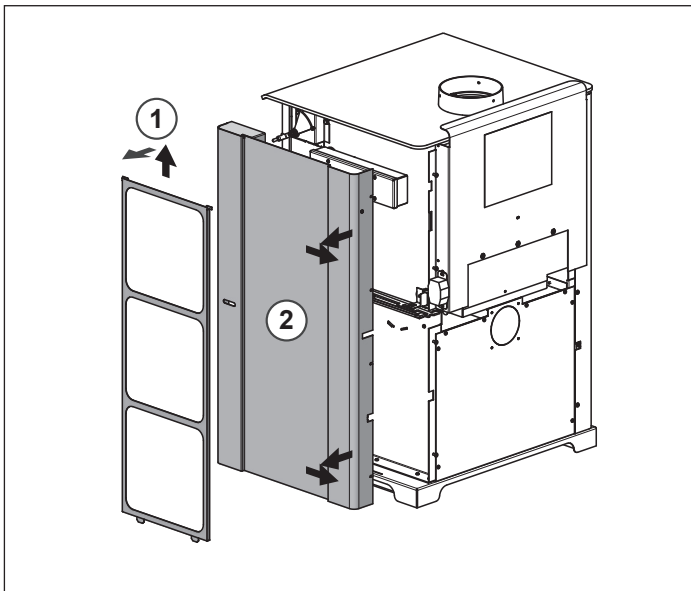


Fig.7.1

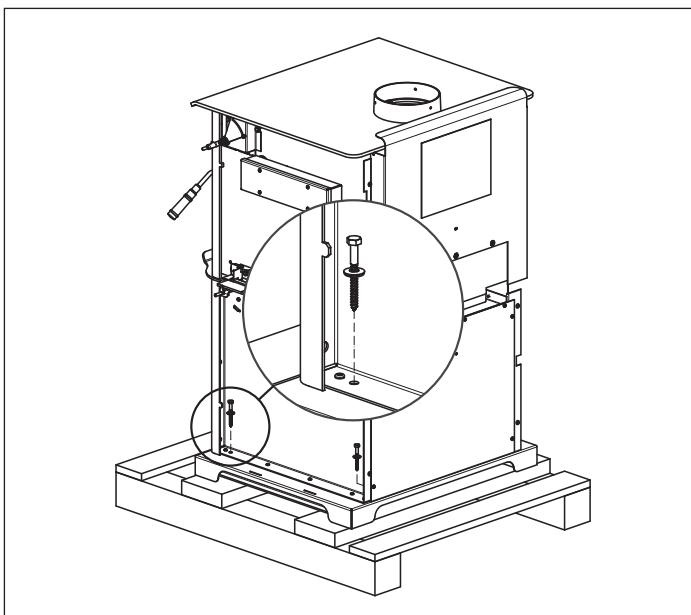


Fig.7.2

The 31LE units are now being shipped with a tile panel securing clip on both sides of the units (Fig 7.3). Please remove and discard pins prior to use (Fig 7.4).



Fig.7.3



Fig.7.4

DECORATIVE TILE INSTALLATION

1. Remove Tile frames from sides by lifting up and pulling away from stove.(Fig. 8.1)
2. Stack tiles in tile frame as shown (Fig. 8.2)
3. Reattach Tile Frames.

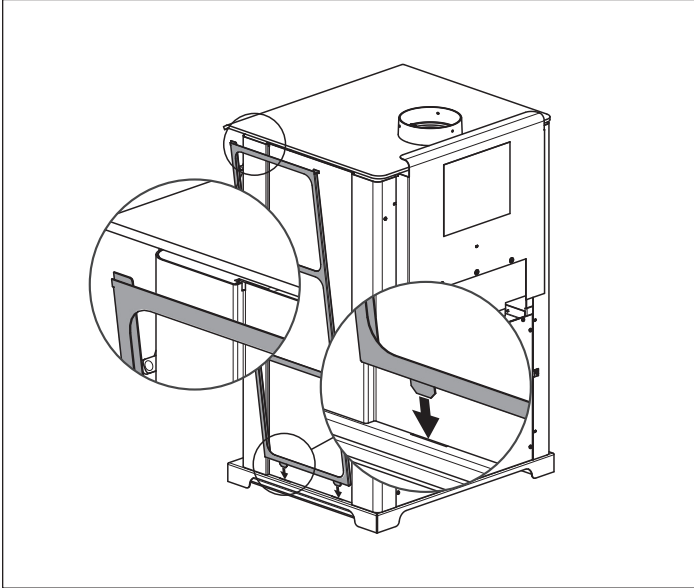


Fig.8.1

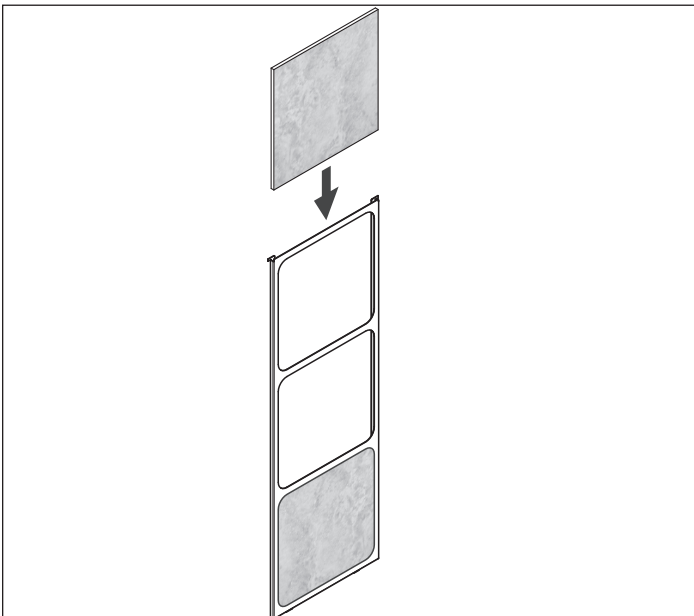


Fig.8.2

GENERAL INSTRUCTIONS FOR FLUE SYSTEM

- Flue pipe installed crimp/narrow end down
- Outer casings installed crimped/narrow end up. (Critical when exposed above the roof)
- Inner casings - direction not critical
- Flue pipes - seal all joints including firebox spigot.
 - fix with a minimum of 3 stainless steel rivets
- Flue pipe spacers - affix to flue pipe
- Flue system termination point - Refer to AS/NZS 2918:2001 4.9.1, see Fig. 9.
- Flue pipe shall extend not less than 4.6m above top of the floor protector as per AS/NZS 2918:2001 4.9.1(a)
- Façade or chase systems - same rule applies as above.
- Roof penetration and flashing method refer to NZ Building Code E2.(From 01/07/05)

Note: These instructions apply to 150mm diameter flue pipe systems as tested to AS/NZS 2918:2001

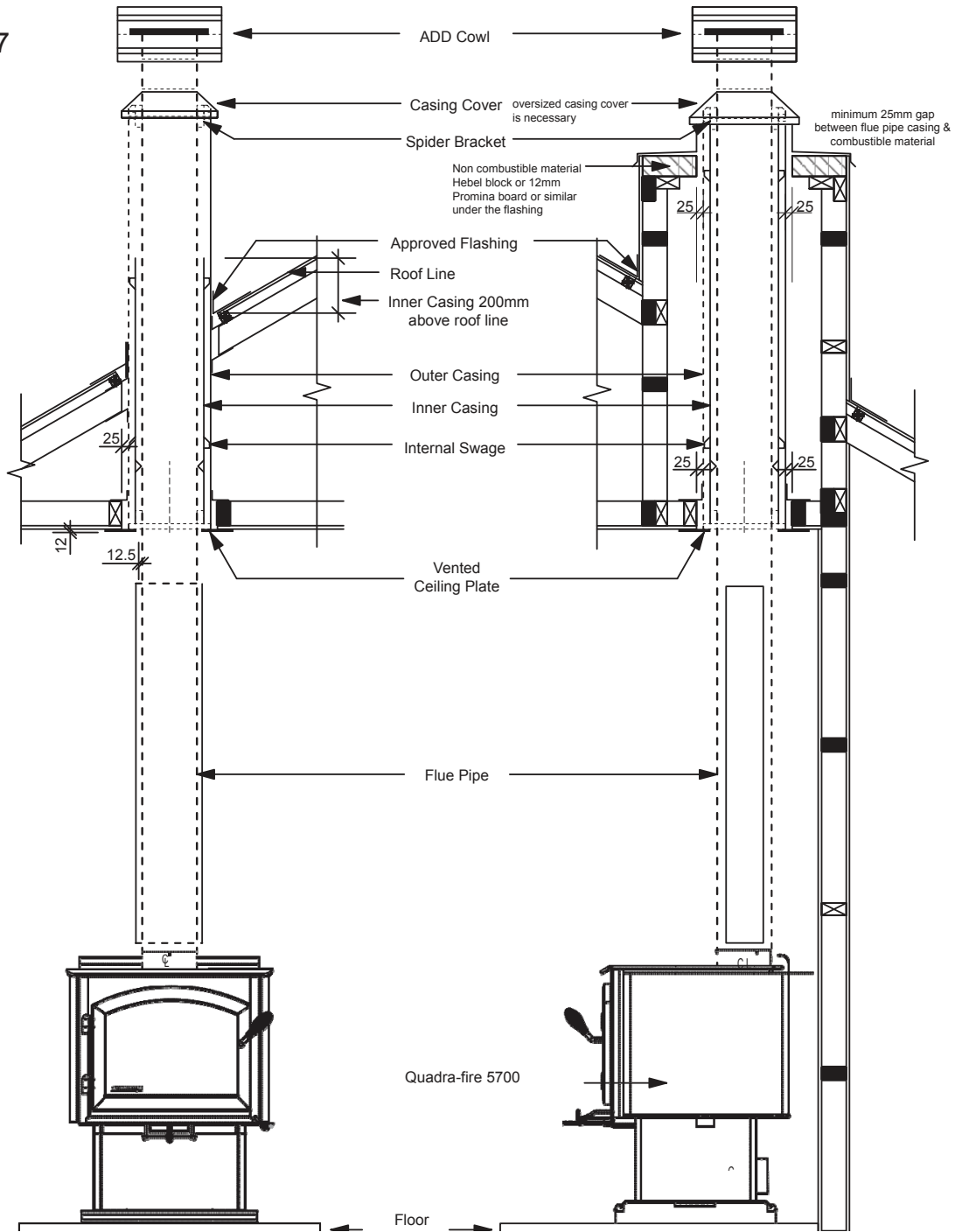
1. Either locate the appliance in position or by measuring at the ceiling mark the flue pipe centre position. Check that the outer casing is unobstructed through the attic space or roof area.
2. Spike the centre with a nail. Transfer this position to the next surface above. Plumb bob/laser.
3. Cut out the ceiling penetration hole – square or rectangle – short axis equals outer casing diameter plus 50mm, long axis as required. See Table 5 . Perform the same at the roof penetration.
4. Frame out the hole with minimum 75 x 50 timber or as required for roofing material. Minimum requirement at roof penetration see NZ Building Code E2 Acceptable Solution (from 01/07/05).
5. Install the outer casing so that :-
 - (i) lower end is flush with the underside of the ceiling material and
 - (ii) with the addition of metal “L” brackets, affix to the outer casing at 90 degrees secure the outer casing centrally to the ceiling and roof nogs. Alternatively substitute the “L” brackets for 25mm thick non heat sensitive packers. Secure the outer casing through the packers with horizontal fixings to the nogs. Refer to the General Instruction for termination height. The option of outer casing slips to be taken into account.
6. Flash the outer casing to the roof material with the appropriate approved flashing.
7. If using an outer/inner casing combination, now install the inner casing ensuring it extends a minimum 200mm above the high side of the roof penetration. If not using a combination see ‘11’ below.
8. Refer to Firebox Installation, points 1 & 2.
9. Prepare the ceiling plate and place upside down over the flue spigot.
10. Install the flue pipes by preferred method – either up or down the outer casing. Affix each length per the notes in General Instructions (above). Extend the flue pipe above the outer casing to suit the casing cover/cowl assembly.
11. If the inner casing has not been installed, install now. Refer to 7 above for minimum height.
12. Install the cowl assembly, i.e. Top spacer, casing cover and cowl.
13. Position and secure the ceiling plate with the screws and spacers.
14. Wipe the flue pipe to remove finger marks.
15. Refer to Firebox Installation, point 3.
16. If flue offset is required, refer to AS/NZS 2918:2001 4.1

FLUE PENETRATION

Tested flue systems, as per AS/NZS 2918:2001

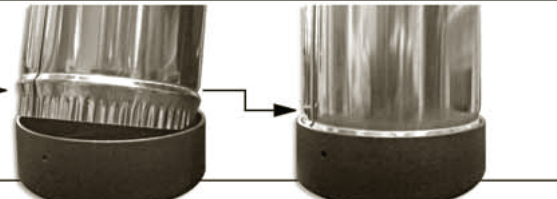
Fig. 7

Drawing not to scale



PLEASE NOTE:

The flue crimp must be cut so the swage (half-moon bulge after the crimp) fits tightly into the spigot.



FLUE PENETRATION

Un-tested flue systems, as per AS/NZS 2918:2001, 4.6.3(b)

Fig. 8

AS/NZS2918:2001

Un-tested flue with sloped ceiling penetration greater than 30° from horizontal

A = 25mm

4.6.3(b)

Fig 4.6 = downward distance of casing and 3 x Ø flue distance of the ceiling plate

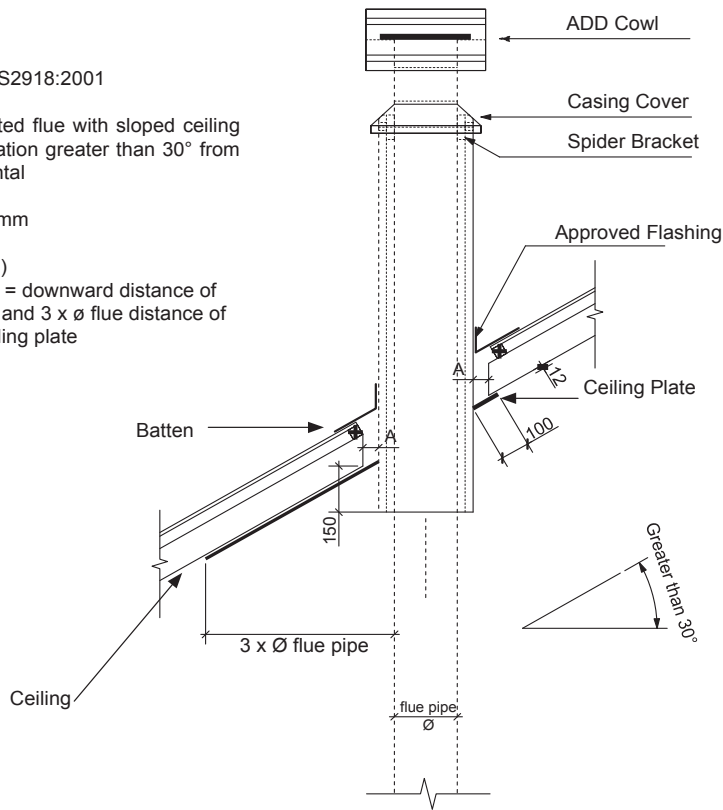


Fig. 9

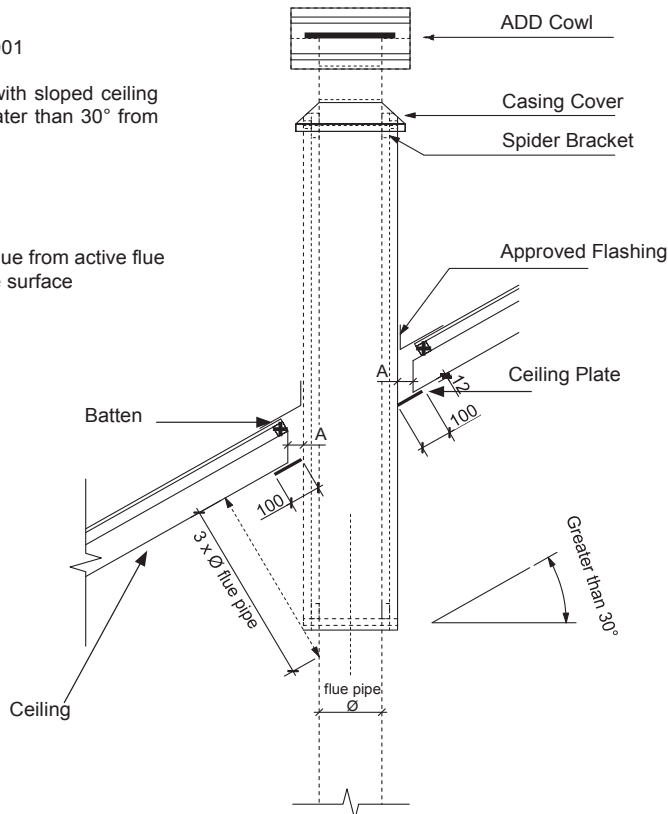
AS/NZS2918:2001

Un-tested flue with sloped ceiling penetration greater than 30° from horizontal

A = 25mm

4.6.3(b)

Fig 4.6 = 3 x Ø flue from active flue to heat sensitive surface



GENERAL INSTRUCTIONS FOR FLUE SYSTEM

1. Unpack the Flue Mounted Shield, detach the three brackets and familiarize yourself with the illustrations.
2. Using a sharp knife or razor blade, carefully cut through the plastic film on the “inside face” where it meets the outer shield (refer sketch). Cut along the full length of the Flue Mounted Shield on both side, then peel off and fully remove the plastic film from the stainless steel inner shield.
3. Peel back and fully remove the plastic film from the outer shield.
4. Fit the top bracket to the Flue Mounted Shield as illustrated ensuring the rear mid section of the bracket fits “outside” while the two outer sections of the bracket fit “inside”.
5. Fit the appropriate lower bracket to your wood fire.

Lower Bracket “5B suitable for all other wood fires without an inner rear heat shield. On certain model wood fires without a raised flue spigot it will be necessary to cut off both the lower outer legs from the bracket “5B” leaving the entral tongue to locate inside the flue outlet only.

Two tabs are provided and if folded back at 90 degrees the bracket and Flue Mounted Shield will mount lower onto the appliance.

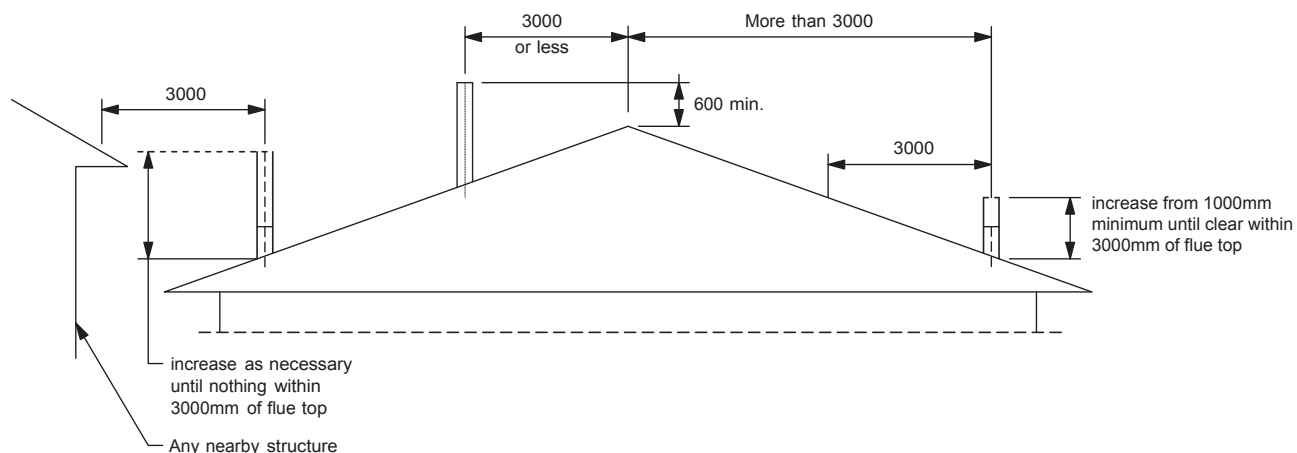
The Flue Mounted Shield then locates into the two notches provided n bracket “5B” as illustrated.

6. Once the Flue Mounted Shield is fitted in position onto either of the two lower mounting brackets, check to ensure a large gap is not present between the top of the wood fire and the base of the Flue Mounted Shield, as this may result in a hot spot on the rear wall directly behind the flue outlet. If your wood fire has a lift off top grill the Flue Mounted Shield should be raised sufficiently to enable the top grill to be removed.

7. Using the pre-punched holes in the two tabs provided on the top bracket as guides, drill into the flue pipe and secure the top bracket to the flue pipe with two stainless steel rivets (not supplied).

MINIMUM HEIGHT OF FLUE SYSTEM EXIT

Fig. 10



AS/NZS 2918:2001 General Notes**WARNINGS:**

WARNING: THE APPLIANCE AND FLUE SYSTEM SHALL BE INSTALLED IN ACCORDANCE WITH AS/NZS 2918 AND THE APPROPRIATE REQUIREMENTS OF THE RELEVANT BUILDING CODE OR CODES.

WARNING: APPLIANCES INSTALLED IN ACCORDANCE WITH THIS STANDARD SHALL COMPLY WITH THE REQUIREMENTS OF AS/NZS 4013 WHERE REQUIRED BY THE REGULATORY AUTHORITY, I.E. THE APPLIANCE SHALL BE IDENTIFIABLE BY A COMPLIANCE PLATE WITH THE MARKING 'TESTED TO AS/NZS 4013'.

ANY MODIFICATION OF THE APPLIANCE THAT HAS NOT BEEN APPROVED IN WRITING BY THE TESTING AUTHORITY IS CONSIDERED TO BE IN BREACH OF THE APPROVAL GRANTED FOR COMPLIANCE WITH AS/NZS 4013.

CAUTION: MIXING OF APPLIANCE OR FLUE SYSTEM COMPONENTS FROM DIFFERENT SOURCES OR MODIFYING THE DIMENSIONAL SPECIFICATION OF COMPONENTS MAY RESULT IN HAZARDOUS CONDITIONS. WHERE SUCH ACTION IS CONSIDERED, THE MANUFACTURER SHOULD BE CONSULTED IN THE FIRST INSTANCE.

CAUTIONS: CRACKED AND BROKEN COMPONENTS, e.g. GLASS PANELS OR CERAMIC TILES, MAY RENDER THE INSTALLATION UNSAFE.

WARNING: ANY MODIFICATION OF THE APPLIANCE THAT HAS NOT BEEN APPROVED IN WRITING BY THE TESTING AUTHORITY IS CONSIDERED AS BREACHING AS/NZS 4013.

WARNING: DO NOT USE FLAMMABLE LIQUIDS OR AEROSOLS TO START OR REKINDLE THE FIRE.

WARNING: DO NOT USE FLAMMABLE LIQUIDS OR AEROSOLS IN THE VICINITY OF THIS APPLIANCE WHEN ITS OPERATING.

WARNING: DO NOT STORE FUEL WITHIN HEATER INSTALLATION CLEARANCES.

WARNING: FOR OPTIMUM PERFORMANCE FUEL MUST BE LOADED SO THE LOGS LAY "FRONT TO REAR" IN PREFERENCE TO LAYING ACROSS THE WIDTH OF THE FIREBOX. SPACES SHOULD BE LEFT BETWEEN THE LOGS TO ENABLE OXYGEN TO GET TO AS MUCH OF THE SURFACE OF THE FUEL AS POSSIBLE.

CAUTION: THIS APPLIANCE SHOULD BE MAINTAINED AND OPERATED AT ALL TIMES IN ACCORDANCE WITH THESE INSTRUCTIONS.

CAUTION: THE USE OF SOME TYPES OF PRESERVATIVE-TREATED WOOD AS A FUEL CAN BE HAZARDOUS.



AUSTRALIAN WARRANTY INFORMATION

Hearth & Home Technologies Inc (HHT)
 1445 N. Highway | Colville, WA 99114 | (509-684-3745)

HHT extends the following manufacturer’s warranty for HHT gas, wood, pellet, coal and electric hearth appliances that are purchased from an HHT authorized dealer.

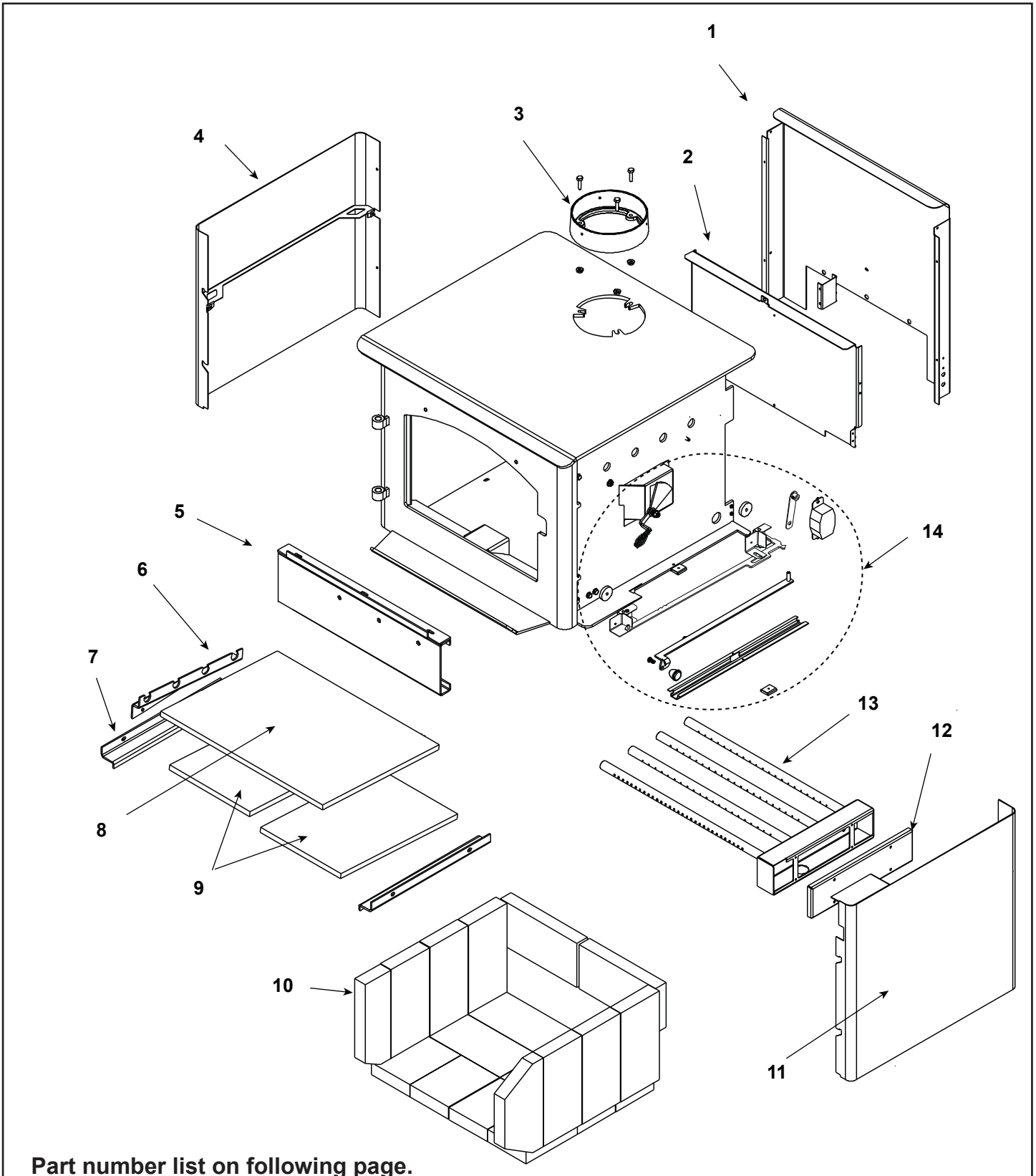
HHT warrants to the original owner of the HHT appliance at the site of installation, and to any transferee taking ownership of the appliance at the site of installation within two years following the date of original purchase, that the HHT appliance will be free from defects in materials and workmanship at the time of manufacture.

After installation, if covered components manufactured by HHT are found to be defective in materials or workmanship during the applicable warranty period, HHT will, at its option, repair or replace the covered components. HHT, at its own discretion, may fully discharge all of its obligations under this manufacturer’s warranty by replacing the product itself or refunding the verified purchase price of the product itself. The maximum amount recoverable under this warranty is limited to the purchase price of the product. This warranty is subject to conditions, exclusions and limitations as described below.

Warranty coverage begins on the date of original purchase. In the case of new home construction, coverage under this manufacturer’s warranty begins on the date of first occupancy of the dwelling or six months after the sale of the product by an independent, authorized HHT dealer/ distributor, whichever occurs earlier. The warranty period for this manufacturer’s warranty shall commence no later than 24 months following the date of product shipment from HHT, regardless of the installation or occupancy date. The manufacturer’s warranty period for parts and labor for covered components is produced in the following table.

The term “Limited Lifetime” in the table below is defined as: 20 years from the beginning date of warranty coverage for gas appliances, and 10 years from the beginning date of warranty coverage for wood, pellet and coal appliances. These time periods reflect the minimum expected useful lives of the designated components under normal operating conditions.

Warranty Period		Hearth and Home Technologies Manufactured Appliances and Venting							Components Covered
Parts	Labor	Gas	Wood	Pellet	EPA Wood	Coal	Electric	Venting	
1 Year		X	X	X	X	X	X	X	All parts and material except as covered by Conditions, Exclusions, and Limitations listed
2 years				X	X	X			Igniters, electronic components, and glass
		X	X	X	X	X			Factory-installed blowers
			X						Molded refractory panels
3 years				X					Firepots and Burnpots
5 years	1 year			X	X				Castings and baffles
7 years	3 years		X	X	X				Manifold tubes, HHT chimney and termination
10 years	1 year	X							Burners, logs and refractory
Limited Lifetime	3 years	X	X	X	X	X			Firebox and heat exchanger
90 Days		X	X	X	X	X	X	X	All replacement parts beyond warranty period



Part number list on following page.

Beginning Manufacturing Date: Nov 2012

Ending Manufacturing Date: Active

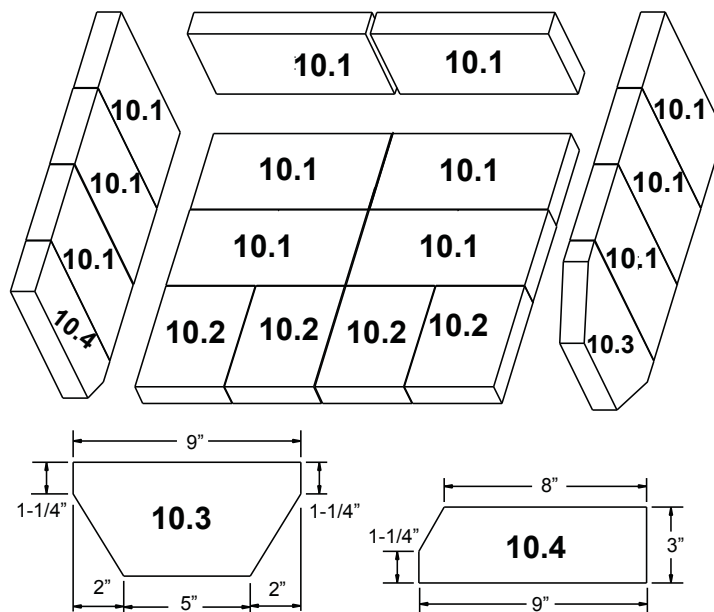
IMPORTANT: THIS IS DATED INFORMATION. When requesting service or replacement parts for your appliance please provide model number and serial number. All parts listed in this manual may be ordered from an authorized dealer.



Stocked at Depot

ITEM	DESCRIPTION	COMMENTS	PART NUMBER	
1	Air Channel, Convection w/Bracket (Retain Original SN Label)		SRV7033-144	
2	Air Supply Back		SRV7033-134	
3	Flue Collar		SRV7000-302	Y
4	Panel Assembly, Side, Left		7033-019	
5	Rear Channel Assembly		7033-002	Y
6	Tube Support Rack		7033-148	
7	Brick Retainer		7033-149	
8	Ceramic Fiber Blanket, 1/2" Thick (19" W x 13-3/4" H)		832-3390	Y
9	Baffle Board - 9-1/2 in W x 13-3/4 in H	Pkg of 2	SRV7033-209	Y

10 Brick Set



10	Brick Assembly - Complete Set	Pkg of 18	SRV7033-006	
10.1	Brick, 9 x 4-1/2 x 1-1/4"	Qty. 12 Req.		
10.2	Brick, 6 x 4-1/2 x 1-1/4"	Qty. 4 Req.		
10.3	Brick, 9 x 4-1/2 x 1-1/4" w/angles, see diagram	Qty. 1 Req.		
10.4	Brick, 9 x 3 x 1-1/4" w/angle, see diagram	Qty. 1 Req.		
	Brick, Uncut	Pkg of 1	832-0550	
		Pkg of 6	832-3040	
11	Panel Assembly, Side, Right		7033-017	
12	Tube Channel Top - Tube Channel Access Cover		SRV7033-237	
13	Tube, Channel Assembly	Manifold Tubes	SRV7033-023	Y

Additional service part numbers appear on following page.

Beginning Manufacturing Date: Nov 2012
Ending Manufacturing Date: Active

IMPORTANT: THIS IS DATED INFORMATION. When requesting service or replacement parts for your appliance please provide model number and serial number. All parts listed in this manual may be ordered from an authorized dealer.

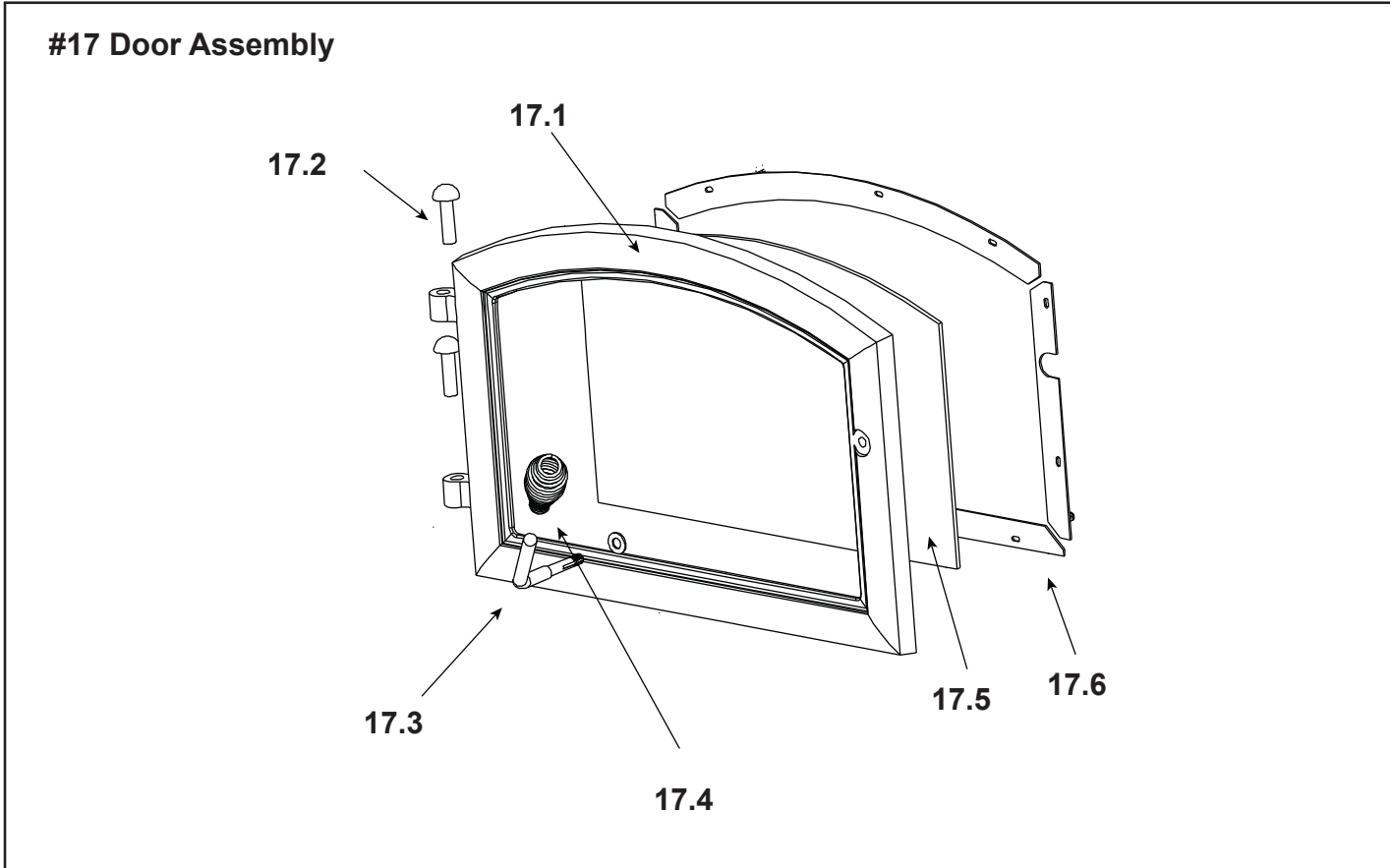


Stocked at Depot

ITEM	DESCRIPTION	COMMENTS	PART NUMBER	
#14 Burn Rate Controls & Accociated Parts				
14.1	Burn Rate Control Assembly		7033-033	Y
14.2	Spring Handle, 1/4", Black		SRV7000-614	Y
14.3	Door Gasket - Front Air Timer Door		7033-282	Y
14.4	Timer Air Control Assembly		SRV7033-064	Y
14.5	Rear Air Control Arm Assembly		7033-035	Y
14.6	Start-Up Control Knob		SRV7000-343	
14.7	Air Control Rod Guide		7033-210	
14.8	Latch, Magnet	For Air Control	229-0631	
14.9	Timer Arm Assembly		7033-034	Y
14.10	Timer (Only) Replacement Assembly		SRV480-1940	Y
#15 Pedestal Assembly				
15.1	Pedestal Riser		7033-207	
15.2	Pedestal Base		7033-163	
15.3	Strip, Oak Trim	No longer available	832-0560	
#16 Baffle Protection channel				
16	Baffle Protection channel		SRV7033-298	

Additional service part numbers appear on following page.

Beginning Manufacturing Date: Nov 2012
Ending Manufacturing Date: Active



IMPORTANT: THIS IS DATED INFORMATION. When requesting service or replacement parts for your appliance please provide model number and serial number. All parts listed in this manual may be ordered from an authorized dealer.



Stocked at Depot

ITEM	DESCRIPTION	COMMENTS	PART NUMBER	
17.1	Door Assembly	Black	DR-31/43BK-FH	
17.2	Hinge Pins, 1/2"	Black (Pkg of 2)	7000-606/2	
17.3	Door Handle Assembly		832-0540	
	Cam Latch		SRV430-1141	
	Key, Cam Latch		SRV430-1151	
	Nut, Locking Door Handle	Pkg of 24	226-0100/24	Y
	Screw, Flat Head Philips 8-32 X 1/2	Pkg of 10	832-0860	Y
	Washer, Sae, 3/8	Pkg of 3	832-0990	Y
	Door Handle, Formed		SRV430-1131	
17.4	Spring Handle, Door 1/2"	Black	SRV7000-613	Y
17.5	Door Glass Assembly - 15-1/2 in. W x 13-3/8 in H		7000-012	Y
17.6	Glass Frame Set	4 Pieces	832-0350	
	Gasket, Glass Tape - Field Cut to Size	5 Ft	832-0460	Y
	Rope, Door, 3/4" X 84" - Field Cut to Size	7 Ft	832-1680	Y
	Label, Burn Rate Air Control		SRV7033-160	
	Label, Start-Up Air Control		SRV7033-166	

Additional service part numbers appear on following page.

Beginning Manufacturing Date: Nov 2012

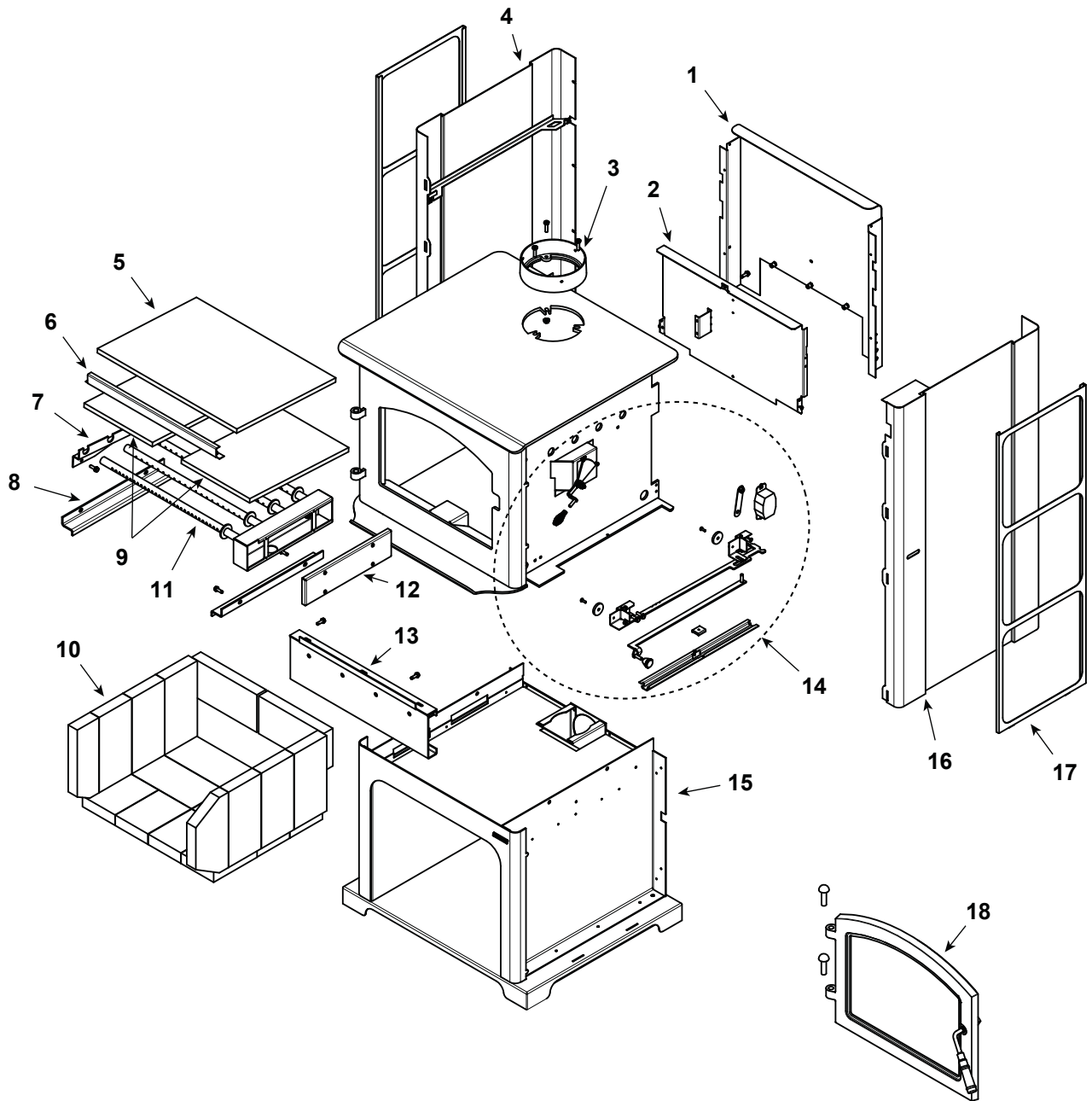
Ending Manufacturing Date: Active

IMPORTANT: THIS IS DATED INFORMATION. When requesting service or replacement parts for your appliance please provide model number and serial number. All parts listed in this manual may be ordered from an authorized dealer.



**Stocked
at Depot**

ITEM	DESCRIPTION	COMMENTS	PART NUMBER	
	Hinge Pins, 1/2", Black		7000-606/2	
	Logo, Quadra-Fire	Nickel	200-3240	
	Spring Handle, 1/2", Black		SRV7000-613	Y
	Spring Handle, 1/4", Black		SRV7000-614	Y
	Component Pack (Includes Spring Handles (1) 1/2" and (2) 1/4", Trimount Plug, and Owners Manual)		SRV7033-067	
	Paint Touch-Up		812-0910	
	Plug, Trimount, .250"	Pkg of 24	229-0880/24	Y
	Door Handle Assembly		832-0540	Y
	Gasket, Manifold	Pkg of 4	7038-168/4	Y



Part number list on following page.

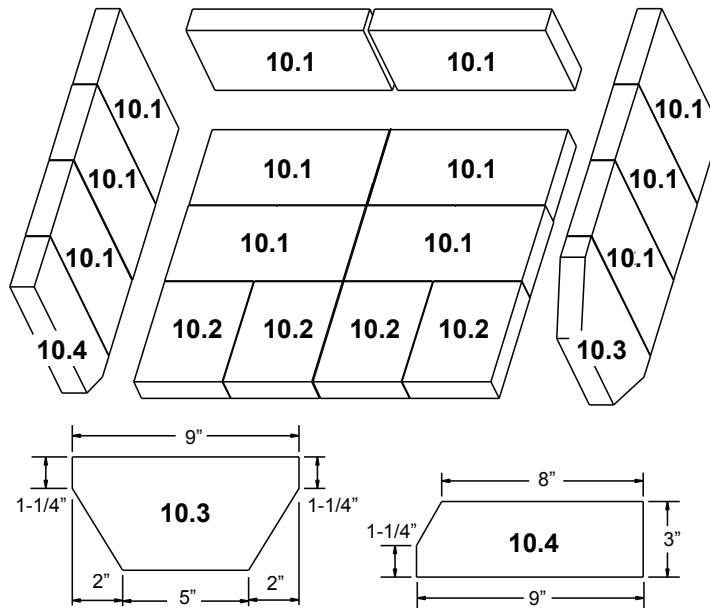
IMPORTANT: THIS IS DATED INFORMATION. Parts must be ordered from a dealer or distributor. **Hearth and Home Technologies does not sell directly to consumers.** Provide model number and serial number when requesting service parts from your dealer or distributor.



Stocked at Depot

ITEM	DESCRIPTION	COMMENTS	PART NUMBER	
1	Air Channel, Convection w/Bracket (Retain Original SN Label)		SRV7033-144	
2	Air Supply Back		SRV7033-134	
3	Flue Collar		SRV7000-302	
4	Panel Assembly, Side, Left		SRV7033-082	Y
5	Ceramic Fiber Blanket, 1/2" Thick		832-3390	
6	Baffle Protection Channel		SRV7033-298	
7	Tube Support Rack		7033-148	
8	Brick Retainer		7033-149	
9	Baffle Board	Pkg of 2	SRV7033-209	

#10 Brick Set Assembly



10	Firebrick Set, Complete Set		SRV7033-006	
10.1	Brick, 9 x 4-1/2 x 1-1/4"	Qty. 12 Req.		
10.2	Brick, 6 x 4-1/2 x 1-1/4"	Qty. 4 Req.		
10.3	Brick, 9 x 4-1/2 x 1-1/4" w/angles, see diagram	Qty. 1 Req.		
10.4	Brick, 9 x 3 x 1-1/4" w/angle, see diagram	Qty. 1 Req.		
	Brick, Uncut	Pkg of 1	832-0550	
		Pkg of 6	832-3040	
11	Tube, Channel Assembly		SRV7033-023	
12	Tube Channel Top		SRV7033-237	Y
13	Rear Channel Assembly		7033-002	Y

Additional service part numbers appear on following page.

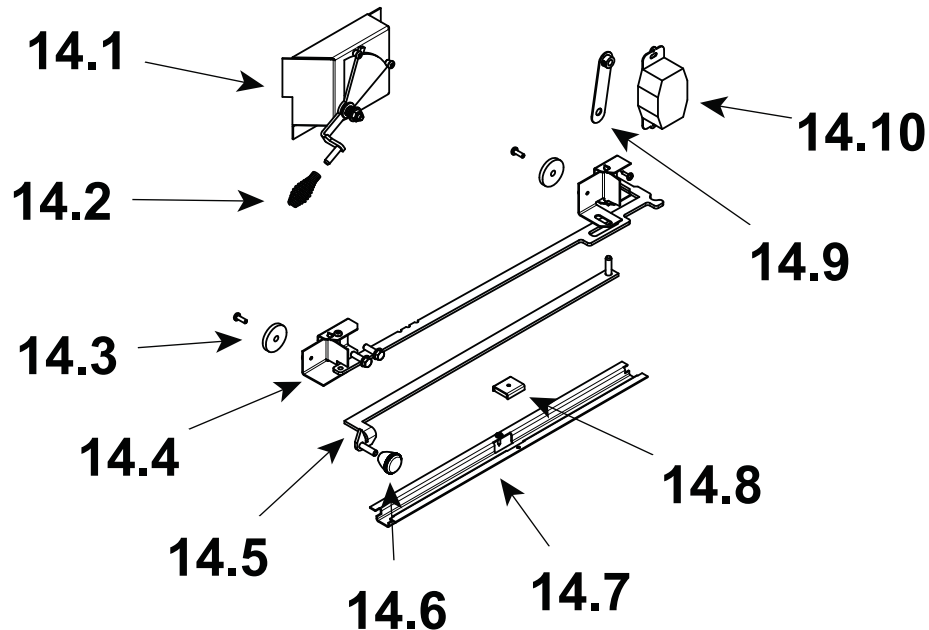
IMPORTANT: THIS IS DATED INFORMATION. Parts must be ordered from a dealer or distributor. **Hearth and Home Technologies does not sell directly to consumers.** Provide model number and serial number when requesting service parts from your dealer or distributor.



Stocked at Depot

ITEM	DESCRIPTION	COMMENTS	PART NUMBER
------	-------------	----------	-------------

#14 Burn Rate Control Assembly



14.1	Burn Rate Control Assembly		7033-033	Y
14.2	Spring Handle, 1/4"		250-8340	Y
14.3	Door Gasket		7033-282	Y
14.4	Timer Air Control Assembly		SRV7033-064	Y
14.5	Control Arm Assembly, Rear Air		SRV7033-079	
14.6	Knob		SRV7000-343	
14.7	Air Control Rod Guide		7033-210	
14.8	Latch, Magnet		229-0631	
14.9	Timer Arm Assembly		7033-034	Y
14.10	Timer (Only) Replacement Assembly		SRV480-1940	Y
15	Pedestal Assembly		SRV7033-072	
	Logo, Quadra-Fire	Pkg of 10	7000-649/10	
16	Panel Assembly, Side Right		SRV7033-080	
17	Tile Frame		SRV7033-324	

Additional service part numbers appear on following page.



CONTACT INFORMATION

Hearth & Home Technologies
352 Mountain House Road
Halifax, PA 17032
Division of HNI INDUSTRIES

**Please contact your Quadra-Fire dealer with any questions or concerns.
For the number of your nearest Quadra-Fire dealer
log onto www.quadrafire.com**

CAUTION



Important operating and maintenance instructions included.

DO NOT DISCARD THIS MANUAL

• Read, understand and follow these instructions for safe installation and operation.

• Leave this manual with party responsible for use and operation.



We recommend that you record the following pertinent information for your heating appliance.

Date purchased/installed: _____

Serial Number: _____ Location on appliance: _____

Dealership purchased from: _____ Dealer phone: 1(____) _____ - _____

Notes: _____

This product may be covered by one or more of the following patents: (United States) 5341794, 5263471, 6688302, 7216645, 7047962 or other U.S. and foreign patents pending.

