

798, 8<sup>e</sup> Rue Est  
La Guadeloupe (Quebec / Canada)  
G0M 1G0

## **Installation and Operation Instructions for the Pellet Stove **COBRA II****

**PLEASE READ THIS ENTIRE MANUAL BEFORE  
INSTALLATION AND USE THIS PELLETT FUEL-BURNING  
ROOM HEATER. FAILURE TO FOLLOW THESE  
INSTRUCTIONS COULD RESULT IN PROPERTY  
DAMAGE, BODILY INJURY OR EVEN DEATH.**

**CONTACT LOCAL BUILDING OR FIRE OFFICIALS  
ABOUT RESTRICTIONS AND INSTALLATION  
INSPECTION REQUIREMENTS IN YOUR AREA.**

**PLEASE KEEP THIS MANUAL  
FOR FUTURE REFERENCE**

# TABLE OF CONTENTS

<b>SAFETY RULES .....</b>	<b>3</b>
<b>1. INSTALLATION.....</b>	<b>4</b>
Locating the appliance .....	4
Clearances .....	4
Technical Data .....	5
Gas evacuation piping.....	5
Evacuation system.....	6
Air intake piping .....	7
Rear diagram of the appliance .....	8
Different types of installations.....	9
<b>2. MAIN COMPONENTS DESCRIPTION.....</b>	<b>11</b>
Evacuation blower (80 cfm).....	11
Convection blower (265 cfm) .....	11
Screw driving motor (1 RPM block) .....	11
Electronic igniter.....	11
Captors (F-140 et F-160) .....	11
Safety captors.....	11
Electronic control.....	12
<b>3. CONTROL PANEL.....</b>	<b>12</b>
<b>4. START-UP .....</b>	<b>13</b>
Lighting procedures .....	13
Combustion air adjustment .....	16
Pellets.....	16
<b>5. MAINTENANCE.....</b>	<b>17</b>
<b>6. TROUBLESHOOTING</b>	
The appliance does not operate.....	19
The convection blower does not operate .....	19
The feed screw does not operate .....	19
Ignition does not occur.....	19
The red light (cycle) winks .....	20
<b>7. ELECTRICAL CIRCUIT.....</b>	<b>21</b>
<b>8. WARRANTY.....</b>	<b>22</b>
<b>9. REPLACEMENT PARTS .....</b>	<b>23</b>

## SAFETY RULES

Installation specifications and guidelines are given in this manual. As the owner, it is your full responsibility to make sure that the installation is functional and safe.

Contact your retailer or dealer for more details. It is recommended to have your installation inspected and approved.

For mobile home application, it is mandatory to fix the appliance firmly to the floor (using bolts and nuts) and ground it.

This appliance has been designed for use with wooden pellets only. Using any other fuel would void the warranties.

It is strictly forbidden to use gasoline or flammable liquids to ignite the pellets. Use special products for that type of lighting. Consult your dealer.

When normally operated, this appliance cannot overheat. However, in continuous operation, at maximum burning rate, the electrical components lifetime (blowers, motors and electronic controls) could be shortened. Positions 1 to 4 of the feed screw are suggested during fall and spring time.

A 6 feet (183 cm) electric cord is supplied with the appliance. This one requires 1200 watts with the electronic igniter. Make sure the electric cord is not too close to hot surfaces.

**The combustion gas evacuation piping must be completely airtight. The same rule applies to the air intake pipe.**

In order to ensure a safe and easy maintenance of the components, a 2 feet (610mm) space on each side of the unit should be kept clear, although the unit has been listed with closer clearances. (See clearance requirements below).

**ALWAYS DISCONNECT THE APPLIANCE FROM THE POWER SUPPLY BEFORE PROCEEDING TO MAINTENANCE.**

# INSTALLATION

## LOCATING THE APPLIANCE

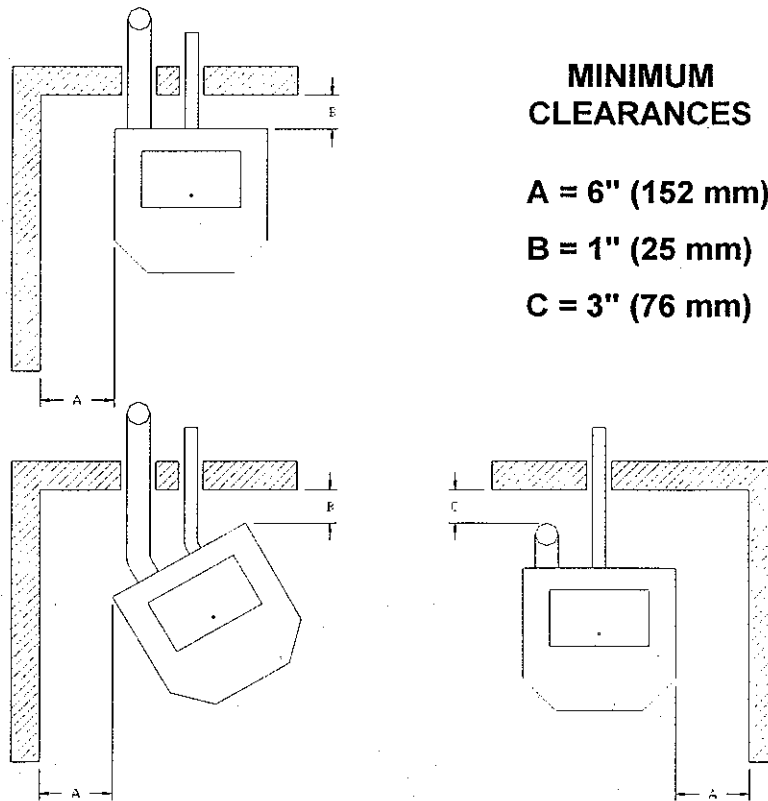
- In order to optimize the performance, it is preferable to install the appliance in a large room, if possible in the middle of the house.
- Make sure there is a 110 Volts electric power point (grounded) nearby. **For your safety, the appliance must be the only unit connected to that power point which must be alone on the circuit.**
- Make sure to have a smoke detector installed in the room where the appliance is located.
- Allow the evacuation of combustion gas at the rear of the appliance (either directly through the wall or into an existing chimney).
- This appliance is not to be installed in a bedroom.

## FLOOR PROTECTOR

The incombustible floor protector must protect the area under the product and at least 6 in. (152 mm) beyond the front and beyond each side.

## CLEARANCES TO COMBUSTIBLE MATERIALS

Minimum clearances required around the appliance and the combustion gas outlet.



**FOR A ROOM HEATER INTENDED FOR USE IN A MANUFACTURED HOME**

**WARNING**

**DO NOT INSTALL IN SLEEPING ROOM.**

**CAUTION**

**THE STRUCTURAL INTEGRITY OF THE MANUFACTURED HOME FLOOR, WALL AND CEILING/ROOF MUST BE MAINTAINED.**

**TECHNICAL DATA**

Width : 25-1/2" (648 mm)	Surface : 2000 sq feet
Depth : 25-1/2" (648 mm)	Heat : 10 000 to 50 000 BTU/hour
Height : 30-3/4" (781 mm)	Capacity : 55 lbs (25 kg)
Duration : 10 to 50 hours	Weight : 250 lbs (114 Kg)
Emissions : 0.9 grams/hour	Chimney pipe : 3" diameter (76 mm)

**GAS EVACUATION PIPING**

- When installing the pipes through combustible walls, please refer to the manufacturer's clearance requirements.
- It is recommended to connect the appliance to a factory-built chimney or a masonry chimney with a stainless steel liner inside.
- **DO NOT CONNECT THIS UNIT TO A CHIMNEY FLUE SERVING ANOTHER APPLIANCE.**
- This appliance is also approved for installation without a chimney (direct vent).
- The chimney pipes used must be certified for use with pellet stoves and have a diameter of 3 inches (7,62 cm) minimum. **INSTALL VENT AT CLEARANCES SPECIFIED BY THE VENT MANUFACTURER.**
- All joints for connector pipe must be fastened with at least three screws.
- All the pipe joints must be sealed with high temperature silicone as: « Kleen-Flo Hi-Temp Red no. 477 » sealant or equivalent.

- It is recommended to connect a vertical « T » to the stove for easy cleaning of the pipes.
- DO NOT INSTALL A FLUE DAMPER IN THE EXHAUST VENTING SYSTEM OF THIS UNIT.
- The combustion gas outlet must be at a minimum distance of 36 inches (91,44 cm) from any opening i.e. doors, windows, air inlet of the air exchanger, etc...
- It is recommended that the combustion gas outlet be at least 84 inches (213,4 cm) away from a parking lot or a private or public driveway.
- Do not install the combustion gas outlet under a balcony/deck (combustible or not) or a car port.
- Do not install the outlet closer than 48 inches (121,92 cm) from an adjacent perpendicular wall.

## EVACUATION SYSTEM

The pellet stove « **Cobra II** » is equipped with a combustion chamber under negative pressure. The gas evacuation blower (80 CFM) draws the air outside the combustion chamber by creating a negative pressure (vacuum), which will cause air admission through the air inlet. To obtain a maximum efficiency, the evacuation of the gas must be allowed without obstruction through the piping and the air must come in freely.

Take note that an installation with several offsets and/or excessive pipe runs entails an important restriction, which reduces the volume of the combustion gas evacuated in a specified lapse of time (CFM). This will also reduce the appliance efficiency.

The following instructions will show you how to determine what is the chimney diameter required, based on the components of the installation to be performed.

## CHIMNEY

## CHIMNEY LENGTH EQUIVALENT (CLE)

- 90° elbow or «T»	5 CLE per elbow or «T»
- 45° elbow	3 CLE per elbow
- Horizontal run	1 CLE per 30 cm (12 inches) of chimney length
- Vertical run	½ CLE per 30 cm (12 inches) of chimney length

### **Add all the CLE of your installation.**

- If the total CLE is less than or equal to 15, you will need 3 inch (7,62 cm) diameter pipes.
- If the total CLE is more than 15, then, you will need 4 inch (10,16 cm) diameter pipes.
- At more than 3000 feet altitude, if the total CLE is less than or equal to 7, you will require 3 inch (7,62 cm) diameter pipes. If the total CLE is more than 7, 4 inch (10,16 cm) diameter pipes will be necessary.

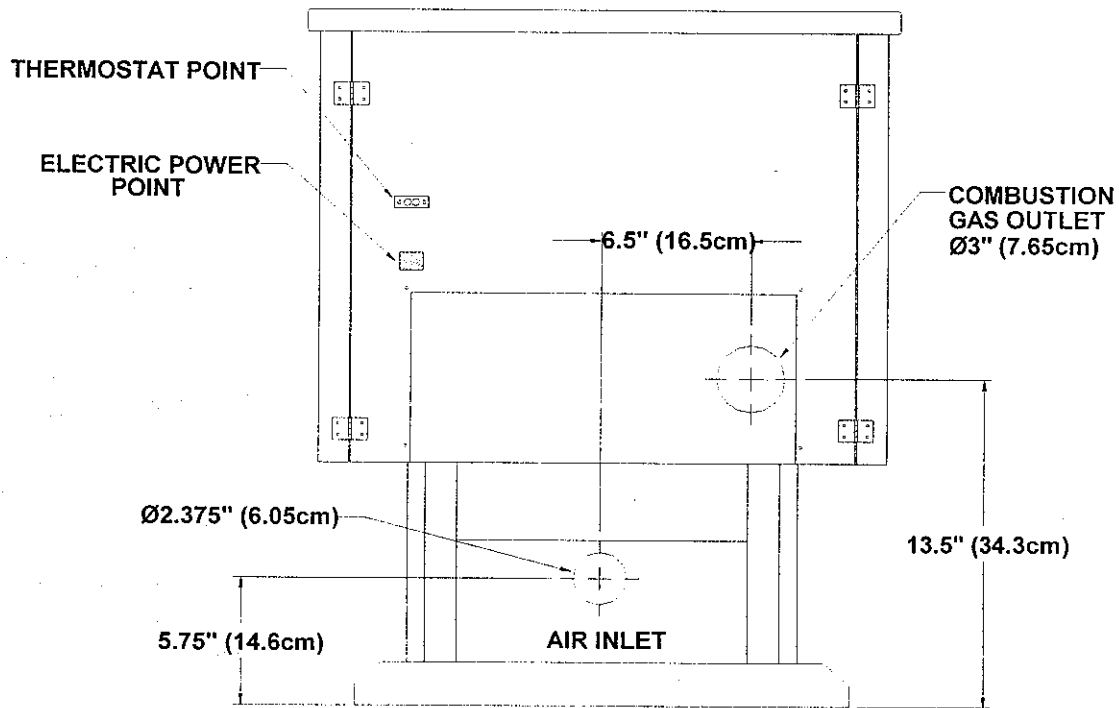
The CLE chart is provided as a general reference only. We recommend that you consult a professional, qualified for the installation of combustion gas evacuation piping. This will ensure that your chimney set-up is acceptable considering the surrounding conditions at the gas outlet.

### **AIR INTAKE PIPING**

- ***It is mandatory that the air intake comes from outside, unless the appliance is connected to a chimney having a sufficient draft.*** In that case, it is recommended to consult a professional.
- It is mandatory to use aluminium pipes (flexible or not) fully covered with thermal insulation (to avoid condensation).

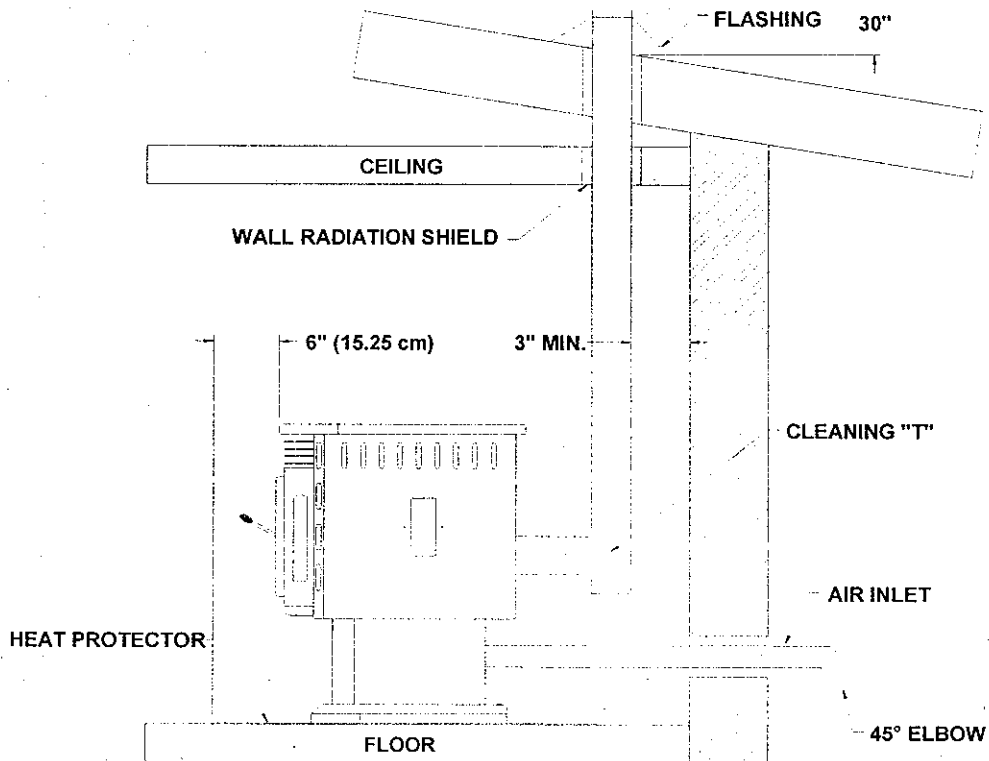
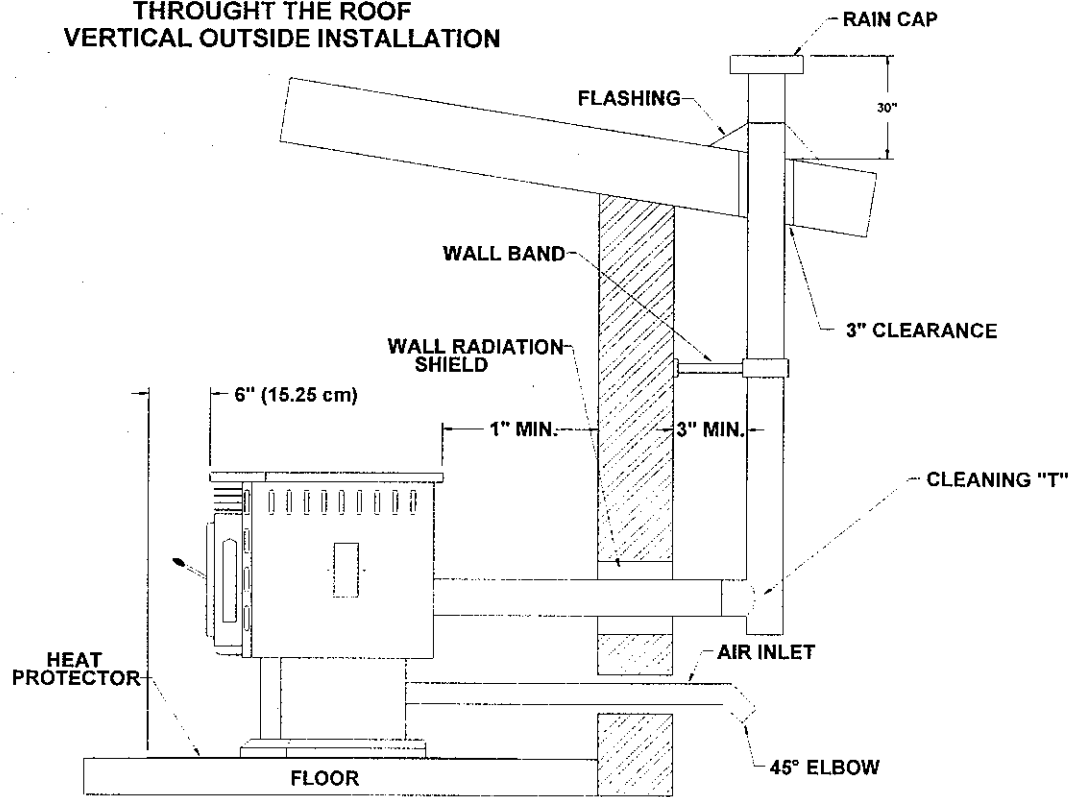
- It is necessary to seal all the pipe joints with high temperature silicone as : « Kleen-Flo Hi-Temp Red n°477 » sealant or equivalent.
- Make sure that the inlet opening is not obstructed as this will cause a poor combustion of the pellets in the appliance.
- The inside diameter of the pipes must not be less than 2 3/8 inches (6 cm).
- Do not connect the stove air inlet to any other air inlet (air exchanger or else).

### REAR DIAGRAM OF THE APPLIANCE

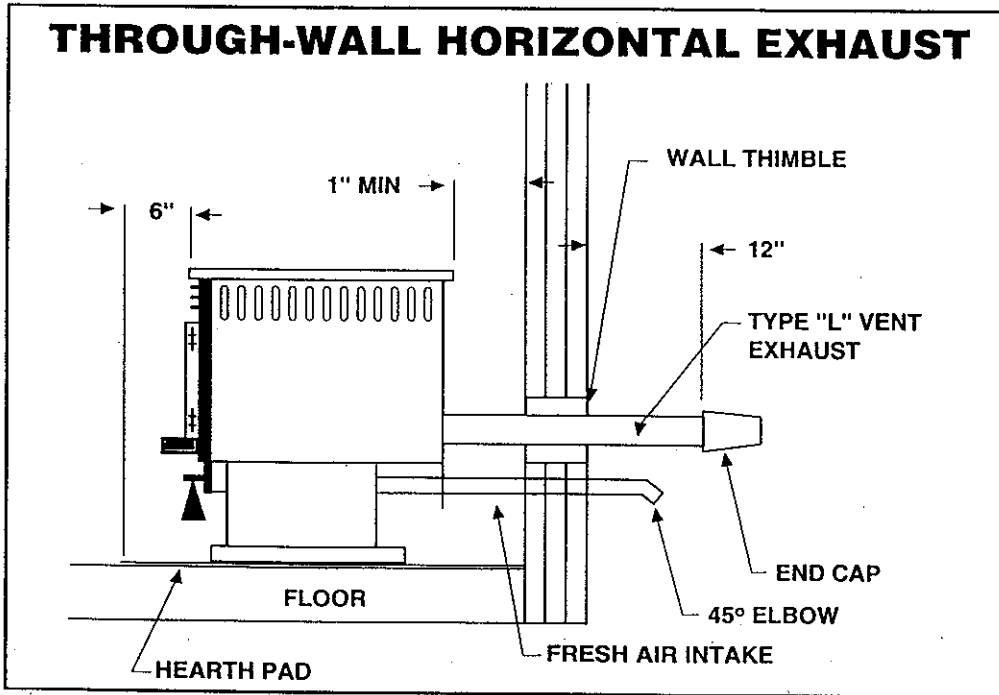
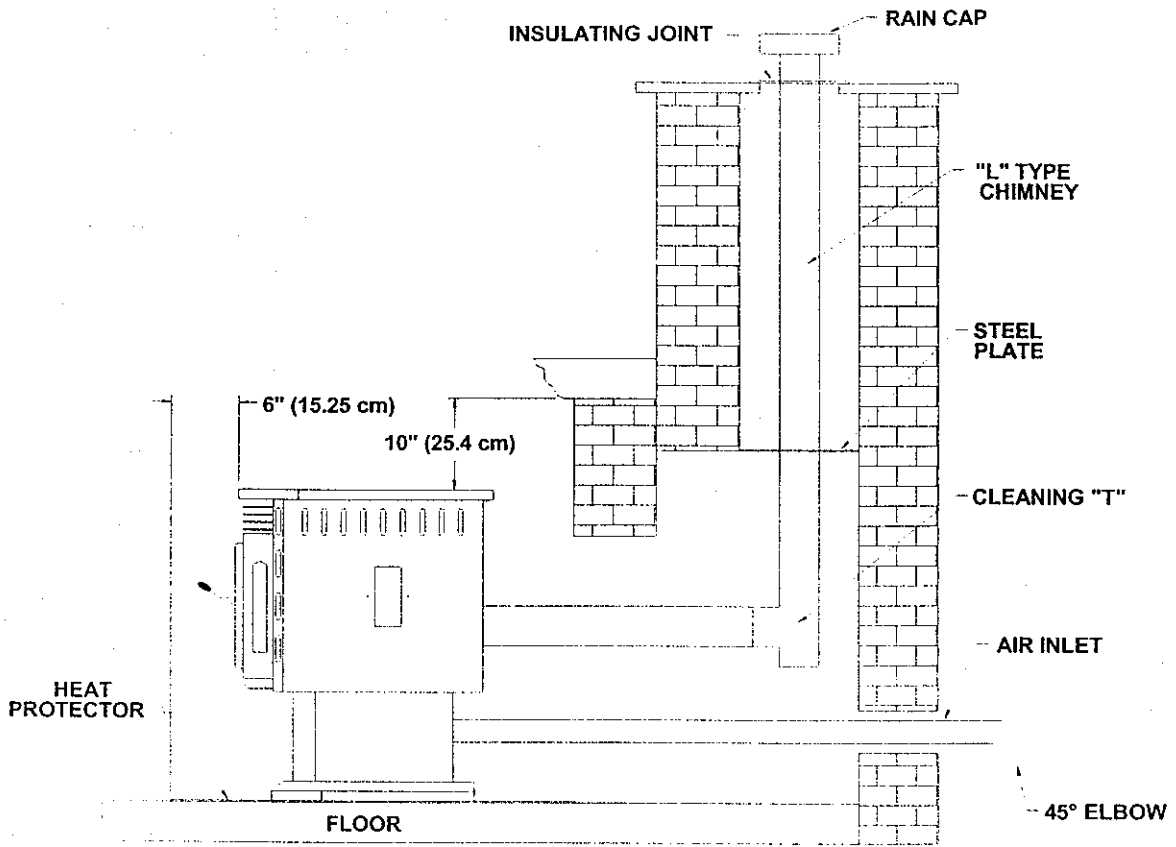


# DIFFERENT TYPES OF INSTALLATIONS

## THROUGH THE ROOF VERTICAL OUTSIDE INSTALLATION



# SEMI RECESSED INSTALLATION



## MAIN COMPONENTS DESCRIPTION

### EVACUATION BLOWER (80 CFM)

Used to evacuate the combustion gas outside. It starts up whenever the « MANUAL » button is pressed or the thermostat is activated. It will stop if the F-140 captor temperature is less than 140°F (60°C), or if there was no ignition after 15 minutes approximately.

### CONVECTION BLOWER (265 CFM)

Used to push warm air into the room. The output is controlled by a rheostat.

### SCREW DRIVING MOTOR (1 RPM BLOCK)

Used to activate the feed screw. This motor is driven by a 12 position rotary control which modifies the distribution cycle.

### ELECTRONIC IGNITER

It is located at the rear of the combustion pot and controlled by the « MANUAL » button or the thermostat. The flame appears about 5 minutes later. If the F-140 captor in the evacuation pipe is not activated after 15 minutes approximately, then, the electronic card will indicate a mistake or a shortage of pellets.

### CAPTORS

#### F-140

It is located on the evacuation blower (80 CFM). If engaged, it confirms the feeding cycle. The evacuation blower will operate as long as the temperature is maintained over 140 °F (60°C). The blower stops when the F-140 captor is not operating, i.e. lower than 140 °F (60°C), which allows the appliance to evacuate the smoke and to cool down.

#### F-160

It is located on the right hand side, by the convection blower. If activated, it entails the maximum convection air output, disregarding the rheostat.

### SAFETY CAPTORS

Two safety captors (L-250 « reset » and L-250) are fixed on the appliance. There is one on the right hand side of the combustion chamber, close to the combustion blower and the other one on the outer surface of the cylinder of the screw. If one or the other is engaged because of a convection failure or overheating, no matter what the cause is, the feed screw will stop immediately.

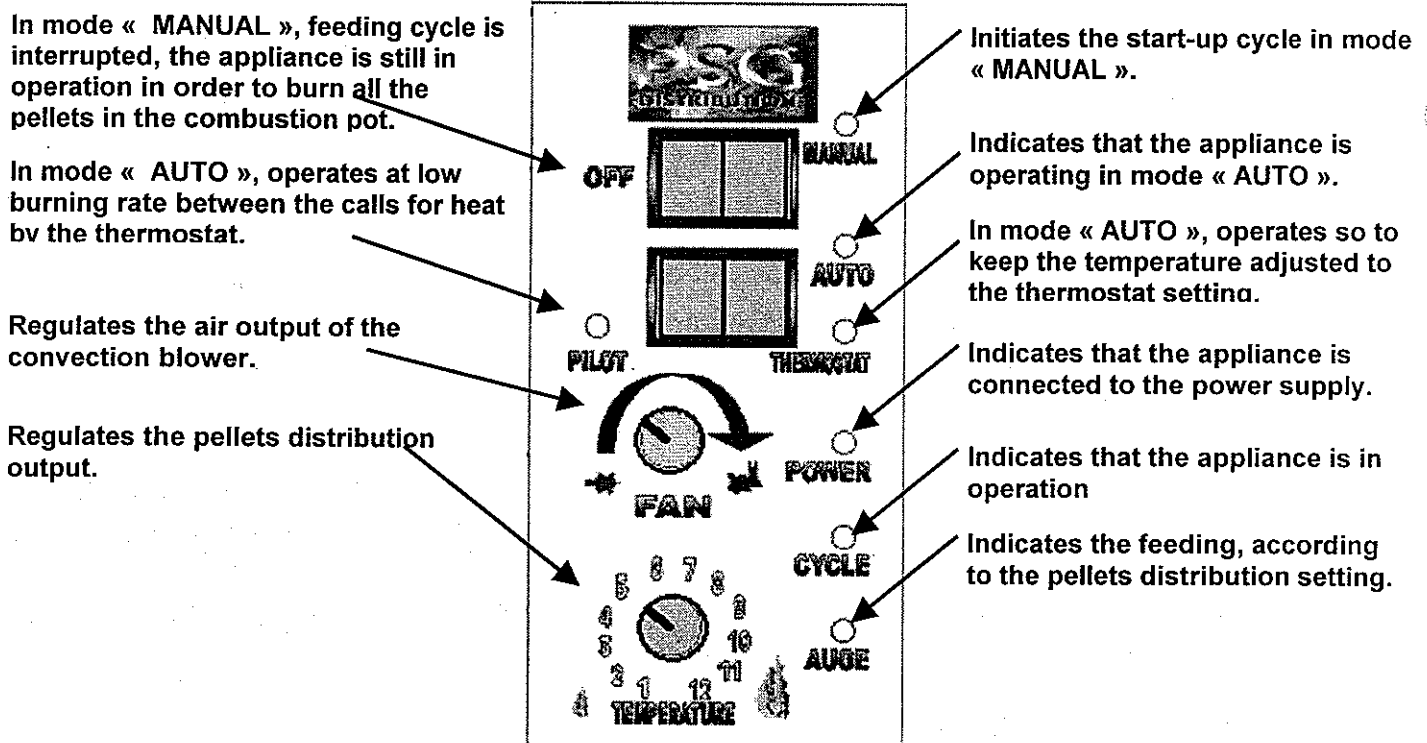
## VACUUM CAPTOR

Another safety device. This captor is part of the electronic control and is joined by a tube to the gas combustion outlet. It detects the vacuum in the burning area. If no vacuum or air movement is detected, it will stop the pellets feeding process immediately.

## ELECTRONIC CONTROL

An electronic panel supervises the complete operation. It governs the supply of pellets, the safety captors and the ignition cycle. For better understanding, see illustrations «Control panel» and « Electric circuit».

# "CONTROL PANEL"



## START-UP

### LIGHTING PROCEDURES

The lighting cycle may be activated either by pressing the "MANUAL" button or by the thermostat (pilot or automatic). In the case of a call for heat by the thermostat, it must last for five consecutive seconds.

- A. Manual with electronic igniter.
- B. Manual without electronic igniter.
- C. With the thermostat.

#### A. MANUAL WITH ELECTRONIC IGNITER

1. Fill up the hopper with pellets (1 bag)
2. Switch on the appliance (the « green » light comes on).
3. Make sure that the pot is in contact towards the back (completely at the rear).
4. Set the pellet feeding output (position 1 to 12).
5. Add a handful of pellets in the combustion pot in order to prime the feed screw (for the first start-up or after refuelling).
6. Place the semi-cover on the front part of the pot.
7. Press the switch to « MANUAL ». The cycle « red » light and the «yellow» light for the feeding of the screw are on. The lighting cycle is divided in three sequences of pellets distribution and waiting periods. A captor, located in the gas evacuation pipe starts the feeding/waiting cycle when it reaches 140°F (60°C).
8. When manually operated, the appliance is continuously in operation in accordance with the pellets distribution output. To stop the combustion, press the switch to « OFF ». At this moment, the « red » and «yellow » lights come off.

***N.B. If the lighting cycle is in process and you wish to go to the stopping cycle, push the "STOP" button and then wait until the control completes the lighting cycle in order to consume the pellets distributed during the lighting process. At the end of the lighting cycle, the red light goes off and a new call for heat may be validated either in mode "thermostat" or "manual".***

## B . MANUAL WITHOUT ELECTRONIC IGNITOR

Used in the following cases :

- Electronic igniter breakage
  - By choice
1. Fill up the hopper with pellets (1 bag).
  2. Add a handful of pellets in the combustion pot in order to prime the feed screw (for the first start-up or after refuelling).
  3. Switch on the appliance (the « green » light comes on).
  4. Place a lighting product in the center of the combustion pot. Consult your dealer concerning the lighting products suitable for that type of appliance. Never use wastes, flammable liquids, etc.
  5. Place the semi-cover on the front part of the pot.
  6. Light the lighting product and close the door.
  7. Set the pellet feeding output (position 1 to 12).
  8. Press the button to « MANUAL ».
  9. Press the button to « OFF » to stop the combustion.

## C. WITH THE THERMOSTAT

Follow the same procedure as « A », except that the appliance will start and stop automatically according to the room temperature. ***Do not press the switch to « MANUAL » as the "MANUAL" mode prevails over the "THERMOSTAT" mode.***

***N.B. If the "THERMOSTAT" mode is in process (automatic or pilot) and the call for heat is interrupted during the lighting, the control must complete the lighting cycle before going to the shutdown cycle in order to consume the pellets distributed during the lighting cycle.***

THERMOSTAT : The fire will go out between the heating periods.

PILOT : The appliance will operate at low burning rate between the heating periods. The fire will not go out.

Distribution of the pellets according to the speed selected by the "TEMPERATURE" button on the control panel.

POSITION SWITCH	TEMPS SEC VIS ON	TEMPS SEC VIS OFF	DUREE CYCLE % ON/ON+OFF
1	2	8.0	20.0
2	2	7.5	21.1
3	2	7.0	22.2
4	2	6.5	23.5
5	2	6.0	25.0
6	2	5.5	26.7
7	2	5.0	28.6
8	2	4.5	30.8
9	2	4.0	33.3
10	2	3.5	36.4
11	2	3.0	40.0
12	2	2.5	44.4

N.B. In the mode thermostat "PILOT", if the call for heat is cancelled, the distribution of the pellets will continue at low speed, as indicated in the table below.

POSITION SWITCH	POSITION IF THERMOSTAT OPEN
1 to 4	1
5 to 8	3
9 to 12	4

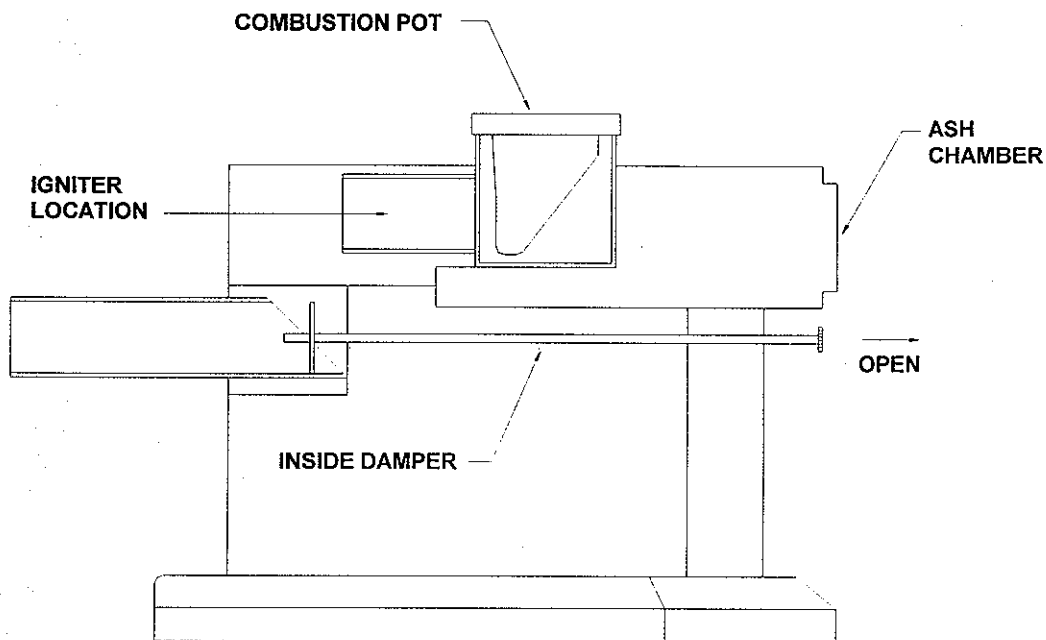
Note : When operating manually, if you want to transfer to automatic mode :

- Set the thermostat to the temperature desired. Press the switch to « OFF ». If there is a call for heat, a lighting cycle will be engaged, then the appliance will operate according to the room temperature.

## D . COMBUSTION AIR ADJUSTMENT

This device (inside damper) controls the air intake to the fire. It must be adjusted at the open position in order to activate the flame. If you note that **brands** are coming out of the combustion pot excessively. A proper adjustment of the inside damper is important because it regulates :

- The combustion output
- The self-cleaning function of the combustion pot
- The cleanliness of combustion



## PELLETS

The stove burns wooden pellets only. It is important that these combustibles be free of dirt and impurities.

The A.P.F.I. (Association of industries of pellet combustibles) has established the standards of the industry. The pellets are divided in two grades. The difference consists in the percentage of impurities contained in the pellets.

Standard :	3%
Premium :	1% and less

The criteria are the following :

Impurities:	1% to 3%
Diameter :	1/4" to 3/8"
Length :	1-1/2" maximum
Density :	40lb/cu. feet
Heat output :	8200 BTU/lb (454g)
Maximum ash :	1%
Maximum moisture :	8%

**Failure to respect the pellets quality standard would void the warranty.**

## MAINTENANCE

### The combustion pot

Check the combustion pot regularly to ensure that there is no ash accumulation. We recommend to clean it every two days. This must be done after the appliance has cooled down and the frequency depends on the quality of the pellets used. Do not forget to put back the semi-cover on the front part of the combustion pot.

### The exchanging pipes

Disassemble (4 bolts) the stainless steel shield located at the bottom of the combustion chamber. Scrub all the pipes, using the brush provided with your appliance. Re-assemble the steel shield after making sure that the gasket around the sloping pellets channel is properly adjusted.

### The igniter

Every month, vacuum-clean the opening of the igniter.

**THE STOVE MUST BE DISCONNECTED FROM THE POWER SUPPLY AND COMPLETELY COOL.**

The combustion pot must be removed to allow access to the opening of the igniter.

### The combustion chamber

Wait until the appliance has cooled down and remove the ashes. Unscrew the 4 screws retaining the stainless steel deflector at the bottom of the combustion chamber and remove it in order to clean up if necessary (every 40 bags of pellets).

## The ashtray

This accessory is located underneath the combustion pot and is closed with a tightening band. When necessary, remove it and put the ashes in a metal container which must be kept well away from the appliance and the stored bags of pellets.

Retain the ashes in the closed container until all cinders have thoroughly cooled. Make sure that the ashtray gasket is properly inserted before putting the ashtray back into place. **Keep the ashtray tightly closed during operation of your stove.**

## The door

Check the gasket regularly to make sure it is in good condition and properly fitted. To be replaced if necessary (contact your dealer).

## The glass

The door glass is made of Neoceram type glass (slightly tinted) - 5 mm thick Use a soft wet cloth to clean it.

## The blowers (80 and 265 cfm)

- Disconnect the appliance from the power supply and open the two side panels.
- Once a year, disassemble the 80 cfm (evacuation blower) and clean carefully the blades inside. Make sure the gasket is in good condition and properly adjusted when reinstalling.
- Oil the two blowers at the lubrication points with high temperature oil. Two drops will be sufficient. ***Too much oil might damage the motor. Oil at the beginning and at mid-season.***

N.B. To oil the convection blower (265 cfm), you must remove it to have access to the lubrication point.

## Piping

- Inspect and clean if needed every 40 bags of pellets (at least once a year).
- Ensure that all the joints are perfectly leakproof.

## TROUBLESHOOTING

### **The appliance does not operate**

- Check that the appliance is connected (110 Volts) and the power supply is on.
- Check that the thermostat is connected and operating properly.
- Verify the pellets supply in the hopper.
- Check the 2 fuses of the electronic card taking care to disconnect the appliance from the power supply before proceeding to the replacement.

### **The convection blower does not operate**

- Using caution, connect the blower directly to the 110 Volts power point. If it does not work, replace it.

### **The feed screw does not work**

- There is no call for heat at the thermostat.
- The captor L-250 « reset » located by the convection blower is in mode « too hot ». Press the « reset » button of the captor to restart.
- The pressure captor tube is defective (leaks), disconnected or obstructed by combustion residues.
- The pressure captor has not activated the feed screw because of too much gas restriction at the outlet.
- If the feed screw is blocked, check for objects (except wooden pellets) that could obstruct the screw. Try to turn it manually to set it free.
- The evacuation blower does not work, causing the vacuum captor to stop feeding the screw.

### **Ignition does not occur**

- The pellets moisture is too high.
- The 10A fuse of the electronic card is defective.
- The igniter is defective. Replace it.

**The red light (cycle) flashes 4 times every second, followed by a 4 seconds waiting period.**

- There are no more pellets in the hopper. Refill the hopper and add a handful of pellets in the combustion pot in order to prime the feed screw, then press the « MANUAL » button.
- The F-140 might be covered with ashes or it might be defective.

**The red light (cycle) flashes 2 times every one second, followed by a 2 seconds waiting period.**

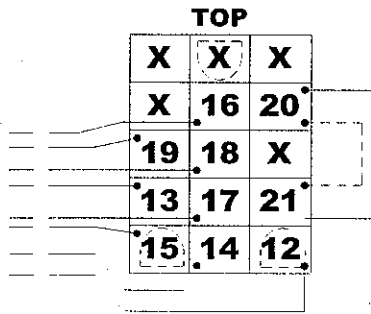
- The vacuum captor stopped the feeding of the screw because of a gas evacuation blockage or the breakage of the evacuation blower (80 cfm).
- The appliance overheated because of an excessive call for heat or the breakage of the convection blower (265 cfm). Check that the reset button of the captor L-250 reset is engaged.

**The red light (cycle) flashes at one second intervals.**

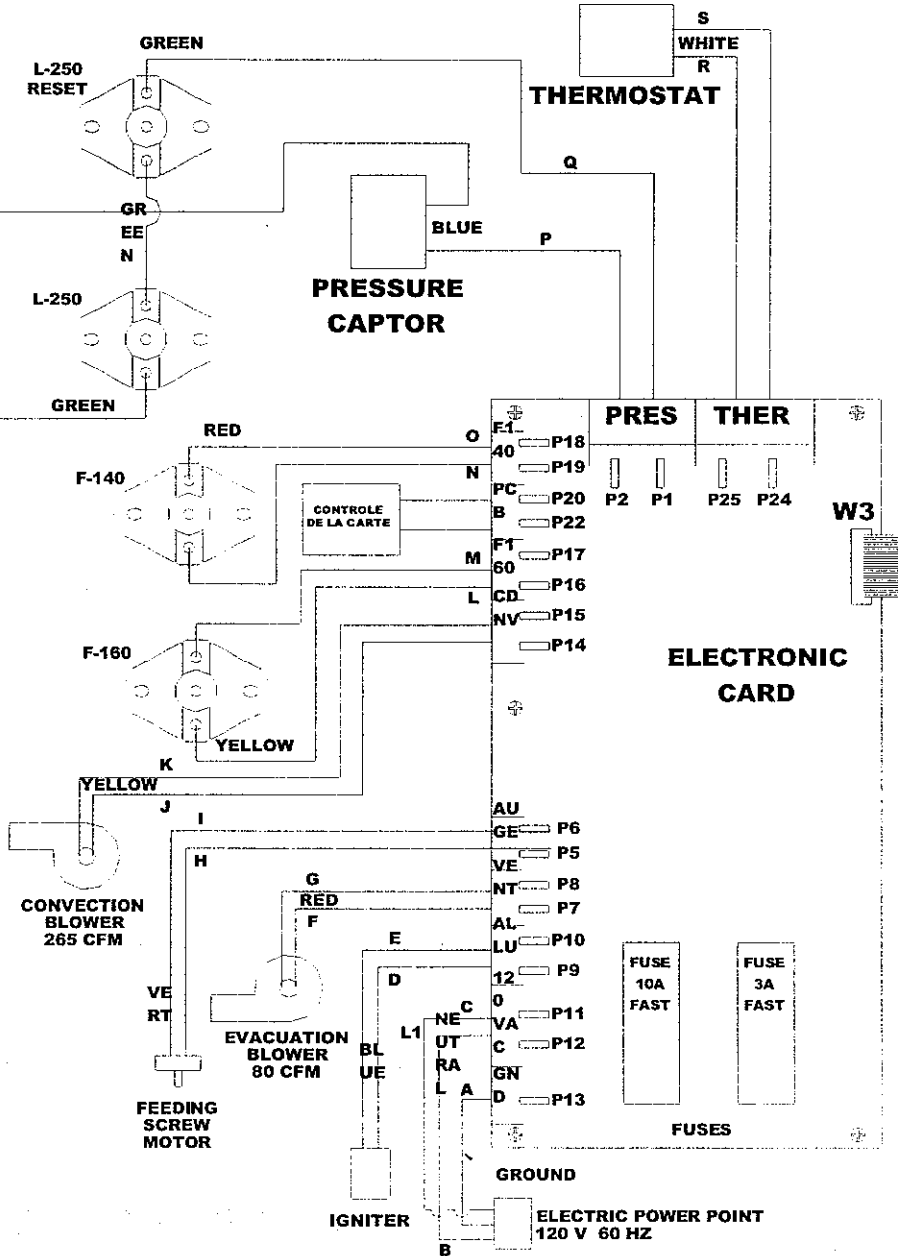
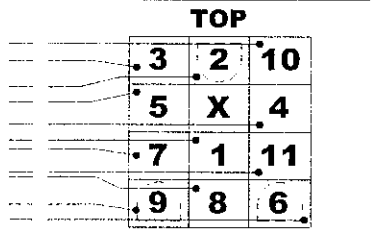
- A problem occurred during the lighting cycle.
  - a) The F-140 might be covered with ashes or it might be defective.
  - b) The vacuum captor did not detect any expulsion air movement because of too much gas restriction at the appliance outlet or because of the breakage of the evacuation blower (80 cfm).
  - c) The appliance overheated. Check that the reset button of the captor L-250 reset is engaged.
  - d) Lighting did not succeed because :
    - the pellets moisture is too high and/or
    - the 10A fuse of the electronic card is defective and/or
    - the igniter is defective. Replace it.

# ELECTRICAL CIRCUIT

**WIRING DIAGRAM  
TO THE 15 PINS  
CONNECTING BLOCK**



**WIRING DIAGRAM  
TO THE 12 PINS  
CONNECTING BLOCK**



# 5 YEAR LIMITED WARRANTY

## Pellet stove

PSG Distribution Inc. offers a 5 year limited warranty from the date of purchase on all the manufactured steel parts and a one year warranty on the electrical parts. Those warranties are not transferable and apply to the original consumer only.

PSG Distribution Inc. warranty does not cover the following parts :

- Glass
- Fiberglass gaskets
- Refractory materials
- Combustion pot
- Paint and enamelled pieces
- Gold plated and chromium plated metal

All the claims must be forwarded to your dealer.

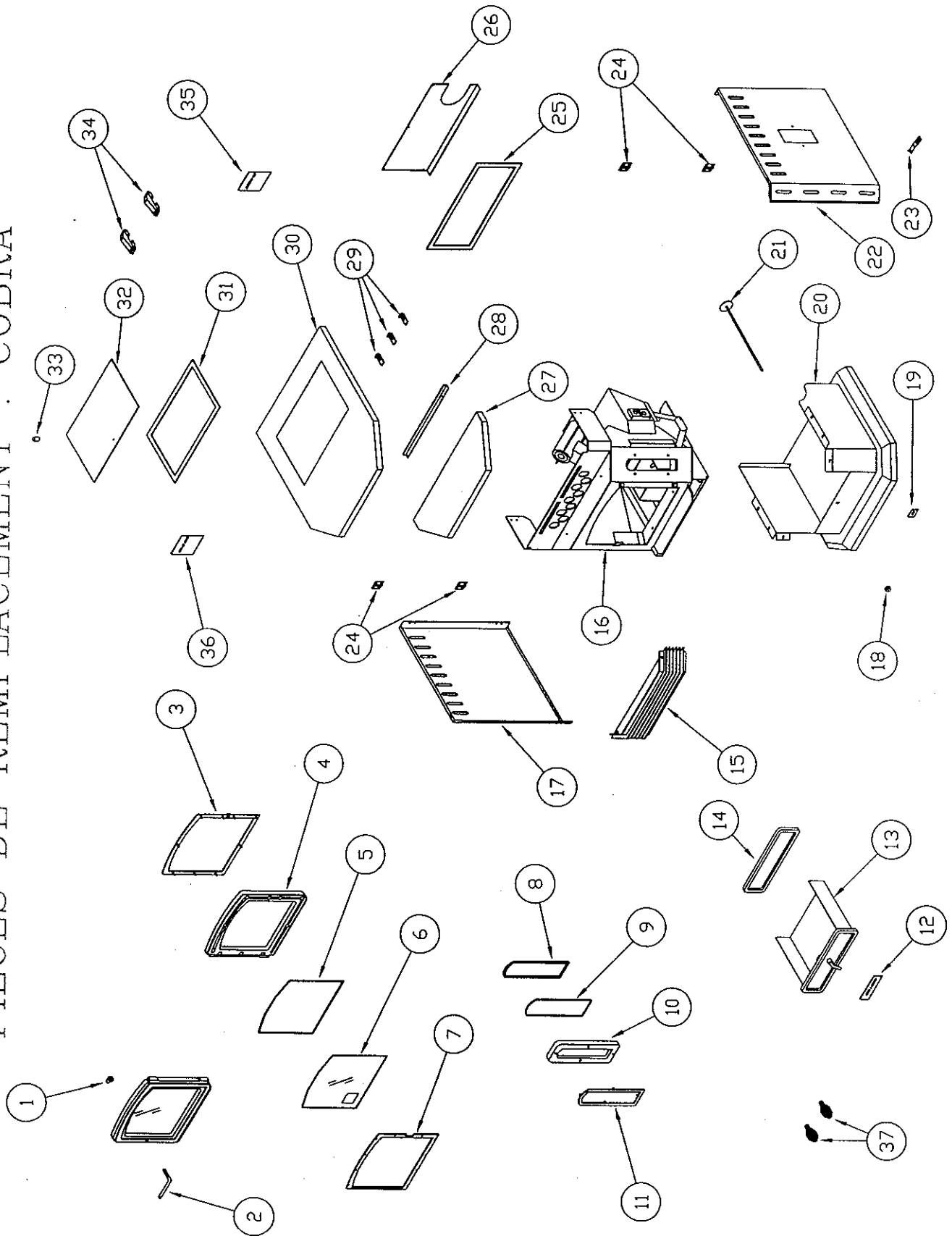
This limited warranty covers manufacturing defects provided that the appliance be installed according to the installation instructions manual. If the appliance is damaged or broken consequently to improper installation, abuse or misuse, the warranty will not apply. Transportation and labour costs are not included in this warranty.

The manufacturer reserves the right to repair or replace the defective appliance. However, all transportation costs will be at the consumer's charge. All the clauses are herein specified and no verbal warranty will have effect in any manner whatsoever.

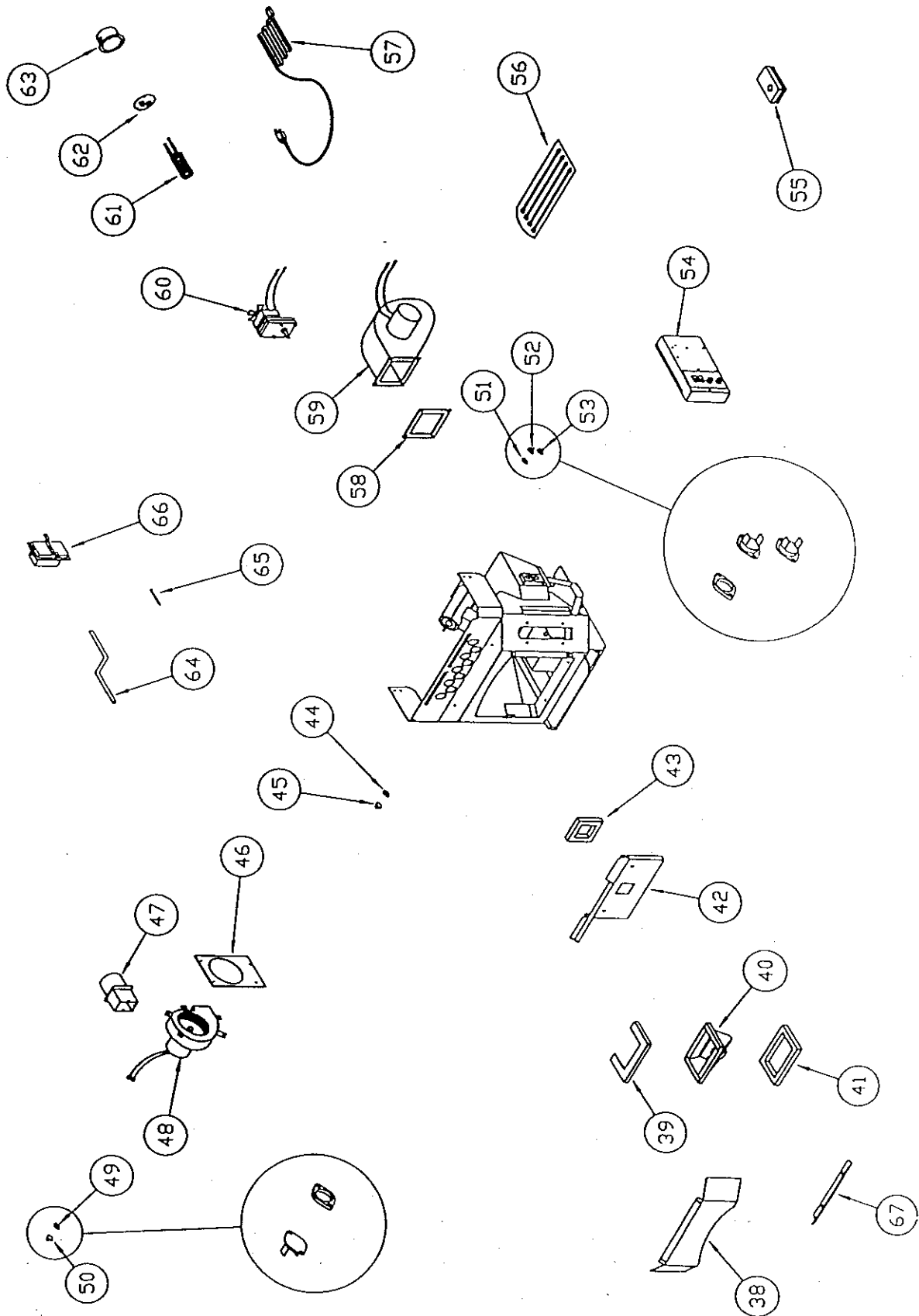
PSG Distribution Inc will not be bound by this warranty if the purchaser failed to return the attached warranty within 10 days after the date of purchase.

**PSG DISTRIBUTION INC .**  
**798, 8<sup>e</sup> Rue Est**  
**La Guadeloupe (Quebec/Canada)**  
**G0M1G0**

REPLACEMENT PARTS : COBRA  
PIECES DE REMPLACEMENT : COBRA



REPLACEMENT PARTS : COBRA  
 PIECES DE REMPLACEMENT: COBRA



# COBRA II

Réf.	No pièces	Description de la pièce	Part description
1	04-015-101	Loquet de la porte	Door latch
2	10-111-101	Tige de la poignée de porte	Door knob rod
3	10-130-201	Moulure de porte plaquée or 24k	24K Gold plated door trim
3	10-130-202	Moulure de porte plaquée chrome	Chromium plated door trim
4	10-147-101	Cadre de la porte en fonte	Cast-iron door frame
5	53-003-502	Ruban U 3/32" x 3/4" adhésif L = 47"	"U" shape adhesive gasket 3/32" x 3/4"
6	11-162-085	Vitre centrale	Central glass
7	04-016-101	Cadre vitres centrale	Central glass frame
8	53-003-131	Ruban collant tricotté 3/4" L = 26"	"U" shape adhesive gasket 3/4" L= 26"
9	11-235-085	Vitre latérale	Side glass
10	10-154-101	Cadre vitre latéral en fonte percé noir	Black cast-iron side glass frame
11	11-234-201	Moulure latérale or brillant	Gold plated side trim
11	11-234-202	Moulure latérale chrome	Chromium plated side trim
12	51-006-095	Étiquette autocollante pour tiroir à cendre	Sticker for ash drawer
13	04-135-101	Tiroir à cendre 10-1/8" noir Cobra	Cobra black ash drawer 10 1/8"
14	53-003-504	Cordon de fibre de verre dia = 1/2" L = 28"	Fiber-glass gasket dia. = 1/2" L= 28"
15	04-140-201	Diffuseur	Air deflector
16	04-145-101	Chambre à combustion noir Cobra	Cobra black combustion chamber
17	11-268-301	Panneau latéral gauche noir texturé	Left side panel - black, textured finish
17	11-268-302	Panneau latéral gauche blanc pro dot	Left side panel - white, pro dot
17	11-268-303	Panneau latéral gauche argent veiné	Left side panel - silver, veined finish
17	11-268-304	Panneau latéral gauche vert veiné	Left side panel - green, veined finish
17	11-268-305	Panneau latéral gauche prune veiné	Left side panel - plum coloured, veined
17	11-268-309	Panneau latéral gauche bleu PSG	Left side panel - blue PSG
18	53-002-100	Bouton noir d = 15/16" pour tige 1/4"	Black button d = 15/16" for 1/4" rod
19	51-006-125	Étiquette du logo PSG DISTRIBUTION INC	PSG DISTRIBUTION INC. logo label
20	04-133-301	Base / piédestal noir texturé	Base/pedestal - black, textured finish
20	04-133-302	Base / piédestal blanc pro dot	Base/pedestal - white, pro dot
20	04-133-303	Base / piédestal argent veiné	Base/pedestal - silver, veined finish
20	04-133-304	Base / piédestal vert veiné	Base/pedestal - green, veined finish
20	04-133-305	Base / piédestal prune veiné	Base/pedestal - plum coloured, veined
20	04-133-309	Base / piédestal bleu PSG	Base/pedestal - blue PSG
21	04-138-101	Tirette d'air	Inside damper
22	11-267-301	Panneau latéral droit noir texturé	Right side panel - black, textured finish
22	11-267-302	Panneau latéral droit blanc pro dot	Right side panel - white, pro dot
22	11-267-303	Panneau latéral droit argent veiné	Right side panel - silver, veined finish
22	11-267-304	Panneau latéral droit vert veiné	Right side panel - green, veined finish

# COBRA II

Réf.	No pièces	Description de la pièce	<i>Part description</i>
22	11-267-305	Panneau latéral droit prune veiné	Right side panel - plum coloured, veined
22	11-267-309	Panneau latéral droit bleu PSG	Right side panel - blue PSG
23	11-088-085	Support panneau	Panel support
24	53-002-065	Charnière en laiton 1-1/2" x 1-1/2"	Brass hinge 1 1/2" x 1 1/2"
25	53-004-013	Coupe froid H1C-N 1/8" x 3/4" x 33.5"	Insulating band H1C-N 1/8" x 3/4" x
26	11-264-101	Panneau arrière	Back panel
27	11-289-085	Isolant à fournaise 1/2" dim: 25-3/16" x 8"	Furnace insulation 1/2" dim. 25 3/16" x
28	11-277-085	Support laine	Wool support
29	11-278-101	Equerres de fixation dessus	Top fastening squares
30	04-134-301	Dessus Cobra noir texturé	Cobra top - black, textured finish
30	04-134-302	Dessus Cobra blanc pro dot	Cobra top - white, pro dot
30	04-134-303	Dessus Cobra argent veiné	Cobra top - silver, veined finish
30	04-134-304	Dessus Cobra vert veiné	Cobra top - green, veined finish
30	04-134-305	Dessus Cobra prune veiné	Cobra top - plum coloured, veined finish
30	04-134-309	Dessus Cobra bleu PSG	Cobra top - blue PSG
31	53-004-012	Coupe froid H1C-N 1/8" x 3/4" x 48"	Insulating band H1C-N 1/8" x 3/4" x 48"
32	04-135-301	Panneau trémis noir texturé	Hopper panel - black, textured finish
32	04-135-302	Panneau trémis blanc pro dot	Hopper panel - white, pro dot
32	04-135-303	Panneau trémis argent veiné	Hopper panel - silver, veined finish
32	04-135-304	Panneau trémis vert veiné	Hopper panel - green, veined finish
32	04-135-305	Panneau trémis prune veiné	Hopper panel - plum coloured, veined
32	04-135-309	Panneau trémis bleu PSG	Hopper panel - blue PSG
33	53-002-090	Poignée de trémis or COBRA	Cobra hopper handle, gold plated
33	53-002-085	Poignée de trémis chrome COBRA	Cobra hopper handle, chromium plated
34	53-002-140	Penture couvert trémis COBRA	Cobra hopper cover hinge
35	51-006-185	Plaque autocollante "ATTENTION" pot	"CAUTION" sticker (combustion pot)
36	51-006-210	Autocollant "Mise en route" Cobra	"START-UP" sticker
37	10-984-201	Poignée ressort pour tige 3/8" or brillant	Spring handle for rod 3/8" - gold plated
37	10-984-202	Poignée ressort pour tige 3/8" chrome	Spring handle for rod 3/8" - chromium
38	11-274-101	Pare-étincelle	Firescreen
39	11-276-085	Couvercle du pot	Pot cover
40	04-141-101	Pot à combustion noir	Black combustion pot
41	53-003-103	Cordon de fibre de verre 3/4" dia. L = 22"	Fibre-glass gasket 3/4" dia. L= 22"
42	04-142-085	Défecteur intérieur inoxydable	Stainless inside deflector
43	53-003-102	Cordon de fibre de verre 3/4" dia. L = 10"	Fibre-glass gasket 3/4" dia. L= 10"
44	11-284-085	Craneglass 1/8 dim: 1.9" X 15/16"	Craneglass 1/8 dim: 1.9" x 15/16"
45	50-004-060	Contrôle de limite L-250°F	L-250° F Limit control

# COBRA II

Réf.	No pièces	Description de la pièce	<i>Part description</i>
46	11-325-085	Craneglass 1/8 dim: 8-5/8" X 6"	Craneglass 1/8 dim: 8 5/8" x 6"
47	04-137-080	Conduit ventilateur-exhaust	Evacuation blower pipe
48	55-002-001	Ventilateur 80 cfm exhaust	Evacuation blower 80 cfm
49	50-004-075	Fan control ceramic F-140 Cobra	Fan control ceramic F-140 Cobra
50	11-029-085	Joint d'étanchéité pour F140	Gasket for F-140
51	11-284-085	Craneglass 1/8 dim: 1.9" X 15/16"	Craneglass 1/8 dim: 1.9" x 15/16"
52	50-004-055	Contrôle de limite 250°F "reset"	Limit control 250° F "reset"
53	50-004-050	Contrôle de ventilateur F-160°F	Blower control F-160° F
54	01-053-999	Carte électronique	Electronic card
55	50-004-095	Thermostat blanc horizontal bas voltage	Low voltage horizontal white thermostat
56	50-003-515	Fils (en kit) Cobra	Cobra wires (kit)
57	50-003-100	Fil de ventilateur fiché Cobra L = 6 pied	Cobra blower wire (with plug) L= 6 feet
58	55-003-170	Gasket caoutchouc 1/2" pour Vent.	Rubber gasket 1/2" for blower
59	55-002-010	Ventilateur 265 cfm COBRA	Cobra blower 265 cfm
60	50-005-035	Gearmotor 1 RPM AC Cobra	Gearmotor 1 RPM AC Cobra
61	11-279-085	Allumeur	Igniter
62	04-136-085	Support allumeur	Igniter support
63	10-786-085	Couvercle de l'allumeur	Igniter cap
64	53-001-205	Tuyau silicone 1/2"od x 1/4" id x 1/8"x14"	Silicone pipe 1/2" od x 1/4" id x 1/8" x
65	53-001-095	Tube cuivre 1/4 x 3"	Copper pipe 1/4 x 3"
66	50-004-140	Interrupteur pneumatique (pressure switch)	Pressure switch
67	11-248-085	Défecteur d'air pour vitre de porte	Air deflector for door glass



\_\_\_\_\_