

MODEL / MODÈLE : PB1230SP  
PART / PIÈCE : 10568, 10533



# SPORTSMAN

**OWNERS MANUAL  
LE MANUEL DU PROPRIÉTAIRE**

## HARDWOOD PELLET & GAS COMBO

IMPORTANT, READ CAREFULLY, RETAIN FOR FUTURE REFERENCE. MANUAL MUST BE READ BEFORE OPERATING!

## COMBO GRANULÉS DE BOIS FRANC ET GAZ

IMPORTANT, PRENEZ CONNAISSANCE DE CE DOCUMENT ET CONSERVEZ-LE POUR RÉFÉRENCE ULTÉRIEURE. VOUS DEVEZ LIRE CE GUIDE AVANT D'UTILISER LE BARBECUE!

For outdoor and household use only. Not for commercial use.  
Réservé à l'usage extérieur et résidentiel uniquement. Non destiné à un usage commercial.



**WARNING:** Please read the entire manual before installation and use of this electric, pellet fuel-burning appliance. Failure to follow these instructions could result in property damage, bodily injury, or even death. Contact local building or fire officials about restrictions and installation inspection requirements in your area.



**AVERTISSEMENT :** Veuillez lire l'intégralité du manuel avant l'installation et l'utilisation de cet appareil électronique à granulés. Le non-respect de ces instructions peut entraîner des dommages aux biens, des blessures ou même la mort. Communiquez avec les autorités locales en matière d'incendie et de bâtiment concernant les restrictions et les exigences d'installation dans votre région.

# SAFETY INFORMATION

**MAJOR CAUSES OF APPLIANCE FIRES ARE A RESULT OF POOR MAINTENANCE AND A FAILURE TO MAINTAIN REQUIRED CLEARANCE TO COMBUSTIBLE MATERIALS. IT IS OF UTMOST IMPORTANCE THAT THIS PRODUCT BE USED ONLY IN ACCORDANCE TO THE FOLLOWING INSTRUCTIONS.**

Please read and understand this entire manual before attempting to assemble, operate, or install the product. This will ensure you receive the most enjoyable and trouble-free operation of your new wood pellet grill. We also advise you retain this manual for future reference.

## DANGERS AND WARNINGS

<p> <b>DANGER</b></p> <p>If you smell gas:</p> <ul style="list-style-type: none"><li>• Shut off gas to the appliance.</li><li>• Extinguish any open flame.</li><li>• Open lid.</li><li>• If odor continues, keep away from the appliance and immediately call your gas supplier or your fire department.</li></ul>	<p> <b>WARNING</b></p> <ul style="list-style-type: none"><li>• Do not store or use gasoline, other flammable liquids, or vapors in the vicinity of this or any other appliance.</li><li>• An LP cylinder not connected for use shall not be stored in the vicinity of this or any other appliance.</li></ul>	<p><b>GRILL INSTALLATION CODES</b></p> <ul style="list-style-type: none"><li>• The installation must conform with local codes or, in the absence of local codes, with either the national fuel gas code, ANSI Z 223.1/NFPA 54, Natural gas and propane installation code, CSA B149.1, or propane storage and handling code, B149.2.</li><li>• LP gas grill models are designed for use with a standard 20 lb. Liquid Propane Gas tank, not included with grill. Never connect your gas grill to an LP gas tank that exceeds this capacity.</li></ul>
-----------------------------------------------------------------------------------------------------------------------------------------------------------------------------------------------------------------------------------------------------------------------------------------------------------------------------------------------------------------------------------------------------	-----------------------------------------------------------------------------------------------------------------------------------------------------------------------------------------------------------------------------------------------------------------------------------------------------------------------------------------------------------------------------------------------	------------------------------------------------------------------------------------------------------------------------------------------------------------------------------------------------------------------------------------------------------------------------------------------------------------------------------------------------------------------------------------------------------------------------------------------------------------------------------------------------------------------------------------------------------

**You must contact your local home association, building or fire officials, or authority having jurisdiction, to obtain the necessary permits, permission, or information on any installation restrictions, such as any grill being installed on a combustible surface, inspection requirements or even ability to use, in your area.**

1. A minimum clearance of 914mm (36 inches) from combustible constructions to the sides of the grill, and 914mm (36 inches) from the back of the grill to combustible constructions must be maintained. **Do not install appliance on combustible floors, or floors protected with combustible surfaces unless proper permits, and permissions are obtained by authorities having jurisdiction.** Do not use this appliance indoors, in an enclosed or unventilated area, inside homes, vehicles, tents, garages. This wood pellet appliance must not be placed under overhead combustible ceiling or overhang. Keep your grill in an area clear and free from combustible materials, gasoline, and other flammable vapors or liquids.

**Should a grease fire occur, turn the grill OFF and leave the lid closed until the fire is out. Unplug the power cord. Do not throw water on the unit. Do not try to smother the fire. Use of an all-class (class ABC) approved fire extinguisher is valuable to keep on site. If an uncontrolled fire does occur, call the Fire Department.**

2. Keep electrical supply cords and the fuel away from heated surfaces. Do not use your grill in the rain or around any water source.
3. After a period of storage, or non-use, check the burn grate for obstructions, the hopper for foreign objects, and any air blockage around the fan intake or chimney. Clean before use. Regular care and maintenance is required to prolong the lifespan of your unit. **If the grill is stored outside during the rainy season or seasons of high humidity, care should be taken to insure that water does not get into the hopper.** When wet or exposed to high humidity, hardwood pellets will expand greatly, decompose, and may jam the feed system. Always disconnect the power, before performing any service or maintenance.

**IMPORTANT! Always power off the appliance and allow the shut-down cycle to run. Unplug the appliance only once the shut-down cycle is complete, and/or before cleaning. Failure to follow this warning can cause damage, serious injury, fire, electric shock, or death.**

**Do not transport your grill while in use or while the grill is hot. Ensure the fire is completely out and that the grill is completely cool to the touch before moving.**

4. It is recommended to use heat-resistant barbecue mitts or gloves when operating the grill. Do not use accessories not specified for use with this appliance. Do not put a barbecue cover or anything flammable in the storage space area under the barbecue.

**WARNING: Be aware of building combustible material, maintain the fire to avoid over-firing**

5. To prevent fingers, clothing or other objects from coming in contact with the auger feed system, the appliance is equipped with a metal safety screen, mounted to the interior of the hopper. This screen must not be removed unless directed by Customer Care or an authorized dealer.

**This appliance is not recommended for children, persons with reduced physical, sensory or mental capabilities, or lack of experience and knowledge, unless they are under direct supervision or instruction by a person responsible for their safety.**

6. Parts of the barbecue may be very hot, and serious injury may occur. Remove pots and pans while the operating appliance is unattended, to reduce the risk of fire. Keep young children and pets away while in use.
7. Do not enlarge igniter holes or burn pot. Failure to follow this warning could lead to a fire hazard and bodily harm and will void your warranty.
8. Product may have sharp edges or points. Contact may result in injury. Handle with care.
9. The liquefied petroleum (LP) cylinder must be constructed and marked in accordance with the specifications for LP Gas Cylinders of the U.S. Department of Transportation (D.O.T.) or the National Standard of Canada, CAN/CSA-B339, Cylinders, Spheres and Tubes for Transportation of Dangerous Goods; and Commission.
10. The LP gas tank must have a shutoff valve, terminating in an LP gas supply tank valve outlet, that is compatible with a Type 1 tank connection device. The LP gas tank must also have a safety relief device that has a direct connection with the vapor space of the tank.
11. The tank supply system must be arranged for vapor withdraw.
12. The LP gas tank used must have a collar to protect the tank valve
13. This outdoor grill is not intended for installation in/on recreation vehicles or boats.

**Never use this appliance in an enclosed space, such as a camper, tent, car, boat, or home. This appliance is not intended for and should never be used as a heater.**

14. Do not obstruct the flow of combustion and ventilation air to this appliance. Keep the burner tube and air inlets clean and free from debris. Clean before use. Regular care and maintenance is required to prolong the lifespan of your unit.
15. Always check for gas leaks when you connect and disconnect the regulator to the gas cylinder, especially after a period of storage (for example, over winter). Check all connections for leaks with a soapy water solution and brush. Never use an open flame to check for leaks.
16. Clean and inspect the gas regulator before each use of the outdoor cooking gas appliance. Replace the gas regulator prior to being used if there is evidence of excessive abrasion or wear. Use only the gas regulator assembly that has been supplied with this gas grill. Do not use a regulator from another manufacturer.

**Do not use lava rock, wood chunks, charcoal, lighter fluid, alcohol, or other similar chemicals for lighting or relighting. Use only firelighters complying to EN1860-3. Keep all such substances and liquids well away from appliance when in use.**

17. Operate this appliance using liquefied petroleum only, which is also specified on the rating label on the unit. Do not attempt to operate your grill on other gases. Do not attempt to convert this LP unit to natural gas. Failure to follow this warning could lead to fire, bodily harm, and will void your warranty.

## DISPOSAL OF ASHES

Ashes should be placed in a metal container with a tight-fitting lid. The closed container of ashes should be placed on a non-combustible floor or on the ground, well away from all combustible materials, pending final disposal. When ashes are disposed by burial in soil, or otherwise locally dispersed, they should be retained in a closed container until all cinders have thoroughly cooled.

## HARDWOOD PELLET FUEL

This pellet cooking appliance is designed and approved for pelletized, all natural hardwood fuel only. Any other type of fuel burned in this appliance will void the warranty and safety listing. You must only use all natural hardwood pellets, designed for burning in pellet barbecue grills. Do not use fuel with additives. Hardwood pellets are highly susceptible to moisture and should always be stored in an airtight container. If you are storing your grill, without use, for an extended period, we recommend clearing all pellets from your grill's hopper and auger, to prevent jams. The pellet fuel mean heating value in 18569-20362 KJ/KG (8000 - 8770 BTU/LB), ash content < 1%.

**Do not use spirit, petrol, gasoline, lighter-fluid, or kerosene for lighting or refreshing a fire in your smoker. Keep all such liquids well away from the appliance when in use.**

At the time of printing, there is no industry standard for barbecue hardwood pellets, although most pellet mills use the same standards to make hardwood pellets for domestic use. Further information, can be found at [www.pelletheat.org](http://www.pelletheat.org) or the Pellet Fuel Institute.

Contact your local dealer on the quality of pellets in your area, and for information on brand quality. As there is no control over the quality of pellets used, moisture affected pellets, we assume no responsibility to damage caused by poor quality of fuel.

## CREOSOTE

Creosote - formation and need for removal. When burning, it produces black smoke with a residue that is also black in color. When hardwood pellets are burned slowly, they produce tar and other organic vapors that combine with expelled moisture to form creosote. The creosote vapors condense in a relatively cool oven flue and exhaust hood of a slow-burning fire. As a result, creosote residue accumulates on the flue lining and exhaust hood. When ignited, this creosote makes an extremely hot fire.

The grease duct should be inspected at least twice a year to determine when the grease and/or creosote buildup has occurred.

When grease or creosote has accumulated, it should be removed to reduce the risk of fire.

## PROPANE GAS WARNINGS

1. Ensure the gas cylinder is purchased by a reputable supplier. An incorrectly filled or an overfilled LP tank can be dangerous. The overfilled condition combined with the warming of the LP gas tank (a hot summer day, tank left in the sun, etc.) can cause LP gas to be released since the temperature increase causes gas to expand. Gas released from the cylinder is flammable and can be explosive.
2. Do not use an LP gas cylinder if it has a damaged valve or shows signs of dents, gouges, bulges, fire damage, corrosion, leakage, excessive rust, or other forms of visual external damage; it may be hazardous and should be checked immediately by a liquid propane supplier.

**If you see, smell, or hear the hiss of gas escaping from the cylinder, do not attempt to light appliance. Extinguish any open flame. Disconnect from fuel supply.**

3. Do not connect or disconnect the gas cylinder while the unit is in use or is still hot. When grill is not in use, ensure regulator knob is turned to OFF and disconnect the gas cylinder. Never move or transport the unit while the gas cylinder is attached. Do not store a spare LP gas cylinder under or near the appliance.

## CARBON MONOXIDE ("THE SILENT KILLER")

Carbon monoxide is a colorless, odorless, tasteless gas produced by burning gas, wood, propane, charcoal, or other fuel. Carbon monoxide reduces the blood's ability to carry oxygen. Low blood oxygen levels can result in headaches, dizziness, weakness, nausea, vomiting, sleepiness, confusion, loss of consciousness, or death. Follow these guidelines to prevent this colorless, odorless gas from poisoning you, your family, or others:

- See a doctor if you or others develop cold or flu-like symptoms while cooking or in the vicinity of the appliance. Carbon monoxide poisoning, which can easily be mistaken for a cold or flu, is often detected too late.
- Alcohol consumption and drug use increase the effects of carbon monoxide poisoning.

Carbon monoxide is especially toxic to mother and child during pregnancy, infants, the elderly, smokers, and people with blood or circulatory system problems, such as anemia, or heart disease.

## SAFETY LISTING

In accordance with the procedures and specifications listed in the UL 2728A-2019 "pellet fuel cooking appliances" and ULC/ORD C2728-13 "for electrical features of fuel burning equipment." Pit Boss® Grills pellet cooking appliances have been independently tested and listed by CSA (an accredited testing laboratory) to UL, ULC and CSA standards.

Conforms to ANSI Z21.58-2018 / CSA 1.6-2018 Outdoor Cooking Gas Appliances.



### COPYRIGHT NOTICE

Copyright 2022. All right reserved. No part of this manual may be copied, transmitted, transcribed, stored in a retrieval system, in any form or by any means without expressed written permission of,

### Dansons

8877 North Gainey Center Drive, Scottsdale, AZ, USA 85258

### Customer Care

USA: (480) 923-9630 | CANADA (TOLL FREE): 1-877-942-2246

[www.pitboss-grills.com](http://www.pitboss-grills.com)

# TABLE OF CONTENTS

Safety Information .....	2	Care & Maintenance .....	18
Connecting To A Gas Supply		Using Wood Pellet Fuel.....	19
Gas Cylinder Requirements.....	7	Cooking Guidelines.....	20
Installing A Gas Cylinder.....	7	Tips & Techniques .....	22
Preparation For Use – Leak Testing.....	7	Troubleshooting .....	23
Disconnecting A Gas Cylinder.....	8	Electrical Wire Diagram .....	25
Wood Pellet Operating Instructions		Replacement Parts	
Grill Environment .....	9	Grill Replacement Parts .....	26
Grill Temperature Ranges.....	10	Hopper Replacement Parts.....	27
Understanding The Control Board .....	11	Warranty	
Understanding The Probes .....	12	Conditions.....	28
Understanding The "P" Setting .....	12	Exceptions.....	28
Auger Priming Procedure .....	12	Ordering Replacement Parts .....	29
First Use – Grill Burn-Off.....	13	Contact Customer Care .....	29
Automatic Start-Up Procedure.....	13	Warranty Service .....	29
Manual Start-Up Procedure .....	13		
Shutting Off Your Grill.....	14		
Smoke Operating Instructions.....	14		
Propane Gas Operating Instructions			
Grill Environment .....	15		
First Use – Grill Burn-Off.....	15		
Automatic Start-Up Procedure.....	15		
Manual Start-Up Procedure .....	16		
First Use – Operating Burners.....	16		
Lighting .....	16		
Shutting Off Your Grill.....	17		
Controlling Flare-Ups .....	17		
Minimize Flare-Ups.....	17		

# CONNECTING TO A GAS SUPPLY

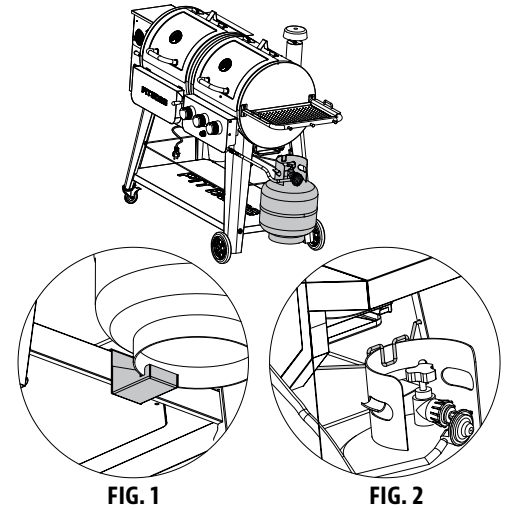
## GAS CYLINDER REQUIREMENTS

The grill is set and tested with liquid propane gas only. The regulator supplied is set for 27.94 cm (11 inch) water column (WC) and is for use with LP gas only. The factory-supplied regulator and hose must be used with a 9 kg (20 lbs) LP gas tank. **Contact your gas supplier for a special regulator for bulk gas that fuels other appliances.**

**CAUTION: It is important to inspect the full length of the gas line hose. If it is evident there is excessive abrasion or wear, or the hose is cut, the hose must be replaced prior to the appliance being used.**

## INSTALLING A GAS CYLINDER

1. From the side of the cart, place foot ring of 9 kg (20 lbs) tank onto the gas tank support bracket **Fig 1**. Make sure the tank valve is in OFF position. Put tank handle to LP Gas Cylinder Wire Retainer and secure tightly **Fig 2**. Ensure the tank is completely upright, as it is unsafe to operate the grill if the gas tank is not installed properly.
2. Ensure the regulator valve on the grill is completely closed by turning the knob clockwise to the OFF position.
3. Remove the protective caps from the regulator valve opening and the top of the gas cylinder. Save the caps.
4. Insert the gas cylinder valve into the threaded opening of the regulator valve. Turn the cylinder clockwise until firm. Hand-tighten only.
5. Gas cylinder is now installed.



## PREPARATION FOR USE – LEAK TESTING

A leak test is used to determine the integrity of a seal. Before using your gas grill, perform a leak test on the connection between the regulator and the gas cylinder to reduce the risk of serious bodily injury or death from fire or explosion. A leak test should be performed a minimum of once a season, as well as:

- before lighting your grill for the first time,
- every time the gas cylinder has been changed,
- after travel, especially over rough or bumpy roads,
- after a prolonged period of storage or non-use.

### HOW TO PERFORM A LEAK TEST

#### Supplies Required:

- 1 x Bowl (*empty, clean*)
- 1 x Paint Brush (*clean*)
- Dish Washing Liquid
- Water

#### Procedure:

1. Position the grill in a well-ventilated area. Ensure the grill is cool to the touch, and not in use. Verify that the regulator value is turned to the OFF position and that the gas cylinder is tightened securely to the regulator.

**IMPORTANT: Ensure there is no open flame or smokers nearby.**

2. Mix a solution of one part of water with one part of dish washing liquid in a bowl. The solution will make bubble, as it will be concentrated.

- Use a paint brush to apply the solution onto the seal between the regulator and the gas cylinder. Visually inspect for streams of bubbles coming from a defect or break in the seal.

**NOTE: If a leak appears, repeat gas cylinder installation procedure, but do not over-tighten. Hand-tighten only. Repeat leak test after re-installation to ensure seal is secure.**

**IMPORTANT: Do not use the gas grill if you detect a gas leak that cannot be corrected by using the leak test procedure. Contact your local Fire Department or Customer Care for alternative measures of testing to ensure proper precaution.**

## DISCONNECTING A GAS CYLINDER

- Ensure the regulator valve on the grill is completely closed by turning the knob clockwise to the OFF position.
- Turn the cylinder counter-clockwise (by hand) to disconnect from the regulator valve opening. Replace the protective caps on the regulator valve opening and the top of the gas cylinder for storage (if not empty).

**NOTE: If storing the grill indoors, leave the gas cylinder outdoors.**

**WARNING: Do not fold up or transport grill with gas cylinder attached. The cylinder may loosen off the valve and cause a gas leak, possibly resulting in an explosion, fire, or severe bodily harm. Disconnect gas cylinder first before travel or storage.**

**Never** light your gas grill with the lid closed or before checking to ensure the burner tubes are fully seated over the gas valve orifices.

Electrical equipment provided with the outdoor cooking gas appliance shall have the following in the instructions:

- To protect against electric shock, do not immerse cord or plugs in water or other liquid;
- Unplug from outlet when not in use and before cleaning. Allow to cool before putting on or taking off parts;
- Do not operate any outdoor cooking gas appliance with a damaged cord, plug, or after the appliance malfunctions or has been damaged in any matter. Contact the manufacturer to repair;
- Do not let the cord hang over the edge of a table or touch hot surfaces;
- Do not use an outdoor cooking gas appliance for purposed other than intended;
- When connecting, first connect plug to the outdoor cooking gas appliance then plug appliance into the outlet;
- Use only a Ground Fault Interrupter (GFI) protected circuit with this outdoor cooking gas appliance;
- Never remove the grounding plug or use with an adapter of 2 prongs;
- Use only extension cords with 3-prong grounding plug, rated for the power of the equipment, and approved for outdoor use with a W-A marking.

The outdoor grill, when installed, must be electrically grounded in accordance with local codes or, in the absence of local codes with the National Electrical Code ANSI/NFPA 70, or Canadian Electrical Code, CSA C22.1.

- Do not store a spare LP gas tank under or near this appliance.
- Never fill the tank beyond 80 percent full.
- If the information in 1) and 2) is not followed exactly a fire causing death or serious injury may occur.
- Place dust cap on cylinder valve outlet whenever the cylinder is not in use. Only install the type of dust cap on the cylinder valve outlet that is provided with the cylinder valve. Other types of caps or plugs may result in leakage of propane.

# WOOD PELLET OPERATING INSTRUCTIONS

*With today's lifestyle of striving to eat healthy and nutritious foods, one factor to consider is the importance of reducing fat intake. One of the best ways to cut down on fat in your diet is to use a low fat method of cooking, such as grilling. As a pellet grill uses natural hardwood pellets, the savory wood flavor is cooked into the meats, reducing the need for high sugar content sauces. Throughout this manual, you will notice the emphasis on grilling food slowly at LOW or MEDIUM temperature settings.*

## GRILL ENVIRONMENT

### 1. WHERE TO SET-UP THE GRILL

With all outdoor appliances, outside weather conditions play a big part in the performance of your grill and the cooking time needed to perfect your meals.

All Pit Boss® units should keep a minimum clearance of 914mm (36 inches) from combustible constructions, and this clearance must be maintained while the grill is operational. This appliance must not be placed under overhead combustible ceiling or overhang. Keep your grill in an area clear from combustible materials, gasoline and other flammable vapors and liquids.

### 2. COLD WEATHER COOKING

As it becomes cooler outside, that does not mean that grilling season is over! The crisp cool air and heavenly aroma of smoked foods will help cure your winter blues.

Follow these suggestions on how to enjoy your grill throughout the cooler months:

- If smoking at low temperatures fails, increase the temperature slightly to achieve the same results.
- Organize – Get everything you require ready in the kitchen before you head outdoors. During the winter, move your grill to an area that is out of the wind and direct cold. Check local bylaws regarding the proximity of your grill in relation to your home and/or other structures. Put everything you need on a tray, bundle up tight, and get it done!
- To help keep track of the outside temperature, place an outdoor thermometer close to your cooking area. Keep a log or history of what you cooked, the outdoor temperature, and the cooking time. This will help later down the road to help you determine what to cook and how long it will take.
- In very cold weather, increase your preheating time by at least 20 minutes.
- Avoid lifting the lid any more than necessary. Cold gusts of wind can completely cool your grill temperature. Be flexible with your serving time; add extra cooking time each time you open the lid.
- Have a heated platter or a dish cover ready to keep your food warm while making the trip back inside.
- Ideal foods for winter cooking are those that require little attention, such as roasts, whole chickens, ribs, and turkey. Make your meal preparation even easier by adding simple items such as vegetables and potatoes.

### 3. HOT WEATHER COOKING

As it becomes warmer outdoors, the cooking time will decrease.

Follow these few suggestions on how to enjoy your grill throughout the hot months:

- Adjust your cooking temperatures downward. This helps to avoid unwanted flare-ups.
- Use a meat thermometer to determine the internal temperature of your foods. This helps in preventing your meat from over cooking and drying out.
- Even in hot weather it is still better to cook with the lid of your grill down.
- You can keep foods hot by wrapping them in foil, and placing them in an insulated cooler. Stuff crumpled up newspaper around the foil and this will keep food hot for 3 to 4 hours.

## GRILL TEMPERATURE RANGES

Temperature readouts on the control board may not exactly match the thermometer. All temperatures listed below are approximate and are affected by the following factors: outside ambient temperature, the amount and direction of wind, the quality of pellet fuel being used, the lid being opened, and the quantity of food being cooked.

- *HIGH TEMPERATURE (205-260°C / 401-500°F)*

This range is best used to sear and grill at a high heat. Use in tandem with the flame broiler (slide plate) for indirect or direct flame cooking. With the **flame broiler open**, direct flame is used to create those “blue” steaks, as well as flame-kissed vegetables, garlic toast or s’mores! When the **flame broiler is closed**, the air circulates around the barrel, resulting in convection heat. High temperature is also used to preheat your grill, burn-off the cooking grate, and to achieve high heat in extreme cold weather conditions.

- *MEDIUM TEMPERATURE (126-204°C / 258-400°F)*

This range is best for baking, roasting, and finishing off that slow smoked creation. Cooking at these temperatures will greatly reduce the chances of a grease flare-up. Ensure that the flame broiler slider is in the closed position, covering the slotted openings. Great range for cooking anything wrapped in bacon, or where you want versatility with control.

- *LOW TEMPERATURE (82-125°C / 180-257°F)*

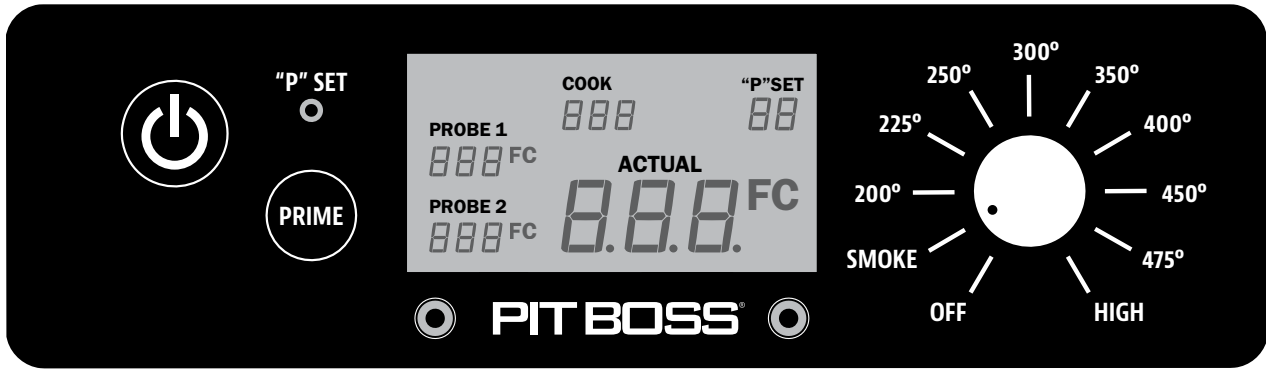
This range is used to slow roast, increase smoky flavor, and to keep foods warm. Infuse more smoke flavor and keep your meats juicy by cooking longer at a lower temperature (also known as **low and slow**). Highly recommended for the big turkey at Thanksgiving, juicy ham at Easter, or the huge holiday feast.

Smoking is a variation on true barbecuing and is truly the main advantage of grilling on a wood pellet grill. **Hot smoking**, another name for **low and slow** cooking, is generally done between 82-125°C / 180-257°F. Hot smoking works best when longer cooking time is required, such as large cuts of meats, fish, or poultry.








**TIP: To intensify that savory flavor, switch to SMOKE (low) temperature range immediately after putting your food on the grill. This allows the smoke to penetrate the meats.**

The key is to experiment with the length of time you allow for smoking, before the meal is finished cooking. Some outdoor chefs prefer to smoke at the end of a cook, allowing the food to keep warm until ready to serve. Practice makes perfect!

## UNDERSTANDING THE CONTROL BOARD



ENGLISH

CONTROL	DESCRIPTION
	Press the <b>Power Button</b> to power on the unit. The button will glow blue if connected to a power source. Press the button again to turn the unit off.
	The <b>Temperature Control Dial</b> allows you to set your desired smoking temperature. Once connected to a power source and the Power Button is pressed, turn the dial and select from any of the ten preset temperatures, between 82-260°C / 180-500°F. When the dial is turned to a temperature preset, the Digital LCD Screen will light up, displaying that it is ready to operate. The desired Set temperature is shown on the Digital LCD Screen for few seconds, then returns to the Actual temperature. When the dial is turned to off, the Digital LCD Screen will remain off.
"P" SET 	<p>The <b>"P" Set Button</b> is used to select one of the eight fine tunings when the Temperature Control Dial is set to the Smoke Setting. Press the button to change the "P" setting to accommodate to your cooking style and cooking environment, as preferred. With a <u>short push</u> of the button, the setting increases from P0 to P7, then repeats. Adjustments are only possible in the Smoke Setting. Factory default setting is "P4". If the "P" setting is adjusted, your preference will be locked-in (saved) until further adjustment is made.</p> <p>The <b>"P" Set Button</b> is also used as a <b>Temperature Switch Control</b> to change the temperature readout on the LCD Screen. Press and hold the button for two seconds to switch to Celsius (°C) or to Fahrenheit (°F), as preferred. Default is set to Fahrenheit.</p>
	The <b>LCD Screen</b> is used as the information center for your unit. The LCD screen will display your Desired Cook Temperature, Actual Cook Temperature, and Meat Probe Temperatures (if connected). If only one Meat Probe is connected, only one reading will be displayed.
	Press and hold the <b>Prime Button</b> to activate an extra feed of pellets to the Burn Pot. This can be used to add more fuel to the fire before opening the barrel lid, resulting in a quick heat recovery time. It can also be used while smoking, to increase the intensity of clean smoke flavor. Requested from competition cookers.
SMOKE	The <b>Smoke Setting</b> on the Temperature Control Dial operates unit at the lowest temperature, without the fire going out.
	The plug-in connection port(s) on the front of the Control Board are for a <b>Meat Probe(s)</b> . When a meat probe is connected, the temperature is displayed on the LCD Screen. When not in use, disconnect the meat probe from the connection port. <i>Compatible with Pit Boss® branded meat probes only. Additional meat probe(s) sold separately.</i> 

## UNDERSTANDING THE PROBES

- *GRILL PROBE*

Located inside the main barrel, on the left side wall, is the Grill Probe. It is a small, vertical piece of stainless steel. The Grill Probe measures the internal temperature of the unit. This internal temperature is displayed on the digital LCD Screen as "ACTUAL" temperature.

**IMPORTANT: The temperature of your unit is highly affected by ambient outdoor weather, quality of pellets used, flavor of pellets, and the quantity of food being cooked.**

- *MEAT PROBE*

The meat probe measures the internal temperature of your meat in the grill, similar to your indoor oven. Plug-in the meat probe adapter to the meat probe connection port on the Control Board and insert the stainless steel meat probe into the thickest portion of your meat and the temperature will be displayed on the control board. **To ensure the meat probe is connected properly to the connection port, feel and hear it snap into place.**

**NOTE: When placing the meat probe into your meat, ensure the meat probe and meat probe wires avoid direct contact with flame or excess heat. This can result in damage to your meat probe. Run the excess wire out the hole located on the left side of the main grill or the top of the main grill (near the grill lid hinge). When not in use, disconnect from the meat probe connection port and place aside to keep protected and clean.**

## UNDERSTANDING THE "P" SETTING

When the recessed "P" SET button is pushed, the "P" setting displayed on the LCD screen will change to the next value (upward). Once P7 is reached, it will restart at P0. There are eight "P" settings, ranging from P0 to P7. The recessed "P" SET button can be pushed using a thin-tipped object.

**IMPORTANT: Do not push the "P" SET button too hard, as this may cause damage. Only a light push is needed.**

- *USING THE "P" SETTING IN SMOKE MODE*

Anytime the temperature dial is set to SMOKE, such as the start-up cycle, the auger will run on more of a manual mode of cooking versus using one of the preset dial temperatures. First, the auger will continuously turn and feed pellets for four minutes. After four minutes, the auger begins to run a feed cycle based on the "P" setting selected on the Digital Control Board. The default setting is P4.

"P" SET	AUGER CYCLE (seconds)	
	ON	OFF
P0	18	55
P1	18	70
P2	18	85
P3	18	100
<b>*P4</b>	<b>18</b>	<b>115</b>
P5	18	130
P6	18	140
P7	18	150

*\* factory default setting*

## AUGER PRIMING PROCEDURE

First time using your grill or whenever your grill runs out of pellets in the hopper, you will need to prime the auger. If not primed, the grill will timeout before the pellets are ignited, and no fire will start. Follow these steps to prime the auger:

1. Open the hopper lid. Make sure there are no foreign objects in the hopper or blocking the auger feed system.
2. Remove all cooking components from the interior of the grill. Locate the burn pot in the bottom of the pellet grill.
3. Plug the power cord into a power source.
4. Turn on the grill and turn the Temperature Control Dial to the Smoke (S) or Low (L) position.
  - Check to make sure you hear the auger turning. Place your hand above the burn pot and feel for air movement. **DO NOT** place your hands or fingers inside the burn pot, this can cause injury.
  - After approximately a minute, you should smell the igniter burning and begin to feel the air getting warmer above the burn pot. The igniter tip does not glow red but will get extremely hot and will burn. **DO NOT** touch the igniter.
5. Once verified that all electric components are working correctly, turn the grill off.
6. Fill the hopper with all natural hardwood barbecue pellets.
7. Turn the grill on. Keep the Temperature Control Dial in the Smoke (S) or Low (L) position.
8. Press and hold the Prime Button until you see pellets drop from the auger into the burn pot. Now you can release the Prime Button.
9. You now can turn your grill off. Please make sure you allow your grill to stay plugged in until it finishes the cool down cycle.

Once the fan turns off, the grill has completed the shutdown cycle, it is safe to unplug your grill.

10. Re-install the cooking components into the main barrel.
11. Your grill is now primed and ready to use! If this is the first time you are using your grill, you should perform a First Initial Grill Burn-off.

## FIRST USE – GRILL BURN-OFF

Once your auger has been primed and before cooking on your grill for the first time, it is important to complete a grill burn-off. Start the grill and operate at any temperature over 176°C / 350°F (with the lid down) for 30 to 40 minutes to burn-off the grill and rid it of any foreign matter.

## AUTOMATIC START-UP PROCEDURE

1. Plug the power cord into a grounded power source. Open the main barrel lid. Check the Burn Pot to ensure there is no obstruction for proper ignition. Open the hopper lid. Ensure there are no foreign objects in the hopper or auger feed system. Fill the hopper with dry, all natural barbecue hardwood pellets.
2. Ensure the **Temperature Control Dial** is in the SMOKE position. Press the **Power Button** to turn the unit on. This will activate the start-up cycle. The auger feed system will begin to turn, the igniter will start and the fan will supply air to the Burn Pot. The grill will begin to produce smoke while the start-up cycle is taking place. The barrel lid must remain open during the start-up cycle. To confirm the start-up cycle has begun properly, listen for a torchy roar, and notice some heat being produced.
3. Once the heavy, white smoke has dissipated, the start-up cycle is complete and you are ready to enjoy your grill at your desired temperature!

## IGNITER FAILURE PROCEDURE

**If for any reason your electric igniter fails or your grill's flame dies out during a cook, check the following steps, or start your grill using the manual method.**

1. Ensure the **Temperature Control Dial** is in the OFF position. Open the barrel lid. Remove the cooking components from inside. Remove all unburnt pellets and ash from the Burn Pot. Avoid touching the igniter to avoid injury, as it may be extremely hot.
2. Once all cooking components are removed and cleaned, Press the **Power Button** to turn the unit on and turn the Temperature Control Dial is in the SMOKE position. Check the following:
  - Visually confirm that the igniter is working by placing your hand above the Burn Pot and feeling for heat.
  - Visually confirm that the igniter is protruding approximately 13mm / 0.5 inches in the Burn Pot.
  - Visually confirm that the auger is dropping pellets into the Burn Pot.
  - Confirm that the combustion fan is working by listening for a torchy roar.
3. If any of the above points are not working, follow **Troubleshooting** instructions.

## MANUAL START-UP PROCEDURE

1. Ensure the **Temperature Control Dial** is in the **OFF** position. Plug the power cord into a grounded power source.
2. Check Burn Pot to ensure there is no obstruction for proper ignition. Open the hopper lid. Ensure there are no foreign objects in the hopper or auger feed system. Fill hopper with dry, all natural hardwood barbecue pellets.
3. Open the barrel lid. Remove the cooking components to expose the Burn Pot. Place a generous handful of pellets into the Burn Pot. Squirt a gelled fire starter, or other appropriate pellet starter, over the top of the pellets. A small amount of solid fuel fire starter, such as one composed of sawdust and wax, or wood shavings, is also appropriate. Add another small amount of pellets in the Burn Pot.

**NOTE: Do not use spirit, petrol, gasoline, lighter-fluid, or kerosene for lighting or refreshing a fire in your grill.**

4. Light the contents of the Burn Pot using a long match or long-nosed lighter. Allow the starter to burn for 3 to 5 minutes. Do not attempt to add more starter into the Burn Pot. This can cause injury.
5. Quickly and carefully replace the cooking components to the inside of the main barrel. Continue start-up at step two of **Automatic Start-Up Procedure**.

## SHUTTING OFF YOUR GRILL

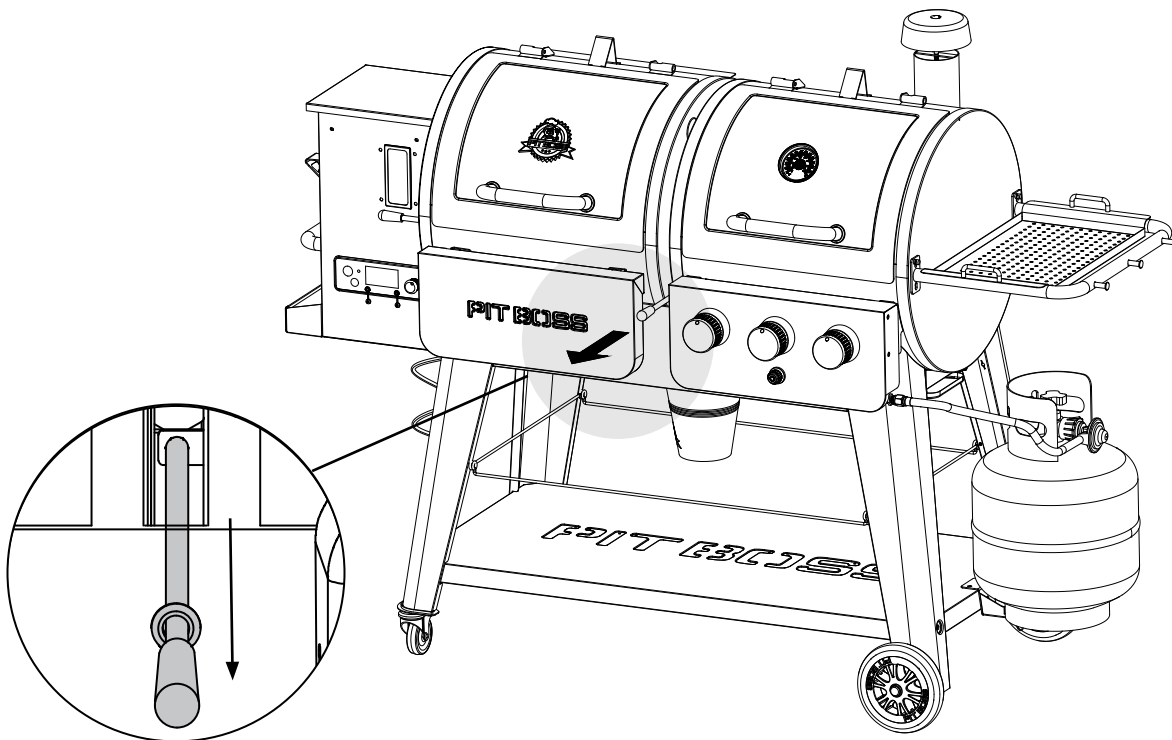
When finished cooking, with the main barrel lid remaining closed, press the **Power Button** to turn the unit off and turn the **Temperature Control Dial** to OFF. The grill will begin its automatic cool-down cycle. The auger system will stop feeding fuel, the flame will burn out, and the fan will continue to run until the cool-down cycle is complete.

**IMPORTANT!** Once the shut-down cycle is complete, unplug the power cord.

# SMOKE OPERATING INSTRUCTIONS

## USING SMOKE ADJUSTING BAR

To control the amount of smoke, as well as the overall cooking temperature, PULL open Smoke Adjusting Bar, located between the Pellet and Gas unit.



# PROPANE GAS OPERATING INSTRUCTIONS

## GRILL ENVIRONMENT

### 1. *WHERE TO SET-UP THE GRILL*

With all outdoor appliances, outside weather conditions play a big part in the performance of your grill and the cooking time needed to perfect your meals. All Pit Boss® Grills units should keep a minimum clearance of 914mm (36 inches) from combustible constructions, and this clearance must be maintained while the grill is operational. This appliance must not be placed under overhead combustible ceiling or overhang. Keep your grill in an area clear from combustible materials, or other flammable vapors and liquids.

### 2. *COLD WEATHER COOKING*

As it becomes cooler outside, that does not mean that grilling season is over! The crisp cool air and heavenly aroma of grilled foods will help cure your winter blues. Follow these suggestions on how to enjoy your grill throughout the cooler months:

- Organize – Get everything you require ready in the kitchen before you head outdoors. During the winter, move your grill to an area that is out of the wind and direct cold. Check local bylaws regarding the proximity of your grill in relation to your home and/or other structures. Put everything you need on a tray, bundle up tight, and get it done!
- To help keep track of the outside temperature, place an outdoor thermometer close to your cooking area. Keep a log or history of what you cooked, the outdoor temperature, and the cooking time. This will help later down the road to help you determine what to cook and how long it will take.
- Have a heated platter or a dish cover ready to keep your food warm while making the trip back inside.

### 3. *HOT WEATHER COOKING*

As it becomes warmer outdoors, the cooking time will decrease. Follow these few suggestions on how to enjoy your grill throughout the hot months:

- Adjust your cooking temperatures downward. This helps to avoid unwanted flare-ups.
- Use a meat thermometer to determine the internal temperature of your foods. This helps in preventing your meat from over cooking and drying out.
- You can keep foods hot by wrapping them in foil, and placing them in an insulated cooler. Stuff crumpled up newspaper around the foil and this will keep food hot for 3 to 4 hours.

## FIRST USE – GRILL BURN-OFF

Before using your grill for the first time with food, it is important to complete a burn-off. Start the grill and operate at a set temperature of at least (177°C / 350°F) for 30 minutes to burn-off the unit and rid it of any foreign matter.

## AUTOMATIC START-UP PROCEDURE

1. Verify that the regulator knob is turned to the OFF position.
2. Note the triangular indicator mark on the silver regulator housing. Push in the regulator knob and turn 270 degrees (or 3/4) counter-clockwise to HIGH.
3. Push the igniter button in repetitively until it catches flame. Listen for a “click” sound to indicate a spark from the igniter, and look for flame to ensure the burner is lit.
4. After the burner has caught fire, you are ready to enjoy your grill at your desired temperature!

**If the burner goes out during operation, turn the regulator knob to the OFF position. Open the grill lid and wait five minutes before attempting to relight to allow any accumulated gas to dissipate.**

## IGNITER FAILURE PROCEDURE

**If for any reason your igniter fails after three of four attempts, check the following steps, or start your grill using the manual method.**

1. Ensure the regulator knob is turned to the OFF position. Allow any accumulated gas to dissipate.

2. After five minutes, check the following:
  - Visually confirm that the igniter is working by pushing the igniter button and looking at the igniter tip for a spark. If no spark, adjust the distance between the igniter (electrode) tip and burner to 4.5 mm (3/16 in).
  - Visually confirm that the burner tube and air inlets are not obstructed. If blocked, follow **Care & Maintenance** instructions.
3. If the above points do not work, follow **Troubleshooting** instructions.

## MANUAL START-UP PROCEDURE

1. Verify that the regulator knob is turned to the OFF position. Open the lid of the grill to release any trapped gas.
2. Note the triangular indicator mark on the silver regulator housing. Push in the regulator knob and turn 270 degrees (or 3/4) counter-clockwise to HIGH.
3. Quickly and carefully, using a long match or long-nosed lighter, place a lit flame near the burner and watch the burner catch flame. Do not attempt to light another area of the burner. This can cause injury.

**NOTE: Do not use spirit, lighter-fluid, or kerosene for lighting or refreshing a fire in your grill.**

4. Continue start-up by following steps four and five of **Automatic Start-Up Procedure**.

## LIGHTING

**CAUTION: Keep outdoor gas cooking appliance area clear and free from combustible materials, gasoline and other flammable vapors and liquids.**

**CAUTION: Do NOT obstruct the flow of combustion and ventilation air.**

**CAUTION: Check and clean burner/venturi tubes for insects and insect nests. A clogged tube can lead to a fire.**

**CAUTION: Attempting to light the burner with lid closed may cause an explosion.**

1. Open Lid.
2. Check for obstructions of airflow to the burners. Spiders, insects and webs can clog the burner/venturi tube. A clogged burner tube can lead to a fire.
3. All control knobs must be in the OFF position.
4. Connect LP gas tank per "Installing LP Gas Tank" section.
5. Turn LP gas tank valve to OPEN.
6. Push and turn any control knob to HIGH. The burner should light. If it does not, repeat up to three times.
7. If ignition does not occur in 5 seconds, turn burner control knob OFF, wait 5 minutes, and repeat lighting procedure.
8. If igniter does not light burner, use a lit match secured with the lighting rod (included with the grill) to light burners. Access the burners through the cooking grate and heat plates. Position lit match near side of burner (Fig. 3).

**Important: Always use lighting rod (included) when lighting burners with a match.**

9. After lighting, observe the burner flame. Make sure all burner ports are lit and flame height matches illustration (Fig. 4).

**NOTE: Each burner lights independently - repeat step 5-9 for other burners.**

**CAUTION: If burner flame goes out during operation, immediately turn the control knobs to the OFF position, LP gas tank valved CLOSED, and open lid to let the gas clear for 5 minutes before re-lighting,**

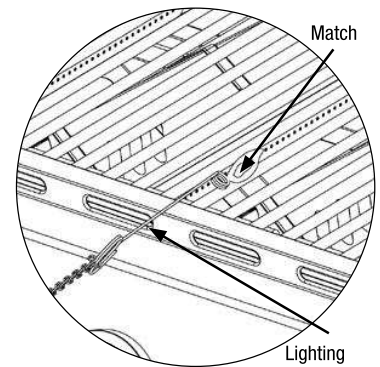


FIG. 3

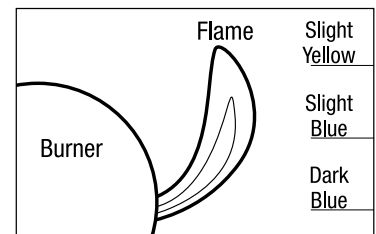


FIG. 4

## SHUTTING OFF YOUR GRILL

1. LP: Turn LP gas tank valve to CLOSED.
2. Turn all control knobs clockwise to the OFF position.  
**NOTE: A "poof" sound is normal as the last of the LP gas is burned.**
3. Disconnect LP gas tank per *Disconnect LP Gas Tank* section.

**WARNING: Allow the grill to cool completely, and remove the gas cylinder, before moving, travel, or for storage.**

## CONTROLLING FLARE-UPS

**CAUTION: Putting out grease fires by only closing the lid is not possible.**

1. If a grease fire develops, turn control knobs to the OFF position, LP gas tank valve CLOSED. Do NOT use water on a grease fire. This can cause grease to splatter and could result in serious burns, bodily harm or other damage.
2. Do NOT leave grill unattended while preheating or burning off food residue on HIGH. If grill has not been cleaned, a grease fire can occur.

**WARNING: When cooking, fire extinguishing materials should be readily accessible. In the event of an oil/grease fire, use type BC dry chemical fire extinguisher or smother with dirt, sand or baking soda. Do NOT attempt to extinguish with water.**

Flare-ups are a part of cooking meats on a grill and add to the unique flavor of grilling.

**Excessive flare-ups can over-cook your food and be dangerous.**

Important: Excessive flare-ups result from build-up of grease in the bottom of your grill.

If a grease fire occurs, close the lid AND turn control knob(s) to OFF until grease burns out. Be careful when opening the lid as a sudden flare-up may occur.

If excessive flare-ups occur, do NOT pour water onto the flames.

## MINIMIZE FLARE-UPS

1. Trim excess fat from meats prior to cooking.
2. Cook high fat content meats on LOW setting or indirectly.
3. Ensure that your grill is on a hard, level, non-combustible surface and the grease is allowed to drain into the grease receptacle.

# CARE AND MAINTENANCE

Any Pit Boss® unit will give you many years of flavorful service with minimum cleaning. Follow these cleaning and maintenance tips to service your grill:

## CHECKING THE GAS LEVEL

To check the amount of fuel in the LP gas cylinder, the grill must be in operation. Place your hand at the top of the tank and slowly move down the side until the tank feels cool to the touch. This will indicate the approximate amount of gas in your tank; if  $\frac{3}{4}$  empty, replace with full tank.

**IMPORTANT: Do not use charcoal briquettes or any flammable material with your grill. Use of such material will void your warranty and may lead to a fire, explosion, and bodily harm.**

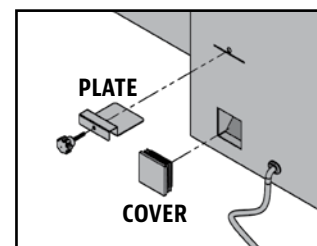
### 1. BURNER COMPONENTS

- Clean the burner whenever heavy build-up is found, to ensure that there are no signs of blockage (debris, insects) on the burner tube or in the burner air inlets. After periods of storage, spiders or small insects can build nests, webs, and lay eggs in the burner tube, obstructing the flow of gas to the burner. If storing the grill or before an extended period of non-use, remove the burner and wrap with aluminum foil to reduce the risk of insects entering the burner holes.
- The burner has been preset for optimal flame performance. A blue flame, possibly with a small yellow tip, is the result of the optimal air and gas mixture. If flames are excessively yellow, orange or irregular, clean the oil and food deposits on the burner surface and the burner air inlets to increase airflow.

### 2. HOPPER ASSEMBLY

- The hopper includes a clean-out feature to allow for ease of cleaning and change out of pellet fuel flavors. To empty, locate the plate and the cover of the drop chute on the back side of the hopper. Place a clean, empty pail under the drop chute cover, then remove the cover piece. Unscrew the plate, slide outwards, and pellets will empty.

**NOTE: Use a long handled brush or wet/dry vacuum to remove excess pellets, sawdust, and debris for a complete clean-out through the hopper screen.**



- Running all pellets out of your auger system is recommended if your grill will be unused for an extended period of time. This can be done by simply running your grill, on an empty hopper, until all pellets have emptied from the auger tube.
- Check and clean off any debris from the fan air intake vent, found on the bottom of the hopper. Once the access panel is removed (see *Electric Wire Diagram* for diagram), carefully wipe off any grease build-up directly on the fan blades. This ensures airflow is sufficient to the feed system.

### 3. PROBES

- Kinks or folds in the probe wires may cause damage to the part. Wires should be rolled up in a large, loose coil.
- Although the probes are stainless steel, do not place in the dishwasher or submerge in water. Water damage to the internal wires will cause the probe to short-out, causing false readings. If a probe is damaged, it should be replaced.

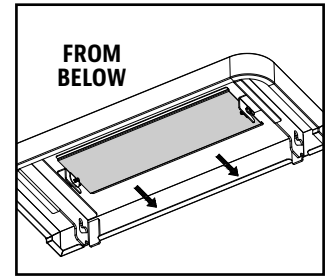
### 4. INSIDE SURFACES

- It is recommended to clean your Burn Pot after every few uses. This will ensure proper ignition and avoid any hard build-up of debris or ash in the Burn Pot.
- Use a long-handled grill cleaning brush (brass or soft metal), remove any food or build-up from the cooking grate. Best practice is to do this while they are still warm from a previous cook. Grease fires are caused by too much fallen debris on the cooking components of the grill. Clean the inside of your grill on a consistent basis. In the event you experience a grease fire, keep the grill lid closed to choke out the fire. If the fire does not go out quickly, carefully remove the food, turn the grill off, and shut the lid until the fire is completely out. Lightly sprinkle baking soda, if available.
- Check your grease bucket often, and clean out as necessary. Keep in mind the type of cooking you do.

**IMPORTANT: Due to high heat, do not cover the flame broiler or probes with aluminum foil.**

### 5. OUTSIDE SURFACES

- The front shelf includes a removable panel underneath for ease of cleaning. From below, push the backing plate towards the main barrel to remove. Clean, then replace by sliding back into place.
- Wipe your grill down after each use. Use warm soapy water to cut the grease. Do not use oven cleaner, abrasive cleansers or abrasive cleaning pads on the outside grill surfaces. **All painted surfaces are not covered under warranty, but rather are part of general maintenance and upkeep.** For paint scratches, wearing, or flaking of the finish, all painted surfaces can be touched up using high heat BBQ paint.
- Use a grill cover to protect your grill for complete protection! A cover is your best protection against weather and outside pollutants. When not in use or for longterm storage, keep the unit under a cover in a garage or shed.



### CLEANING FREQUENCY TIME TABLE (NORMAL USE)

ITEM	CLEANING FREQUENCY	CLEANING METHOD
Bottom of grill	Every 2-3 grill sessions	Scoop out, Wet/dry vacuum excess debris
Burner tube, air inlets	Every 5-6 grill sessions	Dust, scrub pad & soapy water
Burners	Every 5-6 grill sessions	Scrub pad & soapy water
Stainless steel surfaces	Twice per year	Stainless steel cleaner
Bottom of Main Grill	Every 5-6 Grill Sessions	Scoop Out, Wet/dry vacuum Excess Debris
Burn Pot	Every 2-3 Grill Sessions	Scoop Out, Wet/dry vacuum Excess Debris
Cooking Grate	After Each Grill Session	Burn Off Excess, Brass Wire Brush
Flame Broiler™	Every 5-6 Grill Sessions	Scrape Main Plate with Slider, <b>Do Not Wash Clean</b>
Front Shelf	After Each Grill Session	Scrub Pad & Soapy Water
Grease Bucket	After Each Grill Session	Scrub Pad & Soapy Water
Auger Feed System	When Pellet Bag is Empty	Allow Auger to Push Out Sawdust, Leaving Hopper Empty
Hopper Electric Components	Once A Year	Dust Out Interior, Wipe Fan Blades with Soapy Water
Air Intake Vent	Every 5-6 Grill Sessions	Dust, Scrub Pad & Soapy Water
Grill Probe	Every 2-3 Grill Sessions	Scrub Pad & Soapy Water

## USING WOOD PELLET FUEL

Clean-burning barbecue hardwood pellets generate about 8200 BTU's per pound with very little ash, a low moisture content (5-7%), and are carbon neutral. Barbecue hardwood pellets are produced by pure raw material (sawdust) being pulverized with a hammer-mill, and the material is pushed through a die with pressure. As the pellet is forced through the die, it is cut, cooled, screened, vacuumed, and then bagged for consumer use. Check with your local dealer for flavors available in your area.


**HICKORY BLEND**   
 Rich, smoky bacon-like flavor. Considered the "Kings of the Woods".


**MESQUITE BLEND**   
 Strong, tangy, spicy flavor. Think Tex-Mex cuisine.

**APPLE BLEND**   
 Smoky, mild sweetness flavor. Highly recommended for baking.

**MAPLE BLEND**   
 Sweet and savory flavor.

**CHERRY BLEND**   
 Slightly sweet, but also tart. Gives a rosy tint to light meals.

**WHISKEY BARREL BLEND**   
 Strong, sweet smoke with aromatic tang. Perfect for red meats.

**COMPETITION BLEND**   
 Perfect blend of sweet, savory, and tart. Used by many professional grillers.

**PECAN BLEND**   
 Bold, buttery, and smooth flavor.

**ALDER BLEND**  Sweet and earthy flavor. Alder, Maple, and Pine Blend.

**FRUITWOOD BLEND**  Cherry, Apple, and Maple Blend.

**OAK BLEND**  Rich and smoky flavor.

**CLASSIC BLEND**  Pecan, Hickory, and Mesquite Blend.

**NOTE:** Always store hardwood pellets in a dry area. Any contact or exposure to moisture will result in lower heat output or cause the pellets to swell and break apart. Use a moisture proof, resealable tub or bucket for proper storage.

## COOKING GUIDELINES

Smoking and grilling styles of cooking can give you different results based on time and temperature. For best results, keep a record of what you cooked, at what temperature, how long you cooked for, and the results. Adjust to your taste for the next time. Practice makes perfect. The culinary art of hot smoking refers to longer cooking times, but results in more natural wood flavor (and a sought-after *smoke ring*) on your meats. Higher cooking temperatures result in a shorter cooking time, locking in less smoke flavor.

**TIP:** For best results, allow time for meats to rest after cooking. This allows the natural juices to migrate back into the meat fiber, giving a much juicier, flavorful cut. Resting times can be as little as 3 minutes and up to 60 minutes, depending on the size of the protein.

STYLE OF COOKING	HOT SMOKING (Very Low)	ROAST (Low)	BAKING (Medium)	GRILL/BAKE (Medium/High)	SEAR (High)
Temp Range	82-125°C / 180-257°F	126-161°C / 258-322°F	162-190°C / 323-374°F	190-232°C / 374-449°F	232-260°C / 449-500°F

POULTRY	Size	Rare - 54°C / 130°F	Medium - 60°C / 140°F	Well Done - 77°C / 170°F
Turkey ( <i>whole</i> )	4.5-5.0 kg / 10-11 lbs. 5.3-6.4 kg / 12-14 lbs. 6.8-7.7 kg / 15-17 lbs. 8.2-10.0 kg / 18-22 lbs. 10.4-11.3 kg / 23-25 lbs.			Grill 90 - 120 minutes Grill 110 - 140 minutes Grill 130 - 160 minutes Grill 140 - 170 minutes Grill 150 - 180 minutes
Chicken ( <i>whole</i> )	1.36-2.26 kg / 3-5 lbs.			Grill 1 - 1.5 hours
Drumsticks, Breasts	0.45 - 0.86 kg / 1 - 1½ lbs.			Grill 30-60 minutes
Small Game Birds	0.45 - 0.86 kg / 1 - 1½ lbs.			Grill 30-45 minutes
Duck	1.36-2.26 kg / 3-5 lbs.			Roast or grill 2 - 2.5 hours

PORK	SIZE	Precooked to Reheat 60°C / 140°F	Medium 66°C / 150°F	Well Done 71°C / 160°F
Ham (Fully Cooked & Boneless Portion, Smoked Picnic Whole & Bone-In)	2.5 cm / 1" 1.36-1.81 kg / 3-4 lbs. 1.81-2.72 kg / 4-6 lbs. 2.26-3.62 kg / 5-8 lbs. 4.53-5.44 kg / 10-12 lbs.	12 minutes 50 minutes - 1 hour 1 - 2 hours 1 - 2½ hours 2 - 2¾ hours		
Loin Roast	1.36-1.81 kg / 3 - 4 lbs.		1 - 2 hours	2 - 3 hours
Rib Crown Roast	1.81-2.26 kg / 4 - 5 lbs.		1½ - 2 hours	2 - 3 hours
Chop (loin, rib)	1.9-2.5 cm / ¾" - 1" 3.1-3.9 cm / 1¼" - 1½"		10 - 12 minutes 14 - 18 minutes	
Tenderloin	1.9-2.5 cm / ¾" - 1"		20 - 30 minutes	30 - 45 minutes
Loin Roast ( <i>boneless</i> )	1.36-2.26 kg / 3-5 lbs.		1¼ - 1¾ hours	1¾ - 2½ hours
Boston Butt (Pork Shoulder)	3.62-4.53 kg / 8-10 lbs.			90 - 98°C / 195 - 210°F Internal Temperature

<b>BEEF</b>	<b>SIZE</b>	<b>HEAT</b>	<b>Rare - 54°C / 130°F</b>	<b>Medium - 60°C / 140°F</b>	<b>Well Done - 65°C / 150°F</b>
<b>Steak (New York, Porter-house, Rib-eye, Sirloin, T-bone, or Tenderloin)</b>	1.9 cm / ¾" 2.5 cm / 1" 3.8 cm / 1½" 5 cm / 2"	High	Sear 8-10 minutes Sear 10-12 minutes Sear 10 minutes, grill 8-10 minutes Sear 10 minutes, grill 10-14 minutes		
<b>Skirt Steak</b>	0.6 - 12.7 cm / ¼" - ½"	High	Sear 5-7 minutes		
<b>Flank Steak</b>	0.45 - 0.86 kg / 1 - 1½ lbs., 1.9 cm / ¾"	Medium	Sear 4 minutes, grill 8-10 minutes		
<b>Kabob</b>	2.5 - 3.8 cm / 1-1½" cubes	Medium	Grill 10 - 12 minutes		
<b>Tenderloin, whole</b>	1.58 - 1.81 kg / 3½ - 4 lbs.	High/Medium	Sear 10 minutes, grill 15-20 minutes		
<b>Ground Beef Patty</b>	1.9 cm / ¾"	High/Medium	Sear 4 minutes, grill 4-6 minutes		
<b>Rib-eye Roast (boneless)</b>	2.26 - 2.72 kg / 5 - 6 lbs.	Medium	Grill 1½ - 2 hours		
<b>Tri-tip Roast</b>	0.9 - 1.13 kg / 2 - 2½ lbs.	High/Medium	Sear 10 minutes, grill 20-30 minutes		
<b>Rib Roast</b>	5.44 - 6.35 kg / 12 - 14 lbs.	Medium	2½ - 2¾ hours		
<b>Veal Loin Chop</b>	2.5cm / 1"	Medium	10 - 12 minutes direct		
<b>Brisket</b>	7.25 - 3.62 kg / 16 -18 lbs.	Hot Smoke	Cook until internal temperature reaches 90°C / 195°F		

<b>LAMB</b>	<b>Size</b>	<b>Rare - 54°C / 130°F</b>	<b>Medium - 60°C / 140°F</b>	<b>Well Done - 71°C / 160°F</b>
<b>Roast (fresh)</b>	2.26 - 2.72 kg / 5 - 6 lbs.		1 - 2 hours	
<b>Rib Crown Roast</b>	1.36-2.26 kg / 3-5 lbs.		1 - 1½ hours	1½ hours

<b>SEAFOOD</b>	<b>Size</b>	<b>Rare - 54°C / 130°F</b>	<b>Medium - 60°C / 140°F</b>	<b>Well Done - 82°C / 180°F</b>
<b>Fish (whole)</b>	0.5 kg / 1 lb. 0.9 - 1.1 kg / 2 - 2½ lbs. 1.4 kg / 3 lbs.			Grill 10 - 20 minutes Grill 20 - 30 minutes Grill 30 - 45 minutes
<b>Fish (fillets)</b>	0.6-1.3 cm / ¼" - ½"			Grill 3 - 5 minutes, until flaky
<b>Lobster Tail</b>	0.15 kg / 5 oz. 0.3 kg / 10 oz.			Grill 5 - 6 minutes Grill 10 - 12 minutes

<b>WILD GAME</b>	<b>Size</b>	<b>Rare - 60°C / 140°F</b>	<b>Medium - 71°C / 160°F</b>	<b>Well Done - 77°C / 170°F</b>
<b>Roast (fresh)</b>	2.26 - 2.72 kg / 5 - 6 lbs.		1 - 1½ hours	1½ - 2 hours
<b>Large Cuts (fresh)</b>	3.62-4.53 kg / 8-10 lbs.		1 hours	1½ hours

Discover delicious recipes for your winning dishes, visit [www.pitboss-grills.com](http://www.pitboss-grills.com).

## TIPS & TECHNIQUES

Follow these helpful tips and techniques, passed on from Pit Boss® owners, our staff, and customers just like you, to become more familiar with your grill:

### 1. *FOOD SAFETY*

- Keep everything in the kitchen and cooking area clean. Use different platters and utensils for the cooked meat than the ones you used to prepare or transport the raw meat out to the grill. This will prevent cross contamination of bacteria. Each marinade or basting sauce should have its own utensil.
- Keep hot foods hot (above 60°C / 140°F), and keep cold foods cold (below 3°C / 37°F).
- A marinade should never be saved to use at a later time. If you are going to use it to serve with your meat, be sure to bring it to a boil before serving.
- Cooked foods should not be left out in the heat for more than an hour. Do not leave hot foods out of refrigeration for more than two hours.
- Defrost and marinade meats by refrigeration. Do not thaw meat at room temperature or on a counter top. Bacteria can grow and multiply rapidly in warm, moist foods. Wash hands thoroughly with hot, soapy water before starting any meal preparation and after handling fresh meat, fish and poultry.

### 2. *COOKING PREPARATION*

- Be prepared, or **Mise en Place**. This refers to preparing the cooking recipe, fuel, accessories, utensils, and all ingredients you require at grill side before you start cooking. Also, read the entire recipe, start to finish, before lighting the grill.
- A BBQ floor mat is very useful. Due to food handling accidents and cooking spatter, a BBQ floor mat would protect a deck, patio, or stone platform from the possibility of grease stains or accidental spills.

### 3. *GRILLING TIPS AND TECHNIQUES*

- To infuse more smoke flavor into your meats, cook longer and at lower temperatures (also known as **low and slow**). Meat will close its fibers after it reaches an internal temperature of 49°C / 120°F. Misting, or mopping, are great ways to keep meat from drying out.
- While searing your meats, cook with the lid down. Always use a meat thermometer to determine the internal temperature of the foods you are cooking. Smoking foods with hardwood pellets will turn meats and poultry pink. The band of pink (after cooking) is referred to as a **smoke ring** and is highly prized by outdoor chefs.
- Sugar-based sauces are best applied near the end of cooking to prevent burning and flare-ups.
- Leave open space between the foods and the extremities of the barrel for proper heat flow. Food on a crowded grill will require more cooking time.
- Use a set of long-handled tongs for turning meats, and a spatula for turning burgers and fish. Using a piercing utensil, such as a fork, will prick the meat and allow the juices to escape.
- Foods in deep casserole dishes will require more time to cook than a shallow baking pan.
- It's a good idea to put cooked food onto a heated platter, keeping the food warm. Red meats, such as steak and roasts, benefit from resting for several minutes before serving. It allows the juices that were driven to the surface by heat to ease back to the center of the meat, adding more flavor.

Accessories are available for purchase separately. Contact your local authorized Pit Boss® dealer or visit [www.pitboss-grills.com](http://www.pitboss-grills.com).

# TROUBLESHOOTING

Proper cleaning, maintenance, and the use of clean, dry, quality fuel will prevent common operational problems. When your Pit Boss® grill is operating poorly, or on a less frequent basis, the following troubleshooting tips may be helpful.

For FAQ, please visit [www.pitboss-grills.com](http://www.pitboss-grills.com). You may also contact your local Pit Boss® authorized dealer or contact Customer Care for assistance.

**WARNING: Always disconnect the electrical cord prior to opening the grill for any inspection, cleaning, maintenance, or service work. Ensure the grill is completely cooled to avoid injury.**

## WOOD PELLET GRILL

PROBLEM	CAUSE	SOLUTION
No Power Lights On The Control Board	Temperature Control Dial is still off.	Press the Power Button, and ensure the button glows blue to show there is a power connection. Turn the Temperature Control Dial to a temperature setting.
	Not Connected To Power Source	Ensure unit is plugged into a working power source. Reset breaker. Ensure GFCI is a minimum 10 Amp service (see <b>Electric Wire Diagram</b> for access to electric components) Ensure all wire connections are firmly connected and dry.
	Fuse Blown On The Control Board	Remove access panel (see <b>Electric Wire Diagram</b> for diagram), press in plastic tabs holding the control board in place and carefully pull controller inside the hopper to release controller. Check the fuse for a broken wire or if the wire has turned black. If yes, fuse needs to be manually replaced.
	The GFCI outlet has been tripped.	Remove access panel (see <b>Electric Wire Diagram</b> for diagram), and ensure all wire connections are firmly connected and dry. Ensure GFCI is a minimum 10 Amp service.
	Faulty Control Board	Control Board needs to be replaced. Contact Customer Care for a replacement part.
Fire in Burn Pot Will Not Light	Auger Not Primed	Before the unit is used for the first time or anytime the hopper is completely emptied out, the auger must be primed to allow pellets to fill the auger tube. If not primed, the igniter will timeout before the pellets reach the Burn Pot. Follow <b>Auger Priming Procedure</b> .
	Auger Motor Is Jammed	Remove cooking components from the main barrel. Press the Power Button to turn the unit on, turn Temperature Control Dial to SMOKE, and inspect the auger feed system. Visually confirm that the auger is dropping pellets into the Burn Pot. If not operating properly, call Customer Care for assistance or a replacement part.
	Igniter Failure	Remove cooking components from the main barrel. Press the Power Button to turn the unit on, turn Temperature Control Dial to SMOKE, and inspect the igniter. Visually confirm that the igniter is working by placing your hand above the Burn Pot and feeling for heat. Visually confirm that the igniter is protruding approximately 13mm / 0.5 inches in the Burn Pot. If not operating properly, follow <b>Manual Start-up Procedure</b> to continue use of grill; however, call Customer Care for assistance or a replacement part.
Flashing Dots On LCD Screen	The Igniter Is On	This is not an error that effects the grill. Used to show that the unit has power and is in Start-Up mode (igniter is on). The igniter will turn off after five minutes. Once the flashing dots disappear, the grill will begin to adjust to the desired temperature selected.
Flashing Temperature On LCD Screen	Grill Temperature Is Below 65°C /150°F	This is not an error that effects the unit; however, it is used to show that there is some risk that the fire could go out. Check hopper for sufficient fuel or if there is an obstruction in the feed system. Remove pellets and follow <b>Care and Maintenance</b> instructions. Check grill Grill Probe and follow <b>Care and Maintenance</b> instructions if dirty. Check Burn Pot for ash build-up or obstructions, and follow <b>Care and Maintenance</b> instructions for ash build-up. Check fan. Ensure it is working properly and air intake is not blocked. Follow <b>Care and Maintenance</b> instructions if dirty. Check auger motor to confirm operation (rotation), and ensure there is no blockage in the auger tube.

"ErH" Error Code	The Unit Has Overheated, Possibly Due To Grease Fire Or Excess Fuel.	Press the Power Button to turn the unit off, and allow grill to cool. Follow <b>Care and Maintenance</b> instructions. After maintenance, remove pellets, and confirm positioning of all component parts. Once cooled, press the Power Button to turn the unit on, then select desired temperature. If error code still displayed, contact Customer Care.
"Erl" Error Code	Grill fails to perform start-up cycle	Check proper positioning of cooking components. Check hopper for sufficient fuel or if there is an obstruction in the feed system. Remove pellets and follow care and maintenance instructions. Check grill probe. Confirm if actual temperature is correct and accurate. Follow care and maintenance instructions if dirty. Check igniter positioning and that it is heating up properly. In extreme cold, the grill may require a second start. Turn grill off, wait, then turn on again. Check fan. Ensure it is working properly. Follow care and maintenance instructions if dirty.
	Grill will not stay lit	
"Err" Error Code	Grill Probe wire not making connection.	Remove access panel (see <b>Electric Wire Diagram</b> for diagram), and check for any damage to the Grill Probe wires. Ensure Grill Probe connectors are firmly connected, and connected correctly, to the Control Board.
"noP" Error Code	Bad Connection At Connection Port	Disconnect meat probe from connection port on the Control Board, and reconnect. Ensure the meat probe adapter is firmly connected. Check for signs of damage to the adapter end. If still failed, call Customer Care for replacement part.
	Meat Probe Damaged	Check for signs of damage to the wires of the meat probe. If damaged, call Customer Care for replacement part.
	Faulty Control Board	Control Board needs to be replaced. Contact Customer Care for a replacement part.
Grill Temperature on SMOKE is too high	"P" Setting is too LOW	Push the "P" SET button, and increase the "P" setting.
Grill Will Not Achieve Or Maintain Stable Temperature	Insufficient Air Flow Through Burn Pot	Check Burn Pot for ash build-up or obstructions. Follow <b>Care and Maintenance</b> instructions for ash build-up. Check fan. Ensure it is working properly and air intake is not blocked. Follow <b>Care and Maintenance</b> instructions if dirty. Check auger motor to confirm operation, and ensure there is no blockage in the auger tube. Once all the above steps have been done, start the grill, set temperature to SMOKE and wait for 10 minutes. Check that the flame produced is bright and vibrant.
	Lack Of Fuel, Poor Fuel Quality, Obstruction In Feed System	Check hopper to check that fuel level is sufficient, and replenish if low. Should the quality of hardwood pellets be poor, or the length of the pellets too long, this may cause an obstruction in the feed system. Remove pellets and follow <b>Care and Maintenance</b> instructions.
	Grill Probe	Check status of Grill Probe. Follow <b>Care and Maintenance</b> instructions if dirty. Contact Customer Care for a replacement part if damaged.
Grill Produces Excess Or Discolored Smoke	Grease Build-Up	Follow <b>Care and Maintenance</b> instructions.
	Wood Pellet Quality	Remove moist hardwood pellets from hopper. Follow <b>Care and Maintenance</b> instructions to clean out. Replace with dry hardwood pellets.
	Burn Pot Is Blocked	Clear Burn Pot for moist hardwood pellets. Follow <b>Auger Priming Procedure</b> .
	Insufficient Air Intake For Fan	Check fan. Ensure it is working properly and air intake is not blocked. Follow <b>Care and Maintenance</b> instructions if dirty.
Frequent Flare-Ups	Cooking Temperature	Attempt cooking at a lower temperature. Grease does have a flash point. Keep the temperature under 176°C / 350°F when cooking highly greasy food.
	Grease Build-Up On Cooking Components	Follow <b>Care and Maintenance</b> instructions.

**PROPANE GAS GRILL**

<b>Problem</b>	<b>Cause</b>	<b>SOLUTION</b>
Grill will not light	The ignition wire came off the electrical igniter/valve.	Reconnect the ignition wire to the electrical igniter/valve.
	The ignition wire is broken	Contact Customer Care for assistance or a replacement part.
	The battery has died	Install a new battery.
	New battery doesn't work	Check the battery polarity. The negative (-) side of the battery goes in first.
	The electrode tip does not produce sparks at the burner port	Adjust the electrode.
	No gas supplied	Check the regulator valve. Check connection for leak.
Excessive flare-up	Grilling fatty meats	Grill fatty meats when the grate are cold, and the knobs are on the "LOW" setting. Move the meats to the warming grate if flare-up continues.
	Cooking temperature	Attempt cooking at a lower temperature. Grease does have a flash point. Keep the temperature under 176°C / 350°F when cooking highly greasy food.
	Water sprayed on gas flames	Do not spray water on gas flames.
Burner blows out	Gas tank is empty	Refill the gas tank.
	Burner is not aligned with the control valve	Install the burner correctly.
	Gas supply is not sufficient	Check the gas supply hose and make sure there are no leaks and no knots.
Low heat when on "HIGH"	Ports are blocked	Clear ports of any obstructions.
	Gas tank has run out	Refill the gas tank.

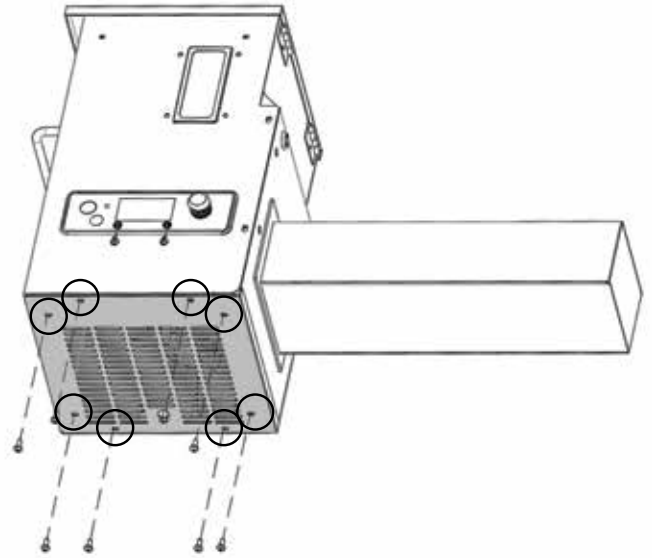
# ELECTRICAL WIRE DIAGRAM

The Digital Control Board system is an intricate and valuable piece of technology. For protection from power surges and electrical shorts, consult the wire diagram below to ensure your power source is sufficient for the operation of the unit.

## PB – ELECTRIC REQUIREMENTS 110-120V, 60HZ, 250W, 3-PRONG GROUNDED PLUG

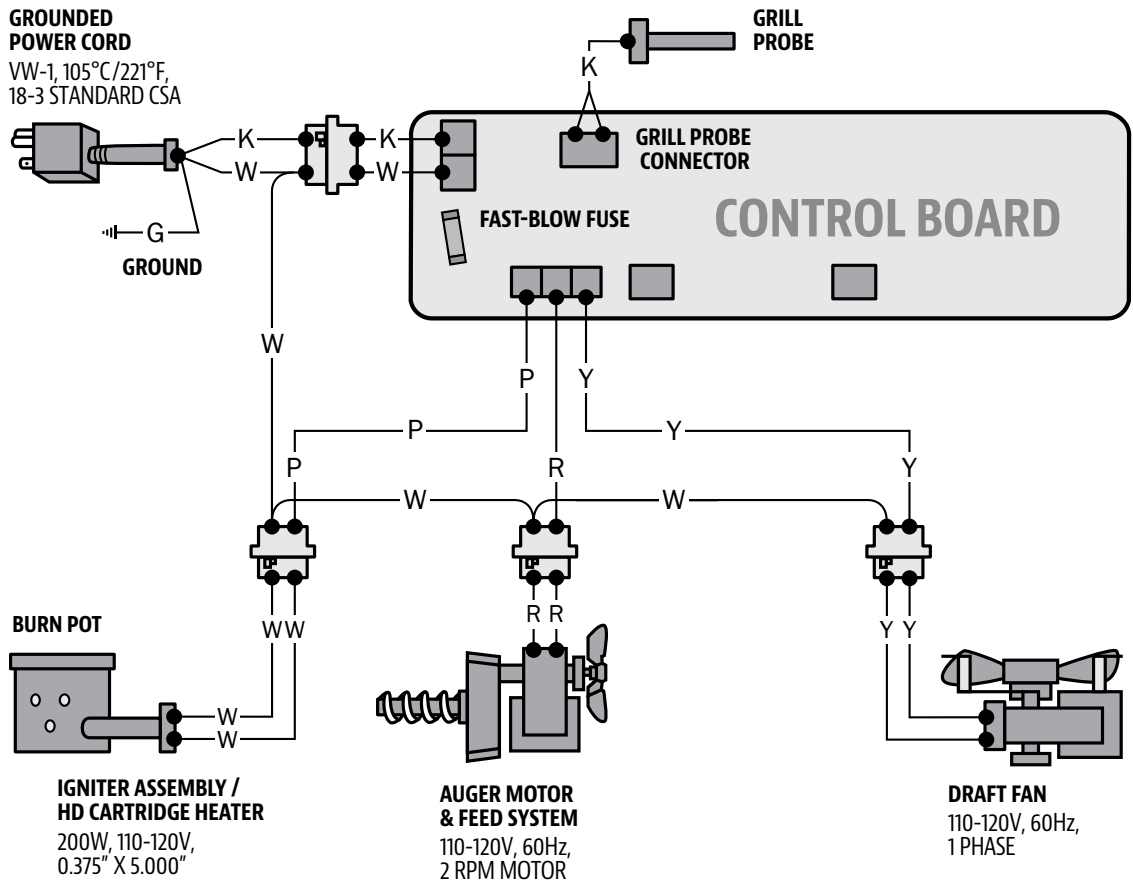
NOTE: Electrical components, passed by product safety testing and certification services, comply with a testing tolerance of  $\pm 5-10$  percent.

LOCATE AND REMOVE THE EIGHT SCREWS OF ACCESS PANEL ON UNDERSIDE OF UNIT



ENGLISH

**FUEL INPUT RATING:**  
2.0 KG/H  
(4.4 LB/H)



### INDEX

W : WHITE  
Y : YELLOW  
P : PURPLE  
R : RED  
K : BLACK  
G : GREEN

# GRILL REPLACEMENT PARTS

Part#	Description
1-A	Porcelain-Coated Steel Upper Cooking Grate (x2)
2-A	Porcelain-Coated Cast-Iron Cooking Grate (x4)
3-A	Lid Stopper (x2)
4-A	Smoke Adjusting Bar Handle (x1)
5-A	Smoke Adjusting Bar (x1)
6-A	Flame Broiler™ Slider (x1)
7-A	Flame Broiler™ Main Plate (x1)
8-A	Hopper Handle (x1)
9-A	Bottle Opener (x1)
10-A	Hopper Assembly (x1)
11-A	Main Barrel (x1)
12-A	Spice Box (x1)
13-A	Nameplate (x1)
14-A	Thermometer (x1)
15-A	Lid Handle Bezel (x4)
16-A	Lid Handle (x2)
17-A	Front Shelf Bracket / Left (x1)
18-A	Front Shelf Bracket / Right (x1)
19-A	Front Shelf (x1)
20-A	Grease Tray (x1)
21-A	Grease Bucket (x1)
22-A	Support Leg for Caster / Front (x1)
23-A	Support Leg for Caster / Back (x1)
24-A	Support Leg / Front (x1)
25-A	Support Leg / Back (x1)
26-A	Cart Bar A (x2)
27-A	Cart Bar B (x2)
28-A	Locking Casters (x2)
29-A	Wheel (x2)
30-A	Cart Bottom Shelf (x1)
31-A	LP Gas Cylinder Support Bracket (x1)
32-A	LP Gas Cylinder Wire Retainer (x1)

Part#	Description
33-A	Cart Front / Back Panel (x2)
34-A	Side Shelf Handle (x1)
35-A	Serving Tray (x1)
36-A	Serving Tray Handle (x2)
37-A	Chimney Stack (x1)
38-A	Chimney Cap (x1)
39-A	Heat Tent (x3)
40-A	Meat Probe (x2)
41-A	Screw (x34)
42-A	Washer (x38)
43-A	Locking Washer (x38)
44-A	Nut (x3)
45-A	Wheel Cotter Pin (x2)
46-A	Wheel Washer (x2)
47-A	Wheel Axle Pin (x2)
48-A	Screw (x8)
49-A	Screw (x4)
50-A	AA Battery (x1)

NOTE: Due to ongoing product development, parts are subject to change without notice.

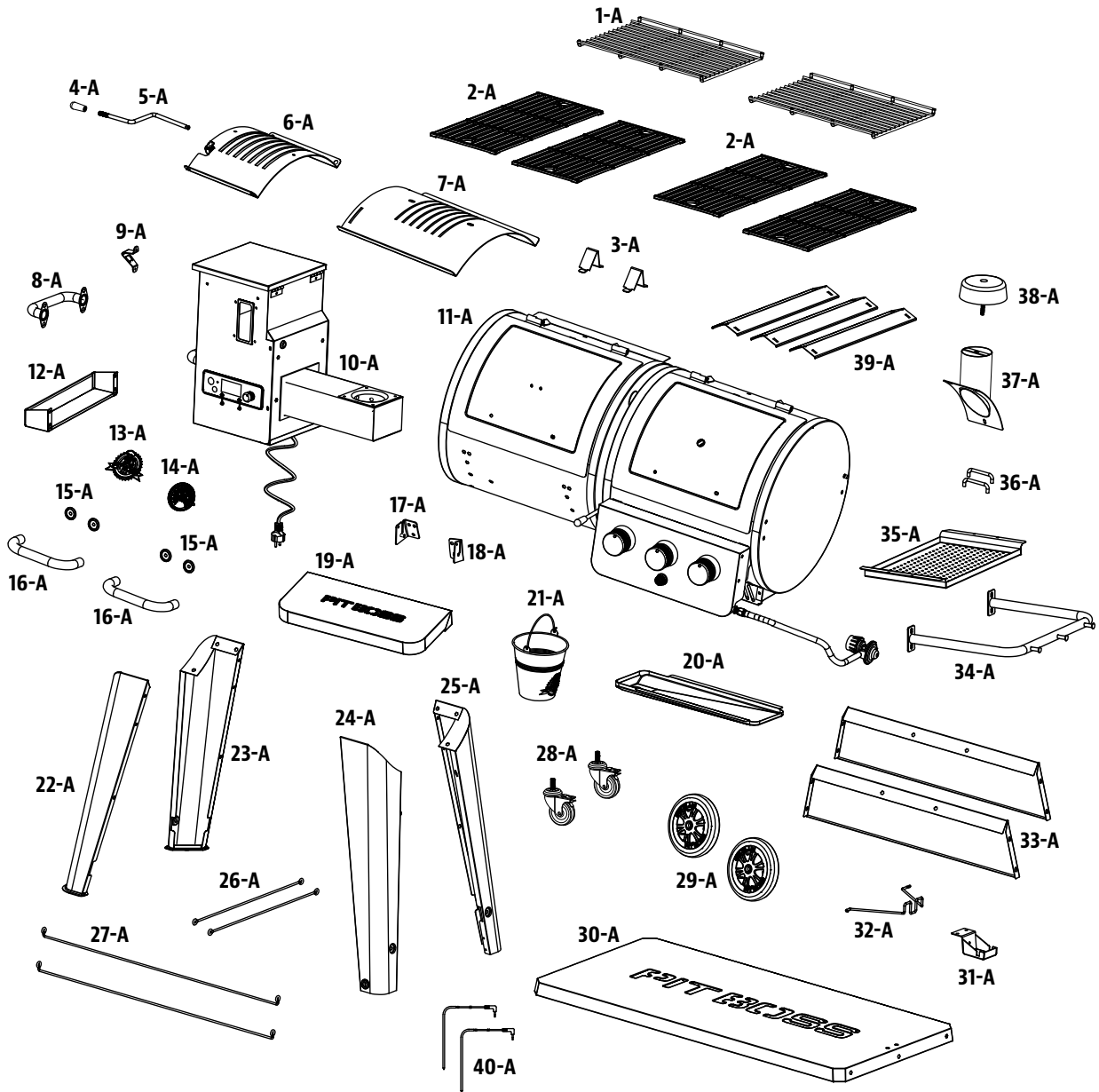
Diagram Illustration on next page.

MODEL	UNIT ASSEMBLED (WxHxD)	UNIT WEIGHT	COOKING AREA		BTU	DIGITAL FEATURES
PB PB1230SP	1,766mm x 1,274mm x 805mm / 69.5" x 50.1" x 31.7"	92.7 kg / 204.37 lb	Main Pellet - 2,580.6 cm <sup>2</sup> / 400 sq. in.	Main Gas - 2,580.6 cm <sup>2</sup> / 400 sq. in.	30,000	Ten temperature presets, start-up cycle, electric igniter
			Upper Grate - 1,489 cm <sup>2</sup> / 230.8 sq. in.	Upper Grate - 1,489 cm <sup>2</sup> / 230.8 sq. in.		
			<b>TOTAL - 4,069.6 cm<sup>2</sup> / 630.8 sq. in.</b>			
			<b>TOTAL GRILL - 8,139.2 cm<sup>2</sup> / 1,261.6 sq. in.</b>			

ENGLISH

# GRILL REPLACEMENT PARTS

ENGLISH



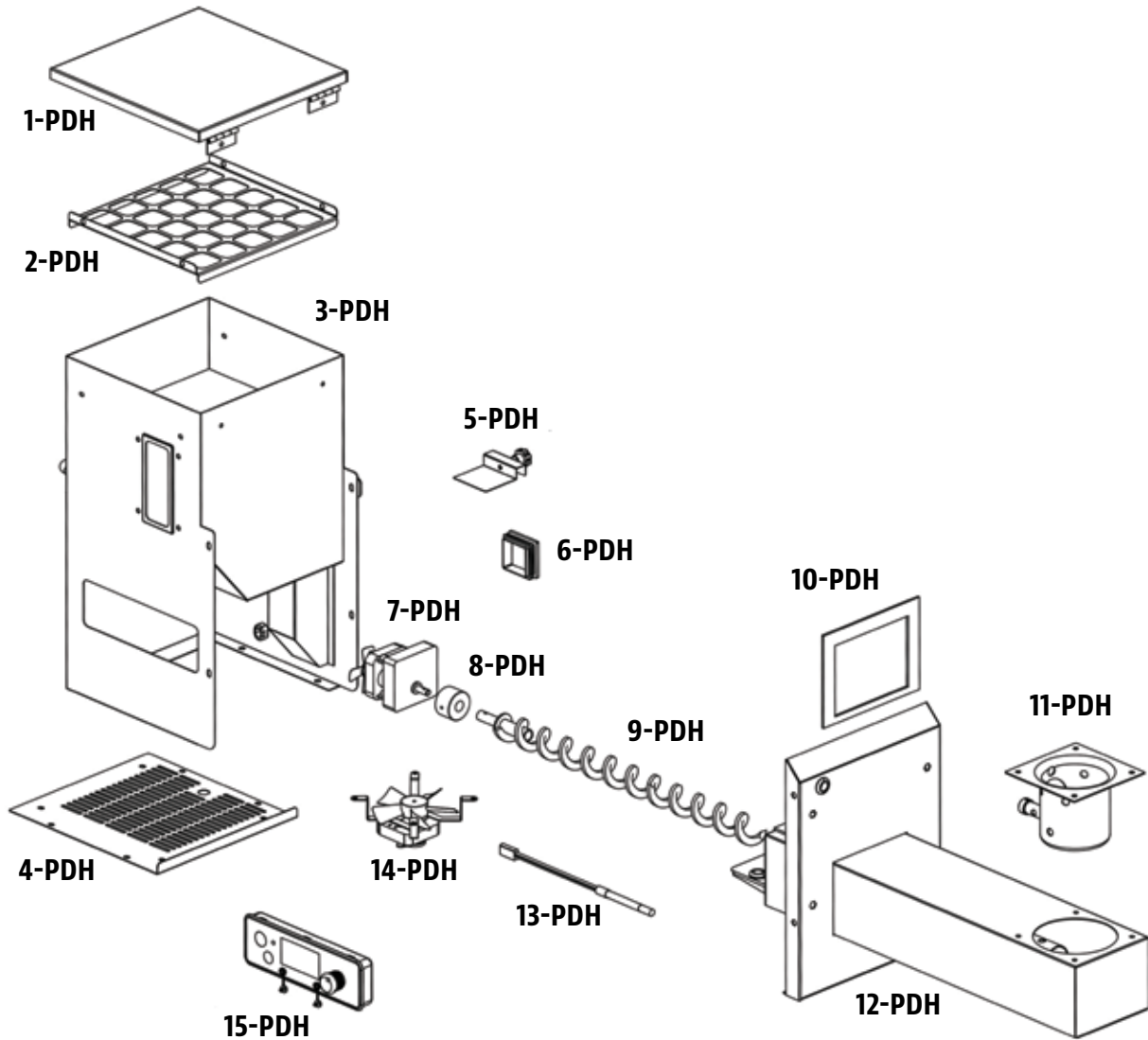
41-A		44-A		47-A		50-A	
42-A		45-A		48-A			
43-A		46-A		49-A			

# HOPPER REPLACEMENT PARTS

Part#	Description
1-PDH	Hopper Lid (x1)
2-PDH	Hopper Safety Screen (x1)
3-PDH	Hopper Box Housing (x1)
4-PDH	Access Panel (x1)
5-PDH	Drop Chute Plate (x1)
6-PDH	Drop Chute Cover (x1)
7-PDH	Auger Motor (x1)
8-PDH	Nylon Bushing (x1)

Part#	Description
9-PDH	Auger Flighting Assembly (x1)
10-PDH	Hopper Housing Gasket (x1)
11-PDH	Burn Pot (x1)
12-PDH	Auger Box Housing (x1)
13-PDH	Igniter (x1)
14-PDH	Combustion Fan (x1)
15-PDH	Pit Boss® H1 Control Board (x1)

NOTE: Due to ongoing product development, parts are subject to change without notice.



# WARRANTY

## CONDITIONS

All wood pellet grills by Pit Boss®, manufactured by Dansons, carry a limited warranty from the date of sale by the original owner. The warranty coverage begins on the original date of purchase and proof of date of purchase, or copy of original bill of sale, is required to validate the warranty. Customers will be subject to parts, shipping, and handling fees if unable to provide proof of the purchase or after the warranty has expired.

Dansons carries a five (5) year warranty against defects and workmanship on all parts, and five (5) years on electrical components. Dansons warrants that all part(s) are free of defects in material and workmanship, for the length of use and ownership of the original purchaser. Warranty does not cover damage from wear and tear, such as scratches, dents, dings, chips, or minor cosmetic cracks. These aesthetic changes of the grill do not affect its performance. Repair or replacement of any part does not extend past the limited warranty beyond the five (5) years from date of purchase.

During the term of the warranty, Dansons obligation shall be limited to furnishing a replacement for defective and/or failed components. As long as it is within the warranty period, Dansons will not charge for repair or replacement for parts returned, freight prepaid, if the part(s) are found by Dansons to be defective upon examination. Dansons shall not be liable for transportation charges, labor costs, or export duties. Except as provided in these conditions of warranty, repair or replacement of parts in the manner and for the period of time mentioned heretofore shall constitute the fulfillment of all direct and derivate liabilities and obligations from Dansons to you.

Dansons takes every precaution to utilize materials that retard rust. Even with these safeguards, the protective coatings can be compromised by various substances and conditions beyond Dansons control. High temperatures, excessive humidity, chlorine, industrial fumes, fertilizers, lawn pesticides and salt are some of the substances that can affect metal coatings. For these reasons, the warranty does not cover rust or oxidization, unless there is loss of structural integrity on the grill component. Should any of the above occur, kindly refer to the care and maintenance section to prolong the lifespan of your unit. Dansons recommends the use of a grill cover when the grill is not in use.

This warranty is based on normal domestic use and service of the grill and neither limited warranty coverage's apply for a grill which is used in commercial applications.

## EXCEPTIONS

There is no written or implied performance warranty on Pit Boss® grills, as the manufacturer has no control over the installation, operation, cleaning, maintenance, or the type of fuel burned. This warranty will not apply nor will Dansons assume responsibility if your appliance has not been installed, operated, cleaned, and maintained in strict accordance with this owner's manual. Any use of gas not outlined in this manual may void the warranty. The warranty does not cover damage or breakage due to misuse, improper handling or modifications.

Neither Dansons, or authorized Pit Boss® dealer, accepts responsibility, legal or otherwise, for the incidental or consequential damage to the property or persons resulting from the use of this product. Whether a claim is made against Dansons based on the breach of this warranty or any other type of warranty expressed or implied by law, the manufacturer shall in no event be liable for any special, indirect, consequential, or other damages of any nature whatsoever in excess of the original purchase of this product. All warranties by manufacturer are set forth herein and no claim shall be made against manufacturer on any warranty or representation.

Some states do not allow the exclusion or limitation of incidental or consequential damages, or limitations of implied warranties, so the limitations or exclusions set forth in this limited warranty may not apply to you. This limited warranty gives you specific legal rights and you may have other rights, which vary from state to state.

## ORDERING REPLACEMENT PARTS

To order replacement parts, please contact your local Pit Boss® dealer or visit our online store at: [www.pitboss-grills.com](http://www.pitboss-grills.com)

## CONTACT CUSTOMER CARE

If you have any questions or problems, contact Customer Care.

**USA: (480) 923-9630 | CANADA (TOLL FREE): 1-877-942-2246**

## WARRANTY SERVICE

Contact your nearest Pit Boss® dealer for repair or replacement parts. Danson's requires proof of purchase to establish a warranty claim; therefore, retain your original sales receipt or invoice for future reference. The serial and model number of your Pit Boss® can be found inside the lid of the hopper. Record numbers below as the label may become worn or illegible.

---

MODEL

---

SERIAL NUMBER

---

DATE OF PURCHASE

---



AUTHORIZED DEALER

# INFORMATIONS DE SÉCURITÉ

**LES CAUSES MAJEURES DES INCENDIES D'APPAREILS SONT LE RÉSULTAT D'UN MAUVAIS ENTRETIEN ET D'UN DÉFAUT DE MAINTENIR DU DÉGAGEMENT REQUIS POUR LES MATÉRIAUX COMBUSTIBLES. IL EST D'UNE IMPORTANCE CRUCIALE QUE CE PRODUIT SOIT UTILISÉ SEULEMENT CONFORMÉMENT AUX INSTRUCTIONS SUIVANTES.**

Veuillez lire et comprendre ce manuel avant d'assembler, d'utiliser ou d'installer le produit. Cela vous assurera de profiter au mieux et sans soucis de votre nouveau gril à granulés de bois. Nous vous conseillons également de conserver ce manuel pour référence ultérieure.

## DANGERS ET AVERTISSEMENTS

<p> <b>DANGER</b></p> <p>Si vous sentez une odeur de gaz :</p> <ul style="list-style-type: none"><li>• Fermer l'alimentation en gaz de l'appareil.</li><li>• Éteindre toute flamme ouverte.</li><li>• Ouvrir le couvercle.</li><li>• Si l'odeur continue, tenez-vous loin de l'appareil et appelez immédiatement votre fournisseur de gaz ou votre service des incendies.</li></ul>	<p> <b>AVERTISSEMENT</b></p> <ul style="list-style-type: none"><li>• Ne pas ranger ou utiliser l'essence, les autres liquides inflammables ou vapeurs à proximité de cet appareil ou de tout autre appareil.</li><li>• Aucune bouteille de GPL non reliée pour l'utilisation ne doit pas être remise près de cet appareil ou de tout autre appareil.</li></ul>	<p><b>CODES D'INSTALLATION DES GRILLES</b></p> <ul style="list-style-type: none"><li>• L'installation de cet appareil doit être conforme aux codes locaux ou, à défaut, soit au National Fuel Gas Code ANSI Z 223.1/NFPA 54, le code d'installation du gaz naturel et du propane, CSA B149.1, ou au code B149.2 d'entreposage et de manipulation du propane.</li><li>• Les modèles de gril à gaz GPL sont conçus pour être utilisés avec un réservoir de gaz propane liquide standard de 20 lb, non inclus avec le gril. Ne reliez jamais votre gril à gaz à un réservoir de gaz de pétrole liquéfié qui dépasse cette capacité</li></ul>
----------------------------------------------------------------------------------------------------------------------------------------------------------------------------------------------------------------------------------------------------------------------------------------------------------------------------------------------------------------------------------------------------------------------------------------------------------------------	-------------------------------------------------------------------------------------------------------------------------------------------------------------------------------------------------------------------------------------------------------------------------------------------------------------------------------------------------------------------------------------------------------------------------------------------------	-------------------------------------------------------------------------------------------------------------------------------------------------------------------------------------------------------------------------------------------------------------------------------------------------------------------------------------------------------------------------------------------------------------------------------------------------------------------------------------------------------------------------------------------------------------------------------------------------------------------------------------------

**Vous devez communiquer avec votre municipalité, vos autorités locales en matière de feu ou de construction ou toute autre autorité compétente afin d'obtenir les permis nécessaires, la permission ou des renseignements sur toutes les restrictions d'installation, y compris ceux relatifs à l'installation d'un gril sur une surface combustible, aux règles d'inspection ou encore aux permis d'utilisation dans votre région.**

1. Un dégagement minimum de 914 mm (36 pouces) des constructions combustibles sur les côtés du grill et 914 mm (36 pouces) de l'arrière du gril aux constructions combustibles doit être maintenu. **N'installez pas l'appareil sur des planchers combustibles ou sur des planchers protégés par des surfaces combustibles à moins que les autorités compétentes n'aient obtenu les permis et les autorisations nécessaires.** Cet appareil à granulés de bois ne doit pas être placé sous un plafond ou un surplomb combustible. Gardez votre gril dans une zone dégagée et exempte de matières combustibles, d'essence et d'autres vapeurs et liquides inflammables.

**En cas d'incendie de graisse, éteignez le grill et laissez le couvercle fermé jusqu'à ce que le feu soit éteint. Ne pas débrancher la fiche d'alimentation. Ne pas jeter d'eau dessus. Ne pas essayer d'étouffer le feu. L'utilisation d'un extincteur approuvé toutes classes (classe ABC) est précieuse à conserver sur place. Si un incendie non contrôlé se produit, appelez les pompiers.**

2. Gardez les cordons d'alimentation électrique et le carburant loin des surfaces chauffées. Ne pas utiliser votre gril sous la pluie ou autour d'une source d'eau.
3. Après une période de stockage ou de non utilisation, vérifiez qu'il n'y a pas d'obstruction au niveau de la grille de combustion et pas de

blocage de l'air au niveau de la trémie. Nettoyer avant utilisation. Des soins et un entretien réguliers sont nécessaires pour prolonger la durée de vie de votre gril. **Si le gril est entreposé dehors pendant la saison des pluies ou les saisons de forte humidité, toutes les précautions devraient être prises pour veiller à ce que l'eau n'entre pas dans la trémie.** Lorsqu'ils sont mouillés ou exposés à une humidité élevée, les granulés de bois se dilatent considérablement, se décomposent et peuvent bloquer le système d'alimentation. Vous devez toujours débrancher le gril avant d'effectuer un service ou un entretien.

**IMPORTANT! Éteignez toujours l'appareil et laissez le cycle d'arrêt se dérouler. Débranchez l'appareil uniquement une fois le cycle d'arrêt terminé et/ou avant de le nettoyer. Le non-respect de cet avertissement peut entraîner des dommages, des blessures graves, un incendie, un choc électrique ou la mort.**

**Ne pas transporter votre gril pendant son utilisation ou pendant qu'il est chaud. Assurez-vous que le feu est complètement éteint et que le gril est complètement frais avant le déplacement.**

4. Il est recommandé d'utiliser des gants ou des gants de barbecue résistant à la chaleur lors de l'utilisation du gril. Ne pas utiliser d'accessoires n'ayant pas été conçus pour être utilisés avec cet appareil. Ne pas mettre de couvercle de barbecue ou tout autre matière inflammable dans la zone d'espace de stockage sous le barbecue.

**AVERTISSEMENT : Soyez conscient de la construction de matériaux combustibles, maintenez le feu pour éviter une surchauffe**

5. Pour éviter toute blessure ou endommagement de la tარიère, l'appareil comporte un écran de sécurité de la trémie métallique. Cet écran ne doit pas être retiré sauf indication contraire du service à la clientèle de dansons ou d'un fournisseur de service autorisé.

**Cet appareil n'est pas conçu pour être utilisé par des enfants, des personnes à capacités physiques, sensorielles ou intellectuelles réduites ou sans expérience ni connaissances, à moins qu'elles soient surveillées directement par une personne responsable de leur sécurité.**

6. Certaines parties du barbecue peuvent être très chaudes et des blessures graves peuvent survenir. Retirez les casseroles et les poêles pendant que l'appareil en fonctionnement est sans surveillance, afin de réduire le risque d'incendie. Tenez les jeunes enfants et les animaux domestiques éloignés pendant l'utilisation.
7. Ne pas élargir des trous de l'allumeur ou des pots de combustion. Le non-respect de cet avertissement pourrait entraîner un risque d'incendie et des dommages corporels et annulera votre garantie.
8. Le produit peut avoir des bords ou des points pointus. Le contact peut entraîner des blessures. Manipuler avec soin.
9. La bouteille d'alimentation de PL (propane liquide) à utiliser doit être construite et marquée conformément aux spécifications concernant les bouteilles de PL du département des Transports des É.-U. (DOT) ou de la Norme nationale du Canada CAN/CSA-B339 relative aux cylindres, sphères et tubes pour le transport des matières dangereuses; et commission.
10. Le réservoir de gaz de pétrole liquéfié doit être muni d'un robinet d'arrêt se terminant par une sortie de réservoir d'alimentation en gaz liquéfié, compatible avec un dispositif de raccordement de réservoir de type 1. Le réservoir de gaz de pétrole liquéfié doit également être muni d'un dispositif de sécurité à communication directe avec l'espace vapeur du réservoir.
11. Le système d'alimentation du réservoir doit être positionné pour l'évacuation des vapeurs.
12. Le réservoir de gaz LP utilisé doit être muni d'un collier pour protéger le robinet du réservoir.
13. Ce gril pour l'extérieur n'est pas conçu pour une installation dans/sur des véhicules récréatifs ou des bateaux.

**Ne jamais utiliser cet appareil dans un espace clos, comme une caravane-camping, une tente, une voiture, un bateau ou une maison. Cet appareil n'est pas conçu comme un appareil de chauffage, il ne doit en aucun cas servir comme tel.**

14. N'obstruez pas le flux de l'air de combustion et de ventilation à l'appareil. Gardez le tube du brûleur et les hublots propres et exempts de tous débris. Nettoyez avant utilisation. Une maintenance et un entretien réguliers sont requis pour prolonger la durée de vie de votre unité.

- Vérifiez toujours la présence de fuites lorsque vous branchez et débranchez le régulateur à la bonbonne de gaz, plus particulièrement après une période d'entreposage (par exemple, au cours de l'hiver). Vérifiez l'étanchéité de tous les raccords à l'aide d'une solution d'eau savonneuse et d'une brosse. Ne jamais utiliser de flamme ouverte pour vérifier la présence de fuites.
- Nettoyez et inspectez le régulateur de gaz avant chaque utilisation de l'appareil de cuisson en extérieur. Remplacez le régulateur de gaz avant de l'utiliser si vous apercevez une abrasion ou une usure excessive. N'utilisez que l'assemblage du régulateur de pression du gaz fourni avec ce grill à gaz. Ne pas utiliser le régulateur d'un autre fabricant.

**Ne pas utiliser de pierre volcanique, de copeaux de bois, de charbon, d'essence à briquet, d'alcool ou autres produits chimiques similaires pour effectuer l'allumage ou le rallumage. Utilisez uniquement un allume-feu qui respecte la norme EN1860-3. Conservez tous ces liquides et substances loin du grill lorsque celui-ci fonctionne.**

- Faites fonctionner cet appareil avec du gaz de pétrole liquéfié, qui est également indiqué sur la plaque signalétique de l'unité. Ne pas essayer de faire fonctionner votre grill à l'aide d'autres types de gaz. Ne pas essayer de convertir cette unité au GPL afin qu'elle fonctionne avec du gaz naturel. Le non-respect de cet avertissement pourrait entraîner un risque d'incendie et des dommages corporels et annulera votre garantie.

## ÉLIMINATION DES CENDRES

Les cendres devraient être déposées dans un contenant métallique avec couvercle hermétique. Le contenant fermé de cendres devrait être placé sur un plancher non combustible ou sur le sol, loin de toute matière combustible en attendant leur élimination définitive. Lorsque les cendres sont disposées par enterrement dans le sol, ou dispersées localement, elles doivent être conservées dans un récipient fermé jusqu'à ce que toutes les cendres aient été complètement refroidies.

## COMBUSTIBLE GRANULES DE BOIS

Cet appareil de cuisson à granulés est conçu et approuvé uniquement pour le bois aggloméré, entièrement naturel. Tout autre type de consommation de carburant dans cet appareil annulera la garantie et la norme de sécurité. Vous devez uniquement utiliser les pastilles de bois naturelles, conçues pour brûler dans les grills de bbq à pastilles. Ne pas utiliser de carburant avec des additifs. Les granulés de bois sont très sensibles à l'humidité et doivent toujours être stockés dans un contenant hermétique. Si vous rangez votre grill sans utilisation pendant une période prolongée, nous vous recommandons de retirer tous les granulés de votre trémie et de votre vis sans fin pour éviter les bourrages. Pouvoir calorifique moyen du combustible à granulés en 18569-20362 KJ/KG (8000 - 8770 BTU/LB), teneur en cendres < 1 %.

**Ne pas utiliser d'alcool, d'essence, de pétrole, d'essence à briquet ou du kérosène pour allumer ou faire reprendre un feu dans votre grill. Conservez tous ces liquides loin du grill lorsque celui-ci fonctionne.**

Au l'impression de ce manuel, il n'y a pas de norme industrielle pour les granulés de bois de barbecue, bien que la plupart des usines de granulés utilisent les mêmes normes pour fabriquer des granulés de bois à usage domestique. Vous trouverez plus d'informations sur [www.pelletheat.org](http://www.pelletheat.org) ou sur Pellet Fuel Institute.

Contactez votre revendeur local au sujet de la qualité des granulés dans votre région et pour des informations sur la qualité de la marque. Comme il n'y a pas de contrôle sur la qualité des pastilles utilisées, nous n'assumons aucune responsabilité à l'égard des dommages causés par une mauvaise qualité du carburant.

## CRÉOSOTE

Créosote - formation et besoin d'élimination. Lors de sa combustion, il produit une fumée noire avec un résidu également de couleur noire. Lorsque les granulés de bois sont brûlés lentement, ils produisent du goudron et d'autres vapeurs organiques qui se combinent avec l'humidité expulsée pour former de la créosote. Les vapeurs de créosote se condensent dans une cheminée de four relativement froide et une hotte d'évacuation d'un feu à combustion lente. En conséquence, des résidus de créosote s'accumulent sur le revêtement du conduit de fumée et la hotte d'évacuation. Lorsqu'elle est enflammée, cette créosote produit un feu extrêmement chaud.

Le conduit de graisse doit être inspecté au moins deux fois par an pour déterminer quand l'accumulation de graisse et/ou de créosote s'est produite.

Lorsque de la graisse ou de la créosote s'est accumulée, elle doit être enlevée pour réduire le risque d'incendie.

## AVERTISSEMENTS EN MATIÈRE DE GAZ PROPANE

1. Veillez à ce que la bonbonne de gaz soit achetée chez un fournisseur connu. Une bonbonne de gaz propane mal remplie ou trop remplie peut être dangereuse. La condition trop remplie en conjonction avec l'avertissement sur la bonbonne de gaz propane (une journée chaude d'été, la bonbonne laissée au soleil, etc.) peut provoquer la libération du gaz propane puisque l'augmentation de température entraîne l'expansion du gaz. Le gaz relâché du cylindre est inflammable et peut exploser.
2. Ne pas utiliser de bonbonne à GPL si celle-ci présente une vanne endommagée ou bien présente des signes de bosses, de renflements, de dommages causés par le feu, de corrosion, de fuites, de rouille excessive ou toute autre forme de dommages externes car ceux-ci peuvent s'avérer dangereux et devraient immédiatement être vérifiés par un fournisseur de gaz propane liquide.

**Si vous voyez, sentez ou entendez le sifflement de gaz qui s'échappe de la bonbonne, n'essayez pas d'allumer l'appareil. Éteindre toute flamme ouverte. Débrancher de l'alimentation en combustible.**

3. Ne pas brancher ou débrancher la bonbonne de gaz pendant que l'appareil est utilisé ou qu'il est encore chaud. Lorsque vous n'utilisez pas le gril, veillez à ce que le bouton du régulateur soit à « OFF » (Éteint) et débranchez le cylindre de gaz. Ne jamais déplacer ou transporter l'unité si la bonbonne de gaz est branchée à celle-ci. N'entreposez pas les bouteilles de recharge de propane liquide sous cet appareil ou à proximité.

## LE MONOXYDE DE CARBONE (« LE TUEUR SILENCIEUX »)

Le monoxyde de carbone est un gaz incolore, inodore et sans goût produit par la combustion des gaz, du bois, du propane, du charbon ou d'autres combustibles. Le monoxyde de carbone réduit la capacité du sang à transporter l'oxygène. Les faibles niveaux d'oxygène sanguin peuvent entraîner des maux de tête, des étourdissements, des faiblesses, des nausées, des vomissements, de la somnolence, de la confusion, de la perte de conscience ou la mort. Suivez les directives suivantes pour empêcher ce gaz incolore et inodore de vous empoisonner ainsi que votre famille et les autres :

- Consultez un médecin si vous ou les autres développez des symptômes similaires à un rhume ou la grippe quand vous cuisinez ou quand vous vous trouvez à proximité de l'appareil. L'empoisonnement au monoxyde de carbone, qui peut facilement être confondu avec le rhume ou la grippe, est souvent détecté trop tard.
- La consommation d'alcool et de drogues augment les effets de l'empoisonnement au monoxyde de carbone.

Le monoxyde de carbone est particulièrement toxique pour la mère et l'enfant pendant la grossesse, pour les nourrissons, les personnes âgées, les fumeurs et les personnes souffrant de problèmes de circulation sanguine ou du système circulatoire, tels que l'anémie ou les maladies cardiaques.

## LISTE DE SÉCURITÉ

Conformément aux procédures et spécifications énumérées dans les normes UL 2728A-2019 "Appareils de cuisson à granulés" et ULC / ORD C2728-13 "pour les caractéristiques électriques des équipements à combustion." Les appareils de cuisson à granulés Pit Boss® Grills ont été testés indépendamment et répertoriés par CSA (un laboratoire d'essais accrédité) selon les normes UL, ULC et CSA.

Conforme à la norme ANSI Z21.58-2018 / CSA 1.6-2018 Appareils de cuisson au gaz pour l'extérieur.



### AVIS SUR LES DROITS D'AUTEUR

Droit d'auteur 2022. Tous droits réservés. Nulle partie de ce manuel ne peut être reproduite, transmises, transcrite ou stockée dans un système de recherche de quelque façon que ce soit sans l'autorisation préalable écrite de,

### Dansons

8877 North Gainey Center Drive, Scottsdale, AZ, USA 85258

### Service à la clientèle

ÉTATS-UNIS: (480) 923-9630 | CANADA (SANS FRAIS): 1-877-942-2246

[www.pitboss-grills.com](http://www.pitboss-grills.com)

# TABLE DES MATIÈRES

Informations de sécurité.....	42	Entretien et maintenance .....	71
Connexion à un approvisionnement en gaz		Utilisation du combustible en granulés de bois .....	73
Exigences relatives aux bonbonnes de gaz .....	59	Lignes directrices pour la cuisine .....	73
Installer une bouteille de gaz.....	59	Conseils et techniques .....	75
Préparation pour l'utilisation - essai d'étanchéité .....	59	Dépannage .....	76
Débrancher une bouteille de gaz .....	60	Diagramme de fil électrique .....	79
Instructions d'utilisation de granulés de bois		Pièces de rechange	
Environnement du gril .....	61	Pièces de rechange de gril .....	80
Gammes de température du gril .....	62	Pièces de rechange de trémie .....	81
Comprendre le tableau de contrôle .....	63	Garantie	
Comprendre les sondes.....	64	Conditions.....	81
Comprendre le réglage « P » .....	64	Exceptions.....	82
Procédure d'amorçage de la tarière .....	64	Commande de pièces de remplacement.....	82
Première utilisation – Combustion initiale.....	65	Appelez le service à la clientèle .....	82
Procédure de démarrage automatique.....	65	Service de garantie .....	82
Procédure de démarrage manuelle.....	66		
Éteindre votre gril.....	66		
Instructions d'utilisation de la fumée.....	67		
Instructions d'utilisation du gaz propane			
Environnement du gril .....	67		
Première utilisation – Combustion initiale.....	68		
Procédure de démarrage automatique.....	68		
Procédure de démarrage manuelle.....	68		
Première utilisation – Fonctionnement des brûleurs.....	69		
Allumage .....	69		
Éteindre votre gril .....	70		
Contrôle des poussées .....	70		
Réduire les poussées .....	70		

# CONNEXION À UNE ALIMENTATION EN GAZ

## EXIGENCES RELATIVES AUX BOUTEILLES DE GAZ

Le gril est réglé et testé avec du gaz propane liquide uniquement. Le régulateur fourni est conçu pour une colonne d'eau (WC) de 11 pouces (27,94 cm) et doit être utilisé uniquement avec du gaz de pétrole liquéfié. Le détendeur et le tuyau fournis en usine doivent être utilisés avec un poids de 20 lb. (9 kg) réservoir de gaz propane. **Contactez votre fournisseur de gaz pour un régulateur spécial pour le gaz en vrac qui alimente d'autres appareils.**

**ATTENTION: Il est important d'inspecter toute la longueur du tuyau de la conduite de gaz. S'il est évident qu'il y a une abrasion ou une usure excessive, ou que le tuyau est coupé, le tuyau doit être remplacé avant l'utilisation de l'appareil.**

## INSTALLER UN CYLINDRE À GAZ

1. Sur le côté du chariot, placez l'anneau de pied du réservoir de 20 lb sur le support de réservoir d'essence **Fig.1**. Assurez-vous que la valve du réservoir est en position OFF. Utilisez le boulon du réservoir pour fixer le réservoir dans une position fixe **Fig.2**. Assurez-vous que le réservoir est complètement à la verticale, car il est dangereux de faire fonctionner le gril si le réservoir d'essence n'est pas installé correctement.
2. Assurez-vous que la valve du régulateur sur le gril est complètement fermée en tournant le bouton dans le sens des aiguilles d'une montre jusqu'à la position OFF.
3. Retirez les capuchons de protection de l'ouverture de la vanne de régulation et du haut de la bouteille de gaz. Gardez les bouchons.
4. Insérez la soupape de la bouteille de gaz dans l'ouverture fileté de la soupape du régulateur. Tournez le cylindre dans le sens des aiguilles d'une montre jusqu'à ce qu'il soit ferme. Serrez à la main seulement.
5. La bouteille de gaz est maintenant installée.

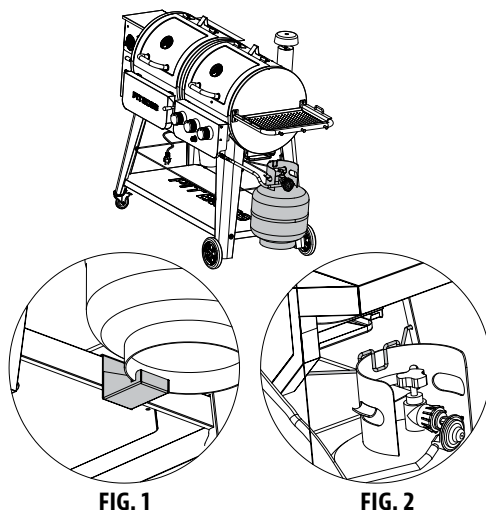


FIG. 1

FIG. 2

## PRÉPARATION À L'UTILISATION - ESSAI D'ÉTANCHÉITÉ

Un test de fuite est utilisé pour déterminer l'intégrité d'un joint. Avant d'utiliser votre gril à gaz, effectuez un test d'étanchéité sur la connexion entre le régulateur et la bouteille de gaz afin de réduire les risques de blessures graves, voire mortelles, résultant d'un incendie ou d'une explosion. Un test d'étanchéité doit être effectué au moins une fois par saison, ainsi que:

- avant d'allumer votre gril pour la première fois,
- chaque fois que la bouteille de gaz a été changée,
- après un voyage, surtout sur des routes accidentées ou cahoteuses,
- après une période prolongée de stockage ou de non-utilisation.

### COMMENT EFFECTUER UN ESSAI D'ÉTANCHÉITÉ

#### Fournitures requises:

1 x bol (*vide, propre*)

1 x pinceau (*propre*)

Liquide vaisselle

Eau

#### Procédure:

1. Placez le gril dans un endroit bien ventilé. Assurez-vous que le gril est froid au toucher et qu'il n'est pas utilisé. Vérifiez que la valeur du régulateur est sur OFF et que la bouteille de gaz est bien serrée sur le régulateur.

**IMPORTANT: Assurez-vous qu'il n'y a pas de flammes nues ou de fumeurs à proximité.**

2. Mélanger une solution d'une partie d'eau avec une partie de liquide vaisselle dans un bol. La solution fera des bulles, car elle sera concentrée.
3. Utilisez un pinceau pour appliquer la solution sur le joint entre le régulateur et la bouteille de gaz. Inspecter visuellement les bulles de bulles provenant d'un défaut ou d'une rupture du sceau.

**REMARQUE: Si une fuite apparaît, répétez la procédure d'installation de la bouteille de gaz, sans trop serrer. Serrez à la main seulement. Répétez le test d'étanchéité après la réinstallation pour vous assurer que le joint est bien fixé.**

**IMPORTANT: N'utilisez pas le gril à gaz si vous détectez une fuite de gaz qui ne peut pas être corrigée à l'aide de la procédure de test de fuite. Contactez le service d'incendie ou le service clientèle de votre région pour prendre d'autres mesures de test afin de garantir les précautions appropriées.**

## DÉCONNEXION D'UN CYLINDRE À GAZ

1. Assurez-vous que la valve du régulateur sur le gril est complètement fermée en tournant le bouton dans le sens des aiguilles d'une montre jusqu'à la position OFF.
2. Tournez la bouteille dans le sens contraire des aiguilles d'une montre (à la main) pour la déconnecter de l'ouverture de la vanne de régulation. Remettez en place les capuchons de protection sur l'ouverture du robinet du régulateur et le haut de la bouteille de gaz (s'ils ne sont pas vides).

**REMARQUE: Si vous rangez le gril à l'intérieur, laissez la bouteille de gaz à l'extérieur.**

**AVERTISSEMENT: Ne pas plier ou transporter la grille avec la bouteille de gaz attachée. La bouteille peut se desserrer de la vanne et provoquer une fuite de gaz pouvant entraîner une explosion, un incendie ou des lésions corporelles graves. Débranchez d'abord la bouteille de gaz avant de voyager ou de la ranger.**

N'allumez **jamais** votre gril à gaz avec le couvercle fermé ou avant de vérifier que les tubes du brûleur sont bien en place sur les orifices de la valve de gaz. Les équipements électriques fournis avec l'appareil de cuisson extérieur à gaz doit comporter les éléments suivants dans les instructions :

- Pour se prévenir de tous risques d'électrocution, n'immerger jamais le cordon, les fiches dans l'eau ou autre liquide.
- Débranchez de la prise lorsque l'appareil n'est pas utilisé ou avant d'être nettoyé. Laissez refroidir avant de mettre en place ou de retirer des pièces;
- N'utilisez pas d'appareil de cuisson extérieur à gaz ayant un cordon ou une fiche endommagée ou après un dysfonctionnement de l'appareil ou s'il a été endommagé d'une façon ou d'une autre. Contactez le fabricant pour la réparation;
- Ne laissez pas le cordon pendre au bord de la table, ni toucher des surfaces chaudes;
- N'utilisez pas l'appareil de cuisson extérieur à gaz pour un usage autre que celui prévu;
- Lors du branchement, branchez d'abord la fiche à l'appareil de cuisson extérieur à gaz, puis branchez l'appareil dans la prise de courant;
- Utilisez uniquement un circuit protégé par un disjoncteur de fuite à la terre (DDFT) avec cet appareil de gaz de cuisson extérieur;
- Ne retirez jamais la fiche de mise à la terre ou l'utiliser avec un adaptateur à 2 broches; et
- Utilisez uniquement les rallonges équipées d'une fiche de mise à la terre tripolaire, dimensionnées pour la puissance de l'appareil et approuvées pour une utilisation à l'extérieur avec un marquage W-A.

Le gril extérieur, lorsqu'il est installé, doit être mis à la terre conformément aux codes locaux ou, en l'absence de codes locaux, au Code national de l'électricité, ANSI / NFPA 70 ou au Code canadien de l'électricité, CSA C22.1.

1. N'entreposez pas la bonbonne de recharge de gaz LP à côté de cet appareil
2. Ne remplissez jamais la bouteille à plus de 80%.

3. Le non-respect scrupuleux des points 1 et 2 peut entraîner la mort ou de graves blessures.
4. Remettez le capuchon anti-poussière sur l'orifice de sortie du robinet de la bouteille quand celle-ci n'est pas utilisée. N'installez sur l'orifice de sortie du robinet de la bouteille que le type de capuchon anti-poussière fourni avec le robinet. D'autres capuchons ou bouchons pourraient provoquer des fuites de propane.

## INSTRUCTIONS D'UTILISATION DE GRANULÉS DE BOIS

*Avec le style de vie actuel pour s'efforcer de manger des aliments sains et nutritifs, un facteur à considérer est l'importance de réduire la consommation de graisse. L'une des meilleures façons de réduire les graisses dans votre régime alimentaire est d'utiliser une méthode de cuisson faible en matières grasses, tel que le gril. Comme une grille à granulés utilise des granulés de bois naturels, la saveur de bois savoureux est cuite dans les viandes, ce qui réduit le besoin de sauces à haute teneur en sucre. Tout au long de ce manuel, vous remarquerez l'accent mis sur le grillage des aliments lentement aux réglages de température FAIBLE ou MOYENNE.*

### ENVIRONNEMENT DU GRIL

#### 1. OÙ INSTALLER LE GRILL

Avec tous les appareils extérieurs, les conditions météorologiques extérieures jouent un rôle important dans la performance de votre gril et le temps de cuisson nécessaire pour parfaire vos repas.

Toutes les unités Pit Boss® devraient garder un dégagement minimum de 914 mm (36 pouces) des constructions combustibles, et cette distance doit être maintenue pendant la cuisson. Cet appareil ne doit pas être placé sous un plafond ou un surplomb combustible. Gardez votre gril dans une zone dégagée et exempte de matières combustibles, d'essence et d'autres vapeurs et liquides inflammables.

#### 2. CUISINER PAR TEMPS FROIDS

Lorsqu'il commence à faire plus frais à l'extérieur, cela ne signifie pas que la saison des grillades est terminée! L'air frais et l'arôme divin des aliments fumés aideront à guérir votre blues d'hiver.

Suivez ces suggestions sur la façon de profiter de votre gril pendant les mois les plus frais:

- Si le fumage à basse température échoue, augmentez légèrement la température pour obtenir les mêmes résultats.
- Organisez – Préparez tout ce dont vous avez besoin dans la cuisine avant de vous diriger à l'extérieur. Pendant l'hiver, déplacez votre gril dans un endroit protégé du vent et du froid. Vérifiez les règlements locaux concernant la proximité de votre gril par rapport à votre maison et/ou autres constructions. Mettez tout ce dont vous avez besoin sur un plateau, emballez et lancez-vous!
- Pour suivre la température extérieure, placez un thermomètre extérieur près de votre zone de cuisson. Gardez un journal ou un historique de ce que vous avez préparé, de la température extérieure et du temps de cuisson. Cela sera utile plus tard pour vous aider à déterminer ce qu'il faut cuisiner et combien de temps cela prendra.
- Par temps très froid, augmentez votre temps de préchauffage d'au moins 20 minutes.
- Évitez de soulever le couvercle du gril plus que nécessaire. Les rafales de vents froids peuvent refroidir complètement la température de votre gril. Soyez souple quant au moment de servir; ajoutez environ 10 à 15 minutes de plus à la cuisson à chaque fois que vous ouvrez le couvercle.
- Ayez un plateau chauffé ou un couvercle de plat prêt à garder votre nourriture au chaud tout en faisant le voyage à l'intérieur.
- Les aliments idéaux pour la cuisine d'hiver sont ceux qui nécessitent peu d'attention, comme les rôtis, les poulets entiers, les côtes et la dinde. Rendez votre préparation de repas encore plus facile en ajoutant des éléments simples comme les légumes et les pommes de terre.

### 3. CUISINER PAR TEMPS CHAUDS

À mesure qu'il fait plus chaud à l'extérieur, le temps de cuisson diminue.

Suivez ces suggestions sur la façon de profiter de votre grill pendant les mois chauds:

- Ajustez à la baisse vos températures de cuisson. Cela permet d'éviter les poussées indésirables.
- Utilisez un thermomètre à viande pour déterminer la température interne de vos aliments. Ceci permet d'éviter que votre viande ne soit trop cuite ou se dessèche.
- Même par temps chaud, c'est mieux de cuisiner en gardant le couvercle de votre grill baissé.
- Vous pouvez garder vos aliments chauds au chaud en les enveloppant dans du papier aluminium et en les plaçant dans une glacière isolée. Placez du papier journal froissé autour du papier aluminium et cela tiendra la nourriture chaude pendant 3 à 4 heures.

## GAMMES DE TEMPÉRATURE DU GRIL

**Les lectures de température sur le panneau de contrôle peuvent ne pas correspondre exactement au thermomètre. Toutes les températures indiquées ci-dessous sont approximatives et sont affectées par les facteurs suivants: la température ambiante extérieure, la quantité et la direction du vent, la qualité du combustible à granulés utilisé, le couvercle ouvert et la quantité de nourriture en cours de cuisson.**

#### • TEMPÉRATURES ÉLEVÉES (205-260°C / 401-500°F)

Cette gamme est de préférence utilisée pour sécher et griller à haute température. Utiliser en tandem avec la chaudière (plateau latéral) pour une cuisson indirecte ou directe de la flamme. Lorsque **la chaudière est ouverte**, la flamme directe est utilisée pour créer ces steaks « blue » ainsi que des légumes à la flamme, des toasts à l'ail ou même des s'mores! Lorsque **la chaudière est fermée**, l'air circule autour du baril ce qui conduit à une chaleur de convection. La température élevée est également utilisée pour préchauffer votre grill, brûler les grilles de cuisson et obtenir un feu vif par froid extrême..

#### • TEMPÉRATURE MOYENNE (124-204°C / 258-400°F)

Cette gamme est idéale pour cuire au four, rôtir et terminer votre création à fumaison lente. La cuisson à ces températures réduira considérablement les risques de poussée de graisse. Assurez-vous que la glissière de chaudière est en position fermée, couvrant les ouvertures à fente. Excellente gamme pour cuisiner n'importe quoi enveloppé dans du bacon, ou où vous voulez une polyvalence avec contrôle.

#### • BASSE TEMPÉRATURE (82-125°C / 180-257°F)

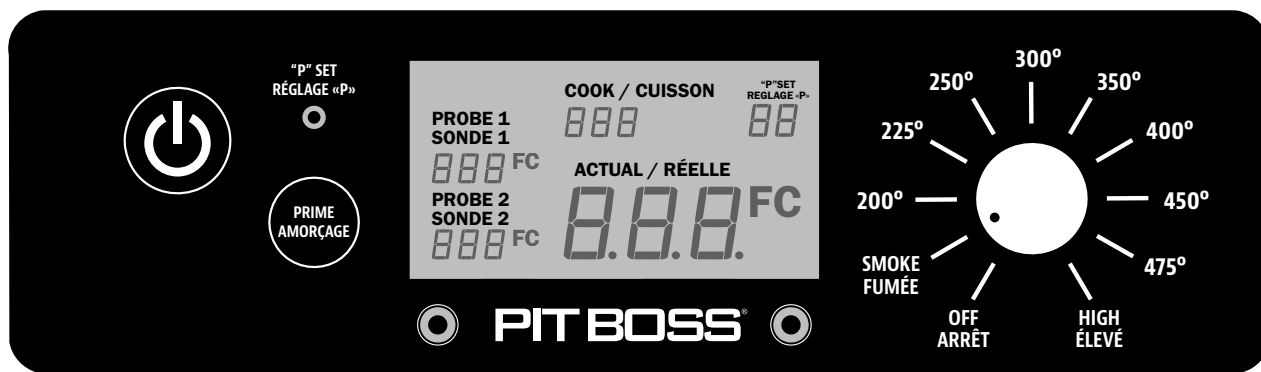
Cette gamme permet rôtir lentement, d'augmenter la saveur fumée et de garder les aliments au chaud. Infusez plus de saveur fumée et gardez vos viandes juteuses en cuisinant plus longtemps à une température plus basse (également connu sous le nom de **faible et lent**). Il est recommandé pour la grande dinde pour Thanksgiving, jambon juteux à Pâques, ou l'immense fête de Noël.


Le fumage est une variation de vrai barbecue et est vraiment le premier avantage de la cuisson sur un grill à pastilles de bois. **Le fumage à chaud**, un autre nom pour la cuisson **faible et lente**, se fait généralement à 82-125°C / 180-257°F. Le fumage à chaud fonctionne mieux lorsqu'un temps de cuisson plus long est nécessaire, comme pour les grandes coupes de viande, de poisson ou de volaille.

**CONSEIL: Pour intensifier cette saveur salée, passez à la température de fumée (basse) immédiatement après avoir mis vos aliments sur le grill. Cela permet à la fumée de pénétrer dans les viandes.**

La clé consiste à expérimenter le temps que vous autorisez à fumer, avant que le repas ne soit cuit. Certains chefs de plein air préfèrent fumer à la fin d'une cuisson, ce qui permet à la nourriture de rester au chaud jusqu'à ce qu'elle soit prête à être servie. La pratique rend parfait!

## COMPRENDRE LE TABLEAU DE CONTRÔLE



CONTRÔLE	DESCRIPTION
	Appuyez sur le <b>bouton d'alimentation</b> pour allumer l'appareil. Une fois connecté à une source d'alimentation et appuyé sur le bouton d'alimentation, l'écran LCD numérique s'allume pour indiquer qu'il est prêt à fonctionner. Appuyez et maintenez poussé le bouton pour allumer l'appareil.
	La <b>molette de réglage de la température</b> vous permet de régler la température de fumage désirée. Une fois connecté à une source d'alimentation et après avoir appuyé sur le bouton d'alimentation, tournez la molette et sélectionnez l'un des dix températures présélectionnées sur la commande de cadran, entre 82 et 260 ° C / 180 et 500 ° F. Lorsque le cadran est réglé sur une température, l'écran LCD numérique s'allume et indique qu'il est prêt à fonctionner. La température de consigne souhaitée est affichée sur l'écran LCD numérique pendant quelques secondes, puis revient à la température réelle. Lorsque la molette est réglé sur ARRÊT, l'écran LCD numérique reste éteint.
"P" SET RÉGLAGE «P» 	Le <b>bouton de réglage "P"</b> est utilisé pour sélectionner l'un des huit ajustements fins lorsque la molette de réglage de la température est réglée sur le paramètre de fumée. Modifier le réglage «P» afin de l'adapter à votre style de cuisson et à votre environnement de cuisson. En appuyant <u>brièvement</u> sur le bouton, le réglage augmente de P0 à P7, puis se répète. Les réglages sont possibles seulement quand la molette de réglage de la température est réglée sur le paramètre de fumée. Le paramètre par défaut de fabrication est "P4". Si le réglage « P » est réglé, votre préférence sera mémorisée (enregistrée) jusqu'à nouvel ajustement.  Le <b>bouton de réglage "P"</b> est également utilisé comme contrôle de la température pour modifier l'affichage de la <b>température sur l'écran LCD</b> . Appuyez et <u>maintenez poussé</u> le bouton pendant cinq secondes pour passer en degrés Celsius (° C) ou Fahrenheit (° F), comme vous le souhaitez. La valeur par défaut est Fahrenheit.
	L' <b>écran LCD</b> est utilisé comme centre d'information pour votre appareil. L'écran LCD affichera la température de cuisson désirée, la température de cuisson réelle et la température de la sonde de viande (si elle est connectée). Si une seule sonde de viande est connectée, une seule lecture sera affichée.
PRIME AMORÇAGE 	Appuyez et maintenez enfoncé le <b>bouton d'amorçage</b> pour activer un flux supplémentaire de granulés dans le pot de combustion. Cela peut être utilisé pour ajouter plus de carburant au feu avant d'ouvrir le couvercle du baril ce qui entraîne un temps de récupération rapide de la chaleur. Il peut également être utilisé en fumant, afin d'augmenter l'intensité de la saveur propre de la fumée. Cela a été demandé aux cuisinières de compétition.
SMOKE FUMÉE 	Le <b>réglage de fumée</b> sur la molette de réglage de la température est le mode de démarrage de l'appareil. Le grill fonctionne à la température la plus basse, sans que le feu ne s'éteigne.
	Les ports de connexion enfichables à l'avant de la carte de contrôle sont destinés aux <b>sondes à viande</b> . Lorsqu'une sonde à viande est connectée, la température est affichée sur l'écran LCD. Lorsqu'ils ne sont pas en cours d'utilisation, débranchez la sonde de la viande du port de connexion. <i>Compatible uniquement avec les sondes de viande de marque Pit Boss®. Sonde(s) de viande additionnelles sont vendue séparément.</i>

## COMPRENDRE LES SONDES

### • *SONDE DE GRIL*

Situé à l'intérieur du baril principal, sur la paroi gauche, se trouve la Sonde de gril. C'est un petit morceau vertical d'acier inoxydable. La Sonde de gril mesure la température interne de l'appareil. Cette température interne est affichée sur l'écran LCD numérique en tant que température «ACTUELLE».

**IMPORTANT: La température de votre appareil est fortement affectée par les conditions ambiantes extérieures, la qualité des pastilles utilisées, la saveur des pastilles et la quantité de nourriture cuite.**

### • *SONDE DE VIANDE*

La sonde à viande mesure la température interne de votre viande dans la grille, similaire à votre four intérieur. Branchez l'adaptateur de sonde de viande au port de connexion de la sonde de viande sur le panneau de contrôle et insérez la sonde de viande en acier inoxydable dans la partie la plus épaisse de votre viande et la température sera affichée sur le tableau de commande. **Pour vous assurer que la sonde à viande est correctement connectée au port de connexion, sentez-la et entendez-la s'enclencher.**

**REMARQUE: Lorsque vous placez la sonde de viande dans votre viande, assurez-vous que la sonde de viande et les fils de la sonde de viande évitent un contact direct avec la flamme ou un excès de chaleur. Cela peut endommager votre sonde de viande. Exécutez l'excès de fil des orifices d'échappement arrière de la grille principale ou du haut de la grille principale (près de la charnière du couvercle du gril). Lorsqu'il n'est pas utilisé, débranchez-vous du port de connexion de la sonde de viande et placez-les à côté afin de protéger et de nettoyer.**

## COMPRENDRE LE RÉGLAGE « P »

Lorsque le bouton de réglage « P » encastré est enfoncé, le réglage « P » affiché sur l'écran LCD passe à la valeur suivante (vers le haut). Une fois que P7 est atteint, il redémarre à P0. Il existe huit paramètres « P », allant de P0 à P7. Le bouton du réglage « P » en retrait peut être enfoncé à l'aide d'un objet à pointe fine.

**IMPORTANT: N'appuyez pas trop fort sur le bouton du réglage « P », cela pourrait causer des dommages. Seule une poussée légère est nécessaire.**

### • *UTILISATION DU PARAMÈTRE « P » EN MODE FUMÉE*

Chaque fois que le cadran de température est réglé sur FUMÉE, tel que le cycle de démarrage, la tარიère fonctionnera plus sur un mode de cuisson manuel en fonction de l'une des températures de numérotation prédéfinies. Tout d'abord, la vis sans fin tournera en permanence et alimentera les granulés pendant quatre minutes. Au bout de quatre minutes, la vis commence à exécuter un cycle d'alimentation en fonction du réglage "P" sélectionné sur la carte de commande numérique. Le réglage par défaut est P4.

RÉGLAGE "P"	CYCLE DE LA TARIÈRE (secondes)	
	ACTIVÉE	ARRÊTER
P0	18	55
P1	18	70
P2	18	85
P3	18	100
<b>*P4</b>	<b>18</b>	<b>115</b>
P5	18	130
P6	18	140
P7	18	150

**\* Réglage par défaut**

## PROCÉDURE D'AMORÇAGE DE LA TARIÈRE

La première fois que vous utilisez votre gril ou chaque fois que votre gril manque de granulés dans la trémie, vous devrez amorcer la tარიère. S'il n'est pas amorcé, le gril s'éteindra avant que les granulés ne soient allumés et aucun feu ne démarrera. Suivez ces étapes pour amorcer la tარიère :

1. Ouvrez le couvercle de la trémie. Assurez-vous qu'il n'y a pas d'objets étrangers dans la trémie ou qui bloquent le système d'alimentation de la vis sans fin.
2. Retirez tous les éléments de cuisson de l'intérieur du gril. Localisez le pot de combustion au bas du gril à granulés.
3. Branchez le cordon d'alimentation sur une source d'alimentation.
4. Allumez le gril et tournez le cadran de contrôle de la température sur la position Smoke (S) ou Low (L).
  - Assurez-vous d'entendre la tარიère tourner. Placez votre main au-dessus du pot de combustion et sentez le mouvement de l'air. NE placez PAS vos mains ou vos doigts à l'intérieur du pot de combustion, cela peut causer des blessures.

- Après environ une minute, vous devriez sentir l'allumeur brûler et commencer à sentir l'air se réchauffer au-dessus du pot de combustion. La pointe de l'allumeur ne brille pas en rouge mais devient extrêmement chaude et brûle. NE PAS toucher l'allumeur.
5. Une fois vérifié que tous les composants électriques fonctionnent correctement, éteignez le gril.
  6. Remplissez la trémie avec tous les granulés de barbecue en bois dur naturel.
  7. Allumez le gril. Maintenez le cadran de contrôle de la température en position fumée (S) ou faible (L).
  8. Appuyez sur le bouton d'amorçage et maintenez-le enfoncé jusqu'à ce que vous voyiez des granulés tomber de la tarière dans le pot de combustion. Vous pouvez maintenant relâcher le bouton Prime.
  9. Vous pouvez maintenant éteindre votre gril. Veuillez vous assurer que votre gril reste branché jusqu'à ce qu'il termine le cycle de refroidissement. Une fois que le ventilateur s'éteint, le gril a terminé le cycle d'arrêt, vous pouvez débrancher votre gril en toute sécurité.
  10. Réinstallez les composants de cuisson dans le baril principal.
  11. Votre gril est maintenant amorcé et prêt à l'emploi ! Si c'est la première fois que vous utilisez votre gril, vous devez effectuer une première combustion initiale du gril.

## PREMIÈRE UTILISATION – BRÛLER LE GRIL

Une fois que votre trémie a été amorcée et avant de cuisiner sur votre gril pour la première fois, il est important de compléter le brûler du gril. Démarrez le gril et faites le fonctionner à toute température supérieure à 176 ° C / 350 ° F avec le couvercle fermé pendant 30 à 40 minutes pour brûler le gril et le débarrasser de toute matière étrangère.

## PROCÉDURE DE DÉMARRAGE AUTOMATIQUE

1. Branchez le cordon d'alimentation sur une source d'alimentation mise à la terre. Ouvrez le couvercle du baril principal. Vérifiez le pot de combustion pour vous assurer qu'il n'y a pas d'obstruction pour un allumage correct. Ouvrez le couvercle de la trémie. Assurez-vous qu'il n'y a pas de corps étrangers dans la trémie ou le système d'alimentation à vis sans fin. Remplissez la trémie avec des granulés de bois secs et naturels pour barbecue.
2. Assurez-vous que la **molette de contrôle de la température** est en position FUMÉE. Appuyez sur le **bouton d'alimentation** pour allumer l'appareil. Cela activera le cycle de démarrage. Le système d'alimentation à vis sans fin commencera à tourner, l'allumeur démarrera et le ventilateur fournira de l'air au pot de combustion. La grille commencera à produire de la fumée pendant le cycle de démarrage. Le couvercle du baril doit rester ouvert pendant le cycle de démarrage. Pour confirmer que le cycle de démarrage a commencé correctement, écoutez un rugissement torche et remarquez que de la chaleur est produite.
3. Une fois que la fumée blanche épaisse s'est dissipée, le cycle de démarrage est terminé et vous êtes prêt à profiter de votre grill!

## PROCÉDURE DE DÉFAILLANCE D'ALLUMAGE

**Si, pour une raison quelconque, votre allumeur électrique échoue ou la flamme de votre gril s'éteint pendant la cuisson, vérifiez les étapes suivantes ou allumez votre gril en utilisant la méthode manuelle.**

1. Assurez-vous que le cadran de contrôle de la température est en position OFF. Ouvrez le couvercle du baril. Retirez les éléments de cuisson de l'intérieur. Retirez tous les granulés non brûlés et les cendres du pot de combustion. Évitez de toucher l'allumeur pour éviter les blessures, car il peut être extrêmement chaud.
2. Une fois tous les composants de cuisson retirés et nettoyés, appuyez sur le **bouton d'alimentation** pour allumer l'appareil et mettez le cadran de contrôle de la température en position FUMÉE. Vérifiez les points suivants :
  - Confirmez visuellement que l'allumeur fonctionne en plaçant votre main au-dessus du pot de combustion et en sentant s'il émet de la chaleur.
  - Confirmez visuellement que l'allumeur dépasse environ 13 mm / 0,5 pouces dans le pot de combustion.
  - Confirmez visuellement que la tarière large des granulés dans le pot de combustion
  - Confirmez que le ventilateur de combustion fonctionne en écoutant.
3. Si l'un des points ci-dessus ne fonctionne pas, suivez les instructions de **dépannage**.

## PROCÉDURE DE DÉMARRAGE MANUELLE

1. Assurez-vous que le cadran de contrôle de la température est en position OFF. Branchez le cordon d'alimentation sur une source d'alimentation mise à la terre.
2. Vérifiez le pot de combustion pour s'assurer qu'il n'y a pas d'obstruction pour un allumage correct. Ouvrez le couvercle de la trémie. Veillez à ce qu'il n'y ait pas d'objets étrangers dans la trémie ou le système d'alimentation. Remplissez la trémie avec des granulés de bois de barbecue naturels et secs.
3. Ouvrez le couvercle du baril. Retirez les composants de cuisson pour exposer le pot de combustion. Déposez une poignée généreuse de granulés dans le pot de combustion. Jetez un démarreur à froid gélifié, ou un autre démarreur approprié, sur le dessus des granulés. Une petite quantité d'allume feu de combustibles solides, comme par exemple composé de sciure de bois et de cire, ou des copeaux de bois, est également appropriée. Ajoutez une autre petite quantité de granulés dans le pot de combustion.

**REMARQUE : NE PAS utiliser d'alcool, d'essence, de pétrole, d'essence à briquet ou du kérosène pour allumer ou faire reprendre un feu dans votre grill.**

4. Allumez le contenu du pot de combustion à l'aide d'une longue allumette ou d'un briquet à nez long. Laissez l'allume-feu brûler pendant 3 à 5 minutes. N'essayez pas d'ajouter plus de d'allume-feux dans le pot de combustion. Ceci peut provoquer des blessures.
5. Remplacez rapidement et soigneusement les composants de cuisson à l'intérieur du baril. Continuez le démarrage en suivant l'étape deux de la **procédure de démarrage automatique**.

## ÉTEINDRE VOTRE GRIL

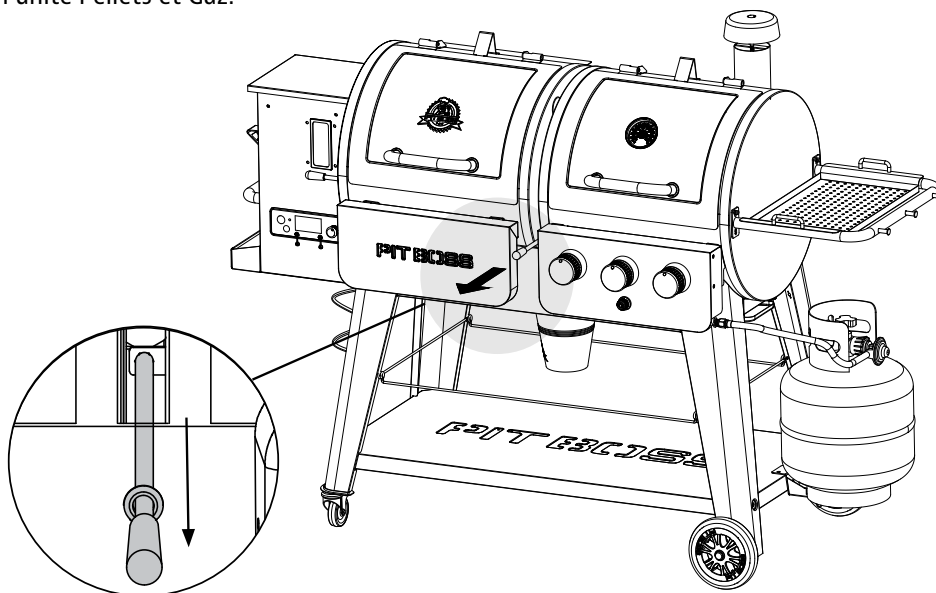
Lorsque vous avez terminé de cuisiner sur votre grill, le couvercle du baril principal restant fermé, poussez le **bouton d'alimentation** pour éteindre l'appareil et tournez la **molette de réglage de la température** sur « OFF ». Le grill commencera son cycle de refroidissement automatique. Le système de la tarière arrêtera d'alimenter en combustible, la flamme s'éteindra et le ventilateur continuera à fonctionner jusqu'à ce que le cycle de refroidissement soit terminé.

**IMPORTANT! Lorsque le cycle d'arrêt est terminé, débranchez le cordon d'alimentation.**

## MODE D'EMPLOI FUMÉE

### UTILISATION DE BARRE D'AJUSTEMENT DE FUMÉE

Pour contrôler la quantité de fumée, ainsi que la température de cuisson globale, tirez sur la Barre de Réglage de la Fumée ouverte, située entre l'unité Pellets et Gaz.



# INSTRUCTIONS D'UTILISATION DU GAZ PROPANE

## GRILL ENVIRONNEMENT

### 1. OÙ INSTALLER LE GRIL

Avec tous les appareils extérieurs, les conditions météorologiques extérieures jouent un rôle important dans les performances de votre gril et dans le temps de cuisson nécessaire pour parfaire vos repas. Tous les appareils Pit Boss® Grills doivent conserver un dégagement minimal de 914 mm (36 pouces) par rapport aux constructions combustibles, et ce dégagement doit être maintenu pendant que le gril est opérationnel. Cet appareil ne doit pas être placé sous un plafond ou surplomb combustible inflammable. Gardez votre gril dans un endroit dégagé de tout matériau combustible, de vapeur ou de liquide inflammable.

### 2. CUISINER PAR TEMPS FROIDS

Lorsqu'il commence à faire plus frais à l'extérieur, cela ne signifie pas que la saison des grillades est terminée! L'air frais et l'arôme divin des aliments fumés aideront à guérir votre blues d'hiver. Suivez ces suggestions sur la façon de profiter de votre barbecue pendant les mois les plus frais :

- Si le fumage à basse température échoue, augmentez légèrement la température pour obtenir les mêmes résultats.
- Organisez – Préparez tout ce dont vous avez besoin dans la cuisine avant de vous diriger à l'extérieur. Pendant l'hiver, déplacez votre barbecue dans un endroit protégé du vent et du froid. Vérifiez les règlements locaux concernant la proximité de votre barbecue par rapport à votre maison et/ou autres constructions. Mettez tout ce dont vous avez besoin sur un plateau, emballez et lancez-vous!
- Pour surveiller la température extérieure, placez un thermomètre extérieur près de votre zone de cuisson. Gardez un journal ou un historique de ce que vous avez préparé, de la température extérieure et du temps de cuisson. Cela sera utile plus tard pour vous aider à déterminer ce qu'il faut cuisiner et combien de temps cela prendra.
- Ayez un plateau chauffé ou un couvercle de plat prêt à garder votre nourriture au chaud tout en faisant le voyage à l'intérieur.

### 3. CUISINER PAR TEMPS CHAUDS

À mesure qu'il fait plus chaud à l'extérieur, le temps de cuisson diminue. Suivez ces suggestions sur la façon de profiter de votre barbecue pendant les mois chauds :

- Ajustez à la baisse vos températures de cuisson. Cela permet d'éviter les poussées indésirables.
- Utilisez un thermomètre à viande pour déterminer la température interne de vos aliments. Ceci permet d'éviter que votre viande ne soit trop cuite ou se dessèche.
- Vous pouvez garder vos aliments chauds au chaud en les enveloppant dans du papier aluminium et en les plaçant dans une glacière isolée. Placez du papier journal froissé autour du papier aluminium et cela tiendra la nourriture chaude pendant 3 à 4 heures.

## PREMIÈRE UTILISATION – COMBUSTION INITIALE

Avant de cuisiner sur votre barbecue pour la première fois, il est important de compléter un fonctionnement à vide du barbecue. Démarrez le barbecue et faites le fonctionner à toute température supérieure à 176 ° C / 350 ° F, avec le couvercle fermé, pendant 30 à 40 minutes pour brûler le barbecue et le débarrasser de toute matière étrangère.

## PROCÉDURE DE DÉMARRAGE AUTOMATIQUE

1. Vérifiez que le bouton du régulateur est tourné sur la position OFF.
2. Notez le repère triangulaire sur le boîtier du régulateur en argent. Enfoncez le bouton du régulateur et tournez-le à 270 degrés (ou 3/4) dans le sens anti-horaire à HIGH.
3. Appuyez plusieurs fois sur le bouton de l'allumeur jusqu'à ce que la flamme s'éteigne. Écoutez le déclic indiquant une étincelle de l'allumeur et recherchez une flamme pour vous assurer que le brûleur est allumé.

- Une fois que le brûleur a pris feu, vous êtes prêt à profiter de votre gril à la température désirée!

**Si le brûleur s'éteint pendant le fonctionnement, tournez le bouton du régulateur en position OFF. Ouvrez le couvercle du gril et attendez cinq minutes avant d'essayer de le rallumer pour permettre à tout gaz accumulé de se dissiper.**

### PROCÉDURE D'ÉCHEC D'ALLUMAGE

**Si pour une raison quelconque votre allumeur échoue après trois tentatives sur quatre, vérifiez les étapes suivantes ou démarrez votre gril en utilisant la méthode manuelle.**

- Assurez-vous que le bouton du régulateur est en position OFF. Permettre à tout gaz accumulé de se dissiper.
- Après cinq minutes, vérifiez les points suivants:
  - Confirmez visuellement que l'allumeur fonctionne en appuyant sur le bouton de l'allumeur et en regardant le bout de l'allumeur à la recherche d'une étincelle. S'il n'y a pas d'étincelle, réglez la distance entre la pointe de l'allumeur (électrode) et le brûleur à 4,5 mm (3/16 ").
  - Vérifiez visuellement que le tube du brûleur et les hublots ne sont pas obstrués. S'il est bloqué, suivez les **instructions d'entretien et de maintenance**.
- Si les points ci-dessus ne fonctionnent pas, suivez les instructions de **dépannage**.

### PROCÉDURE DE DÉMARRAGE MANUELLE

- Vérifiez que le bouton du régulateur est tourné sur la position OFF. Ouvrez le couvercle du gril pour libérer tout gaz piégé.
- Notez le repère triangulaire sur le boîtier du régulateur en argent. Enfoncez le bouton du régulateur et tournez-le à 270 degrés (ou 3/4) dans le sens anti-horaire à HIGH.
- Rapidement et avec précaution, placez une flamme allumée à proximité du brûleur à l'aide d'un allumette ou d'un briquet à long bec et observez-le prendre feu. N'essayez pas d'allumer une autre zone du brûleur. Cela peut causer des blessures.

**REMARQUE: N'utilisez pas d'alcool, de liquide pour briquet ou de kérosène pour allumer ou rafraîchir un feu dans votre gril.**

- Continuez le démarrage en suivant les étapes quatre et cinq de la **procédure de démarrage automatique**.

### ALLUMAGE

**ATTENTION : Gardez votre appareil de cuisson extérieur à gaz dans une zone dégagée et exempte de matières combustibles, d'essence et d'autres vapeurs et liquides inflammables.**

**ATTENTION : Ne PAS obstruer le flux de l'air de combustion et de ventilation.**

**ATTENTION : Vérifiez l'absence d'insectes et de nids d'insectes dans le brûleur et les tubes de Venturi, nettoyez-les si nécessaire. Un tube obstrué peut provoquer un incendie.**

**ATTENTION : Tenter d'allumer le brûleur avec le couvercle fermé peut provoquer une explosion.**

- Ouvrez le couvercle.
- Vérifiez s'il n'y a pas d'obstruction du flux d'air vers les brûleurs. Les araignées, les insectes et les toiles peuvent obstruer le brûleur/le tube venturi. Un tube de brûleur bouché peut provoquer un incendie.
- Tous les boutons de commande doivent être en position OFF.
- Raccordez le réservoir de gaz LP selon la section « Installation du réservoir de gaz LP ».
- Tournez le robinet du réservoir de gaz LP sur « OPEN » (OUVERT).
- Poussez et tournez le bouton de commande en position « High » (Élevé). Le brûleur devrait s'allumer. S'il ne s'allume pas, répétez jusqu'à trois fois.

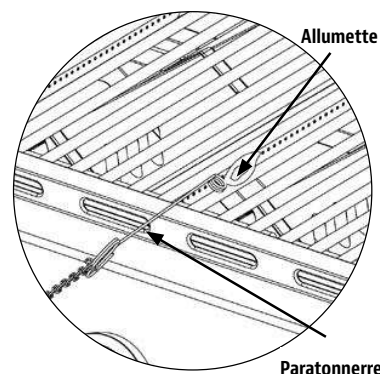


FIG. 3

- Si l'allumage ne survient pas dans les 5 secondes, tournez le bouton de commande du brûleur sur « OFF » (arrêt/fermé), attendez 5 minutes et répétez les instructions d'allumage.
- Si l'allumeur n'allume pas le brûleur, utilisez une allumette allumée et sécurisée avec une tige d'allumage (fournie avec le grill) pour allumer les brûleurs. Accédez aux brûleurs par la grille de cuisson et les plaques chauffantes. Positionnez l'allumette allumée à côté du brûleur (Fig. 3).

**Important : Toujours utiliser la tige d'allumage (prévue) lorsque vous allumez des brûleurs avec une allumette.**

- Après avoir allumé, observez la flamme du brûleur. Assurez-vous que tous les orifices du brûleur sont allumés et que la hauteur de la flamme correspond à l'illustration (Fig. 4).  
**REMARQUE : Chaque brûleur s'allume indépendamment - répétez les étapes 5-9 pour les autres brûleurs.**

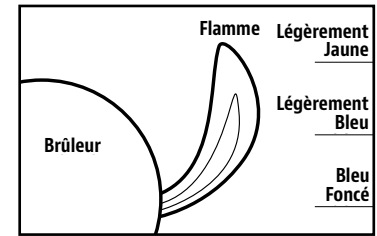


FIG. 4

**ATTENTION : Si la flamme du brûleur s'éteint pendant le fonctionnement, tournez immédiatement les boutons de commande à la position OFF, fermer le robinet du réservoir de gaz LP FERMÉ et ouvrez le couvercle pour laisser le gaz s'échapper pendant 5 minutes avant de le rallumer.**

## ÉTEINDRE VOTRE GRIL

- LP : Tournez le robinet du réservoir de gaz LP sur « CLOSED » (FERMÉ).
- Tournez tous les boutons de commande dans le sens horaire sur la position « OFF » (arrêt/fermé).  
**REMARQUE : Un son « pouf » est normal, car la dernière couche du gaz LP est brûlée.**
- Déconnectez le réservoir de gaz LP selon la section « *Déconnecter le réservoir de gaz LP* ».

**AVERTISSEMENT : Laissez le grill se refroidir complètement, et enlevez la bouteille de gaz avant de le déplacer, de le transporter ou de l'entreposer.**

## CONTRÔLE DES POUSSÉES

**ATTENTION : Il n'est pas possible d'éteindre les feux de graisse en fermant uniquement le couvercle.**

- Si un feu de graisse se déclare, tournez les boutons de commande sur la position OFF (FERMÉ), robinet du réservoir de gaz LP sur « OFF » (FERMÉ). N'utilisez PAS d'eau sur un feu de graisse. Ceci pourrait faire éclabousser la graisse et pourrait provoquer de graves brûlures, de blessures corporelles ou d'autres dommages.
- NE PAS laisser votre grill sans surveillance lorsque vous préchauffez ou brûlez des résidus d'aliments à température ÉLEVÉE. Si le grill n'a pas été nettoyé, un feu de graisse peut se déclarer.

**AVERTISSEMENT : Lors de la cuisson, le matériel d'extinction d'incendie devrait être facilement accessible. En cas d'incendie d'huile ou de graisse, utilisez un extincteur à poudre chimique de type BC ou étouffez avec de la terre, du sable ou du bicarbonate de soude. N'essayez pas d'éteindre avec de l'eau.**

- Les poussées font partie de la cuisson des viandes sur le grill et ajoutent une saveur unique à la cuisson sur le grill.
- Les poussées excessives peuvent trop cuire vos aliments et être dangereuses.**
- Important : Les poussées excessives résultent de l'accumulation de graisse dans le fond de votre grill.
- En cas d'incendie de graisse, fermez le couvercle ET tournez le(s) bouton(s) de commande sur OFF jusqu'à ce que la graisse se brûle complètement. Soyez prudent lorsque vous ouvrez le couvercle, car une poussée soudaine peut survenir.
- Si des poussées excessives se produisent, ne versez PAS d'eau sur les flammes

## RÉDUIRE LES POUSSÉES

1. Enlevez l'excédent de gras de la viande avant la cuisson.
2. Faites cuire les viandes à haute teneur en gras à BASSE température ou indirectement
3. Assurez-vous que votre gril est sur une surface dure, plane et incombustible et que la graisse s'écoule dans le bac à graisse.

## ENTRETIEN ET MAINTENANCE

Votre unité Pit Boss® vous servira fidèlement pendant de longues années tout en minimisant les efforts de nettoyage. Suivez ces conseils de nettoyage et d'entretien pour réviser votre gril :

### VÉRIFIEZ LE NIVEAU DE GAZ

Pour vérifier le niveau de gaz dans la bonbonne de Gaz Propane Liquide, le gril doit être en fonction. Placez votre main au-dessus de la bonbonne et descendez doucement sur le côté jusqu'à ce que le réservoir soit froid au toucher. Ceci vous indiquera la quantité approximative de gaz dans votre bonbonne, si elle est au  $\frac{3}{4}$  vide, il vous faudra alors la remplacer.

**IMPORTANT : Ne pas utiliser de briquettes de charbon ou toute autre matière inflammable avec votre gril. L'utilisation de ces matériaux annulera votre garantie et pourrait entraîner un risque d'incendie, une explosion ou des dommages corporels.**

#### 1. LES COMPOSANTES DU BRÛLEUR

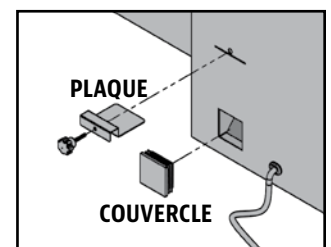
- Nettoyez le brûleur lorsque celui-ci présente une importante accumulation, afin de veiller à ce qu'il n'y ait aucun blocage (débris, insectes) dans le tube du brûleur ou bien dans les hublots du brûleur. Après une période d'entreposage prolongée, des araignées ou des petits insectes peuvent construire des nids, des toiles et pondre leurs œufs dans le tube du brûleur, nuisant ainsi à la circulation du gaz jusqu'au brûleur. Si vous entreposez votre gril ou si vous pensez ne pas l'utiliser pendant une longue période de temps, enlevez le brûleur et enveloppez-le de feuilles d'aluminium afin de réduire les risques d'insecte qui entrent dans les trous du brûleur.
- Le brûleur a été préconfiguré pour obtenir une performance de flamme optimale. Une flamme bleue, avec un tout petit bout jaune, est le résultat du mélange optimal entre l'air et le gaz. Si la flamme est très jaune, orange ou irrégulière, vous devez alors nettoyer les dépôts d'huile et de nourriture sur la surface du brûleur et les hublots afin d'augmenter le débit d'air.

#### 2. ASSEMBLAGE DE LA TRÉMIE

- La trémie comprend une fonction de nettoyage lui permettant de se nettoyer facilement et de changer les arômes du combustible à granulés. Pour vider, placez la plaque et le couvercle de la boîte de dépôt sur la partie arrière de la trémie. Placez un seau propre et vide sous le couvercle de la boîte de dépôt, puis retirez le couvercle. Dévissez la plaque, glissez-la vers l'extérieur et les granulés se videront.

**REMARQUE : Utilisez une brosse à manche long ou un aspirateur d'atelier pour retirer les excès de granulés, de sciure de bois et de débris pour un nettoyage complet à travers l'écran de la trémie.**

- Faire sortir tous les granulés de votre système de tarière est recommandé si votre gril ne sera pas utilisé pendant une période prolongée. Cela peut être fait en faisant simplement fonctionner votre gril, sur une trémie vide, jusqu'à ce que tous les granulés se soient vidés du tube de la vis sans fin.
- Vérifiez et nettoyez les débris dans les bouches d'aération du ventilateur, situé au bas de la trémie. Une fois que le panneau d'accès de la trémie est retiré (voir **Diagramme de fils électriques** pour le schéma), essayez soigneusement toute accumulation de graisse directement sur les pales du ventilateur. Cela garantit que le flux d'air est suffisant pour le système d'alimentation.



### 3. *SONDES*

- Tout noeud ou pli des fils de la sonde peuvent endommager la pièce. Les fils devraient être enroulés dans une grande bobine desserrée.
- Bien que les sondes soient en acier inoxydable, ne les mettez pas dans le lave-vaisselle, ou dans l'eau. Les dommages causés par l'eau aux fils internes entraîneront un court-circuit de la sonde, créant une lecture erronée. Si une sonde est endommagée, elle devrait être remplacée.

### 4. *LES SURFACES INTERNES*

- Il est recommandé de nettoyer votre pot de combustion après chaque utilisation. Cela assurera un allumage correct et évitera toute accumulation de débris ou de cendres dans le pot de combustion.
- Utilisez une brosse de nettoyage à gri à long manche (laiton ou métal doux), retirez tout aliment ou accumulation des grilles de cuisson. La meilleure pratique est de faire cela alors qu'ils sont encore chauds d'une précédente cuisson. Les feux de graisse sont causés par trop de débris tombés sur les composants de cuisson du gril. Nettoyez l'intérieur de votre gril de façon régulière. Dans le cas où vous êtes confronté à un feu de graisse, gardez le couvercle du gril fermé pour étouffer l'incendie. Si l'incendie ne s'éteint pas rapidement, retirez soigneusement les aliments, éteignez le gril et fermez le couvercle jusqu'à ce que le feu soit complètement éteint. Saupoudrez légèrement de bicarbonate de soude, si disponible.

• Vérifiez souvent votre seau à graisse et nettoyez-le si nécessaire. Gardez à l'esprit le type de cuisson que vous faites

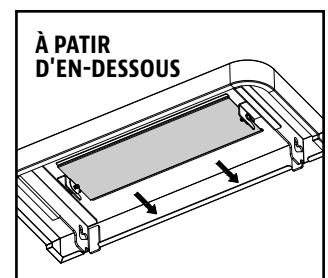
**IMPORTANT: En raison de chaleur élevée, ne couvrez pas la chaudière ni les sondes avec du papier d'aluminium.**

### 5. *LES SURFACES EXTERNES*

- La tablette avant inclus un panneau amovible en-dessous pour un nettoyage plus facile. À partir d'en-dessous, appuyez la plaque d'appui vers le baril principal pour l'enlever. Nettoyez, puis remplacez en la glissant en place.

Essuyez votre gril après chaque utilisation. Utilisez de l'eau chaude savonneuse pour briser la graisse. Ne pas utiliser de nettoyant à four, nettoyant abrasif ou pad sur les surfaces externes du gril. **Toutes les surfaces peintes ne sont pas couvertes par la garantie**, mais font partie de la maintenance générale et de l'entretien. Pour les rayures de peinture, l'usure ou l'écaillage de la finition, toutes les surfaces peintes peuvent être retouchées à l'aide d'une peinture à barbecue à haute chaleur.

- Utilisez une couverture pour gril afin de protéger votre gril pour une protection complète! Une couverture est votre meilleure protection contre les intempéries et les polluants extérieurs. Lorsqu'il n'est pas utilisé ou pour un stockage à long terme, conservez l'unité sous une couverture dans un garage ou un hangar.



**TABLEAU DE FRÉQUENCE DE NETTOYAGE (UTILISATION NORMALE)**

ARTICLE	FRÉQUENCE DE NETTOYAGE	MÉTHODE DE NETTOYAGE
Le dessous du gril	Toutes les 2-3 sessions de cuisson	Retirer, aspirer les excès de débris
Le tube du brûleur, les hublots	Toutes les 5-6 sessions de cuisson	Poussière, éponge à gratter et eau savonneuse
Les brûleurs	Toutes les 5-6 sessions de cuisson	Éponge à gratter et eau savonneuse
Surfaces en acier inoxydable	Deux fois par an	Nettoyant pour acier inoxydable
Dessous du gril principal	Toutes les 5-6 sessions de cuisson	Retirer, aspirer les excès de débris
Pot de combustion	Toutes les 2-3 sessions de cuisson	Retirer, aspirer les excès de débris
Grilles de cuisson	Après chaque utilisation	Brûler le surplus, brosse en laiton
Chaudière	Toutes les 5-6 sessions de cuisson	Gratter la plaque principale avec un patin, <b>ne pas laver</b>
Tablette Avant	Après chaque utilisation	Éponge à gratter et eau savonneuse
Seau de graisse	Après chaque utilisation	Éponge à gratter et eau savonneuse
Système d'alimentation de la tarière	Lorsque le récipient de granulés est vide	Permettre à la tarière de faire sortir la sciure de bois, en laissant la trémie vide
Composants électriques de la trémie	Une fois par an	Dépoussiérez l'intérieur, essuyez les lames de ventilateur avec de l'eau savonneuse
Arrivée d'air	Toutes les 5-6 sessions de cuisson	Poussière, éponge à gratter et eau savonneuse
Sonde de gril	Toutes les 2-3 sessions de cuisson	Éponge à gratter et eau savonneuse

# UTILISATION DU CARBURANT DE GRANULÉS DE BOIS

Ces granulés de bois propres combustibles génèrent environ 8200 BTU par livre avec très peu de cendres, une faible teneur en humidité (5 à 7 %) tout en étant également neutres en carbone. Les granules de bois pour barbecue sont produits avec des matières premières pures (sciures) qui sont pulvérisées avec un broyeur à marteaux et forcées avec pression à travers une filière. Quand le granulé est forcé à travers la filière, il est cisailé, refroidi, trié, aspiré, puis emballée pour la consommation. Vérifiez auprès de votre distributeur local pour connaître la gamme d'essences disponibles dans votre région.

## MÉLANGE CARYER

Saveur riche, fumée similaire à du bacon.  
Connu comme étant « Le Roi des bois ».

## MÉLANGE MESQUITE

Forte saveur épicée et acidulée.  
Pensez à la cuisine Tex-Mex.

## MÉLANGE POMME

Saveur fumée et modérément sucrée.  
Fortement recommandée pour la cuisson au four.

## MÉLANGE ÉRABLE

Saveur sucrée et salée.

## MÉLANGE AULNE

Doux et terreux. Mélange d'aulne, d'érable et de pin.

## MÉLANGE FRUITS DES BOIS

Mélange de cerise, pomme et d'érable.

## MÉLANGE CERISE

Légèrement sucrée mais également acidulée.  
Offre une teinte rosée aux viandes claires.

## MÉLANGE DE BARIL DE WHISKEY

Forte fumée sucrée avec goût aromatique.  
Parfait pour les viandes rouges.

## MÉLANGE DE LA COMPÉTITION

Mélange parfait de saveurs sucrées, délicieuses et acidulées.  
Utilisé par de nombreux « grillers » professionnels.

## MÉLANGE PACANE

Saveur grasse, de beurre et moelleuse.

## MÉLANGE CHÊNE

Saveur riche et fumée.

## MÉLANGE CLASSIQUE

Mélange de pacanes, d'hickory et de mesquite.

**REMARQUE :** Conservez toujours vos granulés de bois dans un endroit sec. Les exposer à l'humidité poussera les granulés à absorber l'humidité et produira un rendement calorifique plus faible ou provoquera un gonflement et une dissolution des granulés. Utilisez un bac ou sceau résistant à l'humidité et pouvant être scellé à nouveau pour la conservation.

## LIGNES DIRECTRICES POUR LA CUISINE

Les styles de cuisson de fumage et de grillage peuvent vous donner des résultats différents dépendant du temps et la température. Pour obtenir de meilleurs résultats, conservez un registre de tout ce que vous cuisinez, à quelle température vous le cuisinez, ainsi que les résultats. Ajustez toutes ces variables, selon vos goûts, la prochaine fois. Ce n'est qu'en s'exerçant qu'on s'améliore. L'art culinaire du fumage à chaud équivaut à des temps de cuisson plus longs, mais il produit également une saveur de bois plus naturelle (et une « **bande de fumage** ») dans vos viandes. Une température de cuisson plus élevée, ce qui veut dire moins de temps de cuisson, vous offrira moins de saveur fumée.

**CONSEIL :** Pour de meilleurs résultats, laissez reposer les viandes après la cuisson. Ceci permet aux jus naturels de revenir dans les fibres de la viande, produisant ainsi une coupe plus juteuse et plus savoureuse. Le temps de repos peut n'être que 3 minutes et peut même aller jusqu'à 60 minutes, selon la taille des protéines.

STYLE DE CUISSON	FUMAGE CHAUD (très faible)	RÔTI (faible)	CUISSON FOUR (moyen)	GRILLAGE/CUISSON FOUR (moyen/élevé)	SAISIR (élevé)
Gamme de températures	82-125 °C / 180-257 °F	126-161 °C / 258-322 °F	162-190 °C / 323-374 °F	190-232 °C / 374-449 °F	232-260 °C / 449-500 °F

<b>VOLAILE</b>	<b>TAILLE</b>	<b>Saignant - 54 °C / 130 °F</b>	<b>À point - 60 °C / 140 °F</b>	<b>Bien cuit - 77 °C / 170 °F</b>
<b>Dinde (entière)</b>	4,5-5,0 kg / 10-11 lb 5,3-6,4 kg / 12-14 lb 6,8-7,7 kg / 15-17 lb 8,2-10,0 kg / 18-22 lb 10,4-11,3 kg / 23-25 lb			Griller 90 - 120 minutes Griller 110 - 140 minutes Griller 130 - 160 minutes Griller 140 - 170 minutes Griller 150 - 180 minutes
<b>Poulet (entier)</b>	1,36-2,26 kg / 3-5 lb			Griller 1 - 1,5 heures
<b>Pilons, poitrines</b>	0,45 - 0,86 kg / 1 - 1,5 lb			Griller 30-60 minutes
<b>Petits gibiers à plumes</b>	0,45 - 0,86 kg / 1 - 1,5 lb			Griller 30-45 minutes
<b>Canard</b>	1,36-2,26 kg / 3-5 lb			Rôti ou sur le gril 2 - 2,5 heures

<b>PORC</b>	<b>TAILLE</b>	<b>Précuit prêt à être réchauffé - 60 °C / 140 °F</b>	<b>À point 66 °C / 150 °F</b>	<b>Bien cuit 71 °C / 160 °F</b>
<b>Jambon (Partie entièrement cuite et désossée, Porc fumé entier et avec os)</b>	2,5 cm / 1 po 1,36-1,81 kg / 3-4 lb 1,81-2,72 kg / 4-6 lb 2,26-3,62 kg / 5-8 lb 4,53-5,44 kg / 10-12 lb	12 minutes 50 minutes - 1 heure 1 - 2 heures 1 - 2½ heures 2 - 2¾ heures		
<b>Longe de porc</b>	1,36-1,81 kg / 3 - 4 lb		1 - 2 heures	2 - 3 heures
<b>Rôti de couronne de côte</b>	1,81-2,26 kg / 4 - 5 lb		1½ - 2 heures	2 - 3 heures
<b>Côtelette (longe, côte)</b>	1,9-2,5 cm / 0,75 - 1 po 3,1-3,9 cm / 1,25 - 1,5 po		10 - 12 minutes 14 - 18 minutes	
<b>Filet</b>	1,9-2,5 cm / 0,75 - 1 po		20 - 30 minutes	30 - 45 minutes
<b>Rôti de longe de porc, sans os</b>	1,36-2,26 kg / 3-5 lb		1¼ - 1¾ heures	1¾ - 2½ heures
<b>Boston Butt (Épaule de porc)</b>	3,62-4,53 kg / 8-10 lb			93 - 98 °C / 200 - 210 °F Température interne

<b>BOEUF</b>	<b>TAILLE</b>	<b>CHALEUR</b>	<b>DURÉE APPROXIMATIVE DU TEMPS DE CUISSON</b>		
			<b>Saignant 54 °C / 130 °F</b>	<b>À point 60 °C / 140 °F</b>	<b>Bien cuit 65 °C / 150 °F</b>
<b>Steak (New York, Porterhouse, faux filet, surlonge, T-bone, ou filet)</b>	1,9 cm / 0,75 po 2,5 cm / 1 po 3,8 cm / 1,5 po 5 cm / 2 po	Haut	Saisir pendant 8 à 10 minutes Saisir pendant 10 à 12 minutes Saisir pendant 10 minutes, griller pendant 8 à 10 minutes Saisir pendant 10 minutes, griller pendant 10 à 14 minutes		
<b>Bifteck de hamppe</b>	0,6 - 12,7 cm / 0,25 - 0,5 po	Haut	Saisir 5-7 minutes		
<b>Bavette</b>	0,45 - 0,86 kg / 1 - 1,5 lb, 1,9 cm / 0,75 po	Moyen	Saisir pendant 4 minutes, griller pendant 8 à 10 minutes		
<b>Kébab</b>	2,5 - 3,8 cm / 1 - 1,5 po cubes	Moyen	Griller 10 - 12 minutes		
<b>Filet</b>	1,58 - 1,81 kg / 3,5 - 4 lb	Haut/Moyen	Saisir pendant 10 minutes, griller pendant 15 à 20 minutes		
<b>Steak haché</b>	1,9 cm / 0,75 po	Haut/Moyen	Saisir pendant 4 minutes, griller pendant 4 à 6 minutes		
<b>Rôti de bœuf de faux-filet, sans os</b>	2,26 - 2,72 kg / 5 - 6 lb	Moyen	Griller 1,5 - 2 heures		
<b>Rôti trois pointes</b>	0,9 - 1,13 kg / 2 - 2,5 lb	Haut/Moyen	Saisir pendant 10 minutes, griller pendant 20 à 30 minutes		

<b>Rôti de côtes</b>	5,44 - 6,35 kg / 12 - 14 lb	Moyen	2,5 - 2,75 heures
<b>Côtelettes de veau</b>	2,5cm / 1 po	Moyen	10 - 12 minutes direct
<b>Poitrine</b>	7,25 - 3,62 kg / 16 -18 lb	Fumage chaud	Cuire jusqu'à ce que la température interne atteigne 91 °C / 195 °F

<b>AGNEAU</b>	<b>TAILLE</b>	<b>Saignant - 54 °C / 130 °F</b>	<b>À point - 60 °C / 140 °F</b>	<b>Bien cuit - 71 °C / 160 °F</b>
<b>Rôti (frais)</b>	2,26 - 2,72 kg / 5 - 6 lb		1 - 2 heures	
<b>Rôti de couronne de côte</b>	1,36 - 2,26 kg / 3-5 lb		1 - 1,5 heures	1,5 heures

<b>FRUITS DE MER</b>	<b>TAILLE</b>	<b>Saignant - 54 °C / 130 °F</b>	<b>À point - 60 °C / 140 °F</b>	<b>Bien cuit - 82 °C / 180 °F</b>
<b>Poisson (entier)</b>	0,5 kg / 1 lb. 0,9 - 1,1 kg / 2 - 2,5 lb 1,4 kg / 3 lb			Griller 10 - 20 minutes Griller 20 - 30 minutes Griller 30 - 45 minutes
<b>Poisson (filets)</b>	0,6-1,3 cm / 0,25 - 0,5 po			Griller 3 - 5 minutes jusqu'à ce que le poisson s'émiette
<b>Queue de homard</b>	0,15 kg / 5 onces 0,3 kg / 10 onces			Griller 5 - 6 minutes Griller 10 - 12 minutes

<b>GIBIER SAUVAGE</b>	<b>TAILLE</b>	<b>Saignant - 60 °C / 140 °F</b>	<b>À point - 71 °C / 160 °F</b>	<b>Bien cuit - 77 °C / 170 °F</b>
<b>Rôti (frais)</b>	2,26 - 2,72 kg / 5-6 lb		1 - 1,5 heures	1,5 - 2 heures
<b>Grandes coupes (frais)</b>	3,62 - 4,53 kg / 8-10 lb		1 heure	1,5 heures

Découvrez de délicieuses recettes pour vos plats gagnants, visitez [www.pitboss-grills.com](http://www.pitboss-grills.com).

## CONSEILS ET TECHNIQUES

Suivez ces conseils et techniques utiles, transmis par des propriétaires de Pit Boss®, notre personnel et clients comme vous, afin de vous familiariser avec votre gril:

### 1. SÉCURITÉ ALIMENTAIRE

- Garder propre tout ce qui se trouve dans la cuisine et dans la surface de cuisson. Utilisez un plat et des ustensiles différents pour la viande cuite et pour préparer ou transporter la viande crue sur le gril. Ceci permettra d'éviter toute contamination croisée des bactéries. Chaque marinade ou sauce pour badigeonner devrait avoir son propre ustensile.
- Gardez les aliments chauds au chaud (au-dessus de 60°C / 140°F) et gardez les aliments froids au froids (moins de 3°C / 37°F).
- Une marinade ne devrait jamais être conservée pour une utilisation ultérieure. Si vous comptez l'utiliser pour la servir avec votre viande, assurez-vous de la faire bouillir avant de servir.
- Les aliments cuits et les salades ne devraient pas être laissés dehors dans la chaleur pendant plus d'une heure. Ne laissez pas les aliments chauds à l'extérieur du réfrigérateur pendant plus de deux heures.
- Décongeler et mariner les viandes par réfrigération. Ne décongelez pas la viande à température ambiante ou sur le comptoir. Les bactéries peuvent grandir et se multiplient rapidement dans les aliments chauds et humides. Lavez-vous bien les mains avec de l'eau tiède savonneuse avant de commencer à préparer votre plat, et après avoir manipulé de la viande fraîche, du poisson et de la volaille.

### 2. PRÉPARATION DE CUISSON

- Soyez préparé ou **Mise en place**. Ceci fait référence à la préparation de la recette, le combustible, les accessoires, les ustensiles et tous les ingrédients dont vous aurez besoin à côté du gril avant de commencer la cuisson. Aussi, lisez la recette complète, du début à la fin, avant d'allumer le gril.

- Un tapis protecteur pour BBQ peut être très utile. En raison des accidents qui surviennent en raison de la manipulation des aliments et des différents styles de cuisson, ce tapis aidera à protéger les dalles de votre patio ou de votre terrasse contre tout risque de tache de graisse ou déversements accidentels

### 3. CONSEILS ET TECHNIQUES DE GRILLADE

- Pour infuser plus de saveur fumée et gardez vos viandes juteuses, cuisez-les plus longtemps à une température plus basse (également connu sous le nom de **faible et lent**). La viande fermera ses fibres après avoir atteint une température interne de 49°C (120°F). La pulvérisation en brouillard et l'épandage sont d'excellents moyens permettant d'éviter que la viande ne se dessèche.
- Lorsque vous saisissez vos viandes, cuisinez toujours avec le couvercle fermé. Utilisez toujours un thermomètre à viande pour évaluer la température interne des aliments que vous cuisinez. Fumer la nourriture avec des granulés de bois fait rosir la viande et la volaille. **La bande rose** (après la cuisson) est aussi appelée anneau de fumée et est très appréciée par les chefs de plein air.
- Il est fortement recommandé d'appliquer les sauces à base de sucre vers la fin de la cuisson pour éviter les brûlures et flambées.
- Laissez un espace de dégagement entre les aliments et les extrémités du baril pour une bonne circulation de la chaleur. Beaucoup d'aliments sur une grille de cuisson encombrée prendront plus de temps à cuire.
- Utilisez des pinces avec une longue poignée pour retourner toutes les viandes et des spatules pour retourner les burgers et le poisson. L'utilisation d'un ustensile perçant, comme une fourchette, permet de piquer la viande et de laisser s'évacuer les jus.
- Les aliments dans des casseroles profondes nécessitent plus de temps pour cuire que dans une poêle peu profonde.
- C'est une bonne idée de mettre les aliments grillés sur une grande assiette préchauffée pour garder vos aliments chauds. Les viandes rouges comme les steaks et rôtis seront meilleurs si vous les laissez reposer pendant quelques minutes avant de les servir. Ceci permet aux jus délicieux que la chaleur a fait remonter à la surface de retourner au centre et de lui donner plus de saveur.

## DÉPANNAGE

Un bon nettoyage et un bon entretien, ainsi que le fait d'utiliser du combustible propre, sec et de qualité aidera à prévenir la plupart des problèmes de fonctionnement du gril. Toutefois, quand votre gril à granulés de bois Pit Boss® ne fonctionne pas bien ou moins fréquemment, les conseils de dépannage suivants peuvent être utiles.

Pour les FAQ, rendez-vous sur [www.pitboss-grills.com](http://www.pitboss-grills.com). Vous pouvez également contacter votre revendeur agréé local Pit Boss® ou contacter le Service à la clientèle pour obtenir de l'aide.

**AVERTISSEMENT : Débranchez toujours le cordon électrique avant d'ouvrir la plaque d'inspection de votre gril pour effectuer toute inspection, nettoyage, maintenance ou entretien. Veillez à ce que le gril soit complètement froid pour éviter des blessures.**

### GRIL À GRANULÉS DE BOIS

PROBLÈME	CAUSE	SOLUTION
Pas d'alimentation sur la carte de contrôle	La molette de température est sur OFF.	Appuyez sur le <b>bouton d'alimentation</b> , puis assurez-vous que le bouton s'allume en bleu pour indiquer qu'il y a une connexion à la source d'alimentation. Tournez la molette de température sur un réglage de température.
	Le gril n'est pas branché correctement.	Assurez-vous que le gril est branché à une prise d'alimentation qui fonctionne. Retirez le panneau d'accès de la trémie (voir <b>diagramme de fils électrique</b> pour le schéma) et assurez-vous que tous les raccords de câbles sont solidement branchés.
	Le fusible sur la carte de circuit a explosé	Enlevez le panneau d'accès à la trémie (voir <b>diagramme de fils électrique</b> pour le schéma), appuyez sur les pattes en plastique maintenant la carte de contrôle en place et tirez délicatement le contrôleur à l'intérieur de la trémie pour libérer le contrôleur. Vérifiez le fusible pour voir s'il y a un fil cassé ou si le fil est devenu noir. Si oui, le fusible doit être remplacé manuellement.

	La prise GFCI est déclenchée	Enlevez le panneau d'accès à la trémie (voir <b>diagramme de fils électrique</b> pour le schéma), et assurez-vous que tous les raccords de câbles sont solidement branchés. Assurez-vous que le GFCI est porté au minimum à 10 ampères.
	Carte de contrôle défectueuse	La carte de contrôle doit être remplacée. Contactez le service clientèle pour une pièce de rechange.
Le feu dans le pot de combustion ne s'allume pas	La tarière n'est pas amorcée	Avant que l'appareil ne soit utilisé pour la première fois <u>ou</u> lorsque la trémie est complètement vidée, la tarière doit être amorcée pour permettre aux granulés de remplir le pot de combustion. S'il n'est pas amorcé, l'allumeur s'éteindra avant que les granulés n'atteignent le pot de combustion. Suivez la <b>procédure d'amorçage de la trémie</b> .
	Moteur de la tarière est coincé	Retirer les composants de cuisson du baril principal. Appuyez sur le bouton d'alimentation pour allumer l'appareil, tournez la molette de réglage de la température sur FUMÉE et inspectez le système d'alimentation de la tarière. Confirmez visuellement que la tarière laisse tomber les granulés dans le pot de combustion. S'il ne fonctionne pas correctement, appelez le service clientèle pour obtenir de l'aide.
	Panne de l'allumeur	Retirer les composants de cuisson du baril principal. Appuyez sur le bouton d'alimentation pour allumer l'appareil, tournez la molette de réglage de la température sur FUMÉE et inspectez l'allumeur. Confirmez visuellement que l'allumeur fonctionne en plaçant votre main au-dessus du pot de combustion et en sentant la chaleur. Vérifier visuellement que l'allumeur dépasse d'environ 13 mm dans le pot de combustion. S'il ne fonctionne pas correctement, suivez la <b>procédure de démarrage manuelle</b> pour continuer à utiliser le gril; aussi, appelez le service à la clientèle pour obtenir de l'aide ou une pièce de rechange.
Points clignotants sur l'écran LCD	L'allumeur est en marche	Ceci n'est pas une erreur qui a une incidence sur le gril. Utilisé pour démontrer que l'unité est en mode de mise en marche. L'allumeur s'éteindra après 5 minutes. Une fois que les points clignotants sont éteints, le gril commence à fonctionner à la température désirée sélectionnée.
La température clignote sur l'écran LCD	La température du gril est inférieure à 65°C / 150°F	Ceci n'est pas une erreur qui a une incidence sur le gril, néanmoins elle est utilisée pour démontrer qu'il y a un risque que le feu pourrait s'éteindre. Vérifiez qu'il y a suffisamment de combustible dans la trémie ou s'il y a obstruction dans le système d'alimentation. Retirez les granulés et suivez les instructions <b>d'entretien et de maintenance</b> . Vérifiez la Sonde de gril du gril. Suivez les instructions <b>d'entretien et de maintenance</b> si sale. Vérifiez le pot de combustion pour déceler la présence de toute accumulation de cendres ou d'obstructions. Suivez les instructions <b>d'entretien et de maintenance</b> en cas d'accumulation de cendres. Contrôlez le ventilateur. Assurez-vous qu'il fonctionne correctement et que l'entrée d'air n'est pas bloquée. Suivez les instructions <b>d'entretien et de maintenance</b> si sale. Vérifiez le moteur de la tarière pour confirmer le fonctionnement et assurez-vous qu'il n'y a pas de blocage dans le tube de la tarière.
Code d'erreur « ErH »	Le gril a surchauffé, possiblement en raison d'un feu de graisse ou d'un excès de combustible	Appuyez sur le <b>bouton d'alimentation</b> et tournez la molette de température sur OFF et permettez au gril de refroidir. Suivez les instructions <b>d'entretien et de maintenance</b> . Après la maintenance, enlevez les granulés en trop et confirmez que les parties composantes sont bien placées. Pour effacer le message d'erreur, tournez la molette de température à la position OFF (ARRÊT), ouvrez le couvercle, attendez 3 à 4 minutes, puis sélectionnez la température souhaitée.
Code d'erreur « ErL »	Le gril ne fonctionne pas cycle de démarrage	Vérifiez le bon positionnement des éléments de cuisson. Vérifiez que la trémie contient assez de combustible ou que le système d'alimentation n'est pas obstrué. Retirez les granulés et suivez les instructions d'entretien et de maintenance. Vérifiez la sonde du gril. Confirmez si la température réelle est correcte et précise. Suivez les instructions d'entretien et de maintenance si elles sont sales. Vérifiez le positionnement de l'allumeur et s'il chauffe correctement. En cas de froid extrême, le gril peut nécessiter un second démarrage. Éteignez le gril, attendez, puis rallumez-le. Vérifiez le ventilateur. Assurez-vous qu'il fonctionne correctement. Suivez les instructions d'entretien et de maintenance si elles sont sales.
	Le gril ne restera pas allumé	
Code d'erreur « Err »	Le fil de la Sonde de gril n'établit pas de connexion.	Retirez le panneau d'accès de la trémie (voir <b>diagramme de fils électrique</b> pour le schéma) et vérifiez s'il y a un endommagement. Vérifiez que tous les raccords de câbles sont connectés fermement et connectés correctement à la carte de contrôle numérique.

Code d'erreur « noP »	Mauvaise connexion au port de connexion	Débranchez la sonde de viande du port de connexion sur la carte de contrôle, puis reconnectez-vous. Assurez-vous que l'adaptateur de sonde de viande est fermement connecté. Vérifiez s'il y a des signes d'endommagement de l'adaptateur. En cas d'échec, appeler le service clientèle pour la pièce de rechange.
	Sonde de viande endommagée	Vérifiez les signes de dommages aux fils de la sonde de viande. Si elle est endommagée, appelez le service à la clientèle pour une partie de remplacement.
	Carte de contrôle défectueuse	La carte de contrôle doit être remplacée. Contactez le service clientèle pour une pièce de rechange.
Température du grill sur FUMÉE est trop élevée	Le réglage « P » est trop FAIBLE.	Appuyez sur le bouton de réglage « P » et augmentez le réglage « P ».
Le grill n'atteint pas ou n'arrive pas à maintenir une température stable	Le flux d'air dans le pot de combustion est insuffisant	Vérifiez le pot de combustion pour déceler la présence de toute accumulation de cendres ou d'obstructions. Suivez les instructions <b>d'entretien et de maintenance</b> en cas d'accumulation de cendres. Contrôlez le ventilateur. Assurez-vous qu'il fonctionne correctement et que l'entrée d'air n'est pas bloquée. Suivez les instructions <b>d'entretien et de maintenance</b> si sale. Vérifiez le moteur de la tarière pour confirmer le fonctionnement et assurez-vous qu'il n'y a pas de blocage dans le tube de la tarière. Assurez-vous que tout ce qui a été mentionné ci-dessus a été effectué, démarrez le grill, réglez la température sur FUMÉE et patientez pendant 10 minutes. Vérifiez que la flamme produite est vive et lumineuse.
	Manque de carburant, mauvaise qualité du carburant, obstruction dans le système d'alimentation	Vérifier la trémie pour vérifier que le niveau de carburant est suffisant, et reconstituer si faible. Si la qualité des granulés de bois est médiocre ou si la longueur des granulés est trop longue, cela peut provoquer une obstruction dans le système d'alimentation. Retirer les granules et suivre les instructions <b>d'entretien et de maintenance</b> .
	Sonde de grill	Vérifiez l'état de la Sonde de grill. Suivez les instructions <b>d'entretien et de maintenance</b> si elles sont sales. Contactez le service clientèle pour une pièce de rechange si elle est endommagée.
Le grill produit de la fumée excessive ou décolorée	Accumulation de graisse	Suivez les instructions <b>d'entretien et de maintenance</b> .
	Qualité des granulés de bois	Retirez les granulés de bois humides de la trémie. Suivez les instructions <b>d'entretien et de maintenance</b> pour le nettoyage. Remplacez par des granulés de bois secs.
	Le pot de combustion est bloqué	Retirez les granulés de bois humides du pot de combustion. Suivez la <b>procédure d'amorçage de la trémie</b> .
	Prise d'air insuffisante pour le ventilateur	Vérifier le ventilateur. Assurez-vous qu'il fonctionne correctement et la prise d'air ne soit pas bloqué. Suivez les instructions <b>d'entretien et de maintenance</b> si sale.
Embrassements fréquents	Température de cuisson	Essayez de cuisiner à une température plus basse. La graisse possède un point d'ignition. Gardez la température en-dessous de 176°C / 350°F lorsque vous cuisinez des aliments très gras.
	Accumulation de graisse sur les composants de cuisson	Suivez les instructions <b>d'entretien et de maintenance</b> .

## GRIL AU GAZ PROPANE

PROBLÈME	CAUSE	SOLUTION
Le grill ne s'allume pas	Le fil d'allumage s'est détaché de l'allumeur électrique / de la valve.	Reconnectez le fil d'allumage Pas de gaz fourni l'allumeur électrique / de la valve.
	Le fil d'allumage est cassé	Contactez le service à la clientèle pour obtenir une assistance ou des pièces de rechange.
	La batterie est morte	Installez une nouvelle batterie.
	La nouvelle batterie ne fonctionne pas	Vérifiez la polarité de la batterie. Le pôle négatif (-) de la batterie entre en premier.
	La pointe de l'électrode ne produit pas d'étincelles au niveau du port du brûleur	Ajustez l'électrode.
	Aucun gaz fourni	Contrôlez le détendeur. Contrôlez la connexion pour une éventuelle fuite.
Flambées excessives	Griller les viandes grasses	Faites griller les viandes grasses lorsque les grilles sont froides et que les boutons sont réglés sur « BAS » (LOW). Déplacez les viandes sur la grille de réchauffement si la flambée continue.
	Température de cuisson	Essayez de cuisiner à une température plus basse. La graisse possède un point d'ignition. Gardez la température en-dessous de 176° C / 350° F lorsque vous cuisinez des aliments très gras.
	De l'eau vaporisée sur les flammes de gaz	Ne vaporisez pas d'eau sur les flammes de gaz.
Le brûleur s'éteint	La bonbonne de gaz est vide	Remplir la bonbonne de gaz.
	Le brûleur n'est pas aligné avec la vanne de régulation	Installez correctement le brûleur.
	L'approvisionnement en gaz n'est pas suffisant	Vérifiez le tuyau d'alimentation en gaz et assurez-vous qu'il n'y a pas de fuites ni de nœuds.
Chaleur basse sur la position « HAUT » (HIGH)	Ports bloqués	Dégagez les ports de toute obstruction.
	La bobonne de gaz est à court	Remplir la bonbonne de gaz.

# DIAGRAMME DE FIL ÉLECTRIQUE

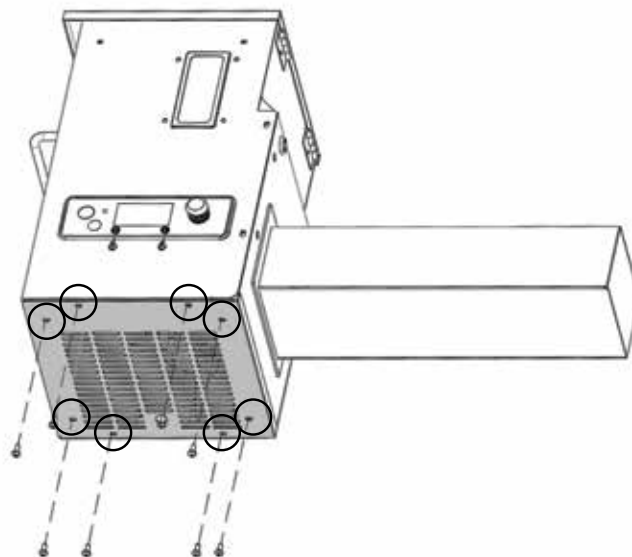
Le panneau de commande numérique est un matériel technologique hautement sophistiqué et de grande valeur. Pour une protection contre les surtensions et les courts-circuits électriques, consultez le schéma de fil ci-dessous pour vous assurer que votre source d'alimentation est suffisante pour le fonctionnement de l'appareil.

## PB – EXIGENCES ÉLECTRIQUES

110-120V, 60Hz, 250W, FICHE À 3 BROCHES MISE À LA TERRE

REMARQUE : Les composants électriques, passés par les tests de sécurité des produits et les services de certification, sont conformes avec une tolérance de test de  $\pm 5$  à 10%.

LOCALISEZ ET RETIREZ  
LES HUIT VIS DU  
Panneau d'accès en  
dessous de l'unité



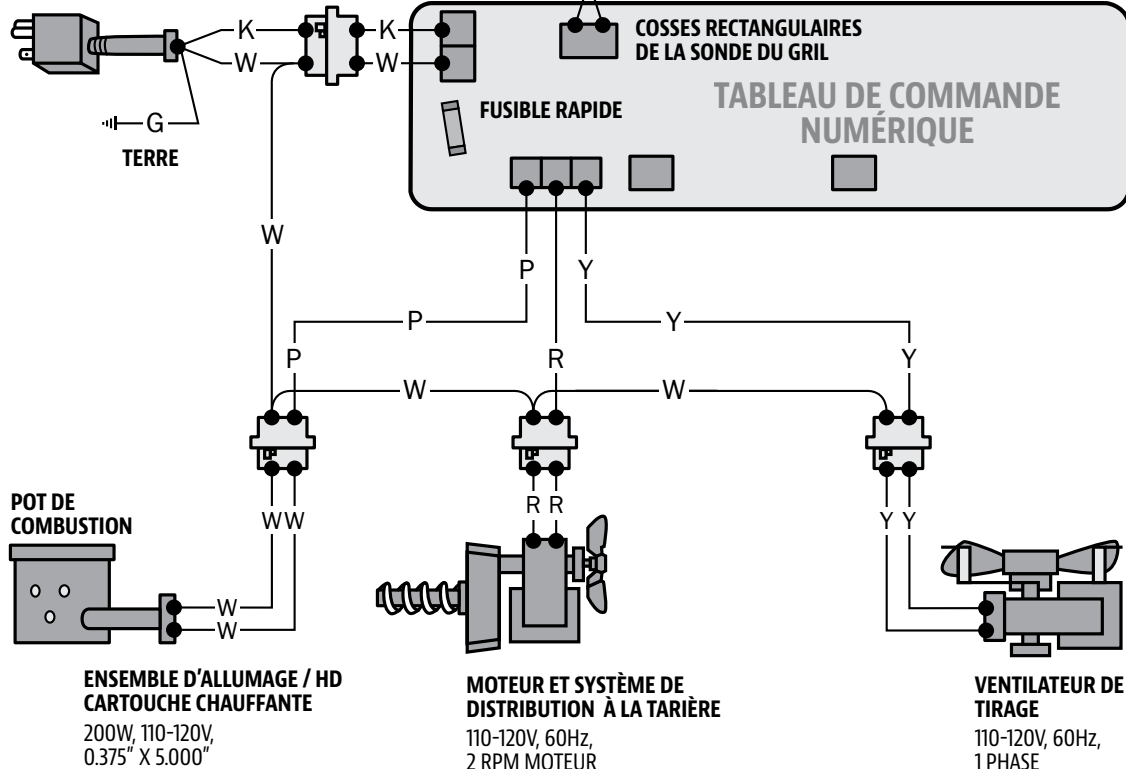
**INDICE DE  
CONSUMMATION  
DE CARBURANT:**  
2.0 KG/H  
(4.4 LB/H)

### INDICE

W : BLANC  
Y : JAUNE  
P : MAUVE  
R : ROUGE  
K : NOIR  
G : VERT

#### CORDON D'ALIMENTATION MIS À LA TERRE

VW-1, 105°C/221°F,  
18-3 STANDARD CSA



# PIÈCES DE RECHANGE DU GRIL

No.	Description des pièces
1-A	Grille de cuisson supérieure en acier recouvert de porcelaine (x2)
2-A	Grille de cuisson en fonte recouverte de porcelaine (x4)
3-A	Bouchon de couvercle (x2)
4-A	Barre de réglage de fumée (x1)
5-A	Barre de réglage de fumée (x1)
6-A	Chaudière glissière (x1)
7-A	Chaudière planche principale (x1)
8-A	Poignée de la trémie (x1)
9-A	Ouvre-bouteille (x1)
10-A	Assemblage de la trémie (x1)
11-A	Baril principal (x1)
12-A	Boîte à épices (x1)
13-A	Plaque signalétique (x1)
14-A	Thermomètre (x1)
15-A	Cadran de la poignée du couvercle (x4)
16-A	Poignée du couvercle (x2)
17-A	Support de tablette avant / gauche (x1)
18-A	Support de tablette avant / droite (x1)
19-A	Tablette avant (x1)
20-A	Plateau à graisse (x1)
21-A	Seau à graisse (x1)
22-A	Pied de support pour roulette / avant (x1)
23-A	Pied de support pour roulette / dos (x1)
24-A	Jambe de soutien / avant (x1)
25-A	Jambe de soutien / dos (x1)
26-A	Barre de chariot A (x2)
27-A	Barre de chariot B (x2)
28-A	Roulettes verrouillables (x2)
29-A	Roue (x2)
30-A	Étagère Inférieure (x1)
31-A	Support de support de bouteille de gaz LP (x1)
32-A	Retenue de fil de cylindre de gaz LP (x1)

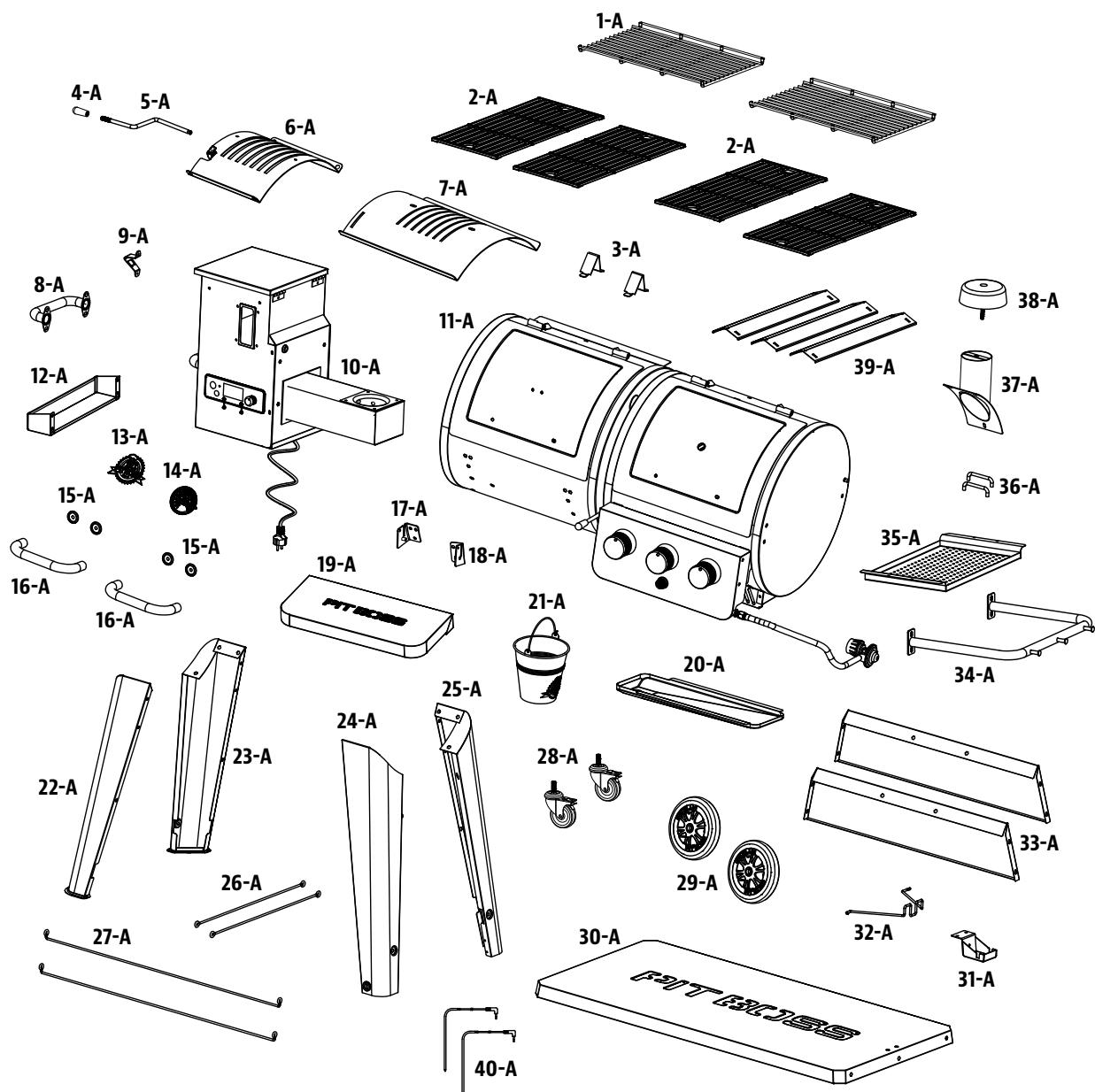
No.	Description des pièces
33-A	Panneau avant / arrière du chariot (x2)
34-A	Poignée de tablette latérale (x1)
35-A	Plateau de service (x1)
36-A	Poignée de plateau de service (x2)
37-A	Pile de cheminée (x1)
38-A	Chapeau de cheminée (x1)
39-A	Tente de chaleur (x3)
40-A	Sonde à viande (x2)
41-A	Vis (x34)
42-A	Rondelle (x38)
43-A	Rondelle de verrouillage (x38)
44-A	Écrou (x3)
45-A	Goupille de l'essieu des roues (x2)
46-A	Rondelle de roue (x2)
47-A	Axe de roue (x2)
48-A	Vis (x8)
49-A	Vis (x4)
50-A	Batterie AA (x1)

REMARQUE: En raison du développement en cours du produit, les pièces peuvent être modifiées sans préavis.

Illustration du diagramme à la page suivante.

MODÈLE	UNITÉ ASSEMBLÉE (LxHxP)	POIDS DE L'UNITÉ	SURFACE DE CUISSON		BTU	CARACTÉRISTIQUES NUMÉRIQUES	
PB	PB1230SP	1 766 x 1 274 x 805 mm / 69,5 x 50,1 x 31,7 po	92,7 kg / 204,37 lb	Granules Principale - 2 580,6 cm <sup>2</sup> / 400 po <sup>2</sup>	Gaz Principale - 2 580,6 cm <sup>2</sup> / 400 po <sup>2</sup>	30 000	Dix réglages de température, cycles de démarrage et de refroidissement, allumage électrique
				Grille Supérieure - 1 489 cm <sup>2</sup> / 230,8 po <sup>2</sup>	Grille Supérieure - 1 489 cm <sup>2</sup> / 230,8 po <sup>2</sup>		
				<b>TOTAL - 4 069,6 cm<sup>2</sup> / 630,8 po<sup>2</sup></b>			
				<b>TOTAL - 8 139,2 cm<sup>2</sup> / 1 261,6 po<sup>2</sup></b>			

# PIÈCES DE RECHANGE DU GRIL



41-A		44-A		47-A		50-A	
42-A		45-A		48-A			
43-A		46-A		49-A			

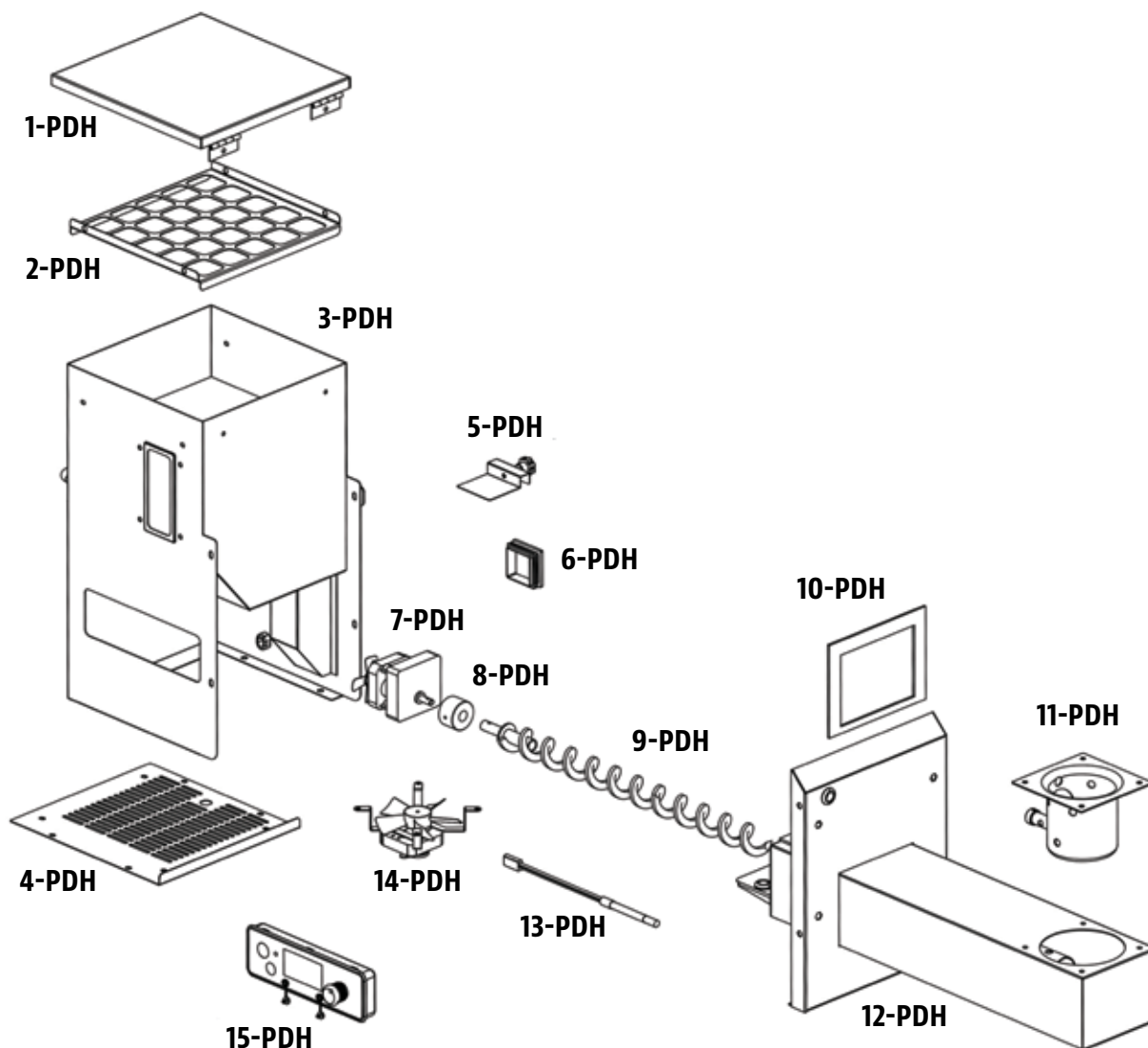
FRANÇAIS

# PIÈCES DE RECHANGE DE TRÉMIE

No.	Description
1-PDH	Couvercle de trémie (x1)
2-PDH	Écran de sécurité de la trémie (x1)
3-PDH	Boîtier de la trémie (x1)
4-PDH	Panneau d'accès de la trémie (x1)
5-PDH	Plateau de la chute (x1)
6-PDH	Couvercle de la chute (x1)
7-PDH	Moteur de la tarière (x1)
8-PDH	Bague d'étanchéité en nylon (x1)

No.	Description
9-PDH	Assemblage du filet de tarière (x1)
10-PDH	Joint de corps de la trémie (x1)
11-PDH	Pot de combustion (x1)
12-PDH	Boîtier de la trémie (x1)
13-PDH	Allumeur (x1)
14-PDH	Ventilateur de combustion (x1)
15-PDH	Panneau de commande H1 du Pit Boss® (x1)

REMARQUE: En raison du développement en cours du produit, les pièces peuvent être modifiées sans préavis.



# GARANTIE

## CONDITIONS

Tous les grils de granulés de bois de Pit Boss®, fabriqués par Dansons, contiennent une garantie limitée à partir de la date de vente par le propriétaire initial. La garantie entre en vigueur la date d'achat, et une preuve de la date d'achat ou copie de votre achat de vente original est requise pour valider la garantie. Si le client n'est pas en mesure de produire une preuve de l'achat ou si la date de couverture de la garantie est dépassée, il sera tenu de payer les pièces, l'expédition et la main-d'œuvre.

Dansons offre une garantie de cinq (5) ans contre les défauts et fabrication sur toutes les pièces, et cinq (5) ans sur les composants électriques. Dansons garantit que toute partie(s) sont exempte de défauts de matériel et de fabrication, pour la durée d'utilisation et de propriété de l'acheteur initial. La garantie ne couvre pas les dommages causés par l'usure, tels que les rayures, les bosses, les coups, les éclats ou les fissures cosmétiques mineures. Ces changements esthétiques du gril n'affectent pas sa performance. La réparation ou le remplacement d'une pièce ne prolonge pas la garantie limitée au-delà de cinq (5) ans à partir de la date d'achat.

Pendant la période de la garantie limitée, l'obligation de Dansons sera limitée à fournir le remplacement des composants couverts et/ou défectueux. Tant que cela se produit pendant la période de la garantie, Dansons ne vous facturera pas sur la réparation ou le remplacement des pièces retournées, le port-payé, si Dansons détermine que ces pièces se révèlent défectueuses après inspection. Dansons ne sera pas tenu responsable des frais de transport, du coût salarial ou des droits d'exportation. Sauf disposition contraire dans ces conditions de garantie, la réparation ou le remplacement des pièces de la façon et pour la durée fixée ci-dessous, remplira le devoir de toutes les responsabilités et obligations directes et dérivées de Dansons envers vous.

Dansons prend toutes les précautions pour utiliser les matériaux qui retardent la formation de la rouille. Même avec ces garanties, le revêtement protecteur peut être compromis par diverses substances et conditions qui échappent au contrôle de Dansons. Les hautes températures, l'humidité excessive, le chlore, les gaz industriels, les engrais, les pesticides utilisés pour les pelouses et le sel sont quelques-unes des substances pouvant affecter les revêtements métalliques. C'est pour ces raisons que les garanties limitées ne couvrent pas la rouille ni l'oxydation, à moins que le composant du gril présente une perte d'intégrité structurelle. Si les scénarios décrits ci-dessus devaient se produire, veuillez vous référer à la section de soin et de maintenance pour prolonger la durée de vie de votre appareil. Dansons recommande l'utilisation d'une couverture de gril lorsqu'il n'est pas utilisé.

Les garanties s'appliquent à un usage domestique et utilisation normale du gril et aucune des garanties limitées ne s'applique à un gril utilisé pour des applications commerciales.

## EXCEPTIONS

Il n'existe pas de garantie de performance écrite ou implicite sur les appareils « Pit Boss® », car le fabricant ne contrôle pas l'installation, le fonctionnement, le nettoyage, l'entretien ou le type de combustible brûlé. La garantie limitée ne s'appliquera pas, et Dansons n'assumera aucune responsabilité, si votre appareil n'a pas été installé, opéré, nettoyé et entretenu conformément aux instructions du fabricant. Toute utilisation de gaz non précisée dans ce manuel peut annuler la garantie. La garantie ne couvre pas les dommages ou ruptures causées par une mauvaise utilisation, mauvaise manutention ou des modifications.

Dansons et les fournisseurs autorisés Pit Boss®, déclinent toute responsabilité, légale ou autre, quant aux dommages accidentels ou consécutifs à la propriété ou aux personnes résultant de l'utilisation de ce produit. Si une réclamation est retournée contre Dansons basée sur la violation de cette garantie ou de tout autre type de garantie explicite ou implicite en droit, le fabricant ne sera en aucun cas tenu responsable des dommages-intérêts spéciaux, punitifs ou indirects de quelque nature que ce soit en surplus du prix d'achat original de ce produit. Toutes les garanties du fabricant sont énoncées ici et aucune réclamation ne sera effectuée contre le fabricant par le biais d'une garantie ou de représentation.

Certaines provinces n'autorisent pas l'exclusion ou la limitation des dommages accidentels ou consécutifs, ou les limitations des garanties implicites, de sorte qu'il est possible que les exclusions et limitations énoncées dans cette garantie limitée ne s'appliquent pas à vous. Cette garantie limitée vous donne des droits légaux spécifiques, et vous pourriez aussi avoir d'autres droits légaux qui pourront varier selon l'état ou la province.

## COMMANDE DE PIÈCES DE REMPLACEMENT

Pour commander des pièces de rechange, contactez votre revendeur local Pit Boss® ou visitez notre boutique en ligne à l'adresse suivante: [www.pitboss-grills.com](http://www.pitboss-grills.com)

## APPELEZ LE SERVICE À LA CLIENTÈLE

Si vous avez des questions ou des problèmes, veuillez communiquer avec le Service à la clientèle.

**ÉTATS-UNIS: (480) 923-9630 | CANADA (SANS FRAIS) : 1-877-942-2246**

## SERVICE DE GARANTIE

Appelez votre fournisseur de « Pit Boss® » le plus proche pour une réparation ou un remplacement de vos pièces. Dansons exige une preuve d'achat pour établir une réclamation sous garantie; Conservez donc votre reçu ou facture originale pour référence future. Le numéro de série et de modèle de votre Pit Boss® se trouve sur la trémie. Enregistrez les numéros ci-dessous, car l'étiquette peut s'user ou devenir illisible.

---

MODÈLE

---

NUMÉRO DE SÉRIE

---

DATE D'ACHAT

---

CONCESSIONNAIRE AUTORISÉ



# IMPORTANT

## DO NOT RETURN PRODUCT TO STORE

For all questions, comments, or inquiries, please contact Dansons our Customer Care department.


USA: (480) 923-9630 | CANADA (TOLL FREE): 1-877-942-2246


# IMPORTANT

## NE RETOURNEZ PAS LE PRODUIT AU MAGASIN

Pour toutes questions, commentaires ou demandes de renseignements, veuillez communiquer avec le service à la clientèle de Dansons.

ÉTATS-UNIS : (480) 923-9630 | CANADA (SANS FRAIS) : 1-877-942-2246

 **WARNING:** This product can expose you to chemicals including wood dust and formaldehyde, which is known to the state of California to cause cancer, lead and lead compounds, which are known to the state of California to cause cancer and birth defects or other reproductive harm, and carbon monoxide, which is known to the State of California to cause birth defects or other reproductive harm. For more information go to [WWW.P65WARNINGS.CA.GOV](http://WWW.P65WARNINGS.CA.GOV)

 **AVERTISSEMENT:** Ce produit peut vous exposer à des produits chimiques incluant la poussière de bois et le formaldéhyde, identifiés par l'État de Californie comme pouvant causer le cancer, du plomb et des composés de plomb, identifiés par l'État de Californie comme pouvant causer le cancer et des malformations congénitales ou d'autres effets nocifs sur la reproduction, et le monoxyde de carbone, reconnu par l'État de Californie comme pouvant causer des malformations congénitales ou autres effets nocifs sur la reproduction. Pour de plus amples informations, prière de consulter [WWW.P65WARNINGS.CA.GOV](http://WWW.P65WARNINGS.CA.GOV)

MADE IN CHINA | FABRIQUÉ EN CHINE



© 2022 DANSONS  
602221017UMV