



ITM. / ART. 5139522, 1097655, 49255036

MODEL / MODÈLE / MODELO: PB1600PS3

PART / PIÈCE / PARTE: 10981, 10984

# PRO SERIES

## HARDWOOD PELLET GRILL & SMOKER

IMPORTANT, READ CAREFULLY, RETAIN FOR FUTURE REFERENCE.  
MANUAL MUST BE READ BEFORE OPERATING!

## GRIL & FUMOIR À GRANULES DE BOIS

IMPORTANT, PRENEZ CONNAISSANCE DE CE DOCUMENT ET CONSERVEZ-LE POUR RÉFÉRENCE ULTÉRIEURE VOUS DEVEZ LIRE CE GUIDE AVANT D'UTILISER LE BARBECUE !

## ASADOR Y AHUMADOR DE PELLETS DE MADERA

IMPORTANTE, LEA DETENIDAMENTE, CONSERVE PARA REFERENCIA FUTURA. ¡DEBE LEER EL MANUAL ANTES DE LA OPERACIÓN!



**PB1600PS3**

**82-260°C / 180-500°F**

**WARNING:** PLEASE READ THE ENTIRE MANUAL BEFORE INSTALLATION AND USE OF THIS ELECTRIC, PELLET FUEL-BURNING APPLIANCE. FAILURE TO FOLLOW THESE INSTRUCTIONS COULD RESULT IN PROPERTY DAMAGE, BODILY INJURY OR EVEN DEATH. CONTACT LOCAL BUILDING OR FIRE OFFICIALS ABOUT RESTRICTIONS AND INSTALLATION INSPECTION REQUIREMENTS IN YOUR AREA.

**AVERTISSEMENT :** VEUILLEZ LIRE L'INTÉGRALITÉ DU MANUEL AVANT L'INSTALLATION ET L'UTILISATION DE CET APPAREIL ÉLECTRONIQUE À GRANULES. LE NON-RESPECT DE CES INSTRUCTIONS PEUT ENTRAÎNER DES DOMMAGES AUX BIENS, DES BLESSURES OU MÊME LA MORT. COMMUNIQUEZ AVEC LES AUTORITÉS LOCALES EN MATIÈRE D'INCENDIE ET DE BÂTIMENT CONCERNANT LES RESTRICTIONS ET LES EXIGENCES D'INSTALLATION DANS VOTRE RÉGION.

**ADVERTENCIA:** LEA EL MANUAL COMPLETO ANTES DE INSTALAR Y UTILIZAR ESTE APARATO ELÉCTRICO PARA QUEMAR PELLETS DE COMBUSTIBLE. INCUMPLIR ESTAS INSTRUCCIONES PODRÍA CAUSAR DAÑOS MATERIALES, LESIONES CORPORALES, E INCLUSO LA MUERTE. CONSULTE A SUS FUNCIONARIOS LOCALES DE CONSTRUCCIÓN Y CONTROL DE INCENDIOS PARA INFORMARSE SOBRE LAS RESTRICCIONES Y LOS REQUISITOS DE INSPECCIÓN DE INSTALACIONES EN SU REGIÓN.

## ASSEMBLY AND OPERATION ASSEMBLAGE ET FONCTIONNEMENT MONTAJE Y OPERACIÓN

FOR OUTDOOR AND HOUSEHOLD USE ONLY. NOT FOR COMMERCIAL USE.  
RÉSERVÉ À L'USAGE EXTERIEUR ET RÉSIDENIEL UNIQUEMENT. NON DESTINÉ À UN USAGE COMMERCIAL.  
SOLO PARA USO EN EXTERIORES Y EN EL HOGAR. NO ES PARA USO COMERCIAL.

# SAFETY INFORMATION

## MAJOR CAUSES OF APPLIANCE FIRES ARE A RESULT OF POOR MAINTENANCE AND A FAILURE TO MAINTAIN REQUIRED CLEARANCE TO COMBUSTIBLE MATERIALS. IT IS OF UTMOST IMPORTANCE THAT THIS PRODUCT BE USED ONLY IN ACCORDANCE WITH THE FOLLOWING INSTRUCTIONS.

Please read and understand this entire manual before attempting to assemble, operate, or install the product. This will ensure you receive the most enjoyable and trouble-free operation of your new hardwood pellet grill. We also advise you retain this manual for future reference.

### DANGERS AND WARNINGS

**You must contact your local home association, building or fire officials, or authority having jurisdiction, to obtain the necessary permits, permission, or information on any installation restrictions, such as any grill being installed on a combustible surface, inspection requirements, or even ability to use, in your area.**

1. A minimum clearance of 914mm (36 inches) from combustible constructions to the sides of the grill, and 914mm (36 inches) from the back of the grill to combustible constructions must be maintained. **Do not install appliance on combustible floors, or floors protected with combustible surfaces unless proper permits and permissions are obtained by authorities having jurisdiction.** Do not use this appliance indoors, in an enclosed or unventilated area, inside homes, vehicles, tents, garages. This hardwood pellet appliance must not be placed under overhead combustible ceiling or overhang. Keep your grill in an area clear and free from combustible materials, gasoline and other flammable vapors and liquids.

**Should a grease fire occur, turn the grill OFF and leave the lid closed until the fire is out. Unplug the power cord. Do not throw water on the unit. Do not try to smother the fire. Use of an all-class (class ABC) approved fire extinguisher is valuable to keep on site. If an uncontrolled fire does occur, call the Fire Department.**

2. Keep electrical supply cords and the fuel away from heated surfaces. Do not use your grill in the rain or around any water source.
3. After a period of storage, or non-use, check the Burn Pot for obstructions, the hopper for foreign objects, and any air blockage around the fan intake or chimney. Clean before use. Regular care and maintenance is required to prolong the lifespan of your unit. **If the grill is stored outside during the rainy season or seasons of high humidity, care should be taken to insure that water does not get into the hopper.** When wet or exposed to high humidity, hardwood pellets will expand greatly, decompose, and may jam the feed system. Always disconnect the power, before performing any service or maintenance

**IMPORTANT! Always power off the appliance and allow the shut-down cycle to run. Unplug the appliance only once the shut-down cycle is complete, and/or before cleaning. Failure to follow this warning can cause damage, serious injury, fire, electric shock, or death.**

**Do not transport your grill while in use or while the grill is hot. Ensure the fire is completely out and that the grill is completely cool to the touch before moving.**

4. It is recommended to use heat-resistant barbecue mitts or gloves when operating the grill. Do not use accessories not specified for use with this appliance. Do not put a barbecue cover or anything flammable in the storage space area under the barbecue.

**WARNING: Be aware of building combustible material, maintain the fire to avoid over-firing**

5. To prevent fingers, clothing, or other objects from coming in contact with the auger feed system, the appliance is equipped with a metal safety screen, mounted to the interior of the hopper. This screen must not be removed unless directed by Customer Care or an authorized dealer.

**This appliance is not recommended for children, persons with reduced physical, sensory or mental capabilities, or lack of experience and knowledge, unless they are under direct supervision or instruction by a person responsible for their safety.**

6. Parts of the barbecue may be very hot, and serious injury may occur. Remove pots and pans while the operating appliance is unattended, to reduce the risk of fire. Keep young children and pets away while in use.
7. Do not enlarge Igniter holes or Burn Pots. Failure to follow this warning could lead to a fire hazard and bodily harm and will void your warranty.
8. Product may have sharp edges or points. Contact may result in injury. Handle with care.

## DISPOSAL OF ASHES

Ashes should be placed in a metal container with a tight-fitting lid. The closed container of ashes should be placed on a non-combustible floor or on the ground, well away from all combustible materials, pending final disposal. When ashes are disposed by burial in soil, or otherwise locally dispersed, they should be retained in a closed container until all cinders have thoroughly cooled.

## HARDWOOD PELLET FUEL

This pellet cooking appliance is designed and approved for pelletized, all natural hardwood fuel only. Any other type of fuel burned in this appliance will void the warranty and safety listing. You must only use all natural hardwood pellets, designed for burning in pellet barbecue grills. Do not use fuel with additives. Hardwood pellets are highly susceptible to moisture and should always be stored in an airtight container. If you are storing your grill, without use, for an extended period, we recommend clearing all pellets from your grill's hopper and auger, to prevent jams. The pellet fuel mean heating value in 18569-20362 KJ/KG (8000 - 8770 BTU/LB), ash content < 1%.

**Do not use spirit, petrol, gasoline, lighter-fluid, or kerosene for lighting or refreshing a fire in your grill. Keep all such liquids well away from the appliance when in use.**

At the time of printing, there is no industry standard for barbecue hardwood pellets, although most pellet mills use the same standards to make hardwood pellets for domestic use. Further information, can be found at [www.pelletheat.org](http://www.pelletheat.org) or the *Pellet Fuel Institute*.

Contact your local dealer on the quality of pellets in your area, and for information on brand quality. As there is no control over the quality of pellets used, moisture affected pellets, we assume no responsibility to damage caused by poor quality of fuel.

## CREOSOTE

Creosote - formation, and need for removal. When burning, it produces black smoke with a residue that is also black in color. When wood pellets are burned slowly, they produce tar and other organic vapors that combine with expelled moisture to form creosote. The creosote vapors condense in a relatively cool oven flue and exhaust hood of a slow-burning fire. As a result, creosote residue accumulates on the flue lining and exhaust hood. When ignited, this creosote makes an extremely hot fire.

The grease duct should be inspected at least twice a year to determine when the grease and/or creosote buildup has occurred.

When grease or creosote has accumulated, it should be removed to reduce the risk of fire.

## CARBON MONOXIDE (“THE SILENT KILLER”)

Carbon monoxide is a colorless, odorless, tasteless gas produced by burning gas, hardwood, propane, charcoal, or other fuel. Carbon monoxide reduces the blood’s ability to carry oxygen. Low blood oxygen levels can result in headaches, dizziness, weakness, nausea, vomiting, sleepiness, confusion, loss of consciousness, or death. Follow these guidelines to prevent this colorless, odorless gas from poisoning you, your family, or others:

- See a doctor if you or others develop cold or flu-like symptoms while cooking or in the vicinity of the appliance. Carbon monoxide poisoning, which can easily be mistaken for a cold or flu, is often detected too late.
- Alcohol consumption and drug use increase the effects of carbon monoxide poisoning.

Carbon monoxide is especially toxic to mother and child during pregnancy, infants, the elderly, smokers, and people with blood or circulatory system problems, such as anemia, or heart disease.

## SAFETY LISTING

In accordance with the procedures and specifications listed in the UL 2728A-2019 "pellet fuel burning cooking appliances" and ULC/ORD C2728-19 "pellet fuel burning equipment." Pit Boss® Grills pellet cooking appliances have been independently tested and listed by CSA (an accredited testing laboratory) to UL and ULC standards.



## FCC COMPLIANCE STATEMENT

This device complies with Part 15 of FCC Rules. Operation is subject to the following two conditions: (1) This device may not cause harmful interference, and (2) This device must accept any interference received, including interference that may cause undesired operation. This equipment complies with FCC radiation exposure limits set forth for an uncontrolled environment. This equipment should be installed and operated with a minimum distance of 20cm between the radiator and your body. This transmitter must not be co-located or operating in conjunction with any other antenna or transmitter.



This equipment has been tested and found to comply with the limits for a Class B digital device, pursuant to part 15 of FCC Rules. These limits are designed to provide reasonable protection against harmful interference in a residential installation. This equipment generates, uses, and can radiate radio frequency energy and, if not installed and used in accordance with the instructions, may cause harmful interference to radio communications. However, there is no guarantee that interference will not occur in a particular installation. If this equipment does cause harmful interference to radio or television reception, which can be determined by turning the equipment off and on, the user is encouraged to try to correct the interference by one or more of the following measures:

- Reorient or relocate the receiving antenna.
- Increase the separation between the equipment and receiver.
- Connect the equipment into an outlet on a circuit different from that to which the receiver is connected.
- Consult the dealer or an experienced radio/TV technician for help.

**Caution: The user is cautioned that changes or modifications not expressly approved by the party responsible for compliance could void the user’s authority to operate the equipment.**

The Bluetooth® word mark and logo are registered trademarks owned by Bluetooth SIG, Inc. and any use of such marks by Pit Boss® is under license. Other trademarks and tradenames are those of their respective owners.

# TABLE OF CONTENTS

Safety Information .....	2	Care & Maintenance .....	18
Parts & Specs.....	6	Using Wood Pellet Fuel.....	20
Assembly Preparation.....	7	Cooking Guidelines.....	20
Assembly Instructions		Troubleshooting .....	22
Mounting The Legs To Main Barrel .....	7	Electrical Wire Diagram .....	24
Installing The Bottom Shelf .....	8	Replacement Parts	
Adding Wheels To The Cart.....	8	Grill Replacement Parts .....	25
Installing The Lid Handle.....	8	Hopper Replacement Parts.....	26
Assembling The Side Shelf .....	9	Warranty .....	27
Mounting The Side Shelf .....	9		
Securing The Chimney.....	9		
Securing The Front Shelf Brackets.....	10		
Installing The Front Shelf .....	10		
Installing The Flame Broiler™ Components .....	10		
Installing The Cooking Components .....	11		
Mounting The Rack Hanger .....	12		
Placing The Grease Bucket.....	12		
Connecting To A Power Source.....	12		
Operating Instructions			
Grill Environment .....	13		
Grill Temperature Ranges.....	14		
Understanding The Control Board .....	15		
Connecting To The Pit Boss® Grills App.....	16		
Auger Priming Procedure .....	17		
First Use – Grill Burn-Off.....	17		
Automatic Start-Up Procedure.....	17		
Shutting Off Your Grill.....	17		



## COPYRIGHT NOTICE

Copyright 2022. All right reserved. No part of this manual may be copied, transmitted, transcribed, stored in a retrieval system, in any form or by any means without expressed written permission of,

### Dansons

8877 North Gainey Center Drive, Scottsdale, AZ, USA 85258

### Customer Care

USA: (480) 923-9630

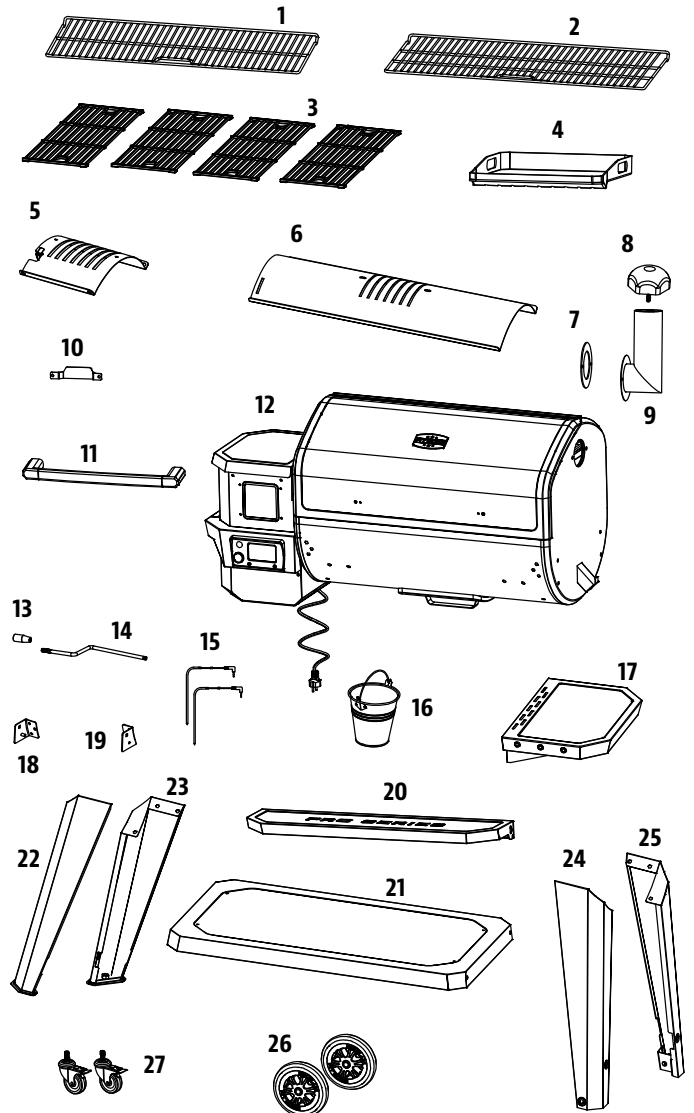
CANADA (TOLL FREE): 1-877-942-2246

[www.pitboss-grills.com](http://www.pitboss-grills.com)

# PARTS & SPECS

ENGLISH

Part#	Description
1	Top Cooking Rack (x1)
2	Middle Cooking Rack (x1)
3	Cooking Grids (x4)
4	Griddle (x1)
5	Flame Broiler Slider (x1)
6	Flame Broiler Main Plate (x1)
7	Chimney Gasket (x1)
8	Chimney Cap (x1)
9	Chimney Stack (x1)
10	Rack Hanger (x1)
11	Lid Handle (x1)
12	Main Barrel / Hopper Assembly (x1)
13	Flame Broiler™ Adjusting Bar Handle (x1)
14	Flame Broiler™ Adjusting Bar (x1)
15	Meat Probe (x2)
16	Grease Bucket (x1)
17	Side Shelf (x1)
18	Front Shelf Bracket / Left (x1)
19	Front Shelf Bracket / Right (x1)
20	Front Shelf (x1)
21	Bottom Shelf (x1)
22	Left Support Leg - Front (x1)
23	Left Support Leg - Back (x1)
24	Right Support Leg - Front (x1)
25	Right Support Leg - Back (x1)
26	Wheel (x2)
27	Locking Caster Wheels (x2)
A	Screw (x28)
B	Washer (x24)
C	Locking Washer (x22)
D	Tool Hook (x3)
E	Wheel Cotter Pin (x2)
F	Wheel Washer (x2)
G	Wheel Axle Pin (x2)
H	Screw (x2)
I	Nut (x2)
J	Bushing (x2)



NOTE: Due to ongoing product development, parts are subject to change without notice. Contact Customer Care if parts are missing when assembling the unit.

**PB – ELECTRIC REQUIREMENTS**  
**110-120V, 60Hz, 315W, 3-PRONG GROUNDED PLUG**

MODEL	ASSEMBLED (WxDxH)	WEIGHT	COOKING AREA	TEMPERATURE RANGE
<b>PB</b> PB1600PS3	1,587.5 MM x 813.5 MM x 1,400 MM / 62.50 IN. x 32.03 IN. x 55.12 IN.	105.0 KG / 231.5 LB	TOP RACK - 2,474.8 CM <sup>2</sup> / 383.6 SQ. IN. MIDDLE - 3,249.6 CM <sup>2</sup> / 503.7 SQ. IN. MAIN - 4,587.1 CM <sup>2</sup> / 711.0 SQ. IN. TOTAL - 10,311.5 CM <sup>2</sup> / 1,598.3 SQ. IN.	82-260°C / 180-500°F

# ASSEMBLY PREPARATION

Parts are located throughout the shipping carton, including underneath the grill. Inspect the grill, parts, and hardware blister pack after removing from the protective shipping carton. Discard all packaging materials from inside and outside of the grill before assembly, then review and inspect all parts by referencing the parts list. If any part is missing or damaged, do not attempt to assemble. Shipping damage is not covered under warranty. Contact your dealer or Pit Boss® Customer Care for parts.

[www.pitboss-grills.com](http://www.pitboss-grills.com) | USA: (480) 923-9630 | CANADA (TOLL FREE): 1-877-942-2246

**IMPORTANT: To ease installation, using two people is helpful (but not necessary) when assembling this unit.**

**Tools required for assembly:** screwdriver and level. *Tools not included.*



# ASSEMBLY INSTRUCTIONS

**IMPORTANT: It is advised to read each step entirely before starting assembly on instructions. Do not tighten screws completely until all screws for that step have been installed. Hardware combination involving a locking washer and washer should be installed with the locking washer closest to the head of the screw.**

## 1. MOUNTING THE LEGS TO THE MAIN BARREL

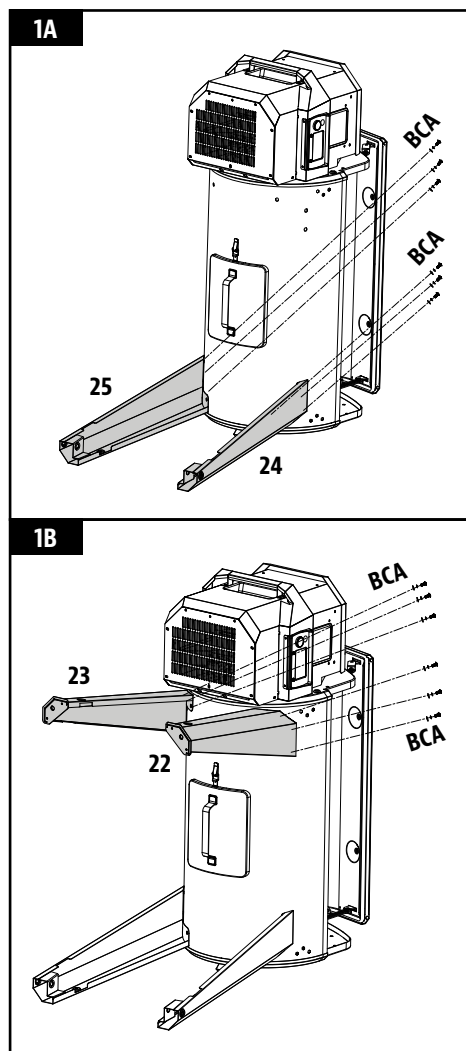
### Parts Required:

- 1 x Main Barrel /Hopper Assembly (#12)
- 1 x Left Support Leg - Front (#22)
- 1 x Left Support Leg - Back (#23)
- 1 x Right Support Leg / Front (#24)
- 1 x Right Support Leg / Back (#25)
- 12 x Screw (#A)
- 12 x Washer (#B)
- 12 x Locking Washer (#C)

### Installation:

- Place a piece of cardboard on the floor to prevent scratching the unit and parts during assembly. Lay the Main Barrel on its side on the cardboard, hopper end pointed upward.
- Mount the Front-Right Support Leg to the floor end of the Main Barrel using three screws, locking washers, and washers, through the three pre-drilled holes. Install screws from the inside of the Main Barrel. Repeat installation for Back-Right Support Leg. Note illustration 1A.
- Next, mount the Front-Left Support Leg to the hopper end of the Main Barrel using three screws, locking washers, and washers, through the three pre-drilled holes. Install screws from the inside of the Main Barrel. Repeat installation for Back-Left Support Leg. Note illustration 1B.

**IMPORTANT: Do not tighten screws completely until bottom shelf is installed in next step.**



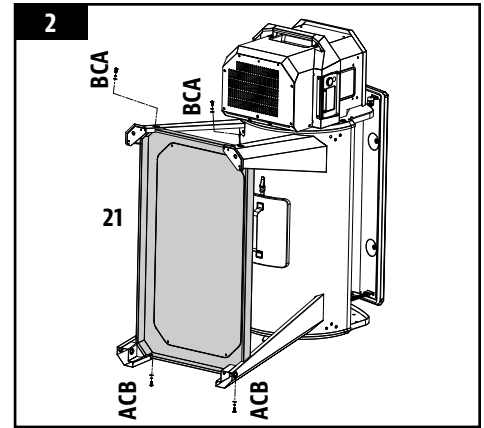
## 2. INSTALLING THE BOTTOM SHELF

### Parts Required:

- 1 x Bottom Shelf (#21)
- 4 x Screw (#A)
- 4 x Washer (#B)
- 4 x Locking Washer (#C)

### Installation:

- Mount the Bottom Shelf to each Support Leg using a screw, locking washer, and washer. Ensure the flat surface of the shelf is facing up towards the Grill Barrel.



## 3. ADDING WHEELS TO THE CART

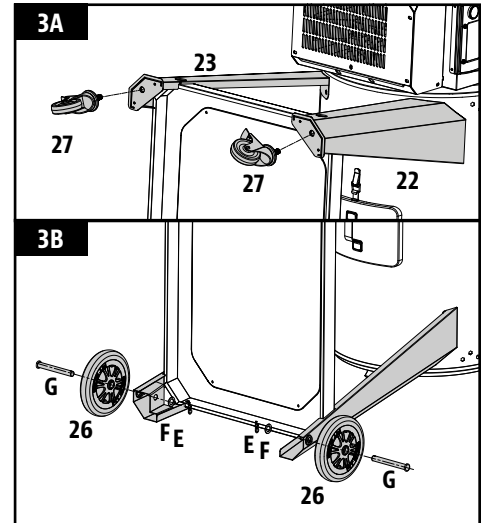
### Parts Required:

- 2 x Locking Caster Wheels (#27)
- 2 x Wheel (#26)
- 2 x Wheel Cotter Pin (#E)
- 2 x Wheel Washer (#F)
- 2 x Wheel Axle Pin (#G)

### Installation:

- Insert each Locking Caster Wheel into the bottom of each Left Support Leg by hand-tightening into the hole. Ensure that each Locking Caster Wheel is inserted completely. Note illustration 3A.
- Attach each Wheel to each Right Support Leg by inserting the Wheel Axle Pin through the Wheel, Support Leg hole, Wheel Washer, then secure using the Wheel Cotter Pin. Note illustration 3B.
- Once the shelf is secure, carefully lift the grill into an upright position.

**IMPORTANT: Re-tighten the support leg screws to ensure they are completely secure after positioning the grill upright.**



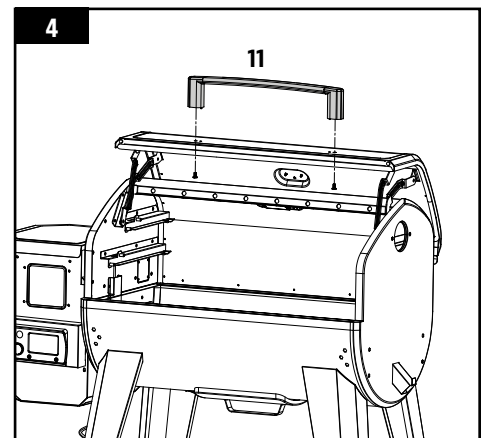
## 4. INSTALLING THE LID HANDLE

### Parts Required:

- 1 x Lid Handle (#11)

### Installation:

- Remove the pre-installed screws from the Lid Handle. From inside the barrel lid, insert one screw to protrude to the outside, then hand-tighten the screw (from the inside) into the Lid Handle. Repeat the same installation for the other end of Lid Handle.



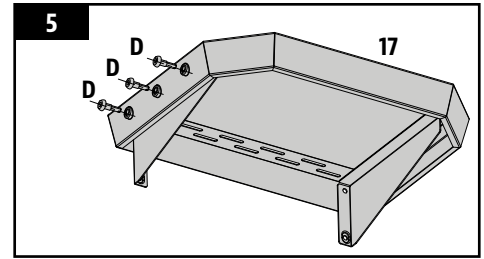
## 5. ASSEMBLING THE SIDE SHELF

### Parts Required:

- 1 x Side Shelf (#17)
- 3 x Tool Hook (#D)

### Installation:

- Turn the Side Shelf upside down. On the edge of the Side Shelf with three holes, install the tool hooks into each hole along the edge. The tool hooks will secure to the nut that is pre-mounted on the inside.



## 6. MOUNTING THE SIDE SHELF

### Parts Required:

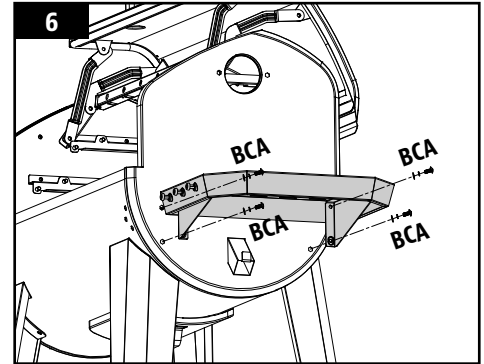
- 4 x Screw (#A)
- 4 x Locking Washer (#C)
- 4 x Washer (#B)

### Installation:

- From underneath, fasten the Side Shelf to the side panel of the Main Barrel using four screws, locking washers, and washers.

**NOTE: Do not tighten screws completely until all screws have been installed. Once all screws are installed, then tighten securely.**

**IMPORTANT: Avoid using the shelves to move or lift the grill. The weight of the unit will cause the shelves to break, which is not covered by warranty.**



## 7. SECURING THE CHIMNEY

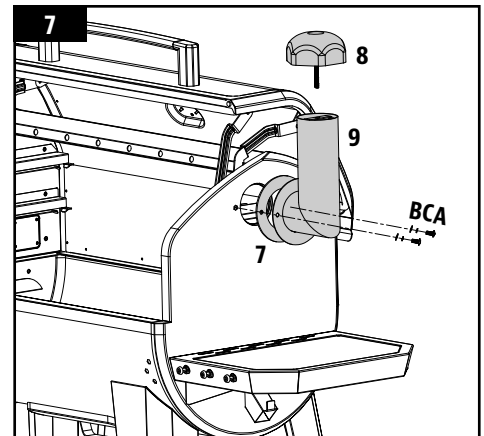
### Parts Required:

- 1 x Chimney Gasket (#7)
- 1 x Chimney Cap (#8)
- 1 x Chimney Stack (#9)
- 2 x Screw (#A)
- 2 x Locking Washer (#C)
- 2 x Washer (#B)

### Installation:

- Locate the chimney opening on the side of the Main Barrel. From the outside, secure the Chimney Stack and Chimney Gasket to the side panel using two screws, locking washers, and washers. The screw will fasten to the pre-mounted nut on the inside of the barrel.
- Next, secure the Chimney Cap onto the top of the Chimney Stack by rotating the Chimney Cap screw into the Chimney Stack.

**NOTE: Adjust the chimney cap to affect the airflow inside the Main Grill. If cooking at low temperature, keep the cap more open. Ensure the chimney cap allows for air to escape.**



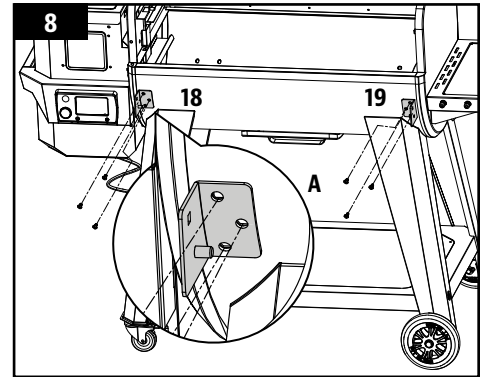
## 8. SECURING THE FRONT SHELF BRACKETS

### Parts Required:

- 1 x Front Shelf Bracket / Left (#18)
- 1 x Front Shelf Bracket / Right (#19)
- 6 x Screw (#A)

### Installation:

- Attach one Front Shelf Bracket to the front of the grill barrel by using three screws. Install each screw halfway, then tighten completely when all three screws are mounted and aligned properly.
- Repeat the same installation for the other Front Shelf Bracket.



## 9. INSTALLING THE FRONT SHELF

### Parts Required:

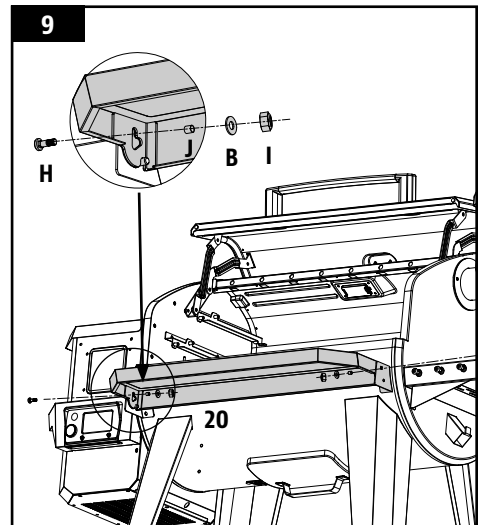
- 1 x Front Shelf (#20)
- 2 x Washer (#B)
- 2 x Screw (#H)
- 2 x Nut (#I)
- 2 x Bushing (#J)

### Installation:

- From underneath, insert the screw (from the outside) into the Front Shelf Bracket and the Front Shelf, then add the bushing onto the screw, the washer, then the nut. Repeat installation for the other side of the Front Shelf.

**NOTE:** When installed correctly, the Front Shelf can be raised (for use) and lowered (for storage) with ease.

**IMPORTANT:** Avoid using the shelves to move or lift the grill. The weight of the unit will cause the shelves to break, which is not covered by warranty.



## 10. INSTALLING THE FLAME BROILER™ COMPONENTS

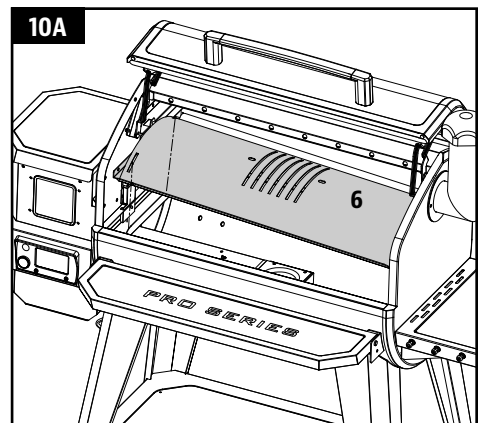
### Parts Required:

- 1 x Flame Broiler™ Slider (#5)
- 1 x Flame Broiler™ Main Plate (#6)
- 1 x Flame Broiler™ Adjusting Bar Handle (#13)
- 1 x Flame Broiler™ Adjusting Bar (#14)

### Installation:

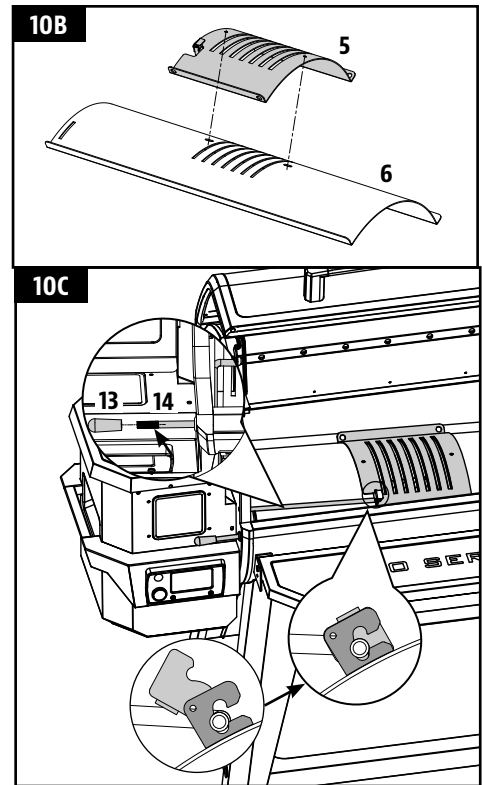
- Insert the Flame Broiler Main Plate into the Main Grill, right side first. Rest the Flame Broiler Main Plate on the built-in ledge (on the inside right) of the Main Grill that directs grease towards the grease bucket. Slide the entire piece to the left side, and the two slots on the Flame Broiler Main Plate will fit into the rounded ledge above the Burn Pot. It will sit slightly at a downward angle. Note 10A.

**IMPORTANT:** If the Flame Broiler Main Plate is on the base of the barrel, it is installed incorrectly. The Flame Broiler Main Plate should sit at an angle, with the left side sitting higher than the right. Poor installation of this part may result in damage to your Main Grill barrel.



- Place the Flame Broiler Slider on top of the Flame Broiler Main Plate, covering the slotted openings. Ensure the raised tab is on the left, to easily adjust for direct or indirect flame when cooking. Note illustration 10B. Both Flame Broiler parts are lightly coated with oil to avoid rusting when shipped.
- Next, remove the Flame Broiler Adjusting Bar Handle from the Flame Broiler Adjusting Bar. Insert the Flame Broiler Adjusting Bar through the opening hole on the left side of the Main Barrel. Add the Flame Broiler Adjusting Bar Handle back onto the end outside the barrel. Next, slide the notched end of the Adjusting Bar into the locking tab on the Flame Broiler Slider, giving you adjustable access to the Flame Broiler Slider on the main plate. Note steps in 10C.

**NOTE: When the Flame Broiler Slider is open and direct flame is used, do not leave the grill unattended for any period of time.**



## 11. INSTALLING THE COOKING COMPONENTS

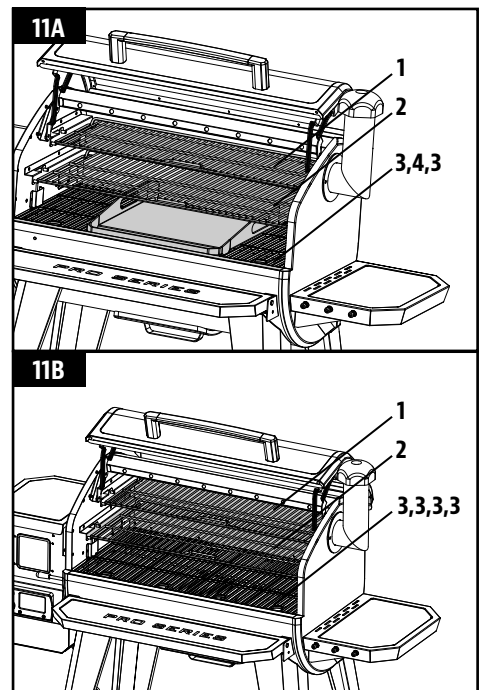
### Parts Required:

- 1 x Top Cooking Rack (#1)
- 1 x Middle Cooking Rack (#2)
- 1 x Griddle (#4)
- 4 x Cooking Grids (#3)

### Installation:

- Choose a desired main cooking surface: two Cooking Grids with the Griddle (shown in 11A) or four Cooking Grids (shown in 11B). Place the chosen combination of cooking surface on the lower grid ledges inside the Main Grill.
- Next, place the Middle Cooking Rack on the middle ledges inside the Main Grill. Place the Top Cooking Rack on the top ledges inside the Main Grill.

**NOTE: To maintain the searing and grilling performance of your Cooking Grids and Cooking Racks, regular care and maintenance is required.**



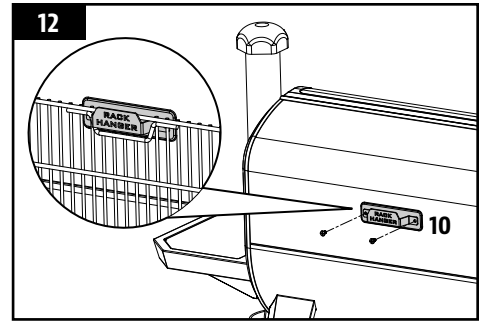
**12. MOUNTING THE RACK HANGER**

**Parts Required:**

- 1 x Rack Hanger (#10)

**Installation:**

- Secure the Rack Hanger to the back panel of the Main Barrel using the pre-assembly two screws. Cooking Racks can be hung on the Rack Hanger while not in use.



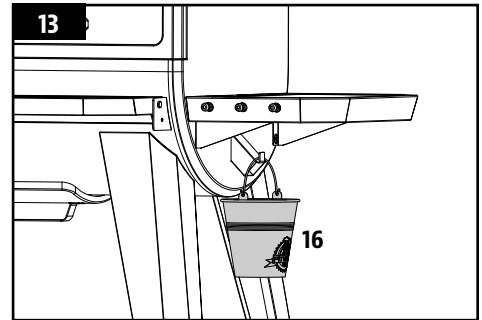
**13. PLACING THE GREASE BUCKET**

**Parts Required:**

- 1 x Grease Bucket (#16)

**Installation:**

- Place the Grease bucket on the spout hook on the end of the Main Barrel. Ensure it is level to avoid grease spills.
- The unit is now completely assembled.



**14. CONNECTING TO A POWER SOURCE**

**STANDARD OUTLET**

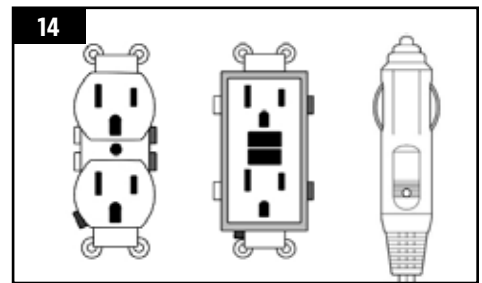
This appliance requires 110-120 volt, 60 Hz, 315 w. It must be a 3-prong grounded plug. Ensure grounded end is not broken off before use. The control uses a 110-120 volt, fast-blow fuse to protect the board from the ignitor.

**GFCI OUTLETS**

This appliance will work on most GFCI outlets, with a recommended size of 15 amp service. If your GFCI outlet is highly sensitive to power surges, it will likely trip during the start-up phase of operation. During the start-up phase, the ignitor draws 200-700 watts of electricity which can be too much power for a GFCI outlet to handle. Each time it trips, it increases in sensitivity. If the GFCI keeps tripping, replace the outlet or change to a non-GFCI outlet.

**ON THE ROAD**

Disconnect the ignitor from the main wiring harness. Use the manual start-up procedure. A Pit Boss® unit can operate using a 12 volt, 100 watt inverter plugged into your automobile outlet. To use the automatic ignitor, it is recommended to use a minimum of a 1000 watt inverter.



**IMPORTANT: Disconnect unit from power source when not in use.**

# OPERATING INSTRUCTIONS

*With today's lifestyle of striving to eat healthy and nutritious foods, one factor to consider is the importance of reducing fat intake. One of the best ways to cut down on fat in your diet is to use a low fat method of cooking, such as grilling. As a pellet grill uses natural Hardwood pellets, the savory Hardwood flavor is cooked into the meats, reducing the need for high sugar content sauces. Throughout this manual, you will notice the emphasis on grilling food slowly at LOW or MEDIUM temperature settings.*

## GRILL ENVIRONMENT

### 1. *WHERE TO SET-UP THE GRILL*

With all outdoor appliances, outside weather conditions play a big part in the performance of your grill and the cooking time needed to perfect your meals.

All Pit Boss® units should keep a minimum clearance of 914mm (36 inches) from combustible constructions, and this clearance must be maintained while the grill is operational. This appliance must not be placed under overhead combustible ceiling or overhang. Keep your grill in an area clear from combustible materials, gasoline and other flammable vapors and liquids.

### 2. *COLD WEATHER COOKING*

As it becomes cooler outside, that does not mean that grilling season is over! The crisp cool air and heavenly aroma of smoked foods will help cure your winter blues.

Follow these suggestions on how to enjoy your grill throughout the cooler months:

- If smoking at low temperatures fails, increase the temperature slightly to achieve the same results.
- Organize – Get everything you require ready in the kitchen before you head outdoors. During the winter, move your grill to an area that is out of the wind and direct cold. Check local bylaws regarding the proximity of your grill in relation to your home and/or other structures. Put everything you need on a tray, bundle up tight, and get it done!
- To help keep track of the outside temperature, place an outdoor thermometer close to your cooking area. Keep a log or history of what you cooked, the outdoor temperature, and the cooking time. This will help later down the road to help you determine what to cook and how long it will take.
- In very cold weather, increase your preheating time by at least 20 minutes.
- Avoid lifting the lid any more than necessary. Cold gusts of wind can completely cool your grill temperature. Be flexible with your serving time; add extra cooking time each time you open the lid.
- Have a heated platter or a dish cover ready to keep your food warm while making the trip back inside.
- Ideal foods for winter cooking are those that require little attention, such as roasts, whole chickens, ribs, and turkey. Make your meal preparation even easier by adding simple items such as vegetables and potatoes.

### 3. *HOT WEATHER COOKING*

As it becomes warmer outdoors, the cooking time will decrease.

Follow these few suggestions on how to enjoy your grill throughout the hot months:

- Adjust your cooking temperatures downward. This helps to avoid unwanted flare-ups.
- Use a meat thermometer to determine the internal temperature of your foods. This helps in preventing your meat from over cooking and drying out.
- Even in hot weather it is still better to cook with the lid of your grill down.
- You can keep foods hot by wrapping them in foil, and placing them in an insulated cooler. Stuff crumpled up newspaper around the foil and this will keep food hot for 3 to 4 hours.

## GRILL TEMPERATURE RANGES

All temperatures listed below are approximate and are affected by the following factors: outside ambient temperature, the amount and direction of wind, the quality of pellet fuel being used, the lid being opened, and the quantity of food being cooked.



### HIGH TEMPERATURES

205-260°C / 401-500°F

This range is best used to sear and grill at a high heat. Use in tandem with the flame broiler (slide plate) for indirect or direct flame cooking. With the **flame broiler open**, direct flame is used to create those “blue” steaks, as well as flame-kissed vegetables, garlic toast or s’mores! When the **flame broiler is closed**, the air circulates around the barrel, resulting in convection heat. High temperature is also used to preheat your grill, burn-off the cooking grids, and to achieve high heat in extreme cold weather conditions.



### MEDIUM TEMPERATURES

135-180°C / 275-356°F

This range is best for baking, roasting, and finishing off that slow smoked creation. Cooking at these temperatures will greatly reduce the chances of a grease flare-up. Ensure that the flame broiler slider in the closed position, covering the slotted openings. Great range for cooking anything wrapped in bacon, or where you want versatility with control.



### LOW TEMPERATURES

82-125°C / 180-257°F

This range is used to slow roast, increase smoky flavor, and to keep foods warm. Infuse more smoke flavor and keep your meats juicy by cooking longer at a lower temperature (also known as **low and slow**). Recommended for the big turkey at Thanksgiving, juicy ham at Easter, or the huge holiday feast.

Smoking is a variation on true barbecuing and is truly the main advantage of grilling on a wood pellet grill. **Hot smoking**, another name for **low and slow** cooking, is generally done between 82-125°C / 180-257°F. Hot smoking works best when longer cooking time is required, such as large cuts of meats, fish, or poultry.

**TIP: To intensify that savory flavor, switch to a low temperature range immediately after putting your food on the grill. This allows the smoke to penetrate the meats.**

The key is to experiment with the length of time you allow for smoking, before the meal is finished cooking. Some outdoor chefs prefer to smoke at the end of a cook, allowing the food to keep warm until ready to serve. Practice makes perfect!





## UNDERSTANDING THE CONTROL BOARD

This P.I.D. (proportional-integral-derivative) digital Control Board is very much the same as the controls on your kitchen oven. The main advantages are the ability to automatically compensate for the different ambient conditions and fuel types.

**IMPORTANT: The temperature inside of any grill will vary greatly from location to location. Even instruments calibrated together may not agree with each other.**



ENGLISH

CONTROL	DESCRIPTION
	<p>Press and hold for three seconds to Power On the unit. This will begin the automatic start-up cycle. Press and hold this button for 3 seconds to Power-down the unit, activating the automatic cool-down cycle. A blue light will turn on behind the Power Button when connected to a power source and when the unit is on.</p>
	<p>The Controller Knob is used to navigate, increase, decrease, select, and set values. The Controller Knob can move like a joystick or rotate to adjust values on the Main Screen. In subscreens rotate the wheel or use the joystick to scroll through options. Push the Controller Knob to confirm the chosen value or selection. The selection will blink blue where the control knob is currently located until a selection is made. It will be highlighted white once the selection is confirmed.</p>
	<p>The Setting options under this screen:</p> <ul style="list-style-type: none"> <li>• <b>Display:</b> Select the brightness of the display or select the temperature scale. Fahrenheit (°F) is the default.</li> <li>• <b>Screen Saver:</b> The default is None. Select 1 Min, 3 Min, or 5 Min to choose when the display will go into sleep mode after it has been idle. Nudge the Control Knob to wake the display. Lock will lock the display, press and hold the Control Knob to unlock.</li> <li>• <b>Start-Up:</b> OFF is the default and will automatically heat the unit to 180°F. Move the Control Knob to temperature (it will be blinking blue) and rotate the wheel to modify, press the Control Knob to confirm the temperature. Select ON to keep this selected temperature as the new start-up temperature. The temperature range is 180-500°F.</li> <li>• <b>Language:</b> English is the default. French and Spanish are selectable options.</li> <li>• <b>About:</b> The information of the unit will be displayed here. Name, Model No., Serial No., Controller ID, Version, and MAC (Media Access Control) Address.</li> </ul>
	<p>The Menu options: Hold Prime, 3 Seconds Prime, or 5 Seconds Prime. Selecting the Hold option will continuously feed pellets from the auger, 30 seconds maximum. Press it again to stop the auger feed. The timed selections will prime automatically for that period.</p>



Press this button to switch on and off the light inside the grill barrel.



The left probe port is P1 and the right is P2.



When the Programmable Meat Probes are plugged in these icons will display. The Actual temperature is shown in bold and the Set temperature, if one is set, will be shown below. Move to the P1 or P2 on the Main Screen. Rotate the wheel to adjust the desired temperature and confirm the selection by pressing the Control Knob. To access the Probes menu move the joystick up if hovering over P2 or down if hovering over P1. Under the Probes menu select the probe, then the temperature to program, or select the protein icon to set the default temperature for what is being cooked. When not in use, disconnect the Meat Probe. Compatible with Pit Boss® Grills branded meat probes only. The ring around the probe indicates how far along the current cooking temperature is from the programmed temperature, 0-100%. P1/2 will beep and the bell icon will appear when the programmed temperature is reached.

225°F

The Actual temperature is constantly displayed. The temperature readout is taken by the grill probe (sensor) from the inside of the grill barrel. Move the Control Knob over the temperature and rotate the knob to adjust the Set Temperature. Press the Control Knob to confirm the selection.

Heating to 225

The Set Temperature will be updated after the temperature is modified under the Actual Temperature.



The WI-FI icon is visible when the unit is connected to the Pit Boss application. It will blink when it is not connected.



The FAN icon is visible when the fan is in operation. When it is not working the FAN error screen will appear. See the section on troubleshooting for assistance.



The AUGER icon is visible when the auger is in operation. When it is not working the AUGER error screen will appear. See the section on troubleshooting for assistance.



The IGNITER icon is visible when the igniter is in operation. When it is not working the IGNITER error screen will appear. See the section on troubleshooting for assistance.



When the display has an error the PELLET error screen will appear, the fire in the Burn Pot has gone out or the hopper may be empty. See the section on troubleshooting for assistance.

## CONNECTING TO THE PIT BOSS® GRILLS APP

Follow these instructions on how to connect your grill to the Pit Boss® Grills app with your Android™ or iOS® device. The app will allow you to control and monitor your grill and meat probe temperatures from your mobile device. Enjoy the benefits that Pit Boss® mobile connectivity has to offer!

1. Download the Pit Boss® Grills app. Open the app and allow Bluetooth® to be enabled for setup. New users will need to create an account and follow the prompts to login.
2. If you are within Bluetooth® range (9 m / 30 ft), the Pit Boss® Grills app will automatically detect your grill. Select your grill model. If you do not see your grill on the screen, ensure your unit is connected to a power source and is turned on.
3. Name your grill model (ie. My Smoker) in the app and select "Connect" at the bottom of the screen. This will save your grill model in the devices menu.
4. From the devices menu, click the grill model to connect. This will show you the control board screen.
5. Click the settings option (gear) in the top-right corner, enter your Wi-Fi credentials, then click the check mark at the bottom of the screen to connect. Now both Bluetooth and Wi-Fi (cloud) icons will show on the devices menu, showing that the grill is connected.

**While using the app, the screen will shine bright when the grill is active and connected. If the app screen or grill goes dark on the devices menu, check your wireless connection or power source.**

## **AUGER PRIMING PROCEDURE**

First time using your grill or whenever your grill runs out of pellets in the hopper, you will need to prime the auger. If not primed, the grill will timeout before the pellets are ignited, and no fire will start. Follow these steps to prime the auger:

1. Open the hopper lid. Make sure there are no foreign objects in the hopper or blocking the auger feed system.
2. Remove all cooking components from the interior of the grill. Locate the burn pot in the bottom of the pellet grill.
3. Plug the power cord into a power source.
4. Press and hold the Power Button for 3 seconds to turn and initiate start-up.
  - Check to make sure you hear the auger turning. Place your hand above the burn pot and feel for air movement. DO NOT place your hands or fingers inside the burn pot, this can cause injury.
  - After approximately 30 seconds, you should smell the igniter burning and begin to feel the air getting warmer above the burn pot. The igniter tip does not glow red but will get extremely hot and will burn. DO NOT touch the igniter.
5. Once verified that all electric components are working correctly, turn the grill off.
6. Fill the hopper with all natural hardwood barbecue pellets.
7. Press and hold the Power Button for 3 seconds and navigate to the menu to prime.
8. Select the 5 second option and repeat until you see pellets drop from the auger into the burn pot. Now you can release the Prime Button.
9. You now can turn your grill off. Please make sure you allow your grill to stay plugged in until it finishes the cool down cycle. Once the fan turns off, the grill has completed the shutdown cycle, it is safe to unplug your grill.
10. Re-install the cooking components into the main barrel.
11. Your grill is now primed and ready to use! If this is the first time you are using your grill, you should perform a First Initial Grill Burn-off.

## **FIRST USE – GRILL BURN-OFF**

Once your auger has been primed and before cooking on your grill for the first time, it is important to complete a grill burn-off. Start the grill and operate at any temperature over 176°C / 350°F (with the lid down) for 30 to 40 minutes to burn-off the grill and rid it of any foreign matter.

## **AUTOMATIC START-UP PROCEDURE**

1. Plug the power cord into a grounded power source. Open the main barrel lid. Check the burn pot to ensure there is no obstruction for proper ignition. Check that the Igniter is positioned in the center of the auger tube, and that the Igniter is protruding into the burn pot. Open the hopper lid. Ensure there are no foreign objects in the hopper or auger feed system. Fill the hopper with dry, all natural barbecue hardwood pellets.
2. Check that the buckle latch on the bottom of the main barrel is fastened (locked) to secure the removable burn pot.
3. Press and hold the Power Button for three seconds to turn the unit on. This will activate the start-up cycle. The auger feed system will begin to turn, and the fan will supply air to the burn pot. The grill will begin to produce smoke while the start-up cycle is taking place. The barrel lid must remain open during the start-up cycle. To confirm the start-up cycle has begun properly, listen for a torchy roar, and notice some heat being produced.
4. Once the heavy, white smoke has dissipated, the start-up cycle is complete and you are ready to enjoy your grill at your desired temperature!

## **SHUTTING OFF YOUR GRILL**

When the main barrel lid is closed, Press and hold the Power Button for three seconds to Power-down the unit. The grill will begin its automatic cool-down cycle and the Shutting Down screen will appear on the controller. The auger system will stop feeding fuel, the flame will burn out, and the fan will continue to run until the cool-down cycle is complete.

**IMPORTANT! Once the shut-down cycle is complete, unplug the power cord.**

# CARE AND MAINTENANCE

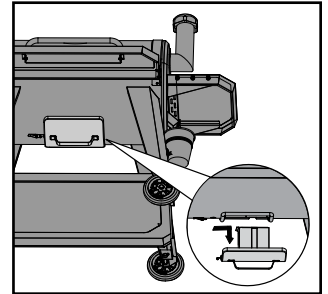
**WARNING: Always disconnect the electrical cord prior to opening the grill for any inspection, cleaning, maintenance, or service work. Ensure the grill is completely cooled to avoid injury.**

Any Pit Boss® unit will give you many years of flavorful service with minimal cleaning. Follow these cleaning and maintenance tips to service your grill:

## 1. ASH CLEAN-OUT

- At the bottom of the grill barrel is an ash cleanout feature, giving you easy access to the inside of your burn pot to easily clean it as often as needed. To empty, release the buckle latch on the ash box hook. While holding the handle, slide the ash box away from the buckle, then pull down to remove. Once emptied, replace the ash box by lifting it back into the bottom of the grill barrel, sliding the ash box towards the buckle, then fastening the ash box hook with the buckle latch.

**WARNING: This feature can only be operated when the grill is cooled down.**



## 2. HOPPER ASSEMBLY

- Running all pellets out of your auger system is recommended if your grill will be unused for an extended period of time. This can be done by simply running your grill, on an empty hopper, until all pellets have emptied from the auger tube.
- Check and clean off any debris from the fan air intake vent, found on the bottom of the hopper. Once the access panel is removed (see **Electric Wire Diagram** for diagram), carefully wipe off any grease build-up directly on the fan blades. This ensures airflow is sufficient to the feed system.

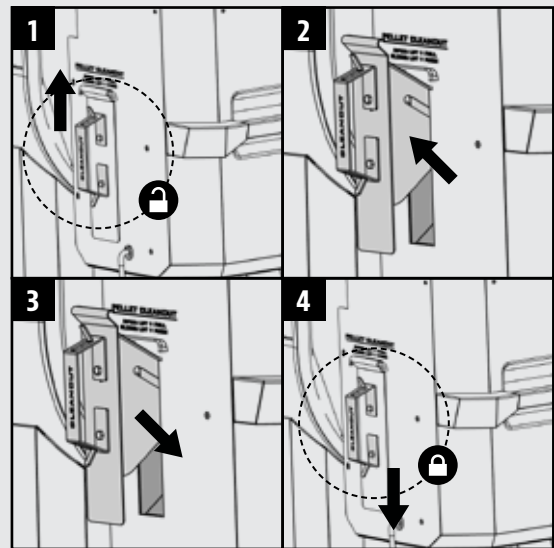
### PELLET CLEAN-OUT FEATURE

The hopper includes a pellet clean-out feature to allow for easy cleaning and the ability to change out wood pellet fuel flavors. To empty, follow these steps:

- Place a clean, empty pail under the clean-out door.
- Locate the pellet clean-out door and door handle on the back side of the hopper. Lift the door handle to unlock, pull the door handle to open the drop-chute access plate, allowing the pellets from the hopper to empty.

**NOTE: Use a long handled brush or wet/dry vacuum to remove excess pellets, sawdust, and debris for a complete clean-out through the hopper screen.**

- Once empty, lift the door handle again to unlock. Push the drop-chute access plate back into place.
- Push the door handle down to lock closed.



## 3. MEAT PROBES

- Kinks or folds in the Meat Probe wires may cause damage to the part. Wires should be rolled up in a large, loose coil.
- Although Meat Probes are stainless steel, do not place in the dishwasher or submerge in water. Water damage to the internal wires will cause the probe to short-out, causing false readings. If damaged, it should be replaced.

#### 4. *INSIDE SURFACES*

- It is recommended to clean your Burn Pot after every few uses. This will ensure proper ignition and avoid any hard build-up of debris or ash in the Burn Pot.
- Use a long-handled grill cleaning brush, remove any food or build-up from the Cooking Grates. Best practice is to do this while they are still warm from a previous cook. Grease fires are caused by too much fallen debris on the cooking components of the grill. Clean the inside of your grill on a consistent basis. In the event you experience a grease fire, keep the grill lid closed to choke out the fire. If the fire does not go out quickly, carefully remove the food, turn the grill off, and shut the lid until the fire is completely out. Lightly sprinkle baking soda, if available.
- Check your grease bucket often, and clean out as necessary. Keep in mind the type of cooking you do.

**IMPORTANT: Due to high heat, do not cover the flame broiler or probes with aluminum foil.**

#### 5. *OUTSIDE SURFACES*






- Wipe your grill down after each use. Use warm soapy water to cut the grease. Do not use oven cleaner, abrasive cleansers or abrasive cleaning pads on the outside grill surfaces. **All painted surfaces are not covered under warranty, but rather are part of general maintenance and upkeep.** For paint scratches, wearing, or flaking of the finish, all painted surfaces can be touched up using high heat BBQ paint.
- Use a grill cover to protect your grill for complete protection! A cover is your best protection against weather and outside pollutants. When not in use or for longterm storage, keep the unit under a cover in a garage or shed.

#### **CLEANING FREQUENCY TIME TABLE (NORMAL USE)**

<b>ITEM</b>	<b>CLEANING FREQUENCY</b>	<b>CLEANING METHOD</b>
<b>Bottom of Main Grill</b>	Every 5-6 Grill Sessions	Scoop Out, Wet/dry vacuum Excess Debris
<b>Burn Pot</b>	Every 2-3 Grill Sessions	Scoop Out, Wet/dry vacuum Excess Debris
<b>Cooking Grates</b>	After Each Grill Session	Burn Off Excess, Brass Wire Brush
<b>Flame Broiler™</b>	Every 5-6 Grill Sessions	Scrape Main Plate with Slider, <b>Do Not Wash Clean</b>
<b>Shelves</b>	After Each Grill Session	Scrub Pad & Soapy Water
<b>Grease Bucket</b>	After Each Grill Session	Scrub Pad & Soapy Water
<b>Auger Feed System</b>	When Pellet Bag is Empty	Allow Auger to Push Out Sawdust, Leaving Hopper Empty
<b>Hopper Electric Components</b>	Once A Year	Dust Out Interior, Wipe Fan Blades with Soapy Water
<b>Air Intake Vent</b>	Every 5-6 Grill Sessions	Dust, Scrub Pad & Soapy Water
<b>Grill Probe</b>	Every 2-3 Grill Sessions	Scrub Pad & Soapy Water

# USING HARDWOOD PELLET FUEL

Clean-burning barbecue hardwood pellets generate about 8200 BTU's per pound with very little ash, a low moisture content (5-7%), and are carbon neutral. Barbecue hardwood pellets are produced by pure raw material (sawdust) being pulverized with a hammer-mill, and the material is pushed through a die with pressure. As the pellet is forced through the die, it is cut, cooled, screened, vacuumed, and then bagged for consumer use. Check with your local dealer for flavors available in your area.

- 
▪ **HICKORY BLEND**
- 
▪ **CHERRY BLEND**
- 
▪ **MESQUITE BLEND**
- 
▪ **COMPETITION BLEND**
- 
• **APPLE BLEND**

**NOTE:** Always store hardwood pellets in a dry area. Any contact or exposure to moisture will result in lower heat output or cause the pellets to swell and break apart. Use a moisture proof, resealable tub or bucket for proper storage.

# COOKING GUIDELINES

Smoking and grilling styles of cooking can give you different results based on time and temperature. For best results, keep a record of what you cooked, at what temperature, how long you cooked for, and the results. Adjust to your taste for the next time. Practice makes perfect.

The culinary art of hot smoking refers to longer cooking times, but results in more natural Hardwood flavor (and a sought-after *smoke ring*) on your meats. Higher cooking temperatures result in a shorter cooking time, locking in less smoke flavor.

**TIP:** For best results, allow time for meats to rest after cooking. This allows the natural juices to migrate back into the meat fiber, giving a much juicier, flavorful cut. Resting times can be as little as 3 minutes and up to 60 minutes, depending on the size of the protein.

STYLE OF COOKING	HOT SMOKING (Very Low)	ROAST (Low)	BAKING (Medium)	GRILL/BAKE (Medium/High)	SEAR (High)
Temp Range	82-135°C / 180-275°F	135-162°C / 275-323°F	162-190°C / 323-374°F	190-232°C / 374-449°F	232-260°C / 449-500°F

POULTRY	Size	Rare - 54°C / 130°F	Medium - 60°C / 140°F	Well Done - 77°C / 170°F
Turkey (whole)	4.5-5.0 kg / 10-11 lbs. 5.3-6.4 kg / 12-14 lbs. 6.8-7.7 kg / 15-17 lbs. 8.2-10.0 kg / 18-22 lbs. 10.4-11.3 kg / 23-25 lbs.			Grill 90 - 120 minutes Grill 110 - 140 minutes Grill 130 - 160 minutes Grill 140 - 170 minutes Grill 150 - 180 minutes
Chicken (whole)	1.36-2.26 kg / 3-5 lbs.			Grill 1 - 1.5 hours
Drumsticks, Breasts	0.45 - 0.86 kg / 1 - 1½ lbs.			Grill 30-60 minutes
Small Game Birds	0.45 - 0.86 kg / 1 - 1½ lbs.			Grill 30-45 minutes
Duck	1.36-2.26 kg / 3-5 lbs.			Roast or grill 2 - 2.5 hours

<b>PORK</b>	<b>SIZE</b>	<b>Precooked to Reheat 60°C / 140°F</b>	<b>Medium 66°C / 150°F</b>	<b>Well Done 71°C / 160°F</b>
<b>Ham</b> <i>(Fully Cooked &amp; Boneless Portion, Smoked Picnic Whole &amp; Bone-In)</i>	2.5 cm / 1" 1.36-1.81 kg / 3-4 lbs. 1.81-2.72 kg / 4-6 lbs. 2.26-3.62 kg / 5-8 lbs. 4.53-5.44 kg / 10-12 lbs.	12 minutes 50 minutes - 1 hour 1 - 2 hours 1 - 2½ hours 2 - 2¾ hours		
<b>Loin Roast</b>	1.36-1.81 kg / 3 - 4 lbs.		1 - 2 hours	2 - 3 hours
<b>Rib Crown Roast</b>	1.81-2.26 kg / 4 - 5 lbs.		1½ - 2 hours	2 - 3 hours
<b>Chop</b> <i>(loin, rib)</i>	1.9-2.5 cm / ¾" - 1" 3.1-3.9 cm / 1¼" - 1½"		10 - 12 minutes 14 - 18 minutes	
<b>Tenderloin</b>	1.9-2.5 cm / ¾" - 1"		20 - 30 minutes	30 - 45 minutes
<b>Loin Roast (boneless)</b>	1.36-2.26 kg / 3-5 lbs.		1¼ - 1¾ hours	1¾ - 2½ hours
<b>Boston Butt</b> <i>(Pork Shoulder)</i>	3.62-4.53 kg / 8-10 lbs.			93 - 98°C / 200 - 210°F Internal Temperature

<b>BEEF</b>	<b>SIZE</b>	<b>HEAT</b>	<b>Rare - 54°C / 130°F</b>	<b>Medium - 60°C / 140°F</b>	<b>Well Done - 65°C / 150°F</b>
<b>Steak</b> <i>(New York, Porter-house, Rib-eye, Sirloin, T-bone, or Tenderloin)</i>	1.9 cm / ¾" 2.5 cm / 1" 3.8 cm / 1½" 5 cm / 2"	High	Sear 8-10 minutes Sear 10-12 minutes Sear 10 minutes, grill 8-10 minutes Sear 10 minutes, grill 10-14 minutes		
<b>Skirt Steak</b>	0.6 - 12.7 cm / ¼" - ½"	High	Sear 5-7 minutes		
<b>Flank Steak</b>	0.45 - 0.86 kg / 1 - 1½ lbs., 1.9 cm / ¾"	Medium	Sear 4 minutes, grill 8-10 minutes		
<b>Kabob</b>	2.5-3.8 cm / 1-1½" cubes	Medium	Grill 10 - 12 minutes		
<b>Tenderloin, whole</b>	1.58 - 1.81 kg / 3½ - 4 lbs.	High/Medium	Sear 10 minutes, grill 15-20 minutes		
<b>Ground Beef Patty</b>	1.9 cm / ¾"	High/Medium	Sear 4 minutes, grill 4-6 minutes		
<b>Rib-eye Roast (boneless)</b>	2.26 - 2.72 kg / 5 - 6 lbs.	Medium	Grill 1½ - 2 hours		
<b>Tri-tip Roast</b>	0.9 - 1.13 kg / 2 - 2½ lbs.	High/Medium	Sear 10 minutes, grill 20-30 minutes		
<b>Rib Roast</b>	5.44 - 6.35 kg / 12 - 14 lbs.	Medium	2½ - 2¾ hours		
<b>Veal Loin Chop</b>	2.5cm / 1"	Medium	10 - 12 minutes direct		
<b>Brisket</b>	7.25 - 3.62 kg / 16 -18 lbs.	Hot Smoke	Cook until internal temperature reaches 91°C / 195°F		

<b>LAMB</b>	<b>Size</b>	<b>Rare - 54°C / 130°F</b>	<b>Medium - 60°C / 140°F</b>	<b>Well Done - 71°C / 160°F</b>
<b>Roast (fresh)</b>	2.26 - 2.72 kg / 5 - 6 lbs.		1 - 2 hours	
<b>Rib Crown Roast</b>	1.36-2.26 kg / 3-5 lbs.		1 - 1½ hours	1½ hours

<b>SEAFOOD</b>	<b>Size</b>	<b>Rare - 54°C / 130°F</b>	<b>Medium - 60°C / 140°F</b>	<b>Well Done - 82°C / 180°F</b>
<b>Fish (whole)</b>	0.5 kg / 1 lb. 0.9 - 1.1 kg / 2 - 2½ lbs. 1.4 kg / 3 lbs.			Grill 10 - 20 minutes Grill 20 - 30 minutes Grill 30 - 45 minutes
<b>Fish (fillets)</b>	0.6-1.3 cm / ¼" - ½"			Grill 3 - 5 minutes, until flaky
<b>Lobster Tail</b>	0.15 kg / 5 oz. 0.3 kg / 10 oz.			Grill 5 - 6 minutes Grill 10 - 12 minutes

<b>WILD GAME</b>	<b>Size</b>	<b>Rare - 60°C / 140°F</b>	<b>Medium - 71°C / 160°F</b>	<b>Well Done - 77°C / 170°F</b>
<b>Roast (fresh)</b>	2.26 - 2.72 kg / 5 - 6 lbs.		1 - 1½ hours	1½ - 2 hours
<b>Large Cuts (fresh)</b>	3.62-4.53 kg / 8-10 lbs.		1 hours	1½ hours

# TROUBLESHOOTING

Proper cleaning, maintenance and the use of clean, dry, quality fuel will prevent common operational problems. When your Pit Boss® grill is operating poorly, or on a less frequent basis, the following troubleshooting tips may be helpful. For FAQ, please visit [www.pitboss-grills.com](http://www.pitboss-grills.com). You may also contact your local Pit Boss® authorized dealer or contact Customer Care for assistance.

**WARNING: Always disconnect the electrical cord prior to opening the grill for any inspection, cleaning, maintenance, or service work. Ensure the grill is completely cooled to avoid injury.**

ENGLISH

PROBLEM	CAUSE	SOLUTION
No Power Lights On The Control Board	Not Connected To Power Source	Ensure unit is plugged into a working power source. Reset breaker. Ensure GFCI is a minimum 10 Amp service (see <b>Electric Wire Diagram</b> for access to electric components) Ensure all wire connections are firmly connected and dry.
	Fuse Blown On The Control Board	Remove the two screw on the controller on the front of the hopper to access the back of the controller. Check the fuse for a broken wire or if the wire has turned black. If yes, fuse needs to be manually replaced.
	The GFCI outlet has been tripped.	Remove access panel (see <b>Electric Wire Diagram</b> for diagram), and ensure all wire connections are firmly connected and dry. Ensure GFCI is a minimum 10 Amp service.
	Faulty Control Board	Control Board needs to be replaced. Contact Customer Care for a replacement part.
No Fire in the Burn Pot	Auger Not Primed	Before the unit is used for the first time or anytime the hopper is completely emptied out, the auger must be primed to allow pellets to fill the auger tube. If not primed, the Igniter will timeout before the pellets reach the Burn Pot. Follow <b>Auger Priming Procedure</b> .
	Igniter Not Installed Correctly	Remove cooking components from the main barrel. Visually confirm that the silicon nitride igniter is flush with the igniter tube. If not operating properly, call Customer Care for assistance or a replacement part.
Readout of Actual Temperature Doesn't Update	Grill probe dirty	Follow care and maintenance instructions.
Grill Will Not Achieve Or Maintain Stable Temperature	Insufficient Air Flow Through Burn Pot	Check Burn Pot for ash build-up or obstructions. Follow <b>Care and Maintenance</b> instructions for ash build-up. Check fan. Ensure it is working properly and air intake is not blocked. Follow <b>Care and Maintenance</b> instructions if dirty. Once all the above steps have been done, start the grill, set temperature to SMOKE and wait for 10 minutes. Check that the flame produced is bright and vibrant.
	Lack Of Fuel, Poor Fuel Quality, Obstruction In Feed System	Check hopper to check that fuel level is sufficient, and replenish if low. Should the quality of hardwood pellets be poor, or the length of the pellets too long, this may cause an obstruction in the feed system. Remove pellets and follow <b>Care and Maintenance</b> instructions.
	Grill Probe	Check status of grill probe. Follow <b>Care and Maintenance</b> instructions if dirty. Contact Customer Care for a replacement part if damaged.
	Weather or Exterior Temperature	In cold conditions use a Pit Boss® Insulated Blanket or keep out of blowing winds. In hot conditions keep the grill unit in a shaded area.
Grill Produces Excess Or Discolored Smoke	Grease Build-Up	Follow <b>Care and Maintenance</b> instructions.
	Hardwood Pellet Quality	Remove moist hardwood pellets from hopper. Follow <b>Care and Maintenance</b> instructions to clean out. Replace with dry hardwood pellets.
	Burn Pot Is Blocked	Clear Burn Pot for moist hardwood pellets. Follow <b>Auger Priming Procedure</b> .
	Insufficient Air Intake For Fan	Check fan. Ensure it is working properly and air intake is not blocked. Follow <b>Care and Maintenance</b> instructions if dirty.
Frequent Flare-Ups	Cooking Temperature	Attempt cooking at a lower temperature. Grease does have a flash point. Keep the temperature under 176°C / 350°F when cooking highly greasy food.
	Grease Build-Up On Cooking Components	Follow <b>Care and Maintenance</b> instructions.

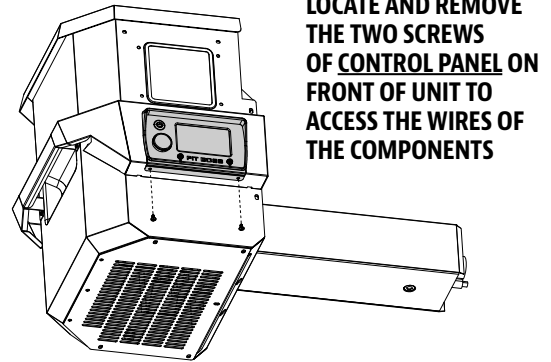
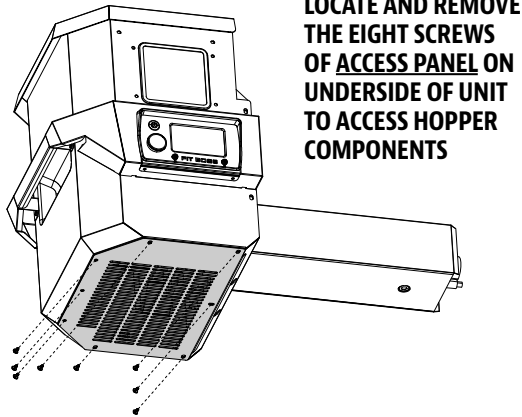
ErP Error Screen	Grill Probe (Sensor) Isn't Working	Disconnect and reconnect the Grill Probe.
	Faulty Grill Probe	Grill Probe need to be replaced. Contact Customer Care for a replacement.
ErH Error Screen	The Unit Has Overheated, Possibly Due To Grease Fire Or Excess Fuel	Press and hold the Power Button for three seconds to turn the unit off, and allow grill to cool. Follow <b>Care and Maintenance</b> instructions. After maintenance, remove pellets, and confirm positioning of all component parts. Once cooled, Press and hold the Power Button for three seconds to turn the unit on, then select desired temperature. If error screen still displayed, contact Customer Care.
ErL Error Screen	Grill fails to perform start-up cycle	Check proper positioning of cooking components. Check hopper for sufficient fuel or if there is an obstruction in the feed system. Remove pellets and follow <b>Care and Maintenance</b> instructions. Check grill probe. Confirm if actual temperature is correct and accurate. Follow <b>Care and Maintenance</b> instructions if dirty. Check Igniter positioning and that it is heating up properly. In extreme cold, the grill may require a second start. Turn grill off, wait, then turn on again. Check fan. Ensure it is working properly. Follow <b>Care and Maintenance</b> instructions if dirty.
	Grill will not stay lit	
	Auger Not Primed	
Pellet Error Screen	Lack Of Fuel, Poor Fuel Quality	Check hopper to check that fuel level is sufficient and replenish if low. Should the quality of Hardwood pellets be poor, or the length of the pellets too long, this may cause an obstruction in the feed system. Remove pellets and follow <b>Care and Maintenance</b> instructions.
Igniter Error Screen	Igniter is not working properly, not making a connection	Remove cooking components from the main barrel. Press and hold the Power Button for three seconds to turn the unit on and inspect the igniter. Visually confirm that the igniter is working by placing your hand above the burn pot and feeling for heat. Visually confirm that the igniter is aligned with the hole in the burn pot, and open to light the pellets. If not operating properly, call Customer Care for assistance or a replacement part.
	Igniter failure	Igniter needs to be replaced. Contact Customer Care for replacement part.
Auger Error Screen	Auger motor is jammed, not making connection	Remove cooking components from the main barrel. Press and hold the Power Button for three seconds to turn the unit on and inspect the auger feed system. Visually confirm that the auger is dropping pellets into the burn pot. If not operating properly, call Customer Care for assistance or a replacement part.
Fan Error Screen	Fan is not working properly, not making a connection	Check fan. Ensure it is working properly and air intake is not blocked. Remove access panel (see <b>Electric Wire Diagram</b> for diagram), and check for any damage to the fan wires. Follow <b>Care and Maintenance</b> instructions if fan blades are dirty.

# ELECTRICAL WIRE DIAGRAM

The Digital Control Board system is an intricate and valuable piece of technology. For protection from power surges and electrical shorts, consult the wire diagram below to ensure your power source is sufficient for the operation of the unit.

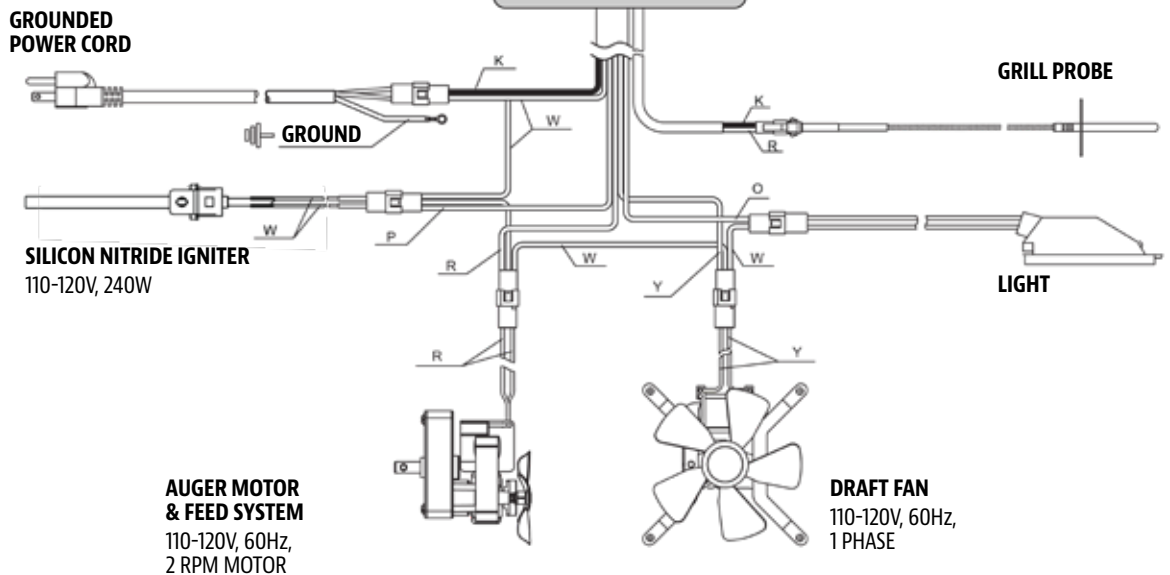
## PB – ELECTRIC REQUIREMENTS 110-120V, 60Hz, 315W, 3-PRONG GROUNDED PLUG

NOTE: Electrical components, passed by product safety testing and certification services, comply with a testing tolerance of  $\pm 5-10$  percent.



**FUEL INPUT RATING:**  
2.0 KG/H  
(4.4 LB/H)

## CONTROL BOARD



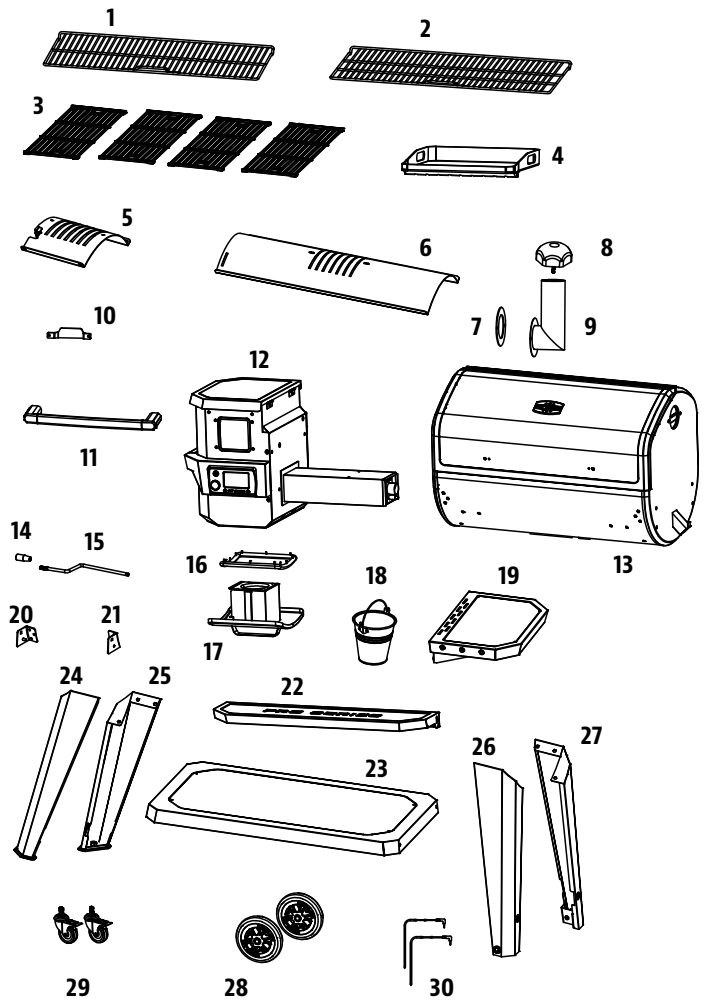
### INDEX

K : BLACK  
W : WHITE  
R : RED  
Y : YELLOW  
P : PURPLE  
O : ORANGE  
G : GREEN

# GRILL REPLACEMENT PARTS

ENGLISH

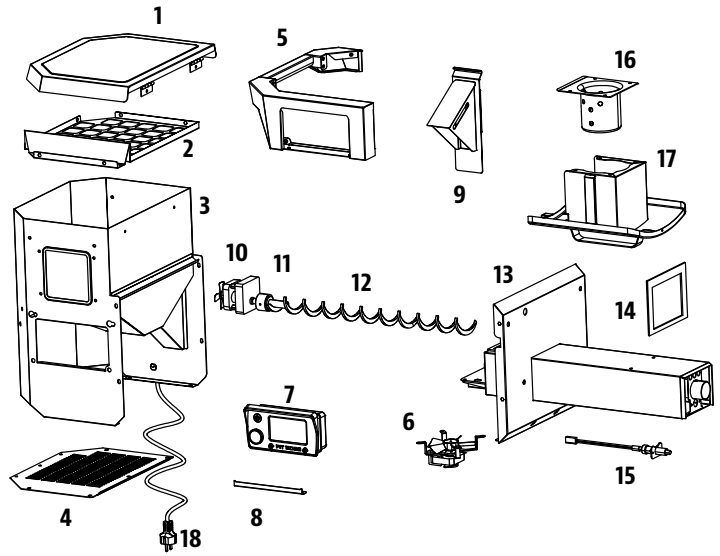
Part#	Description
1	Top Cooking Rack (x1)
2	Middle Cooking Rack (x1)
3	Cooking Grids (x4)
4	Griddle (x1)
5	Flame Broiler Slider (x1)
6	Flame Broiler Main Plate (x1)
7	Chimney Gasket (x1)
8	Chimney Cap (x1)
9	Chimney Stack (x1)
10	Rack Hanger (x1)
11	Lid Handle (x1)
12	Hopper Assembly (x1)
13	Main Barrel (x1)
14	Flame Broiler™ Adjusting Bar Handle (x1)
15	Flame Broiler™ Adjusting Bar (x1)
16	Ash Box Gasket (x1)
17	Ash Box (x1)
18	Grease Bucket (x1)
19	Side Shelf (x1)
20	Front Shelf Bracket / Left (x1)
21	Front Shelf Bracket / Right (x1)
22	Front Shelf (x1)
23	Bottom Shelf (x1)
24	Left Support Leg - Front (x1)
25	Left Support Leg - Back (x1)
26	Right Support Leg - Front (x1)
27	Right Support Leg - Back (x1)
28	Wheel (x2)
29	Locking Caster Wheels (x2)
30	Meat Probe (x2)
A	Screw (x28)
B	Washer (x24)
C	Locking Washer (x22)
D	Tool Hook (x3)
E	Wheel Cotter Pin (x2)
F	Wheel Washer (x2)
G	Wheel Axle Pin (x2)
H	Screw (x2)
I	Nut (x2)
J	Bushing (x2)



NOTE: Due to ongoing product development, parts are subject to change without notice.

# HOPPER REPLACEMENT PARTS

Part#	Description
1	Hopper Lid (x1)
2	Hopper Safety Screen (x1)
3	Hopper Box Housing (x1)
4	Access Panel (x1)
5	Hopper Handle (x1)
6	Combustion Fan (x1)
7	Control Board (x1)
8	Controller Fixing Board (x1)
9	Drop Chute Door (x1)
10	Auger Motor (x1)
11	Nylon Bushing (x1)
12	Auger Flighting Assembly (x1)
13	Auger Box Housing (x1)
14	Hopper Housing Gasket (x1)
15	Ignitor (x1)
16	Burn Pot (x1)
17	Ash Box (x1)
18	Power Cord (x1)



# WARRANTY

## TERMS & CONDITIONS

Pit Boss® Grills ("Pit Boss®"), manufactured by Dansons, carries a 5 year warranty against defects and workmanship on all parts and a 5 year warranty on electrical components of this product. Dansons warrants that all parts to be free of defects in material and workmanship, under normal use and conditions, for the length of use and ownership by the original purchaser.

**There is no other or additional warranty applicable to this product.**

**This warranty does not apply:**

- if unable to provide proof of the purchase or after the warranty has expired.
- to damages or defects from wear and tear, such as scratches, dents, dings, chips or minor cosmetic cracks. These aesthetic changes of the product do not affect its performance.
- if your product has not been installed, operated, cleaned and maintained in strict accordance with the accompanied product manual. The warranty does not cover damage or breakage due to misuse, improper handling or custom modifications.
- to rust or oxidization, unless there is loss of structural integrity on the grill component. Even by utilizing materials that resist rust, the protective coatings can be compromised by various substances and conditions beyond control of the manufacturer. High temperatures, excessive humidity, chlorine, industrial fumes, fertilizers, lawn pesticides and salt are some of the substances that can affect metal coatings.
- to damages or defects occurring during commercial use, rental use, or any use for which the product is not intended.
- to damages or defects exceeding the cost of the product.
- to damages or defects caused by service or repair of the product by an unauthorized dealer of Pit Boss®.

During the term of the warranty, Dansons obliges to furnishing a replacement for defective and/or failed components and will not charge for repair or replacement for parts returned, freight prepaid, should the part(s) are found to be defective upon examination.

Dansons does not accept responsibility, legal or otherwise, for the incidental or consequential damage to the property or persons resulting from the use of this product, during or after the warranty period. All warranties by manufacturer are set forth herein and no claim shall be made against manufacturer on any warranty or representation. Some states do not allow the exclusion or limitation of incidental or consequential damages, or limitations of implied warranties, so the limitations or exclusions set forth in this limited warranty may not apply to you. This limited warranty gives you specific legal rights and you may have other rights, which vary from state to state.

## REGISTER YOUR GRILL

**Register your product in less than a minute and gain quick and easy access to an impressive collection of cooking knowledge.**

Your registration (proof of purchase) will ensure you receive the best warranty service with your product. In the unlikely event there are safety concerns, it is our fast-track way of notifying you.

<b>MODEL</b>	<b>PB1600PS3</b>
SERIAL NUMBER	<input type="text"/>
DATE OF PURCHASE	<input type="text" value="Y Y Y Y M M D D"/>
PURCHASED FROM (AUTHORIZED DEALER)	<input type="text"/>



## CUSTOMER CARE

If you have any questions or concerns about your product, our helpful Customer Care team are eager to assist you. Please have your registration information ready before contacting Customer Care.



PHONE



LIVE CHAT



APP

# INFORMATIONS DE SÉCURITÉ

## LES CAUSES MAJEURES DES INCENDIES D'APPAREILS SONT LE RÉSULTAT D'UN MAUVAIS ENTRETIEN ET D'UN DÉFAUT DE MAINTENIR DU DÉGAGEMENT REQUIS POUR LES MATÉRIAUX COMBUSTIBLES. IL EST D'UNE IMPORTANCE CRUCIALE QUE CE PRODUIT SOIT UTILISÉ SEULEMENT CONFORMÉMENT AUX INSTRUCTIONS SUIVANTES.

Veillez lire et comprendre ce manuel avant d'assembler, d'utiliser ou d'installer le produit. Cela vous assurera de profiter au mieux et sans soucis de votre nouveau gril à granulés de bois. Nous vous conseillons également de conserver ce manuel pour référence ultérieure.

### DANGERS ET AVERTISSEMENTS

**Vous devez communiquer avec votre municipalité, vos autorités locales en matière de feu ou de construction ou toute autre autorité compétente afin d'obtenir les permis nécessaires, la permission ou des renseignements sur toutes les restrictions d'installation, y compris ceux relatifs à l'installation d'un gril sur une surface combustible, aux règles d'inspection ou encore aux permis d'utilisation dans votre région.**

1. Un dégagement minimum de 914 mm (36 pouces) des constructions combustibles sur les côtés du grill et 914 mm (36 pouces) de l'arrière du grill aux constructions combustibles doit être maintenu. **Ne pas installer l'appareil sur des planchers non combustibles ou des planchers protégés par des surfaces non combustibles à moins que des permis et autorisations adéquates n'aient été obtenus par les autorités compétentes.** Cet appareil à granulés de bois ne doit pas être placé sous un plafond ou un surplomb combustible. Gardez votre gril dans une zone dégagée et exempte de matières combustibles, d'essence et d'autres vapeurs et liquides inflammables.

**En cas d'incendie de graisse, éteignez le grill et laissez le couvercle fermé jusqu'à ce que le feu soit éteint. Débranchez le cordon d'alimentation de la prise connectée. NE PAS jeter d'eau dessus. NE PAS essayer d'étouffer le feu. L'utilisation d'un extincteur approuvé toutes classes (classe ABC) est précieuse à conserver sur place. Si un incendie non contrôlé se produit, appelez les pompiers.**

2. Gardez les cordons d'alimentation électrique et le carburant loin des surfaces chauffées. Ne pas utiliser votre gril sous la pluie ou autour d'une source d'eau.
3. Après une période de stockage ou de non utilisation, vérifiez qu'il n'y a pas d'obstruction au niveau de la grille de combustion et ps de blocage de l'air au niveau de la trémie. Nettoyer avant utilisation. **Si le grill est entreposé dehors pendant la saison des pluies ou les saisons de forte humidité, toutes les précautions devraient être prises pour veiller à ce que l'eau n'entre pas dans la trémie.** Vous devez toujours débrancher le gril avant d'effectuer un service ou un entretien.

**IMPORTANT! Éteignez toujours l'appareil et laissez le cycle d'arrêt se dérouler. Débranchez l'appareil uniquement une fois le cycle d'arrêt terminé et/ou avant de le nettoyer. Le non-respect de cet avertissement peut entraîner des dommages, des blessures graves, un incendie, un choc électrique ou la mort.**

**Ne pas transporter votre gril pendant son utilisation ou pendant qu'il est chaud. Assurez-vous que le feu est complètement éteint et que le gril est complètement frais avant le déplacement.**

4. Il est recommandé d'utiliser des gants ou des gants de barbecue résistant à la chaleur lors de l'utilisation du grill. Ne pas utiliser d'accessoires n'ayant pas été conçus pour être utilisés avec cet appareil. Ne pas mettre de couvercle de barbecue ou tout autre matière inflammable dans la zone d'espace de stockage sous le barbecue.

**AVERTISSEMENT : Soyez conscient de la construction de matériaux combustibles, maintenez le feu pour éviter une surchauffe**

5. Pour éviter toute blessure ou endommagement de la tanière, l'appareil comporte un écran de sécurité de la trémie métallique. Cet écran ne doit pas être retiré sauf indication contraire du service à la clientèle de dansons ou d'un fournisseur de service autorisé.

**Cet appareil n'est pas conçu pour être utilisé par des enfants, des personnes à capacités physiques, sensorielles ou intellectuelles réduites ou sans expérience ni connaissances, à moins qu'elles soient surveillées directement par une personne responsable de leur sécurité.**

6. Certaines parties du barbecue peuvent être très chaudes et des blessures graves peuvent survenir. Retirez les casseroles et les poêles pendant que l'appareil en fonctionnement est sans surveillance, afin de réduire le risque d'incendie. Tenez les jeunes enfants et les animaux domestiques éloignés pendant l'utilisation.
7. Ne pas élargir les orifices de la grille de combustion, des trous de l'allumeur ou des pots de combustion. Le non-respect de cet avertissement pourrait entraîner un risque d'incendie et des dommages corporels et annulera votre garantie.
8. El productu puede tener bordes o puntos afilados. El contacto puede provocar lesiones. Tratar con cuidado.

## ÉLIMINATION DES CENDRES

Les cendres devraient être déposées dans un contenant métallique avec couvercle hermétique. Le contenant fermé de cendres devrait être placé sur un plancher non combustible ou sur le sol, loin de toute matière combustible en attendant leur élimination définitive. Lorsque les cendres sont disposées par enterrement dans le sol, ou dispersées localement, elles doivent être conservées dans un récipient fermé jusqu'à ce que toutes les cendres aient été complètement refroidies.

## COMBUSTIBLE GRANULES DE BOIS

Cet appareil de cuisson à granules est conçu et approuvé uniquement pour le bois aggloméré, entièrement naturel. Tout autre type de consommation de carburant dans cet appareil annulera la garantie et la norme de sécurité. Vous devez uniquement utiliser les pastilles de bois naturelles, conçues pour brûler dans les grils de bbq à pastilles. Ne pas utiliser de carburant avec des additifs. Les granules de bois sont très sensibles à l'humidité et doivent toujours être stockés dans un contenant hermétique. Si vous rangez votre gril sans utilisation pendant une période prolongée, nous vous recommandons de retirer tous les granulés de votre trémie et de votre vis sans fin pour éviter les bourrages. Pouvoir calorifique moyen du combustible à granulés en 18569-20362 KJ/KG (8000 - 8770 BTU/LB), teneur en cendres < 1 %.

**Ne pas utiliser d'alcool, d'essence, de pétrole, d'essence à briquet ou du kérosène pour allumer ou faire reprendre un feu dans votre gril. Conservez tous ces liquides loin du gril lorsque celui-ci fonctionne.**

Au l'impression de ce manuel, il n'y a pas de norme industrielle pour les granulés de bois de barbecue, bien que la plupart des usines de granulés utilisent les mêmes normes pour fabriquer des granulés de bois à usage domestique. Vous trouverez plus d'informations sur [www.pelletheat.org](http://www.pelletheat.org) ou sur *Pellet Fuel Institute*.

Contactez votre revendeur local au sujet de la qualité des granulés dans votre région et pour des informations sur la qualité de la marque. Comme il n'y a pas de contrôle sur la qualité des pastilles utilisées, nous n'assumons aucune responsabilité à l'égard des dommages causés par une mauvaise qualité du carburant.

## CRÉOSOTE

Créosote - formation et besoin d'élimination. Lors de sa combustion, il produit une fumée noire avec un résidu également de couleur noire. Lorsque les granulés de bois sont brûlés lentement, ils produisent du goudron et d'autres vapeurs organiques qui se combinent avec l'humidité expulsée pour former de la créosote. Les vapeurs de créosote se condensent dans une cheminée de four relativement froide et une hotte d'évacuation d'un feu à combustion lente. En conséquence, des résidus de créosote s'accumulent sur le revêtement du conduit de fumée et la hotte d'évacuation. Lorsqu'elle est enflammée, cette créosote produit un feu extrêmement chaud.

Le conduit de graisse doit être inspecté au moins deux fois par an pour déterminer quand l'accumulation de graisse et/ou de créosote s'est produite.

Lorsque de la graisse ou de la créosote s'est accumulée, elle doit être enlevée pour réduire le risque d'incendie.

## LE MONOXYDE DE CARBONE (« LE TUEUR SILENCIEUX »)

Le monoxyde de carbone est un gaz incolore, inodore et sans goût produit par la combustion des gaz, du bois, du propane, du charbon ou d'autres combustibles. Le monoxyde de carbone réduit la capacité du sang à transporter l'oxygène. Les faibles niveaux d'oxygène sanguin peuvent entraîner des maux de tête, des étourdissements, des faiblesses, des nausées, des vomissements, de la somnolence, de la confusion, de la perte de conscience ou la mort. Suivez les directives suivantes pour empêcher ce gaz incolore et inodore de vous empoisonner ainsi que votre famille et les autres :

- Consultez un médecin si vous ou les autres développez des symptômes similaires à un rhume ou la grippe quand vous cuisinez ou quand vous vous trouvez à proximité de l'appareil. L'empoisonnement au monoxyde de carbone, qui peut facilement être confondu avec le rhume ou la grippe, est souvent détecté trop tard.
- La consommation d'alcool et de drogues augment les effets de l'empoisonnement au monoxyde de carbone.

Le monoxyde de carbone est particulièrement toxique pour la mère et l'enfant pendant la grossesse, pour les nourrissons, les personnes âgées, les fumeurs et les personnes souffrant de problèmes de circulation sanguine ou du système circulatoire, tels que l'anémie ou les maladies cardiaques.

## INFORMATIONS DE SÉCURITÉ

Conformément aux procédures et spécifications homologuées dans UL 2728A-2019 « Appareils de cuisson à combustible à granulés » et ULC/ORD C2728-19 "équipement de combustion de carburant à granulés". Les appareils de cuisson à granulés de Pit Boss® Grills ont été testés indépendamment et classés par CSA (un laboratoire d'essai accrédité) aux normes UL et ULC.



## DÉCLARATION DE COMPATIBILITÉ FCC

Cet appareil est conforme à la section 15 de la réglementation de la FCC. Son utilisation est soumise aux deux conditions suivantes : (1) Cet appareil ne doit pas causer d'interférences nuisibles et (2) Cet appareil doit accepter toutes les interférences reçues, y compris celles pouvant entraîner un fonctionnement indésirable. Este equipo cumple con los límites de exposición a la radiación de la FCC establecidos para un entorno no controlado. Este equipo debe instalarse y operarse con una distancia mínima de 20 cm entre el radiador y su cuerpo. Este transmisor no debe ubicarse ni operarse junto con ninguna otra antena o transmisor.



Cet équipement a été testé et déclaré conforme aux limites d'un appareil numérique de classe B, conformément à la partie 15 des règles FCC. Ces limites sont conçues pour fournir une protection raisonnable contre les interférences nuisibles dans une installation résidentielle. Cet équipement génère, utilise et peut émettre de l'énergie radiofréquence et, s'il n'est pas installé et utilisé conformément aux instructions, peut provoquer des interférences nuisibles aux communications radio. Cependant, il n'y a aucune garantie que des interférences ne se produiront pas dans une installation particulière. Si cet équipement cause des interférences nuisibles à la réception de la radio ou de la télévision, ce qui peut être déterminé en éteignant et en rallumant l'équipement, l'utilisateur est encouragé à essayer de corriger les interférences par une ou plusieurs des mesures suivantes:

- Réorienter ou déplacer l'antenne réceptrice.
- Augmenter la distance séparant l'appareil du récepteur.
- Brancher l'appareil sur un circuit différent de celui du récepteur.
- Consulter le fournisseur ou un technicien qualifié de la radio ou de la télévision afin d'obtenir de l'aide.

**Attention: l'utilisateur est averti que les changements ou modifications non expressément approuvés par la partie responsable de la conformité pourraient annuler le droit de l'utilisateur à utiliser l'équipement.**

La marque verbale et le logo Bluetooth® sont des marques déposées appartenant à Bluetooth SIG, Inc. et toute utilisation de ces marques par Pit Boss® est sous licence. Les autres marques et noms commerciaux sont la propriété de leurs détenteurs respectifs.

# TABLE DES MATIÈRES

Informations concernant la sécurité .....	28	Entretien et maintenance .....	44
Pièces et spécifications .....	32	Utilisation du combustible en granulés de bois .....	46
Préparation de l'assemblage .....	33	Lignes directrices pour la cuisine .....	47
Instructions d'assemblage		Dépannage .....	49
Montage des pieds sur le corps principal .....	33	Diagramme de fil électrique .....	51
Installation de l'étagère inférieure .....	34	Pièces de rechange	
Ajout des roues au chariot .....	34	Pièces de rechange du gril .....	52
Installation de la poignée du couvercle .....	34	Pièces de rechange de la trémie .....	53
Assemblage de l'étagère latérale .....	35	Garantie .....	53
Montage de l'étagère latérale .....	35		
Fixation de la cheminée .....	35		
Fixation des supports de l'étagère avant .....	36		
Installation de l'étagère avant .....	36		
Installation des composants du diffuseur de chaleur .....	36		
Installation des composants de cuisson .....	37		
Montage du support de rack .....	38		
Placement du seau à graisse .....	38		
Connexion à une source d'alimentation .....	38		
Mode d'emploi			
Environnement du gril .....	39		
Plages de températures du gril .....	40		
Présentation du panneau de contrôle .....	41		
Connexion à l'application Pit Boss® Grills .....	43		
Procédure d'amorce de la trémie .....	43		
Première utilisation - brûlage du gril .....	44		
Procédure de démarrage automatique .....	44		
Arrêt de votre gril .....	44		



## AVIS SUR LES DROITS D'AUTEUR

Droit d'auteur 2022. Tous droits réservés. Nulle partie de ce manuel ne peut être reproduite, transmises, transcrite ou stockée dans un système de recherche de quelque façon que ce soit sans l'autorisation préalable écrite de,

### Dansons

8877 North Gainey Center Drive, Scottsdale, AZ, USA 85258

### Service à la clientèle

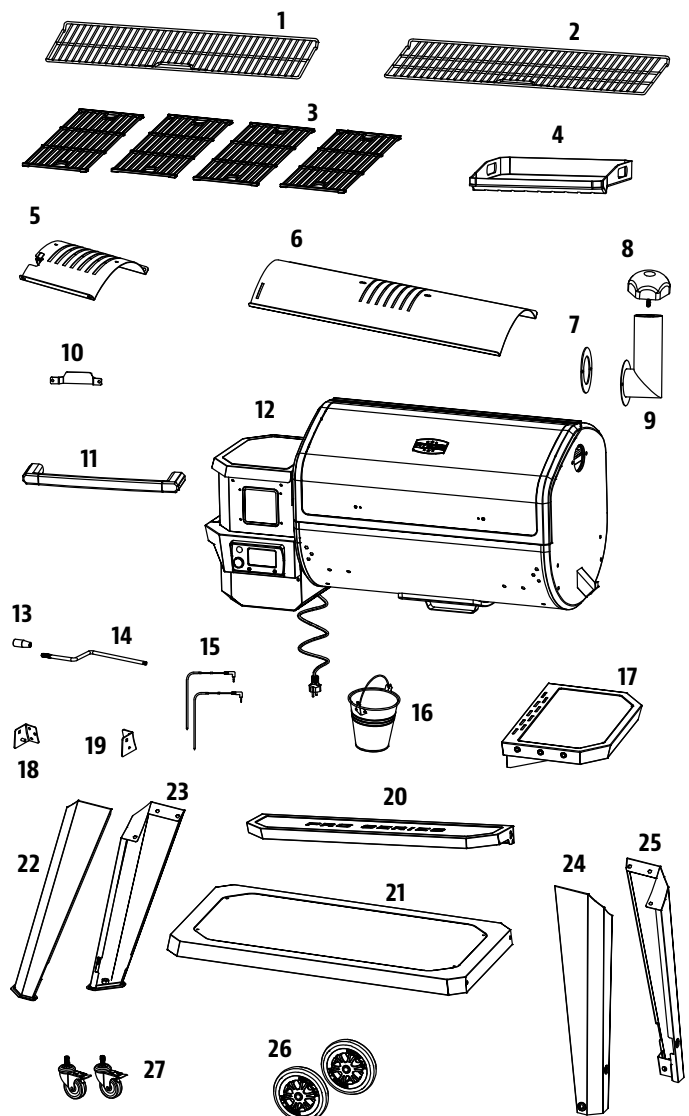
ÉTATS-UNIS: (480) 923-9630

CANADA (SANS FRAIS): 1-877-942-2246

[www.pitboss-grills.com](http://www.pitboss-grills.com)

# PIÈCES ET SPÉCIFICATIONS

N°	Description
1	Grille de cuisson supérieure (x1)
2	Grille de cuisson du milieu (x1)
3	Grilles de cuisson (x4)
4	Gril en fonte (x1)
5	Plaque coulissante du diffuseur de chaleur (x1)
6	Plaque principale du diffuseur de chaleur (x1)
7	Joint de cheminée (x1)
8	Chapeau de cheminée (x1)
9	Sortie de cheminée (x1)
10	Support de rack (x1)
11	Poignée pour couvercle (x1)
12	Assemblage gril principal/trémie (x1)
13	Poignée de la barre de réglage du grilloir à flamme (x1)
14	Barre de réglage du grilloir à flamme (x1)
15	Sonde de cuisson (x2)
16	Seau à graisse (x1)
17	Étagère latérale (x1)
18	Support pour étagère avant/gauche (x1)
19	Support pour étagère avant /droit (x1)
20	Étagère avant (x1)
21	Étagère inférieure (x1)
22	Pied de support gauche - avant (x1)
23	Pied de support gauche - arrière (x1)
24	Pied de support droit - avant (x1)
25	Pied de support droit - arrière (x1)
26	Roue (x2)
27	Roulettes pivotantes à frein (x2)
A	Vis (x28)
B	Rondelle (x24)
C	Rondelle de blocage (x22)
D	Crochets à ustensiles (x3)
E	Goupille bêta pour roue (x2)
F	Rondelle pour roue (x2)
G	Goupille cannelée pour roue (x2)
H	Vis (x2)
I	Écrous (x2)
J	Bague (x2)



REMARQUE : En raison du développement continu du produit, les pièces peuvent être modifiées sans préavis. Contactez le service clientèle si des pièces manquent lors de l'assemblage de l'appareil.

**PB – EXIGENCES ÉLECTRIQUES**  
110-120 V, 60 Hz, 315 W, FICHE À 3 BROCHES MISE À LA TERRE

MODÈL	ASSEMBLÉ (LxPxH)	POIDS	SURFACE DE CUISSON	GAMME DE TEMPÉRATURES
PB PB1600PS3	1 587,5 MM x 813,5 MM x 1 400 MM / 62,50 PO x 32,03 PO x 55,12 PO	105,0 KG / 231,5 LB	SUPÉRIEURE - 2 474,8 CM <sup>2</sup> / 383,6 PO <sup>2</sup> MILIEU - 3 249,6 CM <sup>2</sup> / 503,7 PO <sup>2</sup> PRINCIPALE - 4 587,1 CM <sup>2</sup> / 711,0 PO <sup>2</sup> TOTAL - 10 311,5 CM <sup>2</sup> / 1 598,3 PO <sup>2</sup>	82-260 °C / 180-500 °F

# PRÉPARATION DE L'ASSEMBLAGE

Les pièces se trouvent partout dans le carton d'expédition, y compris sous le gril. Inspectez le gril, les pièces et le sachet de quincaillerie après les avoir retirés du carton d'expédition. Débarrassez-vous de tous les emballages intérieurs et extérieurs du gril avant de procéder à l'assemblage, puis passez en revue et inspectez toutes les pièces en vous référant à la liste. Si une pièce manque ou est endommagée, ne procédez pas à l'assemblage. Les dégâts liés à l'envoi ne sont pas couverts par la garantie. Contactez votre revendeur ou le service clients de Pit Boss® concernant ces pièces.

[www.pitboss-grills.com](http://www.pitboss-grills.com) | ÉTATS-UNIS : (480) 923-9630 | CANADA (SANS FRAIS) : 1-877-942-2246

**IMPORTANT : Pour faciliter l'installation, être deux personnes est utile (mais pas nécessaire) lors de l'assemblage de cette unité.**

**Outils nécessaires pour l'assemblage :** tournevis et niveau d'eau. *Outils non inclus.*



## INSTRUCTIONS D'ASSEMBLAGE

**REMARQUE :** Pour toutes les étapes suivantes, ne pas serrer complètement les vis jusqu'à ce que toutes les vis de cette étape aient été installées. Une fois toutes les vis installées, serrez-les correctement. La combinaison de matériel impliquant une rondelle et une rondelle de blocage doit être installée avec la rondelle de verrouillage la plus proche de la tête de la vis.

### 1. MONTAGE DES PIEDS SUR LE CORPS PRINCIPAL

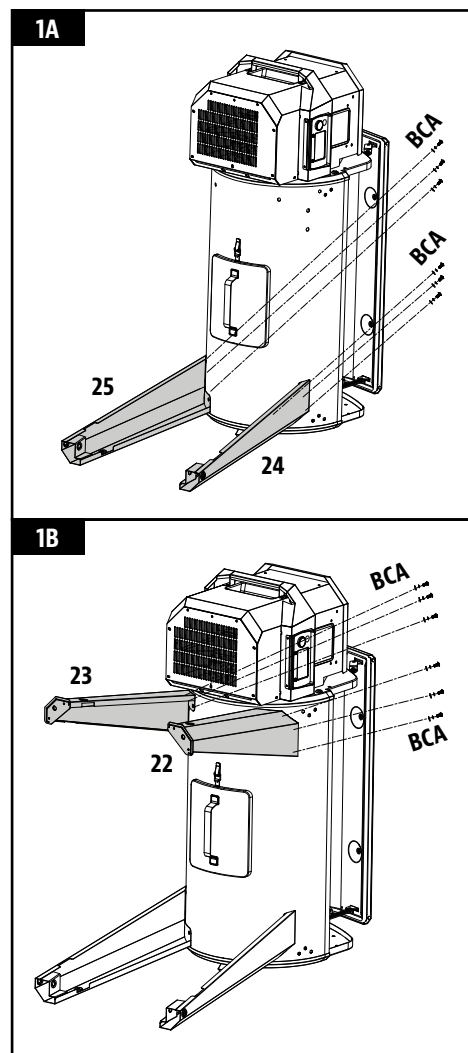
#### Pièces nécessaires :

- 1 x Assemblage gril principal/trémie (#12)
- 1 x Pied de support gauche - avant (#22)
- 1 x Pied de support gauche - arrière (#23)
- 1 x Pied de support droit - avant (#24)
- 1 x Pied de support droit - arrière (#25)
- 12 x Vis (#A)
- 12 x Rondelle (#B)
- 12 x Rondelle de blocage (#C)

#### Installation :

- Placez un bout de carton sur le sol afin d'éviter d'érafler l'appareil et les pièces durant l'assemblage. Posez le corps principal sur le côté, sur le carton, l'extrémité de la trémie dirigée vers le haut.
- Montez le pied de support avant droit sur l'extrémité du corps principal placée sur le sol à l'aide de trois vis, rondelles de blocage et rondelles, à travers les trois trous prépercés. Installez les vis via l'intérieur du corps principal. Répétez la procédure pour le pied de support arrière droit. Consultez l'illustration 1A.
- Montez ensuite le pied de support avant gauche sur l'extrémité du corps principal du côté de la trémie à l'aide de trois vis, rondelles de blocage et rondelles, à travers les trois trous prépercés. Installez les vis via l'intérieur du corps principal. Répétez la procédure pour le pied de support arrière gauche. Consultez l'illustration 1B.

**IMPORTANT :** Ne serrez pas totalement les vis avant que l'étagère inférieure ne soit installée lors de l'étape suivante.



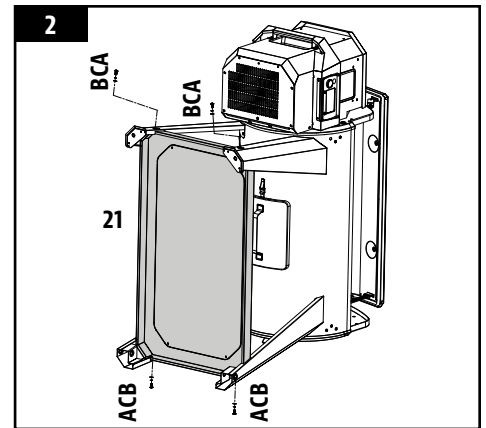
## 2. INSTALLATION DE L'ÉTAGÈRE INFÉRIEURE

### Pièces nécessaires :

- 1 x Étagère inférieure (#21)
- 4 x Vis (#A)
- 4 x Rondelle (#B)
- 4 x Rondelle de blocage (#C)

### Installation :

- Fixez l'étagère inférieure sur chaque pied de support avec une vis, une rondelle de blocage et une rondelle. Assurez-vous que la surface plane de l'étagère est orientée vers le haut, en direction du corps du gril.



## 3. AJOUT DES ROUES AU CHARIOT

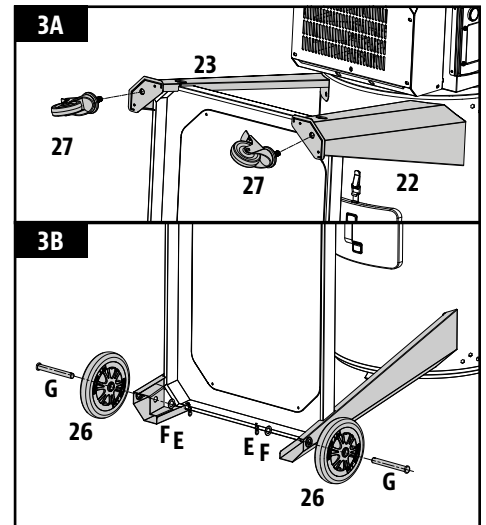
### Pièces nécessaires :

- 2 x Roulettes pivotantes à frein (#27)
- 2 x Roue (#26)
- 2 x Goupille bêta pour roue (#E)
- 2 x Rondelle pour roue (#F)
- 2 x Goupille cannelée pour roue (#G)

### Installation :

- Insérez chaque roulette à frein au bas de chaque pied de support gauche, en les serrant manuellement dans le trou. Assurez-vous que chaque roulette à frein est complètement insérée. Consultez l'illustration 3A.
- Fixez chaque roulette à chaque pied de support droit en insérant la goupille cannelée dans la roue, dans le trou du pied de support et dans la rondelle de la roue, puis fixez le tout avec une goupille bêta. Consultez l'illustration 3B.
- Une fois l'étagère attachée, placez précautionneusement le gril en position verticale.

**IMPORTANT : resserrez les vis des pieds de support pour vous assurer qu'elles sont complètement fixées après avoir positionné le gril à la verticale.**



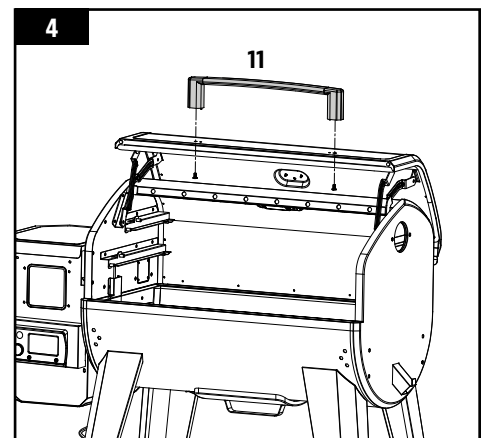
## 4. INSTALLATION DE LA POIGNÉE DU COUVERCLE

### Pièces nécessaires :

- 1 x Poignée pour couvercle (#11)

### Installation :

- Retirez les vis préinstallées de la poignée du couvercle. De l'intérieur du couvercle du corps, insérez une vis afin qu'elle dépasse de l'autre côté. Ajoutez une bague à la vis. Ajoutez une bague sur la vis, puis serrez-la à la main (de l'intérieur) dans la poignée du couvercle. Répétez l'opération pour l'autre côté.



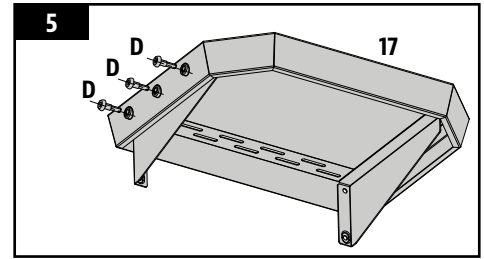
## 5. ASSEMBLAGE DE L'ÉTAGÈRE LATÉRALE

### Pièces nécessaires :

- 1 x Étagère latérale (#17)
- 3 x Crochets à ustensiles (#D)

### Installation :

- Retournez l'étagère latérale. Sur le bord de l'étagère latérale possédant trois trous, installez les trois crochets à ustensiles. Les crochets à ustensiles seront fixés à l'écrou prémonté à l'intérieur.



## 6. MONTAGE DE L'ÉTAGÈRE LATÉRALE

### Pièces nécessaires :

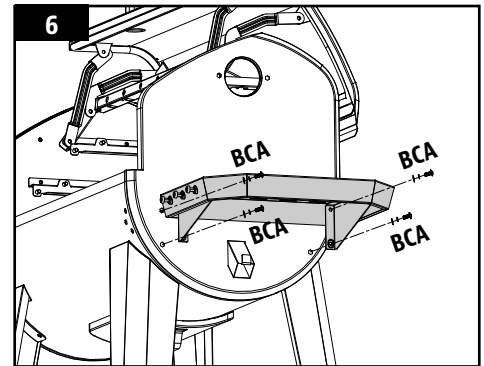
- 4 x Vis (#A)
- 4 x Rondelle de blocage (#C)
- 4 x Rondelle (#B)

### Installation :

- En passant par le dessous, fixez l'étagère latérale au panneau latéral du corps principal à l'aide de quatre vis, rondelles de blocage et rondelles.

**REMARQUE : ne serrez pas totalement les vis avant qu'elles soient toutes installées. Une fois toutes les vis installées, fixez les précautionneusement.**

**IMPORTANT : évitez d'utiliser les étagères pour déplacer ou soulever le gril. Le poids de l'appareil provoquerait la rupture des étagères, ce qui n'est pas couvert par la garantie.**



## 7. FIXATION DE LA CHEMINÉE

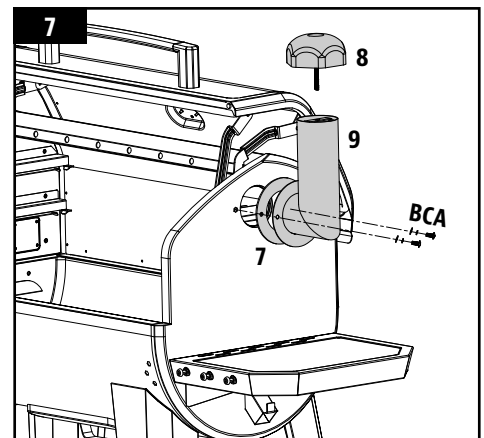
### Pièces nécessaires :

- 1 x Joint de cheminée (#7)
- 1 x Chapeau de cheminée (#8)
- 1 x Sortie de cheminée (#9)
- 2 x Vis (#A)
- 2 x Rondelle de blocage (#C)
- 2 x Rondelle (#B)

### Installation :

- Localisez l'ouverture de la cheminée sur le panneau latéral du corps principal. De l'extérieur, fixez la sortie de cheminée et le joint de la cheminée sur le panneau latéral à l'aide de deux vis, de rondelles de blocage et de rondelles. Les vis fixeront les écrous prémontés à l'intérieur du corps de l'appareil.
- Ensuite, fixez le chapeau de cheminée en tournant la vis du chapeau de cheminée dans la sortie de cheminée.

**REMARQUE : réglez le chapeau de cheminée pour diriger le flux d'air à l'intérieur du gril principal. Si vous cuisinez à basse température, gardez le chapeau plus ouvert. Assurez-vous que le chapeau de cheminée permet à l'air de s'échapper.**



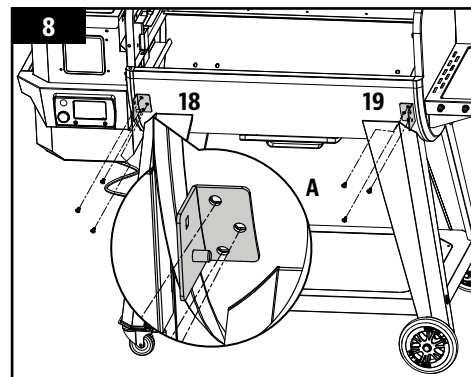
## 8. FIXATION DES SUPPORTS DE L'ÉTAGÈRE AVANT

### Pièces nécessaires :

- 1 x Support pour étagère avant/gauche (#18)
- 1 x Support pour étagère avant /droit (#19)
- 6 x Vis (#A)

### Installation :

- Fixez un support pour étagère avant à l'avant du corps de grill à l'aide de trois vis. Insérez chaque vis à moitié, puis serrez-les complètement lorsque les trois vis sont montées et alignées correctement.
- Répétez la même procédure pour l'autre support pour étagère avant.



## 9. INSTALLATION DE L'ÉTAGÈRE AVANT

### Pièces nécessaires :

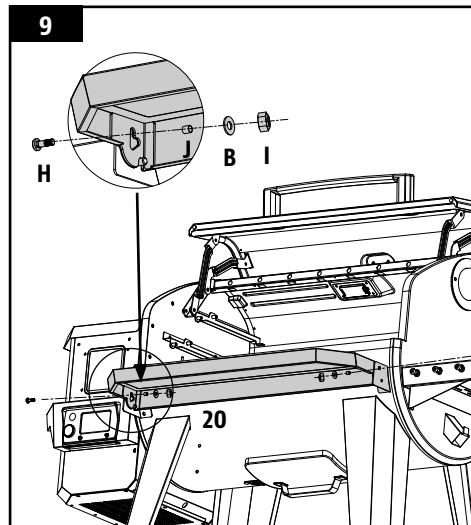
- 1 x Étagère avant (#20)
- 2 x Rondelle (#B)
- 2 x Vis (#H)
- 2 x Écrous (#I)
- 2 x Bague (#J)

### Installation :

- En passant par le dessous, insérez la vis (par l'extérieur) dans le support pour étagère avant et l'étagère avant, puis ajoutez la bague dans la vis, la rondelle et l'écrou. Répétez la procédure pour l'autre côté de l'étagère avant.

**REMARQUE :** lorsqu'elle est installée correctement, l'étagère avant peut être relevée (pour utilisation) et abaissée (pour le stockage) en toute simplicité.

**IMPORTANT :** évitez d'utiliser les étagères pour déplacer ou soulever le grill. Le poids de l'appareil provoquerait la rupture des étagères, ce qui n'est pas couvert par la garantie.



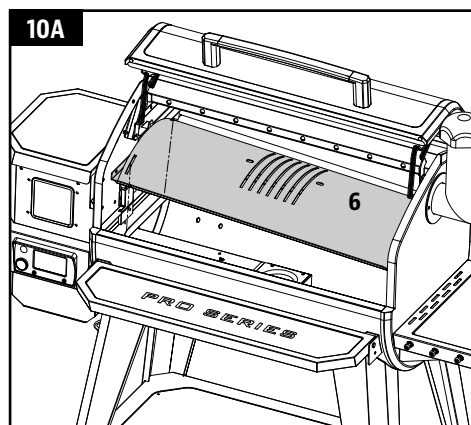
## 10. INSTALLATION DES COMPOSANTS DU DIFFUSEUR DE CHALEUR

### Pièces nécessaires :

- 1 x Plaque coulissante du diffuseur de chaleur (#5)
- 1 x Plaque principale du diffuseur de chaleur (#6)
- 1 x Poignée de la barre de réglage du grilloir à flamme (#13)
- 1 x Barre de réglage du grilloir à flamme (#14)

### Installation :

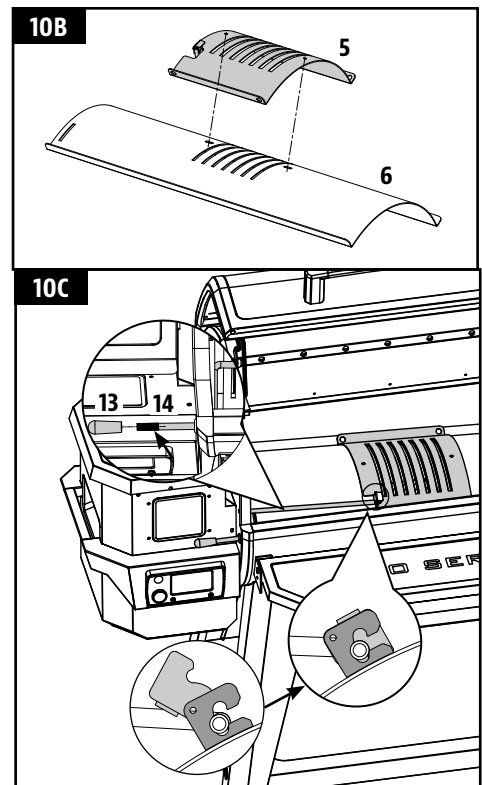
- Insérez la plaque principale du diffuseur de chaleur dans le grill principal en commençant par le côté droit. Posez la plaque principale du diffuseur de chaleur sur le rebord intégré (à l'intérieur, à droite) du grill principal dirigeant la graisse vers le seau. Faites coulisser toute la pièce vers le côté gauche, ainsi, les deux fentes de la plaque principale du diffuseur de chaleur s'ajusteront dans le rebord arrondi situé au-dessus du pot de combustion. Il adoptera un angle légèrement incliné vers le bas. Consultez l'illustration 10A.



**IMPORTANT : si la plaque principale du diffuseur de chaleur se trouve sur la base du corps, son installation est incorrecte. Le diffuseur de chaleur doit être en biais, avec le côté gauche plus élevé que le côté droit. Une mauvaise installation de cette pièce peut endommager le baril de votre gril principal.**

- Placez la plaque coulissante du diffuseur de chaleur au-dessus de la plaque principale, recouvrant les fentes. Veillez à ce que la languette relevée se trouve sur la gauche afin de facilement ajuster l'utilisation d'une flamme directe ou indirecte lors de la cuisson. Consultez l'illustration 10B. Les deux plaques du diffuseur de chaleur sont légèrement recouvertes d'huile pour éviter l'apparition de rouille lors de l'envoi.
- Puis, retirez la poignée de la barre de réglage du diffuseur de chaleur. Insérez la barre de réglage du diffuseur de chaleur dans le trou situé sur le côté gauche du corps principal. Ajoutez la poignée de la barre de réglage du diffuseur de chaleur sur l'extrémité à l'extérieur du corps de l'appareil. Glissez ensuite l'extrémité crantée de la barre de réglage dans la languette de verrouillage de la plaque coulissante du diffuseur de chaleur, ce qui vous donne un accès facile à la plaque coulissante du diffuseur de chaleur de la plaque principale. Consultez les étapes de l'illustration 10C.

**REMARQUE : lorsque la plaque coulissante du diffuseur de chaleur est ouverte, une flamme directe est utilisée, ne laissez jamais le gril sans surveillance.**



## 11. INSTALLATION DES COMPOSANTS DE CUISSON

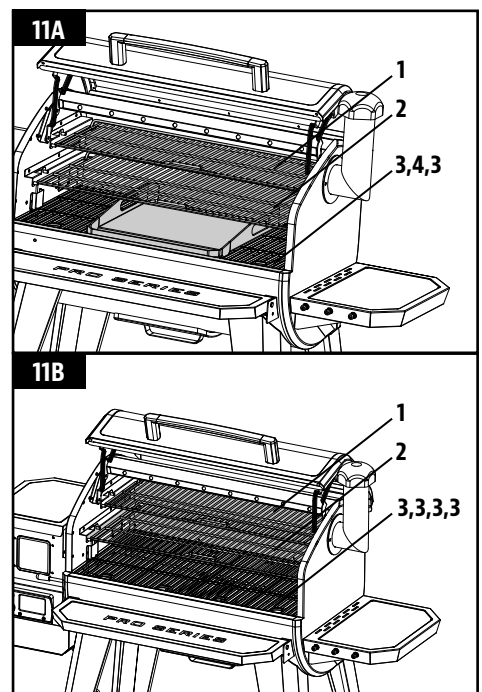
**Pièces nécessaires :**

- 1 x Grille de cuisson supérieure (#1)
- 1 x Grille de cuisson du milieu (#2)
- 1 x Gril en fonte (#4)
- 4 x Grilles de cuisson (#3)

**Installation :**

- Choisissez une surface de cuisson principale désirée: deux grilles de cuisson avec plaque chauffante (illustrées en 11A) ou quatre grilles de cuisson (illustrées en 11B). Placez la combinaison de surface de cuisson choisie sur les rebords inférieurs de la grille à l'intérieur du gril principal.
- Ensuite, placez la grille de cuisson centrale sur les rebords du milieu à l'intérieur du gril principal. Placez la grille de cuisson supérieure sur les rebords supérieurs à l'intérieur du gril principal.

**REMARQUE: Pour maintenir les performances de saisie et de cuisson de vos grilles de cuisson et grilles de cuisson, des soins et un entretien réguliers sont nécessaires.**



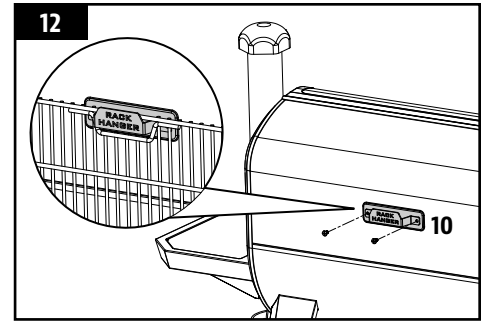
## 12. MONTAGE DU SUPPORT DE RACK

### Pièces nécessaires :

- 1 x Support de rack (#10)

### Installation :

- Fixez le support de rack au panneau arrière du barillet principal à l'aide des deux vis de pré-assemblage. Les grilles de cuisson peuvent être suspendues au support de grille lorsqu'elles ne sont pas utilisées.



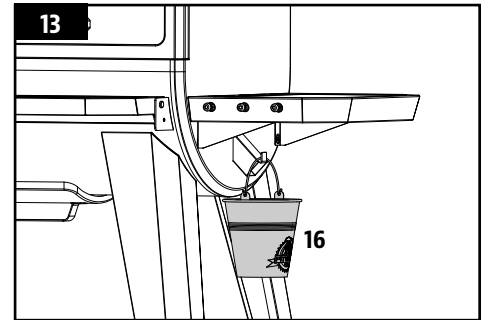
## 13. PLACEMENT DU SEAU À GRAISSE

### Pièces nécessaires :

- 1 x Seau à graisse (#16)

### Installation :

- Coloque el recogegrasa en el caño del extremo del tambor principal. Asegúrese de que esté nivelado para evitar el derramamiento de grasa.
- La unidad está montada por completo.



## 14. CONNEXION À UNE SOURCE D'ALIMENTATION

### • PRISE STANDARD

Cet appareil nécessite un voltage de 110-120 volts, 60Hz, 315w. Il doit utiliser une fiche de mise à la terre à 3 broches. Assurez-vous que la mise à la terre n'est pas rompue avant utilisation. Le contrôle utilise un fusible à action rapide et 110-120 volts pour protéger le panneau de l'allumeur.

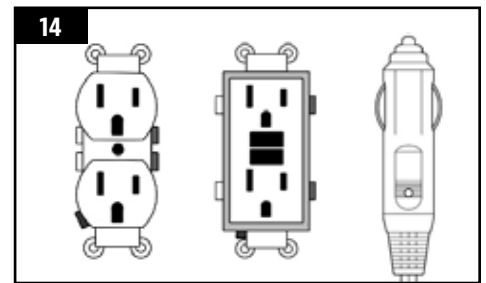
### • LES PRISES GFCI

Cet appareil fonctionnera sur la plupart des prises GFCI, avec une taille recommandée de 15 ampères. Si votre prise GFI est très sensible aux surtensions, elle sera probablement touchée par un court-circuit pendant la phase d'allumage. Pendant la phase d'allumage, l'allumeur nécessite entre 200 et 700 watts de tension, ce qui peut représenter trop de puissance pour une prise GFI. Chaque fois qu'il y a une surtension, il augmente sa sensibilité. Si le GFCI continue de sauter, remplacez la prise ou passez à une prise non GFCI.

### • SUR LA ROUTE

Débranchez l'allumeur du faisceau de câbles principal. Utilisez la procédure de démarrage manuelle. Une unité Pit Boss® peut fonctionner en utilisant un onduleur de 12 volts et 100 watts branché sur votre prise automobile. Pour utiliser l'allumeur automatique, il est recommandé d'utiliser au minimum un onduleur de 1000 watts.

**IMPORTANT: Débranchez l'appareil de la source d'alimentation lorsqu'il n'est pas utilisé.**



# MODE D'EMPLOI

*Avec le style de vie actuel pour s'efforcer de manger des aliments sains et nutritifs, un facteur à considérer est l'importance de réduire la consommation de graisse. L'une des meilleures façons de réduire les graisses dans votre régime alimentaire est d'utiliser une méthode de cuisson faible en matières grasses, tel que le gril. Comme une grille à granulés utilise des granulés de bois naturels, la saveur de bois savoureux est cuite dans les viandes, ce qui réduit le besoin de sauces à haute teneur en sucre. Tout au long de ce manuel, vous remarquerez l'accent mis sur le grillage des aliments lentement aux réglages de température FAIBLE ou MOYENNE.*

## ENVIRONNEMENT DU GRIL

### 1. OÙ INSTALLER LE GRILL

Avec tous les appareils extérieurs, les conditions météorologiques extérieures jouent un rôle important dans la performance de votre gril et le temps de cuisson nécessaire pour parfaire vos repas.

Toutes les unités Pit Boss® devraient garder un dégagement minimum de 914 mm (36 pouces) des constructions combustibles, et cette distance doit être maintenue pendant la cuisson. Cet appareil ne doit pas être placé sous un plafond ou un surplomb combustible. Gardez votre gril dans une zone dégagée et exempte de matières combustibles, d'essence et d'autres vapeurs et liquides inflammables.

### 2. CUISINER PAR TEMPS FROIDS

Lorsqu'il commence à faire plus frais à l'extérieur, cela ne signifie pas que la saison des grillades est terminée! L'air frais et l'arôme divin des aliments fumés aideront à guérir votre blues d'hiver.

Suivez ces suggestions sur la façon de profiter de votre gril pendant les mois les plus frais:

- Si le fumage à basse température échoue, augmentez légèrement la température pour obtenir les mêmes résultats.
- Organisez – Préparez tout ce dont vous avez besoin dans la cuisine avant de vous diriger à l'extérieur. Pendant l'hiver, déplacez votre gril dans un endroit protégé du vent et du froid. Vérifiez les règlements locaux concernant la proximité de votre gril par rapport à votre maison et/ou autres constructions. Mettez tout ce dont vous avez besoin sur un plateau, emballez et lancez-vous!
- Pour suivre la température extérieure, placez un thermomètre extérieur près de votre zone de cuisson. Gardez un journal ou un historique de ce que vous avez préparé, de la température extérieure et du temps de cuisson. Cela sera utile plus tard pour vous aider à déterminer ce qu'il faut cuisiner et combien de temps cela prendra.
- Par temps très froid, augmentez votre temps de préchauffage d'au moins 20 minutes.
- Évitez de soulever le couvercle du gril plus que nécessaire. Les rafales de vents froids peuvent refroidir complètement la température de votre gril. Soyez souple quant au moment de servir; ajoutez environ 10 à 15 minutes de plus à la cuisson à chaque fois que vous ouvrez le couvercle.
- Ayez un plateau chauffé ou un couvercle de plat prêt à garder votre nourriture au chaud tout en faisant le voyage à l'intérieur.
- Les aliments idéaux pour la cuisine d'hiver sont ceux qui nécessitent peu d'attention, comme les rôtis, les poulets entiers, les côtes et la dinde. Rendez votre préparation de repas encore plus facile en ajoutant des éléments simples comme les légumes et les pommes de terre.

### 3. CUISINER PAR TEMPS CHAUDS

À mesure qu'il fait plus chaud à l'extérieur, le temps de cuisson diminue.

Suivez ces suggestions sur la façon de profiter de votre gril pendant les mois chauds:

- Ajustez à la baisse vos températures de cuisson. Cela permet d'éviter les poussées indésirables.
- Utilisez un thermomètre à viande pour déterminer la température interne de vos aliments. Ceci permet d'éviter que votre viande ne soit trop cuite ou se dessèche.
- Même par temps chaud, c'est mieux de cuisiner en gardant le couvercle de votre gril baissé.

- Vous pouvez garder vos aliments chauds au chaud en les enveloppant dans du papier aluminium et en les plaçant dans une glacière isolée. Placez du papier journal froissé autour du papier aluminium et cela tiendra la nourriture chaude pendant 3 à 4 heures.

## PLAGES DE TEMPÉRATURES DU GRIL

Toutes les températures indiquées ci-dessous sont approximatives et sont affectées par les facteurs suivants: la température ambiante extérieure, la quantité et la direction du vent, la qualité du combustible à granulés utilisé, le couvercle ouvert et la quantité de nourriture en cours de cuisson.



**TEMPÉRATURES ÉLEVÉES**  
205-260 °C / 401-500 °F

Cette gamme est de préférence utilisée pour sécher et griller à haute température. Utiliser en tandem avec la chaudière (plateau latéral) pour une cuisson indirecte ou directe de la flamme. Lorsque la **chaudière est ouverte**, la flamme directe est utilisée pour créer ces steaks « blue » ainsi que des légumes à la flamme, des toasts à l'ail ou même des s'mores! Lorsque la **chaudière est fermée**, l'air circule autour du baril ce qui conduit à une chaleur de convection. La température élevée est également utilisée pour préchauffer votre grill, brûler les grilles de cuisson et obtenir un feu vif par froid extrême.



**TEMPÉRATURE MOYENNE**  
135-180 °C / 275-356 °F

Cette gamme est idéale pour cuire au four, rôtir et terminer votre création à fumaison lente. La cuisson à ces températures réduira considérablement les risques de poussée de graisse. Assurez-vous que la glissière de chaudière est en position fermée, couvrant les ouvertures à fente. Excellente gamme pour cuisiner n'importe quoi enveloppé dans du bacon, ou où vous voulez une polyvalence avec contrôle.



**BASSE TEMPÉRATURE**  
82-125 °C / 180-257 °F

Cette gamme permet rôtir lentement, d'augmenter la saveur fumée et de garder les aliments au chaud. Infusez plus de saveur fumée et gardez vos viandes juteuses en cuisinant plus longtemps à une température plus basse (également connu sous le nom de **faible et lent**). Il est recommandé pour la grande dinde pour Thanksgiving, jambon juteux à Pâques, ou l'immense fête de Noël.

Le fumage est une variation de vrai barbecue et est vraiment le premier avantage de la cuisson sur un grill à pastilles de bois. **Le fumage à chaud**, un autre nom pour la cuisson **faible et lente**, se fait généralement à 82-125°C / 180-257°F. Le fumage à chaud fonctionne mieux lorsqu'un temps de cuisson plus long est nécessaire, comme pour les grandes coupes de viande, de poisson ou de volaille.

**CONSEIL: Pour intensifier cette saveur salée, passez à la température de fumée (basse) immédiatement après avoir mis vos aliments sur le grill. Cela permet à la fumée de pénétrer dans les viandes.**




La clé consiste à expérimenter le temps que vous autorisez à fumer, avant que le repas ne soit cuit. Certains chefs de plein air préfèrent fumer à la fin d'une cuisson, ce qui permet à la nourriture de rester au chaud jusqu'à ce qu'elle soit prête à être servie. La pratique rend parfait!

## COMPRENDRE LE TABLEAU DE CONTRÔLE

Cette panneau de contrôle numérique P.I.D. (proportionnel-intégral-dérivé) est très semblable aux commandes de votre four de cuisine. Les principaux avantages sont la possibilité de compenser automatiquement les différentes conditions ambiantes et les différents types de combustibles.

**IMPORTANT : La température à l'intérieur de tout gril varie considérablement d'un endroit à l'autre. Même des instruments calibrés ensemble peuvent ne pas être en accord les uns avec les autres.**



CONTRÔLE	DÉSIGNATION
	<p>Appuyez et maintenez enfoncé pendant trois secondes pour allumer l'appareil. Cela lancera le cycle de démarrage automatique. Appuyez sur ce bouton et maintenez-le enfoncé pendant 3 secondes pour éteindre l'appareil, en activant le cycle de refroidissement automatique. Une lumière bleue s'allume derrière le bouton d'alimentation lorsqu'il est connecté à une source d'alimentation et lorsque l'appareil est allumé.</p>
	<p>Le bouton du contrôleur est utilisé pour naviguer, augmenter, diminuer, sélectionner et définir des valeurs. Le bouton du contrôleur peut se déplacer comme un joystick ou tourner pour ajuster les valeurs sur l'écran principal. Dans les sous-écrans, tournez la molette ou utilisez le joystick pour faire défiler les options. Appuyez sur le bouton du contrôleur pour confirmer la valeur ou la sélection choisie. La sélection clignotera en bleu à l'endroit où se trouve actuellement le bouton de commande jusqu'à ce qu'une sélection soit effectuée. Il sera surligné en blanc une fois la sélection confirmée.</p>
	<p>Les options de réglage sous cet écran :</p> <ul style="list-style-type: none"> <li>• <b>Affichage</b> : Sélectionnez la luminosité de l'affichage ou sélectionnez l'échelle de température. Fahrenheit (°F) est la valeur par défaut.</li> <li>• <b>Économiseur d'écran</b> : La valeur par défaut est Aucun. Sélectionnez 1 min, 3 min ou 5 min pour choisir quand l'écran passera en mode veille après avoir été inactif. Poussez le bouton de commande pour réactiver l'affichage. Verrouiller verrouillera l'affichage, appuyez sur le bouton de commande et maintenez-le enfoncé pour le déverrouiller.</li> <li>• <b>Démarrage</b> : mettre à jour la température de démarrage par défaut des unités. L'appareil chauffera automatiquement à 180 °F lorsque OFF est sélectionné. Déplacez le bouton de commande sur la sélection de la température (il clignotera en bleu), tournez le bouton de commande pour modifier, appuyez sur le bouton de commande pour confirmer la température. Sélectionnez ON pour conserver cette température sélectionnée pour le démarrage. La plage de température est de 180 à 500 °F.</li> <li>• <b>Langue</b> : l'anglais est la langue par défaut. Le français et l'espagnol sont des options sélectionnables.</li> <li>• <b>À propos</b> : Les informations de l'unité seront affichées ici. Nom, numéro de modèle, numéro de série, ID du contrôleur, version et adresse MAC (Media Access Control).</li> </ul>



Les options du menu : Hold Prime, 3 Seconds Prime ou 5 Seconds Prime. La sélection de l'option Hold alimentera en continu les granulés de la tarière, 30 secondes maximum. Appuyez à nouveau pour arrêter l'alimentation de la tarière. Les sélections chronométrées s'amorceront automatiquement pour cette période.



Appuyez sur ce bouton pour allumer et éteindre la lumière à l'intérieur du baril du gril.



Le port de sonde gauche est P1 et le droit est P2.



Lorsque les sondes à viande programmables sont branchées, ces icônes s'affichent. La température réelle est indiquée en gras et la température de consigne, si elle est définie, sera indiquée ci-dessous. Passez au P1 ou au P2 sur l'écran principal. Tournez la molette pour régler la température souhaitée et confirmez la sélection en appuyant sur le bouton de commande. Pour accéder au menu Sondes, déplacez le joystick vers le haut si vous survolez P2 ou vers le bas si vous survolez P1. Dans le menu Sondes, sélectionnez la sonde, puis la température à programmer, ou sélectionnez l'icône de la protéine pour définir la température par défaut pour ce qui est en cours de cuisson. Lorsqu'elle n'est pas utilisée, débranchez la sonde à viande. Compatible uniquement avec les sondes à viande de marque Pit Boss® Grills. L'anneau autour de la sonde indique la distance entre la température de cuisson actuelle et la température programmée, 0-100 %. P1/2 émettra un bip et l'icône de la cloche apparaîtra lorsque la température programmée sera atteinte.

107°C

La température réelle est constamment affichée. La lecture de la température est prise par la sonde du gril (capteur) à l'intérieur du baril du gril. Déplacez le bouton de commande sur la température et tournez le bouton pour régler la température de consigne. Appuyez sur le bouton de commande pour confirmer la sélection.

Chauffage jusqu'à 107

La température de consigne sera mise à jour une fois la température modifiée sous la température réelle.



L'icône WI-FI est visible lorsque l'unité est connectée à l'application Pit Boss. Il clignotera lorsqu'il n'est pas connecté.



L'icône FAN est visible lorsque le ventilateur est en marche. Lorsqu'il ne fonctionne pas, l'écran d'erreur FAN apparaît. Consultez la section sur le dépannage pour obtenir de l'aide.



L'icône AUGER est visible lorsque la tarière est en marche. Lorsqu'il ne fonctionne pas, l'écran d'erreur AUGER apparaît. Consultez la section sur le dépannage pour obtenir de l'aide.



L'icône ALLUMEUR est visible lorsque l'allumeur est en marche. Lorsqu'il ne fonctionne pas, l'écran d'erreur ALLUMEUR apparaît. Consultez la section sur le dépannage pour obtenir de l'aide.



Lorsque l'écran affiche une erreur, l'écran d'erreur PELLET apparaît, le feu dans le pot de combustion s'est éteint ou la trémie est peut-être vide. Consultez la section sur le dépannage pour obtenir de l'aide.

## CONNEXION À L'APPLICATION PIT BOSS®

Suivez ces instructions pour connecter votre barbecue à l'application Pit Boss® Grills avec votre appareil Android™ ou iOS®. L'application vous permettra de contrôler et de surveiller les températures de votre gril et de votre sonde à viande depuis votre appareil mobile. Profitez des avantages de la connectivité mobile Pit Boss® Grills!

1. Téléchargez l'application Pit Boss® Grills. Ouvrez l'application et autorisez l'activation de Bluetooth® pour la configuration. Les nouveaux utilisateurs devront créer un compte et suivre les invites pour se connecter.
2. Si vous êtes à portée Bluetooth® (9 m / 30 pieds), l'application Pit Boss® Grills détectera automatiquement votre gril. Sélectionnez votre modèle de gril. Si vous ne voyez pas votre gril sur l'écran, assurez-vous que votre appareil est connecté à une source d'alimentation et qu'il est allumé.
3. Nommez votre modèle de gril (par exemple, mon fumeur) dans l'application et sélectionnez "Connecter" en bas de l'écran. Cela enregistrera votre modèle de gril dans le menu des appareils.
4. Dans le menu des appareils, cliquez sur le modèle de gril à connecter. Cela vous montrera l'écran du panneau de contrôle.
5. Cliquez sur l'option des paramètres (engrenage) dans le coin supérieur droit, entrez vos informations d'identification Wi-Fi, puis cliquez sur la coche en bas de l'écran pour vous connecter. Désormais, les icônes Bluetooth® et Wi-Fi (nuage) s'affichent dans le menu des appareils, indiquant que le gril est connecté.

**Lors de l'utilisation de l'application, l'écran brillera lorsque le gril est actif et connecté. Si l'écran ou le gril de l'application s'assombrit dans le menu des appareils, vérifiez votre connexion sans fil ou votre source d'alimentation.**

## PROCÉDURE D'AMORÇAGE DE LA TARIÈRE

La première fois que vous utilisez votre gril ou chaque fois que votre gril manque de granulés dans la trémie, vous devrez amorcer la tarière. S'il n'est pas amorcé, le gril s'éteindra avant que les granulés ne soient allumés et aucun feu ne démarrera. Suivez ces étapes pour amorcer la tarière :

1. Ouvrez le couvercle de la trémie. Assurez-vous qu'il n'y a pas d'objets étrangers dans la trémie ou qui bloquent le système d'alimentation de la vis sans fin.
2. Retirez tous les éléments de cuisson de l'intérieur du gril. Localisez le pot de combustion au bas du gril à granulés.
3. Branchez le cordon d'alimentation sur une source d'alimentation.
4. Appuyez sur le bouton d'alimentation et maintenez-le enfoncé pendant 3 secondes pour allumer et lancer le démarrage.
  - Assurez-vous d'entendre la tarière tourner. Placez votre main au-dessus du pot de combustion et sentez le mouvement de l'air. NE placez PAS vos mains ou vos doigts à l'intérieur du pot de combustion, cela peut causer des blessures.
  - Après environ 30 secondes, vous devriez sentir l'allumeur brûler et commencer à sentir l'air se réchauffer au-dessus du pot de combustion. La pointe de l'allumeur ne rougeoie pas mais devient extrêmement chaude et brûle. NE PAS toucher l'allumeur.
5. Une fois vérifié que tous les composants électriques fonctionnent correctement, éteignez le gril.
6. Remplissez la trémie avec tous les granulés de barbecue en bois dur naturel.
7. Appuyez sur le bouton d'alimentation et maintenez-le enfoncé pendant 3 secondes et accédez au menu pour amorcer.
8. Sélectionnez l'option 5 secondes et répétez jusqu'à ce que vous voyiez des granulés tomber de la tarière dans le pot de combustion. Vous pouvez maintenant relâcher le bouton Prime.
9. Vous pouvez maintenant éteindre votre gril. Veuillez vous assurer que votre gril reste branché jusqu'à ce qu'il termine le cycle de refroidissement. Une fois que le ventilateur s'éteint, le gril a terminé le cycle d'arrêt, vous pouvez débrancher votre gril en toute sécurité.
10. Réinstallez les composants de cuisson dans le baril principal.
11. Votre gril est maintenant amorcé et prêt à l'emploi ! Si c'est la première fois que vous utilisez votre gril, vous devez effectuer une première combustion initiale du gril.

## PREMIÈRE UTILISATION – BRÛLER LE GRIL

Une fois que votre tარიère a été amorcée et avant de cuisiner sur votre gril pour la première fois, il est important d'effectuer un brûlage du gril. Démarrez le gril et faites-le fonctionner à n'importe quelle température supérieure à 176 °C / 350 °F (avec le couvercle baissé) pendant 30 à 40 minutes pour brûler le gril et le débarrasser de tout corps étranger.

## PROCÉDURE DE DÉMARRAGE AUTOMATIQUE

1. Branchez le câble électrique dans une source d'alimentation mise à la terre. Ouvrez le couvercle du baril principal. Vérifiez la grille de combustion pour vous assurer qu'il n'y a pas d'obstruction pour un allumage correct. Vérifiez que l'allumeur est positionné au centre du tube de la tარიère et que l'allumeur fait saillie dans le pot de combustion. Ouvrez le couvercle de la trémie. Assurez-vous qu'aucun objet étranger ne se trouve dans la trémie ou le système d'acheminement de la vis sans fin. Remplissez la trémie avec des granulés secs de bois naturel pour barbecue.
2. Vérifiez que le loquet de la boucle au bas du baril principal est fixé (verrouillé) pour sécuriser le pot de combustion amovible.
3. Appuyez sur le bouton d'alimentation et maintenez-le enfoncé pendant trois secondes pour allumer l'appareil. Cela activera le cycle de démarrage. Le système d'alimentation à vis sans fin commencera à tourner et le ventilateur fournira de l'air au pot de combustion. Le gril commencera à produire de la fumée pendant le cycle de démarrage. Le couvercle du baril doit rester ouvert pendant le cycle de démarrage. Pour confirmer que le cycle de démarrage a commencé correctement, écoutez un rugissement de torche et remarquez qu'un peu de chaleur est produite.
4. Une fois que la lourde fumée blanche s'est dissipée, le cycle de démarrage est terminé et vous êtes prêt à profiter de votre gril à la température désirée!

## ÉTEINDRE VOTRE GRIL

Lorsque le couvercle du baril principal est fermé, appuyez sur le bouton d'alimentation pour éteindre l'appareil. Le gril commencera son cycle de refroidissement automatique et l'écran d'arrêt apparaîtra sur le contrôleur. Le système de tარიère cessera d'alimenter en carburant, la flamme s'éteindra et le ventilateur continuera de fonctionner jusqu'à ce que le cycle de refroidissement soit terminé.

**IMPORTANT! Lorsque le cycle d'arrêt est terminé, débranchez le cordon d'alimentation.**

## ENTRETIEN ET MAINTENANCE

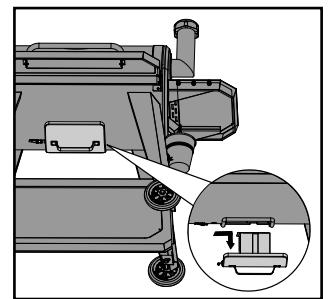
**AVERTISSEMENT: débranchez toujours le cordon électrique avant d'ouvrir le gril pour tout travail d'inspection, de nettoyage, d'entretien ou de service. Assurez-vous que le gril est complètement refroidi pour éviter les blessures.**

Votre gril à granulés Pit Boss® vous servira fidèlement pendant de longues années tout en minimisant les efforts de nettoyage. Suivez ces conseils de nettoyage et de maintenance pour réviser votre gril:

### 1. NETTOYAGE DES CENDRES

- Au bas du baril du gril se trouve une fonction de nettoyage des cendres, vous donnant un accès facile à l'intérieur de votre gril pour le nettoyer facilement aussi souvent que nécessaire. Pour vider, relâchez le loquet de la boucle sur le crochet du cendrier. Tout en tenant la poignée, faites glisser le cendrier loin de la boucle, puis tirez vers le bas pour le retirer. Une fois vidé, remplacez le cendrier en le soulevant dans le fond du baril du gril, en faisant glisser le cendrier vers la boucle, puis fixant le crochet du cendrier avec le loquet de la boucle.

**AVERTISSEMENT: Cette fonction ne peut être utilisée que lorsque le gril est refroidi.**



## 2. ASSEMBLAGE DE LA TRÉMIE

- Faire sortir tous les granulés de votre système de tarière est recommandé si votre gril ne sera pas utilisé pendant une période prolongée. Cela peut être fait en faisant simplement fonctionner votre gril, sur une trémie vide, jusqu'à ce que tous les granulés se soient vidés du tube de la vis sans fin.
- Vérifiez et nettoyez les débris dans les bouches d'aération du ventilateur, situé au bas de la trémie. Une fois que le panneau d'accès de la trémie est retiré (voir **Diagramme de fils électriques** pour le schéma), essuyez soigneusement toute accumulation de graisse directement sur les pales du ventilateur. Cela garantit que le flux d'air est suffisant pour le système d'alimentation.

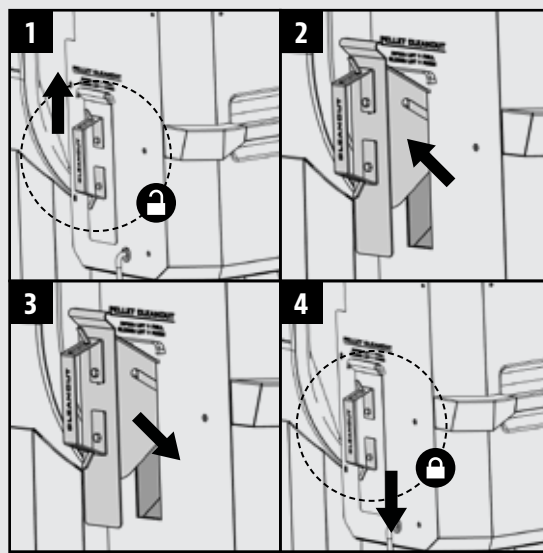
### FONCTION DE NETTOYAGE DES GRANULÉS

La trémie comprend une fonction de nettoyage des granulés pour permettre un nettoyage facile et la possibilité de changer les saveurs des granulés de bois. Pour vider, procédez comme suit :

1. Placez un seau propre et vide sous la porte de nettoyage .
2. Localisez la porte de nettoyage des granulés et la poignée de porte à l'arrière de la trémie. Soulevez la poignée de porte pour déverrouiller. tirez sur la poignée de la porte pour ouvrir la plaque d'accès à la goulotte, permettant aux granulés de la trémie de se vider.

**REMARQUE: Utilisez une brosse à long manche ou un aspirateur d'atelier pour éliminer les pellets, la sciure et les débris en excès pour un nettoyage complet à travers le tamis de la trémie.**

3. Une fois vide, soulevez à nouveau la poignée de porte pour déverrouiller. Remettez la plaque d'accès à la goulotte de chute en place.
4. Poussez la poignée de porte vers le bas pour la verrouiller.



## 3. SONDÉS

- Tout noeud ou pli des fils de la sonde peuvent endommager la pièce. Les fils devraient être enroulés dans une grande bobine desserrée.
- Bien que les sondes soient en acier inoxydable, ne les mettez pas dans le lave-vaisselle, ou dans l'eau. Les dommages causés par l'eau aux fils internes entraîneront un court-circuit de la sonde, créant une lecture erronée. Si une sonde est endommagée, elle devrait être remplacée.

## 4. LES SURFACES INTERNES

- Il est recommandé de nettoyer votre pot de combustion après chaque utilisation. Cela assurera un allumage correct et évitera toute accumulation de débris ou de cendres dans le pot de combustion.
- Utilisez une brosse de nettoyage à gri à long manche (laiton ou métal doux), retirez tout aliment ou accumulation des grilles de cuisson. La meilleure pratique est de faire cela alors qu'ils sont encore chauds d'une précédente cuisson. Les feux de graisse sont causés par trop de débris tombés sur les composants de cuisson du gril. Nettoyez l'intérieur de votre gril de façon régulière. Dans le cas où vous êtes confronté à un feu de graisse, gardez le couvercle du gril fermé pour étouffer l'incendie. Si l'incendie ne s'éteint pas rapidement, retirez soigneusement les aliments, éteignez le gril et fermez le couvercle jusqu'à ce que le feu soit complètement éteint. Saupoudrez légèrement de bicarbonate de soude, si disponible.

- Vérifiez souvent votre seau à graisse et nettoyez-le si nécessaire. Gardez à l'esprit le type de cuisson que vous faites

**IMPORTANT: En raison de chaleur élevée, ne couvrez pas la chaudière ni les sondes avec du papier d'aluminium.**

## 5. LES SURFACES EXTERNES

- Essayez votre grill après chaque utilisation. Utilisez de l'eau chaude savonneuse pour briser la graisse. Ne pas utiliser de nettoyant à four, nettoyant abrasif ou pad sur les surfaces externes du grill. **Toutes les surfaces peintes ne sont pas couvertes par la garantie**, mais font partie de la maintenance générale et de l'entretien. Pour les rayures de peinture, l'usure ou l'écaillage de la finition, toutes les surfaces peintes peuvent être retouchées à l'aide d'une peinture à barbecue à haute chaleur.
- Utilisez une couverture pour grill afin de protéger votre grill pour une protection complète! Une couverture est votre meilleure protection contre les intempéries et les polluants extérieurs. Lorsqu'il n'est pas utilisé ou pour un stockage à long terme, conservez l'unité sous une couverture dans un garage ou un hangar.

**TABLEAU DE FRÉQUENCE DE NETTOYAGE (UTILISATION NORMALE)**

ARTICLE	FRÉQUENCE DE NETTOYAGE	MÉTHODE DE NETTOYAGE
Dessous du grill principal	Toutes les 5-6 sessions de cuisson	Retirez, aspirez les excès de débris
Pot de combustion	Toutes les 2-3 sessions de cuisson	Retirez, aspirez les excès de débris
Grilles de cuisson	Après chaque session de cuisson	Brûler le surplus, Brosse en laiton
Chaudière	Toutes les 5-6 sessions de cuisson	Gratter la plaque principale avec un patin, <b>ne pas laver</b>
Tablettes	Après chaque session de cuisson	Éponge à gratter & eau savonneuse
Seau de graisse	Après chaque session de cuisson	Éponge à gratter & eau savonneuse
Système d'alimentation de la tarière	Lorsque le récipient de granulés est vide	Permettre à la tarière de faire sortir la sciure de bois, en laissant la trémie vide
Composants électriques de la trémie	Une fois par an	Dépoussiérez l'intérieur, essuyez les lames de ventilateur avec de l'eau savonneuse
Arrivée d'air	Toutes les 5-6 sessions de cuisson	Poussière, éponge à gratter & eau savonneuse
Sonde de température	Toutes les 2-3 sessions de cuisson	Éponge à gratter & eau savonneuse

## UTILISATION DU COMBUSTIBLE EN GRANULÉS DE BOIS

Les granules de bois propres combustibles génèrent environ 8200 BTU par livre avec très peu de cendres, une faible teneur en humidité (5 à 7 %) tout en étant également neutres en carbone. Les granules sont produits avec des matières premières pures (sciures) qui sont pulvérisées avec un broyeur à marteaux et forcées avec pression à travers une filière. Quand le granulé est forcé à travers la filière, il est cisailé, refroidi, trié, aspiré, puis emballé pour la consommation. Vérifiez auprès de votre distributeur local pour connaître la gamme de saveurs disponibles dans votre région.



**REMARQUE :** Conservez toujours vos granulés dans un endroit sec. Ceci poussera les granulés à absorber l'humidité et produira un rendement calorifique plus faible ou provoquera un gonflement et une dissolution des granulés. Utilisez un bac ou sceau résistant à l'humidité et pouvant être scellé à nouveau pour la conservation.

# LIGNES DIRECTRICES POUR LA CUISINE

Les styles de cuisson de fumage et de grillage peuvent vous donner des résultats différents dépendant du temps et la température. Pour obtenir de meilleurs résultats, conservez un registre de tout ce que vous cuisinez, à quelle température vous le cuisinez, ainsi que les résultats. Ajustez toutes ces variables, selon vos goûts, la prochaine fois. Ce n'est qu'en s'exerçant qu'on s'améliore.

L'art culinaire du fumage à chaud équivaut à des temps de cuisson plus long, mais il produit également une saveur de bois plus naturelle (et une « **bande rose** ») dans vos viandes. Une température de cuisson plus élevée, ce qui veut dire moins de temps de cuisson, vous offrira moins de saveur fumée.

**CONSEIL:** Pour de meilleurs résultats, laissez reposer les viandes après la cuisson. Ceci permet aux jus naturels de revenir dans les fibres de la viande, produisant ainsi une coupe plus juteuse et plus savoureuse. Le temps de repos peut n'être que 3 minutes et peut même aller jusqu'à 60 minutes, selon la taille des protéines.

STYLE DE CUISSON	FUMAGE CHAUD (très faible)	RÔTI (faible)	CUISSON FOUR (moyen)	GRILLAGE/CUISSON FOUR (moyen/élevé)	SAISIR (élevé)
Gamme de temps	82-135°C / 180-275°F	135-162°C / 275-323°F	162-190°C / 323-374°F	190-232°C / 374-449°F	232-260°C / 449-500°F

VOLAILLE	TAILLE	Saignant - 54°C / 130°F	À point - 60°C / 140°F	Bien cuit - 77°C / 170°F
Dinde ( <i>entière</i> )	4,5-5,0 kg / 10-11 lbs. 5,3-6,4 kg / 12-14 lbs. 6,8-7,7 kg / 15-17 lbs. 8,2-10,0 kg / 18-22 lbs. 10,4-11,3 kg / 23-25 lbs.			Gril 90 - 120 minutes Gril 110 - 140 minutes Gril 130 - 160 minutes Gril 140 - 170 minutes Gril 150 - 180 minutes
Poulet ( <i>entier</i> )	1,36-2,26 kg / 3-5 lbs.			Gril 1 - 1.5 heures
Pilons, poitrines	0,45 - 0,86 kg / 1 - 1½ lbs.			Gril 30-60 minutes
Petits gibiers à plumes	0,45 - 0,86 kg / 1 - 1½ lbs.			Gril 30-45 minutes
Canard	1,36-2,26 kg / 3-5 lbs.			Rôti ou sur le gril 2 - 2.5 heures

PORC	TAILLE	Précuit près à être réchauffé - 60°C / 140°F	À point 66°C / 150°F	Bien cuit 71°C / 160°F
Jambon ( <i>Partie entièrement cuite et désossée, Porc fumé entier &amp; avec os</i> )	2,5 cm / 1 po 1,36-1,81 kg / 3-4 lbs. 1,81-2,72 kg / 4-6 lbs. 2,26-3,62 kg / 5-8 lbs. 4,53-5,44 kg / 10-12 lbs.	12 minutes 50 minutes - 1 heure 1 - 2 heures 1 - 2½ heures 2 - 2¾ heures		
Longe de porc	1,36-1,81 kg / 3 - 4 lbs.		1 - 2 heures	2 - 3 heures
Rôti de couronne de côte	1,81-2,26 kg / 4 - 5 lbs.		1½ - 2 heures	2 - 3 heures
Côtelette ( <i>longe, côte</i> )	1,9-2,5 cm / ¾ - 1 po 3,1-3,9 cm / 1¼ - 1½ po		10 - 12 minutes 14 - 18 minutes	
Filet	1,9-2,5 cm / ¾ - 1 po		20 - 30 minutes	30 - 45 minutes
Rôti de longe de porc, sans os	1,36-2,26 kg / 3-5 lbs.		1¼ - 1¾ heures	1¾ - 2½ heures
Boston Butt ( <i>Épaule de porc</i> )	3,62-4,53 kg / 8-10 lbs.			93 - 98 °C / 200 - 210 °F Température interne

<b>BOEF</b>	<b>TAILLE</b>	<b>CHALEUR</b>	<b>Saignant 54 °C / 130 °F</b>	<b>À point 60 °C / 140 °F</b>	<b>Bien cuit 65 °C / 150 °F</b>
<b>Steak</b> ( <i>New York, Porterhouse, faux filet, surlonge, T-bone, ou filet</i> )	1,9 cm / ¾ po 2,5 cm / 1 po 3,8 cm / 1½ po 5 cm / 2 po	Haut	Saisir pendant 8 à 10 minutes Saisir pendant 10 à 12 minutes Saisir pendant 10 minutes, griller pendant 8 à 10 minutes Saisir pendant 10 minutes, griller pendant 10 à 14 minutes		
<b>Bifteck de hampes</b>	0,6 - 12,7 cm / ¼ - ½ po	Haut	Saisir 5-7 minutes		
<b>Bavette</b>	0,45 - 0,86 kg / 1 - 1½ lbs., 1,9 cm / ¾ po	Moyen	Saisir pendant 4 minutes, griller pendant 8 à 10 minutes		
<b>Kébab</b>	2,5 - 3,8 cm / 1 - 1½ po cubes	Moyen	Gril 10 - 12 minutes		
<b>Filet</b>	1,58 - 1,81 kg / 3½ - 4 lbs.	Haut/Moyen	Saisir pendant 10 minutes, gril pendant 15 à 20 minutes		
<b>Steak haché</b>	1,9 cm / ¾ po	Haut/Moyen	Saisir pendant 4 minutes, griller pendant 4 à 6 minutes		
<b>Rôti de bœuf de faux-filet, sans os</b>	2,26 - 2,72 kg / 5 - 6 lbs.	Moyen	Gril 1½ - 2 heures		
<b>Rôti trois pointes</b>	0,9 - 1,13 kg / 2 - 2½ lbs.	Haut/Moyen	Saisir pendant 10 minutes, griller pendant 20 à 30 minutes		
<b>Rôti de côtes</b>	5,44 - 6,35 kg / 12 - 14 lbs.	Moyen	2½ - 2¾ heures		
<b>Côtelettes de veau</b>	2,5 cm / 1 po	Moyen	10 - 12 minutes direct		
<b>Poitrine</b>	7,25 - 3,62 kg / 16 - 18 lbs.	Fumage chaud	Cuire jusqu'à ce que la température interne atteigne 91°C / 195°F		

<b>AGNEAU</b>	<b>TAILLE</b>	<b>Saignant - 54 °C / 130 °F</b>	<b>À point - 60 °C / 140 °F</b>	<b>Bien cuit - 71 °C / 160 °F</b>
<b>Rôti (frais)</b>	2,26 - 2,72 kg / 5 - 6 lbs.		1 - 2 heures	
<b>Rôti de couronne de côte</b>	1,36 - 2,26 kg / 3-5 lbs.		1 - 1½ heures	1½ heures

<b>FRUITS DE MER</b>	<b>TAILLE</b>	<b>Saignant - 54 °C / 130 °F</b>	<b>À point - 60 °C / 140 °F</b>	<b>Bien cuit - 82 °C / 180 °F</b>
<b>Poisson (entier)</b>	0,5 kg / 1 lb. 0,9 - 1,1 kg / 2 - 2½ lbs. 1,4 kg / 3 lbs.			Gril 10 - 20 minutes Gril 20 - 30 minutes Gril 30 - 45 minutes
<b>Poisson (filets)</b>	0,6-1,3 cm / ¼" - ½"			Gril 3 - 5 minutes jusqu'à ce que le poisson s'émiette
<b>Queue de homard</b>	0,15 kg / 5 onces 0,3 kg / 10 onces			Gril 5 - 6 minutes Gril 10 - 12 minutes

<b>GIBIER SAUVAGE</b>	<b>TAILLE</b>	<b>Saignant - 60 °C / 140 °F</b>	<b>À point - 71 °C / 160 °F</b>	<b>Bien cuit - 77 °C / 170 °F</b>
<b>Rôti (frais)</b>	2,26 - 2,72 kg / 5-6 lbs.		1 - 1½ heures	1½ - 2 heures
<b>Grandes coupes (frais)</b>	3,62 - 4,53 kg / 8-10 lbs.		1 heure	1½ heures

# DÉPANNAGE

Un bon nettoyage et un bon entretien, ainsi que le fait d'utiliser du combustible propre, sec et de qualité aidera à prévenir la plupart des problèmes de fonctionnement du gril. Toutefois, quand votre gril à granulés de bois Pit Boss® ne fonctionne pas bien ou moins fréquemment, les conseils de dépannage suivants peuvent être utiles. Pour les FAQ, rendez-vous sur [www.pitboss-grills.com](http://www.pitboss-grills.com). Vous pouvez également contacter votre revendeur agréé local Pit Boss® ou contacter le service à la clientèle pour obtenir de l'aide.

**AVERTISSEMENT : Débranchez toujours le cordon électrique avant d'ouvrir la plaque d'inspection de votre gril pour effectuer toute inspection, nettoyage, maintenance ou entretien. Veillez à ce que le gril soit complètement froid pour éviter des blessures.**

PROBLÈME	CAUSE	LA SOLUTION
Aucun voyant d'alimentation sur le tableau de commande	Non connecté à la source d'alimentation	Assurez-vous que l'appareil est branché sur une source d'alimentation en état de marche. Réinitialisez le disjoncteur. Assurez-vous que le GFCI est un service d'au moins 10 ampères (voir le schéma de câblage électrique pour l'accès aux composants électriques) Assurez-vous que toutes les connexions de fil sont fermement connectées et sèches.
	Fusible grillé sur le tableau de commande	Retirez les deux vis du contrôleur à l'avant de la trémie pour accéder à l'arrière du contrôleur. Vérifiez le fusible pour un fil cassé ou si le fil est devenu noir. Si oui, le fusible doit être remplacé manuellement.
	La prise GFCI a été déclenchée.	Retirez le panneau d'accès (voir le schéma de câblage électrique pour le schéma) et assurez-vous que toutes les connexions de câbles sont fermement connectées et sèches. Assurez-vous que le GFCI est un service d'au moins 10 ampères.
	Carte de contrôle défectueuse	La carte de contrôle doit être remplacée. Contactez le service client pour une pièce de rechange.
Pas de feu dans le pot de combustion	Tarière non amorcée	Avant d'utiliser l'appareil pour la première fois ou chaque fois que la trémie est complètement vidée, la vis sans fin doit être amorcée pour permettre aux granulés de remplir le tube de la vis sans fin. S'il n'est pas amorcé, l'allumeur expirera avant que les granulés n'atteignent le pot de combustion. Suivez la procédure d'amorçage de la tarière.
	L'allumeur n'est pas installé correctement	Retirez les composants de cuisson du baril principal. Confirmez visuellement que l'allumeur en nitrure de silicium est aligné avec le tube de l'allumeur. S'il ne fonctionne pas correctement, appelez le service client pour obtenir de l'aide ou une pièce de rechange.
La lecture de la température réelle ne se met pas à jour	Sonde du gril sale	Suivez les instructions d'entretien et de maintenance.
Le gril n'atteindra pas ou ne maintiendra pas une température stable	Débit d'air insuffisant dans le pot de combustion	Vérifiez le pot de combustion pour l'accumulation de cendres ou les obstructions. Suivez les instructions d'entretien et de maintenance pour l'accumulation de cendres. Vérifiez le ventilateur. Assurez-vous qu'il fonctionne correctement et que l'entrée d'air n'est pas bloquée. Suivez les instructions d'entretien et de maintenance si elles sont sales. Une fois toutes les étapes ci-dessus effectuées, démarrez le gril, réglez la température sur SMOKE et attendez 10 minutes. Vérifiez que la flamme produite est vive et vibrante.
	Manque de carburant, mauvaise qualité du carburant, obstruction dans le système d'alimentation	Vérifiez la trémie pour vérifier que le niveau de carburant est suffisant et faites le plein s'il est bas. Si la qualité des granulés de bois dur est mauvaise ou si la longueur des granulés est trop longue, cela peut provoquer une obstruction dans le système d'alimentation. Retirez les granulés et suivez les instructions d'entretien et de maintenance.
	Grille Sonde	Vérifiez l'état de la sonde du gril. Suivez les instructions d'entretien et de maintenance si elles sont sales. Contactez le service client pour une pièce de rechange si elle est endommagée.
	Météo ou température extérieure	Par temps froid, utilisez une couverture isolante Pit Boss® ou protégez-vous des vents violents. Par temps chaud, placez le gril dans un endroit ombragé.

Le gril produit un excès ou une décoloration Fumée	Accumulation de graisse	Suivez les instructions d'entretien et de maintenance.
	Qualité des granulés de bois franc	Retirez les granulés de bois dur humides de la trémie. Suivez les instructions d'entretien et de maintenance pour nettoyer. Remplacer par des granulés de bois secs.
	Le pot de combustion est bloqué	<i>Pot de combustion transparent pour les granulés de bois dur humides. Suivez la procédure d'amorçage de la tarière.</i>
	Prise d'air insuffisante pour le ventilateur	<i>Vérifiez le ventilateur. Assurez-vous qu'il fonctionne correctement et que l'entrée d'air n'est pas bloquée. Suivez les instructions d'entretien et de maintenance si elles sont sales.</i>
Crises fréquentes	Température de cuisson	Essayez la cuisson à une température plus basse. La graisse a un point d'éclair. Maintenez la température sous 176°C / 350°F lors de la cuisson d'aliments très gras.
	Accumulation de graisse sur les composants de cuisson	Suivez les instructions d'entretien et de maintenance.
Écran d'erreur ErP	La sonde du gril (capteur) ne fonctionne pas	Déconnectez et reconnectez la sonde du gril.
	Sonde de gril défectueuse	La sonde du gril doit être remplacée. Contactez le service client pour un remplacement.
Écran d'erreur ErH	L'unité a surchauffé, peut-être en raison d'un feu de graisse ou d'un excès de carburant	Appuyez sur le bouton d'alimentation et maintenez-le enfoncé pendant trois secondes pour éteindre l'appareil et laisser le gril refroidir. Suivez les instructions d'entretien et de maintenance. Après l'entretien, retirez les granulés et confirmez le positionnement de tous les composants. Une fois refroidi, appuyez sur le bouton d'alimentation et maintenez-le enfoncé pendant trois secondes pour allumer l'appareil, puis sélectionnez la température souhaitée. Si l'écran d'erreur s'affiche toujours, contactez le service client.
Écran d'erreur ErL	Le gril ne parvient pas à effectuer le cycle de démarrage	Vérifier le bon positionnement des éléments de cuisson. Vérifiez si la trémie contient suffisamment de carburant ou s'il y a une obstruction dans le système d'alimentation. Retirez les granulés et suivez les instructions d'entretien et de maintenance. Vérifiez la sonde du gril. Confirmez si la température réelle est correcte et précise. Suivez les instructions d'entretien et de maintenance si elles sont sales. Vérifiez le positionnement de l'allumeur et qu'il chauffe correctement. En cas de froid extrême, le gril peut nécessiter un deuxième démarrage. Éteignez le gril, attendez, puis rallumez-le. Vérifiez le ventilateur.
	Le gril ne reste pas allumé	Assurez-vous qu'il fonctionne correctement. Suivez les instructions d'entretien et de maintenance si elles sont sales.
	Tarière non amorcée	
Écran d'erreur de pastille	Manque de carburant, mauvaise qualité du carburant	Vérifiez la trémie pour vérifier que le niveau de carburant est suffisant et faites le plein s'il est bas. Si la qualité des granulés de bois dur est mauvaise ou si la longueur des granulés est trop longue, cela peut provoquer une obstruction dans le système d'alimentation. Retirez les granulés et suivez les instructions d'entretien et de maintenance.
Écran d'erreur de l'allumeur	L'allumeur ne fonctionne pas correctement, n'établit pas de connexion	Retirez les composants de cuisson du baril principal. Appuyez sur le bouton d'alimentation et maintenez-le enfoncé pendant trois secondes pour allumer l'appareil et inspecter l'allumeur. Confirmez visuellement que l'allumeur fonctionne en plaçant votre main au-dessus de la grille de combustion et en sentant la chaleur. Confirmez visuellement que l'allumeur est aligné avec le trou de la grille de combustion et ouvrez-le pour allumer les granulés. S'il ne fonctionne pas correctement, appelez le service client pour obtenir de l'aide ou une pièce de rechange.
	Défaillance de l'allumeur	L'allumeur doit être remplacé. Contactez le service client pour une pièce de rechange.
Écran d'erreur de tarière	Le moteur de la vis sans fin est bloqué et ne se connecte pas	Retirez les composants de cuisson du baril principal. Appuyez sur le bouton d'alimentation et maintenez-le enfoncé pendant trois secondes pour allumer l'appareil et inspecter le système d'alimentation de la tarière. Confirmez visuellement que la tarière fait tomber des granulés dans le pot de combustion. S'il ne fonctionne pas correctement, appelez le service client pour obtenir de l'aide ou une pièce de rechange.
Écran d'erreur du ventilateur	Le ventilateur ne fonctionne pas correctement, n'établit pas de connexion	Vérifiez le ventilateur. Assurez-vous qu'il fonctionne correctement et que l'entrée d'air n'est pas bloquée. Retirez le panneau d'accès (voir le schéma de câblage électrique pour le schéma) et vérifiez que les fils du ventilateur ne sont pas endommagés. Suivez les instructions d'entretien et de maintenance si les pales du ventilateur sont sales.

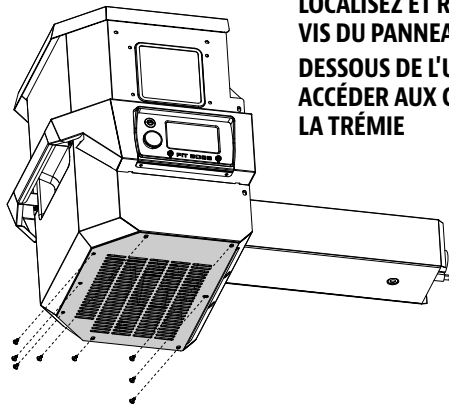
# DIAGRAMME DE FIL ÉLECTRIQUE

Le panneau de commande numérique est un matériel technologique hautement sophistiqué et de grande valeur. Pour une protection contre les surtensions et les courts-circuits électriques, consultez le schéma de fil ci-dessous pour vous assurer que votre source d'alimentation est suffisante pour le fonctionnement de l'appareil.

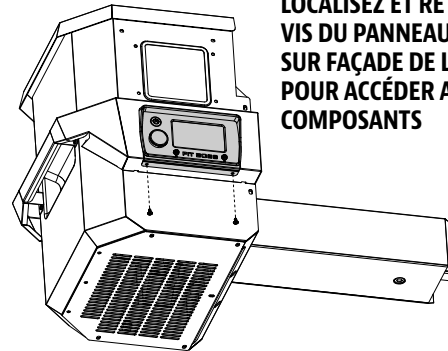
## PB – EXIGENCES ÉLECTRIQUES

110-120 V, 60 Hz, 315 W, FICHE À 3 BROCHES MISE À LA TERRE

REMARQUE : Les composants électriques, passés par les tests de sécurité des produits et les services de certification, sont conformes avec une tolérance de test de  $\pm 5$  à 10%.



LOCALISEZ ET RETIREZ LES HUIT VIS DU PANNEAU D'ACCÈS SUR DESSOUS DE L'UNITÉ POUR ACCÉDER AUX COMPOSANTS DE LA TRÉMIE



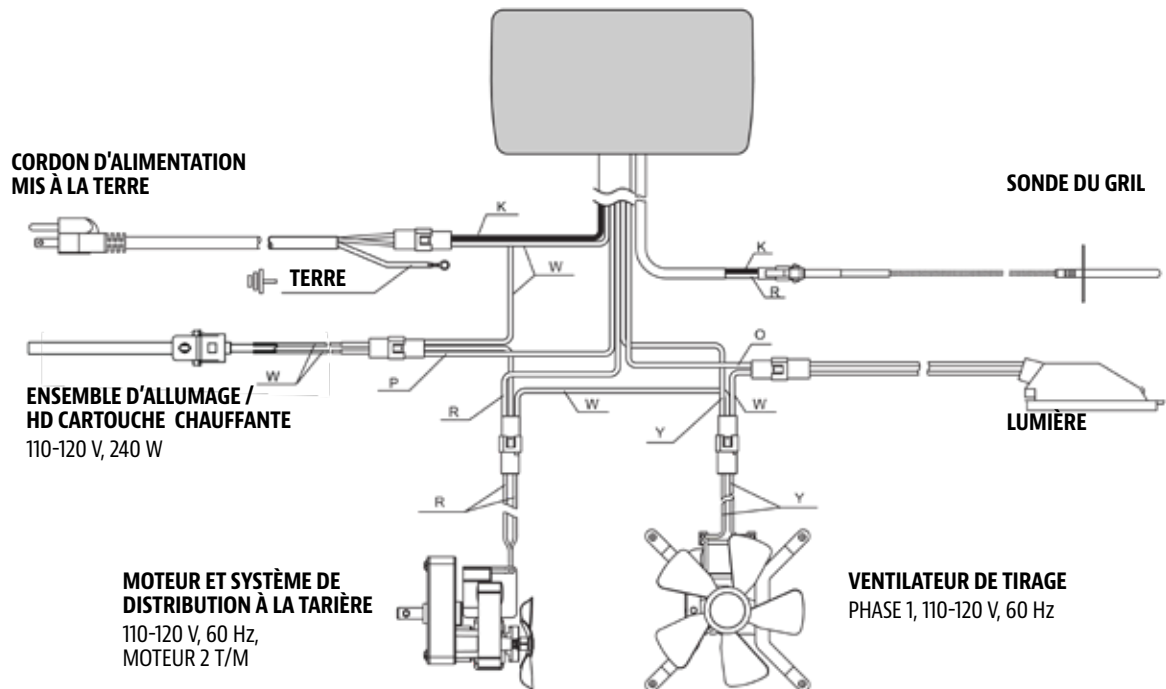
LOCALISEZ ET RETIREZ LES DEUX VIS DU PANNEAU DE COMMANDE SUR FAÇADE DE L'APPAREIL POUR ACCÉDER AUX FILS DES COMPOSANTS

INDICE DE CONSOMMATION DE CARBURANT:  
2,0 KG/H  
(4,4 LB/H)

## INDEX

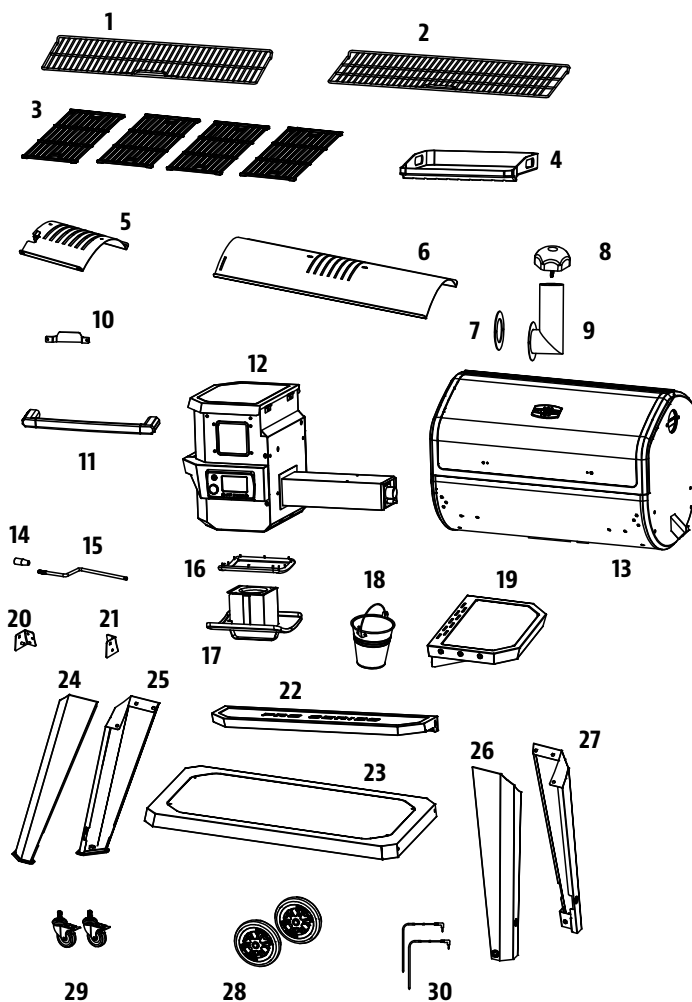
K : NOIR  
W : BLANC  
R : ROUGE  
Y : JAUNE  
P : MAUVE  
O : ORANGE  
G : VERT

## PANNEAU DE COMMANDE



# PIÈCES DE RECHANGE DU GRIL

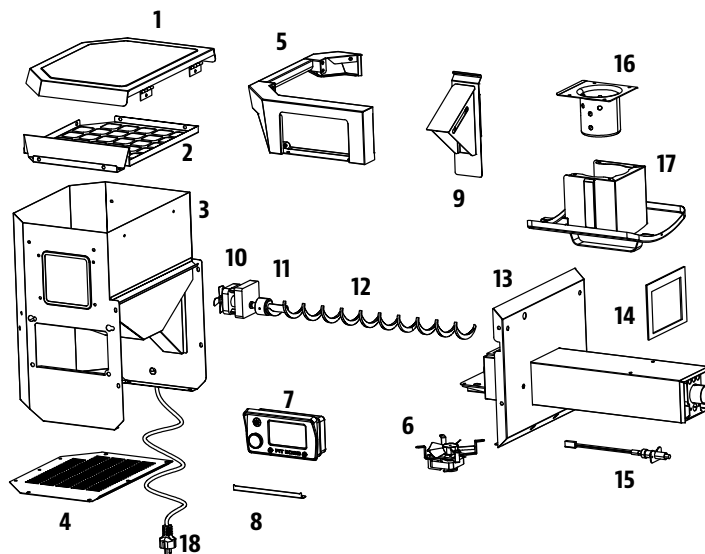
N°	Description
1	Grille de cuisson supérieure (x1)
2	Grille de cuisson du milieu (x1)
3	Grilles de cuisson (x4)
4	Gril en fonte (x1)
5	Plaque coulissante du diffuseur de chaleur (x1)
6	Plaque principale du diffuseur de chaleur (x1)
7	Joint de cheminée (x1)
8	Chapeau de cheminée (x1)
9	Sortie de cheminée (x1)
10	Support de rack (x1)
11	Poignée pour couvercle (x1)
12	Assemblage de la trémie (x1)
13	Assemblage gril principal (x1)
14	Poignée de la barre de réglage du grilloir à flamme (x1)
15	Barre de réglage du grilloir à flamme (x1)
16	Joint de boîte à cendres (x1)
17	Boîte à cendres (x1)
18	Seau à graisse (x1)
19	Étagère latérale (x1)
20	Support pour étagère avant/gauche (x1)
21	Support pour étagère avant /droit (x1)
22	Étagère avant (x1)
23	Étagère inférieure (x1)
24	Pied de support gauche - avant (x1)
25	Pied de support gauche - arrière (x1)
26	Pied de support droit - avant (x1)
27	Pied de support droit - arrière (x1)
28	Roue (x2)
29	Roulettes pivotantes à frein (x2)
30	Sonde de cuisson (x2)
A	Vis (x28)
B	Rondelle (x24)
C	Rondelle de blocage (x22)
D	Crochets à ustensiles (x3)
E	Goupille bêta pour roue (x2)
F	Rondelle pour roue (x2)
G	Goupille cannelée pour roue (x2)
H	Vis (x2)
I	Écrous (x2)
J	Bague (x2)



REMARQUE : en raison du développement continu du produit, des pièces peuvent faire l'objet de modifications sans préavis.

# PIÈCES DE RECHANGE DE TRÉMIE

N°	Description
1	Couvercle de la trémie (x1)
2	Écran de sécurité de la trémie
3	Boîtier de la trémie (x1)
4	Panneau d'accès de la trémie (x1)
5	Poignée de la trémie (x1)
6	Ventilateur de combustion (x1)
7	Panneau de contrôle (x1)
8	Carte de fixation du contrôleur (x1)
9	Porte de la boîte de dépôt (x1)
10	Moteur de la vis sans fin (x1)
11	Bague en nylon (x1)
12	Assemblage de la vis sans fin (x1)
13	Boîtier de la vis sans fin (x1)
14	Joint du boîtier de la trémie (x1)
15	Allumeur (x1)
16	Pot de combustion (x1)
17	Boîte à cendres (x1)
18	Cordon d'alimentation (x1)



## GARANTIE

### TERMES ET CONDITIONS

Les grils Pit Boss® ("Pit Boss®"), fabriqués par Dansons, bénéficient d'une garantie de 5 ans contre les défauts et la fabrication sur toutes les pièces et d'une garantie de 5 ans sur les composants électriques de ce produit. Dansons garantit que toutes les pièces sont exemptes de défauts de matériaux et de fabrication, dans des conditions normales d'utilisation, pour la durée d'utilisation et de propriété par l'acheteur d'origine.

**Il n'y a pas de garantie autre ou supplémentaire applicable à ce produit.**

**Cette garantie ne s'applique pas :**

- s'il est incapable de fournir une preuve d'achat ou après l'expiration de la garantie.
- aux dommages ou défauts dus à l'usure, tels que les rayures, les bosses, les coups, les éclats ou les fissures esthétiques mineures. Ces changements esthétiques du produit n'affectent pas ses performances.
- si votre produit n'a pas été installé, utilisé, nettoyé et entretenu en stricte conformité avec le manuel du produit qui l'accompagne. La garantie ne couvre pas les dommages ou les bris dus à une mauvaise utilisation, une mauvaise manipulation ou des modifications personnalisées.
- à la rouille ou à l'oxydation, à moins qu'il y ait une perte d'intégrité structurelle sur le composant du grill. Même en utilisant des matériaux qui résistent à la rouille, les revêtements protecteurs peuvent être compromis par diverses substances et conditions indépendantes du contrôle du fabricant. Les températures élevées, l'humidité excessive, le chlore, les vapeurs industrielles, les engrais, les pesticides pour pelouse et le sel sont quelques-unes des substances qui peuvent affecter les revêtements métalliques.
- aux dommages ou défauts survenant lors d'une utilisation commerciale, d'une utilisation en location ou de toute utilisation pour laquelle le produit n'est pas destiné.

- aux dommages ou défauts dépassant le coût du produit.
- aux dommages ou défauts causés par l'entretien ou la réparation du produit par un revendeur non agréé de Pit Boss®.

Pendant la durée de la garantie, Dansons s'engage à fournir un remplacement pour les composants défectueux et/ou défectueux et ne facturera pas la réparation ou le remplacement des pièces retournées, fret prépayé, si la ou les pièces s'avèrent défectueuses lors de l'examen.

Dansons n'accepte aucune responsabilité, légale ou autre, pour les dommages indirects ou consécutifs à la propriété ou aux personnes résultant de l'utilisation de ce produit, pendant ou après la période de garantie. Toutes les garanties du fabricant sont énoncées dans les présentes et aucune réclamation ne sera faite contre le fabricant sur toute garantie ou représentation. Certains États n'autorisent pas l'exclusion ou la limitation des dommages indirects ou consécutifs, ou les limitations des garanties implicites, de sorte que les limitations ou exclusions énoncées dans cette garantie limitée peuvent ne pas s'appliquer à vous. Cette garantie limitée vous donne des droits légaux spécifiques et vous pouvez avoir d'autres droits, qui varient d'un état à l'autre.

## ENREGISTREZ VOTRE GRIL

**Enregistrez votre produit en moins d'une minute et accédez rapidement et facilement à une collection impressionnante de connaissances culinaires.**

Votre enregistrement (preuve d'achat) vous assurera de recevoir le meilleur service de garantie avec votre produit. Dans le cas peu probable où il y aurait des problèmes de sécurité, c'est notre moyen rapide de vous en informer.

<b>MODÈLE</b>	<b>PB1600PS3</b>
NUMÉRO DE SÉRIE	<input type="text"/>
DATE D'ACHAT	<input type="text"/>
ACHETÉ DE (REVENDEUR AUTORISÉ)	<input type="text"/>



## SERVICE CLIENT

Si vous avez des questions ou des préoccupations au sujet de votre produit, notre équipe du service à la clientèle se fera un plaisir de vous aider. Veuillez préparer vos informations d'enregistrement avant de contacter le service client.



TÉLÉPHONER



CHAT EN DIRECT



APPLICATION



# INFORMACIÓN DE SEGURIDAD

## LAS FALLAS DE MANTENIMIENTO Y EL INCUMPLIMIENTO DE LAS DISTANCIAS REQUERIDAS ENTRE EL APARATO Y LOS MATERIALES COMBUSTIBLES SON CAUSAS IMPORTANTES DE INCENDIOS. ES DE LA MAYOR IMPORTANCIA QUE ESTE PRODUCTO SOLAMENTE SE UTILICE DE ACUERDO CON ESTAS INSTRUCCIONES.

Por favor lea y comprenda este manual en su totalidad antes de intentar armar, utilizar o instalar el producto. Esto garantizará que pueda utilizar su nuevo asador de pellets de madera de la manera más agradable y sin problemas. También le recomendamos conservar este manual para referencia futura.

### PELIGROS Y ADVERTENCIAS

**Debe comunicarse con su asociación local de vecinos, funcionarios de construcción o control de incendios, o con la autoridad competente, para obtener los permisos y la información necesarios sobre restricciones de instalación, como la instalación de un asador en una superficie combustible, los requisitos de inspección, o incluso la capacidad de usarlo, en su región.**

1. Es necesario mantener un espacio libre mínimo de 914 mm (36 pulg.) entre materiales combustibles y los costados del ahumador y de 914 mm (36 pulg.) desde la parte trasera del ahumador a materiales combustibles. **No instale el aparato en pisos combustibles o en pisos protegidos con superficies combustibles, a menos que se obtengan las autorizaciones y los permisos apropiados de las autoridades competentes.** No use este aparato bajo techo, en un área cerrada o sin ventilación, dentro de hogares, vehículos, carpas, garajes. Este aparato de pellets de madera no debe colocarse bajo un techo o saliente de material combustible. Mantenga su asador en un área despejada y libre de materiales combustibles, gasolina y otros vapores y líquidos inflamables.

**En caso de un fuego de grasa, debe APAGAR el asador y dejar la tapa cerrada hasta que se apague el fuego. Desconecte el cable de alimentación eléctrica. No arroje agua sobre el fuego. No trate de sofocar el fuego. Es muy recomendable mantener cerca un extintor de incendios aprobado para todo tipo de fuego (clase ABC). Si ocurre un incendio sin control, llame al Departamento de Bomberos.**

2. Mantenga los cables de alimentación eléctrica y la combustible de las superficies calientes. No use su asador bajo la lluvia o cerca de cualquier fuente de agua.
3. Después de un período de almacenamiento o falta de uso, revise la rejilla de combustión para detectar obstrucciones, y la chimenea para obstrucciones del flujo de aire. Límpiela antes de usarla. Se requiere un cuidado regular y el mantenimiento para prolongar la vida útil de la unidad. **Si el asador se almacena en exteriores durante la temporada de lluvias o en temporadas de alta humedad, debe tener cuidado de que no entre agua en la tolva.** Siempre debe desconectar la alimentación eléctrica antes de realizar cualquier servicio o mantenimiento.

**¡IMPORTANTE! Apague siempre el aparato y permita que se ejecute el ciclo de apagado. Desenchufe el aparato solo una vez que se haya completado el ciclo de apagado y/o antes de limpiarlo. El incumplimiento de esta advertencia puede causar daños, lesiones graves, incendios, descargas eléctricas o la muerte.**

**No transporte su asador mientras está en operación o mientras el asador está caliente. Asegúrese de que el fuego está completamente apagado y de que el asador está completamente frío al tacto antes de moverlo.**

4. Se recomienda utilizar guantes resistentes al calor cuando opere el asador. No utilice accesorios no especificados para su uso con este aparato. No coloque una cubierta para asador u otra cosa inflamable dentro del espacio de almacenamiento debajo del asador.

**ADVERTENCIA: Tenga cuidado con el material combustible de la construcción, mantenga el fuego para evitar el sobreencendido**

5. Para evitar lesiones o daños al barreno, el aparato cuenta con una cubierta de seguridad en la tolva metálica. Esta cubierta no debe ser retirada a menos que así lo indique Servicio al Cliente o un distribuidor autorizado.

**No se recomienda que usen este aparato los niños, las personas con capacidades físicas, sensoriales o mentales reducidas, o que no tengan suficiente experiencia y conocimientos, a menos que sean supervisados o instruidos por una persona responsable de su seguridad.**

6. Certaines parties du barbecue peuvent être très chaudes et des blessures graves peuvent survenir. Retirez les casseroles et les poêles pendant que l'appareil en fonctionnement est sans surveillance, afin de réduire le risque d'incendie. Tenez les jeunes enfants et les animaux domestiques éloignés pendant l'utilisation.
7. No agranda los agujeros del encendedor ni las cámaras de combustión. De no cumplir con esta advertencia, podría causar un peligro de incendios y lesiones corporales y anulará su garantía.
8. El producto puede tener bordes o puntos afilados. El contacto puede provocar lesiones. Tratar con cuidado.

## ELIMINACIÓN DE LAS CENIZAS

Las cenizas deben ser colocadas en un recipiente metálico con una tapa hermética. El recipiente cerrado de cenizas debe colocarse en un piso no combustible o en el suelo, lejos de todos los materiales combustibles, hasta su eliminación definitiva. Cuando elimine las cenizas enterrándolas en la tierra o dispersándolas, debe conservarlas en un recipiente cerrado hasta que todas las brasas se hayan enfriado por completo.

## COMBUSTIBLE DE PELLETS DE MADERA

Este aparato de cocina de gránulos está diseñado y aprobado solo para combustibles de gránulos de madera completamente naturales. Cualquier otro tipo de combustible que se use en este aparato anulará la garantía y los anuncios de seguridad. Debe usar únicamente gránulos de madera completamente naturales, diseñados para parrillas de barbacoas para gránulos. No use combustible con aditivos. Les granulés de bois sont très sensibles à l'humidité et doivent toujours être stockés au sein d'un récipient hermétique. Si vous stockez votre gril, sans l'utiliser, pendant une période prolongée, nous vous recommandons de retirer tous les granulés de la trémie et de la vis sans fin de votre gril, afin d'éviter les bourrages. El poder calorífico medio de los pellets de combustible en 18569-20362 KJ/KG (8000 - 8770 BTU/LB), contenido de cenizas < 1%.

**No use roca de lava, trozos de madera, carbón de leña, licores, petróleo, gasolina, líquido de encendedores o queroseno para encender o avivar el fuego en su asador.**

Al momento de la impresión, no hay un estándar de la industria para pellets de madera para asador, aunque la mayoría de los fabricantes de pellets usan los mismos estándares aplicados para la fabricación de pellets de madera para calefacción casera. Puede encontrar más información en [www.pelletheat.org](http://www.pelletheat.org) o en el *Pellet Fuel Institute*.

Consulte a su distribuidor local sobre la calidad de los pellets en su región y pídale información la calidad de las distintas marcas. Dado que no existe ningún control sobre la calidad de los pellets utilizados, no asumimos ninguna responsabilidad por los daños causados por combustible de mala calidad.

## CREOSOTA

Creosota: formación y necesidad de eliminación. Al arder produce humo negro con un residuo también de color negro. Cuando los pellets de madera se queman lentamente, producen alquitrán y otros vapores orgánicos que se combinan con la humedad expulsada para formar creosota. Los vapores de creosota se condensan en un horno relativamente frío y en una campana

extractora de un fuego de combustión lenta. Como resultado, los residuos de creosota se acumulan en el revestimiento del conducto de humos y en la campana extractora. Cuando se enciende, esta creosota hace un fuego extremadamente caliente.

El conducto de grasa debe inspeccionarse al menos dos veces al año para determinar cuándo se ha producido la acumulación de grasa y/o creosota.

Cuando se haya acumulado grasa o creosota, se debe eliminar para reducir el riesgo de incendio.

## MONÓXIDO DE CARBONO ("EL ASESINO SILENCIOSO")

El monóxido de carbono es un gas incoloro, inodoro e insípido que se produce al quemar gas, madera, propano, carbón y otros combustibles. El monóxido de carbono reduce la capacidad de la sangre para transportar oxígeno. Los niveles bajos de oxígeno en la sangre pueden causar dolor de cabeza, mareos, debilidad, náuseas, vómitos, somnolencia, confusión, pérdida de la conciencia y muerte. Siga estas instrucciones para evitar que este gas incoloro e inodoro lo intoxique a usted, a su familia o a otras personas:

- Consulte a un médico si usted u otras personas presentan síntomas de resfriado o gripe mientras cocinan o en los alrededores del aparato. La intoxicación por monóxido de carbono, que puede confundirse fácilmente con gripe o resfriado, con frecuencia se detecta demasiado tarde.
- El consumo de alcohol y drogas aumentan los efectos de la intoxicación por monóxido de carbono.

El monóxido de carbono es especialmente tóxico para madres e hijos durante el embarazo, así como para los bebés, los ancianos, los fumadores y las personas con problemas de la sangre y el sistema circulatorio, como anemia o enfermedades cardíacas.

## REGISTRO DE SEGURIDAD

De acuerdo con los procedimientos y especificaciones UL 2728A-2019 de UL, "aparatos de cocina con pellets combustibles" y ULC/ORD C2728-19 "equipos de quema de combustible con pellets". Los aparatos de cocina con pellets Pit Boss® han sido probados de manera independiente y registrados por CSA (un laboratorio de pruebas acreditado) de acuerdo con las normas UL y ULC.



## DECLARACIÓN DE CUMPLIMIENTO DE LA FCC

Este dispositivo cumple con la parte 15 de las normas de la FCC. Su funcionamiento está sujeto a las dos condiciones siguientes: (1) Este dispositivo no puede causar interferencias perjudiciales, y (2) Este dispositivo debe aceptar cualquier interferencia recibida, incluyendo interferencias que puedan causar un funcionamiento no deseado. Este equipo cumple con los límites de exposición a la radiación de la FCC establecidos para un entorno no controlado. Este equipo debe instalarse y operarse con una distancia mínima de 20 cm entre el radiador y su cuerpo. Este transmisor no debe ubicarse ni operarse junto con ninguna otra antena o transmisor.



Este equipo ha sido probado y cumple con los límites para un dispositivo digital de Clase B, de conformidad con la parte 15 de las Reglas de la FCC. Estos límites están diseñados para proporcionar una protección razonable contra interferencias perjudiciales en una instalación residencial. Este equipo genera, utiliza y puede irradiar energía de radiofrecuencia y, si no se instala y utiliza de acuerdo con las instrucciones, puede causar interferencias perjudiciales en las comunicaciones de radio. Sin embargo, no hay garantía de que no se produzcan interferencias en una instalación en particular. Si este equipo causa interferencias perjudiciales en la recepción de radio o televisión, lo que se puede determinar apagando y encendiendo el equipo, se recomienda al usuario que intente corregir la interferencia mediante una o más de las siguientes medidas:

- Reorientar o cambiar la ubicación de la antena receptora.
- Aumentar la separación entre el equipo y el receptor.
- Conectar el equipo a una toma de corriente a un circuito distinto al que está conectado el receptor.
- Consultar al distribuidor o a un técnico de radio/televisión experimentado para obtener ayuda.

**Precaución: Se advierte al usuario que los cambios o modificaciones no aprobados expresamente por la parte responsable del cumplimiento podrían anular la autoridad del usuario para operar el equipo.**

La palabra Bluetooth® y su logotipo son marcas comerciales registradas propiedad de Bluetooth SIG, Inc. y el uso de dichas marcas por parte de Pit Boss® se efectúa bajo licencia. Otras marcas y nombres comerciales pertenecen a sus respectivos propietarios.

# ÍNDICE

Información de seguridad .....	56	Uso del combustible de pellets de madera .....	74
Partes y especificaciones .....	60	Lineamientos para cocinar .....	75
Preparación del ensamblaje .....	61	Solución de problemas .....	77
Instrucciones de ensamblaje		Diagrama de cableado eléctrico .....	79
Montaje de las patas en el barril principal.....	61	Refacciones	
Instalación de la repisa inferior.....	62	Refacciones para el asador .....	80
Agregar ruedas al carro.....	62	Refacciones para la tolva.....	81
Instalación de la manija de la tapa .....	62	Garantía.....	81
Ensamblaje de la repisa lateral .....	63		
Colocación de la repisa lateral.....	63		
Colocación de la chimenea.....	63		
Instalación de los soportes de la repisa frontal .....	64		
Colocación de la repisa frontal.....	64		
Instalación de los componentes del asador de llamas .....	64		
Instalación de los componentes para cocinar .....	65		
Montaje de la percha para rack .....	66		
Colocación de la cubeta de grasa .....	66		
Conexión a una fuente de alimentación eléctrica .....	66		
Instrucciones de operación			
Entorno del asador.....	67		
Rangos de temperaturas del asado .....	68		
Explicación del tablero de control.....	69		
Conectarse a la aplicación Pit Boss Grill® .....	71		
Procedimiento de cebado del sinif.....	71		
Primer uso - Quemado del asador .....	72		
Procedimiento de arranque automático.....	72		
Cómo apagar su asador .....	72		
Cuidado y mantenimiento .....	72		



## AVISO DE DERECHOS DE AUTOR

Copyright 2022. Todos los derechos reservados. Ninguna parte de este manual puede ser copiada, transmitida, transcrita o almacenada en un sistema de respaldo, en ninguna forma y por ningún medio, sin el permiso explícito por escrito de,

### Dansons

8877 North Gainey Center Drive, Scottsdale, AZ, USA 85258

### Servicio al Cliente

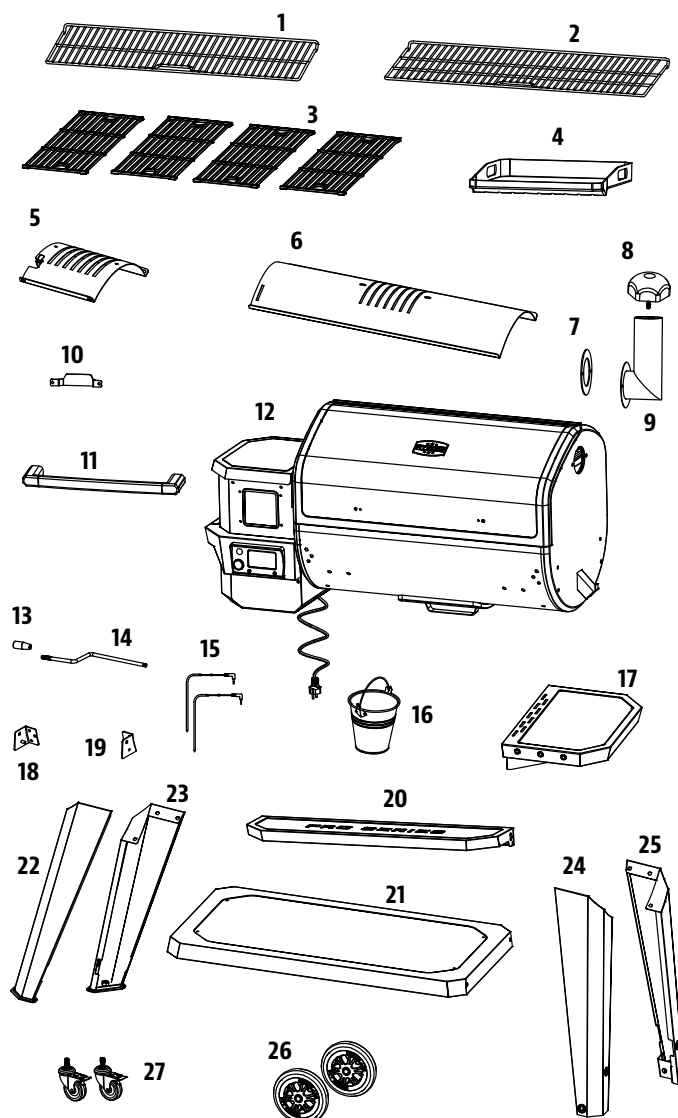
EE.UU: (480) 923-9630

CANADA (GRATUITA): 1-877-942-2246

[www.pitboss-grills.com](http://www.pitboss-grills.com)

# PARTES Y ESPECIFICACIONES

N°	Descripción
1	Parrilla superior para cocinar (x1)
2	Parrilla media para cocinar (x1)
3	Rejillas para cocinar (x4)
4	Plancha (x1)
5	Cubierta deslizante de la rejilla de flama (x1)
6	Placa principal de rejilla de flama (x1)
7	Empaque de la chimenea (x1)
8	Tapa de la chimenea (x1)
9	Cañón de la chimenea (x1)
10	Percha de rack (x1)
11	Asa de la tapa (x1)
12	Barril principal/Conjunto de tolva (x1)
13	Manija de la barra de ajuste de la rejilla de flama (x1)
14	Barra de ajuste de la rejilla de flama (x1)
15	Sensore para carne (x2)
16	Cubeta de grasa (x1)
17	Repisa lateral (x1)
18	Soporte de la repisa frontal / izquierda (x1)
19	Soporte de la repisa frontal / derecho (x1)
20	Repisa frontal (x1)
21	Repisa inferior (x1)
22	Pata de soporte izquierda - Delantera (x1)
23	Pata de soporte izquierda - Espalda (x1)
24	Pata de soporte derecha - Delantera (x1)
25	Pata de soporte derecha - Espalda (x1)
26	Rueda (x2)
27	Rueda pivotante de cierre (x2)
A	Tornillos (x28)
B	Arandelas (x24)
C	Arandelas de seguridad (x22)
D	Ganchos para implementos (x3)
E	Chavetas de rueda (x2)
F	Arandelas de eje de rueda (x2)
G	Clavijas de eje de rueda (x2)
H	Tornillos (x2)
I	Tuercas (x2)
J	Casquillos (x2)



NOTA: Debido a que los productos están en desarrollo constante, las partes están sujetas a cambios sin previo aviso. Llame a Servicio al Cliente si le faltan partes al ensamblar la unidad.

**PB – REQUISITOS DE ALIMENTACIÓN ELÉCTRICA**  
**110-120V, 60Hz, 315W, CONECTOR DE 3 CLAVIJAS CON TIERRA**

MODELO	ENSAMBLADA (An. x Prof. x Al.)	PESO	ÁREA PARA COCINAR	RANGO DE TEMPERATURAS
<b>PB</b> PB1600PS3	1587,5 MM x 813,5 MM x 1400 MM / 62,50 PU x 32,03 PU x 55,12 PU	105,0 KG / 231,5 LB	SUPERIOR - 2 474,8 CM <sup>2</sup> / 383,6 PU <sup>2</sup> MEDIA - 3 249,6 CM <sup>2</sup> / 503,7 PU <sup>2</sup> PRINCIPAL - 4 587,1 CM <sup>2</sup> / 711,0 PU <sup>2</sup> TOTAL - 10 311,5 CM <sup>2</sup> / 1 598,3 PU <sup>2</sup>	82-260°C / 180-500°F

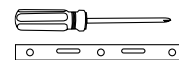
# PREPARACIÓN DEL ENSAMBLAJE

Hay partes ubicadas en toda la caja de embarque, incluso debajo del asador. Inspeccione el asador, las partes y el paquete de accesorios antes de sacarlos de la caja de embarque. Deseche todos los materiales de embalaje desde el interior y el exterior de la parrilla antes del ensamblaje, luego revise e compárelas con la lista de referencia. Si hay partes faltantes o dañadas, no intente ensamblar el producto. Los daños por transporte no están cubiertos por la garantía. Comuníquese con su distribuidor o con Servicio al Cliente de Pit Boss® para solicitar partes.

[www.pitboss-grills.com](http://www.pitboss-grills.com) | EE.UU: (480) 923-9630 | CANADA (GRATUITA): 1-877-942-2246

**IMPORTANTE:** Para facilitar la instalación, es útil (pero no necesario) contar con dos personas para ensamblar esta unidad.

Herramientas requeridas para el ensamblaje: destornillador y nivel. *Las herramientas no están incluidas.*



# INSTRUCCIONES DE ENSAMBLAJE

**IMPORTANTE:** Se recomienda leer cada paso en su totalidad antes de comenzar el ensamblaje. No apriete por completo los tornillos hasta que haya colocado todos los tornillos de ese paso. Las combinaciones de accesorios que incluyan una arandela de seguridad y una arandela deben instalarse con la arandela de seguridad más cerca de la cabeza del tornillo.

## 1. MONTAJE DE LAS PATAS EN EL BARRIL PRINCIPAL

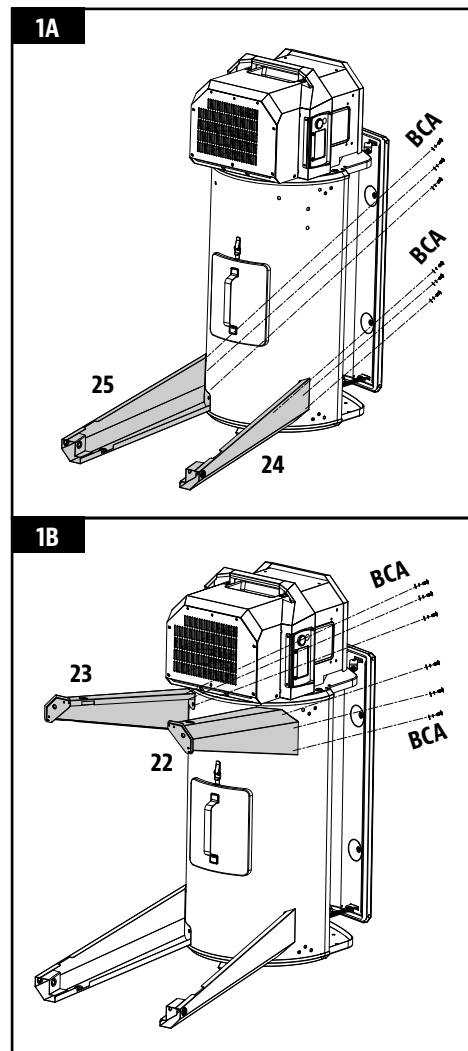
### Partes requeridas:

- 1 x Barril principal/Conjunto de tolva (#12)
- 1 x Pata de soporte izquierda - Delantera (#22)
- 1 x Pata de soporte izquierda - Espalda (#23)
- 1 x Pata de soporte derecha - Delantera (#24)
- 1 x Pata de soporte derecha - Espalda (#25)
- 12 x Tornillos (#A)
- 12 x Arandelas (#B)
- 12 x Arandelas de seguridad (#C)

### Instalación:

- Coloque un pedazo de cartón en el piso para evitar rayar la unidad y las piezas durante el montaje. Coloque el barril principal de lado sobre el cartón, con el extremo de la tolva apuntando hacia arriba.
- Monte la pata de soporte delantera derecha en el extremo del piso del barril principal con tres tornillos, arandelas de seguridad y arandelas, a través de los tres orificios pretaladrados. Instale tornillos desde el interior del barril principal. Repita la instalación para la pata de soporte trasera derecha. Observe la ilustración 1A.
- Luego, monte la pata de soporte delantera izquierda en el extremo de la tolva del barril principal con tres tornillos, arandelas de seguridad y arandelas, a través de los tres orificios pretaladrados. Instale tornillos desde el interior del barril principal. Repita la instalación para la pata de soporte trasera izquierda. Nota ilustración 1B.

**IMPORTANTE:** No apriete los tornillos por completo hasta que se instale el estante inferior en el siguiente paso.



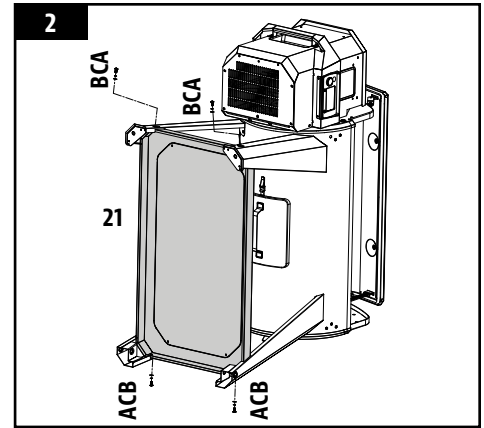
## 2. INSTALACIÓN DE LA REPISA INFERIOR

### Partes requeridas:

- 1 x Repisa inferior (#21)
- 4 x Tornillos (#A)
- 4 x Arandelas de seguridad (#C)
- 4 x Arandelas (#B)

### Instalación:

- Desde abajo, sujete la repisa inferior a cada pata utilizando un tornillo, arandela de seguridad y arandela. Asegúrese de que la superficie plana de la repisa voltee hacia arriba.



## 3. AGREGAR RUEDAS AL CARRO

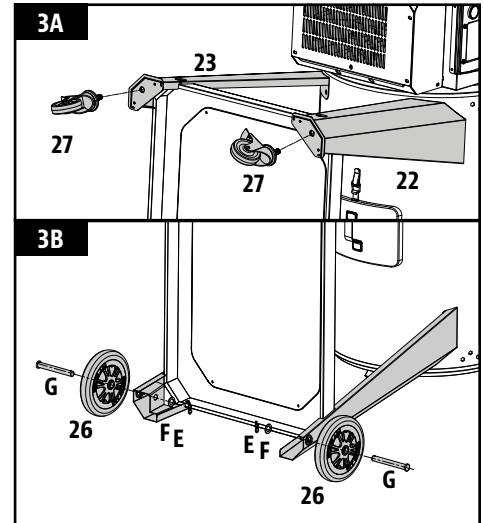
### Partes requeridas:

- 2 x Rueda pivotante de cierre (#27)
- 2 x Rueda (#26)
- 2 x Chavetas de rueda (#E)
- 2 x Arandelas de eje de rueda (#F)
- 2 x Clavijas de eje de rueda (#G)

### Instalación:

- Inserte cada rueda de bloqueo en la parte inferior de cada pata de soporte izquierda apretándola manualmente en el orificio. Asegúrese de que cada rueda de bloqueo esté insertada por completo. Nota ilustración 3A.
- Conecte cada rueda a cada pata de soporte derecha insertando el pasador del eje de la rueda a través de la rueda, el orificio de la pata de soporte, la arandela de la rueda, luego asegúrelo con el pasador de chaveta. Nota ilustración 3B.
- Una vez que el estante esté seguro, levante cuidadosamente la parrilla en posición vertical.

**IMPORTANTE:** vuelva a apretar los tornillos de las patas de apoyo para asegurarse de que estén completamente seguros después de colocar la parrilla en posición vertical.



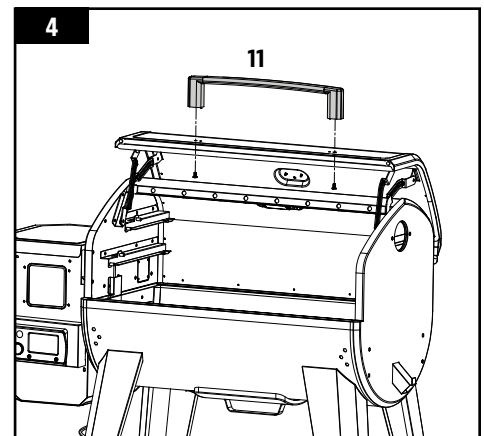
## 4. INSTALACIÓN DEL ASA DE LA TAPA

### Partes requeridas:

- 1 x Asa de la tapa (#11)

### Instalación:

- Quite los tornillos ya instalados en la manija de la tapa. Desde el interior de la tapa del barril, inserte un tornillo para que sobresalga hacia el exterior. Coloque un bisel en el tornillo, y luego apriete el tornillo a mano (desde el interior) en la manija de la tapa. Repita el procedimiento para el otro extremo de la manija.



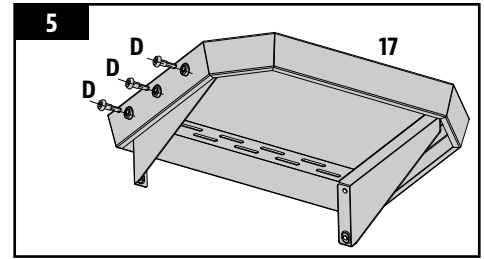
## 5. ENSAMBLAJE DE LA REPISA LATERAL

### Partes requeridas:

- 1 x Repisa lateral (#17)
- 3 x Ganchos para implementos (#D)

### Instalación:

- Voltee al revés la repisa lateral. En el borde de la repisa lateral que tiene tres orificios, instale los ganchos para implementos en cada orificio a lo largo del borde. Los ganchos para implementos se sujetarán a la tuerca empotrada que viene montada en el interior.



## 6. COLOCACIÓN DE LA REPISA LATERAL

### Partes requeridas:

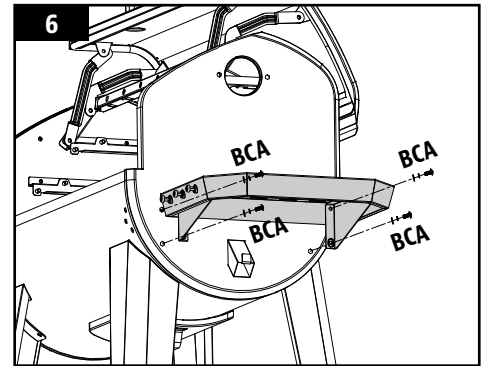
- 4 x Tornillos (#A)
- 4 x Arandelas de seguridad (#C)
- 4 x Arandelas (#B)

### Instalación:

- Desde abajo, apriete la repisa lateral en el panel lateral del barril principal con los cuatro tornillos, las arandelas de seguridad y las arandelas.

**NOTA: No apriete por completo los tornillos hasta que hayan colocado todos los tornillos. Una vez que coloque todos los tornillos, apriételes bien.**

**IMPORTANTE: No use las repisas para mover o levantar el asador. El peso de la unidad hará que las repisas se doblen o se rompan, y estos daños no están cubiertos por la garantía.**



## 7. COLOCACIÓN DE LA CHIMENEA

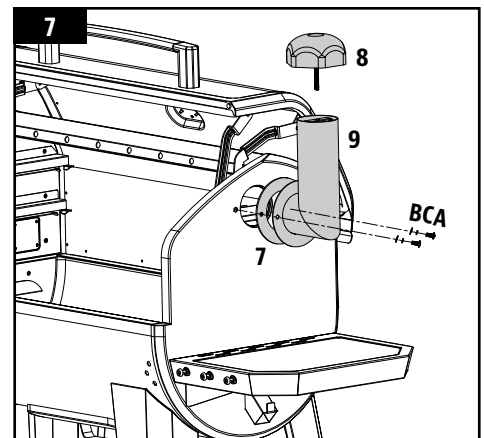
### Partes requeridas:

- 1 x Tapa de la chimenea (#7)
- 1 x Cañón de la chimenea (#8)
- 1 x Empaque de la chimenea (#9)
- 2 x Tornillos (#A)
- 2 x Arandelas de seguridad (#C)
- 2 x Arandelas (#B)

### Instalación:

- Encuentre la abertura de la chimenea en el costado del barril principal. Desde el exterior, sujete la chimenea y el empaque de la chimenea al panel lateral con dos tornillos, arandelas de seguridad y arandelas. El tornillo se sujetará a la tuerca ya montada en el interior del barril.
- Después, coloque la tapa de la chimenea a la parte superior del cañón de la chimenea girando el tornillo de la tapa de la chimenea en el cañón de la chimenea.

**NOTA: Ajuste la tapa de la chimenea para modificar el flujo de aire dentro del asador. Si cocina a baja temperatura, mantenga la tapa más abierta. Asegúrese de que la tapa de la chimenea permita que escape el aire.**



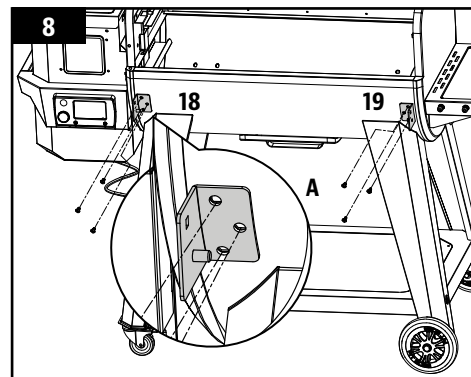
## 8. INSTALACIÓN DE LOS SOPORTES DE LA REPISA FRONTAL

### Partes requeridas:

- 1 x Soportes de la repisa frontal / Izquierda (#18)
- 1 x Soportes de la repisa frontal / Derecho (#19)
- 6 x Tornillos (#A)

### Instalación:

- Conecte un soporte de la repisa frontal a la parte delantera del barril del asador usando tres tornillos. Coloque los tornillos parcialmente y luego apriételos por completo cuando todos los tornillos estén colocados y alineados correctamente.
- Repita la misma instalación para el otro soporte de la repisa frontal.



## 9. COLOCACIÓN DE LA REPISA FRONTAL

### Partes requeridas:

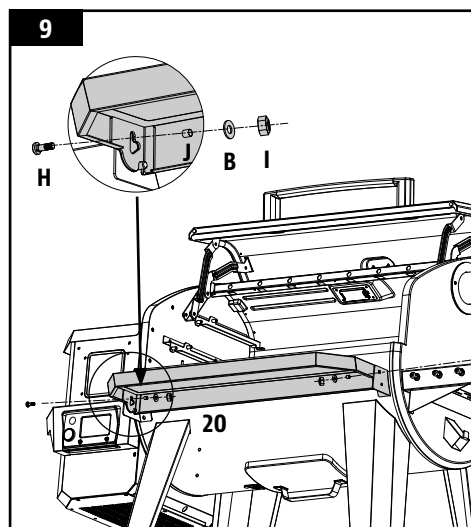
- 1 x Repisa frontal (#20)
- 2 x Arandelas (#B)
- 2 x Tornillos (#H)
- 2 x Tuercas (#I)
- 2 x Casquillos (#J)

### Instalación:

- Desde abajo, inserte el tornillo (desde afuera) en el soporte de la repisa frontal y en la repisa frontal, luego coloque el casquillo en el tornillo, la arandela y la tuerca. Repita la instalación con el otro lado de la repisa frontal.

**NOTA: Una vez instalado correctamente, la repisa frontal se puede levantar (para su uso) y bajar (para almacenar) con facilidad.**

**IMPORTANTE: No use las repisas para mover o levantar el asador. El peso de la unidad hará que las repisas se doblen o se rompan, y estos daños no están cubiertos por la garantía.**



## 10. INSTALACIÓN DE LOS COMPONENTES DEL ASADOR DE LLAMAS

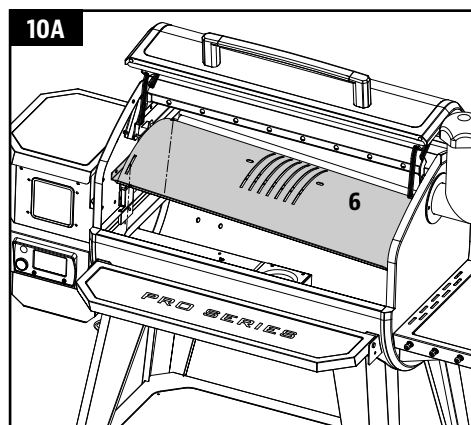
### Partes requeridas:

- 1 x Cubierta deslizante de la rejilla de flama (#5)
- 1 x Placa principal de rejilla de flama (#6)
- 1 x Manija de la barra de ajuste de la rejilla de flama (#13)
- 1 x Barra de ajuste de la rejilla de flama (#14)

### Instalación:

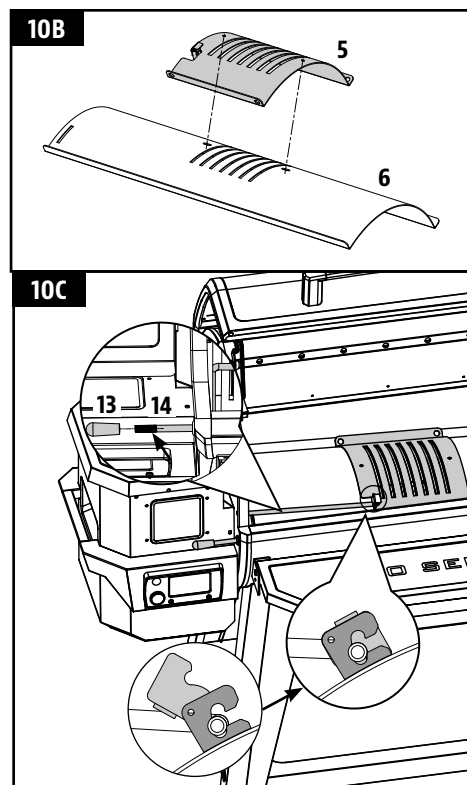
- Inserte la placa principal de la rejilla de flama en el asador principal. Apoye la placa principal de la rejilla de flama sobre el borde integrado (en la parte interior derecha) del asador principal, que dirige la grasa hacia la cubeta. Deslice toda la pieza hacia el lado izquierdo, y las dos ranuras en la placa principal de la rejilla de flama encajarán en el borde redondeado encima de la cámara de combustión. Quedará ligeramente inclinada. Consulte la ilustración 10A.

**IMPORTANTE: Si la placa principal se apoya en la base del tambor, es que está mal instalada. La placa principal del asador de fuego se utiliza para distribuir el calor de forma uniforme. Una mala instalación de esta pieza puede provocar daños en el tambor principal de la parrilla.**



- Coloque la cubierta deslizante de la rejilla de flama encima de la placa principal de la rejilla de flama, cubriendo las aberturas de ranura. Asegúrese de que la lengüeta elevada está al lado izquierdo, para ajustar con facilidad la parrilla a fuego directo o indirecto mientras cocina. Consulte la ilustración 10B. Ambas partes de la rejilla de flama tienen una ligera capa de aceite para evitar la oxidación durante el transporte.
- Primero, retire la manija de la barra de ajuste de la rejilla de flama de la barra de ajuste de la rejilla de flama. Inserte la barra de ajuste de la rejilla de flama a través del orificio de apertura en el lado izquierdo del barril principal. Agregue el manija de la barra de ajuste de la rejilla de flama al extremo exterior del barril. A continuación, deslice el extremo con muesca de la barra de ajuste dentro de la pestaña de bloqueo en el control deslizante del asador de llama, dándole acceso ajustable al cubierta deslizante del asador de llama en la placa principal de rejilla de flama. Observe los pasos en 10C.

**NOTA: Cuando la cubierta deslizante está abierta y se usa fuego directo para cocinar, no deje el asador sin atención en ningún momento.**



## 11. INSTALACIÓN DE LOS COMPONENTES PARA COCINAR

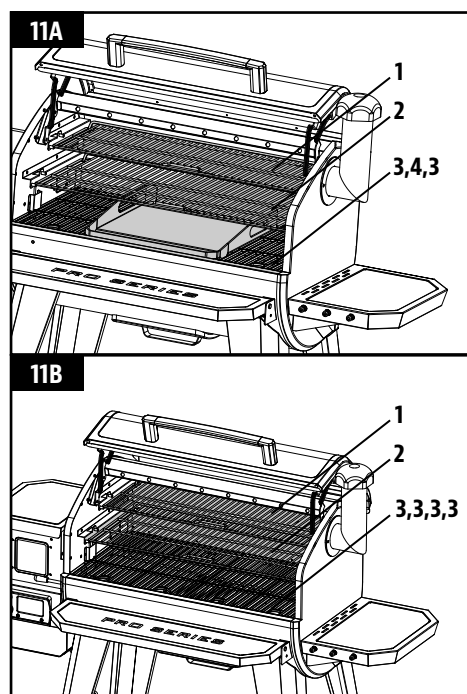
### Partes requeridas:

- 1 x Parrilla superior para cocinar (#1)
- 1 x Parrilla media para cocinar (#2)
- 1 x Plancha (#4)
- 4 x Rejillas para cocinar (#3)

### Instalación:

- Elija una superficie de cocción principal deseada: dos rejillas de cocción con la plancha (mostradas en 11A) o cuatro rejillas de cocción (mostradas en 11B). Coloque la combinación elegida de superficie de cocción en las repisas de la rejilla inferior dentro de la parrilla principal.
- A continuación, coloque la parrilla de cocción intermedia en las repisas intermedias dentro de la parrilla principal. Coloque la parrilla superior de cocción en las repisas superiores dentro de la parrilla principal.

**IMPORTANTE: Para mantener el óptimo desempeño en sus parrillas de cocción, es necesario darles cuidado y mantenimiento con regularidad.**



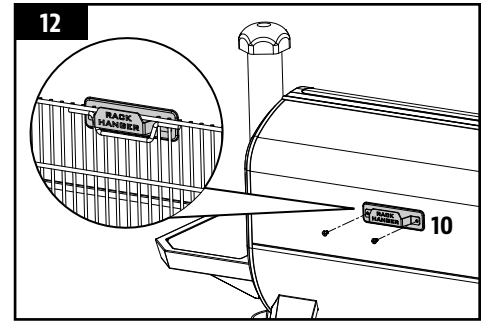
## 12. MONTAJE DE LA PERCHA DE RACK

### Partes requeridas:

- 1 x Percha de rack (#10)

### Instalación:

- Asegure el soporte de la rejilla al panel posterior del barril principal con los dos tornillos premontados. Las rejillas de cocción se pueden colgar en el colgador de rejillas mientras no se utilizan.



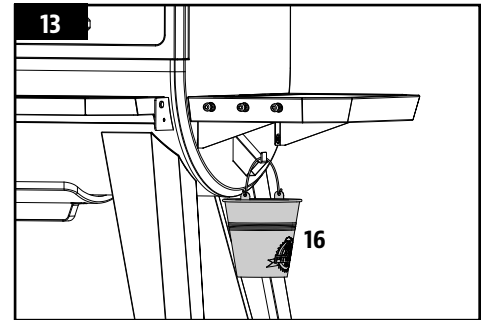
## 13. COLOCACIÓN DE LA CUBETA DE GRASA

### Partes requeridas:

- 1 x Cubeta de grasa (#16)

### Instalación:

- Coloque la cubeta de grasa en el gancho que está en el extremo del barril principal. Asegúrese de que está nivelada para evitar que se derrame la grasa.
- La unidad ya está completamente ensamblada.



## 14. CONEXIÓN A UNA FUENTE DE ALIMENTACIÓN ELÉCTRICA

### *TOMACORRIENTE ESTÁNDAR*

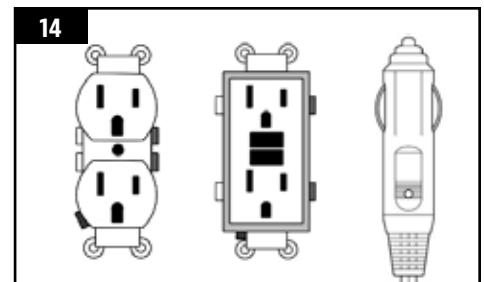
Este aparato requiere servicio de 110-120 voltios, 60Hz, 315W. Debe usar un enchufe de 3 clavijas con conexión a tierra. Asegúrese de que la clavija de tierra no esté rota antes de usarlo. El control utiliza un fusible rápido de 110-120 voltios para proteger el circuito del encendedor.

### *TOMACORRIENTES GFCI*

Este aparato funciona con la mayoría de los tomacorrientes GFCI, con una capacidad recomendada de 15 amps. Si su tomacorriente GFI es muy sensible a los picos de voltaje, muy probablemente se disparará durante la fase de arranque. Durante la fase de arranque, el encendedor consume de 200 a 700 watts de electricidad, que puede ser demasiado para un tomacorriente GFCI. Cada vez que se dispara, aumenta su sensibilidad. Si el GFCI se dispara constantemente, reemplace el tomacorriente o cámbielo por uno que no sea GFCI.

### *EN CUALQUIER LUGAR*

Desconecte el encendedor de la alimentación principal. Use el procedimiento de arranque manual. Una unidad Pit Boss® puede operar con un invertidor de 12 volts, 100 watts conectado a su automóvil. Para usar el encendedor automático, se recomienda que utilice un invertidor de por lo menos 1000 watts.



**IMPORTANTE:** Desconecte la unidad de la alimentación eléctrica cuando no la use.

# INSTRUCCIONES DE OPERACIÓN

Con el estilo de vida moderno en el que nos esforzamos para comer alimentos saludables y nutritivos, un factor a considerar es la importancia de reducir la ingesta de grasas. Una de las mejores maneras de reducir la grasa de su dieta es utilizar un método de cocción bajo en grasas, como el asado. Dado que un asador de pellets usa pellets de madera natural, el sabor de la madera se integra a las carnes, lo que reduce la necesidad de usar salsas con alto contenido de azúcares. A lo largo de este manual notará un énfasis en asar la comida lentamente, a temperaturas BAJAS o MEDIAS.

## ENTORNO DEL ASADOR

### 1. EN DÓNDE COLOCAR EL ASADOR

Con todos los aparatos para exteriores, las condiciones climatológicas externas tendrán un papel importante en el desempeño de su asador y en los tiempos de cocción necesarios para perfeccionar sus comidas.

Todas las unidades Pit Boss® requieren un espacio libre mínimo de 914mm (36 pulg.) de separación de materiales combustibles, y este espacio debe mantenerse todo el tiempo que se use el asador. Este aparato no debe colocarse bajo un techo o saliente de material combustible. Mantenga su asador en un área libre de materiales combustibles, gasolina y otros vapores y líquidos inflamables.

### 2. COCINA EN CLIMAS FRÍOS

Conforme la temperatura exterior se vuelva más fría, ¡no significa que la temporada de asar se ha terminado! El aire fresco y delicioso aroma de la comida ahumada ayudará a curar la depresión invernal.

Aproveche estas sugerencias para disfrutar de su asador durante los meses fríos:

- Si no es posible ahumar a bajas temperaturas, aumente ligeramente la temperatura para lograr el mismo resultado.
- Organícese – Prepare todo lo que necesitará en la cocina antes de salir al exterior. Durante el invierno, mueva su asador a un área que esté a cubierto del viento y el frío directo. Revise las ordenanzas locales sobre la proximidad del asador a su hogar y/o a otras estructuras. Ponga todo lo que necesita en una bandeja, ¡abríguese bien y hágalo!
- Para ayudarlo a tener presente la temperatura exterior, coloque un termómetro para exteriores cerca del área en la que cocina. Lleve una bitácora o diario de lo que cocinó, la temperatura exterior y el tiempo de cocido. Esto le ayudará en el futuro para determinar qué cocinar y cuánto se tardará.
- En clima muy frío, aumente su tiempo de precalentado al menos 20 minutos.
- Trate de no levantar la tapa más de lo necesario. Las rachas de viento frío podrían enfriar completamente la temperatura de su asador. Sea flexible con su tiempo para servir; añadir minutos adicionales al tiempo de cocción cada vez que abra la tapa.
- Tenga un hornillo y o una cubierta listos para mantener su comida caliente mientras la lleva al interior.
- Los alimentos ideales para cocinar en invierno son los que requieren poca atención, como asados, pollos enteros, costillas y pavos. Facilite aún más la preparación de sus comidas añadiendo elementos simples, como verduras y papas.

### 3. COCINA EN CLIMAS CALIENTES

Conforme esté más caliente en el exterior, el tiempo de cocción se reducirá.

Siga estas sugerencias para disfrutar de su asador durante los meses cálidos:

- Ajuste sus temperaturas de cocción a la baja. Esto ayuda a evitar las llamaradas indeseables.
- Use un termómetro de carnes para determinar la temperatura interna de sus comidas. Esto ayuda a evitar que su carne se cocine demasiado y se seque.
- Incluso en climas cálidos, es mejor cocinar con la tapa del asador abajo.
- Puede mantener las comidas calientes envolviéndolas en papel aluminio y colocándolas en un recipiente con aislamiento térmico. Coloque bolas de papel periódico alrededor del papel aluminio y mantendrá la comida caliente de 3 a 4 horas.

## RANGOS DE TEMPERATURAS DEL ASADOR

Todas las temperaturas mencionadas abajo son aproximadas y se ven afectadas por los siguientes factores: temperatura ambiente en el exterior, cantidad y dirección del viento, calidad de los pellets que se utilizan, si la tapa está abierta, y la cantidad de comida que se está preparando.



### TEMPERATURAS ALTAS

205-260°C / 401-500°F

Este rango es útil para marcar la carne y asar con calor alto. Use en conjunto con la rejilla de flama para cocinar a fuego directo o indirecto. Con la **rejilla de flama abierta**, se usa fuego directo para crear esos bistecs "azules", así como verduras cocinadas ligeramente, pan de ajo tostado, ¡o bombones! Cuando la **rejilla de flama está cerrada**, el aire circula alrededor del barril, generando calor de convección. Las temperaturas altas también se usan para precalentar su asador, limpiar las parrillas de cocción con calor, y para lograr un calor elevado en condiciones de clima extremadamente frío.



### TEMPERATURAS MEDIAS

135-180°C / 275-356°F

Este rango es mejor para hornear, cocer y terminar esa creación ahumada lentamente. Cocinar a estas temperaturas reducirá en gran medida las probabilidades de una llamarada de grasa. Asegúrese de que la cubierta deslizante de la rejilla de flama esté en la posición cerrada, cubriendo las aberturas. Este es un rango excelente para cocinar cualquier cosa que esté envuelta en tocino, o cuando quiera versatilidad en el control.



### TEMPERATURAS BAJAS

82-125°C / 180-257°F

Este rango se usa para asar lento, aumentar el sabor del ahumado y mantener caliente la comida. Infunda más sabor ahumado y mantenga la carne jugosa al cocinarla más tiempo a una temperatura más baja (esto también se conoce como **bajo y lento**). Muy recomendable para el pavo de Acción de Gracias, un jugoso jamón para la Pascua, o un enorme banquete para las fiestas.

El ahumado es una variación del asado, y es la principal ventaja de cocinar en un asador de pellets de madera. El **ahumado caliente**, que es otro nombre para cocinar "**bajo y lento**", generalmente se hace a 82-125 °C / 180-257 °F. El ahumado caliente funciona mejor cuando se necesita un tiempo de cocción más largo, como para cortes de carne, pescados o aves grandes.

**CONSEJO:** Para un sabor más intenso, cambie al rango de temperatura de ahumado (bajo) inmediatamente después de poner su comida en el asador. Esto permite que el humo penetre en las carnes.




La clave está en experimentar con el tiempo que deja ahumar antes de que la comida termine de prepararse. Algunos chefs de exteriores prefieren ahumar al terminar de cocinar, lo que permite mantener la comida caliente hasta que está lista para servirse. ¡La práctica hace al maestro!

## EXPLICACIÓN DEL TABLERO DE CONTROL

Este tablero de control PID (proporcional-integrado-derivado) digital es prácticamente igual que los controles del horno de su cocina. Las principales ventajas son la capacidad de compensar automáticamente las diferentes condiciones ambientales y tipos de combustible.

**IMPORTANTE:** La temperatura del interior de cualquier parrilla varía mucho de una ubicación a otra. Incluso los instrumentos calibrados juntos pueden no concordar entre sí.



CONTROL	DESCRIPCIÓN
	Mantenga presionado durante tres segundos para encender la unidad. Esto comenzará el ciclo de arranque automático. Mantenga presionado este botón durante 3 segundos para apagar la unidad, activando el ciclo de enfriamiento automático. Se encenderá una luz azul detrás del botón de encendido cuando esté conectado a una fuente de alimentación y cuando la unidad esté encendida.
	La perilla del controlador se usa para navegar, aumentar, disminuir, seleccionar y establecer valores. La perilla del controlador se puede mover como un joystick o rotar para ajustar valores en la pantalla principal. En las subpantallas, gire la rueda o use el joystick para desplazarse por las opciones. Presione la perilla del controlador para confirmar el valor elegido o la selección. La selección parpadeará en azul donde se encuentra actualmente la perilla de control hasta que se realice una selección. Se resaltará en blanco una vez que se confirme la selección.
	<p>Las opciones de configuración en esta pantalla:</p> <ul style="list-style-type: none"> <li>• <b>Pantalla:</b> Seleccione el brillo de la pantalla o seleccione la escala de temperatura. Fahrenheit (°F) es el valor predeterminado.</li> <li>• <b>Protector de pantalla:</b> El valor predeterminado es Ninguno. Seleccione 1 min, 3 min o 5 min para elegir cuándo la pantalla entrará en modo de suspensión después de haber estado inactiva. Empuje la perilla de control para activar la pantalla. Bloquear bloqueará la pantalla, mantenga presionada la perilla de control para desbloquear.</li> <li>• <b>Puesta en marcha:</b> APAGADO es el valor predeterminado y calentará automáticamente la unidad a 180 °F. Mueva la perilla de control a la temperatura (parpadeará en azul) y gire la rueda para modificar, presione la perilla de control para confirmar la temperatura. Seleccione ON para mantener esta temperatura seleccionada como la nueva temperatura de inicio. El rango de temperatura es de 180 a 500 °F.</li> <li>• <b>Idioma:</b> el inglés es el predeterminado. Francés y español son opciones seleccionables.</li> <li>• <b>Acerca de:</b> Aquí se mostrará la información de la unidad. Nombre, número de modelo, número de serie, ID del controlador, versión y dirección MAC (Control de acceso a medios).</li> </ul>



Les options du menu : Hold Prime, 3 Seconds Prime ou 5 Seconds Prime. La sélection de l'option Hold alimentera en continu les granulés de la tarière, 30 secondes maximum. Appuyez à nouveau pour arrêter l'alimentation de la tarière. Les sélections chronométrées s'amorceront automatiquement pour cette période.



Presione este botón para encender y apagar la luz dentro del barril de la parrilla.



El puerto de sonda izquierdo es P1 y el derecho es P2.



Cuando las sondas programables para carne estén conectadas, aparecerán estos iconos. La temperatura real se muestra en negrita y la temperatura establecida, si se establece una, se mostrará a continuación. Muévase a P1 o P2 en la pantalla principal. Gire la rueda para ajustar la temperatura deseada y confirme la selección presionando la perilla de control. Para acceder al menú Sondas, mueva el joystick hacia arriba si se desplaza sobre P2 o hacia abajo si se desplaza sobre P1. En el menú Sondas, seleccione la sonda, luego la temperatura para programar, o seleccione el ícono de proteína para establecer la temperatura predeterminada para lo que se está cocinando. Cuando no esté en uso, desconecte la sonda para carne. Compatible únicamente con sondas para carne de la marca Pit Boss® Grills. El anillo alrededor de la sonda indica qué tan lejos está la temperatura de cocción actual de la temperatura programada, 0-100%. P1/2 emitirá un pitido y aparecerá el icono de la campana cuando se alcance la temperatura programada.

107°C

La temperatura real se muestra constantemente. La lectura de la temperatura la toma la sonda de la parrilla (sensor) desde el interior del cilindro de la parrilla. Mueva la perilla de control sobre la temperatura y gire la perilla para ajustar la temperatura establecida. Presione la perilla de control para confirmar la selección.

Calentando a 107

La temperatura establecida se actualizará después de que la temperatura se modifique en la temperatura real.



El ícono de WI-FI es visible cuando la unidad está conectada a la aplicación Pit Boss. Parpadeará cuando no esté conectado.



El ícono FAN es visible cuando el ventilador está en funcionamiento. Cuando no esté funcionando, aparecerá la pantalla de error FAN. Consulte la sección sobre resolución de problemas para obtener ayuda.



El icono de la BARRENA es visible cuando la barrena está en funcionamiento. Cuando no esté funcionando, aparecerá la pantalla de error AUGER. Consulte la sección sobre resolución de problemas para obtener ayuda.



El icono del ENCENDEDOR es visible cuando el encendedor está en funcionamiento. Cuando no esté funcionando, aparecerá la pantalla de error IGNITER. Consulte la sección sobre resolución de problemas para obtener ayuda.



Cuando la pantalla tiene un error, aparecerá la pantalla de error de PELLET, el fuego en el brasero se ha apagado o la tolva puede estar vacía. Consulte la sección sobre resolución de problemas para obtener ayuda.

## CONECTARSE A LA APLICACIÓN PIT BOSS® GRILLS

Siga estas instrucciones sobre cómo conectar su parrilla a la aplicación Pit Boss® Grills con su dispositivo Android™ o iOS®. La aplicación le permitirá controlar y monitorear las temperaturas de su parrilla y sonda de carne desde su dispositivo móvil. ¡Disfrute de los beneficios que ofrece la conectividad móvil Pit Boss® Grills!

1. Descargue la aplicación Pit Boss® Grills. Abra la aplicación y permita que Bluetooth® esté habilitado para la configuración. Los nuevos usuarios deberán crear una cuenta y seguir las instrucciones para iniciar sesión.
2. Si está dentro del alcance de Bluetooth® (9 m / 30 pies), la aplicación Pit Boss® Grills detectará automáticamente su parrilla. Seleccione su modelo de parrilla. Si no ve su parrilla en la pantalla, asegúrese de que su unidad esté conectada a una fuente de alimentación y esté encendida.
3. Nombre su modelo de parrilla (por ejemplo, mi fumador) en la aplicación y seleccione "Conectar" en la parte inferior de la pantalla. Esto guardará su modelo de parrilla en el menú de dispositivos.
4. Desde el menú de dispositivos, haga clic en el modelo de parrilla para conectarse. Esto le mostrará la pantalla del tablero de control.
5. Haga clic en la opción de configuración (equipo) en la esquina superior derecha, ingrese sus credenciales de Wi-Fi, luego haga clic en la marca de verificación en la parte inferior de la pantalla para conectarse. Ahora los íconos de Bluetooth® y Wi-Fi (nubes) se mostrarán en el menú de dispositivos, mostrando que la parrilla está conectada.

**Mientras usa la aplicación, la pantalla brillará cuando la parrilla esté activa y conectada. Si la pantalla o parrilla de la aplicación se oscurece en el menú de dispositivos, verifique su conexión inalámbrica o fuente de alimentación.**

## PROCEDIMIENTO DE CEBADO DEL SINFÍN

La primera vez que use su parrilla o cada vez que su parrilla se quede sin gránulos en la tolva, deberá cebar la barrena. Si no está cebada, la parrilla se apagará antes de que se enciendan los gránulos y no se iniciará ningún fuego. Siga estos pasos para cebar la barrena:

1. Abra la tapa de la tolva. Asegúrese de que no haya objetos extraños en la tolva o que bloqueen el sistema de alimentación del tornillo sinfín.
2. Retire todos los componentes de cocción del interior de la parrilla. Localice el brasero en la parte inferior de la parrilla de pellets.
3. Enchufe el cable de alimentación a una fuente de alimentación.
4. Mantenga presionado el botón de encendido durante 3 segundos para encender e iniciar la puesta en marcha.
  - Verifique para asegurarse de escuchar el giro de la barrena. Coloque su mano sobre el brasero y sienta el movimiento del aire. NO coloque sus manos o dedos dentro del brasero, esto puede causar lesiones.
  - Después de aproximadamente 30 segundos, debe oler el encendedor quemándose y comenzar a sentir que el aire se calienta sobre el brasero. La punta del encendedor no brilla en rojo, pero se calentará mucho y se quemará. NO toque el encendedor.
5. Una vez verificado que todos los componentes eléctricos funcionan correctamente, apague la parrilla.
6. Llene la tolva con todos los gránulos de barbacoa de madera dura natural.
7. Appuyez sur le bouton d'alimentation et maintenez-le enfoncé pendant 3 secondes et accédez au menu pour amorcer.
8. Seleccione la opción de 5 segundos y repita hasta que vea que los gránulos caen del sinfín al brasero. Ahora puede soltar el botón Prime.
9. Ahora puede apagar su parrilla. Asegúrese de permitir que su parrilla permanezca enchufada hasta que finalice el ciclo de enfriamiento. Una vez que el ventilador se apaga, la parrilla ha completado el ciclo de apagado, es seguro desconectarla.
10. Vuelva a instalar los componentes de cocción en el barril principal.
11. ¡Su parrilla ya está preparada y lista para usar! Si esta es la primera vez que usa su parrilla, debe realizar un primer quemado inicial de la parrilla.

## PRIMER USO - "QUEMADO" DEL ASADOR

Una vez que se haya cebado la barrena y antes de cocinar en la parrilla por primera vez, es importante completar un quemado de la parrilla. Encienda la parrilla y opere a cualquier temperatura superior a 176°C / 350°F (con la tapa hacia abajo) durante 30 a 40 minutos para quemar la parrilla y eliminar cualquier materia extraña.

## PROCEDIMIENTO DE ARRANQUE AUTOMÁTICO

1. Conecte el cable de alimentación a una fuente de alimentación con conexión a tierra. Abra la tapa del barril principal. Verifique la olla de fuego para asegurarse de que no haya obstrucción para un encendido adecuado. Verifique que el encendedor esté colocado en el centro del tubo de la barrena y que el encendedor sobresalga dentro del recipiente de combustión. Abra la tapa de la tolva. Asegúrese de que no haya objetos extraños en la tolva o el sistema de alimentación del sinfín. Llene la tolva con pellets secos de madera de barbacoa natural.
2. Verifique que el cierre de la hebilla en la parte inferior de la barril principal esté abrochado (bloqueado) para del recipiente de combustión extraíble.
3. Appuyez sur le bouton d'alimentation et maintenez-le enfoncé pendant trois secondes pour allumer l'appareil. Cela activera le cycle de démarrage. Le système d'alimentation à vis sans fin commencera à tourner et le ventilateur fournira de l'air au pot de combustion. Le gril commencera à produire de la fumée pendant le cycle de démarrage. Le couvercle du baril doit rester ouvert pendant le cycle de démarrage. Pour confirmer que le cycle de démarrage a commencé correctement, écoutez un rugissement de torche et remarquez qu'un peu de chaleur est produite.
4. Una vez que el humo blanco y pesado se haya disipado, el ciclo de inicio se habrá completado y estará listo para disfrutar de su parrilla a la temperatura deseada.

## CÓMO APAGAR SU ASADOR

Lorsque le couvercle du baril principal est fermé, appuyez sur le bouton d'alimentation pour éteindre l'appareil. Le gril commencera son cycle de refroidissement automatique et l'écran d'arrêt apparaîtra sur le contrôleur. Le système de tarière cessera d'alimenter en carburant, la flamme s'éteindra et le ventilateur continuera de fonctionner jusqu'à ce que le cycle de refroidissement soit terminé.

**¡IMPORTANTE!** Una vez que se complete el ciclo de apagado, desconecte el cable de alimentación.

## CUIDADO Y MANTENIMIENTO

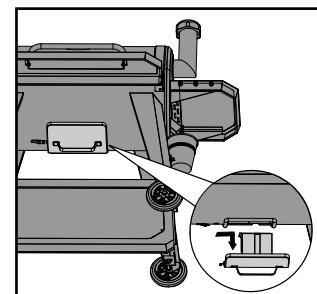
**ADVERTENCIA:** Siempre desconecte el cable eléctrico antes de abrir la parrilla para realizar cualquier trabajo de inspección, limpieza, mantenimiento o servicio. Asegúrese de que la parrilla esté completamente fría para evitar lesiones.

Todos los asadores de pellets Pit Boss® le darán muchos años de delicioso servicio con un mínimo de limpieza. Siga estas indicaciones de mantenimiento y limpieza para dar servicio a su asador:

### 1. LIMPIEZA DE CENIZAS

- En la parte inferior del barril de la parrilla hay una función de limpieza de cenizas, que le brinda un fácil acceso al interior de su caja de fuego para limpiarlo tan a menudo como sea necesario. Para vaciar, suelte el cierre de la hebilla en el gancho de la caja de cenizas. Mientras sostiene el mango, deslice la caja de cenizas lejos de la hebilla, luego tire hacia abajo para quitarla. Una vez vaciado, reemplace la caja de cenizas levantándola nuevamente hacia el fondo del barril de la parrilla, deslizando la caja de cenizas hacia la hebilla y luego abrochando el gancho de la caja de cenizas con el pestillo de la hebilla.

**ADVERTENCIA:** Esta característica solo se puede operar cuando la parrilla se enfría.



## 2. CONJUNTO DE TOLVA

- Se recomienda que todos los pellets salgan de su sistema de barrena si su parrilla no se usará por un período prolongado de tiempo. Esto se puede hacer simplemente ejecutando su parrilla, en una tolva vacía, hasta que todos los pellets se hayan vaciado del tubo del sinfín.
- Revise y limpie todos los desechos del respiradero de entrada de aire del ventilador, que está en la parte inferior de la tolva. Una vez que quite el panel de acceso de la tolva (ver el diagrama en el **Diagrama de cableado eléctrico**), limpie cuidadosamente toda la grasa acumulada en las aspas del ventilador. Esto garantiza un flujo de aire apropiado para el sistema de alimentación.

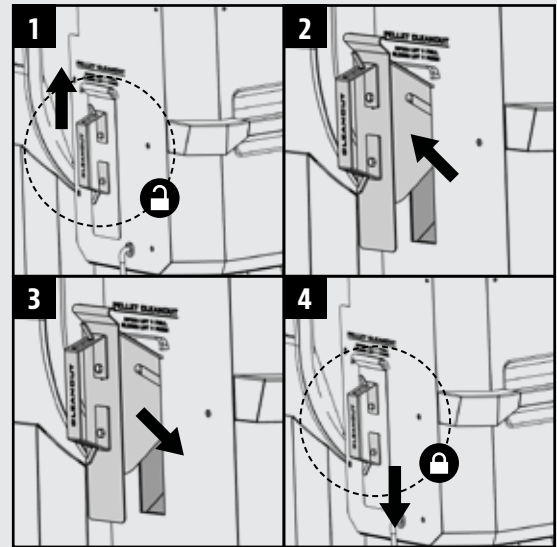
### FUNCIÓN DE LIMPIEZA DE PELLETS

La tolva incluye una función de limpieza de pellets para facilitar la limpieza y la capacidad de cambiar los sabores del combustible de pellets de madera. Para vaciar, siga estos pasos:

1. Coloque un balde limpio y vacío debajo de la puerta de limpieza.
2. Ubique la puerta de limpieza de pellets y la manija de la puerta en la parte posterior de la tolva. Levante la manija de la puerta para desbloquear. Tire de la manija de la puerta para abrir la placa de acceso de la tolva de caída, permitiendo que se vacíen los pellets de la tolva.

**NOTA: Utilice un cepillo de mango largo o una aspiradora para eliminar el exceso de gránulos, aserrín y escombros para una limpieza completa a través de la rejilla de la tolva.**

3. Una vez vacía, levante la manija de la puerta nuevamente para desbloquearla. Empuje la placa de acceso del conducto de caída hacia atrás en su lugar.
4. Empuje la manija de la puerta hacia abajo para cerrarla.



## 3. SENSORES

- Si los cables del sensor están retorcidos o doblados, podría dañarse la pieza. Los cables deben estar enrollados formando una bobina grande y holgada.
- Aunque los sensores son de acero inoxidable, no los coloque en la máquina lavavajillas ni los sumerja en agua. El agua dañará los cables internos y causará cortocircuitos en los sensores, generando lecturas falsas. Si un sensor se daña, será necesario reemplazarlo.

## 4. SUPERFICIES INTERIORES

- Es recomendable limpiar su cámara de combustión después de varios usos. Esto garantizará un encendido adecuado y evitará la acumulación de desechos o ceniza endurecidos en la cámara de combustión.
- Usando un cepillo para limpieza de parrillas, elimine toda la comida y acumulación de residuos de las parrillas de cocción. Es mejor hacerlo mientras siguen calientes de una cocción anterior. Los fuegos de grasa son causados por la caída de demasiados desechos en los componentes de cocción del asador. Limpie el interior de su asador con regularidad. En caso de que experimente un fuego de grasa, mantenga la tapa del asador cerrada para sofocar el fuego. Si el fuego no se apaga con rapidez, quite cuidadosamente la comida, apague el asador y cierre la tapa hasta que el fuego se apague por completo. Espolvoree una pequeña cantidad de bicarbonato de sodio, si tiene disponible.
- Revise su cubeta de grasa con frecuencia, y límpiela cuando sea necesario. Tome en cuenta el tipo de cocina que hace.

**IMPORTANTE: Debido al alto calor, no cubra la rejilla de flama ni los sensores con papel aluminio.**

## 5. SUPERFICIES EXTERIORES

- El estante frontal incluye un panel extraíble debajo para facilitar la limpieza. Desde abajo, empuja la placa de respaldo hacia el cañón principal para quitarla. Limpiar, luego reemplazar volviendo a deslizar en su lugar.
- Limpie su asador después de cada uso. Use agua jabonosa tibia para cortar la grasa. No utilice limpiador para hornos, limpiadores abrasivos ni fibras abrasivas en las superficies externas del asador. **Las superficies pintadas no están cubiertas por la garantía**, sino que son parte del mantenimiento general. En caso de raspones, desgaste o grietas del acabado, puede retocar todas las superficies pintadas con pintura High Heat BBQ.
- ¡Use una cubierta de asador para darle una mayor protección a su asador! Una cubierta es la mejor protección contra el clima y los contaminantes externos. Cuando no lo use, o para almacenarlo por períodos prolongados, mantenga el asador bajo una cubierta en una cochera o cobertizo.

**TABLA DE FRECUENCIA DE LIMPIEZA (USO NORMAL)**

ARTÍCULO	FRECUENCIA DE LIMPIEZA	MÉTODO DE LIMPIEZA
Parte inferior del asador principal	Cada 5-6 usos	Sacar con pala o aspiradora los desechos
Cámara de combustión	Cada 2-3 usos	Sacar con pala o aspiradora los desechos
Parrillas de cocción	Después de cada uso	Quemar el exceso de grasa, y usar un cepillo para limpieza de parrillas
Rejilla de flama	Cada 5-6 usos	Raspar la placa principal y la deslizante, <b>no lavar</b>
Repisas	Después de cada uso	Fibra de limpieza y agua jabonosa
Bandeja de grasa	Después de cada uso	Fibra de limpieza y agua jabonosa
Sistema de alimentación por barreno	Cuando la bolsa de pellets esté vacía	Dejar que el barreno empuje el aserrín, dejando la tolva vacía
Componentes eléctricos de la tolva	Una vez al año	Sacudir el interior, limpiar las aspas del ventilador con agua jabonosa
Respiradero de entrada de aire	Cada 5-6 usos	Sacudir, fibra de limpieza y agua jabonosa
Sensor de temperatura	Cada 2-3 usos	Fibra de limpieza y agua jabonosa

## USO DEL COMBUSTIBLE DE PELLETS DE MADERA

Estos pellets de madera para asador se queman de manera limpia y generan alrededor de 8200 BTU por libra, con muy poca ceniza, poco contenido de humedad (5-7%) y son neutrales en carbón. Los pellets de madera para asador se producen con material puro en bruto (aserrín) que se pulveriza en un aserradero, y el material se pasa a presión por un troquel. Conforme el pellet pasa por el troquel, se corta, se enfría, se inspecciona, se aspira y se empaqueta para su venta al consumidor. Consulte a su distribuidor local respecto a los sabores disponibles en su región.



**NOTA:** Siempre guarde los pellets de madera en un lugar seco. El contacto o exposición a la humedad, ya que esto resultará en una menor generación de calor o hará que los pellets se hinchen y desmoronen. Use una tina o cubeta hermética a prueba de humedad para almacenarlos correctamente.

# LINEAMIENTOS PARA COCINAR

Ahumar y asar pueden dar diferentes resultados dependiendo del tiempo y la temperatura. Para obtener los mejores resultados lleve un registro de lo que cocinó, a qué temperatura, por cuánto tiempo, y los resultados. Ajuste a su gusto la próxima vez. La práctica hace al maestro. El arte culinario del ahumado caliente significa un tiempo de cocción más largo, pero le da a sus carnes un sabor de madera más natural (y un muy codiciado "anillo rosado"). Las temperaturas de cocción más altas resultan en tiempos de cocción más cortos y menos sabor ahumado.

**CONSEJO:** Para obtener los mejores resultados, deje que las carnes reposen después de cocinarlas. Esto permite que los jugos naturales regresen al interior de la carne, con lo que tendrá un corte mucho más jugoso y sabroso. Los tiempos de reposo pueden ser de 3 minutos hasta 60 minutos, dependiendo del tamaño de la proteína.

ESTILO DE COCINA	AHUMADO CALIENTE (MUY BAJO)	COCIDO (BAJO)	HORNEADO (MEDIO)	ASADO/HORNEADO (MEDIO/ALTO)	MARCADO (ALTO)
Rango de temperaturas	82-135°C / 180-275°F	135-162°C / 275-323°F	162-190°C / 323-374°F	190-232°C / 374-449°F	232-260°C / 449-500°F

AVES	TAMAÑO	Un cuarto - 54°C / 130°F	Medio - 60°C / 140°F	Bien cocido - 77°C / 170°F
Pavo (entero)	4.5-5.0 kg / 10-11 lbs. 5.3-6.4 kg / 12-14 lbs. 6.8-7.7 kg / 15-17 lbs. 8.2-10.0 kg / 18-22 lbs. 10.4-11.3 kg / 23-25 lbs.			Asar de 90 a 120 minutos Asar de 110 a 140 minutos Asar de 130 a 160 minutos Asar de 140 a 170 minutos Asar de 150 a 180 minutos
Pollo (entero)	1.36-2.26 kg / 3-5 lbs.			Asar de 1 a 1.5 horas
Muslos, pechugas	0.45 - 0.86 kg / 1 - 1½ lbs.			Asar de 30 a 60 minutos
Aves de caza pequeñas	0.45 - 0.86 kg / 1 - 1½ lbs.			Asar de 30 a 45 minutos
Pato	1.36-2.26 kg / 3-5 lbs.			Asar o cocer de 2 a 2.5 horas

CERDO	TAMAÑO	Precocido para recalentar 60°C / 140°F	Medio 66°C / 150°F	Bien cocido 71°C / 160°F
Jamón (Porción bien cocida y sin hueso, ahumado para picnic entero y con hueso)	2.5 cm / 1 pulg. 1.36-1.81 kg / 3-4 lbs. 1.81-2.72 kg / 4-6 lbs. 2.26-3.62 kg / 5-8 lbs. 4.53-5.44 kg / 10-12 lbs.	12 minutos 50 minutos a 1 hora 1 a 2 horas 1 a 2½ horas 2 a 2¾ horas		
Asado de lomo	1.36-1.81 kg / 3 - 4 lbs.		1 a 2 horas	2 a 3 horas
Corona de costillas asada	1.81-2.26 kg / 4 - 5 lbs.		1½ a 2 horas	2 a 3 horas
Chuleta (lomo, costillas)	1.9-2.5 cm / ¾ - 1 pulg. 3.1-3.9 cm / 1¼ - 1½ pulg.		10 a 12 minutos 14 a 18 minutos	
Lomo	1.9-2.5 cm / ¾ - 1 pulg.		20 a 30 minutos	30 a 45 minutos
Asado de lomo, sin huesos	1.36-2.26 kg / 3-5 lbs.		1¼ a 1¾ horas	1¾ a 2½ horas
Boston Butt (hombro de puerco)	3.62-4.53 kg / 8-10 lbs.			93 - 98°C / 200 - 210°F Temperatura interior

<b>RES</b>	<b>TAMAÑO</b>	<b>CALOR</b>	<b>Un cuarto 54°C / 130°F</b>	<b>Medio 60°C / 140°F</b>	<b>Bien cocido 65°C / 150°F</b>
<b>Bistec</b> ( <i>New York, Porterhouse, Rib-eye, Sirloin, T-bone o lomo</i> )	1.9 cm / ¾ pulg. 2.5 cm / 1 pulg. 3.8 cm / 1½ pulg. 5 cm / 2 pulg.	Alto	Marcar 8 a 10 minutos Marcar 10 a 12 minutos Marcar 10 minutos, asar 8 a 10 minutos Marcar 10 minutos, asar 10 a 14 minutos		
<b>Falda de res</b>	0.6 - 12.7 cm / ¼ - ½ pulg.	Alto	5 a 7 minutos		
<b>Arrachera</b>	0.45 - 0.86 kg / 1 - 1½ lbs., 1.9 cm / ¾ pulg.	Medio	Marcar 4 minutos, asar 8 a 10 minutos		
<b>Kebab</b>	Cubos de 2.5 - 3.8 cm / 1 - 1½ pulg.	Medio	Asar 10 a 12 minutos		
<b>Tenderloin, entero</b>	1.58 - 1.81 kg / 3½ - 4 lbs.	Alto/Medio	1 ½ a 2 horas		
<b>Hamburguesa</b>	1.9 cm / ¾ pulg.	Alto/Medio	Marcar 4 minutos, asar 4 a 6 minutos		
<b>Asado de rib-eye, sin huesos</b>	2.26 - 2.72 kg / 5 - 6 lbs.	Medio	1 ½ a 2 horas		
<b>Asado de tri-tip</b>	0.9 - 1.13 kg / 2 - 2½ lbs.	Alto/Medio	Marcar 10 minutos, asar 20 a 30 minutos		
<b>Asado de costilla</b>	5.44 - 6.35 kg / 12 - 14 lbs.	Medio	2 ½ a 2 ¾ horas		
<b>Chuleta de ternera</b>	2.5cm / 1 pulg.	Medio	10 a 12 minutos		
<b>Brisket</b>	7.25 - 3.62 kg / 16 -18 lbs.	Ahumado caliente	Asar hasta que la temperatura interna llegue a 91°C / 195°F		

<b>CORDERO</b>	<b>TAMAÑO</b>	<b>Un cuarto - 54°C / 130°F</b>	<b>Medio - 60°C / 140°F</b>	<b>Bien cocido - 71°C / 160°F</b>
<b>Asado (fresco)</b>	2.26 - 2.72 kg / 5 - 6 lbs.		1 a 2 horas	
<b>Corona de costillas asada</b>	1.36-2.26 kg / 3-5 lbs.		1 a 1½ horas	1½ horas

<b>MARISCOS</b>	<b>TAMAÑO</b>	<b>Un cuarto - 54°C / 130°F</b>	<b>Medio - 60°C / 140°F</b>	<b>Bien cocido - 82°C / 180°F</b>
<b>Pescado (entero)</b>	0.5 kg / 1 lb. 0.9 - 1.1 kg / 2 - 2½ lbs. 1.4 kg / 3 lbs.			Asar 10 a 20 minutos Asar 20 a 30 minutos Asar 30 a 45 minutos
<b>Pescado (filetes)</b>	0.6-1.3 cm / ¼ - ½ pulg.			Asar 3 a 5 minutos, hasta que se desmenuce con facilidad
<b>Cola de langosta</b>	0.15 kg / 5 oz. 0.3 kg / 10 oz.			Asar 5 a 6 minutos Asar 10 a 12 minutos

<b>CAZA</b>	<b>TAMAÑO</b>	<b>Un cuarto - 60°C / 140°F</b>	<b>Medio - 71°C / 160°F</b>	<b>Bien cocido - 77°C / 170°F</b>
<b>Asado (fresco)</b>	2.26 - 2.72 kg / 5 - 6 lbs.		1 a 1½ horas	1½ a 2 horas
<b>Cortes grandes (fresco)</b>	3.62-4.53 kg / 8-10 lbs.		1 horas	1½ horas

# SOLUCIÓN DE PROBLEMAS

La limpieza apropiada, el mantenimiento y el uso de combustible de calidad, limpio y seco, evitarán problemas comunes en la operación. Cuando su asador Pit Boss® no funcione bien, o con menos frecuencia, los siguientes consejos para solucionar problemas podrían serle de utilidad. Para ver las preguntas frecuentes, visite [www.pitboss-grills.com](http://www.pitboss-grills.com). También puede comunicarse con el distribuidor autorizado de Pit Boss® en su localidad o llamar a Servicio al cliente para recibir ayuda.

**ADVERTENCIA: Siempre desconecte el cable de alimentación eléctrica antes de abrir el asador para realizar cualquier trabajo de inspección, limpieza, mantenimiento o servicio. Asegúrese de que el asador está completamente frío para evitar lesiones.**

PROBLEMA	CAUSA	SOLUCIÓN
No hay luces de encendido en el tablero de control	No conectado a la fuente de alimentación	Asegúrese de que la unidad esté enchufada a una fuente de alimentación que funcione. Reinicie el disyuntor. Asegúrese de que el GFCI sea un servicio mínimo de 10 amperios (consulte el Diagrama de cableado eléctrico para acceder a los componentes eléctricos) Asegúrese de que todas las conexiones de cables estén firmemente conectadas y secas.
	Fusible fundido en el tablero de control	Retirez les deux vis du contrôleur à l'avant de la trémie pour accéder à l'arrière du contrôleur. Vérifiez le fusible pour un fil cassé ou si le fil est devenu noir. Si oui, le fusible doit être remplacé manuellement.
	El tomacorriente GFCI se ha disparado.	Retire el panel de acceso (consulte el Diagrama de cableado eléctrico para ver el diagrama) y asegúrese de que todas las conexiones de cables estén firmemente conectadas y secas. Asegúrese de que el GFCI sea un servicio mínimo de 10 amperios.
	Tablero de control defectuoso	El tablero de control necesita ser reemplazado. Comuníquese con Atención al cliente para obtener una pieza de repuesto.
Sin fuego en el brasero	Barrena no cebada	Antes de usar la unidad por primera vez o en cualquier momento en que la tolva esté completamente vacía, se debe cebar el sinfín para permitir que los gránulos llenen el tubo del sinfín. Si no está cebado, el encendedor se apagará antes de que los gránulos lleguen al brasero. Siga el procedimiento de cebado del barreno.
	Encendedor no instalado correctamente	Retire los componentes de cocción del barril principal. Confirme visualmente que el encendedor de nitruro de silicio esté al ras con el tubo del encendedor. Si no funciona correctamente, llame a Atención al cliente para obtener ayuda o una pieza de repuesto.
La lectura de la temperatura real no se actualiza	Sonda grill sucia	Siga las instrucciones de cuidado y mantenimiento.
La parrilla no logra ni mantiene una temperatura estable	Flujo de aire insuficiente a través del brasero	Revise el brasero para ver si hay acumulación de cenizas u obstrucciones. Siga las instrucciones de cuidado y mantenimiento para la acumulación de cenizas. Comprobar ventilador. Asegúrese de que funcione correctamente y que la entrada de aire no esté bloqueada. Siga las instrucciones de cuidado y mantenimiento si está sucio. Una vez que haya realizado todos los pasos anteriores, encienda la parrilla, ajuste la temperatura a HUMO y espere 10 minutos. Verifique que la llama producida sea brillante y vibrante.
	Falta de combustible, mala calidad del combustible, obstrucción en el sistema de alimentación	Revise la tolva para verificar que el nivel de combustible sea suficiente y rellénelo si es bajo. Si la calidad de los gránulos de madera dura es mala o la longitud de los gránulos es demasiado larga, esto puede causar una obstrucción en el sistema de alimentación. Retire los gránulos y siga las instrucciones de cuidado y mantenimiento.
	Sonda de parrilla	Comprobar el estado de la sonda grill. Siga las instrucciones de cuidado y mantenimiento si está sucio. Comuníquese con Atención al cliente para obtener una pieza de repuesto si está dañada.
	Clima o temperatura exterior	En condiciones de frío, use una manta aislante Pit Boss® o manténgase alejado de los vientos. En condiciones de calor, mantenga la parrilla en un área sombreada.

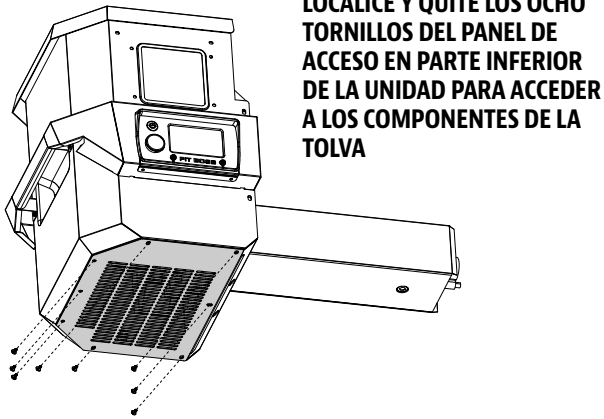
La parrilla produce exceso o decoloración Fumar	Acumulación de grasa	Siga las instrucciones de cuidado y mantenimiento.
	Calidad de pellets de madera dura	Retire los gránulos de madera dura húmedos de la tolva. Siga las instrucciones de cuidado y mantenimiento para limpiar. Reemplazar con pellets de madera dura seca.
	El crisol está bloqueado	<i>Clear Burn Pot para pellets de madera dura húmedos. Siga el procedimiento de cebado del barreno.</i>
	Entrada de aire insuficiente para el ventilador	<i>Comprobar ventilador. Asegúrese de que funcione correctamente y que la entrada de aire no esté bloqueada. Siga las instrucciones de cuidado y mantenimiento si está sucio.</i>
Brotos frecuentes	Temperatura de cocción	Intente cocinar a una temperatura más baja. La grasa tiene un punto de inflamación. Mantenga la temperatura por debajo de 176°C / 350°F cuando cocine alimentos muy grasosos.
	Acumulación de grasa en los componentes de cocción	Siga las instrucciones de cuidado y mantenimiento.
Pantalla de error ErP	La sonda de parrilla (sensor) no funciona	Desconecte y vuelva a conectar la sonda de parrilla.
	Sonda de parrilla defectuosa	La sonda de la parrilla necesita ser reemplazada. Comuníquese con Atención al cliente para obtener un reemplazo.
Pantalla de error ErH	La unidad se ha sobrecalentado, posiblemente debido a un incendio de grasa o exceso de combustible	Mantenga presionado el botón de encendido durante tres segundos para apagar la unidad y deje que la parrilla se enfríe. Siga las instrucciones de cuidado y mantenimiento. Después del mantenimiento, retire los gránulos y confirme el posicionamiento de todos los componentes. Una vez enfriado, mantenga presionado el botón de encendido durante tres segundos para encender la unidad, luego seleccione la temperatura deseada. Si aún se muestra la pantalla de error, comuníquese con Atención al cliente.
Pantalla de error ErL	La parrilla no realiza el ciclo de inicio	Verifique el posicionamiento correcto de los componentes de cocción. Verifique que la tolva tenga suficiente combustible o si hay una obstrucción en el sistema de alimentación. Retire los gránulos y siga las instrucciones de cuidado y mantenimiento. Compruebe la sonda de la parrilla. Confirme si la temperatura real es correcta y precisa. Siga las instrucciones de cuidado y mantenimiento si está sucio. Compruebe la posición del encendedor y que se esté calentando correctamente. En condiciones de frío extremo, la parrilla puede requerir un segundo encendido. Apague la parrilla, espere y vuelva a encenderla. Comprobar ventilador. Asegúrese de que esté funcionando correctamente. Siga las instrucciones de cuidado y mantenimiento si está sucio.
	La parrilla no permanece encendida	
	Barrena no cebada	
Pantalla de error de pellets	Falta de combustible, mala calidad del combustible	Revise la tolva para verificar que el nivel de combustible sea suficiente y rellénelo si es bajo. Si la calidad de los gránulos de madera dura es mala o la longitud de los gránulos es demasiado larga, esto puede causar una obstrucción en el sistema de alimentación. Retire los gránulos y siga las instrucciones de cuidado y mantenimiento.
Pantalla de error del encendedor	El encendedor no funciona correctamente, no hace una conexión	Retire los componentes de cocción del barril principal. Mantenga presionado el botón de encendido durante tres segundos para encender la unidad e inspeccionar el encendedor. Confirme visualmente que el encendedor esté funcionando colocando su mano sobre la rejilla de combustión y sintiendo el calor. Confirme visualmente que el encendedor esté alineado con el orificio en la rejilla de combustión y ábralo para encender los gránulos. Si no funciona correctamente, llame a Atención al cliente para obtener ayuda o una pieza de repuesto.
	Fallo del encendedor	El encendedor necesita ser reemplazado. Comuníquese con Atención al cliente para obtener una pieza de repuesto.
Pantalla de error de la barrena	El motor de la barrena está atascado, no hace la conexión	Retire los componentes de cocción del barril principal. Mantenga presionado el botón de encendido durante tres segundos para encender la unidad e inspeccionar el sistema de alimentación por barrena. Confirme visualmente que la barrena está dejando caer gránulos en el brasero. Si no funciona correctamente, llame a Atención al cliente para obtener ayuda o una pieza de repuesto..
Pantalla de error del ventilador	El ventilador no funciona correctamente, no se conecta	Comprobar ventilador. Asegúrese de que funcione correctamente y que la entrada de aire no esté bloqueada. Retire el panel de acceso (consulte el diagrama de cableado eléctrico para ver el diagrama) y verifique que los cables del ventilador no estén dañados. Siga las instrucciones de cuidado y mantenimiento si las aspas del ventilador están sucias.

# DIAGRAMA DE CABLEADO ELÉCTRICO

El sistema del tablero de control digital es un dispositivo tecnológico intrincado y valioso. Para protegerlo de los picos de voltaje y los cortocircuitos eléctricos, consulte el siguiente diagrama de cableado para asegurarse de que su fuente de alimentación es suficiente para la operación de la unidad.

## PB – REQUISITOS DE ALIMENTACIÓN ELÉCTRICA 110-120V, 60Hz, 315W, CONECTOR DE 3 CLAVIJAS CON TIERRA

NOTA: Los componentes eléctricos, que pasaron por pruebas y servicios de certificación de seguridad de productos, cumplen con una tolerancia de prueba de  $\pm 5-10$  por ciento.



**CAPACIDAD DE ENTRADA DE COMBUSTIBLE:**  
2.0 KG/H  
(4.4 LB/H)

## TABLERO DE CONTROL

**CABLE DE ALIMENTACIÓN CON CONEXIÓN A TIERRA**

TIERRA

**SENSOR DEL ASADOR**

**CONJUNTO DE ENCENDEDOR / CALEFACTOR DE CARTUCHO HD**  
110-120V, 240W

LIGERO

**MOTOR DE BARRENO Y SISTEMA DE ALIMENTACIÓN**  
110-120V, 60Hz,  
MOTOR DE 2 RPM

**VENTILADOR**  
110-120V, 60Hz,  
MONOFÁSICO

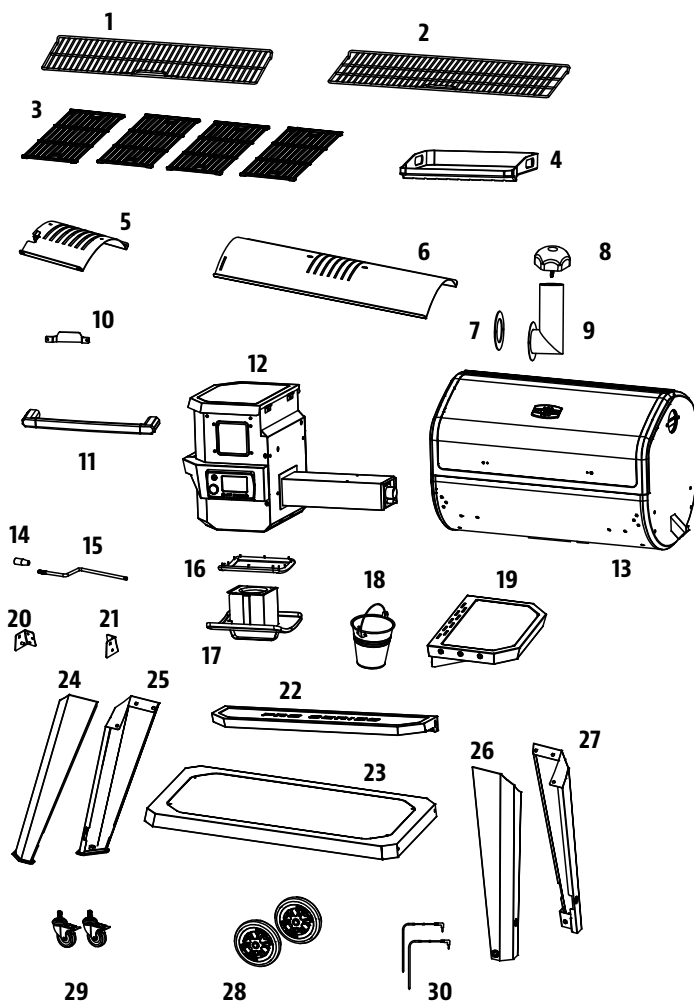
### ÍNDICE

K : NEGRO  
W : BLANCO  
R : ROJO  
Y : AMARILLO  
P : PÚRPURA  
O : NARANJA  
G : VERDE

ESPAÑOL

# REFACCIONES PARA EL ASADOR

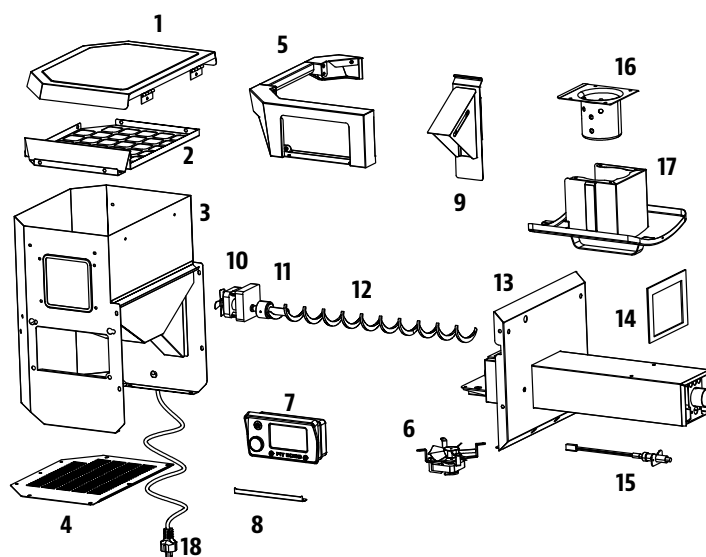
N°	Descripción
1	Parrilla superior para cocinar (x1)
2	Parrilla media para cocinar (x1)
3	Rejillas para cocinar (x4)
4	Plancha (x1)
5	Cubierta deslizante de la rejilla de flama (x1)
6	Placa principal de rejilla de flama (x1)
7	Empaque de la chimenea (x1)
8	Tapa de la chimenea (x1)
9	Cañón de la chimenea (x1)
10	Percha de rack (x1)
11	Asa de la tapa (x1)
12	Conjunto de tolva (x1)
13	Tambor principal (x1)
14	Manija de la barra de ajuste de la rejilla de flama (x1)
15	Barra de ajuste de la rejilla de flama (x1)
16	caja de cenizas (x1)
17	junta de la caja de cenizas (x1)
18	Cubeta de grasa (x1)
19	Repisa lateral (x1)
20	Soporte de la repisa frontal / izquierda (x1)
21	Soporte de la repisa frontal / derecho (x1)
22	Repisa frontal (x1)
23	Repisa inferior (x1)
24	Pata de soporte izquierda - Delantera (x1)
25	Pata de soporte izquierda - Espalda (x1)
26	Pata de soporte derecha - Delantera (x1)
27	Pata de soporte derecha - Espalda (x1)
28	Rueda (x2)
29	Rueda pivotante de cierre (x2)
30	Sensore para carne (x2)
A	Tornillos (x28)
B	Arandelas (x24)
C	Arandelas de seguridad (x22)
D	Ganchos para implementos (x3)
E	Chavetas de rueda (x2)
F	Arandelas de eje de rueda (x2)
G	Clavijas de eje de rueda (x2)
H	Tornillos (x2)
I	Tuercas (x2)
J	Casquillos (x2)



NOTA: Debido a que los productos están en desarrollo constante, las partes están sujetas a cambios sin previo aviso.

## REFACCIONES PARA LA TOLVA

N°	Descripción
1	Tapa de la tolva (x1)
2	Pantalla de seguridad de la tolva (x1)
3	Carcasa de la tolva (x1)
4	Panel de acceso a la tolva (x1)
5	Asa de la tolva (x1)
6	Ventilador de combustión (x1)
7	Tablero de control (x1)
8	Tablero de fijación del controlador (x1)
9	Puerta del vertedor (x1)
10	Motor del alimentador de espiral (x1)
11	Casquillo de nylon (x1)
12	Conjunto de fuga de la tolva (x1)
13	Carcasa del alimentador de espiral (x1)
14	Junta de la carcasa de la tolva (x1)
15	Sistema de ignición (x1)
16	Chimenea (x1)
17	Caja de cenizas (x1)
18	Asa de bloqueo del vertedor (x1)



## GARANTÍA

### TÉRMINOS Y CONDICIONES

Las parrillas Pit Boss® ("Pit Boss®"), fabricadas por Dansons, cuentan con una garantía de 5 años contra defectos y mano de obra en todas las piezas y una garantía de 5 años para los componentes eléctricos de este producto. Dansons garantiza que todas las piezas estarán libres de defectos de material y mano de obra, en condiciones y uso normales, durante el período de uso y propiedad del comprador original.

**No hay ninguna otra garantía adicional aplicable a este producto.**

**Esta garantía no se aplica:**

- si no puede proporcionar prueba de la compra o después de que la garantía haya expirado.
- a daños o defectos por uso y desgaste, como rayones, abolladuras, astillas o grietas cosméticas menores. Estos cambios estéticos del producto no afectan a su rendimiento.
- si su producto no ha sido instalado, operado, limpiado y mantenido en estricta conformidad con el manual del producto adjunto. La garantía no cubre daños o roturas por uso indebido, manejo inadecuado o modificaciones personalizadas.
- herrumbre u oxidación, a menos que haya pérdida de integridad estructural en el componente de la parrilla. Incluso al utilizar materiales que resisten la oxidación, los revestimientos protectores pueden verse comprometidos por diversas sustancias y condiciones fuera del control del fabricante. Las altas temperaturas, la humedad excesiva, el cloro, los humos industriales, los fertilizantes, los pesticidas para césped y la sal son algunas de las sustancias que pueden afectar los revestimientos metálicos.
- a daños o defectos que ocurran durante el uso comercial, el uso de alquiler o cualquier uso para el que no esté destinado el producto.
- a daños o defectos que excedan el costo del producto.

- a daños o defectos causados por el servicio o la reparación del producto por parte de un distribuidor no autorizado de Pit Boss®.

Durante el plazo de la garantía, Dansons se obliga a reemplazar los componentes defectuosos y/o defectuosos y no cobrará la reparación o el reemplazo de las piezas devueltas, con flete prepago, si se determina que las piezas están defectuosas al examinarlas.

Dansons no acepta responsabilidad, legal o de otro tipo, por daños incidentales o consecuentes a la propiedad o personas que resulten del uso de este producto, durante o después del período de garantía. Todas las garantías del fabricante se establecen en este documento y no se realizará ningún reclamo contra el fabricante por ninguna garantía o representación. Algunos estados no permiten la exclusión o limitación de daños incidentales o consecuentes, o limitaciones de garantías implícitas, por lo que es posible que las limitaciones o exclusiones establecidas en esta garantía limitada no se apliquen a usted. Esta garantía limitada le otorga derechos legales específicos y es posible que tenga otros derechos, que varían de un estado a otro.

## REGISTRA TU PARRILLA

**Registre su producto en menos de un minuto y obtenga acceso rápido y fácil a una impresionante colección de conocimientos de cocina.**

Su registro (comprobante de compra) asegurará que reciba el mejor servicio de garantía con su producto. En el improbable caso de que haya problemas de seguridad, es nuestra forma rápida de notificarle.

<b>MODELO</b>	<b>PB1600PS3</b>
NÚMERO DE SERIE	<input type="text"/>
FECHA DE COMPRA	<input type="text"/>
COMPRADO DE (DISTRIBUIDOR AUTORIZADO)	<input type="text"/>



## ATENCIÓN AL CLIENTE

Si tiene alguna pregunta o inquietud acerca de su producto, nuestro útil equipo de atención al cliente está ansioso por ayudarlo. Tenga a mano su información de registro antes de ponerse en contacto con Atención al cliente.



TELÉFONO



CHAT EN VIVO



APLICACIÓN



# IMPORTANT

## DO NOT RETURN PRODUCT TO STORE

FOR ALL QUESTIONS, COMMENTS, OR INQUIRIES, PLEASE CONTACT DANSONS OUR CUSTOMER CARE DEPARTMENT.

USA: (480) 923-9630 | CANADA (TOLL FREE): 1-877-942-2246

# IMPORTANT

## NE RETOURNEZ PAS LE PRODUIT AU MAGASIN

POUR TOUTES QUESTIONS, COMMENTAIRES OU DEMANDES DE RENSEIGNEMENTS, VEUILLEZ COMMUNIQUER AVEC LE SERVICE À LA CLIENTÈLE DE DANSONS.

ÉTATS-UNIS : (480) 923-9630 | CANADA (SANS FRAIS) : 1-877-942-2246

# ¡IMPORTANTE!

## NO DEVUELVA EL PRODUCTO A LA TIENDA

PARA TODAS LAS PREGUNTAS, COMENTARIOS O CONSULTAS, COMUNÍQUESE CON EL DEPARTAMENTO DE ATENCIÓN AL CLIENTE DE DANSONS.

EE.UU: (480) 923-9630 | CANADA (GRATUITA): 1-877-942-2246



© 2022 DANSONS  
60222111LWM

# PITBOSS-GRILLS.COM

MADE IN CHINA | FABRIQUÉ EN CHINE | HECHO EN CHINA



**WARNING:** THIS PRODUCT CAN EXPOSE YOU TO CHEMICALS INCLUDING WOOD DUST, WHICH IS KNOWN TO THE STATE OF CALIFORNIA TO CAUSE CANCER, AND CARBON MONOXIDE, WHICH IS KNOWN TO THE STATE OF CALIFORNIA TO CAUSE BIRTH DEFECTS OR OTHER REPRODUCTIVE HARM. FOR MORE INFORMATION GO TO [WWW.P65WARNINGS.CA.GOV](http://WWW.P65WARNINGS.CA.GOV)



**AVERTISSEMENT :** CE PRODUIT PEUT VOUS EXPOSER À DES AGENTS CHIMIQUES, Y COMPRIS LA POUSSIÈRE DE BOIS, IDENTIFIÉS PAR L'ÉTAT DE CALIFORNIE COMME POUVANT CAUSER LE CANCER, ET LE MONOXYDE DE CARBONE, RECONNU PAR L'ÉTAT DE CALIFORNIE COMME POUVANT CAUSER DES MALFORMATIONS CONGÉNITALES OU AUTRES EFFETS NOCIFS SUR LA REPRODUCTION. POUR DE PLUS AMPLES INFORMATIONS, PRIÈRE DE CONSULTER [WWW.P65WARNINGS.CA.GOV](http://WWW.P65WARNINGS.CA.GOV)



**ADVERTENCIA:** ESTE PRODUCTO PUEDE EXPONERLE A QUÍMICOS INCLUYENDO POLVO DE MADERA, QUE ES CONOCIDO POR EL ESTADO DE CALIFORNIA COMO CAUSANTES DE CÁNCER Y AL MONÓXIDO DE CARBONO, QUE ES CONOCIDO POR EL ESTADO DE CALIFORNIA COMO CAUSANTE DE DEFECTOS DE NACIMIENTO U OTROS DAÑOS REPRODUCTIVOS. PARA MAYOR INFORMACIÓN, VISITE [WWW.P65WARNINGS.CA.GOV](http://WWW.P65WARNINGS.CA.GOV)

