

MODEL / MODÈLE / MODELO: PB550G, PB700G, PB850G, PB1150G
PART / PIÈCE / PARTE: 10525, 10526, 10527, 10528, 10547, 10560, 10561, 10637



PIT BOSS® NAVIGATOR

**OWNER'S MANUAL
MANUEL DU PROPRIÉTAIRE
MANUAL DEL PROPIETARIO**

WOOD PELLET GRILL & SMOKER

IMPORTANT, READ CAREFULLY, RETAIN FOR FUTURE REFERENCE. MANUAL MUST BE READ BEFORE OPERATING!

GRIL & FUMOIR À GRANULES DE BOIS

IMPORTANT, PRENEZ CONNAISSANCE DE CE DOCUMENT ET CONSERVEZ-LE POUR RÉFÉRENCE ULTÉRIEURE. VOUS DEVEZ LIRE CE GUIDE AVANT D'UTILISER LE BARBECUE!

PARRILLA Y AHUMADOR DE PELLETS DE MADERA

IMPORTANTE, LEER DETENIDAMENTE, CONSERVAR PARA REFERENCIA FUTURA. LEA EL MANUAL ANTES DEL USO!

For outdoor and household use only. Not for commercial use.
Réservé à l'usage extérieur et résidentiel uniquement. Non destiné à un usage commercial.
Solo para uso doméstico y en el exterior. No apto para uso comercial.



WARNING: Please read the entire manual before installation and use of this electric, pellet fuel-burning appliance. Failure to follow these instructions could result in property damage, bodily injury or even death. Contact local building or fire officials about restrictions and installation inspection requirements in your area.

AVERTISSEMENT : Veuillez lire l'intégralité du manuel avant l'installation et l'utilisation de cet appareil électrique à combustion de granulés de bois. Le non-respect de ces instructions peut entraîner des dommages matériels, des dommages corporels ou même la mort. Contactez les autorités locales compétentes concernant les restrictions et les exigences d'inspection en vigueur dans votre région.

ADVERTENCIA: Lea todo el manual antes de instalar y usar esta unidad que funciona con electricidad y combustión de pellets. Si no se siguen estas instrucciones, pueden producirse daños materiales, lesiones corporales o incluso la muerte. Para consultar las restricciones y requisitos de inspección de las instalaciones de su zona, póngase en contacto con los encargados de edificio o el Departamento de Bomberos.



SAFETY INFORMATION

MAJOR CAUSES OF APPLIANCE FIRES ARE A RESULT OF POOR MAINTENANCE AND A FAILURE TO MAINTAIN REQUIRED CLEARANCE TO COMBUSTIBLE MATERIALS. IT IS OF UTMOST IMPORTANCE THAT THIS PRODUCT BE USED ONLY IN ACCORDANCE TO THE FOLLOWING INSTRUCTIONS.

Please read and understand this entire manual before attempting to assemble, operate or install the product. This will ensure you receive the most enjoyable and trouble-free operation of your new wood pellet grill. We also advise you retain this manual for future reference.

DANGERS AND WARNINGS

You must contact your local home association, building or fire officials, or authority having jurisdiction, to obtain the necessary permits, mission or information on any installation restrictions, such as any grill being installed on a combustible surface, inspection requirements or even ability to use, in your area.

1. A minimum clearance of 914mm (36 inches) from combustible constructions to the sides of the grill, and 914mm (36 inches) from the back of the grill to combustible constructions must be maintained. **Do not install appliance on combustible floors, or floors protected with combustible surfaces unless proper permits and permissions are obtained by authorities having jurisdiction.** Do not use this appliance indoors, in an enclosed or unventilated area, inside homes, vehicles, tents, garages. This wood pellet appliance must not be placed under overhead combustible ceiling or overhang. Keep your grill in an area clear and free from combustible materials, gasoline and other flammable vapors and liquids.

Should a grease fire occur, turn the grill OFF and leave the lid closed until the fire is out. Unplug the power cord. Do not throw water on the unit. Do not try to smother the fire. Use of an all-class (class ABC) approved fire extinguisher is valuable to keep on site. If an uncontrolled fire does occur, call the Fire Department.

2. Keep electrical supply cords and the fuel away from heated surfaces. Remove pots and pans while the operating appliance is unattended, to reduce the risk of fire. Do not use your grill in the rain or around any water source.
3. After a period of storage, or non-use, check the burn grate for obstructions, the hopper for foreign objects, and any air blockage around the fan intake or chimney. Clean before use. Regular care and maintenance is required to prolong the lifespan of your unit. **If the grill is stored outside during the rainy season or seasons of high humidity, care should be taken to insure that water does not get into the hopper.** When wet or exposed to high humidity, wood pellets will expand greatly, decompose, and may jam the feed system. Always disconnect the power, before performing any service or maintenance.

Do not transport your grill while in use or while the grill is hot. Ensure the fire is completely out and that the grill is completely cool to the touch before moving.

4. It is recommended to use heat-resistant barbecue mitts or gloves when operating the grill. Do not use accessories not specified for use with this appliance. Do not put a barbecue cover or anything flammable in the storage space area under the barbecue.
5. To prevent fingers, clothing or other objects from coming in contact with the auger feed system, the appliance is equipped with a metal safety screen, mounted to the interior of the hopper. This screen must not be removed unless directed by Customer Service or an authorized dealer.

This appliance is not recommended for children, persons with reduced physical, sensory or mental capabilities, or lack of experience and knowledge, unless they are under direct supervision or instruction by a person responsible for their safety.

6. Parts of the barbecue may be very hot, and serious injury may occur. Keep young children and pets away while in use.

7. Do not enlarge igniter holes or burn pots. Failure to follow this warning could lead to a fire hazard and bodily harm and will void your warranty.
8. Product may have sharp edges or points. Contact may result in injury. Handle with care.

DISPOSAL OF ASHES

Ashes should be placed in a metal container with a tight-fitting lid. The closed container of ashes should be placed on a non-combustible floor or on the ground, well away from all combustible materials, pending final disposal. When ashes are disposed by burial in soil, or otherwise locally dispersed, they should be retained in a closed container until all cinders have thoroughly cooled.

WOOD PELLET FUEL

This pellet cooking appliance is designed and approved for pelletized, all natural, wood fuel only. Any other type of fuel burned in this appliance will void the warranty and safety listing. You must only use all natural wood pellets, designed for burning in pellet barbecue grills. Do not use fuel with additives. The pellet fuel mean heating value in 8,000 - 8,770 BTU/LB, ash content < 1%.

Do not use spirit, petrol, gasoline, lighter-fluid or kerosene for lighting or refreshing a fire in your grill. Keep all such liquids well away from the appliance when in use.

At the time of printing, there is no industry standard for barbecue wood pellets, although most pellet mills use the same standards to make wood pellets for domestic use. Further information, can be found at www.pelletheat.org or the *Pellet Fuel Institute*.

Contact your local dealer on the quality of pellets in your area, and for information on brand quality. As there is no control over the quality of pellets used, moisture affected pellets, we assume no responsibility to damage caused by poor quality of fuel.

CREOSOTE

Creosote, or soot, is a tar-like substance. When burning, it produces black smoke with a residue which is also black in color. Soot or creosote is formed when the appliance is operated incorrectly, such as: blockage of the combustion fan, failure to clean and maintain the burn area, or poor air-to-fuel combustion.

It is dangerous to operate this appliance should the flame become dark, sooty, or if the burn pot is overfilled with pellets. When ignited, this creosote makes an extremely hot and uncontrolled fire, similar to a grease fire. Should this happen, turn the unit OFF, let it cool completely, then inspect for maintenance and cleaning. It commonly accumulates along exhaust areas.

If creosote has formed within the unit; allow the unit to warm up at a low temperature, turn off the appliance, then wipe away any formation with a hand towel. Similar to tar, it is much easier to clean when warm, as it becomes liquid.

CARBON MONOXIDE ("THE SILENT KILLER")

Carbon monoxide is a colorless, odorless, tasteless gas produced by burning gas, wood, propane, charcoal or other fuel. Carbon monoxide reduces the blood's ability to carry oxygen. Low blood oxygen levels can result in headaches, dizziness, weakness, nausea, vomiting, sleepiness, confusion, loss of consciousness or death. Follow these guidelines to prevent this colorless, odorless gas from poisoning you, your family, or others:

- See a doctor if you or others develop cold or flu-like symptoms while cooking or in the vicinity of the appliance. Carbon monoxide poisoning, which can easily be mistaken for a cold or flu, is often detected too late.
- Alcohol consumption and drug use increase the effects of carbon monoxide poisoning.

Carbon monoxide is especially toxic to mother and child during pregnancy, infants, the elderly, smokers, and people with blood or circulatory system problems, such as anemia, or heart disease.

SAFETY LISTING

In accordance with the procedures and specifications listed in the UL 2728A-2019 "pellet fuel cooking appliances" and ULC/ORD C2728-19 "for electrical features of fuel burning equipment." Pit Boss® Grills pellet cooking appliances have been independently tested and listed by CSA (an accredited testing laboratory) to UL and ULC standards.



TABLE OF CONTENTS

ENGLISH

Safety Information	2	Replacement Parts	
Operating Instructions		PB550G Grill Replacement Parts	16
Grill Environment	5	PB700G Grill Replacement Parts	17
Grill Temperature Ranges	6	PB850G Grill Replacement Parts	18
Understanding The Control Board	7	PB1150G Grill Replacement Parts	19
Understanding The Probes	8	PB550G Hopper Replacement Parts	20
Understanding The "P" Setting	8	PB700G / PB850G / PB1150G Hopper Replacement Parts	21
Hopper Priming Procedure	8	Warranty	
First Use – Grill Burn-Off	9	Conditions	22
Automatic Start-Up Procedure	9	Exceptions	22
Manual Start-Up Procedure	9	Ordering Replacement Parts	23
Shutting Off Your Smoker	10	Contact Customer Service	23
Care & Maintenance	10	Warranty Service	23
Tips & Techniques	12		
Troubleshooting	13		
Electrical Wire Diagram	15		



COPYRIGHT NOTICE

Copyright 2021. All right reserved. No part of this manual may be copied, transmitted, transcribed, stored in a retrieval system, in any form or by any means without expressed written permission of,

Dansons

3411 North 5th Avenue, Suite 500, Phoenix, AZ, USA 85013
 sales@pitboss-grills.com | service@pitboss-grills.com
www.pitboss-grills.com

Customer Service

Monday through Sunday, 4am - 8pm PST (EN/FR/ES)
Toll-Free: 1-877-303-3134, Fax: 1-877-303-3135

OPERATING INSTRUCTIONS

With today's lifestyle of striving to eat healthy and nutritious foods, one factor to consider is the importance of reducing fat intake. One of the best ways to cut down on fat in your diet is to use a low fat method of cooking, such as grilling. As a pellet grill uses natural wood pellets, the savory wood flavor is cooked into the meats, reducing the need for high sugar content sauces. Throughout this manual, you will notice the emphasis on grilling food slowly at LOW or MEDIUM temperature settings.

GRILL ENVIRONMENT

1. *WHERE TO SET-UP THE GRILL*

With all outdoor appliances, outside weather conditions play a big part in the performance of your grill and the cooking time needed to perfect your meals.

All Pit Boss® units should keep a minimum clearance of 914mm (36 inches) from combustible constructions, and this clearance must be maintained while the grill is operational. This appliance must not be placed under overhead combustible ceiling or overhang. Keep your grill in an area clear from combustible materials, gasoline and other flammable vapors and liquids.

2. *COLD WEATHER COOKING*

As it becomes cooler outside, that does not mean that grilling season is over! The crisp cool air and heavenly aroma of smoked foods will help cure your winter blues.

Follow these suggestions on how to enjoy your grill throughout the cooler months:

- If smoking at low temperatures fails, increase the temperature slightly to achieve the same results.
- Organize – Get everything you require ready in the kitchen before you head outdoors. During the winter, move your grill to an area that is out of the wind and direct cold. Check local bylaws regarding the proximity of your grill in relation to your home and/or other structures. Put everything you need on a tray, bundle up tight, and get it done!
- To help keep track of the outside temperature, place an outdoor thermometer close to your cooking area. Keep a log or history of what you cooked, the outdoor temperature, and the cooking time. This will help later down the road to help you determine what to cook and how long it will take.
- In very cold weather, increase your preheating time by at least 20 minutes.
- Avoid lifting the lid any more than necessary. Cold gusts of wind can completely cool your grill temperature. Be flexible with your serving time; add extra cooking time each time you open the lid.
- Have a heated platter or a dish cover ready to keep your food warm while making the trip back inside.
- Ideal foods for winter cooking are those that require little attention, such as roasts, whole chickens, ribs, and turkey. Make your meal preparation even easier by adding simple items such as vegetables and potatoes.

3. *HOT WEATHER COOKING*

As it becomes warmer outdoors, the cooking time will decrease.

Follow these few suggestions on how to enjoy your grill throughout the hot months:

- Adjust your cooking temperatures downward. This helps to avoid unwanted flare-ups.
- Use a meat thermometer to determine the internal temperature of your foods. This helps in preventing your meat from over cooking and drying out.
- Even in hot weather it is still better to cook with the lid of your grill down.
- You can keep foods hot by wrapping them in foil, and placing them in an insulated cooler. Stuff crumpled up newspaper around the foil and this will keep food hot for 3 to 4 hours.

GRILL TEMPERATURE RANGES

Temperature readouts on the control board may not exactly match the thermometer. All temperatures listed below are approximate and are affected by the following factors: outside ambient temperature, the amount and direction of wind, the quality of pellet fuel being used, the lid being opened, and the quantity of food being cooked.

- *HIGH TEMPERATURE (205-260°C / 401-500°F)*

This range is best used to sear and grill at a high heat. Use in tandem with the flame broiler (slide plate) for indirect or direct flame cooking. With the **flame broiler open**, direct flame is used to create those “blue” steaks, as well as flame-kissed vegetables, garlic toast or s’mores! When the **flame broiler is closed**, the air circulates around the barrel, resulting in convection heat. High temperature is also used to preheat your grill, burn-off the cooking grids, and to achieve high heat in extreme cold weather conditions.

- *MEDIUM TEMPERATURE (135-180°C / 275-356°F)*

This range is best for baking, roasting, and finishing off that slow smoked creation. Cooking at these temperatures will greatly reduce the chances of a grease flare-up. Ensure that the flame broiler slider is in the closed position, covering the slotted openings. Great range for cooking anything wrapped in bacon, or where you want versatility with control.

- *LOW TEMPERATURE (82-125°C / 180-257°F)*

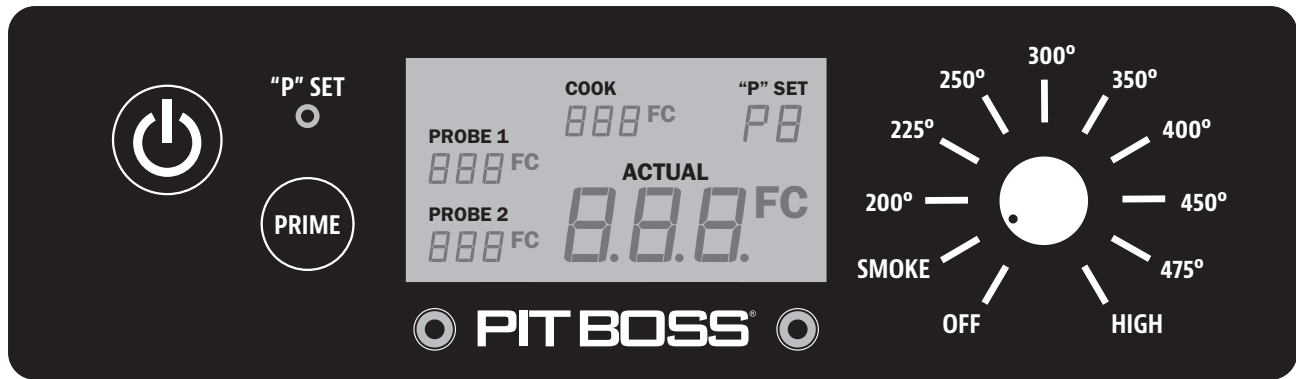
This range is used to slow roast, increase smoky flavor, and to keep foods warm. Infuse more smoke flavor and keep your meats juicy by cooking longer at a lower temperature (also known as **low and slow**). Highly recommended for the big turkey at Thanksgiving, juicy ham at Easter, or the huge holiday feast.

Smoking is a variation on true barbecuing and is truly the main advantage of grilling on a wood pellet grill. **Hot smoking**, another name for **low and slow** cooking, is generally done between 82-125°C / 180-257°F. Hot smoking works best when longer cooking time is required, such as large cuts of meats, fish, or poultry.









TIP: To intensify that savory flavor, switch to SMOKE (low) temperature range immediately after putting your food on the grill. This allows the smoke to penetrate the meats.

The key is to experiment with the length of time you allow for smoking, before the meal is finished cooking. Some outdoor chefs prefer to smoke at the end of a cook, allowing the food to keep warm until ready to serve. Practice makes perfect!

UNDERSTANDING THE CONTROL BOARD



ENGLISH

CONTROL	DESCRIPTION
	<p>Press the Power Button to power on the unit. The button will glow blue if connected to a power source. Press the button again to turn the unit off.</p>
	<p>The Temperature Control Dial allows you to set your desired smoking temperature. Once connected to a power source and the Power Button is pressed, turn the dial and select from any of the ten preset temperatures, between 82-260°C / 180-500°F. When the dial is turned to a temperature preset, the Digital LCD Screen will light up, displaying that it is ready to operate. When the dial is turned to off, the Digital LCD Screen will remain off.</p>
	<p>The "P" Set Button is used to select one of the eight fine tunings when the Temperature Control Dial is set to the Smoke Setting. Press the button to change the "P" setting to accommodate to your cooking style and cooking environment, as preferred. With a <u>short push</u> of the button, the setting increases from P0 to P7, then repeats. Adjustments are only possible in the Smoke Setting. Factory default setting is "P4". If the "P" setting is adjusted, your preference will be locked-in (saved) until further adjustment is made.</p> <p>The "P" Set Button is also used as a Temperature Switch Control to change the temperature readout on the LCD Screen. Press <u>and hold</u> the button for two seconds to switch to Celsius (°C) or to Fahrenheit (°F), as preferred. Default is set to Fahrenheit.</p>
	<p>The LCD Screen is used as the information center for your unit. The LCD screen will display your Desired Cook Temperature, Actual Cook Temperature, and Meat Probe Temperatures (if connected). If only one Meat Probe is connected, only one reading will be displayed.</p>
	<p>Press and hold the Prime Button to activate an extra feed of pellets to the fire pot. This can be used to add more fuel to the fire before opening the barrel lid, resulting in a quick heat recovery time. It can also be used while smoking, to increase the intensity of clean smoke flavor. Requested from competition cookers.</p>
	<p>The Smoke Setting on the Temperature Control Dial is the start-up mode for the unit. The grill operates at the lowest temperature, without the fire going out.</p>
	<p>The plug-in connection port(s) on the front of the Control Board are for a Meat Probe(s). When a meat probe is connected, the temperature is displayed on the LCD Screen. When not in use, disconnect the meat probe from the connection port. <i>Compatible with Pit Boss® branded meat probes only. Additional meat probe(s) sold separately.</i></p> 

UNDERSTANDING THE PROBES

- *TEMPERATURE PROBE*

Located inside the main barrel, on the left side wall, is the temperature probe. It is a small, vertical piece of stainless steel. The temperature probe measures the internal temperature of the unit. When the temperature is adjusted on the Control Board, the temperature probe will read the actual temperature inside the unit and adjust to the desired temperature.

IMPORTANT: The temperature of your unit is highly affected by ambient outdoor weather, quality of pellets used, flavor of pellets, and the quantity of food being cooked.

- *MEAT PROBE*

The meat probe measures the internal temperature of your meat in the grill, similar to your indoor oven. Plug-in the meat probe adapter to the meat probe connection port on the Control Board and insert the stainless steel meat probe into the thickest portion of your meat and the temperature will be displayed on the control board. **To ensure the meat probe is connected properly to the connection port, feel and hear it snap into place.**

NOTE: When placing the meat probe into your meat, ensure the meat probe and meat probe wires avoid direct contact with flame or excess heat. This can result in damage to your meat probe. Run the excess wire out the hole located on the left side of the main grill or the top of the main grill (near the grill lid hinge). When not in use, disconnect from the meat probe connection port and place aside to keep protected and clean.

UNDERSTANDING THE "P" SETTING

When the recessed "P" SET button is pushed, the "P" setting displayed on the LCD screen will flash and change to the next value (upward). Once P7 is reached, it will restart at P0. There are eight "P" settings, ranging from P0 to P7. The recessed "P" SET button can be pushed using a thin-tipped object.

IMPORTANT: Do not push the "P" SET button too hard, as this may cause damage. Only a light push is needed.

- *USING THE "P" SETTING IN SMOKE MODE*

Anytime the temperature dial is set to SMOKE, such as the start-up cycle, the auger will run on more of a manual mode of cooking versus using one of the preset dial temperatures. First, the auger will continuously turn and feed pellets for four minutes. After four minutes, the auger begins to run a feed cycle based on the "P" setting selected on the Digital Control Board. The default setting is P4.

"P" SET	AUGER CYCLE (seconds)	
	ON	OFF
P0	18	55
P1	18	70
P2	18	85
P3	18	100
*P4	18	115
P5	18	130
P6	18	140
P7	18	150

** Factory default setting*

HOPPER PRIMING PROCEDURE

These instructions should be followed the first time the grill is ignited, and each time the grill runs out of pellets in the hopper. The auger must be primed to allow pellets to travel through the length of the auger, and fill the fire pot. **If not primed, the igniter will timeout before the pellets are ignited, and no fire will start.** Follow these steps to prime the hopper:

1. Open the hopper lid. Make sure there are no foreign objects in the hopper or blocking the auger feed system at the bottom.
2. Remove all cooking components from the interior of the grill. Locate the fire pot in the bottom of the main barrel.
3. Plug the power cord into a power source. Press the **Power Button** to turn the unit on, and turn the **Temperature Control Dial** to the SMOKE position. Check the following items:
 - That you can hear the auger turning. Place your hand above the fire pot and feel for air movement. Do not place your hand or fingers inside the fire pot. This can cause injury.
 - After approximately a minute, you should smell the igniter burning and begin to feel the air getting warmer in the fire pot. The igniter tip does not glow red, but gets extremely hot and will burn. Do not touch the igniter.
4. Once verified that all electric components are working correctly, press the **Power Button** to turn the unit off.
5. Fill the hopper with all natural barbecue wood pellets.
6. Press the **Power Button** to turn the unit on. Keep the **Temperature Control Dial** in the SMOKE position. Press and hold

the **Prime Button** until you see pellets on the inside of the grill from the auger tube. Once pellets begin to drop into the fire pot, release the **Prime Button**.

7. Press the **Power Button** to turn the unit off.
8. Re-install the cooking components into the main barrel. The grill is now ready to use.

FIRST USE – GRILL BURN-OFF

Once your hopper has been primed and before cooking on your grill for the first time, it is important to complete a grill burn-off. Start the grill and operate at any temperature over 176°C / 350°F (with the lid down) for 30 to 40 minutes to burn-off the grill and rid it of any foreign matter.

AUTOMATIC START-UP PROCEDURE

1. Plug the power cord into a grounded power source. Open the main barrel lid. Check the fire pot to ensure there is no obstruction for proper ignition. Open the hopper lid. Ensure there are no foreign objects in the hopper or auger feed system. Fill the hopper with dry, all natural barbecue hardwood pellets.
2. Ensure the **Temperature Control Dial** is in the SMOKE position. Press the **Power Button** to turn the unit on. This will activate the start-up cycle. The auger feed system will begin to turn, the igniter will begin to glow and the fan will supply air to the fire pot. The grill will begin to produce smoke while the start-up cycle is taking place. The barrel lid must remain open during the start-up cycle. To confirm the start-up cycle has begun properly, listen for a torchy roar, and notice some heat being produced.
3. Once the heavy, white smoke has dissipated, the start-up cycle is complete and you are ready to enjoy your grill at your desired temperature!

IGNITER FAILURE PROCEDURE

If for any reason your electric igniter fails or your grill's flame dies out during a cook, check the following steps, or start your grill using the manual method.

1. Ensure the **Temperature Control Dial** is in the SMOKE position. Open the barrel lid. Remove the cooking components from inside. Remove all unburnt pellets and ash from the fire pot. Avoid touching the igniter to avoid injury, as it may be extremely hot.
2. Once all cooking components are removed and cleaned, press the **Power Button** to turn the unit on. Check the following:
 - Visually confirm that the igniter is working by placing your hand above the fire pot and feeling for heat.
 - Visually confirm that the igniter is protruding approximately 13mm / 0.5 inches in the fire pot.
 - Visually confirm that the auger is dropping pellets into the fire pot.
 - Confirm that the combustion fan is working by listening for a torchy roar.
3. If any of the above points are not working, follow **Troubleshooting** instructions.

MANUAL START-UP PROCEDURE

1. Ensure the **Temperature Control Dial** is in the **SMOKE** position. Plug the power cord into a grounded power source.
2. Check fire pot to ensure there is no obstruction for proper ignition. Open the hopper lid. Ensure there are no foreign objects in the hopper or auger feed system. Fill hopper with dry, all natural hardwood barbecue pellets.
3. Open the barrel lid. Remove the cooking components to expose the fire pot. Place a generous handful of pellets into the fire pot. Squirt a gelled fire starter, or other appropriate pellet starter, over the top of the pellets. A small amount of solid fuel fire starter, such as one composed of sawdust and wax, or wood shavings, is also appropriate. Add another small amount of pellets in the fire pot.

NOTE: Do not use spirit, petrol, gasoline, lighter-fluid or kerosene for lighting or refreshing a fire in your grill.

4. Light the contents of the fire pot using a long match or long-nosed lighter. Allow the starter to burn for 3 to 5 minutes. Do not attempt to add more starter into the fire pot. This can cause injury.
5. Quickly and carefully replace the cooking components to the inside of the main barrel. Continue start-up at step two of **Automatic Start-Up Procedure**.

SHUTTING OFF YOUR GRILL

1. When finished cooking, with the main barrel lid remaining closed, press the **Power Button** to turn the unit off and turn the **Temperature Control Dial** to OFF. The grill will begin its automatic cool-down cycle. The auger system will stop feeding fuel, the flame will burn out, and the fan will continue to run until the cool-down cycle is complete.

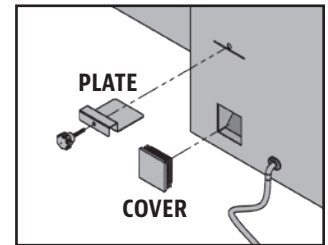
CARE AND MAINTENANCE

Any Pit Boss® unit will give you many years of flavorful service with minimum cleaning. Follow these cleaning and maintenance tips to service your grill:

1. HOPPER ASSEMBLY

- The hopper includes a clean-out feature to allow for ease of cleaning and change out of pellet fuel flavors. To empty, locate the plate and the cover of the drop chute on the back side of the hopper. Place a clean, empty pail under the drop chute cover, then remove the cover piece. Unscrew the plate, slide outwards, and pellets will empty.

NOTE: Use a long handled brush or shop-vac to remove excess pellets, sawdust, and debris for a complete clean-out through the hopper screen.



- Running all pellets out of your auger system is recommended if your grill will be unused for an extended period of time. This can be done by simply running your grill, on an empty hopper, until all pellets have emptied from the auger tube.
- Check and clean off any debris from the fan air intake vent, found on the bottom of the hopper. Once the hopper access panel is removed (see **Electric Wire Diagram** for diagram), carefully wipe off any grease build-up directly on the fan blades. This ensures airflow is sufficient to the feed system.

2. PROBES

- Kinks or folds in the probe wires may cause damage to the part. Wires should be rolled up in a large, loose coil.
- Although the probes are stainless steel, do not place in the dishwasher or submerge in water. Water damage to the internal wires will cause the probe to short-out, causing false readings. If a probe is damaged, it should be replaced.

3. INSIDE SURFACES

- It is recommended to clean your fire pot after every few uses. This will ensure proper ignition and avoid any hard build-up of debris or ash in the fire pot.
- Use a long-handled grill cleaning brush (brass or soft metal), remove any food or build-up from the cooking grids. Best practice is to do this while they are still warm from a previous cook. Grease fires are caused by too much fallen debris on the cooking components of the grill. Clean the inside of your grill on a consistent basis. In the event you experience a grease fire, keep the grill lid closed to choke out the fire. If the fire does not go out quickly, carefully remove the food, turn the grill off, and shut the lid until the fire is completely out. Lightly sprinkle baking soda, if available.
- Check your grease bucket often, and clean out as necessary. Keep in mind the type of cooking you do.

IMPORTANT: Due to high heat, do not cover the flame broiler or probes with aluminum foil.

4. OUTSIDE SURFACES

- Wipe your grill down after each use. Use warm soapy water to cut the grease. Do not use oven cleaner, abrasive cleansers or abrasive cleaning pads on the outside grill surfaces. **All painted surfaces are not covered under warranty, but rather are part of general maintenance and upkeep.** For paint scratches, wearing, or flaking of the finish, all painted surfaces can be touched up using high heat BBQ paint.
- Use a grill cover to protect your grill for complete protection! A cover is your best protection against weather and outside pollutants. When not in use or for longterm storage, keep the unit under a cover in a garage or shed.

CLEANING FREQUENCY TIME TABLE (NORMAL USE)

ITEM	CLEANING FREQUENCY	CLEANING METHOD
Bottom of Main Grill	Every 5-6 Grill Sessions	Scoop Out, Shop-Vac Excess Debris
Fire pot	Every 2-3 Grill Sessions	Scoop Out, Shop-Vac Excess Debris
Cooking Grids	After Each Grill Session	Burn Off Excess, Brass Wire Brush
Flame Broiler	Every 5-6 Grill Sessions	Scrape Main Plate with Slider, Do Not Wash Clean
Front Shelf	After Each Grill Session	Scrub Pad & Soapy Water
Grease Bucket	After Each Grill Session	Scrub Pad & Soapy Water
Auger Feed System	When Pellet Bag is Empty	Allow Auger to Push Out Sawdust, Leaving Hopper Empty
Hopper Electric Components	Once A Year	Dust Out Interior, Wipe Fan Blades with Soapy Water
Air Intake Vent	Every 5-6 Grill Sessions	Dust, Scrub Pad & Soapy Water
Temperature Probe	Every 2-3 Grill Sessions	Scrub Pad & Soapy Water

TIPS & TECHNIQUES

Follow these helpful tips and techniques, passed on from Pit Boss® owners, our staff, and customers just like you, to become more familiar with your grill:

1. *FOOD SAFETY*

- Keep everything in the kitchen and cooking area clean. Use different platters and utensils for the cooked meat than the ones you used to prepare or transport the raw meat out to the grill. This will prevent cross contamination of bacteria. Each marinade or basting sauce should have its own utensil.
- Keep hot foods hot (above 60°C / 140°F), and keep cold foods cold (below 3°C / 37°F).
- A marinade should never be saved to use at a later time. If you are going to use it to serve with your meat, be sure to bring it to a boil before serving.
- Cooked foods should not be left out in the heat for more than an hour. Do not leave hot foods out of refrigeration for more than two hours.
- Defrost and marinade meats by refrigeration. Do not thaw meat at room temperature or on a counter top. Bacteria can grow and multiply rapidly in warm, moist foods. Wash hands thoroughly with hot, soapy water before starting any meal preparation and after handling fresh meat, fish and poultry.

2. *COOKING PREPARATION*

- Be prepared, or **Mise en Place**. This refers to preparing the cooking recipe, fuel, accessories, utensils, and all ingredients you require at grill side before you start cooking. Also, read the entire recipe, start to finish, before lighting the grill.
- A BBQ floor mat is very useful. Due to food handling accidents and cooking spatter, a BBQ floor mat would protect a deck, patio, or stone platform from the possibility of grease stains or accidental spills.

3. *GRILLING TIPS AND TECHNIQUES*

- To infuse more smoke flavor into your meats, cook longer and at lower temperatures (also known as **low and slow**). Meat will close its fibers after it reaches an internal temperature of 49°C / 120°F. Misting, or mopping, are great ways to keep meat from drying out.
- While searing your meats, cook with the lid down. Always use a meat thermometer to determine the internal temperature of the foods you are cooking. Smoking foods with hardwood pellets will turn meats and poultry pink. The band of pink (after cooking) is referred to as a **smoke ring** and is highly prized by outdoor chefs.
- Sugar-based sauces are best applied near the end of cooking to prevent burning and flare-ups.
- Leave open space between the foods and the extremities of the barrel for proper heat flow. Food on a crowded grill will require more cooking time.
- Use a set of long-handled tongs for turning meats, and a spatula for turning burgers and fish. Using a piercing utensil, such as a fork, will prick the meat and allow the juices to escape.
- Foods in deep casserole dishes will require more time to cook than a shallow baking pan.
- It's a good idea to put cooked food onto a heated platter, keeping the food warm. Red meats, such as steak and roasts, benefit from resting for several minutes before serving. It allows the juices that were driven to the surface by heat to ease back to the center of the meat, adding more flavor.

Accessories are available for purchase separately. Contact your local authorized Pit Boss® dealer or visit www.pitboss-grills.com.

TROUBLESHOOTING

Proper cleaning, maintenance and the use of clean, dry, quality fuel will prevent common operational problems. When your Pit Boss® grill is operating poorly, or on a less frequent basis, the following troubleshooting tips may be helpful. For FAQ, please visit www.pitboss-grills.com. You may also contact your local Pit Boss® authorized dealer or contact Customer Service for assistance.

WARNING: Always disconnect the electrical cord prior to opening the grill for any inspection, cleaning, maintenance or service work. Ensure the grill is completely cooled to avoid injury.

PROBLEM	CAUSE	SOLUTION
No Power Lights On The Control Board	Temperature Control Dial is still off.	Press the Power Button, and ensure the button glows blue to show there is a power connection. Turn the Temperature Control Dial to a temperature setting.
	Not Connected To Power Source	Ensure unit is plugged into a working power source. Reset breaker. Ensure GFCI is a minimum 10 Amp service (see Electric Wire Diagram for access to electric components) Ensure all wire connections are firmly connected and dry.
	Fuse Blown On The Control Board	Remove hopper access panel (see Electric Wire Diagram for diagram), press in plastic tabs holding the control board in place and carefully pull controller inside the hopper to release controller. Check the fuse for a broken wire or if the wire has turned black. If yes, fuse needs to be manually replaced.
	The GFCI outlet has been tripped.	Remove hopper access panel (see Electric Wire Diagram for diagram), and ensure all wire connections are firmly connected and dry. Ensure GFCI is a minimum 10 Amp service.
	Faulty Control Board	Control Board needs to be replaced. Contact Customer Service for a replacement part.
Fire in Fire pot Will Not Light	Auger Not Primed	Before the unit is used for the first time <u>or</u> anytime the hopper is completely emptied out, the auger must be primed to allow pellets to fill the auger tube. If not primed, the igniter will timeout before the pellets reach the fire pot. Follow Hopper Priming Procedure .
	Auger Motor Is Jammed	Remove cooking components from the main barrel. Press the Power Button to turn the unit on, turn Temperature Control Dial to SMOKE, and inspect the auger feed system. Visually confirm that the auger is dropping pellets into the fire pot. If not operating properly, call Customer Service for assistance or a replacement part.
	Igniter Failure	Remove cooking components from the main barrel. Press the Power Button to turn the unit on, turn Temperature Control Dial to SMOKE, and inspect the igniter. Visually confirm that the igniter is working by placing your hand above the fire pot and feeling for heat. Visually confirm that the igniter is protruding approximately 13mm / 0.5 inches in the fire pot. If not operating properly, follow Manual Start-up Procedure to continue use of grill; however, call Customer Service for assistance or a replacement part.
Flashing Dots On LCD Screen	The Igniter Is On	This is not an error that effects the grill. Used to show that the unit has power and is in Start-Up mode (igniter is on). The igniter will turn off after five minutes. Once the flashing dots disappear, the grill will begin to adjust to the desired temperature selected.
Flashing Temperature On LCD Screen	Grill Temperature Is Below 65°C /150°F	This is not an error that effects the unit; however, it is used to show that there is some risk that the fire could go out. Check hopper for sufficient fuel or if there is an obstruction in the feed system. Remove pellets and follow Care and Maintenance instructions. Check grill temperature probe and follow Care and Maintenance instructions if dirty. Check fire pot for ash build-up or obstructions, and follow Care and Maintenance instructions for ash build-up. Check fan. Ensure it is working properly and air intake is not blocked. Follow Care and Maintenance instructions if dirty. Check auger motor to confirm operation (rotation), and ensure there is no blockage in the auger tube.
"ErH" Error Code	The Unit Has Overheated, Possibly Due To Grease Fire Or Excess Fuel.	Press the Power Button to turn the unit off, and allow grill to cool. Follow Care and Maintenance instructions. After maintenance, remove pellets, and confirm positioning of all component parts. Once cooled, press the Power Button to turn the unit on, then select desired temperature. If error code still displayed, contact Customer Service.
"Er1" Error Code	Temperature probe wire not making connection.	Remove hopper access panel (see Electric Wire Diagram for diagram), and check for any damage to the Temperature Probe wires. Ensure Temperature Probe molex connectors are firmly connected, and connected correctly, to the Control Board.

"ErP" Error Code	Unit Not Turned Off Properly When Last Connected To Power.	Safety feature prevents an automatic restart. Press the Power Button to turn the unit off, wait two minutes, then press the Power Button to turn the unit on again. Turn Temperature Control Dial to SMOKE or desired temperature. If error code still displayed, contact Customer Service.
	Power Outage While Unit In Operation.	
ErL Error Code	Grill fails to perform start-up cycle	Check proper positioning of cooking components. Check hopper for sufficient fuel or if there is an obstruction in the feed system. Remove pellets and follow Care and Maintenance instructions. Check grill probe. Confirm if actual temperature is correct and accurate. Follow Care and Maintenance instructions if dirty. Check ignitor positioning and that it is heating up properly. In extreme cold, the grill may require a second start. Turn grill off, wait, then turn on again. Check fan. Ensure it is working properly. Follow Care and Maintenance instructions if dirty.
	Grill will not stay lit	
"noP" Error Code	Bad Connection At Connection Port	Disconnect meat probe from connection port on the Control Board, and reconnect. Ensure the meat probe adapter is firmly connected. Check for signs of damage to the adapter end. If still failed, call Customer Service for replacement part.
	Meat Probe Damaged	Check for signs of damage to the wires of the meat probe. If damaged, call Customer Service for replacement part.
	Faulty Control Board	Control Board needs to be replaced. Contact Customer Service for a replacement part.
Grill Temperature on SMOKE is too high	"P" Setting is too LOW	Push the "P" SET button, and increase the "P" setting.
Grill Will Not Achieve Or Maintain Stable Temperature	Insufficient Air Flow Through Fire pot	Check fire pot for ash build-up or obstructions. Follow Care and Maintenance instructions for ash build-up. Check fan. Ensure it is working properly and air intake is not blocked. Follow Care and Maintenance instructions if dirty. Check auger motor to confirm operation, and ensure there is no blockage in the auger tube. Once all the above steps have been done, start the grill, set temperature to SMOKE and wait for 10 minutes. Check that the flame produced is bright and vibrant.
	Lack Of Fuel, Poor Fuel Quality, Obstruction In Feed System	Check hopper to check that fuel level is sufficient, and replenish if low. Should the quality of wood pellets be poor, or the length of the pellets too long, this may cause an obstruction in the feed system. Remove pellets and follow Care and Maintenance instructions.
	Temperature Probe	Check status of temperature probe. Follow Care and Maintenance instructions if dirty. Contact Customer Service for a replacement part if damaged.
Grill Produces Excess Or Discolored Smoke	Grease Build-Up	Follow Care and Maintenance instructions.
	Wood Pellet Quality	Remove moist wood pellets from hopper. Follow Care and Maintenance instructions to clean out. Replace with dry wood pellets.
	Fire pot Is Blocked	Clear fire pot for moist wood pellets. Follow Hopper Priming Procedure .
	Insufficient Air Intake For Fan	Check fan. Ensure it is working properly and air intake is not blocked. Follow Care and Maintenance instructions if dirty.
Frequent Flare-Ups	Cooking Temperature	Attempt cooking at a lower temperature. Grease does have a flash point. Keep the temperature under 176°C / 350°F when cooking highly greasy food.
	Grease Build-Up On Cooking Components	Follow Care and Maintenance instructions.

ELECTRICAL WIRE DIAGRAM

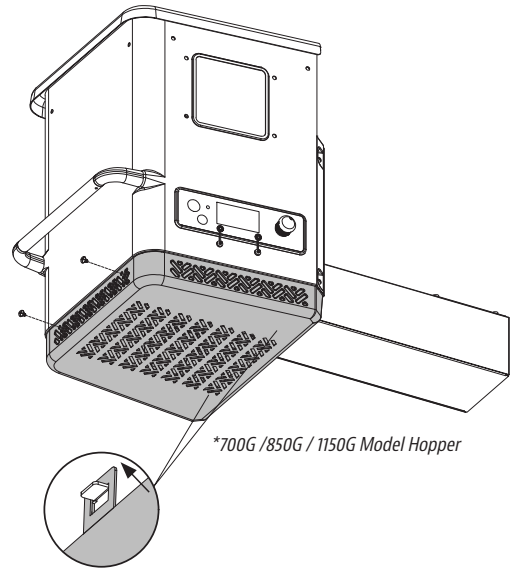
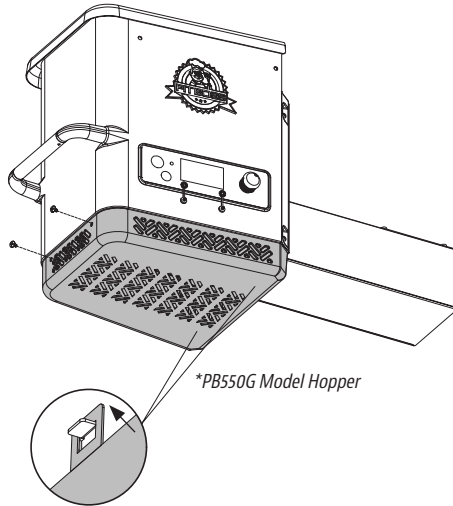
The Digital Control Board system is an intricate and valuable piece of technology. For protection from power surges and electrical shorts, consult the wire diagram below to ensure your power source is sufficient for the operation of the unit.

PB – ELECTRIC REQUIREMENTS 110-120V, 60HZ, 250W, 3-PRONG GROUNDED PLUG

NOTE: Electrical components, passed by product safety testing and certification services, comply with a testing tolerance of $\pm 5-10$ percent.

LOCATE AND REMOVE THE TWO SCREWS OF ACCESS PANEL ON THE SIDE OF HOPPER.

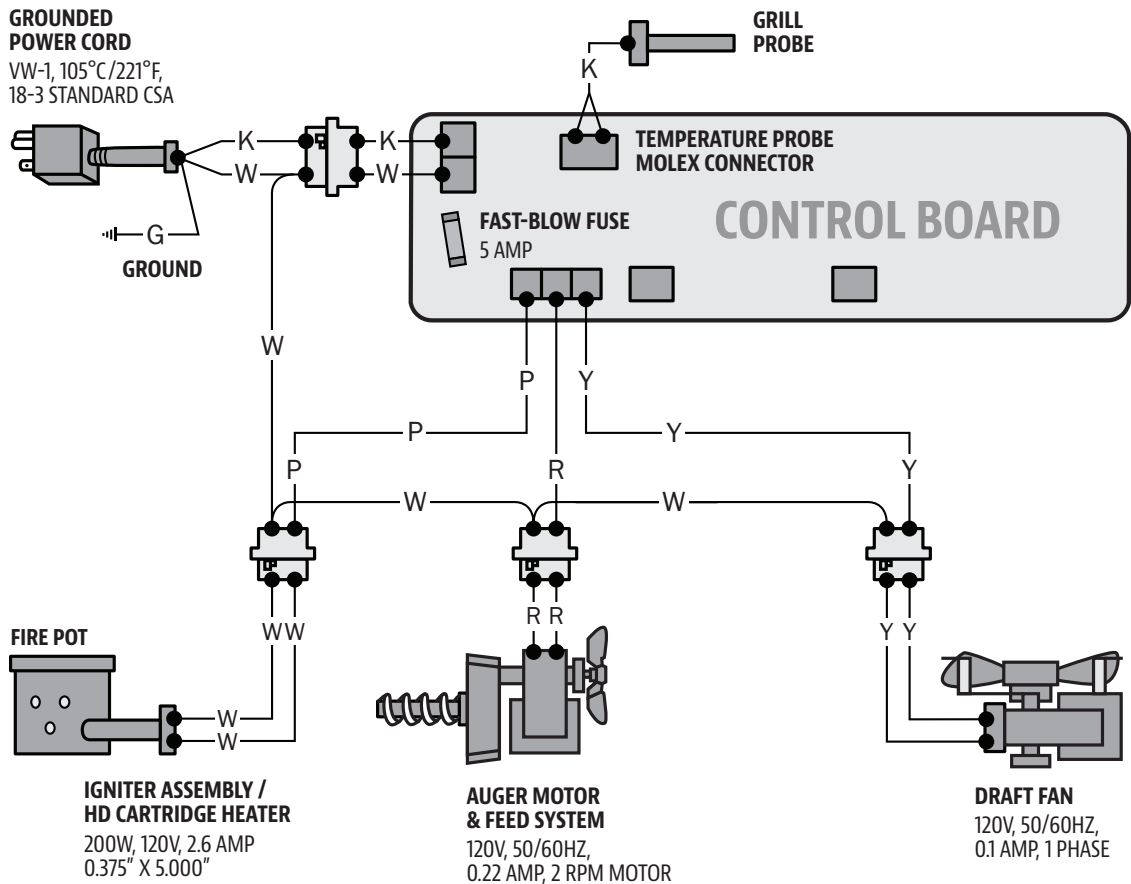
RELEASE BOTTOM HOPPER PANEL DOWN AND SLIDE BACK TO UNSEAT FROM TAB.



FUEL INPUT RATING:
2 KG/H
(4.4 LB/H)

INDEX

W : WHITE
Y : YELLOW
P : PURPLE
R : RED
K : BLACK
G : GREEN

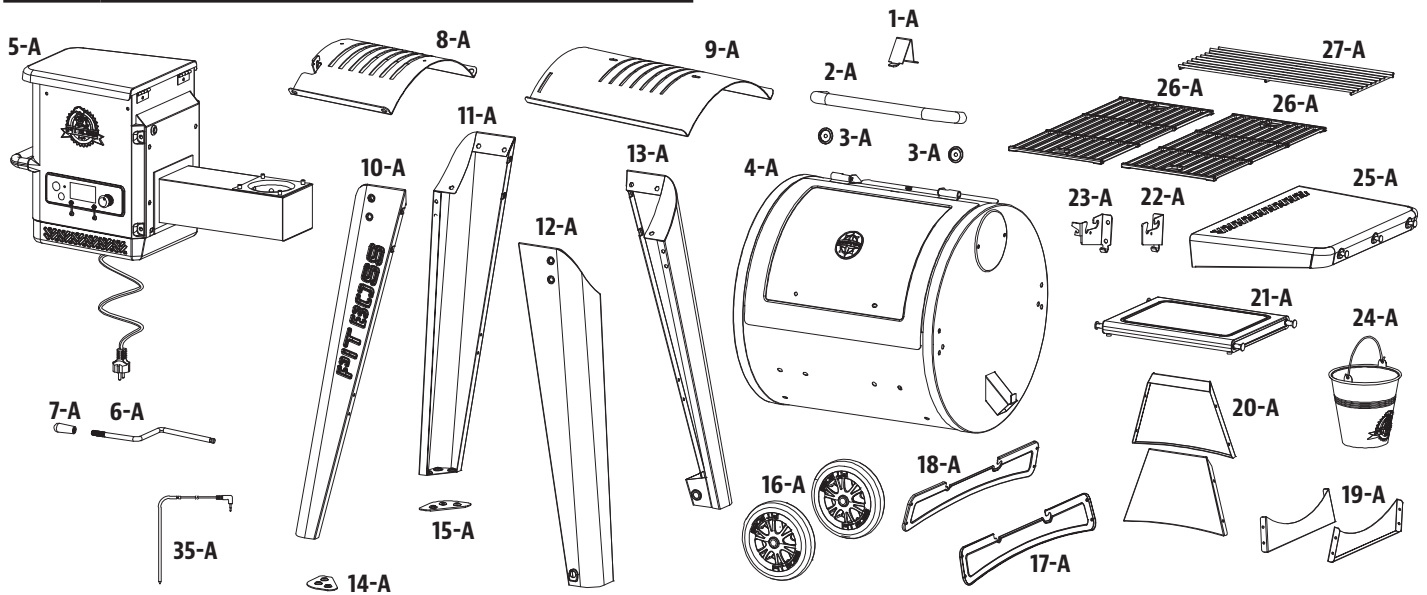


PB550G GRILL REPLACEMENT PARTS

Part#	Description
1-A	Lid Stopper (x1)
2-A	Lid Handle (x1)
3-A	Lid Handle Bezel (x2)
4-A	Main Barrel (x1)
5-A	Hopper Assembly (x1)
6-A	Flame Broiler Adjusting Bar (x1)
7-A	Flame Broiler Adjusting Bar Handle (x1)
8-A	Flame Broiler Slider (x1)
9-A	Flame Broiler Main Plate (x1)
10-A	Left Front Leg (x1)
11-A	Left Back Leg (x1)
12-A	Right Front Leg (x1)
13-A	Right Back Leg (x1)
14-A	Left Front Leg Trim Piece (x1)
15-A	Left Back Leg Trim Piece (x1)
16-A	Wheel (x2)
17-A	Right Bottom Support Plate (x1)
18-A	Left Bottom Support Plate (x1)

Part#	Description
19-A	Short Support Plate (x2)
20-A	Front / Back Long Support Plate (x2)
21-A	Front Shelf (x1)
22-A	Front Shelf Bracket Right (x1)
23-A	Front Shelf Bracket Left (x1)
24-A	Grease Bucket (x1)
25-A	Right Side Table (x1)
26-A	Cooking Grid (x2)
27-A	Warming Rack (x1)
28-A	Screw (x18)
29-A	Washer (x18)
30-A	Locking Washer (x18)
31-A	Screw (x30)
32-A	Wheel Axle Pin (x2)
33-A	Wheel Cotter Pin (x2)
34-A	Wheel Washer (x2)
35-A	Meat Probe (x1)

NOTE: Due to ongoing product development, parts are subject to change without notice.



MODEL	UNIT ASSEMBLED (WxHxD)	UNIT WEIGHT	COOKING AREA	TEMP. RANGE	DIGITAL FEATURES
PB PB550G	1,227mm x 1,195mm x 868mm / 48.3" x 47" x 34.17"	55.7 kg / 122.81 lb	Main - 2580.6 cm ² / 400 sq. in. Upper Rack - 920 cm ² / 142.6 sq. in. TOTAL - 3500.6 cm² / 542.6 sq. in.	82-260°C / 180-500°F	Ten temperature presets, start-up and cool-down cycles, electric igniter

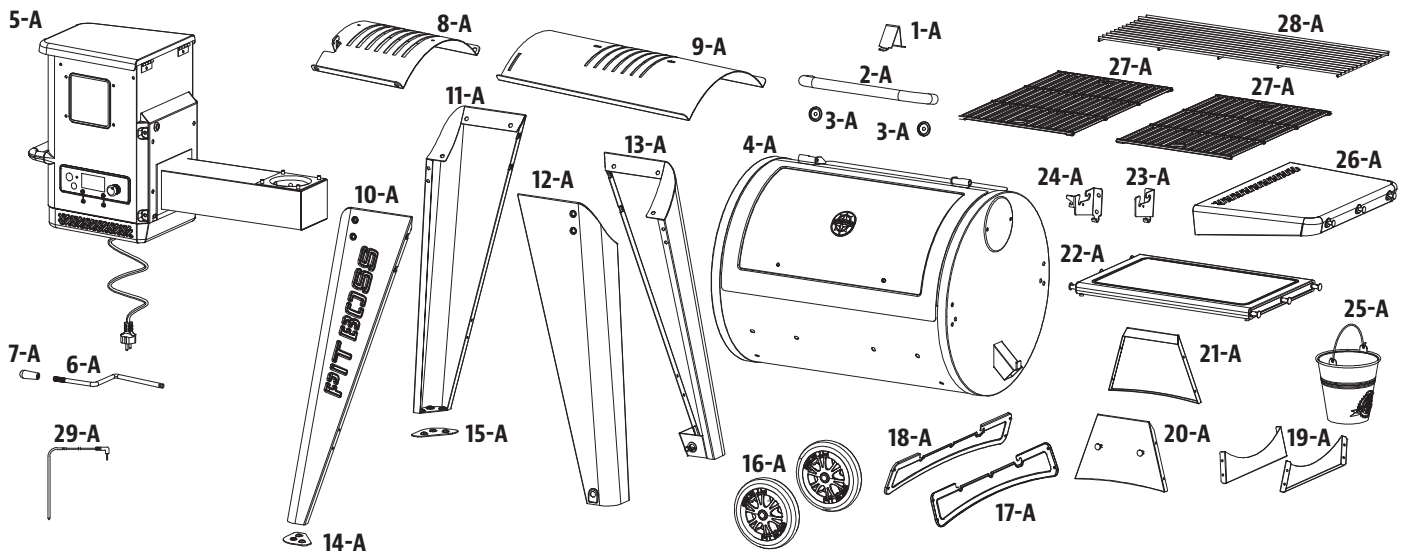
PB700G GRILL REPLACEMENT PARTS

ENGLISH

Part#	Description
1-A	Lid Stopper (x1)
2-A	Lid Handle (x1)
3-A	Lid Handle Bezel (x2)
4-A	Main Barrel (x1)
5-A	Hopper Assembly (x1)
6-A	Flame Broiler Adjusting Bar (x1)
7-A	Flame Broiler Adjusting Bar Handle (x1)
8-A	Flame Broiler Slider (x1)
9-A	Flame Broiler Main Plate (x1)
10-A	Left Front Leg (x1)
11-A	Left Back Leg (x1)
12-A	Right Front Leg (x1)
13-A	Right Back Leg (x1)
14-A	Left Front Leg Trim Piece (x1)
15-A	Left Back Leg Trim Piece (x1)
16-A	Wheel (x2)
17-A	Right Bottom Support Plate (x1)
18-A	Left Bottom Support Plate (x1)
19-A	Short Support Plate (x2)

Part#	Description
20-A	Front Long Support Plate (x1)
21-A	Back Long Support Plate (x1)
22-A	Front Shelf (x1)
23-A	Front Shelf Bracket Right (x1)
24-A	Front Shelf Bracket Left (x1)
25-A	Grease Bucket (x1)
26-A	Right Side Table (x1)
27-A	Cooking Grids (x2)
28-A	Warming Rack (x1)
29-A	Meat Probe (x1)
30-A	Screw (x18)
31-A	Washer (x18)
32-A	Locking Washer (x18)
33-A	Screw (x30)
34-A	Wheel Axle Pin (x2)
35-A	Wheel Cotter Pin (x2)
36-A	Wheel Washer (x2)

NOTE: Due to ongoing product development, parts are subject to change without notice.



MODEL	UNIT ASSEMBLED (WxHxD)	UNIT WEIGHT	COOKING AREA	TEMP. RANGE	DIGITAL FEATURES
PB PB700G	1,388mm x 1,195mm x 940mm / 54.6" x 47" x 37"	66.5 kg / 146.61 lb	Main - 3,109 cm ² / 482 sq. in. Upper Rack - 1,341 cm ² / 208 sq. in. TOTAL - 4,450 cm² / 690 sq. in.	82-260°C / 180-500°F	Ten temperature presets, start-up and cool-down cycles, electric igniter

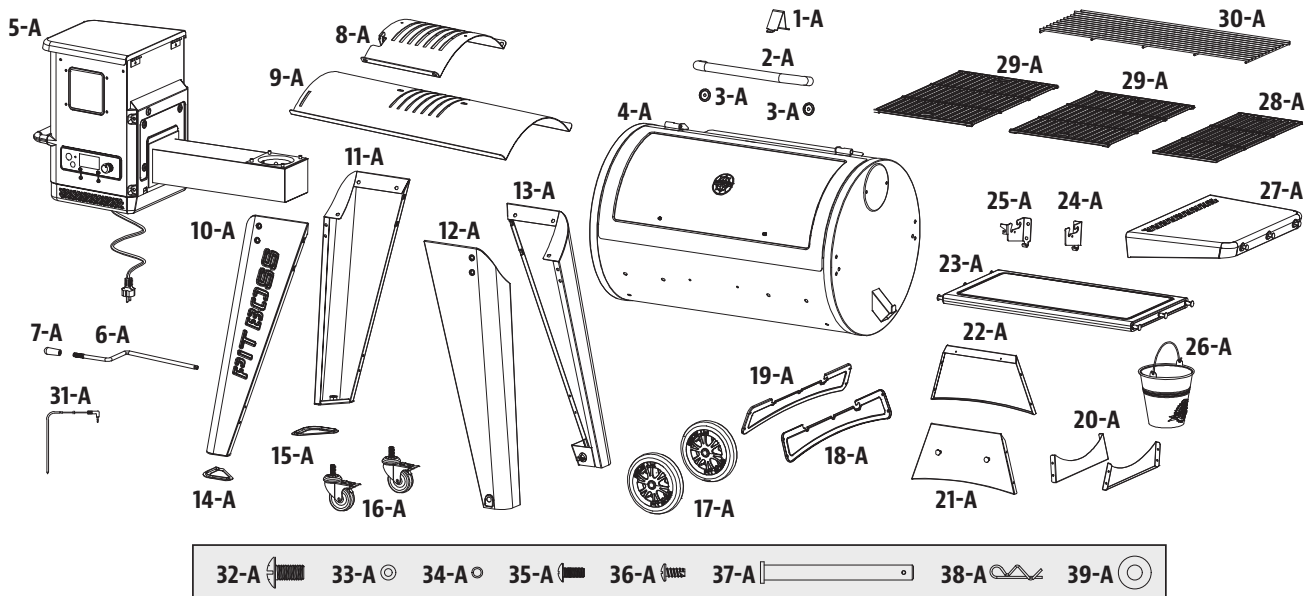
PB850G GRILL REPLACEMENT PARTS

ENGLISH

Part#	Description
1-A	Lid Stopper (x1)
2-A	Lid Handle (x1)
3-A	Lid Handle Bezel (x2)
4-A	Main Barrel (x1)
5-A	Hopper Assembly (x1)
6-A	Flame Broiler Adjusting Bar (x1)
7-A	Flame Broiler Adjusting Bar Handle (x1)
8-A	Flame Broiler Slider (x1)
9-A	Flame Broiler Main Plate (x1)
10-A	Left Front Leg (x1)
11-A	Left Back Leg (x1)
12-A	Right Front Leg (x1)
13-A	Right Back Leg (x1)
14-A	Left Front Leg Trim Piece (x1)
15-A	Left Back Leg Trim Piece (x1)
16-A	Swivel Caster with Brake (x2)
17-A	Wheel (x2)
18-A	Right Bottom Support Plate (x1)
19-A	Left Bottom Support Plate (x1)
20-A	Short Support Plate (x2)

Part#	Description
21-A	Front Long Support Plate (x1)
22-A	Back Long Support Plate (x1)
23-A	Front Shelf (x1)
24-A	Front Shelf Bracket Right (x1)
25-A	Front Shelf Bracket Left (x1)
26-A	Grease Bucket (x1)
27-A	Right Side Table (x1)
28-A	Cooking Grid A (x1)
29-A	Cooking Grid B (x2)
30-A	Warming Rack (x1)
31-A	Meat Probe (x1)
32-A	Screw (x18)
33-A	Washer (x18)
34-A	Locking Washer (x18)
35-A	Screw (x30)
36-A	Screw (x4)
37-A	Wheel Axle Pin (x2)
38-A	Wheel Cotter Pin (x2)
39-A	Wheel Washer (x2)

NOTE: Due to ongoing product development, parts are subject to change without notice.



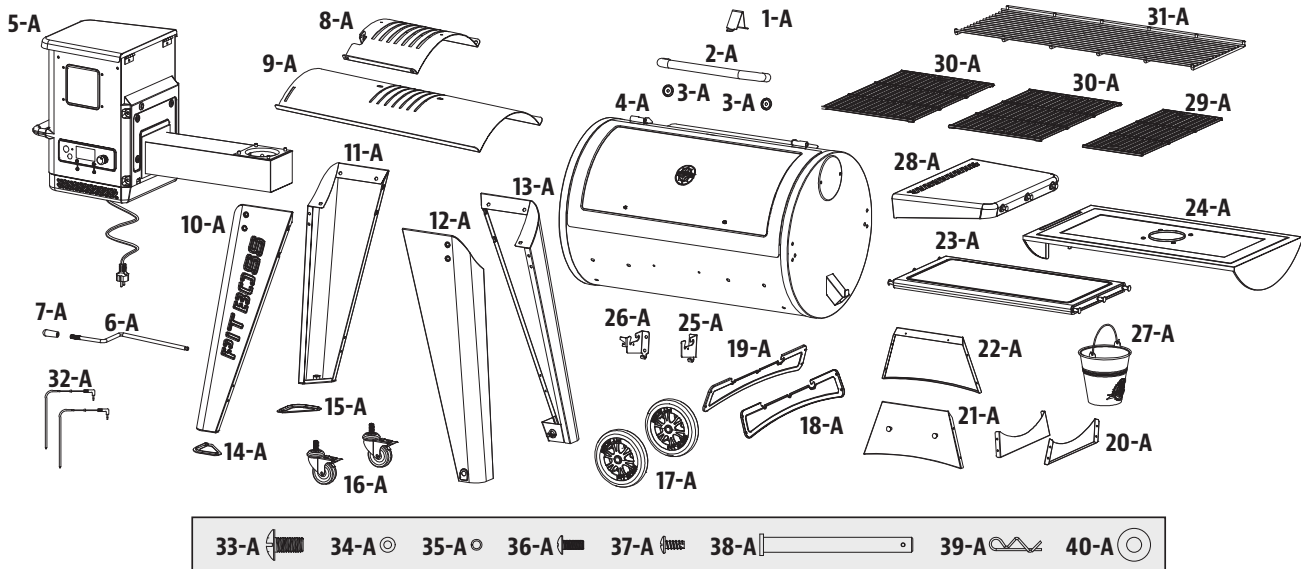
MODEL	UNIT ASSEMBLED (WxHxD)	UNIT WEIGHT	COOKING AREA	TEMP. RANGE	DIGITAL FEATURES
PB PB850G	1,472mm x 1,195mm x 940mm / 57.9" x 47" x 37"	74.5kg / 164.24 lb	Main - 3,825.8 cm ² / 593 sq. in. Upper Rack - 1,845.2 cm ² / 286 sq. in. TOTAL - 5,671 cm² / 879 sq. in.	82-260°C / 180-500°F	Ten temperature presets, start-up and cool-down cycles, electric igniter

PB1150G GRILL REPLACEMENT PARTS

Part#	Description
1-A	Lid Stopper (x1)
2-A	Lid Handle (x1)
3-A	Lid Handle Bezel (x2)
4-A	Main Barrel (x1)
5-A	Hopper Assembly (x1)
6-A	Flame Broiler Adjusting Bar (x1)
7-A	Flame Broiler Adjusting Bar Handle (x1)
8-A	Flame Broiler Slider (x1)
9-A	Flame Broiler Main Plate (x1)
10-A	Left Front Leg (x1)
11-A	Left Back Leg (x1)
12-A	Right Front Leg (x1)
13-A	Right Back Leg (x1)
14-A	Left Front Leg Trim Piece (x1)
15-A	Left Back Leg Trim Piece (x1)
16-A	Swivel Caster with Brake (x2)
17-A	Wheel (x2)
18-A	Right Bottom Support Plate (x1)
19-A	Left Bottom Support Plate (x1)
20-A	Short Support Plate (x2)

Part#	Description
21-A	Front Long Support Plate (x1)
22-A	Back Long Support Plate (x1)
23-A	Front Shelf (x1)
24-A	Diffuser Plate (x1)
25-A	Front Shelf Bracket Right (x1)
26-A	Front Shelf Bracket Left (x1)
27-A	Grease Bucket (x1)
28-A	Right Side Table (x1)
29-A	Cooking Grid A (x1)
30-A	Cooking Grid B (x2)
31-A	Warming Rack (x1)
32-A	Meat Probe (x2)
33-A	Screw (x18)
34-A	Washer (x18)
35-A	Locking Washer (x18)
36-A	Screw (x30)
37-A	Screw (x6)
38-A	Wheel Axle Pin (x2)
39-A	Wheel Cotter Pin (x2)
40-A	Wheel Washer (x2)

NOTE: Due to ongoing product development, parts are subject to change without notice.



MODEL	UNIT ASSEMBLED (WxHxD)	UNIT WEIGHT	COOKING AREA	TEMP. RANGE	DIGITAL FEATURES
PB PB1150G	1,622mm x 1,195mm x 940mm / 63.86" x 47" x 37"	84 kg / 185.19 lb	Main - 4,587.1 cm ² / 711 sq. in. Upper Rack - 2,883.9 cm ² / 447 sq. in. TOTAL - 7,471 cm² / 1,158 sq. in.	82-260°C / 180-500°F	Ten temperature presets, start-up and cool-down cycles, electric igniter

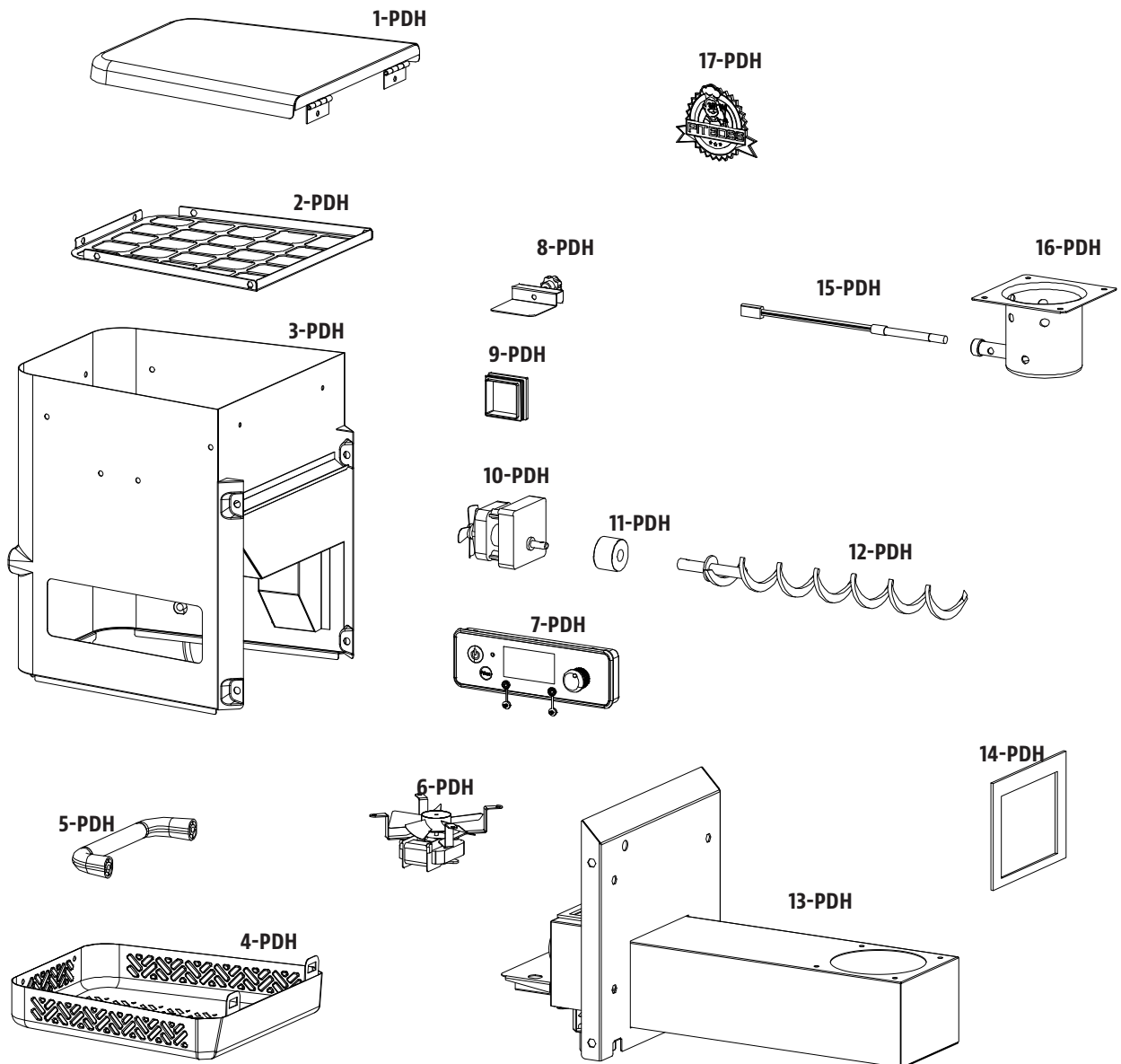
PB550G HOPPER REPLACEMENT PARTS

ENGLISH

Part#	Description
1-PDH	Hopper Lid
2-PDH	Hopper Safety Screen
3-PDH	Hopper Box Housing
4-PDH	Hopper Access Panel
5-PDH	Hopper Handle
6-PDH	Combustion Fan
7-PDH	Pit Boss® H1 Control Board
8-PDH	Drop Chute Plate
9-PDH	Drop Chute Cover

Part#	Description
10-PDH	Auger Motor
11-PDH	Nylon Bushing
12-PDH	Auger Flighting Assembly
13-PDH	Auger Box Housing
14-PDH	Hopper Housing Gasket
15-PDH	Igniter
16-PDH	Fire Pot
17-PDH	Name Plate

NOTE: Due to ongoing product development, parts are subject to change without notice.



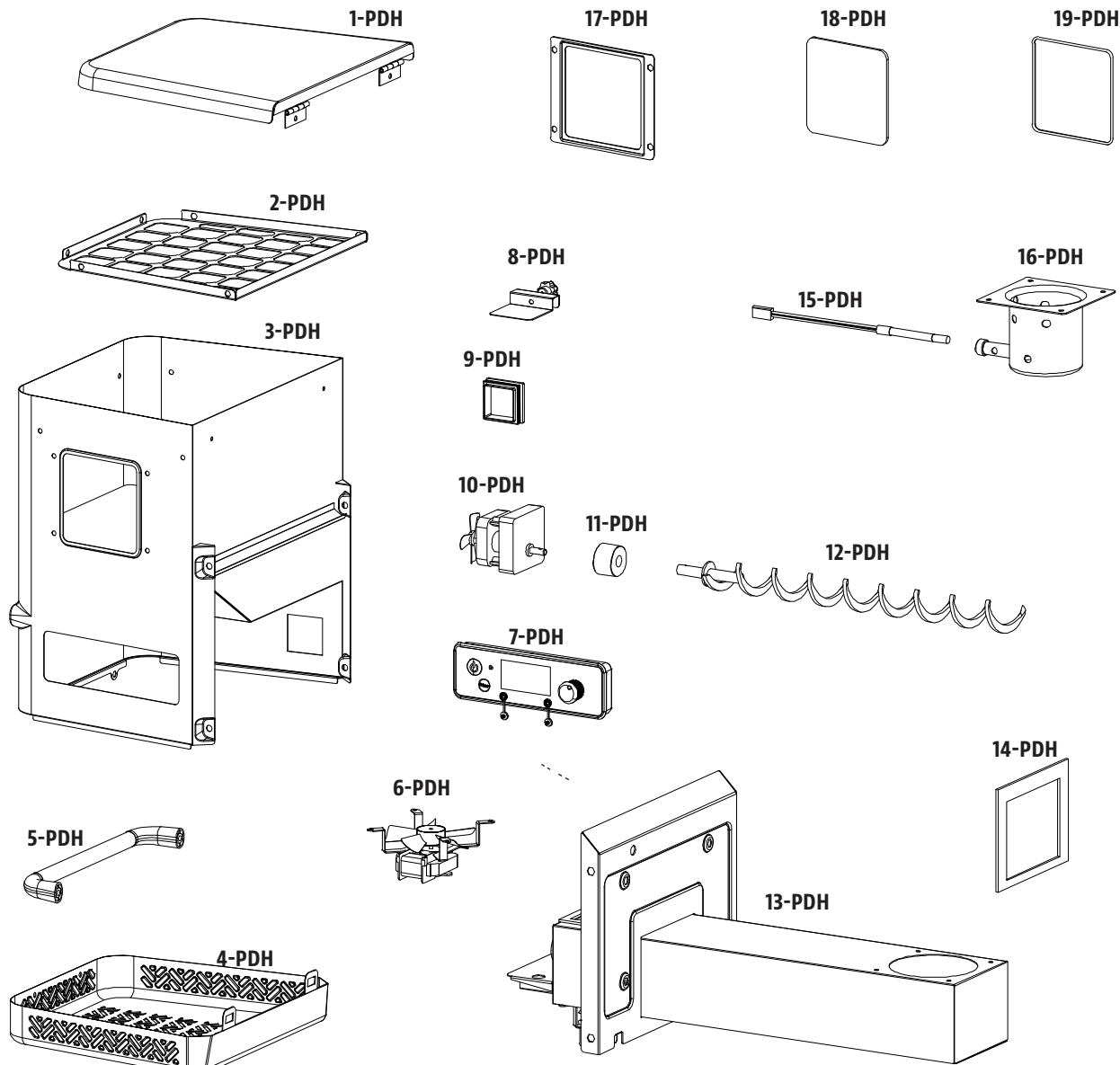
PB700G / PB850G / PB1150G HOPPER REPLACEMENT PARTS

ENGLISH

Part#	Description
1-PDH	Hopper Lid
2-PDH	Hopper Safety Screen
3-PDH	Hopper Box Housing
4-PDH	Hopper Access Panel
5-PDH	Hopper Handle
6-PDH	Combustion Fan
7-PDH	Pit Boss® H1 Control Board
8-PDH	Drop Chute Plate
9-PDH	Drop Chute Cover
10-PDH	Auger Motor

Part#	Description
11-PDH	Nylon Bushing
12-PDH	Auger Flighting Assembly
13-PDH	Auger Box Housing
14-PDH	Hopper Housing Gasket
15-PDH	Igniter
16-PDH	Fire Pot
17-PDH	Glass Plate
18-PDH	Glass
19-PDH	Rubber Seal

NOTE: Due to ongoing product development, parts are subject to change without notice.



WARRANTY

CONDITIONS

All wood pellet grills by Pit Boss®, manufactured by Dansons, carry a limited warranty from the date of sale by the original owner. The warranty coverage begins on the original date of purchase and proof of date of purchase, or copy of original bill of sale, is required to validate the warranty. Customers will be subject to parts, shipping, and handling fees if unable to provide proof of the purchase or after the warranty has expired.

Dansons carries a five (5) year warranty against defects and workmanship on all parts, and five (5) years on electrical components. Dansons warrants that all part(s) are free of defects in material and workmanship, for the length of use and ownership of the original purchaser. Warranty does not cover damage from wear and tear, such as scratches, dents, dings, chips or minor cosmetic cracks. These aesthetic changes of the grill do not affect its performance. Repair or replacement of any part does not extend past the limited warranty beyond the five (5) years from date of purchase.

During the term of the warranty, Dansons' obligation shall be limited to furnishing a replacement for defective and/or failed components. As long as it is within the warranty period, Dansons' will not charge for repair or replacement for parts returned, freight prepaid, if the part(s) are found by Dansons' to be defective upon examination. Dansons' shall not be liable for transportation charges, labor costs, or export duties. Except as provided in these conditions of warranty, repair or replacement of parts in the manner and for the period of time mentioned heretofore shall constitute the fulfillment of all direct and derivate liabilities and obligations from Dansons to you.

Dansons takes every precaution to utilize materials that retard rust. Even with these safeguards, the protective coatings can be compromised by various substances and conditions beyond Dansons' control. High temperatures, excessive humidity, chlorine, industrial fumes, fertilizers, lawn pesticides and salt are some of the substances that can affect metal coatings. For these reasons, the warranty does not cover rust or oxidization, unless there is loss of structural integrity on the grill component. Should any of the above occur, kindly refer to the care and maintenance section to prolong the lifespan of your unit. Dansons recommends the use of a grill cover when the grill is not in use.

This warranty is based on normal domestic use and service of the grill and neither limited warranty coverage's apply for a grill which is used in commercial applications.

EXCEPTIONS

There is no written or implied performance warranty on Pit Boss® grills, as the manufacturer has no control over the installation, operation, cleaning, maintenance or the type of fuel burned. This warranty will not apply nor will Dansons assume responsibility if your appliance has not been installed, operated, cleaned and maintained in strict accordance with this owner's manual. Any use of gas not outlined in this manual may void the warranty. The warranty does not cover damage or breakage due to misuse, improper handling or modifications.

Neither Dansons, or authorized Pit Boss® dealer, accepts responsibility, legal or otherwise, for the incidental or consequential damage to the property or persons resulting from the use of this product. Whether a claim is made against Dansons based on the breach of this warranty or any other type of warranty expressed or implied by law, the manufacturer shall in no event be liable for any special, indirect, consequential or other damages of any nature whatsoever in excess of the original purchase of this product. All warranties by manufacturer are set forth herein and no claim shall be made against manufacturer on any warranty or representation.

Some states do not allow the exclusion or limitation of incidental or consequential damages, or limitations of implied warranties, so the limitations or exclusions set forth in this limited warranty may not apply to you. This limited warranty gives you specific legal rights and you may have other rights, which vary from state to state.

ORDERING REPLACEMENT PARTS

To order replacement parts, please contact your local Pit Boss® dealer or visit our online store at: www.pitboss-grills.com

CONTACT CUSTOMER SERVICE

If you have any questions or problems, contact Customer Service, Monday through Sunday, 4am - 8pm PST (EN/FR/ES).

service@pitboss-grills.com | Toll-Free: 1-877-303-3134 | Toll-Free Fax: 1-877-303-3135

WARRANTY SERVICE

Contact your nearest Pit Boss® dealer for repair or replacement parts. Danson's requires proof of purchase to establish a warranty claim; therefore, retain your original sales receipt or invoice for future reference. The serial and model number of your Pit Boss® can be found inside the lid of the hopper. Record numbers below as the label may become worn or illegible.

MODEL

SERIAL NUMBER

DATE OF PURCHASE

AUTHORIZED DEALER

INFORMATIONS CONCERNANT LA SÉCURITÉ

LES PRINCIPALES CAUSES D'INCENDIE D'UN APPAREIL SONT UN MAUVAIS ENTRETIEN ET UNE INCAPACITÉ À MAINTENIR L'ESPACEMENT REQUIS ENTRE L'APPAREIL ET LES MATÉRIAUX COMBUSTIBLES. IL EST DE LA PLUS HAUTE IMPORTANCE QUE CE PRODUIT SOIT UNIQUEMENT UTILISÉ CONFORMÉMENT AUX INSTRUCTIONS SUIVANTES.

Veillez lire et comprendre l'intégralité de ce manuel avant de procéder à l'assemblage, à l'utilisation ou à l'installation de ce produit. Vous pourrez alors profiter pleinement et sans encombre de votre nouveau gril à granulés de bois. Nous vous conseillons également de conserver ce manuel à titre de référence ultérieure.

DANGERS ET AVERTISSEMENTS

Vous devez contacter les autorités locales compétentes afin d'obtenir les permis, mandats ou informations nécessaires concernant toute restriction d'installation, par exemple pour un gril installé sur une surface combustible, les exigences en matière d'inspection ou même la possibilité d'utilisation dans votre région.

1. Vous devez respecter un espace minimum de 914 mm (36 pouces) entre les côtés/l'arrière du gril et toute construction combustible. **N'installez pas l'appareil sur des sols combustibles ou des sols protégés par des surfaces combustibles sans avoir obtenu les permis et autorisations appropriés de la part des autorités compétentes.** N'utilisez pas cet appareil en intérieur, dans une zone close ou non aérée, par exemple à l'intérieur d'un domicile, dans un véhicule, sous une tente ou dans un garage. Cet appareil à granulés de bois ne doit pas être placé sous un plafond ou un surplomb combustible. Placez votre gril dans une zone dégagée, sans matériaux combustibles, essence, ni autres vapeurs et liquides inflammables.

Si un feu de graisse a lieu, éteignez le gril et laissez le couvercle fermé jusqu'à ce que le feu s'éteigne. Débranchez le cordon d'alimentation. Ne jetez pas d'eau sur l'appareil. N'essayez pas d'étouffer le feu. Posséder sur place un extincteur agréé pour les feux de classe A, B et C est un atout précieux. Si un feu incontrôlé a lieu, appelez les pompiers.

2. Maintenez les câbles électriques et les combustibles loin des surfaces chauffées. Retirez les casseroles et les poêles lorsque l'appareil en fonctionnement est sans surveillance, afin de réduire les risques d'incendie. N'utilisez pas votre gril sous la pluie ou près d'une source d'eau.
3. Suite à une période de stockage ou d'absence d'utilisation, vérifiez que la grille de combustion n'est pas obstruée, que la trémie ne contient pas d'objet étranger et que le dispositif de ventilation ou la cheminée peuvent toujours évacuer l'air. Nettoyez l'appareil avant utilisation. Une maintenance et un entretien réguliers sont nécessaires pour prolonger la durée de vie de votre appareil. **Si le gril est stocké en extérieur lors des saisons pluvieuses ou très humides, veillez à ce que l'eau ne pénètre pas dans la trémie.** Les granulés de bois humides ou exposés à une forte humidité gonflent beaucoup, se décomposent et peuvent bloquer le système d'acheminement. Avant tout service ou entretien, débranchez toujours l'alimentation.

Ne transportez pas votre gril lorsqu'il est en cours d'utilisation ou qu'il est chaud. Veillez à ce que le feu soit entièrement éteint et que le gril soit parfaitement froid au toucher avant de le déplacer.

4. Le port de moufles ou gants pour barbecue résistants à la chaleur est recommandé lors de l'utilisation du gril. N'utilisez pas d'accessoires autres que ceux spécifiés pour cet appareil. Ne placez pas de housse pour barbecue ou tout objet inflammable dans l'espace de rangement situé sous le barbecue.
5. Pour éviter que les doigts, les vêtements ou d'autres objets n'entrent en contact avec le système d'acheminement de la vis sans fin, l'appareil est équipé d'un écran de sécurité en métal, monté à l'intérieur de la trémie. Cet écran ne doit pas être retiré, sauf avis contraire du service clients ou d'un revendeur agréé.

Cet appareil n'est pas conçu pour être utilisé par des enfants, des personnes handicapées physiques, sensorielles ou mentales, ou par des personnes ne disposant pas de l'expérience ou des connaissances nécessaires à son fonctionnement, à moins qu'elles ne soient encadrées par une personne responsable de leur sécurité.

6. Des éléments de ce barbecue peuvent être très chauds et entraîner des blessures graves. En cours d'utilisation, maintenez l'appareil hors de portée des jeunes enfants et des animaux.
7. N'élargissez pas les trous de l'allumeur ou les pots de combustion. Le non-respect de cet avertissement peut entraîner un incendie et des dommages corporels, cela annulera également votre garantie.
8. Le produit peut comporter des pièces ou des rebords coupants. Tout contact peut entraîner une blessure. Manipulez-les avec précaution.

ÉLIMINATION DES CENDRES

Les cendres doivent être placées dans un récipient en métal avec couvercle hermétique. Le récipient fermé contenant les cendres doit être placé par terre ou sur une surface non combustible, loin de tout matériau combustible, en attendant son élimination finale. Lorsque les cendres sont éliminées par enterrement ou dispersées localement, elles doivent d'abord rester dans le récipient fermé jusqu'à leur refroidissement complet.

GRANULÉS DE BOIS COMBUSTIBLES

Cet appareil de cuisson à granules est conçu et approuvé uniquement pour le bois aggloméré, entièrement naturel. Tout autre type de consommation de carburant dans cet appareil annulera la garantie et la norme de sécurité. Vous devez uniquement utiliser les pastilles de bois naturelles, conçues pour brûler dans les grils de bbq à pastilles. Ne pas utiliser de carburant avec des additifs. Le combustible en granulés a un pouvoir calorifique moyen de 8 000 à 8 770 BTU / LB, teneur en cendres <1%.

N'utilisez pas d'alcool, d'essence, d'essence à briquet ou de pétrole pour allumer et raviver un feu dans votre gril. Maintenez tout liquide de ce genre à distance de l'appareil en cours d'utilisation.

Au moment de l'impression de ce document, il n'existe aucune norme industrielle concernant les granulés de bois pour barbecue, même si la plupart des presses à agglomérer et à granuler des aliments utilisent les mêmes normes pour fabriquer des granulés de bois à usage domestique. Vous pouvez trouver de plus amples informations sur www.pelletheat.org ou sur **Pellet Fuel Institute**.

Contactez votre revendeur local pour en savoir plus sur la qualité des granulés dans votre région ou pour obtenir de plus amples informations sur la qualité d'une marque. Comme il n'existe aucun contrôle de la qualité des granulés utilisés et des granulés impactés par l'humidité, nous n'assumons aucune responsabilité relative aux dommages causés par un combustible de mauvaise qualité.

CRÉOSOTE

La créosote, ou suie, est une substance similaire à du goudron. Lorsqu'elle brûle, elle produit une fumée noire composée d'un résidu de la même couleur. La suie ou créosote se forme lorsque l'appareil n'est pas utilisé correctement, par exemple en cas de blocage du ventilateur de combustion, de mauvais nettoyage ou entretien de la zone de combustion ou de mauvais ratio air/combustible.

Utiliser cet appareil est dangereux en cas de flamme sombre ou si le pot de combustion est trop plein de granulés. Lorsqu'elle s'enflamme, la créosote produit un feu très chaud et incontrôlé, similaire à un feu de graisse. Si cela arrive, éteignez l'appareil, laissez-le entièrement refroidir, puis inspectez-le pour effectuer un entretien et un nettoyage. La créosote s'accumule généralement dans les zones d'échappement.

Si de la créosote s'est formée au sein de l'appareil, faites chauffer ce dernier à faible température, éteignez-le, puis essuyez toute formation avec une serviette. Comme le goudron, la créosote est plus facile à nettoyer lorsqu'elle est chaude car elle se liquéfie.

MONOXYDE DE CARBONE (« le tueur silencieux »)

Le monoxyde de carbone est un gaz incolore, inodore et sans goût, produit par la combustion de gaz, de bois, de propane, de charbon ou autre combustible. Le monoxyde de carbone diminue la capacité du sang à transporter l'oxygène. De faibles taux d'oxygène dans le sang peuvent entraîner des maux de tête, des vertiges, des sentiments de faiblesse, des nausées, des vomissements, des somnolences, des confusions, des pertes de conscience, ou la mort. Suivez ces instructions pour empêcher ce gaz incolore et inodore d'empoisonner vos proches ou vous-même :

- Consultez un médecin si un individu ou vous-même développez des symptômes rappelant ceux d'une grippe alors que vous cuisinez ou que vous êtes à proximité de l'appareil. L'empoisonnement au monoxyde de carbone, pouvant facilement être confondu avec un rhume ou une grippe, est souvent détecté trop tard.
- La consommation d'alcool, de drogue et de médicaments augmente les effets de l'empoisonnement au monoxyde de carbone.

Le monoxyde de carbone est particulièrement toxique pour les mères et leur bébé pendant la grossesse, pour les nouveau-nés, les personnes âgées, les fumeurs et les personnes présentant des problèmes du sang ou du système circulatoire, comme l'anémie ou les maladies cardiaques.

INFORMATIONS RELATIVES À LA SÉCURITÉ

Conformément aux procédures et spécifications énumérées dans les normes UL 2728A-2019 "Appareils de cuisson à granulés" et ULC / ORD C2728-19 "pour les caractéristiques électriques des équipements à combustion." Les appareils de cuisson à granulés Pit Boss® Grills ont été testés indépendamment et répertoriés par CSA (un laboratoire d'essais accrédité) selon les normes UL et ULC.



DÉCLARATION CONCERNANT LES DROITS D'AUTEUR

Copyright 2021. Tous droits réservés. Aucune partie de ce manuel ne peut être copiée, transmise, transcrite ou stockée dans un système d'archivage, sous quelque forme ou par quelque moyen que ce soit, sans l'autorisation expresse écrite de :

Dansons

3411 North 5th Avenue, Suite 500, Phoenix, AZ, USA 85013
sales@pitboss-grills.com | service@pitboss-grills.com
www.pitboss-grills.com

Service clients

Du lundi au dimanche, de 4 h à 20 h HP (EN/FR/ES)

Numéro gratuit : 1-877-303-3134, Fax : 1-877-303-3135

TABLE DES MATIÈRES

Informations concernant la sécurité	24	Pièces de rechange	
Mode d'emploi		Pièces de rechange du gril PB550G	39
Environnement du gril	28	Pièces de rechange du gril PB700G	40
Plages de températures du gril	29	Pièces de rechange du gril PB850G	41
Présentation du panneau de contrôle.....	30	Pièces de rechange du gril PB1150G	42
Présentation des sondes	31	Pièces de rechange de la trémie PB550G	43
Présentation du paramètre « P ».....	31	Pièces de rechange de la trémie	
Procédure d'amorce de la trémie.....	31	PB700G / PB850G / PB1150G	44
Première utilisation - brûlage du gril	32	Garantía	
Procédure de démarrage automatique.....	32	Condiciones.....	45
Procédure de démarrage manuel.....	32	Excepciones	45
Arrêt de votre gril.....	33	Pedido de piezas de repuesto	46
Entretien et maintenance	33	Póngase en contacto con atención al cliente	46
Conseils et techniques	34	Servicio de garantía	46
Dépannage	35		
Schéma du câblage électrique	37		

MODE D'EMPLOI

Comme notre mode de vie actuel vise à manger des aliments sains et nutritifs, l'un des facteurs à prendre en compte est l'importance de la réduction de la consommation de graisse. L'une des meilleures façons de limiter les graisses dans votre régime alimentaire est d'utiliser une méthode de cuisson pauvre en graisse, telle que le grillage. Étant donné qu'un gril à granulés utilise des granulés de bois naturel, le savoureux parfum du bois s'imprègne dans la viande, réduisant ainsi l'ajout de sauces à haute teneur en sucre. En lisant ce manuel, vous remarquerez l'importance donnée au grillage lent des aliments à température BASSE ou MOYENNE.

ENVIRONNEMENT DU GRIL

1. OÙ INSTALLER LE GRIL

Comme pour tous les appareils d'extérieur, les conditions météorologiques jouent un rôle important dans les performances de votre gril et le temps de cuisson nécessaire pour parfaire vos plats.

Tous les appareils de Pit Boss® doivent respecter un espace minimum de 914 mm (36 pouces) avec les constructions combustibles et cet espacement doit être maintenu lorsque le gril est en cours de fonctionnement. Cet appareil ne doit pas être placé sous un plafond ou un surplomb combustible. Placez votre gril dans une zone sans matériaux combustibles, essence, ni autres vapeurs et liquides inflammables.

2. CUISINER PAR TEMPS FROID

Alors que le temps se refroidit, vous ne devez pas pour autant arrêter de manger des grillades ! L'air frais et les arômes divins de la cuisine fumée vous aideront à lutter contre la dépression saisonnière.

Suivez ces suggestions sur la manière de profiter de votre gril lors des mois froids :

- Si vous n'arrivez pas à cuire à faible température, augmentez légèrement la température pour obtenir le même résultat.
- Organisez-vous : placez tout ce dont vous avez besoin à disposition dans la cuisine avant de sortir. Au cours de l'hiver, placez votre gril dans une zone à l'abri du vent et de l'exposition directe au froid. Consultez les règlements locaux concernant la proximité de votre gril en lien avec votre maison et/ou d'autres structures. Placez tout ce dont vous avez besoin sur un plateau, couvrez-vous bien et c'est parti !
- Pour suivre la température extérieure, placez un thermomètre près de votre zone de cuisson. Conservez un historique de ce que vous avez cuisiné, de la température extérieure et du temps de cuisson. Cela vous aidera ultérieurement lorsque vous êtes en vadrouille pour déterminer ce que vous pouvez cuire et le temps nécessaire.
- Lorsqu'il fait vraiment froid, augmentez votre temps de préchauffage d'au moins 20 minutes.
- Évitez de soulever le couvercle plus que nécessaire. De froides rafales de vent peuvent refroidir complètement la température de votre gril. Ne vous imposez pas une heure précise pour servir le repas et ajoutez du temps de cuisson dès que vous ouvrez le couvercle.
- Gardez un plat chauffé ou un couvercle de plat à disposition pour maintenir votre plat au chaud le temps de revenir à l'intérieur.
- Les repas idéaux pour cuisiner en hiver sont ceux ne nécessitant que peu d'attention, tels que les rôtis, les poulets entiers, les côtes et la dinde. Facilitez davantage votre repas en ajoutant des aliments simples, tels que des légumes et des pommes de terre.

3. CUISINER PAR TEMPS CHAUD

Lorsque le temps se réchauffe, le temps de cuisson diminue.

Suivez ces quelques suggestions sur la manière de profiter de votre gril lors des mois chauds :

- Diminuez la température de cuisson. Cela permet d'éviter des flambées involontaires.
- Utilisez un thermomètre de cuisson pour déterminer la température interne de vos aliments. Vous éviterez ainsi de trop cuire ou d'assécher votre viande.

- Même lorsqu'il fait chaud, cuire vos aliments en laissant le couvercle de votre gril fermé est recommandé.
- Vous pouvez conserver la chaleur de vos aliments en les enroulant dans du papier aluminium et en les plaçant dans une glacière isotherme. Amassez du papier journal froissé autour du papier aluminium pour maintenir vos aliments au chaud pendant 3 à 4 heures.

PLAGES DE TEMPÉRATURES DU GRIL

Le relevé de température du panneau de contrôle peut légèrement différer de celui du thermomètre. Toutes les températures listées ci-dessous sont des approximations et sont impactées par les facteurs suivants : température extérieure ambiante, quantité et direction du vent, qualité des granulés utilisés, ouverture du couvercle et quantité d'aliments en train de cuire.

- **TEMPÉRATURE ÉLEVÉE (205 À 260 °C/401 À 500 °F)**

Cette plage est adaptée pour saisir et griller à haute température. Utilisez-la en combinaison avec le diffuseur de chaleur (plaque coulissante) pour cuire à l'aide d'une flamme directe ou indirecte. Lorsque le **diffuseur de chaleur est ouvert**, une flamme directe permet d'effectuer une cuisson « bleue » de la viande et de griller des légumes, des toasts à l'ail ou des s'mores ! Lorsque le **diffuseur de chaleur est fermé**, l'air circule autour du corps de l'appareil, permettant un chauffage par convection. Une forte température permet également de préchauffer votre gril, de brûler les grilles de cuisson et d'atteindre une chaleur élevée lorsqu'il fait extrêmement froid.

- **TEMPÉRATURE MOYENNE (135 À 180 °C/275 À 356 °F)**

Cette plage est adaptée pour rôtir, imiter une cuisson au four ou parfaire un plat lentement fumé. Cuire à ces températures réduira considérablement les risques de flambée de graisse. Veillez à ce que la plaque coulissante du diffuseur de chaleur soit fermée, recouvrant les fentes. Cette plage est excellente pour cuire des aliments entourés de bacon ou lorsque vous souhaitez un contrôle plus polyvalent.

- **BASSE TEMPÉRATURE (82 À 125 °C/180 À 257 °F)**

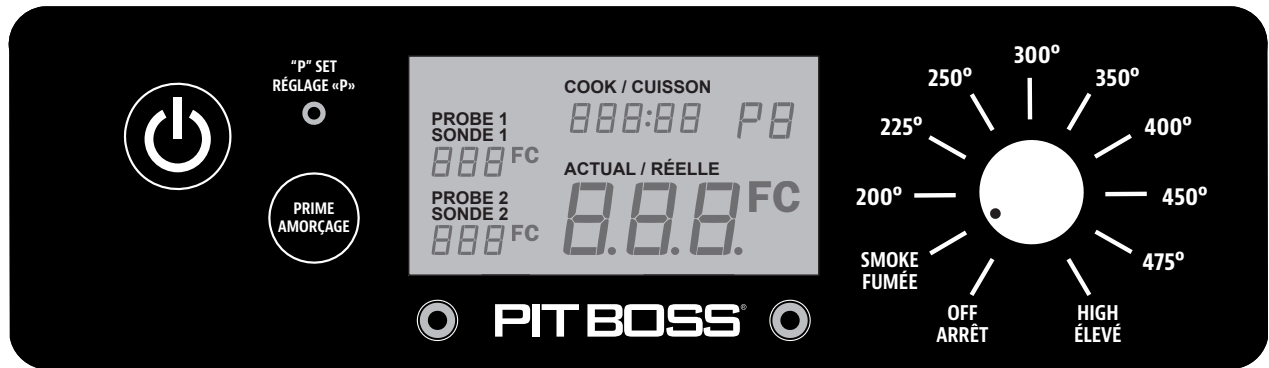
Cette plage permet de rôtir lentement, d'obtenir une saveur fumée plus forte et de maintenir les aliments au chaud. Infusez vos viandes d'une saveur fumée et assurez-vous qu'elles restent juteuses en adoptant une cuisson plus lente à basse température (aussi nommée méthode **low and slow**). Grandement recommandée pour la dinde de Thanksgiving, le juteux jambon de Pâques ou l'immense festin des fêtes de fin d'année.








Fumer les aliments est l'une des possibilités de la cuisson au barbecue, ce procédé est le réel avantage d'un gril à granulés de bois. Le **fumage à chaud**, autre nom du **low and slow**, s'effectue généralement entre 82 et 125 °C/180 et 257 °F. Le fumage à chaud fonctionne mieux lorsqu'un temps de cuisson plus long est nécessaire, par exemple pour de grosses pièces de viande, de poisson ou de volaille.

ASTUCE : pour intensifier la saveur, passez en température smoke (basse) immédiatement après avoir posé vos aliments sur le gril. La fumée peut alors pénétrer dans la viande.

Le secret est de tester la durée de fumage nécessaire avant que le repas ne soit entièrement cuit. Certains chefs cuisiniers d'extérieur préfèrent effectuer le fumage en fin de cuisson, permettant ainsi à la nourriture de rester au chaud jusqu'à ce qu'elle soit servie. La pratique est mère de la perfection !

PRÉSENTATION DU PANNEAU DE CONTRÔLE



CONTRÔLE	DESCRIPTION
	Appuyez sur le bouton d'alimentation pour allumer l'appareil. Une fois connecté à une source d'alimentation et appuyé sur le bouton d'alimentation, l'écran LCD numérique s'allume pour indiquer qu'il est prêt à fonctionner. Appuyez et maintenez poussé le bouton pour allumer l'appareil.
	La molette de réglage de la température vous permet de régler la température de fumage désirée. Une fois connecté à une source d'alimentation et après avoir appuyé sur le bouton d'alimentation, tournez la molette et sélectionnez l'un des dix températures présélectionnées sur la commande de cadran, entre 82 et 260 ° C / 180 et 500 ° F. Lorsque le cadran est réglé sur une température, l'écran LCD numérique s'allume et indique qu'il est prêt à fonctionner. Lorsque la molette est réglé sur ARRÊT, l'écran LCD numérique reste éteint.
"P" SET RÉGLAGE «P» 	Le bouton de réglage "P" est utilisé pour sélectionner l'un des huit ajustements fins lorsque la molette de réglage de la température est réglée sur le paramètre de fumée. Modifier le réglage «P» afin de l'adapter à votre style de cuisson et à votre environnement de cuisson. En appuyant <u>brièvement</u> sur le bouton, le réglage augmente de P0 à P7, puis se répète. Les réglages sont possibles seulement quand la molette de réglage de la température est réglée sur le paramètre de fumée. Le paramètre par défaut de fabrication est "P4". Si le réglage « P » est réglé, votre préférence sera mémorisée (enregistrée) jusqu'à nouvel ajustement. Le bouton de réglage "P" est également utilisé comme contrôle de la température pour modifier l'affichage de la température sur l'écran LCD . Appuyez et <u>maintenez poussé</u> le bouton pendant cinq secondes pour passer en degrés Celsius (° C) ou Fahrenheit (° F), comme vous le souhaitez. La valeur par défaut est Fahrenheit.
	L' écran LCD est utilisé comme centre d'information pour votre appareil. L'écran LCD affichera la température de cuisson désirée, la température de cuisson réelle et la température de la sonde de viande (si elle est connectée). Si une seule sonde de viande est connectée, une seule lecture sera affichée.
PRIME AMORÇAGE 	Appuyez et maintenez enfoncé le bouton d'amorçage pour activer un flux supplémentaire de granulés dans le pot de combustion. Cela peut être utilisé pour ajouter plus de carburant au feu avant d'ouvrir le couvercle du baril ce qui entraîne un temps de récupération rapide de la chaleur. Il peut également être utilisé en fumant, afin d'augmenter l'intensité de la saveur propre de la fumée. Cela a été demandé aux cuisinières de compétition.
SMOKE FUMÉE 	Le réglage de fumée sur la molette de réglage de la température est le mode de démarrage de l'appareil. Le gril fonctionne à la température la plus basse, sans que le feu ne s'éteigne.
	Les ports de connexion enfichables à l'avant de la carte de contrôle sont destinés aux sondes à viande . Lorsqu'une sonde à viande est connectée, la température est affichée sur l'écran LCD. Lorsqu'ils ne sont pas en cours d'utilisation, débranchez la sonde de la viande du port de connexion. <i>Compatible uniquement avec les sondes de viande de marque Pit Boss. Sonde(s) de viande additionnelles sont vendue séparément.</i>



PRÉSENTATION DES SONDÉS

• *SONDE DE TEMPÉRATURE*

La sonde de température se trouve dans le corps principal, sur la paroi de gauche. Il s'agit d'une petite pièce verticale en acier inoxydable. La sonde de température mesure la température interne de l'appareil. Lorsque la température est ajustée sur le panneau de contrôle, la sonde de température relèvera la température réelle à l'intérieur de l'appareil et l'ajustera à la température souhaitée.

IMPORTANT : la température de votre appareil est très impactée par la température extérieure ambiante, la qualité des granulés utilisés, le parfum des granulés et la quantité d'aliments en train de cuire.

• *SONDE DE CUISSON*

La sonde de cuisson mesure la température interne de votre viande sur le gril, tout comme dans votre four. Reliez l'adaptateur de la sonde de cuisson au port de raccordement situé sur le panneau de contrôle et insérez la sonde de cuisson en acier inoxydable dans la portion la plus épaisse de votre viande et la température s'affichera sur le panneau de contrôle. **Lorsque la sonde de cuisson est bien connectée au port de raccordement, vous sentez et entendez son enclenchement.**

REMARQUE : lorsque vous placez la sonde de cuisson dans votre viande, veillez à ce que celle-ci et les câbles ne soient pas en contact direct avec la flamme ou une source de chaleur excessive. Cela pourrait endommager votre sonde de cuisson. Faites passer l'excès de câble via le trou situé du côté gauche du gril principal (près du gond du couvercle). Lorsque vous ne l'utilisez pas, débranchez la sonde de cuisson du port de raccordement et mettez-la de côté en veillant à ce qu'elle reste propre et en sécurité.

PRÉSENTATION DU PARAMÈTRE « P »

Lorsque le bouton encastré « "P" SET » est enclenché, le paramètre « P » affiché sur l'écran LCD clignotera et passera à la valeur suivante (incréméntation). Une fois arrivé à P7, l'option suivante sera de nouveau P0. Il existe huit paramètres « P », allant de P0 à P7. Le bouton encastré « "P" SET » peut être enclenché à l'aide d'un objet fin.

IMPORTANT : n'appuyez pas trop fort sur le bouton « "P" SET » car cela pourrait l'endommager. Une simple légère pression est nécessaire.

• *UTILISER LE PARAMÈTRE « P » EN MODE « SMOKE »*

Dès que la molette de température est placée sur SMOKE, par exemple pour le cycle de démarrage, la vis sans fin passe en mode manuel de cuisson au lieu d'un pré-réglage de température. Tout d'abord, la vis sans fin tournera en continu et acheminera des granulés durant quatre minutes. Une fois ce temps écoulé, la vis sans fin mettra en place un cycle d'acheminement en fonction du paramètre « P » sélectionné sur le panneau de contrôle numérique. Le paramètre par défaut est P4.

CYCLE DE LA VIS SANS FIN (SECONDES)		
"P" SET	ACTIVÉ	DÉSACTIVÉ
P0	18	55
P1	18	70
P2	18	85
P3	18	100
*P4	18	115
P5	18	130
P6	18	140
P7	18	150

**Réglage d'usine par défaut*

PROCÉDURE D'AMORCE DE LA TRÉMIE

Ces instructions doivent être respectées lors du premier allumage du gril et à chaque fois qu'il n'y a plus de granulés dans la trémie. La vis sans fin doit être amorcée pour permettre aux granulés de traverser la trémie et remplir le pot de combustion. **Si elle n'est pas amorcée, l'allumeur stoppera avant que les granulés ne soient brûlés et aucun feu ne prendra.** Suivez ces étapes pour amorcer la trémie :

1. Ouvrez le couvercle de la trémie. Assurez-vous qu'aucun objet étranger ne se trouve dans la trémie ou ne bloque le système d'acheminement de la vis sans fin au fond.
2. Retirez tous les composants de cuisson de l'intérieur du gril. Localisez le pot de combustion au bas du corps principal.
3. Branchez le câble électrique à une source d'alimentation. Appuyez sur le **bouton d'alimentation** pour allumer l'appareil et tournez la **molette de contrôle de température** sur la position SMOKE. Vérifiez les éléments suivants :
 - Que vous entendez la vis sans fin tourner. Placez votre main au-dessus du pot de combustion et cherchez la circulation d'air. Ne placez pas votre main ou vos doigts à l'intérieur du pot de combustion. Cela peut provoquer des blessures.
 - Après environ une minute, vous devriez sentir l'odeur de l'allumeur qui brûle et commencer à ressentir que l'air devient plus chaud dans le pot de combustion. L'extrémité de l'allumeur ne devient pas rouge, mais est néanmoins brûlante. Ne touchez pas l'allumeur.

- Après avoir vérifié que les composants électriques fonctionnent correctement, appuyez sur le **bouton d'alimentation** pour éteindre l'appareil.
- Remplissez la trémie avec des granulés de bois naturel pour barbecue.
- Appuyez sur le **bouton d'alimentation** pour allumer l'appareil. Laissez la **molette de contrôle de température** sur SMOKE. Maintenez le **bouton Prime** appuyé jusqu'à voir des granulés à l'intérieur du gril via le tube de la vis sans fin. Lorsque les granulés commencent à passer dans le pot de combustion, relâchez le **bouton Prime**.
- Appuyez sur le **bouton d'alimentation** pour éteindre l'appareil.
- Réinstallez les composants dans le corps principal. Le gril est désormais prêt à être utilisé.

PREMIÈRE UTILISATION - BRÛLAGE DU GRIL

Une fois votre trémie amorcée et avant de faire cuire des aliments sur votre gril pour la première fois, il est important d'effectuer un brûlage du gril. Allumez le gril et faites-le tourner à une température supérieure à 176 °C/350 °F (couvercle fermé) durant 30 à 40 minutes afin de brûler le gril et vous débarrasser de toute substance étrangère.

PROCÉDURE DE DÉMARRAGE AUTOMATIQUE

- Branchez le câble électrique à une source d'alimentation mise à la terre. Ouvrez le couvercle du corps principal. Vérifiez que le pot de combustion n'est pas obstrué afin que l'allumage se fasse correctement. Ouvrez le couvercle de la trémie. Assurez-vous qu'aucun objet étranger ne se trouve dans la trémie ou le système d'acheminement de la vis sans fin. Remplissez la trémie avec des granulés secs de bois naturel pour barbecue.
- Veillez à ce que la **molette de contrôle de température** soit en position SMOKE. Appuyez sur le **bouton d'alimentation** pour allumer l'appareil. Cela activera le cycle de démarrage. Le système d'acheminement de la vis sans fin commencera à tourner, l'allumeur commencera à rougeoyer et le ventilateur aérera le pot de combustion. Le gril commencera à produire de la fumée lorsque le cycle de démarrage se mettra en place. Le couvercle du corps de l'appareil doit rester ouvert au cours du cycle de démarrage. Pour veiller à ce que le cycle de démarrage commence correctement, soyez à l'affût d'un grondement de flamme et assurez-vous de la production de chaleur.
- Une fois l'épaisse fumée blanche dissipée, le cycle de démarrage sera terminé et vous pourrez commencer à profiter de votre gril à la température de votre choix !

PROCÉDURE EN CAS DE PROBLÈME D'ALLUMEUR

Si pour une raison quelconque votre allumeur électrique ne fonctionne pas ou que la flamme de votre gril s'éteint en cours de cuisson, utilisez les étapes suivantes ou lancez votre gril en mode manuel.

- Veillez à ce que la **molette de contrôle de température** soit en position SMOKE. Ouvrez le couvercle du corps de l'appareil. Retirez les composants de cuisson de l'intérieur. Retirez tous les granulés non brûlés et les cendres du pot de combustion. Évitez de toucher l'allumeur pour ne pas vous blesser car celui-ci peut être extrêmement chaud.
- Une fois tous les composants de cuisson retirés et nettoyés, appuyez sur le **bouton d'alimentation** pour allumer l'appareil. Vérifiez ce qui suit :
 - Confirmez visuellement que l'allumeur fonctionne en plaçant votre main au-dessus du pot de combustion en quête de chaleur.
 - Confirmez visuellement que l'allumeur dépasse d'environ 13 mm/0,5 po dans le pot de combustion.
 - Confirmez visuellement que la vis sans fin achemine des granulés dans le pot de combustion.
 - Confirmez que le ventilateur de combustion fonctionne en étant à l'affût d'un grondement de flamme.
- Si l'un des points ci-dessus ne fonctionne pas, suivez les instructions de **dépannage**.

PROCÉDURE DE DÉMARRAGE MANUEL

- Veillez à ce que la **molette de contrôle de température** soit en position SMOKE. Branchez le câble électrique à une source d'alimentation mise à la terre.
- Vérifiez que le pot de combustion n'est pas obstrué afin que l'allumage se fasse correctement. Ouvrez le couvercle de la trémie. Assurez-vous qu'aucun objet étranger ne se trouve dans la trémie ou le système d'acheminement de la vis sans fin. Remplissez la trémie avec des granulés secs de bois naturel pour barbecue.

- Ouvrez le couvercle du corps de l'appareil. Retirez les composants de cuisson pour que le pot de combustion soit apparent. Placez une bonne poignée de granulés dans le pot de combustion. Aspergez un allume-feu gélifié, ou un autre produit permettant de faire brûler les granulés, au-dessus des granulés. Une petite quantité d'allume-feu solide, par exemple composé de sciure et de cire, ou encore des copeaux, fonctionnent également. Ajoutez une autre petite quantité de granulés dans le pot de combustion.

REMARQUE : n'utilisez pas d'alcool, d'essence, d'essence à briquet ou de pétrole pour allumer et raviver un feu dans votre gril.

- Mettez feu au contenu du pot de combustion à l'aide d'une longue allumette ou d'un briquet à long bec. Laissez le produit d'allumage brûler durant 3 à 5 minutes. N'essayez pas d'ajouter plus de produit dans le pot de combustion. Cela peut provoquer des blessures.
- Placez rapidement et avec soin les composants de cuisson à l'intérieur du corps principal de l'appareil. Continuez le démarrage à l'étape deux de la **Procédure de démarrage automatique**.

ARRÊT DE VOTRE GRIL

- Lorsque vous avez fini de cuisiner, tout en laissant le couvercle du corps principal fermé, appuyez sur le **bouton d'alimentation** pour éteindre l'appareil et placez la **molette de contrôle de température** sur OFF. Le gril débutera son cycle de refroidissement automatique. Le système de la vis sans fin arrêtera d'acheminer des combustibles, la flamme s'éteindra et le ventilateur continuera à tourner jusqu'à la fin du cycle de refroidissement.

ENTRETIEN ET MAINTENANCE

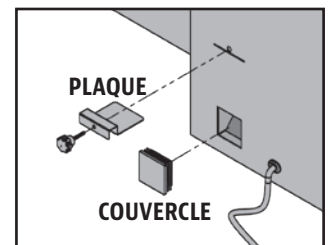
Avec un minimum d'entretien, chaque appareil de Pit Boss® vous confèrera de nombreuses années de service riches en saveurs. Suivez ces conseils de nettoyage et entretien pour vous occuper de votre gril :

1. ASSEMBLAGE DE LA TRÉMIE

- La trémie comprend une fonctionnalité de nettoyage pour faciliter l'entretien et permettre de modifier la saveur des granulés. Pour la vider, localisez la plaque et le couvercle de la boîte de dépôt à l'arrière de la trémie. Placez un seau propre et vide sous le couvercle de la boîte de dépôt et retirez-le. Dévissez la plaque, faites-la coulisser vers l'extérieur et les granulés sortiront.

REMARQUE : utilisez une brosse à manche long ou une brosse d'aspirateur pour retirer l'excès de granulés, la sciure et les débris afin d'effectuer un nettoyage complet via le filtre de la trémie.

- Il est recommandé de retirer tous les granulés du système de vis sans fin si vous ne comptez pas utiliser votre gril durant une longue période. Vous pouvez faire cela simplement en faisant fonctionner votre gril avec une trémie vide, jusqu'à ce que tous les granulés aient disparu du tube de la vis sans fin.
- Retirez tous les débris éventuels du conduit d'aération du ventilateur **qui se trouve au fond de la trémie. Une fois le panneau d'accès de la trémie retiré (voir Schéma du câblage électrique)**, enlevez avec soin toute la graisse accumulée sur les lames du ventilateur. Cela permet d'obtenir une aération suffisante pour le système d'acheminement.



2. SONDÉS

- Des nœuds ou plis des câbles des sondes peuvent provoquer des dégâts. Les câbles doivent être enroulés, sans être serrés.
- Même si les sondes sont en acier inoxydable, ne les passez pas au lave-vaisselle et ne les immergez pas sous l'eau. Des dégâts des eaux causés aux câbles internes provoqueront des courts-circuits et donc des relevés erronés. Si une sonde est endommagée, vous devez la remplacer.

3. SURFACES INTÉRIEURES

- Il est recommandé de nettoyer votre pot de combustion régulièrement. Cela assurera l'allumage correct et évitera toute forte accumulation de débris ou de cendres dans le pot de combustion.
- Utilisez une brosse de nettoyage de gril à manche long (en laiton ou en métal doux), puis retirez la nourriture ou les accumulations sur les grilles de cuisson. Une bonne pratique consiste à le faire alors qu'elles sont encore tièdes suite à une

précédente cuisson. Les feux de graisse sont causés par une accumulation de chutes de débris sur les composants de cuisson du gril. Nettoyez donc régulièrement l'intérieur de votre gril. En cas de feu de graisse, maintenez le couvercle du gril fermé afin d'étouffer le feu. Si celui-ci ne cesse pas rapidement, retirez la nourriture avec prudence, éteignez le gril et fermez le couvercle jusqu'à ce que le feu s'éteigne. Si vous avez du bicarbonate de soude, saupoudrez-en légèrement.

- Vérifiez régulièrement votre seau à graisse et nettoyez-le dès que nécessaire. N'oubliez pas le type de cuisson que vous effectuez.

IMPORTANT : à cause de leur forte chaleur, ne recouvrez pas le diffuseur de chaleur ou les sondes avec du papier aluminium.

4. SURFACES EXTÉRIEURES

- Nettoyez votre gril après chaque utilisation. Utilisez une eau savonneuse chaude pour retirer la graisse. N'utilisez pas de nettoyant pour four ni de détergents ou éponges abrasifs sur les surfaces externes du gril. **Toutes les surfaces peintes ne sont pas couvertes par la garantie, elles font partie de la maintenance et de l'entretien généraux.** Concernant les griffures sur la peinture, l'usure ou l'écaillage du vernis, toutes les surfaces peintes peuvent être retouchées à l'aide d'une peinture haute température pour barbecue.
- Utilisez une housse de gril pour protéger complètement ce dernier ! Une housse est la protection idéale contre les aléas météorologiques et les polluants extérieurs. Lorsque vous n'utilisez pas l'appareil ou que vous le rangez pour une longue période, placez-le sous une housse dans un garage ou un abri de jardin.

TABLEAU DE FRÉQUENCE DE NETTOYAGE (USAGE NORMAL)

ÉLÉMENT	FRÉQUENCE DE NETTOYAGE	MÉTHODE DE NETTOYAGE
Bas du gril principal	Toutes les 5 ou 6 utilisations du gril	Retirer, aspirer l'excès de débris
Pot de combustion	Toutes les 2 ou 3 utilisations du gril	Retirer, aspirer l'excès de débris
Grilles de cuisson	Après chaque utilisation du gril	Brûler l'excès, brosse en fil de laiton
Diffuseur de chaleur	Toutes les 5 ou 6 utilisations du gril	Gratter la plaque principale avec la plaque coulissante, ne pas laver
Étagère avant	Après chaque utilisation du gril	Éponge à récurer et eau savonneuse
Seau à graisse	Après chaque utilisation du gril	Éponge à récurer et eau savonneuse
Système d'acheminement de la vis sans fin	Lorsque le sac de granulés est vide	Laisser la vis sans fin pousser la sciure afin que la trémie soit vide
Composants électriques de la trémie	Une fois par an	Épousseter l'intérieur, nettoyer les lames du ventilateur avec de l'eau savonneuse
Conduit d'aération	Toutes les 5 ou 6 utilisations du gril	Épousseter, éponge à récurer et eau savonneuse
Sonde de température	Toutes les 2 ou 3 utilisations du gril	Éponge à récurer et eau savonneuse

CONSEILS ET TECHNIQUES

Suivez ces astuces et techniques utiles, transmises par les propriétaires de produits Pit Boss, notre équipe et nos clients tels que vous, afin de vous familiariser avec votre gril :

1. SÉCURITÉ ALIMENTAIRE

- Maintenez le contenu de la cuisine et de la zone de cuisson propre. Utilisez des plats et ustensiles différents pour la viande cuite et la préparation ou le transport de la viande crue sur le gril. Vous pourrez ainsi éviter une contamination croisée de bactéries. Chaque marinade ou jus de cuisson doit posséder ses propres ustensiles.
- Maintenez au chaud les aliments chauds (au-dessus de 60 °C/140 °F) et au frais les aliments froids (en dessous de 3 °C/37 °F).
- Une marinade ne doit jamais être conservée et utilisée ultérieurement. Si vous comptez la servir avec votre viande, faites-la préalablement bouillir.
- Les aliments cuits ne doivent pas être laissés dehors dans la chaleur durant plus d'une heure. Ne laissez pas les aliments chauds sans réfrigération durant plus de deux heures.

- Décongelez et faites mariner la viande par réfrigération. Ne la faites pas décongeler à température ambiante ou sur un plan de travail. Des bactéries peuvent se développer et se multiplier rapidement au sein d'aliments tièdes et humides. Lavez-vous minutieusement les mains avec de l'eau chaude et savonneuse avant la préparation d'un repas et après avoir manipulé de la viande, du poisson et de la volaille.

2. PRÉPARATION POUR LA CUISSON

- Préparez-vous bien. Placez la recette, les combustibles, les accessoires, les ustensiles et tous les ingrédients dont vous avez besoin près du gril avant de débiter la cuisson. Lisez également toute la recette avant d'allumer le gril.
- Un tapis de protection pour barbecue est très utile. Étant donné les risques d'éclaboussures et d'accidents en manipulant de la nourriture, un tapis protège les terrasses, patios ou plateformes en pierre contre les taches de graisse ou les renversements accidentels.

3. ASTUCES ET TECHNIQUES DE CUISSON

- Pour infuser vos viandes d'une saveur fumée, adoptez une cuisson plus lente à basse température (aussi nommée méthode **low and slow**). La viande resserrera ses fibres après avoir atteint une température interne de 49 °C/120 °F. Vaporiser ou saucer la viande est une excellente manière de l'empêcher de sécher.
- Lorsque vous souhaitez saisir la viande, laissez le couvercle fermé. Utilisez toujours un thermomètre de cuisson pour déterminer la température interne des aliments que vous cuisinez. Fumer des aliments avec des granulés de bois fera rosir les viandes et volailles. La ligne rose (après cuisson) est nommée **anneau de fumée**, elle est très prisée des chefs cuisiniers d'extérieur.
- Il vaut mieux ajouter les sauces sucrées vers la fin de la cuisson pour éviter que la viande ne brûle ou flambe.
- Laissez de l'espace entre les aliments et les bords du corps de l'appareil pour permettre une bonne diffusion de chaleur. Les aliments posés sur un gril surchargé nécessiteront une cuisson plus longue.
- Utilisez un ensemble de pinces à manche long pour tourner la viande et une spatule pour tourner les steaks hachés et le poisson. Utiliser un ustensile perçant, tel qu'une fourchette, piquera la viande et laissera le jus s'échapper.
- Les aliments placés dans de grandes cocottes mettront plus de temps à cuire que dans un moule peu profond.
- Pour que votre nourriture reste chaude, une bonne astuce consiste à la placer sur un plat chauffé. La viande rouge, telle que les steaks et les rôtis, est meilleure si vous la laissez reposer quelques minutes avant de la servir. Cela permet aux jus ayant été attirés vers la surface par la chaleur de revenir vers le centre de la viande, ajoutant ainsi plus de saveur.

DÉPANNAGE

Un nettoyage et une maintenance adaptés, ainsi que l'utilisation de combustible propre, sec et de qualité évitera la plupart des problèmes de fonctionnement. Lorsque votre gril Pit Boss® est mal ou peu utilisé, les astuces de dépannage suivantes peuvent s'avérer utiles. Pour consulter des FAQ, rendez-vous sur www.pitboss-grills.com. Vous pouvez également contacter votre revendeur local agréé par Pit Boss® ou le service clients pour obtenir de l'aide.

ATTENTION : débranchez toujours le câble électrique avant d'ouvrir le gril pour effectuer une inspection, un nettoyage, une maintenance ou un entretien. Veillez à ce que le gril soit totalement froid afin d'éviter toute blessure.

PROBLÈME	CAUSE	SOLUTION
Aucun éclairage sur le panneau de contrôle	La molette de contrôle de température est toujours sur OFF.	Appuyez sur le bouton d'alimentation et assurez-vous qu'il s'illumine en bleu, prouvant que le raccordement électrique fonctionne. Tournez la molette de contrôle sur un paramètre de température.
	Non connecté à une source d'alimentation	Veillez à ce que l'appareil soit relié à une source d'alimentation en état de marche. Réinitialisez le disjoncteur. Veillez à ce que la prise DDFT fonctionne à un minimum de 10 A (consultez le Schéma du câblage électrique pour accéder aux composants électriques). Veillez à ce que tous les câblages soient fermement reliés et secs.

	Fusible grillé sur le panneau de contrôle	Retirez le panneau d'accès de la trémie (consultez le Schéma du câblage électrique), appuyez sur les languettes en plastique maintenant le panneau de contrôle en place et poussez le contrôleur à l'intérieur de la trémie pour le dégager. Vérifiez le fusible pour voir si un câble est cassé ou noirci. Si tel est le cas, le fusible doit être remplacé manuellement.
	La prise DDFT a disjoncté.	Retirez le panneau d'accès de la trémie (consultez le Schéma du câblage électrique) et veillez à ce que tous les raccordements de câbles soient fermement connectés et secs. Veillez à ce que la prise DDFT fonctionne à un minimum de 10 A.
	Panneau de contrôle défectueux	Le panneau de contrôle doit être remplacé. Contactez le service clients pour obtenir une pièce de rechange.
Le feu du pot de combustion ne s'allume pas	La vis sans fin n'est pas amorcée	Avant d'utiliser l'appareil pour la première fois ou dès que la trémie est entièrement vide, la vis sans fin doit être amorcée pour permettre aux granulés de remplir de tube. Si elle n'est pas amorcée, l'allumeur stoppera avant que les granulés n'atteignent le pot de combustion. Suivez la Procédure d'amorce de la trémie .
	Le moteur de la vis sans fin est bloqué	Retirez les composants de cuisson du corps principal de l'appareil. Appuyez sur le bouton d'alimentation pour allumer l'appareil, tournez la molette de contrôle de température sur la position SMOKE et inspectez le système d'acheminement de la vis sans fin. Confirmez visuellement que la vis sans fin achemine des granulés dans le pot de combustion. Si le processus ne fonctionne pas correctement, appelez le service clients pour obtenir de l'aide ou une pièce de rechange.
	Problème d'allumeur	Retirez les composants de cuisson du corps principal de l'appareil. Appuyez sur le bouton d'alimentation pour allumer l'appareil, tournez la molette de contrôle de température sur la position SMOKE et inspectez l'allumeur. Confirmez visuellement que l'allumeur fonctionne en plaçant votre main au-dessus du pot de combustion en quête de chaleur. Confirmez visuellement que l'allumeur dépasse d'environ 13 mm/0,5 po dans le pot de combustion. S'il ne fonctionne pas correctement, suivez la Procédure de démarrage manuel pour continuer à utiliser votre gril. Appelez le service clients pour obtenir de l'aide ou une pièce de rechange.
Points qui clignotent sur l'écran LCD	L'allumeur est en marche	Cette erreur n'impacte pas le gril. Elle permet de voir que l'appareil est alimenté et est en mode démarrage (l'allumeur est en marche). L'allumeur s'éteindra au bout de cinq minutes. Lorsque les points qui clignotent disparaissent, le gril commence à s'ajuster à la température sélectionnée.
Température qui clignote sur l'écran LCD	La température du gril est inférieure à 65 °C/150 °F	Cette erreur n'impacte pas le gril. Elle permet de voir qu'il existe un risque sur le feu s'éteigne. Vérifiez que la trémie contient assez de combustible ou que le système d'acheminement n'est pas obstrué. Retirez les granulés et suivez les instructions d' Entretien et maintenance . Vérifiez la sonde de température du gril et suivez les instructions d' Entretien et maintenance si celle-ci est sale. Vérifiez que le pot de combustion n'est pas obstrué ou qu'il ne contient pas de cendres accumulées et suivez les instructions d' Entretien et maintenance en cas d'accumulation de cendres. Vérifiez le ventilateur. Assurez-vous qu'il fonctionne correctement et que le conduit d'entrée d'air n'est pas bouché. Suivez les instructions d' Entretien et maintenance si celui-ci est sale. Vérifiez le bon fonctionnement (rotation) du moteur de la vis sans fin et assurez-vous que le tube de la vis sans fin n'est pas bloqué.
Code d'erreur « ErH »	L'appareil a surchauffé, probablement à cause d'un feu de graisse ou un d'excès de combustible.	Appuyez sur le bouton d'alimentation pour éteindre l'appareil et laissez-le refroidir. Suivez les instructions d' Entretien et maintenance . Après entretien, retirez les granulés et vérifiez le bon positionnement de tous les composants. Une fois l'appareil refroidi, appuyez sur le bouton d'alimentation pour l'allumer et sélectionnez la température souhaitée. Si le code d'erreur s'affiche toujours, contactez le service clients.
Code d'erreur « Er1 »	Le câble de la sonde de température ne se connecte pas.	Retirez le panneau d'accès de la trémie (consultez le Schéma du câblage électrique) et vérifiez si les câbles de la sonde de température sont abîmés. Veillez à ce que les connecteurs Molex de la sonde de température soient fermement et correctement reliés au panneau de contrôle.
Code d'erreur « ErP »	L'appareil n'a pas été éteint correctement lors de sa dernière connexion à l'alimentation.	Une fonctionnalité de sécurité empêche un redémarrage automatique. Appuyez sur le bouton d'alimentation pour éteindre l'appareil, attendez deux minutes, puis appuyez de nouveau sur le bouton d'alimentation pour allumer l'appareil. Tournez la molette de contrôle sur SMOKE ou la température de votre choix. Si le code d'erreur s'affiche toujours, contactez le service clients.
	Coupure de courant alors que l'appareil est allumé.	

Code d'erreur « ERL »	Le grill ne fonctionne pas cycle de démarrage	Vérifiez le bon positionnement des éléments de cuisson. Vérifiez que la trémie contient assez de combustible ou que le système d'alimentation n'est pas obstrué. Retirez les granulés et suivez les instructions d'entretien et de maintenance . Vérifiez la sonde du grill. Confirmez si la température réelle est correcte et précise. Suivez les instructions d'entretien et de maintenance si elles sont sales. Vérifiez le positionnement de l'allumeur et s'il chauffe correctement. En cas de froid extrême, le grill peut nécessiter un second démarrage. Éteignez le grill, attendez, puis rallumez-le. Vérifiez le ventilateur. Assurez-vous qu'il fonctionne correctement. Suivez les instructions d'entretien et de maintenance si elles sont sales.
	Le grill ne restera pas allumé	
Code d'erreur « noP »	Mauvaise connexion au port de raccordement	Déconnectez la sonde de cuisson du port de raccordement du panneau de contrôle, puis reconnectez-la. Veillez à ce que l'adaptateur de la sonde de cuisson soit fermement connecté. Vérifiez que l'extrémité de l'adaptateur n'est pas abîmée. Si l'erreur persiste, contactez le service clients pour obtenir une pièce de rechange.
	Sonde de cuisson endommagée	Vérifiez que les câbles de la sonde de cuisson ne sont pas abîmés. Si tel est le cas, contactez le service clients pour obtenir une pièce de rechange.
	Panneau de contrôle défectueux	Le panneau de contrôle doit être remplacé. Contactez le service clients pour obtenir une pièce de rechange.
La température du grill en mode SMOKE est trop élevée	Le paramètre « P » est trop bas	Appuyez sur le bouton « "P" SET » et augmentez le paramètre « P ».
Le grill ne parvient pas à une température stable ou n'arrive pas à la maintenir	Écoulement d'air insuffisant dans le pot de combustion	Vérifiez qu'il n'y a pas d'accumulation de cendres ou d'obstruction dans le pot de combustion. Suivez les instructions d' Entretien et maintenance en cas d'accumulation de cendres. Vérifiez le ventilateur. Assurez-vous qu'il fonctionne correctement et que le conduit d'entrée d'air n'est pas bouché. Suivez les instructions d' Entretien et maintenance si celui-ci est sale. Vérifiez le bon fonctionnement du moteur de la vis sans fin et assurez-vous que le tube de la vis sans fin n'est pas bloqué. Une fois toutes les étapes précédentes effectuées, démarrez le grill, configurez la température sur SMOKE et attendez 10 minutes. Vérifiez que la flamme produite est vive.
	Manque de combustible, combustible de mauvaise qualité ou obstruction du système d'acheminement	Vérifiez que le niveau de combustible dans la trémie est suffisant, remplissez si besoin. Si la qualité des granulés de bois est mauvaise ou que leur taille est trop grande, le système d'acheminement peut s'obstruer. Retirez les granulés et suivez les instructions d' Entretien et maintenance .
	Sonde de température	Vérifiez le statut de la sonde de température. Suivez les instructions d' Entretien et maintenance si celui-ci est sale. Contactez le service clients pour obtenir une pièce de rechange en cas de dommage.
Le grill produit trop de fumée ou une fumée décolorée	Accumulation de graisse	Suivez les instructions d' Entretien et maintenance .
	Qualité des granulés de bois	Retirez les granulés de bois humides de la trémie. Suivez les instructions d' Entretien et maintenance pour procéder au nettoyage. Remplacez-les par des granulés de bois secs.
	Le pot de combustion est bloqué	Retirez les granulés de bois humides du pot de combustion. Suivez la Procédure d'amorce de la trémie .
	Arrivée d'air insuffisante pour le ventilateur	Vérifiez le ventilateur. Assurez-vous qu'il fonctionne correctement et que le conduit d'entrée d'air n'est pas bouché. Suivez les instructions d' Entretien et maintenance si celui-ci est sale.
Flambées fréquentes	Température de cuisson	Essayez de cuire à plus faible température. La graisse possède un point d'inflammabilité. Maintenez une température inférieure à 176 °C/350 °F lorsque vous cuisez des aliments très gras.
	Accumulation de graisse sur les composants de cuisson	Suivez les instructions d' Entretien et maintenance .

SCHÉMA DU CÂBLAGE ÉLECTRIQUE

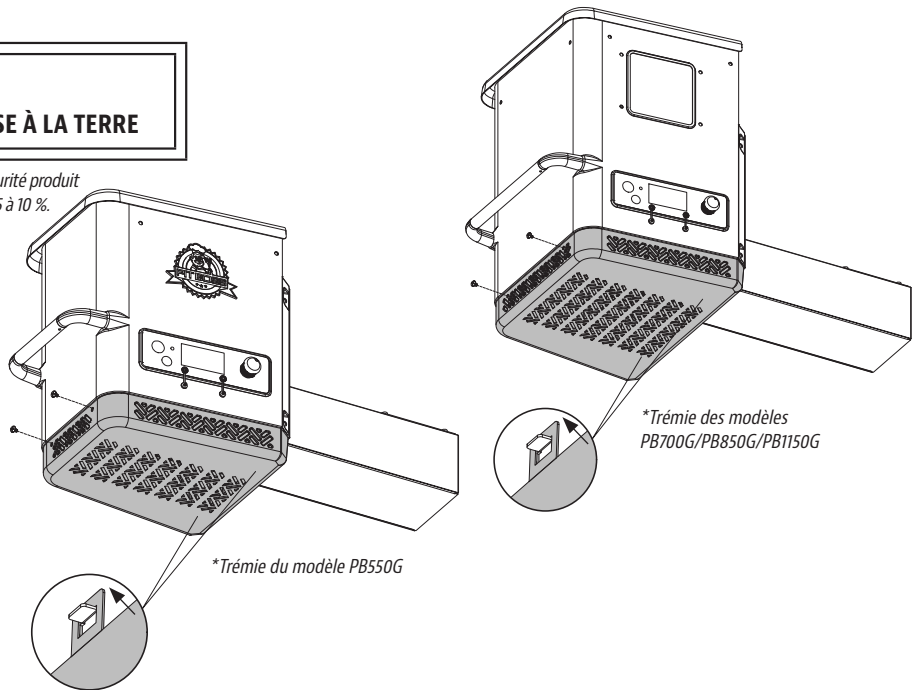
Le système du panneau de contrôle utilise une technologie complexe de grande valeur. Pour vous protéger contre les surtensions et les courts-circuits électriques, consultez le schéma du câblage ci-dessous afin de veiller à ce que votre source d'alimentation soit suffisante pour faire fonctionner l'appareil.

PB – EXIGENCES ÉLECTRIQUES 110-120V, 60HZ, 250W, FICHE À 3 BROCHES MISE À LA TERRE

REMARQUE : les composants électriques, ayant été soumis à des tests de sécurité produit et des services de certification, sont conformes à une tolérance de test de ± 5 à 10 %.

TROUVEZ ET RETIREZ
LES DEUX VIS DU PAN-
NEAU D'ACCÈS SUR LE
CÔTÉ DE LA TRÉMIE.

RELÂCHEZ LE PANNEAU
INFÉRIEUR DE LA
TRÉMIE ET RECULEZ-LE
POUR LE LIBÉRER DE
LA LANGUETTE.



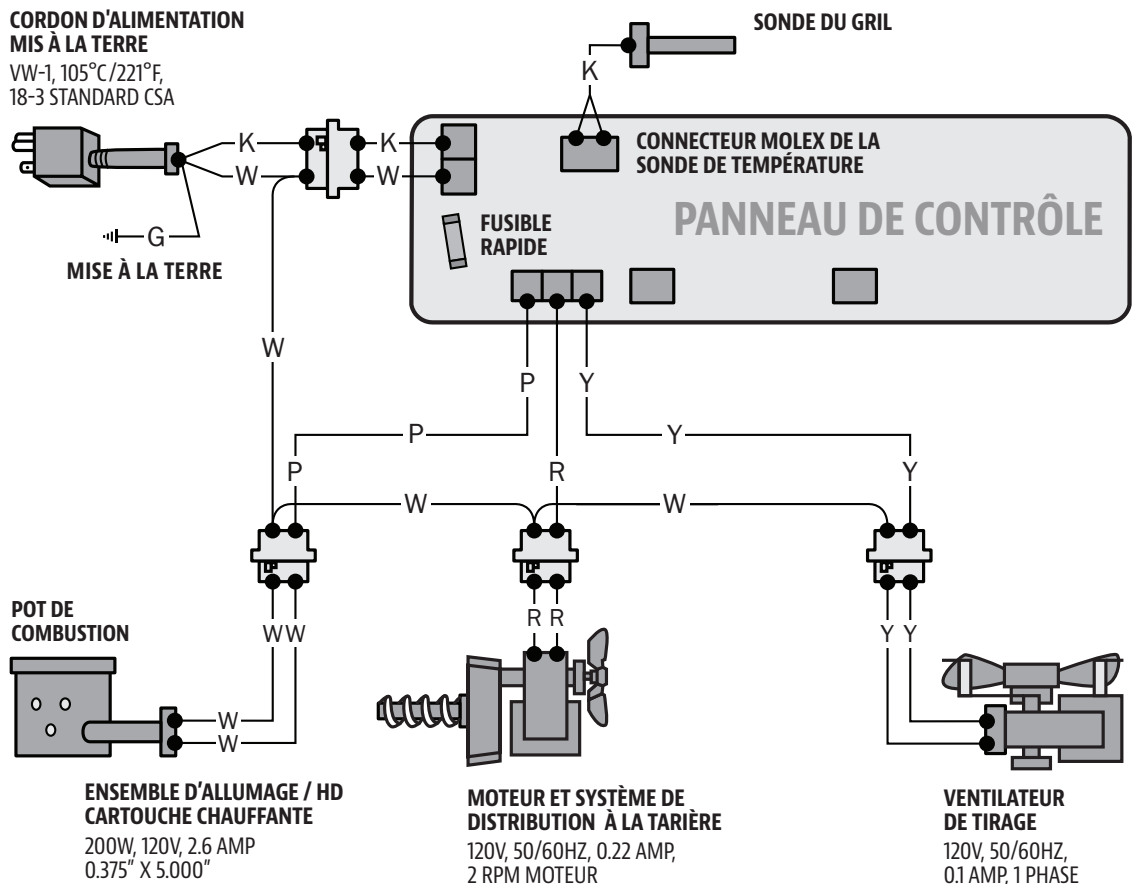
FRANÇAIS

**TAUX D'EN-
TRÉE DU COM-
BUSTIBLE:**
2 KG/H
(4.4 LB/H)

INDICATEUR

W : BLANC
Y : JAUNE
P : VIOLET
R : ROUGE
K : NOIR
G : VERT

**CORDON D'ALIMENTATION
MIS À LA TERRE**
VW-1, 105°C/221°F,
18-3 STANDARD CSA

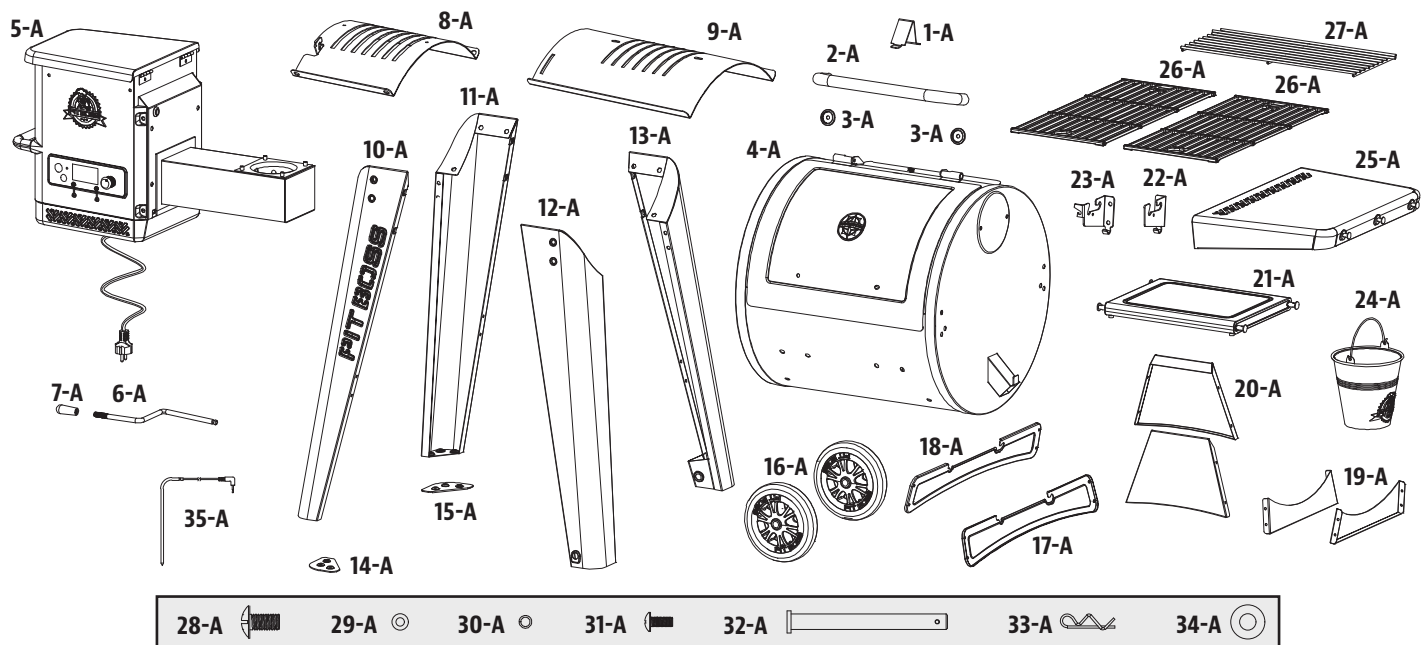


PIÈCES DE RECHANGE DU GRIL PB550G

N°	Description
1-A	Butoir pour couvercle (x 1)
2-A	Poignée pour couvercle (x 1)
3-A	Bague de la poignée pour couvercle (x 2)
4-A	Corps principal (x 1)
5-A	Assemblage de la trémie (x 1)
6-A	Barre de réglage du grilloir à flamme (x 1)
7-A	Poignée de la barre de réglage du grilloir à flamme (x 1)
8-A	Plaque coulissante du diffuseur de chaleur (x 1)
9-A	Plaque principale du diffuseur de chaleur (x 1)
10-A	Pied avant gauche (x 1)
11-A	Pied arrière gauche (x 1)
12-A	Pied avant droit (x 1)
13-A	Pied arrière droit (x 1)
14-A	Pièce de garniture pour pied avant gauche (x 1)
15-A	Pièce de garniture pour pied arrière gauche (x 1)
16-A	Roue (x 2)
17-A	Plaque de maintien inférieure droite (x 1)
18-A	Plaque de maintien inférieure gauche (x 1)

N°	Description
19-A	Plaque de maintien courte (x 2)
20-A	Plaque de maintien longue avant/arrière (x 2)
21-A	Étagère avant (x 1)
22-A	Support pour étagère avant droit (x 1)
23-A	Support pour étagère avant gauche (x 1)
24-A	Seau à graisse (x 1)
25-A	Plateau latéral droit (x 1)
26-A	Grille de cuisson (x 2)
27-A	Support chauffant (x 1)
28-A	Vis (x 18)
29-A	Rondelle (x 18)
30-A	Rondelle de blocage (x 18)
31-A	Vis (x 30)
32-A	Goupille cannelée pour roue (x 2)
33-A	Goupille bêta pour roue (x 2)
34-A	Rondelle pour roue (x 2)
35-A	Sonde de cuisson (x 1)

REMARQUE : en raison du développement continu du produit, des pièces peuvent faire l'objet de modifications sans préavis.



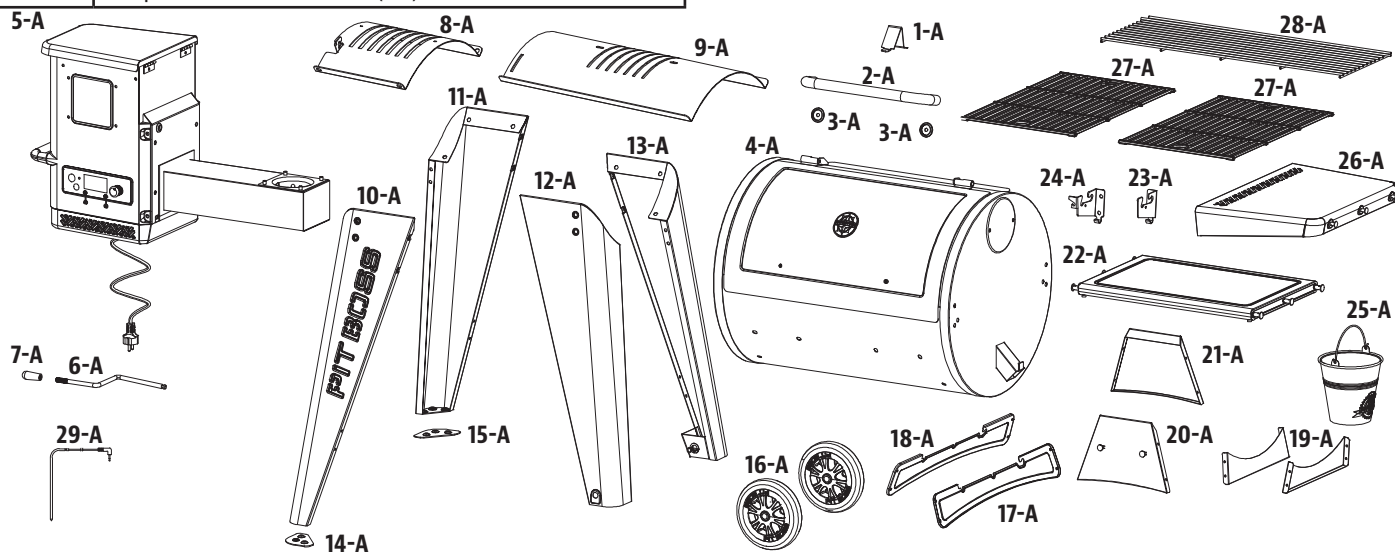
MODÈLE	APPAREIL MONTÉ (L x H x P)	POIDS DE L'APPAREIL	ZONE DE CUISSON	PLAGE DE TEMPÉRATURE	FONCTIONS NUMÉRIQUES
PB PB550G	1227mm x 1195mm x 868mm / 48,3 po x 47 po x 34,17 po	55,7 kg / 122,81 lb	Principale - 2580,6 cm ² / 400 po ² Grille supérieure - 920 cm ² / 142,6 po ² TOTAL - 3500,6 cm² / 542,6 po²	82 à 260 °C/ 180 à 500 °F	Dix pré-réglages de température, cycles de démarrage et de refroidissement, allumeur électrique

PIÈCES DE RECHANGE DU GRIL PB700G

N°	Description
1-A	Butoir pour couvercle (x 1)
2-A	Poignée pour couvercle (x 1)
3-A	Bague de la poignée pour couvercle (x 2)
4-A	Corps principal (x 1)
5-A	Assemblage de la trémie (x 1)
6-A	Barre de réglage du grilloir à flamme (x 1)
7-A	Poignée de la barre de réglage du grilloir à flamme (x 1)
8-A	Plaque coulissante du diffuseur de chaleur (x 1)
9-A	Plaque principale du diffuseur de chaleur (x 1)
10-A	Pied avant gauche (x 1)
11-A	Pied arrière gauche (x 1)
12-A	Pied avant droit (x 1)
13-A	Pied arrière droit (x 1)
14-A	Pièce de garniture pour pied avant gauche (x 1)
15-A	Pièce de garniture pour pied arrière gauche (x 1)
16-A	Roue (x 2)
17-A	Plaque de maintien inférieure droite (x 1)
18-A	Plaque de maintien inférieure gauche (x 1)
19-A	Plaque de maintien courte (x 2)

N°	Description
20-A	Plaque de maintien longue avant (x 1)
21-A	Plaque de maintien longue arrière (x 1)
22-A	Étagère avant (x 1)
23-A	Support pour étagère avant droit (x 1)
24-A	Support pour étagère avant gauche (x 1)
25-A	Seau à graisse (x 1)
26-A	Plateau latéral droit (x 1)
27-A	Grille de cuisson (x 2)
28-A	Support chauffant (x 1)
29-A	Sonde de cuisson (x 1)
30-A	Vis (x 18)
31-A	Rondelle (x 18)
32-A	Rondelle de blocage (x 18)
33-A	Vis (x 30)
34-A	Goupille cannelée pour roue (x 2)
35-A	Goupille bêta pour roue (x 2)
36-A	Rondelle pour roue (x 2)

REMARQUE : en raison du développement continu du produit, des pièces peuvent faire l'objet de modifications sans préavis.



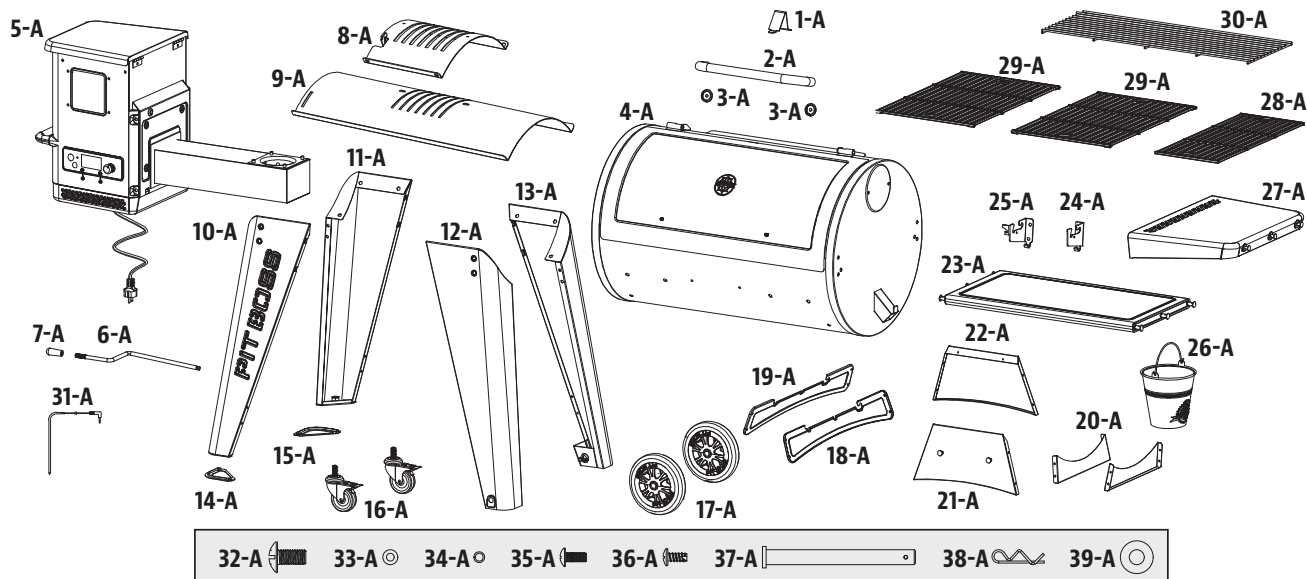
MODÈLE	APPAREIL MONTÉ (L x H x P)	POIDS DE L'APPAREIL	ZONE DE CUISSON	PLAGE DE TEMPÉRATURE	FONCTIONS NUMÉRIQUES
PB PB700G	1388mm x 1195mm x 940mm / 54,6 po x 47 po x 37 po	66,5 kg / 146,61 lb	Principale - 3109 cm ² / 482 po ² Grille supérieure - 1341 cm ² / 208 po ² TOTAL - 4450 cm² / 690 po²	82 à 260 °C / 180 à 500 °F	Dix pré-réglages de température, cycles de démarrage et de refroidissement, allumeur électrique

PIÈCES DE RECHANGE DU GRIL PB850G

N°	Description
1-A	Butoir pour couvercle (x 1)
2-A	Poignée pour couvercle (x 1)
3-A	Bague de la poignée pour couvercle (x 2)
4-A	Corps principal (x 1)
5-A	Assemblage de la trémie (x 1)
6-A	Barre de réglage du grilloir à flamme (x 1)
7-A	Poignée de la barre de réglage du grilloir à flamme (x 1)
8-A	Plaque coulissante du diffuseur de chaleur (x 1)
9-A	Plaque principale du diffuseur de chaleur (x 1)
10-A	Pied avant gauche (x 1)
11-A	Pied arrière gauche (x 1)
12-A	Pied avant droit (x 1)
13-A	Pied arrière droit (x 1)
14-A	Pièce de garniture pour pied avant gauche (x 1)
15-A	Pièce de garniture pour pied arrière gauche (x 1)
16-A	Roue pivotante avec frein (x 2)
17-A	Roue (x 2)
18-A	Plaque de maintien inférieure droite (x 1)
19-A	Plaque de maintien inférieure gauche (x 1)
20-A	Plaque de maintien courte (x 2)

N°	Description
21-A	Plaque de maintien longue avant (x 1)
22-A	Plaque de maintien longue arrière (x 1)
23-A	Étagère avant (x 1)
24-A	Support pour étagère avant droit (x 1)
25-A	Support pour étagère avant gauche (x 1)
26-A	Seau à graisse (x 1)
27-A	Plateau latéral droit (x 1)
28-A	Grille de cuisson A (x 1)
29-A	Grille de cuisson B (x 2)
30-A	Support chauffant (x 1)
31-A	Sonde de cuisson (x 1)
32-A	Vis (x 18)
33-A	Rondelle (x 18)
34-A	Rondelle de blocage (x 18)
35-A	Vis (x 30)
36-A	Vis (x 4)
37-A	Goupille cannelée pour roue (x 2)
38-A	Goupille bêta pour roue (x 2)
39-A	Rondelle pour roue (x 2)

REMARQUE : en raison du développement continu du produit, des pièces peuvent faire l'objet de modifications sans préavis.



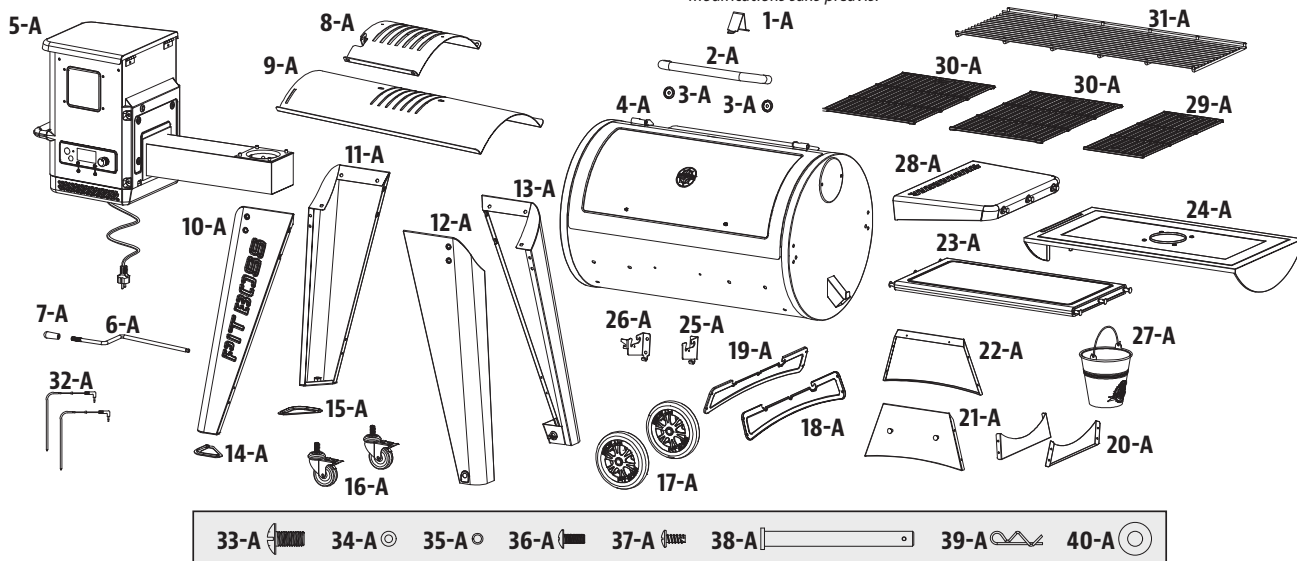
MODÈLE	APPAREIL MONTÉ (L x H x P)	POIDS DE L'APPAREIL	ZONE DE CUISSON	PLAGE DE TEMPÉRATURE	FONCTIONS NUMÉRIQUES
PB PB850G	1472 mm x 1195 mm x 940 mm / 57,9 po x 47 po x 37 po	74,5kg / 164,24 lb	Principale - 3 825,8 cm ² / 593 po ² Grille supérieure - 1 845,2 cm ² / 286 po ² TOTAL - 5 671 cm² / 879 po²	82 à 260 °C / 180 à 500 °F	Dix pré-réglages de température, cycles de démarrage et de refroidissement, allumeur électrique

PIÈCES DE RECHANGE DU GRIL PB1150G

N°	Description
1-A	Butoir pour couvercle (x 1)
2-A	Poignée pour couvercle (x 1)
3-A	Bague de la poignée pour couvercle (x 2)
4-A	Corps principal (x 1)
5-A	Assemblage de la trémie (x 1)
6-A	Barre de réglage du grilloir à flamme (x 1)
7-A	Poignée de la barre de réglage du grilloir à flamme (x 1)
8-A	Plaque coulissante du diffuseur de chaleur (x 1)
9-A	Plaque principale du diffuseur de chaleur (x 1)
10-A	Pied avant gauche (x 1)
11-A	Pied arrière gauche (x 1)
12-A	Pied avant droit (x 1)
13-A	Pied arrière droit (x 1)
14-A	Pièce de garniture pour pied avant gauche (x 1)
15-A	Pièce de garniture pour pied arrière gauche (x 1)
16-A	Roue pivotante avec frein (x 2)
17-A	Roue (x 2)
18-A	Plaque de maintien inférieure droite (x 1)
19-A	Plaque de maintien inférieure gauche (x 1)
20-A	Plaque de maintien courte (x 2)

N°	Description
21-A	Plaque de maintien longue avant (x 1)
22-A	Plaque de maintien longue arrière (x 1)
23-A	Étagère avant (x 1)
24-A	Plaque de diffusion (x 1)
25-A	Support pour étagère avant droit (x 1)
26-A	Support pour étagère avant gauche (x 1)
27-A	Seau à graisse (x 1)
28-A	Plateau latéral droit (x 1)
29-A	Grille de cuisson A (x 1)
30-A	Grille de cuisson B (x 2)
31-A	Support chauffant (x 1)
32-A	Sonde de cuisson (x 2)
33-A	Vis (x 18)
34-A	Rondelle (x 18)
35-A	Rondelle de blocage (x 18)
36-A	Vis (x 30)
37-A	Vis (x 6)
38-A	Goupille cannelée pour roue (x 2)
39-A	Goupille bêta pour roue (x 2)
40-A	Rondelle pour roue (x 2)

REMARQUE : en raison du développement continu du produit, des pièces peuvent faire l'objet de modifications sans préavis.



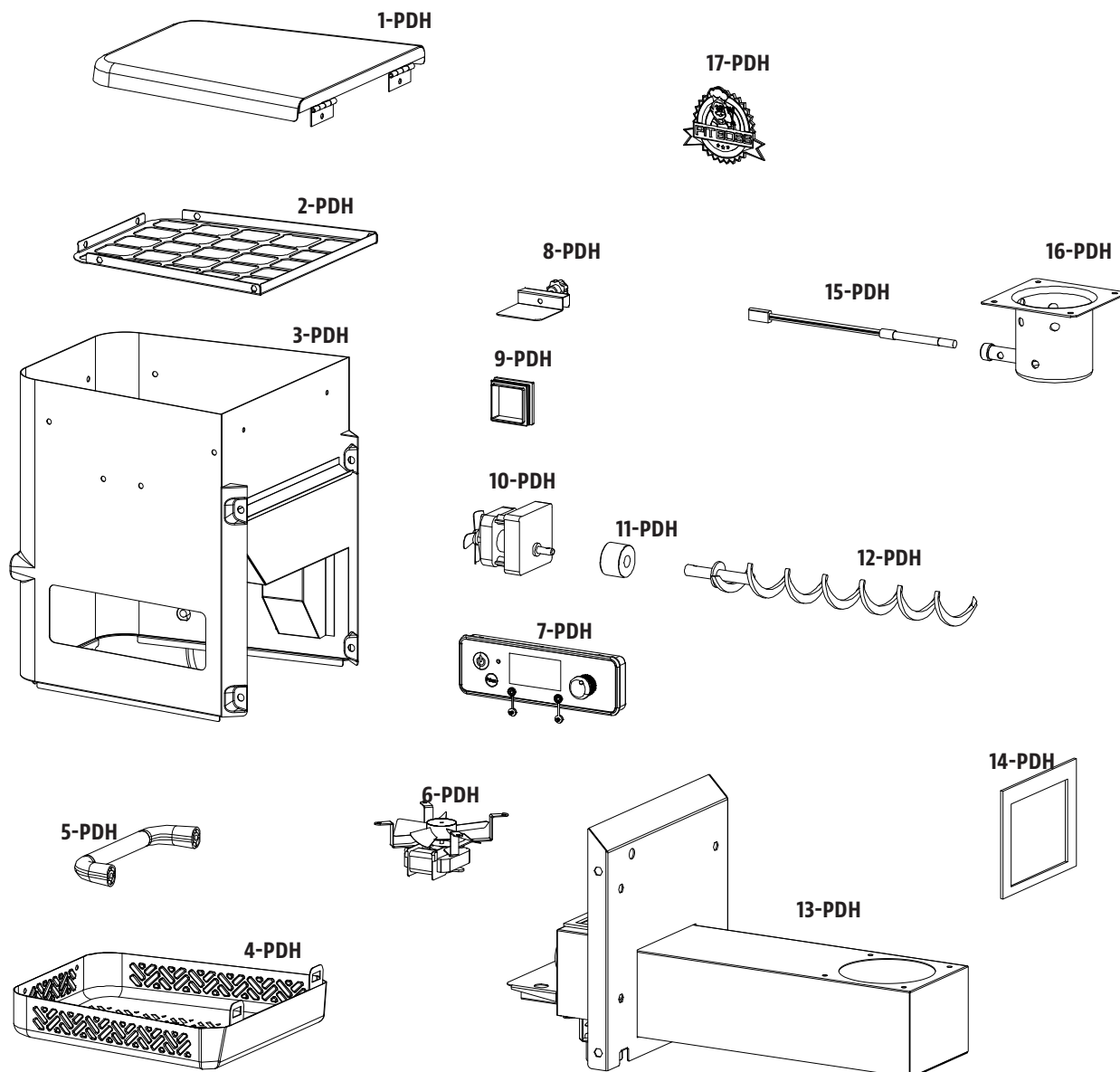
MODÈLE	APPAREIL MONTÉ (L x H x P)	POIDS DE L'APPAREIL	ZONE DE CUISSON	PLAGE DE TEMPÉRATURE	FONCTIONS NUMÉRIQUES
PB PB1150G	1 622mm x 1 195mm x 940mm / 63,86" x 47" x 37"	84 kg / 185,19 lb	Principale - 4 587,1 cm ² / 711 po ² . Grille supérieure - 2 883,9 cm ² / 447 po ² . TOTAL - 7 471 cm² / 1 158 po².	82 à 260 °C / 180 à 500 °F	Dix pré-réglages de température, cycles de démarrage et de refroidissement, allumeur électrique

PIÈCES DE RECHANGE DE LA TRÉMIE PB550G

N°	Description
1-PDH	Couvercle de la trémie
2-PDH	Écran de sécurité de la trémie
3-PDH	Boîtier de la trémie
4-PDH	Panneau d'accès de la trémie
5-PDH	Poignée de la trémie
6-PDH	Ventilateur de combustion
7-PDH	Panneau de contrôle H1 Pit Boss®
8-PDH	Plaque de la boîte de dépôt
9-PDH	Couvercle de la boîte de dépôt

N°	Description
10-PDH	Moteur de la vis sans fin
11-PDH	Bague en nylon
12-PDH	Assemblage de la vis sans fin
13-PDH	Boîtier de la vis sans fin
14-PDH	Joint du boîtier de la trémie
15-PDH	Allumeur
16-PDH	Pot de combustion
17-PDH	Plaque d'identification

REMARQUE : en raison du développement continu du produit, des pièces peuvent faire l'objet de modifications sans préavis.

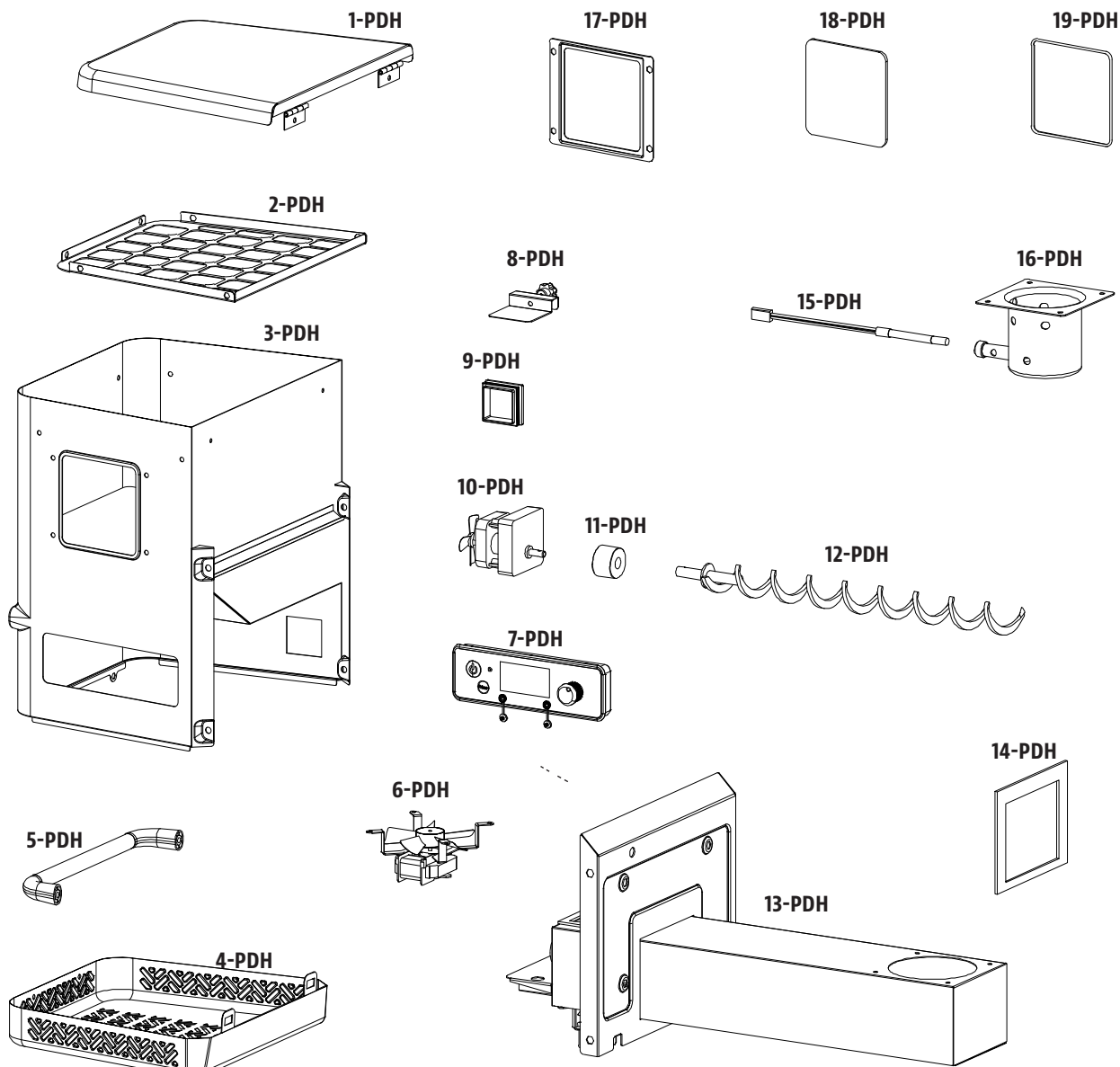


PIÈCES DE RECHANGE DES TRÉMIES PB700G / PB850G / PB1150G

N°	Description
1-PDH	Couvercle de la trémie
2-PDH	Écran de sécurité de la trémie
3-PDH	Boîtier de la trémie
4-PDH	Panneau d'accès de la trémie
5-PDH	Poignée de la trémie
6-PDH	Ventilateur de combustion
7-PDH	Panneau de contrôle H1 Pit Boss®
8-PDH	Plaque de la boîte de dépôt
9-PDH	Couvercle de la boîte de dépôt
10-PDH	Moteur de la vis sans fin

N°	Description
11-PDH	Bague en nylon
12-PDH	Assemblage de la vis sans fin
13-PDH	Boîtier de la vis sans fin
14-PDH	Joint du boîtier de la trémie
15-PDH	Allumeur
16-PDH	Pot de combustion
17-PDH	Plaque en verre
18-PDH	Verre
19-PDH	Joint en caoutchouc

REMARQUE : en raison du développement continu du produit, des pièces peuvent faire l'objet de modifications sans préavis.



GARANTIE

CONDITIONS

Tous les grils à granulés de bois de Pit Boss, fabriqués par Dansons Inc., s'accompagnent d'une garantie limitée à compter de la date de vente au propriétaire d'origine. La couverture de garantie débute à la date d'achat d'origine et une preuve de la date d'achat, ou une copie de l'acte de vente d'origine, est nécessaire pour faire entrer la garantie en vigueur. Les clients devront payer des frais relatifs aux pièces, à l'envoi et au traitement s'ils ne sont pas en mesure de fournir une preuve d'achat ou après expiration de la garantie.

Dansons offre une garantie de cinq (5) ans sur les défauts et la confection de toutes les pièces et une garantie de cinq (5) ans sur les composants électriques. Dansons garantit que toutes les pièces sont exemptes de défauts de matériaux et de fabrication, pour la durée d'utilisation et de possession de l'acheteur d'origine. La garantie ne couvre pas les dégâts d'usure, tels que les éraflures, les entailles, les cabossages, les éclats ou les fissures cosmétiques mineures. Ces modifications esthétiques du gril n'impactent pas ses performances. La réparation ou le remplacement d'une pièce ne prolonge pas la garantie limitée au-delà des cinq (5) ans suivant la date d'achat.

Durant la période de la garantie, l'obligation de Dansons est limitée à la fourniture de pièces de rechange en cas de composants défectueux. Tant que cela se produit pendant la période de la garantie, Dansons ne vous facturera pas la réparation ou le remplacement des pièces retournées, fret payé d'avance, si Dansons détermine que ces pièces se révèlent défectueuses après inspection. Dansons ne sera pas tenu responsable des frais de transport, du prix de la main-d'œuvre ou des droits de sortie. Sauf disposition contraire dans ces conditions de garantie, la réparation ou le remplacement des pièces de la façon et pour la durée fixée ci-dessous, constituera l'accomplissement de toutes les responsabilités et obligations directes et dérivées de Dansons envers vous.

Dansons prend soin d'utiliser des matériaux retardant la formation de rouille. Même avec ces garanties, le revêtement protecteur peut être compromis par diverses substances et conditions qui échappent au contrôle de Dansons. Les fortes températures, l'humidité excessive, le chlore, les gaz industriels, les engrais, les pesticides utilisés pour les pelouses et le sel sont quelques-unes des substances pouvant affecter les revêtements métalliques. C'est pourquoi les garanties limitées ne couvrent pas la rouille ni l'oxydation, à moins que le composant du gril présente une perte d'intégrité structurelle. Si les scénarios décrits ci-dessus venaient à se produire, veuillez vous référer à la section Entretien et maintenance pour prolonger la durée de vie de votre appareil. Dansons recommande l'utilisation d'une housse de gril lorsque ce dernier n'est pas utilisé.

Cette garantie s'applique à un usage domestique et à utilisation normale du gril et aucune des garanties limitées ne s'applique à un gril utilisé pour des applications commerciales.

EXCEPTIONS

Il n'existe pas de garantie de performance écrite ou implicite concernant les grils Pit Boss car le fabricant ne contrôle pas l'installation, le fonctionnement, le nettoyage, l'entretien ou le type de combustible brûlé. Cette garantie ne s'appliquera pas, et Dansons n'assumera aucune responsabilité, si votre appareil n'a pas été installé, utilisé, nettoyé et entretenu conformément à ce mode d'emploi. L'utilisation d'un gaz non évoqué dans ce document pourrait annuler la garantie. La garantie ne couvre pas les dommages ou casses causés par une mauvaise utilisation, une mauvaise manipulation ou des modifications.

Dansons et les revendeurs agréés de Pit Boss déclinent toute responsabilité, légale ou autre, quant aux dommages accidentels ou consécutifs à la propriété ou aux personnes résultant de l'utilisation de ce produit. Si une plainte est déposée contre Dansons, basée sur la violation de cette garantie ou de tout autre type de garantie explicite ou implicite en vertu d'une loi, le fabricant ne sera en aucun cas tenu responsable des dommages particuliers, directs, indirects et consécutifs ou de tout autre dommage, quel qu'il soit, qui dépasserait le prix d'achat d'origine du produit. Toutes les garanties du fabricant sont énoncées dans les présentes et aucune plainte ne peut être déposée contre le fabricant par le biais d'une garantie ou d'une représentation.

Certains états n'autorisent pas l'exclusion ou la limitation des dommages ou garanties accessoires ou consécutifs, ni la limitation de garanties tacites, de sorte que certaines des limitations ou exclusions exposées dans les présentes peuvent ne pas s'appliquer à vous. Cette garantie limitée vous donne des droits juridiques spécifiques, et d'autres droits qui varient d'un État à l'autre.

COMMANDER DES PIÈCES DE RECHANGE

Pour commander des pièces de rechange, veuillez contacter votre revendeur local ou consulter notre boutique en ligne à l'adresse suivante : www.pitboss-grills.com

CONTACTER LE SERVICE CLIENTS

Si vous avez la moindre question ou si vous rencontrez des problèmes, contactez le service clients, du lundi au dimanche, de 4 h à 20 h PST (EN/FR/ES).

service@pitboss-grills.com | Numéro gratuit : 1-877-303-3134 | Fax gratuit : 1-877-303-3135

SERVICE DE LA GARANTIE

Contactez le revendeur de Pit Boss le plus proche de chez vous si vous avez besoin d'une réparation ou de pièces de rechange. Dansons Inc. exige une preuve d'achat afin d'établir une réclamation sous garantie. Ainsi, conservez votre reçu ou votre facture d'origine pour vous y référer ultérieurement. Le numéro de série et de modèle de votre appareil Pit Boss se trouve au dos de la trémie. Les numéros d'enregistrement ci-dessous ainsi que l'étiquette peuvent s'user ou devenir illisibles.

MODÈLE

NUMÉRO DE SÉRIE

DATE D'ACHAT

REVENDEUR AGRÉÉ

INFORMACIÓN DE SEGURIDAD

LAS PRINCIPALES CAUSAS DE INCENDIO DE APARATOS SON FRUTO DE UN MANTENIMIENTO DEFICIENTE Y DE QUE NO SE MANTENGA EL ESPACIO SUFICIENTE ENTRE EL APARATO Y LOS MATERIALES COMBUSTIBLES. ES DE SUMA IMPORTANCIA QUE ESTE PRODUCTO SE USE EXCLUSIVAMENTE DE ACUERDO CON LAS INSTRUCCIONES SIGUIENTES.

Lea y entienda todo el manual antes de intentar montar, manejar o instalar el producto. Esto le garantizará un disfrute completo y un funcionamiento sin problemas de su nueva barbacoa de pélets de madera. También le recomendamos que conserve este manual para futuras consultas.

PELIGROS Y ADVERTENCIAS

Debe ponerse en contacto con los encargados locales de su vivienda, edificio o de los bomberos, o autoridad competente, para obtener los permisos necesarios, misión o información sobre cualquier restricción de la instalación, como los de cualquier barbacoa que se instale en una superficie combustible, requisitos de inspección o incluso la capacidad de uso, de su zona.

1. Debe mantenerse una distancia mínima de 914 mm (36 pulgadas) entre los recipientes de combustible y los lados de la barbacoa, y de 914 mm (36 pulgadas) entre la parte posterior de la barbacoa y los recipientes de combustible. **No instale el aparato en suelos combustibles o en suelos protegidos con superficies combustibles a menos que se obtengan los permisos y autorizaciones correspondientes de las autoridades competentes.** No use este aparato dentro o en áreas cerradas y no ventiladas. Este aparato de pélets de madera no debe colocarse debajo de techos o voladizos combustibles. Mantenga la barbacoa en un área libre de materiales combustibles, gasolina y otros vapores y líquidos inflamables.

Si la grasa prende fuego, APAGUE la barbacoa y deje cerrada la tapa hasta que se extinga el fuego. Desconecte el cable de alimentación de la toma conectada. No arroje agua sobre la unidad. No intente sofocar el fuego. Conviene tener a mano un extinguidor de incendios multiusos (clase ABC). Si se produce un incendio no controlado, llame a los Bomberos.

2. Mantenga los cables de alimentación eléctrica y el combustible lejos de las superficies calientes. Retire las ollas y sartenes mientras el electrodoméstico está desatendido, para reducir el riesgo de incendio. No use la barbacoa en condiciones de lluvia o cerca de fuentes de agua.
3. Tras un período de almacenamiento, o de no uso, compruebe si hay alguna obstrucción en la rejilla del quemador, objetos extraños en la tolva y cualquier bloqueo de aire alrededor de la entrada del ventilador, chimenea u orificios de extracción del tambor posterior. Limpie antes de usar. Se requiere un cuidado y mantenimiento periódico para prolongar la vida útil de la unidad. **Si la barbacoa se guarda en el exterior durante la temporada de lluvias o de gran humedad, debe tomar precauciones para asegurar que no entre agua en la tolva.** Si se mojan o exponen a una gran humedad, los pélets de madera se hincharán y descompondrán, pudiendo llegar a atascar el sistema de alimentación. Desconecte siempre la fuente de alimentación antes de realizar cualquier servicio o mantenimiento.

No transporte la barbacoa mientras esté en uso o caliente. Antes de mover la barbacoa, asegúrese de que esté fría al tacto y el fuego se haya extinguido por completo.

4. Se recomienda usar guantes para barbacoa resistentes al calor cuando manipule la barbacoa. No use accesorios que no estén indicados de manera específica para este aparato. No coloque una tapa de barbacoa ni nada que sea inflamable en el espacio de almacenamiento debajo de la barbacoa.
5. Para evitar que los dedos, la ropa u otros objetos entren en contacto con el alimentador de espiral, el aparato está equipado con una pantalla metálica de seguridad, montada en el interior de la tolva. Esta pantalla no debe retirarse a menos que así lo indique el departamento de Atención al cliente o un distribuidor autorizado.

Este aparato no está recomendado para menores, personas con capacidades físicas, sensoriales o mentales limitadas, o que carezcan de experiencia o conocimientos, a menos que estén bajo la supervisión o instrucción directa de una persona responsable de su seguridad.

6. Algunas partes de la barbacoa pueden estar muy calientes y producir lesiones graves. Mantenga alejados a los niños pequeños y a las mascotas mientras se usa.
7. No agrande los orificios del sistema de ignición o los fosos del quemador. El incumplimiento de esta advertencia puede dar lugar a peligro de incendio y lesiones corporales, y anulará la garantía.
8. El producto puede presentar bordes afilados o puntas. El contacto puede producir lesiones. Manipule con cuidado.

ELIMINACIÓN DE LAS CENIZAS

Las cenizas se deben colocar en un contenedor metálico con tapa hermética. El contenedor de cenizas cerrado debe colocarse en una superficie no combustible o en el suelo, alejado de todos los materiales combustibles, hasta su eliminación definitiva. Cuando las cenizas se eliminen enterrándolas o bien dispersándolas de forma local, deben conservarse en un contenedor cerrado hasta que todas las cenizas se hayan enfriado por completo.

COMBUSTIBLE DE PÉLETS DE MADERA

Este aparato de cocina de pélets está diseñado y aprobado solo para combustibles de pélets de madera completamente naturales. Cualquier otro tipo de combustible que se use en este aparato anulará la garantía y los anuncios de seguridad. Debe usar únicamente pélets de madera completamente naturales, diseñados para parrillas de barbacoas con pélets. No use combustible con aditivos. Los pélets de madera son muy susceptibles a la humedad y deben guardarse siempre en un contenedor hermético. Si guarda la barbacoa, sin usarla, durante un período prolongado, le recomendamos retirar todos los pélets de la tolva y del alimentador de espiral de la barbacoa para prevenir bloqueos.

No use alcohol, petróleo, gasolina, líquido inflamable o queroseno para encender o reavivar un fuego en la barbacoa. Mantenga ese tipo de líquidos alejados del aparato cuando lo esté usando.

A la fecha de impresión, no hay normas del sector para los pélets de madera para barbacoas, si bien casi todos los fabricantes de pélets usan las mismas normas para la fabricación de pélets de madera de uso doméstico. Encontrará más información en www.pelletheat.org o en el *Pellet Fuel Institute*.

Póngase en contacto con su distribuidor local para consultar la calidad de los pélets de su zona y obtener información sobre la calidad de las marcas. Como no existe ningún control que regule la calidad de los pélets utilizados, no nos responsabilizamos de los daños ocasionados por la mala calidad del combustible.

CREOSOTA

La creosota, u hollín, es una sustancia similar al alquitrán. Al quemarse produce un humo negro con un residuo también de color negro. El hollín o la creosota se forma cuando el aparato se usa de forma incorrecta, como por ejemplo: bloqueo del ventilador de combustión, no se limpia y mantiene el área del quemador, la humedad afecta a los pélets o la combustión aire/combustible es deficiente.

Es peligroso manipular este aparato si las llamas se oscurecen, despiden hollín o si el foso del quemador contiene demasiados pélets. Cuando se enciende, esta creosota produce un fuego muy caliente y descontrolado, similar al fuego por grasa. Si esto ocurre, APAGUE la unidad, déjela enfriar por completo e inspeccione para su mantenimiento y limpieza. Normalmente se acumula a lo largo de las áreas de extracción.

Si se ha formado creosota dentro de la unidad, caliente la unidad a baja temperatura, apague el aparato y a continuación limpie cualquier formación con un paño. Al igual que el alquitrán, su limpieza resulta mucho más fácil en caliente ya que se vuelve líquida.

MONÓXIDO DE CARBONO ("EL ASESINO SILENCIOSO")

El monóxido de carbono es un gas incoloro, inodoro, insípido que se produce al quemar gas, madera, propano, carbón u otro combustible. El monóxido de carbono reduce la capacidad de la sangre de transportar oxígeno. Un bajo nivel de oxígeno en sangre puede producir dolor de cabeza, mareos, náuseas, vómitos, soñolencia, confusión, pérdida de conocimiento o muerte. Siga estas pautas para impedir que usted, su familia u otras personas resulten intoxicadas por este gas incoloro e inodoro:

- Consulte un médico si usted u otras personas experimentan síntomas parecidos a los de un catarro o gripe mientras cocina o se encuentra cerca del aparato. La intoxicación por monóxido de carbono, que puede confundirse fácilmente con un catarro o la gripe, frecuentemente se detecta demasiado tarde.
- El consumo de alcohol y el uso de fármacos incrementa los efectos de la intoxicación por monóxido de carbono.

El monóxido de carbono resulta especialmente tóxico para la madre y su hijo/a durante el embarazo, bebés pequeños, personas mayores, fumadores y personas con problemas del sistema sanguíneo o circulatorio, como anemia o enfermedad cardíaca.

ANUNCIOS DE SEGURIDAD

De acuerdo con los procedimientos y especificaciones de la Categoría 2728A-2019 de UL, "aparatos de cocina con pellets combustibles" y ULC/ORD C2728-19 "para características eléctricas de equipos de quema de combustible". Los aparatos de cocina con pellets Pit Boss® han sido probados de manera independiente y registrados por Intertek (un laboratorio de pruebas acreditado) de acuerdo con las normas UL y ULC.



AVISO DE COPYRIGHT

Copyright 2021. Todos los derechos reservados. Ninguna parte de este manual podrá copiarse, transmitirse, transcribirse, almacenarse en un sistema de recuperación, de ninguna forma ni por cualquier medio sin la autorización expresa por escrito de,

Dansons

3411 North 5th Avenue, Suite 500, Phoenix, AZ, USA 85013
sales@pitboss-grills.com | service@pitboss-grills.com
www.pitboss-grills.com

Atención al cliente

Lunes a domingo, de 4 a 20 h PST (EN/FR/ES)
Llamada gratuita: 1-877-303-3134, Fax: 1-877-303-3135

TABLA DE CONTENIDO

Información de seguridad.....	47	Piezas de repuesto	
Instrucciones de funcionamiento		Piezas de repuesto de la barbacoa PB550G.....	62
Entorno de la barbacoa.....	51	Piezas de repuesto de la barbacoa PB700G.....	63
Intervalos de temperatura de la barbacoa.....	52	Piezas de repuesto de la barbacoa PB850G.....	64
Descripción del tablero de control.....	53	Piezas de repuesto de la barbacoa PB1150G.....	65
Descripción de las sondas.....	54	Piezas de repuesto de la tolva PB550G.....	66
Descripción del ajuste "P".....	54	Piezas de repuesto de la tolva	
Procedimiento de cebado de la tolva.....	54	PB700G / PB850G / PB1150G.....	67
Primer uso - quemar la parrilla.....	55	Garantía	
Procedimiento de arranque automático.....	55	Condiciones.....	68
Procedimiento de arranque manual.....	56	Excepciones.....	68
Apagar la barbacoa.....	56	Pedido de piezas de repuesto.....	69
Cuidado y mantenimiento.....	56	Póngase en contacto con atención al cliente.....	69
Consejos y técnicas.....	57	Servicio de garantía.....	69
Resolución de problemas.....	58		
Diagrama de cableado eléctrico.....	61		

INSTRUCCIONES DE FUNCIONAMIENTO

Siguiendo el estilo de vida actual, nos esforzamos por comer alimentos saludables y nutritivos, y un factor para tener en cuenta es la importancia de reducir el consumo de grasas. Una de las mejores maneras de reducir el consumo de grasa es usar un método de cocción con poca grasa, como asar. Dado que una barbacoa de pélets usa pélets de madera natural, la carne coge un sabor salado amaderado y así se reduce la necesidad de añadir condimentos con alto contenido de azúcar. En este manual, observará que se hace hincapié en asar los alimentos lentamente con los ajustes de temperatura BAJA o MEDIA.

ENTORNO DE LA BARBACOA

1. *DÓNDE INSTALAR LA BARBACOA*

Como en todos los aparatos de uso exterior, las condiciones meteorológicas juegan un papel importante en el funcionamiento de la barbacoa y el tiempo de cocción necesario para que las comidas salgan perfectas.

Todas las unidades Pit Boss® deben guardar una distancia mínima de 914 mm (36 pulgadas) con los recipientes de combustible y esta distancia debe mantenerse mientras la barbacoa esté en uso. Este aparato no debe colocarse debajo de un techo o voladizo combustible. Mantenga la barbacoa en un área sin materiales combustibles, gasolina y otros vapores y líquidos inflamables.

2. *COCINAR CUANDO HACE FRÍO*

Aunque fuera haga cada vez más frío, ¡esto no supone el fin de la temporada de barbacoas! El aire frío y el aroma delicioso de los alimentos ahumados ayudan a curar la melancolía invernal.

Siga estas sugerencias para disfrutar de su barbacoa incluso en los meses más fríos:

- si no consigue ahumar a bajas temperaturas, aumente un poco la temperatura para conseguir los mismos resultados.
- Organizar: tenga preparado todo lo necesario en la cocina antes de salir a cocinar fuera. Durante el invierno, traslade la barbacoa a una zona alejada del viento y del frío directo. Compruebe los reglamentos locales sobre la proximidad que debe existir entre la barbacoa y su vivienda u otras estructuras. Coloque todo lo necesario en una bandeja, abríguese y ¡a cocinar!
- Para saber la temperatura que hace fuera, coloque un termómetro para exteriores cerca del área de cocina. Lleve un registro de lo que cocina, la temperatura exterior y el tiempo de cocción. Le servirá de ayuda la próxima vez que tenga que decidir qué cocinar y cuánto tardará.
- A muy bajas temperaturas, incremente en 20 minutos, como mínimo, el tiempo de precalentamiento.
- Evite levantar la tapa más de lo necesario. Las ráfagas de aire frío pueden enfriar por completo la temperatura de la barbacoa. Sea flexible con la hora de servir la comida; añada tiempo de cocción cada vez que abra la tapa.
- Caliente una fuente o tapa para mantener la temperatura de la comida hasta que vuelva al interior de la casa.
- Los alimentos perfectos para cocinar en invierno son aquellos que apenas requieren atención, como asados, pollos enteros, costillas y pavo. Facilite aún más la preparación de sus platos añadiendo guarniciones sencillas como verduras y patatas.

3. *COCINAR CUANDO HACE CALOR*

Cuando empieza a hacer calor, se acorta el tiempo de cocción.

Siga estas pocas sugerencias para disfrutar de su barbacoa incluso en los meses más calurosos:

- Reduzca las temperaturas de cocción. Le ayudará a evitar llamaradas imprevistas.
- Use un termómetro para carnes para conocer la temperatura interna de los alimentos. Le ayudará a prevenir que la carne se cocine demasiado y se seque.
- Incluso cuando hace calor, es mejor cocinar con la tapa de la barbacoa cerrada.
- Para mantener calientes los alimentos, envuélvalos en papel de aluminio y colóquelos en una nevera tipo camping aislada. Rellene los huecos alrededor del papel aluminio con papel de periódico y la comida se mantendrá caliente de 3 a 4 horas.

RANGOS DE TEMPERATURA DE LA BARBACOA

La temperatura que se lee en el tablero de control puede no coincidir exactamente con el termómetro. Todas las temperaturas que figuran a continuación son aproximadas y les afectan los factores siguientes: temperatura ambiente exterior, cantidad y dirección del viento, calidad del combustible de pélets utilizado, que se abra o no la tapa y cantidad de alimentos que se cocinan.

- **TEMPERATURA ALTA (205-260 °C/401-500 °F)**

Este rango es el mejor para dorar y asar a fuego fuerte. Úselo conjuntamente con el asador de fuego (placa deslizante) para cocinar con llama indirecta o directa. Con el **asador de fuego abierto**, la llama directa se usa para crear esos chuletones "azules", así como verduras asadas, tostadas de ajo o el postre americano "s'more"! Cuando el **asador de fuego está cerrado**, el aire circula dentro del tambor y genera calor por convección. La temperatura alta también se usa para precalentar la barbacoa, quemar las rejillas para cocinar y conseguir fuego alto en condiciones de frío extremo.

- **TEMPERATURA MEDIA (135-180 °C/275-356 °F)**

Este rango es el mejor para hornear, asar y poner el punto final a ese plato ahumado a fuego lento. Cocinar a estas temperaturas reducirá mucho la probabilidad de que la grasa genere llamaradas. Asegúrese de que la guía del asador de fuego esté en posición cerrada, cubriendo las aperturas ranuradas. Un rango perfecto para cocinar alimentos envueltos en béiscon o cuando se busca versatilidad con control.

- **TEMPERATURA BAJA (82-125 °C/180-257 °F)**

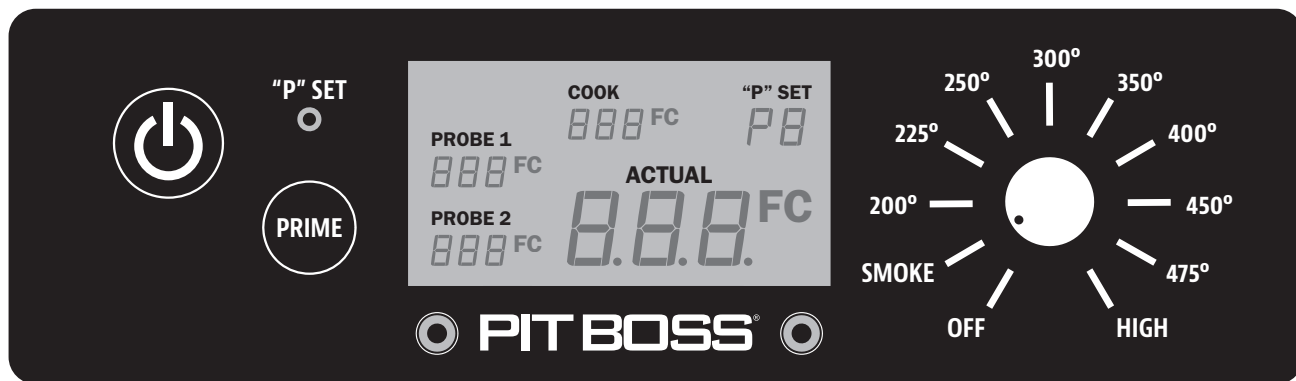
Este rango se usa para asar a fuego lento, potenciar el sabor ahumado y mantener la comida caliente. Potencie el sabor ahumado y haga que la carne resulte más jugosa prolongando el tiempo de cocción a más baja temperatura (también se conoce como **cocción a fuego lento**). Se recomienda para el gran pavo del Día de Acción de Gracias, el jugoso jamón de Pascua o las celebraciones navideñas.








El ahumado es una variación de la auténtica barbacoa y es la principal ventaja de cocinar en una barbacoa de pélets de madera. **El ahumado en caliente**, otro nombre para la cocción **a fuego lento**, por lo general se realiza a temperaturas de 82-125°C/180-257°F. El ahumado en caliente funciona mejor cuando se requiere una cocción más prolongada, como para grandes trozos de carne, pescado o aves.

CONSEJO: para potenciar ese sabor salado, cambie al rango de (bajas) temperaturas para AHUMAR inmediatamente después de colocar los alimentos en la barbacoa. Así el humo podrá penetrar la carne.

La clave está en experimentar con el tiempo de ahumado, antes de que los alimentos esté cocinados. Algunos chefs especializados en cocinar al aire libre prefieren ahumar al final de una cocción y así la comida se mantiene caliente hasta el momento de servirla. ¡La práctica hace al maestro!

COMPRENDER EL TABLERO DE CONTROL



MANDO	DESCRIPCIÓN
	Pulse el botón de Encendido para encender la unidad. El botón brillará de color azul si hay conexión con una fuente de alimentación. Pulse nuevamente el botón para apagar la unidad.
	El Dial de control de temperatura le permite ajustar la temperatura deseada para el ahumado. Una vez conectada la unidad a la fuente de alimentación y pulsado el botón de encendido, gire el dial y seleccione cualquiera de los diez preajustes de temperatura, entre 82-260 °C/180-500 °F. Cuando se fija el dial en un preajuste de temperatura, la pantalla LCD digital se ilumina e indica que la unidad está lista para funcionar. Cuando el dial se fija en apagado, la pantalla LCD digital permanecerá apagada.
"P" SET 	El botón de ajuste "P" se usa para seleccionar uno de los ocho ajustes cuando el Dial de control de temperatura se establece en el ajuste Ahumar. Pulse el botón para cambiar el ajuste "P" y adaptarlo a su estilo y entorno de cocción como prefiera. Con <u>pulsar brevemente</u> el botón, el ajuste aumenta de P0 a P7, y después se repite. La regulación solo se puede realizar en el ajuste Ahumar. El ajuste predeterminado de fábrica es "P4". Si se regula el ajuste "P", su preferencia se fijará (guardará) hasta la próxima vez que la regule. El botón de ajuste "P" también se usa como Control de cambio de temperatura para cambiar la lectura de la temperatura en la pantalla LCD. Pulse y <u>mantenga</u> pulsado el botón dos segundos para cambiar a Celsius (°C) o Fahrenheit (°F), como prefiera. El ajuste predeterminado es Fahrenheit.
	La pantalla LCD se usa como centro de información de la unidad. La pantalla LCD mostrará la Temperatura de cocción deseada, la Temperatura de cocción real y las Temperaturas de la sonda de carne (si está conectada). Si solo hay una Sonda de carne conectada, solo se mostrará una lectura.
PRIME 	Pulse y mantenga pulsado el botón de Cebado para activar una carga adicional de pélets a la chimenea. Se puede usar para añadir combustible al fuego antes de abrir la tapa del tambor, lo que da lugar a un rápido tiempo de recuperación del calor. También se puede usar durante el ahumado para potenciar un sabor ahumado limpio. Solicitado de las cocinas de concurso.
SMOKE 	El ajuste Ahumar en el Dial de control de temperatura es el modo de arranque de la unidad. La barbacoa funciona a la temperatura mínima, sin apagarse el fuego.
	Los puertos de conexión complementarios en la parte frontal del Tablero de control son para la(s) Sonda(s) de carne . Cuando hay una sonda de carne conectada, la temperatura aparece en la pantalla LCD. Cuando no se use, desconecte la sonda de carne del puerto de conexión. <i>Compatible solamente con sondas de carne de la marca Pit Boss®. La(s) sonda(s) de carne adicionales se venden por separado.</i>



COMPRENDER LAS SONDAS

• SONDA DE TEMPERATURA

La sonda de temperatura está situada en el interior del tambor principal, pared izquierda. Es una pieza pequeña y vertical de acero inoxidable. La sonda de temperatura mide la temperatura interna de la unidad. Cuando se ajusta la temperatura en el Tablero de control, la sonda de temperatura mostrará la temperatura real dentro de la unidad y la ajustará a la temperatura deseada.

IMPORTANTE: el clima exterior, la calidad de los pélets usados, el sabor de los pélets y la cantidad de alimentos que se estén cocinando afectan mucho la temperatura de la unidad.

• SONDA DE CARNE

La sonda de carne mide la temperatura interna de la carne en la barbacoa, similar a un horno interior. Enchufe el adaptador de la sonda de carne en el puerto de conexión de la sonda de carne en el Tablero de control e inserte la sonda de carne de acero inoxidable en la parte más gruesa de la carne, y en el tablero de control aparecerá la temperatura. **Para garantizar la conexión correcta de la sonda de carne con el puerto de conexión, deberá sentir y oír su enganche.**

NOTA: cuando inserte la sonda de carne en la carne, asegúrese de que la sonda de carne y los cables de la sonda de carne no estén en contacto directo con el fuego o un calor excesivo. Esto podría dañar la sonda de carne. Tire del cable sobrante hacia fuera por los orificios de extracción traseros de la barbacoa principal o de la parte superior de la barbacoa principal (junto a la bisagra de la tapa de la barbacoa). Cuando no se use, desconéctela del puerto de conexión de la sonda de carne y consérvela aparte para mantenerla protegida y limpia.

COMPRENDER EL AJUSTE "P"

Cuando se pulsa el botón de ajuste "P" empotrado, el ajuste "P" que aparece en la pantalla LCD parpadeará y cambiará al valor siguiente (a más). Una vez alcanzado P7, se reiniciará en P0. Hay ocho ajustes "P", de P0 a P7. El botón de ajuste "P" empotrado puede pulsarse con un objeto de punta fina.

IMPORTANTE: no pulse el botón de ajuste "P" con demasiada fuerza ya que se puede romper. Basta con pulsarlo ligeramente.

• USO DEL AJUSTE "P" EN MODO AHUMAR

Siempre que el dial de temperatura esté en el ajuste AHUMAR, como en el ciclo de arranque, el alimentador de espiral funcionará en un modo de cocción similar al manual en lugar de usar alguno de los preajustes de temperatura del dial. En primer lugar, el alimentador de espiral girará continuamente y alimentará pélets durante cuatro minutos. Al cabo de los cuatro minutos, el alimentador de espiral comienza un ciclo de alimentación en función del ajuste "P" seleccionado en el Tablero de control digital. El ajuste predeterminado es P4.

VALOR "P"	CICLO DE LA BARRENA (segundos)	
	ENCENDIDO	APAGADO
P0	18	55
P1	18	70
P2	18	85
P3	18	100
*P4	18	115
P5	18	130
P6	18	140
P7	18	150

** Configuración predeterminada*

PROCEDIMIENTO DE CEBADO DE LA TOLVA

Debe seguir estas instrucciones la primera vez que se encienda la barbacoa y cada vez que la tolva se quede sin pélets. El alimentador de espiral debe cebarse para que los pélets lo atraviesen y llenen la chimenea. **Si no se ceba, el sistema de ignición agotará su tiempo de espera antes de que los pélets se encienda y no prenderán fuego.** Siga estos pasos para cebar la tolva:

1. Abra la tapa de la tolva. Asegúrese de que no haya objetos extraños en la tolva ni que estén bloqueando la parte inferior de alimentador de espiral.
2. Extraiga todos los componentes de cocina del interior de la barbacoa. Localice la chimenea en la parte inferior del tambor principal.
3. Conecte el cable de alimentación a una toma de corriente. Pulse el **botón de Encendido** para encender la unidad, y gire el **Dial de control de temperatura** a la posición AHUMAR. Realice las comprobaciones siguientes:
 - Que puede oír girar el alimentador de espiral. Coloque la mano por encima de la chimenea y compruebe si percibe el movimiento de aire. No coloque la mano ni los dedos dentro de la chimenea. Puede lesionarse.
 - Después de alrededor de un minuto, el sistema de ignición debería oler a fuego y comenzar a calentarse el aire en la chimenea. La punta del sistema de ignición no brilla de color rojo, pero se calienta mucho y quema. No toque el sistema de ignición.

4. Una vez que haya comprobado que todos los componentes eléctricos están funcionando correctamente, pulse el **botón de Encendido** para apagar la unidad.
5. Llene la tolva con pélets de madera natural para barbacoas.
6. Pulse el **botón de Encendido** para encender la unidad. Mantenga el **Dial de control de temperatura** en la posición AHUMAR. Pulse y mantenga pulsado el **botón de Cebado** hasta que vea pélets en el interior de la barbacoa desde el tubo del alimentador de espiral. Una vez que los pélets empiecen a caer en la chimenea, suelte el **botón de Cebado**.
7. Pulse el **botón de Encendido** para apagar la unidad.
8. Reinstale los componentes de cocina en el tambor principal. La barbacoa ya está lista para usar. (Consulte las *Instrucciones de montaje* para garantizar la instalación correcta de los componentes de cocina).

PRIMER USO: QUEMAR LA PARRILLA

Una vez que haya cebado la tolva y antes de cocinar en la barbacoa por primera vez, es importante quemar la parrilla. Encienda la barbacoa para que funcione a cualquier temperatura superior a 176 °C/350 °F (con la tapa bajada) de 30 a 40 minutos para quemar la parrilla y eliminar cualquier material extraño.

PROCEDIMIENTO DE ARRANQUE AUTOMÁTICO

1. Conecte el cable de alimentación a una toma de corriente con conexión a tierra. Abra la tapa del tambor principal. Compruebe la chimenea para asegurarse de que nada pueda obstruir un encendido correcto. Abra la tapa de la tolva. Asegúrese de que no haya objetos extraños en la tolva ni en el alimentador de espiral. Llene la tolva con pélets secos de madera noble natural para barbacoas.
2. Asegúrese de que el **Dial de control de temperatura** esté en la posición AHUMAR. Pulse el **botón de Encendido** para encender la unidad. Se activará el ciclo de arranque. El alimentador de espiral comenzará a girar, el sistema de ignición comenzará a brillar y el ventilador enviará aire a la chimenea. La barbacoa empezará a generar humo durante el ciclo de arranque. La tapa del tambor debe permanecer abierta durante el ciclo de arranque. Para confirmar que el ciclo de arranque ha comenzado correctamente, debería oírse un ruido similar al de una antorcha y observarse la presencia de calor.
3. Una vez que se haya disipado el humo denso y blanco, habrá finalizado el ciclo de arranque y podrá disfrutar de su barbacoa a la temperatura deseada.

PROCEDIMIENTO EN CASO DE FALLO DEL SISTEMA DE IGNICIÓN

Si, por algún motivo, el sistema de ignición eléctrica falla o se apaga la llama de la barbacoa durante la cocción, compruebe los pasos siguientes o arranque la barbacoa con el método manual.

1. Asegúrese de que el **Dial de control de temperatura** esté apagado y en la posición AHUMAR. Abra la tapa del tambor. Extraiga los componentes de cocina del interior. Extraiga todos los pélets sin quemar y las cenizas de la chimenea. Evite el contacto con el sistema de ignición para no hacerse daño, ya que puede estar muy caliente.
2. Una vez que se hayan retirado y limpiado todos los componentes de cocina, pulse el **botón de Encendido** para encender la unidad. Compruebe lo siguiente:
 - Confirme visualmente si el sistema de ignición funciona colocando la mano por encima de la chimenea y comprobando si percibe calor.
 - Confirme visualmente si el sistema de ignición sobresale aproximadamente 13 mm/0,5 pulgadas en la chimenea.
 - Confirme visualmente si el alimentador de espiral está soltando pélets en la chimenea.
 - Para confirmar si el ventilador de combustión está funcionando, debería escucharse un ruido similar al de una antorcha.
3. Si no funcionara alguno de los elementos anteriores, siga las instrucciones para la **Solución de problemas**.

PROCEDIMIENTO DE ARRANQUE MANUAL

1. Asegúrese de que el **Dial de control de temperatura** esté en la posición **AHUMAR**. Conecte el cable de alimentación a una toma de corriente con conexión a tierra.
2. Compruebe la chimenea para asegurarse de que nada pueda obstruir un encendido correcto. Abra la tapa de la tolva. Asegúrese de que no haya objetos extraños en la tolva ni en el alimentador de espiral. Llene la tolva con pélets secos de madera noble natural para barbacoas.
3. Abra la tapa del tambor. Extraiga los componentes de cocina del interior para dejar a la vista la chimenea. Coloque un buen puñado de pélets en la chimenea. Eche un chorro de gel de encendido, u otro producto de encendido adecuado para pélets, por encima de los pélets. Una pastilla pequeña sólida de encendido de fuego, como las compuestas por aserrín y cera, o virutas de madera, también es válida. Añada otra cantidad pequeña de pélets a la chimenea.

NOTA: no use alcohol, petróleo, gasolina, líquido inflamable o queroseno para encender o reavivar un fuego en la barbacoa.

4. Prenda el contenido de la chimenea con un fósforo largo o un mechero de cocina. Deje quemar el contenido de arranque de 3 a 5 minutos. No añada material de arranque a la chimenea. Puede lesionarse.
5. Vuelva a colocar rápidamente y con cuidado los componentes de cocina en el interior del tambor principal. Continúe con el arranque en el paso dos del **Procedimiento de arranque automático**.

APAGAR LA BARBACOA

1. Cuando haya terminado de cocinar, y dejando cerrada la tapa del tambor principal, pulse el **botón de Encendido** para apagar la unidad y coloque el **Dial de control de temperatura** en la posición de APAGADO.

CUIDADO Y MANTENIMIENTO

Todas las unidades Pit Boss® le proporcionarán muchos años de servicio y sabor con una limpieza mínima. Siga estos consejos de limpieza y servicio para mantener la barbacoa:

1. CONJUNTO DE TOLVA

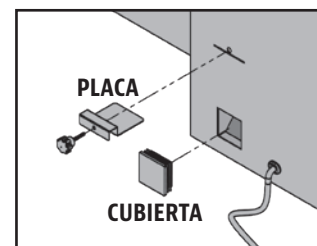
- La tolva incluye una función de limpieza que facilita la limpieza y cambio de sabores del combustible de pélets. Para vaciarla, localice la placa y el vertedero en la parte posterior de la tolva. Coloque un cubo vacío y limpio debajo de la cubierta del vertedero y a continuación retire la cubierta. Desenrosque la placa, deslícela hacia fuera y se vaciarán los pélets.

NOTA: use un cepillo de mango largo o un aspirador en seco y húmedo para eliminar el exceso de pélets, serrín y residuos, y limpiar por completo la pantalla de la tolva.

- Si no va a usar la barbacoa durante un período de tiempo prolongado, se recomienda vaciar todos los pélets del alimentador de espiral. Para ello solo tiene que hacer funcionar la barbacoa, con la tolva vacía, hasta que hayan salido todos los pélets del tubo del alimentador de espiral.
- Compruebe si hay residuos en el orificio de entrada de aire del ventilador, en la base de la tolva, y elimínelos. Una vez extraído el panel de acceso a la tolva (véase **Diagrama de cableado eléctrico** para consultar el diagrama), limpie con cuidado cualquier acumulación de grasa que pueda haber en las aspas del ventilador. Así asegura un flujo de aire suficiente para el sistema de alimentación.

2. SONDAS

- Las arrugas o los pliegues en los cables de la sonda pueden producir daños. Una sonda de carne que no se use debe enrollarse en un rollo grande y holgado.
- Aunque la sonda de temperatura y las sondas de carne sean de acero inoxidable, no deben colocarse en el lavavajillas ni sumergirse en agua. El daño que el agua puede producir en los cables internos dará lugar a un cortocircuito de la sonda y lecturas erróneas. Si una sonda está averiada debe sustituirse.



3. SUPERFICIES INTERNAS

- Se recomienda limpiar la chimenea cada pocos usos. Así se asegurará de que el sistema de ignición funcione correctamente y evitará cualquier acumulación de residuos o cenizas en la chimenea.
- Use un cepillo de mango largo para la limpieza de parrillas, elimine los restos de comida de las rejillas para cocinar. La práctica recomendada es hacerlo mientras están aún calientes de un uso anterior. Los fuegos de grasa se producen cuando caen demasiados residuos sobre los componentes para cocinar de la barbacoa. Limpie el interior de la barbacoa con regularidad. Si la grasa prende fuego, mantenga cerrada la tapa de la barbacoa para extinguir el fuego. Si el fuego no se extingue rápidamente, retire con cuidado la comida, apague la barbacoa y cierre la tapa hasta que el fuego se haya extinguido por completo. Esparza un poco de bicarbonato de soda, si lo tiene a mano.
- Compruebe a menudo el cubo para la grasa y límpielo si es necesario. Tenga en cuenta el tipo de cocina que suele realizar.

IMPORTANTE: dado el calor intenso, no cubra el asador de fuego ni las sondas con papel aluminio.

4. SUPERFICIES EXTERNAS

- Limpie la barbacoa después de cada uso. Use agua tibia jabonosa para reducir la grasa. No use limpiadores de horno, limpiadores abrasivos ni estropajos abrasivos en las superficies externas de la barbacoa. **Ninguna de las superficies pintadas están cubiertas por la garantía**, sino que forman parte del mantenimiento y conservación general. En el caso de rasguños de pintura, desgaste o desconchado del acabado, todas las superficies pintadas pueden retocarse con la pintura BBQ para altas temperaturas.
- Use una cubierta para una protección completa de la barbacoa. Un cubierta es la mejor protección contra los agentes contaminantes climáticos y exteriores. Cuando no se use o se almacene durante períodos prolongados, coloque la unidad bajo techo en un garaje o cobertizo.

FRECUENCIA DE LIMPIEZA (USO NORMAL)

COMPONENTE	FRECUENCIA DE LIMPIEZA	MÉTODO DE LIMPIEZA
Base de la parrilla principal	Cada 5-6 usos de la barbacoa	Eliminar los residuos con un recogedor o aspiradora en seco o húmedo
Chimenea	Cada 2-3 usos de la barbacoa	Eliminar los residuos con un recogedor o aspiradora en seco o húmedo
Rejillas para cocinar	Después de cada uso de la barbacoa	Quemar el exceso, cepillo de alambre de latón
Parrilla	Cada 5-6 usos de la barbacoa	Raspar la placa principal con guía, No lavar
Estante delantero	Después de cada uso de la barbacoa	Estropajo y agua jabonosa
Recogegrasas	Después de cada uso de la barbacoa	Estropajo y agua jabonosa
Alimentador de espiral	Cuando se vacía la bolsa de gránulos	Deje que el alimentador de espiral expela el serrín hasta que se vacíe la tolva
Componentes eléctricos de la tolva	Una vez por año	Limpiar el interior, limpiar las aspas del ventilador con agua jabonosa
Orificio de entrada de aire	Cada 5-6 usos de la barbacoa	Limpiar, estropajo y agua jabonosa
Sonda de temperatura	Cada 2-3 usos de la barbacoa	Estropajo y agua jabonosa

CONSEJOS Y TÉCNICAS

Siga estas prácticas sugerencias y técnicas que nos han hecho llegar propietarios de productos Pit Boss®, nuestros empleados y clientes como usted, para familiarizarse con la barbacoa:

1. SEGURIDAD ALIMENTARIA

- Mantenga limpios todos los elementos de cocina y la zona de cocina. Para la carne cocinada use fuentes y utensilios diferentes a los que haya usado para preparar o transportar la carne cruda a la barbacoa. De esa manera evitar la contaminación cruzada de bacterias. Use un utensilio distinto para cada adobo o salsa.
- Mantenga calientes los alimentos calientes (más de 60 °C/140 °F) y fríos los alimentos fríos (menos de 3 °C/37 °F).
- No guarde nunca el resto de un adobo para usar en otra ocasión. Si lo va a servir con la carne, asegúrese de que hierva antes de servirlo.

- Los alimentos cocinados no deben permanecer fuera a altas temperaturas durante más de una hora. No deje los alimentos calientes fuera de la nevera durante más de dos horas.
- Descongele y macere las carnes mediante refrigeración. No descongele carne a temperatura ambiente o en una encimera. Las bacterias pueden aumentar y multiplicarse rápidamente en los alimentos calientes y húmedos. Lávese bien las manos con agua jabonosa después de comenzar a preparar la comida y después de manipular carne, pescado y aves crudas.

2. PREPARACIÓN PARA COCINAR

- Prepárese, o dicho de otro modo **manos a la obra**. Con esto nos referimos a estar preparados para la receta de cocina y disponer del combustible, los accesorios, utensilios y todos los ingredientes que necesite cerca de la barbacoa antes de empezar a cocinar. También conviene leer la receta completa, de principio a fin, antes de encender la barbacoa.
- Una alfombrilla para barbacoas también es muy práctica. Debido a los accidentes que se producen al cocinar alimentos y a las salpicaduras, una esterilla para barbacoas protegerá cualquier suelo, patio o plataforma de piedra contra posibles manchas de grasa o derramamientos accidentales.

3. CONSEJOS Y TÉCNICAS PARA COCINAR EN LA BARBACOA

- Para potenciar el sabor ahumado de la carne, cocine durante más tiempo a temperaturas más bajas (también se conoce como **cocción a fuego lento**). La carne cerrará sus fibras tras alcanzar una temperatura interna de 49 °C/120 °F. Rociar o humedecer la carne son dos buenas maneras de evitar que la carne se seque.
- Cuando chamusque la carne, mantenga la tapa cerrada. Use siempre un termómetro para carnes para conocer la temperatura interna de los alimentos que está cocinando. Ahumar alimentos con pélets de madera noble hará que la carne y las aves tomen un color rosado. La franja rosada (después de cocinar) se conoce como **anillo ahumado** y es algo muypreciado por los chefs especializados en cocinar al aire libre.
- Las salsas con azúcar es mejor aplicarlas al final de la cocción para impedir fuegos y llamaradas inesperadas.
- Deje espacio libre entre los alimentos y las extremidades del tambor para conseguir una circulación adecuada del calor. Si hay muchos alimentos en la parrilla habrá que aumentar el tiempo de cocción.
- Use un juego de tenazas de mango largo para voltear la carne y una espátula para voltear hamburguesas y pescado. Con un utensilio perforador, como un tenedor, puede pinchar la carne para que salga su jugo.
- Los alimentos en cazuelas profundas necesitarán más tiempo de cocción que un molde para hornear poco profundo.
- Se recomienda colocar los alimentos cocinados en una fuente precalentada para mantenerlos calientes. A las carnes rojas, como chuletones y asados, les va bien dejarlos reposar varios minutos antes de servir. Permite que los jugos que el calor hizo salir a la superficie vuelvan al centro de la carne y les añadan sabor.

RESOLUCIÓN DE PROBLEMAS

Una limpieza adecuada, mantenimiento y el uso de combustible limpio, seco y de calidad impedirán que surjan los problemas de funcionamiento más comunes. Cuando la barbacoa Pit Boss® no funcione bien, o se use con menor frecuencia, las siguientes sugerencias de solución de problemas pueden resultar útiles. Para consultar las preguntas frecuentes, visite www.pitboss-grills.com. También puede ponerse en contacto con su distribuidor local autorizado de Pit Boss® o bien solicitar asistencia al servicio de Atención al cliente.

ADVERTENCIA: desconecte siempre el cable eléctrico antes de abrir la barbacoa para cualquier inspección o tarea de limpieza, mantenimiento o reparación. Asegúrese de que la barbacoa se haya enfriado por completo para evitar lesiones.

PROBLEMA	CAUSA	SOLUCIÓN
Sin luces de encendido en el tablero de control	El dial de control de temperatura sigue apagado.	Pulse el botón de Encendido y asegúrese de que brille de color azul para indicar si hay conexión eléctrica. Gire el Dial de control de temperatura a un ajuste de temperatura.

	No conectada a una fuente de alimentación	Asegúrese de que la unidad esté conectada a una fuente de alimentación que funcione. Reinicie el disyuntor. Asegúrese de que la toma GFCI sea de 10 amperios como mínimo (véase el Diagrama de cableado eléctrico para consultar el acceso a los componentes eléctricos). Asegúrese de que todas las conexiones por cable estén firmemente conectadas y secas.
	Fusible quemado en el tablero de control	Extraiga el panel de acceso a la tolva (consulte el Diagrama de cableado eléctrico), empuje hacia dentro las lengüetas de plástico que sujetan el tablero de control y tire cuidadosamente del controlador situado dentro de la tolva para soltarlo. Compruebe si el fusible tiene un cable roto o si el cable está ennegrecido. En caso afirmativo, es necesario cambiar manualmente el fusible.
	La toma GFCI se ha desconectado.	Extraiga el panel de acceso a la tolva (consulte el Diagrama de cableado eléctrico) y asegúrese de que todos los cables estén firmemente conectados y secos. Asegúrese de que la toma GFCI sea de 10 amperios como mínimo.
	Tablero de control defectuoso	Debe sustituirse el Tablero de control. Póngase en contacto con Atención al cliente para solicitar el recambio.
El fuego de la chimenea no se enciende	El alimentador de espiral no se ceba	Antes de usar la unidad por primera vez o siempre que la tolva esté completamente vacía, debe cebarse el alimentador de espiral para que los gránulos el tubo del alimentador de espiral. Si no se ceba, el sistema de ignición agotará su tiempo de espera antes de que los gránulos lleguen a la chimenea. Siga el Procedimiento de cebado de la tolva .
	El motor de alimentador de espiral está atascado	Extraiga los componentes de cocina del tambor principal. Pulse el botón de Encendido para encender la unidad, gire el Dial de control de temperatura a la posición AHUMAR e inspeccione el alimentador de espiral. Confirme visualmente si el alimentador de espiral está soltando gránulos en la chimenea. Si no funciona bien, llame a Atención al cliente para solicitar asistencia o una pieza de recambio.
	Fallo del sistema de ignición	Extraiga los componentes de cocina del tambor principal. Pulse el botón de Encendido para encender la unidad y gire el Dial de control de temperatura a la posición AHUMAR, e inspeccione el sistema de ignición. Confirme visualmente si el sistema de ignición funciona colocando la mano por encima de la chimenea y comprobando si percibe calor. Confirme visualmente si el sistema de ignición sobresa aproximadamente 13 mm/0,5 pulgadas en la chimenea. Si no funciona bien, siga el Procedimiento de arranque manual para continuar usando la barbacoa, pero si necesita asistencia o algún recambio, llame al servicio de Atención al cliente.
Puntos parpadeantes en la pantalla LCD	El sistema de ignición está encendido	No es un error que afecte a la barbacoa. Se usa para indicar que la unidad está encendida y en modo Arranque (sistema de ignición encendido). El sistema de ignición se apagará una vez transcurridos cinco minutos. Una vez que hayan desaparecido los puntos parpadeantes, la barbacoa comenzará a ajustar la temperatura deseada que se haya seleccionado.
Temperatura parpadeante en la pantalla LCD	La temperatura de la barbacoa es inferior a 65 °C/150 °F	No es un error que afecte a la unidad, sino que se usa para indicar que hay riesgo de que el fuego se apague. Compruebe si hay combustible suficiente en la tolva o hay alguna obstrucción en el alimentador de espiral. Extraiga los gránulos y siga las instrucciones de Cuidado y mantenimiento . Compruebe la sonda de temperatura de la barbacoa y siga las instrucciones de Cuidado y mantenimiento si está sucia. Compruebe si la chimenea presenta acumulación de cenizas u obstrucciones, y siga las instrucciones de Cuidado y mantenimiento si hay acumulación de cenizas. Compruebe el ventilador. Asegúrese de que esté funcionando correctamente y que la entrada de aire no esté bloqueada. Siga las instrucciones de Cuidado y mantenimiento si está sucia. Compruebe el motor del alimentador de espiral para confirmar que está funcionando (rotando) y asegúrese de que el tubo del alimentador de espiral no esté bloqueado.
Código de error "ErH"	La unidad se ha recalentado, posiblemente debido a fuego de grasa o exceso de combustible.	Pulse el botón de Encendido para apagar la unidad y deje enfriar la barbacoa. Siga las instrucciones de Cuidado y mantenimiento . Tras las tareas de mantenimiento, extraiga los gránulos y confirme la colocación de todas las piezas componentes. Una vez se haya enfriado, pulse el botón de Encendido para encender la unidad y seleccione la temperatura deseada. Si aún aparece el error, póngase en contacto con Atención al cliente.
Código de error "Er1"	El cable de la sonda de temperatura no establece conexión.	Extraiga el panel de acceso a la tolva (consulte el Diagrama de cableado eléctrico) y compruebe si los cables de la Sonda de temperatura están dañados. Asegúrese de que los conectores molex de la Sonda de temperatura estén firme y correctamente conectados al Tablero de control.
Código de error "ErP"	La unidad no se apagó correctamente la última vez que se conectó a la alimentación.	La función de seguridad impide el reinicio automático. Pulse el botón de Encendido para apagar la unidad, espere dos minutos y pulse el botón de Encendido para volver a encender la unidad. Gire el Dial de control de temperatura al ajuste AHUMAR o a la temperatura deseada. Si aún aparece el error, póngase en contacto con Atención al cliente.

	Corte de luz mientras la unidad está en funcionamiento.	La función de seguridad impide el reinicio automático. Pulse el botón de Encendido para apagar la unidad, espere dos minutos y pulse el botón de Encendido para volver a encender la unidad. Gire el Dial de control de temperatura al ajuste AHUMAR o a la temperatura deseada. Si aún aparece el error, póngase en contacto con Atención al cliente.
Código de error ErL	La parrilla no realiza el ciclo de arranque	Verifique el posicionamiento adecuado de los componentes de cocción. Verifique que la tolva tenga suficiente combustible o si hay una obstrucción en el sistema de alimentación. Retire los gránulos y siga las instrucciones de Cuidado y mantenimiento . Verifique la sonda de la parrilla. Confirme si la temperatura real es correcta y precisa. Siga las instrucciones de Cuidado y mantenimiento si está sucio. Verifique la posición del encendedor y que se esté calentando correctamente. En frío extremo, la parrilla puede requerir un segundo arranque. Apague la parrilla, espere y vuelva a encenderla. Verifique el ventilador. Asegúrese de que esté funcionando correctamente. Siga las instrucciones de Cuidado y mantenimiento si está sucio.
	La parrilla no permanecerá encendida	
Código de error "noP"	Mala conexión en el puerto de conexión	Desconecte la sonda de carne del puerto de conexión del Tablero de control y vuelva a conectarla. Asegúrese de que el adaptador de la sonda de carne esté firmemente conectado. Compruebe si hay indicios de daños en el extremo del adaptador. Si el fallo persiste, póngase en contacto con Atención al cliente para solicitar el recambio.
	Sonda de carne dañada	Compruebe si hay indicios de daño en los cables de la sonda de carne. Si hay daños, póngase en contacto con Atención al cliente para solicitar el recambio.
	Tablero de control defectuoso	Debe sustituirse el Tablero de control. Póngase en contacto con Atención al cliente para solicitar el recambio.
La temperatura de la barbacoa con el ajuste AHUMAR es demasiado alta	El ajuste "P" es demasiado BAJO	Pulse el botón de ajuste "P" e incremente el ajuste "P".
La barbacoa no alcanza o no mantiene la temperatura estable	Circulación de aire insuficiente en la chimenea	Compruebe si la chimenea presenta acumulación de ceniza u obstrucciones. Siga las Instrucciones de Cuidado y mantenimiento para la acumulación de cenizas. Compruebe el ventilador. Asegúrese de que esté funcionando correctamente y que la entrada de aire no esté bloqueada. Siga las instrucciones de Cuidado y mantenimiento si está sucia. Compruebe el motor del alimentador de espiral para confirmar que está funcionando y asegúrese de que el tubo del alimentador de espiral no esté bloqueado. Una vez realizados los pasos anteriores, encienda la barbacoa, establezca la temperatura en AHUMAR y espere 10 minutos. Compruebe si la llama es brillante y viva.
	Falta combustible, combustible de mala calidad, obstrucción en el sistema de alimentación	Compruebe si el nivel de combustible en la tolva es suficiente y reponga si es bajo. Si la calidad de los gránulos es mala, o si estos son demasiado largos, esto puede producir obstrucciones en el sistema de alimentación. Extraiga los gránulos y siga las instrucciones de Cuidado y mantenimiento .
	Sonda de temperatura	Compruebe el estado de la sonda de temperatura. Siga las instrucciones de Cuidado y mantenimiento si está sucia. Póngase en contacto con Atención al cliente para solicitar un recambio si está dañada.
La barbacoa despidе demasiado humo o humo descolorido	Acumulación de grasa	Siga las instrucciones de Cuidado y mantenimiento .
	Calidad de los gránulos de madera	Extraiga los gránulos de madera húmedos de la tolva. Siga las instrucciones de Cuidado y mantenimiento para limpiar. Sustituya por gránulos de madera secos.
	La chimenea está bloqueada	Extraiga los gránulos de madera húmedos de la chimenea. Siga el Procedimiento de cebado de la tolva.
	Circulación de aire insuficiente para el ventilador	Compruebe el ventilador. Asegúrese de que esté funcionando correctamente y que la entrada de aire no esté bloqueada. Siga las instrucciones de Cuidado y mantenimiento si está sucia.
Llamaradas frecuentes	Temperatura de cocción	Pruebe cocinar a temperatura más baja. La grasa tiene un punto de inflamación. Mantenga la temperatura por debajo de 176 °C/350 °F cuando cocine alimentos muy grasos.
	Acumulación de grasa en los componentes de cocina	Siga las instrucciones de Cuidado y mantenimiento .

DIAGRAMA DE CABLEADO ELÉCTRICO

El sistema del Tablero de control digital es una pieza de tecnología compleja y valiosa. Para proteger contra las subidas de tensión y los cortocircuitos, consulte el diagrama de cableado para asegurarse de que la fuente de alimentación sea suficiente para que la unidad funcione correctamente.

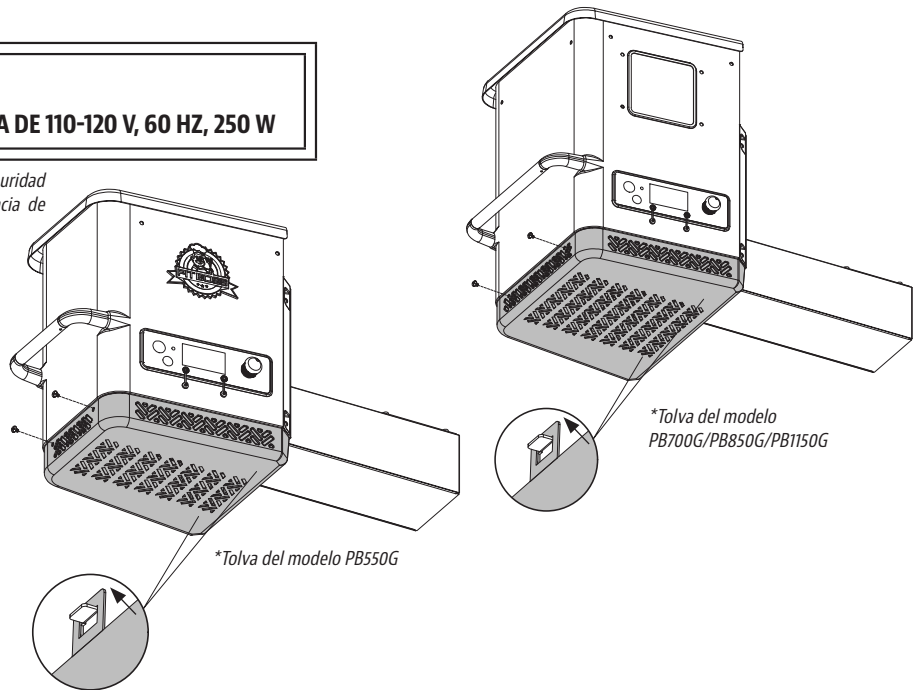
PB – REQUISITOS ELÉCTRICOS

ENCHUFE DE 3 CLAVIJAS CON CONEXIÓN A TIERRA DE 110-120 V, 60 HZ, 250 W

NOTA: los componentes eléctricos, que han superado las pruebas de seguridad y los servicios de certificación de producto, cumplen con la tolerancia de prueba de ± 5-10 por ciento.

LOCALICE Y EXTRAIGA LOS DOS TORNILLOS DEL PANEL DE ACCESO SITUADO EN EL LATERAL DE LA TOLVA.

SUELTE EL PANEL INFERIOR DE LA TOLVA HACIA ABAJO Y VUELVA A DESLIZARLO HACIA ATRÁS PARA EXTRAERLO DE LA PESTAÑA.

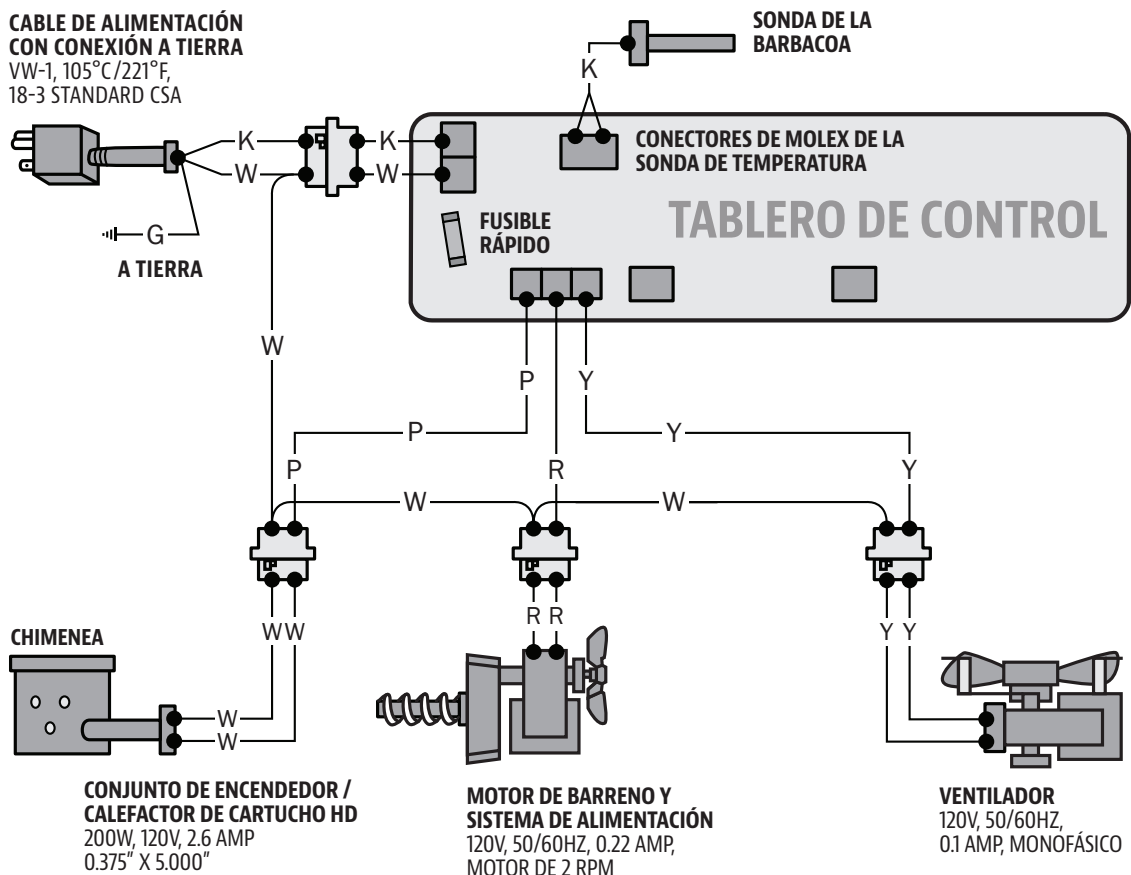


TASA DE ENTRADA DE COMBUSTIBLE:
2 KG/H
(4.4 LB/H)

ÍNDICE

B: BLANCO
A: AMARILLO
M: MORADO
R: ROJO
N: NEGRO
V: VERDEN

CABLE DE ALIMENTACIÓN CON CONEXIÓN A TIERRA
VW-1, 105°C/221°F,
18-3 STANDARD CSA

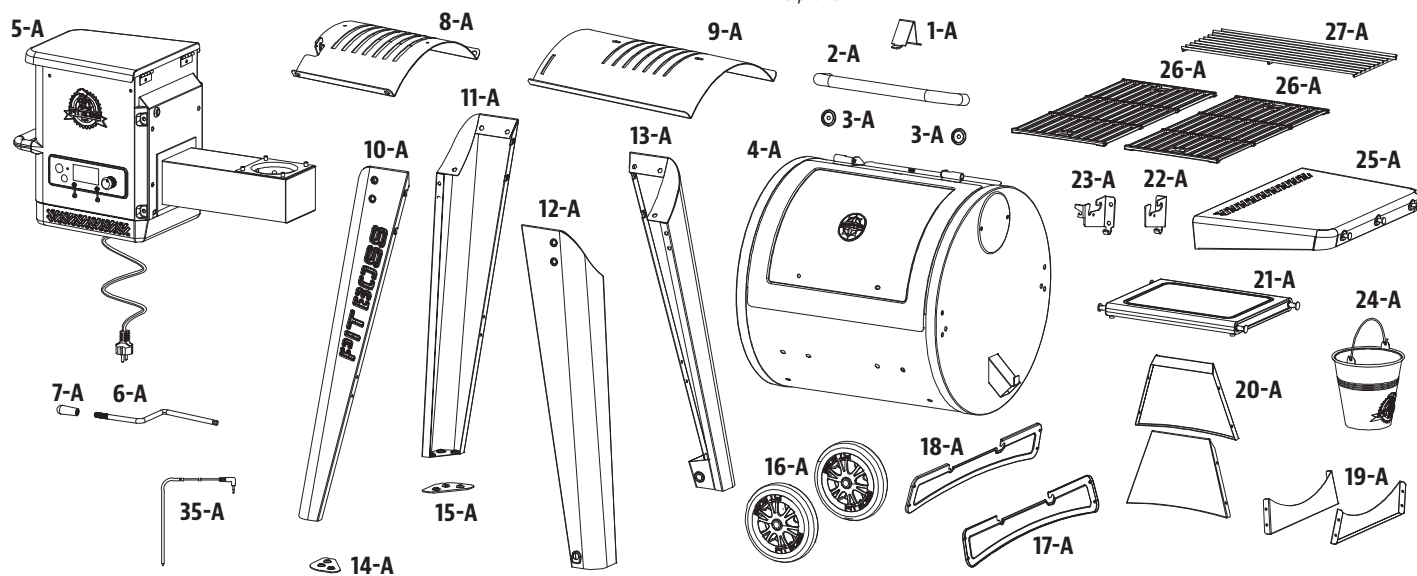


PIEZAS DE REPUESTO DE LA BARBACOA PB550G

Nº de referencia	Descripción
1-A	Tope para la tapa (x1)
2-A	Asa de la tapa (x1)
3-A	Remate del asa de la tapa (x2)
4-A	Tambor principal (x1)
5-A	Conjunto de tolva (x1)
6-A	Barra de ajuste del asador a la llama (x1)
7-A	Asa del regulador del asador a la llama (x1)
8-A	Guía del asador a la llama (x1)
9-A	Placa principal del asador a la llama (x1)
10-A	Pata delantera izquierda (x1)
11-A	Pata trasera izquierda (x1)
12-A	Pata delantera derecha (x1)
13-A	Pata trasera derecha (x1)
14-A	Remate de la pata delantera izquierda (x1)
15-A	Remate de la pata trasera izquierda (x1)
16-A	Rueda (x2)
17-A	Placa de soporte inferior derecha (x1)
18-A	Placa de soporte inferior izquierda (x1)

Nº de referencia	Descripción
19-A	Placa de soporte corta (x2)
20-A	Placa de soporte delantera/trasera larga (x2)
21-A	Estante delantero (x1)
22-A	Soporte del estante delantero derecho (x1)
23-A	Soporte del estante delantero izquierdo (x1)
24-A	Recogegrasa (x1)
25-A	Mesa lateral derecha (x1)
26-A	Rejilla para cocinar (x2)
27-A	Bandeja para calentar (x1)
28-A	Tornillo (x18)
29-A	Arandela (x18)
30-A	Arandela de retención (x18)
31-A	Tornillo (x30)
32-A	Clavija de eje de rueda (x2)
33-A	Clavija de rueda (x2)
34-A	Arandela de rueda (x2)
35-A	Sonda de carne (x1)

NOTA: debido a que el producto está en desarrollo constante, las piezas están sujetas a cambios sin aviso previo.



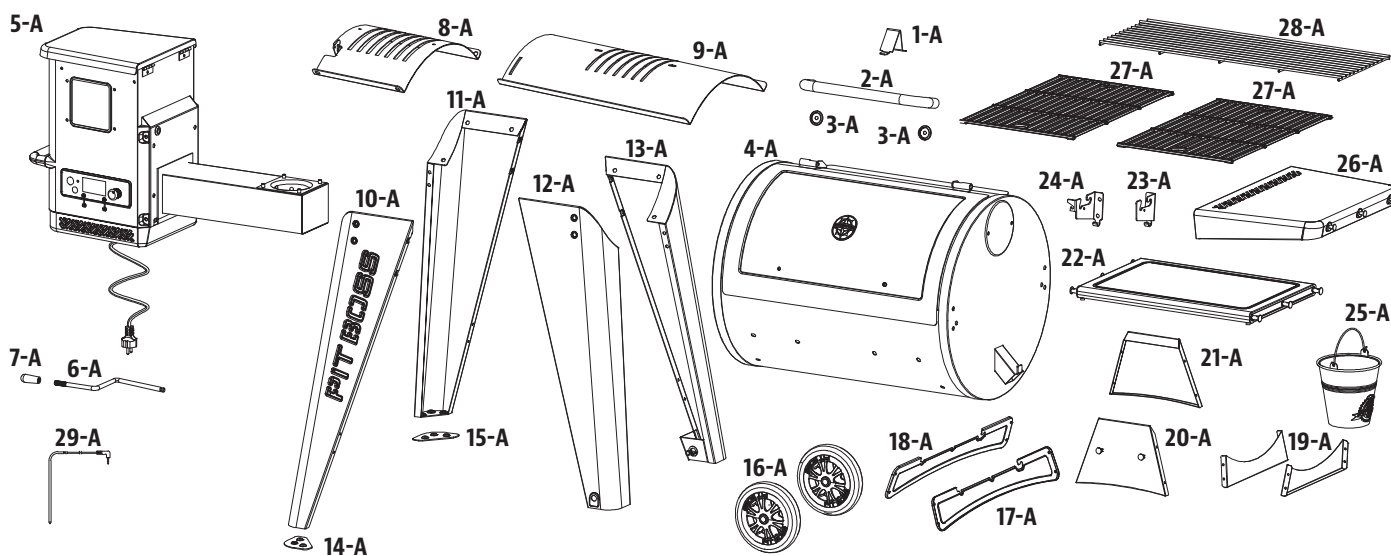
MODELO	UNIDAD MONTADA (AxAxP)	PESO DE LA UNIDAD	ÁREA DE COCINA	RANGO DE TEMP.	CARACTERÍSTICAS DIGITALES
PB PB550G	1227mm x 1195mm x 868mm / 48,3 pu x 47 pu x 34,17 pu	55,7 kg / 122,81 lb	Principal - 2580,6 cm ² / 400 pu. cu. Bandeja superior- 920 cm ² / 142,6 pu. cu. TOTAL - 3500,6 cm² / 542,6 pu. cu.	82-260°C / 180-500°F	Diez preajustes de temperatura, ciclos de arranque y enfriamiento, sistema de ignición eléctrica

PIEZAS DE REPUESTO DE LA BARBACOA PB700G

N.º de referencia	Descripción
1-A	Tope para la tapa (x1)
2-A	Asa de la tapa (x1)
3-A	Remate del asa de la tapa (x2)
4-A	Tambor principal (x1)
5-A	Conjunto de tolva (x1)
6-A	Barra de ajuste del asador a la llama (x1)
7-A	Asa del regulador del asador a la llama (x1)
8-A	Guía del asador a la llama (x1)
9-A	Placa principal del asador a la llama (x1)
10-A	Pata delantera izquierda (x1)
11-A	Pata trasera izquierda (x1)
12-A	Pata delantera derecha (x1)
13-A	Pata trasera derecha (x1)
14-A	Remate de la pata delantera izquierda (x1)
15-A	Remate de la pata trasera izquierda (x1)
16-A	Rueda (x2)
17-A	Placa de soporte inferior derecha (x1)
18-A	Placa de soporte inferior izquierda (x1)
19-A	Placa de soporte corta (x2)

N.º de referencia	Descripción
20-A	Placa de soporte delantera larga (x1)
21-A	Placa de soporte trasera larga (x1)
22-A	Estante delantero (x1)
23-A	Soporte del estante delantero derecho (x1)
24-A	Soporte del estante delantero izquierdo (x1)
25-A	Recogegrasa (x1)
26-A	Mesa lateral derecha (x1)
27-A	Rejilla para cocinar (x2)
28-A	Bandeja para calentar (x1)
29-A	Sonda de carne (x1)
30-A	Tornillo (x18)
31-A	Arandela (x18)
32-A	Arandela de retención (x18)
33-A	Tornillo (x30)
34-A	Clavija de eje de rueda (x2)
35-A	Clavija de rueda (x2)
36-A	Arandela de rueda (x2)

NOTA: debido a que el producto está en desarrollo constante, las piezas están sujetas a cambios sin aviso previo.



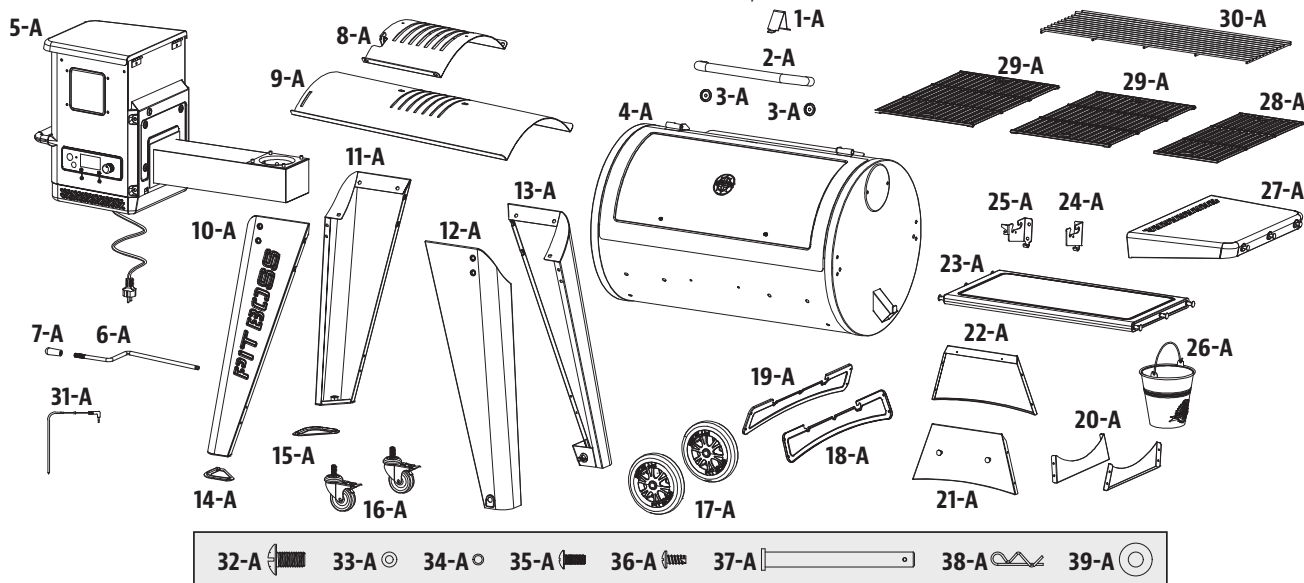
MODELO	UNIDAD MONTADA (AxAxP)	PESO DE LA UNIDAD	ÁREA DE COCINA	RANGO DE TEMP.	CARACTERÍSTICAS DIGITALES
PB PB700G	1388mm x 1195mm x 940mm / 56,6 pu x 47 pu x 37 pu	66,5 kg / 146,61 lb	Principal - 3109 cm ² / 482 pu. cu. Bandeja superior- 1341 cm ² / 208 pu. cu. TOTAL - 4450 cm² / 690 pu. cu.	82-260°C / 180-500°F	Diez preajustes de temperatura, ciclos de arranque y enfriamiento, sistema de ignición eléctrica

PIEZAS DE REPUESTO DE LA BARBACOA PB850G

N.º de referencia	Descripción
1-A	Tope para la tapa (x1)
2-A	Asa de la tapa (x1)
3-A	Remate del asa de la tapa (x2)
4-A	Tambor principal (x1)
5-A	Conjunto de tolva (x1)
6-A	Barra de ajuste del asador a la llama (x1)
7-A	Asa del regulador del asador a la llama (x1)
8-A	Guía del asador a la llama (x1)
9-A	Placa principal del asador a la llama (x1)
10-A	Pata delantera izquierda (x1)
11-A	Pata trasera izquierda (x1)
12-A	Pata delantera derecha (x1)
13-A	Pata trasera derecha (x1)
14-A	Remate de la pata delantera izquierda (x1)
15-A	Remate de la pata trasera izquierda (x1)
16-A	Rueda pivotante con freno (x2)
17-A	Rueda (x2)
18-A	Placa de soporte inferior derecha (x1)
19-A	Placa de soporte inferior izquierda (x1)
20-A	Placa de soporte corta (x2)

N.º de referencia	Descripción
21-A	Placa de soporte delantera larga (x1)
22-A	Placa de soporte trasera larga (x1)
23-A	Estante delantero (x1)
24-A	Soporte del estante delantero derecho (x1)
25-A	Soporte del estante delantero izquierdo (x1)
26-A	Recogegrasa (x1)
27-A	Mesa lateral derecha (x1)
28-A	Rejilla para cocinar A (x1)
29-A	Rejilla para cocinar B (x2)
30-A	Bandeja para calentar (x1)
31-A	Sonda de carne (x1)
32-A	Tornillo (x18)
33-A	Arandela (x18)
34-A	Arandela de retención (x18)
35-A	Tornillo (x30)
36-A	Tornillo (x4)
37-A	Clavija de eje de rueda (x2)
38-A	Clavija de rueda (x2)
39-A	Arandela de rueda (x2)

NOTA: debido a que el producto está en desarrollo constante, las piezas están sujetas a cambios sin aviso previo.



ESPAÑOL

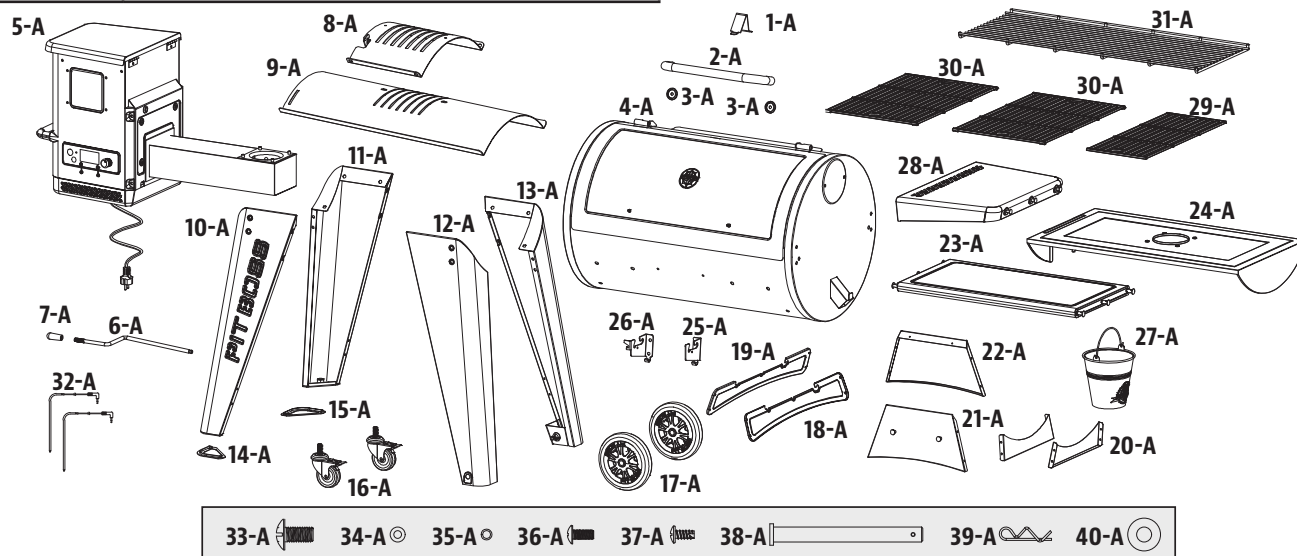
MODELO	UNIDAD MONTADA (AxApP)	PESO DE LA UNIDAD	ÁREA DE COCINA	RANGO DE TEMP.	CARACTERÍSTICAS DIGITALES
PB PB850G	1472mm x 1195mm x 940mm / 57,9 pu x 47 pu x 37 pu	74,5kg / 164,24 lb	Principal - 3825,8 cm ² / 593 pu. cu. Bandeja superior- 1845,2 cm ² / 286 pu. cu. TOTAL - 5671 cm² / 879 pu. cu.	82-260°C / 180-500°F	Diez preajustes de temperatura, ciclos de arranque y enfriamiento, sistema de ignición eléctrica

PIEZAS DE REPUESTO DE LA BARBACOA PB1150G

N.º de referencia	Descripción
1-A	Tope para la tapa (x1)
2-A	Asa de la tapa (x1)
3-A	Remate del asa de la tapa (x2)
4-A	Tambor principal (x1)
5-A	Conjunto de tolva (x1)
6-A	Barra de ajuste del asador a la llama (x1)
7-A	Asa del regulador del asador a la llama (x1)
8-A	Guía del asador a la llama (x1)
9-A	Placa principal del asador a la llama (x1)
10-A	Pata delantera izquierda (x1)
11-A	Pata trasera izquierda (x1)
12-A	Pata delantera derecha (x1)
13-A	Pata trasera derecha (x1)
14-A	Remate de la pata delantera izquierda (x1)
15-A	Remate de la pata trasera izquierda (x1)
16-A	Rueda pivotante con freno (x2)
17-A	Rueda (x2)
18-A	Placa de soporte inferior derecha (x1)
19-A	Placa de soporte inferior izquierda (x1)
20-A	Placa de soporte corta (x2)
21-A	Placa de soporte delantera larga (x1)

N.º de referencia	Descripción
22-A	Placa de soporte trasera larga (x1)
23-A	Estante delantero (x1)
24-A	Placa difusora (x1)
25-A	Soporte del estante delantero derecho (x1)
26-A	Soporte del estante delantero izquierdo (x1)
27-A	Recogegrasa (x1)
28-A	Mesa lateral derecha (x1)
29-A	Rejilla para cocinar A (x1)
30-A	Rejilla para cocinar B (x2)
31-A	Bandeja para calentar (x1)
32-A	Sonda de carne (x2)
33-A	Tornillo (x18)
34-A	Arandela (x18)
35-A	Arandela de retención (x18)
36-A	Tornillo (x30)
37-A	Tornillo (x6)
38-A	Clavija de eje de rueda (x2)
39-A	Clavija de rueda (x2)
40-A	Arandela de rueda (x2)

NOTA: debido a que el producto está en desarrollo constante, las piezas están sujetas a cambios sin aviso previo.



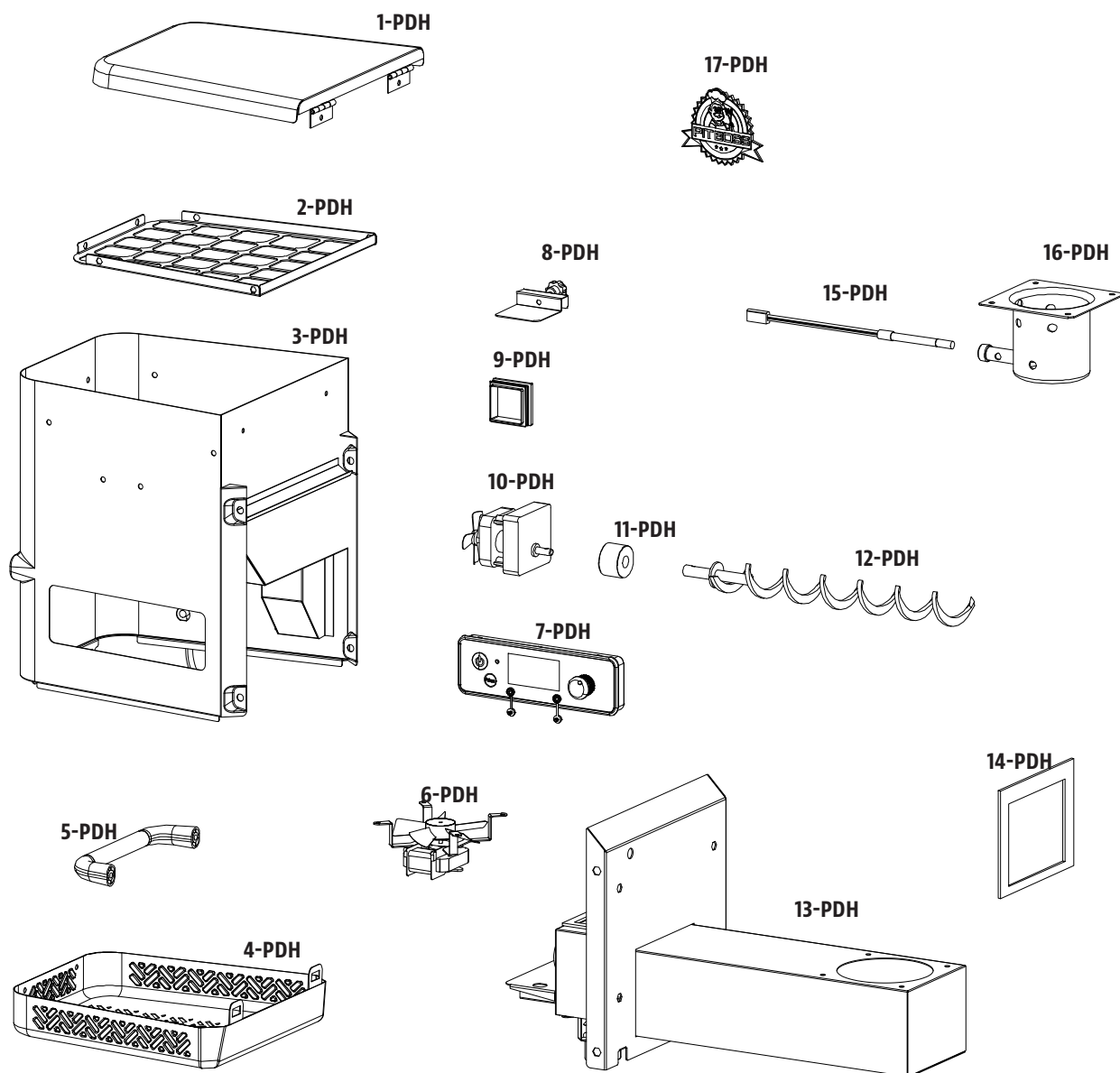
MODELO	UNIDAD MONTADA (AxPxP)	PESO DE LA UNIDAD	ÁREA DE COCINA	RANGO DE TEMP.	CARACTERÍSTICAS DIGITALES
PB PB1150G	1622mm x 1195mm x 940mm / 63,86" x 47" x 37"	84 kg / 185,19 lb	Principal - 4587,1 cm ² / 711 pu. cu. Bandeja superior- 2883,9 cm ² / 447 pu. cu. TOTAL - 7471 cm² / 1158 pu. cu.	82-260°C / 180-500°F	Diez preajustes de temperatura, ciclos de arranque y enfriamiento, sistema de ignición eléctrica

PIEZAS DE REPUESTO DE LA TOLVA PB550G

N.º de referencia	Descripción
1-PDH	Tapa de la tolva
2-PDH	Pantalla de seguridad de la tolva
3-PDH	Carcasa de la tolva
4-PDH	Panel de acceso a la tolva
5-PDH	Asa de la tolva
6-PDH	Ventilador de combustión
7-PDH	Tablero de control H1 de la Pit Boss®
8-PDH	Placa del vertedor
9-PDH	Tapa del vertedor

N.º de referencia	Descripción
10-PDH	Motor del alimentador de espiral
11-PDH	Casquillo de nylon
12-PDH	Conjunto de fuga de la tolva
13-PDH	Carcasa del alimentador de espiral
14-PDH	Junta de la carcasa de la tolva
15-PDH	Sistema de ignición
16-PDH	Chimenea
17-PDH	Placa de nombre

NOTA: debido a que el producto está en desarrollo constante, las piezas están sujetas a cambios sin aviso previo.

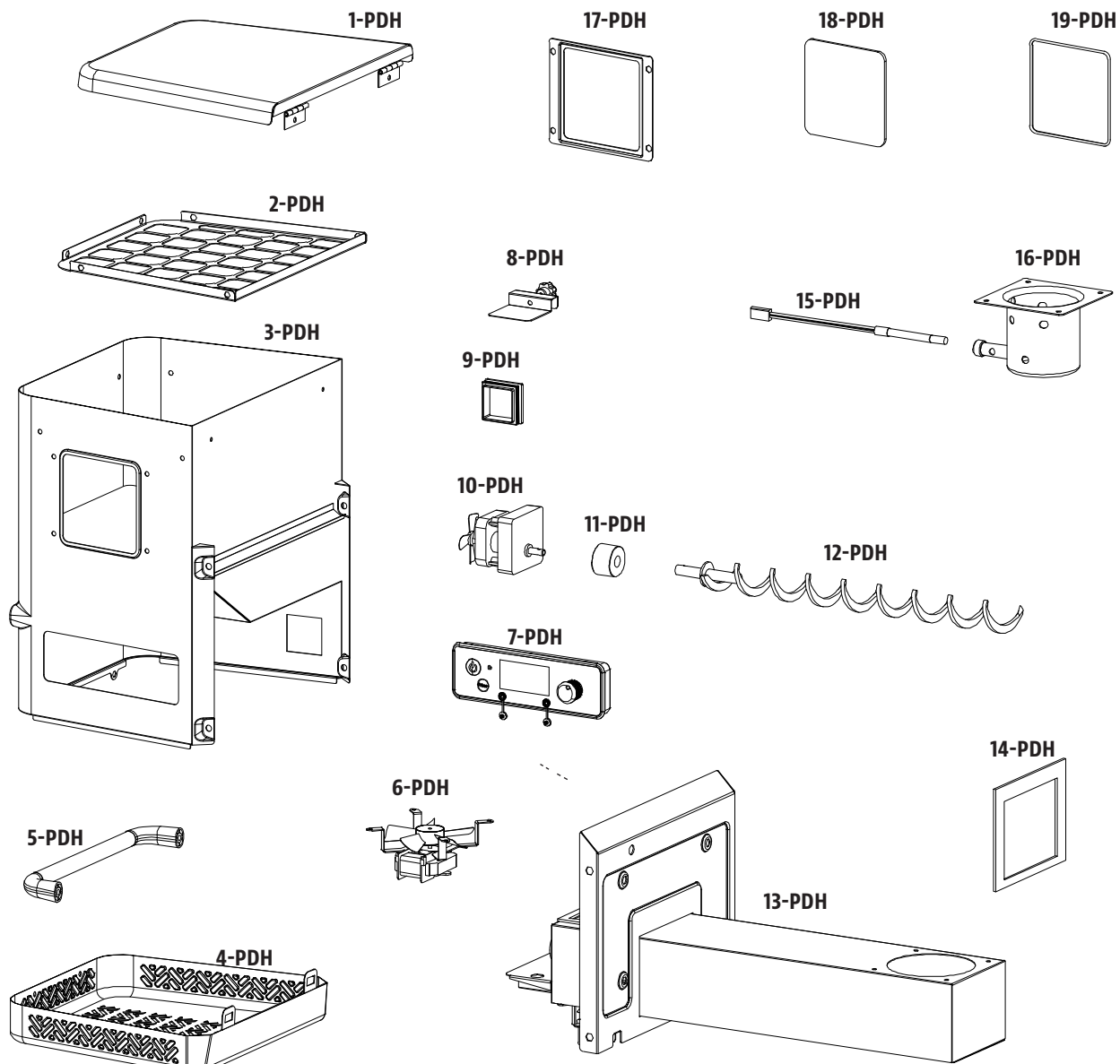


PIEZAS DE REPUESTO DE LA TOLVA PB700G / PB850G / PB1150G

N.º de referencia	Descripción
1-PDH	Tapa de la tolva
2-PDH	Pantalla de seguridad de la tolva
3-PDH	Carcasa de la tolva
4-PDH	Panel de acceso a la tolva
5-PDH	Asa de la tolva
6-PDH	Ventilador de combustión
7-PDH	Tablero de control H1 de la Pit Boss®
8-PDH	Placa del vertedor
9-PDH	Tapa del vertedor
10-PDH	Auger Motor

N.º de referencia	Descripción
11-PDH	Tapa de la tolva
12-PDH	Pantalla de seguridad de la tolva
13-PDH	Carcasa de la tolva
14-PDH	Panel de acceso a la tolva
15-PDH	Asa de la tolva
16-PDH	Ventilador de combustión
17-PDH	Tablero de control H1 de la Pit Boss®
18-PDH	Placa del vertedor
19-PDH	Tapa del vertedor

NOTA: debido a que el producto está en desarrollo constante, las piezas están sujetas a cambios sin aviso previo.



GARANTÍA

CONDICIONES

Todas las barbacoas de pélets de madera de Pit Boss®, fabricadas por Dansons, tienen una garantía limitada desde la fecha de venta del propietario original. La cobertura de la garantía comienza en la fecha de compra original y se exigirá un comprobante de la fecha de compra, o copia de la factura de venta original, para validar la garantía. Los clientes deberán hacerse cargo de los gastos de piezas, envíos y tramitación si no proporcionan prueba de la compra o bien después del vencimiento de la garantía.

Dansons ofrece cinco (5) años de garantía para defectos y fabricación en todas las piezas, y cinco (5) años para los componentes eléctricos. Dansons garantiza que la(s) pieza(s) no contienen defectos de material ni de fabricación por la duración del uso y propiedad del comprador original. La garantía no cubre daños por desgaste, como rasguños, abolladuras, imperfecciones, desconchados o pequeñas grietas cosméticas. Estos cambios estéticos de la barbacoa no afectan su rendimiento. La reparación o sustitución de cualquier pieza no se extiende más allá de la garantía limitada de cinco (5) años desde la fecha de compra.

Durante la vigencia de la garantía, la obligación de Dansons se limitará a suministrar un recambio de los componentes defectuosos y/o averiados. Siempre y cuando esté dentro del período de garantía, Dansons no cobrará la reparación o sustitución de piezas devueltas, flete prepago, si Dansons considera que la(s) pieza(s) es/son defectuosa(s) tras examinarlas. Dansons no será responsable de los gastos de transporte, costes de mano de obra o aranceles de exportación. Salvo en la medida de lo previsto en las presentes condiciones de garantía, la reparación o sustitución de piezas de la manera y durante el período de tiempo mencionado en el presente constituirá el cumplimiento de todas las obligaciones directas y derivadas de Dansons para con el cliente.

Dansons toma todas las precauciones necesarias para utilizar materiales que retrasen el óxido. Incluso con estas salvaguardias, diversas sustancias y condiciones fuera del control de Dansons pueden poner en peligro las capas de protección. Las altas temperaturas, una humedad excesiva, el cloro, los gases industriales, fertilizantes, pesticidas para césped y sal son algunas de las sustancias que pueden afectar las capas que cubren el metal. Por estos motivos, la garantía no cubre el óxido ni la corrosión, a menos que se produzca pérdida de integridad estructural en el componente de la barbacoa. En el caso de producirse alguno de los incidentes anteriores, consulte la sección de cuidado y mantenimiento para prolongar la vida útil de la unidad. Dansons recomienda el uso de una cubiertas para barbacoas cuando no se esté utilizando.

Esta garantía se basa en el uso y servicio doméstico normal de la barbacoa y ninguna cobertura de garantía limitada es válida para una barbacoa que se use en aplicaciones comerciales.

EXCEPCIONES

No hay garantía de rendimiento escrita o implícita para las barbacoas Pit Boss®, ya que el fabricante no tiene el control de la instalación, funcionamiento, limpieza, mantenimiento o el tipo de combustible empleado. Esta garantía no es válida ni Dansons asume la responsabilidad si el aparato no se ha instalado, manejado, limpiado y mantenido estrictamente de acuerdo con este manual del usuario. El uso de gas no descrito en este manual puede anular la garantía. La garantía no cubre daños o roturas debidas a uso indebido, manipulación incorrecta o modificaciones.

Ni Dansons ni el distribuidor autorizado de Pit Boss® acepta responsabilidad, jurídica o de otra índole, por el daño fortuito o consecuente de la propiedad o de las personas producido por el uso de este producto. Tanto si se realiza una reclamación contra Dansons basada en el incumplimiento de esta garantía o de cualquier otra clase de garantía expresa o implícita por ley, el fabricante en ningún caso será responsable de daños especiales, indirectos, consecuentes ni de ninguna otra índole por encima de la compra original de este producto. Todas las garantías del fabricante están contenidas en el presente y no se realizarán reclamaciones contra el fabricante por ninguna garantía o declaración.

Algunos estados y países no permiten la exclusión o la limitación de daños incidentales o consecuentes, o limitaciones de garantías implícitas, así que las limitaciones o exclusiones contenidas en la presente garantía limitada pueden no ser de aplicación para usted. Esta garantía limitada le otorga derechos legales específicos y es posible que le asistan otros derechos, que variarán de un estado a otro.

PEDIDO DE PIEZAS DE REPUESTO

Para realizar pedidos de piezas de repuesto, póngase en contacto con su distribuidor local de Pit Boss® o visite nuestra tienda en línea en: www.pitboss-grills.com

PÓNGASE EN CONTACTO CON ATENCIÓN AL CLIENTE

Si tiene cualquier duda o problema, póngase en contacto con la Atención al cliente, de lunes a viernes de 4 a 20 h. PST (EN/FR/ES).

service@pitboss-grills.com | Llamada gratuita: 1-877-303-3134 | Fax gratuito: 1-877-303-3135

SERVICIO DE GARANTÍA

Póngase en contacto con su distribuidor de Pit Boss® más cercano para reparaciones o piezas de repuesto. Danson exige una prueba de compra para establecer la reclamación de garantía; por lo tanto, conserve su resguardo o factura de ventas original para referencia futura. Encontrará el número de serie y modelo de la Pit Boss® en la parte posterior de la tolva. Tome nota de los números que se indican a continuación ya que la etiqueta puede desgastarse o volverse ilegible.

MODELO

NÚMERO DE SERIE

FECHA DE COMPRA

DISTRIBUIDOR AUTORIZADO

IMPORTANT

DO NOT RETURN PRODUCT TO STORE

For all questions, comments, or inquiries, please contact Dansons directly. Our Customer Service department is available **Monday through Sunday, 4am - 8pm PST (EN/FR/ES)**.

TOLL FREE: 1-877-303-3134 | TOLL FREE FAX: 1-877-303-3135
service@pitboss-grills.com

IMPORTANT

NE RETOURNEZ PAS LE PRODUIT AU MAGASIN

Pour toute questions, commentaires ou demandes de renseignements, veuillez communiquer avec Dansons directement. Le service à la clientèle est ouvert du **lundi au dimanche, de 4 h à 20 h HP (ANG / FR / ES)**.


NUMÉRO SANS FRAIS : 1-877-303-3134 | TÉLÉCOPIEUR SANS FRAIS : 1-877-303-3135
service@pitboss-grills.com


¡IMPORTANTE!

NO DEVUELVA EL PRODUCTO A LA TIENDA

Para el preguntas, comentarios o consultas, por favor contactar Dansons directamente. Nuestro departamento de servicio al cliente está disponible **lunes a viernes de 4:00 a.m. a 8:00 p.m. tiempo del Pacífico**.

LLAMADA GRATUITA: 1-877-303-3134 | FAX GRATUITO: 1-877-303-3135
service@pitboss-grills.com

 **WARNING:** this product can expose you to chemicals including wood dust, which is known to the state of California to cause cancer. Combustion of this product can expose you to chemicals including carbon monoxide, which is known to the state of California to cause birth defects or other reproductive harm. For more information go to WWW.P65WARNINGS.CA.GOV

 **AVERTISSEMENT :** ce produit peut vous exposer à des produits chimiques incluant la poussière de bois, connue par l'état de californie pour causer le cancer. La combustion de ce produit peut vous exposer à des produits chimiques incluant le monoxyde de carbone, connu par l'état de la californie comme causant des anomalies congénitales ou autres effets nocifs sur la reproduction. Pour accéder à d'autres informations, rendez-vous à WWW.P65WARNINGS.CA.GOV

 **ADVERTENCIA:** este producto puede exponerlo a productos químicos incluyendo polvo de madera, que el estado de California sabe que provocan cáncer. La combustión del este producto puede exponerlo a productos químicos incluyendo al monóxido de carbono, que el estado de California sabe que causa defectos congénitos y otros daños reproductivos. Para obtener más información, visite WWW.P65WARNINGS.CA.GOV

MADE IN CHINA | FABRIQUÉ EN CHINE | HECHO EN CHINA

