



MODEL / MODÈLE / MODELO : PB850CS1
PART / PIÈCE / PARTE : 10922, 10931



COMPETITION SERIES

WOOD PELLET GRILL & SMOKER

IMPORTANT, READ CAREFULLY, RETAIN FOR FUTURE REFERENCE. MANUAL MUST BE READ BEFORE OPERATING!

GRIL & FUMOIR À GRANULES DE BOIS

IMPORTANT, PRENEZ CONNAISSANCE DE CE DOCUMENT ET CONSERVEZ-LE POUR RÉFÉRENCE ULTÉRIEURE VOUS DEVEZ LIRE CE GUIDE AVANT D'UTILISER LE BARBECUE !

ASADOR Y AHUMADOR DE PELLETS DE MADERA

IMPORTANTE, LEA DETENIDAMENTE, CONSERVE PARA REFERENCIA FUTURA. ¡DEBE LEER EL MANUAL ANTES DE LA OPERACIÓN!

For outdoor and household use only. Not for commercial use.
Réservé à l'usage extérieur et résidentiel uniquement. Non destiné à un usage commercial.
Solo para uso doméstico y en el exterior. No apto para uso comercial.

WARNING: PLEASE READ THE ENTIRE MANUAL BEFORE INSTALLATION AND USE OF THIS ELECTRIC, PELLET FUEL-BURNING APPLIANCE. FAILURE TO FOLLOW THESE INSTRUCTIONS COULD RESULT IN PROPERTY DAMAGE, BODILY INJURY OR EVEN DEATH. CONTACT LOCAL BUILDING OR FIRE OFFICIALS ABOUT RESTRICTIONS AND INSTALLATION INSPECTION REQUIREMENTS IN YOUR AREA.

AVERTISSEMENT : VEUILLEZ LIRE L'INTÉGRALITÉ DU MANUEL AVANT L'INSTALLATION ET L'UTILISATION DE CET APPAREIL ÉLECTRONIQUE À GRANULES. LE NON-RESPECT DE CES INSTRUCTIONS PEUT ENTRAÎNER DES DOMMAGES AUX BIENS, DES BLESSURES OU MÊME LA MORT. COMMUNIQUEZ AVEC LES AUTORITÉS LOCALES EN MATIÈRE D'INCENDIE ET DE BÂTIMENT CONCERNANT LES RESTRICTIONS ET LES EXIGENCES D'INSTALLATION DANS VOTRE RÉGION.

ADVERTENCIA: LEA EL MANUAL COMPLETO ANTES DE INSTALAR Y UTILIZAR ESTE APARATO ELÉCTRICO PARA QUEMAR PELLETS DE COMBUSTIBLE. INCUMPLIR ESTAS INSTRUCCIONES PODRÍA CAUSAR DAÑOS MATERIALES, LESIONES CORPORALES, E INCLUSO LA MUERTE. CONSULTE A SUS FUNCIONARIOS LOCALES DE CONSTRUCCIÓN Y CONTROL DE INCENDIOS PARA INFORMARSE SOBRE LAS RESTRICCIONES Y LOS REQUISITOS DE INSPECCIÓN DE INSTALACIONES EN SU REGIÓN.



ASSEMBLY AND OPERATION | ASSEMBLAGE ET FONCTIONNEMENT | MONTAJE Y OPERACIÓN

SAFETY INFORMATION

MAJOR CAUSES OF APPLIANCE FIRES ARE A RESULT OF POOR MAINTENANCE AND A FAILURE TO MAINTAIN REQUIRED CLEARANCE TO COMBUSTIBLE MATERIALS. IT IS OF UTMOST IMPORTANCE THAT THIS PRODUCT BE USED ONLY IN ACCORDANCE WITH THE FOLLOWING INSTRUCTIONS.

Please read and understand this entire manual before attempting to assemble, operate, or install the product. This will ensure you receive the most enjoyable and trouble-free operation of your new wood pellet grill. We also advise you retain this manual for future reference.

DANGERS AND WARNINGS

You must contact your local home association, building or fire officials, or authority having jurisdiction, to obtain the necessary permits, permission, or information on any installation restrictions, such as any grill being installed on a combustible surface, inspection requirements or even ability to use, in your area.

1. A minimum clearance of 305 mm (12 inches) from combustible constructions to the sides of the grill, and 305 mm (12 inches) from the back of the grill to combustible constructions must be maintained. **Do not install appliance on combustible floors, or floors protected with combustible surfaces unless proper permits and permissions are obtained by authorities having jurisdiction.** Do not use this appliance indoors, in an enclosed or unventilated area, inside homes, vehicles, tents, garages. This wood pellet appliance must not be placed under overhead combustible ceiling or overhang. Keep your grill in an area clear and free from combustible materials, gasoline, and other flammable vapors or liquids.

Should a grease fire occur, turn the grill OFF and leave the lid closed until the fire is out. Unplug the power cord. Do not throw water on the unit. Do not try to smother the fire. Use of an all-class (class ABC) approved fire extinguisher is valuable to keep on site. If an uncontrolled fire does occur, call the Fire Department.

2. Keep electrical supply cords and the fuel away from heated surfaces. Do not use your grill in the rain or around any water source.
3. After a period of storage, or non-use, check the burn pot for obstructions, the hopper for foreign objects, and any air blockage around the fan intake or chimney. Clean before use. Regular care and maintenance is required to prolong the lifespan of your unit. **If the grill is stored outside during the rainy season or seasons of high humidity, care should be taken to insure that water does not get into the hopper.** When wet or exposed to high humidity, wood pellets will expand greatly, decompose, and may jam the feed system. Always disconnect the power, before performing any service or maintenance.

Do not transport your grill while in use or while the grill is hot. Ensure the fire is completely out and that the grill is completely cool to the touch before moving.

IMPORTANT! Always power off the appliance and allow the shut-down cycle to run. Unplug the appliance only once the shut-down cycle is complete, and/or before cleaning. Failure to follow this warning can cause damage, serious injury, fire, electric shock, or death.

4. It is recommended to use heat-resistant barbecue mitts or gloves when operating the grill. Do not use accessories not specified for use with this appliance. Do not put a barbecue cover or anything flammable in the storage space area under the barbecue.
5. To prevent fingers, clothing, or other objects from coming in contact with the auger feed system, the appliance is equipped with a metal safety screen, mounted to the interior of the hopper. This screen must not be removed unless directed by Customer Care or an authorized dealer.

This appliance is not recommended for children, persons with reduced physical, sensory or mental capabilities, or lack of experience and knowledge, unless they are under direct supervision or instruction by a person responsible for their safety.

6. Parts of the barbecue may be very hot, and serious injury may occur. Keep young children and pets away while in use.
7. Do not enlarge igniter holes or burn pots. Failure to follow this warning could lead to a fire hazard and bodily harm and will void your warranty.
8. Product may have sharp edges or points. Contact may result in injury. Handle with care.

DISPOSAL OF ASHES

Ashes should be placed in a metal container with a tight-fitting lid. The closed container of ashes should be placed on a non-combustible floor or on the ground, well away from all combustible materials, pending final disposal. When ashes are disposed by burial in soil, or otherwise locally dispersed, they should be retained in a closed container until all cinders have thoroughly cooled.

HARDWOOD PELLET FUEL

This pellet cooking appliance is designed and approved for pelletized, all natural hardwood fuel only. Any other type of fuel burned in this appliance will void the warranty and safety listing. You must only use all natural hardwood pellets, designed for burning in pellet barbecue grills. Do not use fuel with additives. Hardwood pellets are highly susceptible to moisture and should always be stored in an airtight container. If you are storing your grill, without use, for an extended period, we recommend clearing all pellets from your grill's hopper and auger, to prevent jams. The pellet fuel mean heating value in 8000-8770 BTU/LB, ash content < 1%.

Do not use spirit, petrol, gasoline, lighter-fluid, or kerosene for lighting or refreshing a fire in your grill. Keep all such liquids well away from the appliance when in use.

At the time of printing, there is no industry standard for barbecue hardwood pellets, although most pellet mills use the same standards to make hardwood pellets for domestic use. Further information, can be found at www.pelletheat.org or the **Pellet Fuel Institute**.

Contact your local dealer on the quality of pellets in your area, and for information on brand quality. As there is no control over the quality of pellets used, moisture affected pellets, we assume no responsibility to damage caused by poor quality of fuel.

CREOSOTE

Creosote, or soot, is a tar-like substance. When burning, it produces black smoke with a residue which is also black in color. Soot or creosote is formed when the appliance is operated incorrectly, such as: blockage of the combustion fan, failure to clean and maintain the burn area, or poor air-to-fuel combustion.

It is dangerous to operate this appliance should the flame become dark, sooty, or if the burn pot is overfilled with pellets. When ignited, this creosote makes an extremely hot and uncontrolled fire, similar to a grease fire. Should this happen, turn the unit OFF, let it cool completely, then inspect for maintenance and cleaning. It commonly accumulates along exhaust areas.

If creosote has formed within the unit; allow the unit to warm up at a low temperature, turn off the appliance, then wipe away any formation with a hand towel. Similar to tar, it is much easier to clean when warm, as it becomes liquid.

CARBON MONOXIDE ("THE SILENT KILLER")

Carbon monoxide is a colorless, odorless, tasteless gas produced by burning gas, wood, propane, charcoal, or other fuel. Carbon monoxide reduces the blood's ability to carry oxygen. Low blood oxygen levels can result in headaches, dizziness, weakness, nausea, vomiting, sleepiness, confusion, loss of consciousness, or death. Follow these guidelines to prevent this colorless, odorless gas from poisoning you, your family, or others:

- See a doctor if you or others develop cold or flu-like symptoms while cooking or in the vicinity of the appliance. Carbon monoxide poisoning, which can easily be mistaken for a cold or flu, is often detected too late.
- Alcohol consumption and drug use increase the effects of carbon monoxide poisoning.

Carbon monoxide is especially toxic to mother and child during pregnancy, infants, the elderly, smokers, and people with blood or circulatory system problems, such as anemia, or heart disease.

SAFETY LISTING

In accordance with the procedures and specifications listed in the UL 2728-2009 "pellet fuel burning cooking appliances" and ULC/ORD C2728-13 "pellet fuel burning equipment." Pit Boss® Grills pellet cooking appliances have been independently tested and listed by INTERTEK (an accredited testing laboratory) to UL and ULC standards.





COPYRIGHT NOTICE

Copyright 2022. All right reserved. No part of this manual may be copied, transmitted, transcribed, stored in a retrieval system, in any form or by any means without expressed written permission of,

Dansons

8877 North Gainey Center Drive, Scottsdale, AZ, USA 85258

Customer Care

USA: (480) 923-9630

Canada (Toll-Free): 1-877-942-2246

www.pitboss-grills.com

TABLE OF CONTENTS

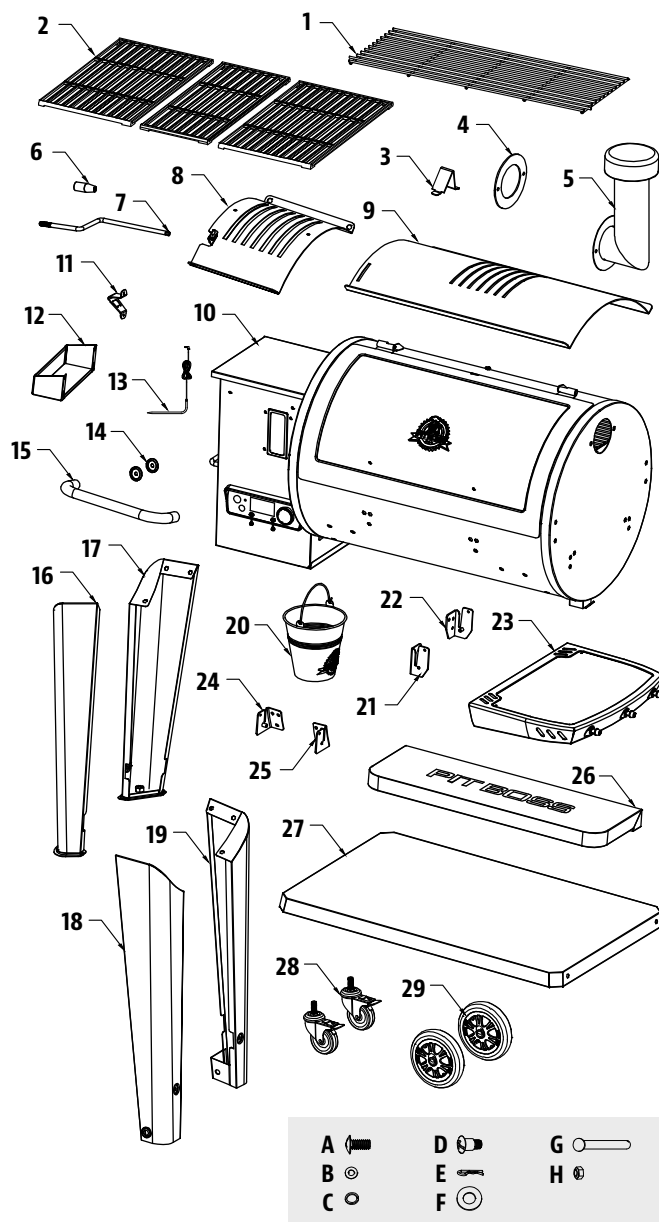
- Safety Information 2
- Parts & Specs..... 6
- Assembly Preparation 7
- Operating Instructions
 - Grill Environment9
 - Grill Temperature Ranges10
 - Understanding the Control Board11
 - Understanding the "P" Setting 13
 - Control Board Functions 13
 - Auger Priming Procedure 14
 - First Use - Grill Burn-Off..... 14
 - Connecting to the Pit Boss® Grills App 14
 - Automatic Start-Up Procedure..... 15
 - Shutting Off Your Grill..... 15
- Care and Maintenance 16
- Cooking Guidelines 18
- Tips & Techniques20
- Troubleshooting21
- Electrical Wire Diagram 24
- Replacement Parts
 - Grill Replacement Parts25
 - Hopper Replacement Parts26
- Warranty 27
- Assembly Instructions.....80

ENGLISH

PARTS & SPECS

ENGLISH

| Part | Description |
|------|--|
| 1 | Upper Cooking Grate (x1) |
| 2 | Cooking Grate (x3) |
| 3 | Lid Stopper (x1) |
| 4 | Chimney Gasket (x1) |
| 5 | Chimney (x1) |
| 6 | Flame Broiler™ Adjusting Bar Handle (x1) |
| 7 | Flame Broiler™ Adjusting Bar (x1) |
| 8 | Flame Broiler™ Slider (x1) |
| 9 | Flame Broiler™ Main Plate (x1) |
| 10 | Main Barrel (x1) |
| 11 | Bottle Opener (x1) |
| 12 | Spice Box (x1) |
| 13 | Meat Probe (x1) |
| 14 | Lid Handle Bezel (x2) |
| 15 | Lid Handle (x1) |
| 16 | Support Leg / Front (x1) |
| 17 | Support Leg / Back (x1) |
| 18 | Support Leg for Wheel / Front (x1) |
| 19 | Support Leg for Wheel / Back (x1) |
| 20 | Grease Bucket (x1) |
| 21 | Side Shelf Bracket/ Front (x1) |
| 22 | Side Shelf Bracket / Back (x1) |
| 23 | Side Shelf (x1) |
| 24 | Front Shelf Bracket / Left (x1) |
| 25 | Front Shelf Bracket / Right (x1) |
| 26 | Front Shelf (x1) |
| 27 | Bottom Shelf (x1) |
| 28 | Locking Caster Wheel (x2) |
| 29 | Wheel (x2) |
| A | Screw (x30) |
| B | Washer (x30) |
| C | Locking Washer (x30) |
| D | Step Screw (x4) |
| E | Wheel Cotter Pin (x2) |
| F | Wheel Washer (x2) |
| G | Wheel Axle Pin (x2) |
| H | Locking Nut (x4) |



PB – ELECTRIC REQUIREMENTS
110-120 V, 60 Hz, 250 W, 3-PRONG GROUNDED PLUG

NOTE: Due to ongoing product development, parts are subject to change without notice. Contact Customer Care if parts are missing when assembling the unit.

| MODEL | ASSEMBLED (WxDxH) | WEIGHT | COOKING AREA | TEMPERATURE RANGE |
|-------------|---|-----------------------|--|-------------------------|
| PB PB850CS1 | 1,456 MM x 821 MM x 1,324 MM / 573 IN. x 32.3 IN. x 52.1 IN. | 70.5 KG / 155.4 LB | TOP GRATE - 1,655 CM ² / 256.6 SQ. IN. MAIN - 3,824 CM ² / 592.8 SQ. IN. TOTAL - 5,479 CM ² / 849.4 SQ. IN. | 82-260°C / 180-500°F |

ASSEMBLY PREPARATION

Parts are located throughout the shipping carton, including underneath the grill. Inspect the grill, parts, and hardware blister pack after removing from the protective shipping carton. Discard all packaging materials from inside and outside of the grill before assembly, then review and inspect all parts by referencing the parts list. If any part is missing or damaged, do not attempt to assemble. Shipping damage is not covered under warranty. Contact your dealer or Pit Boss® Customer Care for parts.

USA: (480) 923-9630 | Canada (Toll Free): 1-877-942-2246
www.pitboss-grills.com

IMPORTANT: To ease installation, using two people is helpful (but not necessary) when assembling this unit.

Tools required for assembly: screwdriver, wrench, and level. *Tools not included.*



GO TO PAGE 80 FOR STEP-BY-STEP ASSEMBLY DIRECTIONS.

| ⚠ IMPORTANT ⚠ | |
|----------------------|---|
| - | It is advised to <u>review each step entirely</u> before starting assembly on instructions. |
| - | Hardware combination involving a locking washer and washer should be installed with the locking washer closest to the head of the screw. |
| - | Tighten screws completely after <u>all screws</u> for that step have been installed. |
| 1 | Disconnect unit from power source when not in use. |
| 2 | Avoid using the shelves to move or lift the grill. The weight of the unit will cause the shelves to break, which is not covered by warranty. |
| 3 | If the Flame Broiler™ main plate is on the base of the barrel, it is installed incorrectly. The flame broiler should sit at an angle, with the left side sitting higher than the right. |
| * NOTE * | |
| 1 | Ensure the chimney cap allows for air to escape. |
| 2 | Both Flame Broiler™ parts are lightly coated with oil to avoid rusting when shipped. |
| 3 | When installed correctly, the Front Shelf can be raised (for use) or lowered (for storage) with ease. |
| 4 | When the Flame Broiler™ slider is open and direct flame is used during cooking, do not leave the grill unattended for any period of time. |
| 5 | To maintain the searing and grilling performance of your cooking grates, regular care and maintenance is required. |
| 6 | Pre-installed hardware. |

CONNECTING TO A POWER SOURCE

- **STANDARD OUTLET**

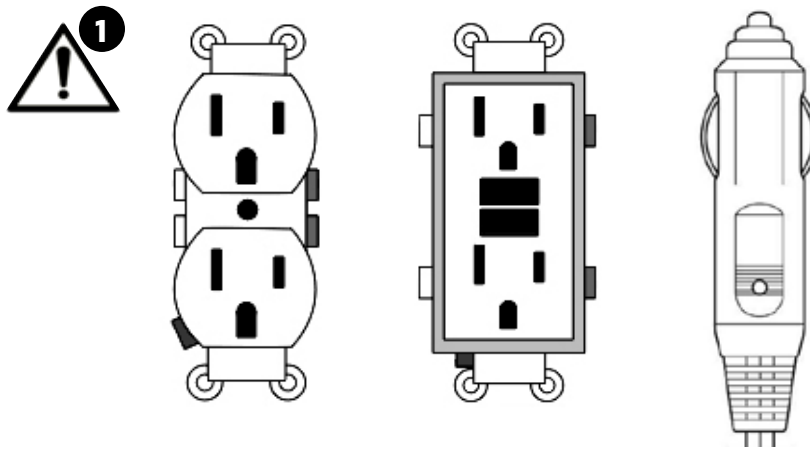
This appliance requires 110-120 volt, 60 Hz, 250 w. It must be a 3-prong grounded plug. Ensure grounded end is not broken off before use. The control uses a 110-120 volt, fast-blow fuse to protect the board from the igniter.

- **GFCI OUTLETS**

This appliance will work on most GFCI outlets, with a recommended size of 15 amp service. If your GFCI outlet is highly sensitive to power surges, it will likely trip during the start-up phase of operation. During the start-up phase, the igniter draws 200-700 watts of electricity which can be too much power for a GFCI outlet to handle. Each time it trips, it increases in sensitivity. If the GFCI keeps tripping, replace the outlet or change to a non-GFCI outlet.

- **ON THE ROAD**

Disconnect the igniter from the main wiring harness. Use the manual start-up procedure. A Pit Boss® unit can operate using a 12 volt, 100 watt inverter plugged into your automobile outlet. To use the automatic igniter, it is recommended to use a minimum of a 1000 watt inverter.



OPERATING INSTRUCTIONS

With today's lifestyle of striving to eat healthy and nutritious foods, one factor to consider is the importance of reducing fat intake. One of the best ways to cut down on fat in your diet is to use a low fat method of cooking, such as grilling. As a pellet grill uses natural hardwood pellets, the savory wood flavor is cooked into the meats, reducing the need for high sugar content sauces. Throughout this manual, you will notice the emphasis on grilling food slowly at LOW or MEDIUM temperature settings.

GRILL ENVIRONMENT

1. WHERE TO SET-UP THE GRILL

With all outdoor appliances, outside weather conditions play a big part in the performance of your grill and the cooking time needed to perfect your meals.

All Pit Boss® units should keep a minimum clearance of 305 mm (12 inches) from combustible constructions, and this clearance must be maintained while the grill is operational. This appliance must not be placed under overhead combustible ceiling or overhang. Keep your grill in an area clear from combustible materials, gasoline, and other flammable vapors and liquids.

2. COLD WEATHER COOKING

As it becomes cooler outside, that does not mean that grilling season is over! The crisp cool air and heavenly aroma of smoked foods will help cure your winter blues.

Follow these suggestions on how to enjoy your grill throughout the cooler months:

- If smoking at low temperatures fails, increase the temperature slightly to achieve the same results.
- Organize – Get everything you require ready in the kitchen before you head outdoors. During the winter, move your grill to an area that is out of the wind and direct cold. Check local bylaws regarding the proximity of your grill in relation to your home and/or other structures. Put everything you need on a tray, bundle up tight, and get it done!
- To help keep track of the outside temperature, place an outdoor thermometer close to your cooking area. Keep a log or history of what you cooked, the outdoor temperature, and the cooking time. This will help later down the road to help you determine what to cook and how long it will take.
- In very cold weather, increase your preheating time by at least 20 minutes.
- Avoid lifting the lid any more than necessary. Cold gusts of wind can completely cool your grill temperature. Be flexible with your serving time; add extra cooking time each time you open the lid.
- Have a heated platter or a dish cover ready to keep your food warm while making the trip back inside.
- Ideal foods for winter cooking are those that require little attention, such as roasts, whole chickens, ribs, and turkey. Make your meal preparation even easier by adding simple items such as vegetables and potatoes.

3. HOT WEATHER COOKING

As it becomes warmer outdoors, the cooking time will decrease.

Follow these few suggestions on how to enjoy your grill throughout the hot months:

- Adjust your cooking temperatures downward. This helps to avoid unwanted flare-ups.
- Use a meat thermometer to determine the internal temperature of your foods. This helps in preventing your meat from over cooking and drying out.
- Even in hot weather it is still better to cook with the lid of your grill down.
- You can keep foods hot by wrapping them in foil, and placing them in an insulated cooler. Stuff crumpled up newspaper around the foil and this will keep food hot for 3 to 4 hours.

GRILL TEMPERATURE RANGES

Temperature readouts on the control board may not exactly match the thermometer. All temperatures listed below are approximate and are affected by the following factors: outside ambient temperature, the amount and direction of wind, the quality of pellet fuel being used, the lid being opened, and the quantity of food being cooked.



HIGH TEMPERATURES

205-260°C / 401-500°F

This range is best used to sear and grill at a high heat. Use in tandem with the flame broiler (slide plate) for indirect or direct flame cooking. With the **Flame Broiler™** open, direct flame is used to create those "blue" steaks, as well as flame-kissed vegetables, garlic toast or s'mores! When the **Flame Broiler™** is closed, the air circulates around the barrel, resulting in convection heat. High temperature is also used to preheat your grill, burn-off the cooking grates, and to achieve high heat in extreme cold weather conditions.



MEDIUM TEMPERATURES

126-204°C / 258-400°F

This range is best for baking, roasting, and finishing off that slow smoked creation. Cooking at these temperatures will greatly reduce the chances of a grease flare-up. Ensure that the flame broiler slider is in the closed position, covering the slotted openings. Great range for cooking anything wrapped in bacon, or where you want versatility with control.



LOW TEMPERATURES

82-125°C / 180-257°F

This range is used to slow roast, increase smoky flavor, and to keep foods warm. Infuse more smoke flavor and keep your meats juicy by cooking longer at a lower temperature (also known as **low and slow**). Recommended for the big turkey at Thanksgiving, juicy ham at Easter, or the huge holiday feast.

Smoking is a variation on true barbecuing and is truly the main advantage of grilling on a hardwood pellet grill. **Hot smoking**, another name for **low and slow** cooking, is generally done between 82-125°C / 180-257°F. Hot smoking works best when longer cooking time is required, such as large cuts of meats, fish, or poultry.

TIP: To intensify that savory flavor, switch to a low temperature range immediately after putting your food on the grill. This allows the smoke to penetrate the meats.

The key is to experiment with the length of time you allow for smoking, before the meal is finished cooking. Some outdoor chefs prefer to smoke at the end of a cook, allowing the food to keep warm until ready to serve. Practice makes perfect!






UNDERSTANDING THE CONTROL BOARD

This P.I.D. (proportional-integral-derivative) digital Control Board is very much the same as the controls on your kitchen oven. The main advantages are the ability to automatically compensate for the different ambient conditions and fuel types.

IMPORTANT: The temperature inside of any grill will vary greatly from location to location. Even instruments calibrated together may not agree with each other.



ENGLISH

| CONTROL | DESCRIPTION |
|---|--|
|  | <p>Press the Power Button to power on the unit. This will begin the automatic startup cycle. Press and hold this button for three seconds to Power-down the unit, activating the automatic cool-down cycle. The button will glow blue if connected to a power source.</p> |
|  | <p>The Pit Boss® Grills icon indicates a connectivity with Wi-Fi. When searching for a connection by Wi-Fi or via Bluetooth®, the Pit Boss® Grills icon will blink. Once a Wi-Fi connection has been established, the Pit Boss® Grills icon will stay solid. When connected, get live updates about the actual and COOK temperatures of the grill, cooking time, and Meat Probe temperatures. It also allows you to adjust the settings of your Control Board.</p> |
|  | <p>The Controller Knob is used to increase, decrease, and select a temperature value. Rotate the Controller Knob to change the temperature, then push the Controller Knob to confirm the chosen value. The temperature displayed can be adjusted by 5 degree (°F) increments. The temperature can be set to a low 82°C /180°F, and peaks at a high of 260°C /500°F.</p> |
|  | <p>The Flame Intensity Meter visually displays the intensity of the fire in the Burn Pot. As the temperature increases from within the Main Barrel, the color of the bars will turn from blue to red. The color will also change when you are adjusting the Cook temperature.</p> |
|  | <p>This readout displays the Actual temperature. The Actual temperature is the temperature from inside the Main Barrel, and is constantly displayed. The Actual temperature readout is taken by the Grill Probe (sensor) from the inside of the grill barrel.</p> |

COOK
888

PROBE 1
888 FC
PROBE 2
888 FC

"P" SET

"P" SET
P8



The COOK readout displays the desired temperature that you want to achieve in the Main Barrel. To adjust the COOK temperature, push the Controller Knob to activate, rotate the Controller Knob to change the temperature, then push the Controller Knob to confirm the chosen value.

Displays the temperature of the connected Meat Probe(s). The displayed Meat Probe readout will correspond with the plug-in connection port(s) selected on the front of the Control Board. When not in use, disconnect the Meat Probe from the connection port and code "noP" will be displayed. Compatible with Pit Boss® branded Meat Probes only. Additional Meat Probe(s) sold separately.

This button has two functions: "P" Set and Temperature Units Switch.

1. The "P" Set Button is used to select one of the eight fine tunings when the Controller Knob is set to the S (Smoke) Setting. Press the button to change the "P" setting value to accommodate to your cooking style and cooking environment, as preferred. With a short push of the button, the setting increases from P0 to P7, then repeats. Adjustments are only possible in the S (Smoke) Setting. Factory default setting is "P4". If the "P" setting is adjusted, your preference will be locked-in (saved) until further adjustment is made.
2. Press and hold this button for two seconds to activate the Temperature Units Switch, changing the temperature readout. Change between Celsius (°C) and Fahrenheit (°F), as preferred. Default is set to Fahrenheit.

Press and hold this button to activate a manual, continuous feeding of pellets to the Burn Pot. Releasing the button will stop the manual feeding of pellets. This can be used to add more fuel to the fire before opening the barrel lid, resulting in a quick heat recovery. It can also be used while smoking, to increase the intensity of clean smoke flavor. This feature was requested from competition cookers.

The FAN icon is visible when the fan is in operation. When the central readout has an error code (Err) and the FAN icon is blinking, the Fan is not working. See the section on troubleshooting for assistance.

The AUGER icon is visible when the auger is turning. When the central readout has an error code (Err) and the AUGER icon is blinking, the auger is not working. See the section on troubleshooting for assistance.

The Igniter icon is visible when the igniter is in use. When the central readout has an error code (Err) and the Igniter icon is blinking, the igniter is not working. See the section on troubleshooting for assistance.

When the central readout has an error code (Err) and the PELLET icon is visible, the fire in the Burn Pot has gone out or the hopper may be empty. See the section on troubleshooting for assistance.

UNDERSTANDING THE "P" SETTING

When the recessed "P" SET button is pushed, the "P" setting displayed on the LCD screen will change to the next value (upward). Once P7 is reached, it will restart at P0. There are eight "P" settings, ranging from P0 to P7. The recessed "P" SET button can be pushed using a thin-tipped object.

IMPORTANT: Do not push the "P" SET button too hard, as this may cause damage. Only a light push is needed.

• USING THE "P" SETTING

Anytime the grill is set to SMOKE, the auger will run on more of a manual mode of cooking versus using one of the preset dial temperatures. After the start-up cycle of the grill is completed, the auger begins to run a feed cycle based on the "P" setting selected on the Digital Control Board. The default setting is P4.

| "P" SET | AUGER CYCLE (seconds) | |
|---------|-----------------------|-----|
| | ON | OFF |
| P0 | 18 | 55 |
| P1 | 18 | 70 |
| P2 | 18 | 85 |
| P3 | 18 | 100 |
| *P4 | 18 | 115 |
| P5 | 18 | 130 |
| P6 | 18 | 140 |
| P7 | 18 | 150 |

* factory default setting

CONTROL BOARD FUNCTIONS

• SETTING THE GRILL TEMPERATURE

The Grill Probe measures the internal temperature of the Main Barrel. When the COOK temperature is adjusted, the Grill Probe will read the Actual temperature inside the Main Barrel and adjust to the desired COOK temperature.

IMPORTANT: The temperature of your unit is highly dependent on ambient outdoor weather, quality of pellets used, flavor of pellets, and the quantity of food being cooked.

SETTING/ADJUSTING THE COOK TEMPERATURE

To adjust the desired COOK temperature of the grill, follow the steps below:

1. Push the Controller Knob. This will make the COOK temperature readout blink, to show it is active.
2. Rotate the Controller Knob to adjust to your desired temperature.
3. Once the desired temperature is reached, push the Controller Knob to confirm.

• USING THE MEAT PROBE

The meat probe measures the internal temperature of your meat in the grill, similar to your indoor oven. Plug-in the meat probe adapter to the meat probe connection port on the Control Board and insert the stainless steel meat probe into the thickest portion of your meat and the temperature will be displayed on the control board. To ensure the meat probe is connected properly to the connection port, feel and hear it snap into place.

NOTE: When placing the meat probe into your meat, ensure the meat probe and meat probe wires avoid direct contact with flame or excess heat. This can result in damage to your meat probe. Run the excess wire out the hole located on the left side of the main grill or the top of the main grill (near the grill lid hinge). When not in use, disconnect from the meat probe connection port and place aside to keep protected and clean.

AUGER PRIMING PROCEDURE

First time using your grill or whenever your grill runs out of pellets in the hopper, you will need to prime the auger. If not primed, the grill will timeout before the pellets are ignited, and no fire will start. Follow these steps to prime the auger:

1. Open the hopper lid. Make sure there are no foreign objects in the hopper or blocking the auger feed system.
2. Remove all cooking components from the interior of the grill. Locate the burn pot in the bottom of the pellet grill.
3. Plug the power cord into a power source.
4. Turn on the grill and turn the Temperature Control Dial to the Smoke (S) or Low (L) position.
 - Check to make sure you hear the auger turning. Place your hand above the burn pot and feel for air movement. DO NOT place your hands or fingers inside the burn pot, this can cause injury.
 - After approximately a minute, you should smell the igniter burning and begin to feel the air getting warmer above the burn pot. The igniter tip does not glow red but will get extremely hot and will burn. DO NOT touch the igniter.
5. Once verified that all electric components are working correctly, turn the grill off.
6. Fill the hopper with all natural hardwood barbecue pellets.
7. Turn the grill on. Keep the Temperature Control Dial in the Smoke (S) or Low (L) position.
8. Press and hold the Prime Button until you see pellets drop from the auger into the burn pot. Now you can release the Prime Button.
9. You now can turn your grill off. Please make sure you allow your grill to stay plugged in until it finishes the cool down cycle. Once the fan turns off, the grill has completed the shutdown cycle, it is safe to unplug your grill.
10. Re-install the cooking components into the main barrel.
11. Your grill is now primed and ready to use! If this is the first time you are using your grill, you should perform a First Initial Grill Burn-off.

FIRST USE - GRILL BURN-OFF

Once your auger has been primed and before cooking on your grill for the first time, it is important to complete a grill burn-off. Start the grill and operate at any temperature over 176°C / 350°F (with the lid down) for 30 to 40 minutes to burn-off the grill and rid it of any foreign matter.

CONNECTING TO THE PIT BOSS® GRILLS APP

Follow these instructions on how to connect your grill to the Pit Boss® Grills app with your Android™ or iOS® device. The app will allow you to control and monitor your grill and Meat Probe temperatures from your mobile device. Enjoy the benefits that Pit Boss® Grills app mobile connectivity has to offer!

1. Download the Pit Boss® Grills app. Open the app and allow Bluetooth® to be enabled for setup. New users will need to create an account and follow the prompts to login.
2. If you are within Bluetooth® range (9 m / 30 ft), the Pit Boss® Grills app will automatically detect your grill. Select your grill model. If you do not see your grill on the screen, ensure your unit is connected to a power source and is turned on.
3. Name your grill model (ie. My Smoker) in the app and select "Connect" at the bottom of the screen. This will save your grill model in the devices menu.
4. From the devices menu, click the grill model to connect. This will show you the control board screen.
5. Click the settings option (gear) in the top-right corner, enter your Wi-Fi credentials, then click the check mark at the bottom of the screen to connect. Now both Bluetooth and Wi-Fi (cloud) icons will show on the devices menu, showing that the grill is connected.

AUTOMATIC START-UP PROCEDURE

1. Plug the power cord into a grounded power source. Open the main barrel lid. Check the burn pot to ensure there is no obstruction for proper ignition. Open the hopper lid. Ensure there are no foreign objects in the hopper or auger feed system. Fill the hopper with dry, all natural barbecue hardwood pellets.
2. Press the **Power Button** to turn the unit on. This will activate the start-up cycle. The auger feed system will begin to turn, the igniter will begin to glow and the fan will supply air to the burn pot. The grill will begin to produce smoke while the start-up cycle is taking place. The barrel lid must remain open during the start-up cycle. To confirm the start-up cycle has begun properly, listen for a torchy roar, and notice some heat being produced.
3. Once the heavy, white smoke has dissipated, the start-up cycle is complete and you are ready to enjoy your grill at your desired temperature!

IGNITER FAILURE PROCEDURE

If for any reason your electric igniter fails or your grill's flame dies out during a cook, check the following steps, or start your grill using the manual method.

1. Press and hold the Power Button for three seconds to turn the unit off. Open the barrel lid. Remove the cooking components from inside. Remove all unburnt pellets and ash from the burn pot. Avoid touching the igniter to avoid injury, as it may be extremely hot.
2. Once all cooking components are removed and cleaned, press the **Power Button** to turn the unit on. Check the following:
 - Visually confirm that the igniter is working by placing your hand above the burn pot and feeling for heat.
 - Visually confirm that the igniter is protruding approximately 13mm / 0.5 inches in the burn pot.
 - Visually confirm that the auger is dropping pellets into the burn pot.
 - Confirm that the combustion fan is working by listening for a torchy roar.
3. If any of the above points are not working, follow **Troubleshooting** instructions.

SHUTTING OFF YOUR GRILL

When finished cooking, with the main barrel lid remaining closed, press and hold the **Power Button** for three seconds to turn the unit off. The grill will begin its automatic cool-down cycle. The auger system will stop feeding fuel, the flame will burn out, and the fan will continue to run until the cool-down cycle is complete.

IMPORTANT! Once the shut-down cycle is complete, unplug the power cord.

CARE AND MAINTENANCE

WARNING: Always disconnect the electrical cord prior to opening the grill for any inspection, cleaning, maintenance, or service work. Ensure the grill is completely cooled to avoid injury.

Any Pit Boss® unit will give you many years of flavorful service with minimum cleaning. Follow these cleaning and maintenance tips to service your grill:

1. HOPPER ASSEMBLY

- Running all pellets out of your auger system is recommended if your grill will be unused for an extended period of time. This can be done by simply running your grill, on an empty hopper, until all pellets have emptied from the auger tube.
- Check and clean off any debris from the fan air intake vent, found on the bottom of the hopper. Once the access panel is removed (see **Electric Wire Diagram** for diagram), carefully wipe off any grease build-up directly on the fan blades. This ensures airflow is sufficient to the feed system.

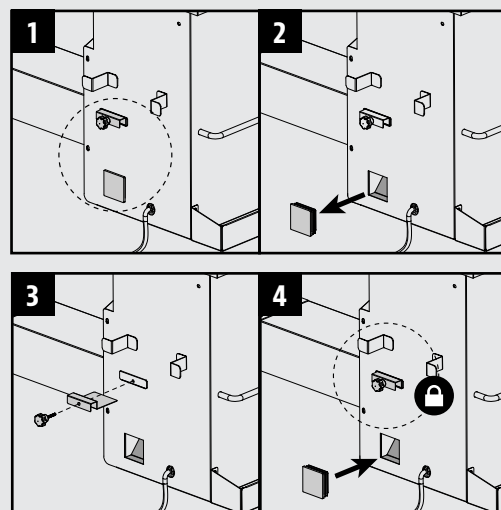
PELLET CLEAN-OUT FEATURE

The hopper includes a pellet clean-out feature to allow for easy cleaning and the ability to change out wood pellet fuel flavors. To empty, follow these steps:

1. Locate the plate and the cover of the drop chute on the back side of the hopper.
2. Place a clean, empty pail under the drop chute cover, then remove the cover piece.
3. Unscrew the plate to unlock, slide the plate outwards to open the drop-chute and allowing the pellets from the hopper to empty.

NOTE: Use a long handled brush or wet/dry vacuum to remove excess pellets, sawdust, and debris for a complete clean-out through the hopper screen.

4. Once empty, insert the plate back into place. Screw in to lock. Push the drop-chute cover back into place.



2. PROBES

- Kinks or folds in the probe wires may cause damage. A Meat Probe not in use should be rolled up in a large, loose coil.
- Although both the Grill Probe and the Meat Probes are stainless steel, do not place in the dishwasher or submerge in water. Water damage to the internal wires will cause a probe to short-out, causing false readings. If a probe is damaged, it should be replaced.

3. *INSIDE SURFACES*

- It is recommended to clean your Burn Pot after every few uses. This will ensure proper ignition and avoid any hard build-up of debris or ash in the Burn Pot.
- Use a long-handled grill cleaning brush, remove any food or build-up from the cooking grates. Best practice is to do this while they are still warm from a previous cook. Grease fires are caused by too much fallen debris on the cooking components of the grill. Clean the inside of your grill on a consistent basis. In the event you experience a grease fire, keep the grill lid closed to choke out the fire. If the fire does not go out quickly, carefully remove the food, turn the grill off, and shut the lid until the fire is completely out. Lightly sprinkle baking soda, if available.
- Check your grease bucket often, and clean out as necessary. Keep in mind the type of cooking you do.

IMPORTANT: Due to high heat, do not cover the Flame Broiler™ or probes with aluminum foil.

4. *OUTSIDE SURFACES*

- Wipe your grill down after each use. Use warm soapy water to cut the grease. Do not use oven cleaner, abrasive cleansers or abrasive cleaning pads on the outside grill surfaces. **All painted surfaces are not covered under warranty, but rather are part of general maintenance and upkeep.** For paint scratches, wearing, or flaking of the finish, all painted surfaces can be touched up using high heat BBQ paint.
- Use a grill cover to protect your grill for complete protection! A cover is your best protection against weather and outside pollutants. When not in use or for longterm storage, keep the unit under a cover in a garage or shed.

CLEANING FREQUENCY TIME TABLE (NORMAL USE)

| ITEM | CLEANING FREQUENCY | CLEANING METHOD |
|----------------------------|--------------------------|---|
| Bottom of Main Grill | Every 5-6 Grill Sessions | Scoop Out, Wet/dry vacuum Excess Debris |
| Burn Pot | Every 2-3 Grill Sessions | Scoop Out, Wet/dry vacuum Excess Debris |
| Cooking Grates | After Each Grill Session | Burn Off Excess, Brass Wire Brush |
| Flame Broiler | Every 5-6 Grill Sessions | Scrape Main Plate with Slider, Do Not Wash Clean |
| Shelves | After Each Grill Session | Scrub Pad & Soapy Water |
| Grease Bucket | After Each Grill Session | Scrub Pad & Soapy Water |
| Auger Feed System | When Pellet Bag is Empty | Allow Auger to Push Out Sawdust, Leaving Hopper Empty |
| Hopper Electric Components | Once A Year | Dust Out Interior, Wipe Fan Blades with Soapy Water |
| Air Intake Vent | Every 5-6 Grill Sessions | Dust, Scrub Pad & Soapy Water |
| Grill Probe | Every 2-3 Grill Sessions | Scrub Pad & Soapy Water |
| Meat Probe | After Each Grill Session | Scrub Pad & Soapy Water |

COOKING GUIDELINES

Smoking and grilling styles of cooking can give you different results based on time and temperature. For best results, keep a record of what you cooked, at what temperature, how long you cooked for, and the results. Adjust to your taste for the next time. Practice makes perfect.

The culinary art of hot smoking refers to longer cooking times, but results in more natural wood flavor (and a sought-after *smoke ring*) on your meats. Higher cooking temperatures result in a shorter cooking time, locking in less smoke flavor.

TIP: For best results, allow time for meats to rest after cooking. This allows the natural juices to migrate back into the meat fiber, giving a much juicier, flavorful cut. Resting times can be as little as 3 minutes and up to 60 minutes, depending on the size of the protein.

| STYLE OF COOKING | HOT SMOKING (Very Low) | ROAST (Low) | BAKING (Medium) | GRILL/BAKE (Medium/High) | SEAR (High) |
|-------------------|------------------------|-----------------------|-----------------------|--------------------------|-----------------------|
| Temperature Range | 82-135°C / 180-275°F | 135-162°C / 275-323°F | 162-190°C / 323-374°F | 190-232°C / 374-449°F | 232-260°C / 449-500°F |

| POULTRY | Size | Rare - 54°C / 130°F | Medium - 60°C / 140°F | Well Done - 77°C / 170°F |
|--------------------------|--|---------------------|-----------------------|--|
| Turkey (<i>whole</i>) | 4.5-5.0 kg / 10-11 lbs. 5.3-6.4 kg / 12-14 lbs. 6.8-7.7 kg / 15-17 lbs. 8.2-10.0 kg / 18-22 lbs. 10.4-11.3 kg / 23-25 lbs. | | | Grill 90 - 120 minutes Grill 110 - 140 minutes Grill 130 - 160 minutes Grill 140 - 170 minutes Grill 150 - 180 minutes |
| Chicken (<i>whole</i>) | 1.36-2.26 kg / 3-5 lbs. | | | Grill 1 - 1.5 hours |
| Drumsticks, Breasts | 0.45 - 0.86 kg / 1 - 1½ lbs. | | | Grill 30-60 minutes |
| Small Game Birds | 0.45 - 0.86 kg / 1 - 1½ lbs. | | | Grill 30-45 minutes |
| Duck | 1.36-2.26 kg / 3-5 lbs. | | | Roast or grill 2 - 2.5 hours |

| PORK | SIZE | Precooked to Reheat 60°C / 140°F | Medium 66°C / 150°F | Well Done 71°C / 160°F |
|---|---|--|------------------------------------|---|
| Ham (<i>Fully Cooked & Boneless Portion, Smoked Picnic Whole & Bone-In</i>) | 2.5 cm / 1" 1.36-1.81 kg / 3-4 lbs. 1.81-2.72 kg / 4-6 lbs. 2.26-3.62 kg / 5-8 lbs. 4.53-5.44 kg / 10-12 lbs. | 12 minutes 50 minutes - 1 hour 1 - 2 hours 1 - 2½ hours 2 - 2¾ hours | | |
| Loin Roast | 1.36-1.81 kg / 3 - 4 lbs. | | 1 - 2 hours | 2 - 3 hours |
| Rib Crown Roast | 1.81-2.26 kg / 4 - 5 lbs. | | 1½ - 2 hours | 2 - 3 hours |
| Chop (<i>loin, rib</i>) | 1.9-2.5 cm / ¾" - 1" 3.1-3.9 cm / 1¼" - 1½" | | 10 - 12 minutes 14 - 18 minutes | |
| Tenderloin | 1.9-2.5 cm / ¾" - 1" | | 20 - 30 minutes | 30 - 45 minutes |
| Loin Roast (<i>boneless</i>) | 1.36-2.26 kg / 3-5 lbs. | | 1¼ - 1¾ hours | 1¾ - 2½ hours |
| Boston Butt (<i>Pork Shoulder</i>) | 3.62-4.53 kg / 8-10 lbs. | | | 93 - 98°C / 200 - 210°F Internal Temperature |

| BEEF | SIZE | HEAT | Rare - 54°C / 130°F | Medium - 60°C / 140°F | Well Done - 65°C / 150°F |
|---|---|-------------|--|------------------------------|---------------------------------|
| Steak (<i>New York, Porter-house, Rib-eye, Sirloin, T-bone, or Tenderloin</i>) | 1.9 cm / ¾" 2.5 cm / 1" 3.8 cm / 1½" 5 cm / 2" | High | Sear 8-10 minutes Sear 10-12 minutes Sear 10 minutes, grill 8-10 minutes Sear 10 minutes, grill 10-14 minutes | | |
| Skirt Steak | 0.6 - 12.7 cm / ¼" - ½" | High | Sear 5-7 minutes | | |
| Flank Steak | 0.45 - 0.86 kg / 1 - 1½ lbs., 1.9 cm / ¾" | Medium | Sear 4 minutes, grill 8-10 minutes | | |
| Kabob | 2.5 - 3.8 cm / 1-1½" cubes | Medium | Grill 10 - 12 minutes | | |
| Tenderloin, whole | 1.58 - 1.81 kg / 3½ - 4 lbs. | High/Medium | Sear 10 minutes, grill 15-20 minutes | | |
| Ground Beef Patty | 1.9 cm / ¾" | High/Medium | Sear 4 minutes, grill 4-6 minutes | | |
| Rib-eye Roast (<i>boneless</i>) | 2.26 - 2.72 kg / 5 - 6 lbs. | Medium | Grill 1½ - 2 hours | | |
| Tri-tip Roast | 0.9 - 1.13 kg / 2 - 2½ lbs. | High/Medium | Sear 10 minutes, grill 20-30 minutes | | |
| Rib Roast | 5.44 - 6.35 kg / 12 - 14 lbs. | Medium | 2½ - 2¾ hours | | |
| Veal Loin Chop | 2.5cm / 1" | Medium | 10 - 12 minutes direct | | |
| Brisket | 7.25 - 3.62 kg / 16 -18 lbs. | Hot Smoke | Cook until internal temperature reaches 91°C / 195°F | | |

| LAMB | Size | Rare - 54°C / 130°F | Medium - 60°C / 140°F | Well Done - 71°C / 160°F |
|-------------------------------|-----------------------------|----------------------------|------------------------------|---------------------------------|
| Roast (<i>fresh</i>) | 2.26 - 2.72 kg / 5 - 6 lbs. | | 1 - 2 hours | |
| Rib Crown Roast | 1.36-2.26 kg / 3-5 lbs. | | 1 - 1½ hours | 1½ hours |

| SEAFOOD | Size | Rare - 54°C / 130°F | Medium - 60°C / 140°F | Well Done - 82°C / 180°F |
|--------------------------------|---|----------------------------|------------------------------|---|
| Fish (<i>whole</i>) | 0.5 kg / 1 lb. 0.9 - 1.1 kg / 2 - 2½ lbs. 1.4 kg / 3 lbs. | | | Grill 10 - 20 minutes Grill 20 - 30 minutes Grill 30 - 45 minutes |
| Fish (<i>fillets</i>) | 0.6-1.3 cm / ¼" - ½" | | | Grill 3 - 5 minutes, until flaky |
| Lobster Tail | 0.15 kg / 5 oz. 0.3 kg / 10 oz. | | | Grill 5 - 6 minutes Grill 10 - 12 minutes |

| WILD GAME | Size | Rare - 60°C / 140°F | Medium - 71°C / 160°F | Well Done - 77°C / 170°F |
|------------------------------------|-----------------------------|----------------------------|------------------------------|---------------------------------|
| Roast (<i>fresh</i>) | 2.26 - 2.72 kg / 5 - 6 lbs. | | 1 - 1½ hours | 1½ - 2 hours |
| Large Cuts (<i>fresh</i>) | 3.62-4.53 kg / 8-10 lbs. | | 1 hours | 1½ hours |

TIPS & TECHNIQUES

Follow these helpful tips and techniques, passed on from Pit Boss® owners, our staff, and customers just like you, to become more familiar with your grill:

1. *FOOD SAFETY*

- Keep everything in the kitchen and cooking area clean. Use different platters and utensils for the cooked meat than the ones you used to prepare or transport the raw meat out to the grill. This will prevent cross contamination of bacteria. Each marinade or basting sauce should have its own utensil.
- Keep hot foods hot (above 60°C / 140°F), and keep cold foods cold (below 3°C / 37°F).
- A marinade should never be saved to use at a later time. If you are going to use it to serve with your meat, be sure to bring it to a boil before serving.
- Cooked foods should not be left out in the heat for more than an hour. Do not leave hot foods out of refrigeration for more than two hours.
- Defrost and marinade meats by refrigeration. Do not thaw meat at room temperature or on a counter top. Bacteria can grow and multiply rapidly in warm, moist foods. Wash hands thoroughly with hot, soapy water before starting any meal preparation and after handling fresh meat, fish, and poultry.

2. *COOKING PREPARATION*

- Be prepared, or **Mise en Place**. This refers to preparing the cooking recipe, fuel, accessories, utensils, and all ingredients you require at grill side before you start cooking. Also, read the entire recipe, start to finish, before lighting the grill.
- A BBQ floor mat is very useful. Due to food handling accidents and cooking spatter, a BBQ floor mat would protect a deck, patio, or stone platform from the possibility of grease stains or accidental spills.

3. *GRILLING TIPS AND TECHNIQUES*

- To infuse more smoke flavor into your meats, cook longer and at lower temperatures (also known as **low and slow**). Meat will close its fibers after it reaches an internal temperature of 49°C / 120°F. Misting, or mopping, are great ways to keep meat from drying out.
- While searing your meats, cook with the lid down. Always use a meat thermometer to determine the internal temperature of the foods you are cooking. Smoking foods with hardwood pellets will turn meats and poultry pink. The band of pink (after cooking) is referred to as a **smoke ring** and is highly prized by outdoor chefs.
- Sugar-based sauces are best applied near the end of cooking to prevent burning and flare-ups.
- Leave open space between the foods and the extremities of the barrel for proper heat flow. Food on a crowded grill will require more cooking time.
- Use a set of long-handled tongs for turning meats, and a spatula for turning burgers and fish. Using a piercing utensil, such as a fork, will prick the meat and allow the juices to escape.
- Foods in deep casserole dishes will require more time to cook than a shallow baking pan.
- It's a good idea to put cooked food onto a heated platter, keeping the food warm. Red meats, such as steak and roasts, benefit from resting for several minutes before serving. It allows the juices that were driven to the surface by heat to ease back to the center of the meat, adding more flavor.

TROUBLESHOOTING

Proper cleaning, maintenance, and the use of clean, dry, quality fuel will prevent common operational problems. When your Pit Boss® grill is operating poorly, or on a less frequent basis, the following troubleshooting tips may be helpful. For FAQ, please visit www.pitboss-grills.com. You may also contact your local Pit Boss® authorized dealer or contact Customer Care for assistance.

WARNING: Always disconnect the electrical cord prior to opening the grill for any inspection, cleaning, maintenance, or service work. Ensure the grill is completely cooled to avoid injury.

| PROBLEM | CAUSE | SOLUTION |
|---|---|---|
| No power lights on the control board | Not connected to power source | Ensure unit is plugged into a working power source. Reset breaker. Ensure GFCI is a minimum 15 Amp service (see Electric Wire Diagram for access to electric components) Ensure all wire connections are firmly connected and dry. |
| | Fuse blown on the control board | Remove access panel (see Electric Wire Diagram for diagram), press in plastic tabs holding the control board in place and carefully pull controller inside the hopper to release controller. Check the fuse for a broken wire or if the wire has turned black. If yes, fuse needs to be manually replaced. |
| | The GFCI outlet has been tripped. | Remove access panel (see Electric Wire Diagram for diagram), and ensure all wire connections are firmly connected and dry. Ensure GFCI is a minimum 15 Amp service. |
| | Faulty control board | Control board needs to be replaced. Contact Customer Care for a replacement part. |
| Fire in burn pot will not light | Auger not primed | Before the unit is used for the first time or anytime the hopper is completely emptied out, the auger must be primed to allow pellets to fill the auger tube. If not primed, the igniter will timeout before the pellets reach the burn pot. Follow Auger Priming Procedure . |
| | Auger motor is jammed | Remove cooking components from the main barrel. Press the power button to turn the unit on and inspect the auger feed system. Visually confirm that the auger is dropping pellets into the burn pot. If not operating properly, call Customer Care for assistance or a replacement part. |
| | Igniter failure | Remove cooking components from the main barrel. Press the power button to turn the unit on and inspect the igniter. Visually confirm that the igniter is working by placing your hand above the burn pot and feeling for heat. Visually confirm that the igniter is protruding approximately 13mm / 0.5 inches in the burn pot. If not operating properly, call Customer Care for assistance or a replacement part. |
| Readout of actual temperature will not adjust | Grill probe dirty | Follow Care and Maintenance instructions. |
| | Grill probe is broken | Grill probe needs to be replaced. Contact Customer Care. |
| Grill will not achieve or maintain stable temperature | Insufficient air flow through burn pot | Check burn pot for ash build-up or obstructions. Follow Care and Maintenance instructions for ash build-up. Check fan. Ensure it is working properly and air intake is not blocked. Follow Care and Maintenance instructions if dirty. Check auger motor to confirm operation, and ensure there is no blockage in the auger tube. Once all the above steps have been done, start the grill, COOK temperature to SMOKE and wait for 10 minutes. Check that the flame produced is bright and vibrant. |
| | Lack of fuel, poor fuel quality, obstruction in feed system | Check hopper to check that fuel level is sufficient, and replenish if low. Should the quality of hardwood pellets be poor, or the length of the pellets too long, this may cause an obstruction in the feed system. Remove pellets and follow Care and Maintenance instructions. |
| | Grill probe | Check status of grill probe. Follow Care and Maintenance instructions if dirty. Contact Customer Care for a replacement part if damaged. |
| Grill temperature on SMOKE is too high | "P" setting is too low | Push the "P" SET button, and increase the "P" setting value. |

| | | |
|---|---|---|
| Grill produces excess or discolored smoke | Grease build-up | Follow Care and Maintenance instructions. |
| | Hardwood pellet quality | Remove moist hardwood pellets from hopper. Follow Care and Maintenance instructions to clean out. Replace with dry hardwood pellets. |
| | Burn pot is blocked | Clear burn pot for moist hardwood pellets. Follow Auger Priming Procedure . |
| | Insufficient air intake for fan | Check fan. Ensure it is working properly and air intake is not blocked. Follow Care and Maintenance instructions if dirty. |
| Frequent flare-ups | Cooking temperature | Attempt cooking at a lower temperature. Grease does have a flash point. Keep the temperature under 176°C / 350°F when cooking highly greasy food. |
| | Grease build-up on cooking components | Follow Care and Maintenance instructions. |
| "ErP" error code | Grill probe wire not making connection. | Remove access panel (see Electric Wire Diagram for diagram), and check for any damage to the grill probe wires. Ensure grill probe connectors are firmly connected, and connected correctly, to the control board. |
| ErL error code | Grill fails to perform start-up cycle | Check proper positioning of cooking components. Check hopper for sufficient fuel or if there is an obstruction in the feed system. Remove pellets and follow Care and Maintenance instructions. Check grill probe. Confirm if actual temperature is correct and accurate. Follow Care and Maintenance instructions if dirty. Check igniter positioning and that it is heating up properly. In extreme cold, the grill may require a second start. Turn grill off, wait, then turn on again. Check fan. Ensure it is working properly. Follow Care and Maintenance instructions if dirty. |
| | Grill will not stay lit | |
| ErH error code | The unit has overheated, possibly due to grease fire or excess fuel | Press and hold the button for three seconds to turn the unit off, and allow grill to cool. Follow Care and Maintenance instructions. After maintenance, remove pellets, and confirm positioning of all component parts. Once cooled, press the power button to turn the unit on, then select desired temperature. If error code still displayed, contact Customer Care. |
| Err error code with PELLET icon blinking | Lack of fuel, poor fuel quality, obstruction in feed system, jammed auger | Check hopper to check that fuel level is sufficient and replenish if low. Should the quality of hardwood pellets be poor, or the length of the pellets too long, this may cause an obstruction in the feed system. Remove pellets and follow Care and Maintenance instructions. |
| Err error cod with igniter icon blinking | Igniter is not working properly, not making a connection | Remove cooking components from the main barrel. Press the power button to turn the unit on and inspect the igniter. Visually confirm that the igniter is working by placing your hand above the burn grate and feeling for heat. Visually confirm that the igniter is aligned with the hole in the burn grate, and open to light the pellets. If not operating properly, call Customer Care for assistance or a replacement part. |
| | Igniter failure | Igniter needs to be replaced. Contact Customer Care for replacement part. |
| Err error code with AUGER icon blinking | Auger not primed | Before the unit is used for the first time or anytime the hopper is completely emptied out, the auger must be primed to allow pellets to fill the feed system. If not primed, the igniter will timeout before the pellets ignite. Follow Auger Priming Procedure . |
| | Auger motor is jammed, not making connection | Remove cooking components from the main barrel. Press the power button to turn the unit on and inspect the auger feed system. Visually confirm that the auger is dropping pellets into the burn pot. If not operating properly, call Customer Care for assistance or a replacement part. |
| Err error code with FAN icon blinking | Fan is not working properly, not making a connection | Check fan. Ensure it is working properly and air intake is not blocked. Remove access panel (see Electric Wire Diagram for diagram), and check for any damage to the fan wires. Follow Care and Maintenance instructions if fan blades are dirty. |

ELECTRICAL WIRE DIAGRAM

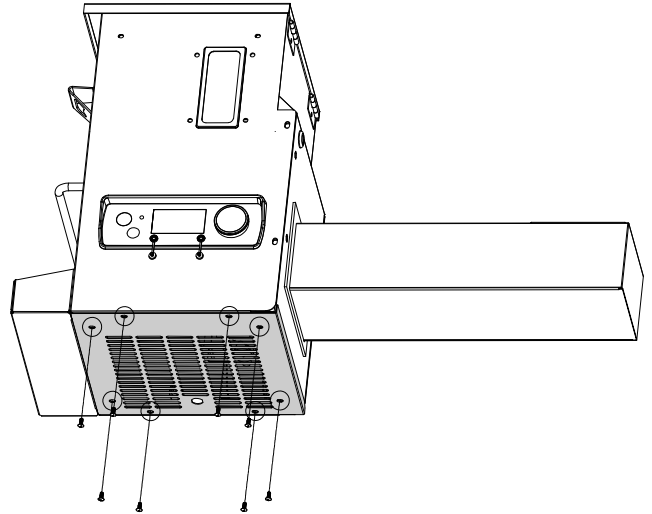
The Digital Control Board system is an intricate and valuable piece of technology. For protection from power surges and electrical shorts, consult the wire diagram below to ensure your power source is sufficient for the operation of the unit.

PB – ELECTRIC REQUIREMENTS

110-120 V, 60 Hz, 250 W, 3-PRONG GROUNDED PLUG

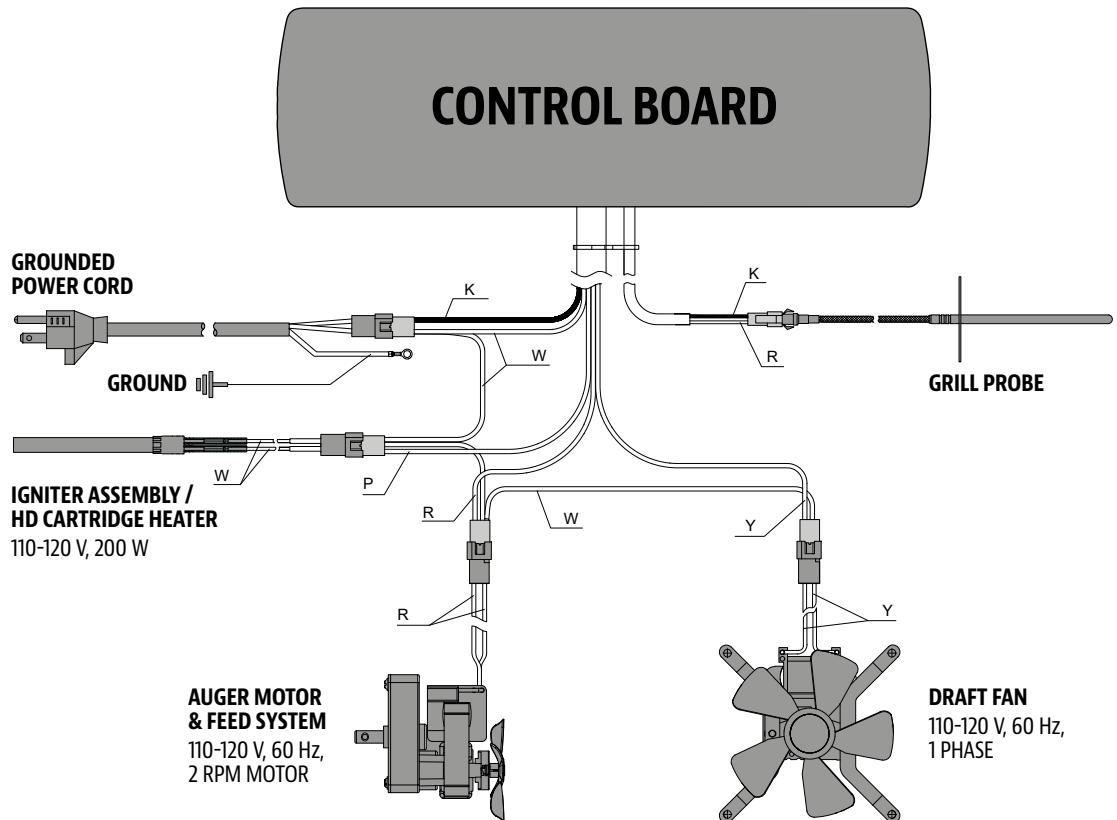
NOTE: Electrical components, passed by product safety testing and certification services, comply with a testing tolerance of $\pm 5-10$ percent.

Locate and remove the eight screws of access panel on underside of unit.



ENGLISH

FUEL INPUT RATING:
1.12 KG/H
(2.48 LB/H)



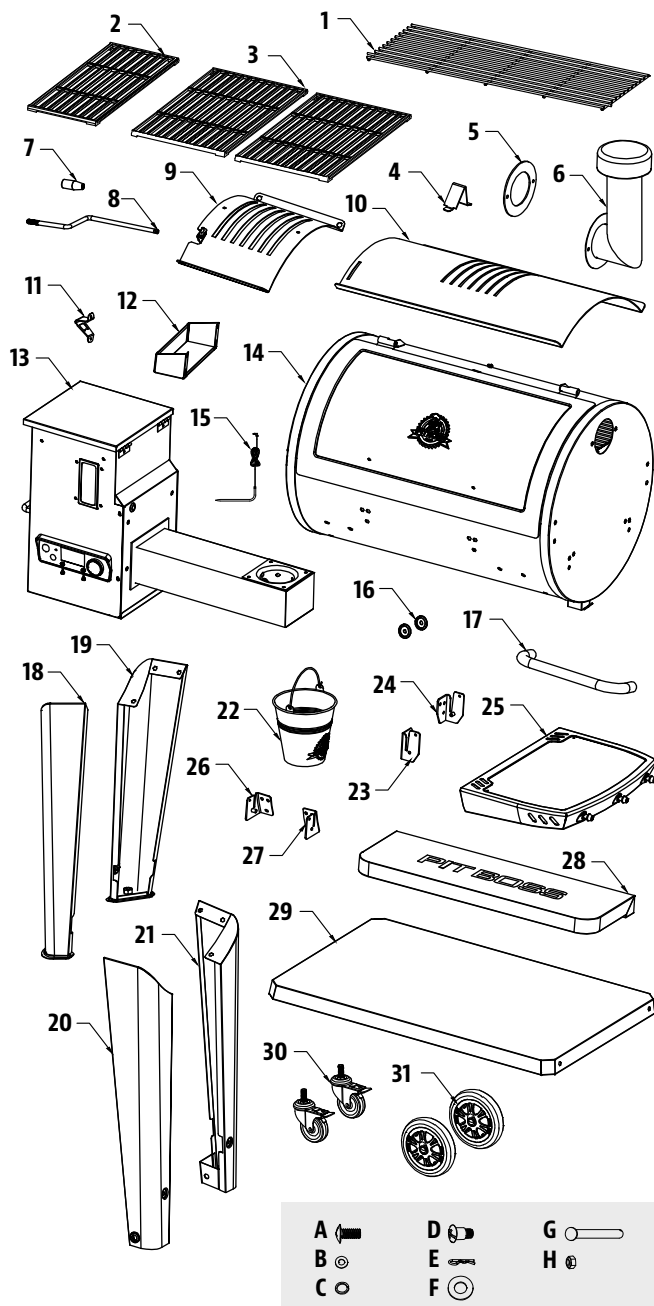
INDEX

K : BLACK
W : WHITE
R : RED
Y : YELLOW
P : PURPLE
O : ORANGE
G : GREEN

GRILL REPLACEMENT PARTS

ENGLISH

| Part | Description |
|------|---|
| 1 | Upper Cooking Grate (x1) |
| 2 | Cooking Grate A (x1) |
| 3 | Cooking Grate B (x2) |
| 4 | Lid Stopper (x1) |
| 5 | Chimney Gasket (x1) |
| 6 | Chimney (x1) |
| 7 | Flame Broiler Adjusting Bar Handle (x1) |
| 8 | Flame Broiler Adjusting Bar (x1) |
| 9 | Flame Broiler Slider (x1) |
| 10 | Flame Broiler Main Plate (x1) |
| 11 | Bottle Opener (x1) |
| 12 | Spice Box (x1) |
| 13 | Hopper Assembly (x1) |
| 14 | Main Barrel (x1) |
| 15 | Meat Probe (x1) |
| 16 | Lid Handle Bezel (x2) |
| 17 | Lid Handle (x1) |
| 18 | Support Leg / Front (x1) |
| 19 | Support Leg / Back (x1) |
| 20 | Support Leg for Wheel / Front (x1) |
| 21 | Support Leg for Wheel / Back (x1) |
| 22 | Grease Bucket (x1) |
| 23 | Side Shelf Bracket / Front (x1) |
| 24 | Side Shelf Bracket / Back (x1) |
| 25 | Side Shelf (x1) |
| 26 | Front Shelf Bracket / Left (x1) |
| 27 | Front Shelf Bracket / Right (x1) |
| 28 | Front Shelf (x1) |
| 29 | Bottom Shelf (x1) |
| 30 | Locking Caster Wheel (x2) |
| 31 | Wheel (x2) |
| A | Screw (x30) |
| B | Washer (x30) |
| C | Locking Washer (x30) |
| D | Step Screw (x4) |
| E | Wheel Cotter Pin (x2) |
| F | Wheel Washer (x2) |
| G | Wheel Axle Pin (x2) |
| H | Locking Nut (x4) |

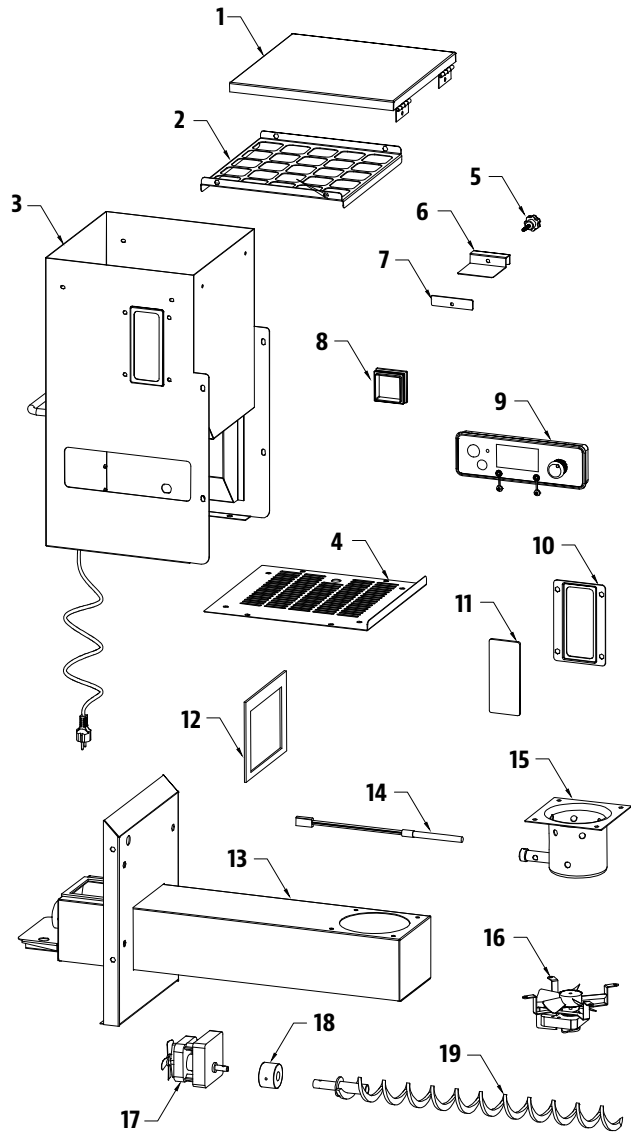


NOTE: Due to ongoing product development, parts are subject to change without notice.

HOPPER REPLACEMENT PARTS

| Part# | Description |
|-------|-------------------------------|
| 1 | Hopper Lid (x1) |
| 2 | Hopper Safety Screen (x1) |
| 3 | Hopper Box Housing (x1) |
| 4 | Access Panel (x1) |
| 5 | Plate Screw (x1) |
| 6 | Drop Chute Plate (x1) |
| 7 | Rubber Seal (x1) |
| 8 | Drop Chute Cover (x1) |
| 9 | Control Board (x1) |
| 10 | Hopper Sight Glass Plate (x1) |
| 11 | Hopper Sight Glass (x1) |
| 12 | Hopper Housing Gasket (x1) |
| 13 | Auger Box Housing (x1) |
| 14 | Igniter (x1) |
| 15 | Burn Pot (x1) |
| 16 | Combustion Fan (x1) |
| 17 | Auger Motor (x1) |
| 18 | Nylon Bushing (x1) |
| 19 | Auger Flighting Assembly (x1) |

NOTE: Due to ongoing product development, parts are subject to change without notice.



ENGLISH

WARRANTY

CONDITIONS

All hardwood pellet grills by Pit Boss®, manufactured by Dansons, carry a limited warranty from the date of sale by the original owner. The warranty coverage begins on the original date of purchase and proof of date of purchase, or copy of original bill of sale, is required to validate the warranty. Customers will be subject to parts, shipping, and handling fees if unable to provide proof of the purchase or after the warranty has expired. Dansons carries a five (5) year warranty against defects and workmanship on all parts, and five (5) years on electrical components. Dansons warrants that all part(s) are free of defects in material and workmanship, for the length of use and ownership of the original purchaser. Warranty does not cover damage from wear and tear, such as scratches, dents, dings, chips, or minor cosmetic cracks. These aesthetic changes of the grill do not affect its performance. Repair or replacement of any part does not extend past the limited warranty beyond the five (5) years from date of purchase. During the term of the warranty, Dansons' obligation shall be limited to furnishing a replacement for defective and/or failed components. As long as it is within the warranty period, Dansons will not charge for repair or replacement for parts returned, freight prepaid, if the part(s) are found by Dansons to be defective upon examination. Dansons shall not be liable for transportation charges, labor costs, or export duties. Except as provided in these conditions of warranty, repair or replacement of parts in the manner and for the period of time mentioned heretofore shall constitute the fulfillment of all direct and derivate liabilities and obligations from Dansons to you.

Dansons takes every precaution to utilize materials that retard rust. Even with these safeguards, the protective coatings can be compromised by various substances and conditions beyond Dansons control. High temperatures, excessive humidity, chlorine, industrial fumes, fertilizers, lawn pesticides, and salt are some of the substances that can affect metal coatings. For these reasons, the warranty does not cover rust or oxidization, unless there is loss of structural integrity on the grill component. Should any of the above occur, kindly refer to the care and maintenance section to prolong the lifespan of your unit. Dansons recommends the use of a grill cover when the grill is not in use. This warranty is based on normal domestic use and service of the grill and neither limited warranty coverage's apply for a grill which is used in commercial applications.

EXCEPTIONS

There is no written or implied performance warranty on Pit Boss® grills, as the manufacturer has no control over the installation, operation, cleaning, maintenance or the type of fuel burned. This warranty will not apply nor will Dansons assume responsibility if your appliance has not been installed, operated, cleaned and maintained in strict accordance with this owner's manual. Any use of gas not outlined in this manual may void the warranty. The warranty does not cover damage or breakage due to misuse, improper handling or modifications. Neither Dansons, or authorized Pit Boss® dealer, accepts responsibility, legal or otherwise, for the incidental or consequential damage to the property or persons resulting from the use of this product. Whether a claim is made against Dansons based on the breach of this warranty or any other type of warranty expressed or implied by law, the manufacturer shall in no event be liable for any special, indirect, consequential or other damages of any nature whatsoever in excess of the original purchase of this product. All warranties by manufacturer are set forth herein and no claim shall be made against manufacturer on any warranty or representation. Some states do not allow the exclusion or limitation of incidental or consequential damages, or limitations of implied warranties, so the limitations or exclusions set forth in this limited warranty may not apply to you. This limited warranty gives you specific legal rights and you may have other rights, which vary from state to state.

ORDERING REPLACEMENT PARTS

To order replacement parts, please contact your local Pit Boss® dealer or visit our online store at: www.pitboss-grills.com

CONTACT CUSTOMER CARE

If you have any questions or problems, contact Customer Care.

USA: (480) 923-9630 | Canada (Toll Free): 1-877-942-2246

WARRANTY SERVICE

Contact your nearest Pit Boss® dealer for repair or replacement parts. Dansons requires proof of purchase to establish a warranty claim; therefore, retain your original sales receipt or invoice for future reference. The serial and model number of your Pit Boss® can be found inside the lid of the hopper. Record numbers below as the label may become worn or illegible.

MODEL

SERIAL NUMBER

DATE OF PURCHASE

AUTHORIZED DEALER

INFORMATIONS CONCERNANT LA SÉCURITÉ

LES PRINCIPALES CAUSES D'INCENDIE D'UN APPAREIL SONT UN MAUVAIS ENTRETIEN ET UNE INCAPACITÉ À MAINTENIR L'ESPACEMENT REQUIS ENTRE L'APPAREIL ET LES MATÉRIAUX COMBUSTIBLES. IL EST DE LA PLUS HAUTE IMPORTANCE QUE CE PRODUIT SOIT UNIQUEMENT UTILISÉ CONFORMÉMENT AUX INSTRUCTIONS SUIVANTES.

Veillez lire et comprendre l'intégralité de ce manuel avant de procéder à l'assemblage, à l'utilisation ou à l'installation de ce produit. Vous pourrez alors profiter pleinement et sans encombre de votre nouveau gril à granulés de bois. Nous vous conseillons également de conserver ce manuel à titre de référence ultérieure.

DANGERS ET AVERTISSEMENTS

Vous devez contacter les autorités locales compétentes afin d'obtenir les permis, mandats ou informations nécessaires concernant toute restriction d'installation, par exemple pour un gril installé sur une surface combustible, les exigences en matière d'inspection ou même la possibilité d'utilisation dans votre région.

1. Vous devez respecter un espace minimum de 305 mm (12 pouces) entre les côtés/l'arrière du gril et toute construction combustible. **N'installez pas l'appareil sur des sols combustibles ou des sols protégés par des surfaces combustibles sans avoir obtenu les permis et autorisations appropriés de la part des autorités compétentes.** N'utilisez pas cet appareil en intérieur, dans une zone close ou non aérée, par exemple à l'intérieur d'un domicile, dans un véhicule, sous une tente ou dans un garage. Cet appareil à granulés de bois ne doit pas être placé sous un plafond ou un surplomb combustible. Placez votre gril dans une zone dégagée, sans matériaux combustibles, essence, ni autres vapeurs et liquides inflammables.

Si un feu de graisse a lieu, éteignez le gril et laissez le couvercle fermé jusqu'à ce que le feu s'éteigne. Débranchez le cordon d'alimentation. Ne jetez pas d'eau sur l'appareil. N'essayez pas d'étouffer le feu. Posséder sur place un extincteur agréé pour les feux de classe A, B et C est un atout précieux. Si un feu incontrôlé a lieu, appelez les pompiers.

2. Maintenez les câbles électriques et les combustibles loin des surfaces chauffées. N'utilisez pas votre gril sous la pluie ou près d'une source d'eau.
3. Suite à une période de stockage ou d'absence d'utilisation, vérifiez que la grille de combustion n'est pas obstruée, que la trémie ne contient pas d'objet étranger et que le dispositif de ventilation ou la cheminée peuvent toujours évacuer l'air. Nettoyez l'appareil avant utilisation. Une maintenance et un entretien réguliers sont nécessaires pour prolonger la durée de vie de votre appareil. **Si le gril est stocké en extérieur lors des saisons pluvieuses ou très humides, veillez à ce que l'eau ne pénètre pas dans la trémie.** Les granulés de bois humides ou exposés à une forte humidité gonflent beaucoup, se décomposent et peuvent bloquer le système d'acheminement. Avant tout service ou entretien, débranchez toujours l'alimentation.

Ne transportez pas votre gril lorsqu'il est en cours d'utilisation ou qu'il est chaud. Veillez à ce que le feu soit entièrement éteint et que le gril soit parfaitement froid au toucher avant de le déplacer.

IMPORTANT! Éteignez toujours l'appareil et laissez le cycle d'arrêt se dérouler. Débranchez l'appareil uniquement une fois le cycle d'arrêt terminé et/ou avant de le nettoyer. Le non-respect de cet avertissement peut entraîner des dommages, des blessures graves, un incendie, un choc électrique ou la mort.

4. Le port de moufles ou gants pour barbecue résistants à la chaleur est recommandé lors de l'utilisation du gril. N'utilisez pas d'accessoires autres que ceux spécifiés pour cet appareil. Ne placez pas de housse pour barbecue ou tout objet inflammable dans l'espace de rangement situé sous le barbecue.
5. Pour éviter que les doigts, les vêtements ou d'autres objets n'entrent en contact avec le système d'acheminement de la vis sans fin, l'appareil est équipé d'un écran de sécurité en métal, monté à l'intérieur de la trémie. Cet écran ne doit pas être retiré, sauf avis contraire du service clients ou d'un revendeur agréé.

Cet appareil n'est pas conçu pour être utilisé par des enfants, des personnes handicapées physiques, sensorielles ou mentales, ou par des personnes ne disposant pas de l'expérience ou des connaissances nécessaires à son fonctionnement, à moins qu'elles ne soient encadrées par une personne responsable de leur sécurité.

6. Des éléments de ce barbecue peuvent être très chauds et entraîner des blessures graves. En cours d'utilisation, maintenez l'appareil hors de portée des jeunes enfants et des animaux.
7. N'élargissez pas les trous de l'allumeur ou les pots de combustion. Le non-respect de cet avertissement peut entraîner un incendie et des dommages corporels, cela annulera également votre garantie.
8. Le produit peut comporter des pièces ou des rebords coupants. Tout contact peut entraîner une blessure. Manipulez-les avec précaution.

ÉLIMINATION DES CENDRES

Les cendres doivent être placées dans un récipient en métal avec couvercle hermétique. Le récipient fermé contenant les cendres doit être placé par terre ou sur une surface non combustible, loin de tout matériau combustible, en attendant son élimination finale. Lorsque les cendres sont éliminées par enterrement ou dispersées localement, elles doivent d'abord rester dans le récipient fermé jusqu'à leur refroidissement complet.

GRANULÉS DE BOIS COMBUSTIBLES

L'appareil de cuisson par granulés est conçu pour être uniquement utilisé avec du bois combustible entièrement naturel sous forme de granulés. Tout autre combustible brûlé dans cet appareil annulera la garantie et les informations relatives à la sécurité. Vous devez utiliser uniquement des granulés de bois entièrement naturels, conçus pour brûler dans des barbecues à granulés. N'utilisez pas de combustible contenant des additifs. Les granulés de bois sont très sensibles à l'humidité et doivent toujours être stockés au sein d'un récipient hermétique. Si vous stockez votre gril sans l'utiliser durant une longue période, nous vous recommandons de retirer tous les granulés de la trémie et de la vis sans fin afin d'éviter tout bouchon. Le pouvoir calorifique moyen des granulés se situe entre 5,17 et 5,67 kWh/kg, avec un taux de cendre < 1 %.

N'utilisez pas d'alcool, d'essence, d'essence à briquet ou de pétrole pour allumer et raviver un feu dans votre gril. Maintenez tout liquide de ce genre à distance de l'appareil en cours d'utilisation.

Au moment de l'impression de ce document, il n'existe aucune norme industrielle concernant les granulés de bois pour barbecue, même si la plupart des presses à agglomérer et à granuler des aliments utilisent les mêmes normes pour fabriquer des granulés de bois à usage domestique. Vous pouvez trouver de plus amples informations sur www.pelletheat.org ou sur **Pellet Fuel Institute**.

Contactez votre revendeur local pour en savoir plus sur la qualité des granulés dans votre région ou pour obtenir de plus amples informations sur la qualité d'une marque. Comme il n'existe aucun contrôle de la qualité des granulés utilisés et des granulés impactés par l'humidité, nous n'assumons aucune responsabilité relative aux dommages causés par un combustible de mauvaise qualité.

CRÉOSOTE

La créosote, ou suie, est une substance similaire à du goudron. Lorsqu'elle brûle, elle produit une fumée noire composée d'un résidu de la même couleur. La suie ou créosote se forme lorsque l'appareil n'est pas utilisé correctement, par exemple en cas de blocage du ventilateur de combustion, de mauvais nettoyage ou entretien de la zone de combustion ou de mauvais ratio air/combustible.

Utiliser cet appareil est dangereux en cas de flamme sombre ou si le pot de combustion est trop plein de granulés. Lorsqu'elle s'enflamme, la créosote produit un feu très chaud et incontrôlé, similaire à un feu de graisse. Si cela arrive, éteignez l'appareil, laissez-le entièrement refroidir, puis inspectez-le pour effectuer un entretien et un nettoyage. La créosote s'accumule généralement dans les zones d'échappement.

Si de la créosote s'est formée au sein de l'appareil, faites chauffer ce dernier à faible température, éteignez-le, puis essuyez toute formation avec une serviette. Comme le goudron, la créosote est plus facile à nettoyer lorsqu'elle est chaude car elle se liquéfie.

MONOXYDE DE CARBONE (« le tueur silencieux »)

Le monoxyde de carbone est un gaz incolore, inodore et sans goût, produit par la combustion de gaz, de bois, de propane, de charbon ou autre combustible. Le monoxyde de carbone diminue la capacité du sang à transporter l'oxygène. De faibles taux d'oxygène dans le sang peuvent entraîner des maux de tête, des vertiges, des sentiments de faiblesse, des nausées, des vomissements, des somnolences, des confusions, des pertes de conscience, ou la mort. Suivez ces instructions pour empêcher ce gaz incolore et inodore d'empoisonner vos proches ou vous-même :

- Consultez un médecin si un individu ou vous-même développez des symptômes rappelant ceux d'une grippe alors que vous cuisinez ou que vous êtes à proximité de l'appareil. L'empoisonnement au monoxyde de carbone, pouvant facilement être confondu avec un rhume ou une grippe, est souvent détecté trop tard.
- La consommation d'alcool, de drogue et de médicaments augmente les effets de l'empoisonnement au monoxyde de carbone.

Le monoxyde de carbone est particulièrement toxique pour les mères et leur bébé pendant la grossesse, pour les nouveau-nés, les personnes âgées, les fumeurs et les personnes présentant des problèmes du sang ou du système circulatoire, comme l'anémie ou les maladies cardiaques.

INFORMATIONS RELATIVES À LA SÉCURITÉ

Conformément aux procédures et spécificités répertoriées dans l'UL Subject 2728-2009 « appareils de cuisson à granulés » et l'ULC/ORD C2728-13 « pour les fonctionnalités électrique de l'équipement de combustion à carburant ». Les appareils de cuisson à granulés de Pit Boss Grills ont été testés indépendamment et sont répertoriés l'INTERTEK (un laboratoire de test accrédité) selon les normes UL et ULC.





AVIS SUR LES DROITS D'AUTEUR

Droit d'auteur 2022. Tous droits réservés. Nulle partie de ce manuel ne peut être reproduite, transmises, transcrite ou stockée dans un système de recherche de quelque façon que ce soit sans l'autorisation préalable écrite de,

Dansons

8877 North Gainey Center Drive, Scottsdale, AZ, USA 85258

Service à la clientèle

États-Unis: (480) 923-9630

Canada (sans frais): 1-877-942-2246

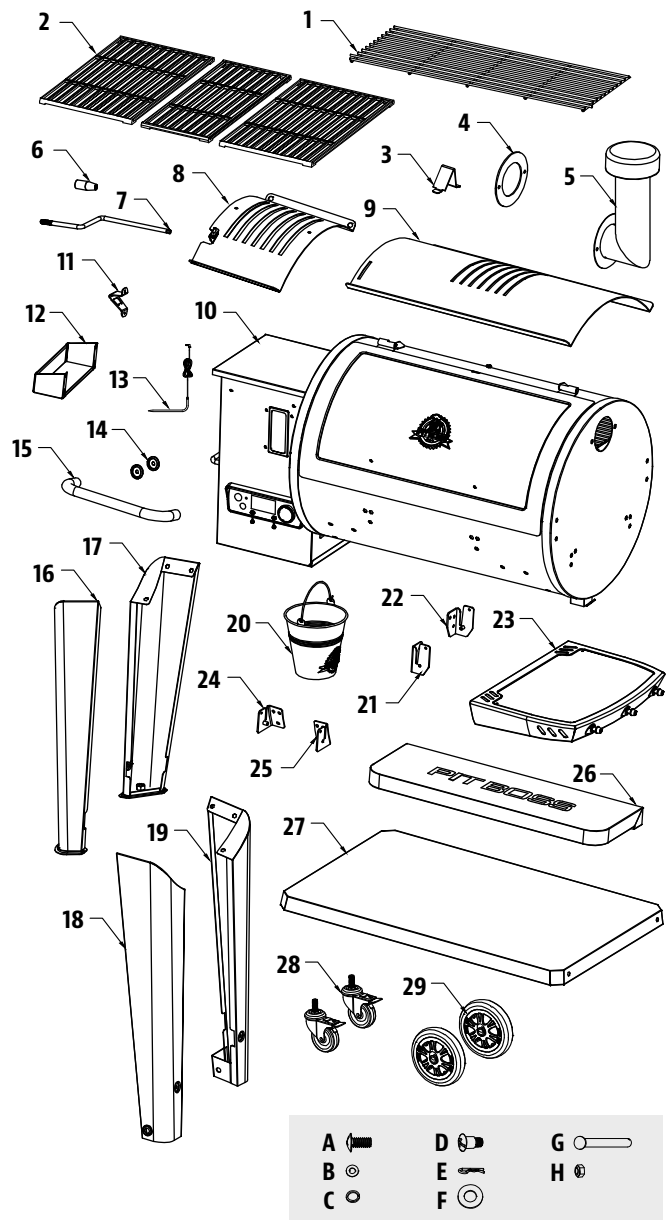
www.pitboss-grills.com

TABLE DES MATIÈRES

| | |
|---|----|
| Informations concernant la sécurité | 28 |
| Pièces et spécifications | 32 |
| Préparation de l'assemblage | 33 |
| Mode d'emploi | |
| Environnement du gril | 35 |
| Gammes de températures du gril | 36 |
| Présentation du panneau de contrôle..... | 37 |
| Comprendre le réglage « P » | 39 |
| Fonctions du panneau de contrôle..... | 39 |
| Procédure d'amorçage de la tარიère | 40 |
| Première utilisation - brûlage du gril | 40 |
| Connexion à l'application Pit Boss® Grills..... | 40 |
| Procédure de démarrage automatique..... | 41 |
| Arrêt de votre gril..... | 41 |
| Entretien et maintenance | 42 |
| Lignes directrices pour la cuisine | 44 |
| Conseils et techniques | 46 |
| Dépannage | 47 |
| Schéma du câblage électrique | 49 |
| Pièces de rechange | |
| Pièces de rechange du gril | 50 |
| Pièces de rechange de la trémie | 51 |
| Garantie..... | 52 |
| Préparation de l'assemblage | 80 |

PIÈCES ET SPÉCIFICATIONS

| Partie | Description |
|--------|--|
| 1 | Grille de cuisson supérieure (x1) |
| 2 | Grilles de cuisson (x3) |
| 3 | Bouchon de couvercle (x1) |
| 4 | Sortie de la cheminée (x1) |
| 5 | Cheminée (x1) |
| 6 | Poignée de la barre de réglage du grilloir à flamme (x1) |
| 7 | Barre de réglage du grilloir à flamme (x1) |
| 8 | Plaque coulissante du diffuseur de chaleur (x1) |
| 9 | Plaque principale du diffuseur de chaleur (x1) |
| 10 | Gril principal (x1) |
| 11 | Ouvre-bouteille (x1) |
| 12 | Boîte à épices (x1) |
| 13 | Sonde de viande (x1) |
| 14 | Cadran de la poignée du couvercle (x2) |
| 15 | Poignée du couvercle (x1) |
| 16 | Pied de support / avant (x1) |
| 17 | Pied de support / dos (x1) |
| 18 | Pied de support pour roulette / avant (x1) |
| 19 | Pied de support pour roulette / dos (x1) |
| 20 | Seau de graisse (x1) |
| 21 | Support d'étagère latérale / avant (x1) |
| 22 | Support d'étagère latérale / arrière (x1) |
| 23 | Étagère latérale (x1) |
| 24 | Support pour tablette avant / gauche (x1) |
| 25 | Support pour tablette avant / droite (x1) |
| 26 | Tablette avant (x1) |
| 27 | Étagère inférieure (x1) |
| 28 | Roulette pivotante à frein (x2) |
| 29 | Roue (x2) |
| A | Vis (x30) |
| B | Rondelle (x30) |
| C | Rondelle de blocage (x30) |
| D | Vis de butée (x4) |
| E | Goupille bêta pour roue (x2) |
| F | Rondelle pour roue (x2) |
| G | Goupille cannelée pour roue (x2) |
| H | Écrou de blocage (x4) |



PB – EXIGENCES ÉLECTRIQUES
110-120 V, 60 Hz, 250 W, FICHE À 3 BROCHES MISE À LA TERRE

REMARQUE : En raison du développement continu du produit, les pièces peuvent être modifiées sans préavis. Contactez le service clientèle si des pièces manquent lors de l'assemblage de l'appareil.

| MODÈLE | ASSEMBLÉE (LxPxH) | POIDS | SURFACE DE CUISSON | GAMME DE TEMPÉRATURES |
|-------------|--|-----------------------|--|---------------------------|
| PB PB850CS1 | 1 456 MM x 821 MM x 1 324 MM / 57,3 PO. x 32,3 PO. x 52,1 PO. | 70,5 KG / 155,4 LB | GRILLE SUPÉRIEURE - 1 655 CM ² / 256,6 PO ² PRINCIPALE - 3 824 CM ² / 592,8 PO ² TOTAL - 5 479 CM ² / 849,4 PO ² | 82-260 °C / 180-500 °F |

PRÉPARATION DE L'ASSEMBLAGE

Les pièces sont situées dans tout le carton d'expédition, y compris sous le gril. Inspectez la grille, les pièces et l'emballage de matériel après avoir retiré de l'emballage de protection en carton. Jetez tous les matériaux d'emballage de l'intérieur et de l'extérieur du gril avant l'assemblage, puis examinez et inspectez toutes les pièces en vous référant à la liste des pièces. En cas de pièce manquante ou endommagée, ne tentez pas d'assembler. Les dommages lors de l'expédition ne sont pas couverts par la garantie. Contactez votre revendeur ou le service à la clientèle de Pit Boss® pour les pièces.

États-Unis : (480) 923-9630 | Canada (sans frais) : 1-877-942-2246
www.pitboss-grills.com

IMPORTANT : Pour faciliter l'installation, être deux personnes est utile (mais pas nécessaire) lors de l'assemblage de cette unité.

Outils nécessaires pour l'assemblage : tournevis, clé et un niveau. *Outils non inclus.*



ALLEZ À LA PAGE 80 POUR LES INSTRUCTIONS D'ASSEMBLAGE ÉTAPE PAR ÉTAPE.

⚠ IMPORTANT ⚠

| | |
|---|---|
| - | Il est conseillé de revoir chaque étape entièrement avant de commencer l'assemblage sur les instructions. |
| - | La combinaison de quincaillerie comprenant une rondelle de blocage et une rondelle doit être installée avec la rondelle de blocage la plus proche de la tête de la vis. |
| - | Serrez complètement les vis une fois que toutes les vis de cette étape ont été installées. |
| 1 | Déconnectez l'appareil de la source d'alimentation lorsque vous ne l'utilisez pas. |
| 2 | Évitez d'utiliser les étagères pour déplacer ou soulever le gril. Le poids de l'appareil provoquerait la rupture des étagères, ce qui n'est pas couvert par la garantie. |
| 3 | Si la plaque principale du diffuseur de chaleur se trouve sur la base du corps, son installation est incorrecte. Le diffuseur de chaleur doit être en biais, avec le côté gauche plus élevé que le côté droit. Une mauvaise installation de cette pièce peut endommager le baril de votre gril principal. |

* REMARQUE *

| | |
|---|--|
| 1 | Assurez-vous que le capuchon de la cheminée laisse échapper l'air. |
| 2 | Les deux pièces du gril à flamme sont légèrement enduites d'huile pour éviter la rouille lors de l'expédition. |
| 3 | Lorsqu'elle est installée correctement, la tablette avant peut être soulevée (pour une utilisation) et abaissée (pour un entreposage) avec aisance. |
| 4 | Lorsque la plaque coulissante du diffuseur de chaleur est ouverte, une flamme directe est utilisée, ne laissez jamais le gril sans surveillance. |
| 5 | Pour maintenir les performances de saisie et de cuisson de vos grilles de cuisson et grilles de cuisson, des soins et un entretien réguliers sont nécessaires. |
| 6 | Matériel préinstallé. |

CONNEXION À UNE SOURCE D'ALIMENTATION

- **PRISE STANDARD**

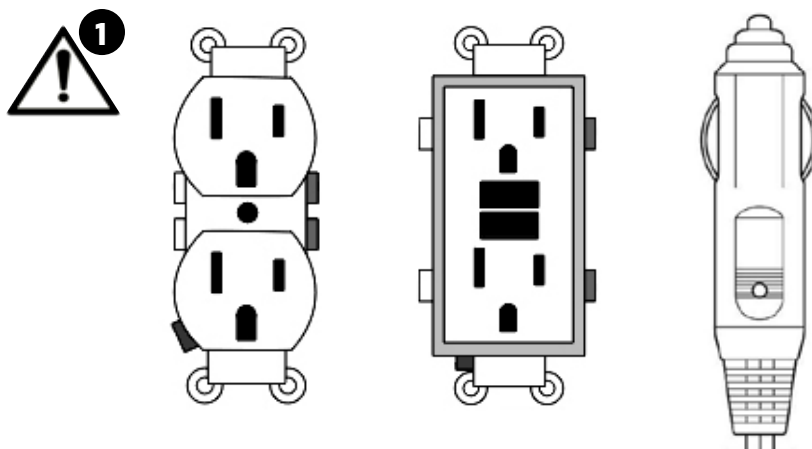
Cet appareil fonctionne à 110-120 V, 60 Hz, 250 W. Il doit s'agir d'une prise de terre à 3 broches. Veillez à ce que la broche reliée à la terre ne soit pas cassée avant utilisation. Le panneau de contrôle utilise un fusible rapide de 110-120 V afin de protéger le panneau de l'allumeur.

- **PRISES DDFT**

Cet appareil fonctionnera sur la plupart des prises DDFT, avec un fonctionnement recommandé à 15 A. Si votre prise DDFT est très sensible aux surtensions, elle risque de disjoncter lors de la phase de démarrage. Durant le démarrage, l'allumeur nécessite 200 à 700 watts, ce qui peut représenter une trop grande puissance à gérer pour une prise DDFT. À chaque coupure, sa sensibilité augmente. Si la prise DDFT ne cesse de disjoncter, remplacez-la ou passez à une prise non DDFT.

- **EN VADROUILLE**

Déconnectez l'allumeur du faisceau de câbles principal. Utilisez la procédure de démarrage manuel. Un appareil Pit Boss® peut fonctionner à l'aide d'un onduleur de 12 volts et 100 watts branché à votre prise automobile. Pour utiliser l'allumeur automatique, il est recommandé d'utiliser au minimum un onduleur de 1 000 watts.



MODE D'EMPLOI

Avec le style de vie actuel pour s'efforcer de manger des aliments sains et nutritifs, un facteur à considérer est l'importance de réduire la consommation de graisse. L'une des meilleures façons de réduire les graisses dans votre régime alimentaire est d'utiliser une méthode de cuisson faible en matières grasses, tel que le gril. Comme une grille à granulés utilise des granulés de bois naturels, la saveur de bois savoureuse est cuite dans les viandes, ce qui réduit le besoin de sauces à haute teneur en sucre. Tout au long de ce manuel, vous remarquerez l'accent mis sur le grillage des aliments lentement aux réglages de température FAIBLE ou MOYENNE.

ENVIRONNEMENT DU GRIL

1. OÙ INSTALLER LE GRILL

Avec tous les appareils extérieurs, les conditions météorologiques extérieures jouent un rôle important dans la performance de votre gril et le temps de cuisson nécessaire pour parfaire vos repas. Toutes les unités Pit Boss® devraient garder un dégagement minimum de 305 mm (12 pouces) des constructions combustibles, et cette distance doit être maintenue pendant la cuisson. Cet appareil ne doit pas être placé sous un plafond ou un surplomb combustible. Gardez votre gril dans une zone dégagée et exempte de matières combustibles, d'essence et d'autres vapeurs et liquides inflammables.

2. CUISINER PAR TEMPS FROIDS

Lorsqu'il commence à faire plus frais à l'extérieur, cela ne signifie pas que la saison des grillades est terminée! L'air frais et l'arôme divin des aliments fumés aideront à guérir votre blues d'hiver. Suivez ces suggestions sur la façon de profiter de votre gril pendant les mois les plus frais:

- Si le fumage à basse température échoue, augmentez légèrement la température pour obtenir les mêmes résultats.
- Organisez – Préparez tout ce dont vous avez besoin dans la cuisine avant de vous diriger à l'extérieur. Pendant l'hiver, déplacez votre gril dans un endroit protégé du vent et du froid. Vérifiez les règlements locaux concernant la proximité de votre gril par rapport à votre maison et/ou autres constructions. Mettez tout ce dont vous avez besoin sur un plateau, emballez et lancez-vous!
- Pour suivre la température extérieure, placez un thermomètre extérieur près de votre zone de cuisson. Gardez un journal ou un historique de ce que vous avez préparé, de la température extérieure et du temps de cuisson. Cela sera utile plus tard pour vous aider à déterminer ce qu'il faut cuisiner et combien de temps cela prendra.
- Par temps très froid, augmentez votre temps de préchauffage d'au moins 20 minutes.
- Évitez de soulever le couvercle du gril plus que nécessaire. Les rafales de vents froids peuvent refroidir complètement la température de votre gril. Soyez souple quant au moment de servir; ajoutez environ 10 à 15 minutes de plus à la cuisson à chaque fois que vous ouvrez le couvercle.
- Ayez un plateau chauffé ou un couvercle de plat prêt à garder votre nourriture au chaud tout en faisant le voyage à l'intérieur.
- Les aliments idéaux pour la cuisine d'hiver sont ceux qui nécessitent peu d'attention, comme les rôtis, les poulets entiers, les côtes et la dinde. Rendez votre préparation de repas encore plus facile en ajoutant des éléments simples comme les légumes et les pommes de terre.

3. CUISINER PAR TEMPS CHAUDS

À mesure qu'il fait plus chaud à l'extérieur, le temps de cuisson diminue. Suivez ces suggestions sur la façon de profiter de votre gril pendant les mois chauds:

- Ajustez à la baisse vos températures de cuisson. Cela permet d'éviter les poussées indésirables.
- Utilisez un thermomètre à viande pour déterminer la température interne de vos aliments. Ceci permet d'éviter que votre viande ne soit trop cuite ou se dessèche.
- Même par temps chaud, c'est mieux de cuisiner en gardant le couvercle de votre gril baissé.
- Vous pouvez garder vos aliments chauds au chaud en les enveloppant dans du papier aluminium et en les plaçant dans une glacière isolée. Placez du papier journal froissé autour du papier aluminium et cela tiendra la nourriture chaude pendant 3 à 4 heures.

GAMMES DE TEMPÉRATURE DU GRIL

Les lectures de température sur le panneau de contrôle peuvent ne pas correspondre exactement au thermomètre. Toutes les températures indiquées ci-dessous sont approximatives et sont affectées par les facteurs suivants: la température ambiante extérieure, la quantité et la direction du vent, la qualité du combustible à granulés utilisé, le couvercle ouvert et la quantité de nourriture en cours de cuisson.



TEMPÉRATURES ÉLEVÉES
205-260 °C / 401-500 °F

Cette gamme est de préférence utilisée pour sécher et griller à haute température. Utiliser en tandem avec la chaudière (plateau latéral) pour une cuisson indirecte ou directe de la flamme. Lorsque la **chaudière est ouverte**, la flamme directe est utilisée pour créer ces steaks « blue » ainsi que des légumes à la flamme, des toasts à l'ail ou même des s'mores! Lorsque la **chaudière est fermée**, l'air circule autour du baril ce qui conduit à une chaleur de convection. La température élevée est également utilisée pour préchauffer votre grill, brûler les grilles de cuisson et obtenir un feu vif par froid extrême.



TEMPÉRATURE MOYENNE
126-204 °C / 258-400 °F

Cette gamme est idéale pour cuire au four, rôtir et terminer votre création à fumaison lente. La cuisson à ces températures réduira considérablement les risques de poussée de graisse. Assurez-vous que la glissière de chaudière est en position fermée, couvrant les ouvertures à fente. Excellente gamme pour cuisiner n'importe quoi enveloppé dans du bacon, ou où vous voulez une polyvalence avec contrôle.



BASSE TEMPÉRATURE
82-125 °C / 180-257 °F

Cette gamme permet rôtir lentement, d'augmenter la saveur fumée et de garder les aliments au chaud. Infusez plus de saveur fumée et gardez vos viandes juteuses en cuisinant plus longtemps à une température plus basse (également connu sous le nom de **faible et lent**). Il est recommandé pour la grande dinde pour Thanksgiving, jambon juteux à Pâques, ou l'immense fête de Noël.

Le fumage est une variation de vrai barbecue et est vraiment le premier avantage de la cuisson sur un grill à pastilles de bois. **Le fumage à chaud**, un autre nom pour la cuisson **faible et lente**, se fait généralement à 82-125°C / 180-257°F. Le fumage à chaud fonctionne mieux lorsqu'un temps de cuisson plus long est nécessaire, comme pour les grandes coupes de viande, de poisson ou de volaille.

CONSEIL: Pour intensifier cette saveur salée, passez à la température de fumée (basse) immédiatement après avoir mis vos aliments sur le grill. Cela permet à la fumée de pénétrer dans les viandes.






La clé consiste à expérimenter le temps que vous autorisez à fumer, avant que le repas ne soit cuit. Certains chefs de plein air préfèrent fumer à la fin d'une cuisson, ce qui permet à la nourriture de rester au chaud jusqu'à ce qu'elle soit prête à être servie. La pratique rend parfait!

PRÉSENTATION DU PANNEAU DE CONTRÔLE

Cette panneau de contrôle numérique P.I.D. (proportionnel-intégral-dérivé) est très semblable aux commandes de votre four de cuisine. Les principaux avantages sont la possibilité de compenser automatiquement les différentes conditions ambiantes et les différents types de combustibles.

IMPORTANT : La température à l'intérieur de tout gril varie considérablement d'un endroit à l'autre. Même des instruments calibrés ensemble peuvent ne pas être en accord les uns avec les autres.



| CONTRÔLE | DESCRIPTION |
|---|--|
|  | Appuyez une fois sur ce bouton pour mettre l'appareil en marche. Cela permettra de lancer le cycle de démarrage automatique. Maintenez ce bouton appuyé pendant trois secondes pour mettre l'appareil hors tension, ce qui activera le cycle de refroidissement automatique. Le bouton s'allumera en bleu s'il est connecté à une source d'alimentation. |
|  | L'icône Pit Boss® Grills indique une connexion à un réseau sans fil. Lorsque l'appareil recherche une connexion via Wi-Fi ou Bluetooth®, l'icône Pit Boss® Grills clignote. Une fois la connexion Wi-Fi établie, l'icône Pit Boss® Grills ne clignote plus. Lorsque vous êtes connecté, vous pouvez obtenir des informations en direct sur la température actuelle du fumoir et celle programmée, sur le temps de cuisson, ainsi que sur la température des sondes de cuisson. Vous pouvez également régler les paramètres de votre panneau de contrôle. |
|  | Le bouton de commande est utilisé pour augmenter, diminuer et sélectionner une valeur de température. Tournez le bouton de commande pour modifier la température, puis appuyez sur le bouton de commande pour confirmer la valeur choisie. La température affichée peut être ajustée par incréments de 5 degrés (°F). La température peut être réglée à un minimum de 82°C/180°F et atteint un maximum de 260°C/500°F. |
|  | La jauge d'intensité de la flamme affiche visuellement l'intensité du feu dans le pot de combustion. Lorsque la température augmente à l'intérieur du baril principal, la couleur des barres passe du bleu à rouge. La couleur change également lorsque vous ajustez la température de cuisson. |
|  | Le relevé central affiche à la fois la température actuelle. La température actuelle représente la température à l'intérieur du corps principal, et s'affiche en permanence. Le relevé de la température actuelle est effectué par la sonde du gril (capteur) située à l'intérieur du corps de l'appareil. |

COOK / CUISSON
888

PROBE 1
SONDE 1
888 FC
PROBE 2
SONDE 2
888 FC

"P" SET
RÉGLAGE «P»



"P" SET
PB



L'affichage « COOK » indique la température programmée que vous souhaitez atteindre dans le baril principal. Pour régler la température programmée, appuyez sur le bouton de commande pour l'activer, tournez le bouton de commande pour modifier la température, puis appuyez sur le bouton de commande pour confirmer la valeur choisie.

Affiche la température de la ou des sondes à viande connectées. La lecture affichée de la sonde à viande correspondra au(x) port(s) de connexion enfichable sélectionné(s) à l'avant du tableau de commande. Lorsqu'elle n'est pas utilisée, déconnectez la sonde à viande du port de connexion et le code « noP » s'affichera. Uniquement compatible avec les sondes à viande de la marque Pit Boss®. Sonde(s) à viande supplémentaire(s) vendue(s) séparément.

Ce bouton possède deux fonctions : le bouton « "P" Set » et commutateur d'unités de température.

1. Le bouton de réglage "P" est utilisé pour sélectionner l'un des huit réglages de précision lorsque le bouton du contrôleur est réglé sur le réglage S (Fumée). Appuyez sur le bouton pour modifier la configuration et l'adapter à votre mode et environnement de cuisson. En appuyant rapidement sur le bouton, la configuration passe de P0 à P7, puis recommence au début. Les ajustements sont uniquement possibles sur le réglage S (Fumée). Le réglage d'usine par défaut est « P4 ». Une fois la configuration ajustée, votre préférence sera verrouillée (enregistrée) jusqu'à sa modification.
2. Le bouton « "P" Set » fait également commutateur d'unités de température afin de modifier le relevé de température sur l'écran LCD. Maintenez le bouton appuyé durant deux secondes pour passer des degrés Celsius (°C) à Fahrenheit (°F) selon votre préférence. Par défaut, l'appareil utilise les Fahrenheit.

Maintenez appuyé le bouton d'amorçage pour acheminer plus de granulés vers le pot de combustion. Relâcher le bouton arrêtera l'alimentation manuelle des pellets. Ce processus peut permettre d'ajouter plus de combustible au feu avant d'ouvrir le couvercle, entraînant une récupération de chaleur rapide. Il peut également s'utiliser en cours de fumage afin d'augmenter l'intensité du parfum fumé. Cette option a été demandée par les cuisiniers participant à des concours.

L'icône de VENTILATEUR est visible lorsque le ventilateur est en marche. Lorsque le relevé central affiche un code d'erreur (Err) et que l'icône de VENTILATEUR clignote, le ventilateur ne fonctionne pas. Consultez la section Dépannage pour obtenir de l'aide.

L'icône de VIS SANS FIN est visible lorsque la vis sans fin tourne. Lorsque le relevé central affiche un code d'erreur (Err) et que l'icône de VIS SANS FIN clignote, la vis sans fin ne fonctionne pas. Consultez la section Dépannage pour obtenir de l'aide.

L'icône de ALLUMEUR est visible lorsque l'allumeur est en marche. Lorsque le relevé central affiche un code d'erreur (Err) et que l'icône de ALLUMEUR clignote, l'allumeur ne fonctionne pas. Consultez la section Dépannage pour obtenir de l'aide.

Lorsque le relevé central affiche un code d'erreur (Err) et que l'icône de GRANULÉ est visible, le feu dans le pot de combustion est éteint ou bien la trémie est vide. Consultez la section Dépannage pour obtenir de l'aide.

COMPRENDRE LE RÉGLAGE « P »

Lorsque le bouton encastré « "P" SET » est enclenché, le paramètre « P » affiché sur l'écran LCD clignotera et passera à la valeur suivante (incrémentation). Une fois arrivé à P7, l'option suivante sera de nouveau P0. Il existe huit paramètres « P », allant de P0 à P7. Le bouton encastré « "P" SET » peut être enclenché à l'aide d'un objet fin.

IMPORTANT : n'appuyez pas trop fort sur le bouton « "P" SET » car cela pourrait l'endommager. Une simple légère pression est nécessaire.

• UTILISER LE PARAMÈTRE « P »

Dès que la molette de température est placée sur le réglage S (Fumée), la vis sans fin passe en mode manuel de cuisson au lieu d'un pré-réglage de température. Après le cycle de démarrage de la grille est terminée, la vis sans fin mettra en place un cycle d'alimentation basé sur le réglage « P » sélectionné sur le panneau de contrôle. Le paramètre par défaut est P4.

| RÉGLAGE "P" | CYCLE DE LA TARIÈRE (secondes) | |
|----------------|-----------------------------------|------------|
| | ACTIVÉE | ARRÊTER |
| P0 | 18 | 55 |
| P1 | 18 | 70 |
| P2 | 18 | 85 |
| P3 | 18 | 100 |
| *P4 | 18 | 115 |
| P5 | 18 | 130 |
| P6 | 18 | 140 |
| P7 | 18 | 150 |

* Réglage par défaut

FONCTIONS DU PANNEAU DE CONTRÔLE

• RÉGLAGE DE LA TEMPÉRATURE DE CUISSON

La sonde du gril mesure la température interne du baril principal. Lorsque la température programmée (« COOK ») est ajustée, la sonde du gril lit la température réelle à l'intérieur du baril principal et l'ajuste à la température programmée.

IMPORTANT : la température de votre appareil est extrêmement dépendante de la température extérieure ambiante, de la qualité des granulés utilisés, du parfum des granulés et de la quantité d'aliments en train de cuire.

RÉGLER/AJUSTER LA TEMPÉRATURE PROGRAMMÉE

Pour ajuster la température programmée « COOK » du gril, suivez les étapes ci-dessous :

1. Appuyez sur le bouton de commande. La température programmée (« COOK ») clignotera alors pour indiquer qu'elle est active.
2. Utilisez de nouveau le bouton de commande pour ajuster la température souhaitée.
3. Une fois la température programmée souhaitée affichée, appuyez sur le bouton de commande afin de la confirmer.

• UTILISATION DE LA SONDE DE VIANDE

La sonde à viande mesure la température interne de votre viande dans la grille, similaire à votre four intérieur. Branchez l'adaptateur de sonde de viande au port de connexion de la sonde de viande sur le panneau de contrôle et insérez la sonde de viande en acier inoxydable dans la partie la plus épaisse de votre viande et la température sera affichée sur le tableau de commande. **Pour vous assurer que la sonde à viande est correctement connectée au port de connexion, sentez-la et entendez-la s'enclencher.**

REMARQUE: Lorsque vous placez la sonde de viande dans votre viande, assurez-vous que la sonde de viande et les fils de la sonde de viande évitent un contact direct avec la flamme ou un excès de chaleur. Cela peut endommager votre sonde de viande. Exécutez l'excès de fil des orifices d'échappement arrière de la grille principale ou du haut de la grille principale (près de la charnière du couvercle du gril). Lorsqu'il n'est pas utilisé, débranchez-vous du port de connexion de la sonde de viande et placez-les à côté afin de protéger et de nettoyer.

PROCÉDURE D'AMORÇAGE DE LA TARIÈRE

La première fois que vous utilisez votre gril ou chaque fois que votre gril manque de granulés dans la trémie, vous devez amorcer la tarière. S'il n'est pas amorcé, le gril s'éteindra avant que les granulés ne soient allumés et aucun feu ne démarrera. Suivez ces étapes pour amorcer la tarière :

1. Ouvrez le couvercle de la trémie. Assurez-vous qu'il n'y a pas d'objets étrangers dans la trémie ou qui bloquent le système d'alimentation de la vis sans fin.
2. Retirez tous les éléments de cuisson de l'intérieur du gril. Localisez le pot de combustion au bas du gril à granulés.
3. Branchez le cordon d'alimentation sur une source d'alimentation.
4. Allumez le gril et tournez le cadran de contrôle de la température sur la position Smoke (S) ou Low (L).
 - Assurez-vous d'entendre la tarière tourner. Placez votre main au-dessus du pot de combustion et sentez le mouvement de l'air. NE placez PAS vos mains ou vos doigts à l'intérieur du pot de combustion, cela peut causer des blessures.
 - Après environ une minute, vous devriez sentir l'allumeur brûler et commencer à sentir l'air se réchauffer au-dessus du pot de combustion. La pointe de l'allumeur ne brille pas en rouge mais devient extrêmement chaude et brûle. NE PAS toucher l'allumeur.
5. Une fois vérifié que tous les composants électriques fonctionnent correctement, éteignez le gril.
6. Remplissez la trémie avec tous les granulés de barbecue en bois dur naturel.
7. Allumez le gril. Maintenez le cadran de contrôle de la température en position fumée (S) ou faible (L).
8. Appuyez sur le bouton d'amorçage et maintenez-le enfoncé jusqu'à ce que vous voyiez des granulés tomber de la tarière dans le pot de combustion. Vous pouvez maintenant relâcher le bouton Prime.
9. Vous pouvez maintenant éteindre votre gril. Veuillez vous assurer que votre gril reste branché jusqu'à ce qu'il termine le cycle de refroidissement. Une fois que le ventilateur s'éteint, le gril a terminé le cycle d'arrêt, vous pouvez débrancher votre gril en toute sécurité.
10. Réinstallez les composants de cuisson dans le baril principal.
11. Votre gril est maintenant amorcé et prêt à l'emploi ! Si c'est la première fois que vous utilisez votre gril, vous devez effectuer une première combustion initiale du gril.

PREMIÈRE UTILISATION - BRÛLAGE DU GRIL

Une fois votre trémie amorcée et avant de faire cuire des aliments sur votre gril pour la première fois, il est important d'effectuer un brûlage du gril. Allumez le gril et faites-le tourner à une température supérieure à 176 °C/350 °F (couvercle fermé) durant 30 à 40 minutes afin de brûler le gril et vous débarrasser de toute substance étrangère.

CONNEXION À L'APPLICATION PIT BOSS® GRILLS

Suivez ces instructions pour connecter votre barbecue à l'application Pit Boss® Grills avec votre appareil Android™ ou iOS®. L'application vous permettra de contrôler et de surveiller les températures de votre gril et de votre sonde à viande depuis votre appareil mobile. Profitez des avantages de la connectivité mobile Pit Boss® Grills!

1. Téléchargez l'application Pit Boss® Grills. Ouvrez l'application et autorisez Bluetooth® à être activé pour la configuration. Les nouveaux utilisateurs devront créer un compte et suivre les invites pour se connecter.
2. Si vous êtes à portée Bluetooth® (9 m / 30 pieds), l'application Pit Boss® Grills détectera automatiquement votre gril. Sélectionnez votre modèle de gril. Si vous ne voyez pas votre gril sur l'écran, assurez-vous que votre appareil est connecté à une source d'alimentation et qu'il est allumé.
3. Nommez votre modèle de gril (c.-à-d. My Smoker) dans l'application et sélectionnez «Connecter» en bas de l'écran. Cela enregistrera votre modèle de gril dans le menu des appareils.
4. Dans le menu des appareils, cliquez sur le modèle de gril à connecter. Cela vous montrera l'écran du panneau de contrôle.
5. Cliquez sur l'option des paramètres (engrenage) dans le coin supérieur droit, entrez vos informations d'identification Wi-Fi, puis cliquez sur la coche en bas de l'écran pour vous connecter. Désormais, les icônes Bluetooth® et Wi-Fi (cloud) s'affichent dans le menu des appareils, indiquant que le gril est connecté.

PROCÉDURE DE DÉMARRAGE AUTOMATIQUE

1. Branchez le câble électrique à une source d'alimentation mise à la terre. Ouvrez le couvercle du corps principal. Vérifiez que le pot de combustion n'est pas obstrué afin que l'allumage se fasse correctement. Ouvrez le couvercle de la trémie. Assurez-vous qu'aucun objet étranger ne se trouve dans la trémie ou le système d'acheminement de la vis sans fin. Remplissez la trémie avec des granulés secs de bois naturel pour barbecue.
2. Appuyez sur le **bouton d'alimentation** pour allumer l'appareil. Cela activera le cycle de démarrage. Le système d'acheminement de la vis sans fin commencera à tourner, l'allumeur commencera à rougeoyer et le ventilateur aérera le pot de combustion. Le gril commencera à produire de la fumée lorsque le cycle de démarrage se mettra en place. Le couvercle du corps de l'appareil doit rester ouvert au cours du cycle de démarrage. Pour veiller à ce que le cycle de démarrage commence correctement, soyez à l'affût d'un grondement de flamme et assurez-vous de la production de chaleur.
3. Une fois l'épaisse fumée blanche dissipée, le cycle de démarrage sera terminé et vous pourrez commencer à profiter de votre gril à la température de votre choix !

PROCÉDURE EN CAS DE PROBLÈME D'ALLUMEUR

Si pour une raison quelconque votre allumeur électrique ne fonctionne pas ou que la flamme de votre gril s'éteint en cours de cuisson, utilisez les étapes suivantes ou lancez votre gril en mode manuel.

1. Appuyez sur le bouton d'alimentation et maintenez-le enfoncé pendant trois secondes pour éteindre l'appareil. Ouvrez le couvercle du baril. Retirez les éléments de cuisson de l'intérieur. Retirez tous les granulés non brûlés et les cendres du pot de combustion. Évitez de toucher l'allumeur pour éviter les blessures, car il peut être extrêmement chaud.
2. Une fois tous les composants de cuisson retirés et nettoyés, appuyez sur le **bouton d'alimentation** pour allumer l'appareil. Vérifiez ce qui suit :
 - Confirmez visuellement que l'allumeur fonctionne en plaçant votre main au-dessus du pot de combustion en quête de chaleur.
 - Confirmez visuellement que l'allumeur dépasse d'environ 13 mm/0,5 po dans le pot de combustion.
 - Confirmez visuellement que la vis sans fin achemine des granulés dans le pot de combustion.
 - Confirmez que le ventilateur de combustion fonctionne en étant à l'affût d'un grondement de flamme.
3. Si l'un des points ci-dessus ne fonctionne pas, suivez les instructions de **dépannage**.

ARRÊT DE VOTRE GRIL

Lorsque vous avez fini de cuisiner, tout en laissant le couvercle du corps principal fermé, appuyez et maintenez le **bouton d'alimentation** appuyé durant deux secondes pour éteindre l'appareil. Le gril débutera son cycle de refroidissement automatique. Le système de la vis sans fin arrêtera d'acheminer des combustibles, la flamme s'éteindra et le ventilateur continuera à tourner jusqu'à la fin du cycle de refroidissement.

IMPORTANT! Lorsque le cycle d'arrêt est terminé, débranchez le cordon d'alimentation.

ENTRETIEN ET MAINTENANCE

ATTENTION : débranchez toujours le câble électrique avant d'ouvrir le grill pour effectuer une inspection, un nettoyage, une maintenance ou un entretien. Veillez à ce que le grill soit totalement froid afin d'éviter toute blessure.

Avec un minimum d'entretien, chaque appareil de Pit Boss® vous confèrera de nombreuses années de service riches en saveurs. Suivez ces conseils de nettoyage et entretien pour vous occuper de votre grill :

1. ASSEMBLAGE DE LA TRÉMIE

- Il est recommandé de retirer tous les granulés du système de vis sans fin si vous ne comptez pas utiliser votre grill durant une longue période. Vous pouvez faire cela simplement en faisant fonctionner votre grill avec une trémie vide, jusqu'à ce que tous les granulés aient disparu du tube de la vis sans fin.
- Retirez tous les débris éventuels du conduit d'aération du ventilateur qui se trouve au fond de la trémie. Une fois le panneau d'accès de la trémie retiré (voir **Schéma du câblage électrique**), enlevez avec soin toute la graisse accumulée sur les lames du ventilateur. Cela permet d'obtenir une aération suffisante pour le système d'acheminement.

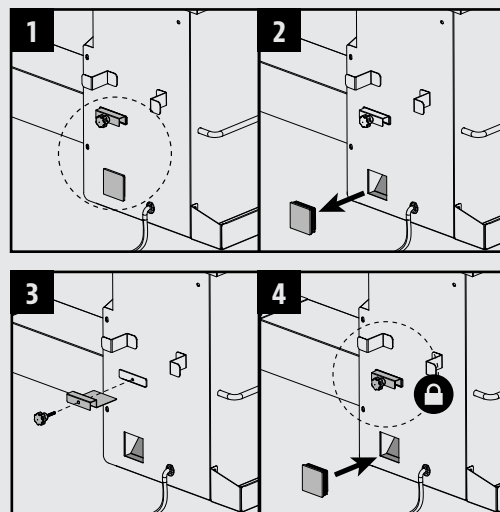
FONCTION DE NETTOYAGE DES GRANULÉS

La trémie comprend une fonction de nettoyage des granulés pour permettre un nettoyage facile et la possibilité de changer les saveurs des granulés de bois. Pour vider, procédez comme suit :

1. Localisez la plaque et le couvercle de la goulotte de chute à l'arrière de la trémie.
2. Placez un seau propre et vide sous le couvercle de la goulotte, puis retirez le couvercle.
3. Dévisser la plaque pour déverrouiller, faire glisser la plaque vers l'extérieur pour ouvrir la goulotte de chute, permettant aux granulés de la trémie de se vider.

REMARQUE: Utilisez une brosse à long manche ou un aspirateur d'atelier pour éliminer les pellets, la sciure et les débris en excès pour un nettoyage complet à travers le tamis de la trémie.

4. Une fois vide, remettez la plaque en place. Visser pour verrouiller. Remettez le couvercle de la goulotte en place.



2. SONDÉS

- Des nœuds ou plis des câbles des sondes peuvent provoquer des dégâts. Les câbles des sondes de viande doivent être enroulés, sans être serrés.
- Bien que la sonde du grill et les sondes à viande soient en acier inoxydable, ne les passez pas au lave-vaisselle et ne les immergez pas sous l'eau. Des dégâts des eaux causés aux câbles internes provoqueront des courts-circuits et donc des relevés erronés. Si une sonde est endommagée, vous devez la remplacer.

3. SURFACES INTÉRIEURES

- Il est recommandé de nettoyer votre pot de combustion régulièrement. Cela assurera l'allumage correct et évitera toute forte accumulation de débris ou de cendres dans le pot de combustion.
- Utilisez une brosse de nettoyage de grill à manche long, puis retirez la nourriture ou les accumulations sur les grilles de cuisson. Une bonne pratique consiste à le faire alors qu'elles sont encore tièdes suite à une précédente cuisson. Les feux de graisse sont causés par une accumulation de chutes de débris sur les composants de cuisson du grill. Nettoyez donc régulièrement l'intérieur de votre grill. En cas de feu de graisse, maintenez le couvercle du grill fermé afin d'étouffer le feu. Si celui-ci ne cesse pas rapidement, retirez la nourriture avec prudence, éteignez le grill et fermez le couvercle jusqu'à ce que le feu s'éteigne. Si vous avez du bicarbonate de soude, saupoudrez-en légèrement.
- Vérifiez régulièrement votre seau à graisse et nettoyez-le dès que nécessaire. N'oubliez pas le type de cuisson que vous effectuez.

IMPORTANT : à cause de leur forte chaleur, ne recouvrez pas le diffuseur de chaleur ou les sondes avec du papier aluminium.

4. SURFACES EXTÉRIEURES

- Nettoyez votre grill après chaque utilisation. Utilisez une eau savonneuse chaude pour retirer la graisse. N'utilisez pas de nettoyant pour four ni de détergents ou éponges abrasifs sur les surfaces externes du grill. **Toutes les surfaces peintes ne sont pas couvertes par la garantie, elles font partie de la maintenance et de l'entretien généraux.** Concernant les griffures sur la peinture, l'usure ou l'écaillage du vernis, toutes les surfaces peintes peuvent être retouchées à l'aide d'une peinture haute température pour barbecue.
- Utilisez une housse de grill pour protéger complètement ce dernier ! Une housse est la protection idéale contre les aléas météorologiques et les polluants extérieurs. Lorsque vous n'utilisez pas l'appareil ou que vous le rangez pour une longue période, placez-le sous une housse dans un garage ou un abri de jardin.

TABLEAU DE FRÉQUENCE DE NETTOYAGE (USAGE NORMAL)

| ÉLÉMENT | FRÉQUENCE DE NETTOYAGE | MÉTHODE DE NETTOYAGE |
|---|---|--|
| Bas du grill principal | Toutes les 5 ou 6 utilisations du grill | Retirer, aspirer l'excès de débris |
| Pot de combustion | Toutes les 2 ou 3 utilisations du grill | Retirer, aspirer l'excès de débris |
| Grilles de cuisson | Après chaque utilisation du grill | Brûler l'excès, brosse en fil de laiton |
| Diffuseur de chaleur | Toutes les 5 ou 6 utilisations du grill | Gratter la plaque principale avec la plaque coulissante, ne pas laver |
| Étagères | Après chaque utilisation du grill | Éponge à récurer et eau savonneuse |
| Seau à graisse | Après chaque utilisation du grill | Éponge à récurer et eau savonneuse |
| Système d'acheminement de la vis sans fin | Lorsque le sac de granulés est vide | Laisser la vis sans fin pousser la sciure afin que la trémie soit vide |
| Composants électriques de la trémie | Une fois par an | Épousseter l'intérieur, nettoyer les lames du ventilateur avec de l'eau savonneuse |
| Conduit d'aération | Toutes les 5 ou 6 utilisations du grill | Épousseter, éponge à récurer et eau savonneuse |
| Sonde de grill | Toutes les 2 ou 3 utilisations du grill | Éponge à récurer et eau savonneuse |
| Sonde de viande | Après chaque utilisation du grill | Éponge à récurer et eau savonneuse |

LIGNES DIRECTRICES POUR LA CUISINE

Les styles de cuisson de fumage et de grillage peuvent vous donner des résultats différents dépendant du temps et la température. Pour obtenir de meilleurs résultats, conservez un registre de tout ce que vous cuisinez, à quelle température vous le cuisinez, ainsi que les résultats. Ajustez toutes ces variables, selon vos goûts, la prochaine fois. Ce n'est qu'en s'exerçant qu'on s'améliore.

L'art culinaire du fumage à chaud équivaut à des temps de cuisson plus long, mais il produit également une saveur de bois plus naturelle (et une « **bande rose** ») dans vos viandes. Une température de cuisson plus élevée, ce qui veut dire moins de temps de cuisson, vous offrira moins de saveur fumée.

CONSEIL: Pour de meilleurs résultats, laissez reposer les viandes après la cuisson. Ceci permet aux jus naturels de revenir dans les fibres de la viande, produisant ainsi une coupe plus juteuse et plus savoureuse. Le temps de repos peut n'être que 3 minutes et peut même aller jusqu'à 60 minutes, selon la taille des protéines.

| STYLE DE CUISSON | FUMAGE CHAUD (très faible) | RÔTI (faible) | CUISSON FOUR (moyen) | GRILLAGE/CUISSON FOUR (moyen/élevé) | SAISIR (élevé) |
|----------------------|----------------------------|-----------------------|-----------------------|-------------------------------------|-----------------------|
| Plage de température | 82-135°C / 180-275°F | 135-162°C / 275-323°F | 162-190°C / 323-374°F | 190-232°C / 374-449°F | 232-260°C / 449-500°F |

| VOLAILLE | TAILLE | Saignant - 54°C / 130°F | À point - 60°C / 140°F | Bien cuit - 77°C / 170°F |
|--------------------------|--|-------------------------|------------------------|---|
| Dinde (<i>entière</i>) | 4,5-5,0 kg / 10-11 lbs. 5,3-6,4 kg / 12-14 lbs. 6,8-7,7 kg / 15-17 lbs. 8,2-10,0 kg / 18-22 lbs. 10,4-11,3 kg / 23-25 lbs. | | | Gril 90 - 120 minutes Gril 110 - 140 minutes Gril 130 - 160 minutes Gril 140 - 170 minutes Gril 150 - 180 minutes |
| Poulet (<i>entier</i>) | 1,36-2,26 kg / 3-5 lbs. | | | Gril 1 - 1.5 heures |
| Pilons, poitrines | 0,45 - 0,86 kg / 1 - 1½ lbs. | | | Gril 30-60 minutes |
| Petits gibiers à plumes | 0,45 - 0,86 kg / 1 - 1½ lbs. | | | Gril 30-45 minutes |
| Canard | 1,36-2,26 kg / 3-5 lbs. | | | Rôti ou sur le gril 2 - 2.5 heures |

| PORC | TAILLE | Précuit près à être réchauffé - 60°C / 140°F | À point 66°C / 150°F | Bien cuit 71°C / 160°F |
|--|---|--|------------------------------------|--|
| Jambon (<i>Partie entièrement cuite et désossée, Porc fumé entier & avec os</i>) | 2,5 cm / 1 po 1,36-1,81 kg / 3-4 lbs. 1,81-2,72 kg / 4-6 lbs. 2,26-3,62 kg / 5-8 lbs. 4,53-5,44 kg / 10-12 lbs. | 12 minutes 50 minutes - 1 heure 1 - 2 heures 1 - 2½ heures 2 - 2¾ heures | | |
| Longe de porc | 1,36-1,81 kg / 3 - 4 lbs. | | 1 - 2 heures | 2 - 3 heures |
| Rôti de couronne de côte | 1,81-2,26 kg / 4 - 5 lbs. | | 1½ - 2 heures | 2 - 3 heures |
| Côtelette (<i>longe, côte</i>) | 1,9-2,5 cm / ¾ - 1 po 3,1-3,9 cm / 1¼ - 1½ po | | 10 - 12 minutes 14 - 18 minutes | |
| Filet | 1,9-2,5 cm / ¾ - 1 po | | 20 - 30 minutes | 30 - 45 minutes |
| Rôti de longe de porc, sans os | 1,36-2,26 kg / 3-5 lbs. | | 1¼ - 1¾ heures | 1¾ - 2½ heures |
| Boston Butt (<i>Épaule de porc</i>) | 3,62-4,53 kg / 8-10 lbs. | | | 93 - 98 °C / 200 - 210 °F Température interne |

| BOEF | TAILLE | CHALEUR | Saignant 54 °C / 130 °F | À point 60 °C / 140 °F | Bien cuit 65 °C / 150 °F |
|--|---|----------------|--|-----------------------------------|-------------------------------------|
| Steak (<i>New York, Porterhouse, faux filet, surlonge, T-bone, ou filet</i>) | 1,9 cm / ¾ po 2,5 cm / 1 po 3,8 cm / 1½ po 5 cm / 2 po | Haut | Saisir pendant 8 à 10 minutes Saisir pendant 10 à 12 minutes Saisir pendant 10 minutes, griller pendant 8 à 10 minutes Saisir pendant 10 minutes, griller pendant 10 à 14 minutes | | |
| Bifteck de hampe | 0,6 - 12,7 cm / ¼ - ½ po | Haut | Saisir 5-7 minutes | | |
| Bavette | 0,45 - 0,86 kg / 1 - 1½ lbs., 1,9 cm / ¾ po | Moyen | Saisir pendant 4 minutes, griller pendant 8 à 10 minutes | | |
| Kébab | 2,5-3,8 cm / 1-1½ po cubes | Moyen | Gril 10 - 12 minutes | | |
| Filet | 1,58 - 1,81 kg / 3½ - 4 lbs. | Haut/Moyen | Saisir pendant 10 minutes, gril pendant 15 à 20 minutes | | |
| Steak haché | 1,9 cm / ¾ po | Haut/Moyen | Saisir pendant 4 minutes, griller pendant 4 à 6 minutes | | |
| Rôti de bœuf de faux-filet, sans os | 2,26 - 2,72 kg / 5 - 6 lbs. | Moyen | Gril 1½ - 2 heures | | |
| Rôti trois pointes | 0,9 - 1,13 kg / 2 - 2½ lbs. | Haut/Moyen | Saisir pendant 10 minutes, griller pendant 20 à 30 minutes | | |
| Rôti de côtes | 5,44 - 6,35 kg / 12 - 14 lbs. | Moyen | 2½ - 2¾ heures | | |
| Côtelettes de veau | 2,5cm / 1 po | Moyen | 10 - 12 minutes direct | | |
| Poitrine | 7,25 - 3,62 kg / 16 -18 lbs. | Fumage chaud | Cuire jusqu'à ce que la température interne atteigne 91°C / 195°F | | |

| AGNEAU | TAILLE | Saignant - 54 °C / 130 °F | À point - 60 °C / 140 °F | Bien cuit - 71 °C / 160 °F |
|---------------------------------|-----------------------------|----------------------------------|---------------------------------|-----------------------------------|
| Rôti (frais) | 2,26 - 2,72 kg / 5 - 6 lbs. | | 1 - 2 heures | |
| Rôti de couronne de côte | 1,36 - 2,26 kg / 3-5 lbs. | | 1 - 1½ heures | 1½ heures |

| FRUITS DE MER | TAILLE | Saignant - 54 °C / 130 °F | À point - 60 °C / 140 °F | Bien cuit - 82 °C / 180 °F |
|-------------------------|---|----------------------------------|---------------------------------|--|
| Poisson (entier) | 0,5 kg / 1 lb. 0,9 - 1,1 kg / 2 - 2½ lbs. 1,4 kg / 3 lbs. | | | Gril 10 - 20 minutes Gril 20 - 30 minutes Gril 30 - 45 minutes |
| Poisson (filets) | 0,6-1,3 cm / ¼" - ½" | | | Gril 3 - 5 minutes jusqu'à ce que le poisson s'émiette |
| Queue de homard | 0,15 kg / 5 onces 0,3 kg / 10 onces | | | Gril 5 - 6 minutes Gril 10 - 12 minutes |

| GIBIER SAUVAGE | TAILLE | Saignant - 60 °C / 140 °F | À point - 71 °C / 160 °F | Bien cuit - 77 °C / 170 °F |
|-------------------------------|----------------------------|----------------------------------|---------------------------------|-----------------------------------|
| Rôti (frais) | 2,26 - 2,72 kg / 5-6 lbs. | | 1 - 1½ heures | 1½ - 2 heures |
| Grandes coupes (frais) | 3,62 - 4,53 kg / 8-10 lbs. | | 1 heure | 1½ heures |

CONSEILS ET TECHNIQUES

Suivez ces conseils et techniques utiles, transmis par des propriétaires de Pit Boss®, notre personnel et clients comme vous, afin de vous familiariser avec votre gril:

1. SÉCURITÉ ALIMENTAIRE

- Garder propre tout ce qui se trouve dans la cuisine et dans la surface de cuisson. Utilisez un plat et des ustensiles différents pour la viande cuite et pour préparer ou transporter la viande crue sur le gril. Ceci permettra d'éviter toute contamination croisée des bactéries. Chaque marinade ou sauce pour badigeonner devrait avoir son propre ustensile.
- Gardez les aliments chauds au chaud (au-dessus de 60°C / 140°F) et gardez les aliments froids au froids (moins de 3°C / 37°F).
- Une marinade ne devrait jamais être conservée pour une utilisation ultérieure. Si vous comptez l'utiliser pour la servir avec votre viande, assurez-vous de la faire bouillir avant de servir.
- Les aliments cuits et les salades ne devraient pas être laissés dehors dans la chaleur pendant plus d'une heure. Ne laissez pas les aliments chauds à l'extérieur du réfrigérateur pendant plus de deux heures.
- Décongeler et mariner les viandes par réfrigération. Ne décongelez pas la viande à température ambiante ou sur le comptoir. Les bactéries peuvent grandir et se multiplient rapidement dans les aliments chauds et humides. Lavez-vous bien les mains avec de l'eau tiède savonneuse avant de commencer à préparer votre plat, et après avoir manipulé de la viande fraîche, du poisson et de la volaille.

2. PRÉPARATION DE CUISSON

- Soyez préparé ou **Mise en place**. Ceci fait référence à la préparation de la recette, le combustible, les accessoires, les ustensiles et tous les ingrédients dont vous aurez besoin à côté du gril avant de commencer la cuisson. Aussi, lisez la recette complète, du début à la fin, avant d'allumer le gril.
- Un tapis protecteur pour BBQ peut être très utile. En raison des accidents qui surviennent en raison de la manipulation des aliments et des différents styles de cuisson, ce tapis aidera à protéger les dalles de votre patio ou de votre terrasse contre tout risque de tache de graisse ou déversements accidentels

3. CONSEILS ET TECHNIQUES DE GRILLADE

- Pour infuser plus de saveur fumée et gardez vos viandes juteuses, cuisez-les plus longtemps à une température plus basse (également connu sous le nom de **faible et lent**). La viande fermera ses fibres après avoir atteint une température interne de 49°C (120°F). La pulvérisation en brouillard et l'épandage sont d'excellents moyens permettant d'éviter que la viande ne se dessèche.
- Lorsque vous saisissez vos viandes, cuisinez toujours avec le couvercle fermé. Utilisez toujours un thermomètre à viande pour évaluer la température interne des aliments que vous cuisinez. Fumer la nourriture avec des granulés de bois fait rosir la viande et la volaille. **La bande rose** (après la cuisson) est aussi appelée anneau de fumée et est très appréciée par les chefs de plein air.
- Il est fortement recommandé d'appliquer les sauces à base de sucre vers la fin de la cuisson pour éviter les brûlures et flambées.
- Laissez un espace de dégagement entre les aliments et les extrémités du baril pour une bonne circulation de la chaleur. Beaucoup d'aliments sur une grille de cuisson encombrée prendront plus de temps à cuire.
- Utilisez des pinces avec une longue poignée pour retourner toutes les viandes et des spatules pour retourner les burgers et le poisson. L'utilisation d'un ustensile perçant, comme une fourchette, permet de piquer la viande et de laisser s'évacuer les jus.
- Les aliments dans des casseroles profondes nécessitent plus de temps pour cuire que dans une poêle peu profonde.
- C'est une bonne idée de mettre les aliments grillés sur une grande assiette préchauffée pour garder vos aliments chauds. Les viandes rouges comme les steaks et rôtis seront meilleurs si vous les laissez reposer pendant quelques minutes avant de les servir. Ceci permet aux jus délicieux que la chaleur a fait remonter à la surface de retourner au centre et de lui donner plus de saveur.

DÉPANNAGE

Un nettoyage et une maintenance adaptés, ainsi que l'utilisation de combustible propre, sec et de qualité évitera la plupart des problèmes de fonctionnement. Lorsque votre gril Pit Boss® est mal ou peu utilisé, les astuces de dépannage suivantes peuvent s'avérer utiles. Pour consulter des FAQ, rendez-vous sur www.pitboss-grills.com. Vous pouvez également contacter votre revendeur local agréé par Pit Boss® ou le service clients pour obtenir de l'aide.

ATTENTION : débranchez toujours le câble électrique avant d'ouvrir le gril pour effectuer une inspection, un nettoyage, une maintenance ou un entretien. Veillez à ce que le gril soit totalement froid afin d'éviter toute blessure.

| PROBLÈME | CAUSE | SOLUTION |
|---|---|--|
| Aucun éclairage sur le panneau de contrôle | Non connecté à une source d'alimentation | Veillez à ce que l'appareil soit relié à une source d'alimentation en état de marche. Réinitialisez le disjoncteur. Veillez à ce que la prise DDFT fonctionne à un minimum de 15 A (consultez le Schéma du câblage électrique pour accéder aux composants électriques). Veillez à ce que tous les câblages soient fermement reliés et secs. |
| | Fusible grillé sur le panneau de contrôle | Retirez le panneau d'accès de la trémie (consultez le Schéma du câblage électrique), appuyez sur les languettes en plastique maintenant le panneau de contrôle en place et poussez le contrôleur à l'intérieur de la trémie pour le dégager. Vérifiez le fusible pour voir si un câble est cassé ou tube de fusible transparent est noirci. Si tel est le cas, le fusible doit être remplacé manuellement. |
| | La prise DDFT a disjoncté. | Retirez le panneau d'accès de la trémie (consultez le Schéma du câblage électrique) et veillez à ce que tous les raccordements de câbles soient fermement connectés et secs. Veillez à ce que la prise DDFT fonctionne à un minimum de 15 A. |
| | Panneau de contrôle défectueux | Le panneau de contrôle doit être remplacé. Contactez le service clients pour obtenir une pièce de rechange. |
| Le feu du pot de combustion ne s'allume pas | La vis sans fin n'est pas amorcée | Avant d'utiliser l'appareil pour la première fois ou dès que la trémie est entièrement vide, la vis sans fin doit être amorcée pour permettre aux granulés de remplir de tube. Si elle n'est pas amorcée, l'allumeur stoppera avant que les granulés n'atteignent le pot de combustion. Suivez la Procédure d'amorce de la trémie . |
| | Le moteur de la vis sans fin est bloqué | Retirez les composants de cuisson du corps principal de l'appareil. Appuyez sur le bouton d'alimentation pour allumer l'appareil, tournez le bouton de commande sur le réglage S (Fumée) et inspectez le système d'acheminement de la vis sans fin. Confirmez visuellement que la vis sans fin achemine des granulés dans le pot de combustion. Si le processus ne fonctionne pas correctement, appelez le service clients pour obtenir de l'aide ou une pièce de rechange. |
| | Problème d'allumeur | Retirez les composants de cuisson du corps principal de l'appareil. Appuyez sur le bouton d'alimentation pour allumer l'appareil, tournez le bouton de commande sur le réglage S (Fumée) et inspectez l'allumeur. Confirmez visuellement que l'allumeur fonctionne en plaçant votre main au-dessus du pot de combustion en quête de chaleur. Confirmez visuellement que l'allumeur dépasse d'environ 13 mm/0,5 po dans le pot de combustion. S'il ne fonctionne pas correctement, suivez la Procédure de démarrage manuel pour continuer à utiliser votre gril. Appelez le service clients pour obtenir de l'aide ou une pièce de rechange. |
| La lecture de la température réelle ne s'ajustera pas | Sonde de grille sale | Suivez les instructions d' Entretien et maintenance . |
| | La sonde de grille est cassée | La sonde du gril doit être remplacée. Contactez le service clientèle. |
| Le gril ne parvient pas à une température stable ou n'arrive pas à la maintenir | Écoulement d'air insuffisant dans le pot de combustion | Vérifiez qu'il n'y a pas d'accumulation de cendres ou d'obstruction dans le pot de combustion. Suivez les instructions d' Entretien et maintenance en cas d'accumulation de cendres. Vérifiez le ventilateur. Assurez-vous qu'il fonctionne correctement et que le conduit d'entrée d'air n'est pas bouché. Suivez les instructions d' Entretien et maintenance si celui-ci est sale. Vérifiez le bon fonctionnement du moteur de la vis sans fin et assurez-vous que le tube de la vis sans fin n'est pas bloqué. Une fois toutes les étapes précédentes effectuées, démarrez le gril, configurez la température sur le réglage S (Fumée) et attendez 10 minutes. Vérifiez que la flamme produite est vive. |
| | Manque de combustible, combustible de mauvaise qualité ou obstruction du système d'acheminement | Vérifiez que le niveau de combustible dans la trémie est suffisant, remplissez si besoin. Si la qualité des granulés de bois est mauvaise ou que leur taille est trop grande, le système d'acheminement peut s'obstruer. Retirez les granulés et suivez les instructions d'Entretien et maintenance. |
| | Sonde de grille | Vérifiez le statut de la sonde de grille. Suivez les instructions d' Entretien et maintenance si celui-ci est sale. Contactez le service clients pour obtenir une pièce de rechange en cas de dommage. |

| | | |
|--|---|--|
| La température du grill en mode SMOKE est trop élevée | Le paramètre « P » est trop bas | Appuyez sur le bouton « "P" SET » et augmentez le paramètre « P ». |
| Le grill produit trop de fumée ou une fumée décolorée | Accumulation de graisse | Suivez les instructions d' Entretien et maintenance . |
| | Qualité des granulés de bois | Retirez les granulés de bois humides de la trémie. Suivez les instructions d' Entretien et maintenance pour procéder au nettoyage. Remplacez-les par des granulés de bois secs. |
| | Le pot de combustion est bloqué | Retirez les granulés de bois humides du pot de combustion. Suivez la Procédure d'amorce de la trémie . |
| | Arrivée d'air insuffisante pour le ventilateur | Vérifiez le ventilateur. Assurez-vous qu'il fonctionne correctement et que le conduit d'entrée d'air n'est pas bouché. Suivez les instructions d' Entretien et maintenance si celui-ci est sale. |
| Flambées fréquentes | Température de cuisson | Essayez de cuire à plus faible température. La graisse possède un point d'inflammabilité. Maintenez une température inférieure à 176 °C/350 °F lorsque vous cuisez des aliments très gras. |
| | Accumulation de graisse sur les composants de cuisson | Suivez les instructions d' Entretien et maintenance . |
| Code d'erreur « ErP » | Le câble de la sonde de grille ne se connecte pas. | Retirez le panneau d'accès de la trémie (consultez le Schéma du câblage électrique) et vérifiez si les câbles de la sonde de grille sont abîmés. Veillez à ce que les connecteurs de la sonde de grille soient fermement et correctement reliés au panneau de contrôle. |
| Code d'erreur « ErL » | Le grill ne parvient pas à effectuer le cycle de démarrage | Vérifiez le bon positionnement des éléments de cuisson. Vérifiez que la trémie contient assez de combustible ou que le système d'alimentation n'est pas obstrué. Retirez les granulés et suivez les instructions d'Entretien et maintenance. Vérifiez la sonde du grill. Confirmez si la température réelle est correcte et précise. Suivez les instructions d'Entretien et maintenance si celui-ci est sale. Vérifiez le positionnement de l'allumeur et s'il chauffe correctement. En cas de froid extrême, le grill peut nécessiter un second démarrage. Éteignez le grill, attendez, puis rallumez-le. Vérifiez le ventilateur. Assurez-vous qu'il fonctionne correctement. Suivez les instructions d'Entretien et maintenance si celui-ci est sale. |
| | Le grill ne restera pas allumé | |
| Code d'erreur « ErH » | L'appareil a surchauffé, probablement à cause d'un feu de graisse ou un d'excès de combustible. | Appuyez sur le bouton d'alimentation pour éteindre l'appareil et laissez-le refroidir. Suivez les instructions d'Entretien et maintenance. Après entretien, retirez les granulés et vérifiez le bon positionnement de tous les composants. Une fois l'appareil refroidi, appuyez sur le bouton d'alimentation pour l'allumer et sélectionnez la température souhaitée. Si le code d'erreur s'affiche toujours, contactez le service clients. |
| Code d'erreur « Err » avec l'icône GRANULÉ visible | Manque de combustible, combustible de mauvaise qualité, obstruction du système d'acheminement ou vis sans fin bloquée | Vérifiez que le niveau de combustible dans la trémie est suffisant, remplissez si besoin. Si la qualité des granulés de bois est mauvaise ou que leur taille est trop grande, le système d'acheminement peut s'obstruer. Retirez les granulés et suivez les instructions d' Entretien et maintenance . |
| Code d'erreur « Err » avec l'icône d'ALLUMEUR clignotante | L'allumeur ne fonctionne pas correctement, n'établit pas de connexion | Retirez les composants de cuisson du corps principal de l'appareil Appuyez sur le bouton d'alimentation pour allumer l'appareil et inspectez l'allumeur. Vérifiez visuellement que l'allumeur fonctionne en plaçant votre main au-dessus de la grille de combustion et en sentant la chaleur. Vérifiez visuellement que l'allumeur est aligné avec le trou de la grille de combustion et ouvrez-le pour allumer les granulés. S'il ne fonctionne pas correctement, appelez le service clientèle pour obtenir de l'aide ou une pièce de rechange. |
| | Problème d'allumeur | L'allumeur doit être remplacé. Contactez le service client pour les pièces de rechange. |
| Code d'erreur « Err » avec l'icône de VIS SANS FIN clignotante | La vis sans fin n'est pas amorcée | Avant la première utilisation de l'unité ou à chaque fois que la trémie est complètement vidée, la vis sans fin doit être amorcée pour permettre aux granulés de remplir le pot de combustion. S'il n'est pas amorcé, l'allumeur expirera avant que les pellets ne s'enflamment. Suivez la procédure d'amorçage de la trémie . |
| | Le moteur de la vis sans fin est bloqué, n'établissant pas de connexion | Retirez les composants de cuisson du baril principal. Appuyez sur le bouton d'alimentation pour allumer l'unité et inspecter le système d'alimentation de la vis sans fin. Vérifiez visuellement que la vis sans fin laisse tomber des granulés dans le pot de combustion. S'il ne fonctionne pas correctement, appelez le service clientèle pour obtenir de l'aide ou une pièce de rechange. |
| Code d'erreur « Err » avec l'icône de VENTILATEUR clignotante | Le ventilateur ne fonctionne pas correctement, n'établit pas de connexion | Vérifiez le ventilateur. Assurez-vous qu'il fonctionne correctement et que le conduit d'entrée d'air n'est pas bouché. Retirez le panneau d'accès à la trémie (voir le schéma du câblage électriques pour le schéma) et vérifiez que les fils du ventilateur ne sont pas endommagés. Suivez les instructions d' Entretien et maintenance si celui-ci est sale. |

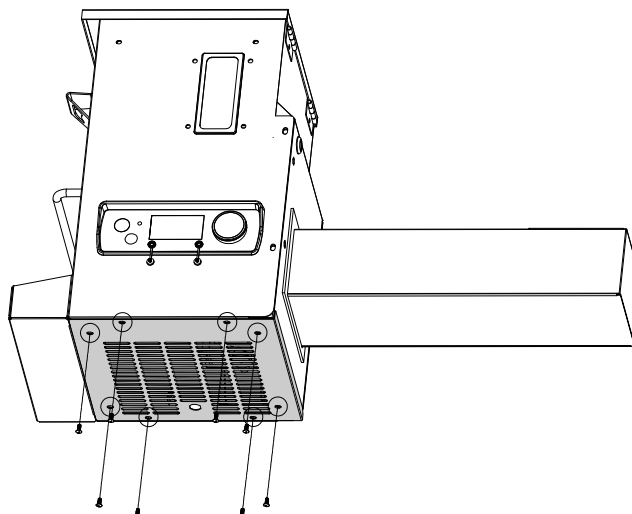
SCHÉMA DU CÂBLAGE ÉLECTRIQUE

Le système du panneau de contrôle utilise une technologie complexe de grande valeur. Pour vous protéger contre les surtensions et les courts-circuits électriques, consultez le schéma du câblage ci-dessous afin de veiller à ce que votre source d'alimentation soit suffisante pour faire fonctionner l'appareil.

PB – EXIGENCES ÉLECTRIQUES PRISE DE TERRE À 3 BROCHES DE 110 À 120 V, 60 Hz ET 250W

REMARQUE : les composants électriques, ayant été soumis à des tests de sécurité produit et des services de certification, sont conformes à une tolérance de test de ± 5 à 10 %.

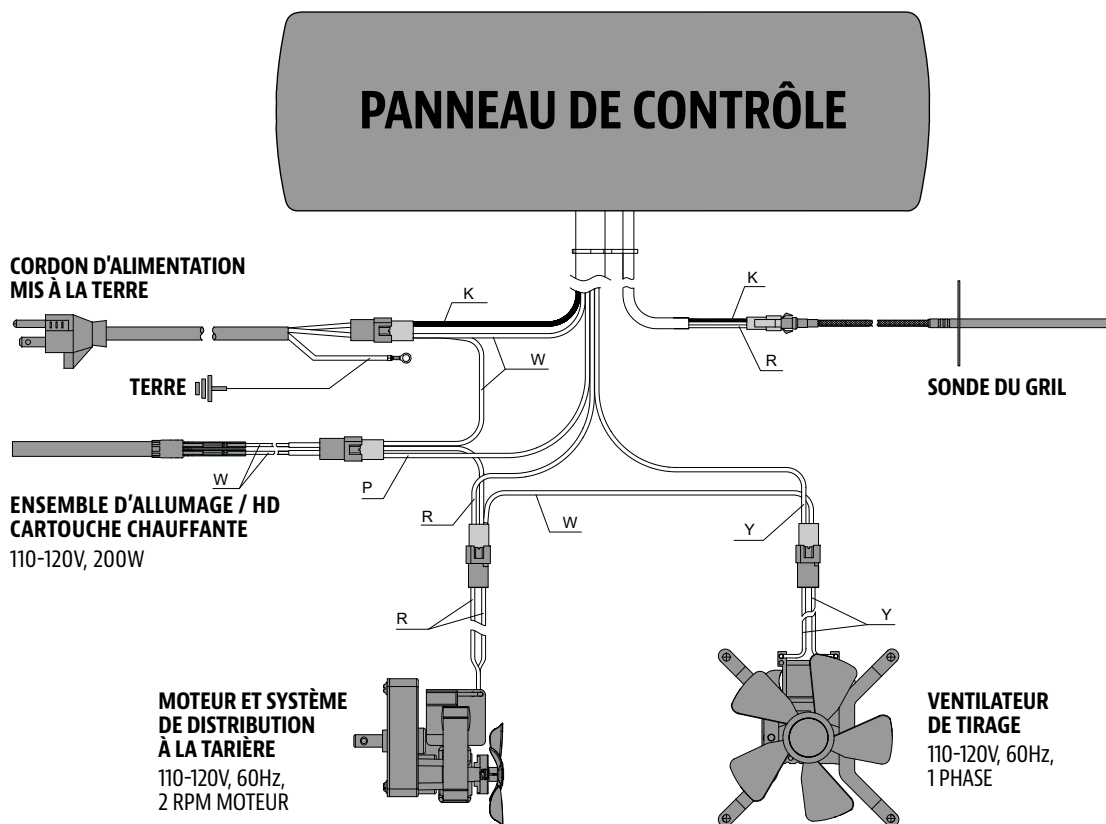
Localisez et retirez les huit vis du panneau d'accès en dessous de l'unité.



INDICE DE CONSOMMATION DE CARBURANT:
1,12 KG/H
(2,48 LB/H)

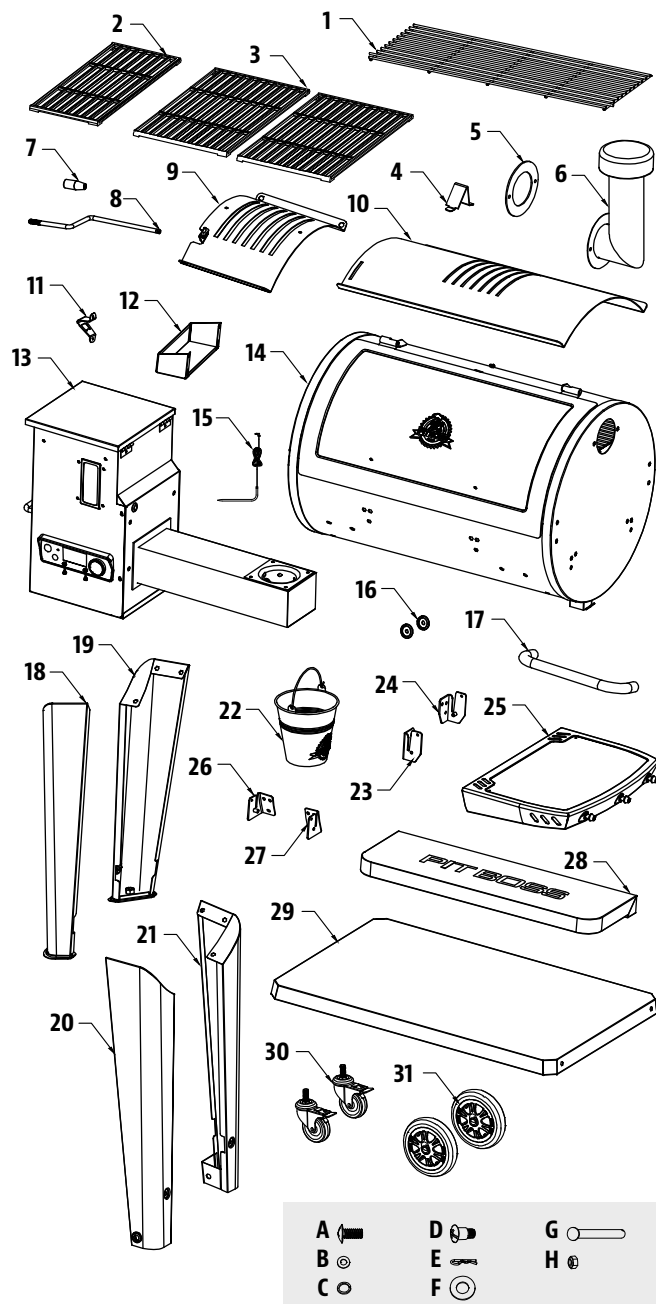
INDICATEUR

K : NOIR
W : BLANC
R : ROUGE
Y : JAUNE
P : VIOLET
O : ORANGE
G : VERT



PIÈCES DE RECHANGE DU GRIL

| Partie | Description |
|--------|--|
| 1 | Grille de cuisson supérieure (x1) |
| 2 | Grille de cuisson A (x1) |
| 3 | Grille de cuisson B (x2) |
| 4 | Bouchon de couvercle (x1) |
| 5 | Sortie de la cheminée (x1) |
| 6 | Cheminée (x1) |
| 7 | Poignée de la barre de réglage du grilloir à flamme (x1) |
| 8 | Barre de réglage du grilloir à flamme (x1) |
| 9 | Plaque coulissante du diffuseur de chaleur (x1) |
| 10 | Plaque principale du diffuseur de chaleur (x1) |
| 11 | Ouvre-bouteille (x1) |
| 12 | Boîte à épices (x1) |
| 13 | Ensemble de trémie (x1) |
| 14 | Gril principal (x1) |
| 15 | Sonde de viande (x1) |
| 16 | Cadran de la poignée du couvercle (x2) |
| 17 | Poignée du couvercle (x1) |
| 18 | Pied de support / avant (x1) |
| 19 | Pied de support / dos (x1) |
| 20 | Pied de support pour roulette / avant (x1) |
| 21 | Pied de support pour roulette / dos (x1) |
| 22 | Seau de graisse (x1) |
| 23 | Support d'étagère latérale / avant (x1) |
| 24 | Support d'étagère latérale / arrière (x1) |
| 25 | Étagère latérale (x1) |
| 26 | Support pour tablette avant / gauche (x1) |
| 27 | Support pour tablette avant / droite (x1) |
| 28 | Tablette avant (x1) |
| 29 | Étagère inférieure (x1) |
| 30 | Roulette pivotante à frein (x2) |
| 31 | Roue (x2) |
| A | Vis (x30) |
| B | Rondelle (x30) |
| C | Rondelle de blocage (x30) |
| D | Vis de butée (x4) |
| E | Goupille bêta pour roue (x2) |
| F | Rondelle pour roue (x2) |
| G | Goupille cannelée pour roue (x2) |
| H | Écrou de blocage (x4) |

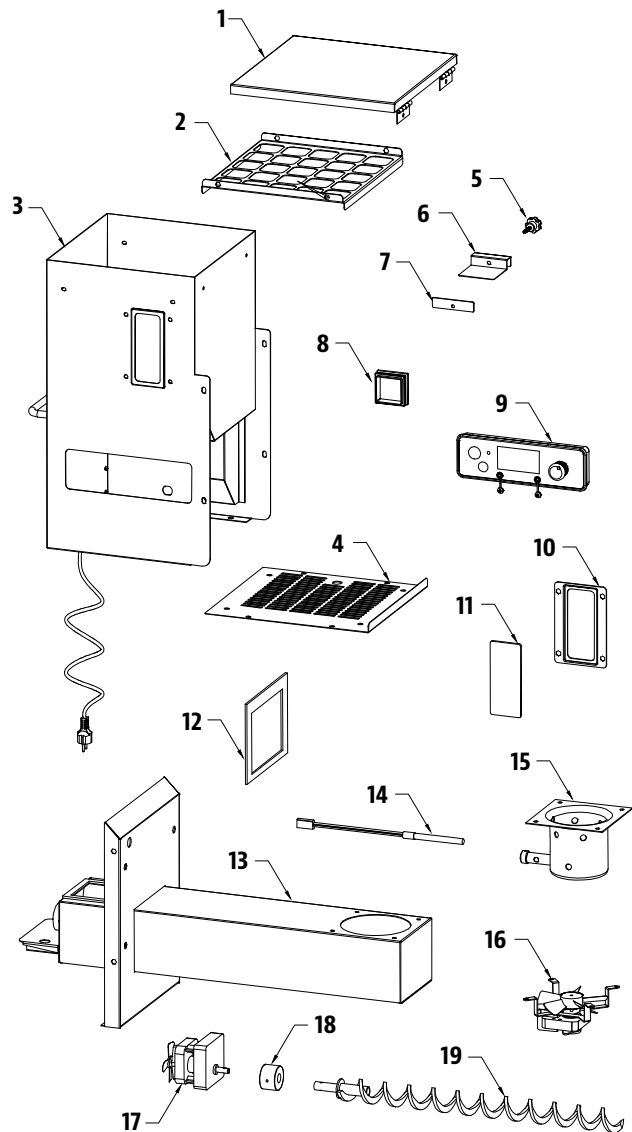


REMARQUE : en raison du développement continu du produit, des pièces peuvent faire l'objet de modifications sans préavis.

PIÈCES DE RECHANGE DE LA TRÉMIE

| Partie | Description |
|--------|-------------------------------------|
| 1 | Couvercle de trémie (x1) |
| 2 | Écran de sécurité de la trémie (x1) |
| 3 | Boîtier de la trémie (x1) |
| 4 | Panneau d'accès de la trémie (x1) |
| 5 | Vis du plaque (x1) |
| 6 | Plaque de la boîte de dépôt (x1) |
| 7 | Joint en caoutchouc (x1) |
| 8 | Couvercle de la boîte de dépôt (x1) |
| 9 | Panneau de commande (x1) |
| 10 | Plaque en verre de trémie (x1) |
| 11 | Verre de trémie (x1) |
| 12 | Joint du boîtier de la trémie (x1) |
| 13 | Boîtier de la vis sans fin (x1) |
| 14 | Allumeur (x1) |
| 15 | Pot de combustion (x1) |
| 16 | Ventilateur de combustion (x1) |
| 17 | Moteur de la vis sans fin (x1) |
| 18 | Bague en nylon (x1) |
| 19 | Assemblage de la vis sans fin (x1) |

REMARQUE : en raison du développement continu du produit, des pièces peuvent faire l'objet de modifications sans préavis.



GARANTIE

CONDITIONS

Tous les grils de granulés de bois de Pit Boss®, fabriqués par Dansons, contiennent une garantie limitée à partir de la date de vente par le propriétaire initial. La garantie entre en vigueur la date d'achat, et une preuve de la date d'achat ou copie de votre achat de vente original est requise pour valider la garantie. Si le client n'est pas en mesure de produire une preuve de l'achat ou si la date de couverture de la garantie est dépassée, il sera tenu de payer les pièces, l'expédition et la main-d'œuvre. Dansons offre une garantie de cinq (5) ans contre les défauts et la main d'oeuvre sur toutes les pièces en acier (à l'exception de la grille de combustion), et cinq (5) ans sur les composants électriques. Dansons garantit que toutes les parties sont exemptes de défauts de matériel et de fabrication, pour la durée d'utilisation et de propriété de l'acheteur initial. Il n'existe pas de garantie particulière pour la sonde du gril, la sonde thermique, la peinture, le fini en peinture en poudre, la grille de combustion, le couvercle du gril et tous les joints ou contre tout dommage causé par la corrosion. La garantie ne couvre pas les dommages causés par l'usure, tels que les rayures, les bosses, les coups, les éclats ou les fissures cosmétiques mineures. Ces changements esthétiques du gril n'affectent pas sa performance. La réparation ou le remplacement d'une pièce ne prolonge pas la garantie limitée. Pendant la période de la garantie limitée, l'obligation de Dansons sera limitée à fournir le remplacement des composants couverts et/ou défectueux. Tant que cela se produit pendant la période de la garantie, Dansons ne vous facturera pas sur la réparation ou le remplacement des pièces retournées, le port-payé, si Dansons détermine que ces pièces se révèlent défectueuses après inspection. Dansons ne sera pas tenu responsable des frais de transport, du coût salarial ou des droits d'exportation. Sauf disposition contraire dans ces conditions de garantie, la réparation ou le remplacement des pièces de la façon et pour la durée fixée ci-dessous, remplira le devoir de toutes les responsabilités et obligations directes et dérivées de Dansons envers vous.

Dansons prend toutes les précautions pour utiliser les matériaux qui résistent à la formation de la rouille. Même avec ces garanties, le revêtement protecteur peut être compromis par diverses substances et conditions qui échappent au contrôle de Dansons. Les hautes températures, l'humidité excessive, le chlore, les gaz industriels, les engrais, les pesticides utilisés pour les pelouses et le sel sont quelques-unes des substances pouvant affecter les revêtements métalliques. C'est pour ces raisons que les garanties limitées ne couvrent pas la rouille ni l'oxydation, à moins que le composant du gril présente une perte d'intégrité structurelle. Si les scénarios décrits ci-dessus devaient se produire, veuillez vous référer à la section de soin et d'entretien pour prolonger la durée de vie de votre unité. Dansons recommande l'utilisation d'une couverture de gril lorsqu'il n'est pas utilisé. Les garanties s'appliquent à un usage domestique et utilisation normale du gril et aucune des garanties limitées ne s'applique à un gril utilisé pour des applications commerciales.

EXCEPTIONS

Il n'existe pas de garantie de performance écrite ou implicite sur les appareils Pit Boss®, car le fabricant ne contrôle pas l'installation, le fonctionnement, le nettoyage, l'entretien ou le type de combustible brûlé. La garantie limitée ne s'appliquera pas, et Dansons n'assumera aucune responsabilité, si votre appareil n'a pas été installé, opéré, nettoyé et entretenu conformément aux instructions du fabricant. Toute utilisation de gaz non précisée dans ce manuel peut annuler la garantie. La garantie ne couvre pas les dommages ou ruptures causées par une mauvaise utilisation, mauvaise manutention ou des modifications. Dansons et les fournisseurs autorisés Pit Boss®, déclinent toute responsabilité, légale ou autre, quant aux dommages accidentels ou consécutifs à la propriété ou aux personnes résultant de l'utilisation de ce produit. Si une réclamation est retournée contre Dansons basée sur la violation de cette garantie ou de tout autre type de garantie explicite ou implicite en droit, le fabricant ne sera en aucun cas tenu responsable des dommages-intérêts spéciaux, punitifs ou indirects de quelque nature que ce soit en surplus du prix d'achat original de ce produit. Toutes les garanties du fabricant sont énoncées ici et aucune réclamation ne sera effectuée contre le fabricant par le biais d'une garantie ou de représentation. Certaines provinces n'autorisent pas l'exclusion ou la limitation des dommages accidentels ou consécutifs, ou les limitations des garanties implicites, de sorte qu'il est possible que les exclusions et limitations énoncées dans cette garantie limitée ne s'appliquent pas à vous. Cette garantie limitée vous donne des droits légaux spécifiques, et vous pourriez aussi avoir d'autres droits légaux qui pourront varier selon l'état ou la province.

COMMANDE DE PIÈCES DE REMPLACEMENT

Pour commander des pièces de rechange, veuillez communiquer avec votre revendeur local ou visiter notre boutique en ligne à l'adresse suivante : www.pitboss-grills.com

APPELEZ LE SERVICE À LA CLIENTÈLE

Si vous avez des questions ou des problèmes, veuillez communiquer avec le Service à la clientèle.

États-Unis : (480) 923-9630 | Canada (sans frais) : 1-877-942-2246

SERVICE DE GARANTIE

Appelez votre fournisseur Pit Boss® le plus proche pour une réparation ou un remplacement de vos pièces. Dansons exige une preuve d'achat pour établir une réclamation sous garantie; Conservez donc votre reçu ou facture originale pour référence future. Le numéro de série et de modèle de votre unité Pit Boss® se trouve sur la trémie. Enregistrez les numéros ci-dessous, car l'étiquette peut s'user ou devenir illisible.

MODÈLE

NUMÉRO DE SÉRIE

DATE D'ACHAT

CONCESSIONNAIRE AUTORISÉ

INFORMACIÓN DE SEGURIDAD

LAS FALLAS DE MANTENIMIENTO Y EL INCUMPLIMIENTO DE LAS DISTANCIAS REQUERIDAS ENTRE EL APARATO Y LOS MATERIALES COMBUSTIBLES SON CAUSAS IMPORTANTES DE INCENDIOS. ES DE LA MAYOR IMPORTANCIA QUE ESTE PRODUCTO SOLAMENTE SE UTILICE DE ACUERDO CON ESTAS INSTRUCCIONES.

Por favor lea y comprenda este manual en su totalidad antes de intentar armar, utilizar o instalar el producto. Esto garantizará que pueda utilizar su nuevo asador de pellets de madera de la manera más agradable y sin problemas. También le recomendamos conservar este manual para referencia futura.

PELIGROS Y ADVERTENCIAS

Debe comunicarse con su asociación local de vecinos, funcionarios de construcción o control de incendios, o con la autoridad competente, para obtener los permisos y la información necesarios sobre restricciones de instalación, como la instalación de un asador en una superficie combustible, los requisitos de inspección, o incluso la capacidad de usarlo, en su región.

1. Es necesario mantener un espacio libre mínimo de 305 mm (12 pulg.) entre materiales combustibles y los costados del ahumador y de 305 mm (12 pulg.) desde la parte trasera del ahumador a materiales combustibles. **No instale el aparato en pisos combustibles o en pisos protegidos con superficies combustibles, a menos que se obtengan las autorizaciones y los permisos apropiados de las autoridades competentes.** No use este aparato bajo techo, en un área cerrada o sin ventilación, dentro de hogares, vehículos, carpas, garajes. Este aparato de pellets de madera no debe colocarse bajo un techo o saliente de material combustible. Mantenga su asador en un área despejada y libre de materiales combustibles, gasolina y otros vapores y líquidos inflamables.

En caso de un fuego de grasa, debe APAGAR el asador y dejar la tapa cerrada hasta que se apague el fuego. Desconecte el cable de alimentación eléctrica. No arroje agua sobre el fuego. No trate de sofocar el fuego. Es muy recomendable mantener cerca un extintor de incendios aprobado para todo tipo de fuego (clase ABC). Si ocurre un incendio sin control, llame al Departamento de Bomberos.

2. Mantenga los cables de alimentación eléctrica y la combustible de las superficies calientes. No use su asador bajo la lluvia o cerca de cualquier fuente de agua.
3. Después de un período de almacenamiento o falta de uso, revise la rejilla de combustión para detectar obstrucciones, y la chimenea para obstrucciones del flujo de aire. Límpiela antes de usarla. Se requiere un cuidado regular y el mantenimiento para prolongar la vida útil de la unidad. **Si el asador se almacena en exteriores durante la temporada de lluvias o en temporadas de alta humedad, debe tener cuidado de que no entre agua en la tolva.** Siempre debe desconectar la alimentación eléctrica antes de realizar cualquier servicio o mantenimiento.

No transporte su asador mientras está en operación o mientras el asador está caliente. Asegúrese de que el fuego está completamente apagado y de que el asador está completamente frío al tacto antes de moverlo.

¡IMPORTANTE! Apague siempre el aparato y permita que se ejecute el ciclo de apagado. Desenchufe el aparato solo una vez que se haya completado el ciclo de apagado y/o antes de limpiarlo. El incumplimiento de esta advertencia puede causar daños, lesiones graves, incendios, descargas eléctricas o la muerte.

4. Se recomienda utilizar guantes resistentes al calor cuando opere el asador. No utilice accesorios no especificados para su uso con este aparato. No coloque una cubierta para asador u otra cosa inflamable dentro del espacio de almacenamiento debajo del asador.
5. Para evitar lesiones o daños al barreno, el aparato cuenta con una cubierta de seguridad en la tolva metálica. Esta cubierta no debe ser retirada a menos que así lo indique Servicio al Cliente o un distribuidor autorizado.

No se recomienda que usen este aparato los niños, las personas con capacidades físicas, sensoriales o mentales reducidas, o que no tengan suficiente experiencia y conocimientos, a menos que sean supervisados o instruidos por una persona responsable de su seguridad.

6. Algunas partes del asador podrían estar muy calientes y pueden causar lesiones graves. Mantenga a los niños pequeños y las mascotas alejados mientras lo utiliza.
7. No agranda los agujeros del encendedor ni las cámaras de combustión. De no cumplir con esta advertencia, podría causar un peligro de incendios y lesiones corporales y anulará su garantía.
8. El producto puede tener bordes o puntos afilados. El contacto puede provocar lesiones. Tratar con cuidado.

ELIMINACIÓN DE LAS CENIZAS

Las cenizas deben ser colocadas en un recipiente metálico con una tapa hermética. El recipiente cerrado de cenizas debe colocarse en un piso no combustible o en el suelo, lejos de todos los materiales combustibles, hasta su eliminación definitiva. Cuando elimine las cenizas enterrándolas en la tierra o dispersándolas, debe conservarlas en un recipiente cerrado hasta que todas las brasas se hayan enfriado por completo.

COMBUSTIBLE DE PELLETS DE MADERA

Este aparato de cocina de gránulos está diseñado y aprobado solo para combustibles de gránulos de madera completamente naturales. Cualquier otro tipo de combustible que se use en este aparato anulará la garantía y los anuncios de seguridad. Debe usar únicamente gránulos de madera completamente naturales, diseñados para parrillas de barbacoas para gránulos. No use combustible con aditivos. Les granulés de bois sont très sensibles à l'humidité et doivent toujours être stockés au sein d'un récipient hermétique. Si vous stockez votre gril, sans l'utiliser, pendant une période prolongée, nous vous recommandons de retirer tous les granulés de la trémie et de la vis sans fin de votre gril, afin d'éviter les bourrages. El valor calorífico medio del combustible de pélets es de 18,6-20,4 MJ/kg (8000-8770 Btu/lb), cenizas de <1%.

No use roca de lava, trozos de madera, carbón de leña, licores, petróleo, gasolina, líquido de encendedores o queroseno para encender o avivar el fuego en su asador.

Al momento de la impresión, no hay un estándar de la industria para pellets de madera para asador, aunque la mayoría de los fabricantes de pellets usan los mismos estándares aplicados para la fabricación de pellets de madera para calefacción casera. Puede encontrar más información en www.pelletheat.org o en el *Pellet Fuel Institute*.

Consulte a su distribuidor local sobre la calidad de los pellets en su región y pídale información la calidad de las distintas marcas. Dado que no existe ningún control sobre la calidad de los pellets utilizados, no asumimos ninguna responsabilidad por los daños causados por combustible de mala calidad.

CREOSOTA

La creosota, u hollín, es una sustancia similar a la brea. Cuando se quema produce un humo negro que deja residuos que también son de color negro. El hollín o creosota se forma cuando el aparato se utiliza de manera incorrecta, como: una colocación incorrecta de la rejilla de combustión, obstrucción del ventilador de combustión, falta de limpieza y mantenimiento del área de combustión, pellets afectados por la humedad, o una mala relación aire-combustible en la combustión.

Es peligroso utilizar este aparato si la llama se vuelve oscura y con hollín, o si la cámara de combustión se desborda de pellets. Al encenderse, esta creosota genera un fuego extremadamente caliente y sin control, similar a un fuego de grasa. Si esto ocurre, APAGUE la unidad, déjela enfriarse por completo, y luego inspecciónela para darle mantenimiento y limpiarla. Por lo general se acumula en las áreas de escape de gases.

Si se ha formado creosota dentro de la unidad, permita que esta se caliente a una temperatura baja, luego APAGUE el aparato y limpie la acumulación con una toalla de mano. Al ser similar a la brea, es mucho más fácil limpiarla cuando está caliente, ya que se vuelve líquida.

MONÓXIDO DE CARBONO ("EL ASESINO SILENCIOSO")

El monóxido de carbono es un gas incoloro, inodoro e insípido que se produce al quemar gas, madera, propano, carbón y otros combustibles. El monóxido de carbono reduce la capacidad de la sangre para transportar oxígeno. Los niveles bajos de oxígeno en la sangre pueden causar dolor de cabeza, mareos, debilidad, náuseas, vómitos, somnolencia, confusión, pérdida de la conciencia y muerte. Siga estas instrucciones para evitar que este gas incoloro e inodoro lo intoxique a usted, a su familia o a otras personas:

- Consulte a un médico si usted u otras personas presentan síntomas de resfriado o gripe mientras cocinan o en los alrededores del aparato. La intoxicación por monóxido de carbono, que puede confundirse fácilmente con gripe o resfriado, con frecuencia se detecta demasiado tarde.
- El consumo de alcohol y drogas aumentan los efectos de la intoxicación por monóxido de carbono.

El monóxido de carbono es especialmente tóxico para madres e hijos durante el embarazo, así como para los bebés, los ancianos, los fumadores y las personas con problemas de la sangre y el sistema circulatorio, como anemia o enfermedades cardíacas.

REGISTRO DE SEGURIDAD

De acuerdo con los procedimientos y especificaciones UL 2728-2009 de UL, "aparatos de cocina con pellets combustibles" y ULC/ORD C2728-13 "equipos de quema de combustible con pellets". Los aparatos de cocina con pellets Pit Boss® han sido probados de manera independiente y registrados por INTERTEK (un laboratorio de pruebas acreditado) de acuerdo con las normas UL y ULC.





AVISO DE DERECHOS DE AUTOR

Copyright 2022. Todos los derechos reservados. Ninguna parte de este manual puede ser copiada, transmitida, transcrita o almacenada en un sistema de respaldo, en ninguna forma y por ningún medio, sin el permiso explícito por escrito de,

Dansons

8877 North Gainey Center Drive, Scottsdale, AZ, USA 85258

Servicio al cliente

EE.UU : (480) 923-9630

Canada (gratuita) : 1-877-942-2246

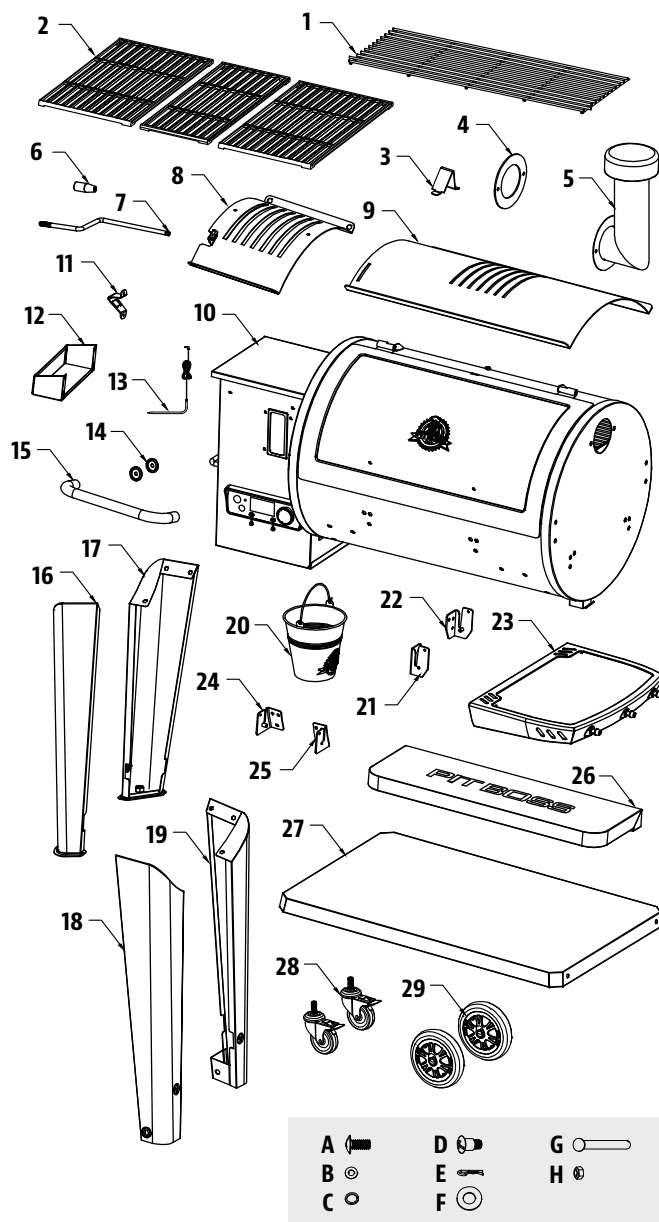
www.pitboss-grills.com

ÍNDICE

| | |
|--|----|
| Información de seguridad | 54 |
| Partes y especificaciones | 58 |
| Preparación del ensamblaje | 59 |
| Instrucciones de operación | |
| Entorno del asador..... | 61 |
| Rangos de temperaturas del asado | 62 |
| Explicación del tablero de control..... | 63 |
| Comprender el ajuste "P" | 65 |
| Funciones del tablero de control | 65 |
| Procedimiento de cebado del sinfín | 66 |
| Primer uso - Quemado del asador | 66 |
| Conectarse a la aplicación Pit Boss® Grills..... | 66 |
| Procedimiento de arranque automático..... | 67 |
| Cómo apagar su asador | 67 |
| Cuidado y mantenimiento | 68 |
| Lineamientos para cocinar | 70 |
| Consejos y técnicas..... | 72 |
| Solución de problemas | 73 |
| Diagrama de cableado eléctrico | 75 |
| Refacciones | |
| Refacciones para el asador | 76 |
| Refacciones para la tolva..... | 77 |
| Garantía..... | 78 |
| Preparacion del ensamblaje | 80 |

PARTES Y ESPECIFICACIONES

| N° | Descripción |
|----|--|
| 1 | Parrilla superior para cocinar (x1) |
| 2 | Rejillas para cocinar (x3) |
| 3 | Tapón de la tapa (x1) |
| 4 | Junta de la chimenea (x1) |
| 5 | Chimenea (x1) |
| 6 | Manija de la barra de ajuste de la rejilla de flama (x1) |
| 7 | Barra de ajuste de la rejilla de flama (x1) |
| 8 | Cubierta deslizante de la rejilla de flama (x1) |
| 9 | Placa principal de rejilla de flama (x1) |
| 10 | Barril principal (x1) |
| 11 | Abrebotellas (x1) |
| 12 | Caja de especias (x1) |
| 13 | Sensore para carne (x1) |
| 14 | Biseles de la manija de la tapa (x2) |
| 15 | Manija de la tapa (x1) |
| 16 | Pata de soporte/delantera (x1) |
| 17 | Pata de soporte/trasera (x1) |
| 18 | Pata de soporte para rueda/delantera (x1) |
| 19 | Pata de soporte para rueda/trasera (x1) |
| 20 | Recogegrasa (x1) |
| 21 | Soporte del estante lateral / delantero (x1) |
| 22 | Soporte del estante lateral / trasero (x1) |
| 23 | Estante lateral (x1) |
| 24 | Soporte del estante delantero izquierdo (x1) |
| 25 | Soporte del estante delantero derecho (x1) |
| 26 | Estante delantero (x1) |
| 27 | Estante inferior (x1) |
| 28 | Rueda pivotante de cierre (x2) |
| 29 | Rueda (x2) |
| A | Tornillos (x30) |
| B | Arandelas (x30) |
| C | Arandelas de seguridad (x30) |
| D | Tornillo de paso (x4) |
| E | Clavijas de rueda (x2) |
| F | Arandelas de rueda (x2) |
| G | Clavijas de eje de rueda (x2) |
| H | Tuerca con bloqueo (x4) |



PB – REQUISITOS DE ALIMENTACIÓN ELÉCTRICA
110-120 V, 60 Hz, 250 W, CONECTOR DE 3 CLAVIJAS CON TIERRA

NOTA: Debido a que los productos están en desarrollo constante, las partes están sujetas a cambios sin previo aviso. Llame a Servicio al Cliente si le faltan partes al ensamblar la unidad.

| MODELO | ENSAMBLADA (An. x Prof x Al.) | PESO | ÁREA PARA COCINAR | RANGO DE TEMPERATURAS |
|-------------|---|-----------------------|---|-------------------------|
| PB PB850CS1 | 1,456 MM x 821 MM x 1,324 MM / 573 PU. x 32.3 PU. x 52.1 PU. | 70.5 KG / 155.4 LB | PARRILLA SUPERIOR - 1,655 CM ² / 256.6 PU ² PRINCIPAL - 3,824 CM ² / 592.8 PU ² TOTAL - 5,479 CM ² / 849.4 PU ² | 82-260°C / 180-500°F |

PREPARACIÓN DEL ENSAMBLAJE

Hay partes ubicadas en toda la caja de embarque, incluso debajo del asador. Inspeccione el asador, las partes y el paquete de accesorios antes de sacarlos de la caja de embarque. Deseche todos los materiales de embalaje desde el interior y el exterior de la parrilla antes del ensamblaje, luego revise e compárelas con la lista de referencia. Si hay partes faltantes o dañadas, no intente ensamblar el producto. Los daños por transporte no están cubiertos por la garantía. Comuníquese con su distribuidor o con Servicio al Cliente de Pit Boss® para solicitar partes.

EE.UU : (480) 923-9630 | Canada (GRATUITA) : 1-877-942-2246
www.pitboss-grills.com

IMPORTANTE: Para facilitar la instalación, es útil (pero no necesario) contar con dos personas para ensamblar esta unidad.

Herramientas requeridas para el ensamblaje: destornillador, llave inglesa, y nivel. *Las herramientas no están incluidas.*



ALLEZ À LA PAGE 80 PARA LAS INSTRUCCIONES DE MONTAJE ÉTAPE PAR ÉTAPE.

| ⚠ IMPORTANTE ⚠ | |
|-----------------------|--|
| - | Se recomienda <u>revisar cada paso por completo</u> antes de comenzar el montaje según las instrucciones. |
| - | La combinación de hardware que involucra una arandela de seguridad y una arandela debe instalarse con la arandela de seguridad más cerca de la cabeza del tornillo. |
| - | Apriete los tornillos por completo después de que se hayan instalado todos los tornillos para ese paso. |
| 1 | Desconecte la unidad de la fuente de alimentación cuando no esté en uso. |
| 2 | No use las repisas para mover o levantar el asador. El peso de la unidad hará que las repisas se doblen o se rompan, y estos daños no están cubiertos por la garantía. |
| 3 | Si la placa principal del asador de fuego está en la base del tambor, está instalada incorrectamente. El asador de fuego debe estar inclinado, con el lado izquierdo más alto que el derecho. Una mala instalación de esta pieza puede provocar daños en el tambor principal de la parrilla. |
| * NOTA * | |
| 1 | Asegúrese de que la tapa de la chimenea permita que escape el aire. |
| 2 | Una vez instalada correctamente, la repisa frontal se puede levantar (para su uso) y bajar (para almacenar) con facilidad. |
| 3 | Ambas partes del asador a la llama están ligeramente recubiertas con aceite para evitar la oxidación cuando se envían. |
| 4 | Cuando la guía del asador esté abierta y se utilice la llama directa, no descuide la parrilla en ningún momento. |
| 5 | Para mantener el óptimo desempeño en sus parrillas de cocción, es necesario darles cuidado y mantenimiento con regularidad. |
| 6 | Hardware preinstalado. |

CONEXIÓN A UNA FUENTE DE ALIMENTACIÓN ELÉCTRICA

- ***TOMA ESTÁNDAR***

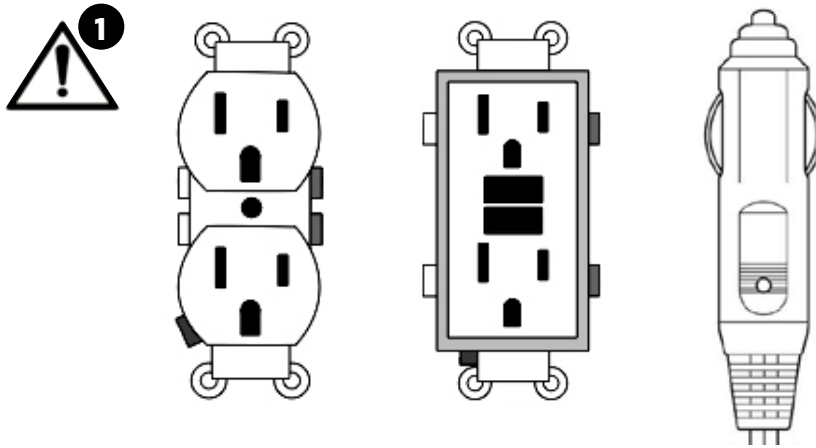
Este aparato requiere un suministro de 110-120 V, 60 Hz, 250 W. El enchufe debe ser con conexión a tierra y de 3 clavijas. Asegúrese de que el extremo con puesta a tierra no esté roto antes de usarlo. El control usa un fusible rápido de 110-120 V, para proteger el tablero del sistema de ignición.

- ***TOMAS GFCI***

Este aparato funciona en casi todas las tomas GFCI, con un suministro recomendado de 15 A. Si su toma GFCI es muy sensible a las subidas de tensión, probable se desconecte durante la fase de arranque de funcionamiento. Durante la fase de arranque, el sistema de ignición consume 200-700 vatios de electricidad, lo que puede ser demasiada carga para una toma GFCI. Cada vez que se desconecta, aumenta su sensibilidad. Si la toma GFCI sigue saltando, sustitúyala o cambie a una toma que no sea GFCI.

- ***DURANTE EL TRANSPORTE***

Desconecte el sistema de ignición del mazo de cables principal. Use el procedimiento de arranque manual. Una unidad Pit Boss® puede funcionar con un inversor de 12 V y 100 W conectado a una toma de un vehículo. Para usar el sistema de ignición automática se recomienda usar un inversor de 1000 W como mínimo.



INSTRUCCIONES DE OPERACIÓN

Con el estilo de vida moderno en el que nos esforzamos para comer alimentos saludables y nutritivos, un factor a considerar es la importancia de reducir la ingesta de grasas. Una de las mejores maneras de reducir la grasa de su dieta es utilizar un método de cocción bajo en grasas, como el asado. Dado que un asador de pellets usa pellets de madera natural, el sabor de la madera se integra a las carnes, lo que reduce la necesidad de usar salsas con alto contenido de azúcares. A lo largo de este manual notará un énfasis en asar la comida lentamente, a temperaturas BAJAS o MEDIAS.

ENTORNO DEL ASADOR

1. EN DÓNDE COLOCAR EL ASADOR

Con todos los aparatos para exteriores, las condiciones climatológicas externas tendrán un papel importante en el desempeño de su asador y en los tiempos de cocción necesarios para perfeccionar sus comidas. Todas las unidades Pit Boss® requieren un espacio libre mínimo de 305 mm (12 pulg.) de separación de materiales combustibles, y este espacio debe mantenerse todo el tiempo que se use el asador. Este aparato no debe colocarse bajo un techo o saliente de material combustible. Mantenga su asador en un área libre de materiales combustibles, gasolina y otros vapores y líquidos inflamables.

2. COCINA EN CLIMAS FRÍOS

Conforme la temperatura exterior se vuelva más fría, ¡no significa que la temporada de asar se ha terminado! El aire fresco y delicioso aroma de la comida ahumada ayudará a curar la depresión invernal.

Aproveche estas sugerencias para disfrutar de su asador durante los meses fríos:

- Si no es posible ahumar a bajas temperaturas, aumente ligeramente la temperatura para lograr el mismo resultado.
- Organícese – Prepare todo lo que necesitará en la cocina antes de salir al exterior. Durante el invierno, mueva su asador a un área que esté a cubierto del viento y el frío directo. Revise las ordenanzas locales sobre la proximidad del asador a su hogar y/o a otras estructuras. Ponga todo lo que necesita en una bandeja, ¡abrigúese bien y hágalo!
- Para ayudarlo a tener presente la temperatura exterior, coloque un termómetro para exteriores cerca del área en la que cocina. Lleve una bitácora o diario de lo que cocinó, la temperatura exterior y el tiempo de cocido. Esto le ayudará en el futuro para determinar qué cocinar y cuánto se tardará.
- En clima muy frío, aumente su tiempo de precalentado al menos 20 minutos.
- Trate de no levantar la tapa más de lo necesario. Las rachas de viento frío podrían enfriar completamente la temperatura de su asador. Sea flexible con su tiempo para servir; añadir minutos adicionales al tiempo de cocción cada vez que abra la tapa.
- Tenga un hornillo y o una cubierta listos para mantener su comida caliente mientras la lleva al interior.
- Los alimentos ideales para cocinar en invierno son los que requieren poca atención, como asados, pollos enteros, costillas y pavos. Facilite aún más la preparación de sus comidas añadiendo elementos simples, como verduras y papas.

3. COCINA EN CLIMAS CALIENTES

Conforme esté más caliente en el exterior, el tiempo de cocción se reducirá. Siga estas sugerencias para disfrutar de su asador durante los meses cálidos:

- Ajuste sus temperaturas de cocción a la baja. Esto ayuda a evitar las llamaradas indeseables.
- Use un termómetro de carnes para determinar la temperatura interna de sus comidas. Esto ayuda a evitar que su carne se cocine demasiado y se seque.
- Incluso en climas cálidos, es mejor cocinar con la tapa del asador abajo.
- Puede mantener las comidas calientes envolviéndolas en papel aluminio y colocándolas en un recipiente con aislamiento térmico. Coloque bolas de papel periódico alrededor del papel aluminio y mantendrá la comida caliente de 3 a 4 horas.

RANGOS DE TEMPERATURAS DEL ASADOR

Las lecturas de temperatura en el tablero de control podrían no coincidir exactamente con las del termómetro. Todas las temperaturas mencionadas abajo son aproximadas y se ven afectadas por los siguientes factores: temperatura ambiente en el exterior, cantidad y dirección del viento, calidad de los pellets que se utilizan, si la tapa está abierta, y la cantidad de comida que se está preparando.



TEMPERATURAS ALTAS

205-260°C / 401-500°F

Este rango es útil para marcar la carne y asar con calor alto. Use en conjunto con la rejilla de flama para cocinar a fuego directo o indirecto. Con la **rejilla de flama abierta**, se usa fuego directo para crear esos bistecs "azules", así como verduras cocinadas ligeramente, pan de ajo tostado, ¡o bombones! Cuando la **rejilla de flama está cerrada**, el aire circula alrededor del barril, generando calor de convección. Las temperaturas altas también se usan para precalentar su asador, limpiar las parrillas de cocción con calor, y para lograr un calor elevado en condiciones de clima extremadamente frío.



TEMPERATURAS MEDIAS

126-204°C / 258-400°F

Este rango es mejor para hornear, cocer y terminar esa creación ahumada lentamente. Cocinar a estas temperaturas reducirá en gran medida las probabilidades de una llamarada de grasa. Asegúrese de que la cubierta deslizante de la rejilla de flama esté en la posición cerrada, cubriendo las aberturas. Este es un rango excelente para cocinar cualquier cosa que esté envuelta en tocino, o cuando quiera versatilidad en el control.



TEMPERATURAS BAJAS

82-125°C / 180-257°F

Este rango se usa para asar lento, aumentar el sabor del ahumando y mantener caliente la comida. Infunda más sabor ahumado y mantenga la carne jugosa al cocinarla más tiempo a una temperatura más baja (esto también se conoce como **bajo y lento**). Muy recomendable para el pavo de Acción de Gracias, un jugoso jamón para la Pascua, o un enorme banquete para las fiestas.

El ahumado es una variación del asado, y es la principal ventaja de cocinar en un asador de pellets de madera. El **ahumado caliente**, que es otro nombre para cocinar "**bajo y lento**", generalmente se hace a 82-125 °C / 180-257 °F. El ahumado caliente funciona mejor cuando se necesita un tiempo de cocción más largo, como para cortes de carne, pescados o aves grandes.

CONSEJO: Para un sabor más intenso, cambie al rango de temperatura de ahumado (bajo) inmediatamente después de poner su comida en el asador. Esto permite que el humo penetre en las carnes.






La clave está en experimentar con el tiempo que deja ahumar antes de que la comida termine de prepararse. Algunos chefs de exteriores prefieren ahumar al terminar de cocinar, lo que permite mantener la comida caliente hasta que está lista para servirse. ¡La práctica hace al maestro!

EXPLICACIÓN DEL TABLERO DE CONTROL

Este tablero de control PID (proporcional-integrado-derivado) digital es prácticamente igual que los controles del horno de su cocina. Las principales ventajas son la capacidad de compensar automáticamente las diferentes condiciones ambientales y tipos de combustible.

IMPORTANTE: La temperatura del interior de cualquier parrilla varía mucho de una ubicación a otra. Incluso los instrumentos calibrados juntos pueden no concordar entre sí.



| MANDO | DESCRIPCIÓN |
|---|---|
|  | Pulse este botón una vez para encender la unidad. Se iniciará el ciclo automático de encendido. Mantenga pulsado este botón durante tres segundos para apagar la unidad. Se activará el ciclo de enfriado automático. El botón se iluminará en azul si está conectado a una fuente de alimentación. |
|  | El icono de Pit Boss® Grills indica que hay una conexión wifi disponible. Cuando busque una conexión wifi o a través de Bluetooth®, el icono de Pit Boss® Grills parpadeará. Una vez que la conexión wifi se haya establecido, el icono de Pit Boss® Grills se quedará encendido. Cuando esté conectado, podrá obtener información en tiempo real sobre la temperatura fijada y la real de la parrilla, el tiempo de cocción y las temperaturas de la sonda de carne. También le permite configurar los ajustes del tablero de control. |
|  | La perilla del controlador se usa para aumentar, disminuir y seleccionar un valor de temperatura. Gire la perilla del controlador para cambiar la temperatura, luego presione la perilla del controlador para confirmar el valor elegido. La temperatura que se muestra se puede ajustar en incrementos de 5 grados (° F). La temperatura se puede ajustar a 82°C / 180°F y alcanza un máximo de 260°C / 500°F. |
|  | El medidor de intensidad de la llama muestra visualmente la intensidad del fuego en la fosa del quemador. A medida que aumenta la temperatura desde el interior del barril principal, el color de las barras cambiará de azul a rojo. El color también cambiará cuando ajuste la temperatura de cocción. |
|  | La lectura central muestra la temperatura real. La temperatura real es la temperatura del interior del tambor principal y se muestra constantemente. La lectura de temperatura real se toma mediante la sonda (sensor) desde el interior del tambor de la parrilla. |

COOK
888

La lectura de COCCIÓN (COOK) muestra la temperatura deseada que desea alcanzar en el barril principal. Para ajustar la temperatura de COCCIÓN (COOK), presione la perilla del controlador para activar, gire la perilla del controlador para cambiar la temperatura, luego presione la perilla del controlador para confirmar el valor elegido.

PROBE 1
888 FC
PROBE 2
888 FC

Muestra la temperatura de las sondas para carne conectadas. La lectura de la sonda para carne que se muestra corresponderá con los puertos de conexión enchufables seleccionados en la parte frontal del tablero de control. Cuando no esté en uso, desconecte la sonda para carne del puerto de conexión y se mostrará el código "noP". Compatible únicamente con sondas para carne de la marca Pit Boss®. Las sondas para carne adicionales se venden por separado.

"P" SET

"P" SET
PB

Este botón tiene dos funciones: el botón "P" Set y interruptor de unidades de temperatura.

1. El botón "P" Set se usa para seleccionar una de las ocho afinaciones finas cuando la perilla del controlador está configurada en S (HUMO). Presione el botón para cambiar el valor de configuración "P" para adaptarse a su estilo de cocción y entorno de cocción, según prefiera. Con una breve pulsación del botón, el ajuste aumenta de P0 a P7 y luego se repite. Los ajustes solo son posibles en la configuración S (HUMO). El ajuste predeterminado de fábrica es "P4". Si se ajusta la configuración "P", su preferencia se bloqueará (guardará) hasta que se realicen más ajustes.
2. El botón de ajuste "P" también se usa como Control de cambio de temperatura para cambiar la lectura de la temperatura en la pantalla LCD. Pulse y mantenga pulsado el botón dos segundos para cambiar a Celsius (°C) o Fahrenheit (°F), como prefiera. El ajuste predeterminado es Fahrenheit.


PRIME

Pulse y mantenga pulsado el botón para activar una alimentación manual y continua de pellets al recipiente de combustión. Al soltar el botón se detendrá la alimentación manual de pellets. Esto se puede usar para agregar más combustible al fuego antes de abrir la tapa del barril, lo que resulta en una rápida recuperación de calor. También se puede usar mientras se fuma, para aumentar la intensidad del sabor ahumado limpio. Esta característica se solicitó a los cocineros de competición.



El icono de VENTILADOR es visible cuando el ventilador está en funcionamiento. Cuando la lectura central tiene un código de error (Err) y el icono VENTILADOR parpadea, el ventilador no funciona. Consulte la sección sobre solución de problemas para obtener ayuda.



El icono de ALIMENTADOR DE ESPIRAL es visible cuando el sinfín está girando. Cuando la lectura central tiene un código de error (Err) y el icono de ALIMENTADOR DE ESPIRAL parpadea, la barrena no funciona. Consulte la sección sobre solución de problemas para obtener ayuda.



El icono de ALLUMEUR es visible cuando el encendedor está en uso. Cuando la lectura central tiene un código de error (Err) y el icono de ALLUMEUR parpadea, el encendedor no funciona. Consulte la sección sobre solución de problemas para obtener ayuda.



Cuando la lectura central tiene un código de error (Err) y el icono de GRÁNULOS está visible, el fuego en la olla se ha apagado o la tolva puede estar vacía. Consulte la sección sobre solución de problemas para obtener ayuda.

COMPRENDER EL AJUSTE "P"

Cuando se pulsa el botón de ajuste "P" empotrado, el ajuste "P" que aparece en la pantalla LCD cambiará al valor siguiente (a más). Una vez alcanzado P7, se reiniciará en P0. Hay ocho ajustes "P", de P0 a P7. El botón de ajuste "P" empotrado puede pulsarse con un objeto de punta fina.

IMPORTANTE: no pulse el botón de ajuste "P" con demasiada fuerza ya que se puede romper. Basta con pulsarlo ligeramente.

• USO DEL AJUSTE "P"

Siempre que la parrilla esté configurada en S (HUMO), el sinfín funcionará en un modo de cocción más manual en lugar de usar una de las temperaturas de dial preestablecidas. Una vez que se completa el ciclo de arranque de la parrilla, el sinfín comienza a ejecutar un ciclo de alimentación basado en la configuración "P" seleccionada en el tablero de control digital. La configuración predeterminada es P4.

| AJUSTE "P" | CICLO DEL ALIMENTADOR DE ESPIRAL (SEGUNDOS) | |
|------------|---|-------------|
| | ACTIVADO | DESACTIVADO |
| P0 | 18 | 55 |
| P1 | 18 | 70 |
| P2 | 18 | 85 |
| P3 | 18 | 100 |
| *P4 | 18 | 115 |
| P5 | 18 | 130 |
| P6 | 18 | 140 |
| P7 | 18 | 150 |

*Ajuste predeterminado de fábrica

FUNCIONES DEL TABLERO DE CONTROL

• AJUSTE DE LA TEMPERATURA DE LA PARRILLA

La sonda de parrilla mide la temperatura interna del barril principal. Cuando se ajusta la temperatura de COCCIÓN (COOK), la sonda de la parrilla leerá la temperatura real dentro del barril principal y se ajustará a la temperatura de COCCIÓN (COOK) deseada.

IMPORTANTE: la temperatura de su unidad depende en gran medida del clima ambiental exterior, la calidad de los gránulos utilizados, el sabor de los gránulos y la cantidad de alimentos que se cocinan.

AJUSTE / AJUSTE DE LA TEMPERATURA ESTABLECIDA

Para ajustar la temperatura de COCCIÓN (COOK) de la parrilla, siga los pasos a continuación:

1. Presione la perilla del controlador. Esto hará que la lectura de COCCIÓN (COOK) establecida parpadee, para mostrar que está activa.
2. Use la perilla del controlador nuevamente para ajustarla a la temperatura deseada.
3. Una vez que se alcanza la temperatura deseada, presione la perilla del controlador para confirmar la temperatura establecida.

• SENSOR PARA CARNE

El sensor para carne mide la temperatura interna de su carne en el asador, de manera similar a su horno de cocina. Conecte el adaptador de sensor para carne al puerto de conexión del sensor para carne en el panel de control e inserte el sensor para carne de acero inoxidable en la parte más gruesa de su carne y la temperatura se mostrará en el panel de control. **Para asegurarse de que el sensor esté bien conectado al puerto de conexión, debe sentir y escuchar cómo entra en su sitio.**

NOTA: Al colocar el sensor de carne en su carne, asegúrese de que el sensor y los cables no entren en contacto directo con las flamas o el calor excesivo. Esto puede dañar su sensor para carne. Tire del cable sobrante a través del orificio ubicado en el lado izquierdo de la parrilla principal o a través de la parte superior de la parrilla principal (cerca de la bisagra de la tapa). Cuando no se use, desconecte el sensor para carne del puerto de conexión y colóquelo a un lado para mantenerlo protegido y limpio.

PROCEDIMIENTO DE CEBADO DEL SINFÍN

La primera vez que use su parrilla o cada vez que su parrilla se quede sin gránulos en la tolva, deberá cebear la barrena. Si no está cebada, la parrilla se apagará antes de que se enciendan los gránulos y no se iniciará ningún fuego. Siga estos pasos para cebear la barrena:

1. Abra la tapa de la tolva. Asegúrese de que no haya objetos extraños en la tolva o que bloqueen el sistema de alimentación del tornillo sinfín.
2. Retire todos los componentes de cocción del interior de la parrilla. Localice el brasero en la parte inferior de la parrilla de pellets.
3. Enchufe el cable de alimentación a una fuente de alimentación.
4. Encienda la parrilla y gire el dial de control de temperatura a la posición Humo (S) o Bajo (L).
 - Verifique para asegurarse de escuchar el giro de la barrena. Coloque su mano sobre el brasero y sienta el movimiento del aire. NO coloque sus manos o dedos dentro del brasero, esto puede causar lesiones.
 - Después de aproximadamente un minuto, debe oler el encendedor quemándose y comenzar a sentir que el aire se calienta sobre el brasero. La punta del encendedor no brilla en rojo, pero se calentará mucho y se quemará. NO toque el encendedor.
5. Una vez verificado que todos los componentes eléctricos funcionan correctamente, apague la parrilla.
6. Llene la tolva con todos los gránulos de barbacoa de madera dura natural.
7. Encienda la parrilla. Mantenga el dial de control de temperatura en la posición Humo (S) o Baja (L).
8. Mantenga presionado el botón de cebado hasta que vea que los gránulos caen del sinfín al brasero. Ahora puede soltar el botón Prime.
9. Ahora puede apagar su parrilla. Asegúrese de permitir que su parrilla permanezca enchufada hasta que finalice el ciclo de enfriamiento. Una vez que el ventilador se apaga, la parrilla ha completado el ciclo de apagado, es seguro desconectarla.
10. Vuelva a instalar los componentes de cocción en el barril principal.
11. ¡Su parrilla ya está preparada y lista para usar! Si esta es la primera vez que usa su parrilla, debe realizar un primer quemado inicial de la parrilla.

PRIMER USO: QUEMAR LA PARRILLA

Una vez que haya cebado la tolva y antes de cocinar en la barbacoa por primera vez, es importante quemar la parrilla. Encienda la barbacoa para que funcione a cualquier temperatura superior a 176 °C/350 °F (con la tapa bajada) de 30 a 40 minutos para quemar la parrilla y eliminar cualquier material extraño.

CONECTARSE A LA APLICACIÓN PIT BOSS® GRILLS

Siga estas instrucciones sobre cómo conectar su parrilla a la aplicación Pit Boss® Grills con su dispositivo Android™ o iOS®. La aplicación le permitirá controlar y monitorear las temperaturas de su parrilla y sonda de carne desde su dispositivo móvil. ¡Disfrute de los beneficios que ofrece la conectividad móvil Pit Boss® Grills!

1. Descargue la aplicación Pit Boss® Grills. Abra la aplicación y permita que Bluetooth® esté habilitado para la configuración. Los nuevos usuarios deberán crear una cuenta y seguir las instrucciones para iniciar sesión.
2. Si está dentro del alcance de Bluetooth® (9 m / 30 pies), la aplicación Pit Boss® Grills detectará automáticamente su parrilla. Seleccione su modelo de parrilla. Si no ve su parrilla en la pantalla, asegúrese de que su unidad esté conectada a una fuente de alimentación y esté encendida.
3. Nombre su modelo de parrilla (por ejemplo, mi fumador) en la aplicación y seleccione "Conectar" en la parte inferior de la pantalla. Esto guardará su modelo de parrilla en el menú de dispositivos.
4. Desde el menú de dispositivos, haga clic en el modelo de parrilla para conectarse. Esto le mostrará la pantalla del tablero de control.

5. Haga clic en la opción de configuración (equipo) en la esquina superior derecha, ingrese sus credenciales de Wi-Fi, luego haga clic en la marca de verificación en la parte inferior de la pantalla para conectarse. Ahora los íconos de Bluetooth® y Wi-Fi (nubes) se mostrarán en el menú de dispositivos, mostrando que la parrilla está conectada.

PROCEDIMIENTO DE ARRANQUE AUTOMÁTICO

1. Conecte el cable de alimentación a una toma de corriente con conexión a tierra. Abra la tapa del tambor principal. Compruebe la chimenea para asegurarse de que nada pueda obstruir un encendido correcto. Abra la tapa de la tolva. Asegúrese de que no haya objetos extraños en la tolva ni en el alimentador de espiral. Llene la tolva con gránulos secos de madera noble natural para barbacoas.
2. Pulse el **botón de Encendido** para encender la unidad. Se activará el ciclo de arranque. El alimentador de espiral comenzará a girar, el sistema de ignición comenzará a brillar y el ventilador enviará aire a la chimenea. La barbacoa empezará a generar humo durante el ciclo de arranque. La tapa del tambor debe permanecer abierta durante el ciclo de arranque. Para confirmar que el ciclo de arranque ha comenzado correctamente, debería oírse un ruido similar al de una antorcha y observarse la presencia de calor.
3. Una vez que se haya disipado el humo denso y blanco, habrá finalizado el ciclo de arranque y podrá disfrutar de su barbacoa a la temperatura deseada.

PROCEDIMIENTO EN CASO DE FALLO DEL SISTEMA DE IGNICIÓN

Si, por algún motivo, el sistema de ignición eléctrica falla o se apaga la llama de la barbacoa durante la cocción, compruebe los pasos siguientes o arranque la barbacoa con el método manual.

1. Mantenga presionado el botón de encendido durante tres segundos para apagar la unidad. Abra la tapa del barril. Retire los componentes de cocción del interior. Retire todos los pellets no quemados y las cenizas del brasero. Evite tocar el encendedor para evitar lesiones, ya que puede estar extremadamente caliente.
2. Una vez que se hayan retirado y limpiado todos los componentes de cocina, pulse el **botón de Encendido** para encender la unidad. Compruebe lo siguiente:
 - Confirme visualmente si el sistema de ignición funciona colocando la mano por encima de la chimenea y comprobando si percibe calor.
 - Confirme visualmente si el sistema de ignición sobresale aproximadamente 13 mm/0,5 pulgadas en la chimenea.
 - Confirme visualmente si el alimentador de espiral está soltando gránulos en la chimenea.
 - Para confirmar si el ventilador de combustión está funcionando, debería escucharse un ruido similar al de una antorcha.
3. Si no funcionara alguno de los elementos anteriores, siga las instrucciones para la **Resolución de problemas**.

CÓMO APAGAR SU ASADOR

Cuando haya terminado de cocinar, y dejando cerrada la tapa del tambor principal, pulse y mantenga pulsado el **botón de Encendido** tres segundos para apagar la unidad. La barbacoa comenzará su ciclo de enfriamiento automático. El alimentador de espiral dejará de alimentar combustible, la llama se extinguirá y el ventilador seguirá funcionando hasta finalizar el ciclo de enfriamiento.

¡IMPORTANTE! Una vez que se complete el ciclo de apagado, desconecte el cable de alimentación.

CUIDADO Y MANTENIMIENTO

ADVERTENCIA: desconecte siempre el cable eléctrico antes de abrir la barbacoa para cualquier inspección o tarea de limpieza, mantenimiento o reparación. Asegúrese de que la barbacoa se haya enfriado por completo para evitar lesiones.

Todas las unidades Pit Boss® le proporcionarán muchos años de servicio y sabor con una limpieza mínima. Siga estos consejos de limpieza y servicio para mantener la barbacoa:

1. CONJUNTO DE TOLVA

- Si no va a usar la barbacoa durante un período de tiempo prolongado, se recomienda vaciar todos los gránulos del alimentador de espiral. Para ello solo tiene que hacer funcionar la barbacoa, con la tolva vacía, hasta que hayan salido todos los gránulos del tubo del alimentador de espiral.
- Compruebe si hay residuos en el orificio de entrada de aire del ventilador, en la base de la tolva, y elimínelos. Una vez extraído el panel de acceso a la tolva (consulte el **Diagrama de cableado eléctrico**), limpie con cuidado cualquier acumulación de grasa que pueda haber en las aspas del ventilador. Así asegura una circulación de aire suficiente para el sistema de alimentación.

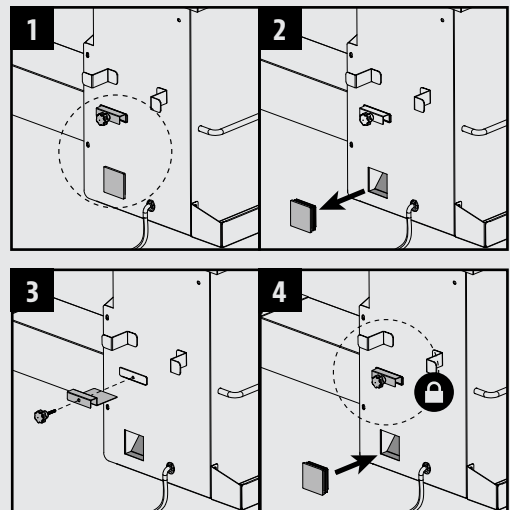
FUNCIÓN DE LIMPIEZA DE PELLETS

La tolva incluye una función de limpieza de pellets para facilitar la limpieza y la capacidad de cambiar los sabores del combustible de pellets de madera. Para vaciar, siga estos pasos:

1. Ubique la placa de la tolva y cúbrala en la parte posterior de la tolva.
2. Coloque un balde limpio y vacío debajo de la tapa del conducto y luego retire la tapa.
3. Desatornille la placa para desbloquear, deslice la placa hacia afuera para abrir el conducto, permitiendo que se vacíen los gránulos en la tolva.

NOTA: Utilice un cepillo de mango largo o una aspiradora para eliminar el exceso de gránulos, serrín y escombros para una limpieza completa a través de la rejilla de la tolva.

4. Una vez vacío, reemplace la placa. Tornillo para bloquear. Reemplace la cubierta del canal.



2. SONDAS

- Las arrugas o los pliegues en los cables de la sonda pueden dañar la pieza. Una sonda para carne no está en uso deben enrollarse en un rollo grande y holgado.
- Aunque tanto la sonda para parrilla como las sondas para carne son de acero inoxidable, no deben colocarse en el lavavajillas ni sumergirse en agua. El daño que el agua puede producir en los cables internos dará lugar a un cortocircuito de la sonda y a lecturas erróneas. Si una sonda está averiada debe sustituirse.

3. SUPERFICIES INTERNAS

- Se recomienda limpiar la chimenea cada pocos usos. Así se asegurará de que el sistema de ignición funcione correctamente y evitará cualquier acumulación de residuos o cenizas en la chimenea.
- Con un cepillo (de latón o metal suave) de mango largo para limpiar parrillas, elimine los restos de comida de las rejillas para cocinar. La práctica recomendada es hacerlo mientras están aún calientes de un uso anterior. Los fuegos de grasa se producen cuando caen demasiados residuos sobre los componentes para cocinar de la barbacoa. Limpie el interior de la barbacoa con regularidad. Si la grasa prende fuego, mantenga cerrada la tapa de la barbacoa para extinguir el fuego. Si el fuego no se extingue rápidamente, retire con cuidado la comida, apague la barbacoa y cierre la tapa hasta que el fuego se haya extinguido por completo. Esparza un poco de bicarbonato sódico, si lo tiene a mano.
- Compruebe a menudo el recogegrasa y límpielo si es necesario. Tenga en cuenta el tipo de cocina que suele realizar.

IMPORTANTE: dado el calor intenso, no cubra el asador de fuego ni las sondas con papel aluminio.

4. SUPERFICIES EXTERNAS

- Limpie la barbacoa después de cada uso. Use agua tibia jabonosa para reducir la grasa. No use limpiadores de horno, limpiadores abrasivos ni estropajos abrasivos en las superficies externas de la barbacoa. **Ninguna de las superficies pintadas están cubiertas por la garantía, sino que forman parte del mantenimiento y conservación general.** En el caso de rasguños de pintura, desgaste o desconchado del acabado, todas las superficies pintadas pueden retocarse con la pintura BBQ para altas temperaturas.
- Use una cubierta para una protección completa de la barbacoa. Un cubierta es la mejor protección contra los agentes contaminantes climáticos y exteriores. Cuando la unidad no se use o se almacene durante períodos prolongados, guárdela bajo techo en un garaje o cobertizo.

TABLA DE FRECUENCIA DE LIMPIEZA (USO NORMAL)

| COMPONENTE | FRECUENCIA DE LIMPIEZA | MÉTODO DE LIMPIEZA |
|------------------------------------|--------------------------------------|---|
| Base de la parrilla principal | Cada 5-6 usos | Eliminar los residuos con un recogedor o aspiradora en seco o húmedo |
| Chimenea | Cada 2-3 usos | Eliminar los residuos con un recogedor o aspiradora en seco o húmedo |
| Rejillas para cocinar | Después de cada uso | Quemar el exceso, cepillo de alambre de latón |
| Parrilla | Cada 5-6 usos | Raspar la placa principal con guía, No lavar |
| Estantes | Después de cada uso | Estropajo y agua jabonosa |
| Recogegrasas | Después de cada uso de la barbacoa | Estropajo y agua jabonosa |
| Alimentador de espiral | Cuando se vacía la bolsa de gránulos | Deje que el alimentador de espiral expela el serrín hasta que se vacíe la tolva |
| Componentes eléctricos de la tolva | Una vez por año | Limpiar el interior, limpiar las aspas del ventilador con agua jabonosa |
| Orificio de entrada de aire | Cada 5-6 usos | Limpiar, estropajo y agua jabonosa |
| Sonda de temperatura | Cada 2-3 usos | Estropajo y agua jabonosa |
| Sensor para carne | Después de cada sesión de ahumado | Fibra de limpieza y agua jabonosa |

LINEAMIENTOS PARA COCINAR

Ahumar y asar pueden dar diferentes resultados dependiendo del tiempo y la temperatura. Para obtener los mejores resultados lleve un registro de lo que cocinó, a qué temperatura, por cuánto tiempo, y los resultados. Ajuste a su gusto la próxima vez. La práctica hace al maestro.

El arte culinario del ahumado caliente significa un tiempo de cocción más largo, pero le da a sus carnes un sabor de madera más natural (y un muy codiciado "anillo rosado"). Las temperaturas de cocción más altas resultan en tiempos de cocción más cortos y menos sabor ahumado.

CONSEJO: Para obtener los mejores resultados, deje que las carnes reposen después de cocinarlas. Esto permite que los jugos naturales regresen al interior de la carne, con lo que tendrá un corte mucho más jugoso y sabroso. Los tiempos de reposo pueden ser de 3 minutos hasta 60 minutos, dependiendo del tamaño de la proteína.

| ESTILO DE COCINA | AHUMADO CALIENTE (MUY BAJO) | COCIDO (BAJO) | HORNEADO (MEDIO) | ASADO/HORNEADO (MEDIO/ALTO) | MARCADO (ALTO) |
|-----------------------|-----------------------------|-----------------------|-----------------------|-----------------------------|-----------------------|
| Rango de temperaturas | 82-135°C / 180-275°F | 135-162°C / 275-323°F | 162-190°C / 323-374°F | 190-232°C / 374-449°F | 232-260°C / 449-500°F |

| AVES | TAMAÑO | Un cuarto - 54°C / 130°F | Medio - 60°C / 140°F | Bien cocido - 77°C / 170°F |
|-----------------------|--|--------------------------|----------------------|--|
| Pavo (entero) | 4.5-5.0 kg / 10-11 lbs. 5.3-6.4 kg / 12-14 lbs. 6.8-7.7 kg / 15-17 lbs. 8.2-10.0 kg / 18-22 lbs. 10.4-11.3 kg / 23-25 lbs. | | | Asar de 90 a 120 minutos Asar de 110 a 140 minutos Asar de 130 a 160 minutos Asar de 140 a 170 minutos Asar de 150 a 180 minutos |
| Pollo (entero) | 1.36-2.26 kg / 3-5 lbs. | | | Asar de 1 a 1.5 horas |
| Muslos, pechugas | 0.45 - 0.86 kg / 1 - 1½ lbs. | | | Asar de 30 a 60 minutos |
| Aves de caza pequeñas | 0.45 - 0.86 kg / 1 - 1½ lbs. | | | Asar de 30 a 45 minutos |
| Pato | 1.36-2.26 kg / 3-5 lbs. | | | Asar o cocer de 2 a 2.5 horas |

| CERDO | TAMAÑO | Precocido para recalentar 60°C / 140°F | Medio 66°C / 150°F | Bien cocido 71°C / 160°F |
|---|--|--|------------------------------------|---|
| Jamón (Porción bien cocida y sin hueso, ahumado para picnic entero y con hueso) | 2.5 cm / 1 pulg. 1.36-1.81 kg / 3-4 lbs. 1.81-2.72 kg / 4-6 lbs. 2.26-3.62 kg / 5-8 lbs. 4.53-5.44 kg / 10-12 lbs. | 12 minutos 50 minutos a 1 hora 1 a 2 horas 1 a 2½ horas 2 a 2¾ horas | | |
| Asado de lomo | 1.36-1.81 kg / 3 - 4 lbs. | | 1 a 2 horas | 2 a 3 horas |
| Corona de costillas asada | 1.81-2.26 kg / 4 - 5 lbs. | | 1½ a 2 horas | 2 a 3 horas |
| Chuleta (lomo, costillas) | 1.9-2.5 cm / ¾ - 1 pulg. 3.1-3.9 cm / 1¼ - 1½ pulg. | | 10 a 12 minutos 14 a 18 minutos | |
| Lomo | 1.9-2.5 cm / ¾ - 1 pulg. | | 20 a 30 minutos | 30 a 45 minutos |
| Asado de lomo, sin huesos | 1.36-2.26 kg / 3-5 lbs. | | 1¼ a 1¾ horas | 1¾ a 2½ horas |
| Boston Butt (hombro de puerco) | 3.62-4.53 kg / 8-10 lbs. | | | 93 - 98°C / 200 - 210°F Temperatura interior |

| RES | TAMAÑO | CALOR | Un cuarto 54°C / 130°F | Medio 60°C / 140°F | Bien cocido 65°C / 150°F |
|--|---|------------------|--|-------------------------------|-------------------------------------|
| Bistec (New York, Porterhouse, Rib-eye, Sirloin, T-bone o lomo) | 1.9 cm / ¾ pulg. 2.5 cm / 1 pulg. 3.8 cm / 1½ pulg. 5 cm / 2 pulg. | Alto | Marcar 8 a 10 minutos Marcar 10 a 12 minutos Marcar 10 minutos, asar 8 a 10 minutos Marcar 10 minutos, asar 10 a 14 minutos | | |
| Falda de res | 0.6 - 12.7 cm / ¼ - ½ pulg. | Alto | 5 a 7 minutos | | |
| Arrachera | 0.45 - 0.86 kg / 1 - 1½ lbs., 1.9 cm / ¾ pulg. | Medio | Marcar 4 minutos, asar 8 a 10 minutos | | |
| Kebab | Cubos de 2.5 - 3.8 cm / 1 - 1½ pulg. | Medio | Asar 10 a 12 minutos | | |
| Tenderloin, entero | 1.58 - 1.81 kg / 3½ - 4 lbs. | Alto/Medio | 1 ½ a 2 horas | | |
| Hamburguesa | 1.9 cm / ¾ pulg. | Alto/Medio | Marcar 4 minutos, asar 4 a 6 minutos | | |
| Asado de rib-eye, sin huesos | 2.26 - 2.72 kg / 5 - 6 lbs. | Medio | 1 ½ a 2 horas | | |
| Asado de tri-tip | 0.9 - 1.13 kg / 2 - 2½ lbs. | Alto/Medio | Marcar 10 minutos, asar 20 a 30 minutos | | |
| Asado de costilla | 5.44 - 6.35 kg / 12 - 14 lbs. | Medio | 2 ½ a 2 ¾ horas | | |
| Chuleta de ternera | 2.5cm / 1 pulg. | Medio | 10 a 12 minutos | | |
| Brisket | 7.25 - 3.62 kg / 16 -18 lbs. | Ahumado caliente | Asar hasta que la temperatura interna llegue a 91°C / 195°F | | |

| CORDERO | TAMAÑO | Un cuarto - 54°C / 130°F | Medio - 60°C / 140°F | Bien cocido - 71°C / 160°F |
|----------------------------------|-----------------------------|---------------------------------|-----------------------------|-----------------------------------|
| Asado (fresco) | 2.26 - 2.72 kg / 5 - 6 lbs. | | 1 a 2 horas | |
| Corona de costillas asada | 1.36-2.26 kg / 3-5 lbs. | | 1 a 1½ horas | 1½ horas |

| MARISCOS | TAMAÑO | Un cuarto - 54°C / 130°F | Medio - 60°C / 140°F | Bien cocido - 82°C / 180°F |
|--------------------------|---|---------------------------------|-----------------------------|--|
| Pescado (entero) | 0.5 kg / 1 lb. 0.9 - 1.1 kg / 2 - 2½ lbs. 1.4 kg / 3 lbs. | | | Asar 10 a 20 minutos Asar 20 a 30 minutos Asar 30 a 45 minutos |
| Pescado (filetes) | 0.6-1.3 cm / ¼ - ½ pulg. | | | Asar 3 a 5 minutos, hasta que se desmenuce con facilidad |
| Cola de langosta | 0.15 kg / 5 oz. 0.3 kg / 10 oz. | | | Asar 5 a 6 minutos Asar 10 a 12 minutos |

| CAZA | TAMAÑO | Un cuarto - 60°C / 140°F | Medio - 71°C / 160°F | Bien cocido - 77°C / 170°F |
|--------------------------------|-----------------------------|---------------------------------|-----------------------------|-----------------------------------|
| Asado (fresco) | 2.26 - 2.72 kg / 5 - 6 lbs. | | 1 a 1½ horas | 1½ a 2 horas |
| Cortes grandes (fresco) | 3.62-4.53 kg / 8-10 lbs. | | 1 horas | 1½ horas |

CONSEJOS Y TÉCNICAS

Siga estos útiles consejos y técnicas, transmitidos por los dueños de Pit Boss®, nuestro personal y nuestros clientes, como usted, para familiarizarse con su asador:

1. SEGURIDAD DE LOS ALIMENTOS

- Mantenga limpio todo lo que haya en la cocina y en el área para cocinar. Use platos y utensilios diferentes para la carne cocida que los que utilizó para preparar o transportar la carne cruda al asador. Esto evitará la contaminación cruzada por bacterias. Cada marinada o salsa para untar debe tener su propio utensilio.
- Mantenga las comidas calientes calientes (a más de 60 °C / 140 °F), y mantenga las comidas frías frías (a menos de 3 °C / 37°F).
- Nunca debe guardar una marinada para usarla en el futuro. Si la va a servir con la carne, asegúrese de hervirla antes de servir.
- Los alimentos cocidos no deben dejarse en un entorno caliente por más de una hora. No deje alimentos calientes fuera del refrigerador por más de dos horas.
- Descongele y marine las carnes en refrigeración. No descongele la carne a temperatura ambiente ni sobre un mostrador. Las bacterias pueden crecer y multiplicarse con rapidez en comidas calientes y húmedas. Lávese las manos cuidadosamente con agua tibia y jabón antes de iniciar la preparación de los alimentos y después de manejar carne fresca, pescado y aves.

2. PREPARACIÓN PARA COCINAR

- Esté preparado o "**Mise en Place**". Esto se refiere a estar preparado con la receta, el combustible, los accesorios, los utensilios y todos los ingredientes que necesita junto al asador antes de empezar a cocinar. Además, lea toda la receta, de principio a fin, antes de encender el asador.
- Un tapete para asador es muy útil. Debido a los accidentes al manejar la comida y las salpicaduras al cocinar, un tapete protege su terraza, patio o piso de piedra del riesgo de manchas de grasa o derrames accidentales.

3. CONSEJOS Y TÉCNICAS PARA COCINAR

- Para infundir más sabor ahumado a sus carnes, cocínelas por más tiempo y a temperaturas más bajas (esto también se conoce como "**bajo y lento**"). La carne cerrará sus fibras cuando alcance una temperatura interna de 49 °C / 120 °F. Aplicar líquidos en aerosol o con un pequeño "trapeador" son excelentes maneras de evitar que la carne se seque.
- Al marcar sus carnes, cocine con la tapa cerrada. Siempre use un termómetro de carne para determinar la temperatura interna de los alimentos que está cocinando. Ahumar la comida con pellets de madera dura le da un tono rosado a la carne y las aves. La banda rosada (después de cocinar), conocida como **anillo de humo**, es muy apreciada por los chefs de asador.
- Es mejor aplicar las salsas con base de azúcar cerca del final de la cocción, para evitar que se quemen o provoquen llamaradas.
- Deje un espacio de separación entre la comida y los extremos del barril para que el calor fluya apropiadamente. Los alimentos en una parrilla muy llena necesitarán más tiempo de cocción.
- Use un juego de tenazas de mango largo para voltear las carnes, y una espátula para voltear hamburguesas y pescados. Si usa un utensilio puntiagudo, como un trinche, perforará la carne y permitirá que se escapen los jugos.
- Las comidas en platos hondos necesitarán más tiempo de cocción que en una charola plana.
- Es una buena idea colocar los alimentos preparados en un hornillo para mantenerlos calientes. Las carnes rojas, como los bistecs y asados, saben mejor cuando reposan varios minutos antes de servirlos. Esto permite que los jugos que el calor sacó a la superficie regresen al centro de la carne, dándole más sabor.

RESOLUCIÓN DE PROBLEMAS

Una limpieza adecuada, mantenimiento y el uso de combustible limpio, seco y de calidad impedirán que surjan los problemas de funcionamiento más comunes. Cuando la barbacoa Pit Boss® no funcione bien, o se use con menor frecuencia, las siguientes sugerencias de solución de problemas pueden resultar útiles. Consulte las preguntas frecuentes en www.pitboss-grills.com. También puede ponerse en contacto con su distribuidor local autorizado de Pit Boss® o bien solicitar asistencia al servicio de Atención al cliente.

ADVERTENCIA: desconecte siempre el cable eléctrico antes de abrir la barbacoa para cualquier inspección o tarea de limpieza, mantenimiento o reparación. Asegúrese de que la barbacoa se haya enfriado por completo para evitar lesiones.

| PROBLEMA | CAUSA | SOLUCIÓN |
|--|---|---|
| Sin luces de encendido en el tablero de control | No conectada a una fuente de alimentación | Asegúrese de que la unidad esté conectada a una fuente de alimentación que funcione. Reinicie el disyuntor. Asegúrese de que la toma GFCI sea de 15 amperios como mínimo (véase el Diagrama de cableado eléctrico para consultar el acceso a los componentes eléctricos). Asegúrese de que todas las conexiones por cable estén firmemente conectadas y secas. |
| | Fusible quemado en el tablero de control | Extraiga el panel de acceso a la tolva (consulte el Diagrama de cableado eléctrico), empuje hacia dentro las lengüetas de plástico que sujetan el tablero de control y tire cuidadosamente del controlador situado dentro de la tolva para soltarlo. Compruebe si el fusible tiene un cable roto o si el cable está ennegrecido. En caso afirmativo, es necesario cambiar manualmente el fusible. |
| | La toma GFCI se ha desconectado. | Extraiga el panel de acceso a la tolva (consulte el Diagrama de cableado eléctrico) y asegúrese de que todos los cables estén firmemente conectados y secos. Asegúrese de que la toma GFCI sea de 15 amperios como mínimo. |
| | Tablero de control defectuoso | Debe sustituirse el Tablero de control. Póngase en contacto con Atención al cliente para solicitar el recambio. |
| El fuego de la chimenea no se enciende | El alimentador de espiral no se ceba | Antes de usar la unidad por primera vez o siempre que la tolva esté completamente vacía, debe cebarse el alimentador de espiral para que los gránulos del tubo del alimentador de espiral. Si no se ceba, el sistema de ignición agotará su tiempo de espera antes de que los gránulos lleguen a la chimenea. Siga el Procedimiento de cebado de la tolva . |
| | El motor de alimentador de espiral está atascado | Extraiga los componentes de cocina del tambor principal. Pulse el botón de Encendido para encender la unidad, gire el Dial de control de temperatura a la posición AHUMAR e inspeccione el alimentador de espiral. Confirme visualmente si el alimentador de espiral está soltando gránulos en la chimenea. Si no funciona bien, llame a Atención al cliente para solicitar asistencia o una pieza de recambio. |
| | Fallo del sistema de ignición | Extraiga los componentes de cocina del tambor principal. Pulse el botón de Encendido para encender la unidad y gire el Dial de control de temperatura a la posición AHUMAR, e inspeccione el sistema de ignición. Confirme visualmente si el sistema de ignición funciona colocando la mano por encima de la chimenea y comprobando si percibe calor. Confirme visualmente si el sistema de ignición sobresale aproximadamente 13 mm/0,5 pulgadas en la chimenea. Si no funciona bien, siga el Procedimiento de arranque manual para continuar usando la barbacoa, pero si necesita asistencia o algún recambio, llame al servicio de Atención al cliente. |
| La lectura de la temperatura real no se ajustará | Sonda de parrilla sucia | Siga las instrucciones de cuidado y mantenimiento . |
| | Sonda de la parrilla está rota | La sonda de la parrilla necesita ser reemplazada. Contactar Servicio al Cliente. |
| El asador no alcanza o no mantiene una temperatura estable | Flujo insuficiente de aire en la cámara de combustión | Revise la cámara de combustión para eliminar residuos de ceniza u obstrucciones. Siga las instrucciones de Cuidado y mantenimiento en caso de cenizas acumuladas. Revise el ventilador. Asegúrese de que funciona correctamente y de que la entrada de aire no está bloqueada. Siga las instrucciones de Cuidado y mantenimiento si está sucio. Revise el motor del barreno para confirmar que está funcionando y asegúrese de que no hay obstrucciones en el tubo del barreno. Una vez que haya seguido todos los pasos anteriores, encienda el asador y espere 10 minutos. Verifique que las llamas producidas sean brillantes y vivas. |
| | Combustible insuficiente o deficiente | Revise que la tolva tenga suficiente combustible y que no haya una obstrucción en el sistema de alimentación. Saque los pellets y siga las instrucciones de Cuidado y mantenimiento . |
| | Sonda de parrilla del asador | Revise el sonda de parrilla. Siga las instrucciones de Cuidado y mantenimiento si está sucio. |

| | | |
|--|--|---|
| La temperatura de la barbacoa con el ajuste AHUMAR es demasiado alta | El ajuste "P" es demasiado BAJO | Pulse el botón de ajuste "P" e incremente el ajuste "P". |
| La barbacoa despidе demasiado humo o humo descolorido | Acumulación de grasa | Siga las instrucciones de Cuidado y mantenimiento . |
| | Calidad de los gránulos de madera | Extraiga los gránulos de madera húmedos de la tolva. Siga las instrucciones de Cuidado y mantenimiento para limpiar. Sustituya por gránulos de madera secos. |
| | La chimenea está bloqueada | Extraiga los gránulos de madera húmedos de la chimenea. Siga el Procedimiento de cebado de la tolva. |
| | Circulación de aire insuficiente para el ventilador | Compruebe el ventilador. Asegúrese de que esté funcionando correctamente y que la entrada de aire no esté bloqueada. Siga las instrucciones de Cuidado y mantenimiento si está sucia. |
| Llamaradas frecuentes | Temperatura de cocción | Pruebe cocinar a temperatura más baja. La grasa tiene un punto de inflamación. Mantenga la temperatura por debajo de 176 °C/350 °F cuando cocine alimentos muy grasos. |
| | Acumulación de grasa en los componentes de cocina | Siga las instrucciones de Cuidado y mantenimiento . |
| Código de error ErP | El cable de la sonda de parrilla no establece conexión. | Extraiga el panel de acceso a la tolva (consulte el Diagrama de cableado eléctrico) y compruebe si los cables de la Sonda de temperatura están dañados. Asegúrese de que los conectores de la Sonda de temperatura estén firme y correctamente conectados al Tablero de control. |
| Código de error ErL | La parrilla no realiza el ciclo de encendido | Compruebe que los componentes para cocinar estén colocados correctamente. Compruebe si hay combustible suficiente en la tolva o si hay alguna obstrucción en el sistema de alimentación. Extraiga los pélets y siga las instrucciones de Cuidado y mantenimiento . Compruebe la sonda de la parrilla. Confirme si la temperatura real es correcta y precisa. Siga las instrucciones de Cuidado y mantenimiento si está sucia. Compruebe la colocación del encendedor y asegúrese de que esté calentando correctamente. En condiciones de frío extremo, la parrilla puede requerir un segundo encendido. Apague la parrilla, espere y vuelva a encenderla. Compruebe el ventilador. Asegúrese de que funciona correctamente. Siga las instrucciones de Cuidado y mantenimiento si está sucia. |
| | La parrilla no se mantiene encendida | |
| Código de error ErH | La unidad se ha sobrecalentado, posiblemente debido al fuego de grasa o al exceso de combustible | Presione el botón de encendido para apagar la unidad y permita que la parrilla se enfríe. Siga las instrucciones de Cuidado y mantenimiento . Después del mantenimiento, retire los gránulos y confirme la colocación de todos los componentes. Una vez enfriado, presione el botón de encendido para encender la unidad, luego seleccione la temperatura deseada. Si aún se muestra el código de error, comuníquese con Servicio al Cliente. |
| Código de error "Err" con el mensaje NO PELLETS visible | Falta combustible, combustible de mala calidad, obstrucción en el sistema de alimentación, alimentador de espiral atascado | Compruebe si el nivel de combustible en la tolva es suficiente y reponga si es bajo. Si la calidad de los pélets de madera es mala o si estos son demasiado largos, puede producirse una obstrucción en el sistema de alimentación. Extraiga los pélets y siga las instrucciones de Cuidado y mantenimiento . |
| Código de error "Err" con el icono de SISTEMA DE IGNICIÓN parpadeando | El sistema de ignición no funciona adecuadamente y no puede establecer una conexión | Retire los componentes de cocción del barril principal. Presione el botón de encendido para encender la unidad e inspeccionar el encendedor. Confirme visualmente que el encendedor está funcionando colocando su mano sobre la rejilla de la quemadura y sintiendo calor. Confirme visualmente que el encendedor está alineado con el orificio en la rejilla de la quemadura y ábralo para encender los gránulos. Si no funciona correctamente, llame al servicio de atención al cliente para solicitar asistencia o una pieza de recambio. |
| | Falla del encendedor | El encendedor necesita ser reemplazado. Póngase en contacto con el Servicio al cliente para obtener la pieza de repuesto. |
| Código de error "Err" con el icono de ALIMENTADOR DE ESPIRAL parpadeando | Sinfín no cebado | Antes de usar la unidad por primera vez o en cualquier momento que la tolva esté completamente vacía, la barrena debe estar cebada para permitir que los gránulos llenen la olla quemada. Si no está cebado, el encendedor expirará antes de que se enciendan los gránulos. Siga el procedimiento de cebado de la tolva . |
| | El motor de la barrena está atascado, no hace la conexión | Retire los componentes de cocción del barril principal. Presione el botón de encendido para encender la unidad e inspeccionar el sistema de alimentación del sinfín. Confirme visualmente que la barrena está dejando caer gránulos en la olla quemada. Si no funciona correctamente, llame al Servicio al Cliente para solicitar asistencia o una pieza de repuesto. |
| Código de error "Err" con el icono de VENTILADOR parpadeando | El ventilador no funciona correctamente, no se conecta | Verifique el ventilador. Asegúrese de que funcione correctamente y que la entrada de aire no esté bloqueada. Retire el panel de acceso a la tolva (consulte el diagrama del cable eléctrico para ver el diagrama) y verifique si hay daños en los cables del ventilador. Siga las instrucciones de cuidado y mantenimiento si las aspas del ventilador están sucias. |

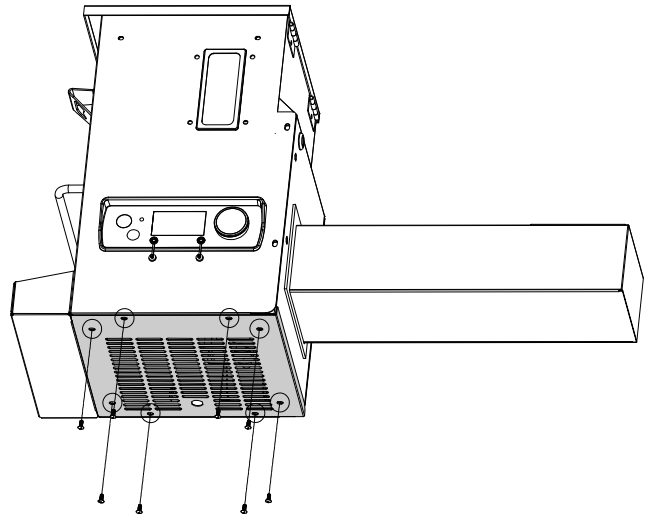
DIAGRAMA DE CABLEADO ELÉCTRICO

El sistema del tablero de control digital es un dispositivo tecnológico intrincado y valioso. Para protegerlo de los picos de voltaje y los cortocircuitos eléctricos, consulte el siguiente diagrama de cableado para asegurarse de que su fuente de alimentación es suficiente para la operación de la unidad.

PB – REQUISITOS DE ALIMENTACIÓN ELÉCTRICA 110-120 V, 60 Hz, 250 W, CONECTOR DE 3 CLAVIJAS CON TIERRA

NOTA: Los componentes eléctricos, que pasaron por pruebas y servicios de certificación de seguridad de productos, cumplen con una tolerancia de prueba de $\pm 5-10$ por ciento.

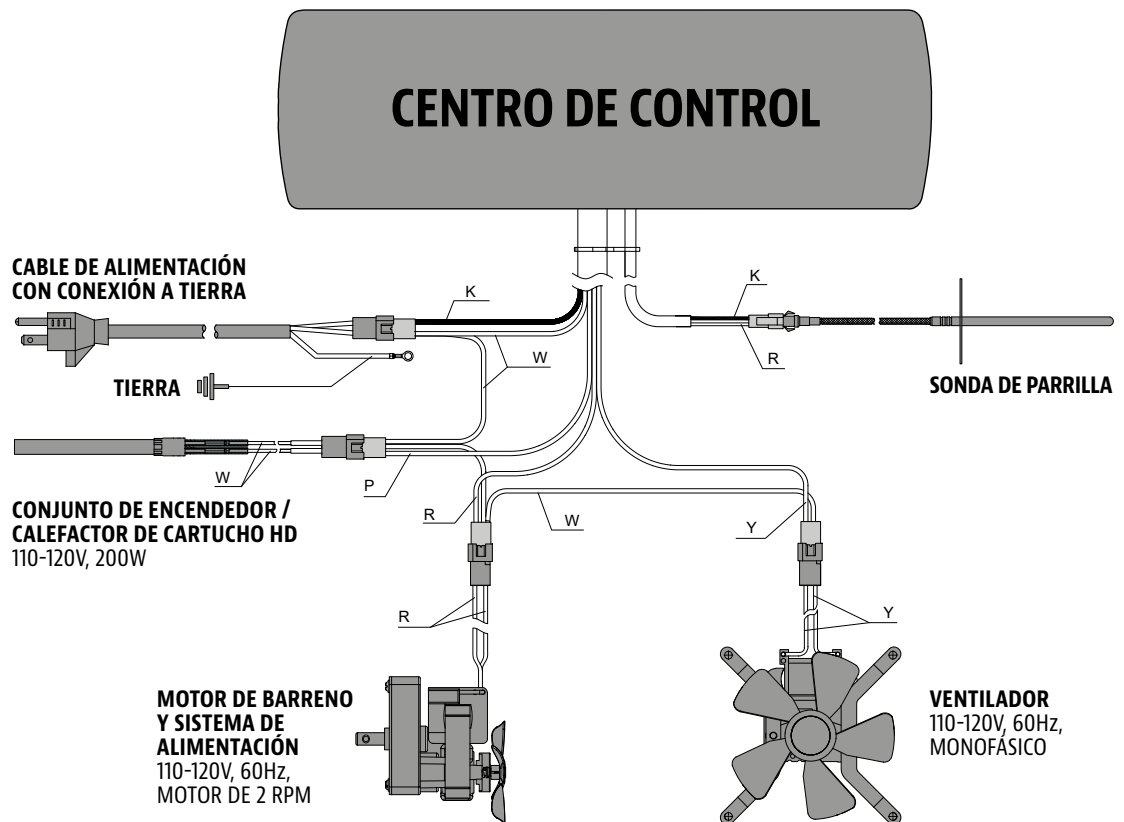
Localice y retire los ocho tornillos del panel de acceso en la parte inferior de la tolva.



TASA DE ENTRADA DE COMBUSTIBLE:
1.12 KG/H
(2.48 LB/H)

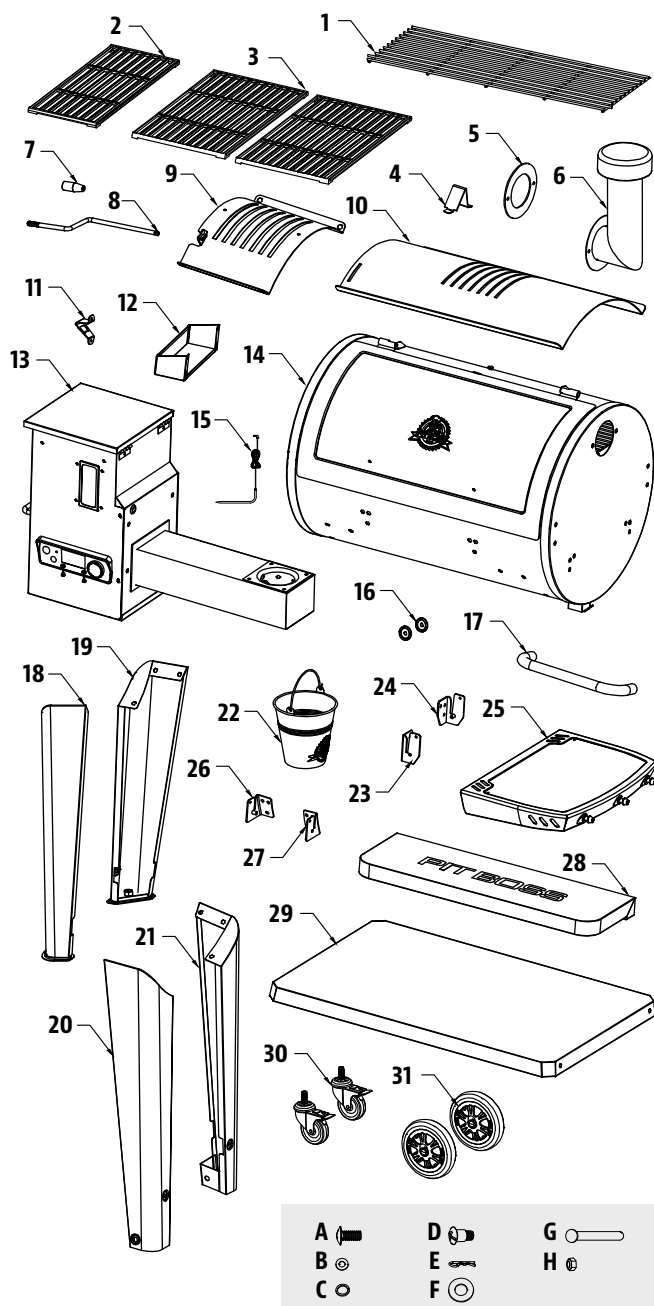
ÍNDICE

K : NEGRO
W : BLANCO
R : ROJO
Y : AMARILLO
P : PÚRPURA
O : NARANJA
G : VERDE



REFACCIONES PARA EL ASADOR

| Nº | Descripción |
|----|--|
| 1 | Parrilla superior para cocinar (x1) |
| 2 | Rejilla A para cocinar (x1) |
| 3 | Rejilla B para cocinar (x2) |
| 4 | Tapón de la tapa (x1) |
| 5 | Junta de la chimenea (x1) |
| 6 | Chimenea (x1) |
| 7 | Manija de la barra de ajuste de la rejilla de flama (x1) |
| 8 | Barra de ajuste de la rejilla de flama (x1) |
| 9 | Cubierta deslizante de la rejilla de flama (x1) |
| 10 | Placa principal de rejilla de flama (x1) |
| 11 | Abrebotellas (x1) |
| 12 | Caja de especias (x1) |
| 13 | Conjunto de tolva (x1) |
| 14 | Barril principal (x1) |
| 15 | Sensore para carne (x1) |
| 16 | Biseles de la manija de la tapa (x2) |
| 17 | Manija de la tapa (x1) |
| 18 | Pata de soporte/delantera (x1) |
| 19 | Pata de soporte/trasera (x1) |
| 20 | Pata de soporte para rueda/delantera (x1) |
| 21 | Pata de soporte para rueda/trasera (x1) |
| 22 | Recogegrasa (x1) |
| 23 | Soporte del estante lateral / delantero (x1) |
| 24 | Soporte del estante lateral / trasero (x1) |
| 25 | Estante lateral (x1) |
| 26 | Soporte del estante delantero izquierdo (x1) |
| 27 | Soporte del estante delantero derecho (x1) |
| 28 | Estante delantero (x1) |
| 29 | Estante inferior (x1) |
| 30 | Rueda pivotante de cierre (x2) |
| 31 | Rueda (x2) |
| A | Tornillos (x30) |
| B | Arandelas (x30) |
| C | Arandelas de seguridad (x30) |
| D | Tornillo de paso (x4) |
| E | Clavijas de rueda (x2) |
| F | Arandelas de rueda (x2) |
| G | Clavijas de eje de rueda (x2) |
| H | Tuerca con bloqueo (x4) |

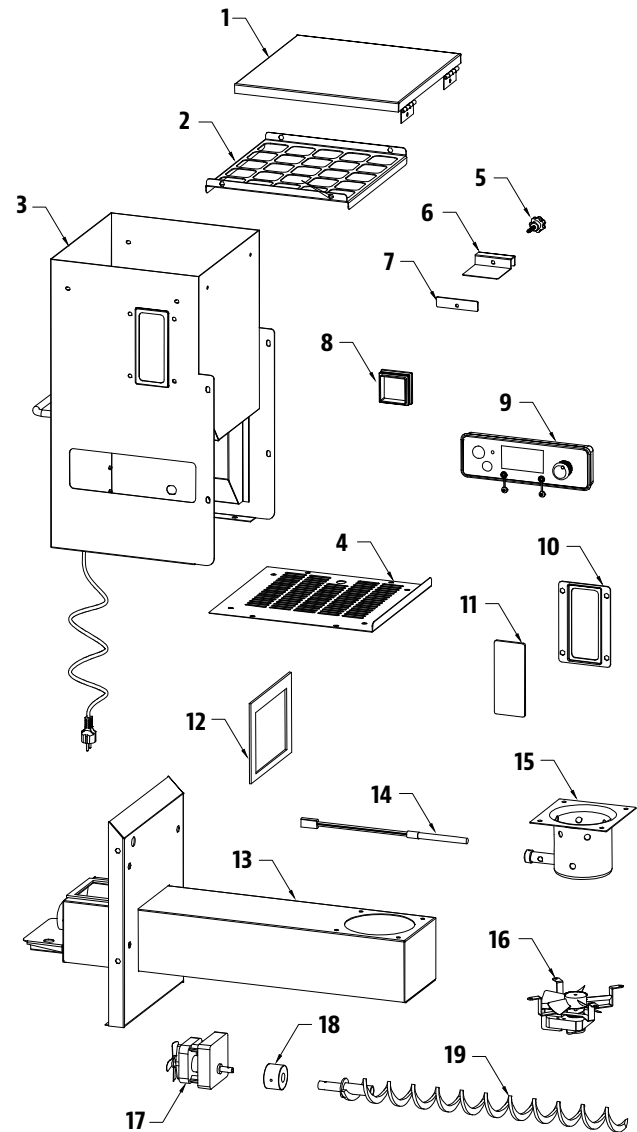


NOTA: Debido a que los productos están en desarrollo constante, las partes están sujetas a cambios sin previo aviso.

REFACCIONES PARA LA TOLVA

| N° | Descripción |
|----|---|
| 1 | Tapa de la tolva (x1) |
| 2 | Pantalla de seguridad de la tolva (x1) |
| 3 | Carcasa de la tolva (x1) |
| 4 | Panel de acceso a la tolva (x1) |
| 5 | Tornillo de placa (x1) |
| 6 | Placa del vertedor (x1) |
| 7 | Junta de goma (x1) |
| 8 | Tapa del vertedor (x1) |
| 9 | Tablero de control (x1) |
| 10 | Placa de vidrio de la tolva (x1) |
| 11 | Vidrio de la tolva (x1) |
| 12 | Junta de la carcasa de la tolva(x1) |
| 13 | Carcasa del alimentador de espiral (x1) |
| 14 | Sistema de ignición (x1) |
| 15 | Cámara de combustión (x1) |
| 16 | Ventilador de combustión (x1) |
| 17 | Motor del alimentador de espiral (x1) |
| 18 | Casquillo de nylon (x1) |
| 19 | Conjunto de fuga de la tolva (x1) |

NOTA: Debido a que los productos están en desarrollo constante, las partes están sujetas a cambios sin previo aviso.



GARANTÍA

CONDICIONES

Todos los asadores de pellets de madera de Pit Boss®, fabricados por Dansons, tiene una garantía limitada a partir de la fecha de venta solo para el comprador original. La cobertura de la garantía comienza en la fecha original de compra y es necesario un comprobante de la fecha de la compra o una copia de la factura original de compra para validar la garantía. Los clientes deberán cubrir el costo de las refacciones, manejo y envío si no pueden proporcionar el comprobante de compra o si la garantía ha expirado. Dansons ofrece una garantía por cinco (5) años contra defectos y mano de obra en todas las partes, y por cinco (5) años en los componentes eléctricos. Dansons garantiza que todas las partes están libres de defectos materiales y de mano de obra, para el período de uso y propiedad del comprador original. La garantía no cubre daños por desgaste normal, tales como rasguños, abolladuras, muescas o fisuras menores superficiales. Estos cambios estéticos en la parrilla no afectan su rendimiento. La reparación o reemplazo de cualquier pieza no extiende el período de garantía limitada más allá de cinco (5) años de la fecha de compra. Durante el período de la garantía, la obligación de Dansons se limitará solo a suministrar un reemplazo para componentes defectuosos y/o que presenten fallas. Durante el período de garantía, Dansons no cobrará por reparaciones o reemplazos de partes devueltas, con envío prepagado, si considera que las partes son defectuosas luego de haberlas examinado. Dansons no será responsable de costos de transporte, mano de obra o derechos de exportación. Salvo por lo establecido en estas condiciones de la garantía, la reparación o reemplazo de partes, de la manera y durante el período de tiempo aquí mencionados, constituye el cumplimiento de todas las responsabilidades y obligaciones, directas y derivadas, de Dansons hacia usted.

Dansons hace todo lo posible por utilizar materiales que retarden la oxidación. Incluso con estas precauciones, diferentes sustancias y condiciones fuera del control de Dansons pueden afectar los recubrimientos protectores. Las Temperaturas altas, la humedad excesiva, el cloro, los humos industriales, los fertilizantes, los pesticidas de jardín y la sal son algunas de las sustancias que pueden afectar los recubrimientos del metal. Por estas razones, la garantía no cubre corrosión ni oxidación, a menos que exista una pérdida de integrethead estructural en el componente del asador. Si ocurre alguna de las condiciones anteriores, consulte la sección de cuidado y mantenimiento para prolongar la vida útil de su unidad. Dansons recomienda el uso de una cubierta para el asador cuando este no esté en uso. La garantía se basa en el uso y servicio doméstico normal del asador, y ninguna garantía limitada se aplica a un asador que se utilice en aplicaciones comerciales.

EXCEPCIONES

No existe una garantía escrita o implícita de desempeño en los asadores Pit Boss®, ya que el fabricante no tiene control sobre la instalación, la operación, la limpieza, el mantenimiento o el tipo de combustible utilizado. Esta garantía no aplicará, y Dansons no asumirá ninguna responsabilidad, si su aparato no se instaló, operó, limpió o mantuvo en estricto cumplimiento con este manual del propietario. Cualquier uso de gas que no se explique en este manual puede anular la garantía. La garantía no cubre daños ni fallas debidas al mal uso, manejo inapropiado o modificaciones. Ni Dansons ni el distribuidor autorizado de Pit Boss® asumen responsabilidad alguna, jurídica o de otro tipo, por los daños accidentales o consecuentes a los bienes o las personas debido al uso de este producto. Si se realiza una demanda contra Dansons con base en una infracción de esta garantía o de cualquier otro tipo de garantía explícita o implícita por la ley, el fabricante de ninguna manera será responsable de cualquier daño especial, indirecto o consecuente, ni por otros daños de cualquier naturaleza, por encima del precio original de compra de este producto. Todas las garantías del fabricante se especifican en este documento y no se puede realizar ninguna demanda contra el fabricante por cualquier garantía o promesa. Algunos estados no permiten la exclusión o limitación de daños incidentales o consecuentes, o limitaciones de garantías implícitas, así que las limitaciones o exclusiones especificadas en esta garantía limitada podrían no aplicar para usted. Esta garantía limitada le da derechos jurídicos específicos y usted podría tener otros derechos, los cuales varían de estado a estado.

CÓMO ORDENAR REFACCIONES

Para ordenar refacciones, comuníquese con el distribuidor de Pit Boss® de su localidad, o visite nuestra tienda en línea en: www.pitboss-grills.com

CONTACTO CON SERVICIO AL CLIENTE

Si tiene preguntas o problemas, comuníquese con servicio al cliente:

EE.UU : (480) 923-9630 | Canada (GRATUITA) : 1-877-942-2246

SERVICIO BAJO GARANTÍA

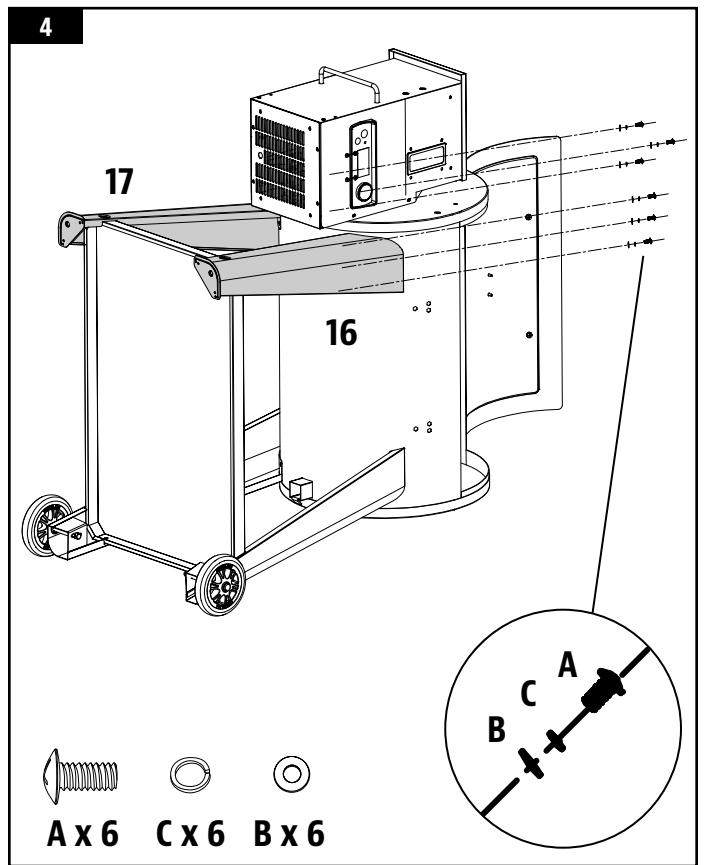
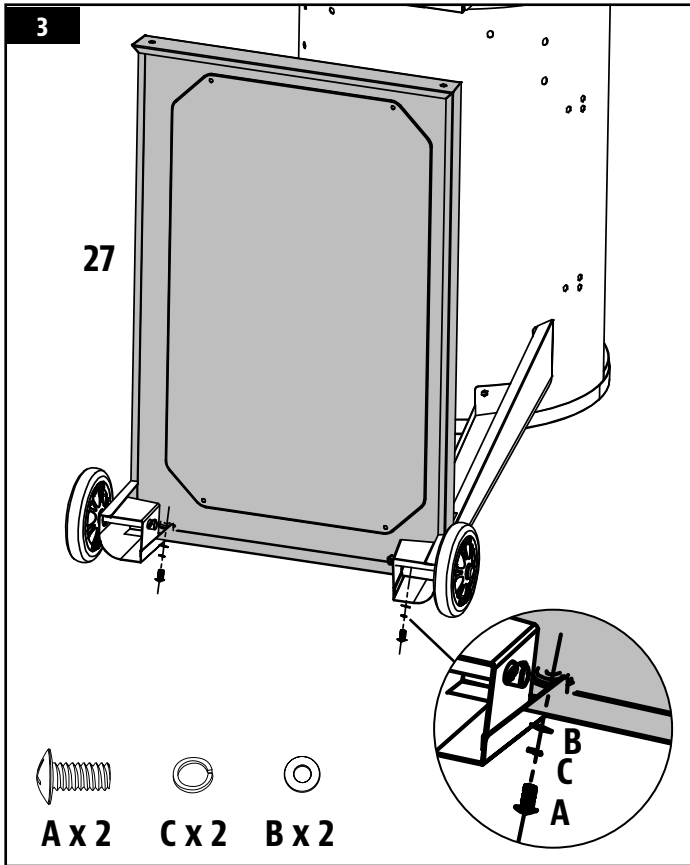
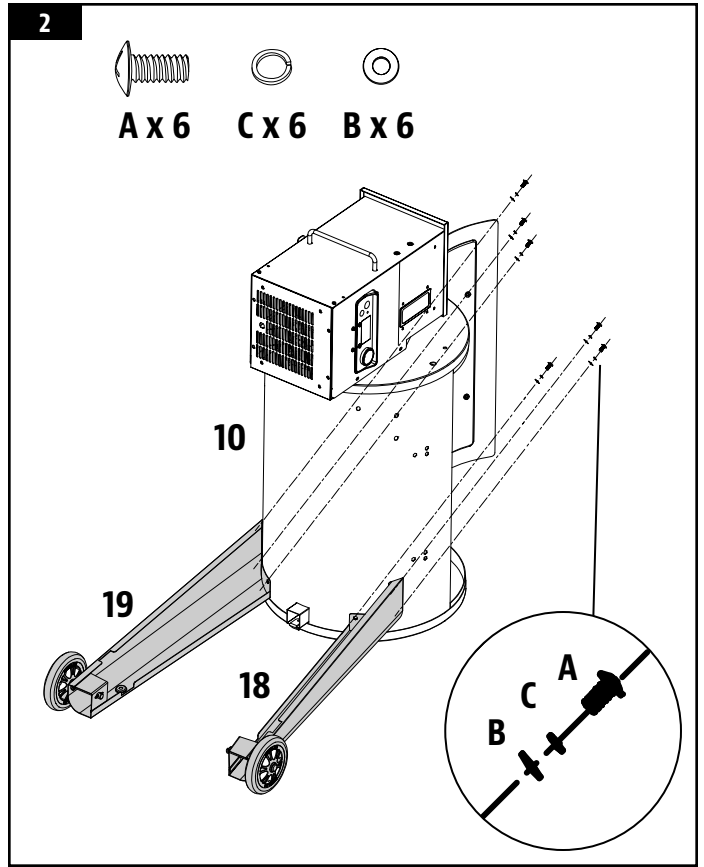
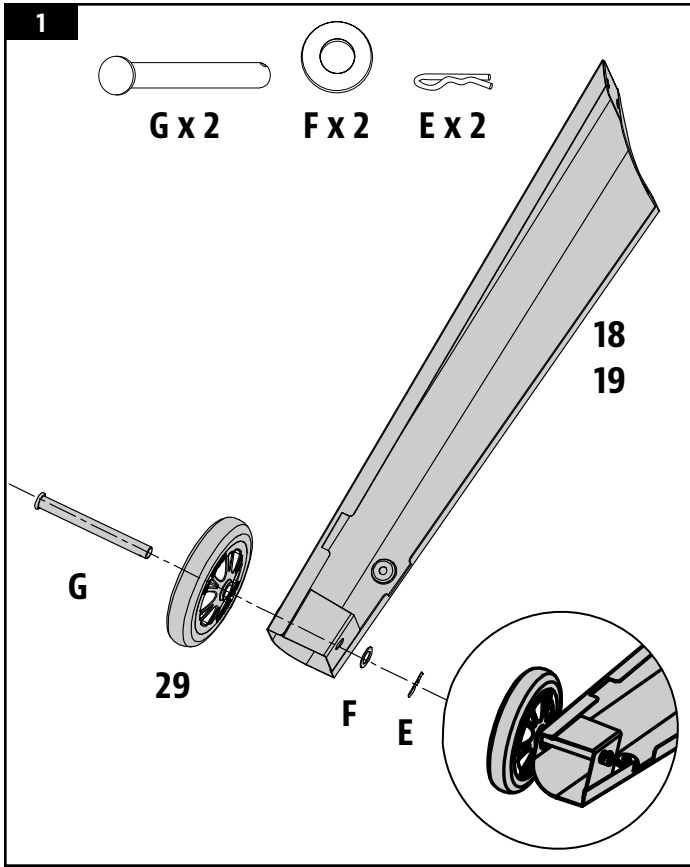
Comuníquese con su distribuidor Pit Boss® más cercano para reparaciones o refacciones. Dansons requiere un comprobante de compra para otorgar una reclamación de garantía; por lo tanto, conserve su recibo o factura de venta original para referencia futura. Puede ver el número de serie y modelo de su Pit Boss® en el interior de la tapa de la tolva. Escriba los números a continuación, ya que la etiqueta podría desgastarse o quedar ilegible.

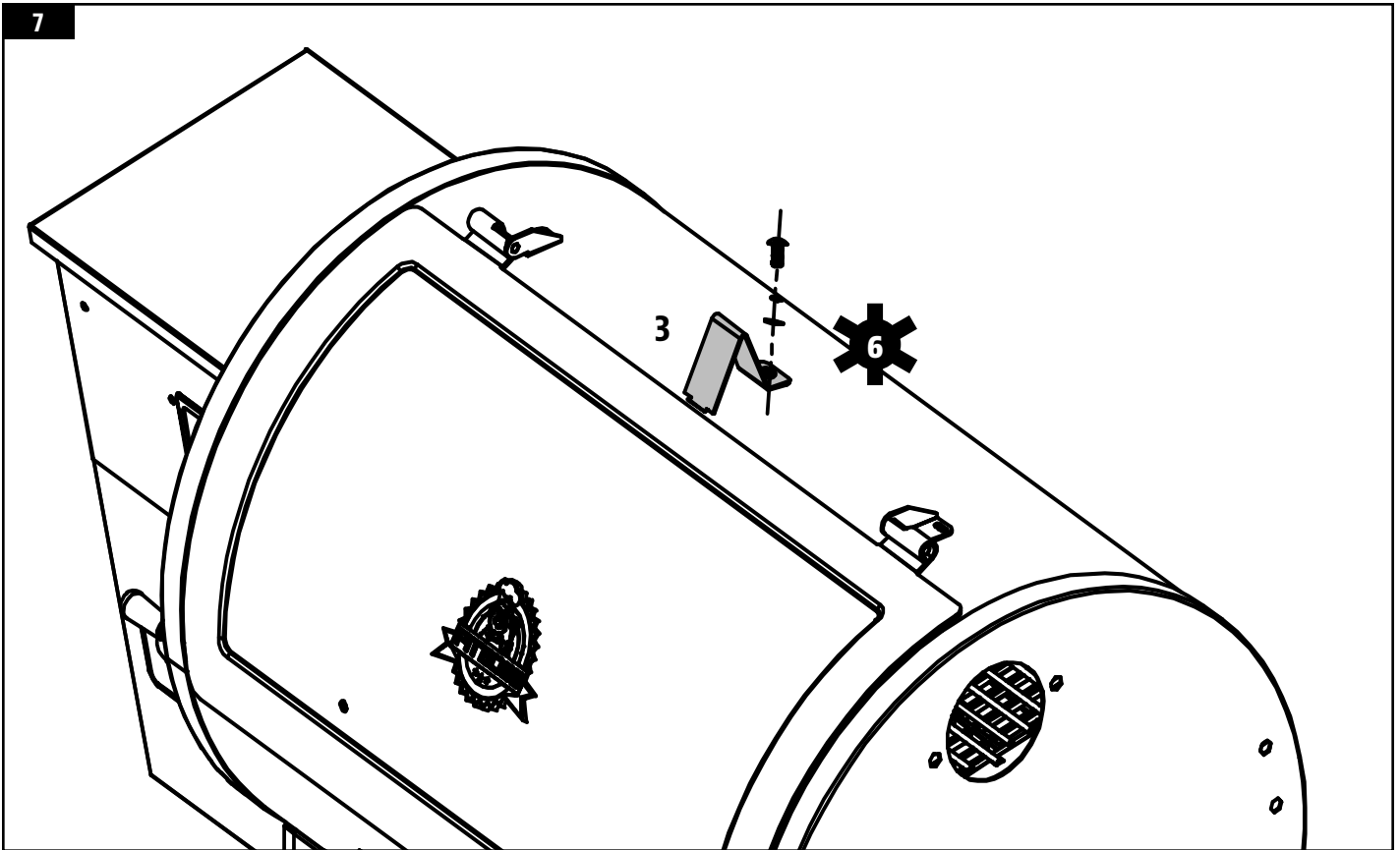
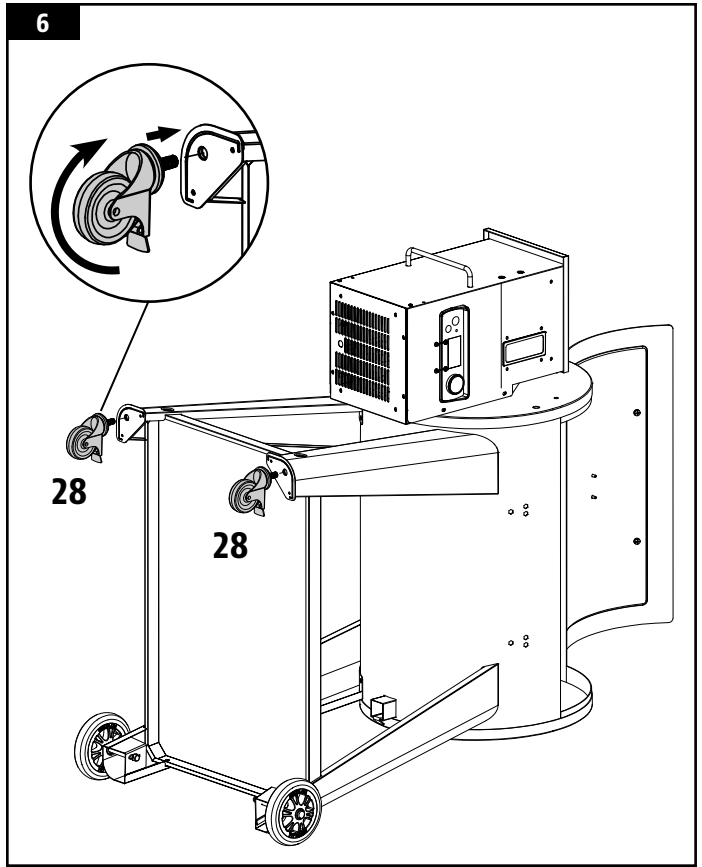
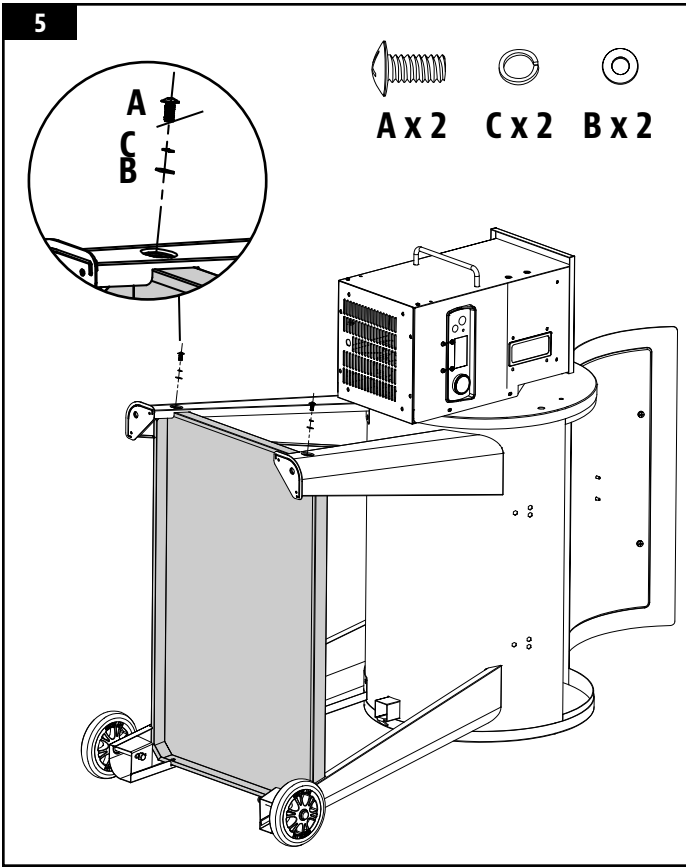
MODELO

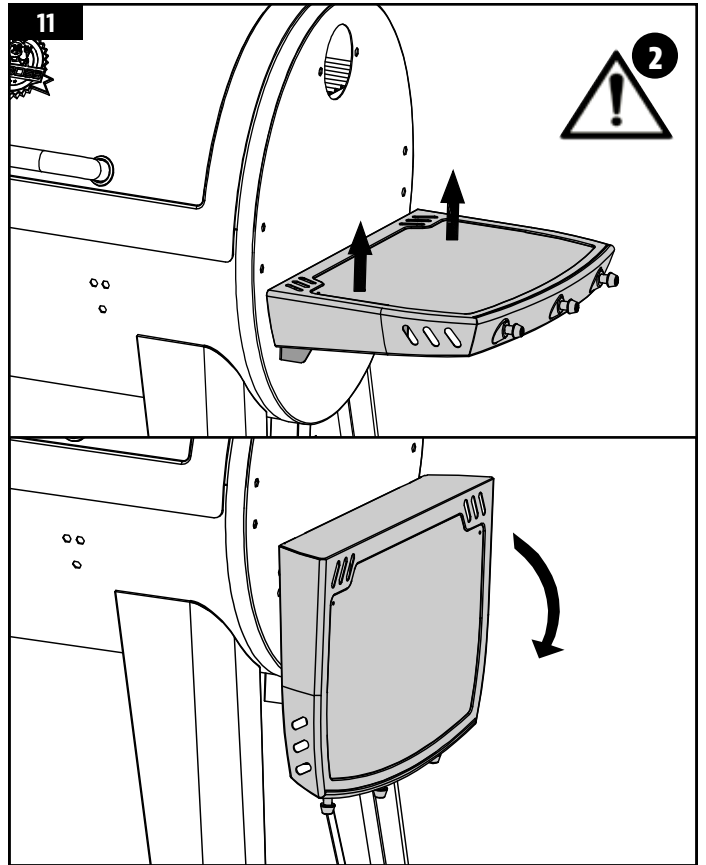
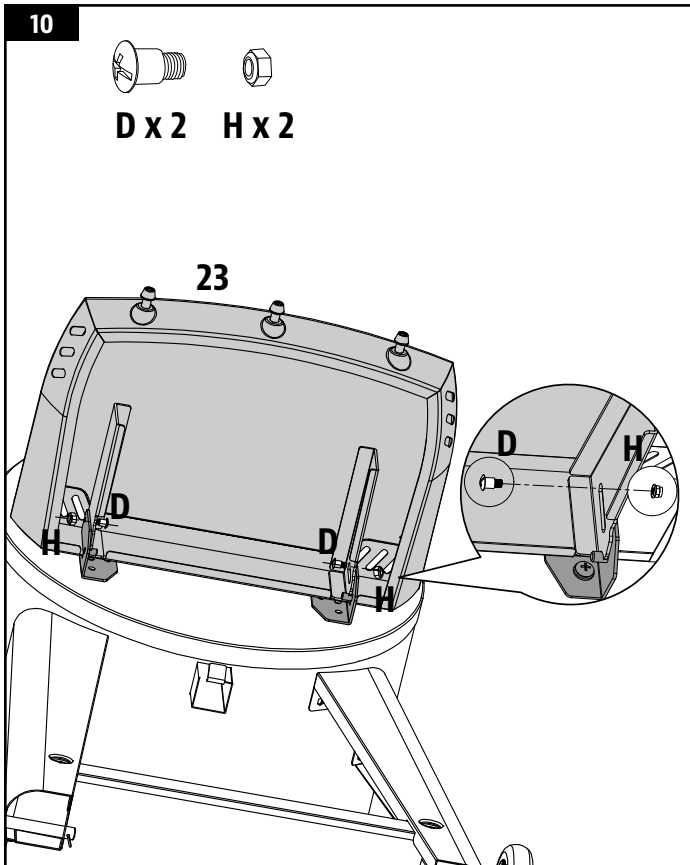
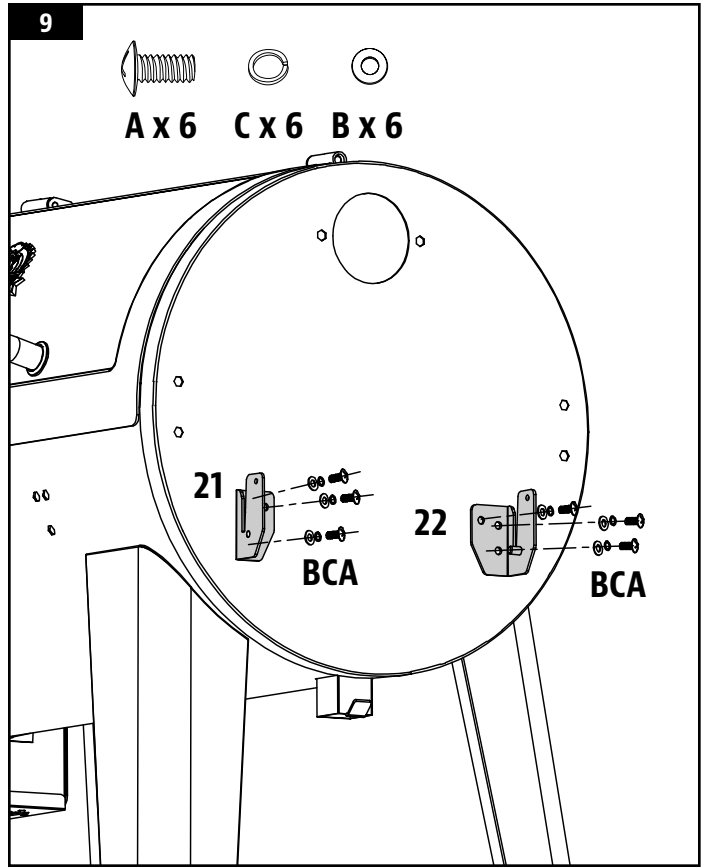
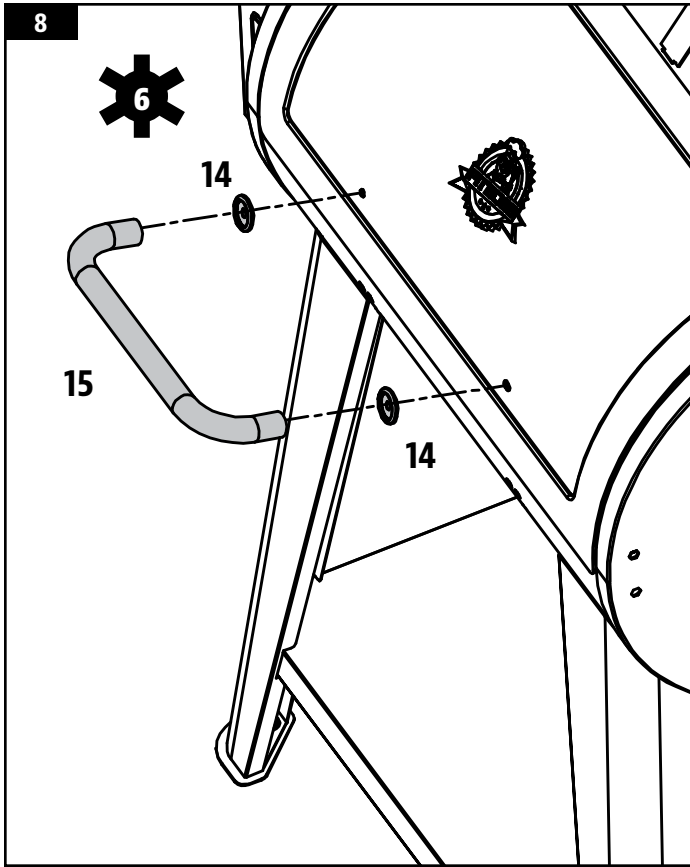
NÚMERO DE SERIE

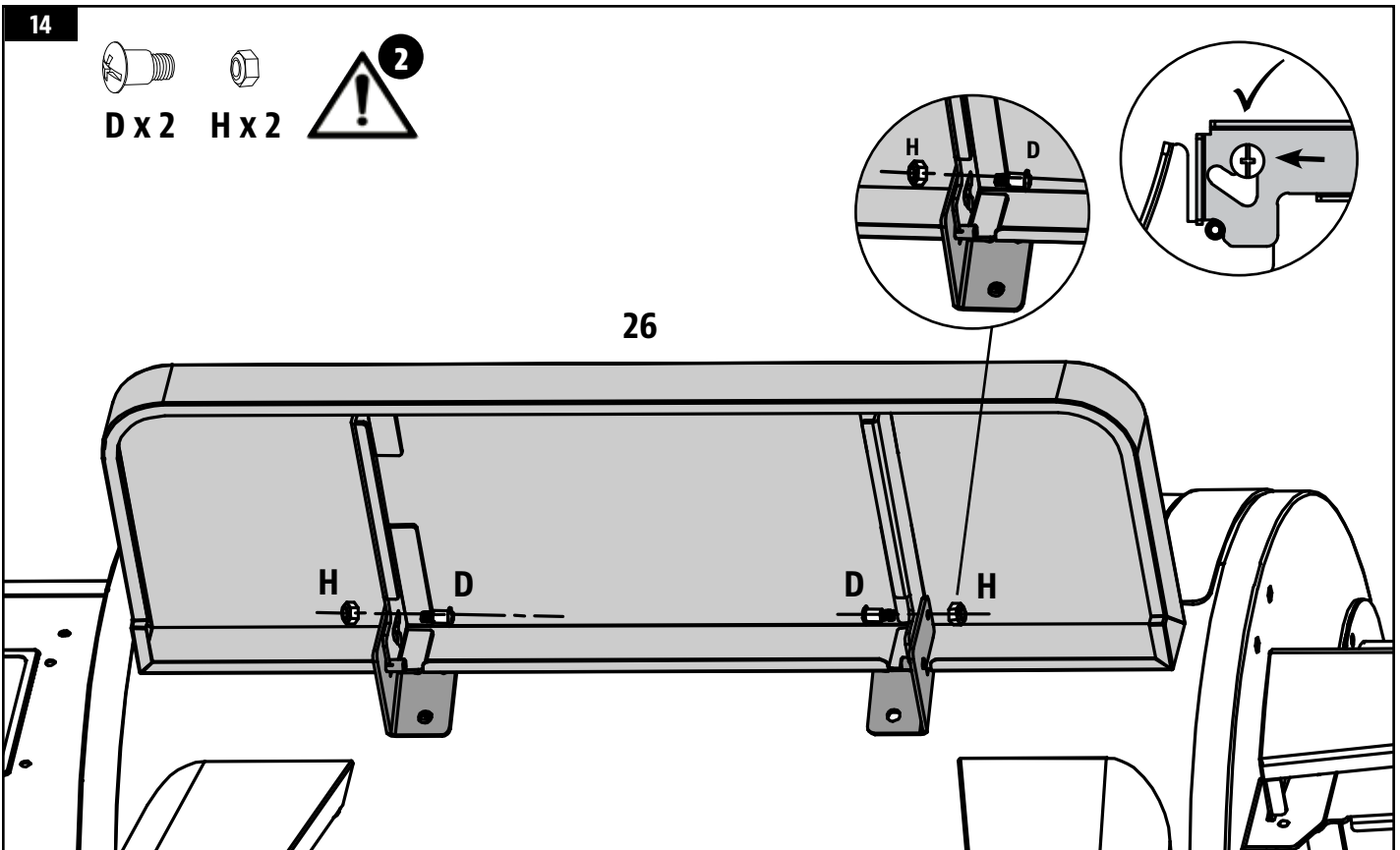
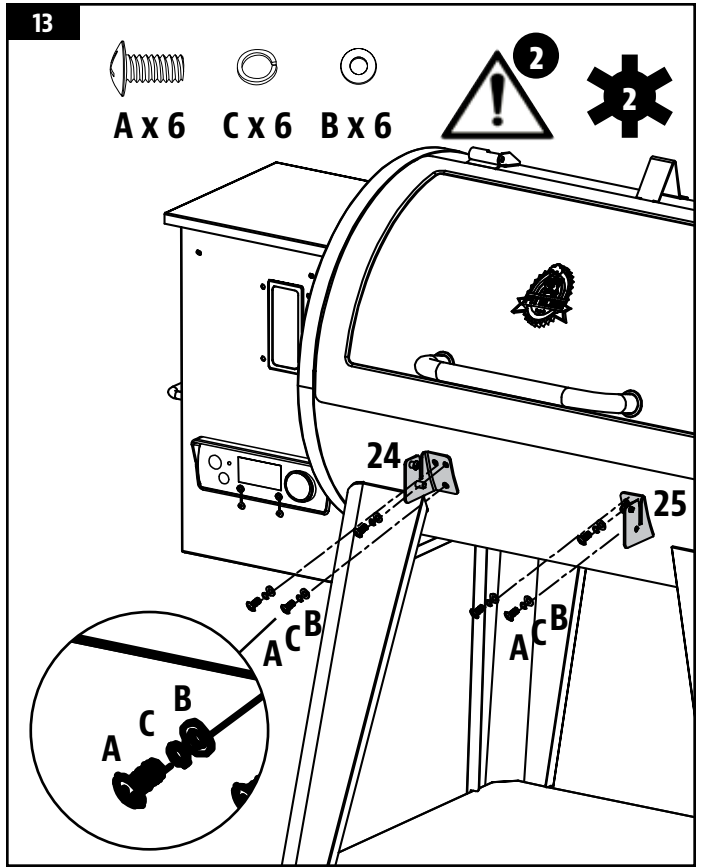
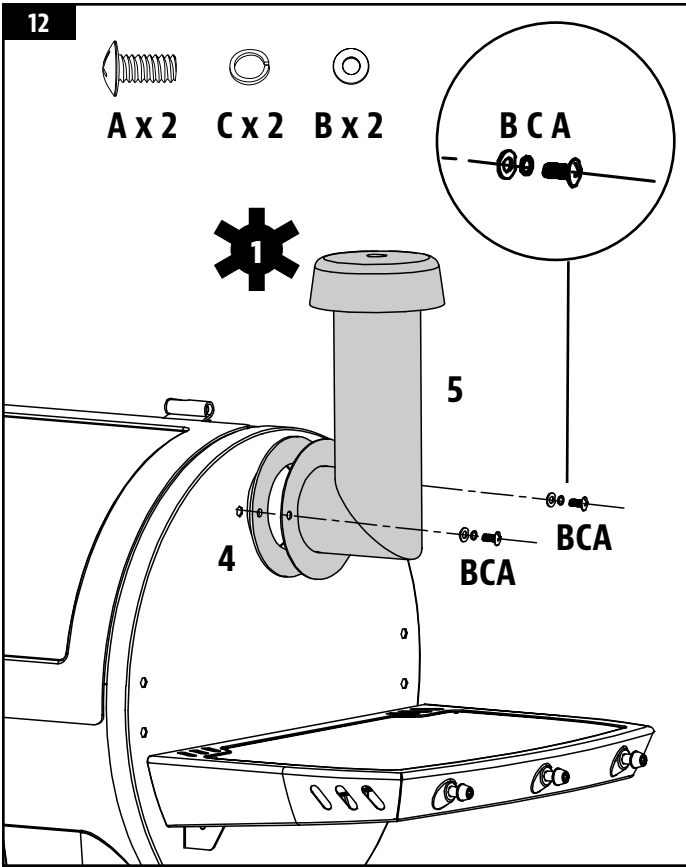
FECHA DE COMPRA

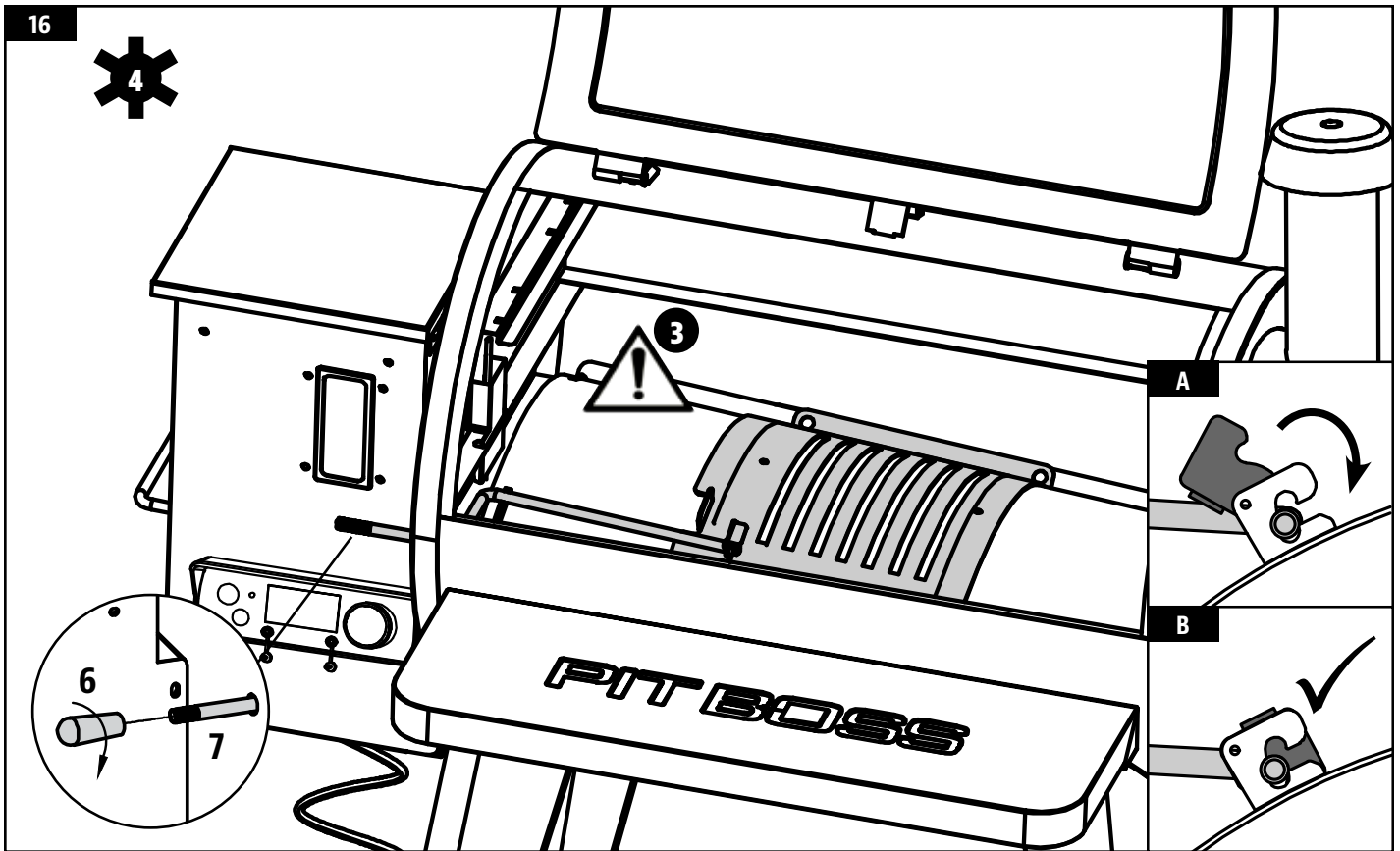
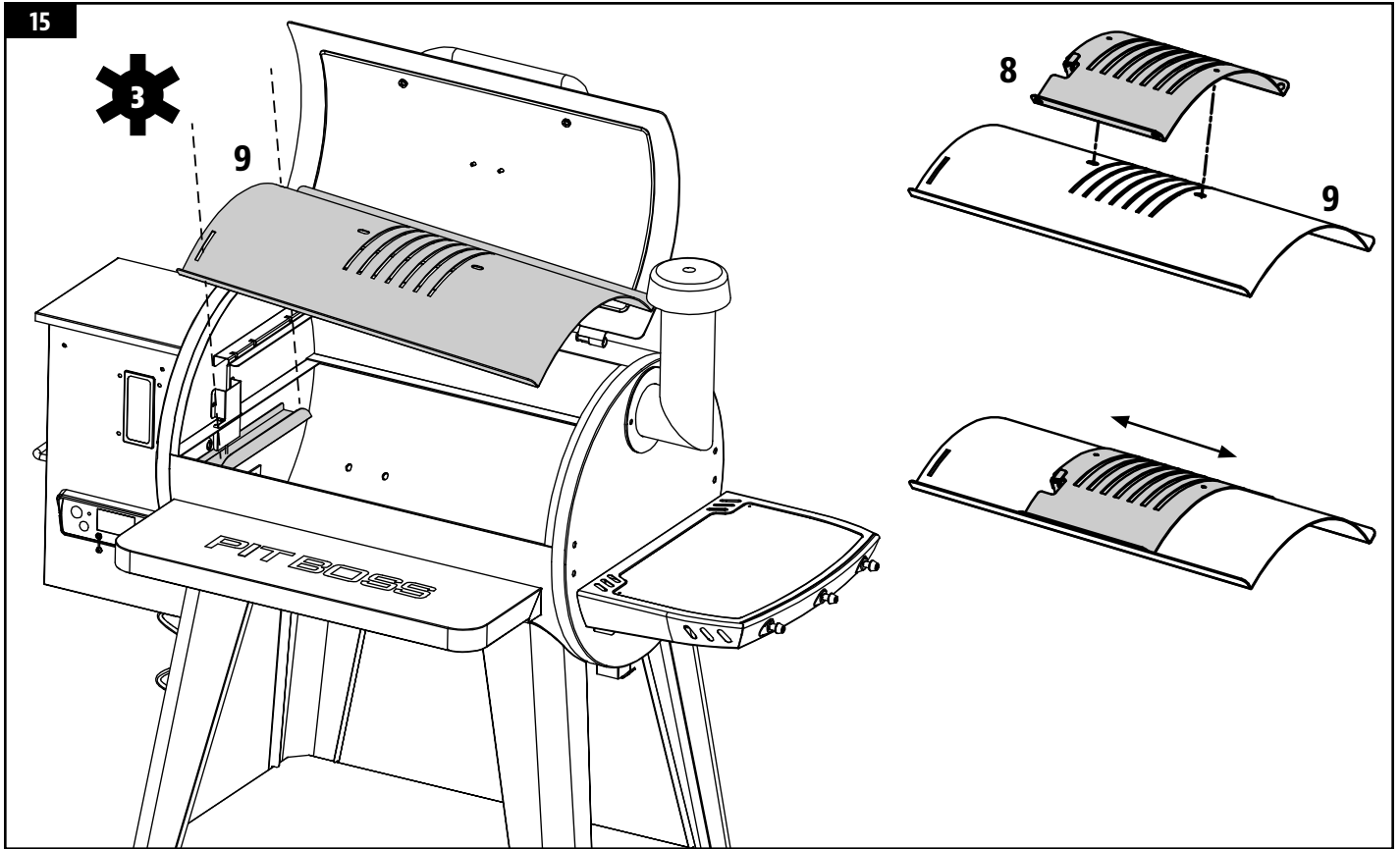
DISTRIBUIDOR AUTORIZADO

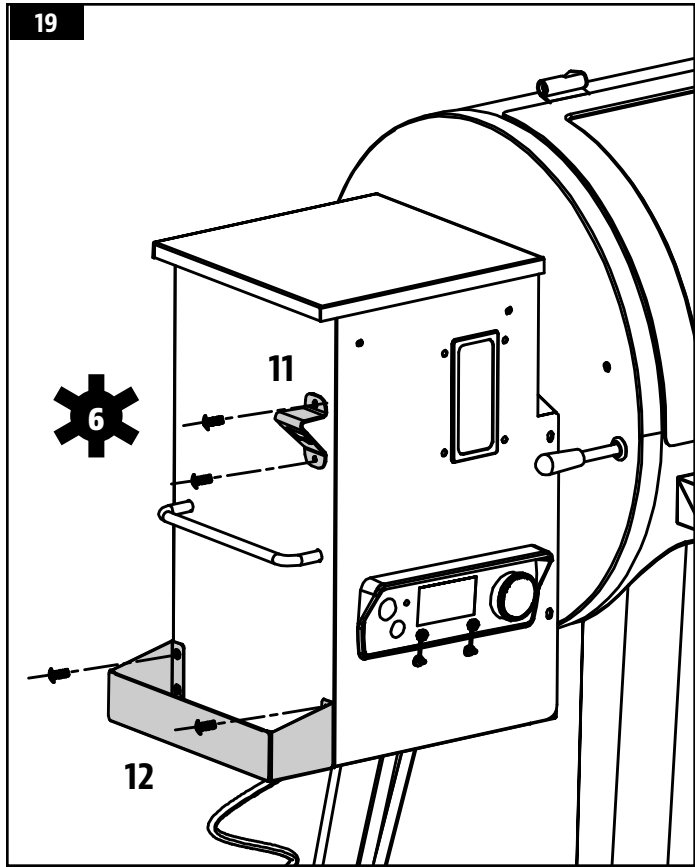
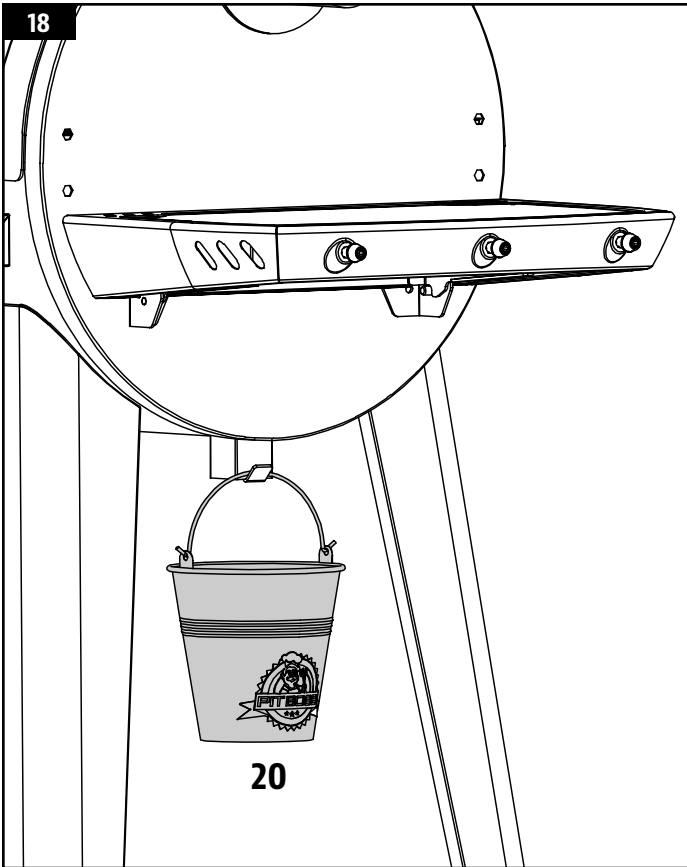
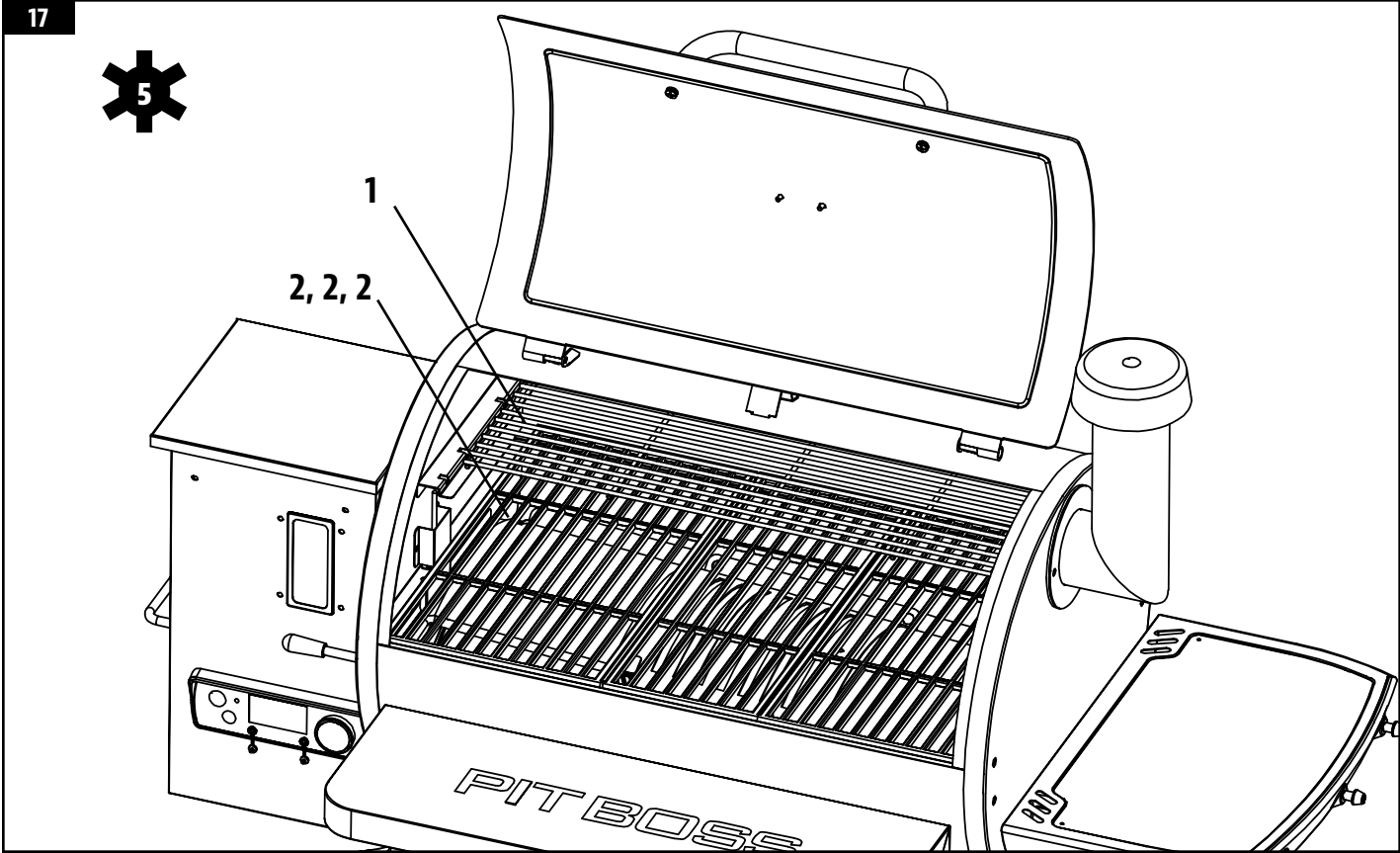












IMPORTANT

DO NOT RETURN PRODUCT TO STORE

For all questions, comments, or inquiries, please contact Dansons directly.

USA: (480) 923-9630

CANADA (TOLL FREE): 1-877-942-2246

IMPORTANT

NE RETOURNEZ PAS LE PRODUIT AU MAGASIN

Pour toute questions, commentaires ou demandes de renseignements, veuillez communiquer avec Dansons directement.

ÉTATS-UNIS : (480) 923-9630

CANADA (SANS FRAIS) : 1-877-942-2246


¡IMPORTANTE!


NO DEVUELVA EL PRODUCTO A LA TIENDA


Para el preguntas, comentarios o consultas, por favor contactar Dansons directamente.

EE.UU : (480) 923-9630

CANADA (GRATUITA) : 1-877-942-2246

 **WARNING:** THIS PRODUCT CAN EXPOSE YOU TO CHEMICALS INCLUDING WOOD DUST, WHICH IS KNOWN TO THE STATE OF CALIFORNIA TO CAUSE CANCER, AND CARBON MONOXIDE, WHICH IS KNOWN TO THE STATE OF CALIFORNIA TO CAUSE BIRTH DEFECTS OR OTHER REPRODUCTIVE HARM. FOR MORE INFORMATION GO TO WWW.P65WARNINGS.CA.GOV

 **AVERTISSEMENT :** CE PRODUIT PEUT VOUS EXPOSER À DES AGENTS CHIMIQUES, Y COMPRIS LA POUSSIÈRE DE BOIS, IDENTIFIÉS PAR L'ÉTAT DE CALIFORNIE COMME POUVANT CAUSER LE CANCER, ET LE MONOXYDE DE CARBONE, RECONNU PAR L'ÉTAT DE CALIFORNIE COMME POUVANT CAUSER DES MALFORMATIONS CONGÉNITALES OU AUTRES EFFETS NOCIFS SUR LA REPRODUCTION. POUR DE PLUS AMPLES INFORMATIONS, PRIÈRE DE CONSULTER WWW.P65WARNINGS.CA.GOV

 **ADVERTENCIA:** ESTE PRODUCTO PUEDE EXPONERLE A QUÍMICOS INCLUYENDO POLVO DE MADERA, QUE ES CONOCIDO POR EL ESTADO DE CALIFORNIA COMO CAUSANTES DE CÁNCER Y AL MONÓXIDO DE CARBONO, QUE ES CONOCIDO POR EL ESTADO DE CALIFORNIA COMO CAUSANTE DE DEFECTOS DE NACIMIENTO U OTROS DAÑOS REPRODUCTIVOS. PARA MAYOR INFORMACIÓN, VISITE WWW.P65WARNINGS.CA.GOV

PITBOSS-GRILLS.COM

MADE IN CHINA | FABRIQUÉ EN CHINE | HECHO EN CHINA



© 2022 DANSONS
602220915UMV