



**PIT BOSS**



®

**PB0820D3**

**HARDWOOD PELLETS  
GRILL & SMOKER**

IMPORTANT, READ CAREFULLY, RETAIN  
FOR FUTURE REFERENCE. MANUAL MUST  
BE READ BEFORE OPERATING!

**GRIL & FUMOIR À  
GRANULES DE BOIS**

IMPORTANT, PRENEZ CONNAISSANCE DE CE  
DOCUMENT ET CONSERVEZ-LE POUR RÉFÉRENCE  
ULTÉRIEURE VOUS DEVEZ LIRE CE GUIDE AVANT  
D'UTILISER LE BARBECUE !

**ASADOR Y AHUMADOR  
DE PELLETS DE MADERA**

IMPORTANTE, LEA DETENIDAMENTE, CONSERVE PARA  
REFERENCIA FUTURA. ¡DEBE LEER EL MANUAL ANTES DE LA  
OPERACIÓN!

MODEL / MODÈLE / MODELO: PB0820D3  
PART / PIÈCE / PARTE: 10514, 10693



**ASSEMBLY AND OPERATION | ASSEMBLAGE ET FONCTIONNEMENT | MONTAJE Y OPERACIÓN**

**WARNING:** Please read the entire manual before installation and use of this electric, pellet fuel-burning appliance. Failure to follow these instructions could result in property damage, bodily injury, or even death. Contact local building or fire officials about restrictions and installation inspection requirements in your area.

**AVERTISSEMENT :** Veuillez lire l'intégralité du manuel avant l'installation et l'utilisation de cet appareil électronique à granules. Le non-respect de ces instructions peut entraîner des dommages aux biens, des blessures ou même la mort. Communiquez avec les autorités locales en matière d'incendie et de bâtiment concernant les restrictions et les exigences d'installation dans votre région.

**ADVERTENCI:** Lea el manual completo antes de instalar y utilizar este aparato eléctrico para quemar pellets de combustible. Incumplir estas instrucciones podría causar daños materiales, lesiones corporales, e incluso la muerte. Consulte a sus funcionarios locales de construcción y control de incendios para informarse sobre las restricciones y los requisitos de inspección de instalaciones en su región.



FOR OUTDOOR AND HOUSEHOLD USE ONLY. NOT FOR COMMERCIAL USE. | RÉSERVÉ À L'USAGE EXTÉRIEUR ET RÉSIDUEL UNIQUEMENT. NON DESTINÉ À UN USAGE COMMERCIAL. | SOLO PARA USO EN EXTERIORES Y EN EL HOGAR. NO ES PARA USO COMERCIAL.

# SAFETY INFORMATION

**MAJOR CAUSES OF APPLIANCE FIRES ARE A RESULT OF POOR MAINTENANCE AND A FAILURE TO MAINTAIN REQUIRED CLEARANCE TO COMBUSTIBLE MATERIALS. IT IS OF UTMOST IMPORTANCE THAT THIS PRODUCT BE USED ONLY IN ACCORDANCE TO THE FOLLOWING INSTRUCTIONS.**

Please read and understand this entire manual before attempting to assemble, operate, or install the product. This will ensure you receive the most enjoyable and trouble-free operation of your new hardwood pellet grill. We also advise you retain this manual for future reference.

## DANGERS AND WARNINGS

**You must contact your local home association, building or fire officials, or authority having jurisdiction, to obtain the necessary permits, permission, or information on any installation restrictions, such as any grill being installed on a combustible surface, inspection requirements or even ability to use, in your area.**

1. A minimum clearance of 305mm (12 inches) from combustible constructions to the sides of the grill, and 305mm (12 inches) from the back of the grill to combustible constructions must be maintained. **Do not install appliance on combustible floors, or floors protected with combustible surfaces unless proper permits and permissions are obtained by authorities having jurisdiction.** Do not use this appliance indoors or in an enclosed, unventilated area. This hardwood pellet appliance must not be placed under overhead combustible ceiling or overhang. Keep your grill in an area clear and free from combustible materials, gasoline, and other flammable vapors or liquids.

**Should a grease fire occur, turn the grill OFF and leave the lid closed until the fire is out. Do not unplug the power cord. Do not throw water on the unit. Do not try to smother the fire. Use of an all-class (class ABC) approved fire extinguisher is valuable to keep on site. If an uncontrolled fire does occur, call the Fire Department.**

2. Keep electrical supply cords and the fuel away from heated surfaces. Do not use your grill in the rain or around any water source.
3. After a period of storage, or non-use, check the burn pot for obstructions, the hopper for foreign objects, and any air blockage around the fan intake or rear barrel exhaust holes. Clean before use. Regular care and maintenance is required to prolong the lifespan of your unit. **If the grill is stored outside during the rainy season or seasons of high humidity, care should be taken to insure that water does not get into the hopper.** When wet or exposed to high humidity, wood pellets will expand greatly, decompose, and may jam the feed system. Always disconnect the power, before performing any service or maintenance.

**IMPORTANT! Always power off the appliance and allow the shut-down cycle to run. Unplug the appliance only once the shut-down cycle is complete, and/or before cleaning. Failure to follow this warning can cause damage, serious injury, fire, electric shock, or death.**

**Do not transport your grill while in use or while the grill is hot. Ensure the fire is completely out and that the grill is completely cool to the touch before moving.**

4. It is recommended to use heat-resistant barbecue mitts or gloves when operating the grill. Do not use accessories not specified for use with this appliance. Do not put a barbecue cover or anything flammable in the storage space area under the barbecue.

**WARNING: Be aware of building combustible material, maintain the fire to avoid over-firing**

5. To prevent fingers, clothing, or other objects from coming in contact with the auger feed system, the appliance is equipped with a metal safety screen, mounted to the interior of the hopper. This screen must not be removed unless directed by Customer Care or an authorized dealer.

**This appliance is not recommended for children, persons with reduced physical, sensory or mental capabilities, or lack of experience and knowledge, unless they are under direct supervision or instruction by a person responsible for their safety.**

6. Parts of the barbecue may be very hot, and serious injury may occur. Remove pots and pans while the operating appliance is unattended, to reduce the risk of fire. Keep young children and pets away while in use.
7. Do not enlarge igniter holes or burn pots. Failure to follow this warning could lead to a fire hazard and bodily harm and will void your warranty.
8. Product may have sharp edges or points. Contact may result in injury. Handle with care.

## **DISPOSAL OF ASHES**

Ashes should be placed in a metal container with a tight-fitting lid. The closed container of ashes should be placed on a non-combustible floor or on the ground, well away from all combustible materials, pending final disposal. When ashes are disposed by burial in soil, or otherwise locally dispersed, they should be retained in a closed container until all cinders have thoroughly cooled.

## **HARDWOOD PELLET FUEL**

This pellet cooking appliance is designed and approved for pelletized, all natural hardwood fuel only. Any other type of fuel burned in this appliance will void the warranty and safety listing. You must only use all natural hardwood pellets, designed for burning in pellet barbecue grills. Do not use fuel with additives. Hardwood pellets are highly susceptible to moisture and should always be stored in an airtight container. If you are storing your grill, without use, for an extended period, we recommend clearing all pellets from your grill's hopper and auger, to prevent jams. The pellet fuel mean heating value in 18569-20362 KJ/KG (8000 - 8770 BTU/LB), ash content < 1%.

**Do not use spirit, petrol, gasoline, lighter-fluid, or kerosene for lighting or refreshing a fire in your smoker. Keep all such liquids well away from the appliance when in use.**

At the time of printing, there is no industry standard for barbecue hardwood pellets, although most pellet mills use the same standards to make hardwood pellets for domestic use. Further information, can be found at [www.pelletheat.org](http://www.pelletheat.org) or the Pellet Fuel Institute.

Contact your local dealer on the quality of pellets in your area, and for information on brand quality. As there is no control over the quality of pellets used, moisture affected pellets, we assume no responsibility to damage caused by poor quality of fuel.

## **CREOSOTE**

Creosote - formation and need for removal. When burning, it produces black smoke with a residue that is also black in color. When wood pellets are burned slowly, they produce tar and other organic vapors that combine with expelled moisture to form creosote. The creosote vapors condense in a relatively cool oven flue and exhaust hood of a slow-burning fire. As a result, creosote residue accumulates on the flue lining and exhaust hood. When ignited, this creosote makes an extremely hot fire.

The grease duct should be inspected at least twice a year to determine when the grease and/or creosote buildup has occurred.

When grease or creosote has accumulated, it should be removed to reduce the risk of fire.

## CARBON MONOXIDE (“THE SILENT KILLER”)

Carbon monoxide is a colorless, odorless, tasteless gas produced by burning gas, wood, propane, charcoal, or other fuel. Carbon monoxide reduces the blood’s ability to carry oxygen. Low blood oxygen levels can result in headaches, dizziness, weakness, nausea, vomiting, sleepiness, confusion, loss of consciousness, or death. Follow these guidelines to prevent this colorless, odorless gas from poisoning you, your family, or others:

- See a doctor if you or others develop cold or flu-like symptoms while cooking or in the vicinity of the appliance. Carbon monoxide poisoning, which can easily be mistaken for a cold or flu, is often detected too late.
- Alcohol consumption and drug use increase the effects of carbon monoxide poisoning.

Carbon monoxide is especially toxic to mother and child during pregnancy, infants, the elderly, smokers, and people with blood or circulatory system problems, such as anemia, or heart disease.

## SAFETY LISTING

In accordance with the procedures and specifications listed in the UL SUBJECT 2728-2009 "pellet fuel cooking appliances" and ULC/ORD C2728-13 "for electrical features of fuel burning equipment." Pit Boss® Grills pellet cooking appliances have been independently tested and listed by INTERTEK (an accredited testing laboratory) to ETL, UL, ULC and CSA standards.



## COPYRIGHT NOTICE

Copyright 2022. All right reserved. No part of this manual may be copied, transmitted, transcribed, stored in a retrieval system, in any form or by any means without expressed written permission of,

### Dansons

8877 North Gainey Center Drive, Scottsdale, AZ, USA 85258  
[www.pitboss-grills.com](http://www.pitboss-grills.com)

### Customer Care

USA: (480) 923-9630

CANADA (TOLL FREE): 1-877-942-2246

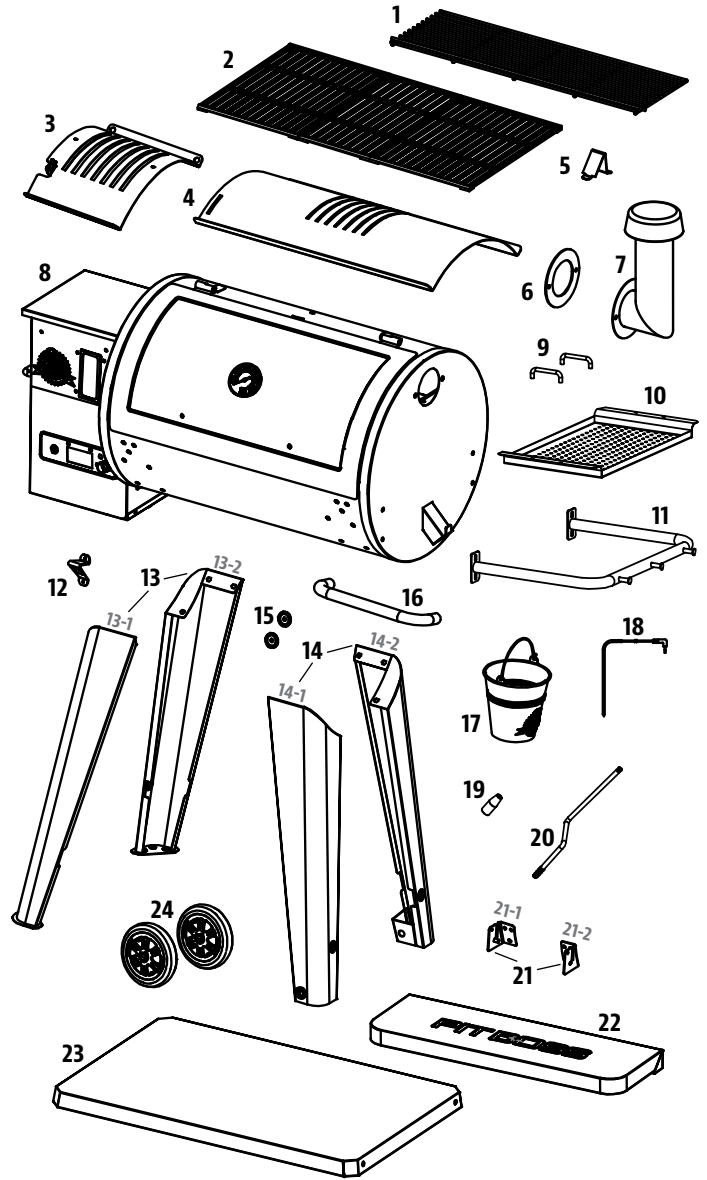
# TABLE OF CONTENTS

Safety Information .....	2	Care & Maintenance .....	17
Parts & Specs.....	6	Using Hardwood Pellet Fuel.....	18
Assembly Preparation.....	7	Cooking Guidelines.....	19
Assembly Instructions		Tips & Techniques .....	21
Mounting the wheels to the legs.....	7	Troubleshooting .....	22
Mounting the legs to main barrel.....	7	Electrical Wire Diagram .....	24
Securing the lid stopper .....	8	Replacement Parts	
Assembling the lid handle.....	9	Grill Replacement Parts .....	25
Mounting side shelf handle, serving tray.....	9	Hopper Replacement Parts.....	26
Securing the chimney.....	9	Warranty	
Installing the front shelf brackets .....	10	Conditions.....	26
Mounting the front shelf .....	10	Exceptions.....	27
Securing the bottle opener.....	10	Ordering Replacement Parts .....	27
Installing the cooking components.....	11	Contact Customer Care .....	27
Placing the grease bucket.....	11	Warranty Service .....	27
Connecting to a power source .....	12		
Operating Instructions			
Grill Environment .....	12		
Grill Temperature Ranges.....	13		
Understanding The Probes .....	14		
Understanding The Control Board .....	14		
Understanding The "P" Setting .....	15		
Auger Priming Procedure .....	15		
First Use – Grill Burn-Off.....	16		
Automatic Start-Up Procedure.....	16		
Manual Start-Up Procedure.....	16		
Shutting Off Your Smoker .....	17		

# PARTS & SPECS

ENGLISH

Part#	Description
1	Porcelain-Coated Steel Upper Cooking Grate (x1)
2	Porcelain-Coated Cast-Iron Cooking Grate (x3)
3	Flame Broiler™ Slider (x1)
4	Flame Broiler™ Main Plate (x1)
5	Lid Stopper (x1)
6	Chimney Gasket (x1)
7	Chimney (x1)
8	Main Barrel / Hopper Assembly (x1)
9	Serving Tray Handle (x2)
10	Serving Tray (x1)
11	Side Shelf Handle (x1)
12	Bottle Opener (x1)
13	Stationary Leg (x2)
14	Leg with Wheel (x2)
15	Lid Handle Bezel (x2)
16	Lid Handle (x1)
17	Grease Bucket (x1)
18	Meat Probe (x1)
19	Flame Broiler™ Adjusting Bar Handle (x1)
20	Flame Broiler™ Adjusting Bar (x1)
21	Front Shelf Bracket (x2)
22	Front Shelf (x1)
23	Bottom Shelf (x1)
24	Wheel (x2)
A	Screw (x28)
B	Washer (x28)
C	Locking Washer (x28)
D	Screw (x2)
E	Wheel Cotter Pin (x2)
F	Wheel Washer (x2)
G	Wheel Axle Pin (x2)
H	Nut (x2)



NOTE: Due to ongoing product development, parts are subject to change without notice. Contact Customer Care if parts are missing when assembling the unit.

**PB - ELECTRIC REQUIREMENTS**  
**110-120V, 60Hz, 275W, 3-PRONG GROUNDED PLUG**



MODEL	ASSEMBLED (WxHxD)	WEIGHT	COOKING AREA	TEMPERATURE RANGE
<b>PB</b> PB0820D3	1444MM X 1324MM X 821MM / 56.8 IN. X 52.1 IN. X 32.3 IN.	69.5 KG / 153.2 LB	MAIN - 3,824.51 CM <sup>2</sup> / 592.8 SQ. IN. UPPER GRATE - 1,656 CM <sup>2</sup> / 256.68 SQ. IN. TOTAL - 5,480.51 CM <sup>2</sup> / 849.48 SQ. IN.	82-260°C / 180-500°F

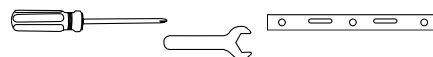
# ASSEMBLY PREPARATION

Parts are located throughout the shipping carton, including underneath the grill. Inspect the grill, parts, and hardware blister pack after removing from the protective shipping carton. Before assembly of product, review all parts and reference the parts list. If any part is missing or damaged, do not attempt to assemble. Shipping damage is not covered under warranty. Contact your dealer or Pit Boss® Customer Care for parts.

USA: (480) 923-9630 | CANADA (TOLL FREE): 1-877-942-2246

**IMPORTANT: To ease installation, using two people is helpful (but not necessary) when assembling this unit.**

**Tools required for assembly:** screwdriver, wrench, and level. *Tools not included.*



# ASSEMBLY INSTRUCTIONS

**IMPORTANT: It is advised to read each step entirely before starting assembly on instructions. Do not tighten screws completely until all screws for that step have been installed. Hardware combination involving a locking washer and washer should be installed with the locking washer closest to the head of the screw.**

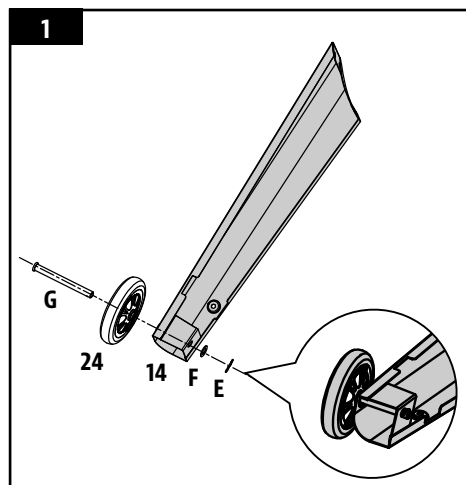
## 1. MOUNTING THE WHEELS TO THE LEGS

### Parts Required:

- 2 x Leg with Wheel (#14)
- 2 x Wheel (#24)
- 2 x Wheel Axle Pin (#G)
- 2 x Wheel Axle Washer (#F)
- 2 x Wheel Cotter Pin (#E)

### Installation:

- Attach the wheel to the support leg by inserting the wheel axle pin through the wheel, support leg, wheel axle washer, then secure using the wheel cotter pin.
- Repeat installation for the other wheel and support leg.



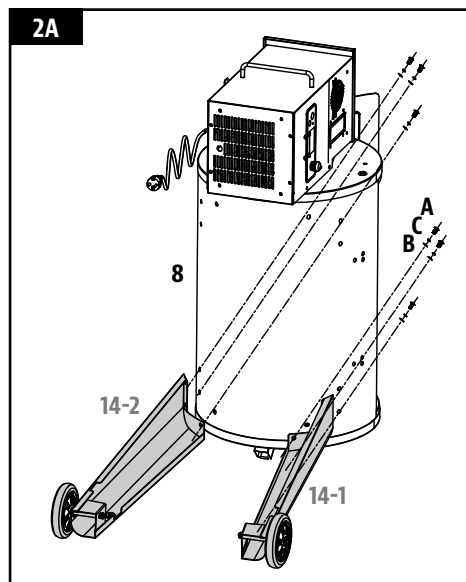
## 2. MOUNTING THE LEGS TO MAIN BARREL

### Parts Required:

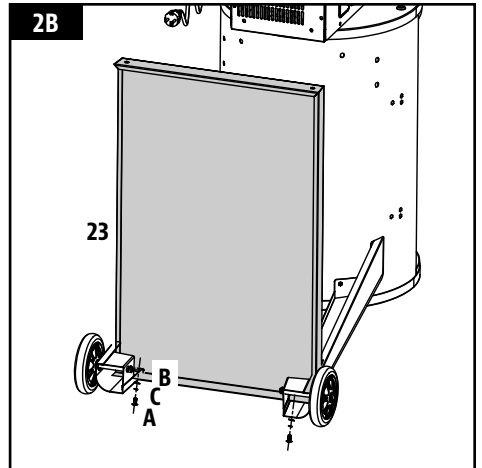
- 1 x Main Barrel (#8)
- 2 x Leg with Wheel (#14)
- 2 x Stationary Leg (#13)
- 1 x Bottom Shelf (#23)
- 16 x Screw (#A)
- 16 x Washer (#B)
- 16 x Locking Washer (#C)

### Installation:

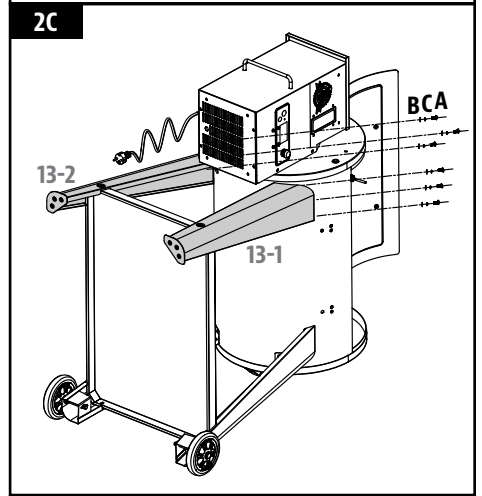
- Place a piece of cardboard on the floor to prevent scratching the unit. Lay the main barrel on its side, hopper end pointed upward, on the cardboard.
- Mount one leg with wheel to the floor end of the main barrel using three screws, locking washers, and washers, through the three pre-drilled holes. Install screws from the inside of the main barrel. Repeat installation for second leg with wheel. Note 2A.



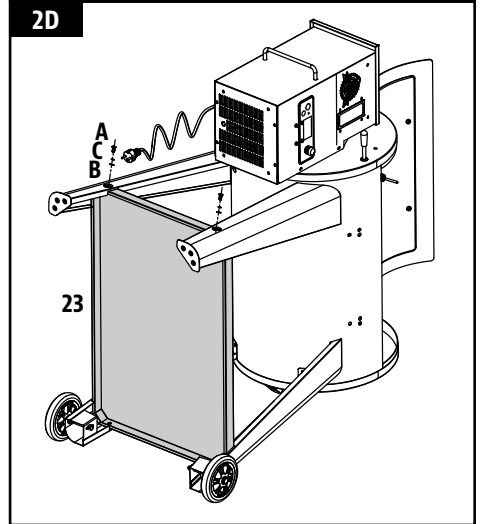
- Mount the bottom shelf to each leg with wheel using a screw, locking washer, and washer. Ensure the flat surface of the shelf is facing up towards the grill barrel. Note 2B.



- Mount one stationary leg to the hopper end of the main barrel using three screws, locking washers, and washers, through the three predrilled holes. Install screws from the inside of the main barrel. Repeat installation for second stationary support leg. Note 2C.



- Connect the bottom shelf to both stationary legs with the final two screws, locking washers, and washers. Once the shelf is secure, carefully lift the grill into an upright position. Note 2D.



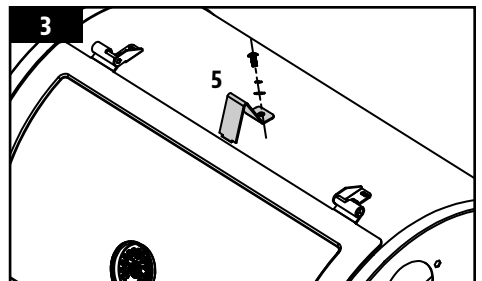
### 3. SECURING THE LID STOPPER

**Parts Required:**

- 1 x Lid Stopper (#5)

**Installation:**

- Secure the lid stopper onto the top of the main barrel using the pre-installed screw on the top of the main barrel.



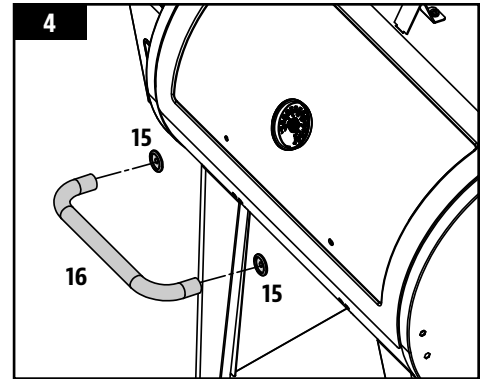
#### 4. ASSEMBLING THE LID HANDLE

**Parts Required:**

- 2 x Lid Handle Bezel (#15)
- 1 x Lid Handle (#16)

**Installation:**

- Remove the pre-installed screws from the lid handle. From inside the barrel lid, insert one screw to protrude to the outside. Add a bezel on the screw, then hand-tighten the screw (from the inside) into the lid handle. Repeat same installation for other end of lid handle.



#### 5. MOUNTING SIDE SHELF HANDLE, SERVING TRAY

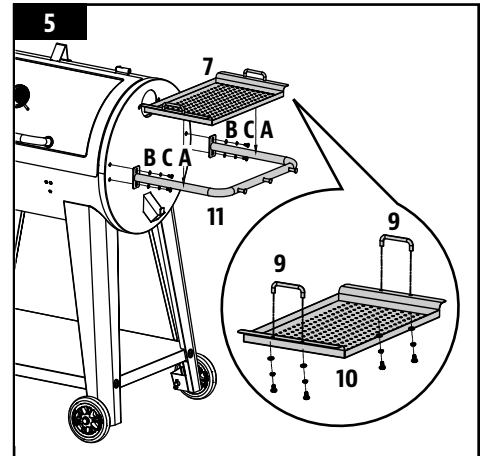
**Parts Required:**

- 1 x Side Shelf Handle (#11)
- 1 x Serving Tray (#10)
- 2 x Serving Tray Handle (#9)
- 4 x Screw (#A)
- 4 x Washer (#B)
- 4 x Locking Washer (#C)

**Installation:**

- Mount the side shelf handle onto the main barrel using four screws, locking washers, and washers.
- Mount serving tray handles to serving tray using the two pre-installed screws on each handle. Place the serving tray onto the side shelf handle. It will rest directly on the frame of the side shelf handle.

**IMPORTANT: Avoid using the side shelf handle to move or lift the grill. The weight of the unit will cause the side shelf handle to bend or break, which is not covered by warranty.**



#### 6. SECURING THE CHIMNEY

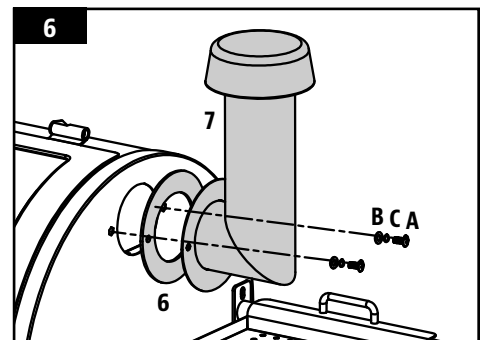
**Parts Required:**

- 1 x Chimney Gasket (#6)
- 1 x Chimney (#7)
- 2 x Screw (#A)
- 2 x Washer (#B)
- 2 x Locking Washer (#C)

**Installation:**

- Locate the chimney opening on the side of the main barrel. From the outside, secure the chimney and chimney gasket to the side panel using two screws, locking washers, and washers. The screw will fasten to the pre-mounted nut on the inside of the barrel.

**NOTE: Ensure the chimney cap allows for air to escape.**



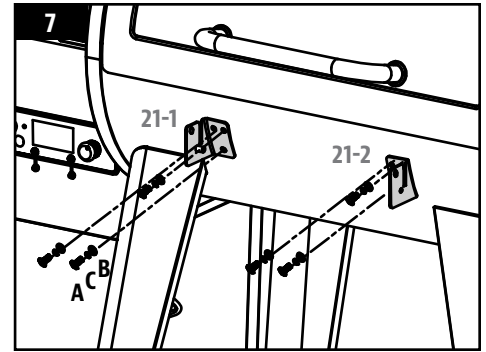
## 7. INSTALLING THE FRONT SHELF BRACKETS

### Parts Required:

- 2 x Front Shelf Bracket (#21)
- 6 x Screw (#A)
- 6 x Washer (#B)
- 6 x Locking Washer (#C)

### Installation:

- Attach one front shelf bracket to the front of the grill barrel by using three screws, locking washers, and washers. Install each screw half-way, then tighten completely when all three screws are mounted and aligned properly.
- Repeat the same installation for the other front shelf bracket.



## 8. MOUNTING THE FRONT SHELF

### Parts Required:

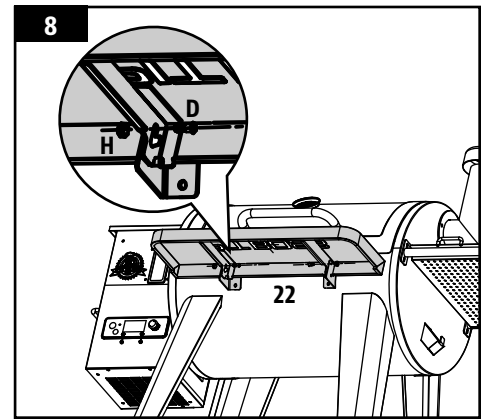
- 1 x Front Shelf (#22)
- 2 x Screw (#D)
- 2 x Nut (#H)

### Installation:

- From underneath, insert the screw (from the inside) into the front shelf and the front shelf bracket, then lock it with the nut. Repeat the installation for the other side of the front shelf.

**NOTE: When installed correctly, the front shelf can be raised (for use) and lowered (for storage) with ease.**

**IMPORTANT: Avoid using the shelves to move or lift the grill. The weight of the unit will cause the shelves to break, which is not covered by warranty.**



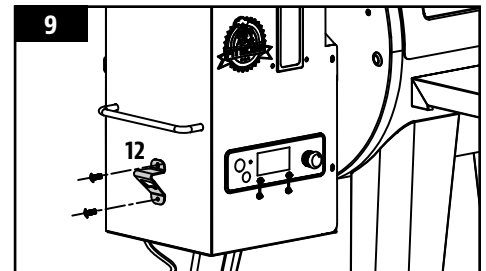
## 9. SECURING THE BOTTLE OPENER

### Parts Required:

- 1 x Bottle Opener (#12)

### Installation:

- Remove the two pre-mounted screws for the bottle opener on the side of the hopper. Install the bottle opener in the same location using the two screws previously removed.



## 10. INSTALLING THE COOKING COMPONENTS

### Parts Required:

- 1 x Flame Broiler™ Main Plate (#4)
- 1 x Flame Broiler™ Slider (#3)
- 1 x Flame Broiler™ Adjusting Bar (#20)
- 1 x Flame Broiler™ Adjusting Bar Handle (#19)
- 3 x Cooking Grates (#2)
- 1 x Upper Cooking Grate (#1)

### Installation:

**NOTE: Both flame broiler parts are lightly coated with oil to avoid rusting when shipped.**

- Insert the flame broiler main plate into the main grill, right side first. Rest the flame broiler main plate on the built-in ledge (on the inside right) of the main grill that directs grease towards the grease bucket. Slide the entire piece to the left side, and the two slots on the flame broiler main plate will fit into the rounded ledge above the burn pot. It will sit slightly at a downward angle. Note 10A.

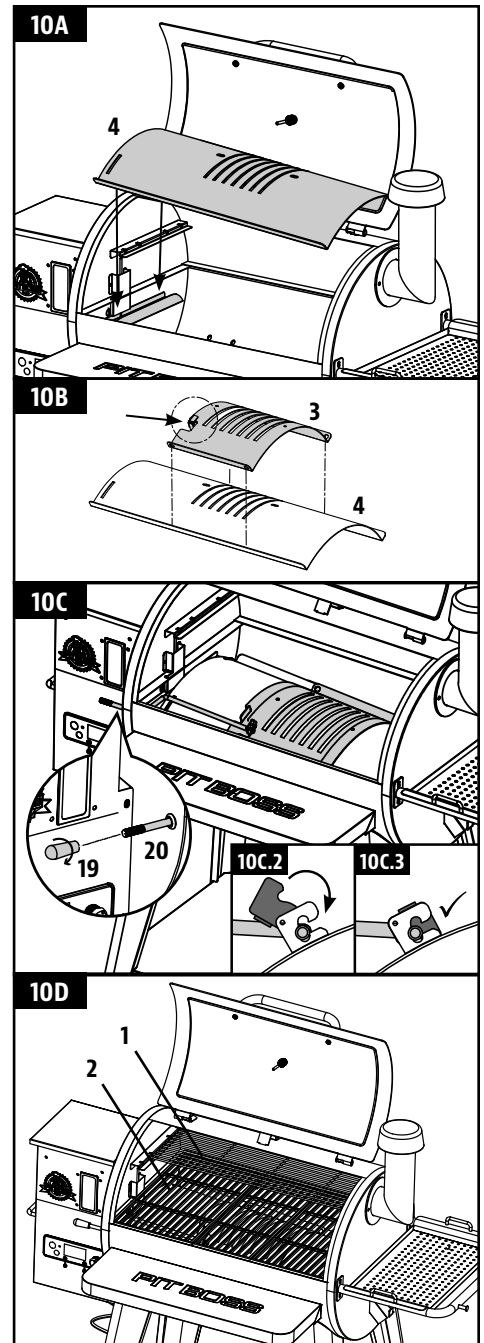
**IMPORTANT: If the flame broiler main plate is on the base of the barrel, it is installed incorrectly. The flame broiler should sit at an angle, with the left side sitting higher than the right.**

- Place the flame broiler slider on top of the flame broiler main plate, covering the slotted openings. Ensure the raised tab is on the left. Note 10B.
- First, remove the flame broiler adjusting bar handle from the flame broiler adjusting bar. Insert the flame broiler adjusting bar through the opening hole on the left side of the main barrel. Add the flame broiler adjusting bar handle back onto the end outside the barrel. Next, slide the notched end of the adjusting bar into the locking tab on the flame broiler slider, giving you adjustable access to the flame broiler slider on the main plate. Note steps in 10C.

**NOTE: When the flame broiler slider is open and direct flame is used during cooking, do not leave the grill unattended for any period of time.**

- Place the cooking grates, side-by-side, on the grate ledges inside the main barrel. Place the upper cooking grate on the upper ledge inside the main barrel. The cooking grate will lock into place. Note 10D.

**NOTE: To maintain the searing and grilling performance of your cooking grates, regular care and maintenance is required.**



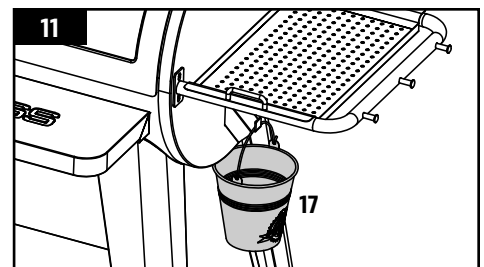
## 11. PLACING THE GREASE BUCKET

### Parts Required:

- 1 x Grease Bucket (#17)

### Installation:

- Place the grease bucket on the spout hook on the end of the main barrel. Ensure it is level to avoid grease spills.
- The unit is now completely assembled.



## 12. CONNECTING TO A POWER SOURCE

**NOTE:** Before plugging your Pit Boss® into any electrical outlet, ensure the temperature dial is in the OFF position.

### • STANDARD OUTLET

This appliance requires 110-120 volt, 60Hz, 275w. It must be a 3-prong grounded plug. Ensure grounded end is not broken off before use. The control uses a 110-120 volt, fast-blow fuse to protect the board from the igniter.

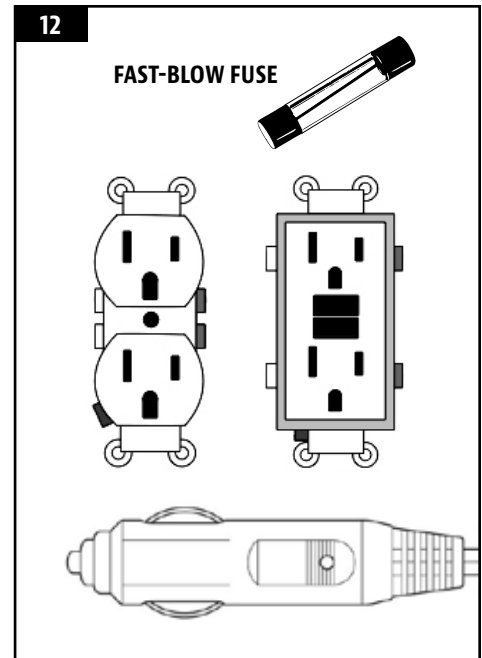
### • GFCI OUTLETS

This appliance will work on most GFCI outlets, with a recommended size of 15 amp service. If your GFCI outlet is highly sensitive to power surges, it will likely trip during the start-up phase of operation. During the start-up phase, the igniter draws 200-700 watts of electricity which can be too much power for a GFCI outlet to handle. Each time it trips, it increases in sensitivity. If the GFCI keeps tripping, replace the outlet or change to a non-GFCI outlet.

### • ON THE ROAD

Disconnect the igniter from the main wiring harness. Use the manual start-up procedure. A Pit Boss® unit can operate using a 12 volt, 100 watt inverter plugged into your automobile outlet. To use the automatic igniter, it is recommended to use a minimum of a 1000 watt inverter.

**IMPORTANT:** Disconnect unit from power source when not in use.



## OPERATING INSTRUCTIONS

*With today's lifestyle of striving to eat healthy and nutritious foods, one factor to consider is the importance of reducing fat intake. One of the best ways to cut down on fat in your diet is to use a low fat method of cooking, such as grilling. As a pellet grill uses natural wood pellets, the savory wood flavor is cooked into the meats, reducing the need for high sugar content sauces. Throughout this manual, you will notice the emphasis on grilling food slowly at LOW or MEDIUM temperature settings.*

### GRILL ENVIRONMENT

#### 1. WHERE TO SET-UP THE GRILL

With all outdoor appliances, outside weather conditions play a big part in the performance of your grill and the cooking time needed to perfect your meals. All Pit Boss® units should keep a minimum clearance of 305mm (12 inches) from combustible constructions and this clearance must be maintained while the grill is operational. This appliance must not be placed under an overhead combustible ceiling or overhang. Keep your grill in an area clear from combustible materials, gasoline, and other flammable vapors or liquids.

#### 2. COLD WEATHER COOKING

As it becomes cooler outside, that does not mean that grilling season is over! The crisp cool air and heavenly aroma of smoked foods will help cure your winter blues.

Follow these suggestions on how to enjoy your grill throughout the cooler months:

- If smoking at low temperatures fails, increase the temperature slightly to achieve the same results.
- Organize – Get everything you require ready in the kitchen before you head outdoors. During the winter, move your grill to an area that is out of the wind and direct cold. Check local bylaws regarding the proximity of your grill in relation to your home and/or other structures. Put everything you need on a tray, bundle up tight, and get it done!
- To help keep track of the outside temperature, place an outdoor thermometer close to your cooking area. Keep a log

or history of what you cooked, the outdoor temperature, and the cooking time. This will help later down the road to help you determine what to cook and how long it will take.

- In very cold weather, increase your preheating time by at least 20 minutes.
- Avoid lifting the lid any more than necessary. Cold gusts of wind can completely cool your grill temperature. Be flexible with your serving time; add extra cooking time each time you open the lid.
- Have a heated platter or a dish cover ready to keep your food warm while making the trip back inside.
- Ideal foods for winter cooking are those that require little attention, such as roasts, whole chickens, ribs, and turkey. Make your meal preparation even easier by adding simple items such as vegetables and potatoes.

### 3. *HOT WEATHER COOKING*

As it becomes warmer outdoors, the cooking time will decrease.

Follow these few suggestions on how to enjoy your grill throughout the hot months:

- Adjust your cooking temperatures downward. This helps to avoid unwanted flare-ups.
- Use a meat thermometer to determine the internal temperature of your foods. This helps in preventing your meat from over cooking and drying out.
- Even in hot weather it is still better to cook with the lid of your grill down.
- You can keep foods hot by wrapping them in foil, and placing them in an insulated cooler. Stuff crumpled up newspaper around the foil and this will keep food hot for 3 to 4 hours.

## GRILL TEMPERATURE RANGES

Temperature readouts on the control board may not exactly match the thermometer. All temperatures listed below are approximate and are affected by the following factors: outside ambient temperature, the amount and direction of wind, the quality of pellet fuel being used, the lid being opened, and the quantity of food being cooked.

- *HIGH TEMPERATURE (181-260°C / 401-500°F)*

This range is best used to sear and grill at a high heat. Use in tandem with the Flame Broiler™ (slide plate) for indirect or direct flame cooking. With the **Flame Broiler™ open**, direct flame is used to create those “blue” steaks, as well as flame-kissed vegetables, garlic toast, or s’mores! When the **Flame Broiler™ is closed**, the air circulates around the barrel, resulting in convection heat. High temperature is also used to preheat your grill, burn-off the cooking grates, and to achieve high heat in extreme cold weather conditions.

- *MEDIUM TEMPERATURE (126-180°C / 258-400°F)*

This range is best for baking, roasting, and finishing off that slow smoked creation. Cooking at these temperatures will greatly reduce the chances of a grease flare-up. Ensure that the flame broiler slider is in the closed position, covering the slotted openings. Great range for cooking anything wrapped in bacon, or where you want versatility with control.

- *LOW TEMPERATURE (82-125°C / 180-257°F)*

This range is used to slow roast, increase smoky flavor, and to keep foods warm. Infuse more smoke flavor and keep your meats juicy by cooking longer at a lower temperature (also known as **low and slow**). Recommended for the big turkey at Thanksgiving, juicy ham at Easter, or the huge holiday feast.

Smoking is a variation on true barbecuing and is truly the main advantage of grilling on a hardwood pellet grill. **Hot smoking**, another name for **low and slow** cooking, is generally done between 82-125°C / 180-257°F. Hot smoking works best when longer cooking time is required, such as large cuts of meats, fish, or poultry.

**TIP: To intensify that savory flavor, switch to SMOKE (low) temperature range immediately after putting your food on the grill. This allows the smoke to penetrate the meats.**

The key is to experiment with the length of time you allow for smoking, before the meal is finished cooking. Some outdoor chefs prefer to smoke at the end of a cook, allowing the food to keep warm until ready to serve. Practice makes perfect!

## UNDERSTANDING THE PROBES

- **GRILL PROBE**

Located inside the main barrel, on the left wall, is the grill probe. It is a small, vertical piece of stainless steel. The grill probe measures the internal temperature of the unit. When the temperature is adjusted on the Control Board, the grill probe will read the actual temperature inside the unit and adjust to the desired temperature.

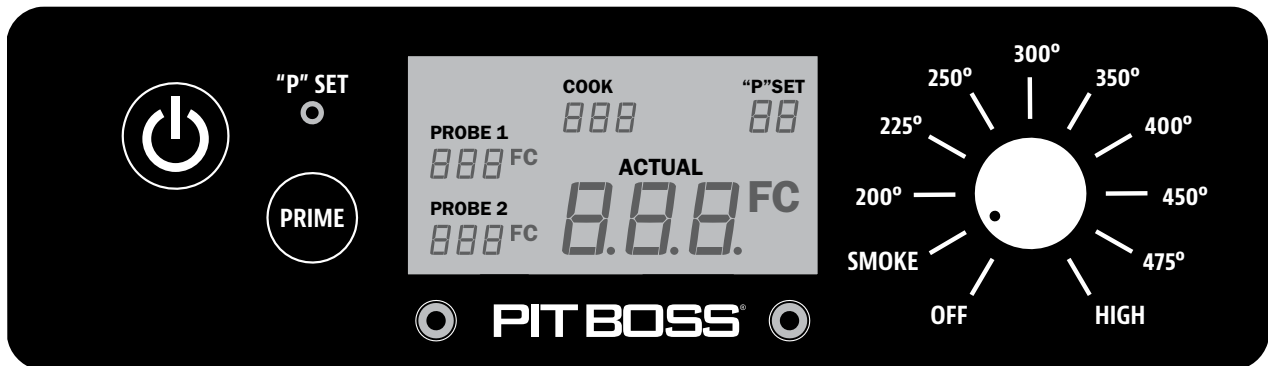
**IMPORTANT: The temperature of your unit is highly affected by ambient outdoor weather, quality of pellets used, flavor of pellets, and the quantity of food being cooked.**

- **MEAT PROBE**

The meat probe measures the internal temperature of your meat in the grill, similar to your indoor oven. Plug-in the meat probe adapter to the meat probe connection port on the Control Board and insert the stainless steel meat probe into the thickest portion of your meat and the temperature will be displayed on the control board. **To ensure the meat probe is connected properly to the connection port, feel and hear it snap into place.**

**NOTE: When placing the meat probe into your meat, ensure the meat probe and meat probe wires avoid direct contact with flame or excess heat. This can result in damage to your meat probe. Run the excess wire out the rear exhaust holes of the main grill or the top of the main grill (near the grill lid hinge). When not in use, disconnect from the meat probe connection port and place aside to keep protected and clean.**

## UNDERSTANDING THE CONTROL BOARD



CONTROL	DESCRIPTION
	Press the <b>Power Button</b> to power on the unit. The button will glow blue if connected to a power source. Press the button again to turn the unit off.
	The <b>Temperature Control Dial</b> allows you to set your desired smoking temperature. Once connected to a power source and the Power Button is pressed, turn the dial and select from any of the ten preset temperatures, between 82-260°C / 180-500°F. When the dial is turned to a temperature preset, the Digital LCD Screen will light up, displaying that it is ready to operate. When the dial is turned to off, the Digital LCD Screen will remain off.
	<p>The <b>"P" Set Button</b> is used to select one of the eight fine tunings when the Temperature Control Dial is set to the Smoke Setting. Press the button to change the "P" setting to accommodate to your cooking style and cooking environment, as preferred. With a <u>short push</u> of the button, the setting increases from P0 to P7, then repeats. Adjustments are only possible in the Smoke Setting. Factory default setting is "P4". If the "P" setting is adjusted, your preference will be locked-in (saved) until further adjustment is made.</p> <p>The <b>"P" Set Button</b> is also used as a <b>Temperature Switch Control</b> to change the temperature readout on the LCD Screen. Press and hold the button for two seconds to switch to Celsius (°C) or to Fahrenheit (°F), as preferred. Default is set to Fahrenheit.</p>



The **LCD Screen** is used as the information center for your unit. The LCD screen will display your Desired Cook Temperature, Actual Cook Temperature, and Meat Probe Temperatures (if connected). If only one Meat Probe is connected, only one reading will be displayed.

PRIME

Press and hold the **Prime Button** to activate an extra feed of pellets to the burn pot. This can be used to add more fuel to the fire before opening the barrel lid, resulting in a quick heat recovery time. It can also be used while smoking, to increase the intensity of clean smoke flavor. Requested from competition cookers.

SMOKE

The **Smoke Setting** on the Temperature Control Dial operates the unit at the lowest temperature, without the fire going out.



The plug-in connection port(s) on the front of the Control Board are for a **Meat Probe(s)**. When a meat probe is connected, the temperature is displayed on the LCD Screen. When not in use, disconnect the meat probe from the connection port. *Compatible with Pit Boss® branded meat probes only. Additional meat probe(s) sold separately.*



### UNDERSTANDING THE "P" SETTING

When the recessed "P" SET button is pushed, the "P" setting displayed on the LCD screen will change to the next value (upward). Once P7 is reached, it will restart at P0. There are eight "P" settings, ranging from P0 to P7. The recessed "P" SET button can be pushed using a thin-tipped object.

**IMPORTANT: Do not push the "P" SET button too hard, as this may cause damage. Only a light push is needed.**

• *USING THE "P" SETTING IN SMOKE MODE*

Anytime the temperature dial is set to SMOKE, such as the start-up cycle, the auger will run on more of a manual mode of cooking versus using one of the preset dial temperatures. First, the auger will continuously turn and feed pellets for four minutes. After four minutes, the auger begins to run a feed cycle based on the "P" setting selected on the Digital Control Board. The default setting is P4.

"P" SET	AUGER CYCLE (seconds)	
	ON	OFF
P0	18	55
P1	18	70
P2	18	85
P3	18	100
*P4	18	115
P5	18	130
P6	18	140
P7	18	150

\* default setting

### AUGER PRIMING PROCEDURE

First time using your grill or whenever your grill runs out of pellets in the hopper, you will need to prime the auger. If not primed, the grill will timeout before the pellets are ignited, and no fire will start. Follow these steps to prime the auger:

1. Open the hopper lid. Make sure there are no foreign objects in the hopper or blocking the auger feed system.
2. Remove all cooking components from the interior of the grill. Locate the burn pot in the bottom of the pellet grill.
3. Plug the power cord into a power source.
4. Turn on the grill and turn the Temperature Control Dial to the Smoke (S) or Low (L) position.
  - Check to make sure you hear the auger turning. Place your hand above the burn pot and feel for air movement. DO NOT place your hands or fingers inside the burn pot, this can cause injury.
  - After approximately a minute, you should smell the igniter burning and begin to feel the air getting warmer above the burn pot. The igniter tip does not glow red but will get extremely hot and will burn. DO NOT touch the igniter.
5. Once verified that all electric components are working correctly, turn the grill off.
6. Fill the hopper with all natural hardwood barbecue pellets.
7. Turn the grill on. Keep the Temperature Control Dial in the Smoke (S) or Low (L) position.
8. Press and hold the Prime Button until you see pellets drop from the auger into the burn pot. Now you can release the Prime Button.
9. You now can turn your grill off. Please make sure you allow your grill to stay plugged in until it finishes the cool down cycle. Once the fan turns off, the grill has completed the shutdown cycle, it is safe to unplug your grill.
10. Re-install the cooking components into the main barrel.
11. Your grill is now primed and ready to use! If this is the first time you are using your grill, you should perform a First Initial Grill Burn-off.

## FIRST USE – GRILL BURN-OFF

Once your auger has been primed and before cooking on your grill for the first time, it is important to complete a grill burn-off. Start the grill and operate at any temperature over 176°C / 350°F (with the lid down) for 30 to 40 minutes to burn-off the grill and rid it of any foreign matter.

## AUTOMATIC START-UP PROCEDURE

1. Plug the power cord into a grounded power source. Open the main barrel lid. Check the burn pot to ensure there is no obstruction for proper ignition. Open the hopper lid. Ensure there are no foreign objects in the hopper or auger feed system. Fill the hopper with dry, all natural barbecue hardwood pellets.
2. Ensure the **Temperature Control Dial** is in the SMOKE position. Press the **Power Button** to turn the unit on. This will activate the start-up cycle. The auger feed system will begin to turn, the igniter will begin to glow and the fan will supply air to the burn pot. The grill will begin to produce smoke while the start-up cycle is taking place. The barrel lid must remain open during the start-up cycle. To confirm the start-up cycle has begun properly, listen for a torchy roar, and notice some heat being produced.
3. Once the heavy, white smoke has dissipated, the start-up cycle is complete and you are ready to enjoy your grill at your desired temperature!

### IGNITER FAILURE PROCEDURE

**If for any reason your electric igniter fails or your grill's flame dies out during a cook, check the following steps, or start your grill using the manual method.**

1. Ensure the **Temperature Control Dial** is in the OFF position. Open the barrel lid. Remove the cooking components from inside. Remove all unburnt pellets and ash from the burn pot. Avoid touching the igniter to avoid injury, as it may be extremely hot.
2. Once all cooking components are removed and cleaned, press the Power Button to turn the unit on, and turn the Temperature Control Dial in the SMOKE position. Check the following:
  - Visually confirm that the igniter is working by placing your hand above the burn pot and feeling for heat.
  - Visually confirm that the igniter is protruding approximately 13mm / 0.5 inches in the burn pot.
  - Visually confirm that the auger is dropping pellets into the burn pot.
  - Confirm that the combustion fan is working by listening for a torchy roar.
3. If any of the above points are not working, follow **Troubleshooting** instructions.

## MANUAL START-UP PROCEDURE

1. Ensure the **Temperature Control Dial** is in the **OFF** position. Plug the power cord into a grounded power source.
2. Check burn pot to ensure there is no obstruction for proper ignition. Open the hopper lid. Ensure there are no foreign objects in the hopper or auger feed system. Fill hopper with dry, all natural hardwood barbecue pellets.
3. Open the barrel lid. Remove the cooking components to expose the burn pot. Place a generous handful of pellets into the burn pot. Squirt a gelled fire starter, or other appropriate pellet starter, over the top of the pellets. A small amount of solid fuel fire starter, such as one composed of sawdust and wax, or wood shavings, is also appropriate. Add another small amount of pellets in the burn pot.

**NOTE: Do not use spirit, petrol, gasoline, lighter-fluid, or kerosene for lighting or refreshing a fire in your grill.**

4. Light the contents of the burn pot using a long match or long-nosed lighter. Allow the starter to burn for 3 to 5 minutes. Do not attempt to add more starter into the burn pot. This can cause injury.
5. Quickly and carefully replace the cooking components to the inside of the main barrel. Continue start-up at step two of **Automatic Start-Up Procedure**.

## SHUTTING OFF YOUR GRILL

When finished cooking, with the main barrel lid remaining closed, press the **Power Button** to turn the unit off and turn the **Temperature Control Dial** to OFF. The grill will begin its automatic cool-down cycle. The auger system will stop feeding fuel, the flame will burn out, and the fan will continue to run until the cool-down cycle is complete.

**IMPORTANT! Once the shut-down cycle is complete, unplug the power cord.**

## CARE AND MAINTENANCE

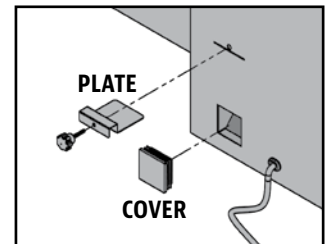
Any Pit Boss® unit will give you many years of flavorful service with minimum cleaning. An important step is allowing the grill and cooking grates to self-clean by running the grill at a high temperature for 5 to 10 minutes after each use. Follow these cleaning and maintenance tips to service your grill:

### 1. HOPPER ASSEMBLY

- The hopper includes a clean-out feature to allow for ease of cleaning and change out of pellet fuel flavors. To empty, locate the plate and the cover of the drop chute on the back side of the hopper. Place a clean, empty pail under the drop chute cover, then remove the cover piece. Unscrew the plate, slide outwards, and pellets will empty.

**NOTE: Use a long handled brush or wet/dry vacuum to remove excess pellets, sawdust, and debris for a complete clean-out through the hopper screen.**

- Check and clean off any debris from the fan air intake vent, found on the bottom of the hopper. Once the hopper access panel is removed (see *Electric Wire Diagram* for diagram), carefully wipe off any grease build-up directly on the fan blades. This ensures airflow is sufficient to the feed system.



### 2. PROBES

- Kinks or folds in the probe wires may cause damage to the part. Wires should be rolled up in a large, loose coil.
- Although the probes are stainless steel, do not place in the dishwasher or submerge in water. Water damage to the internal wires will cause the probe to short-out, causing false readings. If a probe is damaged, it should be replaced.

### 3. INSIDE SURFACES

- It is recommended to clean your burn pot after every few uses. This will ensure proper ignition and avoid any hard build-up of debris or ash in the burn pot.
- Use a long-handled grill cleaning brush, remove any food or build-up from the cooking grates. Best practice is to do this while they are still warm from a previous cook. Grease fires are caused by too much fallen debris on the cooking components of the grill. Clean the inside of your grill on a consistent basis. In the event you experience a grease fire, keep the grill lid closed to choke out the fire. If the fire does not go out quickly, carefully remove the food, turn the grill off, and shut the lid until the fire is completely out. Lightly sprinkle baking soda, if available.
- Check your grease tray often, and clean out as necessary. Keep in mind the type of cooking you do.

**IMPORTANT: Due to high heat, do not cover the Flame Broiler™ or probes with aluminum foil.**

### 4. OUTSIDE SURFACES

- Wipe your grill down after each use. Use warm soapy water to cut the grease. Do not use oven cleaner, abrasive cleansers or abrasive cleaning pads on the outside grill surfaces. **All painted surfaces are not covered under warranty, but rather are part of general maintenance and upkeep.** For paint scratches, wearing, or flaking of the finish, all painted surfaces can be touched up using high heat BBQ paint.
- Use a grill cover to protect your grill for complete protection! A cover is your best protection against weather and outside pollutants. When not in use or for longterm storage, keep the unit under a cover in a garage or shed.

**CLEANING FREQUENCY TIME TABLE (NORMAL USE)**

ITEM	CLEANING FREQUENCY	CLEANING METHOD
Bottom of Main Grill	Every 5-6 Grill Sessions	Scoop Out, Wet/dry vacuum Excess Debris
Burn pot	Every 2-3 Grill Sessions	Scoop Out, Wet/dry vacuum Excess Debris
Cooking Grates	After Each Grill Session	Burn Off Excess, Brass Wire Brush
Flame Broiler™	Every 5-6 Grill Sessions	Scrape Main Plate with Slider, <b>Do Not Wash Clean</b>
Front Shelf	After Each Grill Session	Scrub Pad & Soapy Water
Grease Bucket	After Each Grill Session	Scrub Pad & Soapy Water
Auger Feed System	When Pellet Bag is Empty	Allow Auger to Push Out Sawdust, Leaving Hopper Empty
Hopper Electric Components	Once A Year	Dust Out Interior, Wipe Fan Blades with Soapy Water
Air Intake Vent	Every 5-6 Grill Sessions	Dust, Scrub Pad & Soapy Water
Meat Probe	After Each Grill Session	Scrub Pad & Soapy Water
Grill probe	Every 2-3 Grill Sessions	Scrub Pad & Soapy Water

**USING HARDWOOD PELLET FUEL**

These clean-burning barbecue wood pellets generate about 8200 BTU's per pound with very little ash, a low moisture content (5-7%), and are carbon neutral. Barbecue wood pellets are produced by pure raw material (sawdust) being pulverized with a hammer-mill, and the material is pushed through a die with pressure. As the pellet is forced through the die, it is cut, cooled, screened, vacuumed, and then bagged for consumer use. Check with your local dealer for flavors available in your area.

**HICKORY BLEND**   
 Rich, smoky bacon-like flavor. Considered the "Kings of the Woods".

**MESQUITE BLEND**   
 Strong, tangy, spicy flavor. Think Tex-Mex cuisine.

**APPLE BLEND**   
 Smoky, mild sweetness flavor. Highly recommended for baking.

**MAPLE BLEND**   
 Sweet and savory flavor.

**ALDER BLEND**   
 Sweet and earthy flavor. Alder, Maple, and Pine Blend.

**FRUITWOOD BLEND**   
 Cherry, Apple, and Maple Blend.

**CHERRY BLEND**   
 Slightly sweet, but also tart. Gives a rosy tint to light meals.

**WHISKEY BARREL BLEND**   
 Strong, sweet smoke with aromatic tang. Perfect for red meats.

**COMPETITION BLEND**   
 Perfect blend of sweet, savory, and tart. Used by many professional grillers.

**PECAN BLEND**   
 Bold, buttery, and smooth flavor.

**OAK BLEND**   
 Rich and smoky flavor.

**CLASSIC BLEND**   
 Pecan, Hickory, and Mesquite Blend.

**NOTE:** Always store wood pellets in a dry area. Avoid any contact or exposure to moisture will result in lower heat output or cause the pellets to swell and break apart. Use a moisture proof, resealable tub or bucket for proper storage.

# COOKING GUIDELINES

Smoking and grilling styles of cooking can give you different results based on time and temperature. For best results, keep a record of what you cooked, at what temperature, how long you cooked for, and the results. Adjust to your taste for the next time. Practice makes perfect. The culinary art of hot smoking refers to longer cooking times, but results in more natural wood flavor (and a sought-after **smoke ring**) on your meats. Higher cooking temperatures result in a shorter cooking time, locking in less smoke flavor.

**TIP: For best results, allow time for meats to rest after cooking. This allows the natural juices to migrate back into the meat fiber, giving a much juicier, flavorful cut. Resting times can be as little as 3 minutes and up to 60 minutes, depending on the size of the protein.**

STYLE OF COOKING	HOT SMOKING (Very Low)	ROAST (Low)	BAKING (Medium)	GRILL/BAKE (Medium/High)	SEAR (High)
Temperature Range	82-135°C / 180-275°F	135-162°C / 275-323°F	162-190°C / 323-374°F	190-232°C / 374-449°F	232-260°C / 449-500°F

POULTRY	Size	Rare - 54°C / 130°F	Medium - 60°C / 140°F	Well Done - 77°C / 170°F
Turkey ( <i>whole</i> )	4.5-5.0 kg / 10-11 lbs. 5.3-6.4 kg / 12-14 lbs. 6.8-7.7 kg / 15-17 lbs. 8.2-10.0 kg / 18-22 lbs. 10.4-11.3 kg / 23-25 lbs.			Grill 90 - 120 minutes Grill 110 - 140 minutes Grill 130 - 160 minutes Grill 140 - 170 minutes Grill 150 - 180 minutes
Chicken ( <i>whole</i> )	1.36-2.26 kg / 3-5 lbs.			Grill 1 - 1.5 hours
Drumsticks, Breasts	0.45 - 0.86 kg / 1 - 1½ lbs.			Grill 30-60 minutes
Small Game Birds	0.45 - 0.86 kg / 1 - 1½ lbs.			Grill 30-45 minutes
Duck	1.36-2.26 kg / 3-5 lbs.			Roast or grill 2 - 2.5 hours

PORK	SIZE	Precooked to Reheat 60°C / 140°F	Medium 66°C / 150°F	Well Done 71°C / 160°F
Ham (Fully Cooked & Boneless Portion, Smoked Picnic Whole & Bone-In)	2.5 cm / 1" 1.36-1.81 kg / 3-4 lbs. 1.81-2.72 kg / 4-6 lbs. 2.26-3.62 kg / 5-8 lbs. 4.53-5.44 kg / 10-12 lbs.	12 minutes 50 minutes - 1 hour 1 - 2 hours 1 - 2½ hours 2 - 2¾ hours		
Loin Roast	1.36-1.81 kg / 3 - 4 lbs.		1 - 2 hours	2 - 3 hours
Rib Crown Roast	1.81-2.26 kg / 4 - 5 lbs.		1½ - 2 hours	2 - 3 hours
Chop (loin, rib)	1.9-2.5 cm / ¾" - 1" 3.1-3.9 cm / 1¼" - 1½"		10 - 12 minutes 14 - 18 minutes	
Tenderloin	1.9-2.5 cm / ¾" - 1"		20 - 30 minutes	30 - 45 minutes
Loin Roast ( <i>boneless</i> )	1.36-2.26 kg / 3-5 lbs.		1¼ - 1¾ hours	1¾ - 2½ hours
Boston Butt (Pork Shoulder)	3.62-4.53 kg / 8-10 lbs.			93 - 98°C / 200 - 210°F Internal Temperature

<b>BEEF</b>	<b>SIZE</b>	<b>HEAT</b>	<b>Rare - 54°C / 130°F</b>	<b>Medium - 60°C / 140°F</b>	<b>Well Done - 65°C / 150°F</b>
<b>Steak (New York, Porter-house, Rib-eye, Sirloin, T-bone, or Tenderloin)</b>	1.9 cm / ¾" 2.5 cm / 1" 3.8 cm / 1½" 5 cm / 2"	High	Sear 8-10 minutes Sear 10-12 minutes Sear 10 minutes, grill 8-10 minutes Sear 10 minutes, grill 10-14 minutes		
<b>Skirt Steak</b>	0.6 - 12.7 cm / ¼" - ½"	High	Sear 5-7 minutes		
<b>Flank Steak</b>	0.45 - 0.86 kg / 1 - 1½ lbs., 1.9 cm / ¾"	Medium	Sear 4 minutes, grill 8-10 minutes		
<b>Kabob</b>	2.5 - 3.8 cm / 1 - 1½" cubes	Medium	Grill 10 - 12 minutes		
<b>Tenderloin, whole</b>	1.58 - 1.81 kg / 3½ - 4 lbs.	High/Medium	Sear 10 minutes, grill 15-20 minutes		
<b>Ground Beef Patty</b>	1.9 cm / ¾"	High/Medium	Sear 4 minutes, grill 4-6 minutes		
<b>Rib-eye Roast (boneless)</b>	2.26 - 2.72 kg / 5 - 6 lbs.	Medium	Grill 1½ - 2 hours		
<b>Tri-tip Roast</b>	0.9 - 1.13 kg / 2 - 2½ lbs.	High/Medium	Sear 10 minutes, grill 20-30 minutes		
<b>Rib Roast</b>	5.44 - 6.35 kg / 12 - 14 lbs.	Medium	2½ - 2¾ hours		
<b>Veal Loin Chop</b>	2.5cm / 1"	Medium	10 - 12 minutes direct		
<b>Brisket</b>	7.25 - 3.62 kg / 16 -18 lbs.	Hot Smoke	Cook until internal temperature reaches 91°C / 195°F		

<b>LAMB</b>	<b>Size</b>	<b>Rare - 54°C / 130°F</b>	<b>Medium - 60°C / 140°F</b>	<b>Well Done - 71°C / 160°F</b>
<b>Roast (fresh)</b>	2.26 - 2.72 kg / 5 - 6 lbs.		1 - 2 hours	
<b>Rib Crown Roast</b>	1.36-2.26 kg / 3-5 lbs.		1 - 1½ hours	1½ hours

<b>SEAFOOD</b>	<b>Size</b>	<b>Rare - 54°C / 130°F</b>	<b>Medium - 60°C / 140°F</b>	<b>Well Done - 82°C / 180°F</b>
<b>Fish (whole)</b>	0.5 kg / 1 lb. 0.9 - 1.1 kg / 2 - 2½ lbs. 1.4 kg / 3 lbs.			Grill 10 - 20 minutes Grill 20 - 30 minutes Grill 30 - 45 minutes
<b>Fish (filets)</b>	0.6-1.3 cm / ¼" - ½"			Grill 3 - 5 minutes, until flaky
<b>Lobster Tail</b>	0.15 kg / 5 oz. 0.3 kg / 10 oz.			Grill 5 - 6 minutes Grill 10 - 12 minutes

<b>WILD GAME</b>	<b>Size</b>	<b>Rare - 60°C / 140°F</b>	<b>Medium - 71°C / 160°F</b>	<b>Well Done - 77°C / 170°F</b>
<b>Roast (fresh)</b>	2.26 - 2.72 kg / 5 - 6 lbs.		1 - 1½ hours	1½ - 2 hours
<b>Large Cuts (fresh)</b>	3.62-4.53 kg / 8-10 lbs.		1 hours	1½ hours

# TIPS & TECHNIQUES

Follow these helpful tips and techniques, passed on from Pit Boss® owners, our staff, and customers just like you, to become more familiar with your grill:

## 1. *FOOD SAFETY*

- Keep everything in the kitchen and cooking area clean. Use different platters and utensils for the cooked meat than the ones you used to prepare or transport the raw meat out to the grill. This will prevent cross contamination of bacteria. Each marinade or basting sauce should have its own utensil.
- Keep hot foods hot (above 60°C / 140°F), and keep cold foods cold (below 3°C / 37°F).
- A marinade should never be saved to use at a later time. If you are going to use it to serve with your meat, be sure to bring it to a boil before serving.
- Cooked foods should not be left out in the heat for more than an hour. Do not leave hot foods out of refrigeration for more than two hours.
- Defrost and marinate meats by refrigeration. Do not thaw meat at room temperature or on a counter top. Bacteria can grow and multiply rapidly in warm, moist foods. Wash hands thoroughly with hot, soapy water before starting any meal preparation and after handling fresh meat, fish, and poultry.

## 2. *COOKING PREPARATION*

- Be prepared, or ***Mise en Place***. This refers to preparing the cooking recipe, fuel, accessories, utensils, and all ingredients you require at grill side before you start cooking. Also, read the entire recipe, start to finish, before lighting the grill.
- A BBQ floor mat is very useful. Due to food handling accidents and cooking spatter, a BBQ floor mat would protect a deck, patio, or stone platform from the possibility of grease stains or accidental spills.

## 3. *GRILLING TIPS AND TECHNIQUES*

- To infuse more smoke flavor into your meats, cook longer and at lower temperatures (also known as ***low and slow***). Meat will close its fibers after it reaches an internal temperature of 49°C / 120°F. Misting, or mopping, are great ways to keep meat from drying out.
- While searing your meats, cook with the lid down. Always use a meat thermometer to determine the internal temperature of the foods you are cooking. Smoking foods with hardwood pellets will turn meats and poultry pink. The band of pink (after cooking) is referred to as a ***smoke ring*** and is highly prized by outdoor chefs.
- Sugar-based sauces are best applied near the end of cooking to prevent burning and flare-ups.
- Leave open space between the foods and the extremities of the barrel for proper heat flow. Food on a crowded grill will require more cooking time.
- Use a set of long-handled tongs for turning meats, and a spatula for turning burgers and fish. Using a piercing utensil, such as a fork, will prick the meat and allow the juices to escape.
- Foods in deep casserole dishes will require more time to cook than a shallow baking pan.
- It's a good idea to put cooked food onto a heated platter, keeping the food warm. Red meats, such as steak and roasts, benefit from resting for several minutes before serving. It allows the juices that were driven to the surface by heat to ease back to the center of the meat, adding more flavor.

# TROUBLESHOOTING

Proper cleaning, maintenance, and the use of clean, dry, quality fuel will prevent common operational problems. When your Pit Boss® grill is operating poorly, or on a less frequent basis, the following troubleshooting tips may be helpful. For FAQ, please visit [www.pitboss-grills.com](http://www.pitboss-grills.com). You may also contact your local Pit Boss® authorized dealer or contact Customer Care for assistance.

**WARNING: Always disconnect the electrical cord prior to opening the grill for any inspection, cleaning, maintenance, or service work. Ensure the grill is completely cooled to avoid injury.**

ENGLISH

PROBLEM	CAUSE	SOLUTION
No Power Lights On The Control Board	Temperature Control Dial is still off.	Press the Power Button, and ensure the button glows blue to show there is a power connection. Turn the Temperature Control Dial to a temperature setting.
	Not Connected To Power Source	Ensure unit is plugged into a working power source. Reset breaker. Ensure GFCI is a minimum 10 Amp service (see <b>Electric Wire Diagram</b> for access to electric components) Ensure all wire connections are firmly connected and dry.
	Fuse Blown On The Control Board	Remove access panel (see <b>Electric Wire Diagram</b> for diagram), press in plastic tabs holding the control board in place and carefully pull controller inside the hopper to release controller. Check the fuse for a broken wire or if the wire has turned black. If yes, fuse needs to be manually replaced.
	The GFCI outlet has been tripped.	Remove access panel (see <b>Electric Wire Diagram</b> for diagram), and ensure all wire connections are firmly connected and dry. Ensure GFCI is a minimum 10 Amp service.
	Faulty Control Board	Control Board needs to be replaced. Contact Customer Care for a replacement part.
Fire in Burn pot Will Not Light	Auger Not Primed	Before the unit is used for the first time or anytime the hopper is completely emptied out, the auger must be primed to allow pellets to fill the auger tube. If not primed, the igniter will timeout before the pellets reach the burn pot. Follow <b>Auger Priming Procedure</b> .
	Auger Motor Is Jammed	Remove cooking components from the main barrel. Press the Power Button to turn the unit on, turn Temperature Control Dial to SMOKE, and inspect the auger feed system. Visually confirm that the auger is dropping pellets into the burn pot. If not operating properly, call Customer Care for assistance or a replacement part.
	Igniter Failure	Remove cooking components from the main barrel. Press the Power Button to turn the unit on, turn Temperature Control Dial to SMOKE, and inspect the igniter. Visually confirm that the igniter is working by placing your hand above the burn pot and feeling for heat. Visually confirm that the igniter is protruding approximately 13mm / 0.5 inches in the burn pot. If not operating properly, follow <b>Manual Start-up Procedure</b> to continue use of grill; however, call Customer Care for assistance or a replacement part.
Flashing Dots On LCD Screen	The Igniter Is On	This is not an error that effects the grill. Used to show that the unit has power and is in Start-Up mode (igniter is on). The igniter will turn off after five minutes. Once the flashing dots disappear, the grill will begin to adjust to the desired temperature selected.
Flashing Temperature On LCD Screen	Grill Temperature Is Below 65°C /150°F	This is not an error that effects the unit; however, it is used to show that there is some risk that the fire could go out. Check hopper for sufficient fuel or if there is an obstruction in the feed system. Remove pellets and follow <b>Care and Maintenance</b> instructions. Check the grill probe and follow <b>Care and Maintenance</b> instructions if dirty. Check burn pot for ash build-up or obstructions, and follow <b>Care and Maintenance</b> instructions for ash build-up. Check fan. Ensure it is working properly and air intake is not blocked. Follow <b>Care and Maintenance</b> instructions if dirty. Check auger motor to confirm operation (rotation), and ensure there is no blockage in the auger tube.

"ErH" Error Code	The Unit Has Overheated, Possibly Due To Grease Fire Or Excess Fuel.	Press the Power Button to turn the unit off, and allow grill to cool. Follow <b>Care and Maintenance</b> instructions. After maintenance, remove pellets, and confirm positioning of all component parts. Once cooled, press the Power Button to turn the unit on, then select desired temperature. If error code still displayed, contact Customer Care.
"Err" Error Code	Grill probe wire not making connection.	Remove access panel (see <b>Electric Wire Diagram</b> for diagram), and check for any damage to the Grill probe wires. Ensure Grill probe molex connectors are firmly connected, and connected correctly, to the Control Board.
"noP" Error Code	Bad Connection At Connection Port	Disconnect meat probe from connection port on the Control Board, and reconnect. Ensure the meat probe adapter is firmly connected. Check for signs of damage to the adapter end. If still failed, call Customer Care for replacement part.
	Meat Probe Damaged	Check for signs of damage to the wires of the meat probe. If damaged, call Customer Care for replacement part.
	Faulty Control Board	Control Board needs to be replaced. Contact Customer Care for a replacement part.
Grill Temperature on SMOKE is too high	"P" Setting is too LOW	Push the "P" SET button, and increase the "P" setting.
Grill Will Not Achieve Or Maintain Stable Temperature	Insufficient Air Flow Through Burn pot	Check burn pot for ash build-up or obstructions. Follow <b>Care and Maintenance</b> instructions for ash build-up. Check fan. Ensure it is working properly and air intake is not blocked. Follow <b>Care and Maintenance</b> instructions if dirty. Check auger motor to confirm operation, and ensure there is no blockage in the auger tube. Once all the above steps have been done, start the grill, set temperature to SMOKE and wait for 10 minutes. Check that the flame produced is bright and vibrant.
	Lack Of Fuel, Poor Fuel Quality, Obstruction In Feed System	Check hopper to check that fuel level is sufficient, and replenish if low. Should the quality of wood pellets be poor, or the length of the pellets too long, this may cause an obstruction in the feed system. Remove pellets and follow <b>Care and Maintenance</b> instructions.
	Grill probe	Check status of grill probe. Follow <b>Care and Maintenance</b> instructions if dirty. Contact Customer Care for a replacement part if damaged.
Grill Produces Excess Or Discolored Smoke	Grease Build-Up	Follow <b>Care and Maintenance</b> instructions.
	Hardwood pellets Quality	Remove moist wood pellets from hopper. Follow <b>Care and Maintenance</b> instructions to clean out. Replace with dry wood pellets.
	Burn pot Is Blocked	Clear burn pot for moist wood pellets. Follow <b>Auger Priming Procedure</b> .
	Insufficient Air Intake For Fan	Check fan. Ensure it is working properly and air intake is not blocked. Follow <b>Care and Maintenance</b> instructions if dirty.
Frequent Flare-Ups	Cooking Temperature	Attempt cooking at a lower temperature. Grease does have a flash point. Keep the temperature under 176°C / 350°F when cooking highly greasy food.
	Grease Build-Up On Cooking Components	Follow <b>Care and Maintenance</b> instructions.

# ELECTRICAL WIRE DIAGRAM

The Digital Control Board system is an intricate and valuable piece of technology. For protection from power surges and electrical shorts, consult the wire diagram below to ensure your power source is sufficient for the operation of the unit.

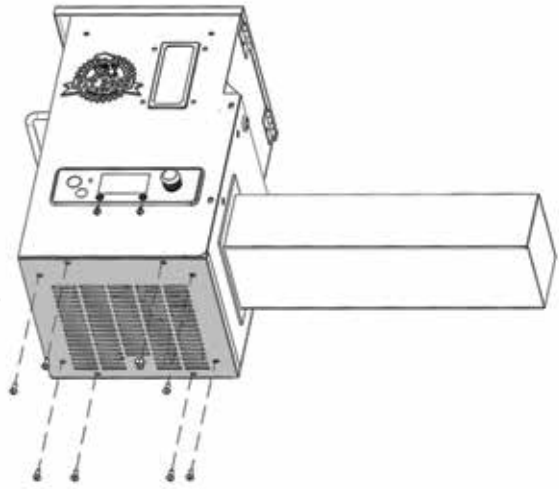
## PB - ELECTRIC REQUIREMENTS

110-120V, 60Hz, 275W, 3-PRONG GROUNDED PLUG

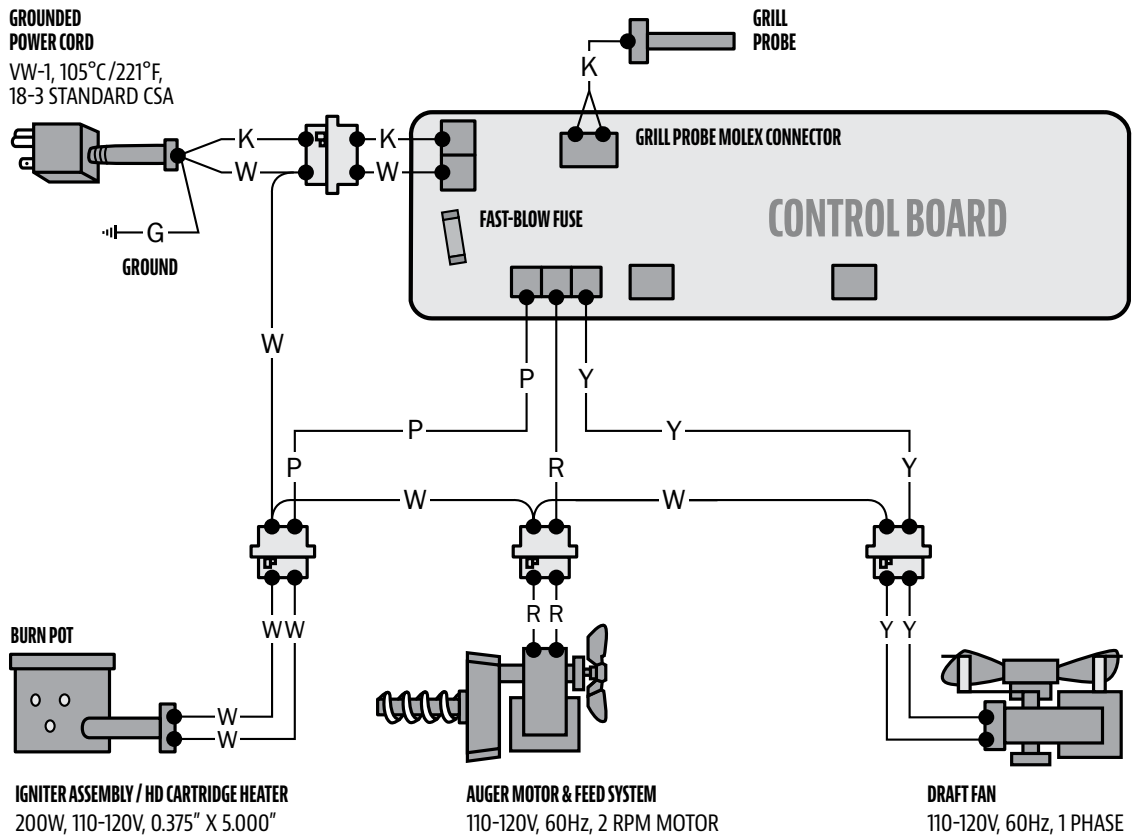
NOTE: Electrical components, passed by product safety testing and certification services, comply with a testing tolerance of  $\pm 5-10$  percent.

ENGLISH

LOCATE AND REMOVE THE EIGHT SCREWS OF ACCESS PANEL ON UNDERSIDE OF UNIT



FUEL INPUT RATING:  
1.12 KG/H  
(2.48 LB/H)

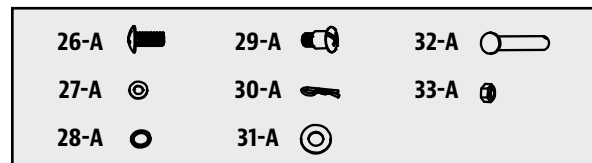
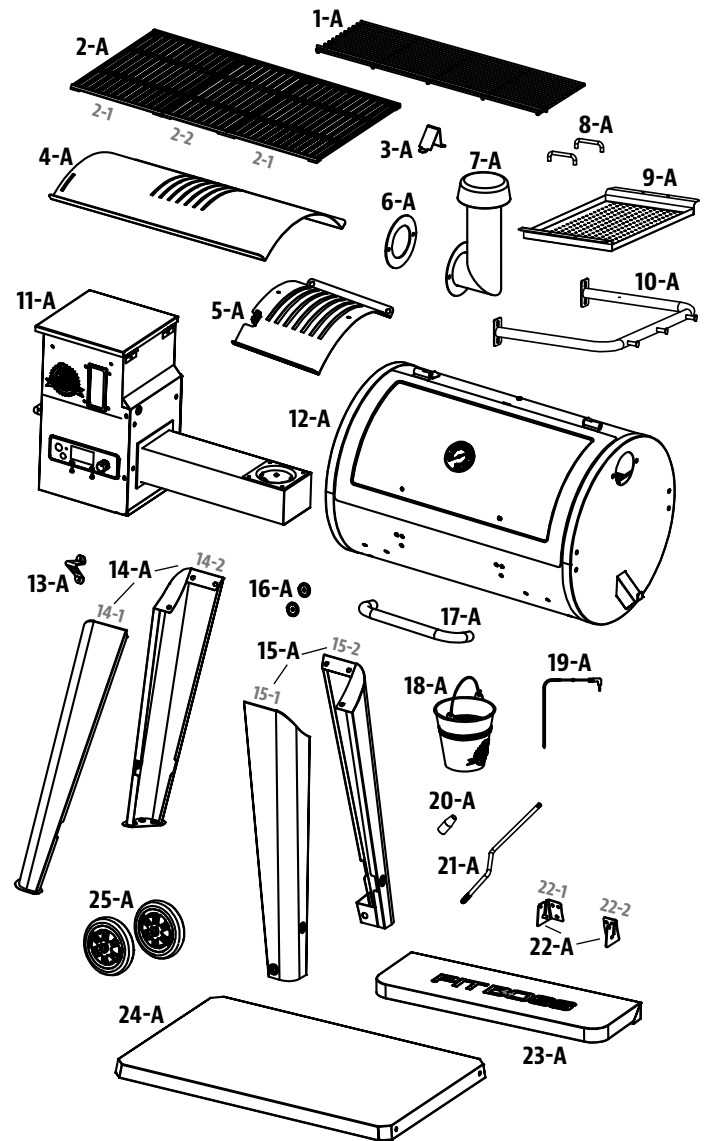


### INDEX

W : WHITE  
Y : YELLOW  
P : PURPLE  
R : RED  
K : BLACK  
G : GREEN

# GRILL REPLACEMENT PARTS

Part#	Description
1-A	Porcelain-Coated Steel Upper Cooking Grate (x1)
2-A	Porcelain-Coated Cast-Iron Cooking Grate - A (x2)
	Porcelain-Coated Cast-Iron Cooking Grate - B (x1)
3-A	Lid Stopper (x1)
4-A	Flame Broiler™ Main Plate (x1)
5-A	Flame Broiler™ Slider (x1)
6-A	Chimney Gasket (x1)
7-A	Chimney (x1)
8-A	Serving Tray Handle (x2)
9-A	Serving Tray (x1)
10-A	Side Shelf Handle (x1)
11-A	Hopper Assembly (x1)
12-A	Main Barrel (x1)
13-A	Bottle Opener (x1)
14-A	Stationary Leg - front (x1)
	Stationary Leg - back (x1)
15-A	Leg with Wheel - front (x1)
	Leg with Wheel - back (x1)
16-A	Lid Handle Bezel (x2)
17-A	Lid Handle (x1)
18-A	Grease Bucket (x1)
19-A	Meat Probe (x1)
20-A	Flame Broiler™ Adjusting Bar Handle (x1)
21-A	Flame Broiler™ Adjusting Bar (x1)
22-A	Front Shelf Bracket - left (x1)
	Front Shelf Bracket - right (x1)
23-A	Front Shelf (x1)
24-A	Bottom Shelf (x1)
25-A	Wheel (x2)
26-A	Screw (x28)
27-A	Washer (x28)
28-A	Locking Washer (x28)
29-A	Screw (x2)
30-A	Wheel Cotter Pin (x2)
31-A	Wheel Washer (x2)
32-A	Wheel Axle Pin (x2)
33-A	Nut (x2)

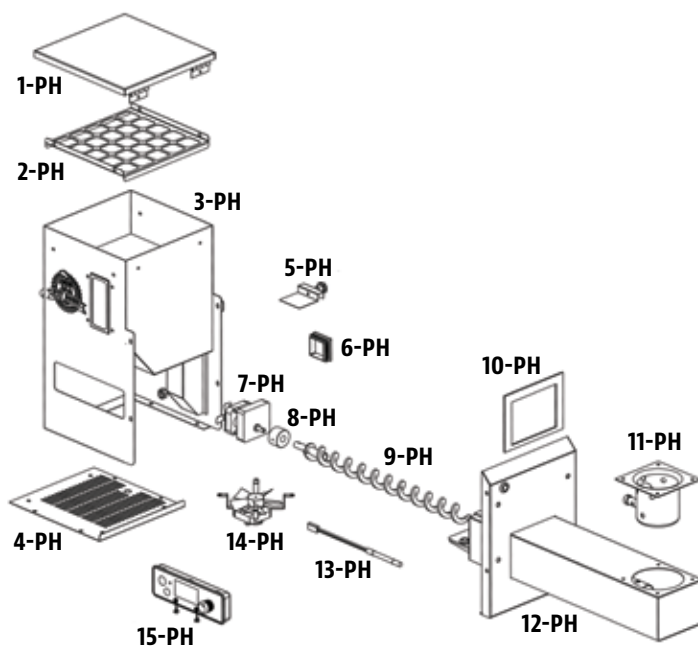


NOTE: Due to ongoing product development, parts are subject to change without notice.

# HOPPER REPLACEMENT PARTS

ENGLISH

Part#	Description
1-PH	Hopper Lid (x1)
2-PH	Hopper Safety Screen (x1)
3-PH	Hopper Box Housing (x1)
4-PH	Access Panel (x1)
5-PH	Drop Chute Plate (x1)
6-PH	Drop Chute Cover (x1)
7-PH	Auger Motor (x1)
8-PH	Nylon Bushing (x1)
9-PH	Auger Flighting Assembly (x1)
10-PH	Hopper Housing Gasket (x1)
11-PH	Burn pot (x1)
12-PH	Auger Box Housing (x1)
13-PH	Igniter (x1)
14-PH	Combustion Fan (x1)
15-PH	Pit Boss® Control Board (x1)



# WARRANTY

## CONDITIONS

All hardwood pellets grills by Pit Boss®, manufactured by Dansons, carry a limited warranty from the date of sale by the original owner. The warranty coverage begins on the original date of purchase and proof of date of purchase, or copy of original bill of sale, is required to validate the warranty. Customers will be subject to parts, shipping, and handling fees if unable to provide proof of the purchase or after the warranty has expired.

Dansons carries a five (5) year warranty against defects and workmanship on all parts, and five (5) years on electrical components. Dansons warrants that all part(s) are free of defects in material and workmanship, for the length of use and ownership of the original purchaser. Warranty does not cover damage from wear and tear, such as scratches, dents, dings, chips, or minor cosmetic cracks. These aesthetic changes of the grill do not affect its performance. Repair or replacement of any part does not extend past the limited warranty beyond the five (5) years from date of purchase.

During the term of the warranty, Dansons obligation shall be limited to furnishing a replacement for defective and/or failed components. As long as it is within the warranty period, Dansons will not charge for repair or replacement for parts returned, freight prepaid, if the part(s) are found by Dansons to be defective upon examination. Dansons shall not be liable for transportation charges, labor costs, or export duties. Except as provided in these conditions of warranty, repair or replacement of parts in the manner and for the period of time mentioned heretofore shall constitute the fulfillment of all direct and derivate liabilities and obligations from Dansons to you.

Dansons takes every precaution to utilize materials that retard rust. Even with these safeguards, the protective coatings can be compromised by various substances and conditions beyond Dansons control. High temperatures, excessive humidity, chlorine, industrial fumes, fertilizers, lawn pesticides, and salt are some of the substances that can affect metal coatings. For these reasons, the warranty does not cover rust or oxidization, unless there is loss of structural integrity on the grill component. Should any of the above occur, kindly refer to the care and maintenance section to prolong the lifespan of your unit. Dansons recommends the use of a grill cover when the grill is not in use.

This warranty is based on normal domestic use and service of the grill and neither limited warranty coverage's apply for a grill which is used in commercial applications.

## EXCEPTIONS

There is no written or implied performance warranty on Pit Boss® grills, as the manufacturer has no control over the installation, operation, cleaning, maintenance or the type of fuel burned. This warranty will not apply nor will Dansons assume responsibility if your appliance has not been installed, operated, cleaned, and maintained in strict accordance with this owner's manual. Any use of gas not outlined in this manual may void the warranty. The warranty does not cover damage or breakage due to misuse, improper handling or modifications.

Neither Dansons, or authorized Pit Boss® dealer, accepts responsibility, legal or otherwise, for the incidental or consequential damage to the property or persons resulting from the use of this product. Whether a claim is made against Dansons based on the breach of this warranty or any other type of warranty expressed or implied by law, the manufacturer shall in no event be liable for any special, indirect, consequential, or other damages of any nature whatsoever in excess of the original purchase of this product. All warranties by manufacturer are set forth herein and no claim shall be made against manufacturer on any warranty or representation.

Some states do not allow the exclusion or limitation of incidental or consequential damages, or limitations of implied warranties, so the limitations or exclusions set forth in this limited warranty may not apply to you. This limited warranty gives you specific legal rights and you may have other rights, which vary from state to state.

## ORDERING REPLACEMENT PARTS

To order replacement parts, please contact your local Pit Boss® dealer or visit our online store at: [www.pitboss-grills.com](http://www.pitboss-grills.com)

## CONTACT CUSTOMER CARE

If you have any questions or problems, contact Customer Care.

**USA: (480) 923-9630 | CANADA (TOLL FREE): 1-877-942-2246**

## WARRANTY SERVICE

Contact your nearest Pit Boss® dealer for repair or replacement parts. Dansons requires proof of purchase to establish a warranty claim; therefore, retain your original sales receipt or invoice for future reference. The serial and model number of your Pit Boss® can be found on the back of the hopper. Record numbers below as the label may become worn or illegible.

---

MODEL

---

SERIAL NUMBER

---

DATE OF PURCHASE

---

AUTHORIZED DEALER

# INFORMATIONS DE SÉCURITÉ

**LES CAUSES MAJEURES DES INCENDIES D'APPAREILS SONT LE RÉSULTAT D'UN MAUVAIS ENTRETIEN ET D'UN DÉFAUT DE MAINTENIR DU DÉGAGEMENT REQUIS POUR LES MATÉRIAUX COMBUSTIBLES. IL EST D'UNE IMPORTANCE CRUCIALE QUE CE PRODUIT SOIT UTILISÉ SEULEMENT CONFORMÉMENT AUX INSTRUCTIONS SUIVANTES.**

Veillez lire et comprendre ce manuel avant d'assembler, d'utiliser ou d'installer le produit. Cela vous assurera de profiter au mieux et sans soucis de votre nouveau gril à granulés de bois. Nous vous conseillons également de conserver ce manuel pour référence ultérieure.

## DANGERS ET AVERTISSEMENTS

**Vous devez communiquer avec votre municipalité, vos autorités locales en matière de feu ou de construction ou toute autre autorité compétente afin d'obtenir les permis nécessaires, la permission ou des renseignements sur toutes les restrictions d'installation, y compris ceux relatifs à l'installation d'un gril sur une surface combustible, aux règles d'inspection ou encore aux permis d'utilisation dans votre région.**

1. Un dégagement minimum de 305 mm (12 pouces) des constructions combustibles sur les côtés du grill et 305 mm (12 pouces) de l'arrière du gril aux constructions combustibles doit être maintenu. **N'installez pas l'appareil sur des planchers combustibles ou sur des planchers protégés par des surfaces combustibles à moins que les autorités compétentes n'aient obtenu les permis et les autorisations nécessaires.** Cet appareil à granulés de bois ne doit pas être placé sous un plafond ou un surplomb combustible. Gardez votre gril dans une zone dégagée et exempte de matières combustibles, d'essence et d'autres vapeurs et liquides inflammables.

**En cas d'incendie de graisse, éteignez le grill et laissez le couvercle fermé jusqu'à ce que le feu soit éteint. Ne pas débrancher la fiche d'alimentation. Ne pas jeter d'eau dessus. Ne pas essayer d'étouffer le feu. L'utilisation d'un extincteur approuvé toutes classes (classe ABC) est précieuse à conserver sur place. Si un incendie non contrôlé se produit, appelez les pompiers.**

2. Gardez les cordons d'alimentation électrique et le carburant loin des surfaces chauffées. Ne pas utiliser votre gril sous la pluie ou autour d'une source d'eau.
3. Après une période de stockage ou de non utilisation, vérifiez qu'il n'y a pas d'obstruction au niveau de la grille de combustion et pas de blocage de l'air au niveau de la trémie. Nettoyer avant utilisation. Des soins et un entretien réguliers sont nécessaires pour prolonger la durée de vie de votre gril. **Si le gril est entreposé dehors pendant la saison des pluies ou les saisons de forte humidité, toutes les précautions devraient être prises pour veiller à ce que l'eau n'entre pas dans la trémie.** Lorsqu'ils sont mouillés ou exposés à une humidité élevée, les granulés de bois se dilatent considérablement, se décomposent et peuvent bloquer le système d'alimentation. Vous devez toujours débrancher le gril avant d'effectuer un service ou un entretien.

**IMPORTANT! Éteignez toujours l'appareil et laissez le cycle d'arrêt se dérouler. Débranchez l'appareil uniquement une fois le cycle d'arrêt terminé et/ou avant de le nettoyer. Le non-respect de cet avertissement peut entraîner des dommages, des blessures graves, un incendie, un choc électrique ou la mort.**

**Ne pas transporter votre gril pendant son utilisation ou pendant qu'il est chaud. Assurez-vous que le feu est complètement éteint et que le gril est complètement frais avant le déplacement.**

4. Il est recommandé d'utiliser des gants ou des gants de barbecue résistant à la chaleur lors de l'utilisation du gril. Ne pas utiliser d'accessoires n'ayant pas été conçus pour être utilisés avec cet appareil. Ne pas mettre de couvercle de barbecue ou tout autre matière inflammable dans la zone d'espace de stockage sous le barbecue.

**AVERTISSEMENT : Soyez conscient de la construction de matériaux combustibles, maintenez le feu pour éviter une surchauffe.**

5. Pour éviter toute blessure ou endommagement de la tanière, l'appareil comporte un écran de sécurité de la trémie métallique. Cet écran ne doit pas être retiré sauf indication contraire du Service client de dansons ou d'un fournisseur de service autorisé.

**Cet appareil n'est pas conçu pour être utilisé par des enfants, des personnes à capacités physiques, sensorielles ou intellectuelles réduites ou sans expérience ni connaissances, à moins qu'elles soient surveillées directement par une personne responsable de leur sécurité.**

6. Certaines parties du barbecue peuvent être très chaudes et des blessures graves peuvent survenir. Retirez les casseroles et les poêles pendant que l'appareil en fonctionnement est sans surveillance, afin de réduire le risque d'incendie. Tenez les jeunes enfants et les animaux domestiques éloignés pendant l'utilisation.
7. Ne pas élargir des trous de l'allumeur ou des pots de combustion. Le non-respect de cet avertissement pourrait entraîner un risque d'incendie et des dommages corporels et annulera votre garantie.
8. Le produit peut avoir des bords ou des points pointus. Le contact peut entraîner des blessures. Manipuler avec soin.

## ÉLIMINATION DES CENDRES

Les cendres devraient être déposées dans un contenant métallique avec couvercle hermétique. Le contenant fermé de cendres devrait être placé sur un plancher non combustible ou sur le sol, loin de toute matière combustible en attendant leur élimination définitive. Lorsque les cendres sont disposées par enterrement dans le sol, ou dispersées localement, elles doivent être conservées dans un récipient fermé jusqu'à ce que toutes les cendres aient été complètement refroidies.

## COMBUSTIBLE GRANULES DE BOIS

Cet appareil de cuisson à granules est conçu et approuvé uniquement pour le bois aggloméré, entièrement naturel. Tout autre type de consommation de carburant dans cet appareil annulera la garantie et la norme de sécurité. Vous devez uniquement utiliser les pastilles de bois naturelles, conçues pour brûler dans les grils de bbq à pastilles. Ne pas utiliser de carburant avec des additifs. Les granules de bois sont très sensibles à l'humidité et doivent toujours être stockés dans un contenant hermétique. Si vous rangez votre gril sans utilisation pendant une période prolongée, nous vous recommandons de retirer tous les granulés de votre trémie et de votre vis sans fin pour éviter les bourrages. Pouvoir calorifique moyen du combustible à granulés en 18569-20362 KJ/KG (8000 - 8770 BTU/LB), teneur en cendres < 1 %.

**Ne pas utiliser d'alcool, d'essence, de pétrole, d'essence à briquet ou du kérosène pour allumer ou faire reprendre un feu dans votre gril. Conservez tous ces liquides loin du gril lorsque celui-ci fonctionne.**

Au l'impression de ce manuel, il n'y a pas de norme industrielle pour les granulés de bois de barbecue, bien que la plupart des usines de granulés utilisent les mêmes normes pour fabriquer des granulés de bois à usage domestique. Vous trouverez plus d'informations sur [www.pelletheat.org](http://www.pelletheat.org) ou sur Pellet Fuel Institute.

Contactez votre revendeur local au sujet de la qualité des granulés dans votre région et pour des informations sur la qualité de la marque. Comme il n'y a pas de contrôle sur la qualité des pastilles utilisées, nous n'assumons aucune responsabilité à l'égard des dommages causés par une mauvaise qualité du carburant.

## CRÉOSOTE

Créosote - formation et besoin d'élimination. Lors de sa combustion, il produit une fumée noire avec un résidu également de couleur noire. Lorsque les granulés de bois sont brûlés lentement, ils produisent du goudron et d'autres vapeurs organiques qui se combinent avec l'humidité expulsée pour former de la créosote. Les vapeurs de créosote se condensent dans une cheminée de four relativement froide et une hotte d'évacuation d'un feu à combustion lente. En conséquence, des résidus de créosote s'accumulent sur le revêtement du conduit de fumée et la hotte d'évacuation. Lorsqu'elle est enflammée, cette créosote produit un feu extrêmement chaud.

Le conduit de graisse doit être inspecté au moins deux fois par an pour déterminer quand l'accumulation de graisse et/ou de créosote s'est produite.

Lorsque de la graisse ou de la créosote s'est accumulée, elle doit être enlevée pour réduire le risque d'incendie.

## LE MONOXYDE DE CARBONE (« LE TUEUR SILENCIEUX »)

Le monoxyde de carbone est un gaz incolore, inodore et sans goût produit par la combustion des gaz, du bois, du propane, du charbon ou d'autres combustibles. Le monoxyde de carbone réduit la capacité du sang à transporter l'oxygène. Les faibles niveaux d'oxygène sanguin peuvent entraîner des maux de tête, des étourdissements, des faiblesses, des nausées, des vomissements, de la somnolence, de la confusion, de la perte de conscience ou la mort. Suivez les directives suivantes pour empêcher ce gaz incolore et inodore de vous empoisonner ainsi que votre famille et les autres :

- Consultez un médecin si vous ou les autres développez des symptômes similaires à un rhume ou la grippe quand vous cuisinez ou quand vous vous trouvez à proximité de l'appareil. L'empoisonnement au monoxyde de carbone, qui peut facilement être confondu avec le rhume ou la grippe, est souvent détecté trop tard.
- La consommation d'alcool et de drogues augmente les effets de l'empoisonnement au monoxyde de carbone.

Le monoxyde de carbone est particulièrement toxique pour la mère et l'enfant pendant la grossesse, pour les nourrissons, les personnes âgées, les fumeurs et les personnes souffrant de problèmes de circulation sanguine ou du système circulatoire, tels que l'anémie ou les maladies cardiaques.

## LISTE DE SÉCURITÉ

Conformément aux procédures et spécifications homologuées dans UL Subject 2728-2009 « Appareils de cuisson à combustible à granulés » et ULC/ORD C2728-13 "pour les caractéristiques électriques d'équipement de combustion de carburant". Les appareils de cuisson à granulés de Pit Boss® Grills ont été testés indépendamment et classés par Intertek (un laboratoire d'essai accrédité) aux normes ETL, UL, ULC et CSA.



### AVIS SUR LES DROITS D'AUTEUR

Droit d'auteur 2022. Tous droits réservés. Nulle partie de ce manuel ne peut être reproduite, transmise, transcrite ou stockée dans un système de recherche de quelque façon que ce soit sans l'autorisation préalable écrite de,

#### Dansons

8877 North Gainey Center Drive, Scottsdale, AZ, USA 85258  
[www.pitboss-grills.com](http://www.pitboss-grills.com)

#### Service client

ÉTATS-UNIS: (480) 923-9630

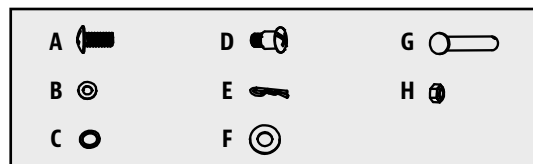
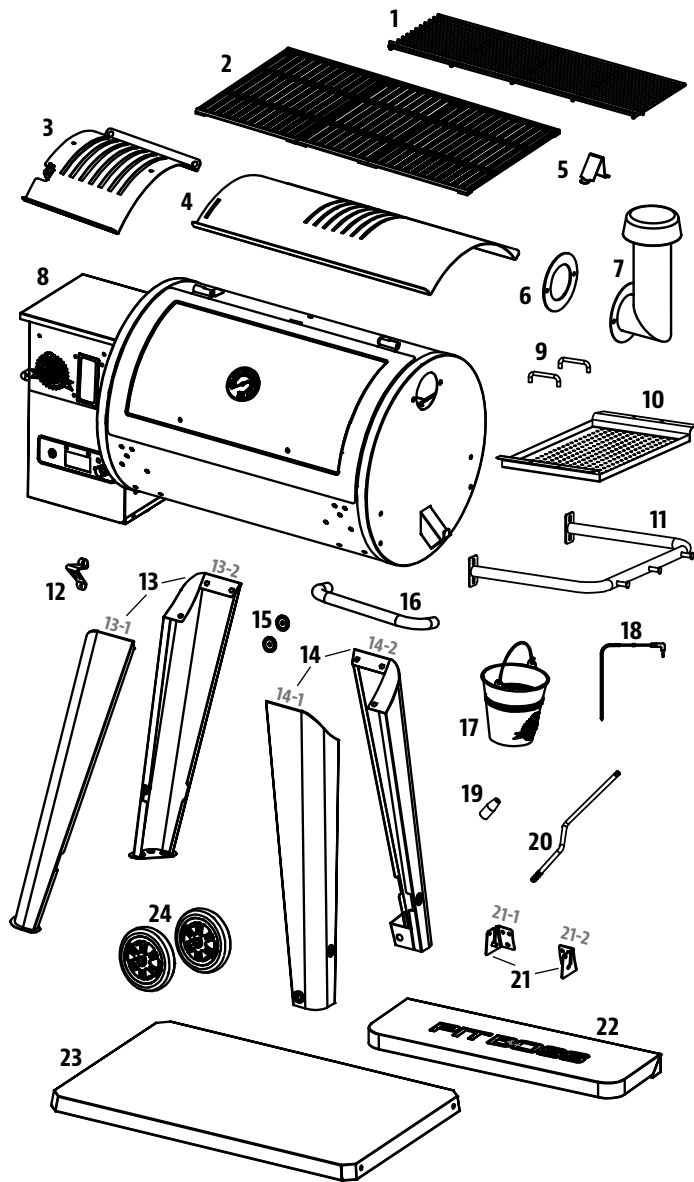
CANADA (SANS FRAIS): 1-877-942-2246

# TABLE DES MATIÈRES

Informations de sécurité .....	28	Entretien et maintenance .....	44
Pièces et spécifications .....	32	Utilisation du combustible en granulés de bois .....	46
Préparation de l'assemblage .....	33	Lignes directrices pour la cuisine .....	47
Instructions d'assemblage		Conseils et techniques .....	49
Montage des roues aux pieds de supports .....	33	Dépannage .....	50
Montage des pieds de supports au baril principal .....	34	Diagramme de fil électrique .....	52
Fixation du bouchon du couvercle .....	35	Pièces de rechange	
Montage de la poignée du couvercle .....	35	Pièces de rechange de gril .....	53
Montage de la poignée de la tablette latérale, plateau de service .....	35	Pièces de rechange de trémie .....	54
Sécuriser la cheminée .....	36	Garantie	
Installer les supports de la tablette avant .....	36	Conditions .....	54
Installer la tablette avant .....	36	Exceptions .....	55
Sécuriser l'ouvre-bouteille .....	37	Commande de pièces de remplacement .....	55
Installer les composants de cuisson .....	37	Appelez le Service client .....	55
Placer le seau à graisse .....	38	Service de garantie .....	55
Connexion à une source d'alimentation .....	38		
Mode d'emploi			
Environnement du gril .....	39		
Gammes de température du gril .....	40		
Comprendre les sondes .....	40		
Comprendre le tableau de contrôle .....	41		
Comprendre le réglage « P » .....	42		
Procédure d'amorçage de la tatière .....	42		
Première utilisation – Brûler le gril .....	42		
Procédure de démarrage automatique .....	43		
Procédure de démarrage manuel .....	43		
Arrêt votre gril .....	44		

# PIÈCES ET SPÉCIFICATIONS

No.	Description des pièces
1	Grille de cuisson supérieure en acier revêtu de porcelaine (x1)
2	Grilles de cuisson en fonte revêtue de porcelaine (x3)
3	Chaudière glissière (x1)
4	Chaudière planche principale (x1)
5	Bouchon du couvercle (x1)
6	Sortie de la cheminée (x1)
7	Cheminée (x1)
8	Baril principal / assemblage de la trémie (x1)
9	Poignée du plateau (x2)
10	Plateau (x1)
11	Poignée de la tablette latérale (x1)
12	Ouvre-bouteille (x1)
13	Pied fixe (x2)
14	Pied avec roue (x2)
15	Cadran de la poignée du couvercle (x2)
16	Poignée du couvercle (x1)
17	Seau de graisse (x1)
18	Sonde de viande (x1)
19	Poignée de la barre de réglage pour chaudière (x1)
20	Barre de réglage pour chaudière (x1)
21	Support pour tablette avant (x2)
22	Tablette avant (x1)
23	Étagère inférieure (x1)
24	Roue (x2)
A	Vis (x28)
B	Rondelle (x28)
C	Rondelle de blocage (x28)
D	Vis (x2)
E	Goupille fendue de la roue (x2)
F	Rondelle de roue (x2)
G	Goupille de l'essieu des roues (x2)
H	Écrou (x2)



REMARQUE : En raison du développement continu du produit, les pièces peuvent être modifiées sans préavis. Contactez le service clientèle si des pièces manquent lors de l'assemblage de l'appareil.

## PB - EXIGENCES ÉLECTRIQUES

110-120V, 60Hz, 275W, FICHE À 3 BROCHES MISE À LA TERRE

MODÈLE	APPAREIL MONTÉ (L x H x P)	POIDS	ZONE DE CUISSON	PLAGE DE TEMPÉRATURES
PB PB0820D3	1 444 MM X 1 324 MM X 821 MM / 56,8 PO X 52,1 PO X 32,3 PO	69,5 KG / 153,2 LB	PRINCIPALE - 3 824,51 CM <sup>2</sup> / 592,8 PO <sup>2</sup> GRILLE SUPÉRIEURE - 1 656 CM <sup>2</sup> / 256,68 PO <sup>2</sup> TOTAL - 5 480,51 CM <sup>2</sup> / 849,48 PO <sup>2</sup>	82-260°C / 180-500°F

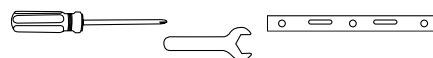
# PRÉPARATION DE L'ASSEMBLAGE

Les pièces sont situées dans tout le carton d'expédition, y compris sous le gril. Inspectez la grille, les pièces et l'emballage de matériel après avoir retiré de l'emballage de protection en carton. Avant l'assemblage du produit, examinez toutes les pièces et référez-vous à la liste des pièces. En cas de pièce manquante ou endommagée, ne tentez pas d'assembler. Les dommages lors de l'expédition ne sont pas couverts par la garantie. Contactez votre revendeur ou le Service client de Pit Boss® pour les pièces.

ÉTATS-UNIS: (480) 923-9630 | CANADA (SANS FRAIS): 1-877-942-2246

**IMPORTANT : Pour faciliter l'installation, être deux personnes est utile (mais pas nécessaire) lors de l'assemblage de cette unité.**

**Outils nécessaires pour l'assemblage :** tournevis, clé et niveau d'eau. *Outils non inclus.*



## INSTRUCTIONS D'ASSEMBLAGE

**REMARQUE :** Pour toutes les étapes suivantes, ne pas serrer complètement les vis jusqu'à ce que toutes les vis de cette étape aient été installées. Une fois toutes les vis installées, serrez-les correctement. La combinaison de matériel impliquant une rondelle et une rondelle de blocage doit être installée avec la rondelle de verrouillage la plus proche de la tête de la vis.

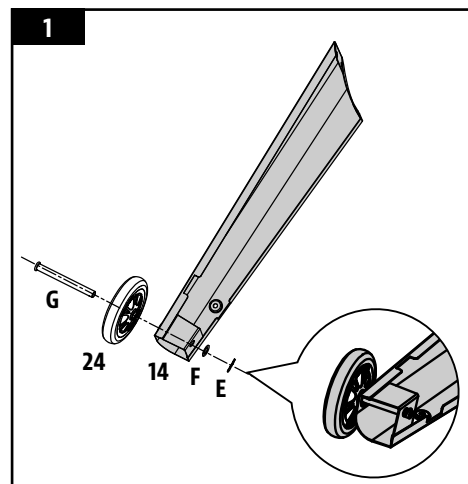
### 1. MONTAGE DES ROUES AUX PIEDS DE SUPPORTS

#### Pièces nécessaires :

- 2 x Pied de support avec roue (#14)
- 2 x Roue (#24)
- 2 x Goupille de l'essieu des roues (#G)
- 2 x Rondelle de roue (#F)
- 2 x Goupille fendue de la roue (#E)

#### Installation :

- Fixez la roue au pied de support en insérant la goupille de l'essieu des roues à travers la roue, le pied de support, la rondelle de l'essieu des roues, puis fixez le tout en utilisant la goupille fendue de la roue.
- Suivez les mêmes instructions pour l'installation de l'autre roue et le pied de support.



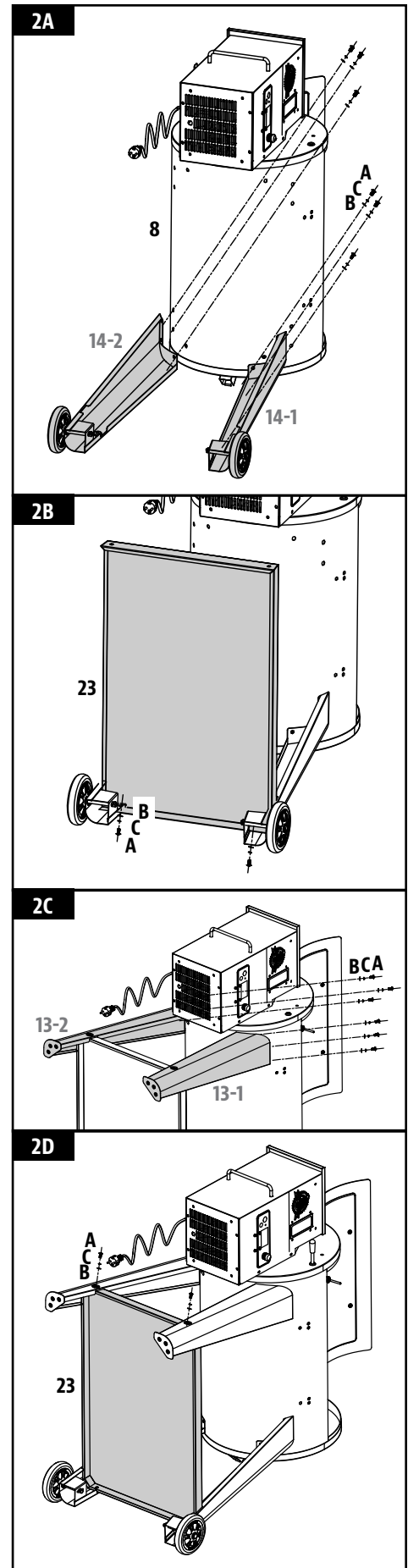
## 2. MONTAGE DES PIEDS DE SUPPORTS AU BARIL PRINCIPAL

### Pièces nécessaires :

- 1 x Baril principal (#8)
- 2 x Pied de support avec roue (#14)
- 2 x Pied de support fixe (#13)
- 1 x Étagère Inférieure (#23)
- 16 x Vis (#A)
- 16 x Rondelle de Blocage (#C)
- 16 x Rondelle (#B)

### Installation :

- Placez un morceau de carton sur le sol pour éviter de rayer l'appareil. Posez le baril principal sur le côté, la trémie pointant vers le haut, sur le carton.
- Montez un pied de support avec roue à l'extrémité côté sol du baril principal à l'aide de trois vis, de rondelles de blocage et de rondelles, à travers les trois trous pré-perçés. Installez les vis de l'intérieur du baril principal. Répétez l'installation pour la deuxième pied de support avec roue. Note 2A.
- Fixer l'étagère inférieure sur chaque pied de support avec roue à l'aide d'une vis, d'une rondelle de blocage et d'une rondelle. Assurez-vous que la surface plane de la tablette est orientée vers le haut du baril du gril. Note 2B.
- Montez un pied de support fixe sur l'extrémité de la trémie du baril principal à l'aide de trois vis, rondelles de blocage et rondelles, à travers les trois trous pré-perçés. Installez les vis de l'intérieur du baril principal. Répétez l'installation pour la deuxième pied de support fixe. Note 2C.
- Fixer l'étagère inférieure aux deux pied de supports fixes avec les deux dernières vis, les rondelles de blocage et les rondelles. Une fois que l'étagère est bien fixée, soulevez soigneusement le gril dans une position verticale. Note 2D.



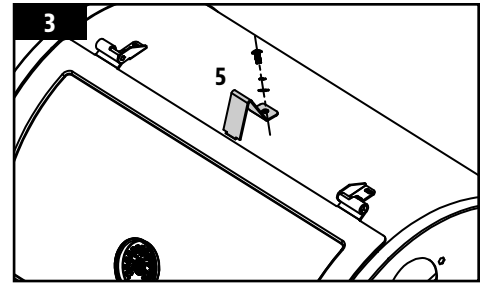
### 3. FIXATION DU BOUCHON DU COUVERCLE

#### Pièces nécessaires :

- 1 x Bouchon de couvercle (#5)

#### Installation :

- Fixez le bouchon du couvercle sur le dessus du barillet principal en utilisant la vis préinstallée sur le dessus.



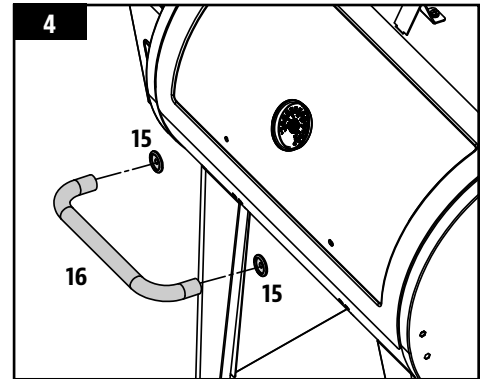
### 4. MONTAGE DE LA POIGNÉE DU COUVERCLE

#### Pièces nécessaires :

- 2 x Cadran de la poignée du couvercle (#15)
- 1 x Poignée de couvercle (#16)

#### Installation :

- Retirez les vis préinstallées de la poignée du couvercle. De l'intérieur du couvercle du baril, insérez une vis pour la faire sortir vers l'extérieur. Ajoutez un cadran sur la vis, puis serrez à la main la vis (de l'intérieur) dans la poignée du couvercle. Répétez cette étape pour l'autre extrémité de la poignée.



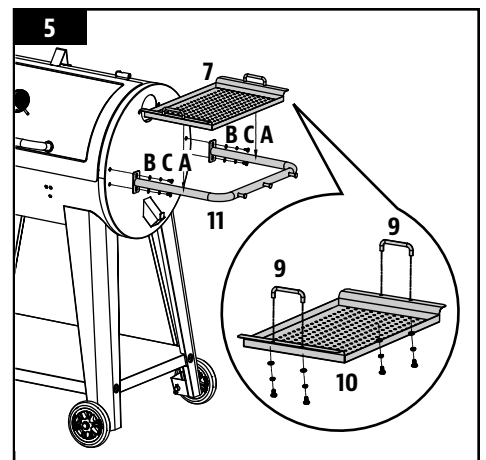
### 5. MONTAGE DE LA POIGNÉE DE LA TABLETTE LATÉRALE, PLATEAU DE SERVICE

#### Pièces nécessaires :

- 1 x Poignée de la tablette latérale (#11)
- 1 x Plateau (#10)
- 2 x Poignée du plateau (#9)
- 4 x Vis (#A)
- 4 x Rondelle (#B)
- 4 x Rondelle de blocage (#C)

#### Installation :

- Fixer la poignée de la tablette latérale sur le baril principal avec quatre vis, des rondelles de blocage et des rondelles.
- Montez la poignée du plateau sur le plateau à l'aide de les deux vis préinstallées à chaque poignée. Placez le plateau de service sur la poignée de la tablette latérale. Il reposera directement sur le cadre de la poignée de la tablette latérale.



**IMPORTANT : Évitez d'utiliser la poignée d'étagère latérale pour déplacer ou soulever le gril. Le poids de l'unité entraînera une courbure ou une rupture de la poignée d'étagère latérale, qui n'est pas couverte par la garantie.**

## 6. SÉCURISER LA CHEMINÉE

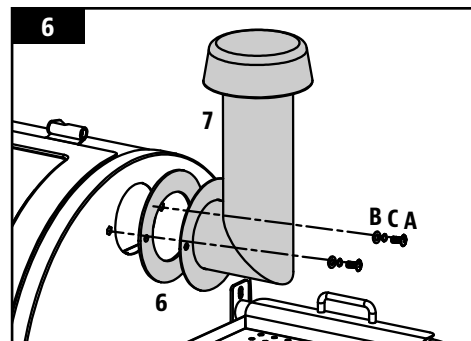
### Pièces nécessaires :

- 1 x Joint de cheminée (#6)
- 1 x Cheminée (#7)
- 2 x Vis (#A)
- 2 x Rondelle (#B)
- 2 x Rondelle de blocage (#C)

### Installation :

- Localisez l'ouverture de la cheminée sur le côté du corps principal. À partir de l'extérieur du corps principal, fixez le joint de cheminée et la cheminée au panneau latéral avec deux vis, des rondelles de blocage et des rondelles. La vis se fixera à l'écrou prémonté à l'intérieur du canon.

**REMARQUE:** Assurez-vous que le capuchon de la cheminée laisse échapper l'air.



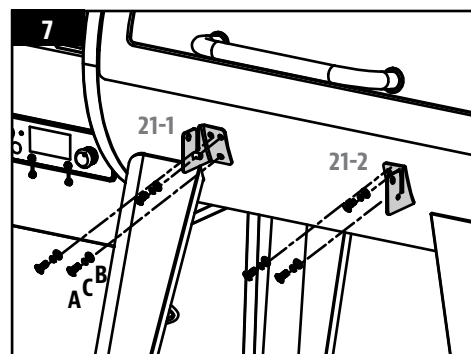
## 7. INSTALLER LES SUPPORTS DE LA TABLETTE AVANT

### Pièces nécessaires :

- 2 x Support pour tablette avant (#21)
- 6 x Vis (#A)
- 6 x Rondelle (#B)
- 6 x Rondelle de blocage (#C)

### Installation :

- Attachez l'un des supports pour tablette avant à l'avant du baril du grill à l'aide de trois vis, de rondelles de blocage et les rondelles. Installez chaque vis à mi-chemin, puis serrez complètement lorsque les trois vis sont correctement montées et alignées.
- Répétez la même installation pour l'autre support pour tablette avant.



## 8. INSTALLER LA TABLETTE AVANT

### Pièces nécessaires :

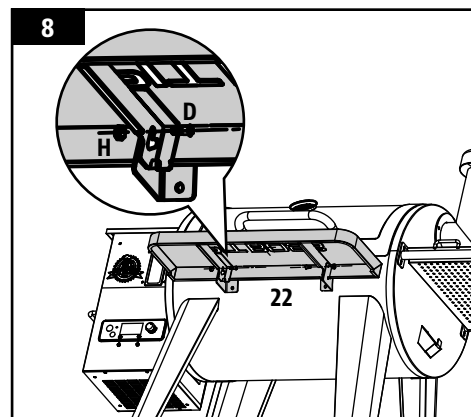
- 1 x Tablette avant (#22)
- 2 x Vis (#D)
- 2 x Écrou (#H)

### Installation :

- À partir du dessous, insérez la vis (de l'intérieur) dans la tablette avant et ensuite le support pour tablette avant, puis ajoutez la bague d'étanchéité sur la vis, la rondelle puis l'écrou. Suivez les mêmes instructions pour l'installation de l'autre côté de la tablette avant.

**REMARQUE :** Lorsqu'elle est installée correctement, la tablette avant peut être soulevée (pour une utilisation) et abaissée (pour un entreposage) avec aisance.

**IMPORTANT :** Évitez d'utiliser les étagères pour déplacer ou soulever le grill. Le poids de l'unité entraînera une rupture des étagères, qui n'est pas couverte par la garantie.



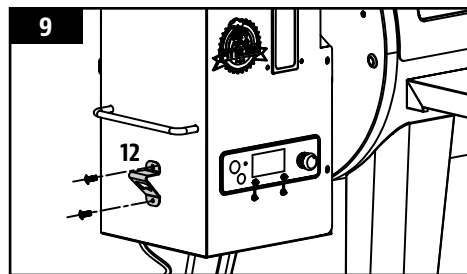
## 9. SÉCURISER L'OUVRE-BOUTEILLE

### Pièces nécessaires :

- 1 x Ouvre-bouteille (#12)

### Installation :

- Retirer les deux vis préinstallées pour l'ouvre-bouteille sur le côté de la trémie. Installer le ouvre-bouteille au même emplacement à l'aide des deux vis retirées précédemment.



## 10. INSTALLER LES COMPOSANTS DE CUISSON

### Pièces nécessaires :

- 1 x Plateau principal de la chaudière (#4)
- 1 x Glissière de la chaudière (#3)
- 1 x Barre de réglage pour chaudière (#20)
- 1 x Poignée de la barre de réglage pour chaudière (#19)
- 3 x Grilles de cuisson (#2)
- 1 x Grille de cuisson supérieure (#1)

### Installation :

**REMARQUE : Les deux pièces de flamme sont légèrement recouvertes d'huile pour éviter la rouille lorsqu'elles sont expédiées.**

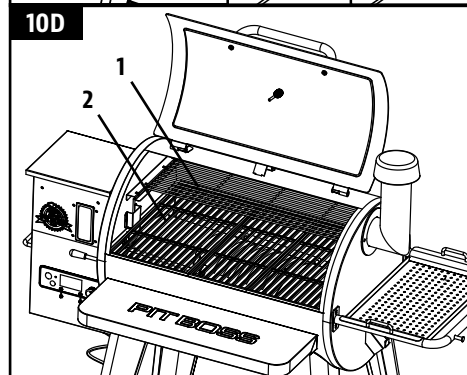
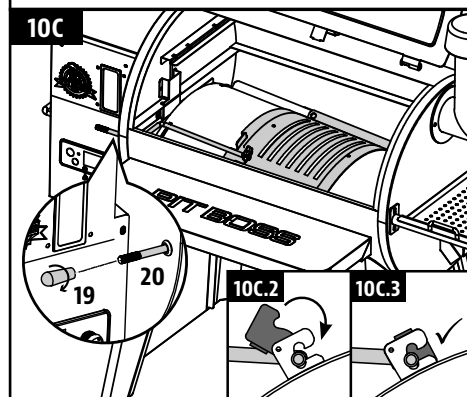
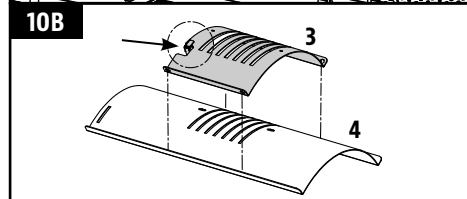
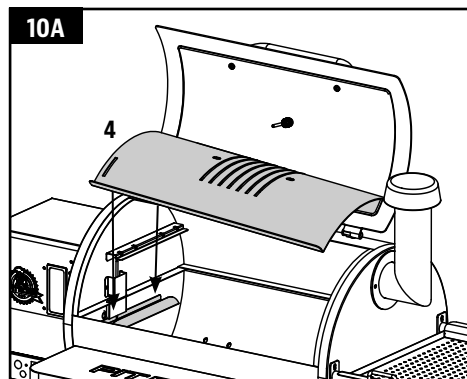
- Insérez la plaque principale de la chaudière dans le gril principal, côté droit en premier. Reposez la plaque principale de la chaudière sur le rebord intégré (à l'intérieur à droite) du gril principal qui dirige la graisse vers le seau à graisse. Faites glisser la pièce entière sur le côté gauche, et les deux fentes de la plaque principale de la chaudière vont entrer dans le rebord arrondi au-dessus du pot de combustion. Il se placera légèrement incliné vers le bas. Note illustration 10A.

**IMPORTANT : Si la chaudière plateau principal est à la base de la gril principal, elle est installée de manière incorrecte. Le gril à flamme doit être incliné, le côté gauche étant plus haut que le côté droit.**

- Placez la glissière de la chaudière sur la plaque principale de la chaudière, couvrant les ouvertures à fentes. Assurez-vous que la patte surélevée est sur la gauche, pour ajuster facilement les flammes directes ou indirectes lors de la cuisson. Note illustration 10B.
- Commencez par retirer la poignée de la barre de réglage pour chaudière. Insérez la barre de réglage pour chaudière dans le trou d'ouverture situé sur le côté gauche du gril principal. Ajoutez la poignée de la barre de réglage pour chaudière à son extrémité extérieur du gril principal. Ensuite, glissez l'extrémité encochée de la barre de réglage pour chaudière dans la patte de verrouillage du glissière de la chaudière, ce qui vous permettra un accès réglable au glissière de la chaudière de la plateau principal de la chaudière. Notez les étapes dans 10C.

**REMARQUE : Lorsque la glissière de la chaudière est ouverte, et que la flamme directe est utilisée pendant la cuisson, ne laissez pas le gril sans surveillance pendant une période quelconque.**

- Placez les grilles de cuisson, côte à côte, sur le rebord de la grille à l'intérieur du gril principal. Placez la grille de cuisson supérieure sur le rebord supérieur à l'intérieur du gril principal. La grille de cuisson se mettra en place. Note illustration 10D.



**REMARQUE :** Pour maintenir les performances abrasives et griller de vos grilles de cuisson, des soins et une maintenance réguliers sont nécessaires.

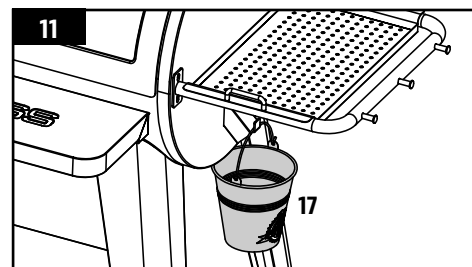
## 11. PLACER LE SEAU À GRAISSE

**Pièces nécessaires :**

1 x Seau à graisse (#17)

**Installation :**

- Placez le seau à graisse sur le crochet sur le bord du baril principal. Assurez-vous qu'il soit à niveau pour éviter les déversements de graisse.
- L'appareil est maintenant complètement assemblé.



## 12. CONNEXION À UNE SOURCE D'ALIMENTATION

**REMARQUE :** Avant de brancher votre Pit Boss® dans une prise électrique, assurez-vous que le cadran de réglage des températures est en position OFF.

### • *PRISE STANDARD*

Cet appareil nécessite un voltage de 110-120 Volts, 60Hz, 275w. Il doit utiliser une fiche de mise à la terre à 3 broches. Assurez-vous que la mise à la terre n'est pas rompue avant utilisation. Le contrôle utilise un fusible à action rapide de 110-120 volts pour protéger le panneau de l'allumeur.

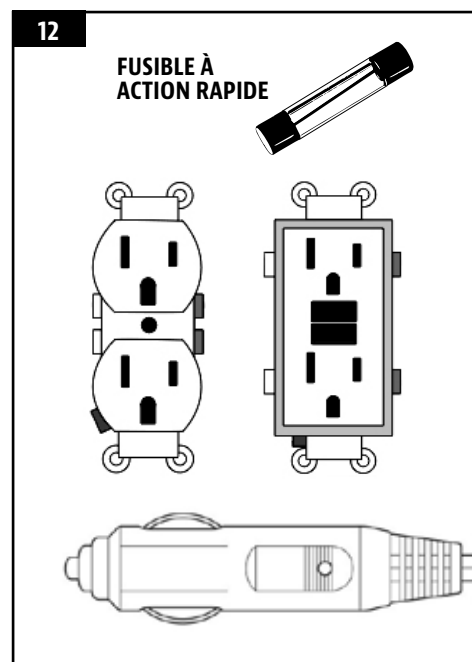
### • *LES PRISES GFCI*

Cet appareil fonctionnera sur la plupart des prises GFCI, avec une taille recommandée de 15 ampères. Si votre prise GFI est très sensible aux surtensions, elle sera probablement touchée par un court-circuit pendant la phase d'allumage. Pendant la phase d'allumage, l'allumeur nécessite entre 200 et 700 watts de tension, ce qui peut représenter trop de puissance pour une prise GFI. Chaque fois qu'il y a une surtension, il augmente sa sensibilité. Si le GFCI continue de sauter, remplacez la prise ou passez à une prise non GFCI.

### • *SUR LA ROUTE*

Débranchez l'allumeur du faisceau de câbles principal. Utilisez la procédure de démarrage manuelle. Une unité Pit Boss® peut fonctionner en utilisant un onduleur de 12 volts et 100 watts branché sur votre prise automobile. Pour utiliser l'allumeur automatique, il est recommandé d'utiliser au minimum un onduleur de 1000 watts.

**IMPORTANT:** Débranchez l'appareil de la source d'alimentation lorsqu'il n'est pas utilisé.



# MODE D'EMPLOI

*Avec le style de vie actuel pour s'efforcer de manger des aliments sains et nutritifs, un facteur à considérer est l'importance de réduire la consommation de graisse. L'une des meilleures façons de réduire les graisses dans votre régime alimentaire est d'utiliser une méthode de cuisson faible en matières grasses, tel que le gril. Comme une grille à granulés utilise des granulés de bois naturels, la saveur de bois savoureux est cuite dans les viandes, ce qui réduit le besoin de sauces à haute teneur en sucre. Tout au long de ce manuel, vous remarquerez l'accent mis sur le grillage des aliments lentement aux réglages de température FAIBLE ou MOYENNE.*

## ENVIRONNEMENT DU GRIL

### 1. OÙ INSTALLER LE GRILL

Avec tous les appareils extérieurs, les conditions météorologiques extérieures jouent un rôle important dans la performance de votre gril et le temps de cuisson nécessaire pour parfaire vos repas.

Toutes les unités Pit Boss® devraient garder un dégagement minimum de 305 mm (12 pouces) des constructions combustibles, et cette distance doit être maintenue pendant la cuisson. Cet appareil ne doit pas être placé sous un plafond ou un surplomb combustible. Gardez votre gril dans une zone dégagée et exempte de matières combustibles, d'essence et d'autres vapeurs et liquides inflammables.

### 2. CUISINER PAR TEMPS FROIDS

Lorsqu'il commence à faire plus frais à l'extérieur, cela ne signifie pas que la saison des grillades est terminée! L'air frais et l'arôme divin des aliments fumés aideront à guérir votre blues d'hiver.

Suivez ces suggestions sur la façon de profiter de votre gril pendant les mois les plus frais:

- Si le fumage à basse température échoue, augmentez légèrement la température pour obtenir les mêmes résultats.
- Organisez – Préparez tout ce dont vous avez besoin dans la cuisine avant de vous diriger à l'extérieur. Pendant l'hiver, déplacez votre gril dans un endroit protégé du vent et du froid. Vérifiez les règlements locaux concernant la proximité de votre gril par rapport à votre maison et/ou autres constructions. Mettez tout ce dont vous avez besoin sur un plateau, emballez et lancez-vous!
- Pour suivre la température extérieure, placez un thermomètre extérieur près de votre zone de cuisson. Gardez un journal ou un historique de ce que vous avez préparé, de la température extérieure et du temps de cuisson. Cela sera utile plus tard pour vous aider à déterminer ce qu'il faut cuisiner et combien de temps cela prendra.
- Par temps très froid, augmentez votre temps de préchauffage d'au moins 20 minutes.
- Évitez de soulever le couvercle du gril plus que nécessaire. Les rafales de vents froids peuvent refroidir complètement la température de votre gril. Soyez souple quant au moment de servir; ajoutez environ 10 à 15 minutes de plus à la cuisson à chaque fois que vous ouvrez le couvercle.
- Ayez un plateau chauffé ou un couvercle de plat prêt à garder votre nourriture au chaud tout en faisant le voyage à l'intérieur.
- Les aliments idéaux pour la cuisine d'hiver sont ceux qui nécessitent peu d'attention, comme les rôtis, les poulets entiers, les côtes et la dinde. Rendez votre préparation de repas encore plus facile en ajoutant des éléments simples comme les légumes et les pommes de terre.

### 3. CUISINER PAR TEMPS CHAUDS

À mesure qu'il fait plus chaud à l'extérieur, le temps de cuisson diminue.

Suivez ces suggestions sur la façon de profiter de votre gril pendant les mois chauds:

- Ajustez à la baisse vos températures de cuisson. Cela permet d'éviter les poussées indésirables.
- Utilisez un thermomètre à viande pour déterminer la température interne de vos aliments. Ceci permet d'éviter que votre viande ne soit trop cuite ou se dessèche.
- Même par temps chaud, c'est mieux de cuisiner en gardant le couvercle de votre gril baissé.
- Vous pouvez garder vos aliments chauds au chaud en les enveloppant dans du papier aluminium et en les plaçant dans une glacière isolée. Placez du papier journal froissé autour du papier aluminium et cela tiendra la nourriture chaude pendant 3 à 4 heures.

## GAMMES DE TEMPÉRATURE DU GRIL

Les lectures de température sur le panneau de contrôle peuvent ne pas correspondre exactement au thermomètre. Toutes les températures indiquées ci-dessous sont approximatives et sont affectées par les facteurs suivants: la température ambiante extérieure, la quantité et la direction du vent, la qualité du combustible à granulés utilisé, le couvercle ouvert et la quantité de nourriture en cours de cuisson.

- *TEMPÉRATURES ÉLEVÉES (205-260°C / 401-500°F)*

Cette gamme est de préférence utilisée pour sécher et griller à haute température. Utiliser en tandem avec la chaudière (plateau latéral) pour une cuisson indirecte ou directe de la flamme. Lorsque **la chaudière est ouverte**, la flamme directe est utilisée pour créer ces steaks « blue » ainsi que des légumes à la flamme, des toasts à l'ail ou même des s'mores! Lorsque **la chaudière est fermée**, l'air circule autour du baril ce qui conduit à une chaleur de convection. La température élevée est également utilisée pour préchauffer votre gril, brûler les grilles de cuisson et obtenir un feu vif par froid extrême..

- *TEMPÉRATURE MOYENNE (135-180°C / 275-356°F)*

Cette gamme est idéale pour cuire au four, rôtir et terminer votre création à fumaison lente. La cuisson à ces températures réduira considérablement les risques de poussée de graisse. Assurez-vous que la glissière de chaudière est en position fermée, couvrant les ouvertures à fente. Excellente gamme pour cuisiner n'importe quoi enveloppé dans du bacon, ou où vous voulez une polyvalence avec contrôle.

- *BASSE TEMPÉRATURE (82-125°C / 180-257°F)*

Cette gamme permet rôtir lentement, d'augmenter la saveur fumée et de garder les aliments au chaud. Infusez plus de saveur fumée et gardez vos viandes juteuses en cuisinant plus longtemps à une température plus basse (également connu sous le nom de **faible et lent**). Il est recommandé pour la grande dinde pour Thanksgiving, jambon juteux à Pâques, ou l'immense fête de Noël.

Le fumage est une variation de vrai barbecue et est vraiment le premier avantage de la cuisson sur un gril à pastilles de bois. **Le fumage à chaud**, un autre nom pour la cuisson **faible et lente**, se fait généralement à 82-125°C / 180-257°F. Le fumage à chaud fonctionne mieux lorsqu'un temps de cuisson plus long est nécessaire, comme pour les grandes coupes de viande, de poisson ou de volaille.

**CONSEIL: Pour intensifier cette saveur salée, passez à la température de fumée (basse) immédiatement après avoir mis vos aliments sur le gril. Cela permet à la fumée de pénétrer dans les viandes.**

La clé consiste à expérimenter le temps que vous autorisez à fumer, avant que le repas ne soit cuit. Certains chefs de plein air préfèrent fumer à la fin d'une cuisson, ce qui permet à la nourriture de rester au chaud jusqu'à ce qu'elle soit prête à être servie. La pratique rend parfait!

## COMPRENDRE LES SONDES

- *SONDE DE GRILLE*

Situé à l'intérieur du baril principal, sur la paroi gauche, se trouve la sonde de grille. C'est un petit morceau vertical d'acier inoxydable. La sonde de grille mesure la température interne de l'appareil. Lorsque la température est réglée sur la carte de contrôle, la sonde de grille lit la température réelle à l'intérieur de l'unité et la règle à la température désirée.

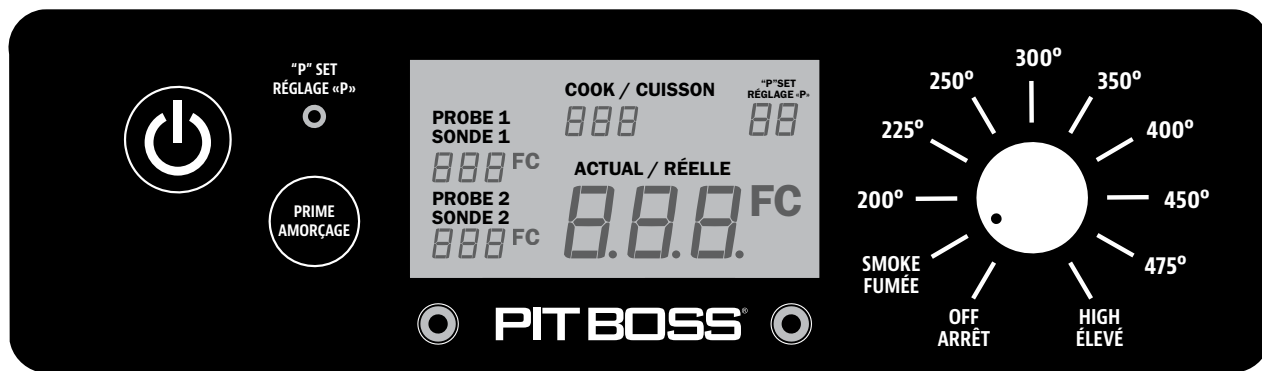
**IMPORTANT: La température de votre appareil est fortement affectée par les conditions ambiantes extérieures, la qualité des pastilles utilisées, la saveur des pastilles et la quantité de nourriture cuite.**




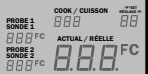



- *SONDE DE VIANDE*

La sonde à viande mesure la température interne de votre viande dans la grille, similaire à votre four intérieur. Branchez l'adaptateur de sonde de viande au port de connexion de la sonde de viande sur le panneau de contrôle et insérez la sonde de viande en acier inoxydable dans la partie la plus épaisse de votre viande et la température sera affichée sur le tableau de commande. **Pour vous assurer que la sonde à viande est correctement connectée au port de connexion, sentez-la et entendez-la s'enclencher.**

**REMARQUE: Lorsque vous placez la sonde de viande dans votre viande, assurez-vous que la sonde de viande et les fils de la sonde de viande évitent un contact direct avec la flamme ou un excès de chaleur. Cela peut endommager votre sonde de viande. Exécutez l'excès de fil des orifices d'échappement arrière de la grille principale ou du haut de la grille principale (près de la charnière du couvercle du gril). Lorsqu'il n'est pas utilisé, débranchez-vous du port de connexion de la sonde de viande et placez-les à côté afin de protéger et de nettoyer.**

## COMPRENDRE LE TABLEAU DE CONTRÔLE



CONTRÔLE	DESCRIPTION
	Appuyez sur le <b>bouton d'alimentation</b> pour allumer l'appareil. Le bouton deviendra bleu si l'appareil est alimenté. Appuyez de nouveau sur le bouton pour éteindre l'appareil.
	La <b>molette de contrôle de température</b> vous permet de définir la température de fumage souhaitée. Une fois l'appareil connecté à une source d'alimentation et allumé, tournez la molette et sélectionnez l'un des dix pré-réglages de température, entre 82 et 260 °C/180 et 500 °F. Lorsque la molette est placée sur un pré-réglage de température, l'écran LCD numérique s'illumine, il est alors prêt à être utilisé. Lorsque la molette est sur ARRÊT, l'écran LCD reste éteint.
	Le <b>bouton « "P" Set »</b> permet de sélectionner parmi huit ajustements lorsque la molette de contrôle de température est placée sur « smoke ». Appuyez sur le bouton pour modifier la configuration et l'adapter à votre mode et environnement de cuisson. En <b>appuyant rapidement</b> sur le bouton, la configuration passe de P0 à P7, puis recommence au début. Les ajustements sont uniquement possibles en mode « smoke ». Le réglage d'usine par défaut est « P4 ». Une fois la configuration ajustée, votre préférence sera verrouillée (enregistrée) jusqu'à sa modification.  Le <b>bouton « "P" Set »</b> fait également office de <b>commutateur de température</b> afin de modifier le relevé de température sur l'écran LCD. <u>Maintenez le bouton appuyé</u> durant deux secondes pour passer des degrés Celsius (°C) à Fahrenheit (°F) selon votre préférence. Par défaut, l'appareil utilise les Fahrenheit.
	L' <b>écran LCD</b> fait office de centre d'information sur votre appareil. L'écran LDC affichera la température de cuisson souhaitée, la température de cuisson réelle et la température de la sonde de cuisson (si celle-ci est connectée). Si une seule sonde de cuisson est connectée, un seul relevé s'affichera.
	Maintenez appuyé le <b>bouton Prime</b> pour acheminer plus de granulés vers le pot de combustion. Ce processus peut permettre d'ajouter plus de combustible au feu avant d'ouvrir le couvercle, entraînant une récupération de chaleur rapide. Il peut également s'utiliser en cours de fumage afin d'augmenter l'intensité du parfum fumé. Cette option a été demandée par les cuisiniers participant à des concours.
	Le <b>réglage de fumée</b> sur la molette de réglage de la température est la température la plus basse de l'appareil, sans que le feu ne s'éteigne.
	Le ou les ports de raccordement situés à l'avant du panneau de contrôle sont destinés à la/aux <b>sonde(s) de cuisson</b> . Lorsqu'une sonde de cuisson est connectée, la température s'affiche sur l'écran LCD. Lorsque vous ne l'utilisez pas, débranchez la sonde de cuisson du port de raccordement. <i>Uniquement compatible avec les sondes de cuisson de la marque Pit Boss®. Vous pouvez acheter une ou plusieurs sondes de cuisson séparément.</i>



## COMPRENDRE LE RÉGLAGE « P »

Lorsque le bouton SET "P" encastré est enfoncé, le réglage "P" affiché sur l'écran LCD passera à la valeur suivante (vers le haut). Une fois que P7 est atteint, il redémarre à P0. Il existe huit paramètres « P », allant de P0 à P7. Le bouton du réglage « P » en retrait peut être enfoncé à l'aide d'un objet à pointe fine.

**IMPORTANT: N'appuyez pas trop fort sur le bouton du réglage « P », cela pourrait causer des dommages. Seule une poussée légère est nécessaire.**

### • UTILISATION DU PARAMÈTRE « P » EN MODE FUMÉE

Chaque fois que le cadran de température est réglé sur FUMÉE, tel que le cycle de démarrage, la tარიère fonctionnera plus sur un mode de cuisson manuel en fonction de l'une des températures de numérotation prédéfinies. Tout d'abord, la vis sans fin tournera en permanence et alimentera les granulés pendant quatre minutes. Au bout de quatre minutes, la vis commence à exécuter un cycle d'alimentation en fonction du réglage "P" sélectionné sur la carte de commande numérique. Le réglage par défaut est P4.

RÉGLAGE "P"	CYCLE DE LA TARIÈRE (secondes)	
	ACTIVÉE	ARRÊTER
P0	18	55
P1	18	70
P2	18	85
P3	18	100
<b>*P4</b>	<b>18</b>	<b>115</b>
P5	18	130
P6	18	140
P7	18	150

*\* Réglage par défaut*

## PROCÉDURE D'AMORÇAGE DE LA TARIÈRE

La première fois que vous utilisez votre gril ou chaque fois que votre gril manque de granulés dans la trémie, vous devrez amorcer la tარიère. S'il n'est pas amorcé, le gril s'éteindra avant que les granulés ne soient allumés et aucun feu ne démarrera. Suivez ces étapes pour amorcer la tარიère :

1. Ouvrez le couvercle de la trémie. Assurez-vous qu'il n'y a pas d'objets étrangers dans la trémie ou qui bloquent le système d'alimentation de la vis sans fin.
2. Retirez tous les éléments de cuisson de l'intérieur du gril. Localisez le pot de combustion au bas du gril à granulés.
3. Branchez le cordon d'alimentation sur une source d'alimentation.
4. Allumez le gril et tournez le cadran de contrôle de la température sur la position Smoke (S) ou Low (L).
  - Assurez-vous d'entendre la tარიère tourner. Placez votre main au-dessus du pot de combustion et sentez le mouvement de l'air. NE placez PAS vos mains ou vos doigts à l'intérieur du pot de combustion, cela peut causer des blessures.
  - Après environ une minute, vous devriez sentir l'allumeur brûler et commencer à sentir l'air se réchauffer au-dessus du pot de combustion. La pointe de l'allumeur ne brille pas en rouge mais devient extrêmement chaude et brûle. NE PAS toucher l'allumeur.
5. Une fois vérifié que tous les composants électriques fonctionnent correctement, éteignez le gril.
6. Remplissez la trémie avec tous les granulés de barbecue en bois dur naturel.
7. Allumez le gril. Maintenez le cadran de contrôle de la température en position fumée (S) ou faible (L).
8. Appuyez sur le bouton d'amorçage et maintenez-le enfoncé jusqu'à ce que vous voyiez des granulés tomber de la tარიère dans le pot de combustion. Vous pouvez maintenant relâcher le bouton Prime.
9. Vous pouvez maintenant éteindre votre gril. Veuillez vous assurer que votre gril reste branché jusqu'à ce qu'il termine le cycle de refroidissement. Une fois que le ventilateur s'éteint, le gril a terminé le cycle d'arrêt, vous pouvez débrancher votre gril en toute sécurité.
10. Réinstallez les composants de cuisson dans le baril principal.
11. Votre gril est maintenant amorcé et prêt à l'emploi ! Si c'est la première fois que vous utilisez votre gril, vous devez effectuer une première combustion initiale du gril.

## PREMIÈRE UTILISATION - BRÛLAGE DU GRIL

Une fois votre trémie amorcée et avant de faire cuire des aliments sur votre gril pour la première fois, il est important d'effectuer un brûlage du gril. Allumez le gril et faites-le tourner à une température supérieure à 176 °C/350 °F (couvercle fermé) durant 30 à 40 minutes afin de brûler le gril et vous débarrasser de toute substance étrangère.

## PROCÉDURE DE DÉMARRAGE AUTOMATIQUE

1. Branchez le câble électrique à une source d'alimentation mise à la terre. Ouvrez le couvercle du corps principal. Vérifiez que le pot de combustion n'est pas obstrué afin que l'allumage se fasse correctement. Ouvrez le couvercle de la trémie. Assurez-vous qu'aucun objet étranger ne se trouve dans la trémie ou le système d'acheminement de la vis sans fin. Remplissez la trémie avec des granulés secs de bois naturel pour barbecue.
2. Veillez à ce que la **molette de contrôle de température** soit en position SMOKE. Appuyez sur le **bouton d'alimentation** pour allumer l'appareil. Cela activera le cycle de démarrage. Le système d'acheminement de la vis sans fin commencera à tourner, l'allumeur commencera à rougeoyer et le ventilateur aérera le pot de combustion. Le gril commencera à produire de la fumée lorsque le cycle de démarrage se mettra en place. Le couvercle du corps de l'appareil doit rester ouvert au cours du cycle de démarrage. Pour veiller à ce que le cycle de démarrage commence correctement, soyez à l'affût d'un grondement de flamme et assurez-vous de la production de chaleur.
3. Une fois l'épaisse fumée blanche dissipée, le cycle de démarrage sera terminé et vous pourrez commencer à profiter de votre gril à la température de votre choix !

### PROCÉDURE EN CAS DE PROBLÈME D'ALLUMEUR

**Si pour une raison quelconque votre allumeur électrique ne fonctionne pas ou que la flamme de votre gril s'éteint en cours de cuisson, utilisez les étapes suivantes ou lancez votre gril en mode manuel.**

1. Veillez à ce que la **molette de contrôle de température** soit en position ARRÊT. Ouvrez le couvercle du corps de l'appareil. Retirez les composants de cuisson de l'intérieur. Retirez tous les granulés non brûlés et les cendres du pot de combustion. Évitez de toucher l'allumeur pour ne pas vous blesser car celui-ci peut être extrêmement chaud.
2. Une fois tous les composants de cuisson retirés et nettoyés, appuyez sur le **bouton d'alimentation** pour allumer l'appareil et tournez le cadran de contrôle de la température sur la position FUMÉE. Vérifiez les points suivants :
  - Confirmez visuellement que l'allumeur fonctionne en plaçant votre main au-dessus du pot de combustion en quête de chaleur.
  - Confirmez visuellement que l'allumeur dépasse d'environ 13 mm/0,5 po dans le pot de combustion.
  - Confirmez visuellement que la vis sans fin achemine des granulés dans le pot de combustion.
  - Confirmez que le ventilateur de combustion fonctionne en étant à l'affût d'un grondement de flamme.
3. Si l'un des points ci-dessus ne fonctionne pas, suivez les instructions de **dépannage**.

## PROCÉDURE DE DÉMARRAGE MANUEL

1. Veillez à ce que la **molette de contrôle de température** soit en position ARRÊT. Branchez le câble électrique à une source d'alimentation mise à la terre.
2. Vérifiez que le pot de combustion n'est pas obstrué afin que l'allumage se fasse correctement. Ouvrez le couvercle de la trémie. Assurez-vous qu'aucun objet étranger ne se trouve dans la trémie ou le système d'acheminement de la vis sans fin. Remplissez la trémie avec des granulés secs de bois naturel pour barbecue.
3. Ouvrez le couvercle du corps de l'appareil. Retirez les composants de cuisson pour que le pot de combustion soit apparent. Placez une bonne poignée de granulés dans le pot de combustion. Aspergez un allume-feu gélifié, ou un autre produit permettant de faire brûler les granulés, au-dessus des granulés. Une petite quantité d'allume-feu solide, par exemple composé de sciure et de cire, ou encore des copeaux, fonctionnent également. Ajoutez une autre petite quantité de granulés dans le pot de combustion.

**REMARQUE : n'utilisez pas d'alcool, d'essence, d'essence à briquet ou de pétrole pour allumer et raviver un feu dans votre gril.**

4. Mettez feu au contenu du pot de combustion à l'aide d'une longue allumette ou d'un briquet à long bec. Laissez le produit d'allumage brûler durant 3 à 5 minutes. N'essayez pas d'ajouter plus de produit dans le pot de combustion. Cela peut provoquer des blessures.
5. Placez rapidement et avec soin les composants de cuisson à l'intérieur du corps principal de l'appareil. Continuez le démarrage à l'étape deux de la **Procédure de démarrage automatique**.

## ARRÊT DE VOTRE GRIL

Lorsque vous avez fini de cuisiner, tout en laissant le couvercle du corps principal fermé, appuyez sur le **bouton d'alimentation** pour éteindre l'appareil et placez la **molette de contrôle de température** sur OFF. Le grill débutera son cycle de refroidissement automatique. Le système de la vis sans fin arrêtera d'acheminer des combustibles, la flamme s'éteindra et le ventilateur continuera à tourner jusqu'à la fin du cycle de refroidissement.

**IMPORTANT! Lorsque le cycle d'arrêt est terminé, débranchez le cordon d'alimentation.**

## ENTRETIEN ET MAINTENANCE

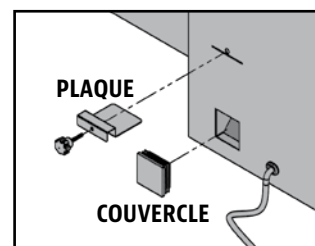
Votre grill à granulés Pit Boss® vous servira fidèlement pendant de longues années tout en minimisant les efforts de nettoyage. Une étape importante est de laisser le grill et les grilles de cuisson s'auto-nettoyer en allumant le grill à une température élevée opérant 5 à 10 minutes après chaque utilisation. Suivez ces conseils de nettoyage et de maintenance pour réviser votre grill:

### 1. ASSEMBLAGE DE LA TRÉMIE

- La trémie comprend une fonction de nettoyage lui permettant de se nettoyer facilement et de changer les arômes du combustible à granulés. Pour vider, placez la plaque et le couvercle de la boîte de dépôt sur la partie arrière de la trémie. Placez un seau propre et vide sous le couvercle de la boîte de dépôt, puis retirez le couvercle. Dévissez la plaque, glissez-la vers l'extérieur et les granulés se videront.

**REMARQUE : Utilisez une brosse à manche long ou un aspirateur d'atelier pour retirer les excès de granulés, de sciure de bois et de débris pour un nettoyage complet à travers l'écran de la trémie.**

- Vérifiez et nettoyez les débris dans les bouches d'aération du ventilateur, situé au bas de la trémie. Une fois que le panneau d'accès de la trémie est retiré (voir **Diagramme de fils électriques** pour le schéma), essuyez soigneusement toute accumulation de graisse directement sur les pales du ventilateur. Cela garantit que le flux d'air est suffisant pour le système d'alimentation.



### 2. SONDÉS

- Tout noeud ou pli des fils de la sonde peuvent endommager la pièce. Les fils devraient être enroulés dans une grande bobine desserrée.
- Bien que la sonde de grille et la sonde de viande soient toutes deux en acier inoxydable, ne les placez pas dans le lave-vaisselle et ne les plongez pas dans l'eau. Les dégâts d'eau sur les fils internes provoquent un court-circuit de la sonde, entraînant de fausses lectures. Si une sonde est endommagée, elle doit être remplacée.

### 3. SURFACES INTERNES

- Il est recommandé de nettoyer votre grille de combustion après chaque utilisation. Cela assurera un allumage correct et évitera toute accumulation de débris ou de cendres dans le pot de combustion.
- Utilisez une brosse de nettoyage à barbecue à long manche et retirez tout aliment ou accumulation des grilles de cuisson. La meilleure pratique est de faire cela alors qu'elles sont encore chaudes d'une précédente cuisson. Les feux de graisse sont causés par trop de débris tombés sur les composants de cuisson du barbecue. Nettoyez l'intérieur de votre barbecue de façon régulière. Dans le cas où vous êtes confronté à un feu de graisse, gardez le couvercle du barbecue fermé pour étouffer l'incendie. Si l'incendie ne s'éteint pas rapidement, retirez soigneusement les aliments, éteignez le barbecue et fermez le couvercle jusqu'à ce que le feu soit complètement éteint. Saupoudrez légèrement de bicarbonate de soude, si disponible.
- Vérifiez souvent votre seau à graisse et nettoyez-le si nécessaire. Gardez à l'esprit le type de cuisson que vous faites.

**IMPORTANT : En raison de chaleur élevée, ne couvrez pas le grilloir à flamme ni les sondes avec du papier d'aluminium.**

#### 4. LES SURFACES EXTERNES

Essuyez votre gril après chaque utilisation. Utilisez de l'eau chaude savonneuse pour briser la graisse. Ne pas utiliser de nettoyeur à four, nettoyeur abrasif ou pad sur les surfaces externes du gril. **Toutes les surfaces peintes ne sont pas couvertes par la garantie**, mais font partie de la maintenance générale et de l'entretien. Pour les rayures de peinture, l'usure ou l'écaillage de la finition, toutes les surfaces peintes peuvent être retouchées à l'aide d'une peinture à barbecue à haute chaleur.

- Utilisez une couverture pour gril afin de protéger votre gril pour une protection complète! Une couverture est votre meilleure protection contre les intempéries et les polluants extérieurs. Lorsqu'il n'est pas utilisé ou pour un stockage à long terme, conservez l'unité sous une couverture dans un garage ou un hangar.

**TABLEAU DE FRÉQUENCE DE NETTOYAGE (UTILISATION NORMALE)**

ARTICLE	FRÉQUENCE DE NETTOYAGE	MÉTHODE DE NETTOYAGE
Dessous du baril principal	Toutes les 5-6 sessions de cuisson	Retirez, aspirez les excès de débris
Pot de combustion	Toutes les 2-3 sessions de cuisson	Retirez, aspirez les excès de débris
Grilles de cuisson	Après chaque session de cuisson	Brûlez les graisses en trop, utilisez une brosse de nettoyage pour barbecue
Chaudière	Toutes les 5-6 sessions de cuisson	Gratter la plaque principale avec un patin, <b>ne pas laver</b>
Tablette Avant	Après chaque session de cuisson	Éponge à gratter et eau savonneuse
Seau de graisse	15 jours	Éponge à gratter et eau savonneuse
Système d'alimentation de la vis d'alimentation	Lorsque le récipient de granulés et vide	Permettre à la vis d'alimentation de faire sortir la sciure de bois, en laissant la trémie vide
Composants électriques de la trémie	Une fois par an	Retirez le panneau d'accès, essuyez les lames de ventilateur avec de l'eau savonneuse
Conduits d'évacuation d'air	Toutes les 5-6 sessions de cuisson	Éponge à gratter et eau savonneuse
Sonde de viande	Après chaque session de cuisson	Éponge à gratter et eau savonneuse
Sondes de température	Toutes les 2-3 sessions de cuisson	Éponge à gratter et eau savonneuse

# UTILISATION DU CARBURANT DE GRANULÉS DE BOIS

Ces granulés de bois propres combustibles génèrent environ 8200 BTU par livre avec très peu de cendres, une faible teneur en humidité (5 à 7 %) tout en étant également neutres en carbone. Les granulés de bois pour barbecue sont produits avec des matières premières pures (sciures) qui sont pulvérisées avec un broyeur à marteaux et forcées avec pression à travers une filière. Quand le granulé est forcé à travers la filière, il est cisailé, refroidi, trié, aspiré, puis emballé pour la consommation. Vérifiez auprès de votre distributeur local pour connaître la gamme d'essences disponibles dans votre région.

## **MÉLANGE CARYER**

Saveur riche, fumée similaire à du bacon.  
Connu comme étant « Le Roi des bois ».

## **MÉLANGE MESQUITE**

Forte saveur épicée et acidulée.  
Pensez à la cuisine Tex-Mex.

## **MÉLANGE POMME**

Saveur fumée et modérément sucrée.  
Fortement recommandée pour la cuisson au four.

## **MÉLANGE ÉRABLE**

Saveur sucrée et salée.

## **MÉLANGE AULNE**

Doux et terreux. Mélange d'aulne, d'érable et de pin.

## **MÉLANGE FRUITS DES BOIS**

Mélange de cerise, pomme et d'érable.

## **MÉLANGE CERISE**

Légèrement sucrée mais également acidulée.  
Offre une teinte rosée aux viandes claires.

## **MÉLANGE DE BARIL DE WHISKEY**

Forte fumée sucrée avec goût aromatique.  
Parfait pour les viandes rouges.

## **MÉLANGE DE LA COMPÉTITION**

Mélange parfait de saveurs sucrées, délicieuses et acidulées.  
Utilisé par de nombreux « grillers » professionnels.

## **MÉLANGE PACANE**

Saveur grasse, de beurre et moelleuse.

## **MÉLANGE CHÊNE**

Saveur riche et fumée.

## **MÉLANGE CLASSIQUE**

Mélange de pacanes, d'hickory et de mesquite.

**REMARQUE :** Conservez toujours vos granulés de bois dans un endroit sec. Les exposer à l'humidité poussera les granulés à absorber l'humidité et produira un rendement calorifique plus faible ou provoquera un gonflement et une dissolution des granulés. Utilisez un bac ou sceau résistant à l'humidité et pouvant être scellé à nouveau pour la conservation.

# LIGNES DIRECTRICES POUR LA CUISINE

Les styles de cuisson de fumage et de grillage peuvent vous donner des résultats différents dépendant du temps et la température. Pour obtenir de meilleurs résultats, conservez un registre de tout ce que vous cuisinez, à quelle température vous le cuisinez, ainsi que les résultats. Ajustez toutes ces variables, selon vos goûts, la prochaine fois. Ce n'est qu'en s'exerçant qu'on s'améliore.

L'art culinaire du fumage à chaud équivaut à des temps de cuisson plus long, mais il produit également une saveur de bois plus naturelle (et une « **bande rose** ») dans vos viandes. Une température de cuisson plus élevée, ce qui veut dire moins de temps de cuisson, vous offrira moins de saveur fumée.

**CONSEIL:** Pour de meilleurs résultats, laissez reposer les viandes après la cuisson. Ceci permet aux jus naturels de revenir dans les fibres de la viande, produisant ainsi une coupe plus juteuse et plus savoureuse. Le temps de repos peut n'être que 3 minutes et peut même aller jusqu'à 60 minutes, selon la taille des protéines.

STYLE DE CUISSON	FUMAGE CHAUD (très faible)	RÔTI (faible)	CUISSON FOUR (moyen)	GRILLAGE/CUISSON FOUR (moyen/élevé)	SAISIR (élevé)
Plage de température	82-135°C / 180-275°F	135-162°C / 275-323°F	162-190°C / 323-374°F	190-232°C / 374-449°F	232-260°C / 449-500°F

VOLAILLE	TAILLE	Saignant - 54°C / 130°F	À point - 60°C / 140°F	Bien cuit - 77°C / 170°F
Dinde ( <i>entière</i> )	4,5-5,0 kg / 10-11 lbs. 5,3-6,4 kg / 12-14 lbs. 6,8-7,7 kg / 15-17 lbs. 8,2-10,0 kg / 18-22 lbs. 10,4-11,3 kg / 23-25 lbs.			Gril 90 - 120 minutes Gril 110 - 140 minutes Gril 130 - 160 minutes Gril 140 - 170 minutes Gril 150 - 180 minutes
Poulet ( <i>entier</i> )	1,36-2,26 kg / 3-5 lbs.			Gril 1 - 1.5 heures
Pilons, poitrines	0,45 - 0,86 kg / 1 - 1½ lbs.			Gril 30-60 minutes
Petits gibiers à plumes	0,45 - 0,86 kg / 1 - 1½ lbs.			Gril 30-45 minutes
Canard	1,36-2,26 kg / 3-5 lbs.			Rôti ou sur le gril 2 - 2.5 heures

PORC	TAILLE	Précuit près à être réchauffé - 60°C / 140°F	À point 66°C / 150°F	Bien cuit 71°C / 160°F
Jambon ( <i>Partie entièrement cuite et désossée, Porc fumé entier &amp; avec os</i> )	2,5 cm / 1 po 1,36-1,81 kg / 3-4 lbs. 1,81-2,72 kg / 4-6 lbs. 2,26-3,62 kg / 5-8 lbs. 4,53-5,44 kg / 10-12 lbs.	12 minutes 50 minutes - 1 heure 1 - 2 heures 1 - 2½ heures 2 - 2¾ heures		
Longe de porc	1,36-1,81 kg / 3 - 4 lbs.		1 - 2 heures	2 - 3 heures
Rôti de couronne de côte	1,81-2,26 kg / 4 - 5 lbs.		1½ - 2 heures	2 - 3 heures
Côtelette ( <i>longe, côte</i> )	1,9-2,5 cm / ¾ - 1 po 3,1-3,9 cm / 1¼ - 1½ po		10 - 12 minutes 14 - 18 minutes	
Filet	1,9-2,5 cm / ¾ - 1 po		20 - 30 minutes	30 - 45 minutes
Rôti de longe de porc, sans os	1,36-2,26 kg / 3-5 lbs.		1¼ - 1¾ heures	1¾ - 2½ heures
Boston Butt ( <i>Épaule de porc</i> )	3,62-4,53 kg / 8-10 lbs.			93 - 98 °C / 200 - 210 °F Température interne

<b>BOEF</b>	<b>TAILLE</b>	<b>CHALEUR</b>	<b>Saignant 54 °C / 130 °F</b>	<b>À point 60 °C / 140 °F</b>	<b>Bien cuit 65 °C / 150 °F</b>
<b>Steak</b> <i>(New York, Porterhouse, faux filet, surlonge, T-bone, ou filet)</i>	1,9 cm / ¾ po 2,5 cm / 1 po 3,8 cm / 1½ po 5 cm / 2 po	Haut	Saisir pendant 8 à 10 minutes Saisir pendant 10 à 12 minutes Saisir pendant 10 minutes, griller pendant 8 à 10 minutes Saisir pendant 10 minutes, griller pendant 10 à 14 minutes		
<b>Bifteck de hampe</b>	0,6 - 12,7 cm / ¼ - ½ po	Haut	Saisir 5-7 minutes		
<b>Bavette</b>	0,45 - 0,86 kg / 1 - 1½ lbs., 1,9 cm / ¾ po	Moyen	Saisir pendant 4 minutes, griller pendant 8 à 10 minutes		
<b>Kébab</b>	2,5-3,8 cm / 1-1½ po cubes	Moyen	Gril 10 - 12 minutes		
<b>Filet</b>	1,58 - 1,81 kg / 3½ - 4 lbs.	Haut/Moyen	Saisir pendant 10 minutes, gril pendant 15 à 20 minutes		
<b>Steak haché</b>	1,9 cm / ¾ po	Haut/Moyen	Saisir pendant 4 minutes, griller pendant 4 à 6 minutes		
<b>Rôti de bœuf de faux-filet, sans os</b>	2,26 - 2,72 kg / 5 - 6 lbs.	Moyen	Gril 1½ - 2 heures		
<b>Rôti trois pointes</b>	0,9 - 1,13 kg / 2 - 2½ lbs.	Haut/Moyen	Saisir pendant 10 minutes, griller pendant 20 à 30 minutes		
<b>Rôti de côtes</b>	5,44 - 6,35 kg / 12 - 14 lbs.	Moyen	2½ - 2¾ heures		
<b>Côtelettes de veau</b>	2,5 cm / 1 po	Moyen	10 - 12 minutes direct		
<b>Poitrine</b>	7,25 - 3,62 kg / 16 -18 lbs.	Fumage chaud	Cuire jusqu'à ce que la température interne atteigne 91°C / 195°F		

<b>AGNEAU</b>	<b>TAILLE</b>	<b>Saignant - 54 °C / 130 °F</b>	<b>À point - 60 °C / 140 °F</b>	<b>Bien cuit - 71 °C / 160 °F</b>
<b>Rôti (frais)</b>	2,26 - 2,72 kg / 5 - 6 lbs.		1 - 2 heures	
<b>Rôti de couronne de côte</b>	1,36 - 2,26 kg / 3-5 lbs.		1 - 1½ heures	1½ heures

<b>FRUITS DE MER</b>	<b>TAILLE</b>	<b>Saignant - 54 °C / 130 °F</b>	<b>À point - 60 °C / 140 °F</b>	<b>Bien cuit - 82 °C / 180 °F</b>
<b>Poisson (entier)</b>	0,5 kg / 1 lb. 0,9 - 1,1 kg / 2 - 2½ lbs. 1,4 kg / 3 lbs.			Gril 10 - 20 minutes Gril 20 - 30 minutes Gril 30 - 45 minutes
<b>Poisson (filets)</b>	0,6-1,3 cm / ¼" - ½"			Gril 3 - 5 minutes jusqu'à ce que le poisson s'émiette
<b>Queue de homard</b>	0,15 kg / 5 onces 0,3 kg / 10 onces			Gril 5 - 6 minutes Gril 10 - 12 minutes

<b>GIBIER SAUVAGE</b>	<b>TAILLE</b>	<b>Saignant - 60 °C / 140 °F</b>	<b>À point - 71 °C / 160 °F</b>	<b>Bien cuit - 77 °C / 170 °F</b>
<b>Rôti (frais)</b>	2,26 - 2,72 kg / 5-6 lbs.		1 - 1½ heures	1½ - 2 heures
<b>Grandes coupes (frais)</b>	3,62 - 4,53 kg / 8-10 lbs.		1 heure	1½ heures

# CONSEILS ET TECHNIQUES

Suivez ces conseils et techniques utiles, transmis par des propriétaires de Pit Boss®, notre personnel et clients comme vous, afin de vous familiariser avec votre gril:

## 1. SÉCURITÉ ALIMENTAIRE

- Garder propre tout ce qui se trouve dans la cuisine et dans la surface de cuisson. Utilisez un plat et des ustensiles différents pour la viande cuite et pour préparer ou transporter la viande crue sur le gril. Ceci permettra d'éviter toute contamination croisée des bactéries. Chaque marinade ou sauce pour badigeonner devrait avoir son propre ustensile.
- Gardez les aliments chauds au chaud (au-dessus de 60°C / 140°F) et gardez les aliments froids au froids (moins de 3°C / 37°F).
- Une marinade ne devrait jamais être conservée pour une utilisation ultérieure. Si vous comptez l'utiliser pour la servir avec votre viande, assurez-vous de la faire bouillir avant de servir.
- Les aliments cuits et les salades ne devraient pas être laissés dehors dans la chaleur pendant plus d'une heure. Ne laissez pas les aliments chauds à l'extérieur du réfrigérateur pendant plus de deux heures.
- Décongeler et mariner les viandes par réfrigération. Ne décongelez pas la viande à température ambiante ou sur le comptoir. Les bactéries peuvent grandir et se multiplient rapidement dans les aliments chauds et humides. Lavez-vous bien les mains avec de l'eau tiède savonneuse avant de commencer à préparer votre plat, et après avoir manipulé de la viande fraîche, du poisson et de la volaille.

## 2. PRÉPARATION DE CUISSON

- Soyez préparé ou **Mise en place**. Ceci fait référence à la préparation de la recette, le combustible, les accessoires, les ustensiles et tous les ingrédients dont vous aurez besoin à côté du gril avant de commencer la cuisson. Aussi, lisez la recette complète, du début à la fin, avant d'allumer le gril.
- Un tapis protecteur pour BBQ peut être très utile. En raison des accidents qui surviennent en raison de la manipulation des aliments et des différents styles de cuisson, ce tapis aidera à protéger les dalles de votre patio ou de votre terrasse contre tout risque de tache de graisse ou déversements accidentels

## 3. CONSEILS ET TECHNIQUES DE GRILLADE

- Pour infuser plus de saveur fumée et gardez vos viandes juteuses, cuisez-les plus longtemps à une température plus basse (également connu sous le nom de **faible et lent**). La viande fermera ses fibres après avoir atteint une température interne de 49°C (120°F). La pulvérisation en brouillard et l'épandage sont d'excellents moyens permettant d'éviter que la viande ne se dessèche.
- Lorsque vous saisissez vos viandes, cuisinez toujours avec le couvercle fermé. Utilisez toujours un thermomètre à viande pour évaluer la température interne des aliments que vous cuisinez. Fumer la nourriture avec des granulés de bois fait rosir la viande et la volaille. **La bande rose** (après la cuisson) est aussi appelée anneau de fumée et est très appréciée par les chefs de plein air.
- Il est fortement recommandé d'appliquer les sauces à base de sucre vers la fin de la cuisson pour éviter les brûlures et flambées.
- Laissez un espace de dégagement entre les aliments et les extrémités du baril pour une bonne circulation de la chaleur. Beaucoup d'aliments sur une grille de cuisson encombrée prendront plus de temps à cuire.
- Utilisez des pinces avec une longue poignée pour retourner toutes les viandes et des spatules pour retourner les burgers et le poisson. L'utilisation d'un ustensile perçant, comme une fourchette, permet de piquer la viande et de laisser s'évacuer les jus.
- Les aliments dans des casseroles profondes nécessitent plus de temps pour cuire que dans une poêle peu profonde.
- C'est une bonne idée de mettre les aliments grillés sur une grande assiette préchauffée pour garder vos aliments chauds. Les viandes rouges comme les steaks et rôtis seront meilleurs si vous les laissez reposer pendant quelques minutes avant de les servir. Ceci permet aux jus délicieux que la chaleur a fait remonter à la surface de retourner au centre et de lui donner plus de saveur.

# DÉPANNAGE

Un nettoyage et une maintenance adaptés, ainsi que l'utilisation de combustible propre, sec et de qualité évitera la plupart des problèmes de fonctionnement. Lorsque votre gril Pit Boss® est mal ou peu utilisé, les astuces de dépannage suivantes peuvent s'avérer utiles. Pour consulter des FAQ, rendez-vous sur [www.pitboss-grills.com](http://www.pitboss-grills.com). Vous pouvez également contacter votre revendeur local agréé par Pit Boss® ou le service clients pour obtenir de l'aide.

**ATTENTION : débranchez toujours le câble électrique avant d'ouvrir le gril pour effectuer une inspection, un nettoyage, une maintenance ou un entretien. Veillez à ce que le gril soit totalement froid afin d'éviter toute blessure.**

PROBLÈME	CAUSE	SOLUTION
Aucun éclairage sur le panneau de contrôle	La molette de contrôle de température est toujours sur OFF.	Appuyez sur le bouton d'alimentation et assurez-vous qu'il s'allume en bleu, prouvant que le raccordement électrique fonctionne. Tournez la molette de contrôle sur un paramètre de température.
	Non connecté à une source d'alimentation	Veillez à ce que l'appareil soit relié à une source d'alimentation en état de marche. Réinitialisez le disjoncteur. Veillez à ce que la prise DDFT fonctionne à un minimum de 10 A (consultez le <b>Schéma du câblage électrique</b> pour accéder aux composants électriques). Veillez à ce que tous les câblages soient fermement reliés et secs.
	Fusible grillé sur le panneau de contrôle	Retirez le panneau d'accès de la trémie (consultez le <b>Schéma du câblage électrique</b> ), appuyez sur les languettes en plastique maintenant le panneau de contrôle en place et poussez le contrôleur à l'intérieur de la trémie pour le dégager. Vérifiez le fusible pour voir si un câble est cassé ou noirci. Si tel est le cas, le fusible doit être remplacé manuellement.
	La prise DDFT a disjoncté.	Retirez le panneau d'accès de la trémie (consultez le <b>Schéma du câblage électrique</b> ) et veillez à ce que tous les raccordements de câbles soient fermement connectés et secs. Veillez à ce que la prise DDFT fonctionne à un minimum de 10 A.
	Panneau de contrôle défectueux	Le panneau de contrôle doit être remplacé. Contactez le service clients pour obtenir une pièce de rechange.
Le feu du pot de combustion ne s'allume pas	La vis sans fin n'est pas amorcée	Avant d'utiliser l'appareil pour la première fois ou dès que la trémie est entièrement vide, la vis sans fin doit être amorcée pour permettre aux granulés de remplir de tube. Si elle n'est pas amorcée, l'allumeur stoppera avant que les granulés n'atteignent le pot de combustion. Suivez la <b>Procédure d'amorçage de la tarière</b> .
	Le moteur de la vis sans fin est bloqué	Retirez les composants de cuisson du corps principal de l'appareil. Appuyez sur le bouton d'alimentation pour allumer l'appareil, tournez la molette de contrôle de température sur la position SMOKE et inspectez le système d'acheminement de la vis sans fin. Confirmez visuellement que la vis sans fin achemine des granulés dans le pot de combustion. Si le processus ne fonctionne pas correctement, appelez le service clients pour obtenir de l'aide ou une pièce de rechange.
	Problème d'allumeur	Retirez les composants de cuisson du corps principal de l'appareil. Appuyez sur le bouton d'alimentation pour allumer l'appareil, tournez la molette de contrôle de température sur la position SMOKE et inspectez l'allumeur. Confirmez visuellement que l'allumeur fonctionne en plaçant votre main au-dessus du pot de combustion en quête de chaleur. Confirmez visuellement que l'allumeur dépasse d'environ 13 mm/0,5 po dans le pot de combustion. S'il ne fonctionne pas correctement, suivez la <b>Procédure de démarrage</b> manuel pour continuer à utiliser votre gril. Appelez le service clients pour obtenir de l'aide ou une pièce de rechange.
Points qui clignotent sur l'écran LCD	L'allumeur est en marche	Cette erreur n'impacte pas le gril. Elle permet de voir que l'appareil est alimenté et est en mode démarrage (l'allumeur est en marche). L'allumeur s'éteindra au bout de cinq minutes. Lorsque les points qui clignotent disparaissent, le gril commence à s'ajuster à la température sélectionnée.
Température qui clignote sur l'écran LCD	La température du gril est inférieure à 65 °C/150 °F	Cette erreur n'impacte pas le gril. Elle permet de voir qu'il existe un risque sur le feu s'éteigne. Vérifiez que la trémie contient assez de combustible ou que le système d'acheminement n'est pas obstrué. Retirez les granulés et suivez les instructions d' <b>Entretien et maintenance</b> . Vérifiez la sonde de grille du gril et suivez les instructions d' <b>Entretien et maintenance</b> si celle-ci est sale. Vérifiez que le pot de combustion n'est pas obstrué ou qu'il ne contient pas de cendres accumulées et suivez les instructions d' <b>Entretien et maintenance</b> en cas d'accumulation de cendres. Vérifiez le ventilateur. Assurez-vous qu'il fonctionne correctement et que le conduit d'entrée d'air n'est pas bouché. Suivez les instructions d' <b>Entretien et maintenance</b> si celui-ci est sale. Vérifiez le bon fonctionnement (rotation) du moteur de la vis sans fin et assurez-vous que le tube de la vis sans fin n'est pas bloqué.

Code d'erreur « ErH »	L'appareil a surchauffé, probablement à cause d'un feu de graisse ou un d'excès de combustible.	Appuyez sur le bouton d'alimentation pour éteindre l'appareil et laissez-le refroidir. Suivez les instructions d'Entretien et maintenance. Après entretien, retirez les granulés et vérifiez le bon positionnement de tous les composants. Une fois l'appareil refroidi, appuyez sur le bouton d'alimentation pour l'allumer et sélectionnez la température souhaitée. Si le code d'erreur s'affiche toujours, contactez le service clients.
Code d'erreur « Err »	Le câble de la sonde de grille ne se connecte pas.	Retirez le panneau d'accès de la trémie (consultez le <b>Schéma du câblage électrique</b> ) et vérifiez si les câbles de la sonde de grille sont abimés. Veillez à ce que les connecteurs Molex de la sonde de grille soient fermement et correctement reliés au panneau de contrôle.
Code d'erreur « noP »	Mauvaise connexion au port de raccordement	Déconnectez la sonde de cuisson du port de raccordement du panneau de contrôle, puis reconnectez-la. Veillez à ce que l'adaptateur de la sonde de cuisson soit fermement connecté. Vérifiez que l'extrémité de l'adaptateur n'est pas abimée. Si l'erreur persiste, contactez le service clients pour obtenir une pièce de rechange.
	Sonde de cuisson endommagée	Vérifiez que les câbles de la sonde de cuisson ne sont pas abimés. Si tel est le cas, contactez le service clients pour obtenir une pièce de rechange.
	Panneau de contrôle défectueux	Le panneau de contrôle doit être remplacé. Contactez le service clients pour obtenir une pièce de rechange.
La température du gril en mode SMOKE est trop élevée	Le paramètre « P » est trop bas	Appuyez sur le bouton « "P" SET » et augmentez le paramètre « P ».
Le gril ne parvient pas à une température stable ou n'arrive pas à la maintenir	Écoulement d'air insuffisant dans le pot de combustion	Vérifiez qu'il n'y a pas d'accumulation de cendres ou d'obstruction dans le pot de combustion. Suivez les instructions d' <b>Entretien et maintenance</b> en cas d'accumulation de cendres. Vérifiez le ventilateur. Assurez-vous qu'il fonctionne correctement et que le conduit d'entrée d'air n'est pas bouché. Suivez les instructions d' <b>Entretien et maintenance</b> si celui-ci est sale. Vérifiez le bon fonctionnement du moteur de la vis sans fin et assurez-vous que le tube de la vis sans fin n'est pas bloqué. Une fois toutes les étapes précédentes effectuées, démarrez le gril, configurez la température sur SMOKE et attendez 10 minutes. Vérifiez que la flamme produite est vive.
	Manque de combustible, combustible de mauvaise qualité ou obstruction du système d'acheminement	Vérifiez que le niveau de combustible dans la trémie est suffisant, remplissez si besoin. Si la qualité des granulés de bois est mauvaise ou que leur taille est trop grande, le système d'acheminement peut s'obstruer. Retirez les granulés et suivez les instructions d' <b>Entretien et maintenance</b> .
	Sonde de grille	Vérifiez le statut de la sonde de grille. Suivez les instructions d' <b>Entretien et maintenance</b> si celui-ci est sale. Contactez le service clients pour obtenir une pièce de rechange en cas de dommage.
Le gril produit trop de fumée ou une fumée décolorée	Accumulation de graisse	Suivez les instructions d' <b>Entretien et maintenance</b> .
	Qualité des granulés de bois	Retirez les granulés de bois humides de la trémie. Suivez les instructions d' <b>Entretien et maintenance</b> pour procéder au nettoyage. Remplacez-les par des granulés de bois secs.
	Le pot de combustion est bloqué	Retirez les granulés de bois humides du pot de combustion. Suivez la Procédure d'amorçage de la trémie.
	Arrivée d'air insuffisante pour le ventilateur	Vérifiez le ventilateur. Assurez-vous qu'il fonctionne correctement et que le conduit d'entrée d'air n'est pas bouché. Suivez les instructions d' <b>Entretien et maintenance</b> si celui-ci est sale.
Flambées fréquentes	Température de cuisson	Essayez de cuire à plus faible température. La graisse possède un point d'inflammabilité. Maintenez une température inférieure à 176 °C/350 °F lorsque vous cuisez des aliments très gras.
	Accumulation de graisse sur les composants de cuisson	Suivez les instructions d' <b>Entretien et maintenance</b> .

# DIAGRAMME DE FIL ÉLECTRIQUE

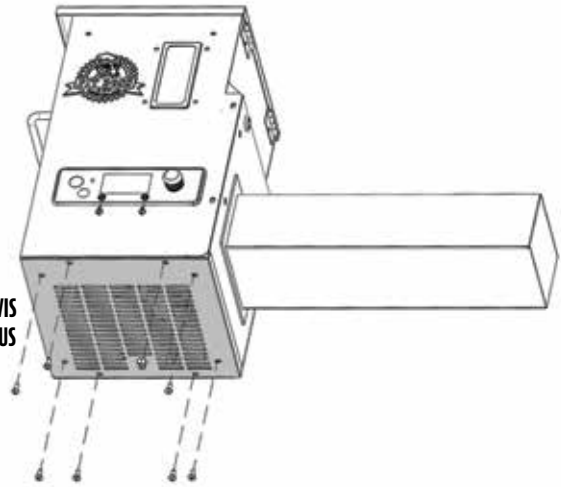
Le panneau de commande numérique est un matériel technologique hautement sophistiqué et de grande valeur. Pour une protection contre les surtensions et les courts-circuits électriques, consultez le schéma de fil ci-dessous pour vous assurer que votre source d'alimentation est suffisante pour le fonctionnement de l'appareil.

## PB - EXIGENCES ÉLECTRIQUES

110-120V, 60Hz, 275W, FICHE À 3 BROCHES MISE À LA TERRE

REMARQUE : Les composants électriques, passés par les tests de sécurité des produits et les services de certification, sont conformes avec une tolérance de test de  $\pm 5$  à 10%.

LOCALISEZ ET RETIREZ LES HUIT VIS DU PANNEAU D'ACCÈS EN DESSOUS DE L'UNITÉ

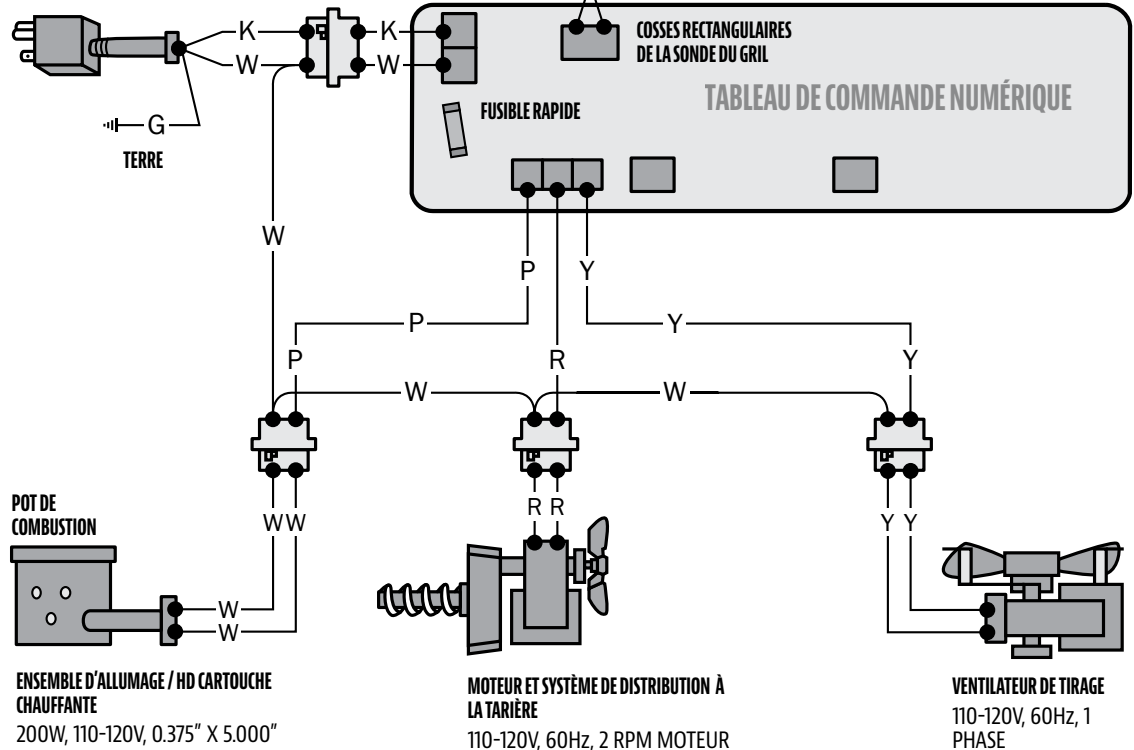


INDICE DE CONSOMMATION DE CARBURANT:  
1.12 KG/H  
(2.48 LB/H)

INDICE  
W : BLANC  
Y : JAUNE  
P : MAUVE  
R : ROUGE  
K : NOIR  
G : VERT

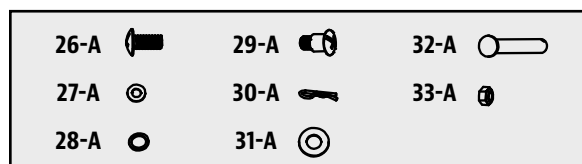
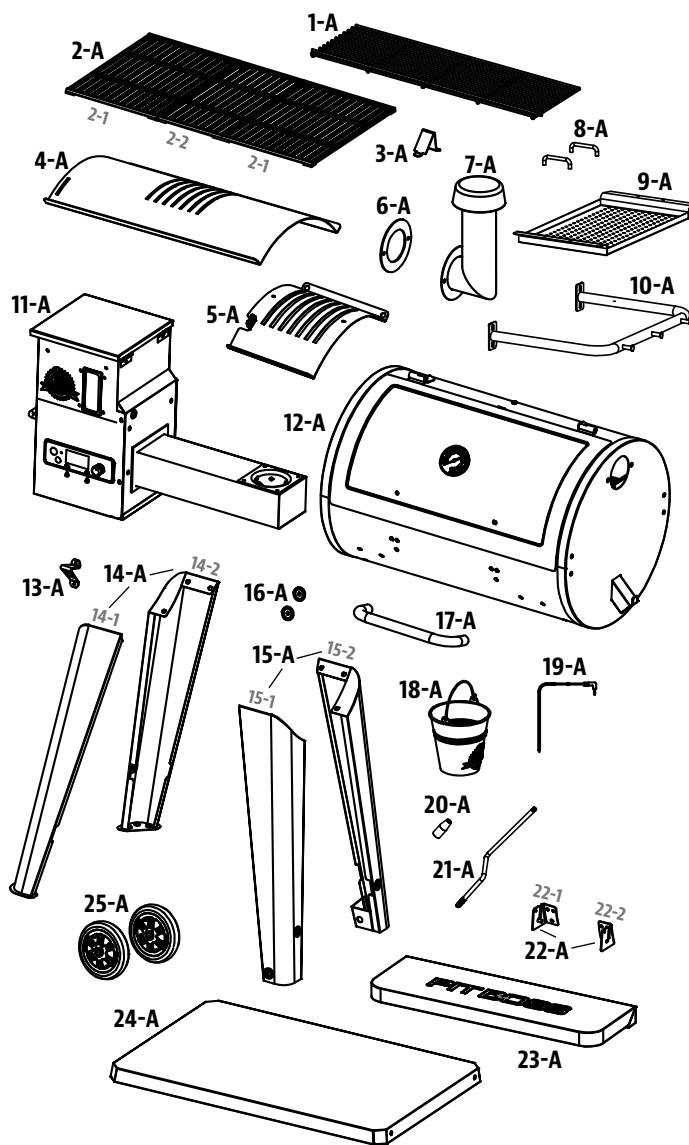
CORDON D'ALIMENTATION MIS À LA TERRE

VW-1, 105°C/221°F,  
18-3 STANDARD CSA



# PIÈCES DE RECHANGE DU GRIL

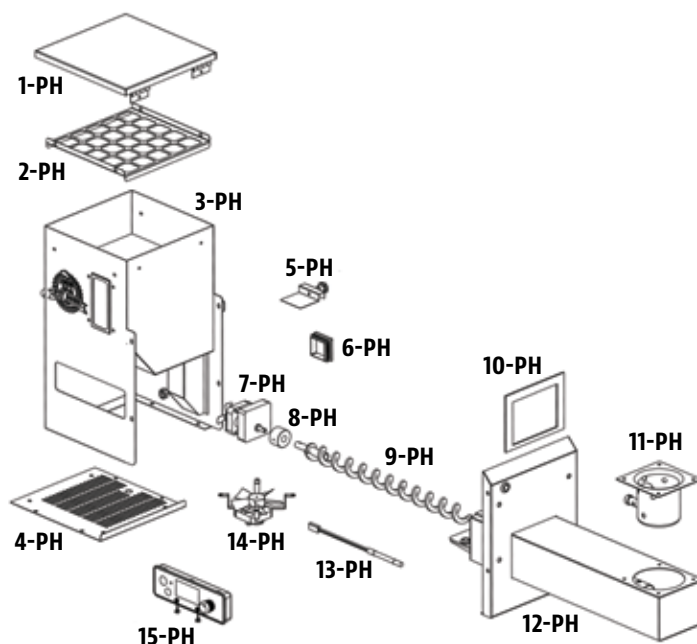
No.	Description des pièces
1-A	Grille de cuisson supérieure en acier revêtu de porcelaine (x1)
2-A	Grilles de cuisson en fonte revêtue de porcelaine - A (x2) Grilles de cuisson en fonte revêtue de porcelaine - B (x1)
3-A	Bouchon du couvercle (x1)
4-A	Chaudière glissière (x1)
5-A	Chaudière planche principale (x1)
6-A	Sortie de la cheminée (x1)
7-A	Cheminée (x1)
8-A	Poignée du plateau (x2)
9-A	Plateau (x1)
10-A	Poignée de la tablette latérale (x1)
11-A	Assemblage de la trémie (x1)
12-A	Baril principal (x1)
13-A	Ouvre-bouteille (x1)
14-A	Pied fixe - avant (x1) Pied fixe - arrière (x1)
15-A	Pied avec roue - avant (x1) Pied avec roue - arrière (x1)
16-A	Cadran de la poignée du couvercle (x2)
17-A	Poignée du couvercle (x1)
18-A	Seau de graisse (x1)
19-A	Sonde de viande (x1)
20-A	Poignée de la barre de réglage pour chaudière (x1)
21-A	Barre de réglage pour chaudière (x1)
22-A	Support pour tablette avant - gauche (x1) Support pour tablette avant - droite (x1)
23-A	Tablette avant (x1)
24-A	Étagère inférieure (x1)
25-A	Roue (x2)
26-A	Vis (x28)
27-A	Rondelle (x28)
28-A	Rondelle de blocage (x28)
29-A	Vis (x2)
30-A	Goupille fendue de la roue (x2)
31-A	Rondelle de roue (x2)
32-A	Goupille de l'essieu des roues (x2)
33-A	Écrou (x2)



REMARQUE: En raison du développement en cours du produit, les pièces peuvent être modifiées sans préavis.

# PIÈCES DE RECHANGE DE TRÉMIE

No.	Description
1-PH	Couvercle de trémie (x1)
2-PH	Écran de sécurité de la trémie (x1)
3-PH	Boîtier de la trémie (x1)
4-PH	Panneau d'accès de la trémie (x1)
5-PH	Plateau de la chute (x1)
6-PH	Couvercle de la chute (x1)
7-PH	Moteur de la tarière (x1)
8-PH	Bague d'étanchéité en nylon (x1)
9-PH	Assemblage du filet de tarière (x1)
10-PH	Joint de corps de la trémie (x1)
11-PH	Pot de combustion (x1)
12-PH	Boîtier de la trémie (x1)
13-PH	Allumeur (x1)
14-PH	Ventilateur de combustion (x1)
15-PH	Panneau de commande H1 du Pit Boss® (x1)



## GARANTIE

### CONDITIONS

Tous les grils de granulés de bois de Pit Boss®, fabriqués par Dansons, contiennent une garantie limitée à partir de la date de vente par le propriétaire initial. La garantie entre en vigueur la date d'achat, et une preuve de la date d'achat ou copie de votre achat de vente original est requise pour valider la garantie. Si le client n'est pas en mesure de produire une preuve de l'achat ou si la date de couverture de la garantie est dépassée, il sera tenu de payer les pièces, l'expédition et la main-d'œuvre.

Dansons offre une garantie de cinq (5) ans contre les défauts et fabrication sur toutes les pièces, et cinq (5) ans sur les composants électriques. Dansons garantit que toute partie(s) sont exempte de défauts de matériel et de fabrication, pour la durée d'utilisation et de propriété de l'acheteur initial. La garantie ne couvre pas les dommages causés par l'usure, tels que les rayures, les bosses, les coups, les éclats ou les fissures cosmétiques mineures. Ces changements esthétiques du gril n'affectent pas sa performance. La réparation ou le remplacement d'une pièce ne prolonge pas la garantie limitée au-delà de cinq (5) ans à partir de la date d'achat.

Pendant la période de la garantie limitée, l'obligation de Dansons sera limitée à fournir le remplacement des composants couverts et/ou défectueux. Tant que cela se produit pendant la période de la garantie, Dansons ne vous facturera pas sur la réparation ou le remplacement des pièces retournées, le port-payé, si Dansons détermine que ces pièces se révèlent défectueuses après inspection. Dansons ne sera pas tenu responsable des frais de transport, du coût salarial ou des droits d'exportation. Sauf disposition contraire dans ces conditions de garantie, la réparation ou le remplacement des pièces de la façon et pour la durée fixée ci-dessous, remplira le devoir de toutes les responsabilités et obligations directes et dérivées de Dansons envers vous.

Dansons prend toutes les précautions pour utiliser les matériaux qui retardent la formation de la rouille. Même avec ces garanties, le revêtement protecteur peut être compromis par diverses substances et conditions qui échappent au contrôle de Dansons. Les hautes températures, l'humidité excessive, le chlore, les gaz industriels, les engrais, les pesticides utilisés pour les pelouses et le sel sont quelques-unes des substances pouvant affecter les revêtements métalliques. C'est pour ces raisons que les garanties limitées ne couvrent pas la rouille ni l'oxydation, à moins que le composant du gril présente une perte d'intégrité structurelle. Si les scénarios décrits ci-dessus devaient se produire, veuillez vous référer à la section de soin et de maintenance pour prolonger la durée de vie de votre appareil. Dansons recommande l'utilisation d'une couverture de gril lorsqu'il n'est pas utilisé.

Les garanties s'appliquent à un usage domestique et utilisation normale du gril et aucune des garanties limitées ne s'applique à un gril utilisé pour des applications commerciales.

## EXCEPTIONS

Il n'existe pas de garantie de performance écrite ou implicite sur les appareils Pit Boss®, car le fabricant ne contrôle pas l'installation, le fonctionnement, le nettoyage, l'entretien ou le type de combustible brûlé. La garantie limitée ne s'appliquera pas, et Dansons n'assumera aucune responsabilité, si votre appareil n'a pas été installé, opéré, nettoyé et entretenu conformément aux instructions du fabricant. Toute utilisation de gaz non précisée dans ce manuel peut annuler la garantie. La garantie ne couvre pas les dommages ou ruptures causées par une mauvaise utilisation, mauvaise manutention ou des modifications.

Dansons et les fournisseurs autorisés Pit Boss®, déclinent toute responsabilité, légale ou autre, quant aux dommages accidentels ou consécutifs à la propriété ou aux personnes résultant de l'utilisation de ce produit. Si une réclamation est retournée contre Dansons basée sur la violation de cette garantie ou de tout autre type de garantie explicite ou implicite en droit, le fabricant ne sera en aucun cas tenu responsable des dommages-intérêts spéciaux, punitifs ou indirects de quelque nature que ce soit en surplus du prix d'achat original de ce produit. Toutes les garanties du fabricant sont énoncées ici et aucune réclamation ne sera effectuée contre le fabricant par le biais d'une garantie ou de représentation.

Certaines provinces n'autorisent pas l'exclusion ou la limitation des dommages accidentels ou consécutifs, ou les limitations des garanties implicites, de sorte qu'il est possible que les exclusions et limitations énoncées dans cette garantie limitée ne s'appliquent pas à vous. Cette garantie limitée vous donne des droits légaux spécifiques, et vous pourriez aussi avoir d'autres droits légaux qui pourront varier selon l'état ou la province.

## COMMANDE DE PIÈCES DE REMPLACEMENT

Pour commander des pièces de rechange, contactez votre revendeur local Pit Boss® ou visitez notre boutique en ligne à l'adresse suivante: [www.pitboss-grills.com](http://www.pitboss-grills.com)

## APPELEZ LE SERVICE CLIENT

Si vous avez des questions ou des problèmes, veuillez communiquer avec le Service client.

**ÉTATS-UNIS: (480) 923-9630 | CANADA (SANS FRAIS): 1-877-942-2246**

## SERVICE DE GARANTIE

Appelez votre fournisseur de Pit Boss® le plus proche pour une réparation ou un remplacement de vos pièces. Dansons exige une preuve d'achat pour établir une réclamation sous garantie; Conservez donc votre reçu ou facture originale pour référence future. Le numéro de série et de modèle de votre Pit Boss® se trouve sur la trémie. Enregistrez les numéros ci-dessous, car l'étiquette peut s'user ou devenir illisible.

---

MODÈLE

---

NUMÉRO DE SÉRIE

---

DATE D'ACHAT

---

CONCESSIONNAIRE AUTORISÉ

# INFORMACIÓN DE SEGURIDAD

**LAS FALLAS DE MANTENIMIENTO Y EL INCUMPLIMIENTO DE LAS DISTANCIAS REQUERIDAS ENTRE EL APARATO Y LOS MATERIALES COMBUSTIBLES SON CAUSAS IMPORTANTES DE INCENDIOS. ES DE LA MAYOR IMPORTANCIA QUE ESTE PRODUCTO SOLAMENTE SE UTILICE DE ACUERDO CON ESTAS INSTRUCCIONES.**

Por favor lea y comprenda este manual en su totalidad antes de intentar armar, utilizar o instalar el producto. Esto garantizará que pueda utilizar su nuevo asador de pellets de madera de la manera más agradable y sin problemas. También le recomendamos conservar este manual para referencia futura.

## PELIGROS Y ADVERTENCIAS

**Debe comunicarse con su asociación local de vecinos, funcionarios de construcción o control de incendios, o con la autoridad competente, para obtener los permisos y la información necesarios sobre restricciones de instalación, como la instalación de un asador en una superficie combustible, los requisitos de inspección, o incluso la capacidad de usarlo, en su región.**

1. Es necesario mantener un espacio libre mínimo de 305mm (12 pulg.) entre materiales combustibles y los costados del asador, y de 305 mm (12 pulg.) desde la parte trasera del asador a materiales combustibles. **No instale el artefacto en pisos combustibles ni en pisos protegidos con superficies combustibles, a menos que las autoridades competentes le otorguen permisos y permisos adecuados.** No use este aparato en interiores o en un área cerrada y no ventilada. Este aparato de pellets de madera no debe colocarse bajo un techo o saliente de material combustible. Mantenga su asador en un área despejada y libre de materiales combustibles, gasolina y otros vapores y líquidos inflamables.

**En caso de un fuego de grasa, debe APAGAR el asador y dejar la tapa cerrada hasta que se apague el fuego. No desconecte el cable de alimentación eléctrica. No arroje agua sobre el fuego. No trate de sofocar el fuego. Es muy recomendable mantener cerca un extintor de incendios aprobado para todo tipo de fuego (clase ABC). Si ocurre un incendio sin control, llame al Departamento de Bomberos.**

2. Mantenga los cables de alimentación eléctrica y la combustible de las superficies calientes. No use su asador bajo la lluvia o cerca de cualquier fuente de agua.
3. Después de un período de almacenamiento o no uso, verifique que la olla de quemado no tenga obstrucciones, la tolva para detectar objetos extraños y cualquier obstrucción de aire alrededor de la entrada del ventilador o los orificios de escape del barril trasero. Limpiar antes de usar. Se requiere cuidado y mantenimiento regulares para prolongar la vida útil de su unidad. **Si la parrilla se almacena al aire libre durante la temporada de lluvias o temporadas de alta humedad, se debe tener cuidado para asegurar que el agua no ingrese a la tolva.** Cuando está mojado o expuesto a alta humedad, los pellets de madera se expandirán mucho, se descompondrán y pueden atascar el sistema de alimentación. Siempre desconecte la alimentación, antes de realizar cualquier servicio o mantenimiento.

**¡IMPORTANTE! Apague siempre el aparato y permita que se ejecute el ciclo de apagado. Desenchufe el aparato solo una vez que se haya completado el ciclo de apagado y/o antes de limpiarlo. El incumplimiento de esta advertencia puede causar daños, lesiones graves, incendios, descargas eléctricas o la muerte.**

**No transporte su asador mientras está en operación o mientras el asador está caliente. Asegúrese de que el fuego está completamente apagado y de que el asador está completamente frío al tacto antes de moverlo.**

4. Se recomienda utilizar guantes resistentes al calor cuando opere el asador. No utilice accesorios no especificados para su uso con este aparato. No coloque una cubierta para asador u otra cosa inflamable dentro del espacio de almacenamiento debajo del asador.

**ADVERTENCIA: Tenga cuidado con el material combustible de la construcción, mantenga el fuego para evitar el sobreencendido**

5. Para evitar lesiones o daños al barreno, el aparato cuenta con una cubierta de seguridad en la tolva metálica. Esta cubierta no debe ser retirada a menos que así lo indique Atención al cliente o un distribuidor autorizado.

**No se recomienda que usen este aparato los niños, las personas con capacidades físicas, sensoriales o mentales reducidas, o que no tengan suficiente experiencia y conocimientos, a menos que sean supervisados o instruidos por una persona responsable de su seguridad.**

6. Algunas partes de la barbacoa pueden estar muy calientes y pueden producirse lesiones graves. Retire las ollas y sartenes mientras el aparato en funcionamiento esté desatendido, para reducir el riesgo de incendio. Mantenga alejados a los niños pequeños y las mascotas mientras está en uso.
7. No agranda los agujeros del encendedor ni las cámaras de combustión. De no cumplir con esta advertencia, podría causar un peligro de incendios y lesiones corporales y anulará su garantía.
8. El producto puede tener bordes o puntos afilados. El contacto puede provocar lesiones. Tratar con cuidado.

## **ELIMINACIÓN DE LAS CENIZAS**

Las cenizas deben ser colocadas en un recipiente metálico con una tapa hermética. El recipiente cerrado de cenizas debe colocarse en un piso no combustible o en el suelo, lejos de todos los materiales combustibles, hasta su eliminación definitiva. Cuando elimine las cenizas enterrándolas en la tierra o dispersándolas, debe conservarlas en un recipiente cerrado hasta que todas las brasas se hayan enfriado por completo.

## **COMBUSTIBLE DE PELLETS DE MADERA**

Este aparato de cocina de gránulos está diseñado y aprobado solo para combustibles de gránulos de madera completamente naturales. Cualquier otro tipo de combustible que se use en este aparato anulará la garantía y los anuncios de seguridad. Debe usar únicamente gránulos de madera completamente naturales, diseñados para parrillas de barbacoas para gránulos. No use combustible con aditivos. Les granulés de bois sont très sensibles à l'humidité et doivent toujours être stockés au sein d'un récipient hermétique. Si vous stockez votre gril, sans l'utiliser, pendant une période prolongée, nous vous recommandons de retirer tous les granulés de la trémie et de la vis sans fin de votre gril, afin d'éviter les bourrages. El poder calorífico medio de los pellets de combustible en 18569-20362 KJ/KG (8000 - 8770 BTU/LB), contenido de cenizas < 1%.

**No use roca de lava, trozos de madera, carbón de leña, licores, petróleo, gasolina, líquido de encendedores o queroseno para encender o avivar el fuego en su asador.**

Al momento de la impresión, no hay un estándar de la industria para pellets de madera para asador, aunque la mayoría de los fabricantes de pellets usan los mismos estándares aplicados para la fabricación de pellets de madera para calefacción casera. Puede encontrar más información en [www.pelletheat.org](http://www.pelletheat.org) o en el Pellet Fuel Institute.

Consulte a su distribuidor local sobre la calidad de los pellets en su región y pídale información la calidad de las distintas marcas. Dado que no existe ningún control sobre la calidad de los pellets utilizados, no asumimos ninguna responsabilidad por los daños causados por combustible de mala calidad.

## CREOSOTA

Creosota: formación y necesidad de eliminación. Al arder produce humo negro con un residuo también de color negro. Cuando los pellets de madera se queman lentamente, producen alquitrán y otros vapores orgánicos que se combinan con la humedad expulsada para formar creosota. Los vapores de creosota se condensan en un horno relativamente frío y en una campana extractora de un fuego de combustión lenta. Como resultado, los residuos de creosota se acumulan en el revestimiento del conducto de humos y en la campana extractora. Cuando se enciende, esta creosota hace un fuego extremadamente caliente.

El conducto de grasa debe inspeccionarse al menos dos veces al año para determinar cuándo se ha producido la acumulación de grasa y/o creosota.

Cuando se haya acumulado grasa o creosota, se debe eliminar para reducir el riesgo de incendio.

## MONÓXIDO DE CARBONO ("EL ASESINO SILENCIOSO")

El monóxido de carbono es un gas incoloro, inodoro e insípido que se produce al quemar gas, madera, propano, carbón y otros combustibles. El monóxido de carbono reduce la capacidad de la sangre para transportar oxígeno. Los niveles bajos de oxígeno en la sangre pueden causar dolor de cabeza, mareos, debilidad, náuseas, vómitos, somnolencia, confusión, pérdida de la conciencia y muerte. Siga estas instrucciones para evitar que este gas incoloro e inodoro lo intoxique a usted, a su familia o a otras personas:

- Consulte a un médico si usted u otras personas presentan síntomas de resfriado o gripe mientras cocinan o en los alrededores del aparato. La intoxicación por monóxido de carbono, que puede confundirse fácilmente con gripe o resfriado, con frecuencia se detecta demasiado tarde.
- El consumo de alcohol y drogas aumentan los efectos de la intoxicación por monóxido de carbono.

El monóxido de carbono es especialmente tóxico para madres e hijos durante el embarazo, así como para los bebés, los ancianos, los fumadores y las personas con problemas de la sangre y el sistema circulatorio, como anemia o enfermedades cardíacas.

## REGISTRO DE SEGURIDAD

De acuerdo con los procedimientos y especificaciones de la Categoría 2728-2009 de UL, "aparatos de cocina con pellets combustibles" y ULC/ORD C2728-13 "para características eléctricas de equipos de quema de combustible". Los aparatos de cocina con pellets Pit Boss® han sido probados de manera independiente y registrados por Intertek (un laboratorio de pruebas acreditado) de acuerdo con las normas ETL, UL, ULC y CSA.



### AVISO DE DERECHOS DE AUTOR

Copyright 2022. Todos los derechos reservados. Ninguna parte de este manual puede ser copiada, transmitida, transcrita o almacenada en un sistema de respaldo, en ninguna forma y por ningún medio, sin el permiso explícito por escrito de,

### Dansons

8877 North Gainey Center Drive, Scottsdale, AZ, USA 85258  
[www.pitboss-grills.com](http://www.pitboss-grills.com)

### Atención al cliente

EE.UU: (480) 923-9630

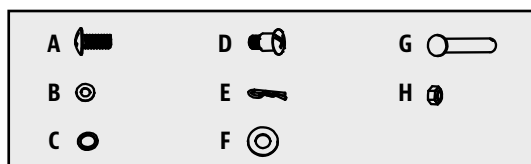
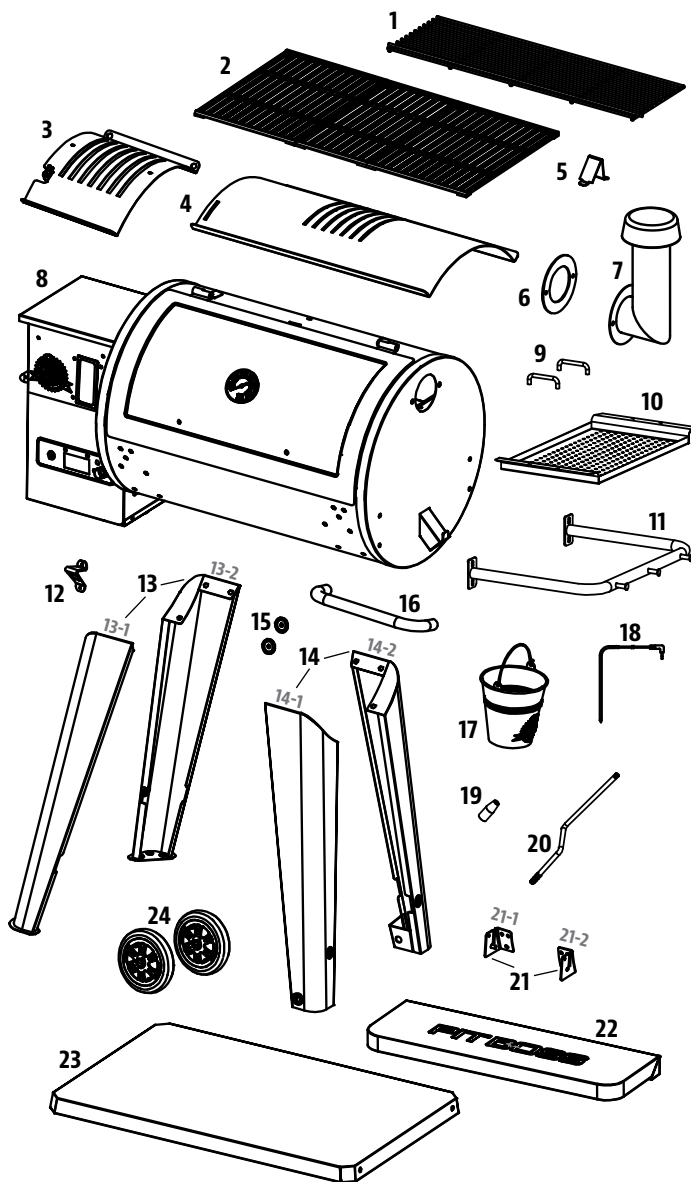
CANADA (GRATUITA): 1-877-942-2246

# ÍNDICE

Información de seguridad .....	56	Cuidado y mantenimiento .....	72
Partes y especificaciones .....	60	Uso del combustible de pellets de madera .....	73
Preparación del ensamblaje .....	60	Lineamientos para cocinar .....	74
Instrucciones de ensamblaje		Consejos y técnicas.....	76
Montaje de las ruedas en las patas .....	61	Solución de problemas .....	77
Montaje de las patas en el barril principal .....	61	Diagrama de cableado eléctrico.....	79
Colocación del seguro de la tapa.....	63	Refacciones	
Ensamblaje de la manija de la tapa .....	63	Refacciones para el asador .....	80
Montaje de la manija de la repisa lateral, bandeja .....	63	Refacciones para la tolva.....	81
Colocación de la chimenea.....	64	Garantía	
Instalación de los soportes de la repisa frontal.....	64	Condiciones.....	81
Colocación de la repisa frontal.....	64	Excepciones .....	82
Asegurando el abrebotella.....	65	Cómo ordenar refacciones.....	82
Colocación del encendedor en la cámara de combustión.....	65	Contacto con Atención al cliente.....	82
Colocación de la cubeta de grasa .....	66	Servicio bajo garantía .....	82
Conexión a una fuente de alimentación eléctrica .....	66		
Instrucciones de operación			
Entorno del asador.....	67		
Rangos de temperaturas del asador.....	68		
Uso de los sensores .....	68		
Explicación del tablero de control.....	69		
Qué significa el Valor "P" .....	70		
Procedimiento de cebado del sinfín .....	70		
Primer uso - Quemado del asador .....	70		
Procedimiento de arranque automático.....	71		
Procedimiento de arranque manual .....	71		
Cómo apagar su asador .....	71		

# PIEZAS Y ESPECIFICACIONES

N°	Descripción
1	Parrilla superior de acero recubierto de porcelana (x1)
2	Parrillas de cocción de hierro fundido recubiertas de porcelana (x3)
3	Cubierta deslizante de la rejilla de flama (x1)
4	Placa principal de rejilla de flama (x1)
5	Seguro de la tapa (x1)
6	Cañón de la chimenea (x1)
7	Chimenea (x1)
8	Barril principal y conjunto de tolva (x1)
9	Manija de la bandeja (x2)
10	Bandeja (x1)
11	Manija de repisa lateral (x1)
12	Abrebotellas (x1)
13	Pata de soporte estacionaria (x2)
14	Pata de soporte con rueda (x2)
15	Bisele de la manija de la tapa (x2)
16	Manija de la tapa (x1)
17	Cubeta de grasa (x1)
18	Sonda de carne (x1)
19	Manija de la barra de ajuste de la rejilla de flama (x1)
20	Barra de ajuste de la rejilla de flama (x1)
21	Soporte del cilindro (x2)
22	Repisa frontal (x1)
23	Repisa inferior (x1)
24	Rueda (x2)
A	Tornillo (x28)
B	Arandela (x28)
C	Arandelas de seguridad (x28)
D	Tornillo (x2)
E	Chavetas de rueda (x2)
F	Arandelas de eje de rueda (x2)
G	Clavijas de eje de rueda (x2)
H	Tuerca (x2)



NOTA: Debido a que los productos están en desarrollo constante, las partes están sujetas a cambios sin previo aviso. Llame a Atención al cliente si le faltan partes al ensamblar la unidad.

## PB - REQUISITOS ELÉCTRICOS

110-120V, 60Hz, 275W, ENCHUFE DE 3 PATILLAS CON CONEXIÓN A TIERRA

MODELO	UNIDAD MONTADA (AxAp)	PESO	COCINA	RANGO DE TEMPERATURAS
PB PB0820D3	1444 MM X 1324 MM X 821 MM / 56,8 PU. X 52,1 PU. X 32,3 PU.	69,5 KG / 153,2 LB	PRINCIPAL - 3824,51 CM <sup>2</sup> / 592,8 PU <sup>2</sup> BANDEJA SUPERIOR - 1656 CM <sup>2</sup> / 256,68 PU <sup>2</sup> TOTAL - 5480,51 CM <sup>2</sup> / 849,48 PU <sup>2</sup>	82-260°C / 180-500°F

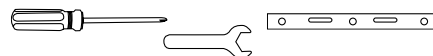
# PREPARACIÓN DEL ENSAMBLAJE

Hay partes ubicadas en toda la caja de embarque, incluso debajo del asador. Inspeccione el asador, las partes y el paquete de accesorios antes de sacarlos de la caja de embarque. Antes de ensamblar el producto, revise todas las partes y compárelas con la lista de referencia. Si hay partes faltantes o dañadas, no intente ensamblar el producto. Los daños por transporte no están cubiertos por la garantía. Comuníquese con su distribuidor o con Atención al cliente de Pit Boss® para solicitar partes.

EE.UU: (480) 923-9630 | CANADA (GRATUITA): 1-877-942-2246

**IMPORTANTE:** Para facilitar la instalación, es útil (pero no necesario) contar con dos personas para ensamblar esta unidad.

**Herramientas requeridas para el ensamblaje:** destornillador, llave de tuercas y nivel. *Las herramientas no están incluidas.*



# INSTRUCCIONES DE ENSAMBLAJE

**IMPORTANTE:** Se recomienda leer cada paso en su totalidad antes de comenzar el ensamblaje. No apriete por completo los tornillos hasta que haya colocado todos los tornillos de ese paso. Las combinaciones de accesorios que incluyan una arandela de seguridad y una arandela deben instalarse con la arandela de seguridad más cerca de la cabeza del tornillo.

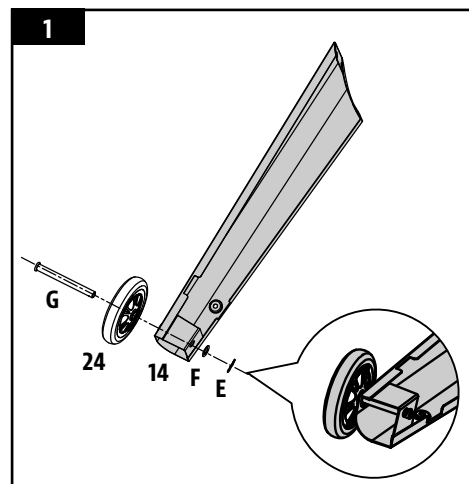
## 1. MONTAJE DE LAS RUEDAS EN LAS PATAS

### Partes requeridas:

- 2 x Patas de soporte (#14)
- 2 x Ruedas (#24)
- 2 x Clavijas de eje de rueda (#G)
- 2 x Arandelas de eje de rueda (#F)
- 2 x Chavetas de rueda (#E)

### Instalación:

- Coloque la rueda en la pata de soporte insertando la clavija del eje de la rueda a través de la rueda, de la pata de soporte y de la arandela del eje de rueda, y luego sujetándola usando la chaveta de la rueda.
- Repita la instalación con la otra rueda y la pata con eje.



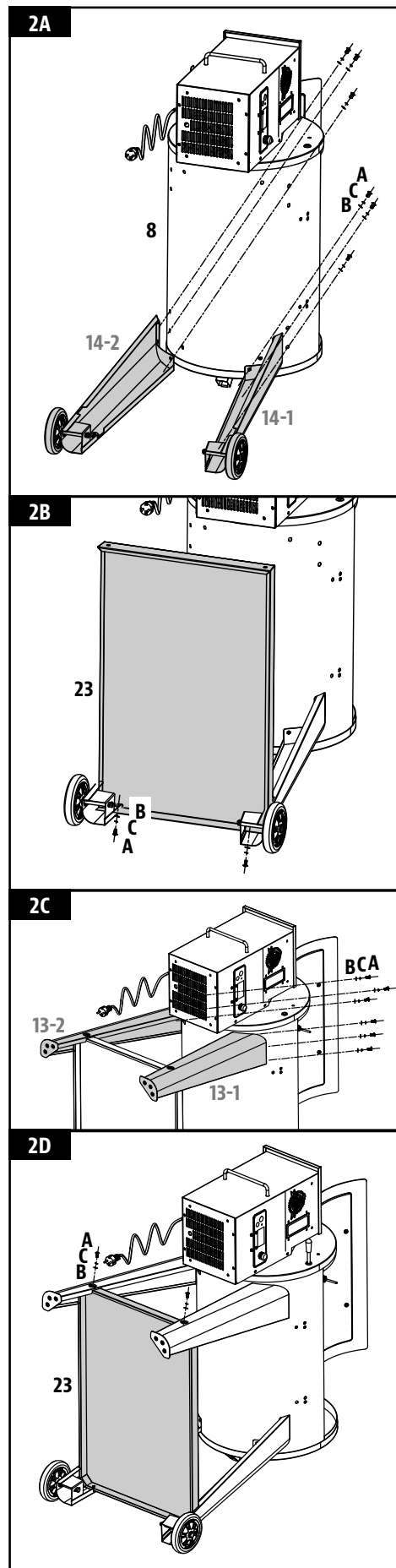
## 2. MONTAJE DE LAS PATAS EN EL BARRIL PRINCIPAL

### Partes requeridas:

- 1 x Barril principal/Conjunto de tolva (#8)
- 2 x Pata de soporte con rueda (#14)
- 2 x Pata de soporte estacionaria (#13)
- 1 x Repisa inferior (#23)
- 16 x Tornillos (#A)
- 16 x Arandelas de seguridad (#C)
- 16 x Arandelas (#B)

### Instalación:

- Coloque un trozo de cartón en el piso para evitar que la unidad se raspe. Coloque el barril principal sobre el cartón reposando sobre un costado, con el extremo de la tolva volteado hacia arriba.
- Monte una pata de soporte con rueda sobre el extremo del barril principal que está en el piso, usando tres tornillos, arandelas de seguridad y arandelas, usando los tres orificios pretaladrados. Instale los tornillos desde el interior del barril principal. Repita la instalación con la segunda pata de soporte. Nota 2A.
- Fije el repisa inferior a cada una de las patas de soporte con rueda con una arandela, una arandela de seguridad y atorníllelas en cada una, parcialmente apretando a mano. Asegúrese de que la superficie plana del estante esté hacia arriba hacia el barril principal. Nota 2B.
- Monte una pata de soporte estacionaria con seguro sobre el extremo del barril principal con la tolva, usando tres tornillos, arandelas de seguridad y arandelas, usando los tres orificios pretaladrados. Instale los tornillos desde el interior del barril principal. Repita la instalación con la segunda pata de soporte estacionaria con seguro. Nota 2C.
- Sujete la repisa inferior a cada pata de soporte estacionaria utilizando un tornillo, arandela de seguridad y arandela. Asegúrese de que la superficie plana de la repisa voltee hacia arriba. Una vez que la repisa esté sujeta, levante cuidadosamente el asador y colóquelo en la posición correcta. Nota 2D.



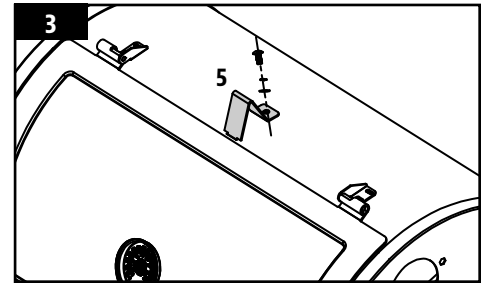
### 3. COLOCACIÓN DEL SEGURO DE LA TAPA

#### Partes requeridas:

- 1 x Seguro de la tapa (#5)

#### Instalación:

- Sujete el seguro de la tapa a la parte superior del barril principal usando el tornillo, arandela de seguridad y arandela preinstalado en la parte superior del barril principal.



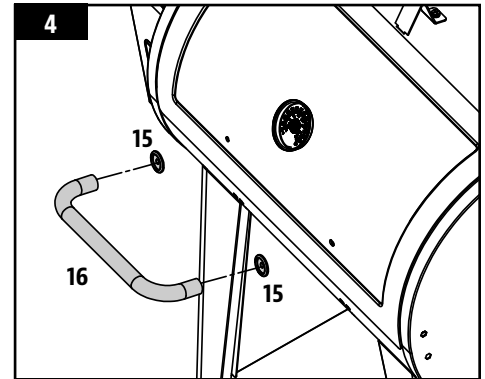
### 4. ENSAMBLAJE DE LA MANIJA DE LA TAPA

#### Partes requeridas:

- 2 x Biseles de la manija de la tapa (#15)
- 1 x Manija de la tapa (#16)

#### Instalación:

- Quite el hardware ya instalados en la manija de la tapa. Desde el interior de la tapa del barril, inserte un tornillo para que sobresalga hacia el exterior. Coloque un bisel en el tornillo, y luego apriete el tornillo, arandela de seguridad y arandela a mano (desde el interior) en la manija de la tapa. Repita el procedimiento para el otro extremo de la manija.



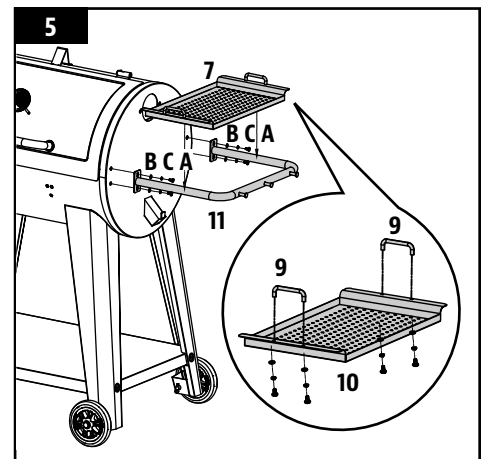
### 5. MONTAJE DE LA MANIJA DE LA REPISA LATERAL, BANDEJA

#### Partes requeridas:

- 1 x Manija de la repisa lateral (#11)
- 1 x Bandeja (#10)
- 2 x Manija de la bandeja (#9)
- 4 x Tornillos (#A)
- 4 x Arandelas de seguridad (#C)
- 4 x Arandelas (#B)

#### Instalación:

- Monte el marco de la repisa lateral en el barril principal con los cuatro tornillos, arandelas de seguridad y arandelas.
- Monte la manija de la bandeja en la bandeja con los dos tornillos ya instalados en cada manija. Coloque la bandeja sobre la repisa lateral. Descansará directamente sobre el marco de la repisa lateral.



**IMPORTANTE:** No use el marco de la repisa lateral para mover o levantar el asador. El peso de la unidad hará que el marco de la repisa lateral se doble o se rompa, y estos daños no están cubiertos por la garantía.

## 6. COLOCACIÓN DE LA CHIMENEA

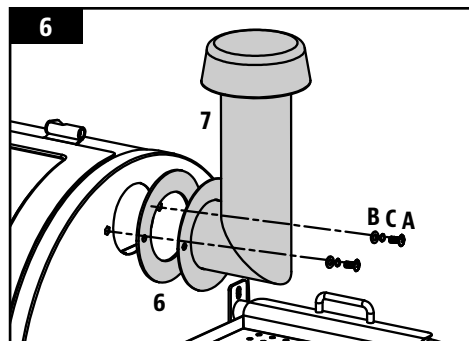
### Partes requeridas:

- 1 x Empaque de la chimenea (#6)
- 1 x Chimenea (#7)
- 2 x Tornillos (#A)
- 2 x Arandelas de seguridad (#C)
- 2 x Arandelas (#B)

### Instalación:

- Encuentre la abertura de la chimenea en el costado del barril principal. Desde el exterior, sujete la chimenea y el empaque de la chimenea al panel lateral con dos tornillos, arandelas de seguridad y arandelas. El tornillo se sujetará a la tuerca ya montada en el interior del barril.

**NOTA:** Asegúrese de que la tapa de la chimenea permita que escape el aire.



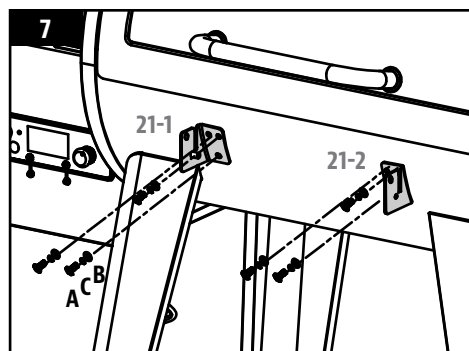
## 7. INSTALACIÓN DE LOS SOPORTES DE LA REPISA FRONTAL

### Partes requeridas:

- 2 x Soporte del cilindro (#21)
- 6 x Tornillos (#A)
- 6 x Arandelas de seguridad (#C)
- 6 x Arandelas (#B)

### Instalación:

- Fije un soporte de la repisa frontal a la parte delantera del barril del asador usando tres tornillos, arandelas de seguridad y arandelas. Coloque los tornillos parcialmente y luego apriételes por completo cuando todos los tornillos estén colocados y alineados correctamente.
- Repita la misma instalación para el otro soporte de la repisa frontal.



## 8. COLOCACIÓN DE LA REPISA FRONTAL

### Partes requeridas:

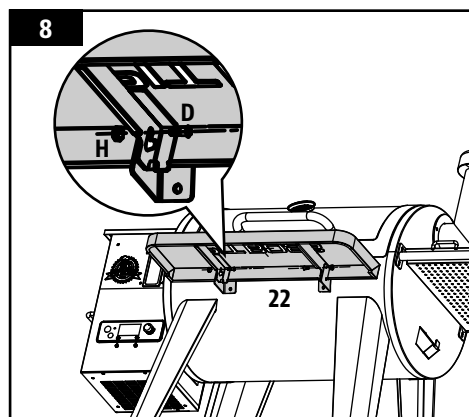
- 1 x Repisa frontal (#22)
- 2 x Tornillos (#D)
- 2 x Tuercas (#H)

### Instalación:

- Desde abajo, inserte el tornillo (desde dentro) en la repisa frontal y en el soporte de la repisa frontal, luego coloque el casquillo en el tornillo, la arandela y la tuerca. Repita la instalación con el otro lado de la repisa frontal.

**NOTA:** Una vez instalada correctamente, la repisa frontal se puede levantar (para su uso) y bajar (para almacenar) con facilidad.

**IMPORTANTE:** No use las repisas para mover o levantar el asador. El peso de la unidad hará que las repisas se doblen o se rompan, y estos daños no están cubiertos por la garantía.



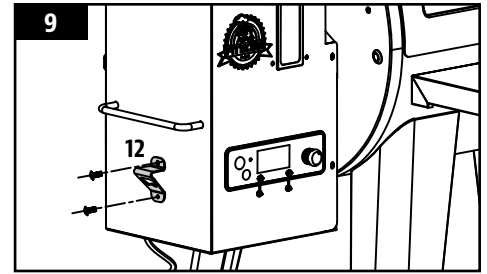
## 9. ASEGURANDO EL ABREBOTELLA

### Partes requeridas:

- 1 x Abrebotella (#12)

### Instalación:

- Retire los dos tornillos premontados para el abrebotellas en el lado de la tolva. Instale el abrebotellas en la misma ubicación con los dos tornillos que retiró anteriormente.



## 10. COLOCACIÓN DEL ENCENDEDOR EN LA CÁMARA DE COMBUSTIÓN

### Partes requeridas:

- 1 x Placa principal de rejilla de flama (#4)
- 1 x Cubierta deslizante de la rejilla de flama (#3)
- 1 x Barra de ajuste de la rejilla de flama (#20)
- 1 x Manija de la barra de ajuste de la rejilla de flama (#19)
- 3 x Parrillas de cocción (#2)
- 1 x Parrilla superior (#1)

### Instalación:

**NOTA: Ambas partes de la parrilla de la llama están ligeramente cubiertas de aceite para evitar la oxidación cuando se envían.**

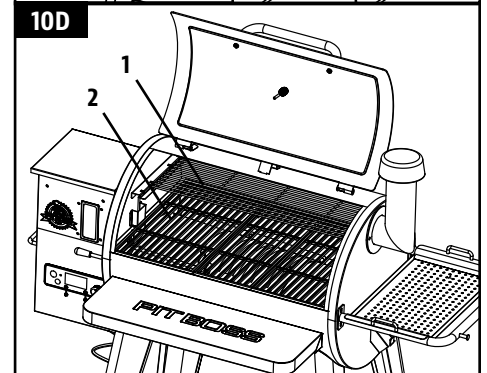
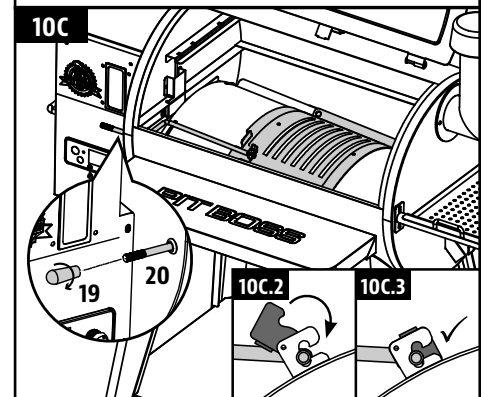
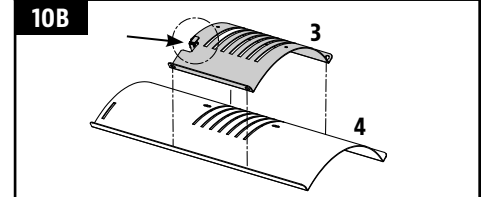
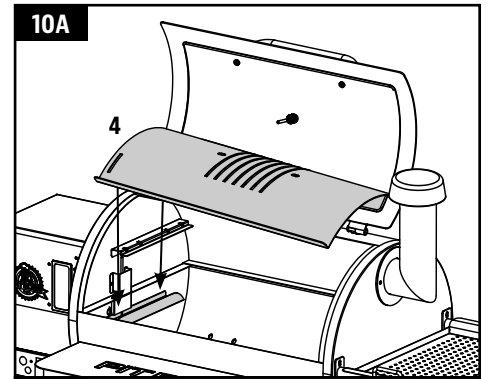
- Inserte la placa principal de la rejilla de flama en el asador principal. Apoye la placa principal de la rejilla de flama sobre el borde integrado (en la parte interior derecha) del asador principal, que dirige la grasa hacia la cubeta. Deslice toda la pieza hacia el lado izquierdo, y las dos ranuras en la placa principal de la rejilla de flama encajarán en el borde redondeado encima de la cámara de combustión. Quedará ligeramente inclinada. Consulte la ilustración 10A.

**IMPORTANTE: Si la parrilla principal está en la base del barril, se instaló incorrectamente. El asador a la llama debe sentarse en ángulo, con el lado izquierdo sentado más alto que el derecho.**

- Coloque la cubierta deslizante de la rejilla de flama encima de la placa principal de la rejilla de flama, cubriendo las aberturas de ranura. Asegúrese de que la lengüeta elevada está al lado izquierdo, para ajustar con facilidad la parrilla a fuego directo o indirecto mientras cocina. Consulte la ilustración 10B.
- Primero, retire la manija de la barra de ajuste de la rejilla de flama de la barra de ajuste de la rejilla de flama. Inserte la barra de ajuste de la rejilla de flama a través del orificio de apertura en el lado izquierdo del barril principal. Agregue el manija de la barra de ajuste de la rejilla de flama al extremo exterior del barril. A continuación, deslice el extremo con muesca de la barra de ajuste dentro de la pestaña de bloqueo en el control deslizante del asador de llama, dándole acceso ajustable al cubierta deslizante del asador de llama en la placa principal de rejilla de flama. Observe los pasos en 10C.

**NOTA: Cuando la cubierta deslizante está abierta y se usa fuego directo para cocinar, no deje el asador sin atención en ningún momento.**

- Coloque las parrillas lado a lado en el borde que está dentro del asador principal. Coloque la parrilla superior en el borde superior dentro del



asador principal. La parrilla encajará en su sitio. Consulte la ilustración 10D.

**NOTA: Para mantener el mejor desempeño en sus parrillas de cocción, es necesario darles cuidado y mantenimiento.**

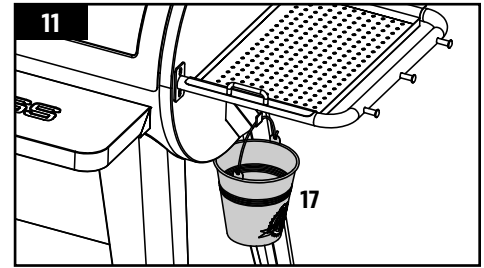
## 11. COLOCACIÓN DE LA CUBETA DE GRASA

**Partes requeridas:**

1 x Cubeta de grasa (#17)

**Instalación:**

- Coloque la cubeta de grasa en el gancho que está en el extremo del barril principal. Asegúrese de que está nivelada para evitar que se derrame la grasa.
- La unidad ya está completamente ensamblada.



## 12. CONEXIÓN A UNA FUENTE DE ALIMENTACIÓN ELÉCTRICA

**NOTA: Antes de conectar su Pit Boss® a un tomacorriente, asegúrese de que el control de temperatura se encuentra en la posición "OFF" ("APAGADO").**

### • TOMACORRIENTE ESTÁNDAR

Este aparato requiere servicio de 110-120 voltios, 60Hz, 275W. Debe usar un enchufe de 3 clavijas con conexión a tierra. Asegúrese de que la clavija de tierra no esté rota antes de usarlo. El control utiliza un fusible rápido de 110-120 voltios para proteger el circuito del encendedor.

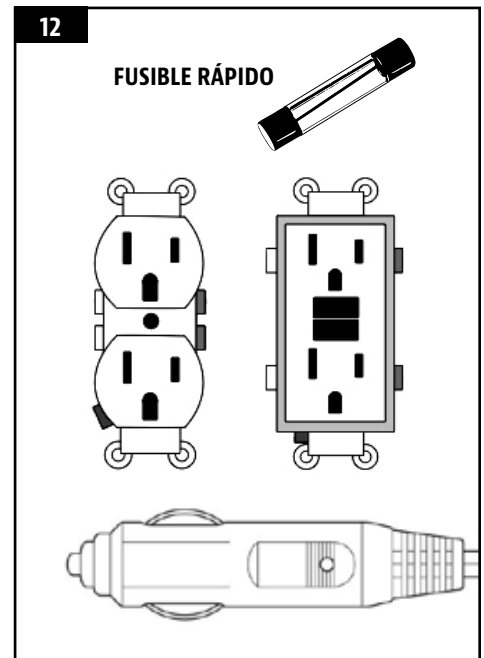
### • TOMACORRIENTES GFCI

Este aparato funciona con la mayoría de los tomacorrientes GFCI, con una capacidad recomendada de 15 amps. Si su tomacorriente GFI es muy sensible a los picos de voltaje, muy probablemente se disparará durante la fase de arranque. Durante la fase de arranque, el encendedor consume de 200 a 700 watts de electricidad, que puede ser demasiado para un tomacorriente GFCI. Cada vez que se dispara, su sensibilidad aumenta. Si el GFCI se dispara constantemente, reemplace el tomacorriente o cámbielo por uno que no sea GFCI.

### • EN CUALQUIER LUGAR

Desconecte el encendedor de la alimentación principal. Use el procedimiento de arranque manual. Una unidad Pit Boss® puede operar con un invertidor de 12 volts, 100 watts conectado a su automóvil. Para usar el encendedor automático, se recomienda que utilice un invertidor de por lo menos 1000 watts.

**IMPORTANTE: Desconecte la unidad de la fuente de alimentación cuando no esté en uso.**



# INSTRUCCIONES DE OPERACIÓN

Con el estilo de vida moderno en el que nos esforzamos para comer alimentos saludables y nutritivos, un factor a considerar es la importancia de reducir la ingesta de grasas. Una de las mejores maneras de reducir la grasa de su dieta es utilizar un método de cocción bajo en grasas, como el asado. Dado que un asador de pellets usa pellets de madera natural, el sabor de la madera se integra a las carnes, lo que reduce la necesidad de usar salsas con alto contenido de azúcares. A lo largo de este manual notará un énfasis en asar la comida lentamente, a temperaturas BAJAS o MEDIAS.

## ENTORNO DEL ASADOR

### 1. EN DÓNDE COLOCAR EL ASADOR

Con todos los aparatos para exteriores, las condiciones climatológicas externas tendrán un papel importante en el desempeño de su asador y en los tiempos de cocción necesarios para perfeccionar sus comidas.

Todas las unidades Pit Boss® requieren un espacio libre mínimo de 305mm (12 pulg.) de separación de materiales combustibles, y este espacio debe mantenerse todo el tiempo que se use el asador. Este aparato no debe colocarse bajo un techo o saliente de material combustible. Mantenga su asador en un área libre de materiales combustibles, gasolina y otros vapores y líquidos inflamables.

### 2. COCINA EN CLIMAS FRÍOS

Conforme la temperatura exterior se vuelva más fría, ¡no significa que la temporada de asar se ha terminado! El aire fresco y delicioso aroma de la comida ahumada ayudará a curar la depresión invernal.

Aproveche estas sugerencias para disfrutar de su asador durante los meses fríos:

- Si no es posible ahumar a bajas temperaturas, aumente ligeramente la temperatura para lograr el mismo resultado.
- Organícese – Prepare todo lo que necesitará en la cocina antes de salir al exterior. Durante el invierno, mueva su asador a un área que esté a cubierto del viento y el frío directo. Revise las ordenanzas locales sobre la proximidad del asador a su hogar y/o a otras estructuras. Ponga todo lo que necesita en una bandeja, ¡abráguese bien y hágalo!
- Para ayudarle a tener presente la temperatura exterior, coloque un termómetro para exteriores cerca del área en la que cocina. Lleve una bitácora o diario de lo que cocinó, la temperatura exterior y el tiempo de cocido. Esto le ayudará en el futuro para determinar qué cocinar y cuánto se tardará.
- En clima muy frío, aumente su tiempo de precalentado al menos 20 minutos.
- Trate de no levantar la tapa más de lo necesario. Las rachas de viento frío podrían enfriar completamente la temperatura de su asador. Sea flexible con su tiempo para servir; añadir minutos adicionales al tiempo de cocción cada vez que abra la tapa.
- Tenga un hornillo y o una cubierta listos para mantener su comida caliente mientras la lleva al interior.
- Los alimentos ideales para cocinar en invierno son los que requieren poca atención, como asados, pollos enteros, costillas y pavos. Facilite aún más la preparación de sus comidas añadiendo elementos simples, como verduras y papas.

### 3. COCINA EN CLIMAS CALIENTES

Conforme esté más caliente en el exterior, el tiempo de cocción se reducirá.

Siga estas sugerencias para disfrutar de su asador durante los meses cálidos:

- Ajuste sus temperaturas de cocción a la baja. Esto ayuda a evitar las llamaradas indeseables.
- Use un termómetro de carnes para determinar la temperatura interna de sus comidas. Esto ayuda a evitar que su carne se cocine demasiado y se seque.
- Incluso en climas cálidos, es mejor cocinar con la tapa del asador abajo.
- Puede mantener las comidas calientes envolviéndolas en papel aluminio y colocándolas en un recipiente con aislamiento térmico. Coloque bolas de papel periódico alrededor del papel aluminio y mantendrá la comida caliente de 3 a 4 horas.

## RANGOS DE TEMPERATURAS DEL ASADOR

Las lecturas de temperatura en el tablero de control podrían no coincidir exactamente con las del termómetro. Todas las temperaturas mencionadas abajo son aproximadas y se ven afectadas por los siguientes factores: temperatura ambiente en el exterior, cantidad y dirección del viento, calidad de los pellets que se utilizan, si la tapa está abierta, y la cantidad de comida que se está preparando.

- **TEMPERATURAS ALTAS (205-260°C / 401-500°F)**

Este rango es útil para marcar la carne y asar con calor alto. Use en conjunto con la rejilla de flama para cocinar a fuego directo o indirecto. Con **la rejilla de flama abierta**, se usa fuego directo para crear esos bistecs "azules", así como verduras cocinadas ligeramente, pan de ajo tostado, ¡o bombones! Cuando **la rejilla de flama está cerrada**, el aire circula alrededor del barril, generando calor de convección. Las temperaturas altas también se usan para precalentar su asador, limpiar las parrillas de cocción con calor, y para lograr un calor elevado en condiciones de clima extremadamente frío.

- **TEMPERATURAS MEDIAS (135-180°C / 275-356°F)**

Este rango es mejor para hornear, cocer y terminar esa creación ahumada lentamente. Cocinar a estas temperaturas reducirá en gran medida las probabilidades de una llamarada de grasa. Asegúrese de que la cubierta deslizante de la rejilla de flama esté en la posición cerrada, cubriendo las aberturas. Este es un rango excelente para cocinar cualquier cosa que esté envuelta en tocino, o cuando quiera versatilidad en el control.

- **TEMPERATURAS BAJAS (82-125°C / 180-257°F)**

Este rango se usa para asar lento, aumentar el sabor del ahumando y mantener caliente la comida. Infunda más sabor ahumado y mantenga la carne jugosa al cocinarla más tiempo a una temperatura más baja (esto también se conoce como **bajo y lento**). Muy recomendable para el pavo de Acción de Gracias, un jugoso jamón para la Pascua, o un enorme banquete para las fiestas.

El ahumado es una variación del asado, y es la principal ventaja de cocinar en un asador de pellets de madera. El **ahumado caliente**, que es otro nombre para cocinar "**bajo y lento**", generalmente se hace a 82-125 °C / 180-257 °F. El ahumado caliente funciona mejor cuando se necesita un tiempo de cocción más largo, como para cortes de carne, pescados o aves grandes.

**CONSEJO: Para un sabor más intenso, cambie al rango de temperatura de ahumado (bajo) inmediatamente después de poner su comida en el asador. Esto permite que el humo penetre en las carnes.**

La clave está en experimentar con el tiempo que deja ahumar antes de que la comida termine de prepararse. Algunos chefs de exteriores prefieren ahumar al terminar de cocinar, lo que permite mantener la comida caliente hasta que está lista para servirse. ¡La práctica hace al maestro!

## USO DE LOS SENSORES

- **SENSOR DE PARILLA**

Ubicado dentro del barril principal, en la pared lateral izquierda, se encuentra el sensor de parilla. Es una pieza pequeña y vertical de acero inoxidable. El sensor de parilla mide la temperatura interna de la unidad. Cuando se ajusta la temperatura en el panel de control, el sensor de parilla medirá la temperatura real dentro de la unidad y la ajustará a la temperatura deseada.

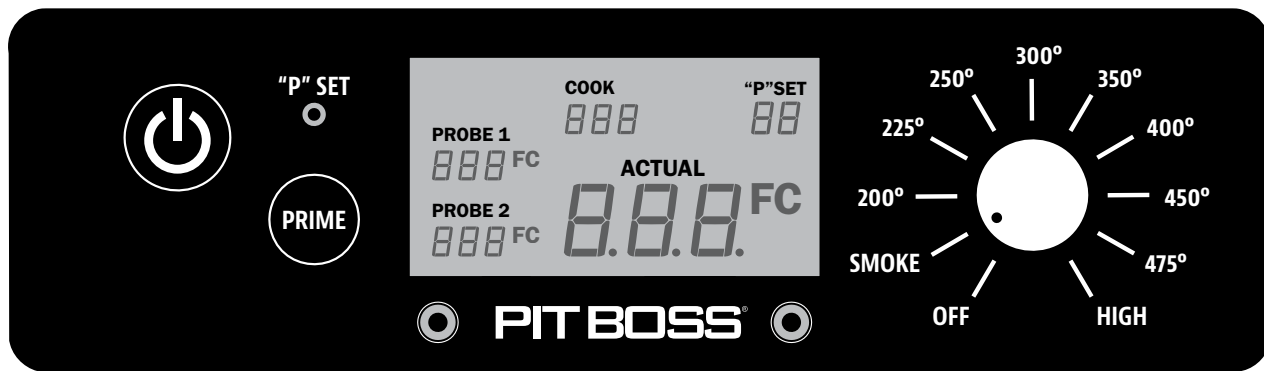
**IMPORTANTE: La temperatura de su unidad depende en gran medida de la temperatura ambiente, la calidad de los pellets usados, el sabor de los pellets y la cantidad de comida que se cocina.**








- **SENSOR PARA CARNE**

El sensor para carne mide la temperatura interna de su carne en el asador, de manera similar a su horno de cocina. Conecte el adaptador de sensor para carne al puerto de conexión del sensor para carne en el panel de control e inserte el sensor para carne de acero inoxidable en la parte más gruesa de su carne y la temperatura se mostrará en el panel de control. **Para asegurarse de que el sensor esté bien conectado al puerto de conexión, debe sentir y escuchar cómo entra en su sitio.**

**NOTA: Al colocar el sensor de carne en su carne, asegúrese de que el sensor y los cables no entren en contacto directo con las flamas o el calor excesivo. Esto puede dañar su sensor para carne. Tire del cable sobrante a través del orificio ubicado en el lado izquierdo de la parrilla principal o a través de la parte superior de la parrilla principal (cerca de la bisagra de la tapa). Cuando no se use, desconecte el sensor para carne del puerto de conexión y colóquelo a un lado para mantenerlo protegido y limpio.**

## EXPLICACIÓN DEL TABLERO DE CONTROL



MANDO	DESCRIPCIÓN
	Pulse el <b>botón de Encendido</b> para encender la unidad. El botón brillará de color azul si hay conexión con una fuente de alimentación. Pulse nuevamente el botón para apagar la unidad.
	El <b>Dial de control de temperatura</b> le permite ajustar la temperatura deseada para el ahumado. Una vez conectada la unidad a la fuente de alimentación y pulsado el botón de encendido, gire el dial y seleccione cualquiera de los diez preajustes de temperatura, entre 82-260 °C/180-500 °F. Cuando se fija el dial en un preajuste de temperatura, la pantalla LCD digital se ilumina e indica que la unidad está lista para funcionar. Cuando el dial se fija en apagado, la pantalla LCD digital permanecerá apagada.
<b>"P" SET</b> 	El <b>botón de ajuste "P"</b> se usa para seleccionar uno de los ocho ajustes cuando el Dial de control de temperatura se establece en el ajuste Ahumar. Pulse el botón para cambiar el ajuste "P" y adaptarlo a su estilo y entorno de cocción como prefiera. Con <u>pulsar brevemente</u> el botón, el ajuste aumenta de P0 a P7, y después se repite. La regulación solo se puede realizar en el ajuste Ahumar. El ajuste predeterminado de fábrica es "P4". Si se regula el ajuste "P", su preferencia se fijará (guardará) hasta la próxima vez que la regule.  El <b>botón de ajuste "P"</b> también se usa como <b>Control de cambio de temperatura</b> para cambiar la lectura de la temperatura en la pantalla LCD. Pulse y <u>mantenga pulsado</u> el botón dos segundos para cambiar a Celsius (°C) o Fahrenheit (°F), como prefiera. El ajuste predeterminado es Fahrenheit.
	La <b>pantalla LCD</b> se usa como centro de información de la unidad. En la pantalla LCD se muestra la Temperatura de cocción deseada, la Temperatura de cocción real y las Temperaturas de la sonda de carne (si está conectada). Si solo hay una Sonda de carne conectada, solo se mostrará una lectura.
<b>PRIME</b> 	Pulse y mantenga pulsado el <b>botón de Cebado</b> para activar una carga adicional de gránulos a la chimenea. Se puede usar para añadir combustible al fuego antes de abrir la tapa del tambor, lo que da lugar a un rápido tiempo de recuperación del calor. También se puede usar durante el ahumado para potenciar un sabor ahumado limpio. Solicitado de las cocinas de concurso.
<b>SMOKE</b> 	El <b>ajuste Ahumar</b> en el Dial de control de temperatura es el modo de opera la unidad a la temperatura más baja, sin que el fuego se apague.
	Los puertos de conexión complementarios en la parte frontal del Tablero de control son para la(s) <b>Sonda(s) de carne</b> . Cuando hay una sonda de carne conectada, la temperatura aparece en la pantalla LCD. Cuando no se use, desconecte la sonda de carne del puerto de conexión. <i>Compatible solamente con sondas de carne de la marca Pit Boss®. La(s) sonda(s) de carne adicionales se venden por separado.</i>



## QUÉ SIGNIFICA EL VALOR "P"

Cuando se presiona el botón empotrado "P" SET, la configuración "P" que se muestra en la pantalla LCD cambiará al siguiente valor (hacia arriba). Una vez que llega a P7, cambiará a P0. Hay ocho configuraciones para "P", desde P0 hasta P7. El botón deprimido "P" SET (Valor "P") se puede oprimir con un objeto de punta delgada.

**Importante: No oprima el botón "P" SET (Valor "P") con demasiada fuerza, pues podría dañarlo. Sólo necesita una presión suave.**

### · USO DEL VALOR "P" EN MODO DE AHUMADO

Cada vez que el control de temperatura se establece en HUMO, como el ciclo de inicio, el sinfín funcionará en más de un modo manual de cocción en lugar de usar una de las temperaturas predeterminadas de marcado. Primero, el sinfín girará y alimentará pellets continuamente durante cuatro minutos. Después de cuatro minutos, la barrena comienza a ejecutar un ciclo de alimentación basado en la configuración "P" seleccionada en el tablero de control digital. La configuración predeterminada es P4.

VALOR "P"	CICLO DE LA BARRENA (segundos)	
	ENCENDIDO	APAGADO
P0	18	55
P1	18	70
P2	18	85
P3	18	100
<b>*P4</b>	<b>18</b>	<b>115</b>
P5	18	130
P6	18	140
P7	18	150

*\* Configuración predeterminada*

## PROCEDIMIENTO DE CEBADO DE LA TOLVA

La primera vez que use su parrilla o cada vez que su parrilla se quede sin gránulos en la tolva, deberá cebarla. Si no está cebada, la parrilla se apagará antes de que se enciendan los gránulos y no se iniciará ningún fuego. Siga estos pasos para cebarla:

1. Abra la tapa de la tolva. Asegúrese de que no haya objetos extraños en la tolva o que bloqueen el sistema de alimentación del tornillo sinfín.
2. Retire todos los componentes de cocción del interior de la parrilla. Localice el brasero en la parte inferior de la parrilla de pellets.
3. Enchufe el cable de alimentación a una fuente de alimentación.
4. Encienda la parrilla y gire el dial de control de temperatura a la posición Humo (S) o Bajo (L).
  - Verifique para asegurarse de escuchar el giro de la barrena. Coloque su mano sobre el brasero y sienta el movimiento del aire. NO coloque sus manos o dedos dentro del brasero, esto puede causar lesiones.
  - Después de aproximadamente un minuto, debe oler el encendedor quemándose y comenzar a sentir que el aire se calienta sobre el brasero. La punta del encendedor no brilla en rojo, pero se calentará mucho y se quemará. NO toque el encendedor.
5. Una vez verificado que todos los componentes eléctricos funcionan correctamente, apague la parrilla.
6. Llene la tolva con todos los gránulos de barbacoa de madera dura natural.
7. Encienda la parrilla. Mantenga el dial de control de temperatura en la posición Humo (S) o Baja (L).
8. Mantenga presionado el botón de cebado hasta que vea que los gránulos caen del sinfín al brasero. Ahora puede soltar el botón Prime.
9. Ahora puede apagar su parrilla. Asegúrese de permitir que su parrilla permanezca enchufada hasta que finalice el ciclo de enfriamiento. Una vez que el ventilador se apaga, la parrilla ha completado el ciclo de apagado, es seguro desconectarla.
10. Vuelva a instalar los componentes de cocción en el barril principal.
11. ¡Su parrilla ya está preparada y lista para usar! Si esta es la primera vez que usa su parrilla, debe realizar un primer quemado inicial de la parrilla.

## PRIMER USO: QUEMAR LA PARRILLA

Una vez que haya cebado la tolva y antes de cocinar en la barbacoa por primera vez, es importante quemar la parrilla. Encienda la barbacoa para que funcione a cualquier temperatura superior a 176 °C/350 °F (con la tapa bajada) de 30 a 40 minutos para quemar la parrilla y eliminar cualquier material extraño.

## PROCEDIMIENTO DE ARRANQUE AUTOMÁTICO

1. Conecte el cable de alimentación a una toma de corriente con conexión a tierra. Abra la tapa del tambor principal. Compruebe la chimenea para asegurarse de que nada pueda obstruir un encendido correcto. Abra la tapa de la tolva. Asegúrese de que no haya objetos extraños en la tolva ni en el alimentador de espiral. Llene la tolva con gránulos secos de madera noble natural para barbacoas.
2. Asegúrese de que el **Dial de control de temperatura** esté en la posición AHUMAR. Pulse el **botón de Encendido** para encender la unidad. Se activará el ciclo de arranque. El alimentador de espiral comenzará a girar, el sistema de ignición comenzará a brillar y el ventilador enviará aire a la chimenea. La barbacoa empezará a generar humo durante el ciclo de arranque. La tapa del tambor debe permanecer abierta durante el ciclo de arranque. Para confirmar que el ciclo de arranque ha comenzado correctamente, debería oírse un ruido similar al de una antorcha y observarse la presencia de calor.
3. Una vez que se haya disipado el humo denso y blanco, habrá finalizado el ciclo de arranque y podrá disfrutar de su barbacoa a la temperatura deseada.

### PROCEDIMIENTO EN CASO DE FALLO DEL SISTEMA DE IGNICIÓN

**Si, por algún motivo, el sistema de ignición eléctrica falla o se apaga la llama de la barbacoa durante la cocción, compruebe los pasos siguientes o arranque la barbacoa con el método manual.**

1. Asegúrese de que el **Dial de control de temperatura** esté en la posición OFF. Abra la tapa del tambor. Extraiga los componentes de cocina del interior. Extraiga todos los gránulos sin quemar y las cenizas de la chimenea. Evite el contacto con el sistema de ignición para no hacerse daño, ya que puede estar muy caliente.
2. Una vez que haya quitado y limpiado todos los componentes de cocción, presione el **botón de encendido** para encender la unidad y gire el dial de control de temperatura a la posición HUMO. Compruebe lo siguiente:
  - Confirme visualmente si el sistema de ignición funciona colocando la mano por encima de la chimenea y comprobando si percibe calor.
  - Confirme visualmente si el sistema de ignición sobresale aproximadamente 13 mm/0,5 pulgadas en la chimenea.
  - Confirme visualmente si el alimentador de espiral está soltando gránulos en la chimenea.
  - Para confirmar si el ventilador de combustión está funcionando, debería escucharse un ruido similar al de una antorcha.
3. Si no funcionara alguno de los elementos anteriores, siga las instrucciones para la **Resolución de problemas**.

## PROCEDIMIENTO DE ARRANQUE MANUAL

1. Asegúrese de que el **Dial de control de temperatura** esté en la posición **OFF**. Conecte el cable de alimentación a una toma de corriente con conexión a tierra.
2. Compruebe la chimenea para asegurarse de que nada pueda obstruir un encendido correcto. Abra la tapa de la tolva. Asegúrese de que no haya objetos extraños en la tolva ni en el alimentador de espiral. Llene la tolva con gránulos secos de madera noble natural para barbacoas.
3. Abra la tapa del tambor. Extraiga los componentes de cocina del interior para dejar a la vista la chimenea. Coloque un buen puñado de gránulos en la chimenea. Eche un chorro de gel de encendido, u otro producto de encendido adecuado para gránulos, por encima de los gránulos. Una pastilla pequeña sólida de encendido de fuego, como las compuestas por aserrín y cera, o virutas de madera, también es válida. Añada otra cantidad pequeña de gránulos a la chimenea.

**NOTA: no use alcohol, petróleo, gasolina, líquido inflamable ni queroseno para encender o reavivar un fuego en la barbacoa.**

4. Prenda el contenido de la chimenea con un fósforo largo o un mechero de cocina. Deje quemar el contenido de arranque de 3 a 5 minutos. No añada material de arranque a la chimenea. Puede lesionarse.
5. Vuelva a colocar rápidamente y con cuidado los componentes de cocina en el interior del tambor principal. Continúe con el arranque en el paso dos del **Procedimiento de arranque automático**.

## APAGAR LA BARBACOA

Cuando haya terminado de cocinar, y dejando cerrada la tapa del tambor principal, pulse el **botón de Encendido** para apagar la unidad y coloque el **Dial de control de temperatura** en la posición OFF (apagado). La barbacoa comenzará su ciclo de enfriamiento automático. El alimentador de espiral dejará de alimentar combustible, la llama se extinguirá y el ventilador seguirá funcionando hasta finalizar el ciclo de enfriamiento.

**¡IMPORTANTE! Una vez que se complete el ciclo de apagado, desconecte el cable de alimentación.**

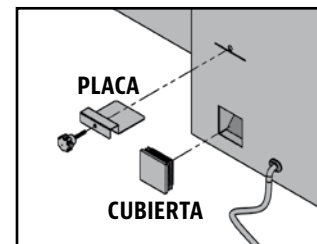
# CUIDADO Y MANTENIMIENTO

Todos los asadores de pellets Pit Boss® le darán muchos años de delicioso servicio con un mínimo de limpieza. Siga estas indicaciones de mantenimiento y limpieza para dar servicio a su asador:

## 1. CONJUNTO DE TOLVA

- La tolva incluye una función de limpieza para facilitar su limpieza y el cambio de sabores de pellets. Para vaciarla, encuentre la placa y la cubierta del conducto de bajada en la parte trasera de la tolva. Coloque una cubeta vacía y limpia debajo de la cubierta del conducto de bajada, y luego quite la cubierta. Desatornille la placa, deslícela hacia afuera, y los pellets se vaciarán.

**NOTA: Use un cepillo de mango largo o una aspiradora para sacar el exceso de pellets, el aserrín y los desechos para limpiar bien la cubierta de la tolva.**



- Se recomienda que todos los pellets salgan de su sistema de barrena si su parrilla no se usará por un período prolongado de tiempo. Esto se puede hacer simplemente ejecutando su parrilla, en una tolva vacía, hasta que todos los pellets se hayan vaciado del tubo del sinfín.
- Revise y limpie todos los desechos del respiradero de entrada de aire del ventilador, que está en la parte inferior de la tolva. Una vez que quite el panel de acceso de la tolva (ver el diagrama en el **Diagrama de cableado eléctrico**), limpie cuidadosamente toda la grasa acumulada en las aspas del ventilador. Esto garantiza un flujo de aire apropiado para el sistema de alimentación.

## 2. SENSORES

- Si los cables del sensor están retorcidos o doblados, podría dañarse la pieza. Los cables deben estar enrollados formando una bobina grande y holgada.
- Aunque los sensores son de acero inoxidable, no los coloque en la máquina lavavajillas ni los sumerja en agua. El agua dañará los cables internos y causará cortocircuitos en los sensores, generando lecturas falsas. Si un sensor se daña, será necesario reemplazarlo.

## 3. SUPERFICIES INTERIORES

- Es recomendable limpiar su cámara de combustión después de varios usos. Esto garantizará un encendido adecuado y evitará la acumulación de desechos o ceniza endurecidos en la cámara de combustión.
- Usando un cepillo para limpieza de parrillas, elimine toda la comida y acumulación de residuos de las parrillas de cocción. Es mejor hacerlo mientras siguen calientes de una cocción anterior. Los fuegos de grasa son causados por la caída de demasiados desechos en los componentes de cocción del asador. Limpie el interior de su asador con regularidad. En caso de que experimente un fuego de grasa, mantenga la tapa del asador cerrada para sofocar el fuego. Si el fuego no se apaga con rapidez, quite cuidadosamente la comida, apague el asador y cierre la tapa hasta que el fuego se apague por completo. Espolvoree una pequeña cantidad de bicarbonato de sodio, si tiene disponible.
- Revise su cubeta de grasa con frecuencia, y límpiela cuando sea necesario. Tome en cuenta el tipo de cocina que hace.

**IMPORTANTE: Debido al alto calor, no cubra la rejilla de flama ni los sensores con papel aluminio.**

## 4. SUPERFICIES EXTERIORES

- Limpie su asador después de cada uso. Use agua jabonosa tibia para cortar la grasa. No utilice limpiador para hornos, limpiadores abrasivos ni fibras abrasivas en las superficies externas del asador. **Las superficies pintadas no están cubiertas por la garantía**, sino que son parte del mantenimiento general. En caso de raspones, desgaste o grietas del acabado, puede retocar todas las superficies pintadas con pintura High Heat BBQ.
- ¡Use una cubierta de asador para darle una mayor protección a su asador! Una cubierta es la mejor protección contra el clima y los contaminantes externos. Cuando no lo use, o para almacenarlo por períodos prolongados, mantenga el asador bajo una cubierta en una cochera o cobertizo. ¡Use una cubierta de asador para darle una mayor protección a su asador! Una cubierta es la mejor protección contra el clima y los contaminantes externos. Cuando no lo use, o para almacenarlo por períodos prolongados, mantenga el asador bajo una cubierta en una cochera o cobertizo.

**TABLA DE FRECUENCIA DE LIMPIEZA (USO NORMAL)**

ARTÍCULO	FRECUENCIA DE LIMPIEZA	MÉTODO DE LIMPIEZA
Parte inferior del asador principal	Cada 5-6 usos	Sacar con pala o aspiradora los desechos
Cámara de combustión	Cada 2-3 usos	Sacar con pala o aspiradora los desechos
Parrillas de cocción	Después de cada uso	Quemar los residuos, cepillo de alambre de latón
Rejilla de flama	Cada 5-6 usos	Raspar la placa principal y la deslizante, <b>no lavar</b>
Repisa frontal	Después de cada uso	Fibra de limpieza y agua jabonosa
Cubeta de grasa	Después de cada uso	Fibra de limpieza y agua jabonosa
Sistema de alimentación por barreno	Cuando la bolsa de pellets esté vacía	Dejar que el barreno empuje el aserrín, dejando la tolva vacía
Componentes eléctricos de la tolva	Una vez al año	Sacudir el interior, limpiar las aspas del ventilador con agua jabonosa
Respiradero de entrada de aire	Cada 5-6 usos	Sacudir, fibra de limpieza y agua jabonosa
Sonda de carne	Después de cada uso	Fibra de limpieza y agua jabonosa
Sensor de parilla	Cada 2-3 usos	Fibra de limpieza y agua jabonosa

## USO DEL COMBUSTIBLE DE PELLAS DE MADERA

Estos pellas de madera para ahumador se queman de manera limpia y generan alrededor de 8 651,458 J/kg con muy poca ceniza, poco contenido de humedad (5%-7%) y son neutrales en carbón. Los pellas de madera para ahumador se producen con material puro en bruto (aserrín) que se pulveriza en un aserradero, y el material se pasa a presión por un troquel. Conforme el pella pasa por el troquel, se corta, se enfría, se inspecciona, se aspira y se empaqueta para su venta al consumidor. Consulte a su distribuidor local respecto a los sabores disponibles en su región.

### **MEZCLA DE NOGAL**

Rico sabor ahumado, similar al tocino.  
Considerada la "reina de las maderas".

### **MEZCLA DE MANZANO**

Sabor ahumado, ligeramente dulce.  
Muy recomendado para hornear.

### **MEZCLA DE MEZQUITE**

Sabor fuerte y picante.  
Especial para cocina Tex-Mex.

### **MEZCLA DE ARCE**

Sabor dulce y salado.

### **MEZCLA DE ALISO**

Dulce y terroso. Mezcla de aliso, arce y pino.

### **MEZCLA DE ÁRBOLES FRUTALES**

Mezcla de cerezo, manzano y arce.

### **MEZCLA DE CEREZO**

Ligeramente dulce, pero también ácido.  
Le da un tinte rosado a las comidas claras.

### **MEZCLA DE BARRIL DE WHISKY**

Humo fuerte y dulce con un sabor aromático.  
Perfecta para carnes rojas.

### **MEZCLA DE COMPETENCIA**

Mezcla perfecta de dulce, picante y ácido.  
Usada por muchos profesionales del asador.

### **MEZCLA DE PACANA**

Sabor audaz, mantecoso y suave.

### **MEZCLA DE ROBLE**

Sabor rico y ahumado.

### **MEZCLA CLÁSICA**

Mezcla de pacana, nogal y mezquite.

**NOTA:** Siempre guarde los pellas de madera en un lugar seco. Evite todo el contacto o exposición a la humedad, ya que esto resultará en una menor generación de calor o hará que los pellas se hinchen y desmoronen. Use una tina o cubeta hermética a prueba de humedad para almacenarlos correctamente.

# LINEAMIENTOS PARA COCINAR

Ahumar y asar pueden dar diferentes resultados dependiendo del tiempo y la temperatura. Para obtener los mejores resultados lleve un registro de lo que cocinó, a qué temperatura, por cuánto tiempo, y los resultados. Ajuste a su gusto la próxima vez. La práctica hace al maestro. El arte culinario del ahumado caliente significa un tiempo de cocción más largo, pero le da a sus carnes un sabor de madera más natural (y un muy codiciado "*anillo de humo*"). Las temperaturas de cocción más altas resultan en tiempos de cocción más cortos y menos sabor ahumado.

**CONSEJO:** Para obtener los mejores resultados, deje que las carnes reposen después de cocinarlas. Esto permite que los jugos naturales regresen al interior de la carne, con lo que tendrá un corte mucho más jugoso y sabroso. Los tiempos de reposo pueden ser de 3 minutos hasta 60 minutos, dependiendo del tamaño de la proteína.

ESTILO DE COCINA	AHUMADO CALIENTE (Muy bajo)	COCIDO (Bajo)	HORNEADO (Medio)	ASADO/HORNEADO (Medio/Alto)	MARCADO (Alto)
Rango de temperaturas	82-135°C / 180-275°F	135-162°C / 275-323°F	162-190°C / 323-374°F	190-232°C / 374-449°F	232-260°C / 449-500°F

AVES	TAMAÑO	Un cuarto - 54°C / 130°F	Medio - 60°C / 140°F	Bien cocido - 77°C / 170°F
Pavo ( <i>entero</i> )	4.5-5.0 kg / 10-11 lbs. 5.3-6.4 kg / 12-14 lbs. 6.8-7.7 kg / 15-17 lbs. 8.2-10.0 kg / 18-22 lbs. 10.4-11.3 kg / 23-25 lbs.			Asar de 90 a 120 minutos Asar de 110 a 140 minutos Asar de 130 a 160 minutos Asar de 140 a 170 minutos Asar de 150 a 180 minutos
Pollo ( <i>entero</i> )	1.36-2.26 kg / 3-5 lbs.			Asar de 1 a 1.5 horas
Muslos, pechugas	0.45 - 0.86 kg / 1 - 1½ lbs.			Asar de 30 a 60 minutos
Aves de caza pequeñas	0.45 - 0.86 kg / 1 - 1½ lbs.			Asar de 30 a 45 minutos
Pato	1.36-2.26 kg / 3-5 lbs.			Asar o cocer de 2 a 2.5 horas

CERDO	TAMAÑO	Precocido para recalentar 60°C / 140°F	Medio 66°C / 150°F	Bien cocido 71°C / 160°F
Jamón ( <i>Porción bien cocida y sin hueso, ahumado para picnic entero y con hueso</i> )	2.5 cm / 1 pulg. 1.36-1.81 kg / 3-4 lbs. 1.81-2.72 kg / 4-6 lbs. 2.26-3.62 kg / 5-8 lbs. 4.53-5.44 kg / 10-12 lbs.	12 minutos 50 minutos a 1 hora 1 a 2 horas 1 a 2½ horas 2 a 2¾ horas		
Asado de lomo	1.36-1.81 kg / 3 - 4 lbs.		1 a 2 horas	2 a 3 horas
Corona de costillas asada	1.81-2.26 kg / 4 - 5 lbs.		1½ a 2 horas	2 a 3 horas
Chuleta ( <i>lomo, costillas</i> )	1.9-2.5 cm / ¾ - 1 pulg. 3.1-3.9 cm / 1¼ - 1½ pulg.		10 a 12 minutos 14 a 18 minutos	
Lomo	1.9-2.5 cm / ¾ - 1 pulg.		20 a 30 minutos	30 a 45 minutos
Asado de lomo, sin huesos	1.36-2.26 kg / 3-5 lbs.		1¼ a 1¾ horas	1¾ a 2½ horas
Boston Butt ( <i>hombro de puerco</i> )	3.62-4.53 kg / 8-10 lbs.			93 - 98°C / 200 - 210°F Temperatura interior

RES	TAMAÑO	CALOR	TIEMPO APROXIMADO DE COCCIÓN		
			Un cuarto 54°C / 130°F	Medio 60°C / 140°F	Bien cocido 65°C / 150°F
<b>Bistec</b> ( <i>New York, Porterhouse, Rib-eye, Sirloin, T-bone o lomo</i> )	1.9 cm / ¾ pulg. 2.5 cm / 1 pulg. 3.8 cm / 1½ pulg. 5 cm / 2 pulg.	Alto	Marcar 8 a 10 minutos Marcar 10 a 12 minutos Marcar 10 minutos, asar 8 a 10 minutos Marcar 10 minutos, asar 10 a 14 minutos		
<b>Falda de res</b>	0.6 - 12.7 cm / ¼ - ½ pulg.	Alto	5 a 7 minutos		
<b>Arrachera</b>	0.45 - 0.86 kg / 1 - 1½ lbs., 1.9 cm / ¾ pulg.	Medio	Marcar 4 minutos, asar 8 a 10 minutos		
<b>Kebab</b>	Cubos de 2.5 - 3.8 cm / 1 - 1½ pulg.	Medio	Asar 10 a 12 minutos		
<b>Tenderloin, entero</b>	1.58 - 1.81 kg / 3½ - 4 lbs.	Alto/Medio	1 ½ a 2 horas		
<b>Hamburguesa</b>	1.9 cm / ¾ pulg.	Alto/Medio	Marcar 4 minutos, asar 4 a 6 minutos		
<b>Asado de rib-eye, sin huesos</b>	2.26 - 2.72 kg / 5 - 6 lbs.	Medio	1 ½ a 2 horas		
<b>Asado de tri-tip</b>	0.9 - 1.13 kg / 2 - 2½ lbs.	Alto/Medio	Marcar 10 minutos, asar 20 a 30 minutos		
<b>Asado de costilla</b>	5.44 - 6.35 kg / 12 - 14 lbs.	Medio	2 ½ a 2 ¾ horas		
<b>Chuleta de ternera</b>	2.5cm / 1 pulg.	Medio	10 a 12 minutos		
<b>Brisket</b>	7.25 - 3.62 kg / 16 -18 lbs.	Ahumado caliente	Asar hasta que la temperatura interna llegue a 91°C / 195°F		

<b>CORDERO</b>	TAMAÑO	Un cuarto - 54°C / 130°F	Medio - 60°C / 140°F	Bien cocido - 71°C / 160°F
<b>Asado (fresco)</b>	2.26 - 2.72 kg / 5 - 6 lbs.		1 a 2 horas	
<b>Corona de costillas asada</b>	1.36-2.26 kg / 3-5 lbs.		1 a 1½ horas	1½ horas

<b>MARISCOS</b>	TAMAÑO	Un cuarto - 54°C / 130°F	Medio - 60°C / 140°F	Bien cocido - 82°C / 180°F
<b>Pescado (entero)</b>	0.5 kg / 1 lb. 0.9 - 1.1 kg / 2 - 2½ lbs. 1.4 kg / 3 lbs.			Asar 10 a 20 minutos Asar 20 a 30 minutos Asar 30 a 45 minutos
<b>Pescado (filetes)</b>	0.6-1.3 cm / ¼ - ½ pulg.			Asar 3 a 5 minutos, hasta que se desmenuce con facilidad
<b>Cola de langosta</b>	0.15 kg / 5 oz. 0.3 kg / 10 oz.			Asar 5 a 6 minutos Asar 10 a 12 minutos

<b>CAZA</b>	TAMAÑO	Un cuarto - 60°C / 140°F	Medio - 71°C / 160°F	Bien cocido - 77°C / 170°F
<b>Asado (fresco)</b>	2.26 - 2.72 kg / 5 - 6 lbs.		1 a 1½ horas	1½ a 2 horas
<b>Cortes grandes (fresco)</b>	3.62-4.53 kg / 8-10 lbs.		1 horas	1½ horas

# CONSEJOS Y TÉCNICAS

Siga estos útiles consejos y técnicas, transmitidos por los dueños de Pit Boss®, nuestro personal y nuestros clientes, como usted, para familiarizarse con su asador:

## 1. SEGURIDAD DE LOS ALIMENTOS

- Mantenga limpio todo lo que haya en la cocina y en el área para cocinar. Use platos y utensilios diferentes para la carne cocida que los que utilizó para preparar o transportar la carne cruda al asador. Esto evitará la contaminación cruzada por bacterias. Cada marinada o salsa para untar debe tener su propio utensilio.
- Mantenga las comidas calientes calientes (a más de 60 °C / 140 °F), y mantenga las comidas frías frías (a menos de 3 °C / 37°F).
- Nunca debe guardar una marinada para usarla en el futuro. Si la va a servir con la carne, asegúrese de hervirla antes de servir.
- Los alimentos cocidos no deben dejarse en un entorno caliente por más de una hora. No deje alimentos calientes fuera del refrigerador por más de dos horas.
- Descongele y marine las carnes en refrigeración. No descongele la carne a temperatura ambiente ni sobre un mostrador. Las bacterias pueden crecer y multiplicarse con rapidez en comidas calientes y húmedas. Lávese las manos cuidadosamente con agua tibia y jabón antes de iniciar la preparación de los alimentos y después de manejar carne fresca, pescado y aves.

## 2. PREPARACIÓN PARA COCINAR

- Esté preparado o "**Mise en Place**". Esto se refiere a estar preparado con la receta, el combustible, los accesorios, los utensilios y todos los ingredientes que necesita junto al asador antes de empezar a cocinar. Además, lea toda la receta, de principio a fin, antes de encender el asador.
- Un tapete para asador es muy útil. Debido a los accidentes al manejar la comida y las salpicaduras al cocinar, un tapete protege su terraza, patio o piso de piedra del riesgo de manchas de grasa o derrames accidentales.

## 3. CONSEJOS Y TÉCNICAS PARA COCINAR

- Para infundir más sabor ahumado a sus carnes, cocínelas por más tiempo y a temperaturas más bajas (esto también se conoce como "**bajo y lento**"). La carne cerrará sus fibras cuando alcance una temperatura interna de 49 °C / 120 °F. Aplicar líquidos en aerosol o con un pequeño "trapeador" son excelentes maneras de evitar que la carne se seque.
- Al marcar sus carnes, cocine con la tapa cerrada. Siempre use un termómetro de carne para determinar la temperatura interna de los alimentos que está cocinando. Ahumar la comida con pellets de madera dura le da un tono rosado a la carne y las aves. La banda rosada (después de cocinar), conocida como **anillo de humo**, es muy apreciada por los chefs de asador.
- Es mejor aplicar las salsas con base de azúcar cerca del final de la cocción, para evitar que se quemen o provoquen llamaradas.
- Deje un espacio de separación entre la comida y los extremos del barril para que el calor fluya apropiadamente. Los alimentos en una parrilla muy llena necesitarán más tiempo de cocción.
- Use un juego de tenazas de mango largo para voltear las carnes, y una espátula para voltear hamburguesas y pescados. Si usa un utensilio puntiagudo, como un trinche, perforará la carne y permitirá que se escapen los jugos.
- Las comidas en platos hondos necesitarán más tiempo de cocción que en una charola plana.
- Es una buena idea colocar los alimentos preparados en un hornillo para mantenerlos calientes. Las carnes rojas, como los bistecs y asados, saben mejor cuando reposan varios minutos antes de servirlos. Esto permite que los jugos que el calor sacó a la superficie regresen al centro de la carne, dándole más sabor.

# RESOLUCIÓN DE PROBLEMAS

Una limpieza adecuada, mantenimiento y el uso de combustible limpio, seco y de calidad impedirán que surjan los problemas de funcionamiento más comunes. Cuando la barbacoa Pit Boss® no funcione bien, o se use con menor frecuencia, las siguientes sugerencias de solución de problemas pueden resultar útiles. Consulte las preguntas frecuentes en [www.pitboss-grills.com](http://www.pitboss-grills.com). También puede ponerse en contacto con su distribuidor local autorizado de Pit Boss® o bien solicitar asistencia al servicio de Atención al cliente.

**ADVERTENCIA: desconecte siempre el cable eléctrico antes de abrir la barbacoa para cualquier inspección o tarea de limpieza, mantenimiento o reparación. Asegúrese de que la barbacoa se haya enfriado por completo para evitar lesiones.**

PROBLEMA	CAUSA	SOLUCIÓN
Sin luces de encendido en el tablero de control	El dial de control de temperatura sigue apagado.	Pulse el botón de Encendido y asegúrese de que brille de color azul para indicar si hay conexión eléctrica. Gire el Dial de control de temperatura a un ajuste de temperatura.
	No conectada a una fuente de alimentación	Asegúrese de que la unidad esté conectada a una fuente de alimentación que funcione. Reinicie el disyuntor. Asegúrese de que la toma GFCI sea de 10 amperios como mínimo (véase el <b>Diagrama de cableado eléctrico</b> para consultar el acceso a los componentes eléctricos). Asegúrese de que todas las conexiones por cable estén firmemente conectadas y secas.
	Fusible quemado en el tablero de control	Extraiga el panel de acceso a la tolva (consulte el <b>Diagrama de cableado eléctrico</b> ), empuje hacia dentro las lengüetas de plástico que sujetan el tablero de control y tire cuidadosamente del controlador situado dentro de la tolva para soltarlo. Compruebe si el fusible tiene un cable roto o si el cable está ennegrecido. En caso afirmativo, es necesario cambiar manualmente el fusible.
	La toma GFCI se ha desconectado.	Extraiga el panel de acceso a la tolva (consulte el <b>Diagrama de cableado eléctrico</b> ) y asegúrese de que todos los cables estén firmemente conectados y secos. Asegúrese de que la toma GFCI sea de 10 amperios como mínimo.
	Tablero de control defectuoso	Debe sustituirse el Tablero de control. Póngase en contacto con Atención al cliente para solicitar el recambio.
El fuego de la chimenea no se enciende	El alimentador de espiral no se ceba	Antes de usar la unidad por primera vez o siempre que la tolva esté completamente vacía, debe cebarse el alimentador de espiral para que los gránulos el tubo del alimentador de espiral. Si no se ceba, el sistema de ignición agotará su tiempo de espera antes de que los gránulos lleguen a la chimenea. Siga el <b>Procedimiento de cebado del sínfin</b> .
	El motor de alimentador de espiral está atascado	Extraiga los componentes de cocina del tambor principal. Pulse el botón de Encendido para encender la unidad, gire el Dial de control de temperatura a la posición AHUMAR e inspeccione el alimentador de espiral. Confirme visualmente si el alimentador de espiral está soltando gránulos en la chimenea. Si no funciona bien, llame a Atención al cliente para solicitar asistencia o una pieza de recambio.
	Fallo del sistema de ignición	Extraiga los componentes de cocina del tambor principal. Pulse el botón de Encendido para encender la unidad y gire el Dial de control de temperatura a la posición AHUMAR, e inspeccione el sistema de ignición. Confirme visualmente si el sistema de ignición funciona colocando la mano por encima de la chimenea y comprobando si percibe calor. Confirme visualmente si el sistema de ignición sobresale aproximadamente 13 mm/0,5 pulgadas en la chimenea. Si no funciona bien, siga el <b>Procedimiento de arranque manual</b> para continuar usando la barbacoa, pero si necesita asistencia o algún recambio, llame al servicio de Atención al cliente.
Puntos parpadeantes en la pantalla LCD	El sistema de ignición está encendido	No es un error que afecte a la barbacoa. Se usa para indicar que la unidad está encendida y en modo Arranque (sistema de ignición encendido). El sistema de ignición se apagará una vez transcurridos cinco minutos. Una vez que hayan desaparecido los puntos parpadeantes, la barbacoa comenzará a ajustar la temperatura deseada que se haya seleccionado.
Temperatura parpadeante en la pantalla LCD	La temperatura de la barbacoa es inferior a 65 °C/150 °F	No es un error que afecte a la unidad, sino que se usa para indicar que hay riesgo de que el fuego se apague. Compruebe si hay combustible suficiente en la tolva o hay alguna obstrucción en el alimentador de espiral. Extraiga los gránulos y siga las instrucciones de <b>Cuidado y mantenimiento</b> . Compruebe la sonda de parilla de la barbacoa y siga las instrucciones de <b>Cuidado y mantenimiento</b> si está sucia. Compruebe si la chimenea presenta acumulación de cenizas u obstrucciones, y siga las instrucciones de <b>Cuidado y mantenimiento</b> si hay acumulación de cenizas. Compruebe el ventilador. Asegúrese de que esté funcionando correctamente y que la entrada de aire no esté bloqueada. Siga las instrucciones de <b>Cuidado y mantenimiento</b> si está sucia. Compruebe el motor del alimentador de espiral para confirmar que está funcionando (rotando) y asegúrese de que el tubo del alimentador de espiral no esté bloqueado.

Código de error "ErH"	La unidad se ha recalentado, posiblemente debido a fuego de grasa o exceso de combustible.	Pulse el botón de Encendido para apagar la unidad y deje enfriar la barbacoa. Siga las instrucciones de <b>Cuidado y mantenimiento</b> . Tras las tareas de mantenimiento, extraiga los gránulos y confirme la colocación de todas las piezas componentes. Una vez se haya enfriado, pulse el botón de Encendido para encender la unidad y seleccione la temperatura deseada. Si aún aparece el error, póngase en contacto con Atención al cliente.
Código de error "Err"	El cable de la sonda de parilla no establece conexión.	Extraiga el panel de acceso a la tolva (consulte el <b>Diagrama de cableado eléctrico</b> ) y compruebe si los cables de la Sonda de parilla están dañados. Asegúrese de que los conectores molex de la Sonda de parilla estén firme y correctamente conectados al Tablero de control.
Código de error "noP"	Mala conexión en el puerto de conexión	Desconecte la sonda de carne del puerto de conexión del Tablero de control y vuelva a conectarla. Asegúrese de que el adaptador de la sonda de carne esté firmemente conectado. Compruebe si hay indicios de daños en el extremo del adaptador. Si el fallo persiste, póngase en contacto con Atención al cliente para solicitar el recambio.
	Sonda de carne dañada	Compruebe si hay indicios de daño en los cables de la sonda de carne. Si hay daños, póngase en contacto con Atención al cliente para solicitar el recambio.
	Tablero de control defectuoso	Debe sustituirse el Tablero de control. Póngase en contacto con Atención al cliente para solicitar el recambio.
La temperatura de la barbacoa con el ajuste AHUMAR es demasiado alta	El ajuste "P" es demasiado BAJO	Pulse el botón de ajuste "P" e incremente el ajuste "P".
La barbacoa no alcanza o no mantiene la temperatura estable	Circulación de aire insuficiente en la chimenea	Compruebe si la chimenea presenta acumulación de ceniza u obstrucciones. Siga las Instrucciones de <b>Cuidado y mantenimiento</b> para la acumulación de cenizas. Compruebe el ventilador. Asegúrese de que esté funcionando correctamente y que la entrada de aire no esté bloqueada. Siga las instrucciones de <b>Cuidado y mantenimiento</b> si está sucia. Compruebe el motor del alimentador de espiral para confirmar que está funcionando y asegúrese de que el tubo del alimentador de espiral no esté bloqueado. Una vez realizados los pasos anteriores, encienda la barbacoa, establezca la temperatura en AHUMAR y espere 10 minutos. Compruebe si la llama es brillante y viva.
	Falta combustible, combustible de mala calidad, obstrucción en el sistema de alimentación	Compruebe el nivel de combustible en la tolva es suficiente y reponga si es bajo. Si la calidad de los gránulos es mala, o si estos son demasiado largos, esto puede producir obstrucciones en el sistema de alimentación. Extraiga los gránulos y siga las instrucciones de <b>Cuidado y mantenimiento</b> .
	Sonda de parilla	Compruebe el estado de la sonda de parilla. Siga las instrucciones de <b>Cuidado y mantenimiento</b> si está sucia. Póngase en contacto con Atención al cliente para solicitar un recambio si está dañada.
La barbacoa desprende demasiado humo o humo descolorido	Acumulación de grasa	Siga las instrucciones de <b>Cuidado y mantenimiento</b> .
	Calidad de los gránulos de madera	Extraiga los gránulos de madera húmedos de la tolva. Siga las instrucciones de <b>Cuidado y mantenimiento</b> para limpiar. Sustituya por gránulos de madera secos.
	La chimenea está bloqueada	Extraiga los gránulos de madera húmedos de la chimenea. Siga el Procedimiento de cebado del sinfín.
	Circulación de aire insuficiente para el ventilador	Compruebe el ventilador. Asegúrese de que esté funcionando correctamente y que la entrada de aire no esté bloqueada. Siga las instrucciones de <b>Cuidado y mantenimiento</b> si está sucia.
Llamaradas frecuentes	Temperatura de cocción	Pruebe cocinar a temperatura más baja. La grasa tiene un punto de inflamación. Mantenga la temperatura por debajo de 176 °C/350 °F cuando cocine alimentos muy grasos.
	Acumulación de grasa en los componentes de cocina	Siga las instrucciones de <b>Cuidado y mantenimiento</b> .

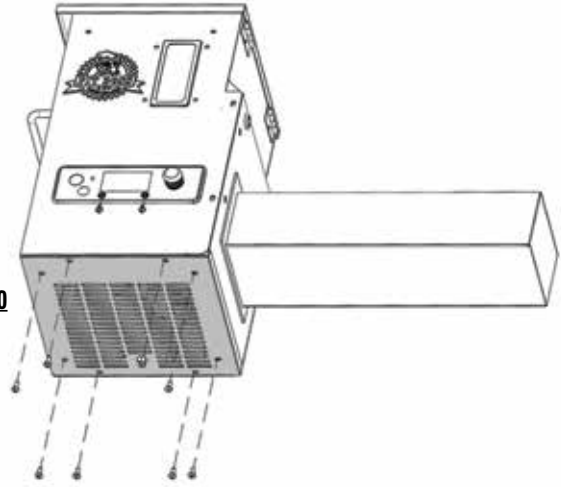
# DIAGRAMA DE CABLEADO ELÉCTRICO

El sistema del tablero de control digital es un dispositivo tecnológico intrincado y valioso. Para protegerlo de los picos de voltaje y los cortocircuitos eléctricos, consulte el siguiente diagrama de cableado para asegurarse de que su fuente de alimentación es suficiente para la operación de la unidad.

## PB - REQUISITOS DE ALIMENTACIÓN ELÉCTRICA 110-120V, 60Hz, 275W, CONECTOR DE 3 CLAVIJAS CON TIERRA

NOTA: Los componentes eléctricos, que pasaron por pruebas y servicios de certificación de seguridad de productos, cumplen con una tolerancia de prueba de  $\pm 5-10$  por ciento.

UBIQUE Y quite los ocho tornillos del panel de acceso en la parte inferior de la unidad

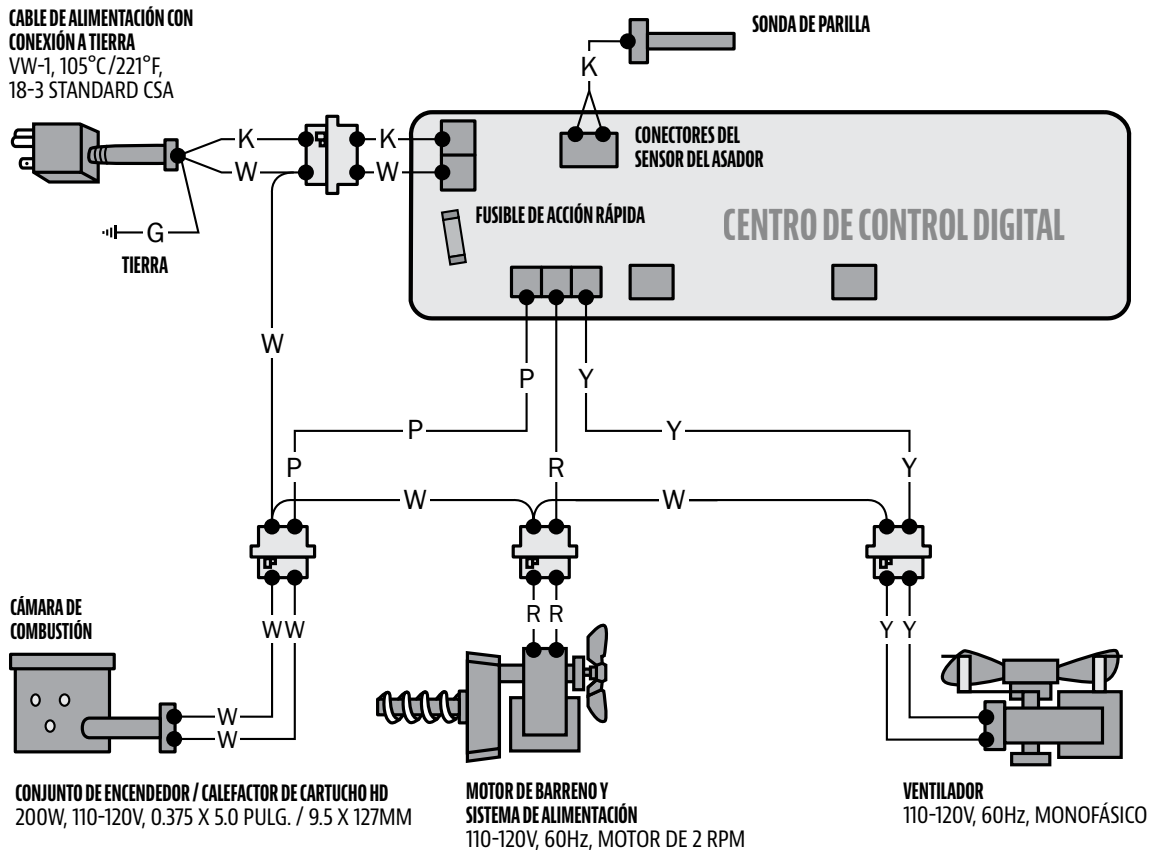


CAPACIDAD DE ENTRADA DE COMBUSTIBLE:  
1.12 KG/H  
(2.48 LB/H)

### ÍNDICE

W : BLANCO  
Y : AMARILLO  
P : PÚRPURA  
R : ROJO  
K : NEGRO  
S : PLATEADO

CABLE DE ALIMENTACIÓN CON CONEXIÓN A TIERRA  
VW-1, 105°C/221°F,  
18-3 STANDARD CSA



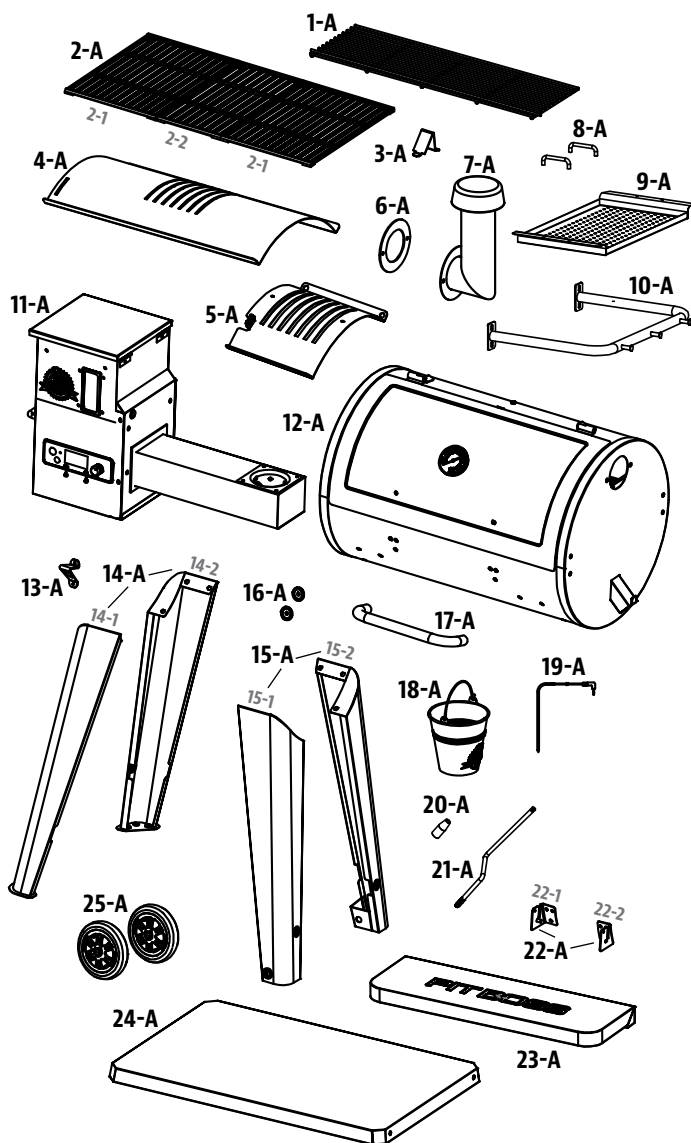
CONJUNTO DE ENCENDEDOR / CALEFACTOR DE CARTUCHO HD  
200W, 110-120V, 0.375 X 5.0 PULG. / 9.5 X 127MM

MOTOR DE BARRENO Y SISTEMA DE ALIMENTACIÓN  
110-120V, 60Hz, MOTOR DE 2 RPM

VENTILADOR  
110-120V, 60Hz, MONOFÁSICO

# REFACCIONES PARA EL ASADOR

N°	Descripción
1-A	Parrilla superior de acero recubierto de porcelana (x1)
2-A	Parrillas de cocción de hierro fundido recubiertas de porcelana - A (x2)
	Parrillas de cocción de hierro fundido recubiertas de porcelana - B (x1)
3-A	Seguro de la tapa (x1)
4-A	Cubierta deslizante de la rejilla de flama (x1)
5-A	Placa principal de rejilla de flama (x1)
6-A	Cañón de la chimenea (x1)
7-A	Chimenea (x1)
8-A	Manija de la bandeja (x2)
9-A	Bandeja (x1)
10-A	Manija de repisa lateral (x1)
11-A	Conjunto de tolva (x1)
12-A	Barril principal (x1)
13-A	Abrebotellas (x1)
14-A	Pata de soporte estacionaria - frente (x1)
	Pata de soporte estacionaria - espalda (x1)
15-A	Pata de soporte con rueda - frente (x1)
	Pata de soporte con rueda - espalda (x1)
16-A	Bisele de la manija de la tapa (x2)
17-A	Manija de la tapa (x1)
18-A	Cubeta de grasa (x1)
19-A	Sonda de carne (x1)
20-A	Manija de la barra de ajuste de la rejilla de flama (x1)
21-A	Barra de ajuste de la rejilla de flama (x1)
22-A	Soporte del cilindro - izquierdo (x1)
	Soporte del cilindro - derecho (x1)
23-A	Repisa frontal (x1)
24-A	Repisa inferior (x1)
25-A	Rueda (x2)
26-A	Tornillo (x28)
27-A	Arandela (x28)
28-A	Arandelas de seguridad (x28)
29-A	Tornillo (x2)
30-A	Chavetas de rueda (x2)
31-A	Arandelas de eje de rueda (x2)
32-A	Clavijas de eje de rueda (x2)
33-A	Tuerca (x2)

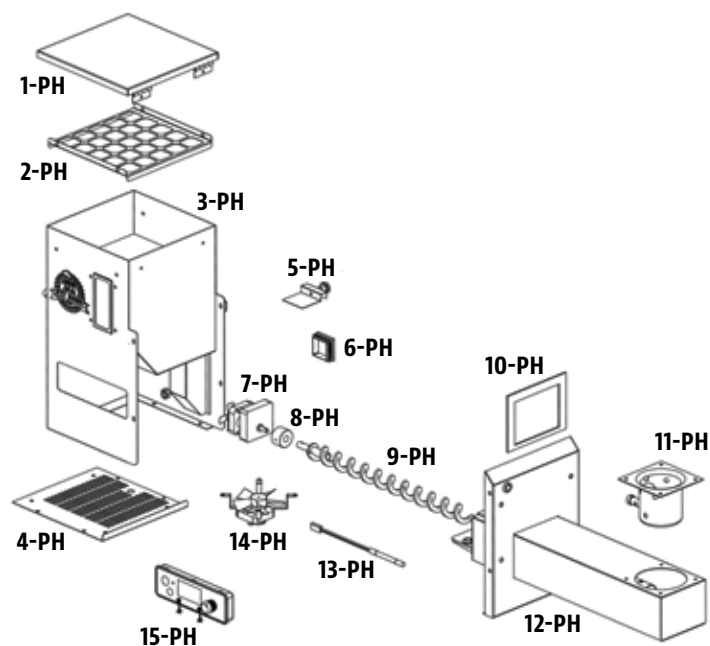


26-A		29-A		32-A	
27-A		30-A		33-A	
28-A		31-A			

NOTA: Debido a que los productos están en desarrollo constante, las partes están sujetas a cambios sin previo aviso.

## REFACCIONES PARA LA TOLVA

N°	Descripción
1-PH	Tapa de la tolva (x1)
2-PH	Cubierta de seguridad de la tolva (x1)
3-PH	Carcasa de la tolva (x1)
4-PH	Panel de acceso de la tolva (x1)
5-PH	Placa del conducto de bajada (x1)
6-PH	Cubierta del conducto de bajada (x1)
7-PH	Motor de barreno (x1)
8-PH	Casquillo de nylon (x1)
9-PH	Conjunto de espiral del barreno (x1)
10-PH	Empaque la carcasa de la tolva (x1)
11-PH	Cámara de combustión (x1)
12-PH	Carcasa de la caja del barreno (x1)
13-PH	Encendedor (x1)
14-PH	Ventilador de combustión (x1)
15-PH	Panel de control HR1 Pit Boss® (x1)



## GARANTÍA

### CONDICIONES

Todos los asadores de pellets de madera de Pit Boss®, fabricados por Dansons, tiene una garantía limitada a partir de la fecha de venta solo para el comprador original. La cobertura de la garantía comienza en la fecha original de compra y es necesario un comprobante de la fecha de la compra o una copia de la factura original de compra para validar la garantía. Los clientes deberán cubrir el costo de las refacciones, manejo y envío si no pueden proporcionar el comprobante de compra o si la garantía ha expirado.

Dansons ofrece una garantía por cinco (5) años contra defectos y mano de obra en todas las partes, y por cinco (5) años en los componentes eléctricos. Dansons garantiza que todas las partes están libres de defectos materiales y de mano de obra, para el período de uso y propiedad del comprador original. La garantía no cubre daños por desgaste normal, tales como rasguños, abolladuras, muescas o fisuras menores superficiales. Estos cambios estéticos en la parrilla no afectan su rendimiento. La reparación o reemplazo de cualquier pieza no extiende el período de garantía limitada más allá de cinco (5) años de la fecha de compra.

Durante el período de la garantía, la obligación de Dansons se limitará solo a suministrar un reemplazo para componentes defectuosos y/o que presenten fallas. Durante el período de garantía, Dansons no cobrará por reparaciones o reemplazos de partes devueltas, con envío prepagado, si considera que las partes son defectuosas luego de haberlas examinado. Dansons no será responsable de costos de transporte, mano de obra o derechos de exportación. Salvo por lo establecido en estas condiciones de la garantía, la reparación o reemplazo de partes, de la manera y durante el período de tiempo aquí mencionados, constituye el cumplimiento de todas las responsabilidades y obligaciones, directas y derivadas, de Dansons hacia usted.

Dansons hace todo lo posible por utilizar materiales que retarden la oxidación. Incluso con estas precauciones, diferentes sustancias y condiciones fuera del control de Dansons pueden afectar los recubrimientos protectores. Las Temperaturas altas, la humedad excesiva, el cloro, los humos industriales, los fertilizantes, los pesticidas de jardín y la sal son algunas de las sustancias que pueden afectar los recubrimientos del metal. Por estas razones, la garantía no cubre corrosión ni oxidación, a menos que exista una pérdida de integridad estructural en el componente del asador. Si ocurre alguna de las condiciones anteriores, consulte la sección de cuidado y mantenimiento para prolongar la vida útil de su unidad. Dansons recomienda el uso de una cubierta para el asador cuando este no esté en uso.

La garantía se basa en el uso y servicio doméstico normal del asador, y ninguna garantía limitada se aplica a un asador que se utilice en aplicaciones comerciales.

## EXCEPCIONES

No existe una garantía escrita o implícita de desempeño en los asadores Pit Boss®, ya que el fabricante no tiene control sobre la instalación, la operación, la limpieza, el mantenimiento o el tipo de combustible utilizado. Esta garantía no aplicará, y Dansons no asumirá ninguna responsabilidad, si su aparato no se instaló, operó, limpió o mantuvo en estricto cumplimiento con este manual del propietario. Cualquier uso de gas que no se explique en este manual puede anular la garantía. La garantía no cubre daños ni fallas debidas al mal uso, manejo inapropiado o modificaciones.

Ni Dansons ni el distribuidor autorizado de Pit Boss® asumen responsabilidad alguna, jurídica o de otro tipo, por los daños accidentales o consecuentes a los bienes o las personas debido al uso de este producto. Si se realiza una demanda contra Dansons con base en una infracción de esta garantía o de cualquier otro tipo de garantía explícita o implícita por la ley, el fabricante de ninguna manera será responsable de cualquier daño especial, indirecto o consecuente, ni por otros daños de cualquier naturaleza, por encima del precio original de compra de este producto. Todas las garantías del fabricante se especifican en este documento y no se puede realizar ninguna demanda contra el fabricante por cualquier garantía o promesa.

Algunos estados no permiten la exclusión o limitación de daños incidentales o consecuentes, o limitaciones de garantías implícitas, así que las limitaciones o exclusiones especificadas en esta garantía limitada podrían no aplicar para usted. Esta garantía limitada le da derechos jurídicos específicos y usted podría tener otros derechos, los cuales varían de estado a estado.

## CÓMO ORDENAR REFACCIONES

Para ordenar refacciones, comuníquese con el distribuidor de Pit Boss® de su localidad, o visite nuestra tienda en línea en: [www.pitboss-grills.com](http://www.pitboss-grills.com)

## CONTACTO CON ATENCIÓN AL CLIENTE

Si tiene preguntas o problemas, comuníquese con Atención al cliente.

**EE.UU: (480) 923-9630 | CANADA (GRATUITA): 1-877-942-2246**

## SERVICIO BAJO GARANTÍA

Comuníquese con su distribuidor Pit Boss® más cercano para reparaciones o refacciones. Dansons requiere un comprobante de compra para otorgar una reclamación de garantía; por lo tanto, conserve su recibo o factura de venta original para referencia futura. Puede ver el número de serie y modelo de su Pit Boss® en el interior de la tapa de la tolva. Escriba los números a continuación, ya que la etiqueta podría desgastarse o quedar ilegible.

---

MODELO

---

NÚMERO DE SERIE

---

FECHA DE COMPRA

---

DISTRIBUIDOR AUTORIZADO



# IMPORTANT

## DO NOT RETURN PRODUCT TO STORE

For all questions, comments, or inquiries, please contact Dansons directly our Customer Care department.

USA: (480) 923-9630  
CANADA (TOLL FREE): 1-877-942-2246  
service@pitboss-grills.com

# IMPORTANT

## NE RETOURNEZ PAS LE PRODUIT AU MAGASIN

Pour toute questions, commentaires ou demandes de renseignements, veuillez communiquer avec Dansons directement le service client.


ÉTATS-UNIS: (480) 923-9630  
CANADA (SANS FRAIS) : 1-877-942-2246  
service@pitboss-grills.com


# ¡IMPORTANTE!


## NO DEVUELVA EL PRODUCTO A LA TIENDA

Para el preguntas, comentarios o consultas, por favor contactar Dansons directamente. Nuestro departamento de atención al cliente.

EE.UU: (480) 923-9630  
CANADA (GRATUITA): 1-877-942-2246  
service@pitboss-grills.com

 **WARNING:** This product can expose you to chemicals including wood dust, which is known to the State of California to cause cancer, and carbon monoxide, which is known to the State of California to cause birth defects or other reproductive harm. For more information go to [WWW.P65WARNINGS.CA.GOV](http://WWW.P65WARNINGS.CA.GOV)

 **AVERTISSEMENT :** Ce produit peut vous exposer à des produits chimiques, notamment la poussière de bois, qui est connue dans l'État de Californie pour causer le cancer, et le monoxyde de carbone, qui est connu dans l'État de Californie pour causer des malformations congénitales ou d'autres troubles de la reproduction. Pour plus d'informations, rendez-vous sur [WWW.P65WARNINGS.CA.GOV](http://WWW.P65WARNINGS.CA.GOV)

 **ADVERTENCIA:** Este producto puede exponerlo a productos químicos, incluido el polvo de madera, que el Estado de California reconoce como causante de cáncer, y monóxido de carbono, que el Estado de California reconoce como causante de defectos de nacimiento u otros daños reproductivos. Para más información ir a [WWW.P65WARNINGS.CA.GOV](http://WWW.P65WARNINGS.CA.GOV)



© 2022 DANSONS  
602221014UMV

# PITBOSS-GRILLS.COM

MADE IN CHINA | FABRIQUÉ EN CHINE | HECHO EN CHINA

