



Rider

900 PELLET GRILL

MODEL NUMBERS
NUMÉROS DE MODÈLE
20202105
21202135
ASSEMBLY GUIDE
GUIDE D'ASSEMBLAGE



SERIAL NUMBER:
NÚMERO DE SERIE:
NUMÉRO DE SÉRIE:

See rating label on grill for serial number.
El número de serie se encuentra en la etiqueta de especificaciones de la parrilla.
Voir l'étiquette d'évaluation sur le gril pour le numéro de série.

DATE PURCHASED:
FECHA DE COMPRA:
DATE D'ACHAT:

Need Help? Visit Oklahomajoes.com for video assembly tips. If you'd rather - you can call us at 1-800-318-7744
Necesita ayuda? Visite Oklahomajoes.com para obtener consejos sobre el montaje de videos. Si prefiere, puede llamarnos al 1-800-318-7744
Besoin d'aide? Visitez Oklahomajoes.com pour des astuces d'assemblage vidéo. Si vous préférez, vous pouvez nous appeler au 1-800-318-7744

A MAJOR CAUSE OF FIRES IS FAILURE TO MAINTAIN REQUIRED CLEARANCES (AIR SPACES) TO COMBUSTIBLE MATERIALS. IT IS OF UTMOST IMPORTANCE THAT THIS PRODUCT BE INSTALLED ONLY IN ACCORDANCE WITH THESE INSTRUCTIONS.

IMPORTANT: RETAIN FOR FUTURE REFERENCE. READ CAREFULLY.

UNE PRINCIPALE CAUSE D'INCENDIE EST LE NON-RESPECT DES DÉGAGEMENTS REQUIS (ESPACES D'AIR) AUX MATÉRIAUX COMBUSTIBLES. IL EST DE LA PLUS IMPORTANCE QUE CE PRODUIT SOIT INSTALLÉ UNIQUEMENT CONFORMÉMENT À CES INSTRUCTIONS.

IMPORTANT: CONSERVEZ POUR RÉFÉRENCE FUTURE. LIRE ATTENTIVEMENT.

READ ALL INSTRUCTIONS BEFORE INSTALLING AND USING THE APPLIANCE.

IMPORTANT SAFETY INFORMATION

SAFETY SYMBOLS

DANGER, WARNING, and CAUTION statements are used throughout this Owner's Manual to emphasize critical and important information. Read and follow these statements to help ensure safety and prevent property damage. The statements are defined below.



CAUTION

CAUTION: Indicates a potentially hazardous situation or unsafe practice which, if not avoided, may result in minor or moderate injury.



WARNING

WARNING: Indicates a potentially hazardous situation which, if not avoided, could result in death or serious injury.



DANGER

DANGER: Indicates an imminently hazardous situation which, if not avoided, will result in death or serious injury.

THIS GRILL IS FOR OUTDOOR USE ONLY



WARNING

Please read this entire manual before installation and use of this *pellet*-burning appliance. Failure to follow these instructions could result in property damage, bodily injury, or even death. Contact local building or fire officials about restrictions and installation inspection requirements in your area. Save these instructions.

Carbon monoxide is a colorless, odorless, tasteless gas produced by burning gas, wood, propane, charcoal or other fuel.

- Know the symptoms of carbon monoxide poisoning: headache, dizziness, weakness, nausea, vomiting, sleepiness, and confusion. Carbon monoxide reduces the blood's ability to carry oxygen. Low blood oxygen levels can result in loss of consciousness and death.
- See a doctor if you or others develop cold- or flu-like symptoms while cooking or in the vicinity of this appliance. Carbon monoxide poisoning, which can easily be mistaken for a cold or flu, is often detected too late.
- Alcohol consumption and drug use increase the effects of carbon monoxide poisoning.
- Carbon monoxide is especially toxic to mother and child during pregnancy, infants, the elderly, smokers, and people with blood or circulatory system problems, such as anemia or heart disease.
- Your appliance must be operated outside on noncombustible flooring and away from combustible materials.
- If operating your appliance on floors protected with a noncombustible, protective surface, the protective surface must be approved for such use by local building or fire officials.
- Never use gasoline, gasoline-type lantern fuel, kerosene, charcoal lighter fluid, or flammable liquids to start or "freshen up" a fire in this appliance. Keep all such liquids well away from this appliance when in use.

IMPORTANT SAFEGUARDS

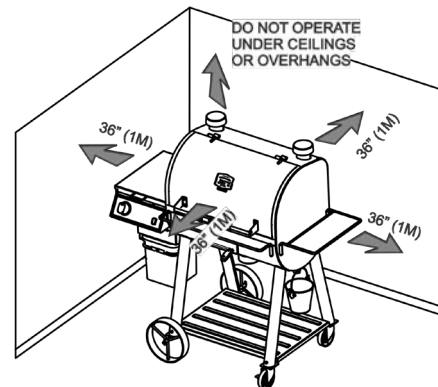
When using electrical appliances, basic safety precautions should always be followed including the following:

- Do not touch hot surfaces.
- To protect against electrical shock, do not immerse cord, plugs, controller or heating element in water or any other liquid.
- Unplug from outlet when not in use and before cleaning. Allow to cool before putting on or taking off parts.
- Do not operate any appliance with a damaged cord or plug or after the appliance malfunctions or has been damaged in any manner.
- Do not let cord hang over edge of table or counter, or touch hot surfaces.
- Do not place on or near a hot gas or electric burner, or in a heated oven.
- Do not use appliance for other than intended use.
- Use only with GFCI (Ground Fault Circuit Interrupter) protected circuit.
- To prevent appliance from being splashed or falling into water, do not use within 10 feet of a pool, pond or other body of water.
- Keep appliance dry and out of rain at all times.
- Unplug appliance when not in use and before moving.
- Never remove grounding plug or use with an adapter with two prongs.
- Keep electric plugs off ground and dry.
- Do not use water or other liquid spray to clean product without first unplugging the appliance.
- Fuel, such as charcoal briquettes, is not to be used with appliance. For optimum performance, use only the recommended pellet fuel in this grill.
- Do not use the appliance during an electrical storm.
- Keep a fire extinguisher accessible during operation.

SAVE THESE INSTRUCTIONS

IMPORTANT SAFETY INFORMATION

1. A minimum clearance of 36 inches (1 meter) from combustible constructions to the sides of the appliance, and 36 inches (1 meter) from the front and back of the appliance to combustible constructions must be maintained. Do not use this appliance indoors or in an enclosed, unventilated area, such as a garage. This wood pellet appliance must not be placed under overhead combustible ceilings or overhangs. Keep your appliance in an area clear and free from combustible materials, gasoline and other flammable vapors and liquids.



2. Should an uncontrolled grease fire occur, Unplug the power cord and leave the lid closed until the fire burns out. Do not throw water

on the unit. Do not try to smother the fire. We recommend that you keep a class ABC approved fire extinguisher on site. If an uncontrolled fire does occur, call your Fire Department.

3. Do not transport or move your appliance while in use or while the appliance is hot. Ensure the fire is completely out and that the appliance has cooled completely before moving.
4. Keep electrical supply cords and the fuel away from heated surfaces.
5. After periods of storage, or non-use, be sure to check the grill for obstructions, the hopper for foreign objects, and any air blockage around the fan intake. Clean before use. Regular care and maintenance is required to prolong the lifespan of your appliance. If the appliance is stored outside during the rain or periods of high humidity, care should be taken to insure that water does not get into the hopper. Wood pellets will expand greatly when allowed to get wet or when exposed to high humidity. Wet Pellets will decompose and may jam the feed system. Always disconnect the power, before performing any service or maintenance. The grilling guide, supplied with your grill, will give you tips on proper cleaning and maintenance of your appliance. We recommend that pellet fuel be removed from the grill before long term storage.
6. It is recommended to use heat-resistant barbecue mitts or gloves when operating the appliance. Please visit Charbroil.com for a good selection of barbecue mitts. Do not use accessories not specified for use with this appliance. Do not put an appliance cover or anything flammable in the storage space area under the appliance. Remove pots and pans while the operating appliance is unattended, to reduce the risk of fire.
7. To prevent fingers, clothing or other objects from coming in contact with the auger feed system, the appliance is equipped with a metal safety screen, mounted to the interior of the hopper. This screen must not be removed unless directed by Customer Service or an authorized dealer, and never when the appliance is plugged in.
8. This appliance is not intended for use by persons (including children) with reduced physical, sensory, or mental capabilities, or lack of experience and knowledge, unless they have been given supervision or instruction concerning use of the appliance by a person responsible for their safety. Children should be supervised to ensure they do not play with the appliance.
9. Parts of the appliance may be very hot, and serious injury may occur. Keep young children and pets away while in use.
10. Do not modify ignition systems or fire pots. Failure to follow this warning could lead to a fire hazard and bodily harm and will void your warranty.



DANGER

For North American Consumers:

Plug into an appropriate 3-prong outlet.

An electrical supply with GFCI protection is required. To protect against shock hazard, locate a grounded 3-prong receptacle in reach of the 6' (1.8-m) power cord. When installing the receptacle, follow the National Electrical Code and local codes and ordinances.

If you must use an extension cord:

- Use only outdoor type with 3 prong grounding plug, rated for 15 amperes or more, approved by UL, marked with a W and a tag stating "Suitable for Use with Outdoor Appliance". Use the shortest length extension cord required.
- Do not connect 2 or more extension cords together.
- Keep connections dry and off ground.
- Do not let cord hang over edge of table top or other items where it can be pulled by children or tripped over.



DANGER

Hazardous voltage is present, which can shock, burn, or cause death. Disconnect the power cord before servicing the appliance unless otherwise noted in the Owner's Manual.

DISPOSAL OF ASHES

Ashes should be placed in a metal container (do not use your plastic storage bucket) with a tight-fitting lid. The closed container of ashes should be placed on a noncombustible floor or on the ground, well away from all combustible materials, until final disposal. When ashes are disposed by burial in soil, or otherwise locally dispersed, they should be retained in a closed container until all cinders have thoroughly cooled.

WOOD PELLET FUEL

This pellet cooking appliance is designed and approved for pelletized, all natural, wood fuel only. Any other type of fuel burned in this appliance will void the warranty and safety listing. **Do not use fuel with additives.** Do not use spirit, petrol, gasoline, lighter-fluid or kerosene for lighting or refreshing a fire in your appliance.

Use only wood pellet fuel specified by the manufacturer. Do not use pellet fuel labeled as having additives. Oklahoma Joe's recommends the Oklahoma Joe's Premium Food grade brand of pellet fuel. These pellets are rated at 8,000 BTU's per lb. (1.98 kJ/kg.) The ash content of these pellets are below 0.5%

NOTE: Always store wood pellets in a dry area. Avoid any contact with moisture. Exposure to moisture will result in lower heat output or cause the pellets to swell and break apart. Always use a moisture proof, resealable bucket for proper storage. Wet pellet fuel will clog your grill.

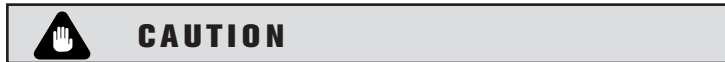
CREOSOTE - Formation and need for removal

When wood pellets are burned slowly, they produce tar and other organic vapors that combine with expelled moisture to form creosote. The creosote vapors condense in a relatively cool oven flue and exhaust hood of a slow burning fire. As a result, creosote residue accumulates on the flue lining and exhaust hood. When ignited, this creosote makes an extremely hot fire.

The grease duct should be inspected at least monthly to determine when grease and/or creosote buildup has occurred.

When grease or creosote has accumulated, it should be removed to reduce risk of fire.

When Creosote, or soot, is burning, it produces black smoke and leaves a residue which is also black in color. Soot or creosote is formed when the appliance is operated incorrectly, such as: blockage of the combustion fan, failure to clean and maintain the fire pot area, or poor air-to-fuel combustion. It is dangerous to operate this appliance should the flame become dark and sooty. When ignited, this creosote will result in an extremely hot and uncontrolled fire, similar to a grease fire. Should this happen, turn the appliance **OFF**, let it cool completely, then perform maintenance and cleaning. Creosote commonly accumulates along exhaust areas, and other areas where smoke can escape. If creosote has formed inside the appliance; allow the appliance to warm up at a low temperature, turn off the appliance, then wipe away any formation with a hand towel. Similar to tar, it is much easier to clean when warm, as it becomes liquid.



CAUTION: Appliance may be HOT. Use hand protection if necessary.

Be sure to read your Grilling Guide for more info on how your new pellet grill works and how to control it for the best possible experience.

There's instructions on maintenance, cleaning, troubleshooting, cooking tips, and a whole lot of information to help you master your pellet grill.



Do **NOT** leave your grill unattended while in use. You must stay in the immediate area and maintain a clear view of your grill at all times while in use.

LEA TODAS LAS INSTRUCCIONES ANTES DE INSTALAR Y USAR EL APARATO.

INFORMACION DE SEGURIDAD IMPORTANTE

SÍMBOLOS DE SEGURIDAD

Las declaraciones de PELIGRO, ADVERTENCIA y PRECAUCIÓN se utilizan en todo este manual del propietario para enfatizar información crucial e importante. Lea y siga estas declaraciones para ayudar a garantizar la seguridad y evitar daños a la propiedad. Las declaraciones se definen a continuación.



PRECAUCIÓN

PRECAUCIÓN: Indica una situación potencialmente peligrosa o una práctica insegura que, de no evitarse, podría causar lesiones moderadas o leves.



ADVERTENCIA

ADVERTENCIA: Indica una situación potencialmente peligrosa que, de no evitarse, podría provocar la muerte o lesiones graves.



PELIGRO

PELIGRO: Indica una situación inminentemente peligrosa que, de no evitarse, podría provocar la muerte o lesiones graves.

ESTA PARRILLA ES SÓLO PARA USO EN EXTERIORES



ADVERTENCIA

Lea este manual completo antes de instalar y usar este aparato para quemar *pellets*. El incumplimiento de estas instrucciones puede provocar daños a la propiedad, lesiones corporales o incluso la muerte. Comuníquese con los funcionarios locales de construcción o bomberos sobre las restricciones y los requisitos de inspección de instalación en su área. Conserve estas instrucciones.

El monóxido de carbono es un gas incoloro, inodoro e insípido producido al quemar gas, madera, propano, carbón u otro combustible.

- Siempre tenga en cuenta los síntomas de la intoxicación por monóxido de carbono: dolor de cabeza, mareos, debilidad, náuseas, vómitos, somnolencia y confusión. El monóxido de carbono reduce la capacidad de la sangre para transportar oxígeno. Los niveles bajos de oxígeno en la sangre pueden provocar la pérdida del conocimiento y la muerte.
- Consulte a un médico si usted u otras personas desarrollan síntomas parecidos al resfriado o la gripe mientras cocina o cerca de este electrodoméstico. La intoxicación por monóxido de carbono, que puede confundirse fácilmente con un resfriado o gripe, a menudo se detecta demasiado tarde.
- El consumo de alcohol y el uso de drogas aumentan los efectos de la intoxicación por monóxido de carbono.
- El monóxido de carbono es especialmente tóxico para la madre y el niño durante el embarazo, los bebés, los ancianos, los fumadores y las personas con problemas de sangre o del sistema circulatorio, como anemia o enfermedades cardíacas.
- Su electrodoméstico debe operarse en exteriores, sobre pisos no combustibles y lejos de materiales combustibles.
- Si utiliza su electrodoméstico en pisos protegidos con una superficie protectora no combustible, la superficie protectora debe estar aprobada para tal uso por los funcionarios locales de construcción o del departamento de bomberos.
- Nunca use gasolina, combustible como gasolina, queroseno, líquido para encender carbón o líquidos inflamables para encender o avivar un fuego en este artefacto. Mantenga todos esos líquidos alejados de este aparato cuando esté en uso.

INSTRUCCIONES DE SEGURIDAD IMPORTANTES

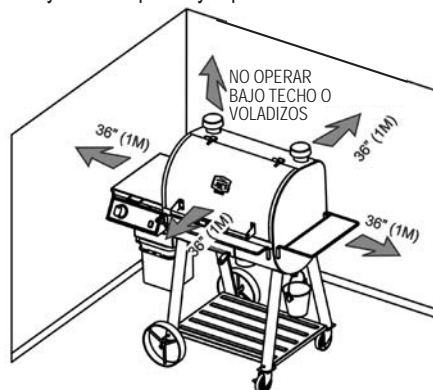
Quando utilice aparatos eléctricos, siga siempre las medidas básicas de seguridad, incluidas las siguientes:

- No toque las superficies calientes.
- Para protegerse contra descargas eléctricas, no sumerja el cable, los enchufes, el controlador o el elemento calefactor en agua o cualquier otro líquido.
- Desenchufe el aparato cuando no esté en funcionamiento y antes de limpiarlo. Deje enfriar el artefacto antes de colocar o retirar sus partes.
- No utilice el artefacto si el cable de alimentación o el enchufe están dañados o si el artefacto no funciona correctamente o ha sido dañado de alguna manera.
- No permita que el cable cuelgue por el borde de una mesa o mostrador o entre en contacto con superficies calientes.
- No lo coloque sobre o cerca de un hornillo de gas o eléctrico o en un horno caliente.
- Utilice el artefacto solo para el fin previsto.
- Úselo solo con un circuito protegido GFCI (Interruptor de circuito de falla a tierra).
- Para evitar que el aparato se salpique o caiga al agua, no lo use a menos de 10 pies de una piscina, estanque u otro cuerpo de agua.
- Mantenga el aparato seco y alejado de la lluvia en todo momento.
- Desenchufe el aparato cuando no esté en uso y antes de moverlo.
- Nunca quite el enchufe a tierra ni lo use con un adaptador con dos puntas.
- Mantenga los enchufes eléctricos fuera del suelo y secos.
- No use agua u otro líquido en aerosol para limpiar el producto sin desconectar primero el aparato.
- No utilice combustibles como briquetas de carbón en el artefacto. Para un rendimiento óptimo, use solo el combustible tipo pellet recomendado en esta parrilla.
- No utilice el aparato durante una tormenta eléctrica.
- Mantenga un extintor de incendios accesible durante el funcionamiento.

CONSERVE ESTAS INSTRUCCIONES

INFORMACION DE SEGURIDAD IMPORTANTE

1. Se debe mantener un espacio libre mínimo de 36 pulgadas (1 metro) desde las construcciones combustibles a los lados del electrodoméstico, y 36 pulgadas (1 metro) desde la parte delantera y trasera del electrodoméstico hasta las construcciones combustibles. No utilice este electrodoméstico en interiores o en un área cerrada y sin ventilación, como un garaje. Este aparato de pellets de madera no debe colocarse debajo de techos o voladizos combustibles elevados. Mantenga su electrodoméstico en un área despejada y libre de materiales combustibles, gasolina y otros vapores y líquidos inflamables.



2. En caso de producirse un fuego de grasa descontrolado, apague el aparato y deje la tapa cerrada hasta que el fuego se apague. No desenchufe el cable de alimentación. No arroje agua sobre la unidad. No intente sofocar el fuego. Recomendamos que mantenga un extintor de incendios aprobado para la clase ABC en el lugar. Si ocurre un incendio no controlado, llame a su Departamento de Bomberos.
3. No transporte ni mueva su electrodoméstico mientras esté en uso o mientras esté caliente. Asegúrese de que el fuego esté completamente apagado y que el aparato se haya enfriado por completo antes de moverlo.
4. Mantenga los cables de suministro eléctrico y el combustible lejos de superficies calientes.
5. Después de períodos de almacenamiento o de no uso, asegúrese de verificar que la parrilla y la tolva no tengan obstrucciones, así como de buscar objetos extraños y cualquier obstrucción de aire alrededor de la entrada del ventilador. Limpie antes de usar. Se requiere cuidado y mantenimiento regulares para prolongar la vida útil de su electrodoméstico. Si el aparato se almacena al aire libre durante la lluvia o períodos de alta humedad, se debe tener cuidado para asegurar que no entre agua en la tolva. Los pellets de madera se expandirán mucho cuando se permite que se mojen o cuando se espongan a alta humedad. Los pellets húmedos se descompondrán y podrían atascar el sistema de alimentación. Siempre desconecte la alimentación, antes de realizar cualquier servicio o mantenimiento. La guía de la parrilla, que se suministra con su parrilla, le dará consejos sobre la limpieza y el mantenimiento adecuados de su electrodoméstico. Recomendamos que el combustible de pellets se retire de la parrilla antes de un almacenamiento a largo plazo.
6. Se recomienda utilizar guantes de barbacoa resistentes al calor al utilizar el aparato. Visite Charbroil.com para obtener una buena selección de guantes para barbacoa. No utilice accesorios no especificados para usar con este aparato. No coloque una cubierta del aparato ni nada inflamable en el área de almacenamiento debajo del aparato. Retire las ollas y sartenes mientras el electrodoméstico está desatendido, para reducir el riesgo de incendio.
7. Para evitar que los dedos, la ropa u otros objetos entren en contacto con el sistema de alimentación del sinfín, el aparato está equipado con una pantalla de seguridad de metal, montada en el interior de la tolva. Esta pantalla no debe quitarse a menos que lo indique el servicio al cliente o un distribuidor autorizado, y nunca cuando el aparato esté enchufado.
8. Este aparato no está diseñado para ser usado por personas (incluidos niños) con capacidades físicas, sensoriales o mentales reducidas, o con falta de experiencia o conocimiento, a menos que sean vigilados o informados adecuadamente sobre el uso de este aparato por parte de una persona responsable de su seguridad. Los niños deben ser vigilados con el fin de evitar que jueguen con el aparato.
9. Algunas partes del aparato pueden estar muy calientes y pueden producirse lesiones graves. Mantenga alejados a los niños pequeños y las mascotas mientras estén en uso.
10. No modifique los sistemas de encendido o los quemadores de las ollas. El incumplimiento de esta advertencia podría provocar un riesgo de incendio y lesiones corporales, y anulará la garantía.



PELIGRO

Para consumidores norteamericanos:

Enchufe en un tomacorriente de 3 clavijas apropiado. Se requiere un suministro eléctrico con protección GFCI. Para protegerse contra el peligro de descarga eléctrica, ubique un receptáculo de 3 clavijas con conexión a tierra al alcance del cable de alimentación de 6' (1,8 m). Al instalar el receptáculo, siga el Código Eléctrico Nacional junto con los códigos y ordenanzas locales.

Si debe usar un cable de extensión para su seguridad:

- Use solo el tipo para exteriores con un enchufe de conexión a tierra de 3 clavijas, con capacidad nominal de 15 amperios o más, aprobado por UL, marcado con una W y una etiqueta que indique "Adecuado para uso con electrodomésticos para exteriores".
- Use el cable de extensión de menor longitud requerido. No conecte 2 o más cables juntos.
- Mantenga las conexiones secas y fuera del suelo.
- No permita que el cable cuelgue del borde de la mesa u otros elementos donde los niños puedan tirar de él o tropezar con él.



PELIGRO

Hay voltaje peligroso presente, que puede provocar descargas eléctricas, quemaduras o la muerte. Desconecte el cable de alimentación antes de reparar el electrodoméstico, a menos que se indique lo contrario en el manual del propietario.

Si el cable de alimentación está dañado, debe ser reemplazado por un agente de servicio o personas calificadas de manera similar para evitar riesgos.

ELIMINACIÓN DE CENIZAS

Las cenizas deben colocarse en un recipiente de metal (no use su cubo de almacenamiento de plástico) con una tapa hermética. El contenedor cerrado de cenizas debe colocarse en un piso no combustible o en el suelo, lejos de todos los materiales combustibles, hasta su eliminación final. Cuando las cenizas se eliminan por enterramiento en el suelo, o de otro modo se dispersan localmente, deben conservarse en un recipiente cerrado hasta que todas las cenizas se hayan enfriado completamente.

COMBUSTIBLE DE PELLET DE MADERA

Este aparato de cocción de pellets está diseñado y aprobado solo para combustible de madera natural granulado. Cualquier otro tipo de combustible quemado en este aparato anulará la garantía y la lista de seguridad. **No use combustible con aditivos.** No use alcohol, gasolina, líquido para encendedores o queroseno para encender o avivar un fuego en su electrodoméstico.

Use solo combustible de pellets de madera especificado por el fabricante. No utilice combustible de pellets etiquetado como aditivos. Oklahoma Joe's recomienda la marca de combustible de pellets de calidad alimentaria de Oklahoma Joe's. Estos pellets tienen una capacidad de 8000 BTU por libra. (1.98 kJ/kg.) El contenido de cenizas de estos pellets es inferior al 0.5 %

NOTA: Siempre almacene pellets de madera grandes en un área seca. Evitar cualquier contacto con la humedad. La exposición a la humedad provocará una menor producción de calor o hará que los gránulos se hinchen y se rompan. Utilice siempre un balde resellable a prueba de humedad para un almacenamiento adecuado. El combustible de pellet mojado obstruirá su parrilla.

CREOSOTA: formación y necesidad de remoción

Cuando los pellets de madera se queman lentamente, producen alquitrán y otros vapores orgánicos que se combinan con la humedad expulsada para formar creosota. Los vapores de creosota se condensan en una chimenea de horno relativamente fría y una campana extractora de fuego lento. Como resultado, los residuos de creosota se acumulan en el revestimiento de la chimenea y la campana extractora. Cuando se enciende, esta creosota crea un fuego extremadamente caliente.

El conducto de grasa debe inspeccionarse al menos dos veces al año para determinar cuándo se ha producido la acumulación de grasa y/o la creosota.

Cuando se haya acumulado grasa o creosota, debe eliminarse para reducir el riesgo de incendio.

Cuando la creosota, o el hollín, arde, produce humo negro y deja un residuo que también es de color negro. Se forma hollín o creosota cuando el electrodoméstico se opera incorrectamente, como: bloqueo del ventilador de combustión, falta de limpieza y mantenimiento del área de la olla de fuego, o una deficiente combustión de aire a combustible. Es peligroso operar este artefacto si la llama se oscurece, produce hollín o si la olla de fuego se llena en exceso con pellets. Cuando se enciende, esta creosota dará como resultado un fuego extremadamente caliente e incontrolado, similar a un fuego de grasa. Si esto sucede, coloque el aparato en **OFF**, déjelo enfriar por completo y luego realice el mantenimiento y la limpieza. La creosota comúnmente se acumula a lo largo de las áreas de escape y otras áreas donde el humo puede escapar. Si se ha formado creosota dentro del aparato; deje que el aparato se caliente a baja temperatura, apague el aparato y luego limpie cualquier formación con una toalla de mano. Similar al alquitrán, es mucho más fácil de limpiar cuando está caliente, ya que se vuelve líquido.

PRECAUCIÓN

PRECAUCIÓN: El aparato puede estar **CALIENTE**. Use protección para las manos si es necesario.

Asegúrese de leer su Guía de parrilla para obtener más información sobre cómo funciona su nueva parrilla de pellets y cómo controlarla para obtener la mejor experiencia posible.

Hay instrucciones sobre mantenimiento, limpieza, solución de problemas, consejos de cocina y mucha información para ayudarlo a dominar su asador de pellets.

ADVERTENCIA

NO DEJE su parrilla desatendida mientras esté en uso. Debe permanecer en el área inmediata y mantener una vista clara de su parrilla en todo momento mientras está en uso.

LISEZ TOUTES LES INSTRUCTIONS AVANT D'INSTALLER ET D'UTILISER L'APPAREIL

INFORMATION DE SÉCURITÉ IMPORTANTE

SYMBOLES DE SÉCURITÉ

Les termes DANGER, AVERTISSEMENT et ATTENTION sont utilisés dans ce Manuel du propriétaire afin de mettre l'accent sur l'information essentielle et importante. Lisez et suivez ces instructions pour vous aider à assurer un usage sécuritaire et éviter les dommages à la propriété. Les instructions sont décrites ci-dessous.



ATTENTION

ATTENTION : Indique une situation potentiellement dangereuse ou une pratique dangereuse laquelle, si non évitée, pourrait entraîner une blessure légère ou modérée.



AVERTISSEMENT

AVERTISSEMENT : Indique une situation potentiellement dangereuse qui, si elle n'est pas évitée, pourrait entraîner la mort ou des blessures graves.



DANGER

DANGER : Indique une situation dangereuse imminente laquelle, si non évitée, entraînera la mort ou une blessure grave.

CE BARBECUE EST POUR USAGE EXTÉRIEUR SEULEMENT



AVERTISSEMENT

Veillez lire ce manuel en entier avant l'installation et l'utilisation de cet appareil consommant des *granules*. L'omission de vous conformer à ces instructions pourrait entraîner des dommages matériels, des blessures corporelles ou même la mort. Communiquez avec le gérant de votre immeuble ou les pompiers pour obtenir de l'information sur les restrictions et exigences en matière d'inspection des installations dans votre région. Sauvegardez ces instructions.

Le monoxyde de carbone est gaz incolore, inodore et sans saveur produit par la combustion des gaz, du bois, du gaz propane, du charbon de bois ou d'autres carburants.

- Familiarisez-vous avec les symptômes d'une intoxication au monoxyde de carbone : mal de tête, étourdissements, faiblesse, nausées, vomissements, somnolence et état confusionnel. Le monoxyde de carbone réduit la capacité du sang à transporter l'oxygène. Une trop faible quantité d'oxygène peut provoquer une perte de conscience et la mort.
- Voyez un médecin si vous ou d'autres personnes montrez des symptômes semblables à ceux d'un rhume ou d'une grippe lorsque vous vous servez ou êtes à proximité de cet appareil. Une intoxication au monoxyde de carbone peut facilement être confondue avec un rhume ou une grippe et est souvent détectée trop tard.
- Les effets d'une intoxication au monoxyde de carbone sont intensifiés par la consommation d'alcool et de médicaments ou drogues.
- Le monoxyde de carbone est particulièrement toxique pour la mère et l'enfant pendant la grossesse, pour les nourrissons, les personnes âgées, les fumeurs et les personnes qui ont des problèmes sanguins ou de l'appareil circulatoire, comme une anémie ou une maladie du cœur.
- Votre appareil doit être utilisé dehors, sur un revêtement de sol non combustible et à l'écart des matériaux combustibles.
- Si vous utilisez votre appareil sur un revêtement de sol protecteur non combustible, ce revêtement doit être approuvé à cet effet par le gérant de votre immeuble ou les pompiers.
- N'utilisez jamais d'essence, de combustible à lampe, de kérosène, de liquide d'allumage pour charbon de bois ou des liquides inflammables pour allumer ou ranimer le feu de cet appareil. Maintenez tous ces liquides bien à l'écart de cet appareil lorsque vous l'utilisez.

IMPORTANTES MESURES DE PROTECTION

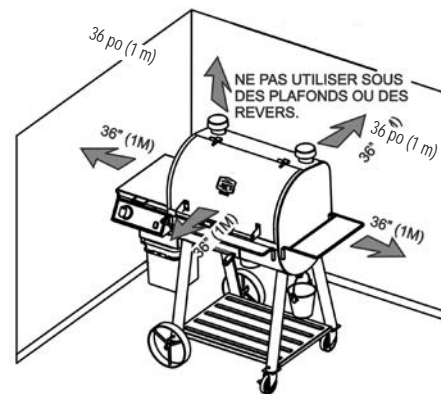
Il convient de prendre des mesures de sécurité de base lors de l'utilisation d'appareils électriques, y compris les suivantes :

- Ne touchez pas les surfaces chaudes.
- Pour prévenir les décharges électriques, n'immergez pas le cordon, les fiches, le panneau de contrôle ou l'élément dans de l'eau ou tout autre liquide.
- Débranchez l'appareil lorsque vous ne l'utilisez pas et avant de le nettoyer ou d'en faire l'entretien. Laissez-le refroidir avant d'installer ou d'enlever des pièces.
- Ne faites jamais fonctionner un appareil dont le cordon ou la fiche sont endommagés, après avoir constaté une défectuosité ou si l'appareil a été endommagé de quelque façon.
- Ne laissez pas le cordon pendre d'une table ou d'un comptoir ou entrer en contact avec des surfaces chaudes.
- Ne le mettez pas sur ou près d'un brûleur au gaz ou électrique ou dans un four chaud.
- N'utilisez pas l'appareil à d'autres fins que celles prévues.
- Ne l'utilisez que sur un circuit protégé par un disjoncteur de fuite de terre (GFCI).
- N'utilisez pas cet appareil à moins de 10 pi (3 m) d'une piscine, d'un étang ou de toute autre étendue d'eau pour éviter qu'il soit éclaboussé ou qu'il y tombe.
- Protégez l'appareil contre la pluie et gardez-le au sec en tout temps.
- Débranchez l'appareil lorsque vous ne l'utilisez pas et avant de le déplacer.
- N'enlevez jamais la fiche de mise à la terre et ne l'utilisez jamais avec un adaptateur à deux broches.
- Gardez les fiches électriques au-dessus du sol et bien au sec.
- N'utilisez pas d'eau ou tout autre vaporisateur liquide pour nettoyer cet appareil sans d'abord l'avoir débranché.
- Cet appareil n'est pas conçu pour utiliser d'autres combustibles, comme des briquettes de charbon de bois. Pour de meilleurs résultats, n'utilisez que les granules recommandés pour ce barbecue.
- N'utilisez pas l'appareil pendant un orage.
- Maintenez un extincteur à portée de main pendant que vous l'utilisez.

CONSERVEZ CES INSTRUCTIONS

INFORMATION DE SÉCURITÉ IMPORTANTE

1. Vous devez conserver un dégagement minimal de 36 pouces (1 mètre) entre toute construction combustible et les côtés, l'avant et l'arrière de l'appareil. N'utilisez pas cet appareil à l'intérieur ou dans un espace fermé ou mal ventilé, comme un garage. Cet appareil à granules de bois ne doit pas être installé sous un plafond ou sous une avancée de toit combustible. Gardez votre appareil dans un endroit libre de tout matériau combustible, d'essence ou d'autres vapeurs ou liquides inflammables.



2. Advenant un feu de graisse, éteignez l'appareil et gardez le couvercle fermé jusqu'à ce que le feu ait fini de brûler. Ne débranchez pas le cordon d'alimentation. N'arrosez pas l'appareil avec de l'eau. N'es-

sayez pas d'étouffer les flammes. Nous vous recommandons d'avoir un extincteur de classe ABC approuvé sur place. En cas d'incendie non contrôlé, appelez votre service d'incendie.

3. Ne transportez pas et ne déplacez pas votre appareil pendant qu'il fonctionne ou qu'il est encore chaud. Assurez-vous que le feu soit complètement éteint et que l'appareil est complètement refroidi avant de le déplacer.
4. Maintenez les cordons d'alimentation électrique et le carburant à l'écart des surfaces chaudes.
5. Après un entreposage prolongé ou s'il n'a pas été utilisé depuis longtemps, assurez-vous de vérifier que le barbecue ne présente pas d'obstructions, qu'aucun objet étranger ne se trouve dans la trémie et que la prise d'air du ventilateur n'est pas bloquée. Nettoyez l'appareil avant de l'utiliser. Un bon entretien prolongera la durée de vie de votre appareil. Si l'appareil est entreposé dehors lorsqu'il pleut ou si le temps est très humide, on doit veiller à ce que l'eau ne pénètre pas dans la trémie. S'ils sont mouillés ou exposés à l'humidité, les granules de bois prendront de l'expansion. Les granules mouillés se décomposeront et pourraient boucher le système d'alimentation. Veuillez toujours débrancher l'appareil avant de réaliser des travaux d'entretien. Le manuel fourni avec votre appareil vous fournira des conseils sur le nettoyage et l'entretien de votre appareil. Nous recommandons de vider l'appareil de ses granules avant de l'entreposer pendant une longue durée.
6. Il est recommandé d'utiliser des mitaines ou gants de cuisinier lorsque vous utilisez cet appareil. Pour un bon choix de gants de cuisinier, veuillez visiter Charbroil.com. N'utilisez pas d'accessoires qui n'ont pas été recommandés pour cet appareil. Ne rangez pas de couvercle ou tout autre objet inflammable dans l'espace de rangement situé sous l'appareil. Enlevez les casseroles et poêlons lorsque l'appareil fonctionne sans surveillance afin de réduire les risques d'incendie.
7. L'appareil est muni d'un écran métallique, fixé à l'intérieur de la trémie, pour empêcher que les doigts, les vêtements ou d'autres objets n'entrent en contact avec la tanière. Cet écran ne doit pas être enlevé, sauf selon les instructions du service à la clientèle ou d'un vendeur autorisé, et jamais lorsque l'appareil est branché.
8. Cet appareil n'est pas conçu pour être utilisé par des personnes (y compris des enfants) dont les capacités physiques, sensorielles ou mentales sont réduites ou qui présentent un manque d'expérience ou de connaissances, à moins qu'elles soient surveillées et aient reçu les instructions d'une personne responsable de leur sécurité. Les enfants devraient être supervisés et ne jamais jouer avec cet appareil.
9. Des parties de l'appareil peuvent être très chaudes et pourraient causer des blessures graves. Maintenez les jeunes enfants et les animaux de compagnie à distance lorsque vous utilisez cet appareil.
10. Ne modifiez pas le système d'allumage ou les pots à combustion. Le non-respect de ces avertissements pourrait provoquer un risque d'incendie, des blessures et annuler votre garantie.



DANGER

Pour les consommateurs nord-américains :

Branchez cet appareil dans une prise de courant à trois broches. Le circuit électrique d'alimentation doit comporter un disjoncteur de fuite à la terre (GFCI). Pour éviter les risques de décharge électrique, assurez-vous de disposer d'une prise de courant à trois broches accessible pour le cordon d'alimentation de 6 pi (1,8 m). Respectez le Code de l'électricité et les exigences nationales et locales pour l'installation de la prise de courant. Si vous devez utiliser une rallonge, veuillez respecter ces consignes pour votre sécurité n:

- Utilisez uniquement le type extérieur avec une prise à la terre à 3 broches, de 15 ampères ou plus, approuvée par UL, marquée d'un W et d'une étiquette indiquant «Convient pour une utilisation avec un appareil extérieur».
- Utilisez la rallonge la plus courte possible. Ne branchez pas 2 rallonges ou plus ensemble.
- Assurez-vous que les connexions restent sèches et hors sol.
- Ne laissez pas la rallonge suspendue sur une table ou un autre objet, à un endroit où elle pourrait être tirée par un enfant ou faire trébucher quelqu'un.



DANGER

Le voltage est élevé et pourrait causer une décharge, des brûlures ou entraîner la mort. Débranchez le cordon d'alimentation avant de procéder à l'entretien de l'appareil, sauf indication contraire dans le Manuel du propriétaire.

Si le cordon fourni est endommagé, il doit être remplacé par un technicien de service ou une personne qualifiée afin d'éviter tout risque.

ÉLIMINATION DES CENDRES

Les cendres doivent être mises dans un contenant métallique (n'utilisez pas un seau en plastique) muni d'un couvercle étanche. Le contenant de centres bien fermé doit être déposé sur un revêtement non combustible ou sur le terrain, à l'écart de tous les matériaux combustibles jusqu'à son élimination finale. Lorsque les cendres sont enterrées ou dispersées localement de quelque façon que ce soit, elles doivent être conservées dans un contenant fermé jusqu'à ce qu'elles aient parfaitement refroidi.

GRANULES DE BOIS

Cet appareil de cuisson aux granules est conçu et approuvé pour utiliser des granules de bois naturel seulement. L'utilisation de tout autre type de combustible dans cet appareil annulera votre garantie. N'utilisez pas de carburant contenant des additifs. N'utilisez jamais d'alcool, de l'essence, du kérosène ou de l'essence à briquet ou tout autre liquide combustible pour allumer ou ranimer le feu.

N'utilisez que les granules de bois recommandés par le fabricant. N'utilisez pas de granules de bois indiquant qu'ils contiennent des additifs. Oklahoma Joe's recommande les granules de bois Oklahoma Joe's de qualité alimentaire. Ces granules sont cotés à 8 000 BTU par lb. (1,98 kJ/kg.) La teneur en cendres de ces granules est de moins de 5 %.

REMARQUE: Toujours stocker les granulés de bois dans un endroit sec. Éviter tout contact avec l'humidité. L'exposition à l'humidité réduira la production de chaleur ou fera gonfler les pellets et les dissocier. Utilisez toujours un seau refermable étanche à l'humidité pour un stockage approprié. Le combustible à granulés humide va obstruer votre gril.

CRÉOSOTE - Formation et enlèvement

Lorsque des granules de bois brûlent lentement, elles produisent du goudron et d'autres vapeurs organiques qui se combinent à l'humidité évacuée pour former du créosote. Ces vapeurs de créosote se condensent dans l'air relativement frais qui s'échappe d'une combustion lente. En conséquence, les résidus de créosote s'accumulent sur la paroi du conduit de fumée et dans la hotte d'aspiration. Lorsqu'il prend feu, ce créosote produit une chaleur extrêmement élevée.

Le conduit d'évacuation des graisses doit être inspecté au moins deux fois par an pour déterminer quand l'accumulation de graisse ou de créosote est survenue.

Si le créosote ou des graisses s'accumulent, ils devraient être enlevés afin de réduire le risque d'incendie.

Lorsque le créosote ou la suie prennent feu, ils produisent une fumée noire et déposent un résidu de couleur noire. La suie ou le créosote se forment lorsque l'appareil n'est pas utilisé correctement, comme : lorsque le ventilateur de combustion est bloqué, si l'on néglige de nettoyer ou de faire l'entretien du pot de combustion ou en présence d'une mauvaise combustion air-combustible. Il est dangereux d'utiliser cet appareil si la flamme devient foncée, s'il y a de la suie ou si le pot de combustion est trop plein de granules. Lorsqu'il prend feu, ce créosote provoque des flammes extrêmement chaudes et incontrôlables, semblables à un feu de graisse. Dans un tel cas, éteignez l'appareil, laissez-le refroidir complètement puis faites-en l'entretien et le nettoyage. Le créosote s'accumule fréquemment le long des conduits d'échappement et d'autres zones d'où la fumée peut s'échapper. S'il y a formation de créosote à l'intérieur de l'appareil, faites-le chauffer à basse température, éteignez-le, puis essuyez tout le créosote avec un chiffon. Comme il est semblable à du goudron, il est beaucoup plus facile à nettoyer lorsqu'il est tiède, car il devient liquide.

ATTENTION

ATTENTION : L'appareil peut être **CHAUD**. Protégez vos mains si nécessaire.

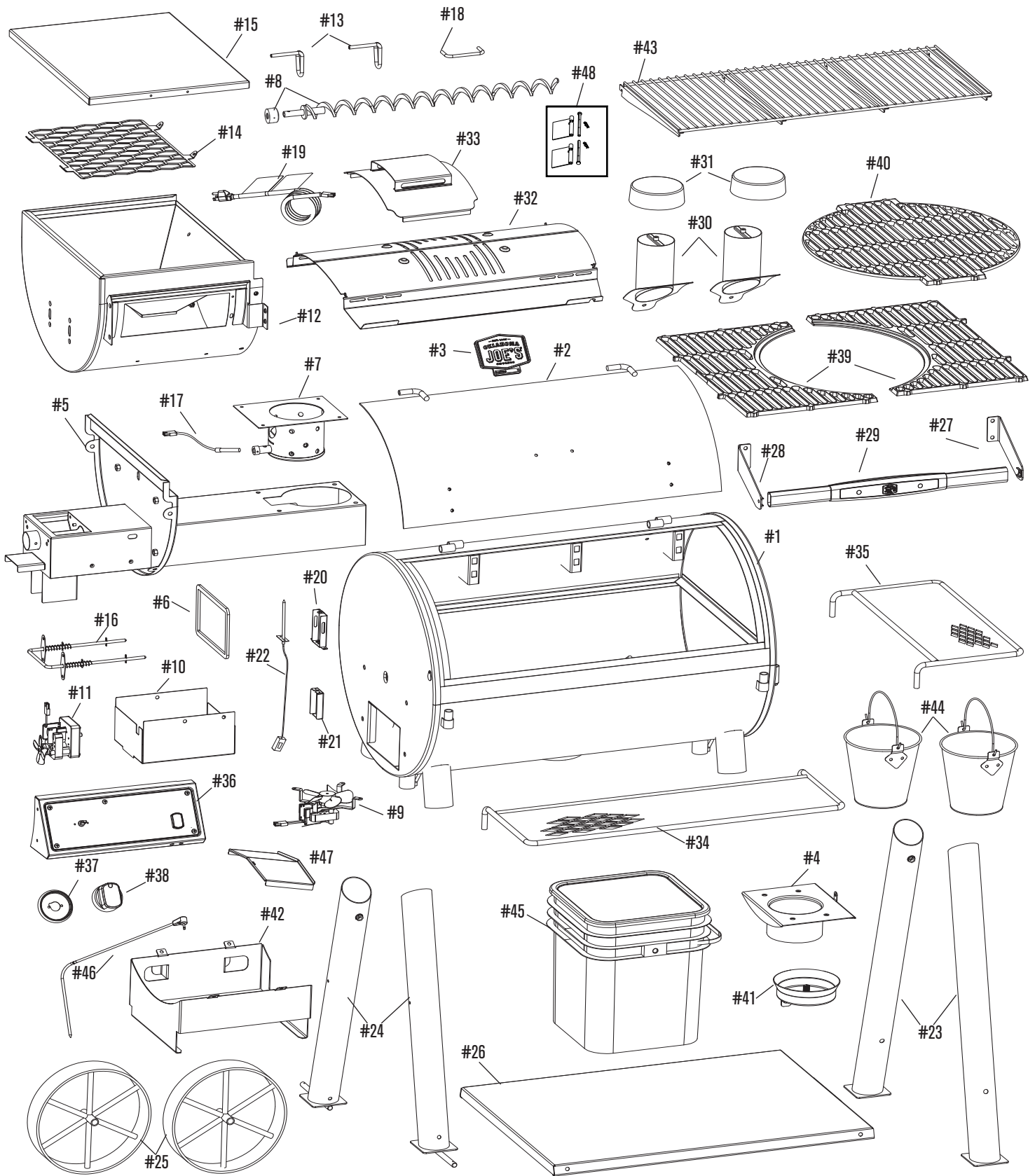
Assurez-vous de lire votre Guide de grillage pour plus d'informations sur le fonctionnement de votre nouveau gril à pellets et sur la façon de le contrôler pour une expérience optimale.

Vous y trouverez des instructions pour l'entretien, le nettoyage, le dépannage, des conseils de cuisson et de nombreuses informations pour vous aider à maîtriser votre gril à pellets.

AVERTISSEMENT

NE PAS votre gril sans surveillance pendant son utilisation. Vous devez rester dans les environs immédiats et garder une vue claire de votre gril en tout temps pendant son utilisation.

REPLACEMENT PARTS DIAGRAM • DIAGRAMA DE PIEZAS DE REPUESTO • SCHEMA DE PIÈCES DE RECHANGE



REPLACEMENT PARTS LIST

Key	Qty	Description
1	1	FIREBOX
2	1	TOP LID
3	1	LOGO PLATE
4	1	AIR CHANNEL SUPPORT
5	1	AUGER HOUSING
6	1	GASKET F/ HOPPER
7	1	FIRE POT
8	1	AUGER, W/ BUSHING
9	1	FAN
10	1	FAN HOUSING
11	1	AUGER MOTOR
12	1	HOPPER
13	1	HINGE PIN, F/ HOPPER LID (SET OF 2)
14	1	HOPPER GUARD
15	1	HOPPER LID
16	1	SIDE HOPPER RELEASE LEVER
17	1	HOT SURFACE IGNITOR
18	1	HOPPER LID HANDLE
19	1	POWER CORD
20	1	PROBE COVER
21	1	SHIELD, F/ TEMPERATURE PROBE
22	1	TEMPERATURE PROBE
23	2	LEG
24	2	LEG, F/ WHEEL
25	2	WHEEL
26	1	BOTTOM SHELF
27	1	BRACKET, F/ TOP LID HANDLE, RIGHT
28	1	BRACKET, F/ TOP LID HANDLE, LEFT
29	1	HANDLE CENTER, F/ TOP LID
30	2	SMOKE STACK BASE
31	2	SMOKE STACK CAP
32	1	HEAT BAFFLE PLATE, STATIONARY
33	1	HEAT BAFFLE PLATE, SLIDING
34	1	FRONT SHELF
35	1	SIDE SHELF
36	1	DIGITAL CONTROL BOX

Key	Qty	Description
37	1	BEZEL, F/ CONTROL KNOB
38	1	CONTROL KNOB
39	2	COOKING GRATE, SIDE
40	1	COOKING GRATE, CENTER
41	1	ASH CUP
42	1	MOUNT, F/ PELLET BUCKET
43	1	WARMING RACK
44	2	GREASE BUCKET
45	1	PELLET BUCKET
46	1	FOOD PROBE
47	1	GREASE TENT
48	1	DRAIN DOOR, F/ PELLET
NOT Pictured		
...	1	PRODUCT GUIDE, ENGLISH, FRENCH, SPANISH
...	1	HARDWARE PACK
...	1	GRATE LIFTER



LISTA DE PIEZAS DE REPUESTO

Clave	Cantidad	Descripción
1	1	CAJA DE FUEGO
2	1	TAPA SUPERIOR
3	1	PLACA DE LOGOTIPO
4	1	SOPORTE DE CANAL DE AIRE
5	1	ALOJAMIENTO
6	1	JUNTA F / TOLVA
7	1	CRISOL DEL FUEGO
8	1	AUGER, CON CASQUILLO
9	1	VENTILADOR
10	1	VENTILADOR
11	1	MOTOR DE AGUA
12	1	TOLVA
13	1	PIN DE BISAGRA, TAPA DE TAPA / TOLVA (JUEGO DE 2)
14	1	PROTECTOR DE TOLVA
15	1	TAPA DE TOLVA
16	1	PALANCA DE LIBERACIÓN DE TOLVA LATERAL
17	1	IGNITOR DE SUPERFICIE CALIENTE
18	1	MANGO DE TAPA DE TOLVA
19	1	CABLE DE ENERGÍA
20	1	CUBIERTA DE Sonda
21	1	ESCUDO, Sonda F / TEMPERATURA
22	1	PROBETA DE TEMPERATURA
23	2	PIERNA
24	2	PIERNA, RUEDA F
25	2	RUEDA
26	1	ESTANTE INFERIOR
27	1	SOPORTE, MANGO DE LA TAPA SUPERIOR, DERECHA
28	1	SOPORTE, MANGO DE LA TAPA SUPERIOR IZQUIERDA
29	1	CENTRO DE MANGO, TAPA SUPERIOR
30	2	BASE DE PILA DE HUMO
31	2	TAPA DE PILA DE HUMO
32	1	PLACA DE BAFLE DE CALOR, ESTACIONARIA
33	1	PLACA DE BAFLE DE CALOR DESLIZANTE
34	1	ESTANTE DELANTERO
35	1	ESTANTE LATERAL

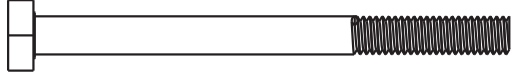
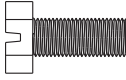
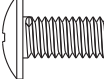
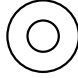
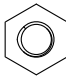

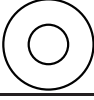

Clave	Cantidad	Descripción
36	1	CAJA DE CONTROL DIGITAL
37	1	BISEL, PERILLA DE CONTROL / F
38	1	PERILLA DE CONTROL
39	2	REJILLA DE COCINA, LATERAL
40	1	REJILLA DE COCINA, CENTRO
41	1	TAZA DE CENIZA
42	1	SOPORTE, CUBO F / PELLET
43	1	RACK DE CALENTAMIENTO
44	2	CUBO DE GRASA
45	1	CUBO DE PELLET
46	1	SONDA DE ALIMENTOS
47	1	TIENDA DE GRASA
48	1	PUERTA DE DRENAJE PARA PELLETS
NO se incluyen en la imagen		
...	1	GUÍA DEL PRODUCTO, INGLÉS, FRANCÉS, ESPAÑOL
...	1	PAQUETE DE ACCESORIOS
...	1	ELEVADOR DE LA PARILLA

LISTE DES PIÈCES DE RECHANGE

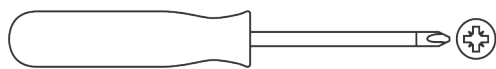
N°	Qté	Description
1	1	FOYER
2	1	COUVERCLE SUPÉRIEUR
3	1	PLAQUE LOGO
4	1	SUPPORT DE CANAL D'AIR
5	1	LOGEMENT DE L'AUTEUR
6	1	JOINT F / TRÉMIE
7	1	POT DE FEU
8	1	AUGER, W / BUSHING
9	1	VENTILATEUR
10	1	LOGEMENT DE VENTILATEUR
11	1	MOTORISEUR
12	1	TRÉMIE
13	1	AXE DE LA CHARNIÈRE, COUVERCLE F / TRÉMIE
14	1	GARDE DE TRÉMIE
15	1	COUVERCLE DE TRÉMIE
16	1	LEVIER DE DÉGAGEMENT DE LA TRÉMIE LATÉRALE
17	1	IGNITEUR DE SURFACE CHAUDE
18	1	POIGNEE DE COUVERCLE DE TRÉMIE
19	1	CORDON D'ALIMENTATION
20	1	COUVERTURE DE SONDÉ
21	1	SHIELD, SONDÉ F / TEMPÉRATURE
22	1	SONDÉ DE TEMPÉRATURE
23	2	JAMBE
24	2	JAMBE DE F / ROUE
25	2	ROUE
26	1	ÉTAGÈRE INFÉRIEURE
27	1	SUPPORT POIGNEE F / TOP COUV. DROITE
28	1	SUPPORT POIGNEE F / TOP COUVERCLE GAUCHE
29	1	POIGNEE CENTRE, F / TOP COUVERCLE
30	2	BASE DE PILE DE FUMÉE
31	2	CASQUETTE DE FUMÉE
32	1	PLAQUE CHAUFFANTE STATIONNAIRE
33	1	PLAQUE CHAUFFANTE COULISSANTE
34	1	ÉTAGÈRE AVANT
35	1	ÉTAGÈRE LATÉRALE

N°	Qté	Description
36	1	BOITIER DE COMMANDE NUMERIQUE
37	1	BEZEL, F / CONTROL KNOB
38	1	BOUTON DE CONTROLE
39	2	GRILLE DE CUISSON CÔTÉ
40	1	GRILLE DE CUISSON CENTRALE
41	1	CENDRE
42	1	MOUNT, SEAU À PELLETS
43	1	PORTE CHAUFFANTE
44	2	SEAU À GRAISSE
45	1	SEAU À PELLETS
46	1	SONDÉ ALIMENTAIRE
47	1	TENTE DE GRAISSE
48	1	PORTE DE VIDANGE POUR GRANULÉS
N'apparaissent PAS sur l'image		
...	1	GUIDE DU PRODUIT, ANGLAIS, FRANÇAIS, ESPAGNOL
...	1	TROUSSE DE QUINCAILLERIE
...	1	LEVIER DE GRILLE

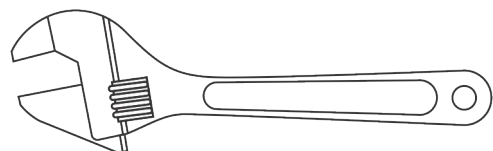
HARDWARE LIST ▪ LISTA DE HARDWARE ▪ LISTE DU MATÉRIEL

Key ▪ Clé	Description ▪ Descripción	Picture ▪ Imagen ▪ Image	Qty. ▪ Cant. ▪ Qté
A	HEX HEAD SCREW 1-4-20 X 3" TORNILLO DE CABEZA HEXAGONAL 1-4-20 X 3 " VIS À TÊTE HEXAGONALE 1-4-20 X 3 "		4
B	HEX HEAD MACHINE SCREW 5/16"-18 X 3/4" TORNILLO DE CABEZA HEXAGONAL 5/16 "-18 X 3/4" VIS DE MACHINE HEAD HEAD 5/16 "-18 X 3/4"		4
C	TRUSS HEAD SCREW 1/4-20 X 1/2" TORNILLO DE CABEZA TRUSS 1/4-20 X 1/2 " VIS À TÊTE DE FERMETURE 1/4-20 X 1/2 "		21
D	1/4-20 WASHER 1/4-20 ARANDELA 1/4-20 RONDELLE		4
E	1/4-20 NUT 1/4-20 TUERCA 1/4-20 ÉCROU		10
F	Φ2.0mm CLIP Φ2.0mm SUJETAR Φ2.0mm AGRAFE		2
G	23mm DIA WASHER 23mm DIA ARANDELA 23mm DIA RONDELLE		2
H	Φ1.2mm CLIP Φ1.2mm SUJETAR Φ1.2mm AGRAFE		1

Tools required for assembly (Not included)
Herramientas necesarias para el montaje (no incluidas)
Outils requis pour l'assemblage (non inclus)



Phillips Screwdriver
Destornillador Phillips
Tournevis cruciforme



Adjustable Wrench
Llave ajustable
Clé à molette

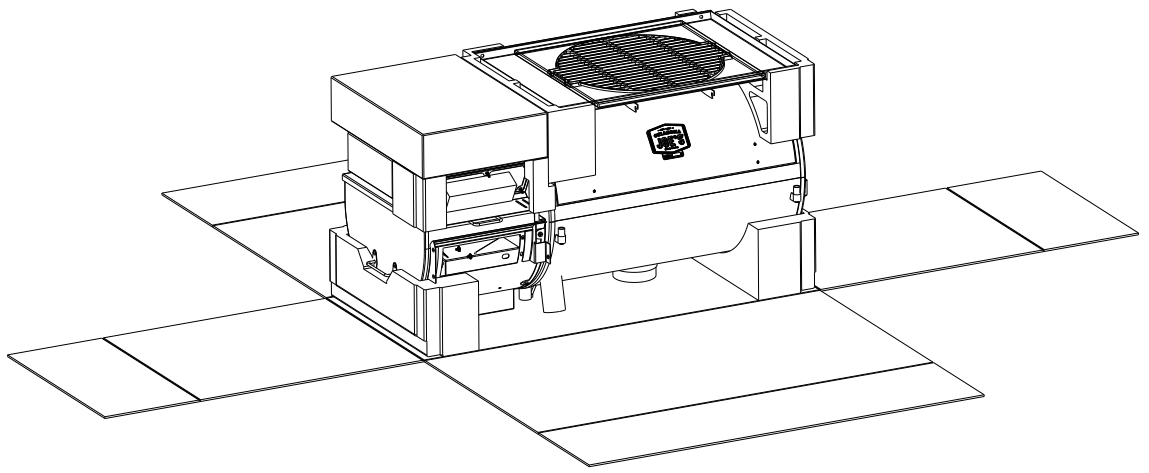
ASSEMBLY / ASSEMBLAGE / ASAMBLEA



CAUTION

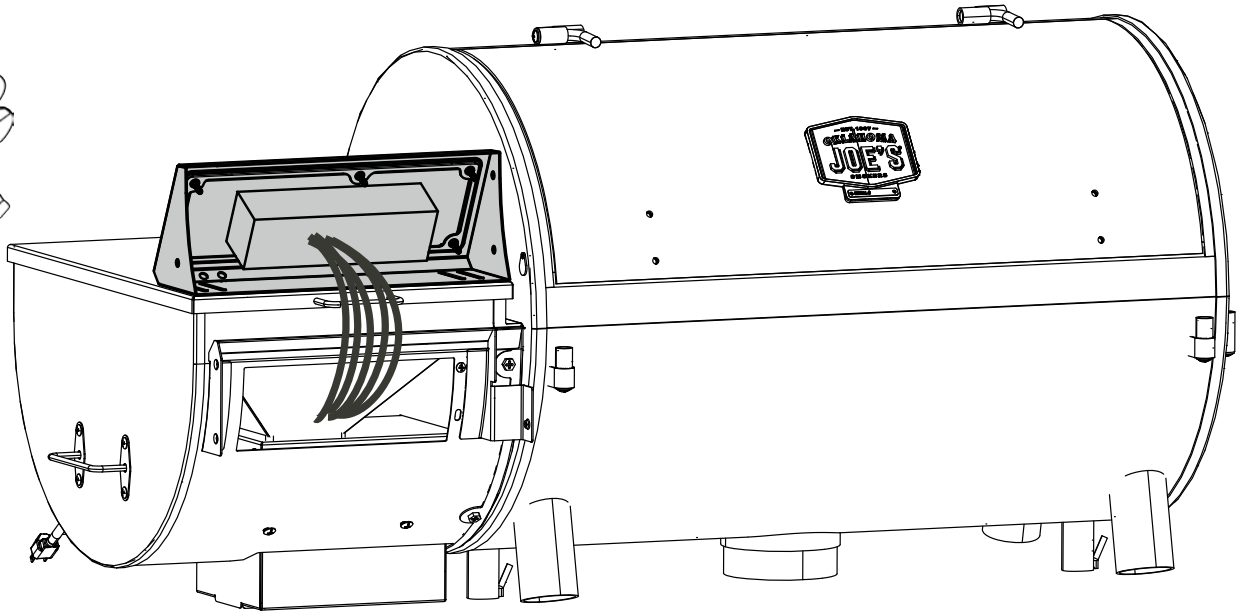
THIS UNIT IS HEAVY! DO NOT attempt to assemble without a helper.
¡ESTA UNIDAD ES PESADA! NO intente ensamblar sin un ayudante.
CET APPAREIL EST LOURD! NE PAS essayer de se réunir sans aide.

- Some parts may contain sharp edges – especially as noted in each assembly step! Wear protective gloves if necessary.
- Algunas partes pueden contener bordes afilados, ¡especialmente como se indica en cada paso del ensamblaje! Use guantes protectores si es necesario.
- Certaines pièces peuvent comporter des arêtes vives - en particulier comme indiqué à chaque étape de l'assemblage! Portez des gants de protection si nécessaire.

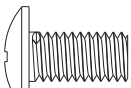


ASSEMBLY / ASSEMBLAGE / ASAMBLEA

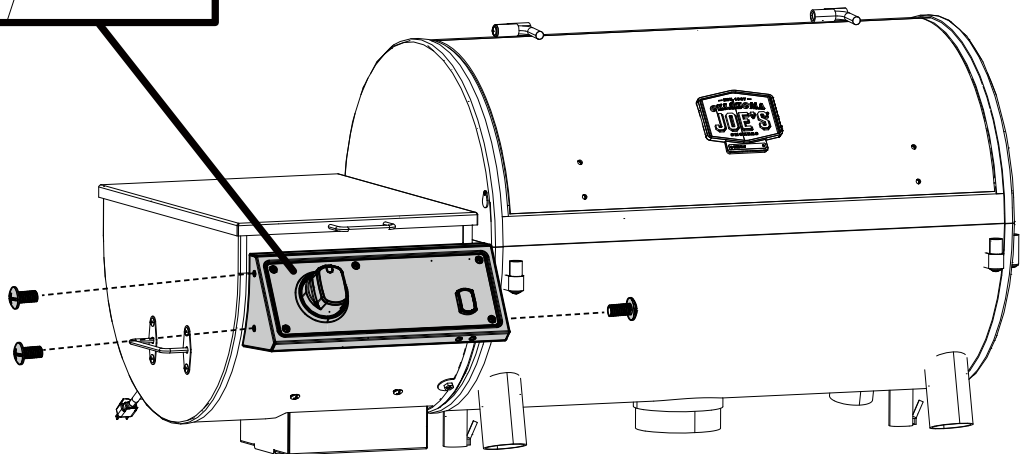
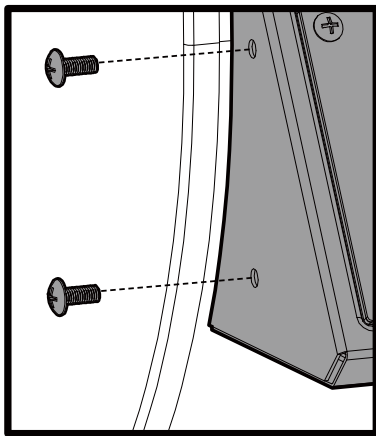
1



2

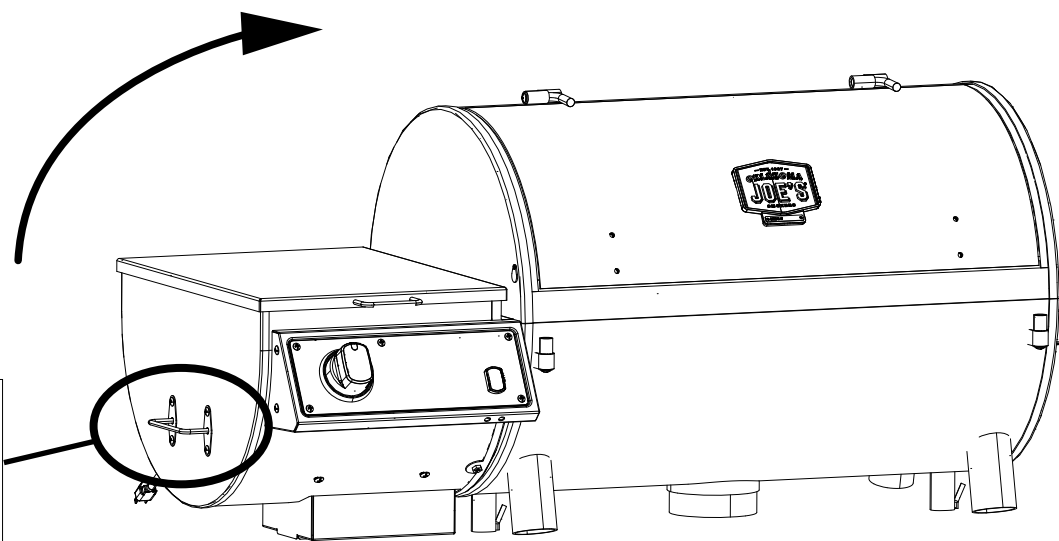
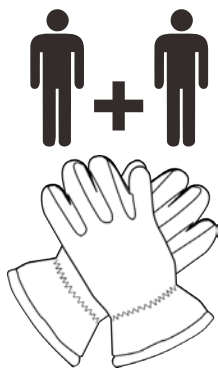


Cx3

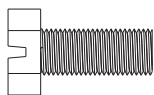
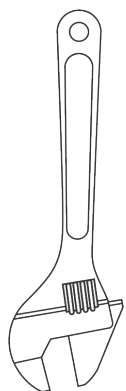


ASSEMBLY / ASSEMBLAGE / ASAMBLEA

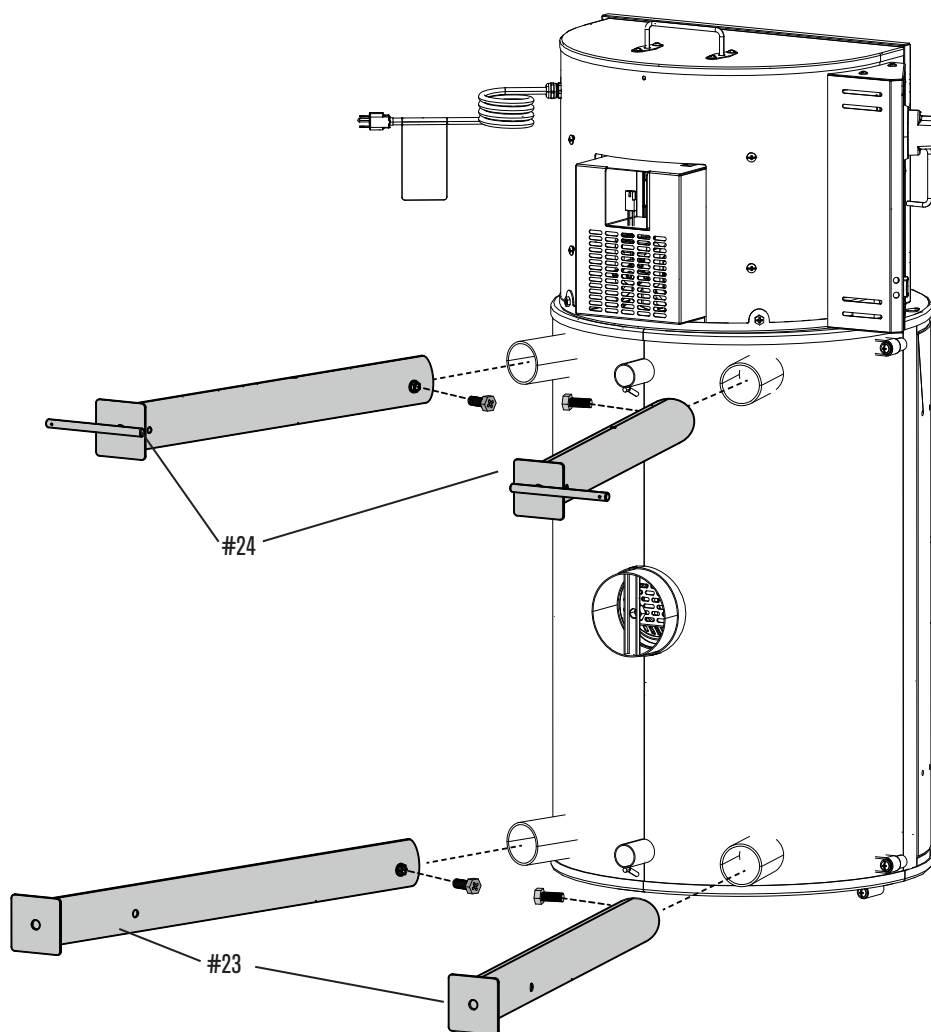
3



- **DO NOT** use the Side Hopper Release Handle to move your grill. It is not designed to support the weight of the grill.
- **NO** use la manija de liberación de la tolva lateral para mover su parrilla. No está diseñado para soportar el peso de la parrilla.
- **NE PAS** utiliser la poignée de dégagement du bac à déchets latéral pour déplacer votre grill. Il n'est pas conçu pour supporter le poids du grill.

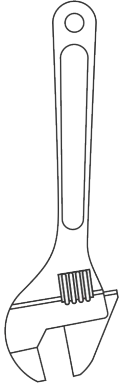


Bx4



ASSEMBLY / ASSEMBLAGE / ASAMBLEA

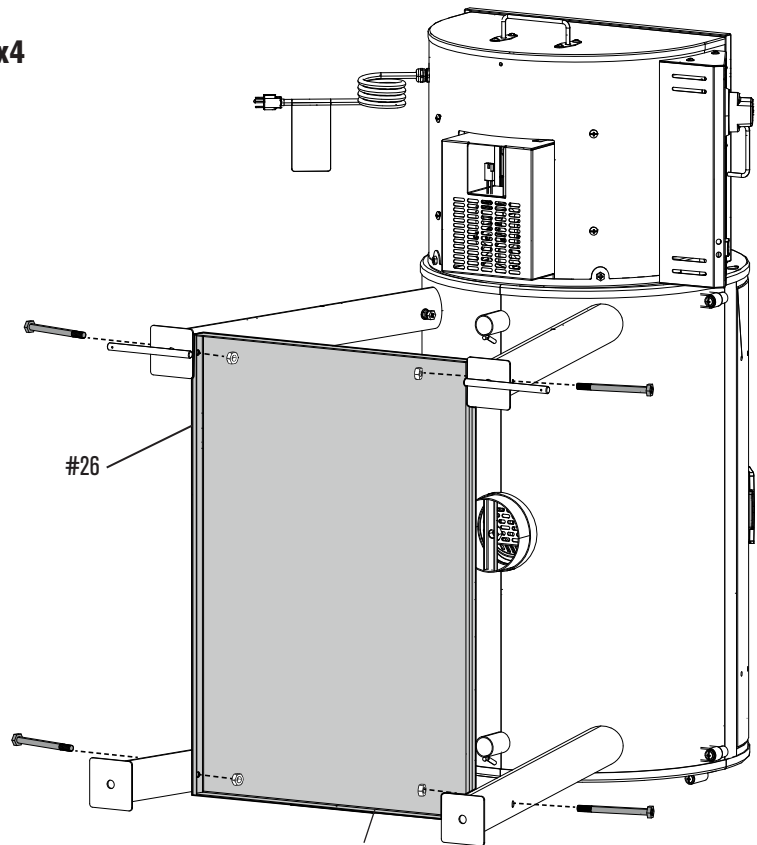
4



Ax4



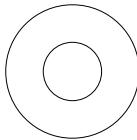
Ex4



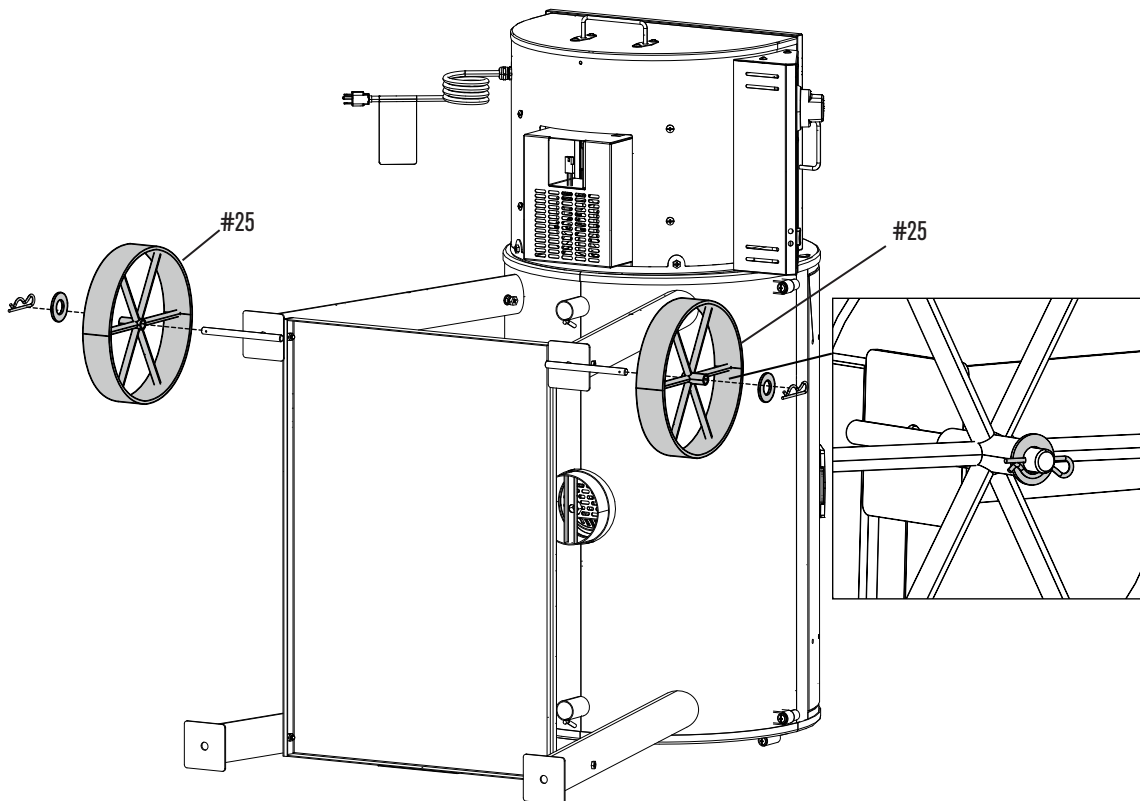
5



Fx2

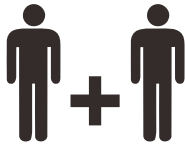


Gx2



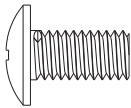
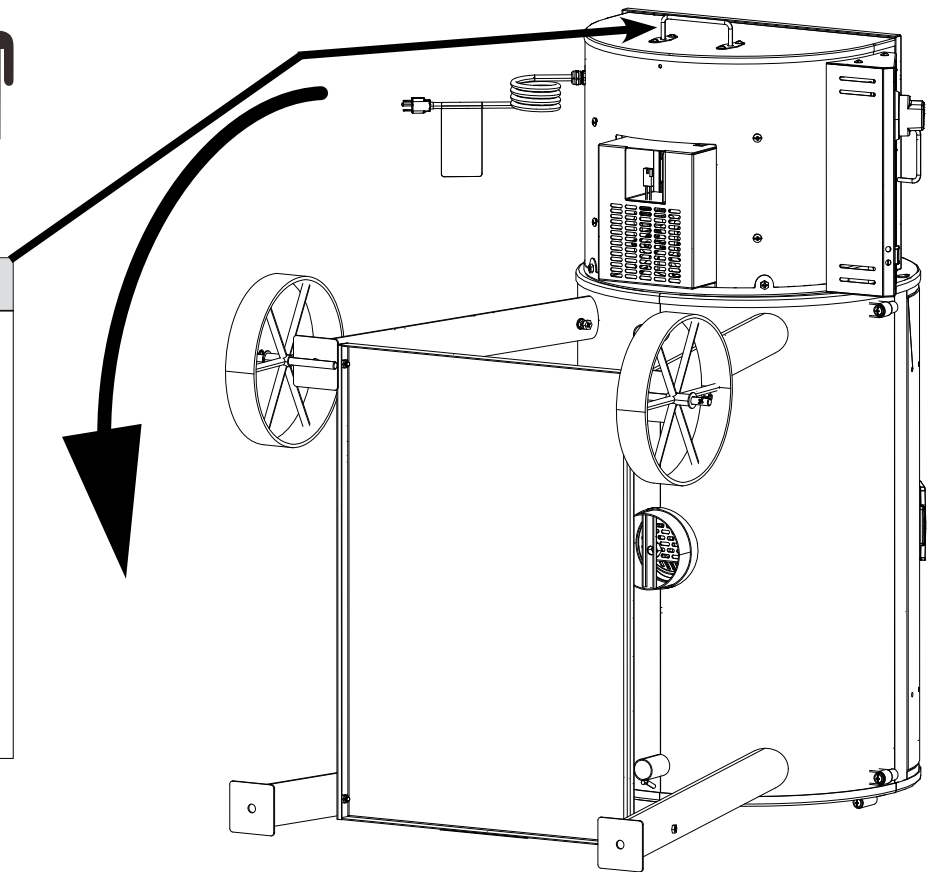
ASSEMBLY / ASSEMBLAGE / ASAMBLEA

6

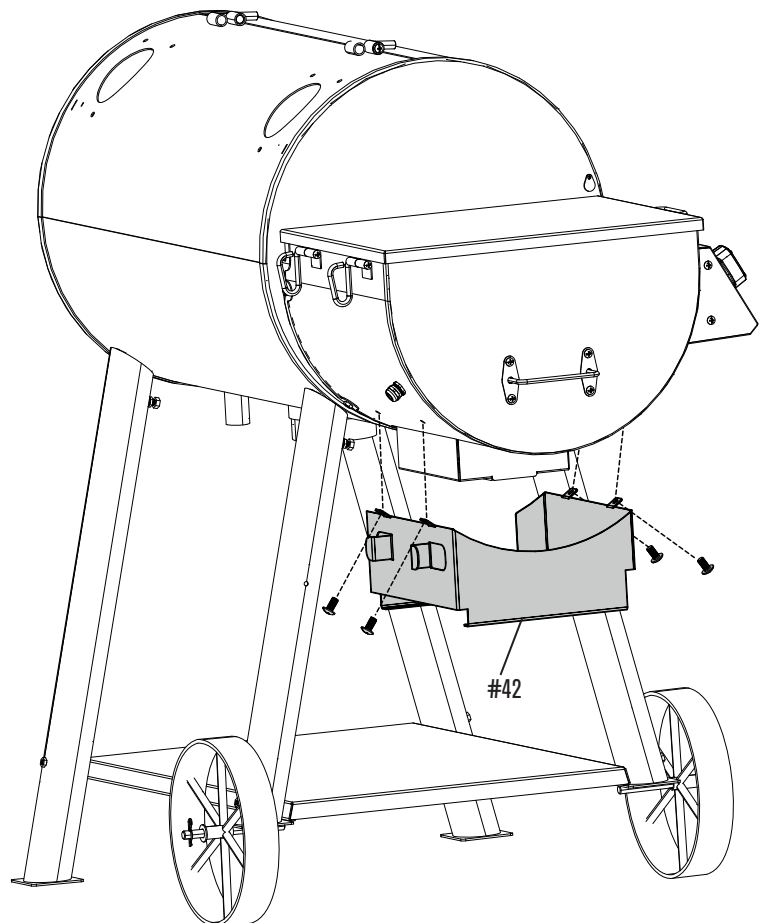


CAUTION

- **DO NOT** use the Side Hopper Release Handle to move your grill. It is not designed to support the weight of the grill.
- **NO** use la manija de liberación de la tolva lateral para mover su parrilla. No está diseñado para soportar el peso de la parrilla.
- **NE PAS** utiliser la poignée de dégagement du bac à déchets latéral pour déplacer votre grill. Il n'est pas conçu pour supporter le poids du grill.

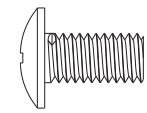


Cx4

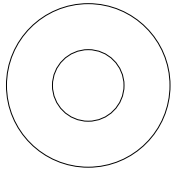


ASSEMBLY / ASSEMBLAGE / ASAMBLEA

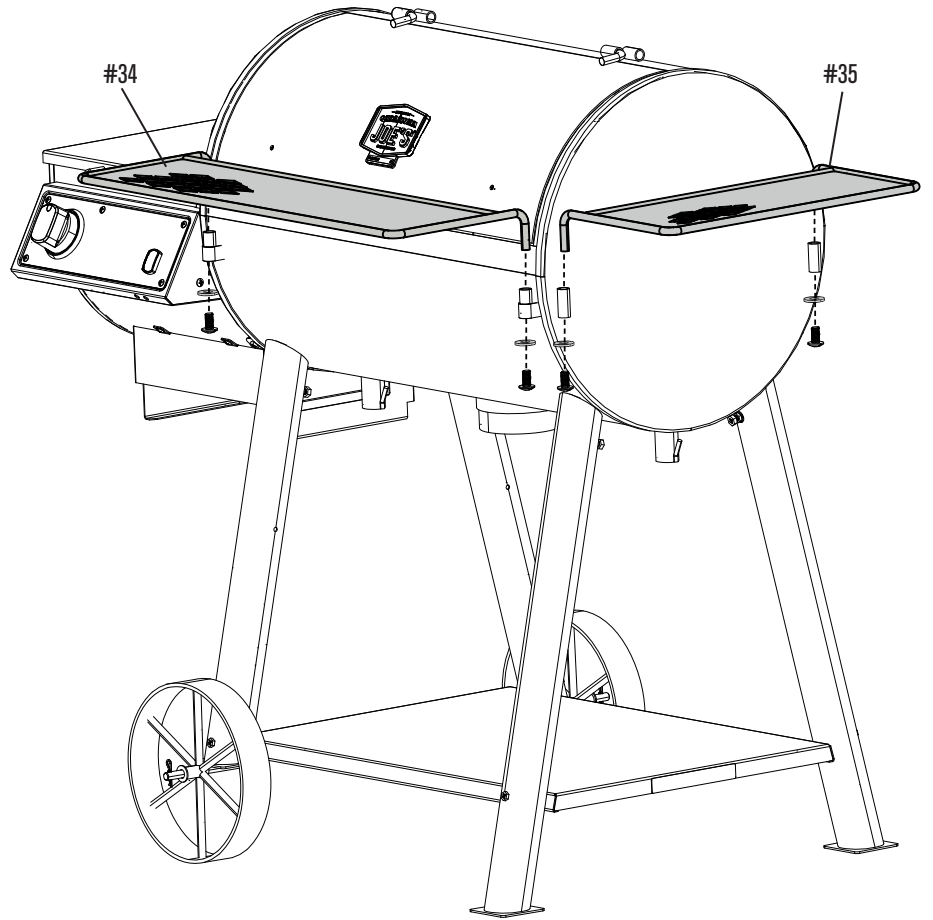
7



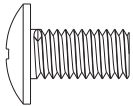
Cx4



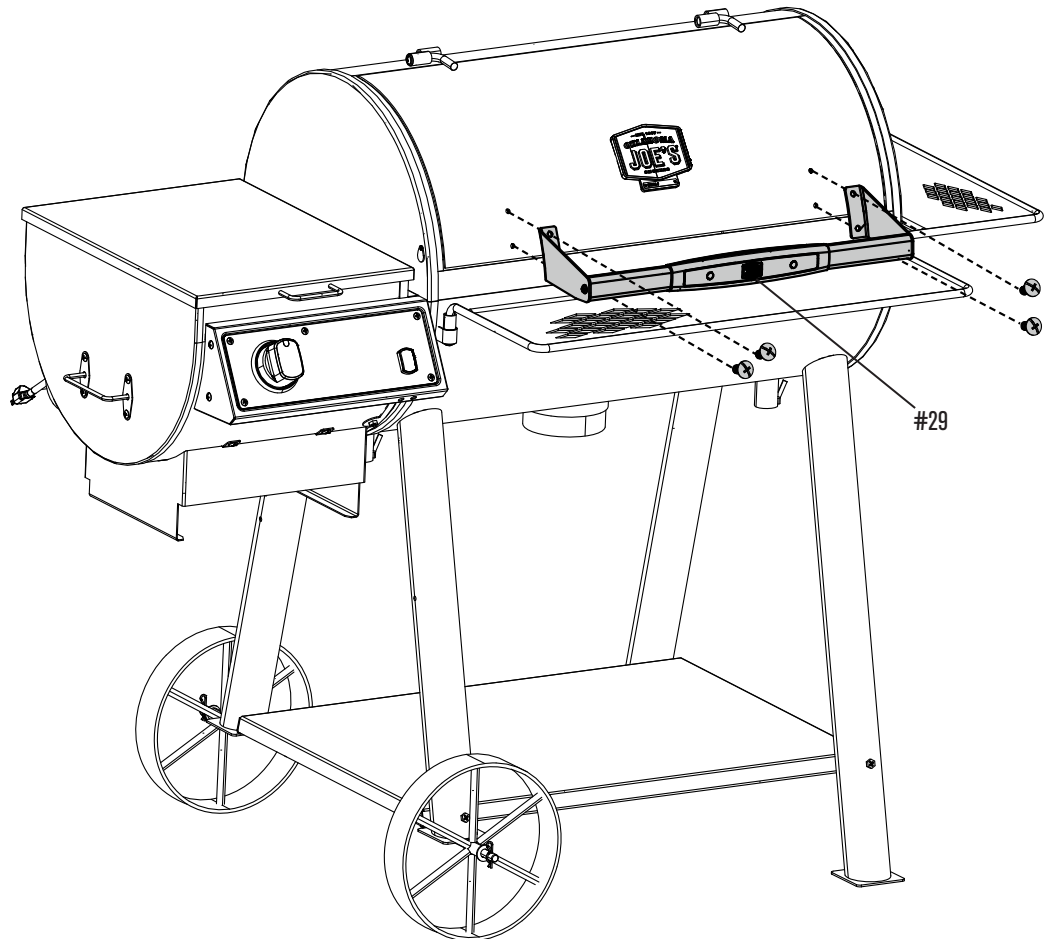
Dx4



8

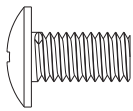


Cx4



ASSEMBLY / ASSEMBLAGE / ASAMBLEA

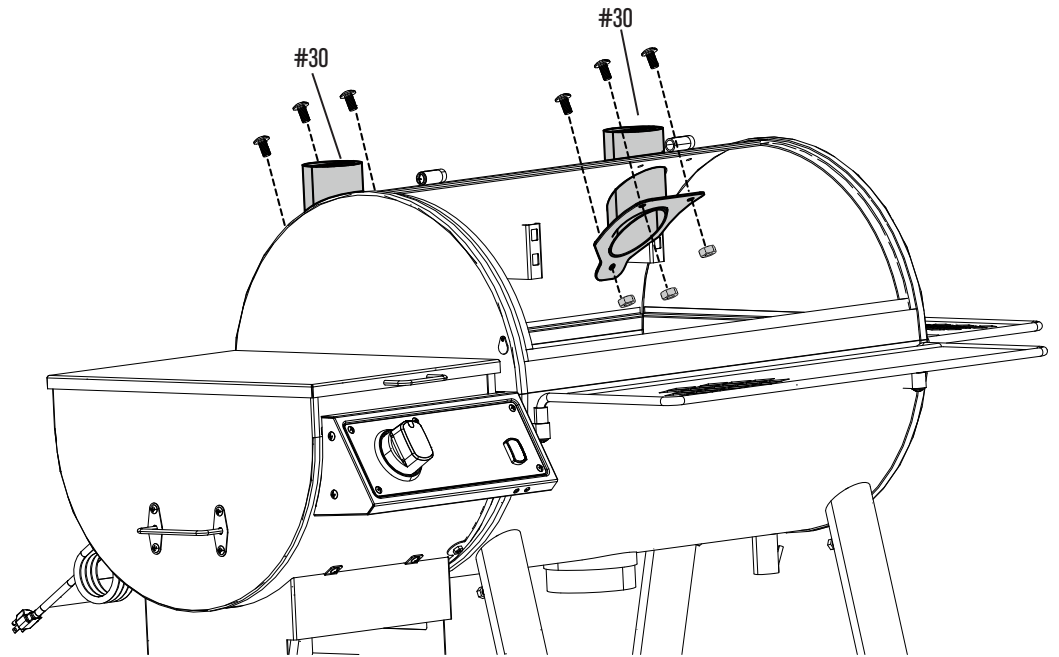
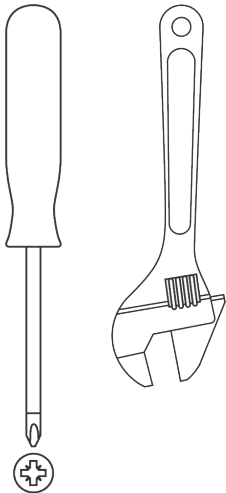
9



Cx6



Ex6

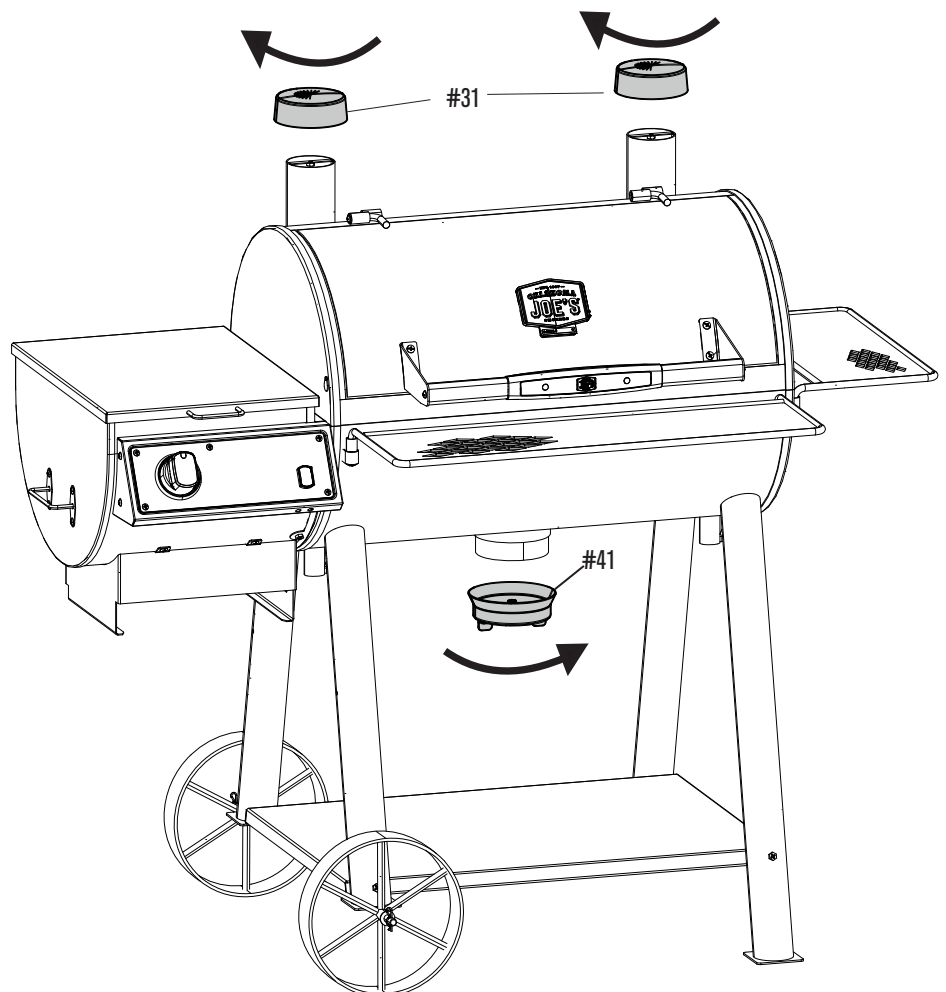


10



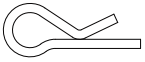
CAUTION

- The Ash Cup (#41) must be installed and securely tightened during operation.
- La Ash Cup (# 41) debe instalarse y apretarse de manera segura durante la operación.
- La coupe à cendres (n ° 41) doit être installée et bien serrée pendant le fonctionnement.

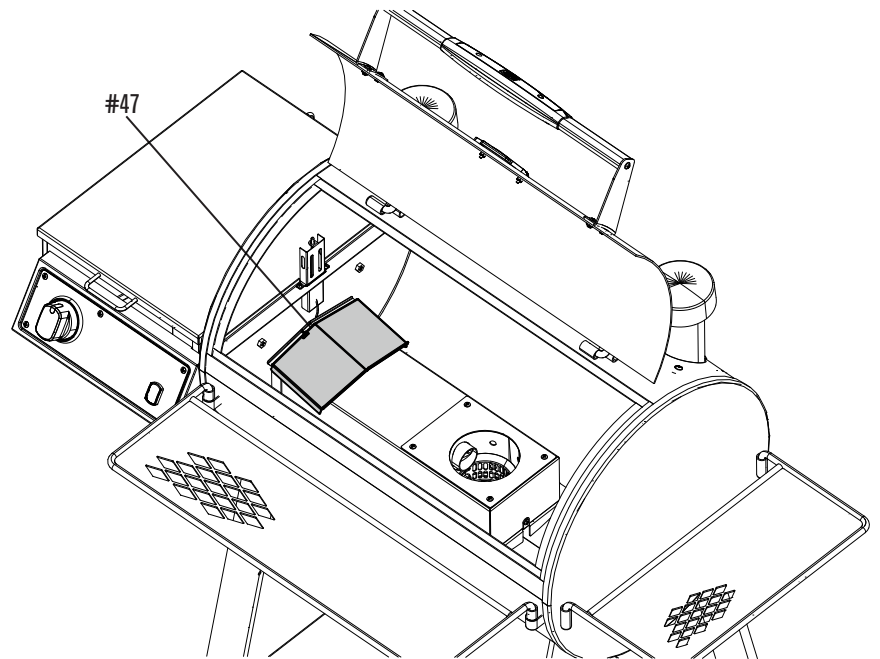
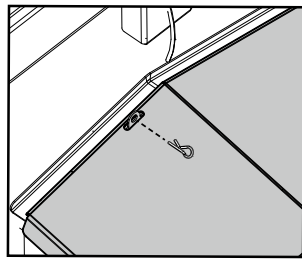
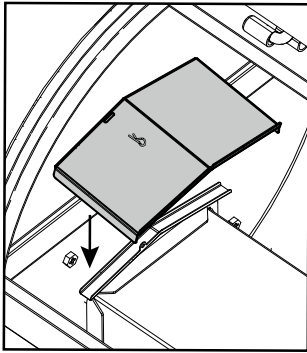


ASSEMBLY / ASSEMBLAGE / ASAMBLEA

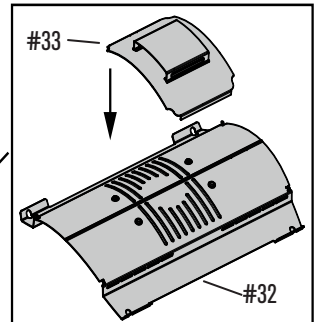
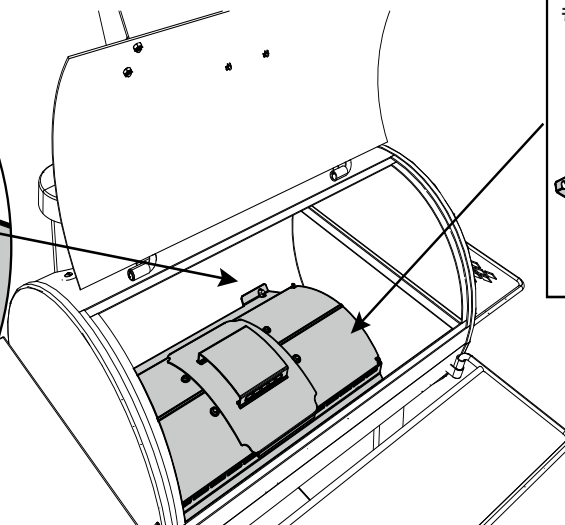
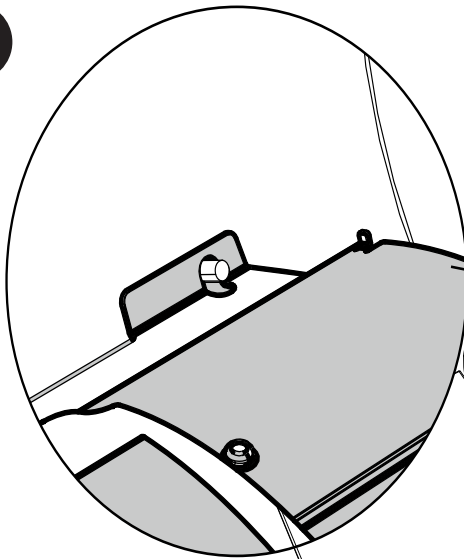
11



Hx1

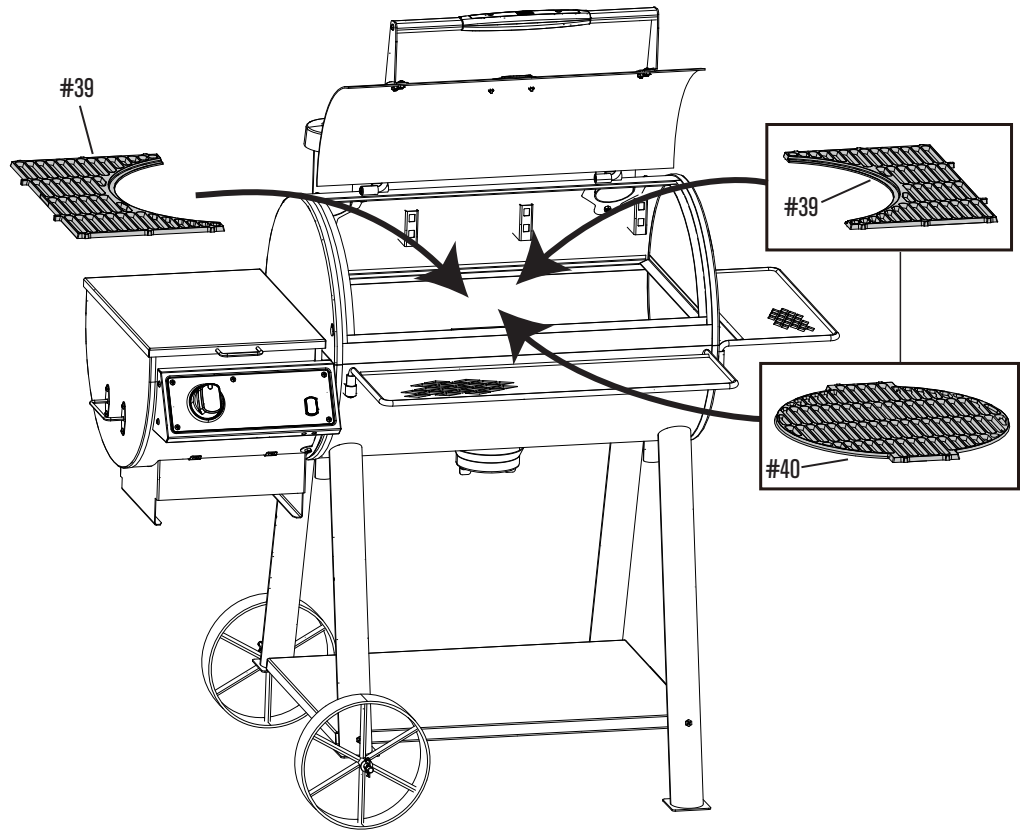


12

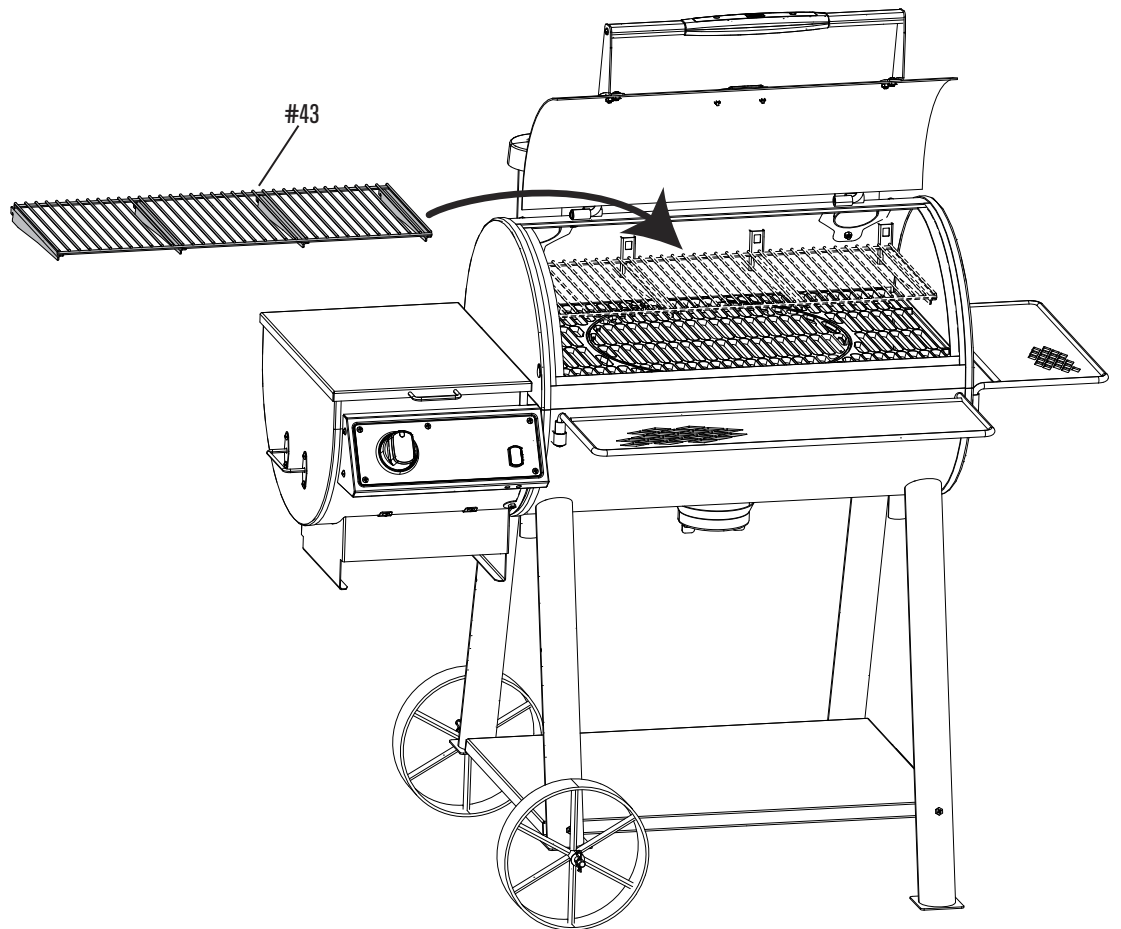


ASSEMBLY / ASSEMBLAGE / ASAMBLEA

13

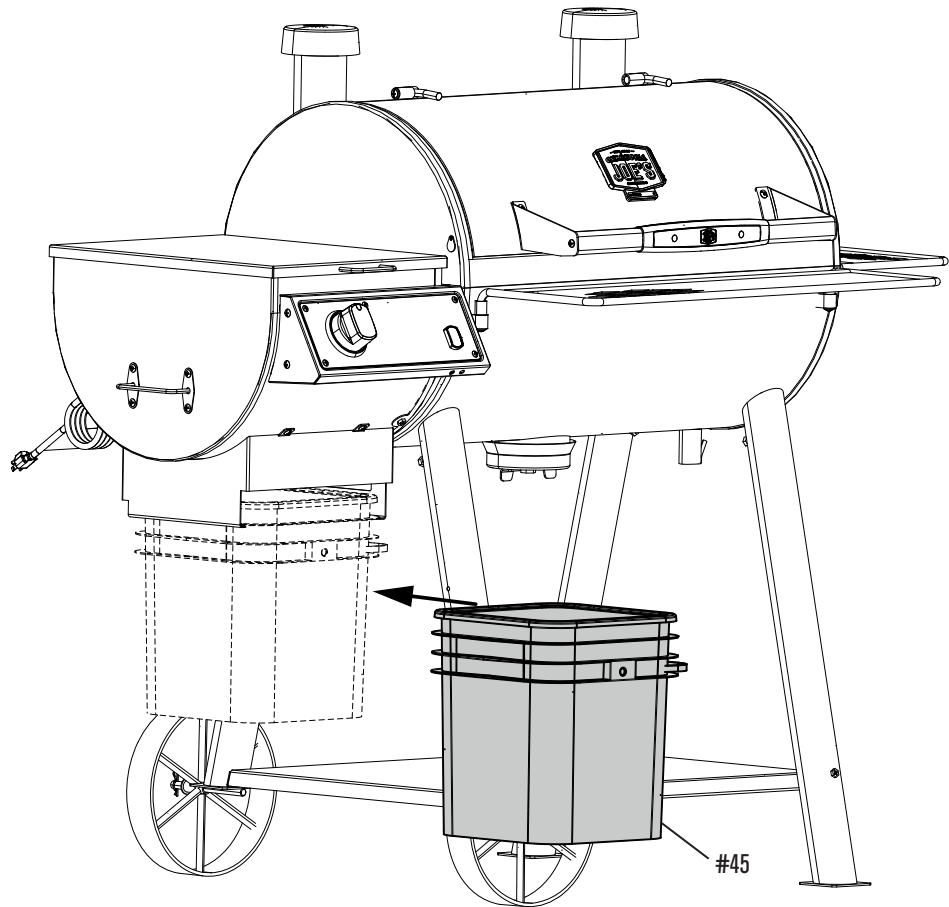


14

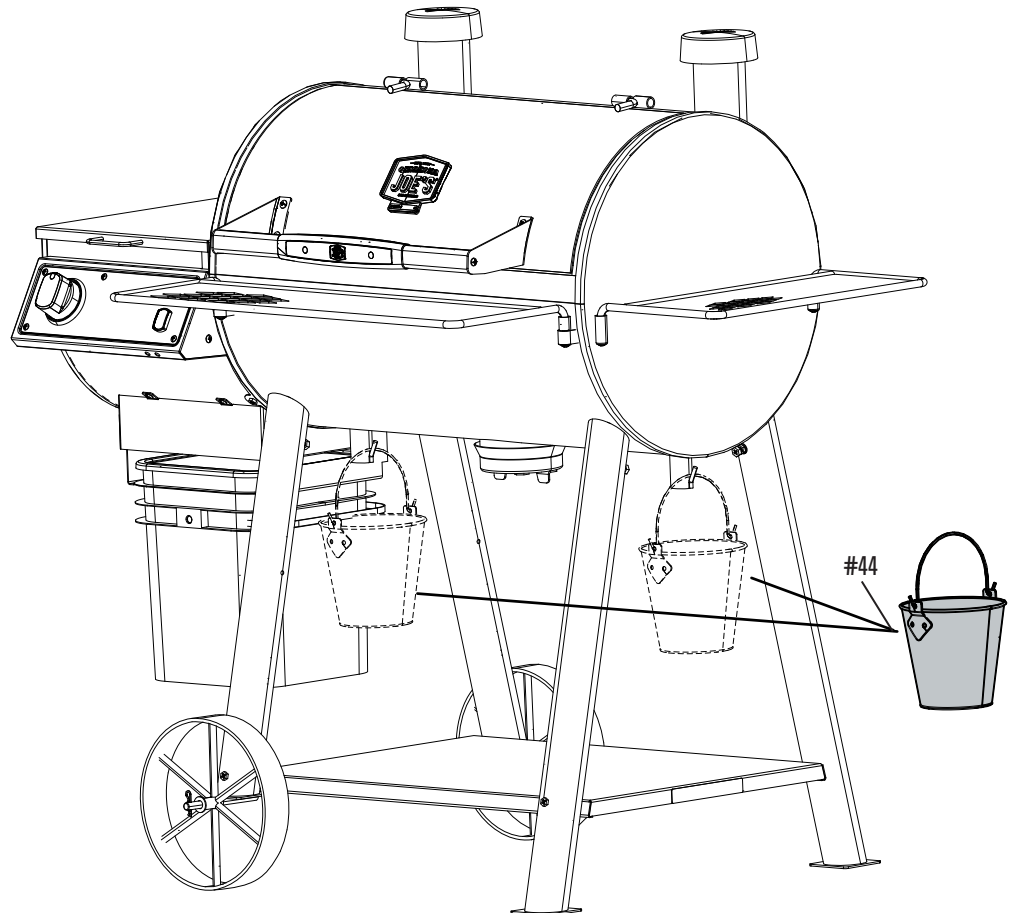


ASSEMBLY / ASSEMBLAGE / ASAMBLEA

15



16



FOR YOUR SAFETY - STARTING UP YOUR PELLET GRILL

FIRST TIME START UP

Follow these instructions for setup and proper use of your Rider Pellet Grill.

1. **INSPECTION** – This is a quick check to make sure your grill's components are working properly. Be sure to observe only and not touch the auger, ignitor, or fans.

1. Remove warming racks, grates and baffles.
2. Plug the grill into a GFCI protected outlet and power the grill on using the power switch on the Pit Control panel.
 - a. Look in the hopper to ensure that the auger is clear.
 - b. Turn the control knob to the **LOW** grill setting, allow to run for 3 minutes and:
 - c. Look into hopper to confirm that the auger is turning.
 - d. Listen for the blower fan. You should also be able to feel air moving out of the firepot.
 - e. Look to see that the ignitor is glowing red inside the firepot. Allow up to 5 minutes.
 - f. Make sure the ash cup is tightly screwed on.
3. Turn knob to SHUTDOWN position.

2. **SEASONING** - Seasoning your smoker before cooking will burn off any manufacturing residues, protect your grill surfaces, and create the beginning of a cooked-in surface treatment that will add to the flavor of your smoked meats, cook after cook.

- a. Load Quickdraw hopper with pellets
- b. Close lid and shift heat baffle to sear mode.
- c. Turn the control knob to the **LOW** grilling setting.
- d. Make sure your pellets are igniting:
 - i. Wait for preheat cycle to complete - you'll see the letters **PRE** on the display change to an actual temp reading when finished.
 - ii. Look for smoke exiting the exhaust stacks and watch for the temp to rise.
- e. Run for 30 minutes.
- f. When complete, run the Shutdown process explained below.
- g. Now you're ready to cook!

3. **SHUTDOWN CYCLE** - Use this technique to properly shut-down your grill after each use.

- a. Once you are finished cooking, turn the control knob to the shutdown position. After 3 seconds, the Shut-

down process will start by flashing the message "DRN HOP" on the Pit Control screen, indicating that it's time to drain the remaining pellets in the Quick-Draw hopper into your pellet storage bucket.

- b. Next, the Pit Control screen will flash the message "Coo-ling", indicating that it has begun the Shutdown Burn and cooling process. The grill will then burn through the pellets remaining in the auger tube and fire pot, cleaning the system for next use. This process will take about 30 mins total and have the added benefit of running a high temp burn off, cleaning the heat baffles.
- c. The grill will automatically power off when the process is complete. Once it's cool, you can unplug the grill and store for your next cook out

4. **SUBSEQUENT START UPS** – After a seasoning burn, startups are a breeze.

- a. Load Quickdraw hopper with pellets
- b. Power the grill on using the power switch on the Pit Control panel.
- c. Turn control knob to the desired set temp.
- d. Allow Preheat cycle to complete.
- e. Add food!
- f. When finished, always remember to run through the Shutdown process before powering your grill off.

BURN OFF

If you are doing a lot of low temperature cooking, there is potential for excess grease to build up on the heat baffles. To manage that grease build up, run a high heat Burn Off every couple of smoking sessions. To do a Burn Off, simply run your pellet grill on the **HIGH** grilling temp for 20 minutes after you've finished smoking. The high temperatures achieved will vaporize grease lingering on the heat baffles before it builds up to a hazardous level.




CAUTION

- DO NOT touch the ignitor rod.

FOR YOUR SAFETY - STARTING UP YOUR PELLET GRILL



CAUTION

The main  power switch will shut the power off to the control panel and to the grill components only. When servicing the control panel or any parts ensure that the **power supply cord is disconnected** to avoid a shock hazard.

SAFETY FEATURES BUILT INTO THE CONTROL SOFTWARE

The control system is equipped with safety features to help keep the smoker in the desired operational range. The features are as follows:

Flameout Watch: Unless the system is in the Preheat cycle or the Shutdown cycle, the control system will activate the Flameout Watch cycle, if the temperature measured by the probe inside the cooking chamber is lower than 100°F. The system tries to re-establish combustion and achieve the heat setting for 20 minutes. If, after 20 minutes has passed, and the measured temperature remains below 100°F, the system will display error code **ER5**. The system will also activate the Shutdown cycle. The Shutdown cycle will shut off all the electrical components and turns off the unit in an orderly and controlled manner.

Overheat Watch: Unless the system is in Shutdown cycle, the control system will activate the Overheat Watch cycle if the cooking chamber temperature is above 700°F. If the cooking chamber temperature measured by the probe remains above 700°F for 3 minutes, the control system displays error code **ER6**. The Shutdown cycle will also be activated. The Shutdown cycle will shut off all the electrical components and turns off the unit in an orderly and controlled manner.

Standby Mode: If the grill is powered on, but the control knob is not set to any smoking or grilling target temperature, the control system shifts into the standby mode. If the system remains idle for 5 minutes in the standby mode with no inputs from the consumer, the system will shutdown and power off.

PARA SU SEGURIDAD: PUESTA EN MARCHA DE SU PARRILLA DE PELLETS

PRIMERA PUESTA EN MARCHA

Siga estas instrucciones para la configuración y el uso adecuado de su parrilla de pellets Rider.

1. **INSPECCIÓN:** esta es una inspección rápida para asegurarse de que los componentes de su parrilla funcionen correctamente. Asegúrese de solo observar y no tocar el sinfín, el encendedor o los ventiladores.

1. Retire las rejillas de calentamiento, las parillas y los deflectores
2. Enchufe la parrilla en un tomacorriente protegido con GFCI y encienda la parrilla usando el interruptor de encendido en el panel de control.
 - a. Observe la tolva para asegurarse de que el sinfín esté despejado.
 - b. Gire la perilla de control hacia la configuración **BAJO** de la parrilla y deje que funcione durante 3 minutos.
 - c. Mire dentro de la tolva para confirmar que el sinfín esté girando.
 - d. Escuche el sonido del ventilador. También debe poder sentir el aire saliendo del brasero.
 - e. Observe que el encendedor esté al rojo vivo dentro del brasero. Deje que esto se mantenga hasta por 5 minutos.
 - f. Asegúrese de que el recipiente para cenizas esté correctamente enroscado
3. Gire la perilla hacia la posición de **APAGADO**.

2. **SAZONADO:** sazonar su ahumador antes de cocinar quemará cualquier residuo de fabricación, protegerá las superficies de su parrilla y creará el comienzo de un tratamiento de la superficie de cocción que le aportará sabor a sus carnes ahumadas, cocción tras cocción.

- a. Cargue la tolva de extracción rápida con pellets
- b. Cierre la tapa y cambie el deflector de calor al modo dorar.
- c. Gire todas la perilla de control a la posición de configuración **BAJA** de la parrilla.
- d. Asegúrese de que sus pellets se enciendan:
 - i. Espere a que se complete el ciclo de precalentamiento: verá que las letras **PRE** en la pantalla cambian a una lectura de temperatura real cuando haya terminado.
 - ii. Busque humo saliendo de las chimeneas de escape y observe que la temperatura aumente.
- e. Deje funcionar la parrilla por 30 minutos.

- f. Cuando finalice, ejecute el proceso de apagado que se explica a continuación.
- g. ¡Ahora ya está listo para cocinar!

3. **CICLO DE APAGADO:** use esta técnica para apagar correctamente su parrilla después de cada uso.

- a. Una vez que termine de cocinar, gire la perilla a la posición de apagado. Después de 3 segundos, el proceso de apagado comenzará parpadeando el mensaje "DRN HOP" en la pantalla Pit Control, indicando que es hora de drenar los pellets restantes en la tolva de extracción rápida hacia su balde de almacenamiento de pellets.
- b. A continuación, la pantalla Pit Control mostrará el mensaje "Coo-ling", indicando que ha comenzado el proceso de apagado y enfriamiento. Luego, la parrilla quemará los pellets que quedan en el tubo del sinfín y la olla, limpiando el sistema para el próximo uso. Este proceso tomará aproximadamente 30 minutos en total y tiene el beneficio adicional de ejecutar una combustión a alta temperatura, limpiando los deflectores de calor.
- c. La parrilla se apagará automáticamente cuando se haya completado el proceso. Una vez que esté fría, puede desconectar la parrilla y guardarla para su próxima comida.

4. **ENCENDIDOS POSTERIORES:** después de la operación de sazonado, los encendidos son muy fáciles.

- a. Cargue la tolva de extracción rápida con pellets
- b. Encienda la parrilla utilizando el interruptor de encendido en el panel del Pit Control.
- c. Gire la perilla de control a la temperatura deseada.
- d. Permita que se complete el ciclo de precalentamiento.
- e. ¡Agregue la comida!
- f. Cuando termine, recuerde siempre ejecutar el proceso de apagado antes de apagar la parrilla.

QUEMADO DE RESIDUOS

Si está cocinando mucho a baja temperatura, existe la posibilidad de que se acumule un exceso de grasa en los deflectores de calor. Para controlar la acumulación de grasa, ejecute un quemado de residuos luego de cada dos sesiones de ahumado. Para hacer un quemado de residuos, simplemente encienda su parrilla de pellets en la configuración de temperatura **ALTA** de la parrilla durante 20 minutos después de que haya terminado el ahumado. Las altas temperaturas alcanzadas vaporizarán la grasa que permanece en los deflectores de calor antes de que se acumule a un nivel peligroso.

PARA SU SEGURIDAD: PUESTA EN MARCHA DE SU PARRILLA DE PELLETS




PRECAUCIÓN

- NO toque la varilla del encendedor.



PRECAUCIÓN

El  interruptor de encendido principal solo apagará el panel de control y los componentes de la parrilla. Al reparar el panel de control o cualquier parte, asegúrese de que el cable de alimentación esté desconectado para evitar un peligro de descarga.

Modo de espera: Si la parrilla está encendida, pero la perilla de control no está configurada para ninguna temperatura objetivo de ahumado o asado, el sistema de control cambia al modo de espera. Si el sistema permanece inactivo durante 5 minutos en el modo de espera sin entradas del consumidor, el sistema se apagará.

FUNCIONES DE SEGURIDAD INTEGRADAS EN EL SOFTWARE DE CONTROL

El sistema de control está equipado con características de seguridad para ayudar a mantener al ahumador dentro del rango operativo deseado. Dichas características son las siguientes:

Vigilancia de reducción de la llama: A menos que el sistema esté en el ciclo de precalentamiento o el ciclo de apagado, el sistema de control activará el ciclo de Vigilancia de reducción de la llama, si la temperatura medida por la sonda dentro de la cámara de cocción es inferior a 100 °F. El sistema intenta restablecer la combustión y alcanzar el ajuste de calor durante 20 minutos. Si, después de 20 minutos, y la temperatura medida permanece por debajo de 100 °F, el sistema mostrará un código de error ER5. El sistema también activará el ciclo de apagado. El ciclo de apagado apagará todos los componentes eléctricos y apagará la unidad de manera ordenada y controlada.

Vigilancia de sobrecalentamiento: A menos que el sistema esté en el ciclo de apagado, el sistema de control activará el ciclo de vigilancia de sobrecalentamiento si la temperatura de la cámara de cocción es superior a 700 °F. Si la temperatura de la cámara de cocción medida por la sonda permanece por encima de 700 °F durante 3 minutos, el sistema de control muestra un código de error ER6. El ciclo de apagado también se activará. El ciclo de apagado apagará todos los componentes eléctricos y apagará la unidad de manera ordenada y controlada.

POUR VOTRE SÉCURITÉ – MISE EN MARCHÉ DE VOTRE GRIL

PREMIÈRE MISE EN MARCHÉ

Suivez ces instructions pour l'installation et l'utilisation correctes de votre grill à granules Rider.

1. **INSPECTION** – Il s'agit d'une vérification rapide pour s'assurer que les composants de votre grill fonctionnent correctement. Regardez seulement et ne touchez pas la vis sans fin, l'allumeur ou les ventilateurs.

1. Enlevez les grilles-réchauds, les grilles et les écrans.
2. Branchez le grill sur une prise protégée par un disjoncteur de fuite de terre et mettez le grill sous tension à l'aide de l'interrupteur du panneau de commande du foyer.
 - a. Regardez à l'intérieur de la trémie à pour vous assurer que la vis sans fin est dégagée.
 - b. Tournez le bouton de réglage sur la position **LOW**, laissez fonctionner pendant 3 minutes, puis :
 - c. Regardez dans la trémie pour confirmer que la vis sans fin tourne.
 - d. Écoutez la soufflerie. Vous devez également être capable de sentir l'air sortir de la chambre de combustion.
 - e. Vérifiez si l'allumeur rougeoie à l'intérieur de la chambre de combustion. Attendez jusqu'à 5 minutes.
 - f. Assurez-vous que le récipient à cendre est bien vissé.
3. Tournez le bouton sur la position **SHUTDOWN**.

2. **APPRÊTAGE** – L'apprêtage de votre fumoir avant la cuisson brûlera tous les résidus de fabrication, protégera les surfaces de vos grilles et créera le début d'un traitement de surface qui ajoutera à la saveur de vos viandes fumées, cuisson après cuisson.

- a. Remplissez la trémie QuickDraw de granules.
- b. Fermez le couvercle et faites passer l'écran thermique en mode de saisie.
- c. Tournez le bouton de réglage sur la position de cuisson au grill **LOW**.
- d. Assurez-vous que vos granules s'allument :
 - i. Attendez la fin du cycle de préchauffage – les lettres **PRE** sur l'écran deviendront la valeur réelle de la température à la fin du cycle.
 - ii. Vérifiez que la fumée sort des cheminées d'échappement et surveillez la température qui monte.
- e. Faites fonctionner le grill pendant 30 minutes.
- f. Lorsque vous avez terminé, exécutez le processus d'arrêt expliqué ci-dessous.
- g. Vous êtes maintenant prêt à cuisiner!

3. **CYCLE D'ARRÊT** – Utilisez cette technique pour éteindre correc-

tement votre grill après chaque utilisation.

- a. Lorsque la cuisson est terminée, tournez le bouton de réglage sur la position **SHUTDOWN**. Au bout de 3 secondes, le processus d'arrêt commence par le clignotement du message « **DRN HOP** » sur l'écran de contrôle du foyer, indiquant qu'il est temps de vider les granules restantes dans la trémie QuickDraw dans votre seau d'entreposage de granules.
- b. Ensuite, le message « **Coo-ling** » clignote sur l'écran de contrôle du foyer, indiquant que le processus d'arrêt de la de combustion et de refroidissement a commencé. Le grill brûlera alors les granules restantes dans le tube de la vis sans fin et dans la chambre de combustion, nettoyant le système pour la prochaine utilisation. Ce processus durera environ 30 minutes au total et aura l'avantage supplémentaire de brûler à haute température, ce qui nettoie les écrans thermiques.
- c. Le grill s'éteint automatiquement lorsque le processus est terminé. Une fois que le grill a refroidi, vous pourrez le débrancher et le ranger pour votre prochain repas.

4. **MISES EN MARCHÉ SUIVANTES** – Après l'apprêtage, les mises en marche sont un jeu d'enfant.

- a. Remplissez la trémie QuickDraw de granules.
- b. Allumez le grill en utilisant l'interrupteur d'alimentation situé sur le panneau de commande du foyer.
- c. Tournez le bouton de réglage sur la température voulue.
- d. Laissez le cycle de préchauffage se terminer.
- e. Ajoutez les aliments!
- f. Lorsque vous avez terminé, n'oubliez pas de passer par le processus d'arrêt avant d'éteindre votre grill.

COMBUSTION

Si vous faites beaucoup de cuisson à basse température, il est possible qu'un excédent de graisse s'accumule sur les écrans thermiques. Pour gérer cette accumulation de graisse, faites une combustion à haute température toutes les deux ou trois séances de fumage. Pour faire une combustion, il suffit de faire fonctionner votre grill à granules sur la température de cuisson au grill **HIGH** pendant 20 minutes après la fin du fumage. Les températures élevées atteintes vont vaporiser les graisses qui restent sur les écrans thermiques avant qu'elles s'accumulent à un niveau dangereux.

POUR VOTRE SÉCURITÉ – MISE EN MARCHÉ DE VOTRE GRIL




MISE EN GARDE

- NE PAS toucher la tige de l'allumeur.



MISE EN GARDE

L'interrupteur d'alimentation principal  coupe uniquement l'alimentation du panneau de commande et des composants du gril. Lors de l'entretien du panneau de commande ou de toute pièce, assurez-vous que le cordon d'alimentation est débranché pour éviter un risque de choc.

CARACTÉRISTIQUES DE SÉCURITÉ INTÉGRÉES AU LOGICIEL DE CONTRÔLE

Le système de contrôle est équipé de dispositifs de sécurité pour aider à maintenir le fumeur dans la plage de fonctionnement souhaitée. Ces caractéristiques sont les suivantes :

Surveillance de l'extinction de la flamme : À moins que le système ne soit en cycle de préchauffage ou d'arrêt, le système de contrôle activera le cycle de surveillance de l'extinction de la flamme si la température mesurée par la sonde à l'intérieur de la chambre de cuisson est inférieure à 100 °F. Le système tente de rétablir la combustion et d'atteindre le réglage de la chaleur pendant 20 minutes. Si, au bout de 20 minutes, la température mesurée reste inférieure à 100 °F, le système affiche un code d'erreur ER5. Le système activera également le cycle d'arrêt. Le cycle d'arrêt éteindra tous les composants électriques et arrêtera l'appareil de manière ordonnée et contrôlée.

Surveillance de la surchauffe : À moins que le système ne soit en cycle d'arrêt, le système de contrôle activera le cycle de surveillance de la surchauffe si la température de la chambre de cuisson est supérieure à 700 °F. Si la température dans la chambre de cuisson mesurée par la sonde reste supérieure à 700 °F pendant 3 minutes, le système de contrôle affiche le code d'erreur ER6. Le cycle d'arrêt sera également activé. Le cycle d'arrêt éteindra tous les composants électriques et arrêtera l'appareil de manière ordonnée et contrôlée.

Mode veille : Si le gril est allumé, mais le bouton de réglage n'est réglé sur aucune température cible de fumage ou de cuisson au gril, le système de commande passe en mode veille. Si le système reste inactif pendant 5 minutes en mode veille sans aucune intervention du consommateur, le système s'arrête et s'éteint.

COMMON TROUBLESHOOTING

What if temperatures won't rise or I see an ER 5 message on the Pit Control Screen?

These are both signs that you are not getting proper combustion in the firepot. This situation can be caused by several factors. Follow these steps to isolate and address the problem:

1. **CHECK PELLET SUPPLY**- Are there pellets in the hopper? If not, load it up and try again.
2. **CHECK FOR ASH BUILDUP** - If your pellet supply is ok, check for a buildup of ashes in the firepot. If ashes are not draining properly, they can cover the ignitor and prevent pellets from igniting and burning. Here's how to assess ash build up:
 - a. **Check Firepot** –
 - i. Shutdown the grill and allow to cool.
 - ii. Remove warming racks, grates and baffles and shift heat baffle to **SEAR MODE**
 - iii. Check for and remove any ashes or unburnt pellets in the firepot. Tap the firepot with a screwdriver to shake any debris through the bottom of the firepot.
 - iv. Replace warming racks, grates and baffles.
 - b. **Check Ash Cup**-
 - i. Check and empty ash cup. With ash cup removed, tap ash chute (stainless steel tube protruding from bottom of grill) with screwdriver or similar tool to shake firepot clean.
3. **CHECK FOR AUGER JAM** – If your firepot is clean, next you'll need to check for an auger jam. These can be caused by a number of factors such as using damp or crumbling pellets, leaving pellets in the system between uses or not properly running the shutdown process:
 - a. Drain pellets from QuickDraw Hopper so you can see the auger at the bottom of the hopper
 - b. Turn the grill on and set to **"HIGH"** and watch for auger movement

Note – the auger should begin turning immediately for a few seconds, then it will pause for 90 seconds, then continue normally.

 - c. If you do not see auger movement after several minutes, the auger may be jammed, preventing it from feeding pellets into the firepot. Refer to the trouble shooting section "Clearing an auger jam" for tips on clearing a jam or visit our FAQ on Oklahoma Joe's.com for step by step video instructions. If these resources don't help, please call Oklahoma Joe's customer service to assist you further.
4. **CHECK AUGER MOTOR** - Once you've confirmed your auger is jam free, next you'll want to check the auger motor to make sure it's working properly:
 - a. Drain pellets from QuickDraw Hopper so you can see the auger at the bottom
 - b. Turn the grill on and set to **"HIGH"** and watch for auger movement

Note – the auger should begin turning immediately for a few seconds, then it will pause for 90 seconds, then continue normally.

 - c. If the auger is not turning and you are certain it's not jammed, you may have a motor issue.
 - i. Turn off and unplug grill
 - ii. Remove Pit Control panel
 - iii. Ensure all wires are firmly connected. Reassemble the grill and assess the auger again.
 - iv. If auger still does not turn, please call Oklahoma Joe's customer service
5. **CHECK TEMPERATURE PROBE** – If auger is turning properly, check to see if the temperature probe is malfunctioning:
 - a. Empty Quickdraw hopper
 - b. Turn the grill on and set to **"LOW"**
 - c. Allow the Preheat cycle to complete (you will see an actual temperature reading on the Pit Control screen instead of **"PRE"**)
 - d. Using a lighter, carefully heat the tip of the internal temperature sensor on the left side of the grill wall and look for an increase in the temperature reading on the Pit Control screen.
 - e. If the temperature does not rise, check wire connections:
 - i. Turn off and unplug grill.
 - ii. Remove Pit Control panel.
 - iii. Ensure all wires are firmly connected.
 - iv. Reassemble the grill and assess temperature probe with the same method.
 - f. If the temperature still does not rise, your chamber temperature sensor may need to be replaced. Please call Oklahoma Joe's customer service for assistance.
6. **CHECK IGNITOR** - If temperature probe is functioning properly, check to see if the ignitor is malfunctioning:
 - a. Remove warming racks, grates and baffles and shift heat baffle to **SEAR MODE**
 - b. Turn the control knob to the **LOW** grill setting, allow to run for 3 minutes. Look into the bottom of the firepot and check to see if ignitor glows red.
 - c. If it does not glow, check the wire connections:
 - i. Turn off and unplug grill
 - ii. Remove Pit Control panel
 - iii. Ensure all wires are firmly connected. Reassemble the grill and assess the ignitor again.
 - d. If you do not see the igniter glow, it may need to be replaced. Please call Oklahoma Joe's customer service for assistance.
7. **CALL CUSTOMER SERVICE** – If this process does not help you locate and address the problem, please call Oklahoma Joe's Customer Service at 800-318-7744 for further assistance.

COMMON TROUBLESHOOTING

CLEARING AN AUGER JAM

Auger jams can occur from time to time with normal use of the grill. Jams can be caused by a number of factors such as using damp/crumbling pellets, leaving pellets in the system for extended periods of time or not properly running the shutdown process. In some cases, a jam may be accompanied by an ER5 message on the Pit Control screen but ultimately, an auger jam will prevent the auger from feeding pellets into the firepot, thus causing a flameout.

Visit our FAQ on Oklahoma Joe's.com for step by step video instructions and demonstration of this process.

First, you'll need to assess the auger:

1. Drain pellets from QuickDraw Hopper so you can see the auger at the bottom
2. Turn the grill on and set to "HIGH" and watch for auger rotation.

Note – the auger should begin turning immediately for a few seconds, then it will pause for 90 seconds, then continue normally.

3. If you do not see auger movement after several minutes, the auger may be jammed, preventing it from feeding pellets into the firepot.

Addressing a minor auger jam ("Shake" method):

1. Unplug the grill
2. Remove the guard in the hopper by unscrewing the 4 screws holding it in place
3. Using your screwdriver, slide the auger back and forth, in-line with the auger tube, attempting to break the jam loose.
4. With tools and hands clear of the auger, turn the grill on and set to "HIGH" and watch for auger rotation in the hopper

Note – the auger should begin turning immediately for a few seconds, then it will pause for 90 seconds, then continue normally.

If you still do not see movement, try the next method.

Addressing a minor auger jam ("Snake" method):

1. Unplug the grill
2. Remove warming racks, grates and baffles and shift heat baffle to SEAR MODE
3. Using a heavy gauge wire, carefully try to break up the jam by sliding the wire into the firepot side opening of the auger tube
4. With the wire fully removed, turn the grill on and set to "HIGH" and watch for auger rotation in the hopper

Note – the auger should begin turning immediately for a few seconds, then it will pause for 90 seconds, then continue normally.

If these methods do not clear up your issue, it's likely you'll have to remove the auger to clear the jam. Please visit our FAQ on Oklahoma Joe's.com for step by step video instructions and demonstration of this process or call Oklahoma Joe's Customer Service at 800-318-7744 for further assistance.

RESOLUCIÓN DE PROBLEMAS COMUNES

¿Qué sucede si las temperaturas no suben o si veo un mensaje ER 5 en la pantalla Pit Control?

Ambos son signos de que no está obteniendo la combustión adecuada en el brasero. Esta situación puede ser causada por varios factores. Siga estos pasos para aislar y abordar el problema:

1. **REVISE EL SUMINISTRO DE PELLETS:** ¿Hay pellets en la tolva? Si no es el caso, cárguela e intente nuevamente.
2. **COMPRUEBE LA ACUMULACIÓN DE CENIZAS:** si su suministro de pellets es correcto, compruebe si hay una acumulación de cenizas en la cámara de combustión. Si las cenizas no se expulsan adecuadamente, podrían cubrir el encendedor y evitar que los pellets se enciendan y se quemen. Aquí le mostramos cómo evaluar la acumulación de cenizas:
 - a. **Revise el brasero:**
 - i. Apague la parrilla y déjela enfriar.
 - ii. Retire las rejillas de calentamiento, las parrillas y los deflectores, y cambie el deflector de calor al **MODO DORAR**
 - iii. Verifique y elimine las cenizas o los pellets no quemados en el brasero. Golpee el brasero con un destornillador para sacudir los desechos a lo largo del fondo del brasero.
 - iv. Vuelva a colocar las rejillas de calentamiento, las parrillas y los deflectores.
 - b. **Revise el recipiente para cenizas:**
 - i. Verifique y vacíe el recipiente para cenizas. Con el recipiente de cenizas retirado, golpee la tolva de cenizas (tubo de acero inoxidable que sobresale del fondo de la parrilla) con un destornillador o una herramienta similar para limpiar el brasero.
3. **COMPRUEBE SIN EL SINFÍN ESTÁ ATASCADO:** si la olla está limpia, a continuación deberá comprobar si hay un atasco en el sinfín. Estos pueden ser causados por una serie de factores, como el uso de pellets húmedos o desmoronados, dejar pellets en el sistema entre usos o no ejecutar correctamente el proceso de apagado:
 - a. Drene los gránulos de la tolva de extracción rápida para que pueda ver el sinfín en la parte inferior de la tolva.
 - b. Encienda la parrilla, ajústela en la configuración "**ALTA**" y observe el movimiento del sinfín.

Nota: el sinfín debe comenzar a girar inmediatamente durante unos segundos, luego se detendrá durante 90 segundos y luego continuará normalmente.

 - c. Si no ve el movimiento del sinfín después de varios minutos, el sinfín podría estar atascado, evitando que alimente el brasero con pellets. Consulte la sección de resolución de problemas "Eliminación de un atasco de sinfín" para obtener consejos sobre cómo eliminar un atasco o visite nuestras preguntas frecuentes en Oklahoma Joe's.com para obtener instrucciones en video paso a paso. Si estos recursos no le son de utilidad, llame al servicio de atención al cliente de Oklahoma Joe para recibir más ayuda.
4. **COMPRUEBE EL MOTOR DEL SINFÍN:** una vez que haya confirmado que su sinfín está libre de atascos, a continuación, deberá comprobar el motor del sinfín para asegurarse de que funciona correctamente:
 - a. Drene los pellets de la tolva extracción rápida para que pueda ver el sinfín en la parte inferior de la tolva.
 - b. Encienda la parrilla, ajústela en la configuración "**ALTA**" y observe el movimiento del sinfín.

Nota: el sinfín debe comenzar a girar inmediatamente durante unos segundos, luego se detendrá durante 90 segundos y luego continuará normalmente.

 - c. Si el sinfín no gira y **está seguro de que no está atascado**, es posible que tenga un problema con el motor.
 - i. Apague y desenchufe la parrilla
 - ii. Retire el panel Pit Control
 - iii. Asegúrese de que todos los cables estén firmemente conectados. Vuelva a armar la parrilla y evalúe el sinfín nuevamente.
 - iv. Si el sinfín aún no gira, llame al servicio al cliente de Oklahoma Joe's.
5. **COMPRUEBE LA Sonda DE TEMPERATURA:** si el sinfín gira correctamente, verifique si la sonda de temperatura no funciona correctamente.
 - a. Vacíe la tolva de extracción rápida
 - b. Encienda la parrilla y ajústela en la configuración "**BAJA**"
 - c. Permita que se complete el ciclo de precalentamiento (verá una lectura de temperatura real en la pantalla Pit Control en lugar de "PRE")
 - d. **Con un encendedor, caliente con cuidado la punta del sensor de temperatura interno en el lado izquierdo de la pared de la parrilla y busque un aumento en la lectura de temperatura en la pantalla Pit Control.**
 - e. Si la temperatura no sube, verifique las conexiones de los cables:
 - i. Apague y desenchufe la parrilla.
 - ii. Retire el panel Pit Control.
 - iii. Asegúrese de que todos los cables estén firmemente conectados.
 - iv. Vuelva a armar la parrilla y evalúe la sonda de temperatura con el mismo método.
 - f. Si la temperatura aún no sube, es posible que deba reemplazar el sensor de temperatura de su cámara. Llame al servicio al cliente de Oklahoma Joe's para obtener ayuda.
6. **COMPRUEBE EL ENCENDEDOR:** si la sonda de temperatura funciona correctamente, verifique si el encendedor no funciona correctamente.
 - a. Retire las rejillas de calentamiento, las parrillas y los deflectores, y cambie el deflector de calor al **MODO DORAR**
 - b. Gire la perilla de control hacia la configuración **BAJA** de la parrilla y deje que funcione durante 3 minutos. Mire en el fondo del brasero y verifique si el encendedor se ilumina en rojo.
 - c. Si no se ilumina, verifique las conexiones de los cables:
 - i. Apague y desenchufe la parrilla
 - ii. Retire el panel Pit Control
 - iii. Asegúrese de que todos los cables estén firmemente conectados. Vuelva a armar la parrilla y evalúe el encendedor nuevamente.
 - d. Si no ve brillar el encendedor, es posible que deba reemplazarlo. Llame al servicio al cliente de Oklahoma Joe's para obtener ayuda.
7. **LLAME AL SERVICIO AL CLIENTE:** si este proceso no lo ayuda a localizar y abordar el problema, llame al Servicio al Cliente de Oklahoma Joe's al **800-318-7744** para obtener más ayuda.

RESOLUCIÓN DE PROBLEMAS COMUNES

ELIMINAR UN ATASCO DEL SINFÍN

Los atascos del sinfín pueden ocurrir de vez en cuando durante el uso normal de la parrilla. Los atascos pueden ser causados por una serie de factores, como el uso de pellets húmedos/desmoro-nados, que dejan pellets en el sistema durante períodos prolon-gados o no ejecutan correctamente el proceso de apagado. En algunos casos, un atasco puede ir acompañado de un mensaje **ER5** en la pantalla Pit Control, pero en última instancia, un atasco del tornillo sinfín evitará que el tornillo sin fin alimente el brasero con pellets, lo que provocará llamaradas.

Visite nuestras preguntas frecuentes en Oklahoma Joe's.com para obtener instrucciones en video paso a paso y una demostración de este proceso.

Primero, deberá evaluar el sinfín:

1. Drene los pellets de la tolva extracción rápida para que pueda ver el sinfín en la parte inferior de la tolva.
2. Encienda la parrilla, ajústela en la configuración "**ALTA**" y observe la rotación del sinfín.
Nota: el sinfín debe comenzar a girar inmediatamente duran-te unos segundos, luego se detendrá durante 90 segun-dos y luego continuará normalmente.
3. Si no ve el movimiento del sinfín después de varios minu-tos, el sinfín podría estar atascado, evitando que alimen-te el brasero con pellets.

Abordar un atasco menor del sinfín (método de la "sacudida"):

1. Desenchufe la parrilla
2. Retire el protector de la tolva desenroscando los 4 tornillos que lo sujetan en su lugar
3. Con su destornillador, deslice el sinfín hacia adelante y hacia atrás, en línea con el tubo del sinfín, intentando soltar el atasco.
4. Con las herramientas y las manos alejadas del sinfín, en-cienda la parrilla y ajústela en "**ALTA**" y observe la rota-ción del sinfín en la tolva.

Nota: el sinfín debe comenzar a girar inmediatamente duran-te unos segundos, luego se detendrá durante 90 segun-dos y luego continuará normalmente.

Si aún no ve movimiento, pruebe el siguiente método.

Abordar un atasco menor del sinfín (método de la "serpiente"):

1. Desenchufe la parrilla
2. Retire las rejillas de calentamiento, las parrillas y los de-flectores, y cambie el deflector de calor al **MODO DO-RAR**
3. Con un cable de calibre grueso, trate de romper el atasco deslizando el cable en la abertura lateral de la olla del tubo del sinfín
4. Con el cable completamente retirado, encienda la parrilla, ajústela en "**ALTA**" y observe la rotación del sinfín en la tolva.

Nota: el sinfín debe comenzar a girar inmediatamente durante unos segundos, luego se detendrá durante 90 segundos y luego continuará normalmente.

Si estos métodos no solucionan su problema, es probable que tenga que quitar el sinfín para eliminar el atasco. Visite nuestras pre-guntas frecuentes en Oklahoma Joe's.com para obtener instruc-ciones en video paso a paso y una demostración de este proceso o llame al servicio al cliente de Oklahoma Joe's al **800-318-7744** para obtener más ayuda.

DÉPANNAGE COURANT

Que faire si les températures ne montent pas ou si je vois un message ER5 sur l'écran de contrôle du foyer?

Ces deux signes indiquent que vous n'obtenez pas une combustion correcte dans la chambre de combustion. Cette situation peut être causée par plusieurs facteurs. Suivez ces étapes pour isoler et traiter le problème :

1. **VÉRIFIEZ LA QUANTITÉ DE GRANULES** – La trémie contient-elle des granules? Si ce n'est pas le cas, remplissez-la et essayez à nouveau.

2. **VÉRIFIEZ L'ACCUMULATION DE CENDRES** – Si vous avez suffisamment de granules, vérifiez s'il y a une accumulation de cendres dans la chambre de combustion. Si les cendres ne s'écoulent pas correctement, elles peuvent couvrir l'allumeur et empêcher les granules de s'enflammer et de brûler. Voici comment évaluer l'accumulation de cendres :

a. Vérifiez la chambre de combustion –

- i. Éteignez le gril et laissez-le refroidir.
- ii. Enlevez les grilles-réchauds, les grilles et les écrans thermiques, et faites passer l'écran thermique en **MODE SAISIE**.
- iii. Vérifiez si la chambre de combustion contient des cendres ou des granules non brûlées et enlevez-les, le cas échéant. Tapotez la chambre de combustion avec un tournevis pour faire tomber les débris dans le fond de la chambre.
- iv. Remettez les grilles-réchauds, les grilles et l'écran en place.

b. Vérifiez le récipient à cendre –

- i. Vérifiez et videz le récipient à cendre. Une fois le récipient à cendre enlevé, tapotez la goulotte à cendres (tube en acier inoxydable dépassant du fond du gril) avec un tournevis ou un outil similaire pour nettoyer la chambre de combustion.

3. **VÉRIFIEZ SI LA VIS SANS FIN EST BLOQUÉE** – Si votre chambre de combustion est propre, vous devrez ensuite vérifier si la vis sans fin est bloquée. Un blocage peut être causé par différents facteurs, par exemple l'utilisation de granules humides ou qui s'émiettent, les granules laissées dans le système ou une mauvaise exécution du processus d'arrêt.

- a. Videz les granules de la trémie QuickDraw Hopper afin de voir la vis sans fin au fond de la trémie.
- b. Allumez le gril et réglez-le sur la position **HIGH**, puis surveillez le mouvement de la vis sans fin.

Remarque – la vis sans fin devrait commencer à tourner immédiatement pendant quelques secondes, faire une pause de 90 secondes, puis continuer normalement.

- c. Si vous ne voyez pas de mouvement de la vis sans fin au bout de plusieurs minutes, il est possible qu'elle soit bloquée et ne puisse pas envoyer de granules à la chambre de combustion. Consultez la section Dépannage pour obtenir des conseils pour débarrasser la vis sans fin, ou consultez notre FAQ à l'adresse Oklahoma Joe's.com pour obtenir des instructions vidéo étape par étape. Si ces ressources ne permettent pas de régler le problème, veuillez téléphoner au service à la clientèle d'Oklahoma Joe pour obtenir de l'aide.

4. **VÉRIFIEZ LE MOTEUR DE LA VIS SANS FIN** – Une fois que vous avez confirmé que votre vis sans fin n'est pas bloquée, vous devez ensuite vérifier le fonctionnement du moteur de la vis sans fin.

- a. Videz les granules de la trémie QuickDraw Hopper afin de voir la vis sans fin au fond
- b. Allumez le gril et réglez-le sur la position **HIGH**, puis surveillez le mouvement de la vis sans fin.

Remarque – la vis sans fin devrait commencer à tourner immédiatement pendant quelques secondes, faire une pause de 90 secondes, puis continuer normalement.

c. Si la vis sans fin ne tourne pas et vous êtes certain qu'elle n'est pas **bloquée**, il est possible que vous ayez un problème de moteur.

- i. Éteignez et débranchez le gril.
- ii. Retirez le panneau de commande du foyer.
- iii. Assurez-vous que tous les fils sont bien connectés. Remontez le gril et évaluez de nouveau la vis sans fin.
- iv. Si la vis sans fin ne tourne toujours pas, veuillez téléphoner au service à la clientèle d'Oklahoma Joe.

5. **VÉRIFIEZ LA SONDÉ DE TEMPÉRATURE** – Si la vis sans fin tourne correctement, vérifiez si la sonde de température fonctionne bien :

- a. Videz la trémie QuickDraw.
- b. Allumez le gril et réglez-le à **LOW**.
- c. Laissez le cycle de préchauffage se terminer (vous verrez une température réelle sur l'écran de contrôle du foyer au lieu de « **PRE** »).
- d. En utilisant un briquet, faites chauffer prudemment l'extrémité du capteur de température interne situé sur le côté gauche du gril, et vérifiez si la température affichée sur l'écran de contrôle du foyer augmente.
- e. Si la température n'augmente pas, vérifiez les connexions des fils :
 - i. Éteignez et débranchez le gril.
 - ii. Retirez le panneau de commande du foyer.
 - iii. Assurez-vous que tous les fils sont bien connectés.
- iv. Remontez le gril et évaluez de nouveau la sonde de température en utilisant la même méthode.
- f. Si la température n'augmente toujours pas, il est possible que le capteur de température de la chambre doive être remplacé. Veuillez téléphoner au service à la clientèle d'Oklahoma Joe pour obtenir de l'aide.

6. **VÉRIFIEZ L'ALLUMEUR** – Si la sonde de température fonctionne correctement, vérifiez si l'allumeur fonctionne bien :

- a. Enlevez les grilles-réchauds, les grilles et les écrans thermiques, et faites passer l'écran thermique en **MODE SAISIE**.
- b. Tournez le bouton de réglage sur la position de cuisson au gril **LOW** et laissez fonctionner le gril pendant 3 minutes. Regardez le fond de la chambre de combustion et vérifiez si l'allumeur rougeoie.
- c. S'il ne rougeoie pas, vérifiez les connexions des fils :
 - i. Éteignez et débranchez le gril.
 - ii. Retirez le panneau de commande du foyer.
 - iii. Assurez-vous que tous les fils sont bien connectés. Remontez le gril et évaluez de nouveau l'allumeur.
- d. Si vous ne le voyez pas rougeoyer au bout de plusieurs minutes, il est possible qu'il doive être remplacé. Veuillez téléphoner au service à la clientèle d'Oklahoma Joe pour obtenir de l'aide.

7. **TÉLÉPHONEZ AU SERVICE À LA CLIENTÈLE** – Si ce processus ne vous aide pas à trouver et à résoudre le problème, veuillez téléphoner au service à la clientèle d'Oklahoma Joe's au 800 318-7744 pour obtenir une aide supplémentaire.

DÉBLOCAGE DE LA VIS SANS FIN

Des blocages de la vis sans fin sont possibles de temps à autre lors d'une utilisation normale du grill. Un blocage peut être causé par différents facteurs, par exemple l'utilisation de granules humides ou qui s'émiettent, les granules laissées dans le système pendant une longue période, ou une mauvaise exécution du processus d'arrêt. Dans certains cas, un blocage peut être accompagné d'un message ER5 sur l'écran de contrôle du foyer, mais en fin de compte, un blocage de la vis sans fin empêchera la vis sans fin d'envoyer des granules dans la chambre de combustion, causant l'extinction de la flamme.

Consultez notre FAQ sur Oklahoma Joe's.com pour obtenir des instructions vidéo étape par étape et une démonstration de ce processus.

Tout d'abord, vous devez évaluer la vis sans fin :

1. Videz les granules de la trémie QuickDraw Hopper afin de voir la vis sans fin au fond.
2. Allumez le grill et réglez-le à **HIGH**, puis surveillez la rotation de la vis sans fin.

Remarque – la vis sans fin devrait commencer à tourner immédiatement pendant quelques secondes, faire une pause de 90 secondes, puis continuer normalement.

3. Si vous ne voyez pas de mouvement de la vis sans fin au bout de plusieurs minutes, il est possible qu'elle soit bloquée et ne puisse pas envoyer de granules à la chambre de combustion.

Pour régler un blocage mineur de la vis sans fin (méthode « d'agitation ») :

1. Débranchez le grill.
2. Enlevez le protecteur dans la trémie en dévissant les 4 vis qui le retiennent en place.
3. En utilisant votre tournevis, faites glisser la vis sans fin d'avant en arrière, en ligne avec le tube de la vis sans fin, afin de tenter de détacher le blocage.
4. Retirez les outils et les mains des alentours de la vis sans fin, allumez le grill et réglez-le à **HIGH**, puis surveillez la rotation de la vis sans fin dans la trémie.

Remarque – la vis sans fin devrait commencer à tourner immédiatement pendant quelques secondes, faire une pause de 90 secondes, puis continuer normalement.

Si vous ne voyez toujours pas de mouvement, essayez la méthode suivante.




Pour régler un blocage mineur de la vis sans fin (méthode « du serpent ») :

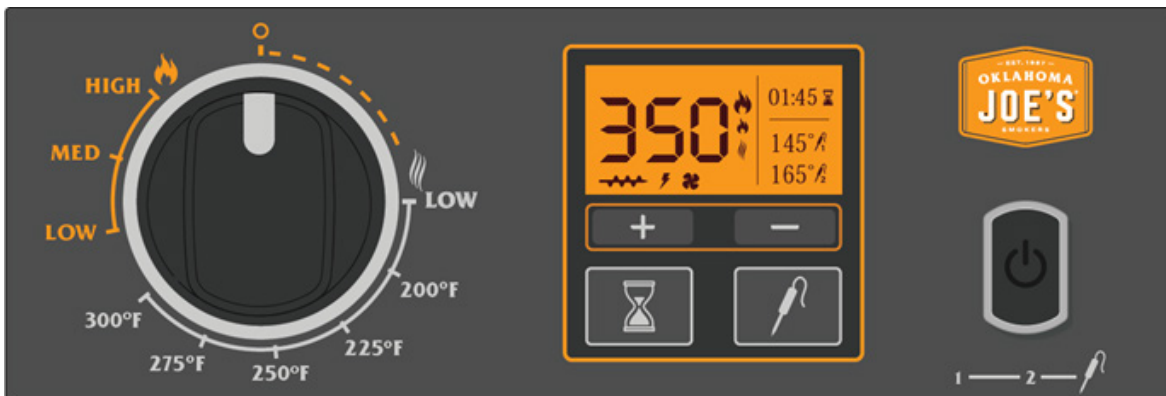
1. Débranchez le grill.
2. Enlevez les grilles-réchauds, les grilles et les écrans thermiques, et faites passer l'écran thermique en **MODE SAISIE**.
3. En utilisant un fil métallique épais, essayez de défaire le blocage prudemment en glissant le fil dans l'ouverture du tube de la vis sans fin située sur le côté de la chambre de combustion.
4. Après avoir complètement retiré le fil, allumez le grill et réglez-le à **HIGH**, puis surveillez la rotation de la vis sans fin dans la trémie.

Remarque – la vis sans fin devrait commencer à tourner immédiatement pendant quelques secondes, faire une pause de 90 secondes, puis continuer normalement.

Si ces méthodes ne règlent pas votre problème, vous devrez probablement enlever la vis sans fin pour libérer le blocage. Veuillez consulter notre FAQ sur Oklahoma Joe's.com pour obtenir des instructions vidéo étape par étape et une démonstration de ce processus, ou téléphonez au service à la clientèle d'Oklahoma Joe's au 800 318-7744 pour obtenir une aide supplémentaire.

ERROR CODES

Error Code	Error Title	Icon	Cause	Solution
ER0	Control Knob Position Error	No Icon	Power turned on while the knob is not in the OFF/Shutdown position	<ol style="list-style-type: none"> 1. Turn the power off 2. Turn the knob to the OFF/Shutdown position 3. Turn the power on
ER1	Auger Error		<ul style="list-style-type: none"> • The Pit Control system cannot detect the auger motor • An auger motor malfunction. 	<ol style="list-style-type: none"> 1. Unplug the grill from the power. 2. Remove the Pit Control panel and ensure all wires are not damaged and are firmly connected. 3. Reassemble and retry. <p>If the error persists, please call Oklahoma Joe's customer service for assistance.</p>
ER2	Ignitor Error		<ul style="list-style-type: none"> • The Pit Control system cannot detect the ignitor • An ignitor malfunction 	<ol style="list-style-type: none"> 1. Unplug the grill from the power. 2. Remove the Pit Control panel and ensure all wires are not damaged and are firmly connected. 3. Reassemble and retry. <p>If the error persists, please call Oklahoma Joe's customer service for assistance.</p>
ER3	Combustion Fan Error		<ul style="list-style-type: none"> • The Pit Control system cannot detect the fan • A fan motor malfunction 	<ol style="list-style-type: none"> 1. Unplug the grill from the power. 2. Remove the Pit Control panel and ensure all wires are not damaged and are firmly connected. 3. Reassemble and retry. <p>If the error persists, please call Oklahoma Joe's customer service for assistance.</p>
ER4	Temperature Probe Error	No Icon	<ul style="list-style-type: none"> • The Pit Control system cannot detect the temperature probe • The Pit Control system detects abnormal signal from the temperature probe • A temperature probe malfunction 	<ol style="list-style-type: none"> 1. Unplug the grill from the power. 2. Remove the Pit Control panel and ensure all wires are not damaged and are firmly connected. 3. Reassemble and retry. <p>If the error persists, please call Oklahoma Joe's customer service for assistance.</p>



ERROR CODES

Error Code	Error Title	Icon	Cause	Solution
ER5	Flameout	No Icon	<p>The temperature in the cook chamber does not exceed 100°F for an extended period of time. Possible causes:</p> <ul style="list-style-type: none"> • Running out of pellets • An auger jam • The ash cup and/or firepot are overfilled • A temperature probe malfunction • The ignitor did not initiate the fire 	<ul style="list-style-type: none"> • CHECK PELLET SUPPLY - Are there pellets in the hopper? If not, load it up and try again. • CHECK FOR ASH BUILDUP - If your pellet supply is ok, check for a buildup of ashes in the firepot. If ashes are not draining properly, they can cover the ignitor and prevent pellets from igniting and burning. See trouble shooting section in your Assembly Guide for tips on how to CHECK FOR ASH BUILDUP. • CHECK FOR AUGER JAM – If your firepot is clean, next you'll need to check for an auger jam. These can be caused by a number of factors such as using damp or crumbling pellets, leaving pellets in the system between uses or not properly running the shutdown process. See trouble shooting section in your Assembly Guide for tips on how to CHECK FOR AUGER JAM. • CHECK AUGER MOTOR - Once you've confirmed your auger is jam free, next you'll want to check the auger motor to make sure it's working properly. See trouble shooting section in your Assembly Guide for tips on how to CHECK AUGER MOTOR. • CHECK TEMPERATURE PROBE – If auger is turning properly, check to see if the temp probe is malfunctioning. See trouble shooting section in your Assembly Guide for tips on how to CHECK TEMPERATURE PROBE • CHECK IGNITOR - If temperature probe is functioning properly, check to see if the ignitor is malfunctioning. See trouble shooting section in your Assembly Guide for tips on how to CHECK IGNITOR <p>If the error persists, please call Oklahoma Joe's customer service for assistance.</p>
ER6	Cooking system overheat	No Icon	<p>The system detects overheating for an extended period of time. It can be due to:</p> <ul style="list-style-type: none"> • Grease fire inside the unit • Excess fuel inside the firepot • A temperature probe malfunction 	<ul style="list-style-type: none"> • If Pit Control detects overheating for an extended period of time, it will automatically start a shutdown burn. • In the case of excessive heat or fire - immediately close the grill lid, press the power button and allow the grill to completely cool. • Once the grill is cool: <ol style="list-style-type: none"> 1. Unscrew the ash cup and dump excess ashes. 2. Remove grates and heat baffle 3. Visually inspect the firepot to ensure it is empty, if it is not, a shop vacuum can be used to clear the firepot. 4. Inspect the bottom of the cook chamber for any blockage of the grease drain holes and clean up the grease pathways. 5. Reassemble and retry. • Frequently cleaning your grill will help prevent grease fires. <p>If the error persists, please call Oklahoma Joe's customer service for assistance.</p>

ERROR CODES

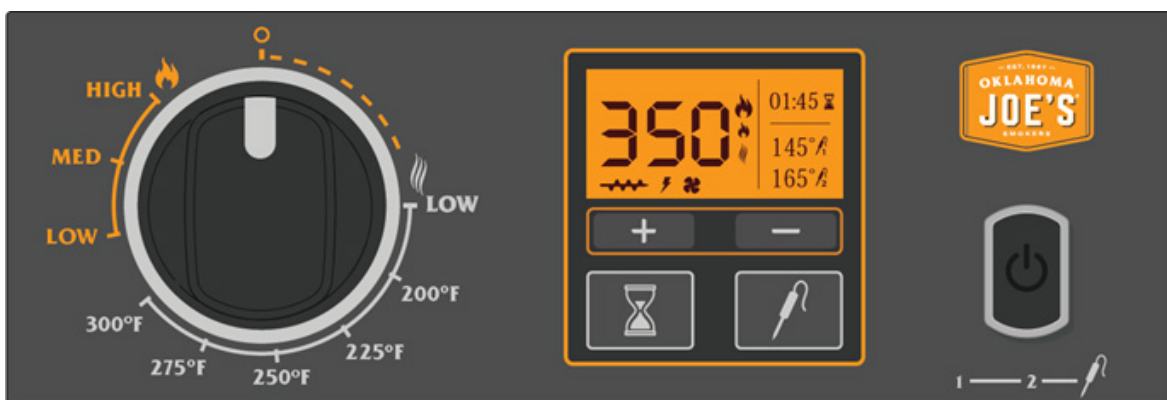
Error Code	Error Title	Icon	Cause	Solution
18H	Unattended unit	No Icon	Unit left unattended for too long.	1. Turn the power off. 2. Turn the knob to the OFF/Shutdown position. 3. Turn the power on.

For additional information on troubleshooting, please visit OklahomaJoes.com or call Oklahoma Joe's customer service at 800-318-7744.



CÓDIGOS DE ERROR

Código de error	Título del error	Icono	Causa	Solución
ER0	Error de posición de la perilla de control	Ningún icono	Encendido mientras la perilla no está en la posición de OFF/apagado	<ol style="list-style-type: none"> 1. Apague la energía eléctrica 2. Gire la perilla a la posición de OFF/apagado 3. Encienda la energía eléctrica
ER1	Error del sinfín		<ul style="list-style-type: none"> • El sistema Pit Control no puede detectar el motor del sinfín • Un mal funcionamiento del motor del sinfín. 	<ol style="list-style-type: none"> 1. Desenchufe la parrilla de la alimentación. 2. Retire el panel Pit Control y asegúrese de que todos los cables no estén dañados y estén firmemente conectados. 3. Vuelva a montar y reintente. <p>Si el error persiste, llame al servicio al cliente de Oklahoma Joe para obtener ayuda.</p>
ER2	Error de encendido		<ul style="list-style-type: none"> • El sistema Pit Control no puede detectar el encendedor • Un mal funcionamiento del encendedor 	<ol style="list-style-type: none"> 1. Desenchufe la parrilla de la alimentación. 2. Retire el panel Pit Control y asegúrese de que todos los cables no estén dañados y estén firmemente conectados. 3. Vuelva a montar y reintente. <p>Si el error persiste, llame al servicio al cliente de Oklahoma Joe para obtener ayuda.</p>
ER3	Error del ventilador de combustión		<ul style="list-style-type: none"> • El sistema Pit Control no puede detectar el ventilador. • Un mal funcionamiento del motor del ventilador 	<ol style="list-style-type: none"> 1. Desenchufe la parrilla de la alimentación. 2. Retire el panel Pit Control y asegúrese de que todos los cables no estén dañados y estén firmemente conectados. 3. Vuelva a montar y reintente. <p>Si el error persiste, llame al servicio al cliente de Oklahoma Joe para obtener ayuda.</p>
ER4	Error de sonda de temperatura	Ningún icono	<ul style="list-style-type: none"> • El sistema Pit Control no puede detectar la sonda de temperatura. • El sistema Pit Control detecta señales anormales de la sonda de temperatura. • Un mal funcionamiento de la sonda de temperatura 	<ol style="list-style-type: none"> 1. Desenchufe la parrilla de la alimentación. 2. Retire el panel Pit Control y asegúrese de que todos los cables no estén dañados y estén firmemente conectados. 3. Vuelva a montar y reintente. <p>Si el error persiste, llame al servicio al cliente de Oklahoma Joe para obtener ayuda.</p>



CÓDIGOS DE ERROR

Código de error	Título del error	Icono	Causa	Solución
ER5	Reducción de llama	Ningún icono	<p>La temperatura en la cámara de cocción no excede los 100 °F por un período prolongado de tiempo. Posibles causas:</p> <ul style="list-style-type: none"> • Las pellets se están agotando • Un atasco en el sinfín • El recipiente de cenizas y/o la olla de combustión están demasiado llenos • Un mal funcionamiento de la sonda de temperatura • El encendedor no inició el fuego. 	<ul style="list-style-type: none"> • REVISE EL SUMINISTRO DE PELLETS: ¿Hay pellets en la tolva? Si no es el caso, cárguela e intente nuevamente. • COMPRUEBE LA ACUMULACIÓN DE CENIZAS: si su suministro de pellets es correcto, compruebe si hay una acumulación de cenizas en la cámara de combustión. Si las cenizas no se expulsan adecuadamente, podrían cubrir el encendedor y evitar que los pellets se enciendan y se quemen. Consulte la sección de resolución de problemas en su Guía de montaje para obtener consejos sobre cómo VERIFICAR LA ACUMULACIÓN DE CENIZAS. • COMPRUEBE SIN EL SINFÍN ESTÁ ATASCADO: si la olla está limpia, a continuación deberá comprobar si hay un atasco en el sinfín. Estos pueden ser causados por una serie de factores, como el uso de pellets húmedos o desmoronados, dejar pellets en el sistema entre usos o no ejecutar correctamente el proceso de apagado. Consulte la sección de resolución de problemas en su Guía de montaje para obtener consejos sobre cómo VERIFICAR EL ATASCO DEL SINFÍN. • COMPRUEBE EL MOTOR DEL SINFÍN: una vez que haya confirmado que su sinfín está libre de atascos, a continuación, deberá comprobar el motor del sinfín para asegurarse de que funciona correctamente. Consulte la sección de resolución de problemas en su Guía de montaje para obtener consejos sobre cómo VERIFICAR EL MOTOR DEL SINFÍN. • COMPRUEBE LA Sonda DE TEMPERATURA: si el sinfín gira correctamente, verifique si la sonda de temperatura no funciona correctamente. Consulte la sección de resolución de problemas en su Guía de montaje para obtener consejos sobre cómo VERIFICAR LA Sonda DE TEMPERATURA. • COMPRUEBE EL ENCENDEDOR: si la sonda de temperatura funciona correctamente, verifique si el encendedor no funciona correctamente. Consulte la sección de resolución de problemas en su Guía de montaje para obtener consejos sobre cómo VERIFICAR EL ENCENDEDOR. <p>Si el error persiste, llame al servicio al cliente de Oklahoma Joe para obtener ayuda.</p>
ER6	Sistema de cocción sobrecalentado	Ningún icono	<p>El sistema detecta el sobrecalentamiento durante un período prolongado de tiempo. Esto puede deberse a:</p> <ul style="list-style-type: none"> • Fuego de grasa dentro de la unidad • Exceso de combustible dentro de la olla • Un mal funcionamiento de la sonda de temperatura 	<ul style="list-style-type: none"> • Si el Pit Control detecta el sobrecalentamiento durante un período prolongado de tiempo, iniciará automáticamente un apagado. • En caso de calor o fuego excesivo, cierre inmediatamente la tapa de la parrilla, presione el botón de encendido y deje que la parrilla se enfríe por completo. • Una vez que la parrilla esté fría: <ol style="list-style-type: none"> 1. Desenrosque el recipiente de cenizas y arroje el exceso de cenizas 2. Retire las rejillas y caliente el deflector térmico 3. Inspeccione visualmente la chimenea para asegurarse de que esté vacía; si no lo está, se puede usar una aspiradora para limpiar la olla de combustión. 4. Inspeccione la parte inferior de la cámara de cocción en busca de cualquier bloqueo de los orificios de drenaje de grasa y limpie las vías de grasa. 5. Vuelva a montar y reintente. • La limpieza frecuente de su parrilla ayudará a prevenir incendios de grasa. <p>Si el error persiste, llame al servicio al cliente de Oklahoma Joe para obtener ayuda.</p>




CÓDIGOS DE ERROR

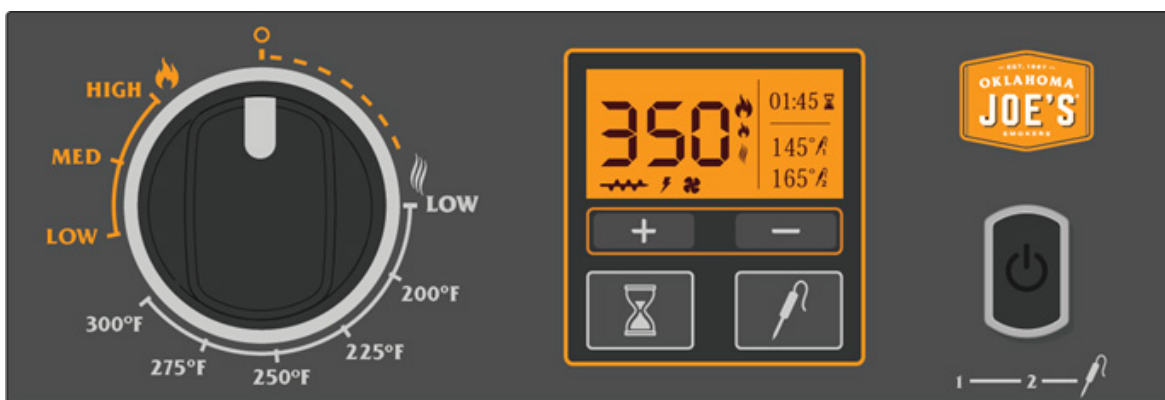
Código de error	Título del error	Icono	Causa	Solución
18H	Unidad desatendida	Ningún icono	La unidad se dejó desatendida por mucho tiempo.	1. Apague la energía eléctrica. 2. Gire la perilla a la posición de OFF/apagado. 3. Encienda la energía eléctrica.

Para obtener información adicional sobre la resolución de problemas, visite OklahomaJoes.com o llame al servicio al cliente de Oklahoma Joe al 800-318-7744.



CODES D'ERREUR

Code d'erreur	Titre de l'erreur	Icône	Cause	Solution
ER0	Erreur de position du bouton de réglage	Aucune icône	Appareil mis en marche alors que le bouton n'est pas sur la position OFF/Arrêt	<ol style="list-style-type: none"> 1. Éteignez l'appareil 2. Tournez le bouton sur la position OFF/Arrêt 3. Remettez l'appareil en marche
ER1	Erreur de la vis sans fin		<ul style="list-style-type: none"> • Le système de commande du foyer ne détecte pas le moteur de la vis sans fin • Défectuosité du moteur de la vis sans fin. 	<ol style="list-style-type: none"> 1. Débranchez le gril de l'alimentation. 2. Enlevez le panneau de commande du foyer et assurez-vous que les fils ne sont pas endommagés et sont tous bien connectés. 3. Réassemblez le tout et essayez de nouveau. <p>Si l'erreur persiste, veuillez téléphoner au service à la clientèle d'Oklahoma Joe pour obtenir de l'aide.</p>
ER2	Erreur de l'allumeur		<ul style="list-style-type: none"> • Le système de commande du foyer ne détecte pas l'allumeur • Défectuosité de l'allumeur 	<ol style="list-style-type: none"> 1. Débranchez le gril de l'alimentation. 2. Enlevez le panneau de commande du foyer et assurez-vous que les fils ne sont pas endommagés et sont tous bien connectés. 3. Réassemblez le tout et essayez de nouveau. <p>Si l'erreur persiste, veuillez téléphoner au service à la clientèle d'Oklahoma Joe pour obtenir de l'aide.</p>
ER3	Erreur du ventilateur de combustion		<ul style="list-style-type: none"> • Le système de commande du foyer ne détecte pas le ventilateur • Défectuosité du moteur du ventilateur 	<ol style="list-style-type: none"> 1. Débranchez le gril de l'alimentation. 2. Enlevez le panneau de commande du foyer et assurez-vous que les fils ne sont pas endommagés et sont tous bien connectés. 3. Réassemblez le tout et essayez de nouveau. <p>Si l'erreur persiste, veuillez téléphoner au service à la clientèle d'Oklahoma Joe pour obtenir de l'aide.</p>
ER4	Erreur de la sonde de température	Aucune icône	<ul style="list-style-type: none"> • Le système de commande du foyer ne détecte pas la sonde de température • Le système de commande du foyer détecte un signal anormal provenant de la sonde de température • Défectuosité de la sonde de température 	<ol style="list-style-type: none"> 1. Débranchez le gril de l'alimentation. 2. Enlevez le panneau de commande du foyer et assurez-vous que les fils ne sont pas endommagés et sont tous bien connectés. 3. Réassemblez le tout et essayez de nouveau. <p>Si l'erreur persiste, veuillez téléphoner au service à la clientèle d'Oklahoma Joe pour obtenir de l'aide.</p>



CODES D'ERREUR

Code d'erreur	Titre de l'erreur	Icône	Cause	Solution
ER5	Extinction de la flamme	Aucune icône	<p>La température dans la chambre de combustion ne dépasse pas 100 °F pendant une longue période. Cause possible :</p> <ul style="list-style-type: none"> • Manque de granules • Blocage de la vis sans fin • Le récipient à cendre ou la chambre de combustion sont trop pleins • Défectuosité de la sonde de température • L'allumeur n'a pas allumé le feu 	<ul style="list-style-type: none"> • VÉRIFIEZ LA QUANTITÉ DE GRANULES – La trémie contient-elle des granules? Si ce n'est pas le cas, remplissez-la et essayez à nouveau. • VÉRIFIEZ L'ACCUMULATION DE CENDRES – Si vous avez suffisamment de granules, vérifiez s'il y a une accumulation de cendres dans la chambre de combustion. Si les cendres ne s'écoulent pas correctement, elles peuvent couvrir l'allumeur et empêcher les granules de s'enflammer et de brûler. Consultez la section « Dépannage » de votre guide d'assemblage pour obtenir des conseils sur la manière de VÉRIFIER L'ACCUMULATION DE CENDRES. • VÉRIFIEZ SI LA VIS SANS FIN EST BLOQUÉE – Si votre chambre de combustion est propre, vous devez ensuite vérifier si la vis sans fin est bloquée. Un blocage peut être causé par différents facteurs, par exemple l'utilisation de granules humides ou qui s'émiettent, les granules laissées dans le système ou une mauvaise exécution du processus d'arrêt. Consultez la section « Dépannage » de votre guide d'assemblage pour obtenir des conseils sur la manière de VÉRIFIER SI LA VIS SANS FIN EST BLOQUÉE. • VÉRIFIEZ LE MOTEUR DE LA VIS SANS FIN – Une fois que vous avez confirmé que votre vis sans fin n'est pas bloquée, vous devez ensuite vérifier le fonctionnement du moteur de la vis sans fin. Consultez la section « Dépannage » de votre guide d'assemblage pour obtenir des conseils sur la manière de VÉRIFIER LE MOTEUR DE LA VIS SANS FIN. • VÉRIFIEZ LA SONDE DE TEMPÉRATURE – Si la vis sans fin tourne correctement, vérifiez si la sonde de température fonctionne bien. Consultez la section « Dépannage » de votre guide d'assemblage pour obtenir des conseils sur la manière de VÉRIFIER LA SONDE DE TEMPÉRATURE. • VÉRIFIEZ L'ALLUMEUR – Si la sonde de température fonctionne correctement, vérifiez si l'allumeur fonctionne bien. Consultez la section « Dépannage » de votre guide d'assemblage pour obtenir des conseils sur la manière de VÉRIFIER L'ALLUMEUR. <p>Si l'erreur persiste, veuillez téléphoner au service à la clientèle d'Oklahoma Joe pour obtenir de l'aide.</p>
ER6	Surchauffe du système de cuisson	Aucune icône	<p>Le système détecte une température excessive pendant une longue période. Cela peut être attribuable aux facteurs suivants :</p> <ul style="list-style-type: none"> • Feu de graisse dans l'appareil • Trop de combustible dans la chambre de combustion • Défectuosité de la sonde de température 	<ul style="list-style-type: none"> • Si le contrôleur du foyer détecte une température excessive pendant une longue période, il amorce automatiquement une combustion d'arrêt. • En cas de chaleur excessive ou de feu, fermez immédiatement le couvercle du grill, appuyez sur le bouton marche/arrêt et laissez le grill refroidir complètement. • Une fois que le grill est frais : <ol style="list-style-type: none"> 1. Dévissez le récipient à cendre et videz l'excédent de cendre. 2. Retirez les grilles et l'écran thermique. 3. Inspectez visuellement la chambre de combustion pour vous assurer qu'elle est vide; si elle ne l'est pas, vous pouvez utiliser un aspirateur d'atelier pour la vider. 4. Inspectez le fond de la chambre de cuisson pour vérifier si les orifices de drainage de la graisse sont bloqués, et nettoyez les chemins empruntés par la graisse. 5. Réassemblez le tout et essayez de nouveau. • Un nettoyage fréquent de votre grill contribuera à prévenir les feux de graisse. <p>Si l'erreur persiste, veuillez téléphoner au service à la clientèle d'Oklahoma Joe pour obtenir de l'aide.</p>

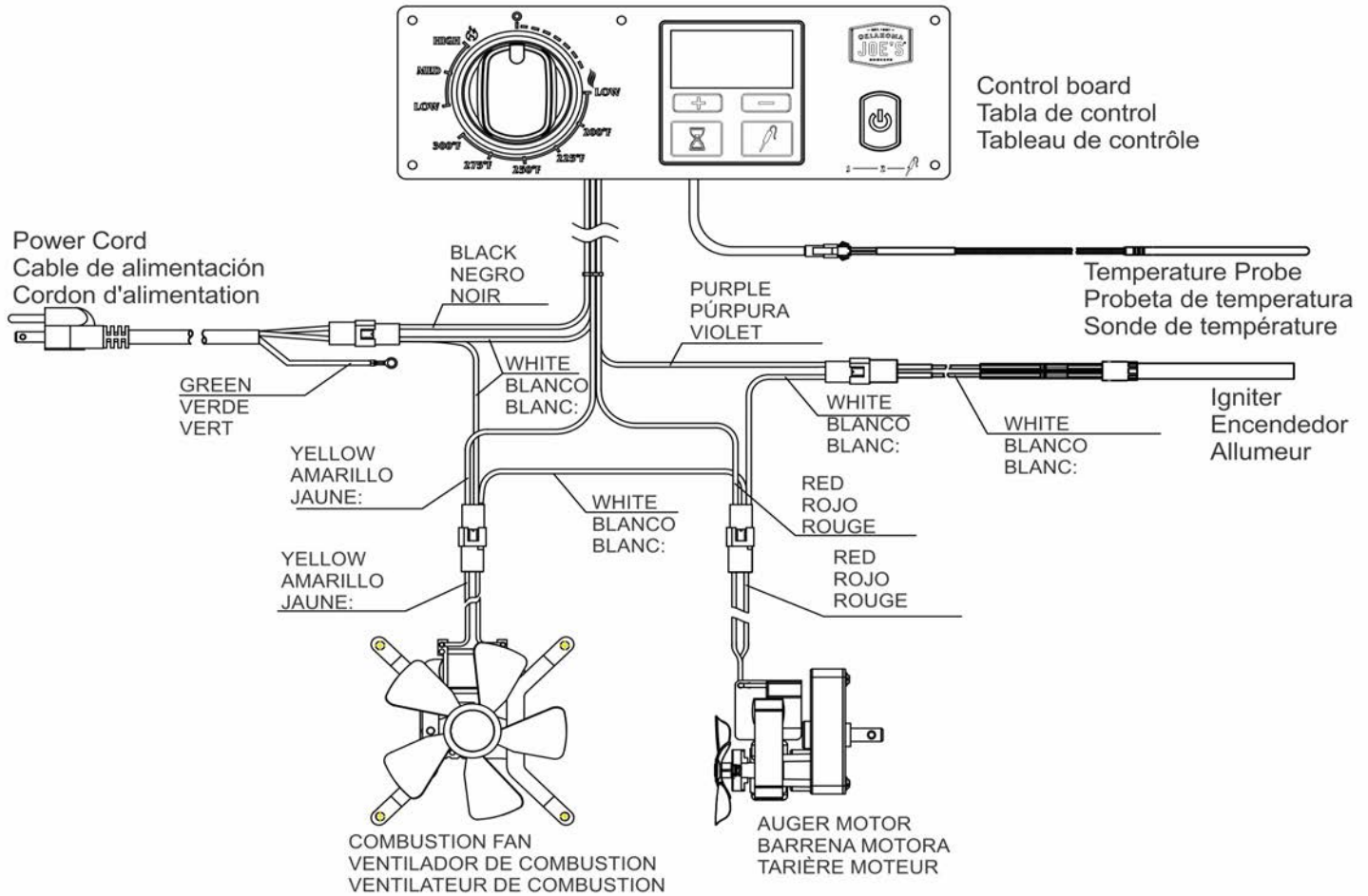
CODES D'ERREUR

Code d'erreur	Titre de l'erreur	Icône	Cause	Solution
18H	Appareil sans surveillance	Aucune icône	L'appareil est laissé sans surveillance trop longtemps	1. Éteignez l'appareil. 2. Tournez le bouton sur la position OFF/SHUTDOWN. 3. Remettez l'appareil en marche.

Pour obtenir des renseignements supplémentaires ou pour obtenir de l'aide lors du dépannage, veuillez vous rendre à OklahomaJoes.com ou téléphoner au service à la clientèle d'Oklahoma Joe au 800 318-7744.



ELECTRICAL CIRCUIT DIAGRAM • DIAGRAMA DE CIRCUITO ELECTRICO • SCHÉMA DE CIRCUIT ÉLECTRIQUE



Wire Color Codes:

WHITE:	Neutral Wire
PURPLE:	Ignitor Power
RED:	Auger Motor Power
YELLOW:	Combustion Fan Power
GREEN:	Grounding Wire
BLACK:	Power from Power Cord

Códigos de color del cable:

BLANCO:	Cable neutro
PÚRPURA:	Poder de encendido
ROJO:	Potencia del motor del sinfín
AMARILLO:	Potencia del ventilador de combustión
VERDE:	Cable a tierra
NEGRO:	Energía del cable de alimentación

Codes de couleur de fil:

BLANC:	Fil neutre
VIOLET:	Puissance de l'allumeur
ROUGE:	Puissance du moteur de la vis sans fin
JAUNE:	Puissance du ventilateur de combustion
VERT:	Fil de terre
NOIR:	Alimentation du cordon d'alimentation

NOTE: CIRCUIT DIAGRAM PROVIDED FOR REFERENCE ONLY. DO NOT MODIFY ANY CIRCUITS PROVIDED WITH YOUR GRILL. CIRCUIT DIAGRAM IS SUBJECT TO CHANGE BASED ON PRODUCT DESIGN IMPROVEMENTS.

NOTE: Some grill parts shown may differ slightly in appearance from those on your particular grill model. However, the operation and functioning of the parts are the same.

NOTA: Algunas partes de la parrilla que se muestran pueden diferir ligeramente en apariencia de las de su modelo de parrilla en particular. Sin embargo, la operación y el funcionamiento de las partes son iguales.

REMARQUE: Certaines parties du gril présentées peuvent différer légèrement de celles de votre modèle de gril. Cependant, le fonctionnement et le fonctionnement des pièces sont les mêmes.



LIMITED WARRANTY

This warranty only applies to units purchased from an authorized retailer. Manufacturer warrants to the original consumer-purchaser only that this product shall be free from defects in workmanship and materials after correct assembly and under normal and reasonable home use for the periods indicated below beginning on the date of purchase*. The manufacturer reserves the right to require that defective parts be returned, postage and or freight pre-paid by the consumer for review and examination.

SCOPE OF COVERAGE	PERIOD OF COVERAGE	TYPE OF FAILURE COVERAGE
ALL PARTS	2 YEARS	PERFORATION, MANUFACTURING, AND MATERIAL DEFECTS ONLY

*Note: A dated sales receipt WILL be required for warranty service.

The original consumer-purchaser will be responsible for all shipping charges for parts replaced under the terms of this limited warranty.

This limited warranty is applicable in the United States and Canada only, is only available to the original owner of the product and is not transferable. **Manufacturer requires proof of your date of purchase. Therefore, you should retain your sales slip or invoice.** Registering your product is not a substitute for proof of purchase and the manufacturer is not responsible for or required to retain proof of purchase records. This limited warranty applies to the functionality of the product ONLY and does not cover cosmetic issues such as scratches, dents, corrossions or discoloring by heat, abrasive and chemical cleaners or any tools used in the assembly or installation of the appliance, surface rust, or the discoloration of stainless steel surfaces. Paint is not warranted and will require touch up. RUST is not considered a manufacturing or materials defect.

This limited warranty will not reimburse you for the cost of any inconvenience, food, personal injury or property damage.

ITEMS MANUFACTURER WILL NOT PAY FOR:

1. Shipping cost, standard or expedited, for warranty and replacement parts.
2. Service calls to your home.
3. Repairs when your product is used for other than normal, single-family household or residential use.
4. Damage, failures, or operating difficulties resulting from accident, alteration, careless handling, misuse, abuse, fire, flood, acts of God, improper installation or maintenance, installation not in accordance with electrical or plumbing codes, or use of products not approved by the manufacturer.
5. Any food loss due to product failures or operating difficulties.
6. Replacement parts or repair labor costs for units operated outside the United States or Canada.
7. Pickup and delivery of your product.
8. Repairs to parts or systems resulting from unauthorized modifications made to the product.
9. The removal and/or reinstallation of your product.

DISCLAIMER OF IMPLIED WARRANTIES and LIMITATION OF REMEDIES

Repair or replacement of defective parts is your exclusive remedy under the terms of this limited warranty. In the event of parts availability issues, the manufacturer reserves the right to substitute like or similar parts that are equally functional. Manufacturer will not be responsible for any consequential or incidental damages arising from the breach of either this limited warranty or any applicable implied warranty, or for failure or damage resulting from acts of God, improper care and maintenance, grease fire, accident, alteration, replacement of parts by anyone other than Manufacturer, misuse, transportation, commercial use, abuse, hostile environments (inclement weather, acts of nature, animal tampering), improper installation or installation not in accordance with local codes or printed manufacturer instructions.

THIS LIMITED WARRANTY IS THE SOLE EXPRESS WARRANTY GIVEN BY THE MANUFACTURER. NO PRODUCT PERFORMANCE SPECIFICATION OR DESCRIPTION WHEREVER APPEARING IS WARRANTED BY MANUFACTURER EXCEPT TO THE EXTENT SET FORTH IN THIS LIMITED WARRANTY. ANY IMPLIED WARRANTY PROTECTION ARISING UNDER THE LAWS OF ANY STATE, INCLUDING IMPLIED WARRANTY OF MERCHANTABILITY OR FITNESS FOR A PARTICULAR PURPOSE OR USE, IS HEREBY LIMITED IN DURATION TO THE DURATION OF THIS LIMITED WARRANTY.

Neither dealers nor the retail establishment selling this product has any authority to make any additional warranties or to promise remedies in addition to or inconsistent with those stated above. Manufacturer's maximum liability, in any event, shall not exceed the purchase price of the product paid by the original consumer. NOTE: Some states do not allow an exclusion or limitation of incidental or consequential damages, so some of the above limitations or exclusions may not apply to you. This limited warranty gives you specific legal rights as set forth herein. You may also have other rights which vary from state to state. In the state of California only, if refinishing or replacement of the product is not commercially practicable, the retailer selling this product or the Manufacturer will refund the purchase price paid for the product, less the amount directly attributable to use by the original consumer-purchaser prior to discovery of the nonconformity. In addition, in the state of California only, you may take the product to the retail establishment selling this product in order to obtain performance under this limited warranty. If you wish to obtain performance of any obligation under this limited warranty, you should write to:

Consumer Relations
P. O. Box 1240
Columbus, GA 31902-1240

Consumer returns will not be accepted unless a valid Return Authorization is first acquired. Authorized returns are clearly marked on the outside of the package with an RA number and the package is shipped freight/postage pre-paid. Consumer returns that do not meet these standards will be refused.



GARANTÍA LIMITADA

Esta garantía solo se aplica a las unidades compradas en un minorista autorizado. El fabricante únicamente garantiza al comprador-consumidor original que este producto estará libre de defectos materiales y de materiales después de corregir el montaje y bajo uso doméstico normal y razonable durante los periodos indicados a continuación a partir de la fecha de la compra*. El fabricante se reserva el derecho de solicitar que las piezas defectuosas se devuelvan, con gastos de envío y/o el flete prepagados por el consumidor para su revisión y examen.

ALCANCE DE LA COBERTURA	PERIODO DE COBERTURA	COBERTURA POR TIPO DE FALLA
TODAS LAS PARTES	2 AÑOS	SOLO DEFECTOS DE PERFORACIÓN, MANUFACTURA Y DEFECTOS MATERIALES

*Nota: SE requerirá un recibo de venta con la fecha para el mantenimiento de garantía.

El consumidor-comprador original será responsable de todos los gastos de envío de las piezas reemplazadas bajo los términos de esta garantía limitada. Esta garantía limitada es aplicable solo en los Estados Unidos y Canadá, solo está disponible para el propietario original del producto y no es transferible. **El fabricante requerirá una prueba de la fecha de compra. Por lo tanto, debe guardar su recibo o factura de venta.** El registro de su producto no es un sustituto de la prueba de compra y el fabricante no es responsable ni está obligado a conservar los comprobantes de los registros de compra. Esta garantía limitada se aplica SOLAMENTE a la funcionalidad del producto y no cubre problemas cosméticos como rasguños, abolladuras, corrosión o decoloración por calor, productos químicos de limpieza abrasivos o cualquier herramienta utilizada en el montaje o instalación del aparato, óxido de superficie o la decoloración de las superficies de acero inoxidable. La pintura no está cubierta por la garantía y requerirá de retoques. El ÓXIDO no es considerado un defecto de fabricación o de materiales.

Esta garantía limitada no le reembolsará el costo por cualquier inconveniente, alimento, lesión personal o daño a la propiedad.

ELEMENTOS QUE EL FABRICANTE NO PAGARÁ:

1. Costo de envío, estándar o inmediato, para piezas bajo garantía o de repuesto.
2. Llamadas de mantenimiento a su hogar.
3. Reparaciones cuando su producto sea usado para usos distintos de los usos domésticos o residenciales normales.
4. Daños, fallas o dificultades operativas resultantes de un accidente, alteración, manejo descuidado, uso indebido, abuso, incendio, inundación, actos de Dios, instalación o mantenimiento inadecuado, instalación que no esté de acuerdo con los códigos eléctricos o de plomería, o uso de productos no aprobados por el fabricante.
5. Cualquier pérdida de alimentos debido a fallas del producto o dificultades operativas.
6. Costos por piezas de repuesto o mano de obra de reparación para unidades operadas fuera de los Estados Unidos o Canadá.
7. Recojo y entrega de su producto.
8. Reparaciones de piezas o sistemas como resultado de modificaciones no autorizadas realizadas al producto.
9. El retiro y/o la reinstalación de su producto.

EXENCIÓN DE RESPONSABILIDAD DE GARANTÍAS IMPLÍCITAS Y LIMITACIÓN DE RECURSOS

La reparación o el reemplazo de piezas defectuosas es su recurso exclusivo bajo los términos de esta garantía limitada. En caso de problemas de disponibilidad de piezas, el fabricante se reserva el derecho de sustituirlas con piezas equivalentes o similares que sean igualmente funcionales. El fabricante no será responsable de ningún daño consecuente o incidental derivado del incumplimiento de esta garantía limitada o de cualquier garantía implícita aplicable, o por falla o daño resultante de actos de Dios, cuidado y mantenimiento incorrectos, incendio producido por grasa, accidente, alteración, reemplazo de piezas por cualquier persona que no sea el fabricante, mal uso, transporte, uso comercial, abuso, ambientes hostiles (clima inclemente, actos de la naturaleza, manipulación de animales), instalación incorrecta o instalación que no esté de acuerdo con los códigos locales o las instrucciones impresas del fabricante.

ESTA GARANTÍA LIMITADA ES LA ÚNICA GARANTÍA EXPRESA PROPORCIONADA POR EL FABRICANTE. NINGÚN DESEMPEÑO ESPECIFICACIÓN O DESCRIPCIÓN DEL PRODUCTO DONDE APAREZCA ES GARANTIZADO POR EL FABRICANTE, EXCEPTO EN LA MEDIDA ESTABLECIDA EN ESTA GARANTÍA LIMITADA. CUALQUIER PROTECCIÓN DE GARANTÍA IMPLÍCITA DERIVADA DE LAS LEYES DE CUALQUIER ESTADO, INCLUYENDO LA GARANTÍA IMPLÍCITA DE COMERCIABILIDAD O IDONEIDAD PARA UN PROPÓSITO O USO PARTICULAR, SE LIMITA POR LA PRESENTE A LA DURACIÓN DE ESTA GARANTÍA LIMITADA.

Ni los distribuidores ni el establecimiento minorista que venden este producto tienen autoridad alguna para otorgar garantías adicionales o para prometer soluciones adicionales o inconsistentes con las indicadas anteriormente. La responsabilidad máxima del fabricante, en cualquier caso, no excederá el precio de compra del producto pagado por el consumidor original. NOTA: Algunos estados no permiten una exclusión o limitación de daños incidentales o consecuentes, por lo que algunas de las limitaciones o exclusiones anteriores pueden no aplicarse a usted. Esta garantía limitada le otorga derechos legales específicos como se establece en este documento. También podría tener otros derechos que varían de un estado a otro. Solamente en el estado de California, si el reacondicionamiento o el reemplazo del producto no es comercialmente factible, el minorista que venda este producto o el fabricante reembolsará el precio de compra pagado por el producto, menos el monto directamente atribuible al uso por parte del consumidor comprador original antes del descubrimiento de la no conformidad. Además, solo en el estado de California, puede llevar el producto al establecimiento minorista que vende este producto para obtener el cumplimiento de esta garantía limitada. Si desea obtener el cumplimiento de cualquier obligación bajo esta garantía limitada, debe escribir a:

Relaciones del consumidor

P. O. Box 1240

Columbus, GA 31902-1240

Las devoluciones de los consumidores no serán aceptadas a menos que se obtenga primero una autorización de devolución válida. Las devoluciones autorizadas están claramente marcadas en el exterior del paquete con un número de RA y el paquete se envía con flete/franqueo prepagado. Las devoluciones del consumidor que no cumplan con estos estándares serán rechazadas.

GARANTIE LIMITÉE

Cette garantie ne s'applique qu'aux appareils achetés auprès d'un détaillant autorisé. Le fabricant garantit au premier consommateur acheteur que ce produit sera exempt de défauts de fabrication et de matériel après un bon assemblage et avec une utilisation résidentielle normale et raisonnable pendant les périodes indiquées ci-dessous, à compter de la date de l'achat*. Le fabricant se réserve le droit d'exiger le retour des pièces défectueuses, port ou fret prépayé par le consommateur, à des fins d'examen.

ÉTENDUE DE LA COUVERTURE	PÉRIODE DE LA COUVERTURE	COUVERTURE EN FONCTION DU TYPE DE DÉFAILLANCE
TOUTES LES PARTIES	2 ANS	DÉFAUTS DE PERFORATION, DE FABRICANT ET DE MATÉRIEL SEULEMENT

*Remarque : Un reçu de vente portant la date SERA requis pour un service au titre de la garantie.

Le premier consommateur acheteur sera responsable de la totalité des frais d'expédition pour les pièces remplacées en vertu de la présente garantie limitée.

La présente garantie limitée s'applique uniquement aux États-Unis et au Canada, elle n'est offerte qu'au premier propriétaire du produit et elle ne peut pas être transférée. **Le fabricant exige une preuve de la date de l'achat. Par conséquent, conservez votre reçu de vente ou votre facture.** L'enregistrement du produit ne remplace pas la preuve d'achat. Le fabricant n'est pas tenu de conserver des dossiers des preuves d'achat, et il n'a aucune responsabilité à cet égard. La présente garantie limitée s'applique **UNIQUEMENT** à la fonctionnalité du produit; elle ne couvre pas les problèmes cosmétiques comme les éraflures, les bosses, la corrosion ou la décoloration causée la chaleur, des produits de nettoyage abrasifs et chimiques ou les outils utilisés lors de l'assemblage ou de l'installation de l'appareil, la rouille en surface ou la décoloration des surfaces en acier inoxydable. La peinture n'est pas garantie et des retouches seront nécessaires. La ROUILLE n'est pas considérée comme étant un défaut de fabrication ou de matériel.

La présente garantie limitée ne vous remboursera pas les coûts liés à des désagréments, des aliments, des blessures ou des dommages matériels.

CE QUE LE FABRICANT NE PAIE PAS :

1. Frais de transport, standard ou accéléré, pour les pièces de rechange et celles couvertes par la garantie.
2. Les appels de service à votre domicile.
3. Les réparations lorsque votre produit n'a pas une utilisation normale, résidentielle ou pour une seule famille.
4. Les dommages, les défaillances ou les troubles de fonctionnement découlant d'un accident, de modifications, d'une manutention négligente, de mésusage, d'abus, d'un incendie, d'une inondation, de catastrophes naturelles, d'une installation ou d'un entretien incorrects, d'une installation non conforme aux codes de l'électricité ou de la plomberie, ou de l'utilisation de produits qui ne sont pas approuvés par le fabricant.
5. Toute perte d'aliments attribuable à des défaillances du produit ou à des troubles de fonctionnement.
6. Les pièces de rechange ou les coûts de main-d'œuvre pour la réparation concernant des appareils utilisés à l'extérieur des États-Unis ou du Canada.
7. La collecte et la livraison de votre produit.
8. Les réparations à des pièces ou des systèmes découlant de modifications faites sans autorisation.
9. L'enlèvement ou la réinstallation de votre produit.

AVIS DE NON-RESPONSABILITÉ CONCERNANT LES GARANTIES IMPLICITES et LIMITATION DES RECOURS

La réparation ou le remplacement des pièces défectueuses est votre unique recours en vertu des conditions de la présente garantie limitée. Dans l'éventualité de problèmes de disponibilité des pièces, le fabricant se réserve le droit de leur substituer des pièces identiques ou semblables qui ont la même fonctionnalité. Le fabricant n'assume aucune responsabilité quant aux dommages consécutifs ou accessoires découlant de la violation de la présente garantie limitée ou de toute garantie implicite applicable, ou pour une défaillance ou des dommages découlant d'une catastrophe naturelle, d'un entretien inapproprié, d'un feu de graisse, d'un accident, d'une modification, du remplacement de pièces par une entité autre que le fabricant, de mésusage, du transport, d'une utilisation commerciale, d'un abus, d'environnements hostiles (mauvais temps, actes de la nature, problèmes causés par les animaux), d'une mauvaise installation ou d'une installation qui n'est pas conforme aux codes locaux ou aux instructions imprimées du fabricant.

LA PRÉSENTE GARANTIE LIMITÉE EST L'UNIQUE GARANTIE EXPLICITE FOURNIE PAR LE FABRICANT. AUCUNE SPÉCIFICATION NI DESCRIPTION DE LA PERFORMANCE DU PRODUIT, OÙ QU'ELLE APPARAISSE, N'EST GARANTIE PAR LE FABRICANT, DANS LA MESURE ÉNONCÉE DANS LA PRÉSENTE GARANTIE LIMITÉE. TOUTE PROTECTION AU TITRE D'UNE GARANTIE IMPLICITE DÉCOULANT DES LOIS D'UN ÉTAT QUELCONQUE, Y COMPRIS UNE GARANTIE IMPLICITE DE QUALITÉ MARCHANDE OU D'ADAPTION À UN USAGE PARTICULIER, EST LIMITÉE PAR LES PRÉSENTES À LA DURÉE DE LA PRÉSENTE GARANTIE LIMITÉE.

Ni les marchands ni le détaillant qui vend ce produit ne sont autorisés à fournir des garanties supplémentaires ou à promettre quoi que ce soit qui excède ou qui contredit ce qui est énoncé ci-dessus. La responsabilité maximale de fabricant, dans tous les cas, ne peut dépasser le prix d'achat de l'article payé par le premier consommateur.

REMARQUE : Certains États ou certaines provinces n'autorisent pas l'exclusion ou la limitation des dommages accessoires ou indirects; il est donc possible que certaines des exclusions ou limitations susmentionnées ne vous concernent pas. La présente garantie limitée vous confère également des droits légaux spécifiques, énoncés dans les présentes. Vous pouvez également avoir d'autres droits qui varient d'un État à l'autre ou d'une province à l'autre. Dans l'État de la Californie seulement, si la retouche ou le remplacement du produit n'est pas commercialement faisable, le détaillant qui a vendu ce produit ou le fabricant remboursera le prix d'achat payé pour le produit, moins le montant directement imputable à l'usage qu'en aura fait le premier consommateur acheteur avant la découverte de la non-conformité. De plus, dans l'État de la Californie seulement, vous pouvez rapporter le produit au détaillant qui vous l'a vendu pour bénéficier de service en vertu de la présente garantie limitée. Si vous souhaitez assurer l'exécution de toute obligation en vertu de la présente garantie limitée, écrivez à :

**Consumer Relations
P. O. Box 1240
Columbus, GA 31902-1240**

Les retours de la part des consommateurs ne seront pas acceptés sans autorisation de retour valide. Un numéro d'autorisation de retour doit être clairement inscrit à l'extérieur de l'emballage des retours autorisés, et les colis doivent être expédiés port ou fret prépayé. Les retours de la part des consommateurs qui ne satisfont pas ces normes seront refusés.

PRODUCT REGISTRATION / REGISTRACIÓN DEL PRODUCTO / ENREGISTREMENT DU PRODUIT

Two convenient ways to register your product:

Deux manières pratiques d'enregistrer votre produit:

Dos maneras convenientes de registrar su producto:

1 Online

En ligne

En línea

@ <https://www.oklahomajoes.com/product-registration/>

2 By Mail | Par la poste | Por correo

Please fill out this card and attached a copy of your sales receipt. Return it within 10 days of purchase for warranty service. Proof of purchase will be required. The warranty is not transferable.

Veillez remplir cette carte et joindre une copie de votre reçu de vente. Renvoyez-le dans les 10 jours de l'achat pour le service de garantie. Une preuve d'achat sera nécessaire. La garantie n'est pas transférable.

Por favor llene esta tarjeta y adjunte una copia de su recibo de compra. Devuelva en el plazo de 10 días de la compra para el servicio de la garantía. Se requerirá prueba de compra. La garantía no es transferible.

**Required / Obligatoire / Necesario*

***Please Print / Veuillez imprimer / Por favor imprima*

*1. First Name Prénom Nombre	Initial Initiale Inicial	Last Name Nom de famille Apellido
Address Adresse Dirección		Apt. No No d'appt No de appart
City Ville Ciudad	State Etat Estado	Zip Code Code post Código post
*2. E-mail Address Adresse e-mail Dirección de correo electrónico		
*3. Phone Number Numéro de téléphone Número de Teléfono		
*4. Model Number Numéro de modèle Número de modelo		
Serial Number Numéro de série Número de serie		
6. Date of Purchase Date d'achat Fecha de compra		
7. Store Name Nom du magasin Nombre de la tienda		
8. Purchase Price Prix d'achat Precio de compra		

*5. Attach copy of your sales receipt here.
Joignez une copie de votre reçu de vente ici.
Adjunte una copia de su recibo de venta aquí.

9 Your Gender | Sexe | Sexe: Male | Masculin | Masculino Female | Femelle | Femenino

We respect your privacy | Nous respectons votre vie privée | Respetamos su privacidad

If you prefer not to receive special offers and promotions from Char-Broil, please check here:

Si vous préférez recevoir des offres et promotions spéciales de Char-Broil, veuillez vérifier ici:

Si estás buscando un lugar para alojarse en Char-Broil, compruebe aquí.

Mail to: / Envoyer à: / Correo a:
Oklahoma Joe's Warranty Registration
P.O. Box 1240
Columbus, Ga 31902-1240

Thank you for completing this questionnaire | Merci d'avoir rempli ce questionnaire. | Gracias por completar este cuestionario





WARNING:

1. Combustion byproducts produced when using this product contain chemicals known to the State of California to cause cancer, and birth defects, or other reproductive harm.
2. This product can expose you to lead, which is known to the State of California to cause cancer and birth defects or other reproductive harm. For more information go to www.P65Warnings.ca.gov.



AVERTISSEMENT:

1. Les sous-produits de combustion produits lors de l'utilisation de ce produit contiennent des produits chimiques connus de l'État de Californie pour causer le cancer et des malformations congénitales, ou d'autres problèmes de reproduction.
2. Ce produit peut vous exposer au plomb, qui est connu par l'État de Californie pour causer le cancer et des malformations congénitales ou d'autres problèmes de reproduction. Pour plus d'informations, visitez www.P65Warnings.ca.gov.



ADVERTENCIA:

1. Los subproductos de la combustión producidos al usar este producto contienen sustancias químicas que el Estado de California sabe que causan cáncer y defectos de nacimiento u otros daños reproductivos.
2. Este producto puede exponerlo al plomo, que según el estado de California es causante de cáncer y defectos de nacimiento u otros daños reproductivos. Para obtener más información, vaya a www.P65Warnings.ca.gov.



WORTH *the* WHITE

So, how did it go?

Share your awesome cooking experience with everyone! We are live on all the social media sites! Join the community!

Entonces, ¿cómo te fue?

¡Comparte tu increíble experiencia culinaria con todos! ¡Estamos en vivo en las redes sociales! ¡Únete a la comunidad!

Alors, comment ça s'est passé?

Partagez votre expérience culinaire avec tout le monde! Nous sommes en direct sur tous les sites de médias sociaux! Rejoignez la communauté!

