

NEXGRILL

OAKFORD 1400

VERTICAL PELLET SMOKER
FUMOIR VERTICAL À GRANULES
AHUMADOR VERTICAL DE PELLETS

Model /Modèle/Modelo: 910-0013

OAKFORD

PELLET  GRILLS

Owner's Guide
Guide Du Propriétaire
Guía Del Propietario



**IMPORTANT INFORMATION.
MUST READ BEFORE OPERATING.
KEEP FOR FUTURE REFERENCE.**

**INFORMATION IMPORTANTE.
LIRE AVANT L'UTILISATION.
CONSERVER POUR CONSULTATION ULTÉRIEURE.**

**INFORMACIÓN IMPORTANTE.
LEER ANTES DE USAR EL PRODUCTO.
GUARDE ESTA GUÍA PARA FUTURAS CONSULTAS.**

**A MAJOR CAUSE OF FIRES IS FAILURE TO MAINTAIN
REQUIRED CLEARANCES (AIR SPACES) TO
COMBUSTIBLE MATERIALS. IT IS OF UTMOST
IMPORTANCE THAT THIS PRODUCT BE INSTALLED
ONLY IN ACCORDANCE WITH THESE INSTRUCTIONS.**

FOR OUTDOOR USE ONLY.
Not for commercial use.

POUR USAGE EXTÉRIEUR SEULEMENT.
À usage non commercial.

PARA EXTERIOR SÓLAMENTE.
No apto para uso comercial

TABLE OF CONTENTS / TABLE DES MATIÈRES / ÍNDICE

EN

Important Safety Information	3	Cooking With Temperature Probes	8
Vertical Pellet Smoker	5	Care and Maintenance	9
Controller Guide	6	Troubleshooting	10
Operating Instructions	7	Electrical Circuit Diagram	11
Before First Use.....	7	Limited Warranty	12
Each and Every Use.....	7	FCC and IC Compliance	13
Lighting Your Grill – Automatically	7	Package Parts List	39
Turning Off Your Grill	7	Assembly Instructions	43
Lighting Your Grill – Manually	8	Replacement Parts	56
Changing Pellets	8		

FR

Consignes de sécurité importantes	14	Cuisson avec thermomètre	20
Fumoir vertical à granulés	17	Nettoyage et entretien	21
Panneau de commande	18	Dépannage	22
Utilisation	19	Schéma de circuit	23
Avant la première utilisation	19	Garantie limitée	24
À chaque utilisation	19	Conformité FCC et IC.....	25
Allumage automatique	19	Liste des pièces	39
Arrêt du barbecue	19	Montage	43
Allumage manuel.....	20	Pièces de rechange	57
Changement des granules.....	20		

ES

Información de seguridad importante	26	Cómo usar las sondas de temperatura	33
Ahumador vertical de pellets	29	Instrucciones de cuidado y mantenimiento	34
Guía del controlador	30	Solución de problemas	35
Instrucciones de funcionamiento	31	Diagrama del circuito eléctrico	36
Antes de usar por primera vez	31	Garantía limitada	37
Cada vez que utilice el producto	31	Cumplimiento con FCC y IC.....	38
Encendido automático	32	Lista de piezas	39
Encendido manual	32	Instrucciones de montaje	43
Apague su fumador	32	Piezas de repuesto	58
Cómo cambiar los pellets	33		

PLEASE READ THIS ENTIRE MANUAL BEFORE INSTALLATION AND USE OF THIS PELLET FUEL-BURNING APPLIANCE. FAILURE TO FOLLOW THESE INSTRUCTIONS COULD RESULT IN PROPERTY DAMAGE, BODILY INJURY OR EVEN DEATH. SAVE THESE INSTRUCTIONS.

LIRE LE GUIDE AU COMPLET AVANT D'INSTALLER ET D'UTILISER LE BARBECUE AUX GRANULES. LE NON-RESPECT DES INSTRUCTIONS PEUT CAUSER DES DOMMAGES, DES BLESSURES OU LA MORT. CONSERVER LE GUIDE.

LEA ESTE MANUAL EN SU TOTALIDAD ANTES DE INSTALAR Y UTILIZAR ESTE ARTEFACTO CON COMBUSTIÓN A PELLETS. EL INCUMPLIMIENTO DE ESTAS INSTRUCCIONES PODRÍA PROVOCAR DAÑOS MATERIALES, LESIONES FÍSICAS O INCLUSO LA MUERTE. GUARDE ESTAS INSTRUCCIONES.

CONTACT LOCAL BUILDING OR FIRE OFFICIALS ABOUT RESTRICTIONS AND INSTALLATION INSPECTION REQUIREMENTS IN YOUR AREA.

CONTACTER LES AUTORITÉS LOCALES EN MATIÈRE D'INCENDIE ET DE BÂTIMENT POUR CONNAITRE LES RESTRICTIONS ET EXIGENCES D'INSTALLATION DANS VOTRE RÉGION.

COMUNÍQUESE CON LAS AUTORIDADES LOCALES DE CONSTRUCCIÓN O INCENDIOS PARA CONOCER LAS RESTRICCIONES Y LOS REQUISITOS DE INSPECCIÓN PARA LA INSTALACIÓN EN SU ZONA.

IMPORTANT SAFETY INFORMATION

WARNING! Follow these guidelines to prevent this colorless, odorless gas from poisoning you, your family or others:

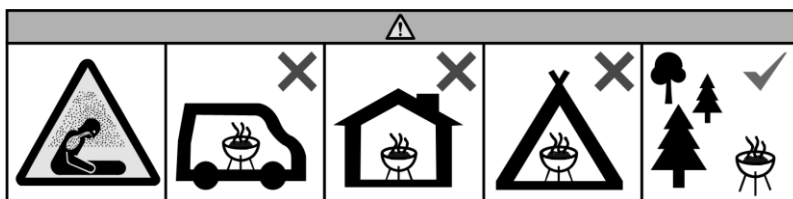
- Know the symptoms of carbon monoxide poisoning: headache, dizziness, weakness, nausea, vomiting, sleepiness, and confusion. Carbon monoxide reduces the blood's ability to carry oxygen. Low blood oxygen levels can result in loss of consciousness and death.
- See a doctor if you and others develop cold or flu-like symptoms while cooking or in the vicinity of this appliance. Carbon monoxide poisoning, which can easily be mistaken for cold or flu, is often detected too late.
- Alcohol consumption and drug use increase the effects of carbon monoxide poisoning.

Carbon monoxide is especially toxic to mother and child during pregnancy, infants, the elderly, smokers, and people with blood or circulatory system problems, such as anemia, or heart disease.



Questions, problems, missing parts?

Before returning to your retailer, call our customer service department at 1-800-913-8999 in USA and 1-800-648-5864 in Canada, language spoken: English, French, Spanish 8 a.m.-5 p.m., PST. Monday-Friday. CustomerService@GrillServices.com



WARNING! Do not use the barbecue in a confined and/or habitable space e.g. houses, tents, caravans, motor homes, boats. Danger of carbon monoxide poisoning fatality.

WARNING! If fire occurs:

- Keep away from the appliance and immediately call your local fire department.
- Do not try to move appliance, smother fire, or put water on the fire
- Keep the appliance clean – refer to the Care and Maintenance Instructions.

CAUTION! Never use gasoline, gasoline-type lantern fuel, kerosene, charcoal lighter fluid, or similar liquids to start or 'freshen up' a fire in this appliance. Keep all such liquids well away from the appliance when in use.

WARNING!

- Do not use heating grade pellets. Use only cooking grade pellets manufactured of 100% natural wood that is intended for pellet grill usage.
- We recommended using pellets with the following specifications: 8,000-8,500 BTU/LB with ash content less than 1%.
- Do not use pellet fuel labeled as having additives.
- Never put wood chips or chunks into the hopper.
- Only use dry pellets. If the grill was stored with the hopper full, check the pellets to ensure that they are completely dry before use. Hardwood pellets can absorb moisture in wet or humid environments, causing them to expand and possibly obstruct or jam the auger system.
- Never allow the hopper to empty while the grill is in operation. Make sure to fill the pellet hopper with enough pellets before use or refill the pellet hopper as necessary.

CALIFORNIA PROPOSTION 65

CALIFORNIA RESIDENTS ONLY:



WARNING! This product can expose you to chemicals including wood dust and soot, which are known to the state of California to cause cancer.



WARNING! This product can expose you to chemicals including carbon monoxide, which is known to the state of California to cause birth defects or other reproductive harm.

For more information, go to: www.P65Warnings.ca.gov.

SAFETY PRACTICES TO AVOID INJURY

When properly cared for, your grill will provide safe and reliable service for many years. However, extreme care must be used as the grill produces intense heat that has a potential to cause injury when misused. When using this appliance, basic safety practices must be followed, including the following:

- Do not repair or replace any part of the grill unless specifically recommended in this manual. All other service should be referred to a qualified technician.
- This outdoor cooking appliance is not intended to be installed in or on boats and other recreational vehicles.
- Do not use this grill under any overhead combustible construction including ceilings or overhangs.
- **WARNING!** Keep children and pets away. Children should not be left alone or unattended in an area where the grill is being used. Do not allow them to sit, stand or play in or around the grill at any time.
- Do not store items of interest to children around or below the grill.
- For personal safety, wear proper apparel. Loose fitting garments or sleeves should never be worn while using this appliance. Some synthetic fabrics are highly flammable and **should not** be worn while cooking.
- Always use heat-resistant gloves or mitts when handling particularly hot components.
- When using the grill, do not touch the warming rack, burner grate or immediate surroundings as these areas become extremely hot and could cause burns. Use only dry potholders. Moist or damp potholders on hot surfaces may cause steam burns. Do not use a towel or bulky cloth in place of potholders. Do not allow potholders to touch hot portions of the grill rack.
- Only certain types of glass, heat-proof glass ceramic, earthenware, or other glazed utensils are suitable for grill use. These materials may break with sudden temperature changes. Use only on low or medium heat settings in accordance with the manufacturer's guidelines.
- Do not heat unopened food containers. A build-up of pressure may cause the containers to burst.
- Never lean over an open grill.
- Grease is flammable. Let hot grease cool before attempting to handle it. Clean out the grease tray and grease bucket often to avoid build-up.
- Do not use water to control flare ups or extinguish the fire. Turn off the grill, unplug the power cord, and wait for the grill to cool down.
- Always have the grease system properly installed while operating this grill. Never operate without a grease bucket in place under the side shelf.
- Dispose of ashes after the grill has completely cooled following a proper shutdown. Wait until grease and ash are completely cooled before disposing.
- Wait until the fuel is extinguished and the grill is completely cool before moving, covering, or storing the grill.
- Do not use aluminum foil to line the grill racks or grill bottom. This can severely upset combustion air flow or trap excessive heat in the control area.
- Clean the grill with caution. To avoid steam burns, do not use a wet sponge or cloth to clean the grill while it is hot. Some cleaners produce toxic fumes or can ignite if applied to a hot surface.
- Turn off grill controls and make certain the grill is cool before using any type of aerosol cleaner on or around the grill. The chemical that produces the spraying action could, in the presence of heat, ignite or cause metal parts to corrode.
- Keep the area surrounding the grill free from combustible materials including, fluids, trash, and vapors such as gasoline or charcoal lighter fluid. Do not obstruct the flow of combustion and ventilation air.
- To reduce the risk of fire, remove pots and pans while the operating appliance is unattended.
- Do not use accessories that are not specified for this appliance.
- The use of alcohol, prescription, or non-prescription drugs may impair the consumer's ability to properly assemble or safely operate the appliance.
- Disposal of ashes - Ashes should be placed in a metal container with a tight-fitting lid. The closed container of ashes should be placed on a non-combustible floor or on the ground, well away from all combustible materials, pending final disposal. When the ashes are disposed by burial in soil or otherwise locally dispersed, they should be retained in the closed container until all cinders have thoroughly cooled.

CAUTION: ELECTRICAL COMPONENTS



- Disconnect the electric power before servicing. Do not attempt to clean or repair the grill while it is connected to an electricity source.
- The external electrical power source used for this appliance must be electrically grounded in accordance with local codes.
- Check the plug receptable before use. Do not plug in the grill if it is damaged.
- Make sure that the power cord does not come in contact with any hot surfaces.
- Do not cut or remove the grounding prong from the plug. Only use a GFCI protected circuit to power the grill.
- High voltage used to power the grill can cause electric shock, or even death. Do not immerse any electronic or heating element in liquid. Do not use near any source of water or in the rain.
- When unplugging the grill, never pull from the cord. Always pull from the plug itself.



CAUTION:

Do not install or use grill within 36 in (91.44 cm) of combustible materials from back and sides of grill. Grill shall not be located under overhead surfaces (closed carport, garage, porch, patio) that can catch fire.

VERTICAL PELLET SMOKER



1 HOPPER

The large capacity hopper is equipped with rear-access pellet cleanout and can hold enough pellets for an all-day smoking session. The I-Site™ pellet fuel indicator shows the amount of fuel remaining in the hopper.

4 LARGE COOKING AREA

The porcelain-coated, easy clean, cooking grids will hold plenty of food for all your guests. Use the porcelain coated water pan to keep your food moist for a perfect culinary experience.

2 DIGITAL CONTROLLER

The Wi-Fi and Bluetooth®+ enabled SureTemp™ controller with built-in precise temperature control technology can be used to set and adjust the temperature, timer, and cooking options. For the full Oakford™ experience, connect to the Nexgrill app.

5 GREASE SYSTEM

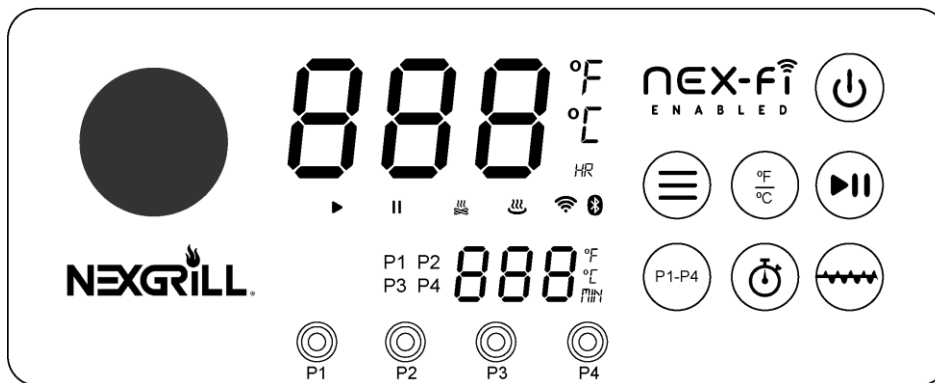
Most grease will drop into water pan continuing to add flavor to your food. Any excess grease will flow through the bottom panel into the front access grease tray.

3 FRONT DOOR

With a full double walled cabinet construction, the smoker includes a window in the door for quick viewing inside the smoker.

+ Bluetooth® is a registered trademark of The Bluetooth Special Interest Group (SIG).

CONTROLLER GUIDE



CONTROL DIAL

Turn this control dial to adjust the values for the timer, meat probe temperature, and grill temperature. Push the control dial to confirm new targeted value. The smoker temperature can be adjusted in 5 °F (3 °C) increments. During cooking, push the knob to display the current set temperature.



POWER

Press to turn on the controller. When finished cooking, press again to enter the automatic shutdown process.



MODE

Press to cycle between the preset operating modes. Press the control dial to confirm mode selection with default temperature or adjust the temperature before selecting by rotating the control dial.

	<p>SMOKE MODE Pre-programmed for slow smoking, this program has a default temperature of 225°F (107 °C).</p>
	<p>WARM MODE Preset to only 180 °F (82 °C), this mode is specifically used to keep food warm. If selected, the grill will automatically switch to WARM when P1 has reached the target temperature.</p>



TEMPERATURE UNIT

Press to switch the temperature scale between Fahrenheit and Celsius.



PLAY/PAUSE

Initially used to start the ignition process once a cooking mode is selected, this can be pressed while cooking to pause the program. It will help prevent auger overfeeding pellets due to a temperature decrease (e.g. door open). When paused, or once it is powered on, the grill will be in standby and the “||” (pause) icon will illuminate.

Press it again to resume the last program. If no action is taken within five minutes, the grill will enter the shutdown process.



PROBES

This Oakford Pellet Smoker can operate up to four temperature probes to help you cook a variety of foods to perfection. Press to cycle through each probe connected. Once the index is displayed (P1, P2, etc.), press and hold for three seconds to set the target temperature. Use the control dial to change the temperature value and press it to confirm the value.



TIMER

Press to set a timer in minutes and hours. The controller will alarm once the time has expired.

To set a timer:

1. Press the button. The lower number display will flash. Adjust the minute value using the control dial. Push the control dial to confirm.
2. Now, the upper number display will flash. Adjust the hour using the control dial. Push the control dial to confirm and start the timer.

The “HR” and “MIN” symbols will flash, indicating that the timer is running. Press the button to check remaining time. Press and hold the button for 3 seconds to cancel the timer.



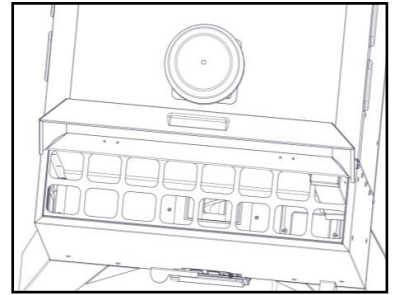
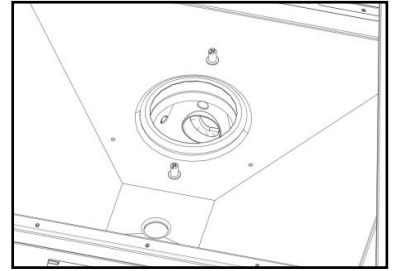
PRIME

Press to run the auger for 30 seconds before or after cooking. If more time is needed to load or empty pellets from the auger tube, press the button again once it stops flashing. Press and hold for 3 seconds to cancel this action.

OPERATING INSTRUCTIONS

BEFORE FIRST USE

1. Remove all packaging materials from the smoker.
2. Open the grill to make sure the warming rack, cooking grids, and grease tray are properly installed.
3. Open the hopper lid and verify there are no foreign objects obstructing the auger.
4. Make sure the hopper safety guard is in place and the pellet cleanout door is closed and locked.
5. Fill the hopper with your choice of pellets to your desired fuel level and close the hopper lid.
6. Plug the power cord into a grounded electrical outlet.
7. Turn on your smoker by pressing the power button on the controller.
8. Open the smoker door.
9. Prime the auger tube by pressing the PRIME button, which activates the auger for 30 seconds. Repeat this cycle until you hear pellets dropping into the fire pot. Press and hold PRIME for 3 seconds to stop it.
10. Using the control dial, set the temperature to 300 °F (149 °C) and press the dial to confirm.
11. Press PLAY/PAUSE to start the ignition process.
12. Once the smoker has lit, close the door. During ignition, there may be a large amount of smoke coming from the smoker.
13. While monitoring the smoker, let it run for at least 30 minutes. This will remove manufacturing process oils and help season the smoker.
14. After the seasoning is done, press the power button to begin the automatic shutdown process.
15. Once the smoker has been properly shut down and cooled, unplug it from the power source.
16. Open the door and clean the cooking grids with a grill brush or wood scraper.
17. Clean thoroughly following the instructions in "Care and Maintenance" section.
18. Once your smoker is cleaned, make sure all parts are reinstalled properly before use.



EACH AND EVERY USE

Follow the steps every time you operate your Oakford pellet smoker:

1. Make sure the hopper is filled with enough pellets.
2. Clean and dispose of any residual ash and grease. Inspect for creosote buildup. Remove accumulated grease and creosote to reduce the risk of fire.
3. Always plug the power cord into a grounded outlet.
4. Open the smoker door while lighting.
5. Use the Nexgrill app to enhance your grilling experience.

LIGHTING YOUR SMOKER - AUTOMATICALLY

Make sure your smoker is properly setup and ready for use.

1. Open the smoker door and verify all the components are in place.
2. Ensure the hopper does not contain foreign objects and is filled with enough barbecue pellets.
3. Be certain the auger is primed and ready for use. If not, review PRIME function for proper setup.
4. Plug the power cord into a properly grounded electrical outlet and press the POWER button.
5. Press PLAY/PAUSE, or first enter the desired cooking mode and temperature. If nothing was entered, the smoker will start with a default target temperature of 225 °F (107 °C). Within 5 minutes smoke should be visible. If not, turn off the controller and wait 5 minutes before repeating.
6. Once it has lit, close the door. Set the desired cooking mode and temperature if not already entered.

TURNING OFF YOUR SMOKER

When your cooking is done, your OAKFORD must be properly turned off to clear the fire pot of any remaining pellets and ashes. Use this procedure to properly turn off your smoker after each use.

1. Open the door, remove all meat probes and food.
2. With the lid still open, press the Power button to begin the automatic shutdown process. During this process, the fan will continue to run until the grill temperature falls below 130 °F (54 °C), at least 15 minutes, to assist with the burn off process. Do not unplug the grill until after the fan has completed this process and turned off.
3. Unplug the smoker from the power source.
4. Wait until the smoker has cooled down before storing it for your next cook out.

OPERATING INSTRUCTIONS

LIGHTING YOUR SMOKER - MANUALLY

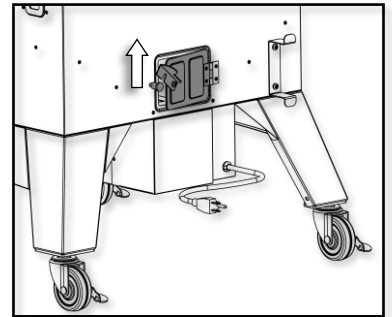
Make sure your smoker is properly setup and ready for use.

1. Open the smoker door and remove the grids, grease tray and diffuser.
2. Ensure the hopper does not contain foreign objects and is filled with enough barbecue pellets.
3. Check that the fire pot is clean and does not contain any foreign objects.
4. Plug the power cord into a properly grounded electrical outlet.
5. The auger should be primed and ready for use. If not, review PRIME function for proper setup.
6. Add a handful of barbecue pellets to the fire pot.
7. Add a natural wood fire starter or gel to the fire pot.
8. With a long match or lighter, ignite the fire starter.
9. After the pellets are burning well, replace the diffuser and grids.
10. Press the POWER button.
11. Press PLAY/PAUSE. Observe that more pellets have been added and are burning properly.
12. Once the smoker has lit, close the door.
13. Set the desired cooking mode and temperature if not already entered.

CHANGING PELLETS

When you want to change the pellet flavor for your next gathering, or purge the hopper for a thorough maintenance, follow the instructions below:

1. Disconnect the power cord from the electrical outlet.
2. Locate the opening on the bottom of pellet hopper and place a large container underneath.
3. From the back of your OAKFORD smoker, open the pellet cleanout door.
4. Once the hopper is empty, close the door.
5. Connect the smoker to a grounded outlet and press the POWER button.
6. Press PRIME so the auger removes pellets from the auger screw into the fire pot. Repeat this until the auger is empty.
7. Using a vacuum, remove the pellets and ash from the fire pot.

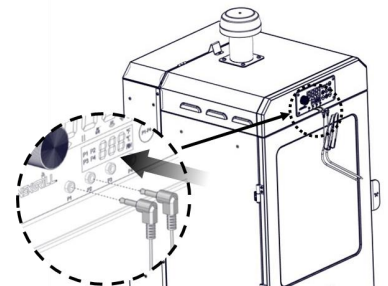


WARNING: Visually inspect the hopper finger safety guard to make sure that it is in place and not damaged before filling the hopper with your choice of pellets. DO NOT change pellets when the smoker is hot.

USING TEMPERATURE PROBES

Use the provided meat probe to control your OAKFORD pellet smoker by following these steps:

1. Plug the meat probe into the port at the bottom of the controller*, then route the probe through the smoker door. Make sure to wear heat protective gloves.
2. Insert the temperature probe into the thickest part of your choice of meat.
3. Position your food where you desire it cook, then close the door.
4. Refer to Controller Feature page for instructions set targeted probe temperature.



***AUTO-WARM FEATURE:** With the meat probe connected to port P1, set the target temperature desired for the food to activate the auto-warm feature. This feature will automatically reduce the cooking temperature to 180 °F (82 °C) and display the WARM icon after the probe temperature hits its targeted temperature. The smoker will maintain at WARM setting (for a maximum of 10 minutes) as it awaits the next user input. This is to help prevent food from overcooking if the user is not present when the set meat probe temperature has been reached. To avoid this auto warm feature, please use ports P2 to P4 instead. Alternatively, you can turn off this feature through the “NEX-FI” APP.

CARE AND MAINTENANCE



CAUTION!
MAKE SURE THAT THE GRILL IS COOLED AND PLUG UNPLUGGED FROM THE POWER SOURCE BEFORE PERFORMING ANY CLEANING OR MAINTENANCE.

INTERIOR

COOKING GRIDS

- After the smoker has cooled, scrub both sides of the cooking grids with a wire-bristled grill brush.
- Any stubborn, baked-on food residue can be scraped off with a scraper.
- Grids can also be removed from the smoker and washed with dish soap and warm water. Dry thoroughly.
- The cooking grates should be cleaned after each use.

GREASE SYSTEM

- Remove and clean the water pan after each use.
- Clean the smoker bottom panel to remove grease and food residue.
- The grease tray should be cleaned after each use. The grease cup should be emptied once it reaches $\frac{3}{4}$ full.
- Add a foil liner to the grease tray for easy clean-up.

INTERIOR SURFACES

- Brush or scrape off any grease or debris accumulated on the interior surfaces using a scraper or grill brush.
- Vacuum ash and food remnants out of the bottom of the cabinet and firepot before each use.
- All surfaces can be washed with mild, soapy water and/or a mild degreaser. Dry thoroughly.
- Interior surfaces should be monitored and cleaned when build-up of grease and debris has accumulated, but not less than twice per year.

EXTERIOR

COATED AND PLASTIC SURFACES

- After the smoker has cooled completely, exterior surfaces can be wiped down with a mild mixture of soap and water. Dry thoroughly.
- Do not use abrasive cleaners.

STAINLESS STEEL (APPLICABLE ON SOME MODELS)

- Use a stainless-steel cleaner and non-abrasive, lint-free cloth to clean stainless steel components.
- Always rub in the direction of the grain to avoid scratches and do not use paper towels.

DO NOT SPRAY THE SMOKER WITH A GARDEN HOSE OR POWER WASHER TO PREVENT DAMAGE TO ELECTRICAL COMPONENTS.

STORAGE

- Always store your smoker with a cover between uses to prevent corrosion or other damage to the smoker, especially if it is stored in a rainy or humid environment.
- Do not store the smoker with the hopper and/or auger full of pellets, especially in wet or humid conditions. Moisture will expand the pellets and can lead to an auger jam. Use the pellet quick release door located at the back of the hopper to empty leftover pellets into a container and burn off any pellets remaining in the auger before storage.
- Store spare wood pellets in an airtight container, away from heat-producing appliances, moisture, and other fuel containers. Before use, check the freshness of your pellets by breaking one in half. The pellet should break with a snap. If it crumbles, that means your pellet is not fresh and will impact the performance of the smoker.



- **Creosote – Formation and need for removal.** When wood pellets are burned slowly, they produce tar and other organic vapors that combine with expelled moisture to form creosote. The creosote vapors condense in a relatively cool oven flue and exhaust hood of a slow burning fire. As a result, creosote residue accumulates on the flue lining and exhaust hood. When ignited, this creosote makes an extremely hot fire.
- The grease duct should be inspected at least twice a year to determine when grease and/or creosote build up has occurred.
- When grease or creosote has accumulated, it should be removed to reduce risk of fire.

TROUBLESHOOTING

ERROR CODES

On a rare occasion, your controller would detect an issue and you may see an error code displayed on the controller. Please refer to the following table for descriptions and solutions:

ERROR CODE	ERROR DESCRIPTION	SOLUTION
ER1	Firebox thermocouple sensor failure	This error will occur when the thermocouple has lost connection to the controller due to a loose wire connection or failure of the thermocouple, which will require a replacement.
ER2	Ignition failure	This error will occur when the grill fails to detect a temperature increase within 15 minutes of temperature set, indicating a failure to ignite. Ambient temperature, clogged auger tube, lack of pellets, ash build-up, etc. can impact ignition. Check the pellet feed system and restart the grill.
ER3	High Temperature Limit Failure	This error will occur when the grill temperature exceeds 500 °F (357 °C). Let the grill cool down, then turn off the grill. Restart the grill after clearing out the remaining pellets from the firebox.
ER4	Low Temperature Limit Failure	If the grill temperature falls too far below the set temperature, this code will appear. This can happen when grilling with the lid open. In that case, the user can clear the error code by pushing the control dial. If not cooking with the lid open, it may indicate that the igniter has gone out. In that case the user should shut down the grill and empty out the burn pot before restarting.
ER5	Probe Communication Failure	This error will occur if a temperature probe plugged into port P1 that has a set target temperature loses connection. Verify that the meat probe is properly connected to the controller. If problem persists, the probe will need to be replaced.
ER9	Network Communication Failure	If the controller was previously connected to the Wi-Fi network, this error indicates that the internet is not working and/or the connection to the Wi-Fi network has been disconnected. Restart your grill, make sure where you grill has a strong Wi-Fi signal.

NOTE: To dismiss an error code, push the control dial.

GIVE US A CALL

For help or replacement parts, please call our customer service department at: 1-800-913-8999, 8 a.m. - 5 p.m., PST, Monday-Friday.



IMPORTANT:

Use only factory authorized parts. The use of any part that is not factory authorized can be dangerous. This will also void your warranty.

FREQUENTLY ASKED QUESTIONS

QUESTION	ANSWER
What do I do if the auger jams?	<ol style="list-style-type: none"> 1. Unplug the grill and wait for it to cool down. 2. If the jam cannot be broken up from the pellet hopper opening, the auger and motor may need to be removed. 3. Contact customer service for help with removing the auger to clear it.
Why is the temperature of my pellet grill fluctuating?	Temperature fluctuations are normal. Any significant fluctuation could be the result of wind and ambient temperature, pellet quantity, or lack of maintenance. Avoid using the pellet grill when it is windy or raining outside.
Why is the fire not remaining lit?	Excess ash in the burn pot can cause this by covering the igniter and preventing the pellets from burning. Unplug the grill and wait for it to cool down, then remove the cooking grids, grease tray, and heat diffuser. Remove any pellets and ash from the burn pot. A vacuum with a hose attachment is ideal to remove ashes from the burn pot.
Why is the grill not heating to the set temperature?	This is typically due to the burn pot not getting enough oxygen to achieve the desired temperature. Inspect the burn pot and make sure it does not contain too much ash. Check the hopper and add more pellet if necessary. Replace them if they are damp. You should also check the fan to make sure it is working.
How do I avoid flare-up?	If you are cooking food that contain a lot of fat/grease, keep the temperature at or below 350 °F (177 °C) to avoid flare-up.

HOW TO ORDER REPLACEMENT PARTS

To make sure you obtain the correct replacement part(s) for your grill, please refer to the replacement parts list. Keep this assembly and operating instruction manual for convenient referral, and for replacement parts ordering.

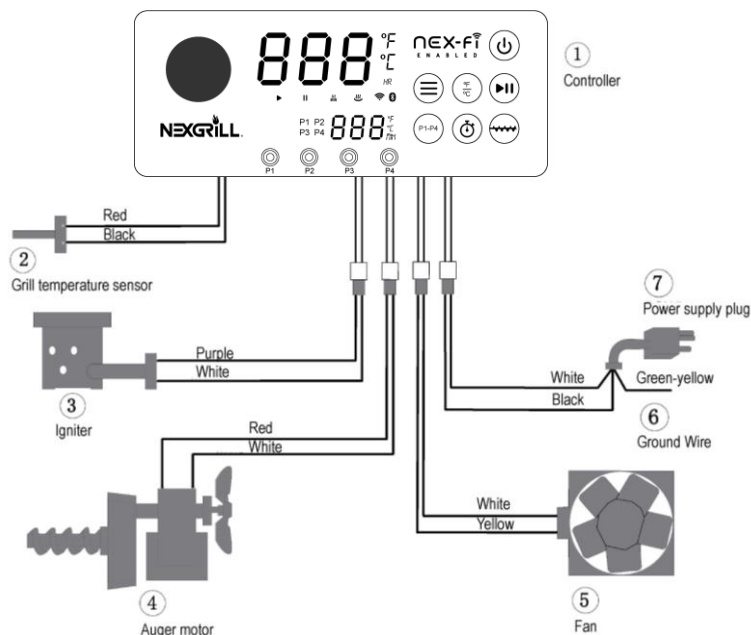
THE FOLLOWING INFORMATION IS REQUIRED TO ENSURE THE CORRECT PART IS ORDERED:

- Oakford™ pellet grill model number
- Serial number
- Part number
- Description
- Quantity

TO OBTAIN REPLACEMENT PARTS, PLEASE CONTACT OUR CUSTOMER SERVICE HOTLINE

1-800-913-8999 in USA 8 a.m.-5 p.m., PST. Monday-Friday.

ELECTRICAL CIRCUIT DIAGRAM



WARRANTY

The manufacturer warrants to the original consumer-purchaser **ONLY** that this product (*Model # 910-0013*) shall be free from defects in workmanship and materials after correct assembly and under normal and reasonable home use for the periods indicated below beginning on the date of purchase. The manufacturer reserves the right to require photographic evidence of damage, or that defective parts be returned, postage and/or freight pre-paid by the consumer, for review and examination. Nexgrill's obligation is limited to repair, replacement, or depreciated value, at the option of Nexgrill.

All Pellet Grill Models	WARRANTIES
Firebox and all components not covered below	5 years
Electrical Components	3 years
Cooking grids	3 years

Upon consumer supplying proof of purchase as provided herein, Manufacturer will repair or replace the parts which are proven defective during the applicable warranty period. Parts required to complete such repair or replacement shall be free of charge to you except for shipping costs, as long as the purchaser is within the warranty period from the original date of purchase. The original consumer-purchaser will be responsible for all shipping charges of parts replaced under the terms of this limited warranty. This limited warranty is applicable in the United States and Canada only, is only available to the original owner of the product and is *not transferable*. Manufacturer requires reasonable proof of your date of purchase. Therefore, you should retain your sales receipt and/or invoice. If the unit was received as a gift, please ask the gift-giver to send in the receipt on your behalf, to the below address. Defective or missing parts subject to this limited warranty will not be replaced without registration or proof of purchase. **This limited warranty applies to the functionality of the product ONLY and does not cover cosmetic issues such as scratches, dents, corrosions or discoloring by heat, abrasive and chemical cleaners or any tools used in the assembly or installation of the appliance, surface rust, or the discoloration of stainless-steel surfaces. Surface rust, corrosion, or powder paint chipping on metal parts that does not affect the structural integrity of the product is not considered a defect in workmanship or material and is not covered by this warranty.** This limited warranty will not reimburse you for the cost of any inconvenience, food, personal injury or property damage. If an original replacement part is not available, a comparable replacement part will be sent. You will be responsible for all shipping charges of parts replaced under the terms of this limited warranty.

MANUFACTURER WILL NOT PAY FOR:

- Service calls to your home.
- Repairs when your product is used for other than normal, single-family household or residential use.
- Damage resulting from accident, alteration, misuse, lack of maintenance/cleaning, abuse, fire, flood, acts of God, improper installation, and installation not in accordance with electrical or plumbing codes or misuse of product.
- Any food loss due to product failures.
- Replacement parts or repair labor costs for units operated outside the United States or Canada.
- Pickup and delivery of your product.
- Postage fees or photo processing fees for photos sent in as documentation.
- Repairs to parts or systems resulting from unauthorized modifications made to the product.
- The removal and/or reinstallation of your product.
- Shipping cost, standard or expedited, for warranty/non warranty and replacement parts.

DISCLAIMER OF IMPLIED WARRANTIES; LIMITATION OF REMEDIES

Repair or replacement of defective parts is your exclusive remedy under the terms of this limited warranty. Manufacturer will not be responsible for any consequential or incidental damages arising from the breach of either this limited warranty or any applicable implied warranty, or for failure or damage resulting from acts of God, improper care and maintenance, grease fire, accident, alteration, replacement of parts by anyone other than manufacturer, misuse, transportation, commercial use, abuse, hostile environments (inclement weather, acts of nature, animal tampering), improper installation or installation not in accordance with local codes or printed manufacturer instructions.

THIS LIMITED WARRANTY IS THE SOLE EXPRESS WARRANTY GIVEN BY THE MANUFACTURER. NO PRODUCT PERFORMANCE SPECIFICATION OR DESCRIPTION WHEREVER APPEARING IS WARRANTED BY MANUFACTURER EXCEPT TO THE EXTENT SET FORTH IN THIS LIMITED WARRANTY. ANY IMPLIED WARRANTY PROTECTION ARISING UNDER THE LAWS OF ANY STATE, INCLUDING IMPLIED WARRANTY OF MERCHANTABILITY OR FITNESS FOR A PARTICULAR PURPOSE OR USE, IS HEREBY LIMITED IN DURATION TO THE DURATION OF THIS LIMITED WARRANTY.

Neither dealers nor the retail establishment selling this product has any authority to make any additional warranties or to promise remedies in addition to or inconsistent with those stated above. Manufacturer's maximum liability, in any event, shall not exceed the documented purchase price of the product paid by the original consumer. This warranty only applies to units purchased from an authorized retailer and or re-seller. NOTE: Some states do not allow an exclusion or limitation of incidental or consequential damages, so some of the above limitations or exclusions may not apply to you; this limited warranty gives you specific legal rights as set for herein. You may also have other rights which vary from state to state.

If you wish to obtain performance of any obligation under this limited warranty, you should write to:

**Nexgrill Customer Relations
14050 Laurelwood Pl
Chino, CA 91710**

All consumer returns, parts orders, general questions, and troubleshooting assistance can be acquired by calling 1-800-913-8999 in USA and 1-800-648-5864 in Canada, language spoken: English, French, Spanish 8 a.m.-5 p.m., PST. Monday-Friday.

This device complies with part 15 of the FCC Rules. Operation is subject to the following two conditions:

- (1) this device may not cause harmful interference, and
- (2) this device must accept any interference received, including interference that may cause undesired operation.

This equipment has been tested and found to comply with the limits for a Class B digital device, pursuant to Part 15 of the FCC Rules. These limits are designed to provide reasonable protection against harmful interference in a residential installation. This equipment generates, uses and can radiate radio frequency energy and, if not installed and used in accordance with the instructions, may cause harmful interference to radio communications. However, there is no guarantee that interference will not occur in a particular installation. If this equipment does cause harmful interference to radio or television reception, which can be determined by turning the equipment off and on, the user is encouraged to try to correct the interference by one or more of the following measures:

- Reorient or relocate the receiving antenna.
- Increase the separation between the equipment and receiver.
- Connect the equipment into an outlet on a circuit different from that to which the receiver is connected.
- Consult the dealer or an experienced radio/TV technician for help.

This device contains licence-exempt transmitter(s)/receiver(s) that comply with Innovation, Science and Economic Development Canada's licence-exempt RSS(s). Operation is subject to the following two conditions:

- (1) This device may not cause interference.
- (2) This device must accept any interference, including interference that may cause undesired operation of the device.

This equipment complies with FCC's and IC's RF radiation exposure limits set forth for an uncontrolled environment. The antenna(s) used for this transmitter must be installed and operated to provide a separation distance of at least 20 cm from all persons and must not be collocated or operating in conjunction with any other antenna or transmitter. Installers must ensure that 20cm separation distance will be maintained between the device (excluding its handset) and users.

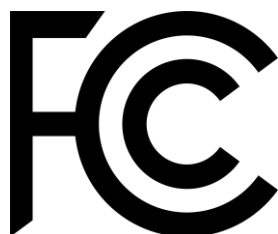
Caution: The user is cautioned that changes or modifications not expressly approved by Nexgrill Industries, Inc. could void the user's authority to operate the equipment.

Product Name: OAKFORD 1400 Vertical Pellet Smoker

Model Number: 910-0013

Responsible party (contact for FCC matters only):

NEXGRILL INDUSTRIES, INC.
14050 LAURELWOOD PLACE,
CHINO, CA. 91710 USA
WWW.NEXGRILL.COM
1-800-913-8999



CONSIGNES DE SÉCURITÉ IMPORTANTES

AVERTISSEMENT! Suivre les consignes suivantes pour empêcher le gaz incolore et inodore d'empoisonner quiconque :

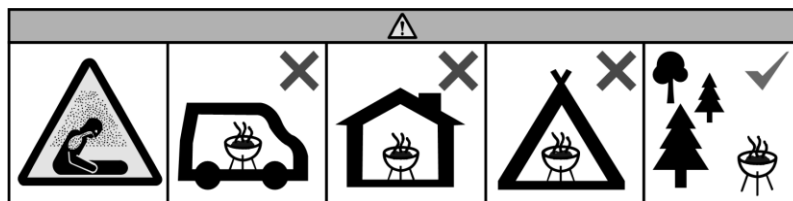
- Savoir reconnaître les symptômes de l'empoisonnement au monoxyde de carbone : maux de tête, étourdissements, fatigue, nausées, vomissements, somnolence et confusion. Le monoxyde de carbone réduit la capacité du sang à transporter l'oxygène. Un faible niveau d'oxygène dans le sang peut entraîner une perte de conscience, voire la mort.
- Si une personne développe des symptômes similaires à ceux d'un rhume ou de la grippe en cuisinant ou en se trouvant à proximité du barbecue, consulter un médecin. L'empoisonnement au monoxyde de carbone, qui peut facilement être confondu avec le rhume ou la grippe, est souvent détecté trop tard.
- La consommation d'alcool et de drogues augmente les effets de l'empoisonnement au monoxyde de carbone.

Le monoxyde de carbone est particulièrement toxique pour les femmes enceintes, l'enfant qu'elles portent, les nourrissons, les personnes âgées, les fumeurs et les personnes souffrant de problèmes sanguins ou du système circulatoire, tels que l'anémie, ou de maladies cardiaques.



Questions, problèmes, pièces manquantes?

Avant de retourner l'article au détaillant, communiquez avec le service à la clientèle au 1 800 913-8999 (É.-U.) ou au 1 800 648-5864 (Canada); anglais, français ou espagnol, du lundi au vendredi, de 8 h à 17 h (heure du Pacifique). CustomerService@GrillServices.com



AVERTISSEMENT! Ne pas utiliser le barbecue dans un endroit clos ou un espace habitable : maisons, tentes, caravanes, autocaravanes, bateaux, etc. Risque mortel d'empoisonnement au monoxyde de carbone.

AVERTISSEMENT! En cas d'incendie :

- S'éloigner du barbecue et appeler les pompiers.
- Ne pas tenter de déplacer le barbecue, d'éteindre le feu ou de l'éteindre avec de l'eau.
- Pour réduire les risques d'incendie, garder le barbecue propre; consulter les consignes de nettoyage et d'entretien.

ATTENTION! Ne jamais utiliser d'essence, de carburant à lanterne de type essence, de kérosène, de liquide d'allumage pour charbon ou d'autres liquides similaires pour démarrer ou alimenter le feu. Garder ces liquides loin du barbecue pendant l'utilisation.

UN MAUVAIS DÉGAGEMENT (DISTANCE) ENTRE LE BARBECUE ET DES MATÉRIAUX COMBUSTIBLES CONSTITUE L'UNE DES PRINCIPALES CAUSES D'INCENDIE. IL EST PRIMORDIAL D'INSTALLER LE PRODUIT CONFORMÉMENT AUX PRÉSENTES INSTRUCTIONS.

AVERTISSEMENT!

- Ne pas utiliser de granules de chauffage. N'utiliser que des granules de cuisson 100 % en bois naturel conçues pour un barbecue.
- Idéalement, utiliser des granules aux spécifications suivantes : 8 000 à 8 500 BTU/lb et contenu en cendre inférieur à 1 %.
- Ne pas utiliser de granules avec additifs.
- Ne jamais placer de copeaux ou morceaux de bois dans la trémie.
- N'utiliser que des granules sèches. Si la trémie était pleine au moment de ranger le barbecue, vérifier que les granules sont complètement sèches avant l'utilisation. Les granules de bois dur peuvent absorber l'humidité, ce qui les fait gonfler et potentiellement bloquer la vis d'alimentation.
- La trémie ne doit jamais être vide pendant que le barbecue fonctionne. Remplir la trémie suffisamment avant l'utilisation et ajouter des granules au besoin.

PROPOSITION 65 DE LA CALIFORNIE

POUR LES RÉSIDENTS DE CALIFORNIE UNIQUEMENT



AVERTISSEMENT! Ce produit peut vous exposer à des agents chimiques, y compris la poussière de bois et la suie, identifiés par l'État de Californie comme pouvant causer le cancer



AVERTISSEMENT! Ce produit peut vous exposer à des agents chimiques, y compris le monoxyde de carbone, identifiés par l'État de Californie comme pouvant causer des malformations congénitales ou autres effets nocifs sur la reproduction.

Pour de plus amples informations, prière de consulter www.P65Warnings.ca.gov.

CONSIGNES DE SÉCURITÉ

Un barbecue bien entretenu sera sécuritaire et fiable de nombreuses années. Néanmoins, une extrême attention est nécessaire, car le barbecue produit une chaleur intense qui peut provoquer des blessures s'il est mal utilisé. Suivre les consignes de sécurité de base suivantes :

- Ne pas réparer ou remplacer des pièces à moins de recommandation contraire dans le présent guide. Tout autre entretien doit être effectué par un technicien compétent.
- L'appareil de cuisson extérieur n'est pas conçu pour être installé sur ou dans un bateau ou un véhicule récréatif.
- Ne pas utiliser le barbecue sous un élément de construction combustible (saillie, plafond, etc.).
- **AVERTISSEMENT!** Tenir les enfants et les animaux loin du barbecue. Ne pas laisser un enfant sans surveillance près du barbecue allumé. Ne pas laisser un enfant s'asseoir ou se tenir sur le barbecue ou jouer à proximité.
- Ne pas ranger d'objets intéressants pour les enfants sous le barbecue ou à proximité.
- Porter des vêtements appropriés. Ne pas porter de vêtements amples ou à manches amples pendant l'utilisation. Certains tissus synthétiques sont hautement inflammables et **ne doivent pas** être portés pendant la cuisson.
- Toujours porter des gants résistants à la chaleur ou des mitaines de four pour manipuler les objets chauds.
- Pendant l'utilisation du barbecue, ne pas toucher la grille de réchaud, la grille du bruleur ou les zones adjacentes, qui pourraient être extrêmement chaudes et causer des brûlures. N'utiliser que des poignées isolantes sèches, car au contact des surfaces chaudes, l'humidité pourrait se transformer en vapeur brûlante. Ne pas utiliser de serviette ou de chiffon épais au lieu d'une poignée isolante. Ne pas laisser les poignées isolantes entrer en contact avec les sections chaudes de la grille.
- Certains types de verre, de vitrocéramique, de grès et d'émail ne sont pas conçus pour le barbecue. Ces matériaux peuvent casser à cause d'un changement de température soudain. Ne les utiliser qu'à feu faible ou moyen conformément aux consignes du fabricant.
- Ne pas chauffer de contenants fermés, car la pression pourrait les faire exploser.
- Ne jamais se pencher au-dessus du barbecue ouvert.
- La graisse est inflammable. Laisser la graisse chaude refroidir avant d'y toucher. Nettoyer fréquemment le plateau et le seau à graisse pour éviter que la graisse s'accumule.
- Ne pas utiliser d'eau pour éteindre les embrasements ou le feu. Éteindre et débrancher le barbecue, puis attendre qu'il refroidisse.

- Vérifier que le système de collecte de graisse est bien installé avant d'utiliser le barbecue. Ne jamais utiliser le barbecue sans le seau à graisse sous la tablette latérale.
- Retirer les cendres une fois le barbecue bien éteint et complètement refroidi. Attendre que la graisse et les cendres soient froides avant de les jeter.
- Attendre que les granules soient éteintes et que le barbecue soit froid avant de déplacer, couvrir ou ranger le barbecue.
- Ne pas utiliser de papier d'aluminium sur la grille ou au fond du barbecue, car cela pourrait nuire au débit d'air de combustion ou emprisonner la chaleur à proximité des commandes.
- Nettoyer le barbecue soigneusement. Pour éviter les brûlures à la vapeur, ne pas utiliser d'éponge ou de linge humide pendant que le barbecue est chaud. Certains nettoyants produisent des vapeurs toxiques ou peuvent s'enflammer au contact d'une surface chaude.
- Éteindre les commandes et attendre que le barbecue soit froid avant d'utiliser un nettoyant en aérosol sur le barbecue ou à proximité. Les produits chimiques qui entraînent la pulvérisation peuvent, en présence de chaleur, s'enflammer ou causer la corrosion des pièces métalliques.
- S'assurer qu'il n'y a aucune substance inflammable à proximité du barbecue: fluides, déchets, vapeurs, essence, liquide d'allumage, etc. Ne pas bloquer le débit d'air de combustion et de ventilation.
- Pour réduire le risque d'incendie, retirer les casseroles et poêlons lorsque le barbecue fonctionne sans supervision.
- Ne pas utiliser d'accessoires non conçus pour le barbecue.
- La consommation d'alcool et l'usage de médicaments ou de drogues peuvent réduire la capacité à monter et à utiliser correctement le barbecue.
- Élimination des cendres - Les cendres doivent être placées dans un contenant métallique doté d'un couvercle étanche. Le contenant fermé doit être placé sur un plancher ou un sol non combustible, loin de tout matériau combustible, en attendant que les cendres soient jetées. Avant d'enterrer les cendres ou de les disperser, les laisser dans le contenant fermé jusqu'à ce qu'elles soient froides.

ATTENTION : COMPOSANTS ÉLECTRIQUES



- Débrancher le barbecue avant d'en faire l'entretien. Ne pas nettoyer ou réparer le barbecue branché sur une source d'électricité.
- La source d'alimentation externe doit être mise à la terre conformément aux codes applicables.
- Inspecter la prise de courant avant l'utilisation. Ne pas y brancher le barbecue si elle est endommagée.
- Veiller à ce que le cordon d'alimentation ne touche à aucune surface chaude.
- Ne pas couper ou retirer la tige de mise à la terre de la fiche. Ne brancher le barbecue que sur un circuit protégé par un disjoncteur de fuite de terre (DDFT).
- L'utilisation d'une haute tension pour alimenter le barbecue constitue un risque d'électrocution et peut causer la mort. Ne pas immerger de composants électroniques ou chauffants dans un liquide. Ne pas utiliser à proximité d'une source d'eau ou sous la pluie.
- Tirer sur la fiche et non sur le cordon pour débrancher le barbecue.



ATTENTION

Assurer un dégagement d'au moins 91.44 cm (36 po) entre le barbecue (arrière et côtés) et tout matériau combustible. Ne pas placer le barbecue sous une surface (abris d'auto, garage, porche ou patio fermés) qui pourrait s'enflammer.

FUMOIR VERTICAL À GRANULÉS



1 TRÉMIE

La trémie de grande capacité est équipée d'un système de nettoyage des granulés à accès arrière et peut contenir suffisamment de granulés pour une séance de fumage toute la journée. L'indicateur de combustible pour granulés I-Site™ indique le nombre estimé d'heures de combustible restant dans la trémie, en fonction de votre mode de cuisson.

2 COMMANDES

Le panneau de commande à connexion sans fil et Bluetooth™ † SureTemp™ est doté d'une technologie de contrôle précis de la température et permet de régler la chaleur, la minuterie et diverses options de cuisson. Pour l'expérience Oakford™ complète, se connecter à l'application Nexgrill.

3 PORTE D'ENTRÉE

Avec une construction d'armoire à double paroi complète, le fumeur comprend une fenêtre dans la porte pour une visualisation rapide à l'intérieur du fumeur.

4 GRANDE ZONE DE CUISSON

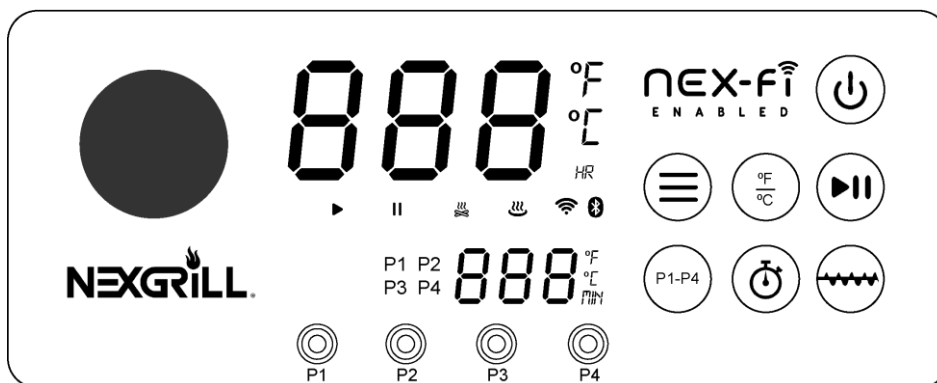
Les grilles de cuisson recouvertes de porcelaine et faciles à nettoyer contiendront beaucoup de nourriture pour tous vos invités. Utilisez le bac à eau recouvert de porcelaine pour garder vos aliments humides pour une expérience culinaire parfaite.

5 SYSTÈME DE GRAISSE

La plupart des graisses tomberont dans le bac à eau et continueront d'ajouter de la saveur à vos aliments. Tout excès de graisse s'écoulera à travers le panneau inférieur dans le bac à graisse d'accès avant.

† Bluetooth® is a registered trademark of The Bluetooth Special Interest Group (SIG).

PANNEAU DE COMMANDE



SÉLECTEUR ROTATIF

Tourner le sélecteur pour régler les valeurs de la minuterie, du thermomètre et de la température de cuisson. Appuyer sur le sélecteur pour confirmer la nouvelle valeur. La température de fumoir peut être réglée par incréments de 3 °C (5 °F). Pendant la cuisson, appuyer sur le sélecteur pour afficher la température de cuisson réglée.



ALIMENTATION

Appuyer pour mettre en marche le panneau de commande. Une fois le repas cuit, réappuyer pour lancer le processus d'arrêt automatique.



MODE

Appuyer pour passer d'un mode pré-réglé à l'autre (trois modes). Appuyer sur le sélecteur rotatif pour confirmer le mode avec la température par défaut, ou régler la température avec le sélecteur avant de choisir le mode.

	MODE FUMOIR Fumage lent à une température par défaut de 107 °C (225 °F).
	MODE RÉCHAUD Pré-réglé à seulement 82 °C (180 °F), ce mode est conçu pour conserver la chaleur des aliments. Le barbecue passe automatiquement à ce mode lorsque la température cible est détectée par le thermomètre P1.



UNITÉ DE TEMPÉRATURE

Appuyer pour passer des degrés Fahrenheit aux degrés Celsius et vice versa.



MARCHE/PAUSE

Appuyer pour lancer le processus d'allumage une fois le mode de cuisson choisi. Pendant la cuisson, appuyer pour mettre sur pause et empêcher la vis de suralimenter le barbecue en cas de baisse de la température (couvercle ouvert par exemple). Au moment de la mise sous tension et lorsqu'il est sur pause, le barbecue est en attente, et le logo de pause « II » s'illumine. Appuyer à nouveau pour relancer le dernier programme. Si aucune action n'est prise dans les cinq, minutes, le barbecue lancera le processus d'arrêt.



THERMOMÈTRES

Ce fumoir à granulés Oakford peut faire fonctionner jusqu'à quatre sondes de température pour vous aider à cuire une variété d'aliments à la perfection. Appuyer pour passer d'un thermomètre à l'autre. Une fois le code affiché (P1, P2, etc.), appuyer et tenir trois secondes pour régler la température cible. Tourner le sélecteur pour choisir la température et appuyer dessus pour la confirmer.



MINUTERIE

Appuyer pour régler une minuterie, en minutes et en heures. Une alarme retentit une fois le temps écoulé.

Réglage de la minuterie

1. Appuyer sur le bouton. Les chiffres du bas clignotent. Tourner le sélecteur jusqu'au nombre de minutes désiré et appuyer dessus.
2. Les chiffres du haut clignotent. Tourner le sélecteur jusqu'au nombre d'heures désiré et appuyer dessus. La minuterie démarre.

Les symboles « HR » et « MIN » clignotent, indiquant que la minuterie est en marche. Appuyer sur le bouton pour vérifier le temps restant. Appuyer et tenir trois secondes pour annuler.



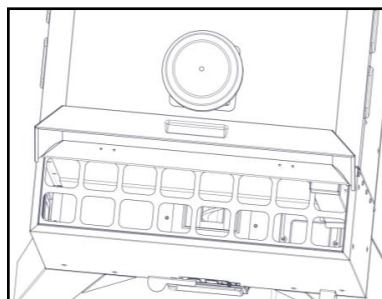
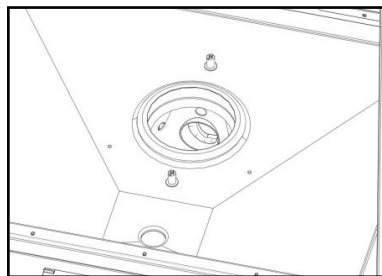
VIS SANS FIN

Appuyer pour faire tourner la vis sans fin pendant 30 secondes avant ou après la cuisson. Si ce n'est pas suffisant pour remplir ou vider la vis, réappuyer jusqu'à ce que le bouton cesse de clignoter. Appuyer et tenir trois secondes pour annuler l'action.

UTILISATION

AVANT LA PREMIÈRE UTILISATION

1. Retirer tout l'emballage du barbecue.
2. Ouvrir le barbecue pour vérifier que le réchaud, les grilles, le diffuseur et le plateau à graisse sont correctement installés.
3. Ouvrir le couvercle de la trémie et vérifier qu'il n'y a aucun objet bloquant la vis sans fin.
4. Vérifier que la grille de protection de la trémie est en place et que la trappe de nettoyage est fermée et verrouillée.
5. Remplir la trémie des granules choisies en fonction du niveau de combustible voulu, puis fermer le couvercle de la trémie.
6. Branchez le cordon d'alimentation dans une prise électrique mise à la terre.
7. Allumer le barbecue en appuyant sur le bouton d'alimentation du panneau de commande.
8. Ouvrir le couvercle du barbecue.
9. Appuyer sur le bouton de la vis sans fin pour la faire avancer 30 secondes. Répéter jusqu'à entendre des granules tomber dans le pot de combustion. Appuyer et tenir le bouton de la vis sans fin pendant 3 secondes pour l'arrêter.
10. Tourner le sélecteur pour régler la température à 149 °C (300 °F) et appuyer dessus pour confirmer.
11. Appuyer sur le bouton de marche/pause pour lancer le processus de démarrage.
12. Une fois le fumoir allumé, fermez la porte. Pendant le démarrage, beaucoup de fumée peut être générée.
13. Laisser le barbecue fonctionner au moins 30 minutes sous surveillance pour éliminer les huiles du processus de fabrication et bien préparer le barbecue.
14. Une fois la préparation terminée, appuyer sur le bouton d'alimentation pour lancer le processus d'arrêt automatique.
15. Une fois que le fumoir a été correctement éteint et refroidi, débranchez-le de la source d'alimentation.
16. Ouvrir le couvercle et nettoyer les grilles de cuisson et le réchaud avec une brosse à barbecue ou un grattoir en bois.
17. Nettoyer selon les consignes de la section *Nettoyage et entretien*.
18. Une fois votre fumoir nettoyé, assurez-vous que toutes les pièces sont réinstallées correctement avant utilisation.



À CHAQUE UTILISATION

Suivez les étapes chaque fois que vous utilisez votre fumoir à granulés Oakford:

1. Assurez-vous que la trémie est remplie de suffisamment de granulés.
2. Nettoyer et retirer les résidus de cendre et de graisse. Vérifier la présence de créosote. Retirer la graisse et la créosote accumulées pour réduire le risque d'incendie.
3. Toujours brancher la fiche sur une prise mise à la terre.
4. Abra la puerta del ahumador mientras enciende.
5. Utilisez l'application Nexgrill pour améliorer votre expérience de grillades.

ALLUMAGE AUTOMATIQUE

Assurez-vous que votre fumoir est correctement configuré et prêt à l'emploi.

1. Ouvrir le couvercle du barbecue et vérifier que tous les composants sont en place.
2. S'assurer qu'il n'y a rien d'autre que des granules dans la trémie, et remplir au besoin.
3. Faire avancer la vis sans fin pour qu'elle soit prête à l'utilisation. Voir la section sur le bouton de la vis au besoin.
4. Brancher la fiche sur une prise correctement mise à la terre et appuyer sur le bouton d'alimentation.
5. Appuyer sur le bouton de marche/pause ou saisir le mode et la température de cuisson désirés. Si rien n'est saisi, le barbecue démarre à la température par défaut de 107 °C (225 °F). Dans les 5 minutes suivant l'allumage, de la fumée devrait être visible. Sinon, fermer le panneau de commande et attendre 5 minutes avant de recommencer.
6. Une fois allumé, fermez la porte. Régler le mode et la température de cuisson si ce n'était déjà fait.

ÉTEIGNER VOTRE FUMEUR

Une fois le repas cuit, le barbecue doit être éteint correctement pour qu'il ne reste plus de granules ni de cendre dans le pot de combustion. Utilisez cette procédure pour bien éteindre votre fumoir après chaque utilisation.

1. Ouvre la porte, retirer les thermomètres et la nourriture.
2. Avec le couvercle toujours ouvert, appuyez sur le bouton d'alimentation pour lancer le processus d'arrêt automatique. Au cours du processus, le ventilateur continue de fonctionner jusqu'à ce que la température du barbecue soit sous les 54 °C (130 °F), au moins 15 minutes, pour accélérer la combustion des résidus. Attendre que le ventilateur s'arrête.
3. Débranchez le fumoir de la source d'alimentation.
4. Attendez que le fumoir ait refroidi avant de le ranger pour votre prochaine cuisson.

ALLUMER VOTRE FUMOIR - MANUELLEMENT

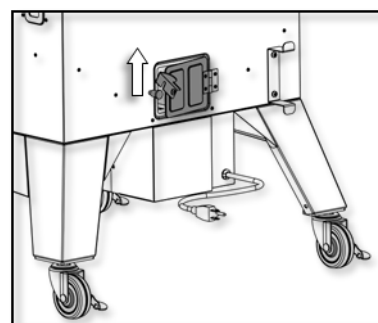
S'assurer que le barbecue est bien préparé et prêt à l'utilisation.

1. Ouvrez la porte du fumoir et retirez les grilles, le bac à graisse et le diffuseur.
2. S'assurer qu'il n'y a rien d'autre que des granules dans la trémie, et remplir au besoin.
3. Vérifier que le pot de combustion est propre et vide.
4. Brancher la fiche sur une prise correctement mise à la terre.
5. Faire avancer la vis sans fin pour qu'elle soit prête à l'utilisation. Voir la section sur le bouton de la vis au besoin.
6. Ajouter une poignée de granules dans le pot de combustion.
7. Ajouter un allume-feu en bois naturel ou du gel allume-feu dans le pot de combustion.
8. Allumer l'allume-feu avec une longue allumette ou un long briquet.
9. Después de que los pellets se hayan quemado bien, reemplaza el difusor y las rejillas.
10. Appuyer sur le bouton d'alimentation.
11. Appuyer sur le bouton marche/pause. Vérifier que des granules s'ajoutent et brûlent bien.
12. Fermer le couvercle.
13. Régler le mode et la température de cuisson si ce n'était déjà fait.

CHANGEMENT DES GRANULES

Pour changer de granules, vider la trémie et procéder à une maintenance complète comme suit :

1. Débranchez le cordon d'alimentation de la prise électrique.
2. Trouver l'ouverture au bas de la trémie et placer un grand contenant en dessous.
3. À l'arrière de votre fumoir OAKFORD, ouvrez la porte de nettoyage des granulés.
4. Une fois la trémie vide, fermez la porte.
5. Brancher le barbecue sur une prise mise à la terre et appuyer sur le bouton d'alimentation.
6. Appuyer sur le bouton de la vis sans fin pour faire tomber les granules qui s'y trouvent dans le pot de combustion. Répéter jusqu'à ce que la vis soit vide.
7. Utiliser un aspirateur pour retirer les granules et la cendre du pot de combustion.

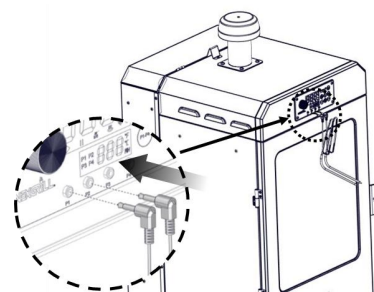


AVERTISSEMENT : Inspecter visuellement la grille de protection de la trémie pour vérifier qu'elle est en place et intacte avant de remplir la trémie avec les nouvelles granules. **NE PAS** changer les granules lorsque le barbecue est chaud.

CUISSON AVEC THERMOMÈTRE

Utilisez la sonde à viande fournie pour contrôler votre fumoir à granules OAKFORD en suivant ces étapes:

1. Branchez la sonde à viande dans le port au bas du contrôleur*, puis acheminez la sonde à travers la porte du fumoir. Assurez-vous de porter des gants de protection contre la chaleur.
2. Insérer le thermomètre dans la partie la plus épaisse de la pièce de viande.
3. Coloque su comida donde desea que se cocine, luego cierre la puerta.
4. Consulter la section sur le panneau de commande pour régler la température cible du thermomètre.



*** FONCTION DE RÉCHAUD AUTOMATIQUE :** Brancher le thermomètre sur le port P1 et régler la température cible pour activer la fonction de réchaud automatique. Lorsque le thermomètre atteint la température cible, la température du barbecue est automatiquement réglée à 82 °C (180 °F) et l'icône du mode réchaud s'affiche. Le barbecue reste en mode réchaud pour 10 minutes ou jusqu'à ce que l'utilisateur intervienne. Cette fonction aide à éviter la surcuisson lorsque l'utilisateur n'est pas à proximité au moment où la température cible est atteinte. Pour éviter que la fonction s'active, utiliser les ports P2 à P4. La fonction peut également être désactivée avec l'application NEX-Fi.

NETTOYAGE ET ENTRETIEN



ATTENTION!
S'ASSURER QUE LE BARBECUE EST FROID ET DÉBRANCHÉ AVANT D'EN FAIRE LE NETTOYAGE OU L'ENTRETIEN.

INTÉRIEUR

GRILLES DE CUISSON

- Une fois le barbecue froid, frotter les deux côtés des grilles avec une brosse à barbecue métallique.
- Utiliser un grattoir pour retirer les résidus tenaces.
- Il est également possible de retirer les grilles et de les laver avec de l'eau chaude et du savon à vaisselle. Bien sécher.
- Nettoyer les grilles après chaque utilisation.

PLATEAU ET SEAU À GRAISSE

- Retirez et nettoyez le bac à eau après chaque utilisation.
- Nettoyez le panneau inférieur du fumoir pour enlever la graisse et les résidus alimentaires.
- Le bac à graisse doit être nettoyé après chaque utilisation. Le bac à graisse doit être vidé une fois qu'il atteint les $\frac{3}{4}$ plein.
- Ajoutez une doublure froide au bac à graisse pour un nettoyage facile.

SURFACES INTÉRIEURES

- Brosser ou gratter la graisse et les résidus accumulés sur les surfaces intérieures avec un grattoir ou une brosse à barbecue.
- Aspirer les cendres et les restes de nourriture dans le fond de la chambre de cuisson et du pot de combustion avant chaque utilisation.
- Toutes les surfaces peuvent être lavées avec un mélange d'eau et de savon doux ou de dégraissant doux. Bien sécher.
- Les surfaces intérieures doivent être inspectées et nettoyées lorsque de la graisse ou des résidus s'y sont accumulés. Nettoyer au moins deux fois par année.

EXTÉRIEUR

SURFACES REVÊTUES ET EN PLASTIQUE

- Une fois le barbecue froid, les surfaces extérieures peuvent être nettoyées avec un mélange d'eau et de savon doux. Bien sécher.
- Ne pas utiliser de nettoyeurs abrasifs.

ACIER INOXYDABLE (SUR CERTAINS MODÈLES)

- Utiliser un nettoyant non abrasif pour acier inoxydable et un linge non pelucheux pour nettoyer les composants en acier inoxydable.
- Toujours frotter dans la direction du fil pour éviter d'égratigner les surfaces, et ne pas utiliser de serviettes de papier.

NE PAS VAPORISER LE FUMOIR AVEC UN TUYAU D'ARROSAGE OU UNE LAVEUSE À PUISSANCE POUR ÉVITER D'ENDOMMAGER LES COMPOSANTS ÉLECTRIQUES.

RANGEMENT

- Toujours ranger le barbecue avec la housse entre les utilisations pour prévenir la corrosion et les autres dommages, particulièrement dans les environnements pluvieux ou humides.
- Ne pas laisser de granules dans la trémie et la vis, surtout dans les environnements humides, car l'humidité les fera gonfler et la vis se retrouvera coincée. Utiliser la trappe de nettoyage derrière la trémie pour vider les granules dans un contenant et faire brûler les granules restantes dans la vis avant de ranger le barbecue.
- Ranger les granules dans un contenant hermétique, loin des sources de chaleur, de l'humidité ou d'autres contenants de combustible. Avant l'utilisation, vérifier la fraîcheur des granules. Briser une granule: si elle se casse nette, elle est fraîche; si elle s'égraine, elle ne l'est pas, ce qui nuira au fonctionnement du barbecue.



- Créosote – Formation et besoin d'élimination. Lorsque les granules brûlent lentement, elles produisent du goudron et des vapeurs organiques qui, combinés à l'humidité évacuée, forment de la créosote. Dans un pot relativement froid ou la cheminée d'un appareil à combustion lente, les vapeurs de créosote se condensent, et le résidu s'accumule sur les parois. La créosote est inflammable et produit un feu extrêmement chaud.
- Inspecter la conduite à graisse au moins deux fois par année pour vérifier si de la graisse ou de la créosote s'y est accumulée.
- Le cas échéant, retirer l'accumulation pour réduire le risque d'incendie.

CODES D'ERREUR

À de rares occasions, le panneau de commande détecte une erreur et affiche un code d'erreur. Consulter le tableau suivant pour savoir à quelle erreur correspond le code et quelle est la solution.

CODE	DESCRIPTION	SOLUTION
ER1	Erreur du thermomètre de la chambre de cuisson	Le thermomètre n'est plus connecté au panneau de commande en raison d'un fil mal connecté ou d'une défaillance du thermomètre, lequel devra être remplacé.
ER2	Erreur d'allumage	Le barbecue ne détecte aucune augmentation de température pendant 15 minutes après le réglage de la température, signe qu'il ne s'est pas bien allumé. L'allumage peut être affecté par la température ambiante, le blocage de la vis, le manque de granules, l'accumulation de cendre, etc. Vérifier l'alimentation en granules et redémarrer le barbecue.
ER3	Erreur de limite de température supérieure	La température de barbecue dépasse 260 °C (500 °F). Laisser le barbecue refroidir, puis l'éteindre. Retirer les granules restantes dans la chambre de cuisson et redémarrer le barbecue.
ER4	Erreur de limite de température inférieure	La température est grandement inférieure à la température réglée. Si l'ouverture du couvercle est en cause, ignorer le code d'erreur en appuyant sur le sélecteur rotatif. Si le couvercle n'est pas ouvert, il se peut que l'allumeur se soit éteint. Éteindre le barbecue, puis vider le pot de combustion avant de redémarrer.
ER5	Erreur de communication du thermomètre	Un thermomètre branché sur le port P1, avec une température cible, a perdu la connexion. Vérifier que le thermomètre est bien branché sur le panneau de commande. Si le problème persiste, remplacer le thermomètre.
ER9	Erreur de communication réseau	Le panneau de commande était connecté à un réseau sans fil, mais la connexion Internet ou réseau est perdue. Redémarrer le barbecue et s'assurer que le signal sans fil est assez puissant à l'emplacement du barbecue.

REMARQUE : Pour ignorer un code d'erreur, appuyer sur le sélecteur rotatif.

APPELEZ-NOUS

pour obtenir de l'aide ou commander des pièces de rechange, au 1 800 913-8999, du lundi au vendredi entre 8 h et 17 h (heure du Pacifique).



IMPORTANT

N'utiliser que des pièces autorisées par le fabricant. L'utilisation de pièces non autorisées est dangereuse et annulera la garantie.

DÉPANNAGE

FOIRE AUX QUESTIONS

QUESTION	RÉPONSE
Que faire si la vis bloque?	<ol style="list-style-type: none">1. Débrancher le barbecue et le laisser refroidir.2. Si la vis ne peut être débloquée à partir de la trappe de la trémie, il faudra possiblement retirer la vis et le moteur.3. Contacter le service à la clientèle pour de l'aide sur la procédure de retrait et de nettoyage de la vis.
Pourquoi la température fluctue?	C'est normal. Une variation importante peut être causée par le vent, la température ambiante, la quantité de granules ou un mauvais entretien. Éviter d'utiliser le barbecue s'il vente ou pleut.
Pourquoi le feu s'éteint?	Un excédent de cendre dans le pot de combustion peut couvrir l'allumeur et empêcher les granules de brûler. Débrancher le barbecue et le laisser refroidir. Retirer les grilles, le plateau à graisse et le diffuseur. Retirer les granules et la cendre du pot de combustion, idéalement avec un aspirateur muni d'un tuyau.
Pourquoi la température réglée n'est pas atteinte?	Souvent, c'est que le pot de combustion ne reçoit pas suffisamment d'oxygène pour atteindre la température réglée. Vérifier qu'il n'y a pas trop de cendre dans le pot de combustion. Vérifier la trémie et y ajouter des granules au besoin. Remplacer les granules si elles sont humides. Vérifier que le ventilateur fonctionne.
Comment éviter les embrasements?	Pour les aliments à haute teneur en gras, garder la température sous 177 °C (350 °F).

COMMANDE DE PIÈCES DE RECHANGE

Pour s'assurer de commander les bonnes pièces, consulter la liste des pièces de rechange. Conserver le présent guide comme référence pratique et pour la commande de pièces.

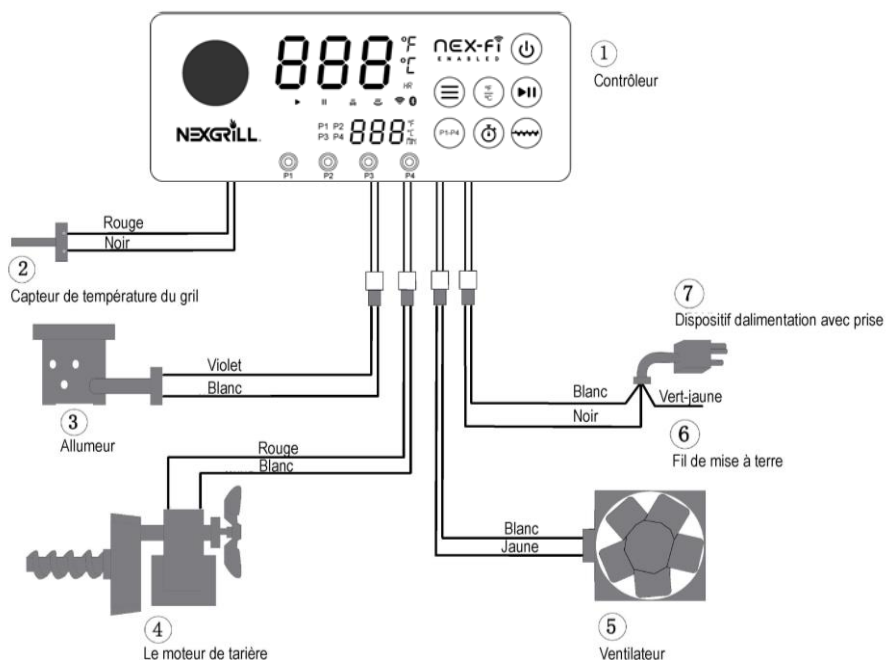
RENSEIGNEMENTS À CONNAITRE POUR COMMANDER :

- Numéro de modèle du barbecue
- Description
- Numéro de série
- Quantité
- Numéro de la pièce

COMMANDE DE PIÈCES PAR TÉLÉPHONE :

1 800 913-8999 aux États-Unis, du lundi au vendredi, de 8 h à 17 h (heure du Pacifique).

SCHÉMA DE CIRCUIT



Le fabricant garantit au premier acheteur **SEULEMENT** que ce produit (*modèle 910-0013*) sera exempt de défauts de matériaux et de fabrication, après un montage approprié et dans des conditions normales et raisonnables d'utilisation domestique, pour les périodes indiquées ci-dessous, à compter de la date d'achat. Le fabricant se réserve le droit d'exiger des photographies ou le retour des pièces défectueuses, dont l'envoi est aux frais du consommateur, aux fins d'évaluation et d'examen. L'obligation de Nexgrill se limite à la réparation, au remplacement ou à la valeur dépréciée du produit, à la discrétion de Nexgrill.

Tous les modèles de barbecue aux granules	GARANTIE
Chambre de cuisson et composants non couverts ci-dessous	5 ans
Composants électriques	3 ans
Grilles de cuisson	3 ans

Dès réception de la preuve d'achat fournie par le consommateur, le fabricant réparera ou remplacera les pièces qui s'avèrent défectueuses pendant la période de garantie applicable, durant laquelle les pièces requises pour effectuer la réparation ou le remplacement seront gratuites à l'exception des frais de transport. Le premier acheteur est responsable de tous les frais de transport des pièces remplacées en vertu de la présente garantie limitée. La garantie limitée n'est valide qu'aux États-Unis et au Canada, n'est offerte qu'au premier propriétaire du produit et n'est *pas transférable*. Le fabricant exige une preuve raisonnable de la date d'achat. L'acheteur devrait donc conserver le reçu ou la facture. Si l'appareil est un cadeau, demander à l'acheteur d'envoyer le reçu à l'adresse ci-dessous. Les pièces défectueuses ou manquantes couvertes par la garantie limitée ne seront pas remplacées sans enregistrement du produit ou preuve d'achat. **La garantie limitée couvre les problèmes fonctionnels SEULEMENT et non les problèmes esthétiques tels que les égratignures, les bosses, la corrosion ou la décoloration causée par la chaleur, les produits nettoyants abrasifs ou chimiques ou l'utilisation d'outil durant l'assemblage ou l'installation de l'appareil, la rouille superficielle ou la décoloration des surfaces en acier inoxydable. La rouille superficielle, la corrosion ou l'écaillage de la peinture en poudre sur les pièces en métal qui ne compromettent pas l'intégrité structurelle du produit ne sont pas considérés comme des défauts de matériaux ou de fabrication et ne sont donc pas couverts par la garantie.** La garantie limitée ne couvre pas les désagréments, la perte d'aliments, les blessures et les dommages matériels. Si une pièce de rechange d'origine n'est pas disponible, une pièce équivalente sera expédiée. Les frais de transport des pièces remplacées en vertu de la garantie limitée sont à la charge de l'acheteur.

LE FABRICANT N'EST PAS RESPONSABLE DES FRAIS LIÉS AUX ÉLÉMENTS SUIVANTS :

- Visites à domicile.
- Réparations d'un produit dont l'utilisation ne correspond pas à un usage unifamilial ou domestique normal.
- Dommages causés par un accident, une modification, une mauvaise utilisation, un manque d'entretien ou de nettoyage, un usage abusif, un incendie, une inondation, un cas de force majeure, une installation fautive, une installation non conforme aux codes de l'électricité ou de la plomberie.
- Perte d'aliments due à une défaillance du produit.
- Pièces de remplacement ou frais de main-d'œuvre liés à la réparation pour les appareils utilisés à l'extérieur du Canada ou des États-Unis.
- Ramassage et livraison du produit.
- Port ou traitement des photographies envoyées à titre de preuve.
- Réparations de pièces ou de systèmes résultant de modifications non autorisées.
- Retrait ou réinstallation du produit.
- Expédition standard ou accélérée des pièces de rechange couvertes ou non par la garantie.

EXONÉRATION DE GARANTIES IMPLICITES; LIMITATION DES RECOURS

La réparation ou le remplacement des pièces défectueuses est le seul recours en vertu de la garantie limitée. Le fabricant n'est pas responsable des dommages indirects ou accessoires entraînés par la violation de la garantie limitée ou de toute garantie implicite applicable, ni des défauts ou des dommages causés par un cas de force majeure, un entretien et un nettoyage inadéquats, un feu de graisse, un accident, une modification du produit, le remplacement de pièces par une personne autre que le fabricant, une mauvaise utilisation, le transport du produit, un usage commercial ou abusif, un milieu hostile (intempéries, phénomènes naturels ou dommages causés par des animaux) ou une installation inadéquate ou non conforme aux codes locaux ou aux instructions imprimées du fabricant.

LA PRÉSENTE GARANTIE LIMITÉE EST LA SEULE GARANTIE EXPRESSE FOURNIE PAR LE FABRICANT. AUCUNE SPÉCIFICATION OU DESCRIPTION EN MATIÈRE DE RENDEMENT N'EST GARANTIE PAR LE FABRICANT SAUF DANS LA MESURE STIPULÉE PAR LA PRÉSENTE GARANTIE LIMITÉE. TOUTE GARANTIE IMPLICITE EN VERTU DES LOIS ÉTATIQUES OU PROVINCIALES, Y COMPRIS LA GARANTIE IMPLICITE DE QUALITÉ MARCHANDE ET D'ADAPTATION À UN USAGE DONNÉ, EST LIMITÉE À LA DURÉE DE LA PRÉSENTE GARANTIE LIMITÉE.

Ni le détaillant ni le commerçant ne sont autorisés à offrir une garantie supplémentaire ou à promettre des recours au-delà de ceux susmentionnés ou incompatibles avec ceux-ci. Le montant de la responsabilité maximale du fabricant ne peut en aucun cas dépasser le prix d'achat documenté du produit payé par le premier acheteur. La garantie ne s'applique qu'aux appareils achetés auprès d'un détaillant ou d'un revendeur autorisé. N.B. : Puisque certains États et certaines provinces ne permettent pas l'exclusion ou la restriction des dommages indirects ou accessoires, certaines des restrictions ou des exclusions énoncées ci-dessus pourraient ne pas s'appliquer. L'acheteur peut avoir d'autres droits selon l'endroit où il habite.

Pour demander l'exécution d'une obligation en vertu de cette garantie limitée, écrire aux coordonnées suivantes :

**Nexgrill Customer Relations
14050 Laurelwood PI
Chino, CA 91710**

Pour retourner un produit, commander des pièces ou obtenir des renseignements généraux ou de l'assistance technique, appeler au 1 800 913-8999 aux États-Unis ou au 1 800 648-5864 au Canada, entre 8 h et 17 h (heure du Pacifique) en semaine. Service en français, en anglais et en espagnol.

Ce dispositif est conforme à la section 15 des réglementations de la FCC. L'exploitation est autorisée aux deux conditions suivantes:

- (1) cet appareil ne peut causer d'interférences nuisibles, et
- (2) cet appareil doit accepter toute interférence reçue, y compris des interférences qui peuvent provoquer un fonctionnement non désiré.

Ces limites sont conçues pour qu'il fournisse un rempart raisonnable contre de possibles interférences nuisibles dans une installation résidentielle. Cet équipement produit, utilise et peut émettre de l'énergie radio électrique et, s'il n'est pas installé et utilisé conformément aux présentes instructions, peut causer des interférences nuisibles aux communications radio. Quoi qu'il en soit, on ne peut pas garantir que des interférences ne se produiront pas dans certaines installations. Si cet appareil cause des interférences nuisibles à la réception des signaux de radio ou de télévision, ce qui peut être déterminé en allumant et en éteignant l'appareil, on encourage l'utilisateur d'essayer de corriger ces interférences par l'un des moyens suivants:

- Réorienter ou repositionner l'antenne de réception.
- Augmenter la distance séparant l'équipement du récepteur.
- Branchez l'appareil sur un circuit électrique différent de celui où le récepteur est branché.
- Contactez votre revendeur ou un technicien radio/TV qualifié pour obtenir de l'aide.

L'émetteur/récepteur exempt de licence contenu dans le présent appareil est conforme aux CNR d'Innovation, Sciences et Développement économique Canada applicables aux appareils radio exempts de licence. L'exploitation est autorisée aux deux conditions suivantes :

- 1) L'appareil ne doit pas produire de brouillage;
- 2) L'appareil doit accepter tout brouillage radioélectrique subi, même si le brouillage est susceptible d'en compromettre le fonctionnement.

Cet appareil est conforme aux limites d'exposition au rayonnement RF stipulées par la FCC et l'IC pour une utilisation dans un environnement non contrôlé. Les antennes utilisées pour cet émetteur doivent être installées et doivent fonctionner à au moins 20 cm de distance des utilisateurs et ne doivent pas être placées près d'autres antennes ou émetteurs ou fonctionner avec ceux-ci. Les installateurs doivent s'assurer qu'une distance de 20 cm sépare l'appareil (à l'exception du combiné) des utilisateurs.

Attention : L'utilisateur est averti que tout changement ou toute modification n'étant pas formellement approuvé(e) par Nexgrill Industries, Inc. pourrait annuler ses droits lui permettant de faire fonctionner/d'utiliser le matériel.

Nom du Produit : OAKFORD 1400 Fumoir vertical à granules

Numéro de Modèle : 910-0013

Partie responsable (contact pour les questions FCC uniquement) :

NEXGRILL INDUSTRIES, INC.
14050 LAURELWOOD PLACE,
CHINO, CA. 91710 USA
WWW.NEXGRILL.COM
1-800-913-8999



INFORMACIÓN DE SEGURIDAD IMPORTANTE

¡ADVERTENCIA! Siga estas directrices para evitar que este gas incoloro e inodoro les cause una intoxicación a usted, a su familia o a otras personas:

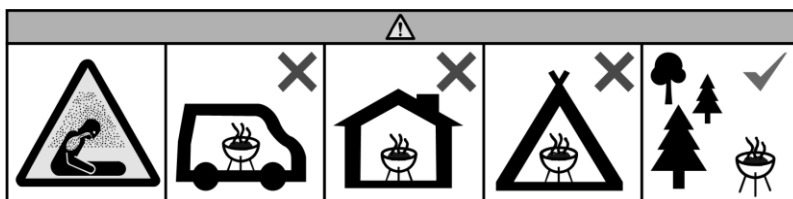
- Los síntomas de la intoxicación por monóxido de carbono son dolor de cabeza, mareos, debilidad, náuseas, vómitos, somnolencia y confusión. El monóxido de carbono reduce la capacidad de la sangre de transportar oxígeno. Los niveles bajos de oxígeno en la sangre pueden provocar la pérdida de conocimiento y la muerte.
- Consulte con un médico si usted y otras personas presentan síntomas de resfriado o gripe cuando cocinan o están cerca de este artefacto. La intoxicación por monóxido de carbono, que puede confundirse con facilidad con un resfriado o una gripe, suele detectarse demasiado tarde.
- El consumo de alcohol y drogas aumenta los efectos de la intoxicación por monóxido de carbono.

El monóxido de carbono es particularmente tóxico para la madre y el niño durante el embarazo, los bebés, los ancianos, los fumadores y las personas que sufren problemas de la sangre o del sistema circulatorio, como anemia, o cardiopatías.



¿Tiene preguntas o problemas, o le faltan piezas?

Antes de consultar al vendedor, comuníquese con nuestro departamento de Servicio al Cliente llamando al teléfono de Estados Unidos 1-800-913-8999, de 8 a. m. a 5 p. m., de lunes a viernes. CustomerService@GrillServices.com



¡ADVERTENCIA! No utilice la parrilla en un espacio cerrado o habitable, por ejemplo, casas, carpas, caravanas, casas rodantes, barcos. Peligro de muerte por intoxicación con monóxido de carbono.

¡ADVERTENCIA! Si se produce un incendio:

- Aléjese del artefacto y llame a los bomberos de inmediato.
- No intente mover el artefacto, sofocar el fuego ni echarle agua.
- Mantenga limpio el artefacto, consulte las Instrucciones de cuidado y mantenimiento.

¡PRECAUCIÓN! Nunca utilice gasolina, combustible para linternas, querosén, líquido para encender carbón o líquidos similares para iniciar o inactivar el fuego en este artefacto. Mantenga todos estos líquidos bien alejados del artefacto cuando esté en uso.

UNA DE LAS PRINCIPALES CAUSAS DE INCENDIO ES NO MANTENER LAS DISTANCIAS REQUERIDAS (ESPACIOS DE AIRE) CON LOS MATERIALES COMBUSTIBLES. ES SUMAMENTE IMPORTANTE QUE ESTE PRODUCTO SE INSTALE SOLO SEGÚN ESTAS INSTRUCCIONES.

¡ADVERTENCIA!

- No utilice pellets para calefacción. Solo utilice pellets para cocción de madera 100 % natural destinados al uso en parrillas de pellets.
- Recomendamos usar pellets con las siguientes especificaciones: 8000-8500 BTU/LB con contenido de ceniza inferior al 1 %.
- No utilice combustible para pellets que contenga aditivos.
- Nunca coloque astillas o pedazos de madera en la tolva.
- Utilice solo pellets secos. Si la parrilla se almacenó con la tolva llena, verifique que los pellets estén bien secos antes de utilizarlos. Los pellets de madera dura pueden absorber la humedad en ambientes húmedos o mojados, lo que provoca que se expandan y tal vez obstruyan o atasquen el sistema de barrena.
- Nunca permita que la tolva se vacíe mientras la parrilla esté en funcionamiento. Asegúrese de llenar la tolva de pellets con la cantidad suficiente antes de usarla o vuelva a llenarla según sea necesario.

PROPOSICIÓN 65 DE CALIFORNIA

SOLO PARA RESIDENTES DE CALIFORNIA:



¡ADVERTENCIA! Este producto puede exponerle a químicos incluyendo el polvo de la madera y el hollín, que son conocidos por el Estado de California como causantes de cáncer.



¡ADVERTENCIA! Este producto puede exponerle a químicos incluyendo el monóxido de carbono, que es conocido por el Estado de California como causante de defectos de nacimiento u otros daños reproductivos.

Para mayor información, visite www.P65Warnings.ca.gov.

PRÁCTICAS DE SEGURIDAD PARA EVITAR LESIONES

Si se cuida de forma adecuada, su parrilla le brindará un servicio seguro y confiable durante muchos años. De todos modos, hay que tener mucho cuidado ya que la parrilla produce un calor intenso que puede provocar lesiones si se usa de forma incorrecta. Al usar este artefacto, se deben seguir medidas de seguridad básicas, como las siguientes:

- No repare ni reemplace ninguna pieza de la parrilla a menos que se recomiende de forma específica en este manual. Cualquier otro tipo de servicio debe remitirse a un técnico calificado.
- Este artefacto para cocinar al aire libre no está destinado a la instalación en botes y otros vehículos recreativos.
- No utilice esta parrilla debajo de ninguna construcción combustible elevada, que incluye techos o salientes.
- **¡ADVERTENCIA!** Mantenga alejados a los niños y las mascotas. No deje a los niños solos o sin supervisión en una zona donde se esté usando la parrilla. No permita que se sienten, se paren o jueguen sobre la parrilla o alrededor de esta en ningún momento.
- No guarde artículos de interés para los niños alrededor de la parrilla o debajo de ella.
- Para su seguridad personal, use ropa adecuada. Evite usar prendas o mangas sueltas mientras utiliza este artefacto. Algunas telas sintéticas son muy inflamables y no deben usarse al cocinar.
- Utilice siempre guantes o manoplas resistentes al calor cuando manipule componentes especialmente calientes.
- Cuando utilice la parrilla, no toque el estante de calentamiento, la rejilla de los quemadores o las zonas muy cercanas, ya que se calientan mucho y podrían provocar quemaduras. Utilice solo agarraderas secas. Las agarraderas húmedas o mojadas sobre superficies calientes pueden causar quemaduras por vapor. No utilice una toalla o un paño muy grande en el lugar o con las agarraderas. No permita que las agarraderas toquen las partes calientes del estante de la parrilla.
- Solo determinados tipos de vidrio, vitrocerámica resistente al calor, loza u otros utensilios esmaltados son adecuados para el uso en la parrilla. Estos materiales pueden romperse con los cambios bruscos de temperatura. Utilice el artefacto solo a temperatura baja o media, según las indicaciones del fabricante.
- No caliente recipientes de comida sin abrir. Un aumento de la presión puede hacer que los recipientes estallen.
- Nunca se incline sobre una parrilla abierta.
- La grasa es inflamable. Deje que la grasa caliente se enfríe antes de intentar manipularla. Limpie con frecuencia la bandeja y el cubo para la grasa para evitar que se acumule.
- No use agua para controlar llamaradas o extinguir el fuego. Apague la parrilla, desenchufe el cable de alimentación y espere que se enfríe.
- El sistema para la grasa debe estar debidamente instalado cuando se use la parrilla. Nunca utilice la parrilla sin tener un cubo para la grasa en el lugar, debajo del estante lateral.

- Retire las cenizas después de que la parrilla se haya enfriado por completo, tras apagarla correctamente. Espere a que la grasa y las cenizas se enfríen por completo para desecharlas.
- Espere a que el combustible se extinga y la parrilla se enfríe en su totalidad antes de moverla, cubrirla o guardarla.
- No utilice papel de aluminio para recubrir los estantes o el fondo de la parrilla. Esto puede alterar gravemente el flujo de aire de combustión o atrapar un calor excesivo en la zona de control.
- Limpie la parrilla con precaución. Para evitar quemaduras por vapor, no utilice una esponja o paño húmedo para limpiar la parrilla mientras esté caliente. Algunos limpiadores producen vapores tóxicos o pueden encenderse si se aplican en una superficie caliente.
- Apague los controles de la parrilla y asegúrese de que esta esté fría antes de usar cualquier tipo de limpiador en aerosol alrededor de la parrilla o sobre ella. El producto químico que genera la acción de rociado podría encenderse o provocar la corrosión de las piezas metálicas en presencia de calor.
- Mantenga la zona que rodea a la parrilla libre de materiales combustibles como líquidos, residuos y vapores, como la gasolina o el líquido para encender carbón. No obstruya el flujo de aire de combustión y de ventilación.
- Para reducir el riesgo de incendio, retire las ollas y sartenes mientras el artefacto en funcionamiento esté sin supervisión.
- No utilice accesorios que no sean específicos para este artefacto.
- El uso de alcohol o de medicamentos recetados o no recetados puede perjudicar la capacidad del consumidor para montar de forma correcta o manejar con seguridad el artefacto.
- Eliminación de cenizas - Las cenizas deben colocarse en un recipiente metálico con tapa hermética. El recipiente cerrado debe colocarse en un piso no combustible o en el suelo, bien alejado de todo material combustible, hasta que finalmente se eliminen las cenizas. Cuando las cenizas se eliminen enterrándolas en el suelo o dispersándolas localmente, deben conservarse en el recipiente cerrado hasta que todas los rescoldos se hayan enfriado por completo.

PRECAUCIÓN: COMPONENTES ELÉCTRICOS



- Desconecte la corriente eléctrica antes de realizar tareas de mantenimiento. No intente limpiar o reparar la parrilla mientras esté conectada a una fuente de electricidad.
- La fuente de alimentación eléctrica externa que se utilice para este artefacto debe estar conectada a tierra de acuerdo a los códigos locales.
- Revise el enchufe antes de utilizarlo. No enchufe la parrilla si está dañado.
- Asegúrese de que el cable de alimentación no entre en contacto con superficies calientes.
- No corte ni retire la clavija de conexión a tierra del enchufe. Utilice solo un circuito protegido por un interruptor de circuito con conexión a tierra para alimentar la parrilla.
- El alto voltaje que se utiliza para alimentar la parrilla puede provocar una descarga eléctrica o incluso la muerte. No sumerja en líquido ningún elemento electrónico o de calentamiento. No lo utilice cerca de ninguna fuente de agua ni bajo la lluvia.
- Cuando desenchufe la parrilla, no tire del cable. Siempre tire del enchufe.



¡PRECAUCIÓN!

No instale o use la parrilla menos de 36 pulgadas (91,44 cm) de cualquier material combustible desde la parte posterior o los laterales de la parrilla. La parrilla no debe ubicarse bajo superficies elevadas (cochera cerrada, garaje, porche, patio) que puedan incendiarse.

AHUMADOR VERTICAL DE PELLETS



1 TOLVA

La tolva de gran capacidad está equipada con limpieza de gránulos de acceso posterior y puede contener suficientes gránulos para una sesión de ahumado de todo el día. El indicador de combustible de pellets I-Site™ muestra la cantidad de combustible que queda en la tolva.

4 ÁREA DE COCCIÓN GRANDE

Las rejillas de cocción recubiertas de porcelana y fáciles de limpiar tendrán suficiente comida para todos sus invitados. Use la bandeja de agua recubierta de porcelana para mantener la comida húmeda para una experiencia culinaria perfecta.

2 CONTROLADOR DIGITAL

El controlador SureTemp™ habilitado para Wi-Fi y Bluetooth® † con tecnología de control de temperatura precisa incorporada se puede usar para establecer y ajustar la temperatura, el temporizador y las opciones de cocción. Para disfrutar de la experiencia Oakford™ completa, conéctese a la aplicación Nexgrill.

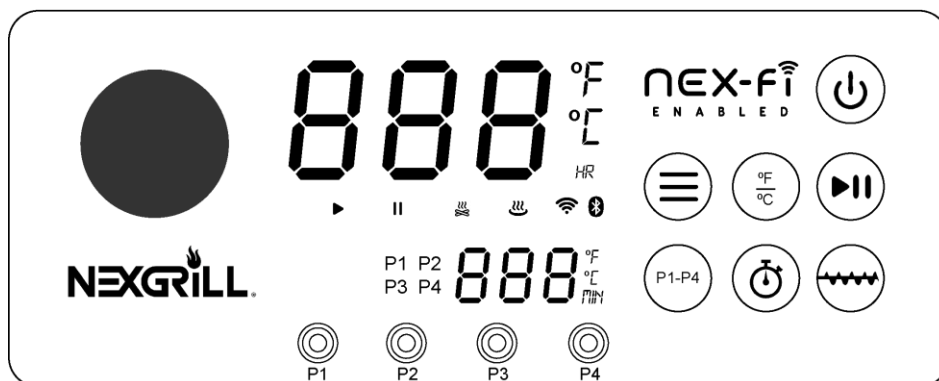
5 SISTEMA DE GRASA

La mayor parte de la grasa caerá en la bandeja de agua y continuará agregando sabor a su comida. Cualquier exceso de grasa fluirá a través del panel inferior hacia la bandeja de grasa de acceso frontal.

3 PUERTA PRINCIPAL

Con una construcción completa de gabinete de doble pared, el ahumador incluye una ventana en la puerta para ver rápidamente el interior del ahumador.

† Bluetooth® is a registered trademark of The Bluetooth Special Interest Group (SIG).



DIAL DE CONTROL

Gire este dial de control para ajustar los valores del temporizador, la temperatura de la sonda de carne y la temperatura de la parrilla. Presione el dial de control para confirmar el nuevo valor deseado. La temperatura de la parrilla se puede ajustar en incrementos de 3 °C (5 °F). Durante la cocción, presione el mango para visualizar la temperatura de ajuste actual de la parrilla.



ENCENDIDO

Presione para encender el controlador. Cuando termine de cocinar, presione de nuevo para entrar en el proceso de apagado automático.



MODOS

Presione para pasar entre los tres modos de funcionamiento predeterminados. Presione el dial de control para confirmar la selección del modo con una temperatura predeterminada o ajustar la temperatura antes de seleccionarla, girando el dial de control.

	<p>MODO HUMO</p> <p>Preprogramado para el ahumado lento, este programa tiene una temperatura predeterminada de 107 °C (225 °F).</p>
	<p>MODO CALIENTE</p> <p>Preajustado a solo 82 °C (180 °F), este modo se utiliza en particular para mantener los alimentos calientes. Si se selecciona, la parrilla cambiará a CALIENTE de forma automática cuando P1 haya alcanzado la temperatura deseada.</p>



UNIDAD DE TEMPERATURA

Presione para cambiar la escala de la temperatura entre Fahrenheit y Celsius.



ACTIVAR/PAUSAR

En principio, se utiliza para comenzar el proceso de encendido después de seleccionar un modo de cocción, y se puede presionar mientras se cocina para pausar el programa. Ayudará a evitar la sobre alimentación de pellets debido a una disminución de la temperatura (por ejemplo, por la tapa abierta). Cuando se encuentre en pausa, o una vez encendida, la parrilla quedará en modo de espera y el ícono “II” (pausa) se iluminará.

Presiónelo de nuevo para reanudar el último programa. Si dentro de los cinco minutos no se realiza ninguna acción, la parrilla entrará en el proceso de apagado.



SONDAS

Esta parrilla de pellets Oakford puede utilizar hasta cuatro sondas de temperatura para ayudarlo a cocinar una variedad de alimentos a la perfección. Presione para pasar por cada sonda conectada. Una vez que aparezca el índice (P1, P2, etc.), presione y mantenga presionado durante tres segundos para establecer la temperatura deseada. Use el dial de control para cambiar el valor de la temperatura y presiónelo para confirmar el valor.



TEMPORIZADOR

Presione para ajustar el temporizador en minutos y horas. El controlador emitirá una alarma una vez que haya transcurrido el tiempo.

Para ajustar el temporizador, siga estos pasos:

1. Presione el botón. El número inferior de la pantalla parpadeará. Ajuste el valor de los minutos con el dial de control. Presione el dial de control para confirmar.
2. Ahora, el número superior de la pantalla parpadeará. Ajuste la hora con el dial de control. Presione el dial de control para confirmar y activar el temporizador.

Los símbolos “HR” (hora) y “MIN” (minutos) parpadearán, lo que indica que el temporizador está en funcionamiento. Presione el botón para verificar el tiempo restante. Mantenga presionado el botón durante 3 segundos para cancelar el temporizador.



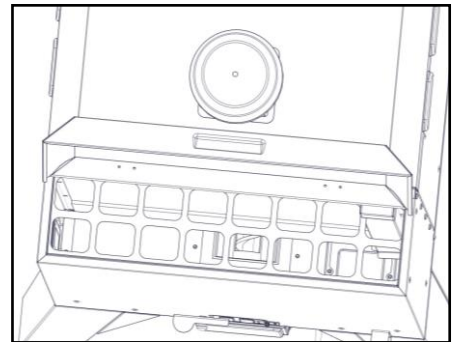
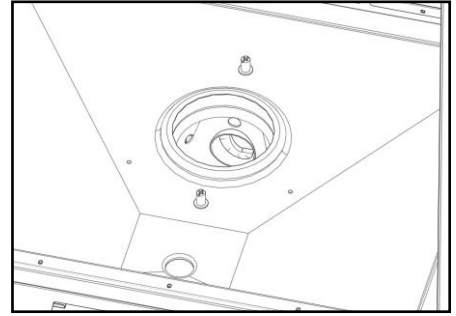
LLENADO

Presione para hacer funcionar la barrena durante 30 segundos antes o después de cocinar. Si se necesita más tiempo para cargar o vaciar los pellets del tubo de la barrena, presione de nuevo el botón cuando deje de parpadear. Manténgalo presionado durante 3 segundos para cancelar esta acción.

INSTRUCCIONES DE FUNCIONAMIENTO

ANTES DE USAR POR PRIMERA VEZ

1. Retire todo el material de embalaje de la parrilla.
2. Abra la parrilla para asegurarse de que las parrillas de cocción y la bandeja para la grasa estén correctamente instaladas.
3. Abra la tapa de la tolva y verifique que no haya objetos extraños que obstruyan la barrena.
4. Asegúrese de que el protector de seguridad de la tolva esté en su lugar y la puerta para la limpieza de los pellets esté cerrada y bloqueada.
5. Llene la tolva con los pellets que eligió hasta el nivel de combustible deseado y cierre la tapa de la tolva.
6. Enchufe el cable de alimentación en un tomacorriente con conexión a tierra.
7. Encienda la parrilla presionando el botón de encendido del controlador.
8. Abra la tapa de la parrilla.
9. Prepare el tubo de la barrena presionando el botón PRIME (LLENADO), que activa la barrena durante 30 segundos. Repita este ciclo hasta que escuche caer los pellets en el recipiente para el fuego. Mantenga presionado el botón PRIME (LLENADO) durante 3 segundos para detener la acción.
10. Con el dial de control, ajuste la temperatura a 149 °C (300 °F) y presione el dial para confirmar.
11. Pulse PLAY/PAUSE (ACTIVAR/PAUSAR) para iniciar el proceso de encendido.
12. Una vez que la parrilla se haya encendido, cierre la tapa. Durante el encendido, es posible que salga una gran cantidad de humo de la parrilla.
13. Mientras controla la parrilla, déjela funcionar durante al menos 30 minutos. Esto eliminará los aceites del proceso de fabricación y ayudará a curar la parrilla.
14. Una vez que haya finalizado el curado, presione el botón de encendido para comenzar el proceso de apagado automático.
15. Una vez que el ahumador se haya apagado y enfriado correctamente, desenchúfelo de la fuente de alimentación.
16. Abra la tapa y limpie las rejillas de cocción y los estantes de calentamiento con un cepillo para parrilla o un raspador de madera.
17. Limpie en profundidad siguiendo las instrucciones de la sección "Instrucciones de cuidado y mantenimiento".
18. Una vez que haya limpiado su ahumador, asegúrese de que todas las piezas se vuelvan a instalar correctamente antes de usarlo.



CADA VEZ QUE UTILICE EL PRODUCTO

Siga los pasos cada vez que utilice su ahumador de pellets Oakford:

1. Asegúrese de que la tolva esté llena con suficientes pellets.
2. Limpie y elimine los restos de ceniza y grasa. Verifique si se acumuló creosota.
3. Retire la grasa y la creosota acumuladas para reducir el riesgo de incendio.
4. Conecte siempre el cable de alimentación a un tomacorriente con conexión a tierra.
5. Abra la tapa de la parrilla mientras la enciende.
6. Use la aplicación Nexgrill para mejorar su experiencia de parrilla.

INSTRUCCIONES DE FUNCIONAMIENTO

ENCENDIDO AUTOMÁTICO

Asegúrese de que su ahumador esté correctamente configurado y listo para usar.

1. Abra la tapa de la parrilla y verifique que todos los componentes estén en su lugar.
2. Asegúrese de que la tolva no contenga objetos extraños y que tenga suficientes pellets para una parrillada.
3. Asegúrese de que la barrena esté preparada y lista para usar. Si no es así, revise la función LLENADO para realizar una correcta configuración.
4. Enchufe el cable de alimentación en un tomacorriente con conexión a tierra y presione el botón POWER (ENCENDIDO).
5. Presione PLAY/PAUSE (ACTIVAR/PAUSAR), o introduzca primero el modo de cocción y la temperatura deseados. Si no se introduce nada, la parrilla se iniciará con una temperatura deseada predeterminada de 107 °C (225 °F). Transcurridos 5 minutos, debería verse humo. Si no es así, apague el controlador y espere 5 minutos antes de repetir la operación.
6. Una vez que se haya encendido, cierre la puerta. Si no lo hizo antes, establezca el modo de cocción y la temperatura deseados.

ENCENDIDO MANUAL

Asegúrese de que la parrilla esté instalada de forma correcta y lista para usar.

1. Abra la tapa de la parrilla y retire las rejillas, la bandeja para grasa y el difusor.
2. Asegúrese de que la tolva no contenga objetos extraños y que tenga suficientes pellets para una parrillada.
3. Verifique que el recipiente para el fuego esté limpio y no contenga objetos extraños.
4. Enchufe el cable de alimentación en un tomacorriente con una correcta conexión a tierra.
5. La barrena debe estar llena y lista para usar. Si no es así, revise la función LLENADO para realizar una correcta configuración.
6. Agregue un puñado de pellets para parrilladas al recipiente para el fuego.
7. Agregue un iniciador de fuego de madera natural o gel al recipiente para el fuego.
8. Con una cerilla larga o un mechero, encienda el iniciador del fuego.
9. Después de que los pellets se quemen bien, vuelva a colocar el difusor, la bandeja para grasa y las rejillas.
10. Presione el botón POWER (ENCENDIDO).
11. Presione PLAY/PAUSE (ACTIVAR/PAUSAR). Verifique que se hayan agregado más pellets y que se estén quemando de forma adecuada.
12. Una vez que la parrilla se haya encendido, cierre la tapa.
13. Si no lo hizo antes, establezca el modo de cocción y la temperatura deseados.

APAGAR SU FUMADOR

Cuando termine de cocinar, su OAKFORD debe apagarse de forma adecuada para eliminar las cenizas y los pellets restantes del recipiente de fuego. Use este procedimiento para apagar correctamente su ahumador después de cada uso.

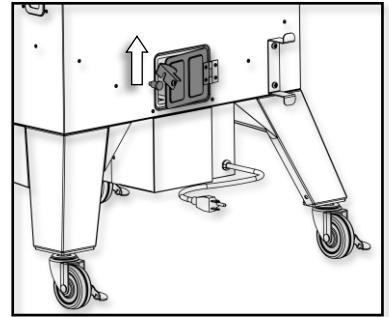
1. Abra la puerta, retire todas las sondas de carne y alimentos.
2. Con la tapa aún abierta, presione el botón de encendido para comenzar el proceso de apagado automático. Durante este proceso, el ventilador continuará funcionando hasta que la temperatura de la parrilla caiga por debajo de los 54 °C (130 °F), al menos durante 15 minutos, para facilitar el proceso de quemado. No desenchufe la parrilla hasta que el ventilador haya completado este proceso y se haya apagado.
3. Desenchufe el ahumador de la fuente de alimentación.
4. Espere hasta que el ahumador se haya enfriado antes de guardarlo para su próxima comida al aire libre..

INSTRUCCIONES DE FUNCIONAMIENTO

CÓMO CAMBIAR LOS PELLETS

Cuando quiera cambiar el aroma de los pellets para su próxima reunión o purgar la tolva para un mantenimiento minucioso, siga las instrucciones a continuación:

1. Desconecte el cable de alimentación de la toma de corriente.
2. Localice la abertura en la parte inferior de la tolva de pellets y coloque un recipiente grande por debajo.
3. Desde la parte trasera de su ahumador OAKFORD, abra la puerta de limpieza de pellets.
4. Una vez que la tolva esté vacía, cierre la puerta.
5. Conecte la parrilla a un tomacorriente con conexión a tierra y presione el botón POWER (ENCENDIDO).
6. Presione PRIME (LLENADO) para que la barrena lleve los pellets del tornillo de la barrena hacia el recipiente para el fuego. Repita esto hasta que se vacíe la barrena.
7. Con una aspiradora, retire los pellets y la ceniza del recipiente para el fuego.

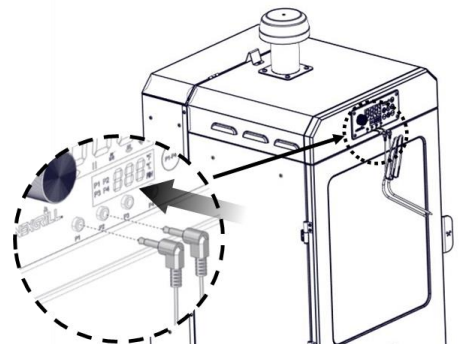


ADVERTENCIA: Inspeccione la protección de seguridad para los dedos que tiene la tolva de forma visual para garantizar que esté en su lugar y no esté dañada, antes de llenar la tolva con los pellets de su elección. NO cambie los pellets cuando la parrilla esté caliente.

CÓMO USAR LAS SONDAS DE TEMPERATURA

Utilice la sonda para carne provista para controlar su ahumador de pellets OAKFORD siguiendo estos pasos:

1. Enchufe la sonda para carne en el puerto en la parte inferior del controlador*, luego dirija la sonda a través de la puerta del ahumador. Asegúrese de usar guantes protectores contra el calor.
2. Introduzca la sonda de temperatura en la parte más gruesa de la carne de su elección.
3. Coloque la comida en la rejilla de cocción y cierre la tapa de la parrilla.
4. Consulte la página de Funciones del controlador para ver las instrucciones y establecer la temperatura deseada de la sonda.



***FUNCIÓN DE CALENTAMIENTO AUTOMÁTICO:** Con la sonda de carne conectada al puerto P1, establezca la temperatura deseada para los alimentos y active la función de calentamiento automático. De forma automática, esta característica reducirá la temperatura establecida de la parrilla a 82 °C (180 °F) y se visualizará el ícono de CALENTAR después de que la temperatura de la sonda alcance la temperatura deseada. La parrilla se mantendrá en el ajuste CALIENTE (durante un máximo de 10 minutos) mientras espera la siguiente entrada del usuario. De este modo, se evita que los alimentos se cocinen en exceso si el usuario no está presente cuando se ha alcanzado la temperatura establecida de la sonda de carne. Para evitar esta función de calentamiento automático, utilice en su lugar los puertos P2 a P4. También puede desactivar esta función a través de la aplicación "NEX-Fi"

INSTRUCCIONES DE CUIDADO Y MANTENIMIENTO



¡PRECAUCIÓN!

ASEGÚRESE DE QUE LA PARRILLA SE HAYA ENFRIADO Y DESENCHÚFELA DE LA FUENTE DE ALIMENTACIÓN ANTES DE REALIZAR CUALQUIER TAREA DE LIMPIEZA O MANTENIMIENTO.

INTERIOR

REJILLAS DE COCCIÓN

- Después de que la parrilla se haya enfriado, frote ambos lados de las rejillas de cocción con un cepillo de alambre para parrillas.
- Cualquier residuo persistente de comida cocida puede eliminarse con un raspador.
- Las rejillas también pueden retirarse de la parrilla y lavarse con lavavajilla y agua tibia. Séquelas bien.
- Las rejillas decocción deben limpiarse después de cada uso.

SISTEMA PARA GRASA

- Retire las rejillas decocción y raspe los restos de comida y grasa de la bandeja para grasa con un raspador o un cepillo para parrilla.
- La bandeja para grasa también puede retirarse de la parrilla y lavarse con lavavajilla y agua tibia. Séquelas bien.
- El recipiente para grasa se puede recubrir con un revestimiento para facilitar la limpieza.
- La bandeja para grasa debe limpiarse después de cada uso. El recipiente para grasa debe vaciarse una vez que llegue a $\frac{3}{4}$ de su capacidad.

SUPERFICIES INTERIORES

- Cepille o raspe la grasa o los restos que se acumulan en las superficies interiores con un raspador o un cepillo para parrilla.
- Aspire la ceniza y los restos de comida del fondo de la cámara de combustión y del recipiente para el fuego antes de cada uso.
- Todas las superficies se pueden lavar con agua tibia con jabón o un desengrasante suave. Séquelas bien.
- Las superficies interiores deben controlarse y limpiarse cuando se hayan acumulado grasa y residuos, pero no menos de dos veces al año.

EXTERIOR

SUPERFICIES RECUBIERTAS Y DE PLÁSTICO

- Después de que la parrilla se haya enfriado por completo, las superficies exteriores pueden limpiarse con una mezcla suave de agua y jabón. Séquelas bien.
- No utilice limpiadores abrasivos.

ACERO INOXIDABLE (CORRESPONDE A ALGUNOS MODELOS)

- Utilice un limpiador para acero inoxidable y un paño no abrasivo y sin pelusas para limpiar los componentes de acero inoxidable.
- Frote siempre en el sentido de la fibra para evitar arañazos y no utilice toallas de papel.

NO ROCÍE LA PARRILLA CON UNA MANGUERA DE JARDÍN O UNA LAVADORA ELÉCTRICA PARA EVITAR DAÑOS EN LOS COMPONENTES ELÉCTRICOS.

ALMACENAMIENTO

- Entre un uso y otro, guarde siempre la parrilla con una cubierta para evitar la corrosión u otros daños, en especial si se almacena en un ambiente lluvioso o húmedo.
- No almacene la parrilla con la tolva o la barrena llenas de pellets, en particular en condiciones húmedas o mojadas. La humedad expandirá los pellets y puede provocar un atasco en la barrena. Utilice la puerta de liberación rápida de pellets que se encuentra en la parte posterior de la tolva para vaciar los pellets sobrantes en un recipiente y quemar los pellets que queden en la barrena antes de guardarlos.
- Guarde los pellets de madera sobrantes en un recipiente hermético, lejos de los aparatos que producen calor, de la humedad y de otros recipientes de combustible. Antes de utilizarlos, verifique la frescura de los pellets partiendo uno por la mitad. El pellet debe romperse con un chasquido. Si se desmenuza, significa que el pellet no está fresco y afectará al rendimiento de la parrilla.



- **Creosota: Formación y necesidad de eliminación.** Cuando los pellets de madera se queman lentamente, producen alquitrán y otros vapores orgánicos que se combinan con la humedad expulsada y forman creosota. Los vapores de la creosota se condensan en un conducto de humo del horno relativamente frío y en la campana extractora con un fuego lento. Como resultado, los residuos de la creosota se acumulan en el revestimiento del conducto de humo y la campana. Cuando se enciende, esta creosota produce un fuego extremadamente caliente.
- El conducto de la grasa debe inspeccionarse al menos dos veces al año para determinar si se ha producido una acumulación de grasa o creosota.
- Si se ha acumulado grasa o creosota, deben eliminarse para reducir el riesgo de incendio.

SOLUCIÓN DE PROBLEMAS

CÓDIGOS DE ERROR

En raras ocasiones, el controlador puede detectar un problema y es posible que se visualice un código de error en el controlador. Consulte la siguiente tabla para ver las descripciones y soluciones:

CÓDIGO DE ERROR	DESCRIPCIÓN DEL ERROR	SOLUCIÓN
ER1	Fallo del sensor del termopar de la cámara de combustión	Este error se producirá cuando el termopar haya perdido la conexión con el controlador debido a que hay un cable suelto o a un fallo del termopar, lo que requerirá un reemplazo.
ER2	Fallo en el encendido	Este error se producirá cuando la parrilla no detecte un aumento de la temperatura dentro de los 15 minutos posteriores al ajuste de la temperatura, lo que indicará un fallo en el encendido. La temperatura ambiente, la obstrucción del tubo de la barrena, la falta de pellets, la acumulación de cenizas, etc. pueden afectar al encendido. Examine el sistema de alimentación de pellets y reinicie la parrilla.
ER3	Fallo del límite de temperatura alta	Este error se producirá cuando la temperatura de la parrilla supere los 260 °C (500 °F). Deje que la parrilla se enfríe y apáguela. Reinicie la parrilla después de limpiar los pellets restantes de la cámara de combustión.
ER4	Fallo del límite de temperatura baja	Si la temperatura de la parrilla cae demasiado por debajo de la temperatura establecida, aparecerá este código. Esto puede suceder cuando se cocina con la tapa abierta. En ese caso, el usuario puede borrar el código de error presionando el dial de control. Si no está cocinando con la tapa abierta, puede indicar que el encendedor se ha apagado. En ese caso, el usuario debe apagar la parrilla y vaciar el recipiente de combustión antes de reiniciarla.
ER5	Fallo en la comunicación con la sonda	Este error se producirá si una sonda de temperatura conectada al puerto P1 que tiene una temperatura deseada establecida pierde la conexión. Compruebe que la sonda de carne esté conectada al controlador de forma correcta. Si el problema persiste, deberá reemplazar la sonda.
ER9	Fallo en la comunicación con la red	Si el controlador estaba previamente conectado a la red wifi, este error indica que no funciona Internet o que la conexión a la red wifi se ha interrumpido. Reinicie la parrilla; asegúrese de que el lugar donde esté la parrilla tenga una fuerte señal wifi.

NOTA: Para descartar un código de error, presione el dial de control.

LLÁMENOS

Para obtener ayuda o piezas de repuesto, llame a nuestro departamento de servicio de atención al cliente al 1-800-913-8999, de 8 a. m. a 5 p. m., de lunes a viernes.



IMPORTANTE:

Utilice solo piezas autorizadas por la fábrica. El uso de cualquier pieza que no esté autorizada por la fábrica puede ser peligroso y anulará la garantía.

PREGUNTAS FRECUENTES

PREGUNTA	RESPUESTA
¿Qué hago si la barrena se atasca?	<ol style="list-style-type: none"> 1. Desenchufe la parrilla y espere que se enfríe. 2. Si el atasco no se puede desprender de la abertura de la tolva de pellets, puede ser necesario desmontar la barrena y el motor. 3. Comuníquese con el servicio de atención al cliente para que lo ayuden a desmontar la barrena para eliminar el atasco.
¿Por qué varía la temperatura de la parrilla de pellets?	Las variaciones de temperatura son normales. Cualquier variación importante podría ser el resultado del viento y la temperatura ambiente, la cantidad de pellets o la falta de mantenimiento. Evite utilizar la parrilla de pellets cuando haya viento o llueva en el exterior.
¿Por qué el fuego no permanece encendido?	El exceso de cenizas en el recipiente de combustión puede causar esto al cubrir el encendedor y evitar que se quemen los pellets. Desenchufe la parrilla y espere que se enfríe, luego retire las rejillas de cocción, la bandeja para grasa y el difusor de calor. Retire los pellets y la ceniza del recipiente de combustión. Para eliminar las cenizas del recipiente de combustión, lo ideal es una aspiradora con un accesorio de manguera.
¿Por qué la parrilla no calienta a la temperatura establecida?	Por lo general, esto se debe a que el recipiente de combustión no recibe suficiente oxígeno para alcanzar la temperatura deseada. Inspeccione el recipiente de combustión y asegúrese de que no contenga demasiadas cenizas. Verifique la tolva y agregue más pellets si es necesario. Sustitúyalos si están húmedos. También debe verificar el ventilador para asegurarse de que funcione.
¿Cómo puedo evitar las llamaradas?	Si está cocinando alimentos con gran contenido de grasa, mantenga la temperatura en 177 °C (350 °F) o menos para evitar las llamaradas.

CÓMO PEDIR PIEZAS DE REPUESTO

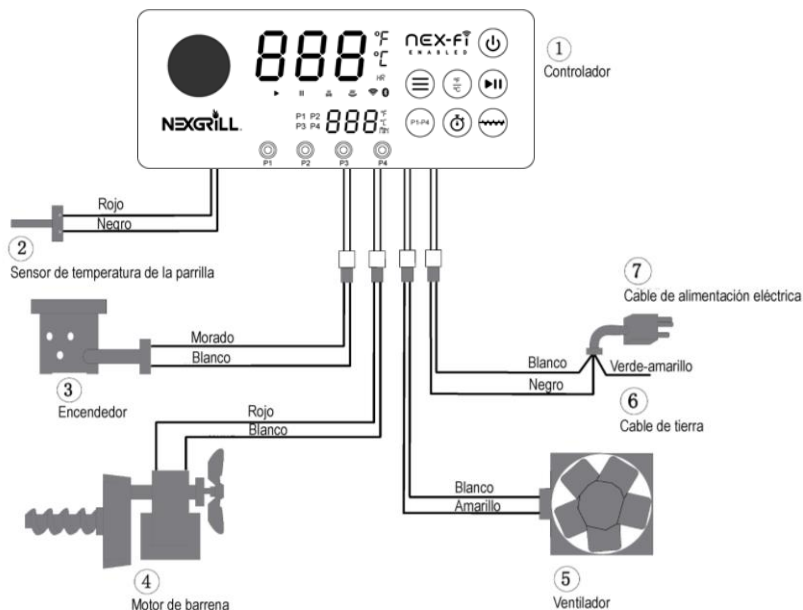
Para asegurarse de obtener las piezas de repuesto correctas para la parrilla, consulte la lista de piezas de repuesto. Conserve este manual de instrucciones de montaje y funcionamiento para poder consultarlo según lo necesite y para pedir piezas de repuesto.

LA SIGUIENTE INFORMACIÓN ES NECESARIA PARA GARANTIZAR QUE SE PIDA LA PIEZA CORRECTA:

- Número de modelo de la parrilla de pellets Oakford™
- Descripción
- Número de serie
- Cantidad
- Número de pieza

PARA OBTENER PIEZAS DE REPUESTO, COMUNÍQUESE CON NUESTRA LÍNEA DIRECTA DEL SERVICIO DE ATENCIÓN AL CLIENTE: 1-800-913-8999 en Estados Unidos, de 8 a. m. a 5 p. m., hora del Pacífico, de lunes a viernes.

DIAGRAMA DEL CIRCUITO ELÉCTRICO



GARANTÍA

El fabricante garantiza al consumidor-comprador original **ÚNICAMENTE** que este producto (*modelo n.º 910-0013*) no tendrá defectos de mano de obra y materiales luego del correcto montaje y con un uso doméstico normal y razonable por los períodos que se indican a continuación, a partir de la fecha de compra. El fabricante se reserva el derecho de exigir pruebas fotográficas de los daños, o que las piezas defectuosas sean devueltas, con los gastos de envío pagados previamente por el consumidor, para su revisión y examen. La obligación de Nexgrill se limita a la reparación, sustitución o valor depreciado, a elección de Nexgrill.

Todos los modelos de parrillas de pellets	GARANTÍAS
Cámara de combustión y todos los componentes que no están cubiertos a continuación	5 años
Componentes eléctricos	3 años
Rejillas de cocción	3 años

Una vez que el consumidor suministre la prueba de compra según lo dispuesto en el presente documento, el fabricante reparará o reemplazará las piezas cuyos defectos se comprueben durante el período de garantía aplicable. Las piezas necesarias para completar tal reparación o sustitución serán gratuitas para usted, excepto los gastos de envío, siempre que el comprador esté dentro del período de garantía a partir de la fecha original de compra. El consumidor-comprador original será responsable de los gastos de envío de las piezas reemplazadas según los términos de esta garantía limitada. Esta garantía limitada rige únicamente en los Estados Unidos y Canadá, solo está disponible para el propietario original del producto y no es transferible. El fabricante requiere una prueba razonable de la fecha de compra. En consecuencia, usted debe conservar el recibo de compra o la factura. Si recibió la unidad a modo de regalo, pídala a la persona que le regaló el producto que envíe el recibo a su nombre a la dirección que se indica. Las piezas defectuosas o faltantes sujetas a esta garantía limitada no serán reemplazadas sin el registro o la prueba de compra. Esta garantía limitada se aplica SOLO a la funcionalidad del producto y no cubre problemas estéticos como arañazos, abolladuras, corrosión o decoloración por calor, limpiadores abrasivos y sustancias químicas o cualquier herramienta utilizada en el montaje o la instalación del artefacto, óxido superficial o decoloración de las superficies de acero inoxidable. El óxido superficial, la corrosión o la pintura en polvo saltada en las partes metálicas que no afecten la integridad estructural del producto no se consideran un defecto de mano de obra o de los materiales y no serán cubiertos por esta garantía. Esta garantía limitada no le reembolsará el costo de cualquier inconveniente, alimento, lesión personal o daño material. Si no se dispone de una pieza de repuesto original, se enviará una pieza de repuesto similar. Usted será responsable de pagar los gastos de envío de las piezas que se reemplacen según los términos de esta garantía limitada.

EL FABRICANTE NO PAGARÁ LO SIGUIENTE:

- Las llamadas de servicio a su casa.
- Las reparaciones cuando el uso del producto no sea el habitual de una residencia o un hogar unifamiliar.
- Los daños como consecuencia de accidentes, alteraciones, uso indebido, falta de mantenimiento o limpieza, abuso, incendio, inundación, casos fortuitos, instalación inadecuada e instalación no conforme a los códigos eléctricos o de plomería, o el uso indebido del producto.
- Cualquier pérdida de alimentos debida a fallos del producto.
- Los costos de las piezas de repuesto o de la mano de obra de reparación de las unidades que se utilicen fuera de los Estados Unidos o Canadá.
- La recolección y entrega de su producto.
- Los gastos de envío o de procesamiento de las fotos que se envíen como documentación.
- Las reparaciones de piezas o sistemas que sean consecuencia de modificaciones no autorizadas en el producto.
- El retiro o la reinstalación de su producto.
- El costo de envío, estándar o acelerado, de las piezas de garantía/no garantía y de reemplazo.

EXENCIÓN DE RESPONSABILIDAD DE GARANTÍAS IMPLÍCITAS; LIMITACIÓN DE SOLUCIONES

La reparación o el reemplazo de las piezas defectuosas es su única solución según los términos de esta garantía limitada. El fabricante no será responsable de ningún daño emergente o incidental que surja del incumplimiento de esta garantía limitada o de cualquier garantía implícita aplicable, ni de los fallos o daños que se produzcan como consecuencia de casos fortuitos, cuidado y mantenimiento inadecuados, incendio por grasa, accidente, alteración, sustitución de piezas por parte de alguien que no sea el fabricante, uso indebido, transporte, uso comercial, abuso, entornos hostiles (inclemencias del tiempo, actos de la naturaleza, manipulación de animales), instalación inadecuada o instalación que no cumpla con los códigos locales o las instrucciones impresas del fabricante.

ESTA GARANTÍA LIMITADA ES LA ÚNICA GARANTÍA EXPRESA OTORGADA POR EL FABRICANTE. NINGUNA ESPECIFICACIÓN O DESCRIPCIÓN DEL DESEMPEÑO DEL PRODUCTO QUE APAREZCA ESTÁ GARANTIZADA POR EL FABRICANTE, EXCEPTO EN LA MEDIDA ESTABLECIDA EN ESTA GARANTÍA LIMITADA. CUALQUIER PROTECCIÓN IMPLÍCITA DE LA GARANTÍA QUE SURJA SEGÚN LAS LEYES DE CUALQUIER ESTADO, INCLUIDA LA GARANTÍA IMPLÍCITA DE COMERCIALIZACIÓN O ADECUACIÓN A UN PROPÓSITO O USO PARTICULAR, QUEDA LIMITADA AL PLAZO DE VIGENCIA DE ESTA GARANTÍA LIMITADA.

Ni los distribuidores ni el establecimiento de venta de este producto están autorizados a ofrecer garantías adicionales o a prometer soluciones adicionales o incompatibles con las indicadas anteriormente. La responsabilidad máxima del fabricante, en cualquier caso, no superará el precio de compra documentado del producto que pagó el consumidor original. Esta garantía solo se aplica a las unidades compradas a un minorista o revendedor autorizado. NOTA: Algunos estados no permiten la exclusión o limitación de daños incidentales o emergentes, por lo que las limitaciones o exclusiones anteriores pueden no aplicarse a su caso; esta garantía limitada le otorga derechos legales específicos según se establece en el presente documento. También puede tener otros derechos que varían de un estado a otro.

Si desea lograr el cumplimiento de cualquier obligación según esta garantía limitada, debe escribir a la siguiente dirección:

**Nexgrill Customer Relations
14050 Laurelwood Pl
Chino, CA 91710**

Todas las devoluciones de los consumidores, los pedidos de piezas, las preguntas generales y la asistencia para la resolución de problemas pueden concretarse llamando al 1-800-913-8999 en Estados Unidos y al 1-800-648-5864 en Canadá. Se ofrece atención en inglés, francés y español, de 8 a. m. a 5 p. m., hora del Pacífico, de lunes a viernes.

Este aparato cumple con la sección 15 de los reglamentos de la FCC. Su utilización está sujeta a las dos condiciones siguientes:

- (1) este dispositivo no puede ocasionar interferencias dañinas, y
- (2) este dispositivo debe aceptar cualquier interferencia que reciba, incluidas las interferencias que puedan causar un funcionamiento no deseado.

Estos límites se han previsto para ofrecer una protección razonable contra interferencias en instalaciones residenciales. Este equipo genera, utiliza y puede irradiar energía de radiofrecuencia y, si no se instala y se utiliza de acuerdo con las instrucciones suministradas, podría ocasionar interferencias perjudiciales para las comunicaciones por radio. Sin embargo, no se puede garantizar que dicha interferencia no ocurra en una instalación determinada. Si este equipo causa interferencia perjudicial para la recepción de radio o televisión, lo que puede determinarse al apagar y encender el equipo, el usuario debe intentar corregir la interferencia mediante una o más de las siguientes medidas:

- Cambia la orientación o la posición de la antena receptora.
- Aumente la distancia entre equipo y receptor.
- Conecte el equipo a la toma de corriente en un circuito distinto de aquél al que esté conectada la unidad receptora.
- Consultar al distribuidor o a un técnico de radio o televisión.

El transmisor/receptor exento de licencia contenido en este dispositivo cumple con los RSS de Innovación, Ciencia y Desarrollo Económico de Canadá aplicables a los aparatos de radio exentos de licencia. Se autoriza la explotación bajo las dos condiciones siguientes:

- 1) El dispositivo no puede causar interferencias;
- 2) El dispositivo debe aceptar cualquier interferencia de radio recibida, incluso si la interferencia es probable que comprometa su funcionamiento.

Este dispositivo cumple con los límites de exposición a la radiación RF de la FCC y la IC establecidos para su uso en un entorno no controlado. Las antenas utilizadas para este transmisor deben instalarse y operarse a una distancia mínima de 20 cm de los usuarios y no deben ubicarse cerca ni operarse con otras antenas o transmisores. Los instaladores deben asegurarse de que una distancia de 20 cm separe el dispositivo (excepto el auricular) de los usuarios.

AVISO: Se advierte al usuario que todo cambio o modificación que no haya sido claramente aprobado por Nexgrill Industries, Inc. puede anular la autorización del usuario para operar /usar este equipo.

Nombre de Producto: OAKFORD 1400 Ahumador vertical de pellets

Número de Modelo: 910-0013

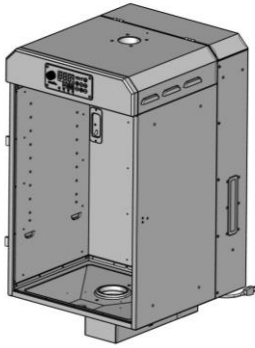
Parte Responsable (contacto solo para asuntos de la FCC):

NEXGRILL INDUSTRIES, INC.
14050 LAURELWOOD PLACE,
CHINO, CA. 91710 USA
WWW.NEXGRILL.COM
1-800-913-8999



PACKAGE PARTS LIST / LISTE DES PIÈCES / LISTA DE PIEZAS

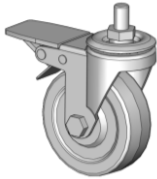
1



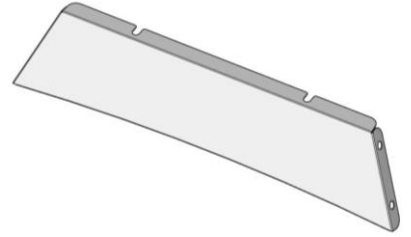
2 X4



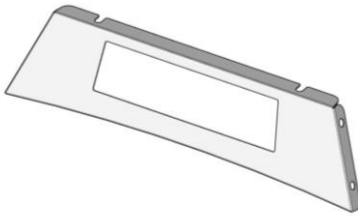
3 X4



4 X2



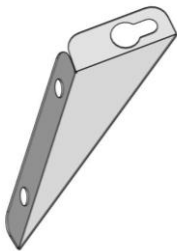
5



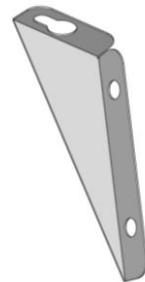
6 X2



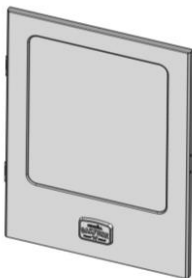
7



8



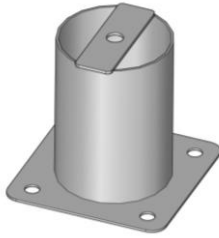
9



10



11



12



13 X5



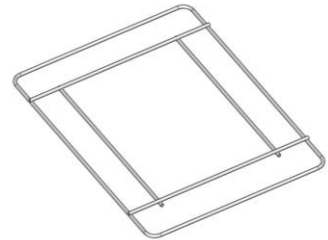
14



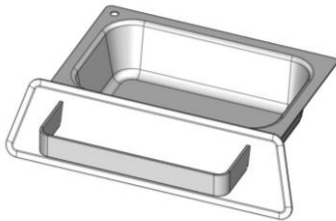
15 X12



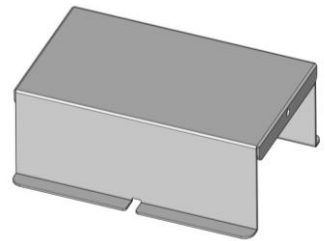
16



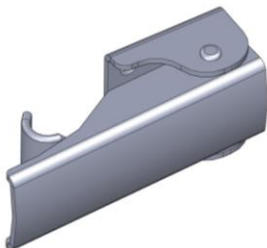
17



18



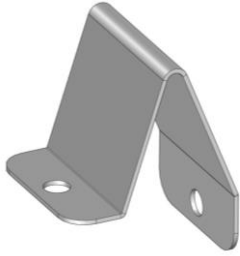
19



20



21



22 X2



PREPARATION:

Before beginning assembly, installation or operating the product, make sure all parts are present and undamaged. Compare parts with packaging contents list and diagram above. If any part is missing or damaged, do not attempt to assemble, install or operate the product. Contact our customer service for replacement parts.

READ ALL SAFETY WARNINGS, ASSEMBLY AND INSTALLATION INSTRUCTIONS CAREFULLY BEFORE ATTEMPTING TO ASSEMBLE.

HARDWARE

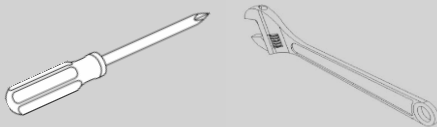
A X16



B X13



TOOLS NEEDED (NOT INCLUDED)



SOME PARTS COME WITH SCREWS PRE-INSTALLED. LOOSEN AND TIGHTEN FOR FINAL ASSEMBLY.

TIPS:

- Some assembly steps will require 2 people.
- Use a flat and level surface to assemble the grill.



CAUTION!

Incomplete or improper assembly may be dangerous. Do not use the grill if any parts are missing. The grill must be assembled properly according to the instructions provided by the manufacturer.

PRÉPARATION



Avant de commencer le montage, l'installation et l'utilisation du produit, vérifier que toutes les pièces sont présentes et intactes. Comparer le contenu de l'emballage avec la liste des pièces et les images qui précèdent. Si des pièces sont manquantes ou endommagées, ne pas monter, installer ou utiliser le produit, et communiquer avec le service à la clientèle pour obtenir des pièces de rechange.

LIRE ATTENTIVEMENT TOUTES LES CONSIGNES DE SÉCURITÉ ET INSTRUCTIONS DE MONTAGE ET D'INSTALLATION AVANT LE MONTAGE.

PREPARACIÓN:



Antes de comenzar el montaje o la instalación del producto y de ponerlo en marcha, asegúrese de tener todas las piezas y verifique que no estén dañadas. Compare las piezas con la lista de contenidos del paquete y el diagrama anterior. Si alguna pieza falta o está dañada, no intente montar, instalar o usar el producto. Comuníquese con nuestro servicio de atención al cliente para obtener piezas de repuesto.

LEA ATENTAMENTE TODAS LAS ADVERTENCIAS DE SEGURIDAD Y LAS INSTRUCCIONES DE MONTAJE E INSTALACIÓN ANTES DE REALIZAR EL MONTAJE.

QUINCAILLERIE / ACCESORIOS

A X16



B X13



OUTILS (NON COMPRIS)

HERRAMIENTAS NECESARIAS (NO SE INCLUYEN)



DES VIS SONT PRÉINSTALLÉES SUR CERTAINES PIÈCES ET DEVRONT ÊTRE DESSERRÉES OU SERRÉES À LA FIN DU MONTAGE.

ALGUNAS PIEZAS VIENEN CON TORNILLOS PREINSTALADOS. AFLÓJELOS Y AJÚSTELOS EN EL MONTAJE FINAL.

CONSEILS

- Certaines étapes du montage doivent être effectuées par deux personnes.
- Monter le barbecue sur une surface plane et sans pente.

SUGERENCIAS:

- Algunos pasos para el montaje requerirán dos personas.
- Utilice una superficie plana y nivelada para montar la parrilla.



ATTENTION!

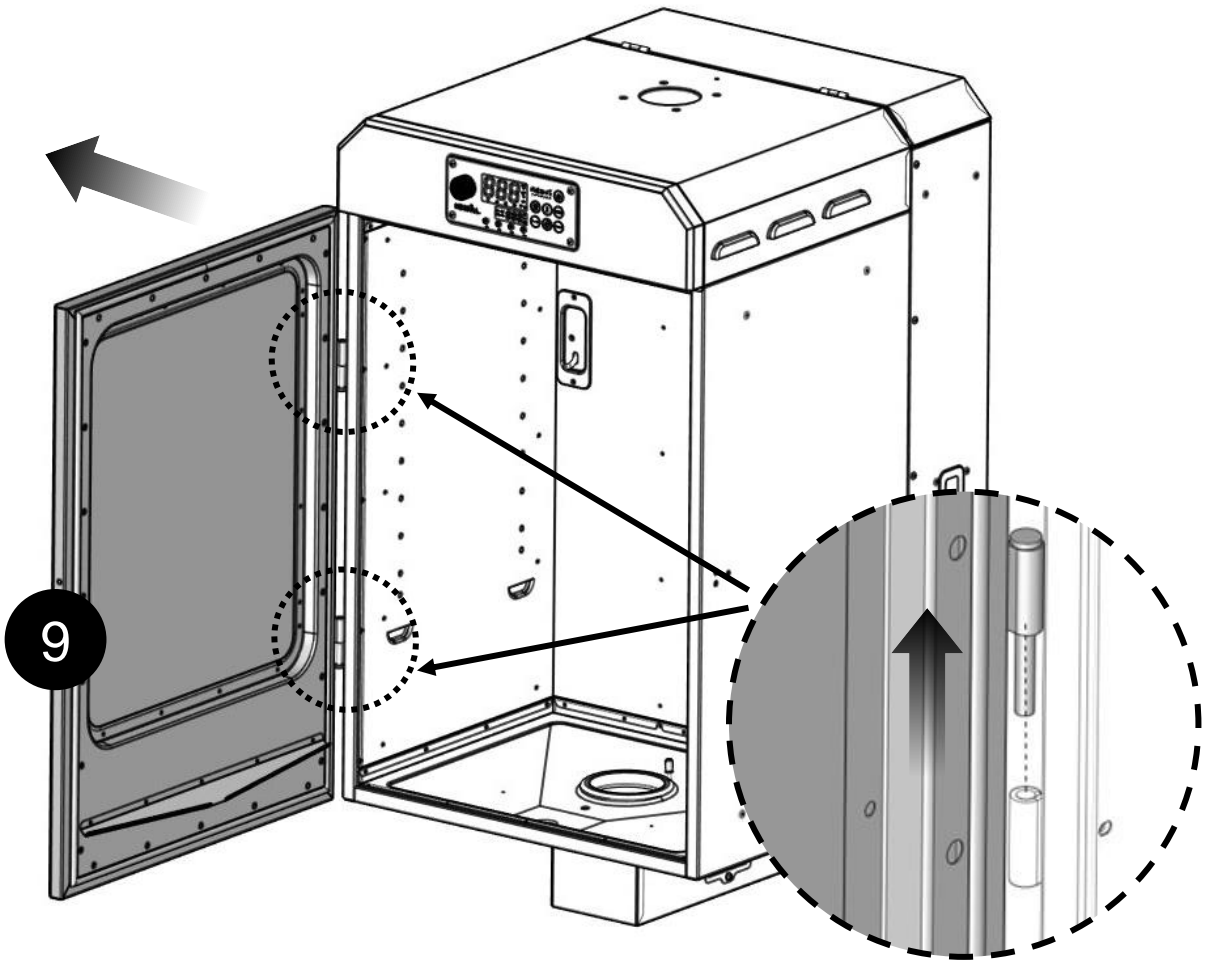
Un montage incomplet ou incorrect peut être dangereux. Ne pas utiliser le barbecue si des pièces sont manquantes. Le barbecue doit être monté conformément aux instructions fournies par le fabricant.



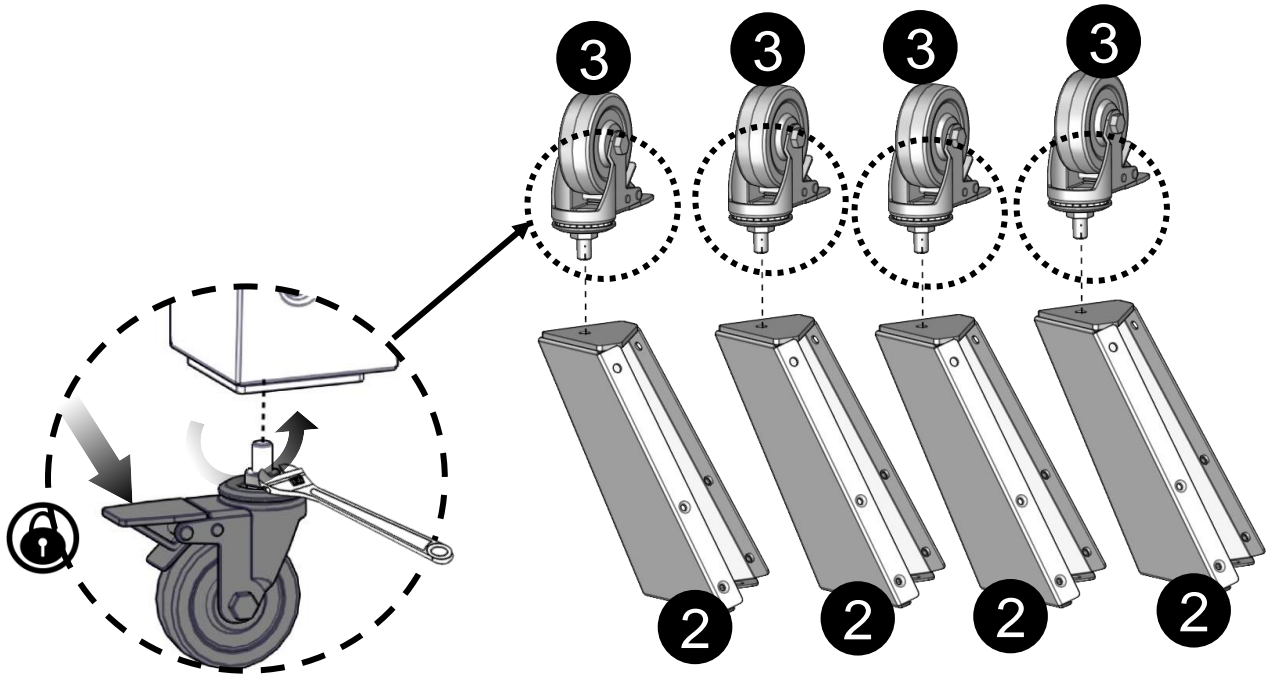
¡PRECAUCIÓN!

Un montaje incompleto o inadecuado puede ser peligroso. No utilice la parrilla si falta alguna pieza. La parrilla debe montarse de forma correcta según las instrucciones que proporciona el fabricante.

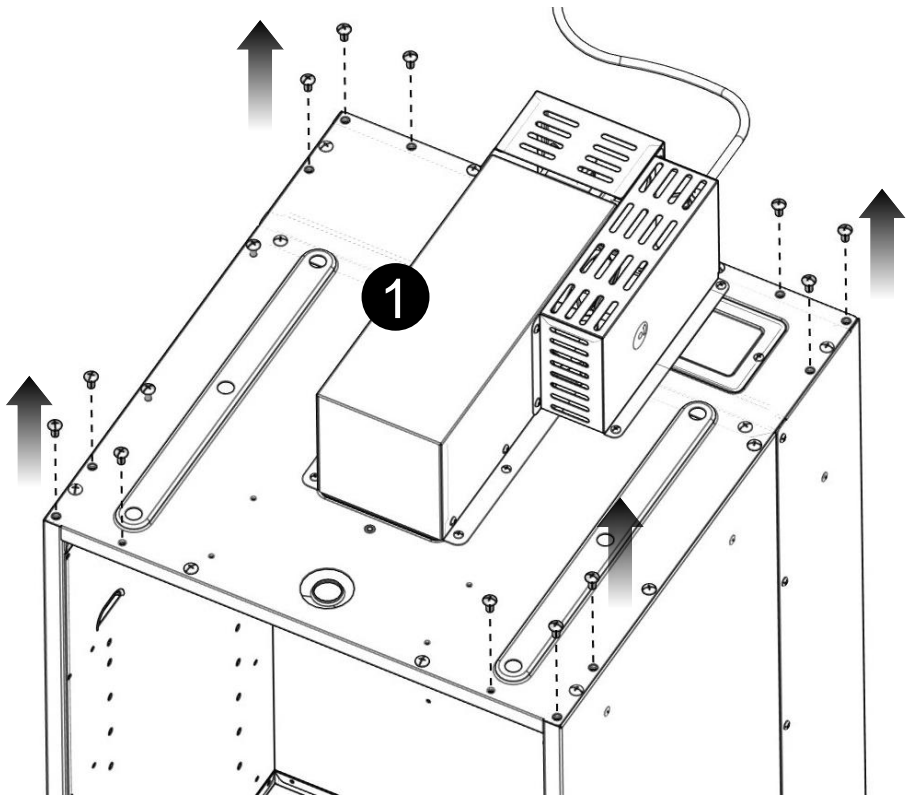
1



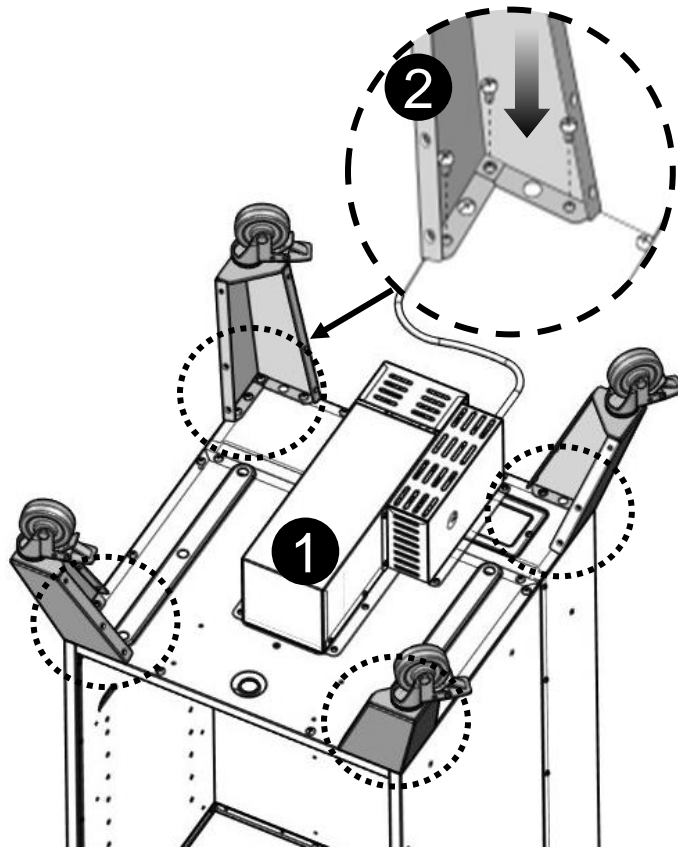
2



3

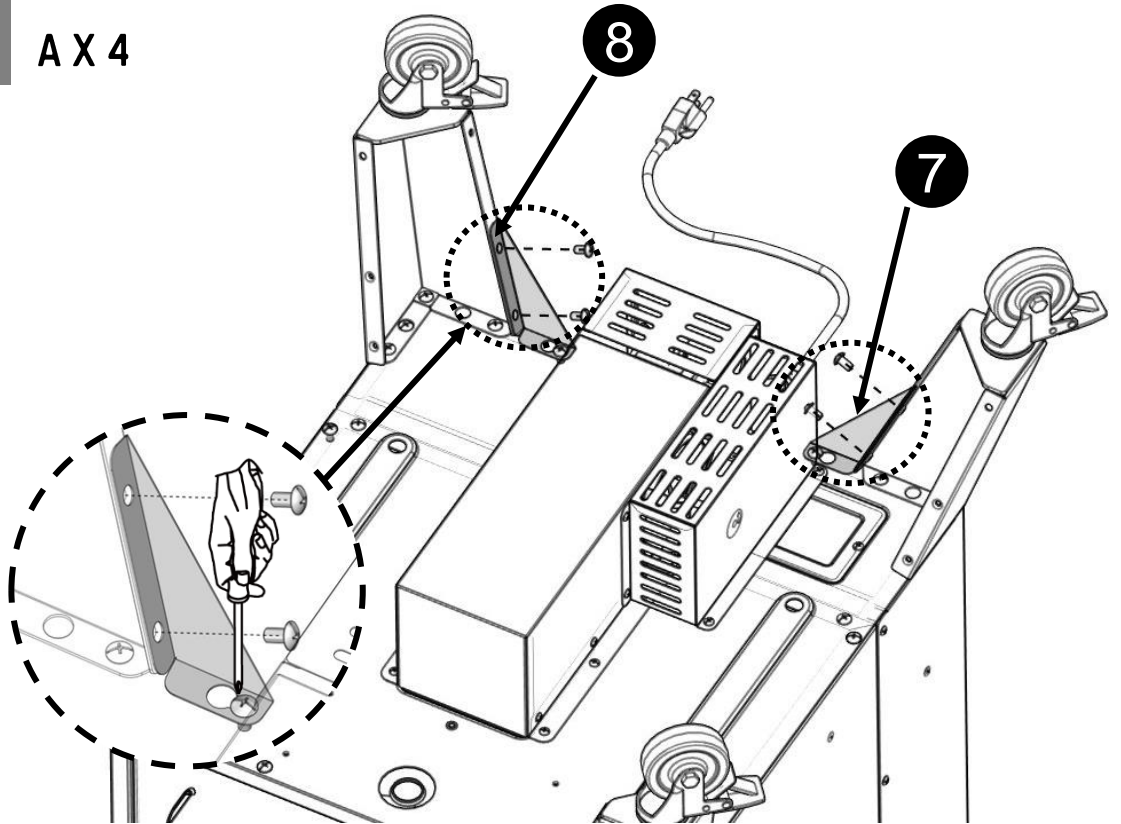


4



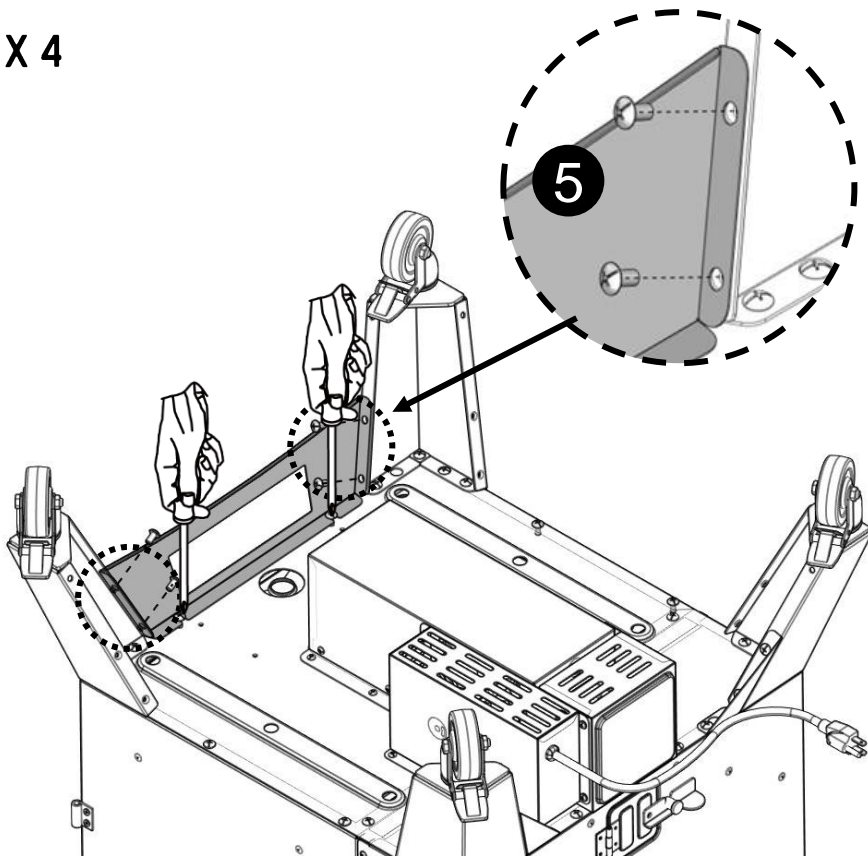
5

AX 4



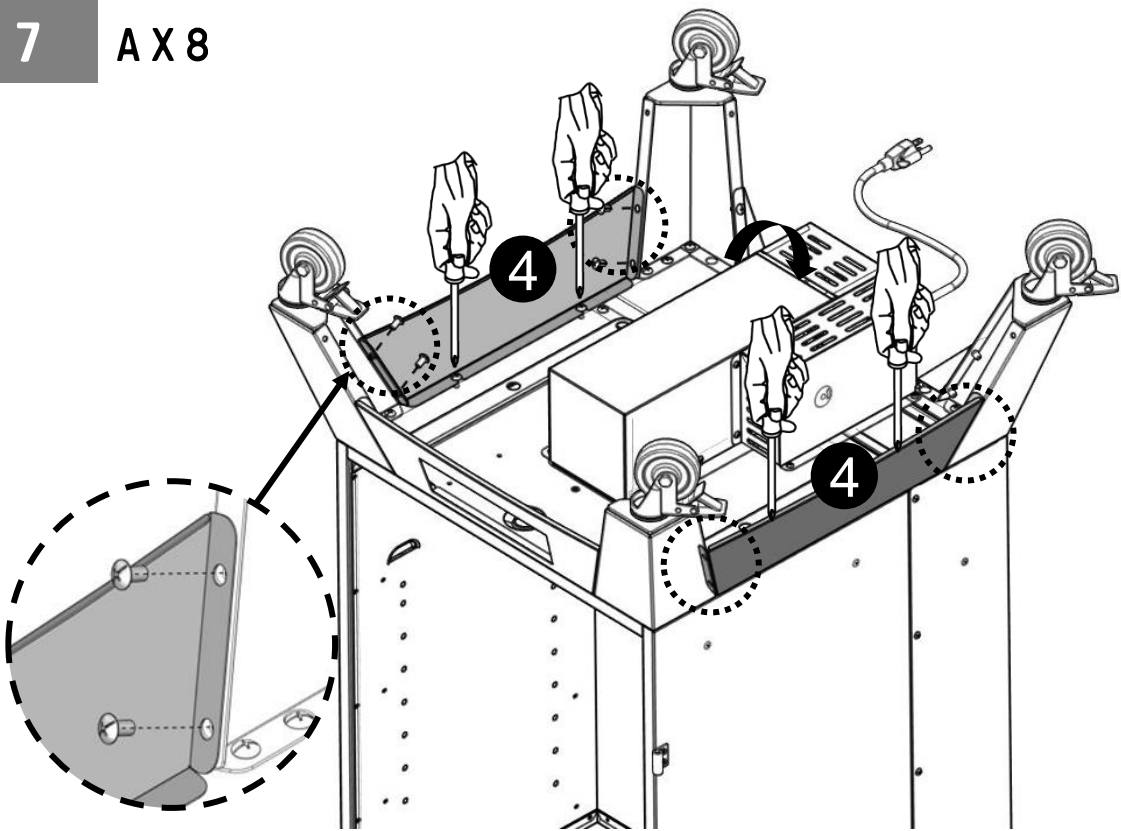
6

AX4



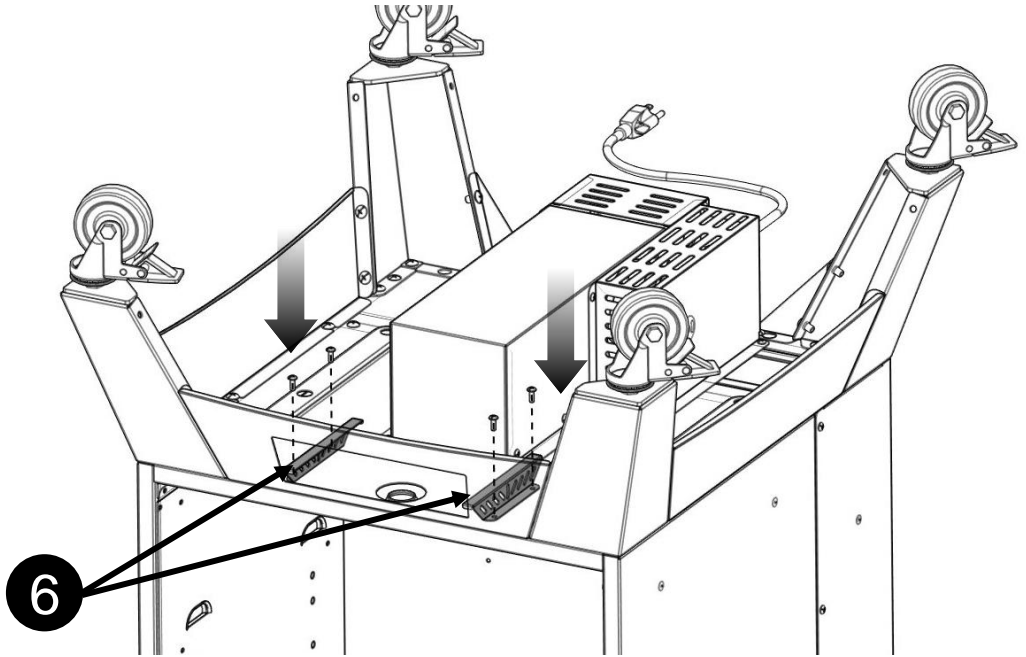
7

AX8



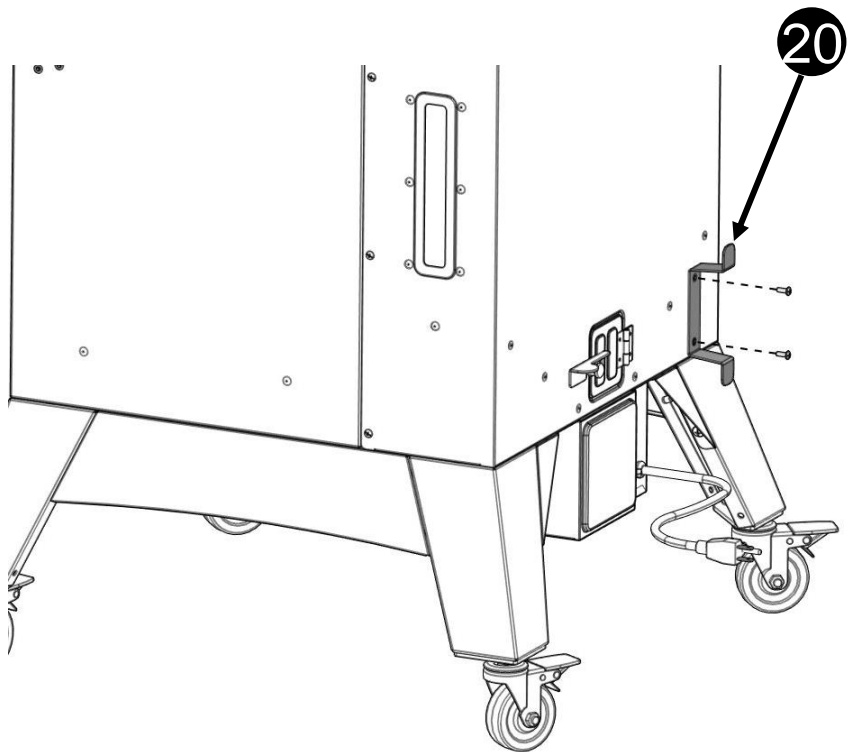
8

BX 4



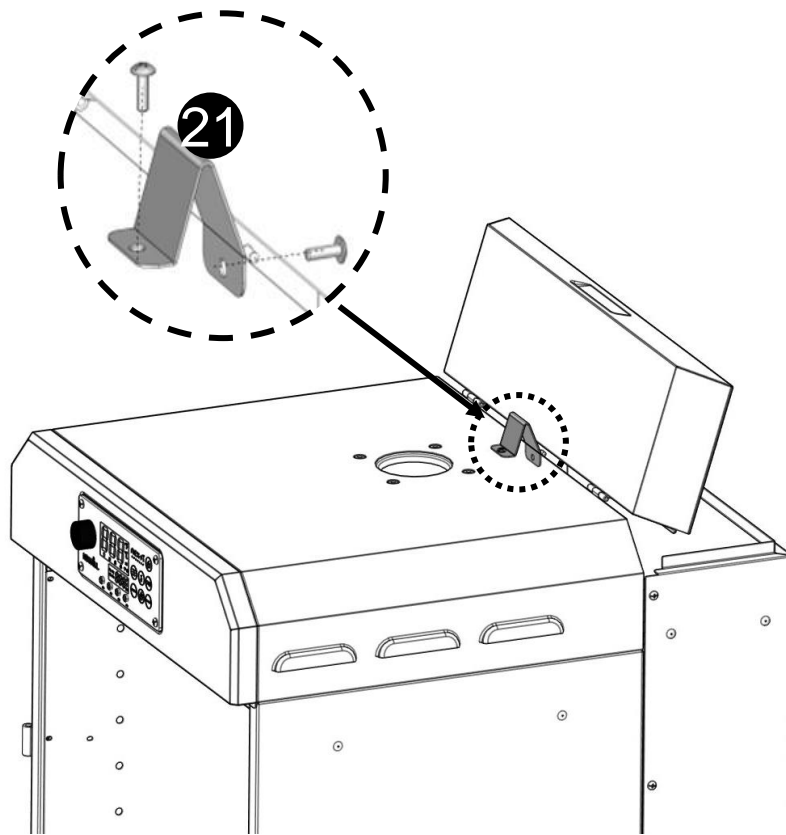
9

BX 2

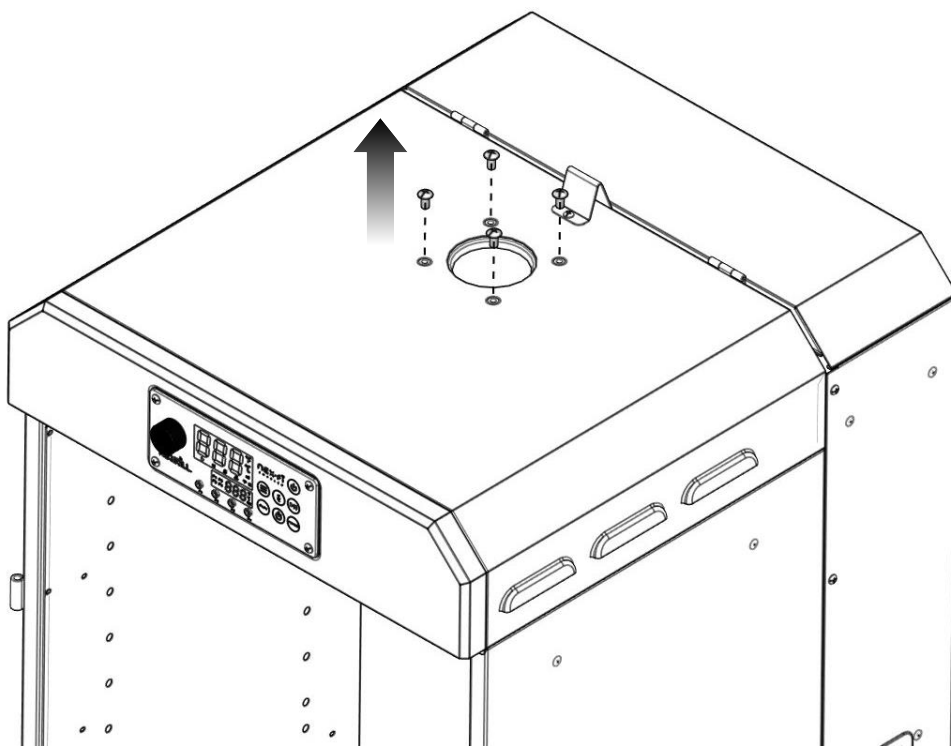


10

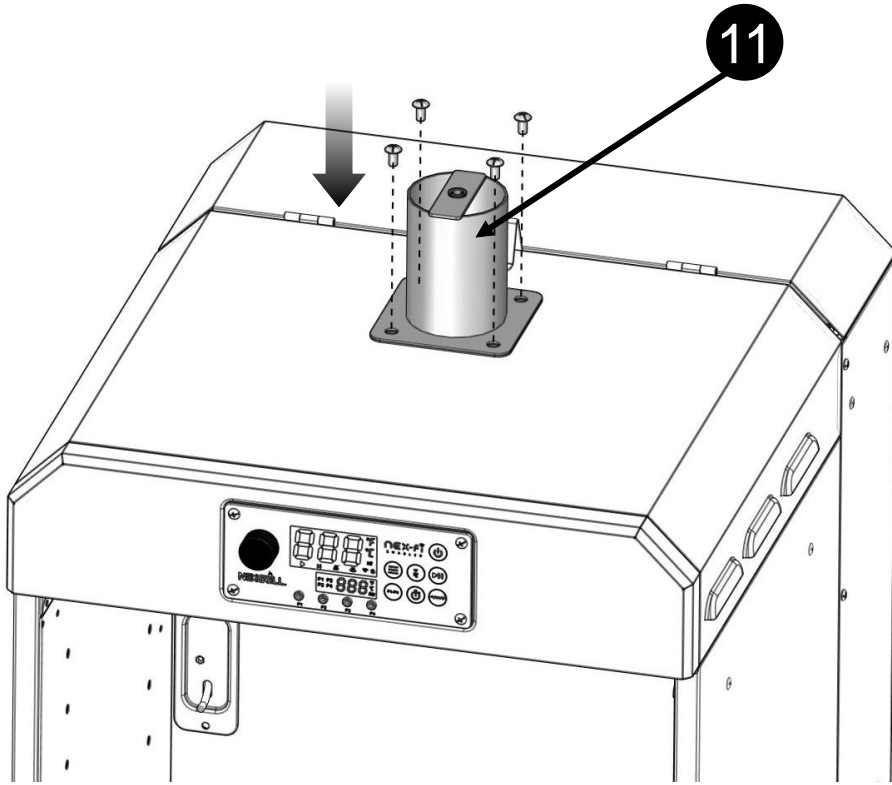
B X 2



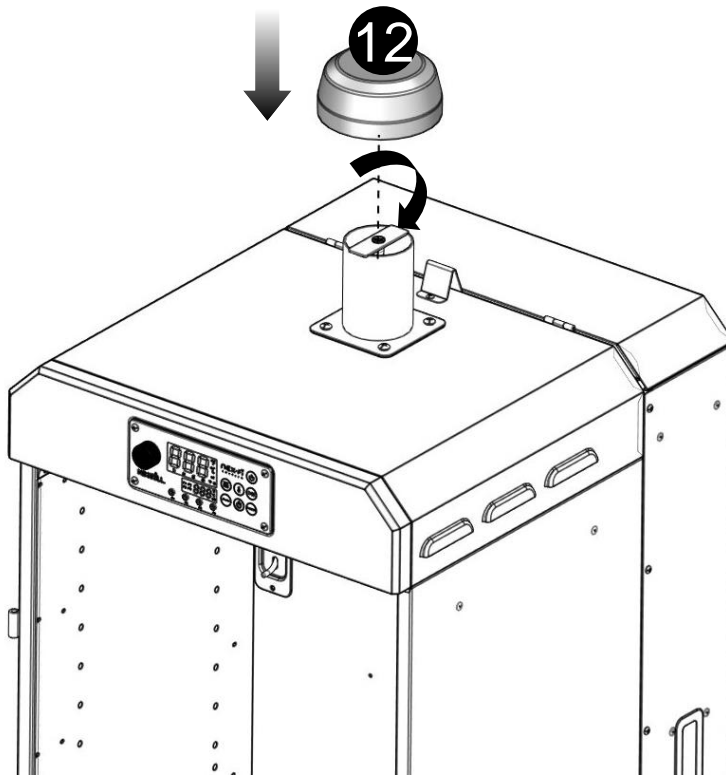
11



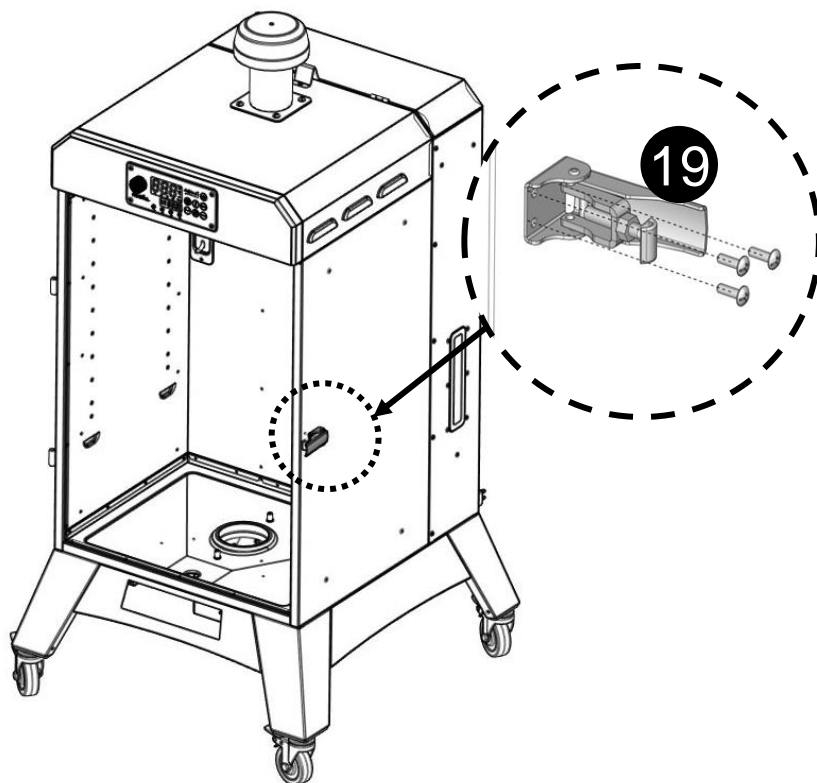
12



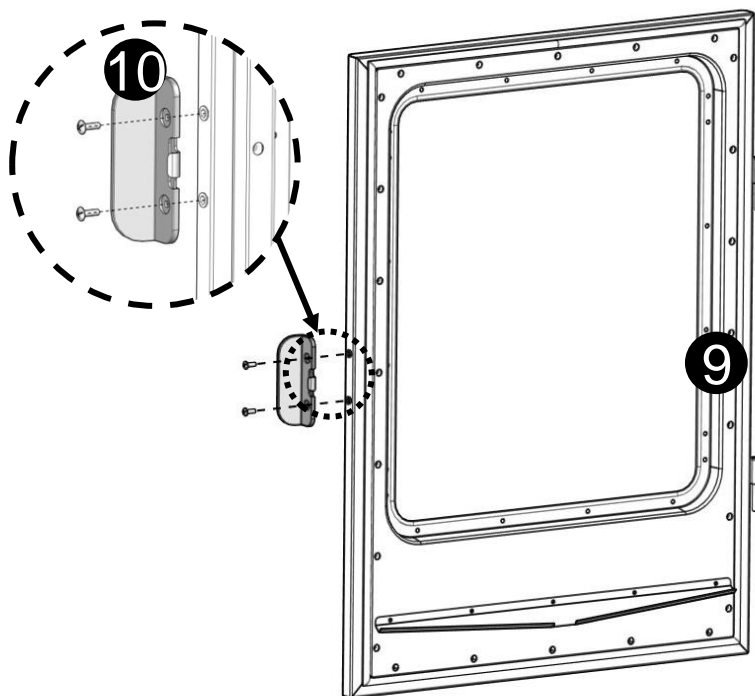
13



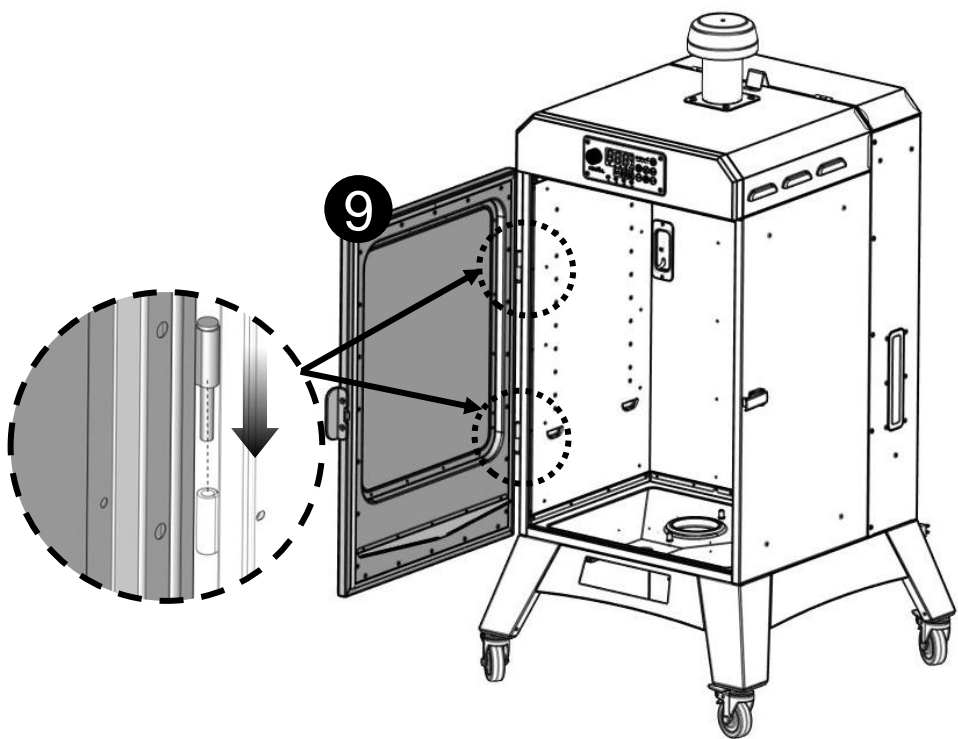
14 BX 3



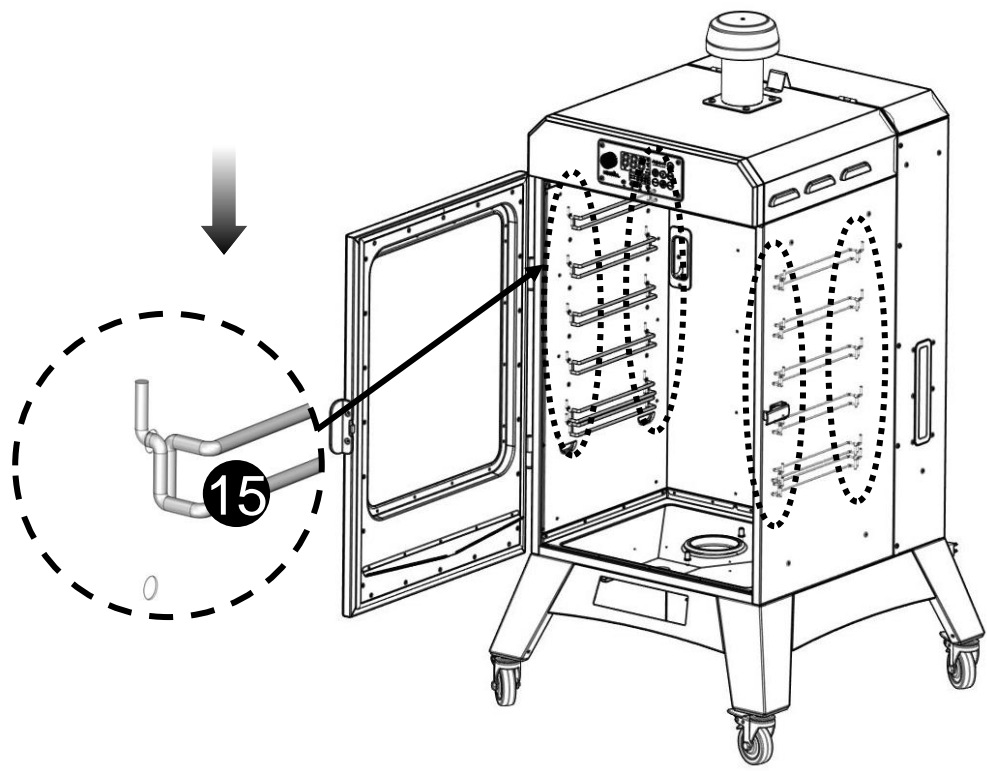
15 BX 2



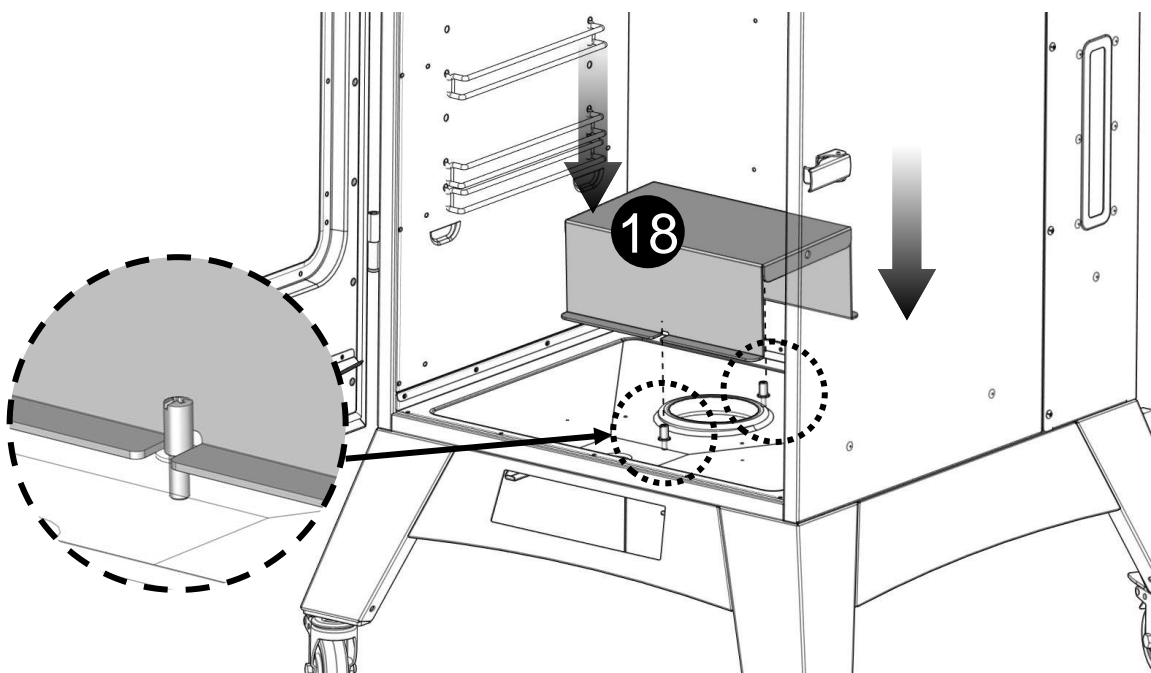
16



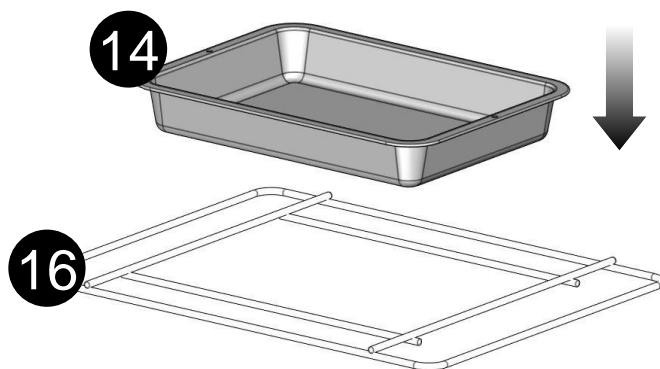
17



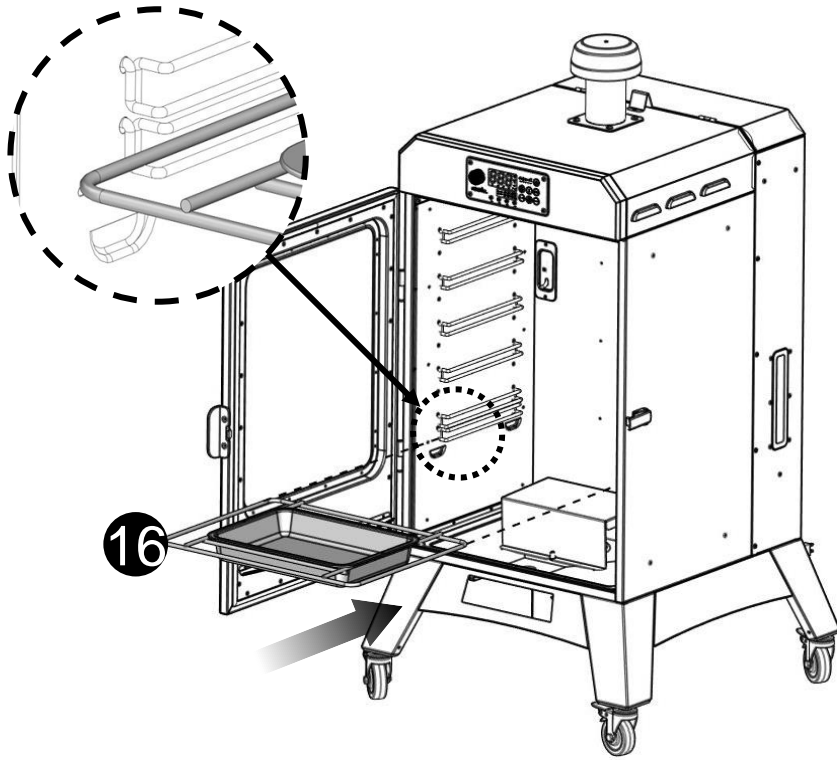
18



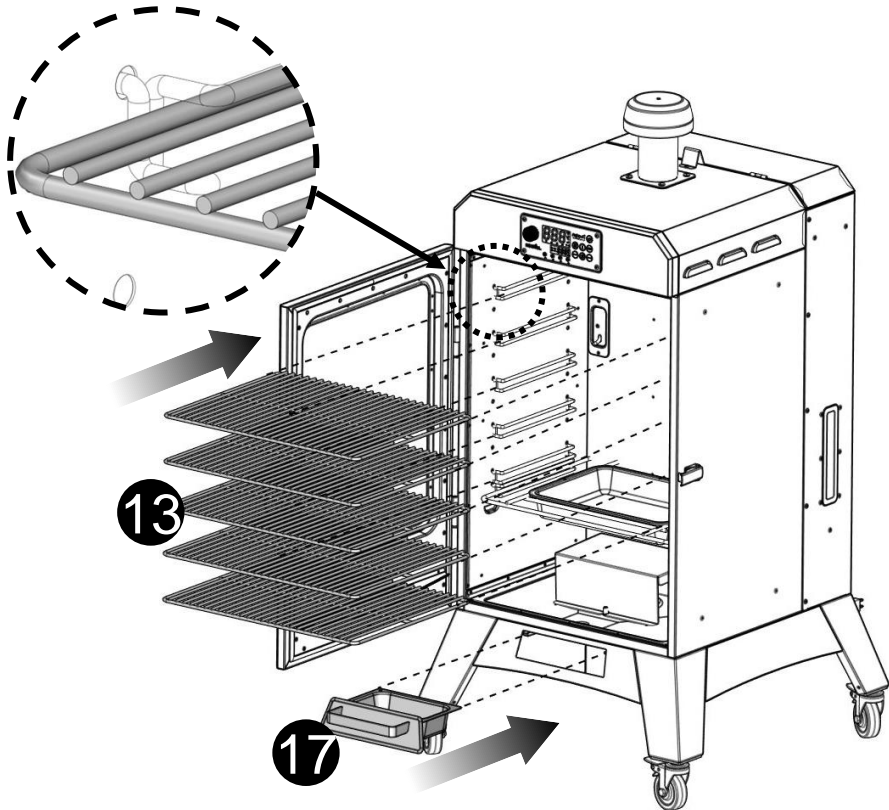
19

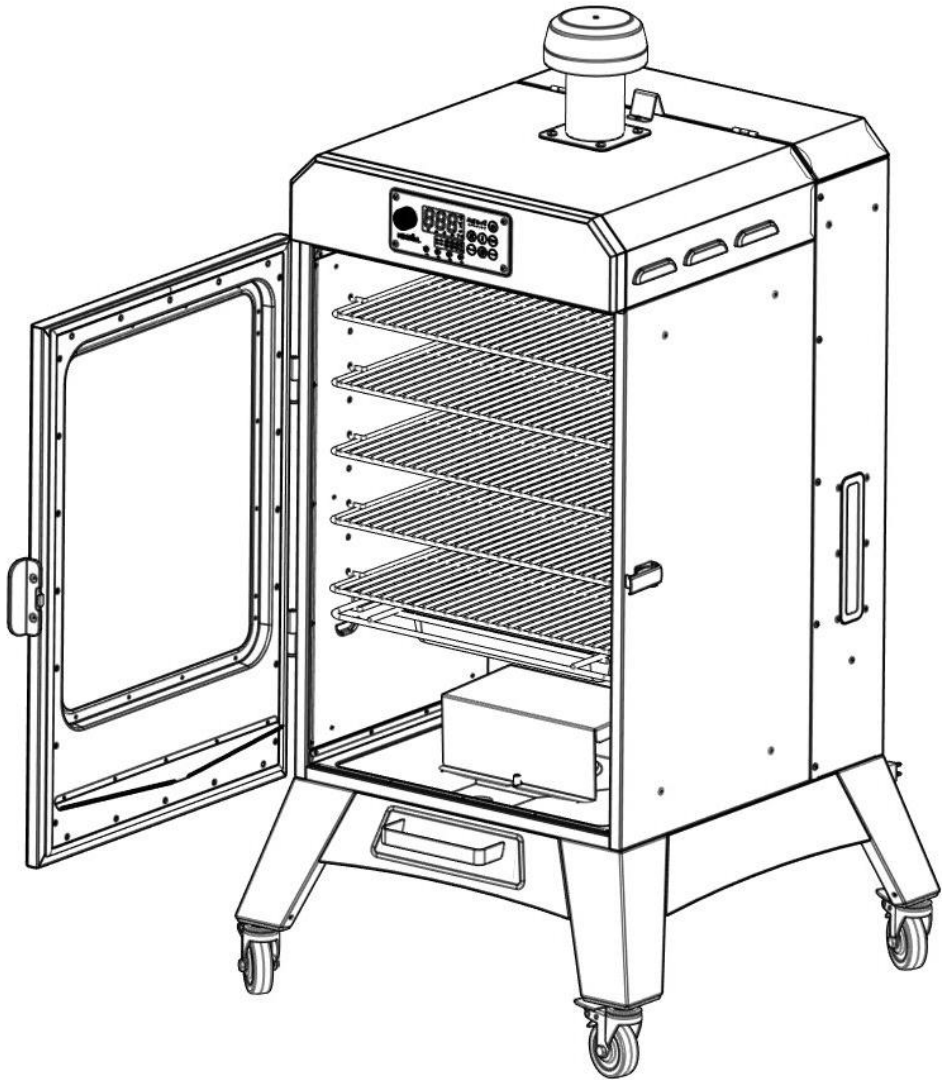


20

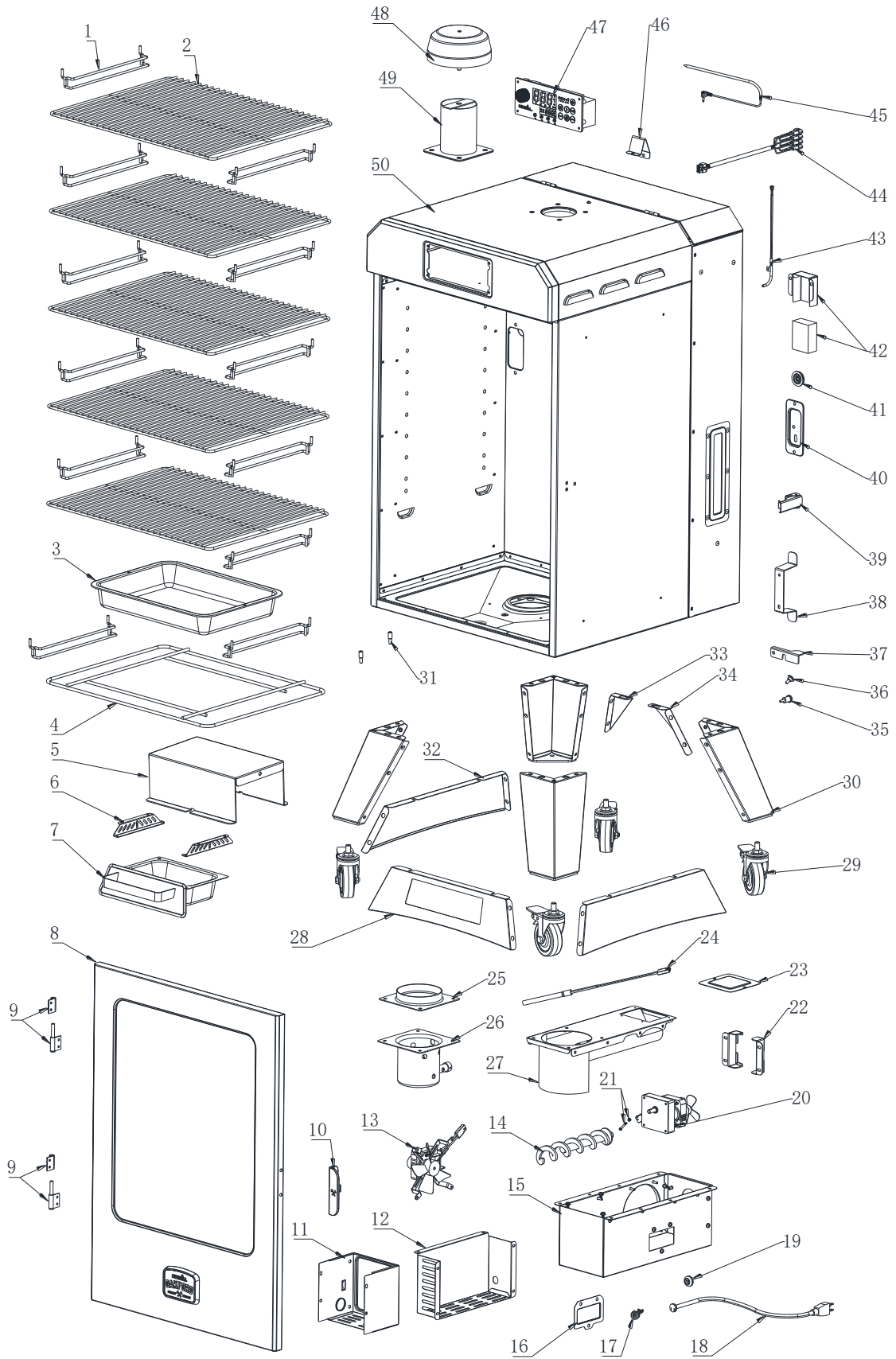


21





PARTS LIST / PIÈCES DE RECHANGE / PIEZAS DE REPUESTO



PARTS LIST

NO.	PART (DESCRIPTION)	WARRANTY COVERAGE	QTY	NO.	PART (DESCRIPTION)	WARRANTY COVERAGE	QTY
1	Grid Track	5	12	26	Fire Pot	5	1
2	Cooking Grid	5	5	27	Auger Housing	5	1
3	Water Pan	5	1	28	Front Fascia	5	1
4	Water Pan Rack	5	1	29	Locking Caster	5	4
5	Diffuser	5	1	30	Leg	5	4
6	Tray Bracket	5	2	31	Diffuser Locator Bolt	5	2
7	Grease Tray	5	1	32	Side Fascia	5	2
8	Door Assembly	5	1	33	Leg Brace - Left	5	1
9	Door Hinge	5	2	34	Leg Brace - Right	5	1
10	Door Handle	5	1	35	Latch Bolt	5	1
11	Auger Motor Housing	5	1	36	Shoulder Bolt	5	1
12	Fan Housing	5	1	37	Drain Handle	5	1
13	Induction Fan	3	1	38	Cord Bracket	5	1
14	Auger	5	1	39	Adjustable Door Latch	5	1
15	Auger Lower Housing	5	1	40	RTD Bracket	5	1
16	Igniter Access Panel	3	1	41	Grommet	5	1
17	Power Cord Strain Relief	5	1	42	Cable Shroud	5	1
18	Power Cord	3	1	43	RTD	3	1
19	Grommet	5	1	44	Wiring Harness	5	1
20	Auger Motor	3	1	45	Meat Probe	5	2
21	Shear Bolt	5	1	46	Lid Prop	5	1
22	Motor Mounting Bracket	5	2	47	ST22VS Controller	3	1
23	Electrical Access Panel	3	1	48	Chimney Cap	5	1
24	Igniter	3	1	49	Smokestack	3	1
25	Flue	5	1	50	Cabinet Assembly	3	1

PIÈCES DE RECHANGE

N°	DESCRIPTION	GARANTIE	Q ^{té}	N°	DESCRIPTION	GARANTIE	Q ^{té}
1	Grille piste	5	12	26	Pot à feu	5	1
2	Grille de cuisson	5	5	27	Logement de tarière	5	1
3	Bac à eau	5	1	28	Carénage avant	5	1
4	Support pour bac à eau	5	1	29	Roulette verrouillable	5	4
5	Diffuseur	5	1	30	Jambe	5	4
6	Support de plateau	5	2	31	Boulon de positionnement du diffuseur	5	2
7	Bac à graisse	5	1	32	Carénage latéral	5	2
8	Assemblage de porte	5	1	33	Attelle de jambe - Gauche	5	1
9	Charnière de porte	5	2	34	Attelle de jambe - Droite	5	1
10	Poignée de porte	5	1	35	Pêne demi-tour	5	1
11	Carter du moteur de tarière	5	1	36	Boulon à épaulement	5	1
12	Boîtier du ventilateur	5	1	37	Poignée de vidange	5	1
13	Ventilateur à induction	3	1	38	Support de cordon	5	1
14	Tarière	5	1	39	Loquet de porte réglable	5	1
15	Logement inférieur de tarière	5	1	40	Support RDT	5	1
16	Panneau d'accès à l'allumeur	3	1	41	Passe-fil	5	1
17	Soulagement de la tension du cordon d'alimentation	5	1	42	Gaine de câble	5	1
18	Cordon d'alimentation	3	1	43	Détecteurs de température à résistance	3	1
19	Passe-fil	5	1	44	Faisceau de câblage	5	1
20	Moteur de tarière	3	1	45	Sonde à viande	5	2
21	Boulon de cisaillement	5	1	46	Support de couvercle	5	1
22	Support de montage du moteur	5	2	47	ST22VS le régulateur	3	1
23	Panneau d'accès électrique	3	1	48	Chapeau de cheminée	5	1
24	Allumeur	3	1	49	Cheminée	3	1
25	Cheminée	5	1	50	Assemblage de l'armoire	3	1

PIEZAS DE REPUESTO

Nº	DESCRIPTION	GARANTIE	Q ^{té}	Nº	DESCRIPTION	GARANTIE	Q ^{té}
1	Pista de cuadrícula	5	12	26	Crisol del fuego	5	1
2	Rejilla de cocción	5	5	27	Carcasa del sinfín	5	1
3	Bandeja de agua	5	1	28	Fascia delantera	5	1
4	Rejilla para bandeja de agua	5	1	29	Rueda de bloqueo	5	4
5	Difusor	5	1	30	Pierna	5	4
6	Soporte de bandeja	5	2	31	Perno localizador del difusor	5	2
7	Trampa de grasa	5	1	32	Fascia lateral	5	2
8	Montaje de puerta	5	1	33	Soporte de pierna - Izquierda	5	1
9	Bisagra de la puerta	5	2	34	Soporte de pierna - Derecha	5	1
10	manija de la puerta	5	1	35	pestillo	5	1
11	Carcasa del motor de barrena	5	1	36	Perno de hombro	5	1
12	Carcasa del ventilador	5	1	37	Mango de drenaje	5	1
13	ventilador de inducción	3	1	38	Soporte de cable	5	1
14	Barrena	5	1	39	Pestillo de puerta ajustable	5	1
15	Carcasa inferior del sinfín	5	1	40	Soporte RTD	5	1
16	Panel de acceso al encendedor	3	1	41	ojal	5	1
17	Alivio de tensión del cable de alimentación	5	1	42	cubierta de cables	5	1
18	Cable de alimentación	3	1	43	Detectores de temperatura de resistencia	3	1
19	ojal	5	1	44	Arnés de cableado	5	1
20	motor de barrena	3	1	45	Sonda de carne	5	2
21	Perno de seguridad	5	1	46	apoyo de la tapa	5	1
22	Soporte de montaje del motor	5	2	47	ST22VS el regulador	3	1
23	Panel de acceso eléctrico	3	1	48	tapa de la chimenea	5	1
24	Encendedor	3	1	49	Chimenea	3	1
25	Tubo	5	1	50	Montaje de gabinete	3	1

THIS PAGE INTENTIONALLY LEFT BLANK
PAGE LAISSÉE INTENTIONNELLEMENT VIDE
PÁGINA DEJADA EN BLANCO INTENCIONALMENTE

NEXGRILL

OAKFORD

PELLET  GRILLS

©2022 NEXGRILL INDUSTRIES, INC.
CHINO, CA. 91710
WWW.NEXGRILL.COM
1-800-913-8999