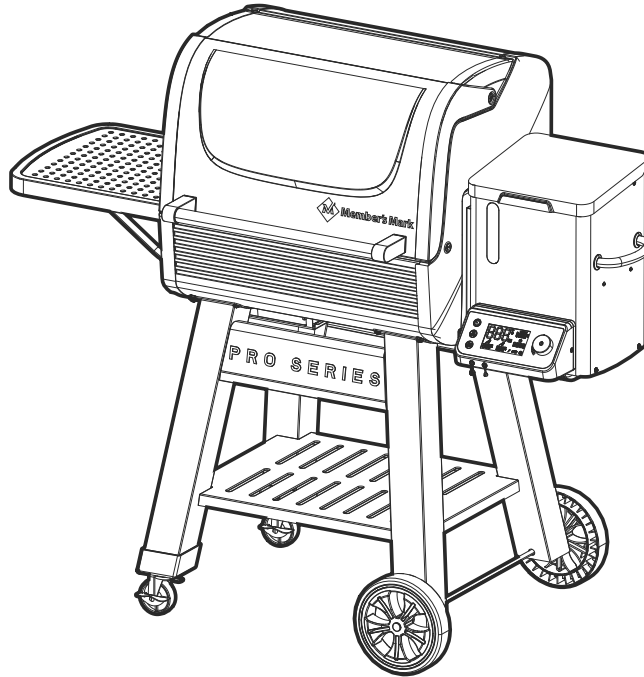




Pro Series Pellet Grill



Assembly Manual

Model P40220 / P40220-1

BEFORE YOU BEGIN



Scan for easy 3D instructions
Download the BILT app before you begin

Download on the  App Store |  Google Play

⚠ STOP ⚠

Do not return this product to the store. If you need help or require parts, call the Customer Care Hotline

1-833-454-0864

This manual must remain with the product at all times.

FOR OUTDOOR USE ONLY.



CERTIFIED TO UL 2728A-2019 & ULC/ORD-C2728-19 Pellet Fuel Burning, Cooking Appliance and Outline of Investigation for Pellet Fuel Burning, Cooking Appliance.

Manual Revision #: 09.30.2021



HEAVY ITEM , NEEDS 2 TO LIFT

For troubleshooting, maintenance tips, or to register your warranty

Please reach out to Customer Care at:
1-833-454-0864

⚠ WARNING

Failure to follow all of the manufacturer's instructions could result in hazardous fires, explosions, property damage, or serious personal injury or even death

⚠ CAUTION

- Do not try to start this pellet grill without reading and understanding the safety risks and instructions for use, outlined in this safe use and care manual.
- In direct sun, and in operation, your pellet grill's painted steel parts can become very hot, touching any of the surfaces without protective gloves may cause burns.
- Some parts may contain sharp edges. Wear protective gloves during assembly and usage of this appliance.

⚠ DANGER

- Never use gasoline or lighter fluid to manually light your grill.
- Failure to follow these safeguards may result in serious injury or even death.
- This appliance must not be operated unattended.
- Keep children and pets away from grill.
- For residential use only. Do not use for commercial cooking.

⚠ ELECTRICAL SAFETY & WARNINGS

- Hazardous voltage can shock, burn or cause death. Do not immerse cord in water or other liquids.
- Only plug this appliance into a gfci protected circuit. Use only extension cords approved for outdoor use market with w-a and rated for the power of this appliance.
- Keep the electrical supply cord away from any heated surface.
- Unplug from the outlet when not in use and before cleaning or servicing.

⚠ FIRE SAFETY

- Do not move appliance while hot or in use.
- If you experience a fire do not throw water. Do not try to smother the fire.
- Unplug the electrical cord or extension cord, and call the fire department.

⚠ WOOD PELLET WARNINGS

- For use with natural hardwood pellets for grilling. Never use heating pellets or charcoal pellets with this grill.
- Always store wood pellets in a dry location, away from heat-producing appliances and other fuel containers, in a sealed container.
- To dispose of ashes always wait until cooled before placing in a non-combustible, metal container with lid. Check with local authorities for proper disposal.

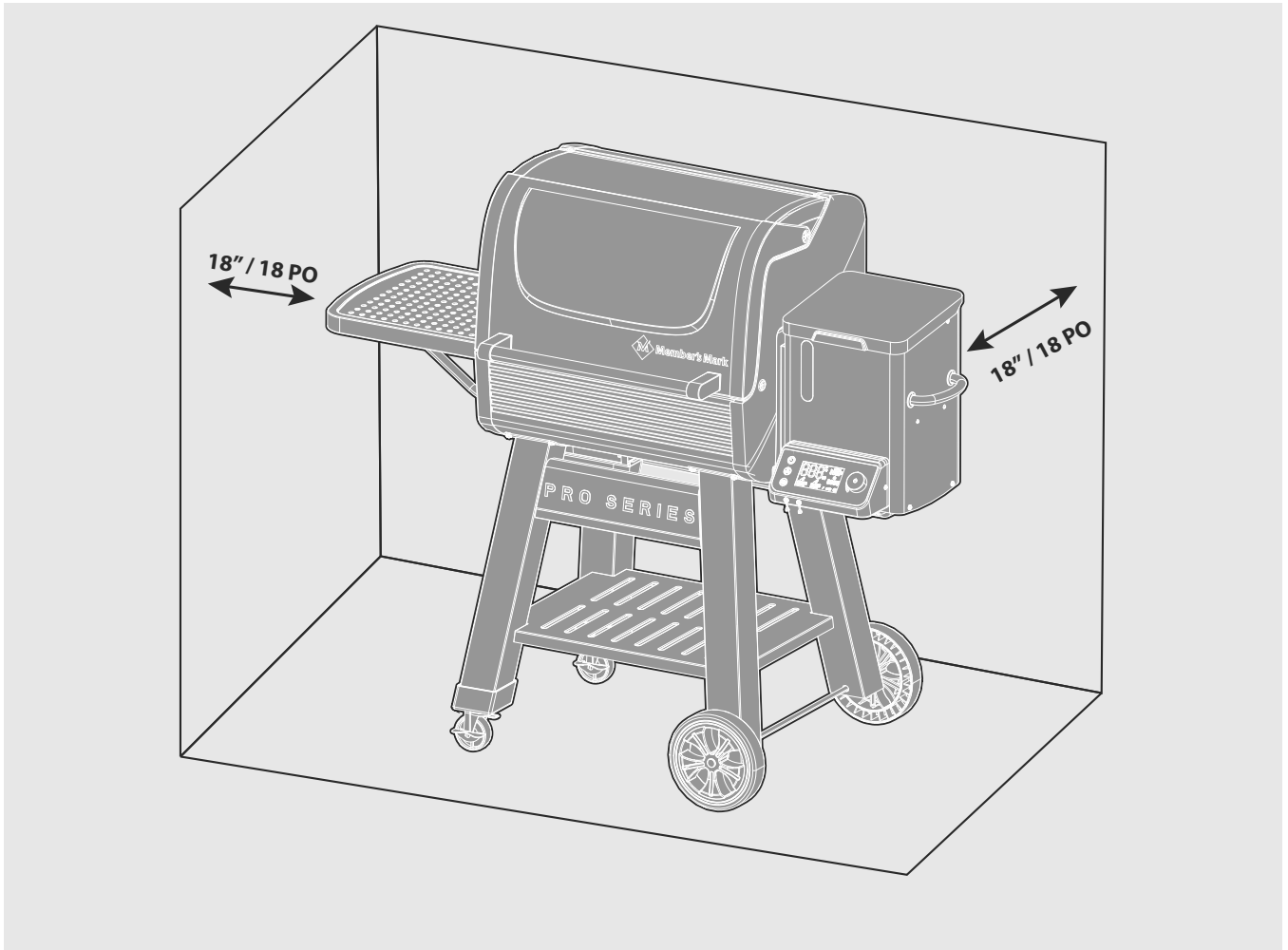
CALIFORNIA PROPOSITION 65 WARNING

⚠ WARNING: This product can expose you to chemicals including lead and lead compounds, which are known to the State of California to cause cancer and birth defects or other reproductive harm. For more information go to www.P65Warnings.ca.gov

⚠ WARNING: CONTAINS LEAD. MAY BE HARMFUL IF EATEN OR CHEWED. COMPLIES WITH FEDERAL STANDARDS. KEEP OUT OF REACH OF CHILDREN.



A MAJOR CAUSE OF FIRES IS FAILURE TO MAINTAIN REQUIRED CLEARANCES (AIR SPACE) TO COMBUSTIBLE MATERIALS. IT IS OF UTMOST IMPORTANCE THAT THIS PRODUCT BE INSTALLED ONLY IN ACCORDANCE WITH THESE INSTRUCTIONS.



⚠ WARNING

When operating this grill, maintain a minimum distance of 18" (45.72 cm) on all sides, from a dwelling, walls, aluminum siding, windows, fencing and any other combustible material.

⚠ WARNING

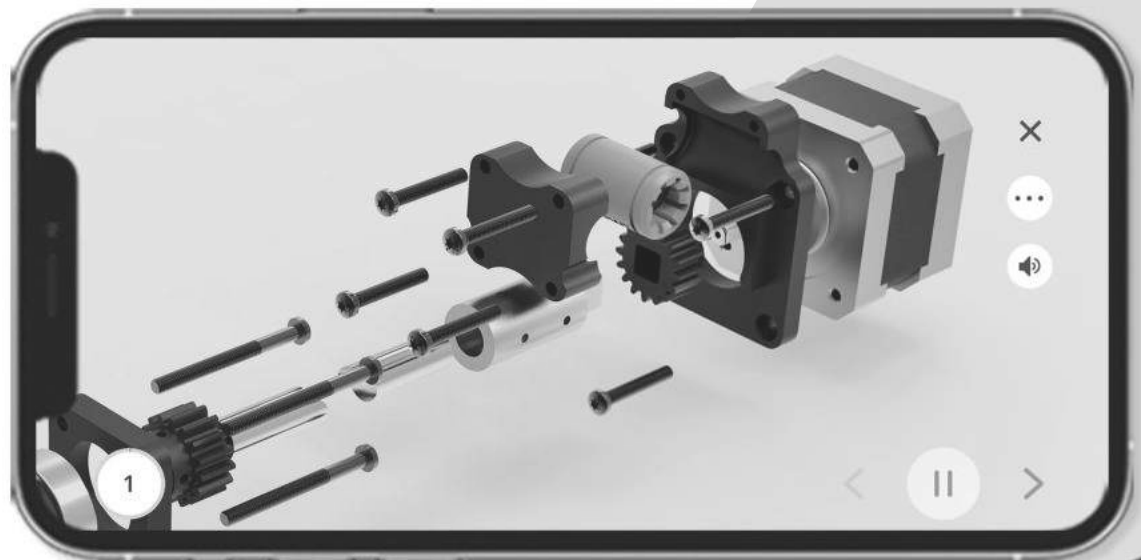
When operating this grill under overhead combustible, a minimum of 40" (101.6 cm) is required.

IMPORTANT



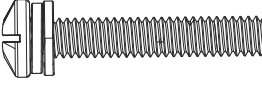

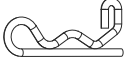



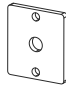


Scan for easy 3D instructions

Download the BILT app before you begin



HARDWARE PACK

Key	Description	Picture	Qty
A	1/4"-20UNC x 13 Screw		36
B	NO.10 x 10 Screw Assembly		22
C	1/4" x 45 Screw Assembly		2
D	Wheel Washer		4
E	Hitch Pin		1
F	Side Shelf Screw		2
G	Allen Key for Hopper Assembly *Keep for future use.		1
H	Caster Pin		1
I	Lid handle washer		2

TOOLS REQUIRED


Screwdrivers
(Not Included)

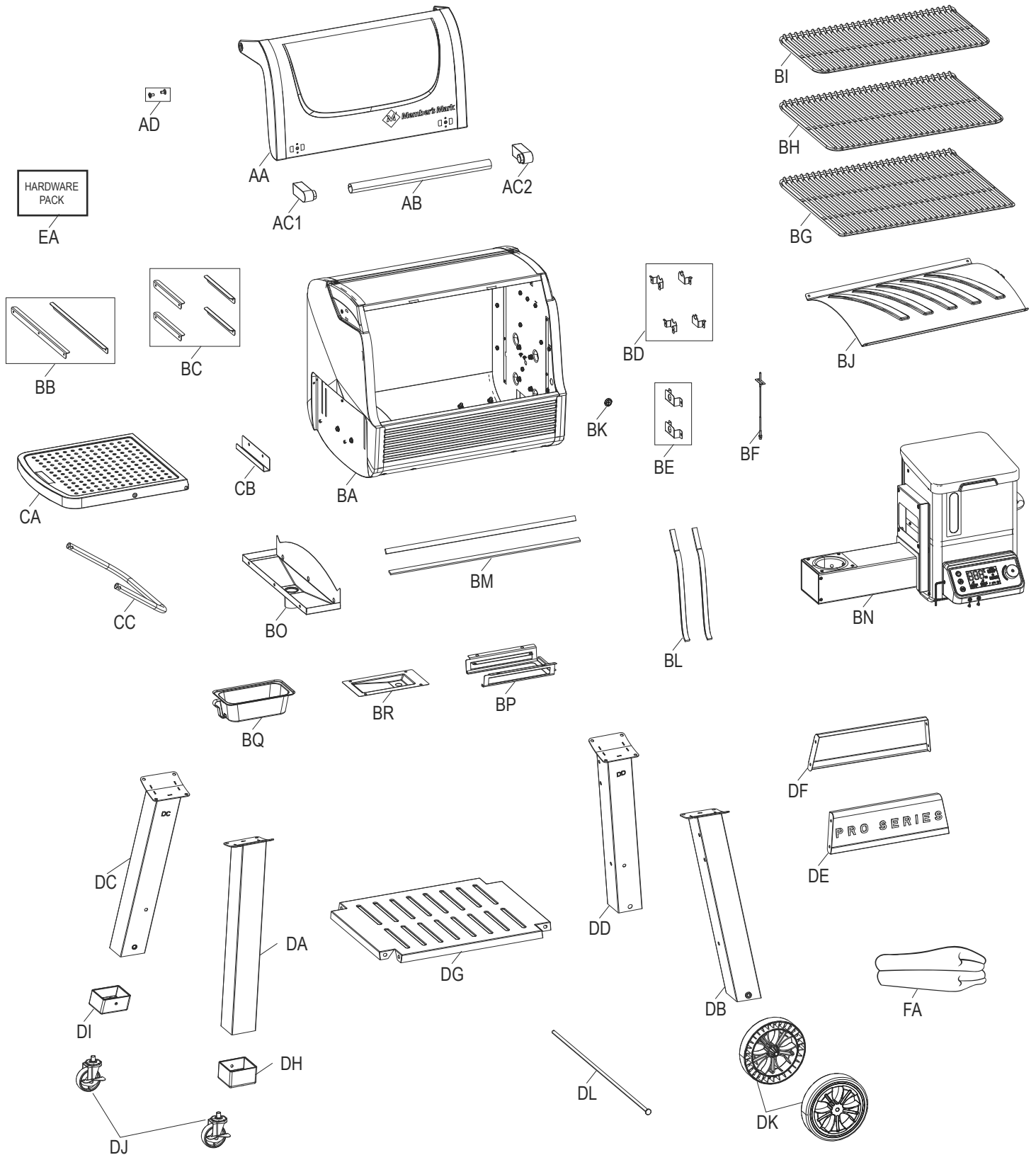

2 people

PARTS LIST FOR P40220

Key	Qty	Description	Part No.
AA	1	Pellet Lid	P402-1600-C1
AB	1	Pellet Lid Handle	P402-0061-C1
AC1	1	Lid Handle Bezel, Left	P402-0062-C1
AC2	1	Lid Handle Bezel, Right	P402-0063-C1
AD	2	Top Lid Screw	P402-0046-C1
BA	1	Firebox	P402-0100-C1
BB	2	Support Bracket A	P402-0004-C1
BC	4	Support Bracket B	P402-0005-C1
BD	4	Support Bracket C	P402-0006-C1
BE	2	Sensor Shield	P402-0007-C1
BF	1	Sensor	P402-0031-C1
BG	1	Bottom Cooking Grate	P402-0038-C1
BH	1	Middle Cooking Grate	P402-0039-C1
BI	1	Top Cooking Grate	P402-0040-C1
BJ	1	Baffle Plate	P402-0037-C1
BK	1	Meat Probe Groumment	P402-0008-C1
BL	2	Heat Seal Gasket A	P402-0041-C1
BM	2	Heat Seal Gasket B	P402-0042-C1
BN	1	Hopper Assembly	P402-3200-C1
BO	1	Grease Trough	P402-0200-C1
BP	1	Grease Cup Support Bracket	P402-0036-C1
BQ	1	Grease Cup	P402-1300-C1
BR	1	Heat Shield, Grease Cup	P402-0048-C1
CA	1	Side Shelf Table	P402-1200-C1
CB	1	Side Shelf Bracket	P402-0053-C1
CC	1	Side Shelf Support Brace	P402-0034-C1
DA	1	Front Cart Leg, Left	P402-0800-C1
DB	1	Front Cart Leg, Right	P402-0900-C1
DC	1	Rear Cart Leg, Left	P402-1000-C1
DD	1	Rear Cart Leg, Right	P402-1100-C1

Key	Qty	Description	Part No.
DE	1	Front Panel	P402-0067-C1
DF	1	Rear Panel	P402-0028-C1
DG	1	Bottom Panel	P402-0026-C1
DH	1	Leg End Cap, Front	P402-0029-C1
DI	1	Leg End Cap, Rear	P402-0030-C1
DJ	2	Caster_Locking	G350-0023-C1
DK	2	Wheel	P402-3400-C1
DL	1	Wheel Axle	P402-0058-C1
EA	1	Hardware Pack	P402-B020-C1
FA	1	Cover	P402-0060-C1

EXPLODED DIAGRAM FOR P40220



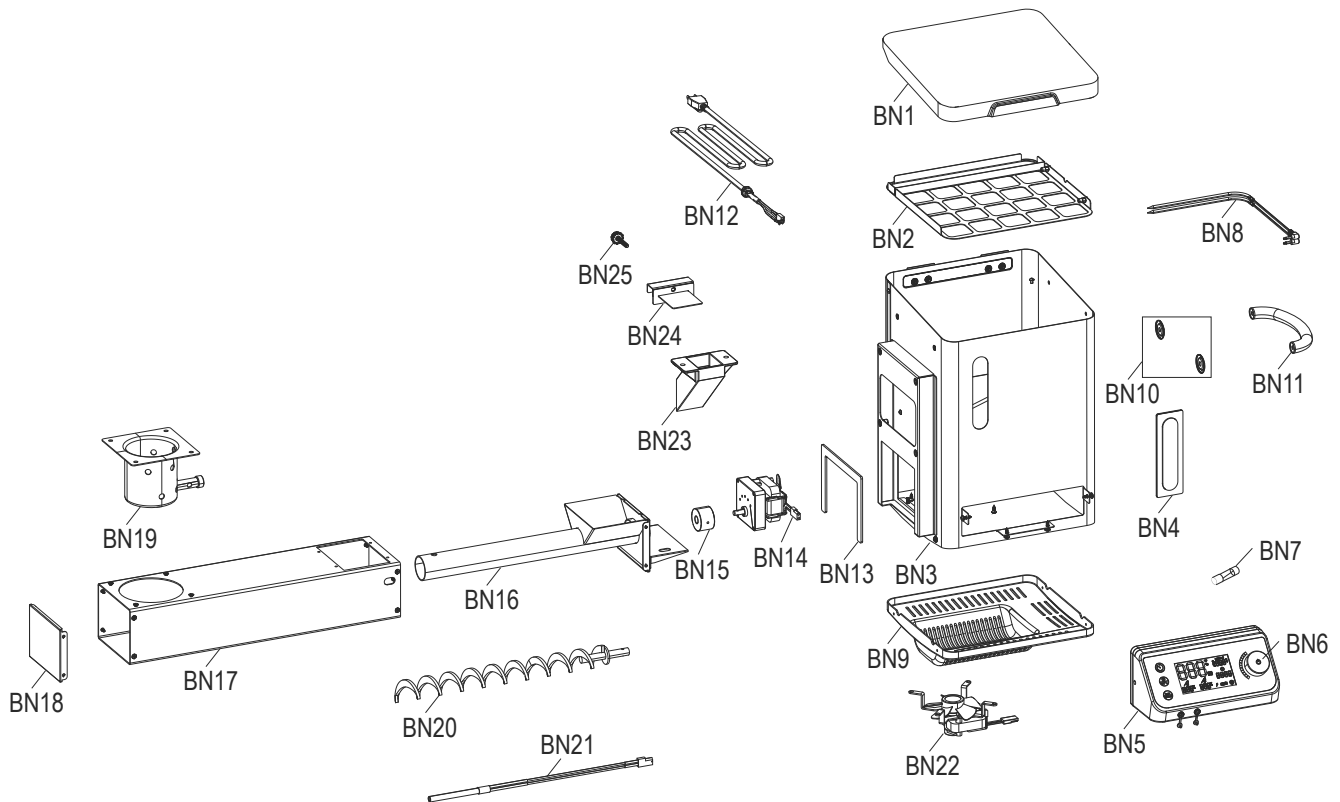
AFTER-SALES PARTS LIST FOR HOPPER ASSEMBLY

Key	Qty	Description	Part No.
BN1	1	Hopper Cover	P402-0700-C1
BN2	1	Hopper Safety Screen	P402-0016-C1
BN3	1	Hopper Housing	P402-2600-C1
BN4	1	Viewing Window	P402-0013-C1
BN5	1	Digital Controller Assembly	P402-1500-C1
BN6	1	Digital Control knob	P402-1502-C1
BN7	1	Fuse	P401-1411-C1
BN8	2	Meat Probes	P402-0022-C1
BN9	1	Hopper Base Plate	P402-0025-C1
BN10	2	Lifting Handle Bezel	G457-0020-C1
BN11	1	Lifting Handle	P402-0015-C1
BN12	1	Power Cord	P401-1401-C1
BN13	1	Insulated Gasket	P402-0021-C1

Key	Qty	Description	Part No.
BN14	1	Auger Motor	P402-0019-C1
BN15	1	Auger Bushing	P401-0902-C1
BN16	1	Auger Box	P402-0500-C1
BN17	1	Auger Box Housing	P402-0018-C1
BN18	1	Auger Box End Cap	P402-0047-C1
BN19	1	Burner Pot	P401-1300-C1
BN20	1	Auger	P402-0600-C1
BN21	1	Igniter	P401-0905-C1
BN22	1	Combustion Fan	P402-0020-C1
BN23	1	Release Channel	P401-1405-C1
BN24	1	Channel Stopper	P402-1400-C1
BN25	1	Channel Stopper Bolt	P401-1404-C1

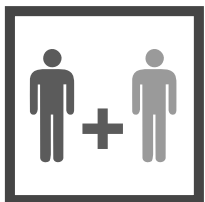
*** This unit is shipped with an extra 5-AMP fuse, that is located either on the cover of your Safety & Care Manual, or attached directly to the back of the digital controller.**

HOPPER ASSEMBLY EXPLODED DIAGRAM FOR P40220

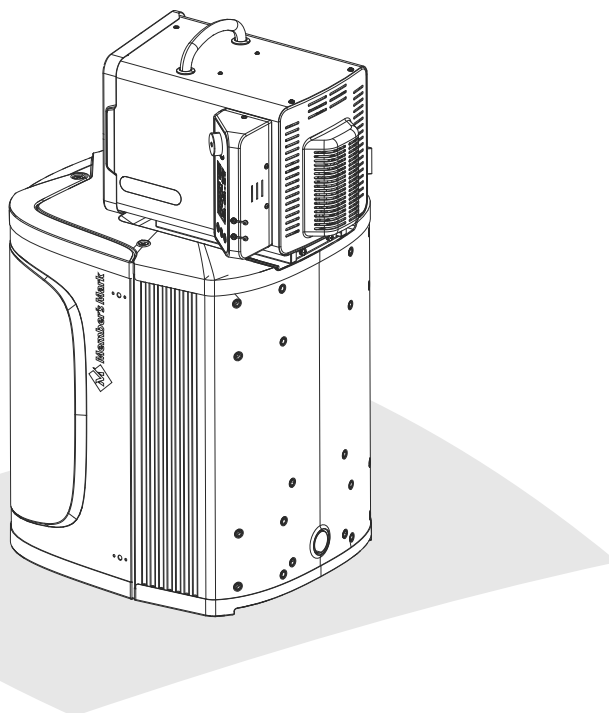
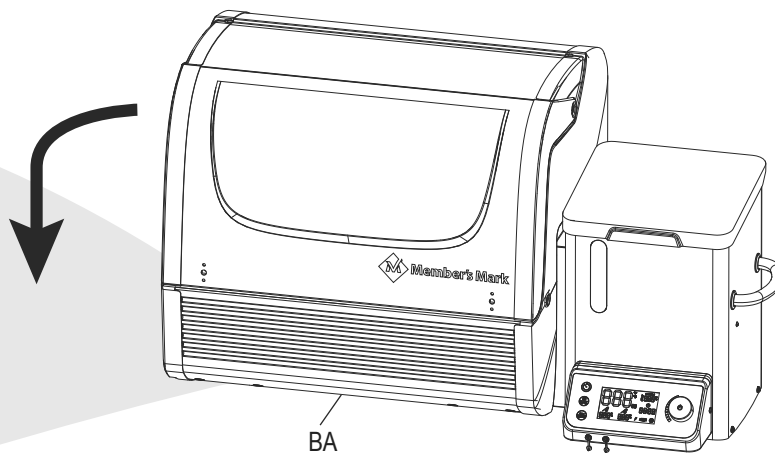


ASSEMBLY INSTRUCTIONS

1

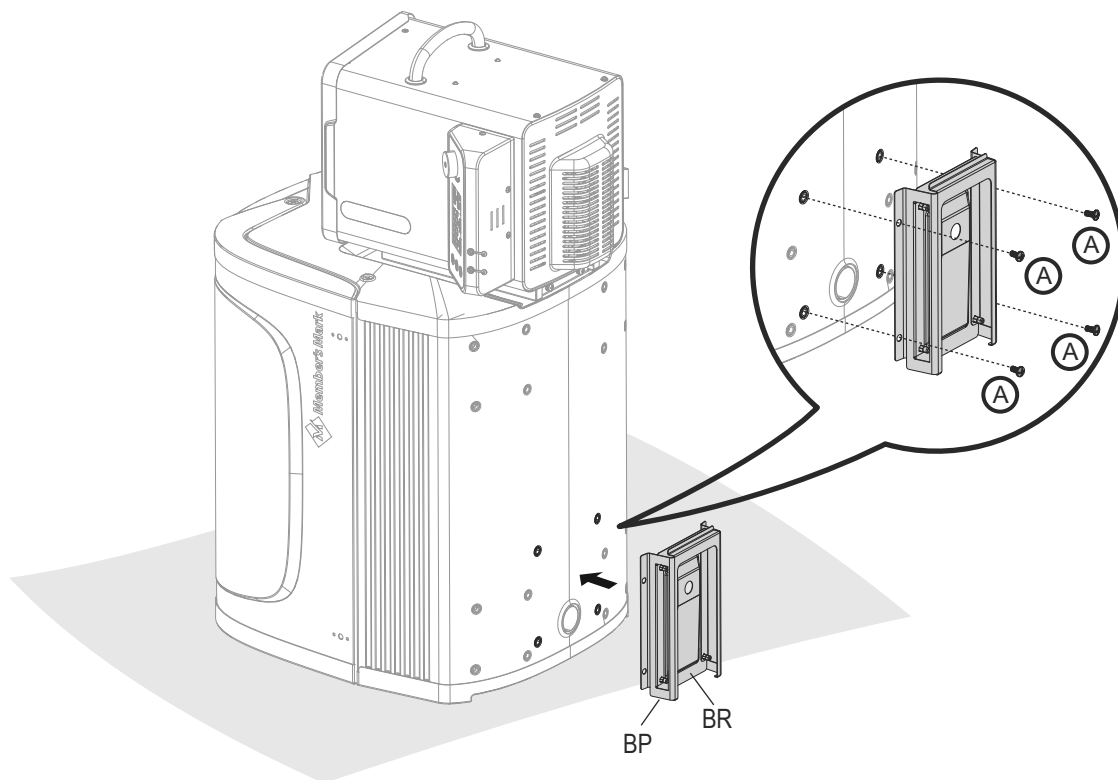
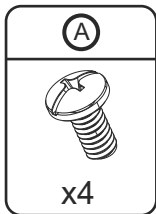


Foam, or similar soft cushion

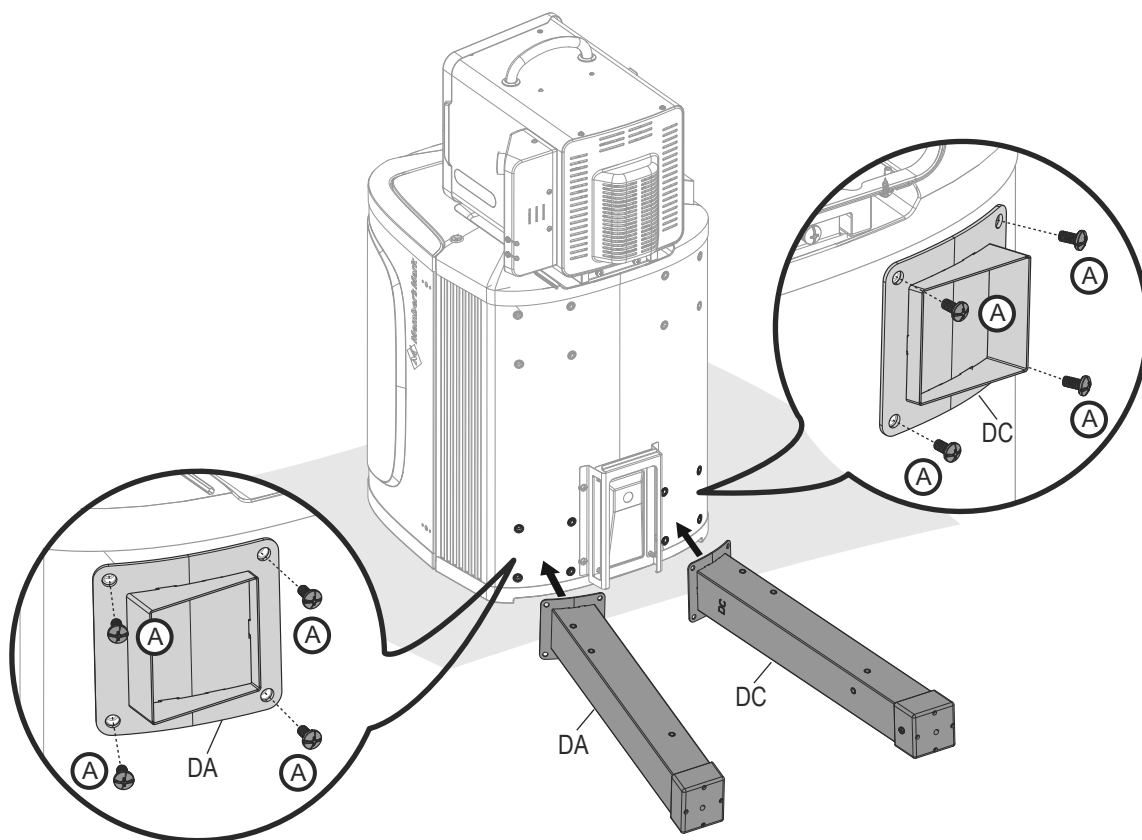
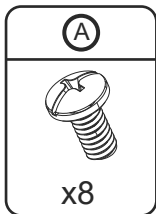


ASSEMBLY INSTRUCTIONS

2

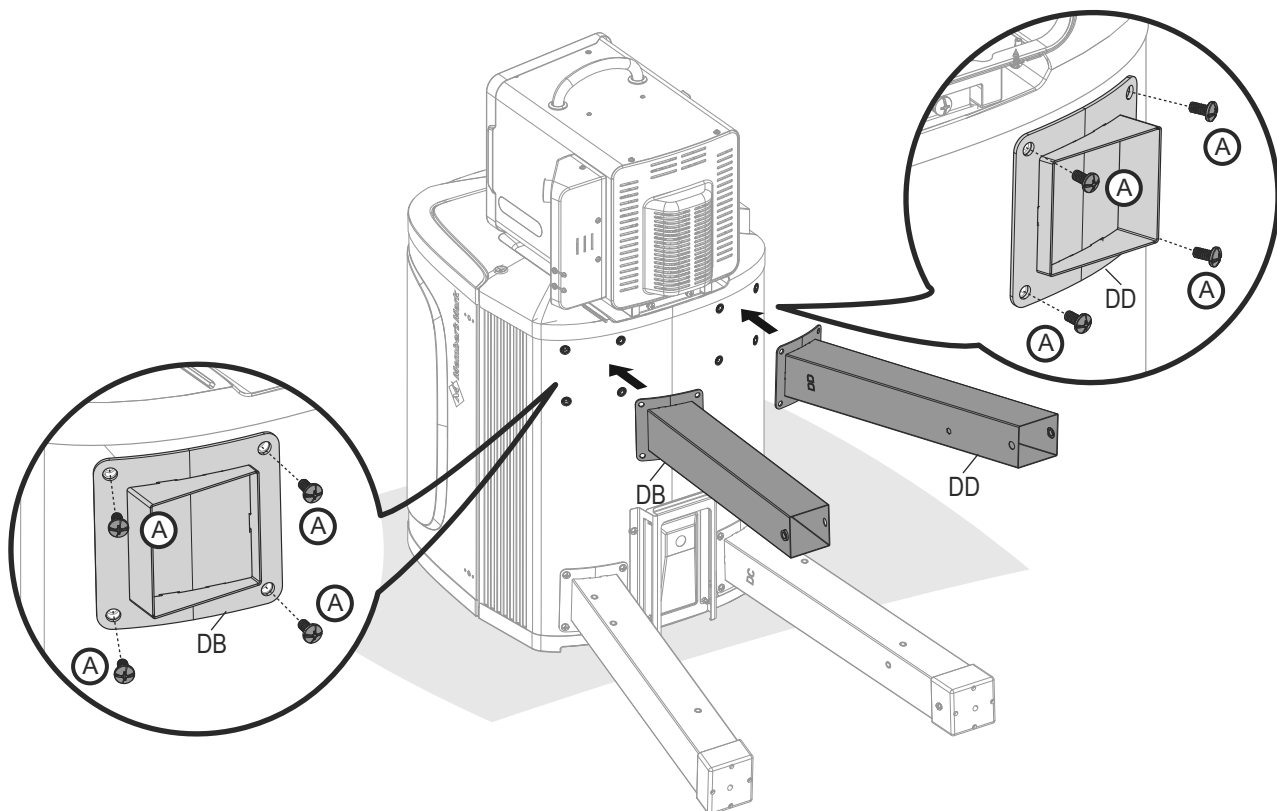
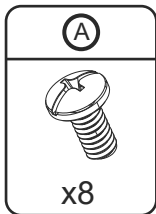


3

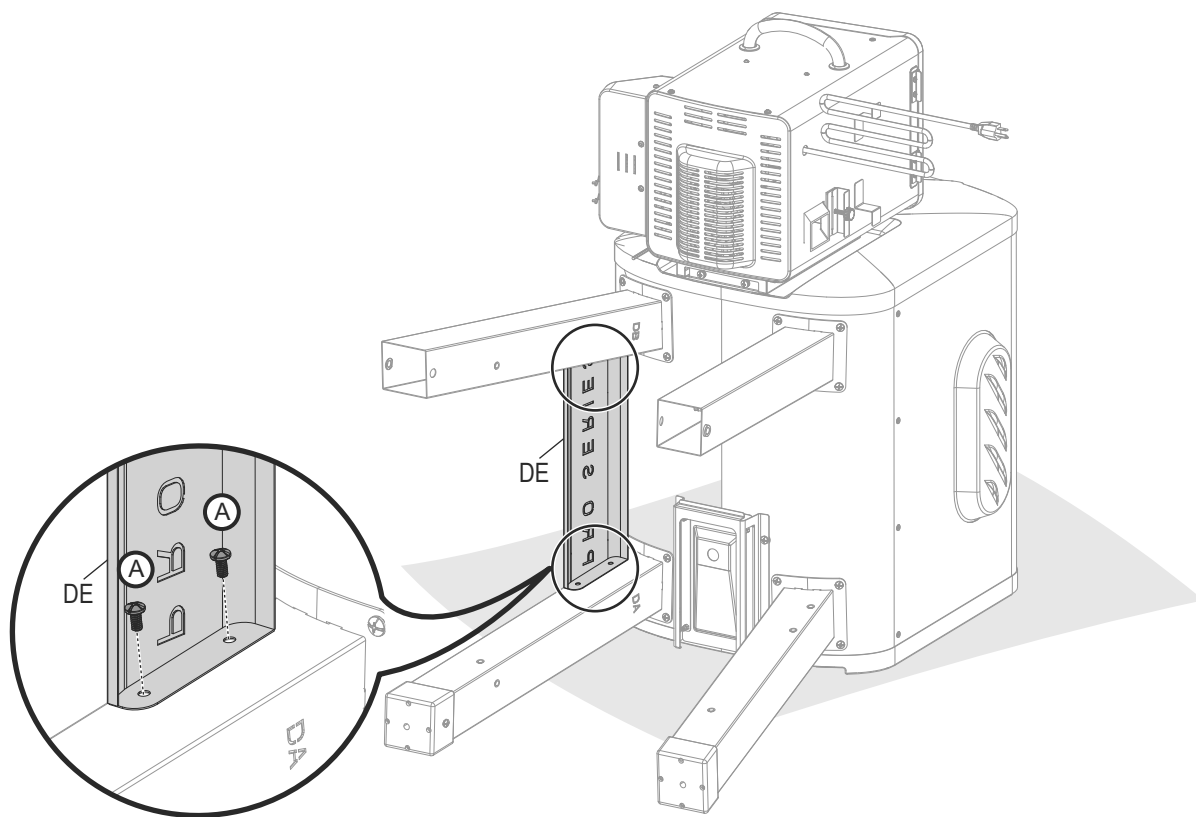
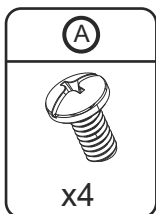


ASSEMBLY INSTRUCTIONS

4

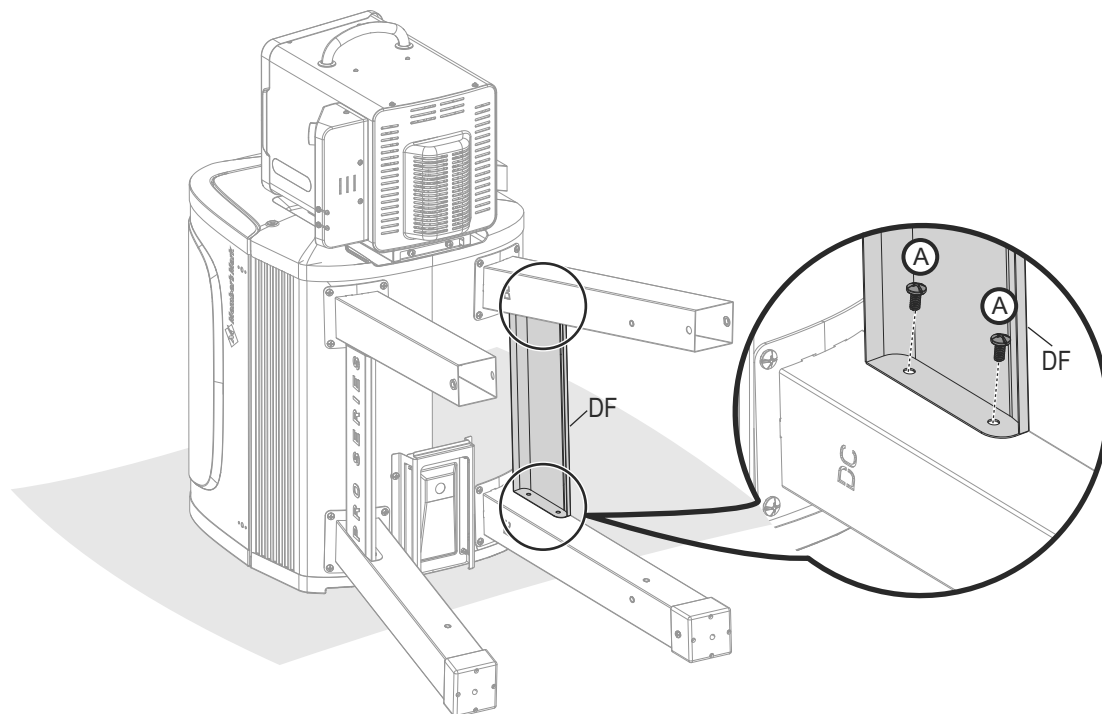
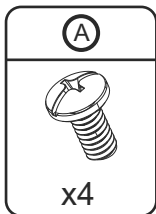


5

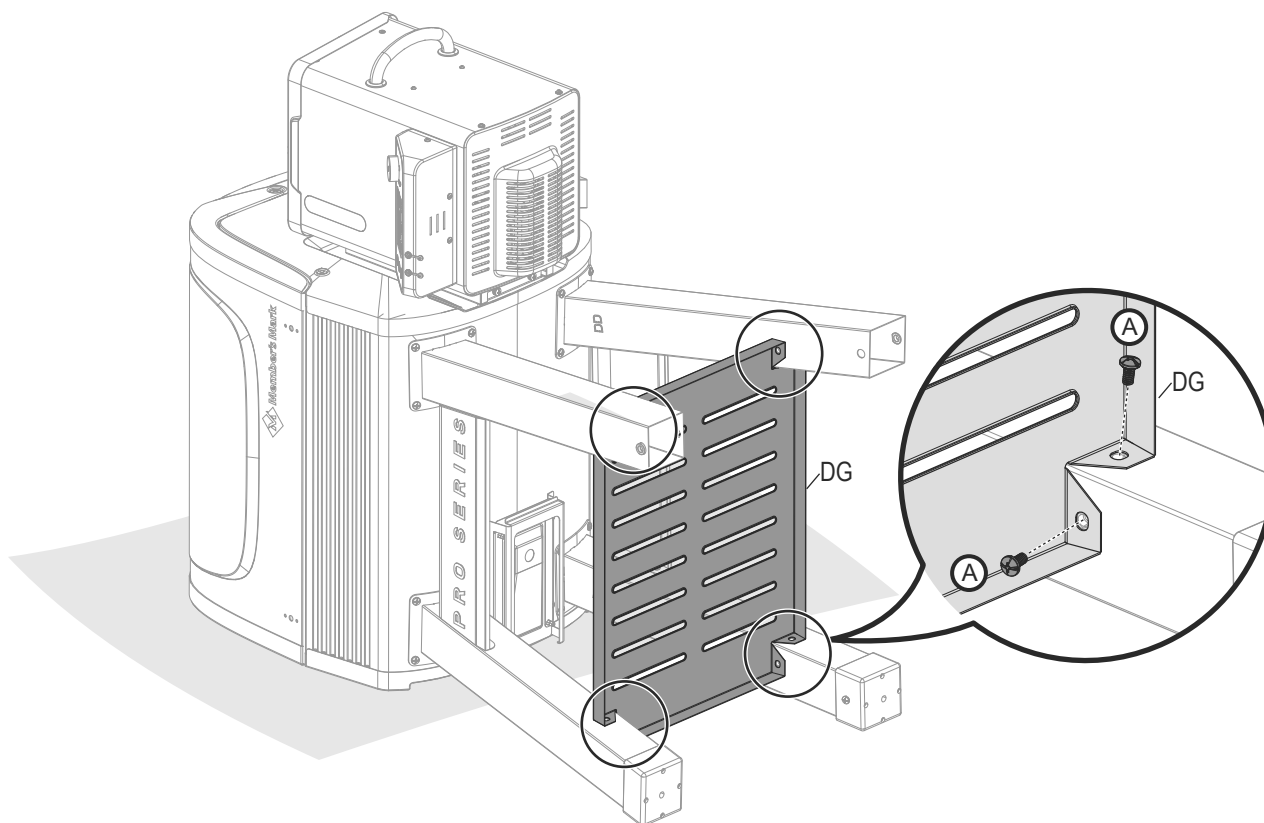
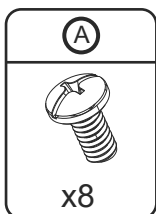


ASSEMBLY INSTRUCTIONS

6

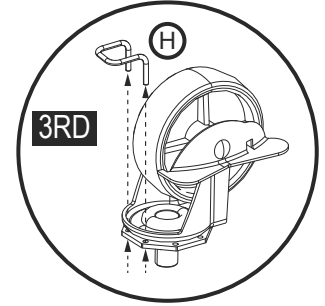
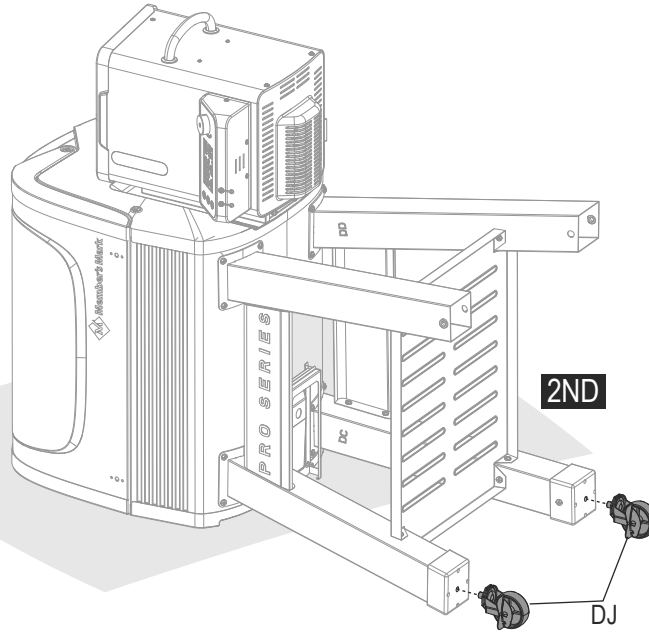
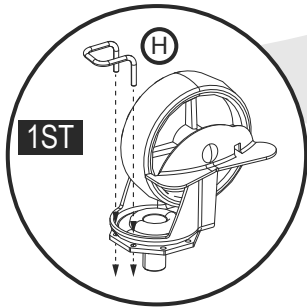
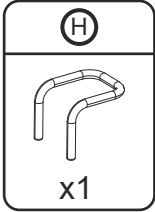


7

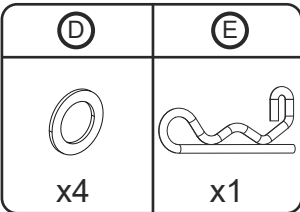


ASSEMBLY INSTRUCTIONS

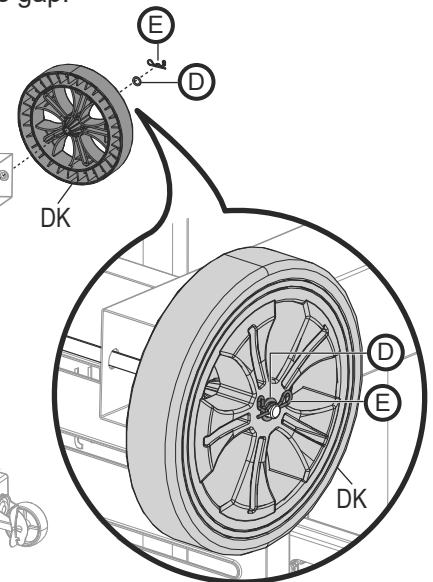
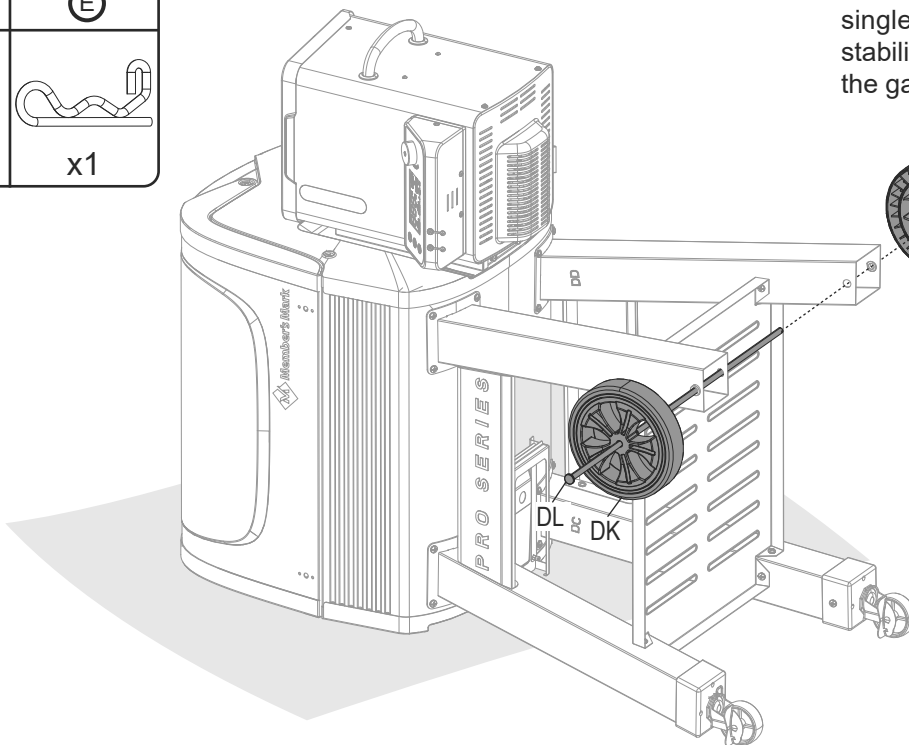
8



9

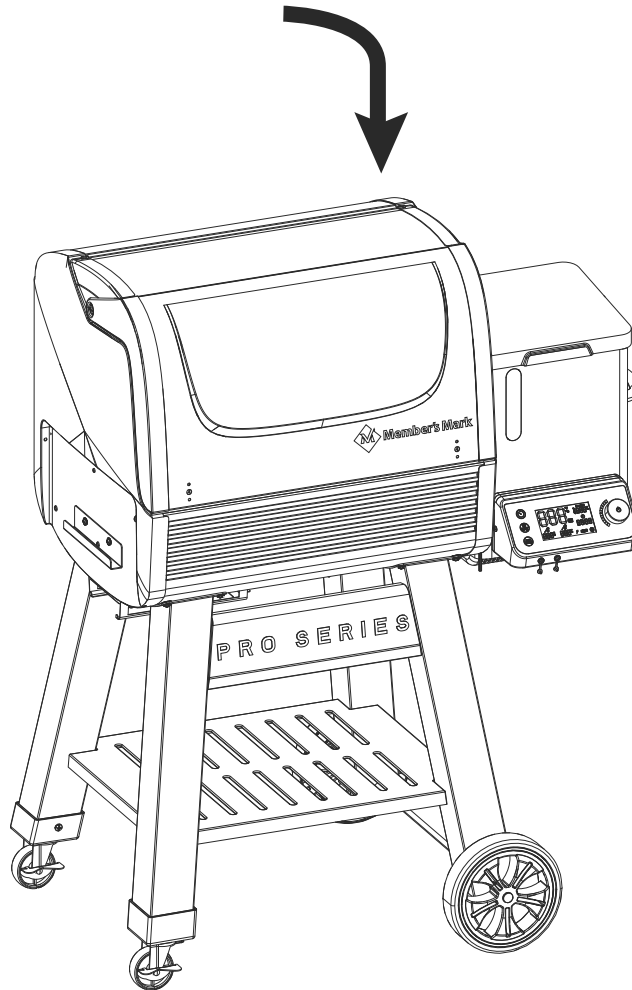
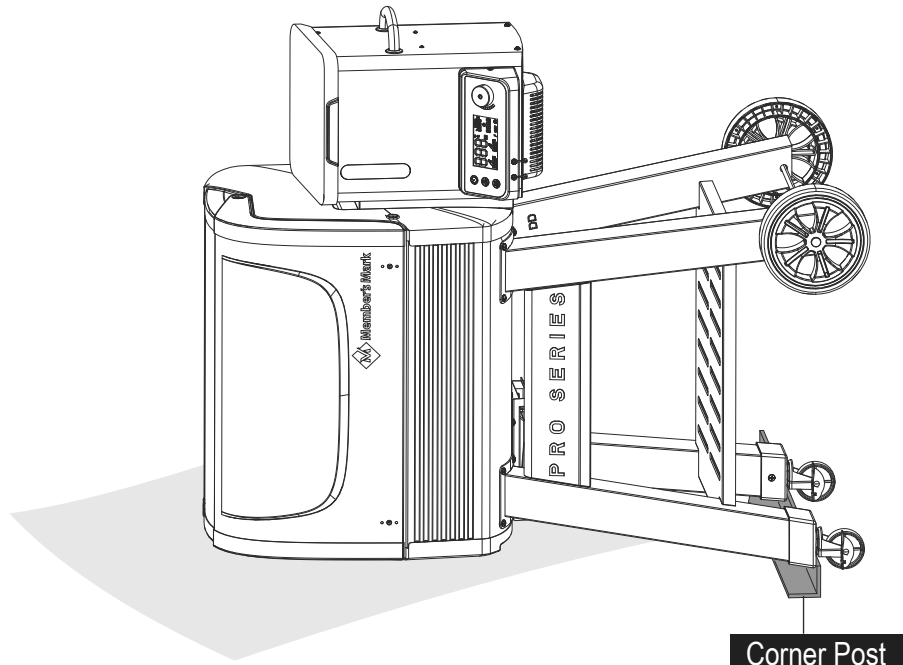
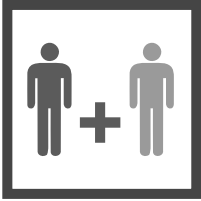


ATTENTION: 4 x are available for this assembly step. Start with a single washer. If the wheel is not fully stabilized, add additional washers to fill the gap.



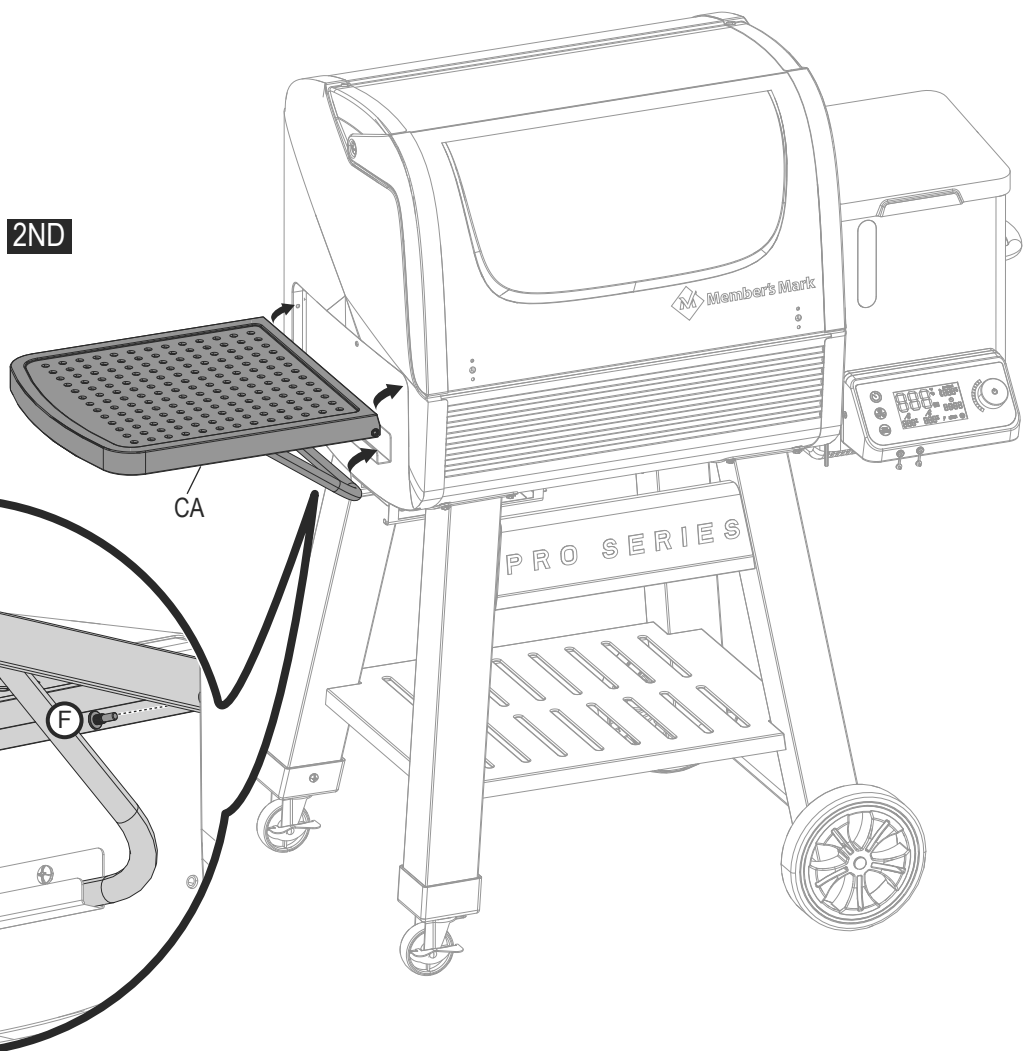
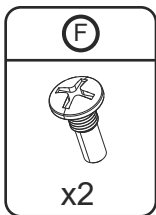
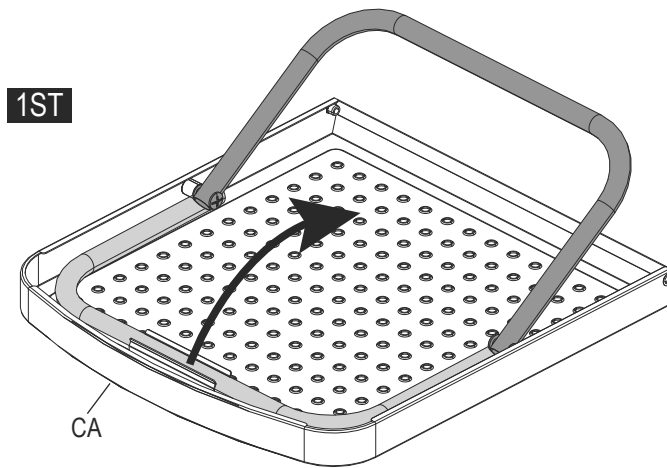
ASSEMBLY INSTRUCTIONS

10



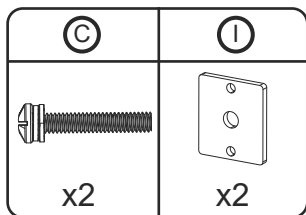
ASSEMBLY INSTRUCTIONS

11

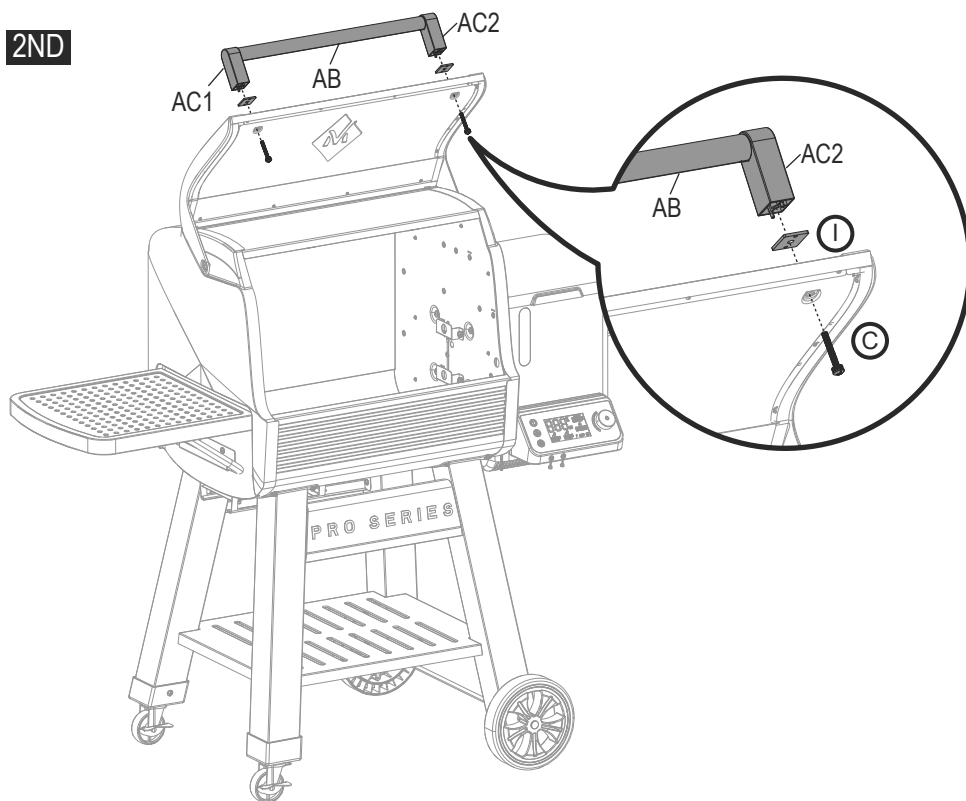


ASSEMBLY INSTRUCTIONS

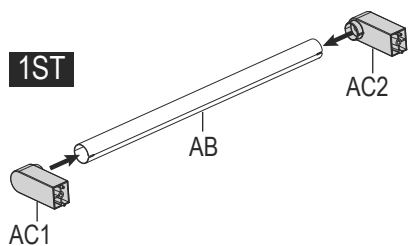
12



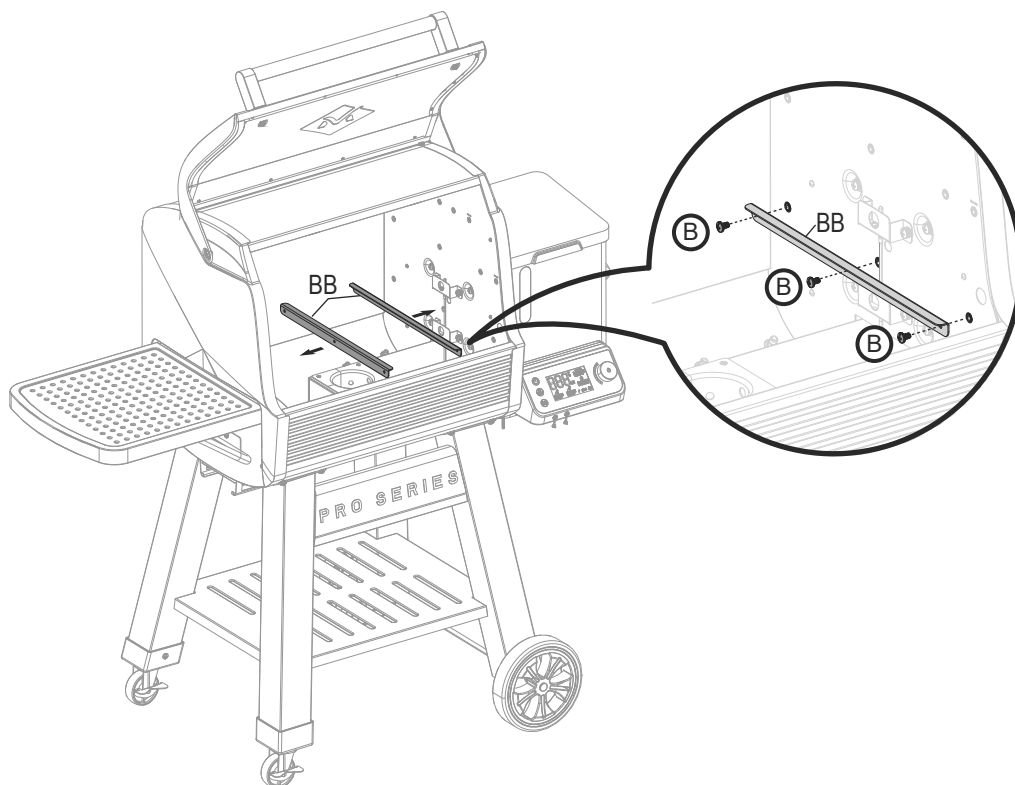
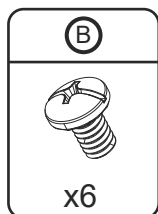
2ND



1ST

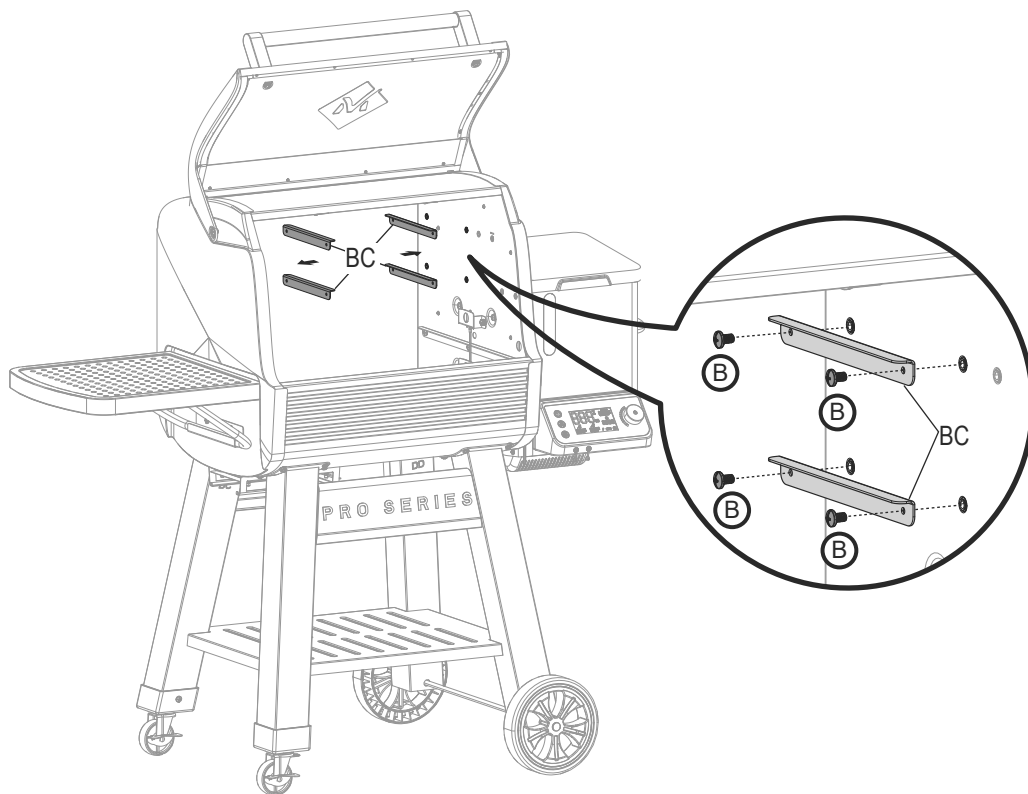
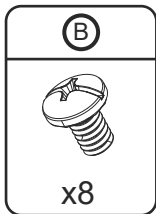


13

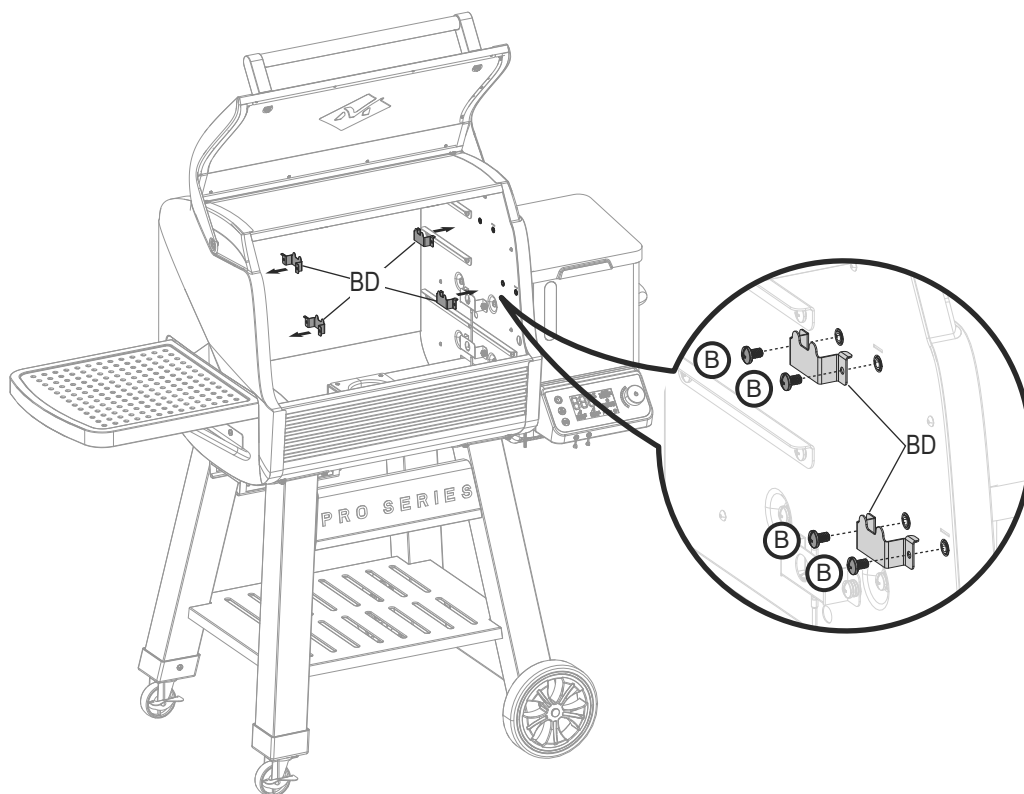
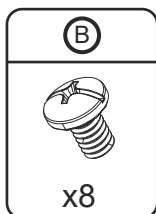


ASSEMBLY INSTRUCTIONS

14

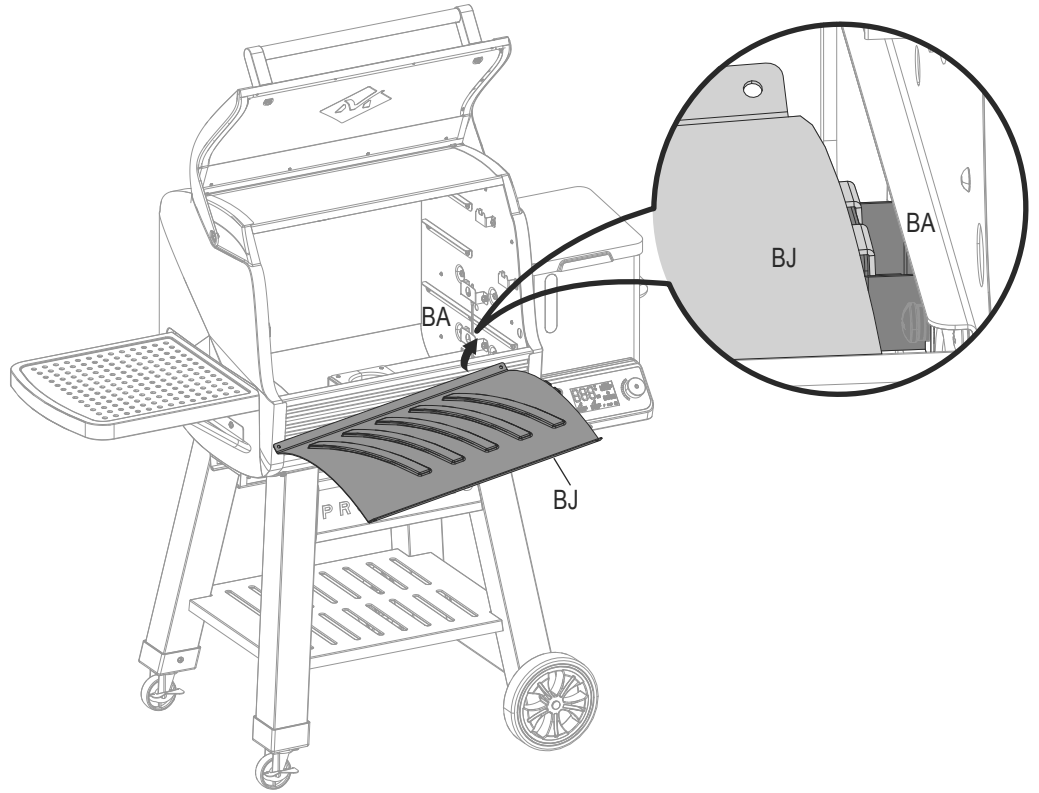


15



ASSEMBLY INSTRUCTIONS

16

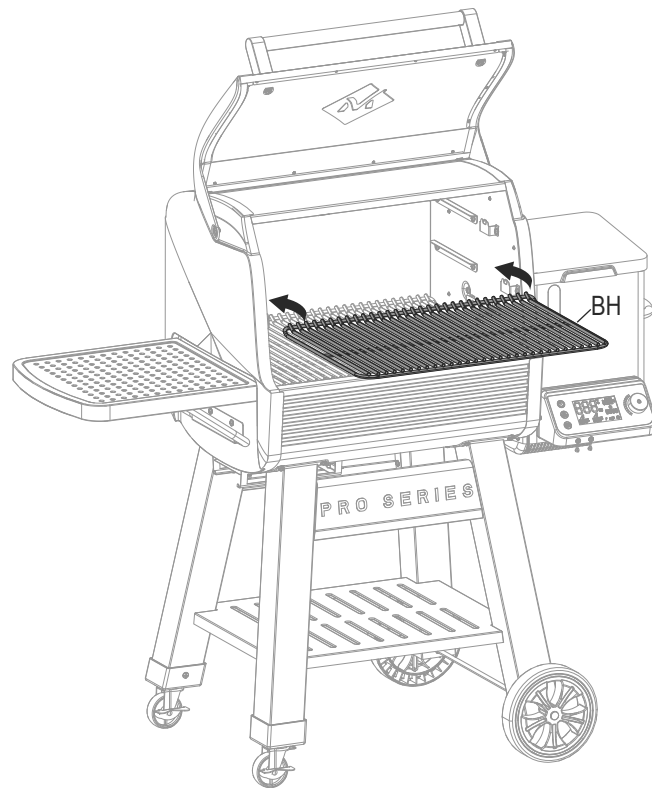


17

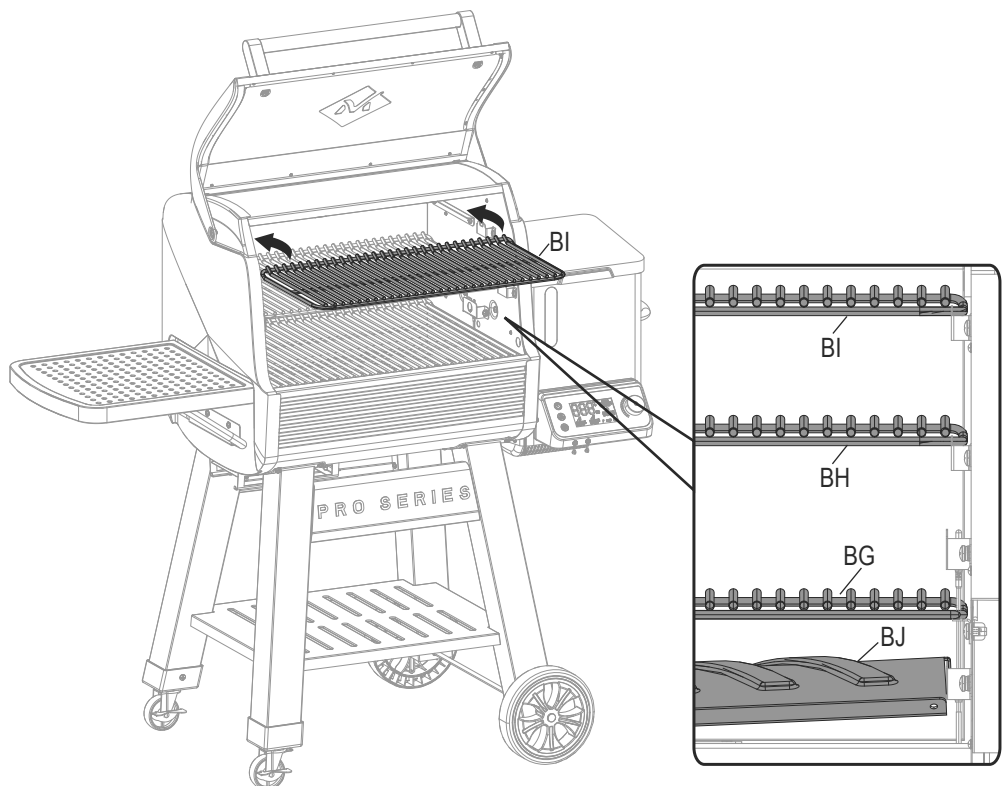


ASSEMBLY INSTRUCTIONS

18

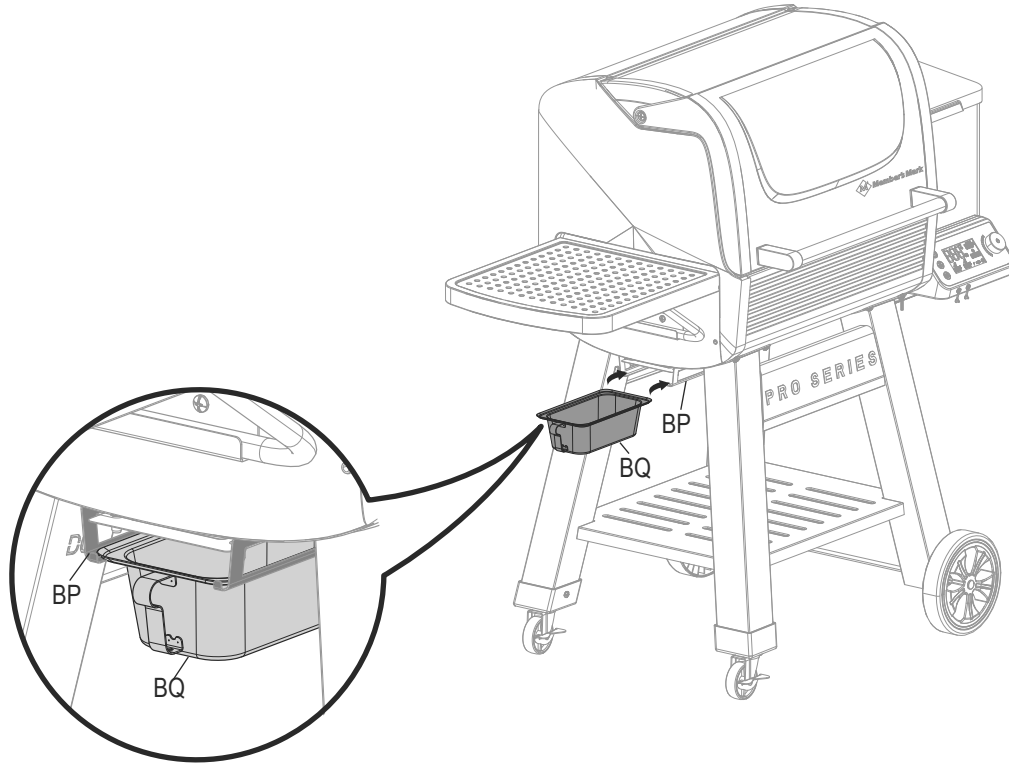


19

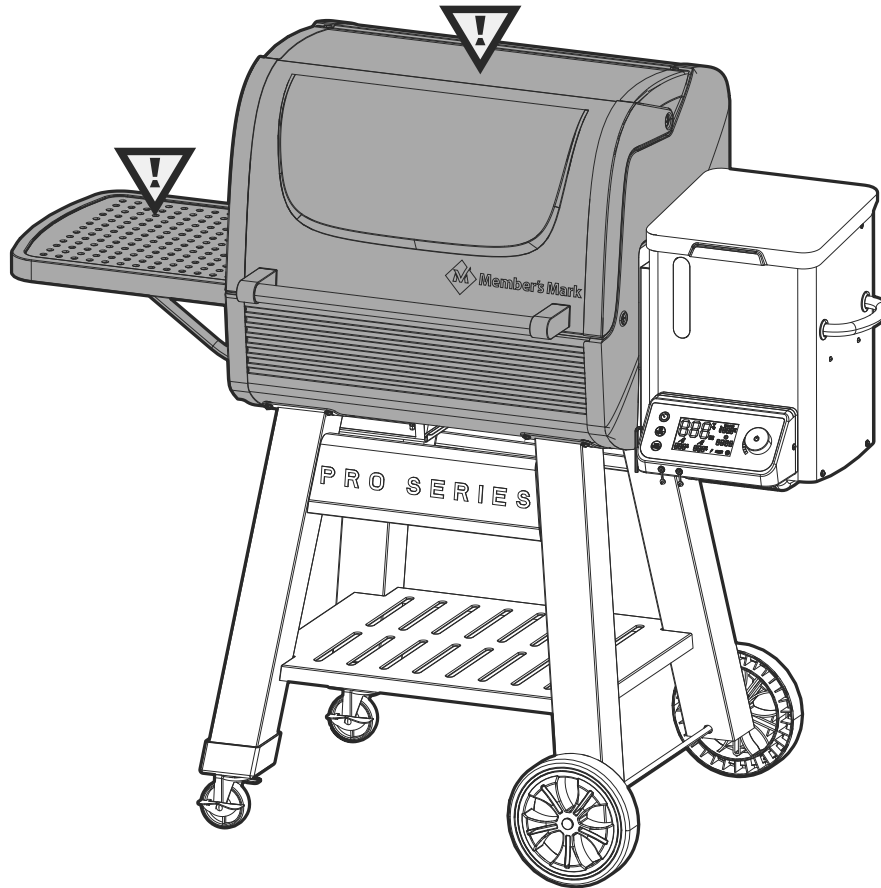


ASSEMBLY INSTRUCTIONS

20



⚠ WARNING HOT SURFACES:



CAUTION!

- AVOID BURNS.
- DO NOT TOUCH WHEN PELLET GRILL IS IN USE.
- EXTREMELY HOT SURFACE.
- SHADED AREAS BECOME EXTREMELY HOT WHEN IN USE.

WARNINGS:

- FAILURE TO FOLLOW ALL THE MANUFACTURER'S INSTRUCTIONS COULD RESULT IN HAZARDOUS FIRES, EXPLOSION, PROPERTY DAMAGE, SERIOUS PERSONAL INJURY, OR EVEN DEATH.
- DO NOT TRY TO START THIS PELLET GRILL WITHOUT READING AND UNDERSTANDING THE SAFETY RISKS AND INSTRUCTIONS FOR USE.
- THE MANUFACTURER HAS MADE EVERY EFFORT TO ELIMINATE ANY SHARP EDGES. HOWEVER, YOU SHOULD HANDLE ALL COMPONENTS WITH CARE TO AVOID ACCIDENTAL INJURY. SOME PARTS MAY CONTAIN SHARP EDGES, ESPECIALLY AS NOTED IN THESE INSTRUCTIONS. WEAR PROTECTIVE GLOVES IF NECESSARY.

NOTES

NOTES

Distributed by Sam's West Inc.

2101 SE Simple Savings Dr. Bentonville,
Arkansas 72716-0745

Made In China



Winners Products Engineering Ltd
25/F., Cofco Tower, 262 Gloucester
Road Causeway Bay, Hong Kong

linktr.ee/member's.mark



CONTACT US: 1-833-454-0864

Questions or Comments?

We would love to hear about your
Member's Mark experience! Visit us at:
samsclub.com/membersmarkhelp