

MASTER
Chef^{TM/MC}



**GRILL TURISMOTM
WOOD PELLET
BARBECUE
Assembly Manual**

**085-3185-0 / P40101
1-YEAR LIMITED WARRANTY**

READ AND SAVE MANUAL FOR FUTURE REFERENCE.

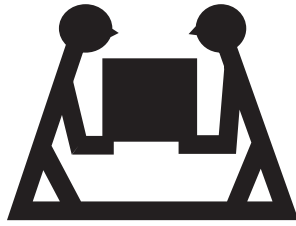
Assemble your barbecue immediately.
Missing or damaged parts claims must be submitted within 30 days of purchase date.

**For product inquiries, parts, warranty and troubleshooting support,
please call 1-855-453-2150.**



CERTIFIED TO UL 2728A-2019 &
ULC/ORD-C2728-13 Pellet Fuel
Burning, Cooking Appliance and
Outline of Investigation for Pellet
Fuel Burning, Cooking Appliance.

Manual Revision #: 11.12.2020 MK



HEAVY ARTICLE: NEEDS 2 TO LIFT

THIS MANUAL MUST REMAIN WITH THE PRODUCT AT ALL TIMES

To order non-warranty replacement parts or accessories, or to register your warranty, please visit us at

www.masterchefbbqs.com

⚠ CAUTION

Sharp edges. Wear gloves when assembling your barbecue.

⚠ CAUTION

Read and follow all safety statements, assembly instructions, use and care directions before attempting to assemble and cook.

⚠ INSTALLER OR ASSEMBLER/CONSUMER

This manual should be kept with the barbecue at all times.

⚠ WARNING

Failure to follow all of the Manufacturer's instructions could result in hazardous fires, explosions, property damage, serious personal injury or even death.

Follow all leak check procedures carefully prior to operation of the pellet barbecue, even if barbecue was dealer assembled. Do not try to light this pellet barbecue without reading the Lighting Instructions section of this manual.

⚠ WARNING

- Hazardous voltage can shock, burn or cause death. Do not immerse cord in water or other liquids. Disconnect the power cord before servicing the barbecue.
 - Keep the electrical supply cord and the fuel supply hose away from any heated surface.
 - Unplug from the outlet when not in use and before cleaning or servicing.
 - Use with gfci protected circuit.
 - Use only extension cords approved for outdoors, use marked with w-a and rated for the power of this appliance.
-

⚠ WARNING

Do not store or use gasoline or other flammable liquids or vapours in the vicinity of this or any other appliance.

⚠ WARNING

IN DIRECT SUNLIGHT, AND IN OPERATION, YOUR PELLET BARBECUE STAINLESS STEEL AND PAINTED STEEL PARTS CAN BECOME VERY HOT.

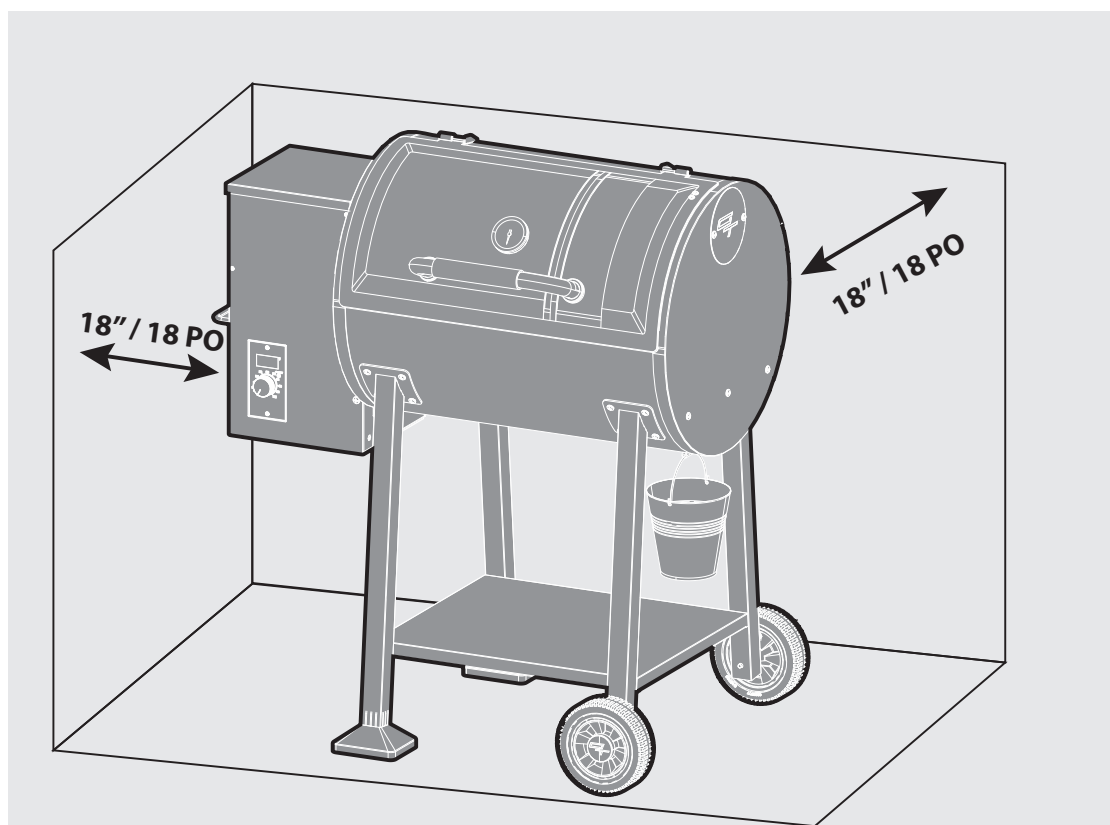
THIS PELLET BARBECUE IS FOR OUTDOOR USE ONLY.

CONTACT CALL CENTRE IF ANY PARTS ARE MISSING.

1-855-453-2150



A MAJOR CAUSE OF FIRES IS FAILURE TO MAINTAIN REQUIRED CLEARANCES (AIR SPACES) TO COMBUSTIBLE MATERIALS. IT IS OF UTMOST IMPORTANCE THAT THIS PRODUCT BE INSTALLED ONLY IN ACCORDANCE WITH THESE INSTRUCTIONS.



⚠ WARNING

When operating this barbecue, maintain a MINIMUM distance of 18" (45.72 cm) on all sides, from a dwelling, walls, aluminum siding, windows, fencing and any other combustible material.

⚠ WARNING

When operating this barbecue under overhead combustibles a MINIMUM of 40" (101.6 cm) is required.

HARDWARE PACK






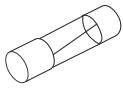
TOOLS NEEDED FOR ASSEMBLY

- Phillips screwdriver
- Slotted screwdriver
- Pliers
- Mallet

KEY #	DESCRIPTION	PART NUMBER	QUANTITY
1	1/4"-20UNC x13 Screw	20120-13013-036	20
2	Hitch Pin	P401-0105-9000	2
3	Axle Spacer	G305-0024-9088	2
4	1/4"x18 Screw Assembly	G432-S500-9091	2
5	Fiber Washer	G205-0026-9000	2
6	*Digital Controller 5-AMP Fuse	P401-1411-9000	1

*** This unit is shipped with an extra 5-AMP fuse, that is located either on the cover of your Safety & Care Manual, or attached directly to the back of the digital controller.**

⚠ Caution:
Sheet metal can cause injury. Wear gloves when assembling the barbecue.

1  1/4"-20UNC x 13 Screw X 20	2  Hitch Pin X 2	3  Axle Spacer X 2
4  1/4"X18 Screw Assembly X 2	5  Fiber Washer X 2	6  *Digital Controller 5 AMP Fuse X 1

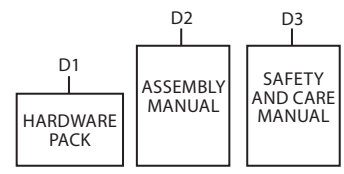
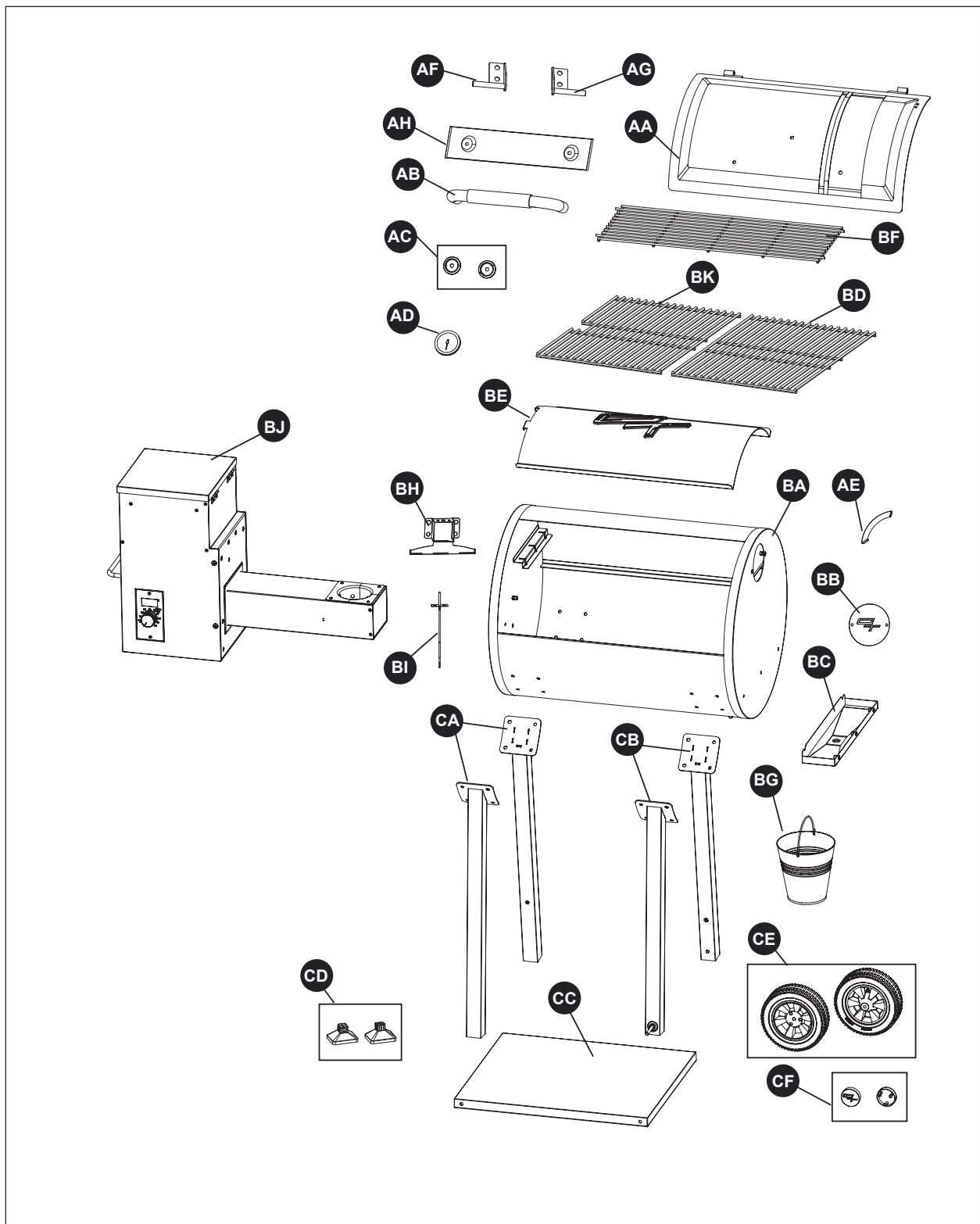
BEFORE ASSEMBLING THIS BARBECUE, READ THE INSTRUCTIONS CAREFULLY.

Assemble the pellet barbecue on a flat, clean surface. The barbecue is heavy, two people are recommended to complete assembly.

PARTS LIST FOR 085-3185-0 / P40101

KEY #	QUANTITY	DESCRIPTION	PART NO.
AA	1	Pellet Lid	P401-0601-01
AB	1	Pellet Lid Handle	P401-2200-01
AC	2	Lid Handle Bezel	G453-00A7-01
AD	1	Pellet Temperature Gauge	P401-0602-01
AE	1	Pellet Lid Stopper	P401-0604-01
AF	1	Left Lid Hinge Bracket	P401-2000-01
AG	1	Right Lid Hinge Bracket	P401-2100-01
AH	1	Heat Shield, Lid Handle	P401-0606-01
BA	1	Grill Body	P401-0500-01
BB	1	GT Emblem	P401-0410-01
BC	1	Grease Trough	P401-0401-01
BD	1	Main Cooking Grate, Right	P401-0405-02
BE	1	Baffle Plate	P401-0409-01
BF	1	Secondary Cooking Grate	P401-0404-01
BG	1	Grease Bucket	P401-0700-01
BH	1	Sensor Shield	P401-0407-01
BI	1	Sensor	P401-0406-01
BJ	1	Hopper Assembly	P401-1700-01
BK	1	Main Cooking Grate, Left	P401-0411-01
CA	2	Cart Leg, Left	P401-0200-01
CB	2	Cart Leg with Wheel Axle, Right	P401-0300-01
CC	1	Bottom Shelf	P401-0101-01
CD	2	Cart Leg End Cap	P401-0102-01
CE	2	Wheel	P401-0103-01
CF	2	GT Wheel Cap	P401-0104-01
D1	1	Hardware Pack	P401-B001-01
D2	1	Assembly Manual	P401-M001-01
D3	1	Safe Use and Care Manual	P401-M001-02

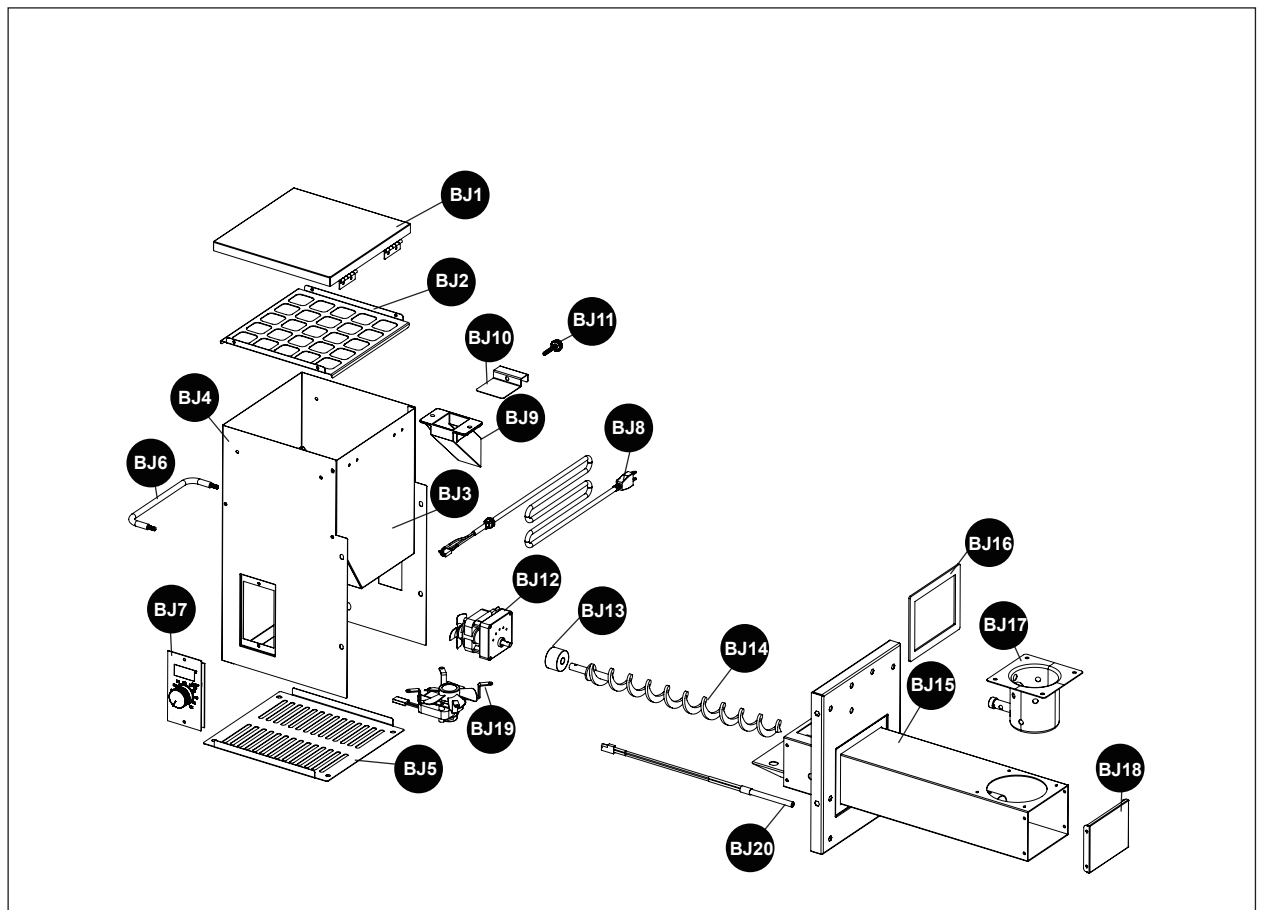
EXPLODED DIAGRAM FOR 085-3185-0 / P40101



AFTER-SALES PARTS LIST FOR HOPPER ASSEMBLY / P401-1700-01

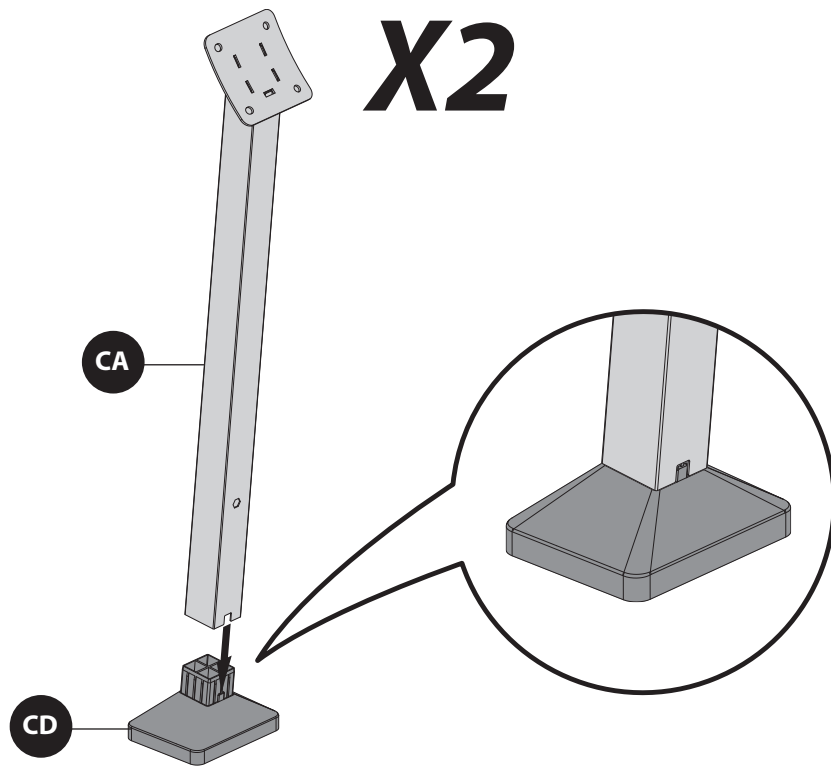
KEY #	QUANTITY	DESCRIPTION	PART NO.
BJ1	1	Hopper Cover	P401-1600-01
BJ2	1	Hopper Safety Screen	P401-1407-01
BJ3	1	Feed Plate	P401-1402-01
BJ4	1	Hopper Housing	P401-1800-01
BJ5	1	Hopper Base Plate	P401-1408-01
BJ6	1	Lifting Handle	P401-1409-01
BJ7	1	Digital Controller	P401-1406-02
BJ8	1	Power Cord	P401-1401-01
BJ9	1	Release Channel	P401-1405-01
BJ10	1	Channel Stopper	P401-1403-01
BJ11	1	Channel Stopper Bolt	P401-1404-01
BJ12	1	Auger Motor	P401-0904-01
BJ13	1	Auger Bushing	P401-0902-01
BJ14	1	Auger	P401-1200-01
BJ15	1	Auger Box Housing	P401-1000-01
BJ16	1	Insulated Gasket	P401-0906-01
BJ17	1	Burner Pot	P401-1300-01
BJ18	1	Auger Box End Cap	P401-0901-01
BJ19	1	Combustion Fan	P401-0903-01
BJ20	1	Igniter	P401-0905-01

EXPLODED DIAGRAM FOR HOPPER ASSEMBLY / P401-1700-01



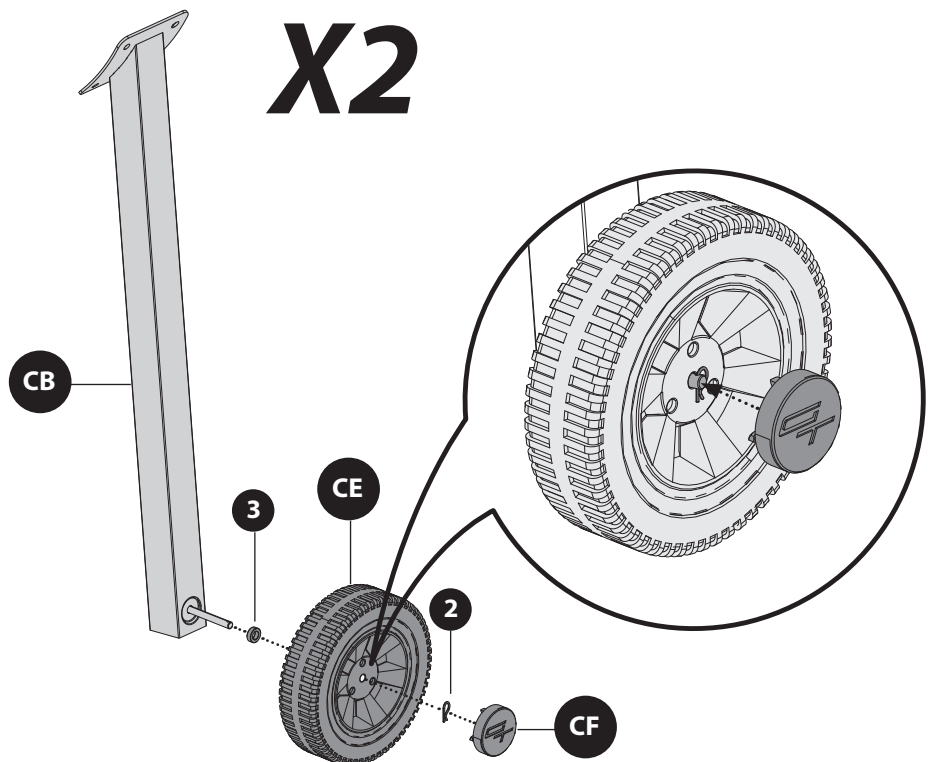
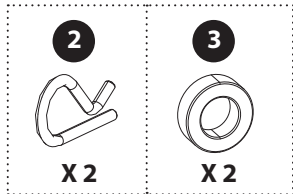
ASSEMBLY INSTRUCTIONS

1A



1B

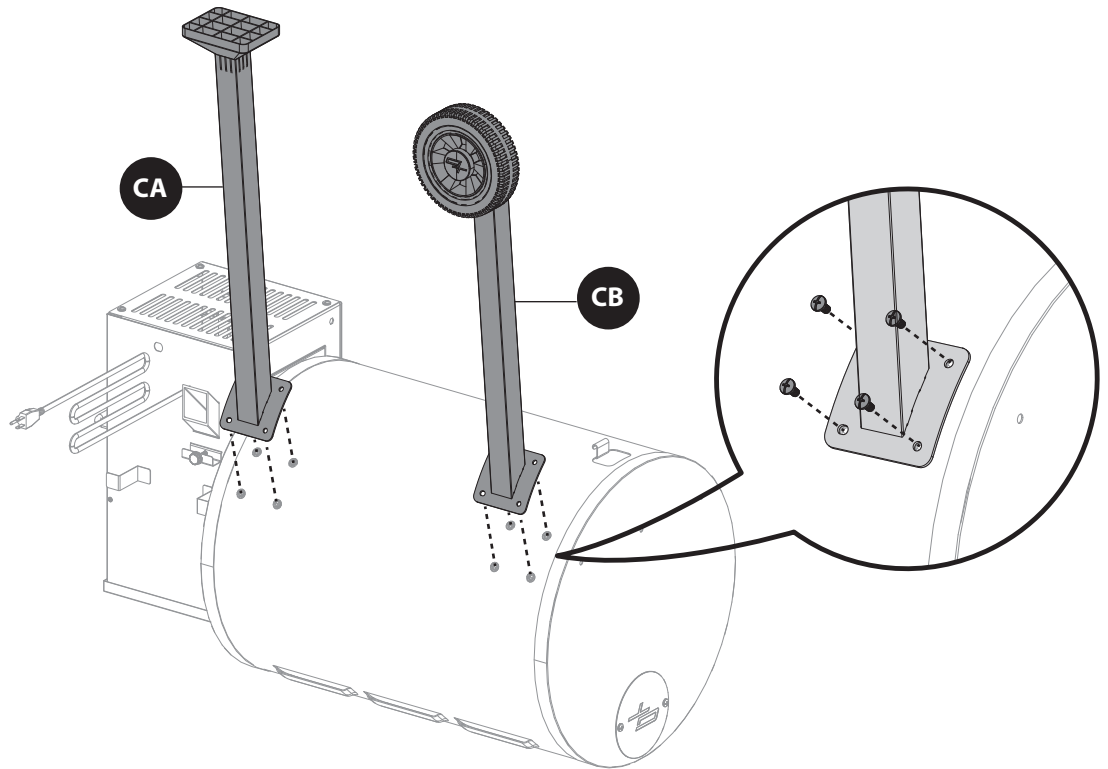
YOU WILL NEED:



ASSEMBLY INSTRUCTIONS

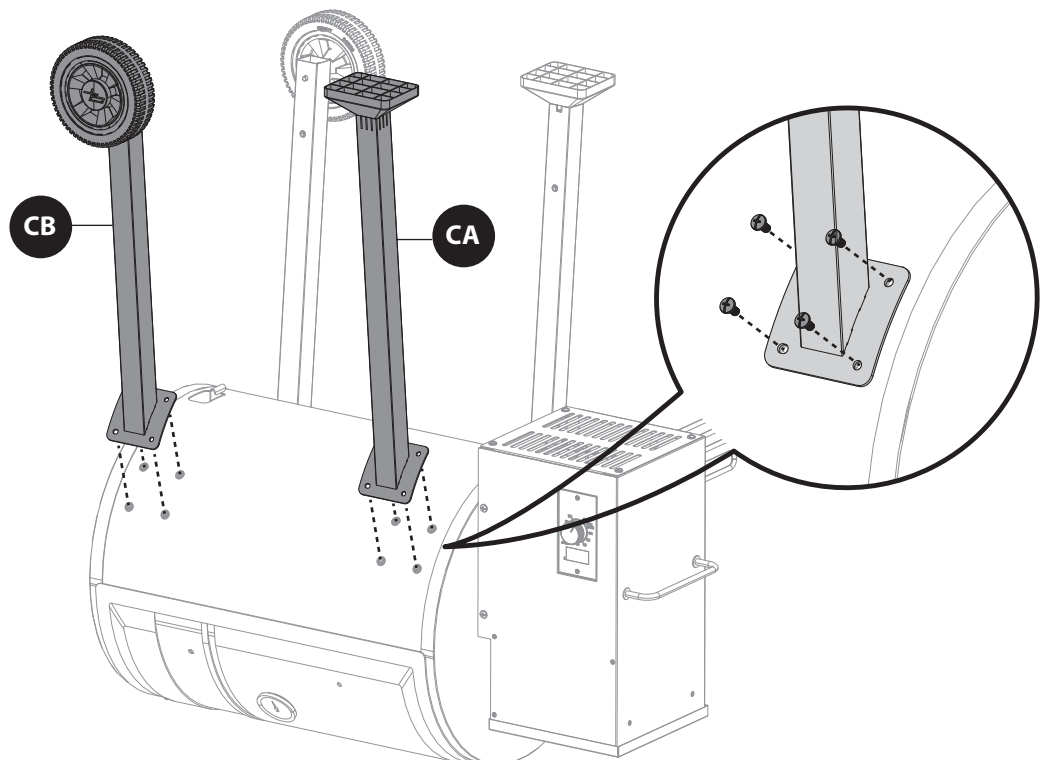
2A

YOU WILL NEED:



2B

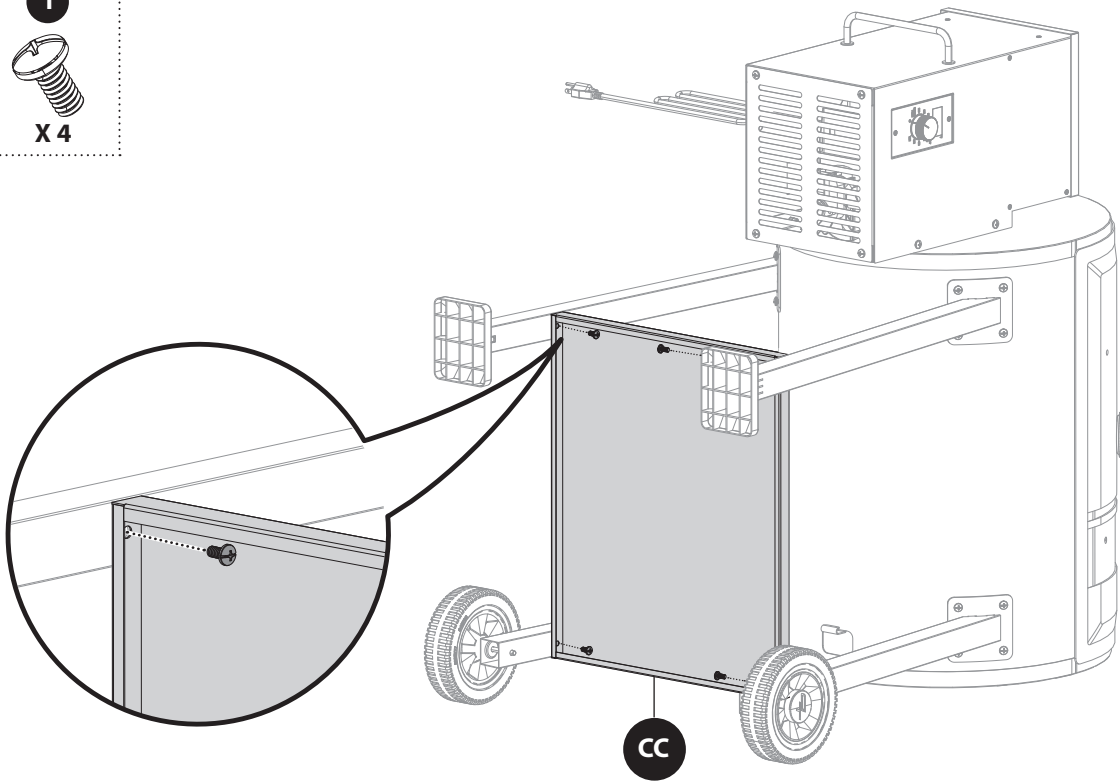
YOU WILL NEED:



ASSEMBLY INSTRUCTIONS

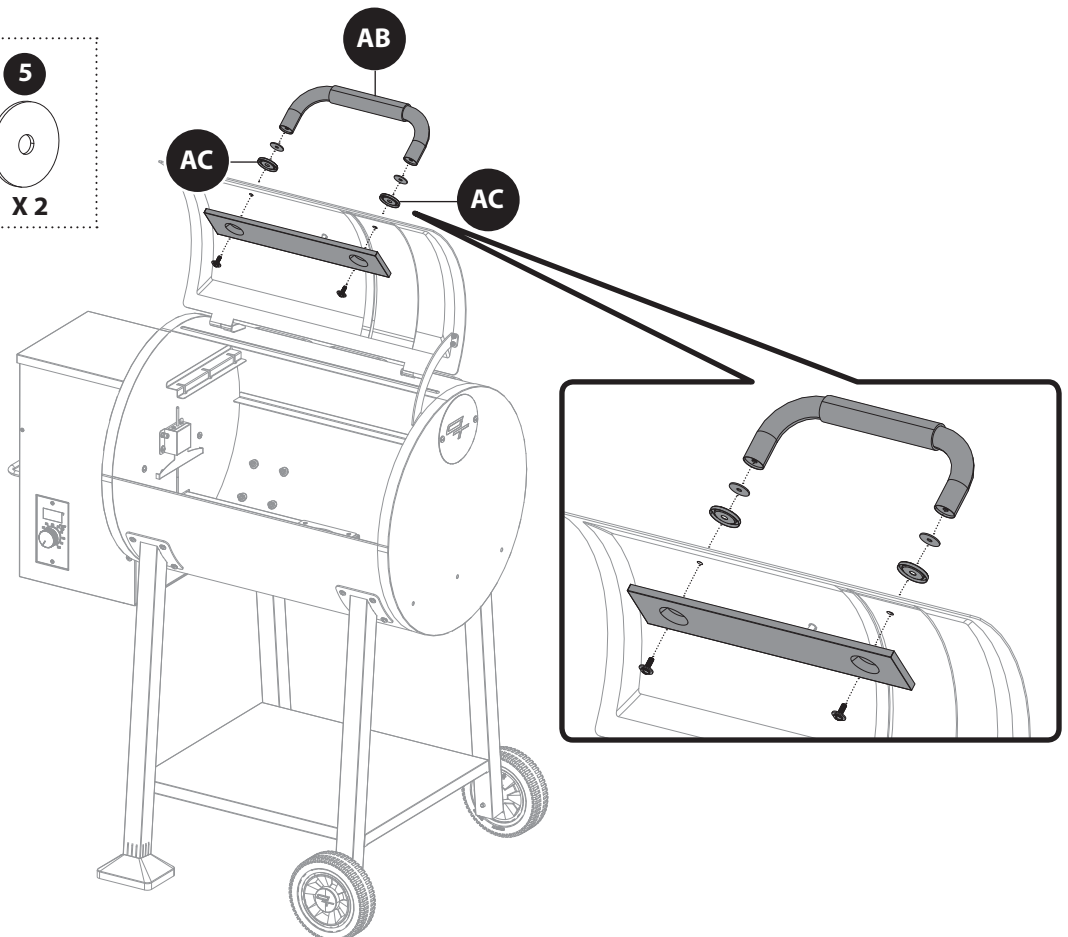
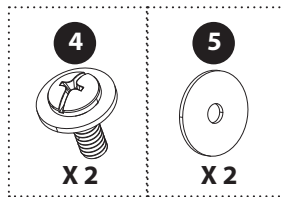
3

YOU WILL NEED:



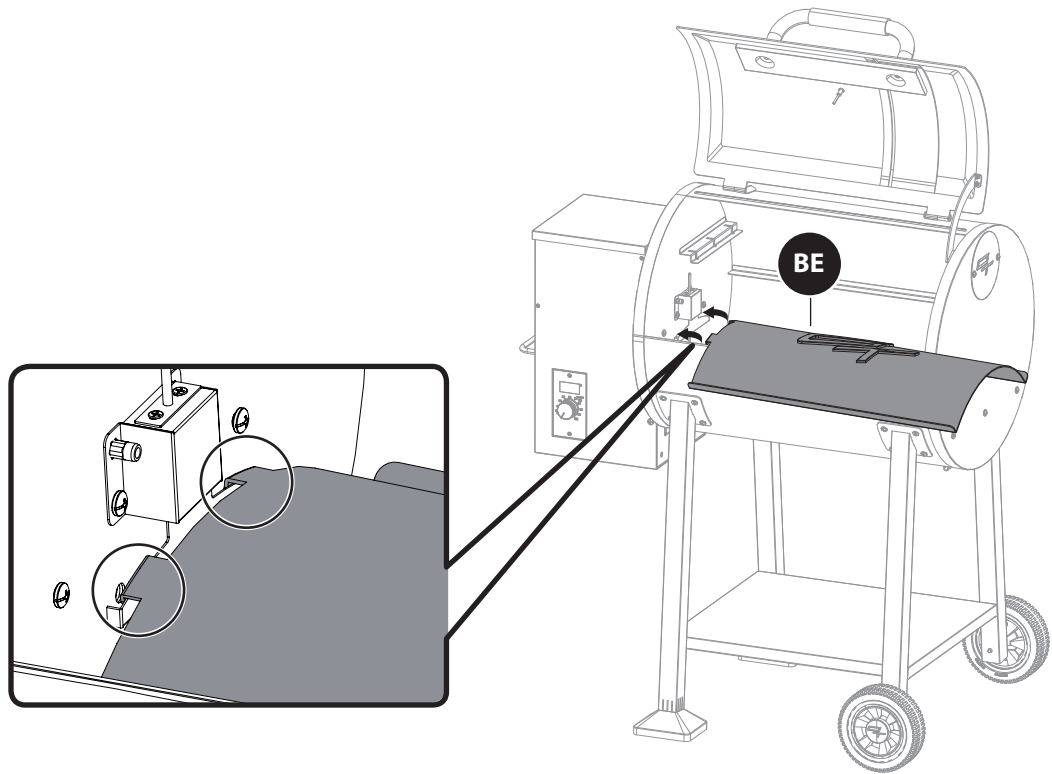
4

YOU WILL NEED:

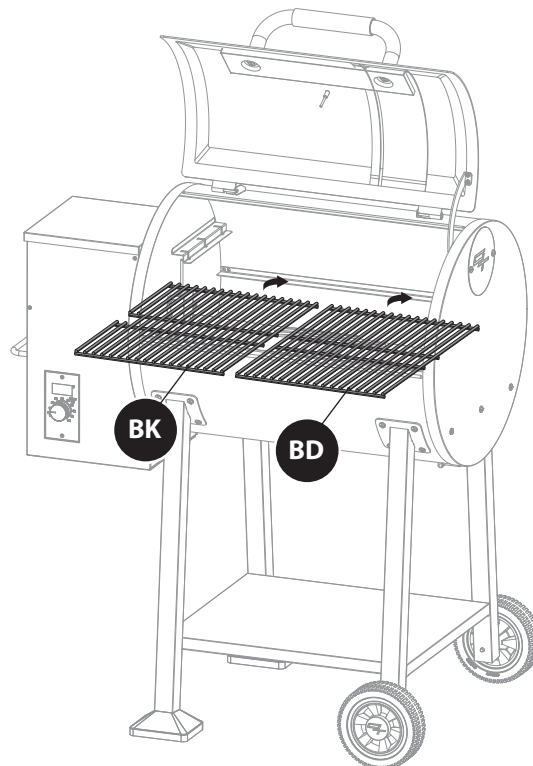


ASSEMBLY INSTRUCTIONS

5

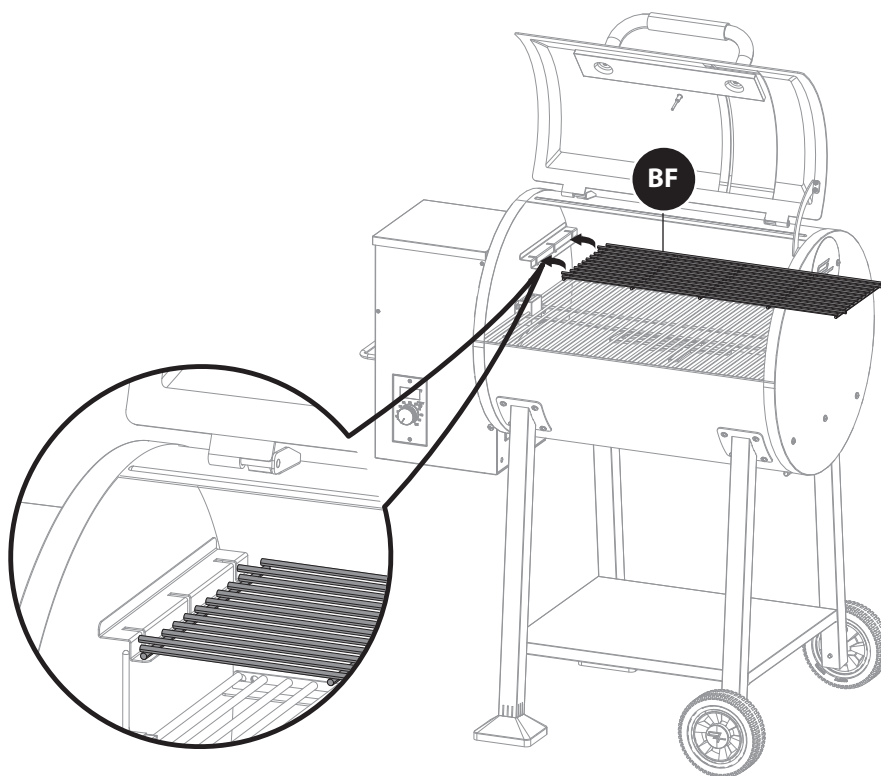


6

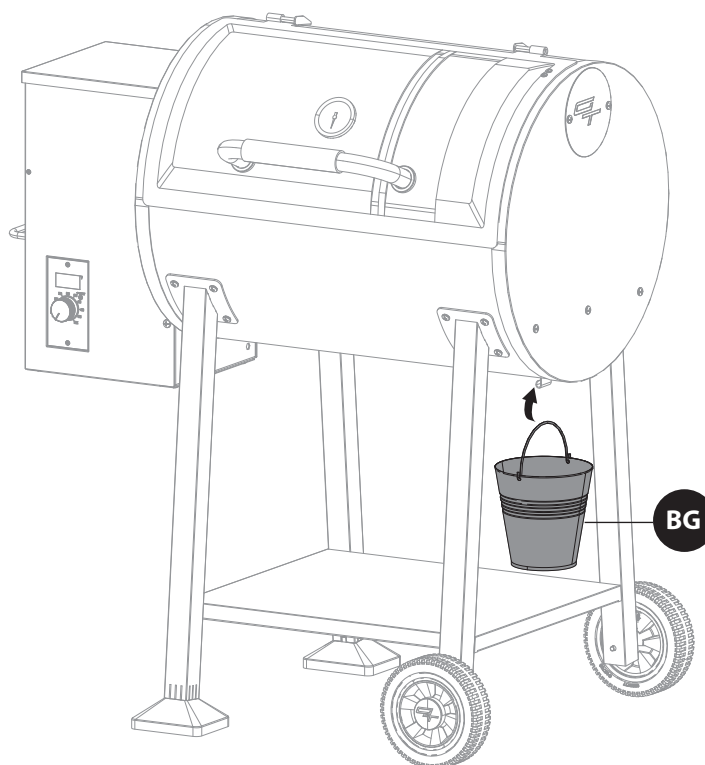


ASSEMBLY INSTRUCTIONS

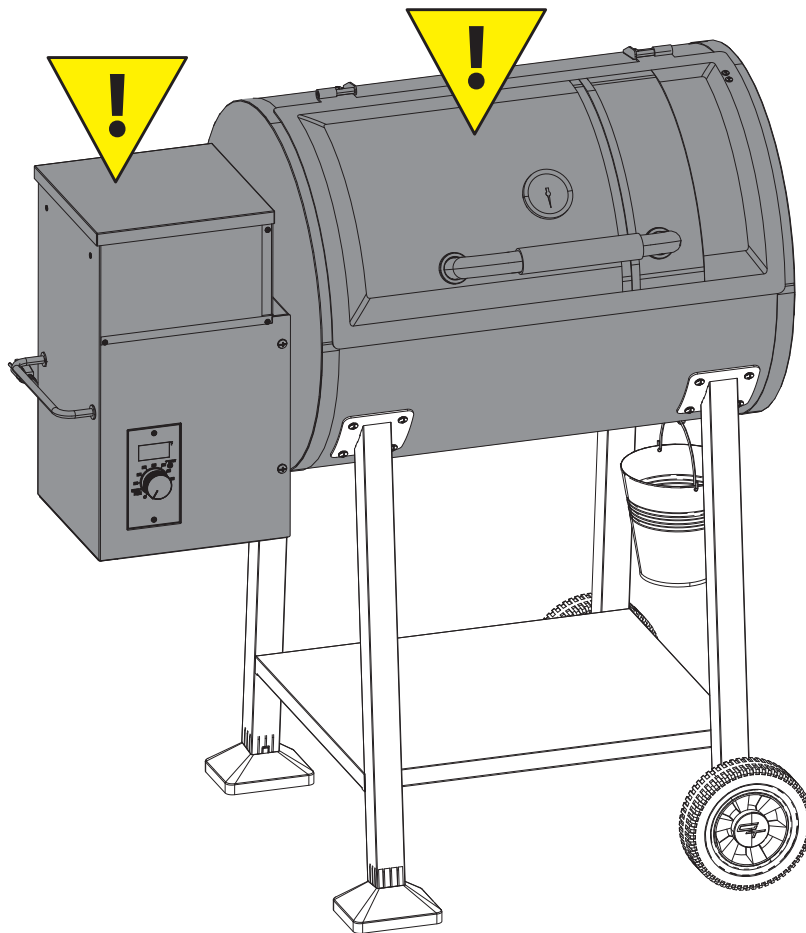
7



8



⚠ WARNING: HOT SURFACES



CAUTION!

- **AVOID BURNS.**
- **DO NOT TOUCH WHEN PELLET BARBECUE IS IN USE.**
- **EXTREMELY HOT SURFACE.**
- **** SHADED AREAS BECOME EXTREMELY HOT WHEN IN USE.***

WARNINGS

- **Failure to follow all of the manufacturer's instructions could result in hazardous fires, explosions, property damage, or serious personal injury or even death.**
- **Do not try to start this pellet barbecue without reading and understanding the safety risks and instructions for use, outlined in the safe use and care manual.**
- **Some parts may contain sharp edges. Wear protective gloves during assembly and usage of this appliance.**

MASTER
Chef^{TM/MC}

Visit **www.masterchefbbqs.com**
to complete product registration.

Customer Care Hotline
1-855-453-2150

Made in China
Imported by
Trileaf Distributions Trifeuil
Toronto, Ontario M4S 2B8