



MODEL / MODÈLE / MODELO: LG700
PART / PIÈCE / PARTE: 60700



TM / MC / MR

WOOD PELLET GRILL & SMOKER

IMPORTANT, READ CAREFULLY, RETAIN FOR FUTURE REFERENCE.
MANUAL MUST BE READ BEFORE OPERATING!

BARBECUE-FUMOIR À GRANULES DE BOIS

IMPORTANT, PRENEZ CONNAISSANCE DE CE DOCUMENT ET CONSERVEZ-LE POUR
RÉFÉRENCE ULTÉRIEURE. VOUS DEVEZ LIRE CE GUIDE AVANT D'UTILISER LE BARBECUE !

ASADOR Y AHUMADOR DE PELLETS DE MADERA

IMPORTANTE, LEA DETENIDAMENTE, CONSERVE PARA REFERENCIA
FUTURA. ¡DEBE LEER EL MANUAL ANTES DE LA OPERACIÓN!

LG SERIES

ASSEMBLY AND OPERATION ASSEMBLAGE ET FONCTIONNEMENT MONTAJE Y OPERACIÓN

WARNING: Please read the entire manual before installation and use of this electric, pellet fuel-burning appliance. Failure to follow these instructions could result in property damage, bodily injury or even death. Contact local building or fire officials about restrictions and installation inspection requirements in your area.

AVERTISSEMENT : Veuillez lire l'intégralité du manuel avant l'installation et l'utilisation de cet appareil électronique à granules. Le non-respect de ces instructions peut entraîner des dommages aux biens, des blessures ou même la mort. Communiquez avec les autorités locales en matière d'incendie et de bâtiment concernant les restrictions et les exigences d'installation dans votre région.

ADVERTENCI: Lea el manual completo antes de instalar y utilizar este aparato eléctrico para quemar pellets de combustible. Incumplir estas instrucciones podría causar daños materiales, lesiones corporales, e incluso la muerte. Consulte a sus funcionarios locales de construcción y control de incendios para informarse sobre las restricciones y los requisitos de inspección de instalaciones en su región.



FOR OUTDOOR USE ONLY. NOT FOR COMMERCIAL USE.
POUR UN USAGE EXTÉRIEUR. PAS POUR USAGE COMMERCIAL.
SÓLO PARA USO EXTERIOR. NO ES PARA USO COMERCIAL.

SAFETY INFORMATION

MAJOR CAUSES OF APPLIANCE FIRES ARE A RESULT OF POOR MAINTENANCE AND A FAILURE TO MAINTAIN REQUIRED CLEARANCE TO COMBUSTIBLE MATERIALS. IT IS OF UTMOST IMPORTANCE THAT THIS PRODUCT BE USED ONLY IN ACCORDANCE TO THE FOLLOWING INSTRUCTIONS.

Please read and understand this entire manual before attempting to assemble, operate or install the product. This will ensure you receive the most enjoyable and trouble-free operation of your new wood pellet grill. We also advise you retain this manual for future reference.

DANGERS AND WARNINGS

You must contact your local home association, building or fire officials, or authority having jurisdiction, to obtain the necessary permits, mission or information on any installation restrictions, such as any grill being installed on a combustible surface, inspection requirements or even ability to use, in your area.

1. A minimum clearance of 457mm (17.9 inches) from combustible constructions to the sides of the grill, and 457mm (17.9 inches) from the back of the grill to combustible constructions must be maintained. **Do not install appliance on combustible floors, or floors protected with combustible surfaces unless proper permits and permissions are obtained by authorities having jurisdiction.** This wood pellet appliance must not be placed under overhead combustible ceiling or overhang. Keep your grill in an area clear and free from combustible materials, gasoline and other flammable vapors and liquids.

Should a grease fire occur, turn the grill off and leave the lid closed until the fire is out. Do not unplug the power cord. Do not throw water on the unit. Do not try to smother the fire. Use of an all-class (class ABC) approved fire extinguisher is valuable to keep on site. If an uncontrolled fire does occur, call the Fire Department.

2. Keep electrical supply cords and the fuel supply hose away from heated surfaces. Do not use your grill in the rain or around any water source.
3. After a period of storage, or non-use, check the burn grate for obstructions and the hopper for air blockage. Clean before use. If the grill is stored outside during the rainy season or seasons of high humidity, care should be taken to insure that water does not get into the hopper. You must always disconnect the power, before performing any service or maintenance.

Do not transport your grill while in use or while the grill is hot. Ensure the fire is completely out and that the grill is completely cool to the touch before moving.

4. It is recommended to use heat-resistant barbecue mitts or gloves when operating the grill. Do not use accessories not specified for use with this appliance. Do not put a barbecue cover or anything flammable in the storage space area under the barbecue.
5. To prevent injury or damage to the auger, the appliance features a metal hopper safety screen. This screen must not be removed unless directed by Customer Service or an authorized dealer.

This appliance is not recommended for children, persons with reduced physical, sensory or mental capabilities, or lack of experience and knowledge, unless they are under direct supervision or instruction by a person responsible for their safety.

6. Parts of the barbecue may be very hot, and serious injury may occur. Keep young children and pets away while in use.
7. Do not enlarge burn grate orifices, igniter holes or burn pots. Failure to follow this warning could lead to a fire hazard and bodily harm and will void your warranty.
8. Product may have sharp edges or points. Contact may result in injury. Handle with care.

DISPOSAL OF ASHES

Ashes should be placed in a metal container with a tight-fitting lid. The closed container of ashes should be placed on a non-combustible floor or on the ground, well away from all combustible materials, pending final disposal. When ashes are disposed by burial in soil, or otherwise locally dispersed, they should be retained in a closed container until all cinders have thoroughly cooled.

WOOD PELLET FUEL

This pellet cooking appliance is designed and approved for pelletized, all natural, wood fuel only. Any other type of fuel burned in this appliance will void the warranty and safety listing. You must only use all natural wood pellets, designed for burning in pellet barbecue grills. Do not use fuel with additives.

Do not use spirit, petrol, gasoline, lighter-fluid or kerosene for lighting or refreshing a fire in your grill. Keep all such liquids well away from the appliance when in use.

At this time of printing, there is no industry standard for barbecue wood pellets, although most pellet mills use the same standards to make wood pellets for domestic use. Further information, can be found at www.pelletheat.org or the **Pellet Fuel Institute**.

Contact your local dealer on the quality of pellets in your area, and for information on brand quality. As there is no control over the quality of pellets used, we assume no responsibility to damage caused by poor quality of fuel.

CREOSOTE

Creosote, or soot, is a tar-like substance. When burning, it produces black smoke with a residue which is also black in color. Soot or creosote is formed when the appliance is operated incorrectly, such as: incorrect position of the burn grate, blockage of the combustion fan, failure to clean and maintain the burn area, or poor air-to-fuel combustion.

It is dangerous to operate this appliance should the flame become dark, sooty, or if the burn pot is overfilled with pellets. When ignited, this creosote makes an extremely hot and uncontrolled fire, similar to a grease fire. Should this happen, turn the unit off, let it cool completely, then inspect for maintenance and cleaning. It commonly accumulates along exhaust areas.

If creosote has formed within the unit; allow the unit to warm up at a low temperature, turn off the appliance, then wipe away any formation with a hand towel. Similar to tar, it is much easier to clean when warm, as it becomes liquid.

CARBON MONOXIDE (“THE SILENT KILLER”)

Carbon monoxide is a colorless, odorless, tasteless gas produced by burning gas, wood, propane, charcoal or other fuel. Carbon monoxide reduces the blood’s ability to carry oxygen. Low blood oxygen levels can result in headaches, dizziness, weakness, nausea, vomiting, sleepiness, confusion, loss of consciousness or death. Follow these guidelines to prevent this colorless, odorless gas from poisoning you, your family, or others:

- See a doctor if you or others develop cold or flu-like symptoms while cooking or in the vicinity of the appliance. Carbon monoxide poisoning, which can easily be mistaken for a cold or flu, is often detected too late.
- Alcohol consumption and drug use increase the effects of carbon monoxide poisoning.

Carbon monoxide is especially toxic to mother and child during pregnancy, infants, the elderly, smokers, and people with blood or circulatory system problems, such as anemia, or heart disease.

SAFETY LISTING

In accordance with the procedures and specifications listed in the UL SUBJECT 2728-2009 “pellet fuel cooking appliances” and ULC/ORD C272 and CANADIAN CSA C22.2 #3 “for electrical features of fuel burning equipment.” Louisiana Grills pellet cooking appliances have been independently tested and listed by INTERTEK (an accredited testing laboratory) to ETL, UL, ULC and CSA standards.





COPYRIGHT NOTICE

Copyright 2018. All rights reserved. No part of this manual may be copied, transmitted, transcribed, stored in a retrieval system, in any form or by any means without expressed written permission of,

Dansons Inc.

3411 North 5th Avenue, Suite 500, Phoenix, AZ, USA 85013
sales@louisiana-grills.com | service@louisiana-grills.com

www.louisiana-grills.com

Toll-Free: 1-877-303-3134, Fax: 1-877-303-3135

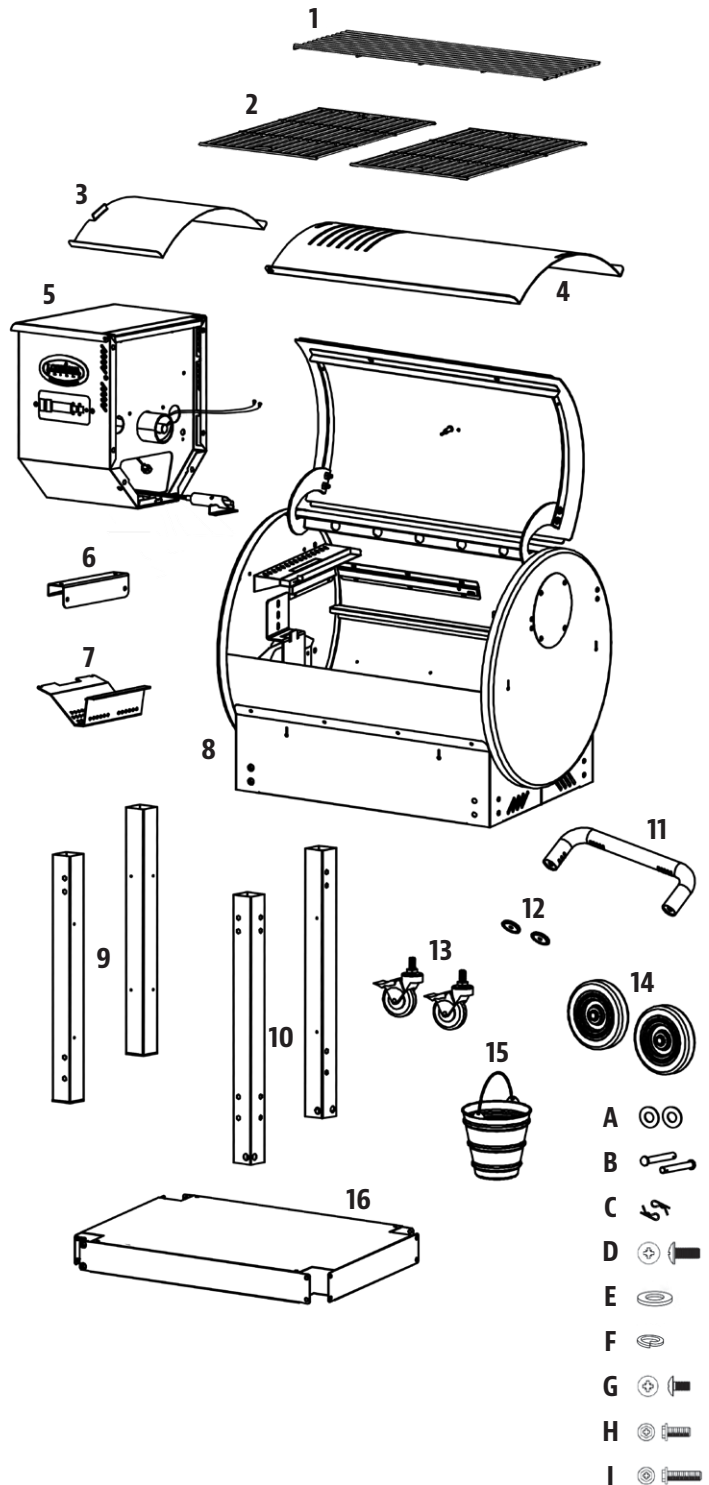
TABLE OF CONTENTS

Safety Information	2	Care & Maintenance	18
Parts & Specs.....	6	Using Wood Pellet Fuel.....	19
Assembly Preparation.....	7	Cooking Guidelines.....	20
Assembly Instructions		Tips & Techniques	22
Assembling The Cart.....	7	Troubleshooting	23
Mounting The Wheels To The Cart.....	8	Electrical Wire Diagram	25
Installing The Cart To The Barrel.....	8	Replacement Parts	
Mounting The Hopper To The Main Barrel.....	9	Grill Replacement Parts	26
Securing The Igniter To The Burn Pot.....	9	Hopper Replacement Parts.....	27
Positioning The Burn Grate.....	10	Warranty	
Installing The Cooking Components	10	Conditions.....	28
Attaching The Lid Handle.....	10	Exceptions.....	28
Placing The Grease Bucket.....	11	Ordering Replacement Parts	29
Connecting To A Power Source.....	11	Contact Customer Service	29
Operating Instructions		Warranty Service	29
Grill Environment	12	Accessories Sold Separately.....	30
Grill Temperature Ranges.....	13	Recipes	31
Understanding Airflow And The Auger Feed System.....	13		
Understanding The Digital Control Center.....	14		
Understanding The Probes	15		
Set-Up Procedure	16		
First Use – Grill Burn-Off.....	16		
Preheating	16		
Automatic Start-Up Procedure.....	16		
Manual Start-Up Procedure.....	17		
Shutting Off Your Smoker	17		

PARTS & SPECS

ENGLISH

Part#	Description
1	Porcelain-Coated Steel Upper Cooking Rack
2	Porcelain-Coated Cast-Iron Cooking Grids (x2)
3	Flame Broiler Slider
4	Flame Broiler Main Plate
5	Hopper Assembly
6	Hopper Handle
7	Burn Grate
8	Main Barrel
9	Short Support Leg
10	Long Support Leg
11	Lid Handle
12	Lid Handle Bezel (x2)
13	Locking Caster Wheel
14	Wheel
15	Grease Bucket
16	Bottom Shelf
A	Wheel Axle Washer
B	Wheel Axle Pin
C	Wheel Cotter Pin
D	Screw (x34)
E	Washer (x40)
F	Locking Washer (x40)
G	Igniter Screw (x2)
H	Hopper Screw (x6)
I	Lid Handle Screw (x2)



NOTE: Due to ongoing product development, parts are subject to change without notice. Contact Customer Service if parts are missing when assembling the unit.

LG - ELECTRIC REQUIREMENTS
110V, 3.3AMP, 60HZ, 375W, 3-PRONG GROUNDED PLUG

MODEL	UNIT ASSEMBLED (WxHxD)	UNIT WEIGHT	COOKING AREA	TEMP. RANGE	DIGITAL FEATURES
LG LG700	986mm x 1,107mm x 610mm / 38 5/8" x 43 3/8" x 24"	64.0 kg / 141.1 lb	Main - 3,208 cm ² / 497 sq. in. Upper Rack - 1,355 cm ² / 210 sq. in. TOTAL - 4,563 cm² / 707 sq. in.	82-315°C / 179-600°F	Automatic start-up and cool-down cycles, programmable meat probe, electric igniter

ASSEMBLY PREPARATION

Parts are located throughout the shipping carton, including underneath the grill. Inspect the grill, parts, and hardware blister pack after removing from the protective shipping carton. Before assembly of product, review all parts and reference the parts list. If any part is missing or damaged, do not attempt to assemble. Shipping damage is not covered under warranty. Contact your dealer or Louisiana Grills Customer Service for parts: Monday through Sunday, 4am - 8pm PST (EN/FR/ES).

service@louisiana-grills.com | Toll-Free: 1-877-303-3134 | Toll-Free Fax: 1-877-303-3135

IMPORTANT: To ease installation, using two people is helpful (but not necessary) when assembling this unit.

Tools required for assembly: screwdriver, wrench and level. *Tools not included.*



ENGLISH

ASSEMBLY INSTRUCTIONS

IMPORTANT: It is advised to read each step entirely before starting assembly on instructions. Do not tighten screws completely until all screws for that step have been installed. Hardware combination involving a locking washer and washer should be installed with the locking washer closest to the head of the screw.

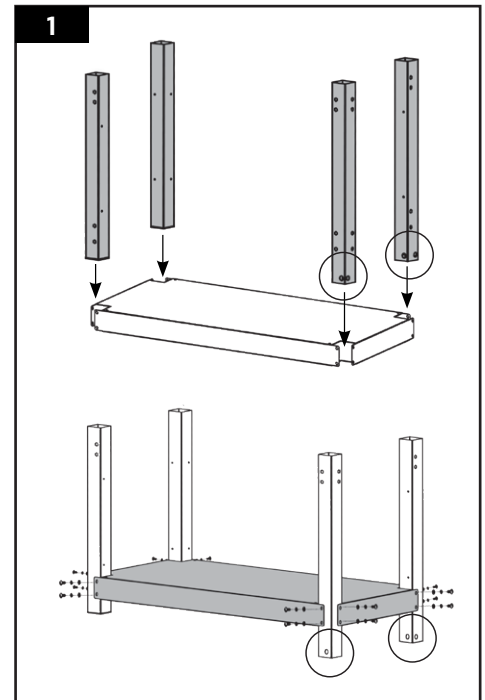
1. ASSEMBLING THE CART

Parts Required:

- 1 x Bottom Shelf (#16)
- 2 x Short Support Leg (#9)
- 2 x Long Support Leg (#10)
- 16 x Screw (#D)
- 16 x Washer (#E)
- 16 x Locking Washer (#F)

Installation:

- Place a piece of cardboard on the floor to prevent scratching the unit and parts. To ease installation, turn the bottom shelf upside-down (flat side down). Prepare the four support legs for installation, separating the two short support legs from the two long support legs.
- Attach one short support leg by carefully sliding it into a corner of the bottom shelf, then secure using four washers, locking washers and screws. Ensure the threaded hole on the bottom is on the end of the support leg closest to the bottom shelf. Repeat installation for the other short support leg, installing it to the corner along the same short side of the bottom shelf.
- Continue cart installation by securing the one long support leg to the other side of the bottom shelf. Ensure that the wheel axle hole is on the end of the support leg closest to the bottom shelf. Repeat installation for the other long support leg on the last corner.



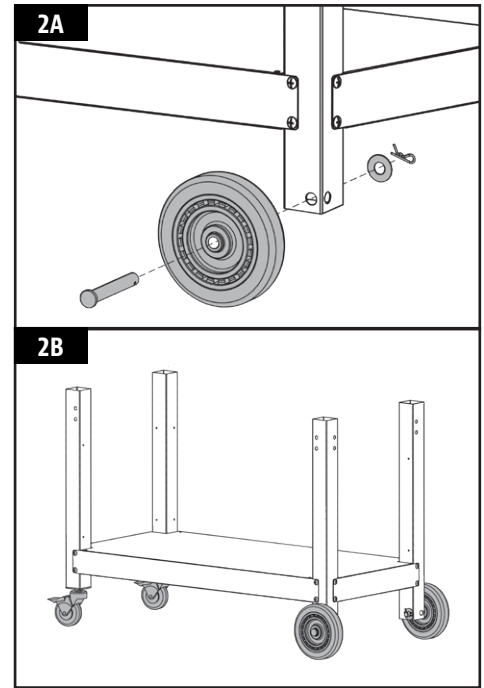
2. MOUNTING THE WHEELS TO THE CART

Parts Required:

- 2 x Locking Caster Wheel (#13)
- 2 x Wheel (#14)
- 2 x Wheel Axle Pin (#B)
- 2 x Wheel Axle Washer (#A)
- 2 x Wheel Cotter Pin (#C)

Installation:

- Attach the wheel to the long support leg by inserting the wheel axle pin through the wheel, long support leg, wheel axle washer, then secure using the wheel cotter pin. Note illustration 2A. Repeat installation for the other wheel.
- Insert each locking caster wheel into the bottom of each short support leg by hand-tightening into the hole. Ensure the locking caster wheel is inserted completely.
- Once all wheels are mounted, the two locking caster wheels should be on the same side, and the two support legs with the wheels should be on the opposing end. Note illustration 2B.



3. INSTALLING THE CART TO THE BARREL

Parts Required:

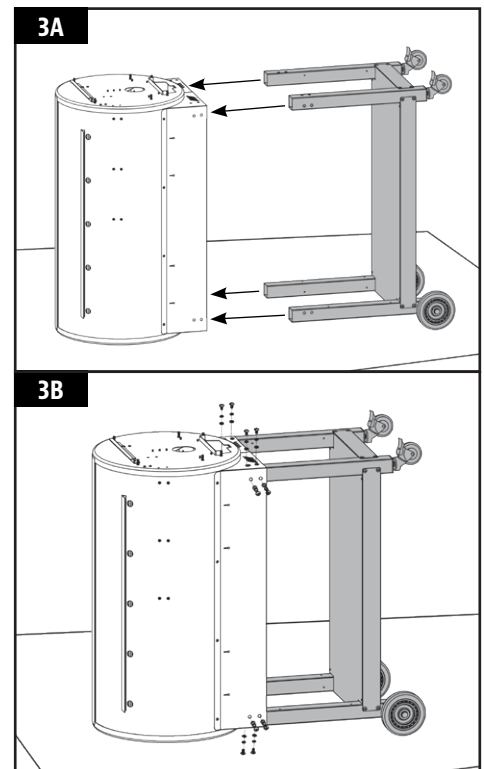
- 1 x Main Barrel (#8)
- 16 x Screw (#D)
- 16 x Washer (#E)
- 16 x Locking Washer (#F)

Installation:

- Lay the main barrel on its side, hopper end pointed upward, on the cardboard. Ensure the support legs with the locking caster wheels are pointed upward, on the same side as the hopper. Note illustration 3A.
- Insert the assembled cart into the main barrel brace, and secure each leg to the brace using four washers, locking washers and screws. Repeat same installation for the other three support legs. Note illustration 3B. To ease installation of the final side, carefully turn the grill to lie on its back to secure the last four screws to the main barrel brace.
- Once the cart is secured to the main barrel, position the grill back onto its side (hopper end pointed upward), then carefully lift the grill up to an upright position with the wheels on the bottom.

IMPORTANT: Lock caster wheels before lifting grill to upright position.

NOTE: If two persons are assembling the unit, the main barrel may be lifted onto the upright cart to secure. Lift carefully to avoid injury.



4. MOUNTING THE HOPPER TO THE MAIN BARREL

Parts Required:

- 1 x Hopper Assembly (#5)
- 6 x Hopper Screw (#H)
- 2 x Screw (#D)
- 8 x Washer (#E)
- 8 x Locking Washer (#F)

Installation:

- Place the hopper on the ground next to the grill barrel, ready for installation. On the exposed side of the hopper, locate the grill probe wires taped to the outside of the hopper. Remove the tape, and let the grill probe wires hang out of the hole. Note illustration 4A.

NOTE: Locate the igniter and tuck it completely into the opening at the bottom of the hopper, as it will be installed on the next step.

- Lift the hopper off the ground, and with your foot resting on the bottom shelf, carefully support/balance the hopper on your knee. Firmly connect the silver grill probe temperature wires (on the main barrel) to the wire spade connectors from the hopper. Once the wires are connected, tuck all excess wire back into the hopper.

IMPORTANT: Ensure that all excess wire is tucked into the exit hole. Do not place wires near the fan blades, auger tube, or the igniter.

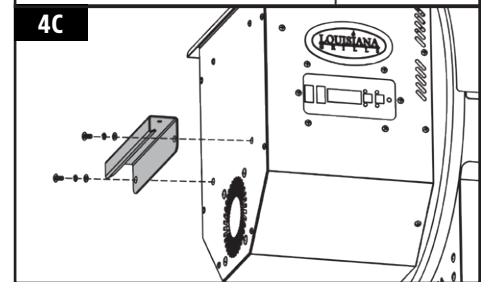
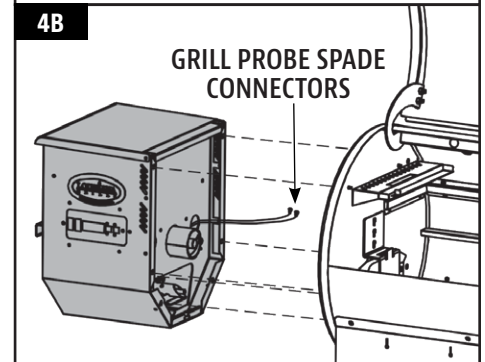
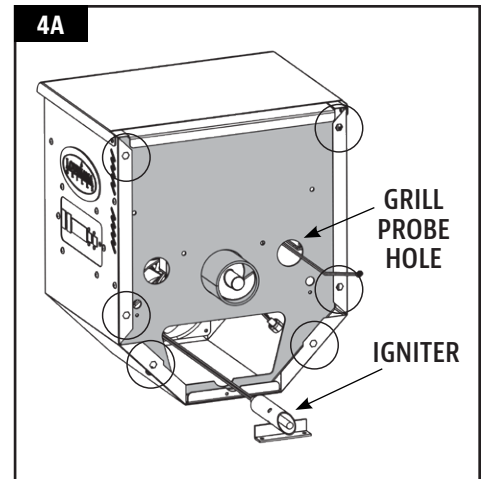
- Carefully, lift the hopper, with the grill probe wires connected, and insert the auger feed tube into the auger hole on the main barrel. Raise the hopper slightly, and rest on the mounting ledge of the main barrel. Note illustration 4B.

NOTE: If the auger holes do not line up, the hopper may need to be gently pushed downward to clip the hopper into place.

- Secure the hopper assembly to the main barrel, from the inside of the barrel, using six washers, locking washers and hopper screws.

NOTE: Take care not to over-tighten to avoid stripping the screws.

- Attach the hopper handle to the side of the hopper using two washers, locking washers and screws. Note illustration 4C.



5. SECURING THE IGNITER TO THE BURN POT

Parts Required:

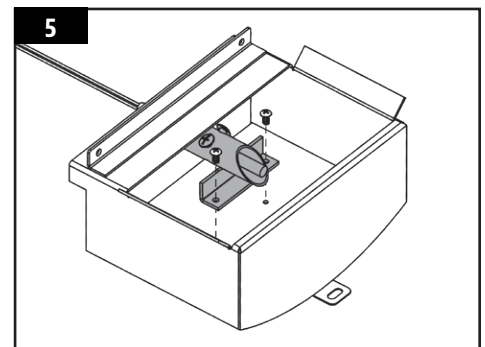
- 2 x Igniter Screw (#G)

Installation:

- From the inside of the main barrel, reach through the burn pot into the bottom of the hopper, and carefully pull the igniter forward into the burn pot. Align the holes on the igniter bracket with the holes on the bottom of the burn pot. Secure the igniter bracket using two screws.

IMPORTANT: The holes for the two screws need to be self-tapped, as they are not pre-threaded. If needed, carefully use a drill to start, then finish tightening with screwdriver by hand.

NOTE: Take care not to over-tighten to avoid stripping the screws.



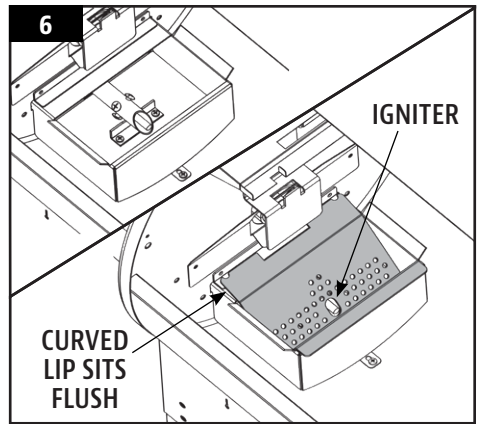
6. POSITIONING THE BURN GRATE

Parts Required:

- 1 x Burn Grate (#7)

Installation:

- **Proper placement and maintenance of the burn grate is vital to the use of the unit.** Insert the burn grate into the burn pot. The hole in the burn grate should align and be open for the igniter to light the pellets. To verify proper positioning, ensure the curved lip of the burn grate is flush with the top of the burn pot, and the notched side should sit flush, under the fuel deflector.



7. INSTALLING THE COOKING COMPONENTS

Parts Required:

- 3 x Cooking Grids (#2)
- 1 x Upper Cooking Rack (#1)
- 1 x Flame Broiler Main Plate (#4)
- 1 x Flame Broiler Slider (#3)

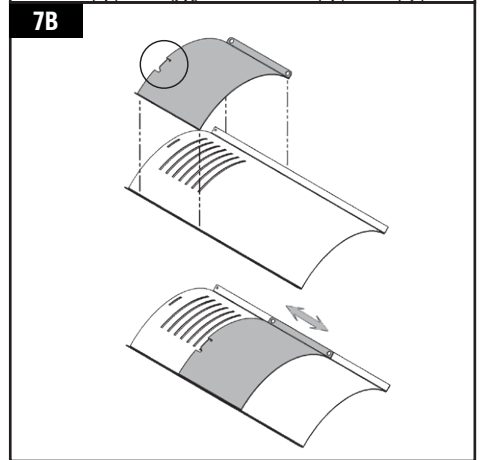
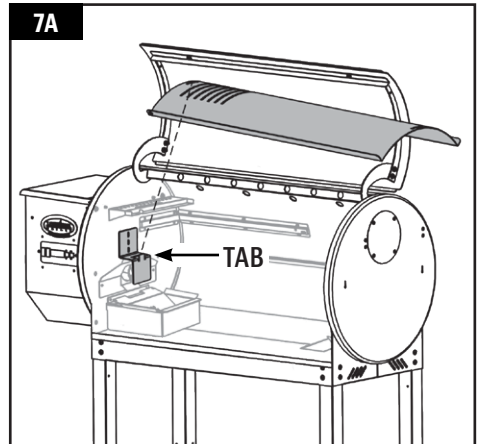
Installation:

- Insert the flame broiler main plate into the grill barrel. Rest the flame broiler main plate on the built-in ledge (on the inside right) of the main grill that directs grease towards the grease bucket. Slide the entire piece to the left side, and the tray will lock into the raised tab above the burn grate. Note illustration 7A. The flame broiler main plate is used to distribute the heat evenly.
- Place the flame broiler slider on top of the flame broiler main plate, covering the slotted openings. Ensure the raised tab is on the left, to easily adjust for direct or indirect flame when cooking. Note illustration 7B. Both flame broiler parts are lightly coated with oil to avoid rusting when shipped.

NOTE: When the flame broiler slider is open, and direct flame is used while cooking, do not leave the grill unattended for any period of time.

- Place the cooking grids, side-by-side, on the grid ledge inside the main barrel. Place the upper cooking rack on the upper ledge inside the main barrel, locking into place, in the forward or retracted position.

NOTE: To maintain the searing and grilling performance of your cooking grids, regular care and maintenance is required.



8. ATTACHING THE LID HANDLE

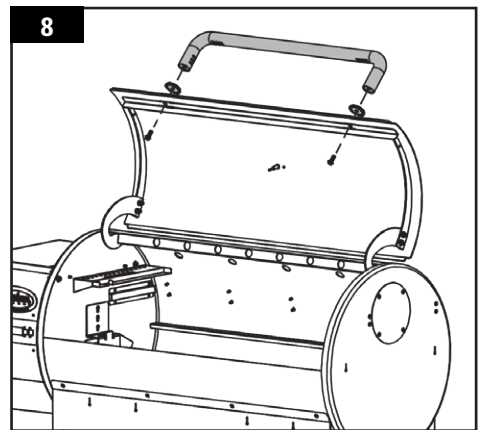
Parts Required:

- 1 x Lid Handle (#11)
- 2 x Lid Handle Bezel (#12)
- 2 x Lid Handle Screw (#1)

Installation:

- From inside the barrel lid, insert one screw so that it protrudes to the outside. Add a bezel on the screw, then hand-tighten the screw (from the inside) into the lid handle. Repeat same installation for other end of lid handle.

NOTE: Do not over-tighten screws. Only a snug fit is necessary.



9. PLACING THE GREASE BUCKET

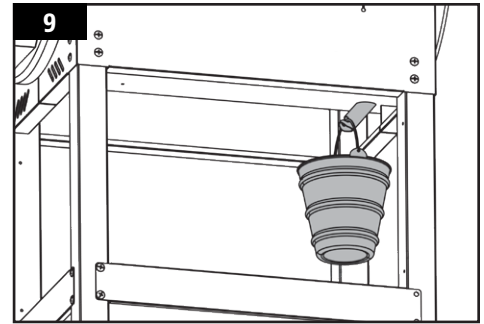
Parts Required:

- 1 x Grease Bucket (#15)

Installation:

- Place the grease bucket on the spout hook on the underside of the main barrel. Ensure it is level to avoid grease spills.

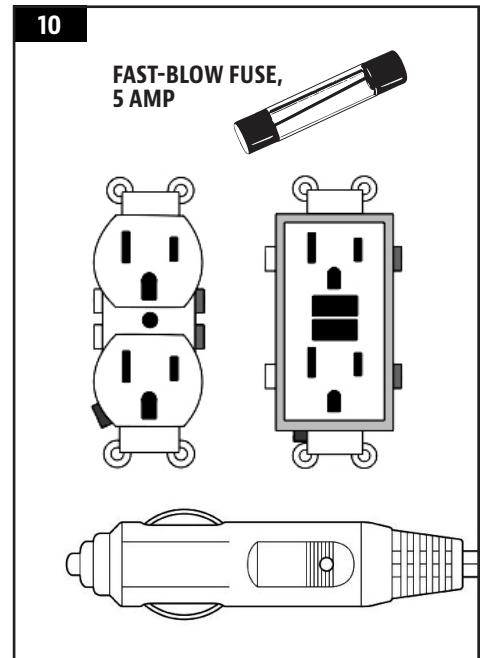
IMPORTANT: Remove grease bucket prior to moving unit to avoid spills.



10. CONNECTING TO A POWER SOURCE

- STANDARD OUTLET**
This unit requires 110 volt, 60hz, 375w, 5 amp service. It must be a 3-prong grounded plug. Ensure grounded end is not broken off. The control uses a 5 amp, 120 volt, fast-blow fuse to protect the board from the igniter.
- GFCI OUTLETS**
This unit works on most GFCI outlets, with a recommended size of 15 amp service. If the GFCI outlet is highly sensitive to power surges, it will likely trip during the start-up phase of operation. During the start-up phase, the igniter draws 300-700 watts of electricity which can be too much power for a GFCI outlet to handle. Each time the GFCI trips, it increases in sensitivity. If the GFCI keeps tripping, replace the outlet or change to a non-GFCI outlet.
- ON THE ROAD**
Disconnect the igniter from the main wiring harness. Use the manual start-up procedure. The unit can operate using a 12 volt, 100 watt **POSITIVE WAVE LENGTH** inverter plugged into your automobile outlet. To use the automatic igniter, it is recommended to use a minimum of a 1000 watt **POSITIVE WAVE LENGTH** inverter.

IMPORTANT: Disconnect unit from power source when not in use.



OPERATING INSTRUCTIONS

With today's lifestyle of striving to eat healthy and nutritious foods, one factor to consider is the importance of reducing fat intake. One of the best ways to cut down on fat in your diet is to use a low fat method of cooking, such as grilling. As a pellet grill uses natural wood pellets, the savory wood flavor is cooked into the meats, reducing the need for high sugar content sauces.

GRILL ENVIRONMENT

1. *WHERE TO SET-UP THE GRILL*

With all outdoor appliances, outside weather conditions play a big part in the performance of your grill and the cooking time needed to perfect your meals. The Louisiana Grills unit, because of its single wall construction, should be considered as a three season grill, depending on where you live. Extreme cold weather conditions may affect maximal temperature output.

All Louisiana Grills units should keep a minimum clearance of 457mm (17.9 inches) from combustible constructions, and this clearance must be maintained while the grill is operational. To effectively assist your grill in achieving proper temperature output, maintain heat retention, and heat recovery time when the lid is open, it is recommended to shelter your unit from the wind. In addition, adjusting the positioning of your grill by rotating a quarter turn – keeping the air exhaust holes (vents) out of the wind – will result in better temperature control and output.

2. *COLD WEATHER COOKING*

As it becomes cooler outside, that does not mean that grilling season is over! The crisp cool air and heavenly aroma of smoked foods will help cure your winter blues.

Follow these suggestions on how to enjoy your grill throughout the cooler months:

- If smoking at low temperatures fails, increase the temperature slightly to achieve the same results.
- Organize – Get everything you require ready in the kitchen before you head outdoors. During the winter, move your grill to an area that is out of the wind and direct cold. Check local bylaws regarding the proximity of your grill in relation to your home and/or other structures. Put everything you need on a tray, bundle up tight, and get it done!
- To help keep track of the outside temperature, place an outdoor thermometer close to your cooking area. Keep a log or history of what you cooked, the outdoor temperature, and the cooking time. This will help later down the road to help you determine what to cook and how long it will take.
- In very cold weather, increase your preheating time by at least 20 minutes.
- Avoid lifting the lid any more than necessary. Cold gusts of wind can completely cool your grill temperature. Be flexible with your serving time; add about 10 – 15 minutes extra cooking time each time you open the lid.
- Have a heated platter or a dish cover ready to keep your food warm while making the trip back inside.
- Ideal foods for winter cooking are those that require little attention, such as roasts, whole chickens, ribs, and turkey. Make your meal preparation even easier by adding simple items such as vegetables and potatoes.

3. *HOT WEATHER COOKING*

As it becomes warmer outdoors, the cooking time will decrease.

Follow these few suggestions on how to enjoy your grill throughout the hot months:

- Adjust your cooking temperatures downward. This helps to avoid unwanted flare-ups.
- Use a meat thermometer to determine the internal temperature of your foods. This helps in preventing your meat from over cooking and drying out.
- Even in hot weather it is still better to cook with the lid of your grill down.
- You can keep foods hot by wrapping them in foil, and placing them in an insulated cooler. Stuff crumpled up newspaper around the foil and this will keep food hot for 3 to 4 hours.

GRILL TEMPERATURE RANGES

Temperature readouts on the control board may not exactly match the dome thermometer. All temperatures listed below are approximate and are affected by the following factors: outside ambient temperature, the amount and direction of wind, the quality of pellet fuel being used, the lid being opened, and the quantity of food being cooked.

- **HIGH TEMPERATURE (205-315°C / 401-599°F)**

This range is best used to sear and grill at a high heat. Use in tandem with the flame broiler (slide plate) for indirect or direct flame cooking. With the **flame broiler open**, direct flame is used to create those “blue” steaks, as well as flame-kissed vegetables, garlic toast or s’mores! When the **flame broiler is closed**, the air circulates around the barrel, resulting in convection heat. High temperature is also used to preheat your grill, burn-off the cooking grids, and to achieve high heat in extreme cold weather conditions.

- **MEDIUM TEMPERATURE (135-180°C / 275-356°F)**

This range is best for baking, roasting, and finishing off that slow smoked creation. Cooking at these temperatures will greatly reduce the chances of a grease flare-up. Ensure that the flame broiler slider is in the closed position, covering the slotted openings. Great range for cooking anything wrapped in bacon, or where you want versatility with control.

- **LOW TEMPERATURE (80-125°C / 176-257°F)**

This range is used to slow roast, increase smoky flavor, and to keep foods warm. Infuse more smoke flavor and keep your meats juicy by cooking longer at a lower temperature (also known as **low and slow**). Highly recommended for the big turkey at Thanksgiving, juicy ham at Easter, or the huge holiday feast. Smoking is a variation on true barbecuing, and is truly the main advantage of grilling on a wood pellet grill.

- **Hot smoking**, another name for **low and slow** cooking, is generally done at 80-125°C / 176-257°F. Hot smoking works best when longer cooking time is required, such as large cuts of meats, fish, or poultry.

TIP: To intensify that savory flavor, switch to a low temperature range immediately after preheating your grill. This allows the smoke to penetrate the meats.

The key is to experiment with the length of time you allow for smoking, before the meal is finished cooking. Some outdoor chefs prefer to smoke at the end of a cook, allowing the food to keep warm until ready to serve. Practice makes perfect!

UNDERSTANDING AIRFLOW AND THE AUGER FEED SYSTEM

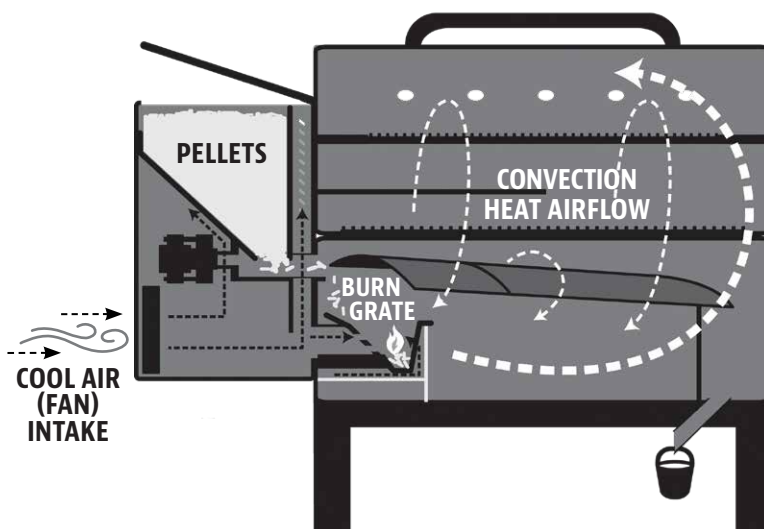
The heart of your grill lies in the relationship between the fan-forced convection airflow and the functionality of the auger feed system. The combustion/cooling fan blows air through the system, allowing the hot igniter air to light the pellets and catch fire in the burn grate. The auger feed system will continue to cycle on and off, feeding pellets to the burn grate.

To ensure the combustion air holes (airflow) in the burn grate are not clogged, proper maintenance and cleaning of this area is essential. If the grill is not achieving the desired temperature, check to ensure the burn grate holes are clear.

TIP: The grill can run efficiently over extended periods of time as long as there is dry and sufficient fuel, proper airflow, and the cooking components are clean.

The unique design of the Louisiana Grills airflow system allows the majority of fly ash to be directed toward the bottom of the barrel, while directing the fan-forced convection heat to circulate around the main grill barrel.

This type of airflow allows for different quality of pellets to be used while reducing the possibility of fuel blockage and jams in the auger feed system.




UNDERSTANDING THE DIGITAL CONTROL CENTER

This P.I.D. (proportional-integral-derivative) control is very much the same as the controls on your kitchen oven. The main advantages are the ability to automatically compensate for the different ambient conditions and fuel types.

IMPORTANT: The temperature inside of any grill will vary greatly from location to location. Even instruments calibrated together may not agree with each other.



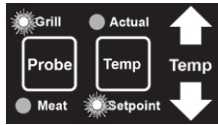
CONTROL	DESCRIPTION
	Press the Power Button to power on the unit, which begins the automatic start-up cycle. Also used to turn the unit off, activating the cool-down cycle.
	Press and hold the Prime Button to activate an extra feed of pellets to the burn grate. This can be used to add more fuel to the fire before opening the barrel lid, resulting in a quick heat recovery time. It can also be used while smoking, to increase the intensity of clean smoke flavor. Requested from competition cookers.
	The Temperature Adjust Arrows allows you to set your desired smoking temperature. By pressing the UP or DOWN arrows, the temperature displayed on the LED read-out can be adjusted by 5 degree increments. The temperature can be set to a low 82°C / 180°F, and peaks at a high of 315°C / 600°F. Also used to adjust the desired temperature of the meat probe.
	The LED Screen is used as the information center for your unit. The LED screen will display your Desired Cook Temperature (Setpoint), Actual Cook Temperature, Meat Probe Temperature (if connected), and any error messages. Temperature can be displayed in either Fahrenheit or Celsius.
	Press the Temp Button on the Digital Control Centre to display the ACTUAL temperature or the SETPOINT temperature on the LED Screen. The small LED light beside both settings is used to indicate which temperature is presently being displayed.
	Press the Probe Button on the Digital Control Centre to display the GRILL temperature or the MEAT probe temperature on the LED Screen. The small LED light beside both settings is used to indicate which probe temperature is presently being displayed.
	The plug-in connection port on the front of the Digital Control Center is for a Meat Probe . When the meat probe is connected, the temperature is displayed on the LED Screen. When not in use, disconnect the meat probe from the connection port. <i>Includes one (1) meat probe.</i> <i>Compatible with Louisiana Grills branded meat probes only.</i> 

UNDERSTANDING THE PROBES

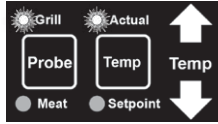
• GRILL PROBE

The grill probe measures the internal temperature of the main grill. When the grill temperature is adjusted, the grill probe will read the actual (current) temperature inside the grill to adjust to the desired temperature.

IMPORTANT: The temperature of your unit is highly dependent on ambient outdoor weather, quality of pellets used, flavor of pellets, and the quantity of food being cooked.



To adjust the SETPOINT temperature of the grill, press the **PROBE button** to indicate that the GRILL probe temperature is presently being displayed. Press the **TEMP button** to indicate that the SETPOINT temperature is selected, and press the UP or DOWN **Temperature Adjust Arrows**, adjusting by five degree increments, to your desired temperature.

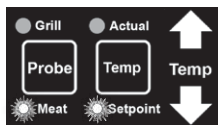


To view the ACTUAL temperature of the grill, press the **PROBE button** to indicate that the GRILL probe temperature is presently being displayed. Press the **TEMP button** to indicate that the ACTUAL temperature is selected, and displayed on the LED screen.

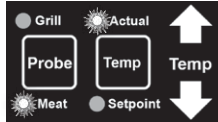
• MEAT PROBE (PROGRAMMABLE)

The meat probe measures the internal temperature of your meat on the grill, similar to your indoor oven. Plug-in the adapter to the meat probe connection port and insert the stainless steel meat probe into the thickest portion of your meat. Not only will it cook the meat to your desired temperature, but it will automatically reduce your grill temperature to low (82°C / 180°F) to keep food warm until ready to serve. Just set it, then relax while the probe does the rest!

NOTE: When placing the meat probe into your meat, ensure the meat probe and meat probe wires avoid direct contact with flame or excess heat. This can result in damage to your meat probe. Run the excess wire out the rear exhaust holes of the main grill, the top of the main grill (near the grill lid hinge), or through the front hole near the hopper. When not in use, disconnect from the meat probe connection port, and place in the holes on the hopper handle to keep protected and clean.



To adjust the SETPOINT temperature of the meat probe, press the **PROBE button** to indicate that the MEAT probe temperature is presently being displayed. Press the **TEMP button** to indicate that the SETPOINT temperature is selected, and press the UP or DOWN **Temperature Adjust Arrows**, adjusting by five degree increments, to your desired temperature of your meat when done.



To view the ACTUAL temperature of the meat probe, press the **PROBE button** to indicate that the MEAT probe temperature is presently being displayed. Press the **TEMP button** to indicate that the ACTUAL temperature is selected, and displayed on the LED screen.

TIP: Based on how long you will be away from the grill, set your desired temperature 10 to 15 degrees below your liking, as the food will continue to rise in temperature somewhat, as the grill cools, and idles at the lowest temperature. Ensure it is inserted all the way into the plug, you will feel and hear it snap in place.

SET-UP PROCEDURE

These instructions should be followed the first time the grill is ignited (after grill burn-off), and after every few uses, to ensure proper ignition:

1. Remove all cooking components, and the burn grate, from the interior of the grill. Inspect the burn pot to ensure it is clear of debris. Open the hopper lid. Make sure there are no foreign objects in the feed system or hopper.
2. Replace the burn grate into the burn pot. Ensure the hole in the burn grate is facing the igniter to light the pellets, and the lip of the burn grate should be flush with the top of the burn pot.
3. Re-install the cooking components into grill. The grill is now ready to use.

FIRST USE – GRILL BURN-OFF

Before cooking on your grill for the first time, it is important to complete a grill burn-off. Start the grill and operate at high heat (over 233°C / 451°F) with the lid down for 30 to 40 minutes to burn-off the grill and rid it of any foreign matter.

PREHEATING

It is important to allow your grill to preheat before every cook session. This allows the grill and cooking grids to heat up quicker, kill off bacteria and other pathogens leftover from past grill sessions, and the grill is then able to maintain its cooking temperature once your food is placed in the cooking area. Preheat with the lid closed.

IMPORTANT: The outdoor ambient temperature, weather conditions, and quality of wood pellets will all affect your cooking temperature. Observe the time it takes to reach your desired temperature, and adjust the cooking time as needed.

AUTOMATIC START-UP PROCEDURE

1. Plug the power cord into a grounded power source. Open the main barrel lid. Check the burn grate to ensure there is no obstruction for proper ignition. Open the hopper lid. Ensure there are no foreign objects in the hopper or auger feed system. Fill the hopper with dry, all natural barbecue hardwood pellets.
2. With the barrel lid closed, turn the unit on by pressing the **Power Button**. This will activate the **start-up cycle**: the feed system will begin to turn, the fan will start, and the igniter will begin to get hot. The grill will produce smoke while the start-up cycle is taking place. The pellets will have successfully ignited once the smoke has cleared. The start-up cycle lasts until the appliance reaches an minimum temperature of 65°C / 150°F or the igniter times out (10 minutes).
3. Preheat your grill. Press the **TEMP button** to indicate that the setpoint temperature is displayed, and press the **Temperature Adjust Arrows** to a minimum of 121°C / 250°F for 20 minutes.
4. After preheating is complete, set your desired temperature to start grilling!

NOTE: When reducing your temperature, open the grill lid until the ACTUAL temperature is relatively close to your desired temperature.

IGNITER FAILURE PROCEDURE

If for any reason your electric igniter fails, check the following steps, or start your grill using the manual method.

1. Open the barrel lid. Remove the cooking components from inside the main barrel. Remove all unburnt pellets and ash from the burn grate, and return into correct positioning. Avoid touching the igniter to avoid injury, as it may be extremely hot.
2. Once all cooking components are removed and cleaned, press the **Power Button** to turn the unit on. Check the following:
 - Visually confirm that the igniter is working by placing your hand above the burn grate and feeling for heat.
 - Visually confirm that the igniter is aligned with the hole in the burn grate, and open to light the pellets.
 - Visually confirm that the auger is dropping pellets into the burn grate.
 - Confirm that the combustion fan is working by placing your hand above the burn grate and feeling for airflow.
3. If any of the above points are not working, follow **Troubleshooting** instructions.

MANUAL START-UP PROCEDURE

1. Plug the power cord into a grounded power source. Open the hopper lid. Ensure there are no foreign objects in the hopper or auger feed system. Fill the hopper with dry, all natural barbecue hardwood pellets.
2. Open the main barrel lid. Remove the cooking components to expose the burn grate. Check the burn grate to ensure there is no obstruction for proper ignition and that it is positioned properly. Place two (2) generous handfuls of pellets into the burn grate. Squirt a gelled fire starter, or other appropriate pellet starter, over the top of the pellets. A small amount of solid fuel fire starter, such as one composed of sawdust and wax, or wood shavings, is also appropriate. Add another small amount of pellets over the burn grate.

IMPORTANT: Do not use spirit, petrol, gasoline, lighter-fluid or kerosene for lighting or refreshing a fire in your grill. Also, do not attempt to add more fire starter into a fire that is already burning or into a hot burn grate. This may cause injury.

3. Light the contents of the burn grate using a long match or long-nosed lighter. Allow the starter to burn for 3 to 5 minutes. Do not attempt to add more starter into the burn grate. This can cause injury.
4. Quickly and carefully replace the cooking components to the inside of the grill, and close the grill lid. Continue start-up by following steps two through four of ***Automatic Start-Up Procedure***.

SHUTTING OFF YOUR GRILL

1. When finished cooking, close the main barrel lid. Let your grill run for five to ten minutes to go through its natural cleaning method of a burn-off. If you have been preparing foods that are extra greasy, allow the grill to burn-off for an extra ten minutes. This will reduce the chance of causing a grease fire for the next start-up.
2. Once the burn-off is complete, keep the main barrel lid closed and press the **Power Button** to turn the unit off. This will activate the automatic ***cool-down cycle***. The feed system will stop feeding fuel, the flame will burn out, and the fan will continue to run until the cool-down cycle is complete. When the cycle is complete, the fan will turn off.

CARE & MAINTENANCE

Any Louisiana Grills unit will give you many years of flavorful service with minimum cleaning. An important step is allowing the grill and cooking grids to self-clean by running the grill at a high temperature for 5 to 10 minutes after each use. Follow these cleaning and maintenance tips to service your grill:

1. HOPPER ASSEMBLY

- Quick part checks ensure that all hopper electrical components continue to function properly. Once the hopper access panel is removed (see **Electric Wire Diagram** for diagram), confirm that the igniter is free of debris or blockages. Also check to ensure the four set screws are snug, keeping the igniter straight and centered in the stainless steel casing.
- Check and clean off any debris from the fan air intake vents, found on the exterior front and back sides of the hopper. Carefully, wipe off any grease build-up directly on the fan blades. This ensures airflow is sufficient to the feed system.

2. PROBES

- Kinks or folds in the probe wires may cause damage to the part. Wires should be rolled up in a large, loose coil.
- Although the probes are stainless steel, do not place in the dishwasher or submerge in water. Water damage to the internal wires will cause the probe to short-out, causing false readings. If a probe is damaged, it should be replaced.

3. INSIDE SURFACES

- It is recommended to clean your burn grate after every few uses. This will ensure proper ignition and avoid any hard build-up of debris or ash in the burn pot.
- Use a long-handled grill cleaning brush, remove any food or build-up from the cooking grids. Best practice is to do this while they are still warm from a previous cook. Grease fires are caused by too much fallen debris on the cooking components of the grill. Clean the inside of your grill on a consistent basis. In the event you experience a grease fire, keep the grill lid closed to choke out the fire. If the fire does not go out quickly, carefully remove the food, turn the grill off, and shut the lid until the fire is completely out. Lightly sprinkle baking soda, if available.
- Check your grease bucket often, and clean out as necessary. Keep in mind the type of cooking you do.

IMPORTANT: Due to high heat, do not cover the flame broiler or probes with aluminum foil.

4. OUTSIDE SURFACES

- Wipe your grill down after each use. Use warm soapy water to cut the grease. Do not use oven cleaner, abrasive cleansers or abrasive cleaning pads on the outside grill surfaces. **All painted surfaces are not covered under warranty**, but rather are part of general maintenance and upkeep. For paint scratches, wearing, or flaking of the finish, all painted surfaces can be touched up using high heat BBQ paint.
- Use a grill cover to protect your grill for complete protection! A cover is your best protection against weather and outside pollutants. When not in use or for longterm storage, keep the unit under a cover in a garage or shed.

CLEANING FREQUENCY TIME TABLE (NORMAL USE)







ITEM	CLEANING FREQUENCY	CLEANING METHOD
Bottom of Main Barrel	Every 5-6 Grill Sessions	Scoop Out, Shop-Vac Excess Debris
Burn Grate, Burn Pot	Every 2-3 Grill Sessions	Scoop Out, Shop-Vac Excess Debris
Cooking Grids	After Each Grill Session	Burn Off Excess, Grill Cleaning Brush
Flame Broiler	Every 5-6 Grill Sessions	Scrape Main Plate with Slider, Do Not Wash Clean
Grease Bucket	15 Days	Scrub Pad & Soapy Water
Auger Feed System	When Pellet Bag is Empty	Allow Auger to Push Out Sawdust, Leaving Hopper Empty
Hopper Electric Components	Once A Year	Remove Access Panel, Wipe Fan Blades with Soapy Water
Air Exhaust Vents	Every 5-6 Grill Sessions	Scrub Pad & Soapy Water
Probes	Every 2-3 Grill Sessions	Scrub Pad & Soapy Water

USING WOOD PELLET FUEL

Wood pellets appear no thicker than the eraser on the end of a pencil. People who see them for the first time think they look like rabbit food; however, there is nothing small about the heat or flavor in barbecue wood pellet fuel. These clean-burning barbecue wood pellets generate about 8200 BTU's per pound with very little ash, a low moisture content (5-7%), and are carbon neutral.

Barbecue wood pellets are produced by pure raw material (sawdust) being pulverized with a hammer-mill, and the material is pushed through a die with pressure. As the pellet is forced through the die, it is cut, cooled, screened, vacuumed, and then bagged for consumer use. Check with your local dealer for flavors available in your area.

FLAVOR GUIDELINES

- **HICKORY BLEND**  Rich with a smoky bacon-like flavor. Highly recommended for roasts and smoking your favorite meats.
- **PECAN BLEND**  Smoky, bacon-like flavor. Similar to Hickory, but less strong.
- **MESQUITE BLEND**  Strong aroma with a tangy and spicy flavor. The perfect level of bold taste to compliment your Tex-Mex cuisine.
- **APPLE BLEND**  Smoky with a mild sweetness flavor. Highly recommended for baking and pork.
- **CHERRY BLEND**  Slightly sweet with a hint of tart. Gives your light meats a rosy tint that is incomparable in appearance and taste.
- **WHISKEY BARREL BLEND**  Sweet and smoky with an aromatic tang. A premium blend of oak, and perfect for all your red meats.
- **COMPETITION BLEND**  An ideal blend of sweet, savory and tart. A combination of maple, hickory and cherry – perfectly versatile for all your cooking needs. Used by many professional grillers.

NOTE: Always store wood pellets in a dry area. Avoid any contact or exposure to moisture will result in lower heat output or cause the pellets to swell and break apart. Use a moisture proof, resealable tub or bucket for proper storage.

COOKING GUIDELINES

Smoking and grilling styles of cooking can give you different results based on time and temperature. For best results, keep a record of what you cooked, at what temperature, how long you cooked for, and the results. Adjust to your taste for the next time. Practice makes perfect.

The culinary art of hot smoking refers to longer cooking times, but results in more natural wood flavor (and a sought-after *smoke ring*) on your meats. Higher cooking temperatures result in a shorter cooking time, locking in less smoke flavor.

TIP: For best results, allow time for meats to rest after cooking. This allows the natural juices to migrate back into the meat fiber, giving a much juicier, flavorful cut. Resting times can be as little as 3 minutes and up to 60 minutes, depending on the size of the protein.

STYLE OF COOKING	HOT SMOKING (Very Low)	ROAST (Low)	BAKING (Medium)	GRILL/BAKE (Medium/High)	SEAR (High)
Temperature Range	93-135°C / 199-275°F	135-162°C / 275-323°F	162-190°C / 323-374°F	190-232°C / 374-449°F	232-260°C / 449-500°F

POULTRY	Size	Rare - 54°C / 130°F	Medium - 60°C / 140°F	Well Done - 77°C / 170°F
Turkey (<i>whole</i>)	4.5-5.0 kg / 10-11 lbs. 5.3-6.4 kg / 12-14 lbs. 6.8-7.7 kg / 15-17 lbs. 8.2-10.0 kg / 18-22 lbs. 10.4-11.3 kg / 23-25 lbs.			Grill 90 - 120 minutes Grill 110 - 140 minutes Grill 130 - 160 minutes Grill 140 - 170 minutes Grill 150 - 180 minutes
Chicken (<i>whole</i>)	1.36-2.26 kg / 3-5 lbs.			Grill 1 - 1.5 hours
Drumsticks, Breasts	0.45 - 0.86 kg / 1 - 1½ lbs.			Grill 30-60 minutes
Small Game Birds	0.45 - 0.86 kg / 1 - 1½ lbs.			Grill 30-45 minutes
Duck	1.36-2.26 kg / 3-5 lbs.			Roast or grill 2 - 2.5 hours

PORK	SIZE	Precooked to Reheat 60°C / 140°F	Medium 66°C / 150°F	Well Done 71°C / 160°F
Ham (Fully Cooked & Boneless Portion, Smoked Picnic Whole & Bone-In)	2.5 cm / 1" 1.36-1.81 kg / 3-4 lbs. 1.81-2.72 kg / 4-6 lbs. 2.26-3.62 kg / 5-8 lbs. 4.53-5.44 kg / 10-12 lbs.	12 minutes 50 minutes - 1 hour 1 - 2 hours 1 - 2½ hours 2 - 2¾ hours		
Loin Roast	1.36-1.81 kg / 3 - 4 lbs.		1 - 2 hours	2 - 3 hours
Rib Crown Roast	1.81-2.26 kg / 4 - 5 lbs.		1½ - 2 hours	2 - 3 hours
Chop (loin, rib)	1.9-2.5 cm / ¾" - 1" 3.1-3.9 cm / 1¼" - 1½"		10 - 12 minutes 14 - 18 minutes	
Tenderloin	1.9-2.5 cm / ¾" - 1"		20 - 30 minutes	30 - 45 minutes
Loin Roast, boneless	1.36-2.26 kg / 3-5 lbs.		1¼ - 1¾ hours	1¾ - 2½ hours
Boston Butt (Pork Shoulder)	3.62-4.53 kg / 8-10 lbs.			93 - 98°C / 200 - 210°F Internal Temperature

BEEF	SIZE	HEAT	APPROXIMATE COOKING TIME		
			Rare - 54°C / 130°F	Medium - 60°C / 140°F	Well Done - 65°C / 150°F
Steak <i>(New York, Porter-house, Rib-eye, Sirloin, T-bone, or Tenderloin)</i>	1.9 cm / ¾" 2.5 cm / 1" 3.8 cm / 1½" 5 cm / 2"	High	Sear 8-10 minutes Sear 10-12 minutes Sear 10 minutes, grill 8-10 minutes Sear 10 minutes, grill 10-14 minutes		
Skirt Steak	0.6 - 12.7 cm / ¼" - ½"	High	Sear 5-7 minutes		
Flank Steak	0.45 - 0.86 kg / 1 - 1½ lbs., 1.9 cm / ¾"	Medium	Sear 4 minutes, grill 8-10 minutes		
Kabob	2.5 - 3.8 cm / 1 - 1½" cubes	Medium	Grill 10 - 12 minutes		
Tenderloin, whole	1.58 - 1.81 kg / 3½ - 4 lbs.	High/Medium	Sear 10 minutes, grill 15-20 minutes		
Ground Beef Patty	1.9 cm / ¾"	High/Medium	Sear 4 minutes, grill 4-6 minutes		
Rib-eye Roast, boneless	2.26 - 2.72 kg / 5 - 6 lbs.	Medium	Grill 1½ - 2 hours		
Tri-tip Roast	0.9 - 1.13 kg / 2 - 2½ lbs.	High/Medium	Sear 10 minutes, grill 20-30 minutes		
Rib Roast	5.44 - 6.35 kg / 12 - 14 lbs.	Medium	2½ - 2¾ hours		
Veal Loin Chop	2.5cm / 1"	Medium	10 - 12 minutes direct		
Brisket	7.25 - 3.62 kg / 16 -18 lbs.	Hot Smoke	Cook until internal temperature reaches 91°C / 195°F		

LAMB	Size	Rare - 54°C / 130°F	Medium - 60°C / 140°F	Well Done - 71°C / 160°F
Roast (fresh)	2.26 - 2.72 kg / 5 - 6 lbs.		1 - 2 hours	
Rib Crown Roast	1.36-2.26 kg / 3-5 lbs.		1 - 1½ hours	1½ hours

SEAFOOD	Size	Rare - 54°C / 130°F	Medium - 60°C / 140°F	Well Done - 82°C / 180°F
Fish (whole)	0.5 kg / 1 lb. 0.9 - 1.1 kg / 2 - 2½ lbs. 1.4 kg / 3 lbs.			Grill 10 - 20 minutes Grill 20 - 30 minutes Grill 30 - 45 minutes
Fish (filets)	0.6-1.3 cm / ¼" - ½"			Grill 3 - 5 minutes, until flaky
Lobster Tail	0.15 kg / 5 oz. 0.3 kg / 10 oz.			Grill 5 - 6 minutes Grill 10 - 12 minutes

WILD GAME	Size	Rare - 60°C / 140°F	Medium - 71°C / 160°F	Well Done - 77°C / 170°F
Roast (fresh)	2.26 - 2.72 kg / 5 - 6 lbs.		1 - 1½ hours	1½ - 2 hours
Large Cuts (fresh)	3.62-4.53 kg / 8-10 lbs.		1 hours	1½ hours

TIPS & TECHNIQUES

Follow these helpful tips and techniques, passed on from Louisiana Grills owners, our staff, and customers just like you, to become more familiar with your grill:

1. *FOOD SAFETY*

- Keep everything in the kitchen and cooking area clean. Use different platters and utensils for the cooked meat than the ones you used to prepare or transport the raw meat out to the grill. This will prevent cross contamination of bacteria. Each marinade or basting sauce should have its own utensil.
- Keep hot foods hot (above 60°C / 140°F), and keep cold foods cold (below 3°C / 37°F).
- A marinade should never be saved to use at a later time. If you are going to use it to serve with your meat, be sure to bring it to a boil before serving.
- Cooked foods should not be left out in the heat for more than an hour. Do not leave hot foods out of refrigeration for more than two hours.
- Defrost and marinade meats by refrigeration. Do not thaw meat at room temperature or on a counter top. Bacteria can grow and multiply rapidly in warm, moist foods. Wash hands thoroughly with hot, soapy water before starting any meal preparation and after handling fresh meat, fish and poultry.

2. *COOKING PREPARATION*

- When switching from a high temperature to a low temperature, lift the lid and leave it open until the actual temperature is close to your desired temperature. This speeds up the process and ensures the fire will not go out.
- Be prepared, or *Mise en Place*. This refers to preparing the cooking recipe, fuel, accessories, utensils, and all ingredients you require at grill side before you start cooking. Also, read the entire recipe, start to finish, before lighting the grill.
- A BBQ floor mat is very useful. Due to food handling accidents and cooking spatter, a BBQ floor mat would protect a deck, patio, or stone platform from the possibility of grease stains or accidental spills.

3. *GRILLING TIPS AND TECHNIQUES*

- To infuse more smoke flavor into your meats, cook longer and at lower temperatures (also known as *low and slow*). Meat will close its fibers after it reaches an internal temperature of 49°C / 120°F. Misting, or mopping, are great ways to keep meat from drying out.
- While searing your meats, cook with the lid down. Always use a meat thermometer to determine the internal temperature of the foods you are cooking. Smoking foods with hardwood pellets will turn meats and poultry pink. The band of pink (after cooking) is referred to as a *smoke ring* and is highly prized by outdoor chefs.
- Sugar-based sauces are best applied near the end of cooking to prevent burning and flare-ups.
- Leave open space between the foods and the extremities of the barrel for proper heat flow. Food on a crowded grill will require more cooking time.
- Use a set of long-handled tongs for turning meats, and a spatula for turning burgers and fish. Using a piercing utensil, such as a fork, will prick the meat and allow the juices to escape.
- Foods in deep casserole dishes will require more time to cook than a shallow baking pan.
- It's a good idea to put cooked food onto a heated platter, keeping the food warm. Red meats, such as steak and roasts, benefit from resting for several minutes before serving. It allows the juices that were driven to the surface by heat to ease back to the center of the meat, adding more flavor.

TROUBLESHOOTING

Proper cleaning, maintenance and the use of clean, dry, quality fuel will prevent common operational problems. When your Louisiana Grills grill is operating poorly, or on a less frequent basis, the following troubleshooting tips may be helpful.

For FAQ, please visit www.louisiana-grills.com and click SUPPORT. You may also contact your local Louisiana Grills authorized dealer or contact Customer Service for assistance.

WARNING: Always disconnect the electrical cord prior to opening the grill for any inspection, cleaning, maintenance or service work. Ensure the grill is completely cooled to avoid injury.

PROBLEM	CAUSE	SOLUTION
No Power Lights On The Digital Control Center	Power Button	Press the Power Button. Try another attempt and hold for two seconds to verify connection.
	Not Connected To Power Source	Ensure unit is plugged into a working power source. Reset breaker. Ensure GFCI is a minimum 10 Amp service (see Electric Wire Diagram for access to electric components) Ensure all wire connections are firmly connected and dry.
	Fuse Blown On The Control Board	Remove hopper access panel (see Electric Wire Diagram for diagram) and check the fuse for a broken wire or if the wire has turned black. If yes, fuse needs to be manually replaced.
	The Gfci Outlet Has Been Tripped.	Remove hopper access panel (see Electric Wire Diagram for diagram), and ensure all wire connections are firmly connected and dry. Ensure GFCI is a minimum 10 Amp service.
	Faulty Control Center	Digital Control Center needs to be replaced. Contact Customer Service for replacement part.
Fire in Burn Grate Will Not Light	Burn Grate	Check burn grate for proper positioning. Follow Care and Maintenance for ash build-up.
	Auger Motor Is Jammed	Remove cooking components from the main barrel. Press the Power Button to turn the unit on, and inspect the auger feed system. Visually confirm that the auger is dropping pellets into the burn grate. If not operating properly, call Customer Service for assistance or a replacement part.
	Igniter Not Working Properly	Remove cooking components from the main barrel. Press the Power Button to turn the unit on and inspect the igniter. Visually confirm that the igniter is working by placing your hand above the burn grate and feeling for heat. Visually confirm that the igniter is aligned with the hole in the burn grate, and open to light the pellets. If not operating properly, follow Manual Start-up Procedure to continue use of grill; however, call Customer Service for assistance or a replacement part.
	Igniter Failure	Igniter needs to be replaced. Contact Customer Service for replacement part.
Readout Of ACTUAL Temperature Will Not Adjust	Grill Probe Dirty	Follow Care and Maintenance instructions.
	Grill Probe Wire Is Wet	Use a hair dryer to dry the grill probe wires.
	Grill Probe Is Broken	Grill probe needs to be replaced. Contact Customer Service.
Led Display Has Wrong Readout	The Temperature Setting Switch Is Not Set Correctly To Read °C / °F	Disconnect unit from power source. Remove hopper access panel (see Electric Wire Diagram for diagram) to access the back of the Digital Control Center. Use a small flashlight to find the temperature setting switch, located near the center of the back of the Digital Control Center. Flip the switch to °C (Celsius) or to °F (Fahrenheit), as preferred. Replace hopper access panel.
Frequent Flare-Ups	Cooking Temperature	Attempt cooking at a lower temperature. Grease does have a flash point. Keep the temperature under 176°C / 350°F when cooking highly greasy food.
	Grease Build-Up	Follow Care and Maintenance instructions.
	Flame Broiler Is Open	Close the flame broiler for indirect flame cooking.
Fan Is Turning On By Itself	Grill Is Exposed To High Temperature Or Direct Sun	This feature does not harm the unit. The interior temperature of the grill has reached or gone over 54°C / 130°F, and it is self-cooling. To reduce inside temperature, open grill lid or unplug from power source and move unit to a shaded area.

Grill Produces Excess Or Discolored Smoke	Grease Build-Up	Follow Care and Maintenance instructions.
	Wood Pellet Quality	Remove moist wood pellets from hopper. Follow Care and Maintenance instructions to clean out. Replace with dry wood pellets.
	Burn Grate Is Blocked	Clear burn grate of moist wood pellets. Follow Hopper Priming Procedure .
	Insufficient Air Intake For Fan	Check fan. Ensure it is working properly and air intake is not blocked. Follow Care and Maintenance instructions if dirty.
Grill Will Not Achieve Or Maintain Stable Temperature	Control Settings	Check the Digital Control Center to ensure that the small LED is next to the ACTUAL temperature. If not, press the TEMP display touch pad to indicate which temperature is presently being displayed.
	Insufficient Air Flow Through Burn Grate	Grill is unable to function properly. Follow Set-Up Procedure to ensure proper positioning of cooking components. Check burn grate for proper positioning. Follow Care and Maintenance instructions for ash build-up. Check that the air intake for the fan is not blocked. If no blockage, remove hopper access panel (see Electric Wire Diagram for diagram) and locate the blue and white fan wires. Ensure that connection is tight by lightly tugging on each wire. If loose, push back into connector until it clicks. Check fan blades for cleanliness. Check grill probe. Follow Care and Maintenance instructions if dirty. Check hopper for an obstruction in the feed system. Remove pellets and follow Care and Maintenance instructions. Once maintenance is done, perform a test. With cooking components removed, press the Power Button to turn the unit on. Check that the igniter in the burn grate is bright and vibrant. Replace cooking components into grill and use as normal.
	Lack Of Fuel, Poor Fuel Quality, Obstruction In Feed System	Check hopper to check that fuel level is sufficient, and replenish if low. Should the quality of wood pellets be poor, or the length of the pellets too long, this may cause an obstruction in the feed system. Remove pellets and follow Care and Maintenance instructions.
	Grill Probe	Check status of grill probe. Follow Care and Maintenance instructions if dirty. Contact Customer Service for a replacement part if damaged.
"Er-1" Error Code	The Unit Has Overheated, Possibly Due To Grease Fire Or Excess Fuel.	Press the Power Button to turn the unit off, and allow grill to cool. Follow Care and Maintenance instructions. After maintenance, remove pellets, and confirm positioning of all component parts. Once cooled, press the Power Button to turn the unit on, then select desired temperature. If error code still displayed, contact Customer Service.
	Grill Probe Is Not Making A Connection	Check for damage to the grill probe. Follow Care and Maintenance instructions if dirty. If all appears in working order, check the connection to the Digital Control Center. Unplug unit from power source. Remove hopper access panel (see Electric Wire Diagram for diagram). Locate the silver and brown wires of the grill probe. Disconnect the spade connectors, then reconnect until it clicks. Replace the hopper access panel.
"Er-2" Error Code	Grills Fails To Perform Start-Up Cycle	Grill is unable to function properly. Follow Set-up Procedure instructions. Check hopper for sufficient fuel or if there is an obstruction in the feed system. Remove pellets and follow Care and Maintenance instructions. Check grill probe. Confirm if ACTUAL temperature is correct and accurate. Follow Care and Maintenance instructions if dirty. Check igniter positioning and that it is heating up properly. In extreme cold, the grill may require a second start. Turn grill off, wait, then turn on again. Check fan. Ensure it is working properly. Follow Care and Maintenance instructions if dirty.
	Grill Will Not Stay Lit	
"Er-3" Error Code	Power Interruption While In Operation	Power source was interrupted, and the grill did not complete its cool-down cycle. Check power supply; there may have been a power outage during use. Press the Power Button to turn the unit off, wait two minutes, then press the Power Button to turn the unit on again. If error code still displayed, contact Customer Service.
	Power Outage While Unit In Operation.	
"noPr" Error Code	Bad Connection At Connection Port	Disconnect meat probe from connection port on the Digital Control Center, and reconnect. Ensure the meat probe adapter is firmly connected.
	Meat Probe Damaged	Check for signs of damage to the wires of the meat probe. If damaged, call Customer Service for replacement part.

ELECTRICAL WIRE DIAGRAM

The Digital Control Center system is an intricate and valuable piece of technology. For protection from power surges and electrical shorts, consult the wire diagram below to ensure your power source is sufficient for the operation of the unit.

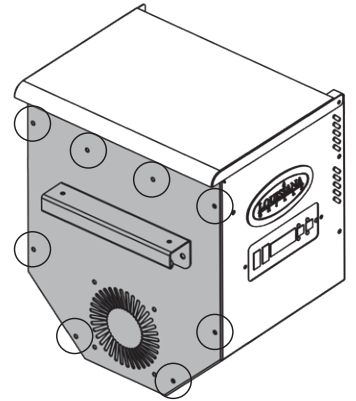
LG – ELECTRIC REQUIREMENTS

110V, 3.3AMP, 60HZ, 375W, 3-PRONG GROUNDED PLUG

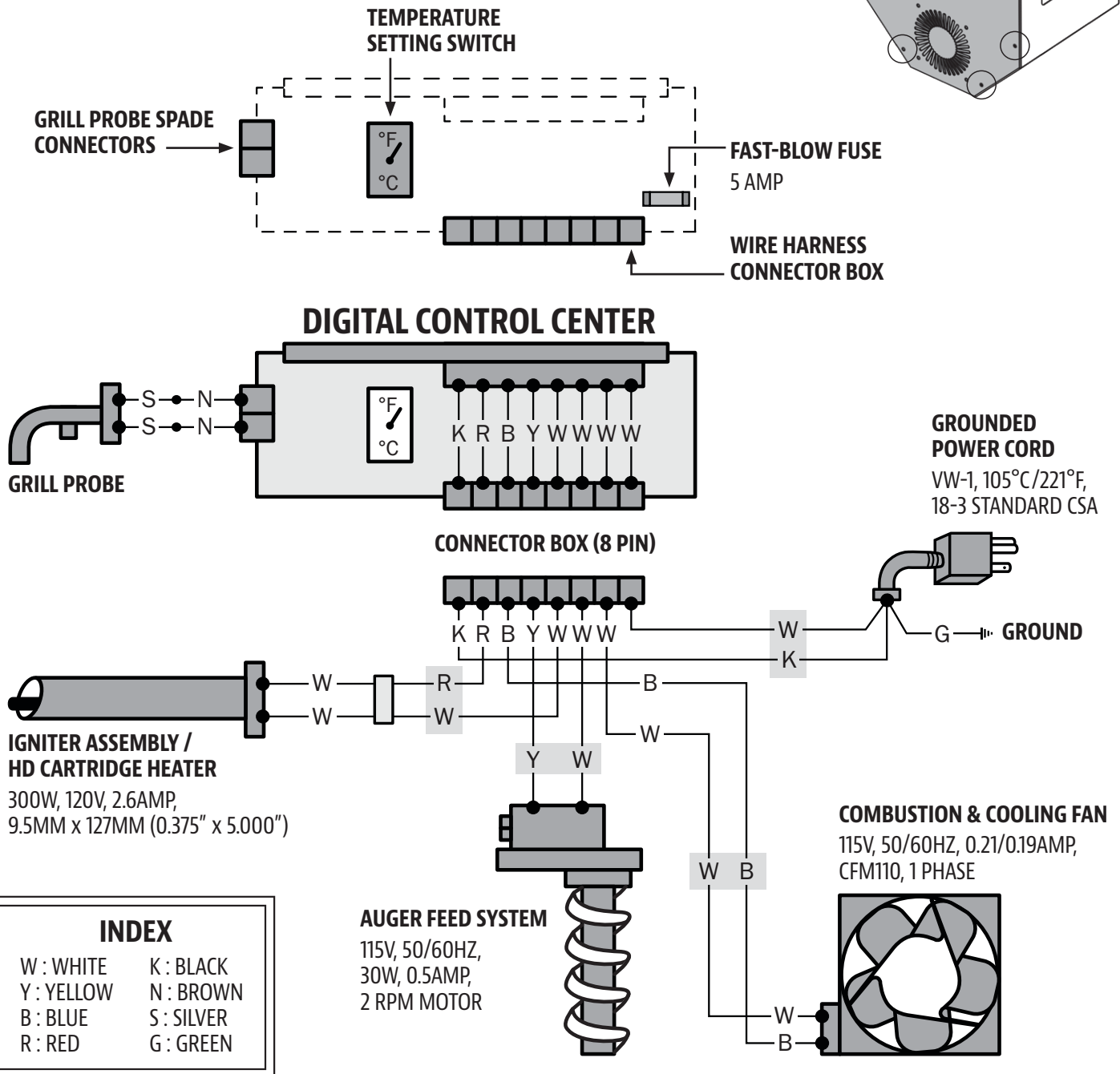
NOTE: Electrical components, passed by product safety testing and certification services, comply with a testing tolerance of ± 5-10 percent.

HOPPER ACCESS PANEL

LOCATE AND REMOVE THE EIGHT SCREWS ON SIDE OF HOPPER TO ACCESS ELECTRICAL COMPONENTS



ENGLISH



INDEX

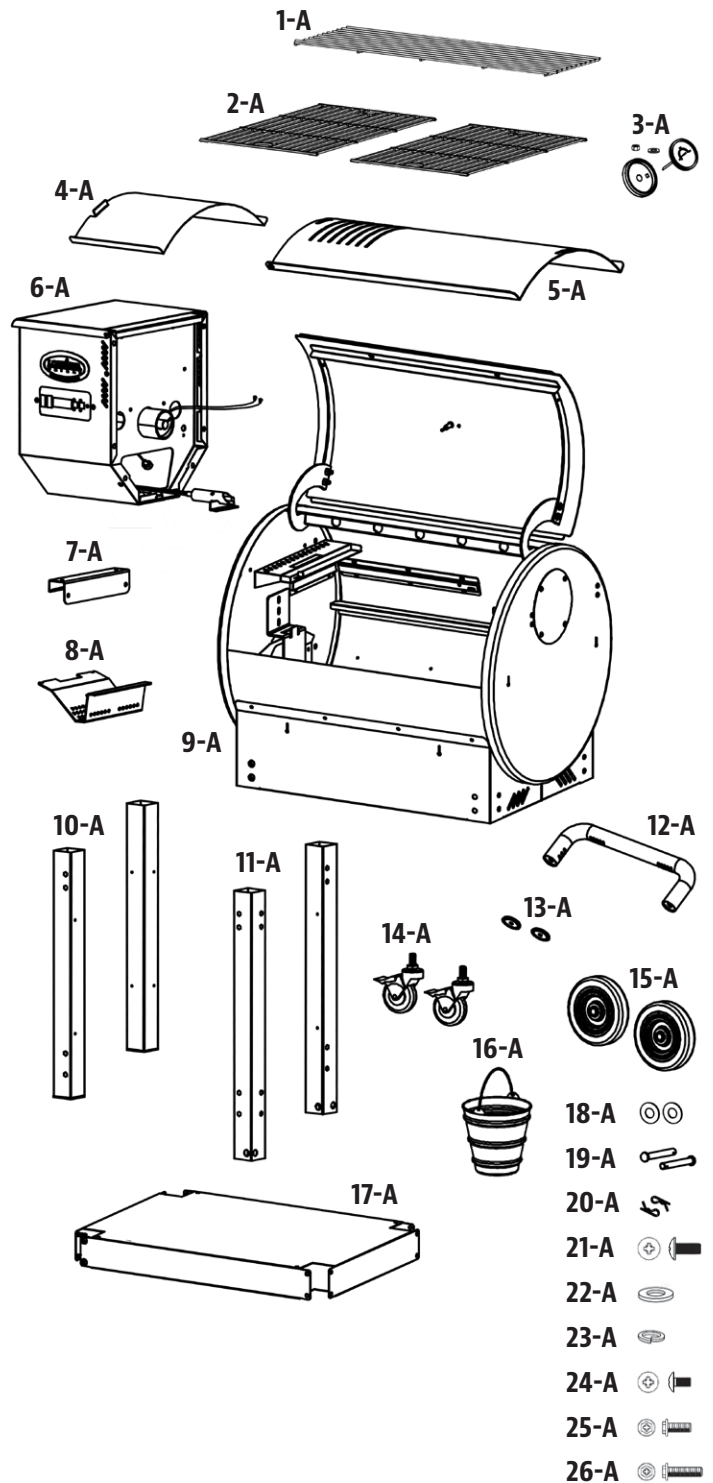
W : WHITE	K : BLACK
Y : YELLOW	N : BROWN
B : BLUE	S : SILVER
R : RED	G : GREEN

GRILL REPLACEMENT PARTS

ENGLISH

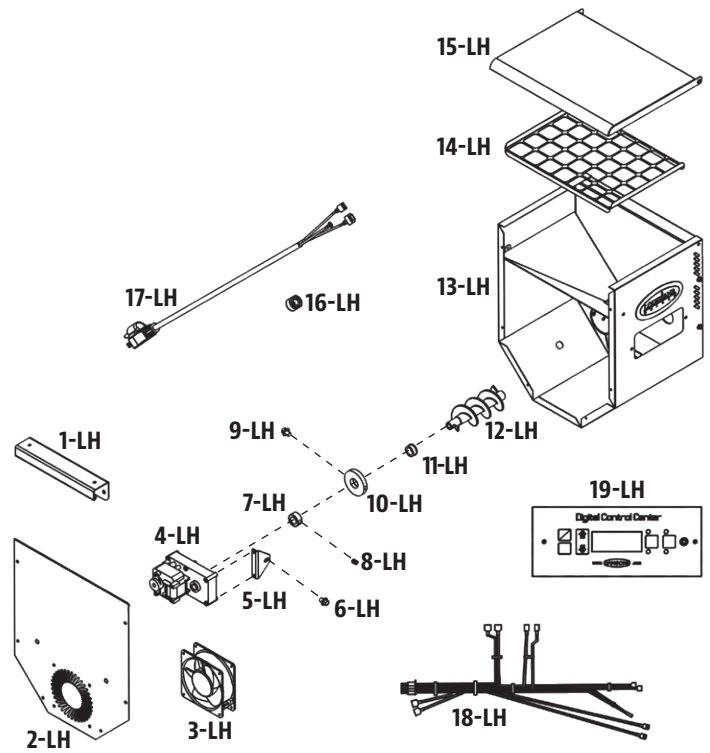
Part#	Description
1-A	Porcelain-Coated Steel Upper Cooking Rack
2-A	Porcelain-Coated Cast-Iron Cooking Grids (x2)
3-A	Dome Thermometer Kit
4-A	Flame Broiler Slider
5-A	Flame Broiler Main Plate
6-A	Hopper Assembly
7-A	Hopper Handle
8-A	Burn Grate
9-A	Main Barrel
10-A	Short Support Leg (x2)
11-A	Long Support Leg (x2)
12-A	Lid Handle
13-A	Lid Handle Bezel (x2)
14-A	Locking Caster Wheel (x2)
15-A	Wheel (x2)
16-A	Grease Bucket
17-A	Bottom Shelf
18-A	Wheel Axle Washer (x2)
19-A	Wheel Axle Pin (x2)
20-A	Wheel Cotter Pin (x2)
21-A	Screw (x34)
22-A	Washer (x40)
23-A	Locking Washer (x40)
24-A	Igniter Screw (x2)
25-A	Hopper Screw (x6)
26-A	Lid Handle Screw (x2)

NOTE: Due to ongoing product development, parts are subject to change without notice.



HOPPER REPLACEMENT PARTS

Part#	Description
1-LH	Hopper Handle
2-LH	Hopper Access Panel
3-LH	Fan
4-LH	Auger Motor
5-LH	Auger Mounting Bracket
6-LH	Screw
7-LH	Metal Lock Collar
8-LH	Set Screw
9-LH	Screw
10-LH	Metal End Cap
11-LH	Nylon Bushing
12-LH	Auger Flighting
13-LH	Hopper Housing
14-LH	Hopper Safety Screen
15-LH	Hopper Lid
16-LH	Nylon Stress Relief
17-LH	Power Cord
18-LH	Wire Harness
19-LH	Control Board



ENGLISH

WARRANTY

CONDITIONS

All wood pellet grills by Louisiana Grills, manufactured by Dansons Inc., carry a limited warranty from the date of sale by the original owner. The warranty coverage begins on the original date of purchase and proof of date of purchase, or copy of original bill of sale, is required to validate the warranty. Customers will be subject to parts, shipping, and handling fees if unable to provide proof of purchase or after the warranty has expired.

Dansons carries a five (5) year warranty against defects and workmanship on all steel parts (excluding the burn grate), and three (3) years on electrical components. Dansons warrants that all part(s) are free of defects in material and workmanship, for the length of use and ownership of the original purchaser. There is no specific warranty on the grill probe, meat probe, paint, powder coat finish, burn grate, grill cover and all gaskets or against damage caused from corrosion. Warranty does not cover damage from wear and tear, such as scratches, dents, dings, chips or minor cosmetic cracks. These aesthetic changes of the grill do not affect its performance. Repair or replacement of any part does not extend past the limited warranty.

During the term of the warranty, Dansons' obligation shall be limited to furnishing a replacement for defective and/or failed components. As long as it is within the warranty period, Dansons' will not charge for repair or replacement for parts returned, freight prepaid, if the part(s) are found by Dansons' to be defective upon examination. Dansons' shall not be liable for transportation charges, labor costs, or export duties. Except as provided in these conditions of warranty, repair or replacement of parts in the manner and for the period of time mentioned heretofore shall constitute the fulfillment of all direct and derivative liabilities and obligations from Dansons to you.

Dansons takes every precaution to utilize materials that resist rust. Even with these safeguards, the protective coatings can be compromised by various substances and conditions beyond Dansons' control. High temperatures, excessive humidity, chlorine, industrial fumes, fertilizers, lawn pesticides and salt are some of the substances that can affect metal coatings. For these reasons, the warranty does not cover rust or oxidization, unless there is loss of structural integrity on the grill component. Should any of the above occur, kindly refer to the care and maintenance section to prolong the lifespan of your unit. Dansons recommends the use of a grill cover when the grill is not in use.

This warranty is based on normal domestic use and service of the grill, and neither limited warranty coverage's apply for a grill which is used in commercial applications.

EXCEPTIONS

There is no written or implied performance warranty on Louisiana Grills units, as the manufacturer has no control over the installation, operation, cleaning, maintenance or the type of fuel burned. This warranty will not apply nor will Dansons assume responsibility if your appliance has not been installed, operated, cleaned and maintained in strict accordance with this owner's manual. Burning other than quality wood pellets may void the warranty. The warranty does not cover damage or breakage due to misuse, improper handling or modifications.

Neither Dansons, or authorized Louisiana Grills dealer, accepts responsibility, legal or otherwise, for the incidental or consequential damage to the property or persons resulting from the use of this product. Whether a claim is made against Dansons based on the breach of this warranty or any other type of warranty expressed or implied by law, the manufacturer shall in no event be liable for any special, indirect, consequential or other damages of any nature whatsoever in excess of the original purchase of this product. All warranties by manufacturer are set forth herein and no claim shall be made against manufacturer on any warranty or representation.

Some states do not allow the exclusion or limitation of incidental or consequential damages, or limitations of implied warranties, so the limitations or exclusions set forth in this limited warranty may not apply to you. This limited warranty gives you specific legal rights and you may have other rights, which vary from state to state.

ORDERING REPLACEMENT PARTS

To order replacement parts, please contact your local authorized dealer or visit our online store at: www.louisiana-grills.com

CONTACT CUSTOMER SERVICE

If you have any questions or problems, contact Customer Service, Monday through Sunday, 4am - 8pm PST (EN/FR/ES).

service@louisiana-grills.com | Toll-Free: 1-877-303-3134 | Toll-Free Fax: 1-877-303-3135

WARRANTY SERVICE

Contact your nearest Louisiana Grills dealer for repair or replacement parts. Dansons Inc. requires proof of purchase to establish a warranty claim; therefore, retain your original sales receipt or invoice for future reference. The serial and model number of your Louisiana Grills unit can be found on the hopper. Record numbers below as the label may become worn or illegible.

MODEL

SERIAL NUMBER

DATE OF PURCHASE

AUTHORIZED DEALER

ACCESSORIES SOLD SEPARATELY

Available for purchase separately. Check with your local authorized dealer for availability.

ENGLISH

ITEM	DESCRIPTION	ITEM	DESCRIPTION
	<p>SMOKE CABINET EXTENSION</p> <p>Perfect for smoking and curing meats, fish or cheeses prior to cooking. Two dome thermometers on door. Heavy duty casters. Complete with five removable racks. <i>Additional racks sold separately.</i></p>		<p>GRILLING APRON</p> <p>Adjustable apron with double front pockets for grilling tools. One size. Machine washable. Black.</p>
	<p>EXTRA RACKS FOR COLD SMOKE CABINET EXTENSION</p> <p>Maximize space for smoking and curing with five additional racks in a Cold Smoke Cabinet.</p>		<p>PIZZA STONE</p> <p>High temperature stoneware, safe for barbecue use. Non-stick, seasoned surface with built-in handles. <i>38cm / 15" diameter</i></p>
	<p>GRILL COVER</p> <p>Form-fitting, full length cover. Heavy-duty polyester with PVC backing for long-term use. Weatherproof. Includes draw-string lock for easy tightening.</p>		<p>CHICKEN THRONE</p> <p>Infuse flavor right into chicken as it cooks. Marinade with your choice of liquid, directly on the grill, for delicious results.</p>
	<p>GRILL COVER WITH SMOKE CABINET EXTENSION</p> <p>Form-fitting, full length cover. Heavy-duty polyester with PVC backing for long-term use. Weatherproof. Includes draw-string lock for easy tightening.</p>		<p>INSULATED CUP</p> <p>Keep your beverages piping hot or icy cold in the sleek, stainless steel design. Clear, slide lid. Double wall insulation. Perfect for travel. <i>30oz.</i></p>
	<p>HOPPER EXTENSION</p> <p>Holds an additional 9.07kg / 20 lbs of pellets for longer cooks, minimizing the frequently of refilling. Sits securely on top of hopper.</p>		<p>BARBECUE FLOOR MAT</p> <p>Easy clean, UV protected. Protection for your deck. <i>132cm x 86cm / 52" x 34"</i></p>
	<p>FRONT/SIDE SHELF</p> <p>Extra food prep space for convenience. Can be attached to the front or side of grill. Tool hooks. Black or stainless steel. <i>37.5cm x 30cm / 14.75" x 12"</i></p>		<p>SIGNATURE SAUCES</p> <p>A series of gourmet sauces to prepare and enhance the natural flavors of your food. Use during cooking or as a dipping sauce. Fat free. Gluten free. No MSG.</p>
	<p>DELUXE FRONT SHELF</p> <p>Maximize food prep space on the front of your grill. Stainless steel. <i>60cm x 30cm / 24" x 12"</i></p>		<p>SIGNATURE SPICES</p> <p>A collection of gourmet seasonings. Versatile as a rub, in a marinade, or simply as seasoning. Gluten free. No MSG.</p>

RECIPES

CLASSIC BRISKET

Makes 4 - 6 Servings

A whole beef brisket weighs 7.25-3.62 kg / 16-18 pounds and has three separate parts: the cap, the point, and the flat. Use the flat section, as it is lean, compact, and creates nice slices when carved.

Ingredients:

1	Beef Brisket <i>2.2-3.6 kg / 5-8 lbs, Layer of fat is at least 0.6 cm / ¼" thick</i>
1 bottle	Prepared Yellow Mustard
75 ml / 5 tbsp	Seasoning
1 bottle	Chili Sauce
1 pack	Dry Onion Soup Mix
375 ml / 1½ c.	Beef Broth
40 ml / 8 tsp	Black Pepper

Suggested Wood Pellet Flavor: Hickory / Competition

Instructions:

1. Lay out a large piece of plastic wrap on your working station. Large enough to encase the brisket. Using a sharp knife, cut a single cut on the underside of the brisket against the grain. This will aid in slicing the finished brisket, against the grain which results in a tender, melt-in-your-mouth cut. The underside is the non-fat cap side. Slather on a generous amount of prepared mustard. Rub lightly onto the entire area. Sprinkle a generous amount of seasoning onto the mustard, then again light rub into the meat. Flip the brisket over and repeat the process. Wrap the prepared brisket in the plastic wrap and refrigerate 2 to 4 hours, or overnight.
2. Prepare the basting mixture. Mix the chili sauce, dry onion soup mix, beef broth, and black pepper. Set aside.
3. **Preheat grill, then reduce to low temperature of 82°C / 180°F.**
4. Place the brisket, fat side up, in the center of the grill. Close the grill lid. Cook **low and slow** until tender, about 10 to 12 hours.
5. Baste the brisket with the basting mixture every half hour for the first 3 hours.
6. Continue the slow cooking process until the internal temperature reaches 60-66°C / 140-150°F. Remove from grill. **Turn grill up to 176°C / 350°F.**
7. Place the brisket into a pouch of double-layered aluminum foil. Pour 50 ml / ¼ cup of basting mixture over the brisket in the pouch. Close the pouch shut.
8. Lay foil pouch carefully on the grill. Steam for 1 to 1½ hours.
9. Open the pouch, and use a meat thermometer; internal temperature should reach 77°C / 170°F. The brisket should be firm but be able to pull the meat apart with your fingers.
10. Transfer the meat to a cutting board, and let it rest for 10 minutes. Thinly slice across the grain to serve.

SAUSAGE WITH MANGO CHUTNEY

Makes 4 - 6 Servings

Ingredients:

2	Mangoes (finely chopped)
0.9 kg / 2 lbs	Italian Sausage (hot or mild)
10 ml / 2 tsp	Fresh Parsley (minced)
15 ml / 1 tbsp	Red Pepper (diced)
10 ml / 2 tsp	Honey
½	Red Onion (diced)
½ bulb	Fennel (diced)
5 ml / 1 tsp	Lime Juice
Pinch	Salt

Suggested Wood Pellet Flavor: Hickory / Competition

Instructions:

1. **Preheat grill, then reduce to low or medium temperature of 82-107°C / 180-225°F.**
2. Place sausages on grill, spaced evenly apart. Rotate every ten minutes so all sides are grilled.
3. Combine all remaining ingredients to make the chutney. Chill until ready to serve.
4. Slice grilled sausage diagonally, then serve with side of chutney.

BLUE CHEESE STEAK

Makes 4 Servings

Ingredients:

4	Steak, T-bone or Rib-Eye <i>2.54cm / 1" thick 0.28-0.62 kg / 10-12 ounces each</i>
113 g / 4 oz.	Blue Cheese (crumbled)
50 ml / ¼ c.	Green Onion (thinly sliced)

Suggested Wood Pellet Flavor: Hickory / Competition / Whiskey

Instructions:

1. **Preheat grill, then leave or reduce slightly to 204-260°C / 400-500°F.**
2. Trim excess fat from meat and discard.
3. Place steaks on grill. Sear each side, flipping every few minutes.
4. **Reduce heat to medium temperature of 135-163°C / 275-325°F.** Flip the steaks a final time. Combine blue cheese and onions. Sprinkle over steaks, close grill lid, and grill until desired doneness. Check doneness by cutting a slit in meat near the bone.

Variation: REVERSE-SEAR METHOD

Reduce grill to a **low temperature of 82°C / 180°F**, then place steaks on grill. Smoke for 5 to 15 minutes. Once smoked to desired doneness, turn grill up to a **high temperature of 204-260°C / 400-500°F** and sear to your liking.

BARBECUE RIBS

Makes 4 - 6 Servings

Ingredients:

1.3-1.8 kg / 3-4 lbs	Ribs <i>Meaty pork spareribs / loin back ribs</i>
45 ml / 3 tbsp	Oil
5 ml / 1 tsp	Salt
5 ml / 1 tsp	Pepper
2 whole	Onions (chopped)
30 ml / 2 tbsp	Vinegar
30 ml / 2 tbsp	Worcestershire sauce
125 ml / ½ c.	Apple Juice or Soda
5 ml / 1 tsp	Paprika
5 ml / 1 tsp	Chili Powder

Suggested Wood Pellet Flavor: Hickory / Competition / Apple

Instructions:

1. **Preheat grill, then reduce to low temperature of 82-107°C / 180-225°F.**
2. Prepare ribs by peeling off the tough layer of skin on the back side. Season the ribs with salt and pepper, to taste.
3. Place ribs on grill, spaced evenly apart. Smoke for 3 to 4 hours.
4. Mix remaining ingredients in a saucepan and bring to a boil. Let sauce boil for five minutes to thicken.
5. Remove from grill. **Turn grill up to 176°C / 350°F.**
6. Place each rack into a pouch of double-layered aluminum foil. Pour 50 ml / ¼ cup of sauce over the ribs in the pouch. Close the pouch shut.
7. Lay foil pouch carefully on the grill. Steam for 1 to 1½ hours.
8. Open the pouch. The meat will have exposed the rib ends and be very tender. **Turn grill up to high temperature of 260°C / 500°F.** Place ribs back on the grill and baste with sauce on both sides of ribs.
9. Once the sauce is caramelized and the ribs are sticky, remove from grill and serve.

Variation: MEMPHIS-DRY METHOD

Turn grill up to **high temperature of 260°C / 500°F.** Place ribs back on the grill and season with a dry seasoning or rub. Sear the ribs, remove from grill and serve.

CLASSIC BACKYARD BURGERS

Makes 4 - 6 Servings

Ingredients:

900 g / 2 lbs	Ground Beef or Buffalo
15 ml / 3 tsp	Seasoning
2 whole	Eggs, room temperature
500 ml / 2 c.	Bread Crumbs (Dried, Fine)
6 - 8	Hamburger / Kaiser Buns
6 - 8 slices	Cheese (slices, thin)
30 ml / 2 tbsp	Butter

Suggested Wood Pellet Flavor: Hickory / Competition

Instructions:

1. **Preheat grill, then leave or reduce slightly to 204-260°C / 400-500°F.**
2. Combine meat, seasoning, eggs and bread crumbs in a mixing bowl and blend together. Divide the meat into portions, and gently shape into patties to fit the buns. Make patties about 1.9 cm / ¾ inches thick.
3. Place patties on grill. Grill six minutes per side, taking care not to press down on the meat. Test for doneness, using a meat thermometer; internal temperature should reach 71°C / 160°F. Meat may turn pink on the outside due to smoking.
4. In the last few minutes of grilling, brush buns with butter and lightly toast on the grill.
5. Remove buns, burgers when done. Top the burgers with cheese to melt, and serve.

TIP: A slightly fattier meat makes for a juicier burger. For a lean alternative, try ground buffalo.

SIRLOIN STEAK WITH SWEET ONION & PEPPERS

Makes 4 Servings

Ingredients:

2	Steak, Top Sirloin <i>1" thick, cut into 4 pieces. 0.45kg/1 lb</i>
10 ml / 2 tsp	Seasoning or rub
5 medium	Sweet Onions (coursed chopped)
2 whole	Bell Peppers (all kinds, chopped)
60 ml / 4 tbsp	Soy Sauce
60 ml / 4 tbsp	Olive Oil
Dash	Salt

Suggested Wood Pellet Flavor: Hickory / Mesquite / Whiskey

Instructions:

1. **Preheat grill, then reduce slightly to 218°C / 425°F.**
2. Season both sides of the steak with the seasoning or rub. Cover and refrigerate at least 1 hour.
3. Place onions and bell peppers into a covered tray of aluminum foil. Mix soy sauce and olive oil together, then drizzle over tray. Sprinkle with salt. Seal the foil packet completely.
4. Place the foil on the grill for 10 - 15 minutes or until vegetables are soft and tender. Remove from grill, and keep covered.
5. Place steaks on grill. Sear each side, flipping every few minutes.
6. Grill until desired doneness, then remove from grill. Place on serving plates and top with warm vegetables.

CORNISH HENS WITH MANDARIN RICE

Makes 4 Servings

Ingredients:

4 whole Cornish Game Hens
750 ml / 3 c. Mandarin Rice
15 ml / 1 tbsp Olive Oil
5 ml / 1 tsp Smoked Paprika
250 ml / 1 c. Orange Marmalade

Mandarin Rice

59 ml / ¼ c. Almonds (slivered)
30 ml / 2 tbsp Celery (chopped)
1 small Green Onion (sliced, thin)
30 ml / 2 tbsp Butter
1 can Mandarin Orange Segments (drained)
0.4 kg/11oz.
30 ml / 2 tbsp Orange Juice (concentrate)
500 ml / 2 c. Cooked Rice

Suggested Wood Pellet Flavor: Hickory / Mesquite / Competition

Instructions:

1. Prepare mandarin rice by cooking almonds, celery, green onion, and butter in small skillet until almonds are lightly toasted. Combine mixture with orange segments, orange juice and cooked rice in a bowl, and set aside.
2. **Preheat grill, then reduce to medium temperature of 135-177°C / 275-350°F.**
3. Rinse Cornish hens and pat dry with paper towel. Stuff with rice mixture and tie legs with a string. Brush Cornish hens lightly with olive oil, and sprinkle with paprika.
4. Place Cornish hens on grill. Grill for 45 to 60 minutes, until the drumstick meat is tender when pressed.
5. Baste with orange marmalade during last 20 minutes of cooking time. Remove from grill and arrange on serving platter.

TIP: If you want to catch the drippings to make gravy, place the hens in a foil pan and add enough water or juice to cover the bottom about 0.6 cm / ¼ inch thick.

SHRIMP KABOBS WITH CURRY BUTTER

Makes 4 Servings

Ingredients:

900g / 2 lbs Shrimp (peeled, deveined)
125ml / ½ c. Curry Butter
15 ml / 1 tbsp Olive Oil
1 Lime
Fresh Dill

Curry Butter

125 ml / ½ c. Butter
30 ml / 2 tbsp Onion (chopped)
15 ml / 1 tbsp Fresh Dill
5 ml / 1 tsp Curry Powder
Dash Garlic Powder

Suggested Wood Pellet Flavor: Mesquite / Competition

Instructions:

1. Soak wooden skewers in water for 1 hour.
2. **Preheat grill, then reduce to 135-163°C / 275-325°F.**
3. Prepare curry butter by melting butter in small pan over medium-high heat. Stir in onion, dill, curry powder and garlic powder. Cook for five minutes, then remove from heat.
4. Thread shrimp on skewers, leaving space between pieces. Lightly brush with olive oil.
5. Place skewers on grill, and grill until shrimp are white and tender. Shrimp grill quickly; take care not to overcook. Turn skewers of shrimp once and brush with curry butter halfway through cooking time.
6. Arrange grilled shrimp on serving plate. Garnish with lime wedge and dill.

TIP: To skewer shrimp so that it is straight, hold it in a stretched-out position with one hand. Start at the tail end and insert a bamboo or wooden skewer into the shrimp so that it runs the full length. Keep unbending the shrimp with your fingers as you go.

BACON BASIL SHRIMP ON A STICK

Makes 4 - 6 Servings

Ingredients:

24 large Shrimp (peeled, deveined)
24 whole Fresh Basil Leaves
24 slices Bacon (sliced thin)

Suggested Wood Pellet Flavor: Cherry / Apple

Instructions:

1. Soak wooden skewers in water for 1 hour.
2. **Preheat grill, then reduce to medium temperature of 135-163°C / 275-325°F.**
3. Wrap a piece of shrimp and basil leaf in a thin slice of bacon, then thread onto skewer, leaving space between pieces.
4. Place skewers on grill, and cook until shrimp are white and tender, and the bacon is nicely browned. Shrimp grill quickly; take care not to overcook. Turn skewers often to avoid burning.
5. Remove from heat and serve.

WHOLE SMOKED TURKEY

Feeds a small army - leftovers are great!

Ingredients:

1 whole Turkey (thawed)
9-11.3 kg / 20-25 lbs
60 ml / 4 tbsp Seasoning
5 ml / 1 tsp Smoked Paprika
45 ml / 3 tbsp Butter

Suggested Wood Pellet Flavor: Hickory / Cherry / Competition

Instructions:

- Preheat grill, then reduce to medium temperature of 135-177°C / 275-350°F.**
- Remove the turkey neck and giblets. Rinse turkey thoroughly and pat the exterior dry with paper towel.
- In a small bowl, mix butter, ¼ of the seasoning and paprika together to form a paste. Gently insert your hand between the outer skin and the breast meat. Rub paste into the meat.
- With the remaining seasoning, rub the outer surface of the turkey.
- Place turkey, breast side up, in center of grill, and cook until turkey is tender and golden brown; internal temperature should reach 82°C / 180°F in the thickest part of the thigh and 77°C / 170°F in the breast.
- Remove turkey, cover with foil and let rest for 10 minutes before carving.

TIP: If you want to catch the drippings to make gravy, place the turkey on a rack inside a large aluminum foil roast pan. Add 0.6 cm / ¼" of water or broth and some seasoning into the bottom of the pan. Monitor the juices, as you may need to add more during the roasting period.

BEER CAN CHICKEN

Makes 2 - 6 Servings

Ingredients:

1 whole Chicken
1.8-2.7 kg / 4-6 lbs
1 can Beer, any kind
45 ml / 3 tbsp Seasoning

Suggested Wood Pellet Flavor: Hickory / Apple / Competition

Instructions:

- Preheat grill, then reduce to 135-177°C / 275-350°F.**
- Open can, and pour half of the beer into a glass to drink. Leave half in the can, and make a few more holes in the top of the can to increase ventilation. Add a ¼ of the seasoning to the can.
- Rinse chicken thoroughly and pat the exterior dry with paper towel. Add a ¼ of the rub inside the cavity of the chicken. With the remaining seasoning, rub the outer surface of the chicken.
- Insert the upright can into the cavity of the chicken, place on

the grill, and close the grill lid. Cook until the chicken is golden brown and crispy; internal temperature should reach 74°C/165°F.

- Using tongs, carefully remove the upright chicken and can from the grill. Let rest for five minutes, then carefully remove the can from the cavity of the chicken. Be cautious not to spill, as the liquid will be hot.
- Carve chicken and serve.

Variation: NON- ALCOHOLIC, BEER-CAN CHICKEN

Using the same instructions as above, but substitute the can of beer with a can of your favorite non-diet cola, fruit juice, or water with additional seasoning.

RANCH CHICKEN SATAY

Makes 2 - 6 Servings

Ingredients:

450g / 1 lb Chicken Breasts or Thighs (boneless, skinless)
112 ml / ½ c. Prepared Ranch or Italian Salad Dressing
Dash Salt
Dash Pepper

Suggested Wood Pellet Flavor: Apple / Cherry

Instructions:

- Cut chicken, lengthwise, into 0.63 cm / ¼" or slightly thicker pieces. Rinse chicken and pat dry with paper towel.
- Place chicken pieces into a plastic lock-top bag. Add salad dressing, salt and pepper. Seal the bag closed, and carefully shake, coating chicken evenly. Place in refrigerator for 1 - 2 hours, or overnight. Shake the bag once or twice so the chicken marinades evenly.
- Soak wooden skewers in water for 1 hour before use.
- Preheat grill, then reduce slightly to 218°C / 425°F.**
- Remove chicken from plastic bag, and weave in-and-out onto the skewers, like a ribbon.
- Place skewers on grill, and cook until chicken is white and firm. Turn skewers often to avoid burning.
- Remove from heat and serve.

INFORMATIONS DE SÉCURITÉ

LES CAUSES MAJEURES DES INCENDIES D'APPAREILS SONT LE RÉSULTAT D'UN MAUVAIS ENTRETIEN ET D'UN DÉFAUT DE MAINTENIR LE DÉGAGEMENT REQUIS POUR LES MATÉRIAUX COMBUSTIBLES. IL EST D'UNE IMPORTANCE CRUCIALE QUE CE PRODUIT SOIT UTILISÉ SEULEMENT CONFORMÉMENT AUX INSTRUCTIONS SUIVANTES.

Veillez lire et comprendre ce manuel avant d'assembler, d'utiliser ou d'installer le produit. Cela vous assurera de profiter au mieux et sans soucis de votre nouveau gril à granulés de bois. Nous vous conseillons également de conserver ce manuel pour référence ultérieure.

DANGERS ET AVERTISSEMENTS

Vous devez communiquer avec votre municipalité, vos autorités locales en matière de feu ou de construction ou toute autre autorité compétente afin d'obtenir les permis nécessaires, la permission ou des renseignements sur toutes les restrictions d'installation, y compris ceux relatifs à l'installation d'un gril sur une surface combustible, aux règles d'inspection ou encore aux permis d'utilisation dans votre région.

1. Un dégagement minimum de 457 mm (17,9 pouces) des constructions combustibles sur les côtés du grill et 457 mm (17,9 pouces) de l'arrière du gril aux constructions combustibles doit être maintenu. **Ne pas installer l'appareil sur des planchers combustibles ou des planchers protégés par des surfaces combustibles à moins que des permis et autorisations adéquates n'aient été obtenus par les autorités compétentes.** Cet appareil à granules de bois ne doit pas être placé sous un plafond ou un surplomb combustible. Gardez votre gril dans une zone dégagée et exempte de matières combustibles, d'essence et d'autres vapeurs et liquides inflammables

En cas d'incendie de graisse, éteignez le grill et laissez le couvercle fermé jusqu'à ce que le feu soit éteint. Ne pas débrancher la fiche d'alimentation. Ne pas jeter d'eau sur l'appareil. Ne pas essayer d'étouffer le feu. L'utilisation d'un extincteur approuvé toutes classes (classe ABC) est précieuse à conserver sur place. Si un incendie non contrôlé se produit, appelez les pompiers.

2. Gardez les cordons d'alimentation électrique et le tuyau d'alimentation en carburant loin des surfaces chauffées. NE PAS utiliser votre gril sous la pluie ou autour d'une source d'eau.
3. Après une période de stockage ou de non utilisation, vérifiez qu'il n'y a pas d'obstruction au niveau de la grille de combustion et pas de blocage de l'air au niveau de la trémie. Nettoyer avant utilisation. Si le gril est entreposé dehors pendant la saison des pluies ou les saisons de forte humidité, toutes les précautions devraient être prises pour veiller à ce que l'eau n'entre pas dans la trémie. Vous devez toujours débrancher le gril avant d'effectuer un service ou un entretien.

Ne pas transporter votre gril pendant son utilisation ou pendant qu'il est chaud. Assurez-vous que le feu est complètement éteint et que le gril est complètement frais avant le déplacement.

4. Il est recommandé d'utiliser des gants ou des gants de barbecue résistant à la chaleur lors de l'utilisation du gril. NE PAS utiliser d'accessoires n'ayant pas été conçus pour être utilisés avec cet appareil. NE PAS mettre de couvercle de barbecue ou tout autre matière inflammable dans la zone d'espace de stockage sous le barbecue.
5. Pour éviter toute blessure ou endommagement de la vis d'alimentation, l'appareil comporte un écran de sécurité de la trémie métallique. Cet écran NE DOIT PAS être retiré sauf indication contraire du service à la clientèle de Dansons ou d'un fournisseur de service autorisé.

Cet appareil n'est pas conçu pour être utilisé par des enfants, des personnes à capacités physiques, sensorielles ou intellectuelles réduites ou sans expérience ni connaissances, à moins qu'elles soient surveillées directement par une personne responsable de leur sécurité.

6. Certaines parties du barbecue peuvent être très chaudes et des blessures graves peuvent survenir. Tenir hors de portée des

jeunes enfants et des animaux domestiques lors de l'utilisation.

7. Ne pas élargir les orifices de la grille de combustion, des trous de l'allumeur ou des pots de combustion. Le non-respect de cet avertissement pourrait entraîner un risque d'incendie et des dommages corporels et annulera votre garantie
8. Le produit peut comporter des rebords coupants ou des pointes. Le contact peut causer des blessures. Manipulez avec soin.

ÉLIMINATION DES CENDRES

Les cendres devraient être déposées dans un contenant métallique avec couvercle hermétique. Le contenant fermé de cendres devrait être placé sur un plancher non combustible ou sur le sol, loin de TOUTE matière combustible en attendant leur élimination définitive. Lorsque les cendres sont disposées par enterrement dans le sol, ou dispersées localement, elles doivent être conservées dans un récipient fermé jusqu'à ce que toutes les cendres aient été complètement refroidies..

CARBURANT DE GRANULÉS DE BOIS

Cet appareil de cuisson à granules est conçu et approuvé uniquement pour le bois aggloméré, entièrement naturel. Tout autre type de consommation de carburant dans cet appareil annulera la garantie et la norme de sécurité. VOUS DEVEZ uniquement utiliser les granules de bois naturelles, conçues pour brûler dans les grils de BBQ à granules. NE PAS utiliser de carburant avec des additifs.

Ne pas utiliser d'alcool, d'essence, de pétrole, d'essence à briquet ou du kérosène pour allumer ou faire reprendre un feu dans votre gril. Conservez tous ces liquides loin du gril lorsque celui-ci fonctionne.

Au moment de l'impression de ce manuel, il n'y a pas de norme industrielle pour les granulés de bois de barbecue, bien que la plupart des usines de granulés utilisent les mêmes normes pour fabriquer des granulés de bois à usage domestique. Vous trouverez plus d'informations sur www.pelletheat.org ou sur *Pellet Fuel Institute*.

Contactez votre revendeur local au sujet de la qualité des granulés dans votre région et pour des informations sur la qualité de la marque. Comme il n'y a pas de contrôle sur la qualité des granules utilisées, nous n'assumons aucune responsabilité à l'égard des dommages causés par une mauvaise qualité du carburant.

CRÉOSOTE

La créosote, ou la suie, est une substance semblable à celle du goudron. Lors de la combustion, il produit de la fumée noire avec un résidu qui est également de couleur noire. La suie ou la créosote est formée lorsque l'appareil fonctionne incorrectement, par exemple : position incorrecte de la grille de combustion, blocage du ventilateur de combustion, défaut de nettoyage et entretien de la zone de combustion ou mauvaise combustion air-carburant.

Il est dangereux de faire fonctionner cet appareil si la flamme devient sombre, de suie, ou si le pot de combustion est trop rempli de granulés. Lorsqu'elle est enflammée, cette accumulation de créosote produit un feu extrêmement vif et non maîtrisé, similaire à un feu de graisse. Dans ce cas, éteignez l'appareil, laissez-la refroidir complètement, puis inspectez-la pour l'entretien et le nettoyage. Elle s'accumule généralement le long des zones d'échappement.

Si de la créosote s'est accumulée dans l'appareil, laissez l'appareil se réchauffer à BASSE température, éteignez l'appareil, puis essuyez toute formation à l'aide d'un chiffon. À l'instar du goudron, il est beaucoup plus facile de nettoyer à chaud, car elle devient liquide.

LE MONOXYDE DE CARBONE (« LE TUEUR SILENCIEUX »)

Le monoxyde de carbone est un gaz incolore, inodore et sans goût produit par la combustion des gaz, du bois, du propane, du charbon ou d'autres combustibles. Le monoxyde de carbone réduit la capacité du sang à transporter l'oxygène. Les faibles niveaux d'oxygène sanguin peuvent entraîner des maux de tête, des étourdissements, des faiblesses, des nausées, des vomissements, de la somnolence, de la confusion, de la perte de conscience ou la mort. Suivez les directives suivantes pour empêcher ce gaz incolore et inodore de vous empoisonner ainsi que votre famille et les autres :

- Consultez un médecin si vous ou les autres développez des symptômes similaires à un rhume ou la grippe quand vous cuisinez ou quand vous vous trouvez à proximité de l'appareil. L'empoisonnement au monoxyde de carbone, qui peut facilement être confondu avec le rhume ou la grippe, est souvent détecté trop tard.
- La consommation d'alcool et de drogues augment les effets de l'empoisonnement au monoxyde de carbone

Le monoxyde de carbone est particulièrement toxique pour la mère et l'enfant pendant la grossesse, pour les nourrissons, les

personnes âgées, les fumeurs et les personnes souffrant de problèmes de circulation sanguine ou du système circulatoire, tels que l'anémie ou les maladies cardiaques.

INFORMATIONS DE SÉCURITÉ

Conformément aux procédures et spécifications homologuées dans UL Subject 2728-2009 « Appareils de cuisson à combustible à granulés » et ULC/ORD C272 et Canadian CSA C22.2 #3 "pour les caractéristiques électriques d'équipement de combustion de carburant". Les appareils de cuisson à granulés de Louisiana Grills ont été testés indépendamment et classés par Intertek (un laboratoire d'essai accrédité) aux normes ETL, UL, ULC et CSA.



AVIS SUR LES DROITS D'AUTEUR

Droit d'auteur 2018. Tous droits réservés. Nulle partie de ce manuel ne peut être reproduite, transmises, transcrite ou stockée dans un système de recherche de quelque façon que ce soit sans l'autorisation préalable écrite de,

Dansons Inc.

3411 North 5th Avenue, Suite 500, Phoenix, AZ, É.-U. 85013
sales@louisiana-grills.com | service@louisiana-grills.com
www.louisiana-grills.com

**Ligne sans frais : 1-877-303-3134,
|Télécopieur sans frais : 1-877-303-3135**

TABLE DES MATIÈRES

Informations de sécurité	35	Entretien et maintenance	52
Pièces et spécifications	39	Utilisation du carburant de granulés de bois.....	53
Préparation de l'assemblage.....	40	Lignes directrices pour la cuisine	54
Instructions d'assemblage		Conseils et techniques	56
Assembler le chariot	40	Dépannage	57
Monter les roues du chariot	41	Diagramme des fils électriques	60
Installer le baril sur le chariot.....	41	Pièces de rechange	
Montage de la trémie au baril principal	42	Pièces de rechange de grill	61
Fixer l'allumeur au pot de combustion	42	Pièces de rechange de trémie	62
Placer la grille de combustion	43	Garantie	
Installer les composants de cuisson	43	Conditions.....	63
Fixer la poignée du couvercle.....	44	Exceptions.....	63
Placer le seau à graisse	44	Commande de pièces de remplacement.....	64
Brancher à une source d'alimentation	44	Appelez le service à la clientèle	64
Instructions d'utilisation		Service de garantie	64
Environnement du grill.....	45	Accessoires vendus séparément	65
Gammes de température du grill	46	Recettes.....	66
Comprendre le débit d'air et le système			
d'alimentation de la vis d'alimentation	47		
Comprendre le centre de commande numérique	48		
Comprendre les sondes	49		
Procédure de configuration.....	50		
Première utilisation – grill « burn off ».....	50		
Préchauffage.....	50		
Procédure de démarrage automatique.....	50		
Procédure de démarrage manuelle.....	51		
Éteindre votre grill.....	51		

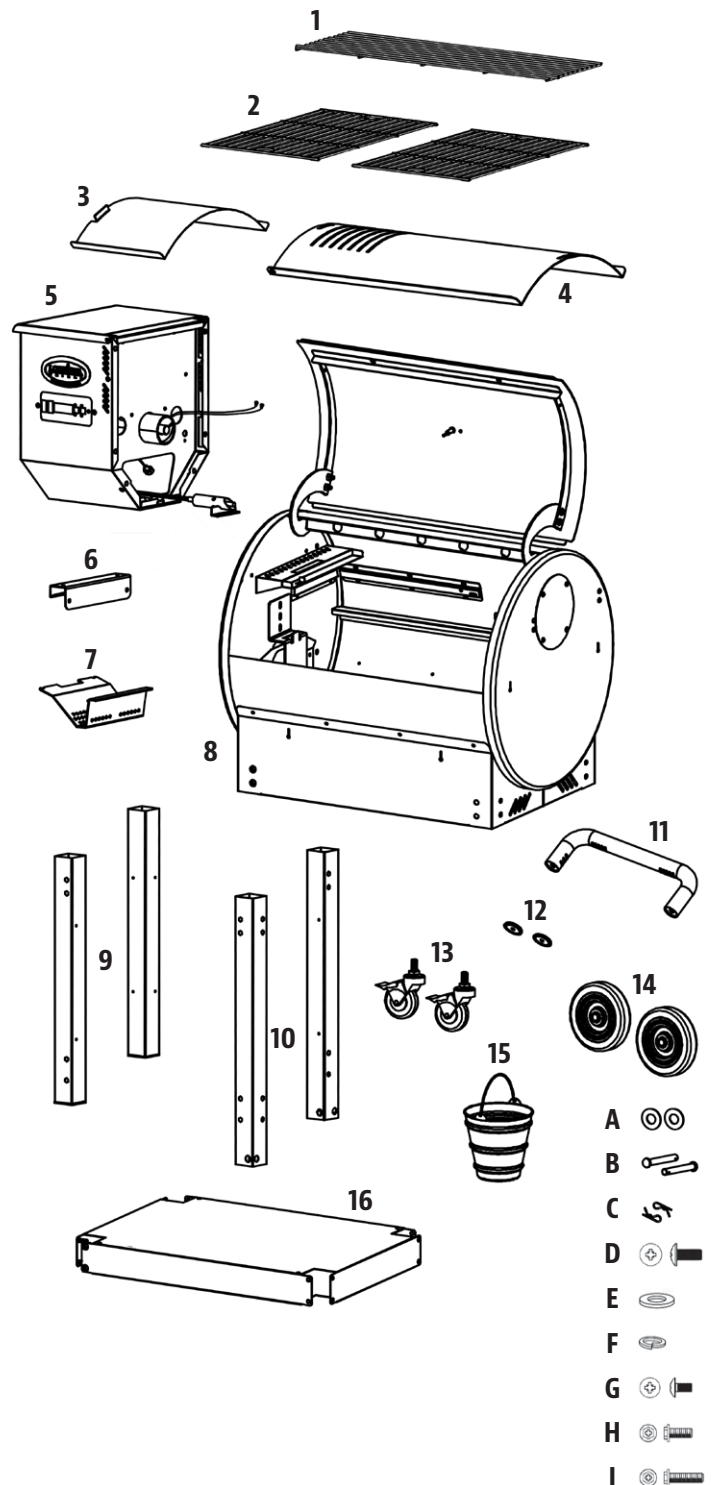
PIÈCES ET SPÉCIFICATIONS

No.	Description
1	Grille de cuisson supérieure en acier revêtu de porcelaine
2	Grilles de cuisson en fonte revêtue de porcelaine (x 2)
3	Glissière du grilloir à flamme
4	Planche principale du grilloir à flamme
5	Assemblage de la trémie
6	Poignée de la trémie
7	Grille de combustion
8	Baril principal
9	Pied de support court (x 2)
10	Pied de support long (x 2)
11	Poignée du couvercle
12	Cadran de la poignée du couvercle (x 2)
13	Roulette verrouillable (x 2)
14	Roue (x 2)
15	Seau de graisse
16	Étagère Inférieure
A	Rondelle de l'essieu des roues (x 2)
B	Goupille de l'essieu des roues (x 2)
C	Goupille fendue de la roue (x 2)
D	Vis (x 34)
E	Rondelle (x 40)
F	Rondelle de blocage (x 40)
G	Vis de l'allumeur (x 2)
H	Vis de la trémie (x 6)
I	Vis de la poignée du couvercle (x 2)

REMARQUE : En raison du développement continu du produit, les pièces peuvent être modifiées sans préavis. Contactez le service clientèle si des pièces manquent lors de l'assemblage de l'appareil.

EXIGENCES ÉLECTRIQUES LG

110 V, 3,3 AMP, 60 HZ, 375 W, FICHE À 3 BROCHES MISE À LA TERRE



MODÈLE	APPAREIL ASSEMBLÉE (WxHxD)	POIDS DE APPAREIL	SURFACE DE CUISSON	PLAGE DE TEMPÉRATURE	CARACTÉRISTIQUES NUMÉRIQUES
LG LG700	986mm x 1,107mm x 610mm / 38 3/8 po x 43 3/8 po x 24 po	64,0 kg / 141,1 lb	Principal - 3 208 cm ² / 497 po ² Grille supérieure - 1 355 cm ² / 210 po ² TOTAL - 4 563 cm² / 707 po²	82-315 °C / 179-600 °F	Cycles de démarrage et refroidissement automatiques, sonde thermique programmable, allumeur électrique

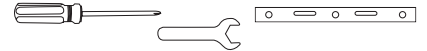
PRÉPARATION DE L'ASSEMBLAGE

Les pièces sont situées dans tout le carton d'expédition, y compris sous le gril. Inspectez la grille, les pièces et l'emballage de matériel après avoir retiré de l'emballage de protection en carton. Avant l'assemblage du produit, examinez toutes les pièces et référez-vous à la liste des pièces. En cas de pièce manquante ou endommagée, ne tentez pas d'assembler. Les dommages lors de l'expédition ne sont pas couverts par la garantie. Contactez votre revendeur ou le service à la clientèle de Louisiana Grills pour les pièces.

service@louisiana-grills.com | Ligne sans frais : 1-877-303-3134 | Télécopie : 1-877-303-3135

IMPORTANT : Pour faciliter l'installation, être deux personnes est utile (mais pas nécessaire) lors de l'assemblage de cet appareil. .

Outils nécessaires pour l'assemblage : tournevis, clé et niveau d'eau. *Outils non inclus.*



INSTRUCTIONS D'ASSEMBLAGE

REMARQUE : Pour toutes les étapes suivantes, ne pas serrer complètement les vis jusqu'à ce que toutes les vis de cette étape aient été installées. Une fois toutes les vis installées, serrez-les correctement. La combinaison de matériel impliquant une rondelle et une rondelle de blocage doit être installée avec la rondelle de verrouillage la plus proche de la tête de la vis.

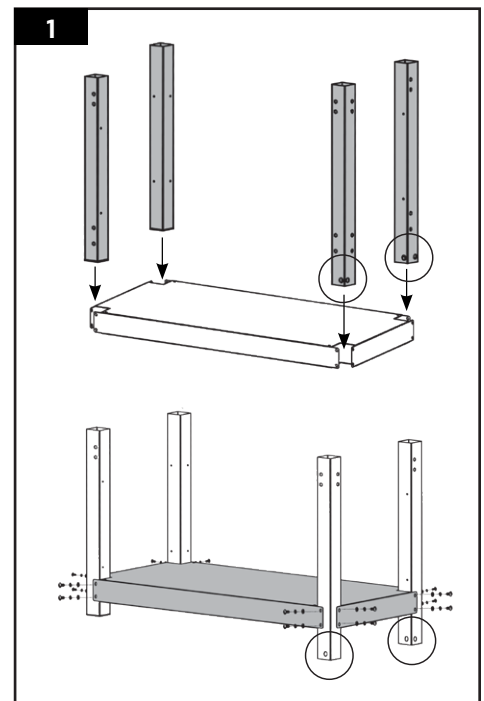
1. ASSEMBLER LE CHARIOT

Pièces nécessaires :

- 1 x Étagère inférieure (#16)
- 2 x Pied de support court (#9)
- 2 x Pied de support long (#10)
- 16 x Vis (#D)
- 16 x Rondelle (#E)
- 16 x Rondelle de blocage (#F)

Installation :

- Placez un morceau de carton sur le sol pour éviter de rayer l'appareil et les pièces. Pour faciliter l'installation, veuillez retourner l'étagère inférieure (côté plat vers le bas). Préparez les quatre pieds de support pour l'installation, séparez les deux pieds de support courts des deux pieds de support longs.
- Fixez un pied de support court en le faisant glisser soigneusement dans un coin de l'étagère inférieure puis fixez-le à l'aide de quatre rondelles, rondelles de blocage et vis. Assurez-vous que le trou fileté de la partie inférieure est situé sur l'extrémité du pied de support au plus près de l'étagère inférieure. Suivez les mêmes instructions pour l'installation de l'autre pied de support court, en l'installant au coin le long du même côté court de l'étagère inférieure.
- Continuez l'installation du chariot en fixant le pied de support long à l'autre côté de l'étagère inférieure. Assurez-vous que le trou de l'essieu de la roue est situé sur l'extrémité du pied de support au plus près de l'étagère inférieure. Suivez les mêmes instructions pour l'installation de l'autre pied de support long sur le dernier coin.



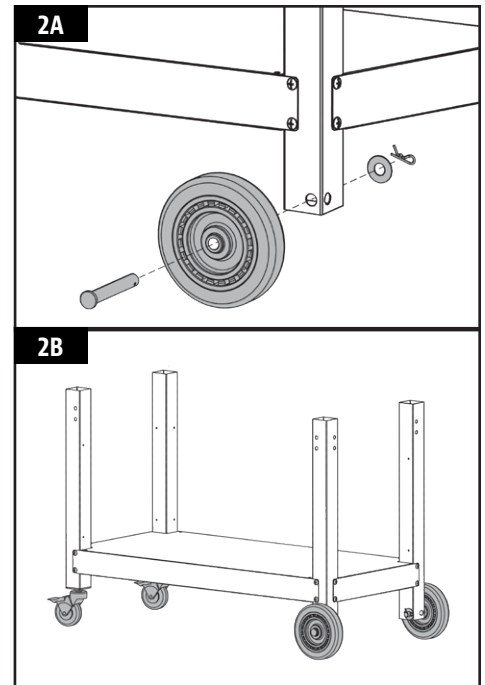
2. MONTER LES ROUES DU CHARIOT

Pièces nécessaires :

- 2 x Roulette verrouillable (#13)
- 2 x Roue (#14)
- 2 x Goupille de l'essieu des roues (#B)
- 2 x Rondelle de l'essieu des roues (#A)
- 2 x Goupille fendue de la roue (#C)

Installation :

- Fixez la roue au pied de support long en insérant la goupille de l'essieu des roues à travers la roue, le pied de support long, la rondelle de l'essieu des roues, puis fixez le tout en utilisant la goupille fendue de la roue. Référez-vous à l'illustration 2A. Suivez les mêmes instructions pour l'installation de l'autre roue.
- Installez chaque roulette verrouillable dans le bas de chaque pied de support court en la serrant à la main dans le trou. Vérifiez que la roulette verrouillable est bien insérée complètement.
- Une fois toutes les roues assemblées, les deux roulettes verrouillables devraient être du même côté et les deux pieds de support avec les roues devraient se trouver sur l'extrémité opposée. Référez-vous à l'illustration 2B.



3. INSTALLER LE BARIL SUR LE CHARIOT

Pièces nécessaires :

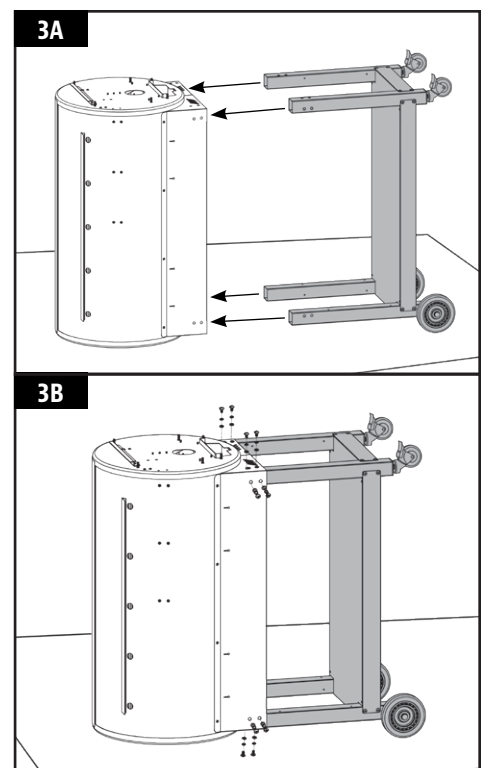
- 1 x Baril principal (#8)
- 16 x Vis (#D)
- 16 x Rondelle (#E)
- 16 x Rondelle de blocage (#F)

Installation :

- Posez le baril principal sur le côté, la trémie pointant vers le haut, sur le carton. Assurez-vous que les pieds de support avec les roulettes verrouillables sont dirigés vers le haut, du même côté que la trémie. Référez-vous à l'illustration 3A.
- Insérez le chariot assemblé dans l'attelle du baril principal et fixez chaque pied à l'attelle à l'aide de quatre rondelles, rondelles de blocage et vis. Répétez la même installation pour les trois autres pieds de support. Référez-vous à l'illustration 3B. Pour faciliter l'installation du côté final, retournez soigneusement le gril afin qu'il soit allongé sur le dos pour fixer les quatre dernières vis à l'attelle du baril principal.
- Une fois le chariot fixé au baril principal, remplacez le gril sur son côté (avec l'extrémité de la trémie dirigée vers le haut) puis soulevez soigneusement le gril en position verticale avec les roulettes situées en bas.

IMPORTANT : Verrouillez les roulettes avant de soulever le gril en position verticale.

REMARQUE : Si deux personnes montent l'appareil, le baril principal peut être soulevé sur le chariot à la verticale pour effectuer la fixation. Soulever soigneusement pour éviter toute blessure..



4. MONTAGE DE LA TRÉMIE AU BARIL PRINCIPAL

Pièces nécessaires :

- 1 x Assemblage de la trémie (#5)
- 6 x Vis de la trémie (#H)
- 2 x Vis (#D)
- 8 x Rondelle (#E)
- 8 x Rondelle de blocage (#F)

Installation :

- Placez la trémie sur le sol à côté du baril du grill, prêt pour l'installation. Sur le côté exposé de la trémie, localisez les fils de la sonde du grill collés sur l'extérieur de la trémie. Retirez le ruban et laissez les fils de la sonde du grill pendre du trou. Référez-vous à l'illustration 4A.

REMARQUE : Localisez l'allumeur et insérez-le complètement dans l'ouverture située au bas de la trémie car il sera installé lors de la prochaine étape.

- Soulevez la trémie du sol et, avec votre pied reposant sur l'étagère inférieure, soutenez/contrebalancez soigneusement la trémie sur votre genou. Branchez fermement les fils argentés de la sonde de température du grill (sur le baril principal) aux cosses rectangulaires de la trémie. Une fois les fils connectés, repliez tous les câbles en excès dans la trémie.

IMPORTANT : Assurez-vous que tous les câbles en excès sont bien repliés dans le trou de sortie. Ne placez pas les fils près des hélices du ventilateur, du tube de la vis d'alimentation ou de l'allumeur.

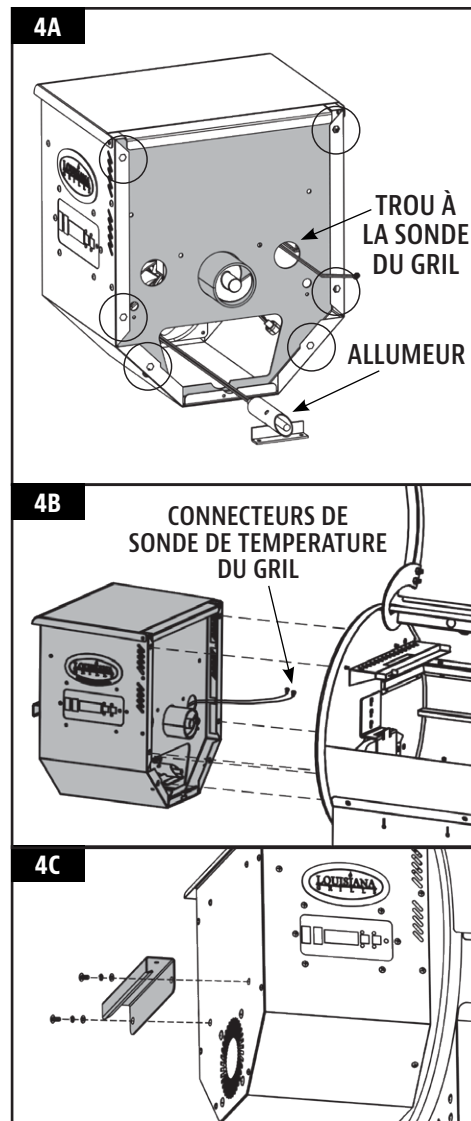
- Soulevez soigneusement la trémie, avec les fils de la sonde du grill qui sont connectés, et insérez le tube d'alimentation de la vis d'alimentation dans le trou de la vis d'alimentation situé sur le baril principal. Soulevez légèrement la trémie et déposez-la sur le rebord de fixation du baril principal. Référez-vous à l'illustration 4B.

REMARQUE : Si les trous de la vis d'alimentation ne s'alignent pas, il est possible que la trémie doive être délicatement poussée vers le bas afin d'être complètement maintenue en place.

- Fixez l'assemblage de la trémie au baril principal, depuis l'intérieur du baril, à l'aide de six rondelles, rondelles de verrouillage et vis de la trémie.

REMARQUE : Veillez à ne pas trop serrer pour éviter de dévisser les vis.

- Fixez la poignée de la trémie sur le côté de la trémie à l'aide de deux rondelles, rondelles de blocage et vis. Référez-vous à l'illustration 4C.



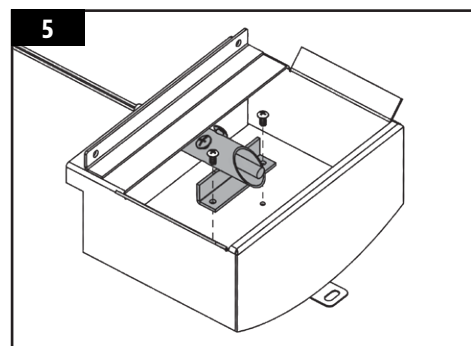
5. FIXER L'ALLUMEUR AU POT DE COMBUSTION

Pièces nécessaires :

- 2 x Vis d'allumeur (#G)

Installation :

- De l'intérieur du baril principal, insérez votre main dans le pot de combustion jusqu'au fond de la trémie et tirez soigneusement l'allumeur vers l'avant dans le pot de combustion. Alignez les trous du support de l'allumeur aux trous situés au bas du pot de combustion. Fixez le support de l'allumeur à l'aide de deux vis.



IMPORTANT : Les trous pour les deux vis doivent être auto-taraudés, car ils ne sont pas préfiletés. Le cas échéant, utilisez soigneusement une perceuse pour commencer, puis terminez le serrage à la main à l'aide d'un tournevis.

REMARQUE : Veillez à ne pas trop serrer pour éviter de dévisser les vis.

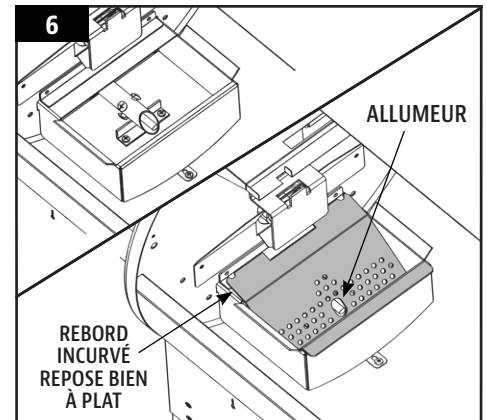
6. PLACER LA GRILLE DE COMBUSTION

Pièces nécessaires :

1 x Grille de combustion (#7)

Installation :

- Le placement et l'entretien de la grille de combustion sont essentiels au bon fonctionnement de l'appareil. Insérez la grille de combustion dans le pot de combustion. Le trou situé dans la grille de combustion devrait être aligné et ouvert pour que l'allumeur puisse allumer les granules. Pour vérifier que le positionnement est correct, assurez-vous que le rebord incurvé de la grille de combustion affleure la partie supérieure du pot de combustion et que côté denté repose bien à plat sous le déflecteur de carburant.



7. INSTALLER LES COMPOSANTS DE CUISSON

Pièces nécessaires :

3 x Grilles de cuisson (#2)

1 x Grille de cuisson supérieure (#1)

1 x Plaque principale du grilloir à flamme (#4)

1 x Glissière du grilloir à flamme (#3)

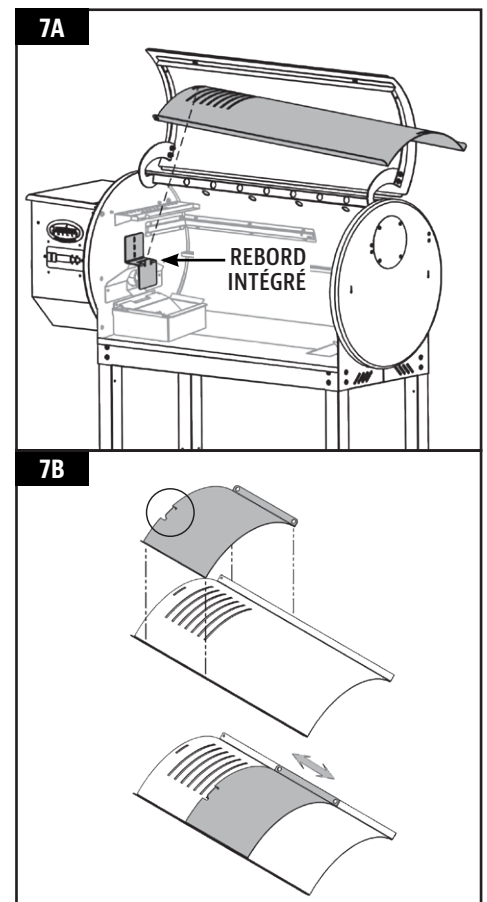
Installation :

- Insérez la plaque principale du grilloir à flamme dans le baril du gril. Reposez la plaque principale du grilloir à flamme sur le rebord intégré (à l'intérieur à droite) du gril principal qui dirige la graisse vers le seau à graisse. Faites glisser la pièce entière sur le côté gauche, et le plateau se fixera à la languette soulevée au-dessus de la grille de combustion. Référez-vous à l'illustration 7A. La plaque principale du grilloir à flamme sert à distribuer la chaleur de manière égale.
- Placez la glissière du grilloir à flamme sur la plaque principale du grilloir à flamme, couvrant les ouvertures à fentes. Assurez-vous que la patte surélevée est sur la gauche, pour ajuster facilement les flammes directes ou indirectes lors de la cuisson. Référez-vous à l'illustration 7B. Les deux pièces du grilloir à flamme sont légèrement revêtues d'huile afin d'éviter la rouille lors de l'expédition.

REMARQUE : Lorsque la glissière du grilloir à flamme est ouverte, et que la flamme directe est utilisée pendant la cuisson, ne laissez pas le gril sans surveillance pendant une période quelconque.

- Placez les grilles de cuisson, côte à côte, sur le rebord de la grille à l'intérieur du baril principal. Placez la grille de cuisson supérieure sur le rebord supérieur à l'intérieur du baril principal, en la fixant en position avancée ou rentrée.

REMARQUE : Pour maintenir les performances abrasives et de grillage de vos grilles de cuisson, des soins et un entretien régulier sont nécessaires.



8. FIXER LA POIGNÉE DU COUVERCLE

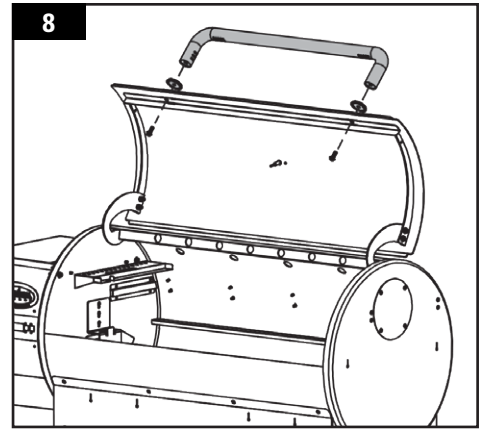
Pièces nécessaires :

- 1 x Poignée de couvercle (#11)
- 2 x Cadran de la poignée du couvercle (#12)
- 2 x Vis de la poignée du couvercle (#1)

Installation :

- De l'intérieur du couvercle du baril, insérez une vis pour la faire sortir vers l'extérieur. Ajoutez un cadran sur la vis, puis serrez à la main la vis (de l'intérieur) dans la poignée du couvercle. Répétez cette étape pour l'autre extrémité de la poignée du couvercle.

REMARQUE : Évitez de trop serrer les vis. Seul un ajustement parfait est nécessaire.



9. PLACER LE SEAU À GRAISSE

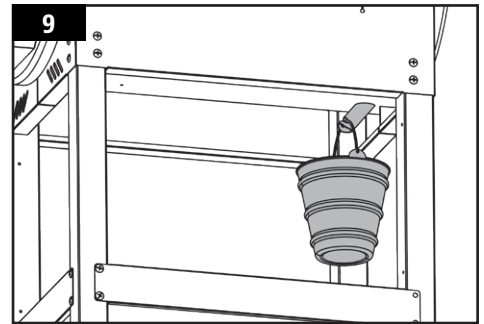
Pièces nécessaires :

- 1 x Seau à graisse (#15)

Installation :

- Placez le seau à graisse sur le crochet sur la partie inférieure du baril principal. Assurez-vous qu'il soit à niveau pour éviter les déversements de graisse.

IMPORTANT : Enlevez le seau à graisse avant de déplacer l'appareil afin d'éviter les déversements accidentels.



10. BRANCHER À UNE SOURCE D'ALIMENTATION

• PRISE STANDARD

Cet appareil nécessite une tension de 110 Volts, 60 Hz, 375 W, 5 ampères. Il doit utiliser une fiche avec mise à la terre à 3 broches. Assurez-vous que la mise à la terre n'est pas rompue. Le contrôle utilise un fusible à action rapide de 5 ampères et 120 volts pour protéger le panneau de l'allumeur.

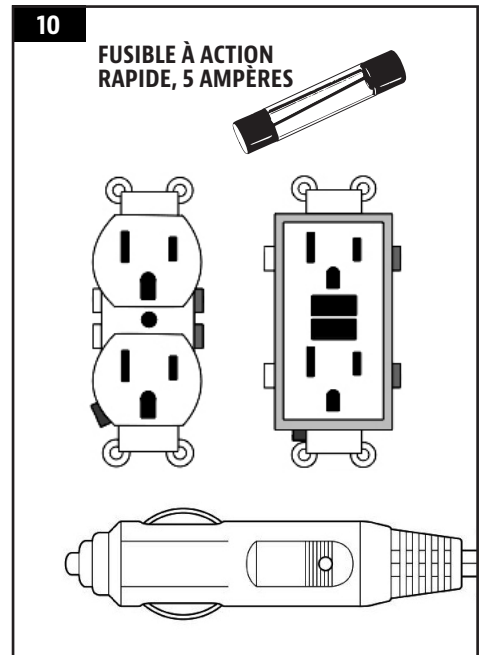
• LES PRISES DDFT (DISJONCTEURS-DÉTECTEURS DE FUITES À LA TERRE)

Cet appareil fonctionne sur la plupart des prises DDFT, avec une sensibilité recommandée de 15 ampères. Si la prise DDFT est très sensible aux surtensions, elle sera probablement touchée par un court-circuit pendant la phase d'allumage. Pendant la phase d'allumage, l'allumeur nécessite entre 300 et 700 watts de puissance, ce qui peut représenter trop de puissance pour une prise DDFT. À chaque fois qu'une prise DDFT est court-circuitée, sa sensibilité augmente. Si le DDFT continue de sauter, remplacez la prise ou passez à une prise non DDFT.

• SUR LA ROUTE

Débranchez l'allumeur du faisceau de câbles principal. Utilisez la procédure de démarrage manuelle. L'appareil peut fonctionner en utilisant un **onduleur positif** de 12 volts et 100 watts branché sur votre prise automobile. Pour utiliser l'allumeur automatique, on vous recommande d'utiliser un **onduleur positif** d'au moins 1000 watts.

IMPORTANT : Débranchez l'appareil de la source d'alimentation lorsqu'elle ne sert pas.



INSTRUCTIONS D'UTILISATION

Avec notre style de vie d'aujourd'hui et l'envie de vivre et de manger sainement, l'un des facteurs importants à considérer est la nécessité de réduire nos apports en matières grasses. L'une des meilleures façons de réduire les graisses dans votre régime alimentaire est d'utiliser une méthode de cuisson faible en matières grasses, tel que le grill. Comme un grill à granulés utilise des granulés de bois naturels, les viandes sont cuites avec une saveur de fumée de bois, ce qui réduit le besoin de sauces à haute teneur en sucre.

ENVIRONNEMENT DU GRIL

1. OÙ INSTALLER LE GRILL

Avec tous les appareils extérieurs, les conditions météorologiques extérieures jouent un rôle important dans la performance de votre grill et le temps de cuisson nécessaire pour parfaire vos repas. L'appareil Louisiana Grills, en raison de sa construction à une paroi, devrait être considérée comme un grill de trois saisons, selon votre lieu de résidence. Les conditions de froid extrême peuvent influencer la sortie de température maximale.

Toutes les appareils Louisiana Grills devraient garder un dégagement minimum de 457 mm (17,9 pouces) des constructions combustibles, et cette distance doit être maintenue pendant la cuisson. Pour aider votre grill à obtenir la bonne sortie de température en toute efficacité, conserver son isolation thermique et durée de récupération de la chaleur lorsque le couvercle est ouvert, il est recommandé de protéger votre appareil contre le vent. De plus, vous obtiendrez un meilleur contrôle et une meilleure sortie des températures en ajustant le positionnement de votre grill en le faisant tourner d'un quart de tour - ce qui permettra d'éloigner les trous d'évacuation de l'air (trous d'aération) du vent.

2. CUISINER PAR TEMPS FROIDS

Lorsqu'il commence à faire plus frais à l'extérieur, cela ne signifie pas que la saison des grillades est terminée! L'air frais et l'arôme divin des aliments fumés aideront à guérir votre blues d'hiver.

Suivez ces suggestions sur la façon de profiter de votre grill pendant les mois les plus frais :

- Si le fumage à basse température échoue, augmentez légèrement la température pour obtenir les mêmes résultats.
- Organisez – Préparez tout ce dont vous avez besoin dans la cuisine avant de vous diriger à l'extérieur. Pendant l'hiver, déplacez votre grill dans un endroit protégé du vent et du froid. Vérifiez les règlements locaux concernant la proximité de votre grill par rapport à votre maison et/ou autres constructions. Mettez tout ce dont vous avez besoin sur un plateau, emballez et lancez-vous!
- Pour suivre la température extérieure, placez un thermomètre extérieur près de votre zone de cuisson. Gardez un journal ou un historique de ce que vous avez préparé, de la température extérieure et du temps de cuisson. Cela sera utile plus tard pour vous aider à déterminer ce qu'il faut cuisiner et combien de temps cela prendra.
- Par temps très froid, augmentez votre temps de préchauffage d'au moins 20 minutes.
- Évitez de soulever le couvercle du grill plus que nécessaire. Les rafales de vents froids peuvent refroidir complètement la température de votre grill. Soyez souple quant au moment de servir; ajoutez environ 10 à 15 minutes de plus à la cuisson à chaque fois que vous ouvrez le couvercle.
- Ayez un plateau chauffé ou un couvercle de plat prêt à garder votre nourriture au chaud tout en faisant le voyage à l'intérieur.
- Les aliments idéaux pour la cuisine d'hiver sont ceux qui nécessitent peu d'attention, comme les rôtis, les poulets entiers, les côtes et la dinde. Rendez votre préparation de repas encore plus facile en ajoutant des éléments simples comme les légumes et les pommes de terre.

3. CUISINER PAR TEMPS CHAUDS

À mesure qu'il fait plus chaud à l'extérieur, le temps de cuisson diminue.

Suivez ces suggestions sur la façon de profiter de votre grill pendant les mois chauds :

- Ajustez à la baisse vos températures de cuisson. Cela permet d'éviter les poussées indésirables.
- Utilisez un thermomètre à viande pour déterminer la température interne de vos aliments. Ceci permet d'éviter que votre viande ne soit trop cuite ou se dessèche.

- Même par temps chaud, c'est mieux de cuisiner en gardant le couvercle de votre grill baissé.
- Vous pouvez garder vos aliments chauds au chaud en les enveloppant dans du papier aluminium et en les plaçant dans une glacière isolée. Placez du papier journal froissé autour du papier aluminium et cela tiendra la nourriture chaude pendant 3 à 4 heures.

GAMMES DE TEMPÉRATURE DU GRIL

L'affichage de la température sur le panneau de contrôle peut ne pas coïncider exactement avec le thermomètre en dôme. Toutes les températures indiquées ci-dessous sont approximatives et sont affectées par les facteurs suivants : la température ambiante extérieure, la quantité et la direction du vent, la qualité du combustible à granulés utilisé, le couvercle ouvert et la quantité de nourriture en cours de cuisson.

- **TEMPÉRATURES ÉLEVÉES (205-315 °C / 401-599 °F)**

Cette gamme est de préférence utilisée pour sécher et griller à haute température. Utiliser en tandem avec le grilloir à flamme (plateau latéral) pour une cuisson indirecte ou directe à la flamme. Lorsque **le grilloir à flamme est ouvert**, la flamme directe est utilisée pour créer des steaks « bleu » ainsi que des légumes à la flamme, des toasts à l'ail ou bien d'autres préparations! Lorsque **le grilloir à flamme est fermé**, l'air circule autour du baril ce qui conduit à une chaleur de convection. La température élevée est également utilisée pour préchauffer votre grill, brûler les grilles de cuisson et obtenir un feu vif par froid extrême.

- **TEMPÉRATURE MOYENNE (135-180 °C / 275-356 °F)**

Cette gamme est idéale pour cuire au four, rôtir et terminer votre création à fumaison lente. La cuisson à ces températures réduira considérablement les risques de poussée de graisse. Assurez-vous que la glissière du grilloir à flamme est en position fermée, couvrant les ouvertures à fente. Excellente gamme pour cuisiner n'importe quoi enveloppé dans du bacon, ou si vous voulez une polyvalence avec contrôle.

- **BASSE TEMPÉRATURE (80-125 °C / 176-257 °F)**

Cette gamme permet rôtir lentement, d'augmenter la saveur fumée et de garder les aliments au chaud. Infusez plus de saveur fumée et gardez vos viandes juteuses en cuisinant plus longtemps à une température plus basse (également connu sous le nom de **faible et lent**). Hautement recommandé pour la grande dinde de Thanksgiving, jambon juteux à Pâques, ou l'immense fête de Noël. Le fumage est une variation de vrai barbecue et est vraiment le premier avantage de la cuisson sur un grill à granulés de bois.

- Le **fumage à chaud**, un autre nom pour la cuisson **faible et lente**, se fait généralement à 80-125 °C / 176-257 °F. Le fumage à chaud fonctionne mieux lorsqu'un temps de cuisson plus long est nécessaire, comme pour les grandes coupes de viande, de poisson ou de volaille.

CONSEIL : Pour intensifier cette saveur salée, passez à la température de fumée (basse) immédiatement après avoir préchauffé votre grill. Cela permet à la fumée de pénétrer dans les viandes..

La clé consiste à expérimenter le temps que vous autorisez à fumer, avant que le repas ne soit cuit. Certains chefs de plein air préfèrent fumer à la fin d'une cuisson, ce qui permet à la nourriture de rester au chaud jusqu'à ce qu'elle soit prête à être servie. La pratique rend parfaitement!

COMPRENDRE LE DÉBIT D'AIR ET LE SYSTÈME D'ALIMENTATION DE LA VIS D'ALIMENTATION

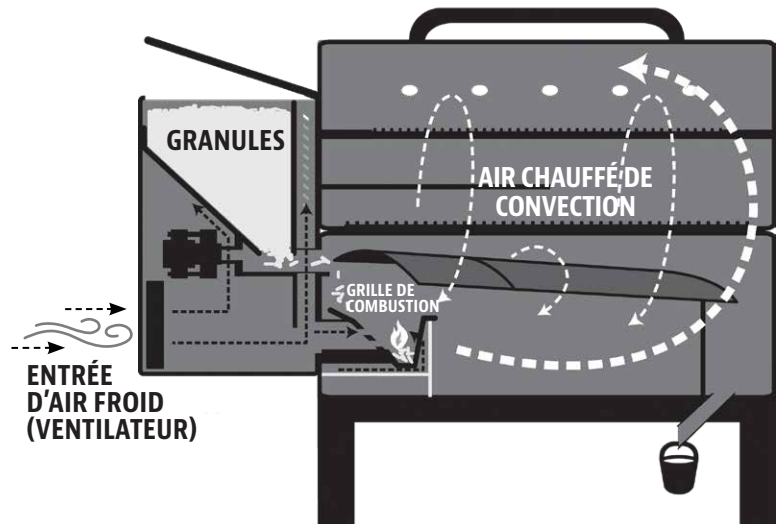
Le coeur de votre gril repose sur la relation qui existe entre le débit d'air par convection forcée à l'aide d'un ventilateur et la fonction du système d'alimentation de la vis d'alimentation. Le ventilateur de combustion/refroidissement souffle l'air à travers le système, permettant à l'air chaud de l'allumeur d'allumer les granules et de brûler dans la grille de combustion. Le système d'alimentation de la vis d'alimentation continuera à se mettre en marche et s'arrêter, ce qui permettra d'alimenter les granules dans la grille de combustion.

Pour vous assurer que les trous d'air de combustion (le débit d'air) de la grille de combustion ne sont pas bloqués, il est essentiel de bien entretenir et nettoyer cette zone. Si le gril n'atteint pas la température souhaitée, inspectez-le pour vous assurer que les trous d'air de combustion sont dégagés.

CONSEIL : Le gril peut fonctionner en toute efficacité pendant de longues périodes de temps aussi longtemps qu'il y a une quantité suffisante de carburant sec, un bon débit d'air et que les composantes de cuisson sont propres.

La conception unique du système de ventilation d'air Louisiana Grills achemine également la majorité des cendres volantes vers le fond du baril tout en permettant à l'air chaud forcé par le ventilateur de circuler autour du baril, produisant ainsi un effet de cuisson à convection.

Ce type de ventilation d'air permet l'utilisation de plusieurs qualités de granules tout en réduisant l'éventualité d'un blocage du carburant dans le système d'alimentation de la vis d'alimentation.



COMPRENDRE LE PANNEAU DE COMMANDE NUMÉRIQUE

Ce contrôle de type PID (proportionnel intégral dérivé) est similaire à celui que vous avez sur votre four de cuisine. Les principaux avantages sont la capacité à compenser automatiquement les différentes conditions ambiantes et types de carburants.

IMPORTANT : La température à l'intérieur des grils variera considérablement selon l'endroit. Même les instruments calibrés ensemble ne seront pas toujours en harmonie.



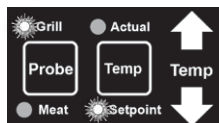
CONTRÔLE	DESCRIPTION
	Appuyez sur le bouton d’Alimentation pour allumer l’appareil, ce qui débutera le cycle de démarrage automatique. Également utilisé pour éteindre l’appareil, en activant le cycle de refroidissement.
	Appuyez sur le bouton Prime et maintenez-le appuyé afin d’activer une alimentation supplémentaire de granules dans la grille de combustion. Ceci peut être utilisé pour ajouter plus de carburant juste avant d’ouvrir le couvercle du baril, permettant ainsi d’obtenir un temps de récupération de la chaleur plus rapide. Ceci peut également être utilisé lors du fumage pour augmenter l’intensité du goût de fumé.
	Les flèches de réglage des températures vous permettent de configurer la température de fumage de votre choix. En appuyant sur les flèches ASCENDANTES ou DESCENDANTES, la température affichée à l’écran DEL peut être réglée par paliers de 5 degrés. La température peut être réglée au minimum à 82°C / 180°F, et au maximum à 315°C / 600°F. Également utilisé pour régler la température de la sonde thermique de votre choix.
	L’écran DEL sert de centre d’information pour votre appareil. L’écran DEL affichera la température de cuisson de votre choix (Consigne), la température de cuisson réelle, la température de la sonde thermique (si branchée) et tous les messages d’erreur. Les températures peuvent être affichées soit en Fahrenheit, soit en Celsius.
	Appuyez sur le bouton Température qui se trouve sur le Centre de commande numérique pour afficher la température RÉELLE ou la température de CONSIGNE sur l’écran DEL. La petite lumière DEL située à côté des réglages est utilisée pour indiquer la température qui est présentement affichée.
	Appuyez sur le bouton Sonde qui se trouve sur le Centre de commande numérique pour afficher la température du GRIL ou la température de la sonde THERMIQUE sur l’écran DEL. La petite lumière DEL située à côté des réglages est utilisée pour indiquer la température de la sonde qui est présentement affichée.
	Le port de connexion de module d’extension situé à l’avant du Centre de commande numérique sert à brancher une Sonde thermique . Lorsque la sonde thermique est connectée, la température s’affiche sur l’écran DEL. Lorsqu’elle ne sert pas, débranchez la sonde thermique du port de connexion. <i>Comprend une (1) sonde thermique. Uniquement compatible avec les sondes thermiques de la marque Louisiana Grills.</i> 

COMPRENDRE LES SONDES

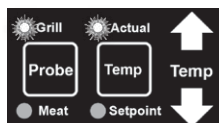
• *SONDE DU GRIL*

La sonde du gril mesure la température interne du gril principal. Lorsque la température du gril est réglée, la sonde du gril lira la température réelle (actuelle) à l'intérieur du gril afin de l'ajuster à la température souhaitée.

IMPORTANT : La température de votre appareil dépend grandement des conditions climatiques extérieures, de la qualité des granules utilisées et de la quantité d'aliments qui sont cuisinés.



Pour régler la température de consigne du gril (SETPOINT), appuyez sur le **bouton SONDE (PROBE)** pour indiquer que la température de la sonde du gril (GRILL) est actuellement affichée. Appuyez sur le **bouton TEMP** pour indiquer que la température de consigne (SETPOINT) a été sélectionnée, puis appuyez sur les **flèches de réglage des températures ASCENDANTES** et **DESCENDANTES**, par incrément de cinq degrés pour obtenir la température de votre choix.

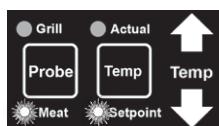


Pour afficher la température réelle du gril (ACTUAL), appuyez sur le **bouton SONDE (PROBE)** pour indiquer que la température de la sonde du gril (GRILL) est actuellement affichée. Appuyez sur le **bouton TEMP** pour indiquer que la température réelle (ACTUAL) a été sélectionnée et est affichée sur l'écran DEL.

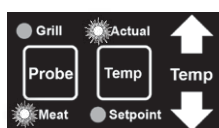
• *SONDE THERMIQUE (PROGRAMMABLE)*

La sonde thermique mesure la température interne de votre viande sur le gril. Branchez l'adaptateur au port de connexion de la sonde thermique et insérez la sonde thermique en acier inoxydable dans la portion la plus épaisse de votre viande. Ceci vous permettra de cuire la viande à la température de votre choix ainsi que de réduire la température de votre gril pour qu'elle soit basse (82°C / 180°F) et puisse garder vos aliments au chaud jusqu'à ce que vous soyez prêt à les servir. Il vous suffit simplement de la régler puis de vous détendre pendant que la sonde s'occupe du reste!

REMARQUE : Lorsque vous placez la sonde thermique dans votre viande, assurez-vous que la sonde thermique et les fils de la sonde n'entrent pas en contact direct avec les flammes ou l'excès de chaleur. Ceci pourrait endommager votre sonde thermique. Faites passer les câbles à travers les trous d'échappement arrière du gril principal, la partie supérieure du gril principal (à côté de la charnière du couvercle du gril) ou à travers le trou avant situé près de la trémie. Lorsqu'elle ne sert pas, débranchez-la du port de connexion de la sonde thermique et placez-la dans les trous situés sur la poignée de la trémie pour la maintenir propre et protégée.



Pour régler la température de consigne (SETPOINT) de la sonde thermique, appuyez sur le **bouton SONDE (PROBE)** pour indiquer que la température de la sonde thermique (MEAT) est actuellement affichée. Appuyez sur le **bouton TEMP** pour indiquer que la température de consigne (SETPOINT) a été sélectionnée, puis appuyez sur les **flèches de réglage des températures ASCENDANTES** et **DESCENDANTES**, par incrément de cinq degrés pour obtenir la température de la sonde (MEAT) de votre choix.



Pour afficher la température réelle (ACTUAL) de la sonde thermique, appuyez sur le **bouton SONDE (PROBE)** pour indiquer que la température de la sonde thermique (MEAT) est actuellement affichée. Appuyez sur le **bouton TEMP** pour indiquer que la température réelle (ACTUAL) a été sélectionnée et est affichée sur l'écran DEL.

CONSEIL : Selon le temps pendant lequel vous serez absent du gril, réglez votre température souhaitée 10 à 15 degrés en-dessous de votre choix, car la température des aliments continueront à s'accroître lors du refroidissement du gril et ralentira ensuite pour atteindre la température la plus basse. Vérifiez qu'il est bien inséré dans le module, vous entendrez et sentirez un clic quand il sera en position.

PROCÉDURE DE CONFIGURATION

Ces instructions devraient être suivies la première fois que le gril est allumé (après avoir brûlé le gril) après plusieurs utilisations afin d'assurer un bon allumage:

1. Retirez tous les composants de cuisson et la grille de combustion de l'intérieur du gril. Inspectez le pot de combustion pour vérifier qu'il n'y a pas de débris. Ouvrez le couvercle de la trémie. Veillez à ce qu'il n'y ait pas d'objets étrangers dans le système d'alimentation de la vis d'alimentation ou la trémie.
2. Remplacez la grille de combustion dans le pot de combustion. Assurez-vous que le trou de la grille de combustion fait face à l'allumeur pour allumer les granules et le rebord de la grille de combustion devrait être aligné à la partie supérieure du pot de combustion.
3. Réinstallez les composants de cuisson à l'intérieur du gril. Le gril est maintenant prêt à l'emploi

PREMIÈRE UTILISATION – GRIL « BURN OFF »

Avant de cuisiner sur votre gril pour la première fois, il est important de compléter un « burn off » du gril. Démarrez le gril et faites le fonctionner à feu vif (plus de 233 ° C / 451 ° F) avec le couvercle fermé pendant 30 à 40 minutes pour brûler le gril et le débarrasser de toute matière étrangère.

PRÉCHAUFFAGE

Il est extrêmement important de laisser votre gril préchauffer avant de débuter la cuisson. Cela permet au gril et aux grilles de cuisson de chauffer plus rapidement, de tuer les bactéries et d'autres agents pathogènes restants des dernières séances de gril, et le gril est alors en mesure de maintenir sa température de cuisson une fois que vos aliments sont placés dans la zone de cuisson. Préchauffer avec le couvercle fermé.

IMPORTANT : La température ambiante extérieure, les conditions météorologiques et la qualité des granulés de bois affecteront votre température de cuisson. Observez le temps nécessaire pour atteindre la température désirée et ajustez le temps de cuisson au besoin.

PROCÉDURE DE DÉMARRAGE AUTOMATIQUE

1. Branchez le cordon d'alimentation dans une source d'alimentation mise à la terre. Ouvrez le couvercle du baril principal. Vérifiez la grille de combustion pour s'assurer qu'il n'y a pas d'obstruction pour un allumage correct. Ouvrez le couvercle de la trémie. Veillez à ce qu'il n'y ait pas d'objets étrangers dans la trémie ou le système d'alimentation. Remplissez la trémie de granules de bois dur pour bbq sèches et 100 % naturelles.
2. En gardant le couvercle du baril fermé, allumez l'appareil en appuyant sur **le bouton d'alimentation**. Ceci activera **le cycle de démarrage** : le système d'alimentation commencera à fonctionner, le ventilateur démarrera et l'allumeur commencera à devenir chaud. Votre gril commencera à produire de la fumée pendant que le cycle de mise en marche se déroule. Les granules s'enflamment une fois que la fumée s'est dissipée. Le cycle de démarrage dure jusqu'à ce que l'appareil atteigne une température minimale de 65°C / 150°F ou l'allumeur soit interrompu (10 minutes).
3. Préchauffez votre gril. Appuyez sur **le bouton TEMP** pour indiquer que la température de consigne est affichée, puis appuyez sur **les flèches de réglage des températures** pour régler la température à un minimum de 121°C / 250°F pendant 20 minutes.
4. Une fois que le préchauffage aura été complété, configurez la température de cuisson que vous souhaitez!

REMARQUE : Quand vous réduisez la température que vous souhaitez à un réglage plus bas, il est fortement recommandé de soulever le couvercle du gril jusqu'à ce que la température réelle se rapproche de votre température souhaitée.

PROCÉDURE DE DÉFAILLANCE DE L'ALLUMEUR

Si, pour une raison quelconque, votre allumeur électrique échoue, vérifiez les étapes suivantes ou allumez votre gril en utilisant la méthode manuelle.

1. Ouvrez le couvercle du baril. Retirez les composants de cuisson de l'intérieur du baril principal. Enlevez tous les granulés non brûlés et les cendres de la grille de combustion et remettez dans la bonne position. Évitez de toucher l'allumeur pour éviter les blessures, car il sera extrêmement chaud.
2. Après avoir enlevé et nettoyé les composantes de cuisson, appuyez sur le **bouton d'alimentation** pour allumer l'appareil. Vérifiez ce qui suit :
 - Confirmez visuellement que l'allumeur fonctionne en plaçant votre main au-dessus de la grille de combustion et en sentant s'il émet de la chaleur.
 - Confirmez visuellement que l'allumeur est aligné au trou dans la grille de combustion et ouvrez-le pour allumer les granules.
 - Confirmez visuellement que la vis d'alimentation largue des granulés dans la grille de combustion.
 - Confirmez que le ventilateur de combustion fonctionne en plaçant votre main au-dessus de la grille de combustion et en sentant s'il émet de la chaleur.
3. Si l'un des points ci-dessus ne fonctionne pas, suivez les *instructions de dépannage*.

PROCÉDURE DE DÉMARRAGE MANUELLE

1. Branchez le cordon d'alimentation dans une source d'alimentation mise à la terre. Ouvrez le couvercle de la trémie. Veillez à ce qu'il n'y ait pas d'objets étrangers dans la trémie ou le système d'alimentation. Remplissez la trémie de granules de bois dur pour bbq sèches et 100 % naturelles.
2. Ouvrez le couvercle du baril principal. Retirez les composants de cuisson pour exposer le grille de combustion. Vérifiez la grille de combustion pour vous assurer qu'il n'y a pas d'obstruction pour un allumage correct et qu'elle est placée correctement. Déposez (deux) 2 poignées généreuses de granules dans la grille de combustion. Jetez un démarreur à froid gélifié, ou un autre démarreur approprié, sur le dessus des granulés. Une petite quantité d'allume feu de combustibles solides, comme par exemple composé de sciure de bois et de cire, ou des copeaux de bois, est également appropriée. Ajoutez une autre petite quantité de granulés sur le grille de combustion.

IMPORTANT : NE PAS utiliser d'alcool, d'essence, de pétrole, d'essence à briquet ou du kérosène pour allumer ou faire reprendre un feu dans votre gril. Ne jamais essayer d'ajouter plus d'allume-feu dans un feu alors qu'il est déjà en train de brûler ou dans une grille de combustion chaude. Ceci peut provoquer des blessures.

3. Allumez le contenu de la grille de combustion à l'aide d'une longue allumette ou d'un briquet à nez long. Laissez l'allume-feu brûler pendant 3 à 5 minutes. N'essayez pas d'ajouter plus d'allume-feux dans la grille de combustion. Ceci peut provoquer des blessures.
4. Remplacez rapidement et soigneusement les composants de cuisson à l'intérieur du gril puis fermez le couvercle du gril. Continuez le démarrage en suivant les étapes deux à quatre de la *procédure de démarrage automatique*.

ÉTEINDRE VOTRE GRIL

1. Fermez le couvercle du baril principal lorsque vous aurez fini de cuisiner. Laissez votre gril fonctionner pendant cinq à dix minutes afin qu'il puisse recourir à sa méthode naturelle de nettoyage. Si vous venez de préparer des aliments très gras, laissez le gril continuer à cuire pendant dix minutes de plus. Cela réduira les risques de feu de graisse lors du prochain démarrage.
2. Une fois la procédure de brûlure des débris complétée, gardez le couvercle du baril principal fermé et appuyez sur le **bouton d'alimentation** pour éteindre l'appareil. Cela active le cycle de refroidissement automatique. Le système d'alimentation arrêtera d'alimenter en combustible, la flamme s'éteindra et le ventilateur continuera à fonctionner jusqu'à ce que le *cycle de refroidissement* soit terminé. Quand le cycle sera terminé, le ventilateur s'éteindra.

ENTRETIEN ET MAINTENANCE

Votre appareil Louisiana Grills vous servira fidèlement pendant de longues années tout en minimisant les efforts de nettoyage. Une étape importante est de laisser le gril et les grilles de cuisson s'auto-nettoyer en allumant le gril à une température élevée opérant 5 à 10 minutes après chaque utilisation. Suivez ces conseils de nettoyage et d'entretien pour réviser votre gril :

1. ASSEMBLAGE DE LA TRÉMIE

- Les vérifications rapides des pièces garantissent le bon fonctionnement de tous les composants électriques de la trémie. Une fois le panneau d'accès de la trémie retiré (voir **Diagramme des fils électriques** pour le schéma), confirmez que l'allumeur est exempt de débris et blocages. Vérifiez également que les quatre vis de blocage sont bien serrées, qu'elle garde l'allumeur bien droit et centré dans le boîtier en acier inoxydable..
- Effectuez une vérification et nettoyez les débris dans les bouches d'aération du ventilateur, situés sur les côtés avants et arrières extérieurs de la trémie. Essayez soigneusement toute accumulation de graisse directement sur les pales du ventilateur. Cela garantit que le flux d'air est suffisant pour le système d'alimentation.

2. SONDÉS

- Tout noeud ou pli des fils de la sonde peuvent endommager la pièce. Les fils devraient être enroulés dans une grande bobine desserrée.
- Bien que les sondes soient en acier inoxydable, ne les mettez pas dans le lave-vaisselle, ou dans l'eau. Les dommages causés par l'eau aux fils internes entraîneront un court-circuit de la sonde, créant une lecture erronée. Si une sonde est endommagée, elle devrait être remplacée.

3. SURFACES INTERNES

- Il est recommandé de nettoyer votre grille de combustion après chaque utilisation. Cela assurera un allumage correct et évitera toute accumulation de débris ou de cendres dans le pot de combustion.
- Utilisez une brosse de nettoyage à gril à long manche et retirez tout aliment ou accumulation des grilles de cuisson. La meilleure pratique est de faire cela alors qu'elles sont encore chaudes d'une précédente cuisson. Les feux de graisse sont causés par trop de débris tombés sur les composants de cuisson du gril. Nettoyez l'intérieur de votre gril de façon régulière. Dans le cas où vous êtes confronté à un feu de graisse, gardez le couvercle du gril fermé pour étouffer l'incendie. Si l'incendie ne s'éteint pas rapidement, retirez soigneusement les aliments, éteignez le gril et fermez le couvercle jusqu'à ce que le feu soit complètement éteint. Saupoudrez légèrement de bicarbonate de soude, si disponible.
- Vérifiez souvent votre seau à graisse et nettoyez-le si nécessaire. Gardez à l'esprit le type de cuisson que vous faites.

IMPORTANT : En raison de chaleur élevée, ne couvrez pas le grilloir à flamme ni les sondes avec du papier d'aluminium.

4. SURFACES EXTERNES

- Essuyez votre gril après chaque utilisation. Utilisez de l'eau chaude savonneuse pour retirer la graisse. Ne pas utiliser de nettoyant à four, nettoyant abrasif ou éponge abrasive sur les surfaces externes du gril. **Toutes les surfaces peintes ne sont pas couvertes par la garantie**, mais font partie de la maintenance générale et de l'entretien. Pour les rayures de peinture, l'usure ou l'écaillage de la finition, toutes les surfaces peintes peuvent être retouchées à l'aide d'une peinture à barbecue résistante à la chaleur.
- Utilisez une housse pour gril afin de protéger votre gril pour une protection complète! Une housse est votre meilleure protection contre les intempéries et les polluants extérieurs. Lorsqu'il n'est pas utilisé ou pour un stockage à long terme, conservez l'appareil sous une housse dans un garage ou un hangar.

TABLEAU DE FRÉQUENCE DE NETTOYAGE (UTILISATION NORMALE)

ARTICLE	FRÉQUENCE DE NETTOYAGE	MÉTHODE DE NETTOYAGE
Dessous du baril principal	Toutes les 5-6 sessions de cuisson	Retirez, aspirez les excès de débris
Grille de combustion, Pot de combustion	Toutes les 2-3 sessions de cuisson	Retirez, aspirez les excès de débris


Grilles de cuisson	Après chaque session de cuisson	Brûlez les graisses en trop, utilisez une brosse de nettoyage pour grill
Grilloir à flamme	Toutes les 5-6 sessions de cuisson	Gratter la plaque principale avec un patin, ne pas laver
Seau de graisse	15 jours	Éponge à gratter & eau savonneuse
Système d'alimentation de la vis d'alimentation	Lorsque le récipient de granulés et vide	Permettre à la vis d'alimentation de faire sortir la sciure de bois, en laissant la trémie vide
Composants électriques de la trémie	Une fois par an	Retirez le panneau d'accès, essuyez les lames de ventilateur avec de l'eau savonneuse
Conduits d'évacuation d'air	Toutes les 5-6 sessions de cuisson	Éponge à gratter & eau savonneuse
Sondes	Toutes les 2-3 sessions de cuisson	Éponge à gratter & eau savonneuse


UTILISATION DU CARBURANT DE GRANULÉS DE BOIS


Les granules de bois ne sont pas plus grosses que la gomme au bout d'un crayon. Les personnes qui les voient pour la première fois les comparent à de la nourriture pour lapins, mais leur énergie thermique et la saveur des granulés de bois n'ont rien de petit. Ces granulés de bois propres combustibles génèrent environ 8200 BTU par livre avec très peu de cendres, une faible teneur en humidité (5 à 7 %) tout en étant également neutres en carbone.


Les granules de bois pour barbecue sont produits avec des matières premières pures (sciures) qui sont pulvérisées avec un broyeur à marteaux et forcées avec pression à travers une filière. Quand le granulé est forcé à travers la filière, il est cisailé, refroidi, trié, aspiré, puis emballé pour la consommation. Vérifiez auprès de votre distributeur local pour connaître la gamme d'essences disponibles dans votre région.


LIGNES DIRECTRICES DES ARÔMES


- MÉLANGE NOYER BLANC** 


Riche saveur fumée similaire à du bacon. Fortement recommandé pour les rôtis et le fumage de vos viandes préférées.
- MÉLANGE PÉCAN** 

Saveur fumée similaire à du bacon. Semblable au noyer blanc mais moins fort.
- MÉLANGE MESQUITE** 

Arôme puissant aux goûts acidulés et épicés. Le parfait niveau de goût robuste pour complimenter votre cuisine Tex-Mex.
- MÉLANGE POMMIER** 

Saveur fumée et modérément sucrée. Fortement recommandée pour la cuisson au four et du porc.
- MÉLANGE CERISIER** 

Saveur légèrement sucrée avec des notes acidulées. Offre un teint rosé à vos viandes légères dont l'apparence et le goût sont incomparables.
- MÉLANGE DE BARIL DE WHISKY** 

Saveur sucrée et fumée au goût piquant. Un mélange haut de gamme de chêne et parfait pour toutes vos viandes rouges.
- MÉLANGE DE COMPÉTITION** 

Mélange parfait de saveurs sucrées, délicieuses et acidulées. Un mélange d'érable, de noyer blanc et de cerisiers - parfaitement polyvalent pour répondre à tous vos besoins de cuisine. Utilisé par de nombreux « grillers » professionnels.

REMARQUE : Conservez toujours vos granulés de bois dans un endroit sec. Les exposer à l'humidité poussera les granulés à absorber l'humidité et produira un rendement calorifique plus faible ou provoquera un gonflement et une dissolution des granulés. Utilisez un bac ou seau résistant à l'humidité et pouvant être scellé à nouveau pour la conservation.

LIGNES DIRECTRICES POUR LA CUISINE

Les styles de cuisson de fumage et de grillage peuvent vous donner des résultats différents dépendant du temps et la température. Pour obtenir de meilleurs résultats, conservez un registre de tout ce que vous cuisinez, à quelle température vous le cuisinez, ainsi que les résultats. Ajustez toutes ces variables, selon vos goûts, la prochaine fois. Ce n'est qu'en s'exerçant qu'on s'améliore.

L'art culinaire du fumage à chaud équivaut à des temps de cuisson plus long, mais il produit également une saveur de bois plus naturelle (et une « **bande de fumage** ») dans vos viandes. Une température de cuisson plus élevée, ce qui veut dire moins de temps de cuisson, vous offrira moins de saveur fumée.

CONSEIL : Pour de meilleurs résultats, laissez reposer les viandes après la cuisson. Ceci permet aux jus naturels de revenir dans les fibres de la viande, produisant ainsi une coupe plus juteuse et plus savoureuse. Le temps de repos peut n'être que 3 minutes et peut même aller jusqu'à 60 minutes, selon la taille des protéines.

STYLE DE CUISSON	FUMAGE CHAUD (très faible)	RÔTI (faible)	CUISSON FOUR (moyen)	GRILLAGE/CUISSON FOUR (moyen/élevé)	SAISIR (élevé)
Gamme de températures	93-135 °C / 199-275 °F	135-162 °C / 275-323 °F	162-190 °C / 323-374 °F	190-232 °C / 374-449 °F	232-260 °C / 449-500 °F

VOLAILLE	TAILLE	Saignant - 54°C / 130°F	À point - 60°C / 140°F	Bien cuit - 77°C / 170°F
Dinde (<i>entière</i>)	4,5-5,0 kg / 10-11 lbs. 5,3-6,4 kg / 12-14 lbs. 6,8-7,7 kg / 15-17 lbs. 8,2-10,0 kg / 18-22 lbs. 10,4-11,3 kg / 23-25 lbs.			Gril 90 - 120 minutes Gril 110 - 140 minutes Gril 130 - 160 minutes Gril 140 - 170 minutes Gril 150 - 180 minutes
Poulet (<i>entier</i>)	1,36-2,26 kg / 3-5 lbs.			Gril 1 - 1.5 heures
Pilons, poitrines	0,45 - 0,86 kg / 1 - 1½ lbs.			Gril 30-60 minutes
Petits gibiers à plumes	0,45 - 0,86 kg / 1 - 1½ lbs.			Gril 30-45 minutes
Canard	1,36-2,26 kg / 3-5 lbs.			Rôti ou sur le gril 2 - 2.5 heures

PORC	TAILLE	Précuit près à être réchauffé - 60°C / 140°F	À point 66°C / 150°F	Bien cuit 71°C / 160°F
Jambon (<i>Partie entièrement cuite et désossée, Porc fumé entier & avec os</i>)	2,5 cm / 1 po 1,36-1,81 kg / 3-4 lbs. 1,81-2,72 kg / 4-6 lbs. 2,26-3,62 kg / 5-8 lbs. 4,53-5,44 kg / 10-12 lbs.	12 minutes 50 minutes - 1 heure 1 - 2 heures 1 - 2½ heures 2 - 2¾ heures		
Longe de porc	1,36-1,81 kg / 3 - 4 lbs.		1 - 2 heures	2 - 3 heures
Rôti de couronne de côte	1,81-2,26 kg / 4 - 5 lbs.		1½ - 2 heures	2 - 3 heures
Côtelette (<i>longe, côte</i>)	1,9-2,5 cm / ¾ - 1 po 3,1-3,9 cm / 1¼ - 1½ po		10 - 12 minutes 14 - 18 minutes	
Filet	1,9-2,5 cm / ¾ - 1 po		20 - 30 minutes	30 - 45 minutes
Rôti de longe de porc, sans os	1,36-2,26 kg / 3-5 lbs.		1¼ - 1¾ heures	1¾ - 2½ heures
Boston Butt (<i>Épaule de porc</i>)	3,62-4,53 kg / 8-10 lbs.			93 - 98 °C / 200 - 210 °F Température interne

BOEF	TAILLE	CHALEUR	DURÉE APPROXIMATIVE DU TEMPS DE CUISSON		
			Saignant 54 °C / 130 °F	À point 60 °C / 140 °F	Bien cuit 65 °C / 150 °F
Steak (<i>New York, Porterhouse, faux filet, surlonge, T-bone, ou filet</i>)	1,9 cm / ¾ po 2,5 cm / 1 po 3,8 cm / 1½ po 5 cm / 2 po	Haut	Saisir pendant 8 à 10 minutes Saisir pendant 10 à 12 minutes Saisir pendant 10 minutes, griller pendant 8 à 10 minutes Saisir pendant 10 minutes, griller pendant 10 à 14 minutes		
Bifteck de hampe	0,6 - 12,7 cm / ¼ - ½ po	Haut	Saisir 5-7 minutes		
Bavette	0,45 - 0,86 kg / 1 - 1½ lbs., 1,9 cm / ¾ po	Moyen	Saisir pendant 4 minutes, griller pendant 8 à 10 minutes		
Kébab	2,5 - 3,8 cm / 1 - 1½ po cubes	Moyen	Gril 10 - 12 minutes		
Filet	1,58 - 1,81 kg / 3½ - 4 lbs.	Haut/Moyen	Saisir pendant 10 minutes, gril pendant 15 à 20 minutes		
Steak haché	1,9 cm / ¾ po	Haut/Moyen	Saisir pendant 4 minutes, griller pendant 4 à 6 minutes		
Rôti de bœuf de faux-filet, sans os	2,26 - 2,72 kg / 5 - 6 lbs.	Moyen	Gril 1½ - 2 heures		
Rôti trois pointes	0,9 - 1,13 kg / 2 - 2½ lbs.	Haut/Moyen	Saisir pendant 10 minutes, griller pendant 20 à 30 minutes		
Rôti de côtes	5,44 - 6,35 kg / 12 - 14 lbs.	Moyen	2½ - 2¾ heures		
Côtelettes de veau	2,5cm / 1 po	Moyen	10 - 12 minutes direct		
Poitrine	7,25 - 3,62 kg / 16 -18 lbs.	Fumage chaud	Cuire jusqu'à ce que la température interne atteigne 91°C / 195°F		

AGNEAU	TAILLE	Saignant - 54 °C / 130 °F	À point - 60 °C / 140 °F	Bien cuit - 71 °C / 160 °F
Rôti (frais)	2,26 - 2,72 kg / 5 - 6 lbs.		1 - 2 heures	
Rôti de couronne de côte	1,36 - 2,26 kg / 3-5 lbs.		1 - 1½ heures	1½ heures

FRUITS DE MER	TAILLE	Saignant - 54 °C / 130 °F	À point - 60 °C / 140 °F	Bien cuit - 82 °C / 180 °F
Poisson (entier)	0,5 kg / 1 lb. 0,9 - 1,1 kg / 2 - 2½ lbs. 1,4 kg / 3 lbs.			Gril 10 - 20 minutes Gril 20 - 30 minutes Gril 30 - 45 minutes
Poisson (filets)	0,6-1,3 cm / ¼" - ½"			Gril 3 - 5 minutes jusqu'à ce que le poisson s'émiette
Queue de homard	0,15 kg / 5 onces 0,3 kg / 10 onces			Gril 5 - 6 minutes Gril 10 - 12 minutes

GIBIER SAUVAGE	TAILLE	Saignant - 60 °C / 140 °F	À point - 71 °C / 160 °F	Bien cuit - 77 °C / 170 °F
Rôti (frais)	2,26 - 2,72 kg / 5-6 lbs.		1 - 1½ heures	1½ - 2 heures
Grandes coupes (frais)	3,62 - 4,53 kg / 8-10 lbs.		1 heure	1½ heures

CONSEILS ET TECHNIQUES

Suivez ces conseils et techniques utiles, transmis par des propriétaires de Louisiana Grills, notre personnel et clients comme vous, afin de vous familiariser avec votre gril :

1. SÉCURITÉ ALIMENTAIRE

- Garder propre tout ce qui se trouve dans la cuisine et dans la surface de cuisson. Utilisez un plat et des ustensiles différents pour la viande cuite et pour préparer ou transporter la viande crue sur le gril. Ceci permettra d'éviter toute contamination croisée des bactéries. Chaque marinade ou sauce pour badigeonner devrait avoir son propre ustensile.
- Gardez les aliments chauds au chaud (au-dessus de 60°C / 140°F) et gardez les aliments froids au froids (moins de 3°C / 37°F).
- Une marinade ne devrait jamais être conservée pour une utilisation ultérieure. Si vous comptez l'utiliser pour la servir avec votre viande, assurez-vous de la faire bouillir avant de servir.
- Les aliments cuits et les salades ne devraient pas être laissés dehors dans la chaleur pendant plus d'une heure. Ne laissez pas les aliments chauds à l'extérieur du réfrigérateur pendant plus de deux heures.
- Décongeler et mariner les viandes par réfrigération. Ne décongelez pas la viande à température ambiante ou sur le comptoir. Les bactéries peuvent grandir et se multiplient rapidement dans les aliments chauds et humides. Lavez-vous bien les mains avec de l'eau tiède savonneuse avant de commencer à préparer votre plat, et après avoir manipulé de la viande fraîche, du poisson et de la volaille.

2. PRÉPARATION DE CUISSON

- Lorsque vous passez d'une température élevée à une température faible, laissez votre couvercle ouvert jusqu'à ce que la température réelle s'approche de la température que vous souhaitez. Ceci accélère le processus et assure la propagation du feu.
- Soyez préparé. Ceci fait référence à la préparation de la recette, le combustible, les accessoires, les ustensiles et tous les ingrédients dont vous aurez besoin à côté du gril avant de commencer la cuisson. Lire aussi la recette complète, du début à la fin, avant d'allumer le gril.
- Un tapis protecteur pour BBQ peut être très utile. En raison des accidents qui surviennent en raison de la manipulation des aliments et des différents styles de cuisson, ce tapis aidera à protéger les dalles de votre patio ou de votre terrasse contre tout risque de tache de graisse ou déversements accidentels.

3. CONSEILS ET TECHNIQUES DE GRILLADE

- Pour infuser plus de saveur fumée et gardez vos viandes juteuses, cuisez-les plus longtemps à une température plus basse (également connu sous le nom de **faible et lent**). La viande fermera ses fibres après avoir atteint une température interne de 49°C (120°F). La pulvérisation en brouillard et l'épandage sont d'excellents moyens permettant d'éviter que la viande ne se dessèche.
- Lorsque vous saisissez vos viandes, cuisinez toujours avec le couvercle fermé. Utilisez toujours un thermomètre à viande pour évaluer la température interne des aliments que vous cuisinez. Fumer la nourriture avec des granulés de bois fait rosir la viande et la volaille. La bande rose (après la cuisson) est aussi appelée **anneau de fumée** et est très appréciée.
- Il est fortement recommandé d'appliquer les sauces à base de sucre vers la fin de la cuisson pour éviter les brûlures et flambées.
- Laissez un espace de dégagement entre les aliments et les extrémités du baril pour une bonne circulation de la chaleur. Beaucoup d'aliments sur une grille de cuisson encombrée prendront plus de temps à cuire.
- Utilisez des pinces avec une longue poignée pour retourner toutes les viandes et des spatules pour retourner les burgers et le poisson. L'utilisation d'un ustensile perçant, comme une fourchette, permet de piquer la viande et de laisser s'évacuer les jus.
- Les aliments dans des casserole profondes nécessitent plus de temps pour cuire que dans une poêle peu profonde.
- C'est une bonne idée de mettre les aliments grillés sur une grande assiette préchauffée pour garder vos aliments chauds. Les viandes rouges comme les steaks et rôtis seront meilleurs si vous les laissez reposer pendant quelques minutes avant de les servir. Ceci permet aux jus délicieux que la chaleur a fait remonter à la surface de retourner au centre et de lui donner plus de saveur.

DÉPANNAGE

Un bon nettoyage et un bon entretien, ainsi que le fait d'utiliser du combustible propre, sec et de qualité aidera à prévenir la plupart des problèmes de fonctionnement du gril. Toutefois, quand votre gril à granulés de bois Louisiana Grills ne fonctionne pas bien ou moins fréquemment, les conseils de dépannage suivants peuvent être utiles.

Pour les FAQ, rendez-vous sur www.louisiana-grills.com et cliquez sur SUPPORT. Vous pouvez également contacter votre revendeur agréé local Louisiana Grills ou contacter le Service à la clientèle pour obtenir de l'aide.

AVERTISSEMENT : Débranchez toujours le cordon électrique avant d'ouvrir la plaque d'inspection de votre gril pour effectuer toute inspection, nettoyage, maintenance ou entretien. Veillez à ce que le gril soit complètement froid pour éviter des blessures.

PROBLÈME	CAUSE	SOLUTION
Le bouton d'alimentation sur le centre de commande numérique ne s'allume pas	Bouton de alimentation	Appuyez sur le bouton d'alimentation. Essayer encore et maintenez le bouton appuyé pendant deux secondes pour vérifier la connexion.
	Non branché à la source d'alimentation	Assurez-vous que l'appareil est branchée à une prise d'alimentation qui fonctionne. Réinitialisez le disjoncteur. Vérifiez que le DDFT est porté au minimum à 10 ampères (voir diagramme des fils électriques pour accéder aux composants électriques). Assurez-vous que tous les raccords de câbles sont solidement branchés et secs.
	Un fusible a grillé sur le tableau de contrôle	Retirez le panneau d'accès de la trémie (voir diagramme des fils électriques pour le schéma) et vérifiez le fusible pour voir s'il y a un fil cassé ou si le fil est devenu noir. Si oui, le fusible doit être remplacé manuellement.
	La prise DDFT est déclenchée.	Retirez le panneau d'accès de la trémie (voir diagramme de fils électrique pour le schéma) et assurez-vous que tous les raccords de câbles sont solidement branchés et secs. Assurez-vous que le DDFT est porté au minimum à 10 ampères.
	Centre de commande défectueux	Le centre de commande numérique doit être remplacé. Contactez le service à la clientèle pour des pièces de rechange.
Le feu dans le grille de combustion ne s'allume pas.	Grille de combustion	Vérifiez la position de la grille de combustion. Suivez les instructions d'entretien et de maintenance en cas d'accumulation de cendres.
	Le moteur de la vis d'alimentation est coincé	Retirez les composants de cuisson du baril principal. Appuyez sur le bouton Power (Alimentation) pour allumer l'appareil et inspectez le système d'alimentation de la vis d'alimentation. Confirmez visuellement que la vis d'alimentation largue des granulés dans la grille de combustion. S'il ne fonctionne pas correctement, contactez le service à la clientèle pour obtenir de l'aide ou des pièces de rechange.
	L'allumeur ne fonctionne pas correctement	Retirez les composants de cuisson du baril principal. Appuyez sur le bouton Power (Alimentation) pour allumer l'appareil et inspectez l'allumeur. Confirmez visuellement que l'allumeur fonctionne en plaçant votre main au-dessus de la grille de combustion et en sentant s'il émet de la chaleur. Confirmez visuellement que l'allumeur est aligné au trou dans la grille de combustion et ouvrez-le pour allumer les granules. S'il ne fonctionne pas correctement, suivez la procédure de démarrage manuelle pour continuer à utiliser le gril; cependant, communiquez avec le Service à la clientèle pour obtenir de l'aide ou une pièce de rechange.
	Panne de l'allumeur	L'allumeur doit être remplacé. Contactez le service à la clientèle pour des pièces de rechange.
L'affichage de la température RÉELLE ne se règle pas	La sonde du gril est probablement sale	Suivez les instructions d'entretien et de maintenance .
	Le fil de la sonde du gril est probablement mouillé	Utilisez un sèche-cheveux pour sécher les fils de la sonde du gril.
	La sonde du gril est brisée	La sonde du gril doit être remplacée. Appelez le service à la clientèle.

L'écran DEL présente le mauvais affichage	Le réglage de la température n'est pas configuré correctement pour afficher °C / °F.	Débranchez l'appareil de la source d'alimentation. Retirez le panneau d'accès de la trémie (voir diagramme de fils électriques pour le schéma) pour accéder à l'arrière du Centre de commande numérique. Utilisez une petite lampe torche pour trouver le commutateur de réglage des températures qui se trouve à côté du centre de l'arrière du Centre de commande numérique. Appuyez sur le commutateur pour obtenir une température en °C (Celsius) ou en °F (Fahrenheit), selon votre préférence. Remplacez le panneau d'accès de la trémie.
Embrassements fréquents	Température de cuisson	Essayez de cuisiner à une température plus basse. La graisse possède un point d'ignition. Gardez la température en-dessous de 176 °C / 350 °F lorsque vous cuisinez des aliments très gras.
	Accumulation de graisse	Suivez les instructions d'entretien et de maintenance .
	Le grilloir à flamme est ouvert	Fermez le grilloir à flamme pour une cuisson indirecte de la flamme.
Le ventilateur s'allume seul	Le gril est exposé à une température ambiante élevée ou aux rayons directs du soleil	Cette fonction ne nuit pas à l'appareil. La température intérieure du gril a atteint ou dépassé les 54 °C / 130 °F, et a débuté son refroidissement automatique. Pour réduire la température intérieure, ouvrez le couvercle du gril ou débranchez de la source d'alimentation et déplacez l'appareil vers une zone d'ombre.
Le gril produit de la fumée excessive ou décolorée	Accumulation de graisse	Suivez les instructions d'entretien et de maintenance .
	Qualité des granulés de bois	Retirez les granulés de bois humides de la trémie. Suivez les instructions d'entretien et de maintenance pour le nettoyage. Remplacez par des granulés de bois secs.
	La grille de combustion est bloquée	Retirez les granulés de bois humides de la grille de combustion. Suivez la procédure d'amorçage de la trémie .
	Entrée d'air insuffisante pour le ventilateur	Contrôlez le ventilateur. Assurez-vous qu'il fonctionne correctement et que l'entrée d'air n'est pas bloquée. Suivez les instructions d'entretien et de maintenance si sale.
Le gril n'atteint pas ou n'arrive pas à maintenir une température stable	Réglages des commandes	Vérifiez le Centre de commande numérique afin de vérifier que le petit DEL est situé à côté de la température RÉELLE. Si ce n'est pas le cas, appuyez sur le tableau de commande d'affichage TEMP pour indiquer la température qui est présentement affichée.
	Le flux d'air dans la grille de combustion est insuffisant	Le gril est incapable de fonctionner correctement. Suivez la procédure d'installation pour garantir le bon positionnement des composantes de cuisson. Vérifiez la position de la grille de combustion. Suivez les instructions d'entretien et de maintenance en cas d'accumulation de cendres. Vérifiez que l'entrée d'air n'est pas bloquée au niveau du ventilateur. S'il n'y a pas de blocage, retirez le panneau d'accès de la trémie (voir diagramme de fils électriques pour le schéma) et localiser les fils bleus et blancs du ventilateur. Vérifiez que la connexion est serrée en tirant légèrement sur chaque fil. Si elle est desserrée, appuyez sur le connecteur jusqu'à ce qu'il s'enclenche. Vérifiez que les pales de ventilateur sont propres. Contrôlez la sonde du gril. Suivez les instructions d'entretien et de maintenance si sale. Vérifiez qu'il n'y a pas d'obstruction dans le système d'alimentation de la trémie. Retirez les granulés et suivez les instructions d'entretien et de maintenance . Une fois l'entretien effectué, faites un essai. Après avoir enlevé les composantes de cuisson, appuyez sur le bouton d'alimentation pour allumer l'appareil. Vérifiez que l'allumeur de la grille de combustion est vif et lumineux. Remplacez les composantes de cuisson du gril et utilisez normalement.
	Manque de carburant, Carburant de mauvaise qualité, Blocage dans le système d'alimentation	Vérifiez que le niveau de carburant de la trémie est suffisant et remplissez-le s'il est faible. Si la qualité des granules de bois est mauvaise, ou si les granules sont trop longues, ceci pourrait entraîner une obstruction du système d'alimentation. Retirez les granulés et suivez les instructions d'entretien et de maintenance .
	Sonde du gril	Vérifiez le statut de la sonde du gril. Suivez les instructions d'entretien et de maintenance si sale. Contactez le service à la clientèle pour des pièces de rechange, en cas d'endommagement.

Code d'erreur « Er-1 »	L'appareil a surchauffé, possiblement en raison d'un feu de graisse ou d'un excès de carburant.	Appuyez sur le bouton d'alimentation pour éteindre l'appareil et permettre au gril de refroidir. Suivez les instructions d'entretien et de maintenance . Après l'entretien, enlevez les granulés en trop et confirmez que les parties composantes sont bien placées. Après avoir enlevé les composantes de cuisson, appuyez sur le bouton « Power » (Alimentation) pour allumer l'appareil puis sélectionner la température souhaitée. Si un code d'erreur s'affiche encore, veuillez communiquer avec le service à la clientèle.
	La sonde du gril n'établit pas de connexion	Vérifiez si la sonde du gril présente des dommages. Suivez les instructions d'entretien et de maintenance si sale. Si tout semble fonctionner correctement, vérifiez la connexion au Centre de commande numérique. Débranchez l'appareil de la source d'alimentation. Retirez le panneau d'accès de la trémie (voir diagramme de fils électriques pour le schéma). Localisez les fils argentés et marrons de la sonde du gril. Déconnectez les cosses rectangulaires puis reconnectez-les jusqu'à ce que vous entendiez un clic. Remplacez le panneau d'accès de la trémie.
Code d'erreur « Er-2 »	Grilles ne réussit pas à effectuer le cycle de démarrage	Le gril est incapable de fonctionner correctement. Suivez la procédure d'installation . Vérifier que la trémie contient suffisamment de carburant ou s'il y a une obstruction dans le système d'alimentation. Retirer les granules et suivre les instructions d'entretien et de maintenance . Vérifiez la sonde du gril. Confirmez si la température réelle est correcte et précise. Suivez les instructions d'entretien et de maintenance si elle est sale. Vérifiez le positionnement de l'allumeur et assurez-vous qu'il chauffe correctement. Dans un froid extrême, le gril peut nécessiter un deuxième démarrage. Éteignez le gril, attendez, puis rallumez-le. Vérifiez le ventilateur. Assurez-vous qu'il fonctionne correctement. Suivez les instructions d'entretien et de maintenance si il est sale.
	Le gril ne reste pas allumé	
Code d'erreur « Er-3 »	Une interruption de l'alimentation s'est produite pendant que le gril fonctionnait	La source d'alimentation a été interrompue et le gril n'a pas pu compléter son cycle de refroidissement. Vérifiez la source d'alimentation; une panne de courant a pu se produire pendant l'utilisation. Appuyez sur le bouton « Power » (Alimentation) pour éteindre l'appareil, patientez deux minutes puis appuyez sur le bouton « Power » (Alimentation) pour réallumer l'appareil. Si un code d'erreur s'affiche encore, veuillez communiquer avec le service à la clientèle.
	Une panne de courant s'est produite pendant que l'appareil fonctionnait	
Code d'erreur « noPr »	Mauvaise connexion au port de connexion	Déconnectez la sonde thermique du port de connexion situé sur le Centre de commande numérique puis reconnectez. Assurez-vous que l'adaptateur de la sonde thermique est connecté fermement.
	La sonde thermique est endommagée	Vérifiez si les fils de la sonde thermique présentent des signes de dommage. S'ils sont endommagés, veuillez contacter le service à la clientèle pour des pièces de rechange.

DIAGRAMME DES FILS ÉLECTRIQUES

Le système du centre de commande numérique est un matériel technologique hautement sophistiqué et de grande valeur. Pour une protection contre les surtensions et les courts-circuits électriques, consultez le schéma de fil ci-dessous pour vous assurer que votre source d'alimentation est suffisante pour le fonctionnement de l'appareil.

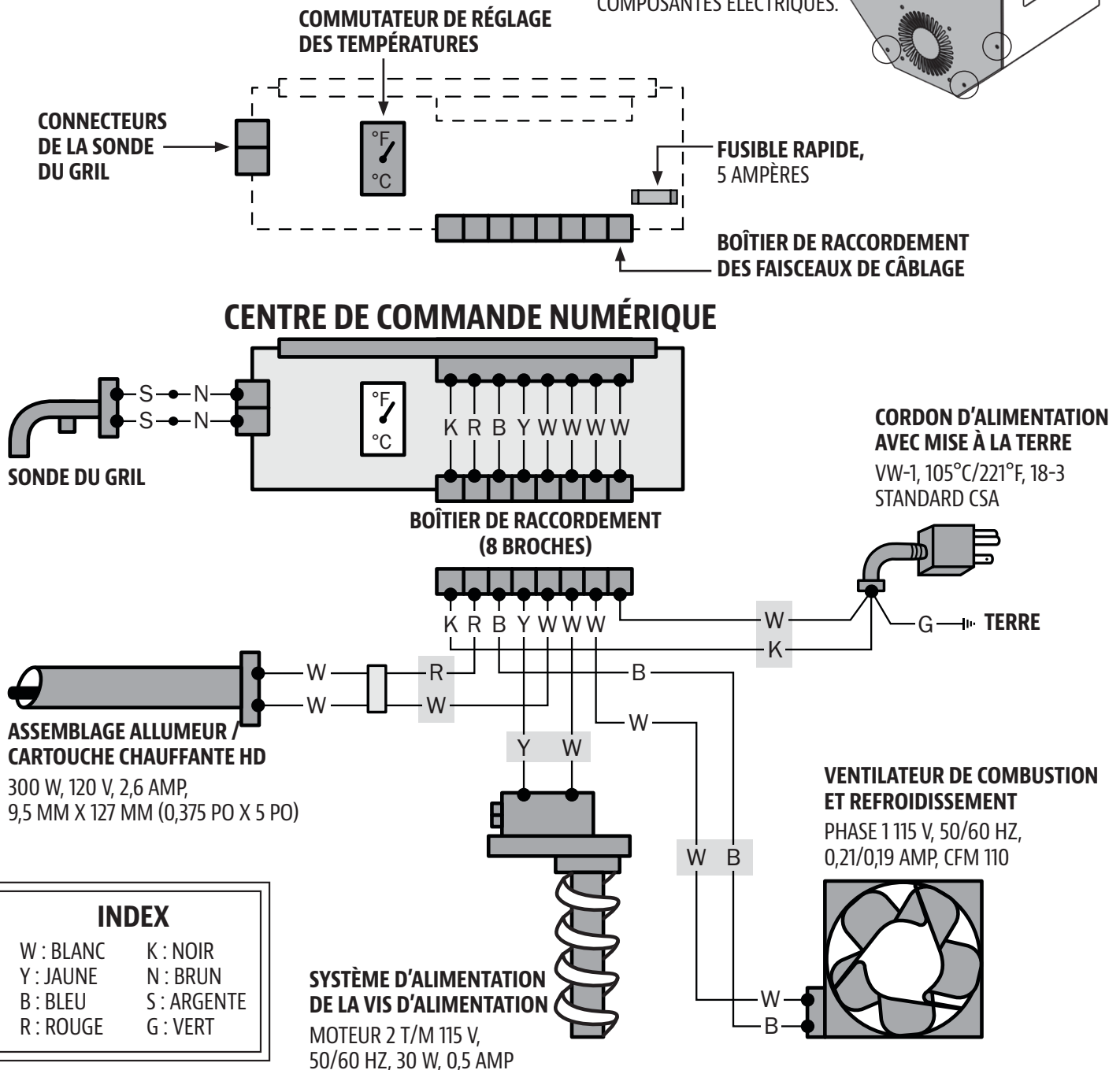
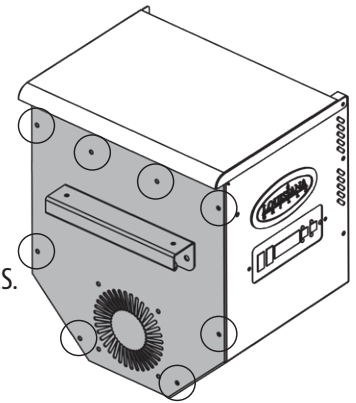
EXIGENCES ÉLECTRIQUES LG

110 V, 3,3 AMP, 60 HZ, 375 W, FICHE À 3 BROCHES AVEC MISE À LA TERRE

REMARQUE : Les composants électriques, passés par les tests de sécurité des produits et les services de certification, sont conformes avec une tolérance de test de ± 5 à 10%.

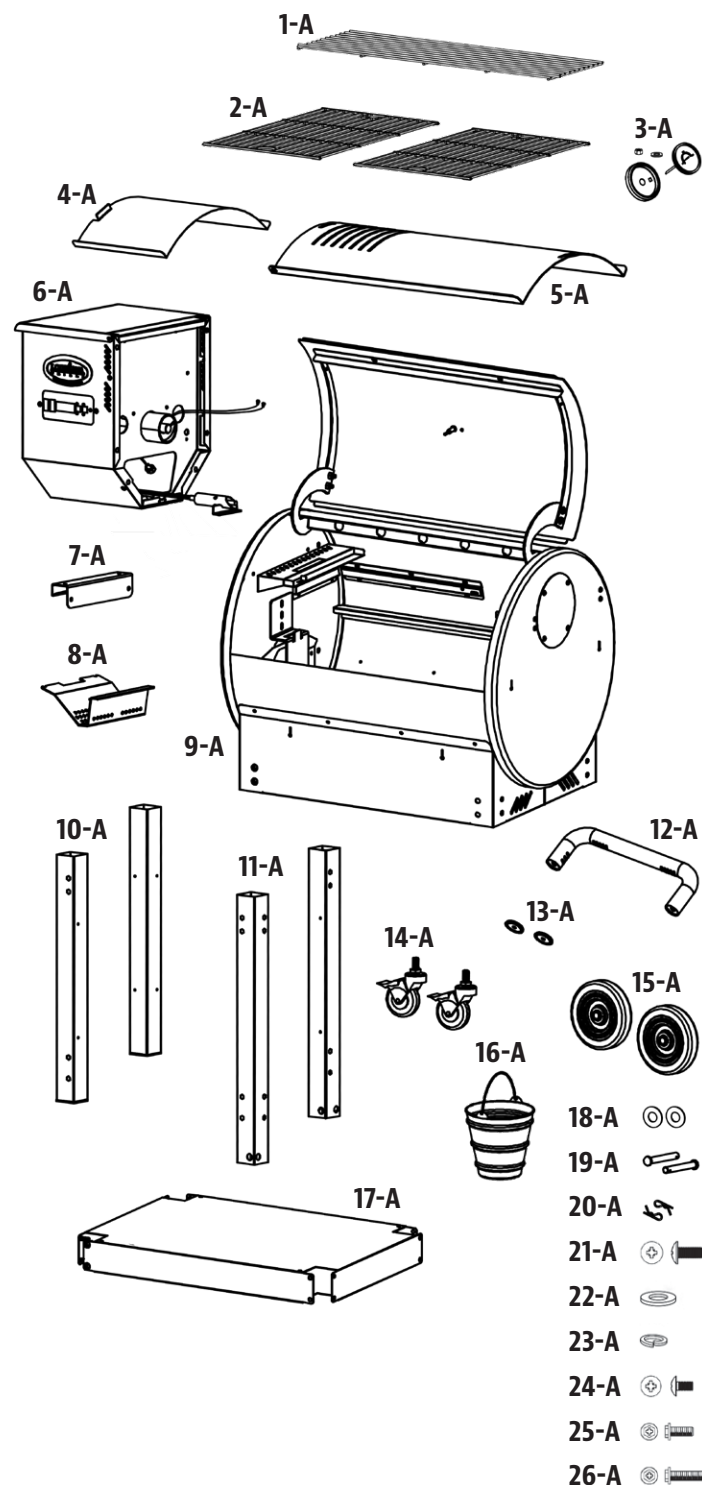
PANNEAU D'ACCÈS DE LA TRÉMIE

LOCALISEZ ET ENLEVEZ LES HUIT VIS SITUÉES SUR LE CÔTÉ DE LA TRÉMIE POUR ACCÉDER AUX COMPOSANTES ÉLECTRIQUES.



PIÈCES DE RECHANGE DE GRIL

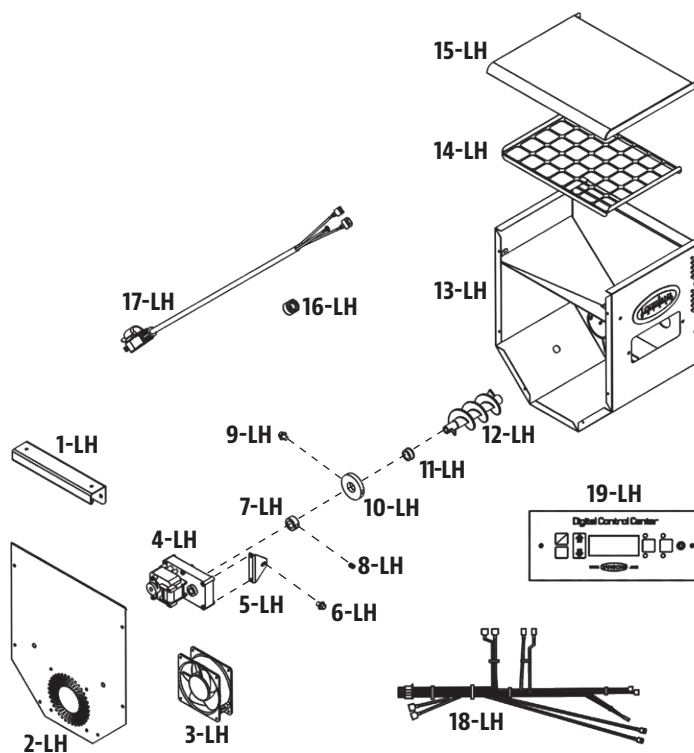
No.	Description
1-A	Grille de cuisson supérieure en acier revêtu de porcelaine
2-A	Grilles de cuisson en fonte revêtue de porcelaine (x 2)
3-A	Ensemble de thermomètre
4-A	Glissière du grilloir à flamme
5-A	Planche principale du grilloir à flamme
6-A	Assemblage de la trémie
7-A	Poignée de la trémie
8-A	Grille de combustion
9-A	Baril principal
10-A	Pied de support court (x 2)
11-A	Pied de support long (x 2)
12-A	Poignée du couvercle
13-A	Cadran de la poignée du couvercle (x 2)
14-A	Roulette verrouillable (x 2)
15-A	Roue (x 2)
16-A	Seau de graisse
17-A	Étagère inférieure
18-A	Rondelle de l'essieu des roues (x 2)
19-A	Goupille de l'essieu des roues (x 2)
20-A	Goupille fendue de la roue (x 2)
21-A	Vis (x 34)
22-A	Rondelle (x 40)
23-A	Rondelle de blocage (x 40)
24-A	Vis de l'allumeur (x 2)
25-A	Vis de la trémie (x 6)
26-A	Vis de la poignée du couvercle (x 2)



REMARQUE : En raison du développement continu du produit, les pièces peuvent être modifiées sans préavis.

PIÈCES DE RECHANGE DE TRÉMIE

No.	Description
1-LH	Poignée de la trémie
2-LH	Panneau d'accès de la trémie
3-LH	Ventilateur
4-LH	Moteur de la vis d'alimentation
5-LH	Support de fixation de la vis d'alimentation
6-LH	Vis
7-LH	Collet de verrouillage métallique
8-LH	Vis de fixation
9-LH	Vis
10-LH	Embout métallique
11-LH	Bague d'étanchéité en nylon
12-LH	Vis d'alimentation
13-LH	Boîtier de la trémie
14-LH	Écran de sécurité de la trémie
15-LH	Couvercle de trémie
16-LH	Traitement de recuit
17-LH	Cordon d'alimentation
18-LH	Faisceau de câblage
19-LH	Panneau de commande



GARANTIE

CONDITIONS

Tous les grils de granulés de bois de Louisiana Grills, fabriquées par Dansons Inc., contiennent une garantie limitée à partir de la date de vente par le propriétaire initial. La garantie entre en vigueur la date d'achat, et une preuve de la date d'achat ou copie de votre achat de vente original est requise pour valider la garantie. Si le client n'est pas en mesure de produire une preuve de l'achat ou si la date de couverture de la garantie est dépassée, il sera tenu de payer les pièces, l'expédition et la main-d'œuvre.

Dansons offre une garantie de cinq (5) ans contre les défauts et la main d'oeuvre sur toutes les pièces en acier (à l'exception de la grille de combustion), et trois (3) ans sur les composants électriques. Dansons garantit que toutes les parties sont exemptes de défauts de matériel et de fabrication, pour la durée d'utilisation et de propriété de l'acheteur initial. Il n'existe pas de garantie particulière pour la sonde du gril, la sonde thermique, la peinture, le fini en peinture en poudre, la grille de combustion, le couvercle du gril et tous les joints ou contre tout dommage causé par la corrosion. La garantie ne couvre pas les dommages causés par l'usure, tels que les rayures, les bosses, les coups, les éclats ou les fissures cosmétiques mineures. Ces changements esthétiques du gril n'affectent pas sa performance. La réparation ou le remplacement d'une pièce ne prolonge pas la garantie limitée.

Pendant la période de la garantie limitée, l'obligation de Dansons sera limitée à fournir le remplacement des composants couverts et/ou défectueux. Tant que cela se produit pendant la période de la garantie, Dansons ne vous facturera pas sur la réparation ou le remplacement des pièces retournées, le port-payé, si Dansons détermine que ces pièces se révèlent défectueuses après inspection. Dansons ne sera pas tenu responsable des frais de transport, du coût salarial ou des droits d'exportation. Sauf disposition contraire dans ces conditions de garantie, la réparation ou le remplacement des pièces de la façon et pour la durée fixée ci-dessous, remplira le devoir de toutes les responsabilités et obligations directes et dérivées de Dansons Inc. envers vous.

Dansons Inc. prend toutes les précautions pour utiliser les matériaux qui résistent à la formation de la rouille. Même avec ces garanties, le revêtement protecteur peut être compromis par diverses substances et conditions qui échappent au contrôle de Dansons. Les hautes températures, l'humidité excessive, le chlore, les gaz industriels, les engrais, les pesticides utilisés pour les pelouses et le sel sont quelques-unes des substances pouvant affecter les revêtements métalliques. C'est pour ces raisons que les garanties limitées ne couvrent pas la rouille ni l'oxydation, à moins que le composant du gril présente une perte d'intégrité structurelle. Si les scénarios décrits ci-dessus devaient se produire, veuillez vous référer à la section de soin et d'entretien pour prolonger la durée de vie de votre appareil. Dansons recommande l'utilisation d'une couverture de gril lorsqu'il n'est pas utilisé.

Les garanties s'appliquent à un usage domestique et utilisation normale du gril et aucune des garanties limitées ne s'applique à un gril utilisé pour des applications commerciales.

EXCEPTIONS

Il n'existe pas de garantie de performance écrite ou implicite sur les appareils Louisiana Grills car le fabricant ne contrôle pas l'installation, le fonctionnement, le nettoyage, l'entretien ou le type de combustible brûlé. La garantie limitée ne s'appliquera pas, et Dansons n'assumera aucune responsabilité, si votre appareil n'a pas été installé, opéré, nettoyé et entretenu conformément aux instructions du fabricant. La combustion de tout autre élément différent des granules de bois de qualité pourrait annuler la garantie. La garantie ne couvre pas les dommages ou ruptures causées par une mauvaise utilisation, mauvaise manutention ou des modifications.

Dansons et les fournisseurs autorisés Louisiana Grills déclinent toute responsabilité, légale ou autre, quant aux dommages accidentels ou consécutifs à la propriété ou aux personnes résultant de l'utilisation de ce produit. Si une réclamation est retournée contre Dansons basée sur la violation de cette garantie ou de tout autre type de garantie explicite ou implicite en droit, le fabricant ne sera en aucun cas tenu responsable des dommages-intérêts spéciaux, punitifs ou indirects de quelque nature que ce soit en surplus du prix d'achat original de ce produit. Toutes les garanties du fabricant sont énoncées ici et aucune réclamation ne sera effectuée contre le fabricant par le biais d'une garantie ou de représentation.

Certaines provinces n'autorisent pas l'exclusion ou la limitation des dommages accidentels ou consécutifs, ou les limitations des garanties implicites, de sorte qu'il est possible que les exclusions et limitations énoncées dans cette garantie limitée ne s'appliquent pas à vous. Cette garantie limitée vous donne des droits légaux spécifiques, et vous pourriez aussi avoir d'autres droits légaux qui pourront varier selon l'état ou la province.

COMMANDE DE PIÈCES DE REMPLACEMENT

Pour commander des pièces de rechange, veuillez communiquer avec votre revendeur local ou visiter notre boutique en ligne à l'adresse suivante : www.louisiana-grills.com

APPELEZ LE SERVICE À LA CLIENTÈLE

Si vous avez des questions ou des problèmes, veuillez communiquer avec le Service à la clientèle, du lundi au dimanche, de 4h à 20h HNP (anglais / français / espagnol).

service@louisiana-grills.com | Ligne sans frais : 1-877-303-3134 | Télécopieur sans frais : 1-877-303-3135

SERVICE DE GARANTIE

Appelez votre fournisseur « Louisiana Grills » le plus proche pour une réparation ou un remplacement de vos pièces. Dansons Inc. exige une preuve d'achat pour établir une réclamation sous garantie; Conservez donc votre reçu ou facture originale pour référence future. Le numéro de série et de modèle de votre appareil Louisiana Grills se trouve sur la trémie. Enregistrez les numéros ci-dessous, car l'étiquette peut s'user ou devenir illisible.

MODÈLE

NUMÉRO DE SÉRIE

DATE D'ACHAT

CONCESSIONNAIRE AUTORISÉ

ACCESSOIRES VENDUS SÉPARÉMENT

Disponible à l'achat séparément. Vérifiez auprès de votre distributeur local pour connaître les disponibilités.

ARTICLE	DESCRIPTION
	ARMOIRE DE FUMAGE Parfait pour le fumage et la salaison des viandes, poissons ou fromages avant la cuisson. Deux thermomètres en façade sur la porte. Roulettes robustes. Fournie avec cinq grilles amovibles. <i>Supports supplémentaires vendus séparément.</i>
	GRILLES SUPPLÉMENTAIRES POUR L'ARMOIRE DE FUMAGE Maximisez l'espace pour le fumage et la salaison grâce à cinq grilles supplémentaires pour armoire de fumage.
	HOUSSE DU GRIL Coupe ajustée, couverture complète. Fait de polyester résistant enduit de PVC pour une utilisation de longue durée. Résistant à l'eau. Comprend un lacet de serrage pour un resserrement facile.
	HOUSSE DU GRIL AVEC EXTENSION DU COFFRET DE FUMAGE Coupe ajustée, couverture complète. Fait de polyester résistant enduit de PVC pour une utilisation de longue durée. Résistant à l'eau. Comprend un lacet de serrage pour un resserrement facile.
	EXTENSION DE LA TRÉMIE Supporte un poids supplémentaire de 9,07 kg / 20 lbs de granules pour assurer une cuisson plus longue tout en réduisant la fréquence de remplissage. S'installe solidement sur la partie supérieure de la trémie.
	TABLETTE AVANT/LATÉRALE Espace supplémentaire pour préparer les aliments à des fins pratiques. Peut être fixé à l'avant ou sur le côté du grill. Crochets à outils. Noire ou en acier inoxydable. <i>37,5 cm x 30 cm / 14,75 po x 12 po</i>
	TABLETTE AVANT DE LUXE Maximise l'espace de préparation des aliments à l'avant de votre grill. Acier inoxydable. <i>60 cm x 30 cm / 24 po x 12 po</i>

ARTICLE	DESCRIPTION
	TABLIER POUR LE GRIL Ce tablier ajustable a deux poches pratiques à l'avant qui permettront de tenir les outils du grill. Taille unique. Lavable à la machine. Noir.
	PIERRE À PIZZA Grès céramique résistant aux températures élevées, peut être utilisé de manière sécuritaire pour un barbecue. Surface non collante avec poignées intégrées. <i>Diamètre de 38 cm / 15 po</i>
	SUPPORT À POULET Infusez toute la saveur dans le poulet pendant sa cuisson. Marinez avec le liquide de votre choix, directement sur le grill, pour de délicieux résultats.
	TASSE ISOTHERME Gardez vos breuvages bien chauds ou bien glacés grâce à sa conception élégante en acier inoxydable. Couvercle transparent à glissière. Isolation à double paroi. Parfait pour le transport.
	TAPIS PROTECTEUR POUR BBQ Facile à nettoyer, protection contre les UV. Protection pour votre patio. <i>132cm x 86cm / 52" x 34"</i>
	SAUCES SIGNATURE Une collection d'épices gastronomiques. Peut être utilisée comme enduit, marinade ou simplement comme assaisonnement. Sans gluten. Sans glutamate monosodique (GMS).
	ÉPICES SIGNATURE Une collection d'épices gastronomiques. Polyvalent pour saupoudrer, dans une marinade, ou simplement comme assaisonnement. Sans gluten. Pas de GSM.

RECETTES

UNE POITRINE CLASSIQUE

4 à 6 portions

Une poitrine entière de bœuf pèse environ 7,25 à 8,16 kg / 16 à 18 livres et possède trois parties distinctes : la couronne, le bout et la section plate. Utilisez la section plate car elle est maigre, compacte et produit de très belles tranches lorsque vous la tranchez.

Ingrédients :

- 1 Poitrine de bœuf
2,2-3,6 kg / 5-8 lbs,
0,6 cm / ¼ po d'épaisseur de graisse
- 1 bouteille de moutarde jaune préparée
- 75 ml / 5 c. à s. assaisonnement
- 1 bouteille sauce au piment fort
- 1 pack mélange d'oignon déshydraté
- 375 ml / 1½ c. bouillon de bœuf
- 40 ml / 8 c. à c. poivre noir

Essence de granulés de bois suggérée : Noyer blanc / Mélange compétition

Instructions :

1. Déposez une grande pellicule de plastique sur votre plan de travail de cuisine. Assez grande pour enrober une poitrine de bœuf. À l'aide d'un couteau aiguisé, faites une marque sur le dessous de la poitrine, une seule fois à contre sens. Ceci vous aidera à couper la poitrine une fois qu'elle est cuite, la coupe à contre sens vous offrira également un morceau de viande tendre qui fond dans la bouche. Le dessous est le côté non-gras, avec la couronne. Enduire avec une généreuse portion de moutarde préparée. Frottez légèrement sur toute la surface. Saupoudrer une bonne quantité d'assaisonnement sur la moutarde, puis frottez délicatement sur toute la surface. Retournez la poitrine de bœuf et répétez le processus. Enroulez la poitrine dans la feuille de plastique et conservez au réfrigérateur pendant la nuit ou pour environ 2 à 4 heures.
2. Préparez le mélange de badigeonnage. Mélangez la sauce au chili, le mélange d'oignon déshydraté, le bouillon de bœuf et le poivre noir. Laisser reposer.
3. **Préchauffez le grill, puis réduire le réglage à température faible de 82 °C / 180 °F.**
4. Placez la poitrine, côté gras vers le haut, au centre du grill préchauffé. Fermez le couvercle du grill. Faites cuire lentement jusqu'à ce que la viande soit tendre, environ 10-12 heures.
5. Badigeonner la poitrine avec le mélange préparé toutes les demi-heures pendant les 3 premières heures.
6. Continuez le processus de cuisson lente jusqu'à ce que la température atteigne 60-66 °C / 140-150 °F. Enlevez la poitrine du grill. **Faites monter la température du grill à 176 °C / 350 °F.**
7. Placez la poitrine dans une poche en aluminium double couche. Versez 50 ml / ¼ de tasse de mélange de badigeonnage sur la poitrine dans la poche. Fermez la poche.

8. Déposez la poche délicatement sur le grill. Faites fumer pendant 1 à 1½ heures.
9. Ouvrez la poche et utilisez un thermomètre à viande; La température interne doit atteindre 91°C / 195°F. La poitrine devrait être ferme, mais vous devriez quand même être en mesure de déchirer la viande à l'aide de vos doigts.
10. Transférez la viande sur un plateau et laissez-la reposer pendant 10 minutes. Coupez des tranches minces à contre sens pour servir.

SAUCISSE AVEC SAUCE CHUTNEY À LA MANGUE

4 à 6 portions

Ingrédients :

- 2 mangues (tranchées finement)
- 0, kg / 2 lbs de saucisse italienne (piquante ou douce)
- 10 ml / 2 c. à t. de persil frais (haché)
- 15 ml / 1 c. à s. de poivron rouge (coupé en dés)
- 10 ml / 2 c. à t. miel
- ½ oignon rouge (coupé en dés)
- ½ bulbe de fenouil (coupé en dés)
- 5 ml / 1 c. à c. de jus de lime
- Une pincée de sel

Essence de granulés de bois suggérée : Noyer blanc / Mélange compétition

Instructions :

1. **Préchauffez le grill, puis réduire le réglage à température faible-moyen de 82-107 °C / 180-225 °F.**
2. Placez les saucisses sur le grill, espacées uniformément. Tournez toutes les dix minutes afin que tous les côtés soient grillés.
3. Combinez tous les ingrédients restants pour fabriquer le chutney. Réfrigérez jusqu'à ce que vous soyez prêt à servir.
4. Coupez la saucisse grillée en diagonale, puis servir avec le chutney sur le côté.

STEAK DE FROMAGE BLEU

4 portions

Ingrédients :

- 4 Steak, T-bone ou faux-filet
2,54 cm / 1 po d'épaisseur
0,28-0,62 kg / 10-12 onces chaque
- 113 g / 4 ounces fromage bleu (émietté)
- 50 ml / ¼ c. d'oignon vert (en fines tranches)

Essence de granulés de bois suggérée : Noyer blanc / Mélange Compétition / Whiskey

Instructions :

1. **Préchauffer le gril, puis laisser ou réduire légèrement (204-260 °C / 400-500 °F).**
2. Enlevez l'excédent de gras de la viande et jetez.
3. Placez les steaks sur le gril. Saisissez chaque côté, en retournant toutes le minutes.
4. **Réduire la température à 135 °C/275 °F ou 163 °C/ 325 °F.** Retournez les steaks une dernière fois. Mélangez le fromage bleu et les oignons. Saupoudrez les steaks, fermez le couvercle du gril et faites griller jusqu'à ce qu'ils atteignent la cuisson désirée. Vérifiez la cuisson en coupant une tranche de viande près de l'os.

Variation : FAIRE SAISIR AVEC LA MÉTHODE INVERSÉE

Réduire le **réglage à température faible de 82 °C / 180 °F**, puis placer les steaks sur le gril. Faites fumer pendant 5 à 15 minutes. Une fois fumé à la cuisson désirée, tournez le **température de gril à 204-260 °C / 400-500 °F** et saisissez à votre goût.

CÔTES LEVÉES BARBECUE

4 à 6 portions

Ingrédients :

- 1,3-1,8 kg / 3-4 lbs de côtelettes
Côtes levées de porc juteuses / longue
- 45 ml / 3 c. à s. d'huile
- 5 ml / 1 c. à t. sel
- 5 ml / 1 c. à t. poivre
- 2 entiers oignons (hachés)
- 30 ml / 2 c. à s. vinaigre
- 30 ml / 2 c. à s. de sauce Worcestershire
- 125 ml / ½ c. de jus de pomme ou soda
- 5 ml / 1 c. à t. de paprika
- 5 ml / 1 c. à t. de poudre de piment chili

Essence de granulés de bois suggérée : Noyer blanc / Mélange Compétition / Pommier

Instructions :

1. **Préchauffer le gril, puis réduire le réglage à 82-107 °C / 180-225 °F.**
2. Préparez les côtes levées en enlevant la couche épaisse de peau à l'arrière. Saupoudrez les côtes avec du sel et du poivre.
3. Placez les côtes sur le gril, espacées uniformément. Faites fumer

pendant 3 à 4 heures.

4. Mélangez le reste des ingrédients dans une casserole et porter à ébullition. Laisser bouillir la sauce pendant cinq minutes pour épaissir.
5. Enlevez du gril. **Faites monter la température du gril à 176 °C / 350 °F.**
6. Placez chaque côte dans une poche en aluminium double couche. Versez 50 ml / ¼ de tasse de sauce sur les côtes dans la poche. Fermez la poche.
7. Déposez la poche délicatement sur le gril. Faites fumer pendant 1 à 1½ heures.
8. Ouvrez la poche. La viande aura exposé les extrémités des côtes et sera très tendre. **Faites monter la température du gril à 260 °C / 500 °F.** Remettez les côtes sur le gril et badigeonnez avec de la sauce sur les deux côtés.
9. Lorsque la sauce est caramélisée et collantes, retirez du grill et servez.

VARIATION : MÉTHODE « MEMPHIS DRY »

Faites monter **la température du gril à élevé à 260 °C / 500 °F.** Remettez les côtes sur le gril et assaisonnez ou frottez avec un assaisonnement sec. Saisissez les côtes, retirez du grill et servez.

BURGERS DE BARBECUE CLASSIQUES

4 à 6 portions

Ingrédients :

- 900 g / 2 lbs de bœuf haché ou de buffle
- 15 ml / 3 c. à t. d'assaisonnement
- 2 entiers oeufs, à température ambiante
- 500 ml / 2 c. de chapelure (séché, fin)
- 6 - 8 Hamburger / Petits pains
- 6 - 8 tranches fromage (tranches fines)
- 30 ml / 2 c. à s. beurre

Essence de granulés de bois suggérée : Noyer blanc / Mélange Compétition

Instructions :

1. **Préchauffer le gril, puis laisser ou réduire légèrement à 204-260 °C / 400-500 °F.**
2. Mélangez la viande, l'assaisonnement, les œufs et la chapelure dans un bol. Divisez la viande en plusieurs portions et formez-les en petites boulettes de taille et de forme similaires au pain que vous servirez. Gardez les boulettes à environ 1,9 cm / ¾ po d'épaisseur.
3. Déposez les boulettes sur le gril. Faites griller environ six minutes chaque côté, en évitant d'appuyer sur la viande. Faites un test pour vérifier la cuisson, à l'aide d'un thermomètre à viande instantané : la température interne devrait atteindre 71 °C / 160 °F. La viande peut devenir rose à l'extérieur en raison de la saveur fumée.
4. Au cours des dernières minutes de cuisson, badigeonnez les petits pains avec du beurre et grillez légèrement sur le gril.
5. Retirez les pains, burgers lorsqu'ils sont prêts. Ajoutez aux hamburgers du fromage à fondre, et servez.

CONSEIL : Une viande légèrement plus grasse rendra le hamburger plus juteux. Pour un choix plus léger, essayez le buffle haché.

STEAK DE SURLONGE AVEC DES OIGNONS DOUX ET DES POIVRONS

4 portions

Ingrédients :

2	Steak de surlonge <i>D'une épaisseur d'un pouce, coupé en 4 morceaux. 0,45kg/1 lb</i>
10 ml / 2 c. à t.	assaisonnement
5 moyens	oignons doux (coupés grossièrement)
2 entiers	poivrons (toutes sortes, hachée)
60 ml / 4 c. à s.	sauce soja
60 ml / 4 c. à s.	huile d'olive
Pincée	sel

Essence de granulés de bois suggérée : Noyer blanc / Mesquite / Fût de whisky

Instructions :

1. **Préchauffer le gril, puis réduire le réglage à 218°C / 425°F.**
2. Saupoudrez les deux côtés des steaks avec l'assaisonnement. Recouvrez et réfrigérez pendant au moins 1 heure.
3. Placez les oignons et les poivrons dans un plateau recouvert de papier d'aluminium. Mélangez l'huile d'olive et la sauce soja ensemble, puis versez sur le plateau. Saupoudrez de sel. Fermez complètement le paquet d'aluminium.
4. Placez le paquet sur le gril pendant environ 10 - 15 minutes ou bien jusqu'à ce que les légumes soient doux et tendres. Enlevez du gril, mais gardez sous l'emballage.
5. Placez les steaks sur le gril. Saisissez chaque côté, en retournant toutes les minutes.
6. Grillez jusqu'à la cuisson désirée, puis enlevez du gril. Placez sur les plats de service et garnissez-les avec les légumes chauds.

POULES DE CORNOUAILLES AVEC DU RIZ MANDARIN

4 portions

Ingrédients :

4 entiers	poules de Cornouailles
750 ml / 3 c.	riz Mandarin
15 ml / 1 c. à t.	huile d'olive
5 ml / 1 c. à s.	paprika fumé
250 ml / 1 c.	marmelade d'orange

Riz mandarin

59 ml / ¼ c.	d'amandes (effilées)
30 ml / 2 c. à t.	céleri (haché)
1 petit	oignon vert (tranché finement)
30 ml / 2 c. à t.	beurre
1 conserve	de segments d'orange mandarine (égouttée) <i>0,4 kg/11ounces</i>
30 ml / 2 c. à t.	de jus d'orange (concentré)
500 ml / 2 c.	riz cuit

Essence de granulés de bois suggérée : Noyer blanc / Mesquite / Mélange compétition

Instructions :

1. Préparez le riz mandarin en faisant sauter les amandes, le céleri et les oignons avec du beurre dans une petite poêle jusqu'à ce que les amandes soient légèrement grillées. Combinez le mélange avec les segments d'orange, jus d'orange et le riz cuit dans un bol et mettez de côté.
2. **Préchauffer le gril, puis réduire à le réglage moyen à 135-177°C / 275-350°F.**
3. Rincez les poules de Cornouailles et essuyez à l'aide d'un papier absorbant. Remplissez les poules de Cornouailles avec la garniture et attachez les pattes à l'aide d'une ficelle. Badigeonnez légèrement les poules avec de l'huile; saupoudrez avec du paprika.
4. Placez les poules de Cornouailles sur le gril. Grillez pendant 45 à 60 minutes, jusqu'à ce que la viande soit tendre lorsqu'on la presse.
5. Badigeonnez les poules avec la marmelade à l'orange pendant les 20 dernières minutes de cuisson. Enlevez du gril et présentez sur un plateau de service.

CONSEIL : Si vous souhaitez récolter les gouttes de graisse pour faire une sauce, placez les poules dans un plat en aluminium et ajoutez assez d'eau ou de jus pour couvrir le fond à environ 0,6 cm / ¼ po d'épaisseur.

KEBABS DE CREVETTES AVEC BEURRE AU CURRY

4 portions

Ingrédients :

900g / 2 lbs	crevettes (décortiquées, déveinées)
125ml / ½ c.	beurre de curry
15 ml / 1 c. à t.	huile d'olive
1	lime
	aneth frais

Beurre de curry

125 ml / ½ c.	beurre
30 ml / 2 c. à t.	oignons (hachés)
15 ml / 1 c. à t.	aneth frais
5 ml / 1 c. à s.	poudre de curry
Pincée	poudre d'ail

Saveur de granulés de bois suggérée : Mesquite / Compétition

Instructions :

1. Faites tremper les brochettes de bois dans l'eau pendant environ 1 heure.
2. Préchauffer le gril, puis réduire à 135-163°C / 275-325°F.
3. Préparez le beurre Curry en faisant fondre le beurre dans une petite casserole à feu moyen-élevé. Ajoutez les oignons, l'aneth, la poudre de curry et la poudre d'ail. Faites cuire pendant cinq minutes, puis retirez du feu.
4. Étalez les crevettes sur les brochettes, en laissant de l'espace entre les morceaux. Badigeonnez légèrement d'huile d'olive.
5. Placez les brochettes sur le gril et grillez jusqu'à ce que les crevettes soient blanches et tendres. Les crevettes grillent rapidement; prenez soin de ne pas trop les cuire. Tournez les brochettes une fois et badigeonnez-les avec du beurre de curry.

vers la moitié du temps de cuisson.

6. Déposez les crevettes grillées sur un plateau. Garnissez de quarts de lime et d'aneth.

CONSEIL : Pour enfourcher une crevette afin qu'elle soit droite, tenez-la en position écartée avec une main. Commencez par le bout (la queue) et insérez une brochette de bois ou de bambou dans la crevette afin qu'elle occupe toute sa longueur. Continuez à déplier la crevette avec vos doigts pendant cette étape.

CREVETTES AU BACON ET BASILIC SUR BROCHETTE

4 à 6 portions

Ingrédients :

24 grandes crevettes (décortiquées, déveinées)
24 feuilles de basilic fraîches entières
24 tranches Bacon (tranches fines)

Essence de granulés de bois suggérée : Cerisier / Pommier

Instructions :

1. Faites tremper les brochettes de bois dans l'eau pendant environ 1 heure.
2. **Préchauffer le gril, puis réduire à 135-163 °C / 275-325 °F.**
3. Enroulez un morceau de crevettes et une feuille de basilic dans une fine tranche de bacon, puis enfiler sur une brochette, en laissant un espace entre les pièces.
4. Placez les brochettes sur le gril et grillez jusqu'à ce que les crevettes soient blanches et tendres et le bacon soit joliment grillé. Les crevettes grillent rapidement; prenez soin de ne pas trop les cuire. Retournez les brochettes régulièrement pour éviter de les brûler.
5. Retirez du gril et servir.

DINDE ENTIÈRE FUMÉE

Nourri une petite armée - les restes sont délicieux!

Ingrédients :

1 entière dinde (déglacée)
9-11,3 kg / 20-25 lbs
60 ml / 4 c. à t. d'assaisonnement
5 ml / 1 c. à s. paprika fumé
45 ml / 3 c. à t. beurre

Essence de granulés de bois suggérée : Noyer blanc / Cerisier / Mélange compétition

Instructions :

1. **Préchauffer le gril, puis réduire à 135-177°C / 275-350°F.**
2. Enlevez les cous et les abats de la dinde. Rincez soigneusement la dinde et essuyez à l'aide d'un papier absorbant.
3. Dans un petit contenant, mélangez le beurre, ¼ de l'assaisonnement et le paprika afin de former une pâte. Insérez délicatement votre main entre la peau extérieure et la viande de la poitrine. Bourrez la pâte à l'intérieur de la viande.

4. Avec l'assaisonnement restant, frotter la surface extérieure de la dinde.
5. Placez la dinde, poitrine vers le haut, dans le centre de la grille de cuisson et faites griller jusqu'à ce que la dinde soit tendre et brune dorée; la température interne doit atteindre 82°C / 180°F dans la partie la plus épaisse de la cuisse et 77°C / 170°F dans la poitrine.
6. Enlevez la dinde, couvrez-la avec une feuille d'aluminium et laissez-la reposer pendant 10 minutes avant de la découper.

CONSEIL : Si vous aimez utiliser la graisse et les jus qui se sont écoulés pour en faire une sauce onctueuse, alors placez la dinde sur une grille à l'intérieur d'un grand plat à rôtir en aluminium. Ajoutez environ 0,6 cm / ¼ po d'eau ou de bouillon et des épices dans le fond de la poêle. Surveillez les jus, vous devrez peut-être en ajouter plus pendant la période de rôtissage.

POULET À LA BIÈRE

2 à 6 portions

Ingrédients :

1 entier poulet
1,8-2,7 kg / 4-6 lbs
1 canette bière, n'importe laquelle
45 ml / 3 c. à c. d'assaisonnement

Essence de granulés de bois suggérée : Noyer blanc / Pommier / Mélange compétition

Instructions :

1. **Préchauffer le gril, puis réduire à 135-177°C / 275-350°F.**
2. Ouvrez la canette et versez la moitié de la bière dans un verre. Laissez la moitié dans la canette, et faites quelques trous supplémentaires dans la partie supérieure de la canette pour augmenter la ventilation. Ajoutez ¼ de l'assaisonnement dans la canette.
3. Rincez soigneusement le poulet et essuyez à l'aide d'un papier absorbant. Saupoudrez 1/4 de l'assaisonnement à l'intérieur du poulet. Avec l'assaisonnement restant, frotter la surface extérieure du poulet.
4. Insérez délicatement la canette verticale dans le poulet, placez sur le gril et fermez le couvercle du gril. Cuire jusqu'à ce que le poulet soit doré et croustillant; la température interne doit atteindre 74°C / 165°F.
5. A l'aide de pinces, retirez délicatement le poulet avec la en position verticale du gril. Laissez-le reposer pendant cinq minutes, puis enlevez délicatement la canette du poulet. Soyez prudent de ne pas renverser, le liquide sera chaud.
6. Coupez le poulet et servez-le.

Variation : POULET À LA BIÈRE SANS ALCOOL

À l'aide de la même méthode décrite ci-dessus, mais au lieu d'une bière vous pouvez utiliser votre boisson favorite comme du cola (pas diète), jus de fruit ou de l'eau avec des assaisonnements en plus.

POULET SATAY STYLE RANCH

2 à 6 portions

Ingrédients :

450g / 1 lb Poitrines de poulet ou Cuisses (sans os, sans peau)
112 ml / ½ c. Mélange à la vinaigrette italienne ou ranch
Pincée sel
Pincée poivre

Essence de granulés de bois suggérée : Pommier / Cerisier

Instructions :

1. Coupez le poulet, sur la longueur, en morceaux de 0,63 cm/ 1/4 po ou plus épais. Rincez le poulet et essuyez à l'aide d'un papier absorbant.
2. Placer les morceaux de poulet dans un sac en plastique refermable. Ajouter la vinaigrette, le sel et le poivre. Fermez le sac en plastique et secouez délicatement le sac, en vous assurant de bien imprégner le poulet avec la sauce. Placez dans le frigo pendant 1 à 2 heures ou toute la nuit. Secouez le sac une ou deux fois afin que le poulet se marinde de manière uniforme.
3. Faites tremper les brochettes de bois dans l'eau pendant environ 1 heure avant de les utiliser.
4. **Préchauffer le grill, puis réduire le réglage à 218°C / 425°F.**
5. Retirez le poulet du sac en plastique, et passez-le en va-et-vient sur les brochettes, comme un ruban.
6. Placez les brochettes sur le grill et grillez jusqu'à ce que le poulet soit blanc et ferme. Retournez les brochettes régulièrement pour éviter de les brûler.
7. Retirez du grill et servir.

INFORMACIÓN DE SEGURIDAD

LOS DEFECTOS EN EL MANTENIMIENTO Y EL INCUMPLIMIENTO DE LAS DISTANCIAS REQUERIDAS ENTRE EL APARATO Y LOS MATERIALES COMBUSTIBLES SON CAUSAS IMPORTANTES DE INCENDIOS. ES DE LA MAYOR IMPORTANCIA QUE ESTE PRODUCTO SOLAMENTE SE UTILICE DE ACUERDO CON ESTAS INSTRUCCIONES.

Por favor lea y comprenda este manual en su totalidad antes de intentar armar, utilizar o instalar el producto. Esto garantizará que pueda utilizar su nuevo asador de pellets de madera de la manera más agradable y sin problemas. También le recomendamos conservar este manual para referencia futura.

PELIGROS Y ADVERTENCIAS

Debe comunicarse con su asociación local de vecinos, funcionarios de construcción o control de incendios, o con la autoridad competente, para obtener los permisos y la información necesarios sobre restricciones de instalación, como la instalación de un asador en una superficie combustible, los requisitos de inspección, o incluso la capacidad de usarlo, en su región.

1. Es necesario mantener un espacio libre mínimo de 457mm (17.9 pulg.) entre materiales combustibles y los costados del asador, y de 457 mm (17.9 pulg.) desde la parte trasera del asador a materiales combustibles. **No instale el aparato en pisos combustibles, o en pisos protegidos con superficies combustibles, a menos que se obtengan las autorizaciones y los permisos apropiados de las autoridades competentes.** Este aparato de pellets de madera no debe colocarse bajo un techo o saliente de material combustible. Mantenga su asador en un área despejada y libre de materiales combustibles, gasolina y otros vapores y líquidos inflamables.

En caso de un fuego de grasa, debe apagar el asador y dejar la tapa cerrada hasta que se apague el fuego. No desconecte el cable de alimentación eléctrica. No arroje agua sobre la unidad. No trate de sofocar el fuego. Es muy recomendable mantener cerca un extintor de incendios aprobado para todo tipo de fuego (clase ABC). Si ocurre un incendio sin control, llame al Departamento de Bombero.

2. Mantenga los cables de alimentación eléctrica y la manguera de combustible lejos de las superficies calientes. No use su asador bajo la lluvia o cerca de cualquier fuente de agua.
3. Después de un período de almacenamiento o falta de uso, revise la rejilla de combustión para detectar obstrucciones, y la tolva para detectar obstrucciones del flujo de aire. Límpiela antes de usarla. Si el asador se almacena en exteriores durante la temporada de lluvias o en temporadas de alta humedad, debe tener cuidado de que no entre agua en la tolva. Siempre debe desconectar la alimentación eléctrica antes de realizar cualquier servicio o mantenimiento.

No transporte su asador mientras está en operación o mientras el asador está caliente. Asegúrese de que el fuego está completamente apagado y de que el asador está completamente frío al tacto antes de moverlo.

4. Se recomienda utilizar guantes resistentes al calor cuando opere el asador. No utilice accesorios no especificados para su uso con este aparato. No coloque una cubierta para asador u otra cosa inflamable dentro del espacio de almacenamiento debajo del asador.
5. Para evitar lesiones o daños al barreno, el aparato cuenta con una cubierta de seguridad en la tolva metálica. Esta cubierta no debe ser retirada a menos que así lo indique Servicio al Cliente o un distribuidor autorizado.

No se recomienda que usen este aparato los niños, las personas con capacidades físicas, sensoriales o mentales reducidas, o que no tengan suficiente experiencia y conocimientos, a menos que sean supervisados o instruidos por una persona responsable de su seguridad.

6. Algunas partes del asador podrían estar muy calientes y pueden causar lesiones graves. Mantenga a los niños pequeños y las

mascotas alejados mientras lo utiliza.

7. No agrande los orificios de la rejilla de combustión, los agujeros del encendedor ni las cámaras de combustión. De no cumplir con esta advertencia, podría causar un peligro de incendios y lesiones corporales y anulará su garantía.
8. El producto puede tener bordes o puntas afiladas. El contacto podría causar lesiones. Maneje con precaución.

ELIMINACIÓN DE LAS CENIZAS

Las cenizas deben ser colocadas en un recipiente metálico con una tapa hermética. El recipiente cerrado de cenizas debe colocarse en un piso no combustible o en el suelo, lejos de todos los materiales combustibles, hasta su eliminación definitiva. Cuando elimine las cenizas enterrándolas en la tierra o dispersándolas, debe conservarlas en un recipiente cerrado hasta que todas las brasas se hayan enfriado por completo.

COMBUSTIBLE DE PELLETS DE MADERA

Este aparato para cocinar con pellets está diseñado y aprobado solamente para usar combustible de madera natural en forma de pellets. Quemar cualquier otro tipo de combustible en este aparato anulará la garantía y el registro de seguridad. Solamente debe utilizar pellets de madera natural, diseñados para quemarse en asadores de pellets. No use combustible que contenga aditivos.

No use licores, petróleo, gasolina, líquido de encendedores o queroseno para encender o avivar el fuego en su asador. Mantenga estos líquidos lejos del aparato mientras lo utiliza.

Al momento de la impresión, no hay un estándar de la industria para pellets de madera para asador, aunque la mayoría de los fabricantes de pellets usan los mismos estándares aplicados para la fabricación de pellets de madera para calefacción casera. Puede encontrar más información en www.pelletheat.org o en el *Pellet Fuel Institute*.

Consulte a su distribuidor local sobre la calidad de los pellets en su región y pídale información la calidad de las distintas marcas. Dado que no existe ningún control sobre la calidad de los pellets utilizados, no asumimos ninguna responsabilidad por los daños causados por combustible de mala calidad.

CREOSOTA

La creosota, u hollín, es una sustancia similar a la brea. Cuando se quema produce un humo negro que deja residuos que también son de color negro. El hollín o creosota se forma cuando el aparato se utiliza de manera incorrecta, como: una colocación incorrecta de la rejilla de combustión, obstrucción del ventilador de combustión, falta de limpieza y mantenimiento del área de combustión, o una mala relación aire-combustible en la combustión.

Es peligroso utilizar este aparato si la llama se vuelve oscura y con hollín, o si la cámara de combustión se desborda de pellets. Al encenderse, esta creosota genera un fuego extremadamente caliente y sin control, similar a un fuego de grasa. Si esto ocurre, apague la unidad, déjela enfriarse por completo, y luego inspecciónela para darle mantenimiento y limpiarla. Por lo general se acumula en las áreas de escape de gases.

Si se ha formado creosota dentro de la unidad, permita que esta se caliente a una temperatura baja, luego apague el aparato y limpie la acumulación con una toalla de mano. Al ser similar a la brea, es mucho más fácil limpiarla cuando está caliente, ya que se vuelve líquida.

MONÓXIDO DE CARBONO (“EL ASESINO SILENCIOSO”)

El monóxido de carbono es un gas incoloro, inodoro e insípido que se produce al quemar gas, madera, propano, carbón y otros combustibles. El monóxido de carbono reduce la capacidad de la sangre para transportar oxígeno. Los niveles bajos de oxígeno en la sangre pueden causar dolor de cabeza, mareos, debilidad, náuseas, vómitos, somnolencia, confusión, pérdida de la conciencia y muerte. Siga estas instrucciones para evitar que este gas incoloro e inodoro lo intoxique a usted, a su familia o a otras personas:

- Consulte a un médico si usted u otras personas presentan síntomas de resfriado o gripe mientras cocinan o en los alrededores del aparato. La intoxicación por monóxido de carbono, que puede confundirse fácilmente con gripe o resfriado, con frecuencia se detecta demasiado tarde.
- El consumo de alcohol y drogas aumentan los efectos de la intoxicación por monóxido de carbono.

El monóxido de carbono es especialmente tóxico para madres e hijos durante el embarazo, así como para los bebés, los ancianos, los fumadores y las personas con problemas de la sangre y el sistema circulatorio, como anemia o enfermedades cardíacas.

REGISTRO DE SEGURIDAD

De acuerdo con los procedimientos y especificaciones de la Categoría 2728-2009 de UL, "aparatos de cocina con pellets combustibles" y ULC/ORD C272 y la CSA canadiense C22.2 #3 "para características eléctricas de equipos de quema de combustible". Los aparatos de cocina con pellets Louisiana Grills han sido probados de manera independiente y registrados por Intertek (un laboratorio de pruebas acreditado) de acuerdo con las normas ETL, UL, ULC y CSA.



AVISO DE DERECHOS DE AUTOR

Copyright 2018. Todos los derechos reservados. Ninguna parte de este manual puede ser copiada, transmitida, transcrita o almacenada en un sistema de respaldo, en ninguna forma y por ningún medio, sin el permiso explícito por escrito de,

Dansons Inc.

3411 North 5th Avenue, Suite 500, Phoenix, AZ, EE. UU. 85013
sales@louisiana-grills.com | service@louisiana-grills.com

www.louisiana-grills.com

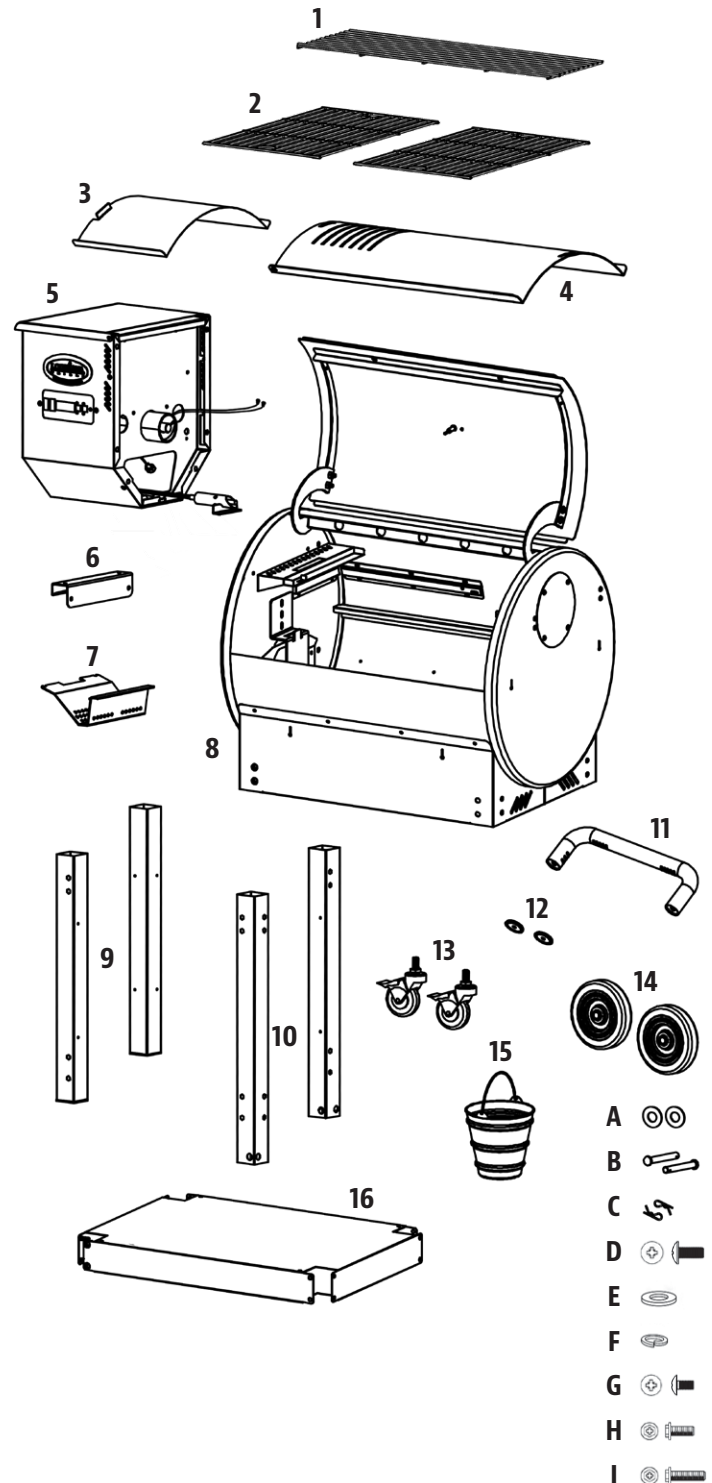
Línea sin costo: 1-877-303-3134, Fax: 1-877-303-3135

ÍNDICE

Información de seguridad	71	Cuidado y mantenimiento	88
Partes y especificaciones	75	Uso del combustible de pellets de madera	89
Preparación del ensamblaje	76	Lineamientos para cocinar	90
Instrucciones de ensamblaje		Consejos y técnicas.....	92
Ensamblaje del carrito.....	76	Solución de problemas	93
Montaje de las ruedas en el carrito	77	Diagrama de cableado eléctrico.....	96
Instalación del carrito en el barril.....	77	Refacciones	
Montaje de la tolva en el barril principal	78	Refacciones para el asador.....	97
Colocación del encendedor en la cámara de combustión....	78	Refacciones para la tolva.....	98
Posicionamiento de la rejilla de combustión.....	79	Garantía	
Instalación de los componentes para cocinar	79	Condiciones.....	99
Colocación de la manija de la tapa.....	80	Excepciones	99
Colocación de la cubeta de grasa	80	Cómo ordenar refacciones.....	100
Conexión a una fuente de alimentación eléctrica	80	Contacto con servicio al cliente	100
Instrucciones de operación		Servicio bajo garantía	100
Entorno del asador.....	81	Los accesorios se venden por separado	101
Rangos de temperatura del asador	82	Recetas	102
Entender el flujo de aire y el sistema de			
alimentación con barreno	83		
Uso del centro de control digital.....	84		
Uso de los sensores	85		
Procedimiento de preparación.....	85		
Primer uso - "quemado" del asador.....	86		
Precalentamiento.....	86		
Procedimiento de arranque automático.....	86		
Procedimiento de arranque manual	87		
Cómo apagar su asador	87		

PARTES Y ESPECIFICACIONES

N°	Descripción
1	Parrilla superior de acero recubierto de porcelana
2	Parrillas de cocción de hierro fundido recubiertas de porcelana (x2)
3	Cubierta deslizante de la rejilla de flama
4	Placa principal de rejilla de flama
5	Conjunto de tolva
6	Manija de la tolva
7	Rejilla de combustión
8	Barril principal
9	Pata de soporte corta (x2)
10	Pata de soporte larga (x2)
11	Manija de la tapa
12	Bisel de manija de la tapa (x2)
13	Rueda giratoria con seguro (x2)
14	Rueda (x2)
15	Cubeta de grasa
16	Repisa inferior
A	Arandela de eje de rueda (x2)
B	Clavija de eje de rueda (x2)
C	Chaveta de rueda (x2)
D	Tornillo (x34)
E	Arandela (x40)
F	Arandela de seguridad (x40)
G	Tornillo del encendedor (x2)
H	Tornillo de tolva (x6)
I	Tornillo de manija de la tapa (x2)



NOTA: Debido a que los productos están en desarrollo constante, las partes están sujetas a cambios sin previo aviso. Llame a Servicio al Cliente si le faltan partes al ensamblar la unidad.

LG - REQUISITOS DE ALIMENTACIÓN ELÉCTRICA
110V, 3.3AMP, 60HZ, 375W, CONECTOR DE 3 CLAVIJAS CON TIERRA

MODELO	UNIDAD ENSAMBLADA (An. x Al. x Prof.)	PESO DE LA UNIDAD	ÁREA DE COCCIÓN	RANGO DE TEMP.	FUNCIONES DIGITALES
LG LG700	986mm x 1,107mm x 610mm / 38 3/8 pulg. x 43 3/8 pulg. x 24 pulg.	64.0 kg / 141.1 lb	Principal - 3,208 cm ² / 497 pulg. cuad. Parrilla superior - 1,355 cm ² / 210 pulg. cuad. TOTAL - 4,563 cm² / 707 pulg. cuad.	82-315°C / 179-600°F	Ciclos de encendido y enfriamiento automáticos, sensor programable para carne, encendedor eléctrico

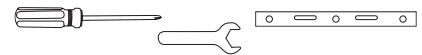
PREPARACIÓN DEL ENSAMBLAJE

Hay partes ubicadas en toda la caja de embarque, incluso debajo del asador. Inspeccione el asador, las partes y el paquete de accesorios antes de sacarlos de la caja de embarque. Antes de ensamblar el producto, revise todas las partes y compárelas con la lista de referencia. Si hay partes faltantes o dañadas, no intente ensamblar el producto. Los daños por transporte no están cubiertos por la garantía. Comuníquese con su distribuidor o con Servicio al Cliente de Louisiana Grills para solicitar partes: de lunes a domingo, de 4 a.m. a 8 p.m. hora del Pacífico (EN/FR/ES).

service@louisiana-grills.com | Línea sin costo: 1-877-303-3134 | Fax sin costo: 1-877-303-3135

IMPORTANTE: Para facilitar la instalación, es útil (pero no necesario) contar con dos personas para ensamblar esta unidad.

Herramientas requeridas para el ensamblaje: destornillador, llave de tuercas y nivel. *Las herramientas no están incluidas.*



INSTRUCCIONES DE ENSAMBLAJE

IMPORTANTE: Se recomienda leer cada paso en su totalidad antes de comenzar el ensamblaje. No apriete por completo los tornillos hasta que haya colocado todos los tornillos de ese paso. Las combinaciones de accesorios que incluyan una arandela de seguridad y una arandela deben instalarse con la arandela de seguridad más cerca de la cabeza del tornillo.

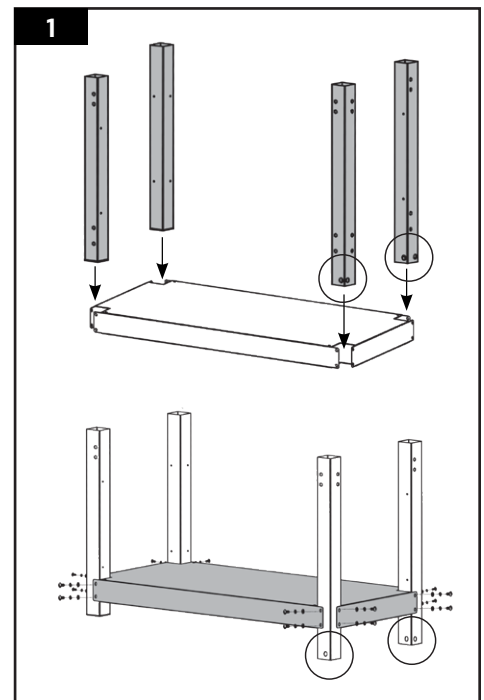
1. ENSAMBLAJE DEL CARRITO

Partes requeridas:

- 1 x Repisa inferior (#16)
- 2 x Patas de soporte cortas (#9)
- 2 x Patas de soporte largas (#10)
- 16 x Tornillos (#D)
- 16 x Arandelas (#E)
- 16 x Arandelas de seguridad (#F)

Instalación:

- Coloque un trozo de cartón en el piso para evitar que la unidad y las partes se raspen. Para facilitar la instalación, ponga al revés la repisa inferior con el lado plano hacia abajo). Prepare las cuatro patas de soporte para la instalación, separando las dos patas cortas de las dos largas.
- Coloque una pata de soporte corta deslizándola con cuidado en una esquina de la repisa inferior, y luego sujétela con cuatro arandelas, arandelas de seguridad y tornillos. Asegúrese de que el agujero roscado en la parte inferior está en el extremo de la pata de soporte más cercano a la repisa inferior. Repita la instalación con la otra pata de soporte corta, instalándola en la otra esquina del mismo lado corto de la repisa inferior.
- Continúe la instalación del carrito sujetando una pata de soporte larga al otro lado de la repisa inferior. Asegúrese de que el agujero del eje de la rueda está en el extremo de la pata de soporte más cercano a la repisa inferior. Repita la instalación con la otra pata de soporte larga en la última esquina.



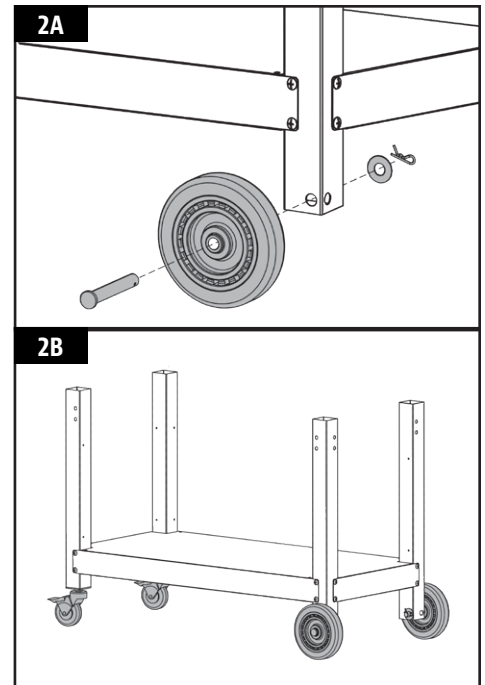
2. MONTAJE DE LAS RUEDAS EN EL CARRITO

Partes requeridas:

- 2 x Ruedas giratorias con seguro (#13)
- 2 x Ruedas (#14)
- 2 x Clavijas de eje de rueda (#B)
- 2 x Arandelas de eje de rueda (#A)
- 2 x Chavetas de rueda (#C)

Instalación:

- Coloque la rueda en la pata de soporte larga insertando la clavija del eje de la rueda a través de la rueda, de la pata de soporte larga y de la arandela del eje de rueda, y luego sujetándola usando la chaveta de la rueda. Consulte la ilustración 2A. Repita la instalación con la otra rueda.
- Inserte cada rueda giratoria con seguro en la parte inferior de cada pata de soporte corta, apretándola a mano en el agujero. Asegúrese de que cada rueda giratoria quede completamente insertada.
- Una vez que todas las ruedas estén montadas, las dos ruedas giratorias con seguro deben estar del mismo lado, y las dos patas de soporte con las ruedas deben estar del lado opuesto. Consulte la ilustración 2B.



3. INSTALACIÓN DEL CARRITO EN EL BARRIL

Partes requeridas:

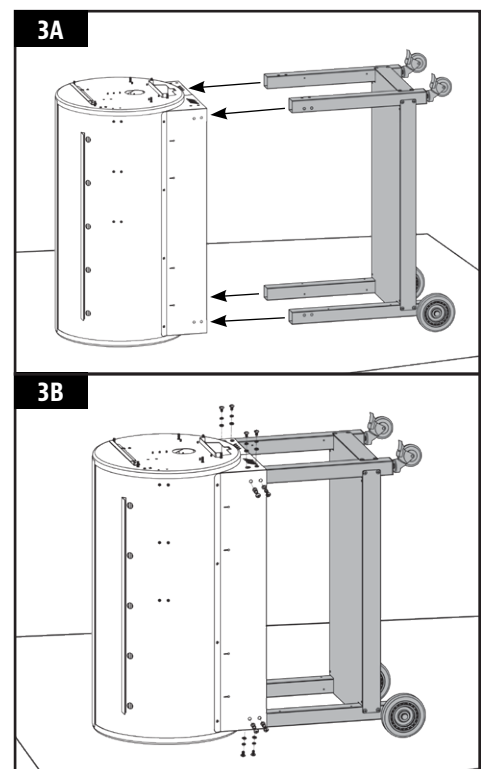
- 1 x Barril principal (#8)
- 16 x Tornillos (#D)
- 16 x Arandelas (#E)
- 16 x Arandelas de seguridad (#F)

Instalación:

- Coloque el barril principal sobre el cartón reposando sobre un costado, con el extremo de la tolva volteado hacia arriba. Asegúrese de que las patas de soporte con las ruedas giratorias estén apuntando hacia arriba, del mismo lado que la tolva. Consulte la ilustración 3A.
- Inserte el carrito ensamblado en el soporte principal del barril, y sujete cada una de las patas al soporte usando cuatro arandelas, arandelas de seguridad y tornillos. Repita la misma instalación para las otras tres patas de soporte. Consulte la ilustración 3B. Para facilitar la instalación en el último lado, voltee cuidadosamente el asador para que repose sobre su parte trasera para sujetar los últimos cuatro tornillos en el soporte del barril principal.
- Una vez que el carrito esté sujeto al barril principal, vuelva a colocar el asador sobre su costado (con el extremo con la tolva hacia arriba), y luego levante cuidadosamente el asador hasta la posición correcta con las ruedas en la parte inferior.

IMPORTANTE: Bloquee las ruedas giratorias antes de poner el asador al derecho.

NOTA: Si dos personas están armando la unidad, pueden levantar el barril principal y colocarlo sobre el carrito al derecho para sujetarlo. Levante con cuidado para evitar lesionarse.



4. MONTAJE DE LA TOLVA EN EL BARRIL PRINCIPAL

Partes requeridas:

- 1 x Conjunto de tolva (#5)
- 6 x Tornillos de tolva (#H)
- 2 x Tornillos (#D)
- 8 x Arandelas (#E)
- 8 x Arandelas de seguridad (#F)

Instalación:

- Coloque la tolva en el piso al lado del barril del asador, lista para la instalación. En el lado expuesto de la tolva, encuentre los cables del sensor pegados con cinta al exterior de la tolva. Quite la cinta y deje que los cables del sensor cuelguen afuera del agujero. Consulte la ilustración 4A.

NOTA: Encuentre el encendedor y mévalo por completo en la abertura de la parte inferior de la tolva, ya que se instalará en el siguiente paso.

- Levante la tolva del piso, y con su pie apoyado en la repisa inferior, equilibre cuidadosamente la tolva sobre su rodilla. Conecte firmemente los cables plateados del sensor de temperatura (en el barril principal) con los conectores de horquilla de la tolva. Una vez que los cables estén conectados, meta el cable sobrante de nuevo en la tolva.

IMPORTANTE: Asegúrese de que todo el cable sobrante quede dentro del orificio de salida. No deje cables cerca de las aspas del ventilador, el tubo del barreno o el encendedor.

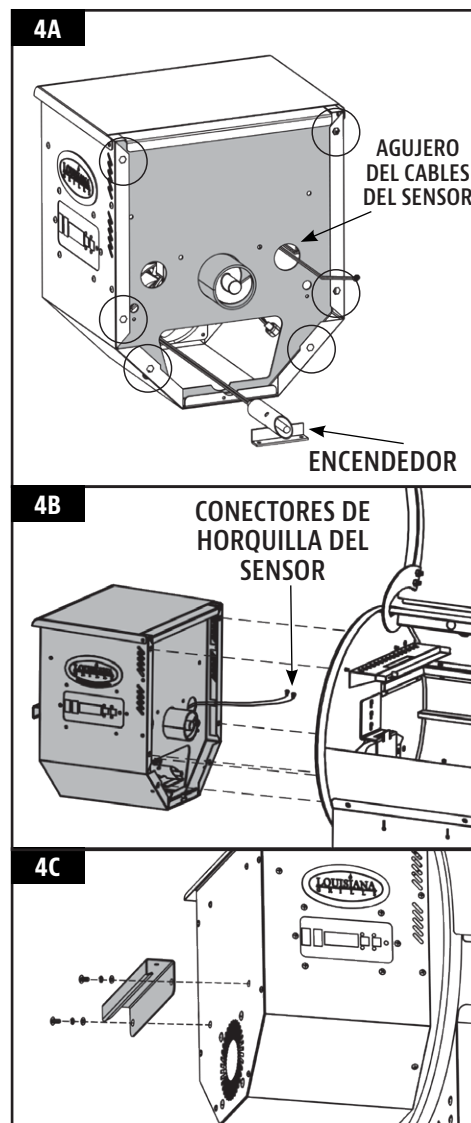
- Levante cuidadosamente la tolva, con los cables del sensor conectados, e inserte el tubo de alimentación del barreno en el orificio del barreno en el barril principal. Levante ligeramente la tolva, y apóyela en el borde de montaje del barril principal. Consulte la ilustración 4B.

NOTA: Si los orificios del barreno no están alineados, quizá necesite empujar la tolva suavemente hacia abajo para insertarla en su sitio.

- Sujete el conjunto de tolva al barril principal desde el interior del barril, usando seis arandelas, arandelas de seguridad y tornillos de tolva.

NOTA: Tenga cuidado de no apretar demasiado para no barrer las roscas de los tornillos.

- Sujete la manija de la tolva al costado de la tolva usando dos arandelas, arandelas de seguridad y tornillos. Consulte la ilustración 4C.



5. COLOCACIÓN DEL ENCENDEDOR EN LA CÁMARA DE COMBUSTIÓN

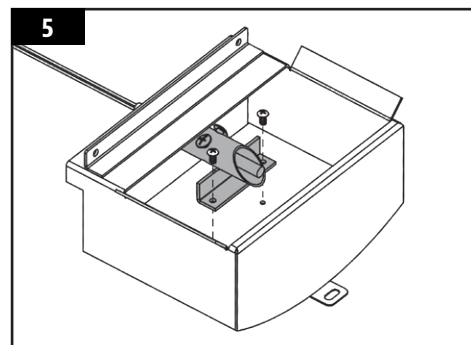
Partes requeridas:

- 2 x Tornillos del encendedor (#G)

Instalación:

- Desde el interior del barril principal, pase la mano por la cámara de combustión hasta el fondo de la tolva, y jale cuidadosamente el encendedor hacia la cámara de combustión. Alinee los orificios del soporte del encendedor con los orificios en el fondo de la cámara de combustión. Sujete el soporte del encendedor con dos tornillos.

IMPORTANTE: Los orificios de los dos tornillos tienen que ser autorroscantes, ya que no tienen rosca. Si es necesario, use un taladro



para comenzar la colocación con cuidado, y termine de apretar a mano con un destornillador.

NOTA: Tenga cuidado de no apretar demasiado para no barrer las roscas de los tornillos.

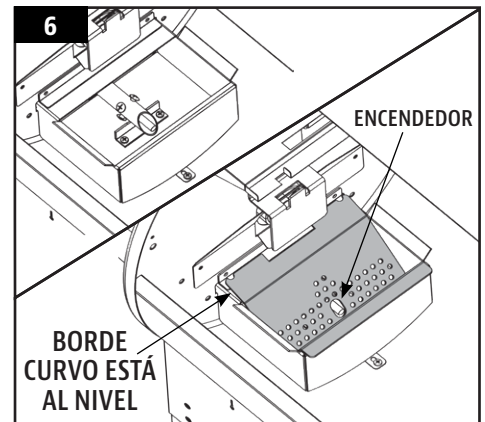
6. POSICIONAMIENTO DE LA REJILLA DE COMBUSTIÓN

Partes requeridas:

1 x Rejilla de combustión (#7)

Instalación:

- **La colocación y el mantenimiento apropiados de la rejilla de combustión son vitales para el funcionamiento de la unidad.** Inserte la rejilla de combustión en la cámara de combustión. El orificio de la rejilla de combustión debe alinearse y quedar abierto para permitir que el encendedor encienda los pellets. Para verificar que el posicionamiento sea correcto, asegúrese de que el borde curvo de la rejilla de combustión esté al nivel de la parte superior de la cámara de combustión, y que el lado con muesca quede a nivel debajo del deflector de combustible.



7. INSTALACIÓN DE LOS COMPONENTES PARA COCINAR

Partes requeridas:

3 x Parrillas de cocción (#2)

1 x Parrilla superior (#1)

1 x Placa principal de rejilla de flama (#4)

1 x Cubierta deslizante de la rejilla de flama (#3)

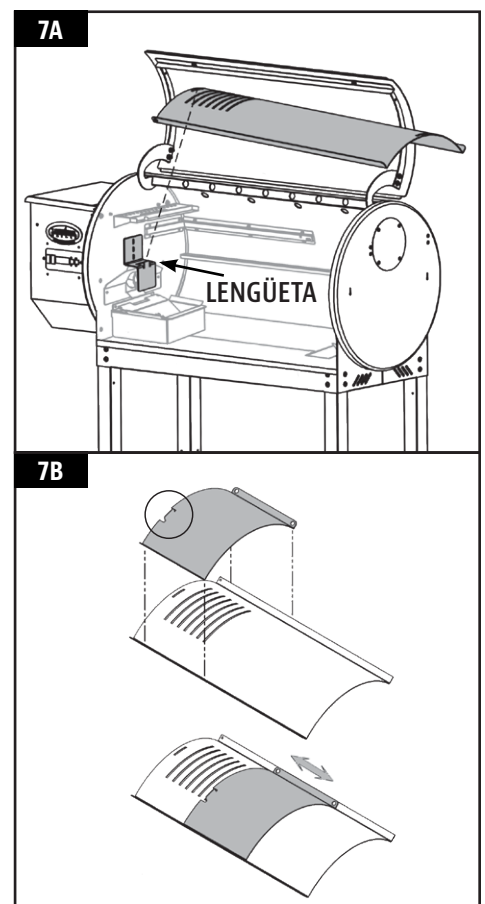
Instalación:

- Inserte la placa principal de la rejilla de flama en el barril del asador. Apoye la placa principal de la rejilla de flama sobre el borde integrado (en la parte interior derecha) del asador principal, que dirige la grasa hacia la cubeta. Deslice toda la pieza hacia el lado izquierdo, y la bandeja encajará en la lengüeta elevada que está encima de la rejilla de combustión. Consulte la ilustración 7A. La placa principal de rejilla de flama se usa para distribuir el calor de manera uniforme.
- Coloque la cubierta deslizante de la rejilla de flama encima de la placa principal de la rejilla de flama, cubriendo las aberturas de ranura. Asegúrese de que la lengüeta elevada está al lado izquierdo, para ajustar con facilidad la parrilla a fuego directo o indirecto mientras cocina. Consulte la ilustración 7B. Ambas partes de la rejilla de flama tienen una ligera capa de aceite para evitar la oxidación durante el transporte.

NOTA: Cuando la cubierta deslizante está abierta y se usa fuego directo para cocinar, no deje el asador sin atención en ningún momento.

- Coloque las parrillas lado a lado en el borde que está dentro del barril principal. Coloque la parrilla superior en el borde superior dentro del barril principal, sujetándola en su sitio, en la posición extendida o retraída.

NOTA: Para mantener el mejor desempeño en sus parrillas de cocción, es necesario darles cuidado y mantenimiento con regularidad.



8. COLOCACIÓN DE LA MANIJA DE LA TAPA

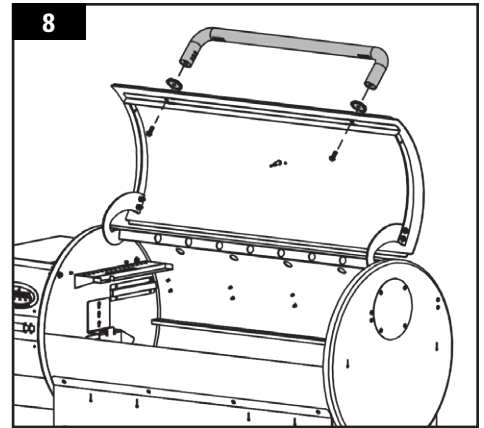
Partes requeridas:

- 1 x Manija de la tapa (#11)
- 2 x Biseles de la manija de la tapa (#12)
- 2 x Tornillo de manija de la tapa (#1)

Instalación:

- Desde el interior de la tapa del barril, inserte un tornillo de manera que sobresalga hacia el exterior. Coloque un bisel en el tornillo, y luego apriete el tornillo a mano (desde el interior) en la manija de la tapa. Repita el procedimiento para el otro extremo de la manija.

NOTA: No apriete demasiado los tornillos. Sólo necesitan estar ligeramente apretados.



9. COLOCACIÓN DE LA CUBETA DE GRASA

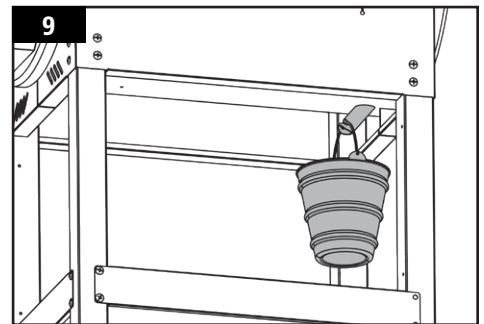
Partes requeridas:

- 1 x Cubeta de grasa (#15)

Instalación:

- Coloque la cubeta de grasa en el gancho que está en la cara inferior del barril principal. Asegúrese de que está nivelada para evitar que se derrame la grasa.

IMPORTANTE: Quite la cubeta de grasa antes de mover la unidad para evitar derrames.



10. CONEXIÓN A UNA FUENTE DE ALIMENTACIÓN ELÉCTRICA

TOMACORRIENTE ESTÁNDAR

Este aparato requiere servicio de 110 voltios, 60Hz, 375W, 5 amps. Debe usar un enchufe de 3 clavijas con conexión a tierra. Asegúrese de que la clavija de tierra no esté rota. El control utiliza un fusible rápido de 120 voltios, 5 amps para proteger el circuito del encendedor.

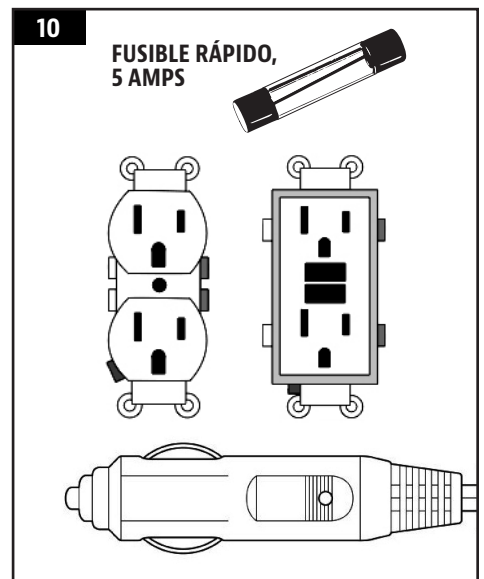
TOMACORRIENTE GFCI

Esta unidad funciona con la mayoría de los tomacorrientes GFCI, con una capacidad recomendada de 15 amps. Si el tomacorriente GFCI es muy sensible a los picos de voltaje, muy probablemente se disparará durante la fase de arranque. Durante la fase de arranque, el encendedor consume de 300 a 700 watts de electricidad, que puede ser demasiado para un tomacorriente GFCI. Cada vez que un GFCI se dispara, aumenta su sensibilidad. Si el GFCI se dispara constantemente, reemplace el tomacorriente o cámbielo por uno que no sea GFCI.

EN LA CARRETERA

Desconecte el encendedor de la alimentación principal. Use el procedimiento de arranque manual. La unidad puede funcionar con un invertidor de 12 volts, 100 watts con **LONGITUD DE ONDA POSITIVA** conectado a su automóvil. Para usar el encendedor automático, se recomienda que utilice un invertidor de por lo menos 1000 watts de **LONGITUD DE ONDA POSITIVA**.

IMPORTANTE: Desconecte la unidad de la alimentación eléctrica cuando no la use.



INSTRUCCIONES DE OPERACIÓN

Con el estilo de vida moderno en el que nos esforzamos para comer alimentos saludables y nutritivos, un factor a considerar es la importancia de reducir la ingesta de grasas. Una de las mejores maneras de reducir la grasa de su dieta es utilizar un método de cocción bajo en grasas, como el asado. Dado que un asador de pellets usa pellets de madera natural, el sabor de la madera se integra a las carnes, lo que reduce la necesidad de usar salsas con alto contenido de azúcares.

ENTORNO DEL ASADOR

1. EN DÓNDE COLOCAR EL ASADOR

Con todos los aparatos para exteriores, las condiciones climatológicas externas tendrán un papel importante en el desempeño de su asador y en los tiempos de cocción necesarios para perfeccionar sus comidas. La unidad Louisiana Grills, debido a su construcción de pared sencilla, debe considerarse como un asador para tres estaciones, dependiendo del lugar en donde viva. Las condiciones de frío extremo pueden afectar la temperatura máxima de salida.

Todas las unidades Louisiana Grills requieren un espacio libre mínimo de 457mm (17.9 pulg.) de separación de materiales combustibles, y este espacio debe mantenerse todo el tiempo que se use el asador. Para ayudar a su asador a alcanzar una temperatura de salida apropiada, mantener su retención de calor y a su tiempo de recuperación de calor cuando abra la tapa, recomendamos que resguarde su unidad del viento. Además, al ajustar la posición de su asador girándolo un cuarto de vuelta, de modo que los orificios de salida de aire (escapes) estén a resguardo del viento, logrará un mejor control de temperatura y mejor generación de calor.

2. COCINA EN CLIMAS FRÍOS

Conforme la temperatura exterior se vuelva más fría, ¡no significa que la temporada de asar se ha terminado! El aire fresco y delicioso aroma de la comida ahumada ayudará a curar la depresión invernal.

Aproveche estas sugerencias para disfrutar de su asador durante los meses fríos:

- Si no es posible ahumar a bajas temperaturas, aumente ligeramente la temperatura para lograr el mismo resultado.
- Organícese – Prepare todo lo que necesitará en la cocina antes de salir al exterior. Durante el invierno, mueva su asador a un área que esté a cubierto del viento y el frío directo. Revise las ordenanzas locales sobre la proximidad del asador a su hogar y/o a otras estructuras. Ponga todo lo que necesita en una bandeja, ¡abriguese bien y hágalo!
- Para ayudarlo a tener presente la temperatura exterior, coloque un termómetro para exteriores cerca del área en la que cocina. Lleve una bitácora o diario de lo que cocinó, la temperatura exterior y el tiempo de cocido. Esto le ayudará en el futuro para determinar qué cocinar y cuánto se tardará.
- En clima muy frío, aumente su tiempo de precalentado al menos 20 minutos.
- Trate de no levantar la tapa más de lo necesario. Las rachas de viento frío podrían enfriar completamente la temperatura de su asador. Sea flexible con su tiempo para servir; añada de 10 a 15 minutos adicionales al tiempo de cocción cada vez que abra la tapa.
- Tenga un hornillo y o una cubierta listos para mantener su comida caliente mientras la lleva al interior.
- Los alimentos ideales para cocinar en invierno son los que requieren poca atención, como asados, pollos enteros, costillas y pavos. Facilite aún más la preparación de sus comidas añadiendo elementos simples, como verduras y papas.

3. COCINA EN CLIMAS CÁLIDOS

Conforme esté más caliente en el exterior, el tiempo de cocción se reducirá.

Aproveche estas sugerencias para disfrutar de su asador durante los meses cálidos:

- Ajuste sus temperaturas de cocción a la baja. Esto ayuda a evitar las llamaradas indeseables.
- Use un termómetro de carnes para determinar la temperatura interna de sus comidas. Esto ayuda a evitar que su carne se cocine demasiado y se seque.
- Incluso en climas cálidos, es mejor cocinar con la tapa del asador abajo.
- Puede mantener las comidas calientes envolviéndolas en papel aluminio y colocándolas en un recipiente con aislamiento térmico. Coloque bolas de papel periódico alrededor del papel aluminio y mantendrá la comida caliente de 3 a 4 horas.

RANGOS DE TEMPERATURA DEL ASADOR

Las lecturas de temperatura en el tablero de control podrían no coincidir exactamente con las del termómetro de domo. Todas las temperaturas mencionadas abajo son aproximadas y se ven afectadas por los siguientes factores: temperatura ambiente en el exterior, cantidad y dirección del viento, calidad de los pellets que se utilizan, si la tapa está abierta, y la cantidad de comida que se está preparando.

- **TEMPERATURA ALTA (205-315°C / 401-599°F)**

Este rango es útil para marcar la carne y asar con calor alto. Use en conjunto con la rejilla de flama para cocinar a fuego directo o indirecto. Con **la rejilla de flama abierta**, se usa fuego directo para crear esos bistecs "azules", así como verduras cocinadas ligeramente, pan de ajo tostado, ¡o bombones! Cuando **la rejilla de flama está cerrada**, el aire circula alrededor del barril, generando calor de convección. Las temperaturas altas también se usan para precalentar su asador, limpiar las parrillas de cocción con calor, y para lograr un calor elevado en condiciones de clima extremadamente frío.

- **TEMPERATURA MEDIA (135-180°C / 275-356°F)**

Este rango es mejor para hornear, cocer y terminar esa creación ahumada lentamente. Cocinar a estas temperaturas reducirá en gran medida las probabilidades de una llamarada de grasa. Asegúrese de que la cubierta deslizante de la rejilla de flama esté en la posición cerrada, cubriendo las aberturas. Este es un rango excelente para cocinar cualquier cosa que esté envuelta en tocino, o cuando quiera versatilidad en el control.

- **TEMPERATURA BAJA (80-125°C / 176-257°F)**

Este rango se usa para asar lento, aumentar el sabor del ahumando y mantener caliente la comida. Infunda más sabor ahumado y mantenga la carne jugosa al cocinarla más tiempo a una temperatura más baja (esto también se conoce como "**bajo y lento**"). Muy recomendable para el pavo de Acción de Gracias, un jugoso jamón para la Pascua, o un enorme banquete para las fiestas. El ahumado es una variación del asado, y es la principal ventaja de cocinar en un asador de pellets de madera.

- El **ahumado caliente**, que es otro nombre para cocinar **bajo y lento**, generalmente se hace a 80-125 °C / 176-257 °F. El ahumado caliente funciona mejor cuando se necesita un tiempo de cocción más largo, como para cortes de carne, pescados o aves grandes.

CONSEJO: Para un sabor más intenso, cambie al rango de temperatura baja inmediatamente después de precalentar su asador. Esto permite que el humo penetre en las carnes.

La clave está en experimentar con el tiempo que deja ahumar antes de que la comida termine de prepararse. Algunos chefs de exteriores prefiere ahumar al terminar de cocinar, lo que permite mantener la comida caliente hasta que está lista para servirse. ¡La práctica hace al maestro!

ENTENDER EL FLUJO DE AIRE Y EL SISTEMA DE ALIMENTACIÓN CON BARRENO

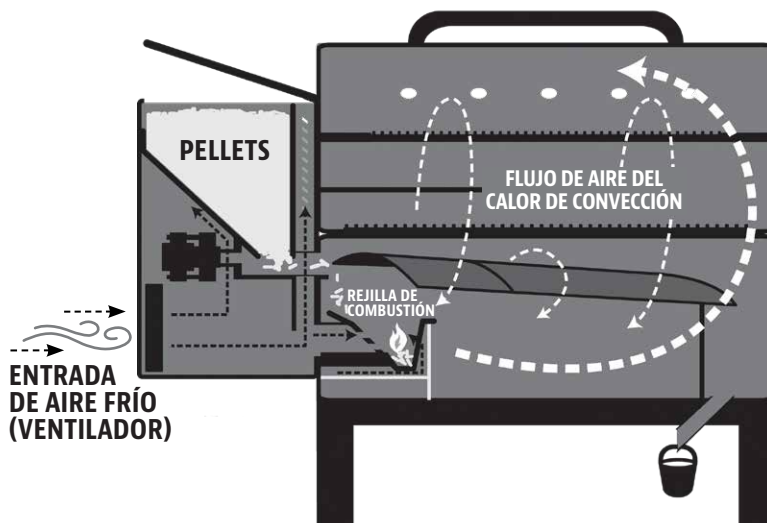
La parte esencial de su asador es la relación entre el flujo de aire de convección forzado por el ventilador y la funcionalidad del sistema de alimentación con barreno. El ventilador de combustión/enfriamiento hace pasar aire por el sistema, permitiendo que el aire caliente del encendedor haga que los pellets se enciendan y se quemen en la rejilla de combustión. El sistema de alimentación por barreno continuará ciclando entre encendido y apagado, alimentando pellets a la rejilla de combustión.

Para asegurarse de que los orificios de aire de combustión (flujo de aire) de la rejilla de combustión no se atasquen, es esencial que esta área reciba mantenimiento y limpieza apropiados. Si el asador no está alcanzando la temperatura deseada, revise para asegurarse de que los orificios de la rejilla de combustión están despejados.

CONSEJO: El asador puede funcionar eficientemente por períodos prolongados siempre y cuando tenga combustible seco y suficiente, un flujo de aire apropiado y los componentes para cocinar estén limpios.

El diseño único del sistema de flujo de aire de Louisiana Grills permite que la mayoría de la ceniza que se levanta se dirija al fondo del barril, mientras dirige el calor de convección con el abanico para que circule por el barril principal del asador.

Este tipo de flujo de aire permite que se usen pellets de distintas calidades, reduciendo a la vez la posibilidad de obstrucciones en el combustible y atascos en el sistema de alimentación por barreno.



USO DEL CENTRO DE CONTROL DIGITAL

Este control P.I.D. (proporcional-integral-derivativo) es muy similar a los controles del horno de su cocina. Las principales ventajas son la capacidad de compensar automáticamente las diferencias en las condiciones ambientales y los tipos de combustible.

IMPORTANTE: La temperatura interior de cualquier asador variará mucho entre un lugar y otro. Incluso los instrumentos que se calibraron juntos podrían no coincidir.



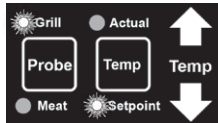
CONTROL	DESCRIPCIÓN
	Oprima el botón Power (Encendido) para encender la unidad, lo que inicia el ciclo de arranque automático. También se usa para apagar la unidad, activando el ciclo de enfriamiento.
	Mantenga oprimido el botón de Prime (Preparación) para activar una alimentación adicional de pellets a la rejilla de combustión. Esto se puede usar para añadir más combustible al fuego antes de abrir la tapa del barril, logrando así un tiempo de recuperación de calor más rápido. También se puede usar al ahumar, para aumentar la intensidad del sabor limpio ahumado. Solicitado por cocineros competitivos.
	Las flechas de ajuste de temperatura le permiten establecer su temperatura de ahumado deseada. Al oprimir las flechas ARRIBA y ABAJO, la temperatura que aparece en la pantalla LED se puede ajustar en múltiplos de 5 grados. La temperatura se puede establecer a un mínimo de 82°C / 180°F, y alcanza un máximo de 315°C / 600°F. También se usa para ajustar la temperatura deseada del sensor para carne.
	La pantalla LED se usa como el centro de información de su unidad. La pantalla LED mostrará su temperatura de cocción deseada (punto de ajuste), la temperatura de cocción real, la temperatura del sensor para carne (si está conectado) y los mensajes de error, si los hay. La temperatura puede visualizarse en grados Fahrenheit o Celsius.
	Oprima el botón Temp en el centro de control digital para visualizar la temperatura REAL o la temperatura del PUNTO DE AJUSTE en la pantalla LED. La pequeña luz LED debajo de ambas configuraciones se usa para indicar qué temperatura se está mostrando actualmente.
	Oprima el botón de Probe (sensor) en el centro de control digital para visualizar la temperatura de la PARRILLA o la temperatura del sensor para CARNE en la pantalla LED. La pequeña luz LED debajo de ambas configuraciones se usa para indicar qué temperatura de sensor se está mostrando actualmente.
	El puerto de conexión en el frente del centro de control digital es para un sensor para carne . Cuando el sensor para carne está conectado, la temperatura se muestra en la pantalla LED. Cuando no se use, desconecte el sensor para carne del puerto de conexión. <i>Incluye un (1) sensor para carne. Sólo es compatible con sensores para carne de marca Louisiana Grills.</i>

USO DE LOS SENSORES

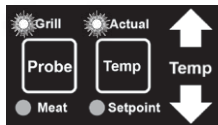
· *SENSOR DEL ASADOR*

El sensor del asador mide la temperatura interna de la parrilla principal. Cuando se ajusta la temperatura del asador, el sensor del asador medirá la temperatura real (presente) dentro del asador para ajustar a la temperatura deseada.

IMPORTANTE: La temperatura de su unidad depende en gran medida de la temperatura ambiente, la calidad de los pellets usados, el sabor de los pellets y la cantidad de comida que se cocina.



Para ajustar el punto de ajuste (SETPOINT) de temperatura del asador, oprima **el botón SENSOR (PROBE)** para indicar que se está visualizando la temperatura del sensor del asador (GRILL). Oprima **el botón TEMP** para indicar que se ha seleccionado el punto de ajuste (SETPOINT) de temperatura y oprima **las flechas de ajuste de temperatura** hacia ARRIBA o ABAJO, ajustando en múltiplos de cinco grados, hasta su temperatura deseada.

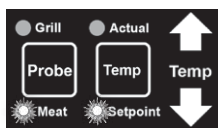


Para visualizar la temperatura real (ACTUAL) del asador, oprima **el botón SENSOR (PROBE)** para indicar que se está visualizando la temperatura del sensor del asador (GRILL). Oprima **el botón TEMP** para indicar que se ha seleccionado la temperatura real (ACTUAL) y que se está visualizando en la pantalla LED.

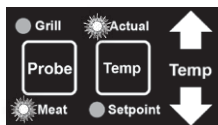
· *SENSOR PARA CARNE (PROGRAMABLE)*

El sensor para carne mide la temperatura interna de su carne en el asador, de manera similar a su horno de cocina. Conecte el adaptador al puerto de conexión del sensor para carne e inserte el sensor para carne de acero inoxidable en la parte más gruesa de su carne. Así no solamente cocerá su carne a la temperatura deseada, sino que reducirá automáticamente la temperatura de su asador al rango bajo (82 °C / 180 °F) para mantener la comida caliente hasta que esté lista para servirse. Sólo configúrelo, ¡y luego relájese mientras el sensor hace lo demás!

NOTA: Al colocar el sensor de carne en su carne, asegúrese de que el sensor y los cables no entren en contacto directo con las flamas o el calor excesivo. Esto puede dañar su sensor de calor. Saque el cable sobrante por los orificios traseros de escape del asador principal, por la parte superior del asador principal (cerca de la bisagra de la tapa), o por el orificio frontal cerca de la tolva. Cuando no se use, desconecte el sensor para carne del puerto de conexión y colóquelo en los orificios de la manija de la tolva para mantenerlo protegido y limpio.



Para modificar el punto de ajuste (SETPOINT) de temperatura del sensor para carne, oprima **el botón SENSOR (PROBE)** para indicar que se está visualizando la temperatura del sensor para carne (MEAT). Oprima **el botón TEMP** para indicar que se ha seleccionado el punto de ajuste (SETPOINT) de temperatura y oprima **las flechas de ajuste de temperatura** hacia ARRIBA o ABAJO, ajustando en múltiplos de cinco grados, hasta la temperatura deseada para que su carne esté cocida.



Para ver la temperatura real (ACTUAL) del sensor para carne, oprima **el botón SENSOR (PROBE)** para indicar que se está visualizando la temperatura del sensor para carne (MEAT). Oprima **el botón TEMP** para indicar que se ha seleccionado la temperatura real (ACTUAL) y que se está visualizando en la pantalla LED.

CONSEJO: Dependiendo de cuánto tiempo estará lejos del asador, fije su temperatura deseada de 10 a 15 grados por debajo de su preferencia, ya que la temperatura de la comida seguirá aumentando ligeramente conforme el asador se enfría y se mantiene a la temperatura más baja. Asegúrese de que está insertado completamente en el enchufe, debe sentir y escuchar cómo entra en su sitio.

PROCEDIMIENTO DE PREPARACIÓN

Debe seguir estas instrucciones la primera vez que encienda el asador (después del quemado del asador), y después de usarlo varias veces, para garantizar un encendido correcto:

1. Quite todos los accesorios para cocinar, así como la rejilla de combustión, del interior del asador. Inspeccione la cámara de combustión para asegurarse de que está libre de residuos. Abra la tapa de la tolva. Asegúrese de que no hay objetos extraños en el sistema de alimentación ni en la tolva.
2. Vuelva a colocar la rejilla de combustión en la cámara de combustión. Asegúrese de que el orificio en la rejilla de combustión esté frente al encendedor para encender los pellets, y de que el borde curvo de la rejilla de combustión esté al nivel de la parte superior de la cámara de combustión.
3. Vuelva a colocar los accesorios para cocinar en el asador. El asador ya está listo para usar.

PRIMER USO - "QUEMADO" DEL ASADOR

Antes de cocinar por primera vez en su asador, es importante hacer un "quemado" del asador. Encienda el asador y opérela a temperatura alta (más de 233 °C / 451 °F) con la tapa cerrada durante 30 a 40 minutos para "quemar" el asador y eliminar todas las sustancias extrañas.

PRECALENTAMIENTO

Es importante que permita que su asador se precaliente antes de cocinar. Esto permite que las parrillas se calienten más rápido, mata las bacterias y otros patógenos remanentes de usos anteriores del asador, y el asador puede mantener su temperatura de cocción una vez que coloque su comida en el área de cocción. Precaliente con la tapa cerrada..

IMPORTANTE: La temperatura ambiente en el exterior, las condiciones climatológicas y la calidad de los pellets de madera afectarán la temperatura de cocción. Observe el tiempo que tarda en alcanzar la temperatura deseada, y ajuste el tiempo de cocción según resulte necesario.

PROCEDIMIENTO DE ARRANQUE AUTOMÁTICO

1. Conecte el cable de alimentación a un tomacorriente con conexión a tierra. Abra la tapa del barril principal. Revise la rejilla de combustión y asegúrese de que no hay ninguna obstrucción para un encendido correcto. Abra la tapa de la tolva. Asegúrese de que no hay objetos extraños en la tolva ni en el sistema de alimentación por barreno. Llene la tolva con pellets secos de madera dura natural para asador.
2. Con la tapa del barril cerrada, encienda la unidad oprimiendo **el botón Power (Encendido)**. Esto activará **el ciclo de arranque**: el sistema de alimentación comenzará a girar, el ventilador arrancará y el encendedor empezará a calentarse. El asador producirá humo mientras se realiza el ciclo de encendido. Una vez que el humo se despeje, los pellets estarán encendidos. El ciclo de arranque dura hasta que el aparato alcance una temperatura mínima de 65 °C / 150 °F o hasta que se agote el tiempo del encendedor (10 minutos).
3. Precaliente su asador. Oprima **el botón TEMP** para indicar que se está visualizando el punto de **ajuste de temperatura (SETPOINT) y oprima las flechas** hasta una temperatura mínima de 121 °C / 250 °F por 20 minutos.
4. Después de terminar el precalentamiento, ¡configure la temperatura deseada para empezar a asar!

NOTA: Al reducir la temperatura, abra la tapa del asador hasta que la temperatura real (ACTUAL) esté relativamente próxima a su temperatura deseada.

PROCEDIMIENTO PARA FALLOS DEL ENCENDEDOR

Si por alguna razón su encendedor eléctrico falla, verifique los siguientes pasos, o puede encender su asador con el método manual.

1. Abra la tapa del barril. Saque todos los accesorios para cocinar del interior del barril principal. Saque todos los pellets sin quemar y las cenizas de la rejilla de combustión, y vuelva a ponerla en su posición correcta. No toque el encendedor para evitar quemarse, ya que podría estar extremadamente caliente.
2. Una vez que haya sacado y limpiado todos los accesorios para cocinar, oprima **el botón Power (Encendido)** para encender la unidad. Verifique lo siguiente:
 - Confirme visualmente que el encendedor está funcionando, colocando su mano sobre la rejilla de combustión para percibir que haya calor.
 - Confirme visualmente que el encendedor está alineado con el orificio en la rejilla de combustión, y despejado para permitir que se enciendan los pellets.
 - Confirme visualmente que el barreno está depositando pellets en la rejilla de combustión.
 - Confirme que el ventilador de combustión está funcionando, colocando su mano sobre la rejilla de combustión para sentir el flujo de aire.
3. Si alguno de los puntos anteriores no funciona, siga las instrucciones de **Solución de problemas**.

PROCEDIMIENTO DE ARRANQUE MANUAL

1. Conecte el cable de alimentación a un tomacorriente con conexión a tierra. Abra la tapa de la tolva. Asegúrese de que no hay objetos extraños en la tolva ni en el sistema de alimentación por barreno. Llene la tolva con pellets secos de madera dura natural para asador.
2. Abra la tapa del barril principal. Quite todos los accesorios para cocinar para exponer la rejilla de combustión. Revise la rejilla de combustión y asegúrese de que no hay ninguna obstrucción para un encendido correcto y que esté colocada correctamente. Coloque dos (2) puñados generosos de pellets en la rejilla de combustión. Rocíe iniciador en gel u otro iniciador apropiado para pellets sobre la parte superior de los pellets. También puede usar una pequeña cantidad de iniciador sólido, como los hechos de aserrín y cera, o virutas de madera. Añada otra pequeña cantidad de pellets a la rejilla de combustión.

IMPORTANTE: No use licores, petróleo, gasolina, líquido de encendedores o queroseno para encender o avivar el fuego en su asador. Además, no intente añadir más iniciador a un fuego que ya está encendido, ni a una rejilla de combustión caliente. Hacerlo podría causar lesiones.

3. Encienda el contenido de la rejilla de combustión con un fósforo largo o un encendedor alargado. Permita que el iniciador arda de 3 a 5 minutos. No intente añadir más iniciador a la rejilla de combustión. De hacerlo podría sufrir lesiones.
4. Vuelva a colocar, rápida y cuidadosamente, los accesorios para cocinar en el interior del asador, y cierre la tapa de asador. Continúe el arranque siguiendo los pasos dos a cuatro del **procedimiento de arranque automático**.

CÓMO APAGAR SU ASADOR

1. Cuando termine de cocinar, cierre la tapa del barril principal. Deje funcionar su asador de cinco a diez minutos para que realice su método de limpieza natural con quemado. Si ha estado preparando comidas muy grasosas, deje el asador encendido para "quemarlo" por diez minutos adicionales. Esto reducirá las probabilidades de causar un fuego de grasa la siguiente vez que lo arranque.
2. Una vez que termine el quemado, mantenga cerrada la tapa del barril principal y oprima **el botón Power (Encendido)** para apagar la unidad. Esto activará el **ciclo de automático de enfriamiento**. El sistema de alimentación dejará de suministrar combustible, la llama se extinguirá y el ventilador seguirá operando hasta que termine el ciclo de enfriamiento. Cuando termine el ciclo, el ventilador se apagará.

CUIDADO Y MANTENIMIENTO

Todas las unidades Louisiana Grills le darán muchos años de delicioso servicio con un mínimo de limpieza. Un paso importante es permitir que el asador y las parrillas de cocción se "autolimpie" operando el asador en temperatura alta por 5 a 10 minutos después de cada uso. Siga estas indicaciones de mantenimiento y limpieza para dar servicio a su asador:

1. CONJUNTO DE TOLVA

- Una revisión rápida de las partes servirá para garantizar que todos los componentes eléctricos de la tolva sigan funcionando correctamente. Una vez que quite el panel de acceso de la tolva (ver el diagrama en el **Diagrama de cableado eléctrico**), confirme que el encendedor está libre de residuos y obstrucciones. Revise además que los cuatro tornillos estén apretados, manteniendo así al encendedor recto y centrado en la caja de acero inoxidable.
- Revise y limpie todos los desechos del respiradero de entrada de aire del ventilador, que está en las partes delantera y trasera en el exterior de la tolva. Limpie cuidadosamente toda la grasa acumulada en las aspas del ventilador. Esto garantiza un flujo de aire apropiado para el sistema de alimentación.

2. SENSORES

- Si los cables del sensor están retorcidos o doblados, podría dañarse la pieza. Los cables deben estar enrollados formando una bobina grande y holgada.
- Aunque los sensores son de acero inoxidable, no los coloque en la máquina lavavajillas ni las sumerja en agua. El agua dañará los cables internos y causará cortocircuitos en los sensores, generando lecturas falsas. Si un sensor se daña, será necesario reemplazarlo.

3. SUPERFICIES INTERIORES

- Es recomendable limpiar su rejilla de combustión después de varios usos. Esto garantizará un encendido adecuado y evitará la acumulación de desechos o ceniza endurecidos en la cámara de combustión.
- Usando un cepillo para limpieza de asadores con mango largo, elimine toda la comida y acumulación de residuos de las parrillas de cocción. Es mejor hacerlo mientras siguen calientes de una cocción anterior. Los fuegos de grasa son causados por la caída de demasiados desechos en los componentes de cocción del asador. Limpie el interior de su asador con regularidad. En caso de que experimente un fuego de grasa, mantenga la tapa del asador cerrada para sofocar el fuego. Si el fuego no se apaga con rapidez, quite cuidadosamente la comida, apague el asador y cierre la tapa hasta que el fuego se apague por completo. Espolvoree una pequeña cantidad de bicarbonato de sodio, si tiene disponible.
- Revise su cubeta de grasa con frecuencia, y límpiela cuando sea necesario. Tome en cuenta el tipo de cocina que hace.

IMPORTANTE: Debido al alto calor, no cubra la rejilla de flama ni los sensores con papel aluminio.

4. SUPERFICIES EXTERIORES

- Limpie su asador después de cada uso. Use agua jabonosa tibia para cortar la grasa. No utilice limpiador para hornos, limpiadores abrasivos ni fibras abrasivas en las superficies externas del asador. **Las superficies pintadas no están cubiertas por la garantía**, sino que son parte del mantenimiento general. En caso de raspones, desgaste o grietas del acabado, puede retocar todas las superficies pintadas con pintura High Heat BBQ.
- ¡Use una cubierta de asador para darle una mayor protección a su asador! Una cubierta es la mejor protección contra el clima y los contaminantes externos. Cuando no lo use, o para almacenarlo por períodos prolongados, mantenga el asador bajo una cubierta en una cochera o cobertizo.

TABLA DE FRECUENCIA DE LIMPIEZA (USO NORMAL)

ARTÍCULO	FRECUENCIA DE LIMPIEZA	MÉTODO DE LIMPIEZA
Fondo del barril principal	Cada 5-6 usos	Sacar con pala o aspiradora los desechos
Rejilla de combustión, Cámara de combustión	Cada 2-3 usos	Sacar con pala o aspiradora los desechos
Parrillas de cocción	Después de cada uso	Quemar el exceso de grasa, y usar un cepillo para limpieza de parrillas


Rejilla de flama	Cada 5-6 usos	Raspar la placa principal y la deslizante, no lavar
Cubeta de grasa	15 días	Fibra de limpieza y agua jabonosa
Sistema de alimentación por barreno	Cuando la bolsa de pellets esté vacía	Dejar que el barreno empuje el aserrín, dejando la tolva vacía
Componentes eléctricos de la tolva	Una vez al año	Quitar el panel de acceso, limpiar las aspas del ventilador con agua jabonosa
Respiraderos de entrada de aire	Cada 5-6 usos	Fibra de limpieza y agua jabonosa
Sensores	Cada 2-3 usos	Fibra de limpieza y agua jabonosa


USO DEL COMBUSTIBLE DE PELLETS DE MADERA


Los pellets de madera no parecen ser más anchos que el borrador de un lápiz. Al verlos por primera vez, muchas personas creen que parecen comida de conejo; sin embargo, la energía calorífica y el sabor de un pellet de madera para asador no tienen nada de pequeño. Estos pellets de madera para asador se queman de manera limpia y generan alrededor de 8200 BTU por libra, con muy poca ceniza, poco contenido de humedad (5-7%) y son neutrales en carbón.


Los pellets de madera para asador se producen con material puro en bruto (aserrín) que se pulveriza en un aserradero, y el material se pasa a presión por un troquel. Conforme el pellet pasa por el troquel, se corta, se enfría, se inspecciona, se aspira y se empaqueta para su venta al consumidor. Consulte a su distribuidor local respecto a los sabores disponibles en su región.


LINEAMIENTOS DE SABOR


- MEZCLA DE NOGAL** 


Generoso, con un sabor ahumado, similar al tocino. Muy recomendable para asar y ahumar sus carnes favoritas.
- MEZCLA DE PACANA** 

Sabor ahumado, similar al tocino. Similar al nogal, pero menos fuerte.
- MEZCLA DE MEZQUITE** 

Aroma potente con un sabor agrio y picante. El nivel perfecto de sabor audaz para complementar su cocina Tex-Mex.
- MEZCLA DE MANZANO** 

Sabor ahumado, ligeramente dulce. Muy recomendado para hornear y para carne de cerdo.
- MEZCLA DE CEREZO** 

Ligeramente dulce con una pizca de acidez. Le da a sus carnes claras un tono rosado con un aspecto y sabor incomparables.
- MEZCLA DE BARRIL DE WHISKY** 

Dulce y ahumado con un toque agrio aromático. Una mezcla de primera de roble, y perfecta para todas las carnes rojas.
- MEZCLA DE COMPETENCIA** 

Una mezcla ideal de dulce, picante y ácido. Una combinación de maple, nogal y cerezo, con versatilidad perfecta para todas sus necesidades. Usada por muchos profesionales del asador.

NOTA: Siempre guarde los pellets de madera en un lugar seco. Evite todo el contacto o exposición a la humedad, ya que esto resultará en una menor generación de calor o hará que los pellets se hinchen y desmoronen. Use una tina o cubeta hermética a prueba de humedad para almacenarlos correctamente.

LINEAMIENTOS PARA COCINAR

Ahumar y asar pueden dar diferentes resultados dependiendo del tiempo y la temperatura. Para obtener los mejores resultados lleve un registro de lo que cocinó, a qué temperatura, por cuánto tiempo, y los resultados. Ajuste a su gusto la próxima vez. La práctica hace al maestro.

El arte culinario del ahumado caliente significa un tiempo de cocción más largo, pero le da a sus carnes un sabor de madera más natural (y un muy codiciado "*anillo de humo*"). Las temperaturas de cocción más altas resultan en tiempos de cocción más cortos y menos sabor ahumado.

CONSEJO: Para obtener los mejores resultados, deje que las carnes reposen después de cocinarlas. Esto permite que los jugos naturales regresen al interior de la carne, con lo que tendrá un corte mucho más jugoso y sabroso. Los tiempos de reposo pueden ser de 3 minutos hasta 60 minutos, dependiendo del tamaño de la proteína.

ESTILO DE COCINA	AHUMADO CALIENTE (Muy bajo)	COCIDO (Bajo)	HORNEADO (Medio)	ASADO/HORNEADO (Medio/Alto)	MARCADO (Alto)
Rango de temperaturas	93-135°C / 199-275°F	135-162°C / 275-323°F	162-190°C / 323-374°F	190-232°C / 374-449°F	232-260°C / 449-500°F

AVES	TAMAÑO	Un cuarto - 54°C / 130°F	Medio - 60°C / 140°F	Bien cocido - 77°C / 170°F
Pavo (<i>entero</i>)	4.5-5.0 kg / 10-11 lbs. 5.3-6.4 kg / 12-14 lbs. 6.8-7.7 kg / 15-17 lbs. 8.2-10.0 kg / 18-22 lbs. 10.4-11.3 kg / 23-25 lbs.			Asar de 90 a 120 minutos Asar de 110 a 140 minutos Asar de 130 a 160 minutos Asar de 140 a 170 minutos Asar de 150 a 180 minutos
Pollo (<i>entero</i>)	1.36-2.26 kg / 3-5 lbs.			Asar de 1 a 1.5 horas
Muslos, pechugas	0.45 - 0.86 kg / 1 - 1½ lbs.			Asar de 30 a 60 minutos
Aves de caza pequeñas	0.45 - 0.86 kg / 1 - 1½ lbs.			Asar de 30 a 45 minutos
Pato	1.36-2.26 kg / 3-5 lbs.			Asar o cocer de 2 a 2.5 horas

CERDO	TAMAÑO	Precocido para recalentar 60°C / 140°F	Medio 66°C / 150°F	Bien cocido 71°C / 160°F
Jamón (<i>Porción bien cocida y sin hueso, ahumado para picnic entero y con hueso</i>)	2.5 cm / 1 pulg. 1.36-1.81 kg / 3-4 lbs. 1.81-2.72 kg / 4-6 lbs. 2.26-3.62 kg / 5-8 lbs. 4.53-5.44 kg / 10-12 lbs.	12 minutos 50 minutos a 1 hora 1 a 2 horas 1 a 2½ horas 2 a 2¾ horas		
Asado de lomo	1.36-1.81 kg / 3 - 4 lbs.		1 a 2 horas	2 a 3 horas
Corona de costillas asada	1.81-2.26 kg / 4 - 5 lbs.		1½ a 2 horas	2 a 3 horas
Chuleta (<i>lomo, costillas</i>)	1.9-2.5 cm / ¾ - 1 pulg. 3.1-3.9 cm / 1¼ - 1½ pulg.		10 a 12 minutos 14 a 18 minutos	
Lomo	1.9-2.5 cm / ¾ - 1 pulg.		20 a 30 minutos	30 a 45 minutos
Asado de lomo, sin huesos	1.36-2.26 kg / 3-5 lbs.		1¼ a 1¾ horas	1¾ a 2½ horas
Boston Butt (<i>hombro de puerco</i>)	3.62-4.53 kg / 8-10 lbs.			93 - 98°C / 200 - 210°F Temperatura interior

RES	TAMAÑO	CALOR	TIEMPO APROXIMADO DE COCCIÓN		
			Un cuarto 54°C / 130°F	Medio 60°C / 140°F	Bien cocido 65°C / 150°F
Bistec (<i>New York, Porterhouse, Rib-eye, Sirloin, T-bone o lomo</i>)	1.9 cm / ¾ pulg. 2.5 cm / 1 pulg. 3.8 cm / 1½ pulg. 5 cm / 2 pulg.	Alto	Marcar 8 a 10 minutos Marcar 10 a 12 minutos Marcar 10 minutos, asar 8 a 10 minutos Marcar 10 minutos, asar 10 a 14 minutos		
Falda de res	0.6 - 12.7 cm / ¼ - ½ pulg.	Alto	5 a 7 minutos		
Arrachera	0.45 - 0.86 kg / 1 - 1½ lbs., 1.9 cm / ¾ pulg.	Medio	Marcar 4 minutos, asar 8 a 10 minutos		
Kebab	Cubos de 2.5 - 3.8 cm / 1 - 1½ pulg.	Medio	Asar 10 a 12 minutos		
Tenderloin, entero	1.58 - 1.81 kg / 3½ - 4 lbs.	Alto/Medio	1 ½ a 2 horas		
Hamburguesa	1.9 cm / ¾ pulg.	Alto/Medio	Marcar 4 minutos, asar 4 a 6 minutos		
Asado de rib-eye, sin huesos	2.26 - 2.72 kg / 5 - 6 lbs.	Medio	1 ½ a 2 horas		
Asado de tri-tip	0.9 - 1.13 kg / 2 - 2½ lbs.	Alto/Medio	Marcar 10 minutos, asar 20 a 30 minutos		
Asado de costilla	5.44 - 6.35 kg / 12 - 14 lbs.	Medio	2 ½ a 2 ¾ horas		
Chuleta de ternera	2.5cm / 1 pulg.	Medio	10 a 12 minutos		
Brisket	7.25 - 3.62 kg / 16 -18 lbs.	Ahumado caliente	Asar hasta que la temperatura interna llegue a 91°C / 195°F		

CORDERO	TAMAÑO	Un cuarto - 54°C / 130°F	Medio - 60°C / 140°F	Bien cocido - 71°C / 160°F
Asado (fresco)	2.26 - 2.72 kg / 5 - 6 lbs.		1 a 2 horas	
Corona de costillas asada	1.36-2.26 kg / 3-5 lbs.		1 a 1½ horas	1½ horas

MARISCOS	TAMAÑO	Un cuarto - 54°C / 130°F	Medio - 60°C / 140°F	Bien cocido - 82°C / 180°F
Pescado (entero)	0.5 kg / 1 lb. 0.9 - 1.1 kg / 2 - 2½ lbs. 1.4 kg / 3 lbs.			Asar 10 a 20 minutos Asar 20 a 30 minutos Asar 30 a 45 minutos
Pescado (filetes)	0.6-1.3 cm / ¼ - ½ pulg.			Asar 3 a 5 minutos, hasta que se desmenuce con facilidad
Cola de langosta	0.15 kg / 5 oz. 0.3 kg / 10 oz.			Asar 5 a 6 minutos Asar 10 a 12 minutos

CAZA	TAMAÑO	Un cuarto - 60°C / 140°F	Medio - 71°C / 160°F	Bien cocido - 77°C / 170°F
Asado (fresco)	2.26 - 2.72 kg / 5 - 6 lbs.		1 a 1½ horas	1½ a 2 horas
Cortes grandes (fresco)	3.62-4.53 kg / 8-10 lbs.		1 horas	1½ horas

CONSEJOS Y TÉCNICAS

Siga estos útiles consejos y técnicas, transmitidos por los dueños de Louisiana Grills, nuestro personal y nuestros clientes, como usted, para familiarizarse con su asador:

1. SEGURIDAD DE LOS ALIMENTOS

- Mantenga limpio todo lo que haya en la cocina y en el área para cocinar. Use platos y utensilios diferentes para la carne cocida que los que utilizó para preparar o transportar la carne cruda al asador. Esto evitará la contaminación cruzada por bacterias. Cada marinada o salsa para untar debe tener su propio utensilio.
- Mantenga las comidas calientes calientes (a más de 60 °C / 140 °F), y mantenga las comidas frías frías (a menos de 3 °C / 37°F).
- Nunca debe guardar una marinada para usarla en el futuro. Si la va a servir con la carne, asegúrese de hervirla antes de servir.
- Los alimentos cocidos no deben dejarse en un entorno caliente por más de una hora. No deje alimentos calientes fuera del refrigerador por más de dos horas.
- Descongele y marine las carnes en refrigeración. No descongele la carne a temperatura ambiente ni sobre un mostrador. Las bacterias pueden crecer y multiplicarse con rapidez en comidas calientes y húmedas. Lávese las manos cuidadosamente con agua tibia y jabón antes de iniciar la preparación de los alimentos y después de manejar carne fresca, pescado y aves.

2. PREPARACIÓN PARA COCINAR

- Al ir de una temperatura alta a una baja, levante la tapa y déjela abierta hasta que la temperatura real esté cerca de su temperatura deseada. Esto acelera el proceso y garantiza que el fuego no se apague.
- Esté preparado o **Mise en Place**. Esto se refiere a estar preparado con la receta, el combustible, los accesorios, los utensilios y todos los ingredientes que necesita junto al asador antes de empezar a cocinar. Además, lea toda la receta, de principio a fin, antes de encender el asador.
- Un tapete para asador es muy útil. Debido a los accidentes al manejar la comida y las salpicaduras al cocinar, un tapete protege su terraza, patio o piso de piedra del riesgo de manchas de grasa o derrames accidentales.

3. CONSEJOS Y TÉCNICAS PARA COCINAR

- Para infundir más sabor ahumado a sus carnes, cocínelas por más tiempo y a temperaturas más bajas (esto también se conoce como "**bajo y lento**"). La carne cerrará sus fibras cuando alcance una temperatura interna de 49 °C / 120 °F. Aplicar líquidos en aerosol o con un pequeño "trapeador" son excelentes maneras de evitar que la carne se seque.
- Al marcar sus carnes, cocine con la tapa cerrada. Siempre use un termómetro de carne para determinar la temperatura interna de los alimentos que está cocinando. Ahumar la comida con pellets de madera dura le da un tono rosado a la carne y las aves. La banda rosada (después de cocinar), conocida como "**anillo de humo**", es muy apreciada por los chefs de asador.
- Es mejor aplicar las salsas con base de azúcar cerca del final de la cocción, para evitar que se quemen o provoquen llamaradas.
- Deje un espacio de separación entre la comida y los extremos del barril para que el calor fluya apropiadamente. Los alimentos en una parrilla muy llena necesitarán más tiempo de cocción.
- Use un juego de tenazas de mango largo para voltear las carnes, y una espátula para voltear hamburguesas y pescados. Si usa un utensilio puntiagudo, como un trinche, perforará la carne y permitirá que se escapen los jugos.
- Las comidas en platos hondos necesitarán más tiempo de cocción que en una charola plana.
- Es una buena idea colocar los alimentos preparados en un hornillo para mantenerlos calientes. Las carnes rojas, como los bistecs y asados, saben mejor cuando reposan varios minutos antes de servirlos. Esto permite que los jugos que el calor sacó a la superficie regresen al centro de la carne, dándole más sabor.

SOLUCIÓN DE PROBLEMAS

La limpieza apropiada, el mantenimiento y el uso de combustible de calidad, limpio y seco, evitarán problemas comunes en la operación. Cuando su asador Louisiana Grills no funcione bien, o con menos frecuencia, los siguientes consejos para solucionar problemas podrían serle de utilidad.

Para ver las preguntas frecuentes, visite www.louisiana-grills.com y haga clic en Soporte (SUPPORT). También puede comunicarse con el distribuidor autorizado de Louisiana Grills en su localidad o llamar a Servicio al Cliente para recibir ayuda.

ADVERTENCIA: Siempre desconecte el cable de alimentación eléctrica antes de abrir el asador para realizar cualquier trabajo de inspección, limpieza, mantenimiento o servicio. Asegúrese de que el asador está completamente frío para evitar lesiones.

PROBLEMA	CAUSA	SOLUCIÓN
No hay luces de encendido en el centro de control digital	Botón Power (Encendido)	Oprima el botón Power (Encendido) inténtelo de nuevo y manténgalo oprimido dos segundos para confirmar la conexión.
	No conectado a la alimentación eléctrica	Asegúrese de que la unidad está conectada a un tomacorriente funcional. Restablecer el disyuntor. Asegúrese de que el GFCI tiene capacidad para 10 amps por lo menos (consulte el diagrama de cableado eléctrico para encontrar el acceso a los componentes eléctricos) y asegúrese de que todas las conexiones de cables están bien colocadas y secas.
	Fusible fundido en el tablero de control	Quite el panel de acceso a la tolva (consulte el diagrama de cableado eléctrico) y revise el fusible para ver si un cable está roto o se ha puesto negro. En ese caso, será necesario cambiar manualmente el fusible.
	El tomacorriente GFCI se ha disparado.	Quite el panel de acceso de la tolva (consulte el diagrama de cableado eléctrico) y asegúrese de que todas las conexiones de cables están bien colocadas y secas. Asegúrese de que el GFCI tiene capacidad para 10 amps por lo menos
	Falla en el centro de control	Es necesario reemplazar el centro de control digital. Comuníquese a Servicio al Cliente para solicitar la refacción.
No se enciende fuego en la rejilla de combustión	Rejilla de combustión	Revise que la rejilla de combustión esté bien colocada. Siga las instrucciones de Cuidado y mantenimiento en caso de cenizas acumuladas.
	El motor del barreno está atascado	Saque los accesorios para cocinar del barril principal. Oprima el botón Power (Encendido) para encender la unidad e inspeccione el sistema de alimentación por barreno. Confirme visualmente que el barreno está depositando pellets en la rejilla de combustión. Si no funciona correctamente, llame a Servicio al Cliente para pedir asistencia o una refacción.
	El encendedor no funciona correctamente	Saque los accesorios para cocinar del barril principal. Oprima el botón Power (Encendido) para encender la unidad e inspeccione el encendedor. Confirme visualmente que el encendedor está funcionando, colocando su mano sobre la rejilla de combustión para percibir que haya calor. Confirme visualmente que el encendedor está alineado con el orificio en la rejilla de combustión, y despejado para permitir que se enciendan los pellets. Si no funciona correctamente, siga el Procedimiento de arranque manual para seguir usando el asador; sin embargo, debe llamar a Servicio al Cliente para pedir asistencia o una refacción.
	Falla del encendedor	Es necesario reemplazar el encendedor. Comuníquese a Servicio al Cliente para solicitar la refacción.
La lectura de la temperatura real (ACTUAL) no se modifica	El sensor del asador está sucio	Siga las instrucciones de Cuidado y mantenimiento .
	El sensor del asador está mojado	Use una secadora de cabello para secar los cables del sensor del asador.
	El sensor del asador está dañado	Es necesario reemplazar el sensor del asador. Comuníquese con Servicio al Cliente.

La pantalla LED marca datos erróneos	El interruptor de configuración de temperatura no está configurado correctamente para mostrar °C / °F.	Desconecte la unidad de la alimentación eléctrica. Quite el panel de acceso de la tolva (consulte el diagrama de cableado eléctrico) para obtener acceso a la parte trasera del centro de control digital. Use una lámpara pequeña para encontrar el interruptor de configuración de temperatura, que está cerca del centro de la parte trasera del centro de control digital. Mueva el interruptor a °C (Celsius) o °F (Fahrenheit) según prefiera. Vuelva a colocar el panel de acceso de la tolva.
Llamaradas frecuentes	Temperatura de cocción	Intente cocinar a una temperatura más baja. La grasa tiene un punto de inflamación. Mantenga la temperatura debajo de 176 °C / 350 °F cuando cocine comida muy grasosa.
	Acumulación de grasa	Siga las instrucciones de Cuidado y mantenimiento .
	La rejilla de flama está abierta	Cierre la rejilla de flama para cocinar a fuego indirecto.
El ventilador se enciende por sí mismo.	El asador está expuesto a una temperatura alta o a la luz de sol directa	Esta función no daña la unidad. La temperatura interior del asador ha alcanzado o superado 540C / 1300F, y está realizando enfriamiento automático. Para reducir la temperatura interior, abra la tapa del asador o desconéctelo de la alimentación eléctrica, y muévelo a un área con sombra.
El asador produce humo excesivo o sin color	Acumulación de grasa	Siga las instrucciones de Cuidado y mantenimiento .
	Calidad de los pellets de madera	Elimine los pellets de madera húmedos de la tolva. Siga las instrucciones de Cuidado y mantenimiento para la limpieza. Reemplace con pellets de madera secos.
	La rejilla de combustión está obstruida	Saque los pellets de madera húmeda de la rejilla de combustión. Siga el procedimiento de preparación de la tolva .
	Entrada de aire insuficiente para el ventilador	Revise el ventilador. Asegúrese de que funciona correctamente y de que la entrada de aire no está bloqueada. Siga las instrucciones de Cuidado y mantenimiento si está sucio.
El asador no alcanza o mantiene una temperatura estable	Configuración	Revise el centro de control digital para asegurarse de que el LED pequeño está al lado de la temperatura real (ACTUAL). De lo contrario, oprima el botón TEMP para indicar qué temperatura se está mostrando actualmente.
	Flujo insuficiente de aire en la rejilla de combustión	El asador no funciona correctamente. Siga el procedimiento de preparación para asegurarse de que los accesorios para cocinar están bien colocados. Revise que la rejilla de combustión esté bien colocada. Siga las instrucciones de Cuidado y mantenimiento en caso de cenizas acumuladas. Revise que la entrada de aire del ventilador no esté obstruida. Si no hay obstrucción, quite el panel de acceso a la tolva (consulte el diagrama de cableado eléctrico) y encuentre los cables azul y blanco del ventilador. Asegúrese de que tiene una conexión firme, jalando cada cable con suavidad. Si algún cable está flojo, empuje el conector hasta que escuche un clic. Revise que las aspas del ventilador estén limpias. Revise el sensor del asador. Siga las instrucciones de Cuidado y mantenimiento si está sucio. Revise que no haya una obstrucción en el sistema de alimentación. Saque los pellets y siga las instrucciones de Cuidado y mantenimiento . Una vez que termine el mantenimiento, haga una prueba. Después de sacar los accesorios para cocinar, oprima el botón Power (Encendido) para encender la unidad. Verifique que las llamas del encendedor en la rejilla de combustión sean brillantes y vivas. Vuelva a colocar los accesorios para cocinar en el asador y úselo con normalidad.
	Falta de combustible, combustible de mala calidad, obstrucción en el sistema de alimentación	Revise la tolva y asegúrese de que tenga un nivel suficiente de combustible, y vuelva a llenarla si el nivel está bajo. Si la calidad de los pellets de madera es mala, y si los pellets son demasiado largos, podría presentarse una obstrucción del sistema de alimentación. Saque los pellets y siga las instrucciones de Cuidado y mantenimiento .
	Sensor del asador	Revise el estado del sensor del asador. Siga las instrucciones de Cuidado y mantenimiento si está sucio. Si está dañado, comuníquese a Servicio al Cliente para solicitar la refacción.

Código de error "Er-1"	La unidad se ha sobrecalentado, probablemente debido a un fuego de grasa o exceso de combustible.	Oprima el botón Power (Encendido) para apagar la unidad y déjela enfriar. Siga las instrucciones de Cuidado y mantenimiento . Después del mantenimiento, saque los pellets y confirme la posición de todos los componentes. Una vez que se enfríe, oprima el botón Power (Encendido) para encender la unidad y seleccione la temperatura deseada. Si aún aparece el código de error, comuníquese con Servicio al Cliente.
	El sensor del asador no está haciendo conexión	Confirme que el sensor del asador no tenga daños. Siga las instrucciones de Cuidado y mantenimiento si está sucio. Si todo parece estar en buen estado, revise la conexión con el centro de control digital. Desconecte la unidad de la alimentación eléctrica. Quite el panel de acceso de la tolva (consulte el diagrama de cableado eléctrico). Encuentre los cables plateado y marrón del sensor del asador. Desconecte los conectores de horquilla y vuélvalos a conectar hasta que escuche un clic. Vuelva a colocar el panel de acceso de la tolva.
Código de error "Er-2"	La unidad se ha sobrecalentado, probablemente debido a un fuego de grasa o exceso de combustible.	Grill no puede funcionar correctamente. Siga las instrucciones del procedimiento de configuración. Verifique si la tolva tiene suficiente combustible o si hay una obstrucción en el sistema de alimentación. Retire los gránulos y siga las instrucciones de cuidado y mantenimiento. Verifique la sonda de la parrilla. Confirme si la temperatura real (ACTUAL) es correcta y precisa. Siga las instrucciones de Cuidado y mantenimiento si está sucio. Verifique la posición del encendedor y que se esté calentando adecuadamente. En un frío extremo, la parrilla puede requerir un segundo inicio. Apague la parrilla, espere y vuelva a encenderla. Ver ventilador. Asegúrese de que esté funcionando correctamente. Siga las instrucciones de cuidado y mantenimiento si está sucio.
	El sensor del asador no está haciendo conexión	
Código de error "Er-3"	Hubo un corte de energía durante la operación	La alimentación eléctrica se interrumpió y el asador no completó su ciclo de enfriamiento. Revise la alimentación eléctrica; tal vez hubo un corte de energía durante el uso. Oprima el botón Power (Encendido) para apagar la unidad, espere dos minutos, y luego oprima el botón Power (Encendido) para volver a encender la unidad. Si aún aparece el código de error, comuníquese con Servicio al Cliente.
	Corte de energía durante la operación.	
Código de error "noPr"	Mala conexión en el puerto de conexión	Desconecte el sensor para carne del puerto de conexión del centro de control digital, y vuelva a conectarlo. Asegúrese de que el adaptador del sensor para carne está bien conectado.
	Sensor para carne dañado	Revise que los cables del sensor para carne no muestren señales de daños. Si existen daños, llame a Servicio al Cliente para solicitar la refacción.

DIAGRAMA DE CABLEADO ELÉCTRICO

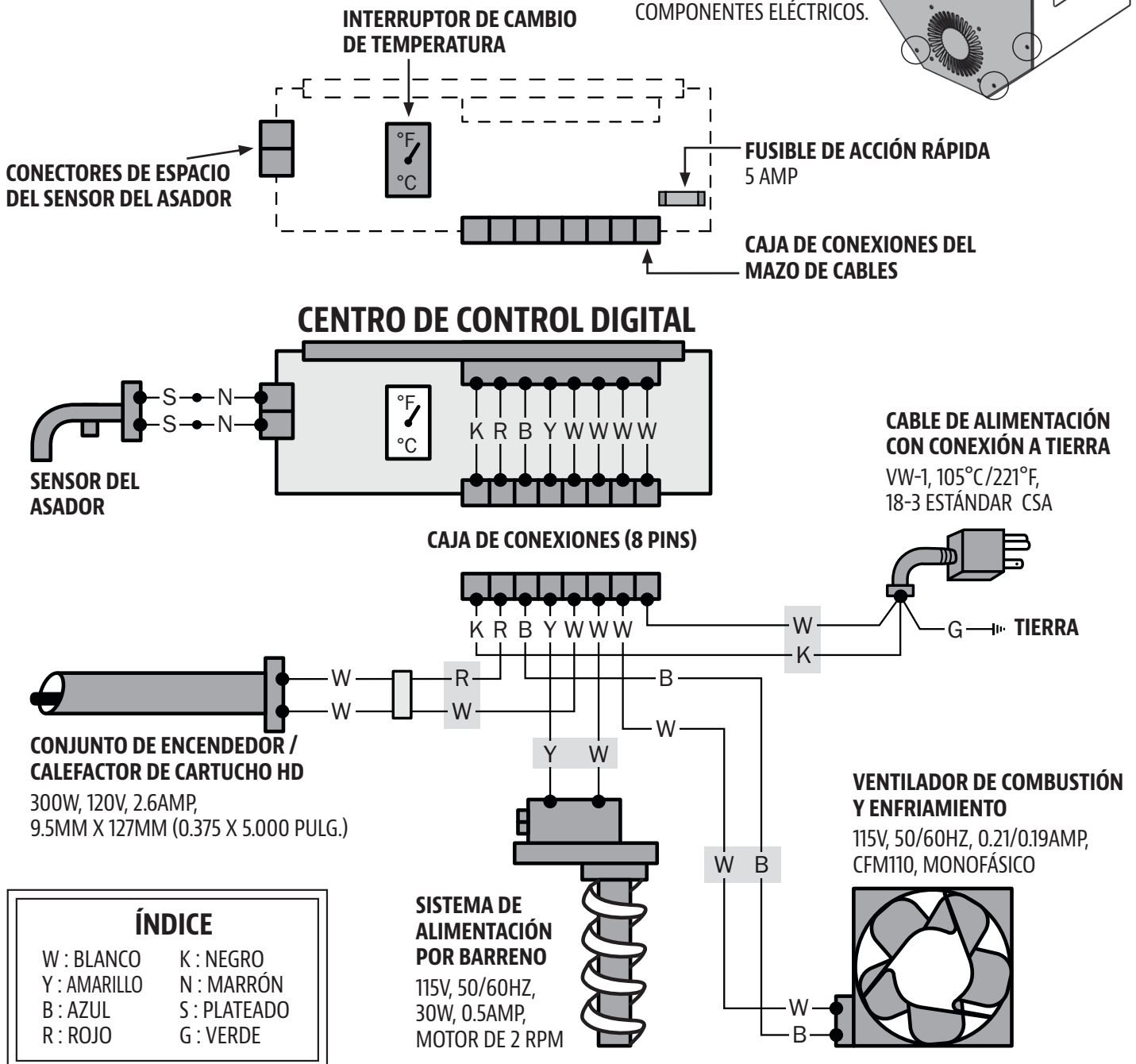
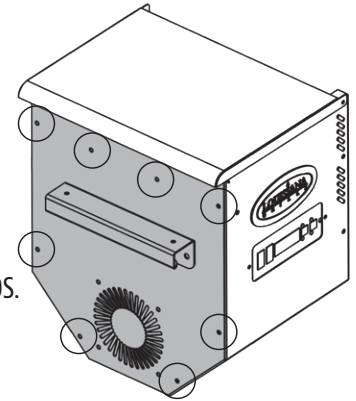
El sistema del centro de control digital es un dispositivo tecnológico intrincado y valioso. Para protegerlo de los picos de voltaje y los cortocircuitos eléctricos, consulte el siguiente diagrama de cableado para asegurarse de que su fuente de alimentación es suficiente para la operación de la unidad.

LG - REQUISITOS DE ALIMENTACIÓN ELÉCTRICA 110V, 3.3AMP, 60HZ, 375W, CONECTOR DE 3 CLAVIJAS CON TIERRA

NOTA: Los componentes eléctricos, que pasaron por pruebas y servicios de certificación de seguridad de productos, cumplen con una tolerancia de prueba de $\pm 5-10$ por ciento.

PANEL DE ACCESO DE LA TOLVA

ENCUENTRE Y QUITÉ LOS OCHO TORNILLOS EN EL LADO DE LA TOLVA PARA OBTENER ACCESO A LOS COMPONENTES ELÉCTRICOS.

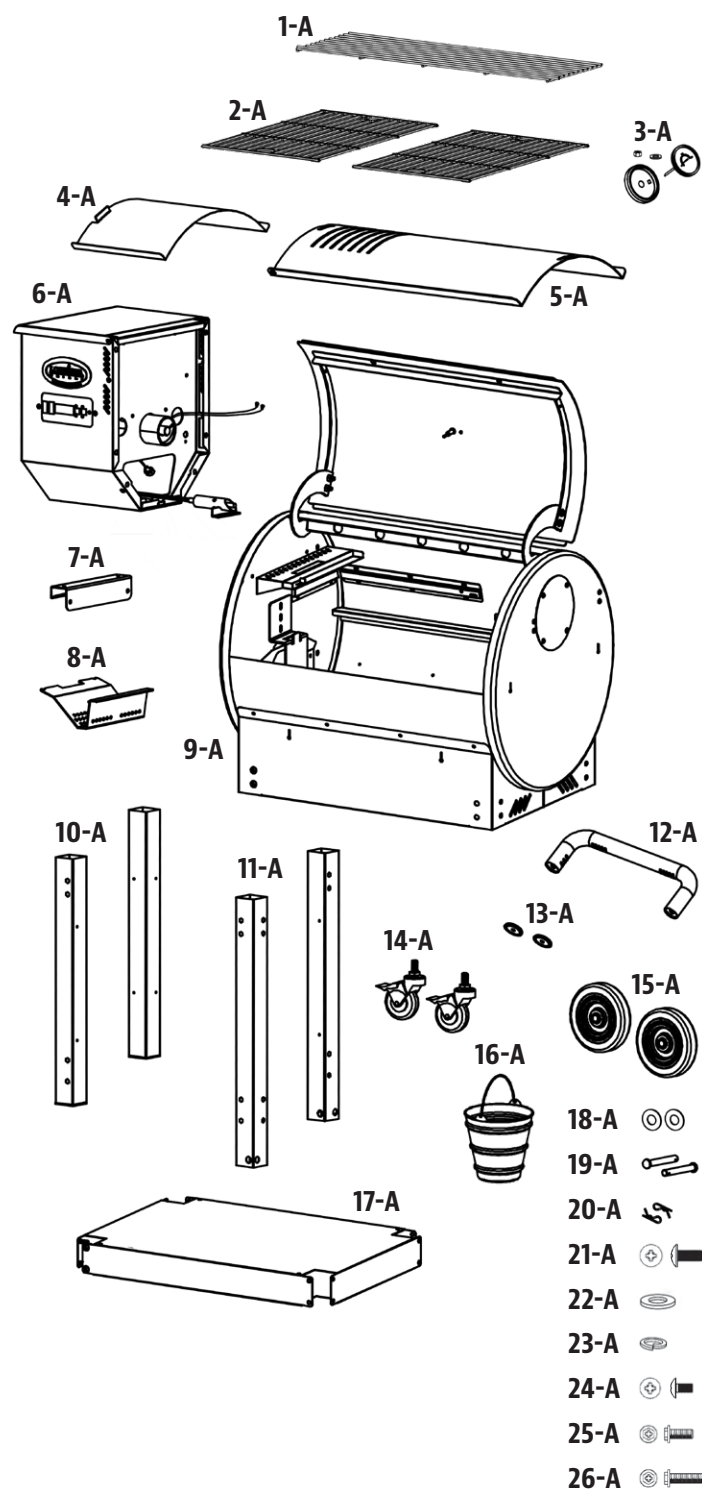


ÍNDICE

W : BLANCO	K : NEGRO
Y : AMARILLO	N : MARRÓN
B : AZUL	S : PLATEADO
R : ROJO	G : VERDE

REFACCIONES PARA EL ASADOR

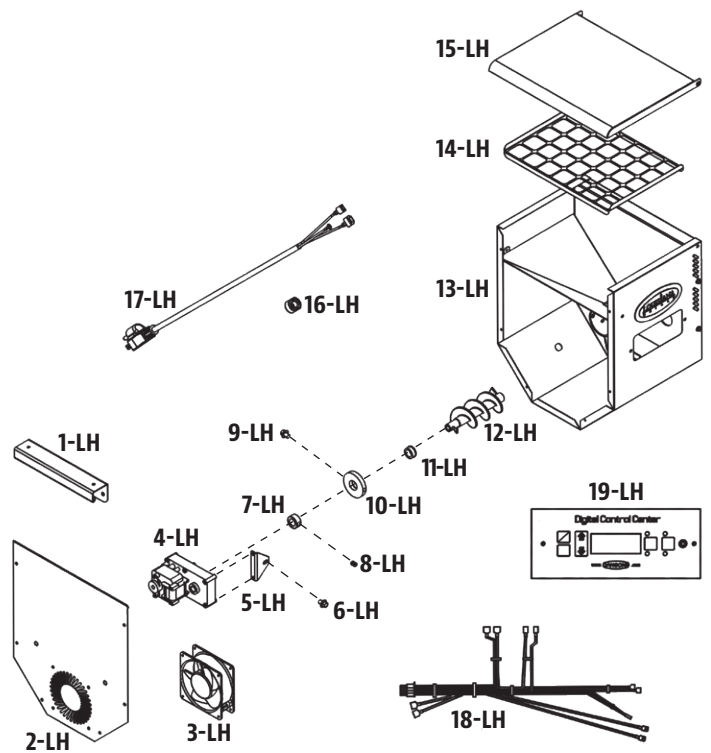
N°	Descripción
1-A	Parrilla superior de acero recubierto de cerámica
2-A	Parrillas de cocción de hierro fundido recubiertas de cerámica (x2)
3-A	Kit de termómetro de domo
4-A	Cubierta deslizante de la rejilla de flama
5-A	Placa principal de rejilla de flama
6-A	Conjunto de tolva
7-A	Manija de la tolva
8-A	Rejilla de combustión
9-A	Barril principal
10-A	Pata de soporte corta (x2)
11-A	Pata de soporte larga (x2)
12-A	Manija de la tapa
13-A	Bisel de manija de la tapa (x2)
14-A	Rueda giratoria con seguro (x2)
15-A	Rueda (x2)
16-A	Cubeta de grasa
17-A	Repisa inferior
18-A	Arandela de eje de rueda (x2)
19-A	Clavija de eje de rueda (x2)
20-A	Chaveta de rueda (x2)
21-A	Tornillo (x34)
22-A	Arandela (x40)
23-A	Arandela de seguridad (x40)
24-A	Tornillo del encendedor (x2)
25-A	Tornillo de tolva (x6)
26-A	Tornillo de manija de la tapa (x2)



NOTA: Debido a que los productos están en desarrollo constante, las partes están sujetas a cambios sin previo aviso.

REFACCIONES PARA LA TOLVA

N°	Descripción
1-LH	Manija de la tolva
2-LH	Panel de acceso de la tolva
3-LH	Ventilador
4-LH	Motor de barreno
5-LH	Soporte de montaje del barreno
6-LH	Tornillo
7-LH	Collar metálico de bloqueo
8-LH	Tornillo de fijación
9-LH	Tornillo
10-LH	Tapa metálica
11-LH	Casquillo de nylon
12-LH	Espiral del barreno
13-LH	Carcasa de la tolva
14-LH	Cubierta de seguridad de la tolva
15-LH	Tapa de la tolva
16-LH	Pasacables de nylon
17-LH	Cable de alimentación eléctrica
18-LH	Mazo de cables
19-LH	Tablero de control



GARANTÍA

CONDICIONES

Todos los asadores de pellets de madera Louisiana Grills, fabricados por Dansons Inc., tienen una garantía limitada a partir de la fecha de venta solo para el comprador original. La cobertura de la garantía comienza en la fecha original de compra y es necesario un comprobante de la fecha de la compra o una copia de la factura original de compra para validar la garantía. Los clientes deberán cubrir el costo de las refacciones, manejo y envío si no pueden proporcionar un comprobante de compra o si la garantía ha expirado.

Dansons ofrece una garantía por cinco (5) años contra defectos y mano de obra en todas las partes de acero (excluyendo la rejilla de combustión), y por tres (3) años en los componentes eléctricos. Dansons garantiza que todas las partes están libres de defectos materiales y de mano de obra, para el período de uso y propiedad del comprador original. No hay garantías específicas para el sensor del asador, el sensor para carne, la pintura, el acabado con pintura en polvo, la rejilla de combustión, la cubierta del asador y todos los empaques, ni contra daños causados por corrosión. La garantía no cubre daños por desgaste normal, tales como rasguños, abolladuras, muescas o fisuras menores superficiales. Estos cambios estéticos en la parrilla no afectan su rendimiento. La reparación o reemplazo de cualquier pieza no extiende el período de garantía limitada.

Durante el período de la garantía, la obligación de Dansons se limitará solo a suministrar un reemplazo para componentes defectuosos y/o que presenten fallas. Durante el período de garantía, Dansons no cobrará por reparaciones o reemplazos de partes devueltas, con envío prepagado, si considera que las partes son defectuosas luego de haberlas examinado. Dansons no será responsable de costos de transporte, mano de obra o derechos de exportación. Salvo por lo establecido en estas condiciones de la garantía, la reparación o reemplazo de partes, de la manera y durante el período de tiempo aquí mencionados, constituye el cumplimiento de todas las responsabilidades y obligaciones, directas y derivadas, de Dansons hacia usted.

Dansons hace todo lo posible por utilizar materiales que resistan la oxidación. Incluso con estas precauciones, diferentes sustancias y condiciones fuera del control de Dansons pueden afectar los recubrimientos protectores. Las temperaturas altas, la humedad excesiva, el cloro, los humos industriales, los fertilizantes, los pesticidas de jardín y la sal son algunas de las sustancias que pueden afectar los recubrimientos del metal. Por estas razones, la garantía no cubre corrosión ni oxidación, a menos que exista una pérdida de integridad estructural en el componente del asador. Si ocurre alguna de las condiciones anteriores, consulte la sección de cuidado y mantenimiento para prolongar la vida útil de su unidad. Dansons recomienda el uso de una cubierta para el asador cuando este no esté en uso.

La garantía se basa en el uso y servicio doméstico normal del asador, y ninguna garantía limitada se aplica a un asador que se utilice en aplicaciones comerciales.

EXCEPCIONES

No existe una garantía escrita o implícita de desempeño en las unidades Louisiana Grills, ya que el fabricante no tiene control sobre la instalación, la operación, la limpieza, el mantenimiento o el tipo de combustible utilizado. Esta garantía no aplicará, y Dansons no asumirá ninguna responsabilidad, si su aparato no se instaló, operó, limpió o mantuvo en estricto cumplimiento con este manual del propietario. Quemar cualquier material distinto a pellets de madera de calidad puede anular la garantía. La garantía no cubre daños ni fallas debidas al mal uso, manejo inapropiado o modificaciones.

Ni Dansons ni el distribuidor autorizado de Louisiana Grills asumen responsabilidad alguna, jurídica o de otro tipo, por los daños accidentales o consecuentes a los bienes o las personas debido al uso de este producto. Si se realiza una demanda contra Dansons con base en una infracción de esta garantía o de cualquier otro tipo de garantía explícita o implícita por la ley, el fabricante de ninguna manera será responsable de cualquier daño especial, indirecto o consecuente, ni por otros daños de cualquier naturaleza, por encima del precio original de compra de este producto. Todas las garantías del fabricante se especifican en este documento y no se puede realizar ninguna demanda contra el fabricante por cualquier garantía o promesa.

Algunos estados no permiten la exclusión o limitación de daños incidentales o consecuentes, o limitaciones de garantías implícitas, así que las limitaciones o exclusiones especificadas en esta garantía limitada podrían no aplicar para usted. Esta garantía limitada le da derechos jurídicos específicos y usted podría tener otros derechos, los cuales varían de estado a estado.

CÓMO ORDENAR REFACCIONES

Para ordenar refacciones, comuníquese con el distribuidor autorizado en su localidad, o visite nuestra tienda en línea en: www.louisiana-grills.com

CONTACTO CON SERVICIO AL CLIENTE

Si tiene preguntas o problemas, comuníquese con Servicio al Cliente de lunes a domingo, de 4 a.m. a 8 p.m. hora del Pacífico (EN/FR/ES).
service@louisiana-grills.com | Línea sin costo: 1-877-303-3134 | Fax sin costo: 1-877-303-3135

SERVICIO BAJO GARANTÍA

Comuníquese con su distribuidor Louisiana Grills más cercano para reparaciones o refacciones. Dansons Inc. requiere un comprobante de compra para otorgar una reclamación de garantía; por lo tanto, conserve su recibo o factura de venta original para referencia futura. Puede ver el número de serie y modelo de su unidad Louisiana Grills en la tolva. Escriba los números a continuación, ya que la etiqueta podría desgastarse o quedar ilegible.

MODELO

NÚMERO DE SERIE

FECHA DE COMPRA

DISTRIBUIDOR AUTORIZADO

LOS ACCESORIOS SE VENDEN POR SEPARADO

Disponibles para comprar por separado. Verifique la disponibilidad con el distribuidor de su localidad.

ARTÍCULO	DESCRIPCIÓN
	GABINETE PARA AHUMAR EXTENSIÓN Perfecta para ahumar y curar carnes, pescados o quesos antes de cocinar. Dos termómetros de domo en la puerta. Ruedas giratorias de uso pesado. Cuenta con cinco estantes removibles. <i>Los estantes adicionales se venden por separado.</i>
	ESTANTES ADICIONALES PARA EL GABINETE PARA AHUMAR EN FRÍO Maximice el espacio para ahumar y curar con cinco estantes adicionales en un gabinete para ahumar en frío.
	CUBIERTA DE ASADOR Cubierta completa, adaptada a la forma. Poliéster de uso pesado con respaldo de PVC para uso a largo plazo. Impermeable. Incluye un cordón sujetador para ajustarlo con facilidad.
	CUBIERTA DE ASADOR CON GABINETE PARA AHUMAR Cubierta completa, adaptada a la forma. Poliéster de uso pesado con respaldo de PVC para uso a largo plazo. Impermeable. Incluye un cordón sujetador para ajustarlo con facilidad.
	EXTENSIÓN DE TOLVA Puede contener 9.07kg / 20 lbs adicionales de pellets para sesiones de asado más largas, reduciendo la frecuencia de llenado. Se coloca con facilidad encima de la tolva.
	REPISA FRONTAL/LATERAL Espacio adicional para más conveniencia al preparar la comida. Se puede sujetar al frente o al costado del asador. Ganchos para implementos. Negro o acero inoxidable. <i>37.5cm x 30cm / 14.75 x 12 pulg.</i>
	REPISA FRONTAL DE LUJO Maximice el espacio para preparación de comida al frente de su asador. Acero inoxidable. <i>60cm x 30cm / 24 x 12 pulg.</i>

ARTÍCULO	DESCRIPCIÓN
	DELANTAL PARA ASAR Delantal ajustable con dos bolsillos al frente para sus herramientas para cocinar. Talla única. Lavable a máquina. Negro.
	PIEDRA PARA PIZZA Utensilio de piedra para alta temperatura, utilizable en asador. Superficie antiadherente con manijas integradas. <i>38cm / 15 pulg. de diámetro</i>
	SOPORTE PARA POLLOS Aplique sabor directamente al pollo mientras se coce. Marine con su líquido preferido, directamente en el asador, para un resultado delicioso.
	TAZA TÉRMICA Mantenga sus bebidas bien frías o calientes en esta taza de acero inoxidable con un atractivo diseño. Tapa transparente y deslizante. Aislamiento con pared doble. Perfecta para traslados. <i>30 oz.</i>
	TAPETE PARA ASADOR Fácil de limpiar, con protección UV. Protección para su terraza. <i>132cm x 86cm / 52 x 34 pulg.</i>
	SALSAS DISTINTIVAS Una serie de salsas gourmet para preparar y mejorar los sabores naturales de sus comidas. Úselas para cocinar o como salsa para mojar. Sin grasas. Sin gluten. Sin MSG.
	ESPECIAS DISTINTIVAS Una colección de sazonadores gourmet. Versatilidad como aliño, como marinada o simplemente como sazonador. Sin gluten. Sin MSG.

RECETAS

PECHO CLÁSICO

Rinde 4 - 6 porciones

Un pecho completo de res pesa de 7.25 a 3.62 kg / 16 a 18 libras y tiene tres partes distintas: el tope, la punta y la falda. Use la sección de la falda, ya que es magra, compacta y produce buenas rebanadas al cortarla.

Ingredientes:

1	Pecho de res 2.2-3.6 kg / 5-8 lbs, La capa de grasa debe tener al menos 0.6 cm / ¼ pulg. de grosor
1 envase	mostaza amarilla preparada
75 ml / 5 C.	sazonador
1 botella	salsa de chili
1 paquete	mezcla seca de sopa de cebolla
375 ml / 1½ tz.	caldo de res
40 ml / 8 c.	pimienta negra

Sabor de pellets de madera sugerido: Nogal / Competencia

Instrucciones:

1. Extienda un trozo grande de plástico para envolver en su lugar de trabajo. De tamaño suficiente para envolver el brisket. Usando un cuchillo afilado, haga un corte en la parte inferior del brisket en contra del grano. Esto ayudará a rebanar el brisket terminado contra el grano, dándole un corte tierno que se deshace en la boca. La parte inferior es la que no tiene capa de grasa. Cubra con una cantidad generosa de mostaza preparada. Frótelas ligeramente sobre toda el área. Esparza una cantidad generosa de sazón sobre la mostaza, y vuelva a frotarla con suavidad en la carne. Voltee el brisket y repita el proceso. Envuelva el brisket preparado en el plástico y refrigere de 2 a 4 horas o toda la noche.
2. Prepare la mezcla para untar. Mezcle la salsa de chili, la mezcla seca de sopa de cebolla, el caldo de res y la pimienta negra. Déjelos reposar.
3. **Pre caliente el asador y lleve el gabinete para ahumar a 82-107°C / 180-225°F.**
4. Coloque el brisket, con el lado de la grasa hacia arriba, en el centro del asador. Cierre la tapa del asador. Cocine **bajo y lento** hasta que esté tierno, de 10 a 12 horas.
5. Unte el brisket con la mezcla para untar al menos cada media hora durante las primeras 3 horas.
6. Continúe el proceso de ahumado lento hasta que la temperatura interna alcance 60-66 °C / 140-150 °F. Saque el brisket del ahumador. **Suba la temperatura del asador a 176 °C / 350 °.**
7. Coloque el brisket en un envoltorio hecho de dos capas de papel aluminio. Vierta 50 ml / ¼ de taza de mezcla para untar sobre el brisket, dentro del envoltorio. Cierre el envoltorio.
8. Coloque el envoltorio cuidadosamente en el asador. Ahúme de 1 a 1½ horas.

9. Abra el envoltorio y use un termómetro de carne, la temperatura interna debe llegar a 91 °C / 195 °F. El brisket debe estar firme, pero debe poder desmenuzarse la carne con sus dedos.
10. Transfiera la carne a una tabla de cortar y déjela reposar por 10 minutos. Corte rebanadas delgadas contra el grano para servirlo.

SALCHICHA CON CHUTNEY DE MANGO

Rinde 4 - 6 porciones

Ingredientes:

2	Mangos (picados)
0.9 kg / 2 lbs	Salchicha italiana (picante o suave)
10 ml / 2 c.	perejil fresco (molido)
15 ml / 1 C.	pimiento rojo (en cubos)
10 ml / 2 c.	miel
½	cebolla roja (en cubos)
½ bulbo	hinojo (en cubos)
5 ml / 1 c.	jugo de lima
Pizca	sal

Sabor de pellets de madera sugerido: Nogal / Competencia

Instrucciones:

1. **Pre caliente el asador, y luego reduzca a bajo-medio (82-107 °C / 180- 225 °F)**
2. Coloque las salchichas en el asador, con una separación regular. Voltéelas cada diez minutos para asar todos los lados.
3. Combine los demás ingredientes para preparar el chutney. Enfríe hasta que esté listo para servir.
4. Deslice las salchichas asadas en diagonal, y sirva acompañadas de chutney.

BISTEC CON QUESO AZUL

Rinde 4 porciones

Ingredientes:

4	Bistecs, T-bone o Rib-Eye 2.54cm / 1 pulg. de grosor 0.28-0.62 kg / 10-12 onzas cada uno
113 g / 4 oz.	queso azul
50 ml / ¼ tz.	cebolla verde (en rebanadas delgadas)

Sabor de pellets de madera sugerido: Nogal / Competencia / Whiskey

Instrucciones:

1. **Pre caliente el asador, y luego déjelo o redúzcalo ligeramente (204-260 °C / 400-500 °F).**
2. Quite el exceso de grasa de la carne y deséchelo.
3. Coloque los bistecs en la parrilla. Marque los dos lados, volteándolos cada pocos minutos.

4. **Reduzca la temperatura a 135 °C/275 °F o a 163 °C/ 325 °F.** Voltee los bistecs por última vez. Mezcle el queso azul y las cebollas. Espolvoree sobre los bistecs, cierre la tapa del asador y áselos hasta el término deseado. Revise el grado de cocción haciendo un corte en la carne cerca del hueso.

Variación: MÉTODO DE MARCADO INVERSO

Reduzca la temperatura a 82°C / 180°F, y coloque los bistecs en la parrilla. Ahúme de 5 a 15 minutos. Una vez ahumados al término deseado, vuelva a elevar **la temperatura del asador a alto 204-260°C / 400-500°F** y marque los bistecs a su gusto.

COSTILLAS BBQ

Rinde 4 - 6 porciones

Ingredientes:

- 1.3-1.8 kg / 3-4 lbs Costillas
Costillas de cerdo cargadas o costillas de lomo
- 45 ml / 3 C. Aceite
- 5 ml / 1 c. Sal
- 5 ml / 1 c. Pimienta
- 2 enteras Cebollas (picadas)
- 30 ml / 2 C. Vinagre
- 30 ml / 2 C. Salsa Worcestershire
- 125 ml / ½ tz. Jugo o refresco de manzana
- 5 ml / 1 c. Paprika
- 5 ml / 1 c. Chile en polvo

Sabor de pellets de madera sugerido: Nogal / Competencia / Manzano

Instrucciones:

1. **Precalente el asador, y luego reduzca a temperatura baja a 82-107 °C / 180-225 °F.**
2. Prepare las costillas quitando la capa de piel dura en la parte trasera. Sazone las costillas con sal y pimienta al gusto.
3. Coloque las costillas en el asador, con una separación regular. Ahúme de 3 a 4 horas.
4. Mezcle los demás ingredientes en una charola y póngalos a hervir. Deje hervir la salsa cinco minutos hasta que se espese.
5. Sáquela del asador. **Suba la temperatura del asador a 176 °C / 350 °F.**
6. Coloque cada costillar en un envoltorio hecho de dos capas de papel aluminio. Vierta 50 ml / ¼ de taza de salsa sobre las costillas, dentro del envoltorio. Cierre el envoltorio.
7. Coloque el envoltorio cuidadosamente en el asador. Ahúme de 1 a 1 ½ horas.
8. Abra el envoltorio. La carne habrá expuesto los extremos de las costillas y estará muy tierna. Ponga la temperatura del asador en alto a 260 °C / 500 °F. Vuelva a colocar las costillas en la parrilla y úntelas con la salsa por ambos lados.
9. Cuando la salsa esté caramelizada y las costillas estén pegajosas, sáquelas del asador y sívalas.

Variación: MÉTODO "MEMPHIS DRY"

Ponga **la temperatura del asador en alto a 260 °C / 500 °F.** Vuelva a colocar las costillas en la parrilla y sazónelas con un sazoador o aliño seco. Marque las costillas, sáquelas del asador y sívalas.

HAMBURGUESAS CLÁSICAS DE PATIO TRASERO

Rinde 4 - 6 porciones

Ingredientes:

- 900 g / 2 lbs Carne molida de res o búfalo
- 15 ml / 3 c. Sazonador
- 2 enteros Huevos a temperatura ambiente
- 500 ml / 2 tz. Migajas de pan (secas, finas)
- 6 - 8 Panes para hamburguesa / panecillos Kaiser
- 6 - 8 rebanadas Queso (en rebanadas delgadas)
- 30 ml / 2 C. Mantequilla

Sabor de pellets de madera sugerido: Nogal / Competencia

Instrucciones:

1. **Precalente el asador, y luego déjelo o redúzcalo ligeramente a 204-260 °C / 400-500 °F.**
2. Combine la carne, el sazoador, los huevos y las migajas de pan en un tazón para mezclar y revuelva bien. Divida la carne en porciones y forme hamburguesas de tamaño y forma similares a los panes. Haga hamburguesas de alrededor de 1.9 cm / ¾ pulg. de grosor.
3. Coloque las hamburguesas en el asador. Ase seis minutos por cada lado, cuidando de no presionar la carne. Pruebe si están bien cocidas con un termómetro para carne; la temperatura interna debe alcanzar 71°C / 160°F. La carne puede ponerse rosada por fuera debido al humo.
4. En los últimos minutos de cocción, aplique mantequilla con un pincel a los panes y tuéstelos ligeramente en la parrilla.
5. Saque los panes y las hamburguesas cuando estén listas. Complemente las hamburguesas con queso derretido y sirva.

CONSEJO: Una carne ligeramente más grasosa resulta en una hamburguesa más jugosa. Como una alternativa magra, pruebe la carne molida de búfalo.

BISTEC DE SIRLOIN CON CEBOLLAS DULCES Y PIMIENTOS

Rinde 4 porciones

Ingredientes:

- 2 Steak, Top Sirloin
*1 pulg. de grosor, cortados en 4 piezas.
0.45kg/1 lb*
- 10 ml / 2 c. sazoador o aliño
- 5 medianas cebollas dulces (picadas grueso)
- 2 enteras pimientos morrones (de cualquier tipo, picados)
- 60 ml / 4 C. salsa de soya
- 60 ml / 4 C. aceite de oliva
- Pizca sal

Sabor de pellets de madera sugerido: Nogal / Mezquite / Whisky**Instrucciones:**

1. **Precalente el asador, y luego reduzca la temperatura ligeramente a 218°C / 425°F.**
2. Sazone ambos lados de los bistecs con el sazónador o aliño. Cubra y refrigere al menos 1 hora.
3. Coloque las cebollas y los pimientos en una bandeja cubierta de papel aluminio. Mezcle la salsa de soya y el aceite de oliva, y rocíe la mezcla sobre la bandeja. Espolvoree con sal. Selle por completo el paquete de papel aluminio.
4. Coloque el paquete en el asador durante 10 a 15 minutos o hasta que las verduras estén suaves y tiernas. Saque el paquete del asador y manténgalo cerrado.
5. Coloque los bistecs en la parrilla. Marque los dos lados, volteándolos cada pocos minutos.
6. Áselos hasta el término deseado, y luego sáquelos del asador. Coloque en platos para servir y cúbralos con las verduras calientes.

GALLINAS DE CORNUALLES CON ARROZ MANDARIN**Rinde 4 porciones****Ingredientes:**

4 enteras	Gallinas de Cornualles enteras
750 ml / 3 tz.	arroz mandarín
15 ml / 1 C.	aceite de oliva
5 ml / 1 c.	paprika ahumada
250 ml / 1 tz.	mermelada de naranja

Arroz mandarín

59 ml / ¼ tz.	almendras (en rebanadas)
30 ml / 2 C.	apio (picado)
1 pequeña	cebolla verde (en rebanadas finas)
30 ml / 2 C.	mantequilla
1 lata	gajos de mandarina (drenada) 0.4 kg/11oz.
30 ml / 2 C.	jugo de naranja (concentrado)
500 ml / 2 tz.	arroz cocido

Sabor de pellets de madera sugerido: Nogal / Mesquite / Competencia**Instrucciones:**

1. Prepare el arroz mandarín cociendo las almendras, el apio, la cebolla verde y la mantequilla en una sartén pequeña hasta que las almendras estén ligeramente tostadas. Combine la mezcla con los gajos de naranja, el jugo de naranja y el arroz cocido en un tazón, y déjela reposar.
2. **Precalente el asador, y luego reduzca a temperatura a 135-177 °C / 275-350 °F.**
3. Enjuague las gallinas de Cornualles y séquelas con toallas de papel. Rellene las gallinas con la mezcla de arroz y ate las patas

con cordel. Aplique una capa ligera de aceite de oliva con brocha a las gallinas y espolvoréelas con paprika.

4. Coloque las gallinas en el asador. Áselas de 45 a 60 minutos, hasta que la carne de la pierna esté tierna al presionarla.
5. Unte las gallinas con mermelada de naranja durante los últimos 20 minutos del tiempo de cocción. Saque las gallinas del asador y acomódelas en un plato para servir.

CONSEJO: Si desea juntar los jugos para hacer gravy, coloque las gallinas en una bandeja de papel aluminio y añada suficiente agua o jugo para cubrir el fondo hasta unos 0.6 cm / ¼ pulg.

KEBABS DE CAMARÓN CON MANTEQUILLA DE CURRY**Rinde 4 porciones****Ingredientes:**

900g / 2 lbs	Camarones (pelados, sin venas)
125ml / ½ tz.	Mantequilla de curry
15 ml / 1 C.	Aceite de oliva
1	Lima
	Eneldo fresco

Mantequilla de curry

125 ml / ½ tz.	Mantequilla
30 ml / 2 C.	Cebolla (picada)
15 ml / 1 C.	Eneldo fresco
5 ml / 1 C.	Curry en polvo
Pizca	Ajo en polvo

Sabor de pellets de madera sugerido: Mesquite / Competencia**Instrucciones:**

1. Remoje brochetas de madera en agua por 1 hora.
2. **Precalente el asador, y luego reduzca a 135-163°C / 275-325°F.**
3. Prepare la mantequilla de curry derritiendo mantequilla en una sartén pequeña a calor medio-alto. Incorpore la cebolla, el eneldo, el curry en polvo y el ajo en polvo. Deje cocer por cinco minutos y quite la sartén del calor.
4. Ensarte los camarones en brochetas, dejando espacio entre las piezas. Aplique una capa ligera de aceite de oliva con brocha.
5. Coloque las brochetas en el asador, y áselas hasta que los camarones estén blancos y tiernos. Cosa los camarones rápidamente; tenga cuidado de no cocer demasiado. Voltee las brochetas de camarón una vez y aplique la mantequilla de curry con brocha a la mitad del tiempo de cocción.
6. Acomode los camarones asados en un plato para servir. Acompañe con rodajas de lima y eneldo.

CONSEJO: Para ensartar un camarón de modo que quede derecho, sosténgalo estirado con una mano. Empiece por el extremo de la cola e inserte una brocheta de bambú o madera dentro del camarón de modo que atraviese toda su longitud. Siga enderezando el camarón con los dedos conforme avance.

CAMARÓN EN BROCHETA CON TOCINO Y ALBAHACA

Rinde 4 - 6 porciones

Ingredientes:

24 grandes camarones (pelados, sin venas)
24 enteras hojas de albahaca fresca
24 rebanadas tocino (en rebanadas delgadas)

Sabor de pellets de madera sugerido: Cerezo / Manzano

Instrucciones:

1. Remoje brochetas de madera en agua por 1 hora.
2. **Precaliente el asador, y luego reduzca a 135-163°C / 275-325°F.**
3. Envuelva un camarón y una hoja de albahaca en una rebanada delgada de tocino, y luego ensártelo en la brocheta, dejando espacio entre los camarones.
4. Coloque las brochetas en el asador, y áselas hasta que los camarones estén blancos y tiernos y el tocino esté dorado. Cosa los camarones rápidamente; tenga cuidado de no cocer demasiado. Voltee las brochetas con frecuencia para que no se quemen.
5. Saque del calor y sirva.

PAVO AHUMADO ENTERO

Rinde para un pequeño ejército - ¡las sobras están excelentes!

Ingredientes:

1 entero Pavo (descongelado)
9-11.3 kg / 20-25 lbs
60 ml / 4 C. Sazonador
5 ml / 1 c. Paprika ahumada
45 ml / 3 C. Mantequilla

Sabor de pellets de madera sugerido: Nogal / Cerezo / Competencia

Instrucciones:

1. **Precaliente el asador, y luego reduzca la temperatura a 135-177 °C / 275-350 °.**
2. Saque el pescuezo y los menudos del pavo. Enjuague el pavo abundantemente y seque la parte exterior dando golpecitos con toallas de papel.
3. En un tazón pequeño mezcle la mantequilla, ¼ parte del sazónador y la paprika para formar una pasta. Inserte cuidadosamente su mano entre la piel exterior y la carne de la pechuga. Unte la pasta en la carne.
4. Unte el sazónador restante en la superficie exterior del pavo.
5. Coloque el pavo, con la pechuga hacia arriba, en el centro de la parrilla y áselo hasta que esté tierno y dorado; la temperatura interna debe llegar a 82 °C / 180 °F en la parte más gruesa del muslo y a 77 °C / 170 °F en la pechuga.
6. Saque el pavo, cúbralo con papel aluminio y déjelo reposar por 10 minutos antes de cortarlo.

CONSEJO: Si quiere usar los jugos para hacer un gravy, coloque el pavo en la parrilla dentro de una bandeja de papel aluminio grande. Añada 0.6 cm / ¼ pulg. de agua o caldo y algo de sazónador en el fondo de la bandeja. Vigile los jugos, ya que quizá necesite añadir más durante la cocción.

POLLO DE LATA DE CERVEZA

Rinde 2 - 6 porciones

Ingredientes:

1 entero Pollo
1.8-2.7 kg / 4-6 lbs
1 lata Cerveza, de cualquier tipo
45 ml / 3 C. Sazonador

Sabor de pellets de madera sugerido: Nogal / Manzano / Competencia

Instrucciones:

1. **Precaliente el asador, y luego reduzca la temperatura a 135-177 °C / 275-350 °.**
2. Abra la lata y vierta la mitad de la cerveza en un vaso para beberla. Deje la mitad en la lata, y haga algunos agujeros adicionales en la parte superior de la lata para aumentar la ventilación. Añada ¼ del sazónador a la lata.
3. Enjuague el pollo abundantemente y seque la parte exterior dando golpecitos con toallas de papel. Añada 1/4 del aliño dentro de la cavidad del pollo. Unte el sazónador restante en la superficie exterior del pollo.
4. Inserte la lata vertical dentro de la cavidad del pollo, colóquelo en la parrilla y cierre la tapa del asador. Áselo hasta que el pollo esté dorado y crujiente; la temperatura interna debe llegar a 74 °C / 165 °F.
5. Usando pinzas, saque cuidadosamente el pollo y la lata del asador. Deje reposar cinco minutos, y luego retire cuidadosamente la lata de la cavidad del pollo. Tenga cuidado de no derramar el líquido, ya que estará caliente.
6. Corte el pollo y sívalo.

Variación: POLLO DE LATA DE CERVEZA NO ALCOHÓLICA

Use las mismas instrucciones anteriores, pero sustituya la lata de cerveza con una lata de su refresco no dietético favorito, jugo de fruta o agua con sazónador adicional.

POLLO SATAY CON ADEREZO RANCH

Rinde 2 - 6 porciones

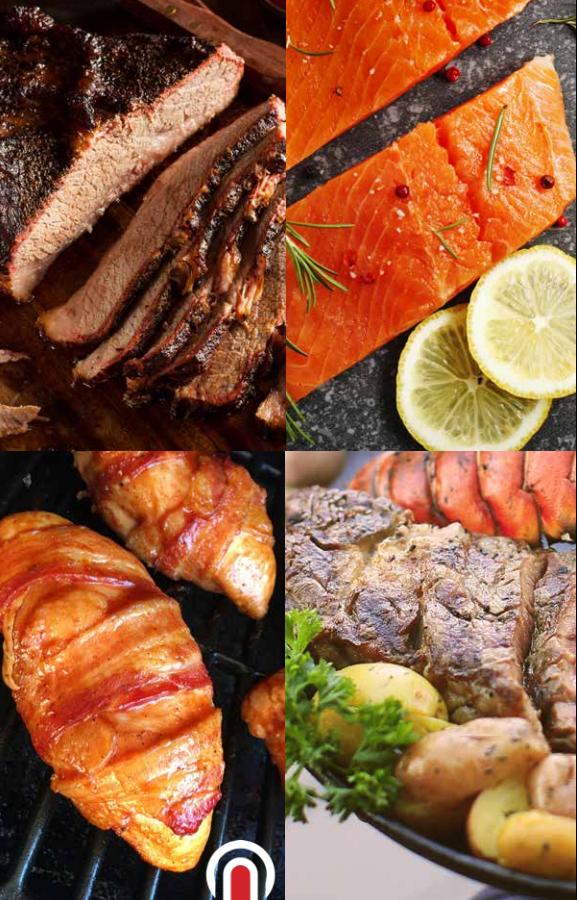
Ingredientes:

450g / 1 lb Pechugas o muslos de pollo (sin huesos ni piel)
112 ml / ½ tz. Aderezo preparado ranch o italiano para ensalada
Pizca Sal
Pizca Pimienta

Sabor de pellets de madera sugerido: Manzano / Cerezo

Instrucciones:

1. Corte el pollo a lo largo en piezas de 0.63 cm / 1/4 pulg. de grosor o ligeramente más grandes. Enjuague el pollo y séquelo dando golpecitos con toallas de papel.
2. Coloque las piezas de pollo en una bolsa de plástico con cierre. Añada aderezo de ensalada, sal y pimienta al gusto. Selle la bolsa y agítela con cuidado, cubriendo el pollo de manera uniforme. Coloque en el refrigerador de 1 a 2 horas, o toda la noche. Agite la bolsa una o dos veces para que el pollo se marine uniformemente.
3. Remoje brochetas de madera en agua por 1 hora antes de usarlas.
4. **Pre caliente el asador, y luego reduzca la temperatura ligeramente a 218°C / 425°F.**
5. Saque el pollo de la bolsa de plástico y tréncelo hacia adentro y afuera en las brochetas, como un moño.
6. Coloque las brochetas en el asador, y áselas hasta que el pollo esté blanco y firme. Voltee las brochetas con frecuencia para que no se quemen.
7. Saque del calor y sirva.



FREE RECIPES
RECETTES GRATUITES
RECETAS GRATUITAS
LOUISIANA-GRILLS.COM



WARNING: This product can expose you to chemicals including carbon monoxide, which is a combustion by-product known to the state of California to cause cancer, birth defects or other reproductive harm. For more information, go to :

WWW.P65WARNINGS.CA.GOV



780180301UMV

IMPORTANT

DO NOT RETURN PRODUCT TO STORE

For all questions, comments, or inquiries, please contact Dansons Inc. directly. Our Customer Service department is available:

MONDAY THROUGH SUNDAY, 4AM - 8PM PST (EN/FR/ES)
TOLL FREE: 1-877-303-3134 | TOLL FREE FAX: 1-877-303-3135
SERVICE@LOUISIANA-GRILLS.COM

IMPORTANT

NE RETOURNEZ PAS LE PRODUIT AU MAGASIN

Pour toute questions, commentaires ou demandes de renseignements, veuillez communiquer avec Dansons Inc. directement. Le service à la clientèle est ouvert:

DU LUNDI AU DIMANCHE, DE 4H À 20H HNP (ANGLAIS / FRANÇAIS / ESPAGNOL)
NUMÉRO SANS FRAIS : 1-877-303-3134 | TÉLÉCOPIEUR SANS FRAIS : 1-877-303-3135
SERVICE@LOUISIANA-GRILLS.COM

¡IMPORTANTE!

NO DEVUELVA EL PRODUCTO A LA TIENDA

Para el preguntas, comentarios o consultas, por favor contactar Dansons Inc. directamente. Nuestro departamento de servicio al cliente:

DE LUNES A DOMINGO, DE 4 A.M. A 8 P.M. HORA DEL PACÍFICO (EN/FR/ES).
LÍNEA SIN COSTO: 1-877-303-3134 | FAX SIN COSTO: 1-877-303-3135
SERVICE@LOUISIANA-GRILLS.COM

MADE IN CHINA | FABRIQUÉ EN CHINE | HECHO EN CHINA