

Installation and Operating Manual

Model(s): *Magnafire Series Coal Stoves Mark I, Mark II and Mark III*

NOTICE: SAVE THESE INSTRUCTIONS



OMNI-Test Laboratories, Inc.

Report Number: 0536CS002S

Certified To: UL 1482-2011, ULC S627-00



Legacy Stoves, A Division of:

Alternate Heating Systems
2393 Little Egypt Rd
Harrisonville, PA 17228



WARNING: HOT SURFACES!

Glass and other surfaces are hot during operation and cool down.
Hot glass will cause burns.

- Do not touch glass until it is cooled
- NEVER allow children to touch glass
- Keep children away
- CAREFULLY SUPERVISE children in same room as stove.
- Alert children and adults to hazards of high temperatures.
- High temperatures may ignite clothing or other flammable materials. Keep clothing, furniture, draperies and other flammable materials away.



⚠ SAFETY NOTICE - CAUTION!

PLEASE READ THIS ENTIRE MANUAL BEFORE YOU INSTALL OR USE YOUR NEW ROOM HEATER.

FAILURE TO FOLLOW THESE INSTRUCTIONS MAY RESULT IN PROPERTY DAMAGE, BODILY INJURY, OR EVEN DEATH.

APPROVED FOR USE IN THE U.S. AND CANADA

IF THIS LEGACY STOVES PRODUCT IS NOT INSTALLED CORRECTLY, A HOUSE FIRE MAY RESULT.

FOR YOUR SAFETY, FOLLOW INSTALLATION DIRECTIONS PRECISELY. CONTACT LOCAL BUILDING OR FIRE OFFICIALS ABOUT RESTRICTIONS AND INSPECTION REQUIREMENTS FOR YOUR AREA. CONTACT YOUR LOCAL AUTHORITY (SUCH AS THE MUNICIPAL BUILDING DEPARTMENT, FIRE DEPARTMENT, FIRE PREVENTION BUREAU, ETC.) TO DETERMINE THE NEED FOR A PERMIT. DO NOT INSTALL IN A MOBILE HOME

CETTE GUIDE D'UTILISATION EST DISPONIBLE EN FRANCAIS. CHEZ VOTRE CONCESSIONNAIRE DE LEGACY STOVES HOME HEATING.

Introduction

Thank you for purchasing a Legacy Stoves™ Magnafire coal stove. The Magnafire series has been designed and built to last. Whether you're heating a room or heating your whole house, you've made the right choice. Please read this entire instruction manual before attempting to install or operate your new stove. If you have further questions regarding your new stove, contact your Legacy Stoves™ dealer. Follow these instructions and you will have many years of warmth and comfort enjoying your new coal stove.

If you are a first-time coal burner, keep in mind that you will not have instant success with maintaining a fire. No one does. Following these instructions should help you with the basic principals.

Please copy your serial number, from the label on the back of your stove, to the box below.

Listed By **O-T-L** US
 Portland Oregon USA
 OMNI-Test Laboratories, Inc.
 Report #/Rapport # 0536CS0025
 Tested To/Testé à:
 UL 737-2011, UL 1482-2011
 Meets requirements of ULC S627-00/
 Selon les exigences de ULC S627-00
 Certified for U.S.A. and Canada/
 Certifié pour les États-Unis et le Canada

**LISTED SOLID FUEL (COAL) FIREPLACE STOVE OR ROOM HEATER/
 POÊLE (DE CHARBON) DANS UN FOYER OU APPAREIL DE CHAUFFAGE**

MODEL/Modèle: **MARK I** ■
MARK II ■
MARK III ■

Serial No.
 N° de série

**LEGACY
 STOVES™**

CONTACT LOCAL BUILDING OR FIRE OFFICIALS ABOUT RESTRICTIONS AND INSTALLATION INSPECTION IN YOUR AREA/
 CONTACTEZ LE BUREAU DE LA CONSTRUCTION OU LE BUREAU DES INCENDIES AU SUJET DES RESTRICTIONS ET DE L'INSPECTION D'INSTALLATION DANS VOTRE VOISINAGE.

PREVENT HOUSE FIRES:

Install and use only in accordance with manufacturer's installation and operation instructions and local building codes. In absence of any local codes, installation must meet minimum requirements of NFPA 211 in USA. Refer to manufacturer's instructions and local codes for precautions required for passing chimney through a combustible wall or ceiling. Inspect and clean chimney system frequently in accordance with manufacturer's instructions.

Do not obstruct space beneath heater.
FOR USE WITH COAL ONLY: UNLESS STARTING FIRE.

Don't connect this stove to a chimney serving another appliance.
 Flue connector pipe must be 6" diameter, minimum 24 MSG black or 26 MSG blue steel.
 Chimney must be factory built 103HT or masonry.
 Maximum Draft of -.08 inches at flue collar.

NOTE: Replace glass only with 5mm ceramic glass available from your dealer.
 Inspect and clean chimney frequently. Under certain conditions of use, creosote buildup may occur rapidly.

**OPERATE ONLY WITH DOORS CLOSED.
 DO NOT OVERFIRE - IF HEATER OR CHIMNEY CONNECTOR GLOWS, YOU ARE OVERFIRING.**

PRÉVENTION DES FEUX DE MAISON:

Installez et utilisez en accord avec les instructions d'installation et d'opération du fabricant et des codes locaux. S'il n'y a pas de codes locaux, l'installation doit suivre les exigences minimum de NFPA 211 aux États-Unis. Référez vous aux instructions du fabricant et des codes locaux pour les précautions requises pour passer une cheminée à travers un mur ou un plafond combustibles. Inspectez et nettoyez le système de cheminée fréquemment en accord avec les instructions du fabricant.

Ne pas obstruer l'espace sous le poêle.
UTILISER LE POÊLE AVEC DU CHARBON UNIQUEMENT SAUF POUR LE DÉMARRAGE DU FEU.

Ne pas connecter cet appareil à un tuyau de cheminée servant un autre appareil.
 Le tuyau connecteur doit être de 6" de diamètre, d'acier noir de minimum de 24 MSG ou d'acier bleu de 26 MSG.
 La cheminée doit être bâtit à l'usine de 103 HT ou faite en briques.
 Tirage maximum de 0.08 pouce (2mm) au conduit d'évacuation.

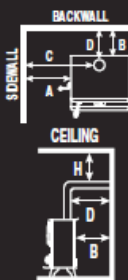
Note: Remplacez la vitre seulement avec une vitre céramique de 5mm disponible chez votre fournisseur.
 Inspectez et nettoyez la cheminée fréquemment. Sous certaines conditions, il se peut que la créosote s'accumule rapidement.

**FAIRE FONCTIONNER UNIQUEMENT AVEC LES PORTES FERMÉES.
 NE PAS SURCHAUFFER. SI L'APPAREIL DE CHAUFFAGE OU LE TUYAU DE CHEMINÉE ROUGISSENT, VOUS SURCHAUFFEZ.**

CLEARANCE TO COMBUSTIBLE SURFACES

A - Unit to Sidewall	33"
B - Unit to Backwall	24"
C - Single Wall Chimney Connector to Sidewall	42"
D - Single Wall Chimney Connector to Backwall	18"
E - Floor Protector, Side and Rear	8"
F - Floor Protector, Front	16"
H - Chimney Connector to Ceiling	18"

* Not Tested - NFPA Guidelines



ESPACES LIBRES AUX COMBUSTIBLES

A - Du mur de côté à l'appareil	838mm
B - Du mur arrière à l'appareil	610mm
C - Du tuyau de cheminée au mur de côté	1067mm
D - Du tuyau de cheminée au mur arrière	457mm
E - Du plancher protecteur, Côté arrière	203mm
F - Du plancher protecteur, Devant	406mm
H - Du tuyau connecteur au plafond	457mm*

* Pas testé - Indications NFPA

*** J = 8" / 203mm (USA) - Wall (CANADA)**

Floor protector must be a 3/8" min. thickness, non-combustible material or equivalent, extending beneath heater and to front/sides/rear as indicated on the diagram.

Le protecteur de plancher doit être de 10mm d'épaisseur minimum, fait de matière non combustible ou équivalent, s'étendant en dessous, en avant, en arrière et sur les côtés de l'appareil de chauffage comme indiqué sur le diagramme.

FLOOR PROTECTOR



ELECTRICAL RATING: 115VAC, 60 HZ, 1.1 AMPS

DANGER: Risk of electrical shock. Disconnect power supply before servicing. Route power cord away from unit. Do not route power cord under or in front of appliance.

PUISANCE ÉLECTRIQUE: 115VAC, 60 HZ, 1.1 AMPS

DANGER: Il y a risque de choc électrique. Déconnectez le fil électrique avant le service. Éloignez le fil électrique de l'appareil. Ne placez pas le fil électrique sous ou à l'avant de l'appareil.

CAUTION: RISK OF EXCESSIVE TEMPERATURES AND DAMAGE TO UNIT. PROPER OPERATION REQUIRES THE USE OF ONLY PEA, NUT & COAL STOVE SIZE ANTHRACITE COAL. MOVING PARTS MAY CAUSE INJURY. DO NOT OPERATE WITH BLOWER INLET SCREEN/GUARD REMOVED.

ATTENTION: IL Y A RISQUE DE TEMPÉRATURES EXCESSIVES ET DE DOMMAGE À L'APPAREIL. UN BON FONCTIONNEMENT EXIGE L'USAGE D'ANTHRACITE DE CHARBON DE GROSSEUR D'UN POIS, D'UNE NOIX OU D'UN CHARBON. LES PIÈCES MOBILES PEUVENT PROVOQUER DES BLESSURES. NE PAS FAIRE FONCTIONNER LE POÊLE SI LA GRILLE DE SÉCURITÉ OU LE DISPOSITIF DE PROTECTION DU VENTILATEUR N'EST PAS EN PLACE.

CAUTION: HOT WHILE IN OPERATION. DO NOT TOUCH. KEEP CHILDREN AND CLOTHING AWAY. CONTACT MAY CAUSE SKIN BURNS. SEE NAMEPLATE AND INSTRUCTIONS. KEEP FURNISHINGS AND OTHER COMBUSTIBLE MATERIALS A CONSIDERABLE DISTANCE AWAY FROM THIS APPLIANCE.



ATTENTION: CHAUD LORS DE L'OPÉRATION. NE PAS TOUCHER. GARDEZ LES ENFANTS ET LES VÊTEMENTS LOIN DE L'ESPACE DÉSIGNÉ DE L'INSTALLATION. PEUT CAUSER DES BRÛLURES À LA PEAU. VOIR L'ÉTIQUETTE ET LES INSTRUCTIONS. GARDEZ LES MEUBLES ET LES MATÉRIEAUX COMBUSTIBLES LOIN DE L'ESPACE DÉSIGNÉE DE L'APPAREIL.

Exempt From EPA Certification under 40 CFR 60.531

Date of Manufacture														
2015	2016	2017	Jan	Feb	Mar	Apr	May	Jun	Jul	Aug	Sep	Oct	Nov	Dec
■	■	■	■	■	■	■	■	■	■	■	■	■	■	■

Manufactured by/Fabriqué par:

Alternate Heating
 2393 Little Egypt Road
 Harrisonville, PA 17228

P.N. 3-90-90738

Rev C

Legacy Stoves™ Mark Series Stove Label measures: 9.5" high X 8.5" wide

Table of Contents

△SAFETY NOTICE - CAUTION!	1
Introduction.....	4
Additional Warnings and Notices.....	7
Installation.....	8
1. Safety Considerations.....	8
1.1 KEEP CHILDREN AWAY-MAY CAUSE SERIOUS BURNS.....	8
1.2 FUEL / FIRING INFORMATION.....	8
1.3 CURING PAINT.....	8
1.4 MOBILE HOMES.....	8
2. Assembly & Installation.....	8
2.1 UNPACKING AND INSPECTION OF PARTS.....	8
2.2 LOCATING THE STOVE.....	8
2.3 FLOOR PROTECTION.....	8
2.4 ASSEMBLY.....	9
2.5 general information – installation checklist.....	9
Venting.....	10
3. Venting and Chimneys.....	10
3.1 Types of Chimneys.....	10
3.2 COMMON CHIMNEY PROBLEMS.....	10
3.3 What to do if you have a problem.....	11
3.4 Magnafire Chimney Specifics.....	11
4. Grates.....	14
4.1 Grate system and controls.....	14
Operation.....	15
5. Operating Instructions.....	15
5.1 Starting a Fireplace.....	15
5.2 Blower Operation.....	15
5.3 Loading.....	15
5.4 Increasing Heat from a Low Fire.....	15
5.5 Shaking Ashes.....	15
5.6 Ashes and Their Removal.....	15
5.7 Safety.....	16
5.8 Controlled Firing.....	16
6. Maintenance.....	16
6.1 Periodic and Everyday Maintenance.....	16
6.2 Coal/Fuel Handling and Storage.....	17
6.3 Glass Doors – Maintenance.....	17
6.4 Glass Doors – Glass Replacement.....	17
7. Warranty Information.....	19
8. Service Parts.....	21
Service and Maintenance Log.....	28
Service and Maintenance Log.....	29

Additional Warnings and Notices

This appliance is also approved for installation into a shop.

MARK I
MARK II
MARK III

CONTACT YOUR LOCAL BUILDING OFFICIALS ABOUT RESTRICTIONS AND INSTALLATION INSPECTION IN YOUR AREA

BARCODE LABEL

PREVENT HOUSE FIRES:

Install and use only in accordance with manufacturer's installation and operation instructions and local building codes. In absence of any local codes, installation must meet minimum requirements of NFPA 211 in USA. Refer to manufacturer's instructions and local codes for precautions required for passing chimney through a combustible wall or ceiling. Inspect and clean chimney system frequently in accordance with manufacturer's instructions.

FOR USE WITH COAL ONLY.

Don't connect this stove to a chimney serving another appliance.

Flue connector pipe must be 6" diameter, minimum 24 MSG black or 26 MSG blue steel.

Chimney must be factory built 103HT or masonry.

NOTE: Replace glass only with 5mm ceramic glass available from your dealer.

Inspect and clean chimney frequently. Under certain conditions of use, creosote buildup may occur rapidly.

CAUTION! STOVE IS HOT WHILE IN OPERATION. KEEP COMBUSTIBLES SUCH AS FURNITURE, FUEL, AND DRAPERIES AT LEAST 36 INCHES AWAY FROM THE APPLIANCE.

DO NOT LEAVE SMALL CHILDREN UNATTENDED WHILE IN THE ROOM WITH THIS HEATER.

ALWAYS WEAR GLOVES WHEN ATTENDING TO THE STOVE.

THIS STOVE IS NOT AN INCINERATOR. DO NOT BURN GARBAGE, PAINTED OR TREATED WOOD.

NEVER USE GASOLINE, LANTERN FUEL, KEROSENE, CHARCOAL LIGHTER FLUID, OR SIMILAR LIQUIDS TO START OR "FRESHEN UP" A FIRE IN THIS HEATER. KEEP ALL SUCH LIQUIDS WELL AWAY FROM THE HEATER WHILE IT IS IN USE.

DO NOT OVERFIRE - IF HEATER OR CHIMNEY CONNECTOR GLOWS, YOU ARE OVERFIRING.

Installation

1. Safety Considerations

1.1 KEEP CHILDREN AWAY-MAY CAUSE SERIOUS BURNS

CAUTION: All surfaces of the stove are hot while in operation. Do not touch. Keep Children Away. Wear gloves while tending stove. Serious burns will result if special care is not taken.

1.2 FUEL / FIRING INFORMATION

DANGER! FIRE HAZARD! DO NOT USE CHEMICALS OR FLUIDS TO START OR “FRESHEN UP” A FIRE. SEVERE BODILY INJURY AND/OR A FIRE IN THE HOME MAY RESULT. DO NOT BURN GARBAGE, GASOLINE, THINNERS, KEROSENE, OR FUEL OIL, ETC. AN EXPLOSION, A HOUSE FIRE OR PERSONAL INJURY COULD RESULT. KEEP ALL SUCH LIQUIDS WELL AWAY FROM THE STOVE WHILE IN USE.

This heater is approved for burning coal only. Use of any other fuel, except for the purpose of coal ignition, is a violation of U.S. law. When and if the chimney pipe or connector reaches 500° f. (maximum temperature), the stove is being overfired. It is recommended that you use magnetic thermometers on the stove and flue connector, to ensure safe operation. This stove consumes air when it is burning. If your house is especially tight, It is advisable that a nearby window be opened slightly while burning the stove. Information in this manual is manufacturer’s recommendations. If there is a discrepancy between these recommendations and your local code requirements, you must follow local codes.

1.3 CURING PAINT

During the first few hours of burning, a blue smoke will be observed rising from the painted surfaces of the stove. This is the paint being cured, and will disappear over time. Increase the amount of fresh air in the room during this initial break-in period. This may be achieved by opening doors or windows.

1.4 MOBILE HOMES

This stove is not approved for use in mobile homes

2. Assembly & Installation

2.1 UNPACKING AND INSPECTION OF PARTS

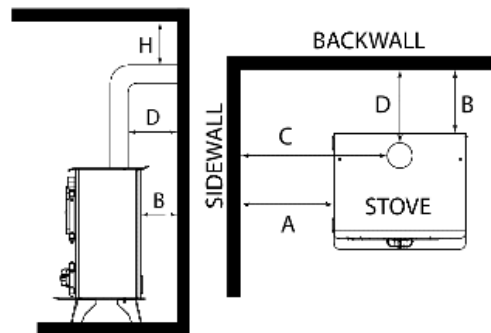
Inspect the stove for any visible damage. The blower and the shaker handle are packaged inside the stove.

2.2 LOCATING THE STOVE

Locate the stove as close to the chimney or flue as possible while adhering to the recommended clearances to combustible material. Safe stove clearance to combustible walls is 24” to the rear of the stove, and 33” to the sides of the stove. In a corner installation, you need 24” to the side walls. Clearance to the front of the stove, for furniture, etc. is 36”

CLEARANCE TO COMBUSTIBLE SURFACE

A - Unit to Sidewall	33”	838 mm
B - Unit to Backwall	24”	610 mm
C - Chimney Connector to Side Wall	42”	1067 mm
D - Chimney Connector to Back Wall	18”	457 mm
E - Floor Protector, Side and Rear	8”	203 mm
F - Floor Protector, Front	16”	406 mm
H - Pipe Connector to Ceiling	18”*	457 mm

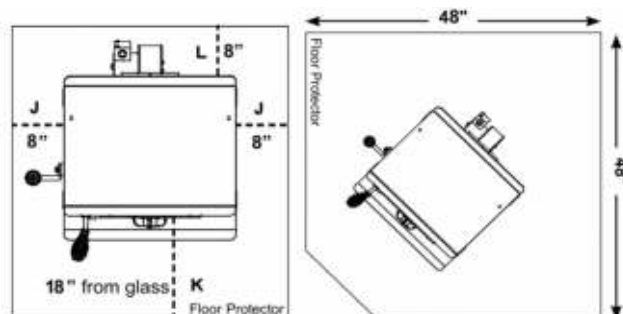


*Not Tested - NFPA Guidelines

2.3 FLOOR PROTECTION

Floor protection must be of approved non-combustible material. It must be located under the appliance and extend beyond the appliance according to the measurements below. Floor protection must also extend under any horizontal sections of chimney connector and 2” (50.8mm) beyond each side of the connector.

J - Sides USA/CANADA	8”	203 mm
K - Front USA/CANADA	18”	457 mm
L - Rear USA	8”	203 mm
L - CANADA	Wall	Wall

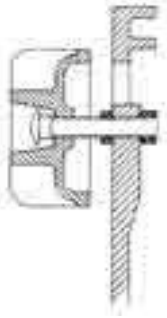
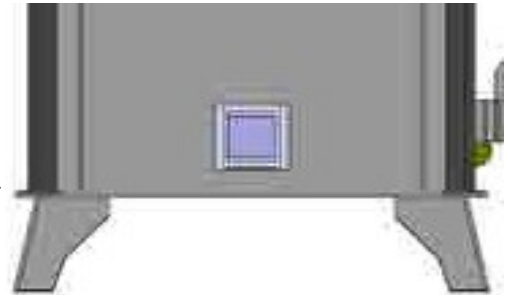


2.4 ASSEMBLY

Slide the blower into the slotted bracket on the rear of the stove. The blower will rest at the bottom of the slot.

The shaker handle bolts onto the shaker block using the bolts and lock washers provided.

The draft control is bolted through the hole in the center of the ash door as shown below. The knob should spin freely and open to a distance of about 1/4 inch from the door surface, while being able to close against the face of the door.



The Viewing Glass →

The viewing glass is installed between the door and the window frame. The glass gasket is installed only on the sides of the glass panel. The top and bottom of the glass are open to provide air-wash and secondary air to the firebox. The glass frame is secured to the door with four bolts.

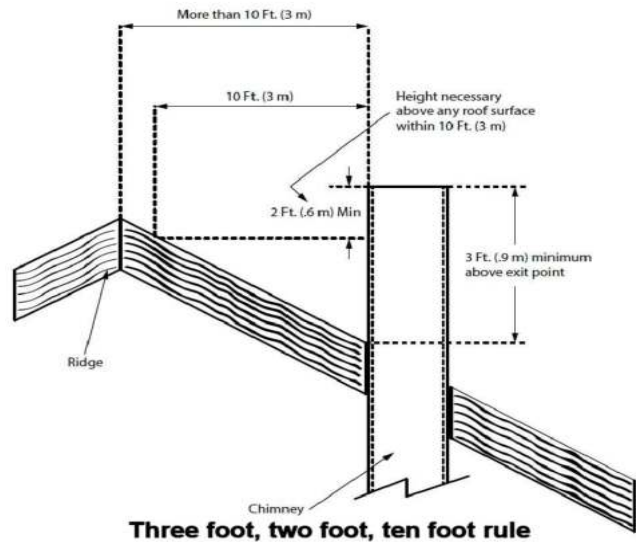
The Mark III also has a top trim piece which bolts onto the top of the door.

Be sure the frame bolts and trim bolts are secured.



2.5 GENERAL INFORMATION – INSTALLATION CHECKLIST

- A) Have your stove installed by a trained installer. Preferably one who is certified by the National Fireplace Institute or similar certification agency.
- B) Before starting Installation, check for proper clearance to combustibles where the stove is going to be located. (See section 2.2)
- C) Never vent a solid fuel burning appliance into a flue serving another appliance.
- D) Have the chimney inspected and thoroughly cleaned. Inspect that it is a Class “A” chimney either masonry or factory built. If it is a manufactured chimney, ensure that it is installed as per the manufacturers requirements. be sure that the chimney is tall enough. Solid fuel chimneys fall under a general rule, 16 ft. minimum height, 2 ft. taller than anything within 10 ft., and 3 ft. above where it passes through the roof line. The chimney must be capable of a minimum .06 inches of water column of draft when the stove is burning.
- E) Limit the amount of connector pipe. Position the stove as close to the flue as possible. (8 ft. or less) No more than two 90° elbow fittings should be used. Any horizontal connector pipe should have at least 1/4 in. of rise per foot in length. A barometric damper may be installed to prevent excessive or erratic draft.



MANUAL DAMPERS OR “HEAT SAVERS” MUST NEVER BE INSTALLED IN THE FLUE PIPE. IMPROPER OPERATION COULD RESULT IN DEATH.

Venting

Chimney connectors shall not pass through an attic or roof space, closet or similar concealed space, or a floor or ceiling. Where passage through a wall, or partition of combustible construction is necessary, the installation shall conform to *CAN/CSA-B365, Installation Code for Solid-Fuel-Burning Appliances and Equipment*.

Where an existing chimney is used, it must be large enough to provide a draft adequate for removing gaseous products of combustion. From NFPA 211 2013:

1. The cross-sectional area of the chimney system must not be less than that of the flue collar. (For The Mark I and Mark III served by a round chimney, the diameter must be at least 6 inches)
2. Chimney systems which are completely internal below the roofline must be no more than three times the cross-sectional area of the flue collar ($28.3 \text{ in}^2 \times 3 = 84.8 \text{ in}^2$).
3. Chimney systems which are exposed to the exterior on one or more sides below the roofline must be no more than two times the cross-sectional area of the flue collar ($28.3 \text{ in}^2 \times 2 = 56.5 \text{ in}^2$).

3. Venting and Chimneys

3.1 TYPES OF CHIMNEYS

The chimney is one of the most important, yet the most neglected and misunderstood portion of any solid fuel burning appliance installation. Do not connect your stove to a chimney flue that already serves another heating device.

Under no circumstances should a manual flue damper be installed in the smoke pipe between the stove and the chimney.

CAUTION! THE CHIMNEY MUST BE A "CLASS A" CHIMNEY IN GOOD WORKING CONDITION. THE USE OF ALUMINUM "TYPE B" GAS VENT FOR SOLID FUELS IS UNSAFE, AND PROHIBITED BY THE NATIONAL FIRE PROTECTION AGENCY (NFPA) CODE.

There are three types of "Class A" chimneys:

1. Masonry with a tile liner, including brick, block, stone, etc. It must be supported by a ground-level foundation.
2. Insulated "Class A" manufactured chimney, listed and certified by a national test agency.
3. Triple-walled metal "Class A" chimney, listed and certified by a national test agency.

If your masonry chimney has not been used for some time, have it inspected by a qualified person (building inspector, fire department personnel, etc.). If a listed and certified manufactured chimney is to be used, make certain it is installed in accordance with the manufacturers instructions and all local codes. A coal stove can perform only as well as its venting system will allow it to.

CAUTION! THE CHIMNEY SELECTED MUST COMPLY WITH THE REQUIREMENTS FOR TYPE HT CHIMNEYS UL 103 DO NOT USE MAKE-SHIFT COMPROMISES DURING INSTALLATION!

3.2 COMMON CHIMNEY PROBLEMS

In order to have a properly operating heating system, the chimney needs to be capable of providing sufficient draft. The minimum required draft is .06 inches of water column (WC). To measure the draft, drill a hole in the connector pipe and attach a draft meter. First, check the draft above the barometric damper (if installed). Then check it below the barometric damper and make your damper adjustment to where it opens to prevent the draft from going higher than the .06 in WC. If the chimney is incapable of supplying the necessary draft, it will need to be improved. Whether it needs to be raised to a taller height, a flue liner installed, or a different style of cap placed on the top, the improvement method will need to be determined.

Reasons for insufficient draft:

- A) Leaking chimney - Air leaking in around a loose fitting cleanout door, joints or seams in connector pipe are not secured properly, cracks or other defects in masonry.
- B) Improper chimney height - Chimney does not extend to a sufficient height above the roof line. (Remember the 3 ft.-2 ft.-10 ft. rule)
- C) Obstructions in the chimney - Make sure the chimney has been cleaned. Different animals have been known to build nests in chimneys.



- D) Trees or other topographical barriers - Trees that are taller than the house can cause the air currents to flow downward over the peak of the roof. This would lead to a down draft effect on the chimney. This can also be caused by adjacent buildings or structures. It could even be from a different peak on the same structure.
- E) Improperly sized flue - Too small of a chimney is incapable of moving the volume of air necessary. Too large of a flue could have trouble warming up to create the necessary upward flow.
- F) Chimney offsets - Offset chimneys should be avoided if possible. Not only can the offset affect draft, it is also a place for debris to collect over time.
- G) Too many elbows - The flue connector has more than two elbows in it. Sometimes, depending on overall chimney performance, one elbow could be too many.
- H) Vent sharing - No more than one heating appliance shall vent into a single flue.

THE MOST IMPORTANT THING TO REMEMBER ABOUT CHIMNEYS IS THEIR NEED FOR MAINTENANCE AND CLEANING. IF A CHIMNEY IS NOT CLEANED ON A FREQUENT BASIS, IT WILL AFFECT DRAFT, AS WELL AS BE A CONTRIBUTING FACTOR TO A POTENTIAL CHIMNEY FIRE.

3.3 WHAT TO DO IF YOU HAVE A PROBLEM.

If you have a chimney fire:

1. Be sure everyone is out of the house.
2. Call the fire department.
3. Close the draft control on the ash door and make sure both doors on the stove are closed and latched.
4. Do not put water on the fire, this will cause unnecessary damage to the stove and flue.
5. Have the chimney inspected and repaired prior to building another fire.

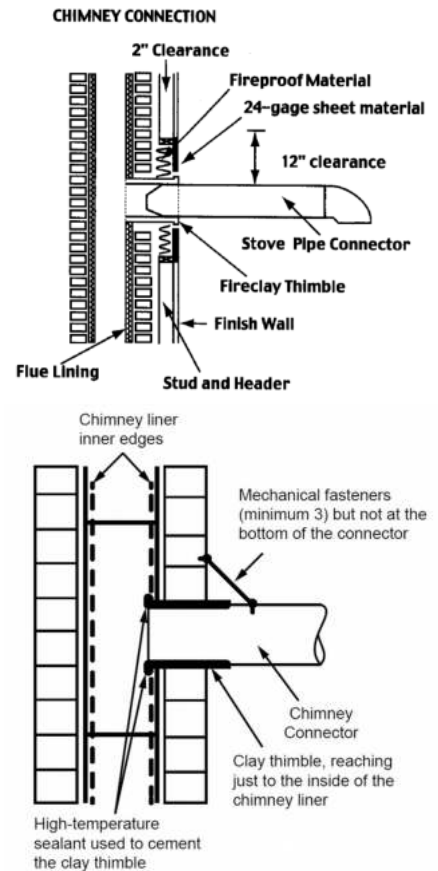
Smoke puffs out of the stove:

1. Check previous suggestions for insufficient draft.
2. Check draft control for proper operation.
3. Chimney may be too low. Increase height.
4. Add more fresh air to the room. Your home may be so tight that there is not enough oxygen getting to the fire.
5. Remember, open the draft control and crack the door open slightly before reloading or checking the fire.
6. Check the ashes. The ash pan and firebox may be overloaded with ashes.
7. Check the chimney cleanout door to ensure it closes properly.

WARNING - DO NOT CONNECT THIS UNIT TO A CHIMNEY SERVING ANOTHER APPLIANCE!

3.4 MAGNAFIRE CHIMNEY SPECIFICS

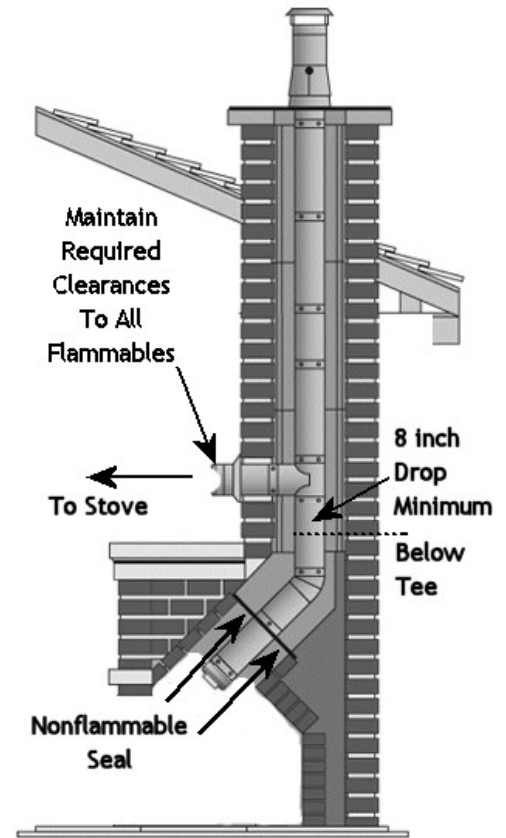
- A) Flue connecting pipe must not be less than 6 inches in diameter and of 24 gauge or heavier.
- B) Connecting pipe joints are to be secured with screws (preferred) or pop rivets. Suggested location for fasteners is at the 12/4/8 o'clock positions. Refractory cement may be used at stove and chimney collar to secure these connections. Keep in mind that disassembly may be periodically needed, so that the chimney and connecting pipe may be cleaned and inspected.
- C) Masonry Chimney Connections - A minimum of 12 inches of solid masonry is required around a 5/8 inch thimble if the pipe passes through a combustible wall. It is also acceptable to use a UL listed prefabricated wall pass through. If such a pass through is used, all the components comprising a complete pass through kit must be included, as per manufacturer's recommendations.



D) Masonry Fireplace Chimney Connections - In some situations, a code compliant chimney originally used for a masonry fireplace may be used. The chimney must be lined with the needs of the heating appliance in mind, including minimum and maximum sizes. The lining will comply with one of the following:

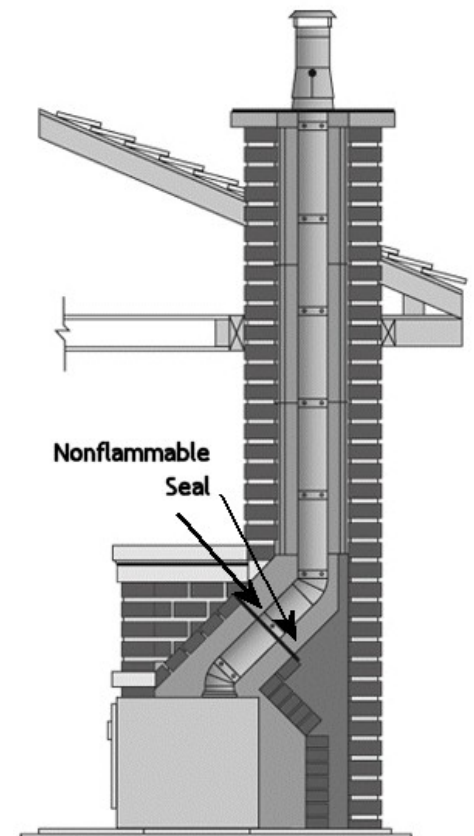
- Clay flue lining complying with the requirements of ASTM C315 or equivalent.
- Listed chimney lining systems complying with UL 1777.
- Factory-built chimneys or chimney units listed for installation within masonry chimneys.
- Other approved materials that will resist corrosion, erosion, softening, or cracking from flue gases and condensate at temperatures up to 1,800° F. (982° C)

Insulated liners work best for maintaining good draft. In addition to the requirements found in the previous paragraphs, it is important to be aware that all clearances must be met, including those from the chimney connector to combustibles. Do not forget to include floor protection in your plans. (See Clearances and Floor Protection) Since many fireplaces have exposed wooden mantels and trim, pay special attention to the clearances necessary to these materials. If your fireplace chimney is behind a combustible wall, you must use an approved wall pass-through system to gain access to the masonry chimney. The chimney connector must enter the chimney at a place where it is lined, and the fireplace must be made inoperable. For example, you might remove the damper, replacing it with a secure, airtight, noncombustible seal (removable for inspection); this also satisfies the requirement that no room air must be allowed to enter the chimney.



WARNING!

DO NOT BURN ANY FUEL OTHER THAN COAL. NEVER USE HIGHLY VOLATILE SUBSTANCES IN YOUR STOVE, SUCH AS GASOLINE, WHICH COULD CAUSE AN EXPLOSION. KEEP ALL SUCH LIQUIDS AWAY FROM HEATER WHILE IN USE.



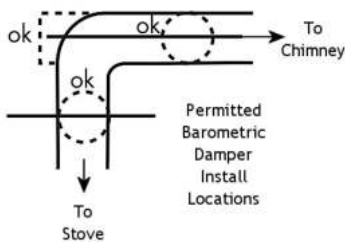
- E) Manufactured Chimney Connections - When venting using a prefabricated chimney, be sure to contact local building code authorities, and to follow the manufacturer's instructions *exactly*.

USE ONLY THE MANUFACTURER'S PARTS. DO NOT USE MAKESHIFT INSTALLATION TECHNIQUES. ALL PREFABRICATED CHIMNEYS MUST BE TESTED TO EITHER THE U.S. OR CANADIAN HIGH TEMPERATURE STANDARDS, UL 103 OR ULC S629.

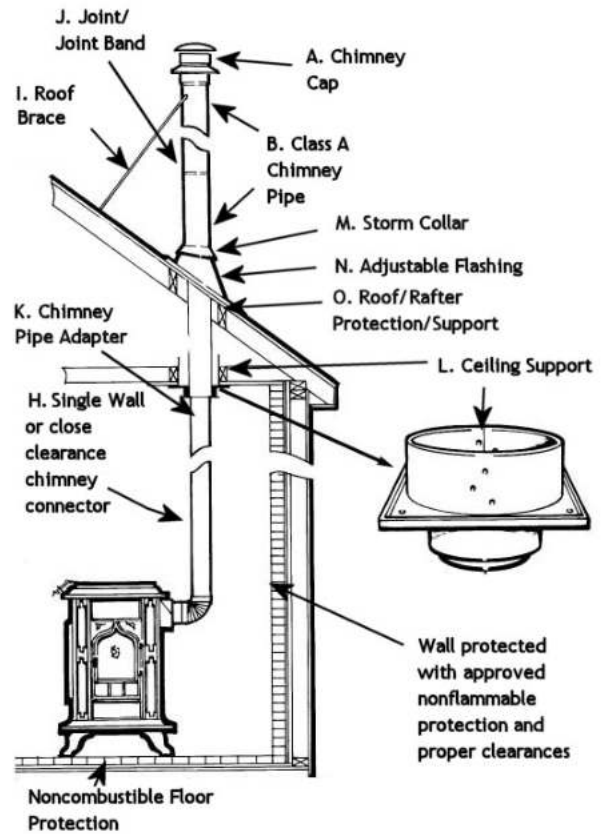
Your manufactured chimney may contain more parts than is shown at right. Include all required items in your installation. A chimney cap (A) serves to keep rain and snow from entering the chimney. An approved Class A chimney (B) is required for the Super Magnum Stoker. Wall Bands (C) must be deployed for support per manufacturer's recommendations. A manufacturer's Wall Support Kit (D) will contain required items for supporting the chimney. Such kits will cost less than individual items purchased separately. A Bottom Cap (E) allows for cleaning. The arrow shows the location of the bottom end cap, but it is not visible on the drawing. A Finishing Collar (F) provides inside wall protection. A Wall Thimble (G) provides for required clearance between the chimney pipe passing through a flammable wall. The Chimney Connector (H) must be approved single wall, or a low clearance pipe, installed with required clearances in place. A Roof Brace (I) is required for chimneys that extend more than a certain distance, as referenced by the manufacturer's instructions, from the roof. Manufactured chimneys may feature a built in "twist lock" at each joint, but a Joint Band (J) is still normally required to secure pipe at the joint. An approved Chimney Pipe Adapter (K) is required. A Ceiling Support (L) will provide structural support for the chimney and is typically part of a kit that includes items that maintain required clearances to flammables. A Storm Collar (M), and Adjustable Flashing (N) prevent water from entering the home by running down the outside of the chimney. Additional items or a kit (O) provide additional mounting support or fire protection to the roof joists or other roof components.

- F) Draft Regulation - Barometric Damper Setup

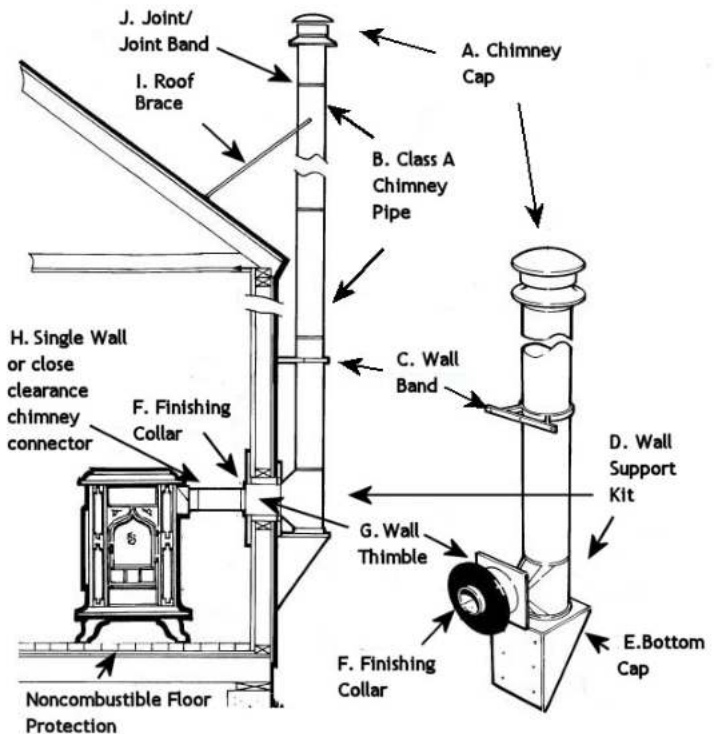
A stove and chimney combination that drafts well will occasionally produce more draft than is desired. Excessive draft can lead to overfiring. It will also lead to reduced efficiency, as more heat will end up going up the chimney. A barometric damper is required to limit maximum draft to -.08 column inches. The barometric damper needs to be the same diameter as the stove collar. It is to be installed in the chimney connecting pipe as shown below.



Inside Chimney

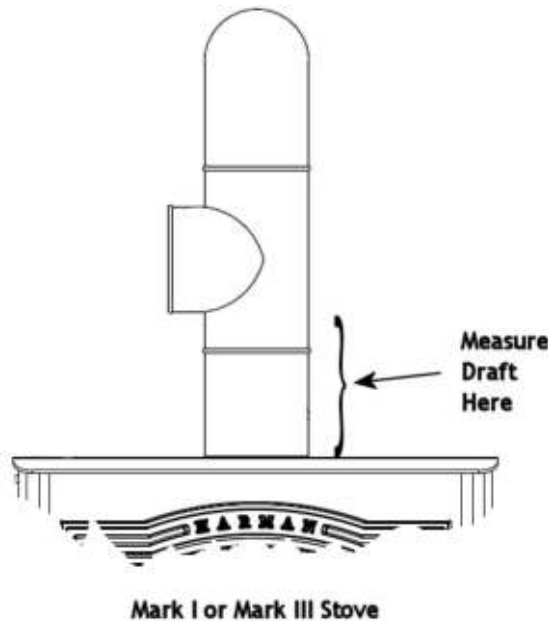


Outside Chimney



Follow these steps to ensure safe and efficient operation of your Mark I or Mark III stove. You will need to start a fire in the appliance to establish a draft in the chimney flue. Refer back to these instructions after reading the entire manual.

1. Drill a hole into the flue connector pipe, for the purpose of attaching a draft meter. This hole should be between the barometric damper and the stove's flue collar, and in an inconspicuous location, as it will be closed off after the test with a bolt.
2. Attach the draft meter to the hole in the connector. A great chimney will have draft without a fire or heat source. Set the barometric damper to maintain -.06 to -.08 (inches of water column).
3. Remove the draft meter from the connector pipe and seal the hole by threading in a screw or bolt. You may also want to apply a small dab of high-temperature silicone to the threads prior to installing.

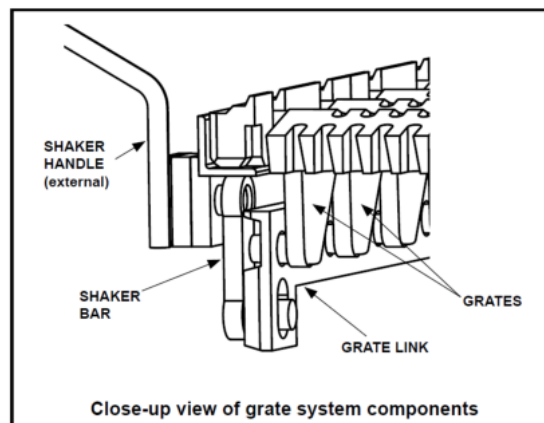


4. Grates

4.1 GRATE SYSTEM AND CONTROLS

The Grates are made of heavy-duty cast iron. The function of the grate system is to support the coal while allowing air flow through the fire. The grate system also allows removal of the ashes by shaking them through the grates. The grates are removable without the use of tools, once the fire bricks are removed, the grates simply lift out. Lift the right end higher to disengage from the shaking link. To re-install the grates, lower them, one at a time, left end first, be sure the grate hooks into the grate link as you drop it into place.

Your grates will last forever, as long as you keep your ashes cleaned out of the stove. When ashes are left to pile up against the underside of the grates, the air-flow is blocked. With no air flow through the grates, they will begin to sag from the intense heat. The grates are designed to accommodate three different sizes of anthracite coal. Pea is defined as being able to fit through a round screen hole of $\frac{9}{16}$ " to $\frac{7}{8}$ ". Nut or Chestnut is defined as being able to fit through a round screen hole of $\frac{7}{8}$ " to $1\frac{1}{2}$ ". Finally, Stove coal which is $1\frac{1}{2}$ " to $2\frac{1}{2}$ " in size. Pea or Nut you'll find work the best for starting a fire, while all three sizes burn just as well. The external shaker handle allows for greater safety from burns, and the convenience of needing no extra tools.



Operation

5. Operating Instructions

5.1 STARTING A FIREPLACE

Place seven or eight sheets of crumpled newspaper onto the top of the grates. Next, lay in some small kindling wood (approximately 3/4" or less) on top of the newspaper. Layer the kindling in a criss-cross fashion to allow for maximum air flow. Open the draft control to it's full open position. Light the paper nearest the center of the door opening and close and latch the load door. After two to three minutes, open the load door an inch or two for a few seconds, then open it completely. This method is good practice to allow smoke to clear away from the load door. Add a few small pieces of firewood when the kindling is burning well. Close the door again and be sure the draft control remains open. The ash door itself may be opened for a short period to accelerate the process.

DO NOT LEAVE THE STOVE UNATTENDED WITH THE DOOR OPEN.

When a substantial bed of hot wood coals are built up, start adding small amounts of coal on top of the burning wood embers. (Pea or Nut sized coal will give the best results when starting a fire.) Keep the draft control open through the whole ignition process. As the coal begins to free-burn, continue adding small amounts until there is a solid bed of burning coal. Do not add too much at one time as you could smother the fire. Allow sufficient time between these small batches so that the coal can ignite thoroughly before more is added. Once a substantial bed is established, fill the firebox to the top of the bricks. A deep bed of coal will always burn better than a shallow bed. Adjust the draft control to the desired heat output. You'll learn over time that the coal fire does not instantly change with a turn of the draft control. Make your adjustments in small increments and wait for the fire to stabilize. The normal range of control settings will be from closed, for extended burn times, to one full turn open.

NOTE: If the ash door was opened during the lighting process, it must be closed to prevent over-firing. Over-firing can cause dangerously high temperatures.

5.2 BLOWER OPERATION

Use of the blower will increase heat output of the stove. Be sure to use a 3-wire extension cord and to connect to a grounded outlet. Route the cord to avoid creating a trip hazard, as well as to avoid the risk of abrasion damage to the insulation on the cord. Inspect the power cord and extension cord at both the start and end of the season.

5.3 LOADING

Coal should never be added unless there is a reasonably hot fire. The coal bed should be bright and vigorous. If the fire is burning hot and there is a deep bed of hot coals, full loads of coal can be added at any time. However, if there is not a deep bed of coals, it is best to add in small batches as during lighting.

5.4 INCREASING HEAT FROM A LOW FIRE

Every effort should be made to not let a coal fire burn so long that it begins to die. This causes the reloading process to be much longer, and there is a good possibility of losing the fire all together. Do not shake or stir a low fire. Open the draft control or the ash door to get the maximum air flow. Allow the fire to get reasonably hot. If there is not enough unburned coal to renew the fire, add a small amount. Continue adding coal in small amounts until a full bed is established. Now, shake the grates. (see next section "shaking ashes")

5.5 SHAKING ASHES

Shaking should be done only when there is a hot fire. The frequency of shaking will depend on the rate of burning. Shaking should be done at least once per day but best results will come from shaking twice a day. When shaking, do just that. Do not rock the handle in long strokes, just shake it briskly until you see red hot ashes fall into the ash pan. Rocking the grates may allow pieces of coal to jam them in an open position.

DO NOT LEAVE THE STOVE UNATTENDED WITH THE DOOR OPEN

5.6 ASHES AND THEIR REMOVAL

Ashes should be placed in a metal container with a tight fitting lid, pending final disposal. The closed container of ashes should be placed on a non-combustible floor or on the ground, well away from any combustible materials. If the ashes are disposed of by burial in soil or otherwise locally dispersed, they should be retained in the sealed container until all cinders have thoroughly cooled. Coal produces considerably more ash than wood. For equal heat output, coal will produce 7 to 10 times the ash of a wood fire.

CAUTION! ASHES SHOULD NEVER BE ALLOWED TO ACCUMULATE ABOVE THE TOP OF THE ASH PAN. ASHES IN CONTACT WITH THE BOTTOM OF THE GRATES ACT AS AN INSULATOR INTENSIFYING THE HEAT ON THE GRATES, AND WILL CAUSE THE GRATES TO WARP. GRATE DAMAGE FROM ASH BUILD UP IS EASILY RECOGNIZED. PLEASE REFER TO YOUR WARRANTY TO SEE LEGACY STOVES™ LIMIT OF LIABILITY IN CASES OF ABUSE OR NEGLECT.

5.7 SAFETY

Whenever a loading door is opened, it should always be cracked slightly to allow oxygen to enter and burn any gasses that may be present. Failure to do this may result in a sudden ignition of the gasses, leading to an explosion. A stove should never be filled with excess coal to where the exhaust is impeded. burning coal generates carbon monoxide. If the flue gas exit is blocked, the carbon monoxide can be forced out of the stove and into your living space, with fatal consequences.

CAUTION! DO NOT BANK THE FIRE SUCH THAT COAL WILL ROLL INTO THE LOAD DOOR OPENING, OR AGAINST THE GLASS!

With the exception of start-up or freshening a fire, the ash pan door should never be left open. NEVER LEAVE THE STOVE UNATTENDED WITH A DOOR OPEN. Serious damage to the stove can occur from overheating. Coal stoves should not be installed in a chimney that has a history of down-draft or flow reversal problems. These conditions can cause improper draft, resulting in carbon monoxide entering the living space rather than being drawn up the chimney. REMEMBER! COAL GASES ARE TOXIC! Sulfur dioxide, sulfur trioxide and other products of coal combustion may corrode stainless steel and masonry chimneys. Coal with high sulfur content will destroy chimneys especially fast if soot is left in the flue for extended periods. It is important to clean your chimney regularly.

5.8 CONTROLLED FIRING

Also key to operational safety is avoiding overfiring the stove. This stove features a manually set air intake damper, mounted on the ash door. This consists of a cast, threaded dial, which when turned, allows for adjusting an air gap between the dial and the ash door. Once a fire is established, the main factors determining the position of the intake damper are how much heat is needed and the need to limit overfiring. Stove parts or chimney connectors glowing red are a sure indicator that the damper should be closed down. A chimney connector thermometer is highly recommended for setting the maximum air setting. This can be placed in the first straight section of the chimney connector. As temperatures approach 450° F, limit air so as to reduce the intensity of the fire. Lower temperatures are an indicator of more efficient operation. Keep load doors and ash doors closed, except when attending to or starting fires. Maintain door gaskets in good condition, and inspect them before, during and after the heating season.

CAUTION! DO NOT REMOVE THE AIR INTAKE DAMPER CONTROL, OR MODIFY IT IN ANY WAY. DOING SO WILL VOID YOUR WARRANTY, AS WELL AS PRESENT A FIRE HAZARD!

CAUTION! MAINTAIN LOAD DOOR AND ASH DOOR GASKETS TO AVOID OVERFIRING!

6. Maintenance

6.1 PERIODIC AND EVERYDAY MAINTENANCE

Blower: Monthly, remove the blower and clean the fan. If there are pets in your house, you may want to check this more frequently.

Grates: Keep ash pan emptied twice a day.

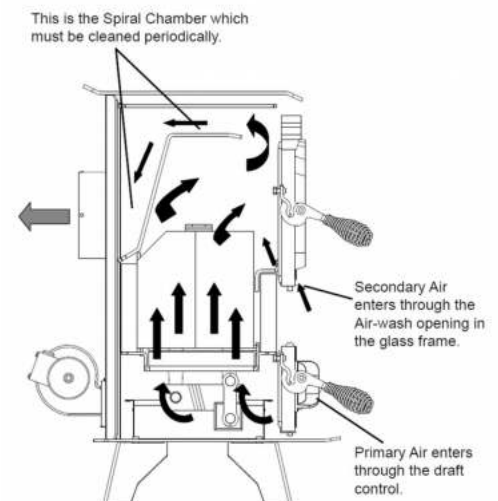
INSPECT AND CLEAN STOVE, CONNECTING PIPE AND CHIMNEY EVERY TWO MONTHS.

Chimney and connector: Avoid chimney fires. Creosote may form in your venting system during the wood fired startup period, particularly if fires are restarted frequently. When coal is burned, the products of combustion combine with moisture to form a soot residue which accumulates on the flue lining. When ignited, this soot makes an extremely hot fire. The chimney connector and chimney should be inspected at least once every two months during the heating season to determine if soot and or creosote buildup has occurred. The baffle area inside the stove, the chimney connecting pipe, and the chimney must be kept clean. Steel brushes are the safest for cleaning metal surfaces. Salt solutions and other chemicals may damage the metal surfaces.

WARNING! DO NOT STORE KINDLING FOR STARTING FIRES WITHIN CLEARANCES LISTED FOR COMBUSTIBLES.

To clean the chimney, use a stiff brush with an extendable handle. Start the brush from the top of the chimney and run it down through the flue. Continue brushing until the entire length of the chimney is cleaned. The debris will collect at the bottom of the chimney. Open the cleanout door or other access point and sweep the collection into a metal container. The connector pipe can be brushed also, remove it from the stove if possible, to eliminate pushing the debris into the stove's spiral chamber.

Ashes should be kept in a metal container with a tight fitting lid. The closed container of ashes should be placed on a non-combustible floor or on the ground, well away from all combustible materials, pending final disposal. If the ashes are disposed of by burial in soil or otherwise locally dispersed, they should be kept in the closed container until all cinders have thoroughly cooled. Do not use this same container for garbage, debris, or lawn waste.



6.2 COAL/FUEL HANDLING AND STORAGE

Reserve an area for storing coal that will serve to keep it dry. Coal does not deteriorate with moisture, but it is best if it is dry when loaded into the stove. Coal purchased in bags may have been dampened to control dust. If stored in below freezing temperatures, bring bags into a warmer area to allow for thawing. This assures that the coal can be added to the stove in a loose and free flowing form. Wood stored to be used for starting fires should be stored well beyond all clearances to combustibles and outside of all service areas needed to provide access to the stove. Very dry wood will assist greatly in starting fires.

6.3 GLASS DOORS – MAINTENANCE

Air washing over the glass in the load doors is generally sufficient to clean them, allowing for an unobstructed view of the fire. Should it be necessary to clean the glass, allow the fire to go out and clean the glass after it has cooled. Use a soft rag, dampened with a mild detergent to wipe the inside and outside of the glass, if needed. DO NOT use an abrasive cleaner. NEVER clean the glass when hot. When opening the load door, make sure the path of travel is unobstructed with anything that might impact the door glass. When closing the load door, never slam the door shut. Do not store items near the front of the stove that may fall and impact the glass and cause breakage.

WARNING! DO NOT USE ABRASIVE CLEANERS ON GLASS. DO NOT CLEAN GLASS WHEN HOT!

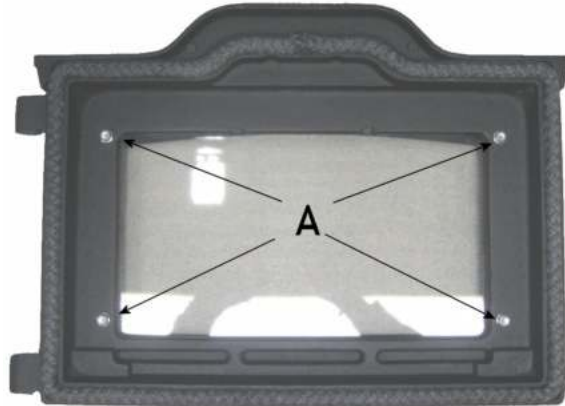
CAUTION! DO NOT OPERATE STOVE WITH BROKEN GLASS!

6.4 GLASS DOORS – GLASS REPLACEMENT

Should the glass in the load door break, do NOT operate the stove with a broken glass. It will be necessary to replace the glass. NEVER replace the glass with a generic item. ALWAYS use the proper replacement part from your Legacy Stoves dealer. Refer to parts list near end of this manual.

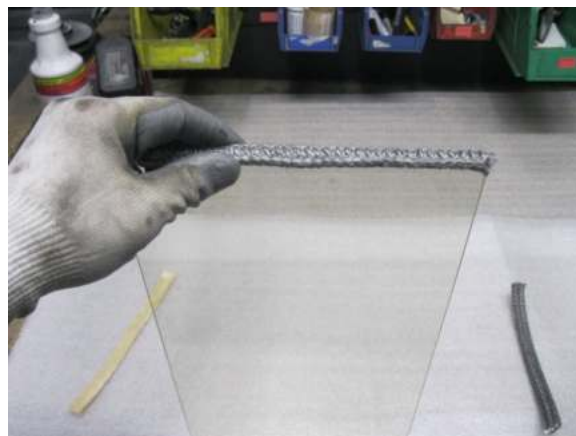
WARNING! DO NOT USE A SUBSTITUTE PART TO REPLACE GLASS OR OTHER ITEMS ON YOUR STOVE. USE ONLY MANUFACTURER PROVIDED PARTS PURCHASED THROUGH YOUR DEALER.

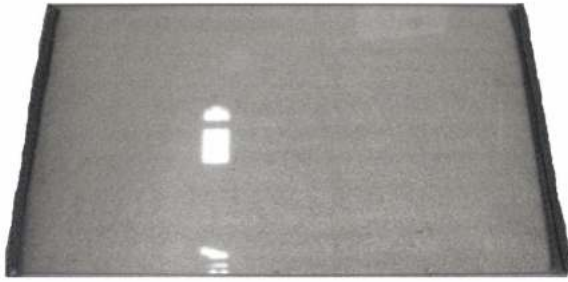
To replace your glass, lift up on the load door to remove it from the front of the stove, and lay it frontside down on a flat surface lined with a thick cloth. Remove the four capscrews (designated as “A” below) that secure the glass retainer to the door.



CAUTION! WEAR GLOVES WHEN HANDLING BROKEN GLASS DURING THIS REPLACEMENT!

Lift the glass retainer from the door, then remove and discard the broken glass from the door.





Position the glass within the door, and reinstall the retainer and the four capscrews.

7. Warranty Information

Alternate Heating Systems

LIFETIME LIMITED WARRANTY

Alternate Heating Systems, on behalf of its hearth brands ("AHS"), extends the following warranty for AHS gas, wood, pellet, coal and electric hearth appliances that are purchased from an AHS authorized dealer.

WARRANTY COVERAGE:

AHS warrants to the original owner of the AHS appliance at the site of installation, and to any transferee taking ownership of the appliance at the site of installation within two years following the date of original purchase, that the AHS appliance will be free from defects in materials and workmanship at the time of manufacture. After installation, if covered components manufactured by AHS are found to be defective in materials or workmanship during the applicable warranty period, AHS will, at its option, repair or replace the covered components. AHS, at its own discretion, may fully discharge all of its obligations under such warranties by replacing the product itself or refunding the verified purchase price of the product itself. The maximum amount recoverable under this warranty is limited to the purchase price of the product. This warranty is subject to conditions, exclusions and limitations as described below.

WARRANTY PERIOD:

Warranty coverage begins on the date of original purchase. In the case of new home construction, warranty coverage begins on the date of first occupancy of the dwelling or six months after the sale of the product by an independent, authorized AHS dealer/ distributor, whichever occurs earlier. The warranty shall commence no later than 24 months following the date of product shipment from AHS, regardless of the installation or occupancy date. The warranty period for parts and labor for covered components is produced in the following table. The term "Limited Lifetime" in the table below is defined as: 20 years from the beginning date of warranty coverage for gas appliances, and 10 years from the beginning date of warranty coverage for wood, pellet, and coal appliances. These time periods reflect the minimum expected useful lives of the designated components under normal operating conditions.

Warranty Period		AHS Manufactured Appliances and Venting			Components Covered
Parts	Labor	Coal and Wood	Coal	Venting	
1 Year		x	x	x	All parts and material except as covered by Conditions, Exclusions, and Limitations listed
2 years		x	x		Igniters, electronic components, and glass Factory-installed blowers
Limited Lifetime	3 years	x	x		Firebox and heat exchanger
90 Days		x	x	x	All replacement parts beyond warranty period

See conditions, exclusions, and limitations on next page

WARRANTY CONDITIONS:

- This warranty only covers AHS appliances that are purchased through an AHS authorized dealer or distributor. A list of AHS authorized dealers is available on the AHS branded websites.
- This warranty is only valid while the AHS appliance remains at the site of original installation.
- This warranty is only valid in the country in which the AHS authorized dealer or distributor that sold the appliance resides.
- Contact your installing dealer for warranty service. If the installing dealer is unable to provide necessary parts, contact the nearest AHS authorized dealer or supplier. Additional service fees may apply if you are seeking warranty service from a dealer other than the dealer from whom you originally purchased the product.
- Check with your dealer in advance for any costs to you when arranging a warranty call. Travel and shipping charges for parts are not covered by this warranty.

WARRANTY EXCLUSIONS:

This warranty does not cover the following:

Changes in surface finishes as a result of normal use. As a heating appliance, some changes in color of interior and exterior surface finishes may occur. This is not a flaw and is not covered under warranty.

Damage to printed, plated, or enameled surfaces caused by fingerprints, accidents, misuse, scratches, melted items, or other external sources and residues left on the plated surfaces from the use of abrasive cleaners or polishes.

Repair or replacement of parts that are subject to normal wear and tear during the warranty period. These parts include: paint, wood, pellet and coal gaskets, firebricks, grates, flame guides, batteries and the discoloration of glass.

Minor expansion, contraction, or movement of certain parts causing noise. These conditions are normal and complaints related to this noise are not covered by this warranty.

Damages resulting from: (1) failure to install, operate, or maintain the appliance in accordance with the installation instructions, operating instructions, and listing agent identification label furnished with the appliance; (2) failure to install the appliance in accordance with local building codes; (3) shipping or improper handling; (4) improper operation, abuse, misuse, continued operation with damaged, corroded or failed components, accident, or improperly/ incorrectly performed repairs; (5) environmental conditions, inadequate ventilation, negative pressure, or drafting caused by tightly sealed constructions, insufficient make-up air supply, or handling devices such as exhaust fans or forced air furnaces or other such causes; (6) use of fuels other than those specified in the operating instructions; (7) installation or use of components not supplied with the appliance or any other components not expressly authorized and approved by AHS; (8) modification of the appliance not expressly authorized and approved by AHS in writing; and/or (9) interruptions or fluctuations of electrical power supply to the appliance.

Non-AHS venting components, hearth components or other accessories used in conjunction with the appliance.

Any part of a pre-existing fireplace system in which an insert or a decorative gas appliance is installed.

AHS's obligation under this warranty does not extend to the appliance's capability to heat the desired space. Information is provided to assist the consumer and the dealer in selecting the proper appliance for the application. Consideration must be given to appliance location and configuration, environmental conditions, insulation and air tightness of the structure.

This warranty is void if:

- The appliance has been over-fired or operated in atmospheres contaminated by chlorine, fluorine, or other damaging chemicals. Over-firing can be identified by, but not limited to, warped plates or tubes, rust colored cast iron, bubbling, cracking and discoloration of steel or enamel finishes.
- The appliance is subjected to prolonged periods of dampness or condensation. There is any damage to the appliance or other components due to water or weather damage which is the result of, but not limited to, improper chimney or venting installation.

LIMITATIONS OF LIABILITY:

The owner's exclusive remedy and AHS's sole obligation under this warranty, under any other warranty, express or implied, or in contract, tort or otherwise, shall be limited to replacement, repair, or refund, as specified above. In no event will AHS be liable for any incidental or consequential damages caused by defects in the appliance. Some states do not allow exclusions or limitation of incidental or consequential damages, so these limitations may not apply to you. This warranty gives you specific rights; you may also have other rights, which vary from state to state. EXCEPT TO THE EXTENT PROVIDED BY LAW, AHS MAKES NO EXPRESS WARRANTIES OTHER THAN THE WARRANTY SPECIFIED HEREIN. THE DURATION OF ANY IMPLIED WARRANTY IS LIMITED TO DURATION OF THE EXPRESSED WARRANTY SPECIFIED ABOVE.

8. Service Parts



Service Parts – Mark I

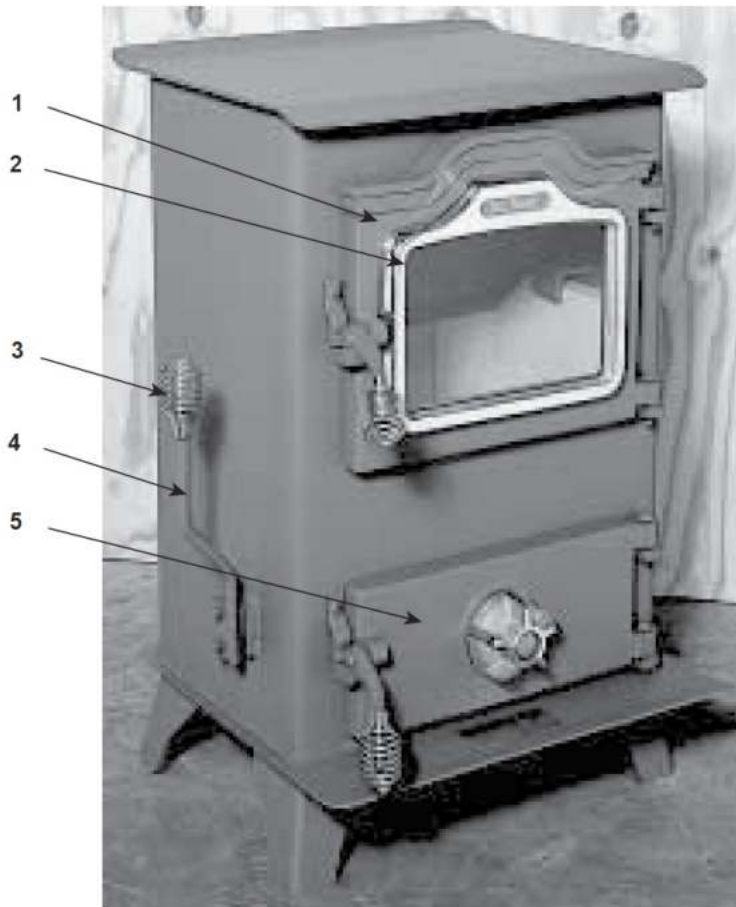
Magnafire Freestanding Coal Stove
1-90-03224-1 (Black w/Door)

Beginning Mfrg Date: N/A
Ending Mfrg Date: Active

Retired Units

1-70-03224-1 (Black), Ending Manufacturing Date: June 2011
1-70-03224-2 (Charcoal) Ending Manufacturing Date: June 2011
1-70-03224-3 (Goldenfire) Ending Manufacturing Date: June 2011

1-70-03224-4 (Metallic Blue) Ending Manufacturing Date: Jan 2010
1-70-03224-10 (Mojave Red) Ending Manufacturing Date: Jan 2010,
1-70-03224-12 (Forest Green) Ending Manufacturing Date: Jan 2010



IMPORTANT: THIS IS DATED INFORMATION. Parts must be ordered from a dealer. Provide model number and serial number when requesting service parts from your dealer.

Item	Description	Comments	Part Number	
1	Load Door – Roped		1-10-08145A	
	Door Kit Assembly	Black Classic	1-00-00139-1	
	Door Kit Assembly – Gold	No Longer Available	1-00-00139-4	
2	Glass Frame	Cast	4-00-00038-1	
	Glass Frame – Gold	No Longer Available	3-00-00038-4	
	Rect Glass 7-1/4 X 10-1/2		3-40-7251050	
3	Spring Handle 1/2	Pkg of 3	3-40-00086-3-3	
4	Short Shaker Handle Weldment		1-10-01001	
5	Ash Door – Roped		1-10-08143A	
	Draft Control	Cast	4-00-00109-1	
	Draft Control – Gold	No Longer Available	3-00-00109-4	

Additional service parts on following page



Service Parts (continued)

Mark I

Beginning Mfrg Date: N/A

Ending Mfrg Date: Active

IMPORTANT: THIS IS DATED INFORMATION. Parts must be ordered from a dealer. Provide model number and serial number when requesting service parts from your dealer.

Item	Description	Comments	Part Number
	Ash Pan		1-10-65127
	Baffle		2-00-00503B
	Blower - 75cfm, 7ft Cord		3-21-07584
	Brick 9" X 4-1/2" x 1-1/4"		1-00-900450125
		2 Pcs	3-40-900450-414
	Brick Angles	Qty 2 req	2-00-01100-2S
	Brick Bracket		2-00-01006
	Brick Set		1-00-0836
	Door Handle – Cast		4-00-00042
	Door Hinge	Qty 4 req	2-00-07203D
	Door Latch	2 Pcs	1-00-00036
	Door Pin 3/8 X 1-7/8 (Ash Pan & Load Door)	Pkg of 4	4-30-00138B
	Gasket 1/2 IN Round Rope (Load Door – Ash Door)	20 FT	1-00-53500
	Gasket Glue, 32 OZ		3-42-4583
	Gasket, 5/8 IN Channel (Glass)	5 FT	1-00-98187
	Grate Holder 2 – Cast	Qty 2 req	3-00-00193
	Grate Link 2 Cast		3-00-00203
	Mag Grate 15 IN – Cast (2 per)		3-00-00208
	Mag Leg – Cast		4-00-00044P
	Shaker Bar Weldment 1-1/2 IN		1-10-02015W
	Shaker Block		2-00-01037-1

Beginning Manufacturing Date: N/A
Ending Manufacturing Date: Nov 2013



IMPORTANT: THIS IS DATED INFORMATION. Parts must be ordered from a dealer. Provide model number and serial number when requesting service parts from your dealer.

Item	Description	Comments	Part Number
1	Load Door – Roped		1-10-08140A
	Door Kit Assembly	Black Classic	1-00-00141-1
	Door Kit Assembly – Gold	No Longer Available	1-00-00141-4
2	Glass Frame	Cast	4-00-00037-1
	Glass Frame – Gold	No Longer Available	3-00-00037-4
	Rect Glass 8-1/2 IN X 14-15/16 IN		3-40-8501494
	Rect Glass 4-1/2 IN X 8-1/2 IN (Triple Frame)		3-40-450850
3	Spring Handle 1/2	Pkg of 3	3-40-00086-3-3
4	Short Shaker Handle Weldment		1-10-01001
5	Ash Door – Roped		4-00-00213D
	Draft Control	Cast	4-00-00109-1
	Draft Control – Gold	No Longer Available	3-00-00109-4

Additional items on next page



Service Parts (continued)

Mark II

Beginning Manufacturing Date: N/A
Ending Manufacturing Date: Nov 2013

IMPORTANT: THIS IS DATED INFORMATION. Parts must be ordered from a dealer. Provide model number and serial number when requesting service parts from your dealer.

Item	Description	Comments	Part Number
	Ash Door, Roped		1-10-08142A
	Ash Pan		1-10-00722
	Baffle		2-00-00360B
	Blower – 75cfm, 7ft Cord		3-21-07584
	Brick 9" X 4-1/2" x 1-1/4"		1-00-900450125
		11 Pcs	3-40-900450-414
	Brick, Set of Cut		1-00-00837
	Brick Angle	Qty 2 req	2-00-01100-2S
	Brick Bracket		2-00-01006
	Door Handle	Cast	4-00-00042
	Door Hinge	Qty 4 req	2-00-07203D
	Door Latch	2 Pcs	1-00-00036
	Door Pin 3/8 X 1-7/8 (Ash Pan)	Pkg of 4	4-30-00138B
	Door Pin 3/8 X 2-1/4 (Load Door)	Pkg of 4	4-30-00138A
	Gasket 5/8 IN Channel (Glass)	5 FT	1-00-98187
	Gasket 1/2 IN Round Rope (Load Door – Ash Door)	20 FT	1-00-53500
	Gasket Glue, 32 OZ		3-42-4583
	Gasket, 5/8 IN Channel (Glass)	5 FT	1-00-98187
	Grate Holder – Cast	Qty 2 req	3-00-00193
	Grate Link 2 - Cast		3-00-00203
	Hot Water Coil		3-10-49201
	Hot Water Coil Hardware		3-10-49000
	Mag Grate 20 IN – Cast	Qty 2 Req	3-00-00211
	Mag Leg – Cast		4-00-00044P
	Screw, Hex Cap, 5/16-18 X 3/4 IN Grade 5 Zinc Plated	Pkg of 100	3-30-1125-100
	Shaker Bar Weldment 1-1/2 IN		1-10-02015W
	Shaker Block		2-00-01037-1
	Shaker Handle Mount		2-00-01037-2
	Touch up Paint, Aerosol, Black	Pre 008461796	3-42-1990
		Post 008461796	3-42-19905
	Washer, Split Lock, 5/16 IN Zinc Plated	Pkg of 100	3-30-0101-100



Service Parts

Mark III

**Magnafire Freestanding Coal Stove
1-90-03227-1 (Black w/Door)**

**Beginning Mfrg Date: N/A
Ending Mfrg Date: Active**

Retired Units

1-70-03227-1 (Black) Ending Manufacturing Date: June 2011
 1-70-03227-2 (Charcoal) Ending Manufacturing Date: June 2011
 1-70-03227-3 (Goldenfire) Ending Manufacturing Date: June 2011
 1-70-03227-4 (Blue) Ending Manufacturing Date: Jan 2010
 1-70-03227-5 (Honey Glo) Ending Manufacturing Date: June 2009
 1-70-03227-10 (Mojave Red) Ending Manufacturing Date: Jan 2010
 1-70-03227-12 (Forest Green) Ending Manufacturing Date: Jan 2010
 1-90-03228-1 (Black) Ending Manufacturing Date: Sept 2013

1-70-03228-1 (Black) Ending Manufacturing Date: June 2011
 1-70-03228-2 (Charcoal) Ending Manufacturing Date: June 2011
 1-70-03228-3 (Gold, Ending Manufacturing Date: June 2011
 1-70-03228-4 (Blue) Ending Manufacturing Date: Jan 2010
 1-70-03228-5 (Honey Glo) Ending Manufacturing Date: July 2009
 1-70-03228-10 (Mojave Red) Ending Manufacturing Date: Jan 2010
 1-70-03228-12 (Forest Green) Ending Manufacturing Date: Jan 2010



IMPORTANT: THIS IS DATED INFORMATION. Parts must be ordered from a dealer. Provide model number and serial number when requesting service parts from your dealer.

Additional service parts on following page

Item	Description	Comments	Part Number
1	Load Door – Roped		1-10-08140A
	Door Kit Assembly	Black Classic	1-00-00141-1
	Door Kit Assembly – Gold	No Longer Available	1-00-00141-4
2	Glass Frame	Cast	4-00-00037-1
	Glass Frame – Gold	No Longer Available	3-00-00037-4
	Rect Glass 4-1/2 X 8-1/2	Triple Frame Only	3-40-450850
	Rect Glass 8-1/2 X 14-15/16	Single Pane (Current)	3-40-8501494
3	Spring Handle 1/2	Pkg of 3	3-40-00086-3-3
4	Short Shaker Handle Weldment		1-10-01001
5	Ash Door	Cast	4-00-00213D
	Draft Control	Cast	4-00-00109-1
	Draft Control – Gold	No Longer Available	3-00-00109-4
	Draft Control HDW		3-30-45013301
	Draft Control HDW – Nut		3-30-80501313



Service Parts (continued)

Mark III

Beginning Mfg Date: N/A

Ending Mfg Date: Active

IMPORTANT: THIS IS DATED INFORMATION. Parts must be ordered from a dealer. Provide model number and serial number when requesting service parts from your dealer.			
Item	Description	Comments	Part Number
	Ash Door, Roped		1-10-08142A
	Ash Pan		1-10-00723
	Baffle		2-00-00378B
	Blower – 135cfm, 7ft Cord		3-21-13584
	Bolt, 1/4-20 X 1/2 IN Grade 8.2 Zinc SAE Flange	Pkg of 50	3-30-2001-50
	Brick 9" X 4-1/2" x 1-1/4"		1-00-900450125
		13 Pcs	3-40-900450-414
	Brick, Set of Cut		1-00-00838
	Brick Bracket		2-00-01006
	Door Handle	Cast	4-00-00042
	Door Hinge	Qty 4 req	2-00-07203D
	Door Latch	2 Pcs	1-00-00036
	Door Pin 3/8 X 1-7/8 (Ash Pan)	Pkg of 4	4-30-00138B
	Door Pin 3/8 X 2-1/4 (Load Door)	Pkg of 4	4-30-00138A
	Gasket 5/8 IN Channel (Glass)	5 FT	1-00-98187
	Gasket 1/2 IN Round Rope (Load Door – Ash Door)	20 FT	1-00-53500
	Gasket Glue, 32 OZ		3-42-4583
	Gasket, 5/8 IN Channel (Glass)	5 FT	1-00-98187
	Grate Holder – Cast	Qty 2 req	3-00-00194
	Grate Link - Cast		3-00-00204
	Hot Water Coil		3-10-49201
	Hot Water Coil Hardware		3-10-49000
	Mag Grate 20 IN – Cast	Qty 3 Req	3-00-00211
	Mag Leg – Cast		4-00-00044P
	Shaker Bar Weldment 1-1/2 IN		1-10-02015W
	Shaker Block		2-00-01037-1
	Shaker Handle Mount		2-00-01037-2
	Side Brick Angle		2-00-01100-1D
	Touch up Paint, Aerosol, Black	Pre 008461796	3-42-1990
		Post 008461796	3-42-19905



**Advanced Design
Old Fashioned Values**

(Signature of Boxer)



Your premium quality hearth product designed and assembled
by the experienced and skilled members at Alternate Heating
Systems in Harrisonville, PA, USA.