

Use & Care Guide
Manual de Uso y Cuidado

Kenmore®

Wood Pellet Smoker Grill

Parrilla de ahumar de briquetas de madera

Model/Modelo: 153.14076810

Sears Brands Management Corporation
Hoffman Estates, IL 60179 U.S.A.
www.kenmore.com



Table of Contents

Section	Page #	Section	Page #
Safety Instructions	2	Manual Lighting	14
Hardware Pack	3	Operation Tips & Hazards	14
Parts List	4	Maintenance	15
Assembly	6	Frequently Asked Questions	17
Initial Firing Procedure	12	Warranty	18
Standard Operation	13	Service	Back Cover

IMPORTANT SAFETY INSTRUCTIONS

These instructions are for your safety. Read them thoroughly before use and retain them for future reference.

A MAJOR CAUSE OF FIRES IS FAILURE TO MAINTAIN REQUIRED CLEARANCES (AIR SPACES) TO COMBUSTIBLE MATERIALS. IT IS OF UTMOST IMPORTANCE THAT THIS PRODUCT BE INSTALLED ONLY IN ACCORDANCE WITH THESE INSTRUCTIONS.

THIS SMOKER GRILL IS FOR OUTDOOR USE ONLY!

WARNING! Assemble and operate this Grill **ONLY** according to the instructions in this Use & Care Guide.

WARNING!

- Only use wood pellets sized of .25 inch diameter or less. Do not use wood pellets that are longer than 1 inch.
- **NEVER** use heating fuel pellets in this grill, due to potential hazardous contaminants and additives that may be present.
- Always store wood pellets in a dry location, away from heat-producing appliances and other fuel containers.

WARNING!

- Hazardous voltage is present which can shock, burn or cause death. Always unplug the power cord before cleaning or performing other maintenance on this Grill.
- Only plug the smoker grill into a receptacle with GFCI (Ground Fault Circuit Interrupter) protection.
- To protect against electrical shock, this appliance is equipped with a power cord having a 3-prong grounding-type plug for insertion into a proper grounding-type receptacle. **DO NOT** alter the plug for use in a 2-prong receptacle. If the plug will not fit into a receptacle, have the proper receptacle installed by a qualified electrician. Do not use an adapter.
- If using an extension cord, only insert the plug of this appliance into an extension cord having a proper grounding-type receptacle. Do not use an adapter.

WARNING!

- Never use or store flammable liquids near the Grill.
- Never use any flammable liquids such as gasoline, gasoline-type lantern fuel, kerosene, charcoal lighter fluid, or similar fluids to start or refresh the cooking fire in the Smoker Grill.
- Never use gasoline or lighter fluid to manually light your Grill. Use **ONLY** Alcohol Gel for manual lighting, and manually light Grill only according to the instructions in this Use & Care Guide.

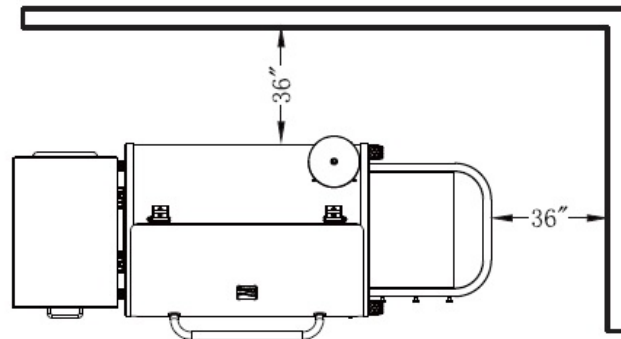
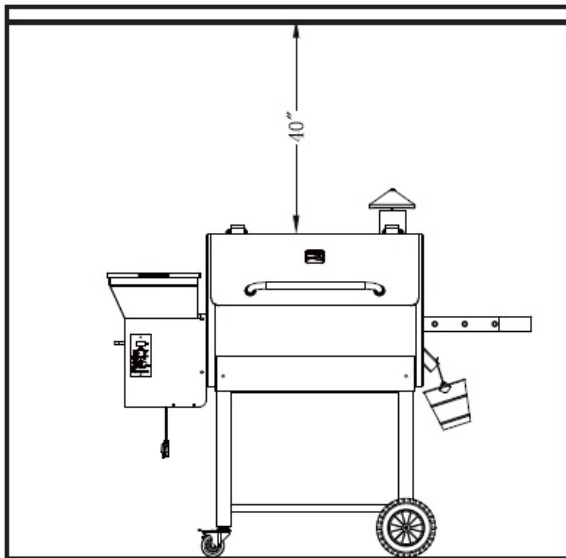
CAUTION! Keep the Grill clean. See the cleaning Instructions in this Use & Care Guide.

CAUTION! Do not use accessories not specified for use with this Grill.

⚠ WARNING! The use of this appliance can expose you to chemicals, including lead, and combustion by-products known to the state of California to cause cancer, birth defects, or other reproductive harm. Wash your hands after using this appliance! For more information go to www.P65Warnings.ca.gov

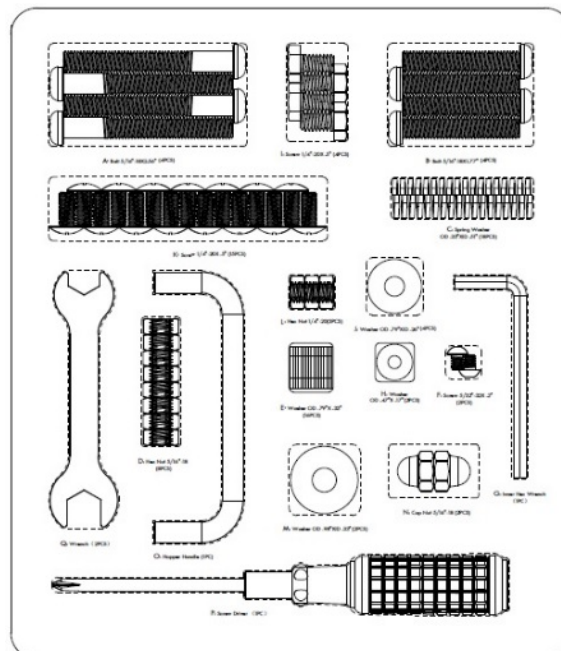
WARNING!

- When operating this Grill maintain a **MINIMUM** distance of 36 inches from all sides of Grill to any wall or object.
- When operating this Grill under overhead surfaces a **MINIMUM** of 40 inches is required from top of grill barrel to the surface.



Hardware Pack

Item	Part Name	Qty
A	Bolt 5/16" x 2.56"	4
B	Bolt 5/16" x 1.77"	4
C	Spring Washer OD .33" x ID .51"	18
D	Hex Nut 5/16"-18	8
E	Washer OD .79" x .33"	16
F	Screw 5/32"-32 x 0.2"	2
G	Inner Hex Wrench	1
H	Washer OD .47" x ID .17"	2
I	Screw 1/4"-20 x 0.5"	4
J	Washer OD 0.79" x ID 0.26"	4
K	Screw 1/4"-20 x 0.5"	15
L	Hex Nut 1/4"-20 x 0.5"	15
M	Washer OD 0.98" x ID 0.33"	2
N	Cap Nut 5/16"-18	2
O	Hopper Handle	1
P	Screwdriver	1
Q	Wrench	2



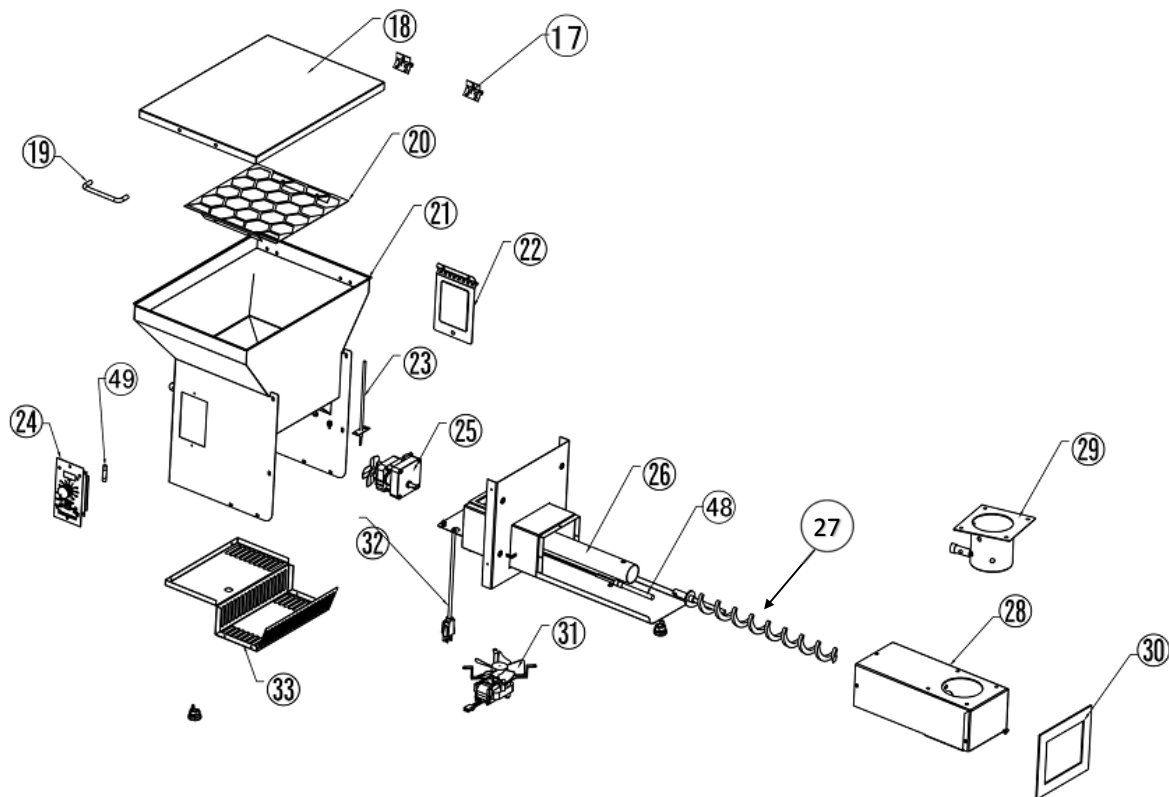
Parts List

Kenmore Wood Pellet Smoker Grill 153.14076810

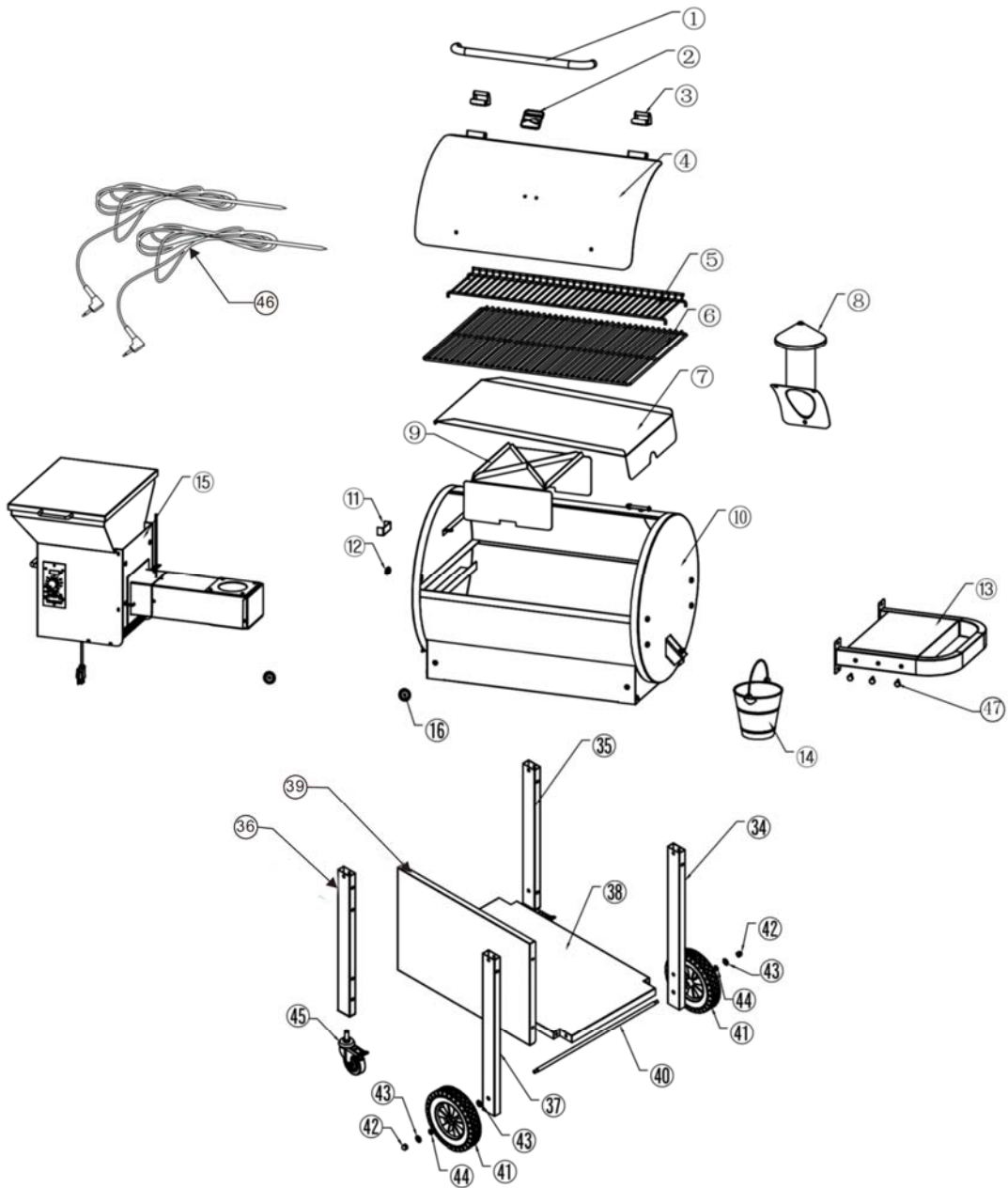
To purchase replacement parts, call 1-844-553-6667

Item	Qty	Description	Part #	Item	Qty	Description	Part #
1	1	Grill Barrel Lid Handle	ZPG-001A	27	1	Auger Shaft	ZPG-027-00
2	1	Name Plate	ZPG-002A	28	1	Auger Housing B	ZPG-028-00
3	2	Barrel Lid Hinge Assembly	ZPG-003A	29	1	Firepot Welding Assembly	ZPG-029.00
4	1	Grill Barrel Lid	ZPG-004-00	30	1	Hopper Insulation Gasket	ZPG-030-00
5	1	Warming Rack	ZPG-005A	31	1	Inducer Fan	ZPG-DQ-002
6	1	Cooking Grate	ZPG-006-00	32	1	Power Cord	ZPG-DQ-003
7	1	Grease Drain Pan	ZPG-007.00	33	1	Hopper Bottom	ZPG-031-00
8	1	Smoke Stack Assembly	ZPG-008.00	34	1	Right Rear Leg	ZPG-032-00
9	1	Heat Baffle	ZPG-009-00	35	1	Left Rear Leg	ZPG-033-00
10	1	Grill Barrel	ZPG-010-00	36	1	Right Front Leg	ZPG-034-00
11	1	Heat Sensor Bracket	ZPG-011A	37	1	Left Front Leg	ZPG-035-00
12	1	Silicone Plug	ZPG-012.00	38	1	Bottom Shelf	ZPG-036-00
13	1	Side Table Assembly	ZPG-013A	39	1	SS Front Panel	ZPG-037-00
14	1	Grease Bucket	ZPG-014.00	40	1	Axle	ZPG-038-00
15	1	Hopper/Burner Assembly	ZPG-015-00	41	2	Wheels	ZPG-039-00
16	2	Lid Handle Bezel	ZPG-016.00	42	2	Cap Nuts	ZPG-WJ-01
17	2	Hopper Lid Hinge Assy.	ZPG-017-00	43	4	Flat Washer	ZPG-WJ-02
18	1	Hopper Lid	ZPG-018A	44	2	Spring Washer	ZPG-WJ-03
19	1	Hopper Lid Handle	ZPG-019-00	45	2	Locking Casters	ZPG-040-00
20	1	Hopper Safety Grate	ZPG-020-00	46	2	Temperature Probe	ZPG-PR07
21	1	Hopper Frame	ZPG-021.00	47	3	Tool Hooks	ZPG-WJ-04
22	1	Pellet Cleanout Door	ZPG-022.00	48	1	Heating Rod	ZPG-024.076
23	1	Heat Sensor	ZPG-024A	49	1	Fuse	ZPG-FU08
24	1	Controller Assembly	ZPG-024.00		1	Hardware Pack	ZPG-HP05
25	1	Auger Drive Motor	ZPG-DQ-001		1	Use & Care Guide	ZPG-M06
26	1	Auger Housing A	ZPG-026.00				

Hopper/Burner Assembly Detail



Exploded View Kenmore Wood Pellet Smoker Grill 153.14076810

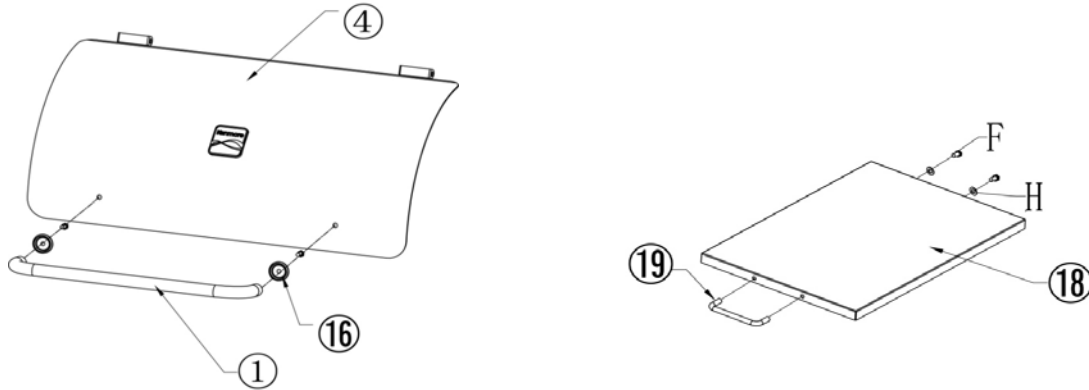


If you are missing hardware or have damaged parts after unpacking Smoker Grill, call 1-844-553-6667

Assembly Step 1: Lid Handle and Hopper Lid Handle

Remove pre-attached washers and screws from Grill Barrel Lid Handle. Use them to attach Lid Handle (1) to Lid (4) as shown.

Attach Hopper Lid Handle (19) to Hopper Lid (18) with two 5/32"-32 x 0.2" screws (F) and two washers (H) as shown.



Assembly Step 2: Legs to Smoker

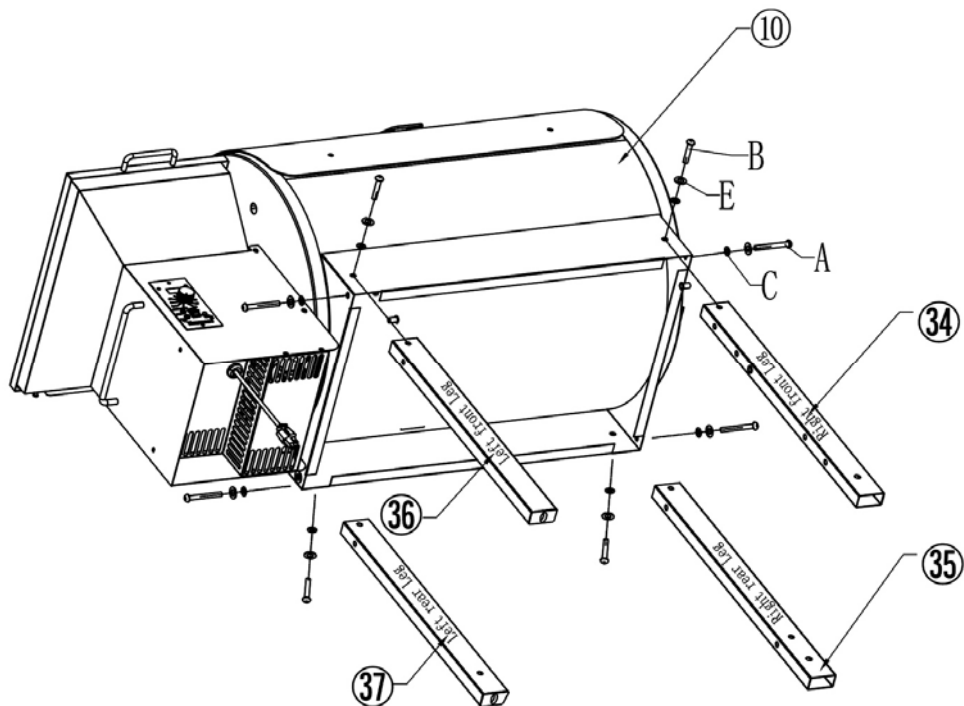
With the help of an assistant, carefully lay the smoker grill on its back on a non-abrasive surface.

Attach each leg as shown from the smoker grill sides with one 5/16" x 2.56" Bolt (A), one Spring Washer (C) and one Washer (E).

Attach each leg as shown from the smoker grill front and back with one 5/16" x 1.77" Bolt (B), one Spring Washer (C) and one Washer (E).

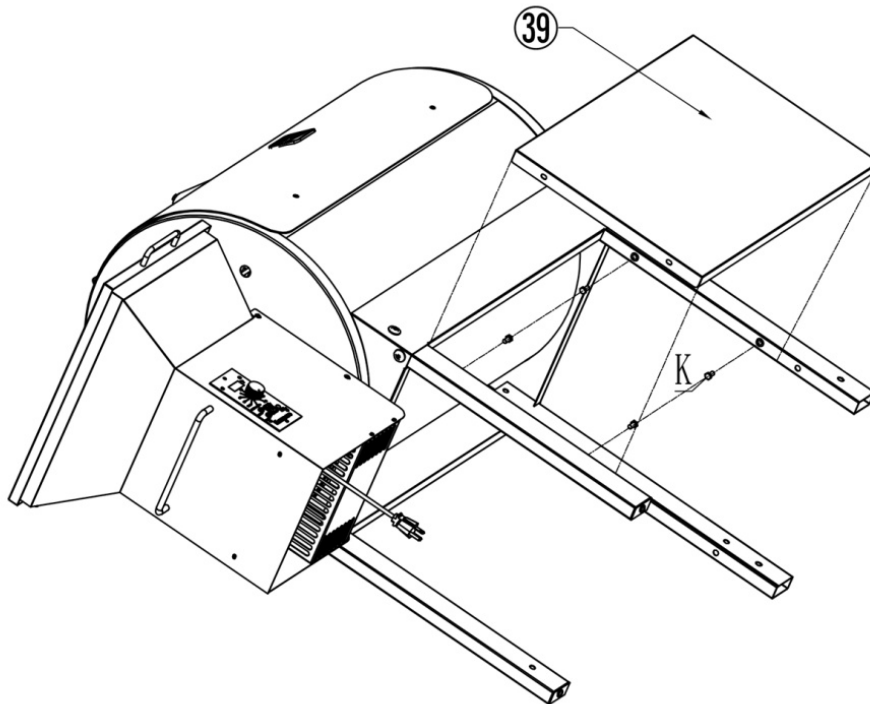
Note: Each leg will have an identification label as to its correct position for attachment to the smoker.

WARNING! The smoker grill is heavy. To avoid personal injury, obtain the help of an assistance to lay the unit down and lift it back up.



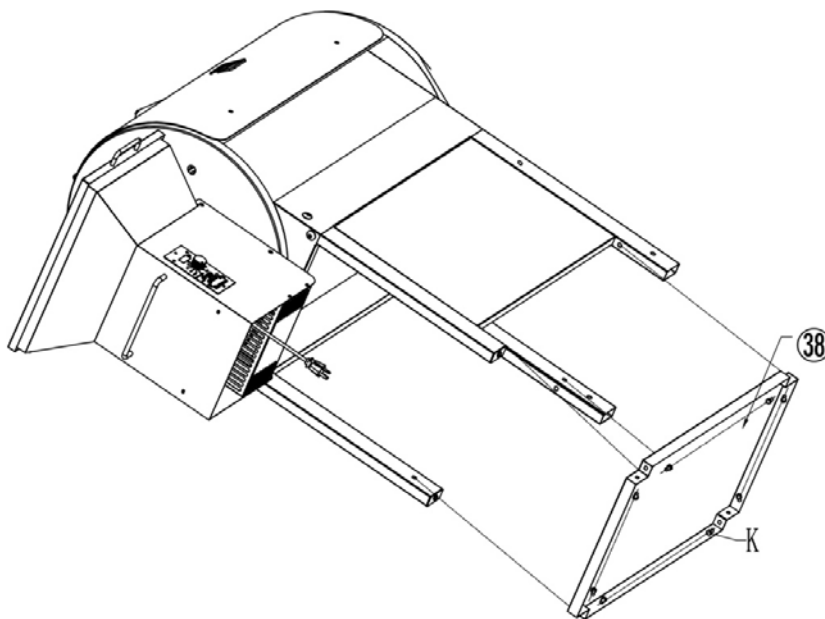
Assembly Step 3: Front Panel to Legs

Position the Front Panel between the front legs as shown. Hand tighten the Front Panel to the legs with two 1/4"-20 x 0.5" Screws (K) into each leg. **Note:** Do not fully tighten bolts at this time.



Assembly Step 4: Bottom Shelf to Legs

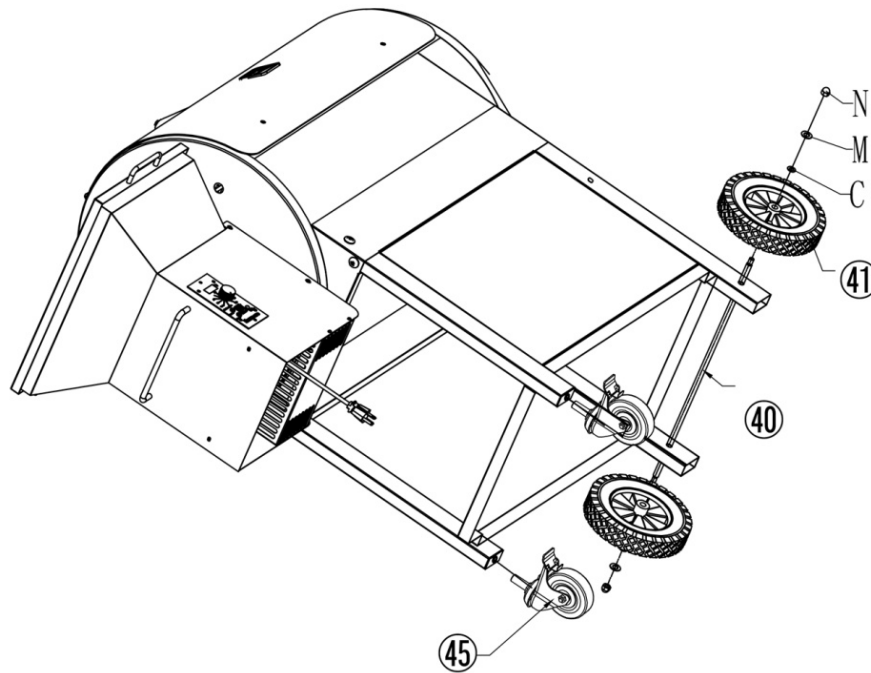
Position Bottom Shelf between the legs as shown. Hand tighten the Bottom Shelf to legs with two 1/4"-12 x 0.59" Screws (K) into each leg. **Note:** Do not fully tighten bolts at this time.



Assembly Step 5: Wheels and Casters to Legs

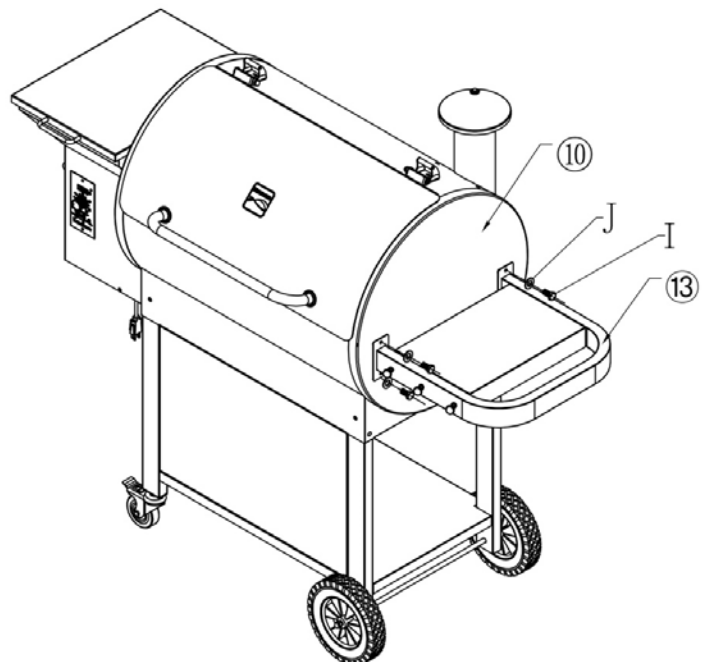
Screw a locking caster into the left front leg and left rear leg. Tighten the casters securely. Slide one wheel onto the axle then insert the axle through the holes in the right front and rear legs. Slide the remaining wheel onto the axle and secure each wheel to axle with one spring washer (C), one washer (M), and one 5/16" cap nut (N). SET THE SMOKER GRILL UPRIGHT. **Note:** Fully tighten all bolts at this time.

WARNING! The smoker grill is heavy. To avoid personal injury, obtain the help of an assistant to lay the unit down and lift it back up.



Assembly Step 6: Side Shelf

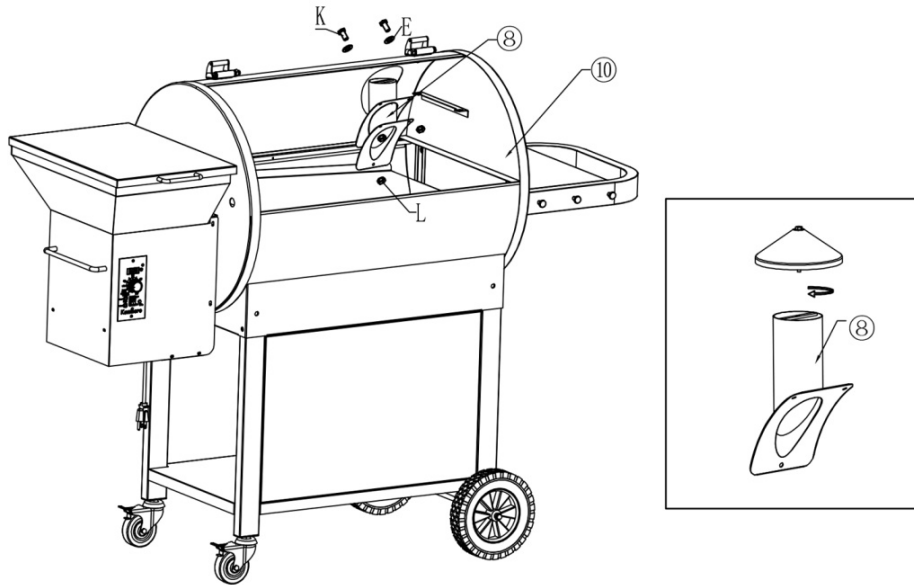
Attach side shelf onto the smoker grill barrel with four 1/4"-20 x 0.5" Screws (I) and four washers (J) as shown. **Note:** Use wrench (Q) to tighten all screws.



Assembly Step 7: Smoke Stack/Smoke Stack Cap

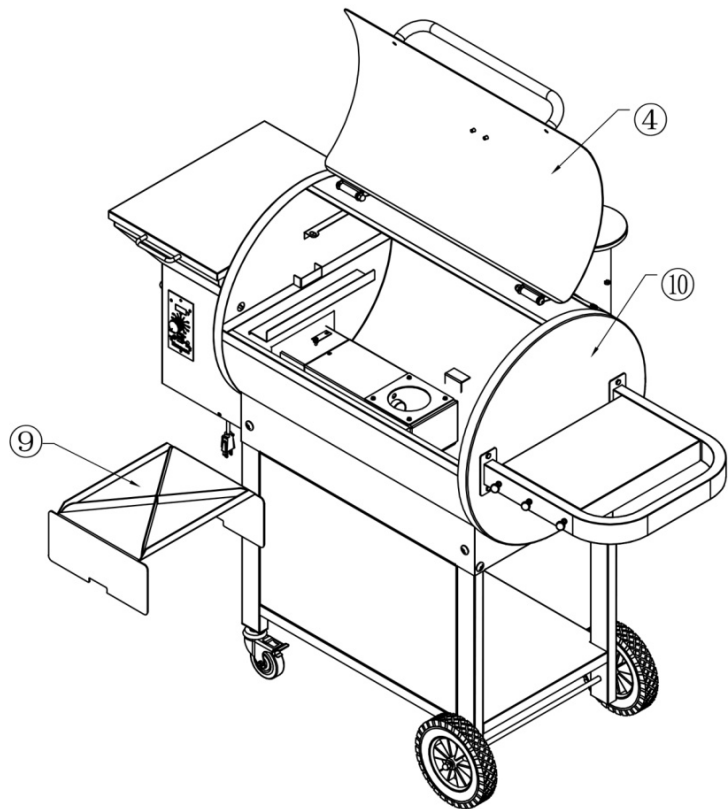
Slide the smoke stack through the hole in the barrel and attach with three 1/4"-12 x 0.59" Screws (K), three Hex Nuts (L) and three washers (E), as shown. Then screw the smoke stack cap onto the top of the smoke stack as shown.

Note: The smoke stack is adjustable to allow more or less smoke to exit the smoker grill. Be careful not to raise cap too high allowing it to come unscrewed from stack.



Assembly Step 8: Heat Baffle

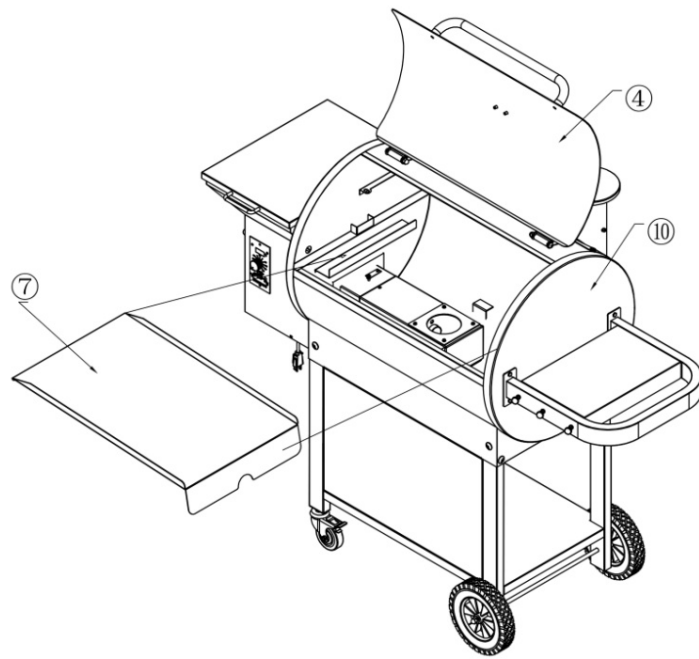
Position the Heat Baffle (9) directly over the firepot on the locating brackets found on the inside walls of the Grill Barrel. The notched legs of the baffle should be facing downward over the locating brackets.



Assembly Step 9: Grease Drain Pan

Attach the Grease Drain Pan (7) so that the long flange end hooks over the Grease Drain Pan support on the right end of the grill. The short flange end should rest on the bracket on the left end of the grill as shown.

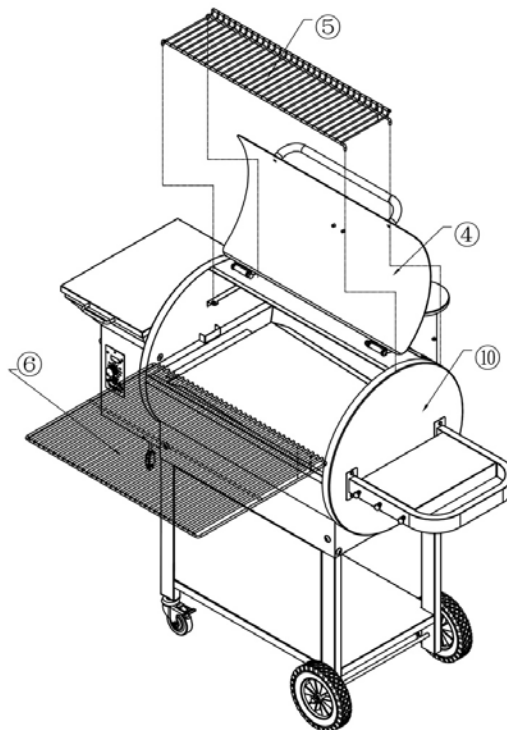
Recommendation: For ease of cleanup, cover the Grease Drain Pan with heavy-duty aluminum foil. Be sure edges and ends of the foil are tight against the bottom of the Grease Drain Pan.



Assembly Step 10: Cooking Grate/Warming Rack

Lay the Cooking Grate (6) onto the front and back grid supports that run the full length of the grill barrel cooking chamber as shown.

Attach the warming rack (5) by inserting the four tips into the bracket holes as shown.



Assembly Step 11: Grease Bucket

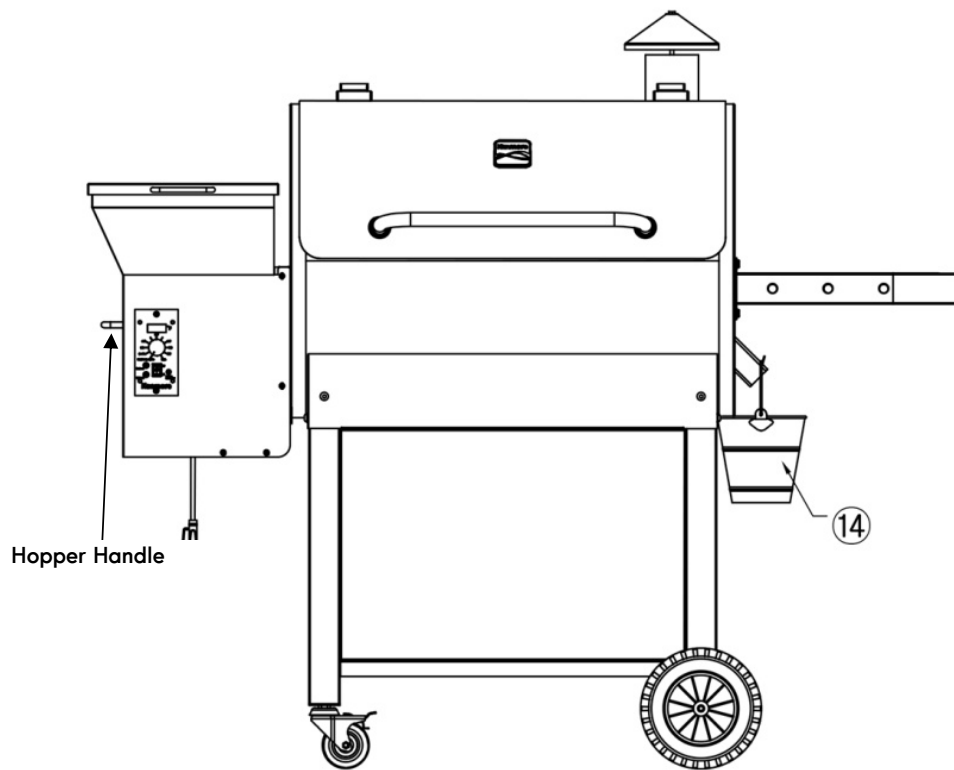
Hang the Grease Bucket (14) onto the Grease Drain Tube located under the right side of the grill barrel as shown.

Recommendation: For ease of cleanup, cover the interior of Grease Bucket with heavy-duty aluminum foil.

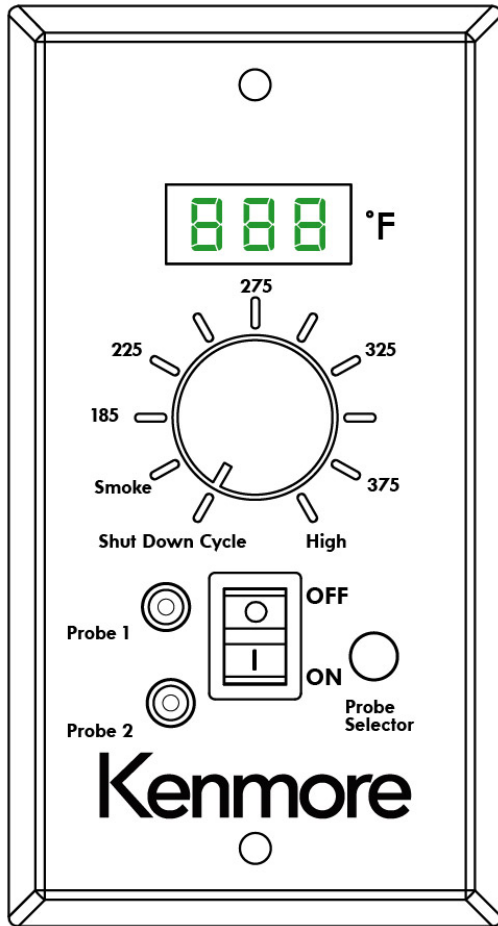
ASSEMBLY OF YOUR SMOKER GRILL IS NOW COMPLETE.

Grasp the Hopper Handle with both hands and tilt Grill back onto its large wheels. Roll the Grill to a location that is a MINIMUM of 36" from Grill sides to the nearest wall or object, and a MINIMUM of 40" from Grill Barrel top to any overhead surface. Plug the Grill into a proper receptacle with GFCI (Ground Fault Circuit Interrupter) protection.

IMPORTANT! Proceed to the Initial Firing Procedure on page 12 of this Use & Care Guide.



Control Panel



Initial Firing Procedure

IMPORTANT! To ensure proper functioning, perform the following procedure the first time the Grill is used or if it runs out of pellets during operation, or if the Grill is empty of pellets since the last time it was used.

1. **WARNING!** Before performing this step, make sure that the Power Switch is OFF (O) and that the Grill is completely cooled from any previous use.
Open the Grill Barrel Lid. Remove the Warming Rack, Cooking Grate, Grease Drain Pan and Heat Baffle from inside the Grill Barrel.
2. Turn the Power Switch ON (I) and the Control Dial to Smoke.
3. Look into the Pellet Hopper to confirm that the Auger is turning. At the same time, place your fingers over the Firepot to feel air movement from the Fan. After several minutes you should feel the air movement increasing in warmth,

and see the temperature readout increase a few digits on the Control Panel display.

WARNING! Never place your fingers into the Firepot, and do not touch any of the metal surfaces in the Firepot or Auger Housing area. They may be hot enough to burn you!

4. If the Auger is turning, the Fan is moving air, the air becomes warmer and the temperature readout increases, turn the Control Dial to Shut Down Cycle.
5. If the air movement does not become warmer and there is no increase in the temperature readout, the Heating Rod is malfunctioning. **However, if the Auger and Fan are working, the Grill can still be used. Proceed to the Manual Lighting instructions in this Use & Care Guide. Otherwise, proceed as follows.**
6. Fill the Pellet Hopper with wood pellets.
WARNING! Use only wood pellets of .25" or less diameter and not longer than 1". Never use heating fuel pellets in the Grill.
7. Turn the Control Dial to High. **Note:** During the initial charging of the Auger, it will take time for the Pellets to travel from the Pellet Hopper to the Firepot.
8. When the Pellets begin to fall into the Firepot, turn the Control Dial to Smoke. Let the Pellets come to full flame. Once you see flames come out of the Firepot, turn the Control Dial to Shut Down Cycle, and let the Grill cool down.
9. After grill is fully cooled, position the Heat Baffle, Grease Drain Pan, Cooking Grate and Warming Rack into their proper locations.

WARNING! If at any time the Grill fails to light, or the fire in the Firepot goes out while cooking or smoking when sufficient pellets are still in the Pellet Hopper, turn the Control Dial to Shut Down Cycle and let the Grill completely cool down. Then perform the Initial Firing Procedure. Failure to do so may cause a hazardous over-firing of your grill due to an excess of unburned pellets in the Firepot.

Standard Operation

WARNING!

- When operating this Grill, maintain a minimum clearance of 36 inches from all sides of grill to any wall or surface, and a minimum clearance of 40 inches from top of grill to overhead surfaces.
- Only plug this Grill into a receptacle with GFCI (Ground Fault Circuit Interrupter) protection.

1. Make sure the Power Switch is in the OFF (O) position. Plug the Power Cord into an appropriate, grounded electrical outlet.
2. Open the Pellet Hopper Lid and locate the Auger. Make sure there are no non-pellet objects or debris in the Auger.
3. Fill the Pellet Hopper with wood pellets. Close Hopper lid.
WARNING! Use only wood pellets of .25" or less diameter and not longer than 1". Never use heating fuel pellets in the Grill.
4. Turn the Power Switch ON (I). With the Grill Barrel Lid open set the Control Dial to Smoke. In approximately 2 minutes you will notice whitish-gray smoke coming out of the Grill as the Pellets ignite.

Note: During the initial charging of the Auger, it will take time for the Pellets to travel from the Pellet Hopper to the Firepot.

5. After assuring the Pellets have ignited, close the Grill Barrel Lid and set the Control Dial to any cooking temperature desired.

NOTICE: If you do not see smoke coming out of the Grill after 2 minutes, perform the Pellet Ignition Check procedure to assure that proper ignition has occurred.

Note: Higher temperature settings will cook food faster or more satisfactorily to minimum required or higher internal temperatures. See USDA Safe Internal Temperatures table in Temperature Probes section.

6. Allow the Grill to pre-heat for approximately 10 minutes with the Grill Barrel Lid closed before placing food on the cooking grate.

IMPORTANT: You must season the smoker grill before cooking the food in it for the first time. To season, perform the procedure above, except that after pellets have ignited, run the unit for 45 minutes at High setting with the Grill Barrel Lid closed. You

may notice an odor, but it will fade and not be present in subsequent grill uses.

REMEMBER: Always start the grill on Smoke setting with the Grill Barrel Lid Open! Once the Pellets are ignited, close Door and set Control Dial to any cooking temperature desired.

Temperature Probes

The Smoker Grill comes with two probes for cooking foods to precise temperatures.

1. Insert probe plug into Probe receptacle in Control Panel.
2. Feed probe and probe wire through hole in side of Grill Barrel.
3. Insert probe into food.
4. As cooking progresses, food temperature will appear in control panel display.
5. If using both probes, press the Probe Selector button to toggle back and forth in the display between the temperatures registered by each.

WARNING! To ensure that it is safe to eat, food must be cooked to the minimum temperatures listed in the table below.

USDA* Recommended Safe Minimum Internal Temperatures	
Beef, Veal, Lamb, Pork – Whole Cuts**	145°F
Fish	145°F
Beef, Veal, Lamb, Pork – Ground	160°F
Egg Dishes	160°F
Turkey, Chicken, Duck – Whole, Pieces, Ground	165°F

* United States Department of Agriculture

** Allow meat to rest 3 minutes before carving or consuming.

Pellet Cleanout Door

The Hopper is equipped on the back with a Pellet Cleanout Door to clear the hopper of unused pellets so as to replace with fresh pellets or pellets of a different smoking flavor.

1. Place a bucket or bowl below cleanout door to capture falling pellets.
2. Turn cleanout door thumbscrew counterclockwise to unlock door.
3. Raise door all the way up. Pellets will fall through cleanout chute.
4. Once pellets have dispensed through chute, lower the door all the way down. Turn thumbscrew clockwise to lock door.

Manual Lighting

If only the Heating Rod is not operating, the Grill can still be used to cook and smoke using the following manual lighting procedure.

1. Turn the Power Switch OFF (O) and disconnect the Power Cord. Allow the Grill to thoroughly cool if it is hot.
2. Raise the Grill Barrel Lid and remove the Warming Rack, Cooking Grate, Grease Drain Pan and Heat Baffle from inside the Grill Barrel.
3. Remove any unburned pellets and ash from inside and around the Firepot. See instructions for proper handling and disposal of ash in Maintenance section of this Use & Care Guide.
4. Plug the Power Cord back into an appropriate, grounded electrical outlet.
5. Fill the Pellet Hopper with wood pellets.
6. **WARNING!** Use only wood pellets of .25" or less diameter and not longer than 1". Never use heating fuel pellets in the Grill.
7. Pour 1/2 cup of wood pellets into the Firepot.
8. Squirt 2 tablespoons of Alcohol Gel fire lighter into the Firepot on top of the pellets.
DANGER! Never use gasoline, gasoline-type lantern fuel, kerosene, charcoal lighter fluid or similar liquids to start or freshen up a fire in this Grill. Keep all such liquids well away from the Grill when in use.
9. Carefully light the Alcohol Gel with a fireplace match or a long-reach butane lighter.
DANGER! Never squirt Alcohol Gel into a burning fire or a hot Firepot. The Alcohol Gel bottle could explode and cause a fire, serious injury or death.
10. Let the Alcohol Gel and Pellets burn for approximately 4 minutes.
11. After assuring the Pellets have ignited, CAREFULLY install the Heat Baffle, Grease Drain Pan and Grills back in place.
WARNING! You will now have a fire in the Firepot. Wear protective gloves and be careful not to burn yourself when you install these components.
12. Turn the Power Switch ON (I) and the Control Dial to any desired temperature setting. Allow the Grill to pre-heat for approximately 10

minutes with the Grill Barrel Lid closed before placing food on the cooking grate.

Control Shut Down Cycle

The controls for this Smoker Grill feature an automatic shut down cycle. When finished cooking set the Control Dial to the Shut Down Cycle position, which will leave the Fan running for ten minutes so that most of the remaining pellets in the Firepot will finish burning.

Control Safety Features

The controls come equipped with 2 heat level safety features. The first of these is a low temperature code display. If the grill stays below 125°F for a period of 10 minutes the control display will read **LEr** and all power will shut off to the internal components of the grill. The display will stay in this state until you turn off the main power switch.

The second feature is a high temperature code display. If the grill reaches an internal temperature reading of 550°F the control display will read **HEr** and all power will shut off to the internal components of the grill. The display will stay in this state until you turn off the main power switch.

If either of the above conditions occur, unplug the grill and check to see if you can determine the cause before starting it again. See Pellet Ignition Check section in this Use & Care Guide.

Operating Tips & Hazards

1. The Smoke setting on the Control Dial is for smoking and adding smoke flavor to foods being cooked. The Smoke setting can also be used to "hold" foods at approximately 160° to 180° F.
2. **WARNING!** Never move the Pellet Grill while it is hot. If you are transporting your Grill in a vehicle after cooking on it, make sure the fire is completely out and the Grill is cold before placing it in any vehicle.
3. Never put water into the Firepot. It will jam the Auger.
4. The Pellet Grill is designed to operate with the Grill Barrel Lid closed. Cooking with the Grill Barrel Lid open greatly lengthens your cooking time.
5. **DANGER!** Never add pellets by hand to a

hot Firepot. This is dangerous and you may be seriously burned. If you run out of pellets and lose your fire while cooking, let the Grill completely cool and perform the procedure described in the Initial Firing Procedure.

6. **CAUTION!** Make sure the Heat Baffle is properly seated on its locating brackets. The long lips of the Heat Baffle should be pointing down over the Firepot. If not seated properly, direct heat and flame could come up out of the Firepot and cause a grease fire in the Grill.
7. When estimating cooking times, the outside temperature is an important factor. If it is hot outside, it will take less time for food to cook. If it is cold, wet or windy, it will take longer.
8. After selecting your cooking temperature (with the exception of Smoke) the Auger will operate continuously until the temperature is reached. Then the controls will cycle the Auger off and on to maintain the temperature. When operating in Smoke mode, the Auger is factory pre-set to cycle on for 15 seconds and off for 65 seconds.

9. CARBON MONOXIDE

WARNING! Follow these guidelines to prevent this colorless, odorless gas from poisoning you, your family or others.

- Know the symptoms of carbon monoxide poisoning: headache, dizziness, weakness, nausea, vomiting, sleepiness and confusion. Carbon monoxide reduces the blood's ability to carry oxygen. Low blood oxygen levels can result in loss of consciousness and death.
- See a doctor if you or others develop cold or flu-like symptoms while cooking or in the vicinity of this Grill. Carbon monoxide poisoning, which can easily be mistaken for a cold or flu, is often detected too late.
- Alcohol consumption and drug use increase the effects of carbon monoxide poisoning. Carbon monoxide is especially toxic to mother and child during pregnancy, infants, the elderly, smokers and people with blood or circulatory problems, such as anemia or heart disease.

10. GREASE FIRES

CAUTION! Grease fires are typically caused

by failing to clean your Grease Drain Pan and Drain Tube on a consistent basis.

In the unlikely event of a grease fire while cooking, **turn the Power Switch OFF (O) and keep the Grill Barrel Lid closed** until the fire is completely out.

Never keep the Grill Barrel Lid open during a grease fire. If the fire does not go out, briefly open the Grill Barrel Lid, lightly sprinkle baking soda on the fire and reclose the Lid. **Be careful not to burn yourself!**

When the fire is out and the Grill is completely cool, remove the old foil from the Drain Pan, clean the Pan and recover with new foil. Clean any grease accumulation from the Grease Drain Tube.

Maintenance

Creosote and Grease

When wood pellets are burned slowly, they produce tar and other organic vapors that combine with expelled moisture to form creosote. The creosote vapors condense in the relatively cool flue exhaust of a slow burning fire. As a result, creosote accumulates on the flue lining.

When ignited, creosote makes an extremely hot fire. Airborne grease particles will travel through the cooking chamber. Some of this airborne grease will accumulate on the flue lining along with the creosote, which could contribute to a fire. The smoke stack should be inspected at least twice a year to determine when a creosote or grease buildup has occurred.

Also, grease drippings from the food will fall onto the Grease Drain Pan and be channeled out of the Grill through the Grease Drain Tube and collected in the Grease Bucket. Grease will accumulate in all of these locations. The Grease Drain, the Grease Drain Tube and the Grease Bucket should be inspected at least twice a year for signs of grease buildup. When creosote or grease has accumulated, remove it to reduce the risk of fire.

Cleaning Grease from your Grill:

WARNING! Turn the Switch OFF (O) and disconnect the Power Cord.

CAUTION! Accumulated grease is easier to clean off when the Grill is still warm –not hot.

Be careful not to burn yourself. Always wear protective gloves.

Periodically clean the grease out of the Drain Pan Assembly and Grease Drain Tube. If too much grease is allowed to build up in the Grease Drain Tube, or is allowed to plug the Grease Drain Tube, a grease fire could result.

Remove the Cooking Grate, Warming Rack, Grease Drain Pan and Heat Baffle. Wipe up any remaining grease residue inside the Grill Frame with paper towels or disposable rags. Paper towels or disposable rags can also be used to wipe some of the grease off of the interior surfaces of the Grill.

Line Grease Bucket and Grease Drain Pan with aluminum foil for easy clean-up. Empty Grease Bucket occasionally, depending on amount of use. Change the aluminum foil on the Grease Drain Pan frequently (sometimes after each use, depending upon what was cooked). Clean foil will make your food taste better and reduce the risk of a grease fire.

Cleaning outside surfaces

WARNING! Turn the Switch OFF (O) and disconnect the Power Cord.

Use a disposable rag or cloth, dampened with warm soapy water to wipe the grease from the outside of the Grill. DO NOT use oven cleaner, abrasive cleansers or abrasive cleaning pads on the outside Grill surfaces.

Outside Storage

CAUTION! If the Grill is stored outside during the rainy season, care should be taken to ensure that water does not get into the Pellet Hopper. Wood pellets, when wet, expand greatly and will jam your Auger. A Grill Cover to protect the Grill is highly recommended.

Cleaning the Cooking Grate and Warming Rack

CAUTION! Cleaning the Cooking Grate and Warming Rack works best while they are still warm –not hot. Be careful not to burn yourself.

Keep a long-handled cleaning brush near the Grill. After removing your food, give the Porcelain Grill a quick brushing. It takes only a minute and it will be ready the next time you want to use the Grill.

Cleaning ash from inside and around Firepot

WARNING! Turn the Switch OFF (O) and disconnect the Power Cord. Make sure that the Grill is cold before cleaning the ash. Dispose of ash only per the following instructions.

Excess ash in the Firepot may cause your fire to

go out, especially in the Smoke setting. The Firepot should be inspected occasionally, and cleaned to remove the ash buildup. Again, clean the ash from in and around the Firepot only when the Grill is cold.

Remove the Cooking Grate, Warming Rack, Grease Drain Pan and Heat Baffle to access the Firepot and Grill interior. Much of the ash outside of the Firepot can be swept to the open area at the right of the Firepot using a small whisk broom. It can be removed from the Grill with a small metal fireplace shovel or other similar tool, or by vacuum. See the following vacuuming instructions.

Vacuum Ash Removal

CAUTION! A vacuum cleaner is the best way to remove ashes from the Firepot, but do it with extreme care to avoid the risk of fire. Again, only clean the ash from the Firepot only when the Grill is cold.

A utility-type vacuum cleaner, having a metal collection canister without a bag is best for this task. However, almost any vacuum cleaner can be used if the procedure below is followed.

- If your vacuum cleaner is a bagless model, empty any previously accumulated debris from the vacuum collection chamber. Then vacuum the ash from the inside of the Firepot. Once the Firepot is clean, empty the collection chamber into the metal container described below without delay. Make sure that there is no remaining ash residue left in the collection chamber.
- If your vacuum cleaner is a model that uses a disposable bag, install an unused one in the machine. Then vacuum the ash from the inside of the Firepot. Once the Firepot is clean, remove the bag from the vacuum cleaner and place it in the metal container described below without delay.

Disposal of Ashes

WARNING! Place ashes in a metal container with a tight-fitting lid. The closed container of ashes should be placed on a non-combustible floor or on the ground, well away from all combustible materials, pending final disposal.

When the ashes are disposed of by burial in soil or otherwise locally dispersed, they should be retained in the closed container until all cinders have thoroughly cooled.

FREQUENTLY ASKED QUESTIONS

WHY WON'T MY GRILL POWER ON?

Verify power at the electrical outlet. If Power Cord is connected to a GFI (Ground Fault Interrupter), check and reset if necessary. Initiate Grill startup.

If still no power, the Control Panel T5AL250V fuse may be burnt out. To change fuse:

1. **WARNING!** Turn the Switch OFF (O) and disconnect the Power Cord.
2. Unscrew and remove the two screws attaching Control Panel to front of Hopper.
3. Pull the Control Panel forward and out to expose the circuit board on back. The fuse holder is on the lower right.
4. Remove the fuse holder lid. The fuse is inserted on the underside of the lid.
5. Push the old fuse out of the lid and replace with a new T5AL250V fuse.
6. Reattach the fuse holder lid.
7. Reinstall the Control Panel.

WHY WON'T MY GRILL IGNITE?

See Initial Firing Procedure section of this Use & Care Guide.

WHY ARE NO PELLETS BEING DELIVERED INTO THE FIREPOT?

See Initial Firing Procedure section of this Use & Care Guide.

HOW DO I REMOVE THE AUGER IF IT JAMS?

WARNING! Turn the Switch OFF (O) and disconnect the Power Cord.

CAUTION! If the Grill is still hot, allow it to thoroughly cool.

1. Remove any covers necessary to access the Auger Drive Motor. See **Parts List and Hopper/Burner Assembly Detail diagram in this Use & Care Guide.**
2. Remove the screw connecting the Auger Drive Motor shaft to the Auger shaft and the screw retaining the Auger Bushing in the Auger Housings.
3. With a small pipe wrench or locking pliers on the Auger shaft, turn the Auger counterclockwise. It will turn hard until it breaks free, then the Auger will turn freely.
4. Remove the Auger and clean all Pellets, ash or foreign objects from the Auger, Auger Housings and Firepot. See instructions for

proper handling and disposal of ash.

5. Sand the outside surfaces of the auger with medium grit sandpaper. Check the inside of the Auger Housings and sand if needed. Vacuum the sanding grit out of the Auger Housings and Firepot when finished. Check that the Auger rotates freely.
6. Re-attach the Auger shaft to the Auger Drive Motor shaft.

WHY DOES MY GRILL FIRE GO OUT IN SMOKE MODE?

There may be excess ash in the Firepot which needs to be cleaned. See Initial Firing Procedure section of this Use & Care Guide.

KENMORE LIMITED WARRANTY

FOR ONE YEAR from the date of sale this appliance is warranted against defects in material or workmanship.

WITH PROOF OF SALE a defective appliance will receive free repair or replacement at option of seller.

For warranty coverage details to obtain free repair or replacement, visit the web page:
www.kenmore.com/warranty

All warranty coverage excludes grill part paint loss, discoloration or surface rusting, which are conditions that can be the result of normal use, accident or improper maintenance.

All warranty coverage is void if this appliance is ever used for other than private household purposes.

This warranty covers ONLY defects in material and workmanship, and will NOT pay for:

1. Expendable items that can wear out from normal use within the warranty period, including but not limited to batteries, screw-in base light bulbs and surface coatings or finishes.
2. A service technician to clean or maintain this appliance, or to instruct the user in correct appliance installation, operation and maintenance.
3. Service calls to correct appliance installation not performed by Sears authorized service agents, or to repair problems with house fuses, circuit breakers, house wiring, and plumbing or gas supply systems resulting from such installation.
4. Damage to or failure of this appliance resulting from installation not performed by Sears authorized service agents, including installation that was not in accord with electrical, gas or plumbing codes.
5. Damage to or failure of this appliance, including discoloration or surface rust, if it is not correctly operated and maintained according to all supplied instructions.
6. Damage to or failure of this appliance, including discoloration or surface rust, resulting from accident, alteration, abuse, misuse or use for other than its intended purpose.
7. Damage to or failure of this appliance, including discoloration or surface rust, caused by the use of detergents, cleaners, chemicals or utensils other than those recommended in all instructions supplied with the product.
8. Damage to or failure of this appliance resulting from natural or other catastrophe, such as flood, fire or storm.
9. Damage to or failure of parts or systems resulting from unauthorized modifications made to this appliance.
10. Service to an appliance if the model and serial plate is missing, altered, or cannot easily be determined to have the appropriate certification logo.

Disclaimer of implied warranties; limitation of remedies

Customer's sole and exclusive remedy under this limited warranty shall be product repair or replacement as provided herein. Implied warranties, including warranties of merchantability or fitness for a particular purpose, are limited to one year or the shortest period allowed by law. Seller shall not be liable for incidental or consequential damages. Some states do not allow the exclusion or limitation of incidental or consequential damages, or limitation on the duration of implied warranties of merchantability or fitness, so these exclusions or limitations may not apply to you.

This warranty applies only while this appliance is used in the United States.

This warranty gives you specific legal rights, and you may also have other rights which vary from state to state.

Sears Brands Management Corporation, Hoffman Estates, IL 60179

Índice

Sección	Página	Sección	Página
Instrucciones de seguridad	2	Encendido manual	14
Paquete de hardware	3	Consejos de operación y peligros	14
Lista de piezas	4	Mantenimiento	15
Instalación	6	Preguntas frecuentes	17
Procedimiento de arranque inicial	12	Garantía	18
Operación estándar	13	Contratapa de servicio	

INSTRUCCIONES DE SEGURIDAD IMPORTANTES

Estas instrucciones son por su seguridad. Lea las mismas con detenimiento antes de su uso y consérvelas para referencia futura.

UNA CAUSA IMPORTANTE DE INCENDIOS ES LA FALTA DE MANTENIMIENTO DE ESPACIOS REQUERIDOS (espacios de aire) PARA MATERIALES DE COMBUSTIBLES . ES DE SUMA IMPORTANCIA INSTALAR ESTE PRODUCTO SOLAMENTE DE ACUERDO CON ESTAS INSTRUCCIONES.

¡ESTA PARRILLA AHUMADORA ES ÚNICAMENTE PARA USO EN EXTERIORES!

¡ADVERTENCIA! Instale y opere esta Parrilla ÚNICAMENTE de acuerdo con las instrucciones en esta Guía de Uso y Cuidados!

¡ADVERTENCIA!

- Utilice únicamente briquetas de madera de 0,25 pulgadas de diámetro o menos. No use briquetas de madera que no tengan más de 1 pulgada de longitud.
- NUNCA use las briquetas de combustible de calentamiento en esta parrilla debido a posibles contaminantes y aditivos peligrosos que pueden estar presentes.
- ¡ADVERTENCIA! Almacene siempre las briquetas de madera en un lugar seco, alejado de los aparatos que producen calor y otros recipientes de combustible.

¡ADVERTENCIA!

- Hay una tensión eléctrica peligrosa que puede impactar, quemar o producir la muerte. Desconecte siempre el cable de corriente antes de limpiar o efectuar otro mantenimiento en esta Parrilla.
- Únicamente enchufe la parrilla ahumadora en un receptáculo con protección GFCI (interruptor de circuito de falla de conexión a tierra).
- Para proteger contra impactos eléctricos, este aparato está equipado con un cable de corriente que tiene un enchufe de conexión a tierra de 3 clavijas para insertarse dentro de un receptáculo de conexión a tierra apropiado. NO altere el enchufe que se va a usar en un receptáculo de 2 clavijas. Si el enchufe no se ajusta a un receptáculo, pida a un electricista calificado que instale el receptáculo apropiado. No use un adaptador.
- Si utiliza un cable de extensión, inserte únicamente el enchufe de este aparato dentro de un cable de extensión que tenga el receptáculo de conexión a tierra apropiado. No use un adaptador.

¡ADVERTENCIA!

- Nunca use ni almacene líquidos inflamables cerca de la Parrilla.
- Nunca use líquidos inflamables tales como gasolina, combustible de linterna tipo gasolina, queroseno, fluido encendedor de carbón o fluidos similares para iniciar o refrescar el fuego de cocción en la Parrilla Ahumadora.
- Nunca use gasolina o un fluido más liviano para encender manualmente su Parrilla. Use ÚNICAMENTE Gel de Alcohol para un encendido manual, y encienda manualmente la Parrilla únicamente de acuerdo con las instrucciones en esta Guía de Uso y Cuidados.

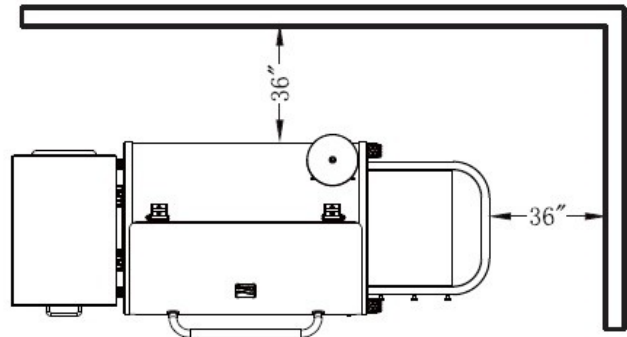
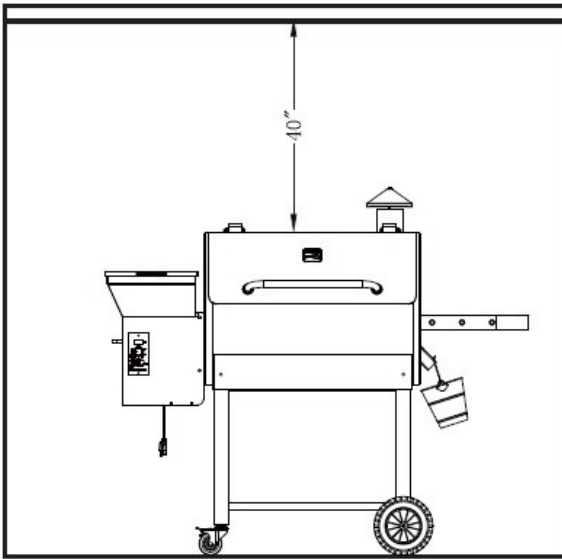
⚠ ¡ADVERTENCIA! El uso de este aparato puede exponerle a usted a químicos, incluyendo plomo, y subproductos de la combustión que en el estado de California se sabe que causan cáncer, defectos de nacimiento u otros daños reproductivos. ¡Lávese las manos después de usar este producto! Para más información, consulte www.P65Warnings.ca.gov

¡PRECAUCIÓN! Mantenga la Parrilla limpia. Vea las instrucciones de limpieza en esta Guía de Uso y Cuidados.

¡PRECAUCIÓN! No use accesorios que no estén especificados para uso con esta Parrilla.

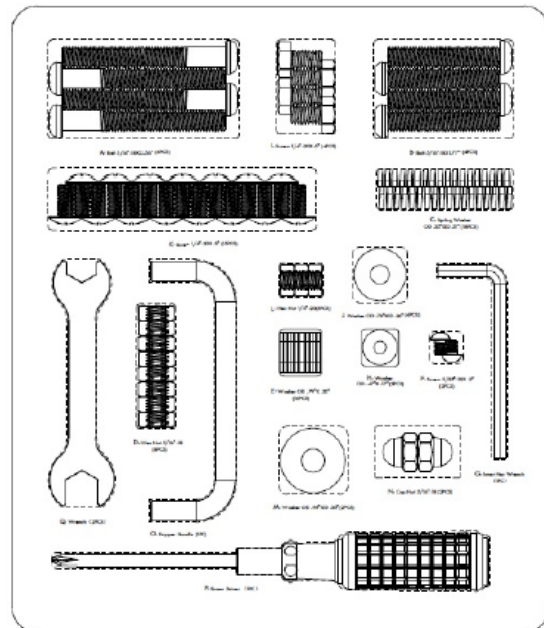
¡ADVERTENCIA!

- Al operar esta Parrilla, mantenga un distancia **MÍNIMA** de 36 pulgadas desde todos los lados de la Parrilla hacia cualquier pared u objeto.
- Al operar esta Parrilla debajo de superficies suspendidas, se requiere un **MÍNIMO** de 40 pulgadas desde la parte superior del cilindro de la parrilla hasta la superficie.



Paquete de Hardware

Elemento	Nombre de la pieza	Cantidad
A	Perno 5/16" x 2,56"	4
B	Perno 5/16" x 1,77"	4
C	Arandela de resorte Diámetro Externo de 0,33" x ID 0,51"	18
D	Tuerca hexagonal 5/16"-18	8
E	Arandela Diámetro Externo de 0,79" x 0,33"	16
F	Tornillo 5/32"-32 x 0,2"	2
G	Llave hexagonal interna	1
H	Arandela Diámetro Externo 0,47" x Diámetro Interno 0,17"	2
I	Tornillo 1/4"-20 x 0,5"	4
J	Arandela Diámetro Externo 0,79" x Diámetro Interno 0,26"	4
K	Tornillo 1/4"-20 x 0,5"	15
L	Tuerca hexagonal 1/4"-20 x 0,5"	15
M	Arandela Diámetro Externo 0,98" x Diámetro Interno 0,33"	2
N	Tuerca de sombrerete 5/16"-18	2
O	Asa de la tolva	1
P	Destornillador	1
Q	Llave inglesa	2



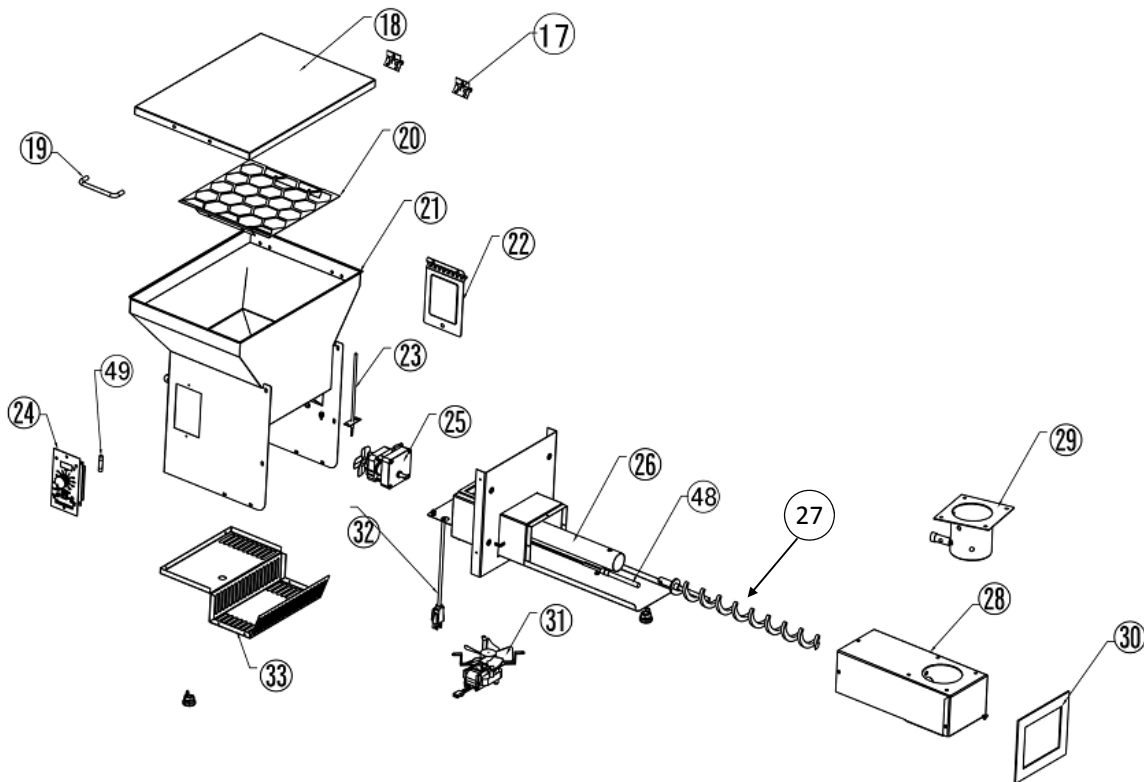
Lista de piezas

Parrilla de ahumar de briquetas de madera Kenmore Wood 153.14076810

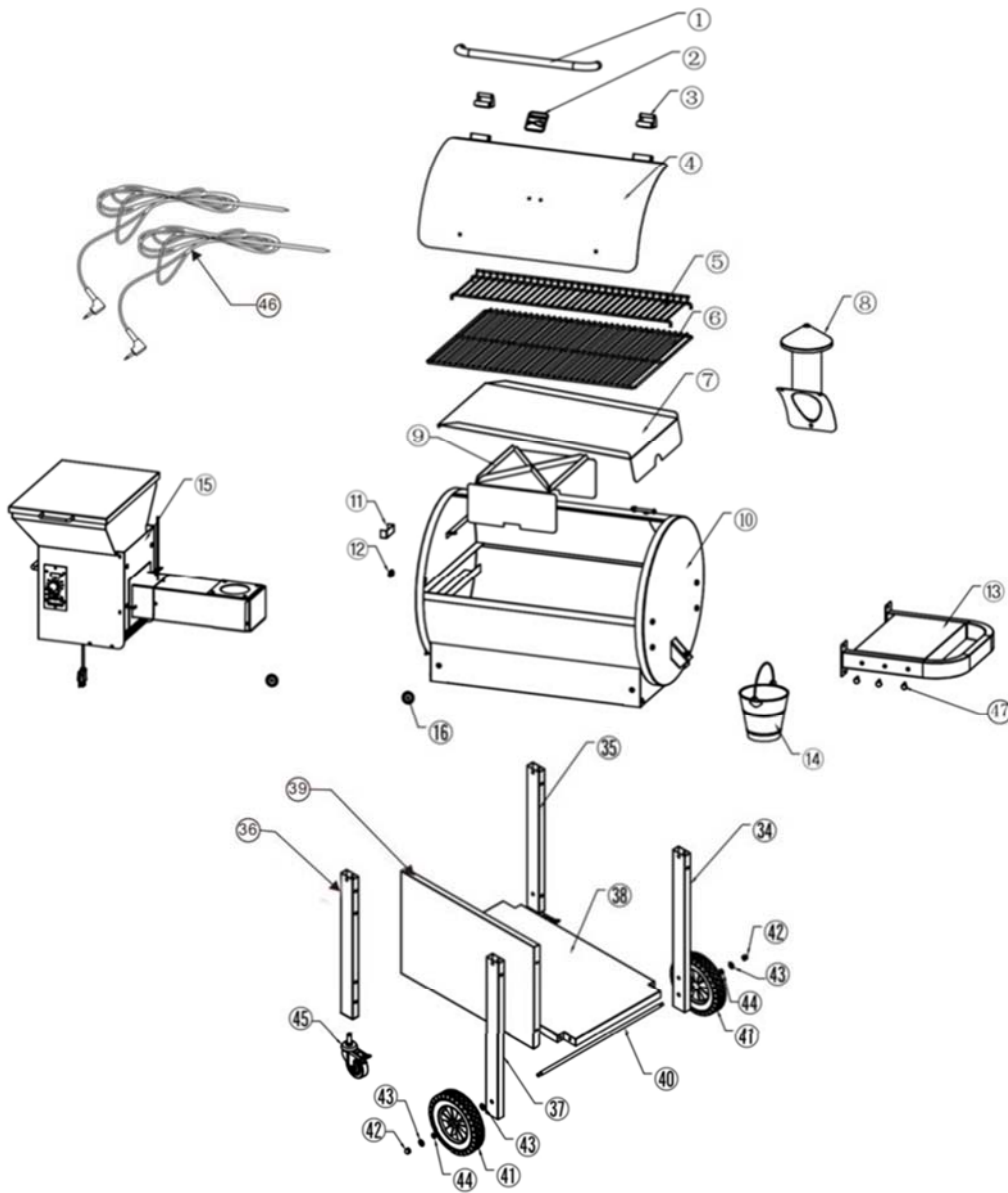
Para comprar repuestos, llame al 1-844-553-6667

Elemento	Cantidad	Descripción	No. de pieza	Elemento	Cantidad	Descripción	No. de pieza
1	1	Asa de la tapa del cilindro de la parrilla	ZPG-001A	25	1	Motor de accionamiento del taladro	ZPG-DQ-001
2	1	Placa de identificación	ZPG-002A	26	1	Carcasa A del taladro	ZPG-026.00
3	2	Instalación de la bisagra de la tapa del cilindro	ZPG-003A	27	1	Eje del taladro	ZPG-027-00
4	1	Tapa del cilindro de la parrilla	ZPG-004-00	28	1	Carcasa B del taladro	ZPG-028-00
5	1	Rejilla de calentamiento	ZPG-005A	29	1	Instalación de la soldadura del brasero	ZPG-029.00
6	1	Rejilla de cocción	ZPG-006-00	30	1	Empaquetadura de aislamiento de la tolva	ZPG-030-00
7	1	Bandeja recolectora de grasa	ZPG-007.00	31	Ventilador inductor	ZPG-DQ-002	
8	1	Instalación de la chimenea	ZPG-008.00	32	1	Cable de corriente	ZPG-DQ-003
9	1	Deflector de calor	ZPG-009-00	33	1	Parte inferior de la tolva	ZPG-031-00
10	1	Cilindro de la parrilla	ZPG-010-00	34	1	Pata trasera derecha	ZPG-032-00
11	1	Soporte del sensor de calor	ZPG-011A	35	1	Pata trasera izquierda	ZPG-033-00
12	1	Tapón de silicona	ZPG-012.00	36	1	Pata delantera derecha	ZPG-034-00
13	1	Instalación de la mesa lateral	ZPG-013A	37	1	Pata delantera izquierda	ZPG-035-00
14	1	Cubeta para la grasa	ZPG-014.00	38	1	Estante inferior	ZPG-036-00
15	1	Instalación de la tolva y el quemador	ZPG-015-00	39	1	Panel delantero SS	ZPG-037-00
16	2	Aro del asa de la tapa	ZPG-016.00	40	1	Tuercas de sombrerete	ZPG-038-00
17	2	Instalación de la bisagra de la tapa de la tolva	ZPG-017-00	43	4	Ruedas	ZPG-039-00
18	1	Tapa de la tolva	ZPG-018A	42	2	Tuercas de eje	ZPG-WJ-01
19	1	Asa de la tapa de la tolva	ZPG-019-00	43	4	Arandela plana	ZPG-WJ-02
20	1	Rejilla de seguridad de la tolva	ZPG-020-00	44	2	Arandela de resorte	ZPG-WJ-03
21	1	Estructura de la tolva	ZPG-021.00	45	2	Ruedecillas de sujeción	ZPG-040-00
22	1	Puerta de limpieza de la briqueta	ZPG-022.00	46	2	Sonda de temperatura	ZPG-PR07
23	1	Sensor de calor	ZPG-024A	47	3	Ganchos de la herramienta	ZPG-WJ-04
24	1	Instalación del controlador	ZPG-024.00	48	1	Varilla de calentamiento	ZPG-024.076
				49	1	Fusible	ZPG-FU08
					1	Paquete de hardware	ZPG-HP05
					1	Guía de uso y cuidados	ZPG-M06

Detalle de la instalación de la tolva y el quemador



Vista detallada de la parrilla ahumadora de briquetas de madera Kenmore 153.14076810

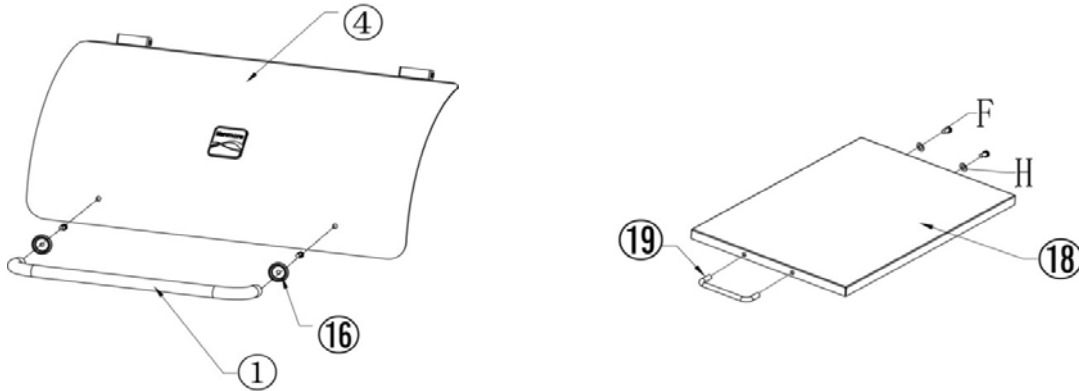


Si a usted le faltan piezas o tiene piezas dañadas después de desempaquetar la parrilla ahumadora, llame al 1-844-553-6667

Paso 1 de la instalación: Asa de la tapa y asa de la tapa de la tolva

Quite las arandelas y tornillos fijados previamente del asa de la tapa del cilindro de la parrilla. Úselos para fijar el asa de la tapa (1) a la tapa (4) tal como se muestra.

Fije el asa de la tapa de la tolva (19) a la tapa de la tolva con dos tornillos (F) de 5/32"-32 x 0.2" y dos arandelas (H) tal como se muestra.



Paso 2 de la instalación: Patas hacia el ahumador

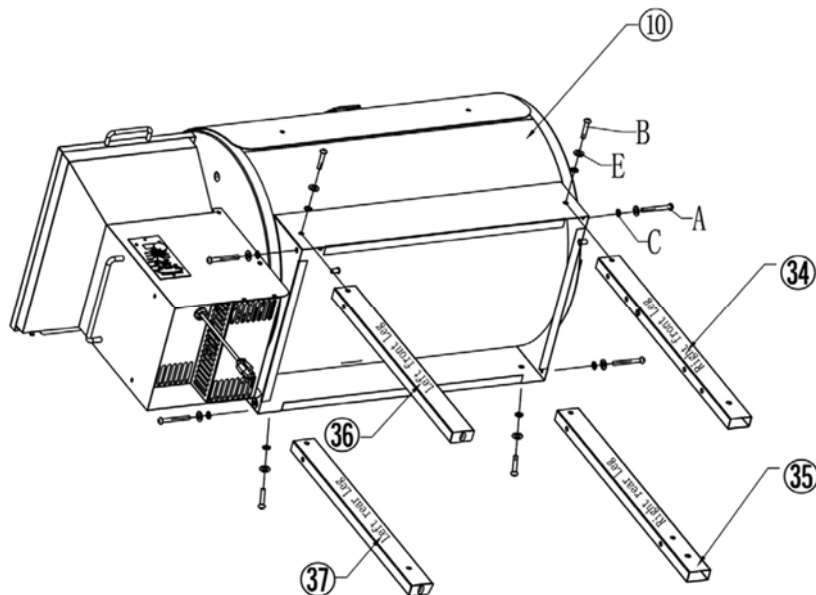
Con la ayuda de un asistente, coloque con cuidado la parrilla ahumadora sobre su parte posterior en una superficie no abrasiva.

Fije cada pata tal como se muestra desde los lados de la parrilla ahumadora con un perno (A) de 5/16" x 2,56", una Arandela de Resorte (C) y una Arandela (E).

Fije cada pata tal como se muestra desde la parte parte delantera y trasera de la parrilla ahumadora con un perno (B) de 5/16" x 1,77", una Arandela de Resorte (C) y una Arandela (E).

Nota: Cada pata tendrá una etiqueta de identificación en cuanto a su posición correcta para fijarla al ahumador.

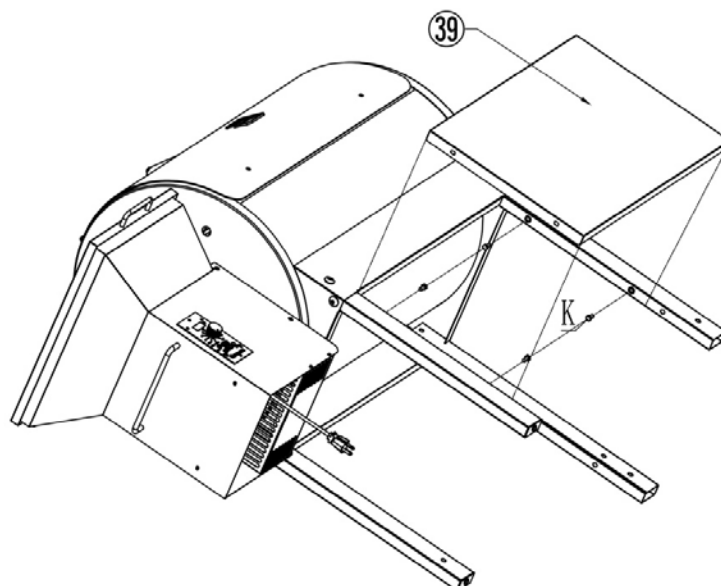
¡ADVERTENCIA! La parrilla ahumadora es pesada. Para evitar lesiones personales, obtenga la ayuda de un asistente para acostar la unidad y levantarla de nuevo.



Paso 3 de la instalación: Panel delantero hacia las patas

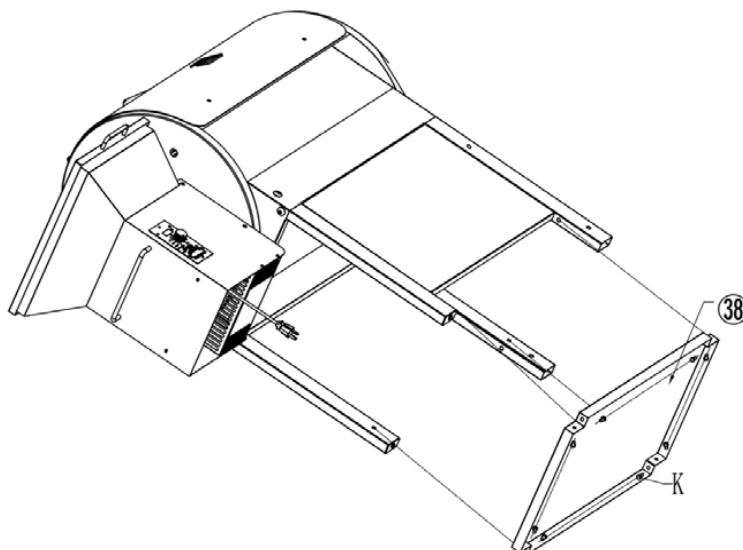
Posicione el panel delantero entre las patas delanteras, tal como se muestra. Apriete con la mano el Panel Delantero hacia las patas con dos tornillos (K) de 1/4"-20 x 0.5" dentro de cada pata.

Nota: No apriete completamente los pernos en este momento.



Paso 4 de la instalación: Estante inferior hacia las patas

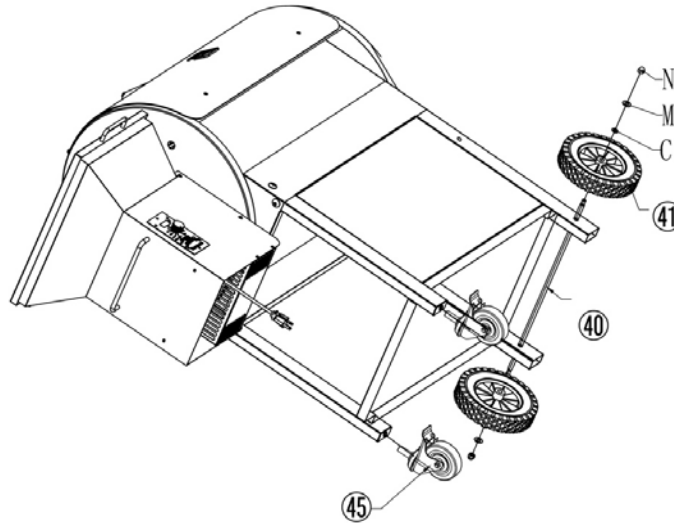
Posicione el estante inferior entre las patas, tal como se muestra. Apriete con la mano el Estante Inferior hacia las patas con dos tornillos (K) de 1/4"-12 x 0.59" dentro de cada pata. **Nota:** No apriete completamente los pernos en este momento.



Paso 5 de la instalación: Ruedas y ruedecillas hacia las patas

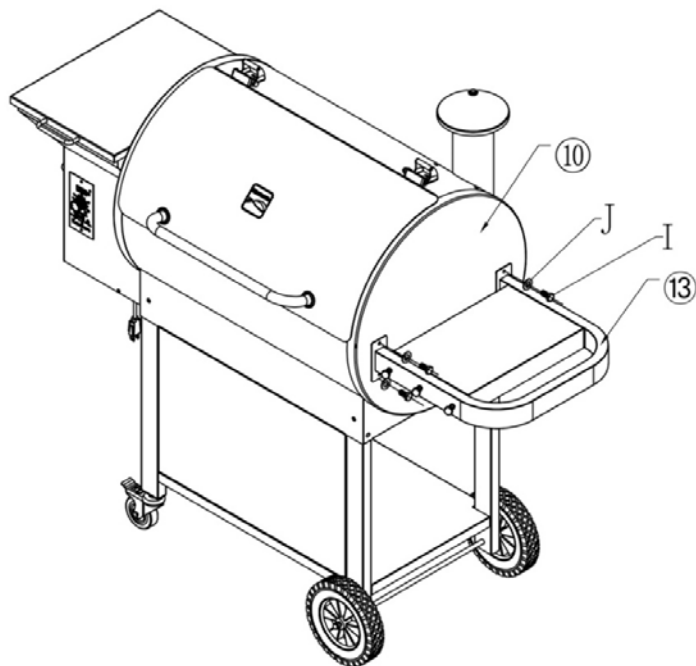
Atornille una ruedecilla de sujeción dentro de la pata delantera izquierda y la pata trasera izquierda. Apriete las ruedecillas de forma segura. Deslice una rueda en el eje, luego inserte el eje a través de los agujeros en las patas traseras y delanteras derechas. Deslice la rueda restante hacia el eje y asegure cada rueda al eje con una arandela de resorte (C), una arandela (M) y una tuerca de sombrerete (N) de 5/16". COLOQUE LA PARRILLA DE AHUMAR EN POSICIÓN VERTICAL. Nota: Apriete completamente todos los pernos en este momento.

¡ADVERTENCIA! La parrilla ahumadora es pesada. Para evitar lesiones personales, consiga la ayuda de un asistente para acostar la unidad y levantarla de nuevo.



Paso 6 de la Instalación: Estante lateral

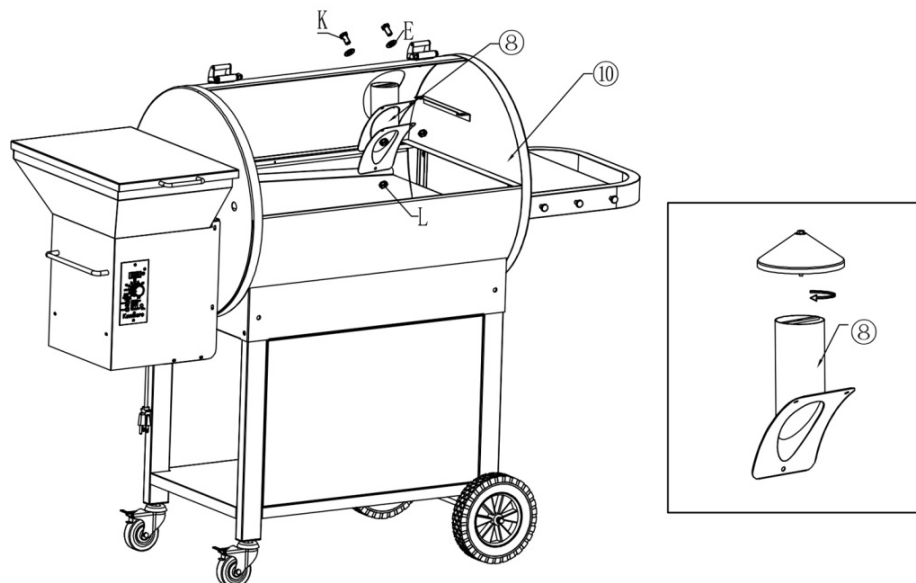
Conecte el estante lateral al cilindro de la parrilla ahumadora con cuatro tornillos (I) de 1/4" - 20x0.5" y cuatro arandelas (J) tal como se muestra. Nota: Use la llave inglesa (Q) para apretar todos los tornillos.



Paso 7 de la instalación: Chimenea/ tapa de la chimenea

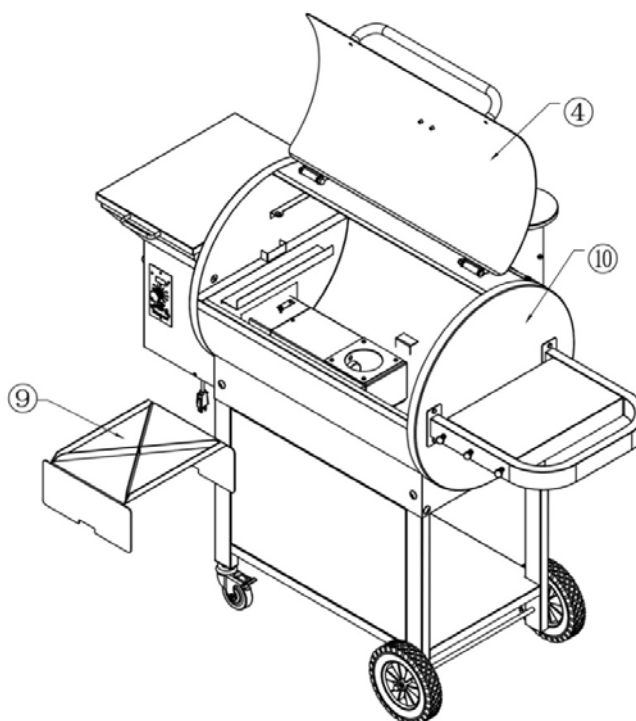
Deslice la chimenea a través del agujero en el cilindro y fije con tres tornillos (K) de 1/4"-12 x 0,59", tres tuercas hexagonales (L) y tres arandelas (E), tal como se muestra. Luego, atornille la tapa de la chimenea sobre la parte superior de la chimenea, tal como se muestra.

Nota: La chimenea es ajustable para permitir que más o menos humo salga de la parrilla ahumadora. Tenga cuidado de no elevar la tapa demasiado permitiendo que se desatornille de la chimenea.



Paso 8 de la instalación: Deflector de calor/

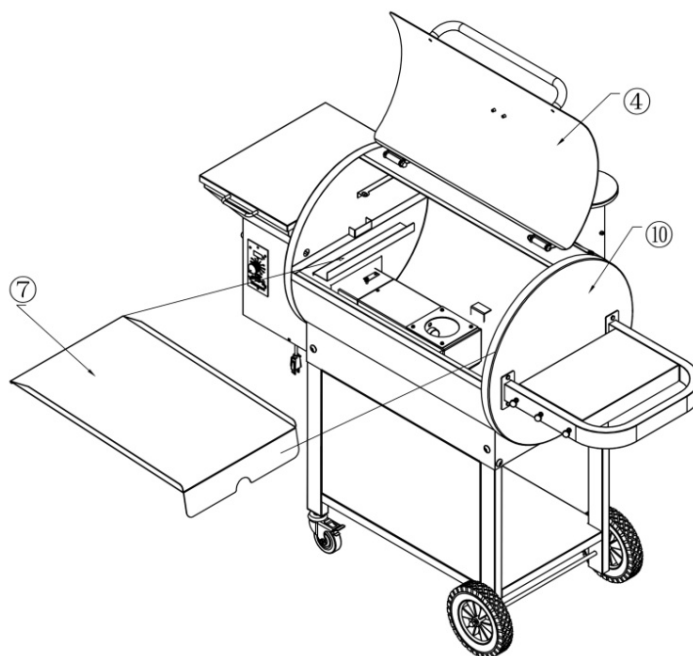
Coloque el deflector de calor (9) directamente sobre el brasero en los soportes de localización que se encuentran en las paredes internas del Cilindro de la parrilla. Las patas con muescas del deflector deberían mirar hacia abajo sobre los soportes de localización.



Paso 9 de Instalación: Bandeja recolectora de grasa

Fije la bandeja recolectora de grasa (7) para que el extremo de la brida larga se enganche a la bandeja recolectora de grasa en el extremo derecho de la parrilla. El extremo de la brida corta debería descansar sobre el soporte del extremo izquierdo de la parrilla, tal como se muestra.

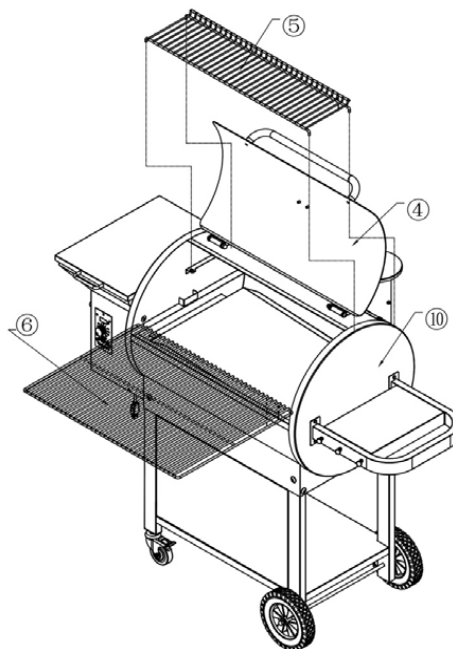
Recomendación: Para facilitar la limpieza, cubra la bandeja recolectora de grasa con una hoja de aluminio extra fuerte. Asegúrese de que los bordes y extremos de la hoja estén ajustados contra el fondo de la bandeja recolectora de grasa.



Paso 10 de instalación: Rejilla de cocción/rejilla de calentamiento

Coloque la rejilla de cocción (6) sobre los soportes de la rejilla frontal y trasera que pasan longitudinalmente por la cámara de cocción del cilindro de la parrilla, tal como se muestra.

Fije la rejilla de calentamiento (5) insertando las cuatro puntas dentro de los agujeros de soporte, tal como se muestra.



Paso 11 de Instalación: Cubeta para la grasa

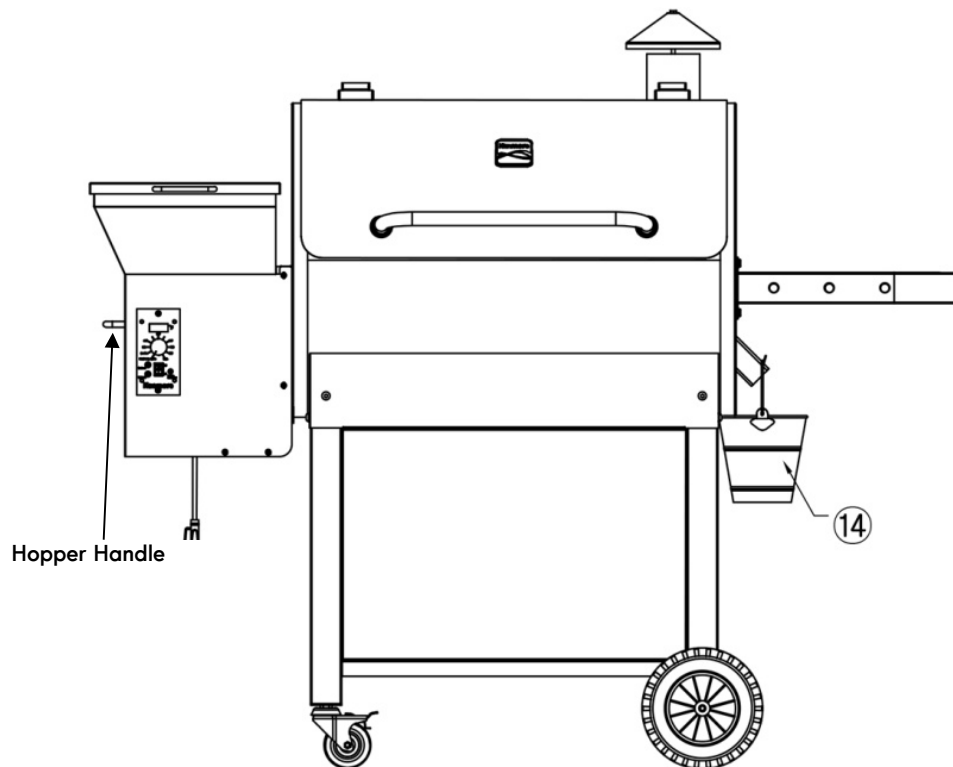
Cuelgue la cubeta para la grasa (14) en el tubo para drenaje de grasa ubicado por debajo del lado derecho del cilindro de la parrilla, tal como se muestra.

Recomendación: Para facilitar la limpieza, cubra el interior de la cubeta de grasa con una hoja de aluminio extra fuerte.

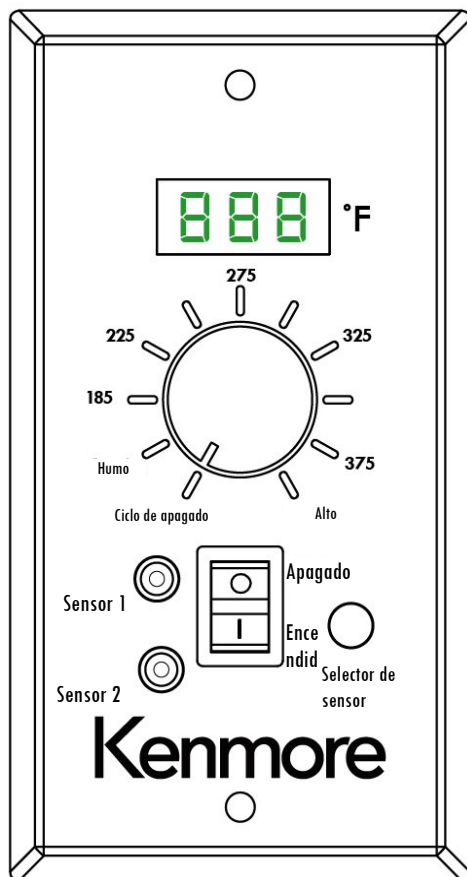
LA INSTALACIÓN DE SU AHUMADOR DE BRIQUETAS ESTÁ COMPLETA AHORA.

Agarre el Asa de la Tolva con ambas manos e incline la Parrilla hacia sus ruedas grandes. Ruede la Parrilla hacia un lugar que esté a un MÍNIMO de 36" desde los lados de la Parrilla hasta la pared u objeto más cercano, y un MÍNIMO de 40° desde la parte superior del cilindro de la Parrilla hacia cualquier superficie aérea. Conecte la Parrilla dentro de un receptáculo apropiado con protección GFCI (Interrupción de Circuito de falla de conexión a tierra).

¡IMPORTANTE! Proceda con el Procedimiento de Arranque Inicial en la página 12 de esta Guía de Uso y Cuidados.



Panel de control



Procedimiento de Encendido Inicial

¡IMPORTANTE! Para asegurar un funcionamiento apropiado, efectúe el siguiente procedimiento la primera vez que se usa la Parrilla o si se queda sin briquetas durante la operación, o si la Parrilla está vacía de briquetas desde la última vez que se usó.

1. **¡ADVERTENCIA!** Antes de efectuar este paso, asegúrese de que el interruptor esté apagado (O) y que la parrilla esté completamente enfriada de cualquier uso anterior. Abra la tapa del cilindro de la parrilla. Quite la rejilla de calentamiento, la rejilla de cocción, la bandeja recolectora de grasa y el deflector de calor desde dentro del Barril de la Parrilla.
2. Encienda el interruptor (I) y el selector de control en Ahumar.
3. Asegúrese de que el interruptor de corriente esté en la posición APAGADO (O). Enchufe el cable de corriente en un enchufe eléctrico adecuado conectado a tierra. Abra la tapa de la tolva de briquetas y localice el taladro. Asegúrese de que no hay objetos extraños en el taladro.

Mire dentro de la tolva de briquetas para confirmar que el taladro esté girando. Al mismo tiempo, coloque sus dedos sobre el brasero para sentir el movimiento de aire desde el ventilador. Después de varios minutos, usted debe sentir el movimiento de aire incrementando en calor, y vea la lectura de temperatura aumentar unos dígitos en la pantalla del Panel de Control.

¡ADVERTENCIA! Nunca coloque sus dedos dentro del brasero, y no toque ninguna de las superficies de metal en el brasero o área de la carcasa del taladro. ¡Pueden estar lo suficientemente calientes para quemarle!

4. Si el taladro está girando, el ventilador está moviendo aire, el aire se vuelve más caliente y la lectura de temperatura aumenta, gire el selector de control para apagar el ciclo.
5. Si el movimiento del aire no se hace más caliente y no hay incremento en la lectura de temperatura, la vara de calentamiento no está funcionando bien. Sin embargo, si el taladro y el ventilador están funcionando, la Parrilla todavía se puede usar. Proceda con las instrucciones de Encendido Manual en esta Guía de Uso y Cuidados. De otro modo, proceda del siguiente modo.
6. Llene la tolva de briquetas con briquetas de madera.
¡ADVERTENCIA! Use solo briquetas de madera de 0,25" o menos de diámetro y no más largas de 1". Nunca use briquetas de combustible de calentamiento en la Parrilla.
7. Gire el selector de control a Alto. **Nota:** Durante la carga inicial del taladro, tomará tiempo para que las briquetas pasen desde la tolva de briquetas hacia el brasero.
8. Cuando las briquetas comienzan a caer dentro del brasero, gire el selector de control a Ahumar. Permita que las briquetas ardan a llama completa. Una vez que vea que las llamas salen del brasero, gire el selector de control al ciclo de apagado, y permita que la parrilla se enfríe.
9. Después de que la parrilla se ha enfriado completamente, coloque el deflector de calor, la bandeja recolectora de grasa, la rejilla de cocción y la rejilla de calentamiento en sus lugares apropiados.

¡ADVERTENCIA! Si en cualquier momento la Parrilla no enciende, o el fuego en el brasero se sale al cocinar o ahumar cuando todavía hay suficientes briquetas en la tolva de briquetas, es importante efectuar los siguientes pasos. No hacerlo puede producir una cocción excesiva peligrosa de su parrilla debido a un exceso de briquetas no quemadas en el brasero.

Operación Estándar

¡ADVERTENCIA!

- Al operar esta Parrilla, mantenga una distancia mínima de 36 pulgadas desde todos los lados de la parrilla hacia cualquier pared o superficie y una distancia mínima de 40 pulgadas desde la parte superior de la parrilla hasta las superficies aéreas.
 - Solo conecte esta Parrilla a un receptáculo con protección GFCI (Interruptor de circuito de falla de conexión a tierra)
1. Asegúrese de que el interruptor de potencia esté en la posición Apagado (O). Conecte el cable de corriente a una toma eléctrica apropiada conectada a tierra.
 2. Abra la tapa de la tolva de briquetas y localice el taladro. Asegúrese de que no hay objetos distintos a las briquetas o escombros en el taladro.
 3. Rellene la tolva de briquetas con briquetas de madera. Cierre la tapa de la tolva.

¡ADVERTENCIA! Use solo briquetas de madera de 0,25" o menos de diámetro y no más de 1" de longitud. Nunca use las briquetas de combustible de calentamiento en la Parrilla.

4. Encienda el interruptor de corriente (I). Con la tapa del cilindro de la parrilla abierta, fije el selector de control a Ahumar. En unos 2 minutos, usted notará un humo blancuzco – gris que sale de la Parrilla a medida que se encienden las briquetas.

NOTA: Durante la carga inicial del taladro, tomará tiempo para que las briquetas viajen de la tolva de briquetas hasta el brasero.

5. Después de asegurarse de que las briquetas se han encendido, cierre la tapa del cilindro de la parrilla y fije el selector de control a cualquier temperatura de cocción deseada.

AVISO: Si usted no ve humo salir de la parrilla después de 2 minutos, efectúe la comprobación de encendido de las briquetas para asegurar que haya ocurrido el encendido apropiado.

Nota: Los ajustes de temperaturas más altas cocinarán la comida más rápido o más satisfactoriamente al mínimo requerido o a temperaturas internas más altas. Vea la tabla sobre temperaturas internas seguras de la USDA en la sección de Sensores de Temperatura.

6. Permita que la parrilla se pre-caliente durante unos 10 minutos con la tapa del cilindro de la parrilla cerrada antes de colocar alimentos en la rejilla de cocción.

IMPORTANTE: Usted debe madurar la parrilla ahumadora antes de cocinar la comida en esta

por primera vez. Para madurar, efectúe el procedimiento anterior, excepto que después de que las briquetas se han encendido, ponga en funcionamiento la unidad durante 45

minutos a una velocidad alta con la tapa del cilindro de la parrilla cerrada. Usted puede notar un olor, pero se desvanecerá y no estará presente en usos posteriores de la parrilla.

RECUERDE: INICIE SIEMPRE LA PARRILLA EN AHUMAR ¡CON LA TAPA DEL CILINDRO DE LA PARRILLA ABIERTA!

Una vez que se enciendan las briquetas, cierre la puerta y fije el selector de control en cualquier temperatura de cocción deseada.

Sensores de temperatura

La parrilla ahumadora viene con dos sensores para cocinar alimentos a temperaturas precisas.

1. Inserte el enchufe del sensor en el receptáculo para Sensores en el Panel de Control.
2. Introduzca el sensor y el cable del sensor a través del orificio en el lado del cilindro de la parrilla.
3. Inserte el sensor en la comida.
4. A medida que la cocción progresa, la temperatura de la comida aparecerá en la pantalla del panel del control.
5. Si usa ambos sensores, presione el botón del Selector de Sensor para cambiar en la pantalla entre las temperaturas registradas por cada uno.

¡ADVERTENCIA! Para asegurar que es seguro comer, la comida se debe cocinar a las temperaturas mínimas que aparecen en esta lista.

Temperaturas mínimas internas seguras recomendadas de la USDA*	
Res, ternera, cordero, cerdo - Cortes enteros**	145°F
Pescado	145°F
Carne de res, ternera, cordero, cerdo - Molida	160°F
Platos con huevos	160°F
Carne de pavo, pollo, pato - Entera, en piezas, molida	165°F

*Departamento de Agricultura de los Estados Unidos

** Deje la carne reposar 3 minutos antes de cortarla o consumirla.

Puerta de limpieza de las briquetas

La tolva está equipada en la parte posterior con una puerta de limpieza de las briquetas para despejar la tolva de briquetas no usadas con el fin de sustituir con briquetas frescas o briquetas de un sabor de ahumado diferente.

1. Coloque una cubeta o cuenco por debajo de la puerta de limpieza para capturar las briquetas que caen.
2. Gire los tornillos de mariposa de la puerta de limpieza en sentido antihorario para desbloquear la

- puerta.
3. Eleve la puerta completamente hasta arriba. Las briquetas caerán a través del conducto de limpieza.
 4. Una vez que las briquetas han sido despachadas a través del conducto, baje la puerta completamente hasta abajo. Gire los tornillos de mariposa en sentido horario para bloquear la puerta.

Encendido Manual

Si únicamente no está funcionando la varilla de calentamiento, la parrilla todavía se puede usar para cocinar y ahumar utilizando el siguiente procedimiento de encendido manual.

1. Apague el interruptor de corriente (O) y desconecte el cable de corriente. Permita que la parrilla se enfría completamente si está caliente.
2. Suba la tapa del cilindro de la parrilla y quite la rejilla de calentamiento, la rejilla de cocción, la bandeja recolectora de grasa y el deflector de calor del interior del cilindro de la parrilla.
3. Quite las briquetas no quemadas y la ceniza del interior y alrededor del brasero. Lea las instrucciones para un manejo y eliminación apropiada de las cenizas en la sección de Mantenimiento de esta Guía de Uso y Cuidados.
4. Enchufe el cable de corriente en la toma eléctrica apropiada con conexión a tierra.
5. Llene la tolva con briquetas de madera
6. ¡ADVERTENCIA! Use únicamente briquetas de madera de 0,25" o menos de diámetro y de no más de 1" de longitud. Nunca use briquetas de combustible de calentamiento en la parrilla.
7. Vierta 1/2 taza de briquetas de madera dentro del brasero.
8. Eche 2 cucharadas de encendedor de gel de alcohol dentro del brasero por encima de las briquetas.
¡PELIGRO! Nunca use gasolina, combustible para lámparas tipo gasolina, queroseno, fluido encendedor de carbón o líquidos similares para encender o refrescar un fuego en esta parrilla. Mantenga todos estos líquidos bien alejados de la parrilla cuando esté en uso.
9. Encienda cuidadosamente el gel de alcohol con una cerilla para chimeneas o un encendedor de butano de largo alcance.
¡PELIGRO! Nunca rocíe gel de alcohol dentro de un fuego ardiente o un brasero caliente. La botella de gel de alcohol podría explotar y producir un incendio, lesiones graves o la muerte.
10. Permita que el gel de alcohol y las briquetas

11. ardan durante aproximadamente 4 minutos. Después de asegurarse de que las briquetas se han encendido, coloque de nuevo en su lugar CUIDADOSAMENTE el deflector de calor, la bandeja recolectora de grasa y las parrillas.
¡ADVERTENCIA! Ahora, usted tendrá un fuego en el brasero. Lleve puestos guantes de protección y tenga cuidado de no quemarse al instalar estos componentes.
12. Encienda el interruptor de corriente (I) y ponga el selector de control en cualquier ajuste de temperatura deseado. Permita que la parrilla se caliente previamente durante unos 10 minutos con la tapa del cilindro de la parrilla cerrada antes de colocar comida en la rejilla de cocción.

Ciclo de apagado de los controles.

Los controles para esta parrilla ahumadora presentan un ciclo de apagado automático. Al terminar de cocinar, fije el selector de control en la posición de ciclo de apagado, lo que dejará el ventilador funcionando durante diez minutos para que la mayoría de las briquetas restantes en el brasero terminen de arder.

Características de seguridad de los controles

Los controles vienen equipados con 2 características de seguridad de nivel de calor 2. El primero de estos es una pantalla de código de temperatura baja. Si la parrilla permanece por debajo de 125°F por un periodo de 10 minutos, la pantalla de control leerá LER y toda la corriente se apagará hacia los componentes internos de la parrilla. La pantalla permanecerá en este estado hasta que usted apague el interruptor de corriente principal.

La segunda característica es una pantalla de código de temperatura alta. Si la parrilla llega a una temperatura interna de 550°F, la pantalla de control leerá HER y toda la corriente hacia los componentes internos de la parrilla se apagará. La pantalla permanecerá en este estado hasta que usted apague el interruptor de corriente principal.

Si ocurre alguna de las anteriores condiciones, desconecte la parrilla y compruebe para ver si puede determinar la causa antes de iniciarla de nuevo. Vea la sección Comprobar Encendido de Briquetas en esta Guía de Uso y Cuidados.

Consejos operativos y peligros

1. El ajuste de ahumar en el selector de control es para ahumar y añadir sabor ahumado a las comidas que se están cocinando. El ajuste Ahumar también se puede usar para mantener los alimentos entre 160° y 180° F.
2. **¡ADVERTENCIA!** Nunca mueva la parrilla de briquetas mientras está caliente. Si está transportando su parrilla en un vehículo después de cocinar en este, asegúrese de que el fuego esté completamente apagado y la parrilla esté fría antes

- de colocarla en cualquier vehículo.
3. Nunca coloque agua dentro del brasero. Esto atascará el taladro.
 4. La parrilla de briquetas está diseñada para operar con la tapa del cilindro de la parrilla cerrada. Cocinar con la tapa del cilindro de la parrilla abierta alarga mucho el tiempo de cocción.
 5. **¡PELIGRO!** Nunca añada briquetas con la mano a un brasero caliente. Esto es peligroso y usted puede quemarse gravemente. Si se le acaban las briquetas y pierde su fuego al cocinar, permita que la parrilla se enfríe por completo y efectúe el procedimiento descrito en Comprobación de Encendido de Briquetas.
 6. **¡PRECAUCIÓN!** Asegúrese de que el deflector de calor esté colocado correctamente en sus soportes de localización. Los bordes largos del deflector de calor deberían apuntar hacia abajo sobre el brasero. Si no está colocado correctamente, la llama y el calor directo podrían salir del brasero y producir un fuego de grasa en la parrilla.
 7. Al estimar los tiempos de cocción, la temperatura exterior es un factor importante. Si está caliente afuera, tomará menos tiempo cocinar la comida. Si está frío, húmedo o ventoso, tomará más tiempo.
 8. Después de seleccionar su temperatura de cocción (con la excepción de Ahumar) el taladro funcionará continuamente hasta que se alcance la temperatura. Luego, los controles encenderán y apagarán el taladro en ciclos para mantener la temperatura. Al operar en el modo Ahumar, el taladro se fija previamente en modo de fábrica en ciclos de 15 segundos encendido y 65 segundos apagado.
 9. **MONÓXIDO DE CARBONO**

¡ADVERTENCIA! Siga estas normas para evitar que este gas sin color y sin olor lo envenene a usted, su familia u otros.

- Conozca los síntomas de envenenamiento por monóxido de carbono: dolor de cabeza, mareo, debilidad, náuseas, vómitos, adormecimiento y confusión. El monóxido de carbono reduce la capacidad de la sangre para transportar oxígeno. Bajos niveles de oxígeno en la sangre pueden producir pérdida de la conciencia y la muerte.
- Acuda a un médico si usted u otros desarrollan síntomas parecidos al resfriado o la gripe mientras cocina o está cerca de esta parrilla. El envenenamiento por monóxido de carbono, que puede confundirse fácilmente con un resfriado o una gripe, con frecuencia se detecta demasiado

tarde.

- El consumo de alcohol y el uso de drogas incrementa los efectos del envenenamiento por monóxido de carbono. El monóxido de carbono es especialmente tóxico para la madre y el hijo durante el embarazo, los bebés, los fumadores y personas con problemas en la sangre o circulatorios, tales como anemia o enfermedad cardíaca.

10. INCENDIOS POR GRASA

¡PRECAUCIÓN! Los fuegos provocados por grasa normalmente son causados por no limpiar su bandeja recolectora de grasa y el tubo de drenaje de forma consistente.

En el caso improbable de un fuego por grasa mientras cocina, apague el interruptor de corriente (O) y mantenga la tapa del cilindro de la parrilla cerrada hasta que el fuego esté completamente apagado.

Nunca mantenga la tapa del cilindro de la parrilla abierta durante un fuego por grasa. Si el fuego no se apaga, abra brevemente la tapa del cilindro de la parrilla, rocíe ligeramente bicarbonato de sodio en el fuego y cierre de nuevo la tapa. **Tenga cuidado de no quemarse.**

Cuando el fuego se apaga y la parrilla está completamente fría, quite la hoja de aluminio vieja de la bandeja recolectora, límpiela y recubra con un nuevo papel de aluminio. Limpie cualquier acumulación de grasa del tubo de drenaje de grasa.

Mantenimiento

Creosota y grasa

Cuando las briquetas de madera se queman lentamente, producen alquitrán y otros vapores orgánicos que se combinan con la humedad expulsada para formar creosota. Los vapores de creosota se condensan en el escape de chimenea relativamente frío de un fuego que arde lentamente. Como resultado de ello, la creosota se acumula en el recubrimiento de la chimenea.

Al encenderse, la creosota hace un fuego extremadamente caliente. Las partículas de grasa transportadas por el aire viajarán a través de la cámara de cocción. Parte de esta grasa transportada por el aire se acumulará en el recubrimiento de la chimenea junto con la creosota, que podría contribuir a crear un fuego. La chimenea debería ser inspeccionada al menos dos veces al año para determinar cuándo ha ocurrido una acumulación de grasa o creosota.

Igualmente, las gotas de grasa de la comida caen sobre la bandeja recolectora de grasa y son canalizadas fuera de la parrilla a través del tubo de drenaje de grasa y se recolectan en la cubeta de grasa. La grasa se acumulará en todos estos sitios.

El drenaje de grasa, el tubo de drenaje de grasa y la cubeta de grasa se deberían inspeccionar al menos dos veces al año para detectar signos de acumulación de grasa. Cuando la creosota o grasa se ha acumulado, quítela para reducir el riesgo de incendio.

Limpiar la grasa de su parrilla:

¡ADVERTENCIA! Apague el interruptor (O) y desconecte el cable de corriente.

¡PRECAUCIÓN! La grasa acumulada es más fácil de limpiar cuando la parrilla todavía tiene calor, pero no está caliente.

Tenga cuidado de no quemarse. Lleve siempre puestos guantes de protección.

Cada cierto tiempo, limpie la grasa de la bandeja de drenaje y el tubo de drenaje de grasa. Si se permite acumular mucha grasa en el tubo de drenaje de grasa, o se permite que tapone el tubo de drenaje de grasa, puede producirse un fuego por grasa.

Quite la rejilla de cocción, la rejilla de calentamiento, la bandeja recolectora de grasa y el deflector de calor. Limpie los residuos de grasa restantes dentro de la estructura de la parrilla con toallitas de papel o trapos desechables. Las toallitas de papel o los trapos desechables también se pueden usar para limpiar parte de la grasa de las superficies internas de la parrilla.

Recubra su cubeta de grasa con papel de aluminio para facilitar la limpieza. Vacíela ocasionalmente, dependiendo de la cantidad de uso. Cambie el papel de aluminio en la bandeja recolectora de grasa con frecuencia (a veces después de cada uso, dependiendo de lo que se cocinó). El papel de aluminio limpio hará que la comida sepa mejor y reduce el riesgo de fuego por grasa.

Limpieza de las superficies exteriores

¡ADVERTENCIA! Apague el interruptor (O) y desconecte el cable de corriente.

Use un paño o trapo desechable, mojado con agua jabonosa tibia para limpiar la grasa del exterior de la parrilla. NO use un limpiador para hornos, limpiadores abrasivos o paños de limpieza abrasivos en las superficies exteriores de la parrilla.

Almacenamiento exterior

¡PRECAUCIÓN! Si la parrilla se guarda afuera durante la temporada de lluvias, se debe tener cuidado de que el agua no entre en la tolva de briquetas. Las briquetas de madera, cuando están mojadas, se expanden mucho y atascan el taladro. Una cubierta de parrilla para proteger la parrilla se recomienda mucho.

Limpie la rejilla de cocción y la rejilla de calentamiento **¡PRECAUCIÓN!** La limpieza de la rejilla de cocción y la rejilla de calentamiento funciona mejor mientras todavía conservan calor, pero no están calientes. Tenga cuidado de no quemarse.

Mantenga un cepillo de limpieza de mango largo cerca de la parrilla. Después de quitar su comida,

cepille rápidamente la parrilla de porcelana. Solo toma un minuto y estará lista la próxima vez que desee usar la parrilla.

Limpieza de las cenizas dentro y fuera del brasero **¡ADVERTENCIA!** Apague el interruptor (O) y desconecte el cable de corriente. Asegúrese de que la parrilla esté fría antes de limpiar las cenizas. Elimine las cenizas únicamente de acuerdo con las siguientes instrucciones.

El exceso de cenizas en el brasero puede hacer que se apague el fuego, especialmente al Ahumar. El brasero debería ser inspeccionado ocasionalmente, y

limpiado para quitar la acumulación de cenizas. De nuevo, limpie las cenizas dentro y fuera del brasero únicamente cuando la parrilla esté fría.

Quite la rejilla de cocción, la rejilla de calentamiento, la bandeja recolectora de grasa y el deflector de calor para acceder al brasero y el interior de la parrilla. Gran parte de las cenizas fuera del brasero se pueden barrer hacia el área abierta a la derecha del brasero usando una pequeña escobilla. Se puede quitar de la parrilla con una pala pequeña de metal para chimeneas u otra herramienta similar, o con aspiradora. Lea las siguientes instrucciones para aspirar.

Quitar las cenizas con aspiradora

¡PRECAUCIÓN! Una aspiradora es la mejor forma de quitar las cenizas del brasero, pero hágalo con extremo cuidado para evitar el riesgo de incendio. De nuevo, limpie las cenizas del brasero únicamente cuando la parrilla esté fría.

Una aspiradora utilitaria, que tenga un depósito para recolectar metal sin una bolsa es mejor para esta tarea. Sin embargo, casi cualquier aspiradora puede usarse si se sigue el siguiente procedimiento.

- Si su aspiradora es un modelo sin bolsa, vacíe cualquier residuo previamente acumulado de la cámara de recolección de la aspiradora. Luego, aspire las cenizas del interior del brasero. Una vez que el brasero esté limpio, vacíe la cámara de recolección dentro del recipiente de metal que se describe a continuación sin demora. Asegúrese de que no queden cenizas en la cámara de recolección.
- Si su aspiradora es un modelo que usa una bolsa desechable, instale una sin usar en la máquina. Luego, aspire las cenizas del interior del brasero. Una vez que el brasero esté limpio, quite la bolsa de la aspiradora y colóquela en el recipiente de metal que se describe a continuación sin demora.

Eliminación de las cenizas

¡ADVERTENCIA! Coloque las cenizas en un recipiente de metal con una tapa de ajuste hermético. El recipiente cerrado de cenizas se debe colocar en un suelo no combustible o sobre la tierra, muy alejado de todos los materiales combustibles, hasta su eliminación final.

Cuando las cenizas se eliminan enterrándolas en el suelo o se dispersan localmente, se deben conservar en el recipiente cerrado hasta que todos los cilindros se hayan enfriado completamente.

PREGUNTAS FRECUENTES

¿POR QUÉ NO SE ENCIENDE MI PARRILLA?

Verifique la corriente en la toma de corriente. Si el cable de corriente está conectado a un GFI (Interruptor de falla de conexión a tierra), compruebe y reinicie si hace falta. Inicie el arranque de la parrilla.

Si todavía no hay corriente, el fusible de 15 amp del panel de control puede estar quemado. Para cambiar el fusible:

1. **¡ADVERTENCIA!** Apague el interruptor (O) y desconecte el cable de corriente.
2. Desatornille y quite los dos tornillos que fijan el panel de control a la parte frontal de la tolva.
3. Lleve el panel de control hacia delante y hacia fuera para exponer el tablero de circuito en la parte posterior. El portafusible está en la parte derecha inferior.
4. Quite la tapa del portafusible. El fusible se inserta en la parte inferior de la tapa.
5. Saque el fusible viejo de la tapa y sustitúyalo por un fusible nuevo de 15 amp.
6. Fije de nuevo la tapa del portafusible.
7. Reinstale el panel de control.

¿POR QUÉ NO SE ENCIENDE MI PARRILLA?

Vea la sección Procedimiento de Encendido Inicial en esta Guía de Uso y Cuidados.

¿POR QUÉ NO ESTÁN ENTRANDO LAS BRIQUETAS AL BRASERO?

Vea la sección Procedimiento de Encendido Inicial de esta Guía de Uso y Cuidados.

¿CÓMO QUITO EL TALADRO SI SE ATASCA?

¡ADVERTENCIA! Apague el interruptor (O) y desconecte el cable de corriente.

¡PRECAUCIÓN! Si la parrilla todavía está caliente, permita que se enfríe por completo.

1. Quite cualquier cubierta necesaria para acceder al motor de accionamiento del taladro. **Vea la lista de piezas y el diagrama de detalles de la tolva y el quemador en esta Guía de Uso y Cuidados.**
2. Quite el tornillo que conecta el eje del motor de accionamiento del taladro con el eje del taladro y el tornillo que retiene el buje del taladro en las carcasas del taladro.
3. Con una llave de tubo pequeña o con tenazas de fijación en el eje del taladro, gire el taladro en sentido antihorario. Se pondrá

duro hasta que se libere, luego el taladro girará libremente.

4. Quite el taladro y limpie todas las briquetas, cenizas u objetos extraños del taladro, la carcasa del taladro y el brasero. Lea las instrucciones para el manejo apropiado y eliminación de las cenizas.
5. Lije las superficies exteriores del taladro con papel de lija áspero medio. Compruebe el interior de la carcasa del taladro y lije si hace falta. Aspire los residuos de lijar de la carcasa del taladro y el brasero al finalizar. Compruebe que el taladro rote libremente.
6. Fije de nuevo el eje del taladro al eje del motor de accionamiento del taladro.

¿POR QUÉ EL FUEGO DE MI PARRILLA SE APAGA EN MODO AHUMAR?

Puede haber un exceso de cenizas en el brasero que se deben limpiar. Vea la sección Procedimiento de Encendido Inicial de esta Guía de Uso y Cuidados.

GARANTÍA LIMITADA DE KENMORE

DURANTE UN AÑO desde la fecha de venta, este aparato tiene garantía contra defectos en material o mano de obra.

CON PRUEBA DE VENTA, un aparato defectuoso recibirá una reparación gratuita o sustitución a opción del vendedor. Para detalles de cobertura de garantía para obtener una reparación o reemplazo gratuitos, visite la página web:

www.kenmore.com/warranty

Toda la cobertura de la garantía excluye pérdida de pintura de las piezas de la parrilla, descoloración u oxidación de la superficie, que son condiciones que pueden ser resultado del uso normal, accidente o mantenimiento inapropiado.

Toda la cobertura de la garantía es nula si este aparato se usa para otro fin distinto a uso como aparato privado.

Esta garantía cubre ÚNICAMENTE defectos en material y mano de obra, y NO pagará por:

1. Elementos reemplazables que se pueden desgastar por el uso normal dentro del periodo de garantía, incluyendo pero no limitado a baterías, bombillas de base atornillada y acabados o recubrimientos de superficie.
2. Un técnico de servicio para limpiar o mantener este aparato, o para dar instrucciones al usuario en la correcta instalación, operación y mantenimiento del aparato.
3. Llamadas de servicio para corregir la instalación del aparato no efectuadas por agentes de servicio autorizado de Sears, o para reparar problemas con fusibles del hogar, interruptores de circuito, cables y fontanería o sistemas de suministro de gas que resulten de esta instalación.
4. Daños o fallas de este aparato que resulten de la instalación no efectuada por agentes de servicio autorizado de Sears, incluyendo la instalación que no se hizo de acuerdo con los códigos eléctricos, de gas o fontanería.
5. Daños o fallas de este aparato, incluyendo descoloración u oxidación de la superficie, si no se opera y se mantiene correctamente según todas las instrucciones suministradas.
6. Daños o falla de este aparato, incluyendo descoloración u oxidación de la superficie, que resulte de accidentes, alteración, abuso, uso indebido o uso para un propósito distinto al planeado.
7. Daños o falla de este aparato, incluyendo descoloración u oxidación de la superficie, causados por el uso de detergentes, limpiadores, químicos o utensilios distintos a los recomendados en todas las instrucciones suministradas con el producto
8. Daños o falla de este aparato que resulte de catástrofe natural u otra catástrofe, tal como inundación, incendio o tormenta.
9. Daños o falla de las piezas o sistemas que resulten de modificaciones no autorizadas hechas a este aparato.
10. Servicio a un aparato si el modelo y la placa serial están ausentes, alterados o no se puede determinar fácilmente que tiene el logotipo de certificación apropiado.

Renuncia de responsabilidad de garantías implícitas; limitación de recursos

El único y exclusivo recurso del Cliente bajo esta garantía limitada será la reparación o reemplazo del producto según se estipula aquí. Las garantías implícitas, incluso garantías de comercialización y aptitud para un fin particular, están limitadas a un año o el periodo más corto permitido por la ley. El vendedor no será responsable por daños inherentes o indirectos. Algunos estados no permiten la exclusión o limitación de daños inherentes o indirectos, o limitación sobre la duración de garantías implícitas de comercialización o aptitud, así que estas exclusiones o limitaciones pueden no aplicarse a usted.

Esta garantía se aplica únicamente mientras este aparato se use en los Estados Unidos.

Esta garantía le da a usted derechos legales específicos, y usted también puede tener otros derechos que pueden variar de un estado a otro.

Sears Brands Management Corporation, Hoffman Estates, IL 60179

Kenmore®

Customer Care Hotline

To schedule in-home repair service
or order replacement parts

Para pedir servicio de reparación
a domicilio, y ordenar piezas

1-844-553-6667

www.kenmore.com

