

# Installation Manual

## Installation and Appliance Setup

**INSTALLER:** Leave this manual with party responsible for use and operation.

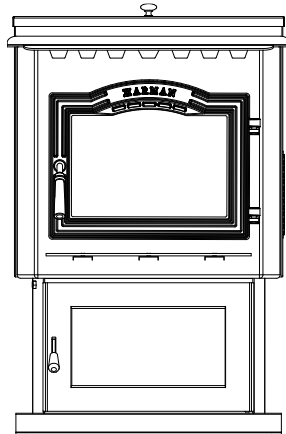
**OWNER:** Retain this manual for future reference.

**NOTICE: SAVE THESE INSTRUCTIONS**

# HARMAN®

**BUILT TO A STANDARD, NOT A PRICE**

**Model(s):**  
**P43-C, P61-C & P68-C**  
**Freestanding Pellet Stove**



### **WARNING**



**Please read this entire manual before installation and use of this pellet fuel-burning room heater.**

**Failure to follow these instructions could result in property damage, bodily injury or even death.**

- Do not store or use gasoline or other flammable vapors and liquids in the vicinity of this or any other appliance.
- Do not overfire - If any external part starts to glow, you are overfiring. Reduce feed rate. Overfiring will void your warranty.
- Comply with all minimum clearances to combustibles as specified. Failure to comply may cause house fire.

### **WARNING**



#### **HOT SURFACES!**

Glass and other surfaces are hot during operation AND cool down.

**Hot glass will cause burns.**

- Do not touch glass until it is cooled
  - NEVER allow children to touch glass
  - Keep children away
  - CAREFULLY SUPERVISE children in same room as stove.
  - Alert children and adults to hazards of high temperatures.
- High temperatures may ignite clothing or other flammable materials.**
- Keep clothing, furniture, draperies and other flammable materials away.

### **CAUTION**

Check building codes prior to installation.

- Installation MUST comply with local, regional, state and national codes and regulations.
- Contact local building or fire officials about restrictions and installation inspection requirements in your area.

### **NOTE**

To obtain a French translation of this manual, please contact your dealer or visit [www.harmanstoves.com](http://www.harmanstoves.com)

Pour obtenir une traduction française de ce manuel, s'il vous plaît contacter votre revendeur ou visitez [www.harmanstoves.com](http://www.harmanstoves.com)

## ▲ Safety Alert Key:

- **DANGER!** Indicates a hazardous situation which, if not avoided will result in death or serious injury.
- **WARNING!** Indicates a hazardous situation which, if not avoided could result in death or serious injury.
- **CAUTION!** Indicates a hazardous situation which, if not avoided, could result in minor or moderate injury.
- **NOTICE:** Indicates practices which may cause damage to the stove or to property.

## TABLE OF CONTENTS

Installation Standard Work Checklist . . . . . 3

### 1 Product Specific and Important Safety Information

A. Appliance Certification . . . . .	4
B. Glass Specifications . . . . .	4
C. Mobile Home Approvals . . . . .	4
D. California Safety Information . . . . .	4
E. BTU Specifications . . . . .	5
F. Non-Combustible Materials Specification . . . . .	5
G. Combustible Materials Specification . . . . .	5
H. Electrical Codes . . . . .	5

### 2 Getting Started

A. Design and Installation Considerations . . . . .	6
B. Tools and Supplies Needed . . . . .	7
C. Inspect Appliance and Components . . . . .	7

### 3 Framing and Clearances

A. Appliance Dimension Diagram . . . . .	8
→ B. Clearances to Combustibles . . . . .	9
C. Floor Protection . . . . .	10
D. Mobile Home Installation . . . . .	10

### 4 Termination Location and Vent Information

A. Vent Termination Minimum Clearances . . . . .	11
B. Chimney Diagram . . . . .	15
C. Venting & Use of Elbows . . . . .	16
D. Outside Air . . . . .	18
E. Locating Your Appliance and Chimney . . . . .	19
F. Draft . . . . .	19
G. Negative Pressure . . . . .	19
H. Avoiding Smoke & Odors . . . . .	20
I. Fire Safety . . . . .	21
J. Inspect Appliance & Components . . . . .	21

### 5 Appliance Setup

A. Unpacking . . . . .	22
B. Removing Rear Cover Panels . . . . .	22
C. Firebrick . . . . .	22
D. Flame Guide . . . . .	22
E. Room Sensor . . . . .	23
F. Low Draft Voltage Adjustment . . . . .	23

### 6 Reference Materials

A. Safety Reminders . . . . .	24
B. Wiring Diagram . . . . .	25

→ = Contains updated information


# Installation Standard Work Checklist

## ATTENTION INSTALLER: Follow this Standard Work Checklist

This standard work checklist is to be used by the installer in conjunction with, not instead of, the instructions contained in this installation manual.

Customer: \_\_\_\_\_  
 Lot/Address: \_\_\_\_\_  
 Model: \_\_\_\_\_

Date Installed: \_\_\_\_\_  
 Location of Stove: \_\_\_\_\_  
 Installer: \_\_\_\_\_  
 Dealer/Distributor Ph #: \_\_\_\_\_  
 Serial Number: \_\_\_\_\_

 **WARNING! Risk of Fire or Explosion! Failure to install appliance to these instructions can lead to a fire or explosion.**

### Appliance Install Section 3

Required non-combustible floor protection	<input type="checkbox"/>	IF NO, WHY? _____
Verified clearances to combustible.	<input type="checkbox"/>	_____
Unit is Leveled and secured.	<input type="checkbox"/>	_____

### Venting/Chimney Section 4

Venting Configuration complies to vent diagrams.	<input type="checkbox"/>	_____
Venting installed, sealed and secured in place with proper clearances.	<input type="checkbox"/>	_____
Exterior wall/roof flashing installed and sealed	<input type="checkbox"/>	_____
Terminations installed and sealed.	<input type="checkbox"/>	_____

### Electrical Section 1

120 VAC unswitched power provided to the appliance.	<input type="checkbox"/>	_____
Check outlet with multi-meter for proper voltage. (115-120 VAC) Record voltage reading: _____	<input type="checkbox"/>	_____

### Appliance Setup Section 5

All packaging and protective materials are removed	<input type="checkbox"/>	_____
Accessories installed properly	<input type="checkbox"/>	_____
Manual bag and all it's contents are removed from inside the appliance and given to party responsible for use and operation	<input type="checkbox"/>	_____
Started appliance and verified that all motors and blowers operate as they should.	<input type="checkbox"/>	_____
Checked draft using a Manometer. Record readings: _____	<input type="checkbox"/>	_____

Hearth and Home Technologies recommends the following:  
 Photographing the installation and copying this checklist for your file.  
 This checklist remain visible at all times on the appliance until the installation is complete.

Comments: Further description of the issues, who is responsible (Installer/Builder/Other Trades, etc.) and corrective action needed \_\_\_\_\_

Comments communicated to party responsible \_\_\_\_\_ by \_\_\_\_\_ on \_\_\_\_\_  
 (Builder / Gen Contractor) (Installer) (Date)

# 1 Product Specific and Important Safety Information

## A. Appliance Certification

<b>MODEL:</b>	P43-C Pellet Stove
<b>LABORATORY:</b>	OMNI Test Laboratories, Inc
<b>REPORT NO.</b>	0135PS023E / 0135PS023S
<b>TYPE:</b>	Pellet Fueled/Supplementary For Residential Use
<b>STANDARD(s):</b>	ASTM E 1509-04, ULC-S627-00, ASTM E 2515-11, ASTM E 2779-10

<b>MODEL:</b>	P61-C Pellet Stove
<b>LABORATORY:</b>	OMNI Test Laboratories, Inc
<b>REPORT NO.</b>	0135PS022E / 0135PS022S
<b>TYPE:</b>	Pellet Fueled/Supplementary For Residential Use
<b>STANDARD(s):</b>	ASTM E 1509-04, ULC-S627-00, ASTM E 2515-11, ASTM E 2779-10

<b>MODEL:</b>	P68-C Pellet Stove
<b>LABORATORY:</b>	OMNI Test Laboratories, Inc
<b>REPORT NO.</b>	0135PS013E / 0135PS013S
<b>TYPE:</b>	Pellet Fueled/Supplementary For Residential Use
<b>STANDARD(s):</b>	ASTM E 1509-04, ULC-S627-00, ASTM E 2515-11, ASTM E 2779-10

**NOTE:** This installation must conform with local codes. In the absence of local codes you must comply with the **ASTM E1509-2004, ULC-S627-00, ULC/ORD-C-1482-M1990, (UM) 84-HUD**

The P43-C, P61-C and P68-C is Certified to comply with 2020 particulate emission standards.



## B. Glass Specifications

This appliance is equipped with 5mm mirrored ceramic glass. Replace glass only with 5mm ceramic glass. Please contact your dealer for replacement glass.

## C. Mobile Home Approved

This appliance is approved for mobile home installations when not installed in a sleeping room and when an outside combustion air inlet is provided.

The structural integrity of the mobile home floor, ceiling, and walls must be maintained. The appliance must be properly grounded to the frame of the mobile home and use only listed pellet vent, Class "PL" connector pipe.

A Harman® Outside Air Kit must be installed in a mobile home installation.



### WARNING

**THE STRUCTURAL INTEGRITY OF THE MANUFACTURED HOME FLOOR, WALL, AND CEILING/ROOF MUST BE MAINTAINED.**

**DO NOT INSTALL IN SLEEPING ROOM.**

## D. California Safety Information



### WARNING

This product and the fuels used to operate this product (wood), and the products of combustion of such fuels, can expose you to chemicals including carbon black, which is known to the State of California to cause cancer, and carbon monoxide, which is known to the State of California to cause birth defects or other reproductive harm. For more information go to: [www.P65Warnings.ca.gov](http://www.P65Warnings.ca.gov)

## E. BTU & Efficiency Specifications

### P43-C Freestanding Pellet Stove:

<b>EPA Certification Number:</b>	165-18
<b>EPA Certified Emissions:</b>	.95 g/hr
<b>*LHV Tested Efficiency:</b>	83.5%
<b>**HHV Tested Efficiency:</b>	77.9%
<b>***EPA BTU Output:</b>	16,600 - 30,900
<b>****BTU Input:</b>	17,200 - 43,500
<b>Vent Size:</b>	3 Inch
<b>Hopper Capacity:</b>	50 lbs
<b>Fuel</b>	Wood Pellet

### P61-C Freestanding Pellet Stove:

<b>EPA Certification Number:</b>	177-19
<b>EPA Certified Emissions:</b>	1.5 g/hr
<b>*LHV Tested Efficiency:</b>	85%
<b>**HHV Tested Efficiency:</b>	79%
<b>***EPA BTU Output:</b>	17,100 - 46,800
<b>****BTU Input:</b>	21,400 - 60,700
<b>Vent Size:</b>	3 Inch
<b>Hopper Capacity:</b>	72 lbs
<b>Fuel</b>	Wood Pellet

### P68-C Freestanding Pellet Stove:

<b>EPA Certification Number:</b>	178-19
<b>EPA Certified Emissions:</b>	1.4 g/hr
<b>*LHV Tested Efficiency:</b>	85%
<b>**HHV Tested Efficiency:</b>	79.5%
<b>***EPA BTU Output:</b>	15,900 - 53,100
<b>****BTU Input:</b>	20,200 - 67,600
<b>Vent Size:</b>	3 Inch
<b>Hopper Capacity:</b>	76 lbs
<b>Fuel</b>	Wood Pellet

\* Weighted average LHV efficiency using data collected during EPA emissions test.

\*\*Weighted average HHV efficiency using data collected during EPA emissions test.

\*\*\*A range of BTU outputs based on EPA Default Efficiency and the burn rates from the low and high EPA tests.

\*\*\*\*Based on the maximum feed rate per hour multiplied by approximately 8,600 BTU's which is the average BTU's from a pound of pellets.

This wood heater needs periodic inspection and repair for proper operation. It is against federal regulations to operate this wood heater in a manner inconsistent with operating instructions in this manual.

## F. Non-Combustible Materials Specification

Material which will not ignite and burn. Such materials are those consisting entirely of steel, iron, brick, tile, concrete, slate, glass or plasters, or any combination thereof.

Materials that are reported as passing **ASTM E 136, Standard Test Method for Behavior of Materials in a Vertical Tube Furnace at 750° C** and **UL763** shall be considered non-combustible materials.

## G. Combustible Materials Specification

Materials made of or surfaced with wood, compressed paper, plant fibers, plastics, or other material that can ignite and burn, whether flame proofed or not, or plastered or unplastered shall be considered combustible materials.

## H. Electrical Codes

120 VAC, 60 Hz, Start 4.2 Amps, Run 2.8 Amps

**NOTE: Some generator or battery back-up systems may not be compatible with the micro-processor electronics on this appliance. Please consult the power supply manufacturer for compatible systems.**

**WARNING! Risk of Fire!** Hearth & Home Technologies disclaims any responsibility for, and the warranty and agency listing will be voided by the below actions.

### DO NOT:

- Install or operate damaged appliance
- Modify appliance
- Install other than as instructed by Hearth & Home Technologies
- Operate the appliance without fully assembling all components
- Overfire
- Install any component not approved by Hearth & Home Technologies
- Install parts or components not Listed or approved.
- Disable safety switches

Improper installation, adjustment, alteration, service or maintenance can cause injury or property damage.

For assistance or additional information, consult a qualified installer, service agency or your dealer.

**NOTE:** Hearth & Home Technologies, manufacturer of this appliance, reserves the right to alter its products, their specifications and/or price without notice.

Harman® is a registered trademark of Hearth & Home Technologies.

# 2 Getting Started

## A. Design and Installation Considerations

### 1. Appliance Location

**NOTICE:** Check building codes prior to installation.

- Installation MUST comply with local, regional, state and national codes and regulations.
- Consult insurance carrier, local building inspector, fire officials or authorities having jurisdiction over restrictions, installation inspection and permits.

It is a good idea to plan your installation on paper, using exact measurements for clearances and floor protection, before actually beginning the installation

Consideration must be given to:

- Safety, convenience, traffic flow
- Placement of the chimney and chimney connector.
- If you are not using an existing chimney, place the appliance where there will be a clear passage for a factory-built listed chimney through the ceiling and roof.
- Installing an optional outside air kit would affect the location of the vent termination.

Since pellet exhaust can contain ash, soot or sparks, you must consider the location of:

- Windows
- Air Intakes
- Air Conditioner
- Overhang, soffits, porch roofs, adjacent walls
- Landscaping, vegetation

When locating vent and venting termination, vent above roof line when possible.

**Warning! Risk of Fire** Damaged parts could impair safe operation. Do NOT install damaged, incomplete or substitute components.

**NOTICE:** Locating the appliance in a location of considerable air movement can cause intermittent smoke spillage from appliance. Do not locate appliance near:

- Frequently open doors
- Central heat outlets or returns

Installation and service of this appliance should be performed by qualified personnel. Hearth & Home Technologies recommends HHT Factory Trained or NFI certified professionals.

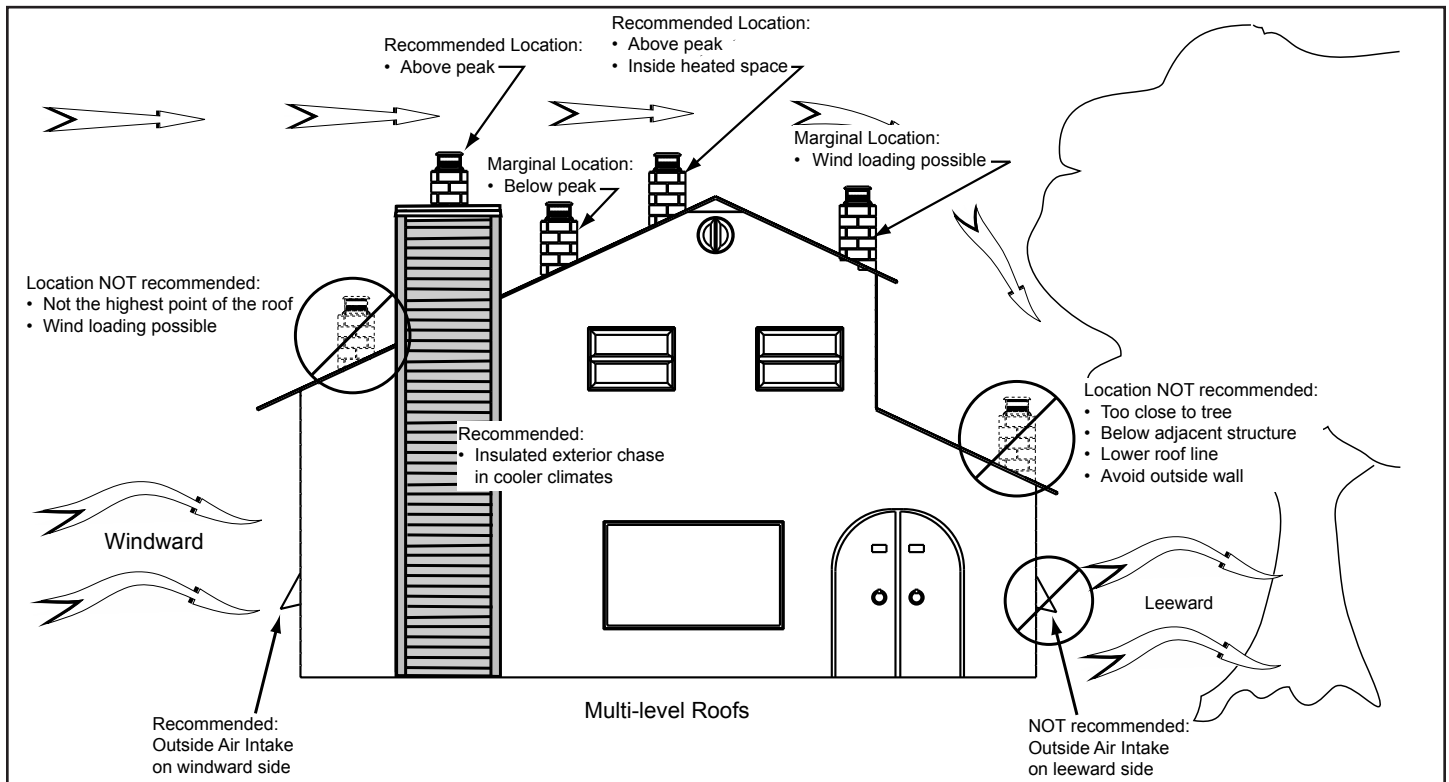


Figure 2.1

## B. Tools And Supplies Needed

Tools and building supplies normally required for installation, unless installing into an existing masonry fireplace:

Reciprocating Saw	Gloves
Hammer	Safety Glasses
Phillips Screwdriver	Electric Drill & Bits
Tape Measure	
Level	<u>May also need:</u>
Non-Combustible Sealant Material	Vent Support Straps
	Venting Paint

## C. Inspect Appliance and Components

- Carefully remove the appliance and components from the packaging.
- The vent system components and decorative doors and fronts may be shipped in separate packages.
- Report to your dealer any parts damaged in shipment, particularly the condition of the glass.
- **Read all of the instructions before starting the installation. Follow these instructions carefully during the installation to ensure maximum safety and benefit.**



### WARNING

**RISK OF FIRE OR EXPLOSION! Damaged parts could impair safe operation. DO NOT install damaged, incomplete or substitute components. Keep appliance dry.**

Hearth & Home Technologies disclaims any responsibility for, and the warranty will be voided by the following actions:

- Installation and use of any damaged appliance or vent system component.
- Modification of the appliance or vent system.
- Installation other than as instructed by Hearth & Home Technologies.
- Installation and/or use of any component part not approved by Hearth & Home Technologies.

**Any such action may cause a fire hazard.**



### WARNING

**Risk of Fire, Explosion or Electric Shock! DO NOT use this appliance if any part has been under water. Call a qualified service technician to inspect the appliance and to replace any part of the control system which has been under water.**

### INSTALL EXHAUST VENT AT CLEARANCES SPECIFIED BY THE MANUFACTURER.

Most pellet vent pipe requires a minimum of 1" of clearance to combustible materials although some can be installed at 1" clearance.

Follow these instructions along with all local codes regarding installation of this appliance.

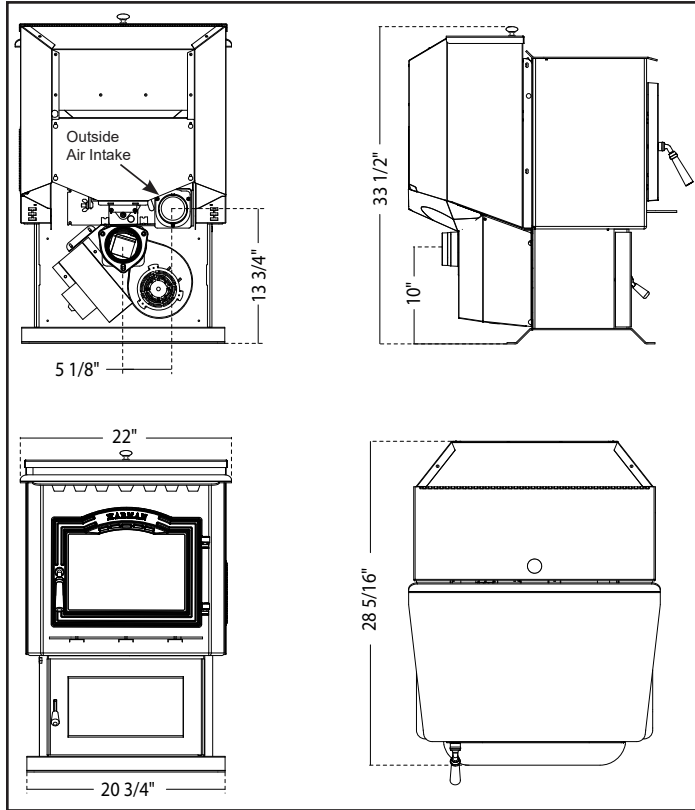
Do **NOT** use makeshift compromises when installing this appliance, serious consequences may result.

# 3 Clearances

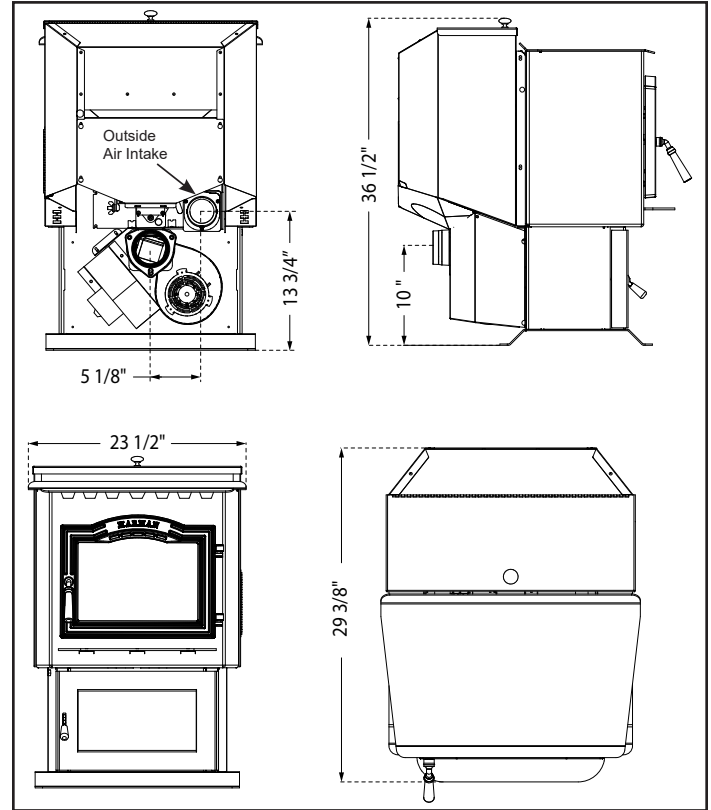
## A. Appliance Dimension Diagram

Dimensions are actual appliance dimensions. Use for reference only.

### P43-C Freestanding Pellet Stove



### P61-C Freestanding Pellet Stove



### P68-C Freestanding Pellet Stove

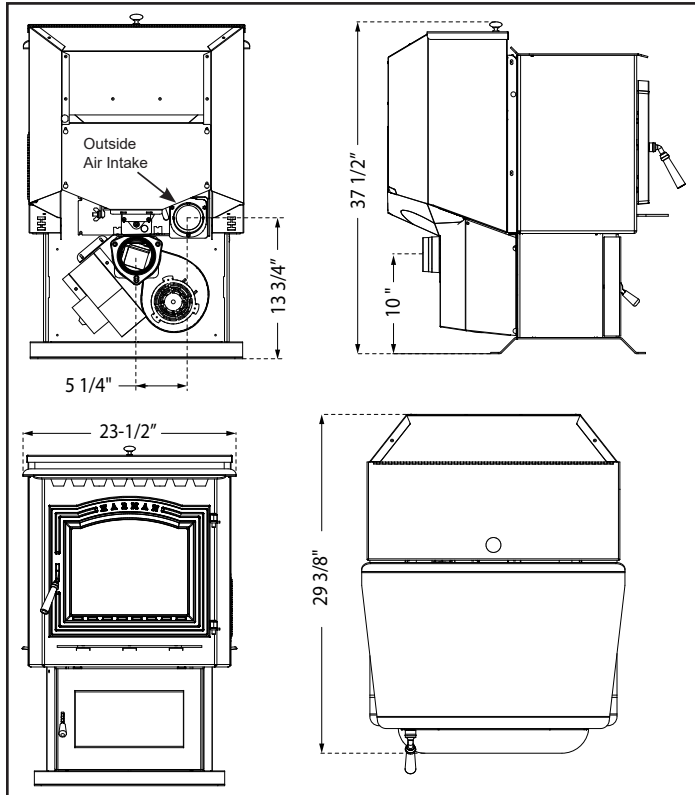


Figure 3.1

## B. Clearances to Combustibles

When selecting a location for the appliance it is important to consider the required clearances to walls, Figure 3.2.

**⚠ WARNING**

**RISK OF FIRE OR BURNS! Provide adequate clearance around air openings and for service access. Due to high temperatures, the appliance should be located out of traffic and away from furniture and draperies.**

**⚠ CAUTION**

**THIS APPLIANCE MUST BE VENTED TO THE OUTSIDE.**

**NOTICE:** Illustrations reflect typical installations and are FOR DESIGN PURPOSES ONLY. Actual installation may vary due to individual design preference.

Place the stove away from combustible walls at least as far as shown in Figure 3.2. Please note the difference in side wall clearance with and without side shields.

Note that the clearances shown are minimum for safety but do not leave much room for access when cleaning or servicing. Please take this into account when placing the stove.

Due to high temperatures, the stove should be placed out of traffic and away from furniture and draperies.

Children and adults should be alerted to the hazards of high surface temperatures and should stay away to avoid burns to skin and/or clothing.

Young children should be carefully supervised when they are in the same room as the stove.

Clothing and other flammable materials should not be placed on or near this unit.

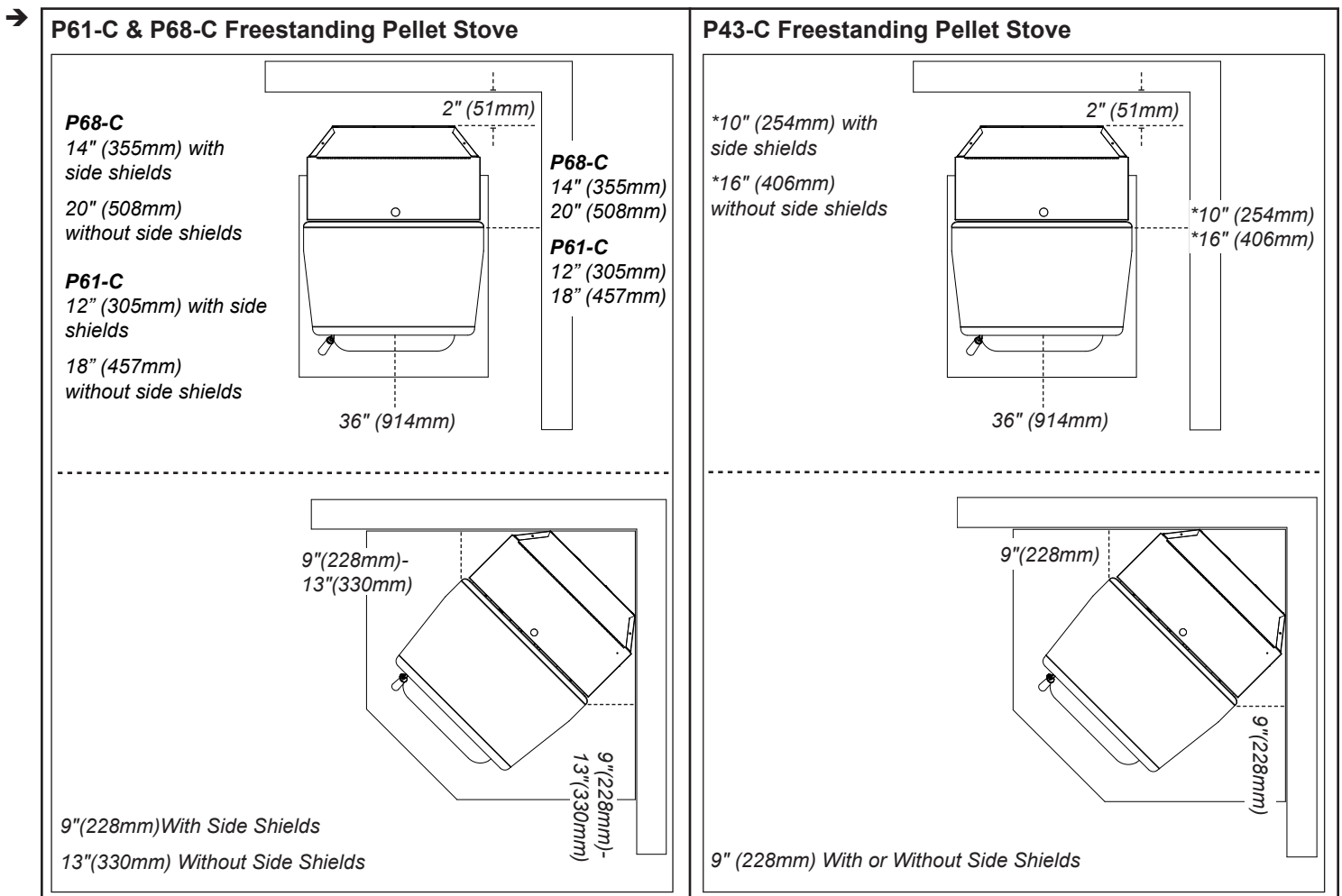


Figure 3.2

## C. Floor Protection



### CAUTION

Hearth and Home Technologies does not recommend adhesive based vinyl flooring due to thermal expansion. Floating-style flooring (LVP - luxury vinyl plank or LVT - luxury vinyl tile) can be used, but it will reach temperatures up to 110 °F in a room with ambient temperature of 70 °F. Consult flooring specifications to ensure compatibility.

When using LVP/LVT flooring, pellet stove and inserts require 29 inches of alternative flooring in front of the stove or insert before using LVP/LVT (luxury vinyl plank/tile flooring). Whether the stove or insert sits flush on the floor or is elevated on a raised hearth, 29 inches of alternative flooring is required in front of the stove or insert.

For all other flooring, continue to follow clearance to combustible requirements in the installation manual.

**NOTICE:** Clearances that do not meet the minimum guidelines could result in damage or buckling to the vinyl flooring and is done at the installer's risk.

### Parallel Installation:

Place the stove on a noncombustible type floor or floor protector that extends a minimum of 6 inches (152mm) to the front of the load door opening, 6 inches (152mm) to the sides of the door opening, and 6 inches to the rear.

The P-Series does not require R value floor protection.

The minimum floor protector material is 20 gauge sheet metal. Other floor protector materials that can be used include Type I hearth pads, ceramic tile, stone, brick, etc. Figure 3.3

\*Floor protection dimensions for the front and sides are measured from the appliance door opening in The United States. In Canada, the side dimension is measured from the widest part of the appliance.

**P43-C** - Minimum size rectangular floor protection is 25-7/16" Wide by 26-3/4" Deep (646mm X 680mm).

**P61-C** - Minimum size rectangular floor protection is 25-1/8" Wide by 27-3/4" Deep (638mm X 705mm).

**P68-C** - Minimum size rectangular floor protection is 25-3/16" Wide by 27-3/4" Deep (640mm X 705mm).

### Venting:

**US** - Follow PL vent manufacturers recommendations when configuring vent pipe installation.

**Canada** - Must extend 2" (51mm) beyond each side of any horizontal flue pipe.

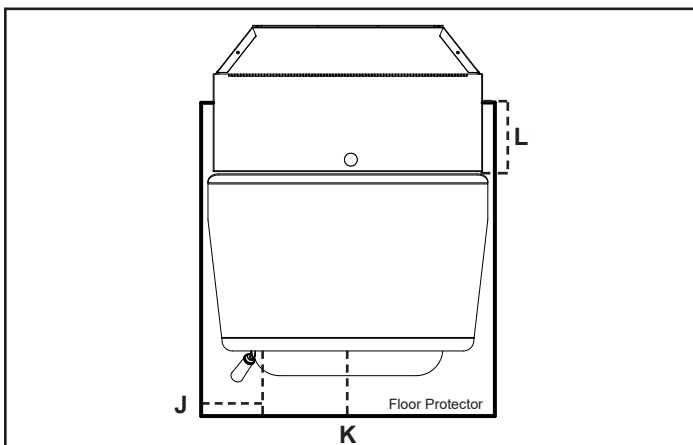


Figure 3.3

Floor Protection Requirements		US	Canada
J	Sides	6"	152mm
K	Front	6"	152mm
L	Rear	6"	152mm

### Corner Installation:

Minimum size floor protection for a corner installation hearth pad is:

**P43-C** - Minimum size floor protection is 25-7/16" Wide by 26-3/4" Deep (646mm X 680mm).

**P61-C** - Minimum size floor protection is 25-1/8" Wide by 27-3/4" Deep (638mm X 705mm).

**P68-C** - Minimum size floor protection is 25-3/16" Wide by 27-3/4" Deep (640mm X 705mm).

**Note:** Floor protector **WILL NOT** touch the wall using minimum clearances.

If corner floor protection is desired to touch the wall, the floor protection will need to be at least 40" x 40" (1016mm x 1016mm). **Note:** This will allow the floor protection to touch the wall as shown. Figure 3.4.

Alternate floor protector dimension may be used as long as they satisfy the measurement requirements shown below.

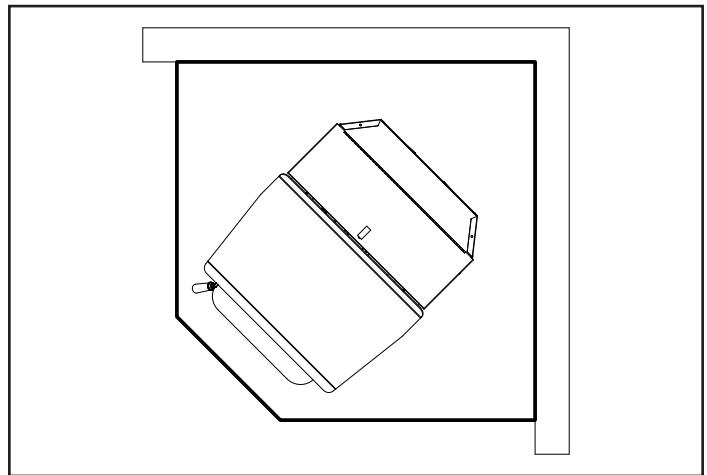


Figure 3.4

## D. Mobile Home Installation

When installing this unit in a mobile home, several requirements must be followed:

1. The unit must be bolted to the floor. This can be done using an appropriate fastener for the application.
2. The unit must also be connected to outside air. See "Termination Location and Vent Information" Section D.
3. Floor protection and clearances must be followed as shown.
4. The appliance must be properly grounded to the frame of the mobile home using a minimum of 8 AWG copper solid or stranded, insulated or bare wire or equivalent.

# 4 Termination Location and Vent Information

## A. Vent Termination Minimum Clearances

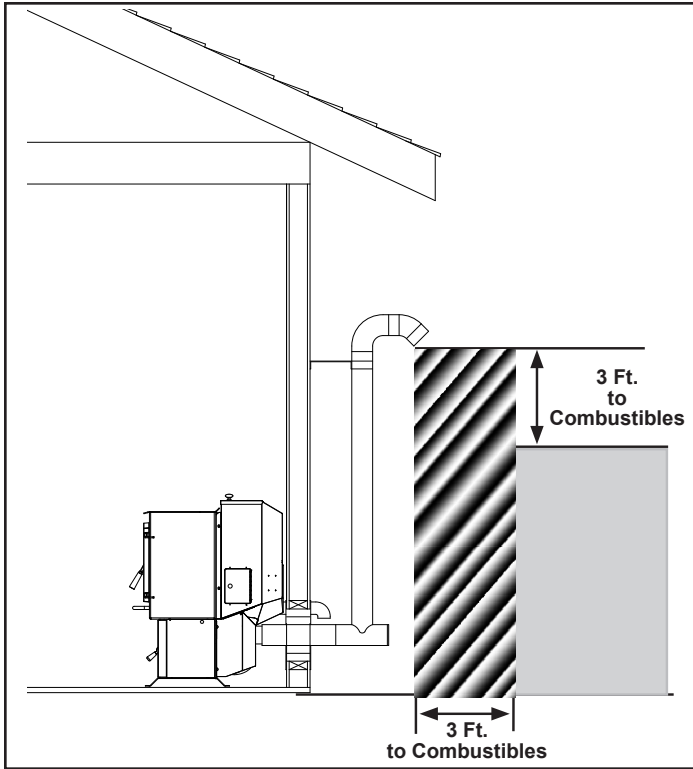


Figure 4.1

**Note:** Follow venting manufacturer's recommendations for sealing pipe joints.

### #1 Preferred method (Figure 4.1)

This method provides excellent venting for normal operation and allows the stove to be installed closest to the wall. Two inches from the wall is safe; however, four inches allows better access to remove the rear panel. The vertical portion of the vent should be three to five feet high. This vertical section will help provide natural draft in the event of a power failure.

**Do not place joints within wall pass-through.**

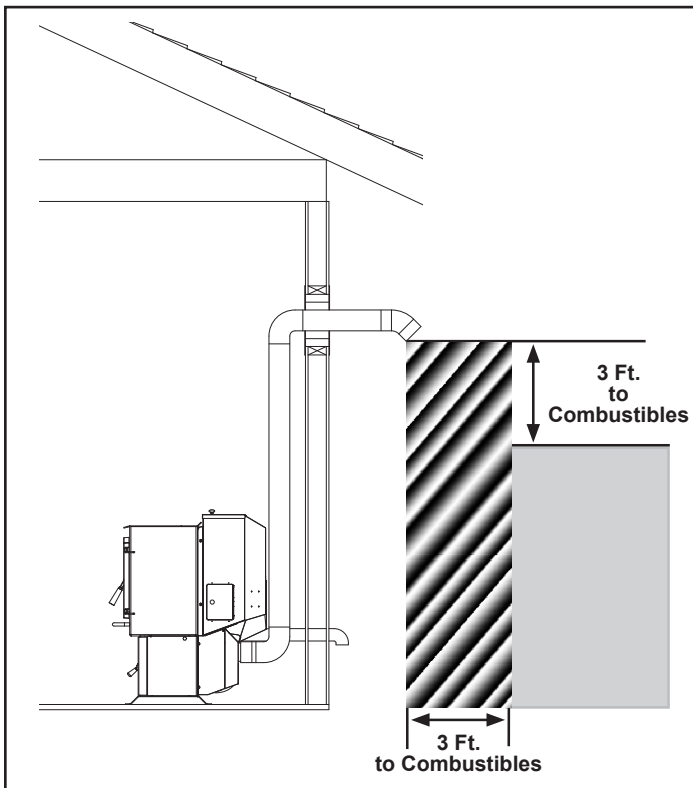



Figure 4.2

### #2 Preferred method (Figure 4.2)

This method also provides excellent venting for normal operation but requires the stove to be installed farther from the wall. The vertical portion of the vent should be three to five feet high and at least 1" from a combustible wall. This vertical section will provide natural draft in the event of a power failure.

If the stove is installed below grade be sure the vent termination is at least 12" above grade. The outlet must also be 1 foot from the house/building.

**Do not place joints within wall pass-through.**

 <b>CAUTION</b>
<b>Keep combustible materials (such as grass, leaves, etc.) at least 3 feet away from the flue outlet on the outside of the building.</b>

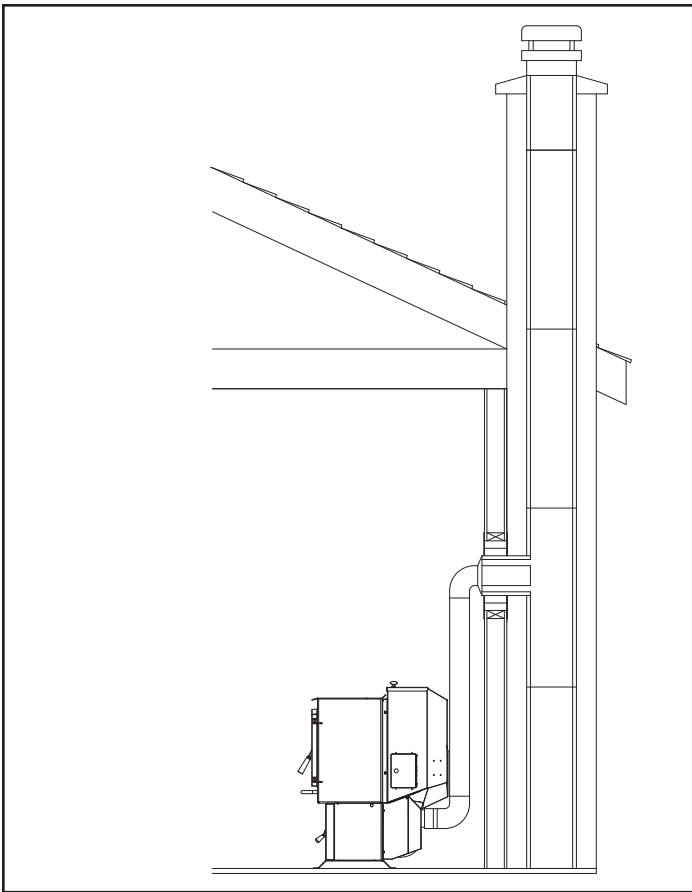


Figure 4.3

### #3 Installing into an existing chimney (Figure 4.3)

This method provides excellent venting for normal operation. This method also provides natural draft in the event of a power failure. If the chimney condition is questionable\* you may want to install a liner as in method #7.

In some places in the US and Canada it is required that the vent pipe extend all the way to the top of the chimney.

\*The chimney should be inspected and cleaned before installing your stove. If you discover that the chimney does not have a clay tile liner or has cracks or flaking of the tile liner you will need to install a stainless steel liner within the chimney. In most cases the inside diameter of this liner should be 4". Either flexible or rigid liner may be used for this purpose. Refer to Method 6 & 7.

Be sure to design the venting so that it can be easily cleaned.

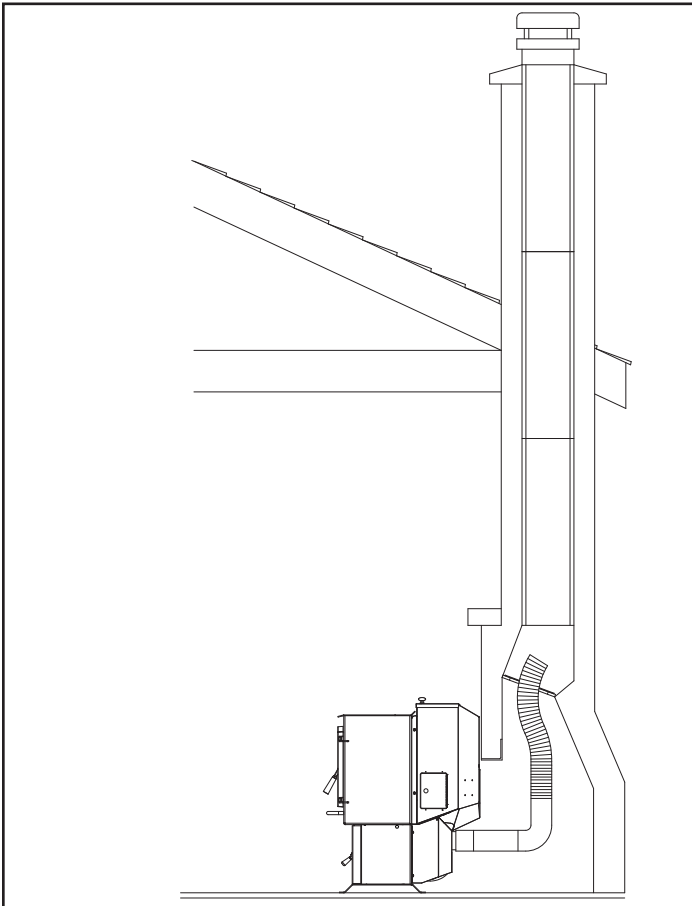


Figure 4.4

### #4 Installing into an existing fireplace chimney (Figure 4.4)

This method provides excellent venting for normal operation. This method also provides natural draft in the event of a power failure. If the chimney condition is questionable\* you may want to install a liner as in method #6.

In some places in the US and Canada it is required that the vent pipe extend all the way to the top of the chimney.

\*The chimney should be inspected and cleaned before installing your stove. If you discover that the chimney does not have a clay tile liner or has cracks or flaking of the tile liner you will need to install a stainless steel liner within the chimney. In most cases the inside diameter of this liner should be 4". Either flexible or rigid liner may be used for this purpose. Refer to Method 5 & 6.

The chimney should be sealed at the damper using a steel plate. Kaowool, mineral wool or an equivalent non-combustible insulation is recommended to be installed on top of the sealing plate to reduce the possibility of condensation. The connector pipe should extend through the smoke chamber to the base or into the first flue tile.

Be sure to design the venting so that it can be easily cleaned.

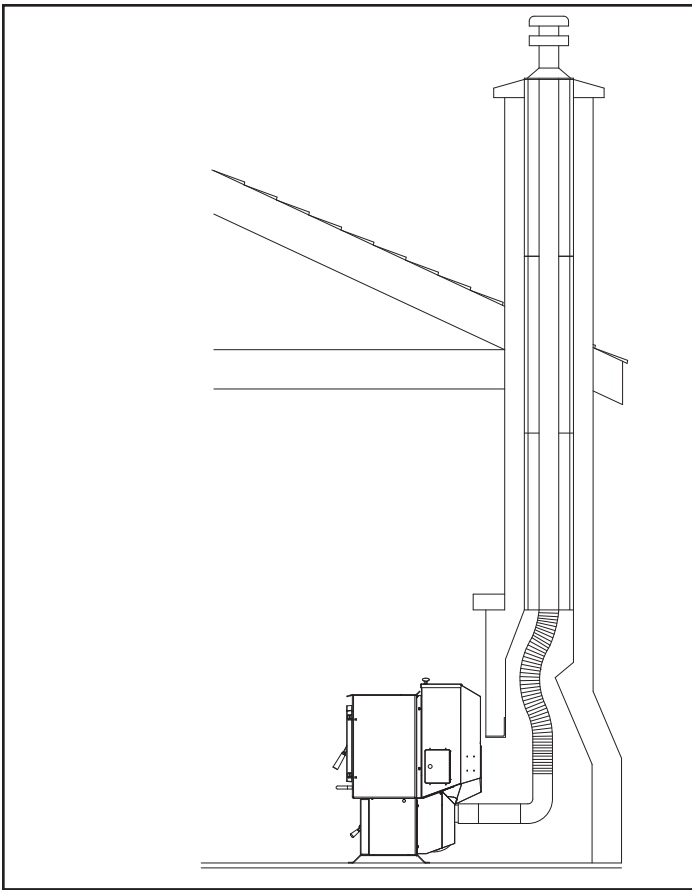


Figure 4.5

**#5 Installing into an existing fireplace chimney (Figure 4.5) w/Full Liner**

This method provides excellent venting for normal operation. This method also provides natural draft in the event of a power failure.

In some places in the US and Canada it is required that the vent pipe extend all the way to the top of the chimney. The pipe or liner inside the chimney should be 4" diameter.

In this method a cap should also be installed on the chimney to keep out rain. Be sure to use approved pellet vent pipe fittings. Pipe size should be increased to 4" using this method.

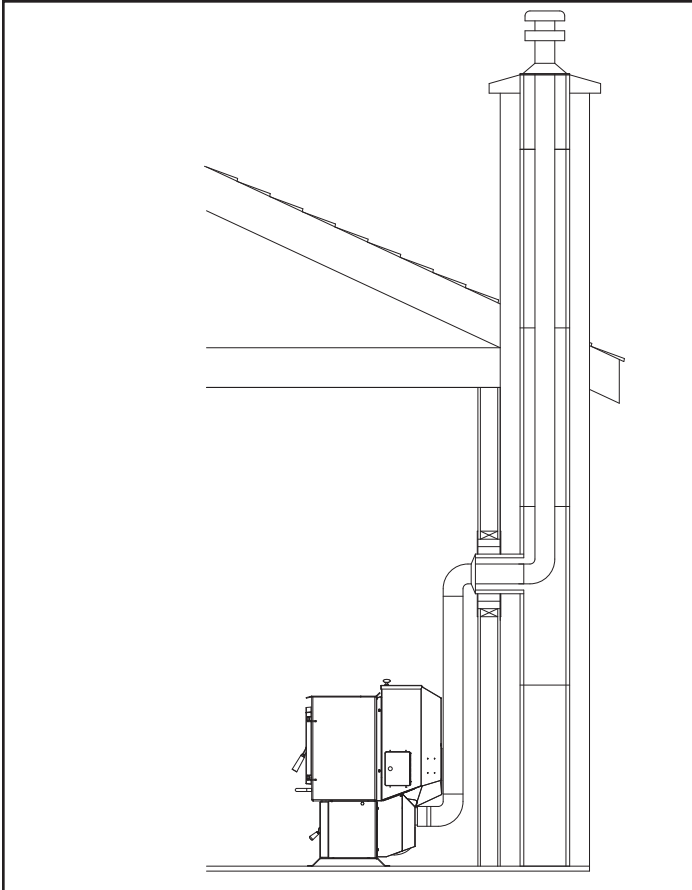


Figure 4.6

**#6 Installing into an existing chimney (Figure 4.6) w/Full liner**

This method provides excellent venting for normal operation. This method also provides natural draft in the event of a power failure.

In some places in the US and Canada it is required that the vent pipe extend all the way to the top of the chimney. The pipe or liner inside the chimney should be 4" diameter.

In this method a cap should also be installed on the chimney to keep out rain.

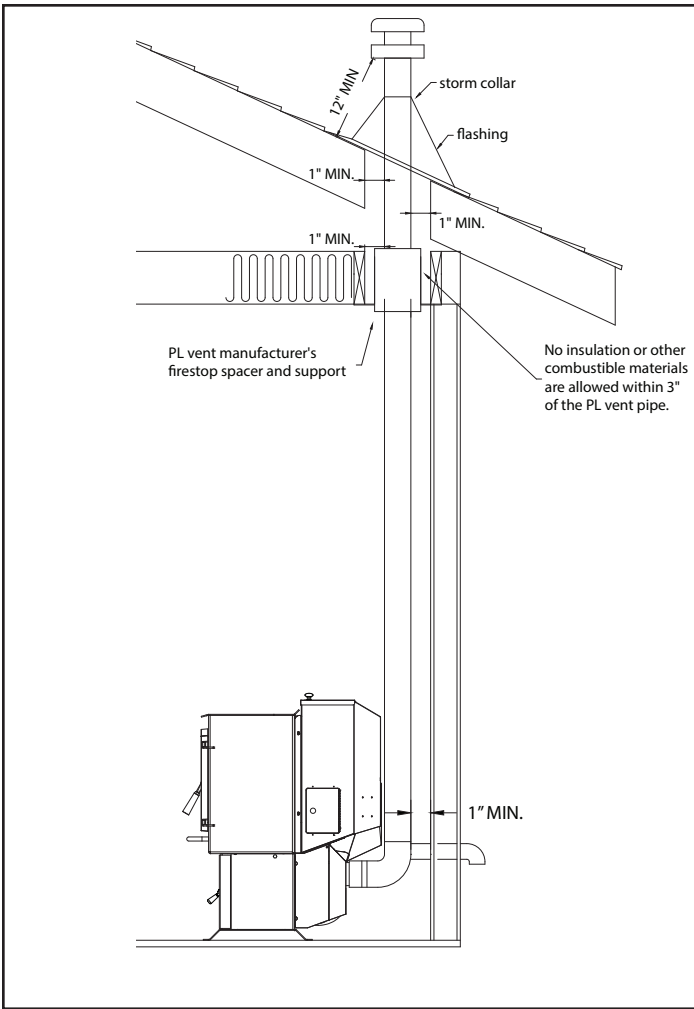


Figure 4.7

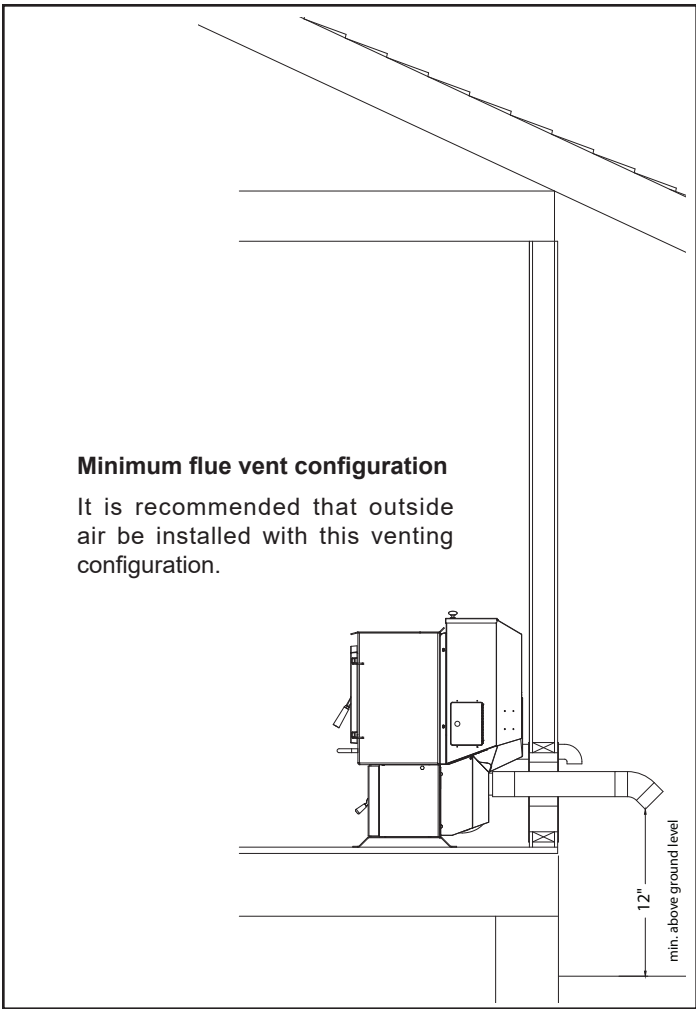


Figure 4.8

**#7 Installing through the ceiling**

Through the ceiling vent, follow PL vent manufacturers recommendations when using wall and ceiling pass through.

**Do not place joints within wall pass-through.**

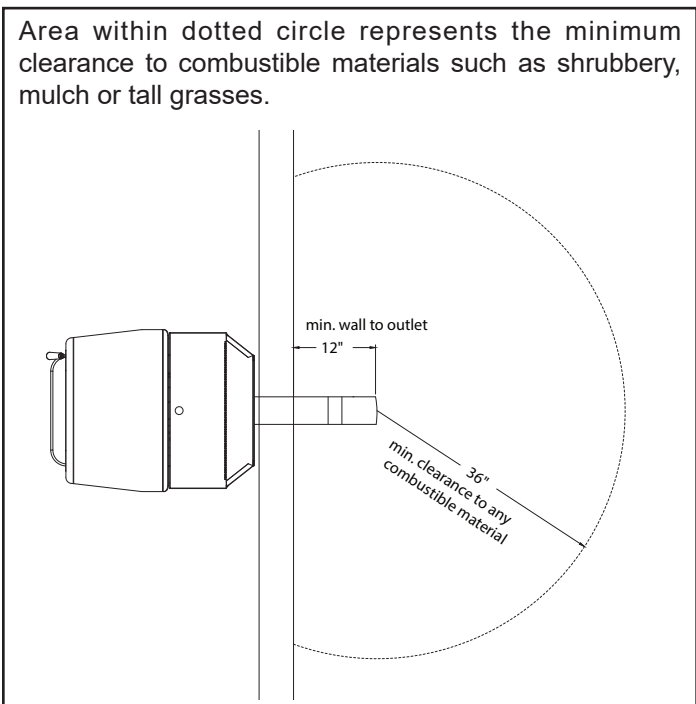


Figure 4.9

## B. Chimney Diagram

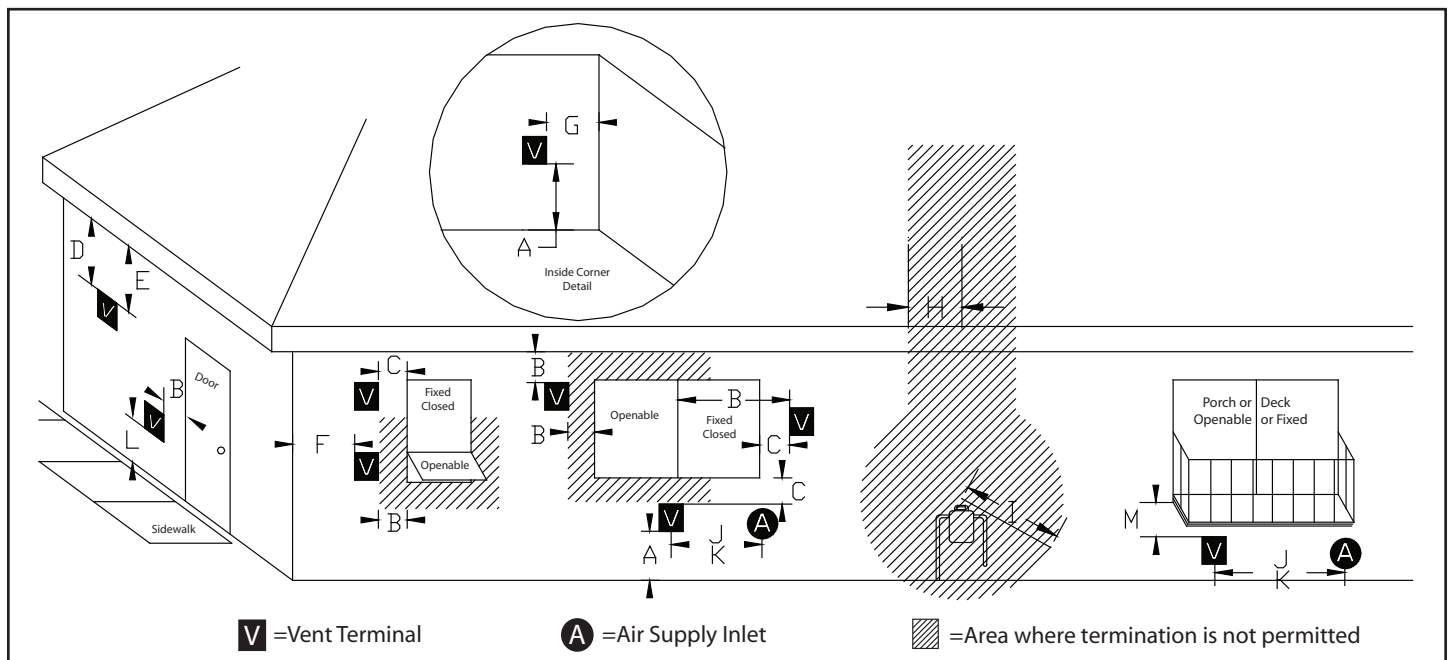


Figure 4.10

### Requirements for Terminating the Venting

- Venting terminals must not be recessed into a wall or siding.
- Only PL vent pipe wall pass-through and fire stops should be used when venting through combustible materials.
- Always take into consideration the effect the prevailing wind direction or other wind currents will cause with flyash and /or smoke when placing the termination.

### In addition, the following must be observed:

- The clearance above grade must be a minimum of 12".
- The clearance to a window or door that may be opened must be a minimum of 48" to the side and 48" below the window/door, and 12" above the window/door. **(with outside air installed, 12" to side and below)**
- A 12" clearance to a permanently closed window is recommended to prevent condensation on the window.
- The vertical clearance to a ventilated soffit located above the terminal within a horizontal distance of 2 feet (60 cm) from the center-line of the terminal must be a minimum of 18".
- The clearance to an unventilated soffit must be a minimum of 12".
- The clearance to an outside corner is 11" from center of pipe.
- The clearance to an inside corner is 12".
- A vent must not be installed within 3 feet (90 cm) above a gas meter/regulator assembly when measured from the horizontal center-line of the regulator.

- The clearance to service regulator vent outlet must be a minimum of 6 feet.
- The clearance to a non-mechanical air supply inlet to the building or the combustion air inlet to any other appliance must be a minimum of 48".
- The clearance to a mechanical air supply inlet must be a minimum of 10 feet. **(with outside air installed, 6 feet)**
- The clearance above a paved sidewalk or a paved driveway located on public property must be a minimum of 7 feet.
- The clearance under a veranda, porch, deck or balcony must be a minimum of 12 inches. **(B. also)**

**Note: The clearance to vegetation and other exterior combustibles such as mulch is 36" as measured from the center of the outlet or cap. This 36" radius continues to grade.**

Certain Canadian and or Local codes or regulations may require different clearances.

A vent shall not terminate directly above a side-walk or paved driveway which is located between two single family dwellings and serves both dwellings.

Only permitted if veranda, porch, deck, or balcony is fully open on a minimum of 2 sides beneath the floor.

**See NFPA 211 for more installation clearance reductions when using outside air. Where passage through a wall, or partition of combustible construction is desired, the installation shall conform to CAN/CSA-B365. (if in Canada)**

## C. Venting & Use of Elbows

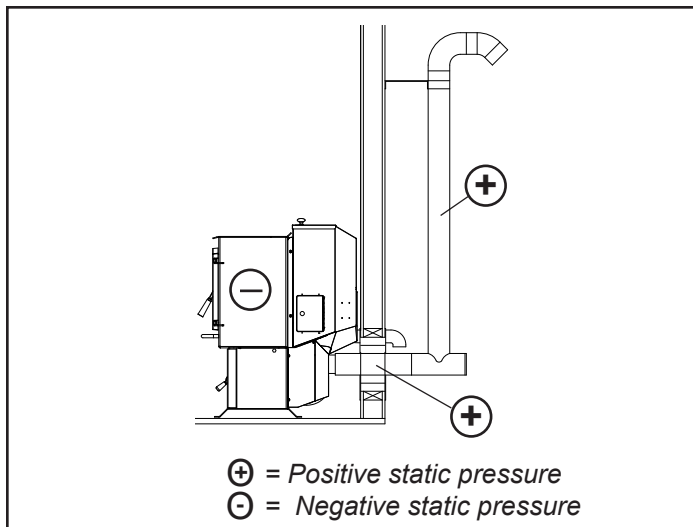


Figure 4.11

Harman pellet stoves depend on a combustion fan to pull air through the unit for combustion. The venting system restricts the ability of the combustion fan to move the required amount of air through the unit. A system with too much resistance will result in incomplete combustion, more frequent required cleaning and poor unit performance. It is always best to choose a location for the appliance that will result in a venting system with the shortest equivalent vent length (EVL).

It is best to have your venting system designed by a Harman authorized dealer before you finalize your purchase of an appliance.

**Equivalent Vent Length:** *The equivalent vent length for common pellet vent components are:*

- 90° Elbows or Tee: 5 EVL Units
- 45° elbow: 3 EVL Units
- Vertical Pipe or Liner: ½ EVL Unit
- Horizontal Pipe or liner: 1 EVL Unit

**The total allowable equivalent vent length is:**

- 20 EVL for 3" pellet vent pipe or liner
- 30 EVL for 4" pellet vent pipe or liner

Due to the potential for fly ash accumulation in horizontal venting sections, the maximum permissible horizontal venting length is:

- 4 ft. for 3" & 4" pellet vent pipe.

### Example: First Floor Installation

A unit is to be installed using 3" Pellet Pipe with 3 feet of horizontal pipe, a Tee, 10 feet of vertical pipe, a 90° elbow and a termination cap.

***The equivalent vent length is:***

3 ft. of Horizontal Pipe (1 x 3 EVL)	= 3 EVL
90° Elbow or Tee (1 x EVL)	= 5 EVL
10 ft. of Vertical Pipe (10 x .5 EVL)	= 5 EVL
90° Elbow or Tee (1 x EVL)	= 5 EVL
<u>Termination Cap</u>	<u>= 0 EVL</u>
<b>Equivalent Vent Length</b>	<b>= 18 EVL</b>

In the example system detailed above, the EVL was 138 which is less than the maximum of 20 EVL for 3" pellet vent pipe, thus this is a satisfactory venting configuration.

### Example: Connection to Masonry Chimney

A unit is to be installed using 3" Pellet Pipe with 2 feet of horizontal pipe, a Tee, 4 feet of vertical pipe, an elbow, a Tee, 21 feet of vertical liner, and a termination cap.

***The equivalent vent length is:***

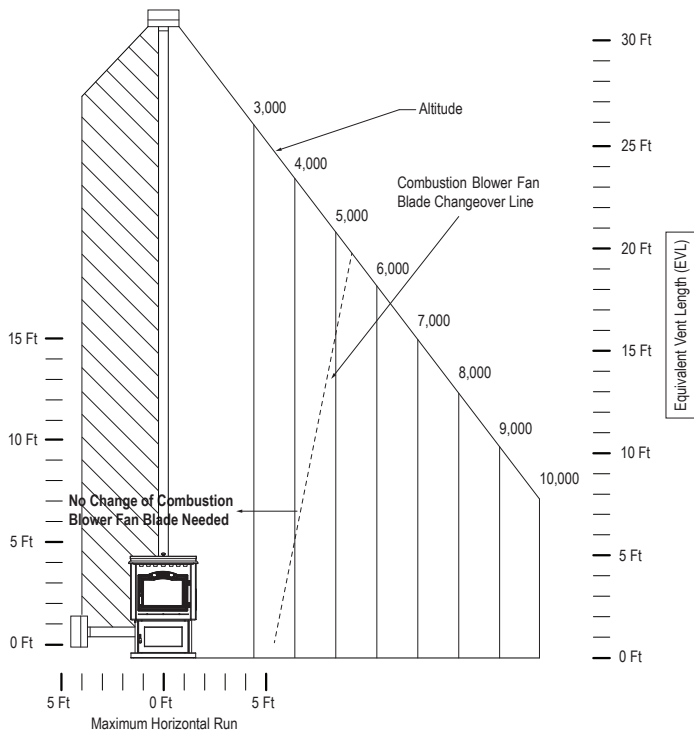
2 ft. of Horizontal Pipe (1 x 2 EVL)	= 2 EVL
90° Tee (1 x 5 EVL)	= 5 EVL
4 ft. of Vertical Pipe (4 x .5 EVL)	= 2 EVL
90° Elbow (1 x 5 EVL)	= 5 EVL
90° Tee (1 x 5 EVL)	= 5 EVL
21 ft. of Vertical Liner (21 x .5 EVL)	= 10.5 EVL
<u>Termination Cap</u>	<u>= 0 EVL</u>
<b>Equivalent Vent Length</b>	<b>= 29.5 EVL</b>

In the example system detailed above, the EVL was 29.5 which exceeds the maximum of 20 ft. for 3" pellet vent pipe, thus 3" vent pipe should not be used in this installation. However, since 4" pipe can support an EVL up to 30, the use of 4" pipe would create a satisfactory installation.

## C. Venting & Use of Elbows *continued*

**Note:** When the amount of vertical pellet vent pipe in the system exceeds 15 feet, 4" pellet vent pipe should be used.

**Note:** Equivalent Venting Length decreases as altitude increases.



### Example:

A unit with an EVL of 13, is to be installed at an altitude of 3,000 feet above sea level.

From the chart to the left, at 3,000 feet of altitude, the maximum permissible equivalent venting length is 26 feet. Therefore this would be an acceptable installation with no need to change the combustion blower fan.

However, if the same unit (EVL 13) was to be installed an altitude of 9,000 feet above sea level, the installation would no longer be acceptable and the equivalent vent length of the pipe would have to be reduced for proper unit operation.

- Long runs of flex or PL vent pipe installed directly vertical from the flue stub may require more frequent cleaning due to fly ash falling off inside and collecting directly above the combustion blower outlet.
- 4" stainless steel flex vent piping is only allowed for use in masonry fireplaces and chimneys or factory built wood-burning fireplaces with Class A metal chimneys.
- All pellet vent pipe must be secured together either by means provided by pipe manufacturer or by 3 screws at each joint.
- Use only the specified venting components. Use of any other components will void the product warranty and may pose a hazard.
- Do Not Install a Flue Damper In The Exhaust Venting System of This Appliance.
- DO NOT CONNECT THIS UNIT TO A CHIMNEY FLUE SERVING ANOTHER APPLIANCE.
- **NOTE:** Simpson DuraVent PelletVent Pro Harman®Adapter Part #3PVP-ADHB and PelletVent Pro Harman®Adapter Inceaser Part #3PVPX4ADHB are highly recommended to be installed on the starter collar to insure a proper pipe connection to the unit.
- **INSTALL VENT AT CLEARANCES SPECIFIED BY THE VENT MANUFACTURER**
- Use silicone to create an effective vapor barrier at the location where the chimney or outside air ducting passes through to the exterior of the structure

## D. Outside Air

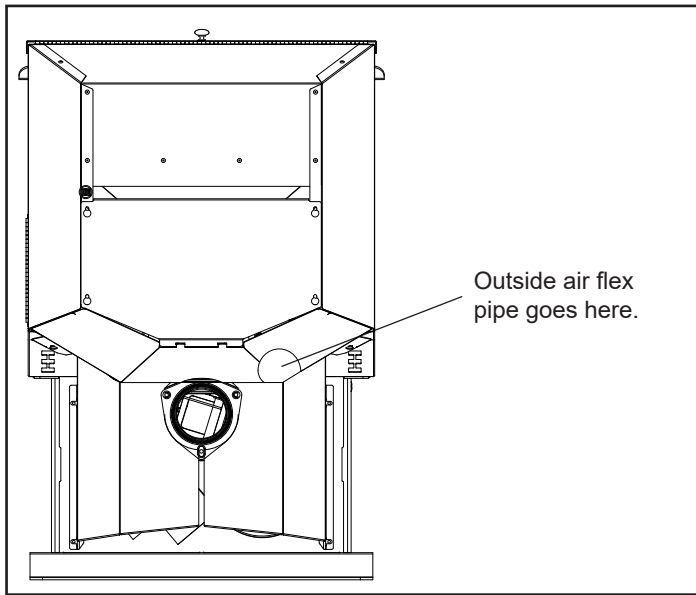


Figure 4.12

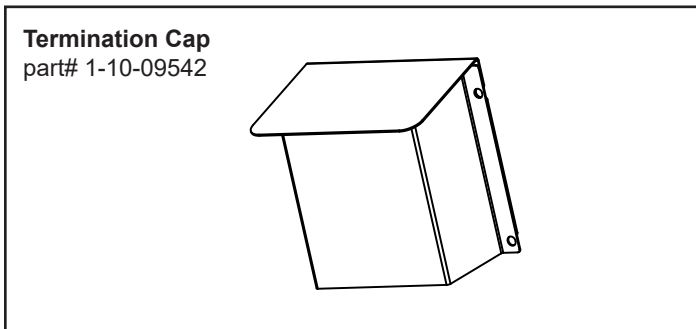


Figure 4.13

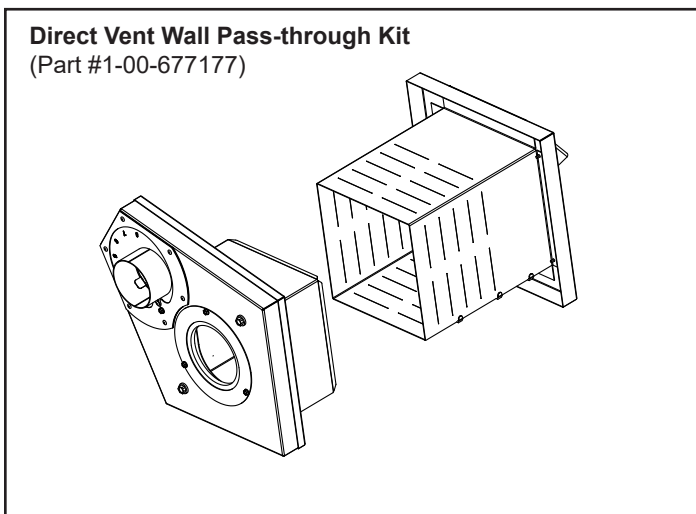


Figure 4.14

### Outside Air:

**Hearth & Home Technologies recommend attaching outside air in all installations, especially lower level and main floor locations.**

Per national building codes, consideration must be given to combustion air supply to all combustion appliances. Failure to supply adequate combustion air for all appliance demands, may lead to back-drafting of those and other appliances.

When the appliance is side-wall vented: The air intake is best located on the same exterior wall as the exhaust vent outlet and located lower on the wall than the exhaust vent outlet.

When the appliance is roof vented: The air intake is best located on the exterior wall oriented towards the prevailing wind direction during the heating season.

The outside air connection will supply the demands of the pellet appliance, but consideration must be given to the total house demand. House demand may consume some air needed for the stove, especially during a power failure. It may be necessary to add additional ventilation to the space in which the pellet appliance is located. Consult with your local HVAC professional to determine the ventilation demands for your house.

To install outside air use 3". non-combustible flex pipe Figure 4.13. There is a break-away hole on the rear panel of the P-Series stove which must be removed before connecting the flex pipe. Figure 4.12. The pipe should be run outside and terminate to the side or below the vent pipe outlet so the flue outlet is more than 12" from the inlet cover. The Termination Cap should be used to keep birds, rodents, etc. out of the pipe Figure 4.13.

You may choose to use the optional Direct Vent Wall Pass-through Kit which incorporates the venting pass-through and outside air inlet into one component. Figure 4.14.

**Use silicone to create an effective vapor barrier at the location where the chimney or outside air ducting passes through to the exterior of the structure.**

## E. Locating Your Appliance & Chimney

Location of the appliance and chimney will affect performance.

- Install through the warm airspace enclosed by the building envelope. This helps to produce more draft, especially during lighting and die-down of the fire.
- Penetrate the highest part of the roof. This minimizes the effects of wind loading.
- Locate termination cap away from trees, adjacent structures, uneven roof lines and other obstructions.
- Minimize the use of chimney offsets.
- Consider the appliance location relative to floor and ceiling and attic joists.



### CAUTION

- DO NOT CONNECT THIS UNIT TO A CHIMNEY FLUE SERVICING ANOTHER APPLIANCE.
- DO NOT CONNECT TO ANY AIR DISTRIBUTION DUCT OR SYSTEM.

May allow flue gases to enter the house

## F. Draft

Draft is the pressure difference needed to vent appliances successfully. When an appliance is drafting successfully, all combustion by products are exiting the home through the chimney.

Considerations for successful draft include:

- Preventing negative pressure
- Location of appliance and chimney

To measure the draft or negative pressure on your appliance use a manahelic or a digital pressure gauge capable of reading 0 - 1 inches of water column (W.C.).

The appliance should be running on high for at least 15 minutes for the test.

With the stove running on high you should have a negative pressure equal to or greater than the number given in the chart below. If you have a lower reading than you find on the chart, your appliance does not have adequate draft to burn the fuel properly.

<b>Minimum Vacuum Requirements:</b>	<b>.35 - .55</b>
-------------------------------------	------------------

Prior to installing the flue pipe, connect a draft meter. (The draft meter must have a minimum range of 0 - .5") Record the first reading. Connect flue pipe to stove and be sure all doors and windows in the home are closed. Record the second draft reading \_\_\_\_\_. If the second reading is more than .05" lower than the first reading, check for possible restrictions or the need for outside air. For more information on the draft test procedure, refer to Page 21

## G. Negative Pressure



### WARNING

**Risk of Asphyxiation!** Negative pressure can cause spillage of combustion fumes and soot.

Negative pressure results from the imbalance of air available for the appliance to operate properly. It can be strongest in lower levels of the house.

Causes include:

- Exhaust fans (kitchen, bath, etc.)
- Range hoods
- Combustion air requirements for furnaces, water heaters and other combustion appliances
- Clothes dryers
- Location of return-air vents to furnace or air conditioning
- Imbalances of the HVAC air handling system
- Upper level air leaks such as:
  - Recessed lighting
  - Attic hatch
  - Duct leaks

To minimize the effects of negative air pressure:

- Install the outside air kit with the intake facing prevailing winds during the heating season
- Ensure adequate outdoor air for all combustion appliances and exhaust equipment
- Ensure furnace and air conditioning return vents are not located in the immediate vicinity of the appliance
- Avoid installing the appliance near doors, walkways or small isolated spaces
- Recessed lighting should be a "sealed can" design
- Attic hatches weather stripped or sealed
- Attic mounted duct work and air handler joints and seams taped or sealed

**NOTICE:** *Hearth & Home Technologies assumes no responsibility for the improper performance of the chimney system caused by:*

- *Inadequate draft due to environmental conditions*
- *Downdrafts*
- *Tight sealing construction of the structure*
- *Mechanical exhausting devices*

## H. Avoiding Smoke and Odors

### Negative Pressure, Shut-down, and Power Failure:

To reduce the probability of back-drafting or burn-back in the pellet burning appliance during power failure or shut-down conditions, the stove must be able to draft naturally without exhaust blower operation. Negative pressure in the house will resist this natural draft if not accounted for in the pellet appliance installation.

Heat rises in the house and leaks out at upper levels. This air must be replaced with cold air from outdoors, which flows into lower levels of the house. Vents and chimneys into basements and lower levels of the house can become the conduit for air supply, and reverse under these conditions.

### Outside Air

An outside air kit is recommended in all installations. The Outside Air Kit must be ordered separately.

Per national building codes, consideration must be given to combustion air supply to all combustion appliances. Failure to supply adequate combustion air for all appliance demands may lead to back drafting of those and other appliances.

When the appliance is roof vented (strongly recommended):

The air intake is best located on the exterior wall oriented towards the prevailing wind direction during the heating season.

When the appliance is side-wall vented:

The air intake is best located on the same exterior wall as the exhaust vent outlet and located lower on the wall than the exhaust vent outlet.

The outside air supply kit can supply most of the demands of the pellet appliance, but consideration must be given to the total house demand.

House demand may consume the air needed for the appliance. It may be necessary to add additional ventilation to the space in which the pellet appliance is located.

Consult with your local HVAC professional to determine the ventilation demands for your house.

### Vent Pipe

Be sure to use approved pellet vent pipe wall and ceiling pass-through fittings to go through combustible walls and ceilings. Be sure to use a starting collar to attach the venting system to the stove. The starting collar must be secured to the flue stub with at least three screws, and sealed with high temp silicone caulking.

4" stainless steel flex vent piping is only allowed for use in masonry fireplaces and chimneys or factory built wood burning fireplaces with class A metal chimneys.

Pellet venting pipe (also known as Type L vent) is constructed of two layers with air space between the layers. This air space acts as an insulator and reduces the outside surface temperature to allow a clearance to combustibles of only 1 inch. The sections of pipe lock together to form an air tight seal in most cases. Follow venting manufacturer's recommendations for sealing pipe joints.

Where passing through an exterior wall or roof, be sure to use the appropriate pass-through device providing an adequate vapor barrier. Venting manufacturers generally provide these pass-through devices.

### Vent Configurations:

To reduce probability of reverse drafting during shut-down conditions, Hearth & Home Technologies strongly recommends:

- Installing the pellet vent with a minimum vertical run of five feet, preferably terminating above the roof line.
- Installing the outside air intake at least four feet below the vent termination.

To prevent soot damage to exterior walls of the house and to prevent re-entry of soot or ash into the house:

- Maintain specified clearances to windows, doors, and air inlets, including air conditioners.
- Vents should not be placed below ventilated soffits. Run the vent above the roof.
- Avoid venting into alcove locations.
- Vents should not terminate under overhangs, decks or onto covered porches.
- Maintain minimum clearance of 12 inches from the vent termination to the exterior wall. If you see deposits developing on the wall, you may need to extend this distance to accommodate your installation conditions.

**Hearth & Home Technologies assumes no responsibility for, nor does the warranty extend to, smoke damage caused by reverse drafting of pellet appliances under shut-down or power failure conditions.**

## I. Fire Safety

To provide reasonable fire safety, the following should be given serious consideration:

- Install at least one smoke detector and CO detector on each floor of your home.
- Locate smoke detector away from the heating appliance and close to the sleeping areas.
- Follow the smoke detector manufacturer's placement and installation instructions and maintain regularly.
- Conveniently locate a Class A fire extinguisher to contend with small fires.
- In the event of a hopper fire:
  - Evacuate the house immediately.
  - Notify fire department.

### WARNING



**Fire Risk.**  
Hearth & Home Technologies disclaims any responsibility for, and the warranty will be voided by the following actions:

- Installation and use of any damaged appliance.
- Modification of the appliance.
- Installation other than as instructed by Hearth & Home Technologies.
- Installation and/or use of any component part not approved by Hearth & Home Technologies.
- Operating appliance without fully assembling all components.
- Do NOT Overfire.

**Or any such action that may cause a fire hazard.**

### WARNING

**THIS WOOD HEATER HAS A MANUFACTURER-SET MINIMUM LOW BURN RATE THAT MUST NOT BE ALTERED. IT IS AGAINST FEDERAL REGULATIONS TO ALTER THIS SETTING OR OTHERWISE OPERATE THIS WOOD HEATER IN A MANNER INCONSISTENT WITH OPERATING INSTRUCTIONS IN THIS MANUAL.**

## J. Inspect Appliance & Components

- Remove appliance and components from packaging and inspect for damage.
- Report to your dealer any parts damaged in shipment.
- **Read all the instructions before starting the installation. Follow these instructions carefully during the installation to ensure maximum safety and benefit.**

### WARNING



Inspect appliance and components for damage. Damaged parts may impair safe operation.

- Do NOT install damaged components.
- Do NOT install incomplete components.
- Do NOT install substitute components.

Report damaged parts to dealer.

This wood heater needs periodic inspection and repair for proper operation. It is against federal regulations to operate this wood heater in a manner inconsistent with operating instructions in this manual.

# 5 Appliance Set-Up

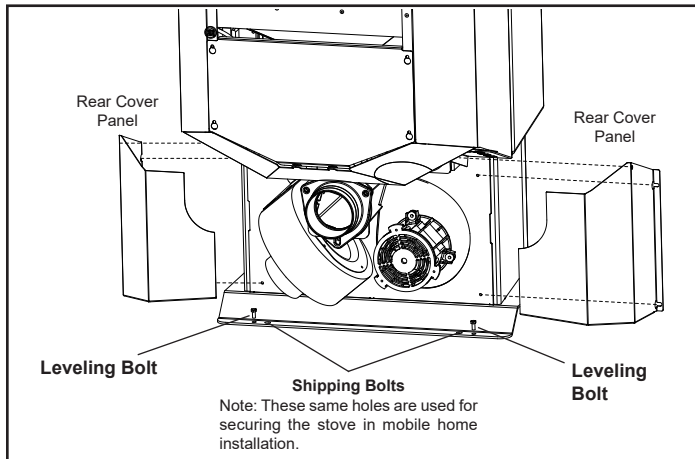


Figure 5.1

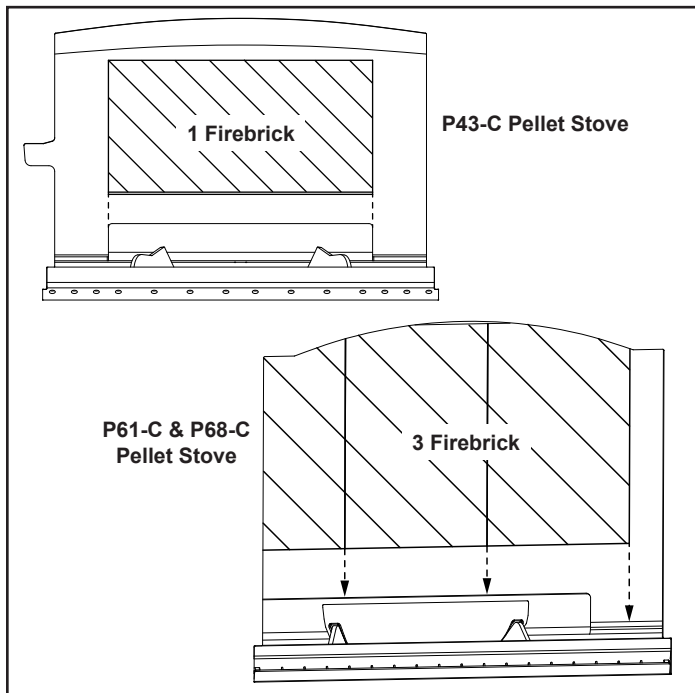


Figure 5.2

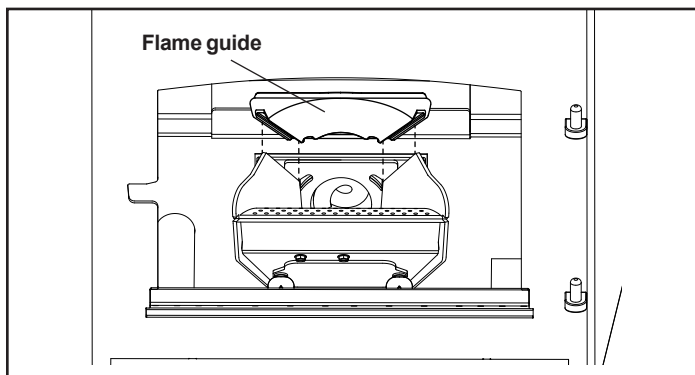


Figure 5.3

## A. Unpacking

The P-Series is bolted (1/4 x 1" hex head bolts) to the skid to prevent movement during shipping.

To free the stove from the skid you must remove the hold-down bolts in the rear of the pedestal base using a 7/16" socket or wrench. Figure 5.1.

## B. Removing Rear Cover Panels

The rear cover panels are secured to the stove with three screws each. Two of the screws need only be loosened, not removed, to remove the panels. It is recommended that the rear covers are installed using a 5/16" socket, wrench or nut driver after the unit is in place and the vent pipe is installed, to prevent contact with hot or moving parts.

If needed, install the (2) 5/16-18 X 3/4" leveling bolts located in the hardware kit. Figure 5.1.

## C. Firebrick

The P43-C Pellet Stove has a single (1) firebrick that gets installed horizontally on the angle bracket above the burnpot. The P61-C and P68-C have three (3) firebrick that get installed vertically on the angle bracket. Figure 5.2.

## D. Flame Guide

Install the cast iron flame guide on top of the burn pot. Make sure that the flame guide is fully seated on the vertical sides of the burn pot and that the back of the guide rests against the body of the stove. Figure 5.3.

## E. Room Sensor Installation

The room sensor is a small temperature sensor on the end of a 60" wire. This sensor is installed much like a standard wall thermostat. There is a remote room sensor port on the rear of the unit for easy external connection. Use standard 18-2 thermostat wire to extend the sensor to the desired location (50' maximum). The room sensor should be installed in the location where you want to control the temperature.

**NOTE:** Distances of more than 25 feet from the unit or in another room are not recommended. The room sensor is essential for the P-Series excellent efficiency.

**NOTE:** It is recommended that the room sensor be installed, even if only installed on the rear of the unit as a return air sensor.

## F. Low Draft Voltage Adjustment

These units are pre-tested at the factory with exactly 120 VAC, 60 Hz. They are checked and adjusted for firebox tightness, gasket leakage, motor operation and igniter operation. The P-Series is then factory set at a mid-point adjustment and in most cases will not need any adjustments.

**NOTE: The factory low draft setting may not be correct for the unit's permanent installation conditions.**

The control board on the P-Series is equipped with a low draft adjustment port located on the control face just to the right of the igniter light. Figure 5.4. This voltage adjustment is provided to allow the unit to be adjusted for the household voltage where the unit is going to be in permanent operation.

**NOTE: The line voltage varies from area to area and often home to home.**

The low draft voltage should be adjusted to achieve the most efficient burn on low burn or "maintenance". This voltage adjustment allows the installer to change the low voltage set point approximately 10 volts. This adjustment should be done by the installer during set up because a draft meter reading is **required** to insure proper set up.

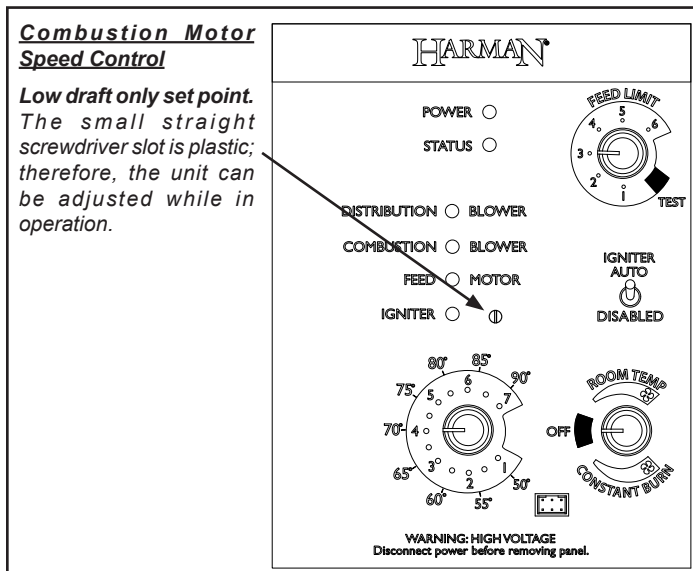


Figure 5.4

If the unit is not adjusted properly, it does not cause a safety concern. If the unit is adjusted too high, only efficiency is lost. If the unit is adjusted too low, the low draft pressure switch will not allow the feed motor or the igniter to operate.

A simple draft test should be performed after completing the flue pipe installation. To record the results for future reference:

1. Plug unit into a 120 VAC, 60 HZ outlet.
2. Close the hopper lid, front view door, and the ash pan door. Neither pellets or a fire are required for this test.
3. With the mode selector in the "OFF" position, turn the feed adjuster to "TEST".
4. Record the high draft \_\_\_\_\_ in W.C. (Normal is -.50 to -.60) The control will be on the High Draft for a total of 2 minutes.
5. After 1 minute, the combustion motor will go down to low draft and the distribution blower will go on high. Allow approximately 15 seconds to pass for the combustion motor to slow before checking the low draft.
6. If the low draft is between -.35 and -.45, record the reading \_\_\_\_\_ in W.C. If the reading is higher, slowly turn the set screw counter-clockwise until the draft lowers. If the reading is lower, very slowly turn the set screw clockwise until the draft increases.

**NOTE: In some cases, the draft may not go as low as -.35 to -.45 even with the set screw completely counter-clockwise. Ideally, you should just set it as low as possible.**

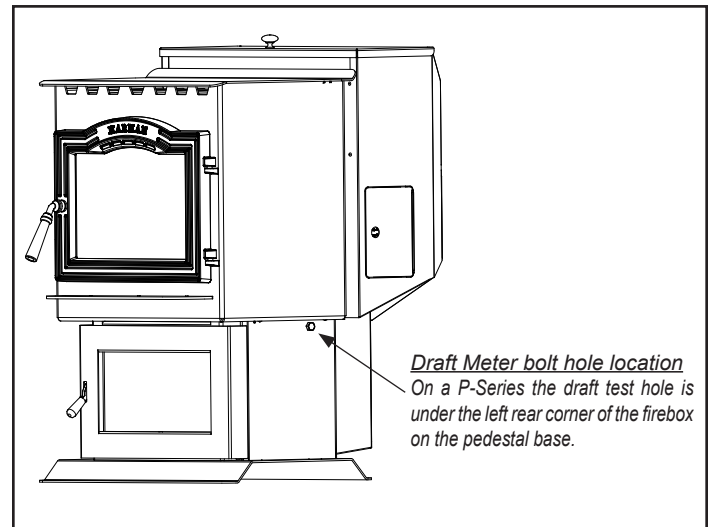


Figure 5.5

Connect the power cord to a 120 VAC, 60 Hz grounded receptacle. (A surge protector is recommended to protect the circuit board.) Also be sure that the polarity of the outlet that the stove is plugged into is correct.

# 6 Reference Material

## A. Safety Reminders

When installing and operating your Harman® P-Series, respect basic safety standards. Read these instructions carefully before you attempt to install or operate the P-Series. Failure to do so may result in damage to property or personal injury and may void the product warranty.

Consult with your local building code agency and insurance representative before you begin your installation to ensure compliance with local codes, including the need for permits and follow-up inspections.

### CAUTION

**This appliance must be vented to the outside.**

Due to high temperatures, this stove should be placed out of traffic and away from furniture and draperies.

Children and adults should be alerted to the hazards of high surface temperatures and should stay away to avoid burn to skin and/or clothing.

Young children should be carefully supervised when they are in the same room as the stove.

Clothing and other flammable materials should not be placed on or near this stove.

Installation and repair of this stove should be done by a qualified service person. The appliance should be inspected before use and at least annually by a qualified service person. More frequent cleaning may be required. It is imperative that control compartments, burners, and circulating air passageways of this stove be kept clean.

### CAUTION

**WHEN THIS ROOM HEATER IS NOT PROPERLY INSTALLED, A HOUSE FIRE MAY RESULT. TO REDUCE THE RISK OF FIRE, FOLLOW THE INSTALLATION INSTRUCTIONS. CONTACT LOCAL BUILDING OR FIRE OFFICIALS ABOUT RESTRICTIONS AND INSTALLATION INSPECTION REQUIREMENTS IN YOUR AREA.**

### CAUTION

**THE STRUCTURAL INTEGRITY OF THE MOBILE HOME FLOOR, WALL, AND CEILING/ROOF MUST BE MAINTAINED.**

### CAUTION

**THE STOVE IS HOT WHILE IN OPERATION. KEEP CHILDREN, CLOTHING AND FURNITURE AWAY. CONTACT MAY CAUSE SKIN BURNS.**

### WARNING

**MOBILE/MANUFACTURED HOME GUIDELINES DO NOT ALLOW INSTALLATION IN A SLEEPING ROOM.**

### WARNING

**KEEP COMBUSTIBLE MATERIALS SUCH AS GRASS, LEAVES, ETC. AT LEAST 3 FEET AWAY FROM THE POINT DIRECTLY UNDER THE VENT TERMINATION.**

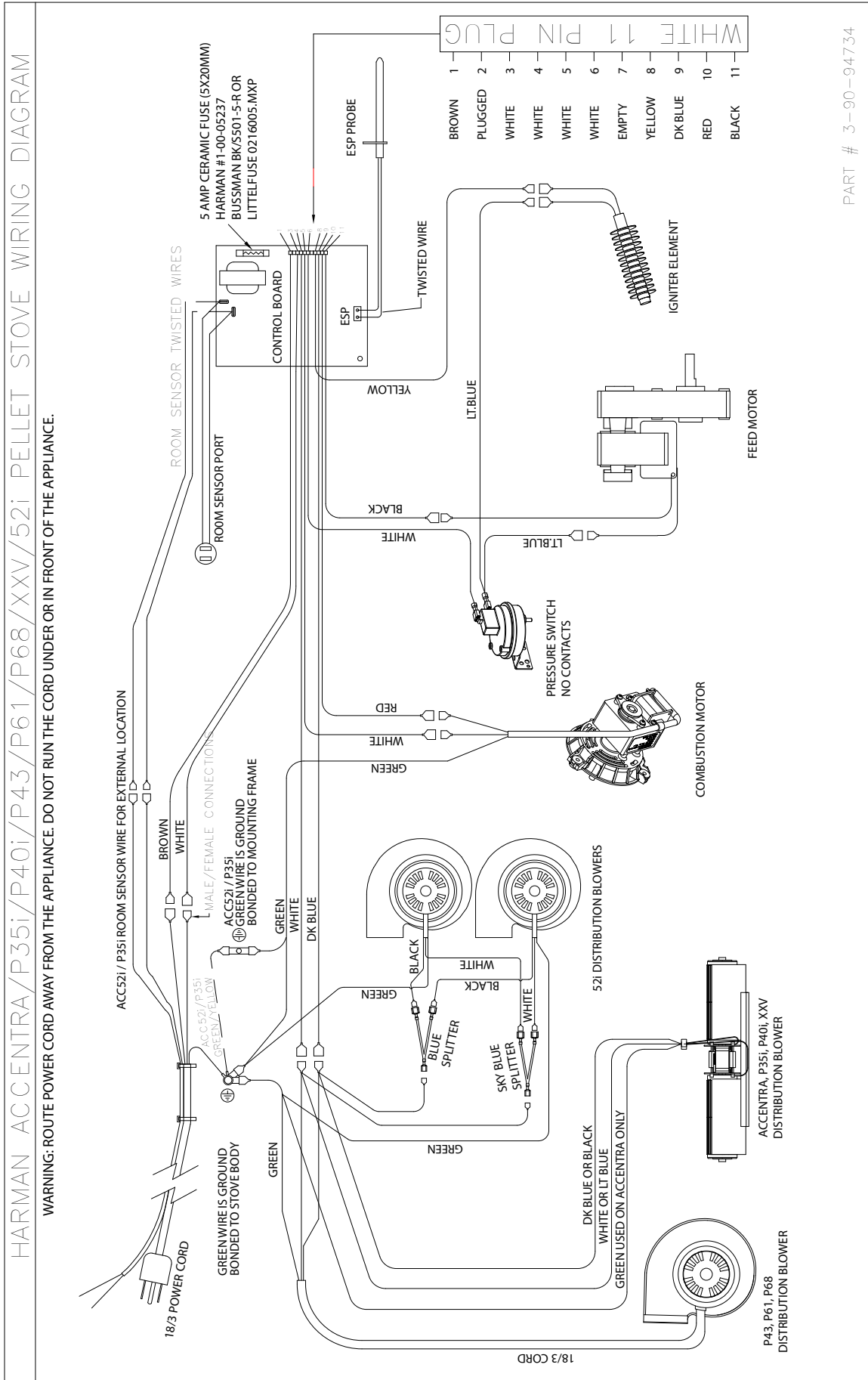
### WARNING

**USE OF IMPROPER FUELS, FIRESTARTERS OR ALTERING THE STOVE FOR HIGHER HEAT OUTPUT MAY CAUSE DAMAGE TO THE STOVE AND COULD RESULT IN A HOUSE FIRE. USE ONLY APPROVED FUELS AND OPERATION GUIDELINES**

### WARNING

**BURNING COLORED PAPER, CARDBOARD, SOLVENTS, TRASH AND GARBAGE OR ALTERING THE STOVE FOR HIGHER HEAT OUTPUT MAY CAUSE DAMAGE TO THE STOVE AND COULD RESULT IN A HOUSE FIRE. USE ONLY APPROVED FUELS AND FOLLOW ONLY THESE OPERATION GUIDELINES.**

# B. Wiring Diagram



# HARMAN®

352 Mountain House Road, Halifax, PA 17032  
[www.harmanstoves.com](http://www.harmanstoves.com)

Please contact your Harman® dealer with any questions or concerns.  
For the location of your nearest Harman® dealer,  
please visit [www.harmanstoves.com](http://www.harmanstoves.com).

*Printed in U.S.A*