

Owner's Installation and Operation Manual

GOLDEN EAGLE

Model 7000

THIS MANUAL INCLUDES INSTALLATION AND OPERATION INSTRUCTIONS FOR THE MODEL 7000 FURNACE UTILIZING THE LISTED OPERATIONAL TYPES:

1. WOOD ADD-ON
2. WOOD ONLY



Installation is to be performed by a qualified installer.
SAVE THESE INSTRUCTIONS

This unit is certified UL 391,
conforms to CAN/CSA-B366.1



French version is available for download from the
US Stove website: <http://www.usstove.com/>
La version française est disponible pour téléchargement
à partir du site US Stove: <http://www.usstove.com/>

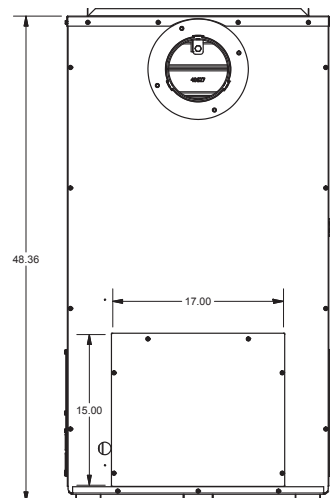
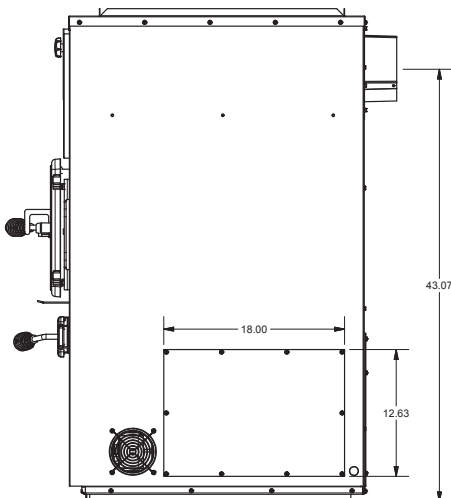
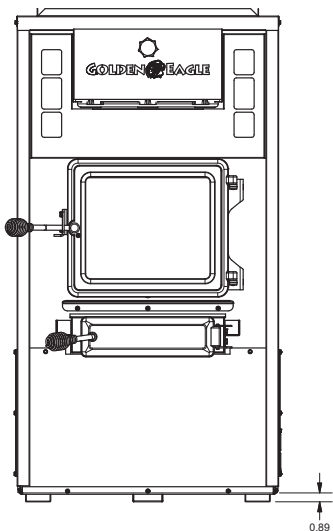
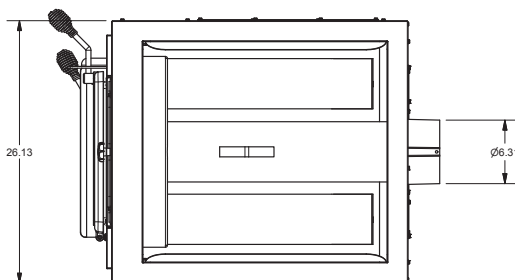
United States Stove Company
227 Industrial Park Rd. South
Pittsburg, TN 37380

TABLE OF CONTENTS

Specifications	3
Safety	4
Unpacking and Pre-ASSEMBLY	5
Furnace Installation	6
Ductwork Installation	8
Accessory Installation	10
Electrical Installation	11
Chimney Installation	12
Wood Heat Utilization	17
Operation	18
Appendix A	25
How to order Replacement Parts	26

CAUTION:

- The warm air supply outlet of the supplementary furnace shall not be connected to the cold-air return inlet of the central furnace because a possibility exists of components of the central furnace overheating and causing the central furnace to operate other than as intended.
 - Power source not controlled by furnace main disconnect.
-
- Respect all local and national codes when installing this unit.
 - This unit is not to be connected to a chimney flue serving another appliance.
 - This unit is designed to burn solid hardwood only.



SPECIFICATIONS

CONGRATULATIONS!

You've purchased a heater from North America's oldest manufacturer of wood burning products.

By heating with wood you're helping to CONSERVE ENERGY!

Wood is our only Renewable Energy Resource. Please do your part to preserve our wood supply. Plant at least one tree each year.

Future generations will thank you.

Combustible :	Wood
Flue Pipe Diameter :	6" (153cm)
Flue Pipe Type: (Standard Single Wall or Double Wall):	Black or Blued Steel 2100°F (650°C) Class "A"
Minimum Chimney Height :	6' (1.6m)
Maximum Log Length :	22"
Electrical	120V, 60Hz, 10A
Dimensions	
Combustion Chamber : Width x Depth :	18.5" x 22" (469mm x 558mm)
Volume : Cubic Feet:	3.6 cubic feet
Door Opening : Width x Height:	13.6" x 9.8" (345mm x 248mm)
Pyroceramic Glass Door : (Viewing) Width x Height:	13" x 10.75" (330mm x 273mm)
Weight (lbs):	540

Model: GE7000

Tested to CSA B415.1-10 by OMNI-Test Laboratories.

The stated efficiency is based on the higher heating value of the fuel.

Le rendement annoncé est basé sur le pouvoir calorifique supérieur du combustible

Average particulate emission rate based on delivered heat	0.18 g/Mj	Note moyenne des émissions de particules en fonction de la chaleur délivrée
Average particulate emission rate	3.67 g/hr	Taux d'émission de particules moyenne
Average efficiency of the appliance based on delivered heat	57.62%	Rendement moyen de l'appareil en fonction de la chaleur délivrée
Minimum delivered heat output rate (emission test)	17097 BTU/hr	Taux minimum de chaleur fournie de sortie (d'essai d'émission)
Maximum delivered heat output rate (emission test)	45950 BTU/hr	Taux de production de chaleur délivrée maximale (essai d'émission)
Average efficiency of the appliance (overall heat output rate, determined in accordance with Clause 13.10.1)	76.06%	Rendement moyen de l'appareil (taux de production de chaleur globale, déterminé conformément à l'article 13.10.1)
Minimum overall heat output rate	22195 BTU/hr	Taux minimal de production de chaleur globale
Maximum overall heat output rate	72509 BTU/hr	Taux de production de chaleur global maximum
Average electrical power consumption	0.298 kW	Moyenne électrique consommation d'énergie

SAFETY

- △ For safety keep firing and ashpit doors tightly closed.
- △ Do not connect this unit to a chimney flue serving another appliance.
- △ Danger: Risk of fire or explosion. Do not burn garbage, gasoline, naphtha, drain oil, or other inappropriate materials. Do not use chemicals or fluids to start the fire.
- △ Warning: Risk of fire. Do not operate with flue draft exceeding .060 In/14.93 Water column. Do not operate with fuel loading and ash removal doors open. Do not store fuel or other combustible materials within marked installation clearances. Inspect and clean flues and chimney regularly.
- △ Caution: Hot surfaces. Keep children away. Do not touch during operation.
- △ The heat exchanger, flue pipe, and chimney must be cleaned regularly to remove accumulated creosote and ash. Ensure that the heat exchanger, flue pipe, and chimney are cleaned at the end of the heating season to minimize corrosion during the summer months. The appliance, flue pipe, and chimney must be kept in good condition. These instructions also apply to a draft inducer if used. To prevent flame or smoke spillage, the slide baffle must be pulled out and the fuel loading door left cracked for 10 seconds prior to opening door fully. Load fuel carefully or damage may result. For canadian installations - not to be connected to a ductwork that is still connected to another furnace.
- △ Hot while in operation. Keep children, clothing and furniture away. Contact may cause skin burns.
- △ Do not use chemicals or fluids to ignite the fire.
- △ Do not leave the furnace unattended when the door is slightly opened.
- △ Do not burn garbage, flammable fluid such as gasoline, naphtha or motor oil.
- △ Always close the door after the ignition.
- △ Consult your municipal building department or fire officials about permits, restrictions and installations requirements in your area.
- △ INSPECT FLUE PIPES, FLUE PIPE JOINTS, AND FLUE PIPE SEALS REGULARLY TO ENSURE THAT SMOKE AND FLUE GASES ARE NOT DRAWN INTO, AND CIRCULATED BY, THE AIR-CIRCULATION SYSTEM.
- △ CAUTION: CLEAN OUT OF THE HEAT EXCHANGER, FLUE PIPE CHIMNEY, AND DRAFT INDUCER, IF USED, IS ESPECIALLY IMPORTANT AT THE END OF THE HEATING SEASON TO MINIMIZE CORROSION DURING THE SUMMER MONTHS, CAUSED BY ACCUMULATED ASH.

UNPACKING AND PRE-ASSEMBLY

UNPACKING

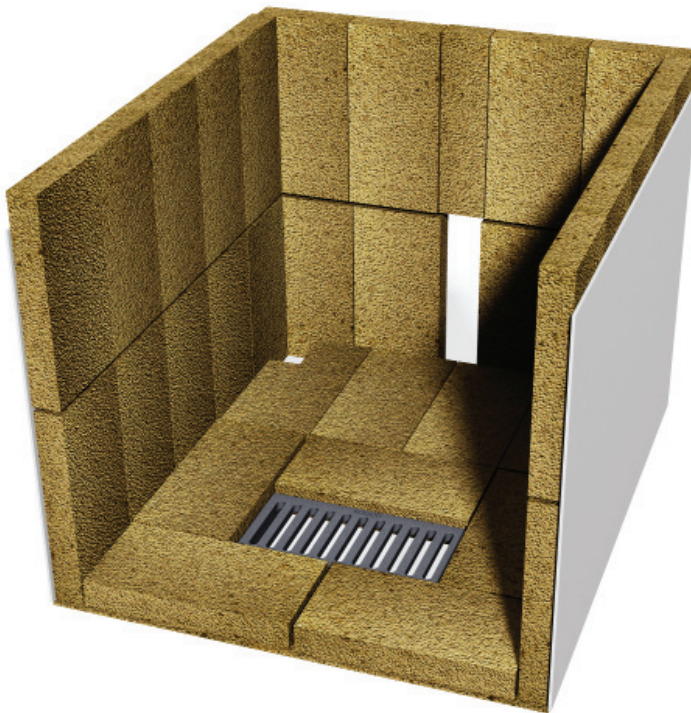
- 1) Remove all packaging from the furnace.
- 2) Remove the supplied tools and parts from the furnace.
 - A) The supplied ash shovel and poker from the heat exchanger tube, behind the heat exchanger door at the top of the unit.
 - B) The hearth lip is shipped inside the combustion chamber.

HEARTH LIP INSTALLATION

The hearth lip must be installed below the fuel loading door using the supplied sheet metal screws.

BRICK ALIGNMENT

Inspect for any damage. Ensure that the bricks and ash grate are positioned correctly and not broken (see illustration for proper brick arrangement).



PROPER FIRE BRICK ALIGNMENT



HEARTH LIP INSTALLATION

TOOLS AND MATERIALS NEEDED FOR INSTALLATION

The following is a list of tools and materials needed to install your furnace.

- 7/16" socket wrench.
- 5/16" socket (Best if using a power drill and a socket bit).
- Pair of pliers or channel-locks.
- Power drill with an 1/8" drill bit to install sheet metal screws into connector pipe..
- Sheet metal screws.
- Non-combustible floor protector as specified in this manual.
- All chimney and chimney connector components required for your particular venting installation..
- Electrical wiring tools and supplies.
- Ductwork for supply and return air.

FURNACE INSTALLATION

INSTALLATION OPTIONS

The installation of this furnace includes supplying electrical power, return (fresh air) ductwork, and supply air ductwork. This furnace may be installed in three different configurations.

- 1) Stand alone wood furnace
- 2) Add-on wood furnace

The furnace also has several additional kits that may be installed.

- GE7B - Blower Kit (Required)
- GE7FAK - Fresh air Kit (Optional)
- GE7CAP - Cold Air Plenum (Optional)

See kit installation section in this manual and as supplied with your kits to ensure proper assembly, installation and operation of your new furnace.

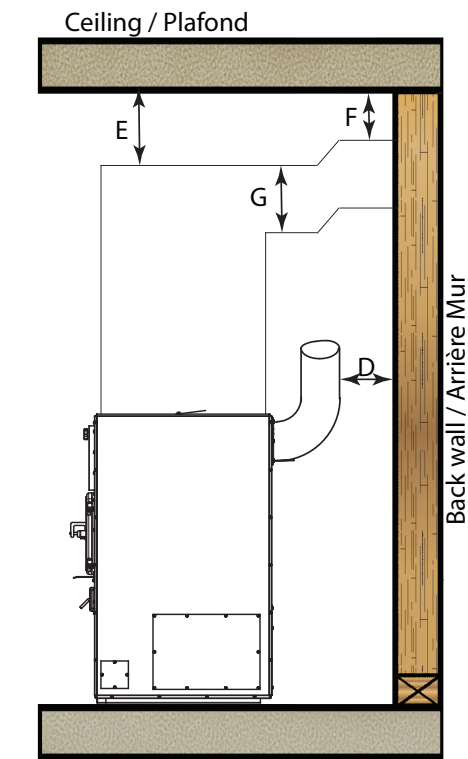
If installing in an area with a fan it should not be allowed to create negative pressure in the room where the furnace is installed.

LOCATING YOUR FURNACE (INSURE THAT THE REQUIRED MAINTENANCE CLEARANCES ARE MAINTAINED)

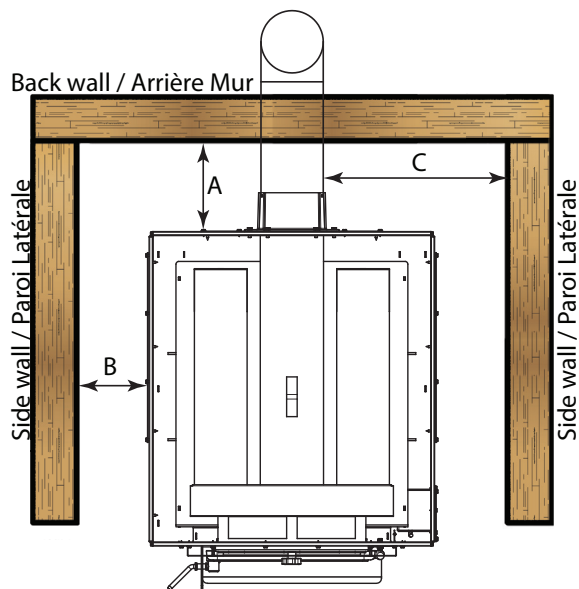
Your furnace must be installed as shown in this manual and in compliance with all local and national codes.

It is of the utmost importance that the clearances to combustible materials be strictly adhered to during installation of the furnace. Refer to the table and diagrams below for minimum required clearances.

Dimension	Inch	mm
A	Backwall to Furnace	29 / 737
B	Sidewall to Furnace	10 / 254
C	Sidewall to Flue	18 / 458
D	Backwall to Flue	18 / 458
E	Supply Duct (first 6 feet)	6 / 153
F	Supply Duct (after first 6 feet)	1 / 26
G	Minimum Duct height	8 / 204



Floor Protector / Protection de Plancher
CLEARANCE TO COMBUSTIBLES



CLEARANCE TO COMBUSTIBLES

MAINTENANCE CLEARANCES

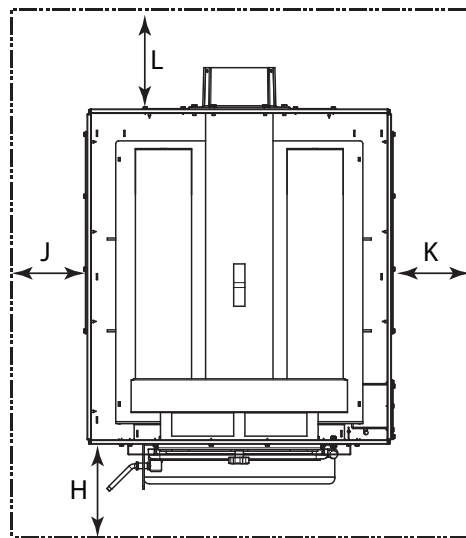
Your furnace has recommended minimum maintenance clearance requirements. These clearances insure that there is adequate room to perform maintenance and service your furnace. DO NOT store fuel within the specified clearances. The clearances will change depending on what kits are installed with your furnace. See the tables and diagram below to determine the clearances for your furnace.

Standard unit (no additional kits)

Dimension		Inch	mm
H	Maintenance Clearance (Front)	24	610
J	Maintenance Clearance (Left)	10	254
K	Maintenance Clearance (Right)	10	254
L	Maintenance Clearance (Rear)	29	737

Unit with Blower Kit

Dimension		Inch	mm
H	Maintenance Clearance (Front)	24	610
J	Maintenance Clearance (Left)	24	610
K	Maintenance Clearance (Right)	24	610
L	Maintenance Clearance (Rear)	36	915



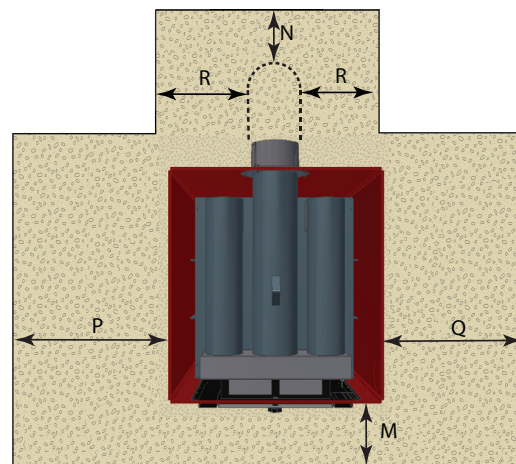
MAINTENANCE CLEARANCE

FLOOR PROTECTOR

The furnace must be placed on solid concrete, solid masonry, or when installed on a combustible floor, on a floor protector. The floor protector is required to provide heat, live ember, and ash protection and must be of a non-combustible, continuous solid surface to protect against infiltration of live embers and ash. Refer to floor protector manufacturer's instructions for installation directions. The floor protector or non combustible floor must extend under the furnace and beyond each side as shown below.

Dimension		Inch	mm
M*	Front	16*	407
N	Flue rear	2	51
P**	Left	8	204
Q**	Right	8	204
R	Flue Side	2	51

*Canadian installations require 18" (457mm)

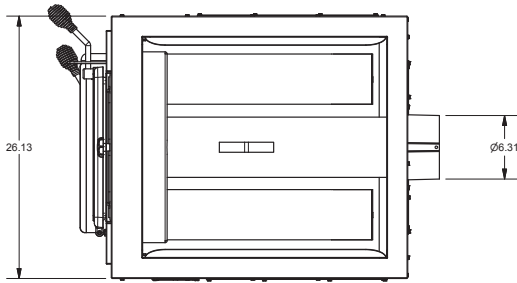


FLOOR PROTECTOR REQUIREMENTS

DUCTWORK INSTALLATION

We strongly recommend that the hot air ductwork be installed by a home heating specialist. If doing the installation yourself, before you decide which installation will best suit your needs, consult a qualified heating technician and follow his recommendations as to the safest and most efficient method of installation.

This furnace can be installed in three ways, as a stand alone unit, parallel, and in series with an existing furnace.

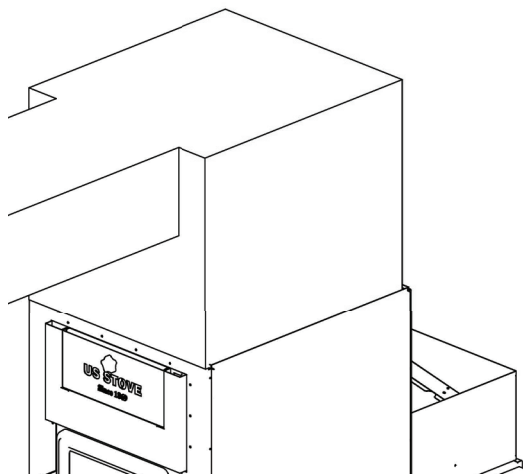


SUPPLY AIR (HOT AIR) PLENUM

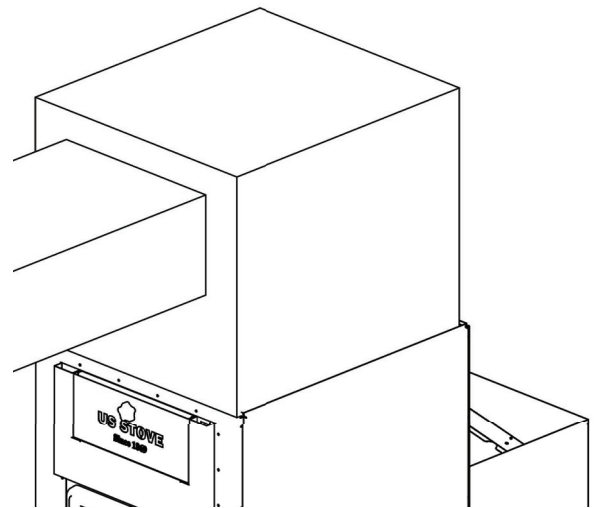
The warm-air supply duct shall be constructed of metal in accordance with NFPA 90B, 2-1.1. The plenums installed to the furnace shall be constructed of metal in accordance with NFPA 90B, 2-1.3.

When installing this furnace the hot air plenum is to have a minimum height of 24" (610mm) if the top of the first vertical section is not flush with the top of the first horizontal section of ductwork. If the top of the plenum is flush with the top of the first horizontal section of ductwork then the minimum height is 15" (381mm).

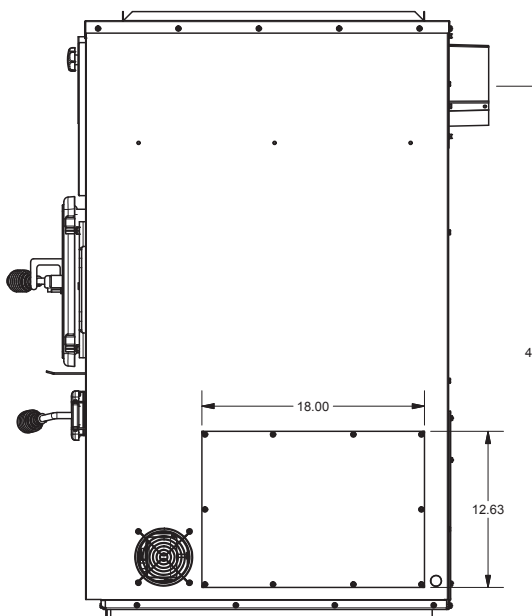
SUPPLY AIR (HOT AIR)
DUCTWORK OUTLET SIZE



SUPPLY AIR PLENUM WITH
MINIMUM HEIGHT OF 15"



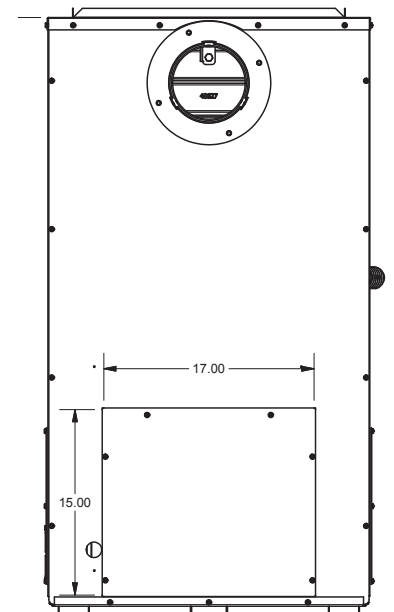
SUPPLY AIR PLENUM
MINIMUM HEIGHT OF 24"



RETURN AIR INTAKE SIZE (SIDE)

RETURN AIR (FRESH AIR)

The return (fresh) air intake on the furnace is on the rear of the unit. The ductwork must be mechanically attached to the unit or blower kit box with sheet metal screws to ensure a proper operation.



RETURN AIR INTAKE SIZE (REAR)

STAND ALONE INSTALLATION

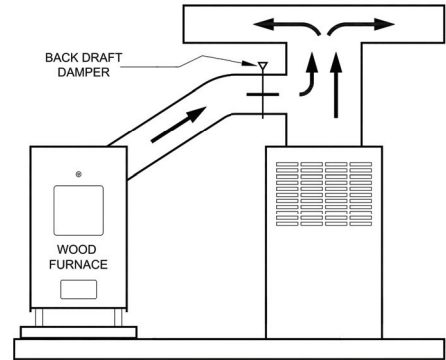
If installing this furnace as a stand alone unit, ensure all local codes and all instructions in this manual are followed, including clearance to combustibles, floor protector specifications and safety warnings.

PARALLEL FURNACE INSTALLATION

Installing this unit in parallel with another furnace (sharing the same ductwork) is not permitted in Canada.

To install the new furnace in parallel with an existing furnace follow the instructions for series installation with a few additional requirements., listed below.

- △ The return air will duct directly to the return of the new furnace, and not be pulling through any other furnace.
- △ The output of the existing furnace must be equal to or greater than this wood furnace.
- △ If installing in a parallel configuration the ductwork may need adjustments so as to maintain the static pressure between 0.2" W.C. And 0.05" W.C.
- △ A back flow damper must be installed in the supply ductwork of the new furnace, to ensure that air does not circulate back through the wood furnace.
- △ Some installation configurations may require dampers to be installed in the supply ductwork of both furnaces.



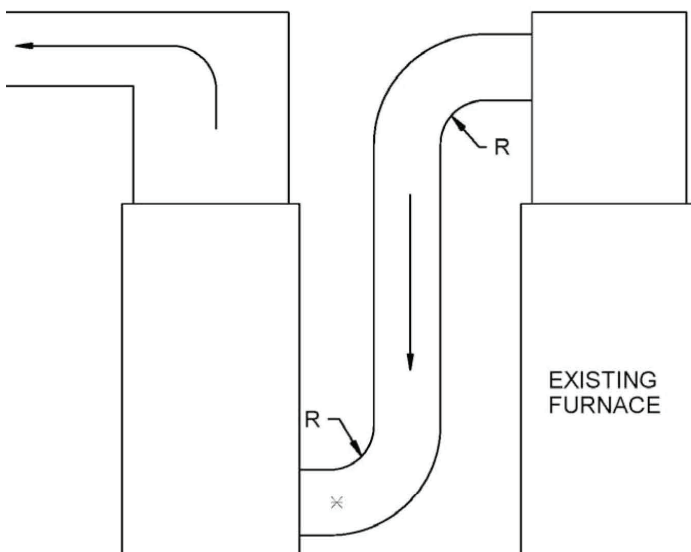
SERIES FURNACE INSTALLATION

This furnace may be installed in series with an existing furnace. The transfer duct between the existing furnace and this furnace must be at least 320in². The minimum radius on any elbows is 6". Ensure that the installation of the furnace will not allow inversion of the air flow. If a divider is installed to separate the supply duct from the existing furnace and the new furnace (option 2), the divider must be installed in a manor that is completely air tight. Only install with a supply duct divider (Option 2) if standard series installation (Option 1) is not possible. If the existing furnaces fan limit control switch is mounted in the plenum then ensure that the switch is at least 5" from any divider necessary in the ductwork.

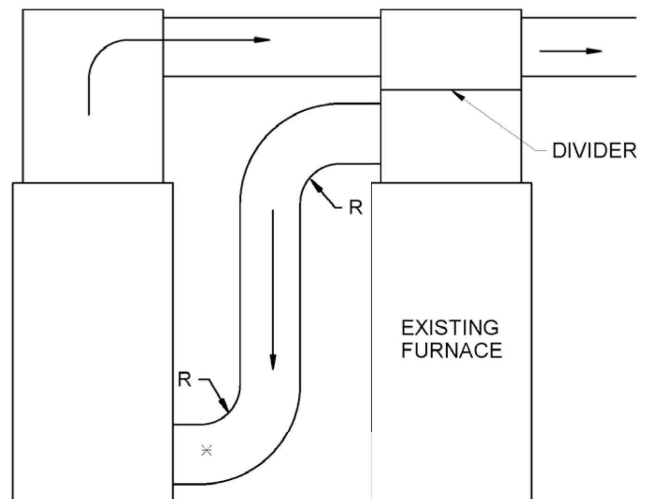
Do not remove, relocate or bypass any of the safety controls in the original furnace.

Do not connect to a down draft furnace.

- 1) Before installation existing furnace measurements must be taken
 - A) Existing air flow (CFM) _____
 - B) Existing ΔT (Temperture rise) _____
- 2) Verify CFM with the calculations shown in Appendix A.
- **After installing your new furnace the temperature rise (ΔT) and air flow (CFM) must be equal to the original measurements taken before installation.**
- 3) Connect the supply duct of the existing furnace to the intake on your new furnace.
- 4) Connect the supply duct of your new furnace to the existing ductwork that will distribute the air throughout the house.



OPTION 1



OPTION 2

ACCESSORY INSTALLATION

BLOWER SECTION

If the blower section is to be installed then ensure that all clearances are still maintained and that the blower section is securely and mechanically attached to the air intake on your new furnace.

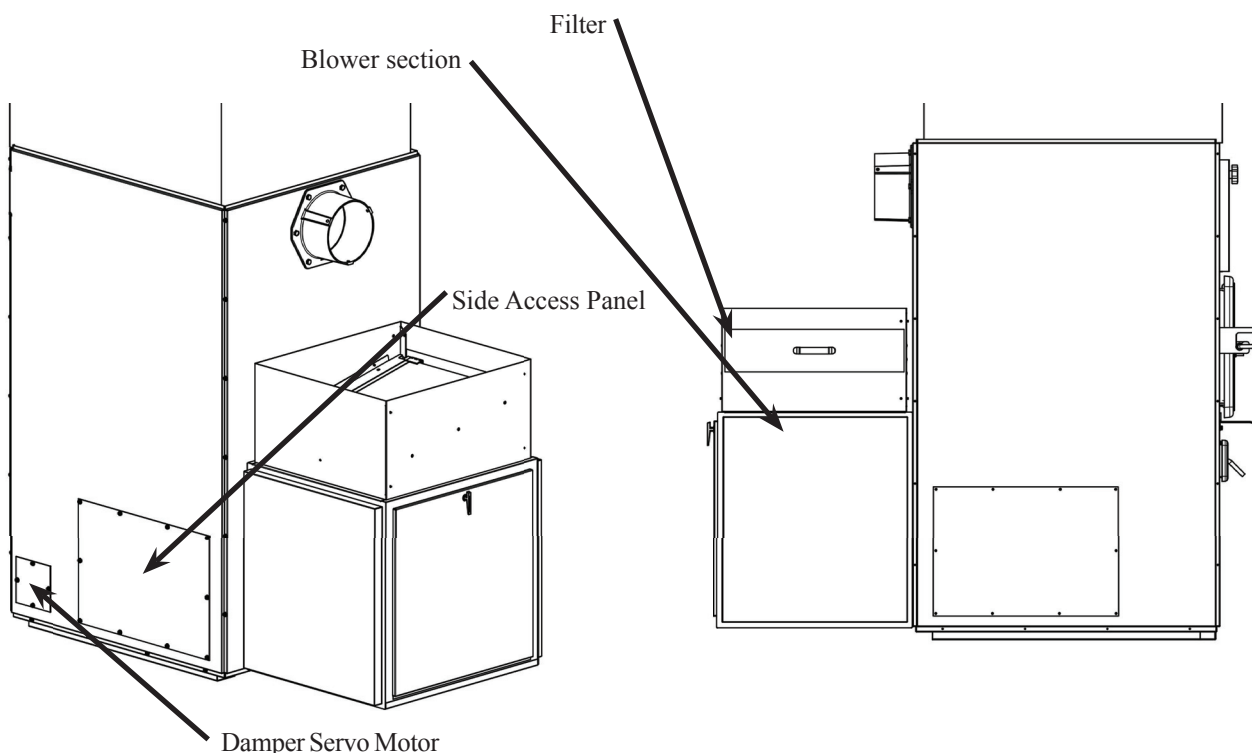
- 1) Remove all packaging from the blower kit.
- 2) Mount legs on bottom of blower box.
- 3) Remove the panel on the rear of the furnace.
- 4) Attach the blower section with sheet metal screws.
- 5) Mount the fan in the blower box.
- 6) Attach fan control center to side of blower box.
- 7) Wire the temperature probe to the fan center as shown in the wiring diagram.
- 8) Connect the damper servo motor wires & harness extension to the fan control box and route to the servo motor. (Route wires behind side access panel)
- 9) If required install the filter into the blower section.

The filter is not required if installed in series with another furnace because the existing furnace has its own filter.

COMBUSTION AIR (FRESH AIR) INSTALLATION

If necessary combustion air can be vented directly from the outside to the furnace using the fresh air kit.

- 1) Remove the fresh air panel from the side of the furnace.
- 2) Install the fresh air box
- 3) Install the fresh air cover plate over the front of the furnace.
- 4) Install 4" diameter ducting to supply air to the fresh air intake.



ELECTRICAL INSTALLATION

All electrical connections should be done by a qualified electrician

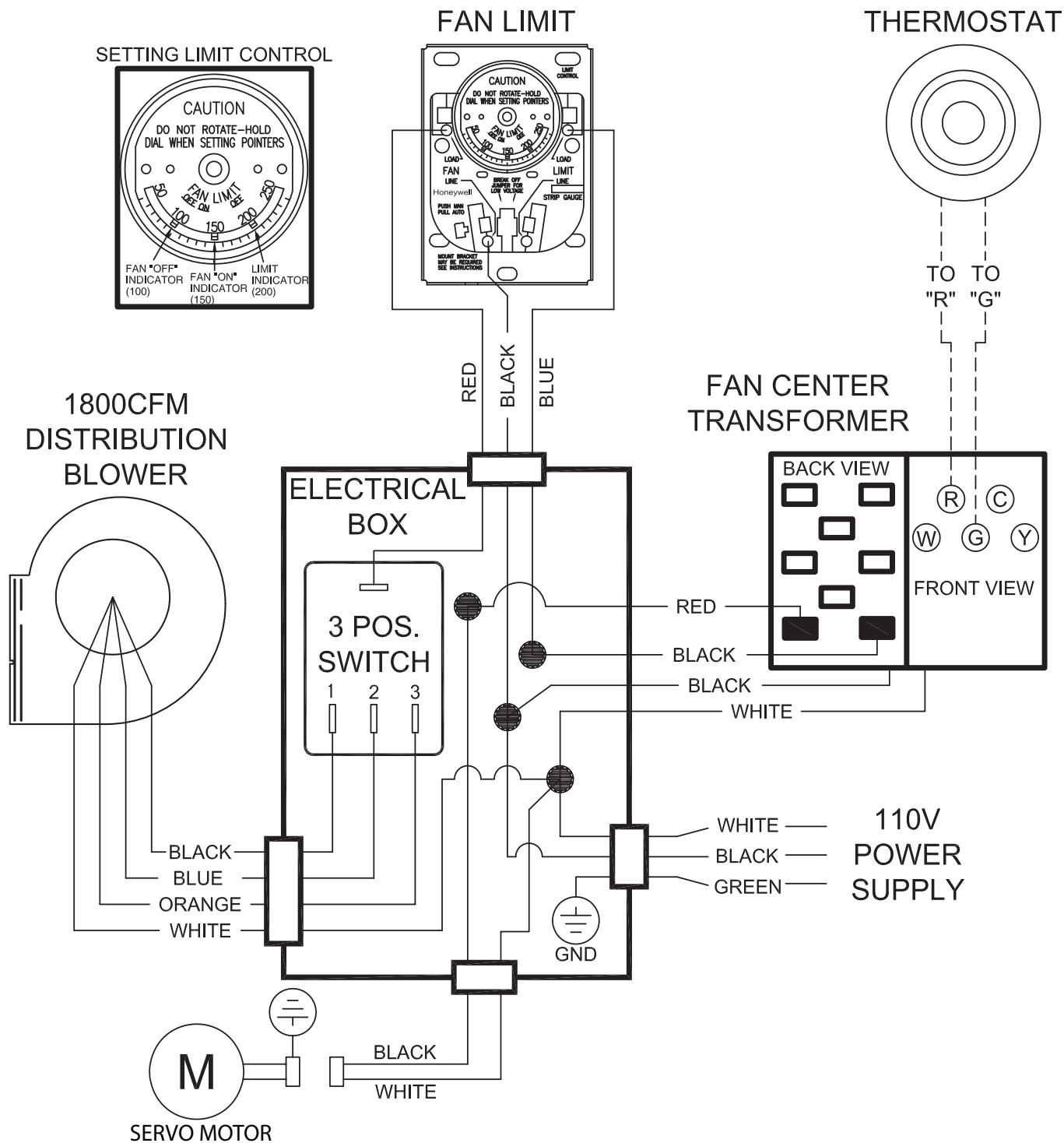
It is recommended to connect the furnace to its own 15 amp 120 Volt circuit from the house power supply

FAN LIMIT CONTROL

Using the Honeywell mounting bracket, the fan limit control must be mounted to the supply air ductwork. Drill a 7/8" hole for the fan limit control sensor rod to pass through into the ductwork. The center of the limit control needs to be installed 14" from the rear of the furnace on the left side of the plenum (this is viewing the furnace from the rear). The hole needs to be drilled 7.5" from the top of the furnace.

BLOWER FAN WIRING

Supply power to the blower fan from an independent 120 Volt circuit. The blower section is controlled through the Fan Limit Control Switch. See the wiring diagram for details.



CHIMNEY INSTALLATION

CHIMNEY

Your wood furnace may be hooked up with a factory built or masonry chimney, matching the diameter of the exhaust. If you are using a factory built chimney, it must comply with UL 103 or CSA-B365 standard; therefore it must be a Type HT (2100°F). It is extremely important that it be installed according to the manufacturer's specifications.

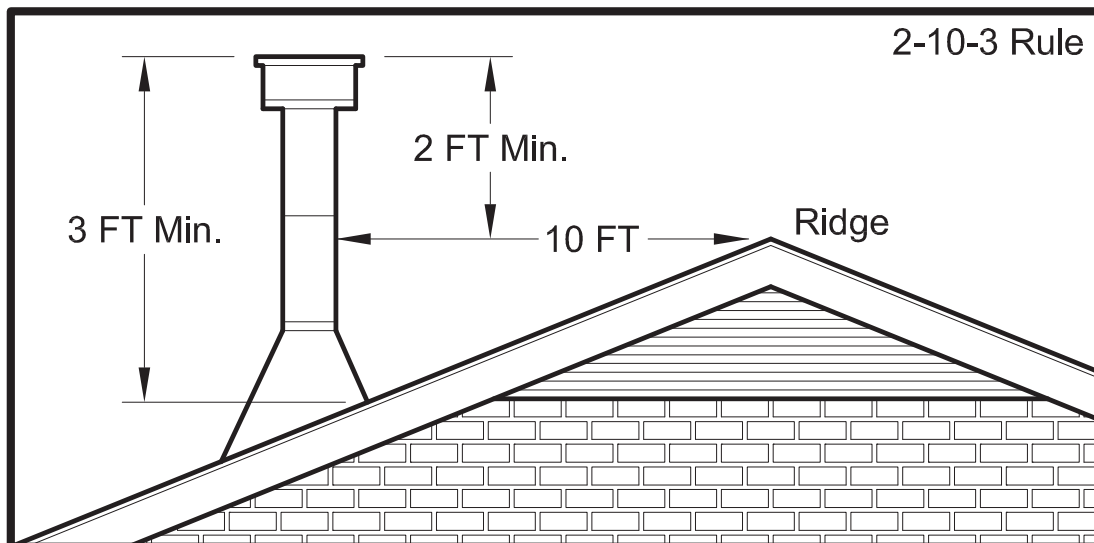
If you are using a masonry chimney, it is important that it be built in compliance with the specifications of the National Building Code. It must be lined with fire clay bricks, metal or clay tiles sealed together with fire cement. (Round flues are the most efficient).

The interior diameter of the chimney flue must be identical to the furnace smoke exhaust. A flue which is too small may cause draft problems, while a large flue favors rapid cooling of the gas, and hence the build-up of creosote and the risk of chimney fires. Note that it is the chimney and not the furnace which creates the draft effect; your furnace's performance is directly dependent on an adequate draft from your chimney.

Do not connect this unit to a chimney flue serving another appliance.

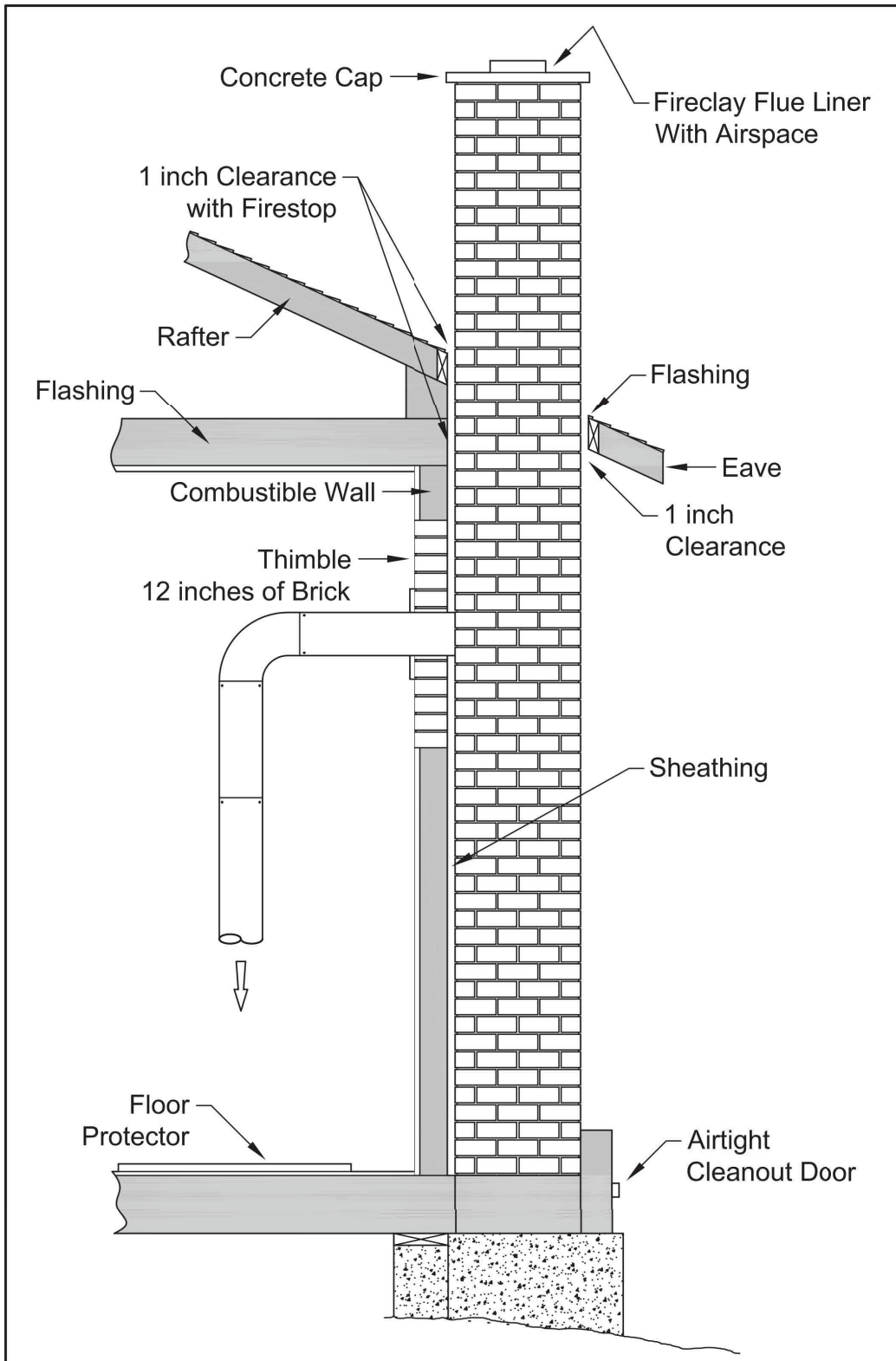
The following recommendations may be useful for the installation of your chimney:

- It must rise above the roof at least 3' (0.9m) from the uppermost point of contact.
- The exterior portion should be double or triple wall pipe to ensure proper draft.
- The chimney must exceed any part of the building or other obstruction within a 10' (3.04m) distance by a height of 2' (0.6m).
- Installation of an interior chimney is always preferable to an exterior chimney. The interior chimney will be hotter than an exterior chimney that is being cooled by the ambient air outside the house. Therefore the gas which circulates will cool slower, thus reducing the build-up of creosote and the risk of chimney fires.
- The draft caused by the tendency for hot air to rise will be increased with an interior chimney.
- Using a fire screen at the extremity of the chimney requires regular inspection in order to insure that it is not obstructed thus blocking the draft, and it should be cleaned when used regularly.

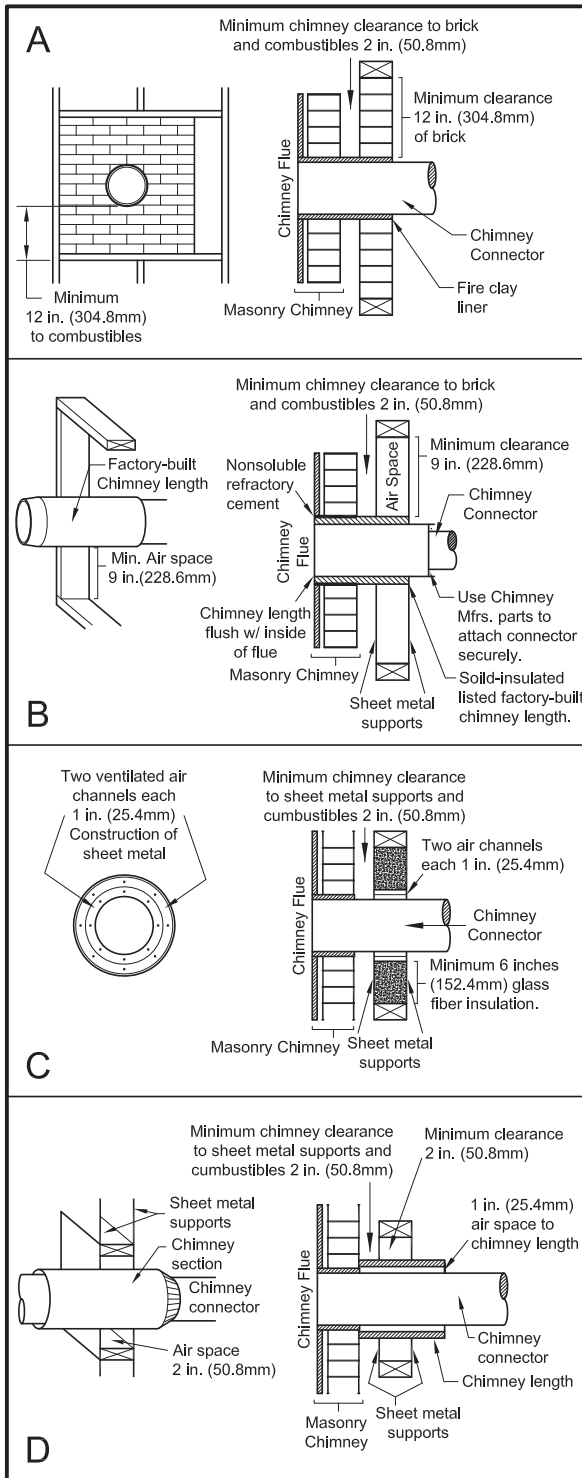


MASONRY CHIMNEY :

Ensure that a masonry chimney meets the minimum standards of the National Fire Protection Association (NFPA) by having it inspected by a professional. Make sure there are no cracks, loose mortar or other signs of deterioration and blockage. Have the chimney cleaned before the furnace is installed and operated. When connecting the furnace through a combustible wall to a masonry chimney, special methods are needed as explained in the “**Combustible Wall Chimney Connector Pass-Throughs**” Section.



COMBUSTIBLE WALL CHIMNEY CONNECTOR PASS-THROUGHS



NOTES:

Connectors to a masonry chimney, excepting method B, shall extend in one continuous section through the wall pass-through system and the chimney wall, to but not past the inner flue liner face.

A chimney connector shall not pass through an attic or roof space, closet or similar concealed space, or a floor, or ceiling.

Method A. 12" (304.8 mm) Clearance to Combustible Wall Member: Using a minimum thickness 3.5" (89 mm) brick and a 5/8" (15.9 mm) minimum wall thickness clay liner, construct a wall pass-through. The clay liner must conform to ASTM C315 (Standard Specification for Clay Fire Linings) or its equivalent. Keep a minimum of 12" (304.8 mm) of brick masonry between the clay liner and wall combustibles. The clay liner shall run from the brick masonry outer surface to the inner surface of the chimney flue liner but not past the inner surface. Firmly grout or cement the clay liner in place to the chimney flue liner.

Method B. 9" (228.6 mm) Clearance to Combustible Wall Member: Using a 6" (152.4 mm) inside diameter, listed, factory-built Solid-Pak chimney section with insulation of 1" (25.4 mm) or more, build a wall pass-through with a minimum 9" (228.6 mm) air space between the outer wall of the chimney length and wall combustibles. Use sheet metal supports fastened securely to wall surfaces on all sides, to maintain the 9" (228.6 mm) air space. When fastening supports to chimney length, do not penetrate the chimney liner (the inside wall of the Solid-Pak chimney). The inner end of the Solid-Pak chimney section shall be flush with the inside of the masonry chimney flue, and sealed with a non-water soluble refractory cement. Use this cement to also seal to the brick masonry penetration.

Method C. 6" (152.4 mm) Clearance to Combustible Wall Member: Starting with a minimum 24 gauge (.024" [.61 mm]) 6" (152.4 mm) metal chimney connector, and a minimum 24 gauge ventilated wall thimble which has two air channels of 1" (25.4 mm) each, construct a wall pass-through. There shall be a minimum 6" (152.4 mm) separation area containing fiberglass insulation, from the outer surface of the wall thimble to wall combustibles. Support the wall thimble, and cover its opening with a 24-gauge minimum sheet metal support. Maintain the 6" (152.4 mm) space. There should also be a support sized to fit and hold the metal chimney connector. See that the supports are fastened securely to wall surfaces on all sides. Make sure fasteners used to secure the metal chimney connector do not penetrate chimney flue liner.

Method D. 2" (50.8 mm) Clearance to Combustible Wall Member: Start with a solid-pak listed factory built chimney section at least 12" (304 mm) long, with insulation of 1" (25.4 mm) or more, and an inside diameter of 8" (2 inches [51 mm] larger than the 6" [152.4 mm] chimney connector). Use this as a pass-through for a minimum 24-gauge single wall steel chimney connector. Keep solid-pak section concentric with and spaced 1" (25.4 mm) off the chimney connector by way of sheet metal support plates at both ends of chimney section. Cover opening with and support chimney section on both sides with 24 gauge minimum sheet metal supports. See that the supports are fastened securely to wall surfaces on all sides. Make sure fasteners used to secure chimney flue do not penetrate flue liner.

CHIMNEY CONNECTOR

Your chimney connector and chimney must have the same diameter as the furnace outlet. If this is not the case, we recommend you contact your dealer in order to insure there will be no problem with the draft.

The furnace pipe must be made of aluminized or cold roll steel with a minimum thickness of 0.021" or 0.53 mm. It is strictly forbidden to use galvanized steel.

Your connector should be assembled in such a way that the male section (crimped end) of the pipe faces down. Attach each of the sections to one another with three equidistant metal screws. Seal the joints with furnace cement.

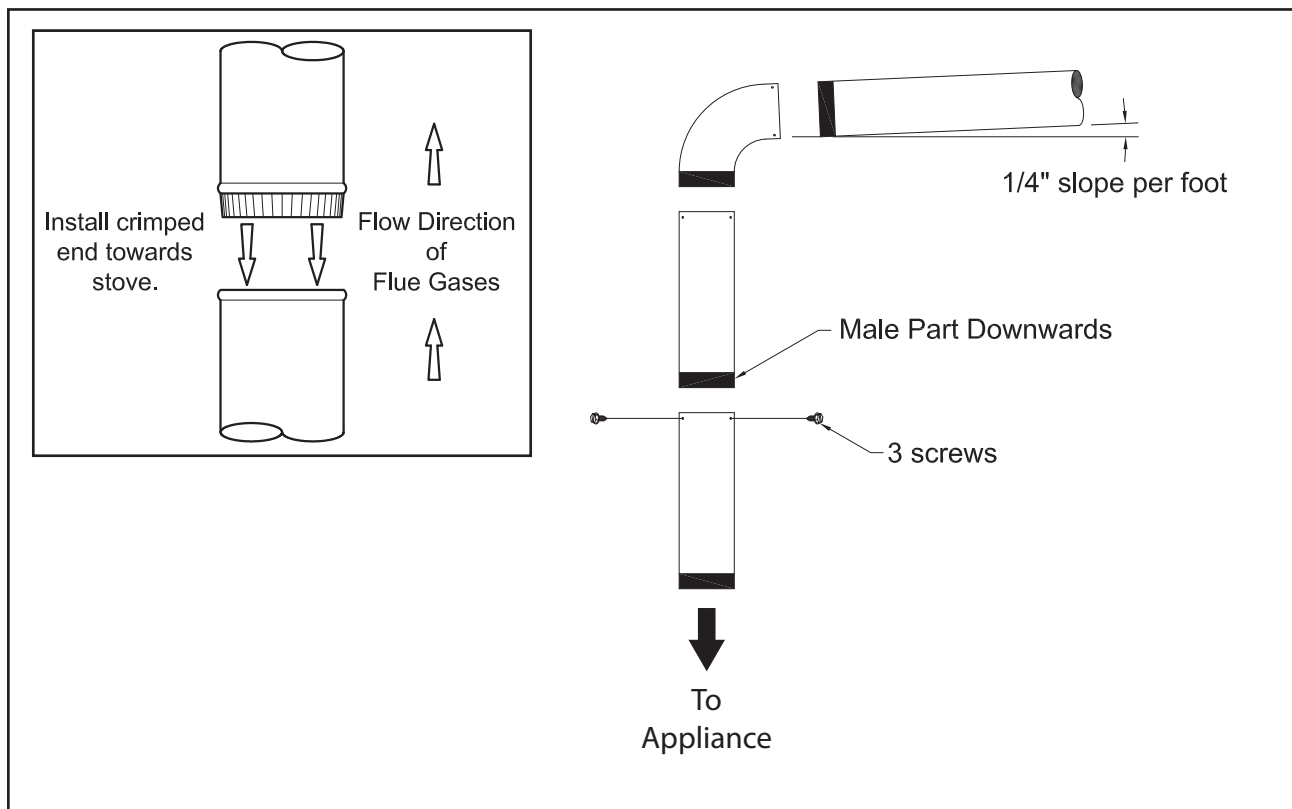
The pipe must be short and straight. All sections installed horizontally must slope at least 1/4 inch per foot, with the upper end of the section toward the chimney. Any installation with a horizontal run of furnace pipe must conform to NFPA 211. You may contact NFPA (National Fire Protection Association) and request the latest edition of the NFPA Standard 211.

To insure a good draft, the total length of the furnace pipe should never exceed 8' to 10' (2.4m to 3.04 m). (Except for cases of vertical installation, cathedral-roof style where the smoke exhaust system can be much longer and connected without problem to the chimney at the ceiling of the room).

There should never be more than two 90 degrees elbows in the smoke exhaust system.

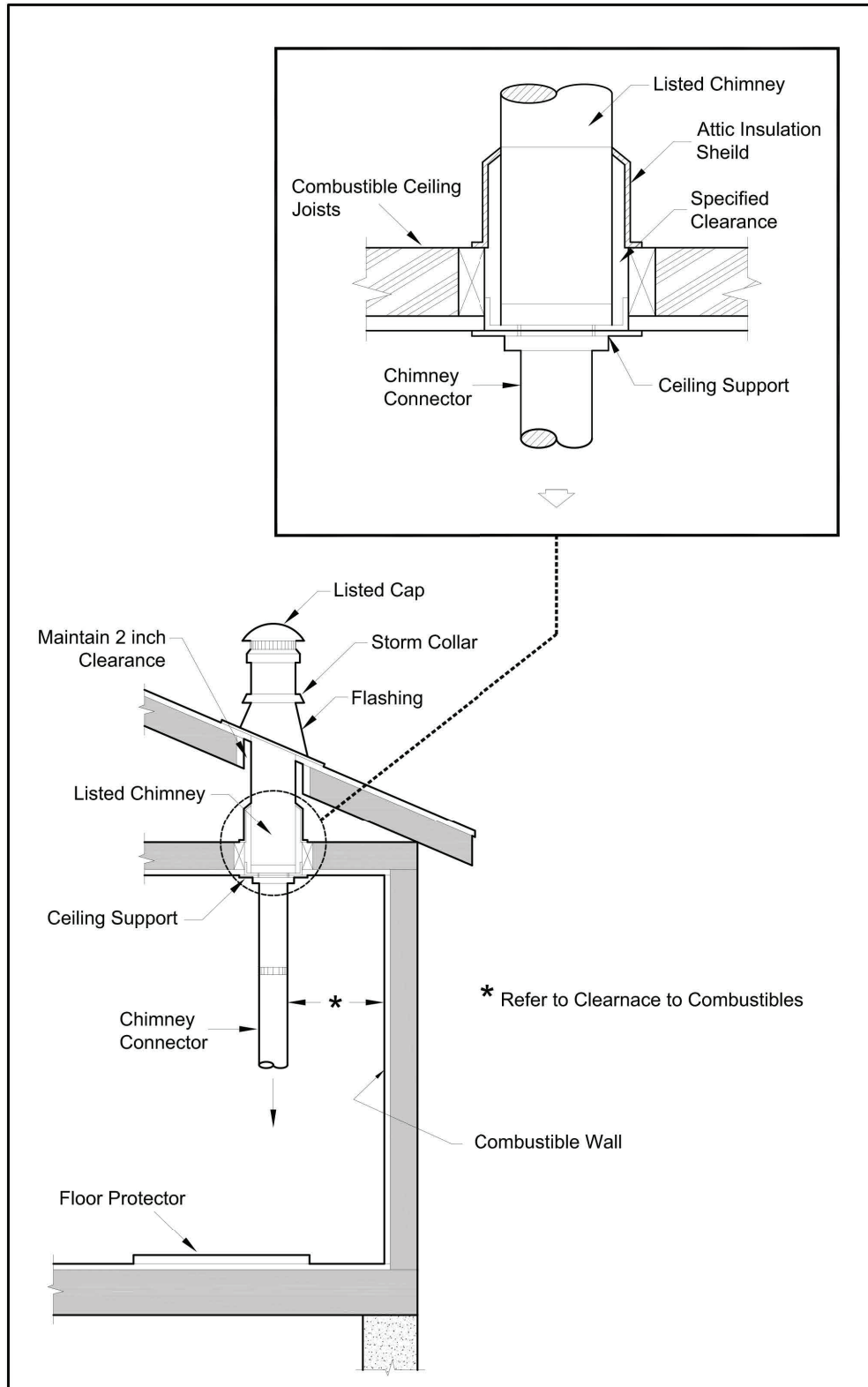
Installation of a "barometric draft stabilizer" (fireplace register) on a smoke exhaust system is prohibited.

Furthermore, installation of a draft damper is not recommended. With a controlled combustion wood furnaces the draft is regulated upon intake of the combustion air in the furnace and not at the exhaust.



FACTORY BUILT CHIMNEY :

When a metal prefabricated chimney is used, the manufacturer’s installation instructions must be followed. You must also purchase (from the same manufacturer) and install the ceiling support package or wall pass-through and “T” section package, firestops (where needed), insulation shield, roof flashing, chimney cap, etc. Maintain proper clearance to the structure as recommended by the manufacturer. The chimney must be the required height above the roof or other obstructions for safety and proper draft operation.



WOOD HEAT UTILIZATION

Your furnace was designed to burn wood only; no other materials should be burned. Waste and other flammable materials should not be burned in your furnace. **DO NOT USE CHEMICALS OR FLUIDS TO START THE FIRE. DO NOT BURN GARBAGE, GASOLINE, NAPHTHA, ENGINE OIL, OR OTHER INAPPROPRIATE MATERIALS.** Any type of wood may be used in your furnace, but specific varieties have better energy yields than others. Please consult the following table in order to make the best possible choice.

TYPE	WEIGHT (LBS. CU. FT., DRY)	PER CORD	EFFICIENCY RANKING	SPLITS	MILLIONS BTU's/CORD
Hickory	63	4500	1.0	Well	31.5
White Oak	48	4100	.9	Fair	28.6
Red Oak	46	3900	.8	Fair	27.4
Beech	45	3800	.7	Hard	26.8
Sugar Maple	44	3700	.6	Fair	26.2
Black Oak	43	3700	.6	Fair	25.6
Ash	42	3600	.5	Well	25.0
Yellow Birch	40	3400	.4	Hard	23.8
Red Maple	38	3200	.3	Fair	22.6
Paper Birch	37	3100	.3	Easy	22.1
Elm/Sycamore	34	2900	.2	Very Difficult	20.1
Red Spruce	29	1800	.1	Easy	16.1

It is **EXTREMELY IMPORTANT** that you use **DRY WOOD** only. The wood should have dried for 9 to 15 months, such that the humidity content (in weight) is reduced below 20% of the weight of the log. It is very important to keep in mind that even if the wood has been cut for one, two or even more years, it is not necessarily dry, if it has been stored in poor conditions. Under extreme conditions it may rot, instead of drying. This point cannot be over stressed; the vast majority of the problems related to the operation of a wood furnace is caused by the fact that the wood used was too damp or has dried in poor conditions.

These problems can be:

- Ignition problems
- Creosote build-up causing chimney fires
- Low energy yield
- Blackened windows
- Incomplete log combustion

Smaller pieces of wood will dry faster. All logs exceeding 6" in diameter should be split. The wood should not be stored directly on the ground. Air should circulate through the cord. A 24" to 48" air space should be left between each row of logs, which should be placed in the sunniest location possible. The upper layer of wood should be protected from the elements but not the sides.

TESTING YOUR WOOD

When the furnace is thoroughly warmed, place one piece of split wood (about five inches in diameter) parallel to the door on the bed of red embers.

Keep the air control full open by pulling on it and close the door. If ignition of the piece is accomplished within 90 seconds from the time it was placed in the oven, your wood is correctly dried. If ignition takes longer, your wood is damp.

If your wood hisses and water or vapor escapes at the ends of the piece, your wood is soaked or freshly cut. Do not use this wood in your furnace. Large amounts of creosote could be deposited in your chimney, creating potential conditions for a chimney fire.

OPERATION

NOTICE:

To minimize the risk of smoke spillage when opening the door with a fire in your furnace, crack the door open no more than 1" and wait for at least 10 seconds before opening it more to allow pressure stabilization inside the furnace.

THE FIRST FIRES

The fresh paint on your furnace needs to be cured to preserve its quality. Once the fuel charge is properly ignited, only burn small fires in your furnace for the first four hours of operation. Never open the air control more than necessary to achieve a medium burn rate.

Make sure that there's enough air circulation while curing the furnace. DO NOT connect your furnace to the ductwork during this curing process. The odors could be smelled during the 3 or 4 first fires. Never start your furnace outside. You will not be able to see if you are over heating.

LIGHTING YOUR WOOD FURNACE

- 1) Make sure that your furnace has been installed as per the instructions outlined in this manual and the proper power is supplied to it.
- 2) Open the fuel loading door.
Note: If there already is a bed of hot/glowing coals in the combustion chamber, proceed directly to the Preheating step.
- 3) Place several pieces of small dry kindling in the front of the combustion chamber directly on the firebricks.
- 4) Lay a few twists of newspaper over the kindling.
- 5) Lay more dry kindling (crisscrossing) on top of the previous layers and possibly a few more twists of newspaper if needed.
- 6) Light the lowest newspaper in the stack.

Note: In some draft situation you may be required to leave the door cracked no more than ½" only till a fire is established in the stack

No chemical product should be used to light the fire.

PREHEATING YOUR WOOD FURNACE

- 1) Once the kindling is burning well or the glowing coal bed is stirred up, lay 2 or 3 pieces of well-seasoned cordwood down so that the flame from the kindling fire can circulate around the logs and close the door.

Note: You may need to add more kindling to help ignite the cordwood.

- 2) Before loading your furnace fully you will want a well-established fire in the combustion chamber. This typically takes 15-20 minutes.

HEATING WITH YOUR WOOD FURNACE

- 1) Spread the fire and coals evenly towards the center of the combustion chamber before loading your furnace fully or adding more wood.
- 2) Avoid overfilling the combustion chamber. Air must be allowed to circulate freely through the upper portion of the combustion chamber for the stove to perform best. Typically this would mean not to load your furnace more than ¾ of the way up the door opening.

OPERATION

Controlled combustion is the most efficient technique for wood heating because it enables you to select the type of combustion you want for each given situation. The wood will burn slowly if the wood furnace air intake control is adjusted to reduce the oxygen supply in the combustion chamber to a minimum. On the other hand, wood will burn quickly if the air control is adjusted to admit a larger quantity of oxygen in the combustion chamber. Real operating conditions may give very different results than those obtained during testing according to the species of wood used, its moisture content, the size and density of the pieces, the length of the chimney, altitude and outside temperature.

CAUTION: Never alter the damper slide or the adjustment range to increase firing for any reason. Doing so could result in heater damage and will void your warranty.

WARNINGS

- **NEVER OVERFIRE YOUR FURNACE. IF ANY PART OF THE FURNACE STARTS TO GLOW RED, OVER FIRING IS HAPPENING. READJUST THE AIR INTAKE CONTROL AT A LOWER SETTING.**
- **THE INSTALLATION OF A LOG CRADLE OR GRATES IS NOT RECOMMENDED IN YOUR WOOD FURNACE. BUILD FIRE DIRECTLY ON FIREBRICK.**
- **NEVER PUT WOOD ABOVE THE FIREBRICK LINING OF THE FIREBOX.**

RELOADING

Once you have obtained a good bed of embers, you should reload the unit. In order to do so, open the air controls to maximum a few seconds prior to opening the furnace's door. Then proceed by opening the door very slowly. Then bring the red embers to the front of the furnace and reload the unit.

For optimal operation of your wood furnace, we recommend you to operate it with a wood load approximately equivalent to the 3/4 of the height of fire bricks.

It is important to note that wood combustion consumes ambient oxygen in the room. In the case of negative pressure, it is a good idea to allow fresh air in the room, either by opening a window slightly or by installing a fresh air intake system on an outside wall.

Creosote - Formation and Need for Removal - When wood is burned slowly, it produces tar and other organic vapors, which combine with expelled moisture to form creosote. The creosote vapors condense in the relatively cool chimney flue of a slow-burning fire. As a result, creosote residue accumulates on the flue lining. When ignited, this creosote makes an extremely hot fire. The chimney connector and chimney should be inspected at least twice monthly during the heating season to determine if a creosote build-up has occurred. If creosote has accumulated (3mm or more), it should be removed to reduce the risk of a chimney fire.

We strongly recommend that you install a magnetic thermometer on your smoke exhaust pipe, approximately 18" above the furnace. This thermometer will indicate the temperature of your gas exhaust fumes within the smoke exhaust system. The ideal temperature for these gases is somewhere between 275°F and 500°F. Below these temperatures, the build-up of creosote is promoted. Above 500 degrees, heat is wasted since a too large quantity is lost into the atmosphere.

TO PREVENT CREOSOTE BUILD UP

Always burn dry wood. This allows clean burns and higher chimney temperatures, therefore less creosote deposit.

Leave the air control full open for about 5 min. every time you reload the furnace to bring it back to proper operating temperatures. The secondary combustion can only take place if the firebox is hot enough.

Always check for creosote deposit once every two months and have your chimney cleaned at least once a year.

If a chimney or creosote fire occurs, close all dampers immediately. Wait for the fire to go out and the heater to cool, then inspect the chimney for damage. If no damage results, perform a chimney cleaning to ensure there is no more creosote deposits remaining in the chimney.

ASH DISPOSAL

Ashes should be removed from the furnace every few days or when ashes get to 2 to 3 inches deep. Always empty the furnace when it is cold, such as in the morning. Disposal of Ashes-Ashes should be placed in a metal container with a tight fitting lid. The closed container of ashes should be placed on a non combustible floor or on the ground, well away from all combustible materials, pending final disposal. If the ashes are disposed of by burial in soil or otherwise locally dispersed, they should be retained in the close container until all cinders have thoroughly cooled. Other waste shall not be placed in this container.

It is strongly recommended that ashes in the metal container are taken outside immediately, and are not stored within your home.

If there is a soot or creosote fire:

- Establish a routine for the storage of fuel, care for the appliance and firing techniques.
- Check daily for creosote buildup until experience shows how often cleaning is necessary.
- Be aware that the hotter the fire, the less creosote is deposited, and that weekly cleaning can be necessary in mild weather, even though monthly cleaning can be enough in the coldest months.
- Have a clearly understood plan to handle a chimney fire.

CAUTIONS:

- **ASHES COULD CONTAIN HOT EMBERS EVEN AFTER TWO DAYS WITHOUT OPERATING THE FURNACE.**
- **THE ASH PAN CAN BECOME VERY HOT. WEAR GLOVES TO PREVENT INJURY.**
- **NEVER BURN THE FURNACE WITH THE ASH TRAP OPEN. THIS WOULD RESULT IN OVER FIRING THE FURNACE. DAMAGE TO THE FURNACE AND EVEN HOUSE FIRE MAY RESULT.**

MAINTENANCE

Your wood furnace is a high efficiency furnace and therefore requires little maintenance. It is important to perform a visual inspection of the furnace every time it is emptied, in order to insure that no parts have been damaged, in which case repairs must be performed immediately. Inspect and clean the chimney and connector pipe periodically for creosote buildup or obstructions.

GLASS

- Inspect and clean the glass regularly in order to detect any cracks. If you spot one, turn the furnace off immediately. Do not abuse the glass door by striking or slamming shut. Do not use the furnace if the glass is broken.
- If the glass on your furnace breaks, replace only with the glass supplied from your heater dealer. Never substitute other materials for the glass.
- To replace the glass, remove the screws retaining the glass mouldings inside the door. Remove the mouldings and replace the damaged piece with a new one. Perform the procedure backwards after replacing. When replacing the glass, you should change the glass gasket to make sure you keep it sealed.
- Never wash the glass with a product that may scratch. Use a specialized product, available in the stores where wood furnaces are sold. The glass should be washed only when cold.

GASKETING

It is recommended that you change the door gasket (which makes your furnace door air tight) once a year, in order to insure good control over the combustion, maximum efficiency and security. To change the door gasket, simply remove the damaged one. Carefully clean the available gasket groove, apply a high temperature silicone sold for this purpose and install the new gasket. You may light up your furnace again approximately 24 hours after having completed this operation.

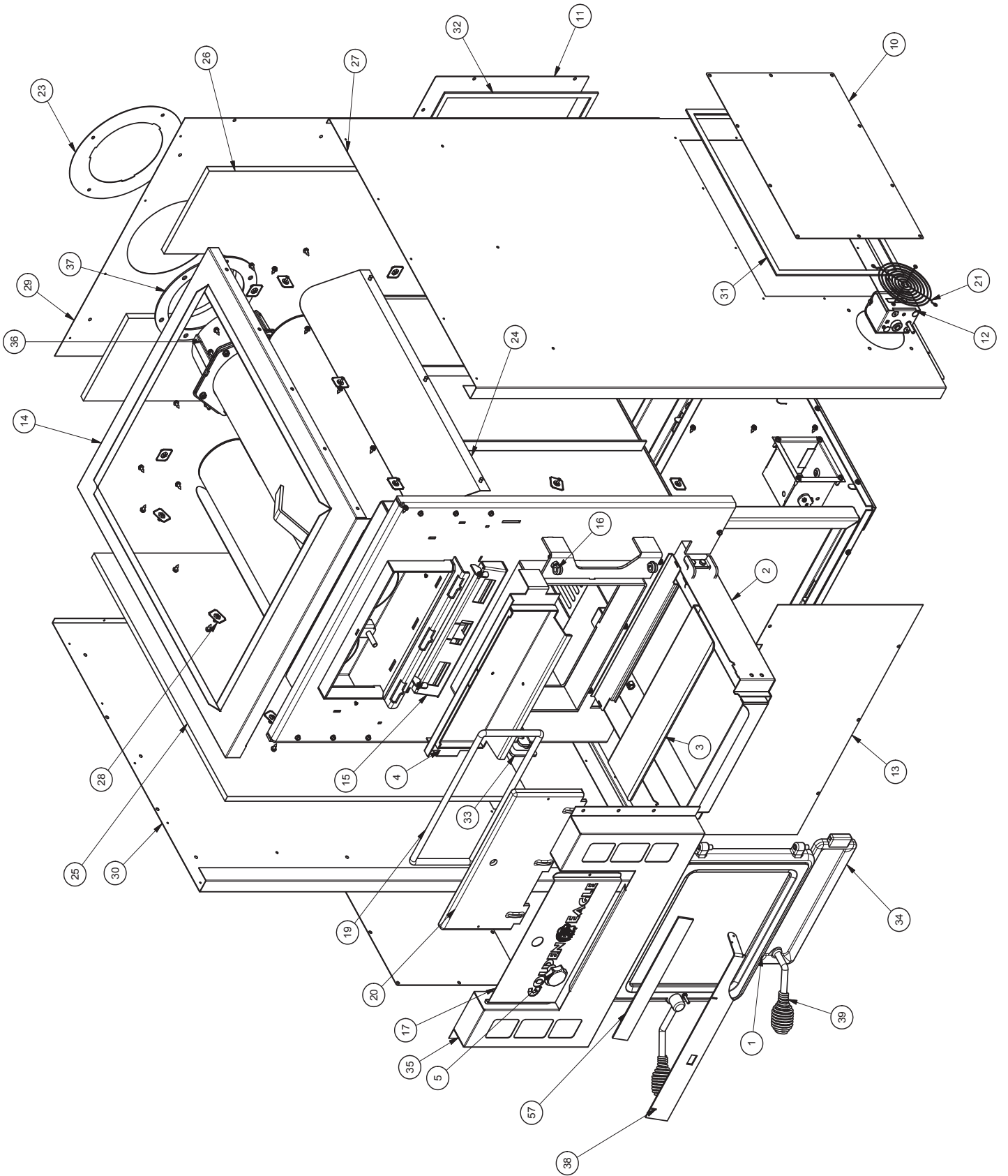
WARNING:

NEVER OPERATE THE FURNACE WITHOUT A GASKET OR WITH A BROKEN ONE. DAMAGE TO THE FURNACE OR EVEN HOUSE FIRE MAY RESULT.

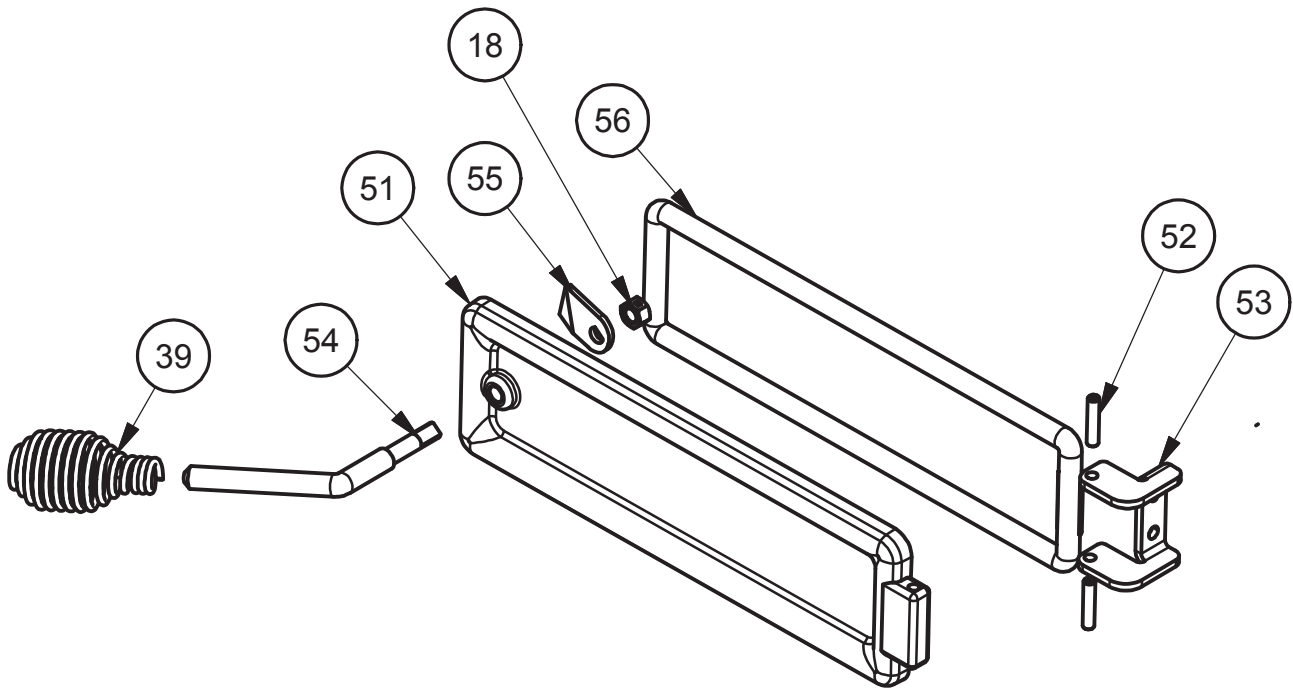
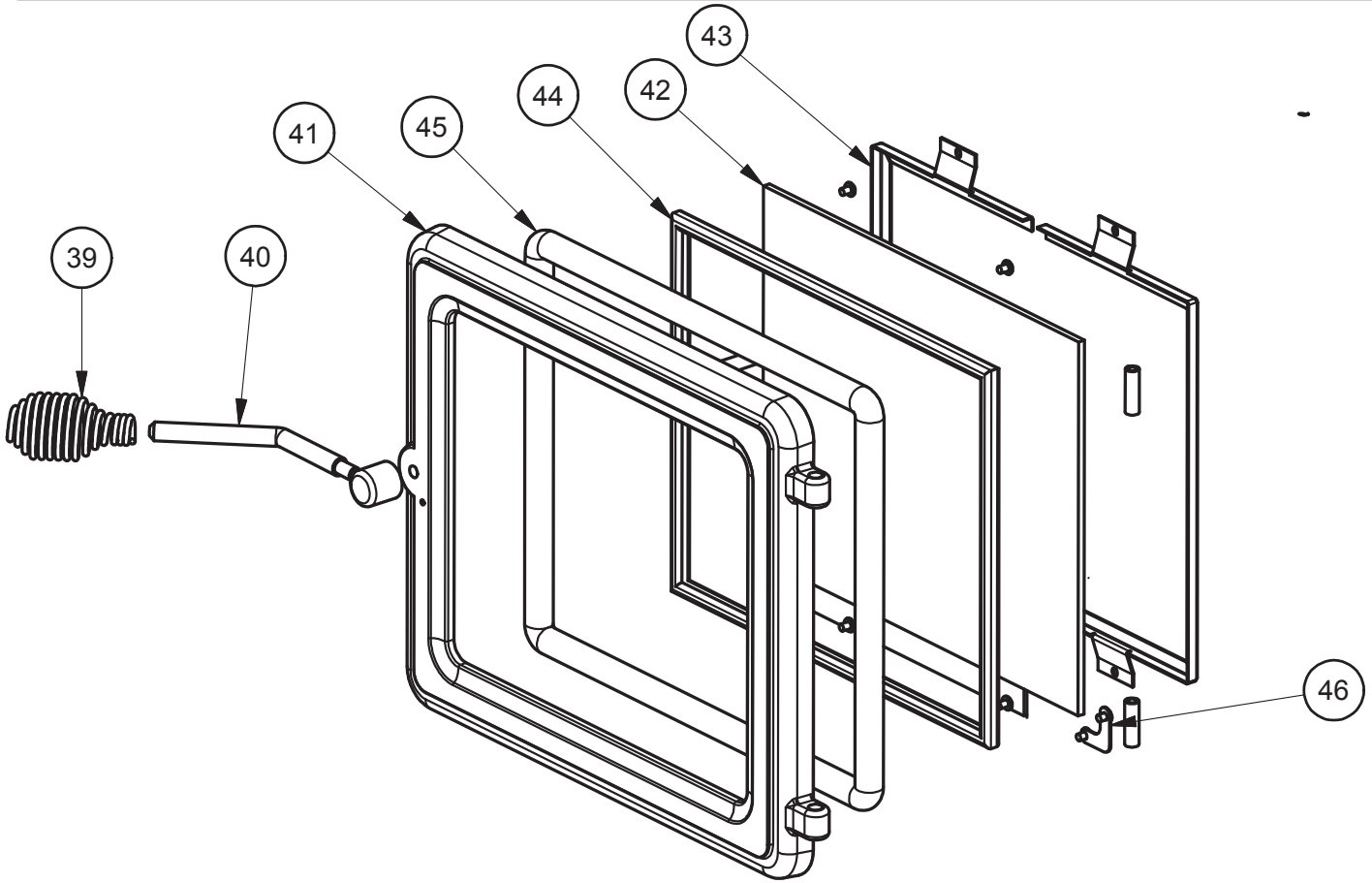
PAINT

Only clean your furnace with a dry soft cloth that will not harm the paint finish. If the paint becomes scratched or damaged, it is possible to give your wood furnace a brand new look by repainting it with a 1200° F heat resistant paint. For this purpose, simply scrub the surface to be repainted with fine sand paper, clean it properly, and apply thin coats (2) of paint successively.

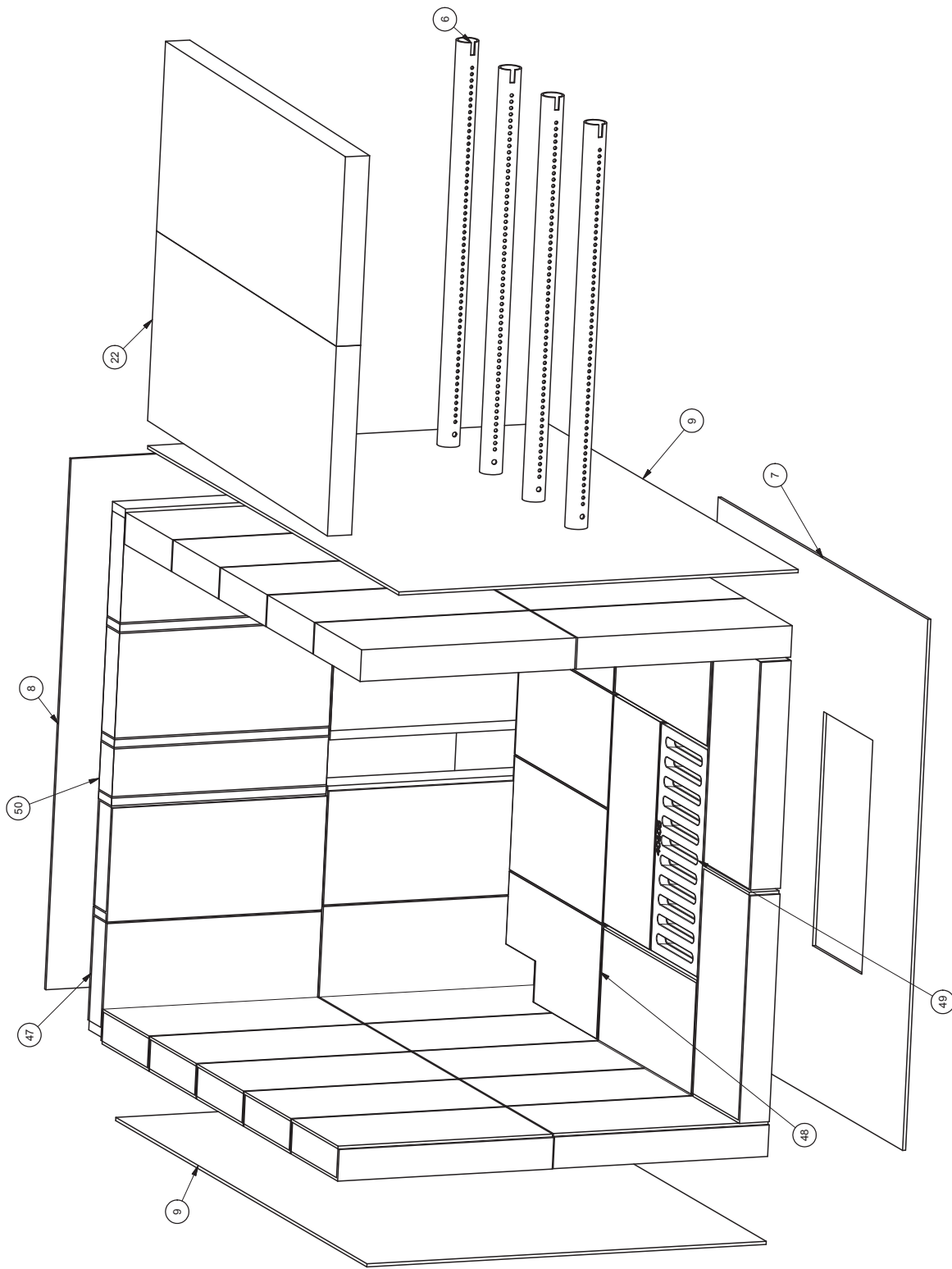
REPLACEMENT PARTS



**IN ORDER TO MAINTAIN WARRANTY, COMPONENTS MUST BE REPLACED USING ORIGINAL MANUFACTURERS PARTS PURCHASED THROUGH YOUR DEALER OR DIRECTLY FROM THE APPLIANCE MANUFACTURER.
USE OF THIRD PARTY COMPONENTS WILL VOID THE WARRANTY.**



IN ORDER TO MAINTAIN WARRANTY, COMPONENTS MUST BE REPLACED USING ORIGINAL MANUFACTURERS PARTS PURCHASED THROUGH YOUR DEALER OR DIRECTLY FROM THE APPLIANCE MANUFACTURER. USE OF THIRD PARTY COMPONENTS WILL VOID THE WARRANTY.



Key Number	Part Number	Description	Qty
1	69989	Feed Door	1
2	26751	Ash Pan	1
3	26761	Hearth Plate	1
4	26765	Air Wash Plate	1
5	892351	Exchange Handle	1
6	86761	Tube, Air Secondary (.158 Holes)	4
7	88212	Base Blanket	1
8	88214	Back Blanket	1
9	88213	Side Blanket	2
10	26772	Large Panel	2
11	26774	Blower Panel	1
12	80592	Actuator, Motorized Draft	1
13	26954	Front Cover	1
14	26955	Cabinet Top	1
15	610019	Main Weldment	1
16	40571	Hinge Block	2
17	26952	Door Cover	1
18	83626	3/8-240lk nut	
19	88057	Exchange, Thermocord 1/2"	35"
20	610027	Exchange Door Weldment	1
21	892325	120 Mm Fan Guard	1
22	88209	Baffle Board	2
23	22761	Ring, Flue Collar	1
24	26871	Air Deflector	2
25	26947	Side Panel, Insulation	2
26	88215	Back Panel, Insulation	1
27	610028	Panel Weldment, Right	1
28	83884	Insulation Holder	26
29	610030	Panel Weldment, Back	1
30	610029	Panel Weldment, Left	1
31	88115	Side, Gasket, 1/2X1/8 Pdm Sponge	58"
32	88115	Back, Gasket, 1/2X1/8 Pdm Sponge	64"

Key Number	Part Number	Description	Qty
33	26866	Door Latch	1
34	69997	Ash Pan Door Assy.	1
35	610025	Damper Cover Weldment	1
36	40246	Flue Collar, 6" C.I.	1
37	88032	Gasket, Flue Collar	1
38	610024	Damper	1
39	891135	Handle, Spring (Lg-Nickel)	2
40	892347	Door Handle	1
41	40603	Cast Door	1
42	892346	Door Glass	1
43	26848	Window Clamp	2
44	88087	Glass Gasket (1 X 1/8)	1
45	88082	Feed Door, Thermocord 3/4"	50"
46	26856	Door Cover Plate	1
47	89066	Firebrick (4-1/2 X 9)	35
48	26596	Firebrick (4-1/2 X 9)	2
49	40605	Cast Grate	1
50	891414	Half Firebrick	1
51	40604	Ash Door	1
52	83927	Roll Pin .25" X 1.25"	2
53	26851	Ash Door Hinge Pad	1
54	892349	Ash Pan Handle	1
55	26857	Door Latch	1
56	88057	Ash Pan Door, Thermocord 1/2"	20"
57	88216	Damper Gasket	1

IN ORDER TO MAINTAIN WARRANTY, COMPONENTS MUST BE REPLACED USING ORIGINAL MANUFACTURERS PARTS PURCHASED THROUGH YOUR DEALER OR DIRECTLY FROM THE APPLIANCE MANUFACTURER. USE OF THIRD PARTY COMPONENTS WILL VOID THE WARRANTY.

APPENDIX A

OIL FURNACE CFM VERIFICATION

$$CFM = \frac{\text{orifice size (SI)(liter/hour)} \times 39\,023 \times E}{1.21 \times t}$$

$$CFM = \frac{\text{orifice size (Imperial)(gallon/hour)} \times 140\,000 \times E}{1.1 \times t}$$

E : Average heat generator efficiency (0.75)

t: Temperature rise (°C)

ELECTRIC FURNACE CFM VERIFICATION

$$CFM = \frac{Re}{1.21 \times t}$$

Re = Electrical energy input rate, kW

t = Temperature rise (°C)

GAS FURNACE CFM VERIFICATION

$$CFM = \frac{Rg \times Eg}{1.21 \times t}$$

Rg = Gas input rate, kW

Eg = Efficiency of a typical atmospheric gas furnace (0.7)

HOW TO ORDER REPLACEMENT PARTS

This manual will help you obtain efficient, dependable service from your stove, and enable you to order repair parts correctly.

Keep this manual in a safe place for future reference.

When writing, always give the full model number which is on the nameplate attached to the stove.

When ordering repair parts, always give the following information as shown in this list:

1. **The part number** _____
2. **The part description** _____
3. **The model number:** _____
4. **The serial number:** _____



United States Stove Company
227 Industrial Park Road
South Pittsburg, TN 37380
(800) 750-2723
www.usstove.com

CUT HERE



WARRANTY INFORMATION CARD

Name _____ Telephone #: (____) _____

City _____ State _____ Zip _____

Email Address _____

Model # of Unit _____ Serial # _____

Fuel Type: Wood Coal Pellet Gas Other _____

Place of Purchase (Retailer) _____

City _____ State _____ Zip _____

If internet purchase, please list website address _____

Date of Purchase _____

Reason for Purchase: Alternative Heat Main Heat Source

Decoration Cost Other _____

What was the determining factor for purchasing your new USSC appliance? _____

I have read the owner's manual that accompanies this unit and fully understand the:
Installation Operation and Maintenance of my new USSC appliance.

Print Name

Signature

Date

Please attach a copy of your purchase receipt.

Warranty not valid without a Proof of Purchase.

Warranty information must be received within 30 days of original purchase.

Detach this page from this manual, fold in half with this page to the inside and tape together. Apply a stamp and mail to the address provided. You may use an envelope if you choose.

You may register online by going to www.usstove.com

All information submitted will be kept strictly confidential. Information provided will not be sold for advertising purposes.
Contact information will be used solely for the purpose of product notifications.

CUT HERE



CUT HERE



CUT HERE



 Fold Here

Fold Here 

Three horizontal lines for an address.

PLACE
STAMP
HERE

United States Stove Company
P.O. Box 151
South Pittsburg, TN 37380