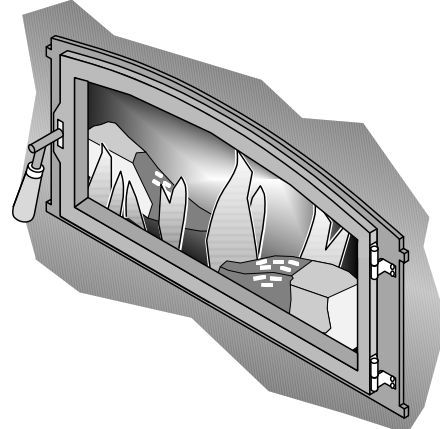
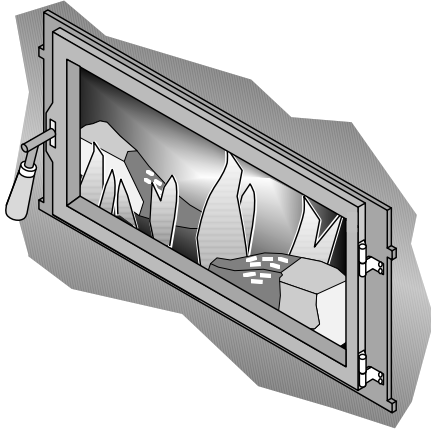




# Large Flush Wood Insert

(Rectangular or Arched)



## Owner's Manual

- Masonry Fireplace Insert
- Zero-Clearance (Metal) Fireplace Insert

Save these instructions for future reference

### WARNING



HOT GLASS WILL  
CAUSE BURNS.  
DO NOT TOUCH GLASS  
UNTIL COOLED.  
NEVER ALLOW CHILDREN  
TO TOUCH GLASS.

## SAFETY NOTICE:

If this appliance is not properly installed, a house fire may result. For your safety, follow the installation directions. Contact local building or fire officials about restrictions and installation inspection requirements in your area.

### Travis Industries, Inc.

12521 Harbour Reach Drive  
Mukilteo, WA 98275  
www.travisproducts.com

© Copyright 2020, T.I.  
\$10.00 100-01530  
11/2/2021



Listed

Intertek

Tested to: U.L. 1482 & ULC S628

## Introduction

We welcome you as a new owner of a Large Flush Wood Insert. In purchasing a Large Flush Wood Insert, you have joined the growing ranks of concerned individuals whose selection of an energy system reflects both a concern for the environment and aesthetics. This insert is one of the finest appliances the world over. This manual will explain the installation, operation, and maintenance of this appliance. Please familiarize yourself with the Owner's Manual before operating your appliance and save the manual for future reference. Included are helpful hints and suggestions which will make the installation and operation of your new appliance an easier and more enjoyable experience. We offer our continual support and guidance to help you achieve the maximum benefit and enjoyment from your appliance.

## Important Information

No other Large Flush Wood Insert appliance has the same serial number as yours. The serial number is on the label on the back of the appliance.

This serial number will be needed in case you require service of any type.

Model: Large Flush Wood Insert

Serial Number: \_\_\_\_\_

Purchase Date: \_\_\_\_\_

Purchased From: \_\_\_\_\_

\_\_\_\_\_

\_\_\_\_\_

\_\_\_\_\_

**Register your warranty online at:**

[traviswarranty.com](http://traviswarranty.com)

**Save Your Bill of Sale.**


To receive full warranty coverage, you will need to show evidence of the date you purchased your heater.

We suggest that you attach your Bill of Sale to this page so that you will have all the information you need in one place should the need for service or information occur.



**NATIONAL FIREPLACE INSTITUTE**  
**NFI**  
**CERTIFIED**  
[www.nficertified.org](http://www.nficertified.org)

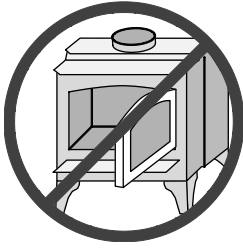
We suggest that our woodburning hearth products be installed and serviced by professionals who are certified in the U.S. by the National Fireplace Institute® (NFI) as NFI Woodburning Specialists or who are certified in Canada by Wood Energy Technical Training (WETT).



**Wood Energy Technical Training**  
[www.wettinc.ca](http://www.wettinc.ca)

<b><u>Introduction</u></b> .....	<b>2</b>	<b><u>Opening the Door</u></b> .....	<b>18</b>
<b><u>Important Information</u></b> .....	<b>2</b>	Opening the Door.....	18
<b><u>Installation Options</u></b> .....	<b>6</b>	Closing the Door .....	18
<b><u>Features</u></b> .....	<b>6</b>	<b><u>Bypass Operation</u></b> .....	<b>19</b>
<b><u>Heating Specifications</u></b> .....	<b>6</b>	<b><u>Before Starting a Fire</u></b> .....	<b>20</b>
<b><u>Dimensions</u></b> .....	<b>6</b>	<b><u>Adjusting the Burn Rate</u></b> .....	<b>21</b>
<b><u>Emissions and Efficiency</u></b> .....	<b>6</b>	Approximate Air Control Settings: .....	21
<b><u>Planning the Installation</u></b> .....	<b>7</b>	<b><u>Understanding Your Heater's Combustion System</u></b> .....	<b>22</b>
<b><u>Preparation for Installation</u></b> .....	<b>7</b>	<b><u>Burning Your Heater</u></b> .....	<b>22</b>
<b><u>Packing List</u></b> .....	<b>7</b>	<b><u>Blower Operation</u></b> .....	<b>23</b>
<b><u>Additional Accessories Needed for Installation</u></b> .....	<b>7</b>	<b><u>Re-Loading the Stove</u></b> .....	<b>23</b>
<b><u>Additional Requirements for Canada</u></b> .....	<b>7</b>	<b><u>Overnight Burn</u></b> .....	<b>23</b>
<b><u>Ash Guard</u></b> .....	<b>7</b>	<b><u>Normal Operating Sounds</u></b> .....	<b>23</b>
<b><u>Fireplace Requirements</u></b> .....	<b>8</b>	<b><u>Hints for Burning</u></b> .....	<b>24</b>
<b><u>Fireplace Altered Tag</u></b> .....	<b>8</b>	<b><u>Selecting Wood</u></b> .....	<b>24</b>
<b><u>Insert Placement Requirements</u></b> .....	<b>9</b>	Why Dry Wood is Key .....	24
<b><u>Masonry Fireplace - Hearth Extension Requirements</u></b> .....	<b>10</b>	Wood Cutting and Storage.....	24
<b><u>Masonry Fireplace Requirements</u></b> .....	<b>10</b>	<b><u>Do Not Burn List</u></b> .....	<b>25</b>
<b><u>Zero-Clearance (Metal) Fireplace - Hearth Requirements</u></b> .....	<b>10</b>	<b><u>Troubleshooting</u></b> .....	<b>26</b>
<b><u>Mantel Requirements</u></b> .....	<b>10</b>	<b><u>Daily Maintenance (while stove is in use) ...</u></b> <b>27</b>	
<b><u>Zero-Clearance (Metal) Fireplace Requirements</u></b> .....	<b>11</b>	Remove Ash (if necessary) .....	27
<b><u>Drafting Performance</u></b> .....	<b>12</b>	Clean the Glass (if necessary) .....	27
<b><u>Insert Rollers</u></b> .....	<b>12</b>	<b><u>Monthly Maintenance (while appliance is in use)</u></b> .....	<b>28</b>
<b><u>Leveling Bolt Installation</u></b> .....	<b>12</b>	Door and Glass Inspection.....	28
<b><u>Flue Installation</u></b> .....	<b>13</b>	Door Latch Adjustment .....	28
Sealing the Flue to the Insert .....	13	Creosote - Formation and Need for Removal .....	28
Insert with Direct Connection (Masonry Fireplace)	14	<b><u>Yearly Maintenance</u></b> .....	<b>29</b>
<b><u>Surround Panel Installation</u></b> .....	<b>15</b>	Touch-Up Paint.....	29
<b><u>Face Installation</u></b> .....	<b>15</b>	Cleaning the Air Duct and Blower .....	29
<b><u>Electrical Requirements</u></b> .....	<b>15</b>	Firebrick and Baffle Inspection.....	29
<b><u>Re-Routing the Electrical Cord to the Left Side</u></b> .....	<b>16</b>	<b><u>Door Parts</u></b> .....	<b>30</b>
<b><u>Safety Notice</u></b> .....	<b>17</b>	Replacing the Glass.....	30
<b><u>Before Your First Fire</u></b> .....	<b>17</b>	Replacing the Door Gasket.....	30
Verify the Installation.....	17	<b><u>Blower and Electrical Parts</u></b> .....	<b>31</b>
Curing the Paint.....	17	<b><u>Firebox Parts</u></b> .....	<b>32</b>
Carbon Monoxide (CO) Emissions.....	17	<b><u>Air Tube Identification</u></b> .....	<b>33</b>
Over-Firing the Stove.....	17	<b><u>Baffle Removal</u></b> .....	<b>33</b>
		Brick Removal & Replacement .....	38
		<b><u>GreenStart™ Igniter – Firebrick and Housing Installation</u></b> .....	<b>39</b>
		<b><u>Listing Label</u></b> .....	<b>43</b>

## Safety Precautions



The viewing door must be closed and latched during operation.

Smoke from this appliance may activate a smoke detector when the door is open.

Never block free airflow through the air vents on this appliance.



Gasoline or other flammable liquids must never be used to start the fire or "Freshen Up" the fire. Do not store or use gasoline or other flammable liquids in the vicinity of this appliance.



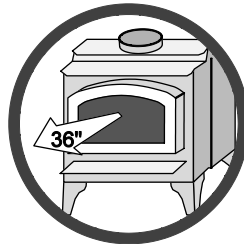
This appliance is designed and approved for the burning of cord wood only. Do not attempt to burn any other type of fuel other than cord wood in this appliance, it will void all warranties and safety listings.



Ashes must be disposed in a metal container with a tight lid and placed on a non-combustible surface well away from the home or structure.



Do not touch the appliance while it is hot and educate all children of the danger of a high-temperature appliance. Young children should be supervised when they are in the same room as the appliance.



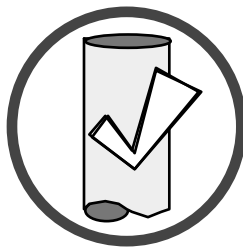
Keep furniture, drapes, curtains, wood, paper, and other combustibles a minimum of 36" away from the front of the appliance.



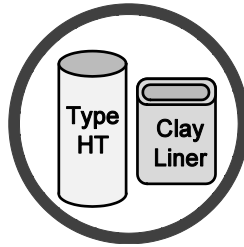
This appliance must be properly installed to prevent the possibility of a house fire. The instructions must be strictly adhered to. Do not use makeshift methods or compromise in the installation.



Contact your local building officials to obtain a permit and information on any installation restrictions or inspection requirements in your area. Notify your insurance company of this appliance as well.



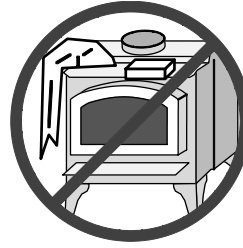
Inspect the chimney connector and chimney at least twice monthly and clean if necessary. Creosote may build up and cause a house fire. Do not connect this appliance to any chimney serving another appliance.



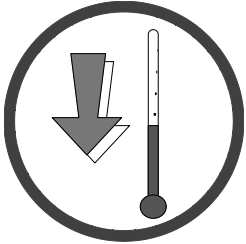
This appliance must be connected to a listed high temperature (UL 103 HT) residential type chimney or an approved masonry chimney with a standard clay tile, or stainless steel liner.



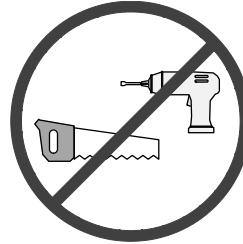
Never try to repair or replace any part of this appliance unless instructions are given in this manual. All other work must be done by a trained technician. Do not make any changes or modifications to an existing masonry fireplace or chimney to install this appliance.



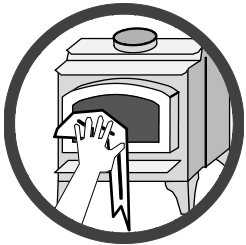
Do not place clothing or other flammable items on or near this appliance.



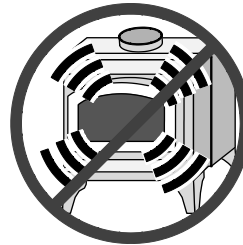
Allow the appliance to cool before carrying out any maintenance or cleaning.



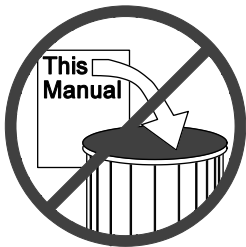
This wood heater has a manufacturer-set minimum low burn rate that must not be altered. It is against federal regulations to alter this setting or otherwise operate this wood heater in a manner inconsistent with operating instructions in this manual.



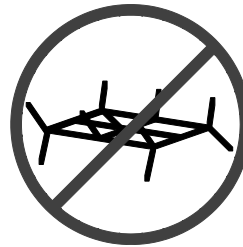
Maintain the door and glass seal and keep them in good condition. Do not operate this heater with broken or missing glass. Avoid placing wood against the glass when loading. Do not slam the door or strike the glass.



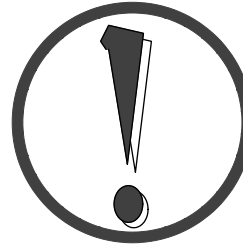
Over-firing the appliance may cause a house fire. If a unit or chimney connector glows, you are over-firing.



Do not throw this manual away. This manual has important operating and maintenance instructions that you will need at a later time. Always follow the instructions in this manual.



Do not use a grate or other device to elevate the fire off of the firebox floor. Burn the fire directly on the bricks.



**Travis Industries, Inc. grants no warranty, implied or stated, for the installation or maintenance of your appliance, and assumes no responsibility of any consequential damage(s).**

**Smoke and CO Detectors:** Make sure your home has a working smoke detector, especially near any bedrooms. We recommend having a smoke and/or CO detector in the same room as the wood heater for additional safety.

**Proposition 65 Warning:** Fuels used in gas, woodburning or oil fired appliances, and the products of combustion of such fuels, contain chemicals known to the State of California to cause cancer, birth defects and other reproductive harm. California Health & Safety Code Sec. 25249.6

Travis Wood Burning Fireplaces, Stoves and Inserts are protected by one or more of the following patents; U.S. 9,170,025 4,665,889 as well as other U.S. and Foreign Patents pending.

This wood heater needs periodic inspection and repair for proper operation. It is against federal regulations to operate this wood heater in a manner inconsistent with operating instructions in this manual.

### Installation Options

- Masonry Fireplace Insert
- Zero-Clearance (Metal) Fireplace Insert

### Features

- Single Air Control
- Steel Plate Construction (Up to 5/16")
- Heavy Duty Refractory Firebrick
- High-Tech Blower - Standard

### Heating Specifications

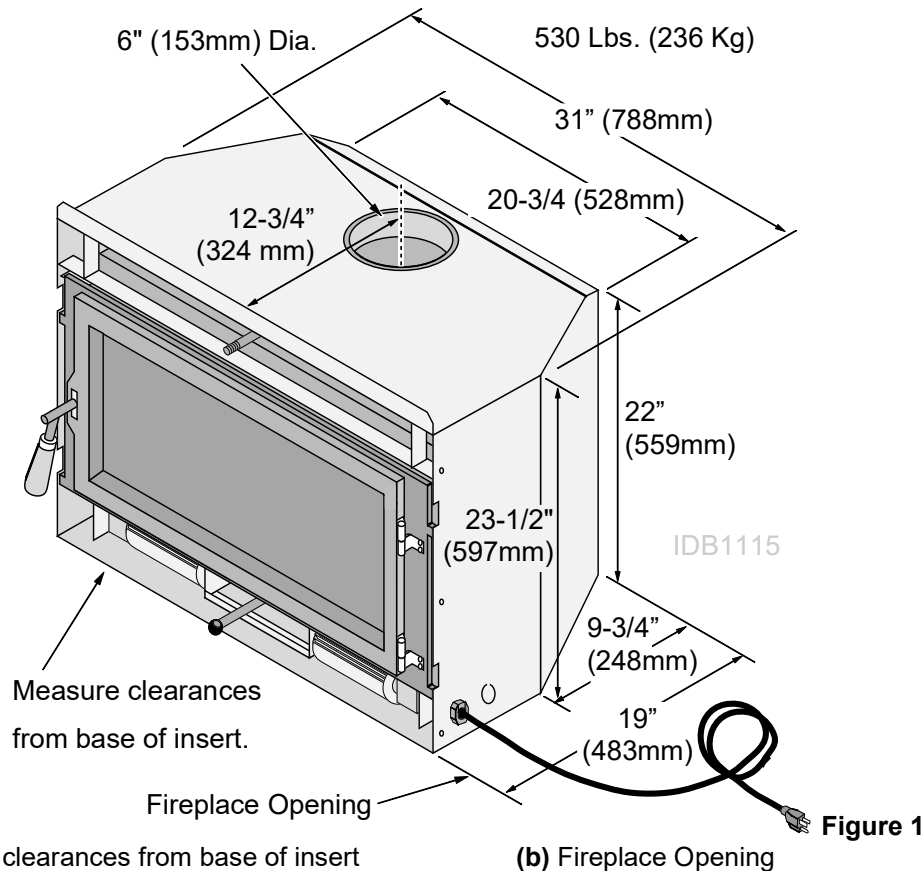
Approximate Maximum Heating Capacity (in square feet)*	1,500 to 2,500
EPA Tested Cord Wood BTUs per Hour**	17,900 to 66,736
Maximum Burn Time	Up to 12 Hours

\* Heating capacity will vary depending on the home's floor plan, degree of insulation, and the outside temperature. It is also affected by the quality and moisture level of the fuel.

\*\* EPA tests to determine BTU output are achieved with a single load of wood at each burn rate. At home, you are likely to add more wood to your insert to maintain your desired comfort level. By the simple process of loading your fireplace insert with additional wood, you could achieve up to a 20% higher heat output than established during EPA testing.

This model was tested for efficiency using method B415.1-10 and was determined to have a weighted average Higher Heating Value (HHV) Overall Heating Efficiency (OHE) of 72.7%. Overall efficiency of the heater may be lower if the heater is operated without a heat exchange blower or with the installed heat exchange blower turned off.

### Dimensions



### Emissions and Efficiency

This heater meets the 2020 U.S. EPA's cord wood emission limits for wood heaters. Tested to EPA Alt-125, ASTM E3053-17, ASTM 2515-11, CSA B415.1-10 this heater has been shown to deliver heat at rates ranging from 17,900 to 66,736 BTU/hr and an emission value of 1.68g/h. Report No. 0028WN122E



**SAFETY NOTICE:** Please read this entire manual before you install and use your new room heater. Failure to follow instructions may result in property damage, bodily injury, or even death. Contact local building or fire officials about restrictions and installation inspection requirements in your area.

## Planning the Installation



We suggest that you have an authorized Travis Industries dealer install your fireplace insert. If you install the fireplace insert yourself, your authorized dealer should review your installation plans.



Check with local building officials for any permits required for installation of this fireplace insert and notify your insurance company before proceeding with installation.



The location of your wood heater in your home will decide how affectively the heat produced will spread throughout your house. Attention to the home design with consideration of natural convection and air circulation should be taken into account when choosing the placement of your heater within the home.

## Preparation for Installation

- Check for damage to the exterior of the fireplace insert (dents should be reported, scratches can be fixed by applying touch-up paint).
- Check the interior of the firebox (replace cracked firebrick and make sure baffle is in place).



The fireplace insert can be lightened by removing the firebricks and baffle (pg. 38) - replace before operation.

## Packing List

- Wood Moisture Meter
- Touch up paint
- Bypass tool
- Gloves

## Additional Accessories Needed for Installation

- Face
- Surround Panels (see page14)

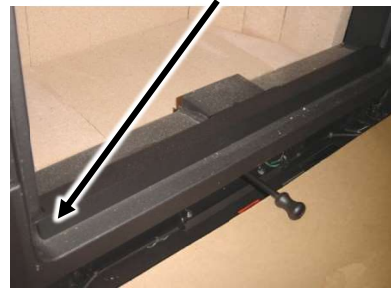
## Additional Requirements for Canada

- Do not remove bricks or mortar from existing fireplace.
- This fireplace insert must be installed with a continuous chimney liner of 6" diameter extending from the fireplace insert to the top of the chimney. The chimney liner must conform to the Class 3 requirements of CAN/ULC-S635, Standard for Lining Systems for Existing Masonry or Factory-Built Chimneys and Vents, or CAN/ULC-S640, Standard for Lining Systems for New Masonry Chimneys.
- Permanently seal any opening between the masonry of the fireplace and the facing masonry.
- Fireplace insert, or surround panels, may be removed to inspect fireplace insert and fireplace.
- Lock existing dampers in the open position.

## Ash Guard

The included ash guard prevents ash from exiting the door opening. It is shipped detached to prevent damage during shipping.

Install the ash guard as shown below. Note how the horizontal tab fits in front of the door opening.



## Fireplace Requirements

Figure 2 shows the minimum size requirements for the type of fireplace used.

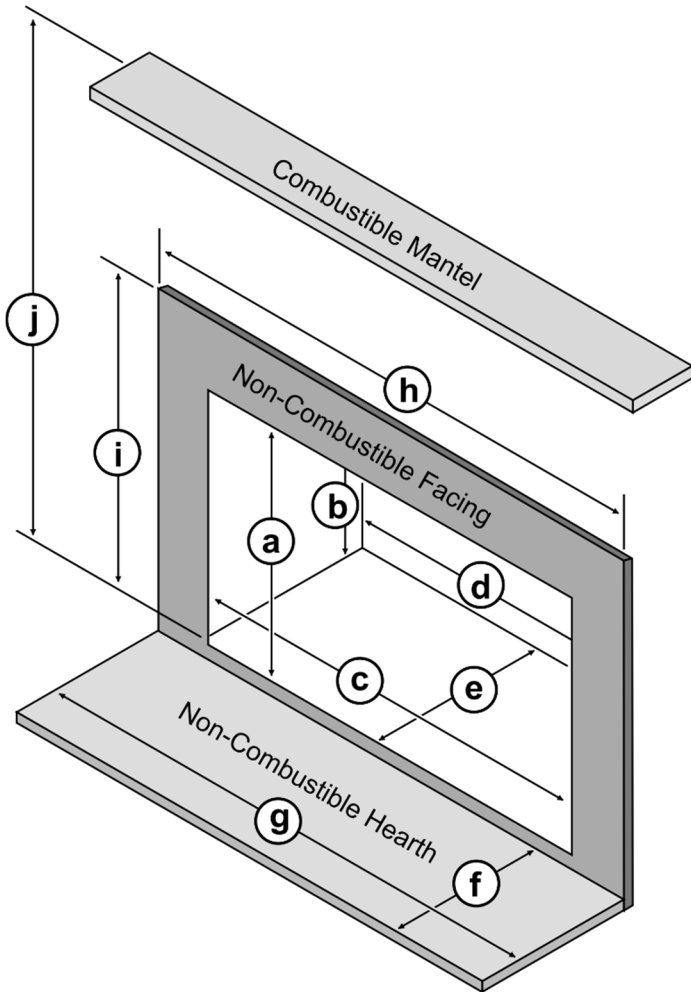


Figure 2

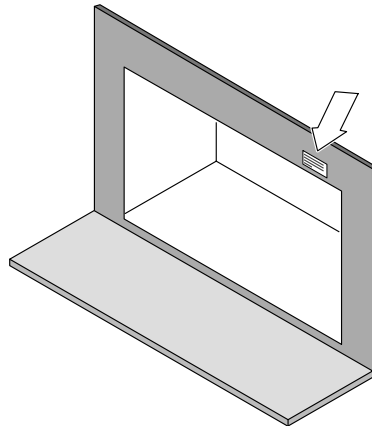
Minimum Fireplace Size	
(a) Height (front)	23-3/4" (604mm)
(b) Height (rear)	22-1/4" (566mm)
(c) Width (front) - <u>Without</u> GreenStart Igniter	33"* (839mm*)
(c) Width (front) - <u>With</u> GreenStart Igniter (measured 3" back from opening)	40" (1016mm)
(d) Width (rear)	21" (534mm)
(e) Depth	19-1/8" (486mm)
(f) Hearth Depth**	16" - 20"** (407mm - 508mm**)
(g) Hearth Width	47" (1093mm)
(h) Facing Width	42" (1194mm)
(i) Facing Height above Base of Insert	37" (940mm)
(j) Mantel Height above Base of Insert	41" (1042mm)

\*Includes 2" (51mm) for power cord installation

\*\* See Minimum Clearance table on page 9 for details.

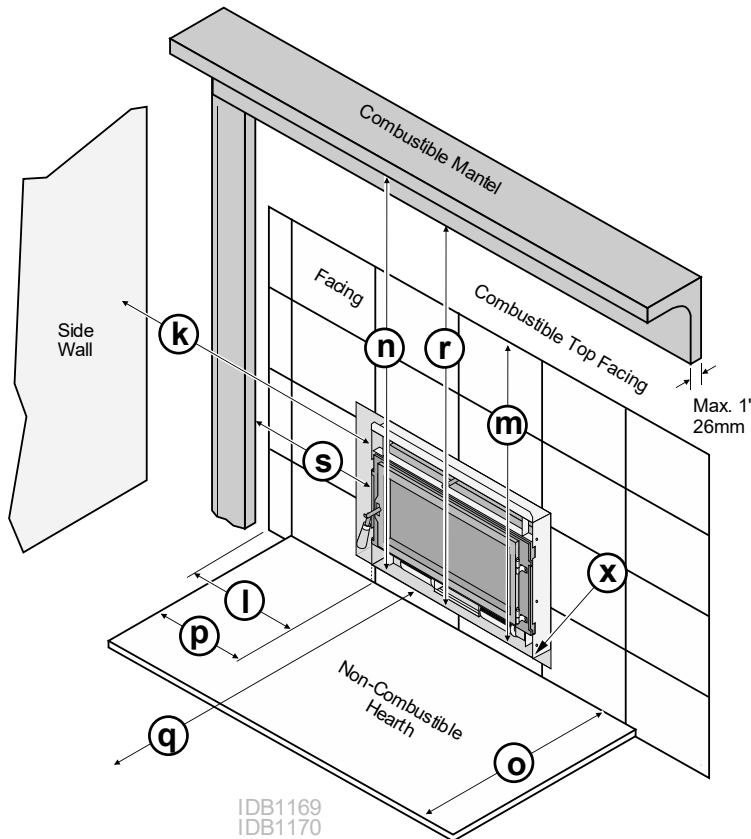
## Fireplace Altered Tag

Attach the "This fireplace has been altered..." plate to the fireplace (use two screws or other suitable method). You may wish to place it in a location where it will be covered by the surround panels.



**Insert Placement Requirements**

- The insert must be placed so that no combustibles (e.g. drapes, doors) are within, or can swing within 36" (915mm) of the front of the insert (figure 3 "q")
- The insert and hearth must be installed on a level, secure floor.
- The minimum clearances, facing, and hearth requirements in Figure 3 must be met.



Minimum Clearances	
(k) Sidewall	10-1/2" (267mm)
(l) Side Facing (non-combustible)	5-1/2" (140mm)
(m) Top Facing (non-combustible)	37" (940mm)
(n) Mantel (combustible)	41" (1042mm)
(o) Front Hearth	- 16" (407mm) hearth the base of the insert must be 2" (51mm) above combustible floor surfaces (carpet, wood, etc.). - 18" (458mm) hearth the base of the insert must be 1" (25mm) above combustible floor surfaces (carpet, wood, etc.). - 20" (508mm) hearth the base of insert may be level with combustible floor surfaces (carpet, wood, etc.). Min 16" (407mm) <b>US</b> Min 18" (458mm) <b>CAN</b>
(p) Side Hearth	8" (204mm)
(q) Front of Insert	36" (915mm)
(r) Mantel Breastplate (max. 1" (26mm thick))	37" (940mm)
(s) Mantel Column (max. 8" 204mm deep))	5-1/2" (140mm)
(x) Extension onto Hearth (from front edge of insert)	0" (0mm)

Figure 3

# 10 Fireplace Insert Installation (for qualified installers only)

## Masonry Fireplace - Hearth Extension Requirements

- Must extend 16" (407mm) (USA) or 18" (458mm)(Canada) in front of the insert and 8" (204mm) on both sides.
- Masonry hearth extensions must be non-combustible and at least .018" thick (26gauge).

## Masonry Fireplace Requirements

- Chimney must positive connection (full reline)
- Entire fireplace, including chimney, must be clean and undamaged. Any damage must be repaired prior to installation of the insert.
- Chimney height: 15' (4.5M) minimum; 33' (10M) maximum (measured from base of insert).
- The fireplace insert must be placed on a masonry hearth built to UBC standards.

## Zero-Clearance (Metal) Fireplace - Hearth Requirements

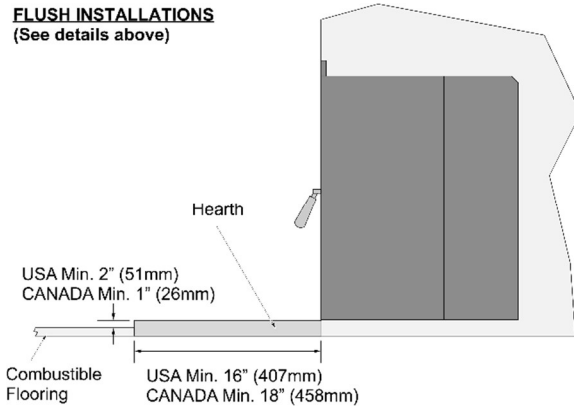
### FLUSH INSTALLATIONS (insert raised less than 7" above combustible floor):

The hearth must provide an R-value (thermal resistance) of 2.38 or greater. In the USA the hearth must extend a minimum 16" (407mm) in front of the fireplace insert and it must be 2" (51mm) above the surrounding combustible floor. In CANADA the hearth must extend a minimum 18" (458mm) in front of the fireplace insert must be 1" (25mm) above the surrounding combustible floor. The hearth must extend 8" (204mm) from both sides of the insert. \* If the hearth extends a min. 20" (508mm) in front of the insert, the hearth may be flush with the surrounding combustible floor.

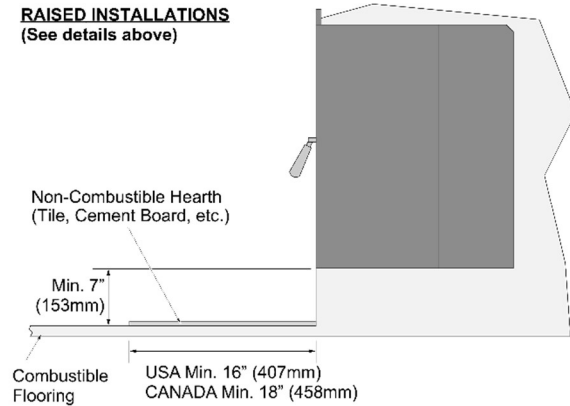
### RAISED INSTALLATIONS (insert raised a minimum 7" above floor):

If the base of the insert is a minimum 7" (178mm) above the combustible floor (carpet, wood, etc.) the hearth must extend 16" 407mm (USA) / 18" 458mm (CANADA) in front of the insert. The hearth must extend 8" (204mm) from both sides of the insert. The hearth must be non-combustible (cement board, tile, etc.) but does not need to meet an R-value (thermal resistance).

**FLUSH INSTALLATIONS**  
(See details above)

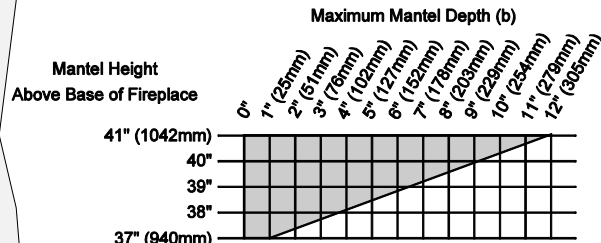
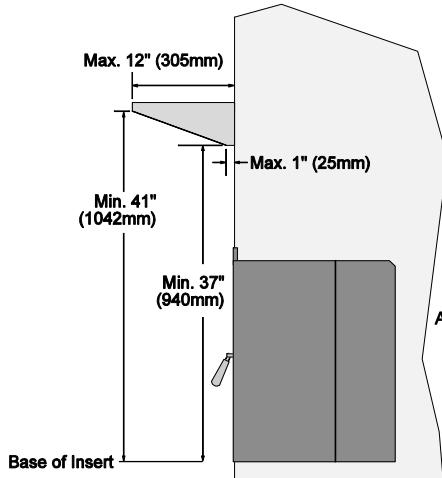


**RAISED INSTALLATIONS**  
(See details above)



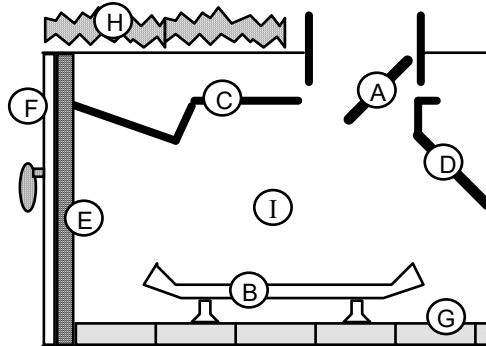
## Mantel Requirements

- See minimum mantel clearances below.



## Zero-Clearance (Metal) Fireplace Requirements

- Must be manufactured by one of the following manufacturers:
  - Marco • Majestic • Heatilator • Preway • Tempco • Superior
  - Heat N Glo • Lennox • Martin • Monesson
- Entire fireplace, including chimney, must meet local building requirements
- Chimney height: 15' minimum; 33' maximum.
- The damper ("A") and grate ("B") must be removed (see illustration below). The smoke shelf ("C"), internal baffles ("D"), screen ("E"), and metal or glass doors ("F") may be removed (if applicable). The masonry lining ("G"), insulation ("H"), and any structured rigid frame members (metal sides, floor, door frame, face of the fireplace, etc. – "I") may not be removed or altered



- The chimney on the ZC fireplace must be listed per UL 127 or ULC 610-M87 for all installations. Any thermal protection component of the fireplace or chimney must remain in place. The fireplace and chimney must be inspected prior to installation. A NFPA 211 Level II inspection is recommended. Repairs must be made prior to insert installation. The base of the fireplace must be structurally sound and able to support the weight of the insert.
- The stainless steel liner must be 6" diameter and extend the full height of the chimney (also called a positive connection or full re-line). This liner must meet type HT (2100°F) requirements per UL 1777 (USA) or ULC S635 with "0" clearance to masonry (Canada). The liner must be attached to the insert flue collar and to the top of the existing chimney.
- We recommend using the listed Travis ZC Liner Kit from Duravent (SKU 98900046, 47, or 48). If you do not use this kit, you must use the original ZC chimney cap.
- The liner support and cap at the top of the chimney must not reduce air flow for the existing air-cooled chimney system. The Travis ZC Liner Kit includes a cap that meets this provision.
- To prevent air from passing up the ZC fireplace chimney (the gap between the liner and chimney) we recommend sealing the area near the damper. Use non-combustible material to seal this area (non-backed fiberglass insulation or kaowool).
- The convection air channel on the fireplace must not be blocked. Do not block any louvers, grills, or air passages on the front of the fireplace.
- Entire fireplace, including chimney, must meet local building requirements. Permits may be required for installation. Final approval is contingent upon the authority having local jurisdiction. Inform your insurance agent of this fireplace insert.

## 12 Fireplace Insert Installation (for qualified installers only)

### Drafting Performance

Draft is the force which moves air from the appliance up through the chimney. The amount of draft in your chimney depends on the length of the chimney, local geography, nearby obstructions and other factors. Too much draft may cause excessive temperatures in the appliance and may damage the heater. Inadequate draft may cause backpuffing into the room and 'plugging' of the chimney. Inadequate draft will cause the appliance to leak smoke into the room through appliance and chimney connector joints. An uncontrollable burn or excessive temperature indicates excessive draft.

### Insert Rollers

Two rollers are built into the back edge of the insert. This allows the insert to be rolled into position by lifting the front of the insert and pushing it into position (see Figure 4).

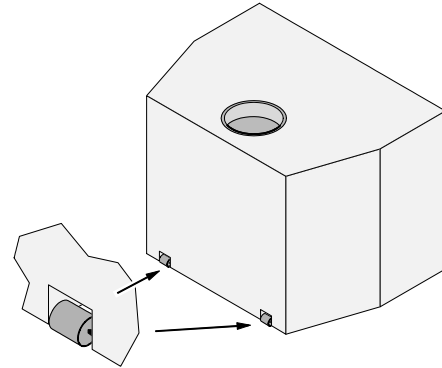


Figure 4

### Leveling Bolt Installation

**MASONRY NOTE:** Place a metal plate below the bolts on masonry fireplaces to prevent damage to the floor brick.

Two leveling bolts are pre-installed on the insert to allow for proper leveling within the fireplace. To access the bolts, remove the back corner firebricks and cover plates "a" and "b"). The bolts are pre-threaded to a weld-nut on the base of the insert. Use a 3/4" socket wrench to screw the bolts down (clockwise) until the insert is level (see "c").

**SEALING THE COVER PLATE:** We recommend sealing the cover plate with furnace cement (place on underside of cover plate).

**BOLT LENGTH:** The included bolts allow approximately 1" of rise. If additional rise is required, use a longer 1/2-13 thread bolt. Make sure the additional bolt length does not interfere with the cover plate.

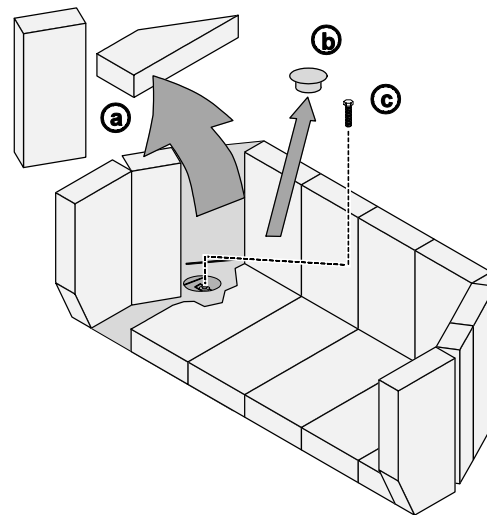
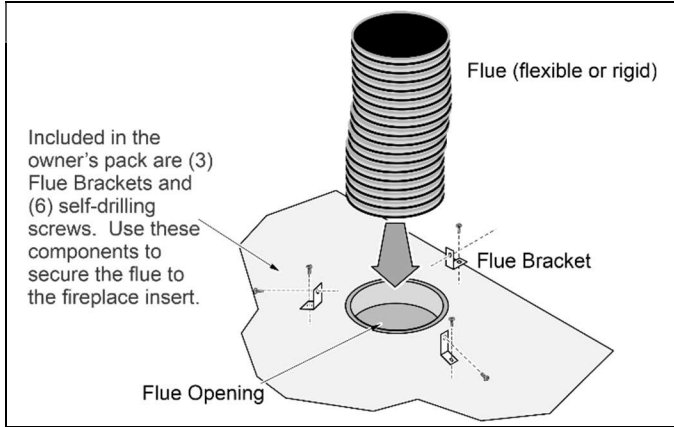


Figure 5

## Flue Installation



### INTEGRITY™ Super Stove Starter

INTEGRITY Venting Systems manufactures starter sections in straight or angled configurations to suit your application. They are secured from inside the firebox, making installation much easier. Contact INTEGRITY Venting Systems for additional details:

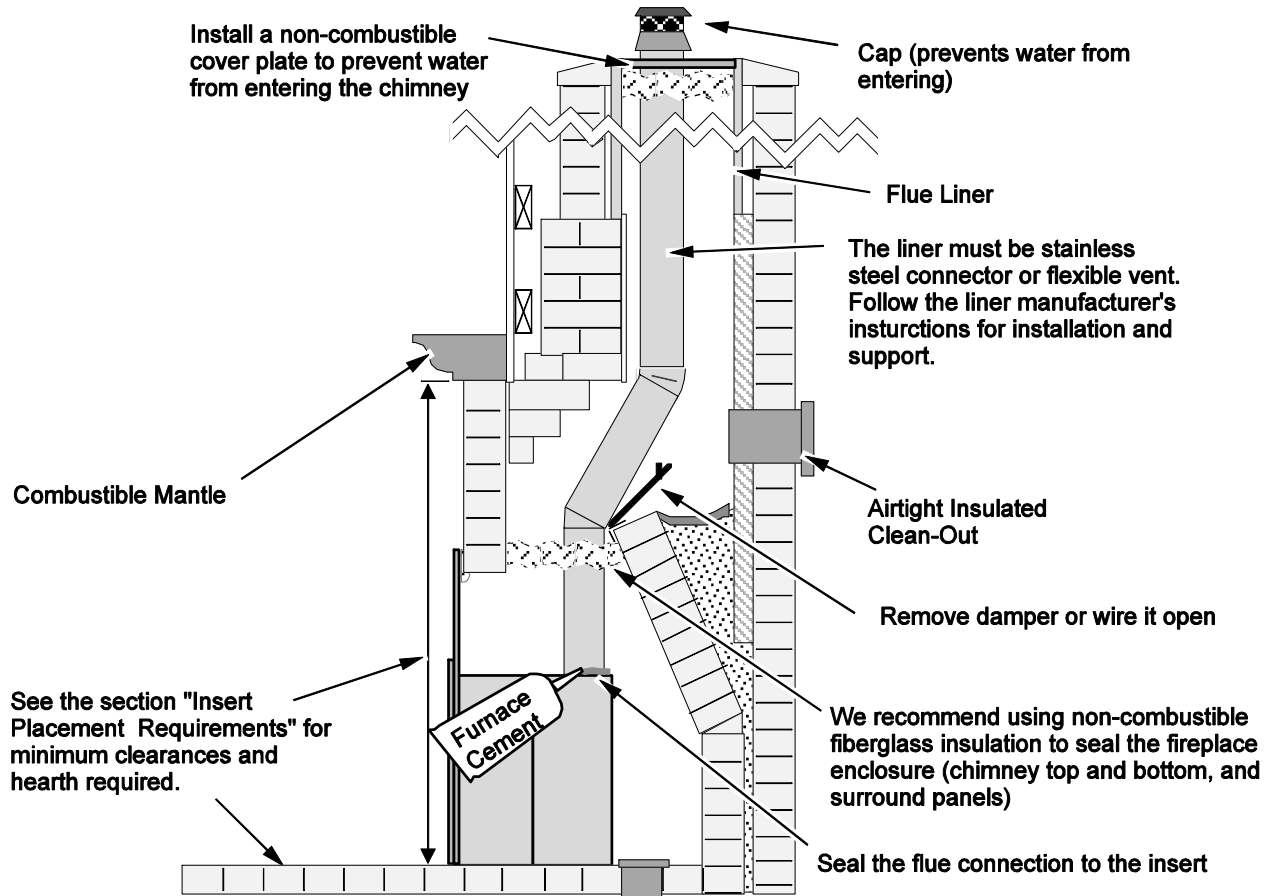
[integrityventingsystems.com](http://integrityventingsystems.com)



## Sealing the Flue to the Insert

The flue connection is vitally important. To ensure proper draft, and to prevent smoke spillage during re-loading, **it is crucial for the flue to be sealed with fireplace cement**. If an adapter is used, both joints to the liner and the insert should be sealed. Use a generous amount of fireplace cement at every connection (where the flue connects to the insert and at every joint).

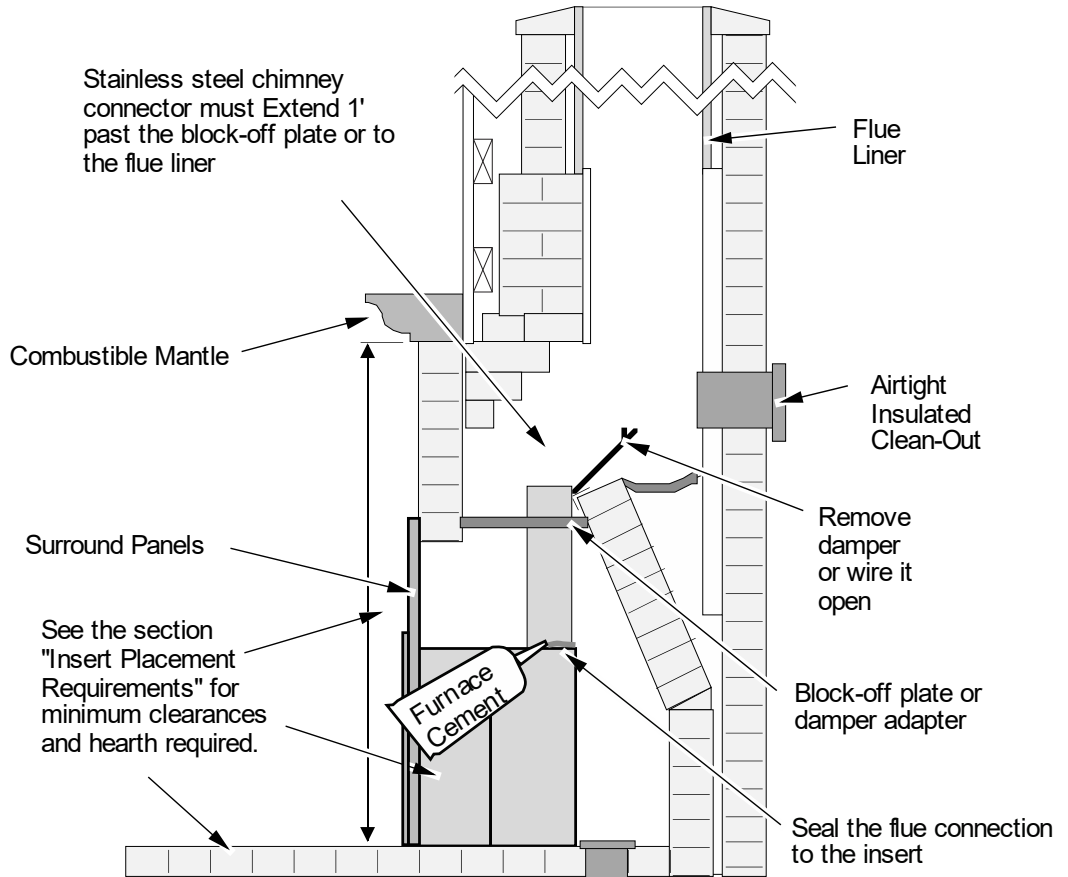
In addition, we recommend using non-combustible fiberglass insulation to seal the fireplace enclosure. By sealing the top and bottom of the chimney, and the surround panels, you will be ensuring outside air is not pulled into the chimney.



### Insert with Direct Connection (Masonry Fireplace)

#### NOT ALLOWED IN CANADA.

A block-off plate or other non-combustible sealing device (e.g. damper adapter) is required. It must seal the chimney to insure smoke does not enter the home while providing the chimney system with sufficient draft.



### Warning

#### **CHECK WITH THE LOCAL AUTHORITY HAVING JURISDICTION BEFORE INSTALLING IN THIS MANNER**

Direct Connect style installations tend to be easier and less expensive installations but also can potentially lead to draft issues and more difficult chimney cleaning.

When venting into a masonry chimney, the draft may be diminished and could lead to the possibility of a down draft.

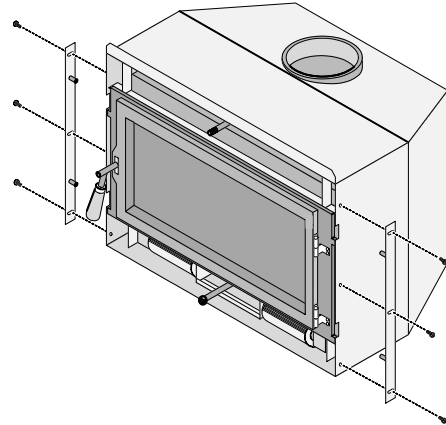
Additionally, the insert will need to be removed from the fireplace and reinstalled each time the chimney and fireplace need to be cleaned (at a minimum, annually).

**Travis Industries recommends completely relining the masonry chimney to ensure the best performance and customer satisfaction.**

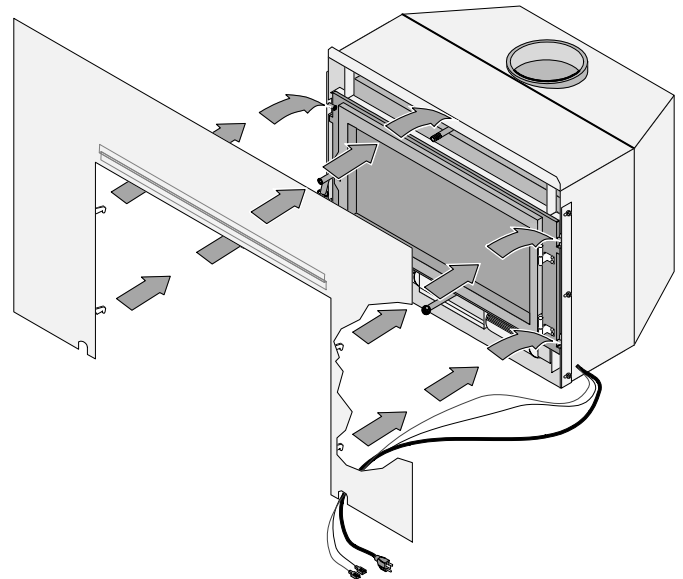
## Surround Panel Installation

	Width	Height	Part#
Standard Size	42" (1067mm)	32-1/2" (826mm)	96100392

1. Before installing, the insert should be in place with the flue attached. Attach the brackets as shown below, using the screws included in the hardware pack with the insert. Make sure the brackets are flush with the front of the convection chamber.



2. Attach the surround panel as shown below.



**HINT:** When installing the panel, route the wires through the notch on the bottom of the panel (either side).

## Face Installation

There are several face options available for this fireplace insert. Refer to the instructions included with your face.

## Electrical Requirements

### Without GreenStart™ Ignitor

- Plug the stove into a grounded receptacle supplying a minimum 1.8 amps (115 Volts, 60Hz, 207 watts).

### With GreenStart™ Ignitor

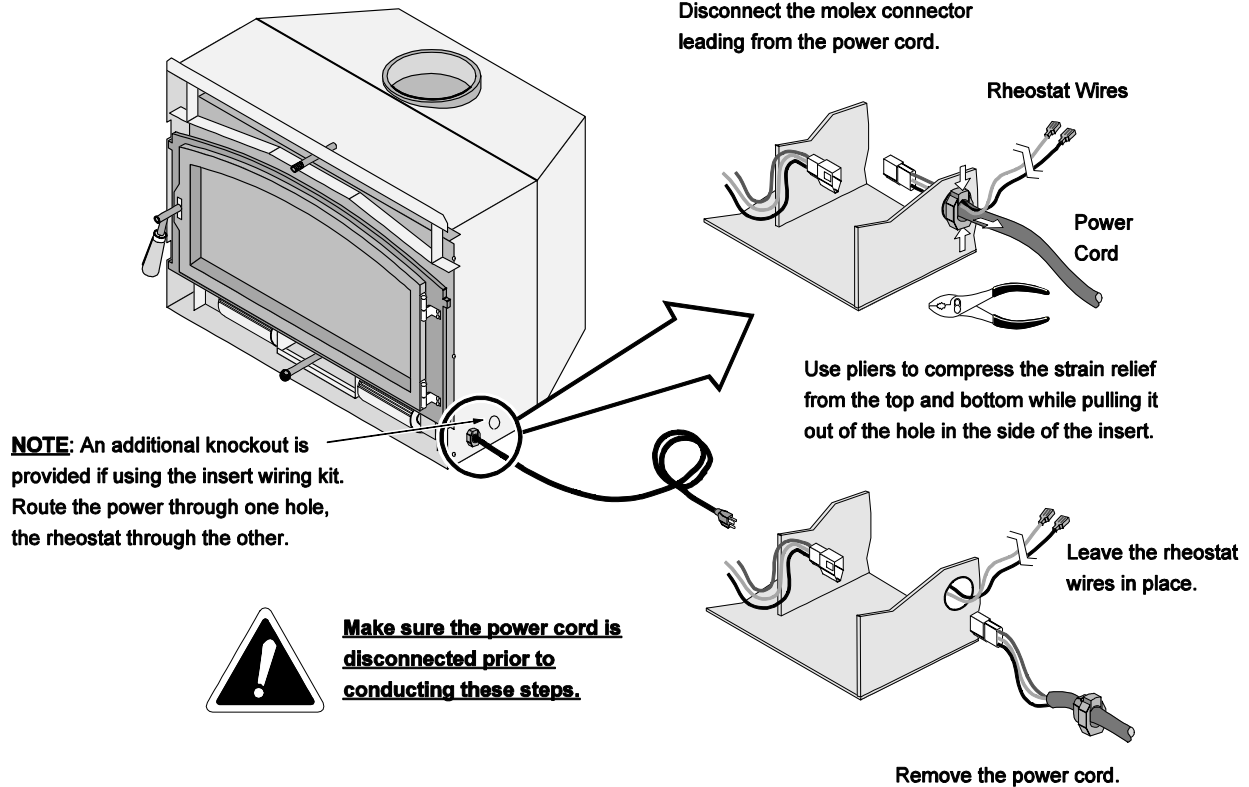
- Plug the stove into a grounded receptacle supplying a minimum 9.8 amps (115 Volts, 60Hz, 1127 watts).

**NOTE:** A hardwire kit is available from Travis Industries (sku# 97200337). Contact your dealer for details.

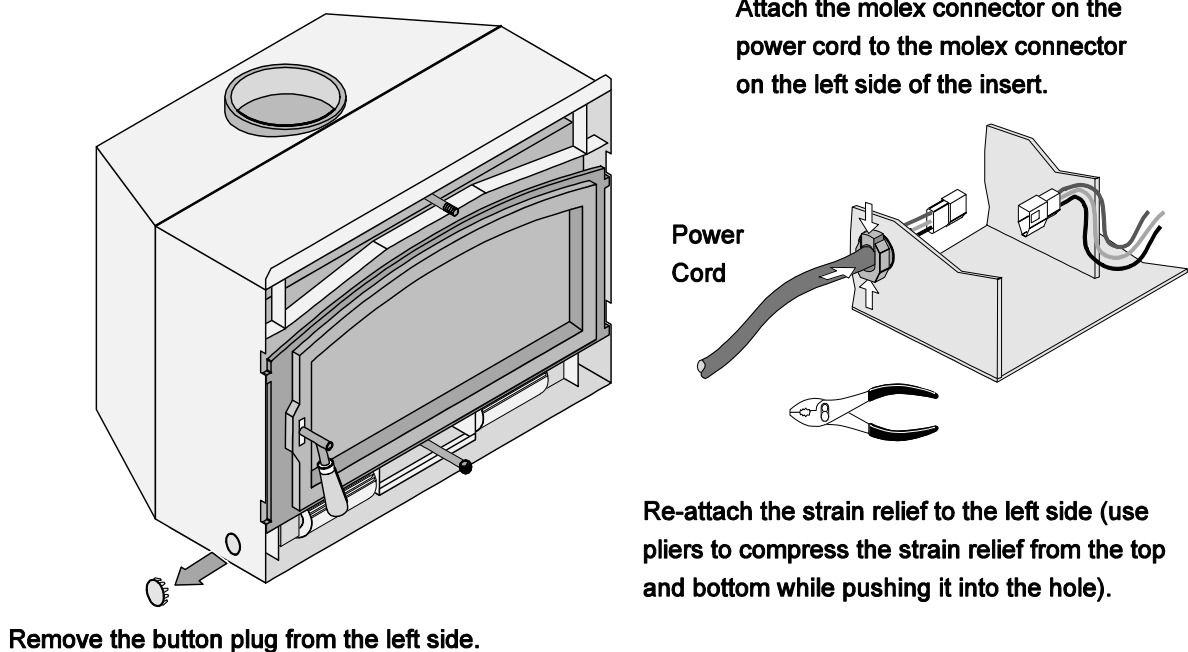
## Re-Routing the Electrical Cord to the Left Side

The power cord is connected to the right side of the insert when it leaves the factory. It may be re-routed to the left side following the directions below. Do this procedure before installing the surround panels.

- Disconnect the Molex connector and remove the power cord following the directions below.



- Connect the power cord to the left side following the directions below.



## Safety Notice

---



If this appliance is not properly installed, a house fire may result. For your safety, follow the installation directions. Contact local building or fire officials about restrictions and installation inspection requirements in your area.



Read and follow all of the warnings on pages 4 and 5 of this manual.

## Before Your First Fire

---

### Verify the Installation

Before starting the stove, verify that the stove is properly installed and all of the requirements in this manual have been followed.



Keep all flammable materials 36" away from the front of the stove (drapes, furniture, clothing, etc.).

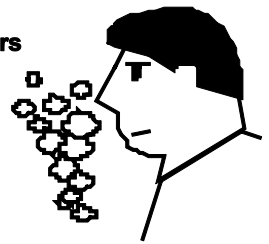
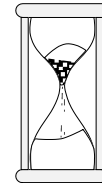
### Curing the Paint

Follow the steps below to cure the paint (first fire):

- Open doors and windows in the room to ventilate the heater during the curing process.
- Vacate the room. The fumes from the initial heating process are non-toxic but may be unpleasant.
- Slowly bring the heater to a medium burn (400°F/204°C) for 45 minutes. Then increase the burn temperature to a hot burn (600°F/315°C) for an additional 45 minutes. This will cure the paint.

**Door Gasket** - The door gasket can adhere to the paint on the front of the heater. To prevent this, carefully open and close the door a few times during the paint curing process.

2 to 4 hours



### Carbon Monoxide (CO) Emissions

Smoke from wood heaters contain CO. This gas is an indication of incomplete combustion and is detrimental to the environment and to your health. The more visible the smoke, the higher the CO levels. Burning dry wood is the most significant step you can take to reduce CO emissions. It is also important to understand the combustion process so you can burn your heater efficiently. Read the manual thoroughly so that you can operate your heater in the most efficient and clean manner possible.

### Over-Firing the Stove

**DO NOT OVERFIRE THIS HEATER:** Attempts to achieve heat output rates that exceed heater design specifications can result in permanent damage to the heater.

This stove was designed to operate at a high temperature. But due to differences in vent configuration, fuel, and draft, this appliance can be operated at an excessive temperature. If the stove top or other area starts to glow red, you are over-firing the stove. Shut the air control down to low and allow the stove to cool before proceeding.



Over-firing may lead to damage of plated surfaces. If any portion of the heater glows red, it is considered over-firing and will void the warranty.

### Opening the Door

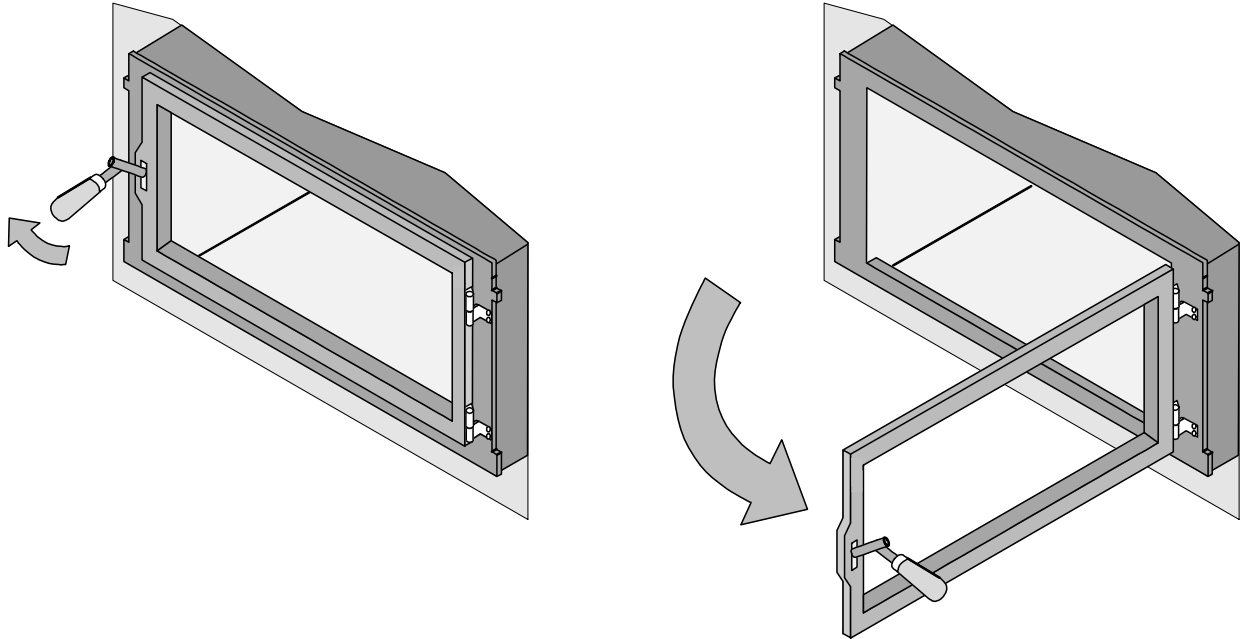


The door becomes hot during use. Use a glove to open the door if the handle is hot.

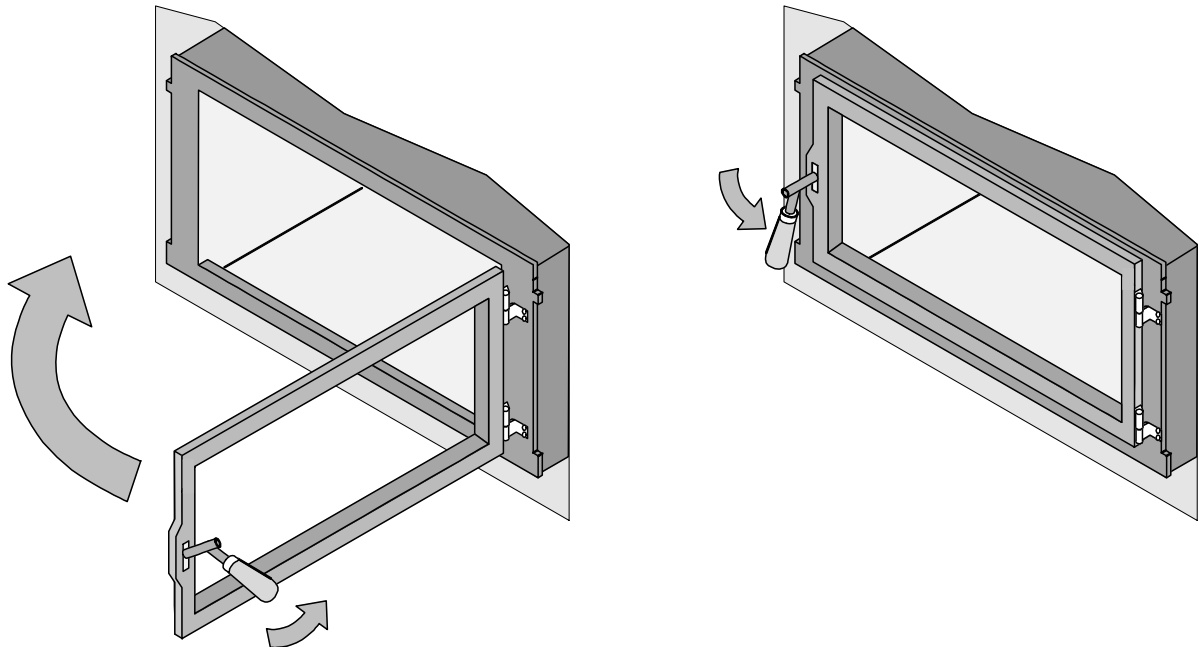


To prevent smoke from entering the room, open the bypass before opening the door (see following page for directions). You can also open the door a small amount and let air enter the firebox.

### Opening the Door



### Closing the Door



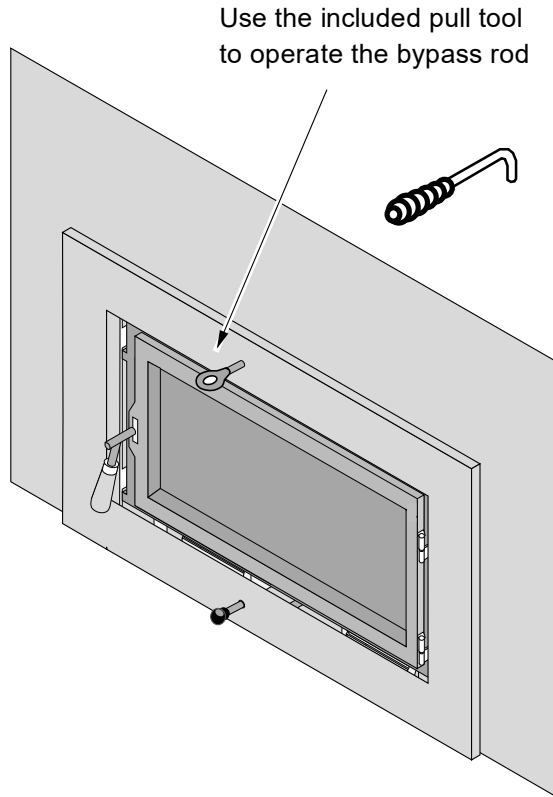
## Bypass Operation



The bypass control becomes hot during operation - use gloves or a tool to prevent burns.

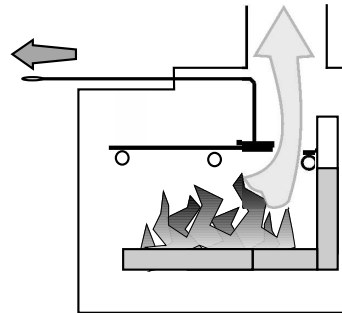
The bypass controls the flow of smoke inside the heater. When pulled out, smoke goes directly up the flue, creating more draft. When pushed in, the smoke goes around the baffle, utilizing the secondary combustion and making the heater more efficient.

- When starting or re-loading, pull the bypass out, if necessary.
- During normal operation, push the bypass in.



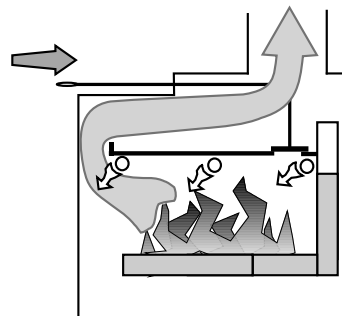
### **Bypass Pulled Out**

Used for starting and re-loading



### **Bypass Pushed In**

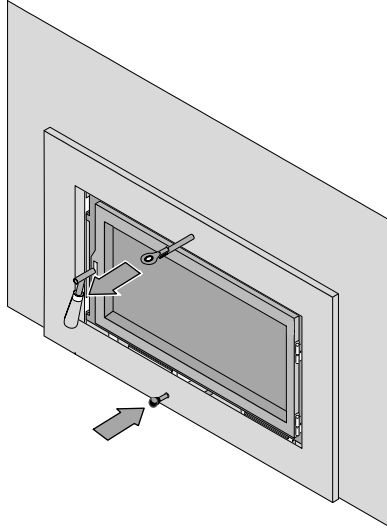
Used for normal operation



**Before Starting a Fire**

The bypass control becomes hot during operation - use gloves or a tool to prevent burns.

- Make sure the air control is pushed in and the by-pass pulled out. If additional air is needed, open the door 1/4" during the first five minutes of start-up (for some installations the door may need to be open additional time).



**Optional Green Start ignitor is available from Travis Industries for this insert. Ask your local retailer for details**



**Never** use gasoline, gasoline-type lantern fuel, kerosene, charcoal lighter fluid, or similar liquids to start or "freshen up" a fire in this stove. Keep all such liquids well away from the stove while it is in use.



**DO NOT USE CHEMICALS OR FLUIDS TO START THE FIRE. DO NOT BURN GARBAGE OR FLAMMABLE FLUIDS SUCH AS GASOLINE, NAPHTHA OR ENGINE OIL.** Do not place such fuel within space heater installation clearances or within the space required for charging and ash removal.



If using a fire-starter, use only products specifically designed for stoves - follow the manufacturer's instructions carefully.



**HOT WHILE IN OPERATION. KEEP CHILDREN, CLOTHING AND FURNITURE AWAY. CONTACT MAY CAUSE SKIN BURNS.**



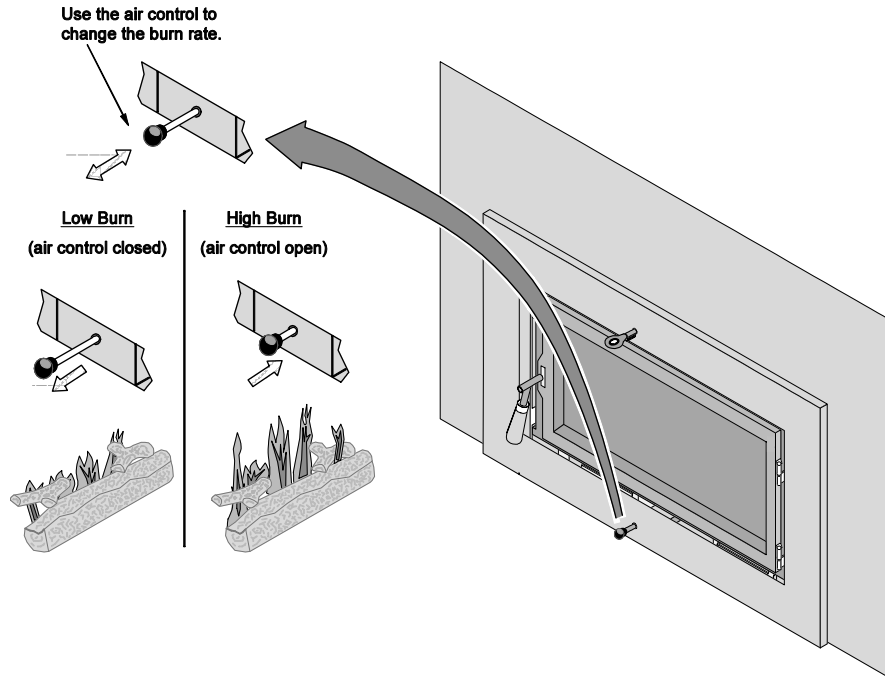
If the smoke does not pass up the chimney, ball up one sheet of newspaper, place it in the center of the firebox and light it. This should start the chimney drafting (this eliminates "cold air blockage").



Use plenty of kindling to ensure the stove reaches a proper temperature. Once the kindling is burning rapidly, place a few larger pieces of wood onto the fire.

## Adjusting the Burn Rate

Use the air control slider to control the burn rate of the stove. See the illustration below for details.



### Approximate Air Control Settings:

Overnight Burn	Pulled fully out
Medium Burn	Pushed in approx. 1/2" (12.7mm)
High Burn	Pushed in 1/2" (12.7mm) to pushed all the way In



The air control may become hot during operation - use gloves or a tool to prevent burns.



The air control may take several minutes to influence the burn rate. When making adjustments, you may wish to let the stove burn for 10 minutes to gauge performance.

## ***Understanding Your Heater's Combustion System***

---

This heater uses a dual combustion system detailed below:

**Primary Combustion:** This is the combustion (fire) that takes place directly on the wood. Primary combustion determines how fast the fire burns. Air for primary combustion is supplied through the air control. When you adjust the air control you control the amount of air that reaches the fire and creates primary combustion. The air control supplies air to the air wash (the air holes above the door opening – used to help clean the glass) and through the pilot orifice (center bottom of the door opening). By using the air control, and supplying air through these two openings, you control primary combustion.

**Secondary Combustion:** This is the combustion (fire) that does not contact the wood. Secondary combustion burns the visible emissions or smoke that is not consumed during primary combustion. It takes place at the top of the firebox and can appear as a glowing flame near the secondary air tubes.

### **Items to Consider:**

- During medium and high burn rates the stove will manage secondary and primary combustion on its own. When the heater is set to a low burn rate more care is needed to ensure the secondary combustion system works properly. Make sure the stove is hot and a good coal bed is established before adjusting your heater to low burn.
- Understanding the combustion system in this heater will help minimize the visible emissions this heater releases into the environment. The primary pilot orifice at the center bottom of the door opening is designed to help the secondary combustion at low burn settings. The pilot provides a small amount of air that burns up through the fuel load providing the heat and flame needed for the secondary system to ignite. The air tubes under the baffle need to remain lit off for low burns to be effective.
- As you load your heater for a low burn, take care in placing the wood. This will affect how well your secondary system works as the wood is consumed. Do not block the pilot orifice. Stack wood so the pilot air can burn its way up between the pieces, helping your heater burn effectively throughout the low fire. This will reduce the visible emissions your heater produces and increase the amount of heat you get from the wood. If you are unsure how well your heater is burning look at the chimney cap to monitor visible emissions.

## ***Burning Your Heater***

---

**Starting a Fire:** There are many ways to start a fire and you will become adept as you become familiar with the way your heater burns. Before you start, make sure your burn rate setting (air control) and the By-pass are all the way open. Starting a wood appliance can produce a lot of smoke. To reduce the smoke when starting your fire the top-down method described here was found to have the cleanest starts. Stack five or six layers of medium sized kindling 2" to 3" in diameter in a hatching pattern, four pieces per layer with about ¼" spacing. On top place a row of smaller 1" diameter pieces all the way across and a nest of pencil sized kindling on the top center. Light the small kindling nest on top and let it burn down through your layers of kindling. With this method, once the fire is established you should be able to close the door and By-pass, if the fire starts to die out reopen the door and leave it cracked until the fire takes off. **Never leave your heater unattended if the door is not latched shut.** Reload the unit with cordwood when the kindling pile has burned about three-quarters of the way through. Put enough wood in to establish a good coal bed, we recommend wood cut to 15" long. Load 3 large pieces placed front to back on the coal bed and 2 large pieces on top loaded side to side, leaving ¼"-1/2" gaps between the pieces of wood. The presence of a hot coal bed is critical to good combustion. We cannot overstate the importance of a hot coal bed before slowing your burn rate down. We recommend burning this first full load of cordwood completely through at the high burn rate to get your heater up to temperature and to establish a coal bed before reloading and slowing the burn rate.

**Reloading:** When reloading a hot heater set the burn rate on high for at least 15 min before slowing it down.

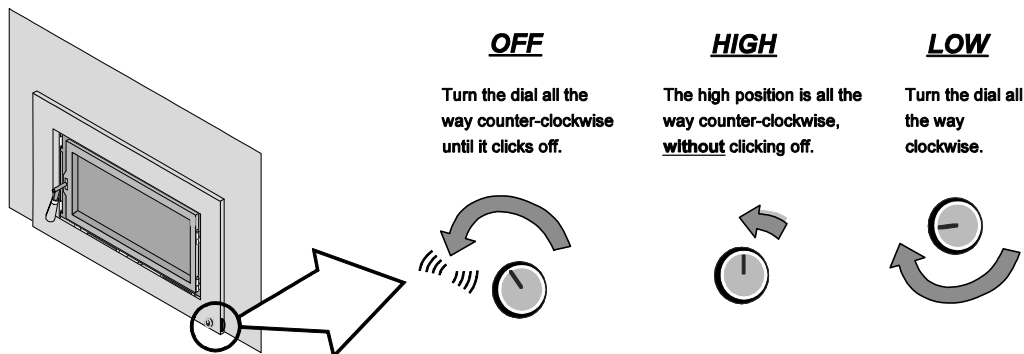
**Low Burn:** If preparing for an overnight or low burn a longer heat up period may be necessary. Reload the heater full of wood, 4 large pieces loaded front to back on the coal bed and 2 large pieces loaded side to side on top making sure there are ½" to 1" air gaps between all the pieces so the pilot air can burn up through the middle load keeping the secondary combustion system hot and active throughout the burn. After loading, burn the heater on high for at least 15 minutes before setting the air control to low. Excessive creosote buildup (or sooting) in the heater at the end of a low burn signifies that the heater was not hot enough and the wood load was not burned long enough on high after loading before shutting down the air control.

## Blower Operation

The blower will turn on once the stove is up to temperature. This is typically 15 to 30 minutes after starting the fire. Follow the directions below to alter the blower speed.



The blower rheostat dial may look different. It does operate in the same fashion.



The blower may be used to affect heat output (i.e.: to reduce heat output, turn the blower down).



Route the power cord in a location where it will not come in contact with the appliance or become hot.

## Re-Loading the Stove



Use gloves when reloading wood.

Follow the directions below to minimize smoke spillage while re-loading the stove.

1. Open the air control all the way (push it in). Open the bypass; pull it out if necessary.
2. Open the door slightly. Let airflow inside the firebox stabilize before opening the doors fully.
3. Load wood onto the fire.

## Overnight Burn

Follow the steps below to achieve an overnight burn.

1. Move the air control to high burn and let the stove become hot (burn for approximately 15 minutes).
2. Load as much wood as possible. Use large pieces if possible.
3. Let the stove burn on high for 15 minutes to keep the stove hot, and then turn the air control to low.
4. In the morning the stove should still be hot, with embers in the coal bed. Stir the coals and load small pieces of wood to re-ignite the fire, if desired.



Differences in chimney height and draft may lower overall burn times.

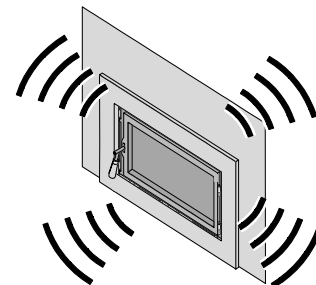
## Normal Operating Sounds

### Creaks and Clicks:

The steel may creak or click when the stove heats up and cools down - this is normal.

### Blower Sounds:

The blower will make a slight "hum" as it pushes air through the stove.

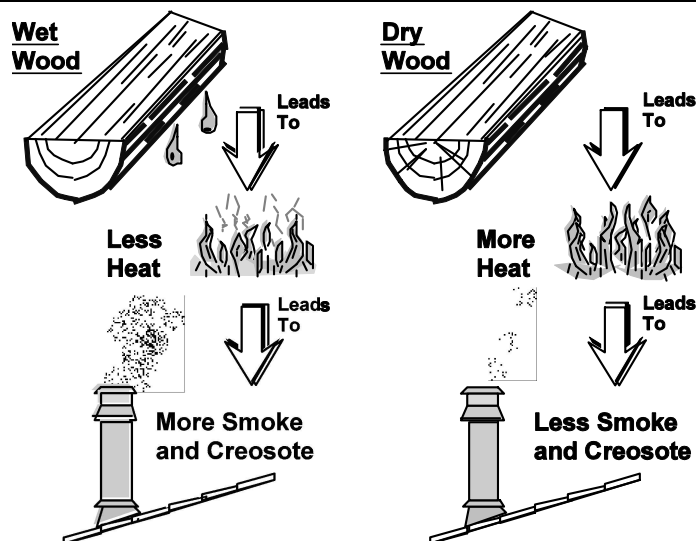


## Hints for Burning

- Get the appliance hot before adjusting to low burn
- Use smaller pieces of wood during start-up and high burns to increase temperature
- Use larger pieces of wood for overnight or sustained burns
- Stack the wood tightly together to establish a longer burn
- Be considerate of neighbors & the environment: burn dry wood only
- Burn small, intense fires instead of large, slow burning fires when possible
- Learn your appliance's operating characteristics to obtain optimum performance

## Selecting Wood

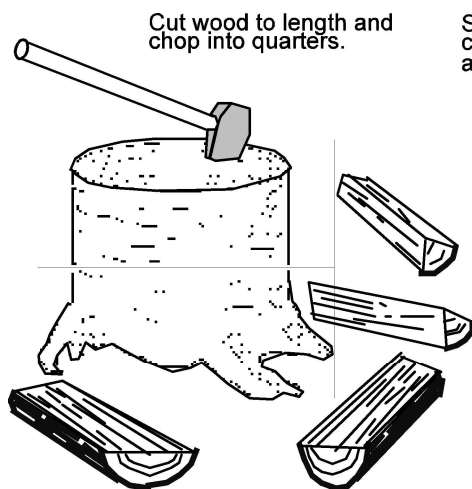
- Dry Wood is Key – moisture content should be 15-20% for best results
- Dry wood burns hot, emits less smoke and creates less creosote.
- Testing Wood Moisture
- Split wood stored in a dry area will be fully dry within a year. This insures dry wood. If purchasing wood for immediate use, test the wood with a moisture meter. Some experienced wood burners can measure wood moisture by knocking pieces together and listening for a clear "knock" and not a "thud".



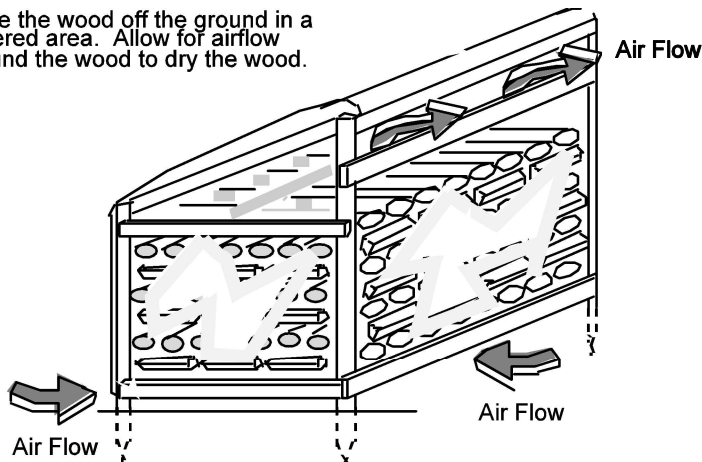
## Why Dry Wood is Key

Wet wood, when burned, must release water stored within the wood. This cools the fire, creates creosote, and hampers a complete burn. Ask any experienced wood burner and he or she will agree: dry wood is crucial to good performance.

## Wood Cutting and Storage



Store the wood off the ground in a covered area. Allow for airflow around the wood to dry the wood.



### ***Do Not Burn List***

---

This heater is designed to burn natural wood only. Higher efficiencies and lower emissions generally result when burning air-dried seasoned hardwoods, as compared to softwoods or to green or freshly cut hardwoods.

#### **DO NOT BURN:**

- Garbage
- Lawn clippings or yard waste
- Materials containing rubber, including tires
- Materials containing plastic
- Waste petroleum products, paints or paint thinners, or asphalt products
- Materials containing asbestos
- Construction or demolition debris
- Railroad ties or pressure-treated wood
- Manure or animal remains
- Salt water driftwood or other previously salt water saturated materials
- Unseasoned, "Green" or wet wood
- Paper products, cardboard, plywood, or particleboard.\*

\*The prohibition against burning these materials does not prohibit the use of fire starters made from paper, cardboard, saw dust, wax and similar substances for the purpose of starting a fire in an affected wood heater

**Burning these materials may result in release of toxic fumes or render the heater ineffective and cause smoke.**

**Troubleshooting**

<b>Problem</b>	<b>Possible Cause</b>
<b>Smoke Enters Room During Start-Up</b>	<ul style="list-style-type: none"> <li>• Open the bypass (pg. 19).</li> <li>• Open the air control (pg. 21).</li> <li>• Cold Air Blockage - burn a piece of newspaper to establish a draft.</li> <li>• If the flame is not getting enough air, a small crack in the door is all that is needed.</li> </ul>
<b>Kindling Does Not Start - Fire Smolders</b>	<ul style="list-style-type: none"> <li>• Open the bypass (pg. 19).</li> <li>• Open the air control (pg. 21).</li> <li>• Not enough starter paper - use additional newspaper if necessary.</li> <li>• If the flame is not getting enough air, a small crack in the door is all that is needed.</li> </ul>
<b>Smoke Enters Room While Re-Loading</b>	<ul style="list-style-type: none"> <li>• Open the bypass before opening the door (pg. 19).</li> <li>• Open the air control before opening the door (pg. 21).</li> <li>• Let the air stabilize before fully opening the door. Then open the door approximately 1 inch. Let air go into the firebox for a few seconds. Once the smoke appears to be flowing up the chimney consistently, open the door.</li> <li>• Insufficient Draft - Chimney height and outside conditions can negatively affect draft. In these cases a small amount of smoke may enter the home. Adding more piping or a draft-inducing cap may help.</li> <li>• Chimney liner joints are not properly sealed at the insert connection.</li> </ul>
<b>Stove Does Not Burn Hot Enough</b>	<ul style="list-style-type: none"> <li>• Wood is Wet - see the section "Selecting Wood" on page 24 for details on wood.</li> <li>• Make sure the air control is all the way open. Slide the control back and forth to insure the control is not stuck.</li> <li>• Insufficient Draft - Chimney height and outside conditions can negatively affect draft. In these cases the fire may burn slowly. Adding more piping or a draft-inducing cap may help.</li> </ul>
<b>Blower Does Not Run</b>	<ul style="list-style-type: none"> <li>• Stove is Not Up to Temperature - This is normal. The blower will come on when the stove is hot - usually 15 to 30 minutes.</li> <li>• Electricity Is Cut to the Blower - Check the household breaker or fuse to make sure it is operable.</li> </ul>
<b>Stove Does Not Burn Long Enough</b>	<ul style="list-style-type: none"> <li>• Depending upon wood, draft, and other factors, the burn time may be shorter than stated. Make sure the doors are sealing and not allowing air into the firebox - See the section "Door and Glass Inspection" on page 28 for details.</li> <li>• Check the ash bed for coals. Often, coals are still glowing under a slight bed of flyash. By raking these into a pile you can re-start your stove quickly.</li> </ul>



Must replace components with equipment equivalent to the original or approved by the manufacturer.



Failure to properly maintain and inspect your appliance may reduce the performance and life of the appliance, void your warranty, and create a fire hazard.

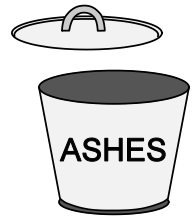


Establish a routine for the fuel, wood burner and firing technique. Check daily for creosote build-up until experience shows how often you need to clean to be safe. Be aware that the hotter the fire the less creosote is deposited, and weekly cleaning may be necessary in mild weather even though monthly cleaning may be enough in the coldest months. Contact your local municipal or provincial fire authority for information on how to handle a chimney fire. Have a clearly understood plan to handle a chimney fire.

## Daily Maintenance (while stove is in use)

### Remove Ash (if necessary)

Whenever ashes get 3 to 4 inches deep in your firebox or ash pan, and when the fire has burned down and cooled, remove excess ashes. Leave an ash bed approximately 1 inch deep on the firebox bottom to help maintain a hot charcoal bed. Let the stove cool completely before removing ashes (wait at least two hours after the last coal has extinguished). Ashes should be placed in a metal container with a tight-fitting lid. The closed container of ashes should be placed on a noncombustible floor or on the ground, away from all combustible materials, pending final disposal. The ashes should be retained in the closed container until all cinders have thoroughly cooled.



Improperly disposed ashes lead to fires. Hot ashes placed in cardboard boxes, dumped in back yards, or stored in garages, are recipes for disaster.



Wood-burning stoves are inherently dirty. During cleaning have a vacuum ready to catch spilled ash (make sure ash is entirely extinguished).

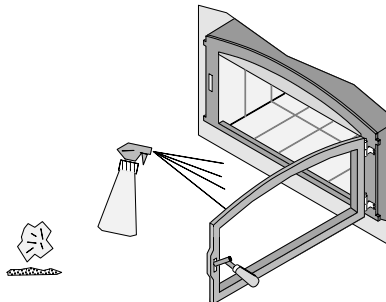


There are vacuum cleaners specifically made to remove ash (even if the ash is warm). Contact your dealer for details.

### Clean the Glass (if necessary)

This appliance has an airwash to keep the glass clean. However, burning un-seasoned wood or burning on lower burn rates leads to dirtier glass (especially on the sides). Do not clean glass with abrasive cleaners. Allow the stove to fully cool before cleaning.

Apply glass cleaner or soapy water to the inside of the glass. Wipe with newspaper or a paper towel to clean. For stubborn creosote, dip a moist paper towel or newspaper in cold ash before cleaning. The ash acts as a mild abrasive.



The glass will develop a very slight haze over time. This is normal and will not affect viewing of the fire.

### Monthly Maintenance (while appliance is in use)



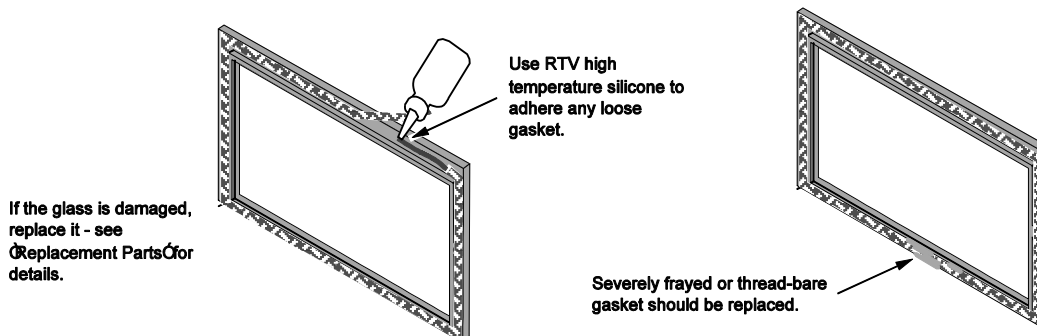
Make sure the appliance has fully cooled prior to conducting service.

#### Door and Glass Inspection



The door can be lifted off the hinges if extensive repairs are conducted.

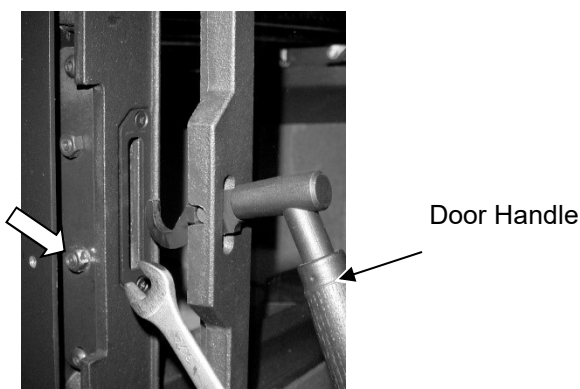
The door must form a seal to the firebox for the stove to work correctly. Inspect the door gasket as shown below.



#### Door Latch Adjustment

The door latch should pull the door against the face of the stove (but not so tight as to not allow full handle rotation). If the latch requires adjustment, follow the directions below.

Remove the face. Loosen the bottom nut with a 7/16" wrench (see arrow to the right). Tap the bottom nut inwards, moving the door catch inwards. Tighten the nut and test operation. You may need to repeat this process, either moving the nut inwards or outwards, until the door catch is in the correct position.



#### Creosote - Formation and Need for Removal

When wood is burned slowly, it produces tar and other organic vapors, which combine with expelled moisture to form creosote. The creosote vapors condense in the relatively cool chimney flue of a slow-burning fire. As a result, creosote residue accumulates on the flue lining. When ignited, this creosote makes an extremely hot fire. The chimney and chimney connector should be inspected at least once every two months during the heating season to determine if a creosote buildup has occurred. If creosote has accumulated 1/8" (3mm), it should be removed to reduce the risk of a chimney fire.



If you are not certain of creosote inspection, contact your dealer or local chimney sweep for a full inspection. Excess creosote buildup may cause a chimney fire that may result in property damage, injury, or death.



Operating this appliance continually at a low burn rate (air starvation) or using green (un-seasoned) wood will increase the formation of creosote.

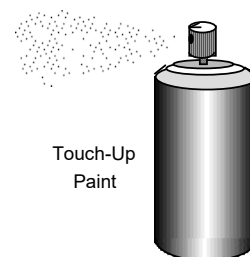
## Yearly Maintenance



Make sure the appliance has fully cooled prior to conducting service.

### Touch-Up Paint

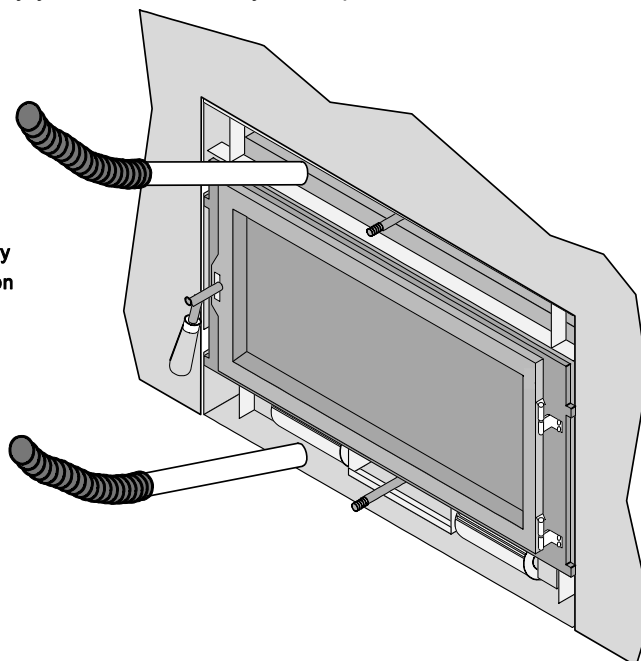
Included with the owner's pack of this appliance is a can of Stove-Brite® paint. To touch up nicks or dulled paint, apply the paint while the appliance is cool. Sand rusted or damaged areas before preparation (use 120-grit sandpaper). Clean and dry the area to prepare the surface. Wait at least one hour before starting the appliance. The touched up area will appear darker than the surrounding paint until it cures from heat. Curing will give off some fumes while curing – open windows to ventilate.



### Cleaning the Air Duct and Blower

Use a vacuum to clean the air ducts (channels). This prevents dust from burning and creating odors. The blower should be vacuumed every year to remove any buildup of dust, lint, etc.

Remove the face. Use a vacuum cleaner to remove any debris or dust in the convection chamber or near the blower (**WARNING: do not touch the blower blades**).



### Firebrick and Baffle Inspection

Checking the following items. Make sure the appliance is cool before proceeding.

**Baffle Board** – Check the condition of the baffle board. Cracks are not a problem but if any section of the baffle board is missing, it should be replaced.

**Baffle Blanket** – Check for deterioration of the blanket. If the blanket is deteriorated or missing, it should be replaced.

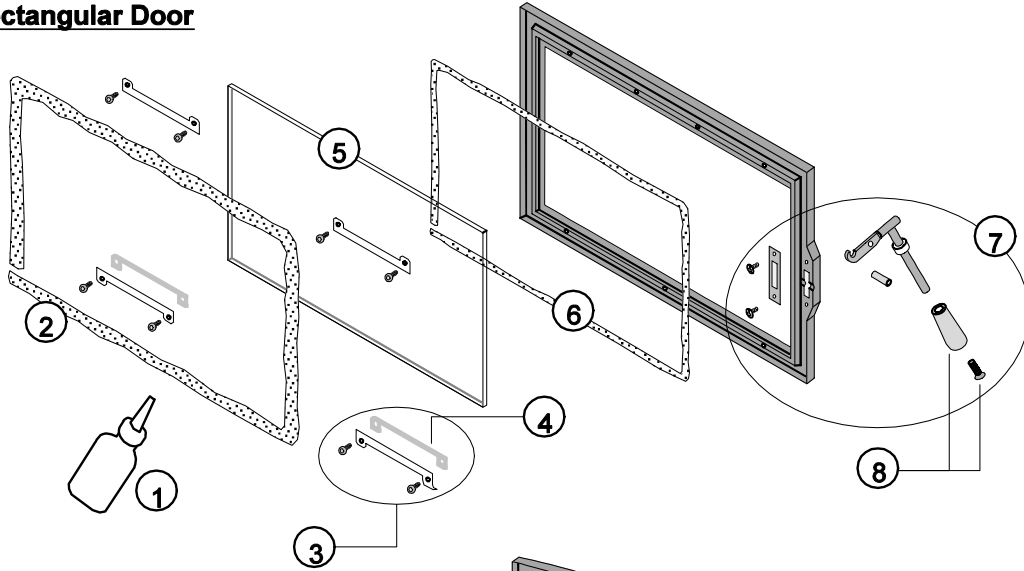
**Baffle Cap** – Make sure the cap is in place and baffle blanket is under the top edge of the cap.

**Secondary Air Tubes** - Check the two air tubes and collars to make sure they are intact and not severely deteriorated. Slight scaling or rusting of the metal is normal. Make sure the pins hold the air tubes in place.

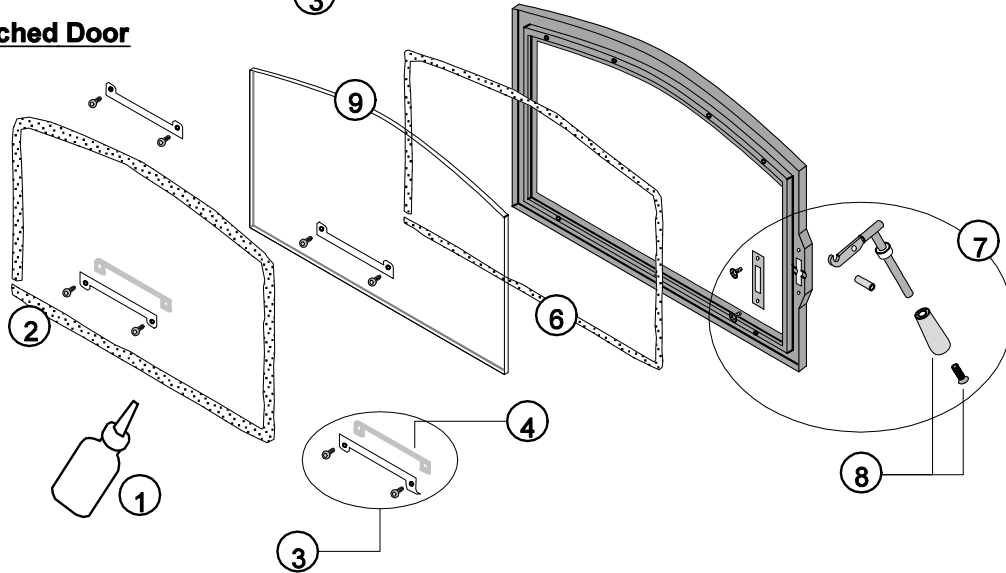
**Floor and Wall Firebricks** - replace any severely damaged firebrick along the side or floor of the firebox.

**Door Parts**

**Rectangular Door**



**Arched Door**



ID #	Description	Qty.	Part #
1	Gasket Cement, 4 oz.	1	99900427
3	(4) Clips w Screws, Gaskets – Rect.	1	250-02191
	(4) Clips w Screws, Gaskets - Arch	1	250-02193
5	Glass (w Gasket) – Rectangular	1	250-02533
7	Handle Assembly	1	250-02196
9	Glass (w Gasket) – Arched	1	250-02905

ID #	Description	Qty.	Part #
2	Door Gasket, 3/8" x 80"	1	99900429
4	(2) Clip Gaskets	1	250-02182
6	Glass Gasket (1/4" X 76")	1	250-02184
8	Wood Handle w Screw	1	250-01305

**Replacing the Glass**



The glass must not contact the door retainer or glass clips directly. The glass gasket and glass clip gaskets insulate the glass to prevent cracking. Do not over-tighten the glass clips. Use only 5mm thick neo-ceramic glass.

Lay the glass gasket in the doorframe (cut off excess gasket). Place the glass on the gasket. Secure the glass clips to hold the glass in place (make sure the glass clip gaskets are in place).

**Replacing the Door Gasket**

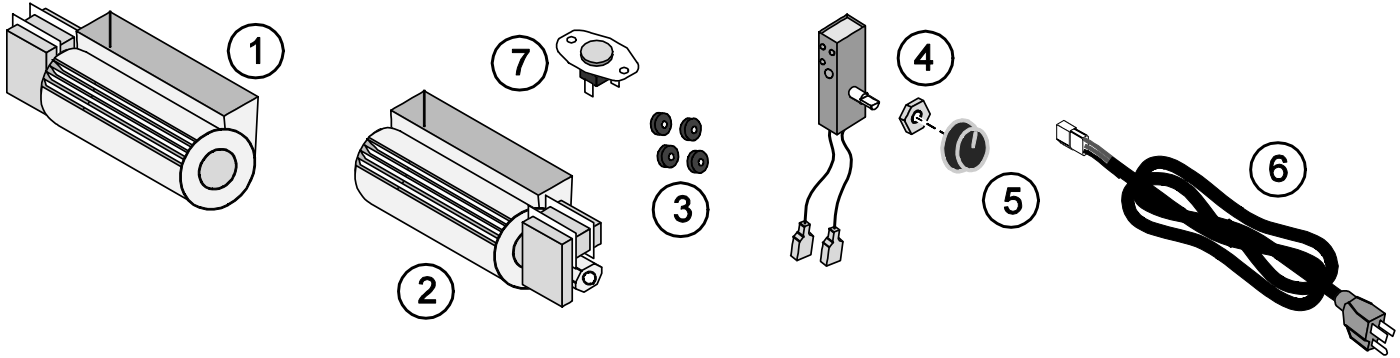
The door gasket inserts into the outer groove of the door retainer. Stove gasket cement holds it in place. Before installing, remove any residual cement. Lay the gasket in place (start at the lower left corner) and

cut off any excess gasket (do not stretch the gasket. The cement fully cures with heat from the stove. You may need to open and close the door repeatedly to get the gasket to seat fully.

## Blower and Electrical Parts



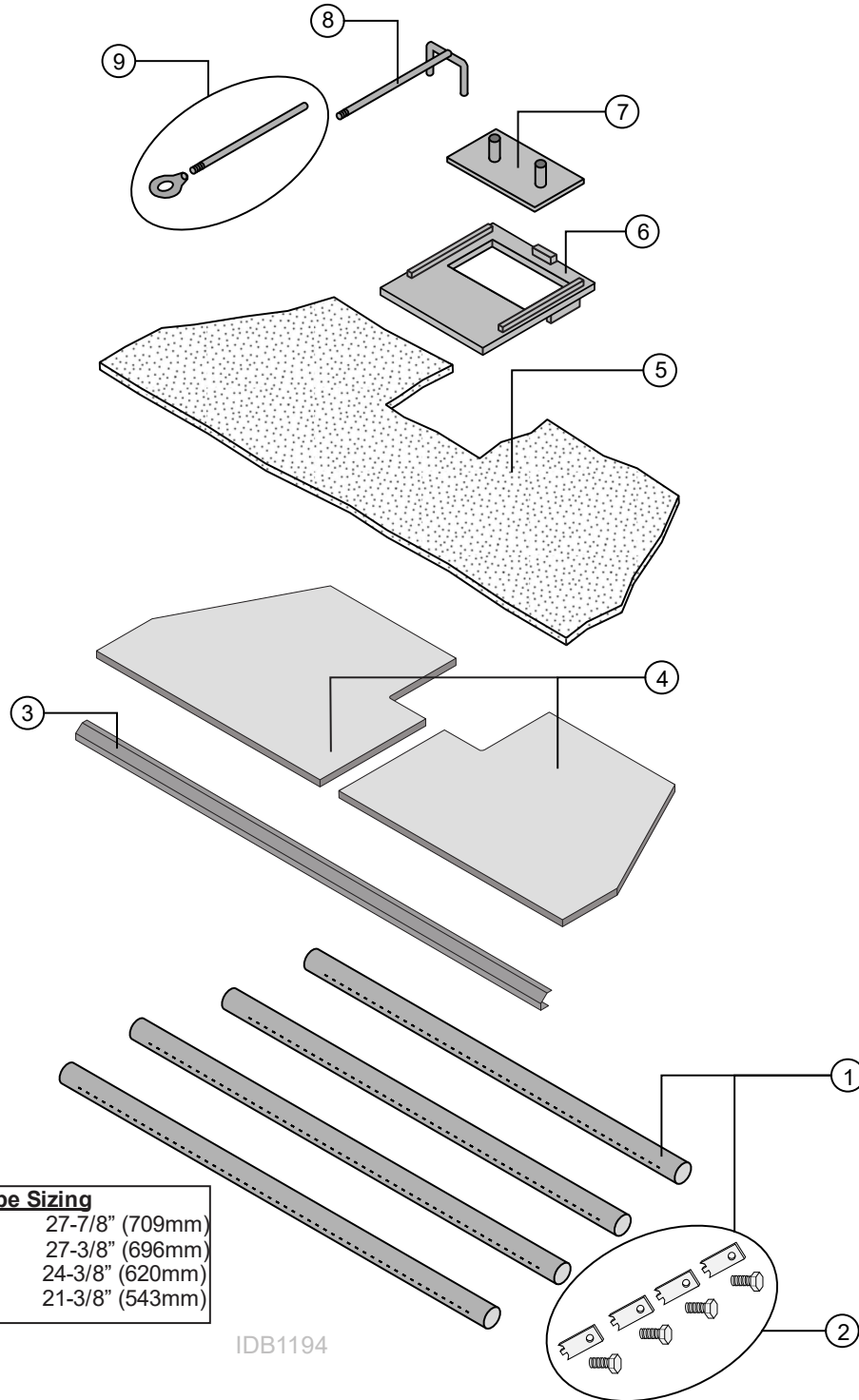
Make sure to unplug the appliance prior to conducting service.



ID #	Description	Qty.	Part #
1	Left Blower	1	228-10069
3	(4) Blower Grommets w Spacers	1	93005017
5	Rheostat Knob	1	250-00369
7	Thermodisk	1	228-30050

ID #	Description	Qty.	Part #
2	Right Blower	1	228-10070
4	Rheostat w Nut & Washer	1	250-00302
6	Power Cord	1	250-00316

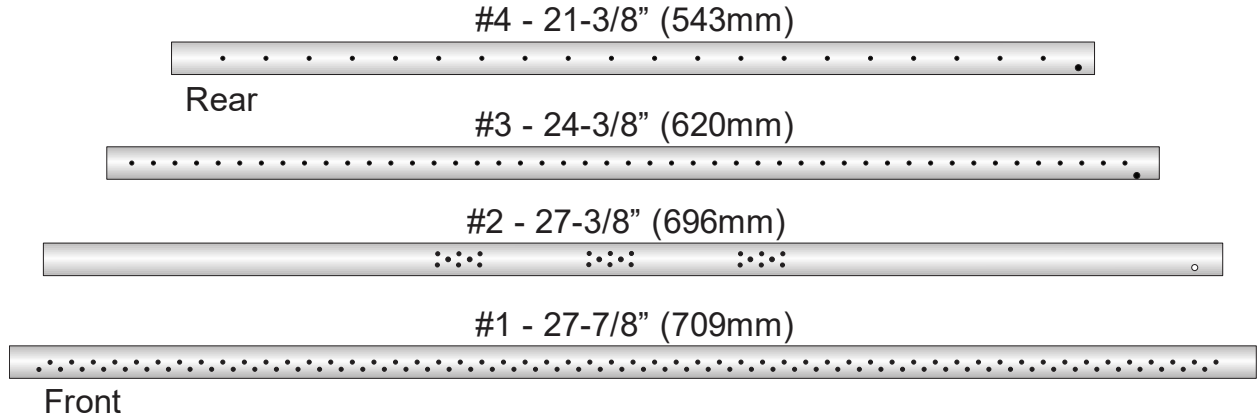
Firebox Parts



ID#	Description	Qty.	Part #
1	Sec. Air Tubes w Pins (all 4)	1	98900257
3	Baffle Cap	1	250-05485
5	Baffle Insulation	1	250-05483
7	Bypass Slider	1	250-03596
9	Damper Extension Rod & Ring	1	98900333

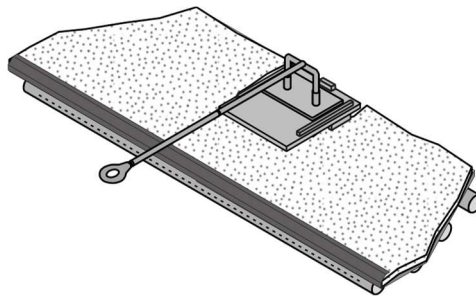
ID#	Description	Qty.	Part #
2	Air Tube Pin (w Screw)	4	250-02186
4	Baffle Boards	2	250-05482
6	Damper Slide Plate	1	250-05484
8	Yoke	1	250-05339

**Air Tube Identification**

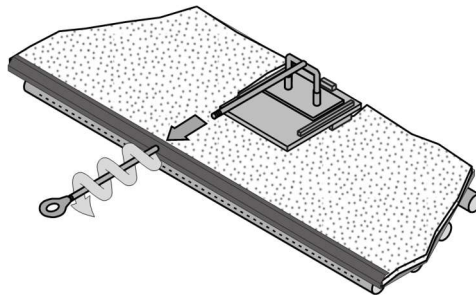


**Baffle Removal**

1. Open the door of the insert to gain access to the baffle and related components shown below (baffle shown without unit for clarity).



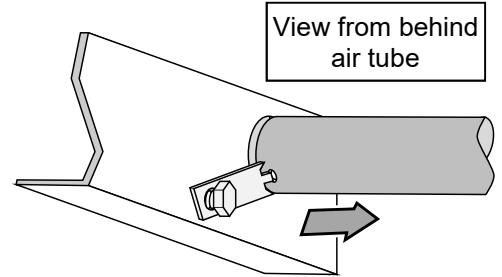
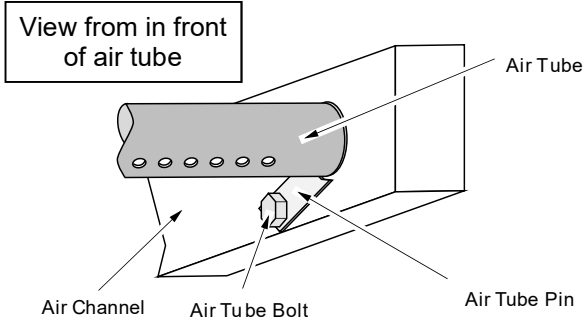
2. Unscrew and remove the bypass damper rod and ring from the damper yoke.



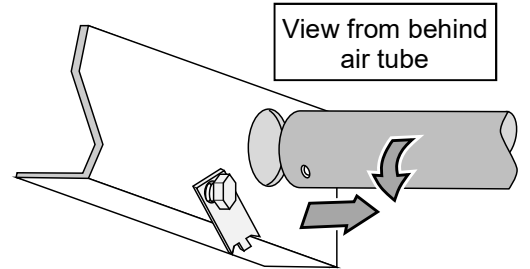
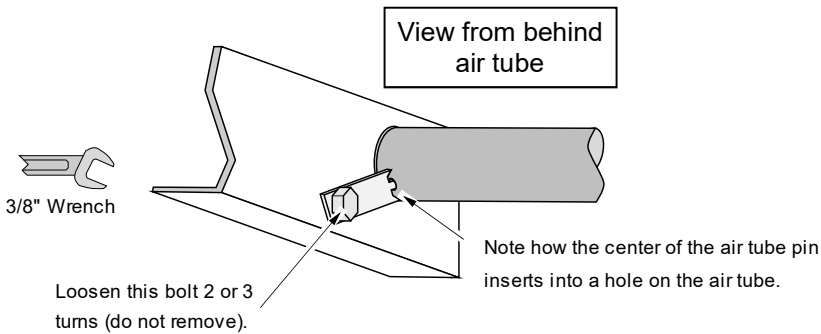
3. Remove the front air tube by following the steps below.



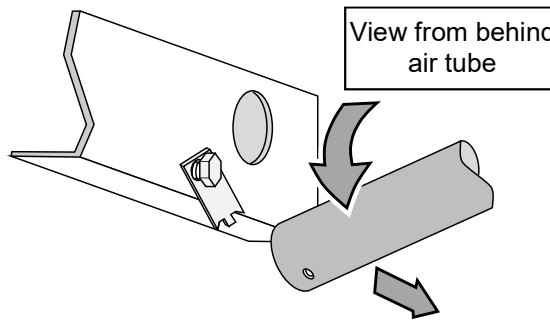
Use penetrating oil (WD-40™ or similar) on the bolts before removing them. Let the oil soak in for several minutes before attempting to remove the bolts.



With the bolt loosened the air tube can be slid out of the air channel.

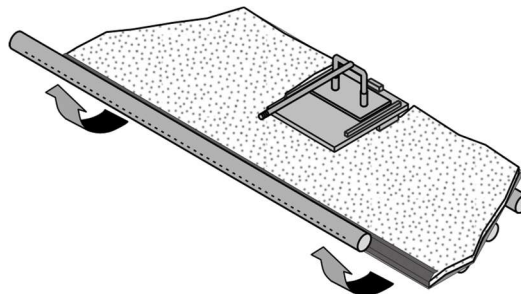


The pin will then disengage from the air tube (you may wish to rotate the tube slightly).

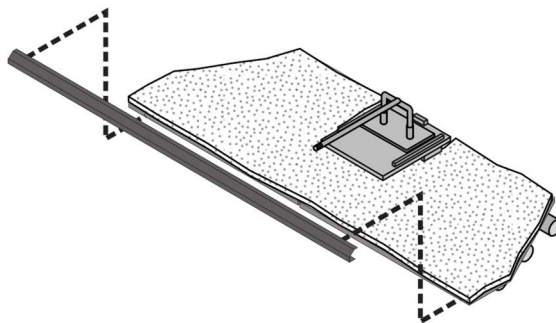


Pivot the air tube downwards and slide it out of the air channel on the opposite side.

4. Remove the front air tube from the insert. (see below).

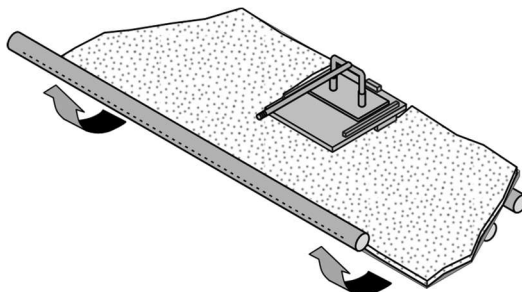


- Remove the Baffle Cap from the front edge of the baffle board and blanket (see below).

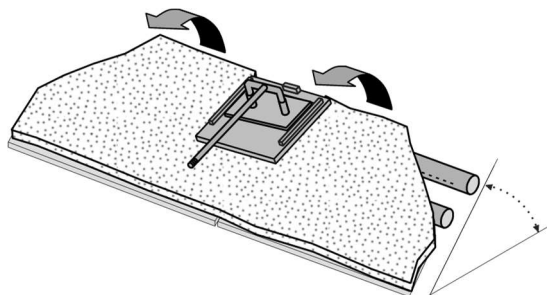


- Remove the second air tube following the same steps illustrated in step 3.

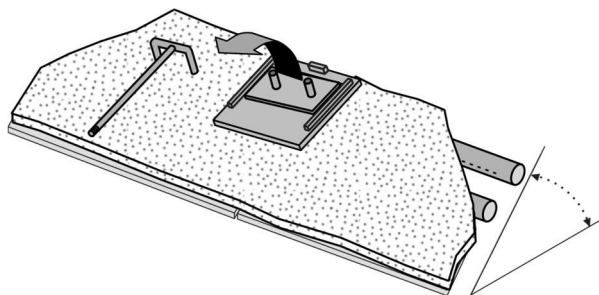
**NOTE:** You will need to support the remainder of the baffle components with your hand as you remove the second air tube. The baffle board can be delicate so handle with care.



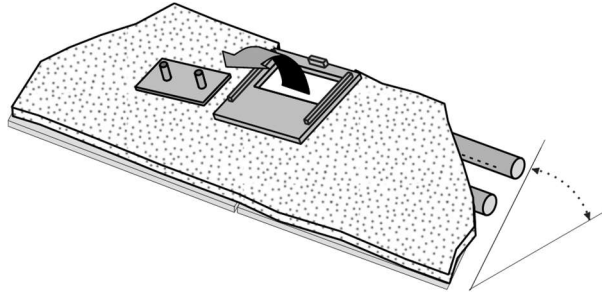
- Lower the front edge of the baffle to gain access to the yoke and bypass components. Continue supporting the front edge of the baffle.



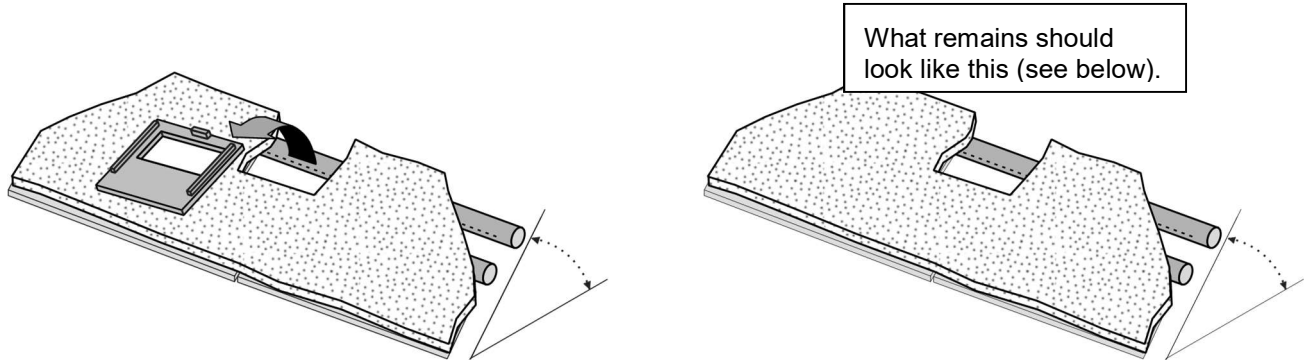
- Lift the yoke out of the cups on the bypass damper and remove it from the insert (see below).



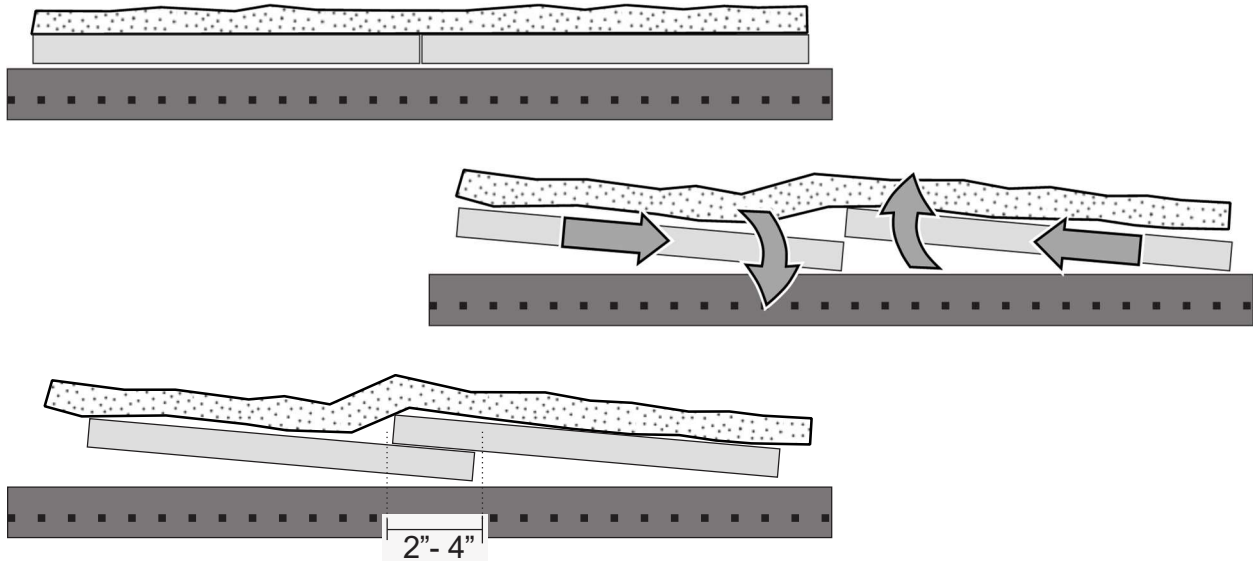
9. Lift the bypass damper off the slide plate and remove it from the insert (see below).



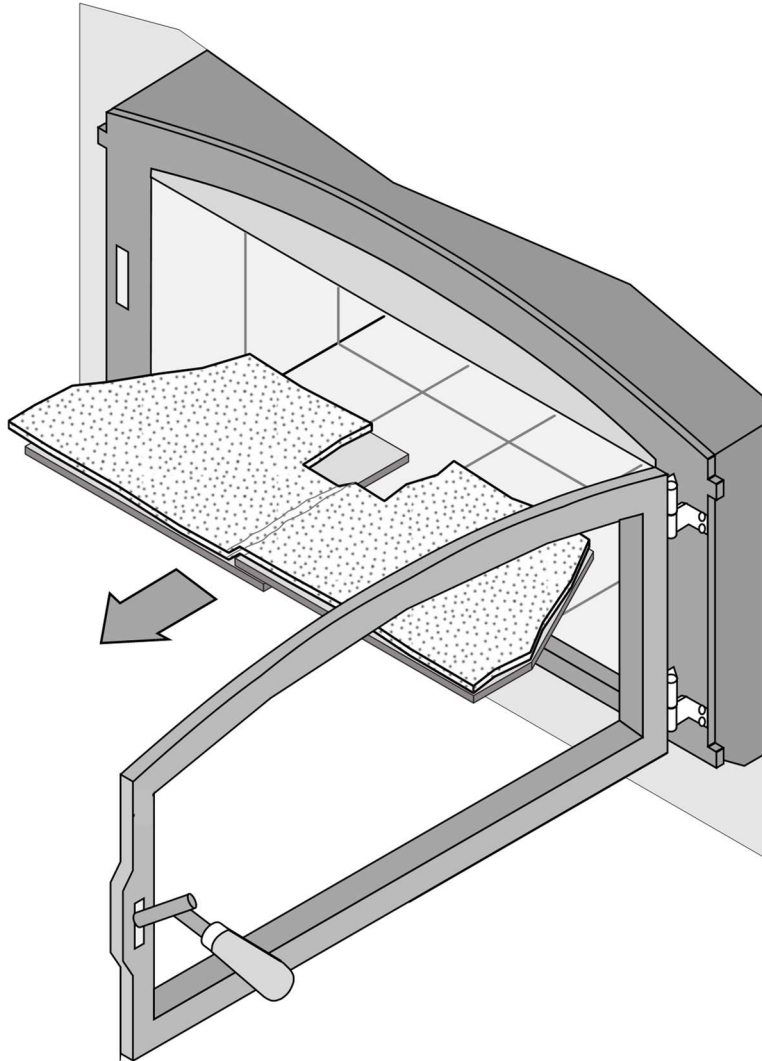
10. Remove the slide plate from the insert (see below).



11. The illustration below shows what the front edge of the baffle should look like. Notice the baffle board is made of two separate pieces and there is a ceramic fiber blanket laying on both pieces of board. Grab both pieces of the baffle board and slide them together so that they overlap 2" to 4", this will make the baffle small enough to remove from the unit



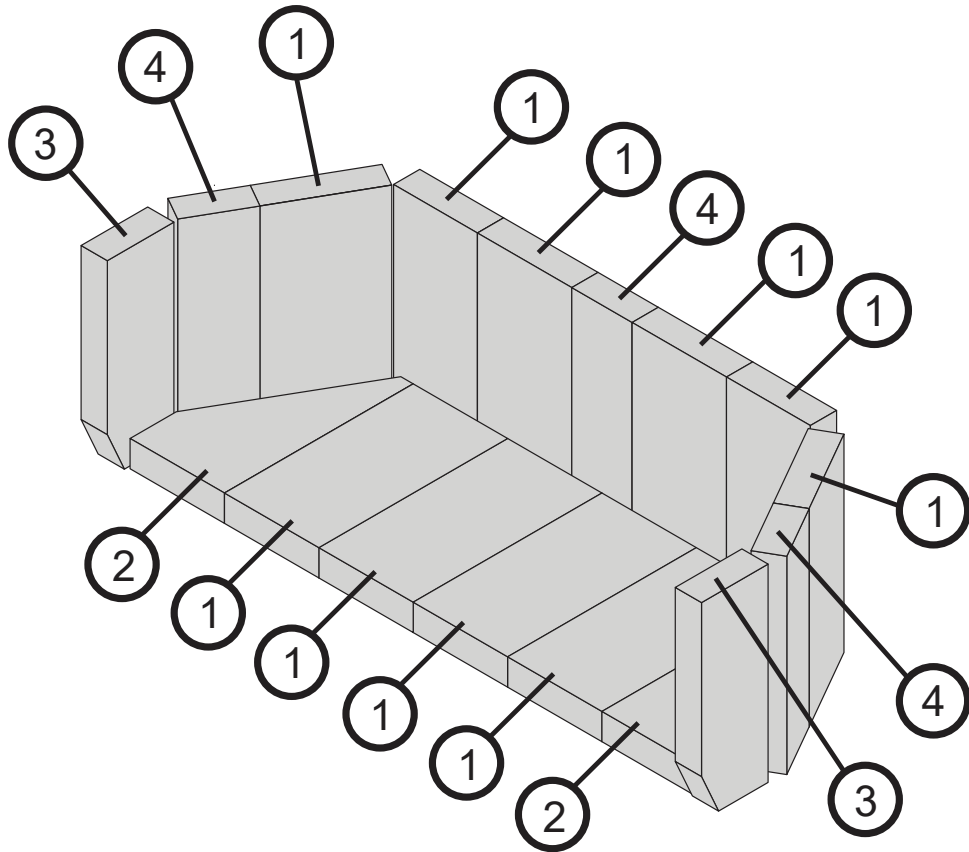
12. With the baffle board overlapping each other, both baffle board pieces and the blanket should now fit through the insert door opening.



**NOTE:** To reassemble the baffle, follow the steps above in reverse.

**Brick Removal & Replacement**

**Floor and Side Brick**



IDB1196

ID#	Description	Qty.	Part #	ID#	Description	Qty.	Part #
1	Firebrick, Whole 9"x4-1/2"	10	251-00000	2	Cut Brick, 9"x2-3/16"x9/16"	2	251-00071
3	Cut Brick, 9"x7"x2-5/16"	2	251-00070	4	Cut Brick, 9"x2-7/8"	3	251-00068



**Do not pry the brick - they chip and crack easily.**

Remove the floor bricks first. The side bricks are pinned in place by the floor firebrick. Clean the firebox prior to replacing the brick.

## ***GreenStart™ Igniter – Firebrick and Housing Installation***

This insert is compatible with the GreenStart™ automatic wood-stove igniter. This optional component uses a specialized firebrick and housing that are shipped with the insert. If you are using the igniter, install these components as shown below. The igniter is installed as shown in the instructions included with the igniter kit.



**Igniter Firebrick**



**Igniter Housing**

**HINT:** If you are not using the igniter, store these components inside the fireplace cavity in case the homeowner later decides to install them.

1. Remove the two firebricks from the front left corner of the firebox.



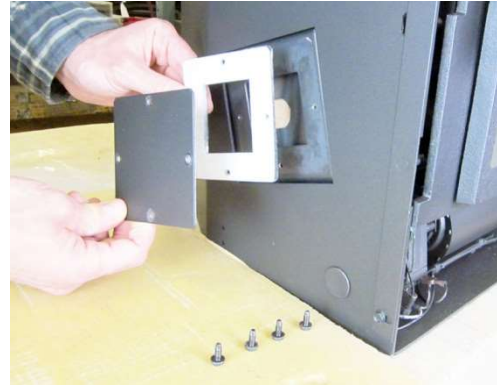
2. Place the igniter firebrick as shown below.



3. Replace the floor firebrick to complete the installation.



4. Remove the cover and gasket using a 5/16" nutdriver. See the photos below.



5. Install the housing as shown below.  
NOTE: The gasket's hole patterns are unique. The housing must be re-installed in the same configuration. If the holes are not aligned, rotate the gasket 90°.



Register your TRAVIS INDUSTRIES, INC. Limited 7 Year Warranty online at [traviswarranty.com](http://traviswarranty.com). TRAVIS INDUSTRIES, INC. warrants this appliance (appliance is defined as the equipment manufactured by Travis Industries, Inc.) to be defect-free in material and workmanship to the original purchaser from the date of purchase as follows:

**Check with your dealer in advance for any costs to you when arranging a warranty call. Mileage or service charges are not covered by this warranty. This charge can vary from store to store.**

### Years 1 & 2 - COVERAGE: PARTS & LABOR

- Firebox Assembly:  
Firebox, Baffle Supports, Air Tubes, Air Channels, Convection Chamber
- Door Assembly:  
Cast Door, Latch Assembly, Glass Retainers
- Air Control Assembly  
Slider Plate, Pressure Plate
- Ceramic Glass  
Glass (breakage from thermal shock)
- Firebrick  
Breakage from thermal shock
- Accessories  
Legs, Pedestal, Blower
- Re-Installation Allowance  
In cases where heater must be removed from home for repairs, a partial cost of re-installation is covered (pre-authorization required)
- One-Way Freight Allowance  
One-way freight allowance on pre-authorized repair done at factory is covered.

**Exclusions:** Paint, Gasketing

### Years 3 THROUGH 5 - COVERAGE: PARTS & LABOR

- Firebox Assembly:  
Firebox, Baffle Supports, Air Tubes, Air Channels, Convection Chamber
- Air Control Assembly  
Slider Plate, Pressure Plate
- Door Assembly:  
Cast Door, Latch Assembly, Glass Retainers
- One-Way Freight Allowance  
One-way freight allowance on pre-authorized repair done at factory is covered.

**Exclusions:** Paint, Gasketing, Accessories (Legs, Pedestal, Panels, Blower), Glass, Firebrick, Re-Installation Allowance

### Years 6 THROUGH 7 - COVERAGE: PARTS

- Firebox Assembly:  
Firebox, Baffle Supports, Air Tubes, Air Channels, Convection Chamber
- Air Control Assembly  
Slider Plate, Pressure Plate
- Door Assembly:  
Cast Door, Latch Assembly, Glass Retainers

**Exclusions:** Paint, Gasketing, Accessories (Legs, Pedestal, Panels, Blower), Glass, Firebrick, Re-Installation Allowance, One-Way Freight Allowance, Labor Charges

**CONDITIONS & EXCLUSIONS**

1. This new appliance must be installed by a qualified installer. It must be installed, operated, and maintained at all times in accordance with the instructions in the Owner's Manual. Any alteration, willful abuse, accident, neglect, or misuse of the product shall nullify this warranty.
2. This warranty is nontransferable, and is made to the ORIGINAL purchaser, provided that the purchase was made through an authorized Travis dealer.
3. Discoloration and some minor expansion, contraction, or movement of certain parts and resulting noise, is normal and not a defect and, therefore, not covered under warranty.
4. This warranty does not cover misuse of the stove. Misuse includes over-firing (operation where the connector or stove may glow red) of this appliance can cause serious damage and will nullify this warranty. Misuse includes use of salt saturated wood, chemically treated wood, or any fuel not recommended in the manual.
5. Damage to the stove due to improper break-in procedures (see manual for proper break in).
6. The salt air environment of coastal areas or a high humidity environment can be corrosive to the castings. These conditions can be corrosive and can cause the cast iron to rust. This warranty does not cover any damage caused by a salt air or high humidity environment.
7. Damage to the appliance while it is in transit is not covered by this warranty, but is subject to a claim against the common carrier.
8. The warranty, as outlined within this document, does not apply to the chimney components or other non-Travis accessories used in conjunction with the installation of this product. If in doubt as to the extent of this warranty, contact your authorized Travis retailer before installation.
9. Travis Industries will not be responsible for inadequate performance caused by environmental conditions such as nearby trees, buildings, roof tops, wind, hills or mountains or negative pressure or other influences from mechanical systems such as furnaces, fans, clothes dryers, etc.
10. This Warranty is void if:
  - a. The appliance has been operated in atmospheres contaminated by chlorine, fluorine or other damaging chemicals.
  - b. The appliance is subject to submersion in water or prolonged periods of dampness or condensation.
  - c. Any damage to the appliance, combustion chamber, heat exchanger or other components due to water, or weather damage which is the result of, but not limited to, improper chimney/venting installation.
11. Exclusions to this Warranty include: injury, loss of use, damage, failure to function due to accident, negligence, misuse, improper installation, alteration or adjustment of the manufacturer's settings of components, lack of proper and regular maintenance, damage incurred while the appliance is in transit, alteration, or act of God.
12. This warranty excludes damage caused by normal wear and tear, such as paint discoloration or chipping, worn or torn gasketing, chipped or cracked firebrick, etc. Also excluded is damage to the appliance caused by abuse, improper installation, modification of the appliance, or the use of fuel other than that for which the appliance is configured (use cord wood only).
13. Damage to brass or plated surfaces caused by fingerprints, scratches, melted items, or other external sources left on the surfaces from the use of abrasive cleaners is not covered in this warranty. Damage to the surfaces from over-firing (operation where the steel may glow red) is not covered in this warranty.
14. TRAVIS INDUSTRIES, INC. is free of liability for any damages caused by the appliance, as well as inconvenience expenses and materials. Incidental or consequential damages are not covered by this warranty. In some states, the exclusion of incidental or consequential damage may not apply.
15. This warranty does not cover any loss or damage incurred by the use or removal of any component or apparatus to or from the Travis appliance without the express written permission of TRAVIS INDUSTRIES, INC. and bearing a TRAVIS INDUSTRIES, INC. label of approval. This warranty does not cover a stove repaired by someone other than a Travis Industries authorized dealer.
16. Any statement or representation of Travis products and their performance contained in Travis advertising, packaging literature, or printed material is not part of this warranty.
17. This warranty is automatically voided if the appliance's serial number has been removed or altered in any way. If the appliance is used for commercial purposes, it is excluded from this warranty.
18. No dealer, distributor, or similar person has the authority to represent or warrant Travis products beyond the terms contained within this warranty. TRAVIS INDUSTRIES, INC. assumes no liability for such warranties or representations.
19. Travis Industries will not cover the cost of the removal or re-installation of hearths, facing, mantels, venting or other components.
20. If for any reason any section of this warranty is declared invalid, the balance of the warranty remains in effect and all other clauses shall remain in effect.
21. This warranty is the only warranty supplied by Travis Industries, Inc., the manufacturer of the appliance. All other warranties, whether express or implied, are hereby expressly disclaimed and purchaser's recourse is expressly limited to the warranties set forth herein.

**IF WARRANTY SERVICE IS NEEDED:**

1. If you discover a problem that you believe is covered by this warranty, you MUST REPORT it to your Travis dealer WITHIN 30 DAYS, giving them proof of purchase, the purchase date, and the model name and serial number.
2. Travis Industries has the option of either repairing or replacing the defective component.
3. If your dealer is unable to repair your appliance's defect during the warranty period, they will process a warranty claim through TRAVIS INDUSTRIES, INC. The dealer will require you to supply a copy of your receipt showing the date of the appliance's purchase and the serial number on your appliance. The appliance will then be shipped, freight charges prepaid, to TRAVIS INDUSTRIES, INC. TRAVIS INDUSTRIES, INC., at its option, will repair or replace the appliance free of charge if it is found to be defective in material or workmanship within the time frame stated within this warranty. TRAVIS INDUSTRIES, INC. will return your appliance, freight charges prepaid (years 1 to 3 only) by TRAVIS INDUSTRIES, INC., to your regional distributor, or dealership.
4. Check with your dealer in advance for any costs to you when arranging a warranty call. Mileage or service charges are not covered by this warranty. This charge can vary from store to store.
5. Any appliance or part thereof that is repaired or replaced during the limited warranty period will be warranted under the terms of the limited warranty for a period not to exceed the remaining term of the original limited warranty or six(6) months, whichever is longer.

## Listing Label

SERIAL NO:

MODEL:  
**LG FLUSH WOOD**  
Certified for USA and Canada

**DO NOT REMOVE THIS LABEL**  
CONTACT LOCAL BUILDING OR FIRE OFFICIALS ABOUT INSTALLATION AND RESTRICTIONS IN YOUR AREA.  
SUITABLE FOR USE IN FACTORY-BUILT (Z.C.) FIREPLACES AND MASONRY FIREPLACES.

**UL** us  
Intertek  
Report No. 10057591PR1-01  
Control No. 4060515

CERTIFIED TO UL STD 1482; CERTIFIED TO ULC STD S628-1993

**PREVENT HOUSE FIRES** - Install and use only in accordance with the manufacturer's installation and operating instructions. Contact your local building or fire officials about restrictions and installation inspection in your area. Refer to local building codes and manufacturer's instructions for precautions required for passing a chimney through a combustible wall or ceiling. Do not run a chimney connector through a combustible wall or ceiling. Do not connect this unit to a chimney flue serving another appliance. Clearances may be reduced by methods specified in NFPA 211, listed wall shields, pipe shields, or other means approved by local building or fire officials. It is against federal regulations to operate this wood heater in a manner inconsistent with operating instructions in the owner's manual. Refer to the Intertek Directory of Building Products (<https://bpdirectory.intertek.com>) for detailed information.

Do not route power cord under or in front of appliance.  
Replace glass only with 5mm neoceramic or ceramic glass.  
Electrical Rating: 115V, 60 Hz, 1.8 Amps  
Blowers: # 228-10069 / 228-10070



**U.S. ENVIRONMENTAL PROTECTION AGENCY**  
Certified to comply with 2020 particulate emission standards using cord wood.  
1.68 g/h, EPA Alt-125, ASTM E3053-17, ASTM 2515-11, CSA B415.1-10



Manufactured by:  
**TRAVIS INDUSTRIES, INC.**  
12521 Harbour Reach Drive  
Mukilteo, WA 98275  
[www.travisproducts.com](http://www.travisproducts.com)

DATE OF MANUFACTURE

2020	2021	2022	2023	Jan	Feb	Mar	Apr	May	Jun	Jul	Aug	Sep	Oct	Nov	Dec
<input type="checkbox"/>	<input type="checkbox"/>	<input type="checkbox"/>	<input type="checkbox"/>	<input type="checkbox"/>	<input type="checkbox"/>	<input type="checkbox"/>	<input type="checkbox"/>	<input type="checkbox"/>	<input type="checkbox"/>	<input type="checkbox"/>	<input type="checkbox"/>	<input type="checkbox"/>	<input type="checkbox"/>	<input type="checkbox"/>	<input type="checkbox"/>

Made in U.S.A.

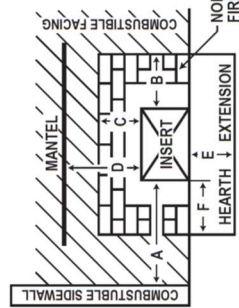
1005

### FACTORY-BUILT (Z.C.) FIREPLACE OR MASONRY FIREPLACE INSTALLATION

Factory-Built (Z.C.) Fireplace installations require a fireplace chimney full re-line. Factory-Built (Z.C.) Fireplace chimney must have a minimum cross-sectional area of 28.85 square inches / 733 square mm. A non-combustible hearth floor protection is also required that provides a thermal resistance with an R value equal to 2.38 or greater (see chart notes and / or owner's manual for required sizing details).

Minimum 6 in. / 153 mm diameter Stainless Steel liner, full re-line required.

In Canada: a fireplace insert shall be installed with a continuous chimney liner extending from the fireplace insert to the top of the chimney. A chimney liner shall be tested for conformance with Class 3 requirements of CAN/ULC-S635, Standard for Lining Systems for Existing Masonry or Factory-Built Chimneys and Vents, or CAN/ULC-S640, Standard for Lining Systems for New Masonry Chimneys.



Minimum Clearances To Combustibles And Hearth Requirements:	Masonry Fireplace Installations	Factory-Built (Z.C.) Fireplace Installations
A.	10.5 in. / 267 mm	10.5 in. / 267 mm
B.	5.5 in. / 140 mm	5.5 in. / 140 mm
*C.	37 in. / 940 mm	37 in. / 940 mm
With Shield	N/A	N/A
D.	41 in. / 1042 mm	41 in. / 1042 mm
With Shield	N/A	N/A
*E.	US: 16.0 in. (407 mm) / CAN: 18.0 in. (458 mm)	US: 16.0 in. (407 mm) / CAN: 18.0 in. (458 mm)
F.	US: 6.0 in. (153 mm) / CAN: 8.0 in. (204 mm)	US: 6.0 in. (153 mm) / CAN: 8.0 in. (204 mm)

\* From the base of Fireplace Insert.

\*\* Non-combustible hearth must be 1 in. / 26 mm above any combustible material.

\*\*\* A: 16 in. / 407 mm non-combustible hearth must be 2 in. / 51 mm above any combustible material.

Additional Accessories Needed for Installation..	7	Important Information.....	2
Additional Requirements for Canada .....	7	Insert Placement Requirements .....	9
Adjusting the Burn Rate .....	21	Insert Rollers.....	12
Baffle Removal.....	33	Installation Options .....	6
Before Your First Fire.....	17	Introduction .....	2
Blower and Electrical Parts .....	31	Listing Label.....	43
Blower Operation .....	23	Mantel Requirements.....	10
Brick Removal & Replacement .....	38	Monthly Maintenance (while appliance is in use)	28
Bypass Operation.....	19	.....	28
Clean the Glass.....	27	Normal Operating Sounds .....	23
Cleaning the Air Duct and Blower .....	29	Opening the Door.....	18
Creosote - Formation and Need for Removal..	28	Over-Firing the Stove.....	17
Curing the Paint .....	17	Overnight Burn.....	23
Daily Maintenance (while stove is in use).....	27	Packing List.....	7
Dimensions.....	6	Planning the Installation.....	7
Do Not Burn List.....	25	Preparation for Installation.....	7
Door and Glass Inspection.....	28	Re-Loading the Stove .....	23
Door Latch Adjustment.....	28	Remove Ash (if necessary).....	27
Door Parts .....	30	Replacing the Door Gasket.....	30
Drafting Performance .....	12	Replacing the Glass.....	30
Electrical Requirements .....	15	Re-Routing the Electrical Cord to the Left Side	16
Emissions and Efficiency .....	6	.....	16
Face Installation .....	15	Safety Notice.....	17
Features .....	6	Sealing the Flue to the Insert.....	13
Firebox Parts.....	32	Selecting Wood.....	24
Fireplace Altered Tag.....	8	Starting a Fire .....	20
Fireplace Requirements .....	8	Surround Panel Installation.....	15
Flue Installation .....	13	Touch-Up Paint .....	29
GreenStart™ Igniter – Firebrick Installation .....	39	Troubleshooting .....	26
Hearth Extension Requirements .....	10	Verify the Installation .....	17
Heating Specifications.....	6	Wood Cutting and Storage .....	24
Hints for Burning .....	24	Yearly Maintenance .....	29