



SHERWOOD INDUSTRIES IS AN ENVIRONMENTALLY RESPONSIBLE COMPANY. THIS MANUAL IS PRINTED ON RECYCLED PAPER.

PLEASE KEEP THESE INSTRUCTIONS FOR FUTURE REFERENCE



PELLET STOVE

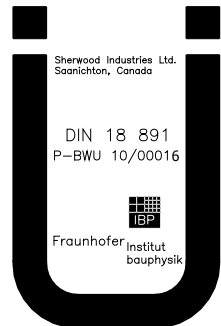
**EF2**

Freestanding, Fireplace Insert  
& Built-In Heater

# TECHNICAL MANUAL



**PLEASE READ THIS ENTIRE MANUAL BEFORE INSTALLATION AND USE OF THIS PELLET BURNING ROOM HEATER. FAILURE TO FOLLOW THESE INSTRUCTIONS COULD RESULT IN PROPERTY DAMAGE, BODILY INJURY, OR EVEN DEATH.**



**Contact your building or fire officials about restrictions and installation inspection requirements in your area.**

# TABLE OF CONTENTS

---

Introduction.....	3
Rating Label Location.....	3
Important Safety Data.....	3
Safety Warnings And Recommendations.....	3
Installation.....	5
Deciding Where to Locate your Pellet Appliance.....	5
Removing Pellet Stove From Pallet.....	5
Dimensions - Freestanding.....	6
Dimensions - Fireplace Insert and Built-In Heater.....	6
Clearances to Combustibles - Freestanding.....	7
Clearances to Combustibles - Fireplace Insert.....	7
Clearances to Combustibles - Built-In Heater.....	8
Pedestal Installation.....	8
Vent Termination Requirements.....	9
Outside Fresh-Air Connection.....	10
Exhaust And Fresh Air Intake Locations.....	10
Mobile Home Installation - Freestanding.....	11
Corner Through Wall Installation - Freestanding.....	11
Horizontal Exhaust Through Wall Installation - Freestanding.....	12
Through Wall With Vertical Rise and Horizontal Termination Installation - Freestanding.....	13
Inside Vertical Installations - Freestanding.....	14
Outside Vertical Installations - Freestanding.....	14
Hearth Mount Installation - Freestanding.....	15
Masonry Fireplace Installation - Fireplace Insert.....	16
Installation For A Built-In Heater:.....	18
Installation of Control Panel into Surround Panel - FPI and BIH.....	18
Installation and Removal of The Surround Panels - FPI and BIH.....	19
Slider/Damper Installation.....	20
Slider/Damper Setting.....	21
The Tube Scraper Rod.....	21
Troubleshooting.....	22
Wiring Diagram.....	26
Parts List.....	27
Parts List - Options.....	30
Parts Diagram - Components.....	31
Parts Diagram - Steel.....	32
Warranty.....	33
Installation Data Sheet.....	36

# INTRODUCTION

---

## **RATING LABEL LOCATION:**

---

Freestanding: The rating label is located on the inside of the hopper lid.

Insert: The rating label is located on the hopper cover.

## **IMPORTANT SAFETY DATA:**

---

**Please read this entire Owner's Manual before installing or operating this ENVIRO Pellet Stove. Failure to follow these instructions may result in property damage, bodily injury or even death.** Contact your local building or fire official to obtain a permit and any information on installation restrictions and inspection requirements for your area.

To prevent the possibility of a fire, ensure that the appliance is properly installed by adhering to the installation instructions. An ENVIRO dealer will be happy to assist you in obtaining information with regards to your local building codes and installation restrictions.

Be sure to maintain the structural integrity of the home when passing a vent through walls, ceilings, or roofs.

The stove's exhaust system works with negative combustion chamber pressure and a slightly positive chimney pressure. It is very important to ensure that the exhaust system be sealed and airtight. The ash pan and viewing door must be locked securely for proper and safe operation of the pellet stove.

Do not burn with insufficient combustion air. A periodic check is recommended to ensure proper combustion air is admitted to the combustion chamber. Setting the proper combustion air is achieved by adjusting the slider damper located on the left side of the stove.

When installing the stove in a mobile home, it must be electrically grounded to the steel chassis of the home and bolted to the floor. Make sure that the structural integrity of the home is maintained and all construction meets local building codes.

Minor soot or creosote may accumulate when the stove is operated under incorrect conditions such as an extremely rich burn (black tipped, lazy orange flames).

If you have any questions with regard to your stove or the above-mentioned information, please feel free to contact your local dealer for further clarification and comments.

## **SAFETY WARNINGS AND RECOMMENDATIONS:**

---

**Caution: Do not connect to any air distribution duct or system.**

**Do not burn garbage or flammable fluids such as gasoline, naphtha or engine oil.**

**Unit hot while in operation. Keep children, clothing and furniture away. Contact may cause skin burns.**

**SOOT:** Operation of the stove with insufficient combustion air will result in the formation of soot which will collect on the glass, the heat exchanger, the exhaust vent system, and may stain the outside of the house. This is a dangerous situation and is inefficient. Frequently check your stove and adjust the slider/damper as needed to ensure proper combustion. **See: "INSTALLATION SLIDER/DAMPER SETTING".**

# INTRODUCTION

---

**ELECTRICAL:** The use of a surge protected power bar is recommended. The unit must be grounded. The grounded electrical cord should be connected to a standard 220-240 volts (1.88-2.05 Amps), 50 hertz electrical outlet and also must be accessible. If this power cord should become damaged, a replacement power cord must be purchased from the manufacturer or a qualified ENVIRO dealer. Be careful that the electrical cord is not trapped under the appliance and that it is clear of any hot surfaces or sharp edges. This unit's maximum power requirement is 450 watts.

**GLASS:** Do not abuse the glass by striking or slamming the door. Do not attempt to operate the stove with broken glass. The stove uses ceramic glass. Replacement glass must be purchased from an ENVIRO dealer. Do not attempt to open the door and clean the glass while the unit is in operation or if glass is hot. To clean the glass, use a soft cotton cloth and mild window cleaner, gas or wood stove glass cleaner, or take a damp paper towel and dip into the fly ash. This is a very mild abrasive and will not damage the glass.

**FLAMMABLE LIQUIDS:** Never use gasoline, gasoline-type lantern fuel, kerosene, charcoal lighter fluid, or similar liquids to start or "freshen up" a fire in the heater. Keep all such liquids well away from the heater while it is in use.

**SMOKE DETECTOR:** Smoke detectors should be installed and maintained in the structure when installing and operating a pellet burning appliance.

**OPERATION:** The ash pan and door must be closed securely for proper and safe operation of the pellet stove. Also ensure all gaskets on the door are checked and replaced when necessary.

**INSTALLATION:** Be sure to maintain the structural integrity of your home when passing a vent through walls, ceilings, or roofs. It is recommended that the unit be secured into its position in order to avoid any displacement.

DO NOT INSTALL A FLUE DAMPER IN THE EXHAUST VENTING SYSTEM OF THIS UNIT.

DO NOT CONNECT THIS UNIT TO A CHIMNEY FLUE SERVING ANOTHER APPLIANCE.

**FRESH AIR:** Outside Fresh Air connection is optional. Must be connected to all units installed in Mobile and "Air Tight Homes" (R2000) or where required by local codes. Consider all large air moving devices when installing your unit and provide room air accordingly. Limited air for combustion may result in poor performance, smoking and other side effects of poor combustion.

If you have any questions with regards to your stove or the above-mentioned information, please feel free to contact your local dealer for further clarification and comments.

**SINCE SHERWOOD INDUSTRIES LTD. HAS NO CONTROL OVER THE INSTALLATION OF YOUR STOVE, SHERWOOD INDUSTRIES LTD. GRANTS NO WARRANTY IMPLIED OR STATED FOR THE INSTALLATION OR MAINTENANCE OF YOUR STOVE. THEREFORE, SHERWOOD INDUSTRIES LTD. ASSUMES NO RESPONSIBILITY FOR ANY CONSEQUENTIAL DAMAGE(S).**

**SAVE THIS INSTRUCTION MANUAL FOR FUTURE REFERENCE**

# INSTALLATION

## DECIDING WHERE TO LOCATE YOUR PELLET APPLIANCE:

1. Check clearances to combustibles.
2. Do not obtain combustion air from an attic, garage or any unventilated space. Combustion air may be obtained from a ventilated crawlspace.
3. Do not install the stove in a bedroom.
4. You can vent the stove through an exterior wall behind the unit or connect it to an existing masonry or metal chimney (must be lined if the chimney is over 6" (15 cm) diameter, or over 28 inches<sup>2</sup> (180 cm<sup>2</sup>) cross sectional area). An interior vent can be used with approved pipe passing through the ceiling and roof.
5. Locate the stove in a large and open room that is centrally located in the house. This will optimize heat circulation.
6. The power cord is 8 feet (2.43 m) long and may require a grounded extension cord to reach the nearest electrical outlet.

## REMOVING PELLET STOVE FROM PALLET:

To remove your new stove from its pallet, open the left and right side panels. To open the side panels remove the ash pan cover from the magnets located below the door. Remove the two (2) T-20 screws located at the bottom corners of the left and right side panels. Remove the two (2) T-20 screws located between the hopper side rails and the side panels at the front edge of the side panel. There are two (2) wood screws that are holding the bottom of the stove to the pallet. Remove the screws. Close the side panels. See "PEDESTAL INSTALLATION" to install the pedestal.

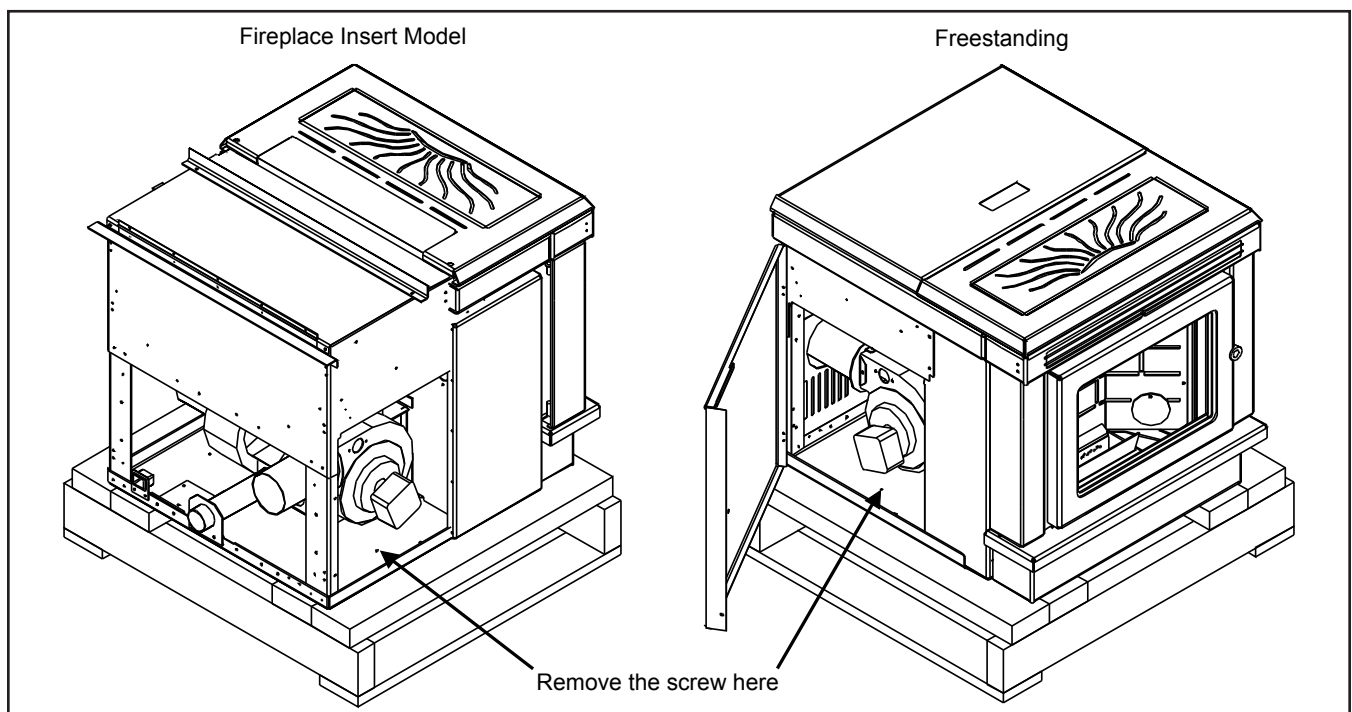


Figure 1: Screws to take out to remove stove from pallet.

# INSTALLATION

## DIMENSIONS - FREESTANDING:

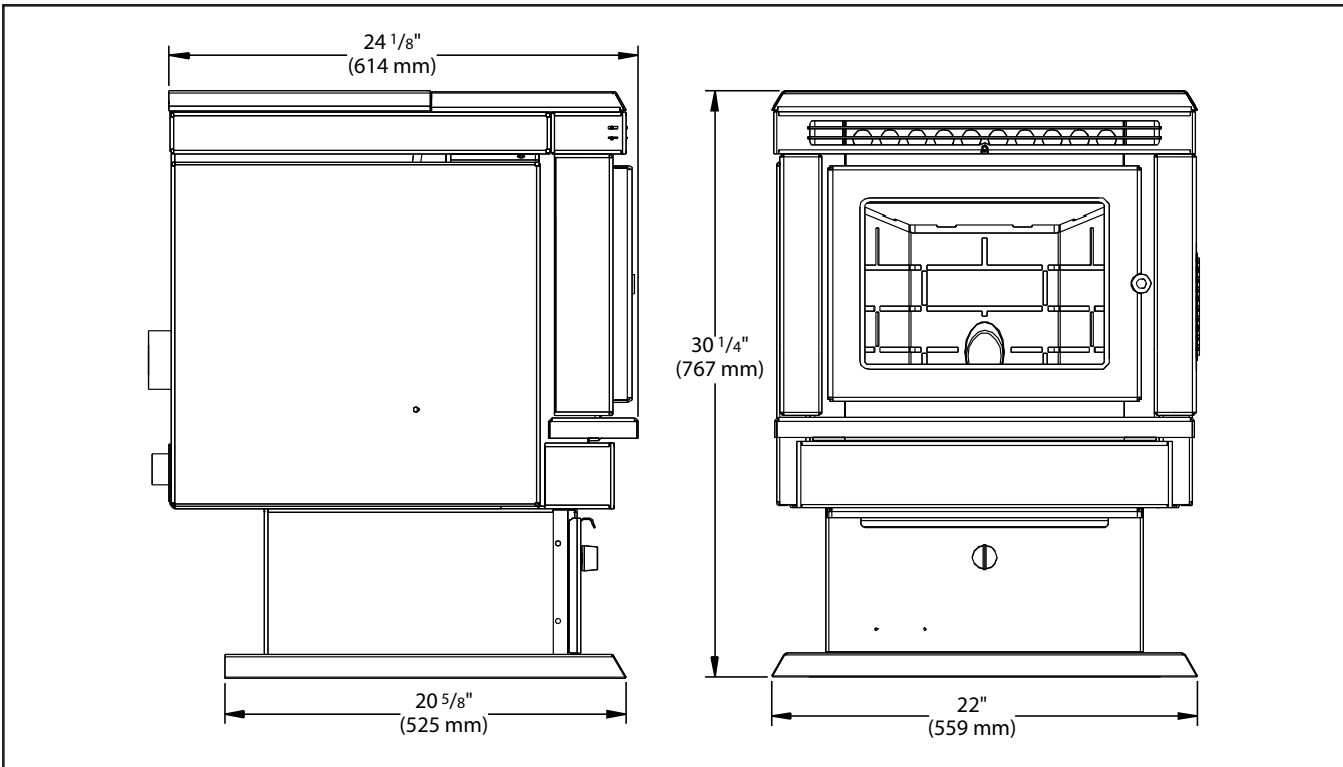


Figure 2: Dimensions of EF2 Freestanding.

## DIMENSIONS - FIREPLACE INSERT AND BUILT-IN HEATER:

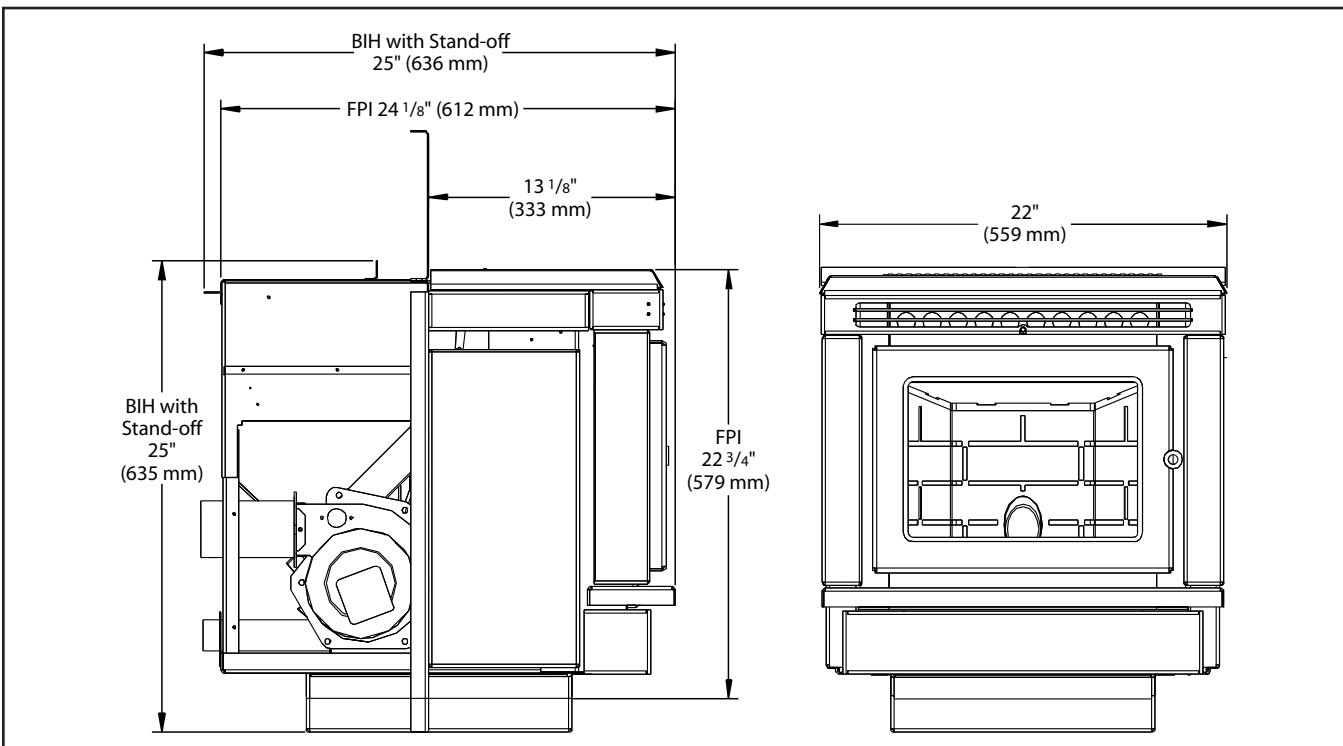


Figure 3: Dimensions of EF2 Fireplace Insert and Built-In Heater.

# INSTALLATION

## CLEARANCES TO COMBUSTIBLES - FREESTANDING:

When installing this unit on a combustible floor (for example linoleum, hardwood flooring) a non-combustible hearth pad must be under the unit. The pad must extend at least the width of the appliance [22" (558 mm)] and at least the depth of the appliance plus 6" (153 mm) in front of the appliance [29 ¾" (756 mm)].

- Side wall to unit - 6 inches (15 cm)
- Back wall to unit - 1 inches (2.5 cm)
- Corner to unit - 1 inches (2.5 cm)
- Door front to edge of floor protection - 6 inches (15 cm)

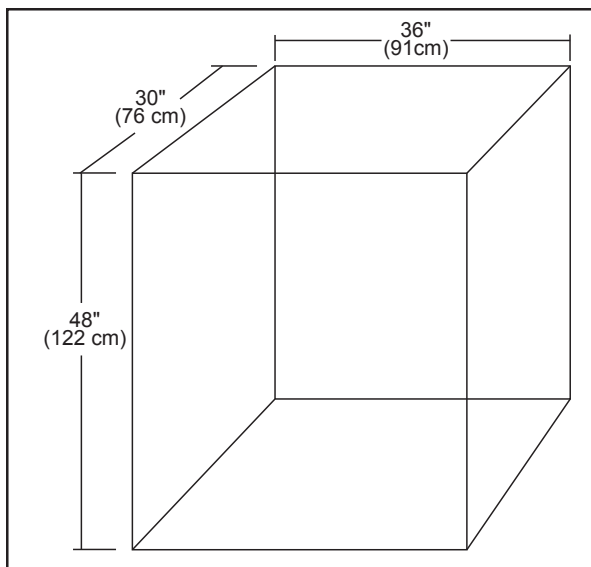


Figure 5: EF2 Freestanding Minimum Alcove Size.

These dimensions are minimum clearances but it is recommended that you ensure sufficient room for servicing, routine cleaning and maintenance.

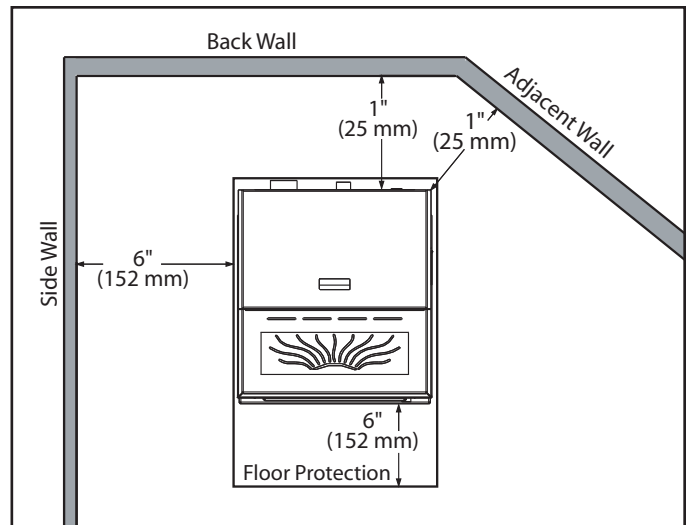


Figure 4: EF2 Freestanding Clearance to Combustibles.

- Minimum Alcove width - 36 inches (91 cm)
- Minimum Alcove height - 48 inches (122 cm)
- Minimum Alcove depth - 30 inches (76 cm)

## CLEARANCES TO COMBUSTIBLES - FIREPLACE INSERT:

Refer to Figure 6.

- Side wall to unit - 8 inches (20.3 cm)
- Mantel projection - 10 inches (25.4 cm)
- Mantel to top of unit - 8 inches (20.3 cm)
- Top facing to unit - 8 inches (20.3 cm)
- Side facing to unit - 6 inches (15.2 cm)
- Floor protection - 6 inches (15.2 cm)  
on either side and to the front must be protected by non-combustible material.

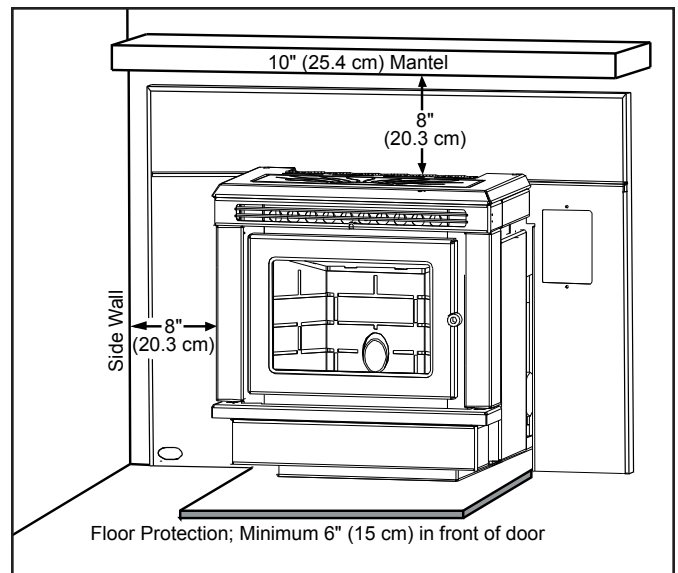


Figure 6: EF2 Fireplace Insert Clearance to Combustibles.

# INSTALLATION

## CLEARANCES TO COMBUSTIBLES - BUILT-IN HEATER:

Refer to Figures 6 and 7.

Side wall to unit	- 8 inches	(20.3 cm)
Mantel projection	- 10 inches	(25.4 cm)
Mantel to top of unit	- 8 inches	(20.3 cm)
Top facing to unit	- 8 inches	(20.3 cm)
Side facing to unit	- 6 inches	(15.2 cm)
Floor protection	- 6 inches	(15.2 cm)
(on either side and to the front must be protected by non-combustible material)		
Sides and rear walls to standoffs:	- 0 inches	(0 cm)
Recess depth:	- 11 inches	(30 cm)

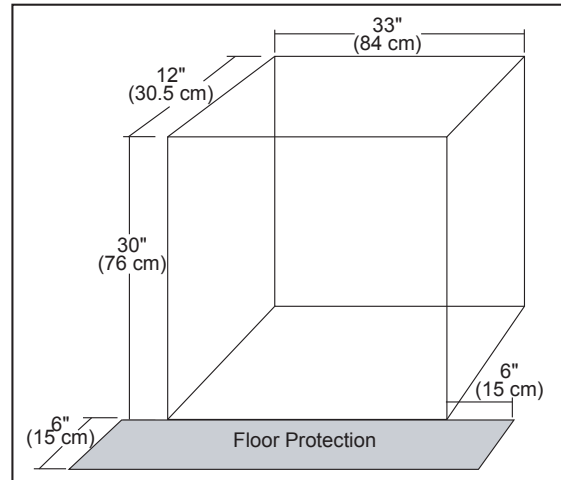


Figure 7: EF2 Built-In Heater recommended framing.

## PEDESTAL INSTALLATION:

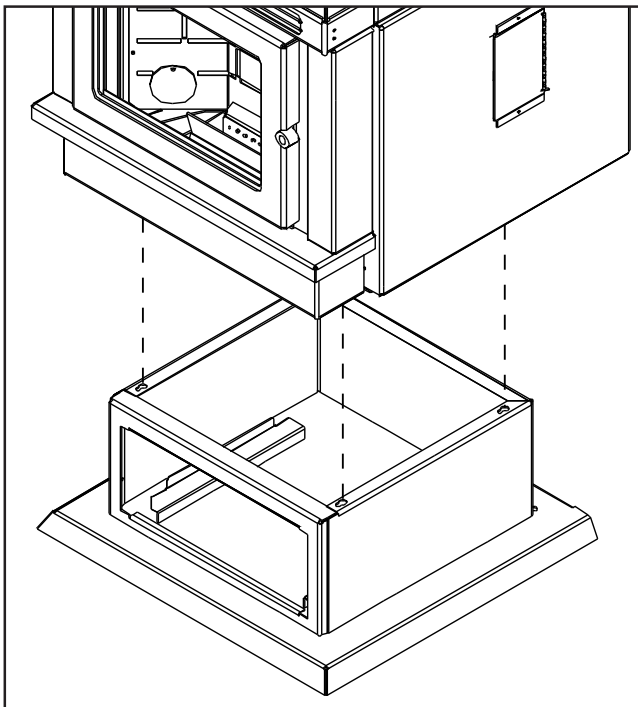


Figure 8: Freestanding Pedestal.

- Place the unit on its back on the pallet.
- Back the four (4)  $\frac{5}{16}$ " hex head screws in the base off three (3) to four (4) full turns.
- Align the keyholes in the pedestal with the screws, lock into place.
- Secure the two (2) pieces by tightening the four (4) screws from the inside of the pedestal for the freestanding or from the outside of the pedestal for the FPI or BIH.

The all models comes with a pedestal that has to be attached prior to installation:

- Remove the unit from the box
- Remove the freestanding pedestal from the box. Remove the FPI or BIH pedestal from the hopper.

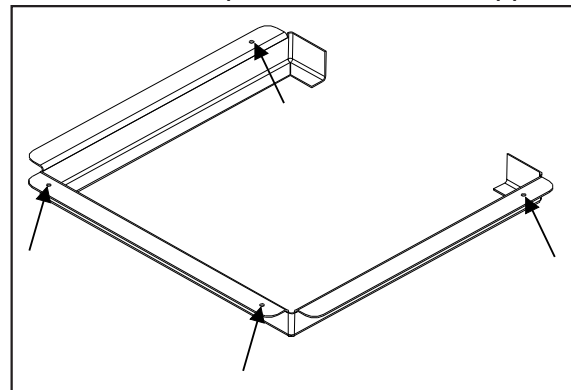


Figure 9: Fireplace Insert Pedestal.

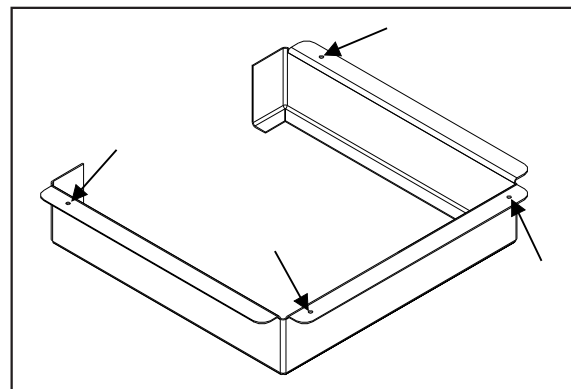


Figure 10: Built-In Heater Pedestal.

# INSTALLATION

## VENT TERMINATION REQUIREMENTS:

IT IS RECOMMENDED THAT YOUR PELLET STOVE BE INSTALLED BY AN AUTHORIZED DEALER/INSTALLER.

Table 1: Use in conjunction with Figure 11 for allowable exterior vent termination locations.

Letter	Minimum Clearance	Description
A	24 in (61 cm)	Above grass, top of plants, wood, or any other combustible materials.
B	48 in (122 cm)	Beside/below any door or window that may be opened. (18" (46 cm) for outside fresh air install.)
C	12 in (30 cm)	Above any door or window that may be opened. (9" (23 cm) for outside fresh air install.)
D	24 in (61 cm)	To any adjacent building, fences and protruding parts of the structure.
E	24 in (61 cm)	Below any eave or roof overhang
F	12 in (30 cm)	To outside corner.
G	12 in (30 cm)	To inside corner, combustible wall (vertical and horizontal terminations).
H	3 ft (91 cm) within a height of 15 ft (4.5 m) above the meter/regulator assembly	To each side of center line extended above natural gas or propane meter/regulator assembly or mechanical vent.
I	3 ft (91 cm)	From any forced air intake of other appliance
J	12 in (30 cm)	Clearance to non-mechanical air supply inlet to building, or the combustion air inlet to any appliance.
K	24 in (61 cm)	Clearance above roof line for vertical terminations.
L	7 ft (2.13 m)	Clearance above paved sidewalk or paved driveway located on public property.

1. Do not terminate the vent in any enclosed or semi-enclosed areas such as a carport, garage, attic, crawlspace, narrow walkway, closely fenced area, under a sundeck or porch, or any location that can build up a concentration of fumes such as stairwells, covered breezeway, etc.

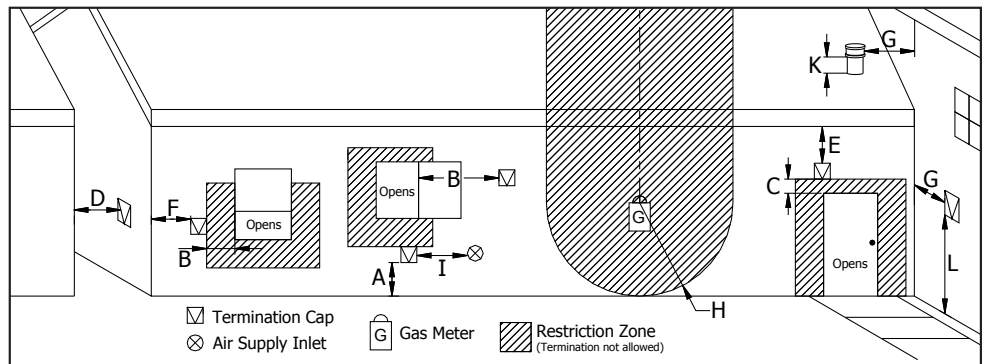


Figure 11: Use in conjunction with Table 1 for allowable exterior vent termination locations.

2. Vent surfaces can become hot enough to cause burns if touched by children. Non-combustible shielding or guards may be required.
3. Termination must exhaust above the inlet elevation. It is recommended that at least five feet of vertical pipe be installed outside when the appliance is vented directly through a wall, to create some natural draft to prevent the possibility of smoke or odor during appliance shut down or power failure. This will keep exhaust from causing a nuisance or hazard from exposing people or shrubs to high temperatures. In any case, the safest and preferred venting method is to extend the vent through the roof vertically.
4. Distance from the bottom of the termination and grade is 12" (30 cm) minimum. This is conditional upon the plants and nature of grade surface. The exhaust gases are hot enough to ignite grass, plants and shrubs located in the vicinity of termination. The grade surface must not be lawn.
5. If the unit is incorrectly vented or the air to fuel mixture is out of balance, a slight discoloration of the exterior of the house might occur. Since these factors are beyond the control of Sherwood Industries Ltd, we grant no guarantee against such incidents.

**NOTE: Venting terminals shall not be recessed into walls or siding.**

# INSTALLATION

## OUTSIDE FRESH-AIR CONNECTION:

**Outside fresh air is mandatory when installing this unit in airtight homes and mobile homes.**

When connecting to an outside fresh air source, do not use plastic or combustible pipe. A 1 5/8" minimum (42 mm) ID (inside diameter) steel, aluminum or copper pipe should be used. It is recommended, when you are installing a fresh air system, to keep the number of bends in the pipe to a minimum.

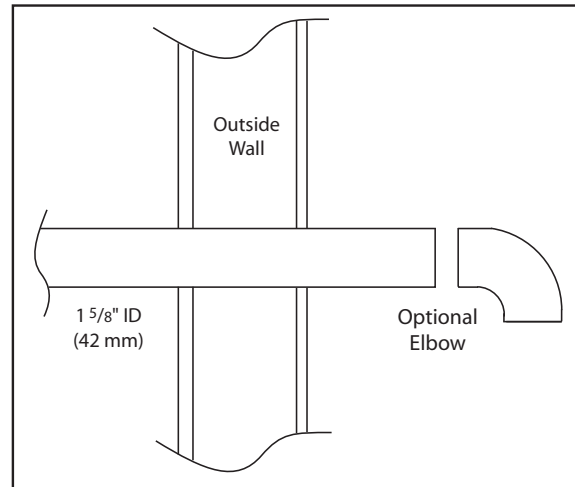


Figure 12: Outside Air Connection.

## EXHAUST AND FRESH AIR INTAKE LOCATIONS:

### EXHAUST

	Freestanding	Fireplace Insert	Built-In Heater
Base of unit to center of flue	16 3/8" (41.5 cm)	9" (22.8 cm)	10 3/4" (27.3 cm)
Center of unit to center of flue	5 3/4" (14.6 cm)	5 3/4" (14.6 cm)	5 3/4" (14.6 cm)

### FRESH AIR INTAKE.

	Freestanding	Fireplace Insert	Built-In Heater
Base of unit to center of intake	10 3/4" (27.3 cm)	3 3/8" (7.4 cm)	5 1/8" (8.6 cm)
Center of unit to center of intake	1" (2.5 cm)	1" (2.5 cm)	1" (2.5 cm)

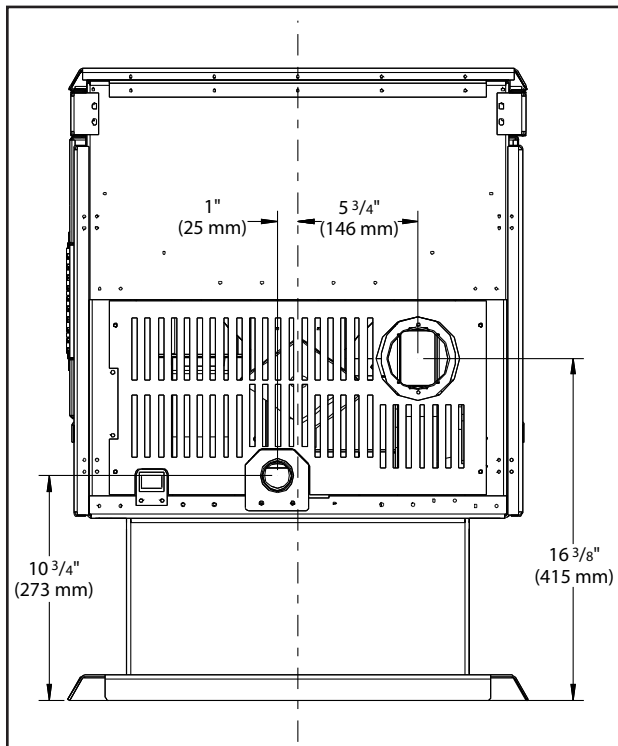


Figure 13: EF2 Freestanding Inlet and Outlet Location.

## INSTALL VENT AT CLEARANCES SPECIFIED BY THE VENTING MANUFACTURER

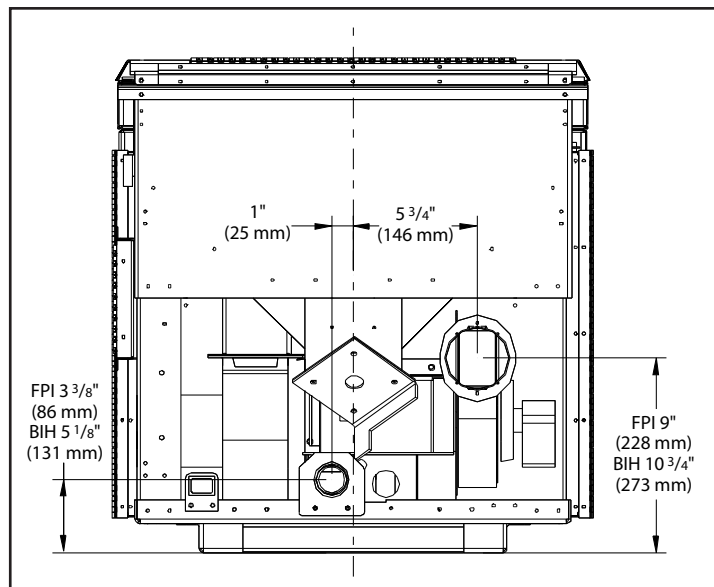


Figure 14: EF2 Fireplace Insert Inlet and Outlet Location.

# INSTALLATION

## MOBILE HOME INSTALLATION - FREESTANDING:

- Secure the heater to the floor using the (2) two holes in the pedestal.
- Ensure the unit is electrically grounded to the chassis of your home (permanently).
- Do not install in a room people sleep in.
- Outside fresh air is mandatory. Secure outside air connections directly to fresh air intake pipe and secure with three (3) screws evenly spaced.

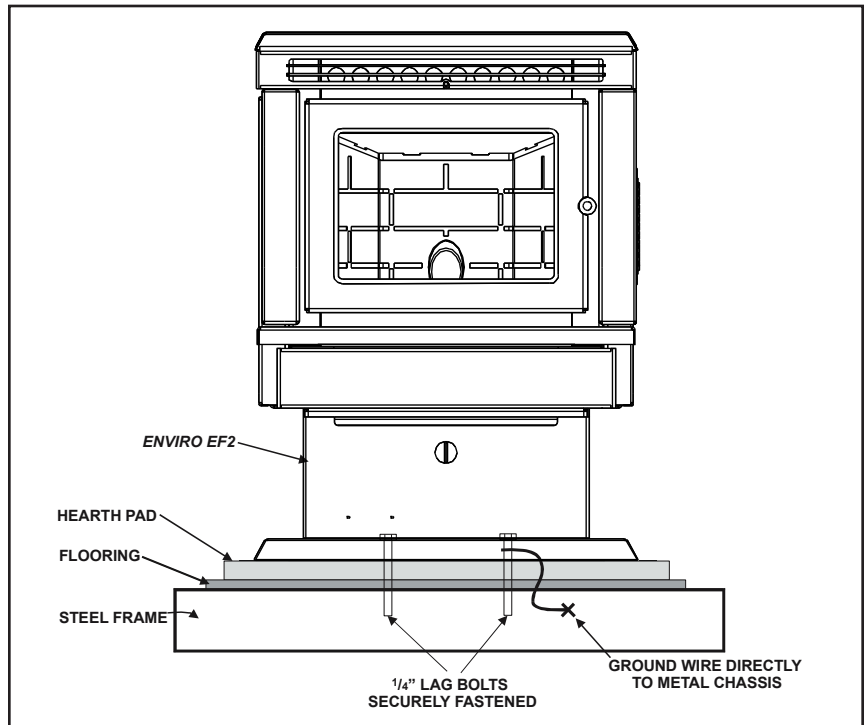


Figure 15: Mobile home installation.

**CAUTION: THE STRUCTURAL INTEGRITY OF THE MANUFACTURED HOME FLOOR, WALL AND CEILING/ROOF MUST BE MAINTAINED.**

## CORNER THROUGH WALL INSTALLATION - FREESTANDING:

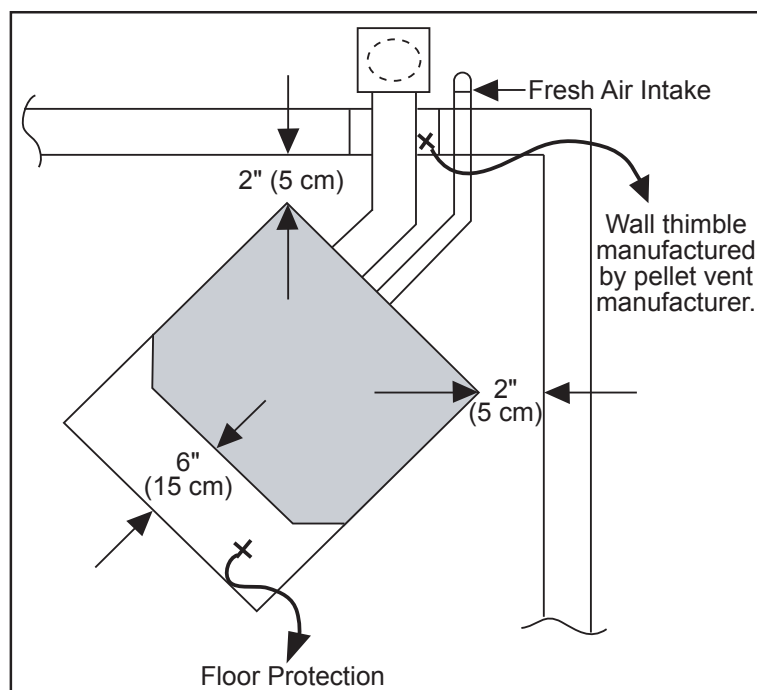


Figure 16: Corner Installation.

# INSTALLATION

## HORIZONTAL EXHAUST THROUGH WALL INSTALLATION - FREESTANDING:

### Vent installation: install vent at clearances specified by the vent manufacturer.

A chimney connector shall not pass through an attic or roof space, closet or similar concealed spaces, or a floor, or ceiling. Where passage through a wall or partition of combustible construction is desired, the installation shall conform to CAN/CSA-B365 Installation Code for Solid-Fuel-Burning Appliances and Equipment. Only use venting of L or PL type with an inside diameter of 3 or 4 inches (7.6 or 10.1 cm).

1. Choose a location for your stove that meets the requirements stated in this manual and allows installation with the least amount of interference to house framing, plumbing, wiring, etc.
2. Install a non-combustible hearth pad (where necessary).

3. Place the appliance 15" (37.5 cm) away from the wall. If the stove is to be set on a hearth pad, set the unit on it.

4. Locate the center of the exhaust pipe on the stove. Extend that line to the wall. Once you have located the center point on the wall, refer to pellet vent manufacturer installation instructions for correct hole size and clearance to combustibles.

5. Install the wall thimble as per the instructions written on the thimble. Maintain an effective vapour barrier in accordance with local building codes.

6. Install a length of 3" (76 mm) or 4" (101 mm) vent pipe into the wall thimble. The pipe should install easily into the thimble.

7. Install the fresh air intake (see OUTSIDE FRESH AIR CONNECTION).

8. Connect the exhaust vent pipe to the exhaust pipe on the stove. Seal the connection with high temperature silicone.

9. Push the stove straight back, leaving a minimum of 2" (5 cm) clearance from the back of the stove to the wall. Seal the vent pipe to the thimble with high temperature silicone.

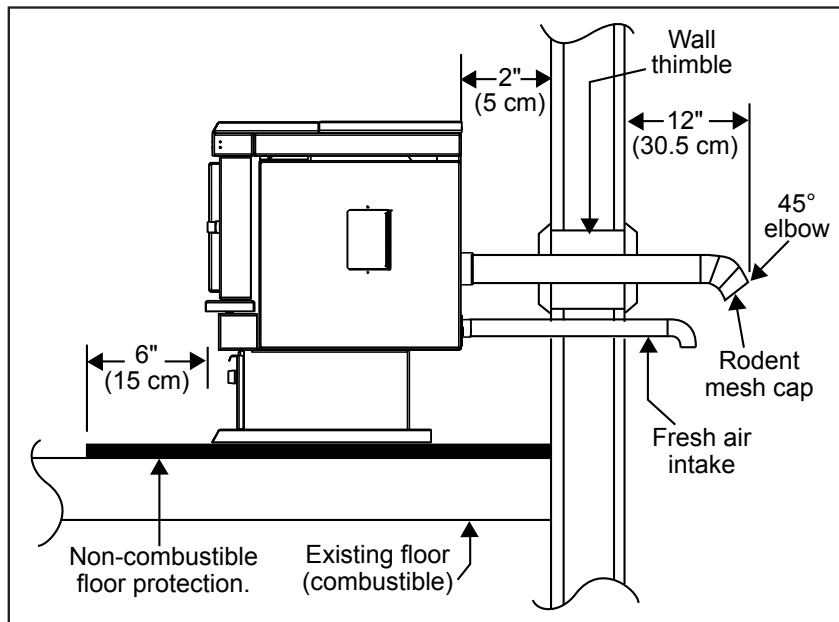


Figure 17: Straight through wall Installation.

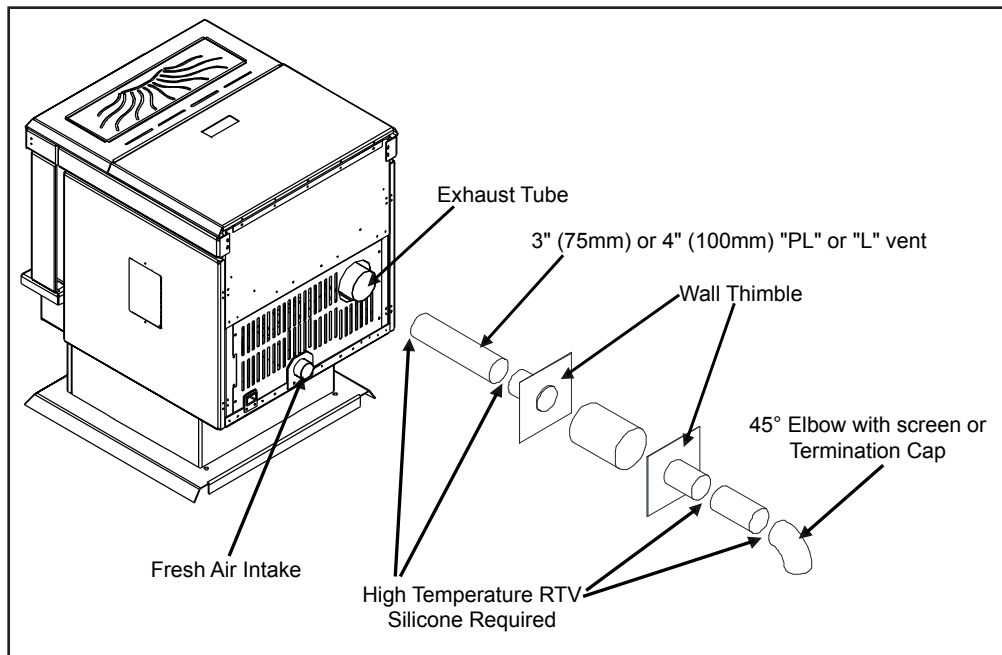


Figure 18: Venting to use with straight through wall Installation.

# INSTALLATION

- The pipe must extend at least 12" (30 cm) away from the building. If necessary, bring another length of pipe (PL type) to the outside of the home to connect to the first section. Do not forget to place high temperature silicone around the pipe that passes through the thimble.
- Install a vertical pipe, or if all requirements for direct venting are met, install vent termination. The stainless steel cap termination manufactured by the vent manufacturer is recommended. However, when the vent terminates several feet above ground level and there are no trees, plants, etc. within several feet, a 45° elbow can be used as termination. The elbow must be turned down to prevent rain from entering.

## NOTE:

- Some horizontal through wall installations may require a "T" and 3 to 5 feet (91 to 152 cm) of vertical pipe outside the the building to help naturally draft in the unit.
- This may be required if a proper burn cannot be maintained, after the stove has been tested and the airflow set.
- This is due to the back pressure in the exhaust caused by airflow around the structure.
- All sections of pipe must have three (3) screws evenly spaced and all horizontal and vertical vent sections located within the house must have a bead of high temperature silicone installed on the male end of the pipe before installation to create a gas tight seal.

## **THROUGH WALL WITH VERTICAL RISE AND HORIZONTAL TERMINATION INSTALLATION - FREESTANDING:**

A 45° elbow with a rodent screen may be used in place of the termination cap (or stainless steel termination hood).

Figure 19 is the recommended installation set up.

Figure 20 is the installation to use if there is a concrete or retaining wall in line with exhaust vent on a pellet stove. The termination must be 12" (30 cm) from the outside wall and 12" (30 cm) above the ground.

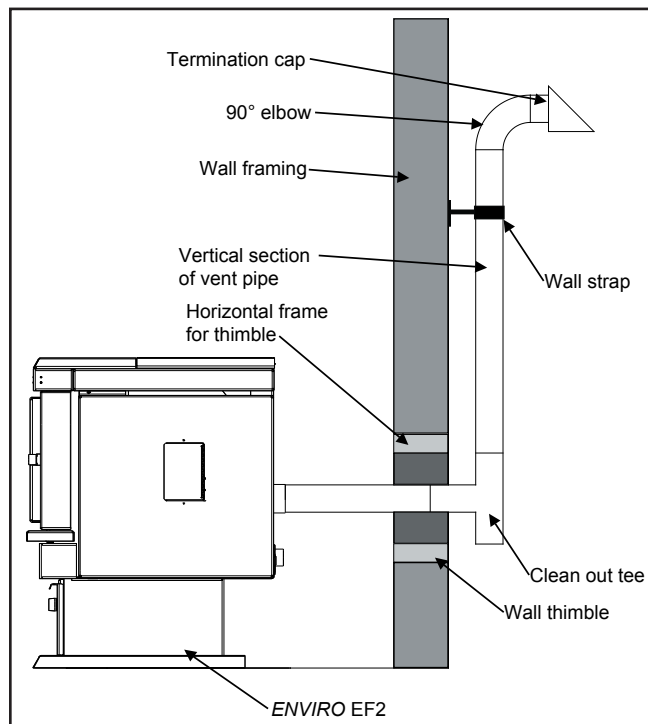


Figure 19: Venting horizontally with rise.

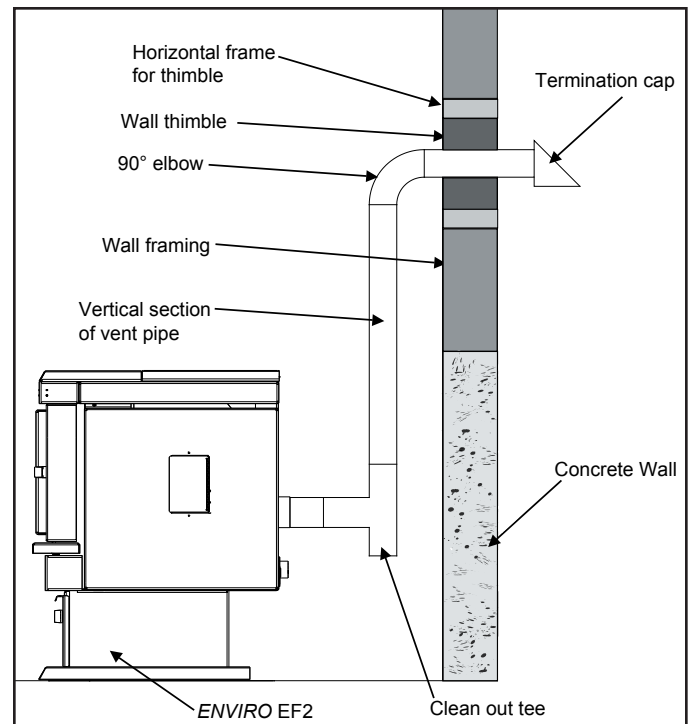


Figure 20: Venting with concrete wall behind unit .

# INSTALLATION

## INSIDE VERTICAL INSTALLATIONS - FREESTANDING:

1. Choose a stove location that is ideal. See the section "DECIDING WHERE TO LOCATE YOUR PELLET APPLIANCE."
2. Place a non-combustible hearth pad where necessary.
3. Place the unit on the hearth pad (if installed on a carpeted surface) and space the unit in a manner so when the pellet vent is installed vertically, it will be 3" (7.6 cm) away from a combustible wall.
4. Locate the center of the fresh air intake pipe on the unit. Match that center with the same point on the wall and cut a hole about 1 5/8" (41 mm) in diameter.
5. Install the fresh air intake pipe.
6. Install the tee with clean out.
7. Install the pellet vent upward from there. When you reach the ceiling, make sure that the vent goes through the ceiling fire stop. Maintain a 3" (7.6 cm) distance to combustibles and keep attic insulation away from the vent pipe. Maintain an effective vapor barrier.
8. Finally, extend the pellet vent to go through the roof flashing.
9. Ensure that the rain cap is approximately 36" (900 mm) above the roof.

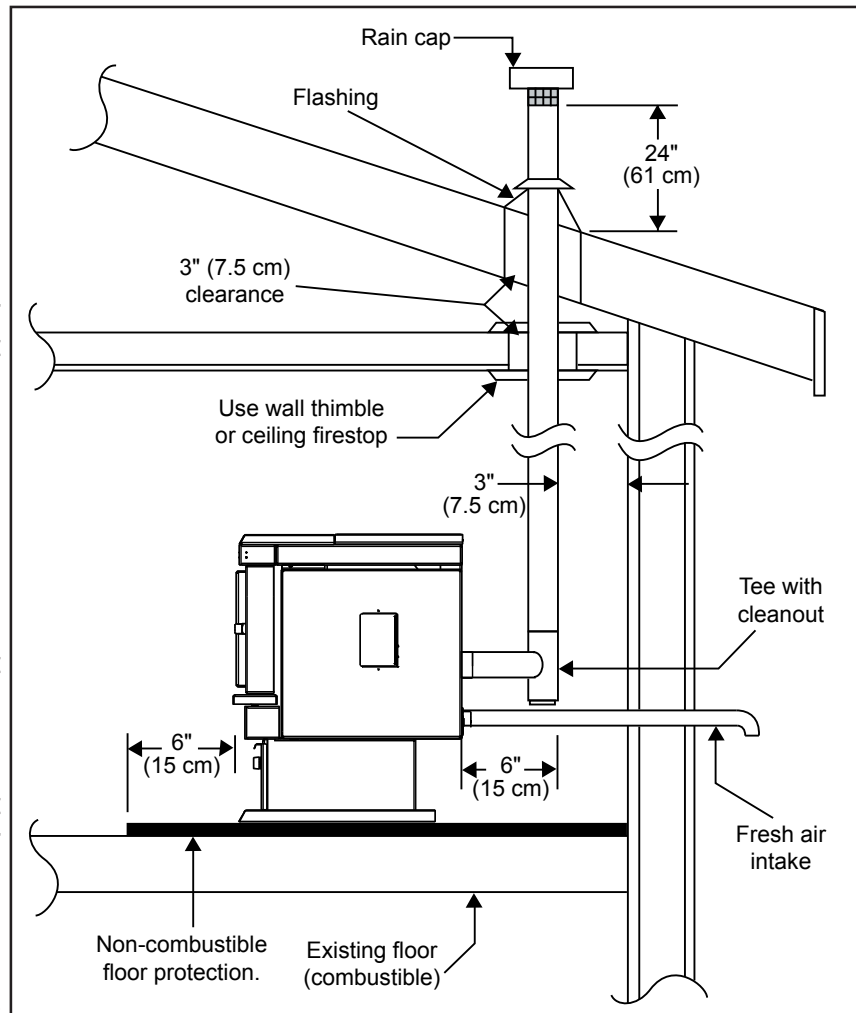


Figure 21: Inside Vertical Installation.

## OUTSIDE VERTICAL INSTALLATIONS - FREESTANDING:

To accomplish a outside vertical pipe installation, follow steps 1 through 5 in the "INSIDE VERTICAL INSTALLATIONS - FREESTANDING" section and then finish it by performing the following (refer to Figure 22).

1. Install a tee with clean out on the outside of the house.
2. Install PL vent upward from the tee. Make sure that you install support brackets to keep the vent straight and secure.
3. Install ceiling thimble and secure the flashing as you go through the roof.
4. Ensure that the rain cap is approximately 36" (91.5 cm) above the roof.

# INSTALLATION

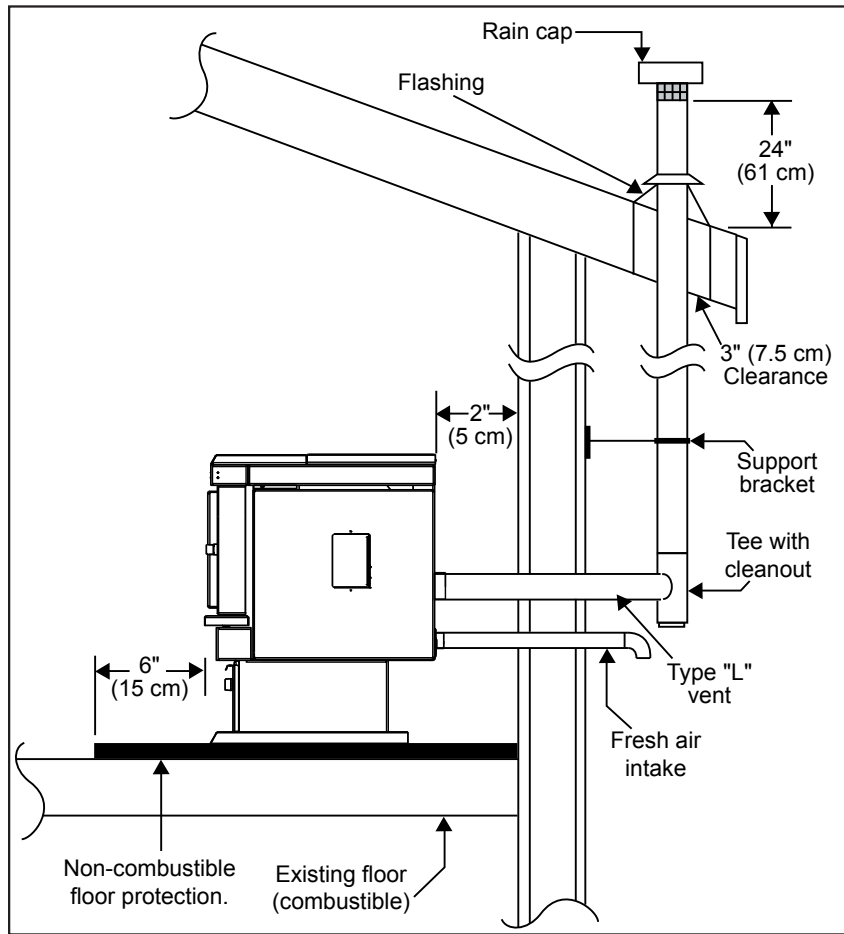


Figure 22: Outside Vertical Installation.

## HEARTH MOUNT INSTALLATION - FREESTANDING:

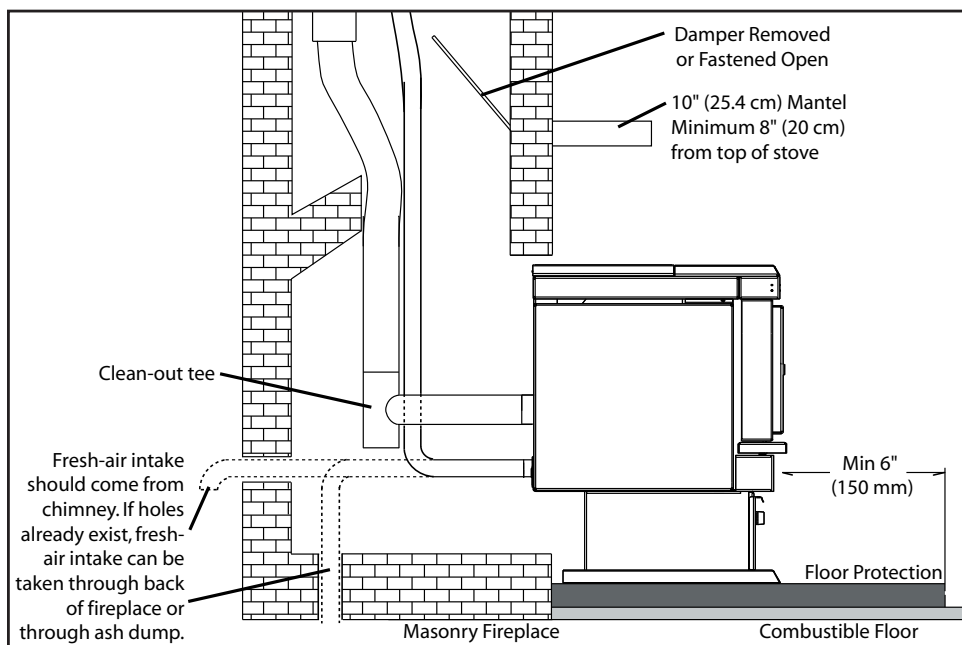


Figure 23: Freestanding hearth mount installation.

Refer to Figures 23 and 24.

1. Install the hearth pad.
2. Lock fireplace damper in the open position.
3. Install a positive flue connector at the fireplace dampers.
4. Connect a tee or a 90° elbow to the exhaust pipe.
5. Install flexible stainless steel liner or listed pellet vent to the top of the chimney.

# INSTALLATION

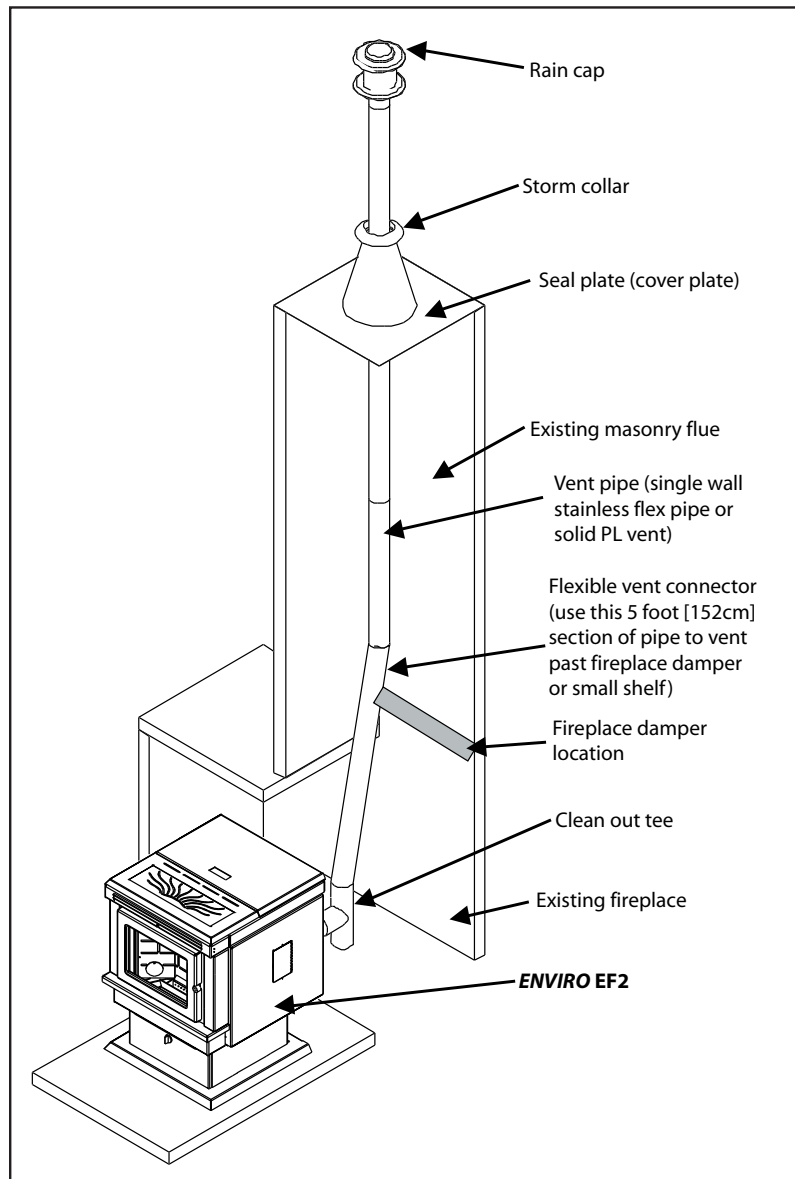


Figure 24: Freestanding hearth mount installation overview.

## MASONRY FIREPLACE INSTALLATION - FIREPLACE INSERT:

The fireplace insert model requires a surround panel and a pedestal. When installing this unit, ensure that the pedestal is removed from the inside of the hopper and installed on the bottom of the unit (see "PEDESTAL INSTALLATION").

Assemble surround panel (see "INSTALLATION OF CONTROL PANEL INTO SURROUND PANEL - FPI AND BIH" and "INSTALLATION AND REMOVAL OF THE SURROUND PANELS - FPI AND BIH") before starting installation.

A non-combustible hearth pad must cover combustible flooring underneath, as well as 6" (150 mm) in front of the heater and 6" (150 mm) to the side of the heater.

1. Install the hearth pad.
2. Lock the fireplace damper in the open position.
3. Install a positive flue connector at the fireplace damper.

# INSTALLATION

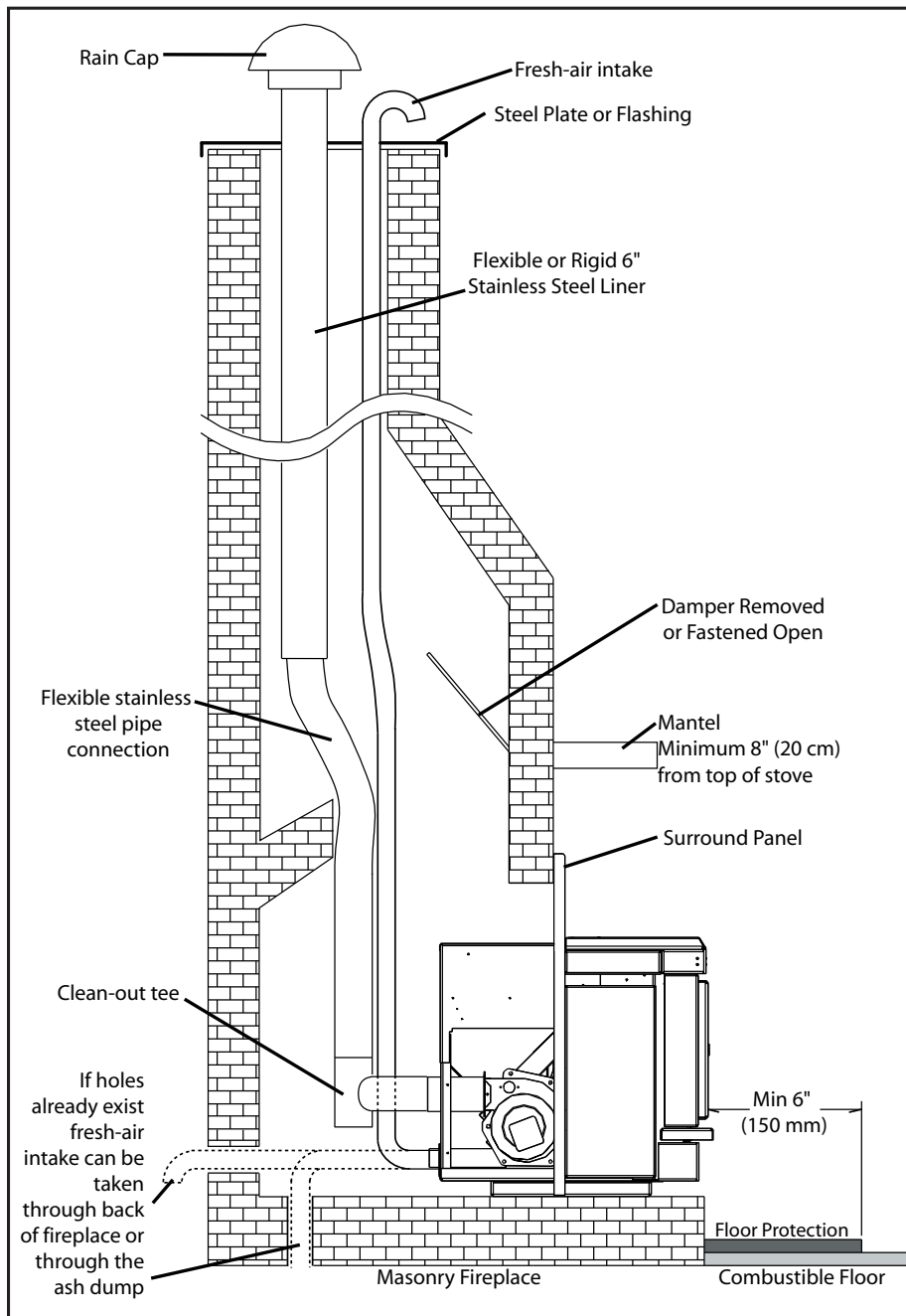


Figure 25: Masonry fireplace installation.

4. Connect a tee or 90° degree elbow to the exhaust pipe.
5. This fireplace insert must be installed with a continuous chimney liner of 3" or 4" diameter extending from the fireplace insert to the top of the chimney. The liner must conform to type 3 requirements of CAN/ULC S635.
6. (Recommended) Install fresh air intake either through the back of the fireplace or through the positive flue connector.

When installing the insert into a masonry fireplace, **DO NOT** remove any bricks or masonry, with the following exception: masonry or steel, including the damper plate, may be removed from the smoke shelf and adjacent damper frame, if necessary, to accommodate a chimney liner. Do this only if their removal will not weaken the structure of the fireplace and chimney, and will not reduce protection for combustible materials to less than that required by the national building code.

When installing the fireplace insert into a zero clearance fireplace, **DO NOT** cut or modify any factory firebox parts. If the fireplace insert does not fit into a zero clearance fireplace, we recommend you use an ENVIRO freestanding model and install as a hearth mounted unit. Install a 3" (76 mm) flex pipe from the stove to the top of the chimney (see "HEARTH MOUNT INSTALLATION - FREESTANDING:").

# INSTALLATION

## INSTALLATION FOR A BUILT-IN HEATER:

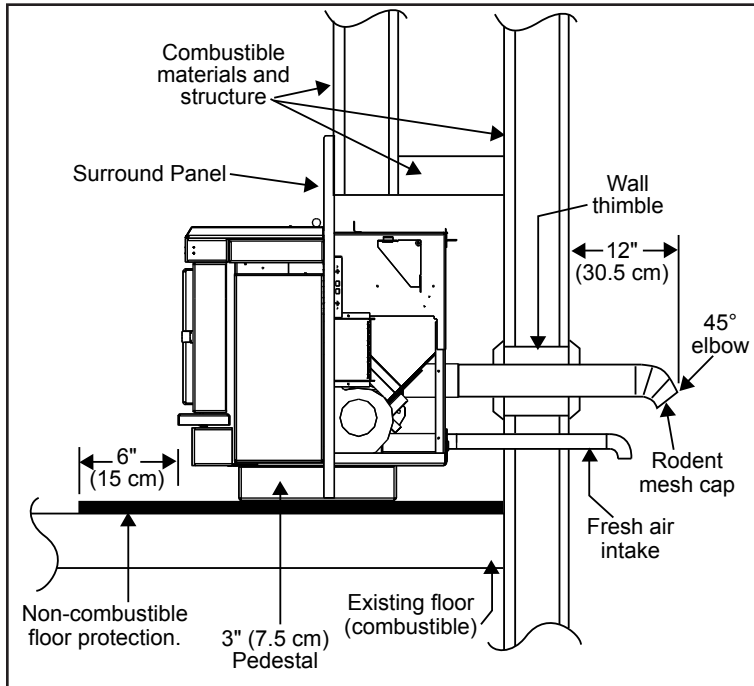


Figure 26: Built-in heater installation.

This unit includes a 3" (75 mm) pedestal and surrounding faceplates. The part of the unit behind the faceplate can be enclosed with combustible material. It has 1" (25 mm) standoffs to establish clearances to combustibles to the back, top and sides.

Refer to "CLEARANCES TO COMBUSTIBLES - BUILT-IN HEATER" and Figure 6 and 7 for the size and placement of the alcove to be built for the unit.

For the venting refer to "HORIZONTAL EXHAUST THROUGH WALL INSTALLATION - FREESTANDING".

## INSTALLATION OF CONTROL PANEL INTO SURROUND PANEL - FPI AND BIH:

When installing the control panel into the surround panel, the surround does not need to be assembled. The control board will be found in behind the firebox.

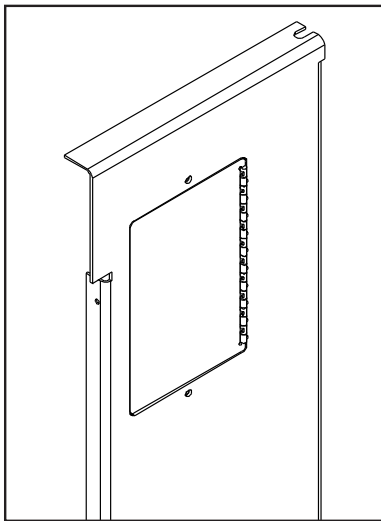


Figure 27: Control Panel Cover.

Place the control panel on the backside of the right surround panel so the hinge is on the outside and the top and bottom holes on the control panel line up with those on the surround. Attach using two (2) T-20 screws through the front of the surround into the circuit board control panel.

After the surround has been assembled and is ready to be installed on the unit, plug the wiring harness into the control panel (see Figure 28).

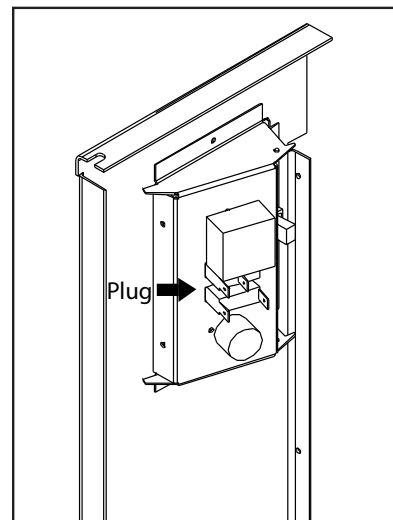


Figure 28: Control Panel Back - Timer.

# INSTALLATION

## INSTALLATION AND REMOVAL OF THE SURROUND PANELS - FPI AND BIH:

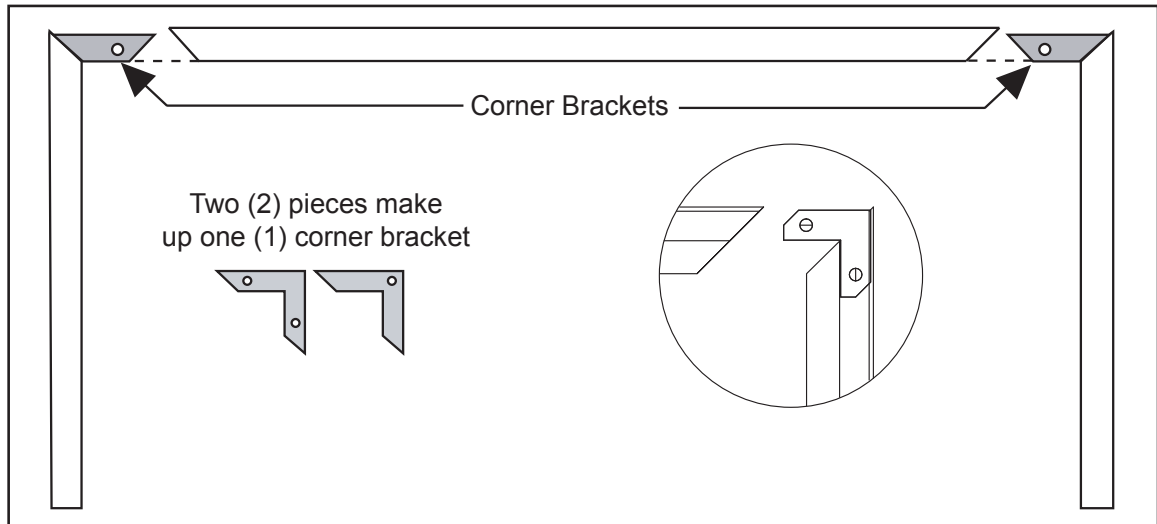


Figure 29: Assembling Trim for Surround Panel.

1. Assemble the trim set using the corner hardware and screws supplied in the surround panel packaging. Install corner hardware into the side trim pieces, then push them into the top trim. Do not over-tighten the corners or the side trim cannot be removed during servicing. See Figure 29.
2. Using three (3) T-20 screws on each side attach the hinges on the side surround panels to the unit's side panels (refer to Figure 30).
3. Plug the wiring harness into the control panel (see Figure 28).
4. Loosen the front hopper lid screws and center the top surround panel under the hopper lid, tighten screws.
5. Insert each side panel anchor bolt through the top panel into the corresponding side panel holes and tighten using a  $\frac{7}{16}$ " wrench or socket (refer to Figure 31).
6. Place assembled trim over the surround assembly.

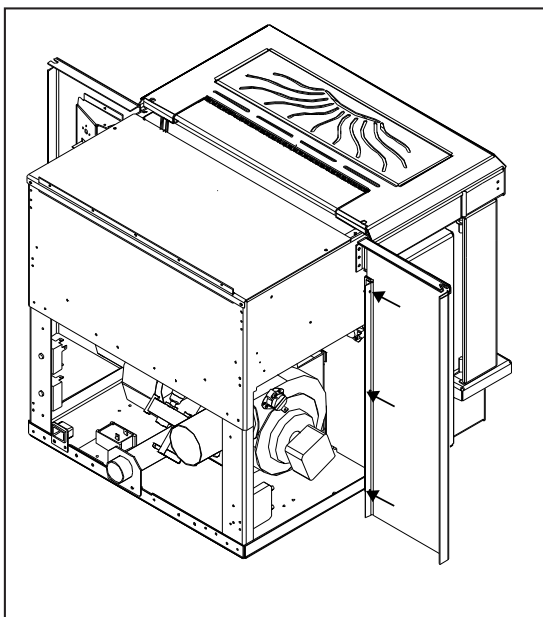


Figure 30: Panel placed on unit.

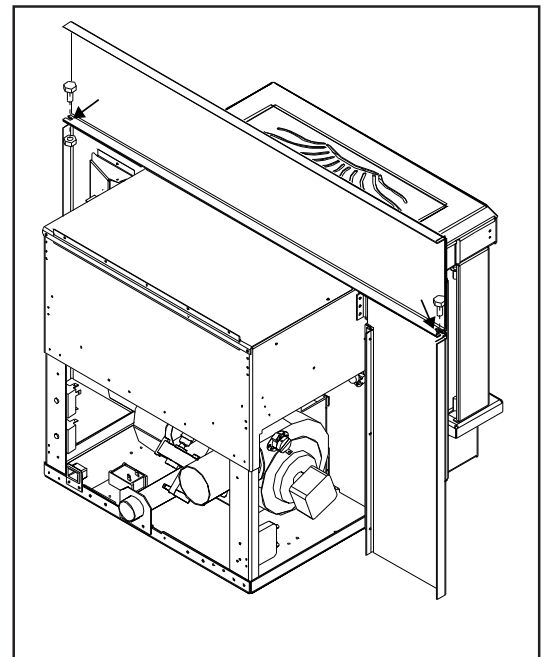


Figure 31: Assembling the Surround Panel, back view.

# INSTALLATION

## REMOVAL:

When maintenance is required on the unit the surround must be removed. Follow steps 3 through 6 in reverse order.

The side panel can remain attached because they swing forward for easy access (refer to Figure 32).

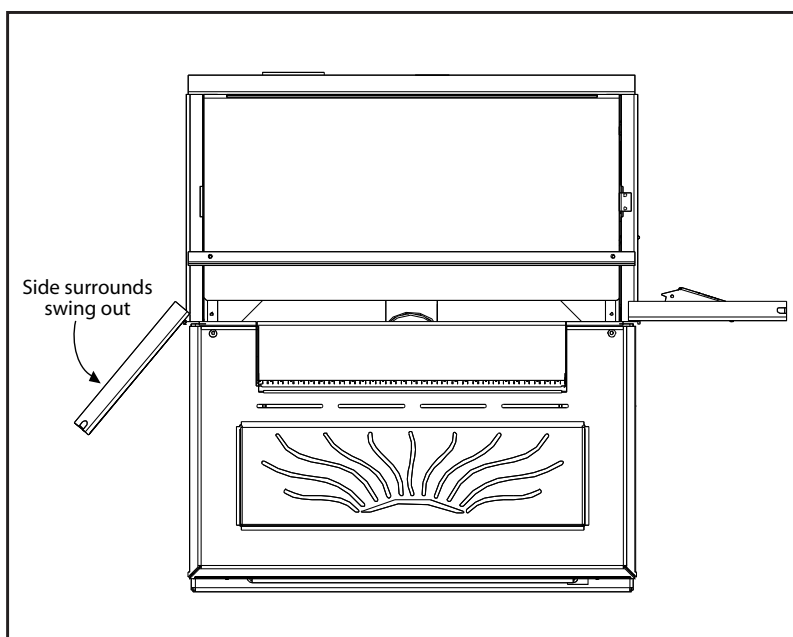


Figure 32: Side surround panel swings forward.

## SLIDER/DAMPER INSTALLATION:

Not for installation in Germany.

This is used to regulate the airflow through the pellet stove.

1. Remove the slider rod (short rod with knob and nuts) from their package and open the left side panel.
2. Remove the knob and outer nut from the knob. Push the rod through the hole in the slider. Place the lock nut on the rod and tighten, leaving a  $\frac{1}{32}$ " (1 mm) gap between the slider and the other nut.
3. Make sure the slider moves freely. Close the side panel and tighten screws after placing the rod through the panel. Screw the knob onto the slider.

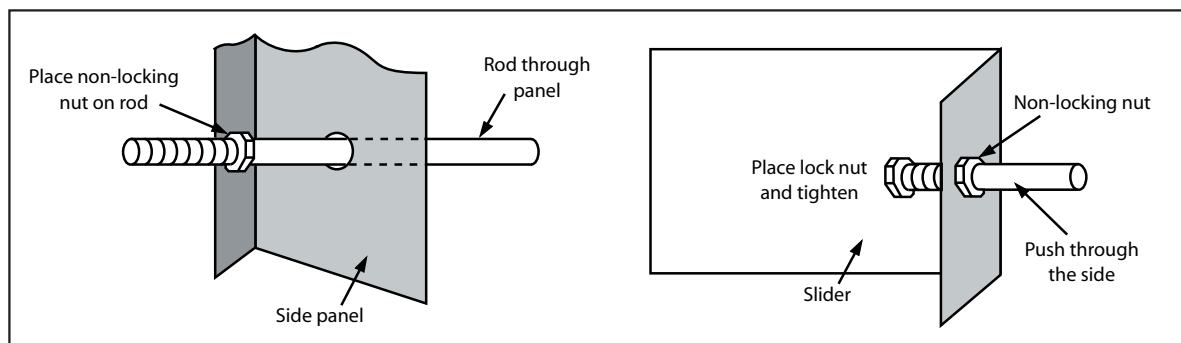


Figure 33: Slider / damper assembly.

## SLIDER/DAMPER SETTING:

This is used to regulate the airflow through the pellet stove.

A Qualified Service Technician or Installer should mark the slider rod in the current settings.

# INSTALLATION

The slider damper is located behind the left side panel. To open the left side panel, undo the one screw located in the upper front corner of the cabinet side.

## **SPECIAL NOTES:**

Pellet quality is a major factor in how the Pellet stove will operate. If the pellets have a high moisture content or ash content the fire will be less efficient and has a higher possibility of the fire building up and creating clinkers (hard ash build-up).

If the fire should happen to go out and the Dial-A-Fire has been set on the lowest setting, the Slider Damper should be pushed in slightly, decreasing the air in the firebox or the Dial-A-Fire can be turned up slightly.

If, after long periods of burning, the fire builds up and overflows the burn pot or there is a build up of clinkers, this would be a sign that the pellet quality is poor, this requires more primary air, the slider damper must be pulled out to compensate. Pulling the slider damper out gives the fire more air.

The easiest way to make sure that an efficient flame is achieved is to understand the characteristics of the fire.

- A tall, lazy flame with dark orange tips requires more air – Open slider (pull out) slightly.
- A short, brisk flame, like a blowtorch, has too much air – Close slider (push in) slightly.
- If the flame is in the middle of these two characteristics with a bright yellow/orange, active flame with no black tips then the air is set for proper operation, refer to Figure 35.

Taking a reading of vacuum pressure inside the firebox with a magnehelic gauge can be used to set the slider for best combustion. **The best settings are a reading of 0.12 to 0.13 inches of water column (30 Pa) on the high fire setting.** Some fuels may require higher or lower settings. The reading can be taken from the 1/8" (3 mm) hole located on the front of the unit below the door and behind the magnetic ash lip.

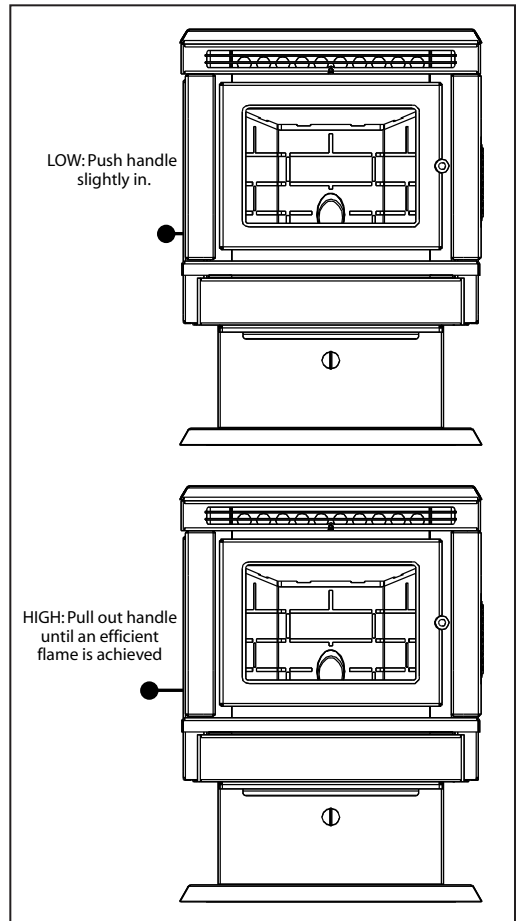


Figure 34: Slider / damper positions.



Figure 35: Efficient Flame.

## **THE TUBE SCRAPER ROD:**

Put the stainless steel rod through the hole in the heat exchanger located behind the top louvers. Thread the rod into the scraper plate, which is visible from inside the firebox by removing the top baffle.

# TROUBLESHOOTING

---

## **DO NOT:**

- ♦ Switch the stove On and OFF rapidly. This may cause current spikes, which could shorten the life of the electrical components.
- ♦ Service the stove with wet hands. The stove is an electrical appliance, which may pose a shock hazard if handled improperly. Only qualified technicians should deal with possible internal electrical failures.
- ♦ Remove any screws in the firebox without first lubricating them with penetrating oil.

## **WHAT TO DO IF:**

1. The stove will not start.
2. The stove will not light
3. The stove will not function in the "AUTO" mode when hot.
4. The exhaust blower will not function normally.
5. The convection blower will not function normally.
6. Everything else in the stove operates but the ignitor will not light the pellets
7. The auger motor does not function normally.
8. The Dial-A-Fire has no effect on the fire.
9. The stove will not shut off.
10. The stove keeps going out.

**\*NOTE: All troubleshooting procedures should be carried out by qualified technicians or installers.**

### **1. The stove will not start.**

- ♦ Make sure the stove is plugged in and the wall outlet is supplying power.
- ♦ Push the AUTO/MANUAL switch to MANUAL. If the stove fails to start, unplug the unit and open the hinged side panels (held tight with (2) two screws).
- ♦ With the stove unplugged, examine all connections. Make sure they are firmly connected and that there are no exposed wires touching the stove (except the green chassis ground wire).
- ♦ Check the continuity and placement of connections against the Wiring Diagram in this manual.
- ♦ Attempt to bypass the switch by inserting a jumper wire between the dual black wires (middle of the switch) and the single grey wire (left side of the stove) that attach to the back of the switch. Plug the stove back in. If the stove starts, replace the switch.

### **2. The stove will not light**

- ♦ Check the ignitor by removing the burn pot liner when the unit is cold.
- ♦ Push the AUTO/MANUAL switch to MANUAL.
- ♦ Observe the ignitor in the small tube to see if it glows within three (3) minutes then return the switch to the "AUTO" position.
- ♦ If the ignitor does not come on, open the right hand side panel, remove the convection blower (held in by two (2) bolts) and check connections of the harness then by-pass the 120°F (49°C) (N/C) temperature sensor.
- ♦ Push switch to manual to see if the ignitor will heat up.
- ♦ If the ignitor fails to come on, have your dealer or a qualified service technician replace the ignitor.
- ♦ If the ignitor comes on when the 120°F (49°C) is by-passed, replace the 120°F (49°C) (N/C) sensor.

# TROUBLESHOOTING

---

## 3. The stove will not function in the "AUTO" mode when hot.

- ◆ If the unit fails to operate, by-pass the auto side of the switch by inserting a jumper wire between the dual black wires and the dual brown wires located on the back of the switch. Plug the stove back in. If the stove operates, replace the switch.
- ◆ Check the hopper for fuel.
- ◆ Incorrect air damper setting - Excessive air may consume the fire too quickly before the next drop of fuel, leaving completely unburned fuel in the burn pot liner. Insufficient air will cause build up, further restricting the air flow through the Burn Pot Liner. This in turn will cause the fuel to burn cold and very slowly. Fuel may build up and smother the fire. **(NOTE: Unit may require a change to the vent system or installation of fresh air to correct Air to Fuel ratio problems).**
- ◆ Combustion Blower failure - The Combustion Blower is not turning fast enough to generate the proper vacuum in the fire box. Visual Check – is the blower motor turning?
- ◆ Check Vacuum levels in the exhaust channel by bypassing the Vacuum Switch, then remove the Vacuum hose from Vacuum Switch. Check exhaust vacuum readings by placing the open end of the Vacuum Hose on a Magnahelic Gauge (readings must be above 0.10" W.C. on low fire).  
**Note:** If the motor fails to reach a 0.10" W.C. reading, then replace the Combustion Blower.
- ◆ Poor Quality Fuel – Insufficient energy in the fuel to produce enough heat to keep the stove burning or operational.
- ◆ Exhaust Temperature Sensor failure – Bypass sensor located on Exhaust Blower. If stove now operates properly, the unit may require cleaning or a new sensor. Contact your local dealer for service.
- ◆ The unit may require cleaning. Contact your local dealer for service.

## 4. The exhaust motor will not function normally.

- ◆ Open the left side access panel; check all connections against the wiring diagram.
- ◆ If all the connections are verified and the exhaust blower does not function at all, tap lightly on the exhaust blower's motor end cap, this may loosen a tight motor.
- ◆ Apply 220 V AC directly to the exhaust blower. If the motor does not run, replace the blower.
- ◆ If the motor runs, have your dealer check the harness.
- ◆ Contact your local dealer for service.

## 5. The convection blower will not function normally.

- ◆ Check all the connections between the controller, switch, and the convection blower against the wiring diagram.
- ◆ If the convection motor will not run, apply 220 V AC to the motor directly. If the motor runs, replace the fan controller. If the motor does not run, the convection blower has failed. Replace the blower.
- ◆ If the convection blower runs on high at all times (no control with the fan controller), check the connections from the 160°F (71°C) sensor (located on the upper left side of the firewall) and convection fan controller to the blower. Disconnect one of the wires from the sensor; if control of the convection blower returns to the fan controller, replace the sensor.
- ◆ If the motor is still on high, re-connect the sensor and replace the convection fan controller.

# TROUBLESHOOTING

---

## 6. Everything else in the stove operates but the ignitor will not light the pellets.

- ♦ Check the burn pot liner placement, the burn pot liner should be tight against the ignitor.
- ♦ Check all the electrical connections on the 120°F (49°C) temperature sensor located on the exhaust channel.
- ♦ Check the connections at the ignitor socket.
- ♦ Place a jumper wire between the two leads on the 120°F (49°C) temperature sensor. If the ignitor works, replace the sensor.
- ♦ If the ignitor does not work, replace it.

**NOTE:** The ignitor should be bright orange in color. If not, replace the ignitor.

## 7. The auger motor will not function normally.

- ♦ Check for obstructions in the hopper system.
- ♦ Call your local dealer for service.
- ♦ Make sure the exhaust blower is operating.
- ♦ Make sure the dial-a-fire is turned on.
- ♦ Unplug the stove and open the side and back panels.
- ♦ Check all the connections to the auger motor, auger dial-a-fire, vacuum sensor, 200°F (93°C) temperature sensor and the timing control module against the wiring diagram in this manual.
- ♦ Check the condition of the vacuum hose (located on the left side of the stove). It should not be cracked or torn and should be installed on the top air inlet tube on the vacuum sensor.
- ♦ Check the manual reset button on the 200°F (93°C) temperature sensor. If this sensor has been tripped, check for the cause of the over-heating before pushing the red button in. Check auger for movement.
- ♦ If the auger still does not work, then apply 220 V AC directly to the auger motor. If the auger motor does not work, replace it.
- ♦ By pass the 200°F (93°C) temperature sensor with a jumper wire; check the auger. If the auger works, replace the sensor.
- ♦ Check the voltage across the load pins of the timing module. It should be around 1 V to 2 V AC, cycling to line voltage during an auger pulse. If not, replace the timing control module.
- ♦ Check the vacuum sensor by placing a jumper wire between the blue wire and the black wire that are attached to the sensor. If the auger works, test to see if the exhaust blower is producing enough vacuum.
- ♦ To test the exhaust vacuum, place a magnehelic gauge in the sensor end of the vacuum tube. It should read 0.5" W.C. If the reading is good, replace the vacuum sensor.
- ♦ If the auger motor still does not work, then attempt to by-pass the auger dial-a-fire control by removing the leads from the timing control module's second delay pins and placing a jumper wire across the pins. If the auger now cycles very quickly, test the dial-a-fire potentiometer. If the auger did not cycle, replace the timing control module.
- ♦ To test the dial-a-fire potentiometer, the potentiometer should have a range of 68KΩ to approximately 850 KΩ (± 10%). If the range is not close, replace the potentiometer.

# TROUBLESHOOTING

---

## 8. The dial-a-fire has no effect on the fire.

- ◆ Make sure all connections to the timer control module are secure.
- ◆ Perform a resistance test to the dial-a-fire potentiometer by placing the two (2) test leads from a multimeter into the leads of the potentiometer. The potentiometer should have a range of 68K $\Omega$  to approximately 850 K $\Omega$  ( $\pm$  10%).

### Potentiometer Readings:

Full counter-clockwise (switched off) = open circuit, overload or infinite resistance

Low fire .....800 K $\Omega$  to 900 K $\Omega$

High fire .....68 K $\Omega$  to 82 K $\Omega$

If the range is not close or does not vary then replace the potentiometer.

## 9. The stove will not shut off.

- ◆ Make sure the AUTO/MANUAL switch is in the AUTO position.
- ◆ Check the connections to the 120°F (49°C) temperature sensor and AUTO/MANUAL switch against the wiring diagram.
- ◆ Check the 120°F (49°C) temperature sensor by removing one of the brown wires from the sensor. The unit should shut down right away as long as the switch is in the AUTO position. If the stove shuts down, replace the 120°F (49°C) sensor. If the stove does not shut down, test the switch.
- ◆ To test the switch, the stove must be cold. With one of the brown wires removed from the 120°F (49°C) temperature sensor, remove the grey wire from the switch, the stove should shut down. If this is the result then replace the AUTO/MANUAL switch.
- ◆ If the stove still does not shut off, replace the wiring harness.

## 10. The stove keeps going out

If the stove goes out and leaves fresh unburned pellets or cigarette-like ashes in the burn pot liner, the fire is going out before the stove shuts off.

- ◆ Check to see that the Slider / Damper is in the correct position.
- ◆ Turn the Dial-a-Fire up slightly (poor quality pellets will require slightly higher settings).

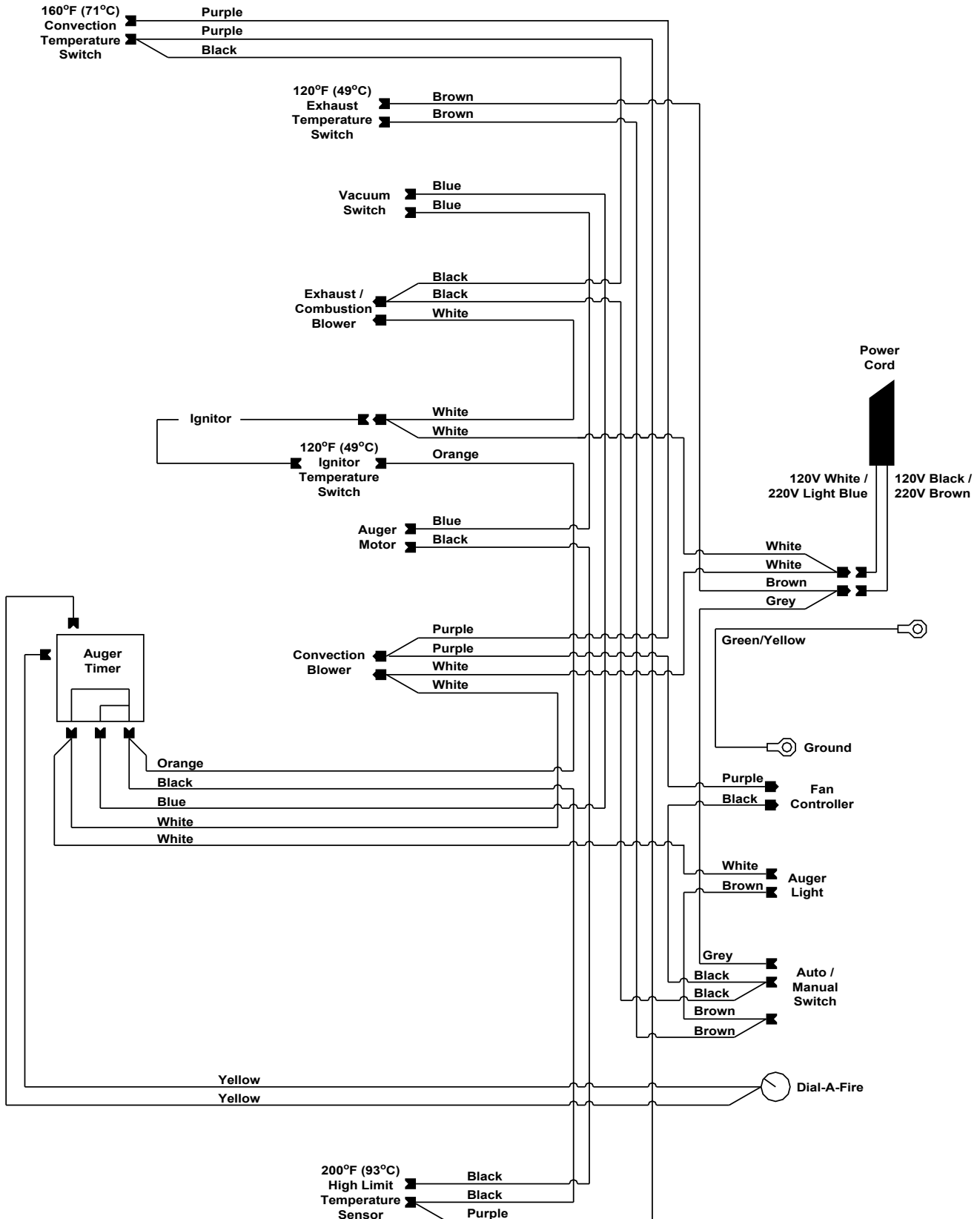
If the stove goes out and there are partially burned pellets left in the burn pot liner, the stove has shut down due to a lack of air, exhaust temperature, or power failure.

- ◆ Adjust the Slider / Damper.
- ◆ Check to see if the stove needs a more complete cleaning.
- ◆ Did the power go out?
- ◆ Contact your local Dealer for service.
- ◆ Turn the Dial-a-Fire up slightly (poor quality pellets will require slightly higher settings).

If the stove goes out and there are no pellets in the liner, the auger is stopping.

- ◆ See "The auger motor will not function normally" and "The exhaust blower will not function normally."

# WIRING DIAGRAM



# PARTS LIST

Reference Number	Description	Part Number
1	120°F (49°C) Ceramic Fan Temp Sensor	EC-001
	Freestanding Fan Controller Knob	EC-040
2	Auger Motor - 220V	EF-001-220V
3	Convection Blower - 220V	EF-002-220V
	Convection Blower Impeller	EF-004
	Convection Blower Insulator (Gasket)	EF-006
	Combustion Main Impeller	EF-008
	Combustion Cooling Impeller	EF-009
	Combustion Blower Mounting Gasket	EF-011
	Combustion Blower Housing Gasket	EF-012
4	Fan Temperature Sensor 160°F (71°C)	EF-013
5	Ignition Temperature Sensor 120°F (49°C) Ceramic	EF-015
6	High Limit Temperature Sensor 200°F (93°C) Manual Reset	EF-016
7	Vacuum Switch - 220V	EF-017-220V
	Silicone Hose	EF-018
	Aluminum Hose Barb	EF-019
8	Ignition Burn Pot	EF-021
9	Auger	EF-025
10	Auger Brass Bushing & Plate	EF-026
	Door Handle with Knob, Rod, & Cams	EF-030
11	Auto/Manual Switch	EF-039
12	Green Light - 220V	EF-041-220V
13	Dial-a-Fire - 220V	EF-044-220V
14	Fan Controller With Knob - 220V	EF-045-220V
15	Firebox Liner With Insulation	EF-048
	Slider Damper Rod With Knob	EF-050
	Heat Exchanger Rod With Knob	EF-051
	5/8" Door Gasket 7' (2.1 m)	EF-056
16	Freestanding Phase Control Panel Complete - 220V	EF-053-220V
16	FPI & BIH Phase Control Panel Complete - 220V	EF-053A-220V
	1/2" Round Door Gasket 72" (1.8 m)	EF-057

# PARTS LIST

Reference Number	Description	Part Number
	Window Channel Tape 60" (1.5 m)	EF-058
17	FPI & BIH Ash Pan Latch	EF-060
	Glass Set With Tape	EF-061
	Slider Damper Plate	EF-064
18	Auger Brass Bushings (Set of 2)	EF-065
19	Firebox Liner Top Plate	EF-066
	Dial-a-Fire Knob	EF-067
	Knob 1 Inch Round	EF-068
	¾" ID Auger Collar with Set Screw	EF-069
	Fireplace Insert Pedestal Complete	EF-074
	Built-In Heater Pedestal	EF-074A
20	Freestanding Stove Top	EF-096
21	Freestanding Back Grill	EF-097
	Built-In Heater Kit	EF-102
22	Ash Sill	EF-103
23	Freestanding Hopper Lid With Handle	EF-104
24	Fireplace Insert Ash Pan Drawer With Latch	EF-105
25	Front Grill	EF-106
26	Freestanding Left Cabinet Side	EF-107
27	Freestanding Right Cabinet Side	EF-108
	Wiring Harness	EF-113
28	Fireplace Insert Stove Top	EF-115
29	Ash Pan Cover	EF-117
30	FPI & BIH Hopper Cover	EF-122
	Shoulder Bolt & Nut	EF-125
	Firebox Ceramic Wool Insulation	EF-126
31	Steel Brick Lining	EF-130
	Fireplace Insert Cabinet Side Left	EF-132
	Fireplace Insert Cabinet Side Right	EF-132A
32	Freestanding Pedestal Complete	EF-138
	Ignitor Tube Only	EF-140

# PARTS LIST

---

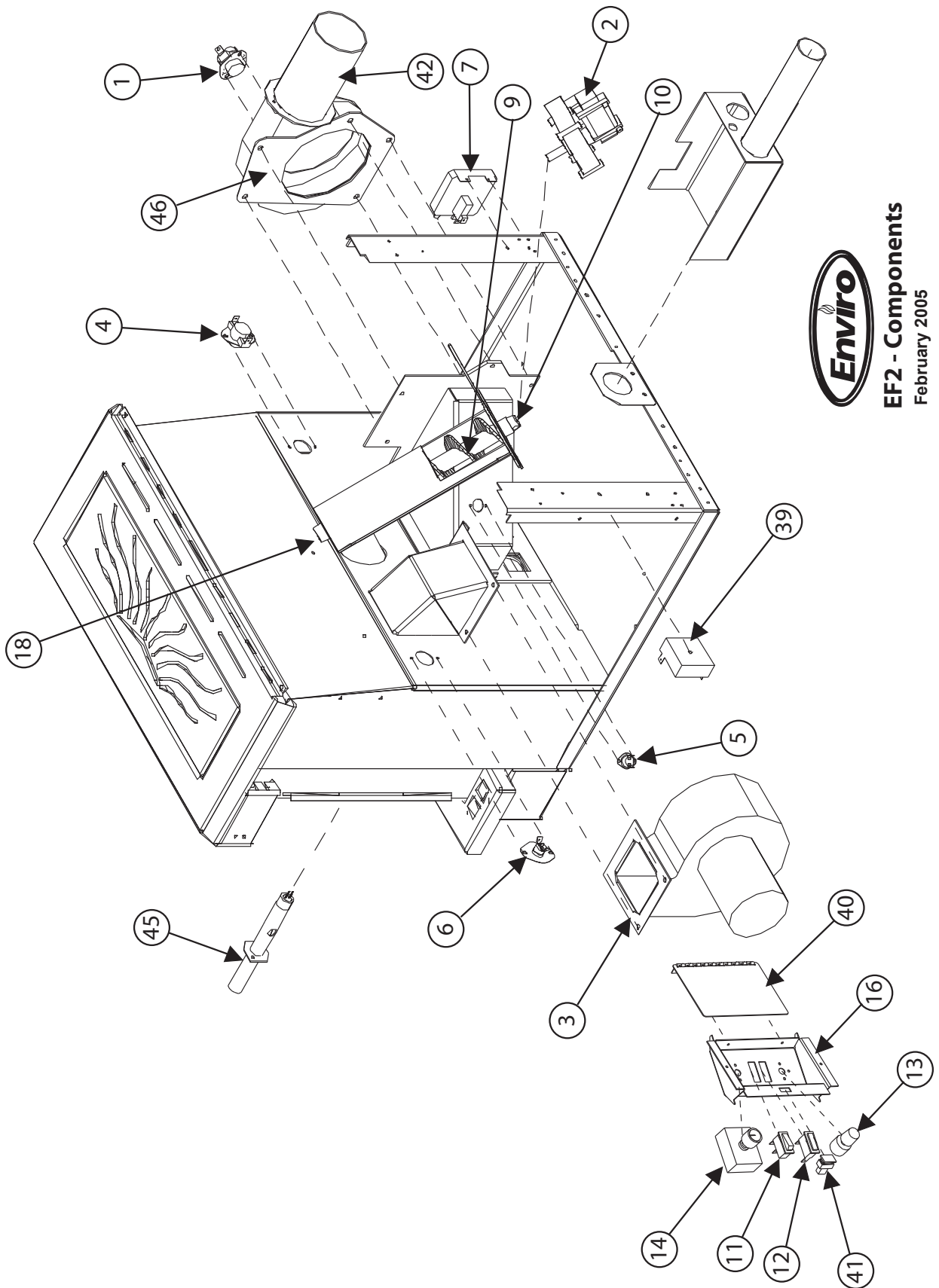
Reference Number	Description	Part Number
33	Freestanding Hopper Lid Hinge	EF-141
34	Freestanding Hopper Side Rail (Left & Right)	EF-142
	FPI & BIH Hopper Side Rail (Left & Right)	EF-144
	Thermostat Interface Kit	EF-152
	Pellet Stove Cleaning Brush	EF-156
	EMI Filter - 220V	EF-158
35	Freestanding Ash Drawer with Latch	EF-159
36	Freestanding Ash Pan Latch	EF-178
37	FPI & BIH Ash Pan Cover Magnet Set	EF-188
38	Firebox Cleaning Port Covers	EF-194A
	Pedestal & Ash Pan Gasket 10' (3 m)	EF-208
39	Auger Timer Control (1 second) - 220V	20-007-220V
	CE Power Cord - 220V	20-010-220V
40	Control Panel Door	20-034
	Thermostat Dial-A-Fire	50-095
	60° Exterior Exhaust Adaptor	50-096
	Built-In Heater Standoffs (Set of 2)	50-160
	Enviro Logo Gel Decal	50-322
41	Control Panel Touch Latch	50-323
42	Combustion Blower Exhaust Tube	50-327
	Convection Blower Mount	50-524
43	Stainless Steel Burn Pot Liner - High Ash	50-587
	Firebox Liner Top Rod	50-591
44	Door Assembly	50-603
45	300 Watt Ignitor - 220V	50-829
46	Exhaust Blower Assembly - 220V	50-900
	Classic Freestanding Pedestal	50-965
	Fireplace Insert Hopper Lid	50-967
	EF2 DIN Owner's Manual	50-1072
	EF2 DIN Technical Manual	50-1073

## PARTS LIST - OPTIONS

---

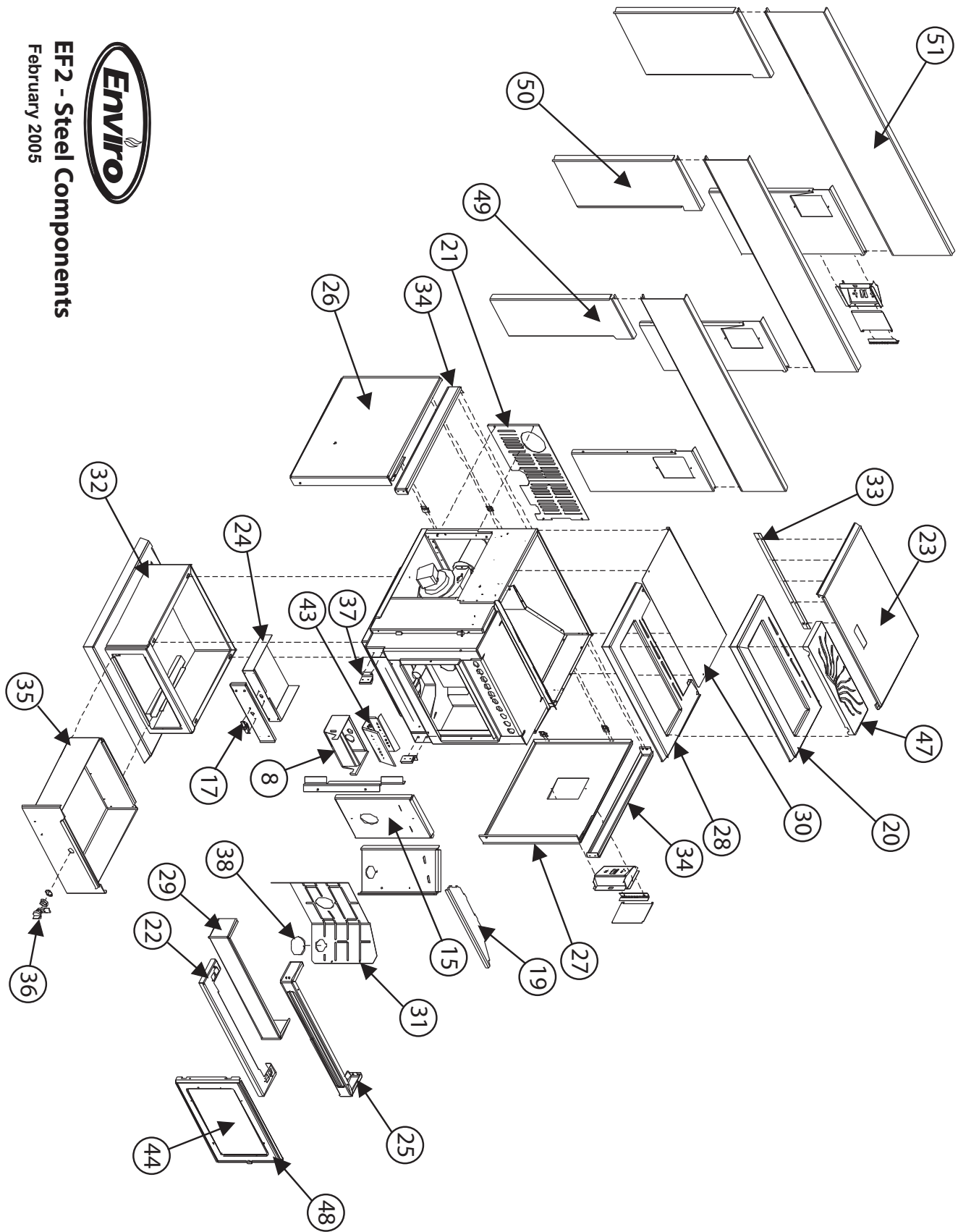
Reference Number	Description	Part Number
	Log Set	20-036
47	Decorative Trivet - Painted	EF-148
47	Decorative Trivet - Gold	EF-149
	Louvre Trim - Brass	50-339
	Louvre Trim - Nickel	50-341
	Firebox Pillar Trim (Left & Right) - Painted	20-000
	Firebox Pillar Trim (Left & Right) - Brass	50-344
48	Door Cover (No Louvre Trim) - Gold	50-466
48	Door Cover With Louvre Trim - Nickel	50-467
48	Door Cover (No Louvre Trim) - Painted	50-601
49	Regular Surround Panel - Black Trim	50-100
	Regular Trim Only - Black	50-117
	Regular Trim Only - Brass	EF-091
	Regular Trim Only - Nickel	50-129
50	Oversized Surround Panel - Black Trim	50-101
	Oversized Trim Only - Black	50-119
	Oversized Trim Only - Brass	EC-052
	Oversized Trim Only - Nickel	50-131
51	Built-In Heater Surround Panel - Black Trim	EF-077A
	Built-In Heater Trim Only - Black	50-118
	Built-In Heater Trim Only - Brass	EF-153
	Built-In Heater Trim Only - Nickel	50-130
	Tapped Corner Bracket	EC-053

# PARTS DIAGRAM - COMPONENTS



**Enviro - Components**  
February 2005

# PARTS DIAGRAM - STEEL



**EF2 - Steel Components**  
February 2005

# WARRANTY

---

Sherwood Industries Ltd. is the manufacturer of the Enviro line of heating products. At Sherwood Industries, our commitment to the highest level of quality and customer service is the most important thing we do. Each Enviro stove is built on a tradition of using only the finest materials and is backed by our Exclusive Lifetime Limited Warranty to the original purchaser. With Enviro, you're not just buying a stove, you're buying a company with years of unequalled performance and quality.

## **Limited Lifetime Warranty:**

Under this warranty, Sherwood Industries Ltd. covers the fireplace or stove body and accessories against defects in materials and workmanship, for part repair or replacement for the first seven (7) years and limited labour for the first two (2) years to the original purchaser. This Warranty covers: Firebox, Heat Exchanger, Burn Pot, Firebox Panels, Ceramic Glass, Pedestals, Panels, Legs, Log Sets and Door Assembly. Please see the exclusions and limitation section below as certain restrictions and exclusions apply to this warranty.

## **Limited Three (3) Year Warranty**

Under this warranty, Sherwood Industries Ltd. covers the Burn Pot Liner against defects in materials and workmanship, for part repair or replacement for the first three (3) years and limited labour for the first two (2) years to the original purchaser. Please see the exclusions and limitation section below as certain restrictions and exclusions apply to this warranty.

## **Limited Two (2) Year Warranty:**

Under this warranty, Sherwood Industries Ltd. covers: Ignitor, Auger Motor, Circuit Board, Timers, Temp Sensors, Blowers, Vacuum Switch and Wire Harness, against defects in materials and workmanship, for part repair or replacement for the first two (2) years and limited labour for the first two (2) years to the original purchaser. Please see the exclusions and limitation section below as certain restrictions and exclusions apply to this warranty.

## **Limited One (1) Year Warranty:**

Under this warranty, Sherwood Industries Ltd. covers all exterior surface finishes against defects in materials and workmanship, for part repair or replacement and limited labour for the first (1) year to the original purchaser. Please see the exclusions and limitation section below as certain restrictions and exclusions apply to this warranty.

## **Here is how our Warranty works**

If you have any concerns with your Enviro product please contact the dealer where you purchased the fireplace or stove. Your dealer shall make all claims under this warranty in writing.

### **To the Dealer**

When filling out a warranty claim please complete the following information on an official warranty claim form:

Customer information: Name, address and telephone number of purchaser and date of purchase.

Dealer information: Date of installation, name of installer and dealer, serial number of the appliance, nature of complaint, defects or malfunction, description and part numbers of any parts replaced.

### **To the Distributor**

Sign and verify that work and information are correct.

# WARRANTY

---

## Exclusions and Limitations:

1. This Warranty does not cover tarnish, discoloration or wear on the plating or paint.
2. This Warranty excludes wear and tear or breakage caused by cleaning, moving or service on log set.
3. A qualified installer must install this stove or fireplace. This Limited Warranty covers defects in materials and workmanship only if the product has been installed in accordance with local building and fire codes; in their absence, refer to the owner's manual. If the product is damaged or broken as a result of any alteration, willful abuse, mishandling, accident, neglect, or misuse of the product, the Limited Warranty does not apply.
4. The stove must be operated and maintained at all times in accordance with the instructions in the Owner's Manual. If the unit shows signs of neglect or misuse, it is not covered under the terms of this Warranty policy. Performance problems due to operator error will not be covered by the Limited Warranty policy.
5. As this is a heating appliance some changes in colour of surface finishes may occur. This is not a flaw and as such is not covered under this warranty.
6. Some minor expansion, contraction, or movement of certain parts and resulting noise, is normal and not a defect and, therefore, is not covered under this Limited Warranty.
7. Misuse includes over-firing. Over-firing this appliance can cause serious damage and will nullify the Limited Warranty.
8. The Limited Warranty will cover glass thermal breakage only and will not cover misuse of the stove glass, including but not limited to glass that is struck, has surface contaminates or has had harsh or abrasive cleaners used on it.
9. This warranty does not cover products made or provided by other manufacturers and used in conjunction with the operation of this stove without prior authorization from Sherwood Industries Ltd. The use of such products may nullify the Limited Warranty on this stove. If unsure as to the extent of this Limited Warranty, contact your authorized Enviro dealer before installation.
10. Sherwood Industries Ltd. will not be responsible for inadequate performance caused by environmental conditions.
11. The Limited Warranty does not cover installation and operational related problems such as spillage caused by environmental conditions. Environmental conditions include but are not limited to nearby trees, buildings, roof tops, wind, hills, mountains, inadequate venting or ventilation, excessive offsets, negative air pressures or other influences caused by mechanical systems such as furnaces, fans, clothes dryers etc.
12. The Limited Warranty is void if:
  - a) The stove has been operated in atmospheres contaminated by chlorine, fluorine or other damaging chemicals.
  - b) The stove is subject to submersion in water or prolonged periods of dampness or condensation.
  - c) Any damage to the unit, combustion chamber or other components due to water, or weather damage which is the result of, but not limited to, improper chimney/venting installation.
  - c) Salt air in coastal areas or high humidity can be corrosive to the finish; these environments can cause rusting. Damage caused by salt air or high humidity is not covered by the Limited Warranty.
13. Exclusions to the Limited Warranty include: injury, loss of use, damage, failure to function due to accident, negligence, misuse, improper installation, alteration or adjustment of the manufacturer's settings of components, lack of proper and regular maintenance, alteration, or act of God.
14. The Limited Warranty does not cover damage caused to the fireplace or stove while in transit. If this occurs, do not operate the stove and contact your courier and/or dealer.
15. The Limited Warranty does not extend to or include firebox paint, door or glass gaskets with damage caused by normal wear and tear, or exterior paint discoloration or chipping, worn gaskets, etc.
16. The Limited Warranty does not include damage to the unit caused by abuse, improper installation, or modification of the unit.

# WARRANTY

---

17. Damage to plated surfaces caused by fingerprints, scratches, melted items, or other external scores and residues left on the plated surfaces from the use of abrasive cleaners or polishes is not covered in this warranty.
18. The Limited Warranty does not cover tarnish, discoloration or wear on the plated surfaces.
19. The paint on the Metal Brick Liner may peel. This is due to the extreme conditions applied to the paint during normal usage. It is not a flaw and is not covered under warranty.
20. Sherwood Industries Ltd. is free of liability for any damages caused by the fireplace or stove, as well as inconvenience expenses and materials. The Limited Warranty does not cover incidental or consequential damages.
21. The Limited Warranty does not cover any loss or damage incurred by the use or removal of any component or apparatus to or from the Enviro fireplace or stove without the express written permission of Sherwood Industries Ltd. and bearing a Sherwood Industries Ltd. label of approval.
22. Any statement or representation of Enviro products and their performance contained in Enviro advertising, packaging literature, or printed material is not part of the Limited Warranty.
23. The Limited Warranty is automatically voided if the fireplace or stove's serial number has been removed or altered in any way. If the stove is used for commercial purposes, it is excluded from the Limited Warranty.
24. No dealer, distributor, or similar person has the authority to represent or warrant Enviro products beyond the terms contained within the Limited Warranty. Sherwood Industries Ltd. assumes no liability for such warranties or representations.
25. Sherwood Industries Ltd. will not cover the cost of the removal or re-installation of the stove, hearth, facing, mantels, venting or other components.
26. Labour to replace or repair items under this Limited Warranty will be covered per our warranty service fee reimbursement schedule. Labour rates are set per component and as such total labour costs may not be covered.
27. Sherwood Industries Ltd. is not liable for freight or labour on any stove replaced in-field and is not liable for travel costs for service work. In the event of in-home repair work, the customer will pay any in-home travel fees or service charges required by the Authorized Dealer.
28. At no time will Sherwood Industries Ltd. be liable for any consequential damages which exceed the purchase price of the unit. Sherwood Industries Ltd. has no obligation to enhance or modify any stove once manufactured (example: as a stove evolves, field modifications or upgrades will not be performed).
29. This Limited Warranty is applicable only to the original purchaser and it is non-transferable.
30. This warranty only covers Enviro products that are purchased through an authorized Enviro dealer.
31. If for any reason any section of the Limited Warranty is declared invalid, the balance of the warranty remains in effect and all other clauses shall remain in effect.
32. The Limited Warranty is the only warranty supplied by Sherwood Industries Ltd., the manufacturer of the stove. All other warranties, whether express or implied, are hereby expressly disclaimed and purchaser's recourse is expressly limited to the Limited Warranty.
33. Sherwood Industries Ltd. and its employees or representatives will not assume any damages, either directly or indirectly, caused by improper usage, operation, installation, servicing or maintenance of this stove.
34. Sherwood Industries Ltd. reserves the right to make changes without notice. Please complete and mail the warranty registration card and have the installer fill in the installation data sheet in the back of the manual for warranty and future reference.
35. Sherwood Industries Ltd. is responsible for stocking parts for a maximum of seven (7) years after discontinuing the manufacture or incorporation of the item into its products. An exception to this would be if an OEM supplier is not able to supply a part.

# INSTALLATION DATA SHEET

The following information must be recorded by the installer for warranty purposes and future reference.

NAME OF OWNER:  _____
ADDRESS:  _____ _____ _____
PHONE: _____

NAME OF DEALER:  _____
ADDRESS:  _____ _____ _____
PHONE: _____

MODEL: _____
SERIAL NUMBER: _____
DATE OF PURCHASE: _____ (dd/mm/yyyy)
DATE OF INSTALLATION: _____ (dd/mm/yyyy)
MAGNEHELIC AT INSTALL: _____
INSTALLER'S SIGNATURE:  _____

NAME OF INSTALLER:  _____
ADDRESS:  _____ _____ _____
PHONE: _____

MANUFACTURED BY:  
SHERWOOD INDUSTRIES LTD.  
6782 OLDFIELD RD. SAANICHTON, BC, CANADA V8M 2A3  
[www.envirofire.biz](http://www.envirofire.biz)  
March 2, 2007  
C-11218