

EVOLUTION PELLET STOVE

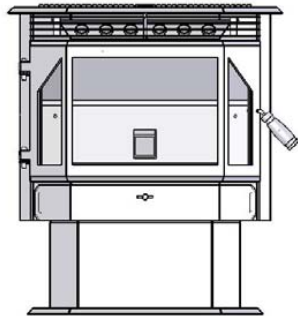
Manufactured By:
England's Stove Works,
Inc.
PO Box 206
Monroe, VA 24574



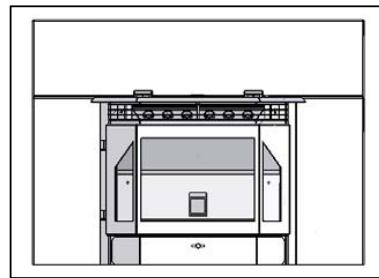
www.heatredefined.com

Parts: (800) 516-3636
Support: (800) 245-6489

INSTALLATION & OPERATION MANUAL



Freestanding
25-EP 55-SHPEP 55-TRPEP



Fireplace Insert
25-EPI 55-SHPEPI 55-TRPEPI

CAUTION

Please read this entire manual before installation and use of this pellet fuel-burning appliance. Keep children, furniture, fixtures and all combustibles away from any heating appliance.

SAFETY NOTICE

Failure to follow these instructions can result in property damage, bodily injury or even death. For your safety and protection, follow the installation instructions outlined in this manual. Contact your local building or fire officials about restrictions and installation inspection requirements (including permits) in your area.



SAVE THESE INSTRUCTIONS

Rev. 2/2017



IMPORTANT: IF YOU HAVE A PROBLEM WITH THIS UNIT, DO NOT RETURN IT TO THE DEALER. CONTACT TECHNICAL SUPPORT @ 1-800-245-6489

Mobile Home Use:

The **freestanding** pellet unit is approved for mobile home or doublewide installation with the outside combustion air hook-up. See the "Installation" section of this manual for details pertaining to mobile home installations. Mobile home installation must be in accordance with the Manufactured Home and Safety Standard (HUD), CFR 3280, Part 24.

NOTE: Fireplace Insert is **NOT** Mobile Home approved.

WARNING:

- Use of outside combustion air is mandatory with this unit.
- Do not operate with the hopper open; lid must be shut and tightly latched during operation.

Note: England's Stove Works does **not** recommend using a pellet stove as your only source of heat.

Retain for your files

Model Number _____

Date of Purchase _____

Date of Manufacture _____

Serial Number _____

* This information can be found on the safety tag attached to the underside of the hopper lid. Have this information on hand if you phone the factory or your dealer regarding this product.

WELCOME!

Introduction

- Thank You4

Specifications

- Heating Specifications5
- EPA Compliance.....5
- Dimensions 5-6

Installation (Freestanding)

- Installation Overview7
- Clearances to Combustibles8
- Venting Introduction9
- Venting Guidelines9
- Additional Venting Information .10
- Vent Termination Clearances11
- Approved Venting Methods
 - Through the Wall12
 - Through the Ceiling13
 - Existing Chimney.....14
- Mobile Home Installation15
- Outside Air Hook-Up.....16
- Floor Protection17

Installation (Fireplace Insert) .. 18

Daily Operation

- Getting Started26
- Lighting a Fire.....26
- Control Board Settings.....28
- Error Codes29
- Power Failure30
- Thermostat Installation31
- Thermostat Operation32

Maintenance

- Daily
 - Important Notes33
 - Daily Ash Removal.....34
 - Cleaning the Burnpot35

- Bi-Weekly
 - Important Notes36
 - Baffle Removal37
- Monthly
 - Important Notes38
 - Exhaust Chamber39
 - Venting Pipe.....40
- Yearly
 - Important Notes41
 - Exhaust Blower42
 - Convection Blower44
 - Hopper Fines44
 - Checking Gaskets.....45

Troubleshooting Guide

- Troubleshooting46

Replacing Components

- Auger Motor.....48
- Convection Blower49
- Combustion Blower49
- Vacuum Switch.....50
- Igniter50
- Gaskets51
- Finish.....51
- Glass.....51
- Control Board.....52
- Wiring Diagram53

Standard & Optional Accessories

- Thermostat54
- Log Set54

Illustrated Parts Detail

- Exploded Parts Diagram 55-56
- Parts List57
- Sample Safety Tag58

Warranty

- Warranty Details 59-60
- Warranty Reg. Form61
- EPA & Safety63

INTRODUCTION

Thank you for purchasing this fine product from England's Stove Works!

England's Stove Works was started, and is still owned by, a family that believes strongly in a "Do It Yourself" spirit; that's one reason you found this product at your favorite "Do It Yourself" store.

We intentionally design and build our stoves so that any homeowner can maintain their unit with basic tools, and we're always more than happy to show you how to do the job as easily and as inexpensively as possible. However, while remaining simple, our stoves are designed to perform extremely efficiently, helping deliver more heat from less fuel.

Please look at our vast Help section on our website and call our Technical Support Department at (800) 245-6489 if you need any help with your unit. We are nearly always able to "walk you through" any installation issues, repairs, problems or other questions that you may have.

Wishing you years of efficient, quality and "comfy" heating,
EVERYONE AT ENGLAND'S STOVE WORKS

Please Note: While information obtained from our web site and through our Technical Support line is always free of charge, there will be a service charge incurred with any "on-site" repairs or maintenance that we may arrange.

CAUTION: Stove is heavy.

In addition, when handling any sheet metal products, be aware that there may be sharp edges or burrs. Although we make every effort to eliminate any sharp edges, please use caution when handling any metal parts. Remember to disconnect (unplug) the stove from the power source and allow it to completely cool down before performing any maintenance.

This manual is available for free download on the manufacturer's web site. It is a copyrighted document and resale is strictly prohibited. The manufacturer may update this manual occasionally and cannot be responsible for problems including injuries or damages resulting from the use of information found in any manual from unauthorized sources.

PLEASE NOTE: If you purchased this model from certain stores, their model number may end in "L" "LC" "H" "CT", etc. This manual does apply to those models as well.

SPECIFICATIONS

Heating Specifications

- Heat Output Range** 10,700 BTU/hr – 25,100 BTU/hr
- Approximate Pellet Burn Rate** 1.6 lb/hr – 3.9 lb/hr
- Maximum Burn Time** 40 hours
- Approximate Square Footage Heated*** 800 - 2000 sq. ft.
- Hopper Capacity 45 pounds

EPA and Safety Compliance Specifications

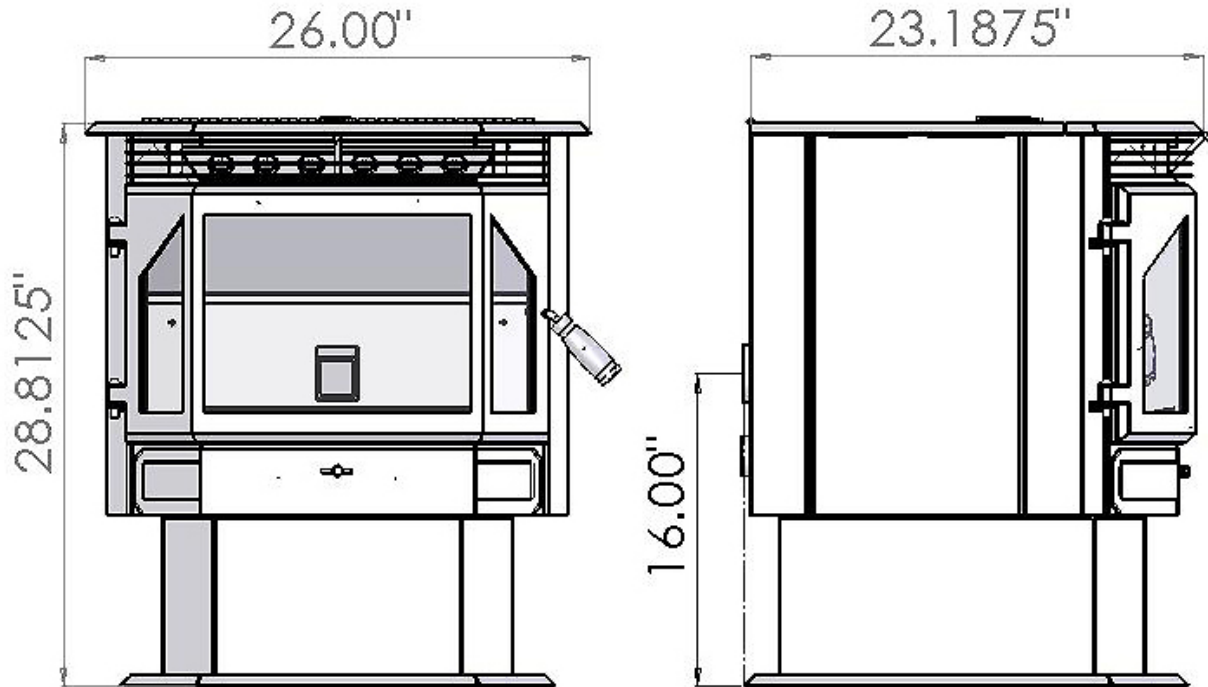
- EPA Compliance..... Certified
- Particulate Emissions 1.43 grams/hr
- Efficiency* 78%
- Tested To UL 1482, ULC S627, ASTM E 1509

*- This unit was not tested for efficiency; the efficiency shown is a default value normally attained by similar, certified pellet burning appliances.

** - Heat output, burn rate and maximum burn time are heavily dependent on the type of pellets burned in the stove; as such, these numbers may vary.

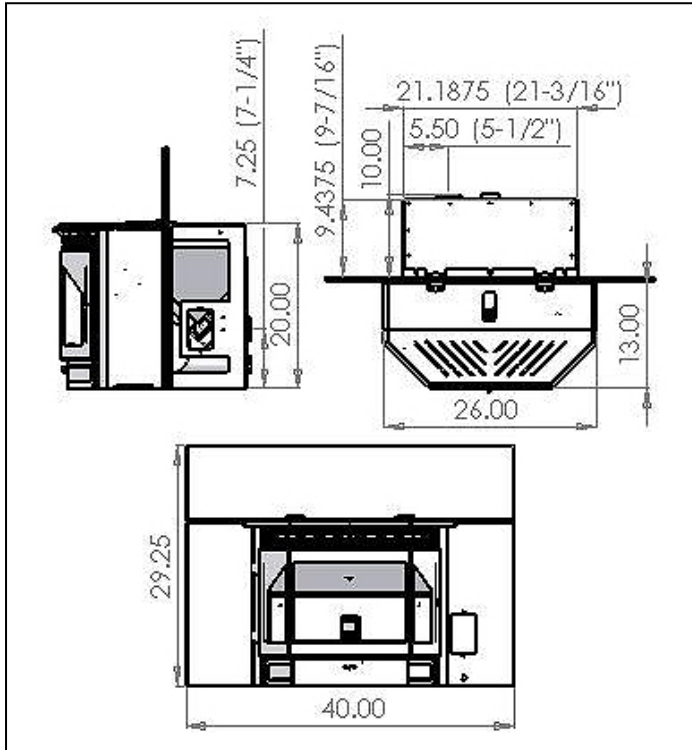
*** - The maximum heating capacity of this unit can vary greatly based on climate, construction style, insulation and a myriad of other factors. Use this information in conjunction with a BTU loss calculation for your home to determine if this unit will be sufficient for your needs.

FREESTANDING DIMENSIONS



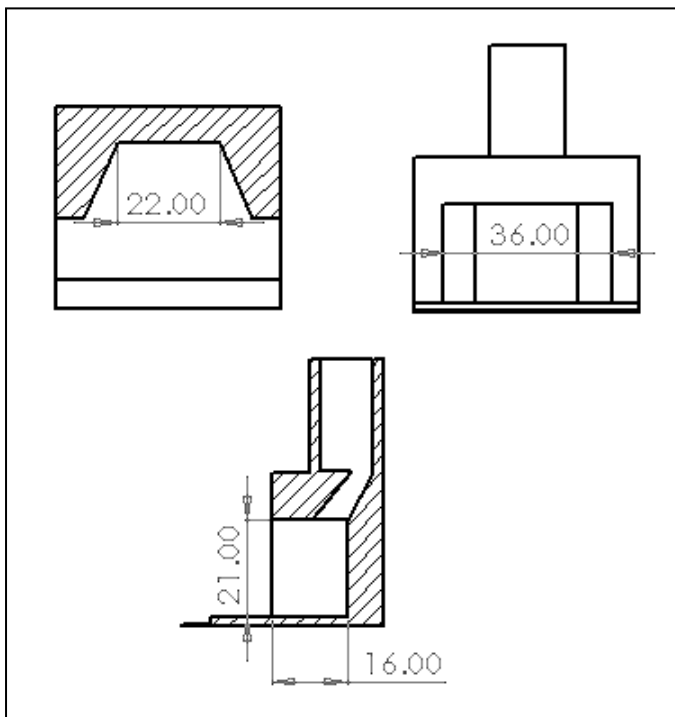
IMPORTANT! READ AND FOLLOW ALL INSTALLATION AND MAINTENANCE INSTRUCTIONS, INCLUDING CLEANING THE UNIT AS SPECIFIED, AND REPLACING GASKETS ANNUALLY, AND PARTS AS NEEDED. ENGLAND'S STOVE WORKS IS NOT RESPONSIBLE FOR ANY DAMAGE OR INJURY INCURRED DUE TO NEGLIGENCE, OR DUE TO UNSAFE INSTALLATION OR USAGE OF THIS PRODUCT. CALL TECHNICAL SUPPORT WITH QUESTIONS.

FIREPLACE INSERT DIMENSIONS



- Unit Height (In Fireplace)
 - 20.00" [508mm]
- Unit Depth (In Fireplace)
 - 9-7/16" [239.7mm]
- Unit Width (In Fireplace)
 - 21-3/16" [538.2mm]
- Bottom to Flue Collar
 - 7-1/4" [184.2mm]
- Left Side to Flue Collar
 - 5-1/2" [139.7mm]
- Unit Width (Outside Fireplace)
 - 26.0" [660.4mm]
- Unit Depth (Outside Fireplace)
 - 13.0" [330.2mm]
- Surround Height
 - 29-1/4" [742.95mm]
- Surround Width
 - 40.0" [1016mm]

Minimum Fireplace Dimensions



- Min. Fireplace Width (Front)
 - 36.00" [914.4mm]
- Min. Fireplace Width (Rear)
 - 22.0" [558.8mm]
- Min. Fireplace Height
 - 21.0" [533.4mm]
- Min. Fireplace Depth
 - 16.0" [406.4mm]

The minimum fireplace dimensions listed may not apply to your specific installation and are for general reference only. Use the unit dimensions, along with practical knowledge of how an insert fits into a fireplace and connects to the chimney system, to precisely determine if this insert will work in your fireplace.

IMPORTANT! READ AND FOLLOW ALL INSTALLATION AND MAINTENANCE INSTRUCTIONS, INCLUDING CLEANING THE UNIT AS SPECIFIED, AND REPLACING GASKETS ANNUALLY, AND PARTS AS NEEDED. ENGLAND'S STOVE WORKS IS NOT RESPONSIBLE FOR ANY DAMAGE OR INJURY INCURRED DUE TO NEGLIGENCE, OR DUE TO UNSAFE INSTALLATION OR USAGE OF THIS PRODUCT. CALL TECHNICAL SUPPORT WITH QUESTIONS.

WARNING

- Do not store or use gasoline or other flammable vapors and liquids in the vicinity of this or any other appliance.
- Do Not Overfire – If any external part starts to glow, you are overfiring. Reduce feed rate. Overfiring will void your warranty.
- Comply with all minimum clearances to combustibles as specified. Failure to comply may result in a house fire.
- Tested and approved for **wood pellets only**. Burning any other fuel will void your warranty.

FREESTANDING INSTALLATION

(Note: For Fireplace Insert Installation, see Fireplace Insert Installation section on Page 18)

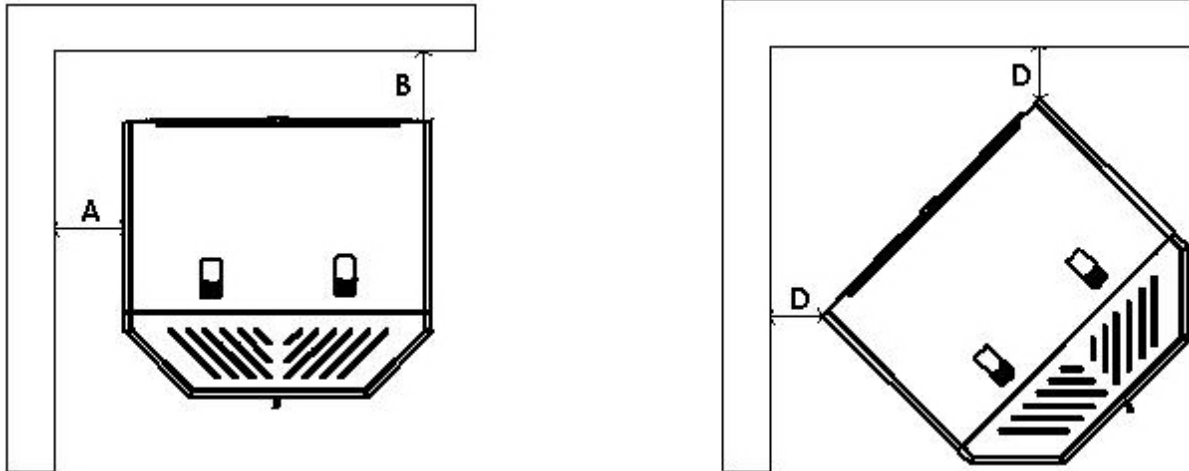
Installation Overview

When choosing a location for your new stove, there are a multitude of factors that should be taken into account before beginning the installation.

1. Traffic Patterns – To help prevent accidents, the stove should be placed in a location where it is out of the way of normal travel through the home.
2. Heat Flow – When deciding on a location for the stove, consider the way heat moves throughout your home. Install the stove where you need the heat; basement installations often do not allow sufficient heat to flow to the upper floors and a top floor installation will not allow any heat to reach the floors below. Always consider that heat rises and will take the path of least resistance while it is still hot.
3. Exhaust Location – Outside walls are generally the best place to install a stove, since they allow easy exhaust and intake air installation (using our DuraVent AC-3000 Kit, AC-33000 if Canada). If there is not a feasible way to install the stove on an outside wall, there are methods for venting the stove up through the roof, but they tend to be more costly because they involve the use of more pellet vent pipe and can often make outside air installation more difficult.
4. Wall Construction – Locating the stove so that the exhaust system can pass between studs will simplify the installation and eliminate the need to reframe any sections of the wall to accommodate the wall thimble.

FREESTANDING INSTALLATION

Clearances to Combustibles



Unit Clearances to Combustibles				
Side (A)	Rear (B)	Corner (D)	Min. Alcove Height	Min. Alcove Width
6 IN.	6 IN.	4.5 IN.	51 IN.	38 IN.
152.4 MM.	152.4 MM.	114.3 MM.	1295.4 MM.	965.2 MM.

WARNING

- **INSTALL VENT AT CLEARANCES SPECIFIED BY THE VENT MANUFACTURER.**
- **HOT! Do not touch! Severe burns or clothing ignition may result.**
- **Glass and other surfaces are hot during operation.**

CAUTION

- Keep children away.
- Supervise children in the same room as this appliance.
- Alert children and adults to the hazards of high temperatures.
- Do NOT operate with protective barriers open or removed.
- Keep clothing, furniture, draperies and other combustibles away.
- Installation **MUST** comply with local, regional, state and national codes and regulations.
- Consult local building, fire officials or authorities having jurisdiction about restrictions, installation inspection, and permits.

FREESTANDING INSTALLATION

Venting Introduction

This pellet stove operates on a negative draft system, which pulls combustion air through the burn pot and pushes the exhaust air to the vent pipe and out of the building. This unit must be installed in accordance with the following detailed descriptions of venting techniques; not installing the stove in accordance with the details listed here can result in poor stove performance, property damage, bodily injury or death. England's Stove Works is not responsible for any damage incurred due to a poor or unsafe installation.

If questions arise pertaining to the safe installation of the stove, our Technical Support line (800-245-6489) is available. Contact your local code official to be certain your installation meets local and national fire codes and if you're uncertain about how to safely install the stove, we recommend contacting a local NFI certified installer to perform the installation.

Venting Guidelines

- **ALWAYS** install vent pipe in strict adherence with the instructions and clearances included with your venting system.
- **DO NOT** connect this pellet stove to a chimney flue which also serves another appliance.
- **DO NOT** install a flue pipe damper or any other restrictive device in the exhaust venting system of this unit.
- **USE** an approved wall thimble when passing through a wall and a ceiling support/fire stop when passing through a ceiling.
- **ONLY** use 3.0" or 4.0" Type L or Type PL pipe approved for pellet stove venting; **DO NOT** use galvanized or B-Vent pipe.
- **SEAL** each joint of pellet vent with high temperature silicone (Part # AC-RTV3) to prevent smoke spillage into the home.
- **AVOID** excessive horizontal runs and elbows, as both will reduce the draft of the venting system and will result in poor stove performance.
- **INCLUDE** as much vertical pipe as possible to prevent smoke from the unit from entering your home in the event of a power outage.
- **INSPECT** your venting system often, to be certain it is clear of fly-ash and other restrictions.
- **CLEAN** the venting system as detailed in the maintenance section of this manual.

WARNING: Venting system surfaces get HOT, and can cause burns if touched. Noncombustible shielding or guards may be required.

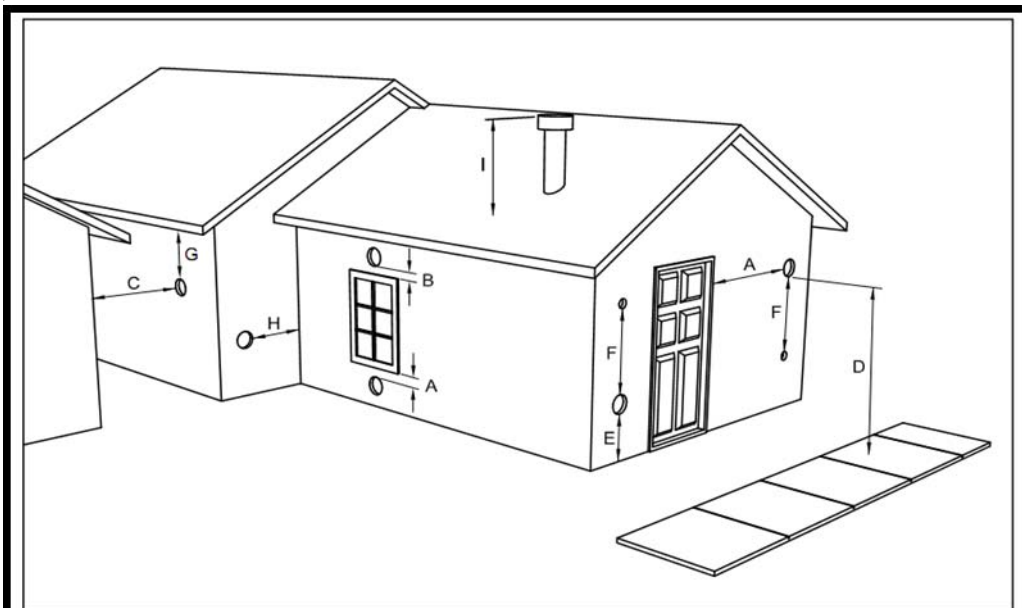
FREESTANDING INSTALLATION

Additional Venting Information

- Do not mix and match components from different pipe manufacturers when assembling your venting system (i.e. Do **NOT** use venting pipe from one manufacturer and a thimble from another).
- We **require** a minimum vertical rise of 36 in. (3 ft.) of pipe to create natural draft in the system, which helps evacuate smoke from the stove in the event of a power failure or combustion blower failure.
- Venting systems 15.0 ft. or shorter may be composed entirely of 3.0 in. pellet pipe; to reduce frictional losses, venting systems longer than 15.0 ft. should be composed of 4.0 in. pellet pipe.
- Do not terminate the venting system directly beneath any combustible structure such as a porch or deck.
- Follow NFPA 211 rules listed below for venting system termination location relative to windows and other openings in the dwelling (see also Vent Termination Clearances).
 - NFPA 211 (2006 ed.) Section 10.4 Termination: 10.4.5
 - (1) The exit terminal of a mechanical draft system other than direct vent appliances (sealed combustion system appliances) shall be located in accordance with the following:
 - (a) Not less than 3 ft. (.91 m) above any forced air inlet located within 10 ft. (3.0m).
 - (b) Not less than 4 ft. (1.2 m) below, 4 ft. (1.2 m) horizontally from or 1 ft. (305 mm) above any door, window or gravity air inlet into any building.
 - (c) Not less than 2 ft. (0.61 m) from an adjacent building and not less than 7 ft. (2.1 m) above grade when located adjacent to public walkways.
- Distance between the termination opening and grade should be a minimum of 24 in. contingent on the grade surface below the termination. When determining the termination height above grade, consider snow drift lines and combustibles such as grass or leaf accumulation. In areas where significant snowfall is possible, the termination height must be sufficiently high to keep the termination free of snow accumulation.

VENT TERMINATION CLEARANCES

- A) MIN. 4-FT CLEARANCE BELOW OR BESIDE ANY DOOR OR WINDOW THAT OPENS.
- B) MIN. 1-FT CLEARANCE ABOVE ANY DOOR OR WINDOW THAT OPENS.
- C) MIN. 2-FT CLEARANCE FROM ANY ADJACENT BUILDING.
- D) MIN. 7-FT CLEARANCE FROM ANY GRADE WHEN ADJACENT TO PUBLIC WALKWAYS.
- E) MIN. 2-FT CLEARANCE ABOVE ANY GRASS, PLANTS, OR OTHER COMBUSTIBLE MATERIALS.
- F) MIN. 3-FT CLEARANCE FROM A FORCED AIR INTAKE OF ANY APPLIANCE.
- G) MIN. 2-FT CLEARANCE BELOW EAVES OR OVERHANG.
- H) MIN. 1-FT CLEARANCE HORIZONTALLY FROM COMBUSTIBLE WALL.
- I) VENTS INSTALLED WITH MECHANICAL EXHAUSTERS SHALL TERMINATE NOT LESS THAN 12 IN. (305MM) ABOVE THE HIGHEST POINT WHERE THEY PASS THROUGH THE ROOF SURFACE.



Notes on termination of Pellet Vent Pipe from NFPA 211 (2006 ed.) Section 10.4 Termination: 10.4.5
(See also "INSTALLATION" section of manual AND additional notes above):

1. Not less than three (3) feet above any forced air inlet located within ten (10) feet.
2. Not less than four (4) feet below, four (4) feet horizontally from, or one (1) foot above any door, window or gravity air inlet into any building.
3. Not less than two (2) feet from an adjacent building, and not less than seven (7) feet above grade where located adjacent to public walkways.

The exhaust exit shall be arranged so that the flue gases are not directed so that it will affect people, overheat combustible structures, or enter buildings. Forced draft systems and all parts of induced draft systems under positive pressure during operation shall be installed gastight or to prevent leakage of combustion products into a building. Through-the-wall vents shall not terminate over public walkways, or where condensate or vapor could create hazards or a nuisance.

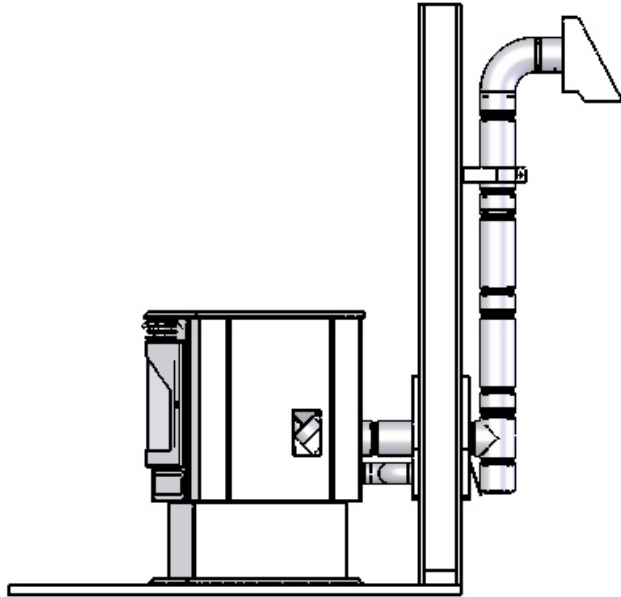
Be sure to follow local codes and all manufacturer's instructions (including exhaust pipe).

Consult a professional installer and/or call Technical Support if you have any questions.

FREESTANDING INSTALLATION

For high altitude installations (above 4,000 ft.), the vent pipe should be increased from 3-inch (3") to four-inch (4").

Approved Venting Method 1: Through the Wall



vent connects to the exhaust output of the pellet stove and attach the appliance collar to the exhaust blower output using three sheet metal screws.

- Generally the simplest installation method, venting through the wall using our AC-3000 kit, AC-33000 if Canada (or similar venting system) is also the preferred venting method. It minimizes horizontal pipe, allows the stove to be installed close to the wall and keeps the clean-out tee on the outside of the house, for ease of cleaning.
- When installing any venting system, **Type L** or **Type PL** pipe must be used and all clearances to combustibles (listed by the pipe manufacturer) must be strictly adhered to.
- Use the pipe manufacturer's approved thimble for passing through a combustible wall, and maintain at least the minimum clearances to combustibles.
- Use an appliance collar where the pellet vent connects to the exhaust output of the pellet stove and attach the appliance collar to the exhaust blower output using three sheet metal screws.
- Secure the pellet vent to the outside of the house using a wall strap just below the 90 degree elbow.
- Seal each pipe connection joint with high temperature RTV Silicone, to ensure the system is leak free (Check with the specific venting system manufacturer's instructions before doing so).
- If the pellet vent pipe being used is not a "Twist Lock" system, three (3) sheet metal screws are required at each pipe joint.
- Connect the pellet stove to outside combustion air using the kit included with your stove or using an alternative method, as described in the "Outside Air" section, on page 16.
- This installation type can be modified for basement (**Basement installations should always be performed by a professional installer**) or other installations wherein the tee and vertical section of the pipe would be inside the home and the venting system would simply pass horizontally through the thimble and then terminate.

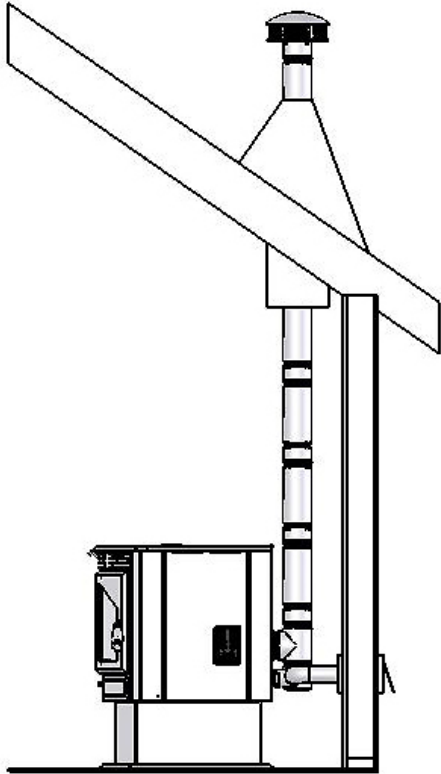
Please Note:

Installation diagrams are for reference purposes only and are not drawn to scale, nor meant to be used as plans for each individual installation. Please follow all venting system requirements, maintain the required clearances to combustibles, and follow all local codes.

FREESTANDING INSTALLATION

For high altitude installations (above 4,000 ft.), the vent pipe should be increased from 3-inch (3") to four-inch (4").

Approved Venting Method 2: Through the Ceiling



- Venting through the ceiling/roof may be the only feasible venting option in some cases and is a factory recommended installation.
- When installing any venting system, **Type L** or **Type PL** pipe must be used and all clearances to combustibles listed by the pipe manufacturer must be strictly adhered to.
- Use the pipe manufacturer's approved ceiling support for passing through a combustible ceiling, as well as the required firestops, radiation shields, flashing and storm collar.
- Be certain to follow the manufacturer's required height of termination above the roof line, and maintain at least the minimum clearances to combustibles.
- Use an appliance collar where the pellet vent connects to the exhaust output of the pellet stove and attach the appliance collar to the exhaust blower output using three sheet metal screws.
- Seal each pipe connection joint with high temperature RTV Silicone, to ensure the system is leak free (Check with the specific pipe manufacturer's instructions before

doing so).

- If the pellet vent pipe being used is not a "Twist Lock" system, three (3) sheet metal screws are required at each pipe joint.
- Connect the pellet stove to outside combustion air using the kit included with your stove or using an alternative method, as described in the "Outside Air" section, on page 16.
- This venting method can also be modified so that the venting system runs horizontally through the wall from the stove, then transitions to vertical and terminates above the roofline. When using this modified version of this installation be certain to carefully follow the venting system manufacturer's instructions diligently.

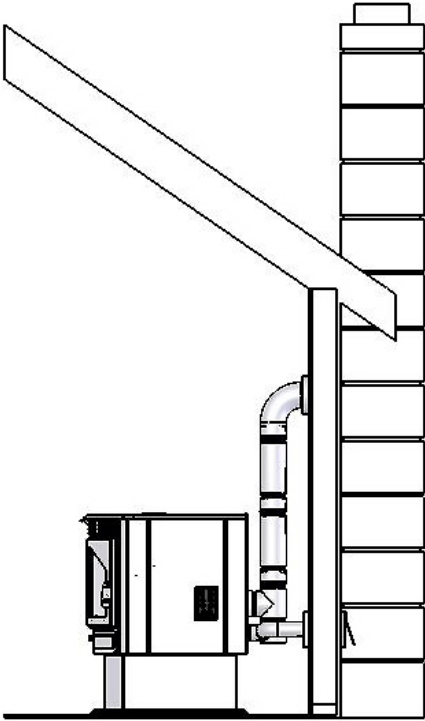
Please Note:

Installation diagrams are for reference purposes only and are not drawn to scale, nor meant to be used as plans for each individual installation. Please follow all venting system requirements, maintain the required clearances to combustibles, and follow all local codes.

FREESTANDING INSTALLATION

For high altitude installations (above 4,000 ft.), the vent pipe should be increased from 3-inch (3") to four-inch (4").

Approved Venting Method 3: Existing Chimney System



- Using an existing masonry or factory built chimney for venting is the only other acceptable method for venting this pellet unit.
- Use **Type L** or **Type PL** venting pipe until entering the existing chimney. Use the appropriately sized adapter when transitioning from the pellet vent pipe to the masonry or factory built thimble and be certain that the adapter is sealed tightly to both the pellet venting system and the existing chimney.
- Before using an existing chimney, be certain it is in good condition (A chimney sweep inspection is highly recommended). Also, make sure the chimney meets the minimum standards listed in NFPA 211 (A chimney professional can confirm this upon inspection).
- If connecting this stove to a factory built chimney, it may **ONLY** be a 6" flue, UL103 HT venting system (ULC S629 if Canada). Connection to any other factory built chimney may result in a poorly operating or dangerous stove installation.
- When connecting to an existing masonry chimney, the cross-sectional area of the flue must be considered. A chimney with a flue larger than 6" round (28.27 sq. in.) may require relining with an approved pellet stove chimney lining system.
- Use an appliance collar where the pellet vent connects to the exhaust output of the pellet stove and attach the appliance collar to the exhaust blower output using three sheet metal screws.
- Seal each pipe connection joint with high temperature RTV Silicone, to ensure the system is leak free (Check with the specific pipe manufacturer's instructions before doing so).
- If the pellet vent pipe being used is not a "Twist Lock" system, three (3) sheet metal screws are required at each pipe joint.
- Connect the pellet stove to outside combustion air using the kit included with your stove or using an alternative method, as described in the "Outside Air" section, on page 16.

Please Note:

Installation diagrams are for reference purposes only and are not drawn to scale, nor meant to be used as plans for each individual installation. Please follow all venting system requirements, maintain the required clearances to combustibles, and follow all local codes.

FREESTANDING INSTALLATION

Mobile Home Installation

- As with all installations involving this unit, the use of outside combustion air is mandatory and **MUST** be used. Please see the “Outside Air” section on page 16 for more information regarding outside air connections.
- The pellet stove **MUST** be secured to the floor of the mobile home using lag bolts and the holes provided in the bottom of the pedestal for this purpose.
- The pellet stove **MUST** be grounded with #8 solid copper grounding wire (or equivalent), terminated at each end with an NEC approved grounded device.
- Carefully follow all clearances listed in the appropriate section of this manual **AND** follow the venting manufacturer’s minimum clearance requirements. Similarly, be certain the venting system used is approved for mobile home use.
- Installation must be in accordance with Manufacturers Home & Safety Standard (HUD) CFR 3280, Part 24 as well as any applicable local codes.

CAUTION

THE STRUCTURAL INTEGRITY OF THE MANUFACTURED HOME FLOOR, WALL AND CEILING/ROOF MUST BE MAINTAINED.

Caution

NEVER draw outside combustion air from:

- Wall, floor or ceiling cavity.
- Enclosed space such as an attic, garage or crawl space.

WARNING

DO NOT INSTALL IN A SLEEPING ROOM.

For high altitude installations (above 4,000 ft.), the vent pipe should be increased from 3-inch (3”) to four-inch (4”).

Do not install or operate this unit outside, in a greenhouse, or in any area that is high in moisture.

OUTSIDE AIR HOOK-UP

- The use of outside combustion air is **mandatory** on the 25-EP.
- The outside air connection pipe protrudes from the lower rear center of the stove; use the included outside air kit to attach your stove to outside combustion air. Instructions and all the parts needed to make the outside air connection to your pellet stove are included with the outside air kit.
- If it is not feasible to use the included outside air hookup kit in your stove installation, other materials may be used, provided the following rules are followed:
 - The pipe used for outside air hookup must be metal, with a minimum thickness of .0209in. (25 gauge mild steel) or greater and an inside diameter of approximately 2.0 in.
 - All pipe joints and connections should be sealed with pipe clamps or other mechanical means, to insure a leak free outside air connection.
 - Long runs of pipe and excessive elbows for outside air should be avoided. Due to frictional resistance in pipe, any excessive outside air piping can result in poor stove performance.
 - A screen or other protection device must be fitted over the outside air termination point to prevent rain, debris and nuisance animals from entering the piping system.
 - Increase the outside air pipe size to 3.0 in. diameter pipe if the outside air connection is more than 6 ft. in length, more than two (2) elbows are used or if the stove is installed in a basement.
- The outside air connection system should be inspected at least annually to be certain it is free from blockage.

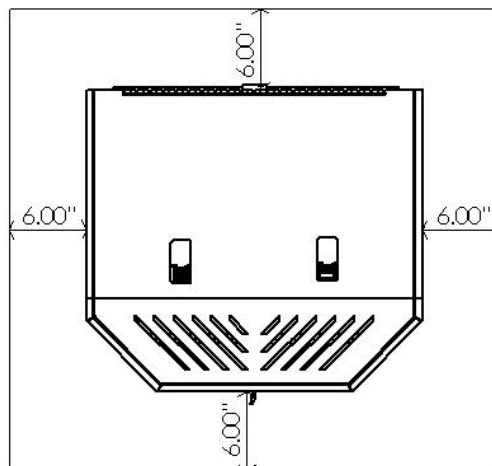
Caution

NEVER draw outside combustion air from:

- Wall, floor or ceiling cavity.
- Enclosed space such as an attic, garage or crawl space.

FREESTANDING FLOOR PROTECTION

- The 25-EP requires a non-combustible floor protector *if* the stove is to be installed on a combustible floor. If the floor the stove is to be installed on is already non-combustible (i.e. a concrete floor in a basement), no floor protection is needed (although a decorative floor protector can still be used for aesthetic reasons).
- When using any floor protector, consider that this stove is not only heavy but will induce heating and cooling cycles on the floor protector which can damage tile and loosen mortar and grout joints.
- The floor protector should be UL approved or equivalent (ULC if Canada) and must only be noncombustible. Since the majority of the radiant heat from this unit is projected forward, the floor protector only serves to keep ashes and sparks from landing on combustible flooring near the unit. A hearth rug is **NOT** an approved substitute for a proper hearth extension pad.
- U.S.A.-The floor protector must extend at least 6 in. (152.4 mm) from the front, sides and rear of the 25-EP, as shown in the diagram below:



- In the USA, it is not required that the non-combustible floor protector extends beneath the venting system, but is highly recommended.
- In Canada, it is required that the non-combustible floor protector is underneath and extends 2 in. (50.8 mm.) on either side of any horizontal venting runs **AND/OR** is directly underneath any vertical venting pipe. Canada requires 450mm floor protection in front of unit, and 200mm on sides & rear of unit.

***THIS CONCLUDES THE FREESTANDING INSTALLATION SECTION.**

IMPORTANT! READ AND FOLLOW ALL INSTALLATION AND MAINTENANCE INSTRUCTIONS, INCLUDING CLEANING THE UNIT AS SPECIFIED, AND REPLACING GASKETS ANNUALLY, AND PARTS AS NEEDED. ENGLAND'S STOVE WORKS IS NOT RESPONSIBLE FOR ANY DAMAGE OR INJURY INCURRED DUE TO NEGLIGENCE, OR DUE TO UNSAFE INSTALLATION OR USAGE OF THIS PRODUCT. CALL TECHNICAL SUPPORT WITH QUESTIONS.

FIREPLACE INSERT INSTALLATION

(Note: For Freestanding Installation, see Freestanding Installation section on Page 7)

Insert Assembly – Be certain the stove is unplugged and cooled down

- **Tools Required**
 - Electric or battery operated drill with 1/8” drill bit.
 - Socket wrench with 1/2”, 5/16” and 1/4” sockets.
- **Parts Included In Insert Conversion Kit**
 - Surround Top Panel
 - Surround Left Panel
 - Surround Right Panel
 - Left Side Panel
 - Right Side Panel
 - Rear Hopper Cover Plate Assembly

Instructions

1. Begin the insert conversion by loosening and removing the six sheet metal screws on the rear of the unit which hold the side panels and rear panel to the stove. These screws can be loosened using a 5/16” socket or open end wrench.
2. Once these screws are removed, the side panels and back panel of the unit can be removed and set aside; these panels will not be used on the insert version of this stove.
3. Next, unlatch the two hopper lid latches near the front of the hopper lid. Loosen and remove the hopper lid hinge retaining screws on the rear of the unit; once these screws have been removed, the freestanding hopper lid can be lifted off of the unit and set aside. This component will not be used on the insert version of this stove.
4. Locate the Rear Hopper Cover Plate Assembly, which was included in the insert conversion kit. This part comes preassembled with the rear hopper cover plate, new hopper lid and hopper lid hinges. It also comes predrilled for the required fasteners.
5. Lay the Rear Hopper Cover Plate Assembly on the top of the hopper lid; be certain the assembly is centered on the stove and that all edges line up. Use the predrilled holes as a drilling template. Without removing the hopper lid gasket material, use a 1/8” drill bit in an electric or battery powered drill to drill a hole at every predrilled location of the rear hopper cover plate.

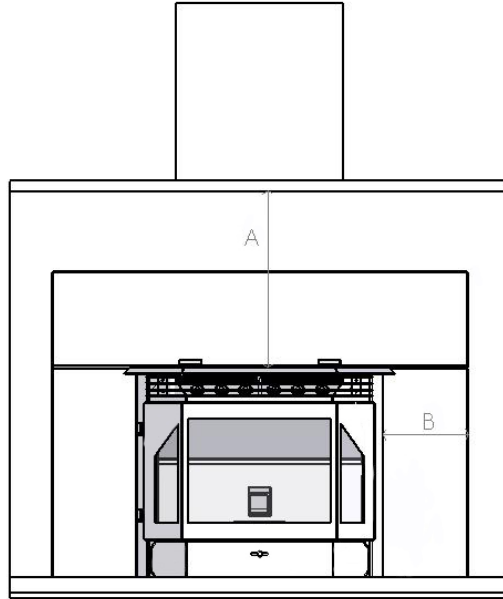
FIREPLACE INSERT INSTALLATION

Insert Assembly Continued

6. Use the included self-drilling sheet metal screws to screw the Rear Hopper Cover Plate to the hopper of the stove while carefully holding the lid in place to be certain it remains centered on the stove. A set of clamps or an extra set of hands is very useful at this point of the conversion, but not required.
7. Using a 5/16" socket or open end wrench, remove **one** of the hopper lid latches from the original hopper lid. Install this hopper lid latch on the new hopper lid and check to be certain the hopper lid is closing tightly. If not, adjust the latch until a proper seal is made.
8. Next, install the insert side panels; these panels install much the same way as the original side panels. Do not screw the side panels to the stove using the rear screws at this time.
9. Install the surround side panels, one side at a time, and install the two self-tapping sheet metal screws into the pre-drilled holes in the stove body. These screws should pass through the surround side panel, the insert side panel and then into the stove body.
10. Next, slide the top surround panel onto the pre-installed sheet metal screws on the top of the Rear Hopper Cover Plate. Install two 1/4" bolts through the pre-drilled holes on either side of the surround top panel where it meets the two side panels of the surround.
11. Tighten the 1/4" bolts first; then, using a 5/16" socket or open end wrench, tighten the sheet metal screws on the top of the Rear Hopper Cover Plate.
12. Using a 5/16" socket or open end wrench, remove the two sheet metal screws which hold the control panel mounting box to the stove body. The wires which connect the control board to the stove components have been made intentionally long, so that the control board can simply be remounted to the right surround panel without any additional wiring.
13. Loosen the four bolts that secure the pedestal to the unit. These bolts are located on the underside of the unit and can be loosened and removed using a 1/2" socket or a socket wrench. **ONCE THESE BOLTS ARE LOOSENED AND REMOVED, THE UNIT IS FREE FROM THE PEDESTAL AND CAN FALL, CAUSING INJURY. BE CAREFUL WHEN REMOVING THESE BOLTS AND HAVE A HELPER WHEN LIFTING THE STOVE FROM THE PEDESTAL.**

FIREPLACE INSERT INSTALLATION

Clearances to Combustibles



Unit Clearances to Combustibles	
Clearance to Mantle (A)	Side (B)
16 IN.	6 IN.
406.4 MM.	152.4 MM.

WARNING

- INSTALL VENT AT CLEARANCES SPECIFIED BY THE VENT MANUFACTURER.
- HOT! Do not touch! Severe burns or clothing ignition may result.
- Glass and other surfaces are hot during operation.

CAUTION

- Keep children away.
- Supervise children in the same room as this appliance.
- Alert children and adults to the hazards of high temperatures.
- Do NOT operate with protective barriers open or removed.
- Keep clothing, furniture, draperies and other combustibles away.
- Installation MUST comply with local, regional, state and national codes and regulations.
- Consult local building, fire officials or authorities having jurisdiction about restrictions, installation inspection, and permits.

FIREPLACE INSERT INSTALLATION

Venting Introduction

This pellet stove operates on a negative draft system, which pulls combustion air through the burn pot and pushes the exhaust air to the vent pipe and out of the building. This unit must be installed in accordance with the following detailed descriptions of venting techniques; not installing the stove in accordance with the details listed here can result in poor stove performance, property damage, bodily injury or death. England's Stove Works is not responsible for any damage incurred due to a poor or unsafe installation.

If questions arise pertaining to the safe installation of the stove, our Technical Support line (800-245-6489) is available. Contact your local code official to be certain your installation meets local and national fire codes and if you're uncertain about how to safely install the stove, we recommend contacting a local NFI certified installer to perform the installation.

Venting Guidelines

- **ALWAYS** install vent pipe in strict adherence with the instructions and clearances included with your venting system.
- **DO NOT** connect this pellet stove to a chimney flue which also serves another appliance.
- **DO NOT** install a flue pipe damper or any other restrictive device in the exhaust venting system of this unit.
- **ONLY** use chimney liners listed for pellet appliance venting; do not use galvanized or B-Vent pipe.
- **INSTALL** a block-off plate in the throat of the fireplace opening.
- **SEAL** each joint of pellet vent with high temperature silicone (Part # AC-RTV3) to prevent smoke spillage into the home.
- **AVOID** excessive horizontal runs and elbows, as both will reduce the draft of the venting system and will result in poor stove performance.
- **INCLUDE** as much vertical pipe as possible to prevent smoke from the unit from entering your home in the event of a power outage.
- **INSPECT** your venting system often to be certain it is clear of fly-ash and other restrictions.
- **CLEAN** your venting system as detailed in the maintenance section of this manual.

WARNING: Venting system surfaces get HOT, and can cause burns if touched. Noncombustible shielding or guards may be required.

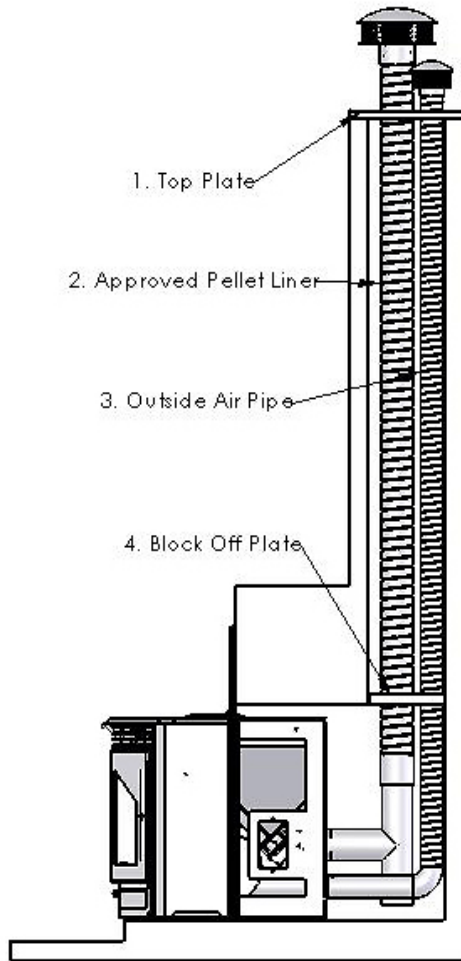
FIREPLACE INSERT INSTALLATION

Additional Venting Information

- The installation of a fireplace insert can be challenging and requires knowledge of chimney systems that the average homeowner does not have. Due to this, England's Stove Works **highly recommends** having this insert professionally installed.
- However, if this installation is performed by the homeowner, follow the guidelines listed below:
- Do not mix and match components from different pipe manufacturers when assembling your venting system (i.e. Do **NOT** use venting pipe from one manufacturer and a termination cap from another).
- A **FULL** chimney relining is required when installing this stove as an insert.
 - For chimneys 15 ft. or shorter, 3 in. pellet liner may be used.
 - For chimneys 15 ft. or taller, 4 in. pellet liner must be used.
- For high altitude installations (altitudes greater than 4000 ft.), this insert must be used with 4" pellet liner only. Using 3" liner will restrict air flow to the unit at high altitudes and result in poor performance and a dirty burn.
- Outside combustion air must be connected, either by running the outside air duct down through the ash clean-out of the fireplace, **OR** by running the outside air duct to the top of the chimney. More information pertaining to correct outside air installation can be found in the "Outside Air" section, page 24.

FIREPLACE INSERT INSTALLATION

Approved Venting Method: Full Chimney Relining



RTV silicone.

- Use a chimney liner system specifically designed for pellet stove use; follow the guidelines in the previous section regarding appropriate liner diameter.
 - Use the tee supplied by the liner manufacturer to connect the exhaust outlet of the stove to the chimney lining system.
 - Seal the throat of the fireplace with a sheet metal block-off plate screwed to the walls of the fireplace.
 - Seal the top of the chimney opening using the Top Plate provided by the liner manufacturer (or, for abnormal installations, fabricate the top plate from sheet metal).
 - Use High Temp RTV silicone to seal the top plate and prevent leaks.
 - If the liner system is not a “Twist-Lock” design, all joints should be secured with three sheet metal screws.
 - Seal all joints in the liner using High Temp RTV silicone.
- Secure the outside air pipe to the stove using a hose clamp or other mechanical fastener. The outside air pipe may be run to the top of the chimney system and terminated (as shown above), or may be run down through the ash dump, in the case of a masonry fireplace.

Please Note:

Installation diagrams are for reference purposes only and are not drawn to scale, nor meant to be used as plans for each individual installation. Please follow all venting system requirements and maintain the required clearances to combustibles.

OUTSIDE AIR HOOK-UP

- The use of outside combustion air is **mandatory** on the 25-EP Insert.
- The outside air connection pipe protrudes from the lower rear center of the stove; use the included outside air kit to attach your stove to outside combustion air. Instructions and all the parts needed to make the outside air connection to your pellet stove are included with the outside air kit.
- Outside air can be drawn from an outside air system which terminates at the top of the chimney opening or down through the ash dump (if your fireplace is so equipped). The best choice for outside air connection is the one which uses the shortest distance of outside air pipe.
- If it is not feasible to use the included outside air hookup kit in your stove installation, other materials may be used provided the following rules are followed:
 - The pipe used for outside air hookup must be metal, with a minimum thickness of .0209 in. (25 gauge mild steel) or greater and an inside diameter of approximately 2.0 in.
 - All pipe joints and connections should be sealed with pipe clamps or other mechanical means, to insure a leak free outside air connection.
 - Long runs of pipe and excessive elbows for outside air should be avoided. Due to frictional resistance in pipe, any excessive outside air piping can result in poor stove performance.
 - A screen or other protection device must be fitted over the outside air termination point to prevent rain, debris and nuisance animals from entering the piping system.
 - Increase the outside air pipe size to 3.0 in. diameter pipe if the outside air connection is more than 6 ft. in length, more than two (2) elbows are used or if the stove is installed in a basement.
- The outside air connection system should be inspected at least annually to be certain it is free from blockage.

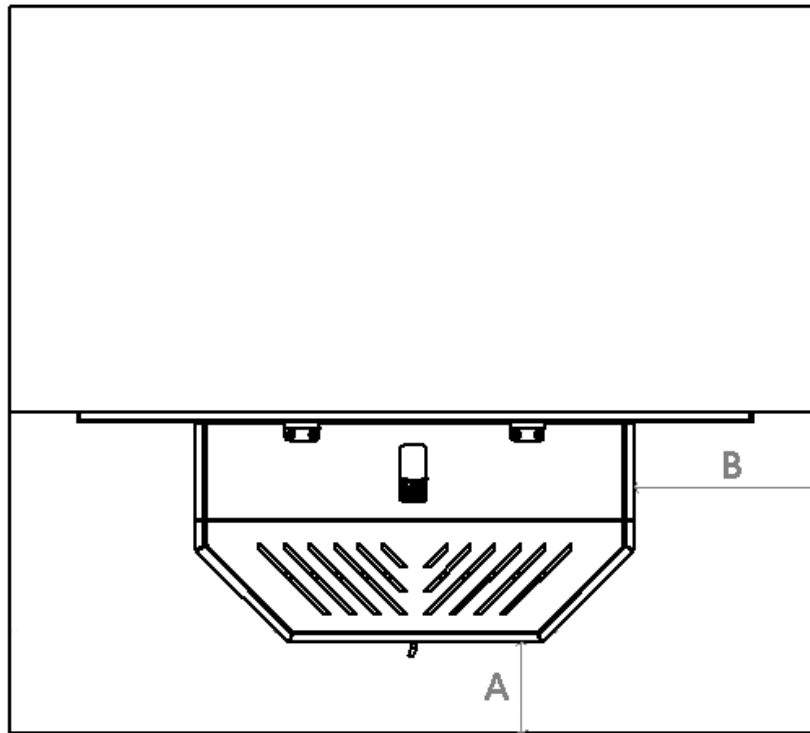
Caution

NEVER draw outside combustion air from:

- Wall, floor or ceiling cavity
- Enclosed space such as an attic, garage or crawl space

FLOOR PROTECTION

- The 25-EPI requires a non-combustible hearth *if* the current hearth of the fireplace does not extend the required distance from the front of stove. Follow the diagram below to determine if the current fireplace hearth is sufficient.
- If the current fireplace hearth is not large enough to accommodate this insert, a hearth extension pad (which is designed and sold specifically for this purpose) can be used. A hearth extension pad should be U.L. listed or equivalent (U.L.C. if Canada), and must only be noncombustible. Since the majority of the radiant heat from this unit is projected forward, the hearth extension pad only serves to keep ashes and sparks from landing on combustible flooring near the unit. A hearth rug is **NOT** an approved substitute for a proper hearth extension pad.



Required Floor Protection Distance From	
Unit	
Front (A)	Side (B)
6 IN.	6 IN.
152.4 MM.	152.4 MM.

***THIS CONCLUDES THE FIREPLACE INSERT INSTALLATION SECTION**

FREESTANDING AND INSERT - DAILY OPERATION

Getting Started

- Check to see that the hopper is clean and free from foreign materials. Be sure to connect this unit to a working outlet; we recommend using a surge protector to help protect the electronic components from damage.
- **BEFORE** your first fire, dry run your unit (no pellet fuel in the hopper) for twenty minutes; pressing the “ON” button with the unit plugged in will initiate the dry run.
 - Once the “ON” button is pressed, you should immediately hear the exhaust blower start and operate continuously.
 - After about three to five minutes, look for the red glow of the igniter in the igniter port of the burn pot to be certain it is operating normally.
 - Hold the hopper lid switch (See “Illustrated Parts Diagram” for your unit at the rear of this manual) down with your finger and check to see that the auger is turning. Release the hopper lid switch and be certain that the auger stops turning. **DO NOT PUT YOUR FINGERS IN THE HOPPER OR NEAR THE ROTATING AUGER.**
- After about twenty minutes, the control board should display “E-2” in the two display windows (More information on Error Codes can be found in the Error Code section of this manual).
- At this point, the dry run is complete and your pellet heating appliance is ready for normal operation.

Lighting a Fire

- In order for this stove to operate, the hopper must first be filled with pellet fuel. Lift the hopper lid using the flush-mount handle and pour the pellet fuel directly into the hopper.
 - ❖ We recommend using only pellets manufactured by PFI Certified facilities, since pellets bearing the PFI stamp of approval will be low in ash and moisture, high in BTU’s, and uniform in size and quality.

- The 25-EP will perform equally well using softwood and hardwood pellets, and although the ash may differ slightly in appearance or texture, both types of pellets will burn cleanly and efficiently in this stove.
- The 25-EP is equipped with an automatic pellet ignition system; the only user input required to light the stove is a simple press of the “On” button.
- Shortly after pressing the “On” button, the letters “S U” will appear in the heat range and blower speed windows of the control board. This indicates the stove has entered the start-up sequence and is operating normally.
- The fuel feed rate and combustion air during start-up is determined by the control board, so the stove may be started on any heat range, although we recommend starting the stove on Heat Range 5, to help ensure a strong fire is initiated.
- After approximately fifteen minutes, the fire should be burning brightly and the “S U” should disappear from the control board. At this point, the stove has begun normal operation and the display windows on the control board will remain empty, unless the Heat Range or Blower Speed is adjusted.

Daily Operation Notes

- Only high quality, ¼” (.25 in.) diameter wood pellets, should be used in this stove. Using low grade wood pellets with high ash content can cause the burnpot to fill with ash at a more rapid pace and can cause intervals between periodic maintenance to become significantly shorter. Please read the “Maintenance” section of this manual thoroughly to understand how fuel selection affects stove operation, maintenance and cleaning.
- Variation in the flame height is normal; not all wood fuel is uniform in size, which can affect the way pellets are fed into the burnpot. Although the flame height may increase and decrease during operation, the temperature of the exhaust gas remains relatively constant and there is no loss of efficiency.

CAUTION

NEVER USE GASOLINE, GASOLINE-TYPE LANTERN FUEL, KEROSENE, CHARCOAL LIGHTER FLUID, OR SIMILAR LIQUIDS TO START OR “FRESHEN UP” A FIRE IN THIS HEATER. KEEP ALL SUCH LIQUIDS WELL AWAY FROM THE HEATER WHILE IN USE. ADDITIONALLY, NEVER APPLY FIRE-STARTER TO ANY HOT SURFACE OR EMBERS IN THE STOVE.

CONTROL BOARD SETTINGS

The control board on this stove allows the user to adjust the heat output and convection blower speed, turn the unit on and off, and test components for function (more on diagnostic mode later).

- The lower buttons on the control board (Low Fuel Feed, Low Burn Air, and Air on Temp) are not meant to be adjusted during normal operation of the unit. These buttons are factory preset and should not be adjusted by the user.
- To energize the unit and initiate a fire, press the “On” button. The LED above the button should turn green and the control board should display “S U” shortly after pressing the button.
- To shut the unit down, press the “Off” button. The LED above the button should turn red and the board should display “S d” shortly after pressing the button. This initiates the shut down sequence, and the stove will remain in shut down mode until it has cooled down.
- To increase the heat output of the stove, press the “Up” heat range button. The number in the heat range display window will increase, signifying that the control board is now adjusting the heat output to your desired level. The blower speed will increase the same amount as the heat range, because the stove is designed to operate with the blower speed greater than or equal to the heat range. Pressing the “Down” arrow will decrease the heat range and blower speed.
- To increase the blower speed without increasing the heat range, press the Blower Speed “Up” arrow until the desired blower speed is shown in the display window. Pressing the “Down” arrow will decrease the blower speed; however the control board will not allow the blower speed to be set lower than the heat range.

ERROR CODES

Error codes, or “E-Codes,” are alphanumeric codes that will appear in the Heat Range and Blower Speed windows of the Control Board if the unit experiences an abnormal condition. Error codes are the control board’s way of telling the user that something isn’t operating correctly within the stove, and that the unit should be carefully inspected before reigniting. See the “Trouble-Shooting Guide,” page 46, for additional information on error codes.

E-0

- When this is displayed in the control board windows (typically when restarting after an “E-Code” shutdown), it means there are currently no errors and the stove will begin normal operation.

E-1

- This error code is not used on this stove. If it is displayed in the control board windows, please contact Technical Support and they will diagnose the cause of the false code.

E-2

- When this code is displayed in the control board window it indicates a failure to light. Although the stove may have ignited the pellets, the control board did not register a high enough temperature to determine the fire was lit. If a fire was ignited, wait for the unit to cool, clean the burnpot and restart the unit.

E-3

- This error code indicates the preset maximum allowable exhaust temperature was exceeded. Commonly referred to as “Over-Firing,” the E-3 code means something in the stove is causing the exhaust gas to be hotter than expected.

E-4

- This code is displayed based on a drop in the exhaust temperature. This code means the fire or “proof of flame” has been lost. It usually results from the hopper being empty.

If an error code continues to display, if the error code seems unexplainable, or if you have any other questions about error codes and what they mean, please contact Technical Support at (800) 245-6489.

POWER FAILURE

If the power to the unit is interrupted for approximately three minutes or less, the unit will resume operation when power is restored according to the following table:

Unit's State Before Power Loss	State When Power Returns
ON	Start-Up
Start-Up	Start-Up
Shut-Down	Shut-Down
OFF	OFF

- If the power is interrupted for more than (approximately) three minutes, the unit will be “OFF” when power returns.
- **IMPORTANT** – Do **NOT** open the hopper lid or the door to the unit during power outage. Open the closest outside door and a window to reduce the chance of any combustion byproducts entering the home.
- Wait for the power to be restored and then press the “ON” button to restart the unit, if necessary.

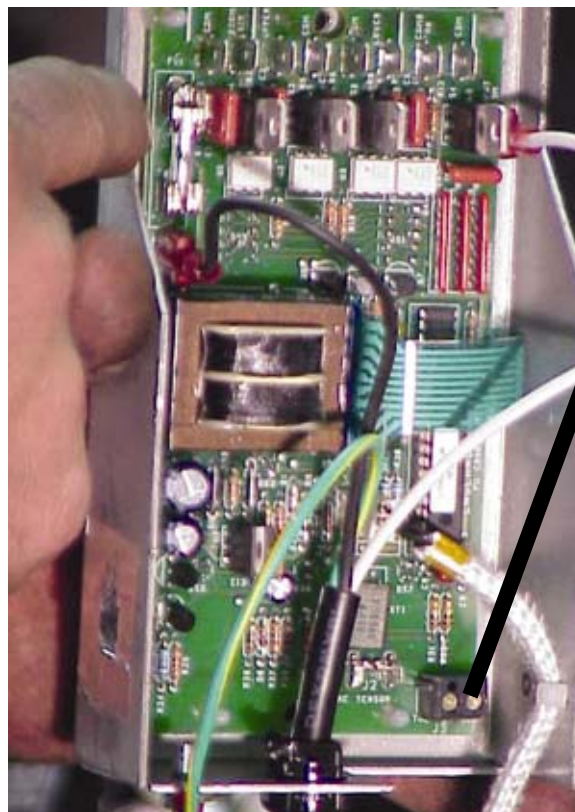
Caution – Shock Hazard

- Press the “Off” button and let the appliance completely cool **BEFORE** unplugging the appliance and beginning any maintenance or component replacement.
- Risk of shock if appliance is not unplugged before service.

THERMOSTAT OPERATION

Thermostat Installation

1. Unplug the unit and remove the back panel of the stove.
2. Locate the thermostat connect block, labeled J18, on the rear of the control board, near the bottom (See image below and page 53 of this manual for a control board diagram). It will have a small wire “jumper” installed in it from the factory. This jumper bypasses the thermostat and should be saved.
3. Loosen the two screws using a small slotted “jewelers” screwdriver and remove the “jumper.”
4. Insert the two thermostat wires in place of the “jumper” and retighten the screws.
5. Reinstall the back panel and mount the thermostat; the control board automatically reads the thermostat and your stove is now ready for thermostat operation.



Connect
thermostat
wires here
(J18)

THERMOSTAT OPERATION

Thermostat Operation Details

- The 25-EP was designed to operate equally well in both manual and thermostat mode. While using the control board for heating control gives the user control over the heat output of the stove, the thermostat allows the stove to “start-up” and “shutdown” independently, which will help maintain your house at a more constant temperature and save pellet fuel.
- The 25-EP can be connected to either a wall thermostat (Part # PU-DTSTAT) or wireless remote thermostat (Part # AC-3003). Although either thermostat will operate the stove properly, we highly recommend the wireless thermostat for the convenience of starting your pellet stove from anywhere in the house.
- THERMOSTAT OPERATION: This stove is equipped with a unique, new feature that allows two options for thermostatic operation: The stove comes from the factory pre-programmed in “On/Off mode,” which turns the stove on and off when the call for heat comes or leaves, like a furnace. The second, or “High/Low mode,” burns at whichever heat range you set the stove at until the call for heat leaves, at which point the stove goes to the Low heat range setting.
- To set the stove in the “High/Low mode,” unplug the unit and plug it back in, then press and release both down arrows; H L appears in the heat range and blower speed windows. The unit is now in “High/Low mode.” (Note: Repeat this to change back to “On/Off mode;” a 0 0 will appear in the heat range and blower speed windows). Using a thermostat in On/Off mode may shorten the life of your stove’s igniter.
- Please note: Certain units may not respond to this; if your unit does not respond in this manner please contact Technical Support at (800) 245-6489.
- Remember to locate the thermostat near the stove in a central location; putting the thermostat in a distant room can cause the stove to overheat the room it’s located in because the thermostat will only sense the temperature of the room in which it is installed.
- Although all heat range and blower speed settings are available in thermostat mode, the two settings specifically designed for thermostat mode are heat ranges 3 and 8.
 - Heat range 3 is intended for thermostat operation under normal operating conditions.
 - Heat range 8 is ideal for thermostat operation in large or poorly insulated homes.

Failure to properly clean your stove can cause poor performance and possibly a burn back!

DAILY MAINTENANCE

Important Notes

- As with any maintenance concerning this unit, be sure the unit is “OFF” and has completed the Shut-Down cycle **BEFORE** beginning.
- Be aware that metal parts in the firebox can remain **HOT** long after the fire has gone out and **EVEN** after the Shut-Down cycle is complete. Always use extreme caution when handling potentially hot stove parts, even if you think they should be cold.
- Ashes should only be removed when the stove has been shut-down and has been allowed to cool thoroughly. Hot embers can remain under ashes long after the fire has gone out, so always be extra careful when handling any ashes from this (or any) stove.
- Store ashes in a metal container with a tight fitting lid, and only place this container on a non-combustible surface.
- Different pellets will generate varying amounts of ash and burnpot deposits. Carefully monitor the ash build up in the stove when first operating the unit, as well as whenever a different brand of pellets is burned.
- While the amount of ash generated by this unit is not excessive compared to a traditional log-burning woodstove, keeping the unit clean and free of ash is **ESSENTIAL** for peak performance and maximum efficiency. Ash build-up hampers airflow, reduces efficiency, and can cause a smoke back.
- England’s Stove Works® is not responsible for any damages incurred due to a poorly maintained and/or dirty stove. This pellet stove is a highly efficient machine and, as such, requires sufficient maintenance to keep it operating at its peak.

Disposal of Ashes – Ashes should be placed in a metal container with a tight fitting lid. The closed container of ashes should be placed on a noncombustible floor or on the ground, well away from all combustible materials, pending final disposal. If the ashes are disposed of by burial in soil or otherwise locally dispersed, they should be retained in the closed container until all cinders have been thoroughly cooled.

DAILY MAINTENANCE

Ash Removal and Disposal

- Press the “Off” button and allow the stove to complete the shut-down cycle and cool completely.
- Grasp the heat exchange cleaning rod located at the middle of the decorative room air grill and repeatedly pull it in and out until ash stops falling from the tubes into the firebox. **NOTE** – The heat exchange tubes are the primary medium which transfers heat from the fire into the room. Keeping them free of fly ash is crucial to high efficiency operation of the unit.
- Because of the open design of the firebox, the majority of the ash will already be in the ash pan. Open the main door of the stove and use an old paint brush or putty knife to move ash from around the burnpot into the ash pan below.
- Use a long handled screwdriver or putty knife to remove any deposits left in the burnpot, being careful to remove them from the burnpot and not allow them to filter down into the cradle area. Excessive ash build-up in the cradle can cause poor stove performance (See “Cleaning the Burnpot” page 35).
- Turn the ash pan latch counterclockwise until it releases and slide the ash pan out of the stove.
- Dump the ashes into a metal container (as described above) and store them on a non-combustible surface to allow any embers to cool before disposal.
- Slide the ash pan back into the stove; rotate the latch clockwise, making certain it catches the lip above the ash pan opening. The stove is now ready to resume normal operation.
- Be certain the ash pan is **ALWAYS** installed properly in the stove; an air-tight seal around the ash pan is crucial for proper operation of the stove.

DAILY MAINTENANCE

Cleaning the Burnpot

Along with removing ashes from the stove, cleaning the burnpot is the other essential part of daily maintenance that will keep the stove operating at its peak. Pellets contain varying amounts of impurities and fusible material that will accumulate in the burnpot over time. Some pellets will contain much higher amounts of these fusible impurities, therefore extra vigilance may be required to maintain a clean burnpot. Allowing impurities to build up in the burnpot can restrict the air-flow to the fire, resulting in a dirty, inefficient burn.

Instructions

- Always allow the stove to finish the shut-down cycle and cool completely before performing any maintenance inside the firebox.
- Open the main door of the stove and remove the burnpot by lifting it straight up and out of the cradle. **WARNING** – The burnpot can remain HOT long after the fire has gone out, so wear protective gloves whenever handling a potentially hot burnpot.
- Once the burnpot is out of the stove, use a long handled screwdriver or putty knife, as previously mentioned, to remove any deposits from the inside of the burnpot.
- Be certain all air orifices are clear and unrestricted by fusible ash matter; a fine tipped screwdriver or scratch awl can be useful in removing stubborn matter from these orifices.
- Remove any ash material from the bottom of the cradle and brush any ash from the top of the cradle into the ash pan below. Keeping the top of cradle free of ash is crucial in allowing the burnpot to make a positive air-tight seal with the top of the cradle.
- Insert the burnpot back into the cradle using the reverse of the procedure detailed above.

BIWEEKLY MAINTENANCE

Important Notes

- As with any maintenance concerning this unit, be sure the unit is “OFF,” has completed the Shut-Down cycle, and is completely cool **BEFORE** beginning.
- Be aware that metal parts in the firebox can remain **HOT** long after the fire has gone out and **EVEN** after the Shut-Down cycle is complete. Always use extreme caution when handling potentially hot stove parts, even if you think they should be cold.
- Biweekly maintenance should include the steps listed in this section **AS WELL AS** the steps listed in the previous “Daily Maintenance” section.
- Burning some brands of pellets may lead to increased ash build-up behind the baffle and in the igniter tube. Diligent maintenance in the first year will help you understand the location of ash build-up as well as the necessary intervals between cleanings.
- Although not specifically listed in this section, the gaskets and latches on both the main door and ash pan should always be inspected to ensure a proper seal is being made. As previously mentioned, an airtight seal at all stove openings is crucial to proper operation.
- When using a utility type vacuum for ash clean-out during biweekly maintenance, be certain the vacuum is equipped with a filter capable of preventing fine ash particles from being blown into the room. Similarly, always be certain the stove is completely cool and that **ALL** ashes are cool before vacuuming.
- Clean-out tees and other low spots in venting systems are areas prone to fly ash accumulation. Be certain these areas are inspected frequently for excessive ash accumulation.

BIWEEKLY MAINTENANCE

Baffle Removal

- Using the integral tube cleaner, as mentioned in the Daily Maintenance section, helps to keep the heat exchanger tubes free from fly ash; however, fly ash will still accumulate on the baffle shelf and in other non-visible areas.
- The firebox baffle is a free floating design, which reduces thermal stresses on the baffle and makes it easily removable for cleaning.
- Remove the baffle by:
 - Grasping the baffle lifting tab in the center of the baffle.
 - Tilting the baffle towards the back of the stove.
 - Lifting the baffle up and out of its support holes on the firebox shelf.
 - Allowing the baffle to slide down to the cradle and then tilting it down and pulling it out of the stove through the main door.
 - Remember, **always** use extreme caution when handling potentially hot stove parts, even if you think they should be cold.
- When the baffle is out of the stove, the area where fly-ash accumulates on the firebox shelf will be clear.
- The use of a utility vacuum is highly recommended because it will prevent fly-ash from falling through the exhaust holes and into the exhaust chamber.
- **BEFORE** replacing the baffle into the stove, inspect the heat exchange tubes for fly ash accumulation and, if necessary, use a wire brush to remove the ash accumulation.
- After removing all fly-ash from behind the baffle, reinsert the baffle into the stove, using the reverse of the process detailed above. The fit of the baffle into the stove is intentionally tight; however, excessive force is not necessary to replace the baffle. If it seems the baffle will not fit without using excessive force, remove the baffle from the firebox and line it up again before trying to fit it back into the firebox.

MONTHLY MAINTENANCE

Important Notes

- As with any maintenance concerning this unit, be sure the unit is “OFF,” has completed the Shut-Down cycle, and is completely cool **BEFORE** beginning.
- Be aware that metal parts in the firebox can remain **HOT** long after the fire has gone out and **EVEN** after the Shut-Down cycle is complete. Always use extreme caution when handling potentially hot stove parts, even if you think they should be cold.
- Monthly maintenance should include the steps listed in this section **AS WELL AS** the steps listed in the “Daily Maintenance” and “Biweekly Maintenance” sections.
- Intervals between monthly cleanings will depend on the duration that the stove is burning on a daily basis. A stove which is operated continuously will need more frequent monthly cleanings than a stove which is used periodically as supplemental heat.
- A good rule of thumb for monthly maintenance is that it should be done each time an entire ton of pellets is burned **OR** once per month, whichever comes first.
- If excess ash accumulation is found in the exhaust chamber or venting system during monthly maintenance, the interval between cleanings should be reduced to eliminate the possibility of poor stove performance due to ash accumulation.

MONTHLY MAINTENANCE

Exhaust Chamber Cleaning

The exhaust chamber of the stove was intentionally designed as an ash accumulation area. Allowing ash to accumulate here prevents excess ash build-up in the combustion blower and the venting system. Similarly, the exhaust chamber is easily accessible via the two exhaust chamber clean-out ports located in the firebox.

Instructions

- Only clean the exhaust chamber **AFTER** cleaning the firebox shelf and heat exchanger tubes, because cleaning them will deposit ash into the exhaust chamber.
- Using a 5/16” socket wrench, remove the two screws which hold each of the clean-out covers in place. The cleanout covers are located on the back wall of the firebox, near the bottom.
- Remove the cleanout covers from the firebox and **BEFORE** vacuuming the chamber out, observe the type and quantity of ash build-up. The ash deposited in the exhaust chamber should be light, fluffy, grey or white in color, and should be no higher than half way up the clean-out port.
 - If the ash is dark brown or black, it is generally evidence of incomplete pellet combustion.
 - Do **NOT** allow the ash to accumulate higher than about half way up the cleanout port; significant ash accumulation in this area can “choke” the combustion blower and cause poor stove performance.
- Using a utility type vacuum cleaner, as previously mentioned in this manual, vacuum the fly ash out of the exhaust chamber. A short piece of hose can be attached to the end of the utility vacuum line and can be useful in reaching the ash which accumulates between the clean-out ports.
- Once all ash has been removed from the exhaust chamber, reinstall the cleanout port covers, using the screws previously removed.
- Be certain to tighten the screws down to sufficiently seal the cleanout port covers, but do not over-tighten them, as it possible to damage the screw.

MONTHLY MAINTENANCE

Venting Pipe Cleaning

- Low spots and direction changes in the venting system (such as tees and elbows) are areas for potential fly-ash accumulation. **INSPECT** these areas diligently to keep the venting system in safe operating condition.
- Depending on the specific type of venting system your stove is connected to, it may be possible to remove the clean-out tee cover and simply run a pipe brush up the pipe to remove any fly-ash accumulation. Brushes specifically made for cleaning pellet pipe are available at the retailer where you bought this stove, as well as at most hearth product dealers.
- Horizontal runs of pipe, such as from the exhaust connection on the stove to the vertical transition, will accumulate fly ash and should be inspected carefully and brushed clean.
- Check the termination cap to be certain it is not clogged or restricted by any fly-ash accumulation.
- After thoroughly cleaning the venting system, reseal any disassembled seams with high temperature silicone (Part # AC-RTV3) if applicable to your venting system.
- Inspect seams that were not disassembled to be certain a smoke-tight seal is still being made.
- After prolonged use, leaks in the venting system can usually be found by searching for fly-ash deposits on the outside of the pipe. Carefully check for leaks in the venting system and seal them accordingly.
- Although most pellet venting systems are designed to last a lifetime, pellet fly-ash can be corrosive under certain conditions. When cleaning your venting system, examine the pipe carefully for any signs of deterioration and replace sections that show excessive wear. It is unlikely that this will ever be a concern, but maintaining your venting system in safe operating condition is crucial to safe stove operation.

YEARLY MAINTENANCE

Important Notes

- As with any maintenance concerning this unit, be sure the unit is “OFF,” has completed the Shut-Down cycle, and is completely cool **BEFORE** beginning.
- Be aware that metal parts in the firebox can remain **HOT** long after the fire has gone out and **EVEN** after the Shut-Down cycle is complete. Always use extreme caution when handling potentially hot stove parts, even if you think they should be cold.
- Yearly (or end of season) maintenance should include the steps listed in this section **AS WELL AS** the steps listed in the “Daily Maintenance,” “Biweekly Maintenance” and “Monthly Maintenance” sections of this manual.
- Yearly maintenance should be performed at the end of the burning season. Leaving ash and other build-up in the stove during the non-heating months can lead to premature metal degradation in the stove and venting system. Using extra attention to detail and being certain to be very thorough in the end of season cleaning will help increase the operating life of the stove and venting system.

Soot and Fly Ash: Formation and Need for Removal

The products of combustion will contain small particles of fly ash. The fly ash will collect in the exhaust venting system and restrict the flow of the flue gases. Incomplete combustion, such as that which occurs during startup, shutdown or incorrect operation of the room heater will lead to some soot formation which will collect in the exhaust venting system. The exhaust venting system should be inspected at least once every year to determine if cleaning is necessary.

Caution – Shock Hazard

Press the “Off” button and let the appliance completely cool **BEFORE** unplugging the appliance and beginning any maintenance or component replacement.

Risk of shock if appliance is not unplugged before service.

YEARLY MAINTENANCE

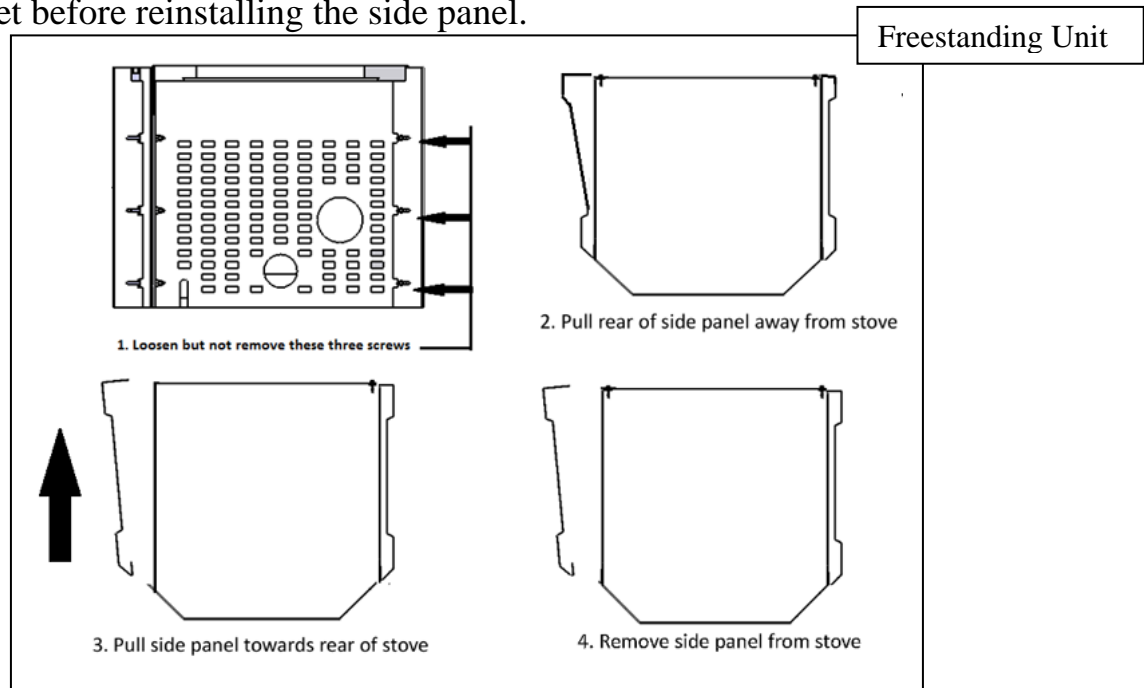
Exhaust Blower Cleaning

Although the exhaust blower and blower housing were designed to minimize ash build-up, some fly-ash will still accumulate there throughout the burning season. The amount and type of ash will depend on the type of pellets and venting system, but generally this accumulation will be mild. If, when cleaning the exhaust blower, a large accumulation of fly-ash is found, cleaning the exhaust blower and housing should be performed monthly or bimonthly to prevent this excess buildup.

Instructions

- **Before beginning the exhaust blower cleaning procedure, be certain the unit is unplugged and thoroughly cooled down.**
- For the freestanding unit:
 - Loosen, but do not remove, the three 5/16” screws on the rear of the unit, on the side nearest the exhaust blower (the left side when facing the front of the stove).
 - The side panel is held to the front of the stove by two key slot supports; gently pull the back end of the side panel away from the stove until the head of the screw is in the center of the square cutout on the back of the side panel.
 - Pull the side panel straight back, supporting it carefully, and when it cannot be pulled back any further, pull it away from the stove; the side panel should slip off of the key slot supports (See diagram page 43).
 - Once the side panel is removed, the exhaust blower will be clearly visible.
- For the fireplace insert:
 - In order to access the combustion blower, the unit will have to be at least partially removed from the fireplace opening (or alternatively, the surround kit and side panels can be removed to access the blower).
- Disconnect the venting system from the exhaust blower just enough that you will be able to remove the exhaust blower from the stove.
- Unplug the two wires which connect the stove wiring harness to the exhaust blower using the quick connect plugs.

- Loosen and remove the 5/16” screw, on the top of the exhaust blower output connection, which holds the thermal sensor to the exhaust blower.
- Loosen the five (5) 5/16” self-drilling screws which hold the exhaust blower to the exhaust blower tube. The lower screws are most easily accessed through the circular cutouts in the stove body. A 12” socket extension will likely be necessary to reach all of the screws.
- Lift the exhaust blower up and out of the stove. The gasket which seals the exhaust blower to the exhaust blower tube is fragile, so take extra care when removing the blower. Even when being careful, though, it is easy to tear this fragile gasket, and since an airtight seal is crucial here, it is best to replace this gasket (Part # PU-CBMG) every time the exhaust blower is removed.
- With the exhaust blower removed, use a utility vacuum to remove any ash accumulation in the exhaust blower tube.
- Use a soft paint brush and carefully remove any ash accumulation from the inside of the exhaust blower, and from the exhaust blower fan blade.
- Inspect the exhaust blower motor for dust accumulation and carefully remove it, ensuring that all air cooling holes into the motor are open and free of dust deposits.
- Install the blower and side panel in the reverse order as described above. Remember to check the condition of the exhaust blower gasket AND remember to reconnect the thermal sensor to the top of the exhaust blower outlet before reinstalling the side panel.



IMPORTANT! READ AND FOLLOW ALL INSTALLATION AND MAINTENANCE INSTRUCTIONS, INCLUDING CLEANING THE UNIT AS SPECIFIED, AND REPLACING GASKETS ANNUALLY, AND PARTS AS NEEDED. ENGLAND'S STOVE WORKS IS NOT RESPONSIBLE FOR ANY DAMAGE OR INJURY INCURRED DUE TO NEGLIGENCE, OR DUE TO UNSAFE INSTALLATION OR USAGE OF THIS PRODUCT. CALL TECHNICAL SUPPORT WITH QUESTIONS.

YEARLY MAINTENANCE

Convection Blower Cleaning

As always, be certain the stove is cool and **unplugged** before servicing any components within the unit. Since the convection blower does not handle any by-products of combustion, it does not require serious cleaning like the exhaust blower. However, dust from the home and other debris in the air can accumulate on the blades of the convection blower. The convection blower is located on the side of the stove opposite the combustion blower, and with the side panel removed from the stove (for the freestanding; for the insert you must pull the stove from the fireplace), the convection blower should be visually inspected for any dust build-up. Any dust that has built up on the fan blades can usually be easily removed with a vacuum or a soft paint brush.

Cleaning Pellet Fines from the Hopper and Auger

Depending on the type and quality of pellets burned in the stove, some accumulation of pellet fines and dust is possible in the hopper. The lowest part of the auger, near the back of the stove, is where most fines will accumulate. With the stove off, **unplugged**, and with the hopper empty, use a utility vacuum to remove the fines from the auger tube. If the fines cannot be removed from the top of the hopper:

- For the freestanding unit:
 - Remove both side panels using the procedure described in the “Exhaust Blower Cleaning” section, found on page 42 of this manual.
 - Next, remove the back panel by sliding it to one side of the stove, then pulling the opposite side out and off of the stove.
- For the fireplace insert:
 - The unit will need to be at least partially removed from the fireplace opening (or alternatively, the surround kit and side panels can be removed).
- Locate the auger motor assembly at the middle rear of the stove, and once it is found, find the two set screws on either side of the cast iron mounting collar.
- Using a 3/16” allen wrench, loosen the set screw on either side of the auger mounting collar.
- With a utility vacuum in hand, let the auger assembly slide out of the auger tube just enough so that the vacuum can be used to remove any fines from this area.
- Reinstall the auger assembly and tighten the two set screws; reinstall the back panel and the two side panels, being certain to tighten the six (6) retaining screws on the rear of the stove.

YEARLY MAINTENANCE

Checking Gaskets

An airtight seal at the door openings and hopper lid opening is crucial to proper stove performance. Any air leaks at these areas can not only cause a dirty, inefficient burn but can also pose a serious safety threat. Because of this, gaskets should always be maintained in good condition and should be replaced annually, or sooner if necessary. Gasket tightness can be checked using the “dollar-bill” method:

- * Place a dollar bill between the gasket and the stove body (at the location where the gasket meets the stove).
- * Tighten the latching mechanism down and attempt to pull the dollar bill out. If the dollar bill slides in and out easily, the gasket needs to be replaced. This test should be repeated around the entire gasket perimeter, as gaskets will sometimes seal tightly on one side, but will be worn and seal poorly on another side.
- * Perform this test around the entire perimeter of the door, hopper lid and ash pan. If any area fails the test, the entire gasket should be replaced. The part number appropriate to the gasket being replaced can be found in the “Illustrated Parts” section at the rear of this manual.
- * Gaskets should only be replaced with equivalent fiberglass gaskets purchased from England’s Stove Works ® specifically for this unit. Instructions for gasket removal and replacement will accompany the gasket kit ordered, and can also be found in the instructional DVD accompanying this manual in the stove.

Trouble-Shooting Guide

WARNING: To avoid **ELECTRICAL SHOCK** always *disconnect* the unit from the power source **BEFORE** attempting any repair. If this guide does not correct the problem, call your local dealer or Technical Support at 1-800-245-6489.

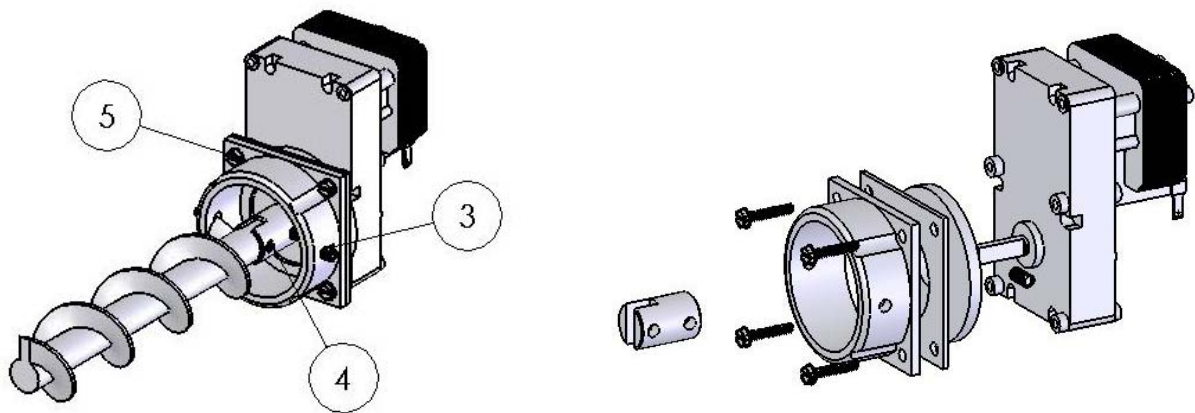
<u>Problem</u>	<u>Cause</u>	<u>Solution</u>
Auger not turning	<ol style="list-style-type: none"> 1. Bad auger motor. 2. Foreign matter jamming auger. 3. Vacuum sensor. 	<ol style="list-style-type: none"> 1. Replace auger motor. 2. Remove pellets and object. 3. Check exhaust blower.
Smoke smell or dust in house	<ol style="list-style-type: none"> 1. Improper exhaust connection. 	<ol style="list-style-type: none"> 1. Check exhaust connections for leaks, especially the exhaust blower connect. Seal leaks with silicone, aluminum tape or a hose clamp.
Room blower not operating	<ol style="list-style-type: none"> 1. Loose thermal sensor. 2. Blower speed set higher than heat range, causing stove to cool and blower to cycle. 3. Loose connection. 	<ol style="list-style-type: none"> 1. Tighten connection on sensor. 2. Lower blower speed. 3. Check control board connection.
Exhaust blower not operating	<ol style="list-style-type: none"> 1. Loose connection. 2. Bad blower. 3. Bad vacuum sensor. 	<ol style="list-style-type: none"> 1. Check control board connection. 2. Replace blower. 3. Replace vacuum sensor.
Lazy Fire	<ol style="list-style-type: none"> 1. Bad exhaust blower. 2. Excessive pellet moisture. 3. Excessive ash build-up. 4. Low quality pellets. 	<ol style="list-style-type: none"> 1. Inspect and replace blower. 2. Keep pellets dry. 3. Thoroughly clean unit. 4. Use only PFI premium pellets.
Blown Fuse	<ol style="list-style-type: none"> 1. Power surge. 2. Exposed wire. 3. Electrical component shorting. 	<ol style="list-style-type: none"> 1. Replace fuse; use surge protector. 2. Check for exposed or frayed wire and loose connections. 3. Check motors and blowers for obstructions or short circuits.
High Pellet Consumption	<ol style="list-style-type: none"> 1. Low quality or non-uniformly sized pellets. 	<ol style="list-style-type: none"> 1. Use premium pellets or try another pellet brand.
Squeaking Noise	<ol style="list-style-type: none"> 1. Obstruction in auger tube. 2. Blower Noise. 	<ol style="list-style-type: none"> 1. Check auger tube for foreign objects. 2. Remove, clean, and oil blower.
Pinging or Rattling Noise	<ol style="list-style-type: none"> 1. Foreign material in blower. 	<ol style="list-style-type: none"> 1. Check both blowers for material.

	2. Loose exhaust fan set screw.	2. Check set screw for tightness.
"E-1" Code On Control Board	1. Vacuum bypass chip missing.	1. Contact Technical Support.
Unit Shuts Down in 15-20 minutes with an "E-2" code on control board.	1. Loose thermal sensor. 2. Control board settings. 3. Failure to light pellets.	1. Check both sides of thermal sensor connection (at exhaust blower and at control board). 2. Start stove on minimum Heat Range 5 to ensure a good fire is started. 3. Check igniter for buildup or failure.
"E-3" Code on Control Board (Overfire)	1. Convection (Room Air) blower failure. 2. Partially blocked flue. 3. Using fuel other than premium wood pellets.	1. Check convection blower for proper function, replace if necessary. 2. Check flue for obstructions. 3. Use ONLY premium wood pellets in this stove.
"E-4" Code on Control Board (Proof of flame lost)	1. The hopper is empty. 2. The hopper lid was left open too long during refueling. 3. Component failure. 4. Blower speed is set too high, cooling firebox too rapidly.	1. Refill the hopper with pellets and restart the stove. 2. Keep the hopper lid open for the shortest interval possible when refueling. The safety switch stops the auger when the hopper lid is open. 3. An auger motor failure or combustion motor failure can sometimes result in an "E-4" code. 4. Operate the stove with the blower speed and heat range at the same value.
<p>Notes:</p> <p>1. Whenever instructed to check/replace the vacuum sensor, also check for loose or cracked vacuum hose. Also, be certain the vacuum measurement port in the firebox is kept clean (clean with a pipe cleaner or brush, do not use a vacuum to clean).</p> <p>2. To restart and clear an error code displayed on the control board, push the "ON" button and the unit should reset the error and restart.</p> <p>3. If you are uncertain about the meaning of an error code or have any questions at all, PLEASE contact Technical Support at (800)245-6489.</p>		

REPLACING COMPONENTS

Auger Motor

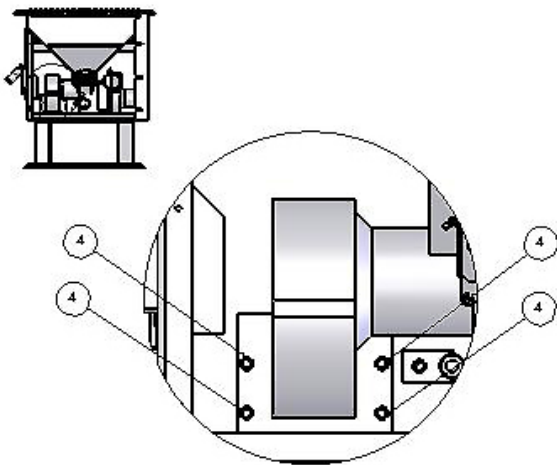
1. Before beginning any component replacement, be certain the unit is unplugged and thoroughly cooled down. Also, make sure the hopper is empty before attempting to remove or replace the auger motor assembly.
2. Remove the side panels and back panels as previously detailed in this manual on Page 42 in the “Exhaust Blower Cleaning” section (for the freestanding unit; for the fireplace insert, remove the insert from the fireplace far enough to grant access to the auger motor at the rear, center of the stove). Before loosening any bolts, detach the wiring harness from the auger motor.
3. Locate the auger motor assembly at the rear of the stove, and begin by loosening the two allen set screws on either side of the cast iron auger motor coupler.
4. Slide the auger assembly out of the tube enough that the allen set screw, which holds the auger to the steel auger coupler, can be accessed. Loosen this set screw until the auger is free from the auger motor assembly.
5. Next, remove the four screws which hold the cast iron auger motor coupler to the auger motor, using a 5/16” wrench. Slide the cast iron auger motor coupler and the steel spacer plate off of the auger motor.
6. Loosen the allen set screw which holds the steel auger coupler to the auger motor output shaft, and remove the steel auger coupler, as well as the rubber vibration dampener.
7. Reinstall the parts in reverse order on the new auger motor, being careful not to over-tighten the bolts which hold the cast iron auger coupler to the auger motor.



REPLACING COMPONENTS

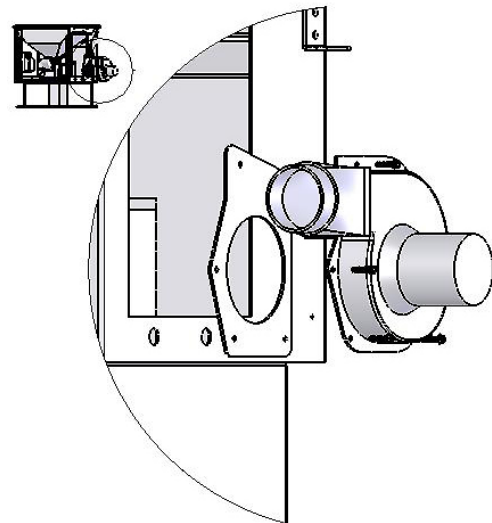
Convection Blower

1. Before beginning any component replacement, be certain the unit is unplugged and thoroughly cooled down.
2. Freestanding: Remove the right side panel as previously detailed in this manual on Page 42 in the “Exhaust Blower Cleaning” section. Fireplace Insert: The unit will need to be at least partially removed from the fireplace opening (or alternatively, the surround kit and side panels can be removed to access the blower).
3. Detach the convection blower from the wiring harness before loosening the four screws which secure it to the convection shroud of the stove.
4. After loosening and removing the four screws which hold the blower to the stove, remove the blower from the stove.
5. Installation of the new blower is performed in reverse of removal; remember to reconnect the new blower to the wiring harness before reinstalling the side panel.



Combustion Blower

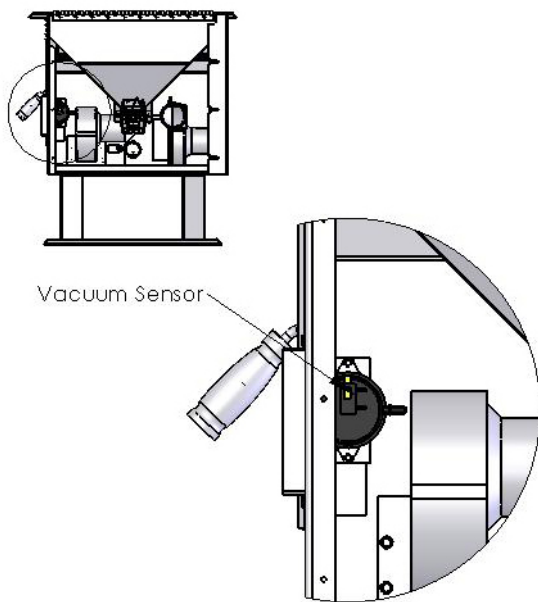
1. Before beginning any component replacement, be certain the unit is unplugged and thoroughly cooled down.
2. Freestanding: Remove the left side panel as previously detailed on page 42. Fireplace Insert: Remove the unit from the fireplace.
3. Disconnect the venting system from the exhaust blower, and disconnect the exhaust blower from the stove wiring harness. Loosen and remove the thermal sensor screw on the top of the exhaust blower outlet using a 5/16” wrench.
4. Loosen and remove all five screws which hold the exhaust blower to the exhaust blower tube. Once the screws have been removed, the blower can be lifted up and out of the stove.
5. Reinstallation is the exact opposite of the steps above; however be certain to check the condition of the exhaust blower gasket and replace if necessary.



REPLACING COMPONENTS

Vacuum Switch

1. Before beginning any component replacement, be certain the unit is unplugged and thoroughly cooled down.
2. Remove the right side panel and the back panel as previously detailed.
3. Locate the vacuum sensor as shown in the diagram below.
4. Disconnect the stove wiring harness and vacuum hose from the vacuum

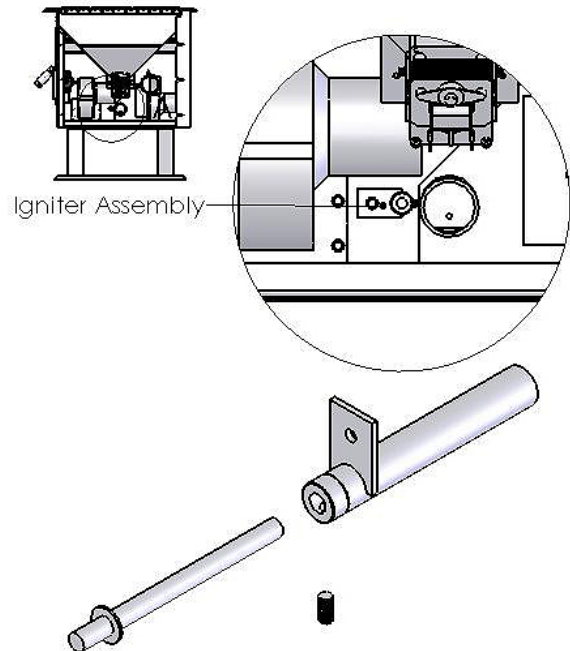


sensor, taking note of where connections were made.

5. Remove the two screws which hold the vacuum sensor to the vacuum sensor bracket, using a 5/16" wrench.
6. Installation is the reverse of removal; be absolutely certain the wires and vacuum hose are connected according to the wiring diagram in this manual.

Igniter

1. Before beginning any component replacement, be certain the unit is unplugged and thoroughly cooled down.
2. Remove the right side panel and the back panel as previously detailed.
3. Locate the igniter as shown in the diagram below.
4. Disconnect the igniter wiring from the control board and use a 5/16"



wrench to remove the igniter retaining screw.

5. Loosen the allen set screw and remove the old igniter cartridge.
6. Install the new igniter in the igniter tube, retighten the set screw and reinstall the assembly into the stove. Be certain to reconnect the new igniter wires to the circuit board before reassembly.

REPLACING COMPONENTS

IMPROPER GASKET MAINTENANCE, INCLUDING FAILURE TO REPLACE GASKETS, CAN CAUSE AIR LEAKS RESULTING IN SMOKE-BACKS.

Gaskets

1. Door

- This unit comes with a 1/2" rope gasket around the door that should be replaced annually. To replace the door gasket (Part # AC-DGKEP), the old gasket must first be removed entirely — prior to adding the new adhesive, you may have to scrape the old cement from the door channel. Once the cement and gasket have been added, the door should be closed and latched for twenty-four hours to allow the cement to harden.

2. Window

- If you are replacing the window gasket (Part # PU-GGK), the new gasket will already have adhesive on one side. Remove the paper on the adhesive side and place the gasket around the outside edge of the glass, centered over the edge. Fold the gasket edges over on the glass, forming a "U" shape.

3. Combustion Blower

- The Combustion Blower Gasket (Part # PU-CBMG) should be inspected whenever you remove or clean the Combustion Blower and replaced if necessary.

4. In addition, the Hopper Lid gasket and Ash Pan gasket should be inspected and replaced annually, or sooner if necessary (see "Checking Gaskets" in the Yearly Maintenance section).

Finish

This new unit has been painted with High-Temperature Paint that should retain its original look for years. If the unit should get wet and rust spots appear, the spots can be sanded with fine steel wool and repainted. It is crucial that only High-Temperature Spray Paint is used (Part # AC-MBSP), as others may not adhere to the surface or withstand the high temperatures. Similarly, some brands of paint will not adhere to different brands of paint, so we highly recommend using our proprietary High-Temperature Spray Paint.

Glass

This unit has a three piece ceramic glass set (Part No. AC-G40 [Center Glass] & Part No. AC-G41 [Side Glass]) in the viewing door. Self adhesive window gasket is always included with replacement windows purchased directly from England's Stove Works. Surface scratches are acceptable, but if this glass becomes cracked in any area, the unit should be shut down and the window replaced with ceramic glass bought from England's Stove Works. Never replace ceramic glass with tempered or any other type of glass.

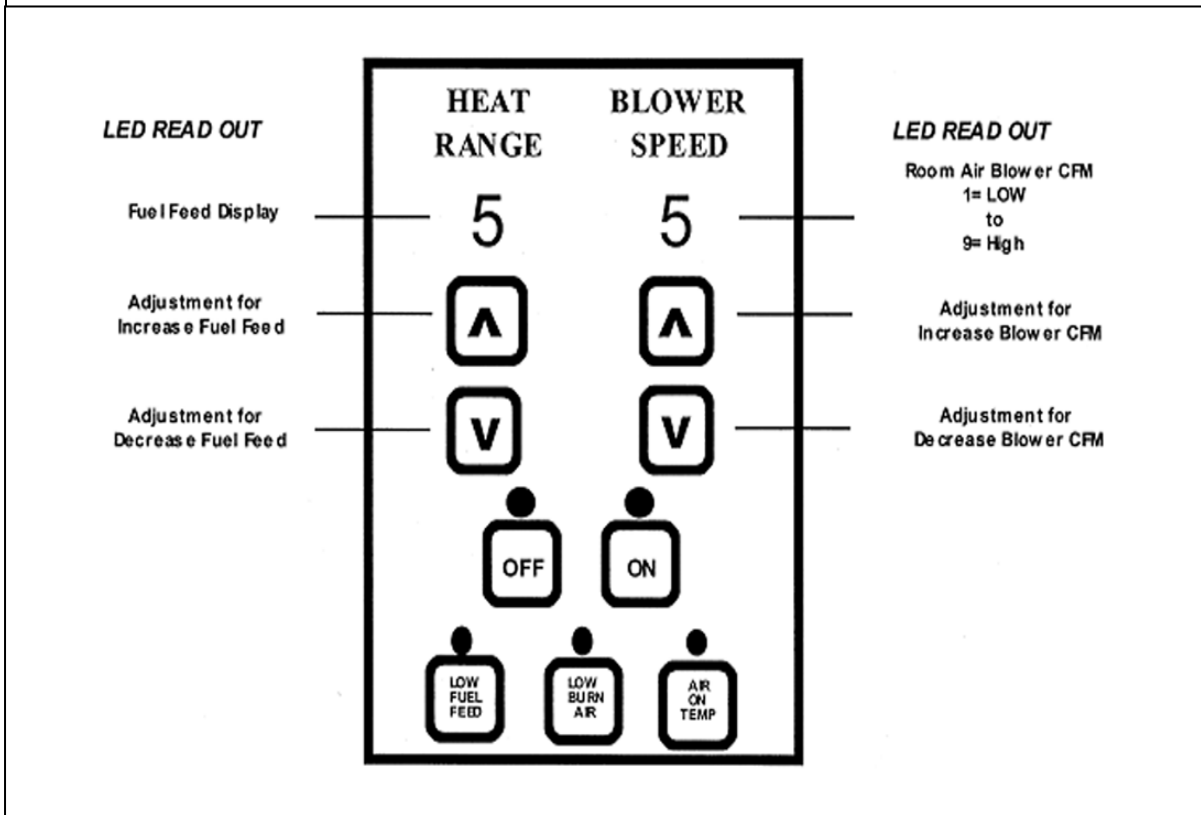
REPLACING COMPONENTS

Control Board

The Control Board (Part # PU-CBEP) is a digital read-out board. This board offers a wide variety of settings to operate the unit. The right side panel should be removed prior to removing the control board (freestanding unit). The control board can be removed from the unit by loosening the two outside screws and pulling the board back to the inside. A 6-amp “quick-blow” fuse is used on this Control Board.

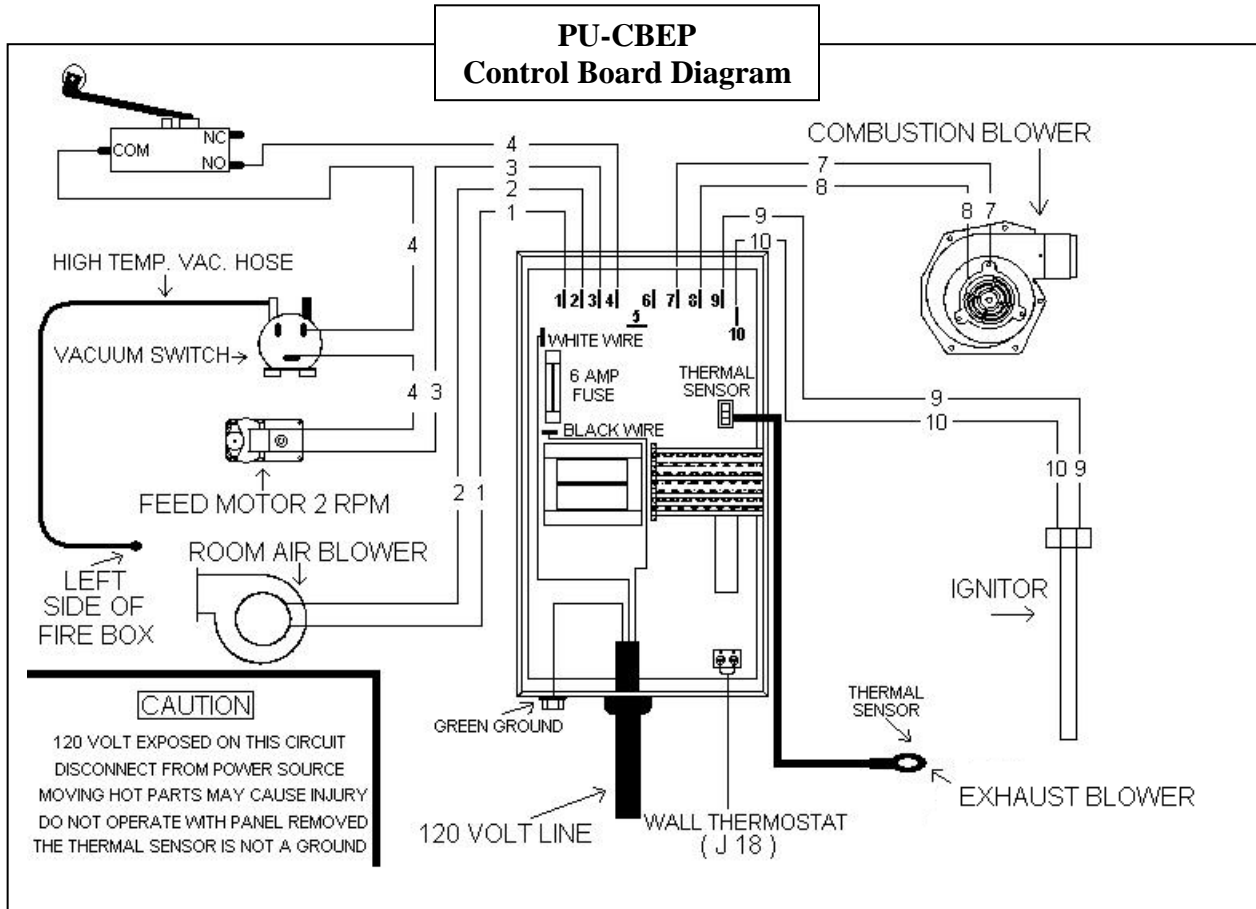
NOTE: The bottom three control buttons are preset at the factory and are not user adjustable. See the “Daily Operation” section beginning on page 26 of the manual for more instructions on Control Board settings.

Recommended Heat Ranges:		
Low Burn:	Heat Range setting: 1	Room Air Blower setting: 1
Medium Low:	Heat Range setting: 2 – 3	Room Air Blower setting: *
Medium High:	Heat Range setting: 4 – 8	Room Air Blower setting: *
High Burn:	Heat Range setting: 9	Room Air Blower setting: 9
* NOTE: Blower Speed will automatically be adjusted to the desired Heat Range that you select.		



IMPORTANT! READ AND FOLLOW ALL INSTALLATION AND MAINTENANCE INSTRUCTIONS, INCLUDING CLEANING THE UNIT AS SPECIFIED, AND REPLACING GASKETS ANNUALLY, AND PARTS AS NEEDED. ENGLAND’S STOVE WORKS IS NOT RESPONSIBLE FOR ANY DAMAGE OR INJURY INCURRED DUE TO NEGLIGENCE, OR DUE TO UNSAFE INSTALLATION OR USAGE OF THIS PRODUCT. CALL TECHNICAL SUPPORT WITH QUESTIONS.

WIRING DIAGRAM



Caution – Shock Hazard

- Press the “Off” button and let the appliance completely cool BEFORE unplugging the appliance and beginning any maintenance or component replacement.
- Risk of shock if appliance is not unplugged before service.

Hopper Lid Safety Switch - This unit is also equipped with a hopper lid safety switch (Part # AC-HLSB) which is directly connected to the auger motor. In the event the hopper lid is left open while the stove is in operation, the hopper lid switch will prevent the auger from turning. This is to prevent byproducts of combustion from entering the home through the open hopper lid and also to simply prevent operation with the hopper lid open. Improper hopper lid safety switch operation will result in an auger that will not turn and therefore a stove that will not burn. NEVER place your hand or any object near the auger while the stove is connected to power.

OPTIONAL ACCESSORIES

Wall Thermostat (PU-DTSTAT)

Installing this wall thermostat allows the 25-EP to operate on the same principle as a furnace: The stove will shut-down and relight as the call for heat comes and goes (in On/Off mode, see Thermostat Operation, page 32). This will maintain the house at a more constant temperature, while conserving pellets.

Remote Thermostat (AC-3003)

The remote thermostat for the 25-EP takes the convenience of thermostat operation one step further by allowing temperature adjustments from anywhere in the home. The remote thermostat allows precise temperature control from wherever you desire and only requires six (6) AA batteries to operate.

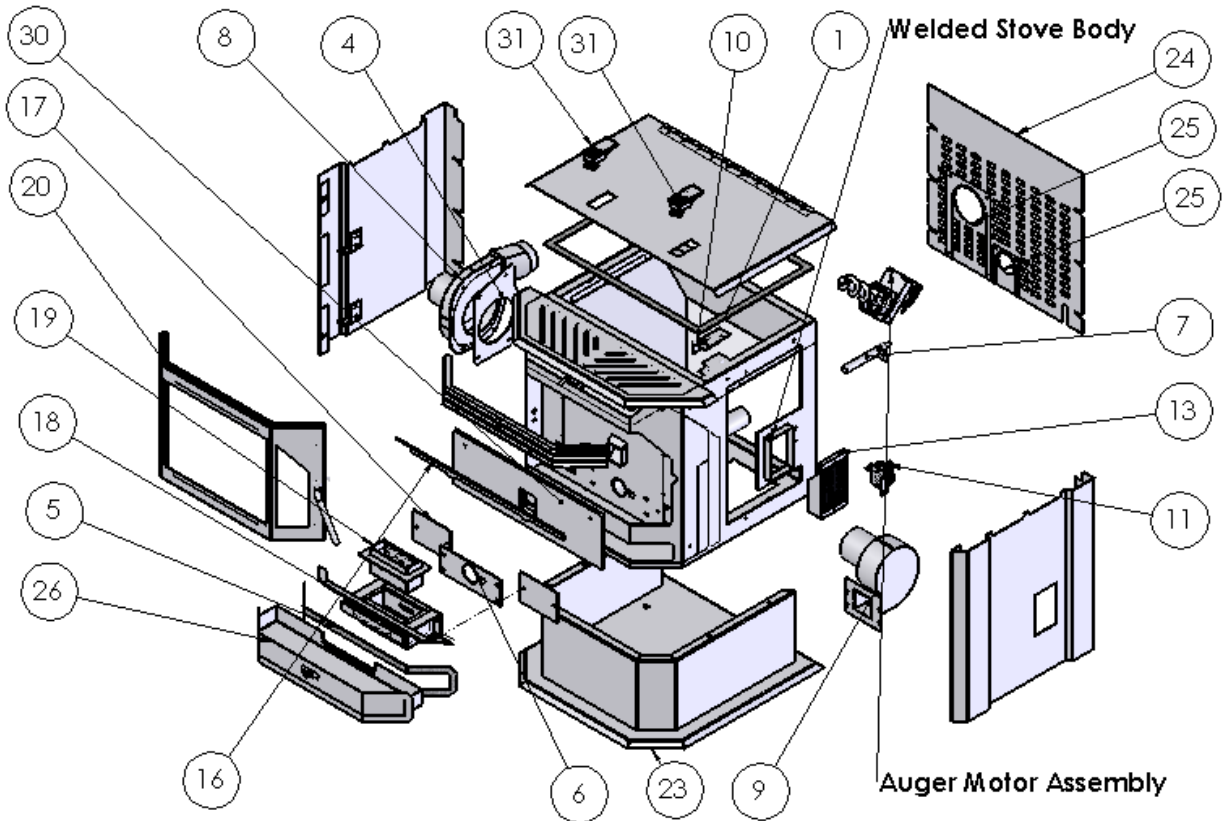
STANDARD ACCESSORIES

Ceramic Log Set (PU-LSEP)

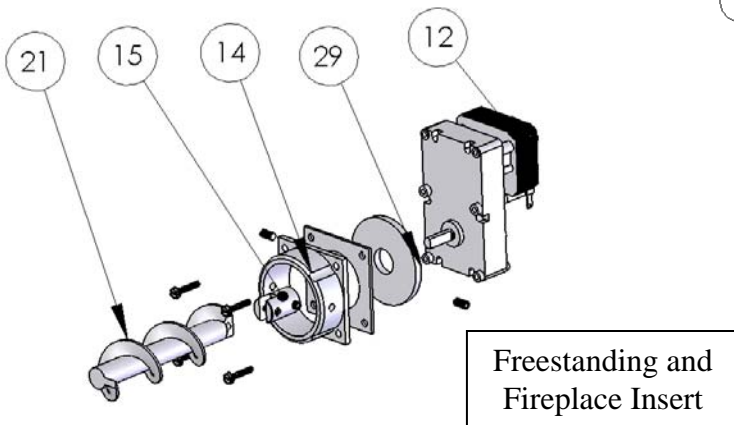
A unique feature of the 25-EP is the ceramic log set which is included with every stove. The ceramic log set dresses up the firebox interior and gives a feeling of a wood fire. The log set does not require any maintenance, other than the periodic removal of fly-ash, which can be accomplished with the same utility vacuum used for general cleaning of the unit.

The log set retains heat long after the fire has gone out so it should always be handled with fire resistant gloves to prevent injury. The log set simply rests on top of the cradle, so removing the set is accomplished by carefully lifting the log set up and out of the stove. The log set is somewhat fragile and care should be taken not to drop it or strike it with any objects; however, the log set is made from a special ceramic material and should last a long time. The abrasive nature of a pellet fire and the frequency with which the log set must be handled make it highly susceptible to damage; therefore, **England's Stove Works© extends no warranty applicable to the log set.**

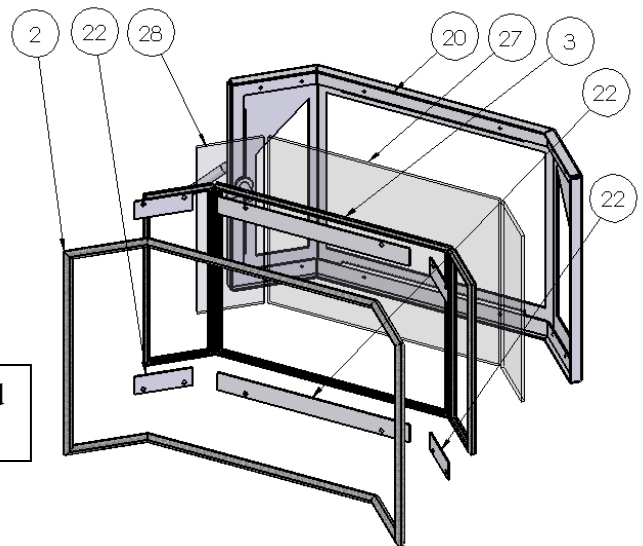
ILLUSTRATED PARTS DIAGRAM - FREESTANDING



Auger Motor Assembly

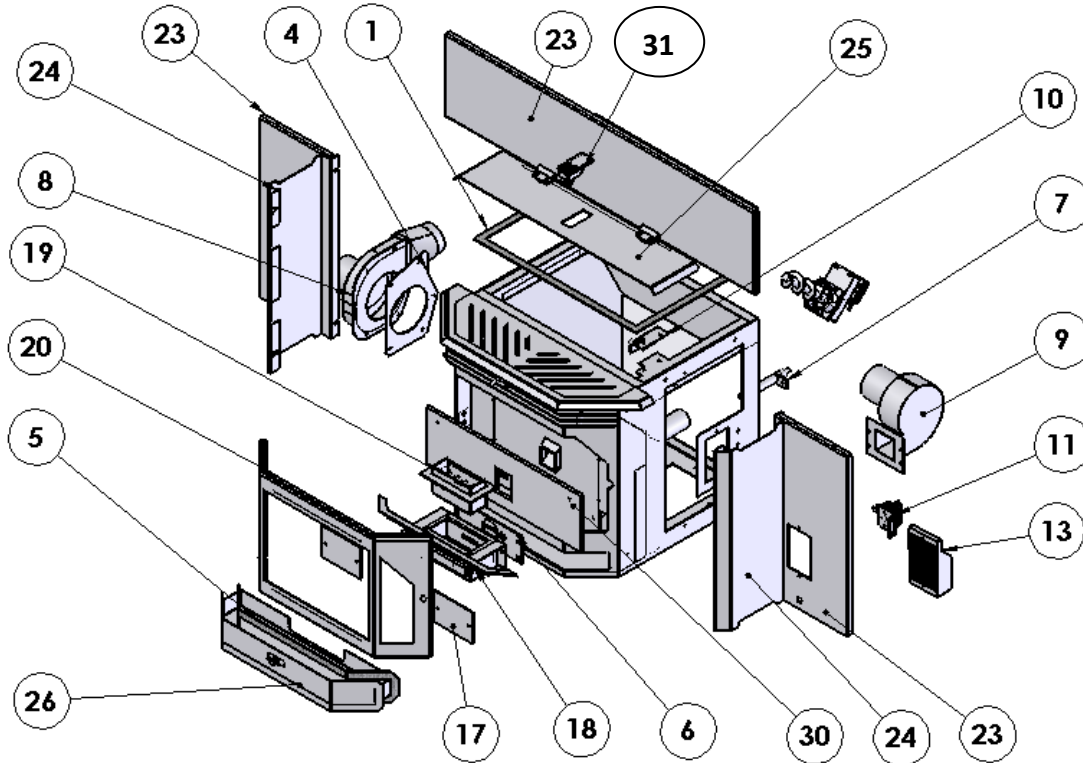


Steel Door Assembly



IMPORTANT! READ AND FOLLOW ALL INSTALLATION AND MAINTENANCE INSTRUCTIONS, INCLUDING CLEANING THE UNIT AS SPECIFIED, AND REPLACING GASKETS ANNUALLY, AND PARTS AS NEEDED. ENGLAND'S STOVE WORKS IS NOT RESPONSIBLE FOR ANY DAMAGE OR INJURY INCURRED DUE TO NEGLIGENCE, OR DUE TO UNSAFE INSTALLATION OR USAGE OF THIS PRODUCT. CALL TECHNICAL SUPPORT WITH QUESTIONS.

ILLUSTRATED PARTS DIAGRAM – INSERT



IMPORTANT! READ AND FOLLOW ALL INSTALLATION AND MAINTENANCE INSTRUCTIONS, INCLUDING CLEANING THE UNIT AS SPECIFIED, AND REPLACING GASKETS ANNUALLY, AND PARTS AS NEEDED. ENGLAND'S STOVE WORKS IS NOT RESPONSIBLE FOR ANY DAMAGE OR INJURY INCURRED DUE TO NEGLIGENCE, OR DUE TO UNSAFE INSTALLATION OR USAGE OF THIS PRODUCT. CALL TECHNICAL SUPPORT WITH QUESTIONS.

REPLACEMENT PARTS LIST

Part Number	Part Description	Diagram #
Gaskets		
PU-HLG	Hopper Lid Gasket	1
AC-DGKEP	Door Gasket	2
AC-GGKEP	Three Piece Window Gasket Kit	3
PU-CBMG	Exhaust Blower & Motor Gasket	4
AC-GGK	Ash Pan Gasket	5
PU-CGEP	Cradle Mating Gasket	6
Electrical Components		
PU-CHA	Igniter Cartridge Heater	7
PU-076002B	Exhaust Blower	8
PU-4C442	Room Air Blower	9
AC-HLSB	Hopper Lid Switch	10
CU-VS	.05" of WC Vacuum Switch	11
CU-047042	2 RPM Auger Motor	12
PU-CBEP	Control Board	13
Cast Iron		
CA-AMPP	Cast Iron Auger Motor Collar	14
Steel		
CA-AC	Steel Auger Coupler	15
IP-25EP	Firebox Baffle	16
PU-ECCEP	Exhaust Cleanout Covers	17
PU-BPCEP	Cradle	18
PU-BPEP	Burnpot	19
CA-40	Steel Door	20
PU-AFEP	Steel Auger	21
AC-GSEP	Glass Support Brackets	22
PU-BREP	Pedestal Base and Riser	Freestanding 23
PU-SKEP	Insert Surround Kit	Insert 23
PU-RAPEP	Rear Access Panel	Freestanding 24
PU-SPSEP	Insert Side Panel Set	Insert 24
PU-EPRCP	Exhaust and Intake Cover Plates	Freestanding 25
PU-ITEP	Insert Top and Rear Cover Plate	Insert 25
PU-APEP	Ash Pan	26
Glass		
AC-G40	Three Piece Glass - Center	27
AC-G41	Three Piece Glass - Side	28
Misc		
CU-RG	Rubber Auger Motor Bushing	29
AC-CFBEP	Fiberboard	30
AC-LSEP	Log Set	Not Shown
PU-VH	High Temp. Vacuum Hose	Not Shown
PU-62-40-151-3	Hopper Lid Latch	31
AC-SHN	Nickel Spring Handle	Not Shown
AC-SH	Brass Spring Handle	Not Shown
PU-EDIC	Exhaust Tube Insulation Wrap	Not Shown

IMPORTANT! READ AND FOLLOW ALL INSTALLATION AND MAINTENANCE INSTRUCTIONS, INCLUDING CLEANING THE UNIT AS SPECIFIED, AND REPLACING GASKETS ANNUALLY, AND PARTS AS NEEDED. ENGLAND'S STOVE WORKS IS NOT RESPONSIBLE FOR ANY DAMAGE OR INJURY INCURRED DUE TO NEGLIGENCE, OR DUE TO UNSAFE INSTALLATION OR USAGE OF THIS PRODUCT. CALL TECHNICAL SUPPORT WITH QUESTIONS.



MODEL 25-EP 25-EPI 55-SHPEP
 55-TRPEP 55-SHPEPI 55-TRPEPI
 PELLET FUEL ROOM HEATER, FREE STANDING MODEL ALSO
 FOR USE IN MOBILE HOMES
 TESTED TO UL 1482-00/ASTM E 1509-04/ULC S627-00, ULC/ORD,
 C1482-M1990, ULC S628-93

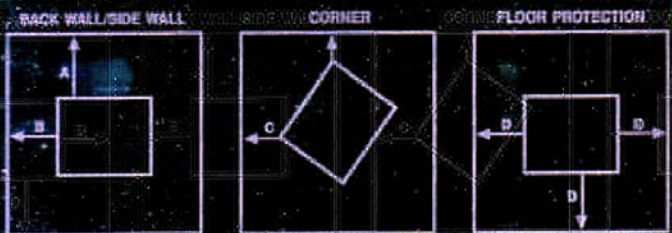
MANUFACTURED DATE:

PREVENT HOUSE FIRES

SERIAL # WHI:

- INSTALL AND USE ONLY IN ACCORDANCE WITH THE OWNER'S MANUAL PROVIDED WITH THIS APPLIANCE.
- CONTACT LOCAL BUILDING OR FIRE OFFICIALS ABOUT RESTRICTIONS AND INSTALLATION INSPECTIONS IN YOUR AREA.
- FOR USE WITH WOOD PELLET (FUEL) ONLY, 1/4 INCH IN DIAMETER.
- DO NOT CONNECT THIS UNIT TO A CHIMNEY FLUE SERVING ANOTHER APPLIANCE.
- KEEP VIEWING AND ASH REMOVAL DOORS TIGHTLY CLOSED DURING OPERATION.
- INPUT RATING - 3.7 LBS/HR
- U.S. ENVIRONMENTAL PROTECTION AGENCY CERTIFIED UNDER 40 CFR 60.53300 WITH JULY 1990 PARTICULATE COMPLIANCE STANDARDS
- USE ONLY APPROVED PELLET VENT PIPE.

FREE-STANDING INSTALLATION REQUIREMENTS - REFER TO LOCAL CODES AND THE CHIMNEY MANUFACTURER'S INSTRUCTIONS FOR PRECAUTIONS REQUIRED FOR PASSING A CHIMNEY THROUGH A COMBUSTIBLE WALL OR CEILING, PLACE OR NON-COMBUSTIBLE FLOOR PROTECTION WHICH EXTENDS 6 INCHES TO THE FRONT AND 6 INCHES TO EACH SIDE OF THE FLUE OPENING. SEE OWNER'S MANUAL FOR ADDITIONAL CLEARANCE INFORMATION.



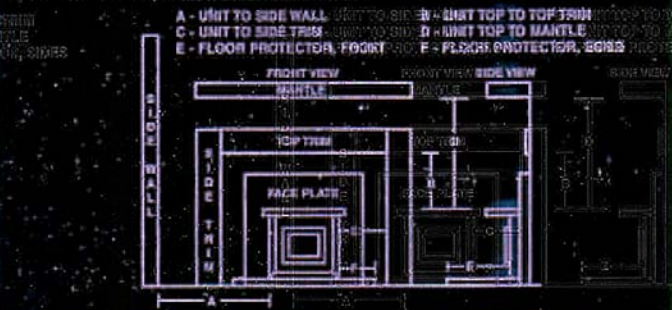
A = 6 INCHES (152.4 MM) B = 6 INCHES (152.4 MM) C = 6 INCHES (152.4 MM) D = 6 INCHES (152.4 MM)
 ALCOVE CLEARANCE: 4.5 INCHES (114.3 MM) ALCOVE CEILING HEIGHT: 51 INCHES (1295.4 MM)
 MINIMUM ALCOVE WIDTH: 38 INCHES (965.2 MM)

ELECTRICAL RATING: 150V, 15A, 600VA, 120V, 15A, 1800W
 ROUTE THE POWER CORD SO IT DOES NOT COME IN CONTACT WITH ANY HOT SURFACES ON THE UNIT AND DOES NOT CROSS IN FRONT OF THE UNIT. DO NOT USE EXTENSION CORDS.

MODEL 25-EPI LISTED WOOD PELLET ROOM HEATER (REPLACE ABOVE) TESTED TO UL 1482-00/ULC S627-00/ULC S628-93

- PREVENT HOUSE FIRES**
- INSTALL AND USE ONLY IN ACCORDANCE WITH THE OWNER'S MANUAL PROVIDED WITH THIS APPLIANCE.
 - CONTACT LOCAL BUILDING OR FIRE OFFICIALS ABOUT RESTRICTIONS AND INSTALLATION INSPECTIONS IN YOUR AREA.

FREE-STANDING INSTALLATION REQUIREMENTS - DO NOT CONNECT THIS UNIT TO A CHIMNEY FLUE SERVING ANOTHER APPLIANCE. REFER TO LOCAL CODES AND THE CHIMNEY MANUFACTURER'S INSTRUCTIONS FOR PRECAUTIONS REQUIRED FOR PASSING A CHIMNEY THROUGH A COMBUSTIBLE WALL OR CEILING, PLACE OR NON-COMBUSTIBLE FLOOR PROTECTION WHICH EXTENDS 6 INCHES (152.4 MM) TO THE FRONT AND 6 INCHES (152.4 MM) TO EACH SIDE OF THE FLUE OPENING. DO NOT OBSTRUCT THE SPACE BENEATH THE HEATSE. ADHERE TO THE FOLLOWING MINIMUM CLEARANCES TO COMBUSTIBLES WHEN USING A SINGLE WALL, CHIMNEY CONNECTOR. THE OWNER'S MANUAL FOR ADDITIONAL INFORMATION.



A = 6 INCHES (152.4 MM) B = 6 INCHES (152.4 MM) C = 6 INCHES (152.4 MM) D = 6 INCHES (152.4 MM)
 E = 6 INCHES (152.4 MM) F = 6 INCHES (152.4 MM)

CAUTION - OPERATE THIS UNIT ONLY WITH THE FUEL HOPPER LID SECURED. PROTECT TOOLS AND ANY NEARBY OR EMERGENCY PRODUCTS OF COMBUSTION FROM THE UPPER FRONT CERTAIN CONDITIONS. MAINTAIN PROPER SEAL IN DOOR OR CHIMNEY. DO NOT OBSTRUCT THE HOPE.



CAUTION: HOT WHILE IN OPERATION. DO NOT TOUCH. KEEP CHILDREN, CLOTHING, AND FURNITURE AWAY. CONTACT MAY CAUSE SKIN BURNS. SEE NAMEPLATE AND INSTRUCTIONS.

MANUFACTURED BY: ENGLAND'S STOVE WORKS, INC. 599 SOUTH FIVE FORKS RD. PINEBLUFF, VA 24574

You may write your unit's Manufacture Date and Serial Number in the blank spaces on this sample tag, for future reference. This sample tag also shows the safety info. such as UL/ULC testing standard, etc. for your local officials, or anyone else who may need reference information.

IMPORTANT! READ AND FOLLOW ALL INSTALLATION AND MAINTENANCE INSTRUCTIONS, INCLUDING CLEANING THE UNIT AS SPECIFIED, AND REPLACING GASKETS ANNUALLY, AND PARTS AS NEEDED. ENGLAND'S STOVE WORKS IS NOT RESPONSIBLE FOR ANY DAMAGE OR INJURY INCURRED DUE TO NEGLIGENCE, OR DUE TO UNSAFE INSTALLATION OR USAGE OF THIS PRODUCT. CALL TECHNICAL SUPPORT WITH QUESTIONS.

LIMITED FIVE (5) YEAR WARRANTY

From the date of purchase to the original owner

The manufacturer extends the following warranties:

Five Year Period:

1. Carbon steel and welded seams in the firebox are covered for five (5) years against splitting.
2. The steel door and hinges are covered for five (5) years against cracking.

One Year Period:

1. Component parts such as the hopper, auger, burn-pot, baffle plate, auger shaft and fasteners are covered for one (1) year against cracking, breakage and welded seam separation.
2. Electrical components, accessory items, glass and the painted surface of the stove are covered for one (1) year from the date of purchase.

Conditions and Exclusions

1. Damage resulting from over-firing will void your warranty.
2. This warranty does not apply if damage occurs because of an accident, improper handling, improper installation, improper operation, abuse or unauthorized repair made or attempted to be made.
3. The manufacturer is not liable for indirect, incidental, or consequential damages in connection with the product including any cost or expense, providing substitute equipment or service during periods of malfunction or non-use.*
4. All liability for any consequential damage for breach of any written or implied warranty is disclaimed and excluded.
5. Due to the abrasive nature of a pellet fire and the frequency of which the log set must be handled, England's Stove Works© extends no warranty to the log set.

* Some states do not allow the exclusion of limitations of incidental or consequential damages, so the above may not apply to you.

Procedure

Purchaser must give notice of claim of defect within the warranty period and pay transportation to and from a service center designated by the manufacturer. The dealer from which the unit was purchased or the factory, at our option, will perform the warranty service.

Other Rights

This warranty gives you specific legal rights; you may also have other rights, which may vary from state to state.

Please Note: This warranty is null and void if the attached warranty registration AND a copy of the sales receipt is not returned within thirty (30) days from the date of purchase.

Warranty is not transferable.

WARRANTY REGISTRATION for England's Stove Works®

Purchaser Information

I. Purchased By (Name) _____

II. Address _____

III. City _____ State _____ Zip Code _____

IV. Telephone Number _____

V. Email Address _____

Dealer Information

VI. Purchased From _____

VII. Address _____

VIII. City _____ State _____ Zip Code _____

Unit Information

*Refer to the sticker on the back of the manual or box to complete this section.

IX. Model Number _____ Purchase Date _____

X. Purchase Price _____

XI. Serial Number _____ Mfg. Date _____

Purchase Questions

How did you first hear about our product? (Please check one)

Word of Mouth _____ Burn Trailer Demonstration _____ Internet _____

Other: _____

Where did you receive information about our product?

Via Telephone _____ Dealer (Name of dealer) _____ Internet _____

Other: _____

Important Notice

This registration information **MUST** be on file for this warranty to be valid. Please mail this information within thirty (30) days from the original date of purchase.

Use any of these three easy ways to send your warranty information in!

Mailing Address

England's Stove Works, Inc.
Technical support Department
P.O. Box 206
Monroe, Virginia 24574

Fax Number

(434) 929-4810 – Twenty-four hours a day.

Online Registration

Visit our warranty registration website at:

<http://www.heatredefined.com>

PLEASE NOTE:

PELLET - Meets the 2015 U.S. Environmental Protection Agency's wood emission limits for wood heaters sold after May 15, 2015

EPA INFORMATION

The following additions to your owner's manual will enable you to achieve optimal emissions performance from your stove. Important safety tips are also included.

- *Proper Installation* – Please refer to the Installation section of your owner's manual and follow the guidelines listed therein for safety and for optimal emissions performance.

Additional information:

Venting:

Be sure to follow your owner's manual's recommendation for venting, including the proper types of flue systems and pellet vent pipe.

Also note that Outside Air Connection (combustion air) is MANDATORY for proper safe operation, and to achieve optimal emissions performance.

Observe the vent termination clearances specified in your owner's manual, and contact our Technical Support if you have any questions. Phone (800) 245-6489 or email service@englanderstoves.com.

Be certain that all aspects of the venting system are installed to the venting manufacturer's instructions, particularly the required clearances to combustibles.

Your pellet stove operates on a negative draft system, which pulls combustion air through the burn pot and pushes the exhaust air through the vent pipe and out of the building. This unit must be installed in accordance with your owner's manual's detailed descriptions of venting techniques; not installing the stove in accordance with the details listed can result in poor stove performance (including poor emissions), property damage, bodily injury or death. England's Stove Works is not responsible for any damage incurred due to a poor or unsafe installation.

Additional Venting Information

- Do not mix and match components from different pipe manufacturers when assembling your venting system (i.e. Do **NOT** use venting pipe from one manufacturer and a thimble from another).
- We **require** a minimum vertical rise of 36 in. (3 ft.) of pipe to create natural draft in the system, which helps evacuate smoke from the stove in the event of a power failure or combustion blower failure.
- Venting systems 15.0 ft. or shorter may be composed entirely of 3.0 in. pellet pipe; to reduce frictional losses, venting systems longer than 15.0 ft. should be composed of 4.0 in. pellet pipe.
- Do not terminate the venting system directly beneath any combustible structure such as a porch or deck.
- Follow NFPA 211 rules listed below for venting system termination location relative to windows and other openings in the dwelling.
 - NFPA 211 (2006 ed.) Section 10.4 Termination: 10.4.5
(1) The exit terminal of a mechanical draft system other than direct vent appliances (sealed combustion system appliances) shall be located in accordance with the following:
 - (a) Not less than 3 ft. (.91 m) above any forced air inlet located within 10 ft. (3.0m).
 - (b) Not less than 4 ft. (1.2 m) below, 4 ft. (1.2 m) horizontally from or 1 ft. (305 mm) above any door, window or gravity air inlet into any building.
 - (c) Not less than 2 ft. (0.61 m) from an adjacent building and not less than 7 ft. (2.1 m) above grade when located adjacent to public walkways.
- Distance between the termination opening and grade should be a minimum of 2 ft. (24 in.) contingent on the grade surface below the termination. When determining the termination height above grade, consider snow drift lines and combustibles such as grass or leaf accumulation. In areas where significant snowfall is possible, the termination height must be sufficiently high to keep the termination free of snow accumulation.
- Do not use makeshift compromises during installation or install any component of the unit or venting system in such a manner that could result in a hazardous installation.
- A chimney connector shall not pass through an attic or roof space, closet or similar concealed space, or a floor, or ceiling.
- Where passage through a wall or partition of combustible material is desired, the installation shall conform to CAN/CSA-B365.

WARNING:

Venting system surfaces get HOT, and can cause burns if touched. Noncombustible shielding or guards may be required.

OUTSIDE AIR HOOK-UP

- The use of outside combustion air is **mandatory** on this pellet stove.
- The outside air connection pipe protrudes from the lower rear center of the stove; use the included outside air kit to attach your stove to outside combustion air. Instructions and all the parts needed to make the outside air connection to your pellet stove are included with the outside air kit.
- If it is not feasible to use the included outside air hookup kit in your stove installation, other materials may be used, provided the following rules are followed:
 - The pipe used for outside air hookup must be metal, with a minimum thickness of .0209 in. (25 gauge mild steel) or greater and an inside diameter of approximately 2.0 in.
 - All pipe joints and connections should be sealed with pipe clamps or other mechanical means, to insure a leak free outside air connection.
 - Long runs of pipe and excessive elbows for outside air should be avoided. Due to frictional resistance in pipe, any excessive outside air piping can result in poor stove performance.
 - A screen or other protection device must be fitted over the outside air termination point to prevent rain, debris and nuisance animals from entering the piping system.
 - Increase the outside air pipe size to 3.0 in. diameter pipe if the outside air connection is more than 6 ft. in length, more than two (2) elbows are used or if the stove is installed in a basement.
 - The outside air connection system should be inspected at least annually to be certain it is free from blockage.
- *Operation and Maintenance* – Please refer to the ‘Operation’ (Operating Instructions) and Maintenance (including Ash Removal/Disposal) sections of your owner’s manual and follow the guidelines listed therein for safety *and* for optimal emissions performance.

Additional Information:

Following the instructions in your owner’s manual for Start-Up (lighting a fire) will ensure a proper fire, as well as helping minimize visible emissions.

More:

- *Fuel loading and re-loading:* Practical Tips for Building a Fire – See your owner’s manual for information on loading (and re-loading) your fuel, as well as for fire-starting procedures.

- *Fuel Selection:* Once your appliance is properly installed, be sure to follow your owner’s manual regarding fuel selection and starting and operating your appliance, including the following practical tips that will help you obtain the best efficiency from your stove.

-

Daily Operation Notes

- Only high quality, ¼” (.25 in.) diameter wood pellets, should be used in this stove. Using low grade wood pellets with high ash content OR wood pellets with a high moisture content can cause the burn pot to fill with ash at a more rapid pace and can cause intervals between periodic maintenance to become significantly shorter. Please read the “Maintenance” section of this manual thoroughly to understand how fuel selection affects stove operation, maintenance and cleaning.

- Variation in the flame height is normal; not all wood pellet fuel is uniform in size, which can affect the way pellets are fed into the burn pot. Although the flame height may increase and decrease during operation, there is no loss of efficiency.

- Always store wood pellet fuel in a dry location; storing wood pellet fuel in a dry location ensures the fuel will remain pelletized and low in moisture content. Also, be certain that all wood pellet fuel is stored at a safe distance from the pellet heater; storing fuel in close proximity to the stove can result in a fire.

This pellet burning room heater is equipped with a specially designed burn pot which comes preinstalled from the factory. This burn pot elevates the burning pellets and delivers air at the precisely-required locations. Pellets must only be burned in the factory burn pot; no modifications should be made to this burn pot and no additional grates or other fire elevators should be used.

WHAT FUELS NOT TO USE:

CAUTION

- **NEVER USE GASOLINE, GASOLINE-TYPE LANTERN FUEL, KEROSENE, CHARCOAL LIGHTER FLUID, OR SIMILAR LIQUIDS TO START OR “FRESHEN UP” A FIRE IN THIS HEATER. KEEP ALL SUCH LIQUIDS WELL AWAY FROM THE HEATER WHILE IN USE. ADDITIONALLY, NEVER APPLY FIRE-STARTER TO ANY HOT SURFACE OR EMBERS IN THE STOVE. DO NOT USE CHEMICALS OR FLUIDS TO START THE FIRE.**
- **DO NOT BURN FLAMMABLE FLUIDS SUCH AS GASOLINE, NAPHTHA OR ENGINE OIL.**
 - **DO NOT BURN GARBAGE; LAWN CLIPPINGS OR YARD WASTE; MATERIALS CONTAINING RUBBER, INCLUDING TIRES; MATERIALS CONTAINING PLASTIC; WASTE PETROLEUM PRODUCTS, PAINT OR PAINT THINNERS, OR ASPHALT PRODUCTS; MATERIALS CONTAINING ASBESTOS; CONSTRUCTION OR DEMOLITION DEBRIS; RAILROAD TIES OR PRESSURE-TREATED WOOD; MANURE OR ANIMAL REMAINS; SALT WATER DRIFTWOOD OR OTHER PREVIOUSLY SALT WATER SATURATED MATERIALS; UNSEASONED WOOD; PAPER PRODUCTS, CARDBOARD, PLYWOOD OR PARTICLEBOARD. THE PROHIBITION AGAINST BURNING THESE MATERIALS DOES NOT PROHIBIT THE USE OF FIRESTARTERS MADE FROM PAPER, CARDBOARD, SAWDUST, WAX AND SIMILAR SUBSTANCES FOR THE PURPOSE OF STARTING A FIRE IN AN AFFECTED WOOD HEATER. BURNING THESE MATERIALS MAY RESULT IN RELEASE OF TOXIC FUMES OR RENDER THE HEATER INEFFECTIVE AND CAUSE SMOKE.**

- *Air Controls:* Your pellet stove is equipped with a control board that automatically adjusts the air to fuel ratio for optimum emissions. See your owner’s manual for information on operating the control board, and for other operational information on achieving the best burn, including these tips:

The control board on this stove allows the user to adjust the heat output and convection blower speed, and turn the unit on and off.

- The lower buttons on the control board (Low Fuel Feed, Low Burn Air, and Air on Temp) are not meant to be adjusted during normal operation of the unit. These buttons are factory preset and should not be adjusted by the user.
- To energize the unit and initiate a fire, press the “On” button. The LED above the button should turn green and the control board should display “S U” shortly after pressing the button.

- To shut the unit down, press the “Off” button. The LED above the button should turn red and the board should display “S d” shortly after pressing the button. This initiates the shut down sequence, and the stove will remain in shut down mode until it has cooled down.
- To increase the heat output of the stove, press the “Up” heat range button. The number in the heat range display window will increase, signifying that the control board is now adjusting the heat output to your desired level. The blower speed will increase the same amount as the heat range, because the stove is designed to operate with the blower speed greater than or equal to the heat range. Pressing the “Down” arrow will decrease the heat range and blower speed.
- To increase the blower speed without increasing the heat range, press the Blower Speed “Up” arrow until the desired blower speed is shown in the display window. Pressing the “Down” arrow will decrease the blower speed; however, the control board will not allow the blower speed to be set lower than the heat range.

Caution

This unit is meant to operate only with the ash pan and main viewing door closed. Smoke spillage and an inefficient, lazy burn will result from attempting to operate the stove with either door open.

In addition, using fuel other than wood pellets can create an unsafe situation and can also generate excess carbon monoxide. Carbon monoxide is an odorless, colorless gas which can be deadly. Be sure to burn only wood pellets. The use of a carbon monoxide detector is strongly recommended.

- *ASH REMOVAL* – Follow your Owner’s manual’s instructions regarding removal and disposal of ashes. Also be sure to follow ALL Maintenance requirements as listed.
- *REPLACEMENT of parts that are critical to emissions performance* – Follow your Owner’s manual’s instructions regarding replacement of gaskets and other parts that are critical to emissions performance.

Remember: “This wood heater needs periodic inspection and repair for proper operation. It is against federal regulations to operate this wood heater in a manner inconsistent with operating instructions in this manual.”

- **Smoke Detectors**

England's Stove Works, Inc. highly recommends the use of smoke detectors in every room of the house. However, locating a smoke detector directly above this unit can result in nuisance alarms.

- *Compliance:* "This non-catalytic wood heater meets the 2015 U.S. Environmental Protection Agency's wood emission limits for wood heaters sold after May 15, 2015."
- *Tamper Warning:* "This wood heater has a manufacturer-set minimum low burn rate that must not be altered. It is against federal regulations to alter this setting or otherwise operate this wood heater in a manner inconsistent with operating instructions in this manual."
- *Warranty:* See your Owner's manual for a Warranty Registration instruction page, as well as instructions for warranty procedures. For parts, warranty replacement procedures may be found at our parts store site: www.store.heatredefined.com