

30" Digital Electric Smoker Owner's Manual

MODEL:
BS30BK



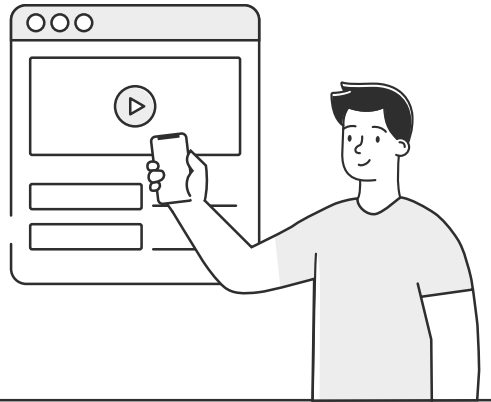
EAST OAK



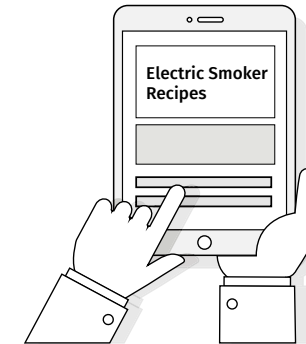
**Need help starting?
Scan the QR code for installation video guidance.**



installation video



Uncover New Tricks & Join the Conversation!
Scan the QR code to enter the official recipe.



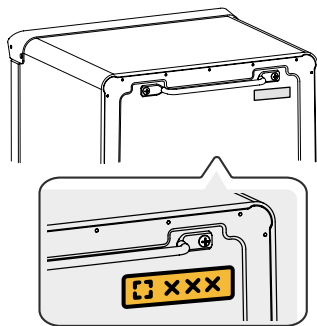
**Questions? Comments?
Reach out to us for expert support!**



✉ support@eastoak.com
 🌐 eastoak.com
 ☎ 1-833-EAST-OAK (USA)
 (9am-5pm PST/PDT)

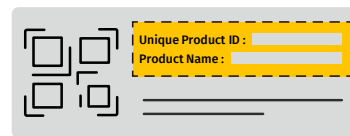


**Unlock all the perks!
Start the registration process now for a 3-year warranty.**



Step 1:

Found the Unique Product ID on the product.



Step 2:

Scan the QR code within 90 days to access our registration page. Fill the Unique Product ID and other required information as instructed.

Complete the registration !



eastoak.com/warranty



Welcome to the East Oak family!

Stay updated with our latest news and exclusive discounts by following us on social media!



Facebook @eastoakliving
www.facebook.com/eastoakliving



Instagram @eastoakliving
www.instagram.com/eastoakliving/

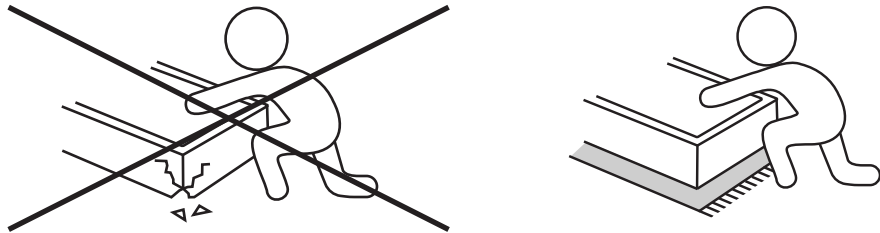


Youtube @eastoakliving2080
www.youtube.com/@eastoakliving2080

IMPORTANT INFORMATION

Please check all parts and components to ensure no damage or missing items before starting the product's construction. If you have any problems or discover any missing parts, please contact customer service at support@eastoak.com.

- Some parts may contain sharp edges. Wear protective gloves if necessary during assembly.
- When using power tools, please use the lowest power setting to avoid damage to the parts.
- Assemble on a soft surface such as a drop sheet or rug to avoid scratching.
- **If you find any screws missing, please contact customer service immediately.**



DANGER CARBON MONOXIDE HAZARD.

- Burning wood gives off carbon monoxide which may cause death.
- **DO NOT** burn wood chips inside homes, tents, garages, or any enclosed areas.
- Use only outdoors where it is well-ventilated.

CAUTION

- Do not use sharp or pointed tools to clean the smoker.
- Do not use abrasive oven cleaners, steel wool, or metal brushes to clean porcelain grates or smoker bodies. They will damage the finish.
- Only replace damaged parts with parts provided directly by the manufacturer. Do not attempt to repair damaged parts.

WARNINGS AND IMPORTANT SAFEGUARDS

READ ALL INSTRUCTIONS BEFORE USE

General Safety Precautions

Setup

- Do not plug in the smoker until fully assembled and ready for use.
- Do not use the smoker during an electrical storm.
- It is recommended to keep children and pets away from smokers.
- The use of accessory attachments not recommended by the appliance manufacturer may cause injuries.
- Do not use this appliance other than for its intended use. This unit is for OUTDOOR HOUSEHOLD USE only and is NOT for commercial use.
- This unit is not to be used as a heater (see carbon monoxide danger warning on cover/page 2).
- The smoker box is designed for wood chips. Do not use wood chunks or pellets. NEVER use charcoal inside the smoker or smoker box, as it will cause a fire, create unsafe conditions, and damage the smoker.

Positioning

- Do not place the smoker on or near a hot gas or electric burner or in a heated oven.
- To prevent the smoker from being splashed or falling into the water, do not use the smoker within 10 feet of a pool, pond, or other body of water.
- Never use it inside enclosed areas, such as garages, buildings, or tents.
- Do not operate under overhead construction, such as roof coverings, carports, awnings, or overhangs.
- Use the unit on a level, non-combustible stable surface such as dirt, concrete, brick, or rock.
- The unit **MUST** be on the ground. Do not place it on tables or counters. Avoid moving it across uneven surfaces.
- Keep the unit at least 36" (92cm) away from walls or railings.
- Do not use or store gasoline, kerosene, or other flammable liquids within 20' (6m) of the smoker when in use.
- Keep the smoker and electric controller dry and out of the rain at all times.

Use

- **Surfaces may be hot, so avoid touching hot surfaces directly with any part of your body.**
- Use long barbecue utensils for cooking, and use protective gloves when adding and removing food from the unit to avoid burns.
- Never leave the smoker unattended when it is on.



WARNINGS AND IMPORTANT SAFEGUARDS

- Do not use glass, plastic, or ceramic cookware inside the smoker.
- Do not leave wood ashes in the smoker box. Empty it after each use and dispose of cold ashes by placing them in aluminum foil, soaking them with water, and discarding them in a non-combustible container.

Cords

- Use only with a GFI (Ground Fault Interrupter) protected circuit, and use only on a properly grounded outlet.
- Do not operate any appliance with a damaged cord or plug or after the appliance malfunctions or has been damaged in any manner.
- To protect against electrical shock, do not immerse the cord, plugs, controller, or heating element in water or any other liquid. Keep the plug off the ground and dry.
- Do not let the cord hang over the edge of a table or counter, and do not let it touch hot surfaces.
- Never remove the grounding plug or use it with an adapter having only two prongs
- To disconnect, turn the control panel "OFF" and remove the plug from the outlet.
- If a longer detachable power-supply cord or extension cord is used: (1) the marked electrical rating of the cord set or extension cord should be at least as great as the electrical rating of the appliance, and (2) the cord should be arranged so that it will not drape over the counter or portable top where it can be pulled by children or tripped over unintentionally. The extension cord must be a grounding-type 3-wire cord.

Other

- Do not use water or other liquid sprays to clean the product without first unplugging the electric controller and removing the heating element.
- Keep a fire extinguisher accessible during operation.
- Allow it to cool before putting on or taking off parts.
- This is a smoker, so there will be a lot of smoke produced when using wood chips. Smoke will escape through seams and turn the inside of the smoker black. This is normal. To minimize smoke loss around the door, the door latch can be adjusted to further tighten the door seal against the body. To adjust the door latch, loosen the hex nut or door latch, turn the hook clockwise to tighten it, and then secure the hex nut firmly against the door latch.

WARNING

- This manual contains important information necessary for the proper and safe use of this unit.
- Read and follow all warnings and instructions before using smoker and during use.
- Keep the manual for future reference. Some parts may have sharp edges. Handle with care.
- Failure to follow all manufacturer's safeguards could result in serious personal injury and property damage.
- Read and follow all the information and safeguards in this product guide before attempting to assemble or operating this smoker.
- The smoker should only be rolled on a smooth surface. Never roll the smoker up or down stairs or on uneven surfaces, as this could potentially damage the smoker and hurt the user.



DANGER Extension Cord Use

DO NOT USE 16 OR 18 GAUGE EXTENSION CORDS.

MISUSE COULD CAUSE DAMAGE TO HOUSEHOLD WIRING AND CAUSE A FIRE

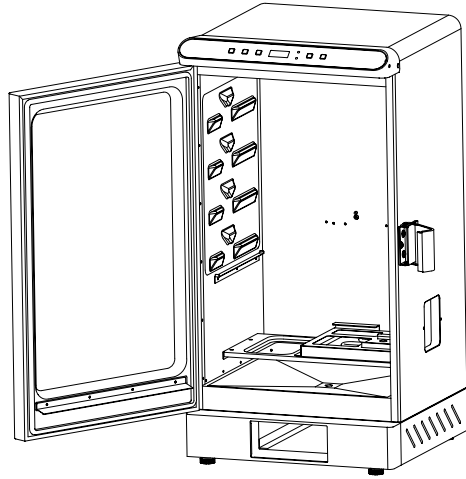
For best smoker performance, using an extension cord is not recommended. If you must use an extension cord, the following is required for your safety:

- Use only an outdoor type with a 3-prong grounding plug, rated for 15 amperes or more, approved by UL, marked with a W-A, and a tag stating "Suitable for Use with Outdoor Appliance".
- Use the shortest length extension cord required. Do not connect two or more extension cords together.
- Keep connections dry and off the ground.
- Do not let the cord hang over the edge of a table top or other items where it can be pulled by children or tripped over.

Ground Fault Interrupter:

- Since 1971 the National Electric Code (NEC) has required Ground Fault Interrupter devices on all outdoor circuits.
- If your residence was built before 1971, check with a qualified electrician to determine if a Ground Fault Interrupter protector exists.
- Do not use this appliance if the circuit does not have GFI protection.
- Do not plug this appliance into an indoor circuit.

PARTS LIST



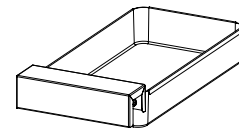
Smoker Assembly

A X 1 PC



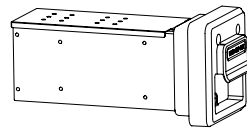
Back Handle

B X 1 PC



Grease Tray

C X 1 PC



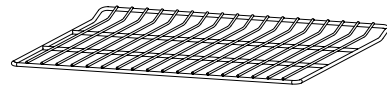
Smoker Box

D X 1 PC



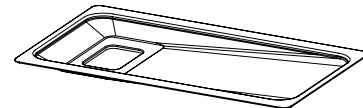
Water Pan

E X 1 PC



Cooking Rack

F X 4 PCS



Drip Pan

G X 1 PC

PARTS LIST



M6*16 Screws

L X 2 PCS



Axle Kit

I X 2 PCS



Wheel Kit

J X 2 PCS



Wheel Pin

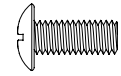
K X 2 PCS

WHAT'S IN THE BOX

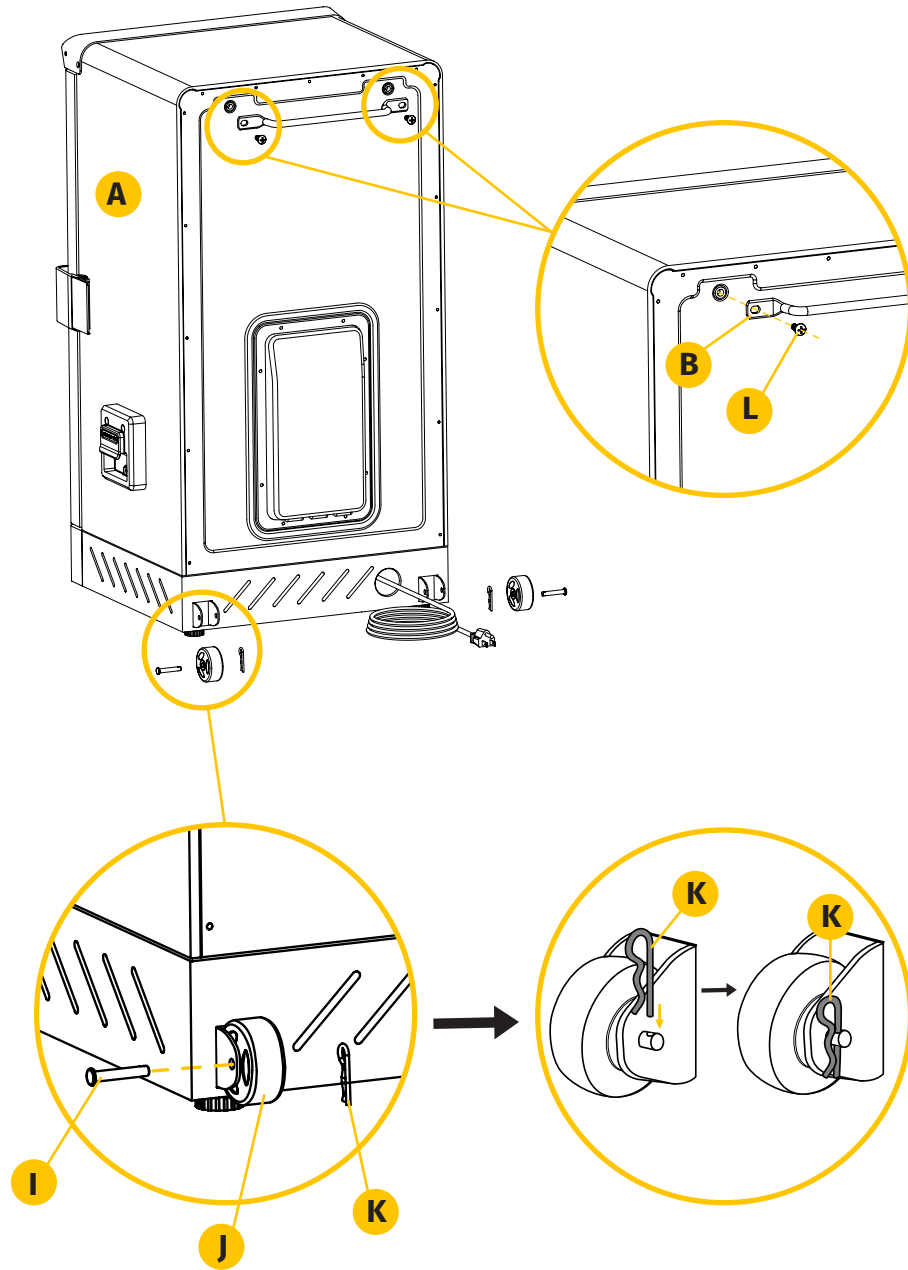
- 1 X Smoker Assembly
- 1 X Back Handle
- 1 X Grease Tray
- 1 X Smoker Box
- 1 X Water Pan
- 1 X Drip Pan
- 4 X Cooking Racks
- 2 X Screws
- 2 X Axle Kit
- 2 X Wheel Kit
- 2 X Wheel Pin
- 1 X Owner's Manual

ASSEMBLY INSTRUCTIONS

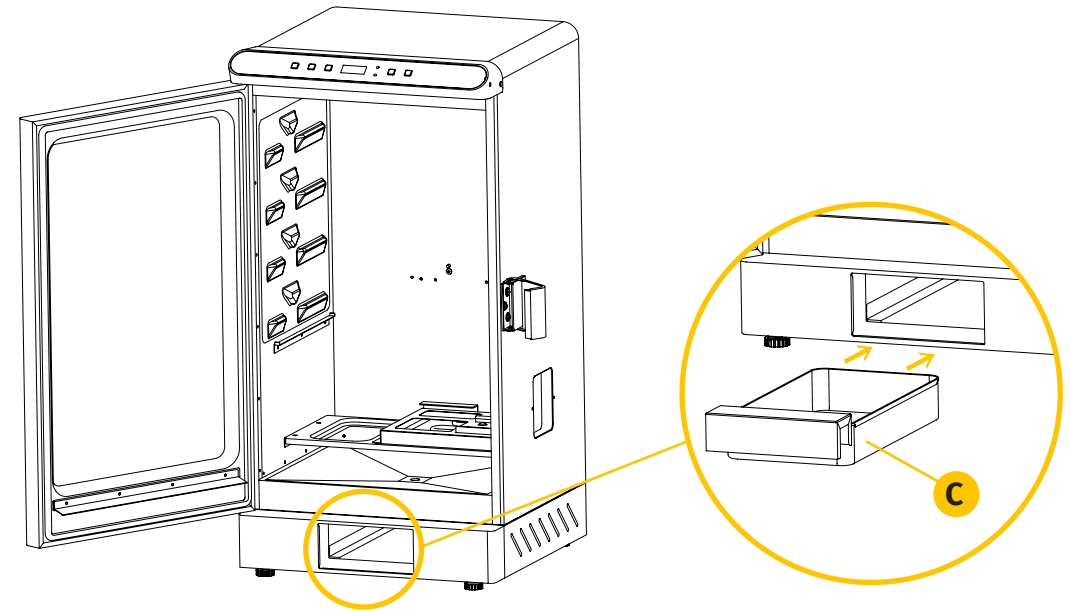
- 1** Stand the smoker upright, and install the handle(B) on the back of the smoker with two M6*16 screws(L). And install the wheel kit.



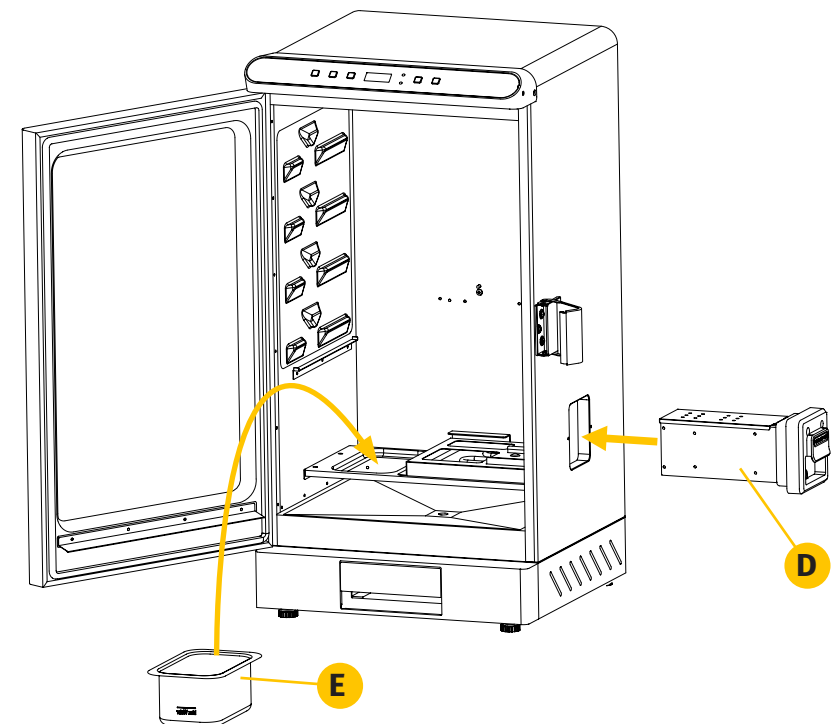
L X 2 PCS



- 2** Push the grease tray into the installation position between the right and left decorative plates. The grease tray should snap into position when fully inserted.

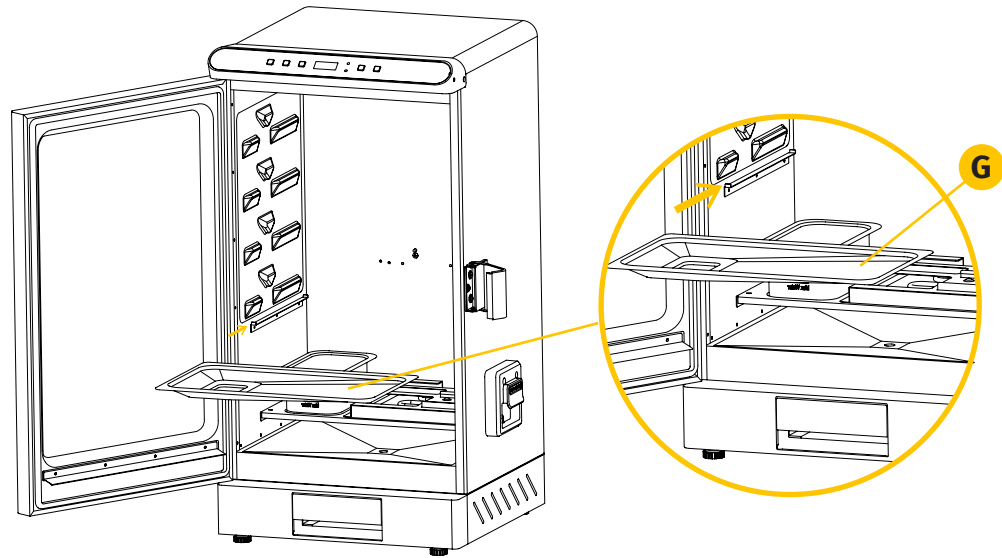


- 3** Put the water pan and smoker box into the corresponding position.



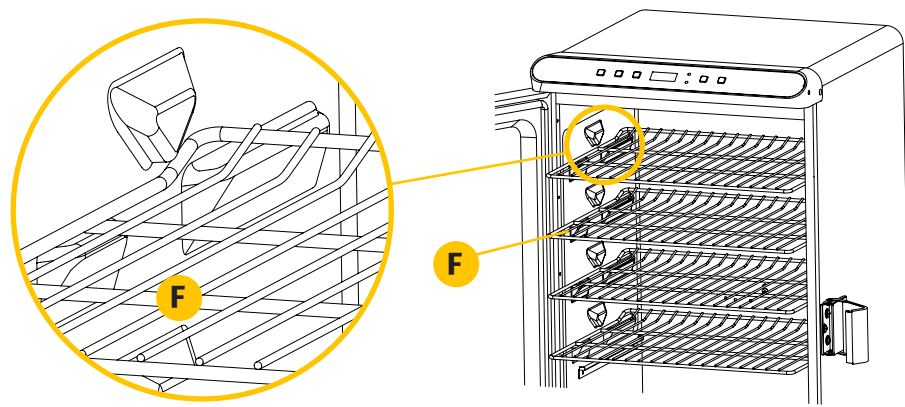
4

Put drip pan into the brackets on both sides of the smoker chamber.

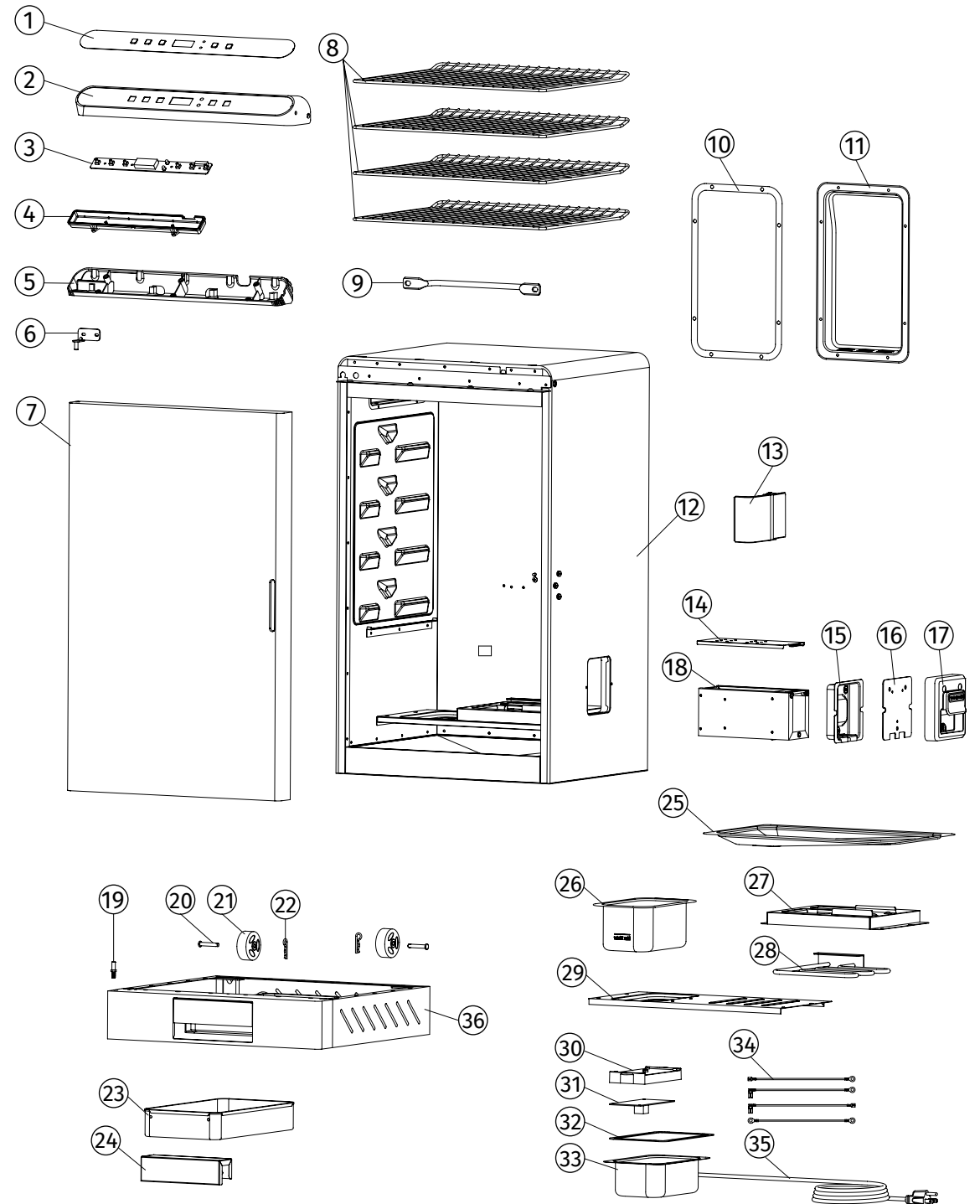


5

Put cooking racks into the brackets on both sides of the smoker.



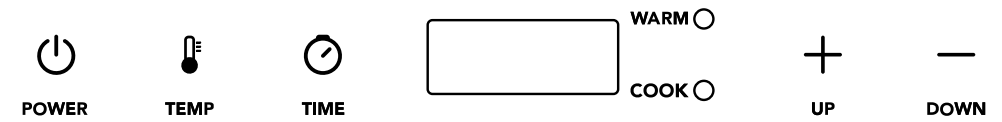
PARTS DIAGRAM








PARTS LIST

ITEM NO.	QUANTITY	DESCRIPTION
1	1	CONTROL PANEL FASCIA KIT
2	1	CONTROL PANEL FASCIA KIT
3	1	DISPLAY BOARD
4	1	CONTROL PANEL HOUSING
5	1	CONTROL PANEL BOTTOM PLATE
6	1	DOOR TOP HINGE BRACKET KIT
7	1	DOOR COMPONENTS
8	4	COOKING RACK
9	1	BACK HANDLE
10	1	REAR COVER GASKET
11	1	REAR COVER OF HEATING ELEMENT
12	1	MAIN COMPONENT
13	1	DOOR LATCH KIT
14	1	SMOKER BOX LID
15	1	SMOKER BOX CONNECTORS
16	1	RIGHT END HEAT INSULATION COVER
17	1	SMOKER BOX HANDLE
18	1	SMOKER BOX
19	1	BELOW THE DOOR SHAFT
20	2	AXLE KIT
21	2	WHEEL KIT
22	2	WHEEL PIN
23	1	GREASE TRAY
24	1	GREASE TRAY HANDLE
25	1	DRIP PAN
26	1	WATER PAN
27	1	LEG BOOT
28	1	HEATING ELEMENT
29	1	HEATING ELEMENT REFLECTOR
30	1	POWER BOARD GASKET
31	1	POWER BOARD KIT
32	1	POWER BOARD HOUSING GASKET
33	1	POWER BOARD HOUSING
34	1	INTERNAL WIRING
35	1	POWER SUPPLY CORD KIT
36	1	BASE WELDING ASSEMBLY

CONTROL PANEL OPERATING INSTRUCTIONS



-  **Power Button** - Turns smoker on and off
-  **Temp Button** - Adjusts Cooking temperature
-  **Time Button** - Adjusts Cooking time
-  **Up Button** - Add to time/temp value
-  **Down Button** - Subtract from time/temp value

Display: The digital control panel is used to display the temperature setting value and actual measurement value in the chamber, the cooking timing time value, the countdown remaining time value, and the error code.

Power indicator light: This indicator light is a green LED light. When the indicator light is on, the control program enters the “heat preservation and temperature control” state.

Heating indicator light: The indicator light is a red luminous LED light. When the indicator light is on, the control program has entered the “heating work” state.

GENERAL OPERATION INSTRUCTIONS

Display

1. Press the power button once to ready the device to receive inputs for the Temp / Time settings.
2. Time is displayed in 00:00 (HH:MM) with a range of 00:00 - 12:00 hours.
3. Temperature can be displayed in °F or °C, with the default set to °F. The Temp cooking mode range is 100°F - 275°F(38°C- 135°C). To switch between °F and °C, simultaneously press the UP and DOWN buttons for 3 seconds after powering on and PRIOR to any operation. Once settings are adjusted for Temp/Time it is not possible to switch.
4. The heating element will not begin to heat up until the Temp and Time settings are input.
5. If no operation is performed for 12 hours the unit will automatically shut down and the display screen will turn off.

Temp Button

1. Press the Temp Button to initiate temperature selection, the default setting will show 210°F (99°C) and will blink to indicate the temperature is ready to be adjusted.
2. Press and hold the Up or Down button to raise or lower the desired cooking temperature then release the button when the desired temperature is shown.
3. Press the Temp Button again to fix the setting, the display will no longer blink.

Time Button

1. Press the Time Button to initiate time selection, the default setting will show 00:00 and will blink to indicate the time is ready to be adjusted.
2. Hours and minutes are adjusted independently. Press and hold the Up or Down button to adjust the hour setting, release to stop. Press the Time Button again to switch to minutes and repeat the process for minutes. Once set, press the Time Button one final time to begin cooking. The blinking will stop, and the time will begin to count down indicating the cooking has begun. During the "Time setting" process, if there is no operation within 10 seconds, the program automatically exits the setting state with the default display value as the time value. If the time value is greater than "00:00", the heating will be turned on.
3. During cooking the display will alternate between the actual smoker temperature and the actual time elapsed.

4. Once the set time has finished, the temperature of the device will be automatically reduced to 120°F (49°C) and the display will alternate between 00:00 and 120°F. An audible beep will sound three beeps and then three beeps every 30 seconds until the power button is pressed, If no operation for 12 hours is performed the device will automatically shut off.

Smoker Box

The Smoker Box is where wood chips are added to bring smoke flavor to your food.

1. The Smoker Box is designed for wood chips, do not use wood chunks or pellets. NEVER use charcoal inside the smoker or Smoker Box as it will cause a fire, create unsafe conditions, and damage the smoker.
2. Before smoking, the wood chips need to be soaked for 30 minutes in advance to better bring out their flavor.
3. If wood chips are not being used as part of the cooking process, it is still required to have the Smoker Box inserted during the entire cooking process.
4. Please wear heat-resistant gloves to prevent burns when adding wood chips during the cooking process.



Notes: Please add wood chips according to taste. Fill 1/3rd for soft smoke flavor, 2/3 for medium smoke flavor or full for strong smoke flavor.

Water Pan

The Water Pan can be used to retain moisture inside the smoker to help keep meat moist while cooking. It is not required to add extra water during a smoke.

1. Fill the Water Pan with warm water to the max line prior to pre-heating and cooking. Do not overfill the Water Pan. Never remove or refill the Water Pan while cooking.
2. Never let any liquid come into contact with the heating element to avoid severe damage, including injury, flare-ups, and electrical failure. ALWAYS wear anti-scalding gloves when opening and working in the smoker after turning it on.

Cleaning the Smoker (First-Time Use)

Prior to the smoker's first use, and after completion of the Assembly Instructions, the smoker must be seasoned to remove any residue (such as oil and dust) which may have been left over from the manufacturing process. Please follow the instructions below:

1. Using a damp sponge and mild detergent, carefully wipe down all interior surfaces of your smoker, including trays and racks, ensuring not to scratch any surfaces. Rinse off any soapy residue with water and allow the unit to air dry with the smoker door open.
2. Apply a light coating of cooking oil spray or a small amount of cooking oil on a cloth and wipe down the inside of the smoker. Only wipe the flat smoker surfaces, do not wipe the smoker box, heating element, grease tray, or water tray.
3. Insert the water pan without water and insert the smoker box without wood chips for the cleaning process. Open the vent fully and keep it open during the cleaning process.
4. Plug in the appliance; the display will power up immediately and emit a beep sound.
5. Press the Power Button once to activate the control unit.
6. Press the Temp Button and set the temperature to 275°F (135°C), the maximum setting.
7. Press the Time Button and set the time to two hours.
8. Once two hours have passed, power off the smoker and allow it to cool down.
9. After completing the cleaning process and ensuring the smoker has cooled down, it is ready for use.



The smoker is always TOO HOT to touch when in use or at least 1-2 hours after being switched off. Please remember always to wear protective gloves when operating the smoker.

Preheating the Smoker



Preheat the smoker for 30-45 minutes (to max temp) before cooking. Always add water before preheating.

1. Press the Temp Button.
2. Press and hold the UP button to raise the temperature to max temp, then release the button.
3. After the smoker has reached the max temperature it is ready for use.

Cooking With the Smoker

1. After cleaning (if first-time use) and preheating the smoker as described above, it is now ready for use. Remember, as part of the preheating setup, ensure that wood chips and water are already inserted into the Smoker Box and Water Pan.
2. Carefully insert the meat into the preheated smoker, using protective gloves and ensuring not to overfill the space. Maintaining space between the meat and around the edges of the racks ensures proper air circulation.
3. Set the cooking temperature using the Temp Button and then set the cooking time using the Time function. Refer to the operating instructions in the related sections on page 14 for each function.
4. Once the internal temperature of the meat meets or exceeds the recommended USDA guidelines displayed earlier in this manual, power off the device. Remove the meat from the smoker and enjoy your perfectly cooked meal! **Reminder: Never rely solely on cooking time. Always ensure food reaches the minimum internal temperature recommended by the USDA for safe consumption.**

Food Safety

Safe handling, cooking, and storage steps are vital for preventing foodborne illness. Harmful bacteria that can cause illness are invisible, odorless, and tasteless. At every stage of food preparation, it's crucial to follow the four guidelines to keep food safe:

- **Clean**—Wash hands and surfaces often.
- **Separate**—Keep raw meat separate from other foods.
- **Cook**—Ensure food is cooked to the right temperature.
- **Chill**—Refrigerate food promptly.

USDA Recommended Internal Cooking Temperatures

- Meat and poultry cooked on a grill may brown quickly on the outside but could remain undercooked inside. Avoid partially grilling meat or poultry with the intention of finishing cooking later. Color alone is not a reliable indicator of safety and doneness. Always use a food thermometer to ensure the food reaches a safe minimum internal temperature. Insert the thermometer into the thickest part of the food, avoiding contact with bone, fat, or gristle. Remember to wash the food thermometer thoroughly with hot, soapy water before and after each use.
- Cook all food to these minimum internal temperatures as measured with a food thermometer before removing food from the heat source. For reasons of personal preference, consumers may choose to cook food to higher temperatures.

PRODUCT	MINIMUM INTERNAL TEMPERATURE & REST TIME
Beef, Pork, Veal & Lamb Steaks, Chops, Roasts	145° F(62.8° C) and allow to rest for at least 3 minutes
Ground Meats	160°F(71.1°C)
Ground Poultry	165°F(73.9°C)
Ham, fresh or smoked (uncooked)	145° F(62.8° C) and allow to rest for at least 3 minutes
Fully Cooked Ham (to reheat)	Reheat cooked hams packaged in USDA-inspected plants to 140°F(60°C) and all others to 165°F(73.9°C)
All Poultry (breasts, whole bird, legs, thighs, wings, ground poultry, giblets, and stuffing)	165°F(73.9°C)
Eggs	160°F(71.1°C)
Fish & Shellfish	145°F(62.8°C)
Leftovers	165°F(73.9°C)
Casseroles	165°F(73.9°C)

Visit <https://www.fsis.usda.gov> for more information on Food Safety.

Care Instructions

- Clean rack supports, racks, water bowl, and drip pan with mild dish detergent. Rinse and dry thoroughly.
- Clean the interior frame, door glass (if featured), and exterior of the smoker with a damp cloth only. If necessary, you can use a neutral and mild cleaning agent and then rinse off any soapy residue with water and allow the unit to air dry with the smoker door open. Dry thoroughly.
- After each use, clean the door seal and the corresponding inside seam with a damp cloth to preserve the life of the seal.
- Always take care not to scratch any surfaces inside or outside the unit to reduce the chance of rust or corrosion.
- Avoid cleaning any of the smoker surfaces while hot.
- The Smoker Box should be cleaned frequently to remove ash, residue, and dust.



HELPFUL TIPS

- **Avoid covering racks with aluminum foil, as it may inhibit proper heat circulation.**
- **In cooler outside temperatures below 65°F (18°C) and/or at altitudes above 3,500 feet (1,067m), additional cooking time may be necessary.**
- **Avoid overloading the smoker with food. Ensure there is space between the food items and around the edges of the rack to facilitate heat circulation.**

- **Refrain from overpacking the smoker box with wood chips, and do not exceed the max fill line when filling the water pan.**
- **When cooking, always ensure the water pan and smoker box are inserted, regardless of whether they are filled or not.**
- **Minimize opening the smoker door during operation, as it can lead to heat loss and prolong cooking times.**
- **Excessive food in the smoker can disrupt heat convection due to the bottom placement of the heat source. This may lead to uneven heat distribution within the chamber, causing the actual temperature to deviate from the set temperature. To ensure proper heat circulation and convection, it's advisable to use an appropriate amount of food, allowing sufficient space between items.**

Meat Smoking Flavor Profiles & Pairings

WOOD	STRENGTH	RECOMMENDED PAIRING
Hickory	Intense	Beef, Pork
Mesquite	Intense	Beef, Pork
Oak	Medium	Pork, Beef, Poultry
Maple	Mild	Poultry, Vegetables, Cheese
Apple	Mild	Pork, Poultry, Fish
Cherry	Mild	Pork, Poultry, Beef, Lamb, Duck

Note: If you notice liquid seeping from the bottom of the unit, it's likely condensation, not oil or grease. Please remember to use this appliance only outdoors in a secure area away from children and animals.

Note: You have the option to use either dry or pre-soaked wood chips in your smoker. Dry chips will burn faster, resulting in a more intense smoke flavor. On the other hand, chips that have been pre-soaked in water for approximately 30 minutes will burn more slowly, producing a milder smoke flavor.

TROUBLESHOOTING		
ISSUE	POSSIBLE CAUSE	RECOMMENDED PAIRING
Smoker no heating	Smoker is not plugged in fully.	Remove plug from outlet and plug in again.
	No power.	Turn the Smoker OFF and unplug from outlet, Check or replace in this order: <ul style="list-style-type: none"> • Check for tripped household circuit breakers or Ground Fault Circuit Interrupter (GFCI). Reset or replace if necessary using a GFCI rated for 15 amperes or more. • Test a known, working appliance in the outlet to ensure there is no issue with the outlet itself. • Try using a different outlet, preferably on a different circuit, to rule out electrical issues. • Disconnect and reconnect the thermostat connections. Replace the Thermostat Kit if needed. • Disconnect and reconnect the control panel connections. Consider replacing the Control Panel Display Kit if the issue persists. • If necessary, disconnect and reconnect the power board connections. Replace the Power Board Kit if the problem persists.
	Faulty heating element.	Turn the Smoker OFF and unplug from outlet. Check or replace in this order: <ul style="list-style-type: none"> • Unplug heating element connections and reconnect. • Replace the heating element. • Replace the Thermostat kit. • Replace the Control Panel Display Kit. • Replace the Power Board Kit.
Circuit breaker trips or fuse blows	Another appliance plugged into same circuit as the smoker.	Remove all other electrical appliances on the same circuit, then try again.
	Faulty heating element.	Remove all other electrical appliances on the same circuit, then try again.
	Poor electrical connections.	Turn the Smoker OFF and unplug from outlet. Check or replace in the following this order: <ul style="list-style-type: none"> • Unplug thermostat connections and reconnect. Replace the Thermostat Kit if necessary. • Replace the Power Supply Cord Kit.
No display	Faulty control panel.	Turn the Smoker OFF and unplug from outlet. Check or replace in the following this order: <ul style="list-style-type: none"> • Unplug the smoker and plug it back into the outlet (a beep will sound when plugged in). • Unplug thermostat connections and reconnect. Replace Thermostat Kit if necessary. • Unplug control panel connections and reconnect, Replace the Control Panel Display Kit if necessary. • Unplug power board connections and reconnect. Replace the Power Board Kit if necessary.
Smoker will not cook properly	Door of smoker is left open.	Keep the smoker door closed while cooking to prevent rapid heat loss. Opening the door allows heat to escape quickly, which can prolong the cooking time needed to properly cook your food.
	Insufficient preheat.	Always use controller PH (preheat) setting before starting a cooking.
	Inappropriate extension cord.	Use only outdoor extension cords with a 3-prong grounding plug that are rated for 15 amperes or more and approved by UL. Look for cords marked with a "W-A" and a tag stating "Suitable for Use with Outdoor Appliance." Use the shortest length extension cord necessary and avoid connecting two or more cords together. For optimal safety, use a 12 or 14 gauge extension cord that is 50ft. or shorter.
Flare-ups	Excess fat in meat.	Trim fat from meat before cooking.
	Excessive cooking temperature.	Adjust (lower) temperature as needed.
	Grease build up.	Clean smoker, cooking grates, drip pan, grease tray and water pan.
Persistent grease fire	Grease trapped by food build up.	Turn the Smoker OFF and unplug from outlet, keep door open and let fire burn out.
		Do not apply water to fire. Personal injury may result.
		After smoker cools, clean smoker, cooking grates, drip pan, grease tray and watelpan.

ERROR CODES		
ERROR CODES	ISSUE	RECOMMENDATION
Err1	Alarm sounding with 3 beeps every 30 seconds and will only stop when the Power Button is turned to off. Blinking "Err1" appears when you press the Power Button when starting your smoker. Blinking "Err1" appears when you press the Temp Button on your smoker. Blinking "Err1" appears when you press any buttons on your smoker. Refer to online Electrical Replacement Manual for instructions on removal and replacement.	Turn Smoker OFF and unplug from outlet, Replace Thermostat Kit.
Err2	Alarm sounding with 3 beeps every 30 seconds and will only stop when the Power Button is pressed Blinking "Err2" appears when you press the Power Button when starting your smoker. Blinking "Err2" appears when you preheat your smoker.	Turn Smoker OFF and unplug from outlet Check or replace in this order <ol style="list-style-type: none"> 1. Replace Thermostat Kit. 2. Replace Control Panel Display Kit. 3. Replace Power Board Kit.

This device complies with Part 15 of the FCC and RSS Rules.

Operation is subject to the following two conditions:

1. This device is designed not to generate harmful interference.
2. This device is required to accept any interference received, including interference that may cause undesired operation.

WARNING:

- Any alterations or modifications to this unit that have not been expressly approved by the responsible party for compliance may void the user's authority to operate this equipment.
- This equipment has undergone testing and complies with the standards for a Class B digital device, as outlined in Part 15 of the FCC Rules. These standards are intended to offer reasonable protection against harmful interference in residential installations.
- This equipment utilizes and emits radio frequency energy, and if not installed and operated in accordance with the manufacturer's instructions, it may cause interference that disrupts radio communications.
- While efforts have been made to minimize interference, there is no guarantee that interference will not occur in certain installations. If this equipment disrupts radio or television reception, the user is advised to attempt corrective measures, including:
 - Adjusting or relocating the receiving antenna.
 - Increasing the distance between the equipment and receiver.
 - Connecting the equipment to a different electrical circuit than the one used by the receiver.
 - If issues persist, it is recommended to seek assistance from the dealer or a qualified radio or TV technician.

LIMITED WARRANTY

- The manufacturer warrants to the original consumer-purchaser only that this product shall be free from defects in workmanship and materials after correct assembly and under normal and reasonable home use for the periods indicated below, beginning on the date of purchase. The manufacturer reserves the right to require that defective parts be returned, with postage and/or freight prepaid by the consumer, for review and examination.
- **The original recipient will be responsible for all shipping charges for parts replaced under the terms of this limited warranty.**
- This limited warranty is applicable in the United States and Canada only, is available only to the original owner of the product, and is not transferable.
- **The manufacturer requires proof of your date of purchase.**
- This limited warranty applies to the functionality of the product ONLY and does not cover cosmetic issues such as scratches, dents, corrosion, or discoloration caused by heat, abrasive and chemical cleaners, or any tools used in the assembly or installation of the appliance, surface rust, or the discoloration of stainless steel surfaces. Paint is not warranted and will require touch up. **Rust is not considered a manufacturing or materials defect.**
- **This limited warranty will not reimburse you for the cost of any inconvenience, food, personal injury, or property damage.**

ITEMS MANUFACTURER WILL NOT PAY FOR:

1. Shipping cost, standard or expedited, for warranty and replacement parts.
2. Service calls to your home.
3. Repairs when your product is used for other than normal, single-family household or residential use.
4. Damage, failures, or operating difficulties resulting from accident, alteration, careless handling, misuse, abuse, fire, flood, acts of God, improper installation or maintenance, installation not in accordance with electrical or plumbing codes, or use of products not approved by the manufacturer.
5. Any food loss due to product failures or operating difficulties.
6. Replacement parts or repair labor costs for units operated outside the United States or Canada.
7. Pickup and delivery of your product.
8. Repairs to parts or systems resulting from unauthorized modifications made to the product.
9. The removal and/or reinstallation of your product.

DISCLAIMER OF IMPLIED WARRANTIES AND LIMITATION OF REMEDIES

- Repair or replacement of defective parts is your exclusive remedy under the terms of this limited warranty. In the event of parts availability issues, the manufacturer reserves the right to substitute like or similar parts that are equally functional.
- The manufacturer will not be responsible for any consequential or incidental damages arising from the breach of either this limited warranty or any applicable implied warranty, or for failure or damage resulting from acts of God, improper care and maintenance, grease fire, accident, alteration, replacement of parts by anyone other than the manufacturer, misuse, transportation, commercial use, abuse, hostile environments (inclement weather, acts of nature, animal tampering), improper installation, or installation not in accordance with local codes or printed manufacturer instructions.
- This limited warranty is the sole express warranty given by the manufacturer. No product performance specification or description wherever appearing is warranted by the manufacturer except to the extent set forth in this limited warranty. Any implied warranty protection arising under the laws of any state, including implied warranty of merchantability or fitness for a particular purpose or use, is hereby limited in duration to the duration of this limited warranty.
- **Neither dealers nor the retail establishment selling this product has any authority to make any additional warranties or to promise remedies in addition to or inconsistent with those stated above.** Manufacturer's **maximum liability**, in any event, shall not exceed the purchase price of the product paid by the original recipient.

NOTE: Some states do not allow an exclusion or limitation of incidental or consequential damages, so some of the above limitations or exclusions may not apply to you. This limited warranty gives you specific legal rights as set forth herein. You may also have other rights which vary from state to state. In the state of California only, if refinishing or replacement of the product is not commercially practicable, the retailer selling this product or the Manufacturer will refund the purchase price paid for the product, less the amount directly attributable to use by the original consumer-purchaser prior to discovery of the nonconformity. In addition, in the state of California only, you may take the product to the retail establishment selling this product in order to obtain performance under this limited warranty. Consumer returns will not be accepted unless a valid Return Authorization is first acquired. Authorized returns are clearly marked on the outside of the package with an RA number, and the package is shipped freight/postage pre-paid. Consumer returns that do not meet these standards will be refused.

FEATURES

- The East Oak Smoker features an exclusive patented design optimized for low-temperature cooking.
- Simple setup and assembly can be completed in minutes.
- The digital display prominently shows cooking temperature and time, enhancing user convenience and control.
- With an 800W heating tube and a temperature setting range of 100°F to 275°F (38°C to 135°C), its spacious interior can accommodate 2 turkeys, 4 pork shoulders, 4 racks of ribs, or 6 chickens.
- Equipped with a side wood chip loading box, the smoker can sustain smoke for 4-6 hours without frequent refills, ensuring consistent flavor infusion.
- Featuring a double-layer iron plate and internal foam filling, this design effectively isolates the body, maintaining internal heat and preventing smoke from escaping.
- 4 layers of chrome-plated grill racks provide a generous barbecue area totaling 725 square inches, ample space for all your grilling needs.

WARRANTY POLICY

GUARANTEED 3-YEAR WARRANTY

Thank you for choosing East Oak. This product is covered by our company warranty for up to 3 years from its original purchase date.

CLAIM WARRANTY

If you'd like to claim your product's warranty, register your new product on our website at www.eastoak.com/warranty.

WARNING

Cancer and reproductive Harm
www.P65Warnings.ca.gov.

EAST OAK

- ✉ support@eastoak.com
- 🌐 eastoak.com
- ☎ 1-833-EAST-OAK (USA)