

# CS

## COUNTRY SMOKERS

MODEL : CSPEL071110426  
PART : CS0711



# CS0711

## PORTABLE WOOD PELLET GRILL

IMPORTANT, READ CAREFULLY,  
RETAIN FOR FUTURE REFERENCE.  
MANUAL MUST BE READ  
BEFORE OPERATING!

### ASSEMBLY & OPERATION

FOR OUTDOOR AND HOUSEHOLD USE ONLY. NOT FOR COMMERCIAL USE.



COUNTRY SMOKERS WOOD FIRED GOODNESS

**COUNTRYSMOKERS.COM**

# SAFETY INFORMATION

## **MAJOR CAUSES OF APPLIANCE FIRES ARE A RESULT OF POOR MAINTENANCE AND A FAILURE TO MAINTAIN REQUIRED CLEARANCE TO COMBUSTIBLE MATERIALS. IT IS OF UTMOST IMPORTANCE THAT THIS PRODUCT BE USED ONLY IN ACCORDANCE TO THE FOLLOWING INSTRUCTIONS**

Please read and understand this entire manual before attempting to assemble, operate or install the product. This will ensure you receive the most enjoyable and trouble-free operation of your new wood pellet grill. We also advise you retain this manual for future reference.

### **DANGERS AND WARNINGS**

**You must contact your local home association, building or fire officials, or authority having jurisdiction, to obtain the necessary permits, mission or information on any installation restrictions, such as any grill being installed on a combustible surface, inspection requirements or even ability to use, in your area.**

1. A minimum clearance of 305mm (12 inches) from combustible constructions to the sides of the grill, and 305mm (12 inches) from the back of the grill to combustible constructions must be maintained. **Do not install appliance on combustible floors, or floors protected with combustible surfaces unless proper permits and permissions are obtained by authorities having jurisdiction.** Do not use this appliance indoors or in an enclosed, unventilated area. This wood pellet appliance must not be placed under overhead combustible ceiling or overhang. Keep your grill in an area clear and free from combustible materials, gasoline and other flammable vapors and liquids.

**Should a grease fire occur, turn the grill OFF and leave the lid closed until the fire is out. Unplug the power cord from the connected outlet. Do not throw water on the unit. Do not try to smother the fire. Use of an all-class (class ABC) approved fire extinguisher is valuable to keep on site. If an uncontrolled fire does occur, call the Fire Department.**

2. Keep electrical supply cords and the fuel away from heated surfaces. Do not use your grill in the rain or around any water source.
3. After a period of storage, or non-use, check the burn grate for obstructions, the hopper for foreign objects, and any air blockage around the fan intake, chimney, or rear barrel exhaust holes. Clean before use. Regular care and maintenance is required to prolong the lifespan of your unit. **If the grill is stored outside during the rainy season or seasons of high humidity, care should be taken to insure that water does not get into the hopper.** When wet or exposed to high humidity, wood pellets will expand greatly, decompose, and may jam the feed system. Always disconnect the power, before performing any service or maintenance.

**Do not transport your grill while in use or while the grill is hot. Ensure the fire is completely out and that the grill is completely cool to the touch before moving.**

4. It is recommended to use heat-resistant barbecue mitts or gloves when operating the grill. Do not use accessories not specified for use with this appliance. Do not put a barbecue cover or anything flammable in the storage space area under the barbecue.
5. To prevent fingers, clothing or other objects from coming in contact with the auger feed system, the appliance is equipped with a metal safety screen, mounted to the interior of the hopper. This screen must not be removed unless directed by Customer Service or an authorized dealer.

**This appliance is not recommended for children, persons with reduced physical, sensory or mental capabilities, or lack of experience and knowledge, unless they are under direct supervision or instruction by a person responsible for their safety.**

6. Parts of the barbecue may be very hot and serious injury may occur. Keep young children and pets away while in use.
7. Do not enlarge igniter holes or burn pots. Failure to follow this warning could lead to a fire hazard and bodily harm and will void your warranty.
8. Product may have sharp edges or points. Contact may result in injury. Handle with care.

## DISPOSAL OF ASHES

Ashes should be placed in a metal container with a tight-fitting lid. The closed container of ashes should be placed on a non-combustible floor or on the ground, well away from all combustible materials, pending final disposal. When ashes are disposed by burial in soil, or otherwise locally dispersed, they should be retained in a closed container until all cinders have thoroughly cooled.

## WOOD PELLET FUEL

This pellet cooking appliance is designed and approved for pelletized, all natural, wood fuel only. Any other type of fuel burned in this appliance will void the warranty and safety listing. You must only use all natural wood pellets, designed for burning in pellet barbecue grills. Do not use fuel with additives. Wood pellets are highly susceptible to moisture and should always be stored in an airtight container. If you are storing your grill, without use, for an extended period, we recommend clearing all pellets from your grill's hopper and auger, to prevent jams.

**Do not use spirit, petrol, gasoline, lighter-fluid or kerosene for lighting or refreshing a fire in your grill. Keep all such liquids well away from the appliance when in use.**

At time of printing, there is no industry standard for barbecue wood pellets, although most pellet mills use the same standards to make wood pellets for domestic use. Further information can be found at [www.pelletheat.org](http://www.pelletheat.org) or the *Pellet Fuel Institute*.

Contact your local dealer on the quality of pellets in your area and for information on brand quality. As there is no control over the quality of pellets used, we assume no responsibility to damage caused by poor quality of fuel.

## CREOSOTE

Creosote, or soot, is a tar-like substance. When burning, it produces black smoke with a residue which is also black in color. Soot or creosote is formed when the appliance is operated incorrectly, such as: blockage of the combustion fan, failure to clean and maintain the burn area, moisture affected pellets, or poor air-to-fuel combustion.

It is dangerous to operate this appliance should the flame become dark, sooty, or if the burn pot is overfilled with pellets. When ignited, this creosote makes an extremely hot and uncontrolled fire, similar to a grease fire. Should this happen, turn the unit OFF, let it cool completely, then inspect for maintenance and cleaning. It commonly accumulates along exhaust areas.

If creosote has formed within the unit, allow the unit to warm up at a low temperature, turn off the appliance, then wipe away any formation with a hand towel. Similar to tar, it is much easier to clean when warm, as it becomes liquid.

# SAFETY WARNINGS

## **IMPORTANT SAFETY WARNINGS**

WE WANT YOU TO USE YOUR GRILL AS SAFELY AS POSSIBLE. THE PURPOSE OF THIS SAFETY ALERT SYMBOL ▲ IS TO ATTRACT YOUR ATTENTION TO POSSIBLE HAZZARDS AS YOU ASSEMBLE AND USE YOUR GRILL. WHEN YOU SEE THE SAFETY ALERT SYMBOL, PAY CLOSE ATTENTION TO THE INFORMATION WHICH FOLLOWS!

▲ **BEFORE ASSEMBLING AND OPERATING YOUR GRILL, READ ALL SAFETY WARNINGS AND INSTRUCTIONS CAREFULLY.**

### **▲ WARNING ▲**

**Before proceeding, make certain that you understand the IMPORTANT INFORMATION sections of this manual.**

**Failure to adhere to the safety instructions in this manual could result in a hazardous fire.**

**It is the customer's responsibility to see that the grill is properly assembled, installed and maintained. Failure to follow the instructions in this manual could result in bodily injury and/or property damage.**

- For outdoor use only – do not use indoors.
- This grill is not intended to be installed in or on boats. It is not intended to be installed in or on recreational vehicles. Do not use it for any purpose other than intended.
- This grill is not for commercial use.
- Do not use this grill in wet or rainy conditions. Keep it at least 10 feet away from large body of water, such as pond, lake, swimming pool, etc.
- Do not use the grill in extremely windy conditions.
- Keep the grill on a hard, non-combustible, smooth and level surface.
- Minimum clearance from sides and back of grill to combustible material is 36 inches.
- Do not use this appliance under overhead surfaces.
- Do not use in areas with flammable objects, structures, or surfaces.
- In case of fire, turn OFF the grill. Shut off the electric power, leave the fire to burn out on its own. Do not try to extinguish the fire by water.
- Parts of this grill can become very hot. Keep children and pets away from the grill during or after use until surface has cooled.
- Use only dry potholders. Moist or damp potholders on hot surfaces may cause burns from steam.
- Do not use a towel or bulky cloth in place of potholders. Do not let potholders touch hot portions of the grill or cooking grates.
- To protect against electric shock, never immerse cord, plugs or electric elements in water or any liquid.
- Never operate the grill with damaged power cord or plug, or after the grill has malfunctioned or been damaged in any manner.
- Keep any power cord away from any heated surfaces.
- Use only extension cords with a 3 prong grounding plug, rated for the power of the equipment, and approved for outdoor use with a W-A marking (120V,60Hz).
- Keep the extension cord connection dry and off the ground.

# SAFETY WARNINGS

## WARNING

- Use only a Ground Fault Interrupt (GFI) protected circuit with this grill.
- Only use a properly-grounded power source.
- Do not alter or remove the grounding plugs on the power cord or household outlet.
- Never move the grill while it is operating, or when it contains hot pellets or ashes.
- Always open the grill lid carefully. The heat and steam inside grill body is hot.
- Before using the grill, be sure that it has been completely assembled, and all parts have been securely fastened and tightened.
- Unplug the grill from electric power when it is not in use. Make sure the grill is cool before cleaning or conducting other maintenance.
- Keep the grill covered when not in use. Keep grill out of children's reach.
- Do not clean the grill with water spray or similar liquid.
- Check the grill periodically. Make sure that Digital Controller and Power Cord are not abraded, worn, cut or damaged.
- Keep the grill clean.
- Do not use accessories that are not specified for use with this grill.
- Always start the grill on "SMOKE" setting with the cooking chamber lid open.
- Never add the pellets to a Hot Fire Pot by hand. You could be seriously burned.
- If the pellets run out, or the fire goes out, let the grill completely cool and then follow the "Lighting Instructions" found in this manual.
- Only use cooking grade pellets. DO NOT use heating grade pellets!
- Never use lighter fluid, charcoal, lava rocks, gasoline, kerosene, or alcohol with this grill. Always store the wood pellets away from heat.
- Keep wood pellets in a dry location to prevent swelling or degrading due to moisture. Keep extra pellets in a dry place.
- NEVER put wood chips or chunks into the hopper!
- Burning wood gives off carbon monoxide which can cause death.

USE CAUTION AND COMMON SENSE WHEN OPERATING YOUR GRILL. FAILURE TO ADHERE TO SAFETY WARNINGS AND GUIDELINES IN THIS MANUAL CAN RESULT IN BODILY INJURY OR PROPERTY DAMAGE. SAVE THIS MANUAL FOR FUTURE REFERENCE.

## **CARBON MONOXIDE ("THE SILENT KILLER")**

Carbon monoxide is a colorless, odorless, tasteless gas produced by burning gas, wood, propane, charcoal or other fuel. Carbon monoxide reduces the blood's ability to carry oxygen. Low blood oxygen levels can result in headaches, dizziness, weakness, nausea, vomiting, sleepiness, confusion, loss of consciousness or death. Follow these guidelines to prevent this colorless, odorless gas from poisoning you, your family, or others:

- See a doctor if you or others develop cold or flu-like symptoms while cooking or in the vicinity of the appliance. Carbon monoxide poisoning, which can easily be mistaken for a cold or flu, is often detected too late.
- Alcohol consumption and drug use increase the effects of carbon monoxide poisoning.

Carbon monoxide is especially toxic to mother and child during pregnancy, infants, the elderly, smokers, and people with blood or circulatory system problems, such as anemia, or heart disease.

## SAFETY LISTING

In accordance with the procedures and specifications listed in the UL SUBJECT 2728-2009 "pellet fuel cooking appliances" and ULC/ORD C272 and CANADIAN CSA C22.2 #3 "for electrical features of fuel burning equipment." Country Smokers Grills pellet cooking appliances have been independently tested and listed by INTERTEK (an accredited testing laboratory) to ETL, UL, ULC and CSA standards.



### COPYRIGHT NOTICE

Copyright 2019. All right reserved. No part of this manual may be copied, transmitted, transcribed, stored in a retrieval system, in any form or by any means without expressed written permission of,

#### **Dansons**

3411 North 5th Avenue, Suite 500, Phoenix, AZ, USA 85013  
sales@country smokers.com | service@country smokers.com  
**www.country smokers.com**

#### **Customer Service**

Monday through Sunday, 4am - 8pm PST (EN/FR/ES)  
**Toll-Free: 1-877-303-3134, Fax: 1-877-303-3135**

# TABLE OF CONTENTS

Safety Information .....	2	Care & Maintenance .....	21
Parts & Specs.....	8	Using Wood Pellet Fuel.....	22
Assembly Preparation.....	10	Cooking Guidelines.....	22
Assembly Instructions		Tips & Techniques .....	24
Removing Lid Form Chamber .....	10	Troubleshooting .....	25
Mounting Back Legs To Grill .....	10	Electrical Wire Diagram .....	27
Installing The Bottom Shelf.....	11	Replacement Parts	
Connecting Wheels To The Cart.....	11	Grill Replacement Parts .....	28
Securing The Chimney And Bracket.....	11	Hopper Replacement Parts.....	29
Attaching The Handle .....	11	Warranty	
Securing The Grill Probe .....	12	Conditions.....	30
Attaching The Hopper Assembly to the Chamber.....	12	Exceptions.....	30
Installing Front Folding Shelf .....	12	Ordering Replacement Parts .....	30
Installing Flame Baffle.....	12	Contact Customer Service .....	31
Installing The Grease Tray .....	13	Warranty Service .....	31
Installing The Cooking Components.....	13		
Inserting The Cooking Brackets .....	13		
Installing The Warming Rack.....	13		
Reinstalling the Lid .....	14		
Installing The Thermometer.....	14		
Installing Grease Bucket .....	14		
Attaching The Power Cord .....	14		
Connecting To A Power Source.....	15		
Operating Instructions			
Grill Environment .....	16		
Grill Temperature Ranges.....	17		
Understanding The Probe .....	17		
Understanding The Control Board .....	18		
Understanding The "P" Setting.....	19		
Hopper Priming Procedure .....	19		
First Use – Grill Burn-Off.....	19		
Automatic Start-Up Procedure.....	20		
Manual Start-Up Procedure .....	20		
Shutting Off Your Grill.....	20		

# PARTS & SPECS

ENGLISH

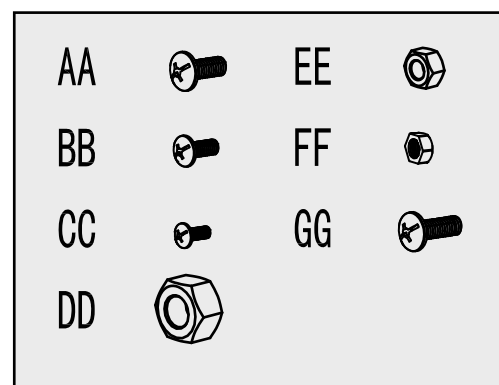
Part#	Description
01	Cooking Chamber (x1)
02	Chamber Lid (x1)
03	Back Left Leg (x1)
04	Back Right Leg (x1)
05	Bottom Shelf (x1)
06	Front Left Leg (x1)
07	Front Right Leg (x1)
08	Wheel Axle (x1)
09	Wheel (x2)
10	Right Bracket (x1)
11	Small Hook (x1)
12	Smokestack (x1)
13	Smokestack Gasket (x1)
14	Handle (x1)
15	Chimney Cap (x1)
16	Hopper Assembly (x1)
17	Left/Right Shelf Bracket (x1+1)
18	Front Shelf (x1)
19	Flame Baffle (x1)
20	Grease Tray (x1)
21	Cooking Grate (x3)
22	Cooking Bracket (x2)
23	Warming Rack (x1)
24	Temperature Gauge (x1)
25	Grease Bucket (x1)
26	Power Cord Bracket (x1)
27	Grill Probe (x1)

Part#	Description
AA	M6 x 12 Bolt (x29)
BB	M5 x 10 Bolt (x2)
CC	M4 x 10 Bolt (x1)
DD	M12 Lock Nut (x2)
EE	M6 (x22)
FF	M4 (x1)
GG	M6 x 20 (x4)

NOTE: Due to ongoing product development, parts are subject to change without notice. Contact Customer Service if parts are missing when assembling the unit.

## CS – ELECTRIC REQUIREMENTS

110-120V, 3.1AMP, 60HZ, 275W, 3-PRONG GROUNDED PLUG



MODEL	UNIT ASSEMBLED (WxHxD)	UNIT WEIGHT	COOKING AREA	TEMP. RANGE	DIGITAL FEATURES
CS CSPPEL-071110426	1130mm x 1342mm x 785mm / 44.5" x 52.8" x 30.9"	47 kg / 103.6 lb	Main - 2,865 cm <sup>2</sup> / 444 sq. in. Upper Rack - 1,722 cm <sup>2</sup> / 267 sq. in. <b>TOTAL - 4,587 cm<sup>2</sup> / 711 sq. in.</b>	82-260°C / 180-500°F	Eight temperature presets, start-up and cool-down cycles, electric igniter



# ASSEMBLY PREPARATION

Parts are located throughout the shipping carton, including underneath the grill. Inspect the grill, parts, and hardware blister pack after removing from the protective shipping carton. Discard all packaging materials from inside and outside of the grill before assembly, then review and inspect all parts by referencing the parts list. If any part is missing or damaged, do not attempt to assemble. Shipping damage is not covered under warranty. Contact your dealer or Country Smokers Customer Service for parts: Monday through Sunday, 4am - 8pm PST (EN/FR/ES).

service@country smokers.com | Toll-Free: 1-877-303-3134 | Toll-Free Fax: 1-877-303-3135

**IMPORTANT: To ease installation, using two people is helpful (but not necessary) when assembling this unit.**

Tools required for assembly: screwdriver and level. *Tools not included.*



# ASSEMBLY INSTRUCTIONS

**NOTE: For all of the following steps, do not tighten any screws completely until all screws for that step have been installed. Once all screws have been installed, then tighten them securely.**

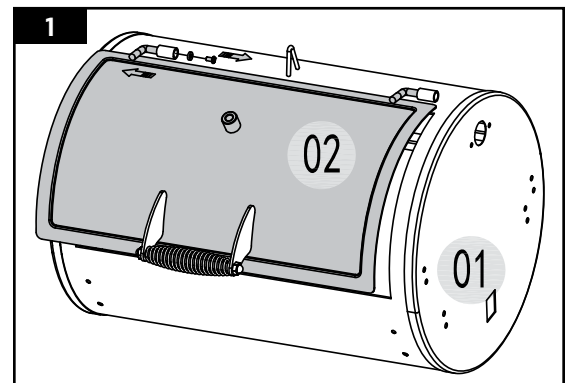
## 1. REMOVING LID FROM CHAMBER

### Parts Required:

- 1 x Cooking Chamber (#01)
- 1 x Chamber Lid (#02)

### Installation:

- Remove the chamber lid (#02) from the cooking chamber (#01) by removing the bolt and washer found on the the left hinge pin.



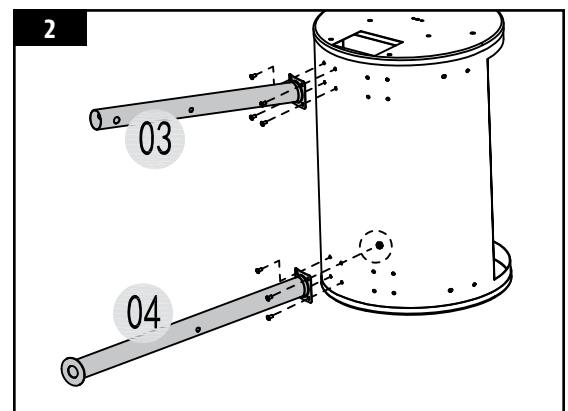
## 2. MOUNTING BACK LEGS TO THE GRILL

### Parts Required:

- 1 x Back Left Leg (#03)
- 1 x Back Right Leg (#04)
- 8 x M6 x 12 Bolt (AA)
- 8 x M6 (EE)

### Installation:

- Attach the back left leg (#03) and back right leg (#04) to the chamber with M6 x 12 bolts (AA) and M6 (EE) nuts as illustrated.



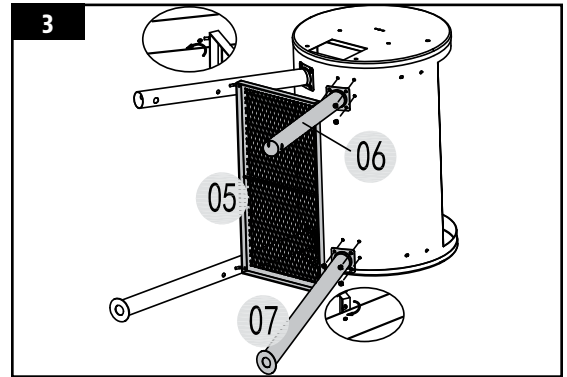
### 3. INSTALLING THE BOTTOM SHELF

**Parts Required:**

- 1 x Bottom Shelf (#05)
- 1 x Front Left Leg (#06)
- 1 x Front Right Leg (#07)
- 8 x M6 x 12 Bolt (AA)
- 8 x M6 (EE)

**Installation:**

- Insert the bottom shelf (#05) posts into the holes located on the back legs. With the bottom shelf (#05) securely in place, attach the legs (#06 & #07) with M6 x 12 bolts (AA) and Nuts (EE).



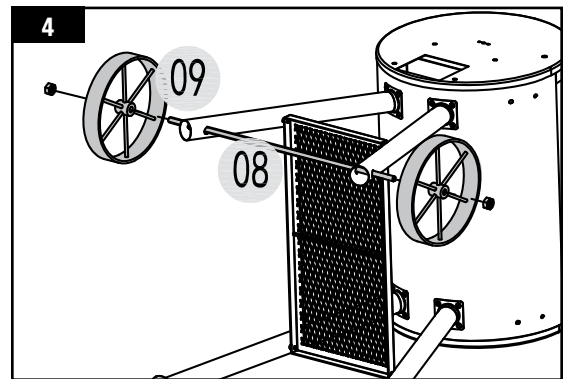
### 4. CONNECTING THE WHEELS TO THE CART

**Parts Required:**

- 1 x Wheel Axle (#08)
- 2 x Wheel (#09)
- 2 x M12 Lock Nut (DD)

**Installation:**

- Insert the wheel axle (#08) through the holes in the legs and attach the wheels (#09) with one M12 lock nut (DD) per side.



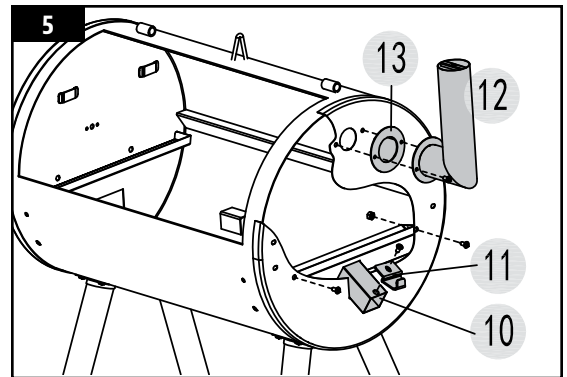
### 5. SECURING THE CHIMNEY AND BRACKET

**Parts Required:**

- 1 x Right Bracket (#10)
- 1 x Small Hook (#11)
- 1 x Smokestack (#12)
- 1 x Smokestack Gasket (#13)
- 5 x M6 x 12 Bolt (AA)
- 2 x M6 (EE)

**Installation:**

- Attach the right bracket (#10) to the chamber from inside of chamber with M6 x 12 bolts (AA) and Nuts (EE), then attach the small hook (#11) to the right bracket with M6 x 12(AA) as illustrated. Place the smokestack gasket (#13) between the chamber and the smokestack (#12) and attach using M6 x 12 bolts (AA).



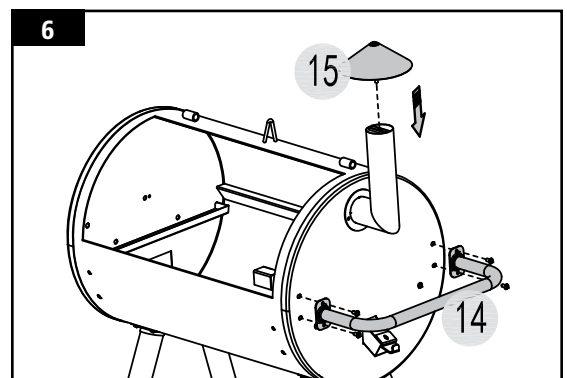
### 6. ATTACHING THE HANDLE AND CHIMNEY CAP

**Parts Required:**

- 1 x Handle (#14)
- 1 x Chimney Cap (#15)
- 4 x M6 x 12 Bolt (AA)

**Installation:**

- Attach the handle (#14) to the chamber with M6 x 12 bolts (AA). Screw the chimney cap (#15) to the smokestack as illustrated.



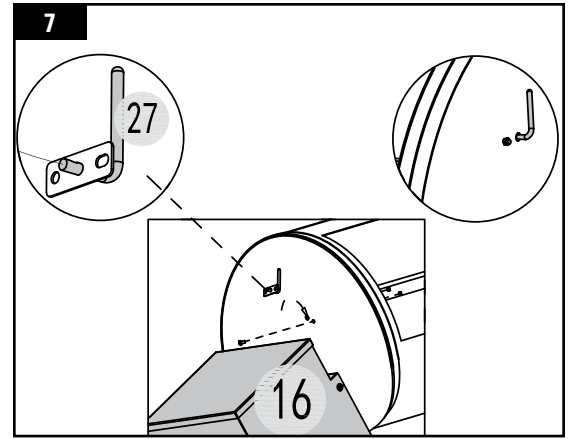
## 7. SECURING THE GRILL PROBE

### Parts Required:

- 1 x Hopper Assembly (#16)
- 1 x Grill Probe (#27)
- 1 x M4 x 10 Bolt (CC)
- 1 x M4 (FF)

### Installation:

- Slide the pellet hopper assembly (#16) onto the chamber by inserting the auger housing through the left side wall. Slide the hopper halfway, while holding the hopper assembly away from the wall, insert the grill probe (#27) through the wall. Turn the grill probe to be an angle. Secure the grill probe into the place with M4 x 10 bolt (CC) and M4 nut (FF).



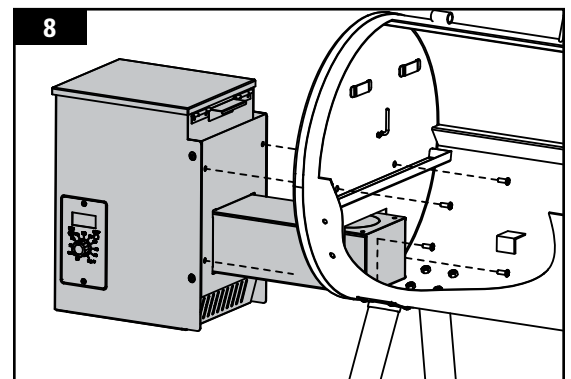
## 8. ATTACHING THE HOPPER ASSEMBLY TO THE CHAMBER

### Parts Required:

- 1 x Hopper Assembly (#16)
- 4 x M6 x 20 Bolt (GG)

### Installation:

- Secure the hopper assembly to the chamber left wall with M6 x 20 bolts (GG)



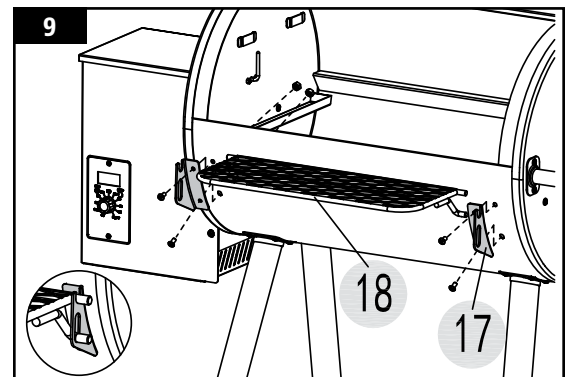
## 9. INSTALLING THE FRONT FOLDING SHELF

### Parts Required:

- 1 x left/Right Shelf Bracket (#17)
- 1 x Front Shelf (#18)
- 4 x M6 x 12 Bolt (AA)
- 4 x M6 (EE)

### Installation:

- Attach the right shelf bracket (#17) to the chamber with M6 x 12 bolts (AA) and M6 nuts (EE), and insert the shelf support wire (#18) into the bracket, as shown. Insert the shelf support into the left shelf bracket, before securing the bracket with M6 x 12 bolts (AA) and M6 nuts (EE).



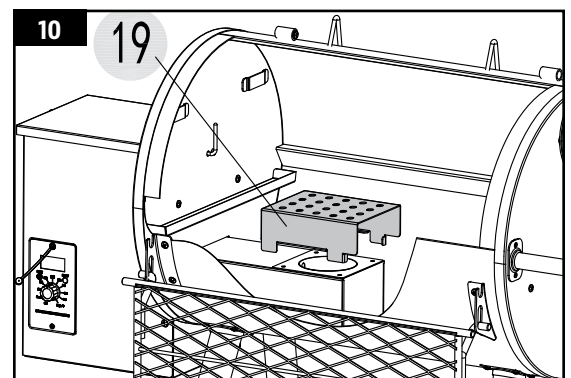
## 10. INSTALL THE FLAME BAFFLE

### Parts Required:

- 1 x Flame Baffle (#19)

### Installation:

- Place the flame baffle (#19) over the fire pot inside the cooking chamber. It should rest in place as illustrated.



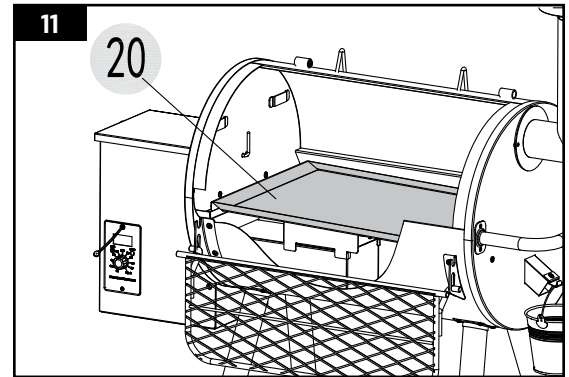
## 11. INSTALLING THE GREASE TRAY

### Parts Required:

- 1 x Grease Tray (#20)

### Installation:

- Place the grease tray (#20) on the chamber right side bracket and chamber left side bracket as illustrated.



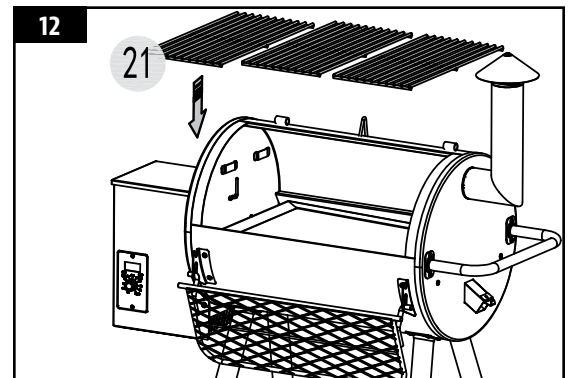
## 12. INSTALLING THE COOKING COMPONENTS

### Parts Required:

- 3 x Cooking Grates (#21)

### Installation:

- Place the cooking grate (#21) onto the cooking chamber grid bracket as illustrated.



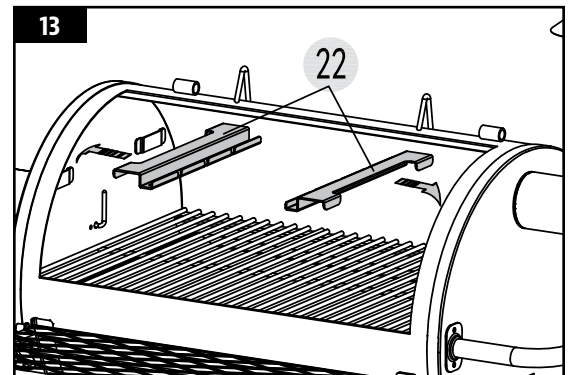
## 13. INSERTING THE COOKING BRACKETS

### Parts Required:

- 2 x Cooking Bracket (#22)

### Installation:

- Insert the cooking bracket (#22) into the mounting tabs found on the cooking chamber side walls as illustrated.



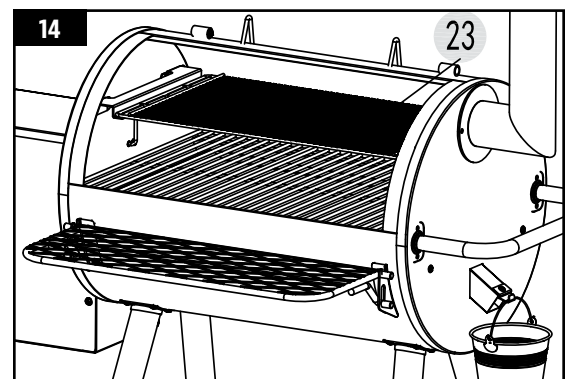
## 14. INSTALLING THE WARMING RACK

### Parts Required:

- 1 x Warming Rack (#23)

### Installation:

- Place the warming rack (#23) on the bracket as illustrated.



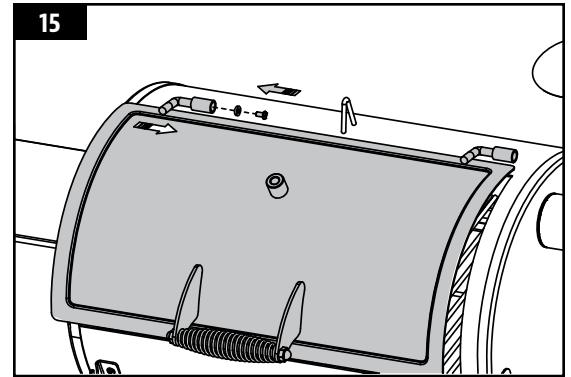
### 15. REINSTALLING THE CHAMBER LID

**Parts Required:**

- 1 x Chamber Lid (#02)

**Installation:**

- Reinstall the cooking chamber lid (#02) by sliding the hinge pins into the hinges. Secure it with the washer and bolt removed in Step 1.



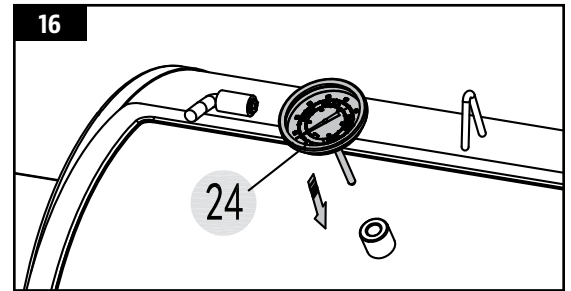
### 16. INSTALLING THE THERMOMETER

**Parts Required:**

- 1 x Temperature Gauge (#24)

**Installation:**

- Carefully screw the temperature gauge (#24), adjust the orientation and lock the gauge into position using the pre-attached nut on the temperature gauge.



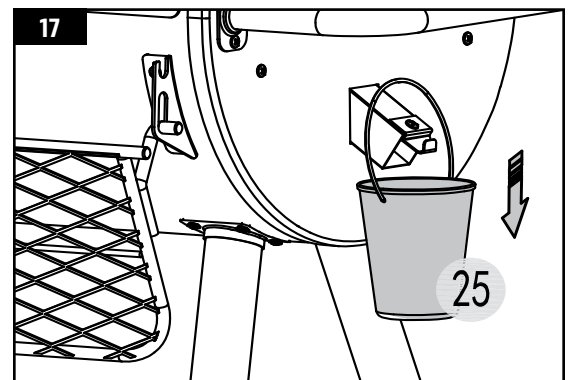
### 17. INSTALLING THE GREASE BUCKET

**Parts Required:**

- 1 x Grease bucket (#25)

**Installation:**

- Hang the grease bucket (#25) as illustrated.



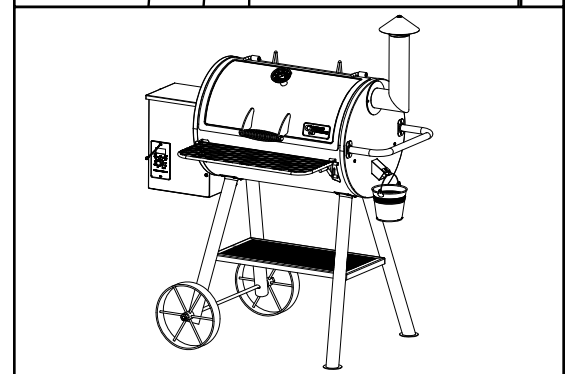
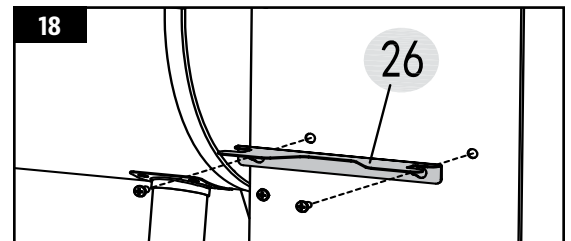
### 18. ATTACHING THE POWER CORD

**Parts Required:**

- 1 x Power Cord Bracket (#26)
- 2 x M5 x 10 bolts (BB)

**Installation:**

- Attach the power cord bracket (#26) to the back of the hopper assembly with M5 x 10 bolts (BB)
- The unit is now completely assembled.



## 19. CONNECTING TO A POWER SOURCE

**NOTE:** Before plugging your Country Smoker into any electrical outlet, ensure the temperature dial is in the OFF position.

- **STANDARD OUTLET**

This appliance requires 110 volt, 60hz, 275w, 5 amp service. It must be a 3-prong grounded plug. Ensure grounded end is not broken off before use. The control uses a 5 amp, 120 volt, fast-blow fuse to protect the board from the igniter.

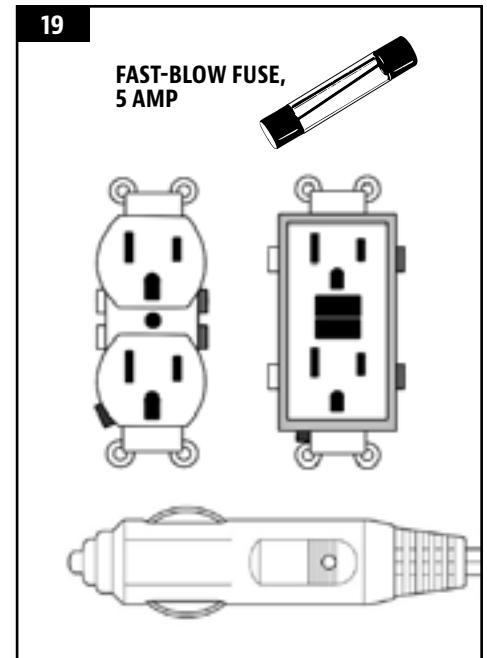
- **GFCI OUTLETS**

This appliance will work on most GFCI outlets, with a recommended size of 15 amp service. If your GFCI outlet is highly sensitive to power surges, it will likely trip during the start-up phase of operation. During the start-up phase, the igniter draws 200-700 watts of electricity, which can be too much power for a GFCI outlet to handle. Each time it trips, it increases in sensitivity. If the GFCI keeps tripping, replace the outlet or change to a non-GFCI outlet.

- **ON THE ROAD**

Disconnect the igniter from the main wiring harness. Use the manual start-up procedure. A Country Smokers unit can operate using a 12 volt, 100 watt inverter plugged into your automobile outlet. To use the automatic igniter, it is recommended to use a minimum of a 1000 watt inverter.

**IMPORTANT:** Disconnect unit from power source when not in use.



# OPERATING INSTRUCTIONS

*With today's lifestyle of striving to eat healthy and nutritious foods, one factor to consider is the importance of reducing fat intake. One of the best ways to cut down on fat in your diet is to use a low fat method of cooking, such as grilling. As a pellet grill uses natural wood pellets, the savory wood flavor is cooked into the meats, reducing the need for high sugar content sauces. Throughout this manual, you will notice the emphasis on grilling food slowly at LOW or MEDIUM temperature settings.*

## GRILL ENVIRONMENT

### 1. *WHERE TO SET-UP THE GRILL*

With all outdoor appliances, outside weather conditions play a big part in the performance of your grill and the cooking time needed to perfect your meals.

All Country Smokers units should keep a minimum clearance of 305mm (12 inches) from combustible constructions, and this clearance must be maintained while the grill is operational. This appliance must not be placed under overhead combustible ceiling or overhang. Keep your grill in an area clear from combustible materials, gasoline and other flammable vapors and liquids.

### 2. *COLD WEATHER COOKING*

As it becomes cooler outside, that does not mean that grilling season is over! The crisp cool air and heavenly aroma of smoked foods will help cure your winter blues.

Follow these suggestions on how to enjoy your grill throughout the cooler months:

- If smoking at low temperatures fails, increase the temperature slightly to achieve the same results.
- Organize – Get everything you require ready in the kitchen before you head outdoors. During the winter, move your grill to an area that is out of the wind and direct cold. Check local bylaws regarding the proximity of your grill in relation to your home and/or other structures. Put everything you need on a tray, bundle up tight, and get it done!
- To help keep track of the outside temperature, place an outdoor thermometer close to your cooking area. Keep a log or history of what you cooked, the outdoor temperature, and the cooking time. This will help later down the road to help you determine what to cook and how long it will take.
- In very cold weather, increase your preheating time by at least 20 minutes.
- Avoid lifting the lid any more than necessary. Cold gusts of wind can completely cool your grill temperature. Be flexible with your serving time; add extra cooking time each time you open the lid.
- Have a heated platter or a dish cover ready to keep your food warm while making the trip back inside.
- Ideal foods for winter cooking are those that require little attention, such as roasts, whole chickens, ribs, and turkey. Make your meal preparation even easier by adding simple items such as vegetables and potatoes.

### 3. *HOT WEATHER COOKING*

As it becomes warmer outdoors, the cooking time will decrease.

Follow these few suggestions on how to enjoy your grill throughout the hot months:

- Adjust your cooking temperatures downward. This helps to avoid unwanted flare-ups.
- Use a meat thermometer to determine the internal temperature of your foods. This helps in preventing your meat from over cooking and drying out.
- Even in hot weather it is still better to cook with the lid of your grill down.
- You can keep foods hot by wrapping them in foil, and placing them in an insulated cooler. Stuff crumpled up newspaper around the foil and this will keep food hot for 3 to 4 hours.

## GRILL TEMPERATURE RANGES

Temperature readouts on the control board may not exactly match the thermometer. All temperatures listed below are approximate and are affected by the following factors: outside ambient temperature, the amount and direction of wind, the quality of pellet fuel being used, the lid being opened, and the quantity of food being cooked.

- **HIGH TEMPERATURE (205-260°C / 401-500°F)**

This range is best used to sear and grill at a high heat. Use in tandem with the flame broiler (slide plate) for indirect or direct flame cooking. With the **flame broiler open**, direct flame is used to create those “blue” steaks, as well as flame-kissed vegetables, garlic toast or s’mores! When the **flame broiler is closed**, the air circulates around the barrel, resulting in convection heat. High temperature is also used to preheat your grill, burn-off the cooking grids, and to achieve high heat in extreme cold weather conditions.

- **MEDIUM TEMPERATURE (135-180°C / 275-356°F)**

This range is best for baking, roasting, and finishing off that slow smoked creation. Cooking at these temperatures will greatly reduce the chances of a grease flare-up. Ensure that the flame broiler slider is in the closed position, covering the slotted openings. Great range for cooking anything wrapped in bacon, or where you want versatility with control.

- **LOW TEMPERATURE (60-125°C / 140-257°F)**

This range is used to slow roast, increase smoky flavor, and to keep foods warm. Infuse more smoke flavor and keep your meats juicy by cooking longer at a lower temperature (also known as **low and slow**). Recommended for the big turkey at Thanksgiving, juicy ham at Easter, or the huge holiday feast.

Smoking is a variation on true barbecuing and is truly the main advantage of grilling on a wood pellet grill. **Hot smoking**, another name for **low and slow** cooking, is generally done between 60-125°C / 140-257°F. Hot smoking works best when longer cooking time is required, such as large cuts of meats, fish, or poultry.

**TIP: To intensify that savory flavor, switch to SMOKE (low) temperature range immediately after putting your food on the grill. This allows the smoke to penetrate the meats.**

The key is to experiment with the length of time you allow for smoking, before the meal is finished cooking. Some outdoor chefs prefer to smoke at the end of a cook, allowing the food to keep warm until ready to serve. Practice makes perfect!

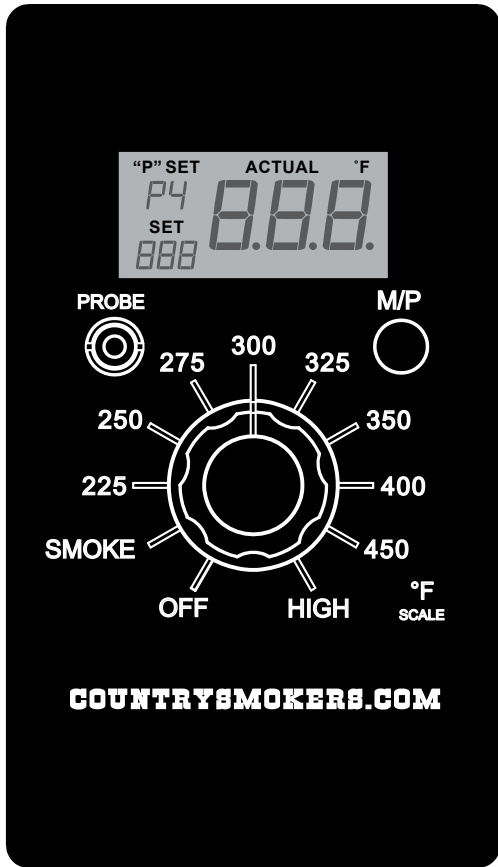
## UNDERSTANDING THE PROBE


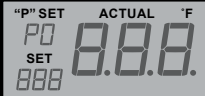
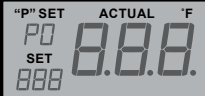

Located inside the main barrel is the temperature probe. It is a small, vertical piece of stainless steel. The temperature probe measures the internal temperature of the unit. When the temperature is adjusted on the Control Board, the temperature probe will read the actual temperature inside the unit and adjust to the desired temperature.

**IMPORTANT: The temperature of your unit is highly affected on ambient outdoor weather, quality of pellets used, flavor of pellets, and the quantity of food being cooked.**

# UNDERSTANDING THE CONTROL BOARD

ENGLISH



FEATURE	DESCRIPTION																		
 <b>Off</b>	<p>The <b>Temperature Control Dial</b> allows you to set your desired smoking temperature. Rotate the knob to select from Smoke, any of the eight temperature presets, or High.</p>																		
<b>Smoke</b>	<p>The <b>Off Setting</b> on the Temperature Control Dial is the off mode for the unit. The unit will not function on this setting.</p>																		
<b>High</b>	<p>The <b>Smoke Setting</b> on the Temperature Control Dial is the start-up mode for the unit. The grill operates at the lowest temperature, without the fire going out.</p>																		
	<p>The <b>High Setting</b> on the Temperature Control Dial is the highest heat level for the unit. The grill operates at the highest temperature. When the lid is open, the grill will run at this speed to compensate for the loss of heat in the barrel.</p>																		
	<p>The <b>LED Screen</b> is used as the information center for your unit. The LED screen will display your desired cook temperature (SET), actual cook temperature (ACTUAL), and the "P" setting selected ("P" SET). See <b>Troubleshooting</b> for more information on error codes.</p>																		
	<table border="1"> <thead> <tr> <th>READOUT</th> <th>DESCRIPTION</th> </tr> </thead> <tbody> <tr> <td>888</td> <td>Displays once connected to AC power.</td> </tr> <tr> <td>Flashing</td> <td>Grill temperature is below 66° C / 150° F.</td> </tr> <tr> <td>Flashing ...</td> <td>Indicates the igniter is on.</td> </tr> <tr> <td>"P" SET</td> <td>Indicates the current "P" setting selected.</td> </tr> <tr> <td>SET</td> <td>Indicates the desired cooking temperature.</td> </tr> <tr> <td>ErH</td> <td>The grill has overheated.</td> </tr> <tr> <td>ErR</td> <td>Temperature probe wire not connecting.</td> </tr> <tr> <td>ErP</td> <td>Power interruption while in operation.</td> </tr> </tbody> </table>	READOUT	DESCRIPTION	888	Displays once connected to AC power.	Flashing	Grill temperature is below 66° C / 150° F.	Flashing ...	Indicates the igniter is on.	"P" SET	Indicates the current "P" setting selected.	SET	Indicates the desired cooking temperature.	ErH	The grill has overheated.	ErR	Temperature probe wire not connecting.	ErP	Power interruption while in operation.
READOUT	DESCRIPTION																		
888	Displays once connected to AC power.																		
Flashing	Grill temperature is below 66° C / 150° F.																		
Flashing ...	Indicates the igniter is on.																		
"P" SET	Indicates the current "P" setting selected.																		
SET	Indicates the desired cooking temperature.																		
ErH	The grill has overheated.																		
ErR	Temperature probe wire not connecting.																		
ErP	Power interruption while in operation.																		
 <b>M/P</b>	<p>The <b>"P" SET Button</b> is used to select one of the four temperature fine tunings. Use this feature to change the "P" setting to accommodate to your cooking style and cooking environment, as preferred. With a <u>short push</u> of the recessed button, the setting increases from P0 to P3, then repeats. Adjustments are best made when the Temperature Control Dial is set to Smoke, which allows for manual control of the pellet feed system. Default setting is "P0".</p>																		

## PROBE



The plug-in connection port(s) on the front of the Control Board are for a **Meat Probe(s)**. When a meat probe is connected, the temperature is displayed on the LCD Screen. When not in use, disconnect the meat probe from the connection port. *Includes one (1) meat probe. Compatible with Country Smokers branded meat probes only. Additional meat probe(s) sold separately.*



## UNDERSTANDING THE "P" SETTING

When the recessed "P" SET button is pushed, the "P" setting displayed on the LCD screen will flash and change to the next value (upward). Once P3 is reached, it will restart at P0. There are four "P" settings, ranging from P0 to P3. The recessed "P" SET button can be pushed using a thin-tipped object.

**IMPORTANT: Do not push the "P" SET button too hard, as this may cause damage. Only a light push is needed.**

### • USING THE "P" SETTING IN SMOKE MODE

Anytime the temperature dial is set to SMOKE, such as the start-up cycle, the auger will run on more of a manual mode of cooking versus using one of the preset dial temperatures. First, the auger will continuously turn and feed pellets for four minutes. After four minutes, the auger begins to run a feed cycle based on the "P" setting selected on the Digital Control Board. The default setting is P0.

"P" SET	AUGER CYCLE (seconds)	
	ON	OFF
*P0	6	25
P1	6	30
P2	5	30
P3	4	30

*\* factory default setting*

## HOPPER PRIMING PROCEDURE

These instructions should be followed the first time the grill is ignited, and each time the grill runs out of pellets in the hopper. The auger must be primed to allow pellets to travel through the length of the auger, and fill the fire pot. **If not primed, the igniter will timeout before the pellets are ignited, and no fire will start.** Follow these steps to prime the hopper:

1. Open the hopper lid. Make sure there are no foreign objects in the hopper or blocking the auger feed system at the bottom.
2. Remove all cooking components from the interior of the grill. Locate the fire pot in the bottom of the main barrel.
3. With the **Temperature Control Dial** to the Off position, plug the power cord into a power source.
4. Turn the **Temperature Control Dial** to the Smoke position. Check the following items:
  - That you can hear the auger turning. Place your hand above the fire pot and feel for air movement. Do not place your hand or fingers inside the fire pot. This can cause injury.
  - After approximately a minute, you should smell the igniter burning and begin to feel the air getting warmer in the fire pot. The igniter tip does not glow red, but gets extremely hot and will burn. Do not touch the igniter.
5. Once verified that all electric components are working correctly, turn the **Temperature Control Dial** to Off.
6. Fill the hopper with all natural barbecue wood pellets.
7. Turn the **Temperature Control Dial** to Smoke. Wait approximately 3 minutes for the pellets to start dropping into the fire pot from the auger tube. Once pellets begin to drop into the fire pot, turn the **Temperature Control Dial** to Off.
8. Re-install the cooking components into the main barrel. The grill is now ready to use. (See *Assembly Instructions* to ensure proper installation of cooking components.)

## FIRST USE – GRILL BURN-OFF

Once your hopper has been primed and before cooking on your grill for the first time, it is important to complete a grill burn-off. Start the grill and operate at any temperature over 176°C / 350°F (with the lid down) for 30 to 40 minutes to burn-off the grill and rid it of any foreign matter.

## AUTOMATIC START-UP PROCEDURE

1. Open the main barrel lid. Check the fire pot to ensure there is no obstruction for proper ignition. Open the hopper lid. Ensure there are no foreign objects in the hopper or auger feed system. Fill the hopper with dry, all natural barbecue hardwood pellets. Ensure the **Temperature Control Dial** is in the Off position. Plug the power cord into a grounded power source.
2. Turn the **Temperature Control Dial** to Smoke. This will activate the start-up cycle. This will activate the start-up cycle. The auger feed system will begin to turn, the igniter will begin to glow and the fan will supply air to the fire pot. The grill will begin to produce smoke while the start-up cycle is taking place. The barrel lid must remain open during the start-up cycle. To confirm the start-up cycle has begun properly, listen for a torchy roar, and notice some heat being produced.
3. Once the heavy, white smoke has dissipated, the start-up cycle is complete and you are ready to enjoy your grill at your desired temperature!

## IGNITER FAILURE PROCEDURE

**If for any reason your electric igniter fails or your grill's flame dies out during a cook, check the following steps, or start your grill using the manual method.**

1. Turn the **Temperature Control Dial** to the Off position. Open the barrel lid. Remove the cooking components from inside. Remove all unburnt pellets and ash from the fire pot. Avoid touching the igniter to avoid injury, as it may be extremely hot.
2. Once all parts are removed and cleaned, turn the **Temperature Control Dial** to Smoke. Check the following:
  - Visually confirm that the igniter is working by placing your hand above the fire pot and feeling for heat.
  - Visually confirm that the igniter is protruding approximately 13mm / 0.5 inches in the fire pot.
  - Visually confirm that the auger is dropping pellets into the fire pot.
  - Confirm that the combustion fan is working by listening for a torchy roar.
3. If any of the above points are not working, follow **Troubleshooting** instructions.

## MANUAL START-UP PROCEDURE

1. Ensure the **Temperature Control Dial** to the Off position. Plug the power cord into a grounded power source.
2. Check fire pot to ensure there is no obstruction for proper ignition. Open the hopper lid. Ensure there are no foreign objects in the hopper or auger feed system. Fill hopper with dry, all natural hardwood barbecue pellets.
3. Open the barrel lid. Remove the cooking components to expose the fire pot. Place a generous handful of pellets into the fire pot. Squirt a gelled fire starter, or other appropriate pellet starter, over the top of the pellets. A small amount of solid fuel fire starter, such as one composed of sawdust and wax, or wood shavings, is also appropriate. Add another small amount of pellets in the fire pot.

**NOTE: Do not use spirit, petrol, gasoline, lighter-fluid or kerosene for lighting or refreshing a fire in your grill.**

4. Light the contents of the fire pot using a long match or long-nosed lighter. Allow the starter to burn for 3 to 5 minutes. Do not attempt to add more starter into the fire pot. This can cause injury.
5. Quickly and carefully replace the cooking components to the inside of the main barrel. Continue start-up at step two of **Automatic Start-Up Procedure**.

## SHUTTING OFF YOUR GRILL

1. When finished cooking, with the main barrel lid remaining closed, turn the **Temperature Control Dial** to OFF.

# CARE AND MAINTENANCE

Any Country Smokers unit will give you many years of flavorful service with minimum cleaning. An important step is allowing the grill and cooking grids to self-clean by running the grill at a high temperature for 5 to 10 minutes after each use. Follow these cleaning and maintenance tips to service your grill:

## 1. HOPPER ASSEMBLY

- Check and clean off any debris from the fan air intake vent, found on the bottom of the hopper. Once the hopper access panel is removed (see **Electric Wire Diagram** for diagram), carefully wipe off any grease build-up directly on the fan blades. This ensures airflow is sufficient to the feed system.

## 2. PROBES

- Kinks or folds in the probe wires may cause damage to the part. Wires should be rolled up in a large, loose coil.
- Although the probes are stainless steel, do not place in the dishwasher or submerge in water. Water damage to the internal wires will cause the probe to short-out, causing false readings. If a probe is damaged, it should be replaced.

## 3. INSIDE SURFACES

- It is recommended to clean your burn pot after every few uses. This will ensure proper ignition and avoid any hard build-up of debris or ash in the burn pot.
- Use a long-handled grill cleaning brush, remove any food or build-up from the cooking grids. Best practice is to do this while they are still warm from a previous cook. Grease fires are caused by too much fallen debris on the cooking components of the grill. Clean the inside of your grill on a consistent basis. In the event you experience a grease fire, keep the grill lid closed to choke out the fire. If the fire does not go out quickly, carefully remove the food, turn the grill off, and shut the lid until the fire is completely out. Lightly sprinkle baking soda, if available.
- Check your grease tray often, and clean out as necessary. Keep in mind the type of cooking you do.

**IMPORTANT: Due to high heat, do not cover the flame broiler or probes with aluminum foil.**

## 4. OUTSIDE SURFACES

- Wipe your grill down after each use. Use warm soapy water to cut the grease. Do not use oven cleaner, abrasive cleansers or abrasive cleaning pads on the outside grill surfaces. **All painted surfaces are not covered under warranty**, but rather are part of general maintenance and upkeep. For paint scratches, wearing, or flaking of the finish, all painted surfaces can be touched up using high heat BBQ paint.
- Use a grill cover to protect your grill for complete protection! A cover is your best protection against weather and outside pollutants. When not in use or for longterm storage, keep the unit under a cover in a garage or shed.

### CLEANING FREQUENCY TIME TABLE (NORMAL USE)

ITEM	CLEANING FREQUENCY	CLEANING METHOD
Bottom of Main Grill	Every 5-6 Grill Sessions	Scoop Out, Shop-Vac Excess Debris
Burn Pot	Every 2-3 Grill Sessions	Scoop Out, Shop-Vac Excess Debris
Cooking Grids	After Each Grill Session	Burn Off Excess, Grill Cleaning Brush
Flame Broiler	Every 5-6 Grill Sessions	Scrape Main Plate with Slider, <b>Do Not Wash Clean</b>
Grease Tray	After Each Grill Session	Scrub Pad & Soapy Water
Auger Feed System	When Pellet Bag is Empty	Allow Auger to Push Out Sawdust, Leaving Hopper Empty
Hopper Electric Components	Once A Year	Dust Out Interior, Wipe Fan Blades with Soapy Water
Air Intake Vent	Every 5-6 Grill Sessions	Dust, Scrub Pad & Soapy Water
Temperature Probes	Every 2-3 Grill Sessions	Scrub Pad & Soapy Water

# USING WOOD PELLET FUEL

Clean-burning barbecue wood pellets generate about 8200 BTU's per pound with very little ash, a low moisture content (5-7%), and are carbon neutral.

Barbecue wood pellets are produced by pure raw material (sawdust) being pulverized with a hammer-mill, and the material is pushed through a die with pressure. As the pellet is forced through the die, it is cut, cooled, screened, vacuumed, and then bagged for consumer use. Check with your local dealer for flavors available in your area.

**HICKORY BLEND** 

Rich, smoky bacon-like flavor. Considered the "Kings of the Woods".

**MESQUITE BLEND** 

Strong, tangy, spicy flavor. Think Tex-Mex cuisine.

**APPLE BLEND** 

Smoky, mild sweetness flavor. Highly recommended for baking.

**CHERRY BLEND** 

Slightly sweet, but also tart. Gives a rosy tint to light meals.

**WHISKEY BARREL BLEND** 

Strong, sweet smoke with aromatic tang. Perfect for red meats.

**COMPETITION BLEND** 

Perfect blend of sweet, savory, and tart. Used by many professional grillers.

**NOTE: Always store wood pellets in a dry area. Any contact or exposure to moisture will result in lower heat output or cause the pellets to swell and break apart. Use a moisture proof, resealable tub or bucket for proper storage.**

## COOKING GUIDELINES

Smoking and grilling styles of cooking can give you different results based on time and temperature. For best results, keep a record of what you cooked, at what temperature, how long you cooked for, and the results. Adjust to your taste for the next time. Practice makes perfect.

The culinary art of hot smoking refers to longer cooking times, but results in more natural wood flavor (and a sought-after *smoke ring*) on your meats. Higher cooking temperatures result in a shorter cooking time, locking in less smoke flavor.

**TIP: For best results, allow time for meats to rest after cooking. This allows the natural juices to migrate back into the meat fiber, giving a much juicier, flavorful cut. Resting times can be as little as 3 minutes and up to 60 minutes, depending on the size of the protein.**

STYLE OF COOKING	HOT SMOKING (Very Low)	ROAST (Low)	BAKING (Medium)	GRILL/BAKE (Medium/High)	SEAR (High)
Temp Range	93-135°C / 199-275°F	135-162°C / 275-323°F	162-190°C / 323-374°F	190-232°C / 374-449°F	232-260°C / 449-500°F

POULTRY	Size	Rare - 54°C / 130°F	Medium - 60°C / 140°F	Well Done - 77°C / 170°F
Turkey (whole)	4.5-5.0 kg / 10-11 lbs. 5.3-6.4 kg / 12-14 lbs. 6.8-7.7 kg / 15-17 lbs. 8.2-10.0 kg / 18-22 lbs. 10.4-11.3 kg / 23-25 lbs.			Grill 90 - 120 minutes Grill 110 - 140 minutes Grill 130 - 160 minutes Grill 140 - 170 minutes Grill 150 - 180 minutes
Chicken (whole)	1.36-2.26 kg / 3-5 lbs.			Grill 1 - 1.5 hours
Drumsticks, Breasts	0.45 - 0.86 kg / 1 - 1½ lbs.			Grill 30-60 minutes
Small Game Birds	0.45 - 0.86 kg / 1 - 1½ lbs.			Grill 30-45 minutes
Duck	1.36-2.26 kg / 3-5 lbs.			Roast or grill 2 - 2.5 hours

<b>PORK</b>	<b>SIZE</b>	<b>Precooked to Reheat 60°C / 140°F</b>	<b>Medium 66°C / 150°F</b>	<b>Well Done 71°C / 160°F</b>
<b>Ham</b> <i>(Fully Cooked &amp; Boneless Portion, Smoked Picnic Whole &amp; Bone-In)</i>	2.5 cm / 1" 1.36-1.81 kg / 3-4 lbs. 1.81-2.72 kg / 4-6 lbs. 2.26-3.62 kg / 5-8 lbs. 4.53-5.44 kg / 10-12 lbs.	12 minutes 50 minutes - 1 hour 1 - 2 hours 1 - 2½ hours 2 - 2¾ hours		
<b>Loin Roast</b>	1.36-1.81 kg / 3 - 4 lbs.		1 - 2 hours	2 - 3 hours
<b>Rib Crown Roast</b>	1.81-2.26 kg / 4 - 5 lbs.		1½ - 2 hours	2 - 3 hours
<b>Chop</b> <i>(loin, rib)</i>	1.9-2.5 cm / ¾" - 1" 3.1-3.9 cm / 1¼" - 1½"		10 - 12 minutes 14 - 18 minutes	
<b>Tenderloin</b>	1.9-2.5 cm / ¾" - 1"		20 - 30 minutes	30 - 45 minutes
<b>Loin Roast (boneless)</b>	1.36-2.26 kg / 3-5 lbs.		1¼ - 1¾ hours	1¾ - 2½ hours
<b>Boston Butt</b> <i>(Pork Shoulder)</i>	3.62-4.53 kg / 8-10 lbs.			93 - 98°C / 200 - 210°F Internal Temperature

<b>BEEF</b>	<b>SIZE</b>	<b>HEAT</b>	<b>Rare - 54°C / 130°F</b>	<b>Medium - 60°C / 140°F</b>	<b>Well Done - 65°C / 150°F</b>
<b>Steak</b> <i>(New York, Porter-house, Rib-eye, Sirloin, T-bone, or Tenderloin)</i>	1.9 cm / ¾" 2.5 cm / 1" 3.8 cm / 1½" 5 cm / 2"	High	Sear 8-10 minutes Sear 10-12 minutes Sear 10 minutes, grill 8-10 minutes Sear 10 minutes, grill 10-14 minutes		
<b>Skirt Steak</b>	0.6 - 12.7 cm / ¼" - ½"	High	Sear 5-7 minutes		
<b>Flank Steak</b>	0.45 - 0.86 kg / 1 - 1½ lbs., 1.9 cm / ¾"	Medium	Sear 4 minutes, grill 8-10 minutes		
<b>Kabob</b>	2.5 - 3.8 cm / 1-1½" cubes	Medium	Grill 10 - 12 minutes		
<b>Tenderloin, whole</b>	1.58 - 1.81 kg / 3½ - 4 lbs.	High/Medium	Sear 10 minutes, grill 15-20 minutes		
<b>Ground Beef Patty</b>	1.9 cm / ¾"	High/Medium	Sear 4 minutes, grill 4-6 minutes		
<b>Rib-eye Roast (boneless)</b>	2.26 - 2.72 kg / 5 - 6 lbs.	Medium	Grill 1½ - 2 hours		
<b>Tri-tip Roast</b>	0.9 - 1.13 kg / 2 - 2½ lbs.	High/Medium	Sear 10 minutes, grill 20-30 minutes		
<b>Rib Roast</b>	5.44 - 6.35 kg / 12 - 14 lbs.	Medium	2½ - 2¾ hours		
<b>Veal Loin Chop</b>	2.5cm / 1"	Medium	10 - 12 minutes direct		
<b>Brisket</b>	7.25 - 3.62 kg / 16 -18 lbs.	Hot Smoke	Cook until internal temperature reaches 91°C / 195°F		

<b>LAMB</b>	<b>Size</b>	<b>Rare - 54°C / 130°F</b>	<b>Medium - 60°C / 140°F</b>	<b>Well Done - 71°C / 160°F</b>
<b>Roast (fresh)</b>	2.26 - 2.72 kg / 5 - 6 lbs.		1 - 2 hours	
<b>Rib Crown Roast</b>	1.36-2.26 kg / 3-5 lbs.		1 - 1½ hours	1½ hours

<b>SEAFOOD</b>	<b>Size</b>	<b>Rare - 54°C / 130°F</b>	<b>Medium - 60°C / 140°F</b>	<b>Well Done - 82°C / 180°F</b>
<b>Fish (whole)</b>	0.5 kg / 1 lb. 0.9 - 1.1 kg / 2 - 2½ lbs. 1.4 kg / 3 lbs.			Grill 10 - 20 minutes Grill 20 - 30 minutes Grill 30 - 45 minutes
<b>Fish (filets)</b>	0.6-1.3 cm / ¼" - ½"			Grill 3 - 5 minutes, until flaky
<b>Lobster Tail</b>	0.15 kg / 5 oz. 0.3 kg / 10 oz.			Grill 5 - 6 minutes Grill 10 - 12 minutes

<b>WILD GAME</b>	<b>Size</b>	<b>Rare - 60°C / 140°F</b>	<b>Medium - 71°C / 160°F</b>	<b>Well Done - 77°C / 170°F</b>
<b>Roast (fresh)</b>	2.26 - 2.72 kg / 5 - 6 lbs.		1 - 1½ hours	1½ - 2 hours
<b>Large Cuts (fresh)</b>	3.62-4.53 kg / 8-10 lbs.		1 hours	1½ hours

# TIPS & TECHNIQUES

Follow these helpful tips and techniques, passed on from Country Smokers owners, our staff, and customers just like you, to become more familiar with your grill:

## 1. *FOOD SAFETY*

- Keep everything in the kitchen and cooking area clean. Use different platters and utensils for the cooked meat than the ones you used to prepare or transport the raw meat out to the grill. This will prevent cross contamination of bacteria. Each marinade or basting sauce should have its own utensil.
- Keep hot foods hot (above 60°C / 140°F), and keep cold foods cold (below 3°C / 37°F).
- A marinade should never be saved to use at a later time. If you are going to use it to serve with your meat, be sure to bring it to a boil before serving.
- Cooked foods should not be left out in the heat for more than an hour. Do not leave hot foods out of refrigeration for more than two hours.
- Defrost and marinade meats by refrigeration. Do not thaw meat at room temperature or on a counter top. Bacteria can grow and multiply rapidly in warm, moist foods. Wash hands thoroughly with hot, soapy water before starting any meal preparation and after handling fresh meat, fish and poultry.

## 2. *COOKING PREPARATION*

- Be prepared, or ***Mise en Place***. This refers to preparing the cooking recipe, fuel, accessories, utensils, and all ingredients you require at grill side before you start cooking. Also, read the entire recipe, start to finish, before lighting the grill.
- A BBQ floor mat is very useful. Due to food handling accidents and cooking spatter, a BBQ floor mat would protect a deck, patio, or stone platform from the possibility of grease stains or accidental spills.

## 3. *GRILLING TIPS AND TECHNIQUES*

- To infuse more smoke flavor into your meats, cook longer and at lower temperatures (also known as ***low and slow***). Meat will close its fibers after it reaches an internal temperature of 49°C / 120°F. Misting, or mopping, are great ways to keep meat from drying out.
- While searing your meats, cook with the lid down. Always use a meat thermometer to determine the internal temperature of the foods you are cooking. Smoking foods with hardwood pellets will turn meats and poultry pink. The band of pink (after cooking) is referred to as a ***smoke ring*** and is highly prized by outdoor chefs.
- Sugar-based sauces are best applied near the end of cooking to prevent burning and flare-ups.
- Leave open space between the foods and the extremities of the barrel for proper heat flow. Food on a crowded grill will require more cooking time.
- Use a set of long-handled tongs for turning meats, and a spatula for turning burgers and fish. Using a piercing utensil, such as a fork, will prick the meat and allow the juices to escape.
- Foods in deep casserole dishes will require more time to cook than a shallow baking pan.
- It's a good idea to put cooked food onto a heated platter, keeping the food warm. Red meats, such as steak and roasts, benefit from resting for several minutes before serving. It allows the juices that were driven to the surface by heat to ease back to the center of the meat, adding more flavor.

# TROUBLESHOOTING

Proper cleaning, maintenance and the use of clean, dry, quality fuel will prevent common operational problems. When your Country Smokers grill is operating poorly, or on a less frequent basis, the following troubleshooting tips may be helpful.

For FAQ, please visit [www.countrysmokers.com](http://www.countrysmokers.com). You may also contact your local Country Smokers authorized dealer or contact Customer Service for assistance.

**WARNING: Always disconnect the electrical cord prior to opening the grill for any inspection, cleaning, maintenance or service work. Ensure the grill is completely cooled to avoid injury.**

PROBLEM	CAUSE	SOLUTION
No Power Lights On The Control Board	Temperature Control Dial is still off.	Turn the Temperature Control Dial to a temperature setting.
	Not Connected To Power Source	Ensure unit is plugged into a working power source. Reset breaker. Ensure GFCI is a minimum 10 Amp service (see <b>Electric Wire Diagram</b> for access to electric components) Ensure all wire connections are firmly connected and dry.
	Fuse Blown On The Control Board	Remove hopper access panel (see <b>Electric Wire Diagram</b> for diagram), press in plastic tabs holding the control board in place and carefully pull controller inside the hopper to release controller. Check the fuse for a broken wire or if the wire has turned black. If yes, fuse needs to be manually replaced.
	The GFCI outlet has been tripped.	Ensure GFCI is a minimum 10 Amp service.
	Faulty Control Board	Control Board needs to be replaced. Contact Customer Service for a replacement part.
Fire in Fire pot Will Not Light	Auger Not Primed	Before the unit is used for the first time or anytime the hopper is completely emptied out, the auger must be primed to allow pellets to fill the auger tube. If not primed, the igniter will timeout before the pellets reach the fire pot. Follow <b>Hopper Priming Procedure</b> .
	Auger Motor Is Jammed	Remove cooking components from the main barrel. Press the Power Button to turn the unit on, turn Temperature Control Dial to SMOKE, and inspect the auger feed system. Visually confirm that the auger is dropping pellets into the fire pot. If not operating properly, call Customer Service for assistance.
	Igniter Failure	Remove cooking components from the main barrel. Press the Power Button to turn the unit on, turn Temperature Control Dial to SMOKE, and inspect the igniter. Visually confirm that the igniter is working by placing your hand above the fire pot and feeling for heat. Visually confirm that the igniter is protruding approximately 13mm / 0.5 inches in the fire pot. If not operating properly, follow <b>Manual Start-up Procedure</b> to continue use of grill; however, call Customer Service for assistance or a replacement part.
	Insufficient Air Flow Through Fire Pot	Check fire pot for ash build-up or obstructions. Follow Care and Maintenance instructions for ash build-up. Check fan. Ensure it is working properly and air intake is not blocked. Follow <b>Care and Maintenance</b> instructions if dirty.
Flashing Dots On LCD Screen	The Igniter Is On	This is not an error that effects the grill. Used to show that the unit has power and is in Start-Up mode (igniter is on). The igniter will turn off after five minutes. Once the flashing dots disappear, the grill will begin to adjust to the desired temperature selected.
Flashing Temperature On LCD Screen	Grill Temperature Is Below 65°C /150°F	This is not an error that effects the unit; however, it is used to show that there is some risk that the fire could go out. Check hopper for sufficient fuel or if there is an obstruction in the feed system. Remove pellets and follow <b>Care and Maintenance</b> instructions. Check grill temperature probe and follow <b>Care and Maintenance</b> instructions if dirty. Check fire pot for ash build-up or obstructions, and follow <b>Care and Maintenance</b> instructions for ash build-up. Check fan. Ensure it is working properly and air intake is not blocked. Follow <b>Care and Maintenance</b> instructions if dirty. Check auger motor to confirm operation (rotation), and ensure there is no blockage in the auger tube.

"ErH" Error Code	The Unit Has Overheated, Possibly Due To Grease Fire Or Excess Fuel.	Press the Power Button to turn the unit off, and allow grill to cool. Follow <b>Care and Maintenance</b> instructions. After maintenance, remove pellets, and confirm positioning of all component parts. Once cooled, press the Power Button to turn the unit on, then select desired temperature. If error code still displayed, contact Customer Service.
"ErR" Error Code	Temperature probe wire not making connection.	Remove hopper access panel (see <b>Electric Wire Diagram</b> for diagram), and check for any damage to the Temperature Probe wires. Ensure Temperature Probe moxex connectors are firmly connected, and connected correctly, to the Control Board.
"ErP" Error Code	Unit Not Turned Off Properly When Last Connected To Power.	Safety feature prevents an automatic restart. Press the Power Button to turn the unit off, wait two minutes, then press the Power Button to turn the unit on again. Turn Temperature Control Dial to SMOKE or desired temperature. If error code still displayed, contact Customer Service.
	Power Outage While Unit In Operation.	
"noP" Error Code	Bad Connection At Connection Port	Disconnect meat probe from connection port on the Control Board, and reconnect. Ensure the meat probe adapter is firmly connected. Check for signs of damage to the adapter end. If still failed, call Customer Service for replacement part.
	Meat Probe Damaged	Check for signs of damage to the wires of the meat probe. If damaged, call Customer Service for replacement part.
	Faulty Control Board	Control Board needs to be replaced. Contact Customer Service for a replacement part.
Grill Temperature on SMOKE is too high	"P" Setting is too LOW	Push the "P" SET button, and increase the "P" setting.
Grill Will Not Achieve Or Maintain Stable Temperature	Insufficient Air Flow Through Fire Pot	Check fire pot for ash build-up or obstructions. Follow <b>Care and Maintenance</b> instructions for ash build-up. Check fan. Ensure it is working properly and air intake is not blocked. Follow <b>Care and Maintenance</b> instructions if dirty. Check auger motor to confirm operation, and ensure there is no blockage in the auger tube. Once all the above steps have been done, start the grill, set temperature to SMOKE and wait for 10 minutes. Check that the flame produced is bright and vibrant.
	Lack Of Fuel, Poor Fuel Quality, Obstruction In Feed System	Check hopper to check that fuel level is sufficient, and replenish if low. Should the quality of wood pellets be poor, or the length of the pellets too long, this may cause an obstruction in the feed system. Remove pellets and follow <b>Care and Maintenance</b> instructions.
	Temperature Probe	Check status of temperature probe. Follow <b>Care and Maintenance</b> instructions if dirty. Contact Customer Service for a replacement part if damaged.
Grill Produces Excess Or Discolored Smoke	Grease Build-Up	Follow <b>Care and Maintenance</b> instructions.
	Wood Pellet Quality	Remove moist wood pellets from hopper. Follow <b>Care and Maintenance</b> instructions to clean out. Replace with dry wood pellets.
	Fire pot Is Blocked	Clear fire pot for ash and other debris. Follow <b>Hopper Priming Procedure</b> .
	Insufficient Air Intake For Fan	Check fan. Ensure it is working properly and air intake is not blocked. Follow <b>Care and Maintenance</b> instructions if dirty.
Frequent Flare-Ups	Cooking Temperature	Attempt cooking at a lower temperature. Grease does have a flash point. Keep the temperature under 176°C / 350°F when cooking highly greasy food.
	Grease Build-Up On Cooking Components	Follow <b>Care and Maintenance</b> instructions.

# ELECTRICAL WIRE DIAGRAM

The Digital Control Board system is an intricate and valuable piece of technology. For protection from power surges and electrical shorts, consult the wire diagram below to ensure your power source is sufficient for the operation of the unit.

## CS – ELECTRIC REQUIREMENTS

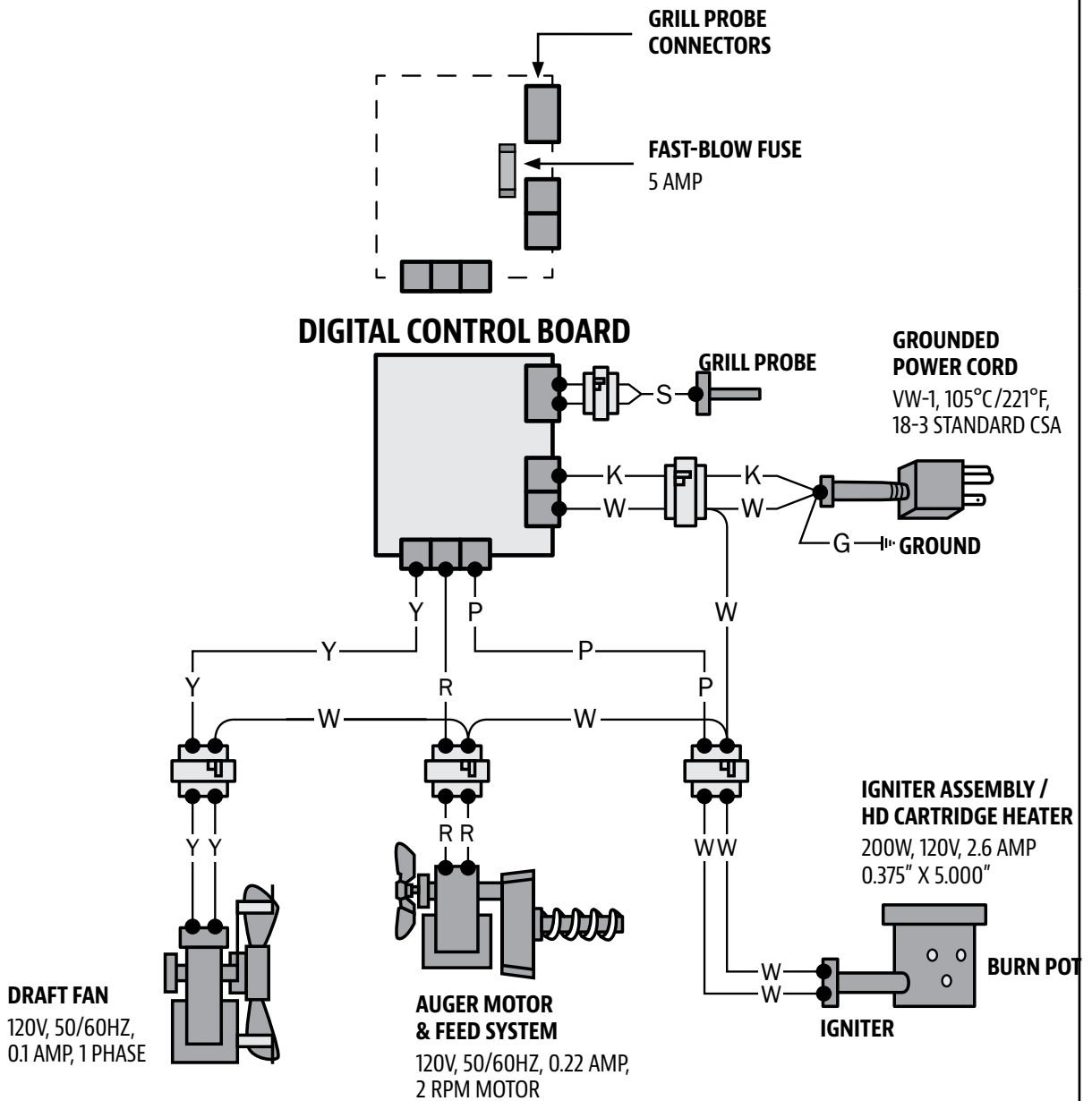
110-120V, 3.1AMP, 60HZ, 275W, 3-PRONG GROUNDED PLUG

NOTE: Electrical components, passed by product safety testing and certification services, comply with a testing tolerance of ± 5-10 percent.

**FUEL INPUT RATING:**  
1.12 KG/H  
(2.48 LB/H)

### INDEX

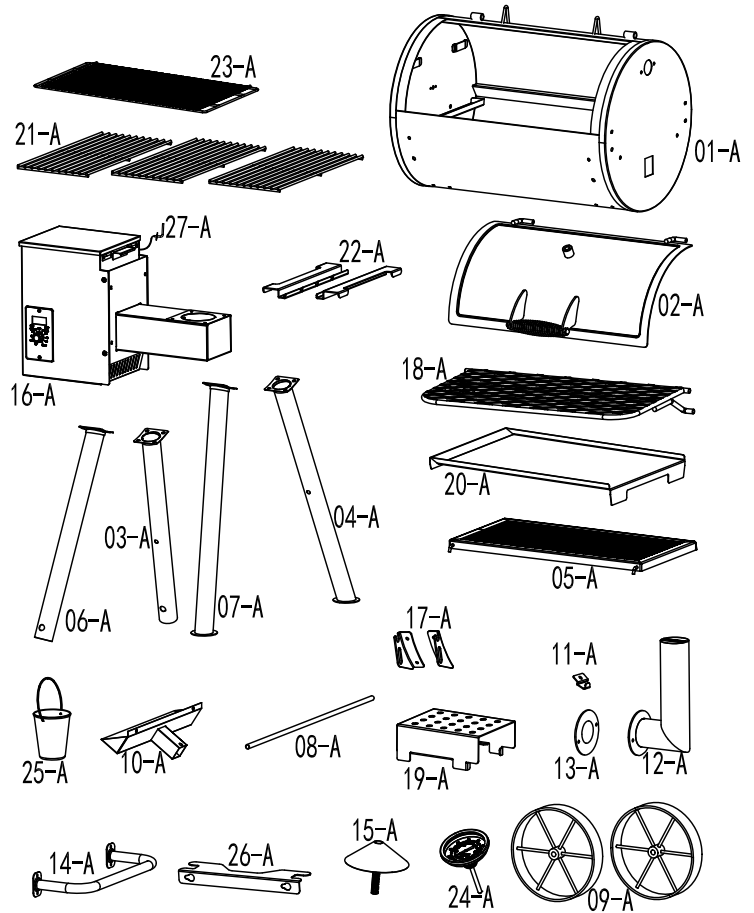
W : WHITE  
Y : YELLOW  
P : PURPLE  
R : RED  
K : BLACK  
S : SILVER  
G : GREEN



# REPLACEMENT PARTS

ENGLISH

Part#	Description
01-A	Cooking Chamber (x1)
02-A	Chamber Lid (x1)
03-A	Back Left Leg (x1)
04-A	Back Right Leg (x1)
05-A	Bottom Shelf (x1)
06-A	Front Left Leg (x1)
07-A	Front Right Leg (x1)
08-A	Wheel Axle (x1)
09-A	Wheel (x2)
10-A	Right Bracket (x1)
11-A	Small Hook (x1)
12-A	Smokestack (x1)
13-A	Smokestack Gasket (x1)
14-A	Handle (x1)
15-A	Chimney Cap (x1)
16-A	Hopper Assembly (x1)
17-A	Left/Right Shelf Bracket (x1+1)
18-A	Front Shelf (x1)
19-A	Flame Baffle (x1)
20-A	Grease Tray (x1)
21-A	Cooking Grate (x3)
22-A	Cooking Bracket (x2)
23-A	Warming Rack (x1)
24-A	Temperature Gauge (x1)
25-A	Grease Bucket (x1)
26-A	Power Cord Bracket (x1)
27-A	Grill Probe (x1)
28-A	M6 x 12 Bolt (x29)
29-A	M5 x 10 Bolt (x2)
30-A	M4 x 10 Bolt (x1)
31-A	M12 Lock Nut (x2)
32-A	M6 (x22)
33-A	M4 (x1)
34-A	M6 x 20 (x4)

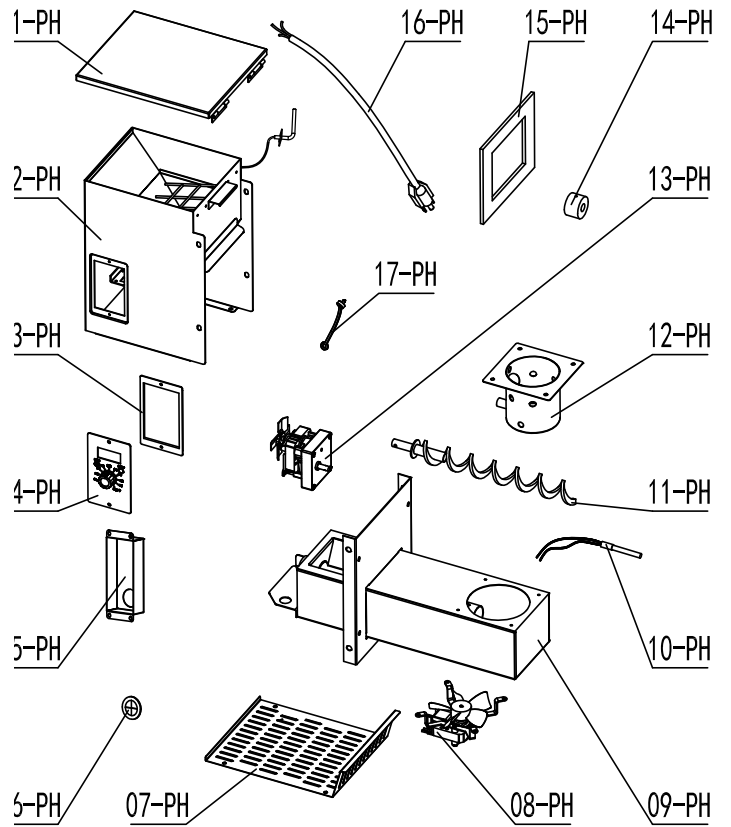


33-A		37-A	
34-A		38-A	
35-A		39-A	
36-A		40-A	

NOTE: Due to ongoing product development, parts are subject to change without notice.

# REPLACEMENT PARTS

Part#	Description
01-PH	Hopper Lid
02-PH	Hopper Top Housing
03-PH	Rubber Gasket
04-PH	Control Board
05-PH	Metal Box
06-PH	Hopper Bottom
07-PH	Fan Motor
08-PH	Auger Box Housing
09-PH	Igniter
10-PH	Auger
11-PH	Fire Pot
12-PH	Auger Motor
13-PH	Nylon bushing
14-PH	Gasket
15-PH	Rubber Pad



ENGLISH

# WARRANTY

## CONDITIONS

All wood pellet grills by Country Smokers, manufactured by Dansons, carry a limited warranty from the date of sale by the original owner. The warranty coverage begins on the original date of purchase and proof of date of purchase, or copy of original bill of sale, is required to validate the warranty. Customers will be subject to parts, shipping, and handling fees if unable to provide proof of the purchase or after the warranty has expired.

Dansons carries a three (3) year warranty against defects and workmanship on all parts, and three (3) years on electrical components. Dansons warrants that all part(s) are free of defects in material and workmanship, for the length of use and ownership of the original purchaser. Warranty does not cover damage from wear and tear, such as scratches, dents, dings, chips or minor cosmetic cracks. These aesthetic changes of the grill do not affect its performance. Repair or replacement of any part does not extend past the limited warranty beyond the three (3) years from date of purchase.

During the term of the warranty, Dansons' obligation shall be limited to furnishing a replacement for defective and/or failed components. As long as it is within the warranty period, Dansons' will not charge for repair or replacement for parts returned, freight prepaid, if the part(s) are found by Dansons' to be defective upon examination. Dansons' shall not be liable for transportation charges, labor costs, or export duties. Except as provided in these conditions of warranty, repair or replacement of parts in the manner and for the period of time mentioned heretofore shall constitute the fulfillment of all direct and derivate liabilities and obligations from Dansons to you.

Dansons takes every precaution to utilize materials that retard rust. Even with these safeguards, the protective coatings can be compromised by various substances and conditions beyond Dansons' control. High temperatures, excessive humidity, chlorine, industrial fumes, fertilizers, lawn pesticides and salt are some of the substances that can affect metal coatings. For these reasons, the warranty does not cover rust or oxidization, unless there is loss of structural integrity on the grill component. Should any of the above occur, kindly refer to the care and maintenance section to prolong the lifespan of your unit. Dansons recommends the use of a grill cover when the grill is not in use.

This warranty is based on normal domestic use and service of the grill and neither limited warranty coverage's apply for a grill which is used in commercial applications.

## EXCEPTIONS

There is no written or implied performance warranty on Country Smokers grills, as the manufacturer has no control over the installation, operation, cleaning, maintenance or the type of fuel burned. This warranty will not apply nor will Dansons assume responsibility if your appliance has not been installed, operated, cleaned and maintained in strict accordance with this owner's manual. Any use of gas not outlined in this manual may void the warranty. The warranty does not cover damage or breakage due to misuse, improper handling or modifications.

Neither Dansons, or authorized Country Smokers dealer, accepts responsibility, legal or otherwise, for the incidental or consequential damage to the property or persons resulting from the use of this product. Whether a claim is made against Dansons based on the breach of this warranty or any other type of warranty expressed or implied by law, the manufacturer shall in no event be liable for any special, indirect, consequential or other damages of any nature whatsoever in excess of the original purchase of this product. All warranties by manufacturer are set forth herein and no claim shall be made against manufacturer on any warranty or representation.

Some states do not allow the exclusion or limitation of incidental or consequential damages, or limitations of implied warranties, so the limitations or exclusions set forth in this limited warranty may not apply to you. This limited warranty gives you specific legal rights and you may have other rights, which vary from state to state.

## ORDERING REPLACEMENT PARTS

To order replacement parts, please contact your local Country Smokers dealer or visit our online store at: [www.countrysmokers.com](http://www.countrysmokers.com)

## CONTACT CUSTOMER SERVICE

If you have any questions or problems, contact Customer Service, Monday through Sunday, 4am - 8pm PST (EN/FR/ES).

**service@country smokers.com | Toll-Free: 1-877-303-3134 | Toll-Free Fax: 1-877-303-3135**

## WARRANTY SERVICE

Contact your nearest Country Smokers dealer for repair or replacement parts. Danson's requires proof of purchase to establish a warranty claim; therefore, retain your original sales receipt or invoice for future reference. The serial and model number of your Country Smokers can be found on the back of the hopper. Record numbers below as the label may become worn or illegible.

---

MODEL

---

SERIAL NUMBER

---

DATE OF PURCHASE

---

AUTHORIZED DEALER



COUNTRY SMOKERS WOOD FIRED GOODNESS

**COUNTRYSMOKERS.COM**

**WARNING:** Please read the entire manual before installation and use of this electric, pellet fuel burning appliance. Failure to follow these instructions could result in property damage, bodily injury or even death. Contact local building or fire officials about restrictions and installation inspection requirements in your area.

## IMPORTANT


### DO NOT RETURN PRODUCT TO STORE

For all questions, comments, or inquiries, please contact Danson's directly. Our Customer Service department is available

**Monday through Sunday, 4am - 8pm PST (EN/FR/ES).**

**TOLL FREE: 1-877-303-3134 | TOLL FREE FAX: 1-877-303-3135**  
**service@country smokers.com**

MADE IN CHINA

 **WARNING:** this product can expose you to chemicals including wood dust, which is known to the state of California to cause cancer. Combustion of this product can expose you to chemicals including carbon monoxide, which is known to the state of California to cause birth defects or other reproductive harm. For more information go to [WWW.P65WARNINGS.CA.GOV](http://WWW.P65WARNINGS.CA.GOV)



480190722MCV