



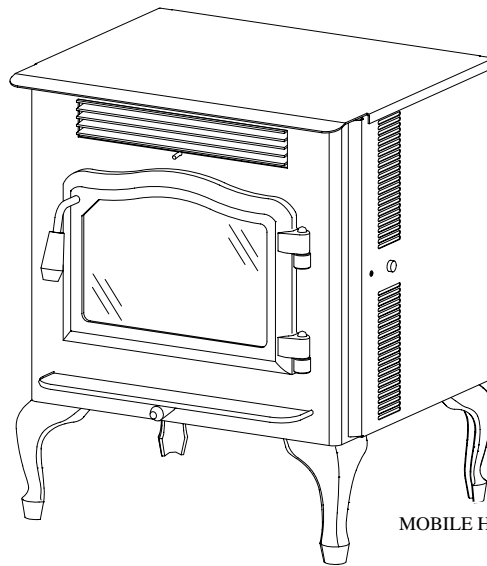
# COUNTRY FLAME TECHNOLOGIES

INSTALLATION, OPERATION AND MAINTENANCE MANUAL

## LITTLE RASCAL PELLET FUEL STOVE FREESTANDING/FIREPLACE INSERT, MODEL LR-01

USA & CANADA TEST:  
ASTM E 1509-03, ULCS627-M90  
ULCS628-M92, UL 1482,  
Oregon Administrative Rules 814-23-900 thru 909

**TESTED BY:**  
**WARNOCK HERSEY**



MOBILE HOME APPROVED

### FOR YOUR SAFETY

Do not store or use gasoline or other flammables (vapor or liquids) in or around the vicinity of this appliance.

Installation and repair must be performed by a qualified service agency.

Always check with local jurisdiction or code agency before installing

**WARNING:** If the directions in this manual are not followed exactly, a fire may result causing property damage, personal injury or loss of

© 2004

**COUNTRY FLAME** 

**Country Flame Technologies**

A Division of American Products, LLC

900 George Street  
Marshfield, MO 65706  
417-859-0990 phone  
417-859-0192 fax

[www.countryflame.com](http://www.countryflame.com)

**LITTLE RASCAL  
MODEL LR-01 PELLET FUEL STOVE  
TABLE OF CONTENTS**

Introduction	Page 3
Safety Notes	Page 4-6
Specifications	Page 7
Operating Instructions	Page 8-15
Description	Page 8
Pre-Operation Notes	Page 10
<i>Intelli-Choice</i> Control Panel	Page 11
Lighting Procedure	Page 16
Shut System Down	Page 17
Maintenance	Page 18
Installation Instructions	Page 20
Precautions	Page 20
Free Standing Unit	
Positioning	Page 21
Venting	Page 22
Details	Page 25
Leg & Pedestal Installation	Page 26
Insert Unit	
Positioning	Page 27
Venting	Page 28
Details	Page 30
Mobile Home Venting Standards	Page 31
Electrical/Schematic	Page 32
Plates & Tags	Page 33
Warranty	Page 34

**LOOK AT THE LABEL ON THE BACK OF YOUR UNIT TO FIND THE SERIAL NUMBER. WRITE IT HERE \_\_\_\_\_ IMMEDIATELY.**

Failure to do so will make servicing and maintenance questions difficult to answer and could result in needless inconvenience in the future. You will need the serial number of your unit if it requires servicing.

## INTRODUCTION

Congratulations on your purchase of a Country Flame solid fuel heater. Your heater was designed to provide you with durable, reliable performance and ease of operation.

The Country Flame LR-01 has been painstakingly designed with your comfort in mind. On those cool evenings when you'd like a little extra heat in the room, but you don't want to turn on the furnace, you'll enjoy the thermal efficiency of the LR-01. Whether you use your unit to heat a single room or several rooms, you'll appreciate the speed with which your unit can be lit and brought up to temperature.

You'll feel that you've slipped into the homey comforting glow of yesterday as you warm yourself in front of your new heater, with all the comforts of a good, solid wood burning stove, but without the bulk and mess of a conventional heater. While others have to trudge outside to chop wood and gather kindling, you'll be warming yourself by the fire, fueled by easy to load pelletized solid fuel. On cold winter nights, your LR-01 will become a true friend and you'll wonder how you ever got along without it.

### Features:

- \*Clean Pelletized Solid Fuel System
- \*HOT 15 Tube Exchanger Design
- \*Industry Proven Auger System
- \*Solid Brass Door & Trim Available
- \*Integrated Control System
- \*Insert Installation Option
- \*Freestanding Pedestal and Queen Ann Leg Options

This is a comprehensive manual – to avoid confusion when installing your stove:

1. Read and familiarize yourself with the Entire Manual and Safety Notes.
2. Follow the Installation Instructions, Precautions, Positioning, Venting, and Details.
3. Follow the Operating Instructions, Lighting, Shutdown and First Time Operation.

## SAFETY NOTES

FOR SAFE OPERATION – THIS MANUAL MUST BE USED FOR INSTALLATION OF STOVE UNIT AND RETAINED BY THE OWNER FOR OPERATION AND MAINTENANCE INFORMATION.

**PLEASE READ ALL OF THIS MANUAL AND SAFETY NOTES.** The Country Flame LR-01 Pellet Stove is different from conventional wood burning appliances. It is very important that you read and understand all of the instructions before installing and using your Pellet Stove. Follow the procedures and maintenance instructions outlined in this manual exactly. Failure to follow instructions may result in property damage, bodily injury, or even death. It is recommended that you have your unit installed by your authorized Country Flame dealer or at least have them inspect your installation.

1. Because Country Flame has no control over the installation of your unit, Country Flame grants no warranty, implied or written, for the installation or maintenance of your unit and assumes no responsibility for any consequential damage.
2. Fill out the warranty card included with your unit. Send the return portion of the warranty card to Country Flame. Please retain the other portion with this manual.
3. This heater will not operate using natural draft or without a power source for the blowers and fuel feeding system.
4. Never attempt to repair any part of the unit unless following instructions in this manual. Installation and repair should be done by a qualified service technician. Any parts removed for servicing must be replaced prior to operation.
5. Any modifications to the unit, unless authorized by Country Flame, could be dangerous and void the warranty of the unit.
6. This unit must be connected to a grounded standard 110-volt 60hz electrical outlet. **NEVER** use an adapter cord or cut or remove the grounding prong from the power cord plug.
7. **ALWAYS** wait until the unit is cooled and disconnect power before performing any maintenance or cleaning procedures.
8. **NEVER** place combustible objects on or near your heater.
9. **NEVER** allow children near heater during operation, and do not allow anyone to operate the unit who is unfamiliar with these instructions.
10. Children and adults should be alerted to the hazards of high surface temperature and should stay away to avoid burns or clothing ignition.
11. Young children should be carefully supervised when they are in the same room as the heater.

12. **NEVER** connect this unit to a chimney flue serving another appliance.
13. **ALWAYS** follow the lighting instructions in this manual; short cuts of any kind can be dangerous.
14. Check your local building codes and consult your insurance company before installing your unit.
15. Due to high temperatures, the pellet stove should be located out of traffic and away from furniture and draperies.
16. Clothing or other flammable material should not be placed on or near the room heater.
17. When disposing of ash accumulations from your unit, always place them in a metal container with a tight fitting lid. The closed container must be placed on a non-combustible surface well away from all combustible materials, pending final disposal. The ashes should be retained in the closed container until all cinders have thoroughly cooled.
18. Any safety screen or guard removed for servicing a room heater must be replaced prior to operating the room heater.
19. Your unit is designed and approved for burning of pelletized biomass fuel, which meets or exceeds APFI standards only. Burning of solid fuel in other than pellet form is not permitted. Failure to comply with this restriction will void all warranties and the safety listing of the unit. Poor quality fuel will directly (*and adversely*) affect efficiency and cleanliness of your unit's operation. Your Country Flame dealer can help you make the proper fuel choice for your area.
20. **NEVER** use gasoline, gasoline-type lantern fuel, kerosene, charcoal lighter fluid or similar liquids to start or "freshen up" fire in this heater. Do not store or use gasoline or other flammable vapors and liquids in the vicinity of this or any other appliance.
21. **INSTALL a smoke detector within the proximity of your pellet stove.**
22. **NEVER** put foreign objects in the hopper. **NEVER** burn trash or unapproved material in your LR-01.
23. **NEVER** block free airflow through open vents.
24. The exhaust system should be checked twice a year (minimum) for any buildup of soot or creosote.

25. This unit's exhaust system works with a negative combustion chamber pressure and a low positive flue pipe pressure. It is very important that the exhaust system be properly installed and air tight. The flue pipe joints should be sealed. Use high temperature RTV (500<sup>0</sup>F) (260<sup>0</sup>C) silicone sealant or aluminum flue tape and secured each joint with at least (3) sheet metal screws. Improperly installed stove flues are the major cause of home fires.
26. When installed in a mobile home, a pellet stove must be grounded to the steel chassis of the mobile home and bolted to the floor in compliance with and according to H.U.D. requirements.
27. **SOOT AND FLYASH:** The products of combustion will contain small particles of flyash. The flyash will collect in the exhaust venting system and restrict the flow of the flue gases. Incomplete combustion, such as occurs during start-up, shut down, or incorrect operation of the room heater will lead to some soot formation which will collect in the exhaust venting system. The exhaust venting system should be inspected at least once every year to determine if cleaning is necessary.

## SPECIFICATIONS

FUEL TYPE:	A.P.F.I. residential fuel: Heat Content: 8200 BTU/lb. min. Bulk Density: 40 lb. /cubic ft. min. Moisture Content: 8% max Ash Content: 1% max Size: ¼” to 3/8” diameter 1.5” long max Fines: 1% max through 1/8 <sup>th</sup> screen
HOPPER SIZE:	55# Hopper Capacity
FLUE SIZE:	3” or 4”
TYPE:	PL double wall vent with stainless steel inner liner
AIR INLET:	1 ½” Sch 40 Black Iron Pipe
AUGER TYPE:	Tumac 2 ¼ Auger Pellet Feed System
CONTROLS:	Integrated Feed Rate/Blower Speed Controls
ELECTRICAL:	120 Volts, 2.4 Amp, 60 Hz
MEASUREMENTS:	UNIT BODY HEIGHT 22 ¾” HEIGHT ON PEDESTAL 32 ¾” HEIGHT ON LEGS 31 1/4” UNIT WIDTH 26” UNIT DEPTH 19 3/4” SHROUD HEIGHT 29 7/8” SHROUD WIDTH 45 7/8”
CLEARANCES:	SIDES 1” BACK 2” TOP TO COMBUSTIBLE 3” TOP TO CEILING 3”

\*Combustible Flooring must be covered with non-combustible material extending 6” (150 mm) from front of unit and 8” (205 mm) from unit on each side. The floor protection on the sides of the stove only has to extend to the vertical sidewall(s) if the clearances are less than 8”.

## DESCRIPTION

The LR-01 Pellet Stove is designed to sit on a pedestal or legs as a freestanding unit or can be installed as an insert with the optional shroud and split lid. The basic stove unit without shroud or pedestal measures 22 3/4" high by 26" wide and 19 3/4" deep. Centered above the firebox glass front door is a louvered vent through which room convection air is passed.

The right side of the unit has a rheostat control knob to vary the speed of the room air blower. The left side of the unit has a control panel for the integrated "*Intelli-Choice*" control board. The controls include 5 heat settings, an ON/OFF switch and lights to indicate proper operation. On the back of the unit are located a 3" tube for installation of outlet vent pipe and a hole for installation of a 1 1/2" inlet air tube. The top of the unit lifts up for easy loading of fuel. An optional two piece lid is available if the Little Rascal is to be used as an fireplace insert.

1. The Country Flame LR-01 is remarkably simple and safe in its operation. From a relatively small firebox over 40,000 BTU's per hour can be produced.
2. The fuel (APFI approved) is loaded into the hopper. After the fire has been lit (see lighting instructions) an angled drive auger delivers fuel, a few pellets at a time, into the firepot at a controlled rate. The combustion blower delivers directed air input, creating a vigorous, efficient burn. The hot exhaust gases are drawn through a 14-tube heat exchanger, which extracts heat from the gases as they are discharged to the exhaust pipe.
3. A second blower circulates room air through the heat exchanger, pushing warm air into the room from the tubes located just above the door. The room air blower is intended to run continuously and can be easily controlled to maintain a uniform temperature.
4. The Pellet Stove will deliver a constant amount of heat, which can be varied by setting the fuel control knob. Besides initial lighting of the unit, the only regular attention needed will be to fill the 55# hopper with fuel; inspection of the firepot for "clinkering" (see operating instructions) and removal of ash buildup as required.

## AIR DAMPER ADJUSTMENTS

Each LR-01 is shipped with an air damper adjustment. The air damper control is located on the front of the pellet stove below the hearth lip located directly centered on the front door. As site specific operating conditions require, such as fuel, altitude, and customer usage preferences require, there will be a requirement to adjust the air damper for more or less combustion air to the unit. To vary the air, the air damper control is slid in (less air) and out (more air.)

1. Conditions that warrant more combustion air are:  
Hardwood pellets  
Higher altitudes  
Increased heat settings (3- 5)
2. Conditions that warrant less air:  
Softwood pellets  
Low altitudes  
Lower heat settings (2-3)
3. Conditions that warrant even less air:  
Softwood pellets  
Low altitudes  
Lower heat settings (1-2)

Things to watch for:

**TOO LITTLE AIR**

- Extremely lazy flame
- Extremely black and dirty conditions in firebox
- When extended burn on High Settings, too many pellets in firepot

**TOO MUCH AIR**

- Flame is aggressive but as time progresses, the flame is barely visible
- Fire disappears in burn pot, shown below, or goes out on low settings
- 



Note: Once you have determined the correct air usage for the heat setting and local site conditions, the air damper control will not need to be adjusted as often. Remember, any change in site specific conditions will require an adjustment of the air damper.

## **PRE-OPERATION NOTES**

1. Thoroughly read and understand this manual. Pay particular attention to the maintenance and safety sections of this manual. Failure to inspect the stove and understand these instructions may cause unsatisfactory performance.
2. Check to see that the intake and exhaust vents are properly tight and correctly installed.
3. Remove protective materials such as plastic coverings, plastic bags, and other material shipped with the stove.
4. Insure that the stove is connected to a code approved 120 volt AC power source. Ensure that the power provided is stable and not varying. If necessary, include a cost-effective UPS (power source) between the stove and house power to minimize any problems with the stove.
5. Open the hopper lid and inspect the hopper before filling with fuel. ENSURE no foreign objects are left in hopper before loading it with approved pellet fuel.
6. The first time the Country Flame pellet stove is fired up, a odor or smoke may emanate from the pellet stove. This is normal and should not last very long. Once the unit is “broken in” (after that first firing) no future odors or smoke should appear.
7. Fuel should conform to A.P.F.I. standards (see page 7).

## IGNITION/START-UP PROCEDURE

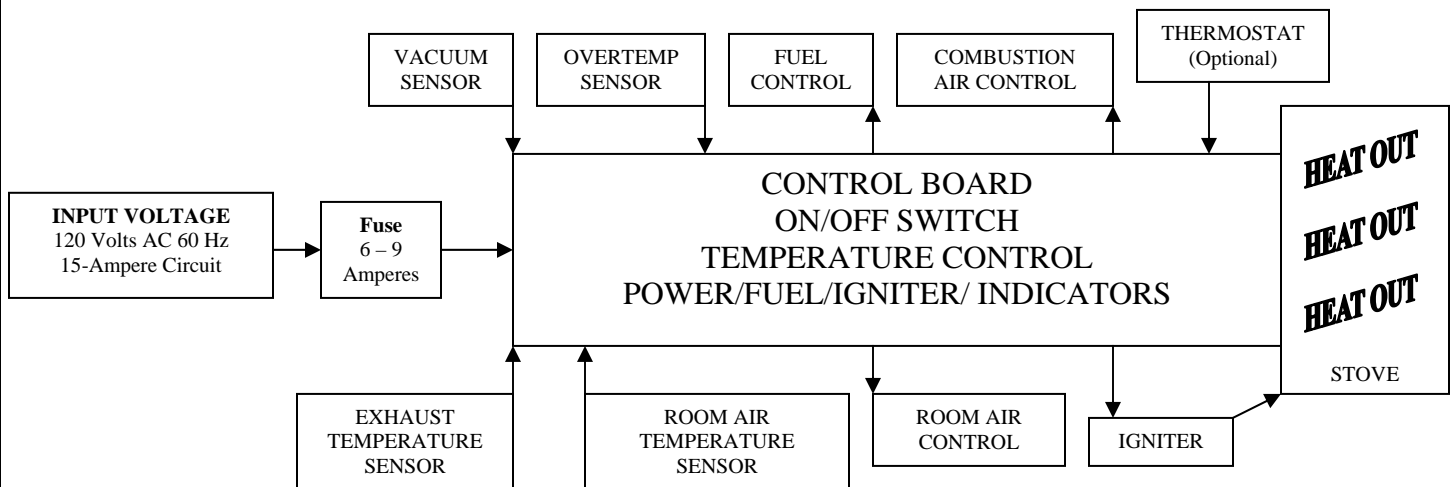
Country Flame Technologies introduced its exclusive control board technology in 2001. This control board technology was introduced across all lines of Country Flame’s pellet and corn stove products. Country Flame continues to demonstrate leadership in bringing new products to market. Country Flame developed its own control board technology in order to bring reliable, supportable, and sustainable biomass-fueled products to market throughout the 21<sup>st</sup> Century.

Country Flame’s control board design goal was simple:

**PROVIDE THE LATEST CONTROL METHODOLOGY TO ENSURE MAXIMUM BURN EFFICIENCY WHILE AUTOMATICALLY CONTROLLING AS MANY ENVIRONMENTAL AND SYSTEM VARIABLES IN ORDER TO ENSURE CUSTOMER SATISFACTION WITH THE PRODUCT WHILE GAINING CONFIDENCE IN THE PRODUCTS ABILITY TO OPERATE WITH LIMITED CONSUMER EFFORT.**

Country Flame’s control board technology is defined as an “open system.” This means that Country Flame will seek to provide the most advanced controls methodology in the coming years while maintaining the look and feel that dealers and customers come to know and expect. This means that a purchase of today’s Country Flame product allows a customer to upgrade to newer and more advanced technology, as it becomes available while minimizing cost. Country Flame is committed to ensuring its customer base will remain a life long family member once the initial purchase of product is complete. Country Flame’s goal is to ensure a service technician can diagnose and repair any product problem in less than 30 minutes from arrival to departure of a customer’s home. The service technician will have to demonstrate an understanding of control methodology, sensors, basic electric theory, and system operation in order to assist in achieving these Country Flame goals.

The following block diagram demonstrates the basic theory behind today’s Country Flame control board technology:



The basic block diagram shows the input and output components to the control board. The failure of any of these items to work properly will cause a malfunction in the system. Further information on each function is provided in the tables below.

<b>Input Voltage</b>	Alternating Current (AC) Input provided by the local power company. This source of energy must provide a 120 Volt input signal with a frequency of 60 Hertz and a maximum branch current capacity of 15 Amperes. If other devices are connected to the branch, interference or over current may cause circuit breaker to trip.
<b>Fuse</b>	The AC fuse should be rated between 6 and 9 amperes. The recommended fuse is a Little Fuse Model _____.
<b>Vacuum Sensor</b>	Ensures that no blockage of the combustion input or combustion exhaust air occurs. If the vacuum sensor does not operate properly, the Control Board will not allow the stove to operate.
<b>Exhaust Temperature Sensor</b>	Presently, this sensor is a snap disk operating at 110° F +/- 20° F. This sensor ensures proper exhaust temperature has been reached and that a fire is present in the burn pot before the control system begins the burn cycle.
<b>Room Air Temperature Sensor</b>	Presently, this sensor is a snap disk operating at 110° F +/- 20° F. This sensor ensures that a proper amount of heat is available at the heat exchanger before the room fan is allowed to operate. If the sensor allows the fan to come on too early, the combustion chambers temperature could drop to the point that self-combustion (ignition temperatures) cannot be maintained.
<b>Overtemp Sensor</b>	Presently, this sensor is a snap disk operating at 250° F +/- 20° F. The purpose of this sensor is to shut the entire system down in the event the firebox causes an overheat condition.
<b>Fuel Control</b>	The fuel control is a signal provided from the Control Board to the Auger Feed Motor. The Control Board controls the amount of time that the Auger Feed Motor is on and thereby controls the amount of fuel fed to the fire pot.
<b>Room Air Control</b>	The room air control is a signal provided from the Control Board to the Room Air Fan. The Control Board controls the phase angle and thereby the amount and time an AC voltage is applied to the Room Air Fan. This signal controls the speed of the room air passing over the heat exchanger tubes and the amount of heat delivered to the living space.
<b>Combustion Air Control</b>	The combustion air control is a signal provided from the Control Board to the Combustion Fan. The Control Board controls the phase angle and thereby the amount and time an AC voltage is applied to the Combustion Air Fan. This signal controls the speed of the combustion air passing through the burn pot for the different heat settings
	An AC heating element used to provide initial heat to the pellet combustion process. Once the Control Board senses combustion, the Igniter is shut off to conserve energy usage.
<b>Thermostat (optional)</b>	A thermostat input is provided on the back of each Country Flame product. The Control Board has individual personality modules that allow for stand-alone, semi automatic, or fully automatic thermostat operation.

Below is a graphical display of the Country Flame Control Board front Panel. Each function of the Control Board is identified. Those control functions having secondary functions are identified with asterisks. The secondary functions will be explained in following paragraphs.



*Intelli-Choice* CONTROL PANEL

ON/OFF SWITCH	The ON/OFF Switch serves to turn the system on and off by holding the switch for approximately 5 seconds. The ON/OFF Switch can also be used to initiate the FUEL PRIME MODE by holding it for approximately 15 seconds. When in the prime mode the Thermostat lights will sequentially light from top to bottom simulating a “filling action” of the auger tube. In a fully automatic mode pellet stove, the ON Function of the switch is ignored.
HEAT UP/ HEAT DOWN SWITCH	When these two switches are pressed during the STARTUP CYCLE only, they can be used to turn the stir rod of the Harvester model. In all other pellet stoves these switches only function as heat up and down switches.
DC POWER LIGHT	This is a 3-color light when AC power is applied. A red light indicates that the Control Board has DC Power available but the system is off. A green light indicates that the System is on. A yellow light indicates that the combustion air should be cleaned. As Country Flame works to improve the sensor technology, this yellow light will become more valuable to the service technician as well as the homeowner.
HIGHWAY PATROL MODE	When all Control Panel lights are flashing on and off, this indicates that the Product has an encountered an unknown state. Nothing more, nothing less. The purpose of these flashing lights is to alert the home owner or the service technician that the stove operation ended out of sequence, ran out of fuel, or encountered a power interruption that the Control System could not recover from.
COOL DOWN MODE	In the Cool Down Mode, the Heat Setting lights will sequentially go out from top to bottom, all relight and then sequentially go out from top to bottom. This cycle will continue until such time that the Control Board senses the stove has properly cooled down.
HEAT SETTING 1 THROUGH 5	Each heat setting, controlled by the stove Heat Up or Heat Down switch, is provides as much combustion air and fuel as is required for that heat setting. Due to the number of unique environmental variables as well as variations in pellet fuel used in different regions, Country Flame cannot provide exact BTU ratings for each heat setting except those that were established in Government Test Labs under controlled conditions. At the same time, the rule of thumb is that each heat setting on the Country Flame line of Biomass Product starts at one pound of fuel per hour and increments to a top setting of five pounds of fuel per hour. Using a BTU rating of from 4,000 to 10,000 BTU per pound of fuel, depending on the type and moisture content of the fuel, an estimate of heat output can be made.

In order to utilize the full capabilities of the Control Board, the service technician should familiarize himself with the backside of the Control Board. The following diagram provides additional information about the major components of the Control Board's backside.

**AC Transformer  
Converts 120VAC  
To 9.6VAC for  
Board operation.**

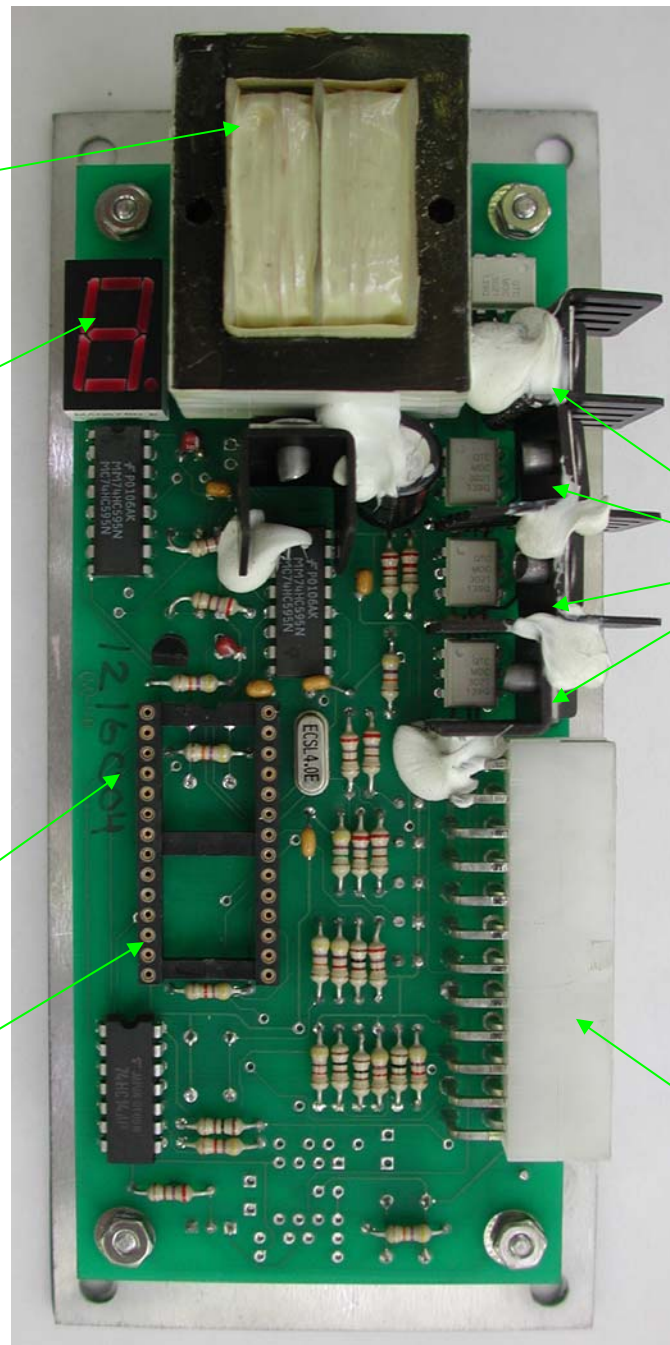
**7 Segment Display  
Used for Providing  
Trouble Codes**

**AC Motor & Igniter  
Control.**

**Control Board  
Serial Number**

**Personality  
Module Socket**

**Molex Connector  
used to interface  
to wiring harness**



**CONTROL PANEL (backside)**

1. Ensure that the Pre-Operation Notes in this manual have been read and understood.
2. Remove hopper lid and fill hopper with pellets. Replace hopper lid.
3. “Prime” the new pellet stove with fuel. Priming fills the auger with pellets. This normally needs to be done when the stove is new or whenever the stove auger has been run empty. To prime the stove press the “on/off” button on the control and hold it in for 15 seconds until the green light by the auger symbol comes on and then release the “on/off” button. The heat level indicator lights on the control panel will then light from the low to high settings and repeat. The prime setting will stay on for 5 minutes or until the operator pushes the “on/off” button. When you see pellets begin to drop in the fire pot you will know that the auger is primed with fuel. Turn off the “prime” feature by holding in the “on/off” button for 5 seconds. It is then best to empty the fire pot of pellets if a large quantity of pellets has been allowed to feed into the firepot and begin the lighting process.
4. Push and hold the “ON/OFF” button on the control board for 5 seconds until the green light next to the “on/off” button lights up. Release “ON/OFF” button. Your unit is now in the start-up mode and the red light next to the igniter symbol and the green light next to the auger symbol will come on.
5. The stove will automatically light and complete the ignition cycle. Adjustment of the air damper control may be necessary depending on the cleanliness of the stove and present weather conditions.
6. When the ignition cycle is complete the stove will start up in the # 3 heat setting.
7. **Set the control setting at the desired feed rate by pushing the red or blue arrow buttons.**
8. The Room Air Blower will activate once the heat sensor warms up. This takes a few minutes.
9. There will be some odor as the paint cures when the stove is new. This is normal
10. You are now ready to enjoy your new Country Flame Pellet stove.
11. In the unlikely event that the ignition system should ever fail, you may use Starting Gel to light the pellets.
12. ***Starting Gel or Fluid*** can be obtained from your Hearth store. ***DO NOT USE CHARCOAL LIGHTER!!*** Place pellets in the firepot by hand. Squirt gel on top of the pellet bed in the firepot. Immediately light the gel and close the door. Once the pellets are burning, push the “On/Off” button until the light turns green. Release the “On/Off” button and monitor the stove start up for a few minutes.
13. Questions or concerns about lighting or other stove operations should be directed to a local Country Flame dealer.
14. **OPTIONAL THERMOSTAT: Contact your Country Flame dealer.**

## SYSTEM SHUT DOWN

Simply push the “ON/OFF” button and hold for 5 seconds until the lights on the heat settings start to flash from top to bottom. This designates the “cool down” cycle. The feed auger will shut off immediately and the blowers will shut down when the unit has cooled off sufficiently.

The stove will remain in the cool down cycle until such time that the *Intelli-Choice* control board senses that all temperature sensors have returned back to their “normal” startup state. Once this occurs, the *Intelli-Choice* control panel will shut down all fans and turn off the system. Until shut off is complete, the *Intelli-Choice* control panel will remain with its temperature lights moving in a downward motion as the entire group of lights is turned on and each one turned off from top to bottom to simulate a reduction in temperature.

## HOT SYSTEM RESART

Should the operator decide to restart the pellet stove during the cool down cycle, simply push and hold the “Red” arrow button down 15 seconds until the igniter (red) and auger (green) lights come on. This initiates the “hot restart” mode has begun. The *Intelli-Choice* control panel will restart the stove by turning on the igniter and feeding pellets into the burn pot.

**IMPORTANT:** If any changes have been made to the air damper setting during any of these shut off procedures, it is important to monitor the hot restart until such time that the fire is properly burning. Failure to properly set the air damper based on changes made in temperature settings can lead to “fuel rich” or “fuel lean” operations. Either of these conditions requires attention by the operator to properly correct before leaving the stove unattended. Once placed in the hot restart mode, the pellet stove will automatically proceed into the burn cycle. Adjustment of the air damper may be required depending on the cleanliness of the stove or other site specific conditions.

## MAINTENANCE

1. If pellets contain a large amount of “fines” (foreign matter or sawdust), you will need to clean the heat exchanger area for buildup often to determine if any maintenance is needed. You may want to screen pellets before use if they contain a large number of “fines.”
2. Sand in the pellets may cause “clinkering” (hard brittle deposits found in the bottom of the firepot). Clinkering is primarily caused by fuel impurities, but it may be intensified if the stove is run for a long time with a low amount of fuel. A full load of fuel allows less cool air to enter the burnpot as pellets drop in.
3. A clinker may be removed with a spoon and dropped into the ash pan. NOTE: For your safety, only remove clinkers from stove when unit is cool. When the stove is cold, the firepot can be pulled out and removed for a thorough cleaning.
4. SOOT AND FLYASH: the products of combustion will contain small particles of flyash. The flyash will collect in the exhaust venting system and restrict the flow of the flue gases. Incomplete combustion, such as occurs during start-up, shut down, or incorrect operation of the room heater will lead to some soot formation which will collect in the exhaust venting system. The exhaust venting system should be inspected at least once every year to determine if cleaning is necessary.
5. The frequency of cleaning your unit will depend on the particular installation, fuel and usage of your unit. You will know your stove needs cleaning either by inspection or by a marked decrease in performance. We suggest you check your unit often, especially during its “break-in” period.
6. Shut off the power to the unit and allow it to cool off when performing cleaning and maintenance.
7. The exhaust vent should be checked frequently, at least once a season and cleaned at least once a season.
8. Check to insure that the fresh air intake is clear and unobstructed, especially at the start of the season.
9. The Heat Exchanger has a simple cleaning feature. A sliding plate is fit over the fifteen tubes of the exchanger. The sliding plate is attached to a small rod protruding through the front of the stove just below the louver vent. Push the rod to the back of the exchanger and then pull forward to the front, several times. This will effectively remove ash and debris from the surface of the heat exchanger. Performing this step often will insure that cleaning is an easy task. If buildup is allowed to go unattended, cleanup will be much more difficult and the efficiency of your stove will be adversely affected.

10. Remove the ash pan using either the ash pan removal tool (furnished) or a glove. Lift the ash pan up and out the door. Dump the ash pan into a fire safe, covered container. The firepot may be lifted out and dumped using a glove. With these items removed, carefully check that the unit and all ashes are cooled completely. Vacuum out the bottom of the unit, paying close attention to the air inlet. Vacuum the inside of the unit thoroughly cleaning the 2 holes found under the ash pan. Replace all parts once cleaning is completed. This cleaning should be done monthly or as needed to insure proper operation. An annual cleaning should be accomplished by a certified professional to ensure proper performance.
11. Depending on usage, both the room air & exhaust blowers may need to be oiled once a year with proper electrical motor oil. Locate the oil ports on either the side or top of the units and add three drops of oil. This simple step will greatly increase the life and serviceability of your unit.
12. To clean glass, use a mild non-abrasive cleaner when cool. Speedy White is an excellent glass and stove cleaner. Creosote builds up on glass quickly when fire is burned at lowest settings. DO NOT use abrasive cleaners on glass. Periodically clean out the door air wash (a groove at the bottom of the door). This air wash directs air over the glass door to minimize soot buildup on the door.
13. Once a year it is advisable to inspect the door gasket. This is done by taking a 2" strip of paper and shutting the door on it. Then pull the paper to test the gasket pressure. You should have to pull the paper from the door. Check all around the gasket. If the paper slides out easily or falls out, the gasket needs to be replaced. We recommend that both the door and glass gasket be replaced at the same time.

To replace the gaskets, remove the door by lifting it straight up, off of its hinge pins and lay face down on a soft surface. Remove door gasketing (you may need to use pliers). Remove glass retaining clips and remove glass. Strip off old gasketing around glass and clean glass well. Clean out old stove gasketing material from gasket track.

Once the door and glass are clean, apply gasketing material to glass surface and return glass to door, securing with clips (**Use care not to over tighten**). Then apply a generous bead of gasketing cement into the track. Position the new gasket into the window frame. Gently press this gasket into the door to ensure proper "seating." Trim off any excess gasketing and wipe away excess cement. Let the cement set 24 hours before placing door back on unit. Gasket material and cement may be obtained from your dealer.

14. Replacement glass should be 0.200" (5mm) thick. Overall size of the glass is by 16" (405mm) wide by 11" (279mm) high, cut to an irregular shape to fit the door front. Your unit uses Corning Pyroceram II, or a similar ceramic type high temp glass. Do not use any other glass type in this unit. Replacement glass may be obtained from a Country Flame Dealer.
15. Use care not to slam or strike the door as this could result in glass breakage. If the glass in a pellet stove is broke or cracked, DO NOT operate the unit until the ceramic glass has been replaced.

## INSTALLATION / PRECAUTIONS

**IMPORTANT:** Read all instructions carefully before starting installation. Failure to follow these installation instructions may result in a possible fire hazard and will void the Country Flame warranty.

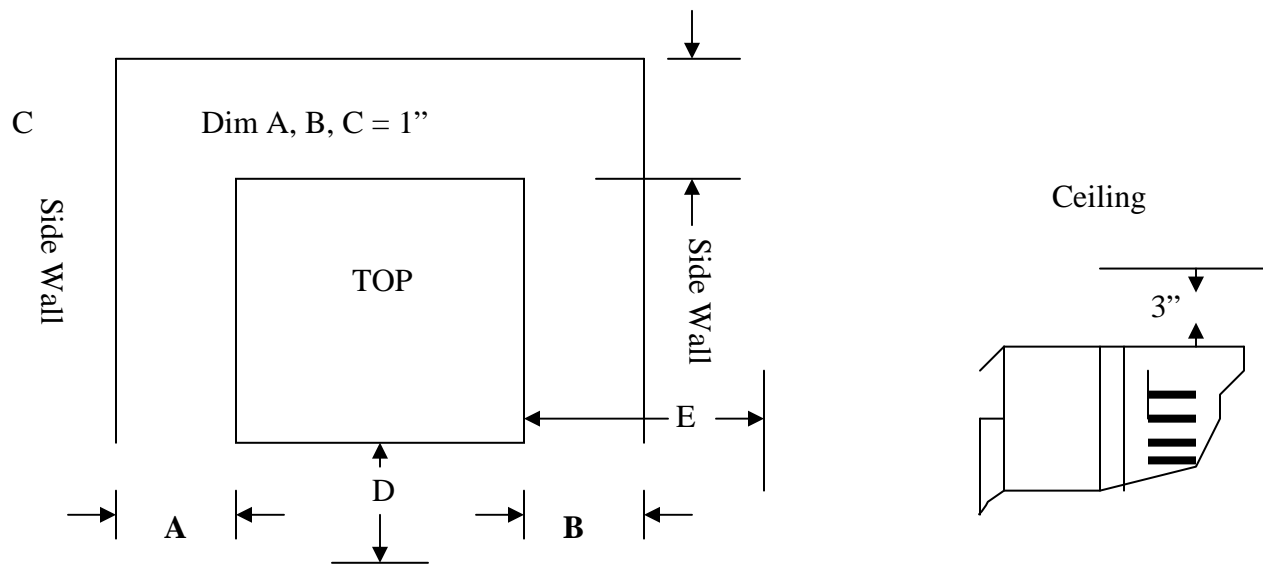
1. Look at the label on the back of your unit to find the serial number. Write the serial number of the unit on the Table of Contents page immediately. Failure to do so will make servicing and maintenance questions difficult to answer and could result in needless inconvenience in the future. You will need the serial number of your unit if it requires servicing.
2. When installing appliance
  - A. When installing heater as an insert or as a freestanding unit, adequate clearances must be strictly adhered to.
  - B. Allow for adequate accessibility for servicing and proper operations.
  - C. When establishing clearances, measure from any combustible projection, such as; shelves, windowsills, fireplace mantles above the appliance, etc.
  - D. Proper vent installation is required for safe, reliable operation. Follow vent manufacturers instructions closely.

**WARNING: OPERATION OF THIS HEATER WHEN NOT CONNECTED TO A PROPERLY INSTALLED AND MAINTAINED FLUE VENTING SYSTEM IS DANGEROUS.**

- **DO NOT INSTALL A FLUE DAMPER IN THE EXHAUST VENTING SYSTEM OF THIS UNIT.**
- **DO NOT CONNECT THIS UNIT TO A CHIMNEY FLUE SERVING ANOTHER APPLIANCE.**
- **MAINTAIN VENT PIPE CLEARANCES AS SPECIFIED BY THE VENT PIPE MANUFACTURER.**

## INSTALLATION / FREESTANDING UNIT / POSITIONING

1. When determining the proper location for your unit, keep in mind the heater should be kept out of any traffic paths in the room, away from curtains, drapes or any other combustibles. It should also be placed in a position where heat will be evenly distributed throughout the room.
2. When location has been determined, position the unit within the clearance parameters shown below.
3. **MINIMUM CLEARANCES:** The following diagram provides minimum clearances for the Little Rascal installation based on whether single or double-wall flue pipe and connectors are used.



4. If installing a pellet stove on carpet, linoleum or other combustible material, a floor protector is required. It should be at least 46 ¾" wide and 30 ½" deep and placed directly under the pellet stove. This floor protection must be made of metal or some other non-combustible material, such as ceramic tile or brick. **EXCEPTION: Only if** the pellet stove is installed with the pedestal option, no floor protection is required.
5. Verify that the location for a pellet stove does not interfere or block airflow. The Little Rascal draws air from the side grills on the left and right doors.
6. **WARNING:** ALL combustibles in front of a LR-01 must be kept a minimum of at least 48" (120cm) from the unit. Remember that combustible vapors can travel a long distance.
7. A combustible mantel may be located no closer than 6" (150cm) to the top of a freestanding heater.

## **INSTALLATION / FREESTANDING UNIT / VENTING**

1. After positioning the Little Rascal in its final position, proper flue venting must be installed according to local and national codes. The LR-01 is a rear vented unit and flue vent pipe can be run directly from the rear of the unit. Proper venting can be achieved by installing 3" TYPE PL double wall vent pipe according to code requirements. Country Flame requires the use of 4" flue vent pipe if lengths of ten feet or greater are to be used in a specific installation. Pellet flue pipe manufacturers' instructions should be consulted for detailed installation instructions of their product. These same manufacturers provide detailed drawings of venting configurations, which meet or exceed code requirements. This information is available from hearth dealers or can be downloaded from specific websites.

### **FOLLOW ALL VENT MANUFACTURER'S VENTING INSTRUCTIONS. INSTALLATION DRAWINGS ARE FOR ILLUSTRATION PURPOSES ONLY.**

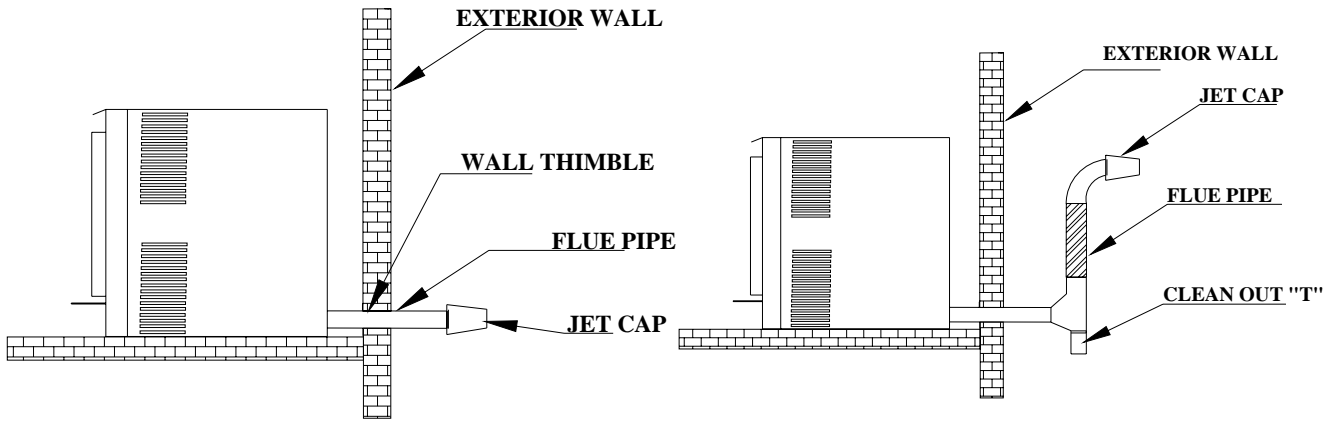
**WARNING:** Operation of the Little Rascal Model LR-01 is dangerous when not connected to a properly installed; code approved, and maintained flue pipe system.

2. The venting of this unit should NOT be connected to a flue serving another appliance.
3. At least a 3" clearance is required from all combustibles to the vent pipe, when using required TYPE PL double wall vent pipe with stainless steel liner. This includes the area(s) where the pipe passes through the roof. This clearance is generally met by installing flashing in roofs and fire stop spacers between floors and ceilings. A thimble is needed for through wall applications. Do not install a flue damper in this system.
4. Install the vent pipe directly onto the vent adaptor on the back of the unit. Be sure to push firmly into position. Each flue pipe joint needs to be joined tightly with at least (3) sheet metal screws and sealed with RTV silicone or aluminum flue tape. Air tight venting is required of each flue pipe joint.

**NOTE: IT IS RECOMMENDED, BUT NOT REQUIRED (EXCEPT IN MOBILE HOMES), THAT INSTALLATIONS USE OUTSIDE COMBUSTION AIR FOR THE PELLET STOVE. IF ROOM AIR IS USED FOR FRESH COMBUSTION AIR, A BAROMETRIC AIR VENT SHOULD BE INSTALLED WITHIN A HOME TO MONITOR AND ENSURE ADEQUATE AIR FLOW.**

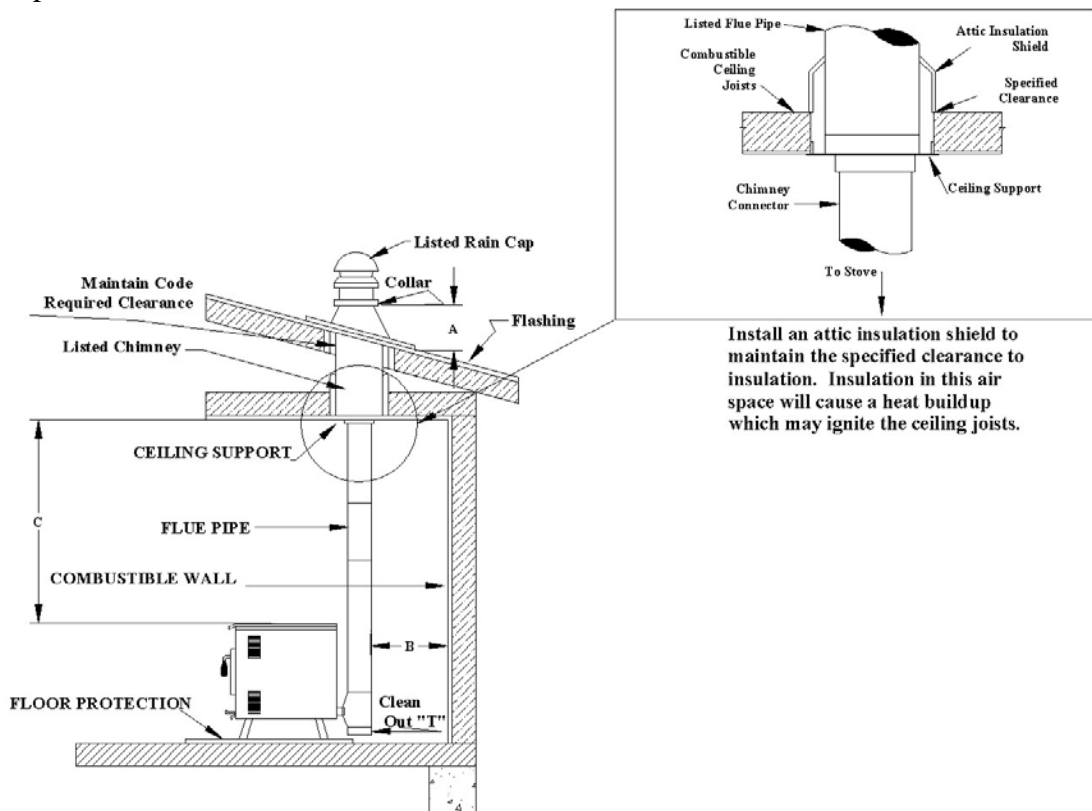
5. When using outside air, the metal rigid or flexible inlet pipe should have a mesh screen to prevent rodents or birds blocking the pipe, also an elbow or shield should be used to prevent prevailing winds from blowing directly into the air intake. For best efficiency, locate air inlet 24" (607mm) or more from exhaust vent pipe.

6. The LR-01 is designed to accept installations using a horizontal vent through an exterior wall. A horizontal flue pipe installation should be a minimum of 24" from pellet stove vent pipe to flue cap connection. FIGURE 1 shows a through the wall exterior vent installation.



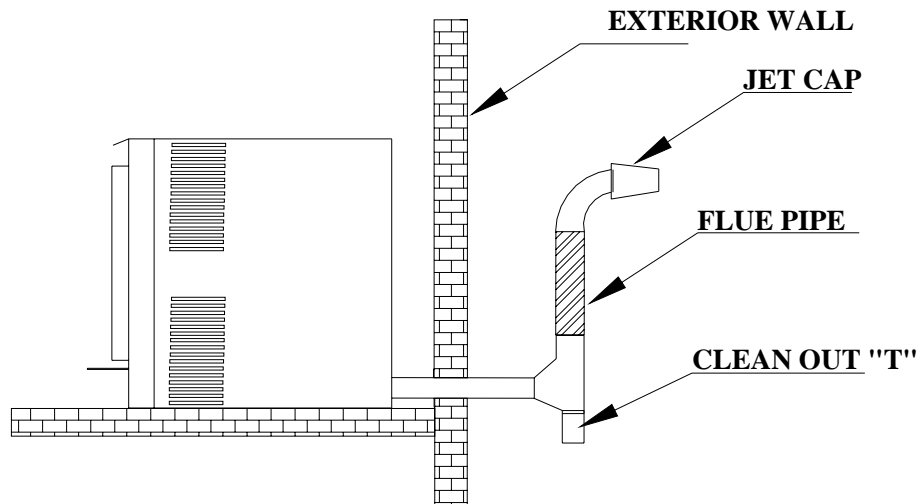
**FIGURE 1: HORIZONTAL VENT PIPE (2 options)**

7. FIGURE 2 shows a traditional, as well as more efficient, flue pipe installation. Note the dimensions that are required to be maintained in this type of installation. Dimensions are A equals a minimum of 24", B equals a minimum of 3", and C equals a minimum of 6". Again, check with the flue pipe manufacturer's installation instructions and code requirements for exact specifications. DIMENSIONS:



**FIGURE 2: TRADITIONAL VENT PIPE**

8. For installations that pass through a vertical wall and not through the roof, Country Flame recommends an installation similar to the one shown in FIGURE 3. Dimension A should be a minimum of 16" and dimension B should be a minimum of 3". Any outside vent should have a vertical run of at least 5'. At the same time, ensure that termination of the flue pipe does not occur just under the roof overhang. Such a termination can cause smoke to seep back through the roof and into the home. For all flue pipe runs over 5', there should be a flue support no less than 5' apart.

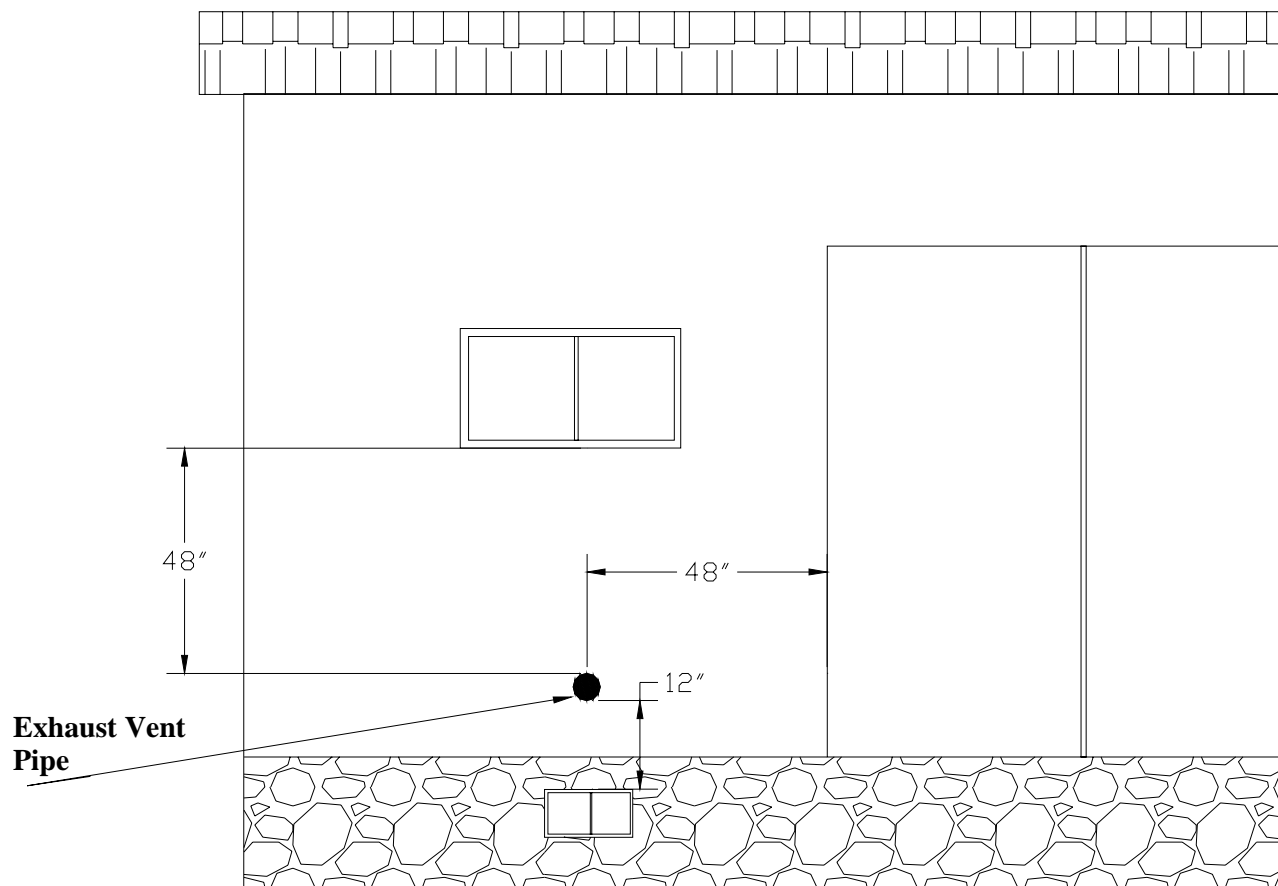


**FIGURE 3: RECOMMENDED EXTERIOR WALL INSTALLATION**

All installations may include a fresh air combustion pipe at least 1 1/2" diameter. Such a pipe can be plastic, rigid metal, or flexible metal pipe. In newer homes, it is strongly recommended that an exterior fresh air combustion vent be installed to ensure proper amounts of air are provided to the pellet stoves combustion chamber.

## INSTALLATION / FREESTANDING UNIT / DETAIL

The flue vent exit shall be located not less than 48" from any opening through which exhaust could enter the building, (i.e. windows and doors), and not less than 24" from adjacent public walkways. It shall be arranged so that flue gases are not directed in such a way as to pose a health hazard, overheat combustible structures or enter any building. Do not terminate the exhaust flue pipe in an attic, garage, carport or any enclosed or semi-enclosed area, under a porch or sun deck, or near shrubs or combustibles stored near the outlet.



**FIGURE 4: EXTERIOR MINIMUM CLEARANCES**

FROM VENT EXIT TERMINAL  
TO DOORS, WINDOW, OPENINGS

HORIZONTAL: 48"

BELOW OPENINGS: 48

ABOVE OPENINGS: 12

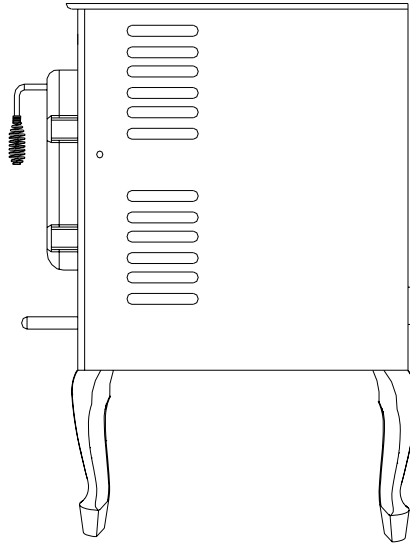
ADJACENT WALKWAYS: 24"

BG

## **INSTALLATION / FREESTANDING UNIT / DETAILS**

### **LEG INSTALLATION / FREESTANDING UNIT / DETAILS**

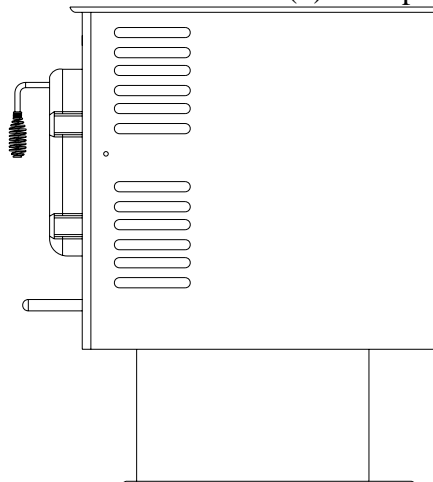
1. Locate the eight (8) bolts in the package that comes with the leg kit.
2. Bolt the four (4) legs to the bottom of the pellet stove using two bolts per leg for a total of eight (8) bolts through the holes provided at the bottom corner of each unit.
3. Use the leveling bolts provided to level the pellet stove. The pellet stove should be level or slightly declined from front to back. If this is not done, “bridging of pellets” may occur once the stove is operated.



**FIGURE 5: LEG INSTALLATION**

### **PEDESTAL INSTALLATION**

1. The pedestal is designed to be mounted to the bottom of the Little Rascal using the for corner leg hole mounts. There is a wing on each side of the pedestal for bolts to go through.
2. Position the pedestal and attach it with the four (4) bolts provided.



**FIGURE 6: PEDESTAL INSTALLATION**

## INSTALLATION / INSERT UNIT / POSITIONING

1. The LR-01 insert is designed to be inserted into an existing masonry fireplace or zero clearance box. The suitability of the existing firebox needs to be determined. You should insure that the heater is kept out of any traffic paths in the room, away from curtains, drapes or any other combustibles. You should also check that the existing fireplace was placed in a position where heat will be evenly distributed throughout the room.
2. If the existing fireplace is found to be suitable, the LR-01 may be installed using zero clearance.
3. While installing the LR-01, verify that the location will not interfere with the circulation airflow. The unit draws air from the grills on both sides of the unit.
4. The heater should be installed in such a manner so that the front of the unit remains unblocked. This will allow for needed service and maintenance to the unit, and provide access to the firepot cleanout.

### CLEARANCES FOR INSERT:

#### DIMENSIONS:

A = 3"

B = 6"

C = 6"

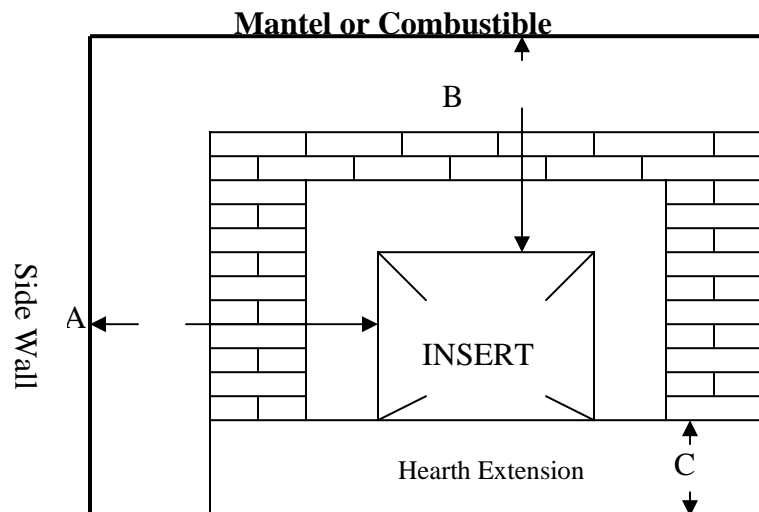
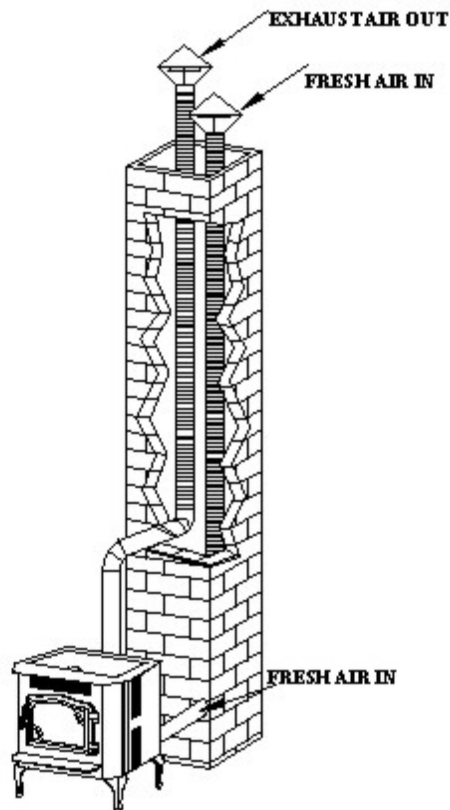


FIGURE 7: INSERT MINIMUM CLEARANCES

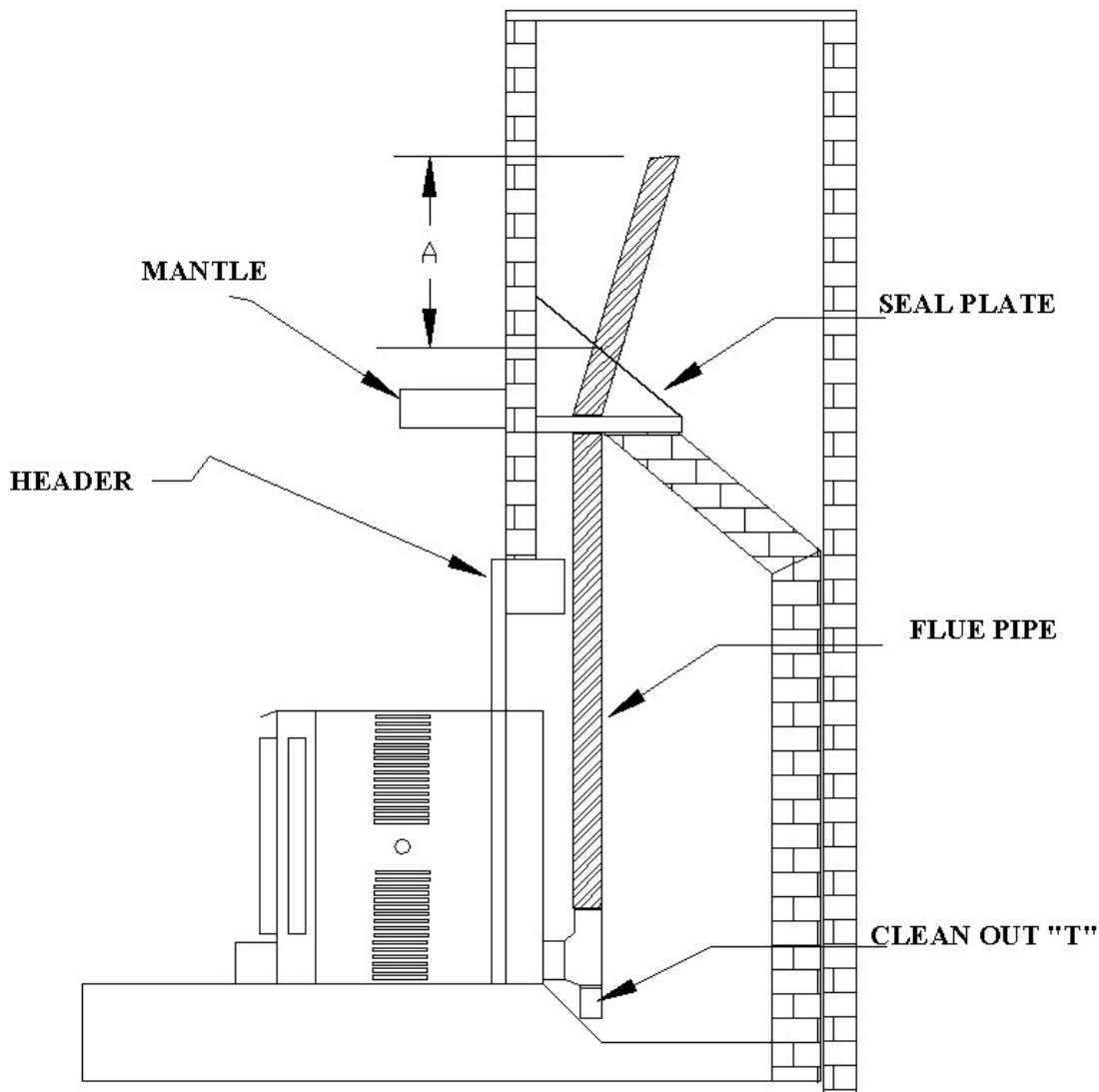
## INSTALLATION / INSERT UNIT / VENTING

1. The LR-01 is designed for both new installations and as an insert into existing fireplaces. The LR-01 is NOT designed to be installed without proper vent pipe. Proper venting can be achieved by installing a 3" (less than ten feet) or 4" (more than ten feet) TYPE PL double wall vent pipe or listed TYPE "L" chimney liner. A listed single wall stainless steel liner may be used if installing the LR-01 into an approved wood burning chimney. The vent pipe may be run to the top of the existing chimney or to a point 18" above the damper of the existing chimney. Flue pipe manufacturer's instructions should be consulted for further detailed pipe installation instructions. Most flue pipe manufacturers will provide detailed drawings of venting plans, which meet or exceed code requirements. NOTE: Follow all vent manufacturers vent pipe instructions without deviation. Check local codes to ensure conformance.
2. **WARNING: DO NOT** operate any pellet stove unless connected to proper flue system. Do not connect the LR-01 to a chimney flue serving another appliance.
3. Flue pipe joints need to be joined tightly to ensure air tight venting with at least (3) sheet metal screws and sealed with RTV silicone or approved aluminum flue pipe tape.
4. FIGURE 8 shows a sample of a Country Flame recommended method of flue pipe installation. The vent pipe is extended just above the top of the existing chimney (consult local ordinances for code requirements.) The flue pipe must be fitted with a proper pellet flue cap. A storm collar and flashing should be installed to seal off the chimney opening.



**FIGURE 8: CHIMNEY FLUE AND FRESH AIR VENTING**

FIGURE 9, Item A shows another method of installing an LR-01 pellet stove. The flue pipe is extended a minimum of 18" past an existing damper with a seal plate installed at or above the damper. Although this is an approved method of installation, Country Flame strongly recommends that all pellet stove chimney pipe be extended to the top of the chimney and properly terminated and capped to ensure optimum performance



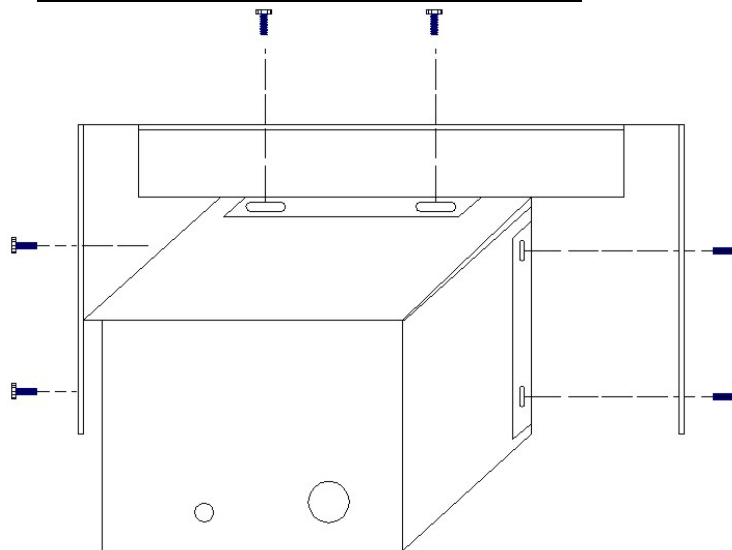
**FIGURE 9: MINIMUM FLUE VENT CHIMNEY INSTALLATION**

NOTE: Installing a fresh air inlet line can be similar to the illustration accompanying the freestanding units or the line can be run out of the top of the chimney. Attach a screen to keep out debris. For best efficiency, locate air inlet 24" (607mm) or more from exhaust vent pipe.

5. **WARNING:** When installing unit as an insert into an existing fireplace, DO NOT remove any bricks or mortar from the old fireplace.
6. While running flue pipe up past the existing damper in the fireplace, lock the old damper into the open position.

## INSTALLATION / INSERT UNIT / DETAILS

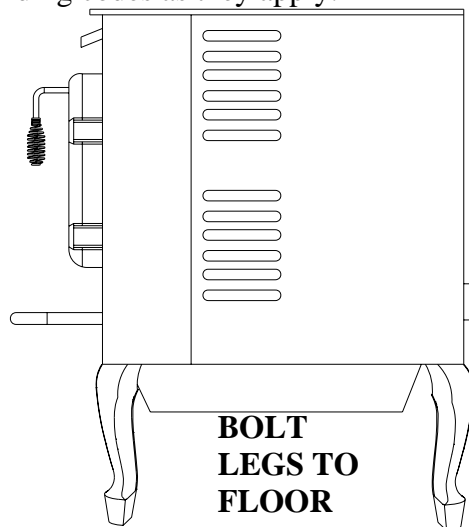
1. Leveling the Insert:
  - A. If the firebox hearth floor is level, install the LR-01 and prepare to install the shroud.
  - B. If the firebox hearth floor is uneven, install the LR-01 and grout or shim as necessary to ensure the unit is level or slightly declining from front to back. If the LR-01 leans forward in an uneven position, the pellets may bridge during stove operation.
2. The LR-01 is designed to be inserted into a minimum 16" deep firebox. If the depth is greater than 16" this will only provide additional room but if the depth is less than 16" then a hearth extension may be required. Contact a certified professional installer or a Country Flame Dealer for assistance.
3. Installing the Shroud:
  - A. After leveling and locating the unit and installing venting and power, pull the unit out from the fireplace to allow the shroud and its insulation to be installed.
  - B. The LR-01 shroud is designed to mount 12.5" back from the face of the stove just behind the side air vents.
  - C. To mount the shroud, position the left and right side panels on their respective sides positioned 12.5" back from the face of the unit and attach with self drilling screws provided.
  - D. Position the top shroud piece behind the 2 Side panels. Attach with self drilling screws provided.
  - E. Assemble the 3 piece brass trim kit and slide it down into position around the shroud panels.
  - F. The shroud may be mounted farther back on the unit if the fireplace depth requires it.
  - G. Place the insulation provided around the perimeter of the backside of the shroud.
  - H. Push insert back against the face of the fireplace insuring the insulation seals up against the fireplace facing. On rough facings such as fieldstone, additional insulation may be required. **Do not use insulation with paper backing**



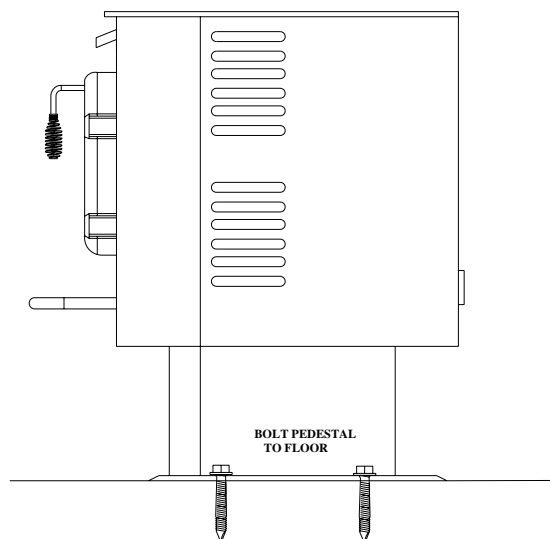
**FIGURE 10: SHROUD INSTALLATION**

## INSTALLATION / MOBILE HOME STANDARDS

1. Mobile home code requires the pellet stove be bolted to the floor regardless of whether it has legs or is mounted on its optional pedestal.
2. A pellet stove must be electrically grounded to the steel frame of the mobile home.
3. A pellet stove must have an outside combustion air source installed in a mobile home.
4. **CAUTION:** THE STRUCTURAL INTEGRITY OF THE MOBILE HOME (floors, walls, ceilings and roof) **MUST BE MAINTAINED.**
5. **WARNING:** DO NOT INSTALL A PELLET STOVE IN A SLEEPING AREA.
6. Check any other local building codes as they apply.



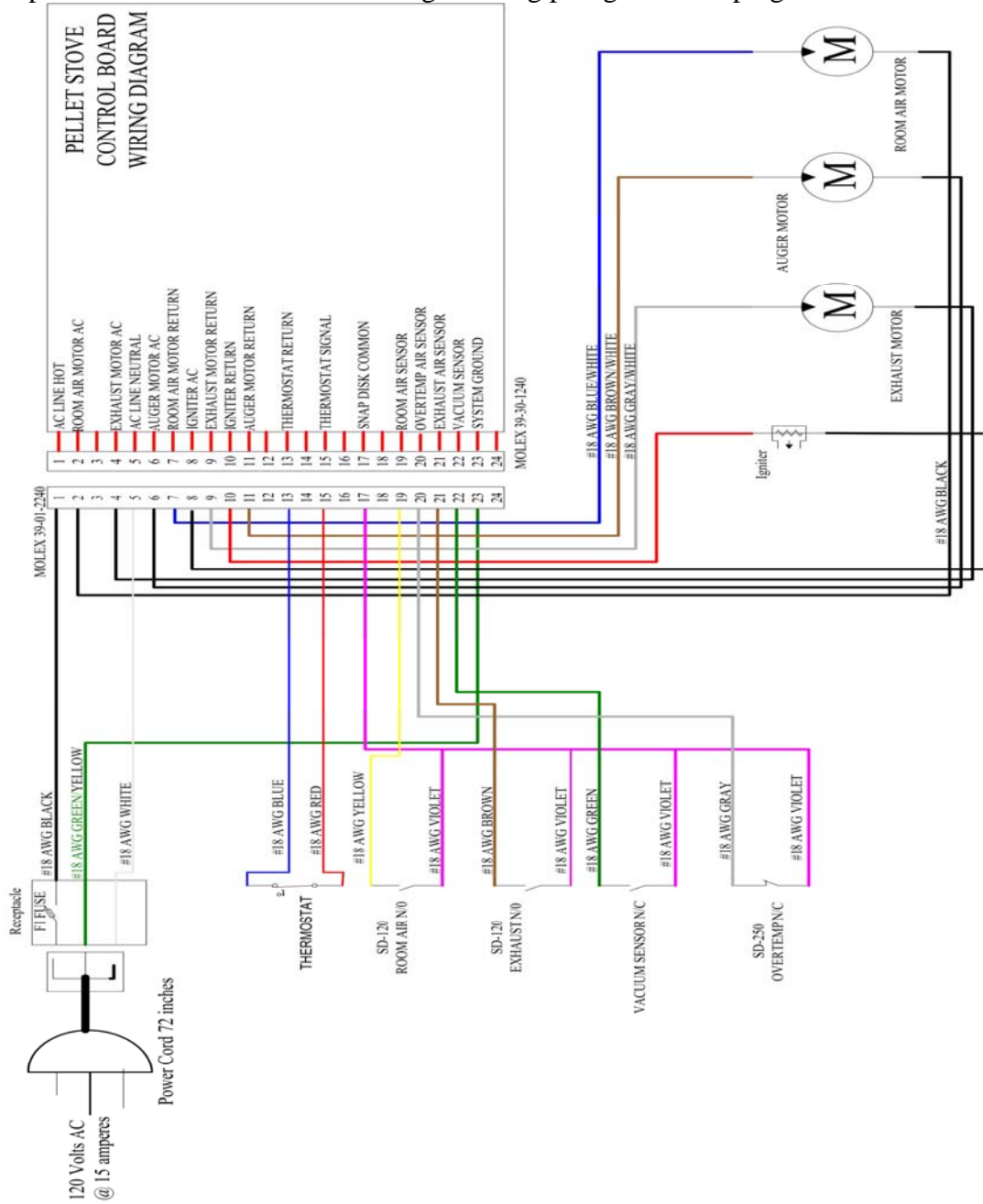
**FIGURE 11: MOBILE HOME LEG INSTALLATION**



**FIGURE 12: MOBILE HOME PEDESTAL INSTALLATION**

# ELECTRICAL INFORMATION

1. When an electrical power line and outlet needs to be installed, all electrical installations must be code compliant. In the absence of any local codes, the National Electrical Code ANS2 / NFPA 70-1987 apply.
2. The Little Rascal is equipped with a three prong (grounded) plug. The pellet stove will not operate properly in a non-compliant improperly grounded electrical outlet. Contact a local electrician to ensure proper electrical power is provided to the Little Rascal. To avoid shock hazard, the Little Rascal should be plugged directly into a properly grounded three prong receptacle. Do not cut or remove the grounding prong from the plug.




**FIGURE 13: ELECTRICAL SCHEMATIC**

# HEATER COMPONENTS: PLATES AND TAGS

A safety label is shown in FIGURE 14 for informational purposes. Refer to the back of a LR-01 pellet stove for the actual safety label. Illustrations are artist renderings and the actual label on a product may vary slightly in information and design.

1. Each LR-01 has a serial number fixed to the certification label attached to the back of the unit. Record the serial number in the owner's manual for future reference.



Warnock Hersey  
C E US  
WN 01931

LISTED PELLET FUEL BURNING SPACE HEATER/FIREPLACE INSERT  
ALSO SUITABLE FOR MOBILE HOME INSTALLATION

MODEL SF-01, LR-01

SERIAL # 2539

THIS APPLIANCE HAS BEEN TESTED BY WARNOCK HERSEY, INC. IN ACCORDANCE WITH ASTM E1509, UL 1482, ULC S627 AND ULC S628 FOR PELLET FUEL HEATERS

MANUFACTURED BY: COUNTRY FLAME TECHNOLOGIES, INC.  
1200 INDUSTRIAL PARK RD.  
MT. VERNON, MO. 65712

---

INSTALL AND USE IN ACCORDANCE WITH MANUFACTURER'S INSTALLATION AND OPERATING INSTRUCTIONS. CONTACT LOCAL BUILDING OR FIRE OFFICIALS ABOUT RESTRICTIONS AND INSTALLATION INSPECTION IN YOUR AREA.

---

A 3" (75mm) OR 4" (100mm) TYPE "PL" VENTING SYSTEM OR LISTED TYPE "L" CHIMNEY USED. SEE LOCAL BUILDING CODE AND APPLIANCE AND VENT MANUFACTURER'S INSTRUCTIONS FOR PRECAUTIONS REQUIRED FOR PASSING VENTING SYSTEM THROUGH A COMBUSTIBLE WALL OR CEILING.

---

OPERATE UNIT ONLY WITH DOORS FULLY CLOSED  
REPLACE GLASS ONLY WITH CERAMIC GLASS  
START STOVE BY PUSHING ON/OFF ROCKER SWITCH TO ON POSITION  
STOP STOVE BY PUSHING ON/OFF ROCKER SWITCH TO OFF POSITION

THIS APPLIANCE QUALIFIES AS A NON-AFFECTED FACILITY ACCORDING TO U.S. ENVIRONMENTAL PROTECTION AGENCY

---

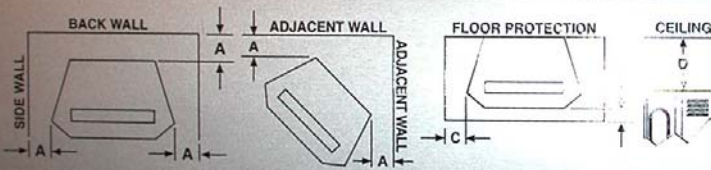
**CAUTIONS**

WARNING: DO NOT INSTALL IN A MOBILE HOME SLEEPING ROOM.

FOR USE WITH PELLETIZED WOOD FUEL ONLY.  
USE OF OTHER FUELS MAY DAMAGE UNIT AND CAUSE A HAZARDOUS CONDITION.

DO NOT CONNECT THIS UNIT TO A CHIMNEY SERVING ANOTHER APPLIANCE.

---



**FREESTANDING CLEARANCES**

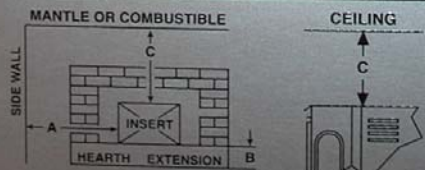
A = 1" (25mm)  
B = 6" (152mm)  
C = 8" (203mm)  
D = 3" (75mm)

INSTALL ON A NON-COMBUSTIBLE FLOOR PROTECTOR EXTENDING UNDER THE APPLIANCE (SEE FLOOR PROTECTION DIMENSIONS)  
WARNING: IF INSTALLED AS FREESTANDING, UNIT MUST BE INSTALLED WITH LEGS OR PEDESTAL PROVIDED. DO NOT OBSTRUCT SPACE BENEATH HEATER.

---

**ELECTRICAL REQUIREMENTS:**  
120 VOLTS  
2.4 AMPS  
60 Hz  
ROUTE POWER CORD AWAY FROM UNIT

INPUT RATING:  
40,500 BTU/HR



**INSERT CLEARANCES**

A = 1" (25mm)  
B = 6" (152mm)  
C = 4.5" (115mm)

INSTALL AND USE IN A FACTORY-BUILT OR MASONRY FIREPLACE. DO NOT REMOVE BRICKS OR MORTAR FROM MASONRY FIREPLACE. USE A LISTED FLOOR PROTECTOR OR ANY EQUIVALENT NON-COMBUSTIBLE MATERIAL.

---

'01 '02 '03 '04

JAN FEB MAR APR MAY JUN JUL AUG SEP OCT NOV DEC

MADE IN U.S.A. DATE OF MANUFACTURE DO NOT REMOVE THIS LABEL

2. A label on the back of the unit warns that the stove is hot. See the safety section of your owner's manual for more safe operating tips.
3. Information and warning labels are located under the hopper lid. These labels provide information on operation and maintenance that the operator should always follow when operating the stove. Keep the hopper lid closed during operation.
4. There are electrical warning labels inside the LR-01 that inform the consumer that before any electrical service is attempted on a unit, disconnect the unit from the source power before servicing. Also, the warning labels inform the consumer that the unit should not be run with covers removed.

## WARRANTY

1. **To Whom Extended.** Country Flame Technologies hereafter known as Country Flame warrants its Model LR-01 to the original retail purchaser only.
2. **Products / Components Warranted.** Country Flame makes the following warranties regarding its Model LR-01 Pellet Stove Heaters and Inserts:
  - a. **Heating Units.** Except as set forth below, Country Flame warrants its Model LR-01 Pellet Stove Heaters and Inserts to be free from defects in materials and workmanship for a period of five (5) years from date of purchase, so long as the unit is owned by the original retail purchaser, subject to terms, conditions, and restrictions set forth below:
  - b. **Blowers, Fan Speed Controls and Electrical Components.** Country Flame warrants the blowers, fan speed controls and electrical components of its Model LR-01 Pellet Stove Heaters and Inserts to be free from defects in materials and workmanship for a period of one (1) year from the date of purchase, subject to the terms, conditions, and restrictions set forth below.
3. **Terms, Conditions, and Restrictions**
  - a. **Products Not Covered.** The above warranties do not apply to glass, refractory materials such as refractory cement or fire brick, decorative logs, gaskets, and irons, paint, optional and standard accessories, and all parts not permanently attached to the heating unit. Parts not permanently attached to the heating unit are those items designed to be removed from the unit, including those removable with common hand tools.
  - b. **Exclusions.** The above warranties do not apply to the following conditions or circumstances:
    - i. To conditions resulting from Model LR-01 Pellet Stove Heaters or Inserts that are installed other than in accordance with Model LR-01 specifications.
    - ii. To conditions resulting from failure to provide reasonable and necessary maintenance for the Model LR-01 Pellet Stove Heater or Insert in accordance with Model LR-01 operating and maintenance instructions.
    - iii. To conditions resulting from the alteration or modification of any Model LR-01 Pellet Stove Heater or Insert unit by anyone other than Country Flame or a person duly authorized by Country Flame to complete such alteration or modification.
    - iv. To conditions resulting from failure to use and operate the Model LR-01 Pellet Stove Heater or Insert in accordance with Country Flame operating and maintenance instructions or as a result of other misuse of the product.
    - v. To conditions not involving defects in materials or workmanship.
    - vi. To conditions resulting from improper firing or burning of materials in any Model LR-01 Pellet Stove Heater or Insert.
  - c. **Warranty Registration Card.** The above warranties are void and will not apply unless the attached Warranty Registration Card is filled out by the original retail purchaser and returned to Country Flame within thirty (30) days subsequent to the date of purchase.
4. **Remedies in the Event of Failure.** In the event a Model LR-01 Pellet Stove Heater or Insert fails to perform as warranted, the following terms and conditions will apply:
  - a. **Heating Unit.** Country Flame will repair, or at its option, replace any warranted part of the heating unit that fails to perform as warranted for five years to the original retail purchaser, subject to the terms, conditions, and restrictions set forth herein.
  - b. **Blowers, Fan Speed Controls and Electrical Components.** If the blower, fan speed controls or electrical components of the Model LR-01 Pellet Stove Heater or Insert fail to perform as warranted for one (1) year subsequent to the date of purchase, Country Flame will repair, or at its option, replace the defective product or component.

- c. **Warranty Service and Freight Costs.** Service on Model LR-01 Pellet Stove Heaters and Inserts will be provided by any Country Flame authorized dealer or distributor. If there is no authorized dealer or distributor in the original retail purchaser's area, the original retail purchaser may notify Country Flame Technologies at 900 George Street, Marshfield, Missouri, 65706 of any defect by providing the following information:
- i. Serial Number of the Model LR-01 Pellet Stove Heater and Insert:
  - ii. The original date of purchase
  - iii. The date of installation, and
  - iv. A description of the nature of the defect of problem
- If service is required, the original retail purchaser must send the product or component freight or postage prepaid to Country Flame or a designee of their choice. Country Flame will not pay freight or postage costs relating to products or components returned for warranty service.
- d. **Repairs.** All repairs made by Country Flame or its authorized dealers or distributors will be to the original manufacturing specifications.
- e. **Cost of Repair of Replacement.** Country Flame will repair, or at its option, replace the defective products or components pursuant to the conditions set forth above. The original retail purchaser is responsible for payment of any costs and expenses of disassembly, removal and reinstallation of any defective product or component and any other services involved. None of such costs or expenses are covered by this warranty and Country Flame is not liable for any of them.
5. **Limit on Damages.** In no event shall Country Flame be liable for damage to property, lost profits, injury to goodwill, or any other special, incidental or consequential damages resulting from any defective Model LR-01 Pellet Stove Heater and Insert or any breach of the above express warranties. Some states do not allow the exclusion or limitation of incidental or consequential damages so the above limitation or exclusion may not apply to you.
6. **Limitation of Implied Warranties.** Country Flame expressly limits all implied warranties. INCLUDING THE IMPLIED WARRANTIES OF MERCHANTABILITY OR FITNESS FOR A PARTICULAR PURPOSE TO ONE YEAR FROM THE DATE OF PURCHASE. Some states do not allow limitations of how long an implied warranty lasts, so the above limitations may not apply to you.
7. **Legal Rights.** This warranty gives you specific legal rights, and you may also have other rights, which vary from state to state.
8. **No Other Warranty – These Remedies are Exclusive.** Unless otherwise explicitly agreed in writing, it is understood that this is the only warranty given by Country Flame, and Country Flame neither assumes nor authorizes anyone to assume for it any other obligations or liability in connection with this Country Flame Heater and Insert product.
9. **Additional Information.** If you wish to obtain additional information or resolve questions concerning the interpretation of any warranties of Country Flame, please write:

Country Flame Technologies  
900 George Street  
Marshfield, Missouri 65706

Place  
Stamp  
Here

**Country Flame Technologies**  
**900 George Street**  
**Marshfield, MO 65706**

Fold Here

Name \_\_\_\_\_ Address \_\_\_\_\_

City \_\_\_\_\_ State \_\_\_\_\_ Zip \_\_\_\_\_

Dealer \_\_\_\_\_

Dealer's Name \_\_\_\_\_

City \_\_\_\_\_ State \_\_\_\_\_ Zip \_\_\_\_\_

Date of Purchase \_\_\_\_\_

Model No. \_\_\_\_\_ Serial Number \_\_\_\_\_

**The express warranties made by Country Flame Technologies do not apply unless this card is returned to Country Flame Technologies by the original retail purchaser no later than thirty (30) days from date of retail purchase.**

Signature \_\_\_\_\_ Date \_\_\_\_\_