



Operator's Manual  
Manuel de l'utilisateur

## HPS10IC Pellet Stove



### **⚠ WARNING**

PLEASE READ THIS ENTIRE MANUAL BEFORE INSTALLATION AND USE OF THIS PELLET FUEL-BURNING ROOM HEATER. FAILURE TO FOLLOW THESE INSTRUCTIONS COULD RESULT IN PROPERTY DAMAGE, BODILY INJURY OR EVEN DEATH.

### **⚠ AVERTISSEMENT**

VEUILLEZ LIRE CE MANUEL EN ENTIER AVANT D'INSTALLER ET D'UTILISER CET APPAREIL DE CHAUFFAGE AUTONOME À GRANULES, AFIN D'ÉCARTER LES RISQUES DE DÉGÂTS MATÉRIELS, DE BLESSURES CORPORELLES, VOIRE DE MORT.



### **⚠ CAUTION DO NOT DISCARD!**

- IMPORTANT OPERATING AND MAINTENANCE INSTRUCTIONS INCLUDED.
- SAVE THESE INSTRUCTIONS AND LEAVE THIS MANUAL WITH ANY PARTY RESPONSIBLE FOR USE AND OPERATION.

### **⚠ ATTENTION NE PAS JETER!**

- IMPORTANTES INSTRUCTIONS D'UTILISATION ET D'ENTRETIEN INCLUSES.
- CONSERVEZ CES INSTRUCTIONS ET LAISSEZ CE MANUEL À TOUTE PERSONNE RESPONSABLE DE L'UTILISATION ET DU FONCTIONNEMENT.

### **⚠ CAUTION**

CONTACT LOCAL BUILDING OR FIRE OFFICIALS ABOUT RESTRICTIONS AND INSTALLATION INSPECTION REQUIREMENTS FOR YOUR AREA.

### **⚠ ATTENTION**

CONSULTER LES SERVICES DU BÂTIMENT OU D'INCENDIE LOCAUX CONCERNANT LES RESTRICTIONS ET LES EXIGENCES D'INSPECTION D'INSTALLATION EN VIGUEUR.



## **⚠ WARNING**

PLEASE READ THIS ENTIRE MANUAL BEFORE INSTALLATION AND USE OF THIS PELLET FUEL-BURNING ROOM HEATER. FAILURE TO FOLLOW THESE INSTRUCTIONS COULD RESULT IN PROPERTY DAMAGE, BODILY INJURY OR EVEN DEATH.

- DO NOT STORE OR USE GASOLINE OR OTHER FLAMMABLE VAPORS AND LIQUIDS IN THE VICINITY OF THIS OR ANY OTHER APPLIANCE.
- DO NOT OVERFIRE - IF ANY EXTERNAL PART STARTS TO GLOW, YOU ARE OVERFIRING. REDUCE FEED RATE. OVERFIRING WILL VOID THE WARRANTY.
- COMPLY WITH ALL MINIMUM CLEARANCES TO COMBUSTIBLES AS SPECIFIED. FAILURE TO COMPLY MAY CAUSE A HOUSE FIRE.



## **⚠ WARNING**

**HOT! DO NOT TOUCH. SEVERE BURNS MAY RESULT. CLOTHING IGNITION MAY RESULT. GLASS AND OTHER SURFACES ARE HOT DURING OPERATION AND COOL DOWN.**

- KEEP CHILDREN AWAY.
- CAREFULLY SUPERVISE CHILDREN IN SAME ROOM AS APPLIANCE.
- DO NOT OPERATE WITH PROTECTIVE BARRIERS OPEN OR REMOVED.
- KEEP CLOTHING, FURNITURE, DRAPERIES AND OTHER COMBUSTIBLES AWAY.

## **⚠ CAUTION**

CHECK BUILDING CODES PRIOR TO INSTALLATION. CONTACT THE REGULATING AUTHORITY PRIOR TO INSTALLATION TO DETERMINE THE NEED FOR A PERMIT.

- INSTALLATION MUST COMPLY WITH LOCAL, REGIONAL, STATE AND NATIONAL CODES AND REGULATIONS
- CONSULT LOCAL BUILDING OR FIRE OFFICIALS ABOUT RESTRICTIONS AND INSTALLATION INSPECTION REQUIREMENTS IN YOUR AREA.



## **⚠ CAUTION** **DO NOT DISCARD!**

- IMPORTANT OPERATING AND MAINTENANCE INSTRUCTIONS INCLUDED.
- READ, UNDERSTAND AND FOLLOW THESE INSTRUCTIONS FOR SAFE INSTALLATION AND OPERATION.
- LEAVE THIS MANUAL WITH PARTY RESPONSIBLE FOR USE AND OPERATION.

## **⚠ CAUTION**

TESTED AND APPROVED FOR PELLET FUEL. BURNING ANY OTHER TYPE OF FUEL VOIDS WARRANTY.

## WARNINGS AND SAFETY PRECAUTIONS

### OWNER'S RESPONSIBILITY

Accurate assembly and safe and effective use of the stove is the owner's responsibility.

- Read and follow all safety instructions.
- Carefully follow all assembly instructions.
- Maintain the stove according to directions and schedule included in this Castle operator's manual.
- Ensure that anyone who uses the stove is familiar with all controls and safety precautions.

### SPECIAL MESSAGES

Your manual contains special messages to bring attention to potential safety concerns, stove damage as well as helpful operating and servicing information. Please read all the information carefully to avoid injury and stove damage.

**NOTE: General information is given throughout the manual that may help the operator in the operation or service of the stove.**

### IMPORTANT SAFETY PRECAUTIONS

Please read this section carefully. Operate the stove according to the safety instructions and recommendations outlined here and inserted throughout the text. Anyone who uses this stove must read the instructions and be familiar with the controls.



**This symbol points out important safety instructions which if not followed could endanger your personal safety. Read and follow all instructions in this manual before attempting to operate this equipment.**

### **DANGER**

**DANGER INDICATES A SERIOUS INJURY OR FATALITY WILL RESULT IF THE SAFETY INSTRUCTIONS THAT FOLLOW THIS SIGNAL WORD ARE NOT OBEYED.**

### **WARNING**

**WARNING INDICATES A SERIOUS INJURY OR FATALITY COULD RESULT IF THE SAFETY INSTRUCTIONS THAT FOLLOW THIS SIGNAL WORD ARE NOT OBEYED.**

### **CAUTION**

**CAUTION INDICATES YOU CAN OR YOUR EQUIPMENT CAN BE HURT IF THE SAFETY INSTRUCTIONS THAT FOLLOW THIS SIGNAL WORD ARE NOT OBEYED.**

### **IMPORTANT**

**IMPORTANT INDICATES HELPFUL INFORMATION FOR PROPER ASSEMBLY, OPERATION, OR MAINTENANCE OF YOUR EQUIPMENT.**

### **WARNING**

**YOU MUST READ, UNDERSTAND AND COMPLY WITH ALL SAFETY AND OPERATING INSTRUCTIONS IN THIS MANUAL BEFORE ATTEMPTING TO SETUP AND OPERATE YOUR STOVE.**

**FAILURE TO COMPLY WITH ALL SAFETY AND OPERATING INSTRUCTIONS CAN RESULT IN SERIOUS PERSONAL INJURY TO YOU AND/OR BYSTANDERS, AND RISK OF EQUIPMENT AND PROPERTY DAMAGE. THE TRIANGLE IN THE TEXT SIGNIFIES IMPORTANT CAUTIONS OR WARNINGS WHICH MUST BE FOLLOWED.**

## **⚠ WARNING**

**WARNING INDICATES A SERIOUS INJURY OR FATALITY COULD RESULT IF THE SAFETY INSTRUCTIONS THAT FOLLOW THIS SIGNAL WORD ARE NOT OBEYED.**

- Read this entire manual before you install and use your new pellet stove. Failure to follow instructions may result in property damage, bodily injury, or even death.
- Children and adults should be alerted to the hazards of high surface temperatures and should stay away to avoid contact to skin and/or clothing.
- Young children should be carefully supervised when they are in the same room as the stove.
- Clothing and other flammable materials should not be placed on or near this unit.
- Flammable or explosive liquids such as gasoline, naphtha, alcohol, or engine oil must **NEVER** be used in or around stove. These liquids must be stored in a separate room as the open flame in the fire box could ignite the fumes of such liquids.
- **DO NOT** burn garbage in this unit. The burning of other solid fuels such as cord wood or wood chips in this stove is not permitted. Any fuels not certified by Castle Pellet Stoves which are burned in this stove will void the warranty.
- **DO NOT** route power cord in high traffic areas. A power surge protector plugged into a grounded 110 volt power source is required.
- **DO NOT** install a flue damper in the exhaust venting system of this unit.
- **DO NOT** connect this unit to a chimney flue servicing another appliance.
- **DO NOT** install in a sleeping room.
- **DO NOT** connect to any air distribution duct or system.
- **DO NOT** connect directly to a masonry chimney.
- **DO NOT** terminate vent in any enclosed or semi-enclosed area, such as; carports, garage, attic, crawl space, under a sun deck or porch, narrow walkway or closed area, or any location that can build up a concentration of fumes such as a stairwell, covered breezeway etc.
- **NEVER** touch door latches while stove is in operation; they get extremely hot.

## **⚠ WARNING**

**PROPER INSTALLATION OF THIS STOVE IS NECESSARY FOR SAFE AND EFFICIENT OPERATION. INSTALLING THIS PRODUCT IMPROPERLY MAY RESULT IN A HOUSE FIRE AND PERSONAL INJURY.**

**ALL APPLICABLE BUILDING CODES FOR YOUR LOCATION MUST BE FOLLOWED. IN AREAS WHERE BUILDING CODES REQUIRE ADDITIONAL STEPS TO THE INSTALLATION OF THIS PRODUCT NOT INCLUDED IN THIS MANUAL, THE BUILDING CODES WILL TAKE PRECEDENT AND MUST BE FOLLOWED. CONTACT YOUR LOCAL BUILDING INSPECTOR TO OBTAIN ANY NECESSARY PERMITS OR INSPECTION GUIDELINES BEFORE INSTALLING THE PRODUCT.**

## **⚠ CAUTION**

**ALL APPLICABLE BUILDING CODES FOR YOUR LOCATION MUST BE FOLLOWED. IN AREAS WHERE BUILDING CODES REQUIRE ADDITIONAL STEPS TO THE INSTALLATION OF THIS PRODUCT NOT INCLUDED IN THIS MANUAL, THE BUILDING CODES WILL TAKE PRECEDENT AND MUST BE FOLLOWED. CONTACT YOUR LOCAL BUILDING INSPECTOR TO OBTAIN ANY NECESSARY PERMITS OR INSPECTION GUIDELINES BEFORE INSTALLING THE PRODUCT.**

- Contact local building or fire officials about restrictions and installation inspection requirements in your area.
- Contact your local authority (such as municipal building department, fire department, fire prevention bureau, etc.) to determine the need for a permit.
- The Castle Pellet Stoves pellet stove is designed to burn pellet fuel only.
- A working smoke detector is required and must be installed in the same room as the stove.
- This stove is not intended for use in commercial applications.
- Door and ash pan must be closed and latched during operation.
- Notify your insurance company of pellet stove installation.
- This installation must conform with local codes. In the absence of local codes you must comply with ASTM E1509, (UM) 84-hud, ulc/ordC-1482, and UCL S627-2000.
- The structural integrity of the manufactured home floor, wall, and ceiling/roof must be maintained.
- Keep combustible materials (such as grass, leaves, etc.) at least three feet away from the flue outlet on the outside of the building.
- This stove should not be used as the only source of heat in the house. Power outages and periodic maintenance will result in a total loss of heat.
- Do not leave hopper door open while unattended.

## **⚠ CAUTION**

**INSTALLATION AND REPAIR OF THIS PELLET STOVE SHOULD BE DONE BY A QUALIFIED SERVICE PERSON. THE APPLIANCE SHOULD BE INSPECTED BEFORE USE AND AT LEAST ONCE A YEAR BY A QUALIFIED SERVICE PERSON. IT IS IMPERATIVE THAT THE CONTROL COMPARTMENTS, FIRE BOX, AND THE CIRCULATING AIR PASSAGEWAYS OF THE STOVE BE KEPT CLEAN.**

**THE OPERATION OF EXHAUST FANS SUCH AS BATHROOM FANS, ATTIC FANS, ETC. MIGHT STARVE THE PELLET STOVE OF COMBUSTIBLE AIR CREATING A NEGATIVE PRESSURE IN THE ROOM. PROVIDE ADEQUATE VENTILATION OF THE ROOM ACCOMPANYING THE PELLET STOVE. IF NOT, THE PRESSURE SWITCH MAY SHUT OFF OPERATION OF THE PELLET STOVE.**

**THE MOVING PARTS OF THIS STOVE ARE PROPELLED BY HIGH TORQUE ELECTRIC MOTORS. THESE PARTS CAN CAUSE SEVERE DAMAGE TO BODY PARTS THAT GET NEAR THEM. KEEP ALL BODY PARTS AWAY FROM AUGER AND FANS WHILE THE STOVE IS PLUGGED INTO AN ELECTRICAL OUTLET. THESE MOVING PARTS MAY BEGIN TO MOVE AT ANY TIME THE STOVE IS PLUGGED IN.**

**THE VENT SURFACES CAN GET HOT ENOUGH TO CAUSE BURNS IF TOUCHED. NONCOMBUSTIBLE SHIELDING OR GUARDS MAY BE REQUIRED.**

**INSTALL VENT AT CLEARANCES SPECIFIED BY THE VENT MANUFACTURER.**

**ALL VENTING JOINTS, WHETHER VERTICAL OR HORIZONTAL, SHOULD BE MADE GAS-TIGHT WITH RECOMMENDED SEALANTS SPECIFIED BY VENT MANUFACTURER.**

**ACCORDING TO HUD (HOUSING & URBAN DEVELOPMENT) REQUIREMENTS, WHEN INSTALLED IN A MOBILE HOME, THIS STOVE MUST BE GROUNDED DIRECTLY TO THE STEEL CHASSIS OF THE MOBILE HOME AND BOLTED TO THE FLOOR. DIRECT AIR ACCESS MUST BE PROVIDED, USE A FRESH AIR KIT.**

**FOR USE IN THE UNITED STATES AND CANADA. APPROVED FOR INSTALLATION IN MOBILE HOMES.**

**CASTLE PELLET STOVES, PRODUCER OF THIS APPLIANCE, RESERVES THE RIGHT TO ALTER ITS PRODUCTS, SPECIFICATIONS AND/OR PRICE WITHOUT NOTICE.**



## TABLE OF CONTENTS

WARNINGS & SAFETY PRECAUTIONS..... 2-5

REGISTRATION, SERVICE & MAINTENANCE LOG..... 7

INTRODUCTION ..... 8

    Burning Pellet Fuel..... 8

    Automatic Safety Features ..... 8

SPECIFICATIONS..... 9

UNPACKING ..... 9

INSTALLATION .....10

    Stove Placement.....10

    Floor Protection Requirements.....10

    Clearance to Combustibles .....11

VENTING.....12

    Type of Vent.....12

    Pellet Vent Installation .....12

    Vent Termination Clearances ..... 13-14

    Outside Air Connection .....15

    Mobile Home.....15

    Venting Installation Examples ..... 16-21

BECOMING FAMILIAR WITH YOUR CONTROLLER..... 22-23

    Controller Buttons.....22

    Screen Display .....23

PRE-OPERATION .....24

OPERATION ..... 25-29

    Start-up .....25

    Working in Different Operation Modes.....25

    Setting Other Data..... 26-28

    Diagnostics .....29

    Restoring Defaults .....29

    Shutdown.....29

MAINTENANCE ..... 30-32

    Normal Care and Maintenance ..... 30-31

    Daily Maintenance Tasks.....32

    Weekly, Monthly, and Bi-Monthly Tasks .....32

TROUBLESHOOTING & REPAIR ..... 33-35

    Ordering Replacement Parts.....33

    Troubleshooting Guide ..... 34-35

MAIN ASSEMBLY PARTS EXPLOSION AND LIST ..... 36-37

**\* For warranty information, visit [www.castlestoves.com](http://www.castlestoves.com).**



## INTRODUCTION

Congratulations on your investment in quality. Thank you for your purchase on a Castle Pellet Stove. We have worked to ensure that this pellet stove meets the highest standards for usability and durability. With proper care, your stove will provide many years of dependable service. Please read entire manual before installation and use.

## BURNING PELLET FUEL

Ashes need to be removed from the stove periodically. See "Normal Care and Maintenance" section for cleaning procedure. Due to the nature of pellet fuels, this stove will require attention periodically. Regular cleaning is an important part of burning pellet fuel.

### PELLETS

- This pellet stove is designed and approved to burn wood pellets, that comply with pellet fuels industry standards. Minimum of 40 lbs. density per cubic feet, 1/4" to 5/16" in diameter, with a maximum length of 1-1/2", and less than 1% ash.
- The performance of your pellet stove is greatly affected by the type and quality of wood pellets. As the heat output of various quality wood pellets differ, so will the performance and heat output of the pellet stove.
- Wood pellets are generally produced out of wood waste such as sawdust and shavings. The raw material is dried, mechanically fractioned to size and extruded into pellets under high pressure. Wood pellets need to be protected from direct exposure to water. Water from sources such as condensation and humidity causes pellets to expand and break down into unusable fuel. Keep fuel dry.
- It is important to select and use only pellets that are dry and free from dirt and debris. Dirty fuel will adversely affect the operation and performance of the unit and will void the warranty. The Pellet Fuel Institute (PFI) has established standards for wood pellet manufacturers. Only use pellets that meet or exceed PFI standards for premium fuels.

### CLINKERS

- Impurities, such as silica (clinkers), will need to be regularly cleaned and removed from the pellet stove. Clinkers will form a hard mass and block airflow through the pot liner. High quality fuels will result in fewer clinkers.

## **⚠ WARNING**

**IF THE ELECTRICAL POWER FAILS ANY TIME WHEN THE STOVE IS HOT, KEEP ALL STOVE DOORS CLOSED. THE AUTOMATIC SAFETY FEATURES MUST NOT BE BYPASSED.**

## **⚠ CAUTION**

**BURNING WOOD PELLETS ACCORDING TO RECOMMENDATIONS WILL ASSURE LONGER STOVE LIFE AND LESS FUEL RELATED PROBLEMS.**

**THE USE OF GRATES OR OTHER METHODS OF SUPPORTING THE FUEL IN THIS STOVE IS PROHIBITED AND WILL VOID ALL WARRANTIES.**

## AUTOMATIC SAFETY FEATURES

### POWER OUTAGE

During a power outage, the stove will shutdown safely. Do not open the main door or ash door. During a power failure the exhaust fan will not run. Keeping the doors sealed will allow the exhaust vent to draft out naturally. When the power is restored, the stove will not restart. If the exhaust temperature is still 120 degrees Fahrenheit when power is restored, the exhaust and convection fans will continue to run until the stove cools. See "Operation" section for instructions on restarting the stove.

### OVERHEATING

**Over Fire Protection:** If the stove is being over fired or burning too hot, the high limit switches will automatically shut down the stove to avoid damage to components. The exhaust fan will continue to run until the proof of fire switch cools. Allow stove to cool before attempting to re-ignite. See the "Operation" section for more information.

## SPECIFICATIONS

Model Number	HPS10
BTU/hour input (1)	4.0 lbs/hr
Heating Capacity (2)	1,500 sq. ft.
Electrical Rating (3)	115 Volts, 60 Hz
Power Consumption	520 Watts ignition 150 Watts operating
Fuel Storage Capacity	40 lb
Flue Size (4)	3 in.
Width	18.25 in.
Height	34 in.
Depth	23.75 in.
Weight	186 lb

- (1) Heat output will vary, depending on the brand, type and quality of fuel and the moisture content. Consult your dealer for best results.
- (2) Based on post 1982 home construction, requiring 35 BTU/Hr. per Sq. Ft.
- (3) Install per NFPA 70 and follow all state and local codes, contact licensed electrical contractor for assistance.
- (4) Install per NFPA 211 and follow all state and local codes, contact licensed installers for assistance.

Listing label:



Tested to the following standards: UL1482, ASTM E1509, ULC/ORD-C1482-M1990, and UCL S627-2000

## GLASS SPECIFICATIONS

This stove is equipped with 5 mm ceramic glass. Replace glass only with Castle Pellet Stoves ceramic glass. Call your servicing dealer or Castle at 1-800-345-6007 for replacement parts.

## ⚠ CAUTION

**THIS INSTALLATION MUST CONFORM WITH LOCAL CODES. IN THE ABSENCE OF LOCAL CODES YOU MUST COMPLY WITH ASTM E1509, (UM) 84-HUD, ULC/ORD-C-1482 AND and UCL S627-2000.**

**CASTLE PELLETT STOVES, MANUFACTURER OF THIS APPLIANCE, RESERVES THE RIGHT TO ALTER ITS PRODUCTS AND/OR THEIR SPECIFICATIONS WITHOUT NOTICE.**

## UNPACKING

Your Castle HPS10 will come fully assembled. Remove all packing material and tape from the inside of the firebox. Remove any tape on the outside of the glass. Open the hopper, remove all packing material and power cord.

**NOTE: MAKE SURE THE HOPPER IS FREE OF ALL FOREIGN MATTER BEFORE FILLING WITH FUEL. FOREIGN MATERIAL WILL CAUSE AUGER JAMS AND WILL VOID STOVE WARRANTY.**

## INSTALLATION

It is recommended the stove be installed and serviced by authorized professionals who are certified by the National Fireplace Institute (NFI) as NFI Pellet Specialists.

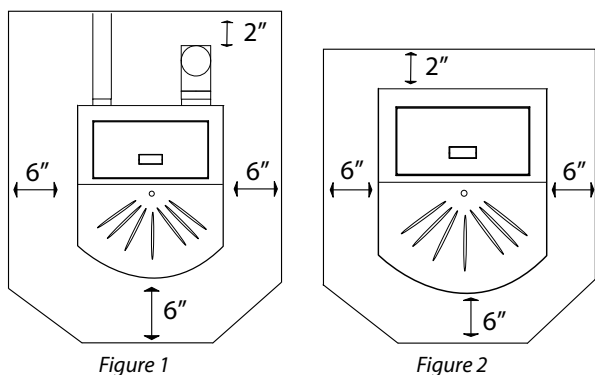
Proper installation of this stove is necessary for safe and efficient operation. Installing this product improperly may result in a house fire and personal injury. All applicable building codes for your location must be followed. In areas where building codes require additional steps to the installation of this product not included in this manual, the building codes will take precedent and must be followed. Contact your local building inspector to obtain any necessary permits or inspection guidelines before installing the product.

### STOVE PLACEMENT

Sketch out a plan for installing the stove including dimensions before permanent placement. When determining the location for the stove, wall stud location is critical. You may need to adjust the location of the stove to avoid trying to vent through a wall stud. Before placing the pellet stove, connect the vent and allow for minimum clearance to combustible walls.

### FLOOR PROTECTION REQUIREMENTS

The stove must be installed on a noncombustible floor, with proper floor protection, or on a masonry hearth. When a clean out t-vent is installed in the inside of a home, the floor protector must extend 2" beyond rear of t-vent. **SEE FIGURE 1.** When stove is vented straight through the wall and the clean out t-vent is on the exterior of the home, the minimum clearance is 2" from the back of the stove to the wall. **SEE FIGURE 2.** The minimum floor protector material is 24 GA sheet metal.



Figures 1 and 2: Pellet stove floor pad clearances

## ⚠ WARNING

**READ THIS ENTIRE MANUAL BEFORE YOU INSTALL AND USE THIS STOVE. FAILURE TO FOLLOW THE INSTRUCTIONS MAY RESULT IN PROPERTY DAMAGE, BODILY INJURY, OR EVEN DEATH.**

**DO NOT INSTALL A FLUE DAMPER IN THE EXHAUST VENTING SYSTEM OF THIS UNIT.**

**DO NOT CONNECT THIS UNIT TO A CHIMNEY FLUE SERVING ANOTHER APPLIANCE.**

**CHILDREN AND ADULTS SHOULD BE ALERTED TO THE HAZARDS OF HIGH SURFACE TEMPERATURES AND SHOULD STAY AWAY TO AVOID BUMPS TO SKIN AND/OR CLOTHING.**

**YOUNG CHILDREN SHOULD BE CAREFULLY SUPERVISED WHEN THEY ARE IN THE SAME ROOM AS THE STOVE.**

**CLOTHING AND OTHER FLAMMABLE MATERIALS SHOULD NOT BE PLACED ON OR NEAR THIS UNIT.**

## ⚠ CAUTION

**THIS STOVE SHOULD NOT BE USED AS THE ONLY SOURCE OF HEAT IN THE HOUSE. POWER OUTAGES AND PERIODIC MAINTENANCE WILL RESULT IN A TOTAL LOSS OF HEAT.**

**CONTACT LOCAL BUILDING OR FIRE OFFICIALS ABOUT RESTRICTIONS AND INSTALLATION INSPECTION REQUIREMENTS IN YOUR AREA.**

**CONTACT YOUR LOCAL AUTHORITY (SUCH AS MUNICIPAL BUILDING DEPARTMENT, FIRE DEPARTMENT, FIRE PREVENTION BUREAU, ETC.) TO DETERMINE THE NEED FOR A PERMIT.**

**KEEP COMBUSTIBLE MATERIALS (SUCH AS GRASS, LEAVES, ETC.) AT LEAST 3 FEET AWAY FROM THE FLUE OUTLET ON THE OUTSIDE OF THE BUILDING.**

**INSTALLATION AND REPAIR OF THIS PELLET STOVE SHOULD BE DONE BY A QUALIFIED SERVICE PERSON. THE APPLIANCE SHOULD BE INSPECTED BEFORE USE AND AT LEAST ANNUALLY BY A QUALIFIED SERVICE PERSON. IT IS IMPERATIVE THAT CONTROL COMPARTMENTS, FIRE BOX, AND CIRCULATING AIR PASSAGEWAYS OF THE STOVE BE KEPT CLEAN.**

## CLEARANCES TO COMBUSTIBLES

**NOTE:** These are minimum clearances to combustible walls established by the ASTM testing lab.

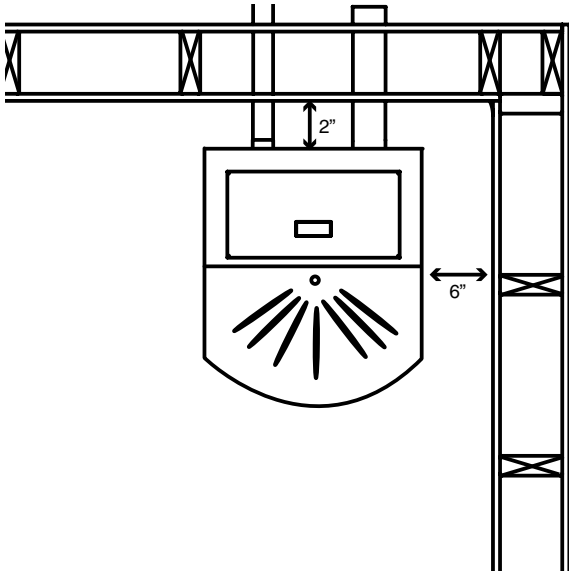


Figure 3: Straight installation through wall

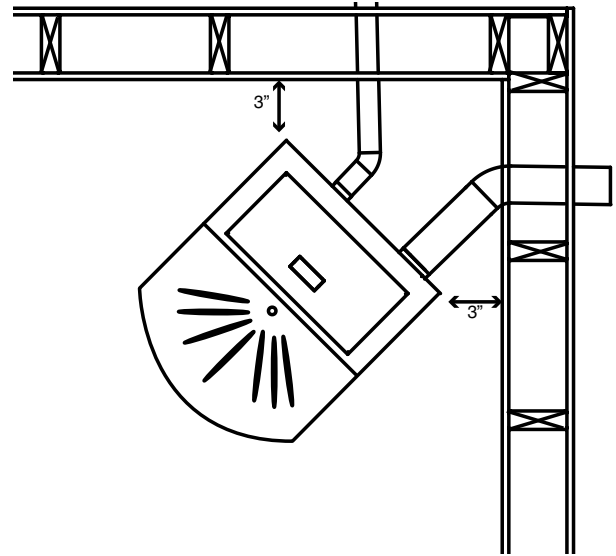


Figure 4: Corner installation through the wall vents

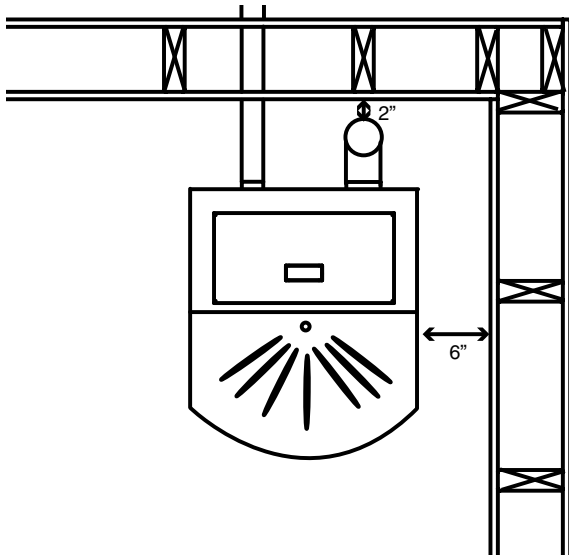


Figure 5: Straight installation interior vertical vents

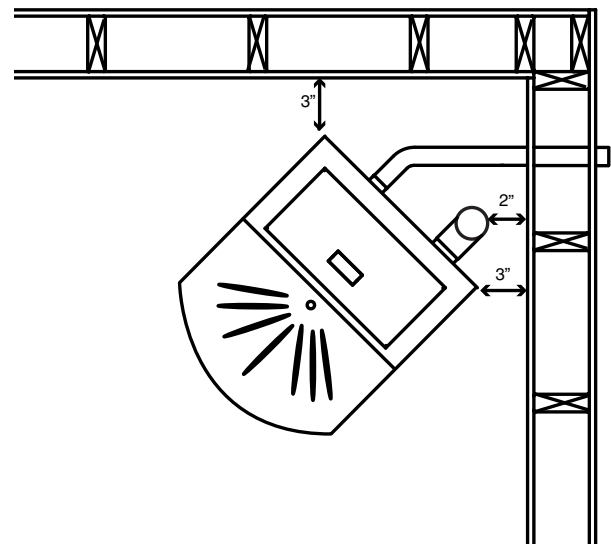


Figure 6: Corner installation interior vertical vents

**NOTE:** When interior vent is installed vertically, the clearance to the back wall is determined by the vent size used. Install vent at clearance specified by the vent manufacturer. Take into consideration any upward turning elbows or tees.

## VENTING

**Before venting, consult vent manufacturer's specifications and recommendations for all venting installations.**

The following installation guidelines must be followed to ensure conformity with both the safety listing of this stove and to local building codes.

**Note: Where passage through a wall, or partition of combustible construction is desired, the installation shall conform to CAN/CSA -8365.**

### TYPE OF VENT

The pellet venting pipe (also known as L vent) is constructed of two layers with air space between the layers. This air space acts as an insulator and reduces outside surface temperature of pipe to allow a clearance to combustibles.

A UL listed 3" or 4" type L pellet vent exhaust system must be used for installation and attached to the pipe connector provided on the back of the stove. Use a 3" to 4" adapter for 4" pipe. A cap must be used at the termination of type L vent chimneys. For elevations above 2,500 feet above sea level, a 4" L is required.

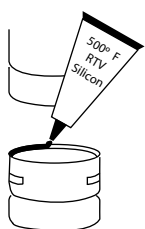
### PELLET VENT INSTALLATION

Vent termination **MUST** exhaust above air inlet elevation.

It is recommended to install at least three feet (3') of vertical pellet vent pipe. This vertical pipe will create some natural draft to prevent the possibility of smoke or odor during appliance shutdown and will keep exhaust from causing a nuisance or hazard from exposure to high temperatures.

The installation must include a clean out tee to enable collection of fly ash and to permit periodic cleaning of the exhaust system.

Total length of horizontal vent must not exceed 10 feet. The maximum recommended vertical venting height is 18 feet.



All joints for pellet vent are required to be fastened with at least three screws and all pellet vent connections (including adapters, elbows, etc.) should be sealed airtight by injecting 500° F. RTV silicone into the gap between sections.

The area where the vent pipe goes through to the exterior of the home must be sealed with silicone or other means to maintain the vapor barrier between the exterior and the interior of the home.

## ⚠ WARNING

**DO NOT CONNECT THIS UNIT TO A CHIMNEY FLUE SERVING ANOTHER APPLIANCE.**

**DO NOT INSTALL A FLUE DAMPER IN THE EXHAUST VENTING SYSTEM OF THIS UNIT.**

**DO NOT CONNECT DIRECTLY TO A MASONRY CHIMNEY.**

**DO NOT TERMINATE VENT IN ANY ENCLOSED OR SEMI-ENCLOSED AREA, SUCH AS; CARPORTS, GARAGE, ATTIC, CRAWL SPACE, UNDER A SUN DECK OR PORCH, NARROW WALKWAY OR CLOSED AREA, OR ANY LOCATION THAT CAN BUILD UP A CONCENTRATION OF FUMES SUCH AS A STAIRWELL, COVERED BREEZEWAY ETC.**

## ⚠ CAUTION

**VENT SURFACES CAN GET HOT ENOUGH TO CAUSE BURNS IF TOUCHED. NONCOMBUSTIBLE SHIELDING OR GUARDS MAY BE REQUIRED.**

**PELLET VENT MUST MAINTAIN MINIMUM CLEARANCES SPECIFIED BY VENT MANUFACTURER FOR CLEARANCE TO ANY COMBUSTIBLES.**

**INSTALL VENT AT CLEARANCES SPECIFIED BY THE VENT MANUFACTURER.**

**ALL VENTING, WHETHER VERTICAL OR HORIZONTAL, JOINTS SHOULD BE MADE GAS-TIGHT WITH RECOMMENDED SEALANTS.**

## PREFERRED PELLET VENT TERMINATION CLEARANCES

- The stove vent must terminate on the outside of the building. Horizontal terminations must extend a minimum of 12" from the wall. Vertical terminations must protrude a minimum 24" from the roof surface. **In addition, all clearances listed below must be met. SEE FIGURE 7.**
- Must have an approved cap (to prevent water from entering) or a 45° downturn with rodent screen.
- If the termination is located on a windy side of the house, we suggest using an approved house shield to prevent soot from building up on the side of the house.
- A vent must not be located where it will become plugged by snow or other material.

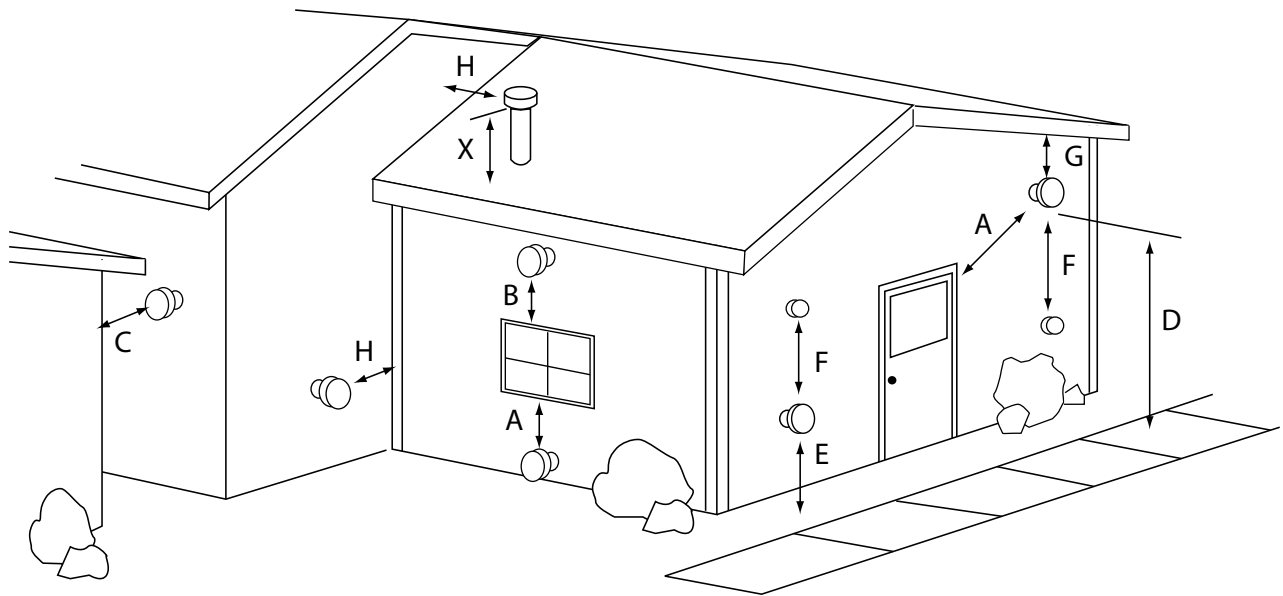


Figure 7: Vent Termination

A: A Minimum 4' clearance below or beside any door or window that opens. (This clearance may be reduced to 18" if using outside air). We recommend the door or window be kept closed during operation. Minimum 1' clearance below or beside any window that does not open.

B: Minimum 1' clearance above any door or window that opens.

C: Minimum 2' clearance from any adjacent building.

D: Minimum 7' clearance above any grade when adjacent to public walkways.

**NOTE: Vent may not terminate in covered walkway or breezeway.**

E: Minimum 2' clearance above any grass, plants, or other combustible materials.

F: Minimum 3' clearance from any forced air intake of any other appliance.

G: Minimum 2' clearance below eaves or overhangs.

H: Minimum 1' clearance horizontally from combustible wall.

X: Must be a minimum of 2' above the roof.

### Venting the Pellet Stove:

- Do not install flue damper in the exhaust venting system of this unit.
- Use an approved wall thimble when passing the vent through walls. Use a ceiling support/fire stop spacer when passing the vent through ceilings (make sure to maintain clearance to any combustibles.)
- if using more than one tee and 180° of elbows, you must use 4" venting pipes.

**NOTE:** In order to achieve optimum performance, it is recommended that you keep the vent as short as possible, especially in regards to the horizontal run.

The vent must have a support bracket every 5' of pellet vent when on the exterior of the structure.

The vent height and run must not exceed the distance as illustrated in the diagram below.

Venting into this (the lighter) shaded area may require combustion motor voltage adjustments and/or inlet air adjustments (intake). **SEE FIGURE 9.**

### INTAKE & EXHAUST POSITIONS



Figure 8: Intake and exhaust positions

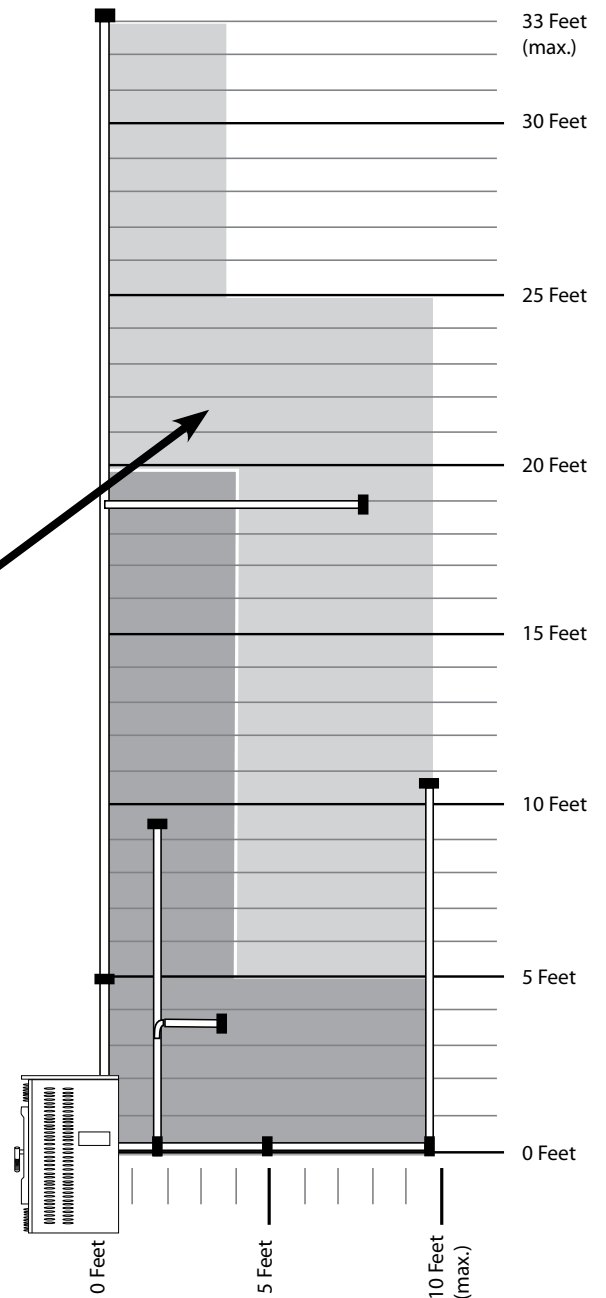


Figure 9: Venting and combustion motor voltage adjustment chart

## OUTSIDE AIR CONNECTION

Connection from the intake pipe (2" diameter pipe in rear of stove) to the outside of the house is **REQUIRED** for mobile home installation. It is recommended in tightly sealed homes with exhaust fans such as kitchen or bathroom fans. This will eliminate poor performance due to negative pressure.

Only noncombustible pipe 2" (or greater) in diameter is approved to use for outside air connections (straight or flexible). **PVC pipe is NOT approved and should NEVER be connected to the stove.**

**HINT: A Castle Pellet Stove air inlet will accept automotive exhaust pipes and couplers**

If the air inlet is connected to the outside, it **MUST** be terminated with a vertical 90° bend (down) or with a wind hood. Failure to do so could result in a burn back during high winds blowing directly up the air inlet during a simultaneous power failure.

Blockage, excessive length, or extra bends in the air intake pipe will starve the stove of combustion air. A 90° bend is equivalent in restriction to approximately 30" of straight inlet pipe.

## MOBILE HOME

Installation in a mobile home should be in accordance with the manufactured home and safety standard. Department of Housing and Urban Development (HUD) CITE: 24CFR3280.707 stating this stove must be vented to the outside. In addition to the standard installation instructions, the following requirements are mandatory for installation in a mobile home:

1. The stove must be permanently attached to the floor.
2. Stove must have an outside air source.
3. Stove must be electrically grounded to the steel chassis of the mobile home.
4. All vertical chimney vents must have wall supports.
5. All exhaust systems must have a spark arrestor.
6. Check with local building officials to see if other codes may apply.

## **⚠ WARNING**

**DO NOT CONNECT TO ANY AIR DISTRIBUTION DUCT OR SYSTEM.**

**DO NOT INSTALL IN A SLEEPING ROOM.**

## **⚠ CAUTION**

**THE OPERATION OF EXHAUST FANS SUCH AS BATHROOM FANS, ATTIC FANS, ETC. MIGHT STARVE THE PELLET STOVE OF COMBUSTIBLE AIR CREATING A NEGATIVE PRESSURE IN THE ROOM. PROVIDE ADEQUATE VENTILATION IN THE ROOM ACCOMPANYING THE PELLET STOVE. IF NOT, THE PRESSURE SWITCH MAY SHUT OFF OPERATION OF THE PELLET STOVE.**

**THE STRUCTURAL INTEGRITY OF THE MANUFACTURED HOME FLOOR, WALL, AND CEILING/ROOF MUST BE MAINTAINED.**

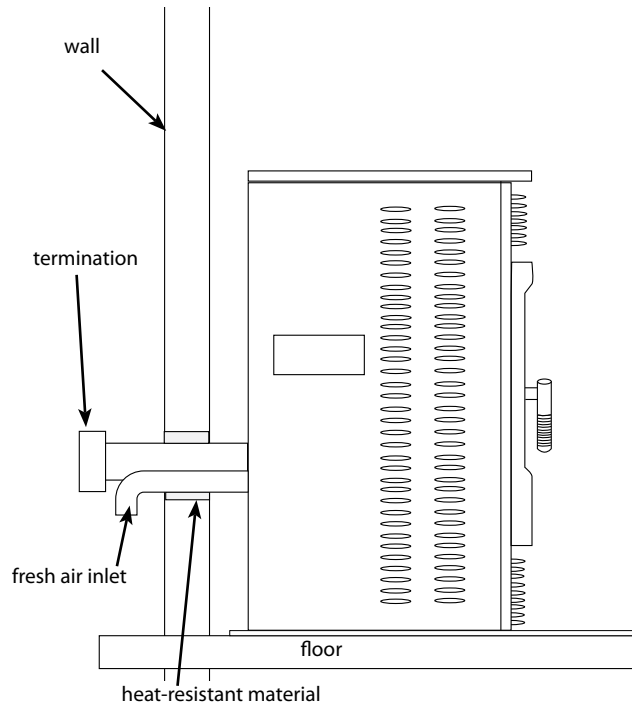
## UNDERSTANDING YOUR STOVE

Your Castle Pellet Stove utilizes a vertical auger fuel feed system that is operated by a microprocessor controlled digital circuit board. The digital circuit board allows the vertical auger fuel system to run in a timer based, non-continuous cycle; this cycling allows the auger to run for a predetermined amount of time. The auger pushes pellets up a chute located in the hopper. The pellets will then turn and fall through another chute into the burn pot. Your stove is equipped with an automatic ignition system that should ignite the fuel within 3-5 minutes of pressing the On/Off button. As pellets fill the burnpot and ignite, outside air is drawn across the fuel and heated during the combustion process which is then pulled across the heat exchanger by the exhaust motor or the draft fan. As the stove reaches operating temperature, room air is then circulated around the heat exchanger by a room air blower, distributing warm air into the room.

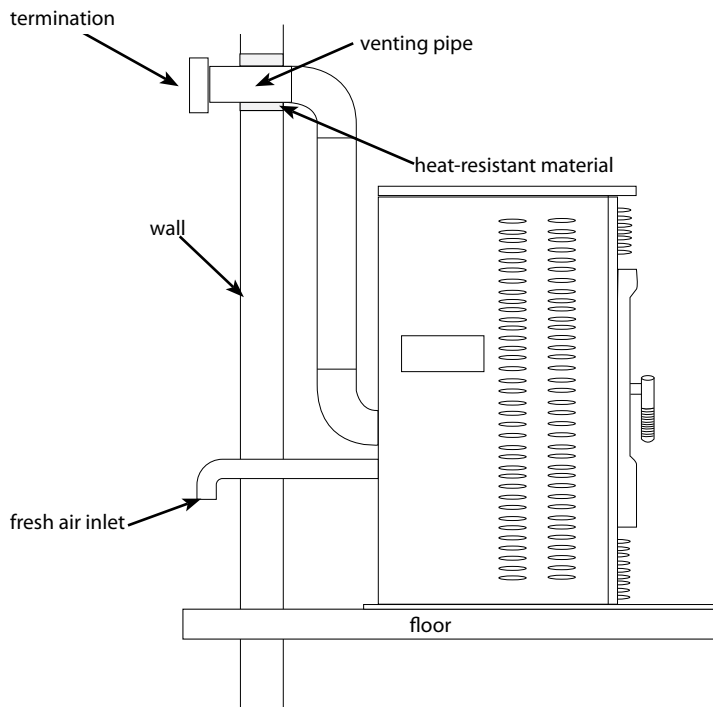
The amount of heat that is produced by the stove is proportional to the rate of fuel that is burned.

Because a forced draft pressure is required for the combustion process inside your stove, it is extremely important that the exhaust system be properly installed and maintained. Also, the doors must remain closed while in operations and the seals on the doors must be properly maintained.

**SIMPLE STOVE VENTILATION EXAMPLES**



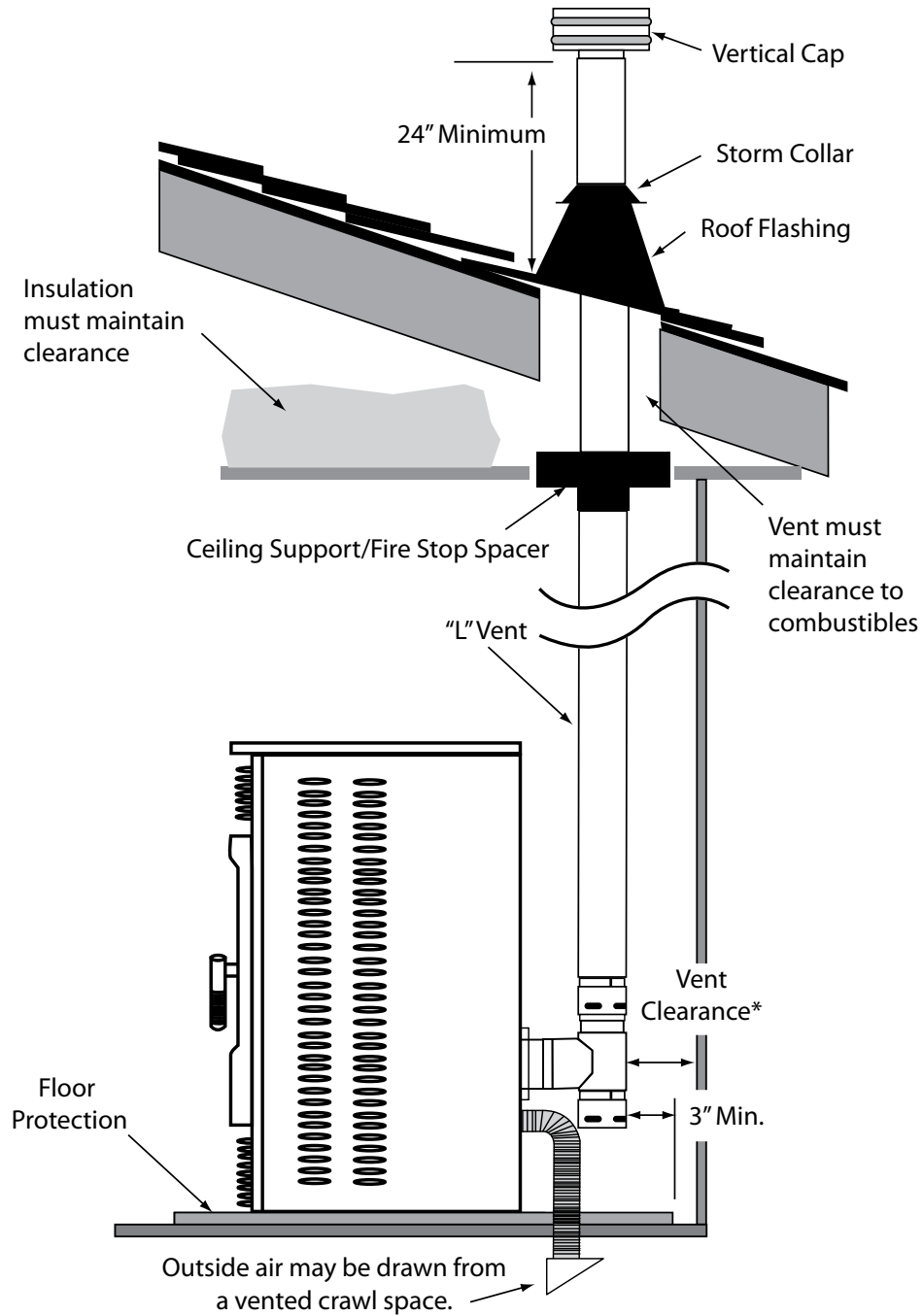
*Figure 10: Straight Installation--outside, through wall installation*



*Figure 11: Straight Installation—inside vertical rise, horizontal termination*

## COMPLEX STOVE VENTILATION EXAMPLES

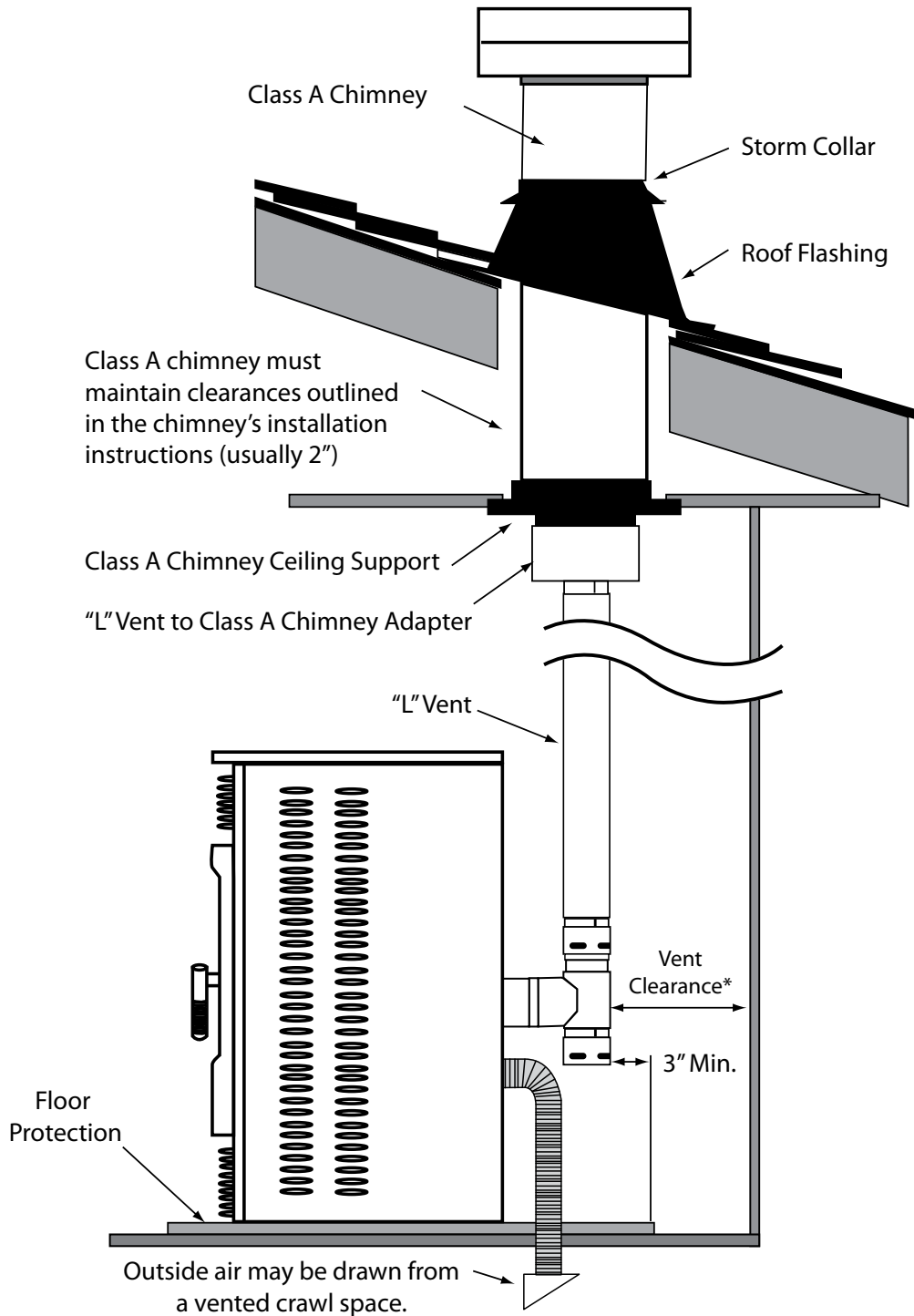
### INTERIOR VERTICAL INSTALLATION



\* Install a vent at clearance specified by the vent manufacturer

Figure 12: Interior Vertical Installation

**CLASS A CHIMNEY RETROFIT**



\* Install a vent at clearance specified by the vent manufacturer

Figure 13: Class A Chimney Retrofit

**MASONRY FIREPLACE HEARTH STOVE**

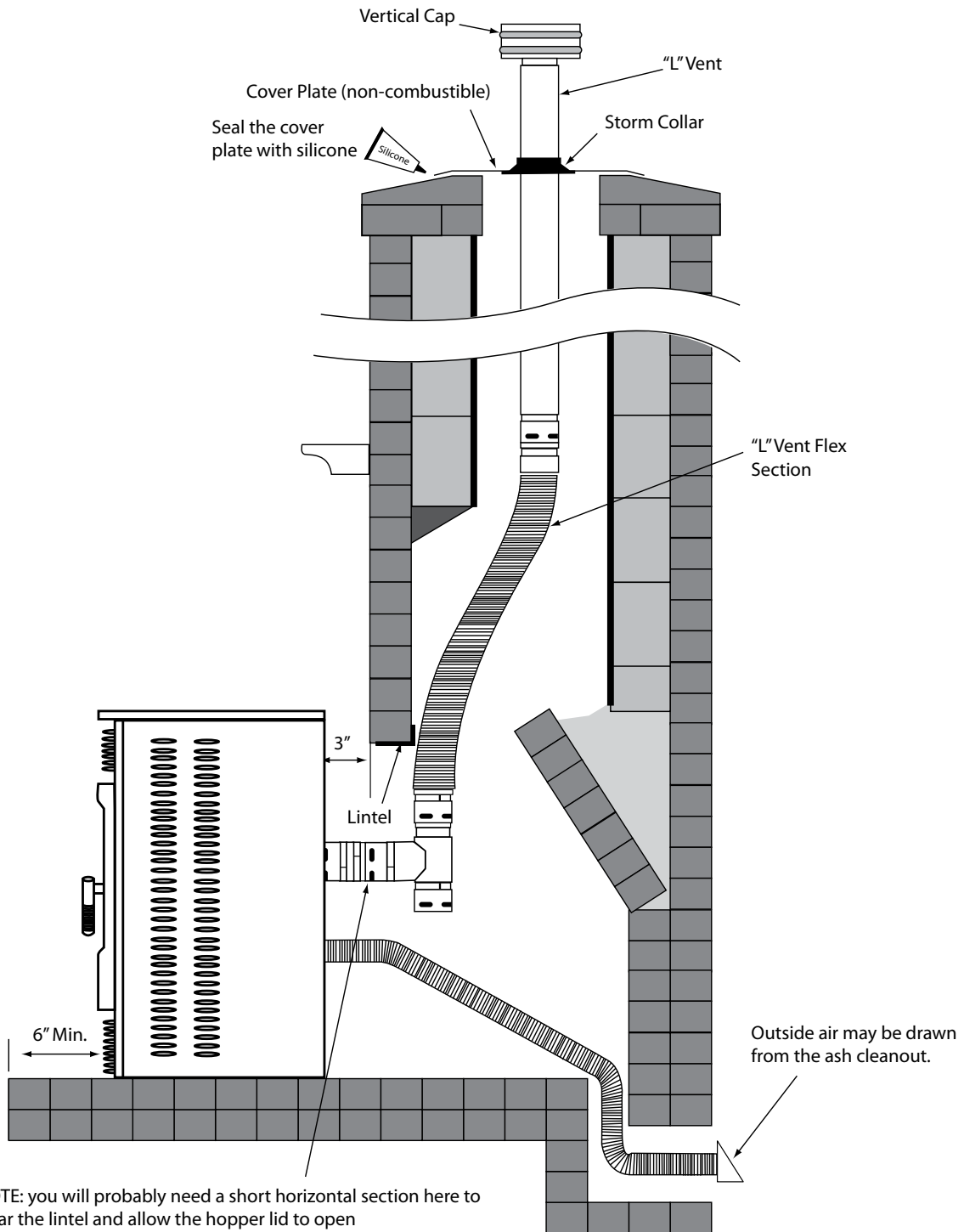
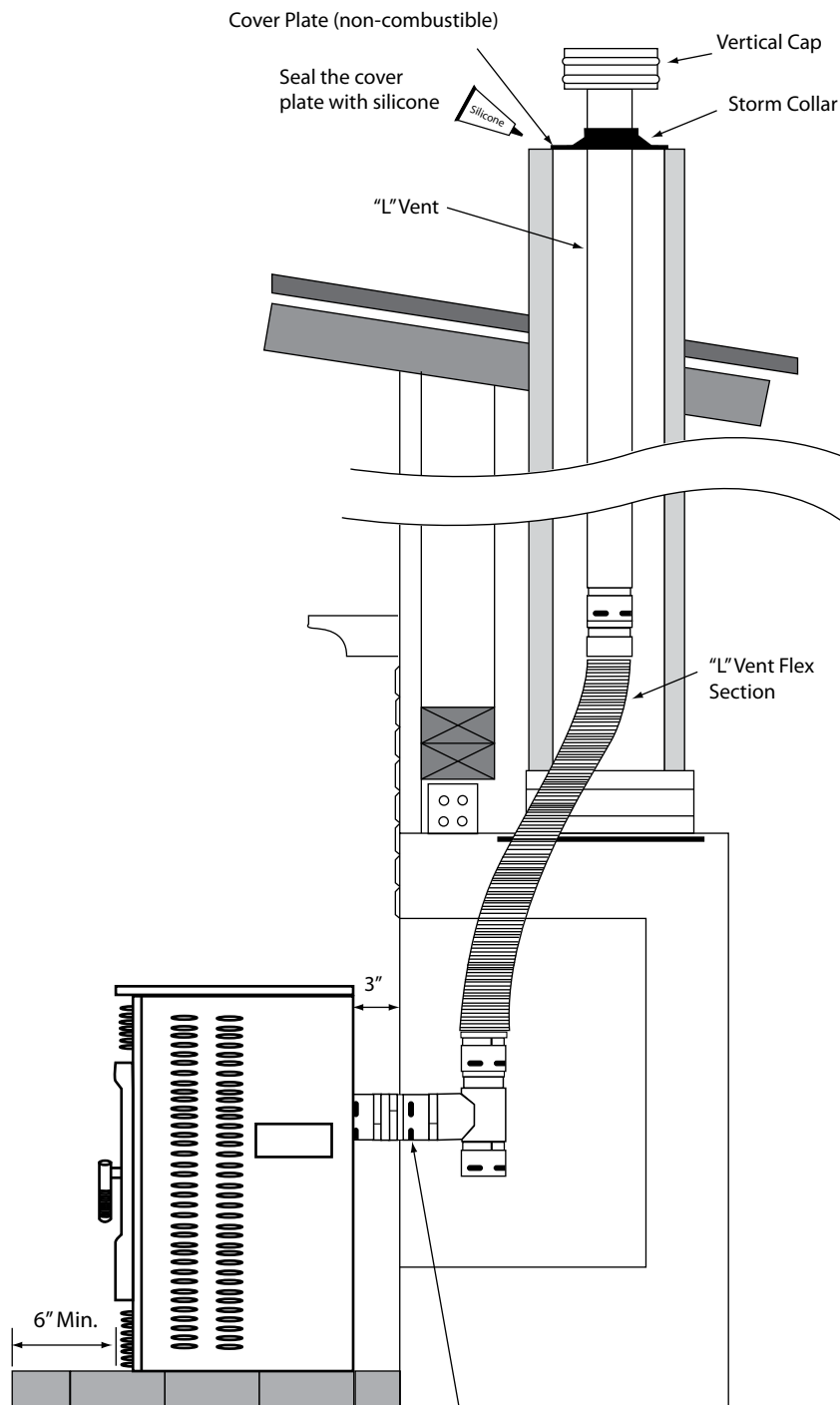


Figure 14: Masonry Fireplace Hearth Stove

**ZERO-CLEARANCE (METAL) FIREPLACE HEARTH STOVE**



NOTE: you will probably need a short horizontal section here to clear the lintel and allow the hopper lid to open.

Figure 15: Zero-Clearance (Metal) Fireplace Hearth Stove

**FREESTANDING MASONRY CHIMNEY**

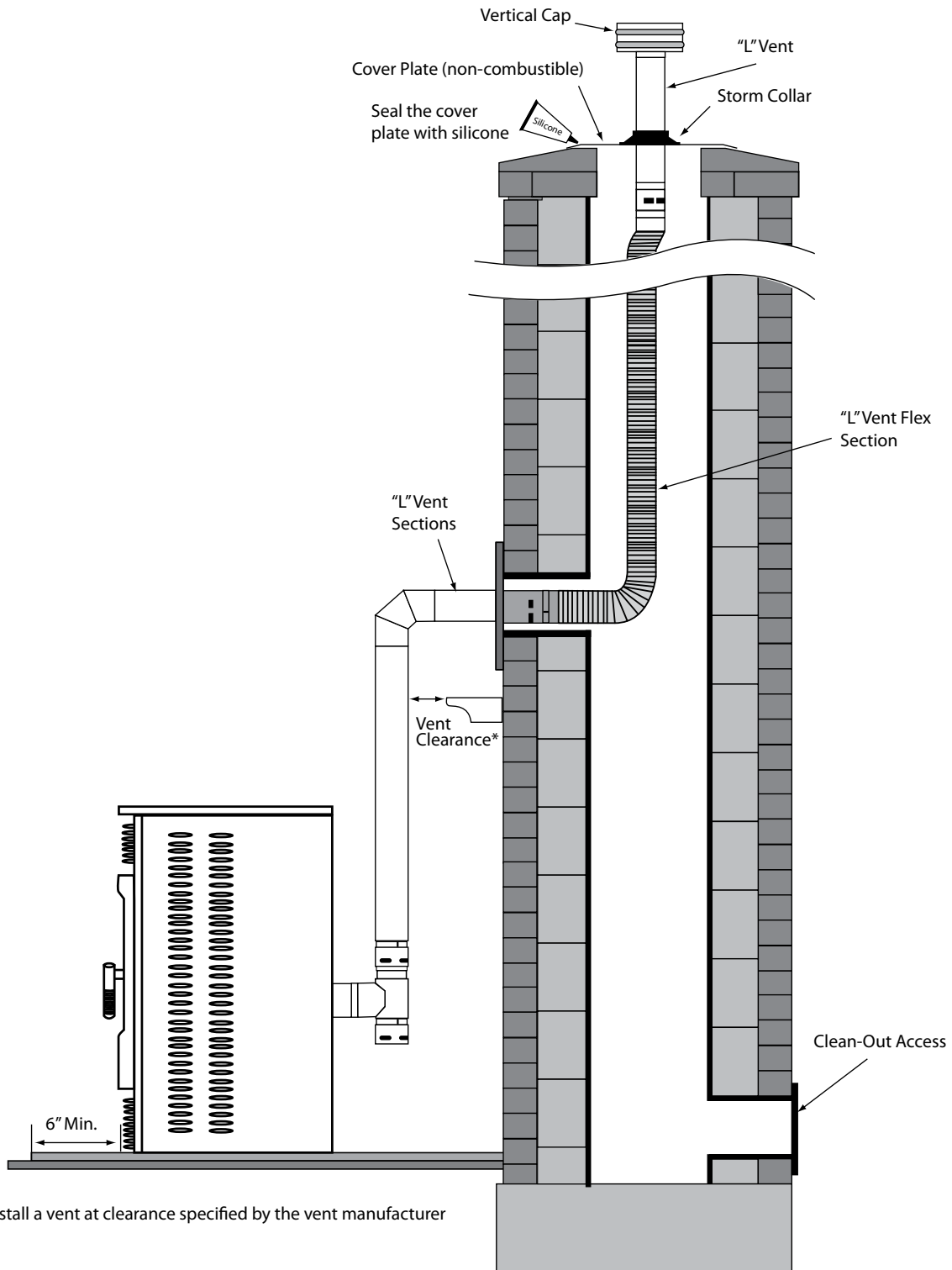


Figure 16: Freestanding Masonry Chimney

## BECOMING FAMILIAR WITH YOUR CONTROLLER



Figure 17: Control pad key

### CONTROLLER BUTTONS (SEE FIGURE 17)

1. **Infrared Receiver:** Receives signal from remote control. (Available separately)
2. **Power Indicator** - Illuminates when the main power switch is on.
3. **Alarm Light** - Illuminates if stove is not operating properly.
4. **On/Off Button** - Starts and stops operation of stove.
5. **Timer Button** - Allows you to choose the start time or shutdown time of the unit.
6. **Mode Transfer Button** - Allows you to set the unit to one of three main mode settings: Manual, Temp, and Weekly.
7. **Hold Button** - Pressing the "Hold" button in weekly mode after raising the "Call To" temperature will maintain that temperature until the button is pressed again or the stove is shut down.
8. **Scroll Up Button** - Allows you to scroll up to choose items in the menu.
9. **Exit Button:** Takes you out of current selection and returns to previous option and/or screen. When entering data, pressing the EXIT button will also delete your entries.
10. **Scroll Down Button** - Allows you to scroll down to choose items in the menu.
11. **Enter Button** - Pressing "Enter" button allows you to adjust and select data on the screen. Pressing the ENTER button for two seconds will take you to a main menu screen in which you'll have the ability to change the time, date, temperature display, weekly operation schedule (for Weekly Mode only) and combustion motor and voltage settings.



Figure 18: Control pad location

## MAIN OPERATION CONTROLLER SCREEN DISPLAY

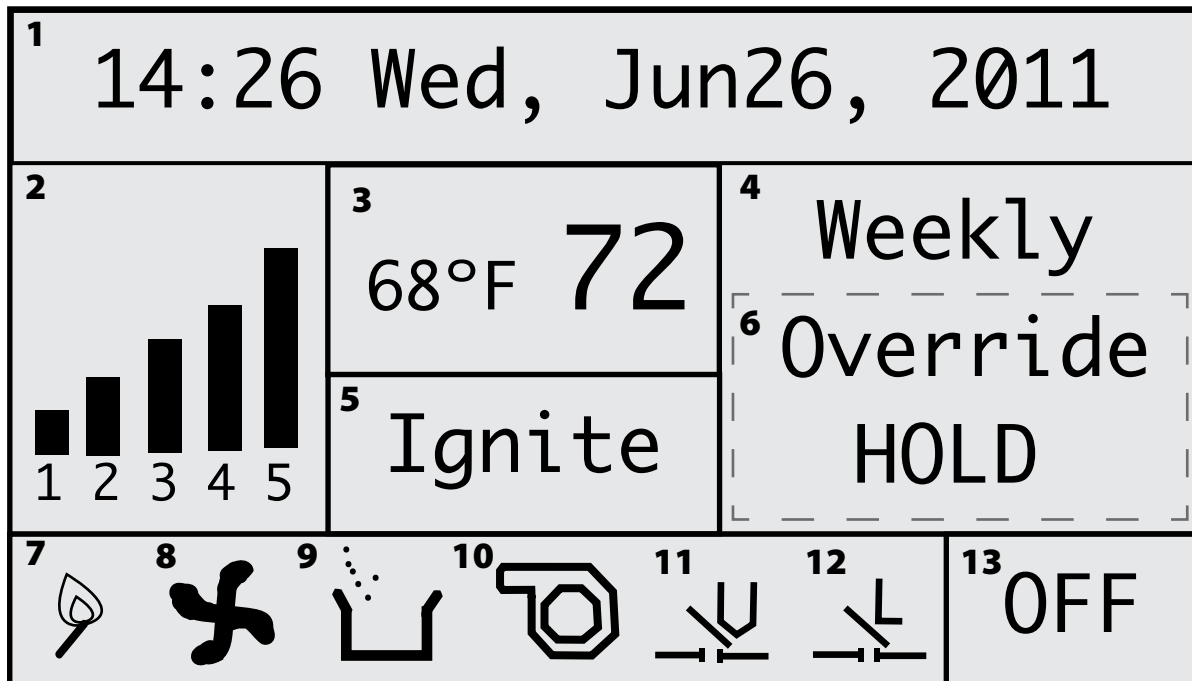


Figure 19

1. **Date and Time:** Displays time and date.
2. **Heating Power Level:** Indicates the level of power at which the stove is currently heating.
3. **Current Room Temperature/Call To Temperature:** Displays current room temperature and, in the thermostat mode, the "call to" temperature.
4. **Main Mode:** Displays operation mode--weekly, thermostat (temperature) and manual.
5. **Work Stage:** Displays operational stage in which the stove is currently operating (i.e. ignite, heating room).
6. **Additional Control Mode**
7. **Ignitor Indicator:** Indicates ignition cycle/burning cycle is currently happening.
8. **Combustion Blower Indicator:** Indicates combustion blower is running.
9. **Auger Indicator:** Indicates auger is feeding pellets.
10. **Convection Blower Indicator:** Indicates convection blower is running and the fan is heating the room.
11. **Vacuum Switch Indicator:** Indicates there is vacuum pressure in the stove.
12. **Hopper Lid Open Indicator (Limit Indicator):** If lit, indicates the hopper lid is closed. When hopper lid is open, this will disappear.
13. **On/Off State Indicator:** Indicates if the stove is on and in operational mode or if it is in the process of shutting down.

## PRE-OPERATION

Once the stove has been properly installed and plugged into a grounded surge protector you are ready to begin operation.

## MOUNTING YOUR CONTROLLER

Mount the controller and the controller bracket to top and back of your stove using the hardware that accompanied the controller.  
**SEE FIGURE 18 ON PAGE 22.**

## PRIOR TO STARTING

Turn on the main power switch located on the back of the stove.  
**SEE FIGURE 20A.**

**NOTE: IF FOR SOME REASON THE STOVE DOES NOT APPEAR TO BE POWERING ON, THERE IS A FUSE LOCATED JUST BELOW THE POWER SWITCH THAT CAN BE CHECKED. SEE FIGURE 20B. NOTE THAT THERE IS A SPARE FUSE LOCATED IN THE FUSE HOLDER.**

Make sure the hopper is clean and free of foreign matter including pellet fines and dust.

Fill the hopper with wood pellets, making sure that NO parts of the bag or any foreign objects enter the hopper as this may cause harm to the auger feed system. **SEE FIGURE 21.**

Also take care in making sure there is no pellet material in the hopper lid seating surfaces.


Close the lid. This stove has a safety switch that will not allow pellets to feed with the hopper door open.

Make sure the main glass door is closed. The stove has a safety switch that will not allow the stove to feed fuel unless there is negative draft pressure inside the stove.

Before starting your Castle Stove, you will need to determine in which mode you would like to run the stove. The HPS10IC can operate in three modes:

1. *Manual*: Under this mode, you can personally adjust and set the heating phase to control the heat level.
2. *Thermostat Control (Temperature)*: Under his mode, you can set the room temperature and the stove will automatically run to ensure the room is at that temperature.
3. *Weekly*: Under this mode, the stove will work automatically during days and times you designate. You can have a program for each of the seven days of the week and four periods during the day.

**You must select your mode before turning on the stove.** Selecting a mode while the stove is burning can cause the stove to shut down and may force a 30-minute delay in restarting.

You do not need to start operation of the stove to select your mode. To choose the mode, select the mode transfer button . Pressing the mode button once selects the thermostat setting; selecting it twice will bring you to the weekly mode.

## WARNING

**NEVER USE FLAMMABLE LIQUIDS SUCH AS GASOLINE, GASOLINE TYPE LIGHTER FUEL, CHARCOAL LIGHTER FUEL OR FIRE STARTING GELS IN OR AROUND THIS STOVE. KEEP ALL SUCH LIQUIDS WELL AWAY FROM THE STOVE WHEN IT IS IN USE.**

**NEVER OPEN SIDE PANELS OR MAIN DOOR WHEN STOVE IS IN OPERATION.**

**NEVER TOUCH DOOR LATCHES WHILE IN OPERATION, THEY GET EXTREMELY HOT.**

**NEVER OPEN GLASS DOOR WHILE STOVE IS OPERATING OR WHILE STOVE IS HOT.**

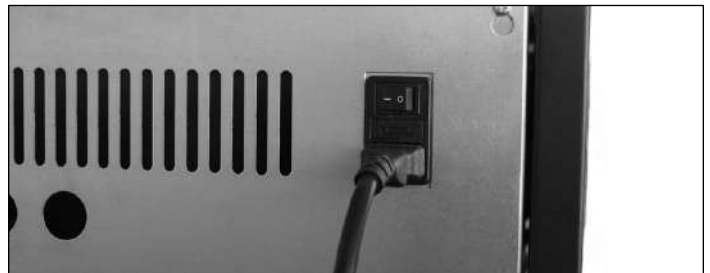


Figure 20a: Main power switch



Figure 20b: Main power switch

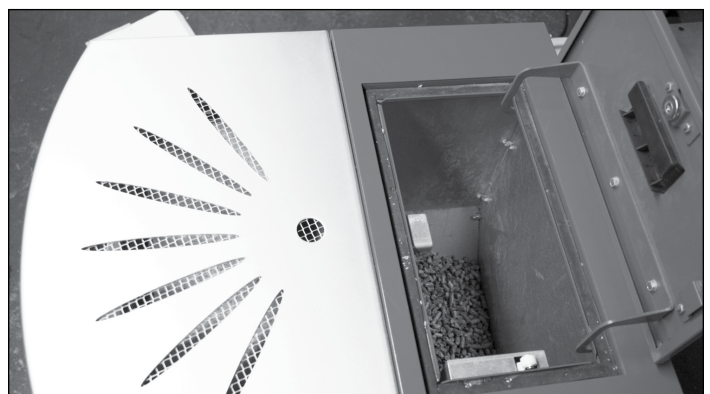



Figure 21: Pellet load

## OPERATION

After you have chosen the mode in which to operate your stove, press the ON/OFF button  to start the stove ignite cycle.

### START UP



When the stove turns on, the ignition indicator and the combustion blower indicator will appear on the screen (images 7 and 8 in Figure 19 on page 23). "Ignite" will also appear in the work stage box on the screen. After approximately four seconds, the vacuum switch indicator will appear. Also note that the hopper lid open indicator (limit indicator) will appear anytime the stove's hopper lid is properly shut and sealed.

The stove motor will continue to run for three minutes, then the auger indicator will flash on the screen, indicating that the auger is feeding pellets into the stove. Within three to five minutes of the auger feeding pellets, a fire should ignite. Once a fire is lit, the work stage box on the screen will read "Heating Room".

## WORKING IN THE DIFFERENT OPERATION MODES

### MANUAL MODE

The Manual Mode is the default mode setting if no other mode is chosen before the stove is turned on. In the manual mode, you have the ability to change the heat levels, which will increase or decrease the amount of heat that the stove puts out.

To change the power level in manual mode, use the SCROLL DOWN or SCROLL UP buttons   on the control pad. (See buttons 8 and 10 on Figure 17.) Pressing either of these buttons once will move the power level up or down one level.

**NOTE: This mode does not allow you to directly adjust specific temperatures. The manual mode simply allows you to dictate the level of heat the stove is pushing out.**

### THERMOSTAT/TEMPERATURE CONTROL MODE

The Thermostat Mode allows you to set the temperature of the room. The stove will increase or decrease the level of heat it puts out automatically to keep the room at the set temperature.

To increase or decrease the "call to" temperature, use the SCROLL UP or SCROLL DOWN button. The current room temperature will be displayed in the temperature display box on the screen, as will the "call to" temperature.

## WARNING

**NEVER SHUT THE STOVE DOWN BY UNPLUGGING IT FROM THE POWER SOURCE.**

**NEVER SHUT THE STOVE DOWN BY SWITCHING OFF THE MAIN POWER SWITCH ON THE REAR OF THE STOVE.**

**NEVER OPEN SIDE PANELS OR MAIN DOOR WHEN STOVE IS IN OPERATION.**

**NEVER TOUCH GLASS DOOR AND ASH PAN LATCHES WHILE IN OPERATION, THEY GET EXTREMELY HOT AND WILL BURN YOU.**

If the room temperature falls below the "call to" temperature, the stove's heat power level indicator will automatically rise to five. When the temperature has been reached, the heat power level will return to one and it will stay there until more heat is needed.


**Note: In thermostat mode, the stove will not go into standby. It will simply idle and continue to produce a fire until the room is no longer at the set "call to" temperature. When it is idling, the stove will read at power level one in the power level box on the display screen.**

### WEEKLY MODE

The Weekly Mode allows an HPS10IC user to control and schedule the stove operation during set times and days throughout the week. You can select four different operation times for each of the seven days of the week.

**IMPORTANT: Remember to set your weekly schedule in Weekly Mode before igniting a fire. If you try to set the stove schedule and weekly mode while running in Manual or Thermostat modes, the weekly schedule will not set, and the screen will prompt you to wait until you have turned the stove off and it has cooled down before setting the schedule.**

#### To Set Weekly Schedule:

1. Press and hold the ENTER  button until the "Set Data" menu appears on the screen. Using the SCROLL DOWN button, select "Set Weekly." Press ENTER. This will take you into the "Weekly Schedule" screen. **SEE FIGURE 22.**

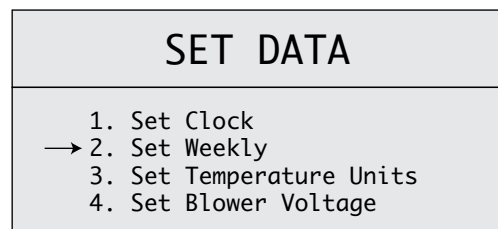


Figure 22

- In the "Weekly Schedule" screen, you can begin with setting the operation times for Sunday. Press ENTER to highlight the hour and use the SCROLL UP and SCROLL DOWN buttons until you reach your desired hour of start time. Press ENTER again to highlight the minutes and use SCROLL UP and SCROLL DOWN until you've reached your desired minute of start.

**SEE FIGURE 23.**

**NOTE: Your HPS10IC controller uses military time to set your weekly schedule.**

- Pressing ENTER again will allow you to set the stop time of your stove. Use the same procedure for setting your stove's start time for selecting when you would like the stove to stop. Once you've selected the stop time, press ENTER.
- Next you will have the opportunity to set the desired temperature. Use the SCROLL UP or SCROLL DOWN keys until you've reached the appropriate temperature for the times you have selected. Press ENTER.
- "Yes" will now be highlighted. If you have set this particular time correctly, press ENTER. This will take you out of your first set time.

If you wish to erase a scheduled time, use your ENTER key to highlight "Yes" on the screen for that scheduled time. Select "No" using your SCROLL UP OR SCROLL DOWN key. With "No" highlighted, press ENTER to erase the data.


- To set another time for that particular day, press SCROLL DOWN and continue by repeating steps 2-5 as appropriate.

**NOTE: You must set your times in chronological order. The first schedule slot of one day MUST be earlier in the day than the second schedule slot on your weekly schedule list, etc.**

- Once you have set all times for Sunday, SCROLL DOWN to "Next". Pressing ENTER once will highlight "Next". Pressing

ENTER again will take you to the following day. Proceed with setting a schedule for the rest of the week using the preceding instructions.

**NOTE: Along with the "Next" option on the screen, there is also an "All" Option. After you have set a particular time for a day, if you wish to set that time for every day of the week, scroll down to "Next" and press ENTER. Press the SCROLL DOWN key to select and highlight "All." Pressing ENTER will then select that scheduled time and apply it to each day of the week.**

TIP: If at any point you need to leave the weekly schedule screen or once you have finished with setting all of your times, select the EXIT button  to return to the previous menu.

- Once you've finished setting your schedule, without any of the options highlighted, press the EXIT button. This will save your schedule.
- With a schedule set, make sure that the main display screen on the controller reads "Weekly" (for operating in the Weekly Mode) and that the unit is turned on. The schedule will not take effect unless the unit is turned on in the Weekly Mode. (See button 13 on Figure 19.)

## SETTING OTHER DATA ON YOUR CONTROLLER

### SETTING THE TIME AND DATE

- Press and hold the ENTER button. This will take you to the "Set Data" screen.
- Press ENTER again to enter the "Set Clock" screen. **SEE FIGURE 24.**
- To change the hour, press ENTER. This will highlight the hour. Use your SCROLL UP and SCROLL DOWN buttons to choose the appropriate time. Press ENTER to select the correct hour, and then press ENTER a second time to begin setting the minutes.
- Continue this process for selecting and setting the day, month, date and year.
- When finished, and with nothing highlighted on the screen, press the EXIT button.

SET WEEKLY			
Sun.	Weekly Set		
1:	1:15~ 7:00	67° F	Yes
→ 2:	17:00~23:45	72° F	Yes
3:	--:--~--:--	--° F	No
4:	--:--~--:--	--° F	No
5:	--:--~--:--	--° F	No
Next	All		

Figure 23

SET CLOCK
10:45 Fri. May 20, 2011

Figure 24

**SETTING THE TEMPERATURE UNITS**

1. Press and hold the ENTER button. This will take you to the "Set Data" screen.
2. Using the SCROLL DOWN key, move down to option 3: "Set Temperature Units". Press ENTER again to move into the "Set Temperature Units" screen. **SEE FIGURE 25.**
3. In the set temperature units menu, press the ENTER button to highlight the units. Use the SCROLL UP and SCROLL DOWN buttons to choose either Celsius (C°) or Fahrenheit (F°).
4. When finished, press ENTER. With nothing highlighted on the screen, press the EXIT button.

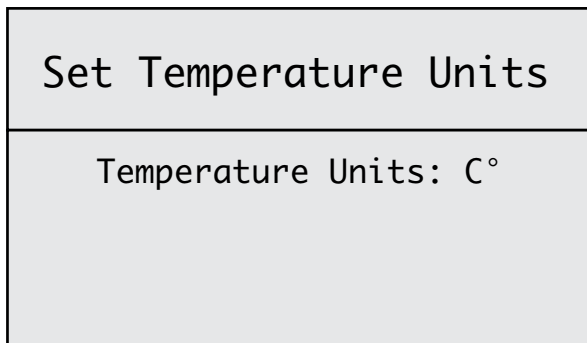


Figure 25

**SETTING THE BLOWER VOLTAGE**

The blower voltage (controlling the room fan) can be turned up or down for each power level to regulate the amount of heat circulated into a room during stove operation. Some fuels radiate heat better than others. You have the ability to speed up or slow down the room fan to extract the optimum amount of heat without blowing cold air.

Increasing the blower voltage causes the convection motor to run faster, extracting more heat from the unit.

**NOTE: If having issues with the stove overtemping in any setting, increase the blower voltage.**

Decreasing the blower voltage allows you to slow the exchange of heat from the stove so it blows less cold air.

**To set the blower voltage:**

1. Press and hold the ENTER button. This will take you to the "Set Data" screen.
2. Using the SCROLL DOWN key, move down to option 4: "Set Blower Voltage". Press ENTER again to move into the "Set Blower Voltage" screen. **SEE FIGURE 26.**
3. Select the stall (or heating power level) for the voltage you'd like to change by scrolling up or down and pressing ENTER. The voltage amount will automatically be highlighted.
4. Using the SCROLL UP or SCROLL DOWN keys, select the appropriate voltage. **NOTE: Voltage can be decreased or increased only in increments of five (5).**
5. Press ENTER to finalize your changes. Repeat steps 2-4 for the other stalls if you so desire.

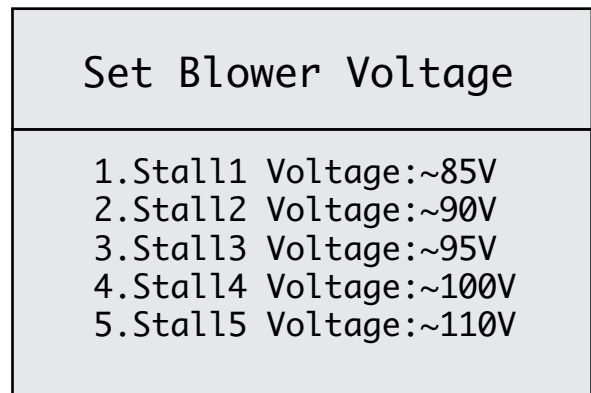


Figure 26

### SETTING THE EXHAUST VOLTAGE

**IMPORTANT NOTE: BEFORE INCREASING THE EXHAUST VOLTAGE, if you are having issues with getting enough air to your fire, FIRST try to adjust the air flow gate. SEE FIGURE 27. This will also adjust the air flow to the stove.**

The exhaust voltage (controlling the combustion motor) allows you to adjust the stove for the fuel you are burning or compensate for inadequate ventilation situations. In less than optimum venting situations, you can increase the exhaust speed for additional air circulation through the stove should ventilation be an issue.

**IMPORTANT: Changing the exhaust voltage does NOT change the feed rate. Therefore, on high heat power levels where the feed rate is faster, a low voltage level will not push out enough air and the stove may overheat and pellets may back up into the pot. Decreasing exhaust voltage will increase the amount of heat coming into the room. Do not adjust the exhaust voltage too low, as it can cause pellets to backup in the burn pot.**

Increasing the exhaust voltage, and thereby increasing the amount of air in the burn pot, will also assist in burning lower-quality fuels that may otherwise cause unwanted buildup.

**NOTE: Be sure to visually watch the burn rate if the combustion voltage is decreased, as to not cause pot overloading. Exhaust voltage should ONLY be adjusted to get the optimum performance out of the fuel you are burning.**

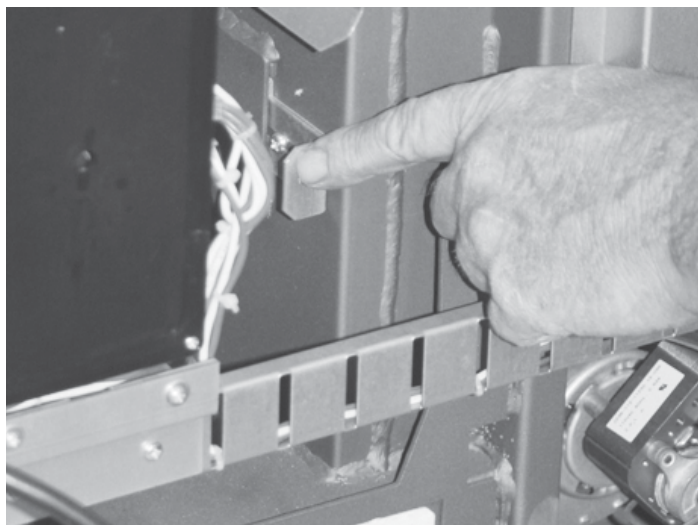


Figure 27

### To set the exhaust voltage:

1. Press and hold the ENTER button. This will take you to the "Set Data" screen.
2. Using the SCROLL DOWN key, move to option 4: "Set Exhaust Voltage". Press ENTER again to move into the "Set Exhaust Voltage" screen. **SEE FIGURE 28.**
3. Select the stall (heating level) for the voltage you'd like to change by scrolling up or down and pressing ENTER. The voltage amount will automatically be highlighted.
4. Using the SCROLL UP or SCROLL DOWN keys, select the appropriate voltage. **NOTE: Voltage can only be decreased or increased in increments of five (5).**
5. Press ENTER to finalize your changes. Repeat steps 2-4 for the other stalls if you so desire.

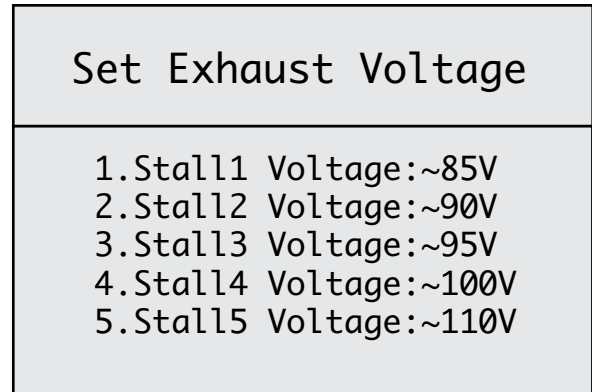


Figure 28

## DIAGNOSTICS

Your Castle Stove's controller comes equipped with an on-board diagnostics option that will let you test some components of your stove.

**NOTE: You will only be able to enter the diagnostic screen when the stove is turned OFF.**

To get into the diagnostics screen:

1. Press and hold the ENTER button. This will take you to the "Set Data" screen.
2. Using the SCROLL DOWN key, move to option 6, "Diagnostics". Press ENTER. This will take you to the "Diagnostics" screen. **SEE FIGURE 29.**

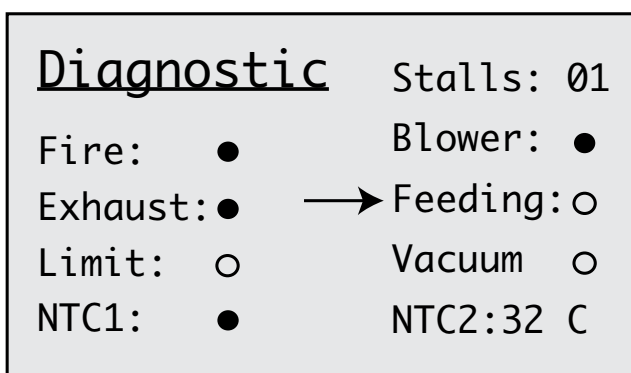


Figure 29

If all components are working properly, the circles next to the components will be shaded.

**Stalls:** Changing the stall will allow you to test the component in the various heating power levels.

**Fire:** Indicates whether the ignitor is working properly.

**Exhaust:** Indicates whether the combustion motor and exhaust system is working properly.

**Limit:** Indicates the hopper lid is properly shut.

**Blower:** Indicates whether the room fan/blower is working properly.

**Feeding:** Indicates if the auger is properly feeding pellets.

**Vacuum:** Indicates there is sufficient vacuum and suction.

**NTC1:** Indicates the proof of fire switch is properly working.

**NTC2:** Indicates temperature being read by over temp sensor. (Temperature is in Celsius)

In the diagnostic mode, you will have the ability to test certain components of your stove to see if they are properly working. By using the ENTER button, you can highlight "Fire," "Exhaust," "Blower," or "Feeder". When one of these options is highlighted, you can use the SCROLL UP or SCROLL DOWN buttons to unshade or shade in the circle next to the stove component it represents. This manually attempts to turn on these components to see if it works properly.


## RESTORING DEFAULT SETTINGS

If at any time you desire to return your controlled stove settings to their original state, (i.e. rest blower voltage levels or weekly schedules) your stove does have the ability to restore the default settings.

To restore the default settings:

1. Press and hold the ENTER button to get into the "Set Data" screen.
2. Using the SCROLL DOWN key, move down to option 7, "Restore Default Settings."
3. In the "Restore Default Settings" screen you have a "Yes" and "No" option. If you do not wish to restore your settings, scroll down and press ENTER. If you wish to continue with restoring your default settings, select YES and press ENTER.
4. The main display screen will now appear and your settings will have been changed.

## SHUT DOWN PROCEDURE

Press the  button on the control pad to initiate the shut down mode. The On/Off indicator on the screen will read OFF. The auger will stop feeding pellets, but the room air distribution blower and exhaust fan will continue to operate. Once the stove has cooled down, the screen light will turn off.

Shut down times will vary.

## MAINTENANCE

### NORMAL CARE AND MAINTENANCE

Due to differences in fuel, stove cleaning intervals will vary. The cleaner the stove is, the more efficiently it will burn.

### CLEANING THE FIREPOT

Remove and clean the burn pot/firepot daily. Make sure all holes in the burn pot are unobstructed. Use a small metal pick or drill bit to keep these holes clean. **SEE FIGURE 30.**

### FIREPOT REMAINS

Every time the hopper is filled with fuel, the firepot should be emptied. To empty the firepot, lift it out of the pot holder and dump it directly into the ash pan. Be sure any build-up is removed and that the holes are clean.

### CLEANING THE GLASS

Only clean the glass when the glass is cool. Wipe glass off frequently. Wipe the glass clean with a dry or damp rag. If this does not clean the glass, use any non-abrasive cleaner. Using ceramic stove top cleaner can be helpful in removing soot from the glass. Inspect gaskets around the door periodically. Replace any worn, frayed or compacted gaskets. Replace broken glass only with high temperature ceramic glass, available from Castle Pellet Stoves. **SEE FIGURE 31.**

### INTERIOR CHAMBER

Clean the interior chamber with an ash vacuum. Ash vacuums are specially designed to contain soot and have a metal exterior.

### ASH PAN

Dump the ash pan regularly. Ashes should be contained in a metal container with a tight fitting lid. The closed container of ashes should be placed on a non combustible floor or on the ground, well away from all combustible materials. If ashes are disposed of by burial or otherwise locally dispersed, they should be retained in the closed container until all cinders have been cooled. **SEE FIGURE 32.**

## **⚠ WARNING**

**NEVER PERFORM CLEANING OR MAINTENANCE ON A HOT STOVE.**

**ALLOW UNIT TO COOL FOR A MINIMUM OF TWO HOURS.**

**NEVER PERFORM SERVICE WITH POWER SUPPLIED TO THE UNIT.**



Figure 30 : Fire pot clean



Figure 31: Wipe glass and inspect gasket



Figure 32: Ash pan dump

## SOOT AND FLY ASH

The products of combustion will contain small particles of fly ash. The fly ash will collect in the exhaust venting system and restrict the flow of the flue gases. Incomplete combustion, such as occurs during startup, shutdown, or incorrect operation of the room heater will lead to some soot formation which will collect in the exhaust venting system. The exhaust venting system should be inspected at least once per month to determine if cleaning is necessary. If cleaning is necessary, disassemble the exhaust vent and clean the individual parts. **When cleaning ash, use an approved ash vacuum. See a dealer for more details.**

Check clean out tees regularly to determine the required cleaning interval. Use a 3" or 4" chimney cleaning brush to clean the exhaust venting. Plugged venting will effect the quality of the fire. Make sure to clean any screens in the venting regularly. A plugged screen will shut off combustion air and cause the fire to die or burn poorly.

## DAILY MAINTENANCE

The surfaces of the stove may be hot. Always wear a protective glove, even when the stove is cool to the touch.

Empty firepot of ashes. Lift the firepot from the holder and dump it directly into the ash pan. **SEE FIGURE 33.**

Remove any build-ups and be sure all of the holes are clean.

Dump the ash pan into a metal container with a tightly fitting lid. The closed-container of ashes should be placed on a non-combustible floor or on the ground, well away from all combustible materials, pending final disposal. The ash dumping will be determined by the amount of fuel burned. It may need to be done up to three times a week. **SEE FIGURE 34.**

## **⚠ WARNING**

**NEVER PERFORM CLEANING OR MAINTENANCE ON A HOT STOVE.**

**ALLOW UNIT TO COOL FOR A MINIMUM OF TWO HOURS.**

**NEVER PERFORM SERVICE WITH POWER SUPPLIED TO THE UNIT.**



Figure 33: Empty firepot



Figure 34: Dump ash pan

## WEEKLY MAINTENANCE

In addition to daily maintenance tasks, use an ash vacuum to clean the inside of the firebox.

Remove the firepot from the pot holder and vacuum beneath. Be sure to remove any ash from the incoming ignitor tube. **SEE FIGURE 35.**

## MONTHLY MAINTENANCE

In addition to daily and weekly maintenance tasks, the lower exhaust chamber's cover plate should be removed and vacuumed thoroughly. **SEE FIGURE 36.** This may require a hose adapter to reach inside the chamber. This should be done monthly, or with every 2-3 tons of fuel burned.

**IMPORTANT NOTE: A HOLE SHOULD BE CUT IN THE GASKET USING A UTILITY KNIFE TO ACCESS THE CHAMBER. THIS WILL ALLOW YOU TO REUSE THE GASKET.**

## BI-MONTHLY (OR EVERY 2-3 TONS OF FUEL)

Remove and clean the exhaust venting.

Remove and clean the combustion motor, housing and impellers. **SEE FIGURE 37.**

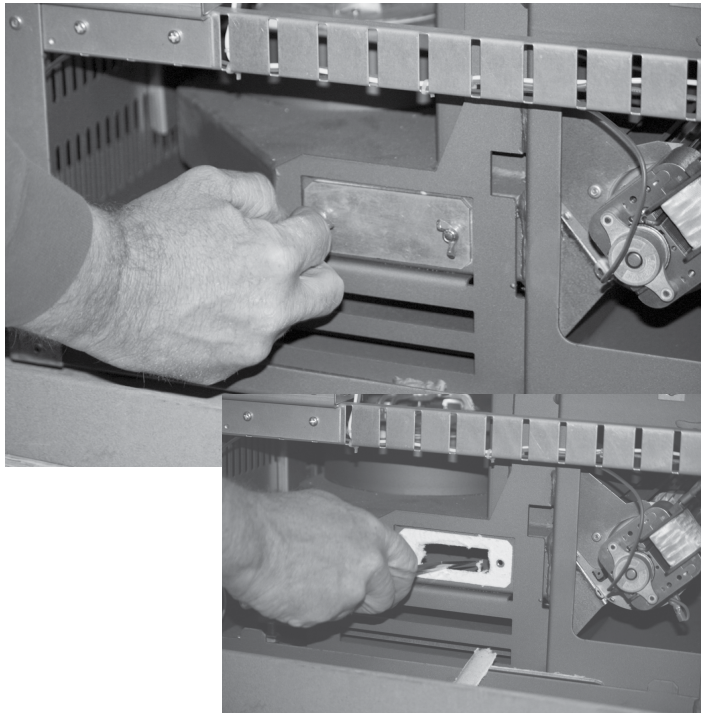


Figure 36: Remove lower exhaust chamber's cover plate and clean



Figure 35: Remove ash from ignitor tube (underneath firepot)

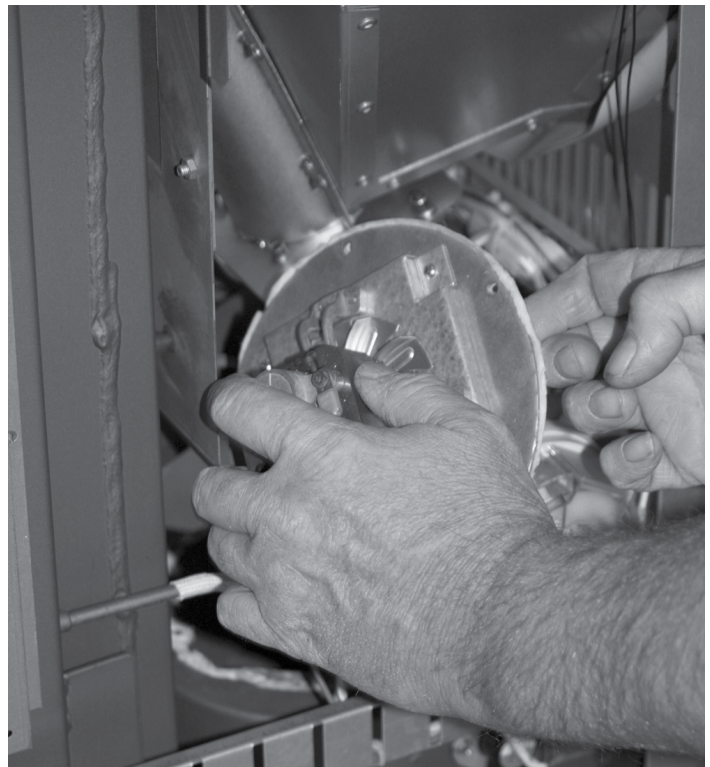


Figure 37: Remove combustion motor and clean

## TROUBLESHOOTING & REPAIR

At Castle, we build quality and durability into the design of our products; but no amount of careful design by us, and careful maintenance by you, can guarantee a repair-free life for your stove. Most repairs will be minor, and easily fixed by following the suggestions in the troubleshooting guide in this section.

The guide will help you pinpoint the causes of common problems and identify remedies.

For more complicated repairs, you may want to rely on your retailer, an authorized service center or Castle Pellet Stoves. A parts catalog is included in this section.

We will always be glad to answer any questions you have, or help you find suitable assistance. To order parts or inquire about warranty, call or e-mail us as found below.

## ORDERING REPLACEMENT PARTS

Parts can be obtained from the store where the stove was purchased or direct from the factory. To order from the factory, call or e-mail:

**Castle Pellet Stoves**  
**1-800-345-6007 • 1-715-822-2415**  
**E-mail: [info@ardisam.com](mailto:info@ardisam.com)**

Please include the following information with your order:

1. Model number and serial number
2. Part description
3. Quantity
4. Part numbers

### **⚠ WARNING**

**WHEN PERFORMING ANY INTERNAL MAINTENANCE.**

- **MOVING PARTS INSIDE OF THE CABINET MAY CAUSE INJURY. DO NOT OPERATE UNIT WITH PANELS REMOVED OR OPEN.**
- **HOT PARTS. DO NOT OPERATE THE UNIT WITH PANEL OPEN.**
- **RISK OF ELECTRIC SHOCK. DISCONNECT POWER BEFORE SERVICING UNIT.**
- **IN THE EVENT OF COMPONENT FAILURE, REPLACE WITH THE ORIGINAL FACTORY EQUIPMENT.**

### **⚠ CAUTION**

**THIS IS A MINIMUM REQUIREMENT FOR SOOT AND FLY ASH REMOVAL. ASHES SHOULD BE PLACED IN A METAL CONTAINER WITH A TIGHT FITTING LID. THE CONTAINER SHOULD BE PLACED ON A NON-COMBUSTIBLE FLOOR, WELL AWAY FROM COMBUSTIBLE MATERIALS, PENDING FINAL DISPOSAL. IF ASHES ARE DISPOSED OF BY BURIAL IN SOIL OR OTHERWISE LOCALLY DISPERSED, THEY SHOULD BE RETAINED IN THE CLOSED CONTAINER UNTIL ALL CINDERS ARE THOROUGHLY COOL.**

### **⚠ CAUTION**

**DO NOT OPERATE STOVE WITH BROKEN GLASS.  
DO NOT SLAM THE DOOR SHUT.  
DO NOT STRIKE GLASS.  
DO NOT USE ABRASIVE CLEANERS.  
DO NOT CLEAN HOT GLASS.  
REPLACE CERAMIC GLASS WITH FACTORY AUTHORIZED REPLACEMENT PARTS ONLY.  
THE CLINKER WILL REMAIN HOT FOR SEVERAL MINUTES AFTER IT IS PULLED OUT OF THE FIRE POT.**

## TROUBLESHOOTING GUIDE

Unplug stove before performing any maintenance. **NEVER TEST OR CHECK ELECTRICAL COMPONENTS UNLESS STOVE IS UNPLUGGED FROM POWER SUPPLY.**

### **⚠ WARNING**

**NEVER SERVICE OR TOUCH THE FEED AUGER WITH THE STOVE PLUGGED IN.**

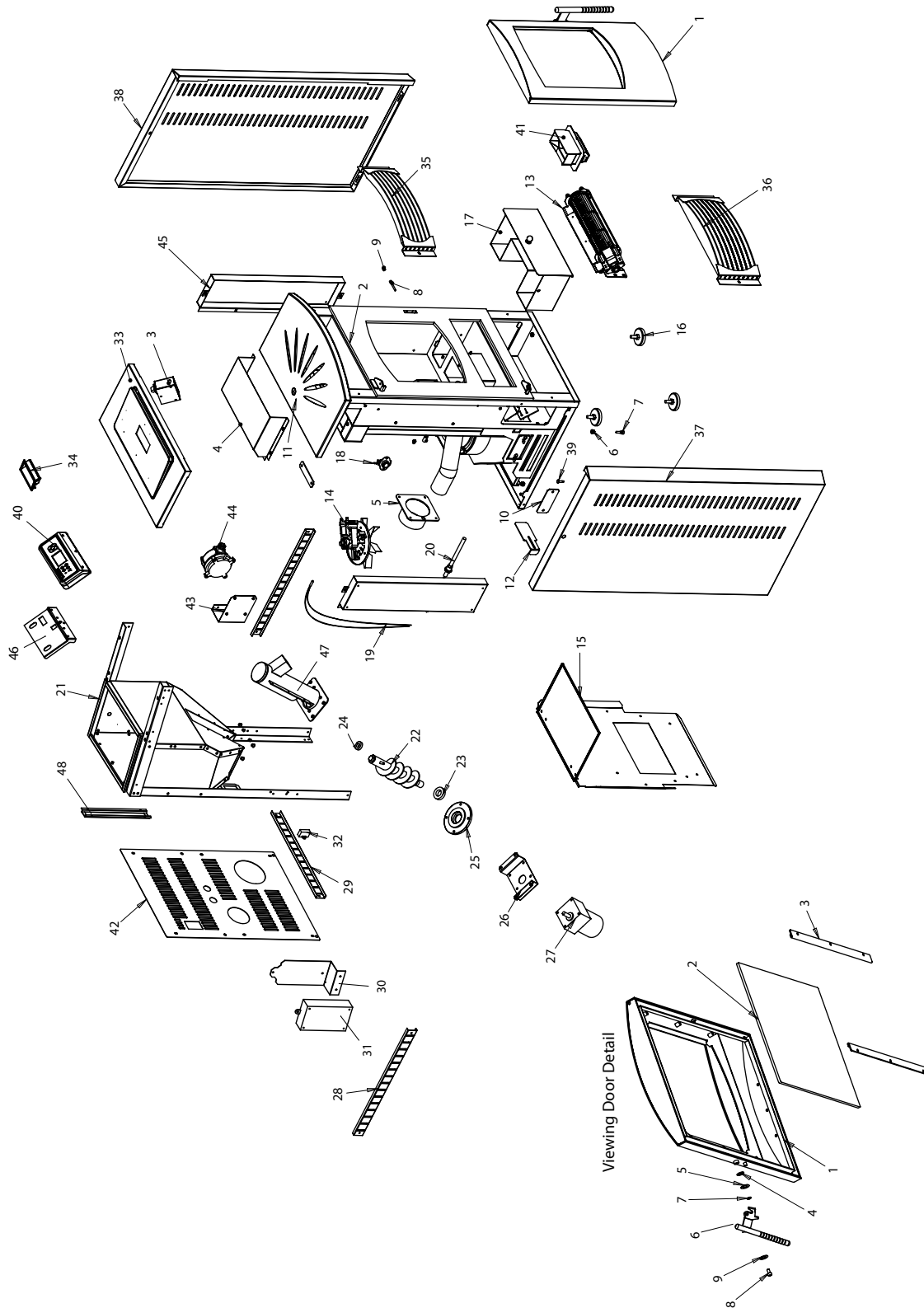
**NEGATIVE PRESSURE IN A HOME IS A SERIOUS ISSUE. IF THERE IS A PROBLEM, THE STOVE SHOULD BE INSTALLED WITH A FRESH AIR KIT (NOT INCLUDED).**

PROBLEM	CAUSE	SOLUTION
Fault light comes on	Fire goes out	Control reads out of fuel, check burn pot. Add fuel to the hopper. If the hopper is full, relight if it continues to give that signal. Then enter the diagnostic area of the controller. A circle next to "NTC1" should be highlighted. If not, replace the 52C proof of fire switch.
PROBLEM	CAUSE	SOLUTION
Fault light is on	Overtemp	Enter the diagnostic area of the controller. There should be a number reading in Celsius next to NTC2. The room fan can be tested by highlighted the circle next to "Blower". Allow stove to cool and restart. Check exhaust pipe for obstructions.
PROBLEM	CAUSE	SOLUTION
Fuel not feeding, no vacuum signal on the control	Main door or ash pan not sealed.  No negative pressure in fire chamber  Piping or stove may be plugged with ash	The pressure sensor shuts off the feed auger when there is no negative pressure in fire chamber. Check door seals. Check viewing glass seals. Clean venting and stove through cover plate clean-out hole. Enter the diagnostic area on the controller and highlight the circle next to feeding; this should cycle the auger and feed pellets. Then highlight the circle next to "exhaust". The exhaust motor should turn on and within 20 seconds, the vacuum signal should also become highlighted.
PROBLEM	CAUSE	SOLUTION
Fuel not feeding, vacuum and hopper lid signal present on the control.	Auger is obstructed  Auger not working	Remove auger from housing and clean obstruction first. Enter the diagnostic area in the controller and highlight the circle next to "feeding". This should cycle the auger and feed pellets. Replace auger if necessary



<b>PROBLEM</b>	<b>CAUSE</b>	<b>SOLUTION</b>
Fuel not feeding, no hopper lid signal on control	Hopper lid is open  Hopper lid switch not functioning correctly	Close hopper door. Enter the diagnostic area on the controller; circle next to "limit" should be highlighted when the hopper lid is closed. The circle will be unshaded if the hopper lid is opened. Check hopper door seal. Replace hopper safety switch if not operating properly.
<b>PROBLEM</b>	<b>CAUSE</b>	<b>SOLUTION</b>
Fire burns lazy and smoky	Stove is dirty Poor quality fuel	Clean fire pot. Clean ash pan. Clean exhaust vent system. Clean stove through cover plate clean-out hole. Increase exhaust motor voltage.
<b>PROBLEM</b>	<b>CAUSE</b>	<b>SOLUTION</b>
Feeds fuel will not light all; control indicators are on	Igniter tube or burn pot plugged with ash  Faulty igniter	Clean fire pot, clean igniter tube. Enter the diagnostic area in the controller and test the ignitor by highlighting "fire". You should feel heat coming from the igniter holder within two minutes.  Replace if necessary

## PARTS EXPLOSION FOR HPS10IC



## PARTS LIST FOR HPS10IC

KEY #	PART #	DESCRIPTION	QTY.
1	720204	ASSEMBLY FRONT DOOR	1
2*	720205	WELD ASSEMBLY FIRE BOX	1
3	720105	SWITCH HOPPER LID	1
4*	720206	TOP CONVECTION AIR DEFLECTOR	1
5*	720207	WELD ASSEMBLY VENT PIPE OUTLET	1
6*	720208	HINGE COVER	1
7*	720209	HINGE PIN	1
8	720210	DOOR LOCK BOLT	1
9	720285	DOOR LOCK SHAFT SLEEVE	1
10*	720212	COVER PLATE EXHAUST CLEANING HOLE	1
11	720213	TOP PLATE	1
12*	720214	AIR DAMPER SLIDING DOOR	1
13	720104	BLOWER CONVECTION	1
14	720110	EXHAUST BLOWER	1
15*	720215	ASSEMBLY THERMAL BAFFLE	1
16	720216	ADJUSTABLE FOOT	4
17	720217	ASH PAN ASSEMBLY	1
18	720015	SWITCH SNAP DISC 52 DEGREE CELSIUS	1
19	720106	RDT OVERTEMP SENSOR 92 DEGREE CELSIUS	1
20	720307	IGNITER	1
21*	720218	HOPPER FRAME	1
22	720219	WELD ASSEMBLY AUGER	1
23	720220	AUGER BEARING LOWER	1
24	720221	AUGER BEARING UPPER	1
25	720222	LOWER COVER PLATE AUGER	1
26*	720223	AUGER MOTOR MOUNT PLATE	1
27	720107	GEAR MOTOR	1
28*	720224	WIRE CHANNEL LEFT AND RIGHT	2
29*	720225	WIRE CHANNEL BACK	1
30*	720305	BRACKET INNERFACE MODULE IC	1
31	720304	INTERFACE MODULE IC	1
32	720227	INCOMING POWER SWITCH	1
33	720228	HOPPER COVER AND TOP ASSEMBLY	1
34	720229	HOPPER COVER HANDLE	1
35*	720230	LOUVER AIR OUTLET	1
36*	720231	LOUVER AIR INLET	1
37	720299	SIDE PANEL LEFT 10IC	1

KEY #	PART #	DESCRIPTION	QTY.
38	720233	SIDE PANEL RIGHT 10IC	1
39	720234	FIXED PIN TOP HINGE	1
40	720298	CONTROL BOARD	1
41	720235	FIREPOT	1
42	720300	BACK PANEL	1
43*	720237	BRACKET VACUUM SWITCH	1
44	720238	VACUUM SWITCH	1
45*	720239	THERMAL SHIELD	2
46	720301	CONTROLLER BRACKET IC	1
47	720120	AUGER HOUSING	1
48*	720306	COVER COMMUNICATION CABLE	1

\* Not a serviceable part. Special order only.

### VIEWING DOOR COMPONENTS

KEY #	PART #	DESCRIPTION	QTY.
1	720241	DOOR ASSEMBLY	1
2	720242	DOOR GLASS	1
3	720243	DOOR GLASS RETAINER	1
4	720244	INBOARD WAVE WASHER	1
5	720245	OUTBOARD RETAINER WASHER	1
6	720246	DOOR HANDLE	1
7	720247	OUTBOARD SPACER SLEEVE	1
8	720248	DOOR HANDLE RETAINER BOLT	1
9	720211	DOOR LOCK SHAFT SLEEVE	1

### PARTS AVAILABLE, BUT NOT SHOWN

PART #	DESCRIPTION	QTY.
720302	COMMUNICATION CABLE 10IC	1
720288	AUGER CAPACITOR HPS10	1
720303	WIRE HARNESS HPS10IC	1
720290	TOP-BACK VERMICULITE BOARD	1
720291	BOTTOM-BACK VERMICULITE BOARD	1
720292	SIDE VERMICULITE BOARD	1
720114	FUSE	1
720308	IGNITER RETAINER HPS10IC	1
11716	GASKET CLEANING PORT TOP	1
11717	GASKET CLEANING PORT BOTTOM	1
11718	GASKET AUGER CASTLE	1
11720	BUSHING CV MOTOR CASTLE	1
11721	REMOTE CONTROL SM BLACK	1
720294	GASKET EXHAUST MOTOR TO FLANGE	1
720295	GASKET EXHAUST FLANGE TO MANIFOLD	1







Operator's Manual  
Manuel de l'utilisateur

## HPS10IC Pellet Stove

Français  
Manuel de l'utilisateur

## HPS10IC Pellet Stove



### **WARNING**

PLEASE READ THIS ENTIRE MANUAL BEFORE INSTALLATION AND USE OF THIS PELLET FUEL-BURNING ROOM HEATER. FAILURE TO FOLLOW THESE INSTRUCTIONS COULD RESULT IN PROPERTY DAMAGE, BODILY INJURY OR EVEN DEATH.

### **AVERTISSEMENT**

VEUILLEZ LIRE CE MANUEL EN ENTIER AVANT D'INSTALLER ET D'UTILISER CET APPAREIL DE CHAUFFAGE AUTONOME À GRANULES, AFIN D'ÉCARTER LES RISQUES DE DÉGÂTS MATÉRIELS, DE BLESSURES CORPORELLES, VOIRE DE MORT.



### **CAUTION** **DO NOT DISCARD!**

- IMPORTANT OPERATING AND MAINTENANCE INSTRUCTIONS INCLUDED.
- SAVE THESE INSTRUCTIONS AND LEAVE THIS MANUAL WITH ANY PARTY RESPONSIBLE FOR USE AND OPERATION.

### **ATTENTION NE PAS JETER!**

- IMPORTANTES INSTRUCTIONS D'UTILISATION ET D'ENTRETIEN INCLUSES.
- CONSERVEZ CES INSTRUCTIONS ET LAISSEZ CE MANUEL À TOUTE PERSONNE RESPONSABLE DE L'UTILISATION ET DU FONCTIONNEMENT.

### **CAUTION**

CONTACT LOCAL BUILDING OR FIRE OFFICIALS ABOUT RESTRICTIONS AND INSTALLATION INSPECTION REQUIREMENTS FOR YOUR AREA.

### **ATTENTION**

CONSULTER LES SERVICES DU BÂTIMENT OU D'INCENDIE LOCAUX CONCERNANT LES RESTRICTIONS ET LES EXIGENCES D'INSPECTION D'INSTALLATION EN VIGUEUR.



## **⚠ AVERTISSEMENT**

VEUILLEZ LIRE CE MANUEL EN ENTIER AVANT D'INSTALLER ET D'UTILISER CET APPAREIL DE CHAUFFAGE AUTONOME À GRANULES, AFIN D'ÉCARTER LES RISQUES DE DÉGÂTS MATÉRIELS, DE BLESSURES CORPORELLES, VOIRE DE MORT.

- NE PAS ENTREPOSER NI UTILISER D'ESSENCE OU AUTRES LIQUIDES ET VAPEURS INFLAMMABLES AU VOISINAGE DE CET APPAREIL OU DE TOUT AUTRE.
- NE PAS FAIRE SURCHAUFFER - SI UNE PARTIE EXTÉRIEURE COMMENCE À ROUGEoyer, LE POÊLE EST SURCHAUFFÉ. RÉDUIRE LE TAUX D'ALIMENTATION. LA SURCHAUFFE ANNULE LA GARANTIE.
- RESPECTER TOUS LES DÉGAGEMENTS MINIMUM SPÉCIFIÉS PAR RAPPORT AUX MATÉRIAUX COMBUSTIBLES AFIN D'ÉCARTER LES RISQUES D'INCENDIE.

## **⚠ ATTENTION**

CONSULTER LES CODES DU BÂTIMENT AVANT L'INSTALLATION. S'ADRESSER AUX AUTORITÉS RÉGLEMENTAIRES AVANT L'INSTALLATION POUR DÉTERMINER SI UN PERMIS EST NÉCESSAIRE.

- L'INSTALLATION DOIT IMPÉRATIVEMENT ÊTRE CONFORME À TOUS LES CODES ET RÉGLEMENTATIONS EN VIGUEUR.
- CONSULTER LES SERVICES DU BÂTIMENT OU D'INCENDIE LOCAUX CONCERNANT LES RESTRICTIONS ET LES EXIGENCES D'INSPECTION D'INSTALLATION EN VIGUEUR.

## **⚠ ATTENTION**

TESTÉ ET APPROUVÉ POUR LE COMBUSTIBLE EN GRANULES. LA COMBUSTION DE TOUT AUTRE TYPE DE COMBUSTIBLE ANNULE LA GARANTIE.



## **⚠ AVERTISSEMENT**

CHAUD! NE PAS TOUCHER. DANGER DE BRÛLURES GRAVES. LES VÊTEMENTS PEUVENT S'ENFLAMMER. LA VITRE ET LES AUTRES SURFACES SONT CHAUDES DURANT LE FONCTIONNEMENT ET LE REFROIDISSEMENT.

- TENIR LES ENFANTS À L'ÉCART.
- SURVEILLER AVEC ATTENTION LES ENFANTS PRÉSENTS DANS LA MÊME PIÈCE QUE L'APPAREIL.
- NE PAS FAIRE FONCTIONNER AVEC DES ÉLÉMENTS PROTECTEURS OUVERTS OU DÉMONTÉS.
- TENIR LES VÊTEMENTS, LE MOBILIER, LES RIDEAUX ET AUTRES MATÉRIAUX COMBUSTIBLES À L'ÉCART.



## **⚠ ATTENTION NE PAS JETER!**

- IMPORTANTES INSTRUCTIONS D'UTILISATION ET D'ENTRETIEN INCLUSES.
- VEILLES À LIRE, COMPRENDRE ET RESPECTER CES INSTRUCTIONS POUR ASSURER UNE INSTALLATION ET UN FONCTIONNEMENT SÛRS.
- LAISSEZ CE MANUEL À LA PERSONNE RESPONSABLE DE L'UTILISATION ET DU FONCTIONNEMENT.

## AVERTISSEMENTS ET PRÉCAUTIONS DE SÉCURITÉ

### RESPONSABILITÉ DU PROPRIÉTAIRE

L'assemblage correct et l'utilisation sûre et efficace du poêle relèvent de la responsabilité du propriétaire.

- Lire et suivre toutes les instructions de sécurité.
- Suivre avec attention toutes les instructions d'assemblage.
- Entretien le poêle conformément aux instructions et au calendrier figurant dans le manuel de l'utilisateur Castle.
- S'assurer que quiconque utilise le poêle est familiarisé avec toutes les commandes et mesures de précaution.

### MESSAGES SPÉCIAUX

Ce manuel contient des messages spéciaux attirant l'attention sur des problèmes de sécurité et dommages potentiels au poêle, ainsi que des informations utiles sur le fonctionnement et l'entretien. Veiller à lire toutes ces informations avec attention pour éviter les blessures et les dommages au poêle.

**REMARQUE :** Des informations générales sont fournies à travers ce manuel pouvant aider l'opérateur dans l'utilisation ou l'entretien du poêle.

### PRÉCAUTIONS DE SÉCURITÉ IMPORTANTES

Veiller à lire cette section avec attention. Le poêle doit être utilisé conformément aux conseils et instructions de sécurité fournis ici et tout au long du manuel. Quiconque utilise ce poêle doit lire les instructions et être familiarisé avec les commandes.



**Ce symbole signale des instructions de sécurité importantes qui doivent être respectées pour ne pas mettre en danger la sécurité des personnes. Lire et respecter toutes les instructions du manuel avant de tenter de faire fonctionner cet appareil.**

### **DANGER**

**DANGER INDIQUE QUE DES BLESSURES GRAVES OU LA MORT RÉSULTERAIENT SI LES INSTRUCTIONS DE SÉCURITÉ QUI SUIVENT CE MOT-INDICATEUR NE SONT PAS RESPECTÉES.**

### **AVERTISSEMENT**

**AVERTISSEMENT INDIQUE QUE DES BLESSURES GRAVES OU LA MORT POURRAIENT RÉSULTER SI LES INSTRUCTIONS DE SÉCURITÉ QUI SUIVENT CE MOT-INDICATEUR NE SONT PAS RESPECTÉES.**

### **ATTENTION**

**ATTENTION INDIQUE LE RISQUE DE BLESSURES OU DE DOMMAGES MATÉRIELS SI LES INSTRUCTIONS DE SÉCURITÉ QUI SUIVENT CE MOT-INDICATEUR NE SONT PAS RESPECTÉES.**

### **IMPORTANT**

**IMPORTANT SIGNALA DES INFORMATIONS UTILES CONCERNANT L'ASSEMBLAGE, L'UTILISATION OU L'ENTRETIEN DU MATÉRIEL.**

### **AVERTISSEMENT**

**VEILLER À LIRE, À COMPRENDRE ET À RESPECTER TOUTES LES INSTRUCTIONS DE SÉCURITÉ ET D'UTILISATION FIGURANT DANS CE MANUEL AVANT DE TENTER D'INSTALLER ET DE FAIRE FONCTIONNER LE POÊLE.**

**TOUT MANQUEMENT À OBSERVER LES INSTRUCTIONS DE SÉCURITÉ ET D'UTILISATION PEUT PROVOQUER DES BLESSURES CORPORELLES GRAVES POUR L'UTILISATEUR ET D'AUTRES PERSONNES PRÉSENTES ET DES DÉGÂTS MATÉRIELS. LE TRIANGLE DANS LE TEXTE SIGNIFIE QUE DES MISES EN GARDES ET AVERTISSEMENT IMPORTANTS DOIVENT ÊTRE SUIVIS.**

## **⚠ AVERTISSEMENT**

**AVERTISSEMENT INDIQUE QUE DES BLESSURES GRAVES OU LA MORT POURRAIENT RÉSULTER SI LES INSTRUCTIONS DE SÉCURITÉ QUI SUIVENT CE MOT-INDICATEUR NE SONT PAS RESPECTÉES.**

- Pour écarter les risques de dégâts matériels, de blessures corporelles, voire de mort, veiller à lire le manuel en entier avant d'installer ou d'utiliser ce nouveau poêle à granules.
- Les enfants et les adultes doivent être alertés des dangers de haute température des surfaces et se tenir à l'écart pour éviter le contact avec les peau et les vêtements.
- Les jeunes enfants doivent être surveillés avec attention s'ils sont dans la même pièce que le poêle.
- Ne pas placer de vêtements ni d'autres matières inflammables sur ou près de cet appareil.
- **NE JAMAIS** utiliser de liquides inflammables ou explosifs tels que l'essence, le naphta, l'alcool ou l'huile moteur à l'intérieur ou au voisinage du poêle. Ces liquides doivent être entreposés dans une pièce séparée car la flamme nue dans le foyer peut enflammer leurs vapeurs.
- **NE PAS** brûler de déchets dans cet appareil. La combustion d'autres combustibles solides tels que le bois en bûches ou en copeaux dans ce poêle n'est pas permise. La combustion de tout combustible non certifié par Castle Pellet Stoves dans ce poêle a pour effet d'annuler la garantie.
- **NE PAS** faire passer le cordon électrique par des endroits de grande circulation. Un système de protection contre les surtensions raccordé à source électrique de 110 V avec terre est requis.
- **NE PAS** poser de registre de tirage dans le système d'évacuation de l'appareil.
- **NE PAS** raccorder ce poêle à un conduit de fumée utilisé par un autre appareil.
- **NE PAS** installer dans une chambre à coucher.
- **NE PAS** raccorder à une gaine ou un circuit de distribution d'air.
- **NE PAS** raccorder directement à une cheminée en maçonnerie.
- **NE PAS** faire déboucher l'évacuation dans un espace fermé ou semi-fermé tel qu'un abri à voiture, garage, grenier, vide sanitaire, solarium, galerie, passage piéton ou autre endroit fermé, ni dans aucun endroit où les fumées peuvent s'accumuler tel qu'une cage d'escalier, un passage couvert, etc.
- **NE JAMAIS** toucher les verrous de porte alors que le poêle est allumé, ils deviennent extrêmement chauds.

## **⚠ AVERTISSEMENT**

**CE POÊLE DOIT ÊTRE INSTALLÉ CORRECTEMENT POUR ASSURER UN FONCTIONNEMENT SÛR ET EFFICACE. UNE MAUVAISE INSTALLATION DE CE PRODUIT PEUT ENTRAÎNER UN INCENDIE DE MAISON ET DES BLESSURES CORPORELLES.**

**VEILLER À RESPECTER TOUS LES CODES DU BÂTIMENT EN VIGUEUR LOCALEMENT. AUX ENDROITS OÙ LE CODE DU BÂTIMENT PRÉVOIT, POUR L'INSTALLATION DE CE PRODUIT, DES ÉTAPES SUPPLÉMENTAIRES NE FIGURANT PAS DANS CE MANUEL, LE CODE DU BÂTIMENT PRÉVAUT ET DOIT ÊTRE RESPECTÉ. S'ADRESSER À L'INSPECTEUR EN BÂTIMENT LOCAL POUR OBTENIR TOUS LES PERMIS OU LES RÈGLES D'INSPECTION NÉCESSAIRES AVANT D'INSTALLER LE PRODUIT.**

## **⚠ ATTENTION**

**VEILLER À RESPECTER TOUS LES CODES DU BÂTIMENT EN VIGUEUR LOCALEMENT. AUX ENDROITS OÙ LE CODE DU BÂTIMENT PRÉVOIT, POUR L'INSTALLATION DE CE PRODUIT, DES ÉTAPES SUPPLÉMENTAIRES NE FIGURANT PAS DANS CE MANUEL, LE CODE DU BÂTIMENT PRÉVAUT ET DOIT ÊTRE RESPECTÉ. S'ADRESSER À L'INSPECTEUR EN BÂTIMENT LOCAL POUR OBTENIR TOUS LES PERMIS OU LES RÈGLES D'INSPECTION NÉCESSAIRES AVANT D'INSTALLER LE PRODUIT.**

- Consulter les services du bâtiment ou d'incendie locaux concernant les restrictions et les exigences d'inspection d'installation en vigueur.
- S'adresser aux autorités locales (service de la construction municipal, service d'incendie, bureau de la prévention des incendies, etc.) pour déterminer si un permis est nécessaire.
- Le poêle à granules Castle Pellet Stoves est conçu pour brûler uniquement des combustibles en granules.
- Un détecteur de fumée en état de marche doit être installé dans la même pièce que le poêle.
- Ce poêle n'est pas destiné à une utilisation dans des applications commerciales.
- La porte et le cendrier doivent être fermés et verrouillés durant le fonctionnement.
- Veiller à informer l'assurance de l'installation du poêle à granules.
- Cette installation doit être conforme aux codes locaux. En l'absence de codes locaux, elle doit être conforme à ASTM E1509, (UM) 84-hud, ulc/ordC-1482 et UCL S627-2000.
- L'intégrité structurelle du plancher, des murs et du plafond/toit des maisons manufacturées doit être préservée.
- Garder les matières combustibles (herbes, feuilles, etc.) à 1 mètre au moins de la bouche d'évacuation de fumée sur l'extérieur du bâtiment.
- Ce poêle ne doit pas être utilisé en tant qu'unique source de chauffage de la maison. Les coupures d'électricité et l'entretien périodique résulteraient en une perte totale de chauffage.
- Ne pas laisser le couvercle de trémie ouvert sans surveillance.

## **⚠ ATTENTION**

**L'INSTALLATION ET LES RÉPARATIONS DE CE POÊLE À GRANULES DOIVENT ÊTRE CONFIÉES À UN TECHNICIEN D'ENTRETIEN QUALIFIÉ. L'APPAREIL DOIT ÊTRE INSPECTÉ AVANT UTILISATION ET AU MOINS UNE FOIS PAR AN PAR UN TECHNICIEN D'ENTRETIEN QUALIFIÉ. IL EST IMPÉRATIF QUE LES COMPARTIMENTS DE COMMANDE, LE FOYER ET LES CANAUX DE CIRCULATION D'AIR DU POÊLE SOIENT MAINTENUS PROPRES.**

**L'UTILISATION DE VENTILATEURS D'EXTRACTION TELS QUE LES VENTILATEURS DE SALLE DE BAIN OU DE GRENIER PEUT PRIVER LE POÊLE À GRANULES D'AIR DE COMBUSTION EN CRÉANT UNE DÉPRESSION DANS LA PIÈCE. PRÉVOIR UNE VENTILATION SUFFISANTE DE LA PIÈCE OÙ SE TROUVE LE POÊLE À GRANULES. SINON, LE MANOCONTACT PEUT COUPER LE FONCTIONNEMENT DU POÊLE À GRANULES.**

**LES PIÈCES EN MOUVEMENT DE CE POÊLE SONT ENTRAÎNÉES PAR DES MOTEURS ÉLECTRIQUES DE COUPLE ÉLEVÉ. CES PIÈCES PEUVENT CAUSER DE GRAVES BLESSURES AUX PARTIES DU CORPS QUI S'EN APPROCHENT. GARDER TOUTES LES PARTIES DU CORPS À L'ÉCART DE LA VIS SANS FIN ET DES VENTILATEURS LORSQUE LE POÊLE EST BRANCHÉ SUR UNE PRISE ÉLECTRIQUE. CES PIÈCES PEUVENT SE METTRE EN MOUVEMENT À TOUT MOMENT QUAND LE POÊLE EST BRANCHÉ.**

**LES SURFACES DU CONDUIT D'ÉVACUATION PEUVENT ÊTRE SUFFISAMMENT CHAUDES POUR CAUSER DES BRÛLURES AU TOUCHER. UN ÉCRAN OU DES PROTECTIONS NON COMBUSTIBLES PEUVENT ÊTRE REQUIS.**

**POSER LE CONDUIT D'ÉVACUATION EN RESPECTANT LES DÉGAGEMENTS SPÉCIFIÉS PAR LE FABRICANT.**

**TOUS LES RACCORDS D'ÉVACUATION, QU'ILS SOIENT VERTICAUX OU HORIZONTAUX, DOIVENT ÊTRE RENDUS ÉTANCHES AUX GAZ À L'AIDE DE PRODUITS D'ÉTANCHÉITÉ RECOMMANDÉS PAR LE FABRICANT DE L'ÉVACUATION.**

**EN VERTU DES EXIGENCES HUD (HOUSING & URBAN DEVELOPMENT), SI CE POÊLE EST INSTALLÉ DANS UNE MAISON MOBILE, IL DOIT ÊTRE MIS À LA MASSE PAR RACCORDEMENT DIRECT AU CHÂSSIS EN ACIER DE LA MAISON ET BOULONNÉ AU PLANCHER. UNE ARRIVÉE D'AIR DIRECTE DOIT ÊTRE PRÉVUE, UTILISER UN NÉCESSAIRE AIR FRAIS.**

**À UTILISER AUX ÉTATS-UNIS ET AU CANADA. HOMOLOGUÉ POUR UNE INSTALLATION DANS DES MAISONS MOBILES.**

**CASTLE PELLETS STOVES, LE FABRICANT DE CET APPAREIL, SE RÉSERVE LE DROIT DE MODIFIER SES PRODUITS, LEURS CARACTÉRISTIQUES OU LEURS PRIX SANS PRÉAVIS.**

## TABLE DES MATIÈRES

AVERTISSEMENTS ET MESURES DE SÉCURITÉ .....	41-44
ENREGISTREMENT ET REGISTRE D'ENTRETIEN.....	46
INTRODUCTION .....	47
Combustion de granules .....	47
Fonctions de sécurité automatiques.....	47
CARACTÉRISTIQUES .....	48
DÉBALLAGE .....	48
INSTALLATION .....	49-50
Placement du poêle .....	49
Exigences de protection du plancher.....	49
Dégagements jusqu'aux matériaux combustibles .....	50
ÉVACUATION .....	50-60
Type d'évacuation .....	51
Pose de l'évacuation du poêle.....	51
Dégagements de la sortie d'évacuation .....	52-53
Raccordement d'air extérieur .....	54
Maison mobile .....	54
Exemples d'installations d'évacuation .....	55-60
SE FAMILIARISER AVEC LE CONTRÔLEUR.....	61-62
Boutons du contrôleur .....	61
Affichage à l'écran .....	62
PRÉ-FONCTIONNEMENT .....	63
FONCTIONNEMENT .....	64-68
Démarrage.....	64
Fonctionnement en modes différents.....	64-65
Régler autres données.....	65-67
Diagnostics .....	68
Restaurer valeurs par défaut .....	68
Arrêt .....	68
ENTRETIEN.....	69-72
Soins et entretien courant.....	69
Tâches d'entretien quotidien .....	70
Tâches hebdomadaires, mensuelles et bimestrielles .....	71
DÉPANNAGE ET RÉPARATION.....	72-74
Commande de pièces de rechange.....	72
Guide de dépannage .....	73-74
EXPLOSION ET LISTE DES PIÈCES DE L'ASSEMBLAGE PRINCIPAL.....	75-76

**\*Pour informations sur la garantie, visitez [www.castlestoves.com](http://www.castlestoves.com)**



## INTRODUCTION

Nous vous félicitons pour votre investissement dans la qualité. Merci d'avoir acheté un poêle Castle Pellet Stove. Nous nous sommes attachés à ce que ce poêle à granules réponde aux plus hautes normes d'utilisation et de durabilité. Moyennant des soins corrects, il offrira de nombreuses années de service fiable. Veuillez lire le manuel en entier avant de l'installer et de l'utiliser.

## COMBUSTION DE GRANULES

Les cendres doivent être enlevées du poêle à intervalles réguliers. Voir la procédure de nettoyage dans la section Soins et entretien courants. En raison de la nature des combustibles en granules, ce poêle nécessite une attention périodique. Le nettoyage régulier est un aspect important de la combustion de granules.

### GRANULES

- Ce poêle à granules est conçu et homologué pour brûler des granules de bois conformes aux normes de l'industrie en la matière, d'une densité minimale de 0,64 g/cm<sup>3</sup>, d'un diamètre de 6,4 à 8 mm, d'une longueur maximale de 38 mm et de moins de 1% de cendre.
- Les performances du poêle dépendent grandement du type et de la qualité des granules de bois. Comme le rendement thermique des diverses qualités de granules de bois varie, les performances et le rendement thermique du poêle varient en conséquence.
- Les granules de bois sont généralement produits à partir de déchets de bois tels que la sciure et les copeaux. Cette matière première est séchée, fractionnée mécaniquement puis extrudée en granules sous haute pression. Les granules de bois doivent être protégés contre l'exposition directe à l'eau. L'eau issue de la condensation ou de l'humidité ambiante provoque le gonflement et l'éclatement des granules en un combustible inutilisable. Garder le combustible au sec.
- Il est important de sélectionner et d'utiliser uniquement des granules bien secs et exempts de saleté et de débris. L'emploi d'un combustible sale est préjudiciable au fonctionnement et aux performances de l'appareil et a pour effet d'annuler la garantie. Le Pellet Fuel Institute (PFI) a établi des normes pour les fabricants de granules de bois. Utiliser uniquement des granules conformes ou supérieurs aux normes PFI pour les combustibles supérieurs.

### SCORIES

- Les impuretés, telles que la silice (scories), doivent être régulièrement nettoyées et enlevées du poêle à granules. Les scories forment une masse dure qui bloque la circulation d'air à travers les parois de la boîte à feu. Les combustibles de haute qualité produisent moins de scories.

## **⚠ AVERTISSEMENT**

**EN CAS DE COUPURE D'ÉLECTRICITÉ ALORS QUE LE POÊLE EST CHAUD, GARDER TOUTES LES PORTES DU POÊLE FERMÉES.**

**LES FONCTIONS DE SÉCURITÉ AUTOMATIQUE NE DOIVENT PAS ÊTRE NEUTRALISÉES.**

## **⚠ ATTENTION**

**LA COMBUSTION DE GRANULES DE BOIS CONFORMÉMENT AUX RECOMMANDATIONS ASSURERA UNE GRANDE DURABILITÉ DU POÊLE ET MOINS DE PROBLÈMES LIÉS AU COMBUSTIBLE.**

**L'UTILISATION DE GRILLES OU AUTRES MOYENS DE SUPPORT DU COMBUSTIBLE DANS CE POÊLE EST INTERDITE ET ANNULE TOUTES LES GARANTIES.**

## FONCTIONS DE SÉCURITÉ AUTOMATIQUES

### PANNE D'ÉLECTRICITÉ

Durant une panne d'électricité, le poêle s'éteint en toute sécurité. Ne pas ouvrir la porte principale ni le cendrier. Durant une coupure d'électricité, le ventilateur de tirage ne fonctionne pas. Le maintien des portes fermées permet un tirage naturel de la fumée vers l'extérieur. Lorsque l'électricité est rétablie, le poêle ne redémarre pas. Si la température des gaz d'évacuation est toujours de 49 °C (120 °F) au rétablissement du courant électrique, les ventilateurs de tirage et de convection se mettent en marche jusqu'au refroidissement du poêle. Voir les instructions d'allumage pour redémarrer le poêle.

### Surchauffe

**Protection contre l'emballement :** Si la combustion du poêle s'emballe ou devient trop chaude, les contacteurs de haute température arrêtent automatiquement le poêle pour éviter les dommages à ses composants. Le ventilateur de tirage continue de fonctionner jusqu'au refroidissement du détecteur de flamme. Laisser le poêle refroidir avant de tenter de le rallumer. Voir les instructions d'allumage.

## CARACTÉRISTIQUES

Numéro de modèle	HPS10
Consommation (1)	1,7 kg/h
Capacité de chauffage (2)	140 m <sup>2</sup>
Alimentation électrique (3)	115 V, 60 Hz
Consommation électrique	520 W allumage 150 W fonctionnement
Capacité de combustible	18 kg (40 lb)
Diamètre d'évacuation (4)	3 po (76 mm)
Largeur	46,4 cm
Hauteur	86,4 cm
Profondeur	60,3 cm
Poids	84,4 kg

- (1) Le rendement thermique dépend de la marque, du type et de la qualité du combustible et de sa teneur en humidité. Pour obtenir les meilleurs résultats, consulter le revendeur.
- (2) Basé sur une maison post-1982 nécessitant 35 BTU/h par pied carré.
- (3) Installer suivant NFPA 70 et respecter tous les codes provinciaux et locaux, obtenir l'assistance d'un électricien agréé.
- (4) Installer suivant NFPA 211 et respecter tous les codes provinciaux et locaux, obtenir l'assistance d'un installateur agréé.

Étiquette d'homologation :



Testé suivant les normes suivantes : UL1482, ASTM E1509, ULC/ORD-C1482-M1990 et UCL S627-2000

## CARACTÉRISTIQUES DE LA VITRE

Ce poêle est équipé d'une vitre céramique de 5 mm. Remplacer la vitre uniquement par une vitre céramique Castle Pellet Stoves. Pour les pièces de rechange, appeler le revendeur ou Castle au 1-800-345-6007.

## ⚠ ATTENTION

**CETTE INSTALLATION DOIT ÊTRE CONFORME AUX CODES LOCAUX. EN L'ABSENCE DE CODES LOCAUX, ELLE DOIT ÊTRE CONFORME À ASTM E1509, (UM) 84-HUD, ULC/ORD-C-1482 ET UCL S627-2000.**

**CASTLE PELLET STOVES, LE FABRICANT DE CET APPAREIL, SE RÉSERVE LE DROIT DE MODIFIER SES PRODUITS ET LEURS CARACTÉRISTIQUES SANS PRÉAVIS.**

## DÉBALLAGE

Le poêle Castle HPS10 est livré entièrement assemblé. Enlever tout le matériau d'emballage et le ruban adhésif de l'intérieur du foyer. Décoller tout ruban adhésif de l'extérieur de la vitre. Ouvrir la trémie, enlever tout le matériau d'emballage et le cordon électrique.

**REMARQUE : S'assurer que la trémie est exempte de toute matière étrangère avant de la remplir de combustible. Les matières étrangères provoquent des blocages de la vis sans fin et annulent la garantie.**

## INSTALLATION

Il est recommandé de faire installer et entretenir le poêle par des professionnels agréés qui sont certifiés spécialistes des granules NFI par le National Fireplace Institute (NFI).

Ce poêle doit être installé correctement pour assurer un fonctionnement sûr et efficace. Une mauvaise installation de ce produit peut entraîner un incendie de maison et des blessures corporelles. Veiller à respecter tous les codes du bâtiment en vigueur localement. Aux endroits où le code du bâtiment prévoit, pour l'installation de ce produit, des étapes supplémentaires ne figurant pas dans ce manuel, le code du bâtiment prévaut et doit être respecté. S'adresser à l'inspecteur en bâtiment local pour obtenir tous les permis ou les règles d'inspection nécessaires avant d'installer le produit.

### PLACEMENT DU POÊLE

Dessiner un schéma dimensionné de l'installation du poêle avant son placement permanent. Lors de la détermination de l'emplacement du poêle, l'emplacement des poteaux muraux est essentiel. Il peut être nécessaire d'ajuster la position du poêle pour éviter de faire passer le tuyau de fumée à travers un poteau. Avant de positionner le poêle à granules, raccorder l'évacuation en respectant les dégagements minimum requis pour les murs combustibles.

### EXIGENCES DE PROTECTION DU PLANCHER

Le poêle doit être installé sur un plancher non combustible, avec une protection de plancher appropriée, ou sur unâtre en maçonnerie. Lorsqu'un conduit en T de nettoyage est prévu à l'intérieur d'une maison, le protecteur de plancher doit dépasser de 5 cm au-delà du T. **VOIR FIGURE 1.** Lorsque l'évacuation du poêle se fait tout droit à travers le mur et que le T de nettoyage est à l'extérieur de la maison, le dégagement minimum est de 5 cm entre l'arrière du poêle et le mur. **VOIR FIGURE 2.** Le matériau protecteur de plancher doit être de la tôle métallique de 24 ga (0,6 mm) minimum.

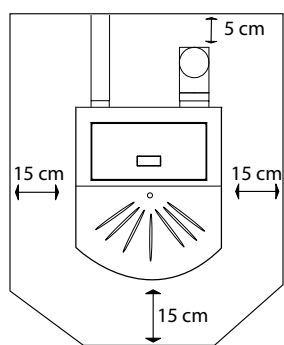


Figure 1

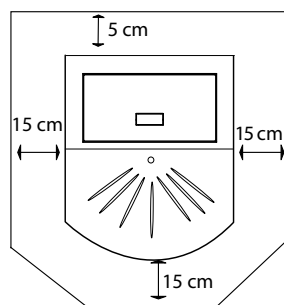


Figure 2

Figures 1 et 2 : Dégagements de la plaque de sol du poêle à granules

## ⚠ AVERTISSEMENT

**LIRE CE MANUEL EN ENTIER AVANT D'INSTALLER ET D'UTILISER LE POÊLE. TOUT MANQUEMENT À RESPECTER LES INSTRUCTIONS PEUT PROVOQUER DES DÉGÂTS MATÉRIELS, DES BLESSURES CORPORELLES, VOIRE LA MORT.**

**NE PAS POSER DE REGISTRE DE TIRAGE DANS LE SYSTÈME D'ÉVACUATION DE L'APPAREIL.**

**NE PAS RACCORDER CET APPAREIL À UN CONDUIT DE FUMÉE UTILISÉ POUR UN AUTRE APPAREIL.**

**LES ENFANTS ET LES ADULTES DOIVENT ÊTRE ALERTÉS DES DANGERS DE HAUTE TEMPÉRATURE DES SURFACES ET SE TENIR À L'ÉCART POUR ÉVITER LE CONTACT AVEC LES PEAU ET LES VÊTEMENTS.**

**LES JEUNES ENFANTS DOIVENT ÊTRE SURVEILLÉS AVEC ATTENTION S'ILS SONT DANS LA MÊME PIÈCE QUE LE POÊLE.**

**NE PAS PLACER DE VÊTEMENTS NI D'AUTRES MATIÈRES INFLAMMABLES SUR OU PRÈS DE CET APPAREIL.**

## ⚠ ATTENTION

**CE POÊLE NE DOIT PAS ÊTRE UTILISÉ EN TANT QU'UNIQUE SOURCE DE CHAUFFAGE DE LA MAISON. LES COUPURES D'ÉLECTRICITÉ ET L'ENTRETIEN PÉRIODIQUE RÉSULTERAIENT EN UNE PERTE TOTALE DE CHAUFFAGE.**

**CONSULTER LES SERVICES DU BÂTIMENT OU D'INCENDIE LOCAUX CONCERNANT LES RESTRICTIONS ET LES INSPECTIONS D'INSTALLATION EN VIGUEUR.**

**S'ADRESSER AUX AUTORITÉS LOCALES (SERVICE DE LA CONSTRUCTION MUNICIPAL, SERVICE D'INCENDIE, BUREAU DE LA PRÉVENTION DES INCENDIES, ETC.) POUR DÉTERMINER SI UN PERMIS EST NÉCESSAIRE.**

**GARDER LES MATIÈRES COMBUSTIBLES (HERBES, FEUILLES, ETC.) À 1 MÈTRE AU MOINS DE LA BOUCHE D'ÉVACUATION DE FUMÉE SUR L'EXTÉRIEUR DU BÂTIMENT.**

**L'INSTALLATION ET LES RÉPARATIONS DE CE POÊLE À GRANULES DOIVENT ÊTRE CONFIAÉES À UN TECHNICIEN D'ENTRETIEN QUALIFIÉ. L'APPAREIL DOIT ÊTRE INSPECTÉ AVANT UTILISATION ET AU MOINS UNE FOIS PAR AN PAR UN TECHNICIEN D'ENTRETIEN QUALIFIÉ. IL EST IMPÉRATIF QUE LES COMPARTIMENTS DE COMMANDE, LE FOYER ET LES CANAUX DE CIRCULATION D'AIR DU POÊLE SOIENT MAINTENUS PROPRES.**

## DÉGAGEMENTS JUSQU'ÀUX MATÉRIAUX COMBUSTIBLES

**REMARQUE :** Ces distances sont les dégagements minimum jusqu'aux matériaux combustibles établis par le laboratoire d'essai de l'ASTM.

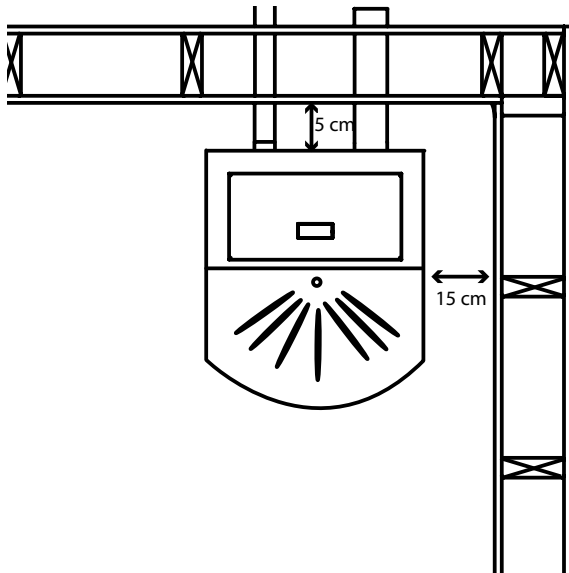


Figure 3 : Pose droite, évacuation à travers le mur

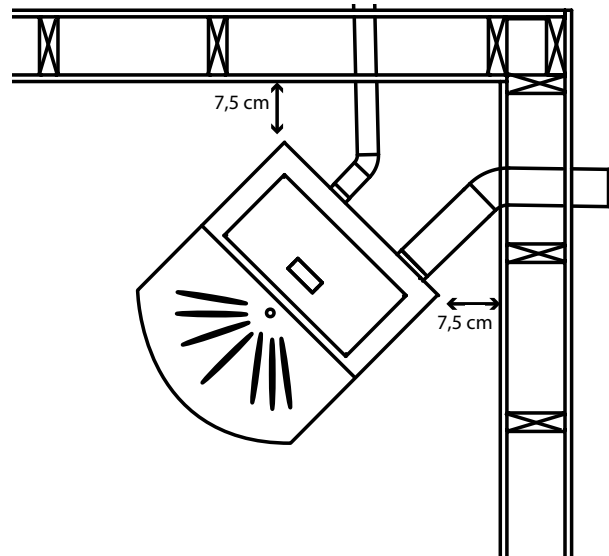


Figure 4 : Pose d'angle, évacuation à travers le mur

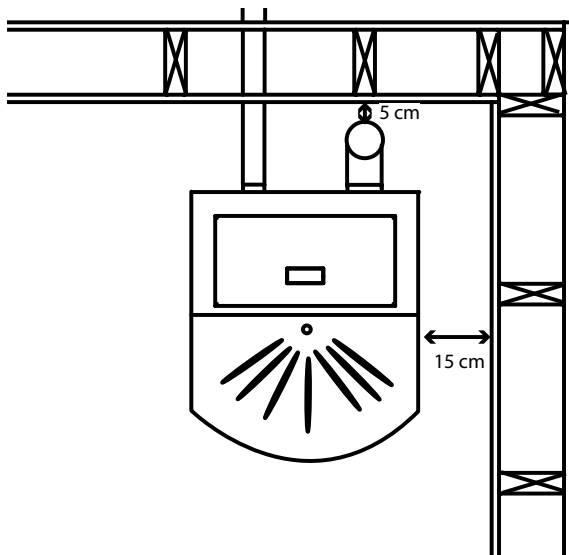


Figure 5 : Pose droite, évacuation verticale intérieure

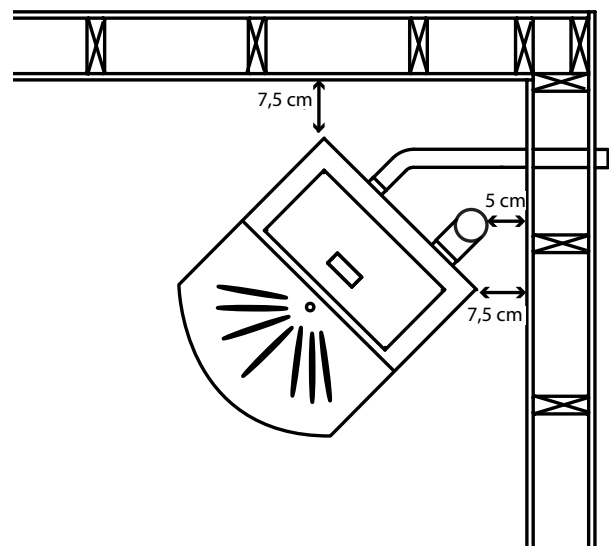


Figure 6 : Pose d'angle, évacuation verticale intérieure

**REMARQUE :** Lorsqu'un conduit d'évacuation intérieur est installé verticalement, le dégagement jusqu'au mur arrière dépend de la taille du conduit utilisé. Poser le conduit d'évacuation en respectant le dégagement spécifié par le fabricant du conduit. Veiller à tenir compte de tous les coudes ou tés tournés vers le haut.

## ÉVACUATION

Consulter les spécifications et recommandations du fabricant de conduits pour toutes les installations d'évacuation.

Les directives de pose suivantes doivent être respectées pour assurer la conformité à la fois avec l'homologation de sécurité de ce poêle et les codes du bâtiment locaux.

*Remarque : Lorsque la traversée d'un mur ou d'une cloison de matériaux combustibles est souhaitée, la pose doit être conforme à CAN/CSA -8365.*

## TYPE D'ÉVACUATION

Le tuyau d'évacuation du poêle à granules (appelé conduit en L) comporte deux épaisseurs de tôle séparées par une couche d'air. Cette couche d'air joue un rôle isolant qui réduit la température de la surface extérieure du tuyau et créer un espacement par rapport aux matériaux combustibles.

Un système d'évacuation de poêle à granules de type L de 3 ou 4 po homologué UL doit être utilisé pour l'installation et attaché au raccord de tuyau sur l'arrière du poêle. Utiliser adaptateur de 3 po à 4 po si un tuyau de 4 po est utilisé. Les cheminées d'évacuation de type L doivent être terminées par un chapeau. Aux altitudes de plus de 750 m au-dessus du niveau de la mer, un conduit L de 4 po est requis.

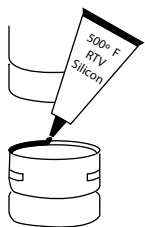
## POSE DE L'ÉVACUATION DU POÊLE

Le conduit d'évacuation doit **IMPÉRATIVEMENT** se terminer plus haut que la prise d'air.

Il est conseillé de poser au moins 90 cm de conduit d'évacuation vertical. Ce tuyau vertical crée une forme de tirage naturel pour éviter le risque de reflux de fumée ou d'odeurs lorsque l'appareil est éteint et empêchera l'échappement de causer une nuisance ou un risque d'être exposé à des températures élevées.

L'installation doit comporter un té de nettoyage pour la collecte des cendres volantes et le nettoyage périodique du système d'évacuation.

La longueur totale de conduit horizontal ne doit pas dépasser 3 mètres. La hauteur d'évacuation verticale maximale conseillée est de 5,5 mètres.



Tous les joints de conduit d'évacuation doivent être attachés avec au moins trois vis et tous les raccords d'évacuation (incluant adaptateurs, coudes, etc.) doivent être scellés hermétiquement en injectant du silicone RTV 260° C (500° F) dans l'écart entre les sections.

La traversée du tuyau d'évacuation vers l'extérieur de la maison doit être rendu étanche avec du silicone ou tout autre moyen de maintien de l'écran pare-vapeur entre l'extérieur et l'intérieur de la maison.

## ⚠ AVERTISSEMENT

**NE PAS RACCORDER CET APPAREIL À UN CONDUIT DE FUMÉE UTILISÉ POUR UN AUTRE APPAREIL.**

**NE PAS POSER DE REGISTRE DE TIRAGE DANS LE SYSTÈME D'ÉVACUATION DE L'APPAREIL.**

**NE PAS RACCORDER DIRECTEMENT À UNE CHEMINÉE EN MAÇONNERIE.**

**NE PAS FAIRE DÉBOUCHER L'ÉVACUATION DANS UN ESPACE FERMÉ OU SEMI-FERMÉ TEL QU'UN ABRI À VOITURE, GARAGE, GRENIER, VIDE SANITAIRE, SOLARIUM, GALERIE, PASSAGE PIÉTON OU AUTRE ENDROIT FERMÉ, NI DANS AUCUN ENDROIT OÙ LES FUMÉES PEUVENT S'ACCUMULER TEL QU'UNE CAGE D'ESCALIER, UN PASSAGE COUVERT, ETC.**

## ⚠ ATTENTION

**LES SURFACES DU CONDUIT D'ÉVACUATION PEUVENT ÊTRE SUFFISAMMENT CHAUDES POUR CAUSER DES BRÛLURES AU TOUCHER. UN ÉCRAN OU DES PROTECTIONS NON COMBUSTIBLES PEUVENT ÊTRE REQUIS.**

**L'ÉVACUATION DU POÊLE DOIT RESPECTER LES DÉGAGEMENTS MINIMUM SPÉCIFIÉS PAR LE FABRICANT DU CONDUIT POUR TOUS LES MATÉRIAUX COMBUSTIBLES.**

**POSER LE CONDUIT D'ÉVACUATION EN RESPECTANT LES DÉGAGEMENTS SPÉCIFIÉS PAR LE FABRICANT.**

**TOUS LES RACCORDS D'ÉVACUATION, QU'ILS SOIENT VERTICAUX OU HORIZONTAUX, DOIVENT ÊTRE RENDUS ÉTANCHES AUX GAZ À L'AIDE DE PRODUITS D'ÉTANCHÉITÉ RECOMMANDÉS.**

## DÉGAGEMENTS PRIVILÉGIÉS DE LA SORTIE D'ÉVACUATION DU POÊLE

- L'évacuation du poêle doit se terminer à l'extérieur du bâtiment. Les sorties horizontales doivent s'étendre à au moins 30,5 cm du mur. Les sorties verticales doivent s'étendre à au moins de 61 cm de la surface du toit. **De plus, vous devez respecter tous les dégagements listés ci-dessous. VOIR FIGURE 7.**
- Doit avoir un bouchon approuvé (pour empêcher l'eau d'entrer) ou un coude de 45° avec grillage contre les rongeurs.
- Si la sortie est située sur un côté venteux de la maison, nous suggérons d'utiliser un écran protecteur approuvé pour empêcher la suie de s'accumuler sur le côté de la maison.
- Une évacuation ne doit pas se terminer où elle pourrait être bouchée par de la neige ou autres matériaux.

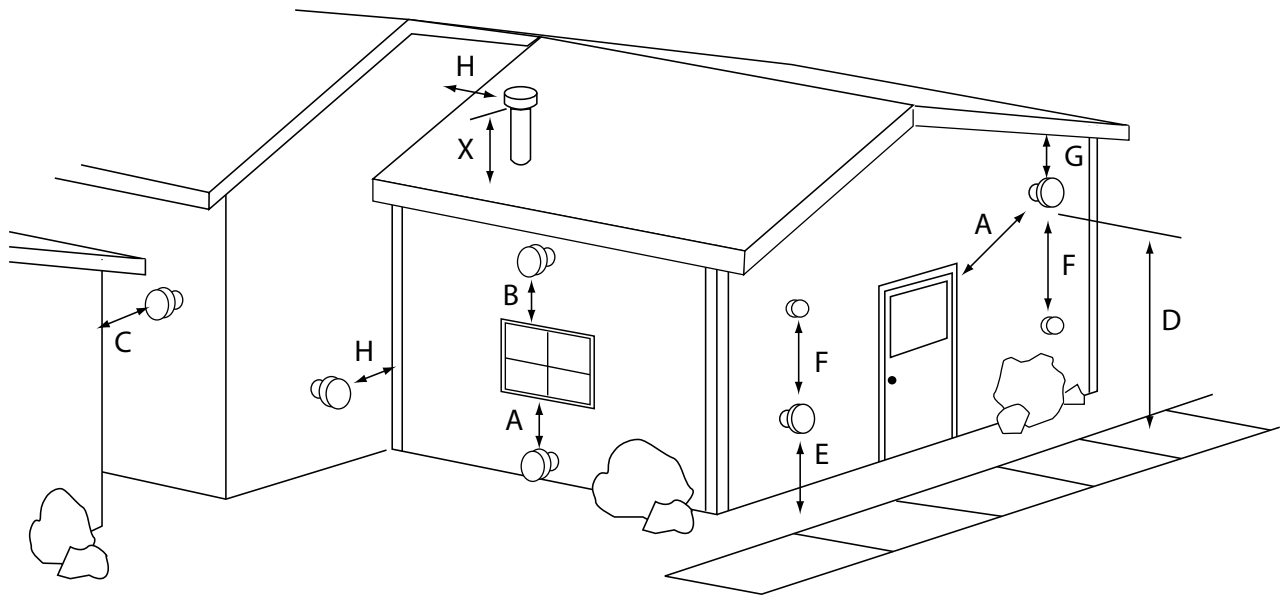


Figure 7 : Sortie d'évacuation

A : Un dégagement d'au moins 122 cm en dessous ou à côté de toute porte ou fenêtre qui s'ouvre. (Ce dégagement peut être ramené à 46 cm si l'air extérieur est utilisé). Nous recommandons de garder la porte ou la fenêtre fermée durant le fonctionnement. Un dégagement d'au moins 30,5 cm en dessous ou à côté de toute porte ou fenêtre qui ne s'ouvre pas.

B : Un dégagement d'au moins 30,5 cm au-dessus de toute porte ou fenêtre qui s'ouvre.

C : Un dégagement d'au moins 61 cm depuis tout bâtiment adjacent.

D : Un dégagement d'au moins 213 cm au-dessus de tout niveau lorsqu'adjacent à des allées publiques.

**REMARQUE : L'évacuation ne doit pas se terminer dans une allée couverte ou un passage couvert.**

E : Un dégagement d'au moins 61 cm au-dessus de toute herbe, plante ou autres matériaux combustibles.

F : Un dégagement d'au moins 91 cm depuis toute prise d'air forcé de tout appareil.

G : Un dégagement d'au moins 61 cm en dessous des avant-toits ou surplombs

H : Un dégagement horizontal d'au moins 30,5 cm depuis un mur combustible.

X : Doit être au moins 61 cm au-dessus du toit.

## Évacuation du poêle à granules :

- Ne pas installer de registre de tirage dans le système d'évacuation de l'appareil.
- Utiliser une bague murale approuvée lorsque l'évacuation passe à travers les murs. Utiliser un support de plafond/entretoise de pare-feu lorsque l'évacuation passe à travers les plafonds (s'assurer de respecter les dégagements vers tous les matériaux combustibles).
- si plus d'un té et plus de 180° de coudes, vous devez utiliser des tuyaux d'évacuation de 4 po.

**REMARQUE:** Pour une performance optimale, il est recommandé de garder l'évacuation aussi courte que possible, spécialement en ce qui a trait à la section horizontale.

L'évacuation doit avoir un support à chaque 152 cm lorsqu'à l'extérieur de la structure.

La hauteur et la distance de l'évacuation ne doit pas dépasser la distance tel qu'illustré dans le diagramme ci-dessous.

Évacuer dans cette zone ombragée (plus pâle) peut exiger des ajustements de tension du moteur à combustion et/ou des ajustements d'entrée d'air (admission). **VOIR FIGURE 9.**

## POSITIONS DE L'ADMISSION ET DE L'ÉVACUATION



Figure 8 : Positions de l'admission et de l'évacuation

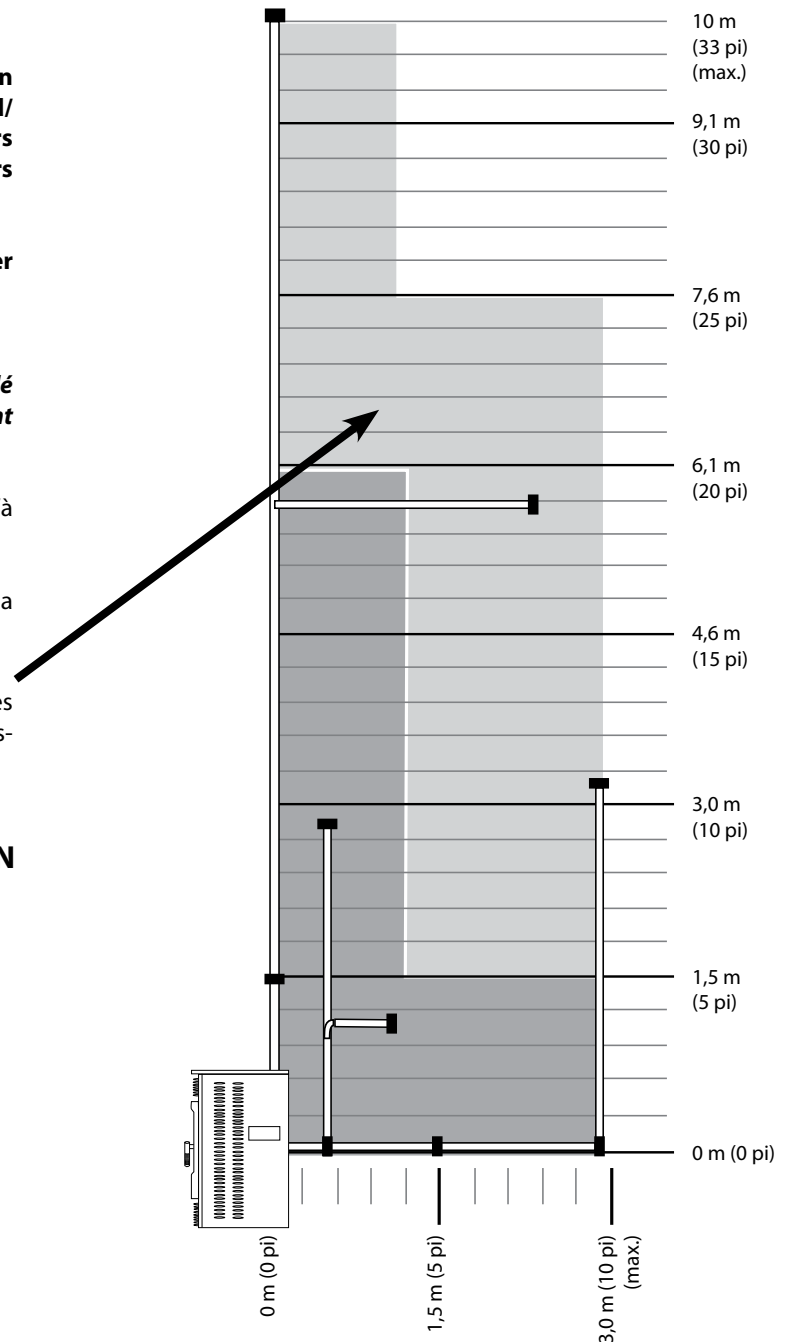


Figure 9 : Tableau de l'ajustement de la tension de l'évacuation et de la tension du moteur à combustion.

## RACCORDEMENT D'AIR EXTÉRIEUR

Le raccordement du tuyau d'admission (tuyau de 2 po de diamètre à l'arrière du poêle) vers l'extérieur est **OBLIGATOIRE** dans les maisons mobiles. Il est conseillé dans les maisons très hermétiques équipées de ventilateurs d'extraction dans la cuisine ou la salle de bains. Cela élimine les problèmes de fonctionnement causés par une dépression ambiante. Seul un tuyau non combustible (droit ou flexible) de 2 po (ou plus) de diamètre peut être utilisé pour les raccordements d'air extérieurs. **Les tuyaux de PVC ne sont PAS autorisés et ne doivent JAMAIS être raccordés au poêle.**

**CONSEIL : L'entrée d'air d'un poêle à granules Castle Pellet acceptera des tuyaux d'échappement et des coupleurs d'automobile.**

Si l'admission d'air est raccordée à l'extérieur, elle doit **IMPÉRATIVEMENT** se terminer par un coude vertical de 90° (vers le bas) ou par un chapeau. Dans le cas contraire, il peut se produire une réinflammation en cas de grand vent soufflant directement dans l'admission d'air durant une panne d'électricité.

Une obstruction, une longueur excessive ou des coudes supplémentaires dans le tuyau d'admission ont pour effet de priver le poêle d'air de combustion. Un coude de 90° produit une restriction équivalente à environ 75 cm de tuyau droit.

## MAISON MOBILE

L'installation dans une maison mobile doit être en conformité avec la norme sur la sécurité et les maisons manufacturées du Department of Housing and Urban Development (HUD) CITE: 24CFR3280.707 qui prévoit que le poêle doit être évacué vers l'extérieur. En plus des instructions d'installation standard, les exigences suivantes sont obligatoires pour l'installation dans une maison mobile :

1. Le poêle doit être attaché au plancher de façon permanente.
2. Le poêle doit avoir une source d'air extérieure.
3. Le poêle doit être électriquement relié à la masse par raccordement au châssis en acier de la maison mobile.
4. Tous les conduits de fumée verticaux doivent comporter des supports muraux.
5. Tous les systèmes d'évacuation doivent comporter un pare-étincelles.
6. Vérifier auprès des services du bâtiment locaux si d'autres codes s'appliquent.

## **⚠ AVERTISSEMENT**

**NE PAS RACCORDER À UN AUTRE CONDUIT OU SYSTÈME DE DISTRIBUTION D'AIR.**

**NE PAS INSTALLER DANS UNE CHAMBRE À COUCHER.**

## **⚠ ATTENTION**

**L'UTILISATION DE VENTILATEURS D'EXTRACTION TELS QUE LES VENTILATEURS DE SALLE DE BAIN OU DE GRENIER PEUT PRIVER LE POÊLE À GRANULES D'AIR DE COMBUSTION EN CRÉANT UNE DÉPRESSION DANS LA PIÈCE. PRÉVOIR UNE VENTILATION SUFFISANTE DE LA PIÈCE OÙ SE TROUVE LE POÊLE À GRANULES. SINON, LE MANOCONTACT PEUT COUPER LE FONCTIONNEMENT DU POÊLE À GRANULES.**

**L'INTÉGRITÉ STRUCTURELLE DU PLANCHER, DES MURS ET DU PLAFOND/TOIT DES MAISONS MANUFACTURÉES DOIT ÊTRE PRÉSERVÉE.**

## COMPRENDRE LE POÊLE

Le poêle à granules Castle comporte un système d'alimentation de combustible à vis sans fin verticale commandée par un circuit numérique contrôlé par microprocesseur. Le circuit numérique permet un fonctionnement du système d'alimentation en combustible suivant un cycle temporisé non continu ; cela permet à la vis sans fin de tourner pendant une durée préétablie. La vis sans fin fait remonter les granules dans une goulotte à l'intérieur de la trémie. Les granules tombent ensuite à travers une autre goulotte jusqu'à la boîte à feu. Le poêle est équipé d'un système d'allumage automatique qui doit allumer le combustible dans les 3 à 5 minutes après avoir appuyé sur le bouton Marche/Arrêt. Lorsque les granules remplissent la boîte à feu et s'allument, l'air extérieur est aspiré à travers le combustible et chauffé durant le processus de combustion, puis aspiré à travers l'échangeur thermique par le moteur d'évacuation ou le ventilateur de tirage. Lorsque le poêle atteint sa température de fonctionnement, l'air de la pièce est circulé autour de l'échangeur thermique par une soufflante d'air ambiant et l'air chaud est distribué dans la pièce.

La quantité de chaleur produite par le poêle est proportionnelle au taux de combustible qui est brûlé.

Comme une pression de tirage forcé est requise par le processus de combustion à l'intérieur du poêle, est extrêmement important que le système d'évacuation soit installé et entretenu correctement. En outre, les portes doivent rester fermées durant le fonctionnement et les joints des portes doivent être correctement entretenus.

## EXEMPLES D'INSTALLATIONS D'ÉVACUATION SIMPLES

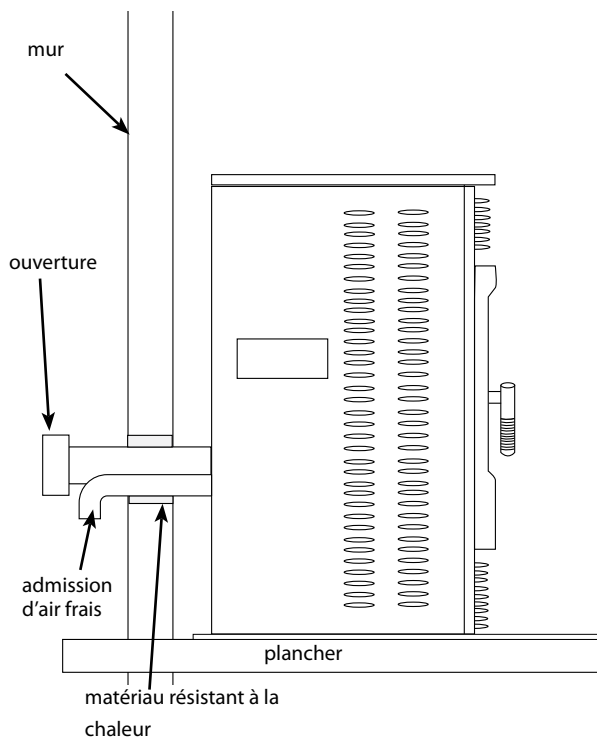


Figure 10 : Pose droite — évacuation extérieure à travers le mur

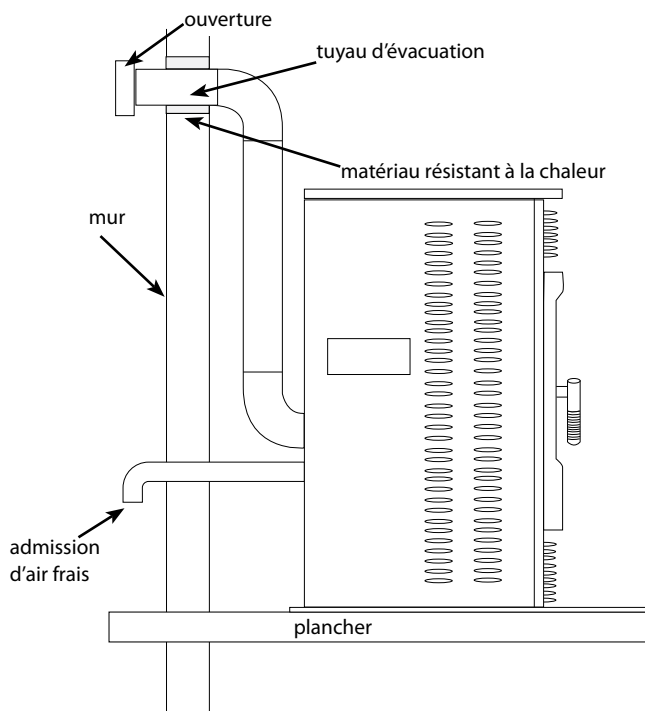
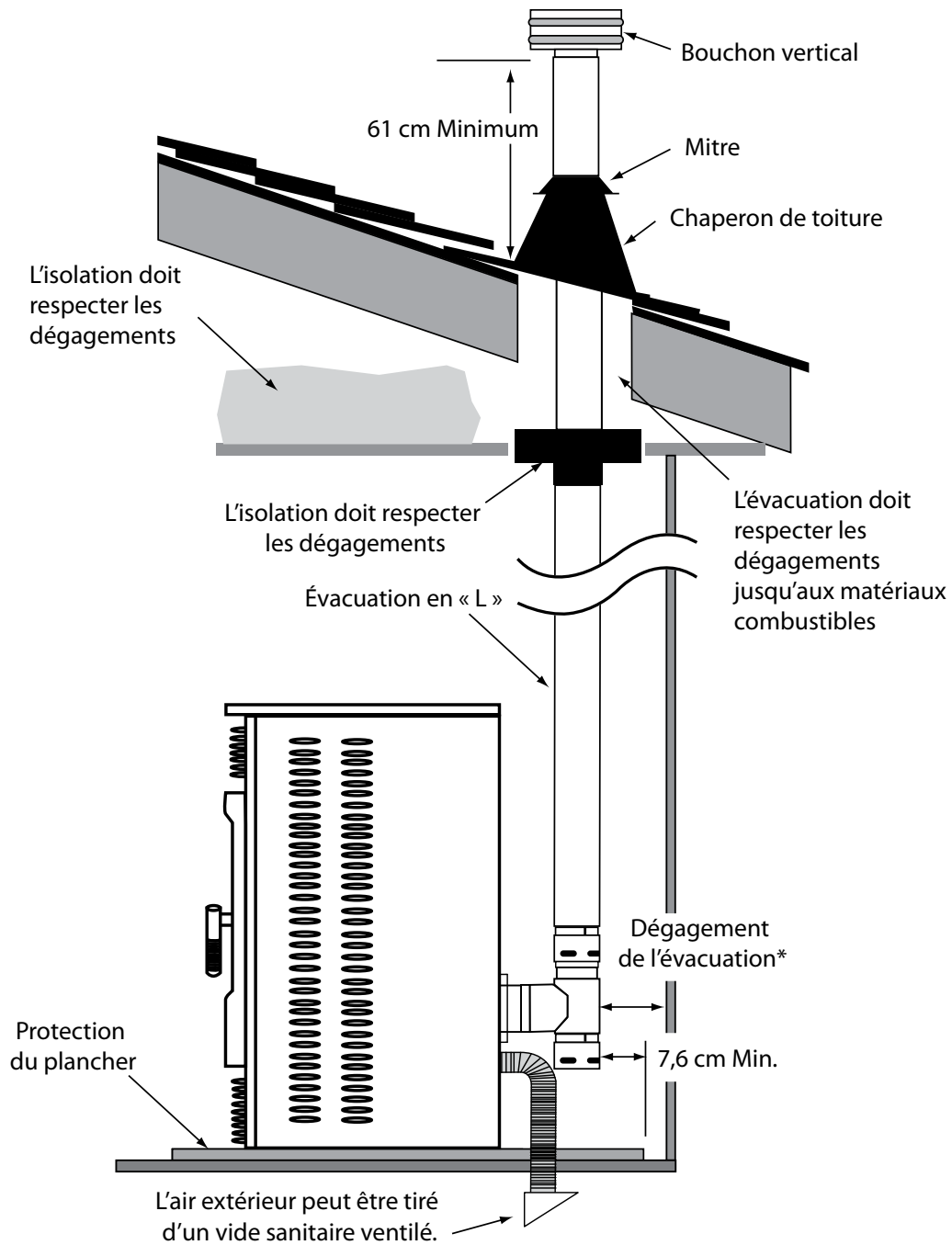


Figure 11 : Pose droite — portion verticale intérieure, sortie horizontale

## EXEMPLES D'INSTALLATIONS D'ÉVACUATION COMPLEXES

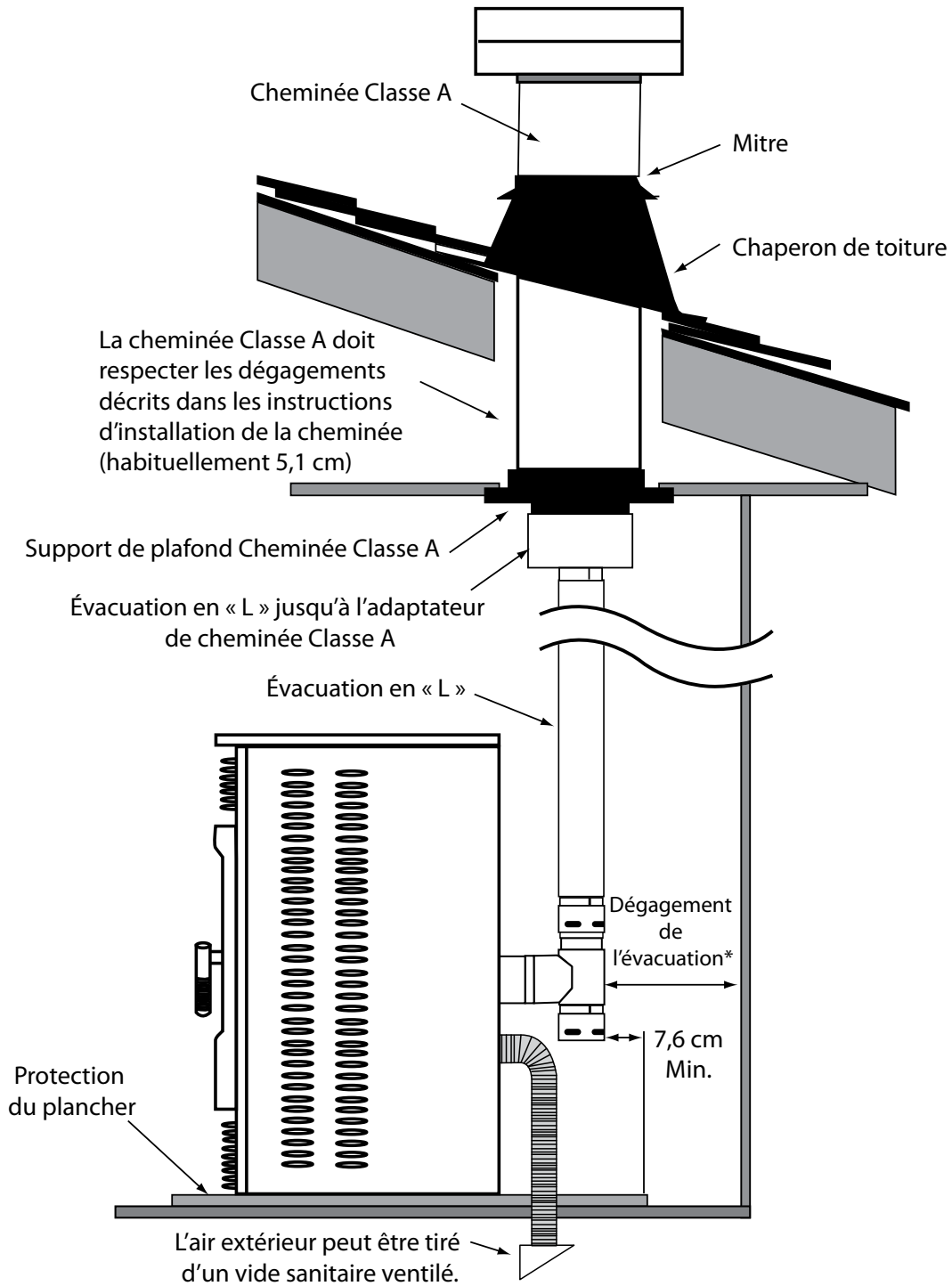
### INSTALLATION VERTICALE INTÉRIEURE



\* Installer l'évacuation en respectant le dégagement spécifié par le fabricant du conduit.

Figure 12: Installation verticale intérieure

## RÉNOVATION DE CHEMINÉE CLASSE A



\* Installer l'évacuation en respectant le dégagement spécifié par le fabricant du conduit.

Figure 13 : Rénovation de cheminée Classe A

**FOYER EN PIERRES**

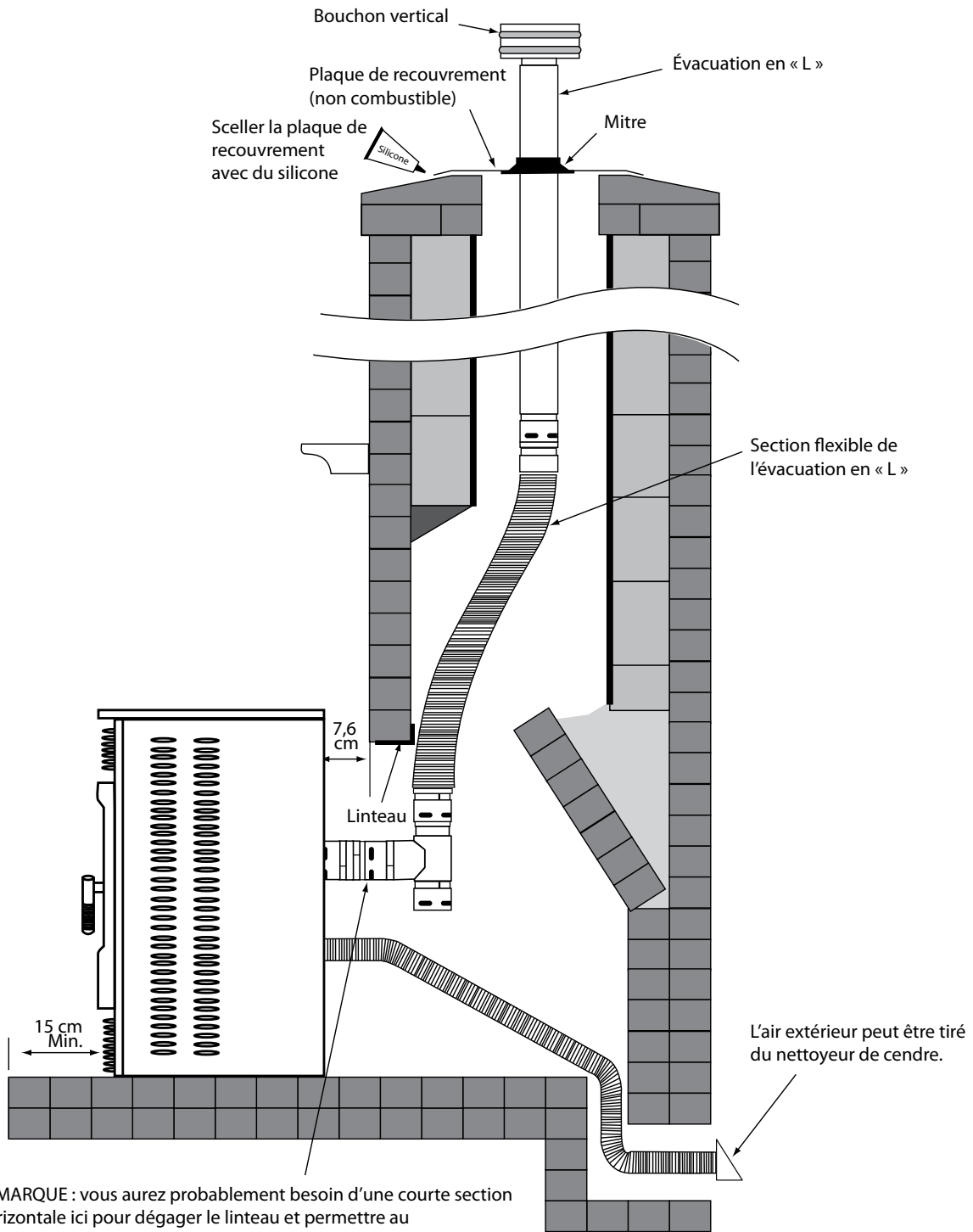
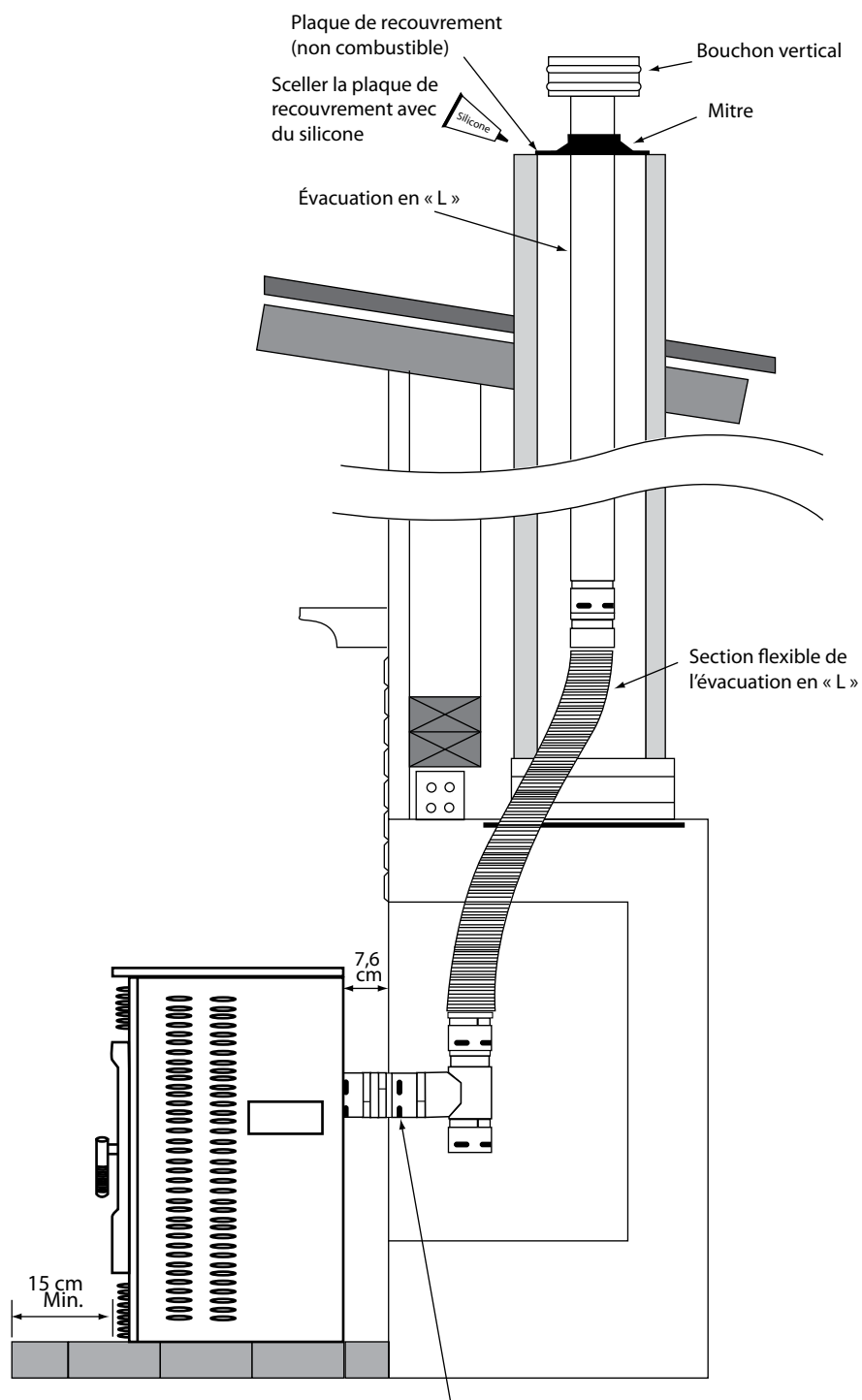


Figure 14 : Foyer en pierres

**FOYER SANS EXIGENCES DE DÉGAGEMENTS (MÉTAL)**



REMARQUE : vous aurez probablement besoin d'une courte section horizontale ici pour dégager le linteau et permettre au couvercle de trémie d'ouvrir

Figure 15 : Foyer sans exigences de dégagements (Métal)

**CHEMINÉE EN MAÇONNERIE AUTOSTABLE**

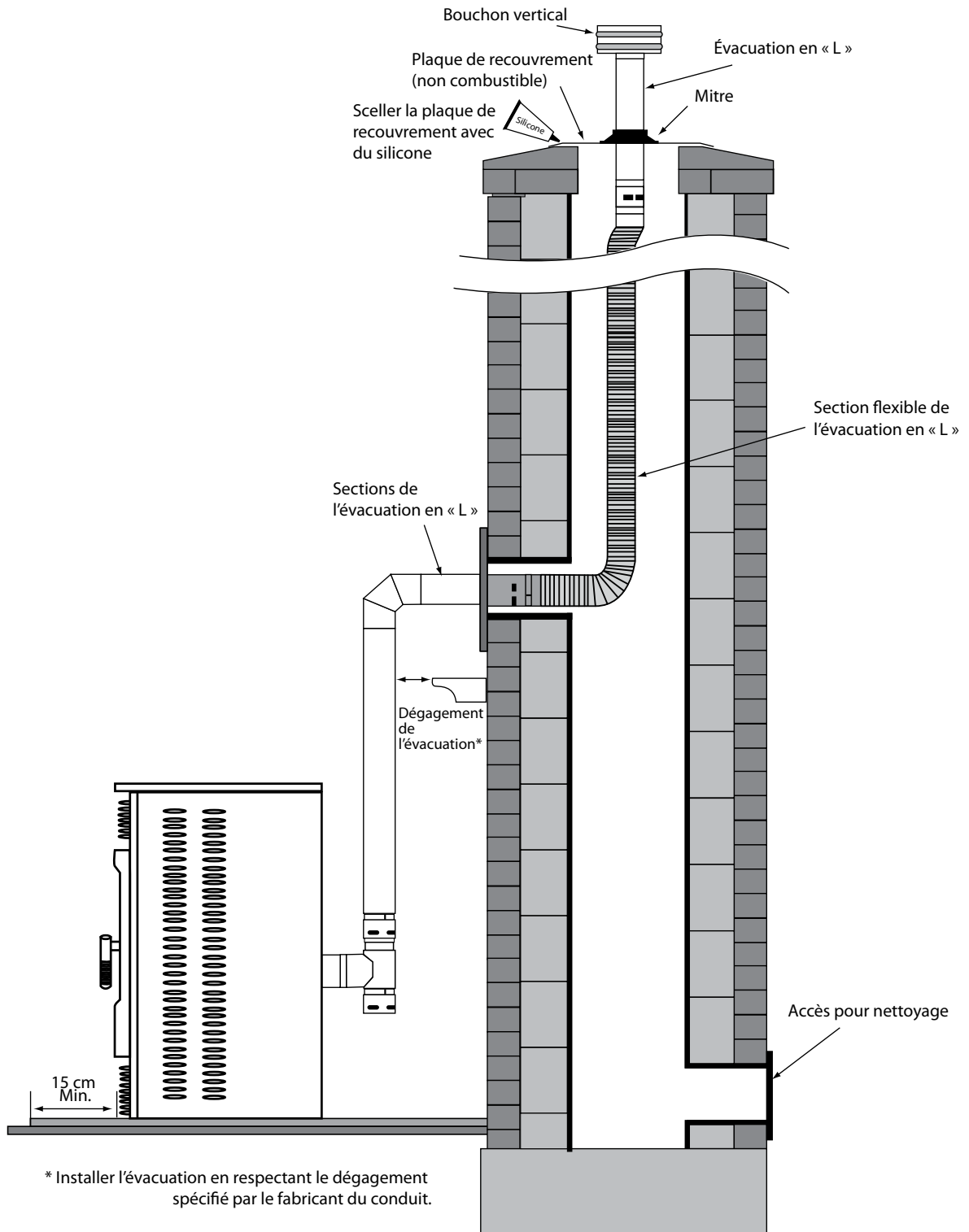


Figure 16 : Cheminée en maçonnerie autostable

## SE FAMILIARISER AVEC LE CONTRÔLEUR



Figure 17 : Tableau de commande

### BOUTTONS DU CONTRÔLEUR (VOIR FIGURE 17)

1. **Récepteur infrarouge** - Reçoit le signal de la commande à distance. (Disponible séparément)
2. **Indicateur de marche** - S'allume lorsque l'interrupteur principal est en marche.
3. **Voyant Alarme** - S'allume lorsque le poêle ne fonctionne pas correctement.
4. **Bouton Marche/Arrêt** - Démarre et arrête le poêle.
5. **Bouton Minuterie** - Vous permet de choisir l'heure de démarrage ou l'heure d'arrêt de l'appareil.
6. **Bouton Transfert Mode** - Vous permet de régler l'appareil à un des trois modes principaux : « Manual », « Temp », et « Weekly ».
7. **Bouton Attente** - Appuyer sur le bouton Attente en mode hebdomadaire après avoir élevé la température « Call To » maintiendra cette température jusqu'à ce que le bouton soit appuyé de nouveau ou que le poêle soit arrêté.
8. **Bouton Flèche Haut** - Vous permet de défiler vers le haut pour choisir des items dans le menu.
9. **Bouton Sortir** - Vous sort de la sélection courante et revient à l'option précédente et/ou écran précédent. Lorsque vous entrez des données, le bouton Sortir supprimera aussi vos entrées.
10. **Bouton Flèche Bas** - Vous permet de défiler vers le bas pour choisir des items dans le menu.
11. **Bouton Entrer** - Appuyer sur le bouton Entrée vous permet d'ajuster et de sélectionner des données à l'écran. Appuyer sur le bouton ENTRER pendant deux secondes vous dirigera vers un menu principal dans lequel vous pourrez changer l'heure, la date, l'affichage de température, l'horaire hebdomadaire de fonctionnement (en Mode « Weekly » uniquement) et les réglages du moteur à combustion et de tension.



Figure 18 : Emplacement du tableau de commande

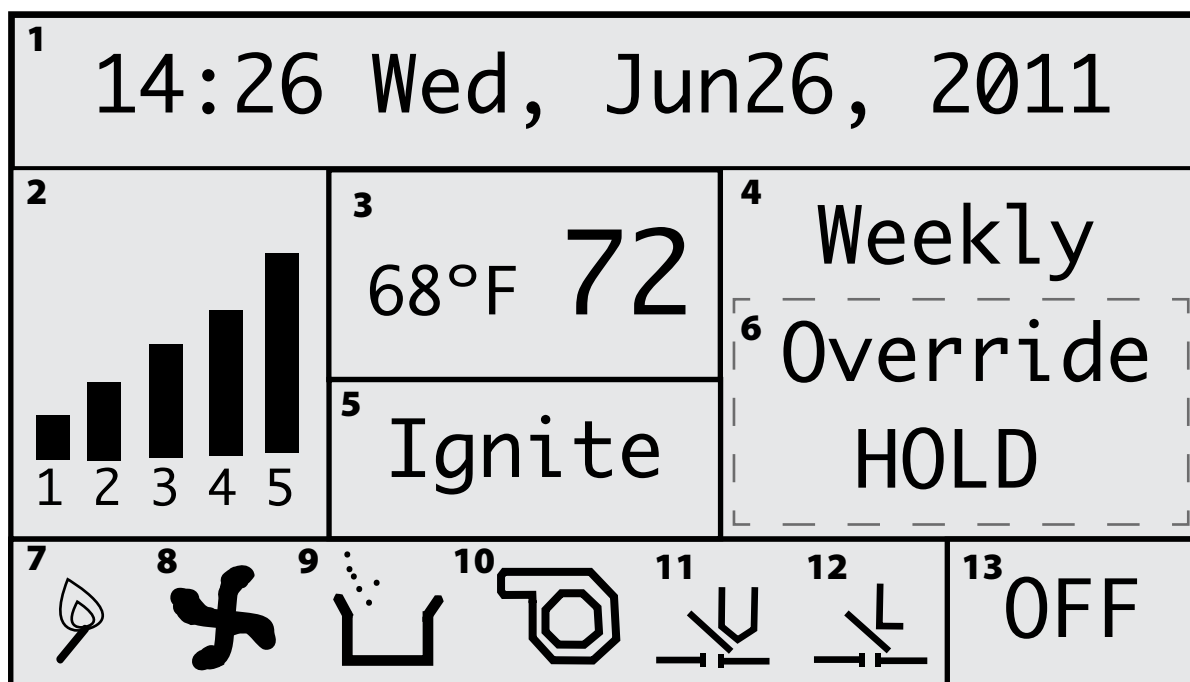
**AFFICHAGE À L'ÉCRAN DES FONCTIONS PRINCIPALES DU CONTRÔLEUR**


Figure 19

1. **Date et heure** : Affiche la date et l'heure.
2. **Niveau de puissance du chauffage** : Indique le niveau de puissance de chauffage actuel du poêle.
3. **Température courante/Température réglée** : Affiche la température actuelle de la pièce et, en mode thermostat, la température réglée.
4. **Mode principal** : Affiche le mode de fonctionnement— « weekly » (hebdomadaire), « thermostat (temperature) » (Thermostat [température]) et « manual » (manuel).
5. **Étape de fonctionnement** : Affiche l'étape de fonctionnement dans laquelle le poêle fonctionne présentement (par ex. « ignite » [allumer], « heating room » [chauffage de la pièce]).
6. **Autres modes de contrôle**
7. **Indicateur allumeur** : Indique que le cycle d'allumage/cycle de chauffage est présentement actif lorsque l'écran affiche « ignite » (allumer).
8. **Indicateur Ventilateur d'air de combustion** : Indique que le ventilateur d'air de combustion fonctionne.
9. **Indicateur Vis sans fin** : Indique que la vis sans fin alimente des granules.
10. **Indicateur Soufflante de convection** : Indique que la soufflante de convection fonctionne et que le ventilateur chauffe la pièce.
11. **Indicateur Interrupteur de dépression** : Indique qu'il y a une pression à vide dans le poêle.
12. **Indicateur Couvercle de trémie ouvert (Indicateur de limite)** : Si l'icône est allumée, indique que le couvercle de trémie est fermé. Lorsque le couvercle de trémie est ouvert, il sera éteint.
13. **Indicateur Marche/Arrêt** : Indique si le poêle est ON (en marche) et en mode de fonctionnement ou s'il est en processus OFF (d'arrêt).

## PRÉ-FONCTIONNEMENT

Une fois que le poêle est correctement installé et branché sur une prise à protection contre les surtensions, il est prêt à être utilisé.

## MONTAGE DE VOTRE CONTRÔLEUR

Monter le contrôleur et le support du contrôleur à l'arrière et au haut de votre poêle en utilisant la quincaillerie qui accompagne le contrôleur. **VOIR FIGURE 18 À LA PAGE 61.**

## AVANT DE COMMENCER

Mettre l'interrupteur d'alimentation principale au dos du poêle en position de marche (On). **VOIR FIGURE 20A.**

**REMARQUE: SI POUR TOUTE RAISON LE POÊLE NE SEMBLE PAS SE METTRE EN MARCHÉ, IL Y A UN FUSIBLE SITUÉ JUSTE EN DESSOUS DE L'INTERRUPTEUR D'ALIMENTATION QUI PEUT ÊTRE VÉRIFIÉ. VOIR FIGURE 20B. NOTER QU'IL Y A UN FUSIBLE DE RECHANGE SITUÉ DANS LE COMPARTIMENT DU FUSIBLE.**

S'assurer que la trémie est propre et exempte de matières étrangères, y compris les poussières de granules.

Remplir la trémie de granules de bois, en s'assurant qu'AUCUNE partie du sac ou autre objet étranger n'entre dans la trémie car cela peut endommager le système de vis sans fin. **VOIR FIGURE 21.**

S'assurer également qu'il n'y a aucune parcelle de granule sur les surfaces de contact du joint du couvercle de trémie.

Fermer le couvercle. Ce poêle comporte un interrupteur de sécurité qui empêche l'alimentation en granules lorsque la porte de trémie est ouverte.

Vérifier que la porte vitrée principale est fermée. Le poêle comporte un interrupteur de sécurité qui empêche l'alimentation en combustible à moins qu'il n'y ait une dépression de tirage à l'intérieur du poêle.

Avant de vraiment démarrer votre Castle Stove, vous devrez déterminer dans quel mode vous désirez que le poêle fonctionne. Le HPS10IC peut fonctionner en trois modes :

1. « *Manual* » (*Manuel*) : Dans ce mode, vous pouvez vous-même ajuster et régler la phase de chauffage pour contrôler le niveau de chauffage.
2. « *Thermostat Control (Temperature)* » (*Commande du thermostat [température]*) : Dans ce mode, vous pouvez régler la température de la pièce et le poêle fonctionnera automatiquement pour s'assurer que la pièce est à cette température.
3. « *Weekly* » (*Hebdomadaire*) : Dans ce mode, le poêle fonctionnera automatiquement durant les jours et les heures que vous choisissez. Vous pouvez programmer chacun des sept jours de la semaine et quatre périodes durant la journée.

**Vous devez sélectionner un mode avant de mettre le poêle en marche.** Sélectionner un mode tandis que le poêle fonctionne peut arrêter le poêle et forcer un délai de 30 minutes avant de redémarrer.

Vous n'êtes pas obligé de démarrer le fonctionnement du poêle pour sélectionner votre mode. Pour choisir le mode, sélectionner le bouton Transfert Mode. ● Appuyer sur le bouton mode une fois sélectionne le réglage du thermostat; appuyer deux fois vous présentera le mode « Weekly ».

## ⚠ AVERTISSEMENT

**NE JAMAIS UTILISER DE LIQUIDES INFLAMMABLES TEL QUE DE L'ESSENCE, LE COMBUSTIBLE POUR BRIQUET OU LES GELS ALLUME-BARBEQUE À L'INTÉRIEUR OU AUTOUR DU POÊLE. GARDER DE TELS LIQUIDES BIEN À L'ÉCART DU POÊLE PENDANT QU'IL EST UTILISÉ.**

**NE JAMAIS OUVRIR LES PANNEAUX LATÉRAUX NI LA PORTE PRINCIPALE PENDANT QUE LE POÊLE EST EN MARCHÉ.**

**NE JAMAIS TOUCHER LES VEROUS DE PORTE ALORS QUE LE POÊLE EST ALLUMÉ, ILS DEVIENNENT EXTRÊMEMENT CHAUDS.**

**NE JAMAIS OUVRIR LA PORTE VITRÉE PENDANT QUE LE POÊLE EST EN MARCHÉ OU QU'IL EST CHAUD.**

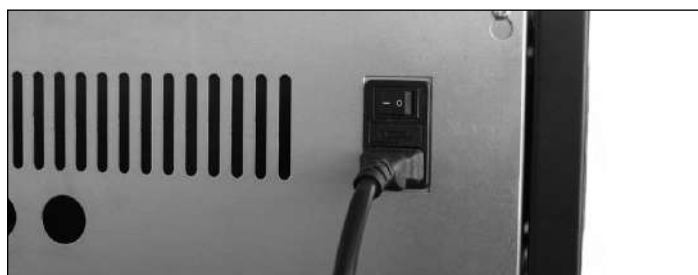


Figure 20a : Interrupteur d'alimentation principal



Figure 20b : Interrupteur d'alimentation principal

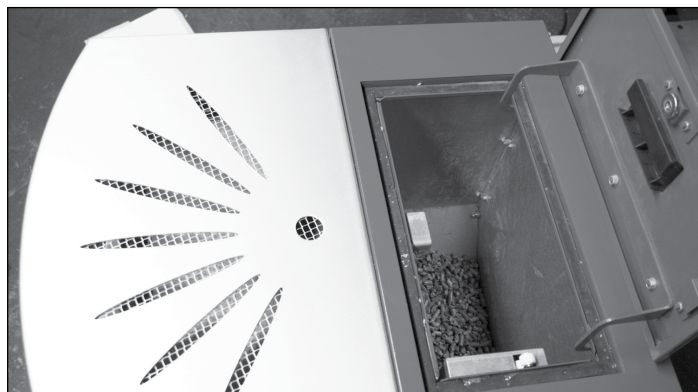



Figure 21 : Chargement des granules

## FONCTIONNEMENT

Après avoir choisi dans quel mode le poêle fonctionnera, appuyer sur le bouton « ON/OFF »  pour démarrer le cycle d'allumage du poêle.

### DÉMARRAGE



Lorsque le poêle se met en marche, l'indicateur d'allumage et l'indicateur du ventilateur d'air de combustion apparaîtront à l'écran (images 7 et 8 dans la Figure 19 à la page 62). « Ignite » (allumer) apparaîtra aussi dans la case Étape de fonctionnement sur l'écran. Après environ quatre secondes, l'indicateur Interrupteur de dépression apparaîtra. Remarquer aussi que l'indicateur Couvercle de trémie ouvert (Indicateur de limite) apparaîtra chaque fois que le couvercle de trémie du poêle est correctement fermé et scellé.

Le moteur du poêle continuera de fonctionner pendant trois minutes, puis l'indicateur de vis sans fin clignotera à l'écran, indiquant que la vis sans fin alimente des granules dans le poêle. En dedans de trois à cinq minutes d'alimentation de granules, une flamme devrait s'allumer. Une fois que la flamme est allumée, la case Étape de fonctionnement à l'écran affichera « Heating Room » (Chauffage de la pièce).

## FONCTIONNEMENT EN MODES DIFFÉRENTS

### MODE « MANUAL » (MANUEL)

Le mode manuel est le réglage de mode par défaut si aucun autre mode n'est choisi avant que le poêle soit mis en marche. En mode manuel, vous avez la possibilité de changer les niveaux de chauffage, ce qui augmentera ou diminuera la quantité de chaleur émise par le poêle.

Pour changer le niveau de puissance en mode manuel, utiliser les boutons FLÈCHE HAUT ou FLÈCHE BAS   sur le tableau de commande. (Voir les boutons 8 et 10 sur la Figure 17). Appuyer sur un de ces boutons une fois augmentera ou diminuera la puissance d'un niveau.

**REMARQUE: Ce mode ne vous permet pas d'ajuster directement des températures spécifiques. Le mode manuel vous permet simplement de dicter le niveau de chaleur que le poêle émet.**

### MODE « THERMOSTAT/TEMPERATURE CONTROL » (COMMANDE DU THERMOSTAT/TEMPÉRATURE)

Le mode Thermostat vous permet de régler la température de la pièce. Le poêle augmentera ou diminuera automatiquement le niveau de chaleur qu'il émet pour garder la pièce à la température réglée.

Pour augmenter ou diminuer la température désirée (« call to »), utiliser les boutons FLÈCHE HAUT ou FLÈCHE BAS. La température actuelle de la pièce sera affichée dans la case d'affichage de la température à l'écran, de même que la température désirée.

Si la température de la pièce chute sous la température désirée, l'indicateur de niveau de puissance de chaleur du poêle s'élèvera automatiquement à cinq. Lorsque la température est atteinte, le niveau de puissance de chauffage reviendra à un et restera à un jusqu'à ce que plus de chaleur soit requise.

## AVERTISSEMENT

**NE JAMAIS ÉTEINDRE LE POÊLE EN LE DÉBRANCHANT DE LA PRISE ÉLECTRIQUE.**

**NE JAMAIS ÉTEINDRE LE POÊLE EN METTANT L'INTERRUPTEUR D'ALIMENTATION PRINCIPAL AU DOS DU POÊLE EN POSITION D'ARRÊT.**

**NE JAMAIS OUVRIR LES PANNEAUX LATÉRAUX NI LA PORTE PRINCIPALE PENDANT QUE LE POÊLE EST EN MARCHÉ.**

**NE JAMAIS TOUCHER LES VERROUS DE LA PORTE VITRÉE ET DU CENDRIER DURANT LA MARCHÉ, ILS DEVIENNENT BRÛLANTS.**


*Remarque : En mode Thermostat, le poêle ne se mettra pas en attente. Il tournera simplement au ralenti et continuera de produire une flamme jusqu'à ce que la pièce ne soit plus à la température définie. Lorsqu'au ralenti, le poêle affichera un niveau de puissance de un dans la case niveau de puissance à l'écran.*

### MODE « WEEKLY » (HEBDOMADAIRE)

Le mode « Weekly » permet à un utilisateur HPS10IC de contrôler et de fixer un horaire de fonctionnement pour le poêle durant des heures et des jours définis durant toute la semaine. Vous pouvez sélectionner quatre temps de fonctionnement différents pour chacun des sept jours de la semaine.

**IMPORTANT: Ne pas oublier de régler votre horaire hebdomadaire en mode « Weekly » avant d'allumer un feu. Si vous essayez de régler l'horaire du poêle et le mode « Weekly » lorsque vous êtes en mode manuel ou thermostat, l'horaire hebdomadaire ne sera pas réglé, et l'écran vous demandera d'attendre jusqu'à ce que vous arrêtiez le poêle et qu'il ait refroidi avant de régler l'horaire.**

Pour régler l'horaire hebdomadaire :

1. Appuyer et tenir le bouton ENTRÉE  jusqu'à ce que le menu « Set Data » (réglage des données) apparaisse à l'écran. À l'aide du bouton FLÈCHE BAS, sélectionner « Set Weekly » (réglage hebdomadaire). Appuyer sur ENTRER. Cela vous dirigera à l'écran « Weekly Schedule » (horaire hebdomadaire). **VOIR FIGURE 22.**

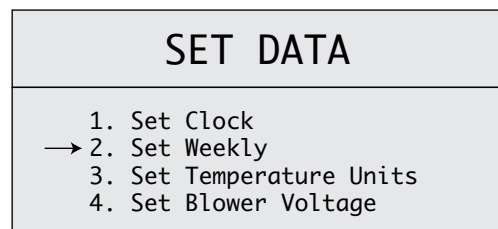


Figure 22

- À l'écran « Weekly Schedule » (horaire hebdomadaire), vous pouvez commencer à régler les heures de fonctionnement pour « Sunday » (dimanche). Appuyer sur ENTRER pour mettre l'heure en évidence et utiliser les boutons FLÈCHE HAUT et FLÈCHE BAS jusqu'à ce que vous atteigniez l'heure de départ désirée. Appuyer sur ENTRER de nouveau pour mettre les minutes en évidence et utiliser les boutons FLÈCHE HAUT et FLÈCHE BAS jusqu'à ce que vous atteigniez la minute désirée. **VOIR FIGURE 23.**

**REMARQUE : Votre contrôleur HPS10IC utilise l'heure militaire pour régler votre horaire hebdomadaire.**

- En appuyant de nouveau sur ENTRER vous pourrez régler l'heure d'arrêt du poêle. Utiliser la même procédure pour régler les heures d'arrêt du poêle. Une fois que l'heure d'arrêt est sélectionnée, appuyer sur ENTRER.
- Ensuite vous aurez l'opportunité de régler la température désirée. Utiliser les boutons FLÈCHE HAUT ou FLÈCHE BAS jusqu'à ce que vous ayez atteint la température désirée pour les heures que vous avez sélectionnées. Appuyer sur ENTRER.
- « Yes » (oui) sera maintenant mis en évidence. Si l'heure spécifiée est réglée correctement, appuyer sur ENTRER. Cela vous sortira de votre première heure réglée.

Si vous désirez effacer un temps d'horaire, utiliser votre bouton ENTRER pour mettre en évidence « Yes » (oui) à l'écran pour de temps d'horaire. Sélectionner « No » (non) à l'aide des boutons FLÈCHE HAUT ou FLÈCHE BAS. Avec « No » (non) en évidence, appuyer sur ENTRER pour effacer les données.

- Pour régler un autre temps pour cette journée en particulier, appuyer sur FLÈCHE BAS et continuer en répétant les étapes 2 à 5 au besoin.


**REMARQUE : Vous devez régler vos heures en ordre chronologique. Le premier horaire d'une journée DOIT être plus tôt dans la journée que le second horaire dans votre liste d'horaire hebdomadaire, etc.**

- Une fois que toutes les heures sont définies pour dimanche, FLÈCHE BAS jusqu'à « Next » (suivant). Appuyer sur ENTRER une fois mettra en évidence « Next » (suivant). Appuyer de nouveau sur ENTRER vous dirigera au jour suivant. Continuez à définir un horaire pour le reste de la semaine en utilisant les instructions précédentes.

SET WEEKLY				
Sun.	Weekly Set			
1:	1:15~ 7:00	67°F	Yes	
→ 2:	17:00~23:45	72°F	Yes	
3:	--:--~--:--	--°F	No	
4:	--:--~--:--	--°F	No	
5:	--:--~--:--	--°F	No	
Next	All			

Figure 23

**REMARQUE : En même temps que l'option « Next » (suivant) à l'écran, il y a aussi l'option « All » (tous). Après avoir défini une heure particulière pour une journée, si vous désirez définir cette heure pour chaque jour de la semaine, descendez jusqu'à « Next » (suivant) et appuyez sur ENTRER. Appuyez sur le bouton FLÈCHE BAS pour sélectionner et mettre en évidence « All » (tous). Appuyer sur ENTRER sélectionnera alors cette heure et l'appliquera pour chaque jour de la semaine.**

CONSEIL : Si, en tout temps, vous devez quitter l'écran d'horaire hebdomadaire ou une fois que vous avez fini de définir toutes les heures, sélectionner le bouton SORTIR  pour revenir au menu précédent.

- Lorsque vous avez fini de définir votre horaire, sans aucune option en évidence, appuyer sur le bouton SORTIR. Cela sauvegardera votre horaire.
- Avec un horaire défini, s'assurer que l'écran principal sur le contrôleur affiche « Weekly » (hebdomadaire) (pour un fonctionnement en mode hebdomadaire) et que l'appareil est en marche. L'horaire ne sera pas en vigueur à moins que l'appareil soit en marche en mode « Weekly ». (Voir le bouton 13 sur la Figure 19).

## RÉGLER D'AUTRES DONNÉES SUR VOTRE CONTRÔLEUR

### RÉGLER L'HEURE ET LA DATE

- Appuyer et tenir le bouton ENTRER. Cela vous dirigera à l'écran « Set Data » (réglage des données).
- Appuyer de nouveau sur ENTRER pour entrer à l'écran « Set Clock » (réglage de l'horloge). **VOIR FIGURE 24.**
- Pour changer l'heure, appuyer sur ENTRER. Cela mettra l'heure en évidence. Utiliser les boutons FLÈCHE HAUT et FLÈCHE BAS pour choisir la bonne heure. Appuyer sur ENTRER pour sélectionner la bonne heure puis appuyer sur ENTRER une seconde fois pour commencer à définir les minutes.
- Continuer ainsi pour sélectionner et définir le jour, le mois, la date et l'année.
- Lorsque vous avez terminé et que rien n'est mis en évidence à l'écran, appuyer sur le bouton SORTIR.

SET CLOCK
10:45 Fri. May 20, 2011

Figure 24

### RÉGLER LES UNITÉS DE TEMPÉRATURE

1. Appuyer et tenir le bouton ENTRER. Cela vous dirigera à l'écran « Set Data » (réglage des données).
2. À l'aide du bouton FLÈCHE BAS, aller à l'option 3 : « Set Temperature Units » (Réglage des unités de température). Appuyer de nouveau sur ENTRER pour aller dans l'écran « Set Temperature Units ». **VOIR FIGURE 25.**
3. Dans le menu « Set Temperature Units » (Réglage des unités de température), appuyer sur le bouton ENTRER pour mettre en évidence les unités. Utiliser les boutons FLÈCHE HAUT et FLÈCHE BAS pour choisir soit Celsius (C°) ou Fahrenheit (F°).
4. Lorsque terminé, appuyer sur ENTRER. Lorsque rien n'est mis en évidence à l'écran, appuyer sur le bouton SORTIR.

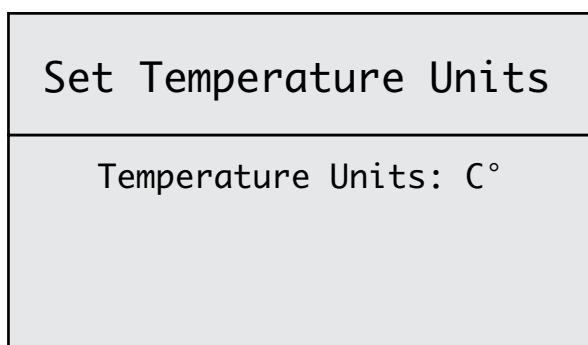


Figure 25

### RÉGLER LA TENSION DE LA SOUFFLANTE

La tension de la soufflante (qui contrôle le ventilateur de la pièce) peut être augmentée ou diminuée pour chaque niveau de puissance pour régler la quantité de chaleur qui circule dans une pièce lors du fonctionnement du poêle. Certains carburants irradient la chaleur mieux que d'autres. Vous pouvez accélérer ou ralentir le ventilateur de la pièce pour extraire la quantité optimale de chaleur sans souffler d'air froid.

Augmenter la tension de la soufflante fera tourner le moteur de convection plus vite, ce qui extraira plus de chaleur de l'appareil.

**REMARQUE : Si vous avez des problèmes avec le poêle qui a des températures excessives dans tout réglage, augmenter la tension de la soufflante.**

Diminuer la tension de la soufflante vous permet de ralentir l'échange de chaleur à partir du poêle de sorte qu'il souffle moins d'air froid.

### Pour régler la tension de la soufflante :

1. Appuyer et tenir le bouton ENTRER. Cela vous dirigera à l'écran « Set Data » (réglage des données).
2. À l'aide du bouton FLÈCHE BAS, aller à l'option 4 : « Set Blower Voltage » (réglage de la tension de la soufflante). Appuyer de nouveau sur ENTRER pour aller dans l'écran « Set Blower Voltage ». **VOIR FIGURE 26.**
3. Sélectionner le « stall » (ou niveau de puissance de chauffage) pour la tension que vous voulez changer en descendant ou en montant et en appuyant sur ENTRER. La tension sera automatiquement mise en évidence.
4. À l'aide des boutons FLÈCHE HAUT ou FLÈCHE BAS, sélectionner la tension appropriée. **REMARQUE : La tension ne peut être augmentée ou diminuée que par incréments de cinq (5).**
5. Appuyer sur ENTRER pour finaliser vos changements. Répéter les étapes 2 à 4 pour les autres « stalls » si vous désirez.

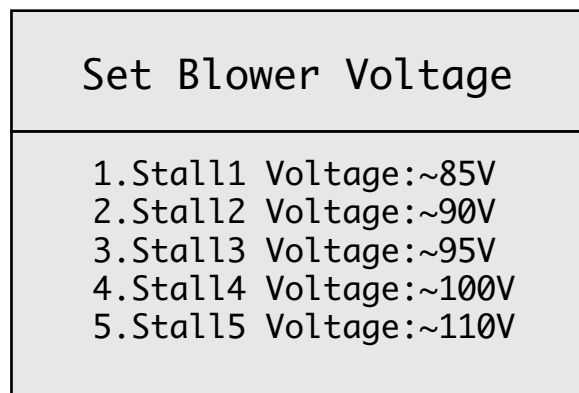


Figure 26

## RÉGLER LA TENSION DE L'ÉCHAPPEMENT

**REMARQUE IMPORTANTE : AVANT D'AUGMENTER LA TENSION DE L'ÉCHAPPEMENT, si vous avez des problèmes à avoir assez d'air vers votre feu, D'ABORD essayer d'ajuster la vanne de débit d'air. VOIR FIGURE 27. Cela ajustera aussi le débit d'air vers le poêle..**

La tension de l'échappement (qui contrôle le moteur à combustion) vous permet d'ajuster le poêle pour le carburant que vous brûlez ou de compenser pour des situations d'évacuation inadéquate. Dans des situations d'évacuation moins qu'optimales, vous pouvez augmenter la vitesse d'échappement pour plus de circulation d'air à travers le poêle si l'évacuation devient problématique.

**IMPORTANT : Changer la tension de l'échappement ne change PAS le taux d'alimentation. Donc, pour des niveaux de puissance de chaleur élevés où le taux d'alimentation est plus rapide, un niveau de tension bas ne poussera pas assez d'air et le poêle peut surchauffer et les granules peuvent refouler dans la boîte. Diminuer la tension de l'échappement augmentera la quantité de chaleur qui entre dans la pièce. Ne pas ajuster la tension trop basse puisque cela peut faire refouler les granules dans la boîte à feu.**

Augmenter la tension de l'échappement, et donc augmenter la quantité d'air dans la boîte à feu, aidera aussi à brûler des carburants de moindre qualité qui autrement pourraient causer les accumulations non désirées.

**REMARQUE : S'assurer de regarder visuellement le taux de combustion si la tension est diminuée, afin de ne pas causer une surcharge dans la boîte. La tension de l'échappement devrait être ajustée SEULEMENT pour obtenir une performance optimale du carburant que vous brûlez.**

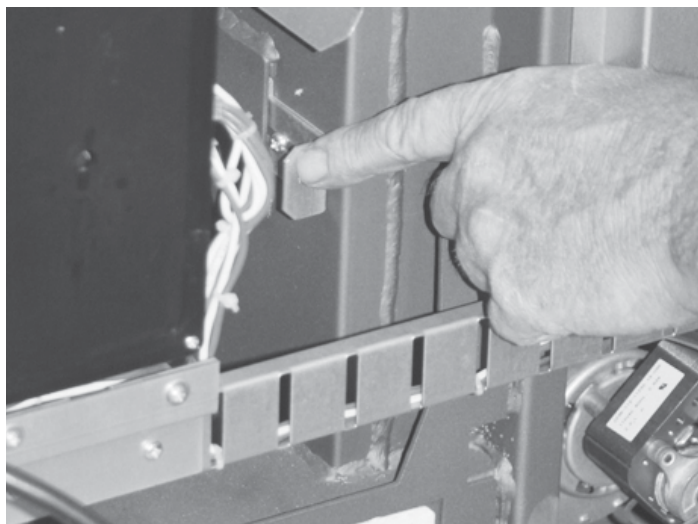


Figure 27

### Pour régler la tension d'échappement :

1. Appuyer et tenir le bouton ENTRER. Cela vous dirigera à l'écran « Set Data » (réglage des données).
2. À l'aide du bouton FLÈCHE BAS, aller à l'option 5 : « Set Exhaust Voltage » (Réglage de la tension de l'échappement). Appuyer de nouveau sur ENTRER pour aller dans l'écran « Set Exhaust Voltage ». **VOIR FIGURE 28.**
3. Sélectionner le « stall » (niveau de chauffage) pour la tension que vous voulez changer en descendant ou en montant et en appuyant sur ENTRER. La tension sera automatiquement mise en évidence.
4. À l'aide des boutons FLÈCHE HAUT ou FLÈCHE BAS, sélectionner la tension appropriée. **REMARQUE : La tension ne peut être augmentée ou diminuée que par incréments de cinq (5).**
5. Appuyer sur ENTRER pour finaliser vos changements. Répéter les étapes 2 à 4 pour les autres « stalls » si vous désirez.

Set Exhaust Voltage	
1.Stall1	Voltage:~85V
2.Stall2	Voltage:~90V
3.Stall3	Voltage:~95V
4.Stall4	Voltage:~100V
5.Stall5	Voltage:~110V

Figure 28

## DIAGNOSTICS

Le contrôleur de votre Castle Stove est équipé d'une option de diagnostics embarqués qui vous permettra de tester certains composants de votre poêle.

**REMARQUE : Vous pourrez entrer à l'écran de diagnostics lorsque le poêle est OFF (arrêté).**

Pour se rendre à l'écran des diagnostics :

1. Appuyer et tenir le bouton ENTRER. Cela vous dirigera à l'écran « Set Data » (réglage des données).
2. À l'aide du bouton FLÈCHE BAS, aller à l'option 6, « Diagnostics » (diagnostics). Appuyer sur ENTRER. Cela vous dirigera à l'écran « Diagnostics ». **VOIR FIGURE 29.**

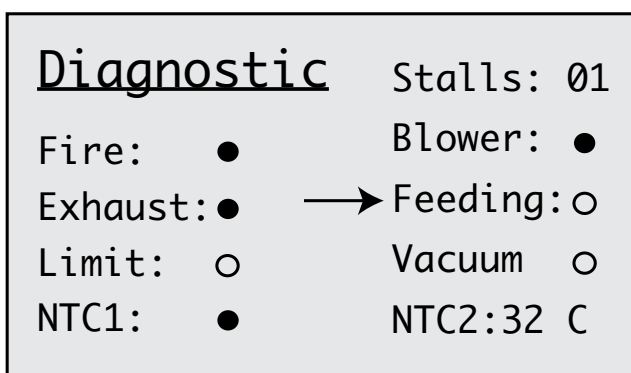


Figure 29

Si tous les composants fonctionnent correctement, les cercles à côté des composants seront ombragés.

*Stalls (niveau de puissance de chauffage)* : Changer le « stall » vous permettra de tester le composant dans les divers niveaux de puissance.

*Fire (feu)* : Indique si l'allumeur fonctionne correctement.

*Exhaust (échappement)* : Indique si le moteur à combustion et le système d'évacuation fonctionnent correctement.

*Limit (limite)* : Indique si le couvercle de la trémie est bien fermé.

*Blower (soufflante)* : Indique si le ventilateur de pièce/soufflante fonctionne correctement.

*Feeding (alimentation)* : Indique si la vis sans fin alimente correctement les granules.

*Vacuum (Dépression)* : Indique qu'il y a suffisamment de dépression et de succion.

*NTC1* : Indique que l'interrupteur de détection de flamme fonctionne correctement.

*NTC2* : Indique que la température est lue par le capteur de surchauffe. (La température est en Celsius)

En mode diagnostic, vous aurez la possibilité de tester certains composants de votre poêle pour voir s'ils fonctionnent correctement. En utilisant le bouton ENTRER, vous pouvez mettre en évidence « Fire » (Feu), « Exhaust » (échappement), « Blower » (soufflante) ou « Feeder » (alimentation). Lorsqu'une de ces options est mise en évidence, vous pouvez utiliser les boutons FLÈCHE HAUT ou FLÈCHE BAS pour enlever ou mettre l'ombrage dans le cercle à côté du composant du poêle qu'il représente. Cela tente de manuellement mettre en marche ces composants pour voir s'ils fonctionnent.


## RESTAURER LES VALEURS PAR DÉFAUT

Si en tout temps vous désirez remettre les réglages du poêle à leur état original, (par ex. les niveaux de tension de la soufflante ou les horaires hebdomadaires) votre poêle peut restaurer les réglages par défaut.

Pour restaurer les réglages par défaut :

1. Appuyer et tenir le bouton ENTRER pour entrer dans l'écran « Set Data » (réglage des données).
2. À l'aide du bouton FLÈCHE BAS, aller à l'option 7, « Restore Default Settings » (restaurer les valeurs par défaut).
3. Dans l'écran « Restore Default Settings » (restaurer les valeurs par défaut) vous avez une option « Yes » (oui) et « No » (non). Si vous ne voulez pas restaurer vos réglages, descendre et appuyer sur ENTRER. Si vous voulez restaurer vos réglages par défaut, sélectionner « YES » et appuyer sur ENTRER.
4. L'écran principal apparaîtra et vos réglages auront été changés.

## MISE À L'ARRÊT

Appuyer sur le bouton  du tableau de commande pour initier le mode de mise à l'arrêt. L'indicateur Marche/Arrêt sur l'écran affichera « OFF ». La vis sans fin d'alimentation s'arrêtera mais la soufflante de distribution d'air ambiant et le ventilateur d'évacuation continuent de tourner. Une fois que le poêle sera refroidi, le voyant à l'écran s'éteindra.

La durée de mise à l'arrêt peut varier.

## ENTRETIEN

### SOINS ET ENTRETIEN COURANT

En raison des différences dans le combustible, les intervalles de nettoyage du poêle varient. Plus le poêle est propre, et plus il brûle efficacement.

### NETTOYER LA BOÎTE À FEU

Enlever et nettoyer la boîte à feu quotidiennement. Vérifier qu'aucun trou de la boîte à feu n'est obstrué. Nettoyer ces trous avec une petite pointe métallique ou un foret. **VOIR FIGURE 30.**

### LES RESTANTS DE LA BOÎTE À FEU

Chaque fois que la trémie est remplie de carburant, la boîte à feu doit être vidée. Pour vider la boîte à feu, la soulever hors de son support et la jeter directement dans le cendrier. S'assurer que toute accumulation est enlevée et que les trous sont propres.

### NETTOYER LA VITRE

Ne nettoyer la vitre que lorsqu'elle est froide. Essuyer la vitre fréquemment. Essuyer la vitre avec un chiffon sec ou humide. Si cela ne nettoie pas la vitre, utiliser un nettoyant non abrasif. Un produit nettoyant pour cuisinière en céramique peut s'avérer utile pour nettoyer la suie de la vitre. Contrôler régulièrement les joints sur le pourtour de la vitre. Changer tout joint usé, effiloché ou écrasé. Remplacer une vitre brisée uniquement par une vitre céramique haute température, disponible auprès de Castle Pellet Stoves. **VOIR FIGURE 31.**

### CHAMBRE INTÉRIEURE

Nettoyer la chambre intérieure avec un aspirateur à cendres. Les aspirateurs à cendres sont conçus spécialement pour contenir la suie et ont un extérieur métallique.

### CENDRIER

Vider le cendrier à intervalles réguliers. Les cendres doivent être contenues dans un récipient métallique à couvercle hermétique. Le récipient à cendres fermé doit être placé sur un plancher non combustible ou sur le sol, bien à l'écart de tout matériau combustible. Si les cendres sont éliminées par enfouissement ou dispersées localement, elles doivent rester dans le récipient fermé jusqu'à ce que toutes les braises aient bien refroidi. **VOIR FIGURE 32.**

## **⚠ AVERTISSEMENT**

**NE JAMAIS EFFECTUER DE NETTOYAGE OU D'ENTRETIEN SUR UN POÊLE CHAUD.**

**LAISSER L'APPAREIL REFROIDIR PENDANT UN MINIMUM DE DEUX HEURES.**

**NE JAMAIS EFFECTUER D'ENTRETIEN ALORS QUE L'APPAREIL EST SOUS TENSION.**



Figure 30 : Nettoyage de la boîte à feu



Figure 31 : Essuyer la vitre et contrôler le joint



Figure 32 : Vidage du cendrier

## SUIE ET CENDRES VOLANTES

Les produits de la combustion contiennent de petites particules de cendre volante. La cendre volante s'accumule dans le système d'évacuation et restreint l'écoulement des gaz brûlés. Une combustion incomplète, notamment durant le démarrage, la mise à l'arrêt ou un mauvais fonctionnement du poêle, entraîne la formation de suie, qui s'accumule alors dans le système d'évacuation. Le système d'évacuation doit être contrôlé au moins une fois par mois pour déterminer si un nettoyage est nécessaire. Si un nettoyage est nécessaire, désassembler le système d'évacuation et nettoyer les pièces individuelles. **Lors du nettoyage des cendres, utiliser un aspirateur à cendres approuvé. Consulter un revendeur pour plus de détails.**

Contrôler les tés de nettoyage régulièrement pour déterminer l'intervalle de nettoyage requis. Utiliser une brosse de ramonage de 8 ou 10 cm pour nettoyer le conduit d'évacuation. Un conduit obstrué influe sur la qualité du feu. Veiller à nettoyer tous les tamis éventuels dans l'arrivée d'air. Un tamis obstrué coupe l'arrivée d'air de combustion et provoque une mauvaise combustion ou l'extinction du feu.

## ENTRETIEN QUOTIDIEN

Les surfaces du poêle peuvent être chaudes. Toujours porter des gants protecteurs, même lorsque le poêle est froid au toucher.

Vider la boîte de feu de ses cendres. Soulever la boîte de feu hors de son support et la jeter directement dans le cendrier. **VOIR FIGURE 33.**

Enlever toute accumulation et s'assurer que les trous sont propres.

Jeter les cendres dans un récipient métallique à couvercle hermétique. Le récipient à cendres fermé doit être placé sur un plancher non combustible ou sur le sol, bien à l'écart de tout matériau combustible en attendant l'élimination finale. La quantité de cendres sera déterminée par la quantité de carburant brûlé. Cette tâche peut devoir être faite jusqu'à trois fois par semaine. **VOIR FIGURE 34.**

## **⚠ AVERTISSEMENT**

**NE JAMAIS EFFECTUER DE NETTOYAGE OU D'ENTRETIEN SUR UN POÊLE CHAUD.**

**LAISSER L'APPAREIL REFROIDIR PENDANT UN MINIMUM DE DEUX HEURES.**

**NE JAMAIS EFFECTUER D'ENTRETIEN ALORS QUE L'APPAREIL EST SOUS TENSION.**



Figure 33 : Vider la boîte à feu



Figure 34 : Jeter les cendres

## ENTRETIEN HEBDOMADAIRE

En plus des tâches d'entretien quotidiennes, utiliser un aspirateur de cendres pour nettoyer l'intérieur de la boîte à feu.

Enlever la boîte à feu de son support et aspirer en dessous. S'assurer d'enlever toutes les cendres du tube d'entrée de l'allumage. **VOIR FIGURE 35.**

## ENTRETIEN MENSUEL

En plus des tâches quotidiennes et hebdomadaires, la plaque de recouvrement de la chambre d'échappement inférieure doit être enlevée et nettoyée complètement avec l'aspirateur. **VOIR FIGURE 36.** Un adaptateur de boyau peut être requis pour atteindre l'intérieur de la chambre. Cela devrait être fait chaque mois, ou chaque 2-3 tonnes de carburant brûlé.

**REMARQUE IMPORTANTE : UN TROU DEVRAIT ÊTRE FAIT DANS LE JOINT À L'AIDE D'UN COUTEAU À LAME RÉTRACTABLE POUR AVOIR ACCÈS À LA CHAMBRE. CELA VOUS PERMETTRA DE RÉUTILISER LE JOINT.**

## BIMESTRIEL (OU CHAQUE 2-3 TONNES DE CARBURANT)

Enlever et nettoyer le système d'évacuation.

Enlever et nettoyer le moteur à combustion, le boîtier et les roues. **VOIR FIGURE 37.**



Figure 35 : Enlever les cendres du tube d'allumage (sous la boîte à feu)

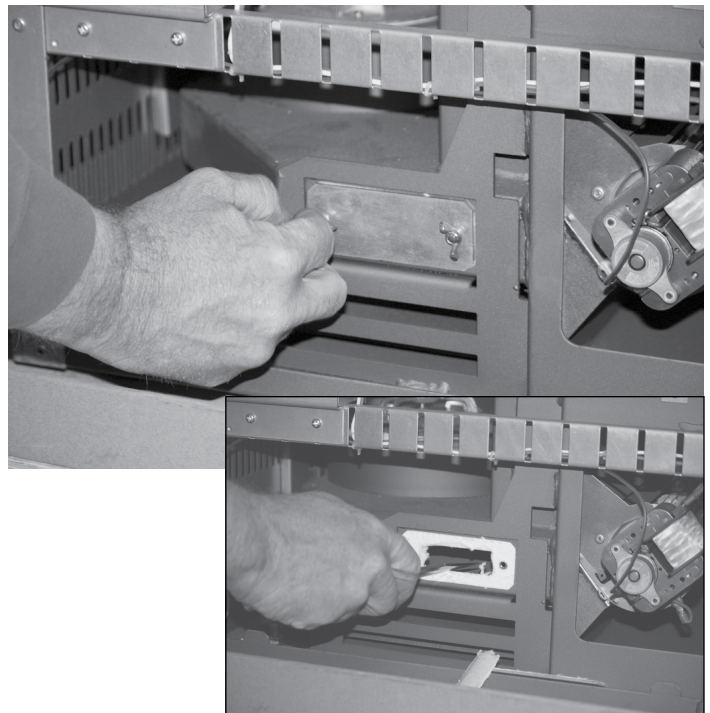


Figure 36 : Enlever la plaque de recouvrement de la chambre d'échappement inférieure et nettoyer

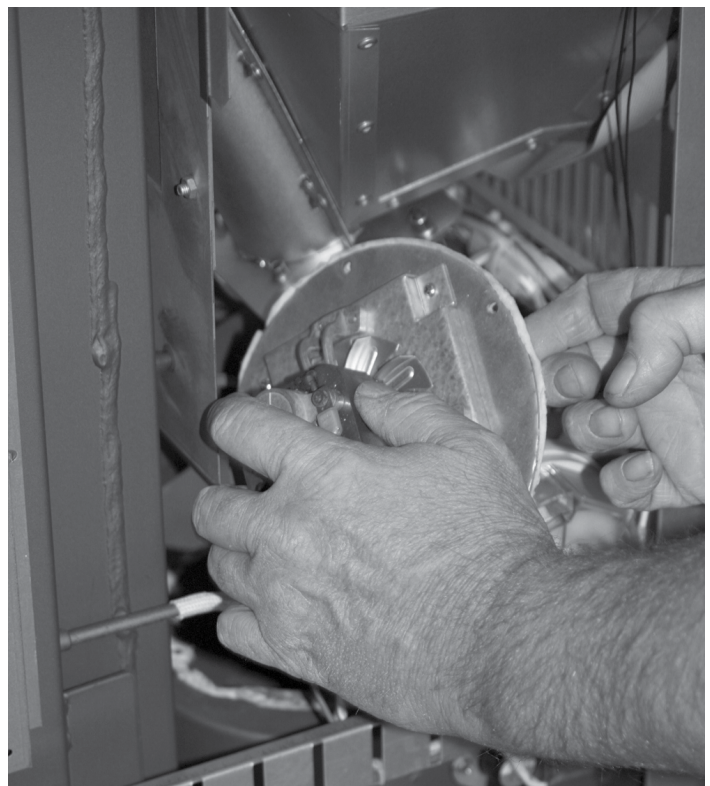


Figure 37 : Enlever le moteur à combustion et nettoyer

## DÉPANNAGE ET RÉPARATION

Chez Castle, nous intégrons la qualité et la durabilité dans la conception de nos produits; mais toute la conception soignée et tout l'entretien attentionné ne sauraient garantir une existence totalement exempte de réparation du poêle. La majorité des problèmes sont mineurs et aisément résolus en suivant les indications du guide de dépannage qui suit.

Ce guide aide à diagnostiquer les causes des problèmes les plus courants et à identifier leurs solutions.

Pour les réparations plus compliquées, il est préférable de s'adresser au revendeur, à un centre de réparation agréé ou à Castle Pellet Stoves. Un catalogue des pièces détachées est inclus dans cette section.

Nous sommes toujours heureux de répondre à toute question ou d'aider à trouver l'assistance qui convient. Pour commander des pièces ou se renseigner au sujet de la garantie, veuillez nous appeler ou nous écrire à l'adresse ci-dessous.

### COMMANDE DE PIÈCES DE RECHANGE

Les pièces peuvent s'obtenir dans le magasin où le poêle a été acheté ou directement auprès de l'usine. Pour commander des pièces auprès de l'usine, appeler ou envoyer un courriel à :

**Castle Pellet Stoves**  
**11-800-345-6007 • 1-715-822-2415**  
**Courriel : [info@ardisam.com](mailto:info@ardisam.com)**

Veiller à joindre les renseignements suivants à la commande :

1. Numéro de modèle et numéro de série
2. Description des pièces
3. Quantité
4. Référence des pièces

## **AVERTISSEMENT**

**LORS DE TOUTE OPÉRATION D'ENTRETIEN INTERNE.**

- **LES PIÈCES EN MOUVEMENT À L'INTÉRIEUR PEUVENT CAUSER DES BLESSURES. NE PAS UTILISER LE POÊLE AVEC DES PANNEAUX OUVERTS OU ENLEVÉS.**
- **PIÈCES CHAUDES. NE PAS FAIRE FONCTIONNER L'APPAREIL AVEC UN PANNEAU OUVERT.**
- **RISQUE DE CHOC ÉLECTRIQUE. DÉBRANCHER L'ALIMENTATION AVANT TOUT ENTRETIEN DE L'APPAREIL.**
- **DANS L'ÉVENTUALITÉ D'UNE DÉFAILLANCE DE COMPOSANT, LE REMPLACER PAR DU MATÉRIEL D'ORIGINE.**

## **ATTENTION**

**CECI EST UNE EXIGENCE MINIMALE POUR L'ÉLIMINATION DE LA SUIE ET DES CENDRES VOLANTES. LES CENDRES DOIVENT ÊTRE PLACÉES DANS UN RÉCIPIENT MÉTALLIQUE À COUVERCLE HERMÉTIQUE. LE RÉCIPIENT DOIT ÊTRE PLACÉ SUR UN PLANCHER NON COMBUSTIBLE, TRÈS À L'ÉCART DE MATÉRIEAUX COMBUSTIBLES, EN ATTENDANT L'ÉLIMINATION FINALE. SI LES CENDRES SONT ÉLIMINÉES PAR ENFOUISSEMENT OU DISPERSÉES LOCALEMENT, ELLES DOIVENT ÊTRE CONSERVÉES DANS LE RÉCIPIENT FERMÉ JUSQU'À CE QUE TOUTES LES BRAISES AIENT BIEN REFROIDI.**

## **ATTENTION**

**NE PAS FAIRE FONCTIONNER LE POÊLE AVEC LA VITRE BRISÉE.**  
**NE PAS CLAQUER LA PORTER EN LA FERMANT.**  
**NE PAS HEURTER LA VITRE.**  
**NE PAS UTILISER DE PRODUIT NETTOYANT ABRASIF.**  
**NE PAS NETTOYER LA VITRE CHAUDE.**  
**REMPLENER LA VITRE CÉRAMIQUE UNIQUEMENT PAR UNE PIÈCE DE RECHANGE AUTORISÉE.**  
**LES SCORIES RESTENT CHAUDES PENDANT PLUSIEURS MINUTES APRÈS QU'ELLES SONT RETIRÉES DE LA BOÎTE À FEU.**

## GUIDE DE DÉPANNAGE

Débrancher le poêle avant toute opération d'entretien. **NE JAMAIS TESTER NI CONTRÔLER DES COMPOSANTS ÉLECTRIQUES SAUF SI LE POÊLE EST DÉBRANCHÉ DE L'ALIMENTATION ÉLECTRIQUE.**

### **⚠ AVERTISSEMENT**

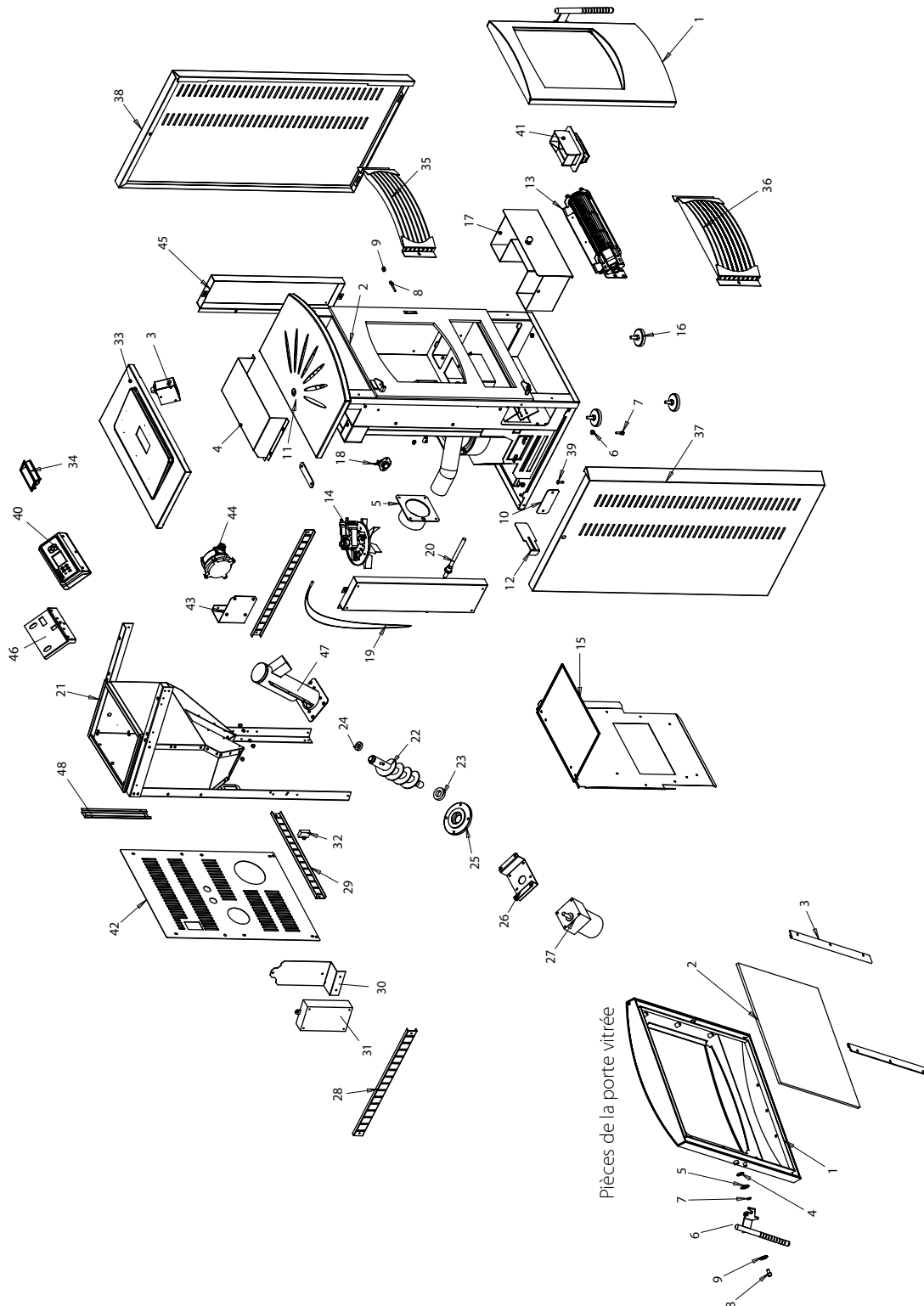
**NE JAMAIS TOUCHER NI EFFECTUER L'ENTRETIEN DE LA VIS SANS FIN ALORS QUE LE POÊLE EST BRANCHÉ.**

**L'EXISTENCE D'UNE DÉPRESSION DANS LA MAISON EST UNE QUESTION IMPORTANTE. SI CELA POSE UN PROBLÈME, LE POÊLE DOIT ÊTRE INSTALLÉ AVEC UN NÉCESSAIRE AIR FRAIS (NON FOURNI).**

PROBLÈME	CAUSE	SOLUTION
Le voyant de panne s'allume	Le feu s'éteint	Le panneau affiche panne d'essence, vérifier la boîte à feu. Ajouter du carburant à la trémie. Si la trémie est pleine, allumer de nouveau si le signal persiste. Puis entrer dans la section diagnostics du contrôleur. Un cercle à côté de « NTC1 » devrait être en évidence. Si non, remplacer l'interrupteur de détection de flamme 52°C.
PROBLÈME	CAUSE	SOLUTION
Le voyant de panne est allumé	Surchauffe	Entrer dans la section diagnostics du contrôleur. Il devrait y avoir une lecture en Celsius à côté de NTC2. Le ventilateur de pièce peut être testé en mettant en évidence le cercle à côté de « Blower ». Laisser refroidir le poêle et redémarrer. S'assurer que le tuyau d'échappement n'est pas obstrué.
PROBLÈME	CAUSE	SOLUTION
Pas d'alimentation de carburant, aucun signal de dépression sur le panneau de commande	La porte principale ou le cendrier n'est pas étanche.  Pas pression négative dans la chambre de combustion.  Les tuyaux ou le poêle sont bouchés par les cendres.	Le capteur de pression coupe la vis sans fin en l'absence de dépression dans la chambre de combustion. Contrôler les joints de la porte. Contrôler les joints de la vitre. Nettoyer l'évacuation et le poêle par le regard de nettoyage à cache. Entrer dans la section diagnostics sur le contrôleur et mettre en évidence le cercle à côté de l'alimentation; cela devrait mettre en cycle la vis sans fin et alimenter les granules. Puis mettre en évidence le cercle à côté de « Exhaust ». Le moteur d'évacuation devrait se mettre en marche et en dedans de 20 secondes, le signal de dépression devrait aussi être en évidence.
PROBLÈME	CAUSE	SOLUTION
Pas d'alimentation de carburant, le signal de dépression et de couvercle de trémie sont présents sur le panneau de commande.	La vis sans fin est obstruée  La vis sans fin ne fonctionne pas	Sortir la vis sans fin de son logement et nettoyer l'obstruction. Entrer dans la section diagnostics du contrôleur en mettre en évidence le cercle à côté de « Feeding ». Cela devrait mettre en cycle la vis sans fin et alimenter les granules. Remplacer la vis sans fin si nécessaire.

PROBLÈME	CAUSE	SOLUTION
Pas d'alimentation de carburant, aucun signal de couvercle de trémie sur le panneau de commande	Le couvercle de trémie est ouvert  Le contacteur du couvercle de trémie ne fonctionne pas correctement	Fermer la porte de la trémie. Entrer dans la section diagnostics du contrôleur; le cercle à côté de « Limit » devrait être en évidence lorsque le couvercle de trémie est fermé. Le cercle ne sera pas ombragé si le couvercle de trémie est ouvert. Vérifier le joint de la porte de trémie. Remplacer le contacteur de sécurité de la trémie s'il ne fonctionne pas correctement.
PROBLÈME	CAUSE	SOLUTION
Combustion lente et enfumée	Le poêle est sale Mauvaise qualité de carburant	Nettoyer la boîte à feu. Nettoyer le cendrier. Nettoyer le système d'évacuation. Nettoyer le poêle par l'orifice de nettoyage de la plaque de couvercle. Augmenter la tension du moteur d'évacuation.
PROBLÈME	CAUSE	SOLUTION
Alimentation en carburant ne s'allume pas; les indicateurs sont allumés	Le tube de l'allumeur ou la boîte à feu encrassé de cendres  Allumeur défectueux	Nettoyer la boîte à feu, nettoyer le tube de l'allumeur. Entrer dans la section diagnostics du contrôleur et tester l'allumeur en mettant en évidence « fire ». Vous devriez ressentir de la chaleur provenant du support de l'allumeur en dedans de deux minutes.  Remplacer si nécessaire

## EXPLOSION DES PIÈCES DU HPS10IC



## LISTE DES PIÈCES DU HPS10IC

REPÈRE	RÉF. PIÈCE	DESCRIPTION	QTÉ
1	720204	PORTE AVANT	1
2*	720205	ENSEMBLE SOUDÉ, FOYER	1
3	720105	CONTACTEUR COUVERCLE DE TRÉMIE	1
4*	720206	DÉFLECTEUR D'AIR DE CONVECTION SUP.	1
5*	720207	ENSEMBLE SOUDÉ, SORTIE DE TUYAU DE FUMÉE	1
6*	720208	CAPUCHON DE CHARNIÈRE	1
7*	720209	BROCHE DE CHARNIÈRE	1
8	720210	PÈNE DE VERROU DE PORTE	1
9	720285	MANCHON DE VERROU DE PORTE	1
10*	720212	CACHE DE REGARD DE NETTOYAGE	1
11	720213	PLATEAU SUPÉRIEUR	1
12*	720214	VOLET COULISSANT DE REGISTRE D'AIR	1
13	720104	SOUFFLANTE DE CONVECTION	1
14	720110	VENTILATEUR D'ÉVACUATION	1
15*	720215	DÉFLECTEUR THERMIQUE	1
16	720216	PIED RÉGLABLE	4
17	720217	CENDRIER	1
18	7200015	CONTACTEUR DISQUE À DÉTENTE 52 °C	1
19	720106	SONDE DE SURCHAUFFE RDT 92 °C	1
20	720307	ALLUMEUR	1
21*	720218	CHÂSSIS DE TRÉMIE	1
22	720219	VIS SANS FIN	1
23	720220	PALIER INFÉRIEUR DE VIS SANS FIN	1
24	720221	PALIER SUPÉRIEUR DE VIS SANS FIN	1
25	720222	PLAQUE INFÉRIEURE DE VIS SANS FIN	1
26*	720223	PLAQUE DE FIXATION MOTEUR DE VIS SANS FIN	1
27	720107	MOTEUR À ENGRENAGES	1
28*	720224	CHEMIN DE CÂBLES GAUCHE ET DROIT	2
29*	720225	CHEMIN DE CÂBLES ARRIÈRE	1
30	720305	SUPPORT DE MODULE D'INTERFACE IC	1
31	720304	MODULE D'INTERFACE IC	1
32	720227	INTERRUPTEUR D'ALIMENTATION PRINCIPAL	1
33	720228	ENSEMBLE DESSUS ET COUVERCLE DE TRÉMIE	1
34	720229	POIGNÉE DE COUVERCLE DE TRÉMIE	1
35*	720230	GRILLE DE SORTIE D'AIR	1
36*	720231	GRILLE D'ENTRÉE D'AIR	1
37	720299	PANNEAU LATÉRAL GAUCHE 10IC	1
38	720233	PANNEAU LATÉRAL DROIT	1

REPÈRE	RÉF. PIÈCE	DESCRIPTION	QTÉ
39	720234	BROCHE DE CHARNIÈRE SUPÉRIEURE	1
40	720298	TABLEAU DE COMMANDE	1
41	720235	BOÎTE À FEU	1
42	720300	PANNEAU ARRIÈRE	1
43*	720237	SUPPORT DE CONTACTEUR À DÉPRESSION	1
44	720238	CONTACTEUR À DÉPRESSION	1
45*	720239	BOUCLIER THERMIQUE	2
46	720301	SUPPORT DE COMMANDE	1
47	720120	BOÎTIER DE LA VIS SANS FIN	1
48	720306	COUVERCLE DE CÂBLE DE COMMUNICATION	1

\*Pièce non réparable, sur commande spéciale seulement

### Pièces de la porte vitrée

REPÈRE	RÉF. PIÈCE	DESCRIPTION	QTÉ
1	720241	PANNEAU DE PORTE	1
2	720242	VITRE DE PORTE	1
3	720243	BAGUETTE DE MAINTIEN DE VITRE	1
4	720244	RONDELLE ONDULÉE INTÉRIEURE	1
5	720245	RONDELLE DE RETENUE EXTÉRIEURE	1
6	720246	POIGNÉE DE PORTE	1
7	720247	MANCHON D'ESPACEMENT EXTÉRIEUR	1
8	720248	BOULON DE RETENUE POIGNÉE DE PORTE	1
9	720211	MANCHON DE VERROU DE PORTE	1

### Pièces proposées mais non représentées :

RÉF. PIÈCE	DESCRIPTION	QTÉ
720302	CÂBLE DE COMMUNICATION 10IC	1
720288	CONDENSATEUR DE VIS SANS FIN HPS10	1
720303	FAISCEAU DE CÂBLES HPS10IC	1
720290	PANNEAU DE VERMICULITE ARRIÈRE HAUT	1
720291	PANNEAU DE VERMICULITE ARRIÈRE BAS	1
720292	PANNEAU DE VERMICULITE LATÉRAL	1
720114	FUSIBLE	1
720308	RETENUE DE ALLUMEUR	1
11716	JOINT ORIFICE DE NETTOYAGE HAUT	1
11717	JOINT ORIFICE DE NETTOYAGE BAS	1
11718	JOINT DE VIS SANS FIN CASTLE	1
11720	DOUILLE MOTEUR CV CASTLE	1
11721	TÉLÉCOMMANDE PETITE NOIRE	1
720294	JOINT D'ÉVACUATION MOTEUR-BRIDE	1
720295	JOINT D'ÉVACUATION BRIDE-COLLECTEUR	1





Castle Stoves™, Division of Ardisam, Inc.  
1160 8th Avenue, PO Box 666  
Cumberland, WI 54829  
800-345-6007 | Fax 715-822-2223  
E-mail: [info@ardisam.com](mailto:info@ardisam.com)