



# Cabelas®

INSTRUCTIONS AND RECIPES | INSTRUCTIONS ET RECETTES

**ITM. / ART. 542089, 171891**  
**MODEL / MODÈLE : CB36ETC1**  
**PART / PIÈCE : 80001, 80006**

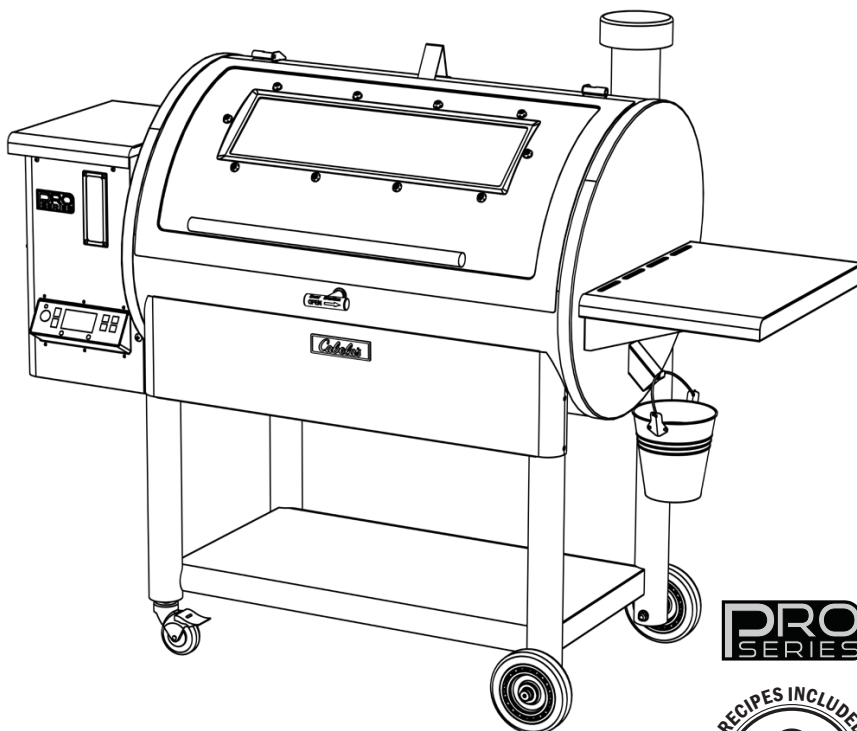
FOR OUTDOOR USE ONLY. NOT FOR  
COMMERCIAL USE.  
POUR UN USAGE EXTÉRIEUR. PAS POUR  
USAGE COMMERCIAL.

IMPORTANT, READ CAREFULLY, RETAIN  
FOR FUTURE REFERENCE. MANUAL  
MUST BE READ BEFORE OPERATING!  
IMPORTANT, PRENEZ CONNAISSANCE  
DE CE DOCUMENT ET CONSERVEZ-LE  
POUR RÉFÉRENCE ULTÉRIEURE VOUS  
DEVEZ LIRE CE GUIDE AVANT D'UTILISER  
LE BARBECUE !

**WARNING:** Please read the entire manual  
before installation and use of this electric,  
pellet fuel burning appliance. Failure to follow  
these instructions could result in property  
damage, bodily injury or even death. Contact  
local building or fire officials about restrictions  
and installation inspection requirements in  
your area.

**AVERTISSEMENT :** Veuillez lire l'intégralité  
du manuel avant l'installation et l'utilisation  
de cet appareil électrique, à granules. Ne  
pas suivre ces instructions peut entraîner des  
dégâts matériels ou des blessures corporelles  
graves pouvant aller jusqu'à la mort. Contactez  
les responsables locaux de la construction ou  
des incendies au sujet des restrictions et des  
exigences d'inspection de l'installation dans  
votre région.

**⚠ WARNING:** THIS PRODUCT CAN EXPOSE  
YOU TO CHEMICALS INCLUDING CARBON  
MONOXIDE, WHICH IS A COMBUSTION BY-PRODUCT  
KNOWN TO THE STATE OF CALIFORNIA TO CAUSE  
CANCER, BIRTH DEFECTS OR OTHER REPRODUCTIVE  
HARM. FOR MORE INFORMATION, GO TO :  
[WWW.P65WARNINGS.CA.GOV](http://WWW.P65WARNINGS.CA.GOV)



**PRO  
SERIES**



## CB36ETC1

**36" ELLIPTIC ENTHUSIAST  
WOOD PELLET GRILL & SMOKER**

**GRIL ET FUMOIR À GRANULES DE BOIS  
ELLIPTIQUE ENTHUSIAST DE 36 PO**

# SAFETY INFORMATION

**MAJOR CAUSES OF APPLIANCE FIRES ARE A RESULT OF POOR MAINTENANCE AND A FAILURE TO MAINTAIN REQUIRED CLEARANCE TO COMBUSTIBLE MATERIALS. IT IS OF UTMOST IMPORTANCE THAT THIS PRODUCT BE USED ONLY IN ACCORDANCE TO THE FOLLOWING INSTRUCTIONS.**

Please read and understand this entire manual before attempting to assemble, operate or install the product. This will ensure you receive the most enjoyable and trouble-free operation of your new wood pellet grill. We also advise you retain this manual for future reference.

## DANGERS AND WARNINGS

**You must contact your local home association, building or fire officials, or authority having jurisdiction, to obtain the necessary permits, mission or information on any installation restrictions, such as any grill being installed on a combustible surface, inspection requirements or even ability to use, in your area.**

1. A minimum clearance of 305mm (12 inches) from combustible constructions to the sides of the grill, and 305mm (12 inches) from the back of the grill to combustible constructions must be maintained. **Do not install appliance on combustible floors, or floors protected with combustible surfaces unless proper permits and permissions are obtained by authorities having jurisdiction.** Do not use this appliance indoors or in an enclosed, unventilated area. This wood pellet appliance must not be placed under overhead combustible ceiling or overhang. Keep your grill in an area clear and free from combustible materials, gasoline and other flammable vapors and liquids.

**Should a grease fire occur, turn the grill OFF and leave the lid closed until the fire is out. Do not unplug the power cord. Do not throw water on the unit. Do not try to smother the fire. Use of an all-class (class ABC) approved fire extinguisher is valuable to keep on site. If an uncontrolled fire does occur, call the Fire Department.**

2. Keep electrical supply cords and the fuel away from heated surfaces. Do not use your grill in the rain or around any water source.
3. After a period of storage, or non-use, check the burn grate for obstructions, the hopper for foreign objects, and any air blockage around the fan intake or rear barrel exhaust holes. Clean before use. Regular care and maintenance is required to prolong the lifespan of your unit. If the grill is stored outside during the rainy season or seasons of high humidity, care should be taken to insure that water does not get into the hopper. When wet or exposed to high humidity, wood pellets will expand greatly, decompose, and may jam the feed system. Always disconnect the power, before performing any service or maintenance.

**Do not transport your grill while in use or while the grill is hot. Ensure the fire is completely out and that the grill is completely cool to the touch before moving.**

4. It is recommended to use heat-resistant barbecue mitts or gloves when operating the grill. Do not use accessories not specified for use with this appliance. Do not put a barbecue cover or anything flammable in the storage space area under the barbecue.
5. To prevent fingers, clothing or other objects from coming in contact with the auger feed system, the appliance is equipped with a metal safety screen, mounted to the interior of the hopper. This screen must not be removed unless directed by Customer Service or an authorized dealer.

**This appliance is not recommended for children, persons with reduced physical, sensory or mental capabilities, or lack of experience and knowledge, unless they are under direct supervision or instruction by a person responsible for their safety.**

6. Parts of the barbecue may be very hot, and serious injury may occur. Keep young children and pets away while in use.

7. Do not enlarge igniter holes or burn pots. Failure to follow this warning could lead to a fire hazard and bodily harm and will void your warranty.
8. Product may have sharp edges or points. Contact may result in injury. Handle with care.

## DISPOSAL OF ASHES

Ashes should be placed in a metal container with a tight-fitting lid. The closed container of ashes should be placed on a non-combustible floor or on the ground, well away from all combustible materials, pending final disposal. When ashes are disposed by burial in soil, or otherwise locally dispersed, they should be retained in a closed container until all cinders have thoroughly cooled.

## WOOD PELLET FUEL

This pellet cooking appliance is designed and approved for pelletized, all natural, wood fuel only. Any other type of fuel burned in this appliance will void the warranty and safety listing. You must only use all natural wood pellets, designed for burning in pellet barbecue grills. Do not use fuel with additives.

**Do not use spirit, petrol, gasoline, lighter-fluid or kerosene for lighting or refreshing a fire in your grill. Keep all such liquids well away from the appliance when in use.**

At this time of printing, there is no industry standard for barbecue wood pellets, although most pellet mills use the same standards to make wood pellets for domestic use. Further information, can be found at [www.pelletheat.org](http://www.pelletheat.org) or the *Pellet Fuel Institute*.

Contact your local dealer on the quality of pellets in your area, and for information on brand quality. As there is no control over the quality of pellets used, we assume no responsibility to damage caused by poor quality of fuel.

## CREOSOTE

Creosote, or soot, is a tar-like substance. When burning, it produces black smoke with a residue which is also black in color. Soot or creosote is formed when the appliance is operated incorrectly, such as: incorrect position of the burn grate, blockage of the combustion fan, failure to clean and maintain the burn area, or poor air-to-fuel combustion.

It is dangerous to operate this appliance should the flame become dark, sooty, or if the burn pot is overfilled with pellets. When ignited, this creosote makes an extremely hot and uncontrolled fire, similar to a grease fire. Should this happen, turn the unit OFF, let it cool completely, then inspect for maintenance and cleaning. It commonly accumulates along exhaust areas.

If creosote has formed within the unit; allow the unit to warm up at a low temperature, turn off the appliance, then wipe away any formation with a hand towel. Similar to tar, it is much easier to clean when warm, as it becomes liquid.

## CARBON MONOXIDE ("THE SILENT KILLER")

Carbon monoxide is a colorless, odorless, tasteless gas produced by burning gas, wood, propane, charcoal or other fuel. Carbon monoxide reduces the blood's ability to carry oxygen. Low blood oxygen levels can result in headaches, dizziness, weakness, nausea, vomiting, sleepiness, confusion, loss of consciousness or death. Follow these guidelines to prevent this colorless, odorless gas from poisoning you, your family, or others:

- See a doctor if you or others develop cold or flu-like symptoms while cooking or in the vicinity of the appliance. Carbon monoxide poisoning, which can easily be mistaken for a cold or flu, is often detected too late.
- Alcohol consumption and drug use increase the effects of carbon monoxide poisoning.

Carbon monoxide is especially toxic to mother and child during pregnancy, infants, the elderly, smokers, and people with blood or circulatory system problems, such as anemia, or heart disease.

## SAFETY LISTING

In accordance with the procedures and specifications listed in the UL SUBJECT 2728-2009 "pellet fuel cooking appliances" and ULC/ORD C272 and CANADIAN CSA C22.2 #3 "for electrical features of fuel burning equipment." Cabela's pellet cooking appliances have been independently tested and listed by INTERTEK (an accredited testing laboratory) to ETL, UL, ULC and CSA standards.



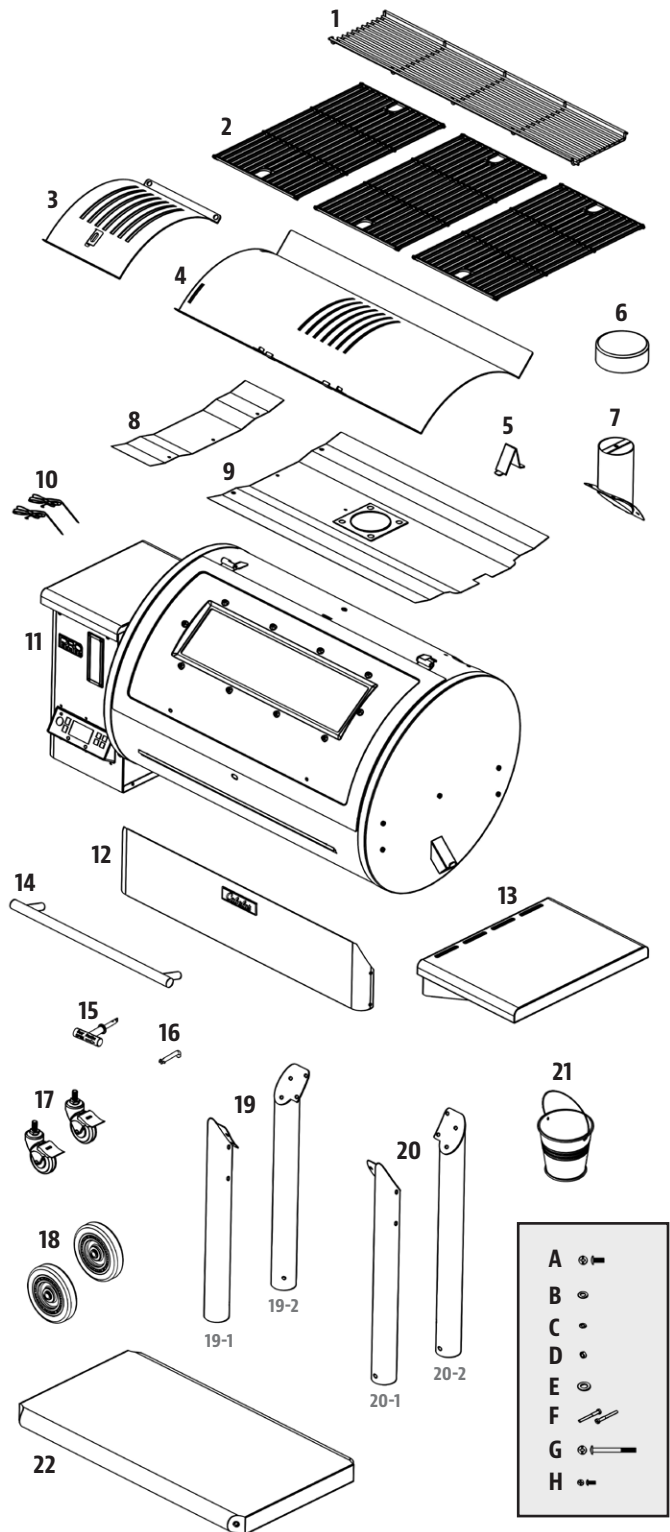
# TABLE OF CONTENTS

Safety Information .....	2	Understanding The Probes .....	13
Parts & Specs.....	5	Understanding The Control Board .....	14
Assembly Preparation.....	6	Hopper Priming Procedure .....	15
Assembly Instructions		First Use – Grill Burn-Off .....	15
Mounting The Left Support Legs To The Barrel .....	6	Preheating .....	15
Mounting The Right Support Legs To The Barrel .....	7	Automatic Start-Up Procedure.....	15
Assembling The Bottom Shelf.....	7	Manual Start-Up Procedure .....	16
Mounting The Wheels.....	7	Shutting Off Your Grill.....	16
Securing The Support Plate .....	8	Care & Maintenance .....	17
Securing The Lid Stopper .....	8	Using Wood Pellet Fuel.....	18
Attaching The Lid Handle .....	8	Cooking Guidelines .....	18
Securing The Chimney.....	8	Tips & Techniques .....	20
Placing The Grease Bucket.....	9	Troubleshooting .....	21
Mounting The Side Shelf .....	9	Electrical Wire Diagram .....	23
Assembling The Sear Station.....	9	Replacement Parts	
Securing The Heat Deflector Plates.....	10	Grill Replacement Parts .....	24
Installing The Cooking Components .....	10	Hopper Replacement Parts.....	25
Connecting To A Power Source.....	11	Recipes .....	26
Operating Instructions			
Grill Environment .....	12		
Grill Temperature Ranges.....	13		

# PARTS & SPECS

Part#	Description
1	Porcelain-Coated Steel Upper Cooking Rack
2	Porcelain-Coated Cast-Iron Cooking Grids (x3)
3	Flame Broiler Slider
4	Flame Broiler Main Plate
5	Lid Stopper
6	Chimney Cap
7	Chimney Stack
8	Small Heat Deflector Plate
9	Large Heat Deflector Plate
10	Meat Probe (x2)
11	Main Barrel / Hopper Assembly
12	Support Plate
13	Side Shelf
14	Lid Handle
15	Sear Station Handle
16	Sear Station Arm
17	Locking Caster Wheel (x2)
18	Wheel (x2)
19	Support Leg For Locking Caster Wheel (x2)
20	Support Leg For Wheel (x2)
21	Grease Bucket
22	Bottom Shelf
A	Screw (x18)
B	Washer (x18)
C	Locking Washer (x18)
D	Nut (x2)
E	Wheel Washer (x4)
F	Wheel Axle Pin (x2)
G	Screw (x4)
H	Screw (x4)

NOTE: Due to ongoing product development, parts are subject to change without notice. Contact Customer Service if parts are missing when assembling the unit.



ENGLISH

## PB – ELECTRIC REQUIREMENTS

120V, 3.1AMP, 60HZ, 250W, 3-PRONG GROUNDED PLUG

MODEL	UNIT ASSEMBLED (WxHxD)	UNIT WEIGHT	COOKING AREA	TEMP. RANGE	DIGITAL FEATURES
<b>CB36ETC1</b>	1,590mm x 1,229mm x 645mm / 62.6" x 48.4 x 25.4"	83 kg / 183 lb	Main - 4,883 cm <sup>2</sup> / 757 sq. in. Upper Rack - 1,696 cm <sup>2</sup> / 263 sq. in. <b>TOTAL - 6,579 cm<sup>2</sup> / 1,020 sq. in.</b>	82-260°C / 180-500°F	Automatic start-up and cool-down cycles, meat probe, electric igniter

# ASSEMBLY PREPARATION

Parts are located throughout the shipping carton, including underneath the grill. Inspect the grill, parts, and hardware blister pack after removing from the protective shipping carton. Before assembly of product, review all parts and reference the parts list. If any part is missing or damaged, do not attempt to assemble. Contact Customer Service at 1.887.303.3135 .

**IMPORTANT: To ease installation, using two people is helpful (but not necessary) when assembling this unit.**

**Tools required for assembly:** screwdriver and level. *Tools not included.*



# ASSEMBLY INSTRUCTIONS

**IMPORTANT: It is advised to read each step entirely before starting assembly on instructions. Do not tighten screws completely until all screws for that step have been installed. Hardware combination involving a locking washer and washer should be installed with the locking washer closest to the head of the screw.**

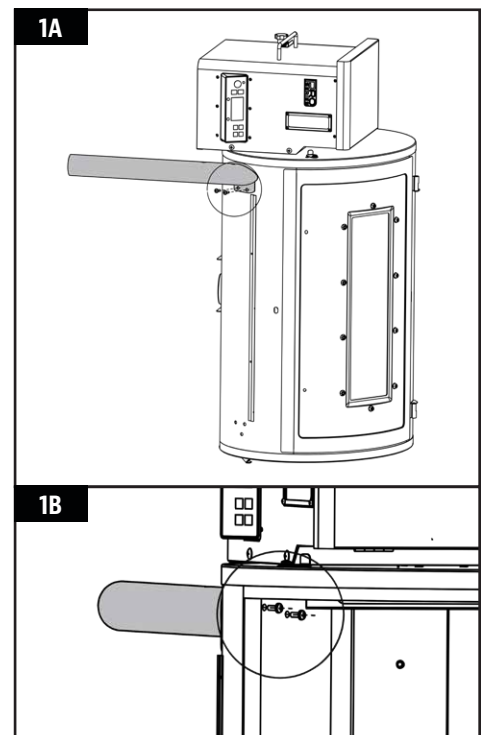
## 1. MOUNTING THE LEFT SUPPORT LEGS TO THE BARREL

### Parts Required:

- 1 x Main Barrel (#11)
- 2 x Support Leg For Locking Caster Wheel (#19)
- 8 x Screw (#A)
- 8 x Locking Washer (#C)
- 8 x Washer (#B)

### Installation:

- Place a piece of cardboard on the floor to prevent scratching the unit. Lay the main barrel down on its side, hopper end pointed upward, on the cardboard.
- Assemble one support leg for locking caster wheel onto the main barrel (side closest to the hopper). Install two washers, locking washers, and screws from the outside of the main barrel, towards the inside. Note illustration 1A. Next, install two washers, locking washers, and screws from the inside of the main barrel, towards the outside, on the same support leg. Note illustration 1B.
- Repeat same installation for other support leg for locking caster wheel.



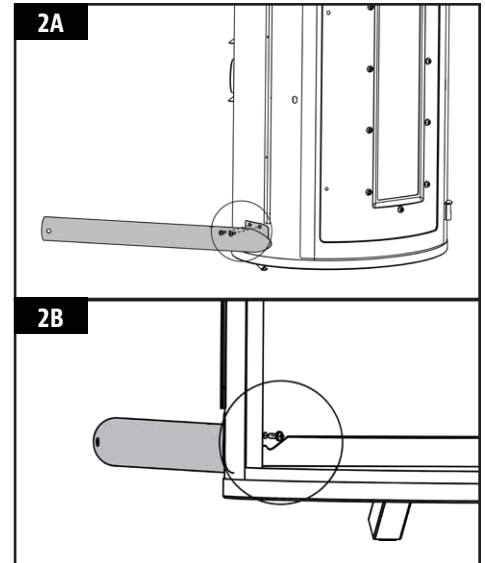
## 2. MOUNTING THE RIGHT SUPPORT LEGS TO THE BARREL

### Parts Required:

- 2 x Support Leg For Wheel (#20)
- 6 x Screw (#A)
- 6 x Locking Washer (#C)
- 6 x Washer (#B)

### Installation:

- Assemble one support leg for wheel onto the main barrel (closest to the floor/cardboard). Install two washers, locking washers, and screws from the outside of the main barrel, towards the inside. Note illustration 2A. Next, install one washer, locking washer, and screw from the inside of the main barrel, towards the outside, on the same support leg. Note illustration 2B.
- Repeat same installation for other support leg for wheel.



## 3. ASSEMBLING THE BOTTOM SHELF

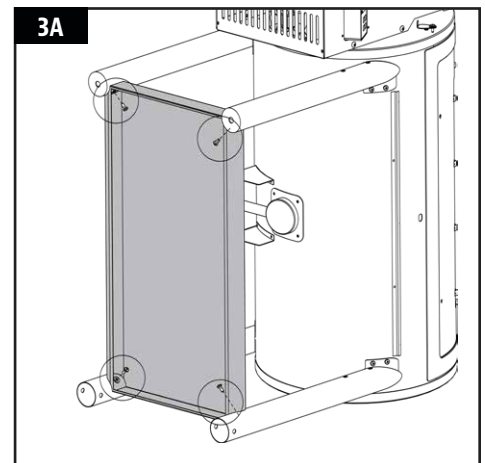
### Parts Required:

- 1 x Bottom Shelf (#22)
- 4 x Screw (#A)
- 4 x Locking Washer (#C)
- 4 x Washer (#B)

### Installation:

- Attach the bottom shelf using a washer, locking washer, and screw on each of the four support legs.

**IMPORTANT: The flat surface of the bottom shelf should face the main barrel. Take care not to install the bottom shelf upside-down.**



## 4. MOUNTING THE WHEELS

### Parts Required:

- 2 x Locking Caster Wheel (#17)
- 2 x Wheel (#18)
- 2 x Wheel Axle Pin (#F)
- 4 x Wheel Washer (#E)
- 2 x Wheel Axle Nut (#D)

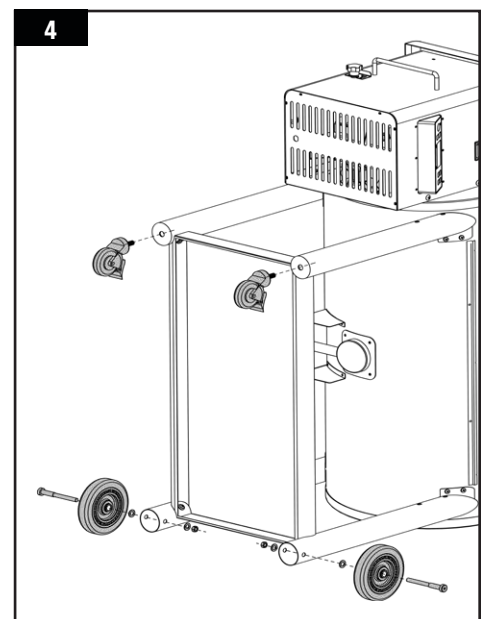
### Installation:

- Insert one of the pre-threaded locking caster wheels into the bottom of a support leg by hand-tightening it into the hole. Ensure the locking caster wheel is inserted completely. Continue to install the other caster wheel to the other support leg.

**IMPORTANT: Lock caster wheels before lifting grill upright.**

- Attach the wheel to the support leg by inserting the wheel axle pin through the wheel, add a wheel axle washer, then insert through the support leg. Secure the wheel axle pin by adding another wheel axle washer, then the wheel axle nut. Repeat installation for the other wheel to the final support leg.

**NOTE: Once all wheels are mounted, the two locking caster wheels**



should be on the same side, and the two support legs with the wheels should be on the opposing end.

- Carefully, lift the grill into an upright position, wheels on the floor.

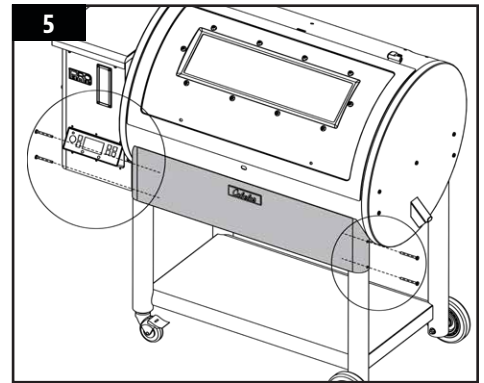
## 5. SECURING THE SUPPORT PLATE

### Parts Required:

- 1 x Support Plate (#12)
- 4 x Screw (#G)

### Installation:

- Clip the curved sides of the support plate to the front-facing support legs, and align the holes to secure. Insert a screw into each hole, but fasten only half-way. Once all four screws are partially installed to the support legs, secure the screws completely.



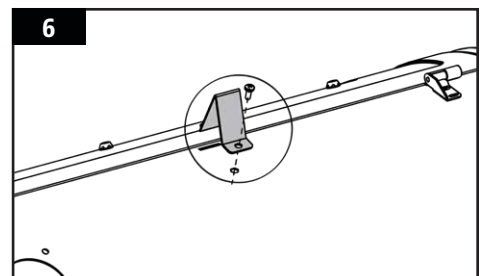
## 6. SECURING THE LID STOPPER

### Parts Required:

- 1 x Lid Stopper (#5)

### Installation:

- Secure the lid stopper onto the top of the main barrel using the pre-installed screw on the top of the main barrel.



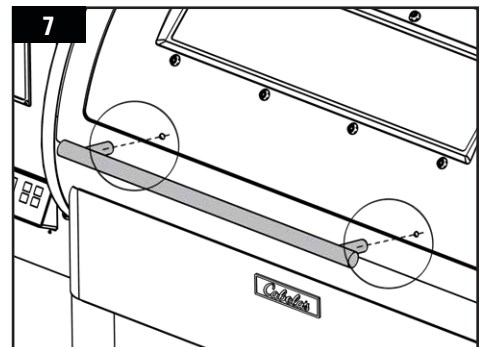
## 7. ATTACHING THE LID HANDLE

### Parts Required:

- 1 x Lid Handle (#14)

### Installation:

- Remove the pre-installed screws from the lid handle. From inside the main barrel lid, insert one screw so that it protrudes to the outside, then hand-tighten the screw (from the inside) into the lid handle. Repeat same installation for other end of lid handle.



## 8. SECURING THE CHIMNEY

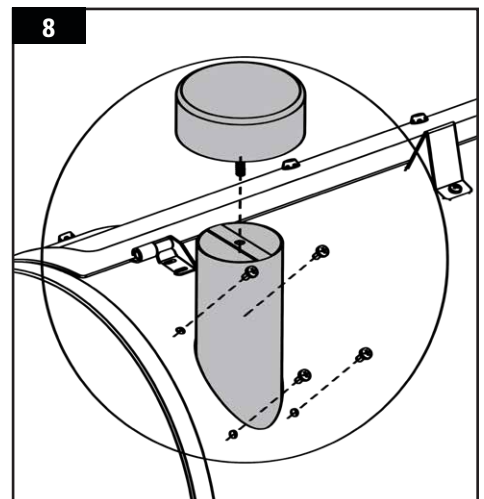
### Parts Required:

- 1 x Chimney Cap (#6)
- 1 x Chimney Stack (#7)
- 4 x Screw (#H)

### Installation:

- Locate the chimney opening on the backside of the main barrel. From the inside of the main barrel, insert the chimney chimney stack through the opening. Insert a screw into each hole from the outside of the main barrel, but fasten only half-way. Once all four screws are partially installed, secure the screws completely.
- Next, twist the chimney cap onto the top of the chimney stack.

**NOTE: Adjust the chimney cap to affect the airflow inside the main grill. If cooking at low temperature, keep the cap more open. Ensure the chimney cap allows for air to escape.**



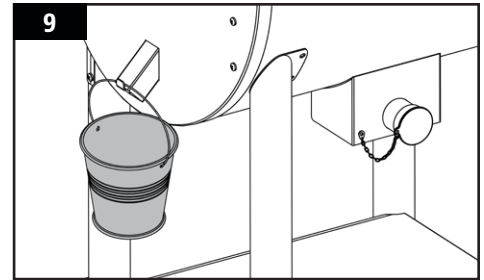
## 9. PLACING THE GREASE BUCKET

### Parts Required:

- 1 x Grease Bucket (#21)

### Installation:

- Place the grease bucket on the spout hook on the end of the main barrel. Ensure it is level to avoid grease spills.



## 10. MOUNTING THE SIDE SHELF

### Parts Required:

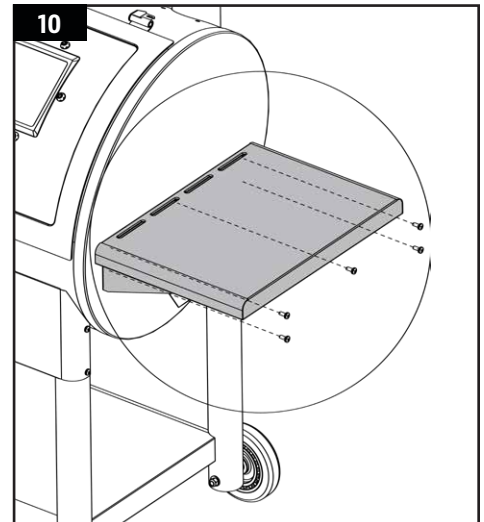
- 1 x Side Shelf (#13)

### Installation:

- Remove the five pre-mounted screws from the side of the main barrel.
- From underneath, secure the side shelf to the side panel of the main barrel using the five screws previously removed.

**NOTE: Do not tighten any screws completely until all screws have been installed. Once all screws are installed, then tighten securely.**

**IMPORTANT: Avoid using the side shelves to move or lift the grill. The weight of the unit will cause the side shelf to break, which is not covered by warranty.**



## 11. ASSEMBLING THE SEAR STATION

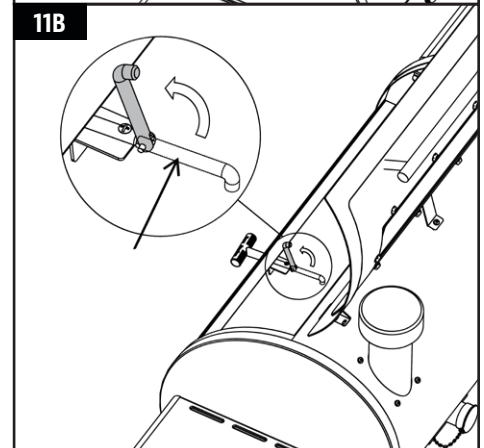
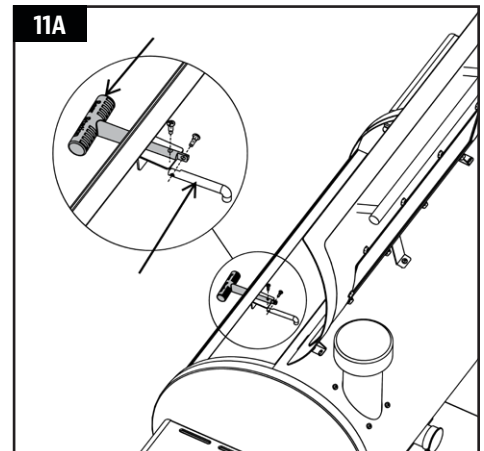
### Parts Required:

- 1 x Sear Station Handle (#15)
- 1 x Sear Station Arm (#16)

### Installation:

- Open the main barrel lid. Along the middle of the front panel of the main barrel, remove the one pre-mounted screw from the interior ledge plate. Insert the sear station handle through the opening on the front panel, and secure using previously removed screw. Note illustration details in 11A.
- Next, remove the pre-assembled screw on the sear station arm. Match up the joint ends, and connect the sear station handle to the sear station arm with the previously removed screw. Once the arm is installed, ensure it can easily be raised and lowered. Note illustration details in 11B.

**IMPORTANT: The curved end of the sear station arm should be pointed towards the bottom of the grill. This will anchor into the flame broiler slide plate in a future assembly step.**



## 12. SECURING THE HEAT DEFLECTOR PLATES

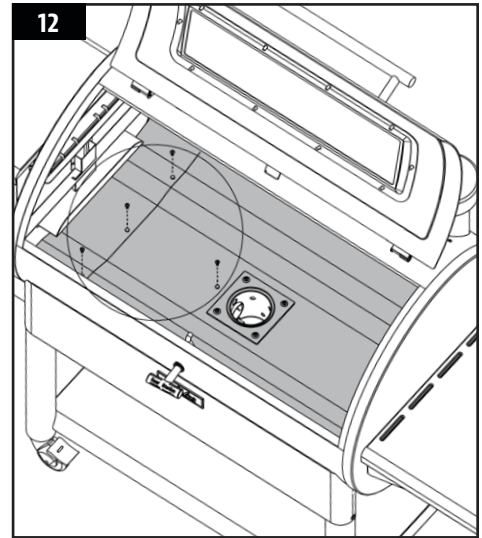
### Parts Required:

- 1 x Large Heat Deflector Plate (#9)
- 1 x Small Heat Deflector Plate (#8)

### Installation:

- Open the main barrel lid. Remove the two screws that are pre-installed on the auger housing, directly left of the fire pot. Set screw aside.
- Remove the two screws pre-assembled along one side of the large deflector plate, and set aside. With the three holes towards the left side (hopper side), place the large heat deflector plate into the main barrel so the central opening aligns with the fire pot on. Secure the large deflector plate onto the auger housing with the one screw previously removed.
- Next, place the small heat deflector plate on the far left, to overlap the large heat deflector plate, and complete the sealing off of the base of the grill barrel. To secure the small and large heat deflector plates together by using the three screws previously removed.

**IMPORTANT: Ensure that both heat deflector plates seal off the base of the grill barrel. Incorrect placement of these parts may affect the ability to reach higher temperatures in the grill while cooking.**



## 13. INSTALLING THE COOKING COMPONENTS

### Parts Required:

- 1 x Flame Broiler Main Plate (#4)
- 1 x Flame Broiler Slider (#3)
- 3 x Cooking Grids (#2)
- 1 x Upper Cooking Rack (#1)

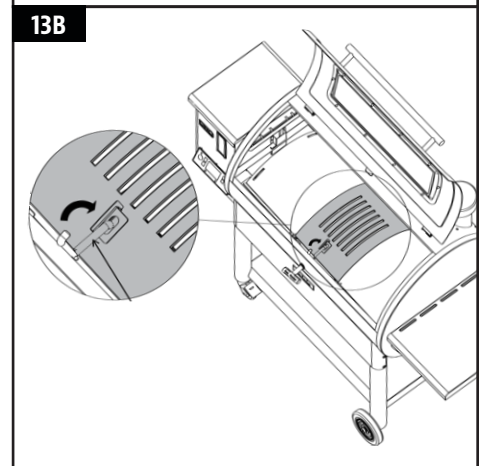
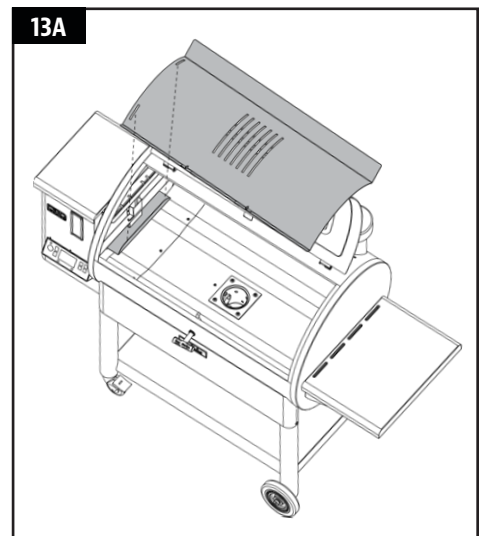
### Installation:

- Insert the flame broiler main plate into the main grill. Rest the flame broiler main plate on the built-in ledge (on the inside right) of the main grill that directs grease towards the grease bucket. Slide the entire piece to the left side, and the two slots on the flame broiler main plate will fit into the rounded ledge above the auger housing. The flame broiler main plate will sit slightly at a downward angle once installed correctly. Note illustration 13A.

**NOTE: If the main plate is on the base of the barrel, it is installed incorrectly.**

- Place the flame broiler slider on top of the flame broiler main plate, covering the slotted openings. Ensure the raised tab is on the left, to easily adjust for direct or indirect flame when cooking. Drop down the sear station arm into the hole of the raised tab on the flame broiler slider, controlling the access to direct flame. Note illustration 13B.

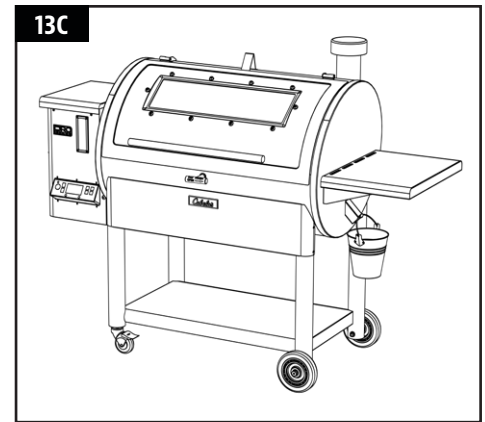
**NOTE: When the flame broiler slider is open, and direct flame is used, do not leave the grill unattended for any period of time.**



- Place the cooking grids, side-by-side, on the grid ledge inside the main grill. Place the upper cooking rack on the upper ledge inside the main grill. The cooking rack will lock into place.

**NOTE: To maintain the searing and grilling performance of your cooking grids, regular care and maintenance is required.**

- The unit is now completely assembled. Note illustration 13C.



## 14. CONNECTING TO A POWER SOURCE

**NOTE: Before plugging your unit into any electrical outlet, ensure the temperature dial is in the OFF position.**

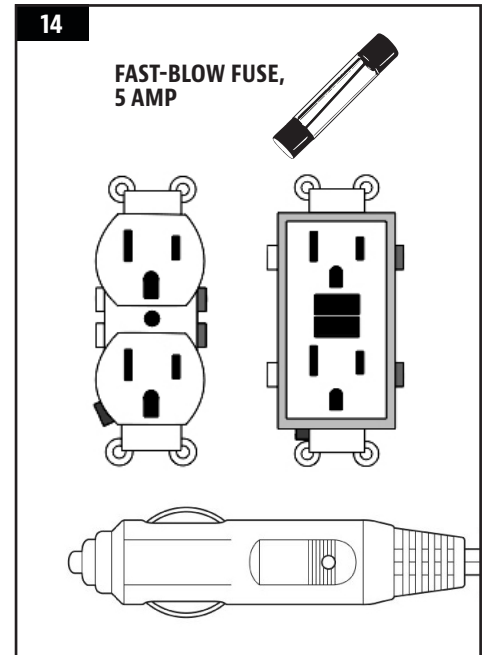
- STANDARD OUTLET**

This appliance requires 110 volt, 60hz, 275w, 5 amp service. It must be a 3-prong grounded plug. Ensure grounded end is not broken off before use. The control uses a 5 amp, 120 volt, fast-blow fuse to protect the board from the igniter.
- GFCI OUTLETS**

This appliance will work on most GFCI outlets, with a recommended size of 15 amp service. If your GFCI outlet is highly sensitive to power surges, it will likely trip during the start-up phase of operation. During the start-up phase, the igniter draws 200-700 watts of electricity which can be too much power for a GFCI outlet to handle. Each time it trips, it increases in sensitivity. If the GFCI keeps tripping, replace the outlet or change to a non-GFCI outlet.
- ON THE ROAD**

Disconnect the igniter from the main wiring harness. Use the manual start-up procedure. A unit can operate using a 12 volt, 100 watt inverter plugged into your automobile outlet. To use the automatic igniter, it is recommended to use a minimum of a 1000 watt inverter.

**IMPORTANT: Disconnect unit from power source when not in use.**



# OPERATING INSTRUCTIONS

*With today's lifestyle of striving to eat healthy and nutritious foods, one factor to consider is the importance of reducing fat intake. One of the best ways to cut down on fat in your diet is to use a low fat method of cooking, such as grilling. As a pellet grill uses natural wood pellets, the savory wood flavor is cooked into the meats, reducing the need for high sugar content sauces. Throughout this manual, you will notice the emphasis on grilling food slowly at LOW or MEDIUM temperature settings.*

## GRILL ENVIRONMENT

### 1. WHERE TO SET-UP THE GRILL

With all outdoor appliances, outside weather conditions play a big part in the performance of your grill and the cooking time needed to perfect your meals.

All units should keep a minimum clearance of 305mm (12 inches) from combustible constructions, and this clearance must be maintained while the grill is operational. This appliance must not be placed under overhead combustible ceiling or overhang. Keep your grill in an area clear from combustible materials, gasoline and other flammable vapors and liquids.

### 2. COLD WEATHER COOKING

As it becomes cooler outside, that does not mean that grilling season is over! The crisp cool air and heavenly aroma of smoked foods will help cure your winter blues.

Follow these suggestions on how to enjoy your grill throughout the cooler months:

- If smoking at low temperatures fails, increase the temperature slightly to achieve the same results.
- Organize – Get everything you require ready in the kitchen before you head outdoors. During the winter, move your grill to an area that is out of the wind and direct cold. Check local bylaws regarding the proximity of your grill in relation to your home and/or other structures. Put everything you need on a tray, bundle up tight, and get it done!
- To help keep track of the outside temperature, place an outdoor thermometer close to your cooking area. Keep a log or history of what you cooked, the outdoor temperature, and the cooking time. This will help later down the road to help you determine what to cook and how long it will take.
- In very cold weather, increase your preheating time by at least 20 minutes.
- Avoid lifting the lid any more than necessary. Cold gusts of wind can completely cool your grill temperature. Be flexible with your serving time; add about 10 – 15 minutes extra cooking time each time you open the lid.
- Have a heated platter or a dish cover ready to keep your food warm while making the trip back inside.
- Ideal foods for winter cooking are those that require little attention, such as roasts, whole chickens, ribs, and turkey. Make your meal preparation even easier by adding simple items such as vegetables and potatoes.

### 3. HOT WEATHER COOKING

As it becomes warmer outdoors, the cooking time will decrease.

Follow these few suggestions on how to enjoy your grill throughout the hot months:

- Adjust your cooking temperatures downward. This helps to avoid unwanted flare-ups.
- Use a meat thermometer to determine the internal temperature of your foods. This helps in preventing your meat from over cooking and drying out.
- Even in hot weather it is still better to cook with the lid of your grill down.
- You can keep foods hot by wrapping them in foil, and placing them in an insulated cooler. Stuff crumpled up newspaper around the foil and this will keep food hot for 3 to 4 hours.

## GRILL TEMPERATURE RANGES

Temperature readouts on the control board may not exactly match the thermometer. All temperatures listed below are approximate and are affected by the following factors: outside ambient temperature, the amount and direction of wind, the quality of pellet fuel being used, the lid being opened, and the quantity of food being cooked.

- **HIGH TEMPERATURE (205-315°C / 401-599°F)**

This range is best used to sear and grill at a high heat. Use in tandem with the flame broiler (slide plate) for indirect or direct flame cooking. With the **flame broiler open**, direct flame is used to create those “blue” steaks, as well as flame-kissed vegetables, garlic toast or s’mores! When the **flame broiler is closed**, the air circulates around the barrel, resulting in convection heat. High temperature is also used to preheat your grill, burn-off the cooking grids, and to achieve high heat in extreme cold weather conditions.

- **MEDIUM TEMPERATURE (135-180°C / 275-356°F)**

This range is best for baking, roasting, and finishing off that slow smoked creation. Cooking at these temperatures will greatly reduce the chances of a grease flare-up. Ensure that the flame broiler slider is in the closed position, covering the slotted openings. Great range for cooking anything wrapped in bacon, or where you want versatility with control.

- **LOW TEMPERATURE (80-125°C / 176-257°F)**

This range is used to slow roast, increase smoky flavor, and to keep foods warm. Infuse more smoke flavor and keep your meats juicy by cooking longer at a lower temperature (also known as **low and slow**). Highly recommended for the big turkey at Thanksgiving, juicy ham at Easter, or the huge holiday feast.

Smoking is a variation on true barbecuing and is truly the main advantage of grilling on a wood pellet grill. **Hot smoking**, another name for **low and slow** cooking, is generally done between 80-125°C / 176-257°F. Hot smoking works best when longer cooking time is required, such as large cuts of meats, fish, or poultry.

**TIP: To intensify that savory flavor, switch to SMOKE (low) temperature range immediately after putting your food on the grill. This allows the smoke to penetrate the meats.**

The key is to experiment with the length of time you allow for smoking, before the meal is finished cooking. Some outdoor chefs prefer to smoke at the end of a cook, allowing the food to keep warm until ready to serve. Practice makes perfect!

## UNDERSTANDING THE PROBES

- **TEMPERATURE PROBE**

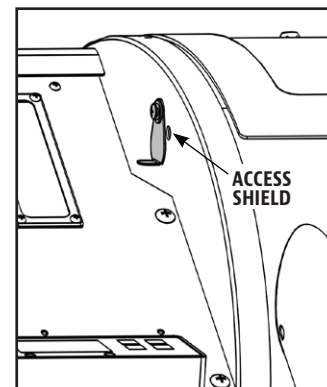
Located inside the main barrel, on the wall near the hopper, is the temperature probe. It is a small, vertical piece of stainless steel. The temperature probe measures the internal temperature of the unit. When the temperature is adjusted on the Control Board, the temperature probe will read the actual temperature inside the unit and adjust to the desired temperature setpoint.

**IMPORTANT: The temperature of your unit is highly affected on ambient outdoor weather, quality of pellets used, flavor of pellets, and the quantity of food being cooked.**

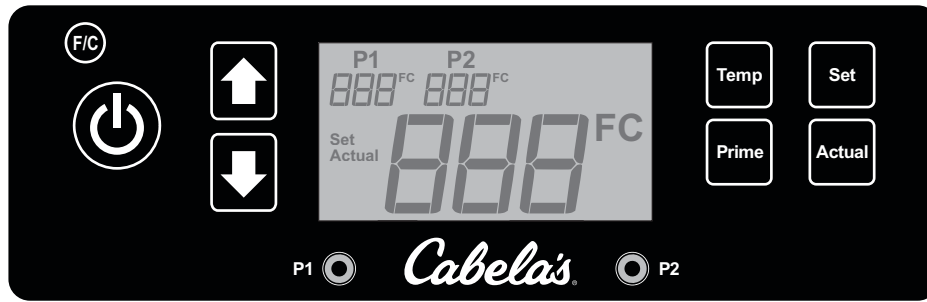
- **MEAT PROBE**












Meat probes measure the internal temperature of your meat in the grill, similar to your indoor oven. Plug-in the meat probe adapter to the meat probe connection port on the Control Board and insert the stainless steel meat probe into the thickest portion of your meat and the temperature will be displayed on the control board. **To ensure the meat probe is connected properly to the connection port, feel and hear it snap into place.**

**NOTE: When placing the meat probe into your meat, ensure the meat probe and meat probe wires avoid direct contact with flame or excess heat. This can result in damage to your meat probe. Run the excess wire out the swiveling access shield or the rear exhaust holes of the main grill. When not in use, disconnect from the meat probe connection port and place aside to keep protected and clean.**



## UNDERSTANDING THE CONTROL BOARD



CONTROL	DESCRIPTION
	Press the Power Button to power on the unit. When connected to a power source, the light below the power button will glow blue. Once the Power Button is pressed, the Digital LCD Screen will light up, displaying that it is ready to operate. Press <u>and hold</u> the button to turn the unit off.
	The <b>Temperature Switch Button</b> is used to change the temperature readout on the Digital LCD Screen. Press the button to switch to Celsius (°C) or to Fahrenheit (°F), as preferred. Default is set to Fahrenheit.
	The <b>Digital LCD Screen</b> is used as the information center for your unit. The Digital LCD screen will display your Desired Temperature Setpoint (SET), Actual Temperature (ACTUAL), Meat Probe Temperature (if connected), and any error codes. Temperature can be displayed in either Fahrenheit or Celsius.
	The <b>Adjustment Arrows</b> allow you to increase or decrease your desired temperature (TEMP) on the Control Board. By pressing the UP or DOWN arrows, the temperature changes by 5 degree increments. Press and hold the buttons to increase or decrease the value faster. The temperature can be set to a low 82°C / 180°F, and peaks at a high of 260°C / 500°F.
	The <b>TEMP Button</b> on the Control Board is used <i>in sequence only</i> to make adjustments to the setpoint temperature. Pressing this button by itself does not result in any change.
	The <b>ACTUAL Button</b> on the Control Board is used to display the current (ACTUAL) temperature of the grill. This temperature readout measures the temperature probe, located inside the main barrel. The Digital LCD Screen shows the ACTUAL temperature by default.
 	<p>Press the <b>SET Button</b> on the Control Board to display the desired setpoint (SET) temperature of the grill. After 3 seconds, the display will switch back to the actual (ACT) settings.</p> <p><b>TO SET THE TEMPERATURE SETPOINT:</b></p> <ol style="list-style-type: none"> <li>1. Press SET.</li> <li>2. Press TEMP and the temperature readout will begin to flash.</li> <li>3. Immediately press the UP or DOWN adjustment arrows to set your desired temperature setpoint.</li> <li>4. Press TEMP again to lock-in new setpoint, or wait 3 seconds for the TEMP to revert back to ACTUAL.</li> </ol> <p><b>NOTE: If there is no action after pressing TEMP, the temperature readout will automatically revert back to the ACTUAL temperature readout.</b></p>
	Press <u>and hold</u> the <b>Prime Button</b> to activate an extra feed of pellets to the burn pot. This can be used to add more fuel to the fire before opening the barrel lid, resulting in a quick heat recovery time. It can also be used while smoking, to increase the intensity of clean smoke flavor.
	The plug-in connection ports on the front of the Control Board are for two <b>Meat Probes</b> . When a meat probe is connected, the temperature is displayed on the Digital LCD Screen. When not in use, disconnect the meat probe from the connection port. 

## HOPPER PRIMING PROCEDURE

These instructions should be followed the first time the grill is ignited, and each time the grill runs out of pellets in the hopper:

1. Remove all cooking components from the interior of the grill.
2. Open the hopper lid. Make sure there are no foreign objects in the auger or hopper.
3. Plug the power cord into a power source.
4. Press the **Power Button** to turn the unit on. This will begin the start-up cycle, with a default temperature of 177°C / 350°F. Check the following items to ensure the feed system is working properly:
  - That the auger is turning. *Do not place fingers or objects in the auger tube. This can cause injury.*
  - Place your hand above the fire pot and feel for air movement. *Do not place your hand or fingers inside the fire pot. This can cause injury.*
  - After approximately a minute, you should smell the igniter burn-off and begin to feel the air getting warmer. *Do not touch the igniter. This item gets extremely hot and will burn. The igniter tip does not glow red when hot.*
5. Press and hold the **Power Button** to turn the unit off.
6. Fill the hopper with all natural barbecue wood pellets.
7. Press the **Power Button** to turn the unit on. Wait approximately 10-15 minutes for pellets to start dropping into the fire pot from the auger tube. Once pellets begin to drop, press and hold the **Power Button** to turn the unit off.
8. *To avoid injury, wait until the grill cools.* Re-install the cooking components into grill. The grill is now ready for use.

## FIRST USE – GRILL BURN-OFF

Once your hopper has been primed and before cooking on your grill for the first time, it is important to complete a grill burn-off. Start the grill and operate at high heat (over 233°C / 451°F) with the lid down for 30 to 40 minutes to burn-off the grill and rid it of any foreign matter.

## PREHEATING

It is important to allow your grill to preheat before every cook session. This allows the grill and cooking grids to heat up quicker, kill off bacteria and other pathogens leftover from past grill sessions, and the grill is then able to maintain its cooking temperature once your food is placed in the cooking area. **Preheat with the lid closed.**

**IMPORTANT: The outside ambient temperature, weather conditions, and quality of wood pellets will all affect your cooking temperature. Observe the time it takes to reach your desired temperature, and adjust your cooking time as needed.**

## AUTOMATIC START-UP PROCEDURE

1. Ensure there is no obstruction in the burn pot for proper ignition. Open the hopper lid. Ensure there are no foreign objects in the hopper or auger feed system. Fill hopper with dry, barbecue hardwood pellets.
2. Plug the power cord into a grounded power source.
3. Open the barrel lid. **The lid must remain open during the start-up cycle.**
4. Press the **Power Button** to turn the unit on. This will activate the start-up cycle at a default temperature of 177°C / 350°F, lighting the fire in the burn pot. Listen for the auger feed system begin to turn, and the fan will supply air to the fire pot. The grill will produce smoke while the start-up cycle is taking place. The pellets will have ignited once the smoke has cleared. To confirm the start-up cycle has begun properly, listen for a torchy roar, and notice some heat being produced.
5. Allow your grill to preheat for approximately 15 to 20 minutes. Close the lid.
6. After preheating is complete, you are ready to enjoy your grill at your desired temperature!

## IGNITER FAILURE PROCEDURE

If for any reason your electric igniter fails, check the following steps, or start your grill using the manual method.

1. Ensure the grill is turned off. Open the barrel lid. Remove the cooking components from the grill. At the bottom of the grill barrel, remove all unburnt pellets and ash from the burn pot. *Avoid touching the igniter to avoid injury, as it will be extremely hot.*
2. Once the burn pot is cleaned out, press the **Power Button** to turn the unit on. Check the following:
  - Visually confirm that the igniter is working by placing your hand above the burn pot and feeling for heat.
  - Visually confirm that the igniter is protruding approximately 13mm / 0.5 inches in the burn pot.
  - Visually confirm that the auger is dropping pellets into the burn pot.
  - Confirm that the combustion fan is working by listening for it.
3. If any of the above points are not working, follow **Troubleshooting** instructions.

## MANUAL START-UP PROCEDURE

1. Open the hopper lid. Ensure there are no foreign objects in the hopper or auger feed system. Fill hopper with dry, barbecue hardwood pellets.
2. Plug the power cord into a grounded power source.
3. Open the barrel lid.
4. Remove the cooking components to expose the burn pot. Ensure there is no obstruction in the burn pot for proper ignition. Place a generous handful of pellets into the burn pot. Squirt a gelled fire starter, or other appropriate pellet starter, over the top of the pellets, then add another small amount of pellets over the burn pot. *A small amount of solid fuel fire starter, such as one composed of sawdust and wax, or wood shavings, is also appropriate.*

**NOTE: Do not use spirit, petrol, gasoline, lighter-fluid or kerosene for lighting or refreshing a fire in your grill.**

5. Light the contents of the burn pot using a long match or long-nosed lighter. Allow the starter to burn for 3 to 5 minutes. Do not attempt to add more starter into the burn pot. This can cause injury.
6. Once the fire has caught, quickly and carefully replace the cooking components to the inside of the barrel. **The lid must remain open during the start-up cycle.**
7. Continue start-up by following steps four through six of **Automatic Start-Up Procedure**.

## SHUTTING OFF YOUR GRILL

1. When finished cooking, set the temperature setpoint to 177°C / 350°F (press **SET**, press **TEMP**, press the **adjustment arrows**, then press **TEMP** again to lock-in the setpoint). Let your grill run for 5 to 10 minutes to go through its normal cleaning method (burn-off). If you have been preparing foods that are extra greasy, allow the grill to burn-off for an extra 10 to 20 minutes. This will reduce the chance of causing a grease fire for the next start-up.
2. After the burn-off, with the lid remaining closed, press the **Power Button** to turn the unit off. This will activate the **cool-down cycle**. The feed system will stop feeding fuel, the flame will burn out, and the fan will continue to run until the cool-down cycle is complete. When the cycle is complete, the fan will turn off.

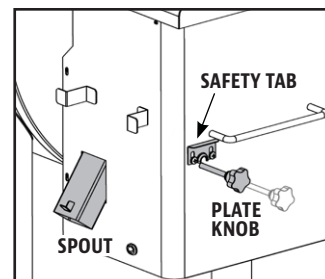
# CARE AND MAINTENANCE

This pellet grill will give you many years of flavorful service with minimum cleaning. An important step is allowing the grill and cooking grids to self-clean by running the grill at a high temperature for 5 to 10 minutes after each use. Follow these cleaning and maintenance tips to service your grill:

## 1. HOPPER ASSEMBLY

- The hopper includes a clean-out feature to allow for ease of cleaning and change out of pellet fuel flavors. To empty, locate the drop chute plate on the side of the hopper. Place a clean, empty pail under the spout on the backside of the hopper, then pull out the drop chute plate. Lift the safety tab, unscrew the knob of the drop chute plate, pull outwards, and pellets will empty.

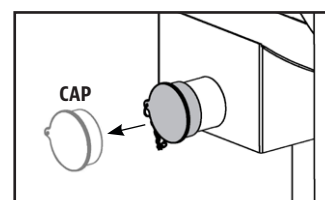
**NOTE: Use a long handled brush or shop-vac to remove excess pellets, sawdust, and debris for a complete clean-out.**



- Check and clean off any debris from the fan air intake vent, found on the bottom of the hopper. Once the hopper access panel is removed (see *Electric Wire Diagram* for diagram), carefully wipe off any grease build-up directly on the fan blades. This ensures airflow is sufficient to the feed system.

## 2. INSIDE SURFACES

- The fire pot includes a vacuum clean-out feature underneath the barrel. On the back side of the grill, remove the cap from the tube. Connect a vacuum hose to the opening of the tube, vacuum out the ash and debris, then replace the cap. Do not operate the grill without the silicone cap in place. Clean your fire pot after every few uses to ensure proper ignition and avoid any hard build-up.



**IMPORTANT: To use the vacuum clean-out feature, the grill must be nonoperational for a minimum of 6 hours, ensuring that all embers are dead. Failure to comply may result in serious injury or property damage!**

- Use a grill cleaning brush, remove any food or build-up from the cooking grids. Best practice is to do this while they are still warm from a previous cook. Grease fires are caused by too much fallen debris on the cooking components of the grill. Clean the inside of your grill on a consistent basis. In the event you experience a grease fire, keep the grill lid closed to choke out the fire. If the fire does not go out quickly, carefully remove the food, turn the grill off, and shut the lid until the fire is completely out. Lightly sprinkle baking soda, if available.
- Check your grease bucket often, and clean out as necessary. Keep in mind the type of cooking you do.

**IMPORTANT: Due to high heat, do not cover the flame broiler or probes with aluminum foil.**

## 3. OUTSIDE SURFACES

- Wipe your grill down after each use. Use warm soapy water to cut the grease. Do not use oven cleaner, abrasive cleansers or abrasive cleaning pads on the outside grill surfaces. **All painted surfaces are not covered under warranty**, but rather are part of general maintenance and upkeep. For paint scratches, wearing, or flaking of the finish, all painted surfaces can be touched up using high heat BBQ paint.
- Use a grill cover to protect your grill for complete protection! A cover is your best protection against weather and outside pollutants. When not in use or for longterm storage, keep the unit under a cover in a garage or shed.

ITEM	CLEANING FREQUENCY	CLEANING METHOD
Bottom of Main Grill	Every 5-6 Grill Sessions	Scoop Out, Shop-Vac Excess Debris
Fire Pot	Every 2-3 Grill Sessions	Scoop Out, Shop-Vac Excess Debris
Cooking Grids	After Each Grill Session	Burn Off Excess, Grill Cleaning Brush
Flame Broiler	Every 5-6 Grill Sessions	Scrape Main Plate with Slider, <b>Do Not Wash Clean</b>
Grease Bucket	After Each Grill Session	Scrub Pad & Soapy Water
Glass Window on Lid	Every 2-3 Grill Sessions	Baking Soda & Water
Auger Feed System	When Pellet Bag is Empty	Allow Auger to Push Out Sawdust, Leaving Hopper Empty
Hopper Electric Components	Once A Year	Dust Out Interior, Wipe Fan Blades with Soapy Water
Air Intake Vent	Every 5-6 Grill Sessions	Dust, Scrub Pad & Soapy Water
Temperature Probe	Every 2-3 Grill Sessions	Scrub Pad & Soapy Water

# USING WOOD PELLET FUEL

They appear no thicker than the eraser on the end of a pencil. People who see them for the first time think they look like rabbit food; however, there is nothing small about the heat or flavor in barbecue wood pellet fuel. These clean-burning barbecue wood pellets generate about 8200 BTU's per pound with very little ash, a low moisture content (5-7%), and are carbon neutral.

Barbecue wood pellets are produced by pure raw material (sawdust) being pulverized with a hammer-mill, and the material is pushed through a die with pressure. As the pellet is forced through the die, it is cut, cooled, screened, vacuumed, and then bagged for consumer use. Check with your local dealer for flavors available in your area.

**HICKORY BLEND**   
 Rich, smoky bacon-like flavor. Considered the "Kings of the Woods"

**MESQUITE BLEND**   
 Strong, tangy, spicy flavor. Think Tex-Mex cuisine.

**APPLE BLEND**   
 Smoky, mild sweetness flavor. Highly recommended for baking.

**CHERRY BLEND**   
 Slightly sweet, but also tart. Gives a rosy tint to light meals.

**WHISKEY BARREL BLEND**   
 Strong, sweet smoke with aromatic tang. Perfect for red meats.

**COMPETITION BLEND**   
 Perfect blend of sweet, savory, and tart. Used by many professional grillers.

**NOTE: Always store wood pellets in a dry area. Avoid any contact or exposure to moisture will result in lower heat output or cause the pellets to swell and break apart. Use a moisture proof, resealable tub or bucket for proper storage.**

# COOKING GUIDELINES

Smoking and grilling styles of cooking can give you different results based on time and temperature. For best results, keep a record of what you cooked, at what temperature, how long you cooked for, and the results. Adjust to your taste for the next time. Practice makes perfect.

The culinary art of hot smoking refers to longer cooking times, but results in more natural wood flavor (and a sought-after *smoke ring*) on your meats. Higher cooking temperatures result in a shorter cooking time, locking in less smoke flavor.

**TIP: For best results, allow time for meats to rest after cooking. This allows the natural juices to migrate back into the meat fiber, giving a much juicier, flavorful cut. Resting times can be as little as 3 minutes and up to 60 minutes, depending on the size of the protein.**

STYLE OF COOKING	HOT SMOKING (Very Low)	ROAST (Low)	BAKING (Medium)	GRILL/BAKE (Medium/High)	SEAR (High)
Temp Range	93-135°C / 199-275°F	135-162°C / 275-323°F	162-190°C / 323-374°F	190-232°C / 374-449°F	232-260°C / 449-500°F

POULTRY	Size	Rare - 54°C / 130°F	Medium - 60°C / 140°F	Well Done - 77°C / 170°F
Turkey (whole)	4.5-5.0 kg / 10-11 lbs. 5.3-6.4 kg / 12-14 lbs. 6.8-7.7 kg / 15-17 lbs. 8.2-10.0 kg / 18-22 lbs. 10.4-11.3 kg / 23-25 lbs.			Grill 90 - 120 minutes Grill 110 - 140 minutes Grill 130 - 160 minutes Grill 140 - 170 minutes Grill 150 - 180 minutes
Chicken (whole)	1.36-2.26 kg / 3-5 lbs.			Grill 1 - 1.5 hours
Drumsticks, Breasts	0.45 - 0.86 kg / 1 - 1½ lbs.			Grill 30-60 minutes
Small Game Birds	0.45 - 0.86 kg / 1 - 1½ lbs.			Grill 30-45 minutes
Duck	1.36-2.26 kg / 3-5 lbs.			Roast or grill 2 - 2.5 hours

<b>PORK</b>	<b>SIZE</b>	<b>Precooked to Reheat 60°C / 140°F</b>	<b>Medium 66°C / 150°F</b>	<b>Well Done 71°C / 160°F</b>
<b>Ham</b> <i>(Fully Cooked &amp; Boneless Portion, Smoked Picnic Whole &amp; Bone-In)</i>	2.5 cm / 1" 1.36-1.81 kg / 3-4 lbs. 1.81-2.72 kg / 4-6 lbs. 2.26-3.62 kg / 5-8 lbs. 4.53-5.44 kg / 10-12 lbs.	12 minutes 50 minutes - 1 hour 1 - 2 hours 1 - 2½ hours 2 - 2¾ hours		
<b>Loin Roast</b>	1.36-1.81 kg / 3 - 4 lbs.		1 - 2 hours	2 - 3 hours
<b>Rib Crown Roast</b>	1.81-2.26 kg / 4 - 5 lbs.		1½ - 2 hours	2 - 3 hours
<b>Chop</b> <i>(loin, rib)</i>	1.9-2.5 cm / ¾" - 1" 3.1-3.9 cm / 1¼" - 1½"		10 - 12 minutes 14 - 18 minutes	
<b>Tenderloin</b>	1.9-2.5 cm / ¾" - 1"		20 - 30 minutes	30 - 45 minutes
<b>Loin Roast (boneless)</b>	1.36-2.26 kg / 3-5 lbs.		1¼ - 1¾ hours	1¾ - 2½ hours
<b>Boston Butt</b> <i>(Pork Shoulder)</i>	3.62-4.53 kg / 8-10 lbs.			93 - 98°C / 200 - 210°F Internal Temperature

<b>BEEF</b>	<b>SIZE</b>	<b>HEAT</b>	<b>Rare - 54°C / 130°F</b>	<b>Medium - 60°C / 140°F</b>	<b>Well Done - 65°C / 150°F</b>
<b>Steak</b> <i>(New York, Porter-house, Rib-eye, Sirloin, T-bone, or Tenderloin)</i>	1.9 cm / ¾" 2.5 cm / 1" 3.8 cm / 1½" 5 cm / 2"	High	Sear 8-10 minutes Sear 10-12 minutes Sear 10 minutes, grill 8-10 minutes Sear 10 minutes, grill 10-14 minutes		
<b>Skirt Steak</b>	0.6 - 12.7 cm / ¼" - ½"	High	Sear 5-7 minutes		
<b>Flank Steak</b>	0.45 - 0.86 kg / 1 - 1½ lbs., 1.9 cm / ¾"	Medium	Sear 4 minutes, grill 8-10 minutes		
<b>Kabob</b>	2.5 - 3.8 cm / 1-1½" cubes	Medium	Grill 10 - 12 minutes		
<b>Tenderloin, whole</b>	1.58 - 1.81 kg / 3½ - 4 lbs.	High/Medium	Sear 10 minutes, grill 15-20 minutes		
<b>Ground Beef Patty</b>	1.9 cm / ¾"	High/Medium	Sear 4 minutes, grill 4-6 minutes		
<b>Rib-eye Roast (boneless)</b>	2.26 - 2.72 kg / 5 - 6 lbs.	Medium	Grill 1½ - 2 hours		
<b>Tri-tip Roast</b>	0.9 - 1.13 kg / 2 - 2½ lbs.	High/Medium	Sear 10 minutes, grill 20-30 minutes		
<b>Rib Roast</b>	5.44 - 6.35 kg / 12 - 14 lbs.	Medium	2½ - 2¾ hours		
<b>Veal Loin Chop</b>	2.5cm / 1"	Medium	10 - 12 minutes direct		
<b>Brisket</b>	7.25 - 3.62 kg / 16 -18 lbs.	Hot Smoke	Cook until internal temperature reaches 91°C / 195°F		

<b>LAMB</b>	<b>Size</b>	<b>Rare - 54°C / 130°F</b>	<b>Medium - 60°C / 140°F</b>	<b>Well Done - 71°C / 160°F</b>
<b>Roast (fresh)</b>	2.26 - 2.72 kg / 5 - 6 lbs.		1 - 2 hours	
<b>Rib Crown Roast</b>	1.36-2.26 kg / 3-5 lbs.		1 - 1½ hours	1½ hours

<b>SEAFOOD</b>	<b>Size</b>	<b>Rare - 54°C / 130°F</b>	<b>Medium - 60°C / 140°F</b>	<b>Well Done - 82°C / 180°F</b>
<b>Fish (whole)</b>	0.5 kg / 1 lb. 0.9 - 1.1 kg / 2 - 2½ lbs. 1.4 kg / 3 lbs.			Grill 10 - 20 minutes Grill 20 - 30 minutes Grill 30 - 45 minutes
<b>Fish (filets)</b>	0.6-1.3 cm / ¼" - ½"			Grill 3 - 5 minutes, until flaky
<b>Lobster Tail</b>	0.15 kg / 5 oz. 0.3 kg / 10 oz.			Grill 5 - 6 minutes Grill 10 - 12 minutes

<b>WILD GAME</b>	<b>Size</b>	<b>Rare - 60°C / 140°F</b>	<b>Medium - 71°C / 160°F</b>	<b>Well Done - 77°C / 170°F</b>
<b>Roast (fresh)</b>	2.26 - 2.72 kg / 5 - 6 lbs.		1 - 1½ hours	1½ - 2 hours
<b>Large Cuts (fresh)</b>	3.62-4.53 kg / 8-10 lbs.		1 hours	1½ hours

# TIPS & TECHNIQUES

Follow these helpful tips and techniques, passed on from pellet grill owners to become more familiar with your grill:

## 1. *FOOD SAFETY*

- Keep everything in the kitchen and cooking area clean. Use different platters and utensils for the cooked meat than the ones you used to prepare or transport the raw meat out to the grill. This will prevent cross contamination of bacteria. Each marinade or basting sauce should have its own utensil.
- Keep hot foods hot (above 60°C / 140°F), and keep cold foods cold (below 3°C / 37°F).
- A marinade should never be saved to use at a later time. If you are going to use it to serve with your meat, be sure to bring it to a boil before serving.
- Cooked foods should not be left out in the heat for more than an hour. Do not leave hot foods out of refrigeration for more than two hours.
- Defrost and marinate meats by refrigeration. Do not thaw meat at room temperature or on a counter top. Bacteria can grow and multiply rapidly in warm, moist foods. Wash hands thoroughly with hot, soapy water before starting any meal preparation and after handling fresh meat, fish and poultry.

## 2. *COOKING PREPARATION*

- When switching from a high temperature to a low temperature, lift the lid and leave it open until the actual temperature is close to your desired temperature. This speeds up the process and ensures the fire will not go out.
- Be prepared, or ***Mise en Place***. This refers to preparing the cooking recipe, fuel, accessories, utensils, and all ingredients you require at grill side before you start cooking. Also, read the entire recipe, start to finish, before lighting the grill.
- A BBQ floor mat is very useful. Due to food handling accidents and cooking spatter, a BBQ floor mat would protect a deck, patio, or stone platform from the possibility of grease stains or accidental spills.

## 3. *GRILLING TIPS AND TECHNIQUES*

- To infuse more smoke flavor into your meats, cook longer and at lower temperatures (also known as ***low and slow***). Meat will close its fibers after it reaches an internal temperature of 49°C / 120°F. Misting, or mopping, are great ways to keep meat from drying out.
- While searing your meats, cook with the lid down. Always use a meat thermometer to determine the internal temperature of the foods you are cooking. Smoking foods with hardwood pellets will turn meats and poultry pink. The band of pink (after cooking) is referred to as a ***smoke ring*** and is highly prized by outdoor chefs.
- Sugar-based sauces are best applied near the end of cooking to prevent burning and flare-ups.
- Leave open space between the foods and the extremities of the barrel for proper heat flow. Food on a crowded grill will require more cooking time.
- Use a set of long-handled tongs for turning meats, and a spatula for turning burgers and fish. Using a piercing utensil, such as a fork, will prick the meat and allow the juices to escape.
- Foods in deep casserole dishes will require more time to cook than a shallow baking pan.
- It's a good idea to put cooked food onto a heated platter, keeping the food warm. Red meats, such as steak and roasts, benefit from resting for several minutes before serving. It allows the juices that were driven to the surface by heat to ease back to the center of the meat, adding more flavor.

# TROUBLESHOOTING

Proper cleaning, maintenance and the use of clean, dry, quality fuel will prevent common operational problems. When your grill is operating poorly, or on a less frequent basis, the following troubleshooting tips may be helpful.

**WARNING: Always disconnect the electrical cord prior to opening the grill for any inspection, cleaning, maintenance or service work. Ensure the grill is completely cooled to avoid injury.**

PROBLEM	CAUSE	SOLUTION
No Power Lights On The Digital Control Center	Power Button	Press the Power Button. Try another attempt and hold for two seconds to verify connection.
	Not Connected To Power Source	Ensure unit is plugged into a working power source. Reset breaker. Ensure GFCI is a minimum 10 Amp service (see <b>Electric Wire Diagram</b> for access to electric components) Ensure all wire connections are firmly connected and dry.
	Fuse Blown On The Control Board	Remove hopper access panel (see <b>Electric Wire Diagram</b> for diagram) and check the fuse for a broken wire or if the wire has turned black. If yes, fuse needs to be manually replaced.
	The Gfci Outlet Has Been Tripped.	Remove hopper access panel (see <b>Electric Wire Diagram</b> for diagram), and ensure all wire connections are firmly connected and dry. Ensure GFCI is a minimum 10 Amp service.
	Faulty Control Center	Digital Control Center needs to be replaced. Contact Customer Service for replacement part.
Fire in Burn Pot Will Not Light	Auger Not Primed	Before the unit is used for the first time or anytime the hopper is completely emptied out, the auger must be primed to allow pellets to fill the auger tube. If not primed, the igniter will timeout before the pellets reach the fire pot. Follow <b>Hopper Priming Procedure</b> .
	Auger Motor Is Jammed	Inspect the auger tube first by removing the cooking components from the grill barrel. Visually inspect the auger feed system with the unit powered on. Follow steps 1-5 of <b>Hopper Priming Procedure</b> . If no damage or pellet jam is visible, inspect the auger motor through the hopper access panel. Ensure the auger motor bracket is not damaged. If not operating properly, call Customer Service for a replacement part.
	Igniter Failure	Remove cooking components from the main barrel. Press the Power Button to turn the unit on and inspect the igniter. Visually confirm that the igniter is working by placing your hand above the burn pot and feeling for heat. If not operating properly, follow <b>Manual Start-up Procedure</b> to continue use of grill; however, call Customer Service for assistance or a replacement part.
"ErH" Error Code	The Unit Has Overheated, Possibly Due To Grease Fire Or Excess Fuel.	Press the Power Button to turn the unit off, and allow grill to cool. Follow <b>Care and Maintenance</b> instructions. After maintenance, remove pellets, and confirm positioning of all component parts. Once cooled, press the Power Button to turn the unit on, then select desired temperature. If error code still displayed, contact Customer Service.
"Er1" Error Code	Temperature Probe Is Not Making A Connection	Check for damage to the grill probe. Follow <b>Care and Maintenance</b> instructions if dirty. If all appears in working order from the inside of the grill barrel. Unplug unit from power source and remove the hopper access panel (see <b>Electric Wire Diagram</b> for diagram). Locate the black wires of the temperature probe. Disconnect the spade connectors, then reconnect until it clicks. Replace the hopper access panel.
	Temperature probe wire not making connection.	Remove hopper access panel (see <b>Electric Wire Diagram</b> for diagram), and check for any damage. Ensure probe wire connections are firmly connected, and connected correctly to the digital control board.
"Err" Error Code	Power Interruption While In Operation	Power source was interrupted, and the grill did not complete its cool-down cycle. Check power supply; there may have been a power outage during use. Press the Power Button to turn the unit off, wait two minutes, then press the Power Button to turn the unit on again. If error code still displayed, contact Customer Service.
	Power Outage While Unit In Operation.	

Readout Of ACTUAL Temperature Will Not Adjust	Grill Probe Dirty	Follow <b>Care and Maintenance</b> instructions.
	Grill Probe Wire Is Wet	Use a hair dryer to dry the grill probe wires.
	Grill Probe Is Broken	Grill probe needs to be replaced. Contact Customer Service.
LCD Display Has Wrong Readout	The Temperature Setting Switch Is Not Set Correctly To Read °C / °F	Disconnect unit from power source. Remove hopper access panel (see <b>Electric Wire Diagram</b> for diagram) to access the back of the Digital Control Center. Use a small flashlight to find the temperature setting switch, located near the center of the back of the Digital Control Center. Flip the switch to °C (Celsius) or to °F (Fahrenheit), as preferred. Replace hopper access panel.
Grill displays unexpected temperature when OFF	Grill is exposed to high ambient temperature and direct sun	This will not harm the grill. The internal temperature of the grill barrel has ambiently reached or exceeded 54°C / 130°F. Move the grill into a shaded area. Prop the lid open to reduce the internal temperature.
Grill will not achieve or maintain stable temperature	Insufficient air flow through burn pot	Check burn pot for ash build-up or obstructions. Follow <b>Care and Maintenance</b> instructions for ash build-up. Check fan. Ensure it is working properly and air intake is not blocked. Follow <b>Care and Maintenance</b> instructions if dirty. Check auger motor to confirm operation, and ensure there is no blockage in the auger tube. Once all the above steps have been done, start the grill, set temperature to SMOKE and wait for 10 minutes. Check that the flame produced is bright and vibrant.
	Insufficient or poor fuel	Check hopper for sufficient fuel or if there is an obstruction in the feed system. Remove pellets and follow <b>Care and Maintenance</b> instructions.
	Grill temperature probe	Check grill probe. Follow <b>Care and Maintenance</b> instructions if dirty.
Grill Produces Excess Or Discolored Smoke	Grease Build-Up	Follow <b>Care and Maintenance</b> instructions.
	Wood Pellet Quality	Remove moist wood pellets from hopper. Follow <b>Care and Maintenance</b> instructions to clean out. Replace with dry wood pellets.
	Burn Grate Is Blocked	Clear burn pot of moist wood pellets. Follow <b>Hopper Priming Procedure</b> .
	Insufficient Air Intake For Fan	Check fan. Ensure it is working properly and air intake is not blocked. Follow <b>Care and Maintenance</b> instructions if dirty.
Frequent Flare-Ups	Cooking Temperature	Attempt cooking at a lower temperature. Grease does have a flash point. Keep the temperature under 176°C / 350°F when cooking highly greasy food.
	Grease Build-Up	Follow <b>Care and Maintenance</b> instructions.
	Flame Broiler Is Open	Close the flame broiler for indirect flame cooking.

# ELECTRICAL WIRE DIAGRAM

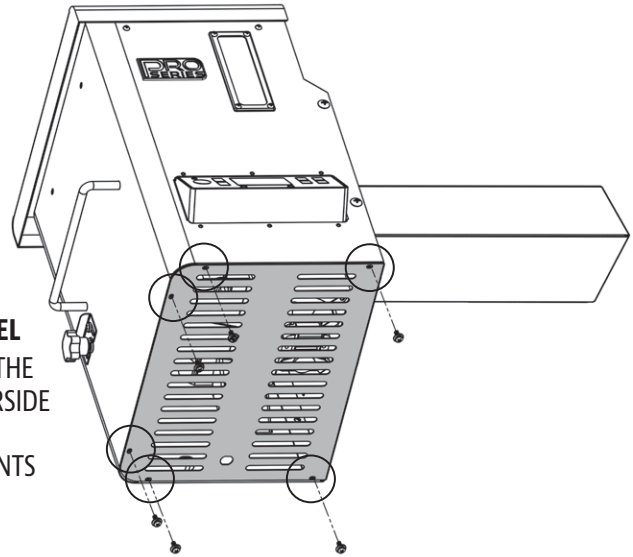
The Digital Control Board system is an intricate and valuable piece of technology. For protection from power surges and electrical shorts, consult the wire diagram below to ensure your power source is sufficient for the operation of the unit.

## ELECTRIC REQUIREMENTS

120V, 3.1AMP, 60HZ, 250W, 3-PRONG GROUNDED PLUG

NOTE: Electrical components, passed by product safety testing and certification services, comply with a testing tolerance of  $\pm 5-10$  percent.

**HOPPER ACCESS PANEL**  
LOCATE AND REMOVE THE SIX SCREWS ON UNDERSIDE OF HOPPER TO ACCESS ELECTRICAL COMPONENTS



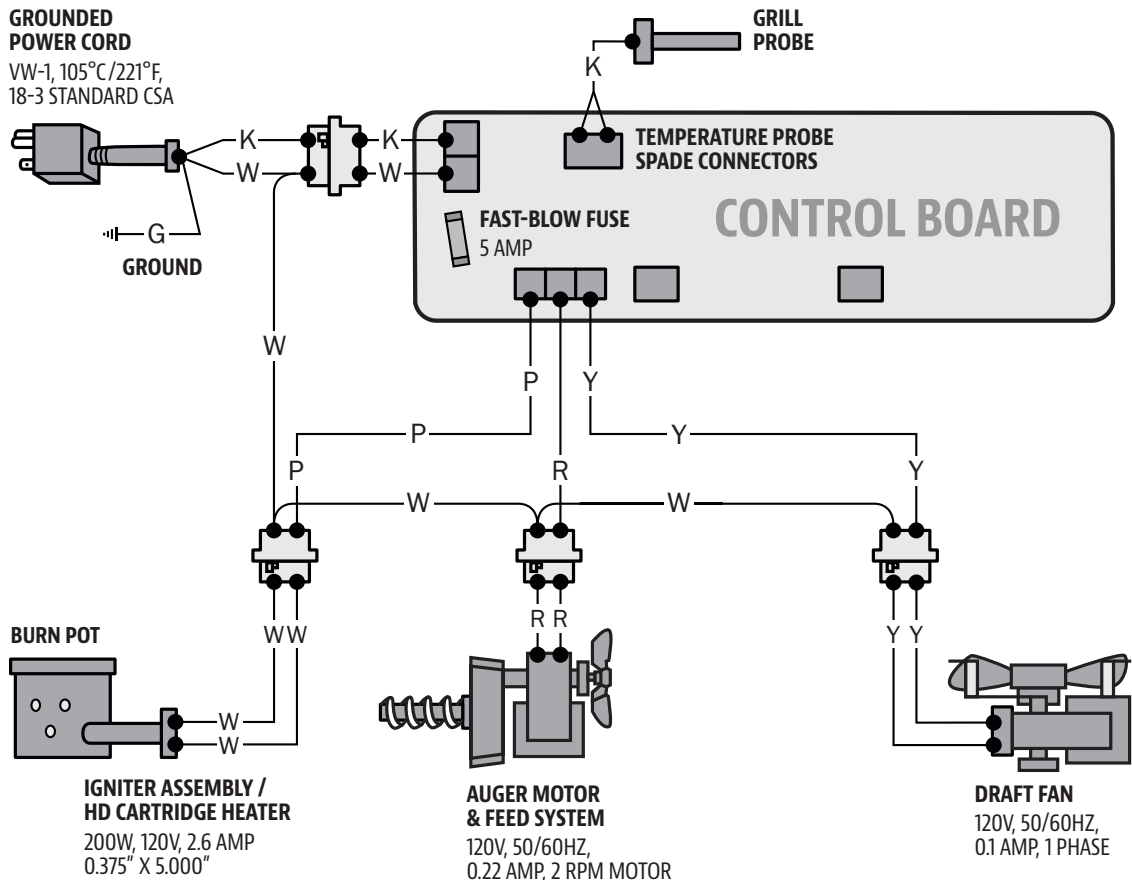
ENGLISH

**FUEL INPUT RATING:**  
1.12 KG/H  
(2.48 LB/H)

**ELECTRICAL RATING:**  
250W, 3.1A, 120V

### INDEX

W : WHITE  
Y : YELLOW  
P : PURPLE  
R : RED  
K : BLACK  
G : GREEN

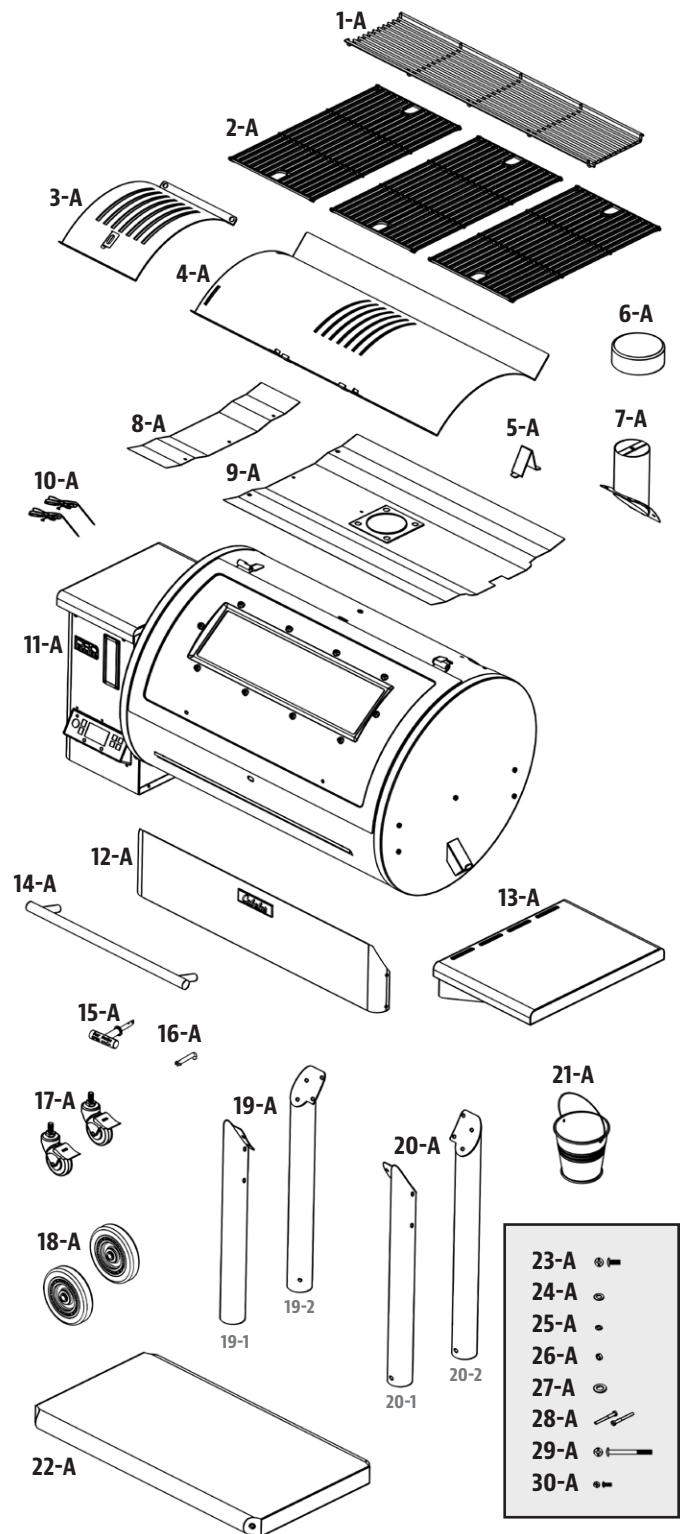


# REPLACEMENT PARTS

ENGLISH

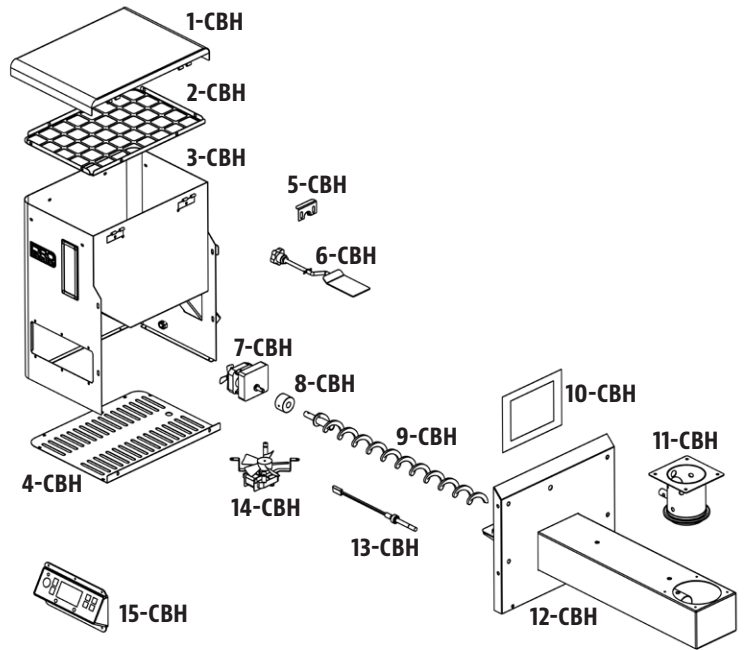
Part#	Description
1-A	Porcelain-Coated Steel Upper Cooking Rack
2-A	Porcelain-Coated Cast-Iron Cooking Grids (x3)
3-A	Flame Broiler Slider
4-A	Flame Broiler Main Plate
5-A	Lid Stopper
6-A	Chimney Cap
7-A	Chimney Stack
8-A	Small Heat Deflector Plate
9-A	Large Heat Deflector Plate
10-A	Meat Probe (x2)
11-A	Main Barrel / Hopper Assembly
12-A	Support Plate
13-A	Side Shelf
14-A	Lid Handle
15-A	Sear Station Handle
16-A	Sear Station Arm
17-A	Locking Caster Wheel (x2)
18-A	Wheel (x2)
19-A	Support Leg For Locking Caster Wheel (x2)
20-A	Support Leg For Wheel (x2)
21-A	Grease Bucket
22-A	Bottom Shelf
23-A	Screw (x18)
24-A	Washer (x18)
25-A	Locking Washer (x18)
26-A	Nut (x2)
27-A	Wheel Washer (x4)
28-A	Wheel Axle Pin (x2)
29-A	Screw (x4)
30-A	Screw (x4)

NOTE: Due to ongoing product development, parts are subject to change without notice.



# REPLACEMENT PARTS

Part#	Description
1-CBH	Hopper Lid
2-CBH	Hopper Safety Screen
3-CBH	Hopper Box Housing
4-CBH	Hopper Access Panel
5-CBH	Drop Chute Safety Tab
6-CBH	Drop Chute Plate
7-CBH	Auger Motor
8-CBH	Nylon Bushing
9-CBH	Auger Flighting Assembly
10-CBH	Hopper Housing Gasket
11-CBH	Burn Pot
12-CBH	Auger Box Housing
13-CBH	Igniter
14-CBH	Combustion Fan
15-CBH	CB1 Control Board



# RECIPES

## CLASSIC BRISKET

Makes 4 - 6 Servings

A whole beef brisket weighs 7.25-3.62 kg / 16-18 pounds and has three separate parts: the cap, the point, and the flat. Use the flat section, as it is lean, compact, and creates nice slices when carved.

### Ingredients:

- 1 Beef Brisket  
2.2-3.6 kg / 5-8 lbs,  
Layer of fat is at least 0.6 cm / ¼" thick
- 1 bottle Prepared Yellow Mustard
- 75 ml / 5 tbsp Seasoning
- 1 bottle Chili Sauce
- 1 pack Dry Onion Soup Mix
- 375 ml / 1½ c. Beef Broth
- 40 ml / 8 tsp Black Pepper

**Suggested Wood Pellet Flavor: Hickory / Competition**

### Instructions:

1. Lay out a large piece of plastic wrap on your working station. Large enough to encase the brisket. Using a sharp knife, cut a single cut on the underside of the brisket against the grain. This will aid in slicing the finished brisket, against the grain which results in a tender, melt-in-your-mouth cut. The underside is the non-fat cap side. Slather on a generous amount of prepared mustard. Rub lightly onto the entire area. Sprinkle a generous amount of seasoning onto the mustard, then again light rub into the meat. Flip the brisket over and repeat the process. Wrap the prepared brisket in the plastic wrap and refrigerate 2 to 4 hours, or overnight.
2. Prepare the basting mixture. Mix the chili sauce, dry onion soup mix, beef broth, and black pepper. Set aside.
3. **Preheat grill, then reduce to SMOKE or low temperature.**
4. Place the brisket, fat side up, in the center of the grill. Close the grill lid. Slow cook until tender, about 10 to 12 hours.
5. Baste the brisket with the basting mixture every half hour for the first 3 hours.
6. Continue the slow cooking process until the internal temperature reaches 60-66°C / 140-150°F. Remove from grill. **Turn grill up to 176°C / 350°F.**
7. Place the brisket into a pouch of double-layered aluminum foil. Pour 50 ml / ¼ cup of basting mixture over the brisket in the pouch. Close the pouch shut.
8. Lay foil pouch carefully on the grill. Steam for 1 to 1½ hours.
9. Open the pouch, and use a meat thermometer; internal temperature should reach 91°C / 195°F. The brisket should be firm but be able to pull the meat apart with your fingers.
10. Transfer the meat to a cutting board, and let it rest for 10 minutes. Thinly slice across the grain to serve.

## SAUSAGE WITH MANGO CHUTNEY

Makes 4 - 6 Servings

### Ingredients:

- 2 Mangoes (finely chopped)
- 0.9 kg / 2 lbs Italian Sausage (hot or mild)
- 10 ml / 2 tsp Fresh Parsley (minced)
- 15 ml / 1 tbsp Red Pepper (diced)
- 10 ml / 2 tsp Honey
- ½ Red Onion (diced)
- ½ bulb Fennel (diced)
- 5 ml / 1 tsp Lime Juice
- Pinch Salt

**Suggested Wood Pellet Flavor: Hickory / Competition**

### Instructions:

1. **Preheat grill, then reduce to LOW-MEDIUM (27-107°C / 180-225°F)**
2. Place sausages on grill, spaced evenly apart. Rotate every ten minutes so all sides are grilled.
3. Combine all remaining ingredients to make the chutney. Chill until ready to serve.
4. Slice grilled sausage diagonally, then serve with side of chutney.

## BLUE CHEESE STEAK

Makes 4 Servings

### Ingredients:

- 4 Steak, T-bone or Rib-Eye  
2.54cm / 1" thick  
0.28-0.62 kg / 10-12 ounces each
- 113 g / 4 oz. Blue Cheese (crumbled)
- 50 ml / ¼ c. Green Onion (thinly sliced)

**Suggested Wood Pellet Flavor: Hickory / Competition / Whiskey**

### Instructions:

1. **Preheat grill, then leave or reduce slightly (204-260°C / 400-500°F)**
2. Trim excess fat from meat and discard.
3. Place steaks on grill. Sear each side, flipping every few minutes.
4. **Reduce heat to 135°C/275°F or 163°C/ 325°F.** Flip the steaks a final time. Combine blue cheese and onions. Sprinkle over steaks, close grill lid, and grill until desired doneness. Check doneness by cutting a slit in meat near the bone.

### Variation: REVERSE-SEAR METHOD

Turn grill to SMOKE, then place steaks on grill. Smoke at 82°C / 180°F for 5 to 15 minutes. Once smoked to desired doneness, turn grill up to HIGH and sear to your liking.

## BBQ RIBS

Makes 4 - 6 Servings

### Ingredients:

1.3-1.8 kg / 3-4 lbs	Ribs <small>Meaty pork spareribs / loin back ribs</small>
45 ml / 3 tbsp	Oil
5 ml / 1 tsp	Salt
5 ml / 1 tsp	Pepper
2 whole	Onions (chopped)
30 ml / 2 tbsp	Vinegar
30 ml / 2 tbsp	Worcestershire sauce
125 ml / ½ c.	Apple Juice or Soda
5 ml / 1 tsp	Paprika
5 ml / 1 tsp	Chili Powder

**Suggested Wood Pellet Flavor: Hickory / Competition / Apple**

### Instructions:

1. **Preheat grill, then reduce to SMOKE or low (82-107°C / 180-225°F).**
2. Prepare ribs by peeling off the tough layer of skin on the back side. Season the ribs with salt and pepper, to taste.
3. Place ribs on grill, spaced evenly apart. Smoke for 3 to 4 hours.
4. Mix remaining ingredients in a saucepan and bring to a boil. Let sauce boil for five minutes to thicken.
5. Remove from grill. **Turn grill up to 176°C / 350°F.**
6. Place each rack into a pouch of double-layered aluminum foil. Pour 50 ml / ¼ cup of sauce over the ribs in the pouch. Close the pouch shut.
7. Lay foil pouch carefully on the grill. Steam for 1 to 1½ hours.
8. Open the pouch. The meat will have exposed the rib ends and be very tender. **Turn grill up to HIGH (260°C / 500°F).** Place ribs back on the grill and baste with sauce on both sides of ribs.
9. Once the sauce is caramelized and the ribs are sticky, remove from grill and serve.

### Variation: MEMPHIS-DRY METHOD

Turn grill up to HIGH (260°C / 500°F). Place ribs back on the grill and season with a dry seasoning or rub. Sear the ribs, remove from grill and serve.

## MOM'S JUICY HAMBURGERS

Makes 4 - 6 Servings

### Ingredients:

900 g / 2 lbs	Ground Beef or Buffalo
15 ml / 3 tsp	Seasoning
2 whole	Eggs, room temperature
500 ml / 2 c.	Bread Crumbs (Dried, Fine)
6 - 8	Hamburger / Kaiser Buns
6 - 8 slices	Cheese (slices, thin)
30 ml / 2 tbsp	Butter

**Suggested Wood Pellet Flavor: Hickory / Competition**

### Instructions:

1. **Preheat grill, then leave or reduce slightly (204-260°C / 400-500°F)**
2. Combine meat, seasoning, eggs and bread crumbs in a mixing bowl and blend together. Divide the meat into portions, and gently shape into patties to fit the buns. Make patties about 1.9 cm / ¾ inches thick.
3. Place patties on grill. Grill six minutes per side, taking care not to press down on the meat. Test for doneness, using a meat thermometer; internal temperature should reach 71°C / 160°F. Meat may turn pink on the outside due to smoking.
4. In the last few minutes of grilling, brush buns with butter and lightly toast on the grill.
5. Remove buns, burgers when done. Top the burgers with cheese to melt, and serve.

**TIP:** A slightly fattier meat makes for a juicier burger. For a lean alternative, try ground buffalo.

## SIRLOIN STEAK WITH SWEET ONION & PEPPERS

Makes 4 Servings

### Ingredients:

2	Steak, Top Sirloin <small>1" thick, cut into 4 pieces. 0.45kg/1 lb</small>
10 ml / 2 tsp	Seasoning or rub
5 medium	Sweet Onions (coarsely chopped)
2 whole	Bell Peppers (all kinds, chopped)
60 ml / 4 tbsp	Soy Sauce
60 ml / 4 tbsp	Olive Oil
Dash	Salt

**Suggested Wood Pellet Flavor: Hickory / Mesquite / Whiskey**

### Instructions:

1. **Preheat grill, then reduce slightly to 218°C / 425°F.**
2. Season both sides of the steak with the seasoning or rub. Cover and refrigerate at least 1 hour.
3. Place onions and bell peppers into a covered tray of aluminum foil. Mix soy sauce and olive oil together, then drizzle over tray. Sprinkle with salt. Seal the foil packet completely.
4. Place the foil on the grill for 10 - 15 minutes or until vegetables are soft and tender. Remove from grill, and keep covered.
5. Place steaks on grill. Sear each side, flipping every few minutes.
6. Grill until desired doneness, then remove from grill. Place on serving plates and top with warm vegetables.

## CORNISH HENS WITH MANDARIN RICE

Makes 4 Servings

### Ingredients:

4 whole Cornish Game Hens  
 750 ml / 3 c. Mandarin Rice  
 15 ml / 1 tbsp Olive Oil  
 5 ml / 1 tsp Smoked Paprika  
 250 ml / 1 c. Orange Marmalade

### Mandarin Rice

59 ml / ¼ c. Almonds (slivered)  
 30 ml / 2 tbsp Celery (chopped)  
 1 small Green Onion (sliced, thin)  
 30 ml / 2 tbsp Butter  
 1 can Mandarin Orange Segments (drained)  
0.4 kg / 11oz.  
 30 ml / 2 tbsp Orange Juice (concentrate)  
 500 ml / 2 c. Cooked Rice

**Suggested Wood Pellet Flavor: Hickory / Mesquite / Competition**

### Instructions:

1. Prepare mandarin rice by cooking almonds, celery, green onion, and butter in small skillet until almonds are lightly toasted. Combine mixture with orange segments, orange juice and cooked rice in a bowl, and set aside.
2. **Preheat grill, then reduce to MEDIUM (135-177°C / 275-350°F).**
3. Rinse Cornish hens and pat dry with paper towel. Stuff with rice mixture and tie legs with a string. Brush Cornish hens lightly with olive oil, and sprinkle with paprika.
4. Place Cornish hens on grill. Grill for 45 to 60 minutes, until the drumstick meat is tender when pressed.
5. Baste with orange marmalade during last 20 minutes of cooking time. Remove from grill and arrange on serving platter.

**TIP:** If you want to catch the drippings to make gravy, place the hens in a foil pan and add enough water or juice to cover the bottom about 0.6 cm / ¼ inch thick.

## SHRIMP KABOBS WITH CURRY BUTTER

Makes 4 Servings

### Ingredients:

900g / 2 lbs Shrimp (peeled, deveined)  
 125ml / ½ c. Curry Butter  
 15 ml / 1 tbsp Olive Oil  
 1 Lime  
 Fresh Dill

### Curry Butter

125 ml / ½ c. Butter  
 30 ml / 2 tbsp Onion (chopped)  
 15 ml / 1 tbsp Fresh Dill  
 5 ml / 1 tsp Curry Powder  
 Dash Garlic Powder

**Suggested Wood Pellet Flavor: Mesquite / Competition**

### Instructions:

1. Soak wooden skewers in water for 1 hour.
2. **Preheat grill, then reduce to 135-163°C / 275-325°F.**
3. Prepare curry butter by melting butter in small pan over medium-high heat. Stir in onion, dill, curry powder and garlic powder. Cook for five minutes, then remove from heat.
4. Thread shrimp on skewers, leaving space between pieces. Lightly brush with olive oil.
5. Place skewers on grill, and grill until shrimp are white and tender. Shrimp grill quickly; take care not to overcook. Turn skewers of shrimp once and brush with curry butter halfway through cooking time.
6. Arrange grilled shrimp on serving plate. Garnish with lime wedge and dill.

**TIP:** To skewer shrimp so that it is straight, hold it in a stretched-out position with one hand. Start at the tail end and insert a bamboo or wooden skewer into the shrimp so that it runs the full length. Keep unbending the shrimp with your fingers as you go.

## BACON BASIL SHRIMP ON A STICK

Makes 4 - 6 Servings

### Ingredients:

24 large Shrimp (peeled, deveined)  
 24 whole Fresh Basil Leaves  
 24 slices Bacon (sliced thin)

**Suggested Wood Pellet Flavor: Cherry / Apple**

### Instructions:

1. Soak wooden skewers in water for 1 hour.
2. **Preheat grill, then reduce to 135-163°C / 275-325°F.**
3. Wrap a piece of shrimp and basil leaf in a thin slice of bacon, then thread onto skewer, leaving space between pieces.
4. Place skewers on grill, and cook until shrimp are white and tender, and the bacon is nicely browned. Shrimp grill quickly; take care not to overcook. Turn skewers often to avoid burning.
5. Remove from heat and serve.

## WHOLE SMOKED TURKEY

Feeds a small army - leftovers are great!

### Ingredients:

- 1 whole Turkey (thawed)  
9-11.3 kg / 20-25 lbs
- 60 ml / 4 tbsp Seasoning
- 5 ml / 1 tsp Smoked Paprika
- 45 ml / 3 tbsp Butter

**Suggested Wood Pellet Flavor: Hickory / Cherry / Competition**

### Instructions:

- Preheat grill, then reduce to 135-177°C / 275-350°F.**
- Remove the turkey neck and giblets. Rinse turkey thoroughly and pat the exterior dry with paper towel.
- In a small bowl, mix butter, ¼ of the seasoning and paprika together to form a paste. Gently insert your hand between the outer skin and the breast meat. Rub paste into the meat.
- With the remaining seasoning, rub the outer surface of the turkey.
- Place turkey, breast side up, in center of grill, and cook until turkey is tender and golden brown; internal temperature should reach 82°C / 180°F in the thickest part of the thigh and 77°C / 170°F in the breast.
- Remove turkey, cover with foil and let rest for 10 minutes before carving.

**TIP:** If you want to catch the drippings to make gravy, place the turkey on a rack inside a large aluminum foil roast pan. Add 0.6 cm / ¼" of water or broth and some seasoning into the bottom of the pan. Monitor the juices, as you may need to add more during the roasting period.

## BEER CAN CHICKEN

Makes 2 - 6 Servings

### Ingredients:

- 1 whole Chicken  
1.8-2.7 kg / 4-6 lbs
- 1 can Beer, any kind
- 45 ml / 3 tbsp Seasoning

**Suggested Wood Pellet Flavor: Hickory / Apple / Competition**

### Instructions:

- Preheat grill, then reduce to 135-177°C / 275-350°F.**
- Open can, and pour half of the beer into a glass to drink. Leave half in the can, and make a few more holes in the top of the can to increase ventilation. Add a ¼ of the seasoning to the can.
- Rinse chicken thoroughly and pat the exterior dry with paper towel. Add a ¼ of the rub inside the cavity of the chicken. With the remaining seasoning, rub the outer surface of the chicken.
- Insert the upright can into the cavity of the chicken, place on the grill, and close the grill lid. Cook until the chicken is golden

brown and crispy; internal temperature should reach 74°C/165°F.

- Using tongs, carefully remove the upright chicken and can from the grill. Let rest for five minutes, then carefully remove the can from the cavity of the chicken. Be cautious not to spill, as the liquid will be hot.
- Carve chicken and serve.

### Variation: NON-ALCOHOLIC, BEER-CAN CHICKEN

Using the same instructions as above, but substitute the can of beer with a can of your favorite non-diet cola, fruit juice, or water with additional seasoning.

## EASY RANCH CHICKEN SATAY

Makes 2 - 6 Servings

### Ingredients:

- 450g / 1 lb Chicken Breasts or Thighs (boneless, skinless)
- 112 ml / ½ c. Prepared Ranch or Italian Salad Dressing
- Dash Salt
- Dash Pepper

**Suggested Wood Pellet Flavor: Apple / Cherry**

### Instructions:

- Cut chicken, lengthwise, into 0.63 cm / ¼" or slightly thicker pieces. Rinse chicken and pat dry with paper towel.
- Place chicken pieces into a plastic lock-top bag. Add salad dressing, salt and pepper. Seal the bag closed, and carefully shake, coating chicken evenly. Place in refrigerator for 1 - 2 hours, or overnight. Shake the bag once or twice so the chicken marinades evenly.
- Soak wooden skewers in water for 1 hour before use.
- Preheat grill, then reduce slightly to 218°C / 425°F.**
- Remove chicken from plastic bag, and weave in-and-out onto the skewers, like a ribbon.
- Place skewers on grill, and cook until chicken is white and firm. Turn skewers often to avoid burning.
- Remove from heat and serve.

# INFORMATIONS DE SÉCURITÉ

**LES CAUSES MAJEURES DES INCENDIES D'APPAREILS SONT LE RÉSULTAT D'UN MAUVAIS ENTRETIEN ET D'UN DÉFAUT DE MAINTENIR DU DÉGAGEMENT REQUIS POUR LES MATÉRIAUX COMBUSTIBLES. IL EST D'UNE IMPORTANCE CRUCIALE QUE CE PRODUIT SOIT UTILISÉ SEULEMENT CONFORMÉMENT AUX INSTRUCTIONS SUIVANTES.**

Veuillez lire et comprendre ce manuel avant d'assembler, d'utiliser ou d'installer le produit. Cela vous assurera de profiter au mieux et sans soucis de votre nouveau grill à granulés de bois. Nous vous conseillons également de conserver ce manuel pour référence ultérieure.

## DANGERS ET AVERTISSEMENTS

**Vous devez communiquer avec votre municipalité, vos autorités locales en matière de feu ou de construction ou toute autre autorité compétente afin d'obtenir les permis nécessaires, la permission ou des renseignements sur toutes les restrictions d'installation, y compris ceux relatifs à l'installation d'un grill sur une surface combustible, aux règles d'inspection ou encore aux permis d'utilisation dans votre région.**

1. Un dégagement minimum de 305 mm (12 pouces) des constructions combustibles sur les côtés du grill et 305 mm (12 pouces) de l'arrière du grill aux constructions combustibles doit être maintenu. **Ne pas installer l'appareil sur des planchers combustibles ou des planchers protégés par des surfaces combustibles à moins que des permis et autorisations adéquates n'aient été obtenus par les autorités compétentes.** Cet appareil à granulés de bois ne doit pas être placé sous un plafond ou un surplomb combustible. Gardez votre grill dans une zone dégagée et exempte de matières combustibles, d'essence et d'autres vapeurs et liquides inflammables.

**En cas d'incendie de graisse, éteignez le grill et laissez le couvercle fermé jusqu'à ce que le feu soit éteint. NE PAS débrancher la fiche d'alimentation. NE PAS jeter d'eau dessus. NE PAS essayer d'étouffer le feu. L'utilisation d'un extincteur approuvé toutes classes (classe ABC) est précieuse à conserver sur place. Si un incendie non contrôlé se produit, appelez les pompiers.**

2. Gardez les cordons d'alimentation électrique et le tuyau d'alimentation en carburant loin des surfaces chauffées. Ne pas utiliser votre grill sous la pluie ou autour d'une source d'eau.
3. Après une période de stockage ou de non utilisation, vérifiez qu'il n'y a pas d'obstruction au niveau de la grille de combustion et ps de blocage de l'air au niveau de la trémie. Nettoyer avant utilisation. Si le grill est entreposé dehors pendant la saison des pluies ou les saisons de forte humidité, toutes les précautions devraient être prises pour veiller à ce que l'eau n'entre pas dans la trémie. Vous devez toujours débrancher le grill avant d'effectuer un service ou un entretien.

**Ne pas transporter votre grill pendant son utilisation ou pendant qu'il est chaud. Assurez-vous que le feu est complètement éteint et que le grill est complètement frais avant le déplacement.**

4. Il est recommandé d'utiliser des gants ou des gants de barbecue résistant à la chaleur lors de l'utilisation du grill. Ne pas utiliser d'accessoires n'ayant pas été conçus pour être utilisés avec cet appareil. Ne pas mettre de couvercle de barbecue ou tout autre matière inflammable dans la zone d'espace de stockage sous le barbecue.
5. Pour éviter toute blessure ou endommagement de la tanière, l'appareil comporte un écran de sécurité de la trémie métallique. Cet écran ne doit pas être retiré sauf indication contraire du service à la clientèle de dansons ou d'un fournisseur de service autorisé.

**Cet appareil n'est pas conçu pour être utilisé par des enfants, des personnes à capacités physiques, sensorielles ou intellectuelles réduites ou sans expérience ni connaissances, à moins qu'elles soient surveillées directement par une personne responsable de leur sécurité.**

6. Certaines parties du barbecue peuvent être très chaudes et des blessures graves peuvent survenir. Tenir hors de portée des jeunes enfants et des animaux domestiques lors de l'utilisation.

7. Ne pas élargir les orifices de la grille de combustion, des trous de l'allumeur ou des pots de combustion. Le non-respect de cet avertissement pourrait entraîner un risque d'incendie et des dommages corporels et annulera votre garantie.
8. El producto puede tener bordes o puntos afilados. El contacto puede provocar lesiones. Tratar con cuidado.

## ÉLIMINATION DES CENDRES

Les cendres devraient être déposées dans un contenant métallique avec couvercle hermétique. Le contenant fermé de cendres devrait être placé sur un plancher non combustible ou sur le sol, loin de toute matière combustible en attendant leur élimination définitive. Lorsque les cendres sont disposées par enterrement dans le sol, ou dispersées localement, elles doivent être conservées dans un récipient fermé jusqu'à ce que toutes les cendres aient été complètement refroidies.

## COMBUSTIBLE GRANULES DE BOIS

Cet appareil de cuisson à granules est conçu et approuvé uniquement pour le bois aggloméré, entièrement naturel. Tout autre type de consommation de carburant dans cet appareil annulera la garantie et la norme de sécurité. Vous devez uniquement utiliser les pastilles de bois naturelles, conçues pour brûler dans les grils de bbq à pastilles. Ne pas utiliser de carburant avec des additifs.

**Ne pas utiliser d'alcool, d'essence, de pétrole, d'essence à briquet ou du kérosène pour allumer ou faire reprendre un feu dans votre gril. Conservez tous ces liquides loin du gril lorsque celui-ci fonctionne.**

Au moment de l'impression de ce manuel, il n'y a pas de norme industrielle pour les granulés de bois de barbecue, bien que la plupart des usines de granulés utilisent les mêmes normes pour fabriquer des granulés de bois à usage domestique. Vous trouverez plus d'informations sur [www.pelletheat.org](http://www.pelletheat.org) ou sur *Pellet Fuel Institute*.

Contactez votre revendeur local au sujet de la qualité des granulés dans votre région et pour des informations sur la qualité de la marque. Comme il n'y a pas de contrôle sur la qualité des pastilles utilisées, nous n'assumons aucune responsabilité à l'égard des dommages causés par une mauvaise qualité du carburant.

## CRÉOSOTE

La créosote, ou la suie, est une substance semblable à celle du goudron. Lors de la combustion, il produit de la fumée noire avec un résidu qui est également de couleur noire. La suie ou la créosote est formée lorsque l'appareil fonctionne incorrectement, par exemple: position incorrecte de la grille de combustion, blocage du ventilateur de combustion, défaut de nettoyage et entretien de la zone de combustion ou mauvaise combustion air-carburant.

Il est dangereux de faire fonctionner cet appareil si la flamme devient sombre, de suie, ou si le pot de combustion est trop rempli de granulés. Lorsqu'elle est enflammée, cette accumulation de créosote produit un feu extrêmement vif et non maîtrisé, similaire à un feu de graisse. Dans ce cas, éteignez l'appareil, laissez-le refroidir complètement, puis inspectez-le pour l'entretien et le nettoyage. Il s'accumule généralement le long des zones d'échappement.

Si de la créosote s'est accumulée dans l'unité, laissez l'unité se réchauffer à basse température, éteignez l'appareil, puis essayez toute formation à l'aide d'une serviette à main. À l'instar du goudron, il est beaucoup plus facile de nettoyer au chaud, car il devient liquide.

## LE MONOXYDE DE CARBONE (« LE TUEUR SILENCIEUX »)

Le monoxyde de carbone est un gaz incolore, inodore et sans goût produit par la combustion des gaz, du bois, du propane, du charbon ou d'autres combustibles. Le monoxyde de carbone réduit la capacité du sang à transporter l'oxygène. Les faibles niveaux d'oxygène sanguin peuvent entraîner des maux de tête, des étourdissements, des faiblesses, des nausées, des vomissements, de la somnolence, de la confusion, de la perte de conscience ou la mort. Suivez les directives suivantes pour empêcher ce gaz incolore et inodore de vous empoisonner ainsi que votre famille et les autres :

- Consultez un médecin si vous ou les autres développez des symptômes similaires à un rhume ou la grippe quand vous cuisinez ou quand vous vous trouvez à proximité de l'appareil. L'empoisonnement au monoxyde de carbone, qui peut facilement être confondu avec le rhume ou la grippe, est souvent détecté trop tard.
- La consommation d'alcool et de drogues augment les effets de l'empoisonnement au monoxyde de carbone.

Le monoxyde de carbone est particulièrement toxique pour la mère et l'enfant pendant la grossesse, pour les nourrissons, les personnes âgées, les fumeurs et les personnes souffrant de problèmes de circulation sanguine ou du système circulatoire, tels que l'anémie ou les maladies cardiaques.

## INFORMATIONS DE SÉCURITÉ

Conformément aux procédures et spécifications homologuées dans UL Subject 2728-2009 « Appareils de cuisson à combustible à granulés » et ULC/ORD C272 et Canadian CSA C22.2 #3 "pour les caractéristiques électriques d'équipement de combustion de carburant". Les appareils de cuisson à granulés de Cabela's ont été testés indépendamment et classés par Intertek (un laboratoire d'essai accrédité) aux normes ETL, UL, ULC et CSA.

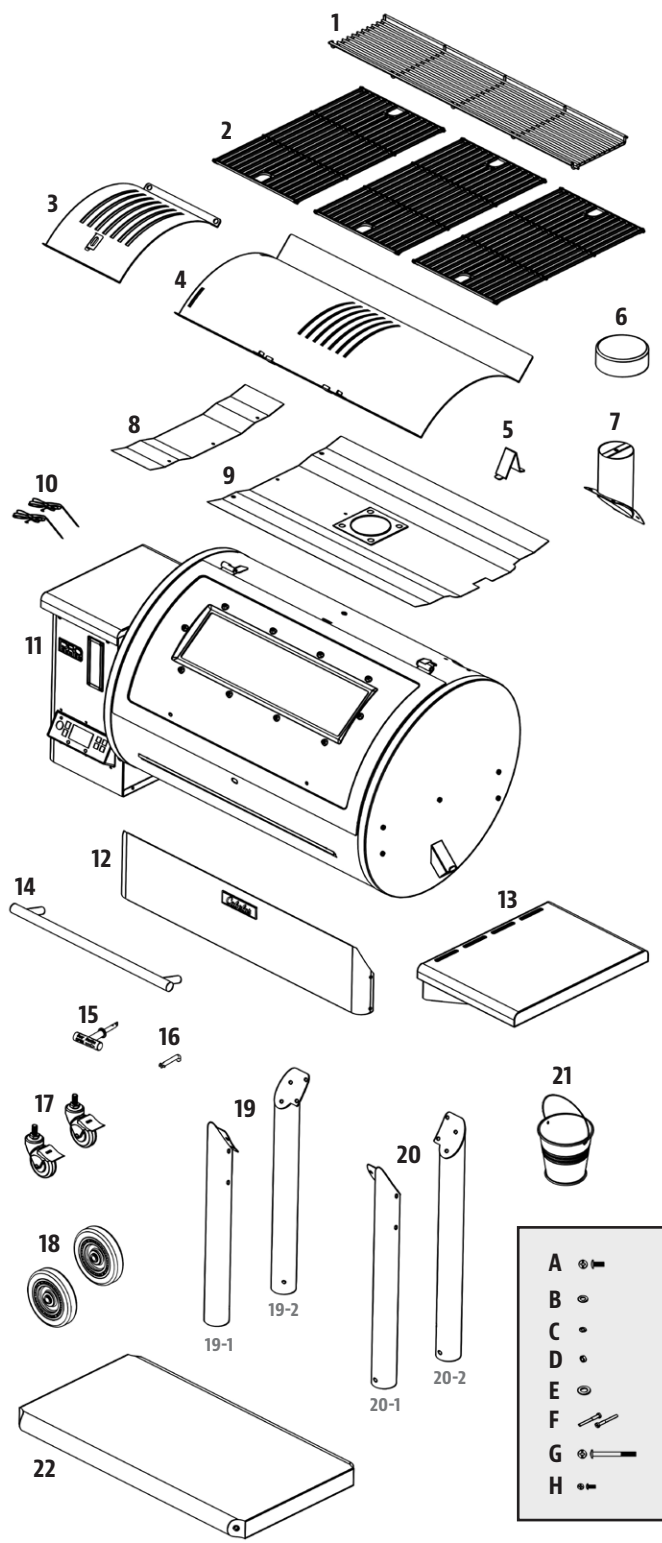


## TABLE DES MATIÈRES

Informations de sécurité.....	30	Comprendre les sondes.....	41
Pièces et spécifications .....	33	Comprendre le tableau de contrôle .....	42
Préparation de l'assemblage.....	34	Procédure d'amorçage de la trémie.....	43
Instructions d'assemblage		Première utilisation – Gril « Burn Off ».....	43
Montage des pieds de support gauches au baril .....	34	Préchauffage.....	43
Montage des pieds de support droits au baril .....	35	Procédure de démarrage automatique.....	43
Installation de l'étagère inférieure.....	35	Procédure de démarrage manuelle.....	44
Montage des roues.....	35	Éteindre votre gril.....	44
Fixation de la plaque d'appui.....	36	Entretien et maintenance .....	45
Fixation du bouchon du couvercle .....	36	Utilisation du combustible en granulés de bois .....	46
Fixer la poignée du couvercle.....	36	Directives de cuisson.....	46
Sécurisation de la cheminée .....	36	Conseils et techniques .....	48
Placer le seau à graisse .....	37	Dépannage .....	50
Assembler la tablette latérale.....	37	Diagramme des fils électriques.....	53
Installation de la station à griller .....	37	Pièces de rechange	
Fixer les plaques du déflecteur de chaleur.....	38	Pièces de rechange de gril .....	54
Installation des composants de cuisson .....	38	Pièces de rechange de trémie .....	55
Connexion à une source d'alimentation .....	38	Recettes.....	56
Instructions d'utilisation			
Environnement du gril.....	40		
Gammes de température du gril.....	40		

# PIÈCES ET SPÉCIFICATIONS

Partie#	Description
1	Grille de cuisson supérieure en acier revêtu de porcelaine
2	Grilles de cuisson en fonte revêtue de porcelaine (x3)
3	Chaudière Glissière
4	Chaudière Planche principale
5	Bouchon du couvercle
6	Capuchon de la cheminée
7	Sortie de la cheminée
8	Petite plaque du déflecteur de chaleur
9	Grande plaque du déflecteur de chaleur
10	Sonde thermique (x2)
11	Baril principal / Assemblage de la trémie
12	Plaque d'appui
13	Tablette latérale
14	Poignée du couvercle
15	Poignée de la station à griller
16	Bras de la station à griller
17	Roulette verrouillable (x2)
18	Roue (x2)
19	Pied de support pour roulette verrouillable (x2)
20	Pied de support pour roue (x2)
21	Seau de graisse
22	Étagère Inférieure
A	Vis (x18)
B	Rondelle (x18)
C	Rondelle de blocage (x18)
D	Écrou (x2)
E	Rondelle de roue (x4)
F	Goupille de l'essieu des roues (x 2)
G	Vis (x4)
H	Vis (x4)



REMARQUE : En raison du développement continu du produit, les pièces peuvent être modifiées sans préavis. Contactez le service clientèle si des pièces manquent lors de l'assemblage de l'appareil.

## PB – EXIGENCES ÉLECTRIQUES

120V, 3.1AMP, 60HZ, 250W, FICHE À 3 BROCHES MISE À LA TERRE

MODÈLE	UNITÉ ASSEMBLÉE (WXHXD)	POIDS DE L'UNITÉ	SURFACE DE CUISSON	GAMME DE TEMPÉRATURES	CARACTÉRISTIQUES NUMÉRIQUES
<b>CB36ETC1</b>	1,590mm x 1,229mm x 645mm / 62.6" x 48.4 x 25.4"	83 kg / 183 lb	Principale - 4,883 cm <sup>2</sup> / 757 sq. in. Grille supérieure - 1,696 cm <sup>2</sup> / 263 sq. in. <b>TOTAL - 6,579 cm<sup>2</sup> / 1,020 sq. in.</b>	82-260°C / 180-500°F	Cycles de démarrage et refroidissement automatiques, sonde thermique programmable, allumeur électrique

# PRÉPARATION DE L'ASSEMBLAGE

Les pièces sont situées dans tout le carton d'expédition, y compris sous le gril. Inspectez la grille, les pièces et l'emballage de matériel après avoir retiré de l'emballage de protection en carton. Avant l'assemblage du produit, examinez toutes les pièces et référez-vous à la liste des pièces. En cas de pièce manquante ou endommagée, ne tentez pas d'assembler. Les dommages lors de l'expédition ne sont pas couverts par la garantie. Contactez le service à la clientèle à 1.887.303.3135.

**IMPORTANT : Pour faciliter l'installation, être deux personnes est utile (mais pas nécessaire) lors de l'assemblage de cette unité.**

**Outils nécessaires pour l'assemblage :** tournevis, clé et niveau d'eau. *Outils non inclus.* 

## INSTRUCTIONS D'ASSEMBLAGE

**REMARQUE :** Pour toutes les étapes suivantes, ne pas serrer complètement les vis jusqu'à ce que toutes les vis de cette étape aient été installées. Une fois toutes les vis installées, serrez-les correctement. La combinaison de matériel impliquant une rondelle et une rondelle de blocage doit être installée avec la rondelle de verrouillage la plus proche de la tête de la vis.

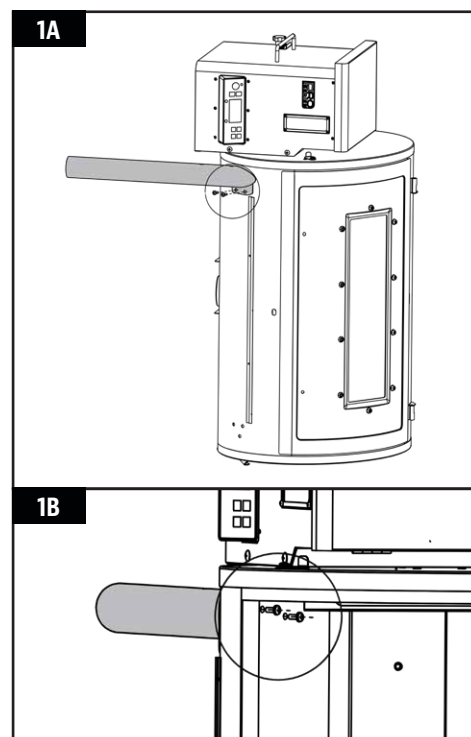
### 1. MONTAGE DES PIEDS DE SUPPORT GAUCHES AU BARIL

#### Pièces nécessaires :

- 1 x Baril principal (#11)
- 2 x Pied de support pour roulette verrouillable (#19)
- 8 x Vis (#A)
- 8 x Rondelle de blocage (#C)
- 8 x Rondelle (#B)

#### Installation :

- Placez un morceau de carton sur le sol pour éviter de rayer l'unité. Posez le baril principal couché sur le côté, la trémie pointant vers le haut, sur le carton.
- Montez un pied de support pour roulette verrouillable sur le baril principal (sur le côté le plus près de la trémie). Installez deux rondelles, rondelles de blocage et les vis de l'extérieur du baril principal, vers l'intérieur. Référez-vous à l'illustration 1A. Installez deux rondelles, rondelles de blocage et les vis de l'intérieur du baril principal, vers l'extérieur, sur le même pied de support. Référez-vous à l'illustration 1B.
- Répétez cette étape pour l'autre pied de support pour roulette verrouillable.



## 2. MONTAGE DES PIEDS DE SUPPORT DROITS AU BARIL

### Pièces nécessaires :

- 2 x Pied de support pour roue (#20)
- 6 x Vis (#A)
- 6 x Rondelle de blocage (#C)
- 6 x Rondelle (#B)

### Installation :

- Montez un pied de support pour roue sur le baril principal (le plus près du plancher/du carton). Installez deux rondelles, rondelles de blocage et les vis de l'extérieur du baril principal, vers l'intérieur. Référez-vous à l'illustration 2A. Installez une rondelle, une rondelle de blocage et la vis de l'intérieur du baril principal, vers l'extérieur, sur le même pied de support. Référez-vous à l'illustration 2B.
- Répétez cette étape pour l'autre pied de support pour roue.

## 3. INSTALLATION DE L'ÉTAGÈRE INFÉRIEURE

### Pièces nécessaires :

- 1 x Étagère Inférieure (#22)
- 4 x Vis (#A)
- 4 x Rondelle de blocage (#C)
- 4 x Rondelle (#B)

### Installation :

- Fixez l'étagère inférieure à l'aide d'une rondelle, d'une rondelle de blocage et d'une vis sur chacun des quatre pieds de support.

**IMPORTANT : La surface plate de l'étagère inférieure devrait faire face au baril principal. Prenez soin de ne pas installer l'étagère inférieure à l'envers.**

## 4. MONTAGE DES ROUES

### Pièces nécessaires :

- 2 x Roulette verrouillable (#17)
- 2 x Roue (#18)
- 2 x Goupille de l'essieu des roues (#F)
- 4 x Rondelle de roue (#E)
- 2 x Écrou (#D)

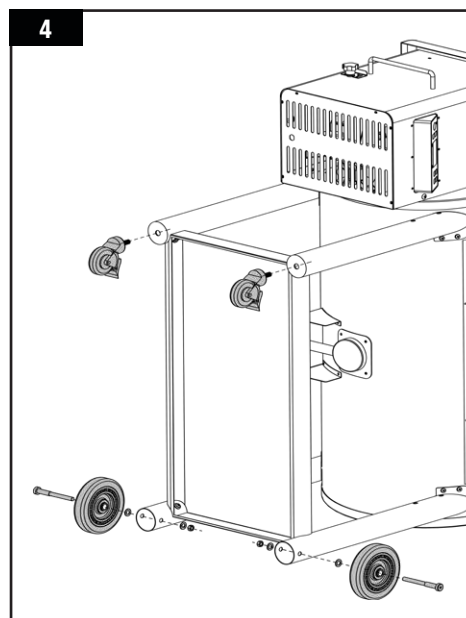
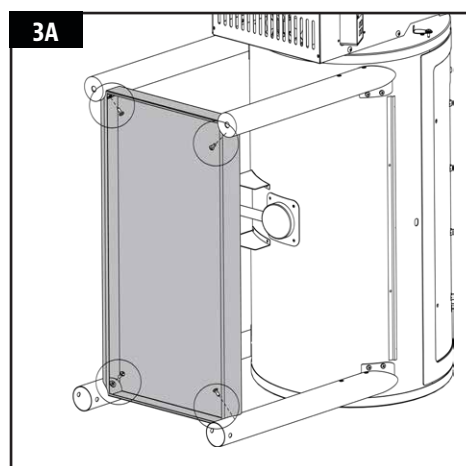
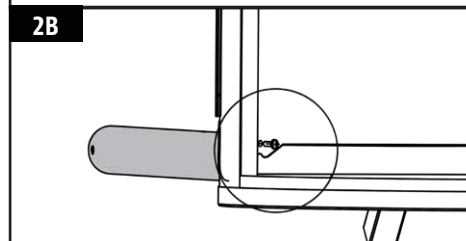
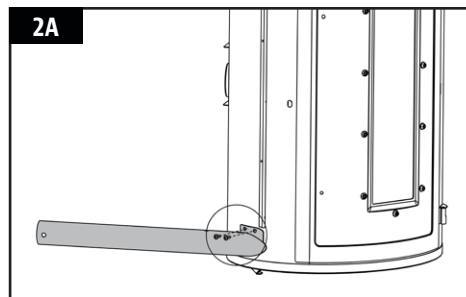
### Installation :

- Installez l'une des roulettes verrouillables pré-filetés dans le bas d'un pied de support en la serrant à la main dans le trou. Vérifiez que la roulette verrouillable est bien insérée complètement. Continuez à installer l'autre roulette verrouillable à l'autre pied de support restant.

**IMPORTANT : Verrouillez les roulettes avant de soulever le gril en position verticale.**

- Fixez la roue au pied de support en insérant la goupille de l'essieu des roues à travers la roue, la rondelle de l'essieu des roues, puis insérez à travers le pied de support. Fixez la goupille de l'essieu des roues en ajoutant une autre rondelle de l'essieu des roues, puis en plaçant l'écrou de l'essieu des roues. Suivez les mêmes instructions pour l'installation de l'autre roue au dernier pied de support.

**REMARQUE : Une fois toutes les roues assemblées, les deux roulettes**



verrouillables devraient être du même côté et les deux pieds de support avec les roues devraient se trouver sur l'extrémité opposée.

- Soulevez soigneusement le gril en position verticale avec les roulettes au sol.

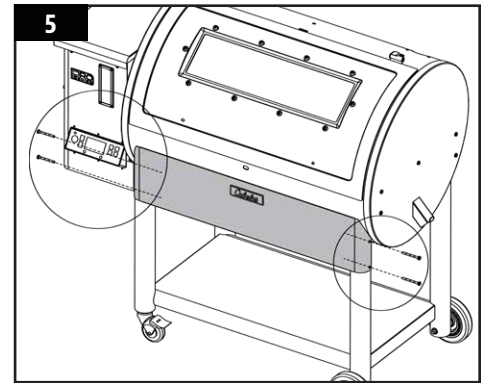
## 5. FIXATION DE LA PLAQUE D'APPUI

**Pièces nécessaires :**

- 1 x Plaque d'appui (#12)
- 4 x Vis (#G)

**Installation :**

- Fixez les côtés bombés de la plaque d'appui aux pieds de support avants et alignez les trous pour sécuriser en place. Insérez une vis dans chaque trou, mais serrez uniquement à mi-chemin. Une fois que les quatre vis ont été partiellement insérées dans les pieds de support, serrez les vis au complet.



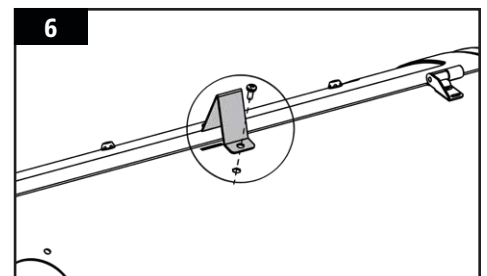
## 6. FIXATION DU BOUCHON DU COUVERCLE

**Pièces nécessaires :**

- 1 x Bouchon de couvercle (#5)

**Installation :**

- Fixez le bouchon du couvercle sur le dessus du baril principal à l'aide de la vis préinstallée sur le dessus du baril principal.



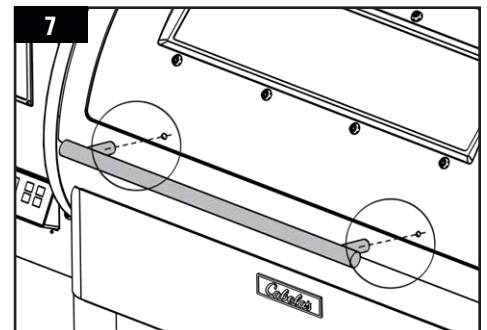
## 7. FIXER LA POIGNÉE DU COUVERCLE

**Pièces nécessaires :**

- 1 x Poignée de couvercle (#14)

**Installation :**

- Retirez les vis préinstallées de la poignée du couvercle. De l'intérieur du couvercle du baril principal, insérez une vis pour la faire sortir vers l'extérieur, puis serrez la vis à la main (de l'intérieur) dans la poignée du couvercle. Répétez cette étape pour l'autre extrémité de la poignée du couvercle.



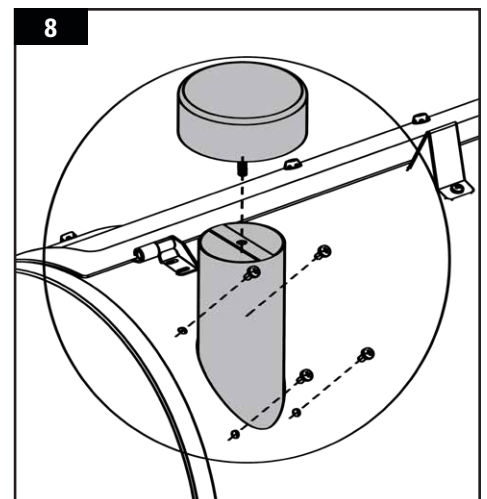
## 8. FIXER LA CHEMINÉE

**Pièces nécessaires :**

- 1 x Capuchon de la cheminée (#6)
- 1 x Sortie de la cheminée (#7)
- 4 x Vis (#H)

**Installation :**

- Placez l'ouverture de la cheminée sur le côté arrière du baril principal. De l'intérieur du baril principal, insérez la sortie de la cheminée via l'ouverture. Insérez une vis dans chaque trou à partir de l'extérieur du baril principal, mais serrez uniquement à mi-chemin. Une fois que les quatre vis ont été partiellement insérées, serrez les vis au complet.
- Ensuite, fixez le capuchon de la cheminée sur la partie supérieure de la sortie de la cheminée.



**REMARQUE :** Ajustez le capuchon de la cheminée afin d'affecter le débit d'air situé à l'intérieur du gril principal. Si vous cuisinez à basse température, gardez le capuchon plus ouvert. Assurez-vous que le capuchon de la cheminée permet à l'air de s'échapper.

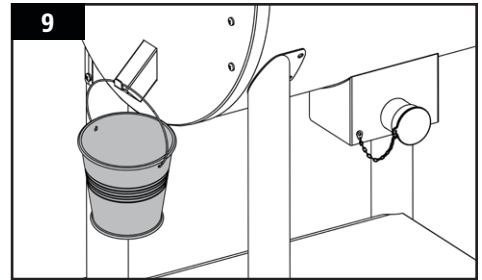
## 9. PLACER LE SEAU À GRAISSE

### Pièces nécessaires :

1 x Seau à graisse (#21)

### Installation :

- Placez le seau à graisse sur le crochet sur le bord du baril principal. Assurez-vous qu'il soit à niveau pour éviter les déversements de graisse.



## 10. ASSEMBLER LA TABLETTE LATÉRALE

### Pièces nécessaires :

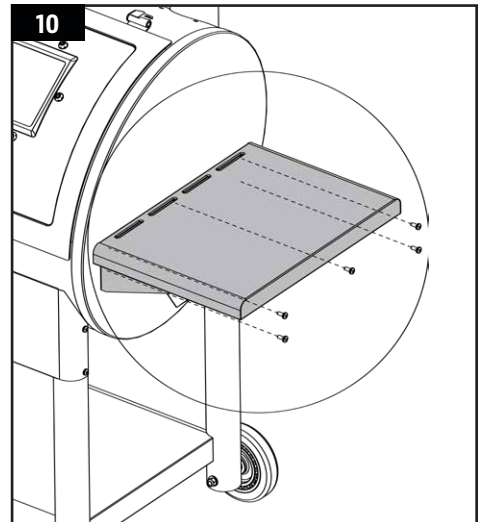
1 x Tablette latérale (#13)

### Installation :

- Retirez les cinq vis préinstallées du côté du baril principal.
- Par en-dessous, fixez la tablette latérale au panneau latéral du baril principal à l'aide des cinq vis précédemment enlevées.

**REMARQUE :** Ne serrez aucune vis complètement jusqu'à ce que toutes les vis aient été installées. Une fois toutes les vis installées, serrez-les correctement.

**IMPORTANT :** Évitez d'utiliser les étagères latérales pour déplacer ou soulever le gril. Le poids de l'unité entraînera une rupture de l'étagère latérale, qui n'est pas couverte par la garantie.



## 11. INSTALLATION DE LA STATION À GRILLER

### Pièces nécessaires :

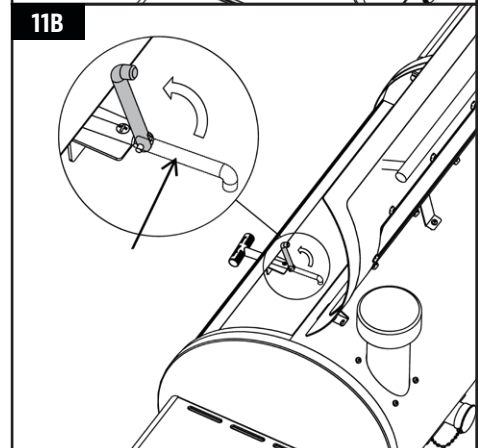
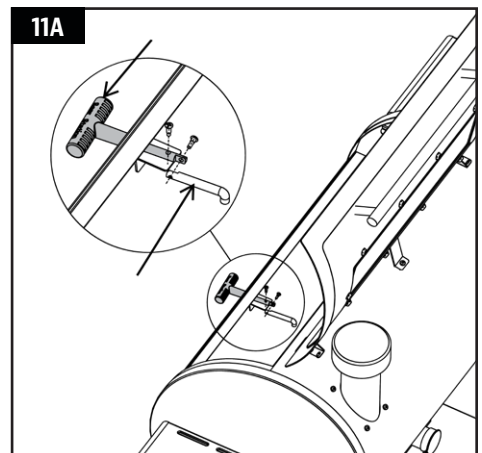
1 x Poignée de la station à griller (#15)

1 x Bras de la station à griller (#16)

### Installation :

- Ouvrez le couvercle du baril principal. Le long du milieu du panneau avant du baril principal, enlevez l'une des vis préinstallées de la plaque du rebord interne. Insérez la poignée de la station à griller via l'ouverture sur le panneau avant et fixez à l'aide d'une des vis que vous avez enlevées. Veuillez prendre note des détails de l'illustration dans 11A.
- Ensuite, enlevez la vis préinstallée sur le bras de la station à griller. Rejoignez les extrémités de raccord et branchez la poignée de la station à griller au bras de la station à griller avec la vis que vous avez enlevée plus tôt. Une fois le bras installé, veillez à ce qu'il puisse facilement être levé et baissé. Veuillez prendre note des détails de l'illustration dans 11B.

**IMPORTANT :** L'extrémité courbée du bras de la station à griller devrait être tournée vers le bas du gril. Elle sera ensuite encrée dans la plaque latérale de la chaudière à une étape ultérieure.



## 12. FIXER LES PLAQUES DU DÉFLECTEUR DE CHALEUR

### Pièces nécessaires :

- 1 x Grande plaque du déflecteur de chaleur (#9)
- 1 x Petite plaque du déflecteur de chaleur (#8)

### Installation :

- Ouvrez le couvercle du baril principal. Enlevez les deux vis préinstallées sur le boîtier de la vis, directement à gauche du pot de combustion. Laissez la vis de côté.
- Enlevez les deux vis préinstallées le long d'un côté de la plaque du déflecteur de chaleur et mettez de côté. Avec les trois trous faisant face au côté gauche (côté de la trémie), placez la grande plaque du déflecteur de chaleur sur le baril principal afin que l'ouverture centrale soit alignée avec le pot de combustion. Fixez la grande plaque du déflecteur de chaleur sur le boîtier de la vis à l'aide d'une vis que vous avez enlevée.
- Ensuite, placez la petite plaque du déflecteur de chaleur à l'extrême gauche, afin qu'elle chevauche la grande plaque du déflecteur de chaleur et qu'elle puisse venir compléter le joint étanche de la base du baril du gril. Fixez les petites et grandes plaques du déflecteur de chaleur ensemble à l'aide des trois vis que vous avez enlevées auparavant.

**IMPORTANT : Veillez à ce que les deux plaques du déflecteur de chaleur scellent (forment une paroi étanche) la base du baril du gril. Un mauvais placement de ces pièces peut avoir une incidence sur la capacité à obtenir des températures élevées dans le gril pendant la cuisson.**

## 13. INSTALLATION DES COMPOSANTS DE CUISSON

### Pièces nécessaires :

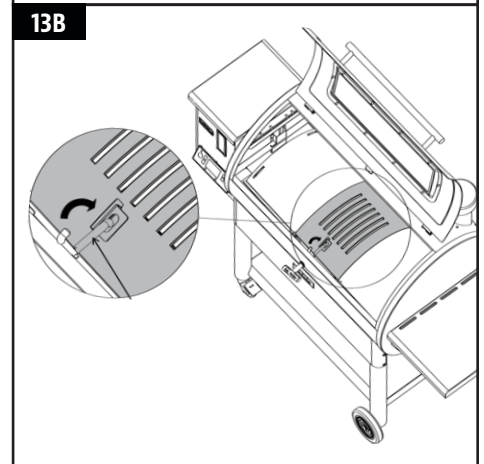
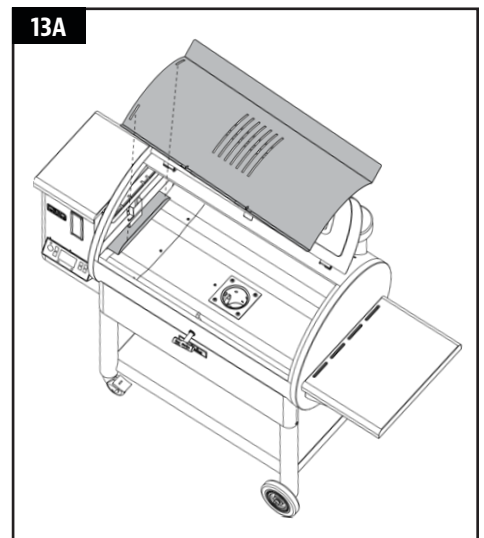
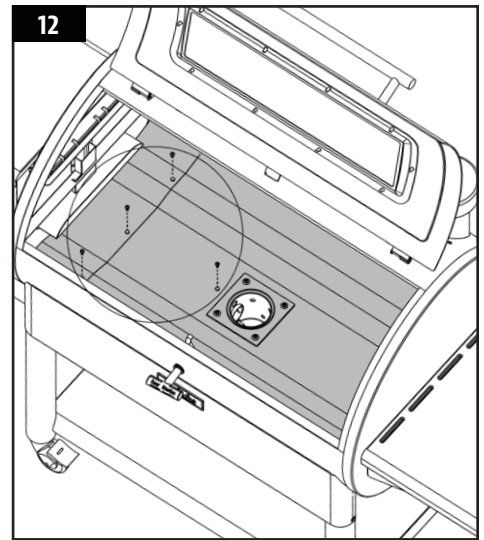
- 1 x Chaudière Plateau principal (#4)
- 1 x Chaudière Glissière (#3)
- 3 x Grilles de Cuisson (#2)
- 1 x Grille de Cuisine Supérieur (#1)

### Installation :

- Insérez la plaque principale de la chaudière dans le gril principal. Reposez la plaque principale de la chaudière sur le rebord intégré (à l'intérieur à droite) du gril principal qui dirige la graisse vers le seau à graisse. Faites glisser la pièce entière sur le côté gauche, et les deux fentes de la plaque principale de la chaudière vont entrer dans le rebord arrondi au-dessus du boîtier de la vis. La plaque principale de la chaudière reposera légèrement à un angle descendant une qu'elle est bien installée. Référez-vous à l'illustration 13A.

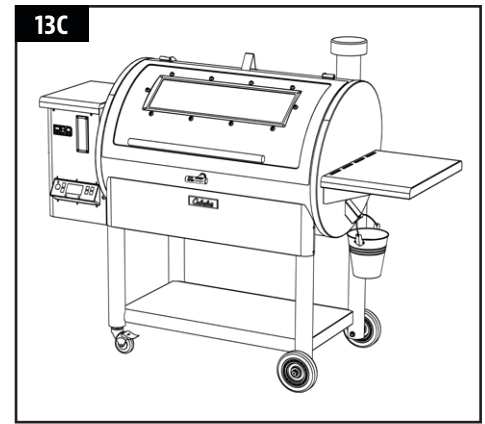
**REMARQUE : Si la plaque principale est à la base du baril, elle est installée de manière incorrecte.**

- Placez la glissière de la chaudière sur la plaque principale de la chaudières, couvrant les ouvertures à fentes. Assurez-vous que la patte surélevée est sur la gauche, pour ajuster facilement les flammes directes ou indirectes lors de la cuisson. Faites descendre le bras de la station à griller dans le trou de la patte surélevée sur la chaudière glissière, en contrôlant l'accès à la flamme directe. Référez-vous à l'illustration 13B.



**REMARQUE :** Lorsque la glissière de la chaudière est ouverte, et que la flamme directe est utilisée, ne laissez pas le gril sans surveillance pendant une période quelconque.

- Placez les grilles de cuisson, côte à côte, sur le rebord de la grille à l'intérieur du gril principal. Placez la grille de cuisson supérieure sur le rebord supérieur à l'intérieur du gril principal. La grille de cuisson se mettra en place.
- **REMARQUE :** Pour maintenir les performances abrasives et de grillage de vos grilles de cuisson, des soins et une maintenance régulière sont nécessaires.
- L'unité est maintenant complètement assemblée. Référez-vous à l'illustration 13C.

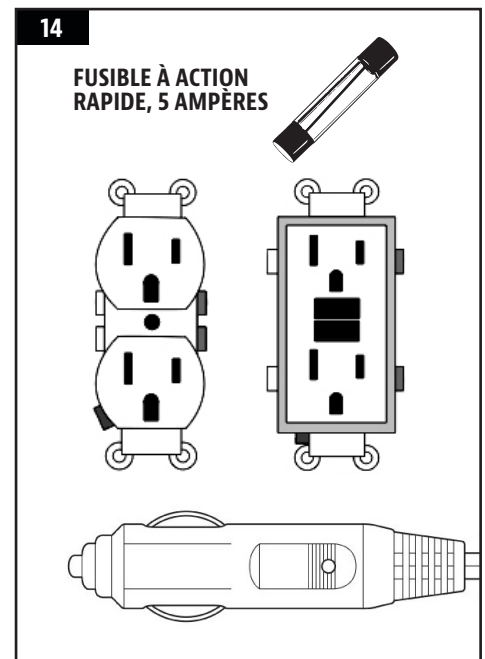


## 14. CONNEXION À UNE SOURCE D'ALIMENTATION

**REMARQUE :** Avant de brancher votre unité dans une prise électrique, assurez-vous que la molette de température est en position OFF.

- **PRISE STANDARD**  
Cet appareil nécessite un voltage de 110 Volts, 60hz, 275w, 5 ampères. Il doit utiliser une fiche de mise à la terre à 3 broches. Assurez-vous que la mise à la terre n'est pas rompue avant utilisation. Le contrôle utilise un fusible à action rapide de 5 ampères et 120 volts pour protéger le panneau de l'allumeur.
- **LES PRISES DDFT**  
Cet appareil fonctionnera sur la plupart des prises DDFT, avec une taille recommandée de 15 ampères. Si votre prise DDFT est très sensible aux surtensions, elle sera probablement touchée par un court-circuit pendant la phase d'allumage. Pendant la phase d'allumage, l'allumeur nécessite entre 200 et 700 watts de tension, ce qui peut représenter trop de puissance pour une prise DDFT. À chaque fois qu'une prise est court-circuitée, sa sensibilité augmente. Si le DDFT continue de sauter, remplacez la prise ou passez à une prise non DDFT.
- **SUR LA ROUTE**  
Débranchez l'allumeur du faisceau de câbles principal. Utilisez la procédure de démarrage manuelle. Une unité peut fonctionner en utilisant un onduleur de 12 volts et 100 watts branché sur votre prise automobile. Pour utiliser l'allumeur automatique, on vous recommande d'utiliser un onduleur d'au moins 1000 watts.

**IMPORTANT :** Débranchez l'unité de la source d'alimentation lorsqu'elle ne sert pas.



## INSTRUCTIONS D'UTILISATION

Avec le style de vie actuel pour s'efforcer de manger des aliments sains et nutritifs, un facteur à considérer est l'importance de réduire la consommation de graisse. L'une des meilleures façons de réduire les graisses dans votre régime alimentaire est d'utiliser une méthode de cuisson faible en matières grasses, tel que le gril. Comme une grille à granulés utilise des granulés de bois naturels, la saveur de bois savoureux est cuite dans les viandes, ce qui réduit le besoin de sauces à haute teneur en sucre.

## ENVIRONNEMENT DU GRIL

### 1. OÙ INSTALLER LE GRILL

Avec tous les appareils extérieurs, les conditions météorologiques extérieures jouent un rôle important dans la performance de votre gril et le temps de cuisson nécessaire pour parfaire vos repas. Le grill, en raison de sa construction en un seul mur, devrait être considéré comme un grill de 2 à 3 saisons, selon votre lieu de résidence.

Toutes les unités devraient garder un dégagement minimum de 305 mm (12 pouces) des constructions combustibles, et cette distance doit être maintenue pendant la cuisson. Cet appareil ne doit pas être placé sous un plafond ou un surplomb combustible. Gardez votre gril dans une zone dégagée et exempte de matières combustibles, d'essence et d'autres vapeurs et liquides inflammables.

### 2. CUISINER PAR TEMPS FROIDS

Lorsqu'il commence à faire plus frais à l'extérieur, cela ne signifie pas que la saison des grillades est terminée! L'air frais et l'arôme divin des aliments fumés aideront à guérir votre blues d'hiver.

Suivez ces suggestions sur la façon de profiter de votre gril pendant les mois les plus frais:

- Si le fumage à basse température échoue, augmentez légèrement la température pour obtenir les mêmes résultats.
- Organisez – Préparez tout ce dont vous avez besoin dans la cuisine avant de vous diriger à l'extérieur. Pendant l'hiver, déplacez votre gril dans un endroit protégé du vent et du froid. Vérifiez les règlements locaux concernant la proximité de votre gril par rapport à votre maison et/ou autres constructions. Mettez tout ce dont vous avez besoin sur un plateau, emballez et lancez-vous!
- Pour suivre la température extérieure, placez un thermomètre extérieur près de votre zone de cuisson. Gardez un journal ou un historique de ce que vous avez préparé, de la température extérieure et du temps de cuisson. Cela sera utile plus tard pour vous aider à déterminer ce qu'il faut cuisiner et combien de temps cela prendra.
- Par temps très froid, augmentez votre temps de préchauffage d'au moins 20 minutes.
- Évitez de soulever le couvercle du gril plus que nécessaire. Les rafales de vents froids peuvent refroidir complètement la température de votre gril. Soyez souple quant au moment de servir; ajoutez environ 10 à 15 minutes de plus à la cuisson à chaque fois que vous ouvrez le couvercle.
- Ayez un plateau chauffé ou un couvercle de plat prêt à garder votre nourriture au chaud tout en faisant le voyage à l'intérieur.
- Les aliments idéaux pour la cuisine d'hiver sont ceux qui nécessitent peu d'attention, comme les rôtis, les poulets entiers, les côtes et la dinde. Rendez votre préparation de repas encore plus facile en ajoutant des éléments simples comme les légumes et les pommes de terre.

### 3. CUISINER PAR TEMPS CHAUDS

À mesure qu'il fait plus chaud à l'extérieur, le temps de cuisson diminue. Une tenue correcte est importante quand il fait vraiment chaud: un short, t-shirt, des chaussures, un chapeau, un tablier et une grosse portion de crème solaire sont recommandés.

Suivez ces suggestions sur la façon de profiter de votre gril pendant les mois chauds:

- Ajustez à la baisse vos températures de cuisson. Cela permet d'éviter les poussées indésirables.
- Utilisez un thermomètre à viande pour déterminer la température interne de vos aliments. Ceci permet d'éviter que votre viande ne soit trop cuite ou se dessèche.
- Même par temps chaud, c'est mieux de cuisiner en gardant le couvercle de votre gril baissé.
- Vous pouvez garder vos aliments chauds au chaud en les enveloppant dans du papier aluminium et en les plaçant dans une glacière isolée. Placez du papier journal froissé autour du papier aluminium et cela tiendra la nourriture chaude pendant 3 à 4 heures.

## GAMMES DE TEMPÉRATURE DU GRIL

**Les lectures de température sur le panneau de contrôle peuvent ne pas correspondre exactement au thermomètre. Toutes les températures indiquées ci-dessous sont approximatives et sont affectées par les facteurs suivants: la**

**température ambiante extérieure, la quantité et la direction du vent, la qualité du combustible à granulés utilisé, le couvercle ouvert et la quantité de nourriture en cours de cuisson.**

- **TEMPÉRATURE ÉLEVÉE (205-315°C / 401-599°F)**

Cette gamme est de préférence utilisée pour sécher et griller à haute température. Utiliser en tandem avec le grilloir à flamme (plateau latéral) pour une cuisson indirecte ou directe à la flamme. Lorsque **le grilloir à flamme est ouvert**, la flamme directe est utilisée pour créer des steaks « bleu » ainsi que des légumes à la flamme, des toasts à l'ail ou bien d'autres préparations! Lorsque **le grilloir à flamme est fermé**, l'air circule autour du baril ce qui conduit à une chaleur de convection. La température élevée est également utilisée pour préchauffer votre gril, brûler les grilles de cuisson et obtenir un feu vif par froid extrême.

- **TEMPÉRATURE MOYENNE (135-180°C / 275-356°F)**

Cette gamme est idéale pour cuire au four, rôtir et terminer votre création à fumaison lente. La cuisson à ces températures réduira considérablement les risques de poussée de graisse. Assurez-vous que la glissière de chaudière est en position fermée, couvrant les ouvertures à fente. Excellente gamme pour cuisiner n'importe quoi enveloppé dans du bacon, ou où vous voulez une polyvalence avec contrôle.

- **BASSE TEMPÉRATURE (80-125°C / 176-257°F)**

Cette gamme permet rôtir lentement, d'augmenter la saveur fumée et de garder les aliments au chaud. Infusez plus de saveur fumée et gardez vos viandes juteuses en cuisinant plus longtemps à une température plus basse (également connu sous le nom de **faible et lent**). Hautement recommandé pour la grande dinde de Thanksgiving, jambon juteux à Pâques, ou l'immense fête de Noël.

Le fumage est une variation de vrai barbecue et est vraiment le premier avantage de la cuisson sur un gril à granules de bois. Il existe deux types de fumage : le fumage à chaud et le fumage à froid. Le **fumage à chaud**, un autre nom pour la cuisson **faible et lente**, se fait généralement à 80-125 ° C / 176-257 ° F. Le fumage à chaud fonctionne mieux lorsqu'un temps de cuisson plus long est nécessaire, comme pour les grandes coupes de viande, de poisson ou de volaille.

**CONSEIL: Pour intensifier cette saveur salée, passez à la température de fumée (basse) immédiatement après avoir mis vos aliments sur le gril. Cela permet à la fumée de pénétrer dans les viandes.**

La clé consiste à expérimenter le temps que vous autorisez à fumer, avant que le repas ne soit cuit. Certains chefs de plein air préfèrent fumer à la fin d'une cuisson, ce qui permet à la nourriture de rester au chaud jusqu'à ce qu'elle soit prête à être servie. La pratique rend parfait!

## COMPRENDRE LES SONDÉS

- **SONDE DE TEMPÉRATURE**

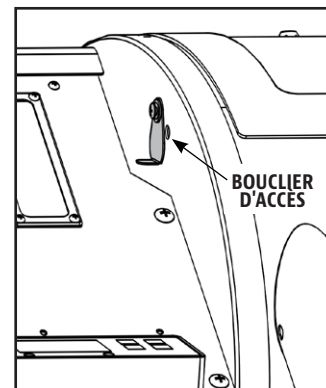
Vous trouverez la sonde de température située à l'intérieur du baril principal, sur le mur à proximité de la trémie. Il s'agit d'une petite pièce verticale en acier inoxydable. La sonde de température mesure la température interne de l'unité. Lorsque la température est réglée le Panneau de commande, la sonde du gril lira la température réelle (actuelle) à l'intérieur de l'unité et s'ajustera à la température souhaitée.

**IMPORTANT : La température de votre unité dépend grandement des conditions climatiques extérieures, de la qualité des pastilles utilisées et de la quantité d'aliments qui sont cuisinés.**

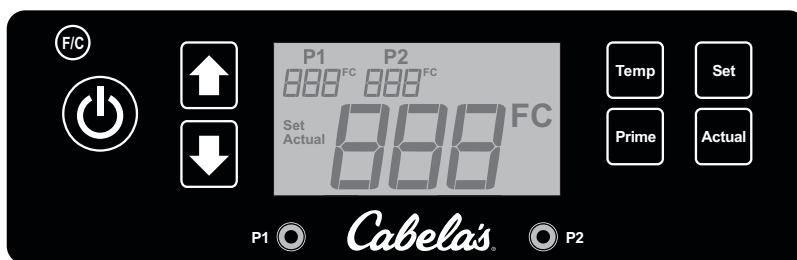
- **LA SONDE THERMIQUE**


La sonde thermique mesure la température interne de votre viande sur le gril, de la même façon que votre four d'intérieur. Branchez l'adaptateur de sonde thermique au port de connexion de la sonde thermique sur le Panneau de commande et insérez la sonde thermique en acier inoxydable dans la portion la plus épaisse de votre viande et la température s'affichera sur le panneau de commande. **Pour vous assurer que la sonde thermique est bien branchée au port de connexion, vous verrez et l'entendrez cliquer en place.**

**REMARQUE : Lorsque vous placez la sonde thermique dans votre viande, assurez-vous que la sonde thermique et les fils de la sonde n'entrent pas en contact direct avec les flammes ou l'excès de chaleur. Ceci pourrait endommager votre sonde thermique. Faites passer les câbles à travers le bouclier d'accès pivotant ou à travers les trous d'échappement arrière du gril principal. Lorsqu'elle ne sert pas, débranchez-la du port de connexion de la sonde thermique et placez-la de côté pour la maintenir propre et protégée.**



## COMPRENDRE LE TABLEAU DE CONTRÔLE



FONCTIONNALITÉ	DESCRIPTION
	Appuyez sur le <b>bouton Power</b> (Alimentation) pour allumer l'unité. Lorsqu'elle est branchée à une source d'alimentation, la lumière en-dessous du bouton d'alimentation s'allumera d'une couleur bleue. Une fois le bouton Power (Alimentation) appuyé, l'écran LCD s'illuminera, indiquant qu'il est prêt à être utilisé. Appuyer et maintenir enfoncé le bouton « Power » (Alimentation) pour éteindre l'unité.
	Le <b>commutateur de température</b> est utilisé pour changer la lecture de température sur l'écran LCD numérique. Appuyez le bouton pour passer de la température en Celsius (°C) à Fahrenheit (°F), au choix. L'affichage par défaut est en Fahrenheit.
	L' <b>écran LCD</b> sert de centre d'information pour votre unité. L'écran LCD affichera la température de cuisson de votre choix (CONFIGURÉE), la température de cuisson réelle (ACTUELLE), la température de la sonde thermique (si branchée) et tous les codes d'erreur. Les températures peuvent être affichées soit en Fahrenheit, soit en Celsius.
	Les <b>flèches d'ajustement</b> vous permettent d'augmenter ou de diminuer votre température souhaitée (TEMPÉRATURE) sur le Panneau de commande. En appuyant sur les flèches ASCENDANTES (UP) ou DESCENDANTES (DOWN), la température est modifiée par paliers de 5 degrés. Appuyer et maintenir enfoncé les boutons pour augmenter ou diminuer les valeurs plus rapidement. La température peut être réglée au minimum à 82°C / 180°F, et au maximum à 260°C / 500°F.
	Le <b>bouton de température</b> sur le Panneau de commande est utilisé en séquence uniquement pour effectuer des ajustements à la température de consigne. Appuyer sur ce bouton par lui-même ne produit aucun changement.
	Le <b>bouton ACTUAL</b> (ACTUELLE) sur le Panneau de commande est utilisé pour afficher la température réelle (ACTUELLE) du grill. Cette lecture de température mesure la sonde de température située à l'intérieur du baril principal. L'écran LCD numérique affiche la température RÉELLE par défaut.
	Appuyez sur le <b>bouton « Set »</b> sur le Panneau de commande pour afficher la température réglée (Configurée) du grill. Après 3 secondes, l'affichage reviendra aux paramètres actuels (ACT). <i>POUR CONFIGURER LA TEMPÉRATURE DE CONSIGNE :</i> <ol style="list-style-type: none"> <li>1. Appuyez sur SET.</li> <li>2. Appuyez sur TEMP et le lecteur de température commencera à clignoter.</li> <li>3. Appuyez immédiatement sur les flèches de réglage UP (HAUT) ou DOWN (BAS) pour configurer votre température de consigne.</li> <li>4. Appuyez sur TEMP à nouveau pour verrouiller la nouvelle température de consigne ou attendez 3 secondes pour revenir à la température réelle (ACTUELLE).</li> </ol> <b>REMARQUE : Si aucune action n'est prise après avoir appuyés ur TEMP, la lecture de température reviendra automatiquement à la lecture de température réelle (ACTUELLE).</b>
	Appuyez sur le <b>bouton Prime</b> et maintenez-le appuyé afin d'activer une alimentation supplémentaire de pastilles dans le pot de combustion. Ceci peut être utilisé pour ajouter plus de carburant juste avant d'ouvrir le couvercle du baril, permettant ainsi d'obtenir un temps de récupération de la chaleur plus rapide. Ceci peut également être utilisé lors du fumage pour augmenter l'intensité du goût de fumé.
	Les ports de connexion de module d'extension situé à l'avant du Centre de commande numérique servent à brancher deux <b>Sondes thermiques</b> . Lorsque une sonde thermique est connectée, la température s'affiche sur l'écran LCD numérique. Lorsqu'elle ne sert pas, débranchez la sonde thermique du port de connexion. 

## PROCÉDURE D'AMORÇAGE DE LA TRÉMIE

Ces instructions doivent être suivies la première fois que le gril est allumé, et à chaque fois que le gril est à court de granulés dans la trémie :

1. Retirez tous les composants de cuisson de l'intérieur du gril.
2. Ouvrez le couvercle de la trémie. Veillez à ce qu'il n'y ait pas d'objets étrangers dans la trémie ou dans la vis sans fin.
3. Branchez le cordon d'alimentation dans une source d'alimentation.
4. Appuyez sur le **bouton Power** (Alimentation) pour allumer l'unité. Ceci fera démarrer le cycle de démarrage, avec une température par défaut de 177°C / 350°F. Veuillez vérifier les éléments suivants afin de veiller à ce que le système d'alimentation fonctionne comme prévu :
  - Que la tarière tourne. Ne placez pas les doigts ou des objets dans le tube de la tarière. *Ceci peut provoquer des blessures.*
  - Placez votre main au-dessus du pot de combustion et sentez s'il y a un mouvement d'air. *Ne placez pas votre main ou vos doigts dans le pot de combustion. Ceci peut provoquer des blessures.*
  - Après environ une minute, vous devriez sentir l'allumeur brûler et commencer à sentir l'air qui devient plus chaud. *Ne touchez pas l'allumeur. Cet élément devient extrêmement chaud et brûlant. Le bout de l'allumeur ne deviendra pas rouge lorsqu'il est chaud.*
5. Appuyer et maintenir enfoncé le **bouton « Power »** (Alimentation) pour éteindre l'unité.
6. Remplissez la trémie avec des granules de bois de barbecue naturel.
7. Appuyez sur le **bouton Power** (Alimentation) pour allumer l'unité. Attendez environ 10 à 15 minutes jusqu'à ce que les granulés commencent à tomber dans le pot de combustion du tube de la vis sans fin. Une fois que les granulés commencent à tomber, appuyez et maintenez enfoncé le **bouton Power** (Alimentation) pour éteindre l'unité.
8. *Pour éviter toute blessure, attendez toujours que le gril se refroidisse.* Réinstallez les composants de cuisson à l'intérieur du gril. Le gril est maintenant prêt à l'emploi.

## PREMIÈRE UTILISATION – BRÛLER LE GRIL

Une fois que votre trémie a été amorcée et avant de cuisiner sur votre gril pour la première fois, il est important de compléter le brûler du gril. Démarrez le gril et faites le fonctionner à feu vif (plus de 233 ° C / 451 ° F) avec le couvercle fermé pendant 30 à 40 minutes pour brûler le gril et le débarrasser de toute matière étrangère.

## PRÉCHAUFFAGE

Il est extrêmement important de laisser votre gril préchauffer avant de débiter la cuisson. Cela permet au gril et aux grilles de cuisson de chauffer plus rapidement, de tuer les bactéries et d'autres agents pathogènes restants des dernières séances de gril, et le gril est alors en mesure de maintenir sa température de cuisson une fois que vos aliments sont placés dans la zone de cuisson.

**Préchauffer avec le couvercle fermé.**

**IMPORTANT : La température ambiante extérieure, les conditions météorologiques et la qualité des granulés de bois affecteront votre température de cuisson. Observez le temps nécessaire pour atteindre la température désirée et ajustez votre temps de cuisson au besoin.**

## PROCÉDURE DE DÉMARRAGE AUTOMATIQUE

1. Veillez à ce qu'il n'y ait aucune obstruction dans le pot de combustion pour un allumage correct. Ouvrez le couvercle de la trémie. Veillez à ce qu'il n'y ait pas d'objets étrangers dans la trémie ou le système d'alimentation. Remplir la trémie avec des granulés de bois de barbecue durs.
2. Branchez le cordon d'alimentation dans une source d'alimentation mise à la terre.
3. Ouvrez le couvercle du baril. **Le couvercle doit rester ouvert pendant le cycle de démarrage.**
4. Appuyez sur le **bouton Power** (Alimentation) pour allumer l'unité. Ceci activera le cycle de démarrage à une température par défaut de 177°C / 350°F et fera allumer le feu dans le pot de combustion. Écoutez le système d'alimentation de la tarière qui commence à fonctionner, le ventilateur fournira ensuite de l'air au pot de combustion. Votre gril commencera à produire de la fumée pendant que le cycle de mise en marche se déroule. Les granulés s'enflamment une fois que la fumée s'est dissipée. Pour confirmer que le cycle de démarrage a commencé correctement, écoutez un rugissement torché et notez que de la chaleur est produite.

5. Laissez votre unité se préchauffer pendant environ 15 à 20 minutes. Fermez le couvercle.
6. Une fois le préchauffage terminé, vous êtes prêt à profiter de votre gril à la température souhaitée!

### PROCÉDURE DE DÉFAILLANCE DE L'ALLUMEUR

**Si, pour une raison quelconque, votre allumeur électrique échoue, vérifiez les étapes suivantes ou allumez votre gril en utilisant la méthode manuelle.**

1. Veillez à ce que le gril soit éteint. Ouvrez le couvercle du baril. Retirez les composants de cuisson du gril. Dans le fond du baril du gril, enlevez tous les granulés non brûlés et les cendres du pot de combustion. Évitez de toucher l'allumeur pour éviter les blessures, car il sera *extrêmement chaud*.
2. Une fois le pot de combustion nettoyé, appuyez sur le **bouton Power** (Alimentation) pour allumer l'unité. Vérifiez ce qui suit :
  - Confirmez visuellement que l'allumeur fonctionne en plaçant votre main au-dessus du pot de combustion et en sentant s'il émet de la chaleur.
  - Confirmez visuellement que l'allumeur dépasse environ 13 mm / 0,5 pouces dans le pot de combustion.
  - Confirmez visuellement que la tarière large des granulés dans le pot de combustion.
  - Confirmez que le ventilateur de combustion fonctionne en écoutant.
3. Si l'un des points ci-dessus ne fonctionne pas, suivez les instructions de **dépannage**.

### PROCÉDURE DE DÉMARRAGE MANUELLE

1. Ouvrez le couvercle de la trémie. Veillez à ce qu'il n'y ait pas d'objets étrangers dans la trémie ou le système d'alimentation. Remplir la trémie avec des granulés de bois de barbecue durs.
2. Branchez le cordon d'alimentation dans une source d'alimentation mise à la terre.
3. Ouvrez le couvercle du baril.
4. Retirez les composants de cuisson pour exposer le pot de combustion. Veillez à ce qu'il n'y ait aucune obstruction dans le pot de combustion pour un allumage correct. Déposez une poignée généreuse de granulés dans le pot de combustion. Jetez un démarreur à froid gélifié, ou un autre démarreur approprié, sur le dessus des granulés, puis ajoutez une petite quantité de pastilles sur le pot de combustion. *Une petite quantité d'allume feu de combustibles solides, comme par exemple composé de sciure de bois et de cire, ou des copeaux de bois, est également appropriée.*

**REMARQUE : NE PAS utiliser d'alcool, d'essence, de pétrole, d'essence à briquet ou du kérosène pour allumer ou faire reprendre un feu dans votre gril.**

5. Allumez le contenu du pot de combustion à l'aide d'une longue allumette ou d'un briquet à nez long. Laissez l'allume-feu brûler pendant 3 à 5 minutes. N'essayez pas d'ajouter plus de d'allume-feux dans le pot de combustion. Ceci peut provoquer des blessures.
6. Une fois que le feu a pris, remplacez rapidement et soigneusement les composants de cuisson à l'intérieur du baril. **Le couvercle doit rester ouvert pendant le cycle de démarrage.**
7. Continuez le démarrage en suivant les étapes quatre à six de la **Procédure de démarrage automatique**.

### ÉTEINDRE VOTRE GRIL

1. Lorsque vous avez fini de cuisiner, réglez la température de consigne à 177°C / 350°F (appuyez sur « **SET** », puis sur « **TEMP** », sur les **flèches d'ajustement** et appuyez enfin sur « **TEMP** » à nouveau pour verrouiller le point de consigne). Laissez votre gril fonctionner pendant 5 à 10 minutes afin qu'il puisse recourir à sa méthode habituelle de nettoyage (brûler ou « burn-off »). Si vous venez de préparer des aliments très gras, laissez le gril continuer à cuire pendant 10 à 20 minutes de plus. Cela réduira les risques de feu de graisse lors du prochain démarrage.
2. Une fois la méthode de « burn-off » terminée et avec le couvercle fermé, appuyez sur le **bouton Power** (Alimentation) pour éteindre l'unité. Ceci activera le **cycle de refroidissement**. Le système d'alimentation arrêtera d'alimenter en combustible, la flamme s'éteindra et le ventilateur continuera à fonctionner jusqu'à ce que le cycle de refroidissement soit terminé. Quand le cycle sera terminé, le ventilateur s'éteindra.

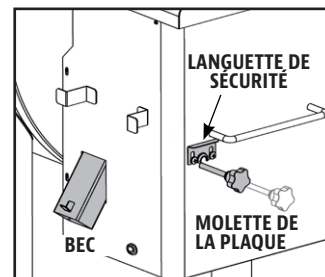
# ENTRETIEN ET MAINTENANCE

Votre gril à pastilles vous servira fidèlement pendant de longues années tout en minimisant les efforts de nettoyage. Une étape importante est de laisser le gril et les grilles de cuisson s'auto-nettoyer en allumant le gril à une température élevée opérant 5 à 10 minutes après chaque utilisation. Suivez ces conseils de nettoyage et d'entretien pour réviser votre gril :

## 1. ASSEMBLAGE DE LA TRÉMIE

- La trémie comprend une fonction de nettoyage lui permettant de se nettoyer facilement et de changer les arômes du combustible à granulés. Pour vider, placez la plaque de la chute sur la partie arrière de la trémie. Placez un seau propre et vide sous le bec à l'arrière de la trémie, puis retirez la plaque de la chute. Soulevez la languette de sécurité, dévissez la molette de la plaque de la chute, tirez vers l'extérieur et les granulés commenceront à se vider.

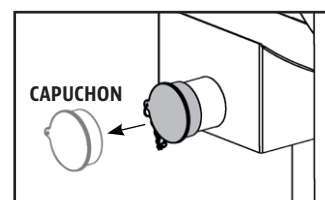
**REMARQUE : Utilisez une brosse à manche long ou un aspirateur d'atelier pour retirer les excès de granulés, de sciure de bois et de débris pour un nettoyage complet.**



- Vérifiez et nettoyez les débris dans les bouches d'aération du ventilateur, situé au bas de la trémie. Une fois que le panneau d'accès de la trémie est retiré (voir Diagramme de fils électriques pour le schéma), essuyez soigneusement toute accumulation de graisse directement sur les pales du ventilateur. Cela garantit que le flux d'air est suffisant pour le système d'alimentation.

## 2. LES SURFACES INTERNES

- Le pot de combustion comprend une fonctionnalité d'aspirateur sous le baril. Sur le côté arrière du gril, enlevez le capuchon du tube. Branchez un tuyau d'aspiration à l'ouverture du tube, aspirez les cendres et autres débris, puis remplacez le capuchon. Ne pas faire fonctionner le gril sans le capuchon de silicone en place. Nettoyez votre pot de combustion suivant plusieurs utilisations afin d'assurer un allumage correct et éviter toute accumulation de débris ou de cendres.



**IMPORTANT : Pour utiliser la fonctionnalité d'aspirateur, le gril doit avoir été éteint pendant au moins 6 heures, en vous assurant que toutes les braises sont éteintes. Le non-respect de ces consignes peut entraîner de graves blessures ou dommages à la propriété!**

- Utilisez une brosse de nettoyage à gril et retirez tout aliment ou accumulation des grilles de cuisson. La meilleure pratique est de faire cela alors qu'ils sont encore chauds d'une précédente cuisson. Les feux de graisse sont causés par trop de débris tombés sur les composants de cuisson du gril. Nettoyez l'intérieur de votre gril de façon régulière. Dans le cas où vous êtes confronté à un feu de graisse, gardez le couvercle du gril fermé pour étouffer l'incendie. Si l'incendie ne s'éteint pas rapidement, retirez soigneusement les aliments, éteignez le gril et fermez le couvercle jusqu'à ce que le feu soit complètement éteint. Saupoudrez légèrement de bicarbonate de soude, si disponible.
- Vérifiez souvent votre seau à graisse et nettoyez-le si nécessaire. Gardez à l'esprit le type de cuisson que vous faites.

**IMPORTANT : En raison de chaleur élevée, ne couvrez pas la chaudière ni les sondes avec du papier d'aluminium.**

## 3. LES SURFACES EXTERNES

- Essuyez votre gril après chaque utilisation. Utilisez de l'eau chaude savonneuse pour briser la graisse. Ne pas utiliser de nettoyant à four, nettoyant abrasif ou pad sur les surfaces externes du gril. **Toutes les surfaces peintes ne sont pas couvertes par la garantie**, mais font partie de la maintenance générale et de l'entretien. Pour les rayures de peinture, l'usure ou l'écaillage de la finition, toutes les surfaces peintes peuvent être retouchées à l'aide d'une peinture à barbecue à haute chaleur.
- Utilisez une couverture pour gril afin de protéger votre gril pour une protection complète! Une couverture est votre meilleure protection contre les intempéries et les polluants extérieurs. Lorsqu'il n'est pas utilisé ou pour un stockage à long terme, conservez l'unité sous une couverture dans un garage ou un hangar.

ARTICLE	FRÉQUENCE DE NETTOYAGE	MÉTHODE DE NETTOYAGE
Dessous du gril principal	Toutes les 5-6 sessions de cuisson	Retirez, aspirez les excès de débris
Pot de combustion	Toutes les 2-3 sessions de cuisson	Retirez, aspirez les excès de débris
Grilles de cuisson	Toutes les 2-3 sessions de cuisson	Brûler le surplus, Brosse en laiton
Chaudière	Toutes les 5-6 sessions de cuisson	Gratter la plaque principale avec un patin, <b>ne pas laver</b>
Seau de graisse	Après chaque session de cuisson	Éponge à gratter & eau savonneuse
Fenêtre en verre sur le couvercle	Toutes les 2-3 sessions de cuisson	Bicarbonate de soude et eau
Système d'alimentation de la tarière	Lorsque le récipient de granulés et vide	Permettre à la tarière de faire sortir la sciure de bois, en laissant la trémie vide
Composants électriques de la trémie	Une fois par an	Dépoussiérez l'intérieur, essuyez les lames de ventilateur avec de l'eau savonneuse
Arrivée d'air	Toutes les 5-6 sessions de cuisson	Poussière, éponge à gratter & eau savonneuse
Sonde de température	Toutes les 2-3 sessions de cuisson	Éponge à gratter & eau savonneuse

## UTILISATION DU COMBUSTIBLE EN GRANULÉS DE BOIS

Elles ne sont pas plus grosses que la gomme au bout d'un crayon. Les personnes qui les voient pour la première fois les comparent à de la nourriture pour lapins, mais leur énergie thermique et la saveur des granulés de bois n'ont rien de petit. Ces granulés de bois propres combustibles génèrent environ 8200 BTU par livre avec très peu de cendres, une faible teneur en humidité (5 à 7 %) tout en étant également neutres en carbone.

Les granulés sont produits avec des matières premières pures (sciures) qui sont pulvérisées avec un broyeur à marteaux et forcées avec pression à travers une filière. Quand le granulé est forcé à travers la filière, il est cisailé, refroidi, trié, aspiré, puis emballé pour la consommation. Vérifiez auprès de votre distributeur local pour connaître la gamme de saveurs disponibles dans votre région.

### MÉLANGE CARYER

Saveur riche, fumée similaire à du bacon. Connue comme étant « Le Roi des bois »

### MÉLANGE MESQUITE

Forte saveur épicée et acidulée. Pensez à la cuisine Tex-Mex.

### MÉLANGE POMME

Saveur fumée et modérément sucrée. Fortement recommandée pour la cuisson au four.

### MÉLANGE CERISE

Légèrement sucrée mais également acidulée. Offre une teinte rosée aux viandes claires.

### MÉLANGE DE BARIL DE WHISKEY

Forte fumée sucrée avec goût aromatique. Parfait pour les viandes rouges.

### MÉLANGE DE LA COMPÉTITION

Mélange parfait de saveurs sucrées, délicieuses et acidulées. Utilisé par de nombreux « grillers » professionnels

**REMARQUE :** Conservez toujours vos granulés dans un endroit sec. Ceci poussera les granulés à absorber l'humidité et produira un rendement calorifique plus faible ou provoquera un gonflement et une dissolution des granulés. Utilisez un bac ou sceau résistant à l'humidité et pouvant être scellé à nouveau pour la conservation.

## DIRECTIVES DE CUISSON

Les styles de cuisson de fumage et de grillage peuvent vous donner des résultats différents dépendant du temps et la température. Pour obtenir de meilleurs résultats, conservez un registre de tout ce que vous cuisinez, à quelle température vous le cuisinez, ainsi que les résultats. Ajustez toutes ces variables, selon vos goûts, la prochaine fois. Ce n'est qu'en s'exerçant qu'on s'améliore.

L'art culinaire du fumage à chaud équivaut à des temps de cuisson plus long, mais il produit également une saveur de bois plus naturelle (et une « **bande de fumage** ») dans vos viandes. Une température de cuisson plus élevée, ce qui veut dire moins de temps de cuisson, vous offrira moins de saveur fumée.

**CONSEIL :** Pour de meilleurs résultats, laissez reposer les viandes après la cuisson. Ceci permet aux jus naturels de revenir dans les fibres de la viande, produisant ainsi une coupe plus juteuse et plus savoureuse. Le temps de repos peut n'être que 3 minutes et peut même aller jusqu'à 60 minutes, selon la taille des protéines.

STYLE DE CUISSON	FUMAGE CHAUD (très faible)	RÔTI (faible)	CUISSON FOUR (moyen)	GRILLAGE/CUISSON FOUR (moyen/élevé)	SAISIR (élevé)
Gamme de températures	93-135 °C / 199-275 °F	135-162 °C / 275-323 °F	162-190 °C / 323-374 °F	190-232 °C / 374-449 °F	232-260 °C / 449-500 °F

VOLAILLE	TAILLE	Saignant - 54°C / 130°F	À point - 60°C / 140°F	Bien cuit - 77°C / 170°F
Dinde (entière)	4,5-5,0 kg / 10-11 lbs. 5,3-6,4 kg / 12-14 lbs. 6,8-7,7 kg / 15-17 lbs. 8,2-10,0 kg / 18-22 lbs. 10,4-11,3 kg / 23-25 lbs.			Gril 90 - 120 minutes Gril 110 - 140 minutes Gril 130 - 160 minutes Gril 140 - 170 minutes Gril 150 - 180 minutes
Poulet (entier)	1,36-2,26 kg / 3-5 lbs.			Gril 1 - 1.5 heures
Pilons, poitrines	0,45 - 0,86 kg / 1 - 1½ lbs.			Gril 30-60 minutes
Petits gibiers à plumes	0,45 - 0,86 kg / 1 - 1½ lbs.			Gril 30-45 minutes
Canard	1,36-2,26 kg / 3-5 lbs.			Rôti ou sur le gril 2 - 2.5 heures

PORC	TAILLE	Précuit près à être réchauffé - 60°C / 140°F	À point 66°C / 150°F	Bien cuit 71°C / 160°F
Jambon (Partie entièrement cuite et désossée, Porc fumé entier & avec os)	2,5 cm / 1 po 1,36-1,81 kg / 3-4 lbs. 1,81-2,72 kg / 4-6 lbs. 2,26-3,62 kg / 5-8 lbs. 4,53-5,44 kg / 10-12 lbs.	12 minutes 50 minutes - 1 heure 1 - 2 heures 1 - 2½ heures 2 - 2¾ heures		
Longe de porc	1,36-1,81 kg / 3 - 4 lbs.		1 - 2 heures	2 - 3 heures
Rôti de couronne de côte	1,81-2,26 kg / 4 - 5 lbs.		1½ - 2 heures	2 - 3 heures
Côtelette (longe, côte)	1,9-2,5 cm / ¾ - 1 po 3,1-3,9 cm / 1¼ - 1½ po		10 - 12 minutes 14 - 18 minutes	
Filet	1,9-2,5 cm / ¾ - 1 po		20 - 30 minutes	30 - 45 minutes
Rôti de longe de porc, sans os	1,36-2,26 kg / 3-5 lbs.		1¼ - 1¾ heures	1¾ - 2½ heures
Boston Butt (Épaule de porc)	3,62-4,53 kg / 8-10 lbs.			93 - 98 °C / 200 - 210 °F Température interne

BOEF	TAILLE	CHALEUR	DURÉE APPROXIMATIVE DU TEMPS DE CUISSON		
			Saignant 54 °C / 130 °F	À point 60 °C / 140 °F	Bien cuit 65 °C / 150 °F
Steak (New York, Porterhouse, faux filet, surlonge, T-bone, ou filet)	1,9 cm / ¾ po 2,5 cm / 1 po 3,8 cm / 1½ po 5 cm / 2 po	Haut	Saisir pendant 8 à 10 minutes Saisir pendant 10 à 12 minutes Saisir pendant 10 minutes, griller pendant 8 à 10 minutes Saisir pendant 10 minutes, griller pendant 10 à 14 minutes		
Bifteck de hampe	0,6 - 12,7 cm / ¼ - ½ po	Haut	Saisir 5-7 minutes		
Bavette	0,45 - 0,86 kg / 1 - 1½ lbs., 1,9 cm / ¾ po	Moyen	Saisir pendant 4 minutes, griller pendant 8 à 10 minutes		
Kébab	2,5 - 3,8 cm / 1 - 1½ po cubes	Moyen	Gril 10 - 12 minutes		

<b>Filet</b>	1,58 - 1,81 kg / 3½ - 4 lbs.	Haut/Moyen	Saisir pendant 10 minutes, gril pendant 15 à 20 minutes
<b>Steak haché</b>	1,9 cm / ¾ po	Haut/Moyen	Saisir pendant 4 minutes, griller pendant 4 à 6 minutes
<b>Rôti de bœuf de faux-filet, sans os</b>	2,26 - 2,72 kg / 5 - 6 lbs.	Moyen	Gril 1½ - 2 heures
<b>Rôti trois pointes</b>	0,9 - 1,13 kg / 2 - 2½ lbs.	Haut/Moyen	Saisir pendant 10 minutes, griller pendant 20 à 30 minutes
<b>Rôti de côtes</b>	5,44 - 6,35 kg / 12 - 14 lbs.	Moyen	2½ - 2¾ heures
<b>Côtelettes de veau</b>	2,5cm / 1 po	Moyen	10 - 12 minutes direct
<b>Poitrine</b>	7,25 - 3,62 kg / 16 -18 lbs.	Fumage chaud	Cuire jusqu'à ce que la température interne atteigne 91°C / 195°F

<b>AGNEAU</b>	<b>TAILLE</b>	<b>Saignant - 54 °C / 130 °F</b>	<b>À point - 60 °C / 140 °F</b>	<b>Bien cuit - 71 °C / 160 °F</b>
<b>Rôti (frais)</b>	2,26 - 2,72 kg / 5 - 6 lbs.		1 - 2 heures	
<b>Rôti de couronne de côte</b>	1,36 - 2,26 kg / 3-5 lbs.		1 - 1½ heures	1½ heures

<b>FRUITS DE MER</b>	<b>TAILLE</b>	<b>Saignant - 54 °C / 130 °F</b>	<b>À point - 60 °C / 140 °F</b>	<b>Bien cuit - 82 °C / 180 °F</b>
<b>Poisson (entier)</b>	0,5 kg / 1 lb. 0,9 - 1,1 kg / 2 - 2½ lbs. 1,4 kg / 3 lbs.			Gril 10 - 20 minutes Gril 20 - 30 minutes Gril 30 - 45 minutes
<b>Poisson (filets)</b>	0,6-1,3 cm / ¼" - ½"			Gril 3 - 5 minutes jusqu'à ce que le poisson s'émiette
<b>Queue de homard</b>	0,15 kg / 5 onces 0,3 kg / 10 onces			Gril 5 - 6 minutes Gril 10 - 12 minutes

<b>GIBIER SAUVAGE</b>	<b>TAILLE</b>	<b>Saignant - 60 °C / 140 °F</b>	<b>À point - 71 °C / 160 °F</b>	<b>Bien cuit - 77 °C / 170 °F</b>
<b>Rôti (frais)</b>	2,26 - 2,72 kg / 5-6 lbs.		1 - 1½ heures	1½ - 2 heures
<b>Grandes coupes (frais)</b>	3,62 - 4,53 kg / 8-10 lbs.		1 heure	1½ heures

## CONSEILS ET TECHNIQUES

Suivez ces conseils et techniques utiles, transmis par des propriétaires de grills, notre personnel et clients comme vous, afin de vous familiariser avec votre gril:

### 1. SÉCURITÉ ALIMENTAIRE

- Garder propre tout ce qui se trouve dans la cuisine et dans la surface de cuisson. Utilisez un plat et des ustensiles différents pour la viande cuite et pour préparer ou transporter la viande crue sur le gril. Ceci permettra d'éviter toute contamination croisée des bactéries. Chaque marinade ou sauce pour badigeonner devrait avoir son propre ustensile.
- Gardez les aliments chauds au chaud (au-dessus de 60°C / 140°F) et gardez les aliments froids au froids (moins de 3°C / 37°F).
- Une marinade ne devrait jamais être conservée pour une utilisation ultérieure. Si vous comptez l'utiliser pour la servir avec votre viande, assurez-vous de la faire bouillir avant de servir.
- Les aliments cuits et les salades ne devraient pas être laissés dehors dans la chaleur pendant plus d'une heure. Ne laissez pas les aliments chauds à l'extérieur du réfrigérateur pendant plus de deux heures.
- Décongeler et mariner les viandes par réfrigération. Ne décongelez pas la viande à température ambiante ou sur le comptoir. Les bactéries peuvent grandir et se multiplient rapidement dans les aliments chauds et humides. Lavez-

vous bien les mains avec de l'eau tiède savonneuse avant de commencer à préparer votre plat, et après avoir manipulé de la viande fraîche, du poisson et de la volaille.

## 2. PRÉPARATION DE CUISSON

- Lorsque vous passez d'une température élevée à une température faible, laissez votre couvercle ouvert jusqu'à ce que la température réelle s'approche de la température que vous souhaitez. Ceci accélère le processus et assure la propagation du feu.
- Soyez préparé ou **Mise en place**. Ceci fait référence à la préparation de la recette, le combustible, les accessoires, les ustensiles et tous les ingrédients dont vous aurez besoin à côté du gril avant de commencer la cuisson. Aussi, lisez la recette complète, du début à la fin, avant d'allumer le gril.
- Un tapis protecteur pour BBQ peut être très utile. En raison des accidents qui surviennent en raison de la manipulation des aliments et des différents styles de cuisson, ce tapis aidera à protéger les dalles de votre patio ou de votre terrasse contre tout risque de tache de graisse ou déversements accidentels

## 3. CONSEILS ET TECHNIQUES DE GRILLADE

- Pour infuser plus de saveur fumée et gardez vos viandes juteuses, cuisez-les plus longtemps à une température plus basse (également connu sous le nom de **faible et lent**). La viande fermera ses fibres après avoir atteint une température interne de 49°C (120°F). La pulvérisation en brouillard et l'épandage sont d'excellents moyens permettant d'éviter que la viande ne se dessèche.
- Lorsque vous saisissez vos viandes, cuisinez toujours avec le couvercle fermé. Utilisez toujours un thermomètre à viande pour évaluer la température interne des aliments que vous cuisinez. Fumer la nourriture avec des granulés de bois fait rosir la viande et la volaille. **La bande rose** (après la cuisson) est aussi appelée anneau de fumée et est très appréciée par les chefs de plein air.
- Il est fortement recommandé d'appliquer les sauces à base de sucre vers la fin de la cuisson pour éviter les brûlures et flambées.
- Laissez un espace de dégagement entre les aliments et les extrémités du baril pour une bonne circulation de la chaleur. Beaucoup d'aliments sur une grille de cuisson encombrée prendront plus de temps à cuire.
- Utilisez des pinces avec une longue poignée pour retourner toutes les viandes et des spatules pour retourner les burgers et le poisson. L'utilisation d'un ustensile perçant, comme une fourchette, permet de piquer la viande et de laisser s'évacuer les jus.
- Les aliments dans des casseroles profondes nécessitent plus de temps pour cuire que dans une poêle peu profonde.
- C'est une bonne idée de mettre les aliments grillés sur une grande assiette préchauffée pour garder vos aliments chauds. Les viandes rouges comme les steaks et rôtis seront meilleurs si vous les laissez reposer pendant quelques minutes avant de les servir. Ceci permet aux jus délicieux que la chaleur a fait remonter à la surface de retourner au centre et de lui donner plus de saveur.

# DÉPANNAGE

Un bon nettoyage et un bon entretien, ainsi que le fait d'utiliser du combustible propre, sec et de qualité aidera à prévenir la plupart des problèmes de fonctionnement du gril. Toutefois, quand votre gril à granulés de bois ne fonctionne pas bien ou moins fréquemment, les conseils de dépannage suivants peuvent être utiles.

**AVERTISSEMENT : Débranchez toujours le cordon électrique avant d'ouvrir la plaque d'inspection de votre gril pour effectuer toute inspection, nettoyage, maintenance ou entretien. Veillez à ce que le gril soit complètement froid pour éviter des blessures.**

PROBLÈME	CAUSE	SOLUTION
Le bouton d'alimentation sur le centre de commande numérique ne s'allume pas	Bouton Power (Alimentation)	Appuyez sur le bouton Power (Alimentation). Essayez encore et maintenez le bouton appuyé pendant deux secondes pour vérifier la connexion.
	Non branché à la source d'alimentation	Assurez-vous que l'unité est branchée à une prise d'alimentation qui fonctionne. Réinitialisez le disjoncteur. Vérifiez que le DDFT est porté au minimum à 10 ampères (voir <b>Diagramme des fils électriques</b> pour accéder aux composants électriques). Assurez-vous que tous les raccords de câbles sont solidement branchés et secs.
	Un fusible a grillé sur le tableau de contrôle	Retirez le panneau d'accès de la trémie (voir <b>Diagramme des fils électriques</b> pour le schéma) et vérifiez le fusible pour voir s'il y a un fil cassé ou si le fil est devenu noir. Si oui, le fusible doit être remplacé manuellement.
	La prise DDFT est déclenchée.	Retirez le panneau d'accès de la trémie (voir <b>diagramme de fils électrique</b> pour le schéma) et assurez-vous que tous les raccords de câbles sont solidement branchés et secs. Assurez-vous que le DDFT est porté au minimum à 10 ampères.
	Centre de commande défectueux	Le centre de commande numérique doit être remplacé. Contactez le service à la clientèle pour des pièces de rechange.
Le feu dans le pot de combustion ne s'allume pas	La tarière n'est pas amorcée	Avant que l'appareil ne soit utilisé pour la première fois ou lorsque la trémie est complètement vidée, la tarière doit être amorcée pour permettre aux granulés de remplir le tube de la vis sans fin. S'il n'est pas amorcé, l'allumeur s'éteindra avant que les granulés n'atteignent le pot de combustion. Suivez la <b>procédure d'amorçage</b> de la trémie.
	Le moteur de la tarière est coincé	Inspectez le tube de la vis sans fin en retirant d'abord les composants de cuisson du baril du gril. Inspectez à l'oeil le système d'alimentation de la tarière avec l'unité allumée (« ON »). Suivez les <b>procédures d'amorçage</b> de la trémie 1 à 5. Si aucun dommage ou obstruction de granulés n'est visible, inspectez le moteur de la tarière via le panneau d'accès de la trémie. Assurez-vous que le support du moteur de la tarière n'est pas endommagé. S'il ne fonctionne pas correctement, contactez le service à la clientèle pour des pièces de rechange.
	Panne de l'allumeur	Retirez les composants de cuisson du baril principal. Appuyez sur le bouton Power (Alimentation) pour allumer l'unité et inspectez l'allumeur. Confirmez visuellement que l'allumeur fonctionne en plaçant votre main au-dessus du pot de combustion et en sentant s'il émet de la chaleur. S'il ne fonctionne pas correctement, suivez la <b>procédure de démarrage manuelle</b> pour continuer à utiliser le gril; cependant, communiquez avec le Service à la clientèle pour obtenir de l'aide ou une pièce de rechange.
Code d'erreur « ErH »	L'unité a surchauffé, possiblement en raison d'un feu de graisse ou d'un excès de carburant.	Appuyez sur le bouton « Power » (Alimentation) pour éteindre l'unité et permettre au gril de refroidir. Suivez les instructions <b>d'entretien et de maintenance</b> . Après l'entretien, enlevez les granulés en trop et confirmez que les parties composantes sont bien placées. Après avoir enlevé les composants de cuisson, appuyez sur le bouton « Power » (Alimentation) pour allumer l'unité puis sélectionnez la température souhaitée. Si un code d'erreur s'affiche encore, veuillez communiquer avec le service à la clientèle.

Code d'erreur « Er1 »	La sonde de température n'établit pas de connexion	Vérifiez si la sonde du gril présente des dommages. Suivez les instructions <b>d'entretien et de maintenance</b> si sale. Si tout semble en bon état de fonctionnement de l'intérieur du baril du gril. Débranchez l'unité de la source d'alimentation et retirez le panneau d'accès de la trémie (voir <b>Diagramme de fils électriques</b> pour le schéma). Repérez les fils noirs de la sonde de température. Déconnectez les cosses rectangulaires puis reconnectez-les jusqu'à ce que vous entendiez un clic. Remplacez le panneau d'accès de la trémie.
	Le fil de la sonde de température du gril n'établit pas de connexion	Retirez le panneau d'accès de la trémie (voir diagramme de fils électriques pour le schéma) et vérifiez s'il y a un endommagement. Vérifiez que tous les raccords de câbles sont connectés fermement et connectés correctement à la carte de contrôle numérique.
Code d'erreur « Err »	Une interruption de l'alimentation s'est produite pendant que le gril fonctionnait	La source d'alimentation a été interrompue et le gril n'a pas pu compléter son cycle de refroidissement. Vérifiez la source d'alimentation; une panne de courant a pu se produire pendant l'utilisation. Appuyez sur le bouton « Power » (Alimentation) pour éteindre l'unité, patientez deux minutes puis appuyez sur le bouton « Power » (Alimentation) pour rallumer l'unité. Si un code d'erreur s'affiche encore, veuillez communiquer avec le service à la clientèle.
	Une panne de courant s'est produite pendant que l'unité fonctionnait.	
L'affichage de la température RÉELLE ne se règle pas	La sonde du gril est probablement sale	Suivez les instructions <b>d'entretien et de maintenance</b> .
	Le fil de la sonde du gril est probablement mouillé	Utilisez un sèche-cheveux pour sécher les fils de la sonde du gril.
	La sonde du gril est brisée	La sonde du gril doit être remplacée. Appelez le service à la clientèle.
L'écran LCD présente le mauvais affichage	Le réglage de la température n'est pas configuré correctement pour afficher °C / °F.	Débranchez l'unité de la source d'alimentation. Retirez le panneau d'accès de la trémie (voir Diagramme de fils électriques pour le schéma) pour accéder à l'arrière du Centre de commande numérique. Utilisez une petite lampe torche pour trouver le commutateur de réglage des températures qui se trouve à côté du centre de l'arrière du Centre de commande numérique. Appuyez sur le commutateur pour obtenir une température en °C (Celsius) ou en °F (Fahrenheit), selon votre préférence. Remplacez le panneau d'accès de la trémie.
Le gril affiche une température inattendue lorsqu'il est éteint.	Le gril est exposé à une température ambiante élevée et aux rayons directs du soleil	Cela ne nuira pas au gril. La température interne du baril du gril a atteint ou dépassé de manière ambiante 54°C / 130°F. Déplacez le gril dans une zone ombragée. Soulevez légèrement le couvercle pour réduire la température intérieure.

Le grill n'atteint pas ou n'arrive pas à maintenir une température stable	Le flux d'air dans le pot de combustion est insuffisant.	Vérifiez le pot de combustion pour déceler la présence de toute accumulation de cendres ou d'obstructions. Suivez les instructions <b>d'entretien et de maintenance</b> en cas d'accumulation de cendres. Contrôlez le ventilateur. Assurez-vous qu'il fonctionne correctement et que l'entrée d'air n'est pas bloquée. Suivez les instructions <b>d'entretien et de maintenance</b> si sale. Vérifiez le moteur de la tarière pour confirmer le fonctionnement et assurez-vous qu'il n'y a pas de blocage dans le tube de la tarière. Assurez-vous que tout ce qui a été mentionné ci-dessus a été effectué, démarrez le grill, réglez la température sur SMOKE e et patientez pendant 10 minutes. Vérifiez que la flamme produite est vive et lumineuse.
	Apport insuffisant ou pauvre en carburant	Vérifiez qu'il y a suffisamment de combustible dans la trémie ou s'il y a obstruction dans le système d'alimentation. Retirez les granulés et suivez les instructions <b>d'entretien et de maintenance</b> .
	Sonde de température du grill	Contrôlez la sonde du grill. Suivez les instructions <b>d'entretien et de maintenance</b> si sale.
Le grill produit de la fumée excessive ou décolorée	Accumulation de graisse	Suivez les instructions <b>d'entretien et de maintenance</b> .
	Qualité des granulés de bois	Retirez les granulés de bois humides de la trémie. Suivez les instructions <b>d'entretien et de maintenance</b> pour le nettoyage. Remplacez par des granulés de bois secs.
	La grille de combustion est bloquée	Retirez les granulés de bois humides du pot de combustion. Suivez la <b>procédure d'amorçage de la trémie</b> .
	Entrée d'air insuffisante pour le ventilateur	Contrôlez le ventilateur. Assurez-vous qu'il fonctionne correctement et que l'entrée d'air n'est pas bloquée. Suivez les instructions <b>d'entretien et de maintenance</b> si sale.
Embrasements fréquents	Température de cuisson	Essayez de cuisiner à une température plus basse. La graisse possède un point d'ignition. Gardez la température en-dessous de 176°C / 350°F lorsque vous cuisinez des aliments très gras.
	Accumulation de graisse	Suivez les instructions <b>d'entretien et de maintenance</b> .

# DIAGRAMME DE FIL ÉLECTRIQUE

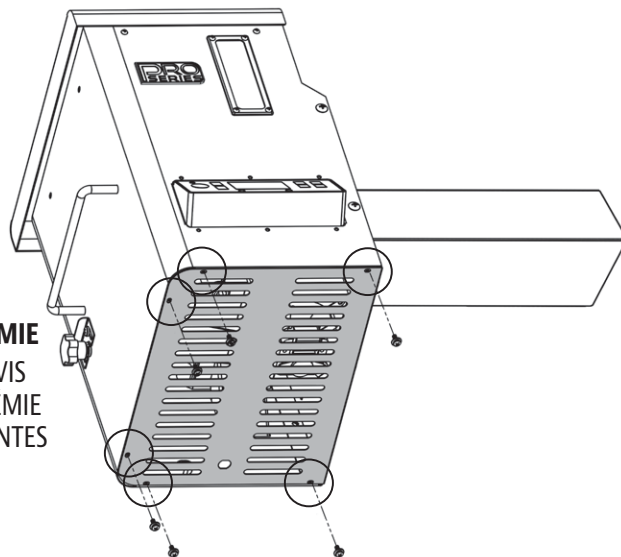
Le panneau de commande numérique est un matériel technologique hautement sophistiqué et de grande valeur. Pour une protection contre les surtensions et les courts-circuits électriques, consultez le schéma de fil ci-dessous pour vous assurer que votre source d'alimentation est suffisante pour le fonctionnement de l'appareil.

## EXIGENCES ÉLECTRIQUES

120V, 3.1AMP, 60HZ, 250W, FICHE À 3 BROCHES MISE À LA TERRE

REMARQUE : Les composants électriques, passés par les tests de sécurité des produits et les services de certification, sont conformes avec une tolérance de test de  $\pm 5$  à 10%.

**PANNEAU D'ACCÈS DE LA TRÉMIE**  
LOCALISEZ ET ENLEVEZ LES SIX VIS SITUÉES EN DESSOUS DE LA TRÉMIE POUR ACCÉDER AUX COMPOSANTES ÉLECTRIQUES



**INDICE DE CONSOMMATION DE CARBURANT:**  
1.12 KG/H  
(2.48 LB/H)

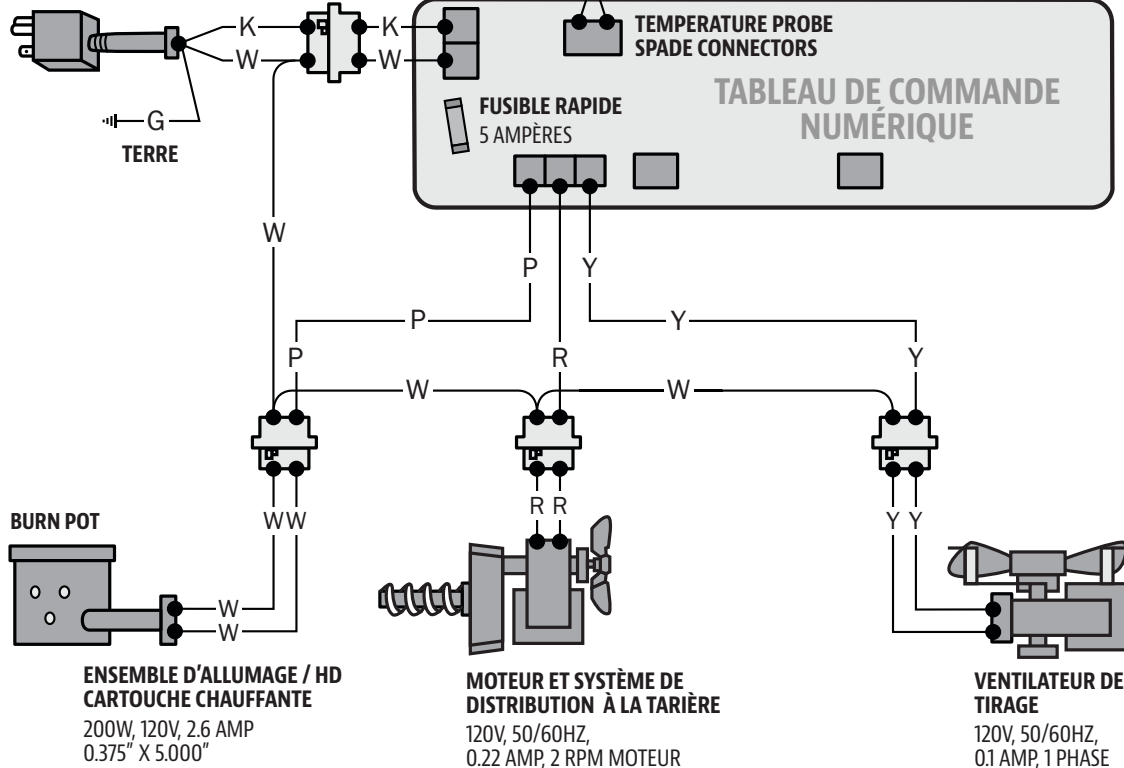
**ÉVALUATION ÉLECTRIQUE:**  
250W, 3.1A, 120V

### INDICE

W : BLANC  
Y : JAUNE  
P : MAUVE  
R : ROUGE  
K : NOIR  
G : VERT

### CORDON D'ALIMENTATION MIS À LA TERRE

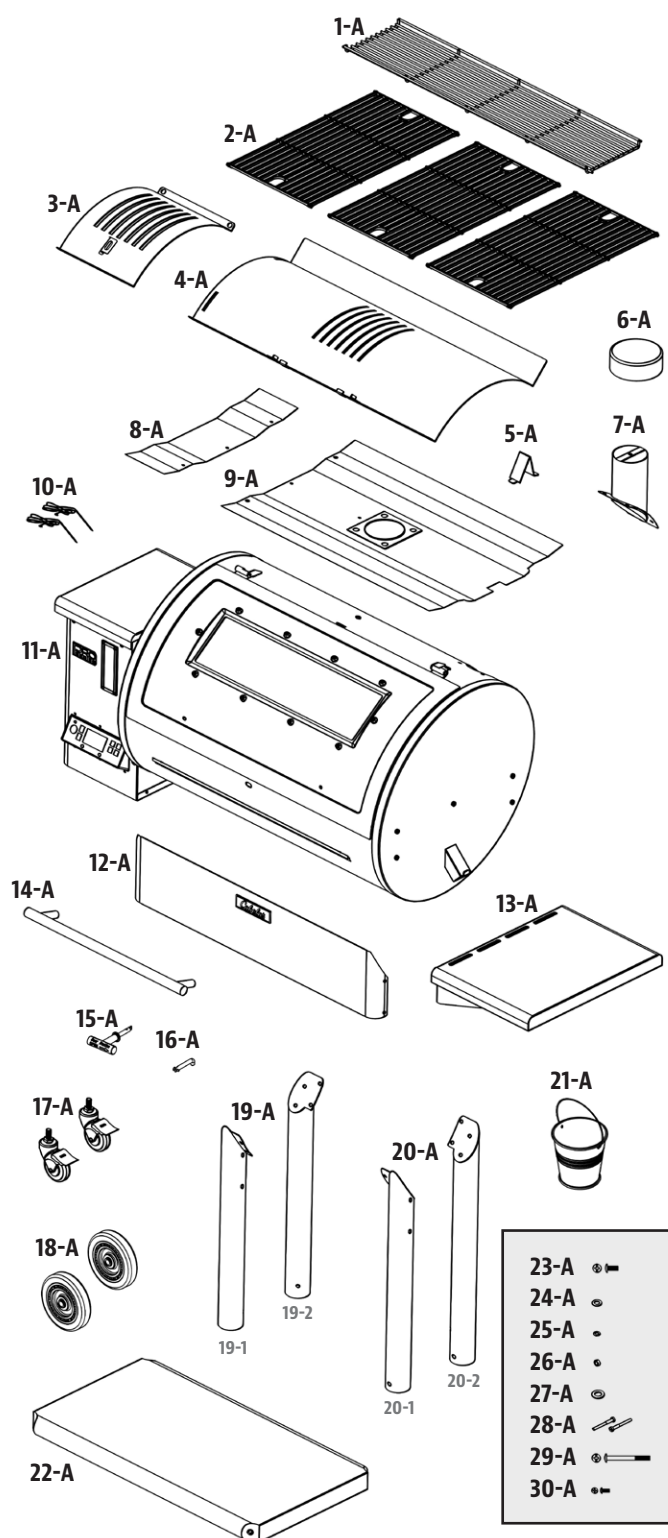
VW-1, 105°C/221°F,  
18-3 STANDARD CSA



# PIÈCES DE RECHANGE

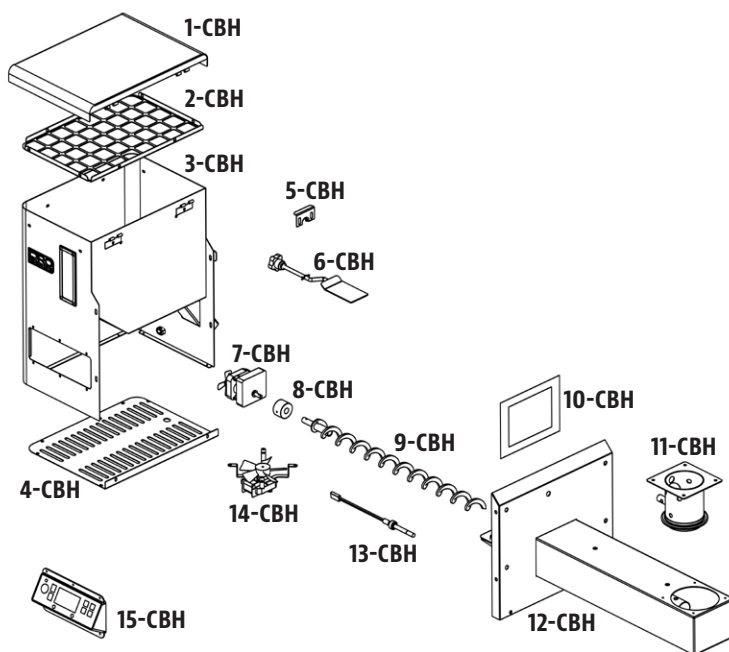
Partie#	Description
1-A	Grille de cuisson supérieure en acier revêtu de porcelaine
2-A	Grilles de cuisson en fonte revêtue de porcelaine (x3)
3-A	Chaudière Glissière
4-A	Chaudière Planche principale
5-A	Bouchon du couvercle
6-A	Capuchon de la cheminée
7-A	Sortie de la cheminée
8-A	Petite plaque du déflecteur de chaleur
9-A	Grande plaque du déflecteur de chaleur
10-A	Sonde thermique (x2)
11-A	Baril principal / Assemblage de la trémie
12-A	Plaque d'appui
13-A	Tablette latérale
14-A	Poignée du couvercle
15-A	Poignée de la station à griller
16-A	Bras de la station à griller
17-A	Roulette verrouillable (x2)
18-A	Roue (x2)
19-A	Pied de support pour roulette verrouillable (x2)
20-A	Pied de support pour roue (x2)
21-A	Seau de graisse
22-A	Étagère Inférieure
23-A	Vis (x18)
24-A	Rondelle (x18)
25-A	Rondelle de blocage (x18)
26-A	Écrou (x2)
27-A	Rondelle de roue (x4)
28-A	Goupille de l'essieu des roues (x2)
29-A	Vis (x4)
30-A	Vis (x4)

REMARQUE : En raison du développement continu du produit, les pièces peuvent être modifiées sans préavis.



# PIÈCES DE RECHANGE

Partie#	Description
1-CBH	Couvercle de trémie
2-CBH	Écran de sécurité de la trémie
3-CBH	Boîtier de la trémie
4-CBH	Panneau d'accès de la trémie
5-CBH	Langette de sécurité de la chute
6-CBH	Plateau de la chute
7-CBH	Moteur de la tarière
8-CBH	Bague d'étanchéité en nylon
9-CBH	Assemblage du filet de tarière
10-CBH	Joint de corps de la trémie
11-CBH	Pot de combustion
12-CBH	Boîtier de la trémie
13-CBH	Allumeur
14-CBH	Ventilateur de combustion
15-CBH	Panneau de commande CB1



# RECETTES

## UNE POITRINE CLASSIQUE

### 4 à 6 portions

Une poitrine entière de bœuf pèse environ 7,25 à 3,62 kg / 16 à 18 livres et possède trois parties distinctes : la couronne, le bout et la section plate. Utilisez la section plate car elle est maigre, compacte et produit de très belles tranches lorsque vous la tranchez.

### Ingrédients :

1	poitrine de bœuf 2,2-3,6 kg / 5-8 lbs, 0,6 cm / ¼ po d'épaisseur de graisse
1 bouteille	moutarde jaune préparée
75 ml / 5 c. à s	assaisonnement
1 bouteille	sauce au piment fort
1 paquet	mélange sec de soupe aux oignons
375 ml / 1 ½ c.	bouillon de bœuf
40 ml / 8 cc	poivre noir

**Saveur de granulés de bois suggérée : Caryer / Compétition**

### Instructions :

- Déposez une grande pellicule de plastique sur votre station de cuisine. Assez grande pour enrober une poitrine de bœuf. À l'aide d'un couteau aiguisé, faites une marque sur le dessous de la poitrine, une seule fois à contre sens. Ceci vous aidera à couper la poitrine une fois qu'elle est cuite, la coupe à contre sens vous offrira également un morceau de viande tendre qui fond dans la bouche. Le dessous est le côté non-gras, avec la couronne. Enduire avec une généreuse portion de moutarde préparée. Frottez légèrement sur toute la surface. Saupoudrer une bonne quantité d'assaisonnement sur la moutarde, puis frottez délicatement sur toute la surface. Retournez la poitrine de bœuf et répétez le processus. Enroulez la poitrine dans la feuille de plastique et conservez au frigo pendant la nuit ou pour environ 2 à 4 heures.
- Préparez le mélange de badigeonnage. Mélangez la sauce au chili, le mélange de soupe à l'oignon sec, le bouillon de bœuf et le poivre noir. Laisser reposer.
- Préchauffez le grill, puis réduire le réglage à SMOKE ou faible température.**
- Placez la poitrine, côté gras vers le haut, au centre du grill préchauffé. Fermez le couvercle du grill. Faites cuire lentement jusqu'à ce que la viande soit tendre, environ 10-12 heures.
- Badigeonner la poitrine avec le mélange préparé toutes les demi-heures pendant les 3 premières heures.
- Continuez le processus de cuisson lente jusqu'à ce que la température atteigne 60-66°C / 140-150°F. Enlevez la poitrine du grill. **Faites monter la température du grill à 176°C / 350°F.**
- Placez la poitrine dans une poche en aluminium double couche. Versez 50 ml / ¼ de tasse de mélange de badigeonnage sur la poitrine dans la poche. Fermez la poche.

- Déposez la poche délicatement sur le grill. Faites fumer pendant 1 à 1 1/2 heures.
- Ouvrez la poche et utilisez un thermomètre à viande; La température interne doit atteindre 91°C / 195°F. La poitrine devrait être ferme, mais vous devriez quand même être en mesure de déchirer la viande à l'aide de vos doigts.
- Transférez la viande à un plateau et laissez-la reposer pendant 10 minutes. Coupez des tranches minces à contre sens pour servir.

## SAUCISSE AVEC SAUCE CHUTNEY À LA MANGUE

### 4 à 6 portions

### Ingrédients :

2	mangues (tranchées finement)
0.9 kg / 2 lbs	saucisse italienne (piquante ou douce)
10 ml / 2 cc	persil frais (haché)
15 ml / 1 c. à s.	poivron rouge (coupé en dés)
10 ml / 2 cc	miel
½	oignon rouge (coupé en dés)
½ bulbe	fenouil (coupé en dés)
5 ml / 1 cc	jus de lime
Pincée	sel

**Saveur de granulés de bois suggérée : Caryer / Compétition**

### Instructions :

- Préchauffez le grill, puis réduire le réglage à FAIBLE-MOYEN (27- 107°C / 180- 225°F).**
- Placez les saucisses sur le grill, espacées uniformément. Tournez toutes les dix minutes afin que tous les côtés soient grillés.
- Combinez tous les ingrédients restants pour fabriquer le chutney. Réfrigérez jusqu'à ce que vous soyez prêt à servir.
- Coupez la saucisse grillée en diagonale, puis servir avec le chutney sur le côté.

## STEAK DE FROMAGE BLEU

### 4 portions

### Ingrédients :

4	steak, T-bone ou faux-filet 2,54 cm / 1" d'épaisseur 0,28-0,62 kg / 10-12 onces chaque
113 g / 4 oz.	fromage bleu (émietté)
50 ml / ¼ c.	oignon vert (en fines tranches)

**Saveur de granulés de bois suggérée : Caryer / Compétition / Whiskey**

### Instructions :

- Préchauffer le grill, puis laisser ou réduire légèrement (204-260°C / 400-500°F).**

- Enlevez l'excédent de gras de la viande et jetez.
- Placez les steaks sur le grill. Saisissez chaque côté, en retournant toutes les minutes.
- Réduisez la température à 135°C/275°F ou 163°C/ 325°F.** Retournez les steaks une dernière fois. Mélangez le fromage bleu et les oignons. Saupoudrez les steaks, fermez le couvercle du grill et faites griller jusqu'à ce qu'ils atteignent la cuisson désirée. Vérifiez la cuisson en coupant une tranche de viande près de l'os.

**Variation : FAIRE SAISIR AVEC LA MÉTHODE INVERSÉE**

Allumez le grill en mode SMOKE, puis placez les steaks sur le grill. Faites fumer à 82°C / 180°F, pendant 5 à 15 minutes. Une fois fumé à la cuisson désirée, tournez le grill sur HIGH et saisissez à votre goût.

## CÔTES LEVÉES BBQ

4 à 6 portions

**Ingrédients :**

- |                      |   |
|----------------------|---|
| 1.3-1.8 kg / 3-4 lbs | côtelettes  |
|                      | <small>Côtes levées de porc juteuses / longue</small> |
| 45 ml / 3 c. à s.    | huile   |
| 5 ml / 1 cc          | sel   |
| 5 ml / 1 cc          | poivre  |
| 2 entiers            | oignons (hachés)                                      |
| 30 ml / 2 c. à s.    | vinaigre  |
| 30 ml / 2 c. à s.    | sauce Worcestershire                                  |
| 125 ml / ½ c.        | jus de pomme ou Soda                                  |
| 5 ml / 1 cc          | paprika   |
| 5 ml / 1 cc          | poudre de piment chili                                |

**Saveur de granulés de bois suggérée : Caryer / Compétition / Pomme**

**Instructions :**

- Préchauffez le grill, puis réduire le réglage à SMOKE ou faible (82-107°C / 180-225°F).**
- Préparez les côtes levées en enlevant la couche épaisse de peau à l'arrière. Saupoudrez les côtes avec du sel et du poivre, pour goûter.
- Placez les côtes sur le grill, espacées uniformément. Faites fumer pendant 3 à 4 heures.
- Mélangez le reste des ingrédients dans une casserole et porter à ébullition. Laisser bouillir la sauce pendant cinq minutes pour épaissir.
- Enlevez du grill. **Faites monter la température du grill à 176°C / 350°F.**
- Placez chaque côte dans une poche en aluminium double couche. Versez 50 ml / ¼ de tasse de sauce sur les côtes dans la poche. Fermez la poche.
- Déposez la poche délicatement sur le grill. Faites fumer pendant 1 à 1½ heures.
- Ouvrez la poche. La viande aura exposé les extrémités des côtes et sera très tendre. Faites monter la température du grill à ÉLEVÉ (260°C / 500°F). Remettez les côtes sur le grill et badigeonnez

avec de la sauce sur les deux côtés.

- Lorsque la sauce est caramélisée et collantes, retirez du grill et servez.

**Variation: MÉTHODE « MEMPHIS DRY »**

Faites monter la température du grill à ÉLEVÉ (260°C / 500°F). Remettez les côtes sur le grill et assaisonnez ou frottez avec un assaisonnement sec. Saisissez les côtes, retirez du grill et servez.

## LES HAMBURGERS JUTEUX DE MAMAN

4 à 6 portions

**Ingrédients :**

- |               |                                      |
|---------------|--------------------------------------|
| 900 g / 2 lbs | bœuf haché ou de buffle              |
| 15 ml / 3 cc  | assaisonnement                       |
| 2 entiers     | œufs, à la température de la pièce   |
| 500 ml / 2 c. | chapelure (séché, fin)               |
| 6 - 8         | hamburger / petits pains             |
| 6 - 8 slices  | tranches de fromage (tranches fines) |
| 30 ml / 2 cc  | beurre                               |

**Saveur de granulés de bois suggérée : Caryer / Compétition**

**Instructions :**

- Préchauffer le grill, puis laisser ou réduire légèrement (204-260°C / 400-500°F)**
- Mélangez la viande, l'assaisonnement, les œufs et la chapelure dans un bol. Divisez la viande en plusieurs portions et formez-les en petites boulettes de taille et de forme similaires au pain que vous servirez. Gardez les boulettes à environ 1,9 cm / ¾ po d'épaisseur.
- Déposez les boulettes sur le grill. Faites griller environs 6 minutes chaque côté, en évitant d'appuyer sur la viande. Faites un test pour vérifier la cuisson, à l'aide d'un thermomètre à viande instantané : la température interne devrait atteindre 71°C / 160°F. La viande peut devenir rose à l'extérieur en raison de la saveur fumée.
- Au cours des dernières minutes de cuisson, badigeonnez les petits pains avec du beurre et grillez légèrement sur le grill.
- Retirez les pains, burgers lorsqu'ils sont prêts. Ajoutez aux hamburgers du fromage à fondre, et servez.

**CONSEIL:** Une viande légèrement plus grasse rendra le hamburger plus juteux. Pour un choix plus léger, essayez le buffle haché.

## STEAK DE SURLONGE AVEC DES OIGNONS DOUX ET DES POIVRONS

4 portions

**Ingrédients :**

- |              |  |
|--------------|--|
| 2            | steak de surlonge  |
|              | <small>épaisseur d'un pouce, coupé en 4 morceaux<br/>0.45kg/1 lb</small> |
| 10 ml / 2 cc | assaisonnement   |
| 5 moyens     | oignons doux (coupés grossièrement)                                      |

2 entiers poivrons (toutes sortes, hachée)  
 60 ml / 4 c. à s sauce soja  
 60 ml / 4 c. à s huile d'olive  
 Pincée sel

**Saveur de granulés de bois suggérée : Caryer / Mesquite / Whiskey**

**Instructions :**

1. **Préchauffez le gril, puis réduire le réglage à 218°C / 425°F.**
2. Saupoudrez les deux côtés des steaks avec l'assaisonnement. Recouvrez et réfrigérez pendant au moins 1 heure.
3. Placez les oignons et les poivrons dans un plateau recouvert de papier d'aluminium. Mélangez l'huile d'olive et la sauce soja ensemble, puis versez sur le plateau. Saupoudrez de sel. Fermez complètement le paquet d'aluminium.
4. Placez le paquet sur le gril pendant environ 10 - 15 minutes ou bien jusqu'à ce que les légumes soient doux et tendres. Enlevez du gril, mais gardez sous l'emballage.
5. Placez les steaks sur le gril. Saisissez chaque côté, en retournant toutes le minutes.
6. Grillez jusqu'à la cuisson désirée, puis enlevez du gril. Placez sur les plats de service et garnissez-les avec les légumes chauds.

**POULES DE CORNOUAILLES AVEC DU RIZ MANDARIN**

**4 portions**

**Ingrédients :**

4 entiers poules de Cornouailles  
 750 ml / 3 c. riz Mandarin  
 15 ml / 1 c. à s huile d'olive  
 5 ml / 1 tsp paprika fumé  
 250 ml / 1 c. marmelade d'orange

**Riz Mandarin**

59 ml / ¼ c. amandes (effilées)  
 30 ml / 2 c. à s céleri (haché)  
 1 petit oignon vert (tranché finement)  
 30 ml / 2 c. à s beurre  
 1 conserve segments d'orange mandarine (égouttée)  
0.4 kg/11oz.  
 30 ml / 2 c. à s jus d'orange (concentré)  
 500 ml / 2 c. riz cuit

**Saveur de granulés de bois suggérée : Caryer / Mesquite / Compétition**

**Instructions :**

1. Préparez le riz mandarin en faisant sauter les amandes, le céleri et les oignons avec du beurre dans une petite poêle jusqu'à ce que les amandes soient légèrement grillées. Combinez le mélange avec les segments d'orange, jus d'orange et le riz cuit dans un bol et mettre de côté.
2. **Préchauffez le gril, puis réduire à MEDIUM (135-177°C / 275-350°F).**

3. Rincez les poules de Cornouailles et essuyez à l'aide d'un papier absorbant. Remplissez les poules de Cornouailles avec la garniture et attachez les pattes à l'aide d'une ficelle. Badigeonnez légèrement les poules avec de l'huile; saupoudrez avec du paprika.
4. Placez les poules de Cornouailles sur le gril. Grillez pendant 45 à 60 minutes, jusqu'à ce que la viande soit tendre lorsqu'on la presse.
5. Badigeonnez les poules avec la marmelade à l'orange pendant les 20 dernières minutes de cuisson. Enlevez du gril et présentez sur un plateau de service.

**CONSEIL :** Si vous souhaitez récolter les gouttes de graisse pour faire une sauce, placez les poules dans un plat en aluminium et ajoutez assez d'eau ou de jus pour couvrir le fond à environ 0,6 cm / ¼ po d'épaisseur.

**KEBABS DE CREVETTES AVEC BEURRE AU CURRY**

**4 portions**

**Ingrédients :**

900g / 2 lbs crevettes (décortiquées, déveinées)  
 125ml / ½ c. beurre de curry  
 15 ml / 1 c. à s huile d'olive  
 1 lime  
 aneth frais

**Beurre de curry**

125 ml / ½ c. beurre  
 30 ml / 2 c. à s oignons (hachés)  
 15 ml / 1 c. à s aneth frais  
 5 ml / 1 cc poudre de curry  
 Pincée poudre d'ail

**Saveur de granulés de bois suggérée : Mesquite / Compétition**

**Instructions :**

1. Faites tremper les brochettes de bois dans l'eau pendant environ 1 heure.
2. **Préchauffez le gril, puis réduire à 135-177°C / 275-350°F.**
3. Préparez le beurre Curry en faisant fondre le beurre dans une petite casserole à feu moyen-élevé. Ajoutez les oignons, l'aneth, la poudre de curry et la poudre d'ail. Faites cuire pendant cinq minutes, puis retirez du feu.
4. Étalez les crevettes sur les brochettes, en laissant de l'espace entre les morceaux. Badigeonnez légèrement d'huile d'olive.
5. Placez les brochettes sur le gril et griller jusqu'à ce que les crevettes soient blanches et tendres. Les crevettes grillent rapidement; prenez soin de ne pas trop les cuire. Tournez les brochettes une fois et badigeonnez-les avec du beurre de curry vers la moitié du temps de cuisson.
6. Déposez les crevettes grillées sur un plateau. Garnissez de quarts de lime et d'aneth.

**CONSEIL :** Pour enfourcher une crevette afin qu'elle soit droite, tenez-la en position écartée avec une main. Commencez par le bout (la queue) et insérez une brochette de bois ou de bambou dans la

crevette afin qu'elle occupe toute sa longueur. Continuez à déplier la crevette avec vos doigts pendant cette étape.

## CREVETTES AU BACON ET BASILIC SUR UN BÂTON

4 à 6 portions

### Ingrédients :

24 grandes crevettes (décortiquées, déveinées)  
24 entières feuilles de basilic frais  
24 tranches bacon (tranches fines)

Saveur de granulés de bois suggérée : Cerise / Pomme

### Instructions :

1. Faites tremper les brochettes de bois dans l'eau pendant environ 1 heure.
2. **Préchauffez le gril, puis réduire à 135-177°C / 275-350°F.**
3. Enroulez un morceau de crevettes et une feuille de basilic dans une fine tranche de bacon, puis enfiler sur une brochette, en laissant un espace entre les pièces.
4. Placez les brochettes sur le gril et griller jusqu'à ce que les crevettes soient blanches et tendres et le bacon soit joliment grillé. Les crevettes grillent rapidement; prenez soin de ne pas trop les cuire. Retournez les brochettes régulièrement pour éviter de les brûler.
5. Retirez du grill et servir.

## DINDE ENTIÈRE FUMÉE

Nourri une petite armée - les restes sont délicieux!

### Ingrédients :

1 entière dinde (déglazée)  
9-11,3 kg / 20-25 lbs  
60 ml / 4 c. à s assaisonnement  
5 ml / 1 cc paprika fumé  
45 ml / 3 c. à s beurre

Saveur de granulés de bois suggérée : Caryer / Cerise / Compétition

### Instructions :

1. **Préchauffez le gril, puis réduire à 135-177°C / 275-350°F.**
2. Enlevez les cous et les abattis de la dinde. Rincez soigneusement la dinde et essuyez à l'aide d'un papier absorbant.
3. Dans un petit contenant, mélangez le beurre, 1/4 de l'assaisonnement et le paprika afin de former une pâte. Insérez délicatement votre main entre la peau extérieure et la viande de la poitrine. Bourrez la pâte à l'intérieur de la viande.
4. Avec l'assaisonnement restant, frotter la surface extérieure de la dinde.
5. Placez la dinde, poitrine vers le haut, dans le centre de la grille de cuisson et faites griller jusqu'à ce que la dinde soit tendre et brune dorée; la température interne doit atteindre 82°C / 180°F dans la partie la plus épaisse de la cuisse et 77°C / 170°F dans la poitrine.

6. Enlevez la dinde, couvrez-la avec une feuille d'aluminium et laissez-la reposer pendant 10 minutes avant de la découper.

**CONSEIL :** Si vous aimez utiliser la graisse et les jus qui se sont écoulés pour en faire une sauce onctueuse, alors placez la dinde sur une grille à l'intérieur d'un grand plat à rôtir en aluminium. Ajoutez environ 0,6 cm / ¼ po d'eau ou de bouillon et des épices dans le fond de la poêle. Surveillez les jus, vous devrez peut-être en ajouter plus pendant la période de rôissage.

## POULET À LA BIÈRE

2 à 6 portions

### Ingrédients :

1 entier poulet  
1,8-2,7 kg / 4-6 lbs  
1 canette bière, n'importe laquelle  
45 ml / 3 c. à s assaisonnement

Saveur de granulés de bois suggérée : Caryer / Pomme / Compétition

### Instructions :

1. **Préchauffez le gril, puis réduire à 135-177°C / 275-350°F.**
2. Ouvrez la boîte et versez la moitié de la bière dans un verre à boire. Laissez la moitié dans la boîte, et faites quelques trous supplémentaires dans la partie supérieure de la boîte pour augmenter la ventilation. Ajoutez un ¼ de l'assaisonnement à la boîte.
3. Rincez soigneusement le poulet et essuyez à l'aide d'un papier absorbant. Saupoudrez 1/4 de l'appât à l'intérieur du trou du poulet. Avec l'assaisonnement restant, frotter la surface extérieure du poulet.
4. Insérez délicatement la canette verticale dans le creux du poulet, placez sur le gril et fermez le couvercle du gril. Cuire jusqu'à ce que le poulet soit doré et croustillant; la température interne doit atteindre 74°C / 165°F.
5. A l'aide de pinces, retirez délicatement le poulet avec la boîte en position verticale du gril. Laissez-le reposer pendant 5 minutes, puis enlevez délicatement la canette de la poule. Soyez prudent de ne pas renverser, le liquide sera chaud.
6. Taillez le poulet et servez-le.

### Variation : POULET À LA BIÈRE SANS ALCOOL

À l'aide de la même méthode décrite ci-dessus, mais au lieu d'une bière vous pouvez utiliser votre boisson favorite comme du cola (pas diète), jus de fruit ou de l'eau avec des assaisonnements en plus.

