

BOSCA®

Owner's Manual
Guide d'utilisation



SPIRIT 500 Pellet

Installation and Operating Instructions Installation et consignes d'utilisation

Save These Instructions
Conservez ce manuel d'instructions

Please read this entire manual before you install and use your BOSCA SPIRIT 500 Pellet Stove.

Failure to follow instructions may result in property damage, bodily injury, or even death.

Lisez-le attentivement avant d'installer et d'utiliser votre poêle à granulés BOSCA SPIRIT 500.

Le non respect des instructions peut entraîner des dommages à la propriété, des blessures et même la mort.

OWNER'S MANUAL

WARNING: If your appliance is not properly installed a house fire may result. For your safety, follow the installation directions. Contact local building or fire officials about restrictions and installation inspection requirements in your area.

PLEASE read this entire manual before installation and use of this pellet fuel-burning room heater.

Failure to follow these instructions could result in property damage, bodily injury, or even death.

Save these instructions.

PROFESSIONAL INSTALLATION IS HIGHLY RECOMMENDED

TABLE OF CONTENTS

INTRODUCTION	3
SAFETY PRECAUTIONS	4
INSTALLATION	5
Specifications	5
Preparation	6
Clearances	6
Combustion Air Supply	7
When Outside Air Supply is not Used	8
Venting	8
Freestanding Installations	9
Electrical Installation	13
Special Mobile Home Requirements	13
OPERATION	14
Panel Controls	14
Proper Fuel	15
Pre-Start-Up Check	16
Building a Fire	16
Damper Control	16
Opening Door	17
Room Air Fan	17
If Stove Runs out of Pellets	17
Refueling	17
Shutdown Procedures	17
Safety Features	17
Thermostat Installation	17
OPERATING SAFETY PRECAUTIONS	19
MAINTENANCE	19
Maintenance Tool	20
Ash Disposal	20
Ash Removal	20
Vacuum Use	22
Cleaning	22
Blowers	23
Chimney Cleaning	23
Recommended Maintenance Schedule	23
Removal and Replacement of Broken Door Glass	24
TROUBLESHOOTING GUIDE	24
Smell Smoke or Soot Build-Up	29
ELECTRICAL DIAGRAM	29
REPLACEMENT PARTS	30
LIFETIME LIMITED WARRANTY	32

INTRODUCTION

Thank you for purchasing the BOSCA SPIRIT 500 Pellet stove. You are now prepared to burn wood in the most efficient, convenient way possible. To achieve the safest, most efficient and most enjoyable performance from your stove, you must do three things:

- 1) Install it properly;
- 2) Operate it correctly; and
- 3) Maintain it regularly.

The purpose of this manual is to help you do all three.

**PLEASE READ THIS ENTIRE MANUAL BEFORE INSTALLATION AND USE OF THIS
PELLET FUEL BURNING ROOM HEATER.
FAILURE TO FOLLOW THESE INSTRUCTIONS COULD RESULT IN PROPERTY
DAMAGE, BODILY INJURY OR EVEN DEATH.**

KEEP THIS MANUAL HANDY FOR FUTURE REFERENCE.

This stove has been independently tested to ASTM E 1509-04 Standard Specification for Room Heaters, Pellet Fuel Burning Type 1, UL 1482-1998 Standard for Solid Fuel Room Heaters, Oregon Administrative Rules for Mobile Homes (814-23-900 through 814-23-909) and Installation as a Stove Heater.

This pellet stove, when installed, must be electrically grounded in accordance with local codes, or in the absence of local codes, with the National Electrical Code, ANSI/NFPA 70.

This appliance is designed specifically for use only with pelletized wood. It is designed for residential installation according to current national and local building codes as a freestanding residential installation according to current national and local building codes as a freestanding room heater. It is also approved as a mobile home heater which is designed for connection to an outside combustion air source.

The stove will not operate using natural draft or without a power source for the blower systems and fuel feed system and must not be burned with any type of coal (see "PROPER FUEL").

This stove is designed to provide the optimum proportions of fuel and air to the fire in order to burn free of smoke and soot. Any blockage of the air supply to or from the stove will seriously degrade its performance and will be evidenced by a smoking exhaust and a sooting window.

For best operation the ash content of the pellet fuel should be less than 1% and the calorific value approximately 8200 BTU/LB. Avoid high ash content fuels because this will rapidly fill up the burn pot and eventually cut off the combustion air supply.

Commercial and industrial installations of BOSCA SPIRIT 500 Pellet stove should not be used since operational control is often not well managed in these settings.

SAFETY PRECAUTIONS

- Do not operate your stove if you smell smoke coming from it. Turn it off, do not unplug, monitor it, and call your dealer.
- Never use gasoline, gasoline-type lantern fuel, kerosene, charcoal lighter fluid, or similar liquids to start or “freshen up” a fire in this stove. Keep all such liquids well away from the stove while in use.
- Never block free airflow through the open vents of the stove.
- Never try to repair or replace any part of the stove unless instructions are given in this Manual. All other work should be done by a trained technician.
- The stove will not operate during a power outage. If an outage does occur, check the stove for smoke spillage and open a window if any smoke spills into the room.
- Disconnect the power cord before performing any maintenance or repairs on the stove.

NOTE: Turning the stove “Off” does not disconnect all power from the stove.

- Do not unplug the stove if you suspect a malfunction. Turn the stove off, periodically inspect it, and call your dealer.
- Keep foreign objects out of the hopper.
- Do not throw this Manual away. This Manual has important operating and maintenance instructions that you will need at a later time. Always follow the instructions in this Manual.
- Do not place clothing or other flammable items on or near the stove.
- The viewing door must be closed and latched during operation.
- Do not operate the stove if the flame becomes dark and sooty or if the burnpot overfills with pellets. Turn the stove off, periodically inspect it, and call your dealer.
- Hot while in operation. Keep children, clothing, and furniture away. Contact may cause skin burns. Educate all children of the danger of a high temperature stove. Young children should be supervised when they are in the same room as the stove.
- If the stove is installed in a room without air conditioning, or in an area where direct sunlight can shine on the unit, it is possible this can cause the temperature of the stove to rise to operational levels; one of the sensors could then make the convection fan and/or feed system start on its own. It is recommended that the stove be unplugged when not in use for extended amounts of time (i.e. during the summer months).
- Contact your local building officials to obtain a permit and information on any installation restrictions or inspections requirements in your area. Notify your insurance company of this stove as well.
- This unit must be properly installed to prevent the possibility of a house fire. The instructions must be strictly adhered to. Do not use makeshift methods or compromise in the installation.
- Allow the stove to cool before carrying out any maintenance or cleaning. Ashes must be disposed in a metal container with a tight lid and placed on a non combustible surface well away from the home structure.
- This stove must be connected to a standard 120V., 60Hz grounded electrical outlet. Do not use an adapter plug or sever the grounding plug. Do not route the electrical cord under, in front of, or over the stove.
- The exhaust system should be checked, at a minimum, at least twice a year for any build up of soot or creosote.
- The exhaust system must be completely airtight and properly installed. The pellet vent joints must be sealed with RTV 500°F. (260°C.) silicone sealant, or with UL-181-AP foil tape. Fasten with at least 3 screws.
- Your stove requires periodic maintenance and cleaning. Failure to maintain your stove may lead to smoke spillage in your home.

- This stove is designed and approved for palletized wood fuel only. Any other type of fuel burned in this heater will void the warranty and safety listing.
- When installed in a mobile home, the stove must be bolted to the floor, have outside air, and NOT BE INSTALLED IN A BEDROOM (per H.U.D. requirements). Check with local building officials.
- Bosca grants no warranty, implied or stated, for the installation or maintenance of your stove, and assumes no responsibility of any consequential damage(s).

INSTALLATION

SPECIFICATIONS

Width:	23.2 in.
Height:	36.5 in
Depth:	25,6 in
Weight:	295 lbs.
	<p>TOP VIEW fig. N°1</p> <p>FRONT VIEW fig. N°2</p>
Flue size:	3" or 4"
Hopper Capacity:	66 lbs. (this can vary widely depending on pellet size, length, and diameter)
Emmissions Rate:	1,2 grs/hour (EPA Certified).
Burn time:	0,75 lb. to 4 ½ lbs. per hour
BTU range:	8,200 to 40,000
Approved installations:	mobile home, alcove, conventional.

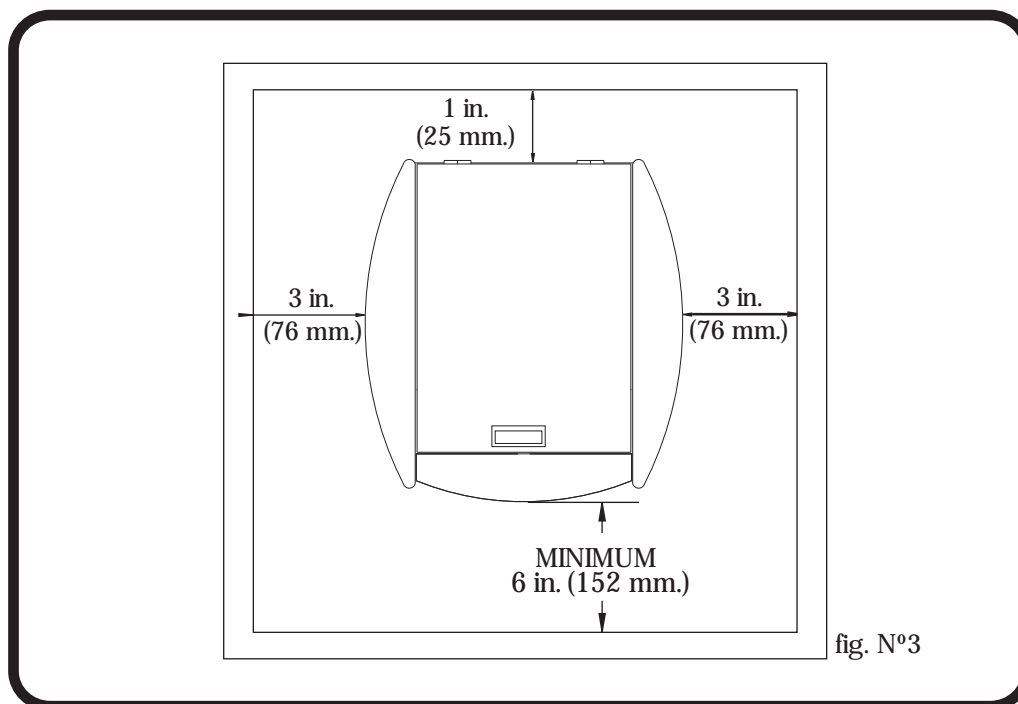
PREPARATION

Factory packaging must be removed, and some minor assembly work is required prior to installation. Access to the rear of the stove is necessary.

CLEARANCES

The BOSCA SPIRIT 500 Pellet stove has been tested and listed for installation in residential, mobile home and alcove applications.

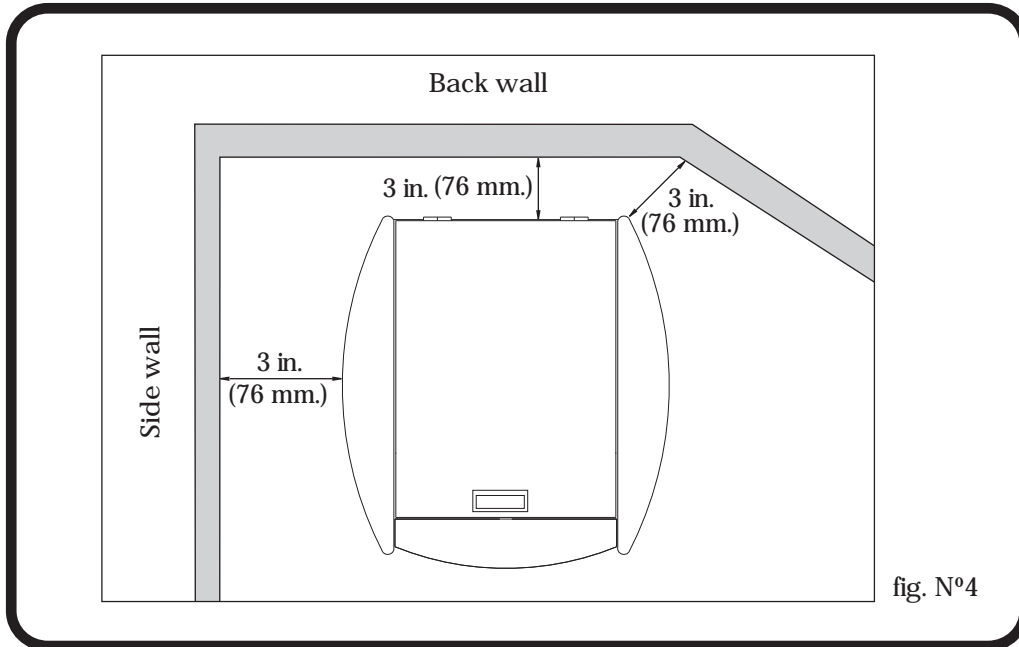
FLOOR PROTECTION: Freestanding installations, minimum 29,2" wide by 34,0" deep. The stove must be placed on a continuous (grouted joints) noncombustible material such as ceramic tile, cement board, brick, 3/8" millboard or equivalent, or other approved or listed material suited for floor protection (refer to fig. N° 3) .



NOTE: ceramic tile, or any tile, requires a continuous sheet beneath to prevent the possibility of embers falling through to the combustible floor if cracks or separation should occur in the finished surface, this would include floor protection for Built-in raised hearths. Check local codes for approved alternatives.

Clearances are measured from the sides, back and face (door opening) or stove body (refer to fig. N° 4).

The clearances may only be reduced by means approved by the regulatory authority.

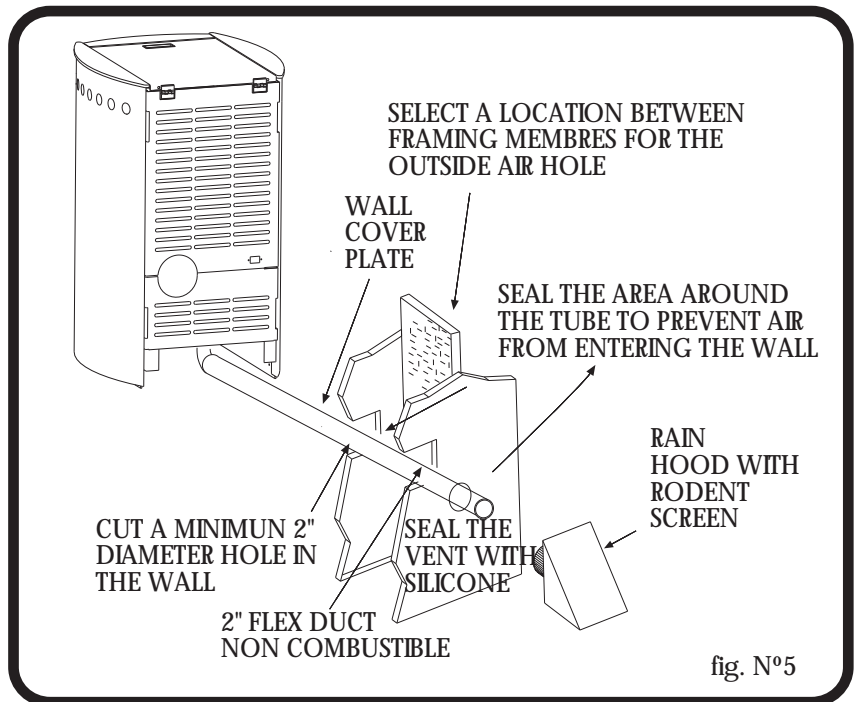


DO NOT USE MAKESHIFT MATERIALS OR COMPROMISES IN THE INSTALLATION OF THIS UNIT.

INSTALL VENT WITH CLEARANCES SPECIFIED BY THE VENT MANUFACTURER.

COMBUSTION AIR SUPPLY

For a mobile home installation the stove must be connected to an outside source of combustion air. A 2" inside diameter metallic pipe, either flexible or rigid, may be attached to the inlet at the stove's rear (refer to fig. N°5). A rodent guard (minimum 1/4" wire mesh) /wind hood must be used at the terminus. All connections must be secured and airtight by either using the appropriately sized hose clamp and/or UL-181-AP foil tape.



For Mobile home installations only: 2" inside diameter pipe may be used for first 5 feet of combustion air supply run. From 5 to 10 feet use 2 3/4" inside diameter pipe. No combustion air supply may exceed 10 feet.

Sources of Outside Combustion Air

In fireplaces

- Chimney top.
- Ash clean out door.

For freestanding installations

- A hole in floor near stove rear terminating only in a ventilated crawl space.
- A hole in the wall behind the stove.

WHEN OUTSIDE AIR IS NOT USED

If outside air is not used, it is important that combustion air is easily available to the air inlet. A closeable outside air register can be used in tightly insulated homes.

VENTING

The BOSCA SPIRIT 500 Pellet stove is certified for use with listed TYPE L-Vent, 3" or 4" diameter in size. The stove was tested with Simpson Duravent brand. Class "A" chimney is not required. Refer to the instructions provided by the vent manufacturer, especially when passing through a wall, ceiling or roof.

This is a pressurized exhaust system. All vent connector joints must be sealed with 500 °F (260 °C) RTV silicone sealant to ensure consistent performance and avoid smoke spillage. All horizontal connector joints must be sealed with UL-181-AP foil tape. We require that all vertical vent connector joints be secured with a minimum of 3 screws.

DO NOT CONNECT THIS UNIT TO A CHIMNEY FLUE SERVING ANOTHER APPLIANCE.

DO NOT CONNECT TO ANY AIR DISTRIBUTION DUCT OR SYSTEM

DO NOT INSTALL A FLUE DAMPER IN THE EXHAUST VENTING SYSTEM OF THIS UNIT.

INSTALL VENT AT CLEARANCES SPECIFIED BY THE VENT MANUFACTURER.

SECURE EXHAUST VENTING SYSTEM TO THE APPLIANCE WITH AT LEAST 3 SCREWS. ALSO SECURE ALL CONNECTOR PIPE JOINTS WITH AT LEAST 3 SCREWS THROUGH EACH JOINT.

Equivalent Vent Length (EVL)

The longer the run of pipe in your installation, the more restrictions there is in the system. Therefore, larger diameter pipe should be used.

Use 4" pipe if you have more than 15 feet of equivalent vent length. Horizontal runs shall not exceed 10 feet of EVL. It is recommended that vertical runs be a minimum of 8 feet.

To calculate EVL, use the following conversions:

90° elbow or "T"	=	5 equivalent feet
45° elbow	=	3 equivalent feet
Horizontal Pipe Run	=	1 equivalent foot per actual foot
Vertical Pipe Run	=	0.5 equivalent foot per actual foot

NOTE: At altitudes above 3,000 feet, we suggest the use of 4" diameter vent at an EVL of 7 feet or more.

FREESTANDING INSTALLATIONS

Horizontally Through Wall
(Refer to fig. N° 6)

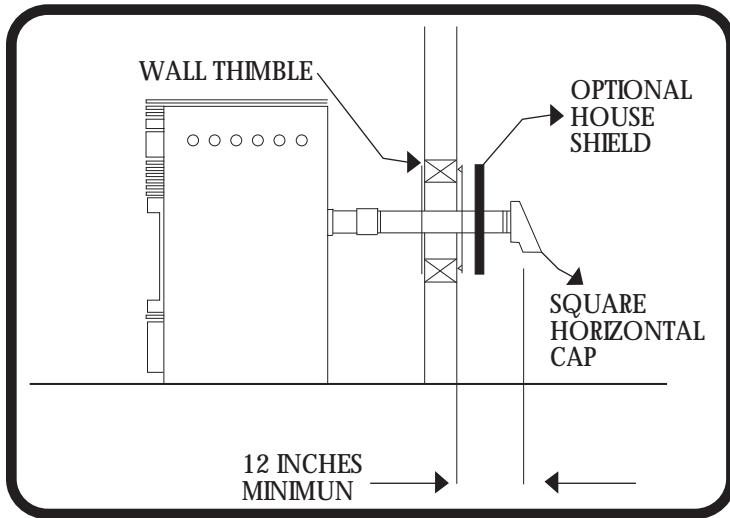


fig. N°6

Fig. N° 6. Locate terminations:

- a) not less than 3 feet above any forced air inlet located with 10 feet;
- b) not less than 4 feet below or horizontally from, or on foot above, any door, window or gravity air inlet into any building;
- c) not less than two feet from an adjacent building and not less than 7 feet above grade when located adjacent to a public walkway. Mobile home installations must use a spark arrester.

NOTE: In Canada, where passage through a wall of combustible construction is desired, the installation shall conform to CAN/CSA - B 365.

NOTE: Follow L-Vent chimney manufacturer's instructions.

- Position stove, adhering to clearances show in fig. N°4
- Locate position of hole in wall; directly behind stove exhaust vent.
- Always maintain 3" clearance from combustible materials.
- Install L-Vent wall thimble per L-Vent manufacturer's instructions (refer fig. N° 7).
- Attach enough piping to penetrate and extend at least 12" beyond exterior walls. An 5-foot vertical pipe run is suggested where possible to reduce the possibility of smoke s pillage in the event of a loss of negative pressure.
- Attach cap and seal outside wall thimbles with non-hardening waterproof mastic.
- Termination should not be located so that hot exhaust gases can ignite trees, shrubs, or grasses or be a hazard to children. Exhaust gases can reach temperatures of 500°F and cause serious burns if touched.

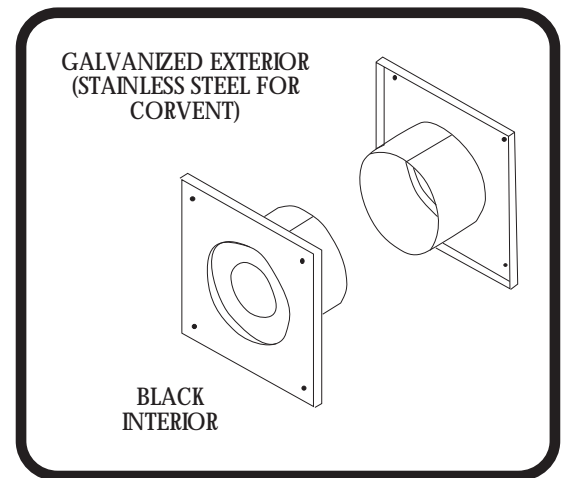


fig. N°7

Vertically With New Chimney System
(Refer to fig. N° 7a-7b)

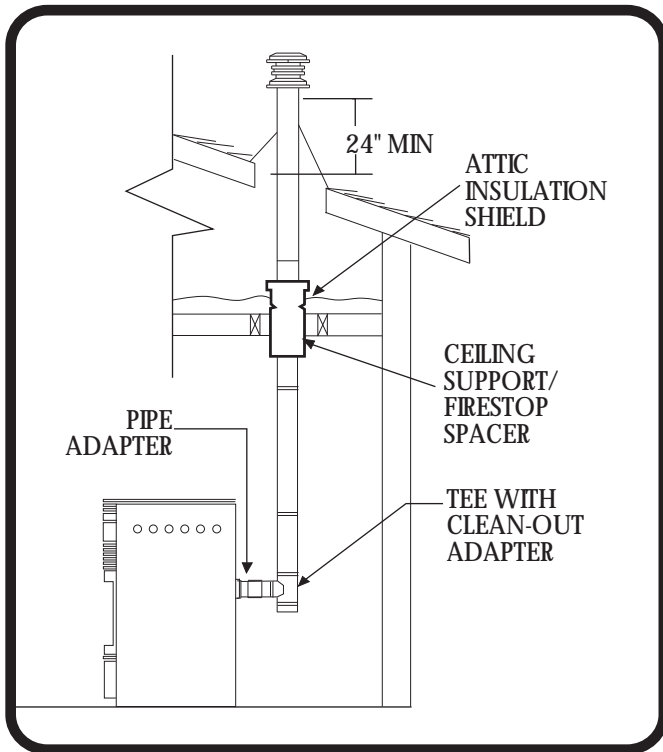


fig. N°7a

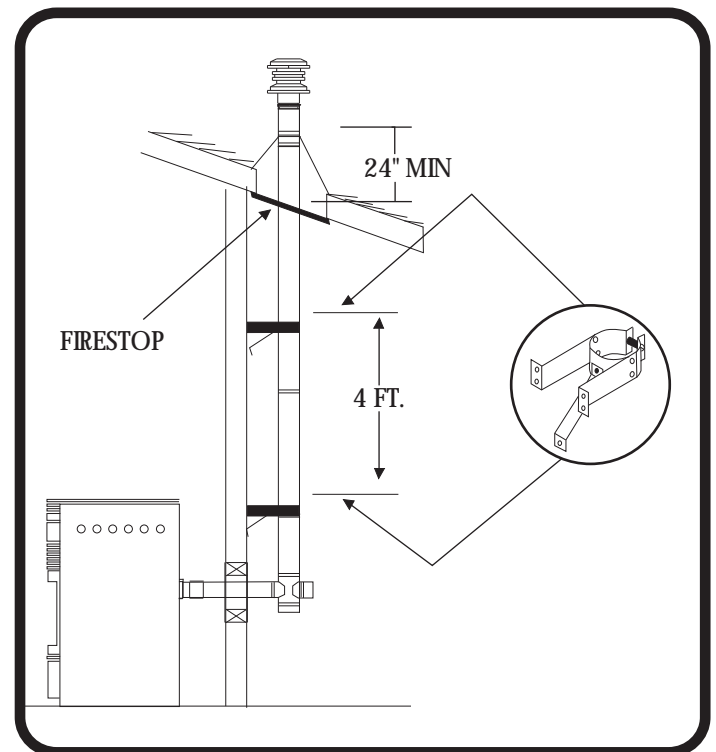


fig. N°7b

NOTE: Follow L-Vent chimney manufacturer's instructions.

OPTION: Install L-Vent elbow in place of clean-out tee. Locate stove. Drop plumb bob to center of tee outlet, mark point on ceiling. Install ceiling support and L-Vent pipe per L-Vent manufacturer's instructions.

- Always maintain 3" clearance from combustible materials. When passing through additional floors or ceilings, always install firestop spacer.
- After lining up for hole in roof, cut either around or square hole in roof, always 3" larger all the way around pipe. Install upper edge and sides of flashing under roofing materials, nail to the roof along upper edge. Do not nail lower edge. Seal nail head with non-hardening waterproof mastic.
- Apply non-hardening, waterproof mastic where the storm collar will meet the vent and flashing. Slide storm collar down until it sits on the flashing. Seal and install cap. Mobile home installations must use a spark arrester.

Vertically Into Existing Chimney System
(Refer to fig. N° 8a-8b)

Adapters are available to adapt from 3" L-Vent to 6" or 8" Class-A chimney. (Fig. N° 8a)

As an alternative, 3" or 4" L-Vent can be run inside existing chimney to termination. (Fig. N° 8b). This is the preferred method.

Follow guidelines for equivalent.

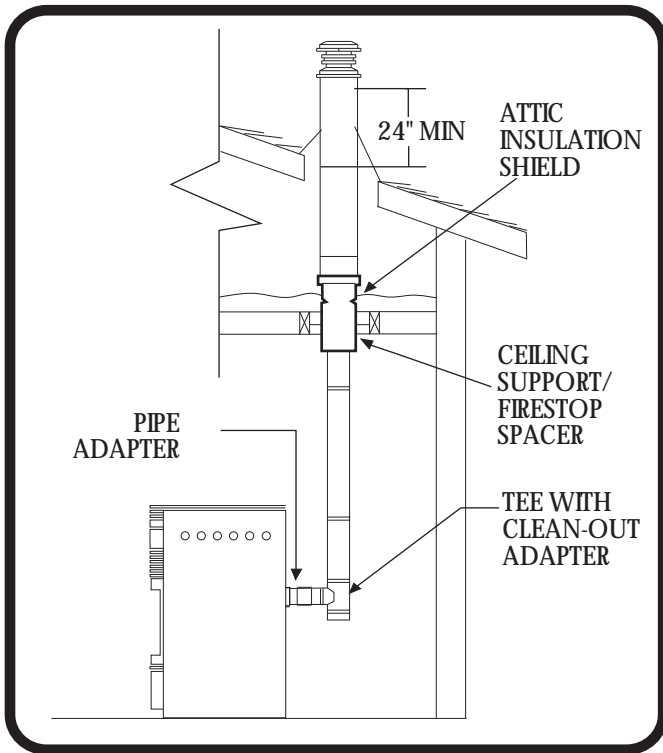


fig. N°8a

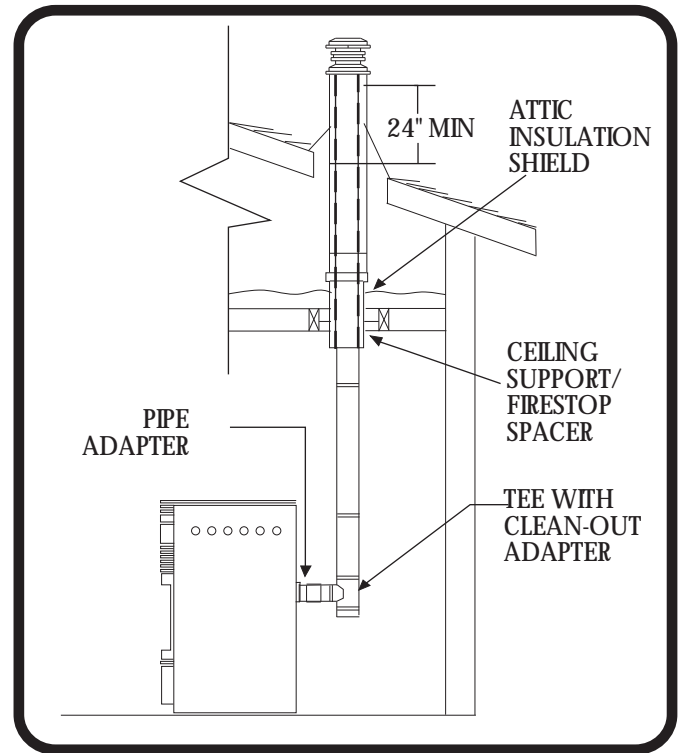


fig. N°8b

Vertically Into Existing Masonry Fireplace (Refer to fig. N°9)

NOTE: Follow L-Vent chimney manufacturer's instructions.

- Have the masonry chimney inspected by a qualified chimney sweep or installer to determine its structural condition.
- You will need a pipe length equal to the chimney height from the hearth. If outside combustion air is to be used, you will need a pipe length equal to the chimney height plus 18 inches.
- Install a blanking plate and the chimney pipe, and if used the outside air pipe.
- Attach the L-Vent adapter, a section of pipe and clean out tee, making sure the clean-out tee is centered in the chimney flue area. Use RTV, metallic tape, and a minimum of three self-taping screws at all joint connections to ensure a tight seal.
- Install and seal the top plate from step 3 with non-hardening mastic. Slip the storm collar over the pipe, and while holding the pipe at the proper elevation, affix the collar with a minimum of three 1/4" stainless steel sheet metal screws. Seal all joints and seams around the collar.
- Connect the horizontal pipe by pushing it through the hole in the masonry and lining it up with the branch in the tee. Push the pipe into the tee while twisting it to lock it into the tee.
- If desired, once the horizontal pipe is in place, the space between the pipe and masonry may be filled with high-temperature grout.
- Install the trim collar. An adjustable pipe length and adapter may be needed to finish the connection to the stove.

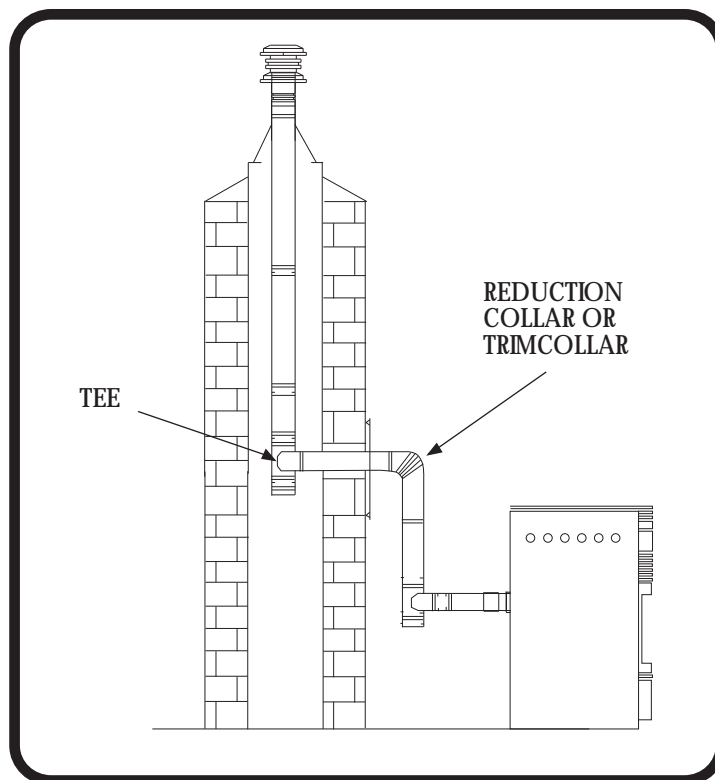


fig. N°9

Installation Through Side of Masonry Chimney (Refer to fig. N° 10)

NOTE: Follow L-Vent chimney manufacturer's instructions.

- Position the stove, adhering to the clearances in Figures 1 & 2. Mark the center of the hole where the pipe is to pierce the masonry chimney. It will be necessary to break out the masonry around the location of the pipe center mark. Use a 4-inch diameter hole for 3-inch pipe and 5-inch diameter hole for a 4-inch pipe.
- Measure and build chimney top plate. Cut out holes for chimney pipe, and if used cut necessary holes for the outside air pipe. Install the tee on the bottom of the vertical pipe system and lower it down the chimney until the center branch of the tee is level with the center of the hole in the masonry, as shown in fig. N°10.
- Install and seal the top plate from step 3 with non-hardening mastic. Slip the storm collar over the pipe, and while holding the pipe at the proper elevation, affix the collar with a minimum of three 1/4" stainless steel sheet metal screws. Seal all joints and seams around the collar.
- Connect the horizontal pipe by pushing it through the hole in the masonry and lining it up with the branch in the tee. Push the pipe into the tee while twisting it to lock it into the tee.
- If desired, once the horizontal pipe is in place, the space between the pipe and masonry may be filled with high-temperature grout.
- Install the trim collar. An adjustable pipe length and adapter may be needed to finish the connection to the stove.

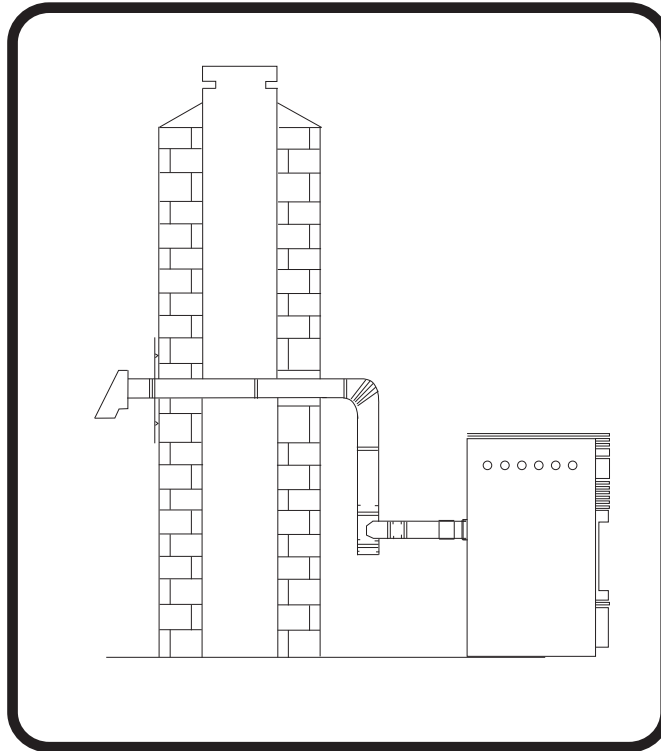


fig. N°10

ELECTRICAL INSTALLATION

This stove is provided with a 6-foot grounded electrical cord extending from the rear of the stove. We recommend connecting to a good quality surge protector that is plugged into a standard three-prong, 120V, 60hz electrical outlet. Voltage variations can lead to serious performance problems. The BOSCA SPIRIT 500 Pellet stove electrical system is designed for 120V AC with no more than 5% variation. Bosca cannot accept responsibility for poor performance or damage due to inadequate voltage. If connected to an older, two-prong outlet, a separate ground wire should be run to a proper ground (refer this to a qualified technician). Always route the electrical cord so that it will not come in contact with any hot part of the stove.

SPECIAL MOBILE HOME REQUIREMENTS

WARNING: DO NOT INSTALL IN A SLEEPING ROOM.

For installation in a mobile home, an outside source of combustion air must be used (see "COMBUSTION AIR SUPPLY"). The outside source of combustion air must be unrestricted while the appliance is in use to prevent room air starvation, which causes smoke spillage. Some spillage could also set off smoke alarms.

- The stove must be grounded to the steel chassis of the home with 8 Ga. Copper wire using a serrated or star washer to penetrate paint or protective coating to ensure grounding.
- The stove must be securely fastened to the floor of the mobile home using 2, 1/4" lag bolts that are long enough to go through both a hearth pad, if used, and the floor of the home.
- Use RTV High Temp silicone to create an effective vapor barrier at the location where the chimney or other component penetrates to the exterior of the structure.
- Refer to "VENTING" for proper exhaust configurations.

CAUTION
THE STRUCTURAL INTEGRITY OF THE MOBILE HOME FLOOR, WALL
AND CEILING/ROOF MUST BE MAINTAINED.

OPERATION

PANEL CONTROLS

The blowers and automatic fuel supply are controlled from a panel on the top left-hand side of the stove.

The control panel functions are as follows:

On/Off Switch

When pushed, the stove will automatically ignite. No other firestarter is necessary. The igniter will stay on for at least 10 and up to 15 minutes, depending on when Proof of Fire is reached. The fire should start in about 5 minutes.

The green light located above the On/Off button (in the On/Off box) will flash during the ignition start-up period (see fig. N°11).

The Feed Rate Advance is inoperable during the ignition start period. When the red light continuously stays on, the Feed Rate Advance can be adjusted to achieve the desired heat output.

NOTE: If the stove has been shut off, and you want to re-start it while it is still warm, the "On/Off" button must be held down for 2 seconds.

Fuel Feed Switch

When the "Fuel Feed" button is pushed and held down the stove will feed pellets continuously into the burnpot. While the stove's auger system is feeding pellets the amber light (in the "Fuel Feed" box) will be on. (See fig. N°12)

CAUTION
DO NOT USE THIS CONTROL DURING NORMAL OPERATION
BECAUSE IT COULD SMOTHER THE FIRE AND LEAD TO A
DANGEROUS SITUATION.

High Fan Switch

The room air fan speed varies directly with the feed rate. The "HIGH FAN" switch overrides this variable speed function. It will set the room air blower speed to high at any feed rate setting.

When the "HIGH FAN" button is pushed the room air fan will switch to its highest setting.

When this button is pushed again, the room air fan will return to its original setting based on the Feed Rate Advance setting.

Reset Trim

Different size and quality pellet fuel may require adjustment of the "1" feed setting on the Feed Rate Advance bar graph. This is usually a one-time adjustment based on the fuel you are using. The "RESET TRIM" button when adjusted will allow for 3 different feed rate settings for the #1 feed setting only. To adjust simply push the "RESET TRIM" button while the stove is operating at setting "1" and watch the bar graph.

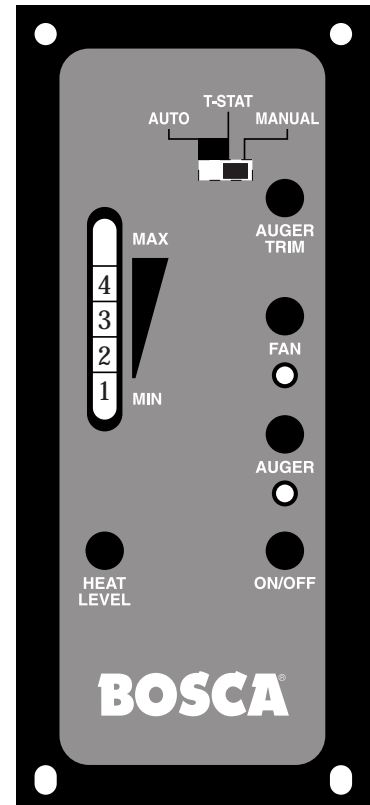


fig. N°11

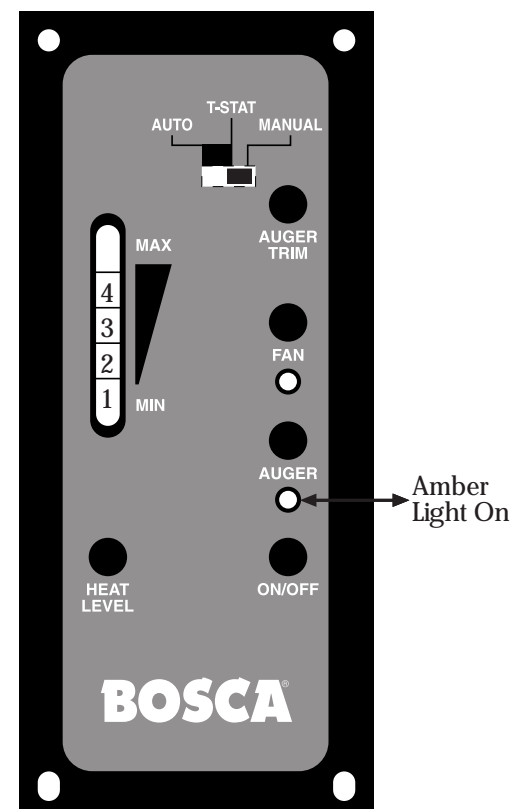


fig. N°12

When the “1” and “3” lights are illuminated on the bar graph the low feed rate is at its “lowest setting”. (approx. 0.9 pounds per hour).
 When the “1” light is illuminated on the bar graph the low feed rate is at its “normal” setting.
 When the “1” & “4” lights are illuminated on the bar graph the low feed rate is at its “highest” setting.

NOTE: When the stove is set on “1” the “reset trim” values will be shown on the Feed Rate Advance bar graph. For example if the Reset Trim is set to low the “1” and “3” lights will be illuminated on the bar graph.

Heat Level Advance

This button when pushed will set the pellet feed rate, hence the heat output of your stove. The levels of heat output will incrementally change on the bar graph starting from level “1” to “4”.

NOTE: When dropping more than 2 heat level settings (i.e. 4 to 1) push the “High Fan” button and allow the room air fan to run at that setting for at least 5 minutes to prevent the stove from tripping the high temp thermdisc. If the high temp thermdisc does trip see “SAFETY FEATURES”.

PROPER FUEL

THIS STOVE IS APPROVED FOR BURNING PELLETIZED WOOD FUEL ONLY

Factory-approved pellets are those 1/4” or 5/16” in diameter and not over 1” long. Longer or thicker pellets sometimes bridge the auger flights, which prevents proper pellet feed. Burning wood in forms other than pellets is not permitted. It will violate the building codes for which the stove has been approved and will void all warranties. The design incorporates automatic feed of the pellet fuel into the fire at a carefully prescribed rate. Any additional fuel introduced by hand will not increase heat output but may seriously impair the stove's performance by generating considerable smoke. Do not burn wet pellets. The stove's performance depends heavily on the quality of your pellet fuel.

Avoid pellet brands that display these characteristics:

Excess Fines: “Fines” is a term describing crushed pellets or loose material that looks like sawdust or sand. Pellets can be screened before being placed in a hopper to remove most fines.

Binders: Some pellets are produced with materials to hold them together, or “bind” them.

High Ash Content: Poor quality pellets will often create smoke and dirty glass. They will create a need for more frequent maintenance. You will have to empty the burnpot plus vacuum the entire system more often. Poor quality pellets could damage the auger. Bosca cannot accept responsibility for damage due to poor quality pellets. Your dealer can recommend a good quality pellet dealer in your area.

Proper Fuel Storage: Keep fuel raised off the floor and in a covered area to avoid moisture and water contact.

CAUTION: DO NOT PLACE FUEL WITHIN SPACE HEATER INSTALLATION OR WITHIN THE SPACE REQUIRED FOR CHARGING AND ASH REMOVAL.

PRE- START- UP CHECK

Remove burnpot, making sure it is clean and none of the air holes are plugged. Clean the firebox, and then reinstall burnpot. Clean door glass if necessary (a dry cloth or paper towel is usually sufficient). Never use abrasive cleaners on the glass or door. Check fuel in the hopper, and refill if necessary. Make sure hopper lid is closed, if left open auger will not feed pellets.

BUILDING A FIRE

Never use a grate or other means of supporting the fuel. Use only the Bosca approved burnpot.

NOTE: During the first few fires, your stove will emit an odor as the high temperature paint cures or becomes seasoned to the metal. Maintaining smaller fires will minimize this. Avoid placing items on stovetop during this period because paint could be affected.

NOTE: Bosca pellet stoves are equipped with a hopper safety switch, if hopper lid is open the auger will not drop pellet fuel. If the hopper lid is left open for a prolonged period of time the unit will shut down.

NOTE: You will have to prime the auger system before stove will ignite, you may have to go thru 2 to 3 start up cycles each cycle last 15 minutes stove will shut you then must go thru start procedure again.

NOTE: To speed up the time it takes to prime auger system you may press and hold the hopper switch, and press and hold the auger button on control board once you have turned stove on by pressing the power button. This allows the auger to turn continually when you hear pellets drop into burn pot close hopper lid and unit will continue in start up mode.

A.- Fill hopper with pellet fuel.

B.- Make sure burn pot is seated in correct position and or clean.

C.- Press power button "On/Off" make sure light comes on and close hopper lid.

D.- Adjust damper to 1/2" to 3/4" open (pushed in is open). This will vary depending on your installation and elevation. Once fire is established, adjust for desired flame increasing the amount the damper is open as the heat setting is increased. (see "DAMPER CONTROL")

E.- Adjust the pellet fuel feed rate to desired setting by pressing Feed Rate Advance "Heat Level" button.

If stove doesn't start in 15 minutes, press Power "On/Off", wait a few minutes and go thru start procedure again with step C.

DAMPER CONTROL

The Damper Control rod, on the stove's lower right front side, adjusts the combustion air. This control is necessary due to the varied burn characteristics of individual installations, different pellet brands and pellet feed rates. It allows you to improve the efficiency of your stove. Providing correct combustion air will reduce the frequency of cleaning your glass door and prevent the rapid buildup of creosote inside your stove and chimney. You should adjust the damper based on the fire's appearance. A low, reddish, dirty fire can be improved by pushing the damper in slightly. A "blow torch" fire can be improved by pulling the damper out a bit.

As a general rule, on lower feed rate settings, the damper should be out farther. On higher feed rates, the damper should be more open. Through trial and error, you will find the best setting. Consult your dealer if you need help.

NOTE: On "1", damper should be out approximately 1/2" to 3/4". If damper is out too far, it can cause the fire to go out. Remember push in damper for more air, pull out for less air.

OPENING DOOR

If the door is opened while the stove is in operation it must be closed within 30 seconds or the stove will shut down.

If the stove shuts down, push the "Power" button to continue the operation of your stove.

ROOM AIR FAN

When starting your stove the Room Air Fan will not come on until the stove's heat exchanger warms up. This usually takes about 10 minutes from start-up.

IF STOVE RUN OUT OF PELLETS

The fire goes out and the auger motor and blowers will run until the stove cools. This will take 30 to 45 minutes. After the stove components stop running, the "Power" and the BAR GRAPH lights stay on for 10 minutes. After the 10 minutes the "3" light on the bar graph will flash and the "Power" light will go off. To restart, refill hopper, press "Power" button, and then press "Fuel Feed" button until pellets begin to fall into burnpot.

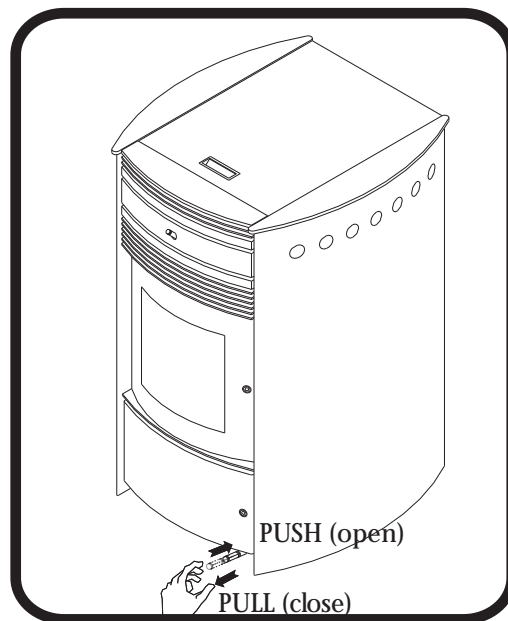


Fig. N°12

REFUELING

We recommend that you not let the hopper drop below 1/4 full.

**KEEP HOPPER LID CLOSED AT ALL TIMES EXCEPT WHEN REFILLING.
IF LEFT OPEN AUGER WILL NOT FEED.
DO NOT OVERFILL HOPPER.**

SHUTDOWN PROCEDURES

Turning your BOSCA SPIRIT 500 Pellet stove off is a matter of pressing the "Power" control panel switch. The red light will go out. The blowers will continue to operate until internal firebox temperatures have fallen to a preset level.

SAFETY FEATURES

A.- Your stove is equipped with a high temperature thermodisc. This safety switch has two functions:

1. To recognize an overheat situation in the stove and shut down the fuel feed or auger system.
2. In case of a malfunctioning convection blower, the high-temperature thermodisc will automatically shut down the auger, preventing the stove from overheating.

NOTE: The thermodisc has no reset button and will reset itself once the stove has cooled. The manufacturer recommends that you call your dealer if this occurs as this may indicate a more serious problem. A service call may be required.

B.- If the combustion blower fails, an air pressure switch will automatically shut down the auger.

NOTE: Opening the stove door for more than 30 seconds during operation will cause enough pressure change to activate the air switch, shutting the fuel feed off. Close the door and press "On/Off" button to continue operation of your stove.

THERMOSTAT INSTALLATION

Your BOSCA SPIRIT 500 Pellet stove is ready to plug-in a thermostat (a millivolt thermostat is required).

To connect your stove to a thermostat, follow these instructions:

- Unplug the stove from power outlet
- Find the white/red wire to connect the thermostat, located at the back of the stove, near the Control Board.
- Plug the wires of the thermostat.
- Plug the stove to the power outlet.

Modes

To switch between any of the three modes the stove must be shut off, the new mode selected, and the stove restarted.

Manual Mode
(see fig. N°14 a)

In this mode, the stove will operate only from the Control Panel, as detailed in the "OPERATION" section of this Owner's Manual.

On/Off Thermostat Mode
(see fig. N°14 b)

In this mode when the home is warm enough the stove will shut off. The fans will continue to run until the stove cools.

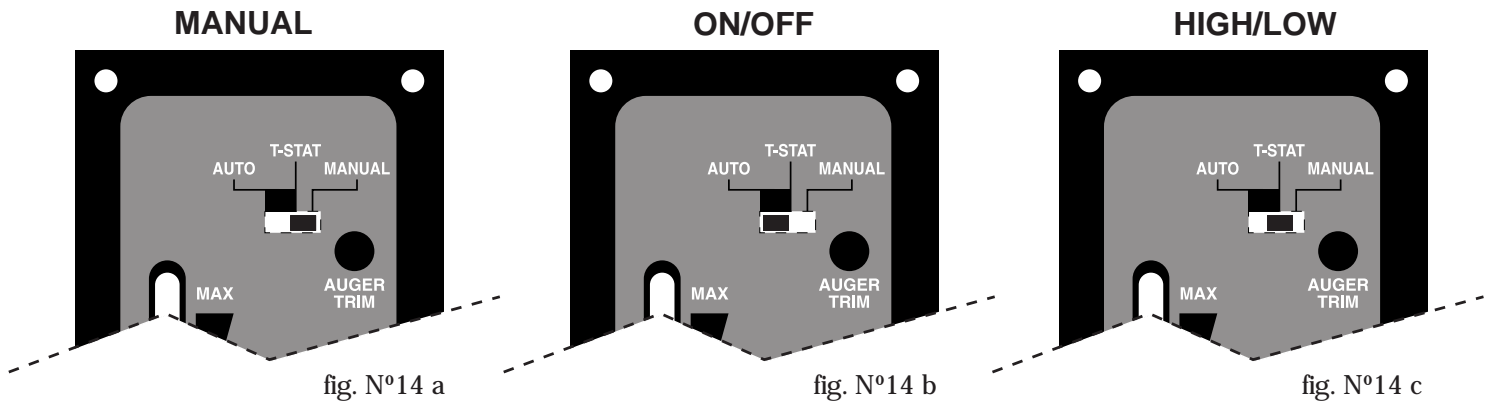
When the home cools below the thermostat setting, the stove will automatically restart and run at the last feed rate setting.

High/Low Thermostat Mode (see fig. N°14 c)

When engaged in this mode, the stove will automatically switch between two settings. When warm enough, it will switch to the #1 or low setting. The room air blower will also slow to its lowest speed.

NOTE: You must press "On/Off" button to start and stop stove when in this mode.

The Heat Level Advance setting on the bar graph will stay where it was initially set. When the house cools below the thermostat, the stove will switch to the feed rate of the heat level advance setting.



Set damper control rod approximately 1/2" to 3/4" out. This will vary depending on elevation and weather conditions. Observe stove's operation and adjust damper

OPERATING SAFETY PRECAUTIONS**PLEASE READ THIS !**

Hot while in operation. Keep children, clothing, and furniture away. Contact may cause skin burns.

If you notice a smoldering fire (burnpot full but no visible flame) AND a heavy smoke buildup in firebox immediately TURN OFF the stove, but DO NOT unplug it. Do not open the door, change the damper setting or tamper with any controls on the stove. Wait until firebox clears, and blowers shut down, do as instructed in "PRE -START UP CHECK" and "BUILDING A FIRE", then attempt to restart the fire. If the problem persists contact your Dealer.

WARNING: DO NOT OPEN THE DOOR DURING THE START UP CYCLE AND DO NOT ADD PELLETS TO THE BURNPOT BY HAND AT ANY TIME, OTHERWISE A DANGEROUS CONDITION COULD RESULT.

Pellets should be stored in a dry place. The pellets should not be stored within 12" of the stove.

DO NOT STORE OR USE FLAMMABLE LIQUIDS, ESPECIALLY GASOLINE, IN THE VICINITY OF YOUR SPIRIT 500 PELLET. NEVER USE A GAS OR PROPANE TORCH, GASOLINE, GASOLINE-TYPE LANTERN FUEL, KEROSENE, CHARCOAL LIGHTER FLUID OR SILIMAR FLUIDS TO START OR "FRESHEN UP" A FIRE IN THIS HEATER.

WARNING: DO NOT OVERFIRE THIS STOVE. This may cause serious damage to your stove and void your warranty. It also may create a fire hazard in your home. **IF ANY EXTERNAL PART OF THE UNIT BEGINS TO GLOW, YOU ARE OVERFIRING.** Immediately press the "POWER" switch on the Control Panel.

KEEP ALL LOOSE OR MOVEABLE HOUSEHOLD COMBUSTIBLES, SUCH AS FURNITURE, DRAPES, TOYS, ETC. AT LEAST THREE FEET FROM THE OPERATING STOVE.

Maintain proper ventilation. It is important that adequate oxygen be supplied to the fire for the combustion process. Modern houses are often so well insulated that it may become necessary to open a window slightly or install an outside air vent to provide sufficient combustion air. Since heating with a solid fuel is potentially hazardous, even with a well made and thoroughly tested stove, it would be wise to install strategically placed smoke detectors and have a fire extinguisher in a convenient location, near an exit.

Do not open stove door when operating unless necessary. This will create a dirty, inefficient burn and could allow smoke spillage or sparks to escape.

Do not permit operation by young children or those unfamiliar with stove's operation.

Do not service or clean this appliance without disconnecting the power cord.

Do not abuse the door glass by striking, slamming or similar trauma. Do not operate the stove with the glass removed, cracked or broken.

If the stove is installed in a room without air conditioning, or in an area where direct sunlight can shine on the unit, it is possible this can cause the temperature of the stove to rise to operational levels; one of the sensors could then make the convection fan and /or feed system start on its own. It is recommended that the stove be unplugged when not in use for extended amounts of time (i.e. during summer months).

Do not burn garbage or flammable fluids such as gasoline, lighter fluids or engine oil.

MAINTENANCE

FAILURE TO CLEAN AND MAINTAIN THIS UNIT AS INDICATED CAN RESULT IN POOR PERFORMANCE AND SAFETY HAZARDS. NEVER CLEAN WHEN HOT.

NOTE: Inspect burnpot periodically to see that holes have not become plugged, if so, clean thoroughly.

MAINTENANCE TOOL

A tool has been provided to help with the following functions:

Stirring pellets in hopper: Unlike liquids in a tank, pellets do not drain evenly into the auger. Bridging across the opening can occur. Pellets can hang up on the sides of the hopper. Occasionally "stirring" the hopper can help.

NOTE: To prevent bridging of pellets, common wax paper can be rubbed on the sidewalls and bottom of the hopper.

Scrape ashes from burnpot to ash drawer.

ASH DISPOSAL

Ash should be placed in a metal container with a tight-fitting lid. The closed container of ashes should be placed on a noncombustible surface or on the ground, well away from all combustible materials pending final disposal. If ashes are disposed of by soil burial or otherwise locally dispersed, they should be retained in the closed container until all cinders have thoroughly cooled.

ASH REMOVAL

Remove ashes periodically as they fill the firebox. To remove ashes:

- Make sure fire is out and firebox is cool.
- Clean heat exchanger tubes (see "CLEANING" and fig. N° 20).
- Remove the burnpots inner sections by grasping it and pulling straight up.
- Empty ashes from the inner section and scrape with cleaning tool. Make sure holes are not plugged.
- Vacuum to remove ashes from the burn chamber interior and the burnpot shell. Or sweep ash with small broom into ash cleanout drawer.

WARNING:
MAKE SURE ASHES ARE COOL TO THE TOUCH BEFORE USING A VACUUM
 (See "VACUUM USE".)

- Dispose of ashes properly (See "ASH DISPOSAL" above).
- Replace inner section into burnpot; make sure it is level and pushed all the way back down and that the igniter hole is to the rear when it is reinstalled (see fig. N° 19 a, 19 b, 19 c).
- Check gasket condition on air intake tube.
- Make sure the burnpot is level and pushed all the way in, if the collar on the burnpot attached to the fresh air tube is not pushed back to meet the firebox wall, the Hot Rod will not work properly.

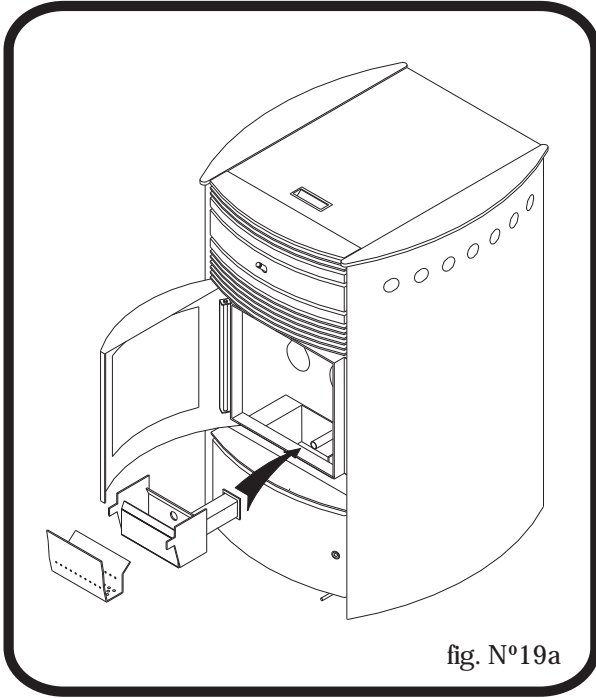


fig. N°19a

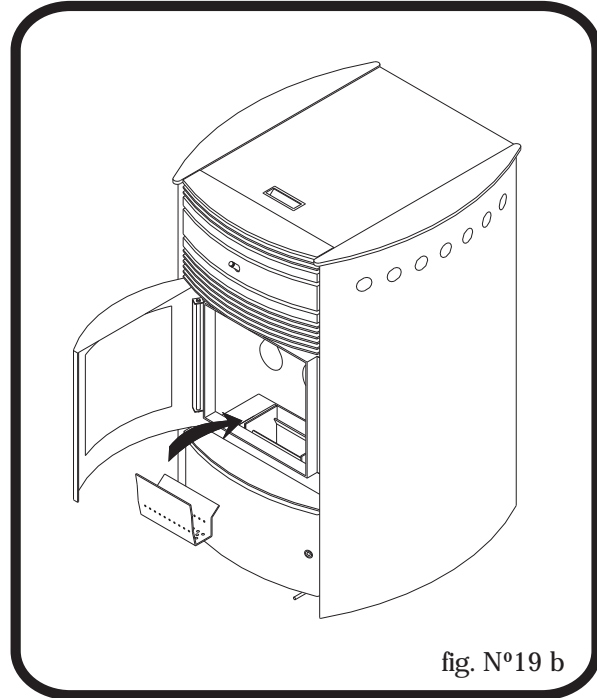


fig. N°19 b

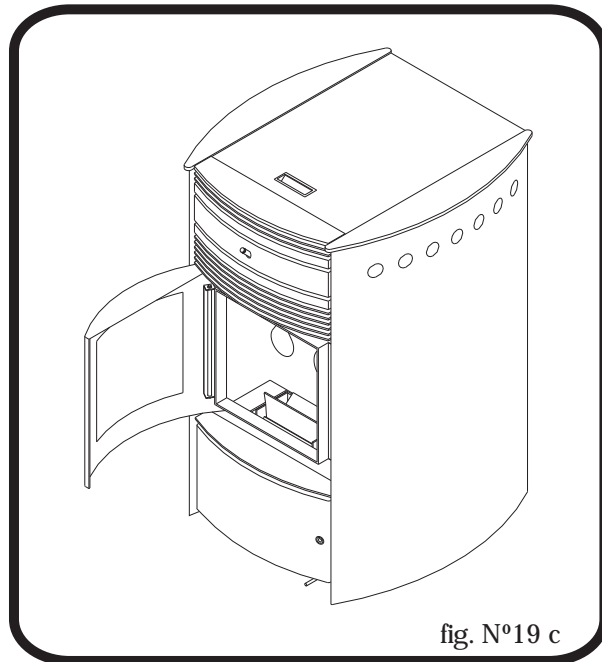


fig. N°19 c

VACUUM USE

CAUTION: DO NOT VACUUM HOT EMBERS OR ASH

If vacuum is used to clean your unit, we suggest using a vacuum designed for ashes. (We recommend LoveLess Ash Vac, 1-800-568-3949 Ext. #27)

Some regular vacuums and shop vacs leak ash into the room. Your vacuum or shop vac may have a special filter or bag available to eliminate this leakage.

CLEANING

Heat Exchanger Tubes: Your BOSCA SPIRIT 500 Pellet stove is designed with a built-in heat exchange tube cleaner. The cleaner rod is located in the grill above the stove door. This should be used every two or three days to remove accumulated ash on the tubes, which reduced heat transfer on the stove.

Move the cleaner rod back and forth several times to clean the heat exchanger tubes. Be sure to leave tube cleaner at the rear of the stove (refer to fig. N°20).

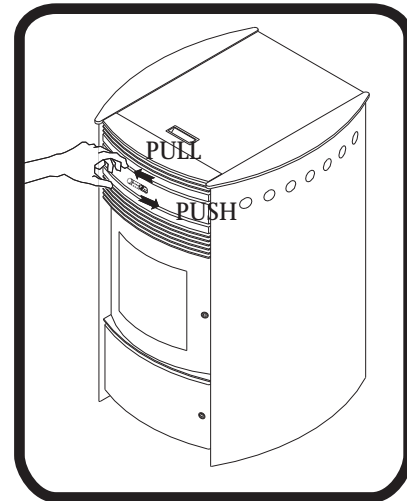


fig. N°20

Interior Chambers: Two doors in the firebox shaped like rain drops can be opened for periodic cleaning (refer to fig. N°21). These doors allow access to the chamber surrounding the firebox.

Periodically, you must vacuum ashes from this chamber. In some cases you will need to remove creosote, which can accumulate rapidly under certain conditions. A small wire brush can be used. It is important to remove this creosote because it is highly combustible.

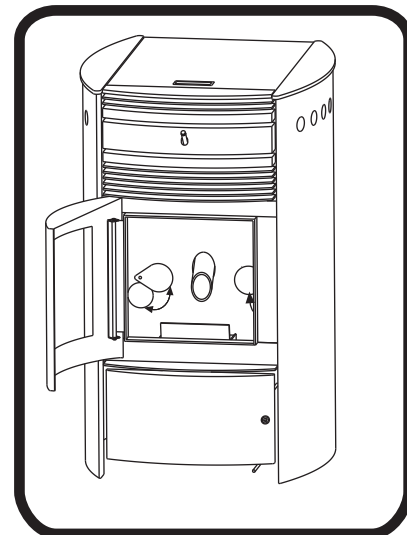


fig. N°21

INSPECT BEHIND THESE CLEANING PLATES AT LEAST ONCE PER TON OF PELLETS BURNED UNTIL YOU ARE FAMILIAR WITH HOW ASHES AND CREOSOTE ACCUMULATE WITH YOUR OPERATING PRACTICES.

BLOWERS

DANGER
RISK OF ELECTRIC SHOCK. DISCONNECT POWER BEFORE SERVICING UNIT.

Cleaning: Over a period of time, ashes or dust may collect on the blades of both the combustion blower and convection blower. Periodically the blowers should be vacuumed clean as these ashes can impede performance. Creosote can also accumulate in the combustion blower (is accessed by the stove's right side panel). The convection blower is on the left (facing stove).

NOTE: When open, be careful not to dislodge balancing clip on convection blower or to bend fan blades. Some stove owners lightly spray an anti-creosote chemical on the fire to help reduce creosote formation within the stove.

CHIMNEY CLEANING

Soot and Flyash: the products of combustion will contain particles of flyash. The flyash will collect in the exhaust venting system and restrict the flow of gases. Incomplete combustion, such as occurs during startup, shutdown or incorrect operation of the room heaters can lead to some soot formation which will collect in the exhaust venting system. The exhaust venting system should be inspected at least once every year to determine if cleaning is necessary.

Creosote Formation: When any wood is burned slowly, it produces tar and other organic vapors, which combine with expelled moisture to form creosote. The creosote vapors condense in the relatively cool chimney flue or a newly started fire or from a slow-burning fire. As a result, creosote residue accumulates on the flue lining. When ignited, this creosote makes an extremely hot fire, which may damage the chimney or even destroy the house. Despite their high efficiency, pellet stoves can accumulate creosote under certain conditions.

Fly Ash: This accumulates in the horizontal portion of an exhaust run. Though noncombustible, it may impede the normal exhaust flow. It should therefore be periodically removed.

Inspection and Removal: The chimney connector and chimney should be inspected annually or per ton to determine if a creosote or fly ash build-up has occurred. If creosote has accumulated, it should be removed to reduce the risk of a chimney fire. Inspect the system at the stove connection and at the chimney top. Cooler surfaces tend to build creosote deposits quicker, so it is important to check the chimney from the top as well as from the bottom.

The creosote should be removed with a brush specifically designed for the type of chimney in use. A qualified chimney sweep can perform this service. It is also recommended that before each heating season the entire system be professionally inspected, cleaned and, if necessary, repaired.

To clean the chimney, detach the vent at the combustion blower transition where it is attached to the blower.

RECOMENDED MAINTENENCE SCHEDULE

Use this as a guide under average-use conditions.

	Daily	Weekly	Bi-Annually	Annually or per Ton
Burnpot	Stirred Wiped	Emptied		Emptied Vacuumed
Glass		Cleaned		
Combustion Chamber		Brushed		Vacuumed/Brushed Vacuumed/Brushed Cleaned Inspected Emptied/Vacuumed
Ashes				
Interior Chambers				
Heat Exchange Tubes		Two passes		
Combustion Blower Blades				
Convection Blower Impeller				
Vent System				
Gaskets				
Hopper (end of season)				

Gasket around door and door glass should be inspected and repaired or replaced when necessary. (See "REPLACEMENT PARTS")

REMOVAL AND REPLACEMENT OF BROKEN DOOR GLASS

While wearing leather gloves (or any other gloves suitable for handling broken glass), carefully remove any loose pieces of glass from the doorframe. Dispose of all broken glass properly. Return the damaged door to your Dealer for repair or replacement.

Neither the appliance owner nor any other unauthorized person(s) should replace the door glass. An authorized dealer must perform all repairs involving door glass.

TROUBLESHOOTING GUIDE

When your stove acts out of the ordinary, the first reaction is to call for help. This guide may save time and money by enabling you to solve simple problems yourself. Problems can be caused by to only five factors: 1) poor fuel; 2) poor operation or maintenance; 3) poor installation; 4) component failure; 5) factory defect. You can usually solve those problems related to 1 and 2. Your dealer can solve problems relating to 3, 4, and 5.

STOVE SHUTS OFF AND THE #2 LIGHT FLASHES

Possibles Causes	Possibles remedies (Unplug stove first when possible)
1.-Airflow switch hose or stove attachment pipes for hose are blocked.	Unhook air hose from the air switch and blow through it. If air flows freely, the hose and tube are fine. If air will not flow throw the hose, use a wire coat hanger to clear the blockage.
2.-The air inlet, burnpot, interior combustion air chambers, combustion blower, or exhaust pipe are blocked with ash or foreign material.	Follow all cleaning procedures in the maintenance section of the owner's manual.
3.-The firebox is not properly sealed.	Make sure the door is closed and that the gasket is in good shape. If the ash door has a latch, make sure the ash door is properly latched and the gasket is sealing good. If the stove has just a small hole for the ashes to fall through under the burnpot, make sure the slider plate is in place to seal off the firebox floor.
4.-Vent pipe is incorrectly installed.	Check to make sure vent pipe installation meets criteria in Owner's Manual.
5.-The airflow switch wire connections are bad.	Check the connectors that attach the gray wires to the air switch.
6.-The gray wires are pulled loose at the Molex connector on the wiring harness.	Check to see if the gray wires are loose at the Molex connector.
7.-Combustion blower failure.	With the stove on, check to see if the combustion blower is running. If it is not, you will need to check for power going to the combustion blower. It should be a full current. If there is power, the blower is bad. If there is not, see #8.
8.-Control board not sending power to combustion blower.	If there is not current going to the combustion blower, check all wire connections. If all wires are properly connected, you have a bad control board
9.-Control board not sending power to air switch.	There should be a 5-volt current (approximately) going to the air switch after the stove has been on for 30 seconds.
10.-Air switch has failed (very rare)	To test the air switch, you will need to disconnect the air hose from the body of the stove. With the other end still attached to the air switch, very gently suck on the loose end of the hose (you may want to remove the hose entirely off the stove and the air switch first and make sure it is clear). If you hear a click, the air switch is working. BE CAREFUL, TOO MUCH VACUUM CAN DAMAGE THE AIR SWITCH.

STOVE SHUTS OFF AND THE #3 LIGHT FLASHES

Possibles Causes	Possibles remedies (Unplug stove first when possible)
1.The hopper is out of pellets or bridged pellets.	Refill the hopper.
2.-Hopper lid left open.	Lid must be closed for pellets to feed.
3.-The air damper is too far open for a low feed setting.	Make sure that the air intake collar on the burnpot is touching the rear wall of the firebox.
4.-The burnpot is not pushed completely to the rear of the firebox.	Make sure that the air intake collar on the burnpot is touching the rear wall of the firebox.
5.-The burnpot holes are blocked	Remove the burnpot and thoroughly clean it.
6.-The air inlet, the interior chambers, or exhaust system has a partial blockage.	Follow all cleaning procedures in the maintenance section of the owner's manual.
7.-The auger shaft if jammed.	Start by emptying the hopper. Then remove the auger motor by removing the auger pin. Remove the auger shaft inspection plate in the hopper so that you can see the auger shaft. Gently lift the auger shaft straight up so that the end of the auger shaft comes up out of the bottom auger bushing. Next, remove the two nuts that hold the top auger biscuit in. Then rotate the bottom end of the auger shaft up towards you until you can lift the shaft out of the stove. After you have removed the shaft, inspect it for bent flights, burrs, or broken welds. Remove any foreign material that might have caused the jam. Also, check the auger tube for signs of damage such as burrs, rough spots, or grooves cut into the metal that could have caused a jam.
8.-The auger motor has failed.	Remove the auger motor from the auger shaft and try to run the unit. If the motor will turn the shaft is jammed on something. If the motor will not turn, the motor is bad.
9.-The Proof of Fire (POF) thermodisc has malfunctioned.	Temporarily bypass the POF thermodisc by disconnecting the two brown wires and connecting them with a short piece of wire. Then plug the stove back in. If the stove comes on and works, you need to replace the POF thermodisc. This is for testing only. DO NOT LEAVE THE THERMODISC BYPASSED. Your blowers will never shut off and if t he fire went out the auger will continue to feed pellets until the hopper is empty if you leave the POF thermodisc bypassed.
10. The high limit thermodisc has tripped or is defective.	Wait for the stove to cool for about 30–40 minutes. It should now function normally. If not use the Owner's Manual to locate the high limit thermodisc. To test if the thermodisc is bad, you can bypass it as described previously for the POF thermodisc.
11.- The fuse on the control board has blown.	Remove the control board. If the fuse appears to be bad, replace it with a 5 Amp 250 Volt fuse. Plug the stove back in and try to run the unit.
12.- The control board is not sending power to the POF thermodisc or other auger system components.	There should be a 5-volt (approximately) current going to the POF thermodisc after the stove has been on for 10 minutes.

STOVE FEEDS PELLETS, BUT WILL NOT IGNITE

Possibles Causes	Possibles Remedies: (Unplug stove first when possible)
1.-Air damper open too far for ignition.	Pull the air damper out for startup. In some situations it may be necessary to have the damper completely closed for ignition to take place. After there is a flame, the damper can then be adjusted for the desired feed setting.
2. -Blockage in igniter tube or inlet for igniter tube.	Find the igniter housing on the backside of the firewall. The air intake hole is a small hole located on bottom side of the housing. Make sure it is clear. Also, look from the front of the stove to make sure there is not any debris around the igniter element inside of the igniter housing.
3.- The burnpot is not pushed completely to the rear of the firebox.	Make sure that the air intake collar on the burnpot is touching the rear wall of the firebox.
4. Bad igniter element.	Put power directly to the igniter element. Watch the tip of the igniter from the front of the stove. After about 2 minutes the tip should glow. If it does not, the element is bad.
5. The control board is not sending power to the igniter.	Check the voltage going to the igniter during startup. It should be a full current. If the voltage is lower than full current, check the wiring. If the wiring checks out good, the board is bad.

SMOKE SMELL COMING BACK INTO THE HOME

Possibles Causes	Possibles Remedies: (Unplug stove first when possible)
1.- There is a leak in the vent pipe system.	Inspect all vent pipe connections. Make sure they are sealed with RTV silicone that has a temperature rating on 500 degree F or higher. Also, seal joints with UL-181-AP foil tape. Also, make sure the square to round adapter piece on the combustion blower has been properly sealed with the same RTV.
2.- The gasket on the combustion blower has gone bad.	Inspect both gaskets on the combustion blower to make sure they are in good shape.

CONVECTION BLOWER SHUTS OFF AND COMES BACK ON

Possibles Causes	Possibles remedies (Unplug stove first when possible)
1.-The convection blower is overheating and tripping the internal temperature shutoff.	Try lubricating the convection blower. Put 1-2 drops of SAE 20 oil in each of the two oiling ports. Also, clean any dust off of the windings and fan blades. If oiling the blower does not help, the blower may be bad.
2.Circuit board malfunction.	Test the current going to the convection blower. If there is power being sent to the blower when it is shut off, then the control board is fine. If there is NOT power being sent to the blower when it shuts off during operation, then you have a bad control board.

STOVE WILL NOT FEED PELLETS, BUT FUEL FEED LIGHT COMES ON AS DESIGNED

Possibles Causes	Possibles remedies (Unplug stove first when possible)
1. Fuse on control board blew.	Remove the control board. If the fuse appears to be bad, replace it with a 5 Amp 250 Volt Fuse. Plug the stove back in and try to run the unit.
2. High limit switch has tripped or is defective.	Wait for the stove to cool for about 30-45 minutes. It should now function normally. If not use the Owner's Manual to locate the high limit thermodisc. To test if the thermodisc is bad, you can bypass it as described previously for the POF thermodisc.
3. Bad auger motor.	Remove the auger motor from the auger shaft and try to run the unit. If the motor will turn, the shaft is jammed on something. If the motor will not turn, the motor is bad.
4.- Auger jam.	Start by emptying the hopper. Then remove the auger motor by removing the auger pin. Remove the auger shaft inspection plate in the hopper so that you can see the auger shaft. Gently lift the auger shaft straight up so that the end of the auger shaft comes up out of the bottom auger bushing. Next, remove the two nuts that hold the top auger biscuit in. Then rotate the bottom end of the auger shaft up towards you until you can lift the shaft out of the stove. After you have removed the shaft, inspect it for bent flights, burrs, or broken welds. Remove any foreign material that might have caused the jam. Also, check the auger tube for signs of damage such as burrs, rough spots, or grooves cut into the metal that could have caused a jam.
5.- Loose wire or connector	Check all wires and connectors that connect to the auger motor, high limit switch, and the Molex connector.
6.- Bad control board	If the fuse is good, the wires and connectors check out good, and the high limit switch did not trip, test for power going to the auger motor. If there is not a full current going to the auger motor when the fuel feed light is on, you have a bad control board.

- GLASS "SOOTS" UP AT A VERY FAST RATE
- FLAME IS LAZY, DARK, AND HAS BLACK TIPS
- AFTER STOVE HAS BEEN ON FOR AWHILE, THE BURNPOT OVERFILLS

Possibles Causes	Possibles remedies
1.- Stove or vent pipe is dirty, which restricts airflow through the burnpot.	Follow all cleaning procedure in the maintenance section of the owner's manual.
2.- Fire box baffle or heat exchanger dirty	Clean heat exchanger or access baffle clean out.
3.- Vent pipe installed improperly.	Check to make sure the vent pipe has been installed according to the criteria in the owner's manual.
4.- Air damper is set too closed for a higher setting.	Pull the damper knob father out away from the side of the stove and try to burn the unit again.

5.- Burnpot holes are blocked.	Remove the burnpot and thoroughly clean it.
6.- Air damper is broken.	Visually inspect the damper assembly. Make sure the damper plate is attached to the damper rod. When the damper rod is moved the plate should move with it.
7.- Blockage in air intake pipe.	Visually inspect the air intake pipe that leads into the burnpot for foreign material.
8.- Circuit board malfunction.	Time the fuel feel light at each setting (after the stove has completed the startup cycle). Make sure the times match the auger timing chart. If the auger motor runs constantly, the board is bad.
9.- Combustion blower is not spinning fast enough.	Test the RPM on the blower after the blades have been cleaned. The RPM should be approximately 3000 RPM.
10.- Bad Pellets (Applies to GLASS "SOOT'S" UP AT A VERY FAST RATE only)	The brand of pellets or the batch of pellets that are being used may be of poor quality. If possible, try a different brand of pellets. You might also want to try a brand that is made from a different type of wood (softwood vs. hardwood). Different woods have different characteristics when being burned.
11.- The trim setting on the feed rate is too low (Applies to GLASS "SOOT'S" UP AT A VERY FAST RATE only)	Use the "Reset Trim" button to increase the low feed rate setting. If the 1 & 3 are on, the stove is currently on the lowest setting. If only the 1 light is on, the stove is in the default (medium) setting. If the 1 & 4 lights are on, the stove is in the high trim setting for the low feed rate. If the stove is being burned on one of the two lower settings, advance to the next trim setting and try burning the stove.

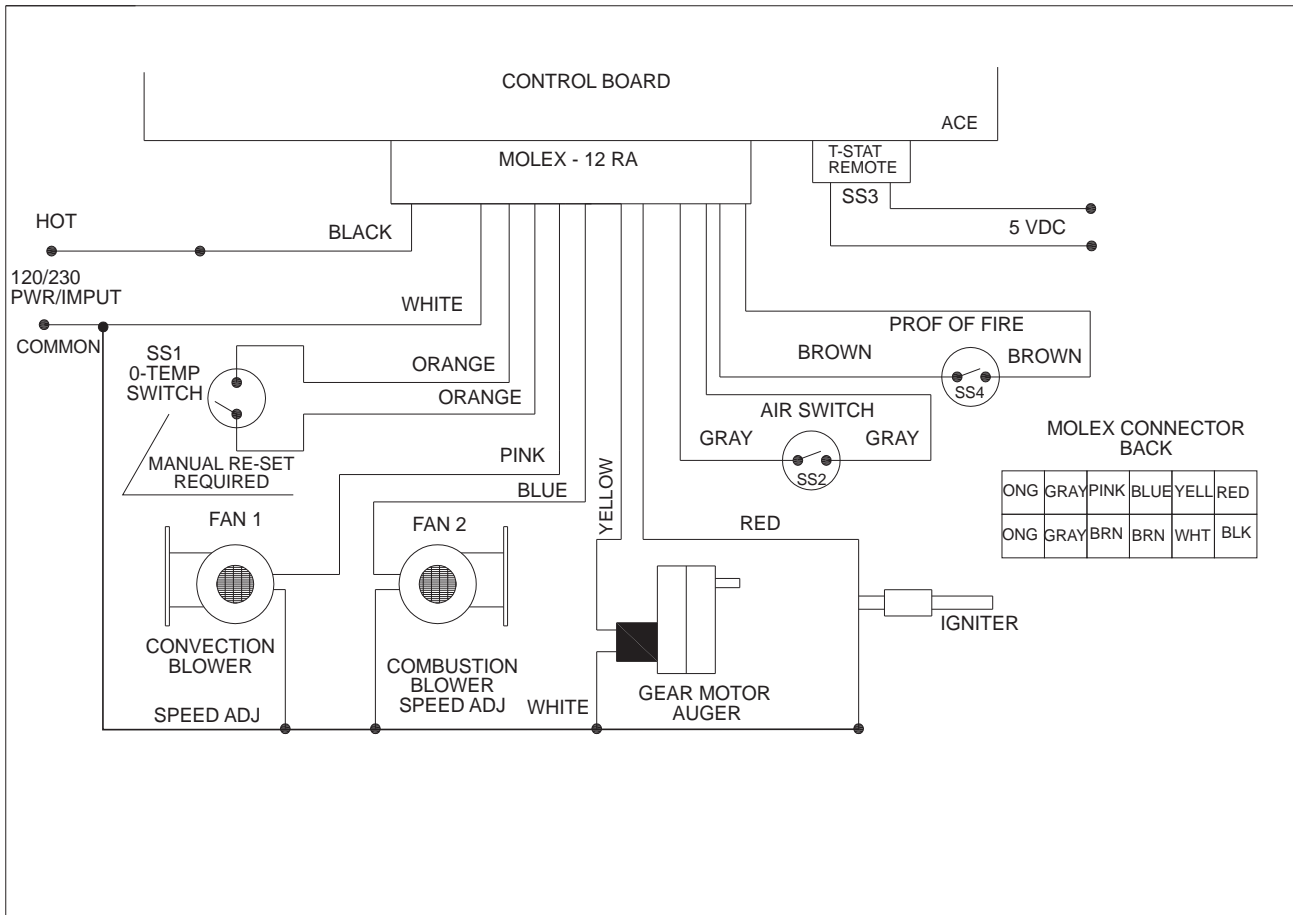
HIGH LIMIT SWITCH KEEPS TRIPPING

Possibles Causes	Possibles remedies
1.- The convection blower is overheating and tripping the internal temperature shutoff.	Clean any dust off of the windings and fan blades. If cleaning the blower does not help, the blower may be bad.
2.- The stove is being left on the highest setting for extended periods of time.	The highest heat level setting is designed for use over short periods of time. Burning the stove on the highest setting for longer than 1–2 hours could lead to potential overheating situations.
3.- Fuel other than wood pellets is being burned in the stove.	Bosca pellet stoves are designed and tested to use wood pellets. While it is possible to burn a corn mixture (corn mixed in with wood pellets) in the stove, it is not recommended to burn above the number 3 heat level. Check for signs of fuel other than wood pellets. If there are signs of corn being used, find out what mixed was being used and what setting. No other types of fuel have been approved for Bosca pellet stoves. If there are signs of other types of fuel being used, advise the consumer to stop using them immediately.
4.- Power surge or brown out situation.	A power surge, spike, or voltage drop could cause the high limit switch to trip. Check to see if a surge protector is being used on the stove. If not, recommend one to the consumer.
5.- High limit switch is malfunctioning	If the other items check out ok, replace the high limit switch.

SMOKE SMELL OR SOOT BUILD-UP

Because it is a wood-burning device, your BOSCA SPIRIT 500 Pellet stove may emit a faint wood-burning odor. If this increases beyond normal, or if you notice any soot build-up on walls or furniture, check your exhaust system carefully for leaks. All joints should be properly sealed. Also clean your stove, following instructions in "MAINTENANCE". If problem persists, contact your dealer.

ELECTRICAL DIAGRAM

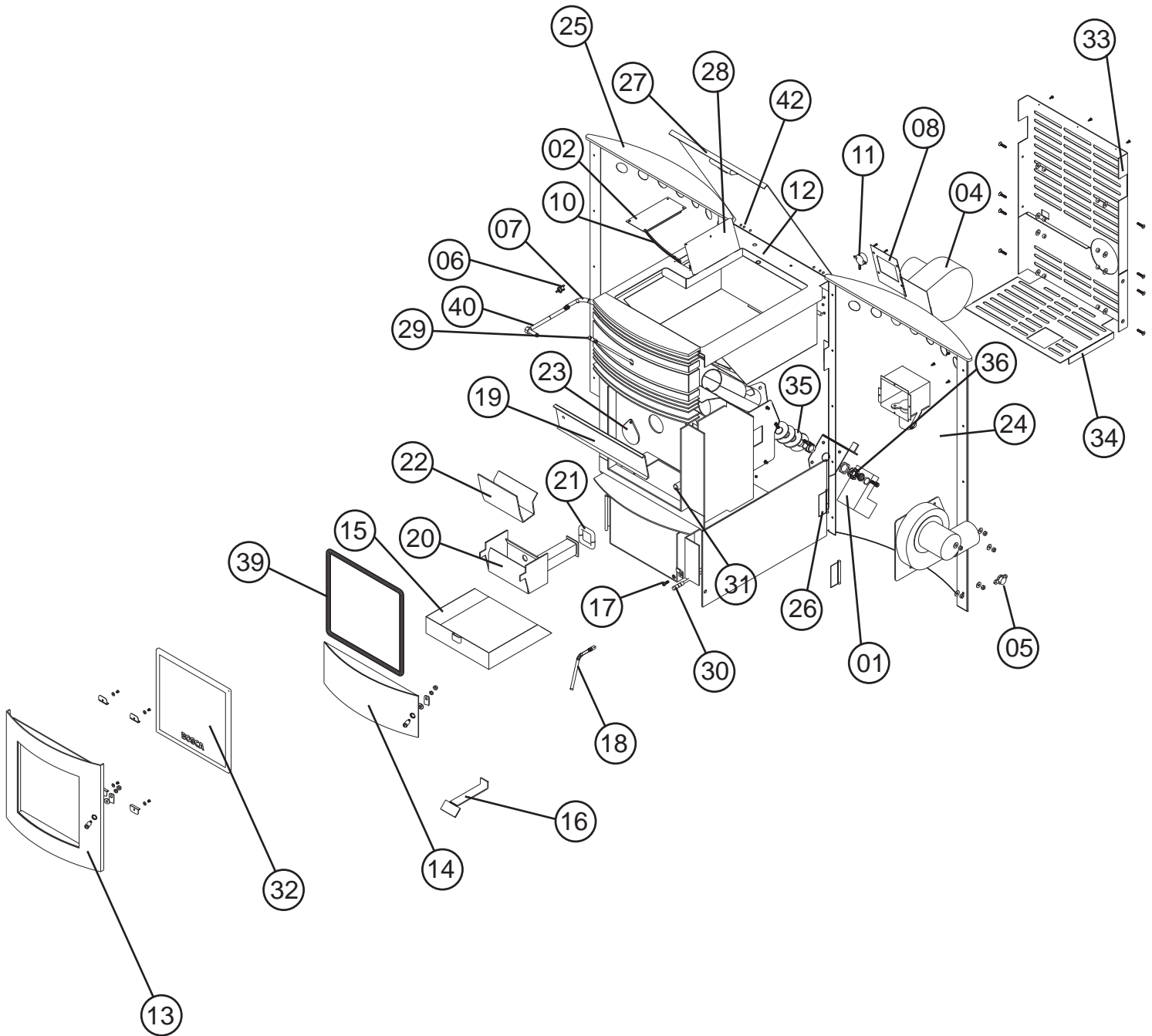


REPLACEMENT PARTS

Contact an Authorized Bosca Stove Dealer to obtain any of these parts. Never use substitute materials. Use of non-approved parts can result in poor performance and safety hazards.

NUMBER	C O D E	DESCRIPTION
01	12720001	Auger Motor
02	12720002	Control Board
03	12720003	Combustion Blower
04	12720004	Convection Blower
05	12720006	Low Limit Switch
06	12720007	High Limit Switch
07	12720008	Vacuum Hose
08	12720009	Convection Blower Gasket
09	12720010	Auger Housing Gasket
10	12720011	Wire Harness
11	12720012	Air Preassure Switch
12	12720013	Hopper Switch
13	12720026	Door (without ceramic glass)
14	30660050	Ash Door
15	30660051	Ashpan
16	12720029	Cleaning Tool
17	12720030	Latch Assembly
18	12720031	Door Handle
19	12720032	Baffle Plate
20	12720033	Burn Pot
21	12720034	Burn Pot Gasket
22	12720035	Burn Grate
23	12720036	Heat Exchange Acces Door
24	30660052	Left Pannel
25	30660053	Right Pannel
26	12720039	Side Pannels Hinges
27	30660054	Hopper Lid
28	30660055	Control Board Door
29	30660056	Heat Exchange Cleaning Rod Assembly
30	30660057	Damper Linkage
31	12720044	Ignitor Assembly
32	12720045	Ceramic Glass (with gasket)
33	30660058	Top Rear Shield
34	30660059	Bottom Rear Shield
35	40110015	Auger
36	12720049	Upper and Lower Brass Bushing
37	12720050	Auger Motor Mounting Brackets
38	12720051	Auger Mounting Collar and Bolt
39	12720052	Glass Retainer (with brackets, screws and rope)
40	12720053	Vacuum Niple Assembly
41	12720054	Owner's Manual
42	30610232	Hopper Lid Hinges

REPLACEMENT PARTS



LIFETIME LIMITED WARRANTY

STATEMENT OF POLICY:

BOSCA warrants its products from component failure and defects in material or workmanship per the terms of the warranty supplied with the product. All dealers and distributors shall honor BOSCA's warranties, regardless of whether they sold and installed the product or not.

Installation and startup procedures are considered to be normal required activities not associated with warranty service. Issues such as air shutter adjustments or venting should be included in startup. Such procedures are not covered by warranty.

WARRANTY PERIOD:

The warranty period for consumers begins at date of occupancy (new construction) or date of installation (remodel).

LIMITED LIFETIME WARRANTY:

BOSCA's limited lifetime warranty guarantees that the following components will work as designed for the first 7 years for all Pellets Stoves, and limited labor for the first 2 years to the original purchaser. This warranty covers: firebox, heat exchanger, burn pot, firebox panels, ceramic glass, panels and door assembly. Certain restrictions and exclusion may apply.

Three Year Warranty:

Under this warranty, BOSCA covers the burn pot liner against defects in material and workmanship for part, repair or replacements for the first three (3) years. Certain restrictions and exclusions may apply.

Two Year Warranty:

Under this warranty all electrical components such as blowers, auger motors, igniters, wiring vacuum switches, speed controls, control boxes and thermodiscs switches. Certain restrictions and exclusions may apply.

One Year Warranty:

Under this warranty, BOSCA covers all exterior surface finishes against defects in material and workmanship, for part repair or replacements and limited for the first year to the original purchaser. Certain restriction and exclusions may apply.

CONDITIONS

This warranty is non-transferable and is made to the original retail purchaser only provided that the purchase was made through an authorized dealer of BOSCA. It must be installed and operated at all times in accordance with the Installation and Operating Instructions furnished with the product, as well as any applicable local and national codes. Any alteration, willful abuse, accident, or misuse of the product shall nullify this warranty. Labor to repair or replace items covered under the limited Lifetime Warranty will be covered for the first five years per our warranty service fee reimbursement schedule. Adjustments, regular maintenance, cleaning and temporary repairs do not qualify for a service and will not be covered. The replacement of consumer replaceable items and installation of upgraded components parts do not qualify for a service call fee, and will not be covered. This limited Lifetime Warranty does not extend to or included surface finish on the appliance, door gasketing, glass gasketing, glass, firebricks. It does not cover installation or operational-related problems such as overfiring, use of corrosive driftwood, downdrafts or spillage caused by environmental conditions, nearby trees, buildings, hilltops, mountains, inadequate venting or ventilation, excessive offsets, or negative air pressures caused by mechanical systems such as furnaces, fans, clothes dryers, etc. Any installation, construction, transportation, or other related costs or expenses arising from defective part(s), repair, replacement, etc., will not be covered by this warranty, nor will BOSCA assume responsibility for them. Further, BOSCA will not be responsible for any incidental, indirect, or consequential damages, except as results in damage to the interior or exterior of the building in which this appliance is installed. This limited Lifetime Warranty does not apply to the venting components, hearth components or other accessories used in conjunction with the installation of this product not manufactured by BOSCA.

This warranty is void if the stove has been over fired or operated in atmospheres contaminated by chlorine, fluorine, or other damaging chemicals, the stove is subjected to prolonged periods of dampness or condensation, or there is any damage to the stove or other components due to water or weather damage which is the result of, but not limited to, improper chimney or venting installation. BOSCA may, at its discretion, fully discharge all obligations with respect to this warranty by either repairing or replacing the unit, or refunding the wholesale price of the defective part(s).

The warranty extended by BOSCA described above covers only the stoves appliances sold in the United States and Canada, and will be considered null or void if the Serial Label is removed or altered.

The Dealer is not authorized to alter this warranty.

Warranty limitations may not apply in your area. This warranty gives you specific legal rights. You may also have other rights which vary from state to state.

All other stove warranties, expressed or implied, are excluded to the extent possible by law. In addition, consumers also may have other rights under relevant State and Commonwealth Law.

PLEASE KEEP THIS FOR YOUR RECORDS

IMPORTANT INFORMATION

Model: _____
Style: _____
Serial Number: _____
Purchase Date: _____
Purchased From: _____

GUIDE D'UTILISATION

AVERTISSEMENT : Si votre appareil n'est pas installé correctement, cela peut provoquer un incendie. Pour votre sécurité, veuillez suivre les consignes d'installation. Contactez les inspecteurs en bâtiment et les responsables de la sécurité incendie pour connaître les restrictions et les normes en matière d'inspection des installations dans votre région.

VEUILLEZ lire le présent manuel dans son intégralité avant de procéder à l'installation et à l'utilisation de ce poêle à combustibles solides.

Tout non-respect de ces instructions est susceptible d'entraîner la détérioration de l'appareil, des accidents, voire, la mort.

Conservez ces instructions.

NOUS VOUS RECOMMANDONS VIVEMENT DE FAIRE APPEL À DES PROFESSIONNELS POUR PROCÉDER À L'INSTALLATION DE L'APPAREIL.

TABLE DES MATIÈRES

INTRODUCTION	3
CONSIGNES DE SÉCURITÉ	4
INSTALLATION	5
Caractéristiques techniques	5
Préparation	6
Dégagements	6
Alimentation en air de combustion	7
Lorsque l'alimentation en air extérieure n'est pas utilisée	8
Évacuation	8
Installations sur pieds	9
Installation électrique	13
Considérations spéciales à prendre en compte pour les mobile homes	13
FONCTIONNEMENT	14
Fonctions du panneau de contrôle	14
Combustibles autorisés	15
Vérification avant le démarrage	16
Faire un feu	16
Régulateur de registre	16
Ouverture de la porte	17
Ventilateur	17
Si le poêle est à cours de granulés	17
Ravitaillement en combustible	17
Procédures de mise en arrêt	17
Dispositifs de sécurité	17
Installation du thermostat	18
Consignes de sécurité relatives au fonctionnement	19
ENTRETIEN	20
Outil d'entretien	20
Jeter les cendres	20
Retrait des cendres	20
Utilisation de l'aspirateur	22
Nettoyage	22
Ventilateurs	23
Nettoyage de la cheminée	23
Programme de maintenance recommandée	23
Retrait et remplacement de la vitre brisée de la porte	24
GUIDE DE DÉPANNAGE	24
Odeur de fumée ou accumulation de suie	29
SCHÉMA DES INSTALLATIONS ÉLECTRIQUES	30
PIÈCES DE RECHANGE	31
GARANTIE À VIE LIMITÉE	33

INTRODUCTION

Nous vous remercions d'avoir choisi le poêle à granulés BOSCA SPIRIT 500. Vous êtes dorénavant prêt à brûler du bois de la façon la plus efficace et la plus pratique. Pour obtenir les meilleures performances de votre poêle et ce, en toute sécurité, de la façon la plus efficace et la plus agréable, vous devez effectuer trois choses :

- 1) l'installer correctement ;
- 2) l'utiliser correctement ; et
- 3) procéder à son entretien régulier.

L'objet du présent manuel est de vous aider à exécuter ces trois procédures.

VEUILLEZ LIRE LE PRESENT MANUEL DANS SON INTEGRALITE AVANT DE PROCEDER A L'INSTALLATION ET A L'UTILISATION DE CE POËLE A COMBUSTIBLES SOLIDES. TOUT NON-RESPECT DE CES INSTRUCTIONS EST SUSCEPTIBLE D'ENTRAINER LA DETERIORATION DE L'APPAREIL, DES ACCIDENTS, VOIRE, LA MORT.

VEUILLEZ CONSERVER CE MANUEL DANS UN ENDROIT FACILE D'ACCES POUR POUVOIR LE CONSULTER ULTERIEUREMENT.

Ce poêle a été testé conformément aux spécifications des normes et règles administratives suivantes: la norme ASTM E 1509-04 pour les poêles à combustibles solides de type 1; la norme UL 1482-1998 qui porte sur les poêles à combustibles solides ; l'Oregon Administrative Rules (règles administratives de l'État de l'Oregon) qui porte sur les Mobile Homes (814-23-900 à 814-23-909) et l'installation des poêles.

Lors de son installation, ce poêle à granulés doit être relié électriquement à la terre conformément aux codes du pays d'utilisation ou en l'absence de ces derniers, conformément à la norme National Electrical Code, ANSI/NFPA 70.

Cet appareil a été spécifiquement conçu pour être utilisé avec du granules de bois. Il a été conçu pour être installé dans les maisons conformément aux codes nationaux et aux codes du bâtiment en tant qu'installation résidentielle sur pieds et conformément aux codes nationaux et du bâtiment en tant que poêle sur pieds. Il a été également jugé apte à être installé dans les mobile homes en étant connecté à une source d'air à combustion extérieure.

Le poêle ne peut pas être utilisé avec une amenée d'air naturelle ou sans source d'alimentation pour les systèmes soufflants et le système d'alimentation en carburant. Il ne peut pas non plus être utilisé avec n'importe quel type de charbon (voir COMBUSTIBLES AUTORISÉS).

Cet poêle a été conçu pour fournir des proportions optimales de combustible et d'air à la source de chaleur afin d'éviter la formation de fumée ou de suie pendant la combustion. Tout blocage de l'arrivée d'air vers ou depuis le poêle causera une nette baisse de la performance et se traduira par des tuyaux enfumés et par de la formation de suie sur la vitre.

Pour un fonctionnement optimal, la teneur en cendres doit être inférieure à 1% et la valeur calorifique doit être d'environ 8200 BTU/LB. Si la teneur en cendres est trop élevée, cela entraîne le remplissage rapide du pot de combustion et finalement, la coupure de l'alimentation en air de combustion.

Procédez à des installations commerciales et industrielles des poêles à granulés de BOSCA SPIRIT 500 étant donné que bien souvent, le contrôle opérationnel est difficile à gérer sous ces conditions.

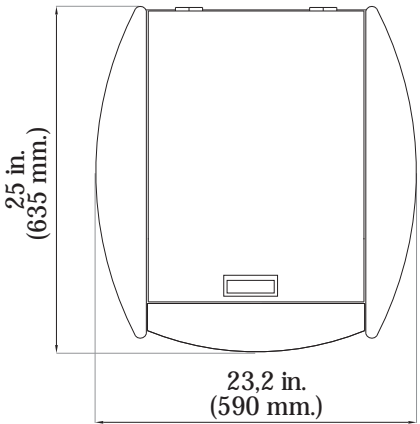
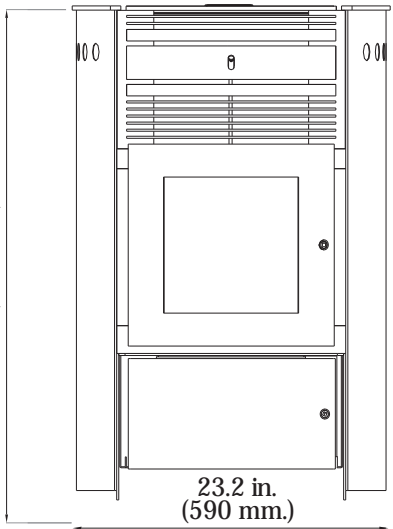
CONSIGNES DE SÉCURITÉ

- N'utilisez pas votre poêle si elle sent la fumée. Éteignez-la, ne débranchez pas, inspectez-la et contactez votre fournisseur.
- N'utilisez jamais d'essence, de carburant pour lanterne d'éclairage type essence, de kérosène, d'allume-feu liquide ou de liquides similaires pour allumer ou alimenter le feu d'un poêle. Conservez tous ces liquides à l'écart du poêle en fonctionnement.
- Ne bloquez jamais l'air qui circule dans les conduits du poêle.
- N'essayez jamais de réparer ou de remplacer une pièce du poêle à moins que des instructions soient fournies dans le présent manuel. Toutes les autres tâches doivent être effectuées par un technicien qualifié.
- Le poêle ne fonctionnera pas en cas de coupure de courant. Si une coupure de courant se produit, vérifiez qu'il n'y pas d'écoulement accidentel de fumée au niveau du poêle et ouvrez une fenêtre si de la fumée s'échappe dans la pièce.
- Débranchez le cordon électrique avant de procéder à toute opération de maintenance ou à des réparations sur le poêle.
REMARQUE : Placez le poêle sur la position « Off » ne coupe pas tout le courant l'alimentant.
- Ne débranchez pas le poêle si vous suspectez un dysfonctionnement. Éteignez le poêle, inspectez-le de temps à autre et contactez votre revendeur.
- Tenez les objets étrangers au poêle à l'écart de la trémie d'alimentation.
- Ne jetez pas ce Manuel à la poubelle. Il contient d'importantes instructions sur l'utilisation et la maintenance dont vous aurez besoin à un moment ultérieur. Suivez systématiquement les instructions de ce Manuel.
- Ne placez pas de tissus ou tout autre objet inflammable sur ou à proximité du poêle.
- La porte vitrée doit être fermée et verrouillée au cours du fonctionnement de l'appareil.
- N'utilisez pas le poêle si la flamme s'assombrit et s'encrasse ou si le pot de combustion déborde de granulés. Éteignez le poêle, inspectez-le de temps à autre et contactez votre revendeur.
- L'appareil est chaud lorsqu'il est en marche. Tenez les enfants, les vêtements et les meubles à l'écart de l'appareil. Tout contact avec l'appareil peut provoquer des brûlures. Informez tous les enfants des dangers d'un poêle de haute température. Les jeunes enfants devraient être surveillés lorsqu'ils se trouvent dans la même pièce que le poêle.
- Si le poêle a été installé dans une pièce sans climatisation ou dans un espace qui l'expose directement aux rayons du soleil, sa température peut augmenter suffisamment pour atteindre des niveaux similaires à sa température de fonctionnement et l'un des capteurs pourrait alors enclencher la mise en marche du poêle. Assurez-vous que le poêle est débranché lorsqu'il n'est pas utilisé pendant de longues périodes (pendant l'été par exemple).
- Contactez les inspecteurs en bâtiment de votre région pour obtenir un permis et des informations sur les restrictions et les conditions d'inspection en vigueur dans votre secteur géographique. Communiquez l'existence du poêle à votre compagnie d'assurance.
- Cet appareil doit être installé correctement pour parer à la possibilité d'un incendie dans votre maison. Vous devez suivre les instructions à la lettre. N'adoptez pas de méthodes de fortune ou ne recourez pas à des compromis lorsque vous procédez à l'installation.
- Laissez le poêle refroidir avant de procéder à toute opération de maintenance ou de nettoyage. Les cendres doivent être placées dans un récipient en métal qui doit être ensuite bien refermé. Placez ensuite le récipient et son contenu sur une surface incombustible bien à l'écart du poêle.
- Le poêle doit être connecté à une prise électrique reliée à la terre standard de 120 V, 60Hz. N'utilisez pas d'adaptateur et ne retirez pas non plus la prise de mise à la terre. Ne placez pas le cordon électrique en dessous, devant ou sur le poêle.

- Vérifiez le système d'évacuation deux fois par an au minimum pour vous assurer qu'il n'y a pas d'accumulation de suie ou de créosote.
- Le système d'évacuation doit être hermétique et installé correctement. Les joints des conduits à granulés doivent être remplis avec du mastic silicone RTV à 260°C (500°F) ou avec de l'adhésif acrylique UL-181-AP. Fixé avec d'au moins 3 vis.
- Vous devez procéder périodiquement à la maintenance et au nettoyage de votre poêle. L'absence de maintenance peut provoquer des écoulements accidentels de fumée dans votre logement.
- Ce poêle a été conçu et approuvé pour être utilisé avec du bois palettisé uniquement. L'utilisation de tout autre type de combustible avec ce poêle annulera la garantie et posera des risques pour votre sécurité.
- Lorsque installée dans un mobile home, le poêle doit être verrouillé au sol et exposé à l'air extérieur. IL NE DOIT PAS ÊTRE INSTALLÉ DANS UNE CHAMBRE (conformément aux normes H.U.D). Informez-vous auprès des inspecteurs en bâtiment de votre région.
- Bosca ne concède aucune garantie, expresse ou implicite, pour l'installation ou la maintenance de votre poêle et décline toute responsabilité en cas de tout dommage indirect.

INSTALLATION

CARACTÉRISTIQUES TECHNIQUES

Largeur	23.2 in. (590 mm)
Hauteur	36.5 in (930 mm)
Longueur	25,6 in. (635 mm)
Poids	295 lbs. (133 kg)
<div style="display: flex; justify-content: space-around; align-items: center;"> <div style="text-align: center;">  <p>25 in. (635 mm.)</p> <p>23,2 in. (590 mm.)</p> <p>fig. N°1</p> </div> <div style="text-align: center;">  <p>36,5 in. (930 mm.)</p> <p>23.2 in. (590 mm.)</p> <p>fig. N°2</p> </div> </div>	
<p>VUE DE DESUS</p> <p>VUE FRONTALE</p>	
Taille du carneau :	3" ou 4"
Capacité de la trémie :	Jusqu'à 66 lbs.(Cela peut varier considérablement en fonction de la taille, de la longueur et du diamètre des granulés)
Emmissions Rate:	1,2 grs/heure (EPA Certified).
Durée de combustion :	0,75 lb à 4 ½ lbs par heure
Gamme BTU :	8,200 à 40,000
Installations approuvées :	mobile home, alcôve, conventionnelles

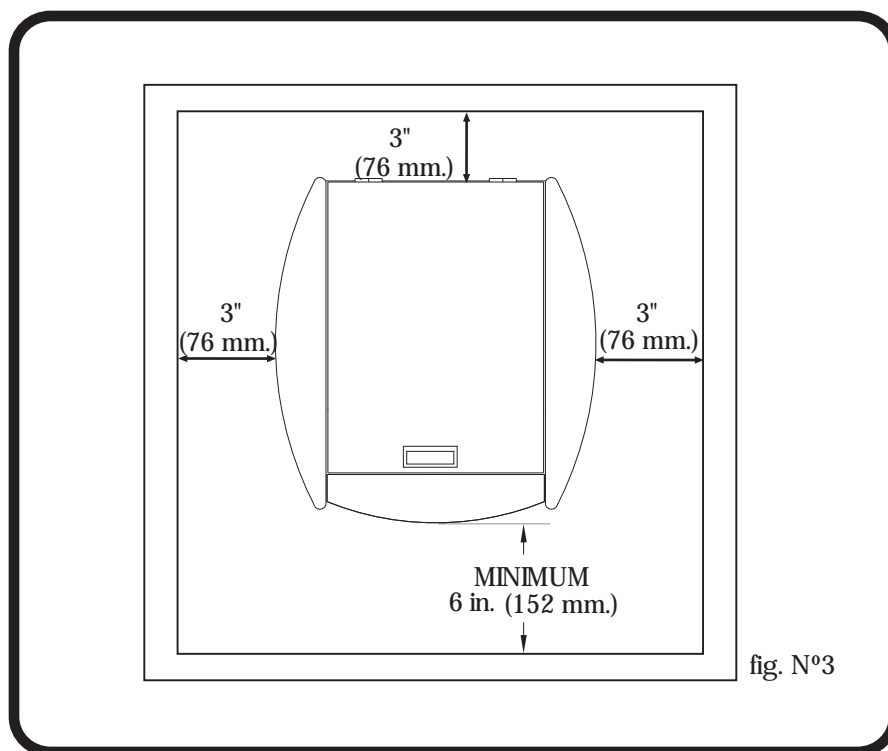
PRÉPARATION

Retirez l'emballage d'usine. Vous devez effectuer des petites tâches d'assemblage avant de procéder à l'installation. L'arrière du poêle doit être facilement accessible.

DÉGAGEMENTS

Le BOSCA SPIRIT 500 a été testé et approuvé pour être installé dans des logements, mobile homes et alcôves.

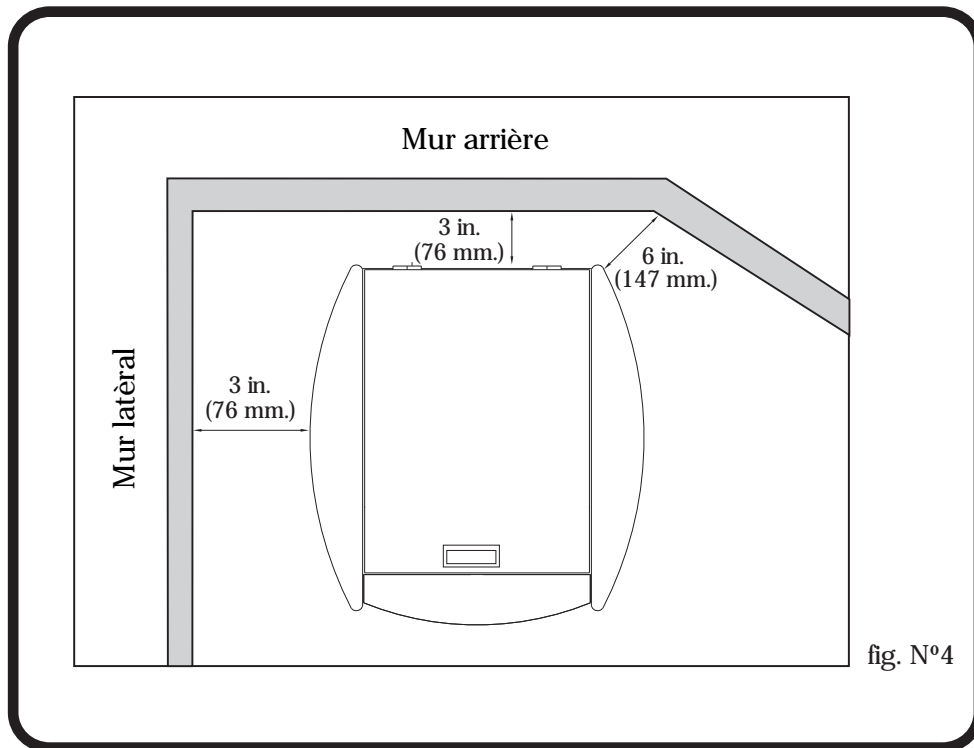
PROTECTION DU PLANCHER : Installations sur pieds, au moins 29,2" de largeur par 34" de profondeur. Le poêle doit être placé sur un matériau continu (joints bien remplis) incombustible tel que de la céramique, du ciment, de la brique, du carton pâte 3/8" ou équivalent ou tout autre matériau approuvé ou listé convenant à la protection des sols (reportez-vous à la figure N°3).



REMARQUE : Placez sous le carreau de céramique ou tout autre type de carreau une plaque fine continue pour parer à la possibilité de chute de braise sur le plancher combustible. Cette consigne concerne la protection des planchers des foyers surélevés intégrés. Vérifiez les codes nationaux pour connaître les alternatives autorisées.

Les dégagements sont mesurés entre les côtés, l'avant et l'arrière (ouverture de la porte) du corps du poêle (voir figure N°4)

Les dégagements peuvent être réduits seulement par l'approbation de l'autorité de régulation.

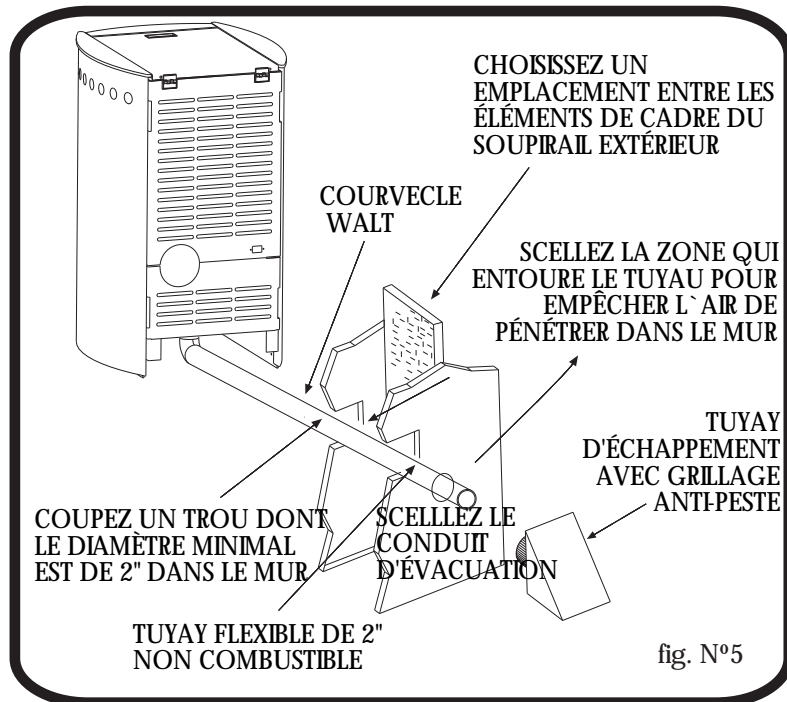


N'UTILISEZ PAS DE MATÉRIAUX DE FORTUNE ET NE FAITES PAS DE COMPROMIS LORSQUE VOUS INSTALLEZ L'APPAREIL.

INSTALLEZ LES CONDUITS D'ÉVACUATION EN RESPECTANT LES DÉGAGEMENTS INDIQUÉS PAR LE FABRICANT.

ALIMENTATION EN AIR DE COMBUSTION

Si vous souhaitez installer le poêle dans un mobile home, il doit être connecté à une source extérieure d'air de combustion. Connectez un tuyau métallique de 2" de diamètre interne, flexible ou rigide, à l'arrière du poêle (consultez la figure N° 5). Connectez l'autre extrémité du tuyau métallique à un dispositif de protection contre les rongeurs (grillage de 1/4" minimum) ou à une hotte (voir figure N° 7). Toutes les connexions doivent être sûres et hermétiques en utilisant le collier de serrage de taille appropriée et de l'adhésif acrylique UL-181-AP.



Uniquement dans le cas d'une installation dans un mobile home : Vous pouvez utiliser un tuyau de 2" de diamètre interne pour le premier mètre et demi d'alimentation en air de combustion. Au-delà de cette distance, utilisez deux tuyaux de 1,5 à 3 mètres de long et de 3/4" de diamètre interne. L'alimentation en air de combustion ne peut excéder 10 pieds.

Sources d'air de combustion extérieures :

Dans les cheminées :

- Tête de cheminée.
- Porte de nettoyage pour la cendre.

Pour les installations sur pieds :

- Un trou pratiqué dans le sol, juste derrière le poêle, qui se termine uniquement dans un vide sanitaire ventilé.
- Un trou pratiqué dans le mur derrière le poêle.

LORSQUE L'AIR EXTÉRIEURE N'EST PAS UTILISÉ

Si l'air extérieure n'est pas utilisé, il est essentiel que le poêle puisse disposer facilement d'air de combustion au niveau de l'entrée d'air. Il est possible d'utiliser un registre d'air extérieur qui peut être fermé, dans les maisons bien isolées. Pour les installations de cassettes, utilisez des conduits avec solin. Le solin ne doit pas nécessairement étanchéifier le parement de cheminée.

ÉVACUATION

Le poêle à granulés BOSCA SPIRIT 500 jouit d'une certification lui permettant d'être utilisée avec les événements de type L-VENT répertoriés, de 3" ou 4" de diamètre. Le poêle a été testé avec la marque Simpson Duravent. La cheminée de classe « A » n'est pas nécessaire. Consultez les instructions fournies par le fabricant du conduit d'évacuation et en particulier lorsque ce conduit traverse un mur, un plafond ou un toit.

Il s'agit d'un système d'évacuation pressurisé. Tous les joints de raccord du conduit d'évacuation doivent être remplis avec du mastic silicone à 260°C (500°F) pour assurer une bonne performance de l'appareil et éviter les écoulements de fumée. Tous les joints de raccord horizontaux doivent être scellés avec de l'adhésif acrylique UL-181-AP. Nous recommandons que tous les joints de raccord verticaux pour conduit d'évacuation soient fixés à l'aide d'au moins 3 vis.

NE BRANCHEZ PAS CETTE UNITÉ SUR UN CARNEAU DE CHEMINÉE UTILISÉ PAR UN AUTRE APPAREIL.

NE PAS RELIER L'UNITÉ À AUCUN SYSTÈME DE DISTRIBUTION D'AIR OU DE VENTILATION

NE PLACEZ PAS LE REGISTRE DU CARNEAU DANS LE SYSTÈME D'ÉVACUATION DE CETTE UNITÉ.

INSTALLEZ LES CONDUITS D'ÉVACUATION EN RESPECTANT LES DÉGAGEMENTS INDIQUÉS PAR LE FABRICANT.

SÉCURISER LE SYSTÈME D'ÉVACUATION DE L'ÉQUIPEMENT AVEC AU MOINS 3 VISSÉS. SÉCURISER ÉGALEMENT TOUS LES JOINTS DE BRANCHEMENT AVEC AU MOINS 3 VISSÉS À CHACUNE DES EXTRÉMITÉS.

Longueur de Conduit Équivalente (LCE)

Plus le parcours du tuyau de votre installation est long (avec cassettes ou sur pieds), plus il y a de restrictions dans le système. Par conséquent, utilisez un tuyau de diamètre plus large.

Utilisez un tuyau de 4" si vous disposez d'une longueur de conduit équivalente supérieure à 4,5 mètres. Les parcours horizontaux ne devraient pas excéder 3 mètres de LCE. Il est recommandé de prévoir des parcours verticaux de 2,44 m au minimum.

Pour calculer la LCE, utilisez les conversions ci-dessous :

« T » ou coude de 90°	=	1,5 m équivalent
Coude 45°	=	0,91 m équivalent
Parcours horizontal du tuyau	=	30,5 cm équivalents tous les 30,5 cm effectifs
Parcours vertical de tuyau	=	15,25 cm équivalents tous les 30,5 cm effectifs

REMARQUE : À des altitudes supérieures à 8 000 mètres, nous suggérons l'usage d'un conduit d'évacuation de 4" de diamètres à une LCE égale ou supérieure à 2,13 m.

INSTALLATIONS SUR PIEDS

Horizontalement à Travers le Mur
(Voir figure N°6)

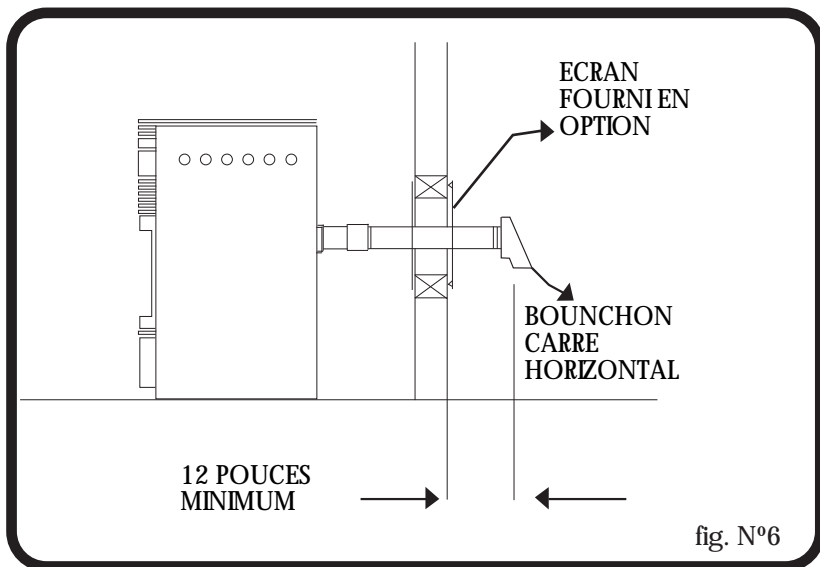


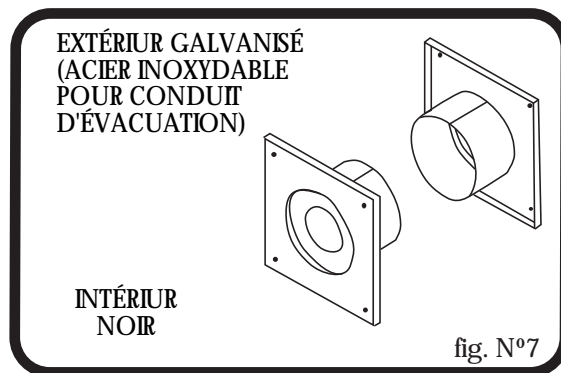
Fig. N° 6. Repérez les extrémités :

- a) au moins 91,5 cm au-dessus de toute arrivée d'air forcée se trouvant à moins de 3 m ;
- b) au moins 122 centimètres en dessous ou de distance horizontale ou 30,5 cm au-dessus de toute porte, fenêtre ou arrivée d'air à gravité dans n'importe quel bâtiment ;
- c) au moins 71 cm de distance d'un bâtiment adjacent et pas moins de 2,13 m au-dessus du sol lorsqu'il se trouve adjacent à une passerelle. Prévoyez un pare-étincelles en cas d'installation du poêle dans un mobile home.

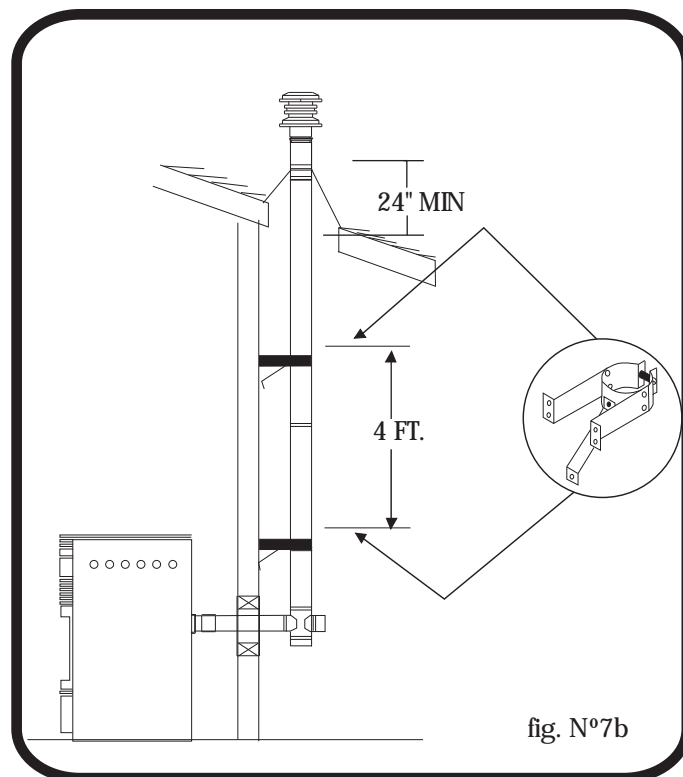
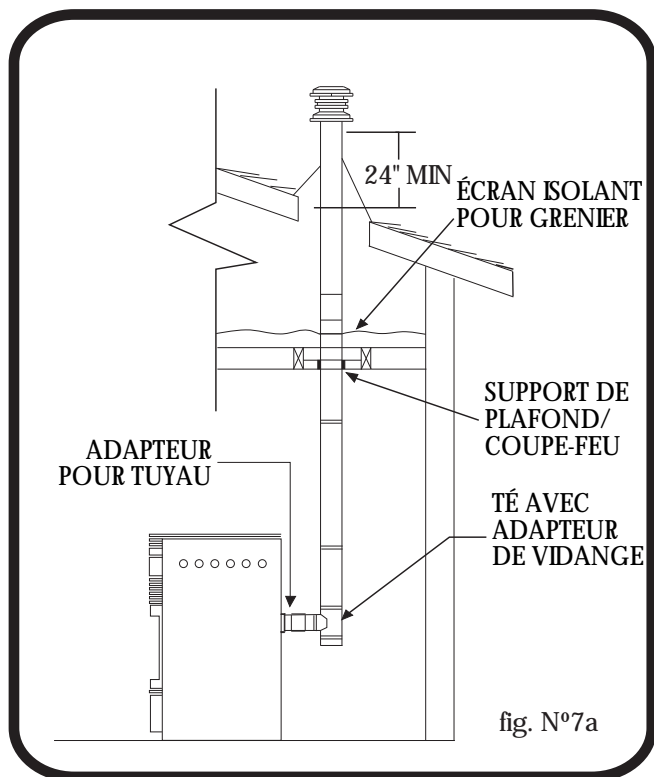
REMARQUE: Pour une installation traversant un mur combustible assurez-vous que l'installation se conforme aux normes Canadiennes CAN/CSA – B 365

REMARQUE : Suivez les instructions du fabricant de la cheminée L-VENT.

- Positionnez le poêle en respectant les consignes de dégagement comme indiqué dans le figure N° 4.
- Localisez l'emplacement du trou dans le mur ; assurez-vous qu'il est exactement au niveau du conduit d'évacuation du poêle.
- Prévoyez systématiquement un espace de 3" entre le poêle et les matériaux combustibles.
- Installez l'axe mural L-Vent en suivant les instructions du fabricant (voir la figure N° 7).
- Utilisez un tuyau suffisamment long pour qu'il y ait au moins 12" de tuyau au-delà des murs extérieurs. Prévoyez, dans la mesure du possible, 1,52 mt. de parcours vertical de tuyau pour réduire les risques d'écoulement de fumée en cas de perte de pression négative.
- Apposez le couvercle et le joint à l'extérieur des axes muraux avec du mastic imperméable non durcissant.
- Assurez-vous que l'extrémité du conduit n'est pas disposé de manière telle que les gaz d'échappement chauds enflamment les arbustes, les buissons et le gazon et en vous assurant qu'il ne présente aucun danger pour les enfants. Les gaz d'échappement peuvent atteindre des températures de 260°C et causer de sérieuses brûlures aux personnes qui y sont exposées.



Verticalement Avec Nouveau Système de Cheminée
(Voir figure N° 7a-7b)



REMARQUE : Suivez les instructions du fabricant de la cheminée L-VENT.

OPTION : Remplacez le té de visite par le coude L-Vent. Repérez l'emplacement du poêle. Placez le fil à plomb au-dessus du centre de l'orifice de sortie du té, placez un point au plafond. Installez le support de plafond et le tuyau L-Vent en suivant les instructions du fabricant.

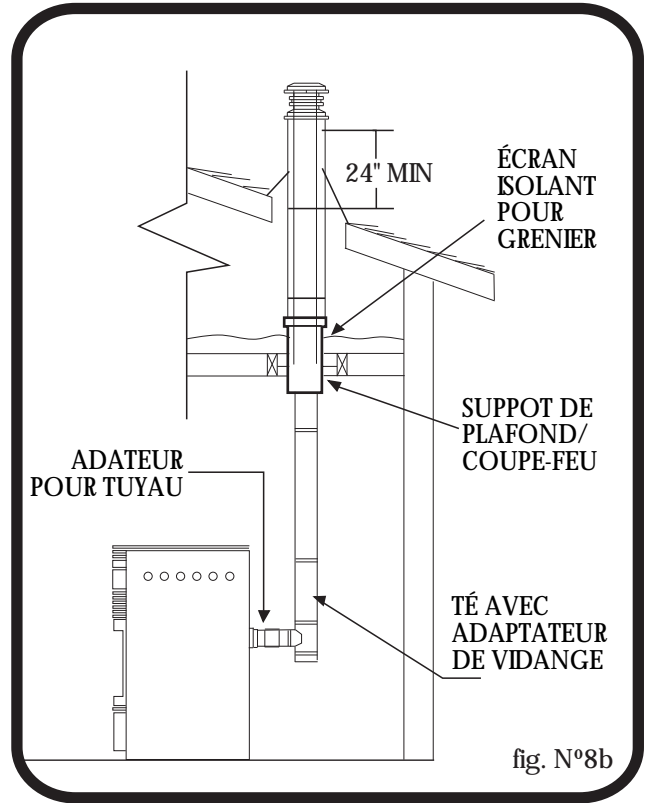
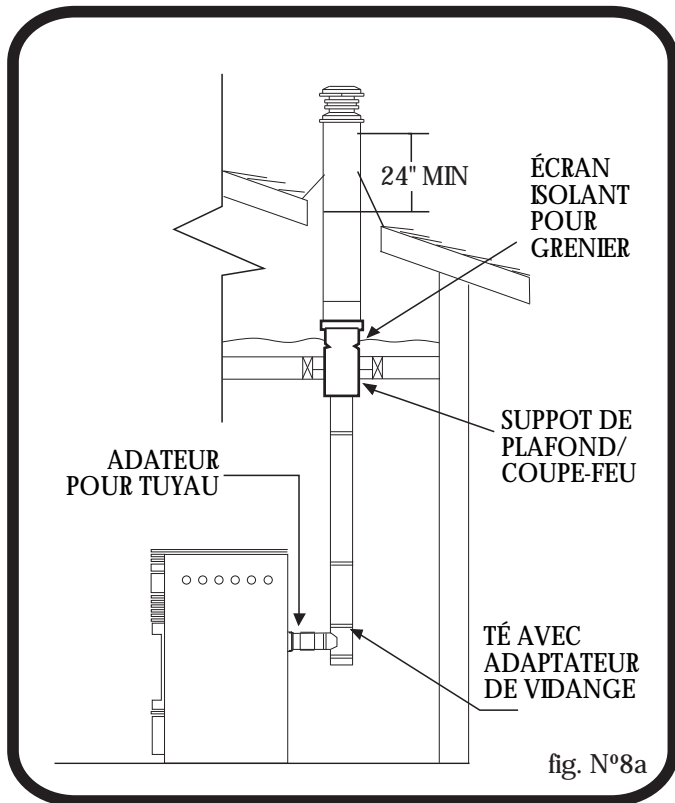
- Prévoyez systématiquement un espace de 3" entre le poêle et les matériaux combustibles. Lorsque vous devez faire passer des tuyaux à travers des sols ou des plafonds supplémentaires, installez systématiquement un coupe-feu.
- Après vous être positionné pour pratiquer un trou dans le toit, creusez un trou arrondi ou carré dont le diamètre est 3" plus large que le tuyau qu'il entoure. Placez l'extrémité supérieure et les côtés de la cassette en dessous des matériaux de couverture, puis clouez le long du bord supérieur. Ne clouez pas le bord inférieur. Collez la tête de clou avec du mastic imperméable non durcissant.
- Appliquez du mastic imperméable non durcissant où le collet de solin entre en contact avec le conduit d'évacuation et la cassette. Glissez le collet de solin jusqu'à ce qu'il repose sur la cassette. Scellez et placez le couvercle. Prévoyez un pare-étincelles en cas d'installation du poêle dans un mobile home.

Verticalement Dans le Système de Cheminée Existant
(Voir figure N° 8a-8b)

Les adaptateurs permettent de relier un L-Vent de 3" à une cheminée de classe A de 6" ou 8" (Figure N° 8a).

Alternativement, le L-Vent de 3" ou 4" peut être introduit entièrement à l'intérieur de la cheminée existante (Figure N° 8b). Il s'agit de la méthode préférée.

Suivez les instructions pour équivalent.



Verticalement Dans une Cheminée en Maçonnerie
(Voir figure N° 9)

REMARQUE : Suivez les instructions du fabricant de la cheminée L-VENT

- Faites inspecter la cheminée en maçonnerie par un ramoneur ou un installateur qualifié pour déterminer sa condition structurelle.
- Vous aurez besoin d'un tuyau d'une longueur égale à la hauteur de la cheminée depuis le foyer. S'il est nécessaire d'utiliser de l'air de combustion extérieur, vous aurez besoin d'un tuyau d'une longueur égale à la hauteur de la cheminée plus 46 centimètres.
- Installez une plaque d'obturation et le tuyau de la cheminée et, si vous l'utilisez, le tuyau d'air extérieur.
- Fixez l'adaptateur du L-Vent, une section du tuyau et té de nettoyage, en vous assurant que le té de nettoyage est centré dans la zone du carneau de la cheminée. Utilisez du ruban métallique RTV et un minimum de trois vis auto-taraudeuses pour garantir une bonne étanchéité.
- Positionnez le poêle en respectant les dégagements du figure N°4.
- Mesurez et placez la plaque supérieure de la cheminée. Creusez des trous pour le passage des tuyaux de la cheminée et si vous comptez l'utiliser, pour le tuyaux d'air extérieur. Installez puis scellez avec du mastic non durcissant pour éviter les fuites d'eau.
- Installez le bouchon de ventilation.

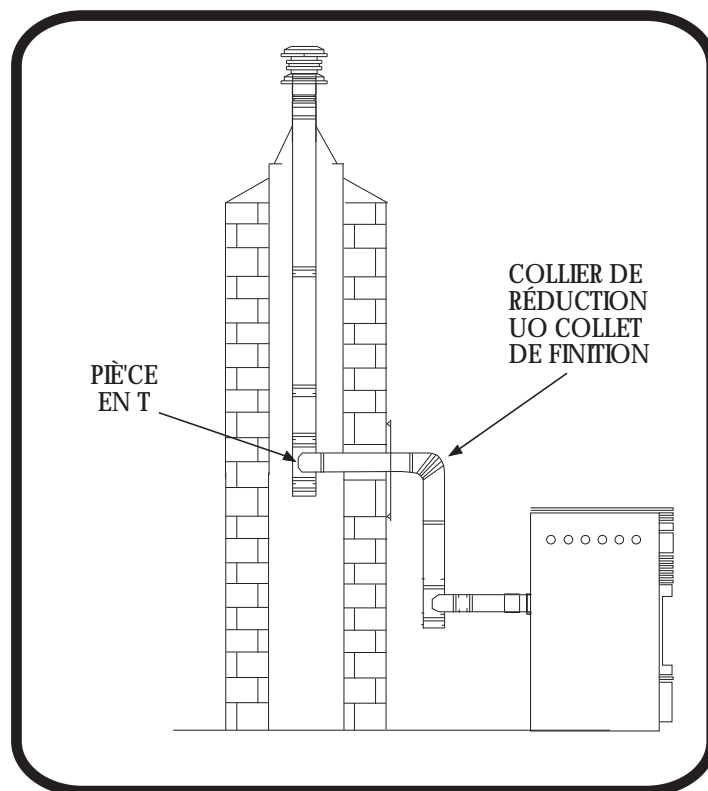


fig. N°9

Installation à Travers le Côté de la Cheminée en Maçonnerie (Voir Figure N°10)

REMARQUE: Suivez les instructions du fabricant de la cheminée L-VENT.

- Positionnez le poêle en respectant les dégagements des figures 1 & 2. Marquez le centre du trou, là où le tuyau est censé percer la cheminée en maçonnerie. Il sera nécessaire de briser la maçonnerie autour de l'emplacement de la marque centrale du tuyau. Pratiquez un trou de 4 pouces de diamètre pour un tuyau de 3 pouces de diamètre et un trou de 5 pouces de diamètre pour un tuyau de 4 pouces de diamètre.
- Mesurez et placez la plaque supérieure de la cheminée. Creusez des trous pour le passage des tuyaux de la cheminée et si vous comptez l'utiliser, creusez le trou nécessaire au tuyau d'air extérieur. Installez le té au fond du système de tuyau vertical et abaissez-le dans la cheminée jusqu'à ce que sa branche centrale soit au même niveau que le centre du trou pratiqué dans la maçonnerie, comme représenté à la figure N° 13.
- Installez et scellez la plaque supérieure de l'étape 3 avec du mastic non durcissant. Glissez le collet de solin sur le tuyau et tout en tenant ce dernier à la hauteur appropriée, fixez le collet à l'aide d'au moins trois vis en tôle métallique d'acier inoxydable de 1/4". Scellez tous les joints et rivures autour du collet.
- Connectez le tuyau horizontal en le poussant dans le trou pratiqué dans la maçonnerie et en l'alignant sur la branche du té. Enfoncez le tuyau dans le té tout en le tournant pour bien l'y verrouiller.
- Une fois que le tuyau horizontal est en place, vous pouvez, si vous le souhaitez, remplir l'espace entre le tuyau et la maçonnerie avec de l'enduit de jointement de haute température.
- Installez le collet décoratif. Il se peut que vous ayez besoin d'un tuyau de longueur réglable et d'un adaptateur pour finir d'effectuer les branchements du poêle.

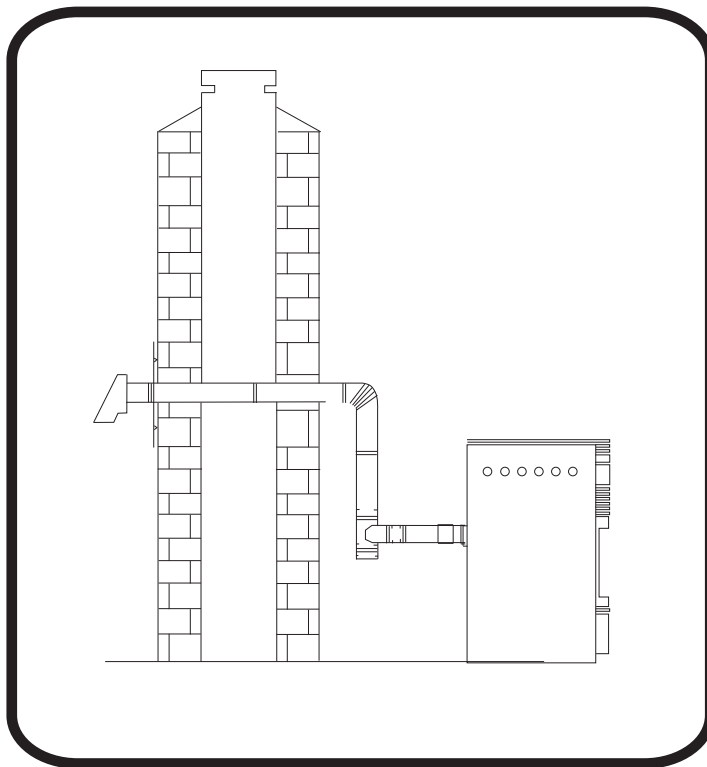


Fig. N°10

INSTALLATION ÉLECTRIQUE

Ce poêle est fourni avec un cordon électrique mis à la terre de près de 2 mètres de long qui est fixé à l'arrière. Nous recommandons de relier l'appareil à un parasurtenseur de bonne qualité qui est branché sur une prise de courant de 120 V, 60 Hz à trois broches. Les variations de tension peuvent provoquer des problèmes de performance graves. Le système électrique du poêle à granulés BOSCA SPIRIT 500 a été conçu pour une prise de 120V CA avec des variations inférieures ou égales à 5 %. Bosca ne peut assumer la responsabilité d'un dysfonctionnement ou d'une panne causée par une tension inadéquate. Si l'appareil est connecté à une prise à deux broches plus ancienne, un autre câble de terre devrait être relié à une terre adéquate (veuillez l'indiquer à un technicien qualifié). Assurez-vous que le cordon électrique n'entre pas en contact avec un élément chaud du poêle.

CONSIDÉRATIONS SPÉCIALES À PRENDRE EN COMPTE POUR LES MOBILE HOMES

AVERTISSEMENT : VEILLEZ À NE PAS INSTALLER LE POÊLE DANS UNE PIÈCE POUR DORMIR.

Si vous installez le poêle dans un mobile home, vous devez prévoir une source d'air de combustion extérieure (voir la section "ALIMENTATION EN AIR DE COMBUSTION"). L'apport d'air doit être libre de toute obstruction lorsque l'unité est en fonction afin d'éviter l'extinction et le refoulement. Le refoulement pourrait occasionner le déclenchement d'un système de fumé.

- Le poêle doit être relié via la terre au châssis en acier du mobile home avec un cordon en cuivre de 8 Ga. en utilisant une rondelle striée ou en étoile pour pénétrer la peinture ou le revêtement de protection pour assurer la mise à la terre.
- Le poêle doit être solidement relié au plancher du mobile home à l'aide de deux tire-fonds de ¼" suffisamment longs pour traverser la protection de plancher s'il y en a une et le plancher lui-même.
- Il est fortement conseillé d'utiliser une silicone haute température pour colmater tous les joints extérieurs du système d'évacuation.
- Consultez la section "ÉVACUATION" pour connaître les bonnes configurations du système d'évacuation.

ATTENTION :
L'INTÉGRITÉ STRUCTURELLE DU PLANCHER, DU MUR ET DU PLAFOND/TOIT DU MOBILE HOME DOIT ÊTRE MAINTENU.

FONCTIONNEMENT

FONCTIONS DU PANNEAU DE CONTRÔLE

Les ventilateurs et le système automatique d'alimentation en combustible sont contrôlés depuis un panneau placé sur le côté supérieur gauche du poêle.

Les fonctions du panneau de contrôle sont les suivantes:

Bouton On/Off

Lorsque vous appuyez sur ce bouton, le poêle s'allume automatiquement. Aucun autre allumoir n'est nécessaire. L'allumeur reste allumé pendant au moins 10 à 15 min en fonction du moment où le feu apparaît. Le feu devrait apparaître après 5 min environ.

La lumière verte placée au-dessus du bouton On/Off (dans le boîtier On/Off) clignote pendant la période d'ignition (voir figure N° 11).

La fonction Feed Rate Advance (vitesse d'alimentation) ne fonctionne pas pendant la période d'ignition. Lorsque la lumière devient rouge et continue, la fonction Feed Rate Advance peut être ajustée pour obtenir le niveau de chaleur souhaité.

REMARQUE : si le poêle a été éteint, mieux vaut le remettre en marche tant qu'il est chaud. Pour ce faire, maintenez le bouton « On/Off » enfoncé pendant deux secondes.

Bouton Fuel Feed

Lorsque vous appuyez sur le bouton « Fuel Feed » (alimentation en combustible) et que vous le maintenez enfoncé, le poêle déverse continuellement des granulés dans le pot de combustion.

Lorsque le système à la tarière alimente l'appareil en granulés, la lumière ambrée (du boîtier « Fuel Feed ») s'allume (voir figure N° 12).

ATTENTION :
N'UTILISEZ PAS CETTE COMMANDE AU COURS DU
FONCTIONNEMENT NORMAL DU POÊLE CAR CELA POUR
RAIT ÉTOUFFER LE FEU, CE QUI PEUT S'AVÉRER TRÈS
DANGEREUX.

Bouton High Fan

La vitesse du ventilateur est étroitement liée à celle de la vitesse d'alimentation. Le bouton «HIGH FAN» (ventilateur puissant) prend l'ascendant sur la fonction de vitesse variable. Il définit une vitesse élevée du ventilateur quel que soit le paramètre de vitesse d'alimentation sélectionné.

Lorsque vous appuyez sur le bouton «HIGH FAN» (ventilateur puissant), le ventilateur se met en marche à la vitesse maximale.

Lorsque vous appuyez à nouveau dessus, le ventilateur retourne à sa vitesse d'origine en fonction de la valeur du paramètre «Feed Rate Advance» (vitesse d'avancement).

Reset Trim

Du combustible de taille et de qualité variables peut requérir le réglage de la valeur d'alimentation «1» sur le graphique en barres Feed Rate Advance (vitesse d'alimentation). En général, ce réglage a besoin d'être effectué une seule fois uniquement en fonction du combustible utilisé. Le bouton « RESET TRIM » permet, une fois ajusté, la sélection de 3 différentes vitesses d'alimentation pour le paramètre (#1 vitesse uniquement).

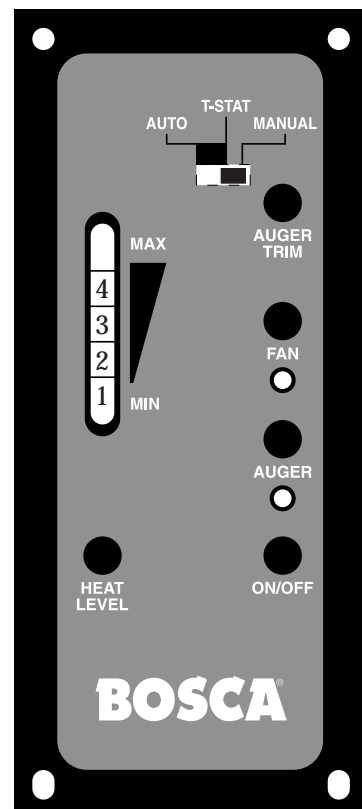


fig. N°11

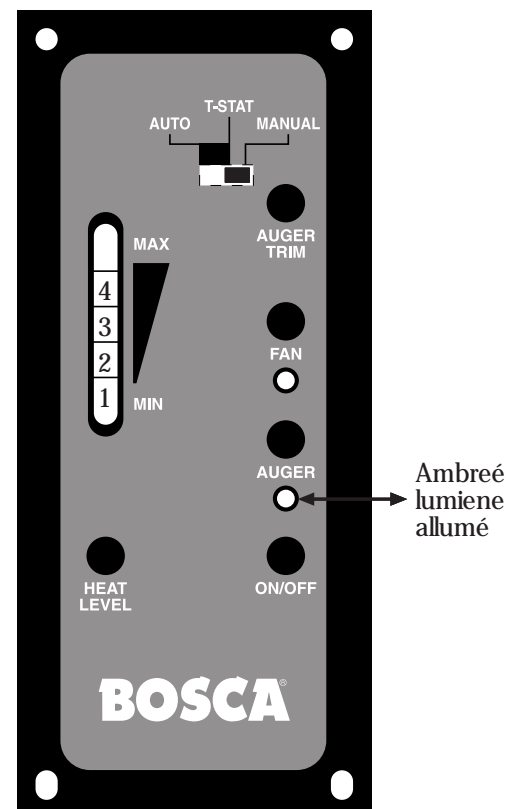


fig. N°12

Pour procéder à l'ajustement, il suffit d'appuyer sur le bouton «RESET TRIM» pendant que le poêle est en fonctionnement au niveau « 1 » et d'observer le graphique en barres.

Lorsque les lumières "1" et "3" s'allument, le paramètre "low feed rate" est au plus bas sur le graphique en barres (environ 0,9 livre par heure).

Lorsque la lumière "1" s'allume sur le graphique en barres, le paramètre "low feed rate" (faible vitesse d'alimentation) est sur "normal". Lorsque les lumières "1" et "4" s'allument sur le graphique en barres, le paramètre "low feed rate" (faible vitesse d'alimentation) est au plus haut.

REMARQUE: lorsque le poêle est réglé sur "1" les valeurs du paramètre "reset trim" apparaissent sur le graphique en barres « Rate Advance ». Par exemple, si la valeur du paramètre "Reset Trim" est trop basse, les lumières "1" et "3" s'illuminent sur le graphique en barres.

BOUTON HEAT LEVEL ADVANCE

Appuyer sur ce bouton revient à régler la vitesse d'alimentation du poêle, d'où le débit de chaleur de votre poêle. Les niveaux du débit de chaleur varient de manière incrémentielle sur le graphique en barres à partir du niveau "1" ou "4".

REMARQUE: Lorsque vous diminuez la valeur du débit de chaleur de 2 crans (de 4 à 1 par exemple) appuyez sur le bouton « High Fan » et laissez le ventilateur fonctionner avec cette nouvelle valeur pendant au moins 5 minutes pour éviter que le poêle déclenche le thermodisque haute température. Si le thermodisque se met en marche, veuillez consulter la section "DISPOSITIFS DE SÉCURITÉ".

COMBUSTIBLES AUTORISÉS

**CE POÊLE S'UTILISE UNIQUEMENT AVEC DU
COMBUSTIBLE DE BOIS EN GRANULÉS**

Les granulés approuvés en usine sont ceux de 1/4" ou 5/16" de diamètre et de 1" de long au maximum. Les granulés plus longs ou plus épais augmentent le risque de bouchage du filet de tarière ce qui empêche la bonne alimentation de l'appareil. La combustion du bois sous une forme autre que des granulés est interdite. Cela constituerait une violation des codes du bâtiment sur la base desquels le poêle a été approuvé et annulerait toute garantie. La conception intègre une alimentation automatique du combustible solide qui est placé dans le feu à une vitesse définie avec soin. Tout autre combustible introduit à la main n'augmente pas le débit de chaleur mais peut sérieusement détériorer la performance des poêles en générant beaucoup de fumée. N'utilisez pas de granulés humides. La performance du poêle dépend considérablement de la qualité de votre combustible en granulés.

Évitez les marques de granulés présentant les caractéristiques suivantes :

Schlamms : Ce terme décrit les granulés broyés ou du matériau très fin qui ressemble à de la sciure ou à du sable. Il est possible d'inspecter les granulés pour s'assurer qu'ils ne contiennent pas de schlamms avant de les placer dans la trémie.

Liants : Certains granulés sont produits avec du matériau qui les lie entre eux ou les colle.

Teneur en cendres élevée : Les granulés de mauvaise qualité génèrent souvent de la fumée et encrassent le verre. Ils augmentent la fréquence des opérations de maintenance. Vous devrez vider le pot de combustion et aspirer l'ensemble du système plus souvent. Les granulés de mauvaise qualité peuvent abîmer la tarière. La responsabilité de Bosca ne saurait être engagée en cas de détérioration de l'appareil en raison de l'usage de granulés de mauvaise qualité. Votre revendeur peut vous recommander un fournisseur de granulés de bonne qualité dans votre région.

Entreposage du combustible: Conserver le combustible au-dessus du niveau du sol dans un endroit sec et à l'abri de l'eau.

**AVERTISSEMENT: NE PAS ENTREPOSER DE COMBUSTIBLE DANS UN ENDROIT
CHAUFFÉ OU DANS L'ESPACE ENVIRONNANTE DU CHARGEMENT
OU D'ENLÈVEMENT DES CENDRES DE L'UNITÉ.**

VÉRIFICATION AVANT DÉMARRAGE

Retirez le pot de combustion et assurez-vous qu'il est propre et qu'aucun des trous de passage de l'air n'est bouché. Nettoyez la chambre de combustion et remplacez le pot de combustion. Nettoyez la vitre de la porte si nécessaire (un torchon sec ou une serviette en papier suffit généralement). N'utilisez jamais de nettoyeurs abrasifs pour la vitre de la porte. Vérifiez la quantité de combustibles dans la trémie et rajoutez-en si nécessaire. Assurez-vous que le couvercle de la trémie est en place. Si elle reste ouverte, la tarière ne fournira pas de granulés.

FAIRE UN FEU

N'utilisez jamais de grille ou d'autre élément de ce genre pour le combustible. Utilisez uniquement le pot de combustion approuvé par Bosca.

REMARQUE : Au cours des premières utilisations, votre poêle émettra une odeur étant donné que la peinture haute température sèche sur le métal. Faire des petits feux permet de minimiser cet effet. Évitez de placer des éléments sur le poêle au cours de cette période car cela pourrait abîmer la peinture.

REMARQUE : Les poêles à granulés sont équipés d'un interrupteur de sécurité pour la trémie. Si le couvercle de la trémie est ouvert, la tarière ne relâche pas de combustible. Si le couvercle de la trémie reste ouvert pendant une longue période, l'appareil s'éteint automatiquement.

REMARQUE : Vous devez amorcer le système de tarière avant que le poêle ne s'allume. Il se peut que vous deviez réaliser 2 à 3 cycles de démarrage. Chaque cycle dure environ 15 minutes. Le poêle s'éteint ensuite. Vous devez effectuer à nouveau la procédure de démarrage.

REMARQUE : Pour accélérer la procédure d'amorçage du système de tarière, appuyez et maintenez la pression sur l'interrupteur de la tarière qui se trouve sur le tableau de commande. Cela assure le fonctionnement continu de celle-ci. Lorsque vous entendez les granulés tomber dans le pot de combustion, fermez le couvercle de la trémie et l'appareil continue d'être en mode de démarrage.

A.- Remplissez la trémie de combustible.

B.- Assurez-vous que le pot de combustion est bien en place et qu'il est propre.

C.- Appuyez sur le bouton « On/Off ». Vérifiez que la lumière s'allume et fermez le couvercle de la trémie.

D.- Ouvrez le registre de 1/2" à 3/4" (position enfoncée = registre ouvert). Le diamètre d'ouverture dépend de votre installation et de l'élévation. Une fois que le feu est établi, réglez la flamme en augmentant le diamètre d'ouverture du registre au fur et à mesure que la chaleur augmente (voir section « RÉGULATEUR DE REGISTRE »).

E.- Ajustez la vitesse d'alimentation à la valeur souhaitée en appuyant sur le bouton « Feed Rate Advance ».

Si le feu ne s'allume pas après 15 min, appuyez sur « On/Off », patientez quelques minutes et reprenez la procédure.

RÉGULATEUR DU REGISTRE

Le régulateur du registre qui se trouve sur le côté inférieur droit, à l'avant du poêle permet de régler l'air de combustion. Ce régulateur est nécessaire en raison des différentes caractéristiques de combustibilité des installations individuelles, des différentes marques de granulés et des vitesses d'alimentation variables de ces derniers. Il vous permet d'améliorer l'efficacité de votre poêle. Fournir l'air de combustion correct réduit la fréquence de nettoyage de la vitre de votre porte et empêche l'accumulation rapide de créosote dans votre poêle et dans votre cheminée. Réglez le registre en vous basant sur l'apparence du feu. Un feu de petite taille, rougeâtre et sale peut être amélioré en poussant légèrement le registre vers l'intérieur. De même, il est possible d'améliorer un feu de type chalumeau en tirant légèrement le registre vers l'extérieur.

En règle générale, lorsque la vitesse d'alimentation est basse, le registre est plus enfoncé. Lorsque la vitesse d'alimentation est élevée, l'ouverture du registre est plus grande. C'est en essayant et en vous trompant que vous serez capable de trouver le réglage parfait. Consultez votre revendeur si vous avez besoin d'aide.

REMARQUE: Sur «1 », le diamètre d'ouverture du registre devrait être compris entre 1/2" et 3/4". Si le registre est trop ouvert, le feu peut se propager. Retenez simplement qu'il faut enfoncer le registre pour avoir plus d'air et le tirer vers l'extérieur pour en avoir moins.

OUVERTURE DE LA PORTE

Si la porte est ouverte pendant que le poêle est en fonctionnement, elle doit être refermée dans un délai de 30 secondes pour éviter que le poêle s'éteint. Si il s'éteint, appuyez sur le bouton « Power » pour qu'il se remette immédiatement en marche.

VENTILATEUR

Lorsque vous allumez votre poêle, le ventilateur ne se met pas en marche tant que votre échangeur thermique n'a pas préchauffé. Cela prend généralement 10 minutes.

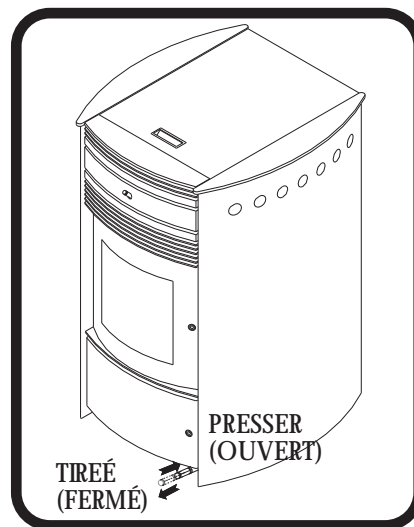


Fig N°12

Si le poêle a été éteint, mieux vaut le remettre en marche tant qu'il est chaud. Pour ce faire, maintenez le bouton « On/Off » enfoncé pendant deux secondes.

SI LE POÊLE EST À COURS DE GRANULÉS

Le feu s'éteint et le moteur de la tarière et des ventilateurs continuent de fonctionner jusqu'à ce que le poêle refroidisse. Ce processus dure 30 à 45 minutes. Une fois que les composants du poêle cessent de fonctionner, les lumières "Power" et "BAR GRAPH" restent allumées pendant 10 minutes. Une fois ce délai écoulé, la lumière "3" s'allume sur le graphique en barres et la lumière "Power" s'éteint. Pour redémarrer le poêle, appuyez sur le bouton "Power" puis sur "Fuel Feed" jusqu'à ce que les granulés commencent à tomber dans le pot de combustion.

RAVITAILLEMENT EN COMBUSTIBLE

Nous recommandons de vous assurer que le contenu de combustible de la trémie ne soit pas inférieur au quart de sa contenance totale.

FERMEZ LE COUVERCLE DE LA TRÉMIE À TOUT MOMENT, SAUF PENDANT LES PÉRIODES DE RAVITAILLEMENT EN COMBUSTIBLE. SI LA TRÉMIE RESTE OUVERTE, LA TARIÈRE NE FOURNIRA PAS DE GRANULÉS. NE FAITES PAS DÉBORDER LA TRÉMIE.

PROCÉDURES DE MISE EN ARRÊT

Pour éteindre votre poêle à granulés BOSCA SPIRIT 500, il vous suffit d'appuyer sur le bouton « Power » du panneau de commande. La lumière rouge s'éteint. Les ventilateurs continuent de fonctionner jusqu'à ce que les températures de la chambre de combustion interne baissent au niveau prédéfini.

DISPOSITIFS DE SÉCURITÉ

A.- Votre poêle est équipé d'un thermodisque haute température. Ce commutateur de sécurité a deux fonctions:

- 1.- Détecter les surchauffes du poêle et désactiver le système de tarière ou d'alimentation en combustible.
- 2.- En cas de dysfonctionnement du ventilateur de convection, le thermodisque haute température désactive automatiquement la tarière, ce qui empêche la surchauffe du poêle.

REMARQUE: Le thermodisque ne dispose pas de bouton de réinitialisation et se remet automatiquement en marche une fois que le poêle a refroidi. Le fabricant recommande de contacter votre revendeur si cela se produit car ça peut être le signe d'un problème plus sérieux. Un appel de service peut être requis.

B.- Si le ventilateur de combustion tombe en panne, un interrupteur manométrique interrompt automatiquement le fonctionnement de la tarière.

REMARQUE: Ouvrir la porte du poêle pendant plus de 30 secondes pendant le fonctionnement de celui-ci peut provoquer suffisamment de variations de la pression pour activer l'interrupteur manométrique, désactivant de cette manière le système d'alimentation en combustible. Fermez la porte et appuyez sur le bouton « On/Off » pour que le poêle continue de fonctionner.

INSTALLATION DU THERMOSTAT

Votre poêle à granulés BOSCA SPIRIT 500 est prêt à recevoir un thermostat (mille volts).

Pour installer le thermostat, suivez les instructions suivantes :

- Débranchez votre poêle de la prise d'électricité.
- A l'arrière de l'appareil, près du tableau de commandes, se trouvent les câbles blanc/rouge destinés au branchement du thermostat.
- Connectez les câbles au thermostat.
- Rebranchez le poêle à la prise.

Modes

Pour alterner entre les trois modes, le poêle doit être éteint, le nouveau mode sélectionné puis le poêle redémarré.

Mode Manuel
(voir au fig. N°14 a)

Sous ce mode, le poêle fonctionne uniquement à l'aide du panneau de contrôle qui est décrit à la section « FONCTIONNEMENT » du présent guide d'utilisation.

Mode On/Off du Thermostat
(voir au fig. N°14 b)

Sous ce mode, le poêle s'éteint lorsque la température de la maison est suffisamment élevée. Les ventilateurs continuent de fonctionner jusqu'à ce que le poêle refroidisse.

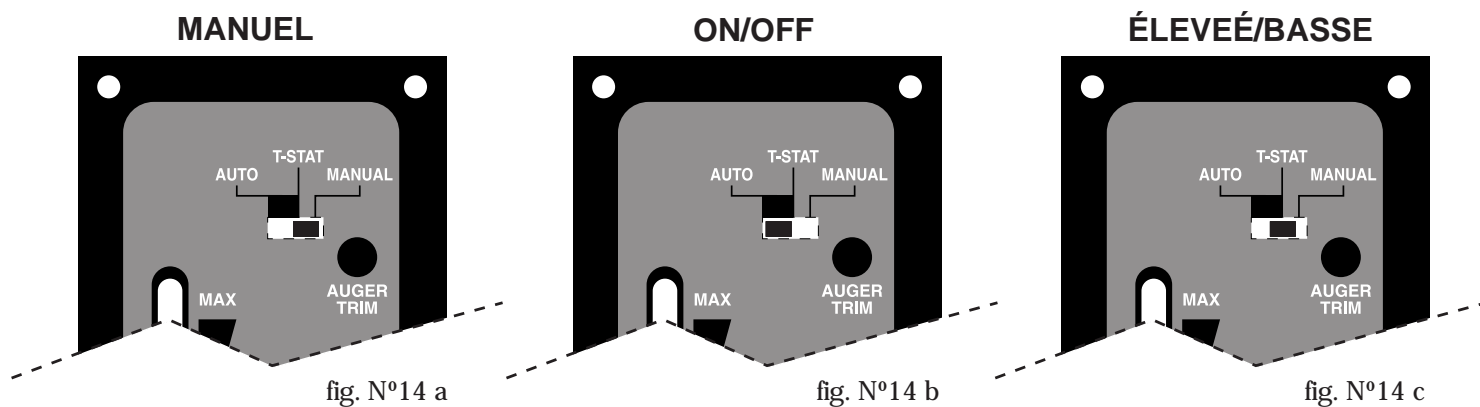
Lorsque la température de la maison baisse en dessous de la valeur affichée par le thermostat, le poêle se remet automatiquement en marche et fonctionne à la vitesse qu'il avait la dernière fois qu'il s'est éteint.

Mode Élevée/Basse du Thermostat
(voir au fig. N°14 c)

Lorsque ce mode est sélectionné, le poêle alterne automatiquement entre deux paramètres. Lorsque sa température est suffisamment élevée, elle sélectionne le paramètre #1 ou basse. Le ventilateur de la pièce ralentit également jusqu'à fonctionner à sa vitesse minimale.

REMARQUE: Presser le bouton on/off pour allumer et éteindre le poêle quand il fonctionne dans cette modalité.

Le paramètre Heat Level Advance du graphique en barres conserve son réglage initial. Lorsque la température de la maison est inférieure à celle du thermostat, le poêle adopte la vitesse d'alimentation du paramètre définissant le niveau de la chaleur.



Réglez le régulateur du registre sur 1/2" à 3/4" vers l'extérieur. Cela dépend de l'élévation et des conditions météorologiques. Observez la manière dont le poêle fonctionne et réglez le registre en conséquence.

CONSIGNES DE SÉCURITÉ RELATIVES AU FONCTIONNEMENT**VEUILLEZ LIRE CE QUI SUIT!**

L'appareil est chaud lorsqu'il est en marche. Tenez les enfants, les vêtements et les meubles à l'écart de l'appareil. Tout contact avec l'appareil peut provoquer des brûlures.

Si vous remarquez un feu qui couve (pot de combustion plein mais pas de flamme visible) ET beaucoup de fumée dans la chambre de combustion, ÉTEIGNEZ immédiatement le poêle, SANS LE débrancher. N'ouvrez pas la porte, modifiez les paramètres du registre ou manipulez les commandes du poêle. Patientez jusqu'à ce que la chambre de combustion se vide, suivez les instructions de la section « VÉRIFICATION AVANT DÉMARRAGE » et « FAIRE UN FEU », puis essayez de ranimer le feu. Si le problème persiste, contactez votre revendeur.

AVERTISSEMENT : N'OUVREZ PAS LA PORTE AU COURS DE LA PHASE DE DÉMARRAGE ET N'AJOUTEZ JAMAIS DE GRANULÉS DANS LE POT DE COMBUSTION MANUELLEMENT CAR CELA POURRAIT S'AVÉRER DANGEREUX.

Conservez les granulés dans un endroit sec. Placez-les à une distance minimale de 12" du poêle.

NE RANGEZ PAS ET N'UTILISEZ PAS DE LIQUIDES INFLAMMABLES, TELS QUE DE L'ESSENCE, À PROXIMITÉ DE VOTRE POÊLE À GRANULÉS BOSCA SPIRIT 500. N'UTILISEZ JAMAIS DE BEC À L'ACÉTYLÈNE OU DE CHALUMEAU AU PROPANE, D'ESSENCE, DE CARBURANT TYPE ESSENCE POUR LANTERNE D'ÉCLAIRAGE, DE KÉROSENE, D'ALLUME-FEU LIQUIDE OU DE LIQUIDES SIMILAIRES POUR FAIRE OU ENTREtenir UN FEU DANS CE POÊLE.

AVERTISSEMENT : NE SURCHAUFFEZ PAS CE POÊLE. Cela peut sérieusement l'endommager et annuler la garantie. Cela présente également des risques d'incendie pour votre maison. **SI UN COMPOSANT DE L'APPAREIL COMMENCE À BRILLER, CELA SIGNIFIE QU'IL Y SURCHAUFFE.** Dans ce cas, appuyez immédiatement sur le bouton « POWER » du panneau de Contrôle.

PLACEZ TOUT ÉLÉMENT DOMESTIQUE MOBILE TEL QUE LES MEUBLES, LES RIDEAUX, LES JOUETS, ETC. À AU MOINS UN MÈTRE DU POÊLE EN FONCTIONNEMENT.

N'oubliez pas d'assurer une bonne ventilation. Il est essentiel que le feu reçoive suffisamment d'oxygène pour la phase de combustion. Les habitations modernes sont souvent si bien isolées qu'il peut être nécessaire d'ouvrir légèrement une fenêtre ou d'installer un conduit d'air extérieur pour fournir suffisamment d'air de combustion. Étant donné que chauffer avec un combustible solide présente un danger potentiel, même avec un poêle de très bonne qualité qui a été soumis à toute sorte de tests, il est grandement conseillé de placer des détecteurs de fumée à des endroits stratégiques ainsi qu'un extincteur à un emplacement accessible, à proximité d'une sortie.

N'ouvrez pas la porte du poêle à moins que ce ne soit nécessaire. Cette action peut rendre le feu inefficace et sale et peut permettre à de la fumée ou des étincelles de s'échapper.

Interdisez l'usage du poêle aux enfants ou à toute personne non familière avec son fonctionnement.

Ne réparez pas et ne nettoyez pas l'appareil sans débrancher le cordon électrique.

Ne mettez pas la vitre de la porte à rude épreuve en la cognant et en la claquant ou en effectuant d'autres gestes similaires. Ne mettez pas le poêle en marche si la vitre a été enlevée ou cassée ou si elle est fissurée.

Si le poêle a été installé dans une pièce sans climatisation ou dans un espace qui l'expose directement aux rayons du soleil, sa température peut augmenter suffisamment pour atteindre des niveaux similaires à sa température de fonctionnement et l'un des capteurs pourrait alors enclencher la mise en marche du poêle. Assurez-vous que le poêle est débranché lorsqu'il n'est pas utilisé pendant de longues périodes (pendant l'été par exemple).

Ne pas brûler de débris ou de liquide inflammable tel que l'essence, l'essence à briquet ou huile à moteur.

ENTRETIEN

VEUILLEZ NETTOYER ET EFFECTUER LES OPÉRATIONS D'ENTRETIEN DE CET APPAREIL EN SUIVANT LES INDICATIONS DU FABRICANT AFIN DE GARANTIR UNE PERFORMANCE OPTIMALE ET UN MINIMUM DE RISQUES. NE NETTOYEZ JAMAIS LE POÊLE LORSQU'IL EST CHAUD.

REMARQUE : Inspectez occasionnellement le pot de combustion pour vous assurer que les trous ne sont pas colmatés. Si c'est le cas, veuillez le nettoyer.

OUTIL D'ENTRETIEN BOSCA

Un outil vous est fourni qui permet de :

- Remuer les granulés dans la trémie : contrairement à un liquide, les granulés (pellets) ne s'écoulent pas de manière égale dans la vis sans fin. Ils peuvent s'accumuler sur l'ouverture ou les bords de la trémie. De temps en temps, il est conseillé «d'agiter» la trémie.

REMARQUE : Pour faciliter l'acheminement des granulés, il est conseillé de frotter les parois et le fond de la trémie avec du papier ciré ordinaire.

- Gratter les cendres accumulées dans la chambre de combustion et les faire tomber dans le tiroir à cendres.

JETER DES CENDRES

Les cendres doivent être placées dans un récipient en métal avec fermeture hermétique. Placez le récipient fermé ou les cendres récupérées sur une surface incombustible ou par terre, bien à l'écart des matériaux combustibles, en attendant de le/les mettre aux ordures. Si les cendres sont enterrées ou dispersées, conservez-les dans le récipient fermé jusqu'à ce qu'elles se soient toutes refroidies.

RETRAIT DES CENDRES

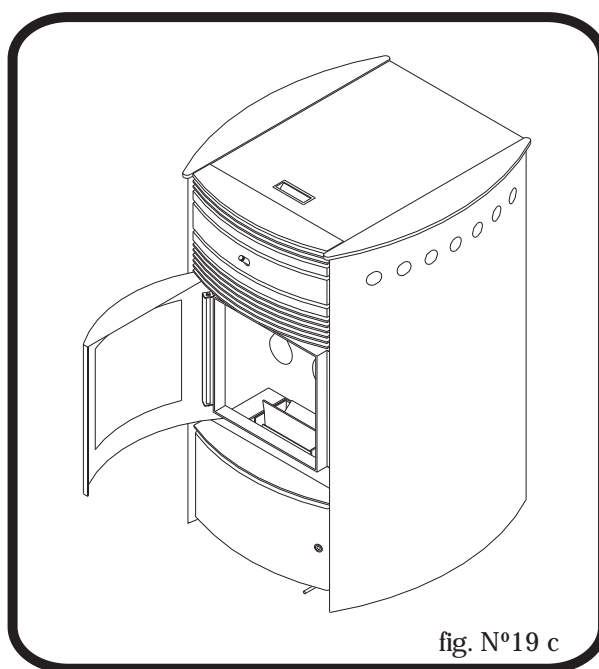
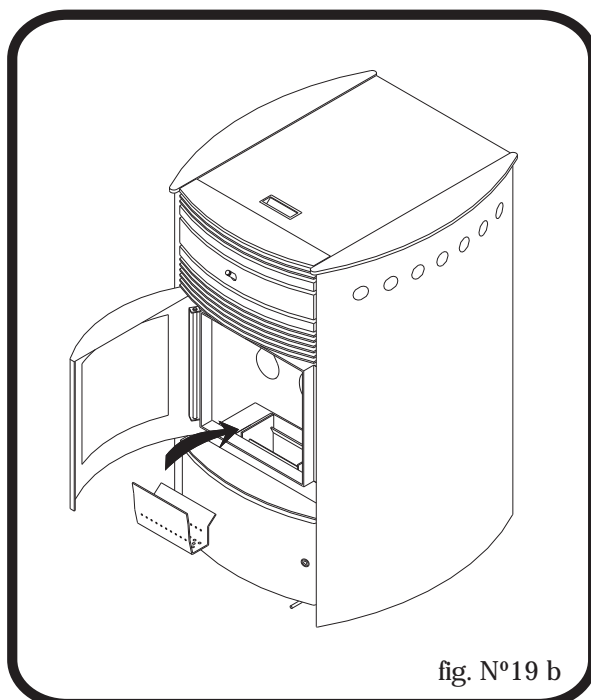
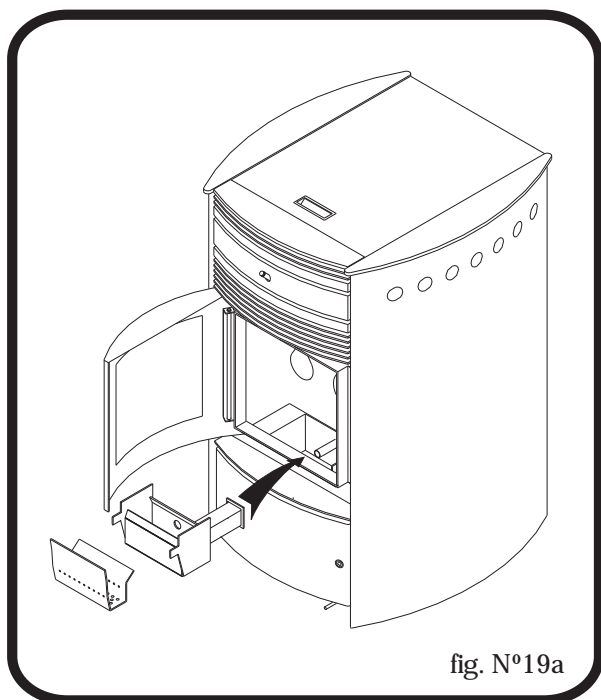
Retirez périodiquement les cendres, au fur et à mesure qu'elles remplissent la chambre de combustion.

Pour retirer les cendres :

- Assurez-vous que le feu est éteint et que la chambre de combustion s'est suffisamment refroidie
- Nettoyez les tuyaux de l'échangeur thermique (voir la section « NETTOYAGE » et la figure N°20).
- Retirez les sections internes des pots de combustion en les tirant vers le haut.
- Retirez les cendres de la section interne et grattez les cendres qui restent avec l'outil de nettoyage. Assurez-vous que les trous ne sont pas colmatés.
- Aspirez les cendres qui se trouvent à l'intérieur de la chambre d'incinération et la coque du pot de combustion. Ou balayez les cendres avec une balayette et déversez-les dans le tiroir à cendres.

AVERTISSEMENT : ASSUREZ-VOUS QUE LES CENDRES SONT FROIDES AVANT DE LES ASPIRER. VOIR « UTILISATION DE L'ASPIRATEUR »

- Jetez les cendres comme il se doit (voir la section «JETER DES CENDRES» ci-dessus).
- Remplacez la section interne dans le pot de combustion, assurez-vous qu'il est mis de niveau et insérez-le en poussant assurez-vous également que le trou de l'allumeur est à l'arrière lo que la section est remise eu place (Voir Figures 19 a,19 b,19 c).
- Verifiez l'etat du joint d'étanchaité du tuyau de prise d'air.
- Assurez-vous que le pot de combustion est droit et poussé au maximum. Si le collet du pot de combustion relié au tuyau d'air frais n'est pas en contact avec la paroi de la chambre de combustion, a barre de réglage ne fonctionnera pas correctement.



UTILISATION DE L'ASPIRATEUR

**ATTENTION:
NE PAS NETTOYEZ BRAISES OU CENDRES CHAUD AVEC UN ASPIRATEUR**

Si vous nettoyez l'appareil avec un aspirateur, nous vous conseillons d'utiliser un instrument d'aspiration spécialement conçu pour les cendres. Nous recommandons le LoveLess Ash Vac, 1-800-568-3949 Ext. #27.

Certains aspirateurs et shop vac classiques présentent des fuites et laissent de la cendre dans la pièce. Assurez-vous que votre aspirateur ou shop vac est doté d'un filtre ou d'un sac spécial pour éliminer ce problème de fuite.

NETTOYAGE

Tuyaux des échangeurs thermiques: Votre poêle à granulés BOSCA SPIRIT 500 a été conçu avec un nettoyeur de tuyau d'échangeur thermique intégré. La baguette de nettoyage se trouve dans le gril, au-dessus de la porte du poêle.

Utilisez-le tous les deux à trois jours pour retirer les cendres accumulées dans les tuyaux étant donné que cela réduit le transfert de la chaleur au poêle. Faites plusieurs fois des allées et venues avec la baguette pour nettoyer les tuyaux de l'échangeur thermique. N'oubliez pas de nettoyer également le tuyau qui se trouve à l'arrière du poêle (consultez la figure N°20).

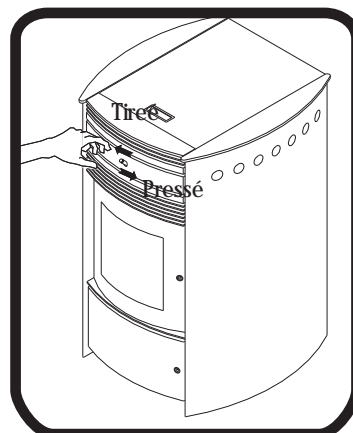


fig. N°20

Chambres intérieures: Vous pouvez ouvrir deux portes de la chambre de combustion qui ont la forme de gouttes de pluie pour effectuer un nettoyage périodique (consultez la figure N°21). Ces portes donnent accès à la chambre qui entoure la chambre de combustion.

Vous devez, de temps à autre, aspirer les cendres de cette chambre. Dans certains cas, vous devrez retirer la créosote qui peut s'accumuler rapidement sous certaines conditions. Vous pouvez utiliser une petite brosse métallique. Il est essentiel de retirer la créosote car c'est une matière très combustible.

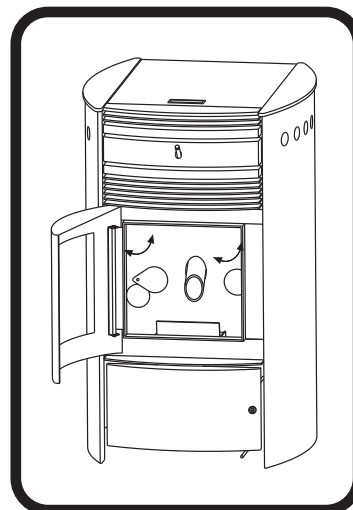


fig. N°21

**INSPECTEZ L'ARRIÈRE DES PLAQUES DE NETTOYAGE AU MOINS UNE FOIS TOUTES LES
TONNES DE GRANULÉS BRÛLÉS JUSQU'À CE QUE VOUS COMPRENIEZ COMMENT LES
CENDRES ET LA CRÉOSOTE S'ACCUMULENT.**

VENTILATEURS

**DANGER: RISQUE DE CHOC ÉLECTRIQUE.
DÉBRANCHEZ L'APPAREIL AVANT DE PROCÉDER À SA ENTRETIEN.**

Nettoyage : Sur une période donnée, les cendres ou la poussière peuvent s'accumuler sur les lames du ventilateur de combustion et du ventilateur de convection. Aspirez occasionnellement les cendres contenues dans le ventilateur étant donné qu'elles peuvent réduire considérablement la performance. Pour se débarrasser de la créosote accumulée dans le ventilateur de combustion, retirez le panneau droit du poêle. Le ventilateur de convection se trouve à gauche, face tournée vers le poêle tandis que le ventilateur de combustion est à droite.

REMARQUE: Lorsque vous effectuez le nettoyage, faites attention à ne pas déloger l'attache de maintien de l'équilibre ou de tordre les lames du ventilateur. Certaines personnes vaporisent une solution chimique anti-créosote sur le feu pour réduire sa formation à l'intérieure du poêle.

NETTOYAGE DE LA CHEMINÉE

Suie et cendres: Les produits de combustion contiennent des particules de cendre. Ces particules peuvent s'accumuler et réduire la sortie des gaz de combustion. Une combustion incomplète peut survenir au démarrage, à la fermeture ou à un mauvais apport d'air. L'une ou l'ensemble de ces circonstances peuvent entraîner l'accumulation de suie dans le système d'évacuation. Il est recommandé de faire inspecter le système d'évacuation une fois par année et faire nettoyer au besoin.

Formation de la créosote: Quand le bois est lentement brûlé, il produit du goudron ainsi que d'autres vapeurs organiques qui se mélangent à la moisissure pour former de la créosote. Les vapeurs de créosote se condensent dans un conduit de cheminée relativement froid en cas de nouveau feu ou d'allure lente du feu. Les résidus de créosote s'accumulent sur le tubage. À l'allumage, cela provoque un feu extrêmement violent susceptible d'endommager la cheminée voire, détruire votre maison. Malgré leur haute efficacité, les poêles à granulés peuvent accumuler de la créosote sous certaines conditions.

Cendres volantes : Elles s'accumulent dans la portion horizontale d'un conduit d'évacuation. Bien que non combustibles, elles peuvent interrompre le flux d'évacuation normal. Pensez donc à les enlever régulièrement.

Inspection et retrait : Le connecteur et la cheminée doivent tous deux être inspectés tous les ans ou toutes les tonnes de granulés utilisés pour déterminer si un amas de créosote ou de cendre s'est formé. Si c'est le cas, retirez-le pour réduire le risque d'un feu de cheminée. Inspectez le système au niveau de la connexion du poêle et au niveau de la partie supérieure de la cheminée. La créosote a tendance à s'accumuler plus rapidement sur les surfaces plus froides, il est donc essentiel de vérifier la cheminée aussi bien en haut qu'en bas.

Utilisez une brosse spécialement conçue pour le type de cheminée utilisé pour retirer la créosote. Un ramoneur qualifié peut effectuer cette tâche. Il est également recommandé, avant chaque saison de chauffage, de faire inspecter, nettoyer et si nécessaire, réparer l'ensemble du système par des professionnels.

Pour nettoyer la cheminée, détachez le conduit d'évacuation de la transition du ventilateur de combustion.

PROGRAMME DE MAINTENANCE RECOMMANDÉ

Utilisez ce guide dans des conditions normales d'utilisation

	Quotidien	Hebdomadaire	Biannuel/Annuel ou pa
Pot de combustion	Remuement	Vidage	
Verre	Essuyage	Nettoyage	
Chambre de combustion		Nettoyage à la brosse	
Cendres			Vidage
Chambre intérieure			Nettoyage à l'aspirateur
Tuyaux de l'échangeur thermique		Deux passages	
Lames du ventilateur de combustion			Nettoyage à l'aspirateur/brosse
Impulseur du ventilateur de convection			Nettoyage à l'aspirateur/brosse
Système d'évacuation			Nettoyage
Joints d'étanchéité			Inspection
Trémie (fin de la saison)			Vidage/nettoyage à l'aspirateur

Inspectez, réparez ou remplacez les joints d'étanchéité autour de la porte et de la vitre de la porte à chaque fois que nécessaire (Voir "PIÈCES DE RECHANGE").

RETRAIT ET REMPLACEMENT DE LA VITRE BRISÉE DE LA PORTE

Les mains munies de gants en cuir (ou de toute autre paire de gant adaptée à la manipulation des morceaux de verre), retirez avec soin les pièces de verre brisées du cadre de la porte. Jetez-les dans le respect des normes écologiques. Renvoyez la porte à votre revendeur Bosca pour sa réparation ou son remplacement.

Ni le propriétaire de l'appareil ni toute autre personne non autorisée ne devrait remplacer le verre de la porte. C'est au revendeur Bosca autorisé d'effectuer toutes les opérations de réparation afférentes au verre de la porte.

GUIDE DE DÉPANNAGE

Lorsque votre poêle a un fonctionnement inhabituel, la première réaction est de chercher de l'aide. Le présent manuel peut vous permettre d'économiser du temps et de l'argent en vous aidant à résoudre vous-même les problèmes de base. Il n'existe que cinq sources de problème : 1) quantité de combustible insuffisante ; 2) mauvais fonctionnement ou maintenance; 3) mauvaise installation; 4) panne d'un composant; 5) défaut de fabrication. En règle générale, la résolution des problèmes 1 et 2 ne pose aucune difficulté. Votre revendeur pourra se charger des problèmes 3, 4 et 5.

LE POÊLE S'ÉTEINT ET LA LUMIÈRE #2 CLIGNOTE

Causes possibles	Solutions possibles (commencez par débrancher le poêle dès que vous le pouvez)
1.- Le conduit du commutateur d'air ou les tuyaux de fixation du poêle sont bouchés.	Déconnectez le tuyau d'air du commutateur de débit et soufflez dedans. Si l'air passe sans problème, cela signifie que les tuyaux ne sont pas bouchés. Si l'air ne passe pas, utilisez un fil métallique pour déboucher le tuyau.
2.-L'entrée d'air, le pot de combustion, les chambres de combustion internes, le ventilateur de combustion ou le tuyau d'évacuation est bouché avec de la cendre ou une matière étrangère.	Suivez toutes les procédures de nettoyage dans la section consacrée à la maintenance du guide d'utilisation.
3.-La chambre de combustion n'est pas bien fermée.	Assurez-vous que la porte est fermée et que le joint d'étanchéité est en bon état. Si la porte de la chambre de combustion est munie d'un loquet, assurez-vous qu'elle est bien fermée et que le joint d'étanchéité est bien en place. Si le poêle ne dispose que d'un petit trou par lequel tombe les cendres pour arriver au pot de combustion, assurez-vous que la plaque coulissante est en place pour protéger le fond de la chambre de combustion.
4.-Le conduit d'évacuation est mal installé.	Vérifiez que l'installation du conduit d'évacuation répond aux critères définis dans le guide d'utilisation.
5.-Les connexions du tuyau d'air sont incorrectes.	Vérifiez les connecteurs qui relient les fils gris au commutateur de débit d'air.
6.-Les fils gris sont détendus au niveau du connecteur Molex sur le harnais de câblage.	Vérifiez que les fils gris ne sont bien tendus au niveau du connecteur Molex
7.-Le ventilateur de combustion est en panne.	Avec le poêle en marche, vérifiez que le ventilateur de combustion fonctionne. Si ça n'est pas le cas, vérifiez si le ventilateur est alimenté en courant. Ça devrait être le cas. S'il y a du courant, cela signifie que le ventilateur est en panne. S'il n'y en a pas, consultez la #8.

Causes possibles	Solutions possibles (commencez par débrancher le poêle dès que vous le pouvez)
8.-Le tableau de commande n'envoie pas d'électricité au ventilateur de combustion.	Si le ventilateur de combustion n'est pas alimenté en courant, vérifiez le branchement de tous les câbles. Si tous les câbles sont bien branchés, cela signifie que le tableau de commande fonctionne mal.
9.-Le tableau de commande n'envoie pas d'électricité au commutateur de débit d'air.	Il devrait y avoir du courant de 5 volts (environ) qui alimente le commutateur de débit d'air après que le poêle ait été en marche pendant 30 secondes.
10. Le commutateur de débit d'air est en panne (très rare).	Pour tester le commutateur de débit d'air, vous devez déconnecter le tuyau d'air du corps du poêle. L'autre extrémité étant toujours fixée sur le commutateur de débit d'air, aspirez très légèrement l'extrémité libre du tuyau (nous vous conseillons de déconnecter entièrement le tuyau du poêle et du commutateur d'air pour vous assurer qu'il est libre de toute substance ou matière). Si vous entendez un clic, cela signifie que le commutateur fonctionne. ATTENTION : TRP D'ASPIRATION PEUT ABÎMER LE COMMUTATEUR D'AIR.

LE POÊLE S'ÉTEIND ET LE VOYANT LUMINEUX #3 CLIGNOTE

Causes possibles	Solutions possibles (commencez par débrancher le poêle dès que vous le pouvez)
1.- Il n'y a plus de granulés dans la trémie.	Remplissez à nouveau la trémie.
2.- La trémie n'a pas été refermée.	Le couvercle doit être bien fermé pour qu'il puisse y avoir une alimentation en granulés.
3.- Le registre d'air est trop ouvert pour définir une vitesse d'alimentation basse.	Assurez-vous que le collet d'arrivée d'air du pot de combustion est en contact avec la paroi arrière de la chambre de combustion.
4.- Le pot de combustion n'est pas entièrement enfoncé jusqu'au fond de la chambre de combustion.	Assurez-vous que le collet d'arrivée d'air du pot de combustion est en contact avec la paroi arrière de la chambre de combustion.
5.- Les trous du pot de combustion sont bouchés.	Retirez le pot de combustion et nettoyez-le bien.
6.- L'arrivée d'air, les chambres intérieures ou le système d'évacuation souffre d'un blocage partiel.	Suivez toutes les procédures de nettoyage dans la section consacrée à la maintenance du guide d'utilisation.
7.- L'arbre de tarière est coincé.	Commencez par vider la trémie. Ensuite, retirez le moteur de la tarière en retirant la broche de tarière. Retirez la plaque d'inspection de l'arbre de tarière qui est dans la trémie afin que vous puissiez avoir accès à l'arbre de tarière. Soulevez délicatement l'arbre de tarière à la verticale de manière à ce que l'extrémité de l'arbre de tarière sorte par le haut depuis la douille inférieure de la tarière. Ensuite, retirez les deux écrous qui maintiennent les deux lamelles de tarière en place. Faites tourner l'extrémité inférieure de l'arbre de tarière vers vous jusqu'à ce que vous puissiez retirer l'arbre du poêle. Après avoir retiré l'arbre, vérifiez que les filets ne sont pas tordus, qu'il n'y a pas de bavure ou de soudures brisées. Vérifiez également qu'il n'y a pas de matériau étranger susceptible d'être à l'origine de ce coincement. Vérifiez le tuyau de tarière pour vous assurer qu'il ne présente pas de signes d'endommagement tels que des bavures, de rugosités ou de rainures creusées dans le métal susceptibles d'avoir coincé le composant.

Causes possibles	Solutions possibles (commencez par débrancher le poêle dès que vous le pouvez)
8.- Le moteur de la tarière ne fonctionne pas.	Retirez le moteur de tarière de l'arbre et essayez de le mettre en marche. Si le moteur tourne, l'arbre est coincé quelque part. Si le moteur ne tourne pas, cela veut dire qu'il est en panne.
9.- Le thermodisque Proof of Fire (POF) ne fonctionne pas bien.	Court-circuitez momentanément le thermodisque POF en déconnectant les deux fils bruns et en les connectant avec un petit morceau de câble. Rebranchez ensuite le poêle. Si il fonctionne, vous devez remplacer le thermodisque POF. Il s'agit uniquement d'un test. NE LAISSEZ PAS LE THERMODISQUE COURT-CIRCUITÉ. Si c'est le cas, vos ventilateurs ne s'éteindront jamais et si le feu sort, la tarière continuera de fournir des granulés jusqu'à ce que la trémie se vide.
10.- Le thermodisque de fin de course s'est enclenché ou est défectueux.	Laissez le poêle refroidir pendant 30 à 40 minutes. Il devrait dorénavant fonctionner normalement. Si ce n'est pas le cas, utilisez le guide d'utilisation pour localiser le thermodisque de fin de course. Pour savoir si le thermodisque ne fonctionne pas, vous pouvez le court-circuiter comme décrit plus haut pour le thermodisque POF.
11.- Le fusible du tableau de commande a sauté.	Retirez le tableau de commande. Si le fusible a sauté, remplacez-le par un autre de 5 A et de 250 V. Rebranchez le poêle et essayez de le faire fonctionner.
12.- Le tableau de commande n'envoie pas de courant au thermodisque POF ou aux autres composants du système de tarière.	Il devrait y avoir du courant de 5 volts (environ) qui alimente le thermodisque POF après que le poêle ait été en marche pendant 10 minutes.

LE POËLE UTILISE LES GRANULÉS MAIS ELLE NE S'ALLUME PAS

Causes possibles	Solutions possibles (commencez par débrancher le poêle dès que vous le pouvez)
1.- Le registre d'air est trop ouvert pour permettre l'ignition.	Retirez le registre d'air pour le démarrage. Dans certaines situations, il peut être nécessaire de fermer complètement le registre pour rendre l'ignition possible. Une fois qu'une flamme apparaît, le registre peut être réglé pour obtenir la vitesse souhaitée.
2.- Bouchage du tube allumeur ou de l'orifice d'entrée du tube allumeur.	Localisez l'enceinte de l'allumeur derrière le mur pare-feu. Le trou d'admission d'air est de petite taille et se trouve sur le côté inférieur de l'enceinte. Assurez-vous qu'il n'est pas obstrué. De même, assurez-vous qu'il n'y a pas de débris autour de l'élément d'allumage qui se trouve à l'intérieur de l'enceinte de l'allumeur.
3.- Le pot de combustion n'est pas entièrement enfoncé jusqu'au fond de la chambre de combustion.	Alimentez l'élément d'allumage en courant. Observez la pointe de l'allumeur depuis l'avant du poêle. Après 2 min environ, cette pointe devrait briller. Si ce n'est pas le cas, la pointe est abîmée.
4.- L'élément d'allumage ne fonctionne pas.	Assurez-vous que le collect d'arrivée d'air du pot de combustion est en contact avec la paroi arrière de la chambre de combustion.
5.- Le tableau de commande n'envoie pas de courant à l'allumeur.	Vérifiez la tension de l'allumeur au cours du démarrage. Elle devrait être au maximum. Si ça n'est pas le cas, vérifiez le câblage. Si le câblage paraît en ordre, cela signifie alors que c'est le tableau de commande qui est en panne.

ODEUR DE FUMÉE DANS LA MAISON

Causes possibles	Solutions possibles (commencez par débrancher le poêle dès que vous le pouvez)
1.- Il y a une fuite au niveau du système d'évacuation.	Inspectez toutes les connexions du tuyau d'évacuation. Assurez-vous qu'elles sont scellées avec de la silicone RTV tolérant des températures de 260 °C ou plus. De même, scellez les joints avec de l'adhésif acrylique UL-181-AP. Assurez-vous également que l'adaptateur aux coins arrondis ou carrés du ventilateur de combustion a été scellé correctement avec le même RTV.
2.- Le joint d'étanchéité statique du ventilateur de combustion est abîmé.	Inspectez les deux joints d'étanchéité statique du ventilateur de combustion pour vous assurez qu'ils ont une forme correcte.

LE VENTILATEUR DE CONVECTION S'ARRÊTE ET SE REMET EN MARCHÉ

Causes possibles	Solutions possibles (commencez par débrancher le poêle dès que vous le pouvez)
1.- Le ventilateur de convection est en surchauffe et enclenche le débit nul de la température interne.	Essayez de lubrifier le ventilateur de convection. Versez 1 à 2 gouttes d'huile SAE20 dans chacun des deux ports de huilage. Nettoyez également la poussière qui se trouve sur les enroulements et les lames. Si huiler le ventilateur s'avère inutile, il se peut qu'il soit abîmé.
2.- Dysfonctionnement de la carte de circuit imprimé.	Testez le courant du ventilateur de convection. Si du courant est envoyé au ventilateur lorsqu'il est éteint, cela veut dire que le tableau de commande fonctionne bien. Si AUCUN courant n'est envoyé au ventilateur lorsqu'il s'éteint pendant le fonctionnement du poêle, cela signifie que le tableau de commande est défectueux.

LE POËLE N'UTILISE PAS LES GRANULÉS MAIS LA LUMIÈRE D'ALIMENTATION EN COMBUSTIBLE EST ALLUMÉE COMME IL SE DOIT

Causes possibles	Solutions possibles (commencez par débrancher le poêle dès que vous le pouvez)
1.- Le fusible du tableau de commande a sauté.	Retirez le tableau de commande. Si le fusible a sauté, remplacez-le par un autre de 5 A et de 250 V. Rebranchez le poêle et essayez de le faire fonctionner.
2.- Le commutateur de fin de course s'est enclenché ou est défectueux.	Laissez le poêle refroidir pendant 30 à 45 minutes. Il devrait dorénavant fonctionner normalement. Si ce n'est pas le cas, utilisez le guide d'utilisation pour localiser le thermodisque de fin de course. Pour savoir si le thermodisque ne fonctionne pas, vous pouvez le court-circuiter comme décrit plus haut pour le thermodisque POF.
3.- Le moteur de la tarière est abîmé.	Retirez le moteur de tarière de l'arbre et essayez de le mettre en marche. Si le moteur tourne, l'arbre est coincé quelque part. Si le moteur ne tourne pas, cela veut dire qu'il est en panne.

4.- Coincement de la tarière.	Commencez par vider la trémie. Ensuite, retirez le moteur de la tarière en retirant la broche de tarière. Retirez la plaque d'inspection de l'arbre de tarière qui est dans la trémie afin que vous puissiez avoir accès à l'arbre de tarière. Soulevez délicatement l'arbre de tarière à la verticale de manière à ce que l'extrémité de l'arbre de tarière sorte par le haut depuis la douille inférieure de la tarière. Ensuite, retirez les deux écrous qui maintiennent les deux lamelles de tarière en place. Faites tourner l'extrémité inférieure de l'arbre de tarière vers vous jusqu'à ce que vous puissiez retirer l'arbre du poêle. Après avoir retiré l'arbre, vérifiez que les filets ne sont pas tordus, qu'il n'y a pas de bavure ou de soudures brisées. Vérifiez également qu'il n'y a pas de matériau étranger susceptible d'être à l'origine de ce coincement. Vérifiez le tuyau de tarière pour vous assurer qu'il ne présente pas de signes d'endommagement tels que des bavures, de rugosités ou de rainures creusées dans le métal susceptibles d'avoir coincé le composant.
5.- Câble ou connecteur mal branché	Vérifiez tous les câbles et connecteurs branchés sur le moteur de la tarière, le commutateur de fin de course et le connecteur Molex.
6.- Tableau de commande défectueux	Si le fusible, les câbles et les connecteurs sont en bon état et que le commutateur de fin de course ne s'est pas enclenché, testez le courant du moteur de la tarière. Si le courant alimentant le moteur de la tarière n'est pas au maximum lorsque la lumière d'alimentation en combustibles est allumée, cela signifie que le tableau de bord est défectueux.

- LA VITRE S'ENCRASSE TRÈS RAPIDEMENT
- LA FLAMME EST FAIBLE, SOMBRE ET SES POINTES SONT NOIRES
- LORSQUE LE POÊLE A ÉTÉ EN MARCHÉ PENDANT UN MOMENT, LE POT DE COMBUSTION DÉBORDE

Causes possibles	Solutions possibles (commencez par débrancher le poêle dès que vous le pouvez)
1.- Le poêle ou le conduit d'évacuation est sale ce qui réduit le passage de l'air vers le pot de combustion.	Suivez toutes les procédures de nettoyage dans la section consacrée à la maintenance du guide d'utilisation.
2.- La chicane de la chambre de combustion ou l'échangeur thermique est sale.	Nettoyez l'échangeur thermique ou la chicane.
3.- Le conduit d'évacuation est mal installé.	Assurez-vous que le conduit d'évacuation a été installé conformément aux consignes du guide d'utilisation.
4.- Le registre d'air est trop fermé pour autoriser une valeur plus grande.	Tirez sur le bouton du registre placé sur le côté du poêle et essayez de la remettre en marche.
5.- Les trous du pot de combustion sont bouchés.	Retirez le pot de combustion et nettoyez-le bien.
6.- Le registre d'air est cassé.	Inspectez le registre. Assurez-vous que la plaque du registre est fixée sur la barre du registre. Lorsque la barre du registre se déplace, la plaque doit se déplacer en même temps.
7.- Blocage du tuyau d'admission d'air.	Inspectez le tuyau d'arrivée d'air qui mène au pot de combustion pour vous assurez qu'il est exempt de matériaux étrangers.
8.- Dysfonctionnement de la carte de circuit imprimé.	Programmez la lumière d'alimentation en combustible à chaque paramétrage (après que le poêle a terminé le cycle de démarrage). Assurez-vous que les heures correspondent au tableau de programmation de la tarière. Si le moteur de la tarière fonctionne continuellement, le tableau de commande est défectueux.

9.- Le ventilateur de combustion n'est pas assez rapide.	Testez le RPM du ventilateur après que les lames ont été nettoyées. Il devrait être défini à 3000 RPM environ.
10.- Granulés de mauvaise qualité (S'applique uniquement au problème: LA VITRE S'ENCRASSE TRÈS RAPIDEMENT).	La marque des granules ou le lot de granulés utilisé doit être de mauvaise qualité. Essayez une autre marque de granulés, si c'est possible. Essayez également une marque qui utilise un autre type de bois (bois doux au lieu de bois dur). Les différents bois présentent différentes caractéristiques de combustion.
11.- Le paramètre de maintenance de la vitesse d'alimentation est trop bas (S'applique uniquement au problème: LA VITRE S'ENCRASSE TRÈS RAPIDEMENT).	Utilisez le bouton « Reset Trim » pour augmenter la vitesse d'alimentation. Si les lumières 1 & 3 sont allumées, cela signifie que la puissance du poêle est au plus faible. Si seule la lumière 1 est allumée, le poêle est en mode par défaut (puissance moyenne). Si les lumières 1 & 4 sont allumées, la puissance du poêle est élevée ce qui est également le cas de la vitesse d'alimentation. Si le poêle fonctionne à l'une des deux basses puissances, passez au niveau au-dessus et essayez de faire brûler le poêle.

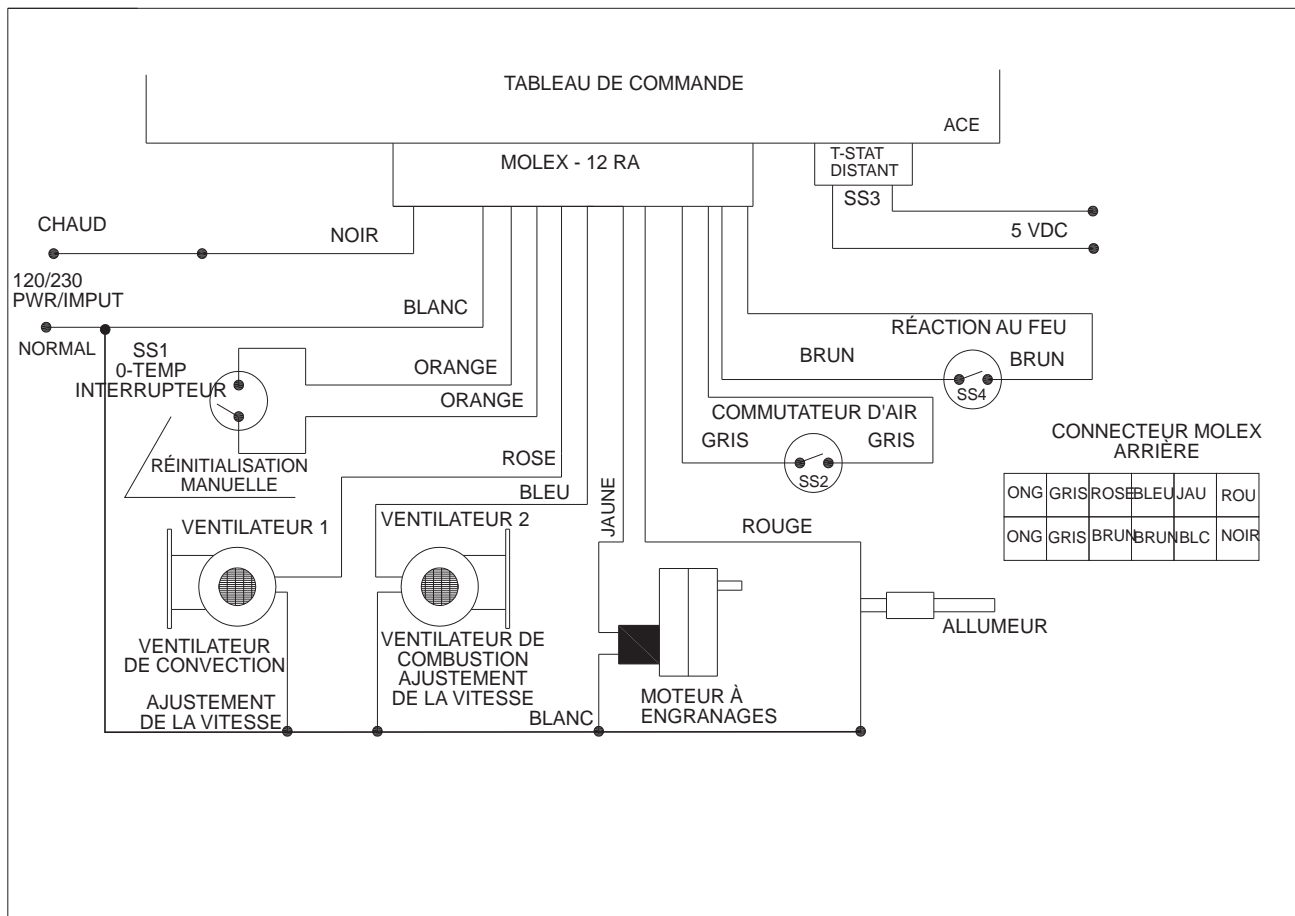
LE COMMUTATEUR DE FIN DE COURSE NE CESSE DE S'ENCLANCHER

Causes possibles	Solutions possibles (commencez par débrancher le poêle dès que vous le pouvez)
1.- Le ventilateur de convection est en surchauffe et enclenche le débit nul de la température interne.	Nettoyez la poussière qui se trouve sur les enroulements et les lames. Si nettoyer le ventilateur s'avère inutile, il se peut qu'il soit abîmé.
2.- Le poêle est réglé à sa puissance maximale pendant une période prolongée.	Sélectionnez le niveau de chaleur le plus élevé pendant de courtes périodes uniquement. Utiliser le poêle à son niveau de chaleur maximal pendant plus d'une à deux heures peut conduire à des situations de surchauffe.
3.- Le poêle fonctionne avec du combustible autre que du granulé de bois.	Le poêle à granulés BOSCA SPIRIT 500 a été conçu et testé pour fonctionner avec des granulés de bois. Bien qu'il soit possible de brûler un mélange de maïs (du maïs mélangé à des granulés de bois) dans le poêle, il n'est pas recommandé d'utiliser l'appareil à un niveau supérieur à 3. Identifiez les combustibles autres que les granulés de bois. Si vous remarquez que du maïs est utilisé, déterminez le type de mélange et le réglage sélectionné. Aucun autre type de combustible n'a été approuvé pour le poêle à granulés BOSCA SPIRIT 500. Si d'autres combustibles sont utilisés, demandez au consommateur d'arrêter immédiatement de les utiliser.
4.- Surcharge ou baisse de tension.	Une surcharge, une variation brusque ou une chute de la tension peut provoquer l'enclenchement du commutateur de fin de course. Vérifiez qu'il y a bien un protecteur de surtension sur le poêle. Si ça n'est pas le cas, recommandez-le au consommateur.
5.- Dysfonctionnement du commutateur de fin de course.	Si les autres éléments sont en bon état, remplacez le commutateur de fin de tension.

ODEUR DE FUMÉE OU ACCUMULATION DE SUIE

Parce que le poêle à granulés BOSCA SPIRIT 500 est un appareil de chauffage à bois, il se peut qu'il émette une légère odeur de bois brûlé. Si l'odeur est trop forte ou si vous remarquez une formation de suie sur les murs ou les meubles, vérifiez que le système d'évacuation n'a aucune fuite. Tous les joints devraient être bien remplis. Veuillez également nettoyer votre poêle en suivant les instructions de la section « MAINTENANCE ». Si le problème persiste, contactez votre revendeur.

DIAGRAMME ÉLECTRIQUE

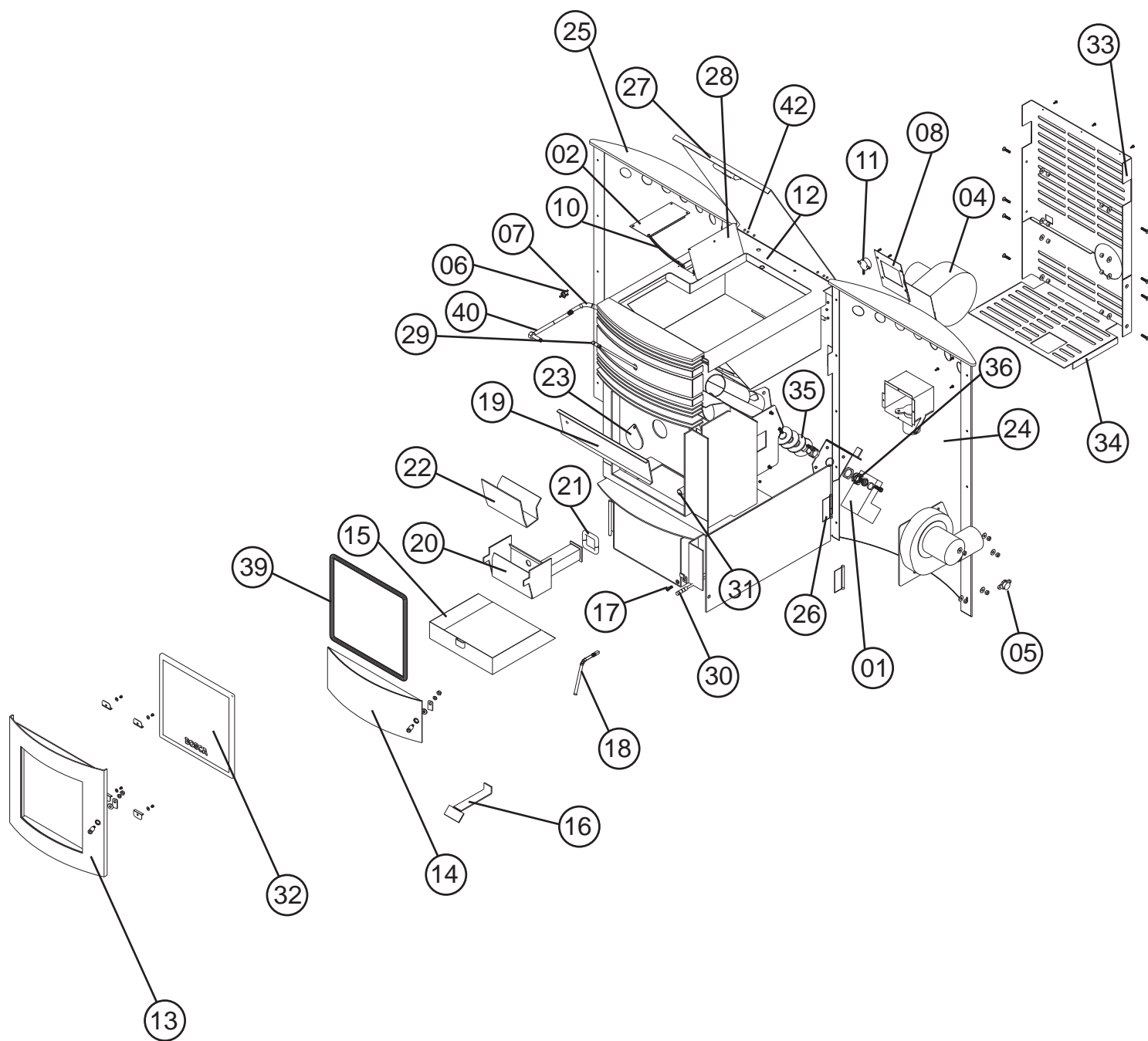


PIÈCES DE RECHANGE

Contactez un revendeur de poêles Bosca autorisé pour obtenir l'une de ces pièces. N'utilisez jamais des matériaux de remplacement. L'utilisation de pièces non autorisées peut provoquer une forte baisse de performance et s'avérer dangereux.

NUMBER	C O D E	DESCRIPTION
01	12720001	Moteur de tarière
02	12720002	Tableau de commande
03	12720003	Ventilateur de combustion
04	12720004	Ventilateur de convection
05	12720006	Détecteur de niveau bas
06	12720007	Détecteur de niveau haut
07	12720008	Tuyau à vide
08	12720009	Joint d'étanchéité du ventilateur de convection
09	12720010	Joint d'étanchéité du boîtier de la tarière
10	12720011	Faisceau de conducteurs
11	12720012	Commutateur de débit d'air
12	12720013	Interrupteur de la trémie
13	12720026	Porte (sans verre céramique)
14	30660050	Porte de cendrier
15	30660051	Cendrier
16	12720029	Outil de nettoyage
17	12720030	Loquet
18	12720031	Poignée de porte
19	12720032	Plaque d'accumulation
20	12720033	Pot de combustion
21	12720034	Joint d'étanchéité du pot de combustion
22	12720035	Grille de combustion
23	12720036	Porte d'accès à l'échangeur thermique
24	30660052	Panneau gauche
25	30660053	Panneau droit
26	12720039	Charnières des panneaux latéraux
27	30660054	Couvercle de la trémie
28	30660055	Porte du tableau de commande
29	30660056	Baguette de nettoyage de l'échangeur thermique
30	30660057	Tringlerie de registre
31	12720044	Appareil d'allumage
32	12720045	Verre céramique (avec joint d'étanchéité)
33	30660058	Écran arrière supérieur
34	30660059	Écran arrière inférieur
35	40110015	Tarière
36	12720049	Douille en laiton supérieure et inférieure
37	12720050	Supports de fixation du moteur de tarière
38	12720051	Collier et boulon de fixation de la tarière
39	12720052	Douille de retenue du verre (avec supports, vis et cordage)
40	12720053	Ensemble téton de vide
41	12720054	Guide d'utilisation
42	30610232	Couvercle de la trémie charnières

PIÈCES DE RECHANGE



GARANTIE À VIE LIMITÉE

ÉNONCÉ DE LA POLITIQUE DE GARANTIE:

BOSCA garantit ses produits contre les pannes des composants et contre tout défaut de matériaux ou de fabrication conformément aux termes de la garantie fournie avec le produit. Tous les revendeurs et distributeurs sont tenus de respecter les conditions de garantie de BOSCA, qu'ils aient vendu ou installé le produit ou non.

Les procédures d'installation et de démarrage sont perçues comme des activités normales et nécessaires non associées aux services offerts dans le cadre de la garantie. Les points tels que les réglages de l'obturateur d'air ou l'évacuation sont à intégrer à la procédure de démarrage. De telles procédures ne sont pas couvertes par la garantie.

PÉRIODE DE GARANTIE :

La période de garantie débute à la date d'affectation (nouvelle construction) ou à la date d'installation (remodelage).

GARANTIE À VIE :

La garantie à vie limitée de BOSCA certifie que les composants suivants fonctionneront comme prévu au cours des 7 premières années et ce, pour toutes les poêles à granulés et que les travaux de maintenance seront plutôt limités au cours des 2 premières années, pour l'acheteur d'origine. Cette garantie couvre : la chambre de combustion, l'échangeur thermique, les panneaux de la chambre de combustion, le verre en céramique, les panneaux et la porte. Il peut y avoir certaines restrictions et exclusions.

Garantie de trois ans :

Comme le prévoit la présente garantie, BOSCA couvre la gaine du pot de combustion contre les défauts de matériaux et de fabrication pendant les trois (3) premières années. Il peut y avoir certaines restrictions et exclusions.

Garantie de deux ans :

Bénéficient d'une garantie de deux ans, tous les composants électriques tels que les ventilateurs, moteurs de tarière, allumeurs, les câbles, les interrupteurs à vide, les contrôles de vitesse, les boîtes de contrôle et les thermodisques. Il peut y avoir certaines restrictions et exclusions.

Garantie d'un an :

Comme le prévoit la présente garantie, BOSCA couvre toutes les parois extérieures contre les défauts de matériaux et de fabrication pendant la première année. Il peut y avoir certaines restrictions et exclusions.

CONDITIONS

Cette garantie est non transférable et est adressée à l'acheteur d'origine à condition que l'achat ait été effectué auprès d'un revendeur BOSCA autorisé. L'appareil doit être installé et utilisé conformément aux instructions d'installation et de fonctionnement qui accompagnent le produit et conformément aux codes régionaux et nationaux. Toute altération, usage abusif, accident ou mauvaise utilisation du produit entraînera la nullité de la présente garantie. Le travail fourni pour réparer ou remplacer toute pièce couverte par la présente garantie à vie sera couvert par notre programme de remboursement de frais au cours des cinq premières années. Les réglages, les travaux réguliers de maintenance, le nettoyage et les réparations temporaires n'entrent pas dans le cadre de la présente garantie. Le remplacement de pièces remplaçables par le consommateur ainsi que l'installation de composants mis à niveau n'entre pas dans le cadre des frais d'appel de service et n'est pas couvert par la présente garantie. La présente garantie à vie ne porte ni n'inclut l'état de surface de l'appareil, les joints d'étanchéité de la porte et de la vitre, la vitre ou les briques réfractaires. Elle ne couvre pas l'installation de l'appareil ou les problèmes liés à son utilisation tels que la surcuisson, l'utilisation de bois échappé corrosif, des contre-tirages ou des écoulements accidentels causés par les conditions environnementales, les arbres qui se trouvent à proximité, les édifices, les collines, les montagnes, l'évacuation ou la ventilation inadéquate, les décalages excessifs ou les pressions négatives causées par les systèmes mécaniques tels que générateurs de chaleur, les ventilateurs, les sèche-linge, etc. Toute installation, construction, transport ou autres coûts ou frais connexes résultant de pièces défectueuses, d'une réparation, d'un remplacement, etc., ne sera pas couverte par la présente garantie et la responsabilité de BOSCA ne pourra en aucun cas être engagée. Par ailleurs, BOSCA ne pourra être jugé responsable de tout dommage accessoire ou indirect, sauf s'il survient à la suite de l'endommagement de l'intérieur ou de l'extérieur de l'édifice dans lequel cet appareil est installé. La présente garantie à vie ne s'applique pas aux composants du système d'évacuation, du foyer ou tout autre accessoire utilisé dans le cadre de l'installation de ce produit et qui n'a pas été fabriqué par BOSCA.

La présente garantie est nulle si le poêle a été soumis à une surcuisson ou utilisé dans des atmosphères polluées par le chlore, la fluorine ou tout autre produit chimique corrosif, si le poêle est soumis à de longues périodes d'humidité ou de condensation ou si le poêle est détérioré par l'eau ou les conditions météorologiques en raison, sans que cette liste soit limitative, d'une installation incorrecte de la cheminée ou du système de ventilation. BOSCA peut, s'il le souhaite, être exempté de toute obligation relative à la présente garantie en réparant ou en remplaçant l'unité ou remboursant le prix de gros de ou des pièces défectueuses.

La garantie accordée par BOSCA et décrite plus haut couvre uniquement les poêles vendus aux États-Unis et au Canada et est considérée comme nulle et n'ayant aucune valeur contractuelle si le numéro de série a été retiré ou altéré.

Le revendeur n'est pas autorisé à altérer la présente garantie.

Certaines limites de la présente garantie peuvent ne pas s'appliquer à votre pays ou à votre État. Cette garantie vous confère des droits juridiques spécifiques. Vous pouvez également bénéficier d'autres droits qui varient d'un état à un autre.

VEUILLEZ CONSERVER CE DOCUMENT

INFORMATION IMPORTANTE

Modèle: _____
 Style : _____
 Numéro de série: _____
 Date d'achat: _____
 Achetée auprès de : _____
 Installé par: _____

Made in Chile
Fabriquè au Chili

BOSCA CHILE S.A.
Av. Américo Vespucio 2077
Huechuraba
Santiago - Chile
Telephone : (56) 2 3288500
Fax: (56) 2 624 1891

www.boscastoves.com