

BOSCA[®]

Owner's Manual



SOUL 700 Pellet Stove and Insert

Installation and Operating Instructions

Save These Instructions

Please read this entire manual before you install and use your BOSCA SOUL 700 Pellet Stove. Failure to follow instructions may result in property damage, bodily injury, or even death.

OWNER'S MANUAL

WARNING: If your appliance is not properly installed a house fire may result. For your safety, follow the installation directions. Contact local building or fire officials about restrictions and installation inspection requirements in your area.

PLEASE read this entire manual before installation and use of this pellet fuel-burning room heater.

Failure to follow these instructions could result in property damage, bodily injury, or even death.

Save these instructions.

PROFESSIONAL INSTALLATION IS HIGHLY RECOMMENDED

TABLE OF CONTENTS

INTRODUCTION	3
SAFETY PRECAUTIONS	4
INSTALLATION	5
Specifications (Soul 700 Free Standing)	5
Preparation (Soul 700 Free Standing)	6
Free Standing Kit Assembly Instructions (Soul 700 Free Standing)	6
Clearances (Soul 700 Free Standing)	10
Combustion Air Supply (Soul 700 Free Standing)	12
When Outside Air Supply is not Used (Soul 700 Free Standing)	12
Venting (Soul 700 Free Standing)	13
Installations (Soul 700 Free Standing)	14
Specifications (Soul 700 Insert)	19
Installations (Soul 700 Insert)	20
Venting System (Soul 700 Insert)	23
Installing Surround Panel (Soul 700 Insert)	24
Specifications (Soul 700 Insert)	25
Installation Check List (Soul 700 Insert)	26
Electrical Installation	26
OPERATION	27
Panel Controls	27
Proper Fuel	28
Pre-Start-Up Check	28
Building a Fire	28
Damper Control	29
Opening Door	29
Room Air Fan	29
If Stove Runs out of Pellets	29
Refueling	29
Shutdown Procedures	30
Safety Features	30
Thermostat Installation	30
Modes	30
OPERATING SAFETY PRECAUTIONS	31
MAINTENANCE	32
Maintenance Tool	32
Ash Removal	32
Ash Disposal	34
Vacuum Use	34
Cleaning	34
Blowers	35
Chimney Cleaning	35
Recommended Maintenance Schedule	35
Removal and Replacement of Broken Door Glass	36
TROUBLESHOOTING GUIDE	36
ELECTRICAL DIAGRAM	41
REPLACEMENT PARTS	42
LIFETIME LIMITED WARRANTY	45

INTRODUCTION

Thank you for purchasing the **BOSCA SOUL 700 Pellet Stove**. You are now prepared to burn wood pellets in the most efficient, convenient way possible. To achieve the safest, most efficient and most enjoyable performance from your stove, you must do three things:

- 1) Install it properly;
- 2) Operate it correctly; and
- 3) Maintain it regularly.

The purpose of this manual is to help you do all three.

**PLEASE READ THIS ENTIRE MANUAL BEFORE INSTALLATION AND USE OF THIS PELLET FUEL BURNING ROOM HEATER.
FAILURE TO FOLLOW THESE INSTRUCTIONS COULD RESULT IN PROPERTY DAMAGE,
BODILY INJURY OR EVEN DEATH.**

KEEP THIS MANUAL HANDY FOR FUTURE REFERENCE.

This stove has been independently tested to ASTM E 1509-04 Standard Specification for Room Heaters, Pellet Fuel Burning Type 1, UL 1482-1998 Standard for Solid Fuel Room Heaters, Oregon Administrative Rules for Mobile Homes (814-23-900 through 814-23-909) and Installation as a Stove Heater.

This pellet stove, when installed, must be electrically grounded in accordance with local codes, or in the absence of local codes, with the National Electrical Code ANSI/NFPA70.

This appliance is designed specifically for use only with pelletized wood. It is designed for residential installation according to current national and local building codes as a residential room heater. It is also approved as a mobile home heater, and is designed for connection to an outside combustion air source.

The stove will not operate using natural draft or without a power source for the blower systems and fuel feed system and must not be burned with any type of coal (see PROPER FUEL).

This stove is designed to provide the optimum proportions of fuel and air to the fire in order to burn free of smoke and soot. Any blockage of the air supply to or from the stove will seriously degrade its performance and will be evidenced by a smoking exhaust and a sooting window. For best operation the ash content of the pellet fuel should be less than 1% and the caloric value approximately 8200 BTU/LB. Avoid high ash content fuels because this will rapidly fill up the burn pot and eventually cut off the combustion air supply.

The **BOSCA SOUL 700 Pellet Stove** should not be used for commercial and industrial installation since operational control is often not well managed in these settings.

SAFETY PRECAUTIONS

- ⊙ Do not operate your stove if you smell smoke coming from it. Turn it off, do not unplug, monitor it, and call your dealer.
- ⊙ Never use gasoline, gasoline-type lantern fuel, kerosene, charcoal lighter fluid, or similar liquids to start or "freshen up" a fire in this stove. Keep all such liquids well away from the stove while in use.
- ⊙ Never block free airflow through the open vents of the stove.
- ⊙ Never try to repair or replace any part of the stove unless instructions are given in this Manual. All other work should be done by a trained technician.
- ⊙ The stove will not operate during a power outage. If an outage does occur, check the stove for smoke spillage and open a window if any smoke spills into the room.
- ⊙ Disconnect the power cord before performing any maintenance or repairs on the stove.
NOTE: Turning the stove "off" does not disconnect all power from the stove.
- ⊙ Do not unplug the stove if you suspect a malfunction. Turn the stove off, immediately inspect it, and call your dealer.
- ⊙ Keep foreign objects out of the hopper.
- ⊙ Do not throw this Manual away. This Manual has important operating and maintenance instructions that you will need at a later time. Always follow the instructions in this Manual.
- ⊙ Do not place clothing or other flammable items on or near your stove.
- ⊙ The viewing door must be closed and latched during operation.
- ⊙ Do not operate the stove if the flame becomes dark and sooty or if the burn pot overfills with pellets. Turn the stove off, immediately inspect it, and call your dealer.
- ⊙ The stove is hot while in operation. Keep children, clothing, and furniture away. Contact may cause skin burns. Educate all children of the danger of a high temperature stove. Young children should be supervised when they are in the same room as the stove.
- ⊙ If the stove is installed in a room without air conditioning, or in an area where direct sunlight can shine on it, it is possible this can cause the temperature of the stove to rise to operational levels. One of the sensors could then make the convection fan and/or feed system start on its own. It is recommended that the stove be unplugged when not in use for extended periods of time (i.e. during the summer months).
- ⊙ Contact your local building officials to obtain a permit and information on any installation restrictions or inspection requirements in your area. Notify your insurance company of this stove as well.
- ⊙ This unit must be properly installed to prevent the possibility of a house fire. The instructions in this Manual must be strictly adhered to. Do not use makeshift methods or compromise in the installation.
- ⊙ Allow the stove to cool before carrying out any maintenance or cleaning. Ashes must be disposed of in a metal container with a tight lid and placed on a non-combustible surface well away from the home structure.
- ⊙ The stove must be connected to a standard 120V, 60 Hz grounded electrical outlet. Do not use an adapter plug or sever the grounding plug. Do not route the electrical cord underneath, in front of, or over the stove.
- ⊙ The exhaust system should be checked a **minimum** of twice a year for any buildup of soot or creosote.
- ⊙ The exhaust system **must** be completely airtight and properly installed. The pellet vent joints must be sealed with RTV 500°F (260°C) silicone sealant, or with UL-18T-AP foil tape. Fasten with at least 3 screws.
- ⊙ Your stove requires periodic maintenance and cleaning. Failure to maintain your stove may lead to smoke spillage into your home.
- ⊙ This stove is designed and approved for pelletized wood fuel only. Any other type of fuel burned in this heater will void the warranty and safety listing.
- ⊙ When installed in a mobile or manufactured home, the stove must be bolted to the floor and have outside combustion air (per H.U.D. requirements). Check with local building officials.
- ⊙ **THIS STOVE MUST NOT BE INSTALLED IN A BEDROOM OR SLEEPING ROOM.**
- ⊙ BOSCA grants no warranty, implied or stated, for the installation or maintenance of your stove, and assumes no responsibility for any consequential damages.

INSTALLATION

SPECIFICATIONS Soul 700 Pellet Free Standing

	Freestanding
Width:	26.8 in.
Height:	34.6 in
Depth:	30.2 in
Weight:	419 lbs.

FRONT VIEW

TOP VIEW

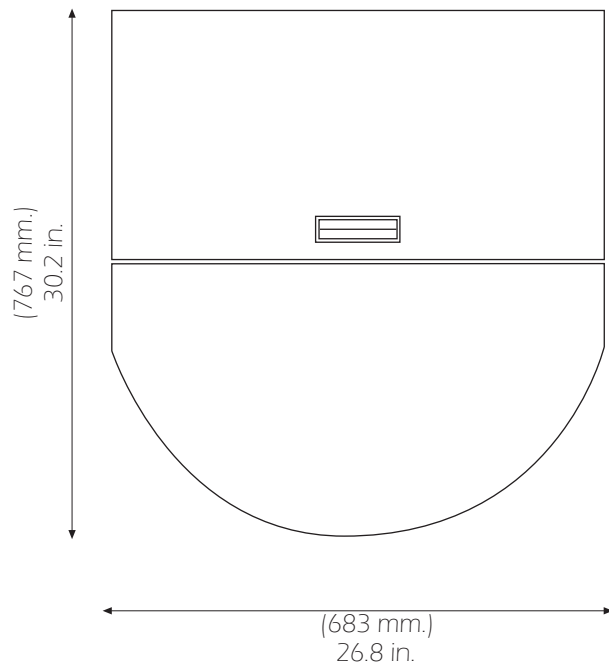
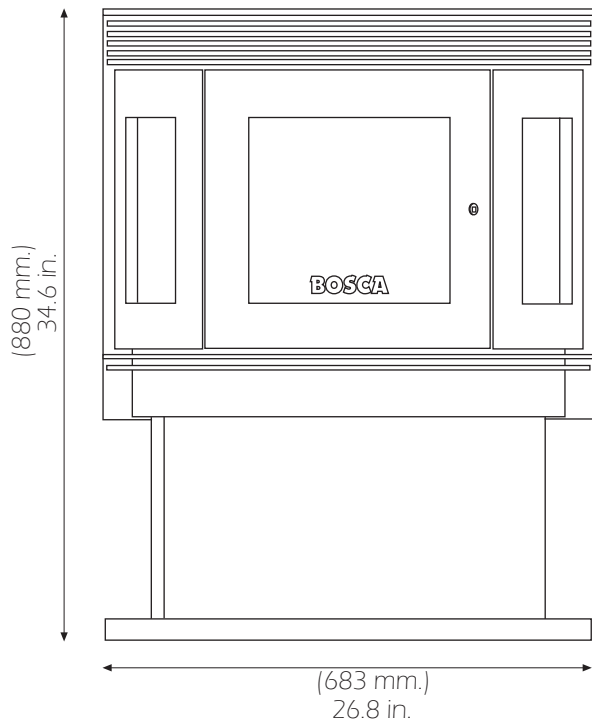


fig. N°1

Flue Size:	3" or 4"
Hopper Capacity:	80 lbs.
Emmissions Rate:	2.5 grs/hour (EPA Certified)
Burn Rate:	0.75 lbs to 5.5 lbs per hour
BTU Range:	8,200 to 47,000
Approved Installations:	Mobile Home, Alcove, Conventional

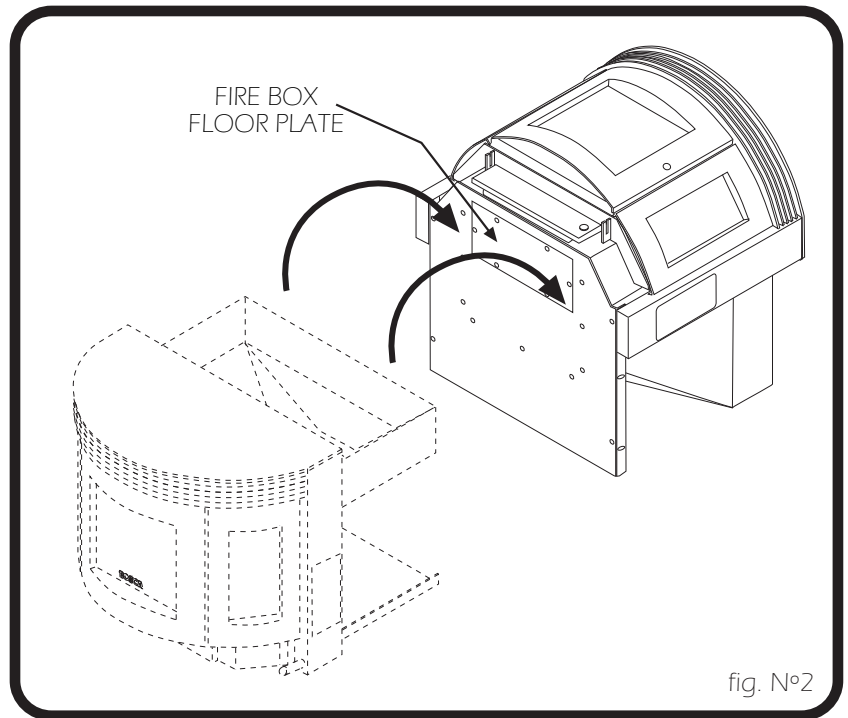
PREPARATION Soul 700 Pellet Free Standing

Factory packaging must be removed, and some minor assembly work is required prior to installation. Access to the rear of the stove is necessary.

FREE STANDING KIT ASSEMBLY INSTRUCTIONS Soul 700 Pellet Free Standing

1.- PEDESTAL ASSEMBLY (fig. N°2)

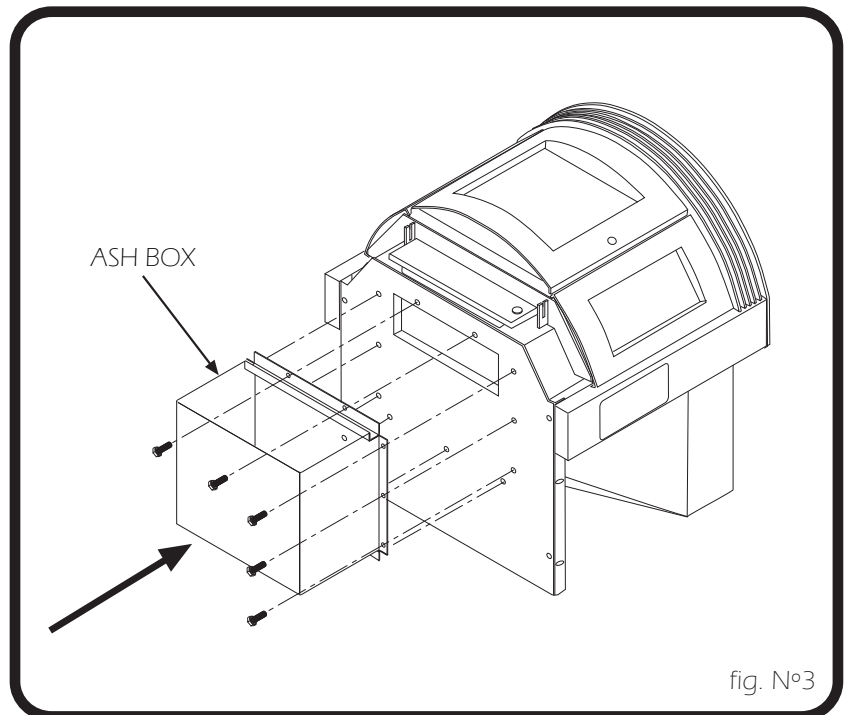
- a.- Unpack the stove.
- b.- Unbolt stove from pallet.
- 4 hex head bolts
- c.- Carefully lay the stove on its back.



2.- ASH BOX ASSEMBLY (fig. N°3)

- a.- Remove firebox floor plate by removing 6 bolts (1/4" flat head). See Fig. N°2
- b.- Unpack Ash Box.
- c.- Align ash box to stove firebox bottom, start front bolts (1/4" hex head). Adjust and install remaining (1/4" hex head) bolts.
Do not fully tighten until alignment of all bolts is started, press ash box up to stove bottom and tighten.

NOTE: Make sure to get a tight seal. A leak may cause stove to burn incorrectly.



3.- PEDESTAL ASSEMBLY (fig. N°4)

- a.- Unpack pedestal assembly.
- b.- Lay pedestal assembly on it's back.
- c.- Line up four (1/4" hex head) bolts to stove bottom.
- d.- Start all four holes but do not tighten untill all four are aligned.
- e.- Once all four holes are aligned, securely tighten the four bolts.

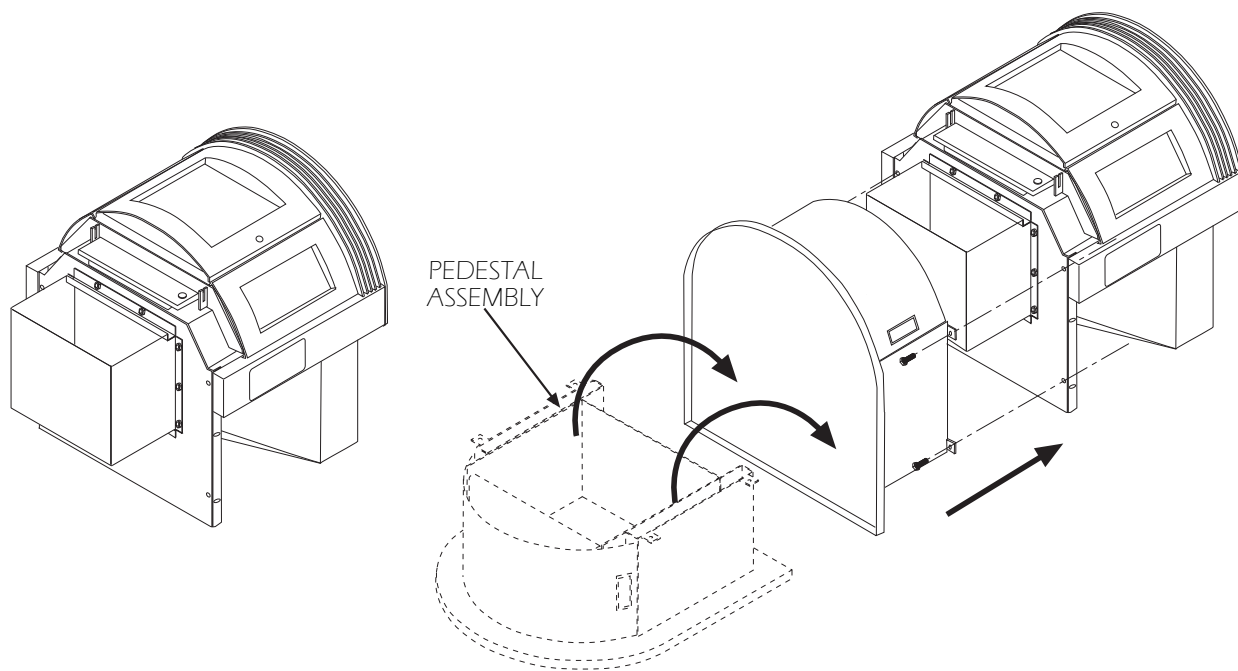


fig. N°4

4.- STAND THE STOVE UP (fig. N°5)

- a.- Carefully raise the stove from back until resting solid.

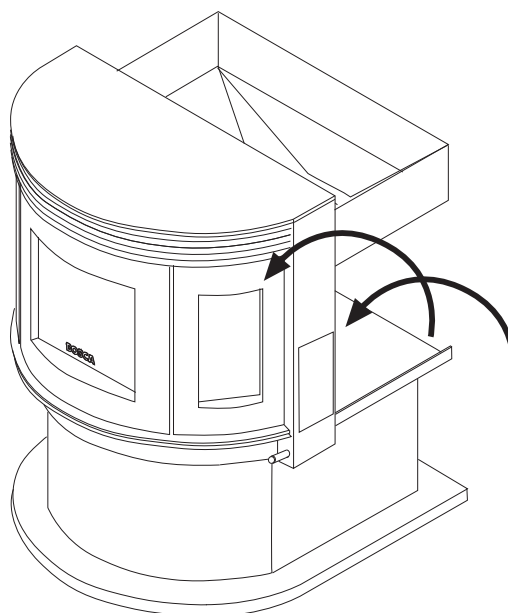
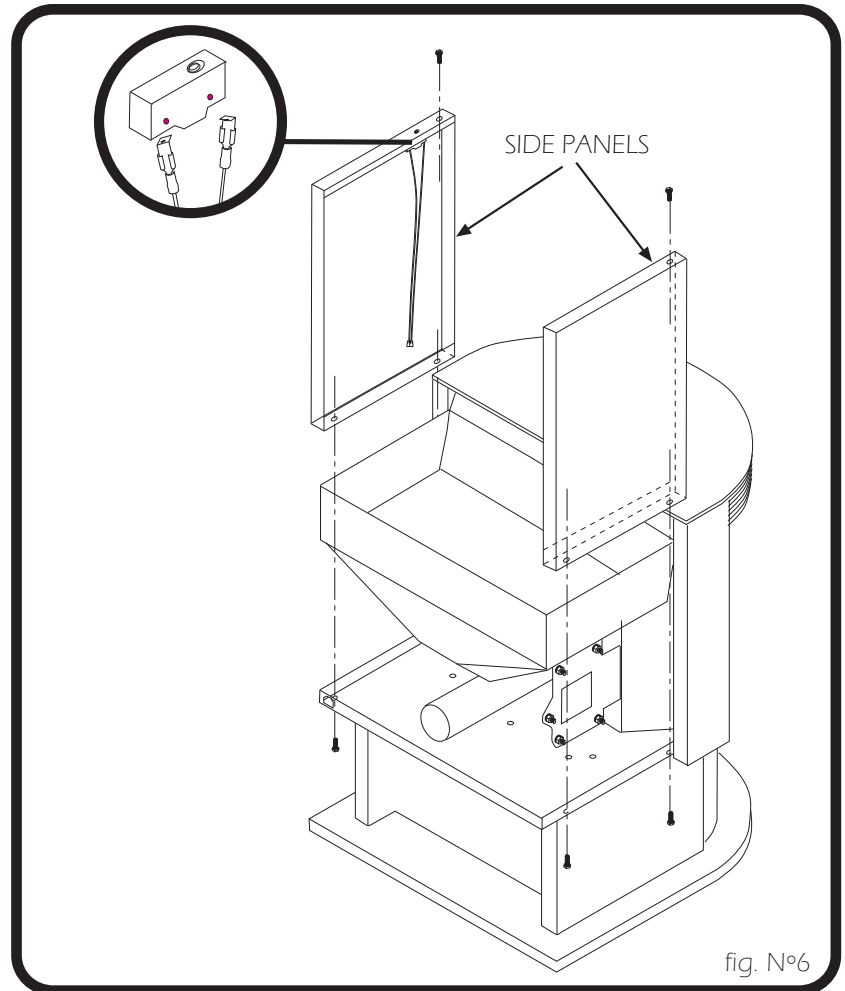


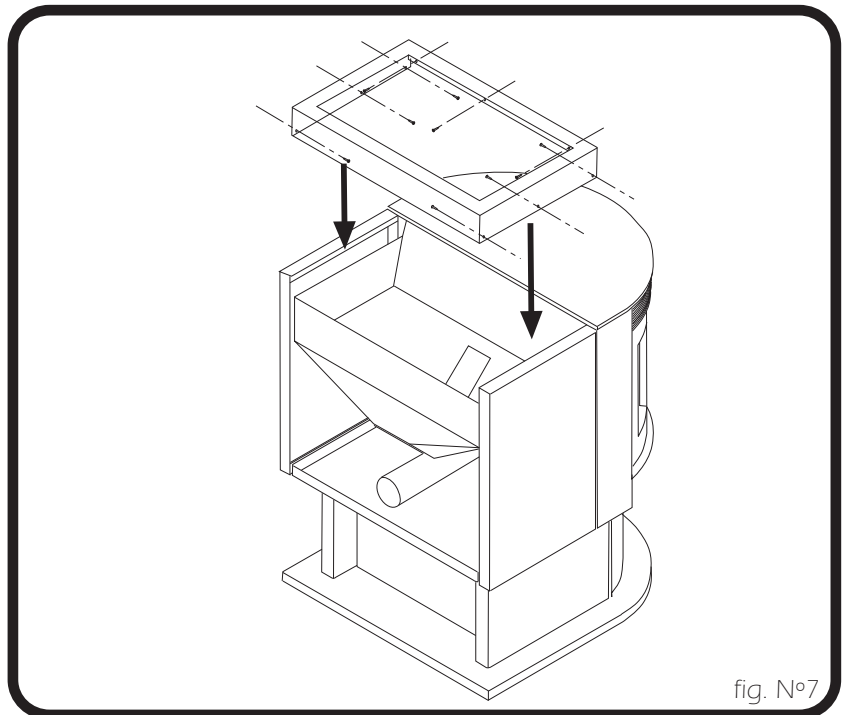
fig. N°5

5. SIDE PANEL ASSEMBLY (fig. N°6)

- a.- Unpack side panels.
- b.- Left side panel has hopper switch located at top front.
- c.- Connect hopper switch wires by sliding female wire connection over male spade connectors on hopper switch.
- d.- Align left panel into place
- e.- Install bolts through pedestal into side panel.
- f.- Loosely tighten
- g.- Install top side panel bolts loosely
- h.- Align side panel and tighten bolts.
- i.- Use same instruction on right side panel, except hopper switch connection

**6.- HOPPER TOP ASSEMBLY (fig. N°7)**

- a.- Unpack hopper top assembly.
- b.- Slide hopper top down in between side panels.
- c.- Adjust to be level with side panels
- d.- Screw front three (3/8" Oval Head Phillips) screws into stove hopper front.
- e.- Adjust for level and install screws to side panels.
- f.- Tighten all screws securely, make sure all sides fit tightly to hopper.



7.- HOPPER DOOR ASSEMBLY (fig. N°8)

- a.- Unpack hopper door assembly.
- b.- Place hopper top over hopper.
- c.- Align top squarely and make sure hopper switch aligns with contact on hopper door.
- d.- Align five (3/8" Oval Head Phillips) screws on back of hopper top back to hopper door hinge and tighten.
- e.- Lift hopper door to ensure it moves freely and aligns with hopper switch.

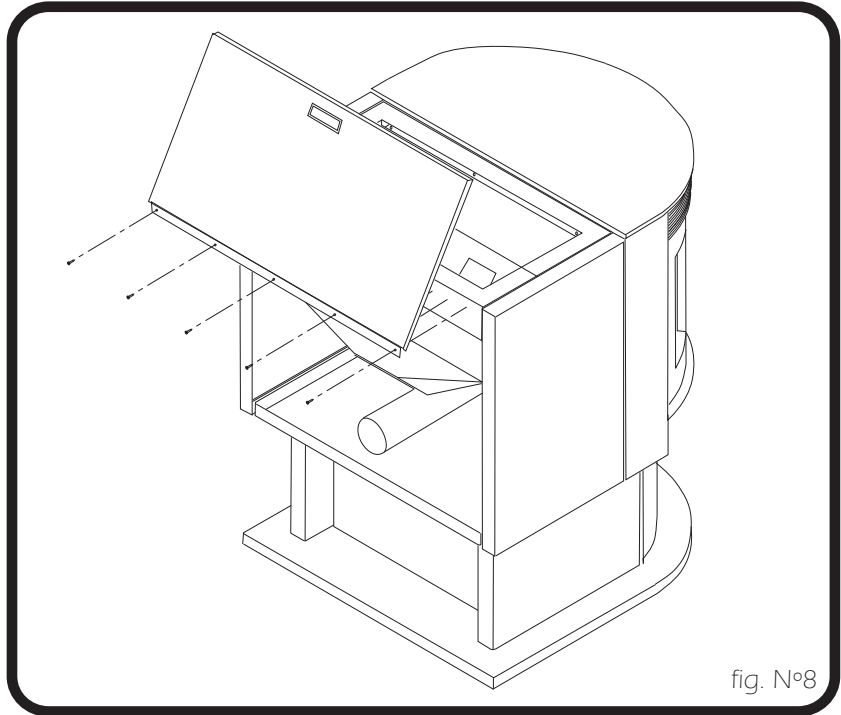


fig. N°8

8.- BACK PANEL ASSEMBLY (fig. N°9)

- a.- Unpack back panel assembly.
- b.- Align the back panel to predrilled holes on hopper top assembly and side panels.
- c.- Install nine (3/8" Oval Head Phillips) screws.
- d.- Align lower back panel to pre drilled holes on side panels.
- e.- Install six (3/8" Oval Head Phillips) screws, and tighten securely.

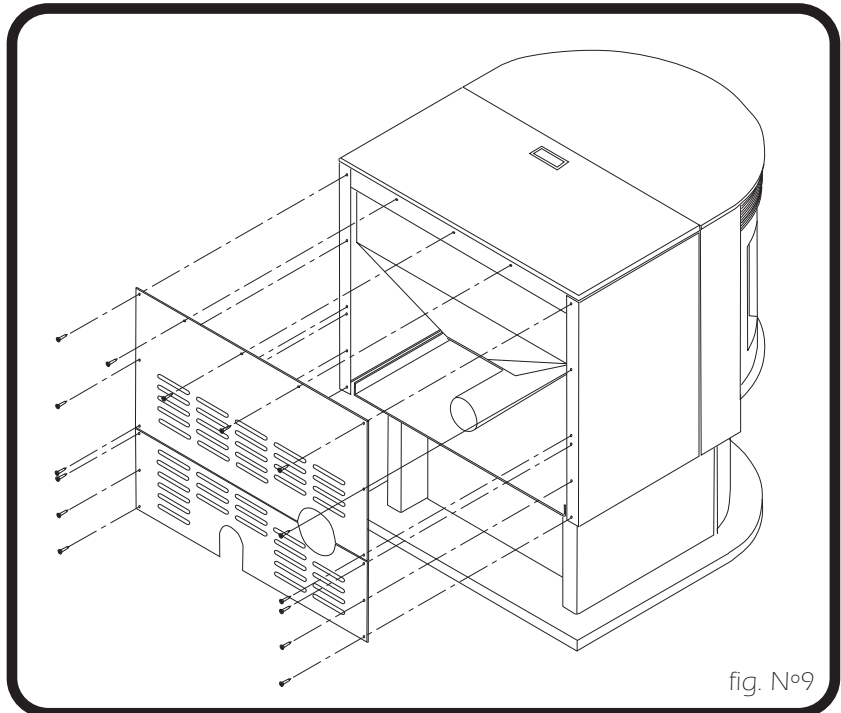


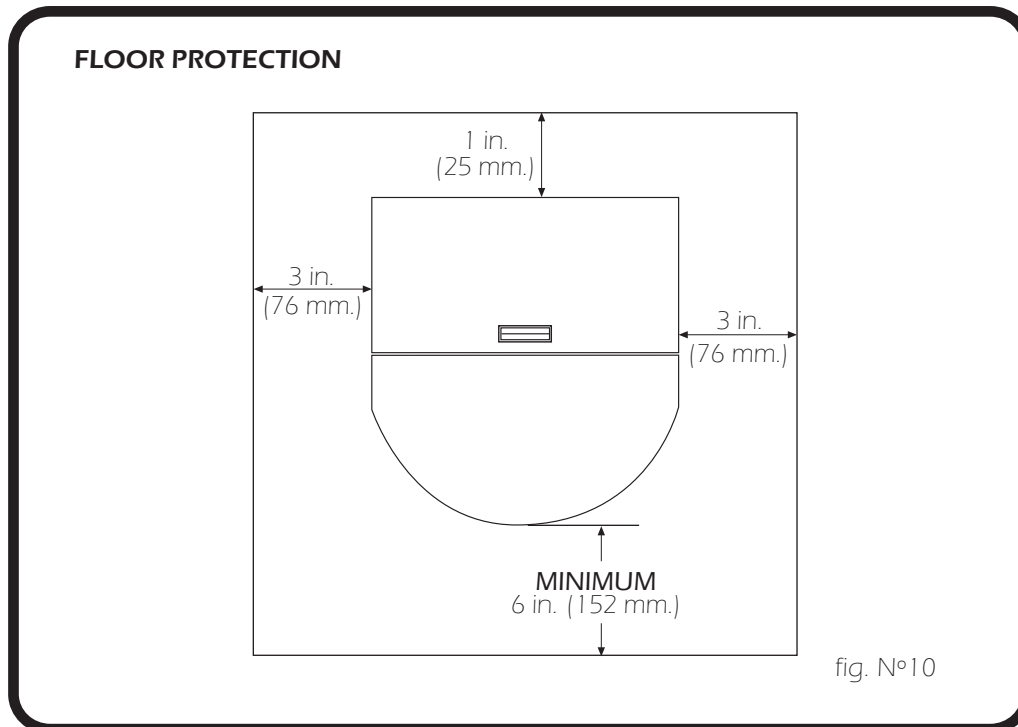
fig. N°9

CLEARANCES Soul 700 Pellet Free Standing

The **BOSCA SOUL 700 Pellet Stove** has been tested and listed for installation in residential, mobile home and alcove applications.

FLOOR PROTECTION

Freestanding installations, minimum 33" wide by 36" deep. The stove must be placed on a continuous (grouted joints) noncombustible material such as ceramic tile, cement board, brick, 3/8" millboard or equivalent, or other approved or listed material suited for floor protection (refer to Fig N° 10) .

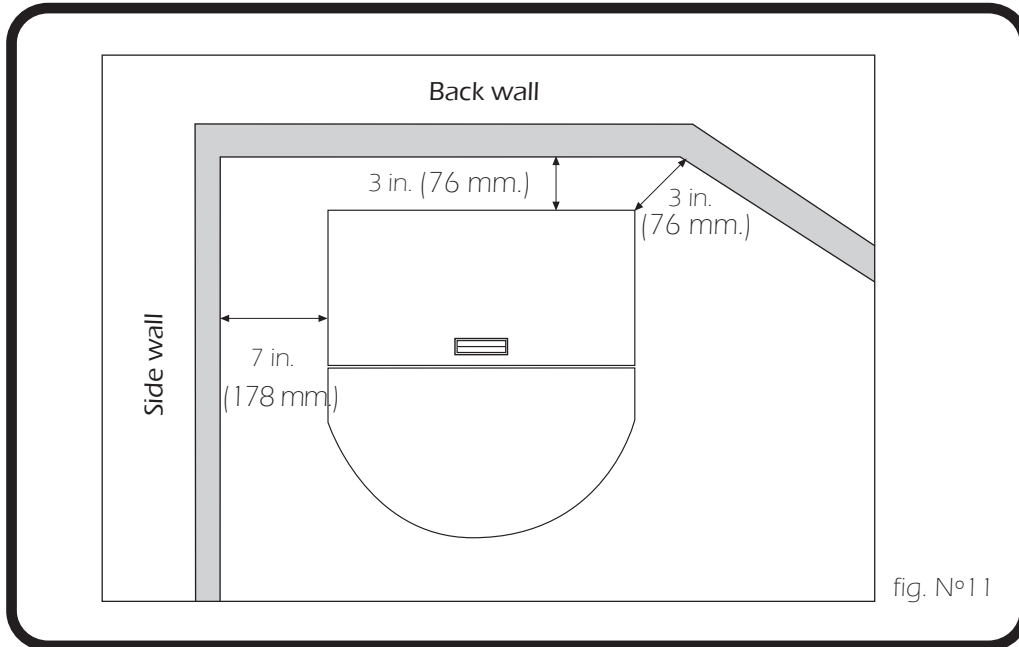


NOTE: ceramic tile, or any tile, requires a continuous sheet beneath to prevent the possibility of embers falling through to the combustible floor if cracks or separation should occur in the finished surface, this would include floor protection for Built-in raised hearths. Check local codes for approved alternatives.

Clearances are measured from the sides, back and face (door opening) or stove body (refer to fig N° 11).

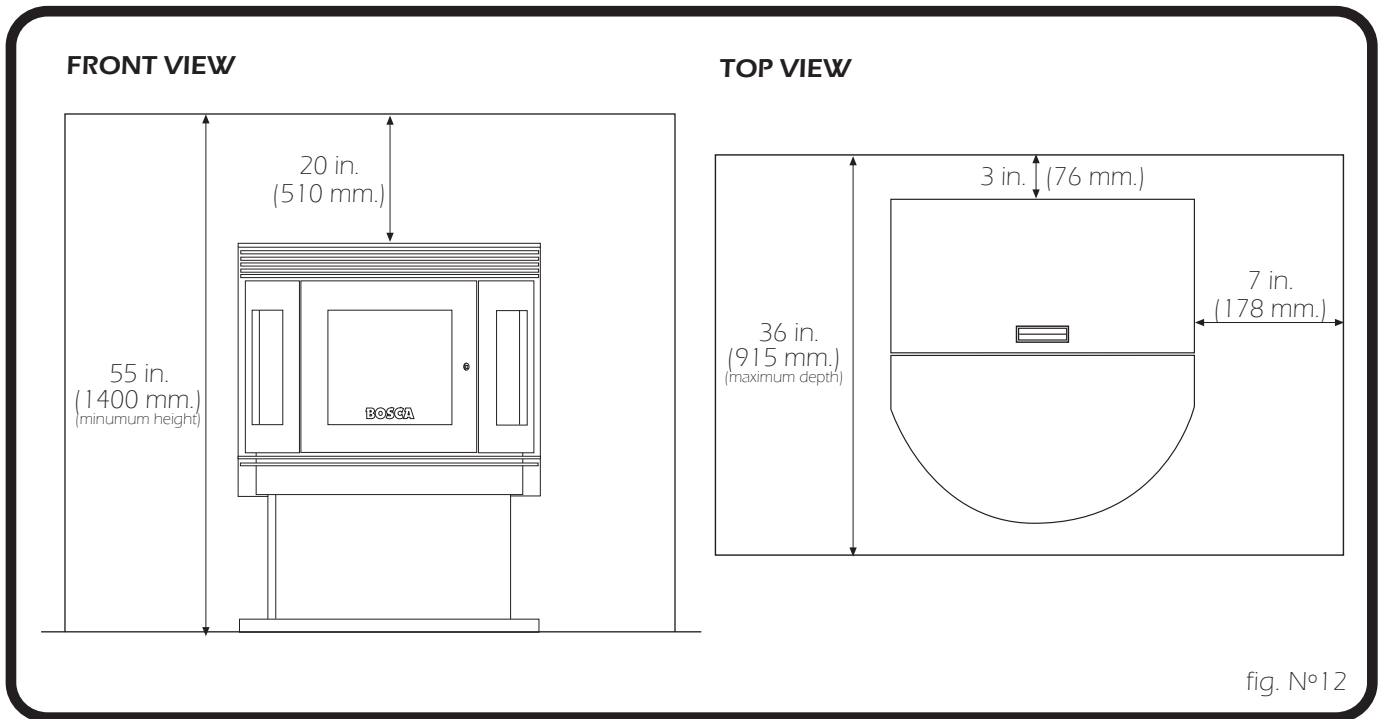
The clearances may only be reduced by means approved by the regulatory authority.

WALL CLEARANCES



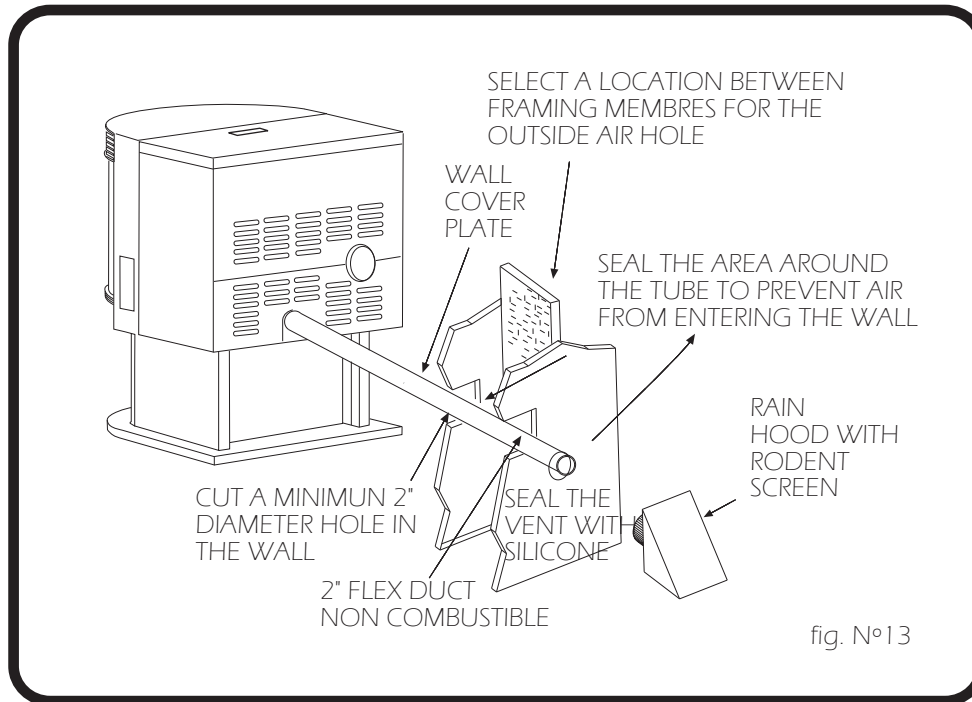
DO NOT USE MAKESHIFT MATERIALS OR COMPROMISES IN THE INSTALLATION OF THIS UNIT. INSTALL VENT WITH CLEARANCES SPECIFIED BY THE VENT MANUFACTURER.

ALCOVE CLEARANCES



COMBUSTION AIR SUPPLY Soul 700 Pellet Free Standing

For a mobile home installation, the stove must be connected to an outside source of combustion air. A 2" inside diameter metallic pipe, either flexible or rigid, may be attached to the inlet at the stove's rear (refer to Fig. N° 13). A rodent guard / wind hood (1/4" minimum wire mesh) must be used at the termination. All connections must be secured and airtight by using the appropriately sized hose clamp and/or UL-181-AP foil tape.



OUTSIDE TERMINATION MUST BE 12" MIN. FROM THE EXHAUST TERMINATION

For Mobile home installations only: 2" inside diameter pipe may be used for first 5 feet of combustion air supply run. From 5 to 10 feet use 2 3/4" inside diameter pipe. No combustion air supply may exceed 20 feet.

SOURCES OF OUTSIDE COMBUSTION AIR

In Fireplaces

- Chimney top.
- Ash clean out door.

For freestanding installations

- A hole in floor near stove rear terminating only in a ventilated crawl space.
- A hole in the wall behind the stove.

WHEN OUTSIDE AIR IS NOT USED Soul 700 Pellet Free Standing

If outside air is not used, it is important that combustion air is easily available to the air inlet. A closeable outside air register can be used in tightly insulated homes.

VENTING Soul 700 Pellet Free Standing

The **BOSCA SOUL 700 Pellet Stove** is certified for use with listed TYPE L-Vent, 3" or 4" diameter in size. The stove was tested with Simpson DuraVent brand. Class "A" chimney is not required. Refer to the instructions provided by the vent manufacturer, especially when passing through a wall, ceiling or roof.

This is a pressurized exhaust system. **All vent connector joints must be sealed with 500 °F (260 °C) RTV silicone sealant to ensure consistent performance and avoid smoke spillage.** All horizontal connector joints must be sealed with UL-181-AP foil tape. We required that all vertical vent connector joints be secured with a minimum of 3 screws.

DO NOT CONNECT THIS UNIT TO A CHIMNEY FLUE SERVING ANOTHER APPLIANCE.

DO NOT CONNECT TO ANY AIR DISTRIBUTION DUCT OR SYSTEM

DO NOT INSTALL A FLUE DAMPER IN THE EXHAUST VENTING SYSTEM OF THIS UNIT.

INSTALL VENT AT CLEARANCES SPECIFIED BY THE VENT MANUFACTURER.

SECURE EXHAUST VENTING SYSTEM TO THE APPLIANCE WITH AT LEAST 3 SCREWS. ALSO SECURE ALL CONNECTOR PIPE JOINTS WITH AT LEAST 3 SCREWS THROUGH EACH JOINT.

EQUIVALENT VENT LENGTH (EVL)

The longer the run of pipe in your installation, the more restrictions there is in the system. Therefore, larger diameter pipe should be used.

Use 4" pipe if you have more than **15 feet** of equivalent vent length. Horizontal runs shall not exceed 10 feet of EVL. It is recommended that vertical runs be a minimum of 8 feet.

To calculate EVL, use the following conversions:

90° elbow or "T"	5 equivalent feet
45° elbow	3 equivalent feet
Horizontal Pipe Run	1 equivalent foot per actual foot
Vertical Pipe Run	0.5 equivalent foot per actual foot

NOTE: At altitudes above 3,000 feet, we suggest the use of 4" diameter vent at an EVL of 7 feet or more.

FREESTANDING INSTALLATIONS Soul 700 Pellet Free Standing

HORIZONTALLY THROUGH WALL (Fig. N°14)

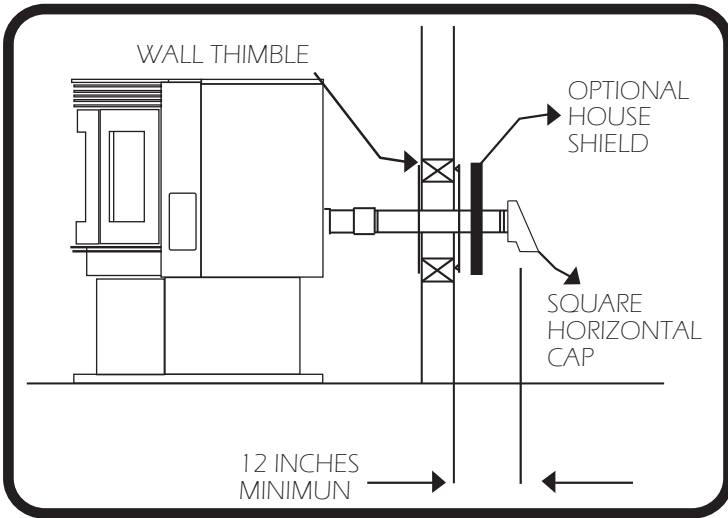


fig. N°14

NOTE: Follow L-Vent chimney manufacturer's instructions.

- Position stove, adhering to clearances show in Figure N°11
- Locate position of hole in wall; directly behind stove exhaust vent.
- Always maintain 3" clearance from combustible materials.
- Install L-Vent wall thimble per L-Vent manufacturer's instructions (refer fig. N°15).
- Attach enough piping to penetrate and extend at least 12" beyond exterior walls. An 5-foot vertical pipe run is suggested where possible to reduce the possibility of smoke spillage in the event of a loss of negative pressure.
- Attach cap and seal outside wall thimbles with non-hardening waterproof mastic.
- **Termination should not be located so that hot exhaust gases can ignite trees, shrubs, or grasses or be a hazard to children. Exhaust gases can reach temperatures of 500°F and cause serious burns if touched.**

HORIZONTAL TERMINATION

Fig 14. Locate terminations:

- a) not less than 3 feet above any forced air inlet located with 10 feet;
- b) not less than 4 feet below or horizontally from, or one foot above, any door, window or gravity air inlet into any building;
- c) not less than 2 feet from an adjacent building and not less than 7 feet above grade when located adjacent to a public walkway. Mobile home installations must use a spark arrester.

NOTE: In Canada, where passage through a wall of combustible construction is desired, the installation shall conform to CAN/CSA - B 365.

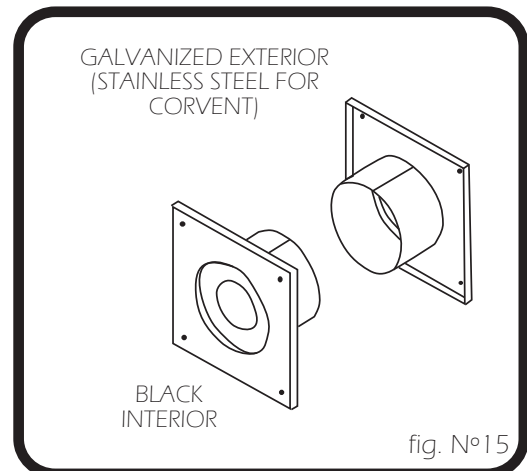
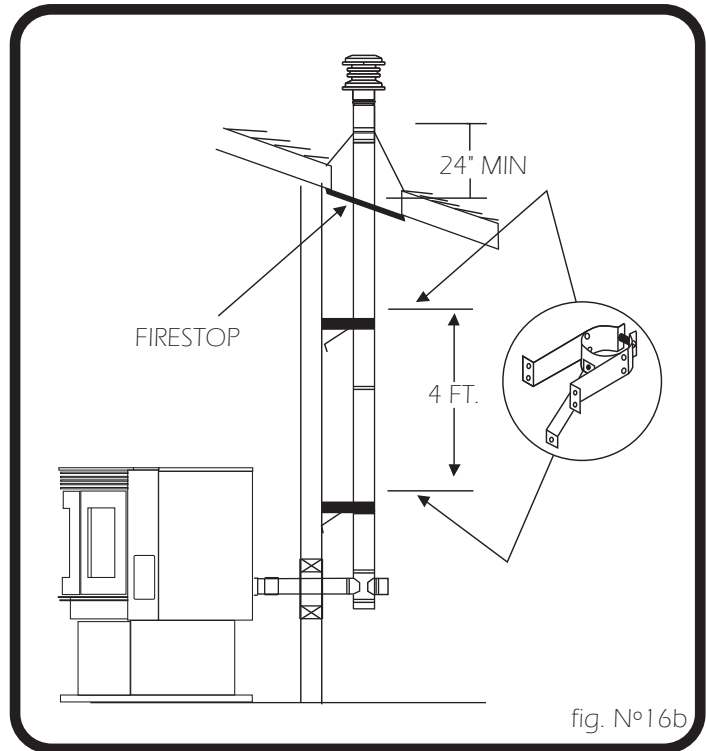
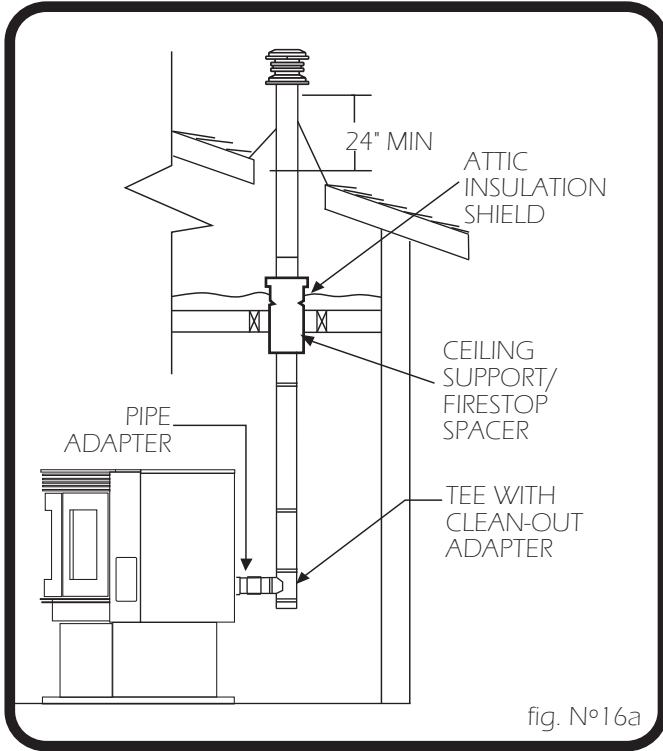


fig. N°15

VERTICALLY WITH NEW CHIMNEY SYSTEM
 (Refer to Figures 16a-16b)



NOTE: Follow L-Vent chimney manufacturer's instructions.

OPTION: Install L-Vent elbow in place of clean-out tee. Locate stove. Drop plumb bob to center of tee outlet, mark point on ceiling. Install ceiling support and L-Vent pipe per L-Vent manufacturer's instructions.

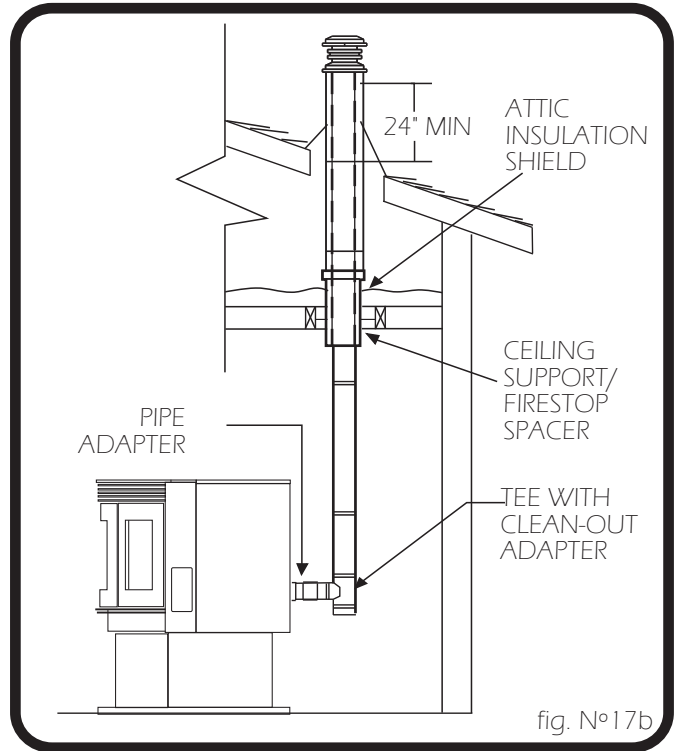
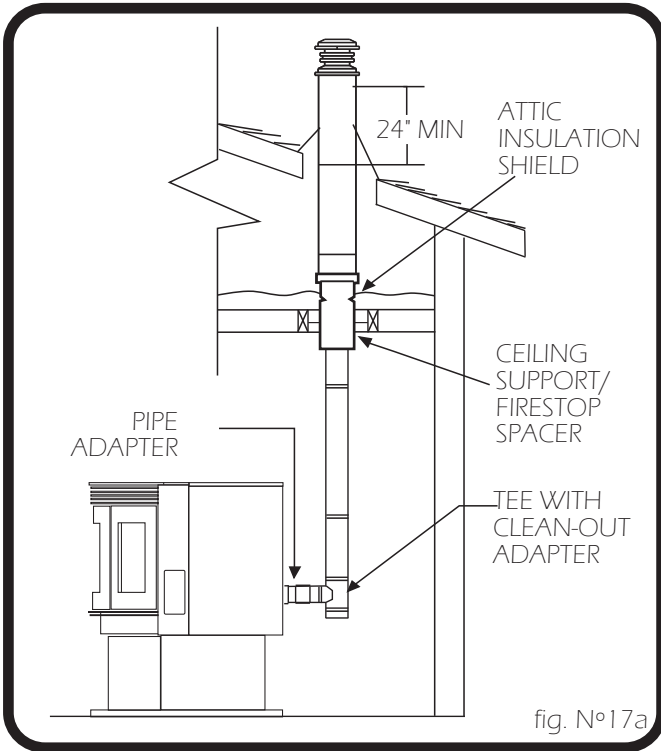
- Always maintain 3" clearance from combustible materials. When passing through additional floors or ceilings, always install firestop spacer.
- After lining up for hole in roof, cut either around or square hole in roof, always 3" larger all the way around pipe. Install upper edge and sides of flashing under roofing materials, nail to the roof along upper edge. Do not nail lower edge. Seal nail head with non-hardening waterproof mastic.
- Apply non-hardening, waterproof mastic where the storm collar will meet the vent and flashing. Slide storm collar down until it sits on the flashing. Seal and install cap. Mobile home installations must use a spark arrester.

VERTICALLY INTO EXISTING CHIMNEY SYSTEM
(Refer to Figures 17a-17b)

Adapters are available to adapt from 3" L-Vent to 6" or 8" Class-A chimney. (Figure 17a)

As an alternative, 3" or 4" L-Vent can be run inside existing chimney to termination. (Figure 17b).
This is the preferred method.

Follow guidelines for equivalent



VERTICALLY INTO EXISTING MASONRY FIREPLACE
(Fig. N°18)

NOTE: Follow L-Vent chimney manufacturer's instructions.

- Have the masonry chimney inspected by a qualified chimney sweep or installer to determine its structural condition.
- You will need a pipe length equal to the chimney height from the hearth. If outside combustion air is to be used, you will need a pipe length equal to the chimney height plus 18 inches.
- Install a blanking plate and the chimney pipe, and if used the outside air pipe..
- Attach the L-Vent adapter, a section of pipe and clean out tee, making sure the clean-out tee is centered in the chimney flue area. Use RTV, metallic tape, and a minimum of three self-taping screws at all joint connections to ensure a tight seal.
- Install and seal the top plate from step 3 with non-hardening mastic. Slip the storm collar over the pipe, and while holding the pipe at the proper elevation, affix the collar with a minimum of three 1/4" stainless steel sheet metal screws. Seal all joints and seams around the collar.
- Connect the horizontal pipe by pushing it through the hole in the masonry and lining it up with the branch in the tee. Push the pipe into the tee while twisting it to lock it into the tee.
- If desired, once the horizontal pipe is in place, the space between the pipe and masonry may be filled with high-temperature grout.
- Install the trim collar. An adjustable pipe length and adapter may be needed to finish the connection to the stove.

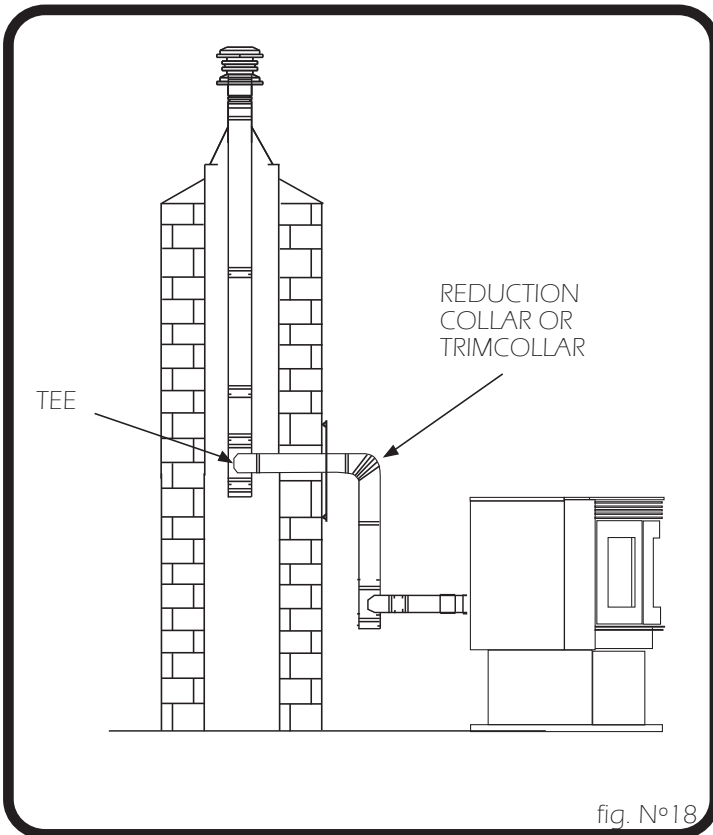


fig. N°18

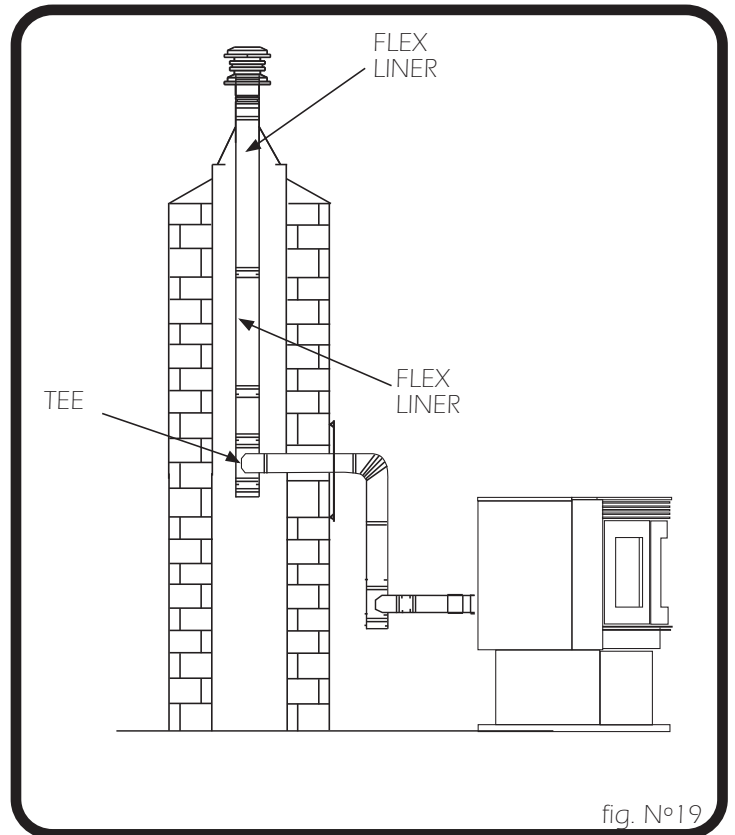


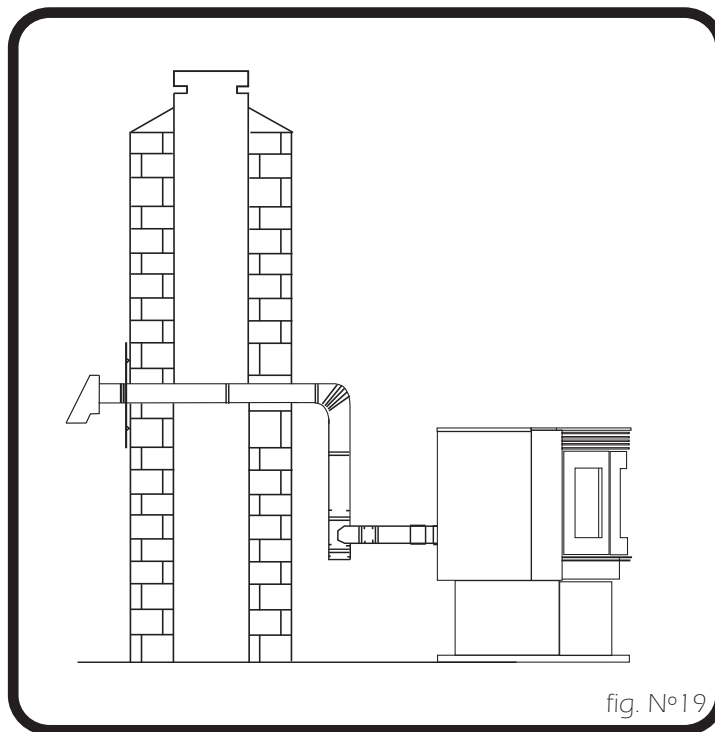
fig. N°19

OMNI Approved

INSTALLATION THROUGH SIDE OF MASONRY CHIMNEY (Fig. N° 19)

NOTE: Follow L-Vent chimney manufacturer's instructions.

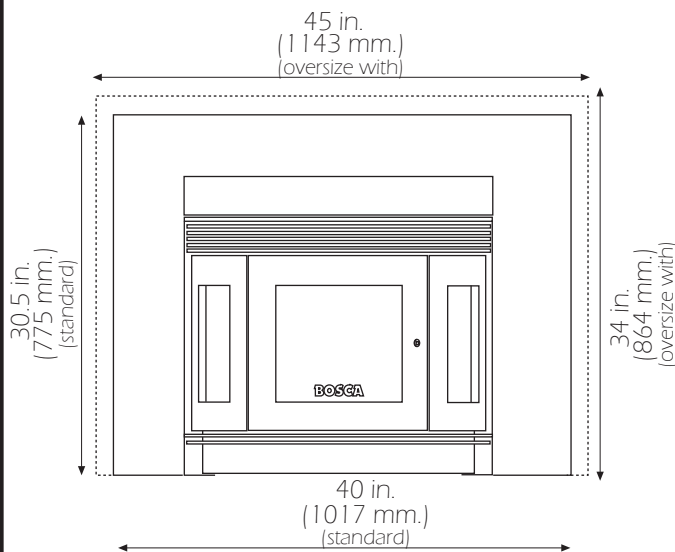
- Position the stove, adhering to the clearances in figure N° 11. Mark the center of the hole where the pipe is to pierce the masonry chimney. It will be necessary to break out the masonry around the location of the pipe center mark. Use a 4-inch diameter hole for 3-inch pipe and 5-inch diameter hole for a 4-inch pipe.
- Measure and build chimney top plate. Cut out holes for chimney pipe, and if used cut necessary holes for the outside air pipe. Install the tee on the bottom of the vertical pipe system and lower it down the chimney until the center branch of the tee is level with the center of the hole in the masonry, as shown in Figure N°19.
- Install and seal the top plate from step 3 with non-hardening mastic. Slip the storm collar over the pipe, and while holding the pipe at the proper elevation, affix the collar with a minimum of three 1/4" stainless steel sheet metal screws. Seal all joints and seams around the collar.
- Connect the horizontal pipe by pushing it through the hole in the masonry and lining it up with the branch in the tee. Push the pipe into the tee while twisting it to lock it into the tee. If desired, once the horizontal pipe is in place, the space between the pipe and masonry may be filled with high-temperature grout.
- If desired, once the horizontal pipe is in place, the space between the pipe and masonry may be filled with high-temperature grout.
- Install the trim collar. An adjustable pipe length and adapter may be needed to finish the connection to the stove.



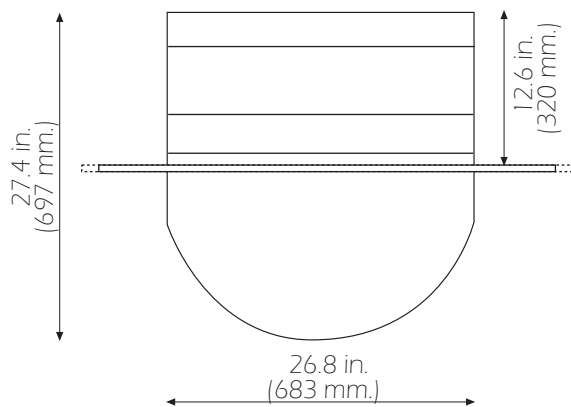
SPECIFICATIONS Soul 700 Pellet Insert
(Fig. N°20)

	Insert
Width:	40 in. (standard) - 45 in. (oversize)
Height:	30.5 in. (standard) - 34 in. (oversize)
Total Depth:	27.4 in
Weight:	309 lbs.

FRONT VIEW



TOP VIEW



SIDE VIEW

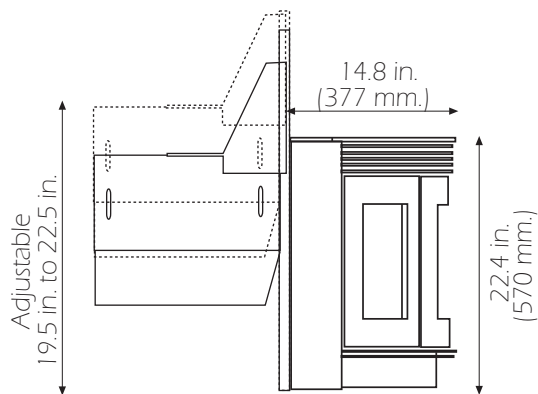


fig. N°20

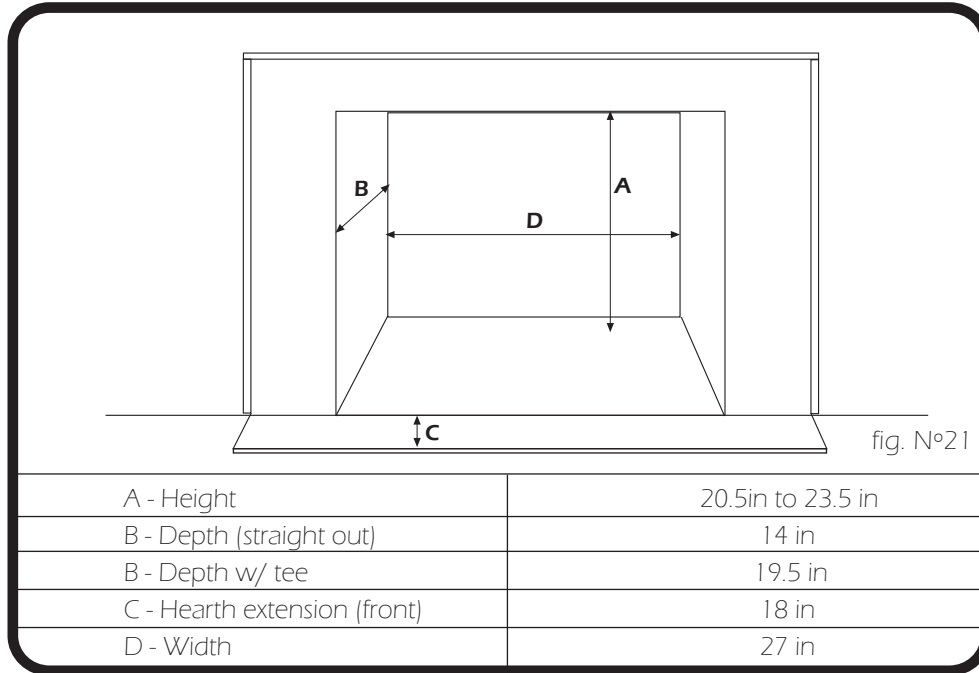
Flue Size:	3" or 4"
Hopper Capacity:	55 - 75 adjustable hopper
Emmissions Rate:	2.5 grs/hour (EPA Certified)
Burn Time	0.75 lbs to 5.5 lbs per hour
BTU Range:	8,200 to 47,000
Approved Installations:	Mobile Home, Alcove, Conventional

INSTALLATION Soul 700 Pellet Insert

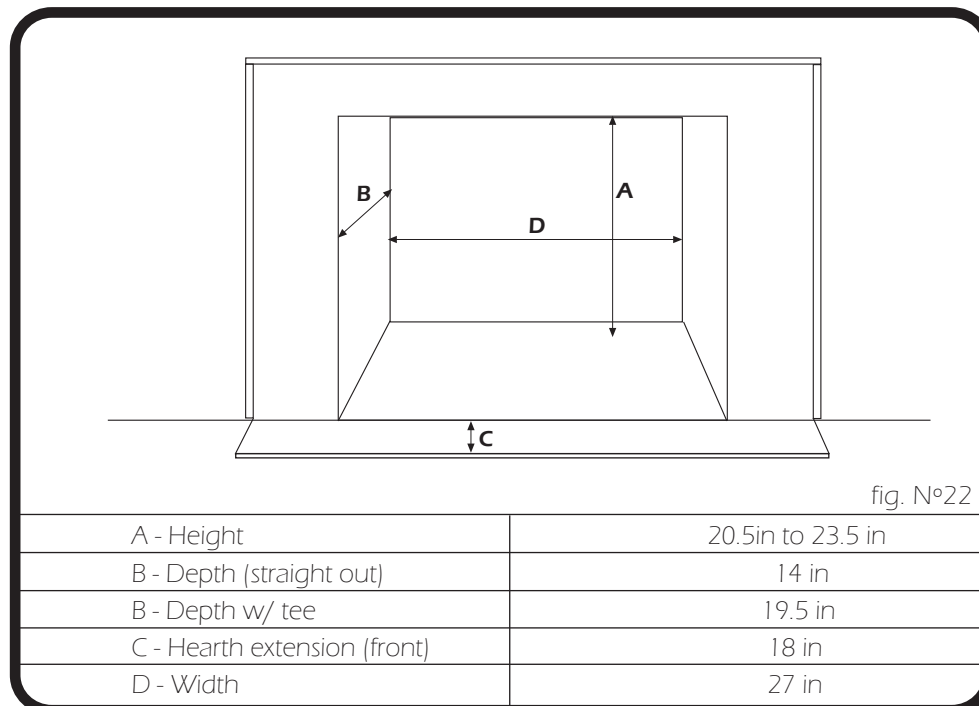
MASONRY AND FACTORY-BUILT FIREPLACES

The **BOSCA SOUL 700 Pellet Insert** is approved for installation into a solid fuel burning fireplace, either a masonry fireplace (built to UBC37 or ULC S628 standards) or an approved factory-built zero clearance fireplace (built to UL 127 or ULC S610 standards).

MASONRY MINIMUM OPENING (Fig. N°21)



MINIMUM OPENING FOR ZERO CLEARANCE FIREPLACES (Fig. N°22)



Recommended clearance zone from the front of the appliance to combustible items is 4 feet minimum.

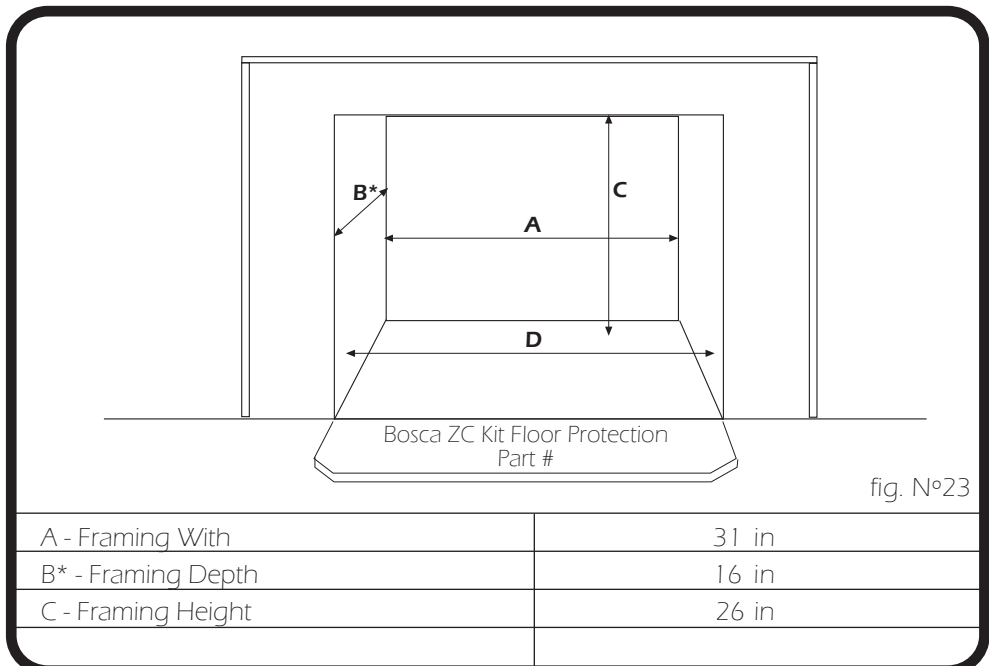
CAUTION: The fireplace into which the BOSCA SOUL 700 Pellet Insert is to be installed must be thoroughly cleaned if it has been used to burn wood or synthetic logs. Have the chimney and all inside surfaces of the fireplace brushed and vacuumed so that no soot, embers, or loose combustion deposits can be drawn into the heat circulation blower and blown into the living area. If any portion of the chimney system shows signs of structural or mechanical weakness, such as cracks, leaky joints, corroded or warped surfaces, the faulty portion must be repaired or replaced prior to installing this appliance.

IMPORTANT: When installing this appliance into a factory-built fireplace or heatform, the air flow within and around the fireplace shall not be altered by the installation of the insert. DO NOT BLOCK louvers or cooling air inlet or outlet ports, circulating air chambers in a steel fireplace liner or metal heat circulator. The factory-built firebox must accept the insert without modification other than removing bolted or screwed-together pieces such as smoke shelf / deflectors, ash lips, screen or door tracks and damper assemblies. Any fireplace components which are removed must be retained so they can be reinstalled to restore the fireplace to its original operating condition. The removal of any part must not alter the integrity in any way. A Warning Label (provided with appliance) must be installed in the fireplace firebox so that it will be visible upon removal of the insert. Use RTV high temperature silicone as adhesive to affix the warning label.

**Fireplace Warning Label
(Provided in accessory package - insert only)**

**THIS FIREPLACE HAS BEEN ALTERED TO ACCOMMODATE A
FIREPLACE INSERT AND SHOULD BE INSPECTED BY A QUALIFIED
PERSON PRIOR TO RE-USE AS A CONVENTIONAL FIREPLACE.**

COMBUSTIBLE FLOOR AND FRAMING (Fig. N°23)



* For vertical venting follow pipe manufactures requirements and dimensions to determine depth of frame.
** Adjust height for non combustibile finish material like ??????

**WARNING:
BOSCA ZC KIT REQUIRED FOR FLOOR PROTECTION ON
COMBUSTIBLE SUBFLOORING. PART #**

When installing your Bosca into a framed wall make sure to follow our required clearances and floor protection kit requirements: If there is any type of combustibile sub flooring (NOT CEMENT SLAB ON GRADE FLOORING) the Bosca zero clearance floor protector part # — is REQUIRED// NO EXCEPTONS ALLOWED. You must use a non combustibile material to fill further hearth requirements such as masonry board, tile or masonry products, also make sure to adjust framing height from top of finished material used on top of ZC FLOOR PROTECTOR. Floor protection must be securely attached to the floor. See hearth protection page ____

You must use a non combustible material to fill further hearth requirements such as masonry board, tile or masonry products, also make sure to adjust framing height from top of finished material used on top of ZC FLOOR PROTECTOR. Floor protection must be securely attached to the floor. See hearth protection page ____

Combustible clearances for the insert portion from panel back into wall are 2"94 from side walls and 2"94 above hopper. These are minimum clearances and we recommend adding some space for maintenance or servicing the insert.

If vertical venting always calculate for added depth depending on venting manufacturers requirements. Make sure all clearances to combustibles are met and maintained.

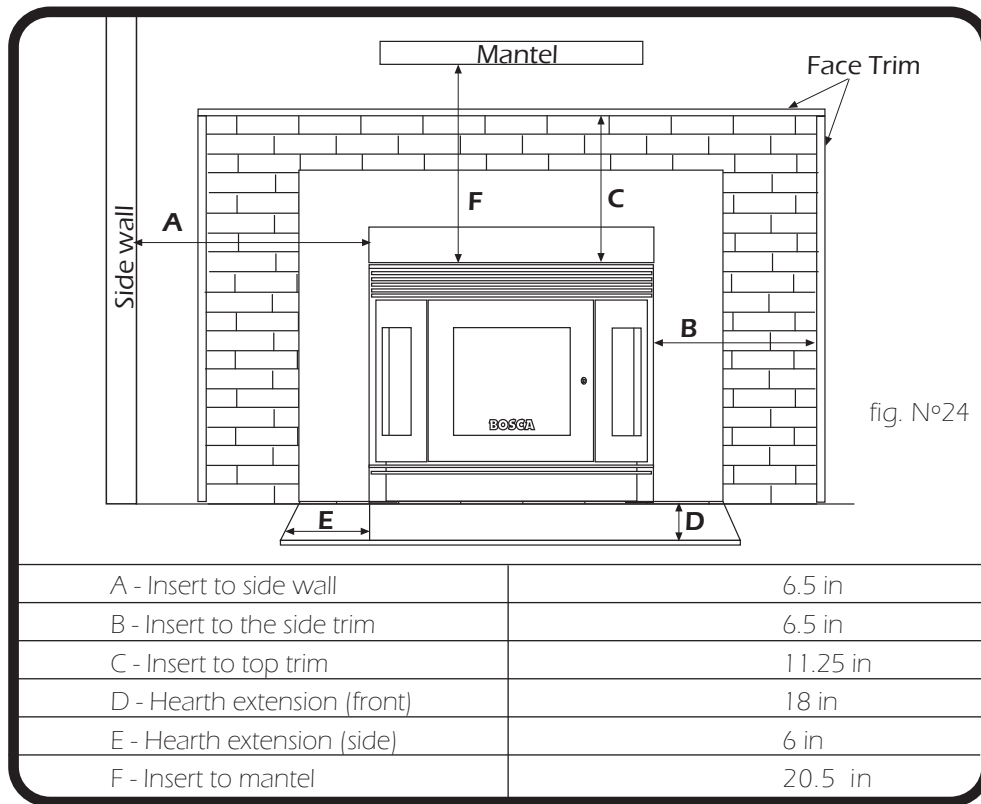
Recommend that power source of outlet have in line switch or shut off if located behind panel.

HEARTH / FLOOR PROTECTION – BOSCA SOUL 700 Pellet Insert

In the US and Canada, the area below and directly in front of this appliance must be an approved fireplace hearth or protected by a non-combustible hearth / floor protector with a minimum thickness of 3/8" which has a thermal conductivity of k (per inch) = .84 or lower value (better thermal protection) or resistance of r (per inch) = 1.19 or higher value. **The protected area must extend 6" to the front of the face of the fireplace insert.**

MINIMUM CLEARANCES TO COMBUSTIBLES

Masonry and Factory-Built Fireplaces (Fig. N°24)

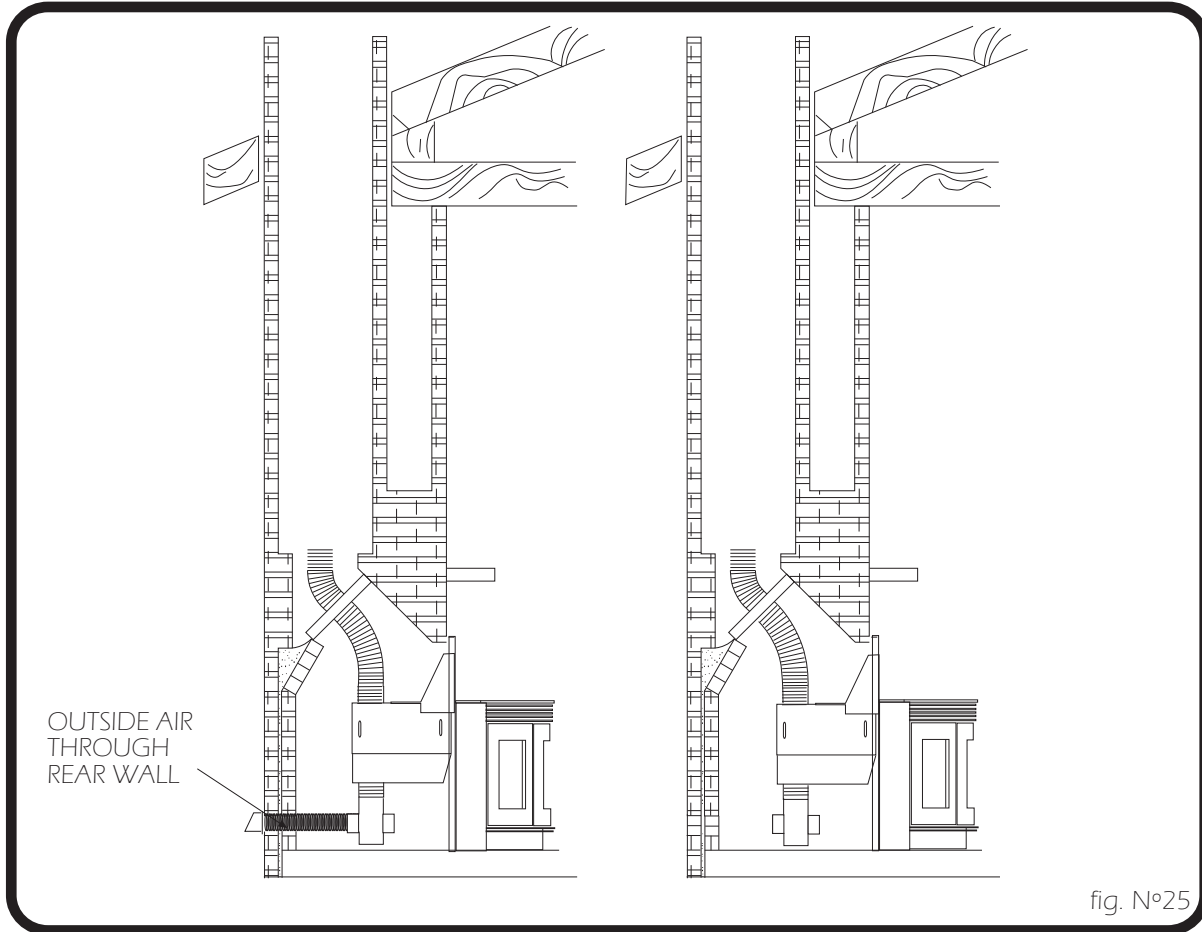


(USA Only) Venting into an Existing Chimney

This pellet insert may be installed into a masonry fireplace (built to UBC 37 or ULC S628 standards) or a factory-built fireplace (built to UL 127 or ULC S610 standards). When installing into a masonry chimney, it is recommended that the exhaust vent be extended to the top of the chimney. However, if the vent pipe does not extend to the top of the chimney, the vent must extend a minimum of 18" above the damper. You must seal the damper area so that the air / exhaust in the chimney cannot communicate with the air in the fireplace firebox. This is a positive flue connection.

(US and Canada) Direct Connection / Positive Flue Connection

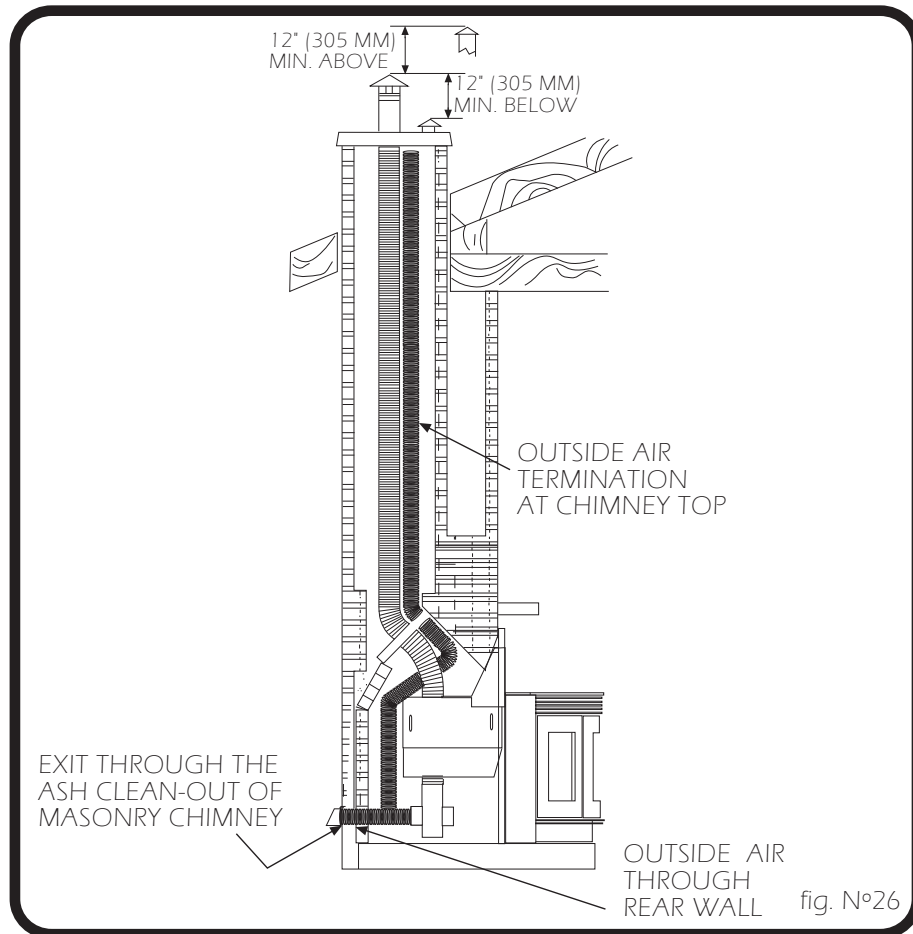
In Canada, this appliance requires a full reline when installing into a masonry fireplace. In the USA, as a minimum the vent connector from the insert flue outlet must extend a minimum of 18" above the damper and the damper area must be sealed to prevent dilution air from entering the chimney, which will affect proper drafting of the appliance.

VENTING SYSTEM Soul 700 Pellet Insert
Direct Connect With Outside Air (Fig. N°25)

NOTE: Use metal plate around exhaust vent pipe and seal all edges with non-flammable insulation such as fiberglass, mineral wool or ceramic material.

Do not use high temperature caulking materials to seal any edge to prevent future serviceability.

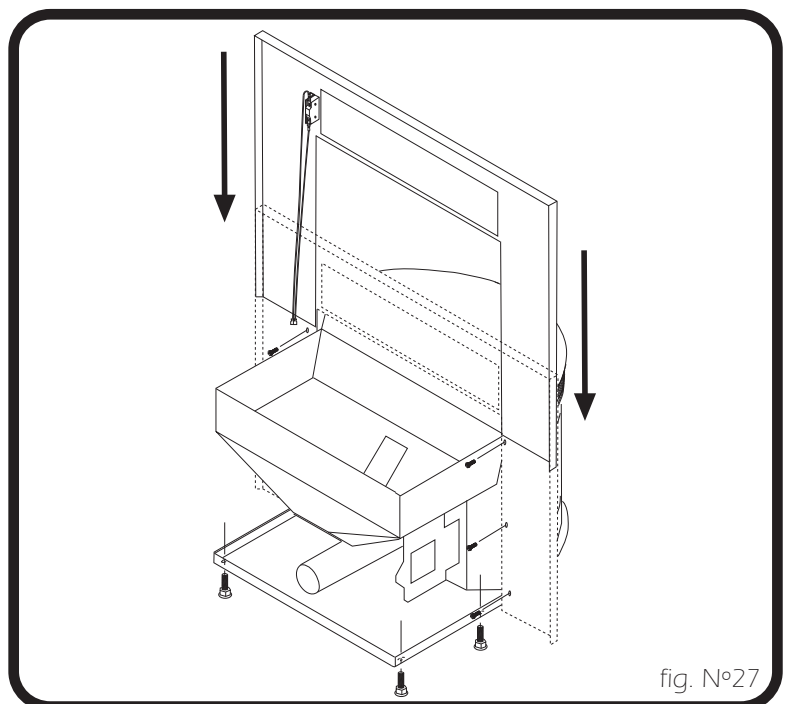
FULL RELINE WITH OUTSIDE AIR (Fig. N°26)



INSTALLING SURROUND PANEL Soul 700 Pellet Insert

1.- SURROUND PANEL ASSEMBLY (Fig. N°27)

- Install four (3/8" hex head) leveling bolts to bottom if needed depending on fireplace floor and hearth material.
- Slide surround panel from top down.
- Align surround panel holes to stove body.
- Loosely install six (1/4" hex head) bolts to stove body.
- Check surround panel alignment and then tighten.
- Connect hopper switch wire to hopper switch by sliding female connectors on to male spade connector on hopper switch.



2.- HIGH HOPPER TOP PELLET CHUTE ASSEMBLY (Fig. N°28)

- a.- Unpack hopper top assembly.
- b.- Hopper top is adjustable according to fireplace dimensions.
- c.- Top is slotted for height adjustment
- d.- Adjust lid height and install seven (1/4 flat head) screws securely.
- e.- Align hopper chute wide or narrow, depending on firebox size.
- f.- Attach by three screw to top.
- g.- Install and adjust cap to fit and seal hopper chute with two adjustable slots on ends.
- h.- Install two screws to secure cap.

NOTE: Make sure that hopper top securely attaches to hopper so pellets and dust does not exit hopper

NOTE: Hopper and chutes are supplied to fit most fireplaces.

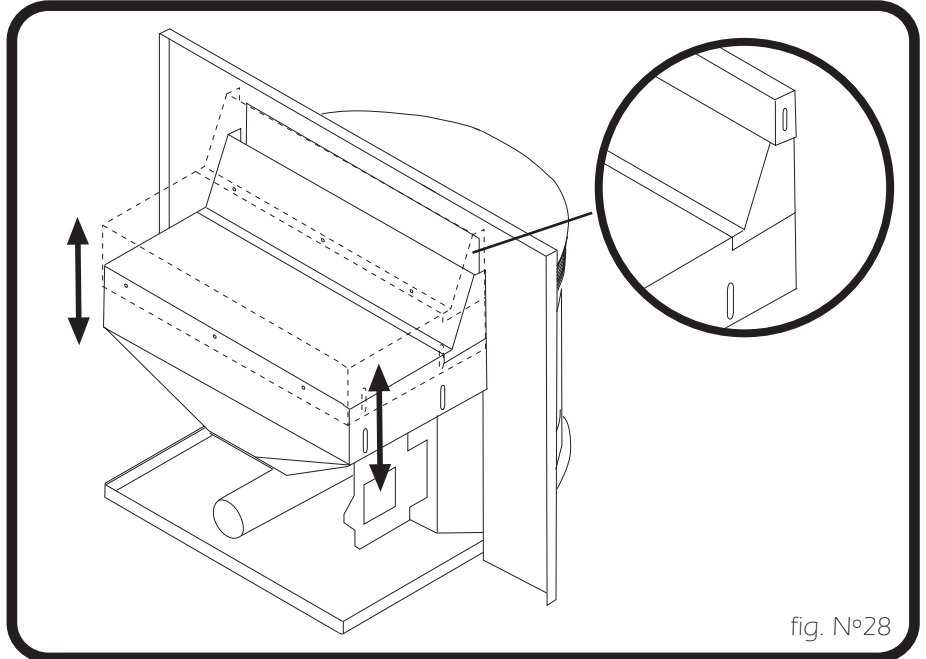


fig. N°28

3.- LOW HOPPER TOP PELLET CHUTE ASSEMBLY (Fig. N°29)

- a.- Unpackage hopper top assembly.
- b.- Hopper top is adjustable according to fireplace dimensions.
- c.- Top is slotted for height adjustment
- d.- Adjust lid height and install seven (1/4 flat head) screws securely.
- e.- Align hopper chute wide or narrow, depending on firebox size.
- f.- Attach by three screw to top.
- g.- Install and adjust cap to fit and seal hopper chute with two adjustable slots on ends.
- h.- Install two screws to secure cap.

NOTE: Make sure that hopper top securely attaches to hopper so pellets and dust does not exit hopper

NOTE: Hopper and chutes are supplied to fit most fireplaces.

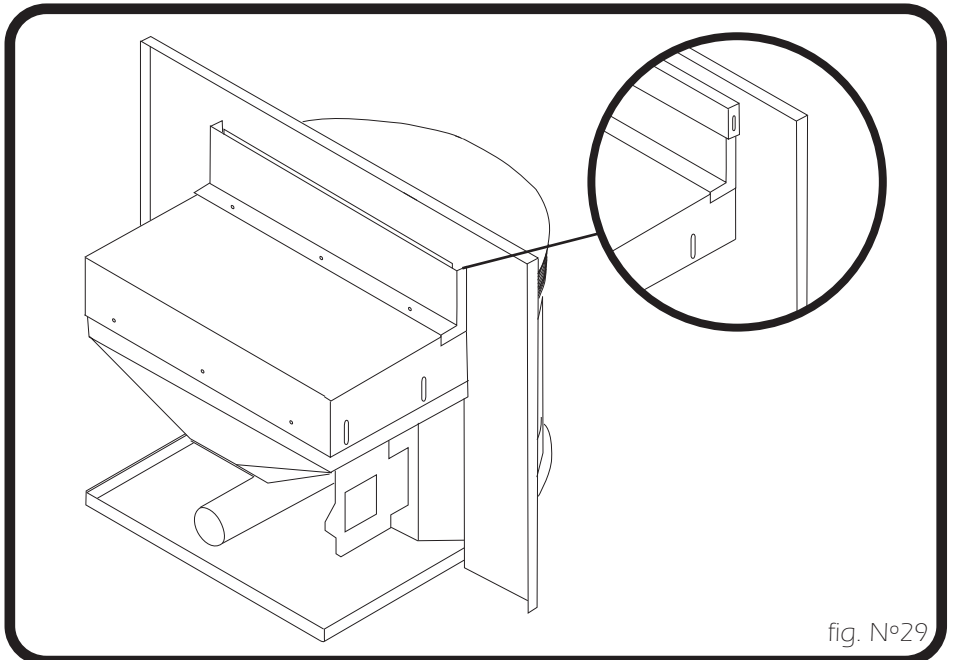


fig. N°29

SPECIFICATIONS Soul 700 Pellet Insert

Flue Size	3" or 4"
Floor Protection Requirement	6" From Front of Firebox opening behind door
Hopper Capacity	min 45 lbs. - max 75 lbs
Burn Time	min 13.5 hrs - max 75 hrs
Fuse, Control Board	Yes
Fuse, Igniter	Yes
Emissions	2.5 grs per hour
Ship Weight	TBD
Auger Motor	1.1 RPM
Room Air Blower	160 CFM
Exhaust Blower	160 CFM

INSTALLATION CHECKLIST Soul 700 Pellet Insert

Professional installation of your **BOSCA SOUL 700 Pellet Insert** is strongly recommended. If you choose to install the insert yourself, it is critical to the safety of yourself and your property to follow this Owner's Manual exactly. Check off each item as you proceed with the installation process.

- Read the ENTIRE stove installation section (either freestanding or insert) first.
- Determine the appropriate measurements and locations for your installation.
- Follow the general installation directions under Stove Installation appropriate to your stove.
- Be sure to pre-fit all items before you install, fasten, or set the stove permanently.
- It is important to level the appliance. If necessary, install the two leveling bolts into the two threaded holes at the rear base of the insert and adjust until level.

Prior to lighting your stove:

- Review all of the "Warnings" in this Owner's Manual.
- Review and follow instructions in the Care and Operation Section.
- Plug power cord connector into corresponding connector on the back of the appliance. Note: Route insert power cord behind side surround panel.
- Review the routine cleaning and maintenance information.

ELECTRICAL INSTALLATION

This stove is equipped with a 6-foot grounded electrical cord extending from the rear of the stove. We recommend connecting to a good quality surge protector that is plugged into a standard three-prong 120V, 60hz electrical outlet. Voltage variations can lead to serious performance problems. The **BOSCA SOUL 700 Pellet** is designed for 120V AC with no more than 5% variation. BOSCA cannot accept responsibility for poor performance or damage due to inadequate voltage. If connected to an older, two-prong outlet, a separate ground wire must be run to a proper ground (refer this to a qualified electrician). Always route the electrical cord so that it will not come in contact with any hot part of the stove.

SPECIAL MOBILE HOME REQUIREMENTS

**WARNING:
DO NOT INSTALL IN A SLEEPING ROOM.**

For installation in a mobile home, an outside source of combustion air must be used (see "COMBUSTION AIR SUPPLY"). The outside source of combustion air must be unrestricted while the appliance is in use to prevent room air starvation, which causes smoke spillage. Some spillage could also set off smoke alarms.

- The stove must be grounded to the steel chassis of the home with 8 Ga. Copper wire using a serrated or star washer to penetrate paint or protective coating to ensure grounding.
- The stove must be securely fastened to the floor of the mobile home using 2, 1/4" lag bolts that are long enough to go through both a hearth pad, if used, and the floor of the home.
- Use RTV High Temp silicone to create an effective vapor barrier at the location where the chimney or other component penetrates to the exterior of the structure.
- Refer to "VENTING" for proper exhaust configurations.

**CAUTION:
THE STRUCTURAL INTEGRITY OF THE MOBILE HOME FLOOR, WALL
AND CEILING / ROOF MUST BE MAINTAINED.**

OPERATION

PANEL CONTROLS

The blowers and automatic fuel supply are controlled from a panel on the top right-hand side of the stove.

The control panel functions are as follows:

ON/OFF SWITCH

When pushed, the stove will automatically ignite. No other firestarter is necessary. The igniter will stay on for at least 10 and up to 15 minutes, depending on when Proof of Fire is reached. The fire should start in about 5 minutes.

The green light located above the On/Off button (in the On/Off box) will flash during the ignition start-up period (Fig. N° 30a).

The Feed Rate Advance is inoperable during the ignition start period. When the red light continuously stays on, the Feed Rate Advance can be adjusted to achieve the desired heat output.

NOTE: If the stove has been shut off, and you want to re-start it while it is still warm, the "On/Off" button must be held down for 2 seconds.

FUEL FEED SWITCH

When the "Fuel Feed" button is pushed and held down the stove will feed pellets continuously into the burnpot.

While the stove's auger system is feeding pellets the amber light (in the "Fuel Feed" box") will be on. (Fig. N°30b)

CAUTION:
**DO NOT USE THIS CONTROL DURING NORMAL OPERATION BECAUSE
IF COULD SMOTHER THE FIRE AND LEAD TO A DANGEROUS
SITUATION.**

HIGH FAN SWITCH

The room air fan speed varies directly with the feed rate. The "HIGH FAN" switch overrides this variable speed function. It will set the room air blower speed to high at any feed rate setting.

When the "HIGH FAN" button is pushed the room air fan will switch to its highest setting.

When this button is pushed again, the room air fan will return to its original setting based on the Feed Rate Advance setting.

RESET TRIM

Different size and quality pellet fuel may require adjustment of the "1" feed setting on the Feed Rate Advance bar graph. **This is usually a one-time adjustment based on the fuel you are using.** The "RESET TRIM" button when adjusted will allow for 3 different feed rate settings **for the #1 feed setting only.** To adjust simply push the "RESET TRIM" button while the stove is operating at setting "1" and watch the bar graph.

When the "1" and "3" lights are illuminated on the bar graph the low feed rate is at its "lowest setting". (approx. 0.9 pounds per hour).

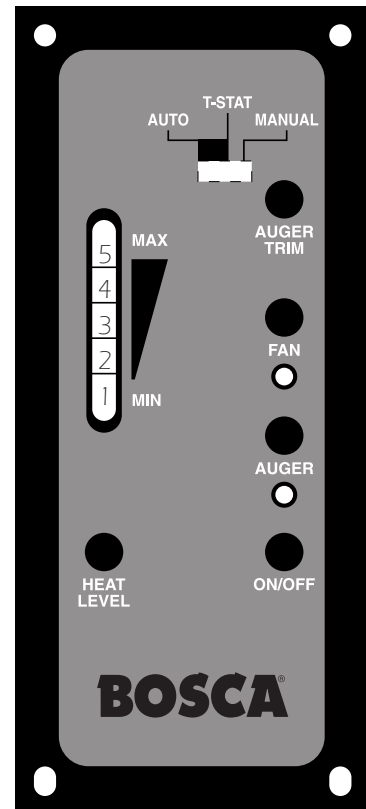


fig. N°30a

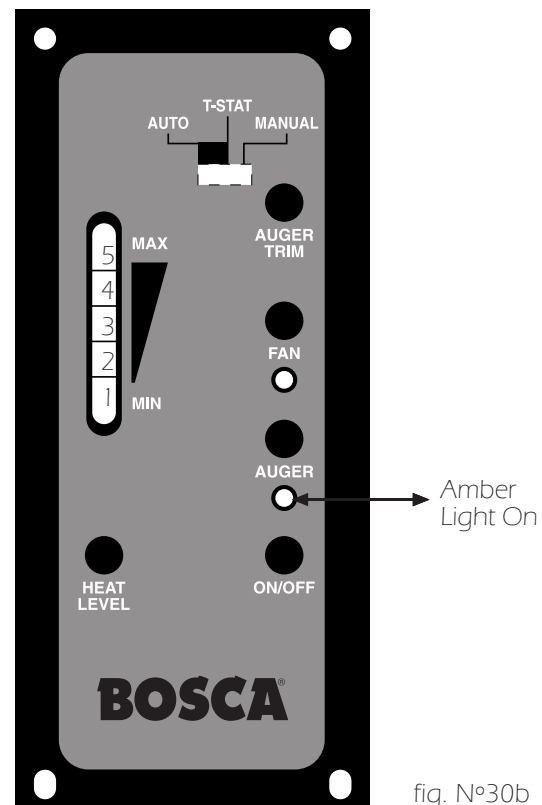


fig. N°30b

When the "1" light is illuminated on the bar graph the low feed rate is at its "normal" setting.
When the "1" & "4" lights are illuminated on the bar graph the low feed rate is at its "highest" setting.

NOTE: When the stove is set on "1" the "reset trim" values will be shown on the Feed Rate Advance bar graph. For example if the Reset Trim is set to low the "1" and "3" lights will be illuminated on the bar graph.

HEAT LEVEL ADVANCE

This button when pushed will set the pellet feed rate, hence the heat output of your stove. The levels of heat output will incrementally change on the bar graph starting from level "1" to "5".

NOTE: When dropping more than 2 heat level settings (i.e. to 1) push the "High Fan" button and allow the room air fan to run at that setting for at least 5 minutes to prevent the stove from tripping the high temp thermodisc. If the high temp thermodisc does trip see "SAFETY FEATURES".

PROPER FUEL

NOTE:
THIS STOVE IS APPROVED FOR BURNING PELLETIZED WOOD FUEL ONLY

Factory-approved pellets are those 1/4" or 5/16" in diameter and not over 1" long. Longer or thicker pellets sometimes bridge the auger flights, which prevents proper pellet feed. Burning wood in forms other than pellets is not permitted. It will violate the building codes for which the stove has been approved and will void all warranties. The design incorporates automatic feed of the pellet fuel into the fire at a carefully prescribed rate. Any additional fuel introduced by hand will not increase heat output but may seriously impair the stoves performance by generating considerable smoke. Do not burn wet pellets. The stove's performance depends heavily on the quality of your pellet fuel.

Avoid pellet brands that display these characteristics:

Excess Fines. "Fines" is a term describing crushed pellets or loose material that looks like sawdust or sand. Pellets can be screened before being placed in the hopper to remove most fines.

Binders. Some pellets are produced with materials to hold them together, or "bind" them.

High Ash Content. Poor quality pellets will often create smoke and dirty glass. They will create a need for more frequent maintenance. You will have to empty the burnpot and vacuum the entire system more often. Poor quality pellets could damage the auger. BOSCA cannot accept responsibility for damage due to poor quality pellets. Your dealer can recommend a good quality pellet brand in your area.

Proper Fuel Storage: Keep fuel raised off the floor and in a covered area to avoid moisture and water contact.

CAUTION: DO NOT PLACE FUEL WITHIN SPACE HEATER INSTALLATION OR WITHIN THE SPACE REQUIRED FOR CHARGING AND ASH REMOVAL.

PRE-STARTUP CHECK

Remove burnpot, making sure it is clean and none of the air holes are plugged. Clean the firebox, then reinstall burnpot. Clean door glass if necessary (a dry cloth or paper towel is usually sufficient). Never use abrasive cleaners on the glass or door. Check fuel in the hopper and refill if necessary. Make sure hopper lid is closed. If left open, the auger will not feed pellets.

BUILDING A FIRE

Never use a grate or other means of supporting the fuel. Use only the BOSCA approved burnpot.

NOTE: During the first few fires, your stove will emit an odor as the high temperature paint cures or becomes seasoned to the metal. Maintaining smaller fires will minimize this. Avoid placing items on the stovetop during this period because the paint could be affected.

NOTE: You will have to prime the auger system before the stove will ignite. You may have to go through 2-3 startup cycles, with each cycle lasting 15 minutes. The stove will shut off. You must then go through the startup procedure again.

NOTE: To speed up the time it takes to prime the auger system, you may press and hold the hopper switch, and press and hold the auger button on the control board after you have turned the stove on by pressing the power button. This allows the auger to turn continuously. When you hear pellets drop into the burnpot, close the hopper lid and the unit will continue in startup mode.

1. Fill hopper with pellet fuel.
2. Make sure burnpot is seated in correct position and is clean.
3. Press power button "ON/OFF". Make sure light comes on and close hopper lid.
4. Adjust the damper to 1" to 1½" open (pushed in is open). This will vary depending on your installation and elevation. Once a fire is established, adjust for desired flame by increasing the amount the damper is open as the heat setting is increased. (See "DAMPER CONTROL")
5. Adjust the pellet fuel feed rate to desired setting by pressing Feed Rate Advance "Heat Level" button.

If stove doesn't start in 15 minutes, press power ON/OFF, wait a few minutes, and go through startup procedure again starting with step 3.

DAMPER CONTROL (Fig. N°31)

The damper control rod, on the stove's lower right front side adjusts the combustion air. This control is necessary due to the varied burn characteristics of individual installations, different pellet brands, and pellet feed rate. It allows you to improve the efficiency of your stove. Providing correct combustion air will reduce the frequency of cleaning the glass door and prevent the rapid buildup of creosote inside your stove and chimney. You should adjust the damper based on the fire's appearance. A low reddish, dirty fire can be improved by pushing the damper out a bit. A "blow torch" fire can be improved by pulling the damper out a bit.

As a general rule, on lower feed rate settings, the damper should be out further. On higher feed rates, the damper should be more open. Through trial and error, you will find the best setting. Consult your dealer if you need help.

NOTE: On "1", the damper should be out approximately 1" to 1½". If the damper is out too far, it can cause the fire to go out. Remember to push the damper in for more air, and pull it out for less air.

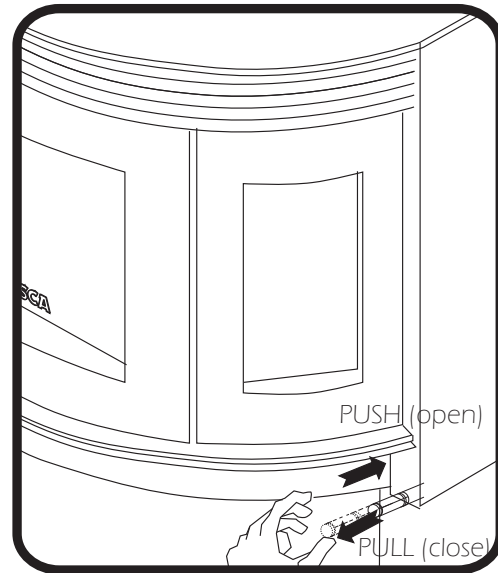


Fig. N°31

OPENING DOOR

If the door is opened while the stove is in operation, it must be closed within 30 seconds or the stove will shut down. If the stove shuts down, push the "Power" button to continue the operation of your stove.

ROOM AIR FAN

When starting your stove, the room air fan will not come on until the stove's heat exchanger warms up. This usually takes about 10 minutes from startup.

IF STOVE RUNS OUT OF PELLETS

The stove will go out and the auger motor and blowers will run until the stove cools. This will take 30-45 minutes. After the stove components stop running, the POWER and BAR GRAPH lights will stay on for 10 minutes. After that, the "3" light on the bar graph will flash and the POWER light will go off. To restart, fill the hopper, press the Power button, and then press Fuel Feed until pellets begin to fall into the burnpot.

REFUELING

NOTE: We recommend that you not let the hopper drop below 1/4 full.

**KEEP HOPPER LID CLOSED AT ALL TIMES EXCEPT WHEN REFILLING.
IF LEFT OPEN AUGER WILL NOT FEED.
DO NOT OVERFILL HOPPER.**

SHUTDOWN PROCEDURE

Turning your **BOSCA SOUL 700 Pellet Stove** off is a matter of pressing the "Power button on the control panel. The red light will go out. The blowers will continue to operate until internal firebox temperatures have fallen to the preset level.

SAFETY FEATURES

A.- Your stove is equipped with a high temperature thermodisc. This safety switch has two functions:

- 1.- To recognize an overheat situation in the stove and shut down the fuel feed or auger system.
- 2.- In case of a malfunctioning convection blower, the thermodisc will automatically shut down the auger, preventing the stove from overheating.

NOTE: The thermodisc has no reset button and will reset itself once the stove has cooled. BOSCA recommends that you call your dealer if this occurs as it may indicate a more serious problem and require a service call.

B.- If the combustion blower fails, an air pressure switch will automatically shut down the auger.

NOTE: Opening the stove door for more than 30 seconds during operation will cause enough pressure change to activate the air switch, shutting off the fuel feed. Close the door and press the "ON/OFF" button to continue operation of your stove.

THERMOSTAT INSTALLATION

Your **BOSCA SOUL 700 Pellet Stove** is ready to plug in a thermostat. It must be a millivolt thermostat. To connect your stove to a thermostat, follow these steps:

- ① **Unplug the stove from the power outlet.**
- ② Find the white/red wire to connect the thermostat, located at the back of the stove, near the control board.
- ③ Plug in the wires of the thermostat.
- ④ Plug the stove back into the power outlet.

MODES

NOTE: To switch between any of the three modes, the stove must be shut off, the new mode selected, and the stove restarted.

Manual Mode (Fig. N°32a)

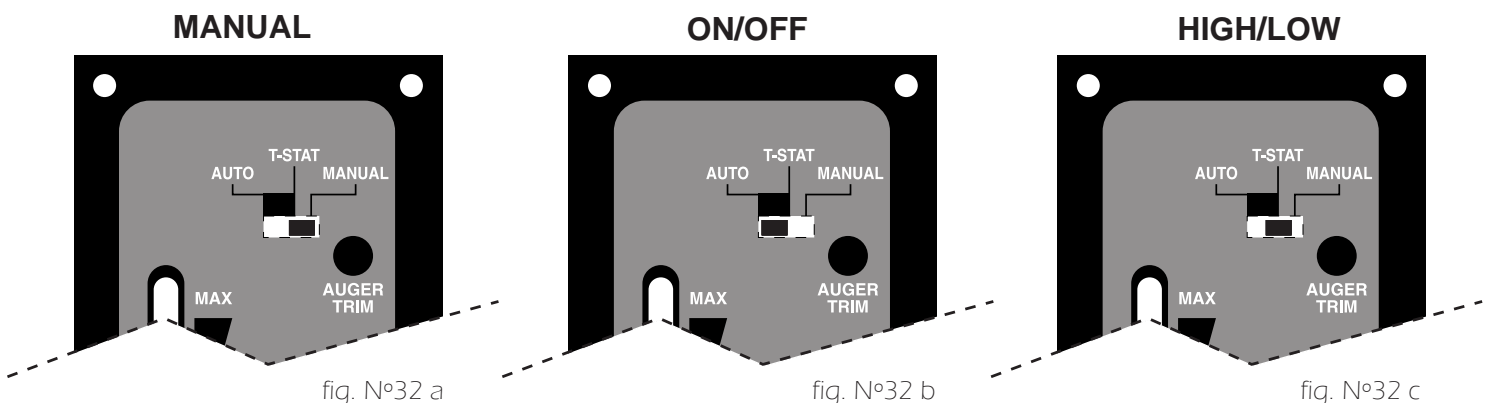
In this mode, the stove will operate only from the control panel, as detailed in the "OPERATION" section of this manual.

On/Off Thermostat Mode (See Fig. N°32b)

When set to this mode, the stove will automatically switch between two settings. When warm enough, it will switch to the "1" or low setting. The room air blower will also slow to its lowest speed. The Heat Level Advance setting on the bar graph will stay where it was originally set. When the house cools below the thermostat setting, the stove will switch to the feed rate of the heat level advance setting.

High/Low Thermostat Mode (See Fig. N°32c)

In this mode when the home is warm enough, the stove will shut off. The fans will continue to run until the stove cools. When the home cools below the thermostat setting, the stove will automatically restart and run at the last feed rate setting.



OPERATING SAFETY PRECAUTIONS**EXTREMELY IMPORTANT – READ CAREFULLY**

The stove is hot while in operation. Keep children, pets, clothing, and furniture away. Contact may cause burns.

If you notice a smoldering fire (burnpot full but no visible flame) **AND a heavy smoke buildup in the firebox, immediately TURN OFF the stove, but DO NOT unplug it. Do not open the door, change the damper setting or tamper with any controls on the stove.** Wait until the firebox clears and blowers have shut down, then do as instructed in "PRE-STARTUP CHECK" and "BUILDING A FIRE", then attempt to restart the fire. If the problem persists, contact your dealer.

WARNING: DO NOT OPEN THE DOOR DURING THE STARTUP CYCLE AND DO NOT ADD PELLETS TO THE BURNPOT BY HAND AT ANY TIME. OTHERWISE, A DANGEROUS CONDITION COULD RESULT.

Pellets should be stored in a dry place. The pellets must not be stored within 12" of the stove.

DO NOT STORE OR USE FLAMMABLE LIQUIDS, ESPECIALLY GASOLINE, IN THE VICINITY OF YOUR BOSCA SOUL 700 PELLET STOVE. NEVER USE A GAS OR PROPANE TORCH, GASOLINE, GASOLINE-TYPE LANTERN FUEL, KEROSENE, CHARCOAL LIGHTER FLUID OR SIMILAR FLUIDS TO START OR "FRESHEN UP" A FIRE.

WARNING: DO NOT OVERFIRE THIS STOVE. This may cause serious damage to your stove and will void your warranty. It also may create a fire hazard in your home. **IF ANY EXTERNAL PART OF THE UNIT BEGINS TO GLOW, YOU ARE OVERFIRING.** Immediately press the "POWER" switch on the control panel.

KEEP ALL COMBUSTIBLE HOUSEHOLD ITEMS, SUCH AS FURNITURE, DRAPES, TOYS, ETC., AT LEAST THREE FEET FROM THE OPERATING STOVE.

Maintain proper ventilation. It is important that adequate oxygen be supplied to the fire for the combustion process to take place. Modern houses are often so well insulated that it may become necessary to open a window slightly or install an outside air vent to provide sufficient combustion air. Since heating with a solid fuel is potentially hazardous, even with a well-made and thoroughly tested stove it would be wise to install strategically placed smoke detectors and have a fire extinguisher in a convenient location near an exit.

Do not open stove door during operation unless absolutely necessary. This will create a dirty, inefficient burn and could allow smoke and/or sparks to escape.

Do not permit operation by young children or those unfamiliar with the stove's functions.

DO NOT CLEAN OR SERVICE THIS APPLIANCE WITHOUT DIS-CONNECTING THE POWER CORD.

Do not abuse the door glass by striking, slamming, or similar trauma. Do not operate the stove with the glass cracked, broken, or removed.

If the stove is installed in a room without air conditioning, or in an area where direct sunlight can shine on it, it is possible that this could cause the temperature of the stove to rise to operational levels. One of the sensors could then make the convection fan and/or feed system to start on its own. It is recommended that the stove be unplugged when not in use for extended periods of time, such as the summer months.

Do not burn garbage or flammable fluids such as gasoline, lighter fluids or engine oil.

MAINTENANCE

FAILURE TO CLEAN AND MAINTAIN THIS UNIT AS INDICATED CAN RESULT IN POOR PERFORMANCE AND SAFETY HAZARDS. NEVER CLEAN WHEN HOT.

NOTE: Inspect burnpot periodically to see that no holes have become plugged. If so, clean thoroughly.

BOSCA MAINTENANCE TOOL

A special tool has been provided to help with the following functions:

- ⊙ **Stirring the pellets in the hopper.** Unlike liquids in a tank, pellets do not drain evenly into the auger. Bridging across the opening can occur. Pellets can hang up on the sides of the hopper. Occasionally "stirring" the pellets can help. **NOTE:** To prevent bridging of pellets, common wax paper can be rubbed on the sidewalls and bottom of the hopper.
- ⊙ **Scrape ashes from the burnpot into the ash drawer.**

ASH REMOVAL

Remove ashes periodically as they accumulate in the firebox. To remove ashes:

- ⊙ Make sure the fire is out and the firebox is cool.
- ⊙ Clean heat exchanger tubes. See "CLEANING" and Figure N° 34t.
- ⊙ Remove the burnpot's inner section by grasping it and pulling straight up.
- ⊙ Empty ashes from the inner section and scrape with the cleaning tool. Make sure holes are not plugged.
- ⊙ Vacuum to remove ashes from the burn chamber interior and the burnpot shell, or sweep the ash into the ash cleanout drawer with a small broom.

WARNING:
MAKE SURE ASHES ARE COOL TO THE TOUCH BEFORE USING A VACUUM
(See "VACUUM USE").

- ⊙ Dispose of ashes properly (See "ASH DISPOSAL")
- ⊙ Replace inner section into burnpot, make sure it is level and pushed all the way back down with the igniter hole to the rear. (Fig. 33a - 33b - 33c)
- ⊙ Check the condition of the gasket on air intake tube.
- ⊙ Make sure the burnpot is level and pushed all the way in. If the collar on the burnpot attached to the fresh air tube is not pushed back to meet the firebox wall, the Hot Rod igniter will not work properly.

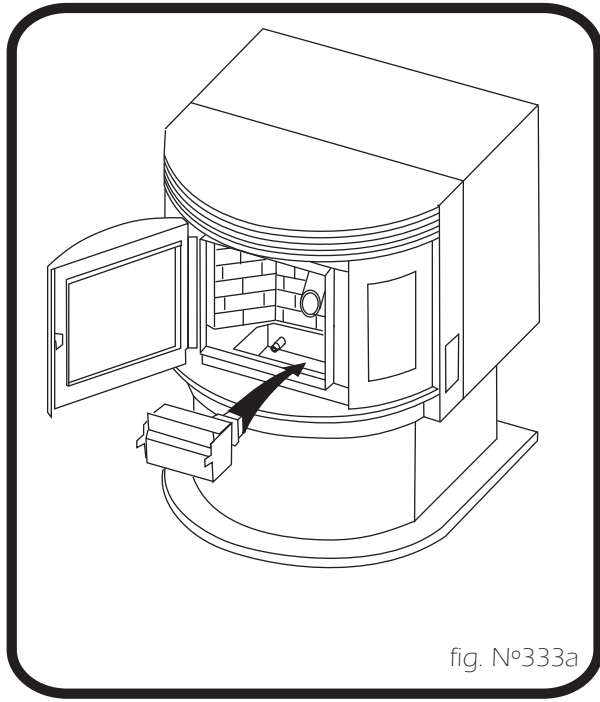


fig. N°333a

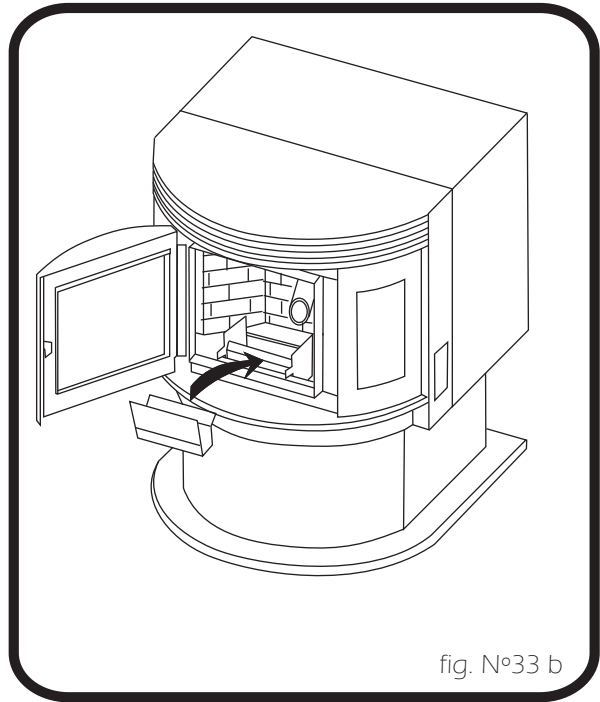


fig. N°33 b

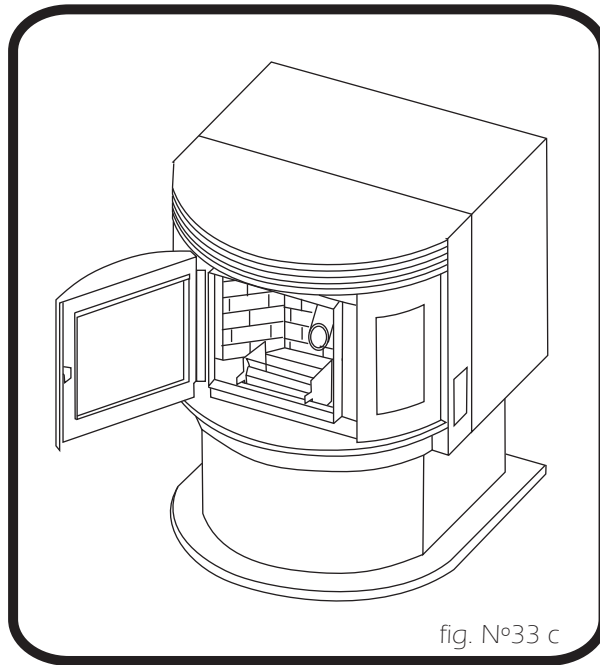


fig. N°33 c

ASH DISPOSAL

Ash should be placed in a metal container with a tight-fitting lid. The closed container of ashes should be placed on a noncombustible surface or on the ground, well away from all combustible materials pending final disposal. If ashes are disposed of by soil burial or otherwise locally dispersed, they should be retained in the closed container until all cinders have thoroughly cooled.

VACUUM USE

CAUTION: DO NOT VACUUM HOT EMBERS OR ASH

If a vacuum is used to clean your unit, we suggest using a vacuum designed for ashes. BOSCA recommends LoveLess Ash Vac (1-800-568-3949, ext #27).

Some regular vacuums and shop-type vacuums leak ash into the room. Your vacuum or shop-type vacuum may have a special filter or bag available to eliminate this leakage.

CLEANING

Heat Exchanger Tubes: Your **Bosca SOUL 700 Pellet Stove** is designed with a built-in heat exchange tube cleaner. The cleaner rod is located in the grill above the stove door. This should be used every two or three days to remove accumulated ash on the tubes, which reduced heat transfer on the stove.

Move the cleaner rod back and forth several times to clean the heat exchanger tubes. Be sure to leave tube cleaner at the rear of the stove (refer to figure N° 34).

Decorative Firebricks Removal: sfjfsdkfh kjfhshfkjashfkds ljhsdkjhfskjhaf khafskjhfsakjfhaf kjasfkjhafskjhfsak kjasfhkjhfaskjhfsa kjasfkjafskjaf

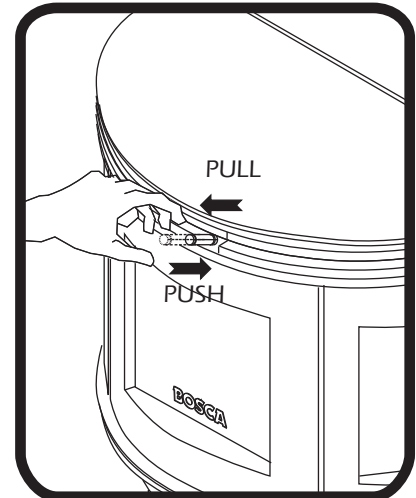


fig. N°34

Interior Chambers: Two doors behind firebricks in the firebox shaped like rain drops can be opened for periodic cleaning (Fig. N° 34). These doors allow access to the chamber surrounding the firebox.

Periodically, you must vacuum ashes from this chamber. In some cases you will need to remove creosote, which can accumulate rapidly under certain conditions. A small wire brush can be used. **It is important to remove this creosote because it is highly combustible.**

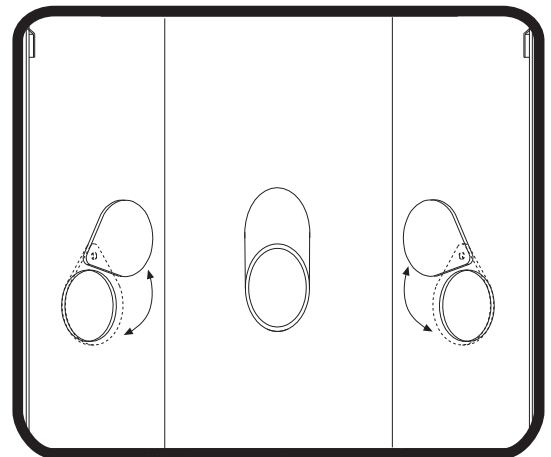


fig. N°35

INSPECT BEHIND THESE CLEANING PLATES AT LEAST ONCE PER TON OF PELLETS BURNED UNTIL YOU ARE FAMILIAR WITH HOW ASHES AND CREOSOTE ACCUMULATE WITH YOUR OPERATING PRACTICES.

BLOWERS

DANGER
RISK OF ELECTRIC SHOCK. DISCONNECT POWER BEFORE SERVICING UNIT.

CLEANING: Over time, ashes or dust may collect on the blades of both the combustion and convection blowers. The blowers should be vacuumed clean periodically as this debris can impede performance. Creosote can also accumulate in the combustion blower, which is accessed by the left side panel. The convection blower is on the right (facing stove).

NOTE: When servicing fans, be careful not to dislodge the balancing clip on the convection blower or to bend fan blades.

CHIMNEY CLEANING

Soot and Flyash: the products of combustion will contain particles of flyash. The flyash will collect in the exhaust venting system and restrict the flow of gases. Incomplete combustion, such as occurs during startup, shutdown or incorrect operation of the room heaters can lead to some soot formation which will collect in the exhaust venting system. The exhaust venting system should be inspected at least once every year to determine if cleaning is necessary.

Creosote Formation: When any wood is burned slowly, it produces tar and other organic vapors, which combine with expelled moisture to form creosote. The creosote vapors condense in the relatively cool chimney flue or a newly started fire or from a slow-burning fire. As a result, creosote residue accumulates on the flue lining. When ignited, this creosote makes an extremely hot fire, which may damage the chimney or even destroy the house. Despite their high efficiency, pellet stoves can accumulate creosote under certain conditions.

Fly Ash: This accumulates in the horizontal portion of an exhaust run. Though noncombustible, it may impede the normal exhaust flow. It should therefore be periodically removed.

Inspection and Removal: The chimney connector and chimney should be inspected annually or per ton to determine if a creosote or fly ash build-up has occurred. If creosote has accumulated, it should be removed to reduce the risk of a chimney fire. Inspect the system at the stove connection and at the chimney top. Cooler surfaces tend to build creosote deposits quicker, so it is important to check the chimney from the top as well as from the bottom.

The creosote should be removed with a brush specifically designed for the type of chimney in use. A qualified chimney sweep can perform this service. It is also recommended that before each heating season the entire system be professionally inspected, cleaned and, if necessary, repaired.

To clean the chimney, detach the vent at the combustion blower transition where it is attached to the blower.

RECOMENDED MAINTENENCE SCHEDULE

Use this as a guide under average-use conditions.

	Daily	Weekly	Bi-Annually	Annually or per Ton
Burnpot Glass Combustion Chamber Ashes Interior Chambers Heat Exchange Tubes Combustion Blower Blades Convection Blower Impeller Vent System Gaskets Hopper (end of season)	Stirred Wiped	Emptied Cleaned Brushed Two passes		Emptied Vacuumed Vacuumed/Brushed Vacuumed/Brushed Cleaned Inspected Emptied/Vacuumed

Gasket around door and door glass should be inspected and repaired or replaced when necessary. (See "REPLACEMENT PARTS")

REMOVAL AND REPLACEMENT OF BROKEN DOOR GLASS

While wearing leather gloves (or any other gloves suitable for handling broken glass), carefully remove any loose pieces of glass from the doorframe. Dispose of all broken glass properly. Return the damaged door to your Dealer for repair or replacement.

NOTE: Neither the appliance owner nor any other unauthorized person(s) should replace the door glass. An authorized dealer must perform all repairs involving door glass.

TROUBLESHOOTING GUIDE

When your stove acts out of the ordinary, the first reaction is to call for help. This guide may save time and money by enabling you to solve simple problems yourself. Problems can be caused by to only five factors: 1) poor fuel; 2) poor operation or maintenance; 3) poor installation; 4) component failure; 5) factory defect. You can usually solve those problems related to 1 and 2. Your dealer can solve problems relating to 3, 4, and 5.

STOVE SHUTS OFF AND THE #2 LIGHT FLASHES

Possibles Causes	Possibles remedies (Unplug stove first when possible)
1.-Airflow switch hose or stove attachment pipes for hose are blocked.	Unhook air hose from the air switch and blow through it. If air flows freely, the hose and tube are fine. If air will not flow through the hose, use a wire coat hanger to clear the blockage.
2.-The air inlet, burnpot, interior combustion air chambers, combustion blower, or exhaust pipe are blocked with ash or foreign material.	Follow all cleaning procedures in the maintenance section of the owner's manual.
3.-The firebox is not properly sealed.	Make sure the door is closed and that the gasket is in good shape. If the ash door has a latch, make sure the ash door is properly latched and the gasket is sealing good. If the stove has just a small hole for the ashes to fall through under the burnpot, make sure the slider plate is in place to seal off the firebox floor.
4.-Vent pipe is incorrectly installed.	Check to make sure vent pipe installation meets criteria in Owner's Manual.
5.-The airflow switch wire connections are bad.	Check the connectors that attach the gray wires to the air switch.
6.-The gray wires are pulled loose at the Molex connector on the wiring harness.	Check to see if the gray wires are loose at the Molex connector.
7.-Combustion blower failure.	With the stove on, check to see if the combustion blower is running. If it is not, you will need to check for power going to the combustion blower. It should be a full current. If there is power, the blower is bad. If there is not, see #8.
8.-Control board not sending power to combustion blower.	If there is not current going to the combustion blower, check all wire connections. If all wires are properly connected, you have a bad control board
9.-Control board not sending power to air switch.	There should be a 5-volt current (approximately) going to the air switch after the stove has been on for 30 seconds.
10.-Air switch has failed (very rare)	To test the air switch, you will need to disconnect the air hose from the body of the stove. With the other end still attached to the air switch, very gently suck on the loose end of the hose (you may want to remove the hose entirely off the stove and the air switch first and make sure it is clear). If you hear a click, the air switch is working. BE CAREFUL, TOO MUCH VACUUM CAN DAMAGE THE AIR SWITCH.

STOVE SHUTS OFF AND THE #3 LIGHT FLASHES

Possibles Causes	Possibles remedies (Unplug stove first when possible)
1.The hopper is out of pellets or bridged pellets.	Refill the hopper.
2.-Hopper lid left open.	Lid must be closed for pellets to feed.
3.-The air damper is too far open for a low feed setting.	Make sure that the air intake collar on the burnpot is touching the rear wall of the firebox.
4.-The burnpot is not pushed completely to the rear of the firebox.	Make sure that the air intake collar on the burnpot is touching the rear wall of the firebox.
5.-The burnpot holes are blocked	Remove the burnpot and thoroughly clean it.
6.-The air inlet, the interior chambers, or exhaust system has a partial blockage.	Follow all cleaning procedures in the maintenance section of the owner's manual.
7.-The auger shaft is jammed.	Start by emptying the hopper. Then remove the auger motor by removing the auger pin. Remove the auger shaft inspection plate in the hopper so that you can see the auger shaft. Gently lift the auger shaft straight up so that the end of the auger shaft comes up out of the bottom auger bushing. Next, remove the two nuts that hold the top auger biscuit in. Then rotate the bottom end of the auger shaft up towards you until you can lift the shaft out of the stove. After you have removed the shaft, inspect it for bent flights, burrs, or broken welds. Remove any foreign material that might have caused the jam. Also, check the auger tube for signs of damage such as burrs, rough spots, or grooves cut into the metal that could have caused a jam.
8.-The auger motor has failed.	Remove the auger motor from the auger shaft and try to run the unit. If the motor will turn the shaft is jammed on something. If the motor will not turn, the motor is bad.
9.-The Proof of Fire (POF) thermomdisc has malfunctioned.	Temporarily bypass the POF thermomdisc by disconnecting the two brown wires and connecting them with a short piece of wire. Then plug the stove back in. If the stove comes on and works, you need to replace the POF thermomdisc. This is for testing only. DO NOT LEAVE THE THERMODISC BYPASSED. Your blowers will never shut off and if the fire went out the auger will continue to feed pellets until the hopper is empty if you leave the POF thermomdisc bypassed.
10. The high limit thermomdisc has tripped or is defective.	Wait for the stove to cool for about 30–40 minutes. It should now function normally. If not use the Owner's Manual to locate the high limit thermomdisc. To test if the thermomdisc is bad, you can bypass it as described previously for the POF thermomdisc.
11.- The fuse on the control board has blown.	Remove the control board. If the fuse appears to be bad, replace it with a 5 Amp 250 Volt fuse. Plug the stove back in and try to run the unit.
12.- The control board is not sending power to the POF thermomdisc or other auger system components.	There should be a 5-volt (approximately) current going to the POF thermomdisc after the stove has been on for 10 minutes.

STOVE FEEDS PELLETS, BUT WILL NOT IGNITE

Possibles Causes	Possibles Remedies: (Unplug stove first when possible)
1.-Air damper open too far for ignition.	Pull the air damper out for startup. In some situations it may be necessary to have the damper completely closed for ignition to take place. After there is a flame, the damper can then be adjusted for the desired feed setting.
2. -Blockage in igniter tube or inlet for igniter tube.	Find the igniter housing on the backside of the firewall. The air intake hole is a small hole located on bottom side of the housing. Make sure it is clear. Also, look from the front of the stove to make sure there is not any debris around the igniter element inside of the igniter housing.
3.- The burnpot is not pushed completely to the rear of the firebox.	Make sure that the air intake collar on the burnpot is touching the rear wall of the firebox.
4. Bad igniter element.	Put power directly to the igniter element. Watch the tip of the igniter from the front of the stove. After about 2 minutes the tip should glow. If it does not, the element is bad.
5. The control board is not sending power to the igniter.	Check the voltage going to the igniter during startup. It should be a full current. If the voltage is lower than full current, check the wiring. If the wiring checks out good, the board is bad.

SMOKE SMELL COMING BACK INTO THE HOME

Possibles Causes	Possibles Remedies: (Unplug stove first when possible)
1.- There is a leak in the vent pipe system.	Inspect all vent pipe connections. Make sure they are sealed with RTV silicone that has a temperature rating on 500 degree F or higher. Also, seal joints with UL-181-AP foil tape. Also, make sure the square to round adapter piece on the combustion blower has been properly sealed with the same RTV.
2.- The gasket on the combustion blower has gone bad.	Inspect both gaskets on the combustion blower to make sure they are in good shape.

CONVECTION BLOWER SHUTS OFF AND COMES BACK ON

Possibles Causes	Possibles remedies (Unplug stove first when possible)
1.-The convection blower is overheating and tripping the internal temperature shutoff.	Try lubricating the convection blower. Put 1-2 drops of SAE 20 oil in each of the two oiling ports. Also, clean any dust off of the windings and fan blades. If oiling the blower does not help, the blower may be bad.
2.Circuit board malfunction.	Test the current going to the convection blower. If there is power being sent to the blower when it is shut off, then the control board is fine. If there is NOT power being sent to the blower when it shuts off during operation, then you have a bad control board.

STOVE WILL NOT FEED PELLETS, BUT FUEL FEED LIGHT COMES ON AS DESIGNED

Possibles Causes	Possibles remedies (Unplug stove first when possible)
1. Fuse on control board blew.	Remove the control board. If the fuse appears to be bad, replace it with a 5 Amp 250 Volt Fuse. Plug the stove back in and try to run the unit.
2. High limit switch has tripped or is defective.	Wait for the stove to cool for about 30-45 minutes. It should now function normally. If not use the Owner's Manual to locate the high limit thermodisc. To test if the thermodisc is bad, you can bypass it as described previously for the POF thermodisc.
3. Bad auger motor.	Remove the auger motor from the auger shaft and try to run the unit. If the motor will turn, the shaft is jammed on something. If the motor will not turn, the motor is bad.
4.- Auger jam.	Start by emptying the hopper. Then remove the auger motor by removing the auger pin. Remove the auger shaft inspection plate in the hopper so that you can see the auger shaft. Gently lift the auger shaft straight up so that the end of the auger shaft comes up out of the bottom auger bushing. Next, remove the two nuts that hold the top auger biscuit in. Then rotate the bottom end of the auger shaft up towards you until you can lift the shaft out of the stove. After you have removed the shaft, inspect it for bent flights, burrs, or broken welds. Remove any foreign material that might have caused the jam. Also, check the auger tube for signs of damage such as burrs, rough spots, or grooves cut into the metal that could have caused a jam.
5.- Loose wire or connector	Check all wires and connectors that connect to the auger motor, high limit switch, and the Molex connector.
6.- Bad control board	If the fuse is good, the wires and connectors check out good, and the high limit switch did not trip, test for power going to the auger motor. If there is not a full current going to the auger motor when the fuel feel light is on, you have a bad control board.

- **GLASS "SOOTS" UP AT A VERY FAST RATE**
- **FLAME IS LAZY, DARK, AND HAS BLACK TIPS**
- **AFTER STOVE HAS BEEN ON FOR AWHILE, THE BURNPOT OVERFILLS**

Possibles Causes	Possibles remedies
1.- Stove or vent pipe is dirty, which restricts airflow through the burnpot.	Follow all cleaning procedure in the maintenance section of the owner's manual.
2.- Fire box baffle or heat exchanger dirty	Clean heat exchanger or access baffle clean out.
3.- Vent pipe installed improperly.	Check to make sure the vent pipe has been installed according to the criteria in the owner's manual.
4.- Air damper is set too closed for a higher setting.	Pull the damper knob father out away from the side of the stove and try to burn the unit again.

5.- Burnpot holes are blocked.	Remove the burnpot and thoroughly clean it.
6.- Air damper is broken.	Visually inspect the damper assembly. Make sure the damper plate is attached to the damper rod. When the damper rod is moved the plate should move with it.
7.- Blockage in air intake pipe.	Visually inspect the air intake pipe that leads into the burnpot for foreign material.
8.- Circuit board malfunction.	Time the fuel feed light at each setting (after the stove has completed the startup cycle). Make sure the times match the auger timing chart. If the auger motor runs constantly, the board is bad.
9.- Combustion blower is not spinning fast enough.	Test the RPM on the blower after the blades have been cleaned. The RPM should be approximately 3000 RPM.
10.- Bad Pellets (Applies to GLASS "SOOT'S" UP AT A VERY FAST RATE only)	The brand of pellets or the batch of pellets that are being used may be of poor quality. If possible, try a different brand of pellets. You might also want to try a brand that is made from a different type of wood (softwood vs. hardwood). Different woods have different characteristics when being burned.
11.- The trim setting on the feed rate is too low (Applies to GLASS "SOOT'S" UP AT A VERY FAST RATE only)	Use the "Reset Trim" button to increase the low feed rate setting. If the 1 & 3 are on, the stove is currently on the lowest setting. If only the 1 light is on, the stove is in the default (medium) setting. If the 1 & 4 lights are on, the stove is in the high trim setting for the low feed rate. If the stove is being burned on one of the two lower settings, advance to the next trim setting and try burning the stove.

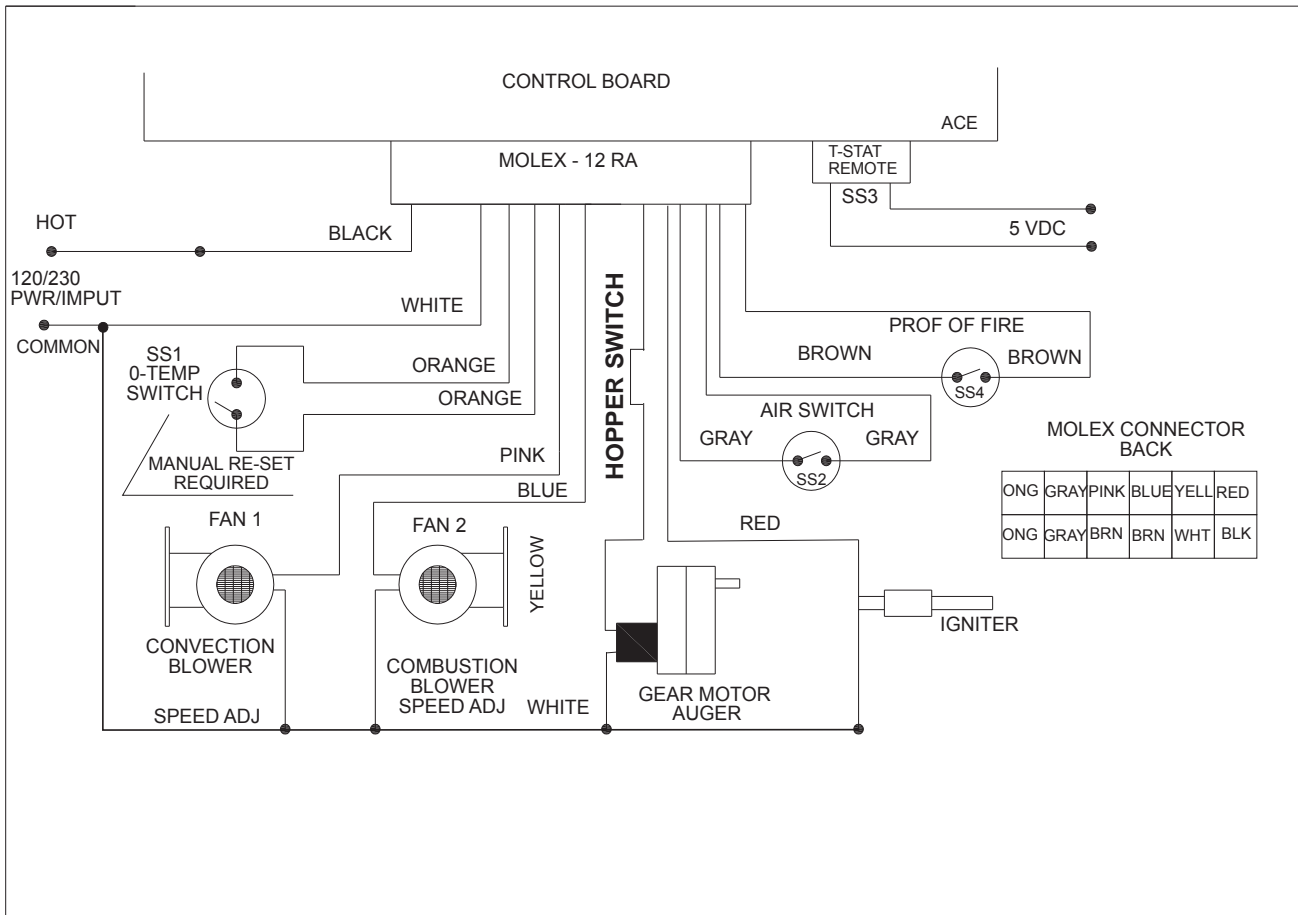
HIGH LIMIT SWITCH KEEPS TRIPPING

Possibles Causes	Possibles remedies
1.- The convection blower is overheating and tripping the internal temperature shutoff.	Clean any dust off of the windings and fan blades. If cleaning the blower does not help, the blower may be bad.
2.- The stove is being left on the highest setting for extended periods of time.	The highest heat level setting is designed for use over short periods of time. Burning the stove on the highest setting for longer than 1–2 hours could lead to potential overheating situations.
3.- Fuel other than wood pellets is being burned in the stove.	Bosca pellet stoves are designed and tested to use wood pellets. While it is possible to burn a corn mixture (corn mixed in with wood pellets) in the stove, it is not recommended to burn above the number 3 heat level. Check for signs of fuel other than wood pellets. If there are signs of corn being used, find out what mixed was being used and what setting. No other types of fuel have been approved for Bosca pellet stoves. If there are signs of other types of fuel being used, advise the consumer to stop using them immediately.
4.- Power surge or brown out situation.	A power surge, spike, or voltage drop could cause the high limit switch to trip. Check to see if a surge protector is being used on the stove. If not, recommend one to the consumer.
5.- High limit switch is malfunctioning	If the other items check out ok, replace the high limit switch.

SMOKE SMELL OR SOOT BUILD-UP

Because it is a wood-burning device, your **BOSCA SOUL 700 Pellet stove** may emit a faint wood-burning odor. If this increases beyond normal, or if you notice any soot build-up on walls or furniture, check your exhaust system carefully for leaks. All joints should be properly sealed. Also clean your stove, following instructions in "MAINTENANCE". If problem persists, contact your dealer.

ELECTRICAL DIAGRAM



REPLACEMENT PARTS

Contact an Authorized Bosca Stove Dealer to obtain any of these parts. Never use substitute materials. Use of non-approved parts can result in poor performance and safety hazards.

UNIT

NUMBER	C O D E	DESCRIPTION
01	12720001	Auger Motor
02		Control Board
03	12720003	Combustion Blower
04	12720004	Convection Blower
05	12720006	Low Limit Switch
06	12720007	High Limit Switch
07	12720008	Vacuum Hose
08	12720009	Convection Blower Gasket
09	12720010	Auger Housing Gasket
10	12720011	Wire Harness
11	12720012	Air Pressure Switch
12	12720025	Hopper Switch
13	12720026	Door (without ceramic glass)
14		Ash Door
15		Ashpan
16	12720029	Cleaning Tool
17	12720030	Latch Assembly
18	12720031	Door Handle
19		Baffle Plate
20		Burn Pot
21	12720034	Burn Pot Gasket
22	12720035	Burn Grate
23	12720036	Heat Exchange Acces Door
24		Left Pannel
25		Right Pannel
28		Control Board Door
29		Heat Exchange Cleaning Rod Assembly
30		Damper Linkage
31		Ignitor Assembly
32	12720045	Ceramic Glass (with gasket)
33		Top Rear Shield
34		Bottom Rear Shield
35		Auger
36	12720049	Upper and Lower Brass Bushing
37	12720050	Auger Motor Mounting Brackets
38	12720051	Auger Mounting Collar and Bolt
39	12720052	Glass Retainer (with brackets, screws and rope)
40	12720053	Vacuum Niple Assembly
41		Owner's Manual
42		Louver
43		Ash Door Cover Plate
44		Side Window Frame
45		Side Glass
46		Unit Side Panel (righth)
47		Unit Side Panel (left)

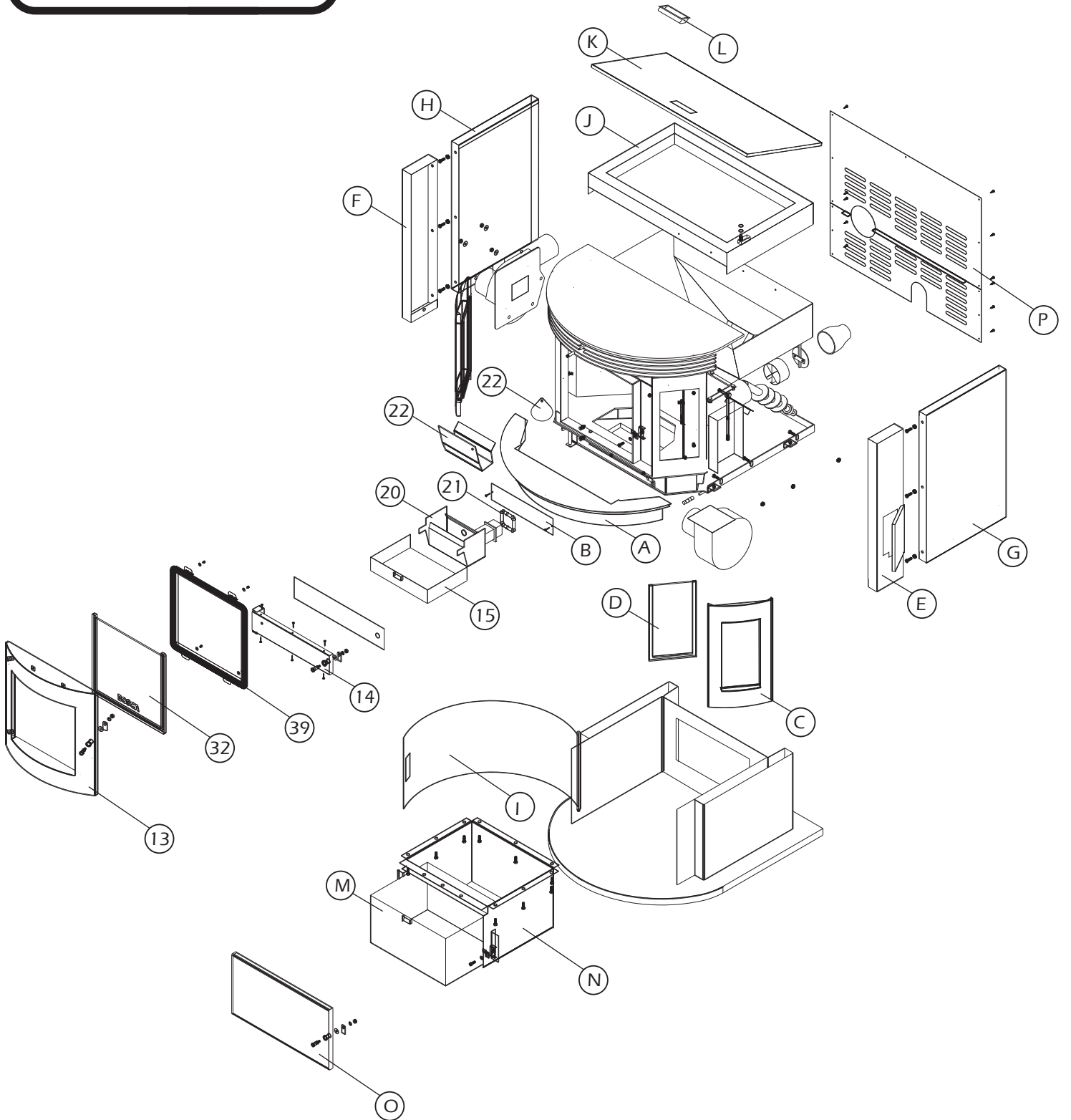
FREE STANDING

NUMBER	C O D E	DESCRIPTION
48		Side Panel (righth)
49		Side Panel (left)
50		Pedestal Door
51		Hopper Top
52		Hopper Door
53		Plastic Handle
54		Free Standing Ash Pan
55		Free Standing Ash Box
56		Ash Box Door
57		Back Panel

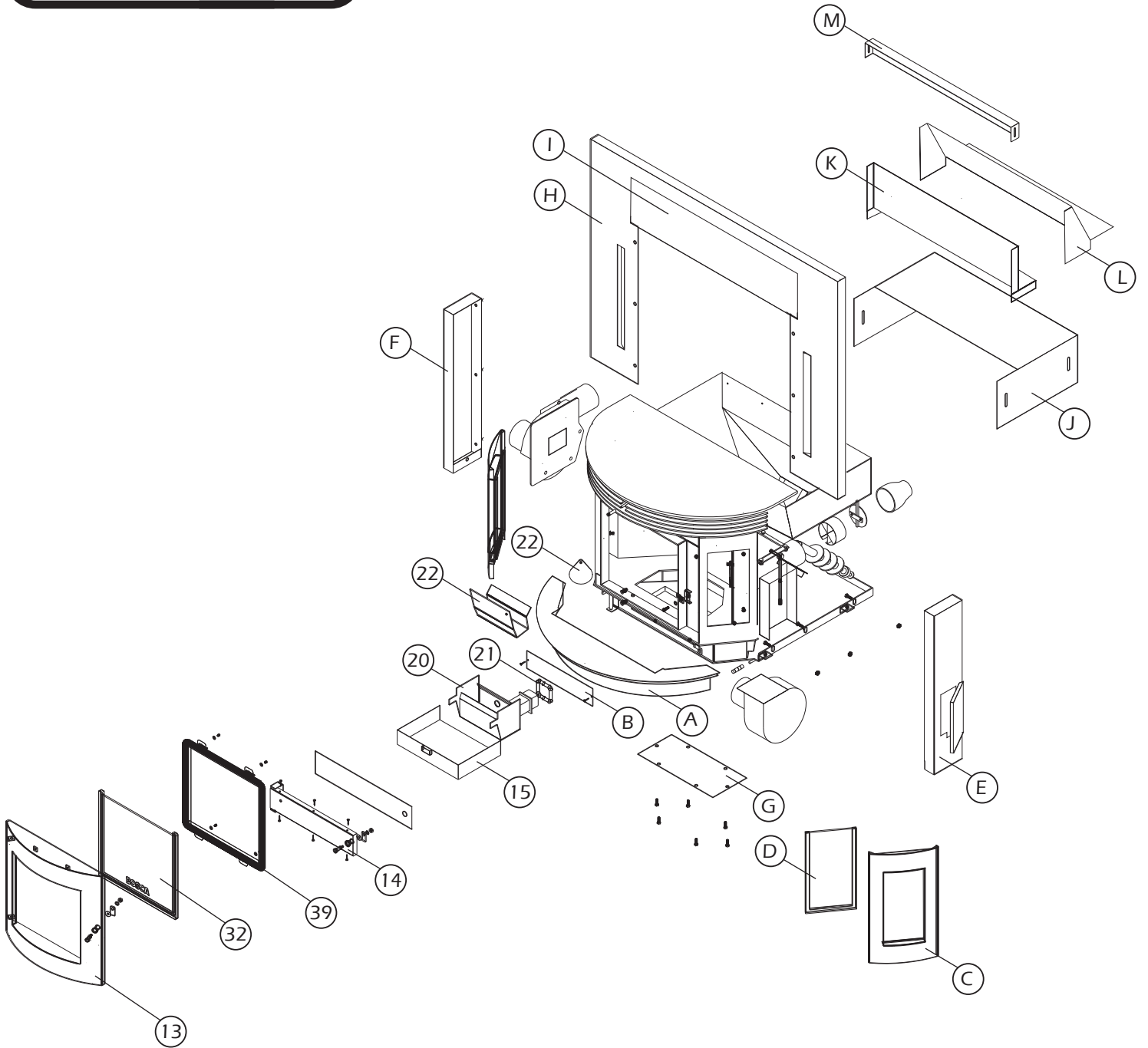
INSERT

NUMBER	C O D E	DESCRIPTION
58		Bottom Cover Plate
59		Sorround Panel (standard)
60		Hopper Lid
61		Hopper Top (adjustable)
62		Low Hopper Chute
63		High Hopper Chute
64		Hopper chute cap

REPLACEMENT PARTS



REPLACEMENT PARTS



LIFETIME LIMITED WARRANTY

STATEMENT OF POLICY:

BOSCA warrants its products from component failure and defects in material or workmanship per the terms of the warranty supplied with the product. All dealers and distributors shall honor BOSCA's warranties, regardless of whether they sold and installed the product or not.

Installation and startup procedures are considered to be normal required activities not associated with warranty service. Issues such as air shutter adjustments or venting should be included in startup. Such procedures are not covered by warranty.

WARRANTY PERIOD:

The warranty period for consumers begins at date of occupancy (new construction), or date of installation (remodel).

LIMITED LIFETIME WARRANTY

BOSCA's limited lifetime warranty guarantees that the following components will work as designed for the first seven (7) years for all pellet stoves, and limited labor for the first two (2) years to the original purchaser. This warranty covers firebox, heat exchanger, burnpot, firebox panels, ceramic glass, panels, and door assembly. Certain restrictions and exclusions may apply. See "CONDITIONS" on the next page.

Three Year Warranty

Under this Warranty, BOSCA covers the burnpot liner against defects in materials and workmanship for repair or replacement for the first three (3) years. Certain restrictions and exclusions may apply.

Two Year Warranty

Under this Warranty, BOSCA covers all electrical components such as blowers, auger motors, igniters, wiring, vacuum switches, speed controls, control boxes, and thermodisc switches for a period of two (2) years to the original purchaser. Certain restrictions and exclusions may apply.

One Year Warranty

Under this Warranty, BOSCA covers all exterior surface finishes against defects in materials and workmanship, for part repair or replacement, and limited labor for the first one year to the original purchaser. Certain restrictions and exclusions may apply.

CONDITIONS OF WARRANTY

This Warranty is non-transferable and is made to the original retail purchaser only, provided that the purchase was made through an authorized BOSCA Stove Dealer. It must be installed and operated at all times in accordance with the Installation and Operating Instructions furnished with the product, as well as any local and national building codes. Any alteration, willful abuse, accident, or misuse of the product shall nullify this Warranty.

Labor to repair or replace items covered under the Limited Lifetime Warranty will be covered for the first five (5) years in accordance with BOSCA's Warranty Service Fee Reimbursement Schedule. Adjustments, regular maintenance, cleaning, and temporary repairs do not qualify for a service call and will not be covered. The replacement of consumer replaceable items and installation of upgraded component parts do not qualify for a service call and will not be covered. This Limited Lifetime Warranty does not extend to or include surface finish on the appliance, door gasket, glass gasket, glass, or firebrick. It does not cover installation or operational-related problems such as over-firing, use of corrosive driftwood, downdrafts, or spillage caused by environmental conditions, nearby trees, buildings, hilltops, mountains, inadequate venting or ventilation, excessive offsets, or negative air pressures caused by mechanical systems such as furnaces, fans, clothes dryers, etc. Any installation, construction, transportation, or other related costs or expenses arising from defective part(s), repair, replacement, etc., will not be covered by this Warranty, nor will BOSCA assume responsibility for them.

Further, BOSCA will not be responsible for any incidental, indirect, or consequential damages, except as results in damage to the interior or exterior of the building in which this appliance is installed. This Limited Lifetime Warranty does not apply to the venting components, hearth components or other accessories used in conjunction with the installation of this product which are not manufactured by BOSCA.

This Warranty is void if the stove has been over-fired or operated in atmospheres contaminated by chlorine, fluorine, or other damaging chemicals. It will also be void if the stove is subjected to prolonged periods of dampness or condensation, or if there is any damage to the stove or components due to water or weather damage which is the result of, but not limited to, improper chimney or venting installation. BOSCA may, at its discretion, fully discharge all obligations with respect to this Warranty by either repairing or replacing the unit, or refunding the wholesale price of the defective part(s).

The Warranty extended by BOSCA described above covers only stoves / appliances sold in the United States and Canada, and will be considered null and void if the serial number label is removed or altered.

The Dealer is not authorized to alter this warranty.

Warranty limitations may not apply in your area. This Warranty gives you specific legal rights. You may also have other rights which vary from state to state.

All other stove warranties, expressed or implied, are excluded to the extent possible by law.

IMPORTANT INFORMATION

Model: -----
Style: -----
Serial Number: -----
Purchase Date: -----
Purchased From: -----

BOSCA CHILE S.A.
Av. Américo Vespucio 2077
Huechuraba
Santiago - Chile
Telephone : (56) 2 3288500
Fax: (56) 2 624 1891

Made in Chile

www.boscastoves.com