

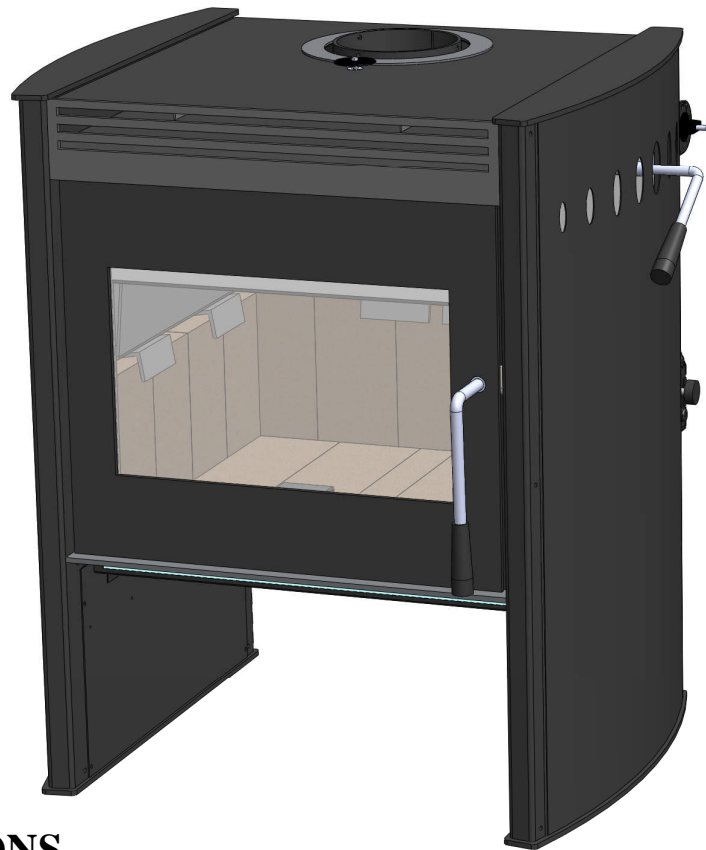


CHINOOK

SOLID FUEL CATALYTIC STOVE

CK24C / CK24F

USERS' INSTALLATION OPERATION & MAINTENANCE MANUAL



INSTALLER—PLEASE FILL IN:

SERIAL NUMBER.....



SAVE THESE INSTRUCTIONS

INSTALLER: PLEASE LEAVE THIS MANUAL WITH THE CUSTOMER
CUSTOMER: PLEASE KEEP MANUAL FOR FUTURE REFERENCE

The authority having jurisdiction (such a municipal building department, fire department, etc.) should be consulted before installation to determine the need to obtain a permit.

Manufactured By

Valley Comfort Systems Inc.
1290 Commercial Way
Penticton, BC V2A 3H5
CANADA
Phone: 250-493-7444
Fax: 250-493-5833

Blaze King Industries
146 A Street
Walla Walla, WA 99362
U.S.A.
Phone: (509) 522-2730
Fax: (509) 522-9803

Pour la version française de nos manuels S.V.P. vous référez à notre site web: www.blazeking.com

INDEX

INTRODUCTION	3
SPECIFICATIONS	4
PRODUCT INFORMATION	5-7
- <i>Appliance dimensions CK24C</i>	5
- <i>Appliance dimensions CK24F</i>	6
- <i>Side Cutaway</i>	7
CERTIFICATION LABEL	8
SAFETY PRECAUTIONS	9-11
INSTALLATION INSTRUCTIONS	12-19
- <i>Floor Protection</i>	12
- <i>Clearances</i>	13-14
- <i>Combustion Air and Draft</i>	15
- <i>Venting Systems</i>	15-19
- <i>Mobile Home</i>	20
- <i>Optional Parts</i>	21
- <i>Door Replacement and Alignment</i>	22
- <i>Side Shields Replacement</i>	23
OPERATION INSTRUCTIONS	24-26
- <i>Basic Important Functions, Fuel</i>	24
- <i>First Fire</i>	25
- <i>Optimum Thermostat Setting, Fan Setting, Ice Formation Prevention</i>	26
CREOSOTE	27
MAINTENANCE	28-31
- <i>Ash Removal, Catalytic Combustor</i>	28
- <i>Door Glass</i>	29
- <i>Gaskets</i>	30
- <i>Fan, Thermostat, Thermometer</i>	31
TROUBLESHOOTING	32-34
REPLACEMENT PARTS	35-38
- <i>Fankit</i>	35
- <i>Stove</i>	36-37
- <i>Refractory (Bricks)</i>	38
LIMITED WARRANTY	39
NOTES	40

INTRODUCTION

To Our Valued Customers

Dear Customer:

Thank you for purchasing the **Blaze King Chinook** catalytic wood burning stove (hereafter referred to as "stove").

This owner's manual explains the steps required to safely assemble, install, operate, and maintain your new stove. Be a responsible stove owner; carefully read these requirements for safe installation and proper operation **BEFORE** installing and using your stove.

Obtain permits from the Building Inspector or Fire Department, if local laws require. Check local building and fire codes before installing your stove. When you have completed the installation, have it checked by your local inspector. Disregarding inspection and code requirements may jeopardize your homeowner's insurance. Since some insurance carriers require notification of a stove installation, contact your insurance agent. We want your **Blaze King** to give you a lifetime of trouble-free operation.

While we have made every effort to make these instructions as complete as possible, some installation or operating conditions may not be covered. If you have any questions that are not answered here, contact your **Blaze King** dealer, Local Building Inspector, Fire Department, or our customer service department at **Blaze King**, Walla Walla, WA (509) 522-2730 or in Canada 250-493-7444.

The Management and Employees of

Blaze King Industries

SPECIFICATIONS

Model	Chinook (catalytic)
Rating	Max 27,280 Btu/hr output* 86.4% overall efficiency (LHV)
Height	35"
Width CK24C (curved side shields)	29.25" (without removable bypass handle)
Width Ck24F (Flat side shields)	26.75" (without removable bypass handle)
Depth	30.5" (without optional fan kit but incl. door handle) 31.5" (with optional fans)
Flue collar	6" I.D.
Recommended flue draft	.05" water column (on high burn)
Fire door opening	18.625" x 9.875"
Firebox Depth	18"
Width	20"
Height	12.75"
Capacity	2.75 cu. ft.
Recommended Fuel length	16 - 18"
Wood capacity (approximate)	
White oak	60 lbs.
Fir	40 lbs.
Construction	10 ga. & 1/4" Firebox & legs, brick lined 18 ga. outer shields
Shipping Weight	425 lbs.

*Average output from EPA emission run, Higher Btu's achievable depending on wood size and moisture content, geographic location, time between reloading, installation (draft).

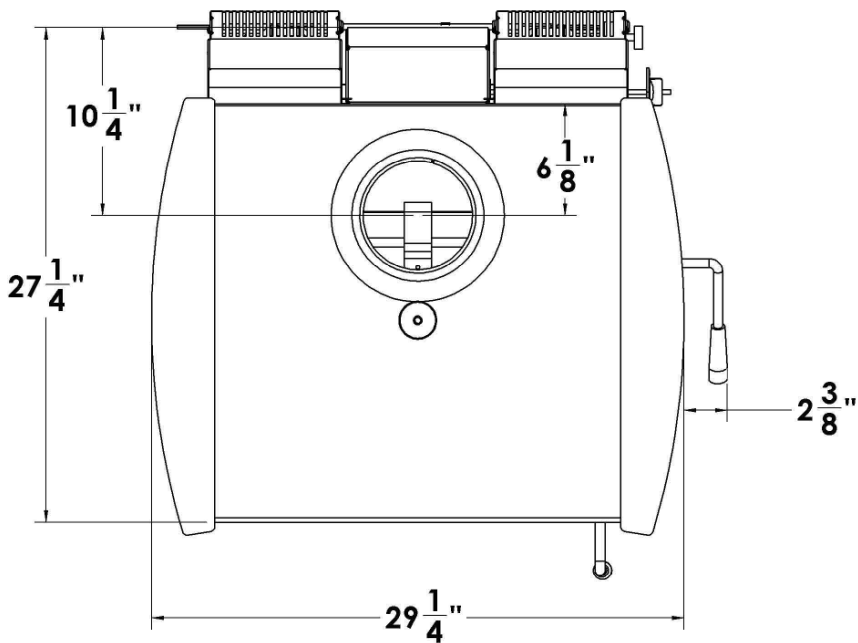
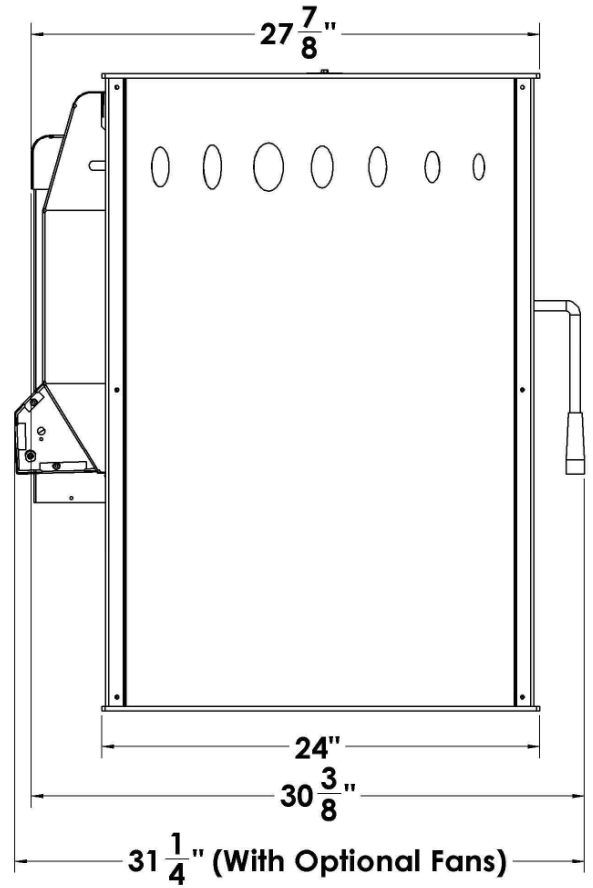
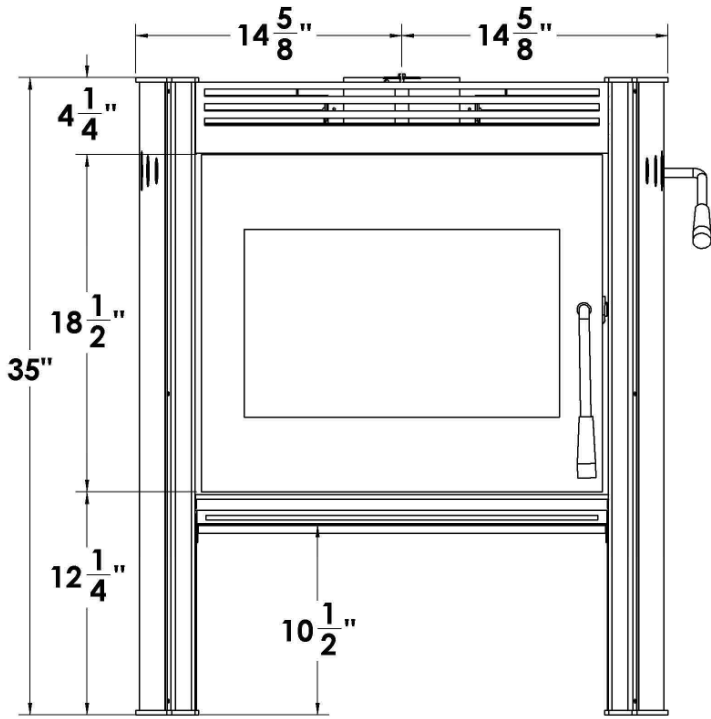
This unit is certified by the United States Environmental Protection Agency. Certified to comply with July, 1990 particulate emissions standards.

The following statement is required by the Environmental Protection Agency:

"This wood heater contains a catalytic combustor, which needs periodic inspection and replacement for proper operation. It is against the law to operate this wood heater in a manner inconsistent with operating instructions in this manual, or if the catalytic element is deactivated or removed."

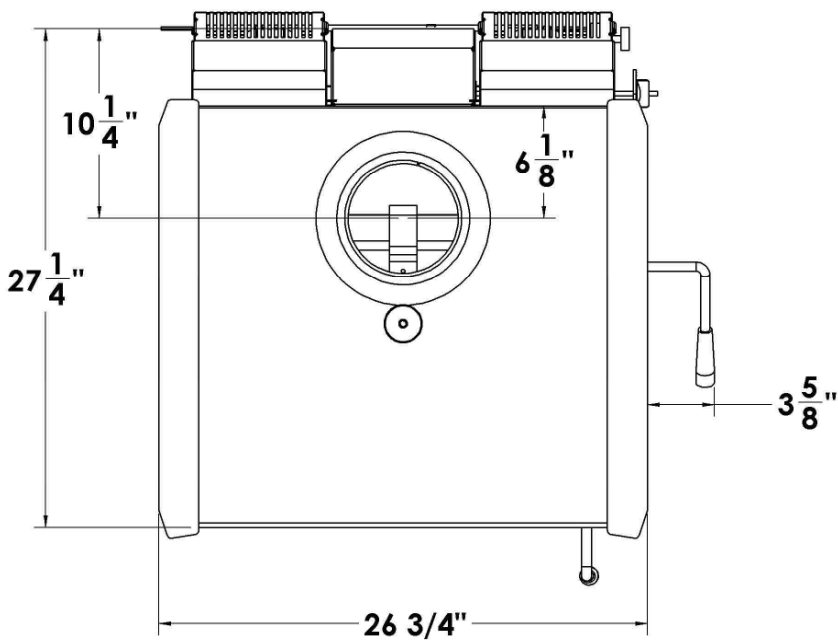
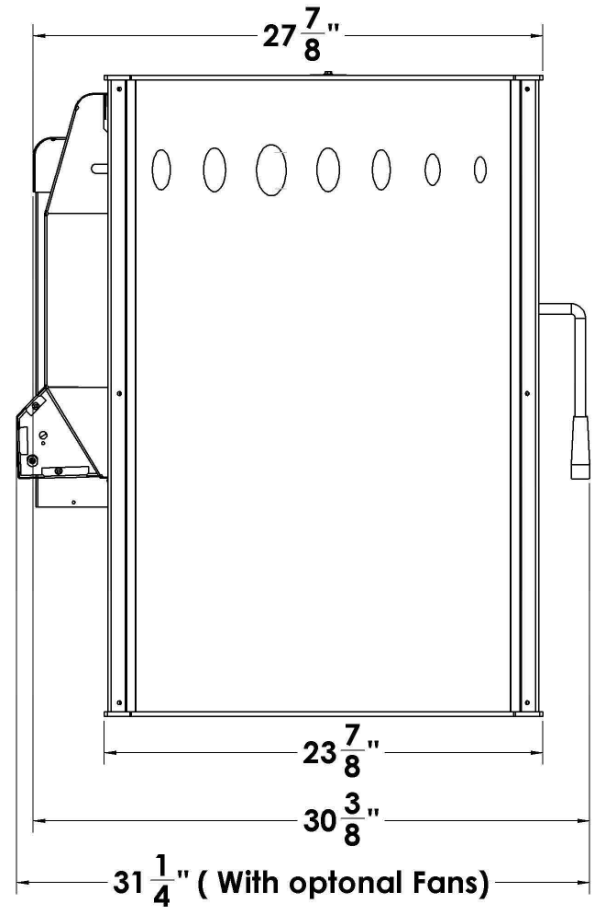
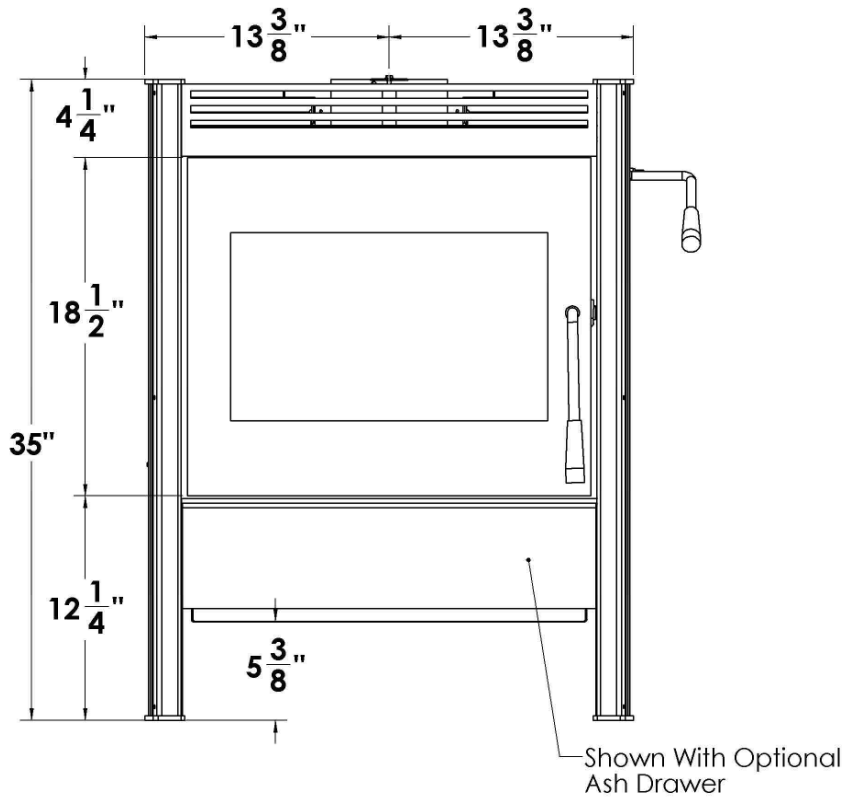
PRODUCT INFORMATION

Appliance Dimensions—Chinook CK24C (Curved sides)

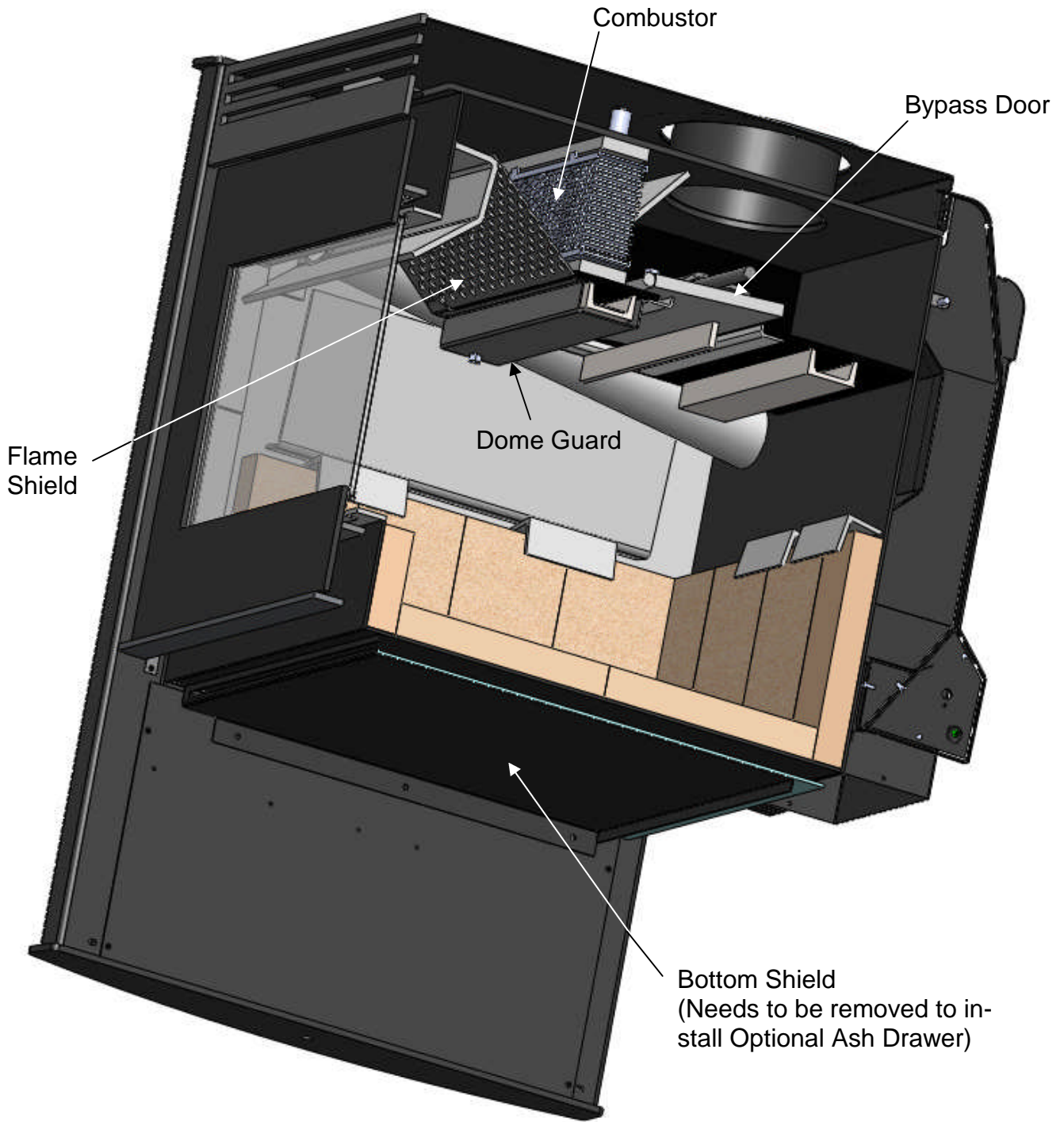


PRODUCT INFORMATION

Appliance Dimensions—Chinook CK24F (Flat sides)



PRODUCT INFORMATION



SIDE CUTAWAY—WHAT IS INSIDE



Report # 142-S-11-2

CHINOOK CK24

SN-

BLAZE KING CATALYST STOVE - POÊLE À BOIS CATALYTIQUE

LISTED ROOM HEATER, SOLID FUEL TYPE / APPAREILLE APPROUVÉE DE TYPE CARBURANT
SUITABLE FOR MOBILE-HOME INSTALLATION / SOLIDE Aussi pour l'usage dans les MAISONS MOBILES
MODEL / MODÈLE: CK24C (Curved Sideshields)
CK24F (Flat Sideshields)

Tested to / Testé: UL 1482 (2010) / CSA B366.2 ULC S627
CERTIFIED IN BOTH UNITED STATES AND CANADA / CERTIFIÉ POUR LES ETATS-UNIS ET LE CANADA

PREVENT HOUSE FIRES- Install and use only in accordance with Blaze King's installation and operation instructions. Contact local building or fire officials about restrictions and installation inspection in your area.

Flue size is 6" .

CHIMNEYS: DO NOT CONNECT THIS UNIT TO A CHIMNEY FLUE SERVING ANOTHER APPLIANCE. Except for installation detailed below, use 6" listed factory built chimney suitable for use with solid fuels and conforming to, ULC629 in Canada or UL-103HT in the USA or a masonry residential type chimney..

Mobile Home, residential close clearance, and residential alcove installations require a 6" listed double wall close clearance chimney connector, with matching listed factory built chimney suitable for use with solid fuels and conforming to, ULC629 in Canada or UL-103HT in the USA.

Mobile Home installations are only allowed with a roof exit. Do not install in a sleeping room.

Passing through a wall or ceiling requires special methods: see instructions and local building codes.

POUR EMPÊCHER UNE INCENDIE Installer et employer seulement selon le manuel des directives d'installation de Blaze King. Contacter les fonctionnaires locaux de bâtiment ou de feu au sujet des restrictions et de l'inspection d'installation dans votre secteur.

La taille de conduite de cheminée est 6".

CHEMINÉE : NE PAS CONNECTER CETTE UNITÉ À UNE CONDUITE DE CHEMINÉE SERVANT UN AUTRE APPAREIL. Excepté pour les installation détaillée ci-dessous, employer 6" avec une cheminée approuvée d'usine appropriée pour l'utilisation avec les combustibles solides et conformément à ULC629 au Canada ou à UL-103HT aux Etats-Unis ou un type de cheminée résidentiel de maçonnerie .

Le dégagement étroit de maison mobile, et de les installations résidentielles de chambrette exigent 6" double connecteur de cheminée approuvé au dégagement de fin de mur, avec une cheminée approuvée construite par une usine appropriée pour l'utilisation avec les combustibles solides et conformément à, l' ULC629 au Canada ou l' UL-103HT AUX Etats-Unis.

On permet seulement l'installation dans une maison mobile avec une sortie de toit. Ne pas installer dans une salle de sommeil.

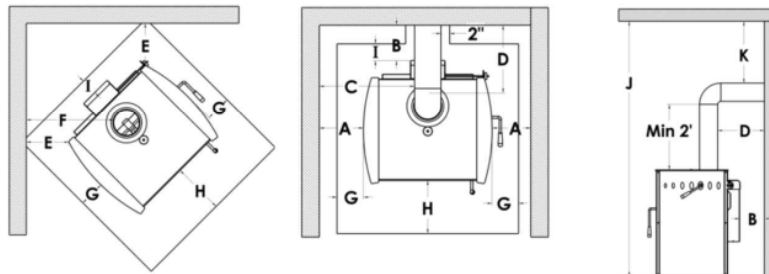
Pour passer au travers d'un mur ou d'un plafond ceci exige des méthodes spéciales : voir les directives et les codes locaux de bâtiment.

MINIMUM CLEARANCES TO COMBUSTIBLES (See owners manual for complete description of all requirements)

DÉGAGEMENTS MINIMUM AUX COMBUSTIBLES (voir les directives d'installation pour la description complète de toutes les conditions).

Residential Installations	A (CK24C only)	A (CK24F only)	B	C	D	E	F	J
Roof exit, parallel and corner. No fan kit required Sortie de toit, parallèle et coin.	9.5" 241mm	10.75" 273mm	6" 153mm	20.6" 524mm	13.65" * 347mm	4" 102mm	14.5" * 369mm	72" 1829mm
Wall exit, parallel and corner. No fan kit required Sortie de mur, parallèle et coin	9.5" 241mm	10.75" 273mm	6" 153mm	20.6" 524mm	13.65" * 347mm	4" 102mm	14.5" * 369mm	74" * 1880mm
Alcove, roof or wall exit. Use either fan kit or rear shield.. Chambrette, sortie de toit ou sortie de mur. Utiliser kit de ventilateur ou bouclier arrière	9.5" 241mm	10.75" 273mm	6" 153mm	20.6" 524mm	13.65" 347mm			72" 1829mm
Mobile Home Installation								
Roof exit, parallel and corner Use either fan kit or rear shield and outside air kit. La sortie du toit, parallèle et le coin utiliser kit de ventilateur ou un bouclier arrière et un kit d'air extérieur.	9.5" 241mm	10.75" 273mm	6" 153mm	20.6" 524mm	13.65" 347mm	4" 102mm	14.5" 369mm	72" 1829mm

* Check with local codes and pipe manufacturer for pipe clearances. In Canada, 18" clearances from single wall pipe is required.



G - CK24C - 2.75" (70 mm) in U.S.A.
CK24F - 4" (102 mm) in U.S.A.
8" (203 mm) in Canada

H - 16" (406 mm) in U.S.A.
18" (456 mm) in Canada

I - 0" (0 mm) in U.S.A.
8" (203 mm) in Canada

ALCOVE minimum width/largeur 48"
maximum depth/profondeur 48"
minimum height/hauteur 72"

Floor protection may be any non-combustible material or Listed Floor Protector, and must extend at least 18" (456mm) (in Canada) or 16"(406mm) (in U.S.A.), in front of the loading door opening. In USA, minimum size is 43.25"x 34.75" (1100 x 908mm) . In Canada, minimum size for the CK24C is 53.25" x 45.25" (1353 x 1150mm) and for the CK24F 53.25" x 42.75" (1353 x 1086mm).

U.S. ENVIRONMENTAL PROTECTION AGENCY- Certified to comply with July, 1990 particulate emission standards. This wood heater contains a catalytic combustor, which needs periodic inspection and replacement for proper operation. Consult owner's manual for further information.

It is against the law to operate this wood heater in a manner inconsistent with operating instructions in the owner's manual, or if the catalytic element is deactivated or removed. *OPERATE ONLY WITH DOORS CLOSED. Open door to feed fire ONLY. *Do not obstruct combustion air openings. Do not obstruct the space beneath the heater. Only for use with solid fuel - Do not burn other fuels, this may make the catalyst in the combustor inactive. The performance of the catalytic device or its durability has not been evaluated as part of the certification. Combustor part number: Z4400G-M
Provide adequate outside air for combustion. * Replace with only ceramic glass, 5 mm. Thickness.

La protection de plancher peut être n'importe quel matériel non combustible ou Protecteur de plancher approuvé, et doit se prolonger au moins, 18 "(456mm) (au Canada) ou 16 "(406mm)(aux Etats-Unis), devant l'ouverture de la porte de chargement. Aux Etats-Unis, la taille minimum est de 43.25"x 34.75" (1100 x 908mm) Au Canada la taille minimum por CK24C est 53.25" x 45.25" (1353 x 1150mm) et por la CK24F est 53.25" x 42.75" (1353 x 1086mm).

AGENCE DE PROTECTION DE L'ENVIRONNEMENT DES États-Unis - certifiée pour se conformer aux normes d'émission de juillet 1990. Cette appareil à bois contient une chambre de combustion catalytique, qui a besoin d'inspection et de remplacement périodiquement pour le fonctionnement approprié.

Consulter le manuel d'installation pour de plus amples informations . Il est contre la loi d'actionner cette appareil à bois en quelque sorte con tradictoire avec les consignes d'utilisation du manuel, ou si l'élément catalytique est enlevé ou désactivé. * FONCTIONNER AVEC LES PORTES FERMÉES. Ouvrir la porte pour alimenter le feu SEULEMENT. *Ne pas obstruer l'ouverture d'air d e combustion. Fournir de l'air extérieur adéquat pour la combustion. Ne pas obstruer l'espace sous la chaufferette. Utiliser uniquement avec des combustibles solides - Ne pas brûler aucune autres combustibles, ce qui peut rendre le catalyseur dans la chambre de combustion inactif.La performance du catalyseur ou sa longévité n'a pas été évaluée dans le cadre de la certification. Numéro de la pièce de combustion: Z4400G-M.* Employer seulement le verre en céramique si le remplacement est nécessaire, d'une épaisseur de 5mm.

MANUFACTURED IN:

USA:
Blaze King Industries
146A Street
Walla Walla, WA.
99362

Canada:
Valley Comfort Systems
1290 Commercial Way
Penitcton, B.C.
V2A 3H5

MANUFACTURE DATE

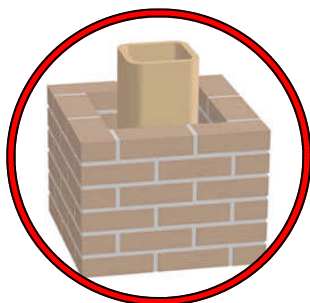
JAN FEB MAR APR MAY JUN
JUL AUG SEP OCT NOV DEC
2011 2012 2013 2014 2015 2016

0230ef 12/2010

SAFETY PRECAUTIONS

IF THIS BLAZE KING STOVE IS NOT PROPERLY INSTALLED OR OPERATED, A HOUSE FIRE MAY RESULT. TO REDUCE THE RISK OF FIRE, FOLLOW THE INSTALLATION INSTRUCTIONS. CONTACT LOCAL BUILDING OR FIRE OFFICIALS ABOUT RESTRICTIONS AND INSTALLATION INSPECTION REQUIREMENTS IN YOUR AREA.

PLEASE READ THIS ENTIRE MANUAL BEFORE YOU INSTALL AND USE YOUR NEW ROOM HEATER. FAILURE TO FOLLOW INSTRUCTIONS MAY RESULT IN PROPERTY DAMAGE, BODILY INJURY, OR EVEN DEATH.

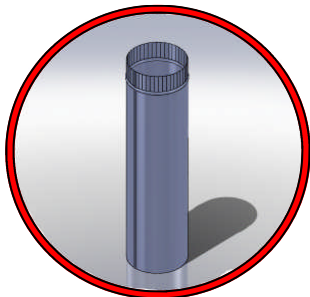


This appliance must be connected to a listed high temperature (**ULC629 IN CANADA OR UL-103HT IN THE USA**) residential type factory build solid fuel chimney or an approved masonry chimney with a flue liner.

Chimney and chimney connector must be in good condition and kept clean.

NEVER vent the stove to other rooms of the building. Must be vented to the outside **ONLY**.

NEVER use a chimney or chimney connector smaller than the stove exhaust, unless approved by your local inspector. NEVER vent the stove into a "Class B" gas vent chimney.



Inspect the chimney connector and chimney at least twice monthly and clean if necessary. Creosote may build up and cause a house fire.

DO NOT CONNECT THIS UNIT TO A CHIMNEY FLUE SERVING ANOTHER APPLIANCE.

NEVER intentionally start a chimney fire to clean the flue.



When installed in a mobile home, this appliance must be bolted to the floor and provided with outside air.

WARNING: DO NOT INSTALL IN A SLEEPING ROOM .

CAUTION: THE STRUCTURAL INTEGRITY OF THE MOBILE HOME FLOOR, WALL, AND CEILING/ROOF MUST BE MAINTAINED.

Check with local building officials.



If the Optional Fan Kit is installed, connect this unit to a properly grounded, 110-volt electrical outlet. Do not route the power cord in front of, or under, the stove.



Do not make any changes or modifications to an existing masonry fireplace or chimney to install this appliance. Do not make any changes to the appliance to increase combustion air.

SAFETY PRECAUTIONS



Never try to repair or replace any part of this appliance unless instructions are given in this manual. All other work must be done by a trained technician.



Do not place clothing or other flammable items on or near this appliance.



Allow the appliance to cool down before carrying out any maintenance or cleaning.



Over firing the appliance may cause a house fire. Never burn the stove so hot that the stove or chimney connector begins to glow.



Maintain the door and glass seal and keep them in good condition.

Avoid placing wood against the glass when loading. Do not slam the door or strike the glass.



Do not use a grate or other device to elevate the fire off of the firebox floor. Burn the fire directly on the bricks.



Do not throw this manual away. This manual has important operating and maintenance instructions that you will need at a later time. Always follow the instructions in this manual.



Ashes should be placed in a metal container with a tight fitting lid. The closed container of ashes should be placed on a noncombustible floor or on the ground, well away from all combustible materials, pending final disposal. If the ashes are disposed of by burial in soil or otherwise locally dispersed, they should be retained in the closed container until all cinders have thoroughly cooled.

SAFETY PRECAUTIONS



This appliance is designed and approved for burning cord wood only. **DO NOT** burn trash, garbage, artificial or paper logs, gift wrappings, coal, lighter fluids, chemical cleaners, chemical starters, treated or painted wood, driftwood or foil-backed paper such as gum wrappers or cigarette packages. Burn natural wood only. It will void all warranties and safety listings and may damage the catalyst .



Install at least one smoke detector on each floor of your home to ensure your safety. It should be located away from the woodstove and close to the sleeping areas. Locating a smoke detector too close to a woodstove can cause the smoke detector alarm to sound if a puff of smoke is emitted while the woodstove door is open during reloading. Follow the smoke detector manufacturers placement, installation, and maintenance instructions.



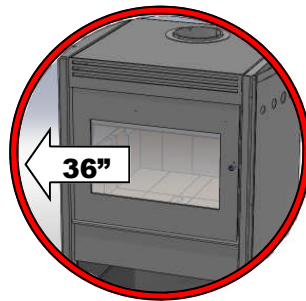
Never burn the stove with the loading door open. Never block free airflow through vents on this appliance.



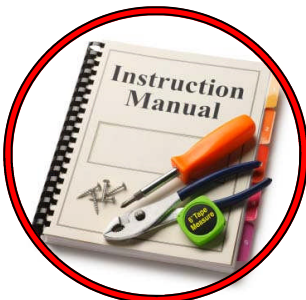
Never use gasoline, gasoline-type lantern fuel, kerosene, charcoal lighter fluid, or similar liquids to start or 'freshen up' a fire in this heater. Keep all such liquids well away from the heater while it is in use.



HOT WHILE IN OPERATION. KEEP CHILDREN, CLOTHING AND FURNITURE AWAY. CONTACT MAY CAUSE SKIN BURNS. Do not touch the appliance when it is hot and educate all children of the danger of a high temperature appliance. Young children should be supervised when they are in the same room as the appliance.



Keep furniture, curtains, wood, paper and other combustibles a minimum of 36in (914mm) away from the front of the appliance. **ALSO, DO NOT STORE COMBUSTIBLES UNDER THE APPLIANCE (WOOD, PAPER etc.).**



This appliance must be properly installed to prevent the possibility of a house fire. The instructions must be strictly adhered to. Do not use makeshift methods or compromise in the installation.



Contact local building officials to obtain a permit and information on any installation restriction or inspection requirements in your area. Notify your insurance company as well.

INSTALLATION INSTRUCTIONS

GENERAL

INSTALLATION IS TO BE PERFORMED BY A QUALIFIED INSTALLER

The authority having jurisdiction (such a municipal building department, fire department, etc.) should be consulted before installation to determine the need to obtain a permit.

Please take time to read these instructions thoroughly. Not following the instructions could result in a faulty installation causing serious problems. Along with these general instructions you must follow the specific instructions which pertain to your particular installation.

Blaze King grants no warranty, implied or stated, for the installation or maintenance of the appliance and assumes no responsibility of any consequential damage(s).

Blaze King supports the WETT (Wood Energy Technology Transfer Inc, Canada) & NFI (National Fireplace Institute, USA). These organizations provide training and certification for personnel involved in installation and maintenance of wood heating systems.

FREIGHT DAMAGE

This product was carefully inspected before it left Blaze King. Inspect the unit thoroughly upon its arrival. If damage is found report it to the carrier and then immediately file a freight damage claim. Your local Blaze King dealer will assist if required.

PARTS INCLUDED WITH THE CHINOOK

1. Decorative Flue Ring
2. Poker
3. Fire Starter
4. This Manual

OPTIONAL EQUIPMENT

1. Fan kit
2. Rear shield
3. Ash drawer kit

FLOOR PROTECTION

If the stove sits on a combustible floor, a non-combustible shield must be used underneath the stove and extending 16 in. out from the charging end and 8 in. on either side of the fuel-loading door in the USA. In Canada a non-combustible shield must be used underneath the stove and extending 8 in. on either side and rear and 18 in. out of the charging end.

A non-combustible shield is **also** required underneath the chimney connector and extending **at least 2 in. on either side of the chimney connector.**

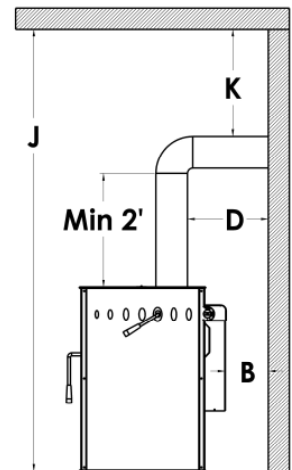
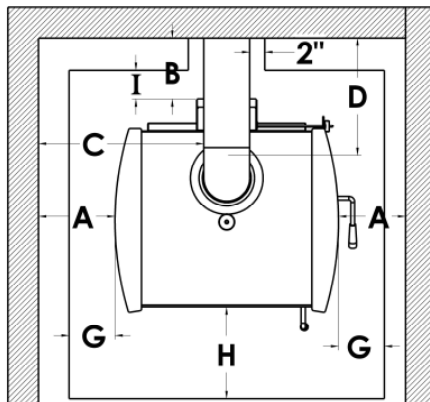
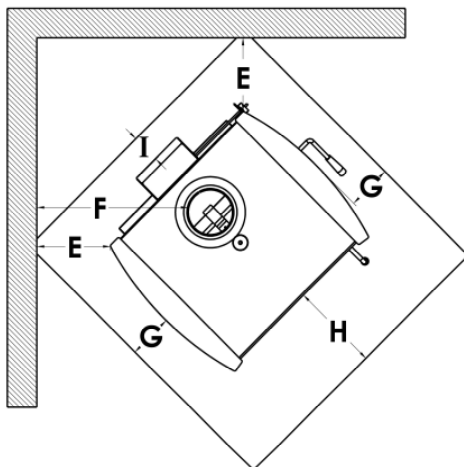
See next two pages for min. sizes depending on model. This floor protection is required to prevent sparks from falling onto the combustible floor. See CSA B365-M87). It is not required to be a heat protective covering.

INSTALLATION INSTRUCTIONS

MINIMUM CLEARANCES FOR CHINOOK WITH CURVED SIDESHIELDS (CK24C)

Residential Installations	A	B	C	D	E	F	J
Roof exit, parallel and corner. No Fan kit required	9.5"	6"	20.6"	13.65" *	4"	14.5" *	72"
Wall exit, parallel and corner. No Fan kit required.	9.5"	6"	20.6"	13.65" *	4"	14.5" *	74" *
Alcove, roof or wall exit. Use either fan kit or rear shield and double wall pipe.	9.5"	6"	20.6"	13.65"			72"
Mobile Home Installation							
Roof exit, parallel and corner Use either fan kit or rear shield, double wall pipe and outside air kit	9.5" 241mm	6"	20.6"	13.65"	4"	14.5"	72"

* Check with local codes and pipe manufacturer for pipe clearances. In Canada, 18" clearances from single wall pipe is required.



G = 2.75" in USA
8" in Canada

H = 16" in USA
18" in Canada

I = 0" in USA
8" in Canada

K = 18" for single wall pipe in Canada
(If K=18", J=84" Minimum)

Ember protection shield (not required to have an insulation value) need to have a minimum size of:

In USA: 43 1/4" x 34 3/4" (1000 x 908mm)

In Canada: 53 1/4" x 45 1/4" (1353 x 1150mm)

Min. Alcove minimum width 48", maximum depth 48", minimum height 72"

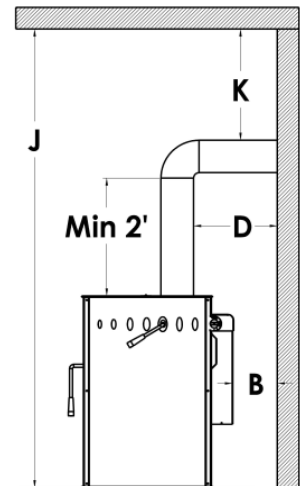
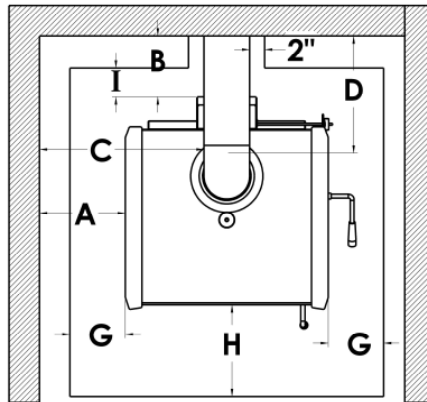
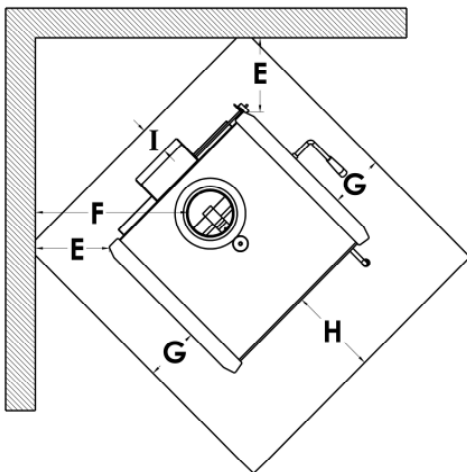
This stove must be installed in compliance with all local codes and regulations.

INSTALLATION INSTRUCTIONS

MINIMUM CLEARANCES FOR CHINOOK WITH FLAT SIDESHIELDS (CK24F)

Residential Installations	A	B	C	D	E	F	J
Roof exit, parallel and corner. No Fan kit required	10.75"	6"	20.6"	13.65" *	4"	14.5" *	72"
Wall exit, parallel and corner. No Fan kit required.	10.75"	6"	20.6"	13.65" *	4"	14.5" *	74" *
Alcove, roof or wall exit. Use either fan kit or rear shield and double wall pipe.	10.75"	6"	20.6"	13.65"			72"
Mobile Home Installation							
Roof exit, parallel and corner Use either fan kit or rear shield, double wall pipe and outside air kit	10.75"	6"	20.6"	13.65"	4"	14.5"	72"

* Check with local codes and pipe manufacturer for pipe clearances. In Canada, 18" clearances from single wall pipe is required.



G = 4" in USA
8" in Canada

H = 16" in USA
18" in Canada

I = 0" in USA
8" in Canada

K = 18" for single wall pipe in Canada
(If K=18", J=84" Minimum)

Ember protection shield (not required to have an insulation value) need to have a minimum size of:

In USA: 43 1/4" x 34 3/4" (1100 x 908mm)

In Canada: 53 1/4" x 42 3/4" (1353 x 1086mm)

Min. Alcove minimum width 48", maximum depth 48", minimum height 72"

This stove must be installed in compliance with all local codes and regulations.

INSTALLATION INSTRUCTIONS - VENTING

COMBUSTION AIR

Insure adequate combustion air allowing for all other exhausting type appliances in the dwelling (range hoods, dryers, etc). In airtight houses it is recommended to install a fresh air inlet into the room where the stove is located, this to prevent air starvation.

DRAFT

Draft is created by the heated air rising in the chimney system. This draft will pull fresh combustion air into the firebox. Recommended draft is .05 in. w.c at high fire. Too little draft results in a sluggish fire and smoking when the stove door is opened. Too much draft (over 0.06 in. w.c.) makes it unsafe to operate the stove. Use a barometric control or key damper if necessary to avoid excessive draft.

VENTING SYSTEMS

The venting system consists of a chimney connector and a chimney. These get extremely hot during use. Temperatures inside the chimney may exceed 2000 degrees in the event of a creosote fire. To protect against the possibility of a house fire, the chimney connector and chimney must be properly installed and maintained. A listed thimble must be used when a connection is made through a combustible wall to a chimney. A chimney support package must be used when a connection is made through the ceiling to a listed prefabricated chimney. These accessories are absolutely necessary to provide safe clearances to combustible wall and ceiling material.

This stove may be connected to a lined masonry chimney or a listed factory built chimney suitable for use with solid fuels and conforming to, ULC629 in Canada or UL-103HT in the USA. Do not connect it to a chimney serving another appliance. To do so will affect the safe operation of both appliances, and will void the stove warranty. **You must comply with the local authority having jurisdiction and/or in Canada, CSA installation standard B365-M87.**

Blaze King recommends the use of a Stainless steel liner, preferably insulated, inside a masonry chimney. This to maintain proper draft and better working of the unit.

The chimney connector must be 6" diameter, 24/26 MSG Black/Blue steel. Do not use aluminum or galvanized steel. They cannot properly withstand the extreme temperatures of a wood fire. The chimney connector between the stove and the chimney should be as short and direct as possible. Blaze King recommends the use of double wall pipe and two 45° elbows instead of a single 90° elbow. A minimum 36" rise is recommended prior to any elbows being used.

The chimney connector must be attached to either an approved masonry chimney or one of the listed factory built chimneys suitable for use with solid wood fuel. All joints must be tight and fastened with sheet metal screws.

WARNING: The chimney connector is to be used only within the room, between the stove and ceiling/wall. Never use a chimney connector to pass through an attic or roof space, closet or similar concealed space, or a floor, or ceiling. Always maintain the minimum clearances to combustibles as required by the applicable building codes.

INSTALLATION INSTRUCTIONS - VENTING

Chimney connector sections must be attached to the stove and to each other with the crimped end toward the stove (Fig. 8). This allows creosote to run into the stove and not onto the outside of the pipe. All joints should be secured with three metal screws. Otherwise, in the event of a creosote fire, the connection may vibrate apart. Horizontal lengths of chimney connector should have an upward slope from the stove of 1/4 inch per foot.

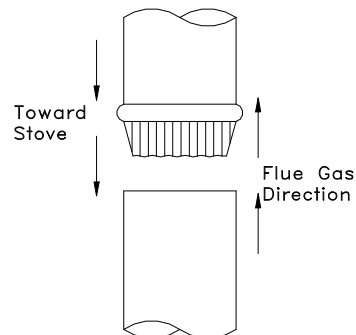


Fig.8 Flue Gas Direction

CONNECTION TO A MASONRY CHIMNEY

Should the stove be connected to a masonry chimney, the chimney should be examined for cracks, loose mortar, other signs of deterioration, and blockage. The stove should not be installed until it is determined that the chimney is safe for use. Since an oversized flue contributes to the accumulation of creosote, the size of the flue should be checked to determine that it is not too large for the stove. For this stove it is recommended that the flue size should not exceed the overall area of a 6" flue (28.3 square inches). **Blaze King recommends the use of a Stainless steel liner, preferably insulated, inside a masonry chimney. This to maintain proper draft and better operation of the unit.**

The chimney should also be checked to assure it meets the minimum standards of the National Fire Protection Association (NFPA) Standard 211. Following is a list of the more critical minimum requirements for a properly constructed chimney.

1. The masonry wall of the chimney, if brick or modular block, must be a minimum of 4 inches nominal thickness. A mountain or rubble stone wall must be at least 12 inches thick.
2. The chimney must have a fire clay flue liner (or equivalent) with a minimum thickness of 5/8 inch and must be installed with refractory mortar. There must be at least 1/2-inch air space between the flue liner and the chimney wall (Fig. 9). An equivalent liner might be a listed chimney liner system or other approved material.
3. A chimney inside the house must have at least 2 inches of clearance to the combustible structure. A chimney outside the house must have at least one-inch clearance to the combustible structure. Fire stops must be installed at the spaces where the chimney passes through floors and/or ceiling (Fig. 10).

Remember that insulation must not contact the chimney. There must be air space around the chimney. Insulation must be 2 inches or more from the chimney (Fig. 11).

4. A chimney must be the required height above the roof or other obstruction for safety and for proper draft operation. The requirement is that the chimney must be at least 3 feet higher than the highest point where it passes through the roof and at least 2 feet higher than the highest part of the roof or structure

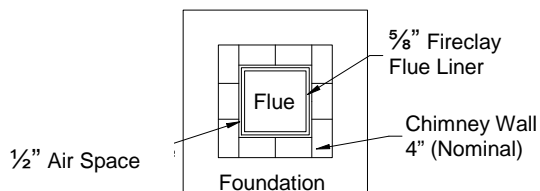


Fig. 9 Masonry Chimney Construction

that is within 10 feet of the chimney, measured horizontally (Fig. 12).

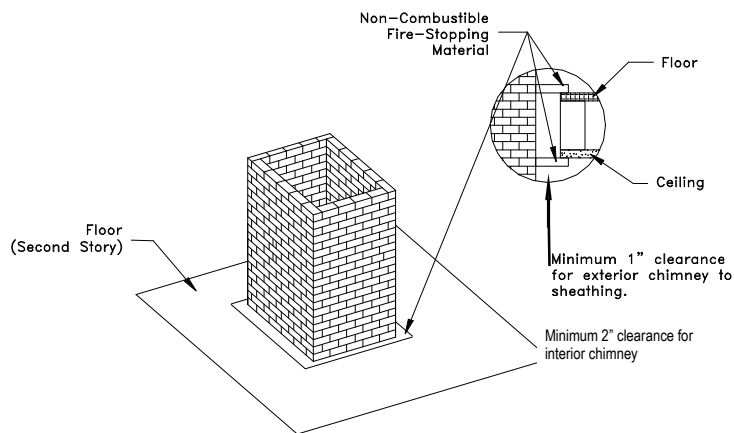


Fig.10 Fire Stopping

INSTALLATION INSTRUCTIONS - VENTING

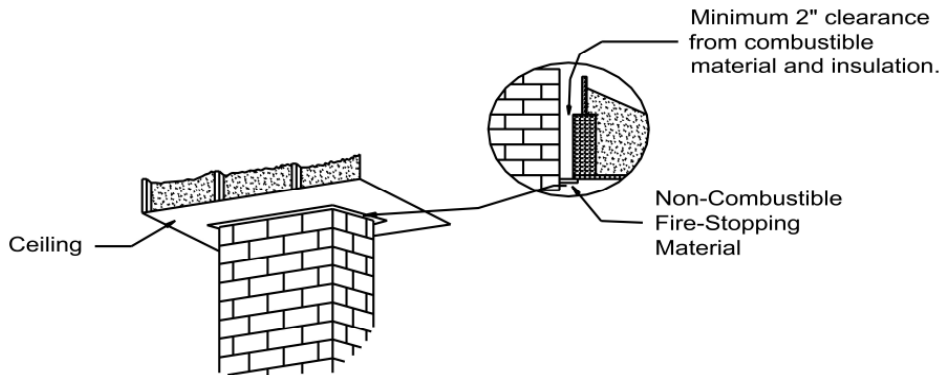


Fig. 11 Clearances—Masonry To Combustibles

THIMBLE

A thimble must be used when the connection from the stove is made through a combustible wall to a masonry chimney. There are several methods to use for connection through a combustible wall, two of which are illustrated in this manual. Local building authorities may be consulted or NFPA 211 may be used for additional methods of chimney connection.

Also, listed prefabricated metal thimbles may be purchased for use with wood stoves. The manufacturer's installation instructions for the thimbles must be strictly followed to assure the safety of the system. Be sure to maintain the designated clearance to combustible materials.

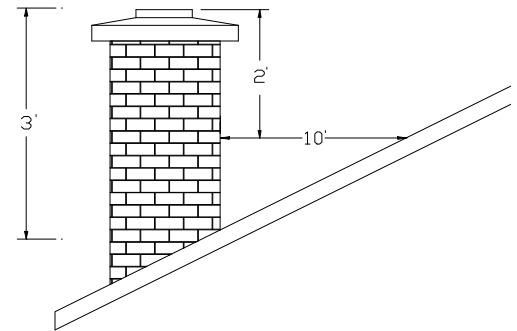


Fig. 12 Minimum Chimney Height

BRICK CHIMNEY THIMBLE ASSEMBLY

Construction of the brick thimble assembly requires 12 inches of brick around a fire clay liner. Be sure the point of penetration allows an 18 inch clearance from the connector to the ceiling. An appropriate opening for a chimney connector must be cut in the wall to maintain the required 12 inches of brick separation from combustibles. It will be necessary to cut wall studs and install a header and sill frame to maintain proper dimensions and to hold the weight of the brick (Fig. 13). **NOTE:** Whenever cutting through a wall, check first with local building authorities to be sure building integrity is maintained. Minimum 3 1/2-inch (4-inch nominal) thick solid bricks are to be used. The fire clay liner (ASTM C35 or equivalent), minimum 5/8 inch wall thickness, must not penetrate into the chimney beyond the inner surface of the chimney flue liner and must be firmly cemented in place. If it is necessary to cut a hole in the chimney liner, use extreme care to keep it from shattering. Refractory mortar must be used at the junction to the chimney liner (Fig. 14). After the assembly is complete, insert the chimney connector in the fire clay liner. Do not push it beyond the inside edge of the chimney liner because this will affect the draw of the chimney.

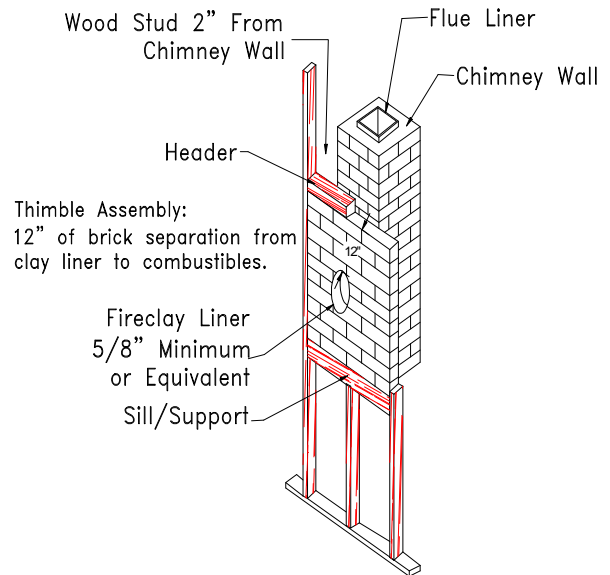


Fig. 13 Brick Chimney Thimble

INSTALLATION INSTRUCTIONS - VENTING

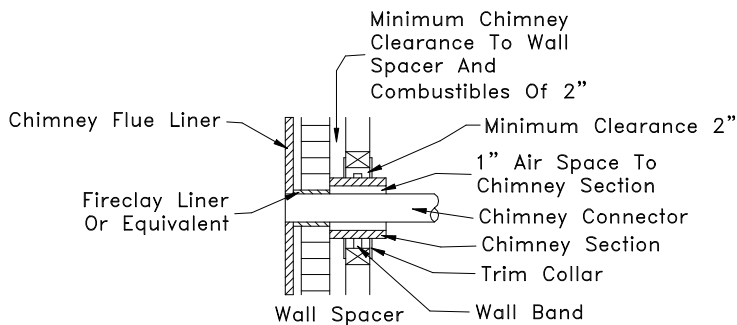
PREFABRICATED CHIMNEY WITH METAL CHIMNEY SUPPORT AS THIMBLE

For the method of installation to a masonry chimney, it will be necessary to purchase a 12-inch long section of prefabricated listed chimney to use as a thimble. Purchase a wall spacer, trim collar and wall band that are manufactured to fit the chimney section you purchase.

The safety features of this system are: the 2-inch air space between the chimney section and combustible wall, and the 1-inch air space around the chimney connector as it passes through the chimney section to the chimney.

The location of the opening through the wall to the chimney must leave a minimum 18 inch vertical clearance between the chimney connector and the ceiling to prevent the ceiling from catching fire.

For instructions on installation of the thimble, refer to chimney manufacturer's instructions.



If an exterior masonry chimney is used you may have draft problems due to the chimney being too cold. Exterior masonry chimney's should be lined with a listed (insulated) stainless steel liner for better operation of these units.

Fig. 15 Metal Prefabricated Thimble

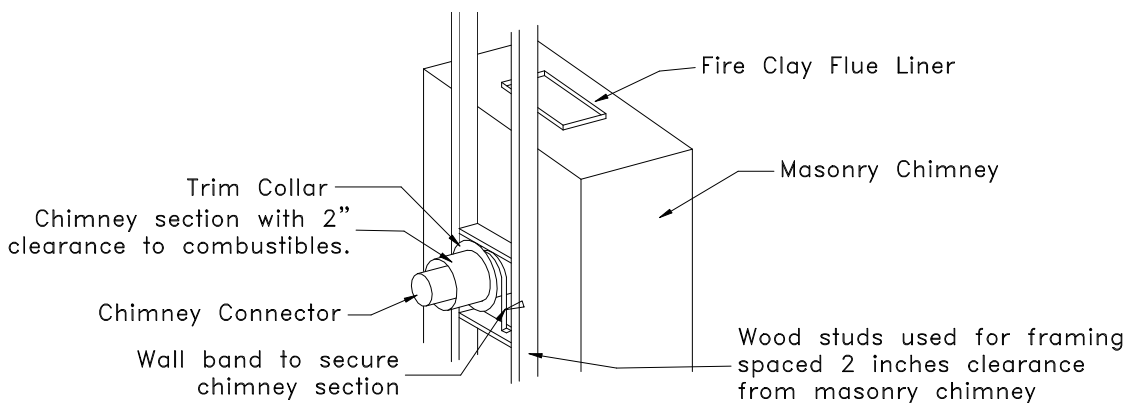


Fig. 16 Metal Prefabricated Thimble

INSTALLATION INSTRUCTIONS - VENTING

CONNECTION TO A METAL PREFABRICATED CHIMNEY

When a metal prefabricated chimney is used, the manufacturer's installation instructions must be followed precisely. You must also purchase (from the same manufacturer) and install the ceiling support package or wall pass through and "T" section package, fire stops (when needed), insulation shield, roof flashing, chimney cap, etc. Maintain the proper clearance to the structure as recommended by the manufacturer. This clearance is usually a minimum of 2 inches, although it may vary by manufacturer or for certain components.

There are basically two methods of metal chimney installation. One method is to install the chimney inside the residence through the ceiling(s) and the roof. The other method is to install an exterior chimney that runs up the outside of the residence (**not recommended**). If it is necessary to run the chimney outside, build an outside chase around the chimney.

The chimney must be the required height above the roof or other obstruction for safety and for proper draft operation. The requirement is that the chimney must be at least 3 feet higher than the highest point where it passes through the roof and at least 2 feet higher than the highest part of the roof or structure that is within 10 feet of the chimney, measured horizontally (Fig. 12). The height requirement is necessary in the interest of safety and does not necessarily assure proper flue draft. Use a minimum total system height of 12 feet, measured from the stove flue collar to the top of the chimney, not including the chimney cap.

THIMBLE

When a wall exit installation is used, a listed assembly thimble must be installed. In a roof exit installation, the ceiling support box supplied with the manufactured chimney acts as a thimble.

REMEMBER: Follow the manufacturer's installation instructions and maintain the manufacturer's specified clearance distances.

Install an attic insulation shield to maintain the specified clearance to insulation. Insulation in this air space will cause a heat buildup which may ignite the ceiling joists

The "Through The Roof" method of installation requires at a minimum a ceiling support package, an Insulation shield and roof flashing. Assemble flashing and storm collar and be sure to maintain the vapour barrier at this point. (Seal securely.) Attach rain cap and check flashing for leaks.

The "Through The Wall" method requires at a minimum a wall pass through device, a wall support package and insulated "T" section and roof flashing.

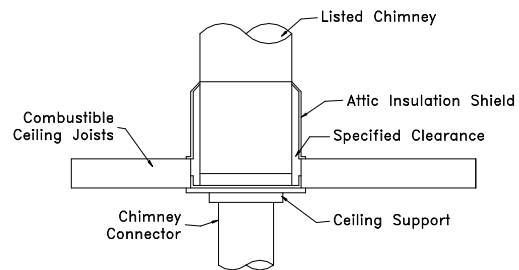
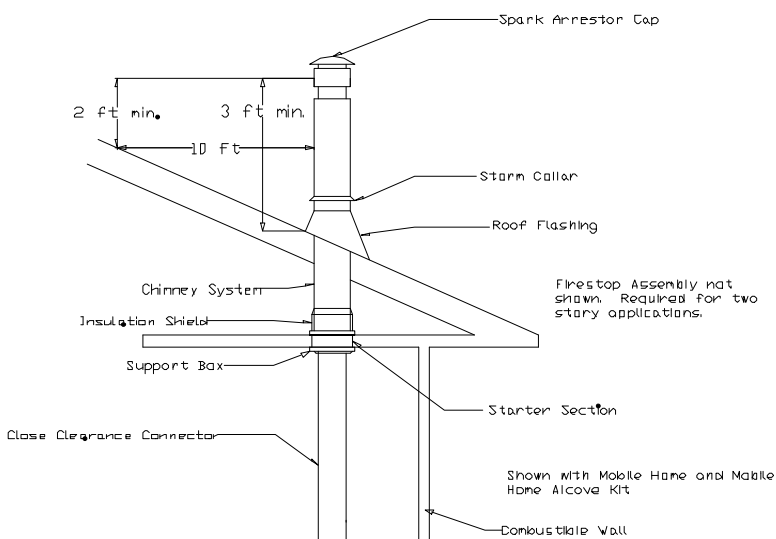


Fig. 17 Detail Of Connection Through Roof

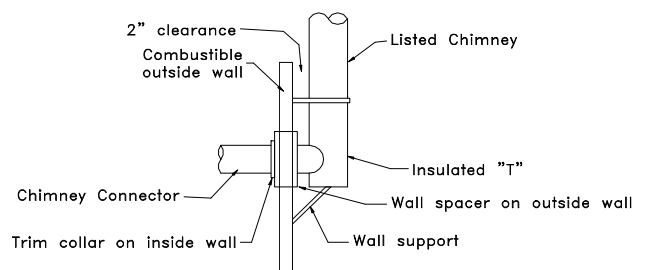


Fig. 18 Detail Of Connection Through Wall

INSTALLATION INSTRUCTIONS

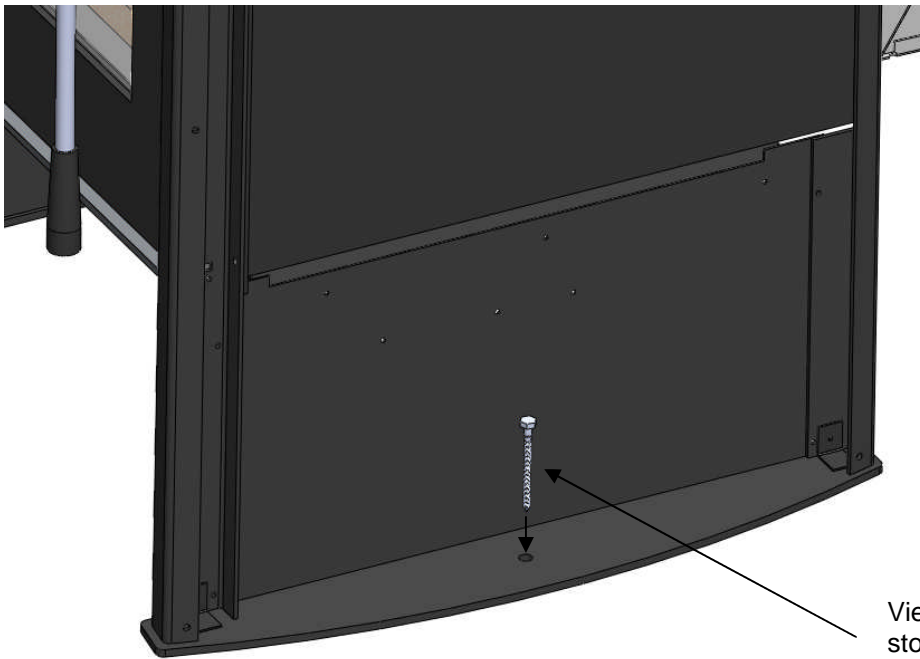
MOBILE HOME (AND RESIDENTIAL ALCOVE INSTALLATIONS)

Either Rear Shield OR Fan kit are required for these installations (See next page for kits and part numbers). Mobile home installations also requires the Outside Air Kit: Z1726B. They are easiest to mount before the stove is installed. See instructions packed with each kit.

When a metal prefabricated chimney is used, the manufacturer's installation instructions must be followed precisely. You must also purchase (from the same manufacturer) and install the ceiling support package, fire stops (when needed), insulation shield, roof flashing, chimney cap, etc. Maintain the proper clearance to the structure as recommended by the manufacturer.

Chimney connector must be double wall close clearance type, and must be of same brand and model as listed prefabricated chimney. Single wall pipe is not allowed in Mobile Homes or in Alcove Installations. Insulated chimney components must be a listed factory built chimney suitable for use with solid fuels and conforming to, ULC629 in Canada or UL-103HT in the USA. For Mobile home, the chimney need to be removable to allow for transportation of the mobile home.

**MOBILE HOME:
WARNING - DO NOT INSTALL IN SLEEPING ROOM
CAUTION - THE STRUCTURAL INTEGRITY OF THE MOBILE HOME FLOOR, WALL AND
CEILING/ROOF MUST BE MAINTAINED.**



View of tie-down right side stove, same for left side.

In mobile home installations, the stove must be securely fastened to the floor using the tie-downs provided in the Outside Air kit. (To access the screw down hole, remove side shields (see page 23)).

ALSO, a #8 ground wire must be attached to the stove and an appropriate ground.

INSTALLATION INSTRUCTIONS

OPTIONAL ACCESSORIES

Outside air kit, Rear Shield or Fan Kit are optional accessories, but are **required** for the following installations:

MOBILE HOME INSTALLATION — Requires Outside Air Kit and Fan Kit or Rear Shield

RESIDENTIAL ALCOVE — Requires Fan Kit or Rear Shield

REAR SHIELD KIT (R/SP1006)

EITHER this Rear Shield OR the Fan Kit (P/N Z1714) is REQUIRED FOR:

MOBILE HOME, any installation

RESIDENTIAL ALCOVE

TOOLS NEEDED FOR INSTALLATION

Phillips or square drive screwdriver.

INSTALLATION

The rear shield goes across the back of the stove, just below the thermostat knob. Place shield into position, insert and tighten the two #10 X 1 1/4" screws provided.

FAN KIT (P/N Z1714)

EITHER this Fan Kit or the Rear Shield (R/SP1006) is REQUIRED FOR:

MOBILE HOME, any installation

RESIDENTIAL ALCOVE

NOTE: Fan Kit should be installed before the stove is placed into position

INSTALLATION:

See instructions included with Fan Kit. Tools needed: Square (Robertson nr. 2) screw driver.

ELECTRICAL CONNECTION

Your Blaze King fan kit is equipped with a three-prong (grounded) plug to decrease shock hazard. THIS PLUG SHOULD BE INSERTED DIRECTLY INTO A PROPERLY-GROUNDED, THREE-HOLE RECEPTACLE. DO NOT CUT OR REMOVE THE GROUNDING PRONG FROM THIS PLUG. Do not route the power cord in front or under the stove.

OUTSIDE AIR KIT (P/N 1726B)

REQUIRED FOR: MOBILE HOME, any installation

The outside air inlet hose is a flexible tube to bring outside air for combustion into the stove from outside the residence, through the wall or up through the floor. The flexible tube will allow some adjustment over or around floor joists or plumbing. DO NOT CHANGE THE STRUCTURAL INTEGRITY OF THE FLOOR. This air hose must be kept open at all times to provide outside air for combustion.

INSTALLATION

See instructions included with the Outside Air Kit. Tools needed: 1/4" or 3/8" drill motor, Saber saw, Saber saw wood & metal blades, 5/16" nut driver or wrench, 7/16" wrench, Small tube of hi-heat silicone.

ASH DRAWER KIT (P/N Z2410)

For extra convenience a Ash Drawer Kit can be installed underneath the firebox.

INSTALLATION:

See instructions included with Ash Drawer Kit. Tools needed: Square (Robertson nr. 2) screw driver.

INSTALLATION INSTRUCTIONS

DOOR REMOVAL AND CHANGE-OUT

If the door needs to be removed or changed out, follow next steps:

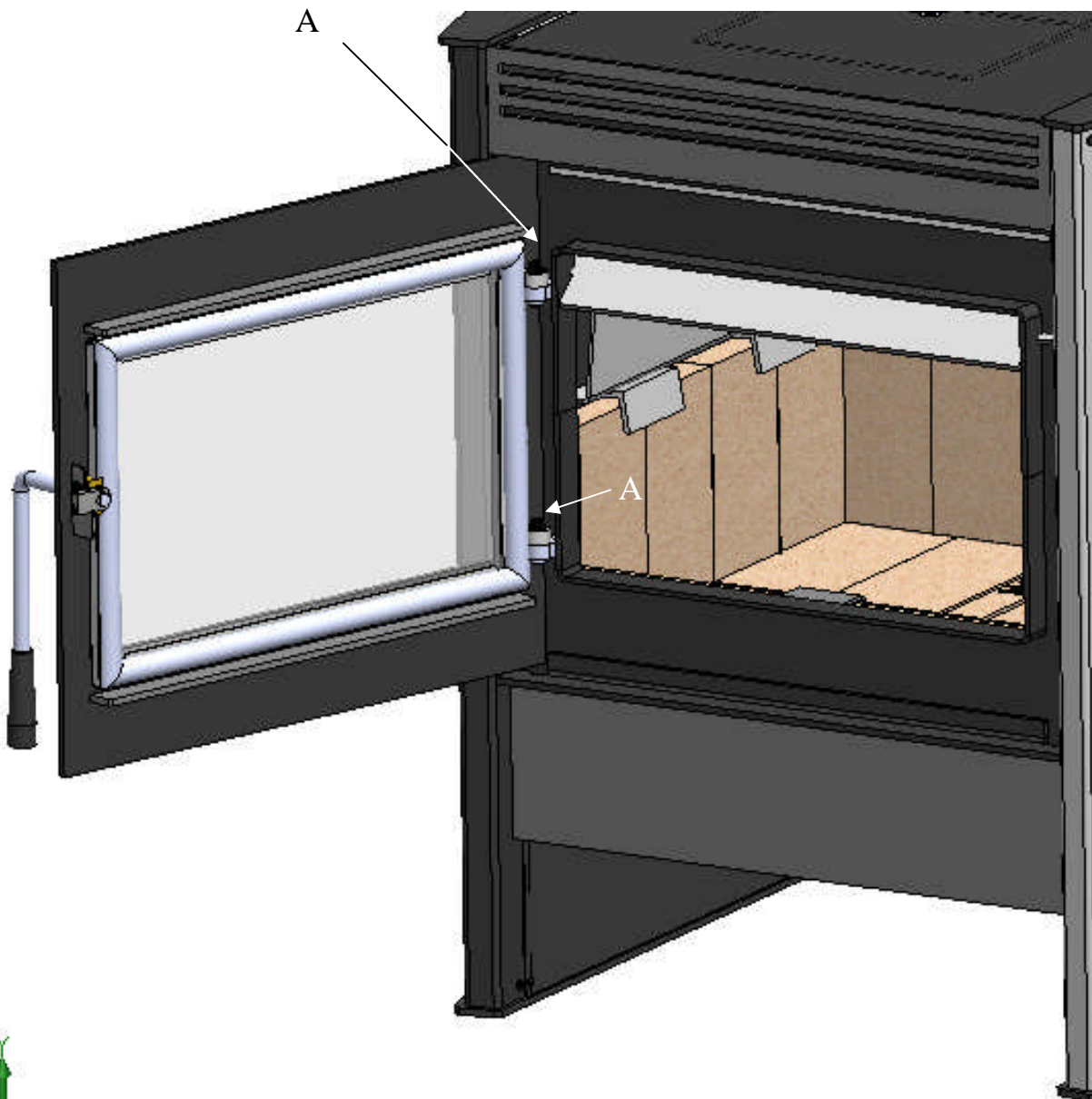
WARNING: DOOR IS HEAVY AND FALLS OUT WHEN PINS ARE PULLED OUT. PLEASE HOLD DOOR FIRMLY.

- Hold the door whilst pulling out pins (A).
- Pull the door out forward.

To install the door, follow the instruction above in reverse order.

DOOR ALIGNMENT

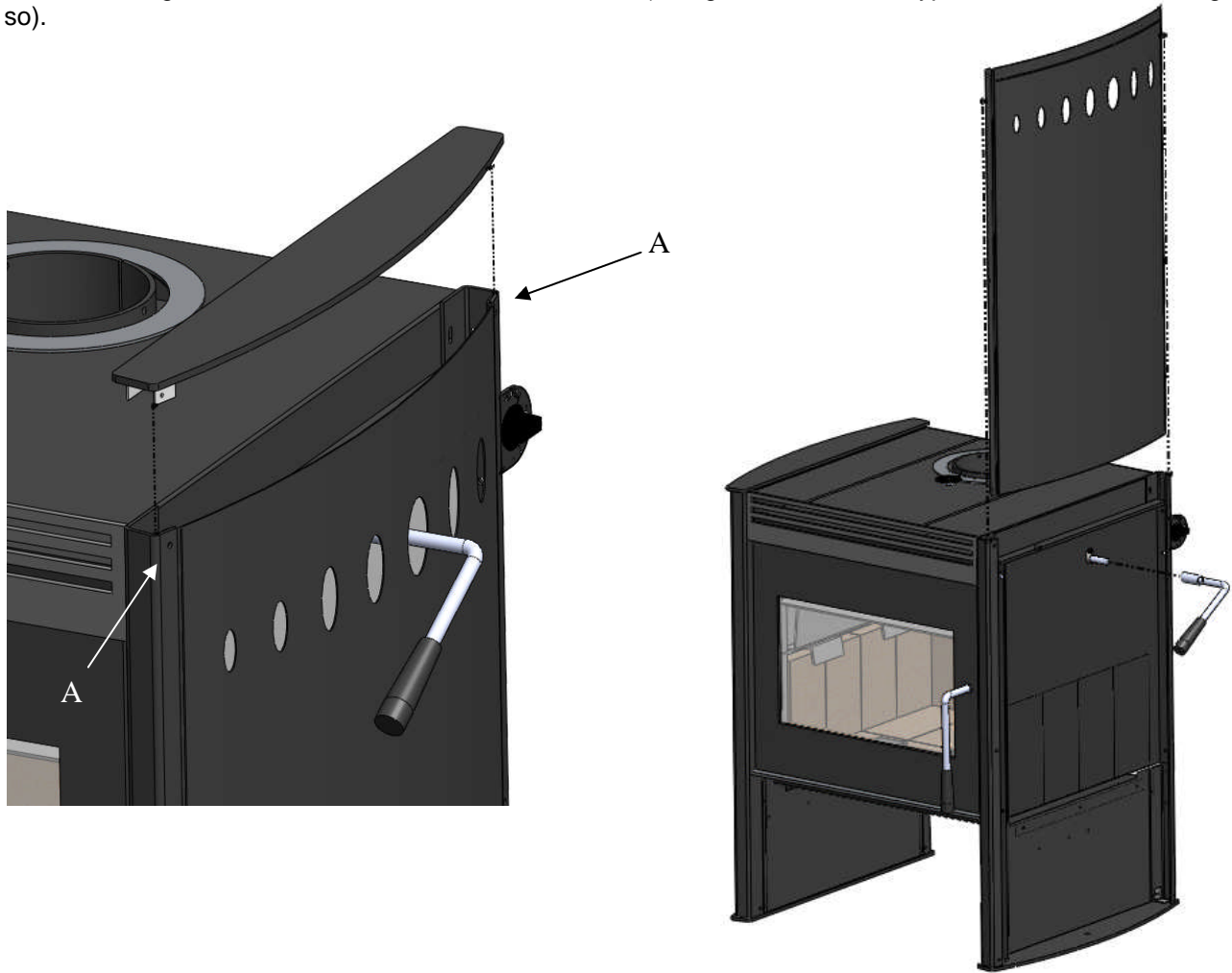
The door can be aligned if necessary by moving the hinge-blocks on the stove. Undo the bolt(s) on the inside of the firebox, slide the hinge-block to the correct position and tighten the bolts.



INSTALLATION INSTRUCTIONS

SIDESHIELD REMOVAL AND CHANGE-OUT

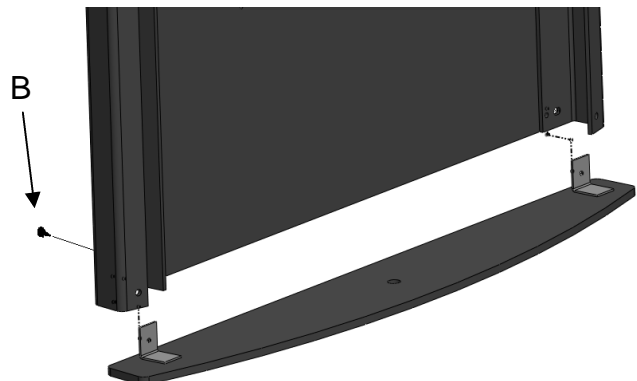
The side shields can be removed to replace with optional ones, being different in shape and/or color. To do so, undo the two top screws (A) from the side shield and pull off cover plate. Now undo the other 4 screws holding the side shield and slide out side shield (on right side, remove bypass handle before doing so).



If you like to install the flat versus the curved shields or vice versa, the matching cover plate on the bottom need to be replaced too. This can be done by undoing the two screws (B) holding the bottom plate in place. An extra person or jack might be required to lift the one side of the stove. Check stove pipe and possible fresh air connection before doing so. If installed in mobile home, remove floor anchor prior to lifting stove.

Installing the side shields will be in reverse order.

DO NOT OPERATE THIS UNIT WITHOUT EITHER OF THE APPROVED SIDE-SHIELDS IN PLACE. DOING SO MAY CAUSE A HOUSE FIRE.



OPERATION INSTRUCTIONS

In order to get peak performance out of your Blaze King stove you will need to follow a few basic steps outlined in the following chapters. Forget everything you learned about how to burn or operate a regular wood stove. You cannot just throw in some newspaper and a log or two, light a match and expect your Blaze King to work the same way as an inefficient wood stove would. Your Blaze King was designed to burn more efficiently, saving you time and money.

BYPASS

Most catalytic wood burning appliances have a bypass device for allowing the smoke from the fire to temporarily bypass, or go around, the catalyst. The bypass is located inside the top front of the firebox. The bypass is a steel plate door, hinged inside the stove, and is controlled by the bypass handle on the right side of the stove. When the handle is pointing at you, the bypass is open, when pointing away, it is closed. It is a clockwise rotation from open to close.

Other than during the initial startup sequence or refueling, DO NOT burn the stove with the by-pass open. Leaving the by-pass open may APPEAR to achieve a hotter fire, but in fact, just the opposite is true. Bypassing the catalyst allows as much as 50% of the potential fuel - and therefore heat - to go directly up the chimney. This Blaze King catalytic stove produces the greatest amount of heat when the by-pass is closed and the catalyst is active.

CATALYTIC THERMOMETER

This monitor is located on the top of the stove. It's purpose is to show you if the Catalyst is active. Always burn the stove in the "active" zone. When the Catalyst is not active the stove will emit smoke and will not be efficient. For an accurate reading, turn fans off for approximately 10 minutes.

THERMOSTAT

The Thermostat knob is located on the top right rear corner of the stove. It controls the burn rate of the stove. Any thermostat position between 1 and 3 will produce the desired clean burning characteristics. However, since each application can vary, you may find it necessary to operate the thermostat to suit your application. A thermostat setting of 3 will produce maximum heat which is more than suitable for heating the average size home. **Due to a lack of experience, many stove owners make to many and rapid changes to the Thermostat.** Let's say you have been using the stove on "High" when you begin to build a fire. **The coil in the Thermostat is now hot and if you turn the Thermostat to "Low" right away, you can actually cause the fire to go out from such a rapid change.** All changes to the Thermostat should be done gradually. When you first light the stove and you are using the "High" setting, move the Thermostat towards "Medium" at 20 minute intervals. After the stove has operated at Medium for an hour or so, then you can move towards low. The Thermostat is sensitive and must be adjusted gradually. Too rapid an adjustment will cause the stove to operate improperly. The most common mistake new owners make is fiddling with the Thermostat and making too many changes to rapidly.

FUEL

Blaze King recommends using dry seasoned wood, split and stacked and protected from rain for at least 24 months with a moisture content of 13% or lower. It takes a great deal of energy to evaporate the moisture contained in green wood and that energy will not be heating your house. Also, green or wet wood will greatly increase creosote & combustor problems. Blaze King moisture meters are available at your Blaze King dealer.

Our wood stoves are not designed for burning coal and doing so will void the warranty.

Never burn salt-water driftwood. It is very corrosive and will damage the firebox. Burning salty wood also voids the warranty. Never burn charcoal as it generates carbon monoxide. Carbon monoxide may lead to suffocation or death.

This controlled combustion firebox has been designed for high efficiency and long burn times. The proper time to add more wood is when the last charge has been reduced to a glowing charcoal bed. There will be very little smoke at this stage in the burn cycle.

OPERATION INSTRUCTIONS

WARNING: BURNING WET UNSEASONED WOOD CAN CAUSE EXCESSIVE CREOSOTE ACCUMULATION. WHEN CREOSOTE IS IGNITED IT CAN CAUSE A CHIMNEY FIRE WHICH MAY RESULT IN A SERIOUS HOUSE FIRE.

FIRST FIRE

NEVER START A FIRE UNLESS ALL BRICKS ARE CORRECTLY PLACED INSIDE THE FIREBOX. CHECK THE INSTALLATION INSTRUCTIONS CAREFULLY. ALWAYS OPEN THE BYPASS DOOR BEFORE OPENING THE LOADING DOOR. ONCE THE LOADING DOOR IS CLOSED, CLOSE THE BYPASS DOOR DIRECTLY AFTER.

LIGHTING THE FIRE

NOTE: As you heat up the stove for the first time, the paint will go through a curing process and will give off an odor. To minimize the inconvenience, burn the stove at a low temperature setting for several hours. If the odor gets unpleasant, you may have to open a door or window slightly until the odor dissipates. It might even be a good idea to burn the first fire with the stove outside.

1. DO NOT USE A GRATE. BUILD THE FIRE DIRECTLY ON THE BRICK IN THE BOTTOM OF THE STOVE.
2. Set the thermostat to high (maximum) position.
3. Open the loading door and open the by-pass door (turn counter-clockwise).
4. Place five to ten balls of paper in the firebox and place a fairly large quantity (15-20) pieces of kindling on top of the paper.
5. Lay two or three medium size (approx. 3") pieces of wood on top of the kindling. Light the fire and allow it to get a good start but DO NOT LEAVE THE STOVE UNATTENDED.
6. When the fire has the larger pieces of wood burning, close and latch the loading door, but leave the by-pass door open. Turning down the thermostat too soon may cause a new fire to go out. Allow the kindling and most of the larger logs to get started before latching the loading door. DO NOT leave your BLAZE KING unattended when the door is not tightly closed. Leaving the loading door open AFTER the fire is well started may cause premature failure of the catalytic combustor.
7. When nearly all the wood in the firebox is burning, finish loading the stove. Lay the wood left to right, as far to the back of the stove as possible. After the loading door is closed and the catalytic thermometer is in the active zone, close the bypass door.
8. Let the fire burn on setting 2-3(on the thermostat) for 20-30 minutes, or until the fire is well established, then turn the thermostat to the desired setting.

CAUTION: Do not abuse the glass door by slamming it or striking it. Do not force the door closed if there is wood in the firebox that is obstructing it. CAUTION: do not operate with broken glass.

Other than during the initial startup sequence, DO NOT burn the stove with the bypass open. Leaving the bypass open may APPEAR to achieve a hotter fire (the flames look more active) but, in fact, just the opposite is true. Bypassing the catalyst allows as much as 50% of the potential fuel - and therefore heat - to go directly up the chimney. Blaze King catalytic stoves produce their greatest amount of heat when the by-pass is closed, and the catalyst is active.

Probably the least understood requirement in maintaining a good fire is that of establishing a good base of coals. Many new stove users hesitate to load enough wood to sustain a fire. Put as much fuel into the stove as it will hold. Don't be afraid to fill it completely*. With the Blaze King automatic thermostat, the wood will only burn at the rate set on the thermostat. Loading with a half load of fuel, and therefore reloading more often, causes the catalyst to lose efficiency and may result in a faster creosote deposit. A good bed of hot coals will maintain a more even temperature as well as getting the new load of wood started easily.

*Except if higher Btu's are required. In that case a loosely stacked fuel load with smaller pieces is recommended.

OPERATION INSTRUCTIONS

OPTIMAL THERMOSTAT SETTING

Any thermostat position between 1 and 3 will produce the desired clean burning characteristics. However, since each application can vary, you may find it necessary to operate the thermostat to suit your application. A thermostat setting of 3 will produce a maximum heat which is more than suitable for heating the average size home.

1. Starting the fire. Each stove/home/installation/homeowner combination works a little differently. The first several times you fuel the stove, it may not react as you expect. A little experimentation may be needed to find the right combination of fuel and thermostat setting to achieve the maximum efficiency. This is one of the joys of burning wood. You, the wood burner, make it work. And you can see what happens as it is working. Be Patient. The air/fuel mixture and temperature must be stabilized before maximum combustion efficiency can be achieved.
2. As the combustor temperature (as indicated by the thermometer on top of the stove) passes into the active zone, further adjustment to achieve the desired room temperature should be made in small increments (for instance, from position 3 to position 2.5) for the most effective cleaner burning operation. Changes, generally speaking, should be made as few times each day as possible. When the thermostat knob is moved from high to low, more gases are produced, so the catalyst has more fuel; consequently the catalyst thermometer may register a higher heat for several hours after the thermostat is turned down.
3. Keep hot coals active so when you reload the stove you will reduce the time necessary to maintain an active catalyst
4. The thermostat is adjusted at the factory and should not be tampered with. If the thermostat breaks, the damper will close automatically.

FAN OPERATION

If you have the Optional Fan Assembly installed, the fan should be adjusted to its lowest setting until your fire has been established for 30 minutes. After the thirty minute fire start up time the fan speed adjustment should match the thermostat control setting, i.e. if your stove is set at medium then your fan should also be set at medium, low—low, high—high etc...

The fan assembly is controlled by an on/off temperature sensor as well as a fan speed control. The fire will have to heat the stove to the predetermined sensor temperature before the fan will come on. Usually this takes about 1 hour if the stove is started from cold. Conversely, the fans may continue to operate one hour or longer after the fire goes out. At this time, you may wish to turn the fans off manually with the rheostat fan switch.

ICE - FORMATION AND PREVENTION

Most of what you see coming from the chimney of a properly operating catalytic stove is water vapor. In extremely cold weather - and with some exterior chimneys - this vapor may freeze in the chimney, to the point of actually blocking the chimney and extinguishing the fire. In such weather, occasionally burn the stove for 4 or 5 minutes with the bypass open and the thermostat set at maximum to melt any possible ice buildup. **DO NOT BURN THE STOVE WITH THE DOORS OPEN.**

CREOSOTE

Creosote — Formation and Need for Removal

When wood is burned slowly, it produces tar and other organic vapors, which combine with expelled moisture to form creosote. The creosote vapors condense in the relatively cool chimney flue of a slow-burning fire. As a result, creosote residue accumulates on the flue lining. When ignited this creosote makes an extremely hot fire.

The chimney connector and chimney should be inspected at least once every two months during the heating season to determine if a creosote buildup has occurred.

If creosote has accumulated it should be removed to reduce the risk of a chimney fire.

What to do if there is a creosote fire:

Turn the thermostat to lowest setting, check loading door to be sure it is tightly closed. **Call Fire Department.**

Creosote is a black, foul smelling liquid. The best way to prevent or minimize creosote build up is to follow proper firing methods. The amount of creosote depends on several factors that include:

- 1) Moisture content of the fuel
- 2) Stack or flue temperature
- 3) Amount of draft
- 4) Efficiency of the appliance
- 5) Turbulence of smoke

At stack temperature below 120°C (250°F), the creosote will condense out of the gasses (smoke). Once a chimney connector becomes heavily coated with creosote, the only safe way to remove it is mechanically with a proper chimney cleaner or brush. A combination of wet fuel and poor operating procedure may necessitate weekly cleaning to remove creosote buildup.

Remember - the hotter the fire the less creosote. Small intense fires create less creosote than large, smoldering fires. We recommend that each day a small intense fire be built, preferably in the morning. This daily practice should burn out the small deposits of creosote before they build to a dangerous level. The combustion air inlet should be opened for at least 30 minutes by turning the thermostat up in the morning and evening. NEVER "burn out" large deposits of more than one days accumulation.

In conclusion, creosote can best be controlled as follows:

1. Burning dry split wood.
2. Mixing small and large pieces of wood.
3. During warm weather using smaller split wood.
4. Operate the stove on a higher temperature setting for the first hour after reloading.
5. Establish a routine for the storage of fuel, care of the appliance, and firing techniques.
5. Keeping stack temperature up by using double wall pipe on flue runs and protect outside chimney installations in a chase. Minimize elbows and keep flue runs as short as possible and ensure tight connections.
6. Checking frequently for creosote until experience shows how often cleaning is required. Remember a clean chimney is a safe chimney.
7. Having a clearly understood plan should a chimney fire occur.

WARNING: FAILURE TO INSPECT AND CLEAN YOUR CHIMNEY SYSTEM REGULARLY CAN RESULT IN A SERIOUS FIRE WHICH MAY DAMAGE YOUR CHIMNEY OR CAUSE A HOUSE FIRE

MAINTENANCE

Your appliance has been manufactured in the Blaze King tradition of high quality. To ensure years of trouble free operation, have your stove serviced regularly by your Blaze King dealer.

Periodically during the heating season thoroughly clean the chimney and firebox so your system is ready for next fall. Inspect all firebricks and replace any damaged bricks. A broken firebrick should be replaced to prevent warping of the firebox.

INSPECT VENT PIPES, VENT PIPE JOINTS AND VENT PIPE SEALS REGULARLY TO ENSURE THAT SMOKE AND FLUE GASES ARE NOT DRAWN INTO, OR CIRCULATED BY, THE AIR CIRCULATION SYSTEM

MAKE SURE THE STOVE IS COOLED OFF COMPLETELY BEFORE DOING ANY OF THE NEXT CLEANING, TESTS OR REPLACEMENT PROCEDURES.

ASH REMOVAL

This Appliance is required to be cleaned frequently because soot, creosote and ash may accumulate.

Wait until the stove is fully cooled off before removal of the ashes. Ashes should be removed any time they come within one inch of the door opening. It is not necessary or advisable to completely remove all of the ashes when cleaning this stove. Wood burns best in a bed of ashes 1/2" thick.

Ashes should be placed in a metal container with a tight fitting lid. The closed container of ashes should be placed on a noncombustible floor or on the ground (outside), well away from all combustible materials, pending final disposal. If the ashes are disposed of by burial in soil or otherwise locally dispersed, they should be retained in the closed container until all cinders have thoroughly cooled. Other waste shall not be placed in this container.

WARNING: NEVER STORE HOT ASHES IN A GARAGE OR BASEMENT. HOT ASHES WILL GENERATE CARBON MONOXIDE AND/OR FLAMMABLE GASES. THESE GASES MAY CAUSE SUFFOCATION AND POSSIBLE DEATH.

CATALYTIC COMBUSTOR, TESTING (Conduct test with fans off)

Test the catalyst in your Blaze King as follows:

Build a fire using the same technique (paper, kindling, logs) you have used in the past. Leave the thermostat knob on a medium (2) setting. When the fire is well established (within one to three hours) turn the thermostat knob between 1 and 2. A properly operating catalyst will remain active, and the catalyst thermometer will remain in the "active" zone until the wood load is mostly consumed. A "tired" or "dead" catalyst will, with the thermostat on 2 or lower, go out completely, and the thermometer needle will fall into the "inactive" zone. Repeat this procedure several times over several days. (Remember that the catalyst thermometer has a built-in lag of 4-8 minutes.) If, after several test burns, the thermometer will not indicate an "active" catalyst, it may require cleaning or replacement. Contact Blaze King for a replacement combustor, see page 37 for part numbers.

It is also possible that the thermometer, itself, may not be reading accurately. Before condemning the catalyst, read "Thermometer", on page 31.

CATALYTIC COMBUSTOR, CLEANING

Under certain conditions, ash particles may become attached to the face of the catalyst. These may be seen while the catalyst is in the glowing stage, or when the fire is out. Any deposit on the visible face of the catalyst should be removed. Wait until the fire is out and the stove is cold. (Hot ash in a vacuum cleaner bag will burn.)

Brushing the catalyst with a soft bristle paint brush will remove some deposits. Passing a plastic vacuum cleaner wand or brush near the face of the catalyst will remove most deposits. Never scrape the catalyst with any hard tool or brush. Some stove owners have run pipe cleaner through every individual cell of the catalyst. This is not needed, and may actually do more harm than good. Limit cleaning to the face of the catalyst.

Note: Never remove a combustor without approved combustor gasket in hand as original gasket will fall apart when removed from stove. Remember to re-install the Flame Shield (the perforated plate) in same position it was found.

TIP: A nice hot fire will usually prove to be the best method of cleaning the combustor of deposits.

MAINTENANCE

CATALYTIC COMBUSTOR, REPLACEMENT

The catalytic thermometer on top of the stove should read in the active zone after the stove has been in operation for several hours. If the thermometer's indicator needle does not stay above the 1/3 mark in the active zone, even with a hot fire, over a 7-10 day period of regular use, the catalyst may need replacement. If the combustor must be examined or replaced, follow this procedure:

1. Allow the stove to burn out and cool down.
2. Open the door and remove the flame shield - the perforated plate that is just above the inside of the door opening. Lift it slightly and pull it forward and down.
3. The combustor may now be seen. The combustor is held together by a stainless steel band. Use a screwdriver and gently pry under the band at each end. The combustor will loosen enough that it can be pulled forward, lowered and out through the door.
4. The insulating material around the stainless band will probably disintegrate as the combustor is removed. When the combustor is placed back into the stove, the insulating material **MUST** be replaced. Obtain a piece 2" x 30" from your dealer. When installing the insulation, ensure the ends are butted closely together.
5. Do not burn the stove with the combustor removed, or without the insulation around the combustor.
6. To replace the combustor, first clean the combustor seat and the area around it. Also take this opportunity to clean the area around the by-pass -- use a vacuum cleaner.
7. Lift the new combustor into position, with the stainless flanges on each end and the bottom. The combustor should slide into position, as far to the back of the stove as possible. Don't be concerned if it appears a bit loose. The insulation around the outside of the stainless band will expand during the first fire and will hold the combustor in.
8. Replace the flame shield (the Perforated plate) by holding it inside the firebox with the triangular wings facing away from you. Lift it into position, between the door and the catalyst, and rest the bottom of the plate on the two pins that protrude below the catalyst. The flame shield should rest at an angle (about 45 degrees) with its bottom near the combustor, and its top near the stove front.

DOOR GLASS, CLEANING

The best way to keep the glass clean is to leave the stove on high burn for a period of time after each reloading. The moisture which is driven from a new load of wood contributes much of the creosote on the inside of the glass. Removing that moisture at the beginning of the burn cycle helps to keep the glass clean. Leaving the thermostat on a higher setting for 30 minutes to an hour before turning to low for an overnight burn will also help. Heavier deposits may require hand cleaning. Manual glass cleaning should be done when the stove and glass are cool. **DO NOT CLEAN THE GLASS WHILE IT IS HOT.** Use a soft cloth and a **NONABRASIVE** household cleaner. After using any cleaner, thoroughly rinse the glass with water to remove any deposits left by the cleaner. Failure to remove all traces of glass cleaner will result in the glass cleaner residue baking on. This residue may be very difficult to remove.

DOOR GLASS, REPLACEMENT

Your BLAZE KING is equipped with a door which uses a strong, heat-resistant ceramic glass intended to withstand extremely high temperatures and tested for continuous use above 1200 degrees Fahrenheit. However, this glass can be broken through improper use. If glass replacement becomes necessary, use only **BLAZE KING GLASS**. **DO NOT SUBSTITUTE ANY OTHER MATERIAL FOR THIS PURPOSE.**

WARNING

BROKEN DOOR GLASS IS SHARP. ALWAYS WEAR EYE PROTECTION AND PROTECTIVE GLOVES WHEN HANDLING GLASS. DISCARD THE GLASS IN A CLOSED CONTAINER INACCESSIBLE TO CHILDREN.

1. Allow the fire to completely burn out and the stove to cool down.
2. Retain all metal parts for re-installation.
3. Open the door and remove the door gasket, then remove the nuts holding the retainers to the inside of the door.
4. Remove the damaged glass and the old glass gasket.
5. The replacement glass has the gasket installed on its outer perimeter. Place the glass in the door frame. Be sure the words "Blaze King" etched in the glass read correctly when the door is closed.
6. Replace the gasket and reinstall the retainers with the proper nuts.
(Do not over tighten nuts as studs may break off)

MAINTENANCE

GASKET INSPECTION

Inspect the door and bypass door gasket for physical deterioration, missing sections or obvious leakage. The stove front should make a groove in the gasket material - one side of the groove (toward the inside) will often be dark or black, and the other side (toward the outside) should be light or white. Dark smudges on the outside of the groove may indicate an air leak. If the groove is very shallow or missing, or if there is a heavy ash or creosote deposit along the bottom edge of the gasket, it may need to be replaced. Frayed or broken gasket material, or a gasket that is hard and unyielding, will also indicate need for replacement. Any time a piece of gasket is missing or is broken anywhere, the entire gasket must be replaced.

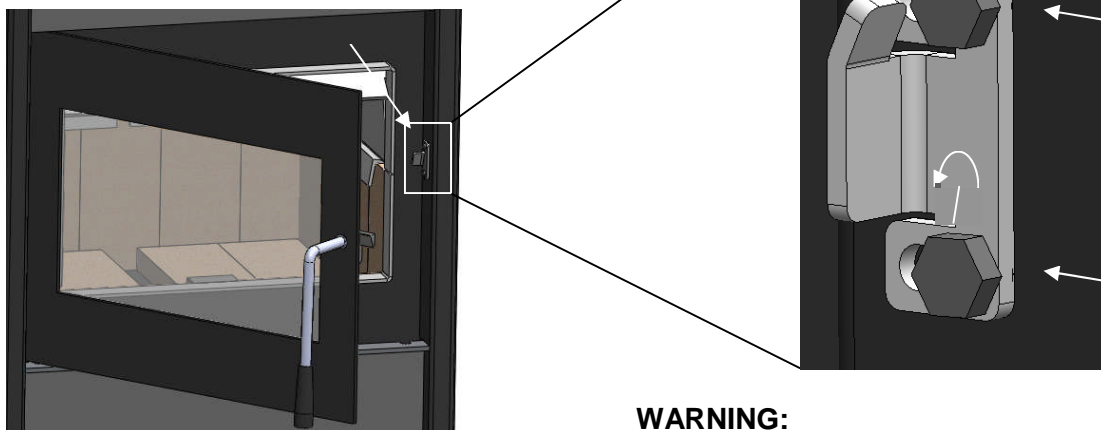
To check the gasket further, wait until the stove is cooled and insert a piece of paper (a dollar bill will work) into the door opening and close and latch the door. Obvious resistance should be felt when pulling the paper out. Repeat this check several times around the perimeter of the door.

LOADING DOOR GASKET REPLACEMENT

1. If the door gasket is to be replaced, be sure you have some 7/8" fiber glass gasket material, ready to re-install. See your Blaze King dealer.
2. Be sure the fire is out and the stove has cooled down. The door does not have to be removed from the stove.
3. With a pair of pliers, pull the old door gasket out of the channel and dispose of it.
4. Thoroughly clean out the channel so the new silicone adhesive will adhere and the gasket will fit smoothly
5. Run a small bead of a high temperature silicone adhesive (such as G.E. Silicone Sealer, or the equivalent) along the center of the channel. **DO NOT USE HOUSEHOLD SILICONE CAULKING.** High temperature silicone may be obtained from most auto parts stores.
6. Start the new gasket in the lower right corner. Do not stretch or cut the gasket. Distribute the gasket evenly around the frame.
7. Close the Loading Door and allow the adhesive to dry.
8. Check the fit of the door gasket. Insert a narrow strip of paper into the door opening and close and latch the door. Obvious resistance should be felt when pulling the paper out. Repeat this check several times around the perimeter of the door. If no resistance is felt, adjust door latch catch (see "loading door tension adjustment" below).

LOADING DOOR TENSION ADJUSTMENT

To tighten the seal, use a 7/16 wrench to loosen latch catch bolts and move latch catch in slightly. (see figure beside). Secure bolts and (repeat) paper test (see above (8)). If not sufficient, move latch catch in more.



WARNING:

DO NOT OPERATE THIS WOOD STOVE IF THE DOOR GASKET IS MISSING OR DAMAGED. DANGEROUS OVERFIRING CAN OCCUR WHICH CAN DAMAGE THE APPLIANCE OR IGNITE CREOSOTE IN THE CHIMNEY, POSSIBLY CAUSING A HOUSE FIRE. IF ANY PART OF THE WOODSTOVE OR FLUE SYSTEM IS GLOWING THE STOVE IS BEING OVERFIRED.

MAINTENANCE

CHIMNEY DRAFTS

If you suspect a draft problem in an existing chimney, determine the draft by using a water manometer (or digital draft gauge). The draft should be measured with the stove at medium burn. After the measurement is completed, fill any holes that were made in the chimney connector by using a sheet metal screw of proper size. Recommended draft is .02 -.03 in. w.c at medium fire. Too little draft results in a sluggish fire and smoke spillage when the stove door is opened. Too much draft (over 0.06 in. w.c.) makes it unsafe to operate the stove.

OPTIONAL FAN ASSEMBLY

Routine maintenance of the OPTIONAL Fan Assembly on the back of the stove is not required. However, should it become necessary to replace an individual fan, snap disk or rheostat, contact your local dealer.

PAINT

If the finish on the stove ever becomes blemished, you can repaint with high temperature paint available from your dealer. DO NOT paint the stove while it is HOT.

THERMOMETER

The catalyst thermometer, with its built-in lag of 4-8 minutes, tells you what was happening 4-8 minutes ago. And remember, it is only an indication of the temperatures of the gasses, after they pass through the catalyst. The thermometer probe, the part that fits into the stove, must be cleaned at least once a year. Lift it from the stove (be careful, it may be hot) and wipe or scrape it clean. At room temperature, away from the stove, the indicator should point near the bottom of the "Inactive" zone. If, after several years use, you find that the needle no longer points to the bottom of the "Inactive" zone when the thermometer has been at room temperature for 10 minutes or longer, it may need adjustment. Holding the probe with a pair of pliers, loosen the bolt on the top of the dial. Turn the dial to align the pointer with the bottom of the "Inactive" zone, then retighten the bolt.

Note: If your Blaze King is equipped with optional fans, turn off fans and wait 10 minutes prior to reading catalytic thermometer indicator. Air movement across the top of the stove may provide false reading.

THERMOSTAT

The thermostat is adjusted at the factory and should not be tampered with. If the thermostat breaks, the damper will automatically close and replacement (by a qualified technician) of the complete thermostat is required.

TROUBLESHOOTING

Your Blaze King is designed to allow a wide selection of heat output levels. If you begin to lose control of the amount of heat the stove is emitting, determine the cause early so that major problems may be avoided.

The six major needs of a well-controlled fire are:

1. Knowledgeable, interested operator.
2. Adequate air supply.
3. Firewood of good quality and proper size.
4. Catalytic combustor in good condition.
5. Clean chimney, properly sized and installed.
6. Door gasket tight and firm.

Considering all of the above, number one is the most important for safe and efficient operation of any woodstove. Please study the operation instructions carefully. Consult your BLAZE KING dealer or call the Customer Service Department at Blaze King in the U.S.A. at 509-522-2730 or in Canada at 250-493-7444 if you have any questions not answered in this manual.

All of the six above mentioned needs are interrelated. A deficiency in any one will affect all of the others. If you encounter a problem, determine the source of the problem and then follow-up by checking the other needs as possible contributing factors.

PROBLEM: Chimney Fire

CAUSE

Act immediately regardless of cause

SOLUTION

Turn the thermostat to lowest setting, check loading door to be sure it is tightly closed.

Call Fire Department.

After the fire is out, have your chimney and flue connector inspected by a certified chimney sweep. A damaged masonry chimney should be repaired or rebuilt. A prefabricated chimney (factory built) that is damaged should be replaced. Any damage to the flue connector should be corrected before the system is used again.

Possible causes of a chimney fire, and remedies for those causes, can be found further in this section: "Excessive Creosote Formation", and "Spots of Creosote Accumulation in Chimney or Flue Connector".

PROBLEM: Not enough heat.

CAUSE

Green or wet wood.

Not enough fuel in stove.

Obstruction in chimney or cap screen.

Combustor plugged or coated.

Combustor not functioning.

Thermostat set too low.

Thermostat not operating properly.

Poor draft caused by an oversize flue

Strong, gusting winds causing downdraft in chimney

Tightly sealed house, inadequate air supply

Reloading too much wood on top of too few coals.

SOLUTION

Use seasoned wood. Don't be afraid to FULLY load the stove. A FULL load of wood won't burn any hotter than the thermostat is set.

Remove obstruction. Test combustor, page 28

Clean combustor, page 28

Test combustor, page 28

If needed, replace combustor, page 29.

Raise thermostat setting.

Consult your Blaze King dealer.

Measure draft with Manometer.

See CHIMNEY DRAFTS, page 31.

See CHIMNEY, page 15-17

Consult your Blaze King dealer or a chimney sweep

Install wind-resistant chimney cap. Directional caps may not stay freely rotating. If you have a directional cap, check it frequently

Slightly open a window, near the stove or install an outside air kit.

Allow a larger bed of coals to build up.

TROUBLESHOOTING

PROBLEM: Too much heat.

CAUSE

By-Pass door left open.

Thermostat set too high.

Loading door gasket leaking, admitting excess air into firebox.

Excessive draft in the chimney.

Thermostat not operating properly.

Wood is too small.

SOLUTION

Close the by-pass door.

Lower thermostat setting.

Replace door gasket and/or adjust door, page 30.

Measure draft with a Manometer See DRAFTS, page 31. Consult your Blaze King dealer or a chimney sweep. Install a cap.

Consult your Blaze King dealer.

Use larger pieces.

PROBLEM: One or both fans will not run, or there is no adjustment for fan speed.

CAUSE

Fans mounted improperly.

Fan speed control.

Snap Disk.

SOLUTION

Check that fan blade's not touch edges of hole.

Consult your Blaze King dealer for replacement.

Check if snap disk is touching back of stove, otherwise replace.

PROBLEM: Fans minimum speed too fast or maximum speed too slow.

CAUSE

Fan speed control out of adjustment.

SOLUTION

Consult your Blaze King Dealer.

PROBLEM: Excessive creosote formation in chimney and chimney Connector.

CAUSE

By-pass door left open.

By-pass door not sealing tightly.

Improper operation.

Wood too green or wet.

Catalytic combustor not operating properly.

Poor draft caused by an oversize or short flue, etc.

Chimney too cold or poorly insulated.

SOLUTION

Close by-pass door.

Inspect by-pass door and seal for warping. Ash or creosote buildup may occur on door or seat. With stove cold scrape and vacuum area around by-pass. Be sure all mating steel surfaces are clean and smooth.

Check thermostat setting and operating procedures, page 24/26.

Use seasoned wood. Use a moisture meter to confirm.

Inspect the combustor.

See catalytic combustor testing, page 28.

Measure draft with Manometer. See DRAFTS, page 31 See CHIMNEY, page 15-17.

Consult your Blaze King dealer or a chimney sweep.

Upgrade chimney system.

Consult your Blaze King dealer or a chimney sweep.

PROBLEM: Catalytic combustor thermometer (on top of stove) does not go into "Active" zone, or does not stay there for long.

CAUSE

Improper operation.

Obstruction in chimney or cap.

Faulty catalyst thermometer.

SOLUTION

Check thermostat setting and operating procedures. See page 24/26.

Clean chimney, remove Obstructions.

Replace thermometer and Recheck combustor

TROUBLESHOOTING

Wood too green or wet.	Use seasoned wood.
Combustor plugged or coated.	Clean combustor, see Page 38.
Combustor not functioning.	Check and test combustor If needed replace combustor. See page 29.
Thermostat not operating properly.	Consult your blaze King Dealer.
By-pass door leaking or not closing completely.	Inspect and clean area around by-pass doors. Adjust or replace gasket if necessary. Consult your Blaze King Dealer.

PROBLEM: Spots of creosote accumulation in chimney or chimney connector.

CAUSE

Air leaks in chimney or chimney connector.

SOLUTION

Inspect chimney and/or chimney connector. Repair or replace as necessary Check to be sure that the chimney connector is installed correctly.

CAUTION: a leaking chimney connector is a fire hazard and demands immediate attention.

Poor draft caused by an oversize flue, single wall pipe, to many elbows, etc.

Measure draft with Manometer.
See DRAFTS, page 31.
See CHIMNEY, page 15-17.
Consult your Blaze King dealer or a chimney sweep.

PROBLEM: Door glass quickly becomes coated with creosote.

CAUSE

Low thermostat setting or lowering the thermostat setting too far, too quickly.

SOLUTION

Turn the thermostat to the warmest setting during the first 20-30 minutes or until the fire is well established after each reloading.

Poor draft caused by an oversize or short flue, etc.

Measure draft with Manometer.
See DRAFTS, page 31. See CHIMNEY, page 15-17.
Consult your Blaze King dealer or a chimney sweep.

Obstruction in chimney or cap screen.

Remove obstruction. Clean chimney and/or cap screen.

Strong, gusting winds causing downdraft in chimney.

Install wind-resistant chimney cap.

Tightly sealed house, inadequate air supply.

Open a window, slightly, near the stove.

Burning poorly seasoned wet wood, or wood with high pitch content,

Use seasoned wood with low pitch content. such as some types of pine.

PROBLEM: The catalyst temperature cannot be controlled. Turning the thermostat down often makes the catalyst temperature go up.

CAUSE

Turning the thermostat down, particularly in the first half of the burn cycle, causes the fire to emit more smoke, which is fuel for the catalyst. The catalyst temperature therefore climbs for up to several hours. This is normal, and is of no concern. As long as only the catalyst temperature is elevated, there is nothing to worry about.

PROBLEM: Smoke spills from door opening when loading fuel

CAUSE

Spark arrestor screen plugged.

SOLUTION

Clean spark arrestor screen to bare metal wire

Chimney too cold.

Make certain double wall stove pipe is used in installation

Not enough vertical rise.

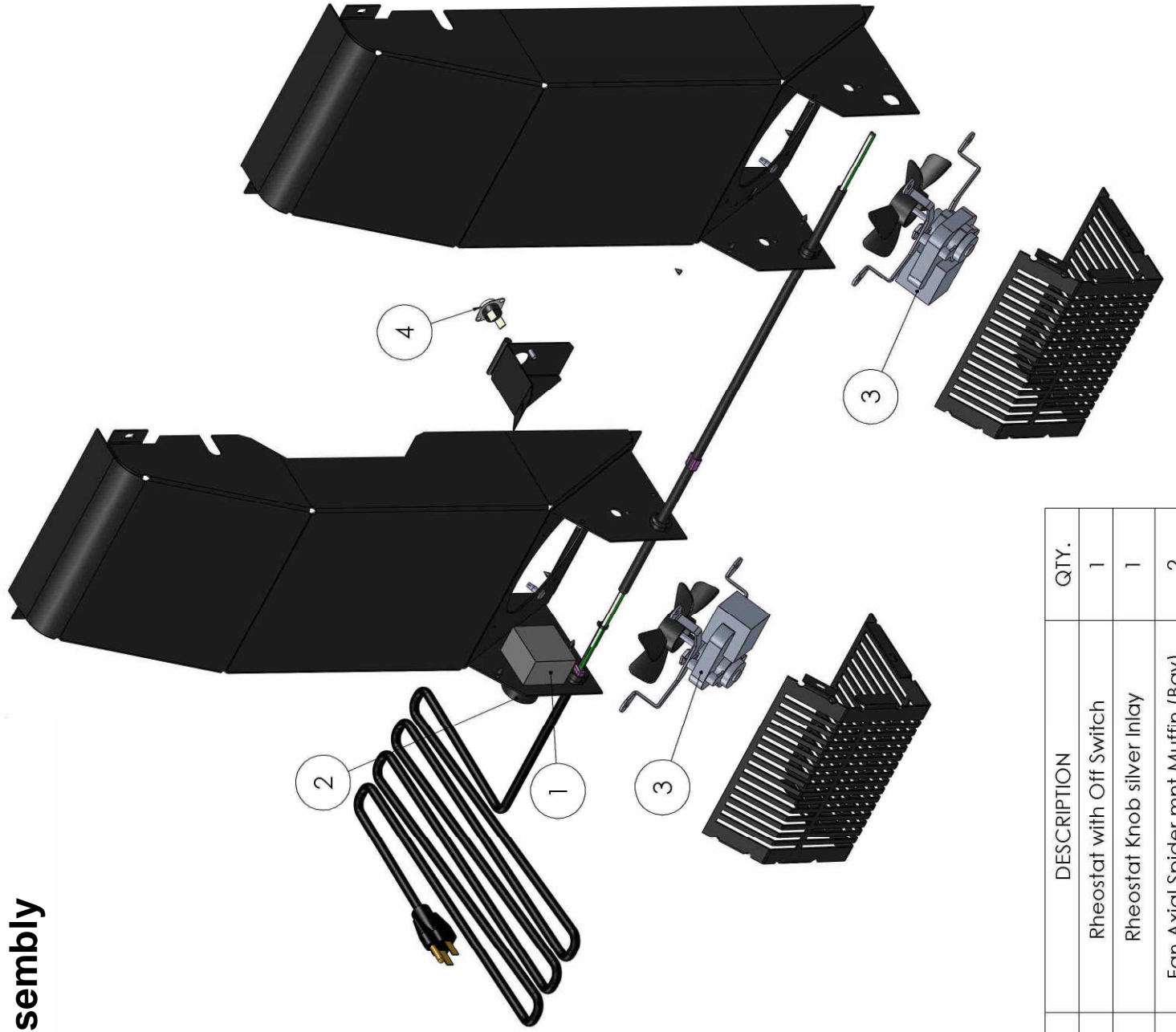
Make certain a minimum vertical rise of 36" is observed prior to elbows. Use two 45 elbows instead of 90 elbow.

Chimney not drafting.

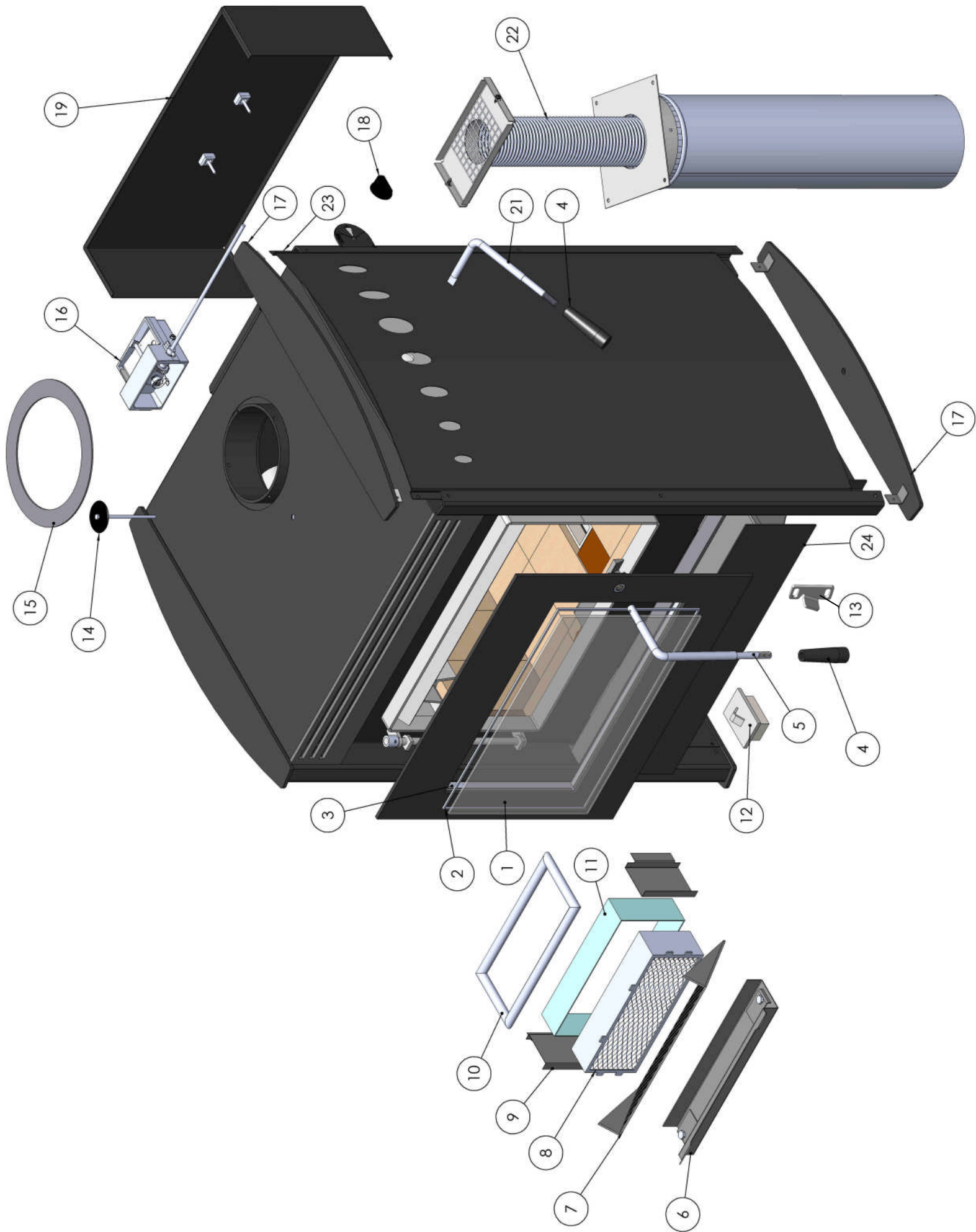
Turn thermostat to highest setting, open bypass, leave loading door closed and wait 5-10 minutes to increase chimney or flue temperature.

Z1714 Fan Kit Assembly

REPLACEMENT PARTS



ITEM NO.	PART NUMBER	DESCRIPTION	QTY.
1	0136	Rheostat with Off Switch	1
2	0137	Rheostat Knob silver Inlay	1
3	0175C	Fan Axial Spider mnt Muffin (Bay)	2
4	1142A	Snap Disk F100 Sensor/KLixon Classic	1



REPLACEMENT PARTS

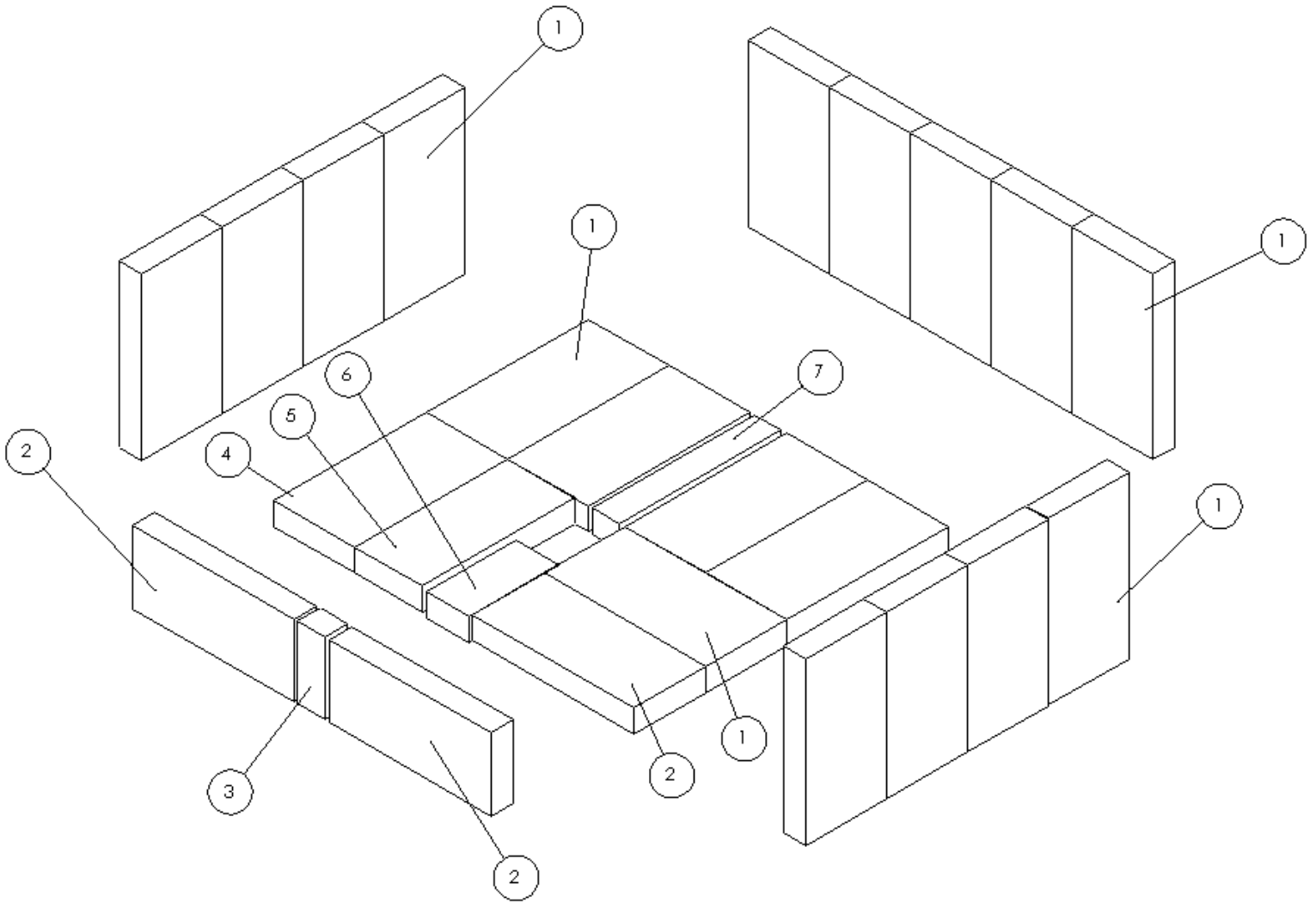
Replacement Parts and Kit list for Chinook

No expl. view	Part #	Description	QTY
1	0243	Ceramic Glass 17.875" x 10.875"	1
2	0254AS-5ft	Glass Gasket 1/8 x 3/4 301B W/PSA	1
3	0186-6ft	Door Gasket 7/8" round	1
4	2443	Wooden Handle (fits door and bypass handle)	2
5	Z2444	Door Handle Assembly (incl. Latch)	1
6	Z4551	Dome Guard Kit	1
7	Z2430	Flame Shield	1
8	Z4400G-M	Combustor 10.65" x 4" x 2" (Incl. Gasket)	1
9	4498	Bypass Retainer	1
10	0255B-3ft	Bypass Gasket 5/8" dense round	1
11	0341C-3ft	Combustor Gasket Slit 2" x 1/16"	1
12	Z1757	Ash Hole Lid	1
13	2449	Latch Catch	1
14	0342B	2" Catalytic Thermometer 4.5" Probe	1
15	2437	Flue Collar ring 7.25" ID	1
16	H/Z3009	Thermostat CK24	1
17	Z2416	Curved Top and Bottom Plate Kit	1
	Z2461	Flat Top and Bottom Plate Kit	1
18	0102	Thermostat Knob Black	1
19	R/SP1006	Rear Shield Kit	1
21	Z2452	Bypass Handle	1
22	Z1726B	(Mobile home) Outside Air Kit	1
23	Z2421	Curved Side Shield Kit	1
	Z2460	Flat Side Shield Kit	1
24	Z2410	Ash Drawer Kit	1

**Parts can be ordered through your local dealer or distributor by giving
PART # and DESCRIPTION.**

REPLACEMENT PARTS

BRICK LAYOUT



Number	Brick Size	Qt.
1	A	18
2	SI	3
3	QC	1
4	MT	1
5	MC	1
6	JC	1
7	HC	1

LIMITED WARRANTY

WHAT THE WARRANTY COVERS:

This warranty contains different terms which cover different parts of the stove. BLAZE KING warrants the STEEL COMPONENTS of this BLAZE KING stove, which is delivered with this warranty, against defects in material or workmanship to you, the original retail purchaser (hereafter referred to as purchaser), for a period of up to five (5) years following the date of original retail purchase, subject to the provisions of the RESPONSIBILITIES OF THE COMPANY below. BLAZE KING warrants the FAN ASSEMBLY, MODULAR THERMOSTAT, FRONT DOOR GASKET, and WOOD HANDLES of this BLAZE KING, which is delivered with this warranty, against defects in material or workmanship, to the purchaser, for a period of one (1) year following the date of original retail purchase, subject to the provisions of the RESPONSIBILITIES OF THE COMPANY below. The CATALYTIC COMBUSTOR is under warranty by Süd Chemie Prototech of Needham, Massachusetts for six (6) years from the date of original retail purchase. The purchaser shall pay the following share of the then current retail price for the combustor: The first three (3) years no charge, 4th year 70%; 5th year 80%; 6th year 90%. The Combustor must be returned to your dealer along with a completed COMBUSTOR FAILURE REPORT. Warranty WILL NOT BE GIVEN until Süd Chemie Prototech completes an inspection and analysis of the defective combustor.

WHAT THE WARRANTY DOES NOT COVER:

Unless otherwise provided by law or covered by this warranty, BLAZE KING is not responsible for removal, transportation or re-installation of any product repaired or replaced pursuant to this warranty. BLAZE KING shall in no event be liable for special, incidental, consequential, indirect or other similar damages arising from the breach of the warranty, even if BLAZE KING has been advised of the possibility of such damages. Some states/provinces do not allow the exclusion or limitation of incidental or consequential damages, so the above limitation or exclusion may not apply to you. BLAZE KING limits all implied warranties, if any, including the warranties of merchantability or fitness for particular purpose, to one (1) year from the date of original retail purchase. Some states/provinces do not allow limitations on how long implied warranty lasts, so the above limitation may not apply to you. Actions for breach of this warranty must be brought within one (1) year of The expiration of this warranty. There is no warranty on paint, ceramics, glass, bricks or gold plating. No person is authorized to modify this warranty or to make any additional warranties on behalf of the manufacturer, BLAZE KING. This warranty applies to units sold, installed and for use in the USA or Canada.

HOW YOU CAN GET SERVICE:

If this product requires repair or replacement due to defects in material or workmanship covered by this warranty, contact your Blaze King dealer and explain the defect. If the dealer does not repair or replace the product to your satisfaction, contact the Service Department of Blaze King in the U.S.A. at 1-509-522-2730 and in Canada at 1-250-493-7444 or write to Blaze King at one of the addresses at the end of this warranty. Please explain the defect and state the model, serial number, date of retail purchase, and the name and address of your Blaze King dealer. Blaze King may request that the defective part, parts, or the entire stove, be shipped to one of Blaze King's manufacturing locations at the purchaser's expense.

RESPONSIBILITIES OF THE COMPANY:

IF the purchaser has complied with all of the terms and conditions of this warranty and IF the purchaser has notified BLAZE KING of a defect prior to the expiration of the respective warranty period and after shipment, BLAZE KING will either repair or replace the product, AT ITS ELECTION, or MAY ELECT to refund a portion of the purchase price, based on the formula below, if it cannot readily and quickly provide the purchaser with a replacement. The repaired product or replacement will be returned to a BLAZE KING dealer nearest the purchaser at BLAZE KING's expense. IF it is determined by BLAZE KING that there is no defect, or that the defect resulted from causes not within the scope of this warranty, THEN the purchaser must bear the cost of storing the product and of returning the product to the purchaser. For parts of this woodstove or fireplace insert warranted beyond the first year, BLAZE KING will have the same obligations as described in this paragraph, provided, however, that the purchaser shall pay the following percentage of the then-current retail cost of the repair or the replacement, according to the year after purchase in which the defect is brought to the attention of BLAZE KING:

during the 2nd year	purchaser pays 20%	during the 3rd year	purchaser pays 40%
during the 4th year	purchaser pays 60%	during the 5th year	purchaser pays 80%

NOTE: TO VALIDATE THIS WARRANTY YOU MUST COMPLETE AND RETURN THE WARRANTY CARD WITHIN 20 DAYS OF THE DATE OF PURCHASE.

MISUSE OF STOVE NULLIFIES WARRANTY:

The above warranty is conditional upon the proper installation and use of the stove according to the manufacturer's directions embodied in the Owner's Installation and Operation Instructions published by BLAZE KING and in compliance with the local building or fire codes in the area where it is installed. The stove should be inspected by the Local Building Inspector or Fire Department prior to beginning use. A copy of the Owner's Installation and Operation Instructions is provided with each unit, or can be obtained by contacting BLAZE KING. READ THE OWNER'S INSTALLATION AND OPERATION INSTRUCTIONS BEFORE INSTALLING OR USING THE STOVE. SAVE THESE INSTRUCTIONS FOR FURTHER MAINTENANCE AND SAFETY PROCEDURES. Alteration of, abuse of, damage to, lack of maintenance of, faulty repair, OR misuse of the stove, VOIDS this warranty. Use of fuel other than natural untreated wood (such as artificial logs, wood exposed to salt water, or coal that may burn at excessively high temperatures or may release fumes that can explode) will VOID this warranty. Burning the stove with the loading door open will also VOID this warranty. Blaze King stoves have been thoroughly tested under extreme conditions, only abuse and over firing may create noticeable warping of components. Over firing of your stove will void all warranties implied or otherwise.

OTHER LEGAL RIGHTS OF THE PURCHASER:

This warranty gives you specific legal rights, and you may have other rights that vary from state to state or province to province. All parts of this warranty are to be interpreted in accordance with the laws of British Columbia/Canada. If you do not agree to the purchase of the stove on the terms and conditions set out in this warranty, then you must return the stove to the dealer prior to use or installation, and the purchase price will be refunded.

