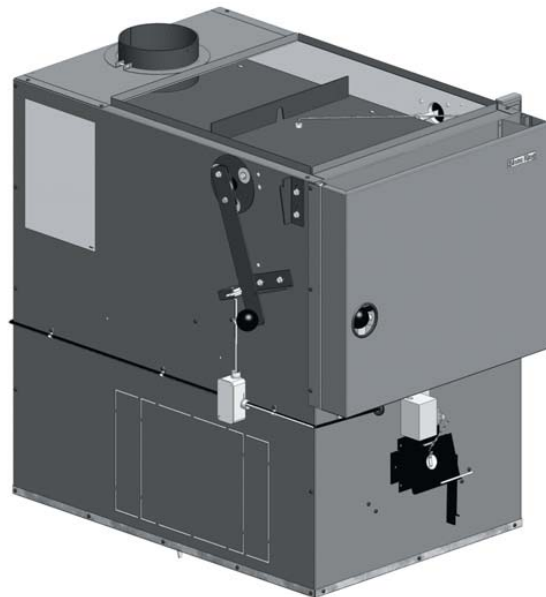


# Blaze King

## APEX CBT

### SOLID FUEL CATALYTIC FURNACE

For use as an add-on to electric, gas, or oil furnaces or and independent wood furnace when equipped with a blower.



## OPERATION & INSTALLATION MANUAL



Report # 142-S-08b-2

**Installer: Please complete the details on the back cover  
and leave this manual with the homeowner.  
Homeowner: Please keep these instructions for future reference.**

### Manufactured By

**Valley Comfort Systems Inc.**  
1290 Commercial Way  
Penticton, BC V2A 3H5  
CANADA  
Phone: 250-493-7444  
Fax: 250-493-5833

**Blaze King Industries**  
146 A Street  
Walla Walla, WA 99362  
U.S.A.  
Phone: (509) 522-2730  
Fax: (509) 522-9803

Pour la version française de nos manuels S.V.P. vous réferez à notre site web: [www.blazeking.com](http://www.blazeking.com)

## Table of Contents

INTRODUCTION _____	3
SPECIFICATIONS _____	4
APPLIANCE DIMENSIONS _____	5
PRODUCT INFORMATION _____	6
CERTIFICATION LABEL _____	7
SAFETY PRECAUTIONS _____	8
INSTALLATION INSTRUCTIONS _____	9
INSTALLATION INSTRUCTIONS - Venting _____	15
INSTALLATION INSTRUCTIONS - Combination APEX-Electric _____	19
INSTALLATION INSTRUCTIONS - Combination APEX-Gas/Oil _____	21
INSTALLATION INSTRUCTIONS - Wood only _____	23
VB1000 BLOWER _____	24
OPERATING INSTRUCTIONS _____	25
<i>BYPASS</i> .....	25
<i>CATALYTIC MONITOR (THERMOMETER)</i> .....	25
<i>FUEL</i> .....	25
<i>AIR SETTINGS</i> .....	26
<i>THERMOSTATS</i> .....	26
<i>FAN OPERATION</i> .....	27
<i>LIGHTING THE FIRE</i> .....	27
<i>OPERATION DURING POWER FAILURE CONDITIONS</i> .....	28
MAINTENANCE _____	29
<i>ASHES</i> .....	29
<i>CATALYTIC COMBUSTOR REPLACEMENT</i> .....	29
<i>GASKET INSPECTION</i> .....	30
<i>LOADING DOOR GASKET REPLACEMENT</i> .....	30
<i>BYPASS DOOR GASKET REPLACEMENT</i> .....	31
<i>ADJUSTING BYPASS HANDLE</i> .....	31
CREOSOTE _____	32
BRICK LAYOUT _____	33
REPLACEMENT PARTS _____	34
WARRANTY _____	36
NOTES _____	40

### Manufactured By

#### Valley Comfort Systems Inc.

1290 Commercial Way  
Penticton, BC V2A 3H5  
CANADA  
Phone: 250-493-7444  
Fax: 250-493-5833

#### Blaze King Industries

146 A Street  
Walla Walla, WA 99362  
U.S.A.  
Phone: (509) 522-2730  
Fax: (509) 522-9803

## INTRODUCTION

### To Our Valued Customers

Dear Customer:

Thank you for purchasing a **Blaze King APEX CBT** catalytic wood burning furnace (hereafter referred to as “furnace”).

This owner's manual explains the steps required to safely assemble, install, operate, and maintain your new furnace. Please carefully read these requirements for safe installation and proper operation before installing and using your furnace.

Obtain permits from the Building Inspector or Fire Department, if local laws require. Check local building and fire codes before installing your heater. When you have completed the installation, have it checked by your local inspector. Disregarding inspection and code requirements may jeopardize your homeowner's insurance. Since some insurance carriers require notification of a stove installation, contact your insurance agent. We want your Blaze King to give you a lifetime of trouble-free operation.

While we have made every effort to make these instructions as complete as possible, some installation or operating conditions may not be covered. If you have any questions that are not answered here, contact your Blaze King dealer, Local Building Inspector, Fire Department, or our customer service department at Blaze King. In the USA please call (509)-522-2730 or in Canada please call (250)-493-7444.

The Management and Employees of

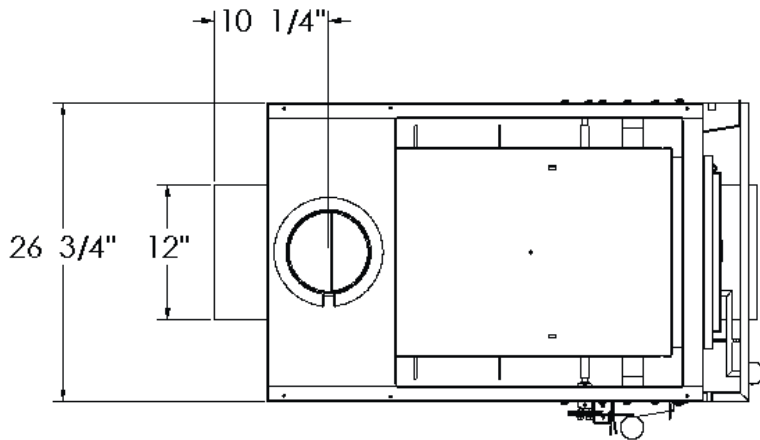
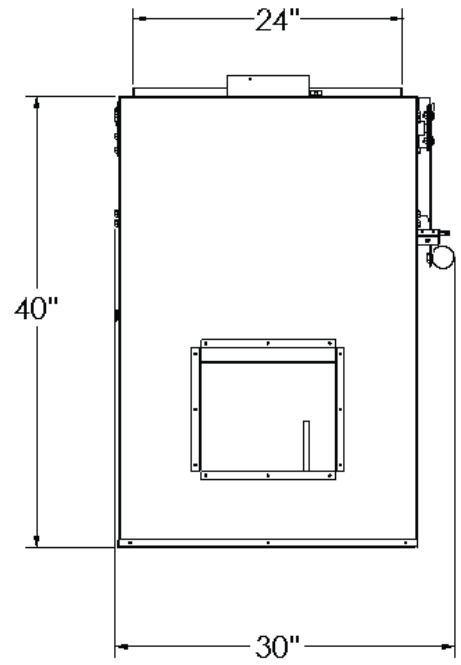
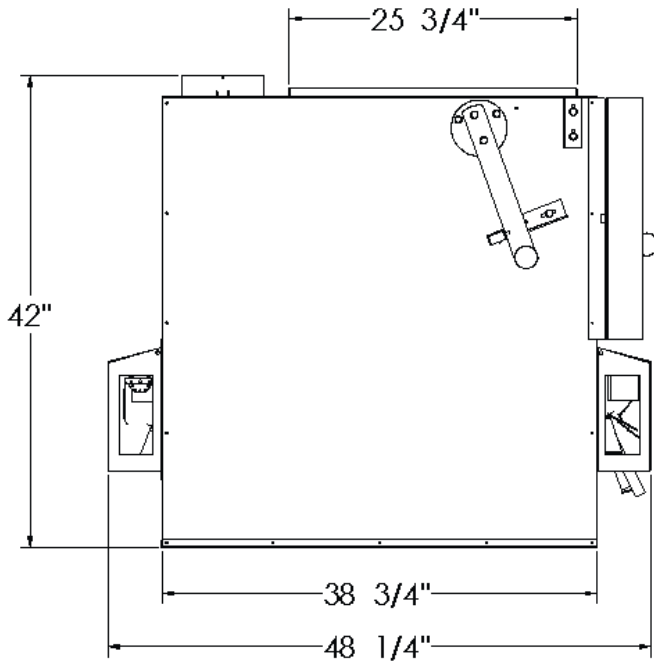
*Blaze King Industries, Inc*

## SPECIFICATIONS

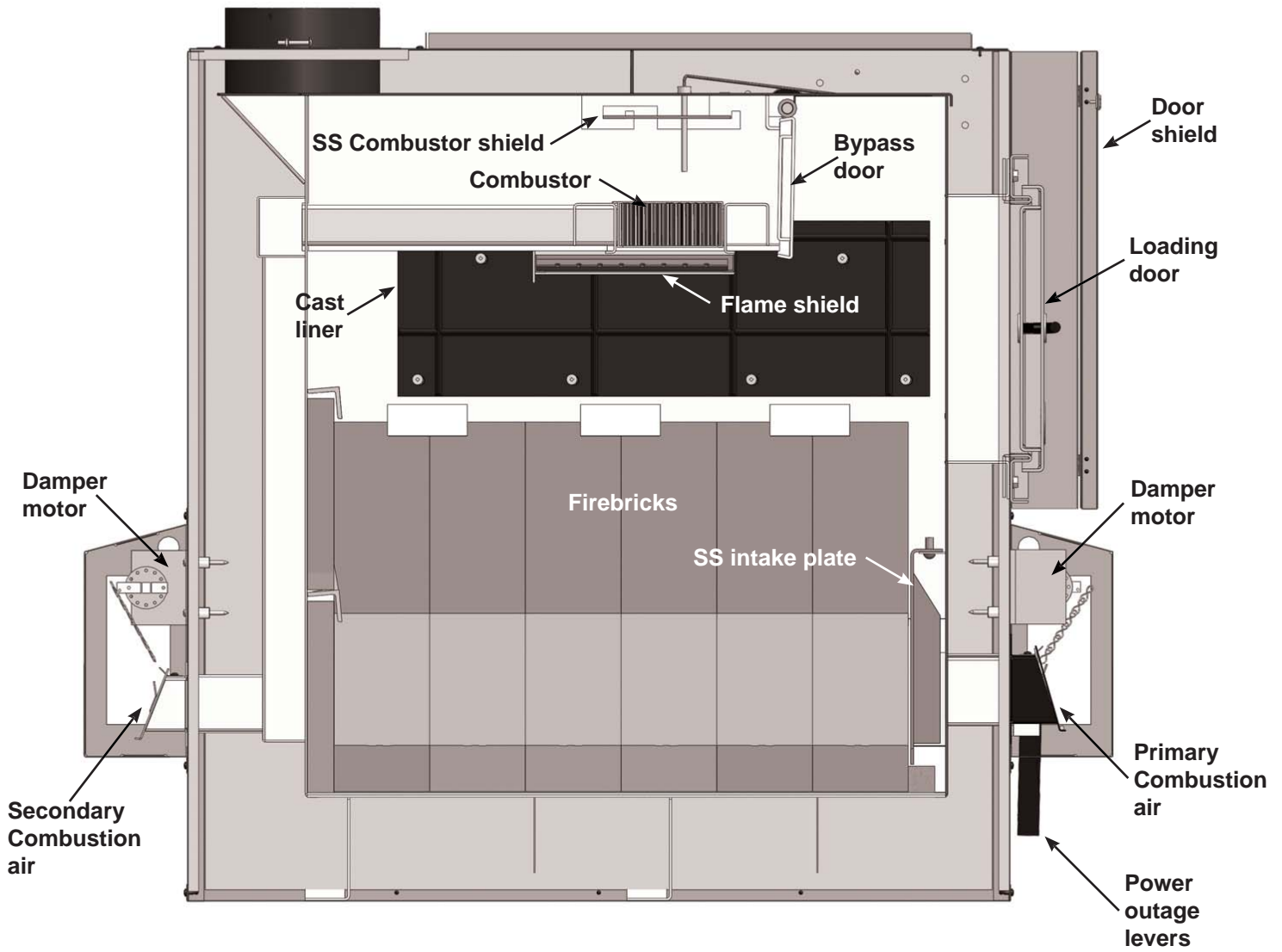
Model	APEX CBT (catalytic)
Rating	48,000 Btu/hr output*
Height	40"
Width	26 1/2"
Length	48"
Flue Collar	7" I.D.
Flue pipe center to rear	10 3/16"
Recommended flue draft	.05" water column
Hot air plenum opening	25 3/4" L x 24" W
Fire door opening	12" x 13"
Firebox	
Length	27"
Width	16"
Height	24"
Capacity	6 cu. ft.
Recommended Fuel length	26"
Firebox design features	Catalytic with post burn preheated secondary air.
Construction	12 gauge firebox brick & cast lined 20 gauge insulated cabinet
Shipping Weight	550 lbs.

\*Average output from B415 emission run, higher Btu's achievable depending on wood size and moisture content, geographic location, time between reloading, installation (draft).

# APPLIANCE DIMENSIONS



# PRODUCT INFORMATION



Cutaway view

# CERTIFICATION LABEL



**Blaze King** APEX CBT  
LISTED SOLID FUEL FURNACE  
LISTÉ FOURNAISE À COMBUSTIBLE SOLIDE

Report # 142-S-08b-2

**DO NOT REMOVE THIS LABEL / N'ENLEVEZ PAS CETTE ÉTIQUETTE**  
REFER TO OWNER'S MANUAL / RÉFÉREZ-VOUS AU MANUEL D'INSTALLATIONS

SAFETY TESTED TO / TESTÉ SELON: CSA B366. 1, UL 391 (MARCH 2009)

**SERIAL NUMBER:**  
[REDACTED]

**THIS UNIT MAY BE INSTALLED AS FOLLOWS:**  
As an independent forced air furnace equipped with a 900 cfm fan (VB1000) as shown in diagram "B" below.  
As a down stream series duct add-on to any of the following furnaces (Diagram "A"):  
1) Oil furnace having oil input as shown on original nameplate between 0.81 usgph & 1.2 usgph (Max.)  
2) A gas fired forced air furnace with a maximum output of 120,000 Btu and a minimum fan size of 900 cfm.  
3) Electric forced air furnace rated at 10 kW to 30 kW input. Minimum fan size 900 cfm.

Minimum interconnect duct size for add on use 12 in. (300 mm) x 17 in. (430 mm).

**CHIMNEY:** DO NOT CONNECT THIS FURNACE TO A FLUE SERVING ANOTHER APPLIANCE USE 7" LISTED FACTORY BUILD CHIMNEY SUITABLE FOR USE WITH SOLID FUELS  
ELECTRICAL REQUIREMENTS: 120 V AC 15 A CRKT. Fan control rating 2000 VA.

**BURN WOOD ONLY** burning treated or painted wood, plastic etc. will make the combustor inoperative.  
DON'T LOAD FUEL ABOVE TOP OF FIREBOX LINER BRICKS  
DO NOT USE CHEMICALS OR FLUIDS TO START THE FIRE

**DANGER: RISK OF FIRE OR EXPLOSION**  
- Do not burn garbage, naphtha, gasoline, engine oil and other flammable liquids under any circumstances

**WARNING: RISK OF FIRE.**  
- Do not operate with flue draft exceeding 0.06 in water column  
- Do not operate with fuel loading or ash removal doors open  
- Do not store fuel or other combustible material within marked installation clearances  
- Inspect and clean flues and chimney regularly

**CAUTION: HOT SURFACES**  
- Keep children away  
- Do not touch during operation  
- Maximum draft marked on nameplate

**IN THE EVENT OF A RUN AWAY FIRE OR CHIMNEY FIRE:** Close all combustion air. Call the fire department and be prepared to evacuate the house. Correct the problem before re-firing.  
In the event of a power failure: Remove air filter and cabinet blower door to assist flow. Open up all registers. Lift manual draft control lever until it "clicks", this will open draft to preset level.  
Disconnect power before servicing  
\*Maintain combustion air to both furnaces - air starvation is dangerous\*

**CETTE UNIT PEUT ÊTRE INSTALLÉE COMME SUIT :**  
Comme four indépendant à air forcé équipé d'un évent cfm 900 (VB1000) suivant les indications du diagramme B » ci-dessous  
Comme série descendante, canalise l'adjonction au four suivant (Diagramme "A")  
1) Four à l'huile ayant une entrée d'huile comme indiqué sur la plaque signalétique originale entre (0.81 usgph & 1.2 usgph (Max.)  
2) Un four à gaz à air forcé avec un résultat maximum de 120,000 BTU et un minimum d'évent de 900 cfm.  
3) Un four électrique à air forcé évalué à 10 kW à 30 kW d'entrée. Taille minimum de l'évent 900 cfm.

Taille minimum de conduit d'interconnexion pour ajoutez 12 in. (300 mm) x 17 in. (430 mm).

**CHEMINÉE:** NE CONNECTEZ PAS CE FOUR À UNE CONDUITE DE CHEMINÉE SERVANT UN AUTRE APPAREIL UTILISÉ UNE CHEMINÉE ENUMÉRÉE 7" APPROPRIÉE POUR L'USAGE AVEC LES COMBUSTIBLES SOLIDES  
CONDITIONS ÉLECTRIQUES REQUIS : 120 V AC 15 A CRKT. Contrôle de ventilateur 2000 VA.

**BRÛLER SEULEMENT LE BOIS**  
NE PAS CHARGER AU-DESSUS DES BRIQUES DE REVÊTEMENT  
N'EMPLOYEZ PAS AUCUN PRODUITS CHIMIQUES OU AUTRE LIQUIDES INFLAMMABLES

**DANGER: RISQUE D'INCENDIE OU D'EXPLOSION**  
- Ne pas brûlez sous aucune circonstance, des ordures, le naphta, de l'essence, l'huile à moteur et d'autres liquides inflammables.

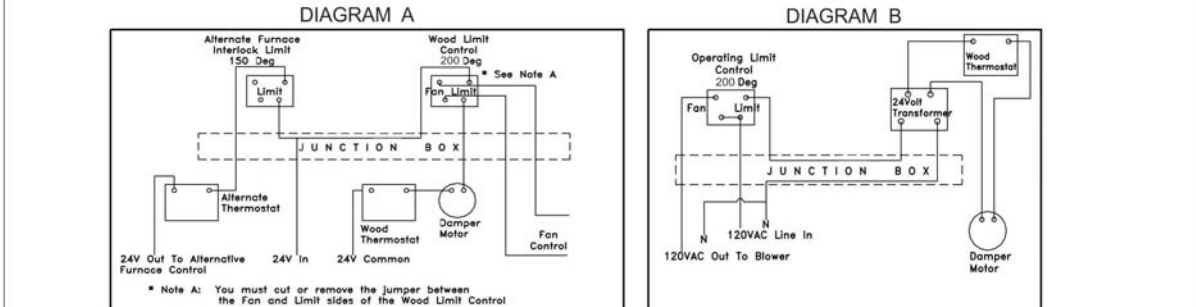
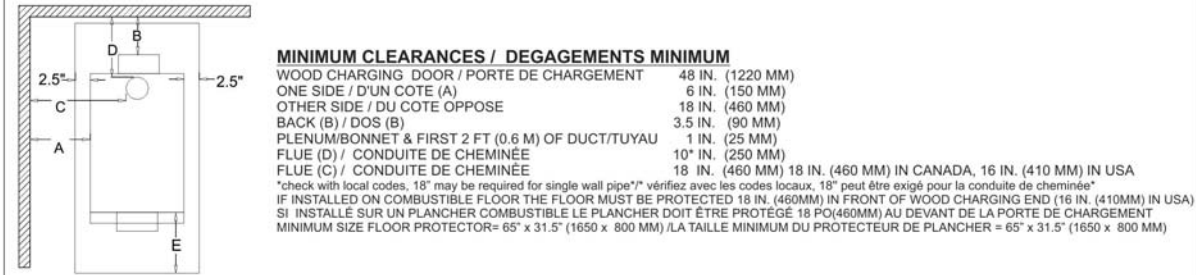
**AVERTISSEMENT: RISK D'ENCIDIE**  
-N'opérez pas avec l'ébauche de la conduite de cheminée dépassant 0.06 dans la colonne d'eau.  
-N'opérez pas pendant le chargement du carburant ou avec la porte des cendre ouverte.  
-Ne stockez pas le carburant ou tout autre matériel combustible dans des dégagements marqués d'installation  
-Inspectez et nettoyez votre cheminée et les conduites fréquemment

**CAUTION: SURFACES CHAUDES**  
-Gardez les enfants au loin  
-Ne touché pas pendant que le four fonctionne  
-Ébauche maximum marquée sur la plaque signalétique

**EN CAS D'INCENDIE DE CHEMINÉE OU UN FEU FILANT:** Fermez tout l'air de combustion Appelez les pompiers et soyez préparé pour évacuer la maison. Corrigez le problème avant la re-mise à feu  
En cas d'une panne de courant : Enlevez le filtre à air et la porte de ventilateur pour aider l'écoulement. Soulevez le levier de commande d'ébauche manuel jusqu'à ce qu'il "clique", ceci ouvrira l'ébauche pour prérégler le niveau  
Déconnectez avant l'entretien  
\*Maintenez l'air de combustion aux deux fours, le manque d'air est dangereux\*

APPROVED ELECTRICAL COMPONENTS / COMPOSANTS ÉLECTRIQUES APPROUVÉS  
Thermostat Honeywell - 7822A1258 or equivalent  
Dampner motor Honeywell - M547A1049 or equivalent  
Fan limit Honeywell - L4064 or equivalent (200 F limit)

REFER TO DETAILED INSTALLATION INSTRUCTIONS / RÉFÉREZ-VOUS AUX INSTRUCTIONS D'INSTALLATION DÉTAILLÉES  
INSTALLED BY / INSTALLÉ PAR [REDACTED]  
ADDRESS / ADRESSE [REDACTED]  
DATE / DATÉE [REDACTED]



"For Supply Connections Use No. 16 AWG Or Larger Wires Acceptable For At Least 220 °F (105 °C)"/ Pour les raccordements d'alimentation utilisez NO 16 AWG ou des fils plus grands acceptable pour au moins 220 °F (105 °C)"

<p>MANUFACTURED BY: Blaze King Industries 146 A Street Walla Walla, WA. 99362 Ph# 1-509-522-2730</p>	<p>Valley Comfort Systems Inc. 1290 Commercial Way Pentiction, BC V2A 3H5 Ph# 1-250-493-7444</p>	<p>EMISSIONS TESTED TO / TESTÉ SELON: CSA B415.1-10 EMISSIONS RATE: 0.10 gMJ / 0.21 lbs/million BTU OVERALL THERMAL EFFICIENCY: 82.27 % MINIMUM HEAT OUTPUT: 13779 BTU/hr MAXIMUM HEAT OUTPUT: 47996 BTU/hr</p>
--	--	---

MANUFACTURE DATE:  
 JAN  FEB  MAR  APR  
 MAY  JUN  JUL  AUG  
 SEP  OCT  NOV  DEC #0199  
 2009  2010  2011  2012 rev Sep 10

## SAFETY PRECAUTIONS

- Installation is to be performed by a qualified installer
- Comply with all local codes and regulations.
- Never operate a furnace that has been improperly installed.
- **DO NOT USE CHEMICALS OR FLUIDS TO START OR FRESHEN A FIRE.** Keep all flammable fluids well away from the furnace.
- **RISK OF FIRE OR EXPLOSION - DO NOT BURN GARBAGE, GASOLINE, NAPHTHA, ENGINE OIL, OR OTHER INAPPROPRIATE MATERIALS.**
- Combustible materials, including fire wood, must not be stored within the furnace installation clearances or within the space required for fueling, ash removal, and other routine maintenance operations.
- Never operate the furnace unless you are sure the smoke pipe and chimney are in safe condition. Flue gasses may contain carbon monoxide which is poisonous.
- Keep smoke pipe and chimney clean to prevent a chimney fire. Inspect and clean flues and chimney regularly. In the event of a chimney fire turn down all thermostats and close off combustion air. Call a fire department if necessary. Have a clearly understood plan to handle a chimney fire.
- **CAUTION: CLEANOUT OF THE HEAT EXCHANGER, FLUE PIPE, CHIMNEY, AND DRAFT INDUCER IF USED, IS ESPECIALLY IMPORTANT AT THE END OF THE HEATING SEASON TO MINIMIZE CORROSION DURING THE SUMMER MONTHS, CAUSED BY ACCUMULATED ASH.**
- **CAUTION: Hot Surfaces**
  - Keep children away.
  - Do not touch during operation.
  - Maximum draft marked on nameplate.

## INSTALLATION INSTRUCTIONS

### GENERAL

#### **INSTALLATION IS TO BE PERFORMED BY A QUALIFIED INSTALLER**

Please take time to read these instructions thoroughly. Not following the instructions could result in a faulty installation causing serious problems. Along with these general instructions you must follow the specific instructions which pertain to your particular installation i.e.: add-on to electric, gas, oil or independent installations.

### FREIGHT DAMAGE

This product was carefully inspected before it left Blaze King. Inspect the unit thoroughly upon its arrival. If damage is found report it to the carrier and then immediately file a freight damage claim. Blaze King will not be held responsible for damage incurred once the product leaves our factories.

### PARTS INCLUDED WITH THE APEX CBT

1. 2 Fan limit controls and bracket
2. Thermostat
3. Rake
4. Ash shovel
5. Insulation strips (3 pieces)
6. Digital Combustor thermometer
7. This manual

### OPTIONAL EQUIPMENT

1. Blower and cabinet for independent use (900 cfm. to 1200 cfm.), see “VB1000 BLOWER” on page 24.
2. 24 volt control transformer

### USAGE

The APEX CBT may be installed as follows:

#### **1. An add-on to any of the following furnaces:**

- A. An electric forced air furnace rated at 15 KW to 27 KW with a minimum size fan of 900 cfm. (see “INSTALLATION INSTRUCTIONS - Combination APEX-Electric” on page 19)
- B. A forced air gas furnace with a maximum output of 120,000 btu. and a minimum size fan of 900 cfm. (see “INSTALLATION INSTRUCTIONS - Combination APEX-Gas/Oil” on page 21)
- C. An oil furnace having an oil input as shown on the nameplate of not more than 1.2 usgph. and a fan capacity of not less than 900 cfm. (see “INSTALLATION INSTRUCTIONS - Combination APEX-Gas/Oil” on page 21)

#### **2. As an independent forced air wood furnace equipped with a blower of not less than 900 cfm. Capacity** (see “INSTALLATION INSTRUCTIONS - Wood only” on page 23).

## INSTALLATION INSTRUCTIONS cont.

### CAUTIONS

Have your gas supplier or a qualified gas fitter run a gas supply line into the gas fireplace. The line must be properly sized and fitted according to the installation codes. Upstream of the supply connection, the fitter shall provide a manual shut-off valve.

1. All installations must comply with local building safety codes.
2. Installation shall be by a licensed, qualified installer experienced in heating equipment installations.
3. **THE WOOD SECTION MUST BE VENTED INTO A CHIMNEY APPROVED FOR SOLID FUEL USE IN GOOD CONDITION. MOST GAS FURNACES ARE VENTED INTO "B" VENTS, THIS IS UNACCEPTABLE FOR SOLID FUEL APPLIANCES. THE APEX CBT MUST NOT BE VENTED INTO ANY TYPE OF CHIMNEY THAT ALSO SERVES ANOTHER APPLIANCE.**
4. **DO NOT CONNECT THE DUCT WORK SO REVERSE OR PARALLEL FLOW IS POSSIBLE.**
5. **DO NOT RELOCATE ANY OF THE CONTROLS ON THE ORIGINAL OR ALTERNATE FURNACE.**
6. Ensure that all existing or alternate furnace systems are in good operating condition before installing the add-on. Always maintain required clearances from the existing or alternate furnace.
7. The warm air supply duct system need to be constructed of metal in accordance with NFPA 90B,2-1.1
8. The plenums installed to the furnaces need to be constructed of metal in accordance with NFPA 90B,2-1.3

**Blaze King supports the WETT ( Wood Energy Technology Transfer Inc, Canada) & NFI (National Fireplace Institute, USA). These organizations provide training and certification for personnel involved in installation and maintenance of wood heating systems.**

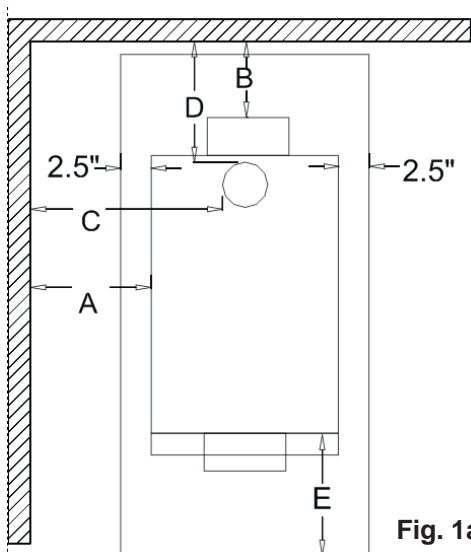


Fig. 1a

### CLEARANCES TO COMBUSTIBLES

These clearances are minimum clearances to combustibles. Always maintain sufficient space for servicing, access to flue pipe etc.

WOOD CHARGING END (DOOR)	48 in. (1220 mm)
ONE SIDE (A)	6 in. (150 mm)
OTHER SIDE	18 in. (460 mm)
BACK (B)	3.5 in. (90 mm)
PLENUM & FIRST 2 FT (0.6 M) OF DUCT	1 in. (25 mm)
FLUE (D*)	10* in. (250 mm)
FLUE (C)	18 in. (460 mm) IN CANADA 16 in. (410 mm) IN USA

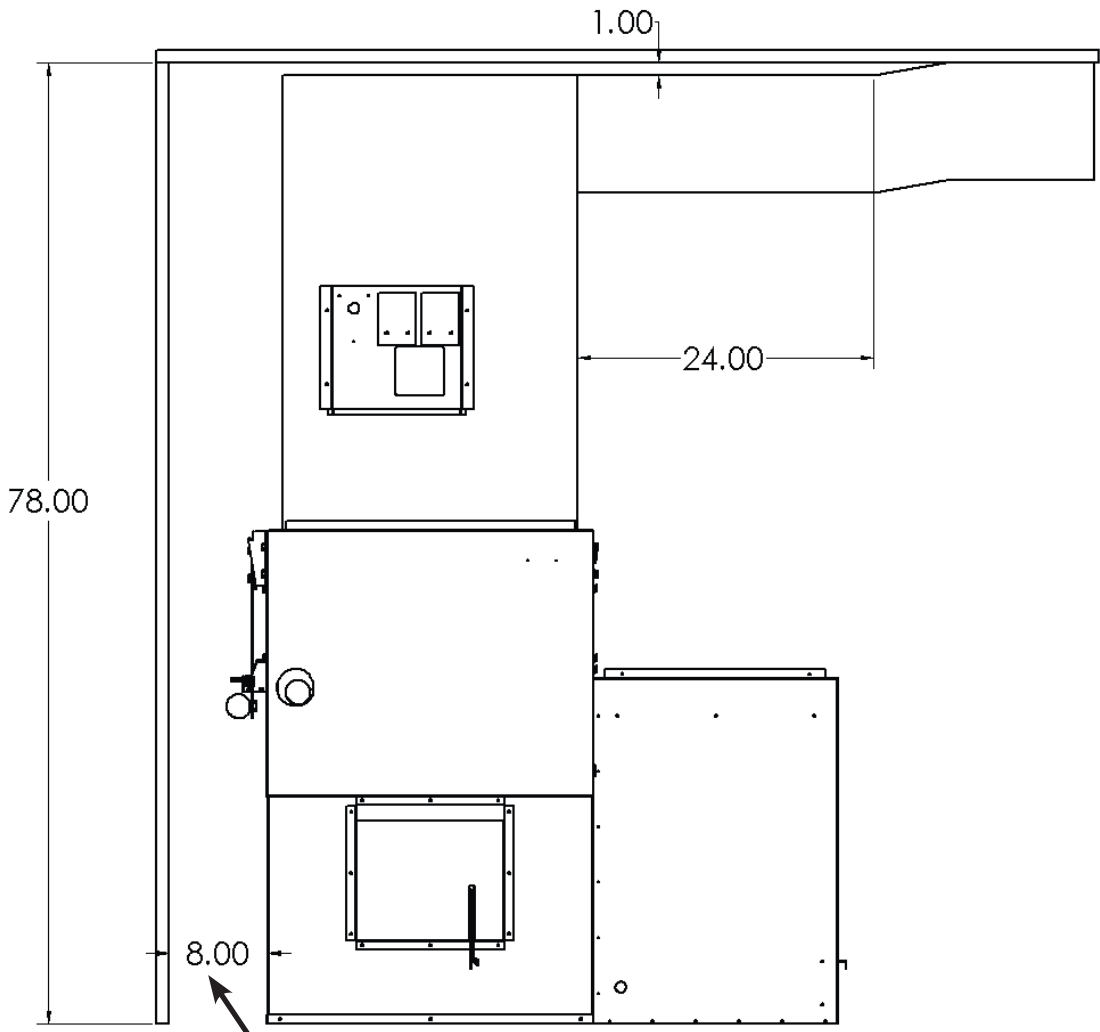
\*check with local codes, 18" may be required for single wall pipe\*

If the furnace sits on a combustible floor, a non-combustible shield must be used underneath the furnace and extending 18 in. out from the charging end and 8 in. on either side of the fuel-loading door. A non-combustible shield is also required underneath the chimney connector and extending at least 2 in. on either side of the chimney connector. (minimum size floor protector= 65" x 31.5")

This floor protection is required to prevent sparks from falling onto the combustible floor. See CSA B365-M87). It is not required to be a heat protective covering.

**This furnace must be installed in compliance with all local codes and regulations.**

**INSTALLATION INSTRUCTIONS cont.**



**Fig. 1b**

Can be as little as 6" but 8" is recommended for easier access to the bypass handle

Always maintain sufficient space for servicing unit & accessing flue pipe for cleaning.

**FURNACE LOCATION**

The Apex CBT is intended to be installed in a basement, the Apex is NOT approved for a counter flow installation. Ceiling height of the furnace room needs to be a minimum of 6' 6" (1.98 M). Hot air Plenum and Duct work can only run Horizontally or Up, NEVER down.

The APEX CBT can be located on either side of the alternate furnace. Minimum size of the interconnect duct is 12 in. x 17 in. typical installations see fig. 3.

The interconnect duct opening can be cut on either side of the Apex CBT, depending where the existing or alternate furnace is located. Cut the opening max. 1 1/2 inches from the floor and locate close to the front, about 8" (Distance A, see fig. 4 ). The side panel can be taken off for easier cutting.

Note the bypass handle is located on the left side of the Apex, but can be moved to the right side, this might be required in some installations to clear return air plenum or counter flow on existing or alternate furnace. See "INSTALLATION INSTRUCTIONS cont." on page 14 for instructions.

# INSTALLATION INSTRUCTIONS cont.

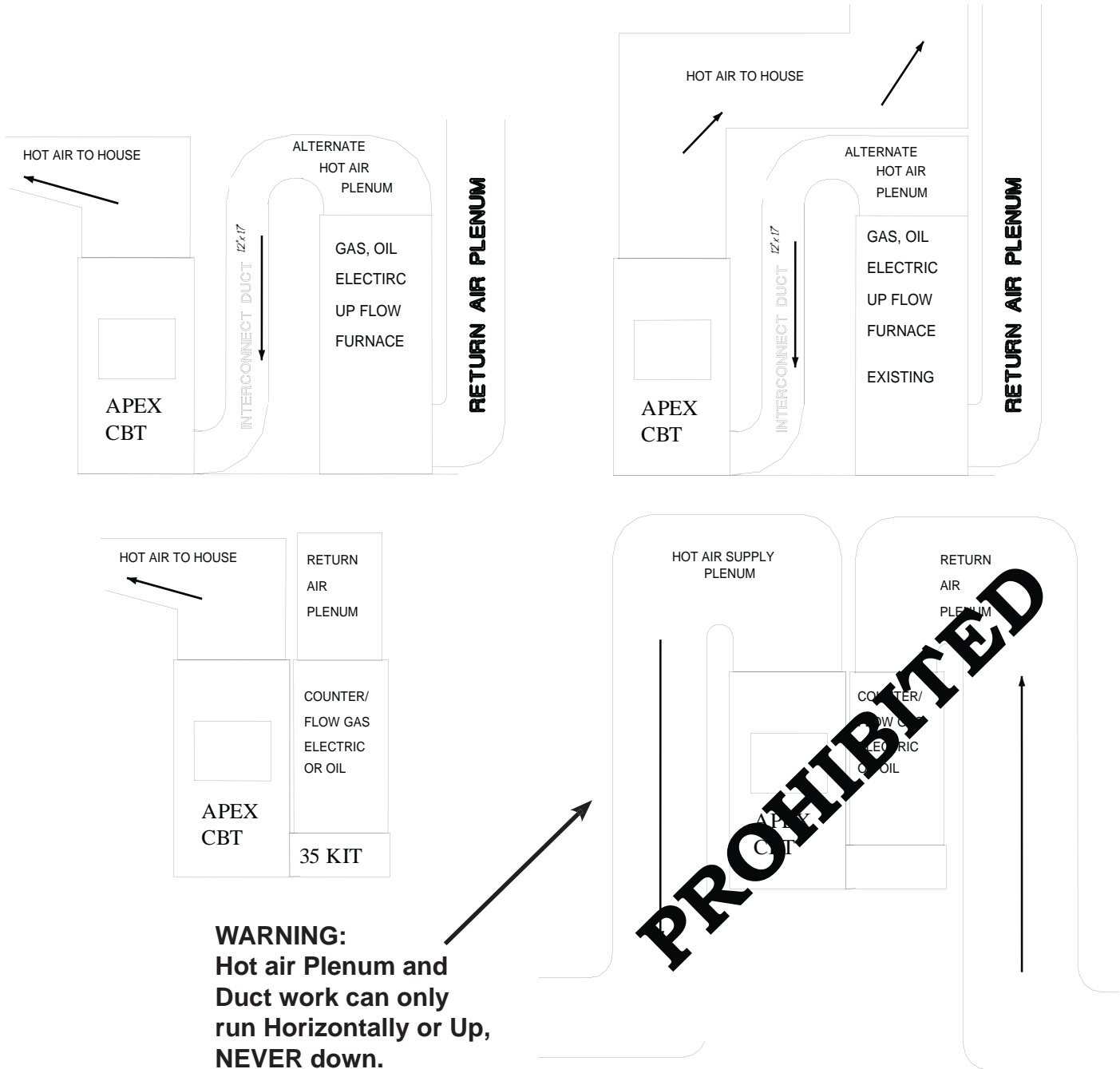


Fig. 3 Typical installation illustration

## INSTALLATION INSTRUCTIONS cont.

### Apex CBT as independent furnace:

When the blower is installed on the left side of the Apex CBT, the bypass handle needs to be moved to the right side (see “INSTALLATION INSTRUCTIONS cont.” on page 14), so if possible, install the blower on the right side.

Install the blower more to the front of the unit as that is where most of the heat is. When using the VB1000 blower cut an opening  $13\frac{1}{4}''$  W x  $11\frac{13}{16}''$  H in the side panel about 9'' from the front (Distance A, see fig. 4). Check the height of the hole with the blower. The side panel can be taken off, it might be easier to cut the opening that way. Use the pre-punched cutouts if applicable.

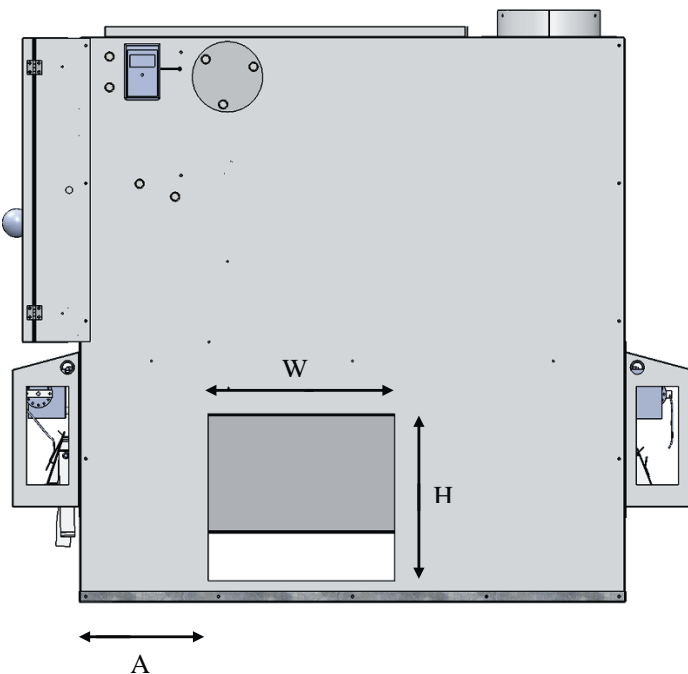


Fig. 4

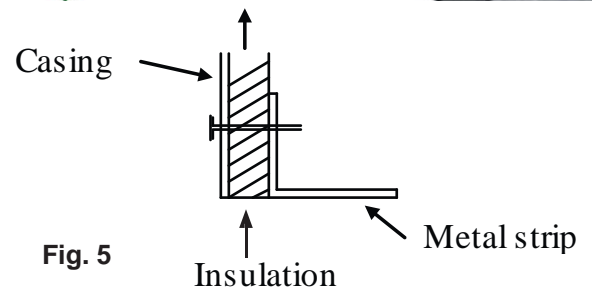
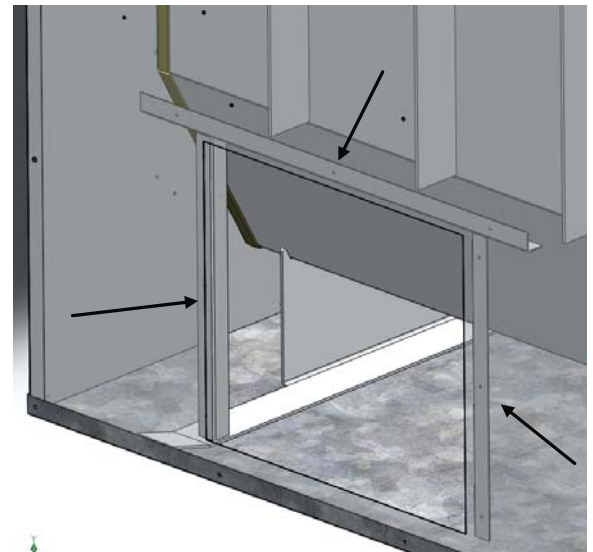


Fig. 5

**DO NOT USE INTERCONNECT DUCT ELBOWS THAT HAVE AN INSIDE RADIUS OF LESS THAN 6'' (150mm.). THE WARM-AIR SUPPLY OF THE APEX FURNACE SHALL NOT BE CONNECTED TO THE COLD-AIR RETURN INLET OF THE EXISTING OR ALTERNATE FURNACE. THE POSSIBILITY EXISTS THAT THE COMPONENTS OF THE EXISTING OR ALTERNATE FURNACE MAY OVERHEAT, CAUSING THE CENTRAL FURNACE TO OPERATE OTHER THAN INTENDED.**

### COMBUSTION AIR

Insure adequate combustion air allowing for all other exhausting type appliances in the dwelling (range hoods, dryers, etc). In airtight houses it is recommended to install a fresh air inlet into the basement room where the furnace is located. Recommended intake size is 1.5 sq in<sup>2</sup> per 1000 BTU's.

## INSTALLATION INSTRUCTIONS cont.

### MOVE BYPASS HANDLE SYSTEM FROM LEFT TO RIGHT SIDE FURNACE

In some installations it is necessary to move the bypass handle system from the left (default) to the right side of the furnace. This is possible by unbolting the system on the left and reinstalling on the right (The round plate on the right makes place for the bypass handle but need to be installed on the left after the change-over). Make sure to adjust the handle position and latch so proper seal is achieved on bypass door. Reroute wiring. Fig. 7 shows the correct mounting of the handle latches when moved to right side.

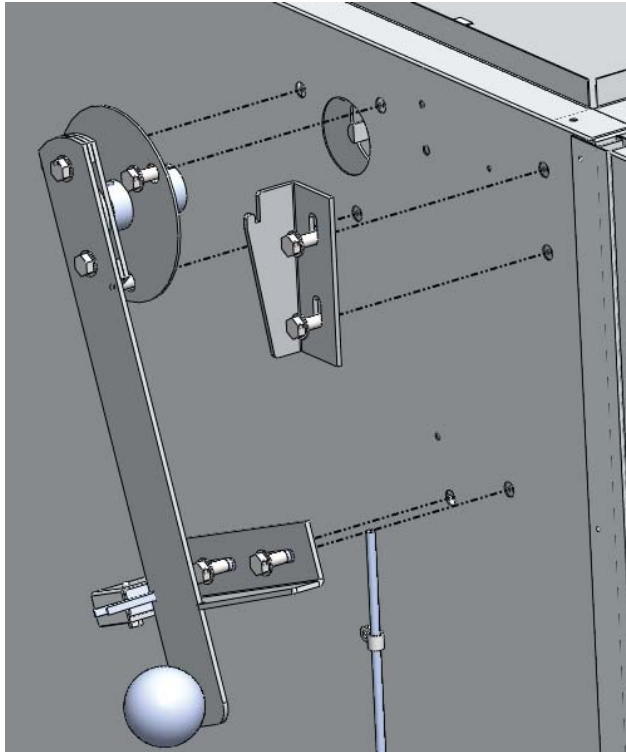


Fig. 6

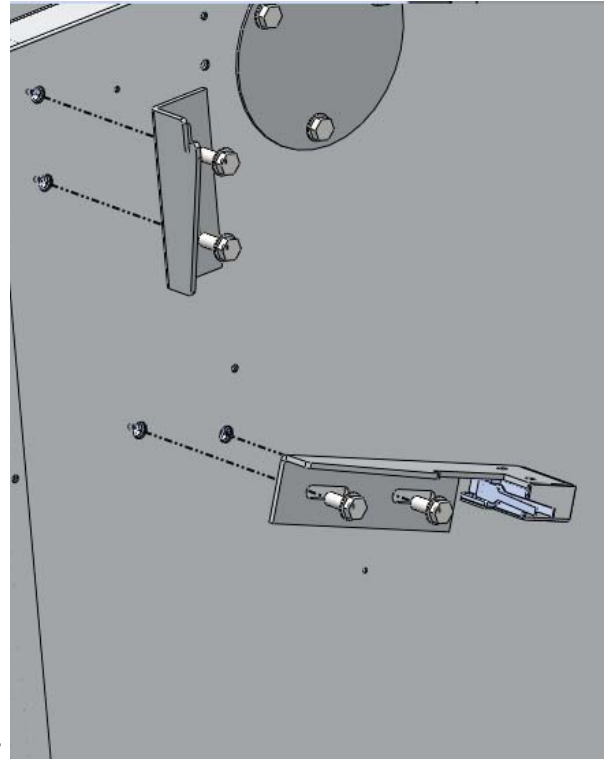


Fig. 7

### PRESSURE LOSS

Before any changes are made to the existing furnace system you must establish the working parameters of that system. You can then insure that addition of the add-on has not degraded the operation of the original system, and correct air flow will be maintained. Change all filters in the system to insure maximum free air flow. Using an accurate manometer check the static pressure at the end of a typical duct near the exit to the house. Check the static pressure in the plenum above the existing furnace also.

**Pressure drop = Static pressure at furnace -(minus) static pressure at duct exit**

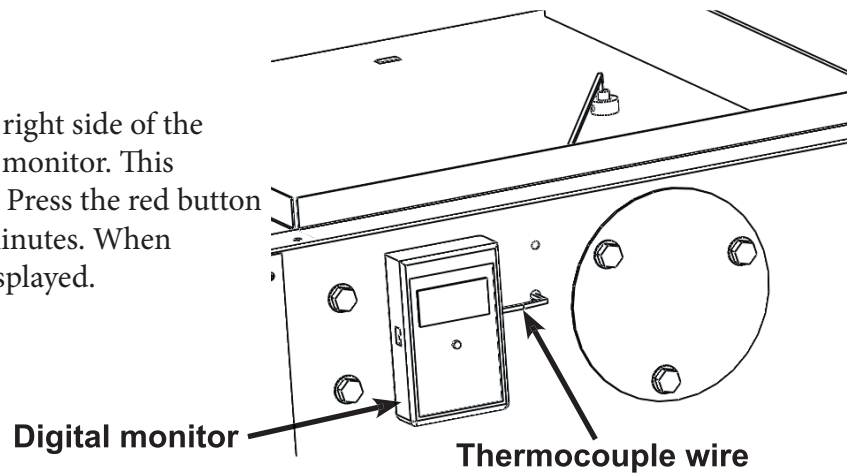
Record the pressure drop of the original system.

Addition of the add-on furnace will add airflow resistance in the system. After installation is complete measure the pressure drop in the same run measured before add-on installation. If the air flow has diminished the blower speed should be adjusted to compensate. When using a belted blower the pulley size should be changed or adjusted to speed up the blower. If the pulley size is adjusted measure the blower motor current to insure that it is still within the motor plate specification. It may be necessary to replace the motor with a more powerful motor. If a direct drive blower is used change to a higher motor speed. Do not change the blower size.

## INSTALLATION INSTRUCTIONS - Venting

### DIGITAL MONITOR

Mount the digital monitor on either the left or right side of the cabinet and connect thermocouple wire to the monitor. This monitor shows the temperature of the catalyst. Press the red button and the temperature will be displayed for 30 minutes. When temperature is below 500 F, "COOL" will be displayed.



### DRAFT

Draft is created by the heated air rising in the chimney system. This draft will pull fresh combustion air into the firebox. Recommended draft is .05 in. w.c at high fire. Too little draft results in a sluggish fire and smoking when the furnace door is opened. Too much draft (over 0.06 in. w.c.) makes it unsafe to operate the furnace. Use a barometric control if necessary to avoid excessive draft.

**DO NOT OPERATE THE APEX WITH A DRAFT OF OVER .06 INCHES WATER COLUMN. HIGHER DRAFT LEVELS MAY CAUSE THE FIRE TO BURN OUT OF CONTROL AND CREATE A FIRE HAZARD.**

### VENTING SYSTEMS

The venting system consists of a flue pipe and a chimney. These get extremely hot during use. Temperatures inside the chimney may exceed 2000 degrees in the event of a creosote fire. To protect against the possibility of a house fire, the flue pipe and chimney must be properly installed and maintained. A listed thimble must be used when a connection is made through a combustible wall to a chimney. A chimney support package must be used when a connection is made through the ceiling to a listed prefabricated chimney. These accessories are absolutely necessary to provide safe clearances to combustible wall and ceiling material.

This furnace may be connected to a lined masonry chimney or a listed factory built chimney suitable for use with solid fuels and conforming to, ULC629 in Canada or UL-103HT in the USA. Do not connect it to a chimney serving another appliance. To do so will affect the safe operation of both appliances, and will void the furnace warranty. must comply with the local authority having jurisdiction and/or in Canada, CSA installation standard B365-M87.

The flue pipe must be 7" diameter, 24/26 MSG Back/Blue steel. Do not use aluminum or galvanized steel. They cannot properly withstand the extreme temperatures of a wood fire. The flue pipe between the furnace and the chimney should be as short and direct as possible. Blaze King recommends the use of double wall pipe and two 45° elbows instead of a single 90° elbow. A minimum 36" rise is recommended prior to any elbows being used. The flue pipe must be attached to either an approved masonry chimney or one of the listed factory built chimneys suitable for use with solid wood fuel. All joints must be tight and fastened with sheet metal screws.

**WARNING: The flue pipe is to be used only within the room, between the furnace and ceiling/wall. Never use a flue pipe to pass through a combustible ceiling or wall. Always maintain the minimum clearances to combustibles as required by the applicable building codes.**

## INSTALLATION INSTRUCTIONS - Venting cont.

### CONNECTION TO A MASONRY CHIMNEY

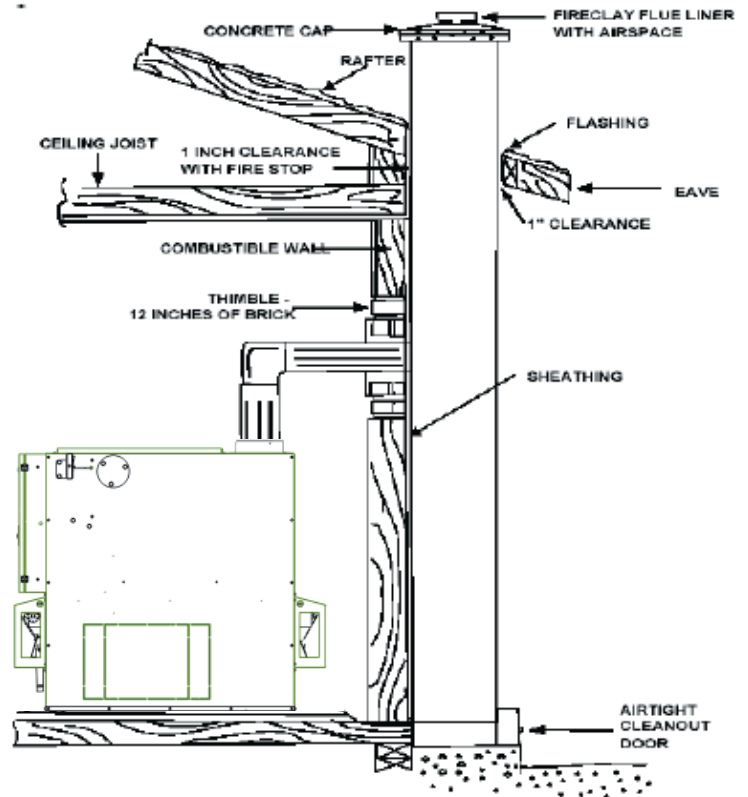
#### Masonry chimney\*\*\*

Ensure that a masonry chimney meets the minimum standards (NFPA) by having it inspected by a professional. Make sure there are no cracks, loose mortar or other signs of deterioration and blockage. Have the chimney cleaned before the stove is installed and operated. When connecting the stove through a combustible wall to a masonry chimney, special methods are needed.

In Canada,

The wall cut away is to provide 18" clearance for the connector. The resulting space must remain empty. A flush mounted sheet metal cover may be used on one side only. If covers are to be used on both sides, each cover must be mounted on noncombustible spacers at least 1" clear of the wall.

**\*\*\*Blaze King recommends the use of a Stainless steel liner, preferably insulated, inside a masonry chimney. This to maintain proper draft and overall better operation of the unit.**



Your local dealer or local jurisdiction can provide details of approved methods of passing a chimney connector through a combustible wall in your area. In USA, the National Fire Protection Association has minimum standards to comply with. In Canada, this type of installation must conform to CAN/CSA-B365, Installation Code for Solid Fuel Burning Appliances and Equipment.

**INSTALLATION INSTRUCTIONS cont.**

**THERMOSTATS**

Your system uses two thermostats - one to control the wood add-on and one to control the alternate furnace. The alternate (electric, gas or oil) thermostat must be interlocked to the limit switches provided on the wood furnace plenum (see wiring diagrams). This is to prevent the alternate furnace from operating when the plenum temperature rises above 150°F. Thermostats should be mounted side by side on an inside wall out of direct sunlight or other heat sources.

**ELECTRICAL GENERAL**

All wiring on the Apex CBT shall be fastened to the outside of the insulated cabinet surfaces only. This is to prevent overheating by direct contact with firebox components. Electrical installation must be done by a qualified licensed electrician, experienced in control circuit wiring.

**FAN LIMIT INSTALLATION**

Drill 2 holes into the front of the plenum 18" above unit. Using the bracket provided, install the fan limit junction box assembly onto the furnace warm air plenum. All wiring must be routed on the outside of the cabinet surface. Installation of wiring must be by a qualified electrician. See instructions for wiring diagrams which apply to your specific installation.

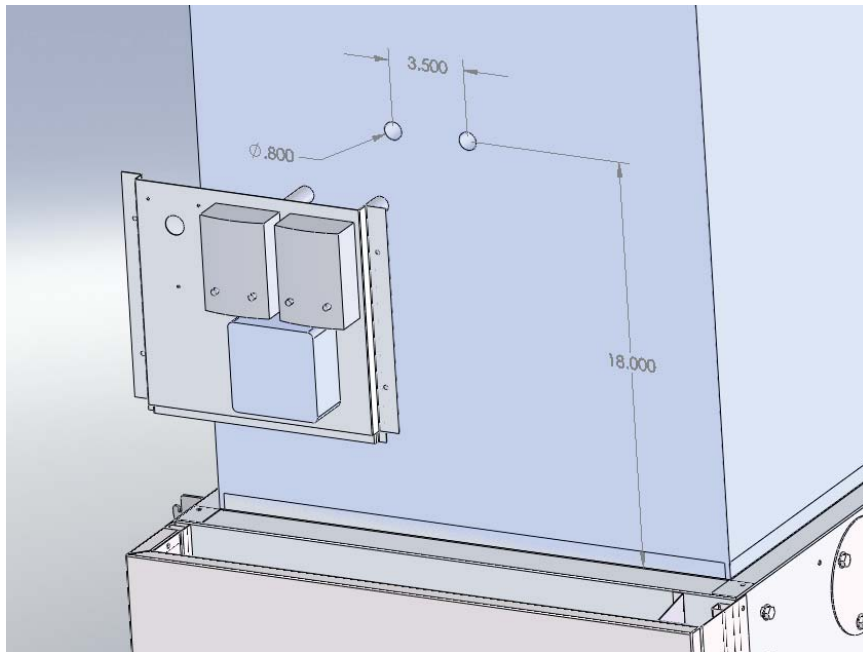
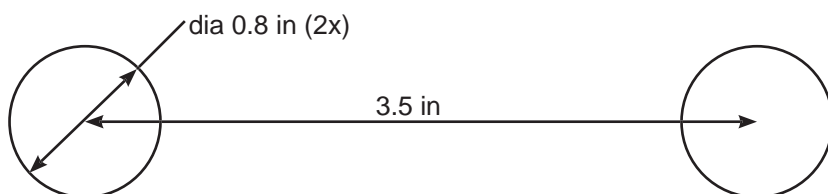


Fig. 19

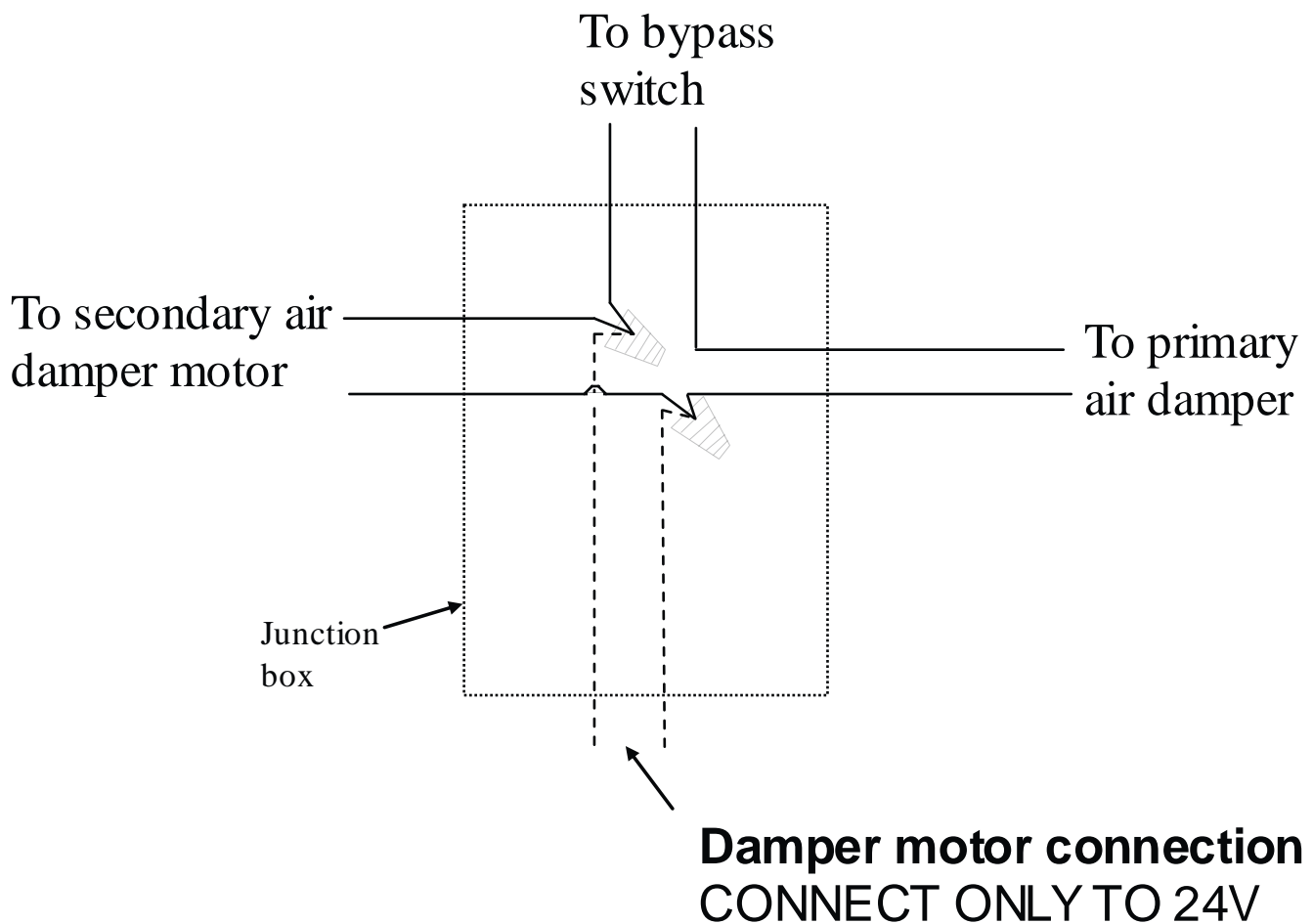
TEMPLATE FOR DRILLING HOLES—CUTOUT LINES



**INSTALLATION INSTRUCTIONS cont.****DAMPER MOTOR(S) CONNECTION**

The damper motor opens and closes the flap which controls the combustion air. Both primary air (front of unit) and secondary air (back of unit) are controlled by a damper motor. There is a central connection for the damper motors in the junction box on the side of the furnace. This connection is in later diagrams referred to as “damper motor”. It controls both damper motors and involves a bypass switch, which prevents the primary air damper motor from opening when the bypass is open.

**NEVER CONNECT DAMPER MOTORS TO 120V. CONNECT ONLY TO 24V**



## INSTALLATION INSTRUCTIONS - Combination APEX-Electric

### ADD-ON TO ELECTRIC FURNACE

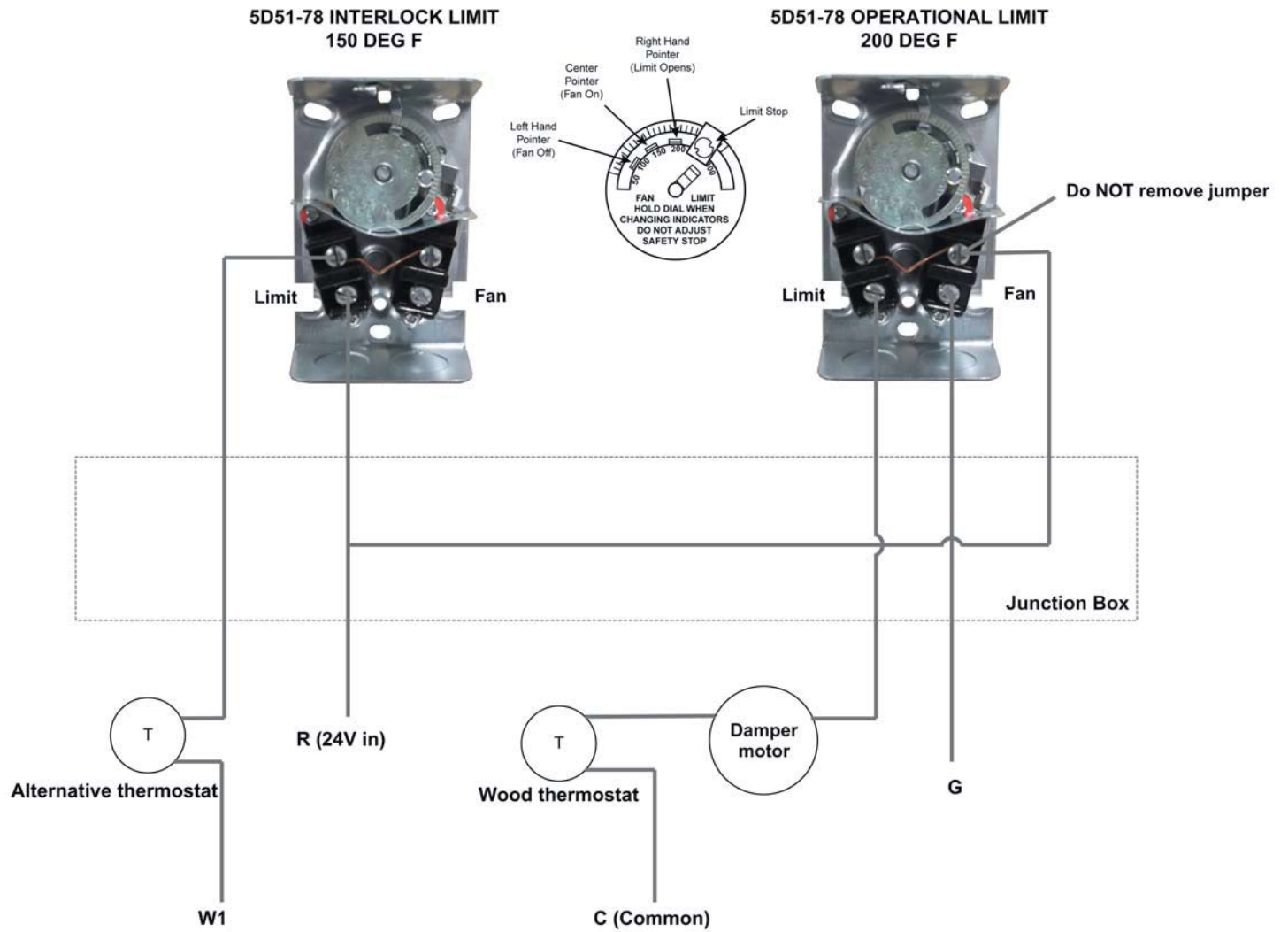
The APEX CBT may be added to an electric furnace with heating capacity between 15KW and 30KW. Minimum blower capacity must be at least 900 cfm. Electric furnaces approved for installation in any position can be inverted and used in a down flow position using an adapter duct between the furnace and the add-on as indicated in fig. 3. The electric furnace may be located on either side of the APEX CBT but clearances to combustibles must be maintained. Refer to general and pressure loss portions of this manual also (see "INSTALLATION INSTRUCTIONS cont." on page 14) .

If changes are made to the installation of the electric furnace they must comply with CSA Standard C22.1.

**AN INTERLOCK LIMIT SWITCH MUST BE INCLUDED IN THE CONTROL CIRCUITRY PREVENTING THE GAS FURNACE FROM OPERATING WHEN THE SYSTEM OUTPUT PLENUM TEMPERATURE IS ABOVE 150°F. TYPICAL WIRING DIAGRAM FOLLOWS: SEE FIG 21. IF YOUR ELECTRIC FURNACE DOES NOT HAVE AN R AND G CONNECTION SEE FIG. 22.**

# INSTALLATION INSTRUCTIONS - Combination APEX-Electric

Fig. 21 ELECTRICAL CONNECTIONS WOOD/ELECTRIC WITH R AND G CONNECTIONS



## INSTALLATION INSTRUCTIONS - Combination APEX-Gas/Oil

### ADD-ON TO GAS FURNACE

The APEX CBT may be connected to a gas furnace having a max. rated input of 120,000 BTU. Minimum blower capacity must be at least 900 cfm. A counter flow gas furnace may be used with an interconnect duct as indicated in Fig 3. A regular up flow gas furnace may be used and connected as per Fig 3. The APEX CBT can be located on either side of the gas furnace. Minimum interconnect duct size is 12" x 17" with minimum 6" inside radius elbows. Do not, under any circumstances, connect the APEX CBT flue to a chimney that also vents the gas furnace. The wood furnace requires a chimney approved for solid fuel use. Maintain clearances to all combustibles. Refer to general instructions portions of this manual also.

**THE OPERATION OF THE GAS FURNACE MUST BE VERIFIED FOR ACCEPTABLE OPERATION, BEFORE AND AFTER INSTALLATION OF THE ADD ON, BY A GAS FITTER WHO IS RECOGNIZED BY THE REGULATORY AUTHORITY. DO NOT CONNECT TO ANY FURNACE THAT HAS NOT BEEN CERTIFIED INITIALLY AS COMPLYING WITH CGA STANDARD CAN1-2.3 OR ITS PRECEDENTS. DO NOT CONNECT TO ANY FURNACE THAT IS NOT EQUIPPED WITH AN AIR CIRCULATION BLOWER. DO NOT CONNECT, UNDER ANY CIRCUMSTANCES, TO A CHIMNEY SERVING A GAS FURNACE OR OTHER GAS APPLIANCE.**

**AN INTERLOCK LIMIT SWITCH MUST BE INCLUDED IN THE CONTROL CIRCUITRY PREVENTING THE GAS FURNACE FROM OPERATING WHEN THE SYSTEM OUTPUT PLENUM TEMPERATURE IS ABOVE 150°F. TYPICAL WIRING DIAGRAM FOLLOWS: SEE FIG 22.**

### ADD-ON TO OIL FURNACE

The APEX CBT may be connected to an oil furnace having a rated input of up to 1.2 USGPH. Minimum blower capacity must be at least 900 cfm. A regular up flow oil furnace may be used and connected as per fig. 3. The APEX CBT can be located on either side of the oil furnace. Minimum interconnect duct size is 12" x 17" with minimum 6" inside radius elbows. The wood furnace requires a chimney approved for solid fuel use. Maintain clearances to all combustibles. Refer to general instructions portions of this manual also.

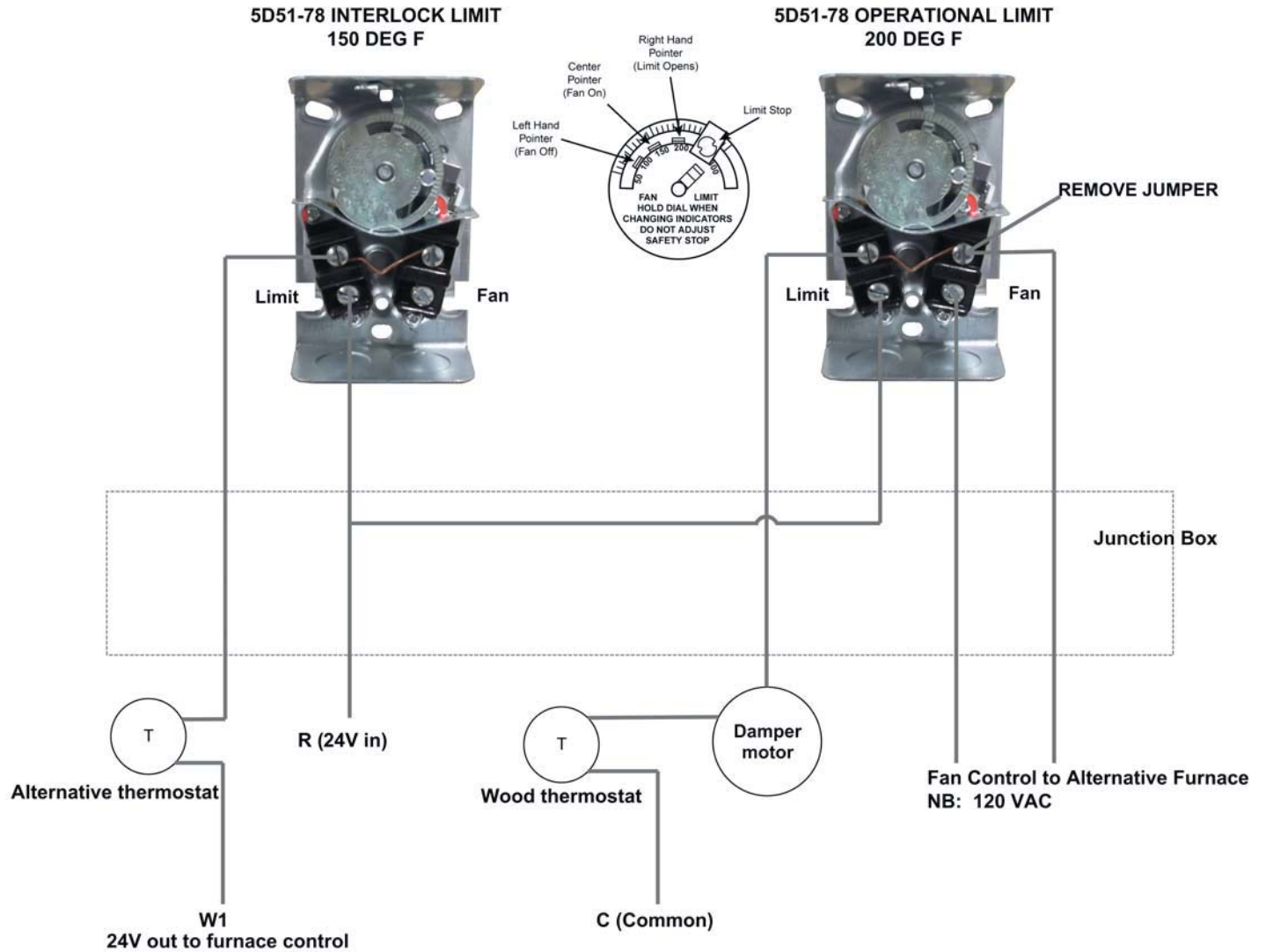
If changes are made to the installation of the oil furnace these changes must comply with CSA Standard B139.

**AN INTERLOCK LIMIT SWITCH MUST BE INCLUDED IN THE CONTROL CIRCUITRY PREVENTING THE GAS FURNACE FROM OPERATING WHEN THE SYSTEM OUTPUT PLENUM TEMPERATURE IS ABOVE 150°F. TYPICAL WIRING DIAGRAM FOLLOWS: SEE FIG 22.**

# INSTALLATION INSTRUCTIONS - Combination APEX-Gas/Oil

**Fig. 22 ELECTRICAL CONNECTIONS WOOD/OIL WOOD/GAS (WOOD/ELECTRIC)**

This Figure is not a physical representation of your electrical connections. Limit switches and relays may be laid out differently than shown. The words and letters marked on the switches and relays should be followed and connections made to the proper locations.



**WIRING DIAGRAM FOR THE CONNECTION OF THE APEX CBT TO AN ALTERNATIVE GAS OR OIL FURNACE WITH 120 VAC FAN CONTROL.**

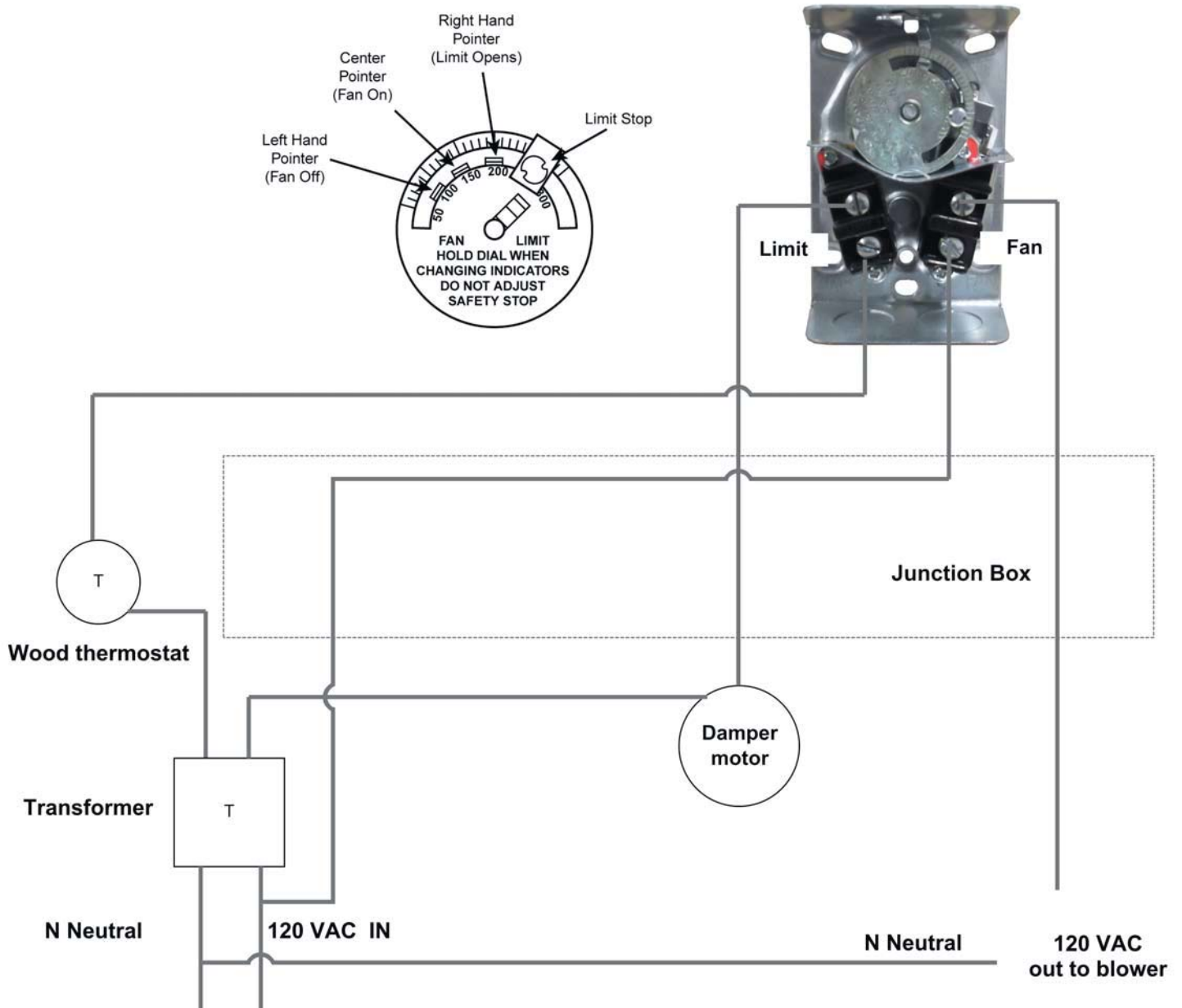
# INSTALLATION INSTRUCTIONS - Wood only

## INDEPENDENT WOOD FURNACE

When installed with a VB1000 blower cabinet mounted on either side, the APEX CBT becomes an INDEPENDENT wood only furnace. The blower must have a minimum 900 cfm. capacity (1/3 hp.). In this configuration the interlock limit is not used. Figure 23 shows the electrical connections, (use only 1 limit switch).

**Fig. 23 ELECTRICAL CONNECTIONS INDEPENDENT WOOD**

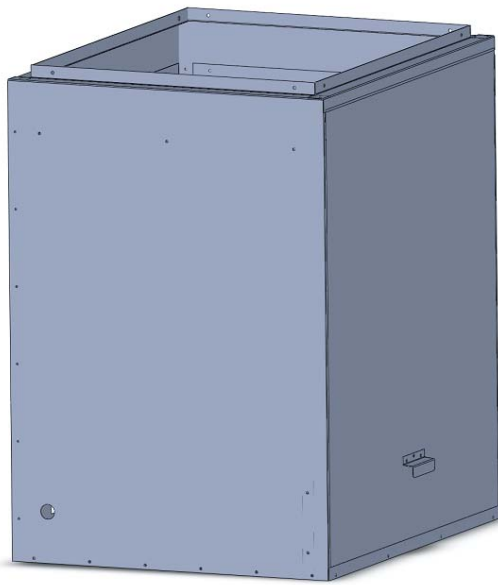
**5D51-78 OPERATIONAL SAFETY LIMIT  
200 DEG F**



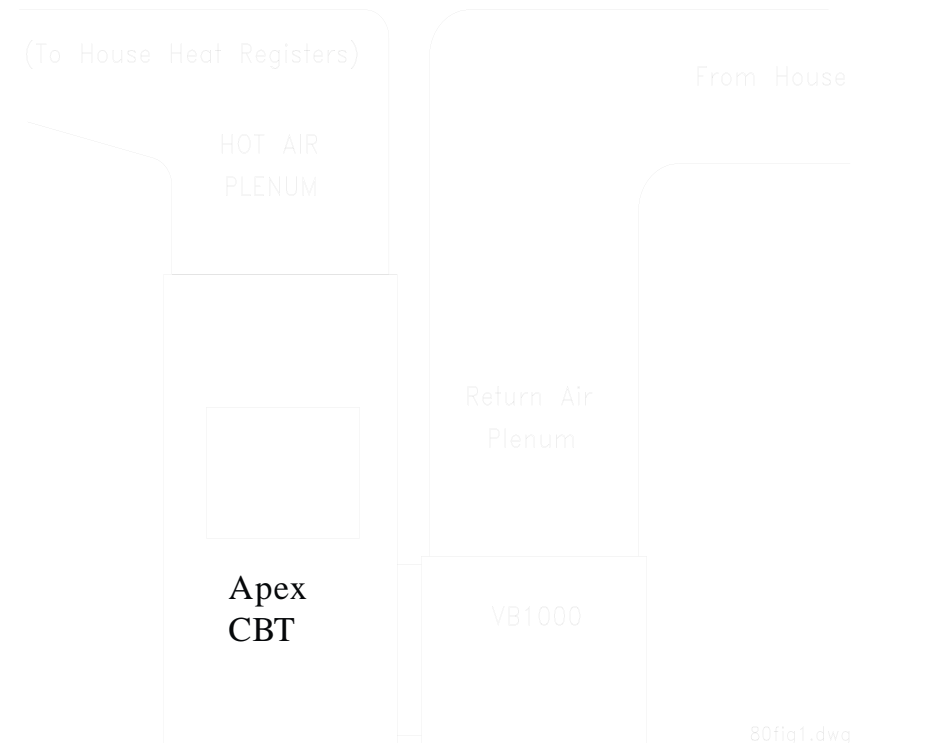
## VB1000 BLOWER

When the Apex CBT is used as an independent furnace, the VB1000 blower is required.

The VB1000 blower is built by Blaze King for the following models: Blaze King Apex CBT, Valley Comfort MP80 & VC120 Wood Furnace (Stand Alone Applications)



**Fig. 24**



- 1/3 HP 110V Motor
- Adjustable from 900 cfm to 1200 cfm
- 20ga Steel Cabinet Construction
- High Quality Baked Enamel Finish
- Complete with 24" X 20" Air Filter

Inlet Duct size: 22" x 17 15/16"

Please check the dimensions on this drawing against the unit you are installing, as there may be some slight variation in the dimensions due to manufacturing tolerances and or changes.

## OPERATING INSTRUCTIONS

In order to get peak performance out of your Blaze King furnace you will need to follow a few basic steps outlined in the following chapters. Forget everything you learned about how to burn or operate a regular wood furnace. You cannot just throw in some newspaper and a log or two, light a match and expect your Blaze King to work the same way an inefficient wood furnace would. Your Blaze King was designed to burn more efficiently, saving you time and money.

### **BYPASS**

All catalytic wood burning appliances have a bypass device for allowing the smoke from the fire to temporarily bypass, or go around, the catalyst. The bypass is located inside the top front of the firebox. The bypass is a steel plate door, hinged inside the furnace, and is controlled by the bypass handle on the left or right side of the furnace. When the handle is lifted up, the bypass is open, when pushed down, it is closed.

Other than during the initial startup sequence, DO NOT burn the furnace with the by-pass open. Leaving the by-pass open may APPEAR to achieve a hotter fire, but in fact, just the opposite is true. Bypassing the catalyst allows as much as 50% of the potential fuel - and therefore heat - to go directly up the chimney. This Blaze King catalytic furnace produces the greatest amount of heat when the by-pass is closed, and the catalyst is active.

The bypass system also contains a built in switch which reduces the combustion air when the bypass is opened to avoid over firing. (See "MAINTENANCE cont." on page 31) for adjusting bypass handle and gasket.

### **CATALYTIC MONITOR (THERMOMETER)**

This monitor is located on the side of the furnace. Its purpose is to show you the temperature of the catalyst. Depending on the temperature you know if the catalyst is active or not. Press the red button and the catalyst temperature will be displayed for 30 minutes. When temperature is below 500 F, "COOL" will be displayed.

### **FUEL**

- Blaze King recommends using dry seasoned wood, split and stacked and protected from rain for at least 24 months with a moisture content of 13% or lower. It takes a great deal of energy to evaporate the moisture contained in green wood and that energy will not be heating your house. Also, green or wet wood will greatly increase creosote & combustor problems. Blaze King moisture meters are available at your Blaze King dealer.
- Our wood furnaces are not designed for burning coal and doing so will void the warranty.
- Never burn salt-water driftwood. It is very corrosive and will damage the firebox. Burning salty wood also voids the warranty.
- This controlled combustion firebox has been designed for high efficiency and long burn times. The proper time to add more wood is when the last charge has been reduced to a glowing charcoal bed. There will be very little smoke at this stage in the burn cycle.

**WARNING: BURNING WET UNSEASONED WOOD CAN CAUSE EXCESSIVE CREOSOTE ACCUMULATION. WHEN CREOSOTE IS IGNITED IT CAN CAUSE A CHIMNEY FIRE WHICH MAY RESULT IN A SERIOUS HOUSE FIRE.**

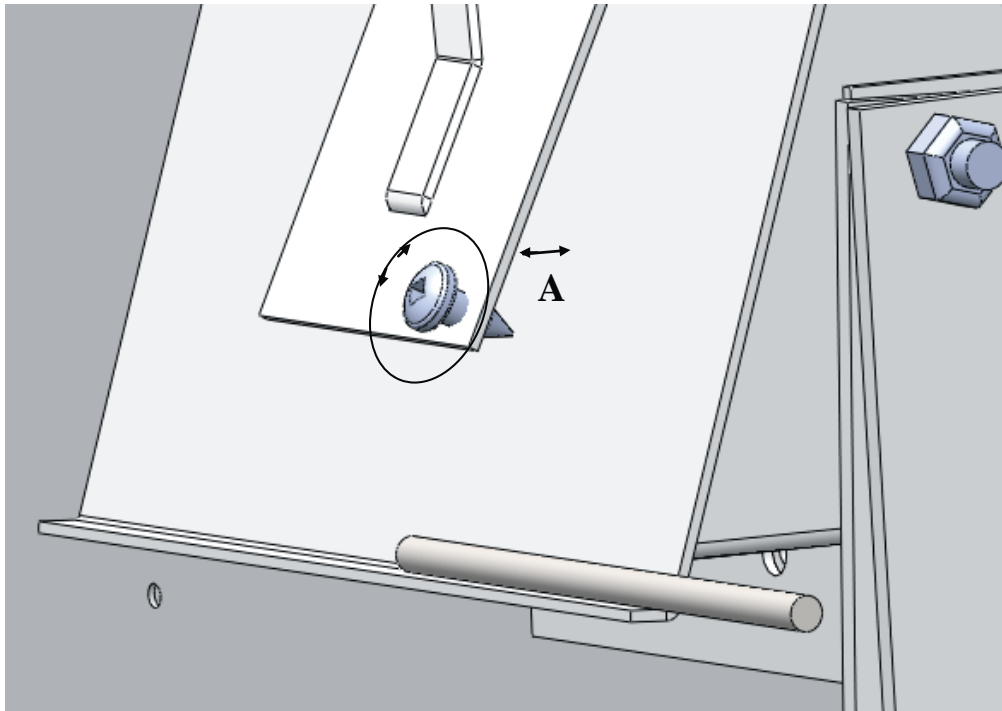
## OPERATING INSTRUCTIONS cont.

### AIR SETTINGS

The high output (when there is a heat demand) is set in the factory and can not be adjusted. The low output (standby) can be adjusted with the screw on the primary air blade (see fig 25) situated behind the draft box underneath the loading door. It controls the gap A. The bigger the gap, the more combustion air enters into the firebox, the higher the low burn.

Every installation is different because of draft, kind of wood being used and geographic location.

Adjust the flap in a way that it maintains a fire overnight on standby but not using high amounts of wood.



**Fig. 25 Low output adjustment**

### THERMOSTATS

If your furnace is operating as a combination unit remember both units will not fire at the same time. If the wood furnace is to be your main source of heat, set the wood thermostat at your desired room temperature and set the thermostat from your alternate furnace approximately 5° F (3°C) lower.

**Note:** If the alternative furnace is running and the wood furnace is starting to heat up after (re-)loading, the alternate furnace will shut off automatically.

When programmable thermostats are used, it is recommended that the wood thermostat is programmed so the Apex will fire up before the alternate furnace will. This will give the Apex time to build up a hot fire again after being in standby mode.

## OPERATING INSTRUCTIONS cont.

### FAN OPERATION

The blower will be turning on and off automatically based on the heat output off the wood furnace. At 150 F in the plenum the fan will turn on and at 100 F it will turn off.

If the fan turns on regularly in standby mode (no call for heat) adjust the low output so less heat will be produced at low (see "OPERATING INSTRUCTIONS cont." on page 26, fig. 25).

PLEASE NOTE: The limit /safety switches have an auto / manual switch. Normal operation is set to AUTO.

### LIGHTING THE FIRE

**NEVER START A FIRE UNLESS ALL BRICKS ARE CORRECTLY PLACED INSIDE THE FIREBOX. CHECK THE INSTALLATION INSTRUCTIONS CAREFULLY. ALWAYS OPEN THE BYPASS DOOR BEFORE OPENING THE LOADING DOOR. ONCE THE LOADING DOOR IS CLOSED, CLOSE THE BYPASS DOOR DIRECTLY AFTER.**

**BUILD A SMALL FIRE THE FIRST TIME YOU USE YOUR APEX CBT. STARTING OFF WITH A HOT INTENSE FIRE CAN DAMAGE THE CAST-LINERS.**

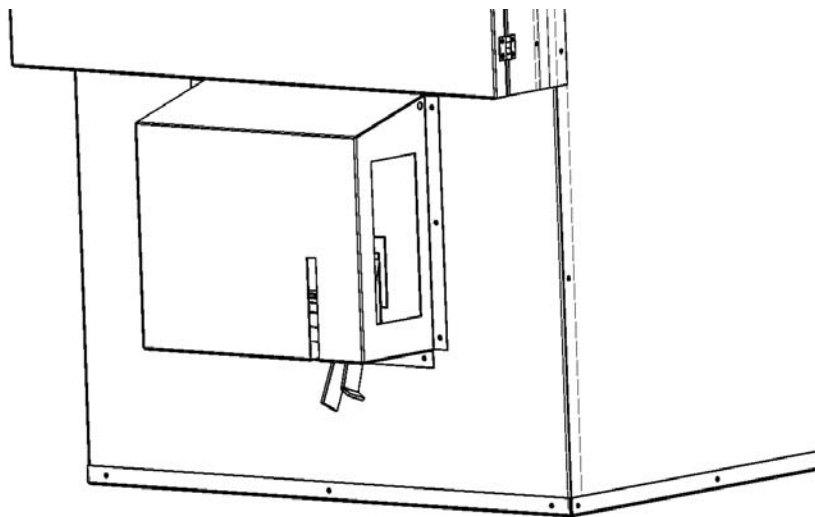
- Turn up the wall thermostat to open the draft
- Open the bypass door
- **NEVER USE FLAMMABLE FLUIDS TO START THE FIRE**
- On top of crumpled paper place split dry kindling and then small wood.
- Light the fire as low as possible and leave the door 1/2" (13 mm) open.
- Once the kindling is well ignited or the coals revived, load 2 or 3 fire logs in such a way that the flames can work their way between the logs, then close the door and immediately close the bypass door after (this will supply more combustion air)
- After a few minutes check to see if the catalytic monitor indicates 500 F or higher, if not, repeat the last two steps.
- When a decent fire is going, add larger pieces of wood.
- High temperature paints will give off an odor the first time you light your furnace. Open a window to ensure adequate ventilation.
- The damper will close when either the plenum temperature reaches the limit level or the room temperature reaches the thermostat setting.
- **CAUTION: Air dampers are set in the factory, never adjust or open dampers manually to increased firing for any reason.**
- The circulation blower should cycle off and on automatically, according to plenum temperature.

## OPERATING INSTRUCTIONS cont.

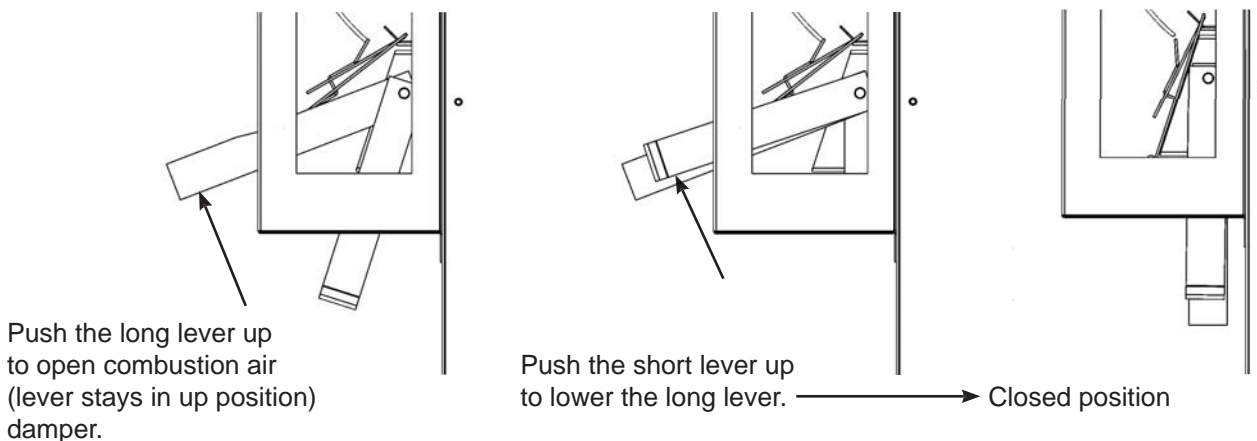
### OPERATION DURING POWER FAILURE CONDITIONS

- Your system was designed as a forced air system; do not expect regular performance without the fan running. Do not over fire to compensate for the lack of a fan. Your system will perform at a lower capacity in the gravity mode.
- During a power failure never fill the firebox above the top of the firebox liner bricks.
- Remove the cabinet door from the blower. Remove the air filter and open all registers to facilitate free air flow.
- Lift the left manual draft control lever until it stays up. This will open the draft to a pre set level, see fig. 26
- When the power returns the damper motor will open (after pressing the reset button on the limit switch) and the manual control will return to normal position. Even without the manual control open the factory adjusted bleed air system will provide some combustion air. When power is restored reinstall the blower system, air filters, and door.

Without the blower running, high temperature in the system builds up quickly and over firing will result in permanent damage to the firebox. Maintain a small fire only. Over firing voids all product warranties.



**Fig. 26 Power outage control levers**



## MAINTENANCE

Your appliance has been manufactured in the Blaze King tradition of high quality. To ensure years of trouble free operation, have your furnace serviced regularly by your Blaze King dealer.

Periodically during heating season thoroughly clean the chimney and firebox so your system is ready for next fall. Inspect all firebricks and replace any damaged bricks. A broken firebrick should be replaced to prevent warping of the firebox.

**OPERATE THE ALTERNATE ELECTRIC, GAS OR OIL FURNACE PERIODICALLY TO ENSURE THAT IT WILL OPERATE SATISFACTORILY WHEN NEEDED.**

**INSPECT VENT PIPES, VENT PIPE JOINTS AND VENT PIPE SEALS REGULARLY TO ENSURE THAT SMOKE AND FLUE GASES ARE NOT DRAWN INTO, OR CIRCULATED BY, THE AIR CIRCULATION SYSTEM.**

### ASHES

Ashes should be cleaned out when they reach a depth of 4" in the firebox (half way up the lower bricks).

Disposal of Ashes - Ashes should be placed in a metal container with a tight-fitting lid. The closed container of ashes should be placed on a noncombustible floor or on the ground, well away from all combustible materials, pending final disposal. If the ashes are disposed of by burial in soil or otherwise locally dispersed, they should be retained in the closed container until all cinders have thoroughly cooled.

### CATALYTIC COMBUSTOR REPLACEMENT

If the combustor must be examined or replaced, follow this procedure;

1. Allow the furnace to burn out and cool down.
2. Open the door and the bypass door. Remove the flame shield underneath the combustor.
3. The combustor may now be seen. Push the combustor from underneath up into the area behind the bypass door. The combustor can now be taken out thru the bypass opening.
4. The gasket material around the stainless band will probably disintegrate as the combustor is removed. If the combustor is placed back in the furnace, the gasket material **MUST** be replaced. Obtain a piece of gasket from your dealer. When installing the gasket ensure the ends are butted closely together.
5. Do not burn the furnace with the combustor removed, or without the gasket around the combustor.
6. To replace the combustor, first clean the combustor seat and the area around it. Also take this opportunity to clean the area around the by-pass -- use a vacuum cleaner.
7. Lift the new combustor into position, with the stainless flanges up. The combustor should easily slide into position. Don't be concerned if it appears a bit loose. The insulation around the outside of the stainless band will expand during the first fire and will hold the combustor in.
8. Reinstall the flame shield.

## MAINTENANCE cont.

### GASKET INSPECTION

Inspect the door and bypass door gasket for physical deterioration, missing sections or obvious leakage. The furnace front should make a groove in the gasket material - one side of the groove (toward the inside) will often be dark or black, and the other side (toward the outside) should be light or white. Dark smudges on the outside of the groove may indicate a smoke leak. If the groove is very shallow or missing, or if there is a heavy ash or creosote deposit along the bottom edge of the gasket, it may need to be replaced. Frayed or broken gasket material, or a gasket that is hard and unyielding, will also indicate need for replacement. Any time a piece of gasket is missing or is broken anywhere, the entire gasket must be replaced.

To check the gasket further, insert a piece of paper (a dollar bill will work) into the door opening and close and latch the door. Obvious resistance should be felt when pulling the paper out. Repeat this check several times around the perimeter of the door.

Loading door gasket tightening instructions can be found below under point 8 and fig. 28

For bypass door adjusting see "MAINTENANCE cont." on page 31.

### LOADING DOOR GASKET REPLACEMENT

1. If the door gasket is to be replaced, be sure you have some 7/8" fiber glass gasket material, ready to re-install. See your Blaze King dealer.
2. Be sure the fire is out and the furnace has cooled down. The door does not have to be removed from the furnace.
3. With a pair of pliers, pull the old door gasket out of the channel and dispose of it.
4. Thoroughly clean out the channel so the new silicone adhesive will adhere and the gasket will fit smoothly
5. Run a small bead of a high temperature silicone adhesive (such as G.E. Silicone Sealer, or the equivalent) along the center of the channel. **DO NOT USE HOUSEHOLD SILICONE CAULKING.** High temperature silicone may be obtained from most auto parts stores.
6. Start the new gasket in the lower right corner. Do not stretch or cut the gasket. Distribute the gasket evenly around the frame.
7. Close the Loading Door and allow the adhesive to dry.
8. Door adjustment: the door seal is adjusted by moving the latch catch on the furnace in or out. To do this, undo the two bolts (see fig.28). The gasket should be just tight enough to test ok as in step 9, do not over tighten the latch which makes the door difficult to latch.
9. Check the fit of the door gasket. Insert a narrow strip of paper into the door opening and close and latch the door. Obvious resistance should be felt when pulling the paper out. Repeat this check several times around the perimeter of the door.

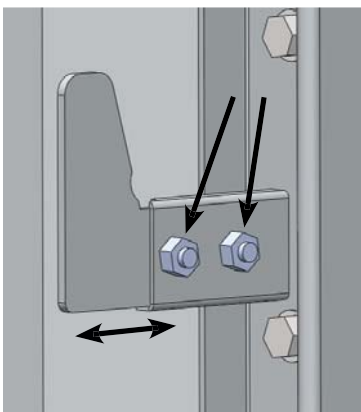


Fig. 28

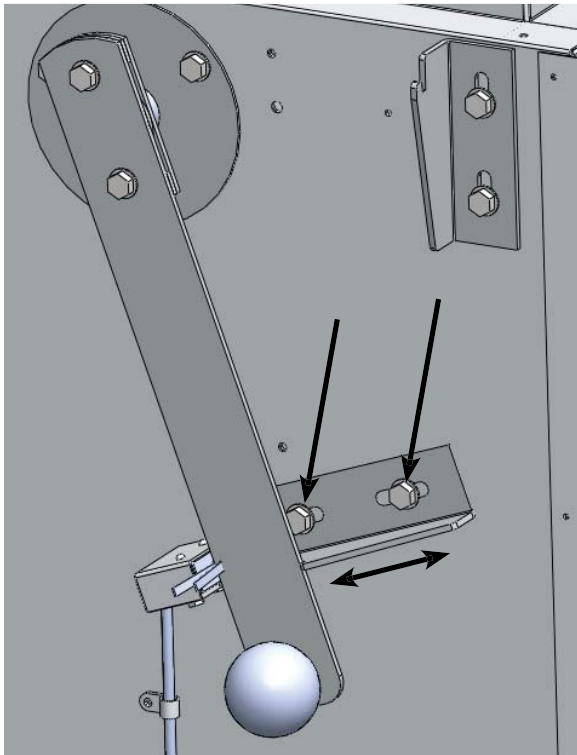
**WARNING:**  
**DO NOT OPERATE THIS WOOD FURNACE IF THE DOOR GASKET IS MISSING OR DAMAGED.**

**DANGEROUS OVER FIRING CAN OCCUR WHICH CAN DAMAGE THE APPLIANCE OR IGNITE CREOSOTE IN THE CHIMNEY, POSSIBLY CAUSING A HOUSE FIRE. IF ANY PART OF THE WOOD FURNACE OR FLUE SYSTEM IS GLOWING THE FURNACE IS BEING OVER FIRED.**

## MAINTENANCE cont.

### BYPASS DOOR GASKET REPLACEMENT

1. If the bypass door gasket is to be replaced, be sure you have some 7/8" fiber glass gasket material, ready to re-install. This gasket is different than the door gasket. Both are 7/8" but the bypass door gasket is a denser material. See your Blaze King dealer.
2. Be sure the fire is out and the furnace has cooled down. The door does not have to be removed from the furnace. Open the bypass as far as possible for easy access.
3. With a pair of pliers, pull the old door gasket out of the channel and dispose of it.
4. Thoroughly clean out the channel so the new silicone adhesive will adhere and the gasket will fit smoothly.
5. Run a small bead of a high temperature silicone adhesive (such as G.E. Silicone Sealer, or the equivalent) along the center of the channel. **DO NOT USE HOUSEHOLD SILICONE CAULKING.** High temperature silicone may be obtained from most auto parts stores.
6. Start the new gasket in a corner. Do not stretch or cut the gasket. Distribute the gasket evenly around the channel.
7. Close the bypass door and allow the adhesive to dry.



### ADJUSTING BYPASS HANDLE

The bypass handle has to be adjusted over time to achieve a good seal on the bypass door gasket. The "latch" where the bypass handle is positioned into when closing the bypass door can be adjusted. Undo the two bolts so the latch can be moved to the required position.

Check the fit of the door gasket. Insert a narrow strip of paper into the bypass door opening and close and latch the bypass door. Obvious resistance should be felt when pulling the paper out. Repeat this check several times around the perimeter of the bypass door.

When further adjustment is not possible anymore with the latch, unbolt the handle, rotate the required angle and tighten bolts again.

**Fig. 29**

## CREOSOTE

Creosote can be a problem in any wood-burning appliance. Creosote is a black, foul smelling liquid that results from distillation of wood gases during the combustion process. It solidifies depending on temperature and in either state is highly combustible. The best way to prevent or minimize creosote build up is to follow proper firing methods. The amount of creosote depends on several factors that include:

1. Moisture content of the fuel
2. Stack or flue temperature
3. Amount of draft
4. Efficiency of the appliance
5. Turbulence of smoke

At stack temperature below 120°C (250°F), the creosote will condense out of the gasses (smoke). Once a flue pipe becomes heavily coated with creosote, the only safe way to remove it is mechanically with a proper chimney cleaner or brush. A combination of wet fuel and poor operating procedure may necessitate weekly cleaning to remove creosote buildup.

Remember - the hotter the fire the less creosote. Small intense fires create less creosote than large, smoldering fires. We recommend that each day a small intense fire be built, preferably in the morning. This daily practice should burn out the small deposits of creosote before they build to a dangerous level. The combustion air inlet should be opened for at least 30 minutes by turning the thermostat up in the morning and evening. NEVER “burn out” large deposits of more than one days accumulation.

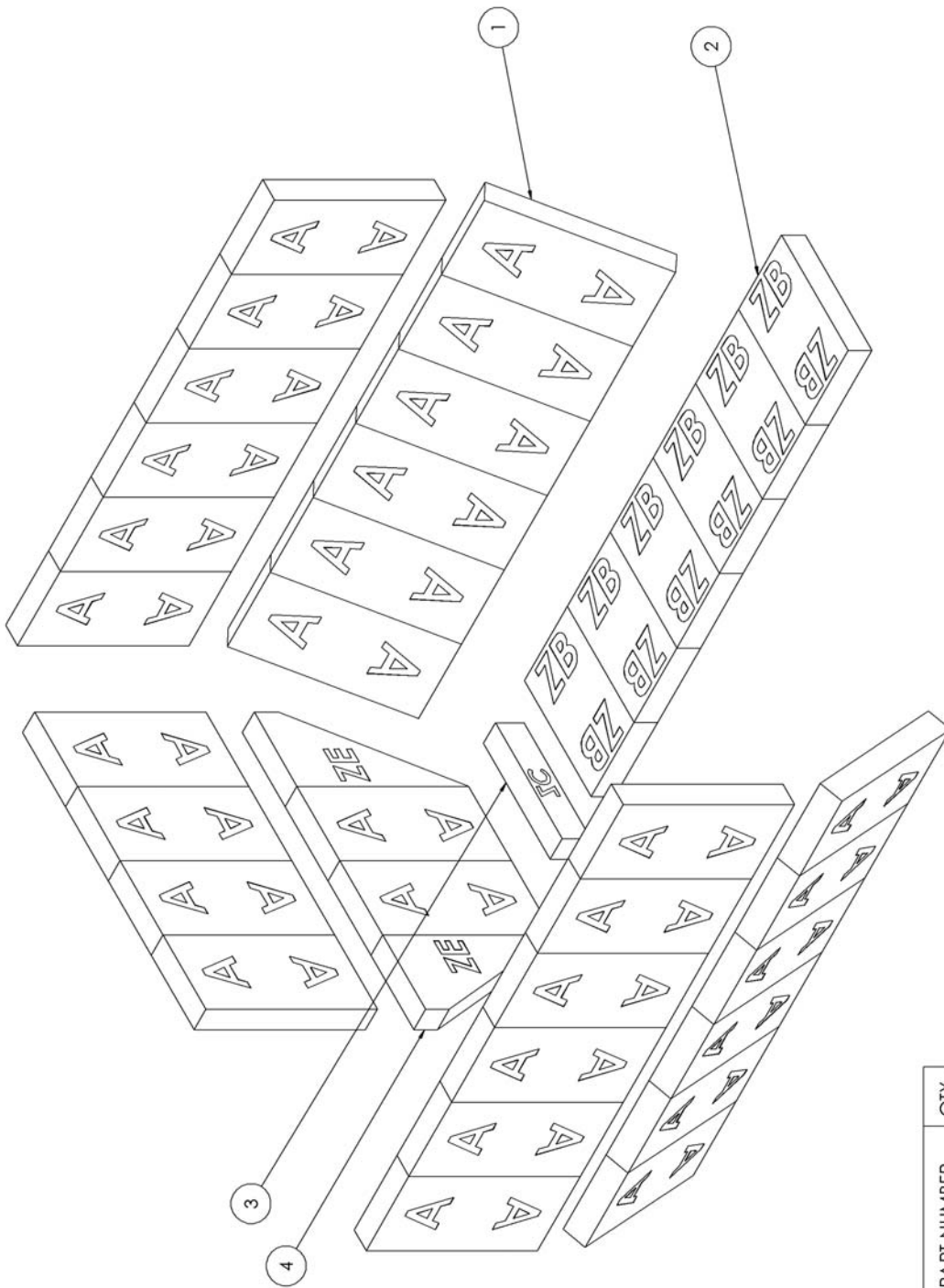
Always assure safety by having a clearly understood plan of how to handle a chimney fire, should one occur.

In conclusion, creosote can best be controlled as follows:

1. Burning dry split wood.
2. Mixing small and large pieces of wood.
3. During warm weather using smaller split wood.
4. Establish a routine for the storage of fuel, care of the appliance, and firing techniques.
5. Keeping stack temperature up by using double wall pipe on flue runs and protect outside chimney installations in a chase. Minimize elbows and keep flue runs as short as possible and ensure tight connections.
6. Checking daily for creosote until experience shows how often cleaning is required. Remember a clean chimney is a safe chimney.
7. Having a clearly understood plan should a chimney fire occur.

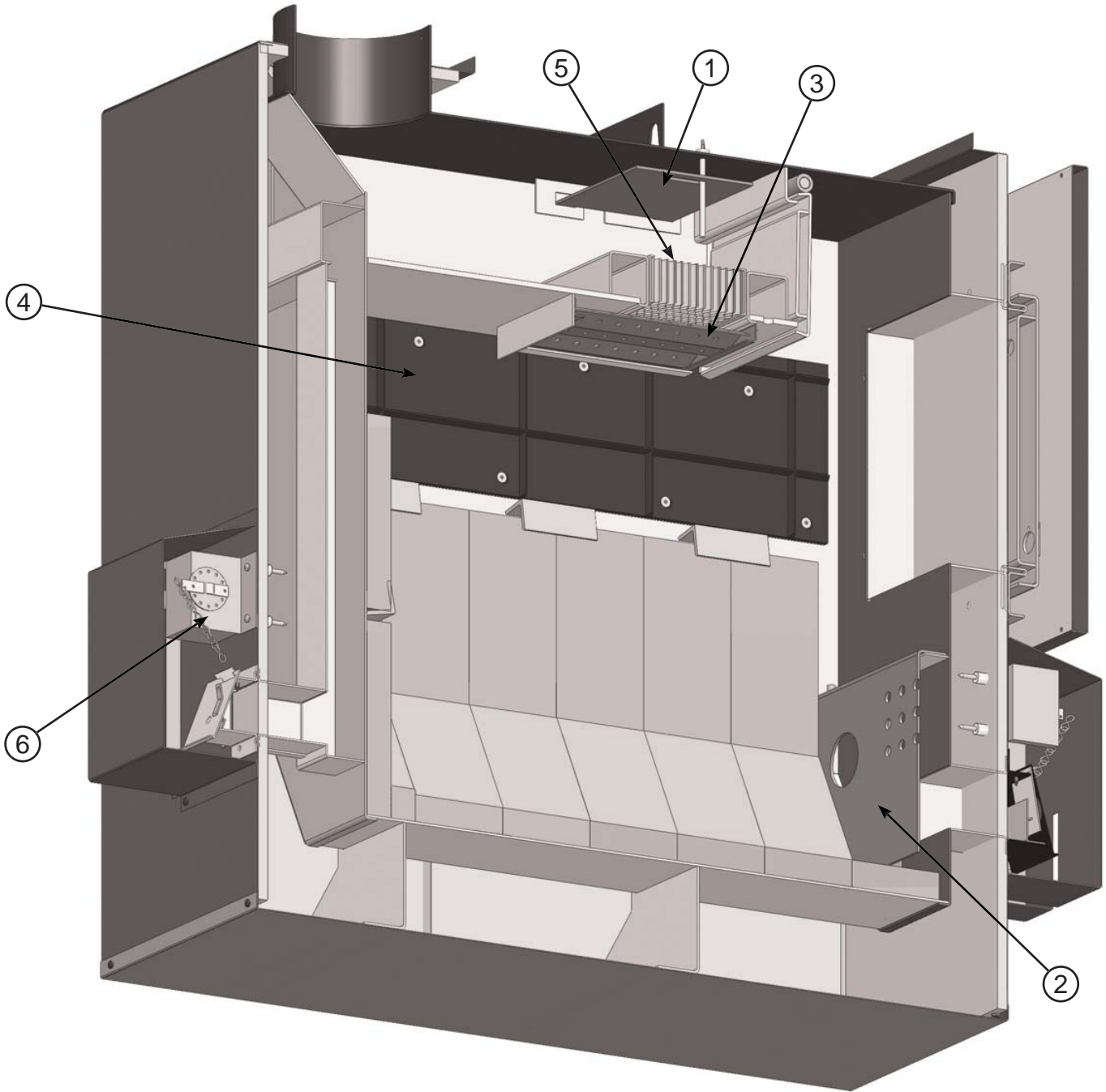
**WARNING: FAILURE TO INSPECT AND CLEAN YOUR CHIMNEY SYSTEM REGULARLY CAN RESULT IN A SERIOUS FIRE WHICH MAY DAMAGE YOUR CHIMNEY OR CAUSE A HOUSE FIRE**

**BRICK LAYOUT**



ITEM NO.	PART NUMBER	QTY.
1	A Size Brick	30
2	ZB Size Brick	6
3	ZC Size Brick	1
4	ZE Size Brick	2

# REPLACEMENT PARTS



See next page for list referring to these item numbers

<b>REPLACEMENT PARTS cont.</b>
--------------------------------

No Expl. View	Item #	Description	QTY	Unit
1	8215	Stainless steel combustor shield	1	EA
2	Z8222	Stainless steel intake plate	1	EA
3	8216	Stainless steel flame shield	1	EA
4	12061	Cast liner	2	EA
5	Z4500F	Combustor	1	EA
6	dmpmtr	Damper motor	1	EA
	doorknob	Doorknob (same for door and bypass handle)	2	EA
	0186	Gasket loading door (5 feet)	1	EA
	0186A	Gasket bypass door (4 feet)	1	EA
		Fire Brick "A"	29	EA
		Fire Brick "ZB"	6	EA
		Fire Brick "ZC"	1	EA
		Fire Brick "ZE"	2	EA

## WARRANTY

### BLAZE KING WOOD LIMITED WARRANTY

Blaze King and its respective brands extend the following warranty for wood fired appliances purchased from an authorized Blaze King dealer and installed in the United States of America or Canada. Warranty starts with date of purchase by the original owner (End User) except as noted for replacement parts.

Warranty Period		Components Covered	
Parts	Labor	Wood	
1 Year		X	All parts, materials and surface finishes (flaking and peeling) Subject to Conditions, Exclusion, and Limitations listed
2 Years		X	Fan assemblies and motors, thermal sensors, catalytic thermometer , bi-metallic thermostat assembly
5 Years	2 Years	X	Firebox & Heat Exchanger, Bypass Door Steel Components
6 Years		X	Catalyst Combustor ( see Conditions, Exclusions, and Limitations)
1 Year		X	Other Replacement Parts
See Conditions, Exclusions, and Limitations			

## WARRANTY cont.

### Blaze King Wood Limited 5 Year Warranty

Blaze King is the manufacturer of the Blaze King line of heating products. At Blaze King, our commitment to the highest level of quality and customer service is the most important thing we do. Each Blaze King stove is built on a tradition of using only the finest materials and is backed by our limited warranty to the original purchaser. With Blaze King, you're not just buying a stove; you're buying a company with years of unequalled performance and quality.

#### Limited Six (6) Year Warranty:

The CATALYTIC COMBUSTOR is under warranty by Blaze King for six (6) years from the date of original retail purchase. The purchaser shall pay the following share of the then current retail price for the combustor: The first three (3) years no charge, 4th year 60%; 5th year 70%, 6th year 80%. The Combustor must be returned to your dealer along with a completed COMBUSTOR FAILURE REPORT and original proof of purchase document.

#### Limited (5) Year Warranty:

Under this warranty, Blaze King covers the stove body and accessories against defects in materials and workmanship, for part repair or replacement for the first five (5) years \*\*\* to the original purchaser. This Warranty covers: All Steel firebox components against defects in material and workmanship. Please see the exclusions and limitation section below as certain restrictions and exclusions apply this warranty.

#### Limited Two (2) Year Warranty:

Under this warranty, Blaze King covers, fan assemblies and modular thermostat against defects in materials and workmanship, for part repair or replacement and limited labor for the first two (2) years to the original purchaser. Please see the exclusions and limitation section below as certain restrictions and exclusions apply to this warranty.

#### Limited One (1) Year Warranty:

Under this warranty, Blaze King covers all parts and materials against defects in materials and workmanship including exterior paint finishes, for part repair or replacement and limited labor for the first year to the original purchaser. Please see the exclusions and limitation section below as certain restrictions and exclusions apply to this warranty.

#### How the Warranty Works

1. All warranties by the manufacturer are set herein and no claim shall be made against the manufacturer on any oral warranty or representation. All claims under this Limited Warranty must be made in writing by your dealer.
2. Any stove or part thereof that is repaired or replaced during the Limited Warranty period will be warranted under the terms of the Limited Warranty for a period not exceeding the remaining term of the original Limited Warranty or six (6) months, whichever is longer.
3. For any part or parts of this stove, which in our judgment show evidence of defects, Blaze King reserves the option to repair or to replace the defective part(s) through an accredited distributor or agent, provided the defective part is returned to the distributor or agent, transportation prepaid, if requested.
4. If you discover a problem that you think may be covered by the Limited Warranty, you MUST REPORT it to your Blaze King dealer WITHIN 30 DAYS from the date the problem was first detected, giving them proof of purchase and the date of purchase. The dealer will investigate the problem and work with Blaze King to determine whether the problem:
  - a) Is covered by the Limited Warranty or
  - b) Can be fixed in your home or does the product need to be returned to Blaze King for repair.
5. If Blaze King determines that the stove needs to be returned to Blaze King for repair, the customer has the responsibility and the expense of removing it from their home and shipping it to Blaze King. If the problem is covered by the Warranty, Blaze King will repair or replace the item at their discretion and the customer will be responsible for return shipping and re-installation in their home.
6. If the problem is not covered by the Limited Warranty, the customer will be responsible for all repair costs, as well as all storage, shipping and the cost of removing and re-installing the stove.

If you are not satisfied with the service provided by the Blaze King dealer, write to Blaze King at the address listed on the last page of the Owner's Manual. Include a copy of the original purchase invoice and a description of the problem.

## WARRANTY cont.

### Exclusions and Limitations:

1. This Warranty does not cover tarnish, discoloration or wear on the plated surfaces. Painted finishes will change color after initial firing and will continue to change through the lifetime of the stove. This is normal occurrence for all high temperature coatings.
2. This Warranty does not cover gasket material or firebrick.
3. Blaze King strongly recommends installation by a certified installer. Failure to comply may adversely affect coverage under the terms of this warranty. This Limited Warranty covers defects in materials and workmanship only if the product has been installed in accordance with local building and fire codes; in their absence refer to the owner's manual. If the product is damaged or broken as a result of any alteration, wilful abuse, mishandling, accident, neglect, or misuse of the product, the Limited Warranty does not apply.
4. The stove must be operated and maintained at all times in accordance with the instructions in the Owner's Manual. If the unit shows signs of neglect or misuse, it is not covered under the terms of this Warranty policy. Performance problems due to operator error will not be covered by the Limited Warranty policy.
5. Some minor expansion, contraction, or movement of certain parts and resulting noise, is normal and not a defect and, therefore, is not covered under this Limited Warranty.
6. Misuse includes over-firing. Over-firing can be identified later by warped plates and paint pigment being burnt off. Over-firing this appliance can cause serious damage and will nullify the Limited Warranty.
7. The Limited Warranty will cover glass thermal breakage only and will not cover misuse of the stove glass, including but not limited to:
  - a) Glass that is struck, has surface contaminates or has had harsh or abrasive cleaners used on it.
  - b) If the door is slammed or is closed while wood in the firebox is protruding out the stove opening thus striking the glass.
8. This warranty does not cover products made or provided by other manufacturers and used in conjunction with the operation of this stove without prior authorization from Blaze King. The use of such products may nullify the Limited Warranty on this stove. If unsure as to the extent of this Limited Warranty, contact your authorized Blaze King dealer before installation.
9. Blaze King will not be responsible for inadequate performance caused by environmental conditions.
10. The Limited Warranty does not cover installation and operational related problems such as use of downdrafts or spillage caused by environmental conditions. Environmental conditions include but are not limited to nearby trees, buildings, roof tops, wind, hills, mountains, inadequate venting or ventilation, excessive offsets, negative air pressures or other influences caused by mechanical systems such as furnaces, fans, clothes dryers etc.
11. The Limited Warranty does not cover damage caused by burning salt-saturated wood, corrosive driftwood, chemically treated wood or any fuel not recommended in the Owner's Manual (use cord wood only).  
The Limited Warranty is void if:
  - a) The stove has been operated in atmospheres contaminated by chlorine, fluorine or other damaging chemicals.
  - b) The stove is subject to submersion in water or prolonged periods of dampness or condensation.
  - c) Any damage to the unit, combustion chamber or other components due to water, or weather damage which is the result of, but not limited to, improper chimney/venting installation.
  - d) Salt air in coastal areas or high humidity can be corrosive to the finish; these environmental conditions can cause rusting. Damage caused by salt air or high humidity is not covered by the Limited Warranty.
12. Exclusions to the Limited Warranty include: injury, loss of use, damage, failure to function due to accident, negligence, misuse, improper installation, alteration or adjustment of the manufacturer's settings of components, lack of proper and regular maintenance, alteration, or act of God.
13. The Limited Warranty does not cover damage caused to the stove while in transit. If this occurs, do not operate the stove and contact your courier and/or dealer.
14. The Limited Warranty does not extend to or include paint, door or glass gaskets or firebricks damage caused by normal wear and tear, such as paint discoloration or chipping, worn or torn gaskets, chipped or cracked firebrick, etc.
15. The Limited Warranty does not include damage to the unit caused by abuse, improper installation, or modification of the unit.
16. Damage to plated surfaces caused by fingerprints, scratches, melted items, or other external scores and residues left on the plated surfaces from the use of abrasive cleaners or polishes is not covered in this warranty.
17. Blaze King is free of liability for any damages caused by the stove, as well as inconvenience expenses and materials. The Limited Warranty does not cover incidental or consequential damages.

**WARRANTY cont.**

18. The Limited Warranty does not cover any loss or damage incurred by the use or removal of any component or apparatus to or from the Blaze King stove without the express written permission of Blaze King and bearing a Blaze King label of approval.
19. Any statement or representation of Blaze King Products and their performance contained in Blaze King advertising, packaging literature, or printed material is not part of the Limited Warranty.
20. The Limited Warranty is automatically voided if the stove's serial number has been removed or altered in any way. If the stove is used for commercial purposes, it is excluded from the Limited Warranty.
21. No dealer, distributor, or similar person has the authority to represent or warrant Blaze King Products beyond the terms contained within the Limited Warranty. Blaze King assumes no liability for such warranties or representations.
22. Blaze King will not cover the cost of the removal or re-installation of the stove, hearth, facing, mantels, venting or other components.
23. Labor to replace or repair items under this Limited Warranty will be covered per our warranty service fee reimbursement and labor rates are set per component schedule. Labor rates vary from location to location and as such total labor costs may not be covered. Please consult with your dealer or service technician for any additional charges such as travel time or additional labor charges that may apply.
24. For parts of the Blaze King woodstove or fireplace insert warranted beyond the first year, the five year limited warranty will have the same obligations as described in this document, provided, however that the purchaser shall pay the following percentage of the then current retail cost of the repair or the replacement, according to the year after purchase in the which the defect is brought to the attention of Blaze King.\*\*\* During the 2nd year----purchaser pays 20%. 3rd year ----purchaser pays 40%. 4th year ----purchaser pays 60%. 5th year---- purchaser pays 80%.
25. If a defect or problem is determined by Blaze King to be non warrantable, Blaze King is not liable for travel costs for service work. In the event of in-home repair work, the customer will pay any in-home travel fees or service charges required by the Authorized Dealer.
26. At no time will Blaze King be liable for any consequential damages which exceed the purchase price of the unit. Blaze King has no obligation to enhance or modify any stove once manufactured (example: as a stove model evolves, field modifications or upgrades will not be performed).
27. This Limited Warranty is applicable only to the original purchaser and it is non-transferable.
28. This warranty only covers Blaze King Products that are purchased through an authorized Blaze King dealer.
29. If for any reason any section of the Limited Warranty is declared invalid, the balance of the warranty remains in effect and all other clauses shall remain in effect.
30. The Limited Warranty is the only warranty supplied by Blaze King, the manufacturer of the stove. All other warranties, whether express or implied, are hereby expressly disclaimed and the purchaser's recourse is expressly limited to the Limited Warranty.
31. Blaze King and its employees or representatives will not assume any liability for damages, either directly or indirectly, caused by improper usage, operation, installation, servicing or maintenance of this stove.
32. Blaze King reserves the right to make changes without notice. Please complete and mail the warranty registration card and have the installer fill in the installation data sheet in the back of the manual for warranty and future reference.
33. Blaze King is responsible for stocking parts for a maximum of seven (7) years after discontinuing the manufacture or incorporation of the item into its products. An exception to this would be if an OEM supplier is not able to supply a part.

