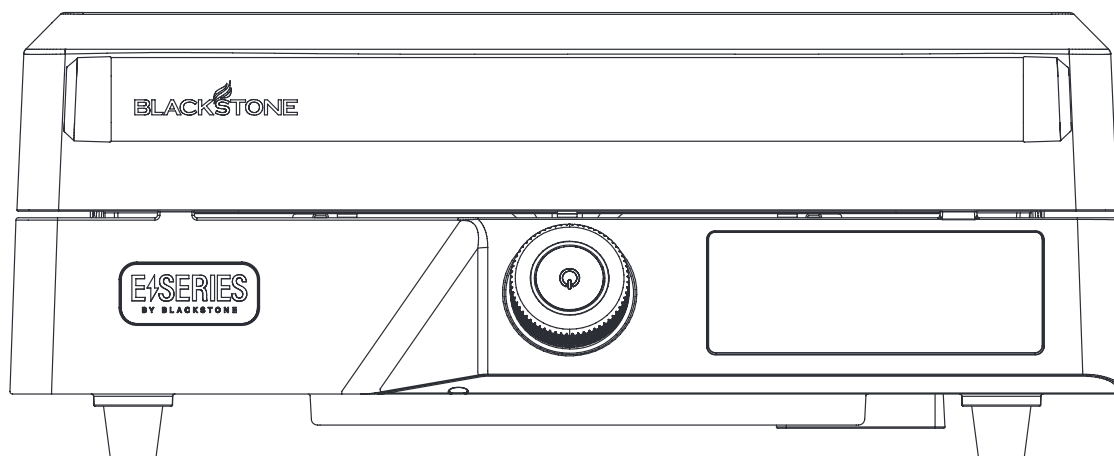




ENGLISH

MODEL: 8005 v05



OWNER'S MANUAL

17" ELECTRIC GRIDDLE

TABLE OF CONTENTS	
IMPORTANT SAFETY INFORMATION	02
WARRANTY	03
ASSEMBLY GUIDE	04
USING YOUR BLACKSTONE	06
TROUBLESHOOTING	07



For the latest version of this manual, scan this code or visit BlackstoneProducts.com/support

IMPORTANT:

This instruction manual contains important information necessary for the proper assembly and safe use of the appliance.

Read and follow all warnings and instructions before assembling and using the appliance.

Follow all warnings and instructions when using the appliance.

Keep this manual for future reference.

Installer/Assembler: Leave these instructions with the consumer.

SAFETY ALERT KEY

⚠ DANGER

Indicates a hazardous situation that, if not avoided, will result in death or serious injury.

⚠ CAUTION

Indicates a hazardous situation that, if not avoided, could result in minor or moderate injury.

⚠ WARNING

Indicates a hazardous situation that, if not avoided, could result in death or serious injury.

NOTICE

Indicates information considered important, but not hazard-related (e.g. messages related to property damage).

IMPORTANT SAFETY INFORMATION

IMPORTANT SAFEGUARDS

When using electrical appliances, basic safety precautions should always be followed including the following:

01. DO NOT touch hot surfaces. Use handles or knobs.
02. To protect against electrical shock DO NOT immerse cord, plugs, or appliance in water or other liquid.
03. Close supervision is necessary when any appliance is used by or near children.
04. Unplug from outlet when not in use and before cleaning. Allow to cool before putting on or taking off parts.
05. DO NOT operate any appliance with a damaged cord or plug or after the appliance malfunctions or has been damaged in any manner. Return appliance to the nearest authorized service facility for examination, repair, or adjustment.
06. The use of accessory attachments not recommended by the appliance manufacturer may cause injuries.
07. DO NOT let cord hang over edge of table or counter, or touch hot surfaces.
08. DO NOT place on or near a hot gas or electric burner, or in a heated oven.
09. Extreme caution must be used when moving an appliance containing hot oil or other hot liquids.
10. To disconnect, turn any control to "off," then remove plug from wall outlet.
11. DO NOT use appliance for other than intended use.
12. Fuel, such as charcoal briquettes, is not to be used with appliance.
13. Use only on properly grounded outlet.
14. **▲ CAUTION:** Risk of Electric Shock. Keep extension cord connection dry and off the ground.
15. The appliance is not to be used by persons (including children) with reduced physical, sensory or mental capabilities, or lack of experience and knowledge, unless they have been given supervision or instruction concerning use of the appliance by a person responsible for their safety.
16. Children should be supervised to ensure that they DO NOT play with the appliance.

FOR EXTENSION CORDS:

- a. A short power-supply cord is provided to reduce the risk resulting from becoming entangled in or tripping over a longer cord.
- b. Longer power-supply cords or extension cords are available and may be used if care is exercised in their use.
- c. If a longer power-supply cord or extension cord is used:
 01. The marked electrical rating of the cord set or extension cord should be at least as great as the electrical rating of the appliance.
 02. The cord should be arranged so that it will not drape over the countertop or tabletop where it can be pulled on by children or tripped over unintentionally.
 03. The cord set or extension cord should be a grounding-type 3-wire cord.
- d. Outdoor extension cords should be used with outdoor use appliances and are surface marked with the suffix letter "W" and with a tag stating "Suitable for use with outdoor appliances."
- e. The connection to an Extension cord should be kept dry and off the ground.
- f. Store appliance indoors when not in use - out of the reach of children.
- g. DO NOT clean this product with a water spray or the like.

SAVE THESE INSTRUCTIONS

▲ WARNING

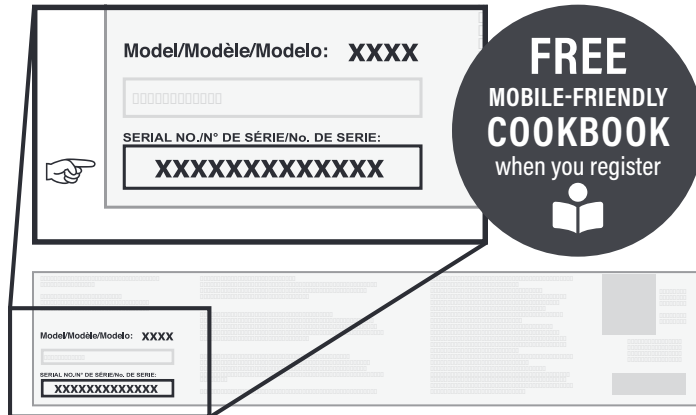
DO NOT operate this appliance unattended.

WARRANTY

The North Atlantic Imports LLC 1-Year Warranty covers replacement parts up to one year after the date of purchase.

TO ENABLE THIS WARRANTY, YOU WILL NEED TO PROVIDE:

👉 Your appliance's Serial Number



The Serial Number can be found on your appliance's Manufacturer Label.

(The Manufacturer Label is a large silver sticker found on the body of your appliance.)



Register your appliance at
BlackstoneProducts.com/register

WARRANTY OVERVIEW

North Atlantic Imports, the manufacturer, will warranty for one year from purchase all parts, workmanship, and finishes. It will be the manufacturer's option as to whether to repair or replace any of the above items. All warranties are limited to the original purchaser only. This warranty does not cover any liability on the part of North Atlantic Imports, its agents or employees, for any indirect or consequential damages for breach of warranty. The purchaser must follow the manufacturer's usage instructions.

Under no circumstances is the manufacturer responsible for damages from the failure to operate the cooking station properly. It is the responsibility of the purchaser to establish the warranty period by verifying the original purchase date with original sales receipt.



DETAILED EXPLANATION OF THE WARRANTY

North Atlantic Imports LLC warrants to the owner that the product covered by this agreement is free from defects in material and workmanship under normal use and service for which it was intended if, but only if, it has been operated in accordance with North Atlantic Imports LLC instructions exclusively for domestic use, and not for private or public club, institutional or commercial purposes.

North Atlantic Imports LLC's obligation under this warranty is limited to replacing or repairing, free of charge, any part or parts that may prove, to the satisfaction of North Atlantic Imports LLC, to be defective under normal home use and service within the following stated periods of time from the date of purchase; for one year from purchase, all parts, finish, and workmanship. Should any failure to conform to this warranty become apparent during applicable warranty periods stated above, the original purchaser must notify North Atlantic Imports LLC of breach of warranty within the applicable warranty period.

North Atlantic Imports LLC shall upon notice and compliance by the original purchaser with such instructions, correct such nonconformity by repair or replacement of the defective part or parts.

Correction in the manner provided above shall constitute a fulfillment of all obligations of North Atlantic Imports LLC with respect to the quality of the product.

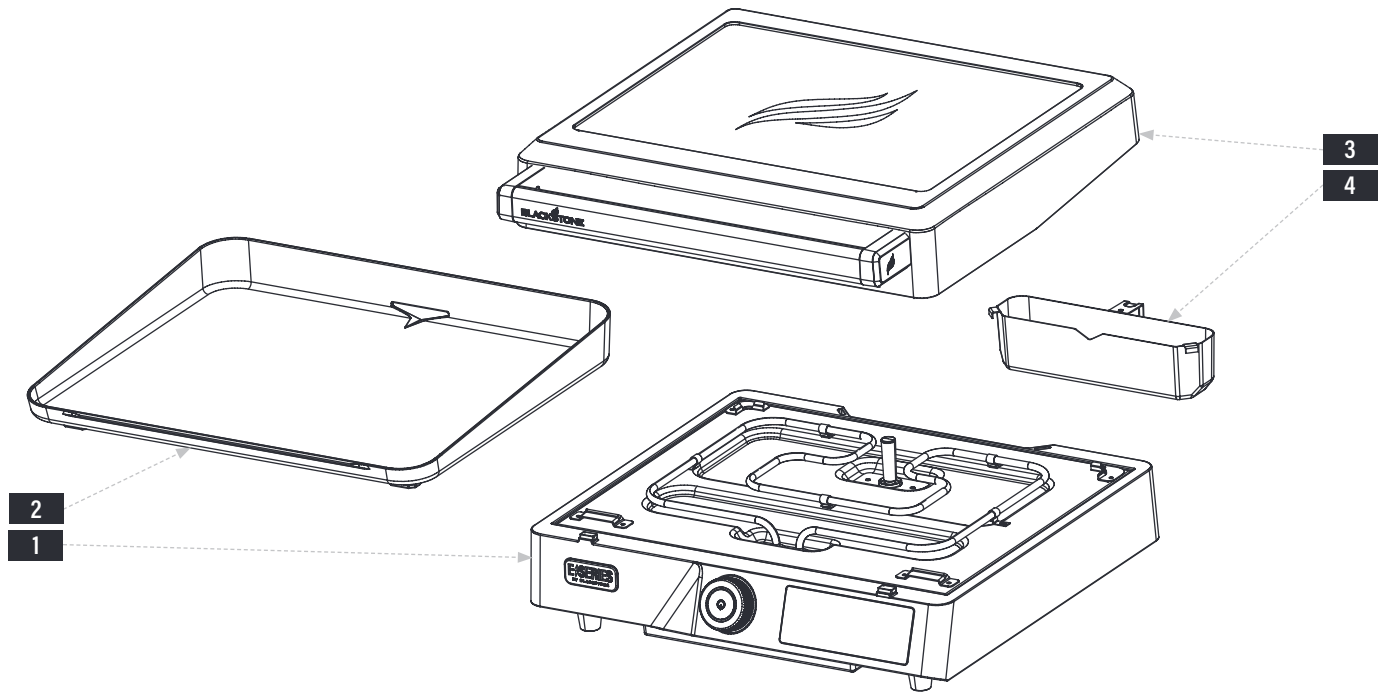
North Atlantic Imports LLC does not warrant this equipment to meet the requirement of any safety code of any state, municipality or other jurisdiction, and the original purchaser assumes all risk and liability whatsoever resulting from the use thereof, whether used in accordance with North Atlantic Imports LLC instructions or otherwise.

This warranty does not cover and is intended to exclude any liability on the part of North Atlantic its agents, servants or employees whether under this warranty or implied by law for any indirect or consequential damages for breach on any warranty. The purchaser must establish all applicable warranty periods pursuant to this warranty by verifying the original purchase date by producing the dated sales receipt. This warranty shall not apply to this product or any other part thereof which has been subject to accident, negligence, alteration, abuse, or misuse or which has been repaired or altered without North Atlantic written consent, outside of North Atlantic Imports LLC factory. The full manufacturer warranty is not valid for griddles purchased from unlicensed, third-party resellers, purchased at a discount due to missing or damaged parts, or purchased as a floor model; at the discretion of North Atlantic Imports.

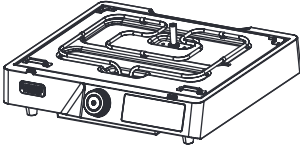
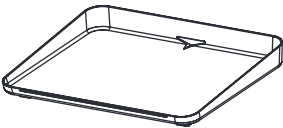

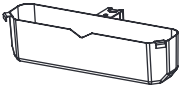
North Atlantic Imports LLC makes no warranty whatsoever in respect to accessories or parts not supplied with it. This warranty shall apply only within the boundaries of the United States of America and Canada. This warranty gives the original purchaser specific rights, and the original purchaser may also have other rights, which vary from state to state.

ASSEMBLY GUIDE

EXPLODED VIEW



PARTS LIST

<p>1 Griddle body (1 piece)</p> 	<p>2 Griddle top (1 piece)</p> 	<p>3 Hood assembly (1 piece)</p> 	<p>4 Grease cup (1 piece)</p> 
--	---	---	--

ASSEMBLY INSTRUCTIONS

Find a large, clean area to assemble your appliance.
Remove all packing material before assembling.

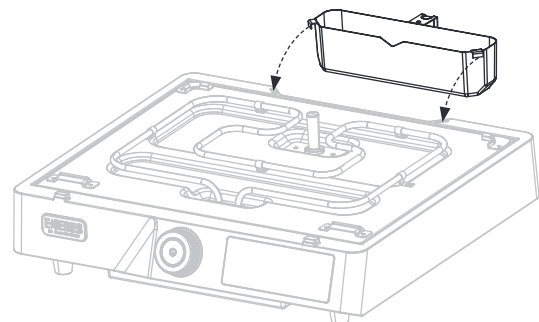
⚠ CAUTION

Sharp edges. Wear gloves while assembling.

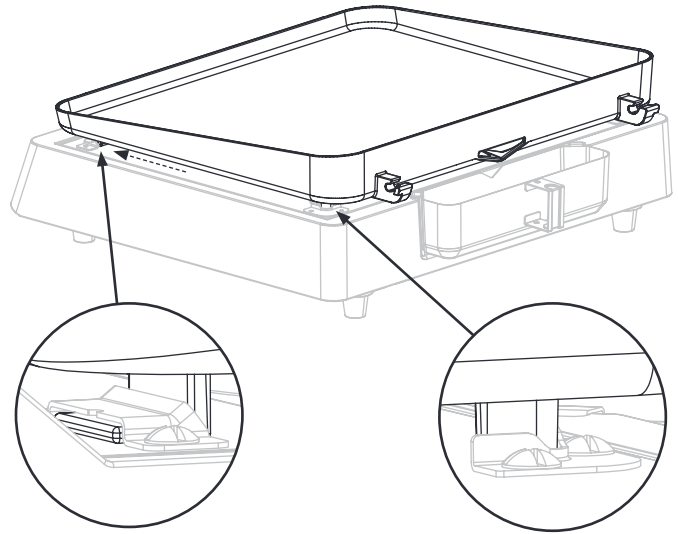
ELECTRIC REQUIREMENTS:
120V 60Hz

STEP 01 Before installing the griddle top on the griddle body, remove the notice label on the griddle body.

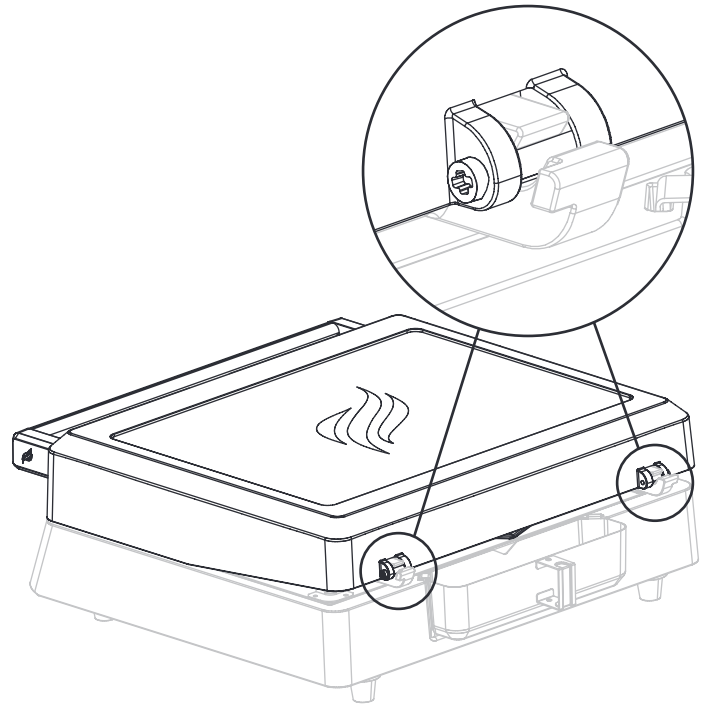
Hang the grease cup in the slots on the back of the griddle body.



STEP 02 Place the griddle top on the griddle body. Slide the griddle top forward so that the front feet lock into the front brackets, and the back feet rest against the back brackets.



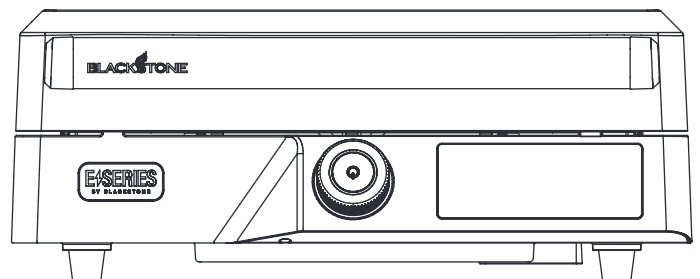
STEP 03 Place the hood on the griddle top. Insert the hood hinges into the griddle top brackets.



STEP 04 Proceed to **USING YOUR BLACKSTONE.**

NOTICE

DO NOT leave the hood closed for more than 10 minutes while cooking.



USING YOUR BLACKSTONE

FIRST TIME CLEANING

Wash griddle surface before initial use.

- DO NOT allow the electric components to come in contact with water.
- DO NOT leave water on the griddle surface for more than two hours.
- DO NOT wash the griddle top in the dishwasher.
- Avoid using anything that may scratch the surface, including metal scouring pads and abrasive cleaners.

COOKING ON YOUR BLACKSTONE

⚠ DANGER

Flammable items can combust if placed near the appliance. DO NOT place flammable items such as aerosol containers, oily or greasy towels near the cooking surface.

⚠ CAUTION

This appliance will be hot during and after use. DO NOT handle hot parts with unprotected hands. Use long-handled, non-metal utensils and oven mitts/ protective gloves to protect against burns and splatters.

NOTICE

DO NOT store any items within 3 in (8 cm) of the cooking surface while in use.

PROTECTING THE NON-STICK SURFACE

- You DO NOT need to season the griddle top.
- DO NOT cut directly on the griddle surface.
- Only use plastic, rubber, wood, and/or nylon cooking utensils on the cooking surface.
- Cooking spray containing lecithin will degrade the non-stick coating. We recommend using regular cooking oil in a spray bottle.

FOR DAILY CLEANING:

STEP 01 Be sure that the grease cup is in place.

STEP 02 Wipe off griddle surface with a moist, soapy cloth or paper towel.

STEP 03 Wash off soap and dry.

FOR DEEP CLEANING:

STEP 01 Be sure that the grease cup is in place.

STEP 02 Turn heat to low.

STEP 03 While wearing rubber gloves, use one (1) tablespoon of mild soap per one (1) cup of hot water, and wipe down the griddle surface with a cloth or non-metal cleaning pad.

STEP 04 Turn off griddle, and once cool, wipe off surface with a moist, soapy cloth or paper towel.

STEP 05 Wash off soap and dry.

IGNITION INSTRUCTIONS

TO TURN THE GRIDDLE ON:

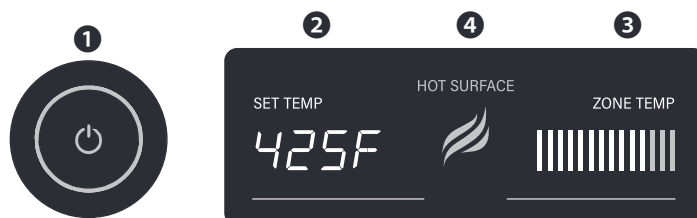
STEP 01 ① Press and hold the control knob button to bring up the temperature measurement preferences. Turn the knob to select Fahrenheit or Celsius. Press the control knob to select.

Turn the control knob until the ② **SET TEMP** displays the desired temperature.

Press the control knob to set the temperature.

STEP 02 When the ③ **ZONE TEMP** dash indicators reach the orange area, the griddle has reached the set temperature.

For best results, allow griddle to heat up until all bars are illuminated.

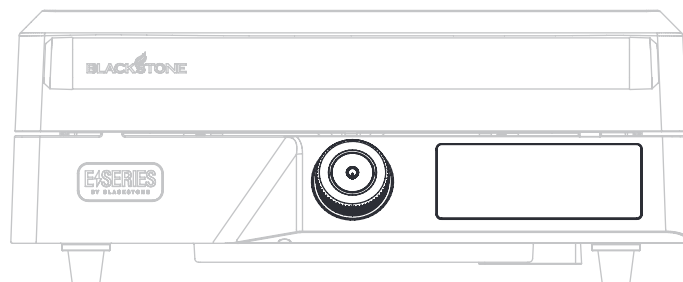


TO TURN THE GRIDDLE OFF:

STEP 01 ① Press and hold the control knob button until the temperature image disappears.

STEP 02 Unplug the appliance.

STEP 03 DO NOT store the appliance until the ④ **HOT SURFACE** indicator has turned off.





TROUBLESHOOTING

CUSTOMER SUPPORT

Visit us online at BlackstoneProducts.com/support for assistance concerning appliance use, replacement parts, or your warranty.

CUSTOMER SUPPORT HOURS:



Monday - Friday
7:00 am - 5:00 pm (Mountain Time)



This product may be covered by one or more issued U.S. and/or international patents and may include patent applications pending. For more information, please visit: BlackstoneProducts.com/patents