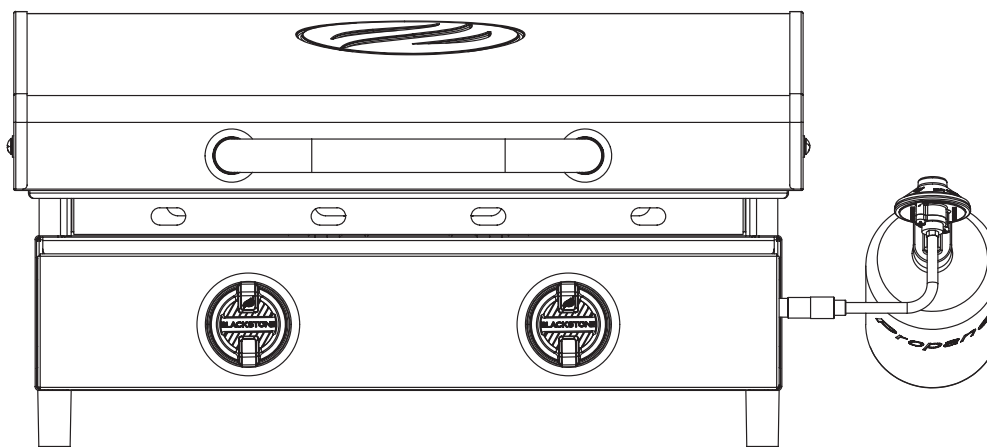




**MODELS: 2205 - 2205CA** <sup>v03</sup>



ENGLISH



OWNER'S MANUAL

# 22" GRIDDLE WITH HOOD

## TABLE OF CONTENTS

IMPORTANT SAFETY INFORMATION .....	02
CUSTOMER SUPPORT .....	03
ASSEMBLY GUIDE .....	04
USING YOUR BLACKSTONE .....	07
TROUBLESHOOTING .....	13



Latest version of the manual:  
[BlackstoneProducts.com/support](http://BlackstoneProducts.com/support)

### IMPORTANT:

This instruction manual contains important information necessary for the proper assembly and safe use of the appliance.

Read and follow all warnings and instructions before assembling and using the appliance.

Follow all warnings and instructions when using the appliance.

Keep this manual for future reference.

Installer/Assembler: Leave these instructions with the consumer.

### SAFETY ALERT KEY

#### **⚠ DANGER**

Indicates a hazardous situation that, if not avoided, will result in death or serious injury.

#### **⚠ CAUTION**

Indicates a hazardous situation that, if not avoided, could result in minor or moderate injury.

#### **⚠ WARNING**

Indicates a hazardous situation that, if not avoided, could result in death or serious injury.

#### **NOTICE**

Indicates information considered important, but not hazard-related (e.g. messages related to property damage).

# IMPORTANT SAFETY INFORMATION

ENGLISH

## ⚠ DANGER

If you smell gas:

- Shut off gas to the appliance.
- Extinguish any open flame.
- Open hood (if applicable).
- If odor continues, keep away from the appliance and immediately call your gas supplier or your fire department.

Failure to follow these instructions could result in fire or property damage, personal injury or death.

## ⚠ DANGER

- NEVER operate this appliance unattended.
- If a fire should occur, keep away from the appliance and immediately call your fire department. DO NOT attempt to extinguish an oil or a grease fire with water.
- NEVER operate this appliance within 25 ft (7.5 m) of any flammable liquid.

Failure to follow these instructions could result in fire or property damage, personal injury or death.

## ⚠ WARNING

- DO NOT store or use gasoline or other flammable liquids or vapors in the vicinity of this or any other appliance.
- An LPG cylinder not connected for use shall not be stored in the vicinity of this or any other appliance.

## GAS APPLIANCE SAFETY

- The use of alcohol, prescription, or non-prescription drugs may impair the consumer's ability to properly assemble or safely operate the appliance.
- Keep children and pets away from the appliance at all times.
- Have a type BC or ABC fire extinguisher readily available.

## DO NOT USE FOR PURPOSES OTHER THAN INTENDED.

- For outdoor domestic use only, not for commercial use.
- DO NOT use this appliance as a heater.

## ⚠ WARNING

Improper installation, use, adjustment, alteration, service, modification, or maintenance can cause injury or property damage. Refer to this manual.

## INSTALLATION MUST CONFORM WITH LOCAL CODES.


In the absence of local codes, installation must conform with either ANSI Z223.1/NFPA 54, CSA B149.1, or CSA B149.2.

# CUSTOMER SUPPORT

## CONTACT US

Visit us online at [BlackstoneProducts.com/support](https://BlackstoneProducts.com/support) for assistance concerning appliance use, replacement parts, or your warranty.

### CUSTOMER SUPPORT HOURS:

 Monday – Friday  
7:00 am – 5:00 pm (Mountain Time Zone)

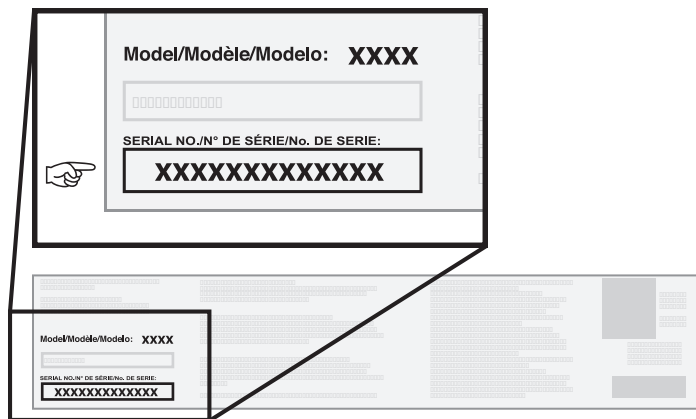
Please contact us before returning this appliance to your retailer.

## SERIAL NUMBER LOCATION

To enable your warranty, you will need to provide your appliance's Serial Number.

The Serial Number can be found on your appliance's Manufacturer Label.

(The Manufacturer Label is a large silver sticker found on the body of your appliance.)



## ONE YEAR WARRANTY

North Atlantic Imports, LLC warrants this product against defects in materials and workmanship for a period of one (1) year from the original date of purchase under normal use. To the extent any such defects occur, North Atlantic Imports, LLC, in its discretion, will provide the appropriate replacement part(s) at no charge.

In no event shall North Atlantic Imports, LLC be liable for consequential, indirect or incidental damages resulting from the installation, use or failure of the product.

This warranty DOES NOT cover:

- Inspection costs or labor for replacement of any defective part(s);
- Cosmetic defects which DO NOT affect product performance or integrity;
- Normal wear and tear;
- Damage due to vandalism; acts of nature, including but not limited to wind, storms, hail, floods;
- Improper assembly, installation, or use;
- Discoloration or fading of the finish as a result of exposure to chemicals, spills, pool or salt water;
- Corrosion/ rust.

This product has been designed for safety and quality. Any modifications made to the original product could compromise its structural integrity or function and could lead to product failure or personal injury. As such, modifying this product voids all warranties.

This product is for RESIDENTIAL USE ONLY, and is not for commercial, contract or other non-residential purposes. North Atlantic Imports, LLC disclaims all other representations and warranties of any kind, express or implied.

The warranty applies to the original purchaser and is non-transferable. It does not apply to accessories or parts not supplied with the product, to purchases of display models, or to product that is sold on clearance or "as is". You may, however, have other specific legal rights based on the laws of your specific state or country of residence.

To activate your warranty, register your product at [BlackstoneProducts.com/register](https://BlackstoneProducts.com/register)

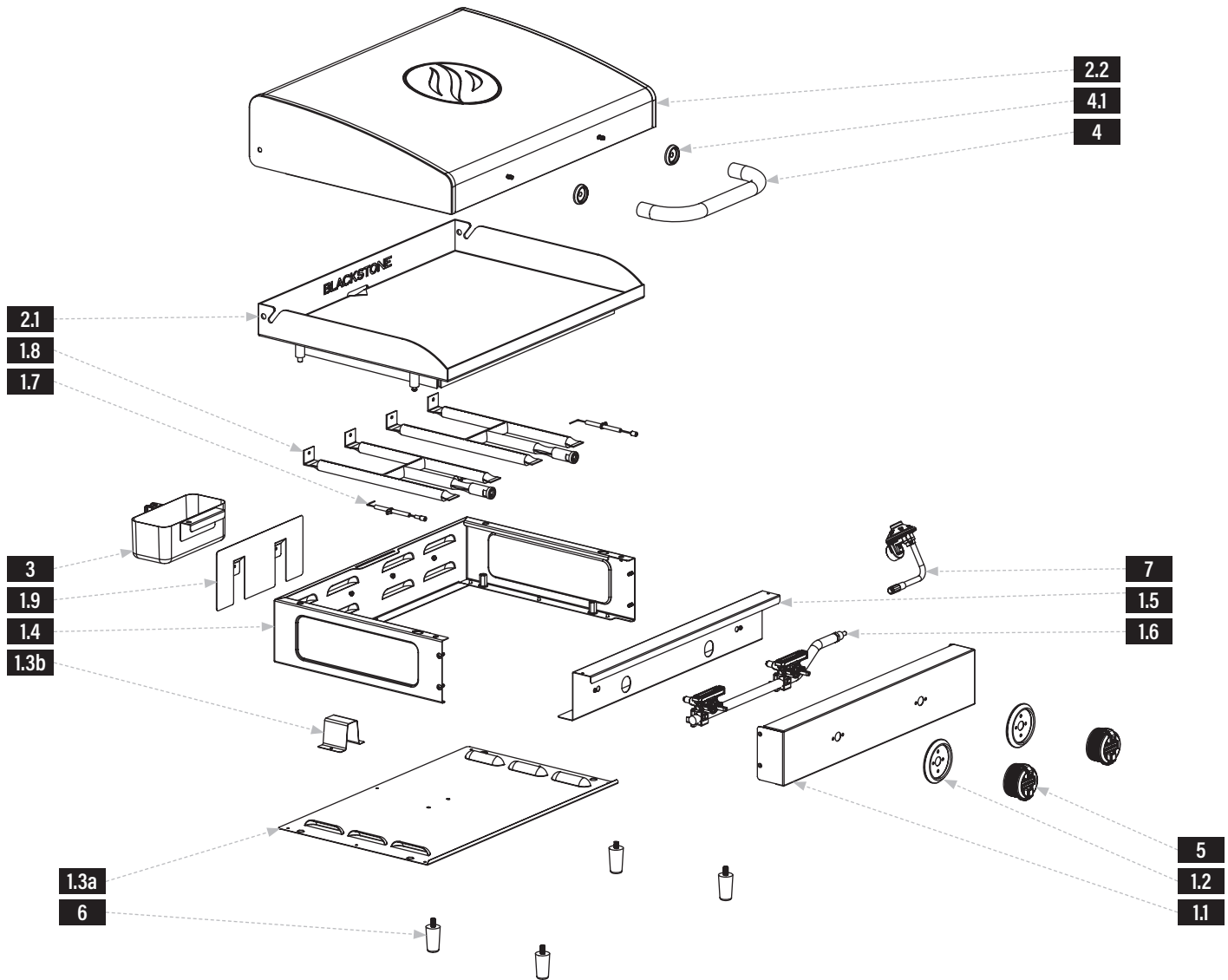
North Atlantic Imports, LLC reserves the right to change or modify this warranty at any time.



# ASSEMBLY GUIDE

## EXPLODED VIEW

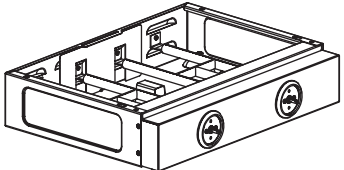
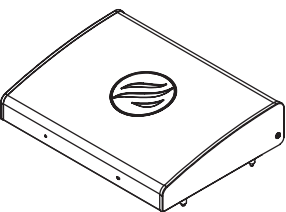
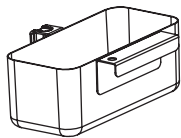




ENGLISH



### PARTS LIST

PARTS	QTY	PARTS	QTY	PARTS	QTY	PARTS	QTY
<b>1.1</b> Control knob bezels	1	<b>1.4</b> Surround panel	1	<b>1.8</b> H burners	2	<b>2.2</b> Hood	1
<b>1.2</b> Control knob bezels	2	<b>1.5</b> Front baffle panel	1	<b>1.9</b> Grease cup heat shield	1	<b>4.1</b> Handle bezels	2
<b>1.3a</b> Bottom panel	1	<b>1.6</b> Gas rail	1	<b>2.1</b> Griddle top	1		
<b>1.3b</b> Hat channel	1	<b>1.7</b> Ignition needles	2				



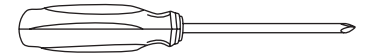
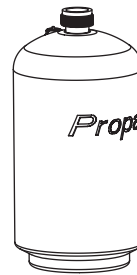
<p><b>1</b> Body (1 piece)</p> 	<p><b>2</b> Griddle top &amp; Hood (1 piece)</p> 	<p><b>3</b> Grease cup (1 piece)</p> 	
<p><b>4</b> Hood handle (1 piece)</p> 	<p><b>5</b> Control knobs (2 pieces)</p> 	<p><b>6</b> Griddle feet (4 pieces)</p> 	<p><b>7</b> Regulator (1 piece)</p> 

## ASSEMBLY INSTRUCTIONS

Find a large, clean area to assemble your appliance.  
Remove all packing material before assembling.

**CAUTION**

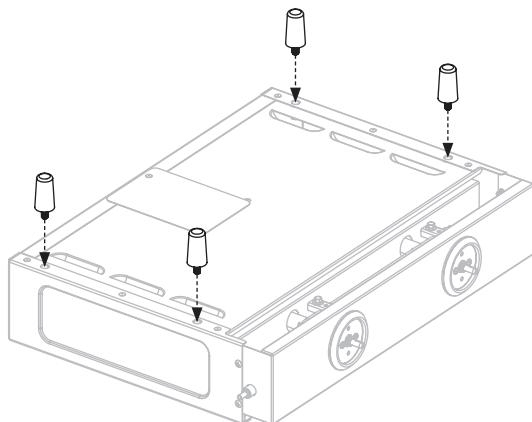
Sharp edges. Wear gloves while assembling.



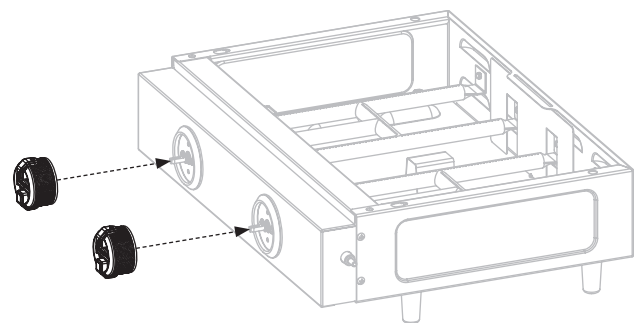
**NOT INCLUDED:**  
LPG cylinder  
Size: 4 x 8 in (10 x 20 cm), 1 lb (453 g)

**TOOL NEEDED:**  
#3 Phillips head screwdriver

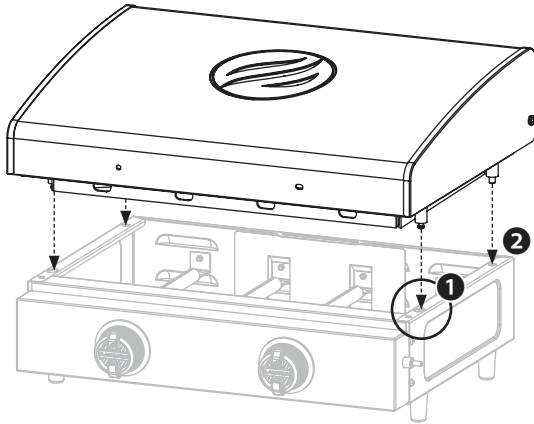
**STEP 01** Place the griddle body upside down on a smooth, flat surface. Screw the four (4) griddle feet into the bottom of the griddle body.



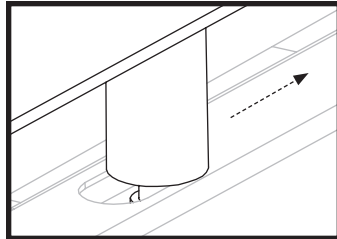
**STEP 02** Install the two (2) control knobs by pushing them into place in the OFF position.



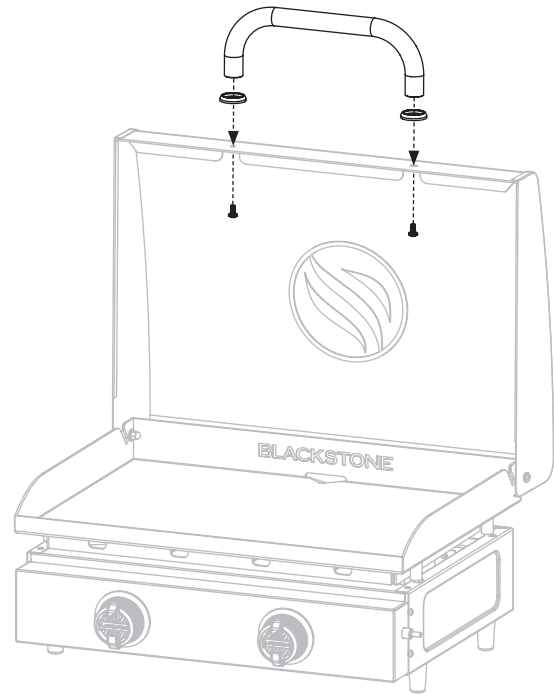
**STEP 03** Place the griddle top onto the griddle body by aligning the four pins to the holes of the body.



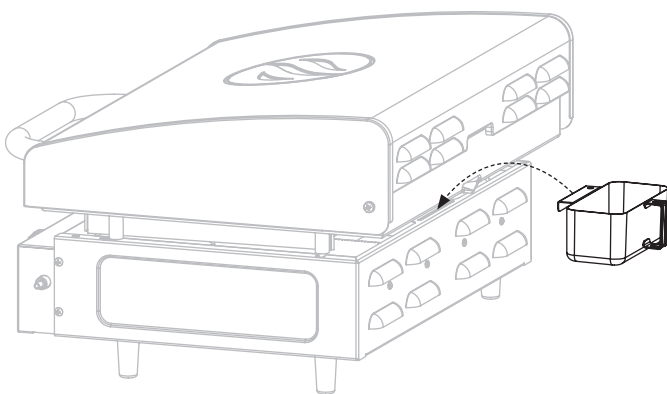
- 1 Place the two front pins into the front locking holes and push the griddle top back.
- 2 Then, set the two rear pins into the rear holes.



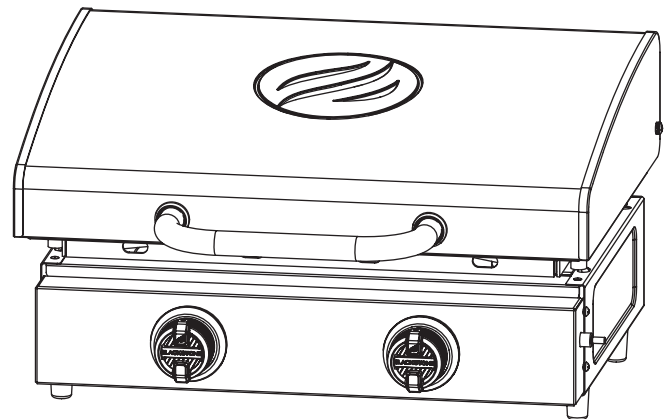
**STEP 04** Use the two (2) M6 bolts pre-installed in the handle to attach the handle and bezels to the hood.



**STEP 05** Hang the grease cup in the slot on the back of the griddle body.



**STEP 06** Proceed to **USING YOUR BLACKSTONE.**



**NOTICE**

Place appliance on a heat-resistant and flame-resistant surface while in use.

**CAUTION**

Hot appliance. The cover/lid/hood **MUST** be open when the appliance is in use.



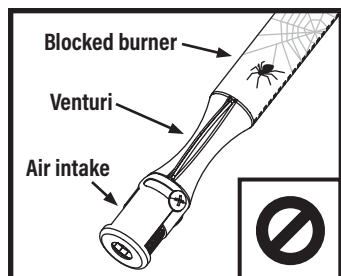
# USING YOUR BLACKSTONE

## BEFORE COOKING

### CHECK BURNERS

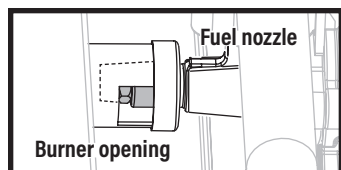
Prior to connection and use, ensure that there is no debris caught in, or damage to, the head of the gas cylinder, regulator, hose, burner and burner ports.

Spiders and insects can nest within and clog the burner/venturi tube at the orifice.



**⚠ WARNING**

A clogged burner can lead to a fire beneath the appliance. Burner should be removed and cleaned whenever blockages are found.



**⚠** Ensure that the gas rail fuel nozzle orifice is correctly engaged within the burner opening.

**THE MINIMUM AMBIENT OPERATING TEMPERATURE IS 0°F (-18°C).**

**⚠ DANGER**

Flammable items can combust if placed near the appliance. Keep the appliance area clear and free from combustible materials, aerosol containers, gasoline and other flammable vapors and liquids.

---

**⚠ CAUTION**

If the appliance is fitted with a paper towel holder, the arm must be in the open position while the appliance is in use.

### IF GREASE OR OTHER HOT MATERIAL DRIPS ONTO VALVE, HOSE OR REGULATOR:

**STEP 01** Turn off gas supply immediately.

**STEP 02** Determine the cause and correct it.

**STEP 03** Clean and inspect valve, hose and regulator.

**STEP 04** Perform a leak test. (Please reference the Leak Test Instructions)

## SETTING UP YOUR OUTDOOR SPACE

### THIS APPLIANCE MUST ONLY BE USED OUTDOORS.

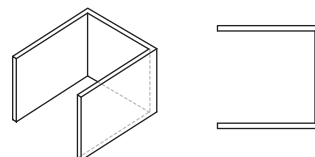
- DO NOT use this appliance inside buildings, garages, or any other enclosed area.
- DO NOT install this appliance in or on a boat.
- DO NOT install this appliance in or on a recreational vehicle.

### SHELTERED OUTDOOR AREAS:

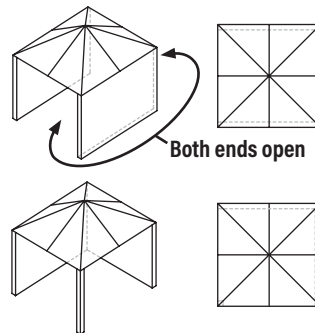
All openings must be permanently open; sliding doors, garage doors, windows or screened openings are not considered as permanent openings.

An appliance is considered to be outdoors if installed with shelter no more inclusive than:

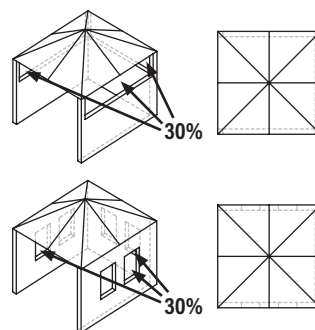
a. With walls on three sides, but with no overhead cover.



b. Within a partial enclosure that includes an overhead cover and no more than two side-walls. The sidewalls may be parallel, as in a breezeway, or at right angles to each other.

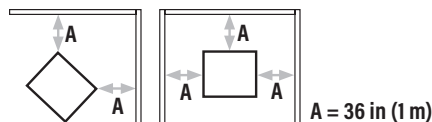


c. Within a partial enclosure that includes an overhead cover and three sidewalls, as long as 30% or more of the horizontal periphery of the enclosure is permanently open.



### MAINTAIN PROPER CLEARANCES FROM COMBUSTIBLE MATERIAL.

- DO NOT use this appliance on or under any apartment or condominium balcony or deck.
- DO NOT obstruct the flow of combustion and ventilation air.
- DO NOT operate this appliance any closer than 36 in (1 m) from the sides and back of the appliance to combustible construction.

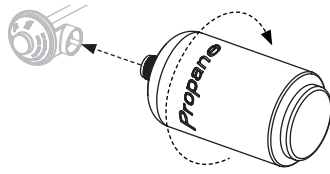


- DO NOT use this appliance under overhead combustible construction.

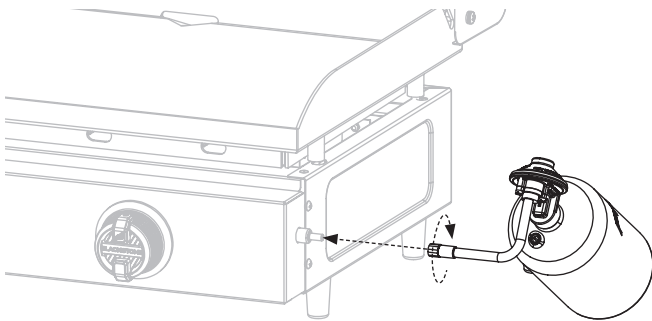
## CONNECT THE LPG CYLINDER

### ONLY USE A 1 LB (453 G) CYLINDER

**STEP 01** Screw in the LPG cylinder into the gas regulator, turning the cylinder clockwise. The regulator may make a humming or whistling noise during operation. This will not affect safety or use of the appliance.



**STEP 02** Insert the regulator and LPG cylinder into the gas line of the appliance. Turn the collar of the regulator clockwise to secure it to the gas line.



### LPG CYLINDER SAFETY

- The LPG supply cylinder to be used must be constructed and marked in accordance with the specifications for LP gas cylinders, U.S. Department of Transportation (DOT) or the Standard for Cylinders, Spheres and Tubes for the Transportation of Dangerous Goods, CAN/CSA-B339.
- Only LPG cylinders marked "propane" shall be used.
- The cylinder used, if in excess of 2.2 lb (1.00 kg) propane capacity, must include a collar to protect the cylinder valve.
- The LPG cylinder supply system must be arranged for vapor withdrawal.

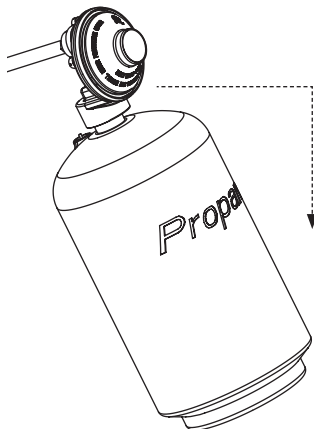
Always keep new LPG cylinders in upright position during use, transit or storage.

Ensure that the LPG cylinder is positioned below the regulator. (If the liquid level of the propane is above the regulator, the regulator will frost.)

#### IF FROSTING PERSISTS AFTER CYLINDER IS ANGLED CORRECTLY:

**STEP 01** Turn off the appliance and disconnect LPG cylinder immediately. This indicates a problem with the LPG cylinder and it should not be used on any product.

**STEP 02** Return LPG cylinder to supplier.



### REGULATOR SAFETY

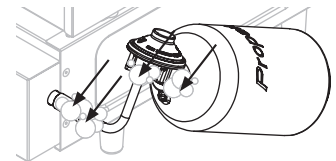
- Use this appliance, as purchased, only with gas and regulator/valve assembly supplied. DO NOT use quick connect fittings or other add-ons.
- DO NOT cross thread (force at an improper angle) the connection between your LPG cylinder and regulator.
- If you can not connect the regulator, DO NOT use the regulator. Regulator must be replaced with a Blackstone approved model by a professionally licensed, authorized dealer.

### LEAK TEST INSTRUCTIONS

**STEP 01** Turn the control knobs to OFF.

**STEP 02** Connect the LPG cylinder to the regulator. Connect the regulator to the appliance.

**STEP 03** Use a clean paintbrush to brush a 1% mild soap and water solution onto joint areas of valves and regulator. Leaks are indicated by growing bubbles.



**STEP 04** If growing bubbles appear, re-tighten connections.

#### ⚠ WARNING

If leaks cannot be stopped, DO NOT try to repair. Regulator must be replaced with a Blackstone approved model by a professionally licensed, authorized dealer.

### DISCONNECTING THE LPG CYLINDER

#### 1 LB (453 G)

**STEP 01** Ensure that the control knob(s) are turned to OFF.

**STEP 02** Once the appliance has cooled, disconnect the regulator from the gas line by unscrewing the collar.

**STEP 03** Unscrew the LPG cylinder from the regulator.

**STEP 04** Place dust cap on LPG cylinder valve outlet whenever cylinder is not in use.

Only install the type of dust cap on cylinder valve outlet that is provided with the cylinder valve. Other types of caps or plugs may result in leakage of propane.

### STORING LPG CYLINDERS

#### ⚠ WARNING

- DO NOT store a spare LPG cylinder under, near, or in this appliance.
  - DO NOT fill an LPG cylinder beyond 80% full.
- If the information above is not followed exactly, a fire causing death or serious injury may occur.

- The LPG cylinder must be disconnected when the appliance is not in use.
- Only store the appliance indoors if the LPG cylinder is disconnected and removed from the appliance.



# IGNITION INSTRUCTIONS

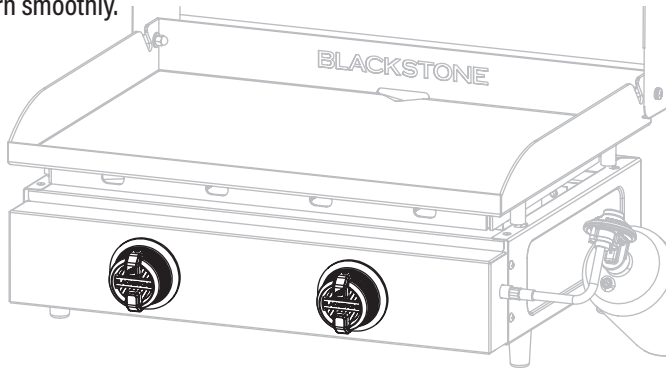
## 1. CHECK VALVES

⚠ Ensure gas is off at the supply shut off valve before checking appliance valves.

**STEP 01** Turn all knobs to the ❶ OFF position.

**STEP 02** Push in knob and release. Knob should spring back. If knobs DO NOT spring back, replace valve assembly before using appliance.

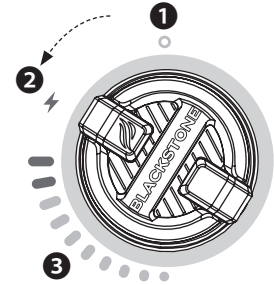
**STEP 03** Rotate knob to LOW then turn back to OFF. Knob should turn smoothly.



## 2. PIEZO-ELECTRIC GRIDDLE IGNITION

⚠ DO NOT lean over the appliance while lighting.

- ❶ Push the control knob in to start gas flowing.
- ❷ Turn the control knob counter-clockwise to activate the starter.
- ❸ Adjust the temperature to desired level.

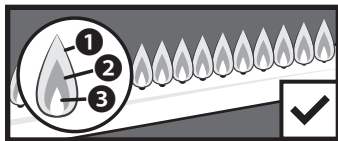


## 3. ALWAYS CHECK BURNER FLAME BEFORE USE.

**STEP 01** Light burners and rotate knobs from HIGH to LOW.

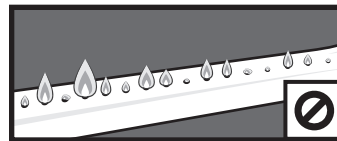
**STEP 02** Look below the cooking surface to view burners. When knob is at HIGH, flames should be larger than when knob is at LOW.

### HEALTHY FLAME PATTERN



- ❶ Flickers of yellow color.
- ❷ Dark blue color.
- ❸ Vibrant blue.

### YELLOW OR IRREGULAR



If there is a sudden drop or low flame issue, please reference the Troubleshooting chapter.

### ⚠ WARNING

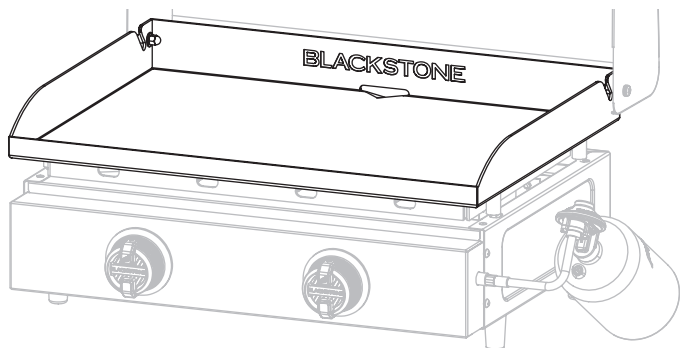
If burner does not ignite with open gas supply valve, gas will continue to flow out of burner and could accidentally/inadvertently ignite with risk of injury.

**If ignition does not occur in 5 seconds:**

1. Turn the burner control knob OFF.
2. Wait 5 minutes.
3. Repeat the lighting procedure.

If burner does not ignite, please reference the Troubleshooting chapter.

# GRIDDLE SEASONING INSTRUCTIONS



## WASHING YOUR GRIDDLE TOP BEFORE FIRST USE

### NOTICE

Soap will ruin a seasoned griddle. This is the only time you should use soap on the griddle cooking surface.

**STEP 01** Wash the griddle cooking surface with hot, soapy water.

**STEP 02** Rinse and dry completely.

## SEASONING YOUR GRIDDLE



### VIDEO TUTORIAL

How to Season a New Blackstone Griddle  
[youtube.com/watch?v=VspmDVnj2pl&t=3s](https://www.youtube.com/watch?v=VspmDVnj2pl&t=3s)

**STEP 01** Wipe any debris off griddle top.



**STEP 02** Set your griddle to high heat until your griddle top changes color. (~10 min)



**STEP 03** Use tongs to hold a paper towel or cotton cloth and spread 2-3 tablespoons of your seasoning oil across the entire griddle top.

When seasoning your griddle top, remember to use a thin and even layer of oil—the thinner the layer of oil, the easier it will be to burn it off.



**STEP 04** The griddle top is ready for another layer of oil when it stops smoking. Repeat **STEP 03** 3-4 times, or until the griddle surface is black.



### NOTICE

DO NOT store any items within 3 in (8 cm) of the griddle top while in use.

### WHAT OIL IS BEST TO USE?

- Blackstone Seasoning and Cast Iron Conditioner.
- Any plant-based cooking oil.
- Rendered animal fat with no additives.



### CAUTION

Properly dispose of the rags/towels used to spread oil on your griddle top to prevent fires that might occur due to spontaneous combustion.

Under the right conditions, residual oil on rags or towels can oxidize long after being removed from a heat source. The oxidation process itself produces heat which, if not dissipated, can build up and may cause the rags/towels and surrounding material to ignite.

## SEASONING TROUBLESHOOTING

### THERE IS A BROWNISH RESIDUE ON THE GRIDDLE SURFACE:

#### POSSIBLE CAUSES

- Too much oil was used.
- You turned off the heat too soon.

#### SOLUTION

**STEP 01** Turn your griddle on high and let it heat for 10-15 minutes.

**STEP 02** Scrape off as much of the thickened and partially cooked oil as you can.

**STEP 03** Re-season with a very thin layer of oil.

### THE EDGES OF THE GRIDDLE SURFACE ARE NOT BLACK:

After using your griddle for multiple cooks, the seasoning will even out and improve.

## PREVENTING RUST

Use your griddle frequently. Every time you cook, you are adding to the seasoning, which makes rust less likely.

### NOTICE

If you live in a humid or coastal climate, your griddle may require more frequent seasonings between uses.

If rust appears on the griddle surface, rub it off with steel wool, low grit sandpaper or the **Blackstone Pumice Stone** and re-season the surface.



### VIDEO TUTORIAL

Recovering your Blackstone Griddle Top  
[youtube.com/watch?v=thPE2lgnSil](https://www.youtube.com/watch?v=thPE2lgnSil)

# COOKING ON YOUR BLACKSTONE

## ⚠ CAUTION

This appliance will be hot during and after use. Use long-handled utensils and oven mitts/ protective gloves when handling potentially hot parts, including handles close to the appliance body, to protect against burns and splatters.

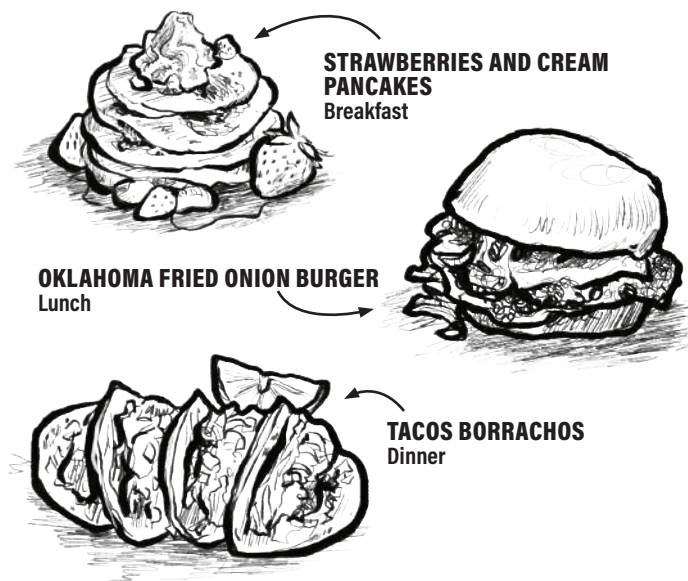
## VIDEO RECIPES

Find recipes and cooking tips at:

 [BlackstoneProducts.com/recipes](https://BlackstoneProducts.com/recipes)

 [youtube.com/BlackstoneGriddles](https://youtube.com/BlackstoneGriddles)

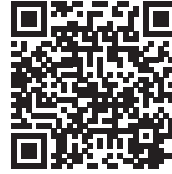
   @blackstoneproducts



## CLEANING YOUR GRIDDLE TOP

Clean griddle top after each use, while still warm.

- DO NOT use soap on the griddle top. This will destroy the griddle's seasoning.



### VIDEO TUTORIAL

How to Clean your Blackstone Griddle

 [youtube.com/watch?v=-ledu9z6NPY](https://youtube.com/watch?v=-ledu9z6NPY)

**STEP 01** Push loose food debris into the grease cup with spatula or straight metal scraper.



**STEP 02** Wipe down griddle top with paper towel.



**STEP 03** Apply a few tablespoons of water to the griddle surface, then scrape the water and debris into the grease cup.



(For stuck-on food residue, use a bit of coarse salt.)

**STEP 04** Wipe again with a paper towel and dry completely.



**STEP 05** Apply thin coat of cooking oil to maintain seasoning and protect the griddle top.



## EMPTY YOUR GREASE CUP

The grease cup must be removed and emptied after each use.

## ⚠ CAUTION

Grease cup will be hot during and after use. DO NOT remove the grease cup until the griddle has completely cooled.

# CARE AND MAINTENANCE

## ⚠ WARNING

Grease build up can cause a fire. Clean any part of the appliance that gets hot and experiences grease build up after each use.

## ⚠ CAUTION

All cleaning and maintenance should be carried out when the appliance is cool and everything is turned OFF.

- DO NOT use abrasive pad on areas with graphics.
- If a bristle brush is used to clean any of the cooking surfaces, ensure no loose bristles remain on cooking surfaces prior to cooking.

### APPLIANCE BODY:

Wash with warm soapy water and immediately wipe dry with a non-abrasive cloth. (DO NOT allow cleaning agents to rest on any porous surface for a prolonged amount of time.)

## NOTICE

DO NOT use Citrisol, abrasive cleaners, or a concentrated cleaner on the appliance. This may result in damage to and failure of parts.

## APPLIANCE STORAGE

## ⚠ WARNING

DO NOT move the appliance when in use. Allow the appliance to cool to 115°F (45°C) before moving or storing.

Storage of an appliance indoors is only permissible if the gas supply is disconnected and removed from the appliance.

### COVER FIT GUIDE

Always cover your appliance when stored outdoors.



To find a cover that will fit your appliance, visit [BlackstoneProducts.com/support](https://BlackstoneProducts.com/support).

## CLEANING THE BURNER ASSEMBLY

To reduce chance of “flash-back” the procedure below should be followed at least once a month when spiders are most active or when your appliance has not been used for a period of time.



### VIDEO TUTORIAL

How to Clean Your Burner Tube  
[youtube.com/watch?v=xKQTCrFCzf8](https://youtube.com/watch?v=xKQTCrFCzf8)

**STEP 01** Ensure that the gas is turned OFF at control knobs and gas supply. Remove the griddle top.

**STEP 02** Carefully detach and remove the burner.



**STEP 03** Clean the inside of the burner:

- Run a bottle brush (not a wire brush) or a stiff wire bent into a small hook through each burner tube several times.
- Use compressed air to blow through the burner tube and out the burner ports (Wear eye protection).



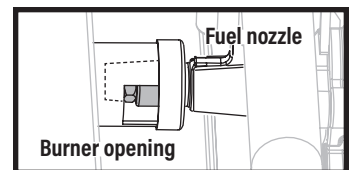
**STEP 04** Brush entire outer surface of burner to remove grime.



**STEP 05** Clean any blocked ports with stiff wire such as an open paper clip.



**STEP 06** Carefully replace burners and reattach, with attention to the location of the ignition needle.



⚠ The gas rail fuel nozzle must be reengaged within the burner opening.



# TROUBLESHOOTING

## IGNITION TROUBLESHOOTING

### BURNER WILL NOT IGNITE:

If ignition does not occur in 5 seconds:

**STEP 01** Turn the burner control knob OFF.

**STEP 02** Wait 5 minutes.

**STEP 03** Repeat the lighting procedure.

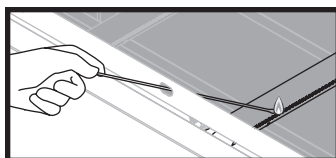
If this does not work, to determine the cause, please try to ignite your appliance with a match.

### MATCH LIGHTING INSTRUCTIONS

Before beginning, check for gas leaks. Open hood (if applicable).

**STEP 01** Turn control knob to OFF position.

**STEP 02** Light a match (or long lighter) no shorter than 11 inches long.

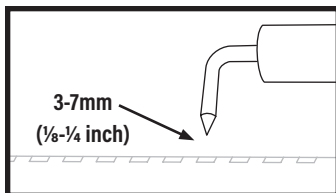


**STEP 03** Place the flame next to the burner.

**STEP 04** Push in and turn the control knob to start gas flowing. Ensure burner lights and stays lit.

### IF YOU CAN IGNITE YOUR APPLIANCE WITH A MATCH:

POSSIBLE CAUSES	SOLUTION
Ignitor wire misaligned.	Ensure that the ignitor needle is positioned 3-7mm (1/8-1/4 inch) away from the burner, and aligned with the burner holes.



Damage to the ignition system.	Contact customer support for replacement parts.
--------------------------------	---

### IF YOU CAN NOT IGNITE YOUR APPLIANCE WITH A MATCH:

POSSIBLE CAUSES	SOLUTION
Burner tubes are not receiving fuel.	Clean the burner assembly to remove the obstruction.

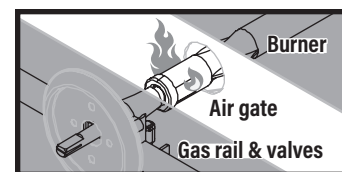
## GAS FLOW TROUBLESHOOTING

### APPLIANCE WILL NOT ACHIEVE A HIGH HEAT OR HEATS UNEVENLY:

- Burner flames are yellow or irregular.
- Burner flames start strong, then immediately drop to low even when burner is set to high position.
- Flame height drops when a second burner is lit.
- Flames DO NOT extend the full length of the burner, or only run on one side of the burner.
- Burner flames are inconsistent.

POSSIBLE CAUSES	SOLUTION
Obstructions in the burner, gas jets, or fuel rail.	Clean the burner, jets, and gas hose.
Gas cylinder is empty or low.	Refill or replace the gas cylinder.
The regulator's flow limiting device was triggered.	Reset the safety system: <b>STEP 01</b> Turn OFF the appliance, close the gas cylinder valve, and disconnect the regulator from the gas cylinder. <b>STEP 02</b> Wait five minutes to allow the pressure to dissipate, then reconnect the regulator to the gas cylinder and slowly open the gas cylinder hand wheel one to three turns. <b>STEP 03</b> Ignite your appliance.
Regulator stuck in safety position.	Contact customer support for replacement parts.

- A flame is coming out of the air gate.



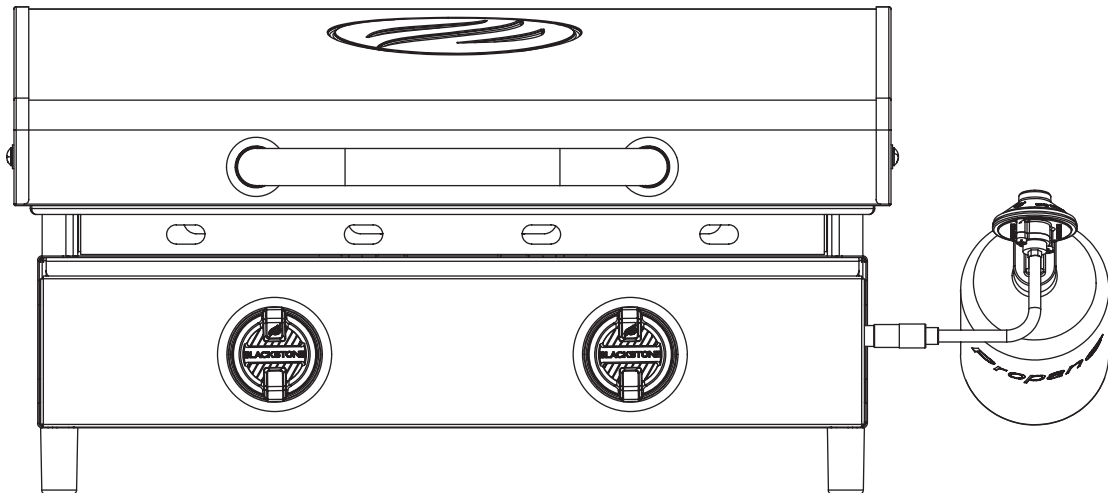
POSSIBLE CAUSES	SOLUTION
Something is blocking the venturi in the burner.	Clean the burner assembly to remove the obstruction.

This page intentionally left blank

This page intentionally left blank



This product may be covered by one or more issued U.S. and/or international patents and may include patent applications pending. For more information, please visit: [BlackstoneProducts.com/patents](https://BlackstoneProducts.com/patents)



MANUEL DU PROPRIÉTAIRE

# PLAQUE CHAUFFANTE DE 22 PO AVEC HOTTE

## TABLE DES MATIÈRES

INFORMATIONS DE SÉCURITÉ IMPORTANTES .....	02
SERVICE CLIENT .....	03
GUIDE D'ASSEMBLAGE .....	04
UTILISATION DE VOTRE BLACKSTONE .....	07
DÉPANNAGE .....	13



Dernière version du manuel:  
[BlackstoneProducts.com/support](https://BlackstoneProducts.com/support)

### IMPORTANT:

Ce manuel d'instructions contient des informations importantes nécessaires au montage correct et à l'utilisation en toute sécurité de l'appareil.

Lisez et suivez tous les avertissements et instructions avant d'assembler et d'utiliser l'appareil.

Suivez tous les avertissements et instructions lors de l'utilisation de l'appareil.

Conservez ce manuel pour référence ultérieure.

Installateur/Assembleur : Laisser ces instructions au consommateur.

### CLÉ D'ALERTE DE SÉCURITÉ

#### ⚠ DANGER

Indique une situation dangereuse qui, si elle n'est pas évitée, entraînera la mort ou des blessures graves.

#### ⚠ ATTENTION

Indique une situation dangereuse qui, si elle n'est pas évitée, pourrait entraîner des blessures mineures ou modérées.

#### ⚠ AVERTISSEMENT

Indique une situation dangereuse qui, si elle n'est pas évitée, peut entraîner la mort ou des blessures graves.

#### AVIS

Indique des informations considérées comme importantes, mais non liées à un danger (par exemple, des messages liés à des dommages matériels).

# INFORMATIONS DE SÉCURITÉ IMPORTANTES

## ⚠ DANGER

Si vous sentez une odeur de gaz:

- Fermez le gaz vers l'appareil.
- Éteignez toute flamme nue.
- Ouvrez le capot (le cas échéant).
- Si l'odeur persiste, éloignez-vous de l'appareil et appelez immédiatement votre fournisseur de gaz ou votre service d'incendie.

Le non-respect de ces instructions peut entraîner un incendie ou des dommages matériels, des blessures ou la mort.

## ⚠ DANGER

- **NE FAITES** jamais fonctionner cet appareil sans surveillance.
  - En cas d'incendie, éloignez-vous de l'appareil et appelez immédiatement les pompiers. **N'ESSAYEZ PAS** d'éteindre un feu d'huile ou de graisse avec de l'eau.
  - **NE FAITES** jamais fonctionner cet appareil à moins de 25 pi (7,5 m) de tout liquide inflammable.
- El incumplimiento de estas instrucciones podría provocar incendios o daños a la propiedad, lesiones personales o la muerte.

## ⚠ AVERTISSEMENT

- Ne stockez pas et **N'UTILISEZ PAS** d'essence ou d'autres liquides ou vapeurs inflammables à proximité de cet appareil ou de tout autre appareil.
- Une bouteille de GPL non connectée pour utilisation ne doit pas être stockée à proximité de cet appareil ou de tout autre appareil.

## SÉCURITÉ DES APPAREILS À GAZ

- L'utilisation d'alcool, de médicaments sur ordonnance ou en vente libre peut nuire à la capacité du consommateur à assembler correctement ou à utiliser l'appareil en toute sécurité.
- Gardez les enfants et les animaux domestiques éloignés de l'appareil à tout moment.
- Ayez à portée de main un extincteur de type BC ou ABC.

### NE PAS UTILISER À DES FINS AUTRES QUE CELLES PRÉVUES.

- Pour usage domestique extérieur uniquement, pas pour un usage commercial.
- **N'UTILISEZ PAS** cet appareil comme appareil de chauffage.

## ⚠ AVERTISSEMENT

Une installation, une utilisation, un réglage, une altération, un entretien, une modification ou un entretien inappropriés peuvent entraîner des blessures ou des dommages matériels. Reportez-vous à ce manuel.

### L'INSTALLATION DOIT ÊTRE CONFORME AUX CODES LOCAUX.

En l'absence de codes locaux, l'installation doit être conforme à ANSI Z223.1/NFPA 54, CSA B149.1 ou CSA B149.2.



# SERVICE CLIENT

## CONTACTEZ-NOUS

Visitez-nous en ligne sur [BlackstoneProducts.com/support](https://BlackstoneProducts.com/support) pour obtenir de l'aide concernant l'utilisation de l'appareil, les pièces de rechange ou votre garantie.

### HEURES D'OUVERTURE DU SERVICE CLIENT:

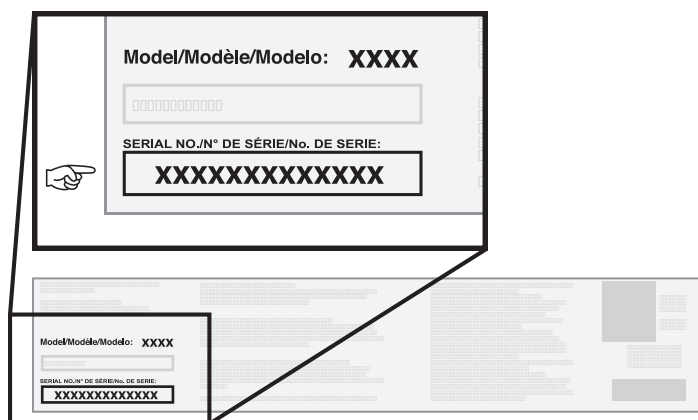
 Lundi vendredi  
7h00 - 17h00 (heure des montagnes)

Veuillez nous contacter avant de retourner cet appareil à votre revendeur.

## EMPLACEMENT DU NUMÉRO DE SÉRIE

Pour activer votre garantie, vous devrez fournir le numéro de série de votre appareil.

Le numéro de série se trouve sur l'étiquette du fabricant de votre appareil. (L'étiquette du fabricant est un grand autocollant argenté apposé sur le corps de votre appareil.)



## GARANTIE UN AN

North Atlantic Imports, LLC garantit ce produit contre les défauts de matériaux et de fabrication pendant une période d'un (1) an à compter de la date d'achat originale dans des conditions normales d'utilisation. Dans la mesure où de tels défauts se produisent, North Atlantic Imports, LLC, à sa discrétion, fournira gratuitement la ou les pièces de remplacement appropriées.

En aucun cas North Atlantic Imports, LLC ne sera responsable des dommages consécutifs, indirects ou accessoires résultant de l'installation, de l'utilisation ou de la défaillance du produit.

Cette garantie NE couvre PAS:

- Frais d'inspection ou de main d'œuvre pour le remplacement de toute pièce défectueuse;
- Défauts cosmétiques qui n'affectent pas les performances ou l'intégrité du produit;
- L'usure normale;
- Dommages dus au vandalisme ; les catastrophes naturelles, y compris, mais sans s'y limiter, le vent, les tempêtes, la grêle et les inondations;
- Un assemblage, une installation ou une utilisation inappropriés;
- Décoloration ou décoloration de la finition résultant d'une exposition à des produits chimiques, à des déversements, à l'eau de piscine ou à l'eau salée;
- Corrosion/rouille.

Ce produit a été conçu pour la sécurité et la qualité. Toute modification apportée au produit d'origine pourrait compromettre son intégrité structurelle ou sa fonction et entraîner une défaillance du produit ou des blessures. En tant que tel, la modification de ce produit annule toutes les garanties.

Ce produit est destiné à un USAGE RÉSIDENTIEL UNIQUEMENT et n'est pas destiné à des fins commerciales, contractuelles ou autres fins non résidentielles. North Atlantic Imports, LLC décline toute autre représentation et garantie de quelque nature que ce soit, expresse ou implicite.

La garantie s'applique à l'acheteur d'origine et n'est pas transférable. Elle ne s'applique pas aux accessoires ou pièces non fournis avec le produit, aux achats de modèles d'exposition ou aux produits vendus en liquidation ou « tels quels ». Vous pouvez cependant bénéficier d'autres droits légaux spécifiques basés sur les lois de votre état ou pays de résidence.

Pour activer votre garantie, enregistrez votre produit sur

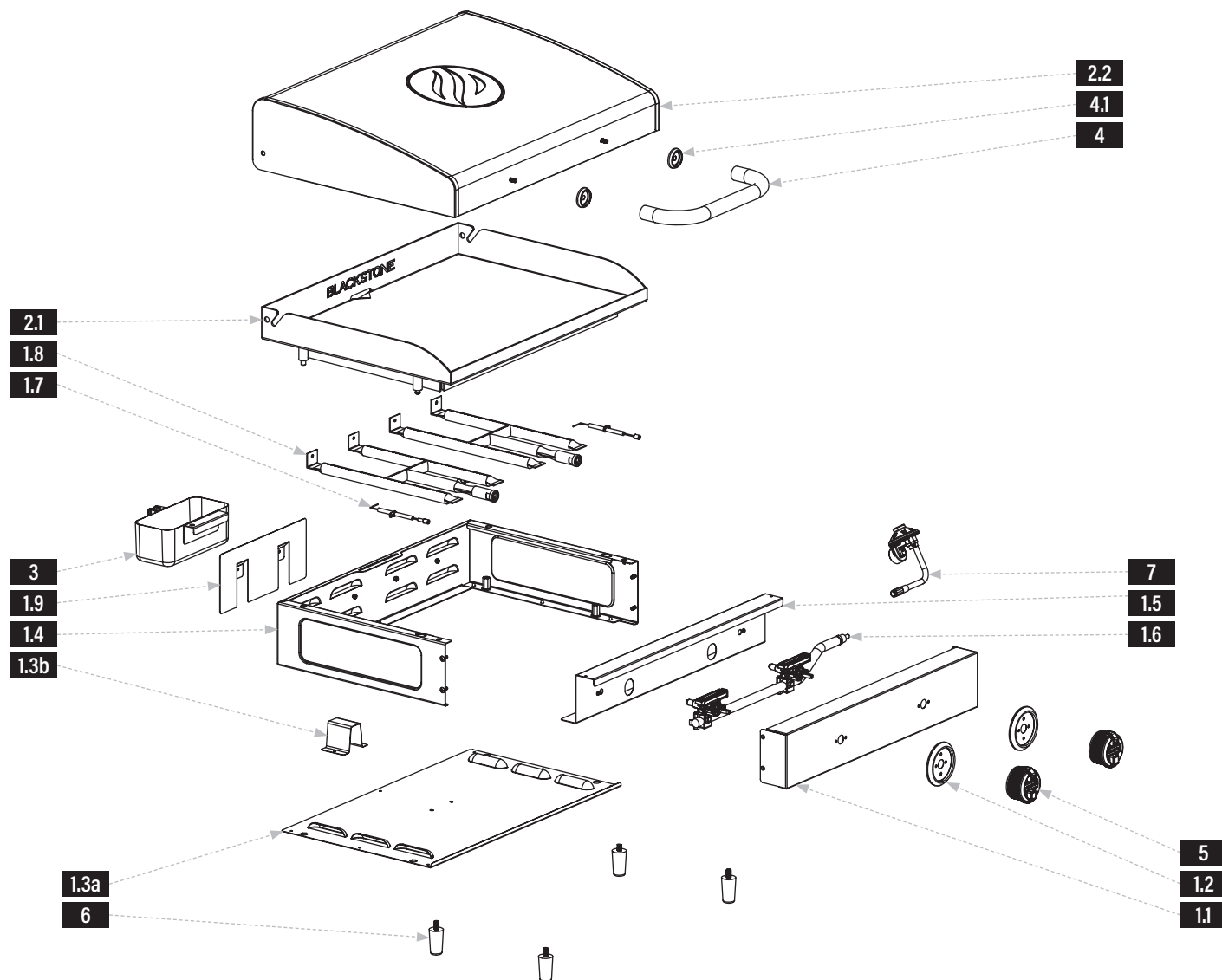
[BlackstoneProducts.com/register](https://BlackstoneProducts.com/register)

North Atlantic Imports, LLC se réserve le droit de changer ou de modifier cette garantie à tout moment.

# GUIDE D'ASSEMBLAGE

## VUE ÉCLATÉE

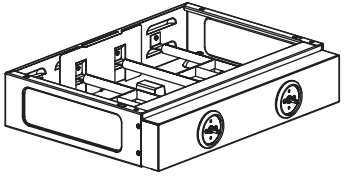
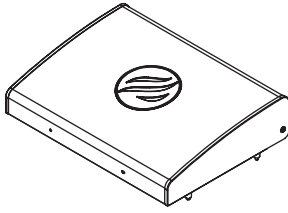
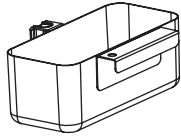




FRANÇAIS



### LISTE DES PIÈCES

PIÈCES	QTÉ	PIÈCES	QTÉ	PIÈCES	QTÉ
<b>1.1</b> Panneau de contrôle	1	<b>1.5</b> Panneau déflecteur avant	1	<b>1.9</b> Bouclier thermique du godet à graisse	1
<b>1.2</b> Enjoliveurs de bouton de commande	2	<b>1.6</b> Rampe de gaz	1	<b>2.1</b> Plaque chauffante	1
<b>1.3a</b> Panneau du bas	1	<b>1.7</b> Aiguilles d'allumage	2	<b>2.2</b> Capot	1
<b>1.3b</b> Chaîne de chapeaux	1	<b>1.8</b> Brûleurs H	2	<b>4.1</b> Cadres de poignée	2
<b>1.4</b> Panneau surround	1				



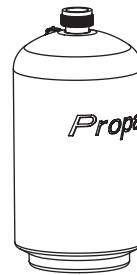
<p><b>1</b> Corps (1 pièce)</p> 	<p><b>2</b> Plaque chauffante et hotte (1 pièce)</p> 	<p><b>3</b> Godet à graisse (1 pièce)</p> 
<p><b>4</b> Poignée de capot (1 pièce)</p> 	<p><b>5</b> Boutons de commande (2 pièces)</p> 	<p><b>6</b> Pieds de plancha (4 pièces)</p>  <p><b>7</b> Régulateur (1 pièce)</p> 

## INSTRUCTIONS DE MONTAGE

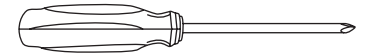
Trouvez une grande surface propre pour assembler votre appareil.  
Retirez tous les matériaux d'emballage avant l'assemblage.

### ⚠ ATTENTION

Bouts pointus. Portez des gants lors de l'assemblage.

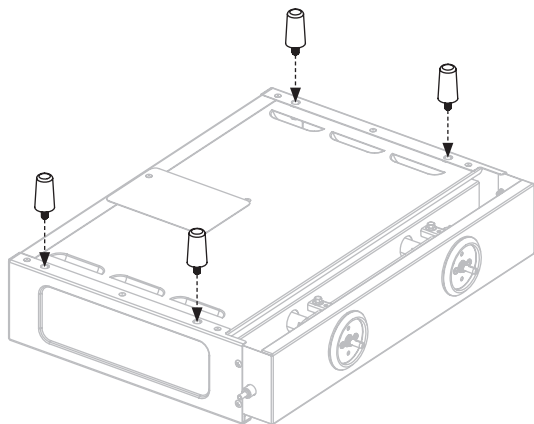


**NON INCLUS:**  
Bouteille GPL  
Taille: 10 x 20 cm (4 x 8 po), 453 g (1 lb)

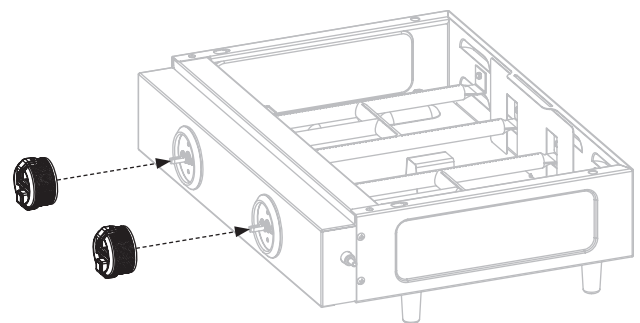


**OUTIL NÉCESSAIRE:**  
Tournevis cruciforme n° 3

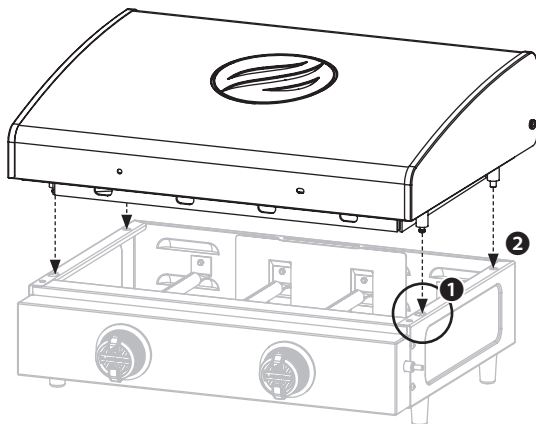
**ÉTAPE 01** Placez le corps de la plaque à l'envers sur une surface lisse et plane. Vissez les quatre (4) pieds de la plaque chauffante dans le bas du corps de la plaque chauffante.



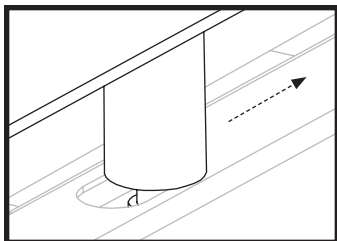
**ÉTAPE 02** Installez les deux (2) boutons de commande en les poussant en place en position OFF.



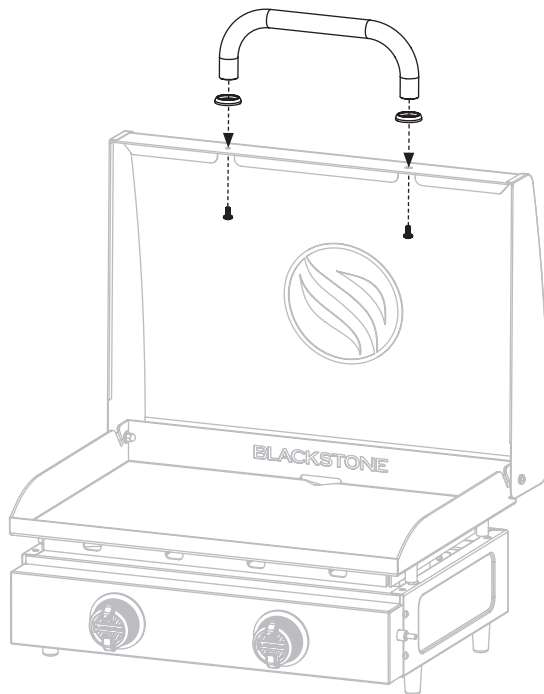
**ÉTAPE 03** Placez le dessus de la plaque chauffante sur le corps de la plaque chauffante en alignant les quatre broches avec les trous du corps.



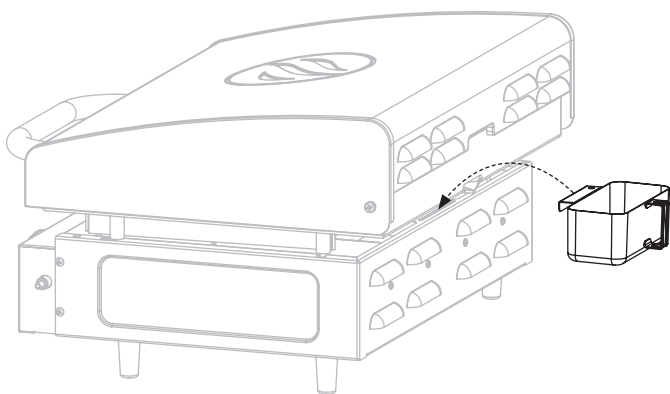
- ❶ Placez les deux goupilles avant dans les trous de verrouillage avant et repoussez le dessus de la plaque chauffante.
- ❷ Ensuite, placez les deux broches arrière dans les trous arrière.



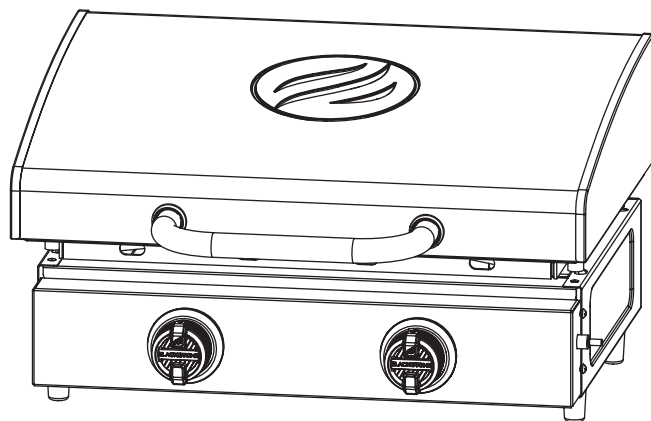
**ÉTAPE 04** Utilisez les deux (2) boulons M6 préinstallés dans la poignée pour fixer la poignée et les lunettes au capot.



**ÉTAPE 05** Accrochez le bac à graisse dans la fente à l'arrière du corps de la plaque chauffante.



**ÉTAPE 06** Passez à **UTILISATION DE VOTRE BLACKSTONE.**



**AVIS**

Placez l'appareil sur une surface résistante à la chaleur et aux flammes pendant son utilisation.

**⚠ ATTENTION**

Appareil chaud. Le couvercle/couvercle/hotte DOIT être ouvert lorsque l'appareil est en cours d'utilisation.



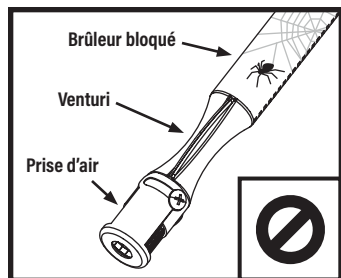
# UTILISATION DE VOTRE BLACKSTONE

## AVANT LA CUISSON

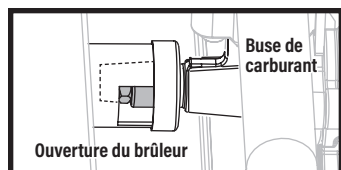
### VÉRIFIER LES BRÛLEURS

Avant le raccordement et l'utilisation, assurez-vous qu'il n'y a pas de débris coincés ou endommagés dans la tête de la bouteille de gaz, le régulateur, le tuyau, le brûleur et les orifices du brûleur.

Les araignées et les insectes peuvent nicher à l'intérieur et obstruer le brûleur/ tube venturi au niveau de l'orifice.



**⚠ AVERTISSEMENT**  
 Un brûleur obstrué peut provoquer un incendie sous l'appareil.  
 Le brûleur doit être retiré et nettoyé chaque fois que des blocages sont détectés.



**⚠** Assurez-vous que l'orifice de la buse de carburant de la rampe de gaz est correctement engagé dans l'ouverture du brûleur.

**LA TEMPÉRATURE AMBIANTE MINIMALE DE FONCTIONNEMENT EST DE 0 °F (-18 °C).**

**⚠ DANGER**  
 Les objets inflammables peuvent brûler s'ils sont placés à proximité de l'appareil.  
 Gardez la zone de l'appareil dégagée et exempte de matériaux combustibles, de bombes aérosols, d'essence et d'autres vapeurs et liquides inflammables.

**⚠ ATTENTION**  
 Si l'appareil est équipé d'un porte-essuie-tout, le bras doit être en position ouverte pendant l'utilisation de l'appareil.

**SI DE LA GRAISSE OU UN AUTRE MATÉRIAU CHAUD S'ÉGOUTTE SUR LA VANNE, LE TUYAU OU LE RÉGULATEUR:**

**ÉTAPE 01** Coupez immédiatement l'alimentation en gaz.

**ÉTAPE 02** Déterminez la cause et corrigez-la.

**ÉTAPE 03** Nettoyez et inspectez la vanne, le tuyau et le régulateur.

**ÉTAPE 04** Effectuez un test de fuite. (Veuillez vous référer aux instructions de test de fuite)

## AMÉNAGEMENT DE VOTRE ESPACE EXTÉRIEUR

**CET APPAREIL NE DOIT ÊTRE UTILISÉ QU'À L'EXTÉRIEUR.**

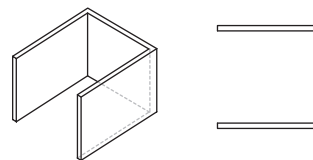
- N'UTILISEZ PAS cet appareil à l'intérieur de bâtiments, de garages ou de tout autre espace clos.
- N'INSTALLEZ PAS cet appareil dans ou sur un bateau.
- N'INSTALLEZ PAS cet appareil dans ou sur un véhicule récréatif.

### ESPACES EXTÉRIEURS ABRITÉS:

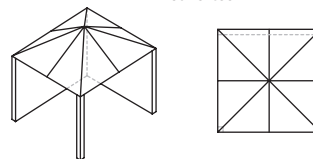
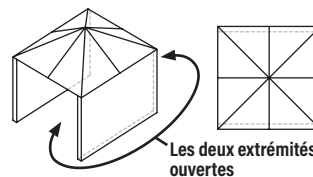
Toutes les ouvertures doivent être ouvertes en permanence ; les portes coulissantes, les portes de garage, les fenêtres ou les ouvertures grillagées ne sont pas considérées comme des ouvertures permanentes.

Un appareil est considéré comme étant à l'extérieur s'il est installé avec un abri ne dépassant pas:

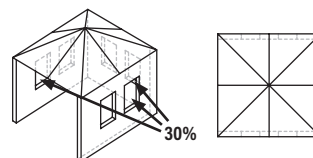
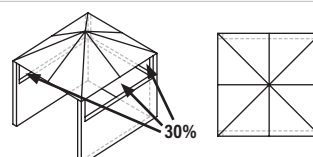
a. Avec des murs sur trois côtés, mais sans couverture aérienne.



b. À l'intérieur d'une enceinte partielle qui comprend un toit supérieur et pas plus de deux parois latérales. Les parois latérales peuvent être parallèles, comme dans un passage couvert, ou à angle droit l'une par rapport à l'autre.

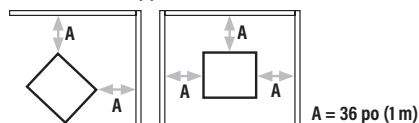


c. À l'intérieur d'une enceinte partielle qui comprend un couvercle supérieur et trois parois latérales, tant que 30% ou plus de la périphérie horizontale de l'enceinte est ouverte en permanence.



### MAINTENIR DES DÉGAGEMENTS APPROPRIÉS PAR RAPPORT AUX MATÉRIELS COMBUSTIBLES :

- N'UTILISEZ PAS cet appareil sur ou sous un balcon ou une terrasse d'appartement ou de copropriété.
- NE PAS obstruer le flux d'air de combustion et de ventilation.
- NE FAITES pas fonctionner cet appareil à moins de 36 po (1 m) des côtés et de l'arrière de l'appareil à une construction combustible.



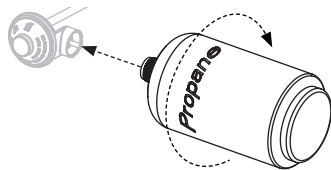
- N'UTILISEZ PAS cet appareil sous une construction combustible suspendue.

FRANÇAIS

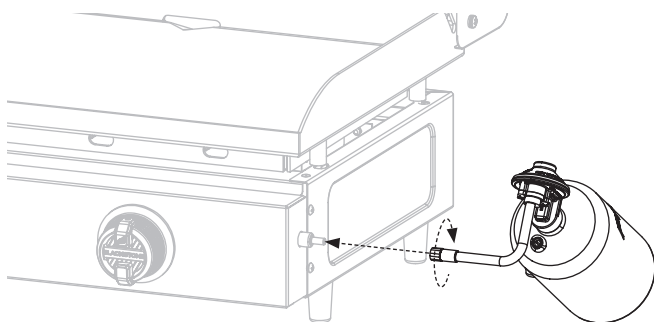
## CONNECTEZ LA BOUTEILLE DE GPL UTILISEZ UNIQUEMENT UNE BOUTEILLE DE 1 LB (453 G)

**ÉTAPE 01** Vissez la bouteille de GPL dans le régulateur de gaz en tournant la bouteille dans le sens des aiguilles d'une montre.

Le régulateur peut émettre un bourdonnement ou un sifflement pendant le fonctionnement. Cela n'affectera pas la sécurité ou l'utilisation de l'appareil.



**ÉTAPE 02** Insérez le régulateur et la bouteille de GPL dans la conduite de gaz de l'appareil. Tournez le collier du régulateur dans le sens des aiguilles d'une montre pour le fixer à la conduite de gaz.



### SÉCURITÉ DES BOUTEILLES DE GPL

- La bouteille d'alimentation en GPL à utiliser doit être construite et marquée conformément aux spécifications pour les bouteilles de GPL, U.S. Department of Transportation (DOT) ou à la norme pour les bouteilles, les sphères et les tubes pour le transport des marchandises dangereuses, CAN/CSA-B339.
- Seules les bouteilles de GPL marquées « propane » doivent être utilisées.
- La bouteille utilisée, si elle dépasse 2,2 lb (1,00 kg) de capacité de propane, doit inclure un collier pour protéger le robinet de la bouteille.
- Le système d'alimentation des bouteilles de GPL doit être conçu pour le prélèvement de vapeur.

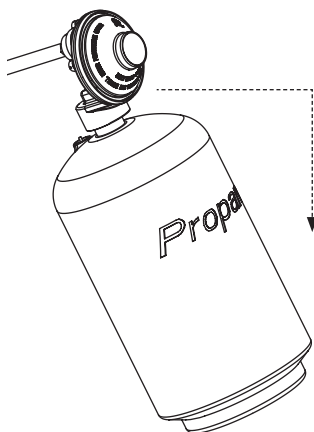
Gardez toujours les nouvelles bouteilles de GPL en position verticale pendant l'utilisation, le transport ou le stockage.

Assurez-vous que la bouteille de GPL est positionnée sous le régulateur. (Si le niveau liquide du propane est au-dessus du régulateur, le régulateur givrera.)

#### SI LE GIVRAGE PERSISTE APRÈS QUE LE CYLINDRE SOIT CORRECTEMENT INCLINÉ :

**ÉTAPE 01** Éteignez l'appareil et débranchez immédiatement la bouteille de GPL. Cela indique un problème avec la bouteille de GPL et elle ne doit être utilisée sur aucun produit.

**ÉTAPE 02** Renvoyez la bouteille de GPL au fournisseur.



### SÉCURITÉ DU DÉTENDEUR

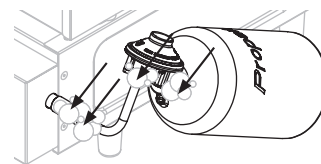
- Utilisez cet appareil, tel qu'il a été acheté, uniquement avec le gaz et l'ensemble régulateur/valve fournis. N'UTILISEZ PAS de raccords à connexion rapide ou d'autres accessoires.
- NE PAS fausser le filetage (forcer à un angle inapproprié) la connexion entre votre bouteille de GPL et le régulateur.
- Si vous ne pouvez pas connecter le régulateur, N'UTILISEZ PAS le régulateur. Le régulateur doit être remplacé par un modèle approuvé par Blackstone par un revendeur professionnel agréé.

### INSTRUCTIONS DE TEST DE FUITE

**ÉTAPE 01** Tournez les boutons de commande sur OFF.

**ÉTAPE 02** Connectez la bouteille de GPL au régulateur. Connectez le régulateur à l'appareil.

**ÉTAPE 03** Utilisez un pinceau propre pour appliquer une solution d'eau et de savon doux 10% sur les joints des vannes et du régulateur. Les fuites sont indiquées par des bulles en croissance.



**ÉTAPE 04** Si des bulles en croissance apparaissent, resserrez les connexions.

#### ⚠ AVERTISSEMENT

Si les fuites ne peuvent pas être arrêtées, N'ESSAYEZ PAS de les réparer.

Le régulateur doit être remplacé par un modèle approuvé par Blackstone par un revendeur professionnel agréé.

### DÉCONNEXION DE LA BOUTEILLE DE GPL 1 LIVRE (453 G)

**ÉTAPE 01** Assurez-vous que le(s) bouton(s) de commande sont sur OFF.

**ÉTAPE 02** Une fois l'appareil refroidi, déconnectez le régulateur de la conduite de gaz en dévissant le collier.

**ÉTAPE 03** Dévissez la bouteille de GPL du régulateur.

**ÉTAPE 04** Placez le capuchon anti-poussière sur la sortie du robinet de la bouteille de GPL chaque fois que la bouteille n'est pas utilisée.

N'installez que le type de capuchon anti-poussière sur la sortie du robinet de bouteille qui est fourni avec le robinet de bouteille. D'autres types de bouchons ou de bouchons peuvent entraîner des fuites de propane.

### STOCKAGE DES BOUTEILLES DE GPL

#### ⚠ AVERTISSEMENT

- Ne stockez pas de bouteille de GPL de rechange sous, à proximité ou dans cet appareil.
  - Ne remplissez pas une bouteille de GPL à plus de 80%.
- Si les informations ci-dessus ne sont pas suivies à la lettre, un incendie causant la mort ou des blessures graves peut se produire.

- La bouteille de GPL doit être déconnectée lorsque l'appareil n'est pas utilisé.
- Ne rangez l'appareil à l'intérieur que si la bouteille de GPL est débranchée et retirée de l'appareil.



# INSTRUCTIONS D'ALLUMAGE

## 1. CLAPETS ANTI-RETOUR

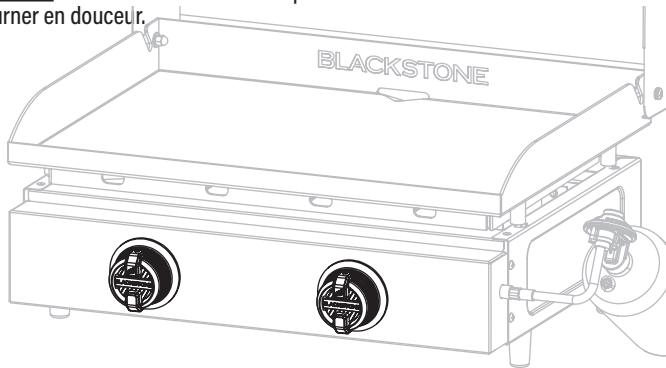
⚠ Assurez-vous que le gaz est coupé au niveau du robinet d'arrêt d'alimentation avant de vérifier les vannes de l'appareil.

**ÉTAPE 01** Tournez tous les boutons en position ❶ d'arrêt.

**ÉTAPE 02** Appuyez sur le bouton et relâchez. Le bouton devrait revenir en arrière.

Si les boutons ne reviennent pas, remplacez l'assemblage de la valve avant d'utiliser l'appareil.

**ÉTAPE 03** Tournez le bouton sur LOW puis remettez-le sur OFF. Le bouton doit tourner en douceur.



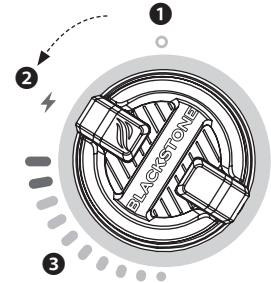
## 2. ALLUMAGE PIÉZO-ÉLECTRIQUE DE LA PLAQUE CHAUFFANTE

⚠ Ne vous penchez pas sur l'appareil pendant l'allumage.

❶ Appuyez sur le bouton de commande pour démarrer l'écoulement du gaz.

❷ Tournez le bouton de commande dans le sens antihoraire pour activer le démarreur.

❸ Réglez la température au niveau souhaité.

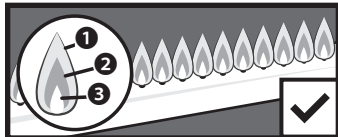


## 3. VÉRIFIEZ TOUJOURS LA FLAMME DU BRÛLEUR AVANT UTILISATION.

**ÉTAPE 01** Allumez les brûleurs et tournez les boutons de HAUT à BAS.

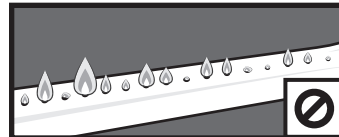
**ÉTAPE 02** Regardez sous la surface de cuisson pour voir les brûleurs. Lorsque le bouton est sur HIGH, les flammes doivent être plus grandes que lorsque le bouton est sur LOW.

### MODÈLE DE FLAMME SAIN



- ❶ Scintillements de couleur jaune.
- ❷ Couleur bleu foncé. ❸ Bleu vif.

### JAUNE OU IRRÉGULIER



En cas de chute soudaine ou de problème de flamme faible, veuillez vous référer au chapitre Dépannage.

### ⚠ AVERTISSEMENT

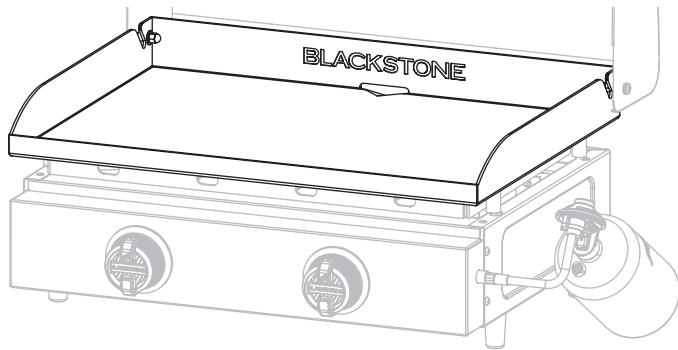
Si le brûleur ne s'allume pas avec la vanne d'alimentation en gaz ouverte, le gaz continuera à s'écouler du brûleur et pourrait s'enflammer accidentellement/par inadvertance avec un risque de blessure.

**Si l'allumage ne se produit pas dans les 5 secondes:**

1. Éteignez le bouton de commande du brûleur.
2. Attends 5 minutes.
3. Répétez la procédure d'éclairage.

Si le brûleur ne s'allume pas, veuillez vous référer au chapitre Dépannage.

# INSTRUCTIONS D'ASSAISONNEMENT POUR PLAQUE CHAUFFANTE



FRANÇAIS

## LAVER LE DESSUS DE VOTRE PLANCHA AVANT LA PREMIÈRE UTILISATION

### AVIS

Le savon ruinerait une plaque chauffante assaisonnée. C'est la seule fois où vous devez utiliser du savon sur la surface de cuisson de la plaque chauffante.

**ÉTAPE 01** Lavez la surface de cuisson de la plaque chauffante avec de l'eau chaude savonneuse.

**ÉTAPE 02** Rincez et séchez complètement.

## ASSAISONNER VOTRE PLANCHA



### DIDACTICIEL VIDÉO

Comment assaisonner une nouvelle plaque chauffante Blackstone  
[youtube.com/watch?v=VspmDVnj2pl&t=3s](https://www.youtube.com/watch?v=VspmDVnj2pl&t=3s)

**ÉTAPE 01** Essuyez tous les débris du dessus de la plaque chauffante.



**ÉTAPE 02** Réglez votre plaque chauffante à feu vif jusqu'à ce que le dessus de votre plaque chauffante change de couleur. (~10 minutes)



**ÉTAPE 03** Utilisez des pinces pour tenir une serviette en papier ou un chiffon en coton et étalez 2 à 3 cuillères à soupe de votre huile d'assaisonnement sur tout le dessus de la plaque chauffante.

Lorsque vous assaisonnez le dessus de votre plaque chauffante, n'oubliez pas d'utiliser une couche d'huile fine et uniforme - plus la couche d'huile est fine, plus il sera facile de la brûler.



**ÉTAPE 04** Le dessus de la plaque chauffante est prêt pour une autre couche d'huile lorsqu'il cesse de fumer. Répétez **L'ÉTAPE 03** 3 à 4 fois ou jusqu'à ce que la surface de la plaque chauffante soit noire.



### AVIS

Ne rangez aucun objet à moins de 8 cm (3 po) du dessus de la plaque chauffante pendant son utilisation.

### QUELLE HUILE EST PRÉFÉRABLE D'UTILISER?

- Blackstone Seasoning and Cast Iron Conditioner.
- Toute huile de cuisson à base de plantes.
- Graisse animale fondue sans additifs.



### ⚠ ATTENTION

Jetez correctement les chiffons/serviettes utilisés pour répandre l'huile sur votre plaque chauffante afin d'éviter les incendies qui pourraient survenir en raison d'une combustion spontanée.

Dans de bonnes conditions, l'huile résiduelle sur les chiffons ou les serviettes peut s'oxyder longtemps après avoir été retirée d'une source de chaleur. Le processus d'oxydation lui-même produit de la chaleur qui, si elle n'est pas dissipée, peut s'accumuler et provoquer l'inflammation des chiffons/serviettes et des matériaux environnants.

## DÉPANNAGE DE L'ASSAISONNEMENT

### IL Y A UN RÉSIDU BRUNÂTRE SUR LA SURFACE DE LA PLAQUE CHAUFFANTE:

#### CAUSES POSSIBLES

- Trop d'huile a été utilisée.
- Vous avez éteint le chauffage trop tôt.

#### LA SOLUTION

**ÉTAPE 01** Allumez votre plaque chauffante à feu vif et laissez-la chauffer pendant 10 à 15 minutes.

**ÉTAPE 02** Grattez autant que possible l'huile épaissie et partiellement cuite.

**ÉTAPE 03** Réassaisonnez avec une très fine couche d'huile.

### LES BORDS DE LA SURFACE DE LA PLAQUE CHAUFFANTE NE SONT PAS NOIRS:

Après avoir utilisé votre plaque chauffante pour plusieurs cuisiniers, l'assaisonnement s'uniformisera et s'améliorera.

## PRÉVENTION DE LA ROUILLE

Utilisez fréquemment votre plancha. Chaque fois que vous cuisinez, vous ajoutez de l'assaisonnement, ce qui rend la rouille moins probable.

### AVIS

Si vous vivez dans un climat humide ou côtier, votre plancha peut nécessiter des assaisonnements plus fréquents entre les utilisations.

Si de la rouille apparaît sur la surface de la plaque chauffante, frottez-la avec de la laine d'acier, du papier de verre à faible grain ou la **Blackstone Pumice Stone** et ré-assaisonnez la surface.



### DIDACTICIEL VIDÉO

Récupération de votre plaque chauffante Blackstone  
[youtube.com/watch?v=thPE2IgnSil](https://www.youtube.com/watch?v=thPE2IgnSil)



## CUISINER SUR VOTRE BLACKSTONE

### ⚠ ATTENTION

Cet appareil sera chaud pendant et après son utilisation. Utilisez des ustensiles à long manche et des gants de cuisine/de protection lorsque vous manipulez des pièces potentiellement chaudes, y compris les poignées proches du corps de l'appareil, pour vous protéger contre les brûlures et les éclaboussures.

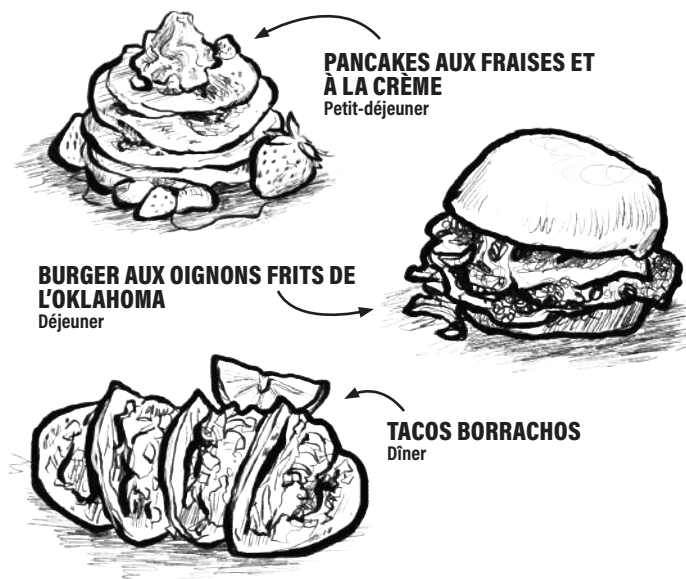
### RECETTES VIDÉO

Trouvez des recettes et des conseils de cuisine sur:

[BlackstoneProducts.com/recipes](https://www.blackstoneproducts.com/recipes)

[youtube.com/BlackstoneGriddles](https://www.youtube.com/BlackstoneGriddles)

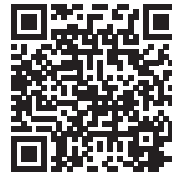
[f](https://www.facebook.com/blackstoneproducts) [p](https://www.pinterest.com/blackstoneproducts) [@blackstoneproducts](https://www.instagram.com/blackstoneproducts)



### NETTOYER LE DESSUS DE VOTRE PLANCHA

Nettoyez le dessus de la plaque chauffante après chaque utilisation, pendant qu'il est encore chaud.

- N'UTILISEZ PAS de savon sur le dessus de la plaque chauffante. Cela détruira l'assaisonnement de la plaque chauffante.



#### DIDACTICIEL VIDÉO

Comment nettoyer votre plaque chauffante Blackstone  
[youtube.com/watch?v=-ledu9z6NPY](https://www.youtube.com/watch?v=-ledu9z6NPY)

**ÉTAPE 01** Poussez les débris alimentaires dans le bac à graisse avec une spatule ou un grattoir métallique droit.



**ÉTAPE 02** Essuyez le dessus de la plaque chauffante avec une serviette en papier.



**ÉTAPE 03** Appliquez quelques cuillères à soupe d'eau sur la surface de la plaque chauffante, puis raclez l'eau et les débris dans le bac à graisse. (Pour les résidus alimentaires collés, utilisez un peu de gros sel.)



**ÉTAPE 04** Essuyez à nouveau avec une serviette en papier et séchez complètement.



**ÉTAPE 05** Appliquez une fine couche d'huile de cuisson pour maintenir l'assaisonnement et protéger le dessus de la plaque chauffante.



### VIDEZ VOTRE GODET À GRAISSE

Le bac à graisse doit être retiré et vidé après chaque utilisation.

### ⚠ ATTENTION

Le bac à graisse sera chaud pendant et après l'utilisation. Ne retirez pas le bac à graisse tant que la plaque chauffante n'est pas complètement refroidie.

## ENTRETIEN ET MAINTENANCE

### ⚠️ AVERTISSEMENT

L'accumulation de graisse peut provoquer un incendie. Nettoyez toute partie de l'appareil qui devient chaude et qui subit une accumulation de graisse après chaque utilisation.

### ⚠️ ATTENTION

Tout le nettoyage et l'entretien doivent être effectués lorsque l'appareil est froid et que tout est éteint.

- N'UTILISEZ PAS de tampon abrasif sur les zones comportant des graphiques.
- Si une brosse à poils est utilisée pour nettoyer l'une des surfaces de cuisson, assurez-vous qu'aucun poil lâche ne reste sur les surfaces de cuisson avant la cuisson.

### CORPS DE L'APPAREIL:

Laver à l'eau tiède savonneuse et essuyer immédiatement avec un chiffon non abrasif. (Ne laissez pas les agents de nettoyage reposer sur une surface poreuse pendant une période prolongée.)

### AVIS

N'UTILISEZ PAS de Citrisol, de nettoyants abrasifs ou de nettoyant concentré sur l'appareil. Cela peut entraîner des dommages et une défaillance des pièces.

## STOCKAGE D'APPAREILS

### ⚠️ AVERTISSEMENT

Ne déplacez pas l'appareil pendant son utilisation. Laissez l'appareil refroidir à 115°F (45°C) avant de le déplacer ou de le ranger.

Le stockage d'un appareil à l'intérieur n'est autorisé que si l'alimentation en gaz est coupée et retirée de l'appareil.

### GUIDE D'AJUSTEMENT DE COUVERTURE

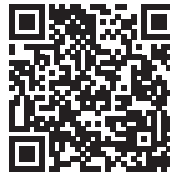
Couvrez toujours votre appareil lorsqu'il est rangé à l'extérieur.



Pour trouver une housse adaptée à votre appareil, visitez [BlackstoneProducts.com/support](https://BlackstoneProducts.com/support).

## NETTOYAGE DE L'ENSEMBLE BRÛLEUR

Pour réduire les risques de « retour de flamme », la procédure ci-dessous doit être suivie au moins une fois par mois lorsque les araignées sont les plus actives ou lorsque votre appareil n'a pas été utilisé pendant une période de temps.



### DIDACTICIEL VIDÉO

Comment nettoyer votre tube de brûleur  
 ▶ [youtube.com/watch?v=xKQTCrFCzf8](https://youtube.com/watch?v=xKQTCrFCzf8)

**ÉTAPE 01** Assurez-vous que le gaz est éteint au niveau des boutons de commande et de l'alimentation en gaz. Retirez le dessus de la plaque chauffante.

**ÉTAPE 02** Détachez et retirez soigneusement le brûleur.



**ÉTAPE 03** Nettoyez l'intérieur du brûleur:

- Passez une brosse à bouteille (pas une brosse métallique) ou un fil rigide plié en un petit crochet à travers chaque tube de brûleur plusieurs fois.
- Utilisez de l'air comprimé pour souffler à travers le tube du brûleur et les orifices du brûleur (portez des lunettes de protection).



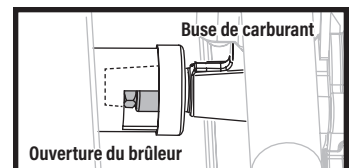
**ÉTAPE 04** Brossez toute la surface extérieure du brûleur pour enlever la saleté.



**ÉTAPE 05** Nettoyez tous les ports bloqués avec un fil rigide tel qu'un trombone ouvert.



**ÉTAPE 06** Remplacez soigneusement les brûleurs et rattachés-les, en faisant attention à l'emplacement de l'aiguille d'allumage.



⚠️ La buse de carburant de la rampe de gaz doit être réengagée dans l'ouverture du brûleur.



# DÉPANNAGE

## DÉPANNAGE D'ALLUMAGE

### LE BRÛLEUR NE S'ALLUME PAS:

Si l'allumage ne se produit pas dans les 5 secondes:

**ÉTAPE 01** Éteignez le bouton de commande du brûleur.

**ÉTAPE 02** Attendez 5 minutes.

**ÉTAPE 03** Répétez la procédure d'allumage.

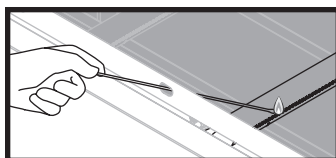
Si cela ne fonctionne pas, pour en déterminer la cause, essayez d'allumer votre appareil avec une allumette.

### INSTRUCTIONS D'ALLUMAGE DES ALLUMETTES

Avant de commencer, vérifiez les fuites de gaz. Ouvrez le capot (le cas échéant).

**ÉTAPE 01** Tourner le bouton de commande en position OFF.

**ÉTAPE 02** Allumez une allumette (ou un long briquet) d'au moins 11 pouces de long.

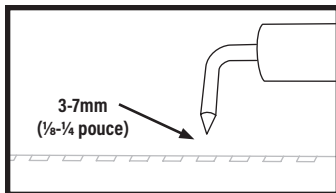


**ÉTAPE 03** Placez la flamme sur le côté droit ou gauche du brûleur.

**ÉTAPE 04** Poussez et tournez le bouton de commande pour faire couler le gaz. Assurez-vous que le brûleur s'allume et reste allumé.

### SI VOUS POUVEZ ALLUMER VOTRE APPAREIL AVEC UNE ALLUMETTE:

CAUSES POSSIBLES	LA SOLUTION
Fil d'allumage mal aligné.	Assurez-vous que l'aiguille de l'allumeur est positionnée à 3-7 mm (1/8-1/4 pouce) du brûleur et alignée avec les trous du brûleur.
Dommages au système d'allumage.	Contactez le service client pour les pièces de rechange.



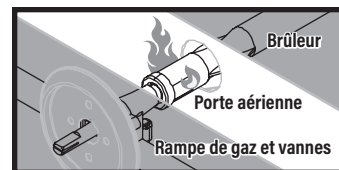
## DÉPANNAGE DU DÉBIT DE GAZ

### L'APPAREIL N'ATTEINDRA PAS UNE CHALEUR ÉLEVÉE OU CHAUFFERA DE MANIÈRE INÉGALE :

- Les flammes du brûleur sont jaunes ou irrégulières.
- Les flammes du brûleur commencent à être fortes, puis chutent immédiatement au niveau bas même lorsque le brûleur est réglé en position haute.
- La hauteur de la flamme diminue lorsqu'un deuxième brûleur est allumé.
- Les flammes ne s'étendent pas sur toute la longueur du brûleur ou ne circulent que d'un côté du brûleur.
- Les flammes du brûleur sont irrégulières.

CAUSES POSSIBLES	LA SOLUTION
Obstructions dans le brûleur, les jets de gaz ou la rampe de carburant.	Nettoyez le brûleur, les jets et le tuyau de gaz.
La bouteille de gaz est vide ou presque vide.	Remplissez ou remplacez la bouteille de gaz.
Le limiteur de débit du régulateur s'est déclenché.	Réinitialisez le système de sécurité: <b>ÉTAPE 01</b> Éteignez l'appareil, fermez le robinet de la bouteille de gaz et débranchez le régulateur de la bouteille de gaz. <b>ÉTAPE 02</b> Attendez cinq minutes pour permettre à la pression de se dissiper, puis rebranchez le régulateur à la bouteille de gaz et ouvrez lentement le volant de la bouteille de gaz d'un à trois tours. <b>ÉTAPE 03</b> Allumez votre appareil.
Détendeur bloqué en position de sécurité.	Contactez le service client pour les pièces de rechange.

- Une flamme sort de la grille d'aération.



CAUSES POSSIBLES	LA SOLUTION
Quelque chose bloque le venturi dans le tube du brûleur.	Nettoyez l'ensemble du brûleur pour éliminer l'obstruction.

### SI VOUS NE PARVEZ PAS À ALLUMER VOTRE APPAREIL AVEC UNE ALLUMETTE:

CAUSES POSSIBLES	LA SOLUTION
Les tubes de brûleur ne reçoivent pas de combustible.	Nettoyez l'ensemble du brûleur pour éliminer l'obstruction.

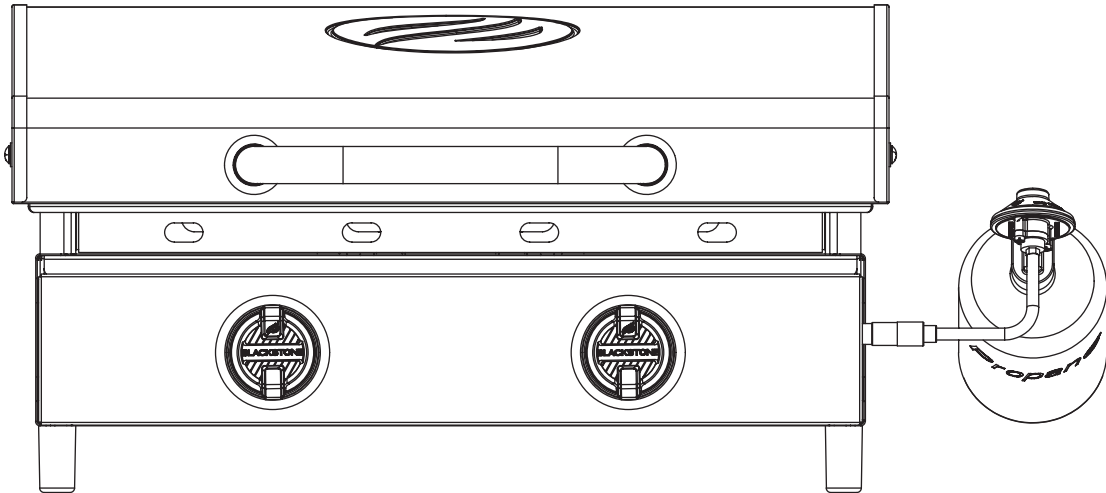
Cette page a été intentionnellement laissée vierge



Cette page a été intentionnellement laissée vierge



Ce produit peut être couvert par un ou plusieurs brevets américains et/ou internationaux délivrés et peut inclure des demandes de brevet en instance. Pour plus d'informations, rendez-vous sur: [BlackstoneProducts.com/patents](https://BlackstoneProducts.com/patents)



MANUAL DEL PROPIETARIO

# PLANCHA DE 22" CON CAMPANA

### TABLA DE CONTENIDO

INFORMACION DE SEGURIDAD IMPORTANTE .....	02
ATENCIÓN AL CLIENTE .....	03
GUÍA DE MONTAJE .....	04
USANDO SU BLACKSTONE .....	07
SOLUCIÓN DE PROBLEMAS .....	13



Última versión del manual:  
[BlackstoneProducts.com/support](https://BlackstoneProducts.com/support)

### IMPORTANTE:

Este manual de instrucciones contiene información importante necesaria para el correcto montaje y uso seguro del aparato.

Lea y siga todas las advertencias e instrucciones antes de ensamblar y usar el aparato.

Siga todas las advertencias e instrucciones cuando utilice el aparato.

Guarde este manual para referencia futura.

Instalador/Ensamblador: Deje estas instrucciones con el consumidor.

### CLAVE DE ALERTA DE SEGURIDAD

#### ⚠ PELIGRO

Indica una situación peligrosa que, si NO SE evita, provocará la muerte o lesiones graves.

#### ⚠ ATENCIÓN

Indica una situación peligrosa que, si NO SE evita, podría provocar lesiones leves o moderadas.

#### ⚠ ADVERTENCIA

Indica una situación peligrosa que, si NO SE evita, podría provocar la muerte o lesiones graves.

#### AVISO

Indica información que se considera importante, pero no relacionada con peligros (por ejemplo, mensajes relacionados con daños a la propiedad).

# INFORMACION DE SEGURIDAD IMPORTANTE

## ⚠ PELIGRO

Si huele a gas:

- Cierre el suministro de gas al aparato.
- Apague cualquier llama abierta.
- Abra el capó (si corresponde).
- Si el olor continúa, manténgase alejado del aparato y llame inmediatamente a su proveedor de gas o al departamento de bomberos.

El incumplimiento de estas instrucciones podría provocar incendios o daños a la propiedad, lesiones personales o la muerte.

## ⚠ PELIGRO

- **NUNCA** opere este aparato sin supervisión.
- Si ocurriera un incendio, manténgase alejado del aparato y llame inmediatamente a los bomberos. **NO INTENTE** extinguir un incendio de aceite o grasa con agua.
- **NUNCA** opere este aparato a menos de 25 pies (7,5 m) de cualquier líquido inflamable.

El incumplimiento de estas instrucciones podría provocar incendios o daños a la propiedad, lesiones personales o la muerte.

## ⚠ ADVERTENCIA

- **No almacene ni use gasolina u otros líquidos o vapores inflamables cerca de este o cualquier otro aparato.**
- **Un cilindro de GLP que no esté conectado para su uso no debe almacenarse cerca de este ni de ningún otro aparato.**

## SEGURIDAD DE LOS APARATOS DE GAS

- El uso de alcohol, medicamentos recetados o de venta libre puede afectar la capacidad del consumidor para ensamblar correctamente u operar de manera segura el electrodoméstico.
- Mantenga a los niños y las mascotas alejados del aparato en todo momento.
- Tenga a mano un extintor de incendios tipo BC o ABC.

### NO LO USE PARA FINES DISTINTOS A LOS PREVISTOS.

- Sólo para uso doméstico en exteriores, no para uso comercial.
- **NO UTILICE** este aparato como calentador.

## ⚠ ADVERTENCIA

La instalación, el uso, el ajuste, la alteración, el servicio, la modificación o el mantenimiento inadecuados pueden causar lesiones o daños a la propiedad. Consulte este manual.

### LA INSTALACIÓN DEBE CUMPLIR CON LOS CÓDIGOS LOCALES.

En ausencia de códigos locales, la instalación debe cumplir con ANSI Z223.1/NFPA 54, CSA B149.1 o CSA B149.2.

ESPAÑOL



# ATENCIÓN AL CLIENTE

## CONTACTA CON NOSOTROS

Visítenos en línea en [BlackstoneProducts.com/support](https://BlackstoneProducts.com/support) para obtener ayuda sobre el uso del aparato, las piezas de repuesto o la garantía.

### HORARIO DE ATENCIÓN AL CLIENTE:

 Lunes Viernes  
7:00 am a 5:00 pm (Hora de la mañana)

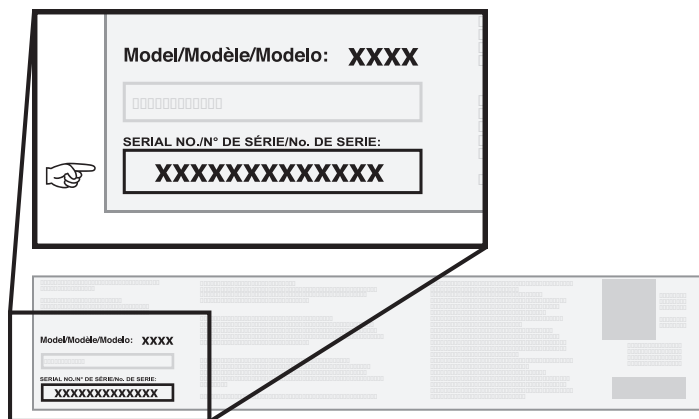
Comuníquese con nosotros antes de devolver este electrodoméstico a su distribuidor.

## UBICACIÓN DEL NÚMERO DE SERIE

Para habilitar su garantía, deberá proporcionar el número de serie de su electrodoméstico.

El número de serie se puede encontrar en la etiqueta del fabricante de su electrodoméstico.

(La etiqueta del fabricante es una etiqueta plateada grande que se encuentra en el cuerpo de su electrodoméstico).



## GARANTÍA DE UN AÑO

North Atlantic Imports, LLC garantiza este producto contra defectos de materiales y mano de obra por un período de un (1) año a partir de la fecha original de compra en condiciones de uso normal. En la medida en que se produzcan dichos defectos, North Atlantic Imports, LLC., a su discreción, proporcionará las piezas de repuesto adecuadas sin coste alguno.

En ningún caso North Atlantic Imports, LLC será responsable de los daños consecuentes, indirectos o incidentales que resulten de la instalación, el uso o la falla del producto.

Esta garantía NO cubre:

- Costos de inspección o mano de obra para el reemplazo de cualquier pieza defectuosa;
- Defectos cosméticos que no afectan el rendimiento o la integridad del producto;
- Uso y desgaste normal;
- Daños por vandalismo; actos de la naturaleza, incluidos, entre otros, viento, tormentas, granizo, inundaciones;
- Montaje, instalación o uso inadecuado;
- Decoloración o decoloración del acabado como resultado de la exposición a productos químicos, derrames, piscina o agua salada;
- Corrosión/óxido.

Este producto ha sido diseñado para brindar seguridad y calidad. Cualquier modificación realizada al producto original podría comprometer su integridad estructural o su función y podría provocar fallas en el producto o lesiones personales. Como tal, modificar este producto anula todas las garantías.

Este producto es SOLO PARA USO RESIDENCIAL y no para fines comerciales, contractuales ni otros fines no residenciales. North Atlantic Imports, LLC renuncia a todas las demás representaciones y garantías de cualquier tipo, expresas o implícitas.

La garantía se aplica al comprador original y no es transferible. NO SE aplica a accesorios o piezas que NO SE suministran con el producto, a compras de modelos de exhibición ni a productos que se venden en liquidación o "tal cual". Sin embargo, es posible que tenga otros derechos legales específicos según las leyes de su estado o país de residencia específico.

Para activar su garantía, registre su producto en

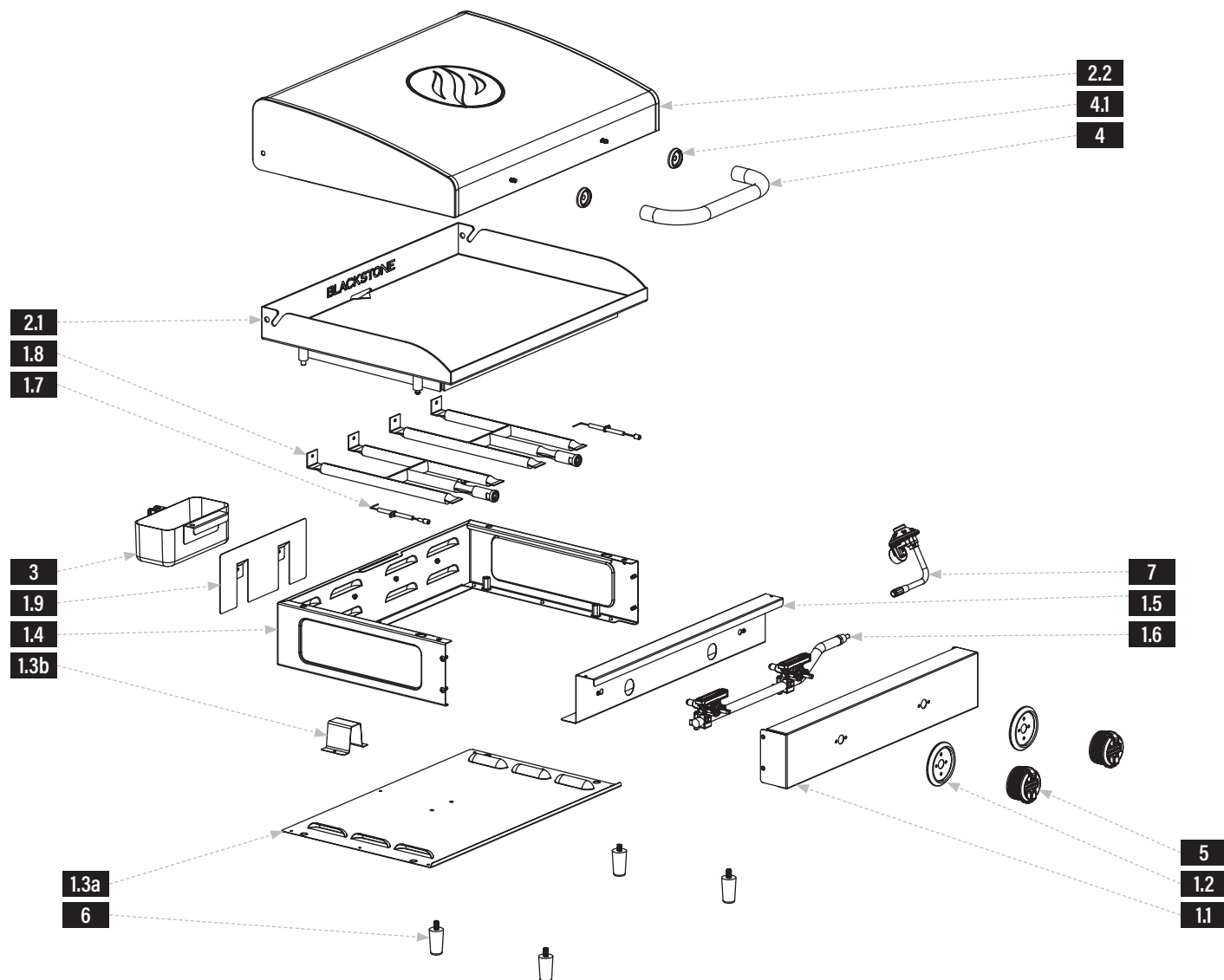
[BlackstoneProducts.com/register](https://BlackstoneProducts.com/register)

North Atlantic Imports, LLC se reserva el derecho de cambiar o modificar esta garantía en cualquier momento.

ESPAÑOL

# GUÍA DE MONTAJE

## VISTA EN DESPIECE ORDENADO

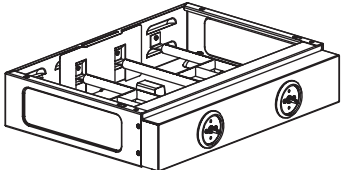
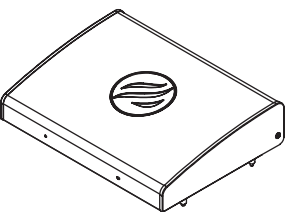
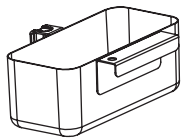






### LISTA DE PARTES

PIEZAS	CTD	PIEZAS	CTD	PIEZAS	CTD	PIEZAS	CTD
1.1	1	1.3b	1	1.7	2	2.1	1
1.2	2	1.4	1	1.8	2	2.2	1
1.3a	1	1.5	1	1.9	1	4.1	2
		1.6	1				

ESPAÑOL



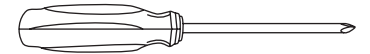
<p><b>1</b> Cuerpo (1 pieza)</p> 	<p><b>2</b> Plancha superior y capota (1 pieza)</p> 	<p><b>3</b> Taza de grasa (1 pieza)</p> 	
<p><b>4</b> Asa de capota (1 pieza)</p> 	<p><b>5</b> Perillas de control (2 piezas)</p> 	<p><b>6</b> Pies de plancha (4 piezas)</p> 	<p><b>7</b> Regulador (1 pieza)</p> 

## INSTRUCCIONES DE MONTAJE

Encuentre un área grande y limpia para ensamblar su electrodoméstico.  
Retire todo el material de embalaje antes de ensamblar.

### ⚠ ATENCIÓN

Bordes afilados. Use guantes durante el montaje.



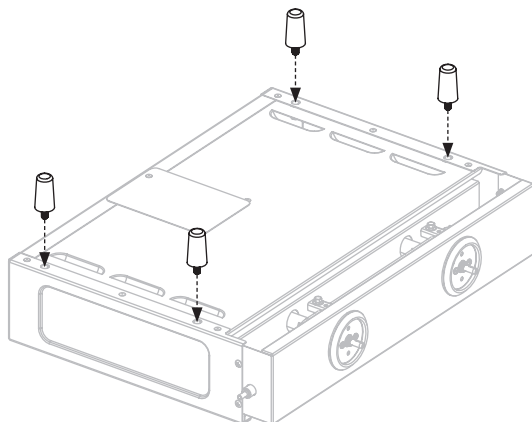
#### NO INCLUIDO:

Cilindro de GLP  
Tamaño: 3,8 x 7,8 pulgadas, 1 libra (453 g)

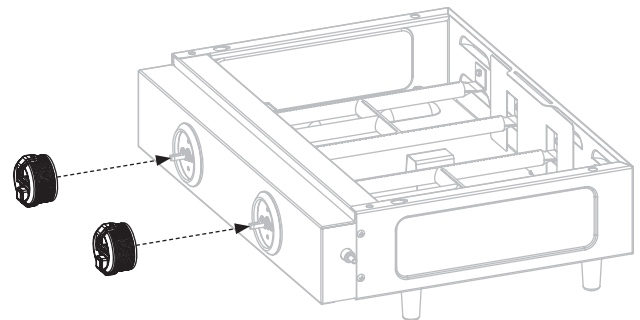
#### HERRAMIENTA NECESARIA:

Destornillador de cabeza Phillips n.º 3

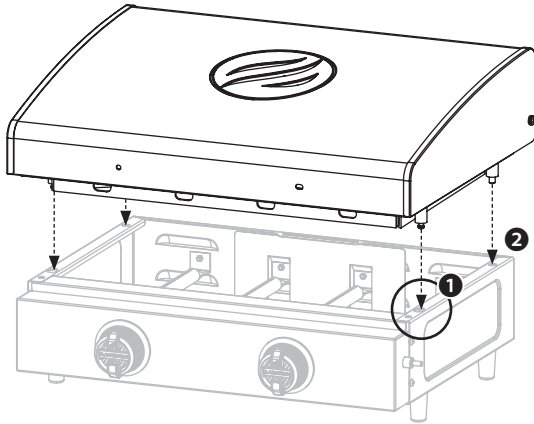
**PASO 01** Coloque el cuerpo de la plancha boca abajo sobre una superficie lisa y plana. Atornille las cuatro (4) patas de la plancha en la parte inferior del cuerpo de la plancha.



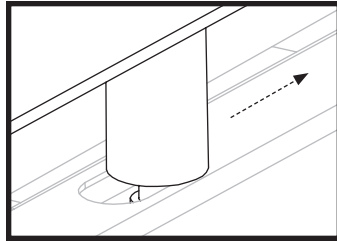
**PASO 02** Instale las dos (2) perillas de control empujándolas hacia su lugar en la posición APAGADO.



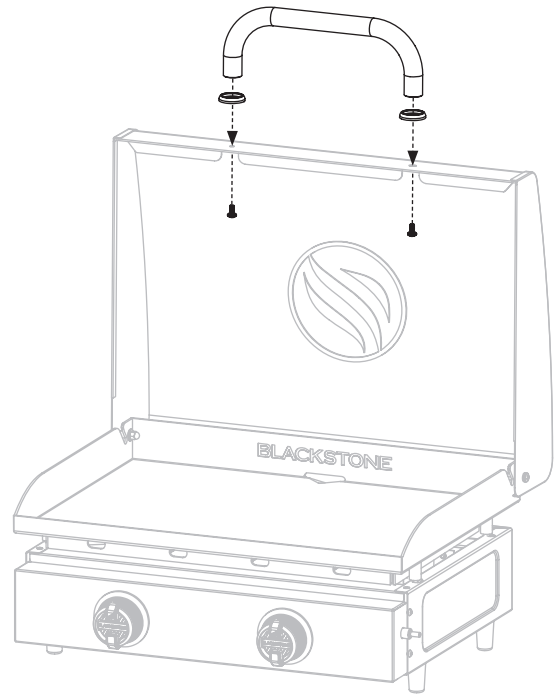
**PASO 03** Coloque la parte superior de la plancha sobre el cuerpo de la plancha alineando los cuatro pasadores con los orificios del cuerpo.



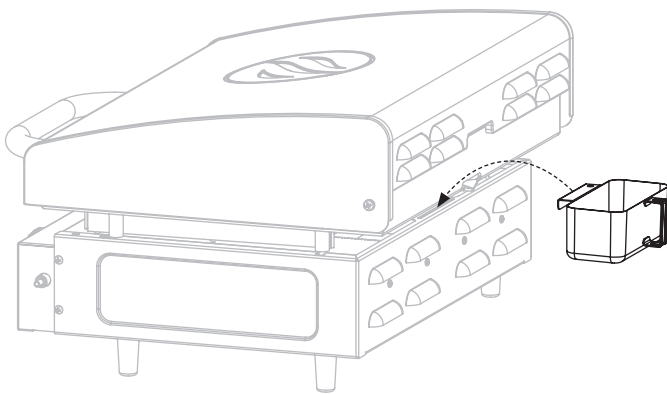
- ❶ Coloque los dos pasadores delanteros en los orificios de bloqueo delanteros y empuje la parte superior de la parrilla hacia atrás.
- ❷ Luego, coloque los dos pasadores traseros en los orificios traseros.



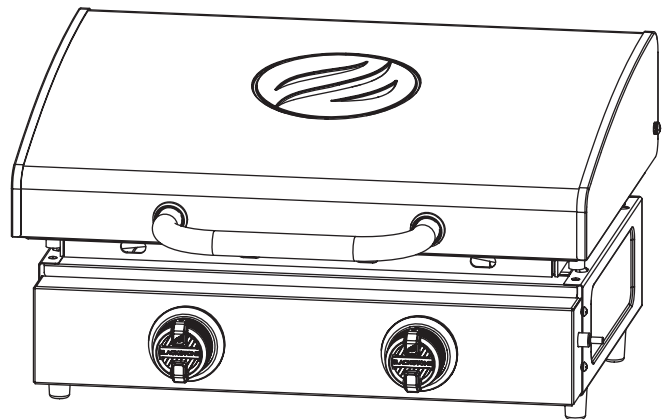
**PASO 04** Utilice los dos (2) pernos M6 preinstalados en la manija para fijar la manija y los bisales al capó.



**PASO 05** Cuelgue el recipiente para grasa en la ranura en la parte posterior del cuerpo de la plancha.



**PASO 06** Continúe con **USANDO SU BLACKSTONE.**



**AVISO**

Coloque el aparato sobre una superficie resistente al calor y a las llamas mientras esté en uso.

**⚠ ATENCIÓN**

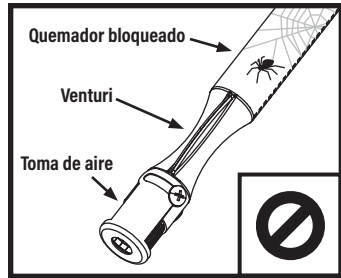
Aparato caliente. La cubierta/tapa/capota DEBE estar abierta cuando el aparato esté en uso.

# USANDO SU BLACKSTONE

## ANTES DE COCINAR COMPROBAR QUEMADORES

Antes de la conexión y el uso, asegúrese de que no haya residuos atrapados ni daños en la cabeza del cilindro de gas, el regulador, la manguera, el quemador y los puertos del quemador.

Las arañas y los insectos pueden anidar dentro y obstruir el quemador/tubo venturi en el orificio.



**⚠ ADVERTENCIA**  
Un quemador obstruido puede provocar un incendio debajo del aparato. El quemador debe retirarse y limpiarse cada vez que se encuentren obstrucciones.



**⚠** Asegúrese de que el orificio de la boquilla de combustible del riel de gas esté correctamente enganchado dentro de la abertura del quemador.

**LA TEMPERATURA AMBIENTE MÍNIMA DE FUNCIONAMIENTO ES DE 0 °F (-18 °C).**

**⚠ PELIGRO**  
Los artículos inflamables pueden arder si se colocan cerca del aparato. Mantenga el área del electrodoméstico despejada y libre de materiales combustibles, envases de aerosol, gasolina y otros vapores y líquidos inflamables.

**⚠ ATENCIÓN**  
Si el aparato está equipado con un soporte para toallas de papel, el brazo debe estar en la posición abierta mientras el aparato está en uso.

**SI GOTEA GRASA U OTRO MATERIAL CALIENTE SOBRE LA VÁLVULA, LA MANGUERA O EL REGULADOR:**

- PASO 01** Cierre el suministro de gas inmediatamente.
- PASO 02** Determine la causa y corríjala.
- PASO 03** Limpie e inspeccione la válvula, la manguera y el regulador.
- PASO 04** Realice una prueba de fugas. (Consulte las instrucciones de prueba de fugas)

## CONFIGURACIÓN DE SU ESPACIO AL AIRE LIBRE ESTE APARATO SOLO DEBE USARSE AL AIRE LIBRE.

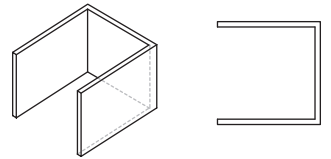
- NO USE este aparato dentro de edificios, garajes o cualquier otra área cerrada.
- NO INSTALE este aparato dentro o sobre un barco.
- NO INSTALE este aparato dentro o sobre un vehículo recreativo.

### ÁREAS AL AIRE LIBRE PROTEGIDAS:

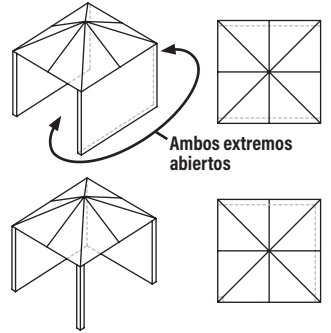
Todas las aberturas deben estar permanentemente abiertas; Las puertas correderizas, las puertas de garaje, las ventanas o las aberturas con mosquitero NO SE consideran aberturas permanentes.

Se considera que un electrodoméstico está al aire libre si se instala con una protección que no exceda de:

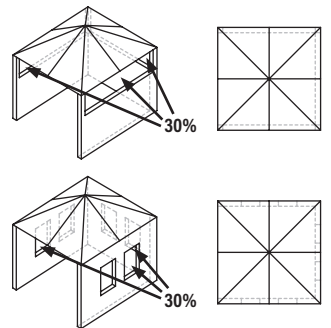
a. Con paredes en tres lados, pero sin cubierta superior.



b. Dentro de un recinto parcial que incluye una cubierta superior y no más de dos paredes laterales. Las paredes laterales pueden ser paralelas, como en un corredor, o en ángulo recto entre sí.

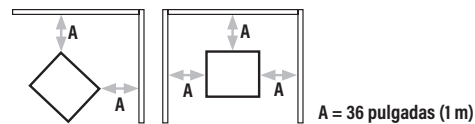


c. Dentro de un recinto parcial que incluye una cubierta superior y tres paredes laterales, siempre que el 30% o más de la periferia horizontal del recinto esté permanentemente abierta.



### MANTENGA LAS DISTANCIAS ADECUADAS DEL MATERIAL COMBUSTIBLE:

- NO USE este electrodoméstico sobre o debajo de ningún apartamento o balcón o terraza de condominio.
- No obstruya el flujo de aire de combustión y ventilación.
- NO OPERE este aparato a menos de 36 pulgadas (1 m) desde los lados y la parte trasera del aparato hasta una construcción combustible.



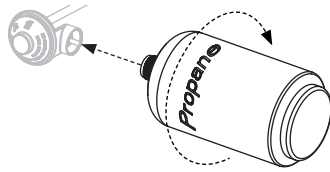
- NO UTILICE este aparato bajo construcciones combustibles elevadas.

ESPAÑOL

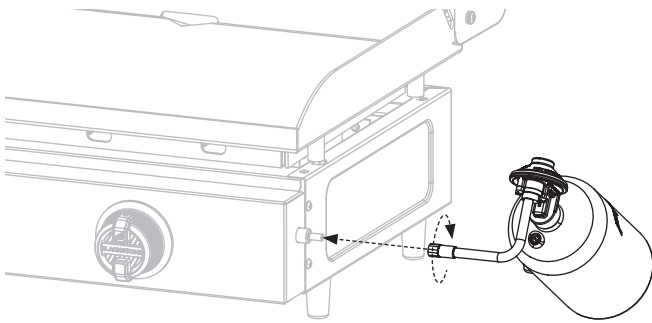
## CONECTAR EL CILINDRO DE GLP USE SOLO UN CILINDRO DE 1 LB (453 G)

**PASO 01** Enrosque el cilindro de GLP en el regulador de gas, girando el cilindro en el sentido de las agujas del reloj.

El regulador puede emitir un zumbido o silbido durante el funcionamiento. Esto no afectará la seguridad ni el uso del aparato.



**PASO 02** Inserte el regulador y el cilindro de GLP en la línea de gas del aparato. Gire el collar del regulador en el sentido de las agujas del reloj para asegurarlo a la línea de gas.



## SEGURIDAD DE CILINDROS DE GLP

- El cilindro de suministro de GLP que se utilizará debe estar construido y marcado de acuerdo con las especificaciones para cilindros de gas LP, Departamento de Transporte de EE. UU. (DOT) o el Estándar para Cilindros, Esferas y Tubos para el Transporte de Mercancías Peligrosas, CAN/CSA-B339.
- Solo se deben usar cilindros de GLP marcados como "propano".
- El cilindro utilizado, si tiene una capacidad de propano superior a 2,2 lb (1,00 kg), debe incluir un collar para proteger la válvula del cilindro.
- El sistema de suministro de cilindros de GLP debe estar preparado para la extracción de vapor.

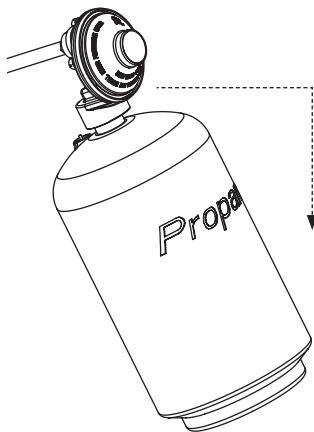
Mantenga siempre los cilindros de GLP nuevos en posición vertical durante su uso, transporte o almacenamiento.

Asegúrese de que el cilindro de GLP esté colocado debajo del regulador. (Si el nivel de líquido del propano está por encima del regulador, el regulador se congelará).

**SI LA FORMACIÓN DE ESCARCHA PERSISTE DESPUÉS DE QUE EL CILINDRO ESTÉ EN EL ÁNGULO CORRECTO:**

**PASO 01** Apague el aparato y desconecte el cilindro de GLP inmediatamente. Esto indica un problema con el cilindro de GLP y no debe usarse en ningún producto.

**PASO 02** Devuelva el cilindro de GLP al proveedor.



## SEGURIDAD DEL REGULADOR

- Use este aparato, tal como lo compró, solo con el conjunto de gas y válvula/regulador suministrado. NO USE accesorios de conexión rápida u otros complementos.
- NO cruce (fuerce en un ángulo inadecuado) la conexión entre el cilindro de GLP y el regulador.
- Si no puede conectar el regulador, no utilice el regulador.

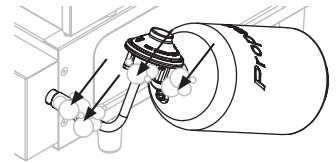
El regulador debe ser reemplazado por un modelo aprobado por Blackstone por un distribuidor autorizado con licencia profesional.

## INSTRUCCIONES DE PRUEBA DE FUGAS

**PASO 01** Gire las perillas de control a APAGADO.

**PASO 02** Conecte el cilindro de GLP al regulador. Conecte el regulador al aparato.

**PASO 03** Use una brocha limpia para aplicar una solución de agua y jabón suave 10% en las áreas de unión de las válvulas y el regulador. Las fugas se indican mediante burbujas en crecimiento.



**PASO 04** Si aparecen burbujas en crecimiento, vuelva a apretar las conexiones.

### ⚠ ADVERTENCIA

Si NO SE pueden detener las fugas, NO INTENTE repararlas. El regulador debe ser reemplazado por un modelo aprobado por Blackstone por un distribuidor autorizado con licencia profesional.

## DESCONECTAR EL CILINDRO DE GLP 1 LIBRA (453 G)

**PASO 01** Asegúrese de que la(s) perilla(s) de control estén en la posición APAGADO.

**PASO 02** Una vez que el aparato se haya enfriado, desconecte el regulador de la línea de gas desenroscando el collar.

**PASO 03** Desenrosque el cilindro de GLP del regulador.

**PASO 04** Coloque la tapa contra el polvo en la salida de la válvula del cilindro de GLP cuando el cilindro no esté en uso. Instale únicamente el tipo de tapa antipolvo en la salida de la válvula del cilindro que se proporciona con la válvula del cilindro. Otros tipos de tapas o tapones pueden provocar fugas de propano.

## ALMACENAMIENTO DE CILINDROS DE GLP

### ⚠ ADVERTENCIA

No guarde un cilindro de GLP de repuesto debajo, cerca o dentro de este aparato.  
• No llene un cilindro de GLP más allá del 80 % de su capacidad. Si NO SE sigue exactamente la información anterior, se puede producir un incendio que cause la muerte o lesiones graves.

- El cilindro de GLP debe estar desconectado cuando el aparato no esté en uso.
- Guarde el aparato en interiores únicamente si el cilindro de GLP está desconectado y retirado del aparato.



# INSTRUCCIONES DE ENCENDIDO

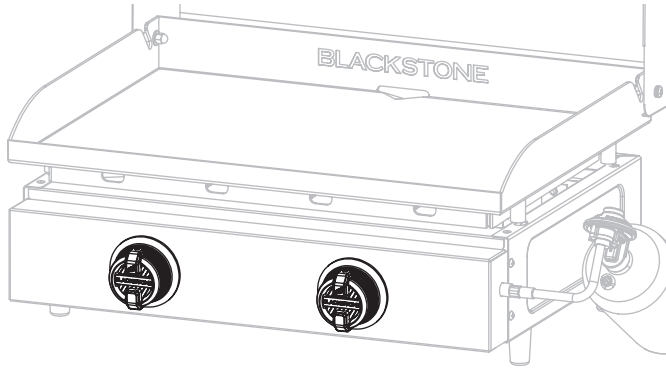
## 1. VÁLVULAS DE RETENCIÓN

**⚠** Asegúrese de que el gas esté cerrado en la válvula de cierre del suministro antes de revisar las válvulas del aparato.

**PASO 01** Gire todas las perillas a la posición **1** de apagado.

**PASO 02** Empuje la perilla y suelte. La perilla debe retroceder. Si las perillas no retroceden, reemplace el ensamblaje de la válvula antes de usar el aparato.

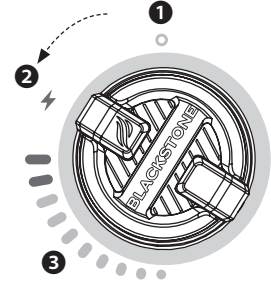
**PASO 03** Gire la perilla a BAJO y luego vuelva a APAGADO. La perilla debe girar suavemente.



## 2. ENCENDIDO PIEZOELECTRICO DE LA PLANCHA

**⚠** NO SE incline sobre el aparato mientras lo enciende.

- 1** Presione la perilla de control para que comience a fluir el gas.
- 2** Gire la perilla de control en sentido antihorario para activar el motor de arranque.
- 3** Ajuste la temperatura al nivel deseado.

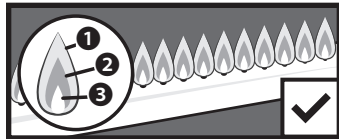


## 3. SIEMPRE REVISE LA LLAMA DEL QUEMADOR ANTES DE USARLO.

**PASO 01** Encienda los quemadores y gire las perillas de ALTO a BAJO.

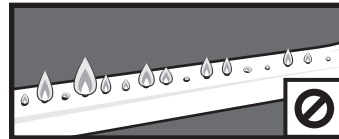
**PASO 02** Mire debajo de la superficie de cocción para ver los quemadores. Cuando la perilla está en ALTO, las llamas deben ser más grandes que cuando la perilla está en BAJA.

### PATRÓN DE LLAMA SALUDABLE



- 1** Parpadeos de color amarillo.
- 2** Color azul oscuro. **3** Azul vibrante.

### AMARILLO O IRREGULAR



Si hay una caída repentina o un problema de llama baja, consulte el capítulo Solución de problemas.

### ⚠ ADVERTENCIA

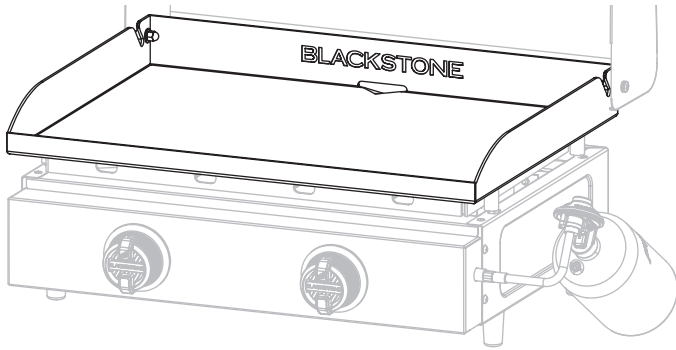
Si el quemador NO SE enciende con la válvula de suministro de gas abierta, el gas seguirá saliendo del quemador y podría encenderse accidental o inadvertidamente con riesgo de lesiones.

**Si el encendido no ocurre en 5 segundos:**

1. Apague la perilla de control del quemador.
2. Espera 5 minutos.
3. Repita el procedimiento de iluminación.

Si el quemador NO SE enciende, consulte el capítulo Solución de problemas.

# INSTRUCCIONES PARA SAZONAR LA PLANCHA



## AVISO

No guarde ningún artículo a menos de 8 cm (3 pulgadas) de la parte superior de la plancha mientras esté en uso.

## ¿QUÉ ACEITE ES MEJOR USAR?

- Blackstone Seasoning and Cast Iron Conditioner.
- Cualquier aceite de cocina de origen vegetal.
- Grasa animal fundida sin aditivos.



## LAVADO DE LA PARTE SUPERIOR DE LA PLANCHA ANTES DEL PRIMER USO

### AVISO

El jabón arruinará una plancha experimentada. Esta es la única vez que debe usar jabón en la superficie de cocción de la plancha.

**PASO 01** Lave la superficie de cocción de la plancha con agua caliente y jabón.

**PASO 02** Enjuague y seque completamente.

## ATENCIÓN

Deseche adecuadamente los trapos/toallas utilizados para esparcir el aceite sobre la plancha para evitar incendios que puedan ocurrir debido a la combustión espontánea.

En las condiciones adecuadas, el aceite residual en trapos o toallas puede oxidarse mucho después de haber sido retirado de una fuente de calor. El proceso de oxidación en sí produce calor que, si NO SE disipa, puede acumularse y causar que los trapos/toallas y el material circundante se enciendan.

## CONDIMENTAR TU PLANCHA



### VIDEOTUTORIAL

Cómo sazonar una nueva plancha Blackstone  
[youtube.com/watch?v=VspmDVnj2pl&t=3s](https://www.youtube.com/watch?v=VspmDVnj2pl&t=3s)

**PASO 01** Limpie cualquier residuo de la parte superior de la plancha.



**PASO 02** Configura tu plancha a fuego alto hasta que la parte superior de la plancha cambie de color. (~10 minutos)



**PASO 03** Use pinzas para sostener una toalla de papel o un paño de algodón y extienda 2-3 cucharadas de su aceite de condimento en toda la parte superior de la plancha. Cuando sazone la parte superior de su plancha, recuerde usar una capa delgada y uniforme de aceite: cuanto más delgada sea la capa de aceite, más fácil será quemarla.



**PASO 04** La parte superior de la plancha está lista para otra capa de aceite cuando deja de humear. Repita el PASO 03 3-4 veces, o hasta que la superficie de la plancha esté negra.



## SOLUCIÓN DE PROBLEMAS DE CONDIMENTOS

### HAY UN RESIDUO MARRÓN EN LA SUPERFICIE DE LA PLANCHA:

#### POSIBLES CAUSAS

- Se usó demasiado aceite.
- Apagaste la calefacción demasiado pronto.

#### SOLUCIÓN

**PASO 01** Encienda su plancha a temperatura alta y déjala calentar durante 10-15 minutos.

**PASO 02** Raspe la mayor cantidad de aceite espesado y parcialmente cocido que pueda.

**PASO 03** Vuelva a sazonar con una capa muy fina de aceite.

### LOS BORDES DE LA SUPERFICIE DE LA PLANCHA NO SON NEGROS:

Después de usar su plancha para cocinar varias veces, el condimento se nivelará y mejorará.

## PREVENCIÓN DEL ÓXIDO

Use su plancha con frecuencia. Cada vez que cocina, está agregando condimentos, lo que hace que la oxidación sea menos probable.

## AVISO

Si vive en un clima húmedo o costero, su plancha puede requerir curaciones más frecuentes entre usos.

Si aparece óxido en la superficie de la plancha, frótelo con lana de acero, papel de lija de grano bajo o Blackstone Pumice Stone y vuelva a secar la superficie.



### VIDEOTUTORIAL

Recuperación de la tapa de su plancha Blackstone  
[youtube.com/watch?v=thPE2IgnSil](https://www.youtube.com/watch?v=thPE2IgnSil)



# COCINAR EN TU BLACKSTONE

## ⚠️ ATENCIÓN

Este aparato estará caliente durante y después de su uso. Utilice utensilios de mango largo y guantes de cocina/guantes protectores cuando manipule piezas potencialmente calientes, incluidas las manijas cercanas al cuerpo del aparato, para protegerse contra quemaduras y salpicaduras.

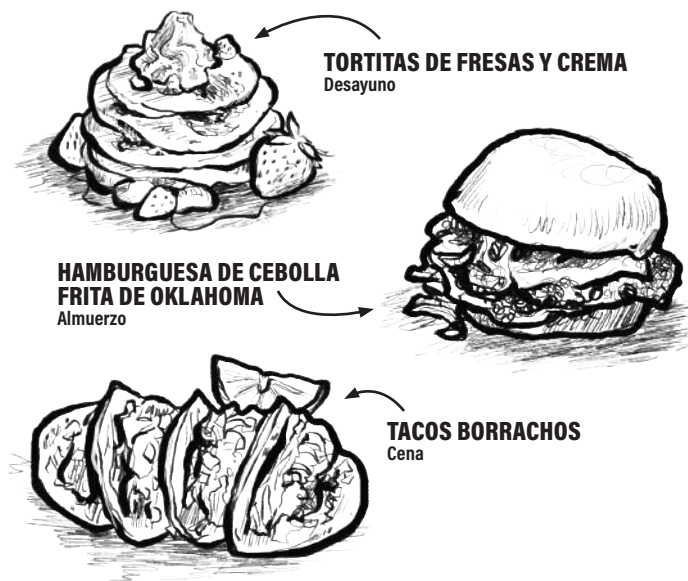
## VÍDEO RECETAS

Encuentre recetas y consejos de cocina en:

[BlackstoneProducts.com/recipes](https://BlackstoneProducts.com/recipes)

[youtube.com/BlackstoneGriddles](https://youtube.com/BlackstoneGriddles)

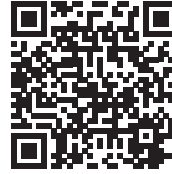
@blackstoneproducts



## LIMPIEZA DE LA PARTE SUPERIOR DE SU PLANCHA

Limpie la parte superior de la plancha después de cada uso, mientras aún esté caliente.

• NO USE jabón en la parte superior de la plancha. Esto destruirá el condimento de la plancha.



### VIDEOTUTORIAL

HCómo limpiar su plancha Blackstone

[youtube.com/watch?v=-ledu9z6NPY](https://youtube.com/watch?v=-ledu9z6NPY)

**PASO 01** Empuje los restos de comida sueltos en el recipiente para la grasa con una espátula o un raspador de metal recto.



**PASO 02** Limpie la parte superior de la plancha con una toalla de papel.



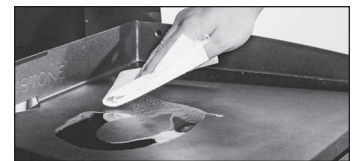
**PASO 03** Aplique unas cuantas cucharadas de agua a la superficie de la plancha, luego raspe el agua y los residuos en el recipiente para la grasa. (Para los residuos de comida pegados, use un poco de sal gruesa).



**PASO 04** Limpie nuevamente con una toalla de papel y seque completamente.



**PASO 05** Aplique una fina capa de aceite de cocina para mantener la sazón y proteger la parte superior de la plancha.



## VACÍA TU VASO DE GRASA

El recipiente para la grasa debe retirarse y vaciarse después de cada uso.

## ⚠️ ATENCIÓN

La taza de grasa estará caliente durante y después del uso. NO RETIRE la taza de grasa hasta que la plancha se haya enfriado por completo.

## CUIDADO Y MANTENIMIENTO

### ⚠️ ADVERTENCIA

La acumulación de grasa puede provocar un incendio. Limpie cualquier parte del aparato que se caliente y experimente acumulación de grasa después de cada uso.

### ⚠️ ATENCIÓN

Toda la limpieza y el mantenimiento deben llevarse a cabo cuando el aparato esté frío y todo esté APAGADO.

- NO USE una almohadilla abrasiva en áreas con gráficos.
- Si se usa un cepillo de cerdas para limpiar cualquiera de las superficies de cocción, asegúrese de que no queden cerdas sueltas en las superficies de cocción antes de cocinar.

### CUERPO DEL APARATO:

Lave con agua jabonosa tibia y seque inmediatamente con un paño no abrasivo. (No permita que los agentes de limpieza descansen sobre ninguna superficie porosa durante un período de tiempo prolongado).

### AVISO

NO UTILICE Citrisol, limpiadores abrasivos o un limpiador concentrado en el aparato. Esto puede resultar en daños y fallas en las piezas.

## ALMACENAMIENTO DE ELECTRODOMÉSTICOS

### ⚠️ ADVERTENCIA

No mueva el aparato cuando esté en uso. Deje que el aparato se enfríe a 115°F (45°C) antes de moverlo o almacenarlo.

El almacenamiento de un electrodoméstico en el interior solo está permitido si el suministro de gas está desconectado y retirado del electrodoméstico.

### GUÍA DE AJUSTE DE LA CUBIERTA

Siempre cubra su electrodoméstico cuando lo guarde al aire libre.



Para encontrar una cubierta que se ajuste a su electrodoméstico, visite [BlackstoneProducts.com/support](https://BlackstoneProducts.com/support).

## LIMPIEZA DEL CONJUNTO DEL QUEMADOR

Para reducir la posibilidad de "retroceso de llama", se debe seguir el procedimiento a continuación al menos una vez al mes cuando las arañas están más activas o cuando su electrodoméstico NO SE ha utilizado durante un período de tiempo.



### VIDEOTUTORIAL

Cómo limpiar el tubo de su quemador  
 ▶ [youtube.com/watch?v=xKQTCrFCzf8](https://youtube.com/watch?v=xKQTCrFCzf8)

**PASO 01** Asegúrese de que el gas esté CERRADO en las perillas de control y el suministro de gas. Retire la parte superior de la plancha.

**PASO 02** Separe y retire con cuidado el quemador.



**PASO 03** Limpiar el interior del quemador:

- Pase un cepillo para botellas (no un cepillo de alambre) o un alambre rígido doblado en un pequeño gancho a través de cada tubo del quemador varias veces.
- Use aire comprimido para soplar a través del tubo del quemador y sacar los puertos del quemador (Use protección para los ojos).



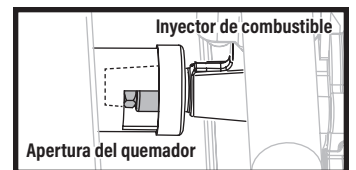
**PASO 04** Cepille toda la superficie exterior del quemador para eliminar la suciedad.



**PASO 05** Limpie los puertos bloqueados con un alambre rígido, como un sujetapapeles abierto.



**PASO 06** Vuelva a colocar con cuidado los quemadores y vuelva a colocarlos, prestando atención a la ubicación de la aguja de encendido.



⚠️ La boquilla de combustible del riel de gas debe volver a conectarse dentro de la abertura del quemador.



# SOLUCIÓN DE PROBLEMAS

## SOLUCIÓN DE PROBLEMAS DE ENCENDIDO

### EL QUEMADOR NO SE ENCIENDE:

Si NO SE enciende en 5 segundos:

**PASO 01** Apague la perilla de control del quemador.

**PASO 02** Espere 5 minutos.

**PASO 03** Repita el procedimiento de encendido.

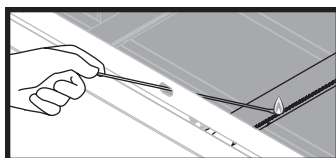
Si esto no funciona, para determinar la causa, intente encender su aparato con una cerilla.

### INSTRUCCIONES PARA ENCENDER FÓSFOROS

Antes de comenzar, compruebe si hay fugas de gas. Abra el capó (si corresponde).

**PASO 01** Gire la perilla de control a la posición APAGADO.

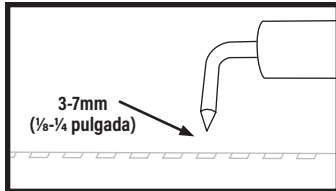
**PASO 02** Encienda un fósforo (o un encendedor largo) de no menos de 11 pulgadas de largo.



**PASO 03** Coloque la llama en el lado derecho o izquierdo del quemador.

**PASO 04** Presione y gire la perilla de control para que empiece a fluir el gas. Asegúrese de que el quemador se encienda y permanezca encendido.

### SI PUEDE ENCENDER SU ELECTRODOMÉSTICO CON UN FÓSFORO:

POSIBLES CAUSAS	SOLUCIÓN
Cable de encendido desalineado.	Asegúrese de que la aguja del encendedor esté colocada a 3-7 mm (1/8-1/4 pulgada) del quemador y alineada con los orificios del quemador.
	
Daños en el sistema de encendido.	Póngase en contacto con el servicio de atención al cliente para obtener piezas de repuesto.

## SOLUCIÓN DE PROBLEMAS DE FLUJO DE GAS

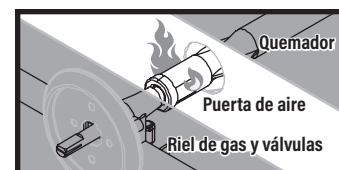
### EL APARATO NO ALCANZA UNA TEMPERATURA ALTA O CALIENTA DE MANERA DESIGUAL:

- Las llamas del quemador son amarillas o irregulares.
- Las llamas del quemador comienzan con fuerza, luego bajan inmediatamente a nivel bajo incluso cuando el quemador está en la posición alta.
- La altura de la llama desciende cuando se enciende un segundo quemador.
- Las llamas NO SE extienden por toda la longitud del quemador, o solo corren por un lado del quemador.
- Las llamas del quemador son inconsistentes.

POSIBLES CAUSAS	SOLUCIÓN
Obstrucciones en el quemador, chorros de gas o riel de combustible.	Limpie el quemador, los surtidores y la manguera de gas.
El cilindro de gas está vacío o bajo.	Rellene o reemplace el cilindro de gas.
Se activó el dispositivo limitador de caudal del regulador.	Restablecer el sistema de seguridad: <b>PASO 01</b> Apague el aparato, cierre la válvula del cilindro de gas y desconecte el regulador del cilindro de gas. <b>PASO 02</b> Espere cinco minutos para permitir que se disipe la presión, luego vuelva a conectar el regulador al cilindro de gas y abra lentamente el volante del cilindro de gas de una a tres vueltas. <b>PASO 03</b> Encienda su electrodoméstico.
Regulador atascado en posición de seguridad.	Póngase en contacto con el servicio de atención al cliente para obtener piezas de repuesto.

- Una llama sale de la puerta de aire.

POSIBLES CAUSAS	SOLUCIÓN
Algo está bloqueando el venturi en el tubo del quemador.	Limpie el conjunto del quemador para eliminar la obstrucción.



ESPAÑOL

Esta página se dejó en blanco intencionalmente



Esta página se dejó en blanco intencionalmente



Este producto puede estar cubierto por una o más patentes estadounidenses y/o internacionales emitidas y puede incluir solicitudes de patentes pendientes. Para obtener más información, visite: [BlackstoneProducts.com/patents](https://BlackstoneProducts.com/patents)