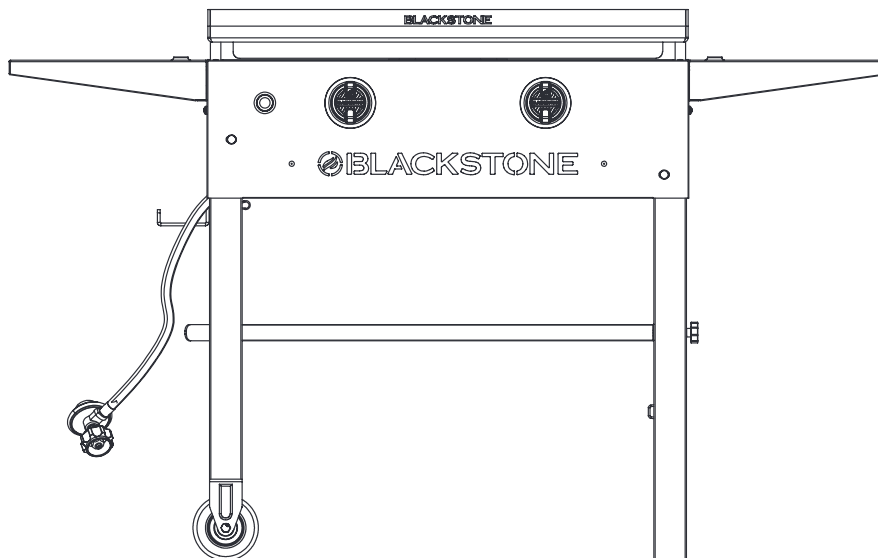




MODEL: 2199 ^{v03}



ENGLISH

OWNER'S MANUAL

28" GRIDDLE

TABLE OF CONTENTS	
IMPORTANT SAFETY INFORMATION	02
ACTIVATE YOUR WARRANTY	03
ASSEMBLY GUIDE	04
USING YOUR BLACKSTONE	08
TROUBLESHOOTING	14



For the latest version of this manual, scan this code or visit BlackstoneProducts.com/support

IMPORTANT:
 This instruction manual contains important information necessary for the proper assembly and safe use of the appliance.
 Read and follow all warnings and instructions before assembling and using the appliance.
 Follow all warnings and instructions when using the appliance.
 Keep this manual for future reference.
 Installer/Assembler: Leave these instructions with the consumer.

SAFETY ALERT KEY

- ⚠ DANGER**
 Indicates a hazardous situation that, if not avoided, will result in death or serious injury.
- ⚠ CAUTION**
 Indicates a hazardous situation that, if not avoided, could result in minor or moderate injury.

⚠ WARNING
 Indicates a hazardous situation that, if not avoided, could result in death or serious injury.

NOTICE
 Indicates information considered important, but not hazard-related (e.g. messages related to property damage).

IMPORTANT SAFETY INFORMATION

ENGLISH

⚠ DANGER

If you smell gas:

- Shut off gas to the appliance.
- Extinguish any open flame.
- If odor continues, keep away from the appliance and immediately call your gas supplier or your fire department.

Failure to follow these instructions could result in fire or property damage, personal injury or death.

⚠ DANGER

- NEVER operate this appliance unattended.
- NEVER operate this appliance within 10 ft (3.0 m) of any structure, combustible material or other gas cylinder.
- NEVER operate this appliance within 25 ft (7.5 m) of any flammable liquid.
- If a fire should occur, keep away from the appliance and immediately call your fire department. DO NOT attempt to extinguish an oil or a grease fire with water.

Failure to follow these instructions could result in fire or property damage, personal injury or death.

⚠ WARNING

- DO NOT store or use gasoline or other flammable liquids or vapors in the vicinity of this or any other appliance.
- An LPG cylinder not connected for use shall not be stored in the vicinity of this or any other appliance.

GAS APPLIANCE SAFETY

- The use of alcohol, prescription, or non-prescription drugs may impair the consumer's ability to properly assemble or safely operate the appliance.
- Keep children and pets away from the appliance at all times.
- Have a type BC or ABC fire extinguisher readily available.

DO NOT USE FOR PURPOSES OTHER THAN INTENDED:

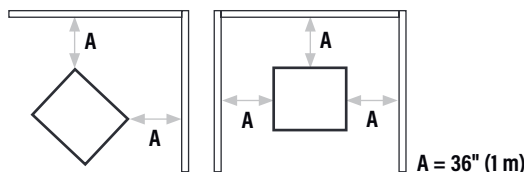
- DO NOT use for commercial cooking.
- DO NOT use this appliance as a heater.

THIS APPLIANCE SHALL BE USED OUTDOORS ONLY.

- DO NOT use this appliance inside buildings, garages, or any other enclosed area.
- DO NOT install this appliance in or on a boat.
- DO NOT install this appliance in or on a recreational vehicle.

MAINTAIN PROPER CLEARANCES FROM COMBUSTIBLE MATERIAL:

- DO NOT use this appliance on or under any apartment or condominium balcony or deck.
- DO NOT use this appliance under overhead combustible construction.
- DO NOT obstruct the flow of combustion and ventilation air.
- DO NOT operate this appliance any closer than 36 in (1 m) from the sides and back of the appliance.



INSTALLATION MUST CONFORM WITH LOCAL CODES

In the absence of local codes, installation must conform with:

- National Fuel Gas Code, ANSI Z223.1/NFPA 54, Storage and Handling of Liquefied Petroleum Gases, ANSI/NFPA 58; or*
- Natural Gas and Propane Installation Code, CSA B149.1; Propane Storage and Handling, CSA B149.2; or*
- The Standard for Recreational Vehicles, ANSI A119.2/NFPA 1192; and Recreational Vehicle Code, CSA Z240 RV Series, as applicable.*

⚠ WARNING

Improper installation, use, adjustment, alteration, service, modification, or maintenance can cause injury or property damage. Refer to this manual.

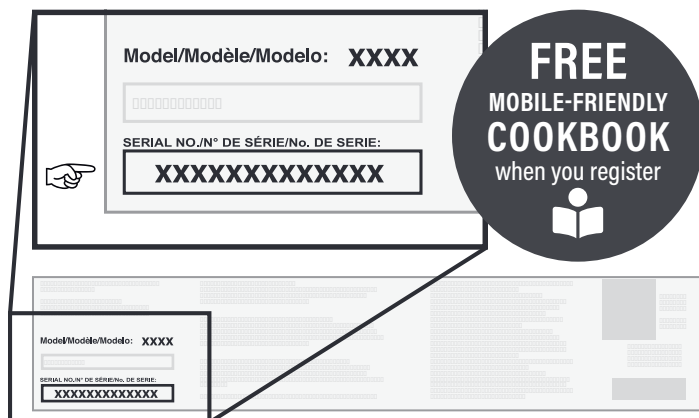


ACTIVATE YOUR WARRANTY

The North Atlantic Imports LLC 1-Year Warranty covers replacement parts up to one year after the date of purchase.

TO ENABLE THIS WARRANTY, YOU WILL NEED TO PROVIDE:

👉 Your appliance's Serial Number



The Serial Number can be found on your appliance's Manufacturer Label.

(The Manufacturer Label is a large silver sticker found on the body of your appliance.)



Register your appliance at
BlackstoneProducts.com/register

WARRANTY OVERVIEW

North Atlantic Imports, the manufacturer, will warranty for one year from purchase all parts, workmanship, and finishes. It will be the manufacturer's option as to whether to repair or replace any of the above items. All warranties are limited to the original purchaser only. This warranty does not cover any liability on the part of North Atlantic Imports, its agents or employees, for any indirect or consequential damages for breach of warranty. The purchaser must follow the manufacturer's usage instructions.

Under no circumstances is the manufacturer responsible for damages from the failure to operate the cooking station properly. It is the responsibility of the purchaser to establish the warranty period by verifying the original purchase date with original sales receipt.



DETAILED EXPLANATION OF THE WARRANTY

North Atlantic Imports LLC warrants to the owner that the product covered by this agreement is free from defects in material and workmanship under normal use and service for which it was intended if, but only if, it has been operated in accordance with North Atlantic Imports LLC instructions exclusively for domestic use, and not for private or public club, institutional or commercial purposes.

North Atlantic Imports LLC's obligation under this warranty is limited to replacing or repairing, free of charge, any part or parts that may prove, to the satisfaction of North Atlantic Imports LLC, to be defective under normal home use and service within the following stated periods of time from the date of purchase; for one year from purchase, all parts, finish, and workmanship. Should any failure to conform to this warranty become apparent during applicable warranty periods stated above, the original purchaser must notify North Atlantic Imports LLC of breach of warranty within the applicable warranty period.

North Atlantic Imports LLC shall upon notice and compliance by the original purchaser with such instructions, correct such nonconformity by repair or replacement of the defective part or parts.

Correction in the manner provided above shall constitute a fulfillment of all obligations of North Atlantic Imports LLC with respect to the quality of the product.

North Atlantic Imports LLC does not warrant this equipment to meet the requirement of any safety code of any state, municipality or other jurisdiction, and the original purchaser assumes all risk and liability whatsoever resulting from the use thereof, whether used in accordance with North Atlantic Imports LLC instructions or otherwise.

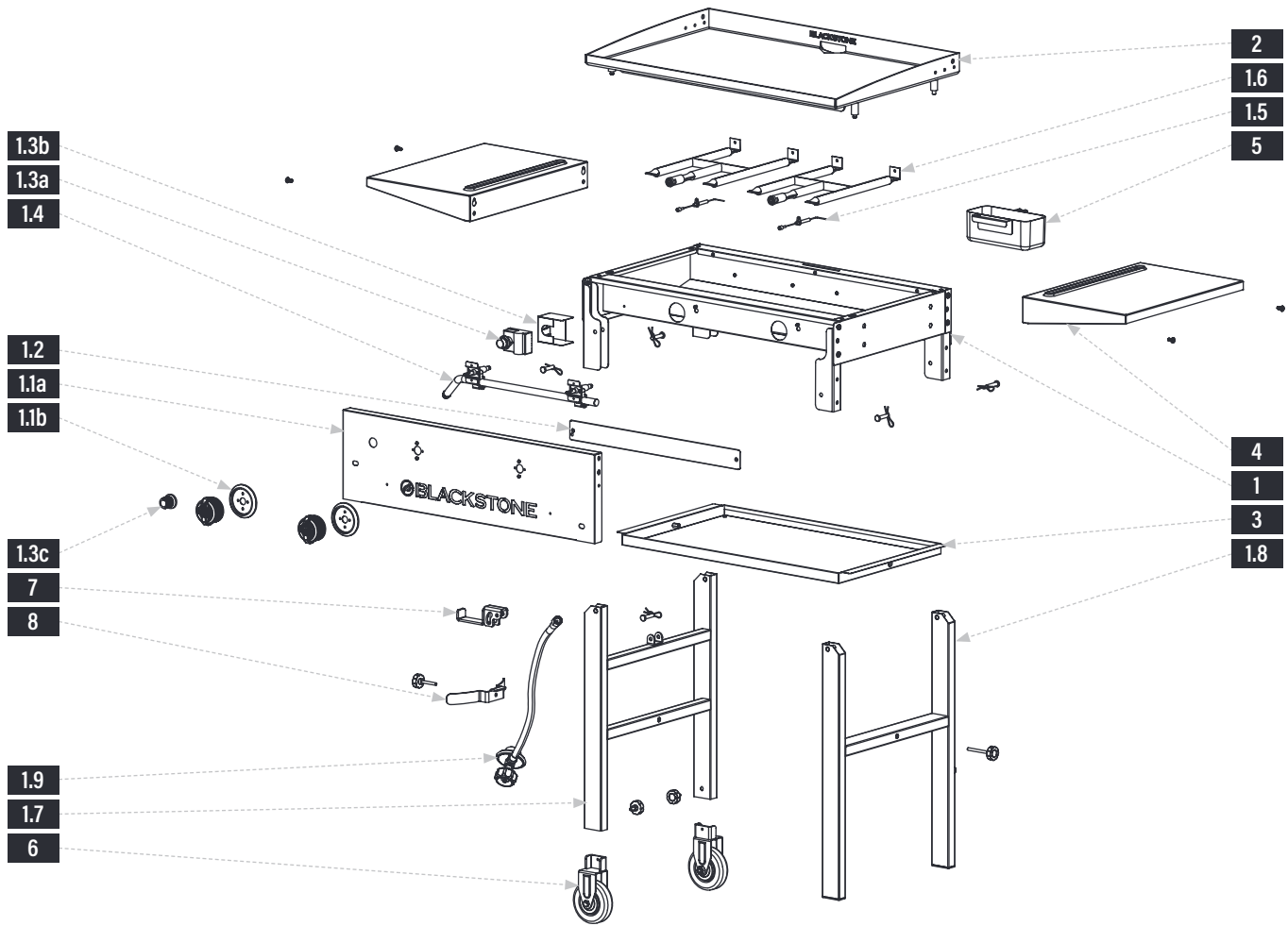
This warranty does not cover and is intended to exclude any liability on the part of North Atlantic its agents, servants or employees whether under this warranty or implied by law for any indirect or consequential damages for breach on any warranty. The purchaser must establish all applicable warranty periods pursuant to this warranty by verifying the original purchase date by producing the dated sales receipt. This warranty shall not apply to this product or any other part thereof which has been subject to accident, negligence, alteration, abuse, or misuse or which has been repaired or altered without North Atlantic written consent, outside of North Atlantic Imports LLC factory. The full manufacturer warranty is not valid for griddles purchased from unlicensed, third-party resellers, purchased at a discount due to missing or damaged parts, or purchased as a floor model; at the discretion of North Atlantic Imports.

North Atlantic Imports LLC makes no warranty whatsoever in respect to accessories or parts not supplied with it. This warranty shall apply only within the boundaries of the United States of America and Canada. This warranty gives the original purchaser specific rights, and the original purchaser may also have other rights, which vary from state to state.

ASSEMBLY GUIDE

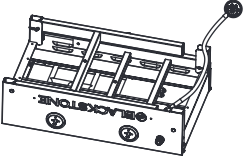


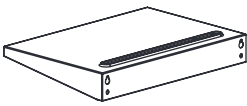
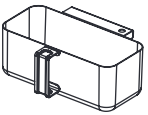
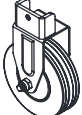
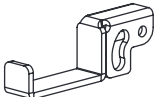
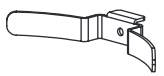
EXPLODED VIEW

ENGLISH



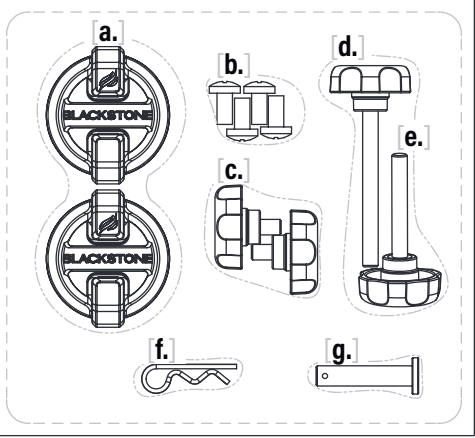
PARTS LIST

PARTS	QTY	PARTS	QTY	PARTS	QTY	PARTS	QTY
1.1a Control panel	1	1.3a Ignitor	1	1.4 Gas rail	1	1.7 Left leg assembly	1
1.1b Control knob bezels	2	1.3b Heat shield	1	1.5 Ignition needles	2	1.8 Right leg assembly	1
1.2 Background panel	1	1.3c Ignition button	1	1.6 H Burners	2	1.9 Regulator	1

1 Body (1 piece) 	2 Griddle top (1 piece) 	3 Stabilizing shelf (1 piece) 
4 Side shelves (2 pieces) 	5 Grease cup (1 piece) 	6 Wheels (2 pieces) 
7 LPG hook (1 piece) 	8 LPG support (1 piece) 	



- 9** Hardware pack (1 piece)
a. Control knobs (2 pieces)
b. M6x12 screws (4 pieces)
c. Small thumb screws (2 pieces)
d. Large thumb screw (1 piece)
e. Medium thumb screw (1 piece)
f. Cotter pin (1 piece)
g. Shear pin (1 piece)



ASSEMBLY INSTRUCTIONS

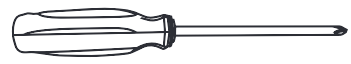
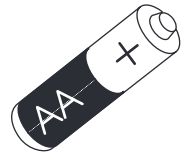
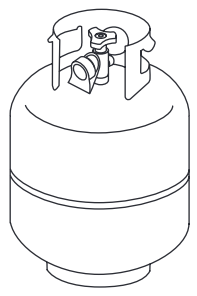
Find a large, clean area to assemble your appliance.
 Remove all packing material before assembling.

⚠ CAUTION

Sharp edges. Wear gloves while assembling.

⚠ CAUTION

Heavy pieces. Two people should assemble this appliance.

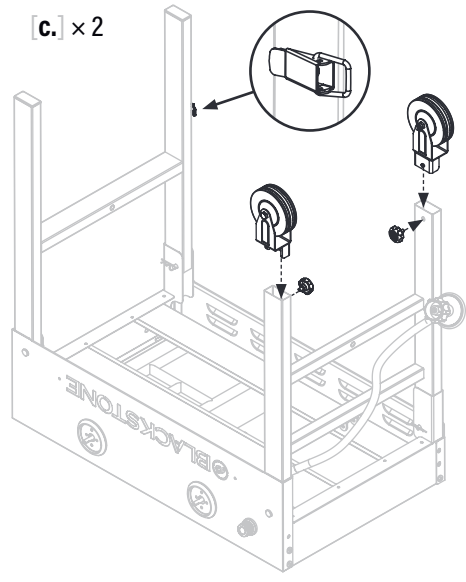


NOT INCLUDED:
 LPG cylinder
 Size: 18 x 12 in (45 x 30 cm), 20 lb (9 kg)
 LPG cylinder must include collar to protect LPG cylinder valve.

NOT INCLUDED:
 AA battery

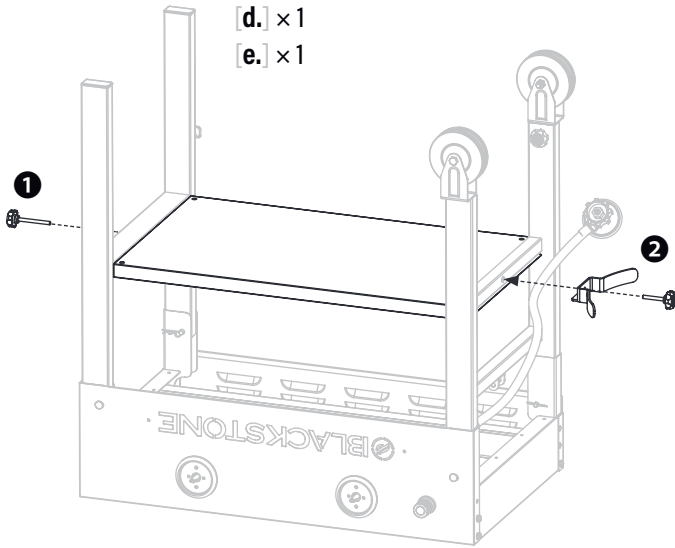
TOOL NEEDED:
 Phillips head screwdriver

STEP 01 With the help of another person, remove the griddle body from the packaging and lay it upside down on a smooth, flat surface. Unlatch and unfold the legs to their vertical position, then use two (2) small thumb screws **c.** to attach the two (2) wheels onto the ends of the left leg assembly.

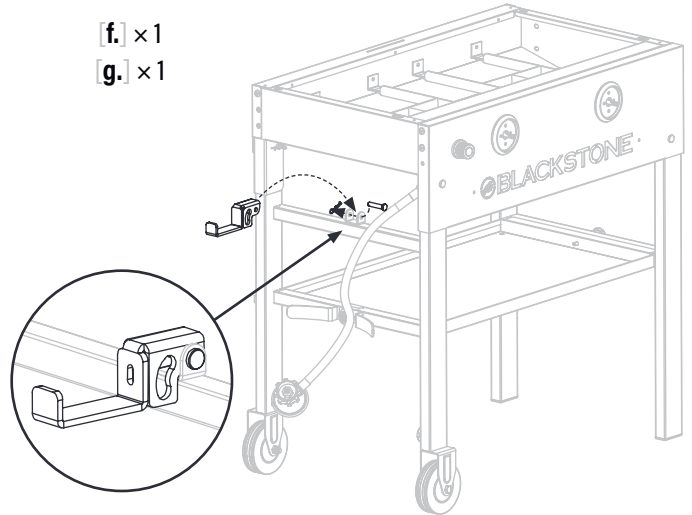


ENGLISH

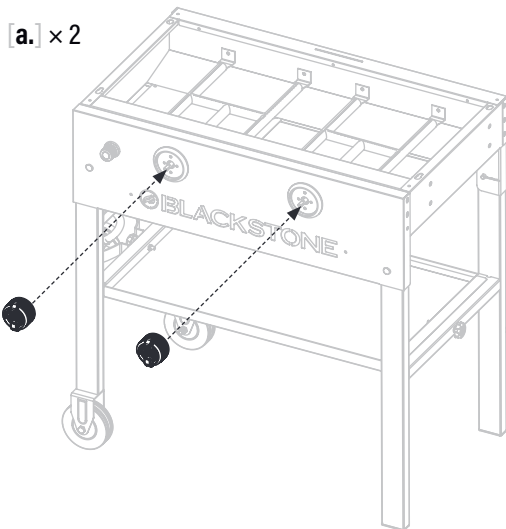
- STEP 02** ① Use one (1) large thumb screw [d.] to attach the stabilizing shelf to the right leg assembly.
- ② Use one (1) medium thumb screw [e.] to attach the LPG support and the stabilizing shelf to the left leg assembly.



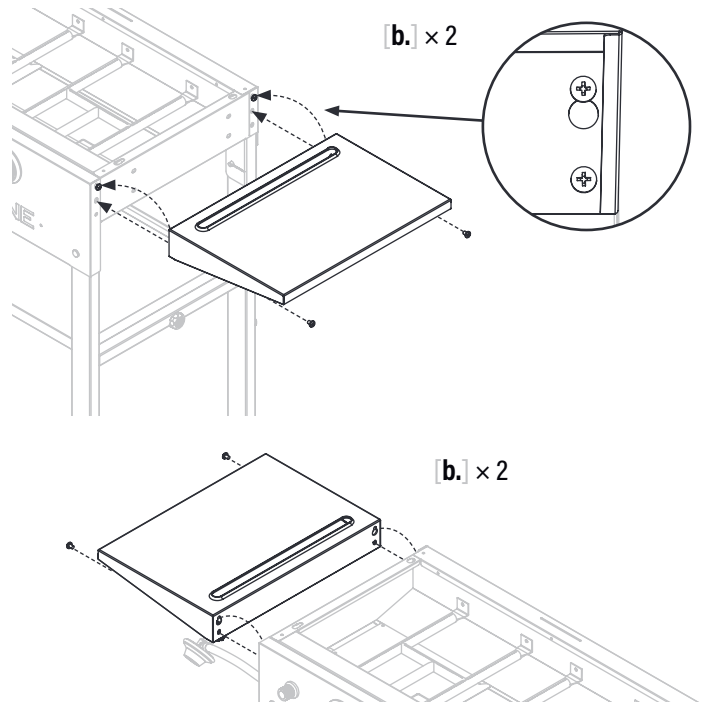
- STEP 03** With the help of another person, pick up the griddle body and set it on its wheels.
- Use one (1) shear pin [g.] and one (1) cotter pin [f.] to attach the LPG hook to the upper bar of the left leg assembly.



- STEP 04** Install the two (2) control knobs [a.] by pushing them into place in the OFF position.



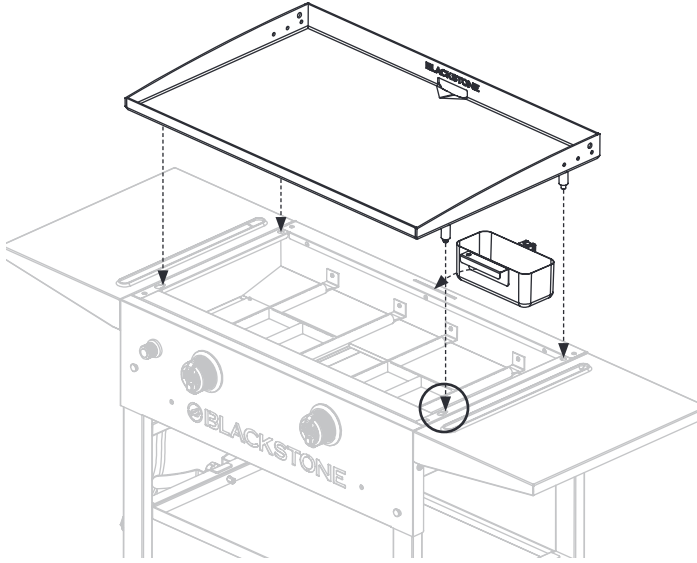
- STEP 05** Loosen the two (2) M6x12 screws on the right side of the griddle body.
- Hook one (1) side shelf on these screws and use two (2) M6x12 screws [b.] to secure the side shelf to the right side of the griddle body. Tighten all four screws.
- Repeat with the left side of the griddle body.



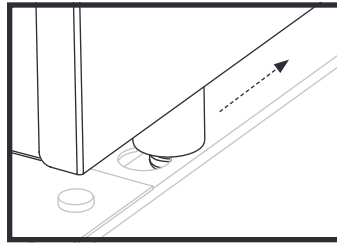


STEP 06 Hang the grease cup in the slot at the back of the griddle body.

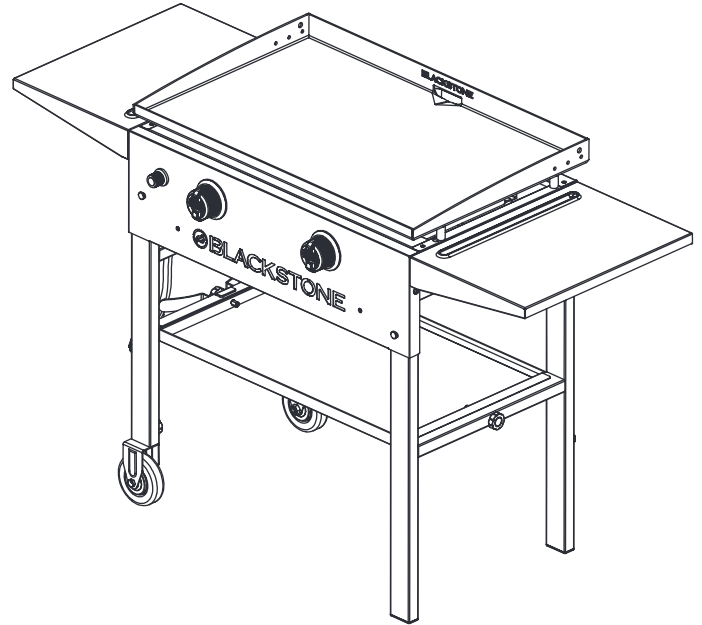
With the help of another person, place the griddle top on the main body by aligning the 4 pins to the holes of the body.



Make sure the front pins are fully seated in the holes, then push the griddle top back to lock the griddle in place.



STEP 07 Proceed to **USING YOUR BLACKSTONE.**



NOTICE

- Maximum weight on the side shelf is 10 lbs (4.5 kg).
- The side shelf may get hot while appliance is in use.

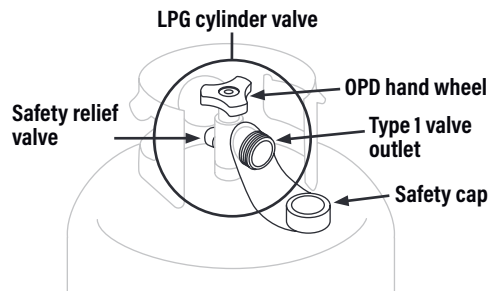
NOTICE

DO NOT place items on stabilizing shelf during use.

USING YOUR BLACKSTONE

THE LPG CYLINDER VALVE MUST HAVE:

- Type 1 valve outlet (thread on the outside).
- Safety relief valve.
- UL listed Overfill Protection Device (OPD). This OPD safety feature is identified by a unique triangular hand wheel.
- Safety cap (dust cap).



LPG CYLINDER REQUIREMENTS

- The LPG supply cylinder to be used must be constructed and marked in accordance with the specifications for LP gas cylinders, U.S. Department of Transportation (DOT) or the Standard for Cylinders, Spheres and Tubes for the Transportation of Dangerous Goods, CAN/CSA-B339.
- Only LPG cylinders marked "propane" shall be used.

The LPG cylinder supply system must be arranged for vapor withdrawal.

- Always keep new LPG cylinders in upright position during use, transit or storage.
- Always keep the ventilation opening(s) of the cylinder enclosure free and clear from debris.

REGULATOR SAFETY

⚠ WARNING

Cross threading can occur if you force thread a connection at an improper angle. This will damage the threads, lead to propane leaking, and potentially result in a build-up of fuel that can ignite.

DO NOT cross thread the connection between your LPG cylinder and regulator.

⚠ WARNING

If you can not connect the regulator, DO NOT use the regulator.

Regulator must be replaced with a Blackstone approved model by a professionally licensed, authorized dealer.

Use this appliance, as purchased, only with gas and regulator/valve assembly supplied.

FITTINGS & HOSES

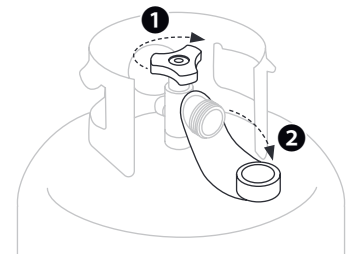
- Annual checking and tightening of metal fittings is recommended.
- Keep the fuel supply hose away from any heated surfaces.
- Before each use, check to see if hoses are cut or worn.

Replace damaged hose before using appliance. (Use only Blackstone approved replacement parts for valve, hose, or regulator. Failure to comply will void the warranty.)

CONNECT THE LPG CYLINDER 20 LB (9 KG)

STEP 01 Turn the control knobs to OFF.

- 1 Ensure that the LPG cylinder is OFF by turning the OPD hand wheel clockwise to a full stop.
- 2 Remove the safety cap from the Type 1 valve outlet.



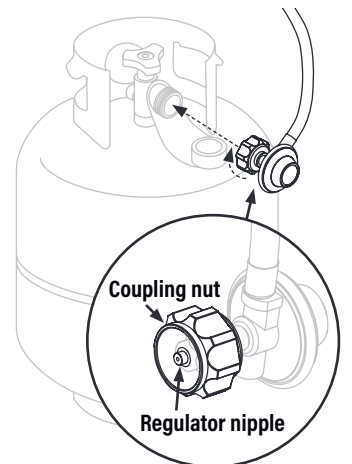
STEP 02 Hold the regulator in a straight line with the Type 1 valve outlet so as not to cross thread the connection.

Center and insert the regulator nipple into the Type 1 valve outlet.

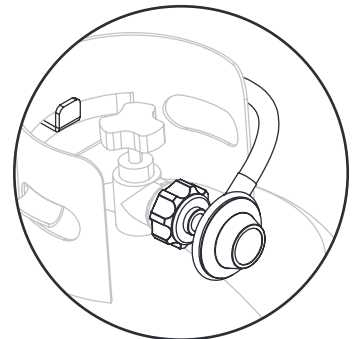
Hand-tighten the coupling nut in a clockwise direction.

(DO NOT use tools to connect.)

If connection cannot be completed, disconnect regulator and repeat this step.



STEP 03 Secure the LPG cylinder to the appliance by hanging it on the LPG hook so that it nestles against the LPG support.





LEAK TEST INSTRUCTIONS

NOTICE

DO NOT use household cleaning agents. Damage to gas valve, hose, and regulator components may result.
Use a clean paintbrush and a 10/90 mild soap and water solution to perform the leak test.

LEAK TEST: LPG CYLINDER

- Leak test new and exchanged LPG cylinders BEFORE connecting to griddle.
- DO NOT smoke during leak test.
- DO NOT use an open flame to check for gas leaks.
- Appliance must be leak tested outdoors in a well-ventilated area, away from ignition sources such as gas fired or electrical appliances.
- During leak test, keep appliance away from open flames or sparks.

STEP 01 Brush soapy solution onto joint areas of the LPG cylinder.

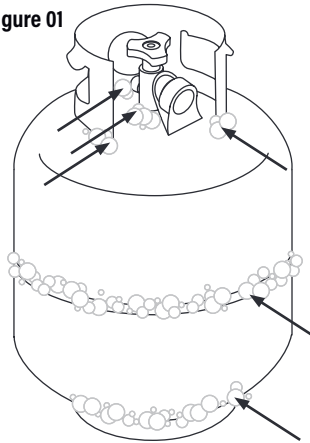
(Indicated by arrows in figure 01.)

- Leaks are indicated by growing bubbles.

⚠ WARNING

If growing bubbles appear during leak test, DO NOT use or move the LPG cylinder. Immediately contact an LPG supplier or fire department.

figure 01



LEAK TEST: VALVES, HOSE & REGULATOR

STEP 01 Turn the control knobs to OFF.

STEP 02 Connect the regulator to the LPG cylinder.

STEP 03 Completely open the LPG tank by turning the OPD hand wheel counterclockwise.

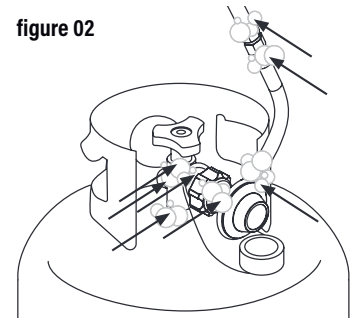
- If you hear a rushing sound, turn gas off immediately. There is a major leak at the connection.
- Immediately close the LPG cylinder by turning the OPD hand wheel clockwise and re-tighten connections. If leaks cannot be stopped DO NOT TRY TO REPAIR.

STEP 04 Brush soapy solution onto joint areas of valves and regulator.

(Indicated by arrows in figure 02.)

- Leaks are indicated by growing bubbles.
- Immediately close the LPG cylinder by turning the OPD hand wheel clockwise and re-tighten connections.

figure 02



⚠ WARNING

If leaks cannot be stopped, DO NOT try to repair. Regulator must be replaced with a Blackstone approved model by a professionally licensed, authorized dealer.

FIRST TIME CLEANING

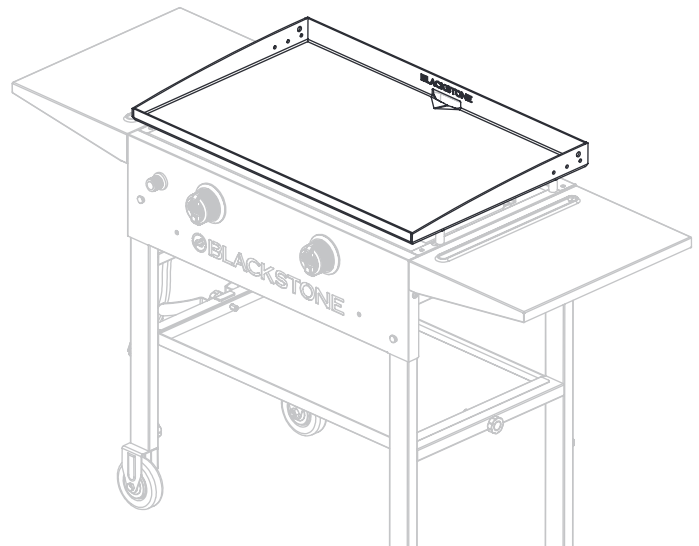
CLEANING YOUR GRIDDLE TOP

NOTICE

Soap will ruin a seasoned griddle. This is the only time you should use soap on the griddle cooking surface.

STEP 01 Wash the griddle cooking surface with hot, soapy water.

STEP 02 Rinse and dry completely.



ENGLISH

IGNITION INSTRUCTIONS

1. CHECK VALVES

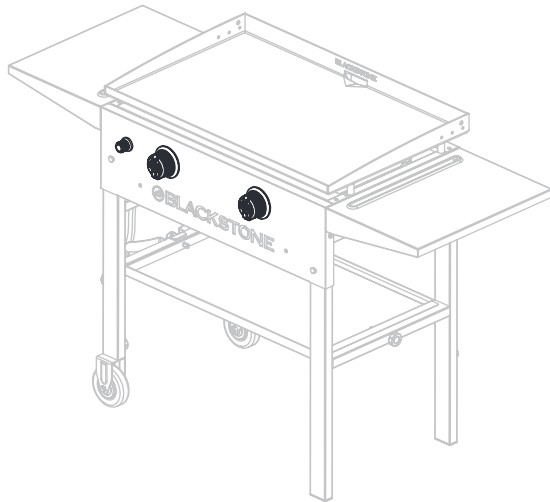
STEP 01 Turn knob to OFF position.

STEP 02 Push in knob and release. Knob should spring back. If knobs DO NOT spring back, replace valve assembly before using appliance.

STEP 03 Rotate knob to LOW then turn back to OFF. Knob should turn smoothly.

⚠ WARNING

If burner does not ignite with open LPG cylinder valve, gas will continue to flow out of burner and could accidentally/inadvertently ignite with risk of injury. Ensure gas is off at the supply shut off valve before checking appliance valves.



3. CHECK BURNER FLAME

Always check burner flame before use.

STEP 01 Light burners and rotate knobs from HIGH to LOW.

STEP 02 Look below the cooking top to view burners. When knob is at HIGH, flames should be larger than when knob is at LOW.

⚠ WARNING

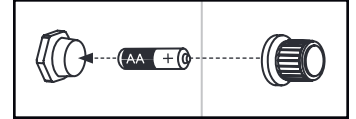
A clogged burner can lead to a fire beneath the appliance. Burner should be removed and cleaned annually or whenever heavy build-up or insects/insect nests are found.

2. BATTERY POWERED IGNITION

⚠ DO NOT lean over the appliance while lighting.

STEP 01 Insert one (1) AA battery (not included) under the ignitor button.

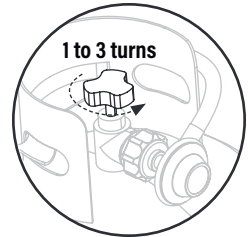
Screw the button into place over the positive terminal.



STEP 02

① Turn the control knob to OFF.

Turn gas ON at the LPG cylinder by turning the OPD hand wheel counterclockwise 1 to 3 turns.

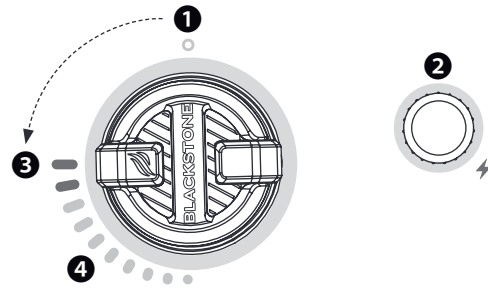


STEP 03

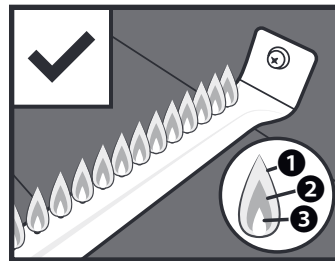
② Push and hold the ignitor button.

③ Push and turn the control knob counter-clockwise to HIGH. (Release the ignitor button when the burner lights.)

④ Adjust the temperature to desired level.

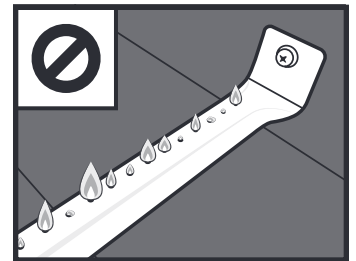


HEALTHY BURNER FLAME PATTERN



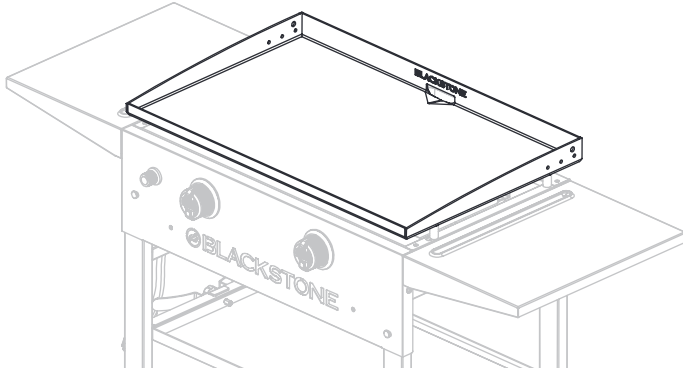
- ① Flickers of yellow color.
- ② Dark blue color.
- ③ Vibrant blue.

BURNER FLAMES ARE YELLOW OR IRREGULAR



If there is a sudden drop or low flame issue, please reference the Troubleshooting chapter.

GRIDDLE SEASONING INSTRUCTIONS



- WHAT OIL IS BEST TO USE?**
- Blackstone Seasoning and Cast Iron Conditioner.
 - Any plant-based cooking oil.
 - Rendered animal fat with no additives.

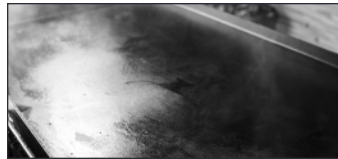


VIDEO TUTORIAL
 How to Season a New Blackstone Griddle
 ▶ [youtube.com/watch?v=VspmDVnj2pl&t=3s](https://www.youtube.com/watch?v=VspmDVnj2pl&t=3s)

STEP 01 Wipe any debris off griddle top.



STEP 02 Set your griddle to high heat until your griddle top changes color. (~10 min)



STEP 03 Use tongs to hold a paper towel or cotton cloth and spread 2-3 tablespoons of your seasoning oil across the entire griddle top.
 When seasoning your griddle top, remember to use a thin and even layer of oil—the thinner the layer of oil, the easier it will be to burn it off.



STEP 04 The griddle top is ready for another layer of oil when it stops smoking. Repeat **STEP 03** 3-4 times, or until the griddle surface is black.



SEASONING TROUBLESHOOTING

THERE IS A BROWNISH RESIDUE ON THE GRIDDLE SURFACE:

POSSIBLE CAUSES	SOLUTION
<ul style="list-style-type: none"> • Too much oil was used. • You turned off the heat too soon. 	<p>STEP 01 Turn your griddle on high and let it heat for 10-15 minutes.</p> <p>STEP 02 Scrape off as much of the thickened and partially cooked oil as you can.</p> <p>STEP 03 Re-season with a very thin layer of oil.</p>

THE EDGES OF THE GRIDDLE SURFACE ARE NOT BLACK:

After using your griddle for multiple cooks, the seasoning will even out and improve.

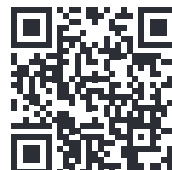
PREVENTING RUST

Use your griddle frequently. Every time you cook, you are adding to the seasoning, which makes rust less likely.

NOTICE

If you live in a humid or coastal climate, your griddle may require more frequent seasonings between uses.

If rust appears on the griddle surface, rub it off with steel wool, low grit sandpaper or the **Blackstone Pumice Stone** and re-season the surface.



VIDEO TUTORIAL
 Recovering your Blackstone Griddle Top
 ▶ [youtube.com/watch?v=thPE2lgnSil](https://www.youtube.com/watch?v=thPE2lgnSil)

COOKING ON YOUR BLACKSTONE

⚠ DANGER

Flammable items can spontaneously combust if placed near the appliance. DO NOT place flammable items such as aerosol containers, oily or greasy towels near the cooking surface.

⚠ CAUTION

This appliance will be hot during and after use. DO NOT handle hot parts with unprotected hands. Use long-handled cooking utensils and oven mitts.

NOTICE

DO NOT store any items within 3 in (8 cm) of the cooking surface while in use.

IF GREASE OR OTHER HOT MATERIAL DRIPS ONTO VALVE, HOSE OR REGULATOR:

STEP 01 Turn off gas supply immediately.

STEP 02 Determine the cause and correct it.

STEP 03 Clean and inspect valve, hose and regulator.

STEP 04 Perform a leak test. (Please reference the Leak Test Instructions in **USING YOUR BLACKSTONE.**)

VIDEO RECIPES

Find recipes and cooking tips at:

[BlackstoneProducts.com/blogs/recipes](https://www.blackstoneproducts.com/blogs/recipes)

[youtube.com/c/BlackstoneGriddles](https://www.youtube.com/c/BlackstoneGriddles)

[@blackstoneproducts](https://www.facebook.com/blackstoneproducts)

CLEANING YOUR APPLIANCE

Clean your appliance after each use, after it is cool to the touch.

- DO NOT use abrasive pad on areas with graphics.
- If a bristle brush is used to clean any of the cooking surfaces, ensure no loose bristles remain on cooking surfaces prior to cooking.

⚠ WARNING

Grease build up can cause a fire. Clean any part of the appliance that gets hot and experiences grease build up after each use.

PLASTIC PARTS & PAINTED SURFACES:

Wash with warm soapy water and wipe dry with a non-abrasive cloth.

NOTICE

DO NOT use Citrisol, abrasive cleaners, or a concentrated cleaner on plastic parts. This may result in damage to and failure of parts.

APPLIANCE STORAGE

⚠ WARNING

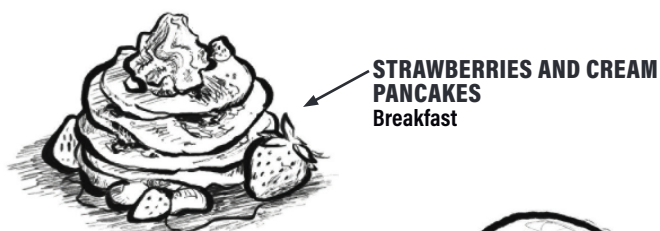
DO NOT move the appliance when in use. Allow the appliance to cool to 115°F (45°C) before moving or storing.

COVER FIT GUIDE

Always cover your appliance when stored outdoors.



To find a cover that will fit your appliance, visit [BlackstoneProducts.com/support](https://www.blackstoneproducts.com/support).



STRAWBERRIES AND CREAM PANCAKES
Breakfast

OKLAHOMA FRIED ONION BURGER
Lunch



TACOS BORRACHOS
Dinner



CLEANING YOUR GRIDDLE TOP

Clean griddle top after each use, while still warm.

- DO NOT use soap on the griddle top. This will destroy the griddle's seasoning.
- The grease cup must be removed and emptied after each use.

⚠ CAUTION

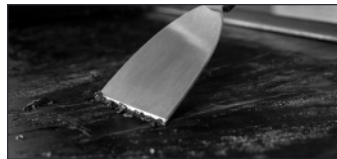
Grease cup will be hot during and after use. DO NOT remove the grease cup until the griddle has completely cooled.



VIDEO TUTORIAL

How to Clean your Blackstone Griddle
 ▶ [youtube.com/watch?v=-ledu9z6NPY](https://www.youtube.com/watch?v=-ledu9z6NPY)

STEP 01 Push loose food debris into the grease cup with spatula or straight metal scraper.



STEP 02 Wipe down griddle top with paper towel.



STEP 03 Apply a few tablespoons of water to the griddle surface, then scrape the water and debris into the grease cup.

(For stuck-on food residue, use a bit of coarse salt.)



STEP 04 Wipe again with a paper towel and dry completely.



STEP 05 Apply thin coat of cooking oil to maintain seasoning and protect the griddle top.

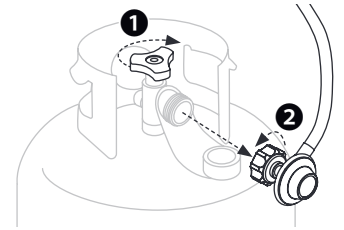


DISCONNECT THE LPG CYLINDER 20 LB (9 KG)

STEP 01 Ensure that the control knobs are turned to OFF.

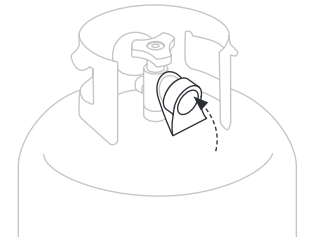
1 Ensure that the LPG cylinder is OFF by turning the OPD hand wheel clockwise to a full stop.

2 Turn the coupling nut counter-clockwise by hand to remove the regulator. (DO NOT use tools to disconnect.)



STEP 02 Place safety cap on LPG cylinder valve outlet whenever cylinder is not in use.

Only install the type of safety cap on cylinder valve outlet that is provided with the cylinder valve. Other types of caps or plugs may result in leakage of propane.



STORING LPG CYLINDERS

⚠ WARNING

- DO NOT store a spare LPG cylinder under or near this appliance.
- DO NOT fill an LPG cylinder beyond 80% full.

If the information above is not followed exactly, a fire causing death or serious injury may occur.

- The LPG cylinder must be turned OFF when the appliance is not in use.
- LPG cylinders must be stored outdoors and out of the reach of children.
- DO NOT store an LPG cylinder inside a building, garage, or any other enclosed area.

FILLING & EXCHANGE

- Use only those reputable exchange companies that inspect, precision fill, test and certify their cylinders. LPG dealer must purge new cylinder before filling.
- Volume of propane in cylinder will vary by temperature.

⚠ WARNING

A frosty regulator indicates gas overfill. Immediately close LPG cylinder valve and call local LPG dealer for assistance.

- DO NOT release liquid petroleum gas (LPG) into the atmosphere.
- To remove gas from LPG cylinder, contact a certified LPG dealer or local fire department for assistance.
- Exchange cylinder only for an OPD safety feature-equipped cylinder.

Your retailer can help you match a replacement LPG cylinder to your appliance.

TROUBLESHOOTING

IGNITION TROUBLESHOOTING

BURNER WILL NOT IGNITE:

If ignition does not occur in 5 seconds:

STEP 01 Turn the burner control knob OFF.

STEP 02 Wait 5 minutes.

STEP 03 Repeat the lighting procedure.

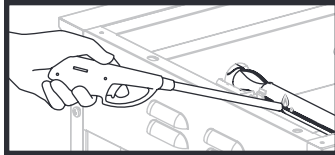
If this does not work, to determine the cause, please try to ignite your appliance with a match.

MATCH LIGHTING INSTRUCTIONS

Before beginning, check for gas leaks. Open hood (if applicable).

STEP 01 Turn control knob to OFF position.

STEP 02 Light a match (or long lighter) no shorter than 11 inches long.



STEP 03 Place the flame next to the burner.

STEP 04 Push in and turn the control knob to start gas flowing. Ensure burner lights and stays lit.

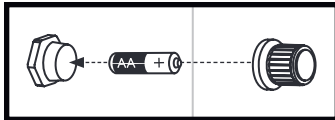
IF YOU CAN IGNITE YOUR APPLIANCE WITH A MATCH:

POSSIBLE CAUSES

Dead / improperly installed battery.

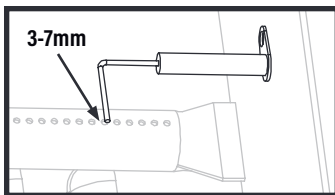
SOLUTION

Replace with new battery.



Ignitor wire misaligned.

Ensure that the ignitor needle is positioned 3-7mm away from the burner, and aligned with the burner holes.



Damage to the ignition system.

Contact customer service for replacement parts.

IF YOU CAN NOT IGNITE YOUR APPLIANCE WITH A MATCH:

POSSIBLE CAUSES

Burner tubes are not receiving fuel.

SOLUTION

Clean the burner assembly to remove the obstruction.

GAS FLOW TROUBLESHOOTING

BURNER FLAMES ARE YELLOW OR IRREGULAR:

- Appliance will not achieve a high heat or heats unevenly.
- Burner flames start strong, then immediately drop to low even when burner is set to high position.
- Flame height drops when a second burner is lit.
- Flames DO NOT extend the full length of the burner, or only run on one side of the burner.
- Burner flames are inconsistent.

POSSIBLE CAUSES

Obstructions in the burner, gas jets, or fuel rail.

LPG cylinder is empty or low.

The regulator's flow limiting device was triggered.

SOLUTION

Clean the burner, jets, and gas hose.

Refill or replace the LPG cylinder.

Reset the safety system:

STEP 01 Turn OFF the appliance, close the LPG cylinder valve, and disconnect the regulator from the LPG cylinder.

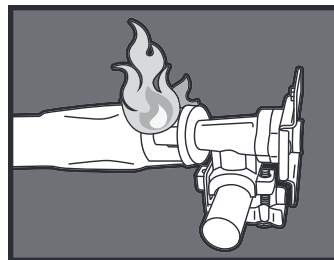
STEP 02 Wait five minutes to allow the pressure to dissipate, then reconnect the regulator to the LPG cylinder and slowly open the OPD hand wheel one half turn.

STEP 03 Ignite your appliance.

Regulator stuck in safety position.

Contact customer service for replacement parts.

A FLAME IS COMING OUT OF THE AIR GATE:



POSSIBLE CAUSES

Something is blocking the venturi in the burner.

SOLUTION

Clean the burner assembly to remove the obstruction.



CLEANING THE BURNER ASSEMBLY



VIDEO TUTORIAL

How to Clean Your Burner Tube

▶ [youtube.com/watch?v=xKQTCrFCzf8](https://www.youtube.com/watch?v=xKQTCrFCzf8)

STEP 01 Ensure that the gas is turned OFF at control knobs and gas supply. Remove the cooking top.

STEP 02 Carefully detach and remove the burner.



STEP 03 Clean the inside of the burner:

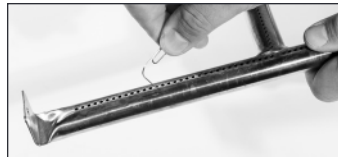
- Run a narrow bottle brush through each burner tube several times. (DO NOT use wire brushes)
- Run a stiff wire bent into a small hook through each burner tube several times.
- Use compressed air to blow through the burner tube and out the burner ports. Check that air blows through each hole. (Wear eye protection)



STEP 04 Brush entire outer surface of burner to remove grime.

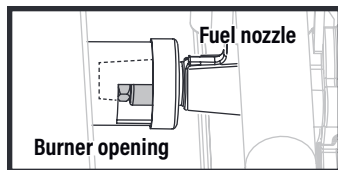


STEP 05 Clean any blocked ports with stiff wire such as an open paper clip.



STEP 06 Carefully replace burners and reattach.

⚠ The gas rail fuel nozzle must be reengaged within the burner opening.



CUSTOMER SERVICE

Visit us online at [BlackstoneProducts.com/support](https://www.BlackstoneProducts.com/support) for assistance concerning appliance use, replacement parts, or your warranty.

CUSTOMER SERVICE HOURS:



Monday - Friday
7:00 am - 5:00 pm (MST)



This product may be covered by one or more issued U.S. and/or international patents and may include patent applications pending. For more information, please visit: BlackstoneProducts.com/patents