



OWNER'S MANUAL

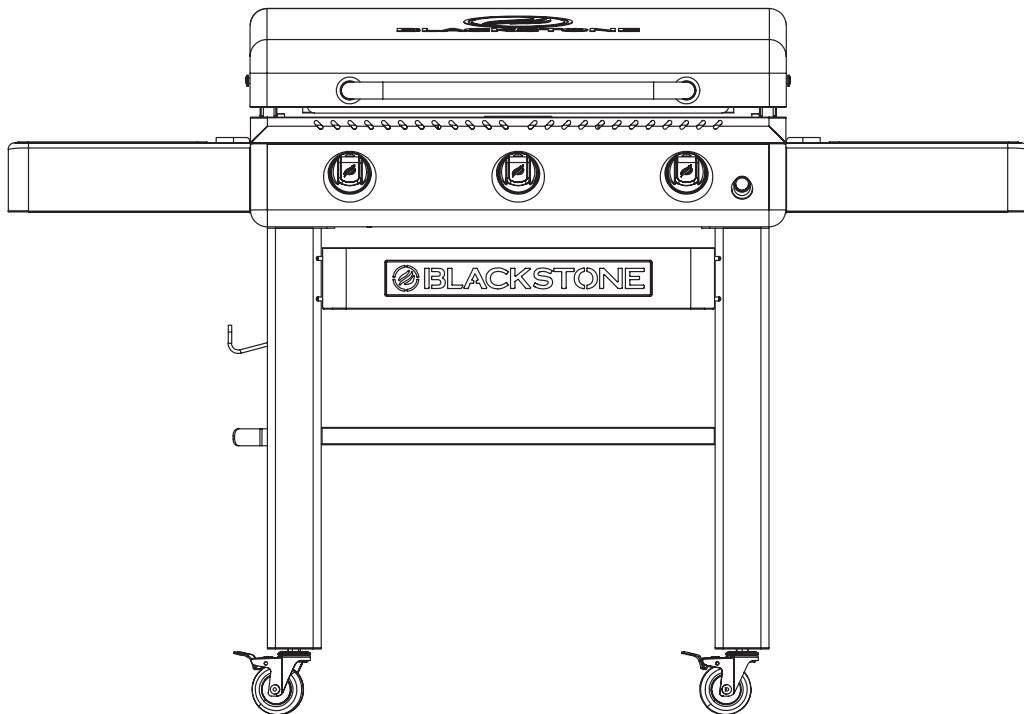
Model 1934

30" GRIDDLE

WITH HOOD AND COUNTER HEIGHT SHELVES



CONFORMS TO ANSI STD. Z 21.58-2018
CERTIFIED TO CSA STD. 1.6-2018
OUTDOOR COOKING GAS APPLIANCES.



ENGLISH

Please reference blackstoneproducts.com/support for the latest version of this manual, and to follow along with assembly videos.



⚠ DANGER

Never operate this appliance unattended.

⚠ WARNING

INSTALLER/ASSEMBLER:

Leave these instructions with consumer.

CONSUMER:

Retain this manual for future reference.

⚠ WARNING

This instruction manual contains important information necessary for the proper assembly and safe use of the appliance.

Read all warnings and instructions before assembling the appliance.

⚠ WARNING

Follow all warnings and instructions while using the appliance.

⚠ WARNING

This product can expose you to chemicals including Di(2-ethylhexyl)phthalate (DEHP), which are known to the State of California to cause cancer and birth defects or other reproductive harm. For more information, go to www.P65Warnings.ca.gov.

⚠ DANGER

Do not store or use gasoline or other flammable liquids or vapors in the vicinity of this or any other appliance.

An LP cylinder not connected for use shall not be stored in the vicinity of this or any other appliance.

⚠ DANGER

When cooking with oil or grease, have a type BC or ABC fire extinguisher readily available.

⚠ DANGER

If a fire should occur, keep away from the appliance and immediately call your fire department. **DO NOT** attempt to extinguish an oil or a grease fire with water.

⚠ DANGER

IF YOU SMELL GAS:

1. Shut off gas to appliance.
2. Extinguish any open flame.
3. Open lid.
4. If odor continues, keep away from appliance and immediately call your gas supplier or your fire department.

Failure to follow these instructions could result in fire or explosion which could cause property damage, personal injury or death.

⚠ DANGER

- This appliance is for outdoor use only, and is not to be used in a building, garage, or any other enclosed area.
- This device is not to be used in or on recreational vehicles or boats.
- This appliance is not be used on or under any apartment or condominium balcony or deck.

⚠ DANGER

▪ **NEVER** operate this appliance within 10ft (3.0 m) of any structure, combustible material or other gas cylinder.

▪ **NEVER** operate this appliance within 25 ft (7.5 m) of any flammable liquid.

Failure to follow these instructions may result in fire, explosion or burn hazard which could cause property damage, personal injury or death.



COOKING TIPS

LOW HEAT:

Cooks slowly and requires more time.

Breaks down connective tissue and fat for a tender, moist meal.

- Fatty, thick cuts of meat.
(eg: pork shoulder, brisket, chicken thighs, short ribs)
- Delicate seafood (eg: octopus, squid)

MEDIUM HEAT:

Stable heat, takes the average time you'd expect for pancakes, eggs, toast, and more.

For food more susceptible to heat. Sear without overcooking.

- Fish (whole or in pieces)
- Most seafood
- Vegetables (steam with the **Blackstone Basting Dome** for best flavor)
- Pancakes
- Eggs

HIGH HEAT:

Cooks meals fast and in little time.

Slow cooking would dry up these cuts and make them horrible to eat since they are lower on fat.

- Lean cuts of meat. (eg: chicken breast, tenderloin, skirt steak, flank)

VIDEO RECIPES:

Find more inspiration and recipes at
blackstoneproducts.com/blogs/recipes



youtube.com/c/BlackstoneGriddles



@blackstoneproducts



TABLE OF CONTENTS

It is the consumer's responsibility to see that the unit is properly assembled, installed, and maintained. Failure to follow the instructions in this manual could result in bodily injury and/or property damage.

CONTENTS

- 01. REGISTER YOUR PRODUCT01**
- 02. FOR YOUR SAFETY02**
 - Section 01. Food Safety02
 - Section 02. Gas Appliance Safety03
- 03. ASSEMBLY GUIDE04**
- 04. RECIPES.....15**
- 05. FUEL | 20 LB. PROPANE TANK16**
 - Section 01. 20 lb. Liquid Propane Cylinder.....16
 - Section 02. Connection & Removal.....18
 - Section 03. Leak Test Instructions20
- 06. RECIPES.....21**
- 07. CARE & MAINTENANCE.....22**
 - Section 01. General Care.....22
 - Section 02. Cleaning the Burner Assembly24
 - Section 03. Griddle Seasoning Instructions.....26
 - Section 04. Cleaning Your Griddle Top28
- 08. IGNITION | BATTERY POWERED30**
- 09. TROUBLESHOOTING31**
 - Section 01. Battery Powered Ignition31
 - Section 02. Gas Flow.....32
- 10. F.A.Q.....34**
- 11. WARRANTY.....35**

SAFETY ALERT KEY

Read and follow all the notices throughout the manual.

DANGER
Indicates an imminently hazardous situation which, if not avoided, may result in death or serious injury.
WARNING
Indicates the possibility of serious bodily injury if the instructions are not followed.
CAUTION
Indicates a potentially hazardous situation which, if not avoided, may result in minor or moderate injury.



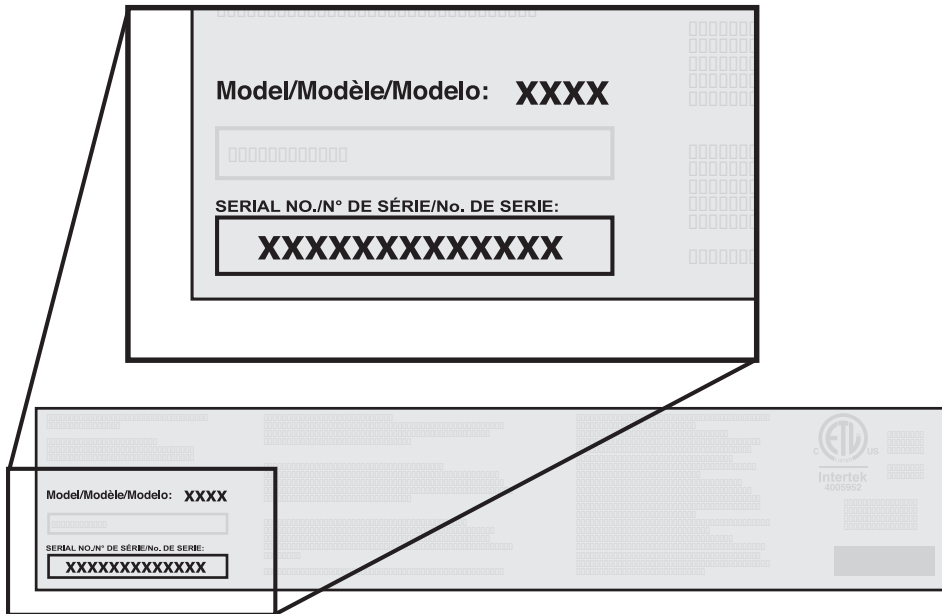
REGISTER YOUR PRODUCT

Registration allows our Customer Service Representatives to quickly provide assistance with your Blackstone product if needed.

The North Atlantic Imports LLC 1-Year Warranty covers replacement parts up to one year after the date of purchase. (Please reference the Warranty chapter for more information.) To enable this warranty, you will need to provide:

- Proof of Purchase/ Receipt/ Order Details
- Your Blackstone product's Serial Number
- Your Blackstone product's Model Number

Your Blackstone product's Serial and Model numbers can be found on your griddle's Origin Label. (The Origin Label is a large silver sticker found on the body of your appliance.)



OUR CUSTOMER SERVICE STAFF IS HERE TO HELP YOU!

Register your Blackstone product at blackstoneproducts.com/register and visit us online at blackstoneproducts.com/support



Model Number _____

Serial Number _____

Date Purchased _____

We are pleased to help you with any questions concerning appliance use, replacement parts, or your warranty.

*Customer Service Hours:
Monday - Friday
7:00 am - 5:00 pm
Mountain Standard Time*

**WARNING**

NEVER partially cook meat or poultry to finish cooking later. Cook food completely to destroy harmful bacteria.

FOR YOUR SAFETY

Before proceeding, make certain that you understand the FOR YOUR SAFETY section of this manual. Hazardous fire or explosion may result if instructions are ignored.

Section 01

FOOD SAFETY

Food safety is an important part of enjoying the outdoor cooking experience. To keep food safe from harmful bacteria, follow these four basic steps:

CLEAN: Wash hands, utensils, and surfaces with hot soapy water before and after handling raw meat and poultry.

SEPARATE: Separate raw meats and poultry from ready-to eat foods to avoid cross contamination. Use clean platter and utensils when removing cooked foods from appliance.

COOK: Cook meat and poultry thoroughly to kill bacteria. Use thermometer to ensure proper internal food temperatures.

CHILL: Refrigerate prepared foods and leftovers promptly.

For more information visit foodsafety.gov or Canadian Partnership for Consumer Food Safety Education online at befoodsafe.ca

HOW TO TELL IF MEAT IS COOKED THOROUGHLY

Meat and poultry cooked with this appliance often browns very fast on the outside.

Use a meat thermometer to be sure food has reached a safe internal temperature and cut into food to check for visual signs of doneness.

When reheating takeout foods or fully cooked meats like hot dogs, cook to 165° F (74° C), or until steaming hot.

MEAT COOKING TEMPERATURES



Poultry

165° F or 74° C

Juices should run clear and flesh should not be pink.

Beef or Poultry Hamburger

160° F or 71° C

Juices should not be pink and flesh should be brown in the middle.

Beef, Veal, & Lamb Steaks/Chops

145° F or 63° C

Beef, Veal, & Lamb Roasts

145° F or 63° C

ALL cuts of Pork

160° F or 71° C

Juices should not be pink.



Section 02

GAS APPLIANCE SAFETY

INSTALLATION SAFETY

This appliance is safety certified for use in the United States and/or Canada only. Do not modify for use in any other location. Modification will result in a safety hazard and void warranty.

Use this appliance, as purchased, only with gas and regulator/valve assembly supplied.

Appliance installation must conform with local codes, or in the absence of local codes, with either the National Fuel Gas Code, ANSI Z223.1/ NFPA 54, Natural Gas and Propane Installation Code, CSA B149.1, or Propane Storage and Handling Code, B149.2, or the Standard for Recreational Vehicles, NFPA 1192, and CSA Z240 RV Series, Recreational Vehicle Code, as applicable.

TURNING YOUR APPLIANCE OFF

- When not in use, turn OFF appliance by rotating the appliance control knobs to the OFF position and closing the fuel valve.

If the information in the above statements is not followed exactly, serious injuries, fire, or death may occur.

SAFETY TIPS

- Do not move the appliance when in use.
- Use long-handled cooking utensils and oven mitts to protect against burns and splatters.
- Do not place any empty cooking vessels on the cooking surface while in operation.
- Use caution when placing anything in cooking vessel while the appliance is in operation. Allow cooking vessel to cool to 115° F (45° C) before moving or storing.

If grease or other hot material drips from appliance onto valve, hose or regulator:

STEP 01 Turn off gas supply immediately.

STEP 02 Determine the cause and correct it.

STEP 03 Clean and inspect valve, hose and regulator before continuing.

STEP 04 Perform a leak test. (Please reference the Leak Test Instructions in the Fuel chapter.)

For problems with this appliance, please reference the Troubleshooting chapter.

DANGER

Never place any items within 3-inches of the cooking surface while in use. This area can become very hot and potentially damage any accessory objects placed too close.

WARNING

Keep children and pets away from appliance at all times.

This appliance is not intended for use by children.

Close supervision is necessary when any appliance is used by or near children.

WARNING

This appliance is not intended for and should never be used as a heater.

Do not use for purposes other than intended.

WARNING

The use of alcohol, prescription or non-prescription drugs may impair the consumer's ability to properly assemble or safely operate the appliance.

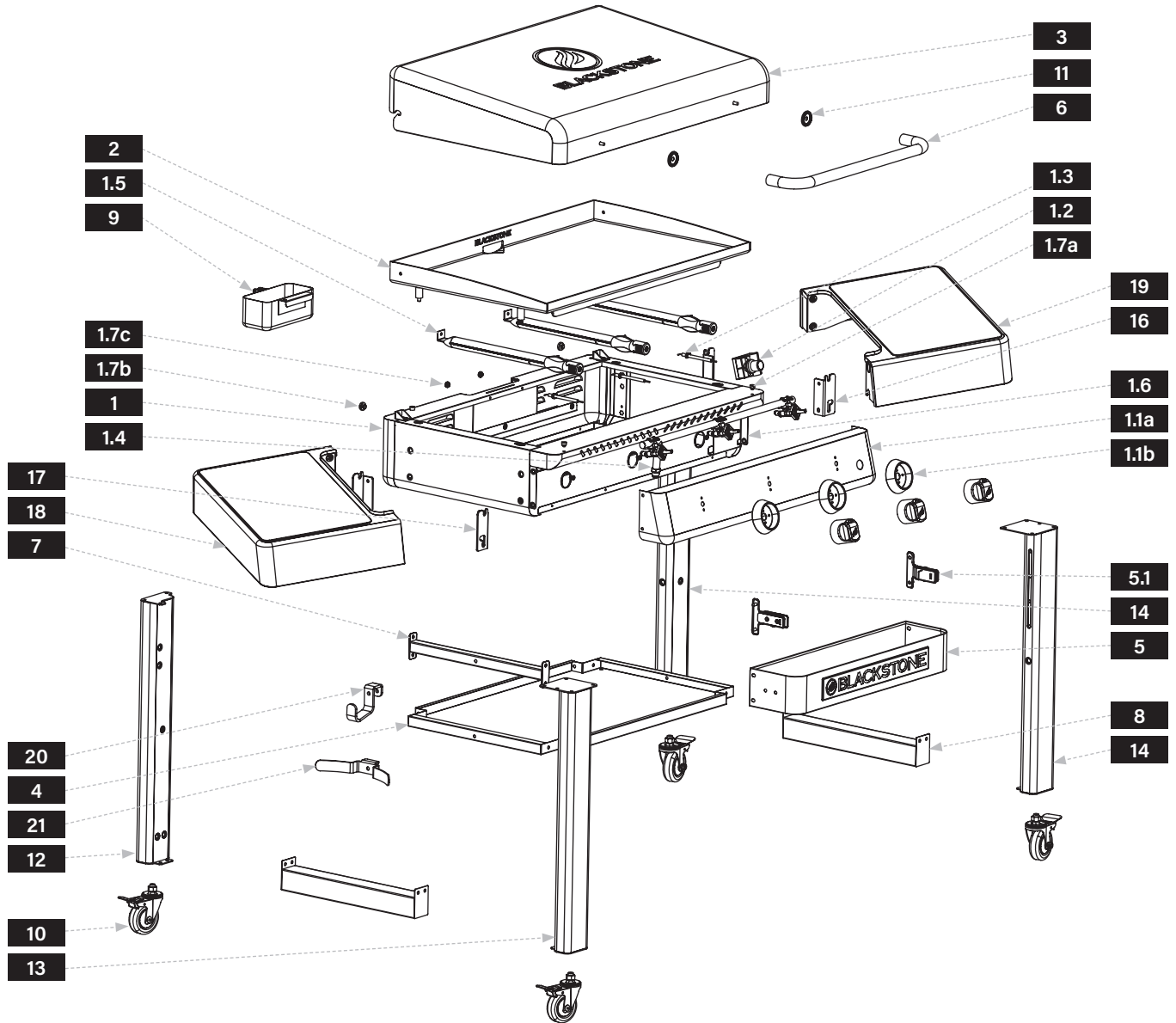
CAUTION

For residential and household use only. **DO NOT** use for commercial cooking.



ASSEMBLY GUIDE

EXPLODED VIEW



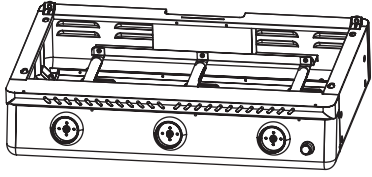
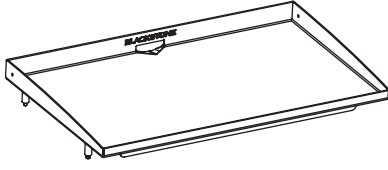

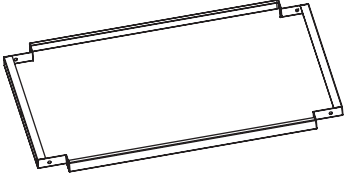
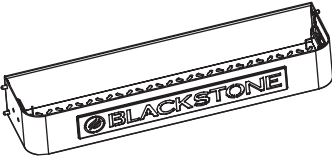
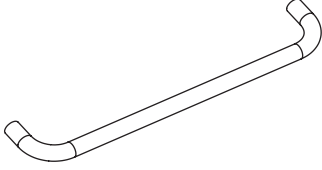
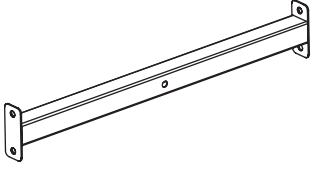
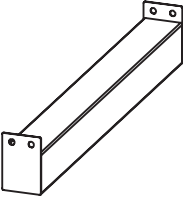
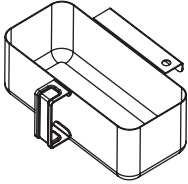


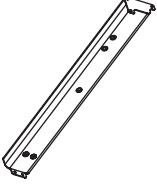
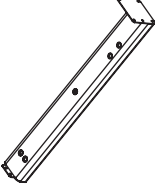
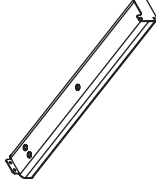
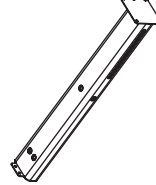
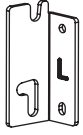

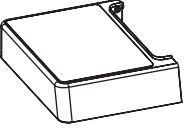
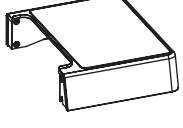
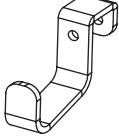
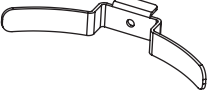
PARTS	QTY
1.1a Control panel	1
1.1b Control knob bezels	3
1.2 Ignition	1
1.3 Ignition needles	3

PARTS	QTY
1.4 Gas rail	1
1.5 Tubular burners	3
1.6 Baffle panel	1
1.7a Front hood cushions	2

PARTS	QTY
1.7b Back hood cushions	2
1.7c Grease cup cushions	2
5.1 Tray clips	2



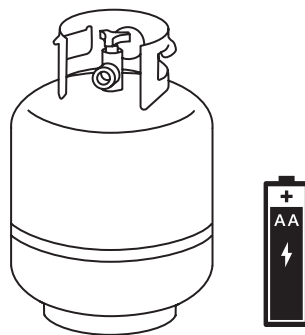
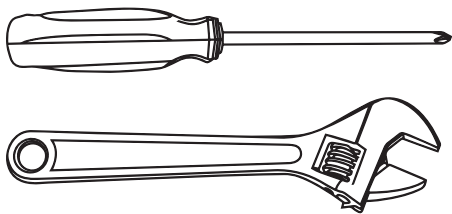
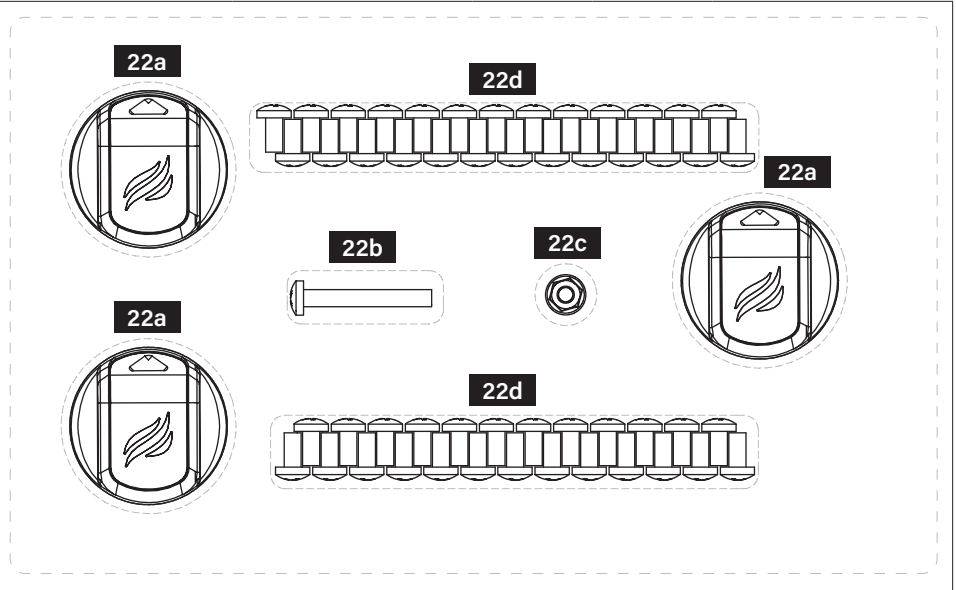
ILLUSTRATED PARTS LIST

<p>1 Griddle body (1 piece)</p> 	<p>2 Griddle top (1 piece)</p> 	<p>3 Hood (1 piece)</p> 			
<p>4 Bottom shelf (1 piece)</p> 	<p>5 Front tray (1 piece)</p> 	<p>6 Handle (1 piece)</p> 			
<p>7 Upper leg brace (1 piece)</p> 	<p>8 Lower leg braces (2 pieces)</p> 	<p>9 Grease cup (1 piece)</p> 			
<p>10 Wheels (4 pieces)</p> 	<p>11 Handle bezels (2 pieces)</p> 	<p>12 Left back leg (1 piece)</p> 	<p>13 Left front leg (1 piece)</p> 	<p>14 Right back leg (1 piece)</p> 	<p>15 Right front leg (1 piece)</p> 
<p>16 Side shelf bracket L (2 pieces)</p> 	<p>17 Side shelf bracket R (2 pieces)</p> 	<p>18 Left side shelf (1 piece)</p> 	<p>19 Right side shelf (1 piece)</p> 	<p>20 Propane tank hanger (1 piece)</p> 	<p>21 Propane tank support (1 piece)</p> 



22 Hardware pack (1 piece)

- a. Control knobs (1 piece) (1 piece) (1 piece)
- b. M6x45 bolt (1 pieces)
- c. M6 nut (1 piece)
- d. M6x16 screws (26 pieces) (25 pieces)



TOOLS NEEDED: Phillips head screwdriver & Adjustable wrench

NOT INCLUDED: 20 lb LP Gas tank & AA Battery



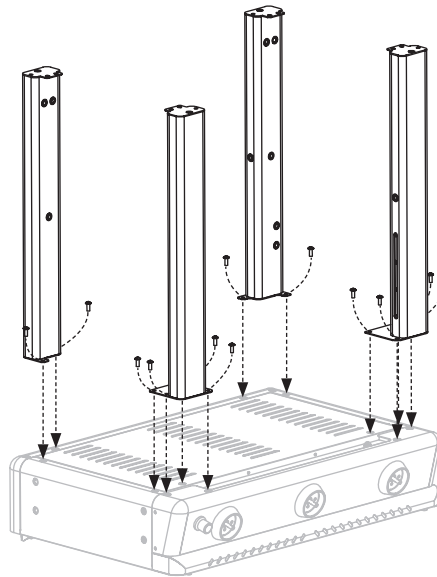
ASSEMBLY INSTRUCTIONS

Please read all instructions thoroughly before proceeding. Make sure all the plastic packing material is removed before assembling.

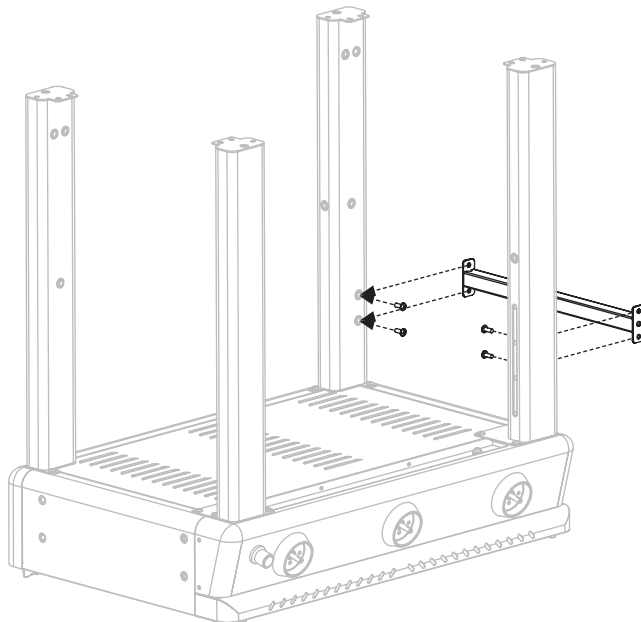
Find a large, clean area to assemble your unit. Please refer to the parts list and assembly diagrams as necessary.

STEP 01 With the help of another person, remove the griddle body from the packaging and lay it upside down on a smooth, flat surface.

Use twelve (12) M6x16 screws to attach the four (4) legs.



STEP 02 Use four (4) M6x16 screws to attach the upper leg brace to the left leg assembly.



⚠ WARNING

The manufacturer has made every effort to eliminate any sharp edges. However, you should handle all components with care to avoid accidental injury.

Some parts may contain sharp edges, especially as noted in these instructions. Wear protective gloves if necessary.

⚠ WARNING

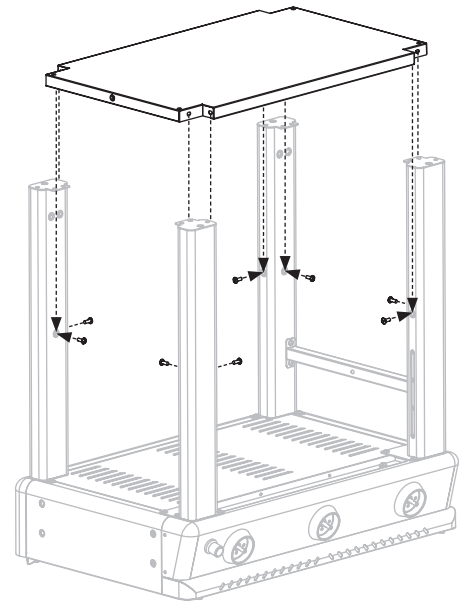
The use of alcohol, prescription or non-prescription drugs may impair the consumer's ability to properly assemble or safely operate the appliance.

⚠ CAUTION

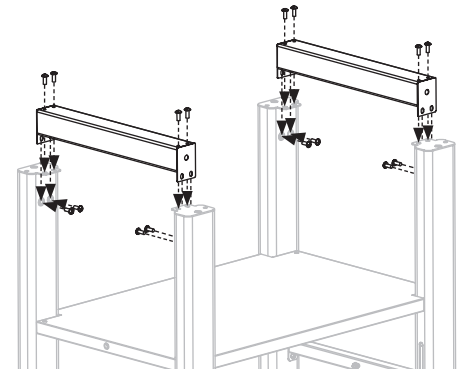
Two people are recommended for the assembly of this product.



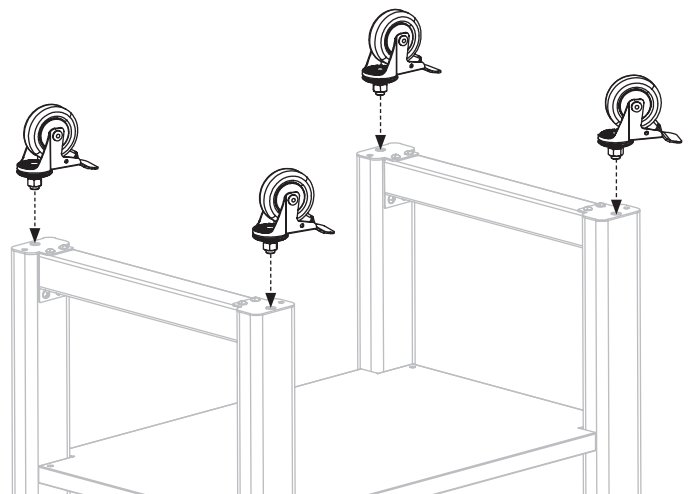
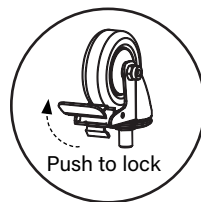
STEP 03 Use eight (8) M6x16 screws to attach the bottom shelf to the legs.



STEP 04 Use eight (8) M6x16 screws to attach the two (2) lower leg braces to the sides of the griddle legs. Use eight (8) M6x16 screws to secure the braces to the bottoms of the legs.



STEP 05 Use a wrench to attach the four (4) caster wheels to the bottoms of the legs. Ensure that the wheels are locked.

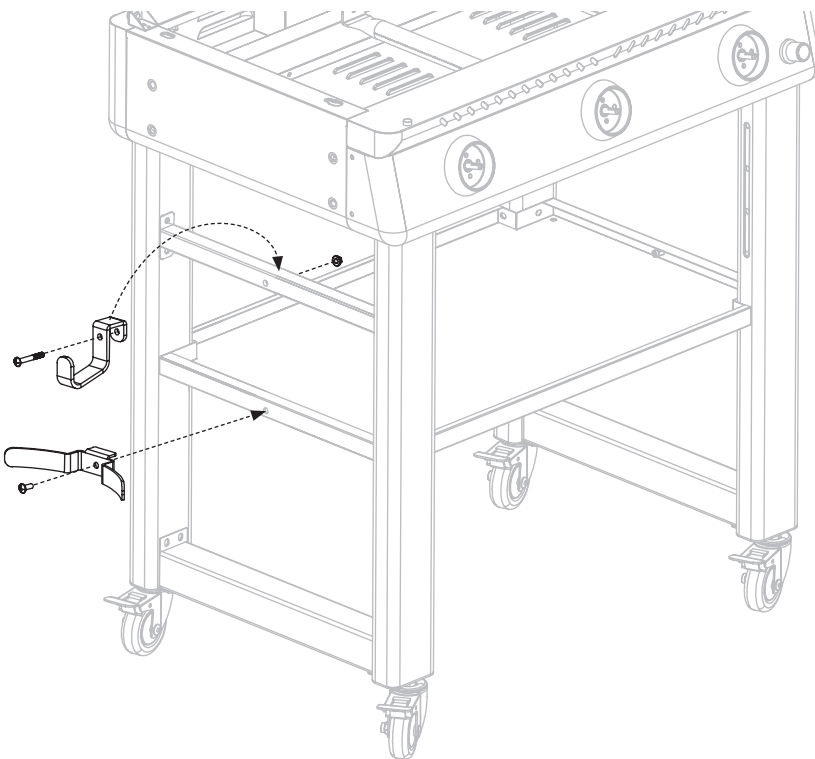




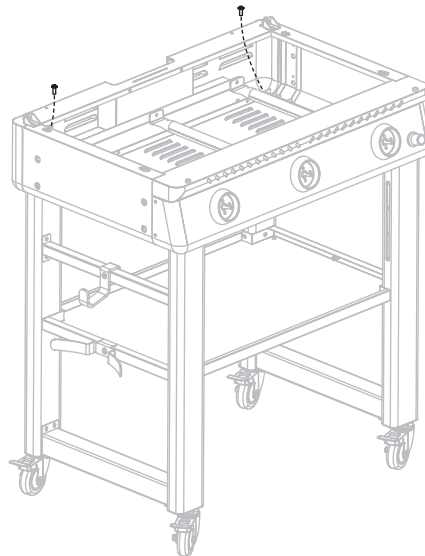
STEP 06 With the help of another person, set the griddle on its feet.

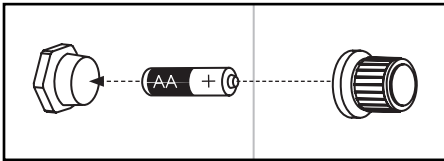
Hook the upper propane tank hanger onto the upper leg brace and secure with one (1) M6x45 screw and one (1) M6 nut.

Use one (1) M6x16 screw to attach the lower propane tank support to the lower shelf.



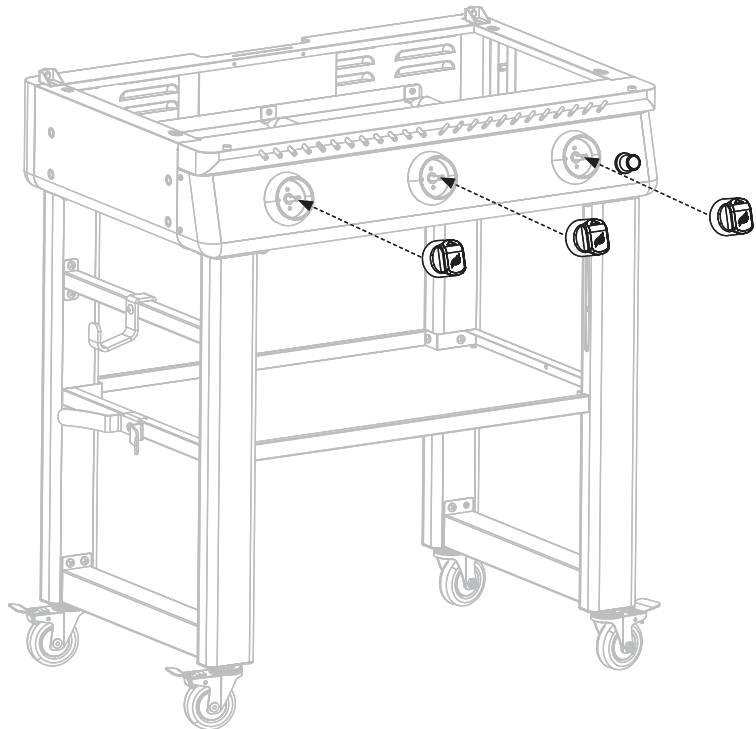
STEP 07 Use two (2) M6x16 screws to secure the griddle body to the back legs.





Insert one (1) AA battery (not included) into the battery socket with the positive terminal facing out, then screw on the ignitor button until tight. Be careful to not over tighten.

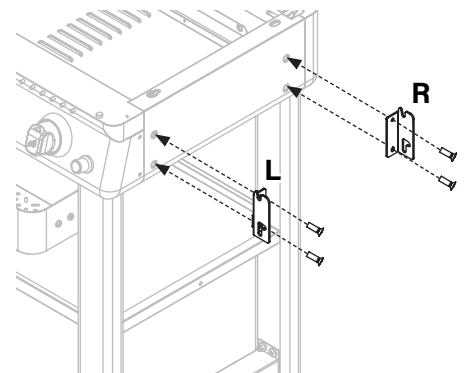
STEP 08 Place the three (3) control knobs onto the valve stems in the OFF position. Insert one AA battery under the ignition button.



STEP 09 Use four (4) M6x16 screws to install one (1) side shelf bracket **L** and one (1) side shelf bracket **R** to the right side of the griddle body.

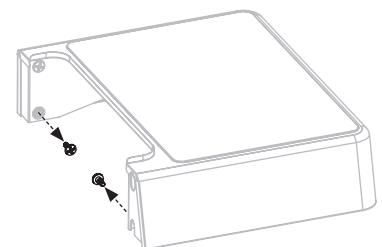
Repeat this step on the left side of the griddle body.

(Note: There are two types of brackets. Ensure that both sides of the griddle use one of each.)



STEP 10 Remove the two (2) preinstalled step bolts from the bottom of the right side shelf.

Repeat this step with the left side shelf.

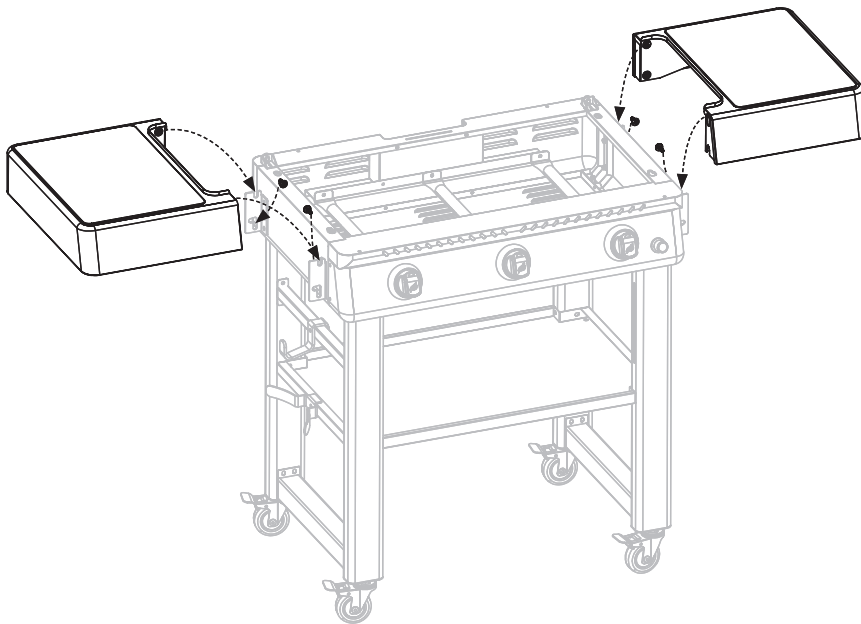




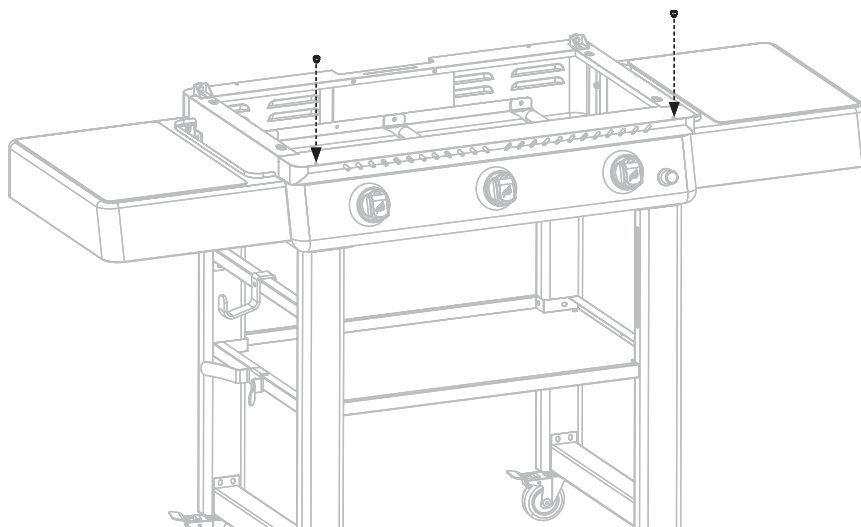
STEP 11 Hook the right side shelf's step bolts onto the shelf brackets on the right side of the griddle.

Secure the shelf with the previously removed step bolts in the bottom holes of the shelf brackets.

Repeat this step with the left side shelf.

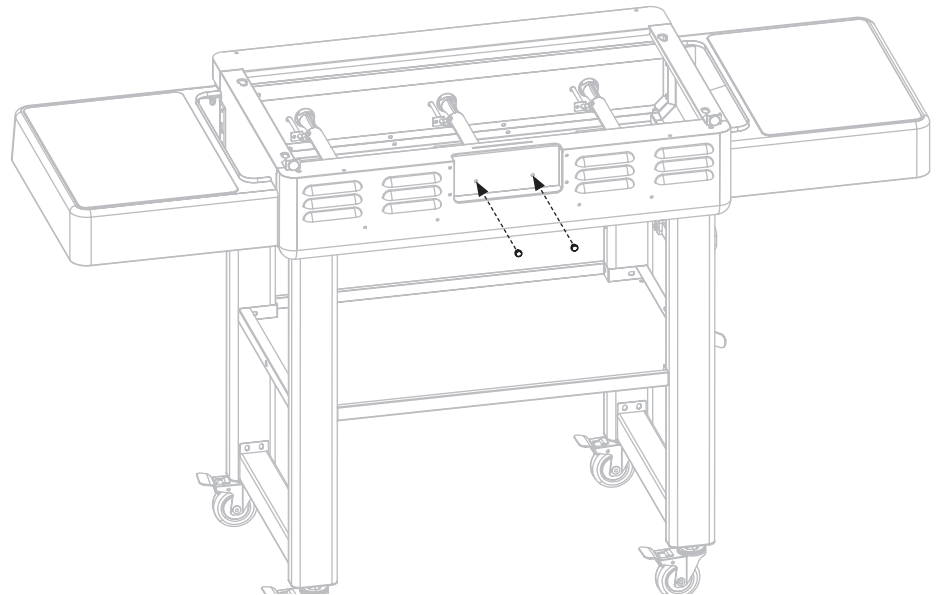


STEP 12 Attach the two (2) front hood cushions to the top of the griddle body.

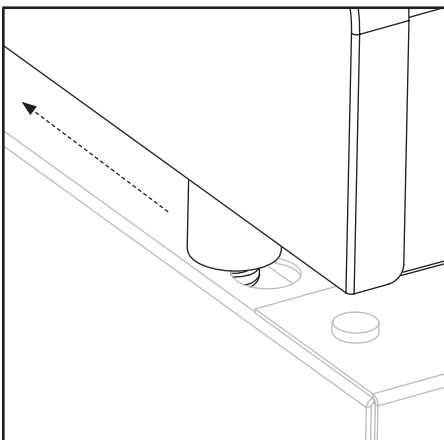




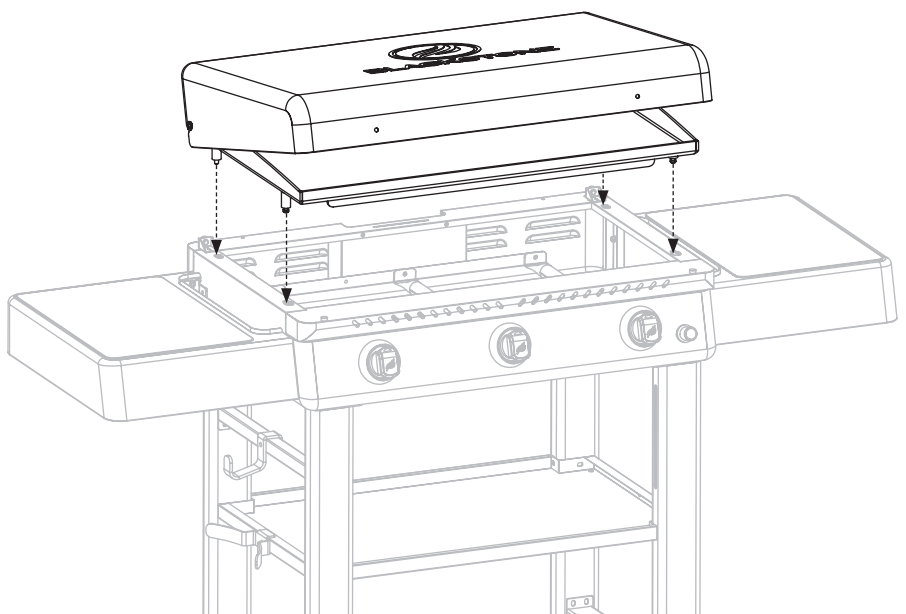
STEP 13 Attach the two (2) grease cup cushions to the back of the griddle body.



STEP 14 **With the help of another person**, place the griddle top onto the griddle body by aligning the four pins to the holes on top of the unit. Make sure the front pins are fully seated in the holes, then push the griddle top back to lock the griddle in place.

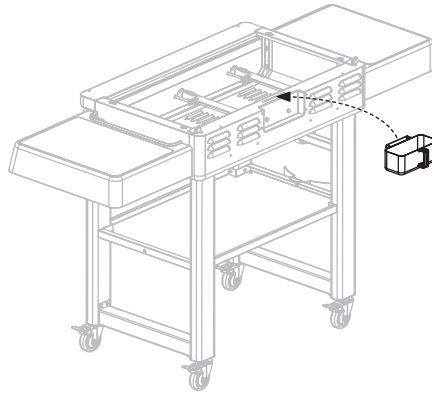


Make sure the front pins are fully seated in the holes, then push the griddle top back to lock the griddle in place.

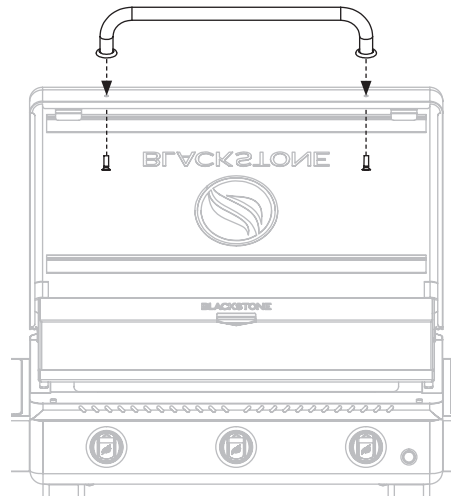




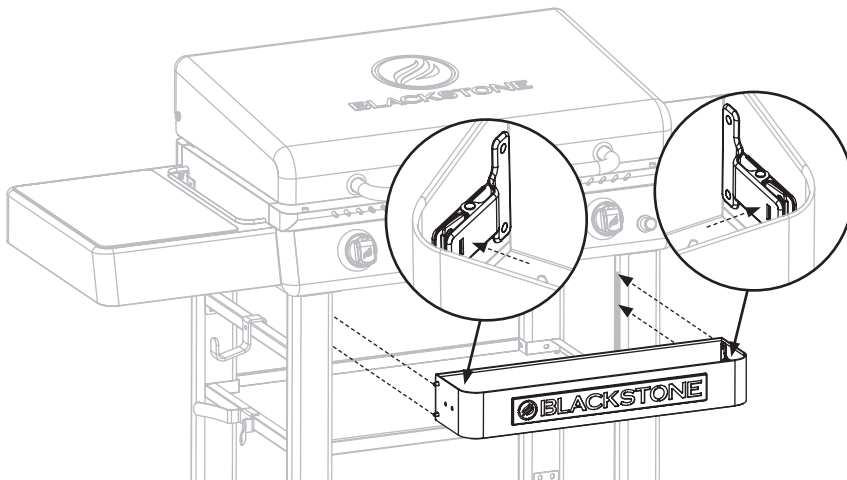
STEP 15 Hang the grease cup on the back of the griddle body.



STEP 16 Use the two (2) M6x12 screws pre-installed in the handle to attach the handle and two (2) handle bezels to the hood.



STEP 17 Hold both clips on the inner sides of the front tray to retract the adjusting pins. Line up the pins with the leg frame holes at your desired height, and release the clips. Adjust tray until all four pins lock in place.

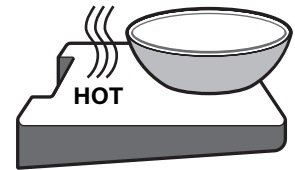


⚠ WARNING

Do not leave the hood closed for more than 15 minutes while cooking.

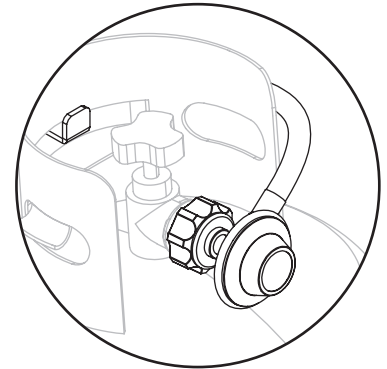
⚠ CAUTION

- Maximum weight on the side shelf is 10 lbs.
- The side shelf is a high heat area.



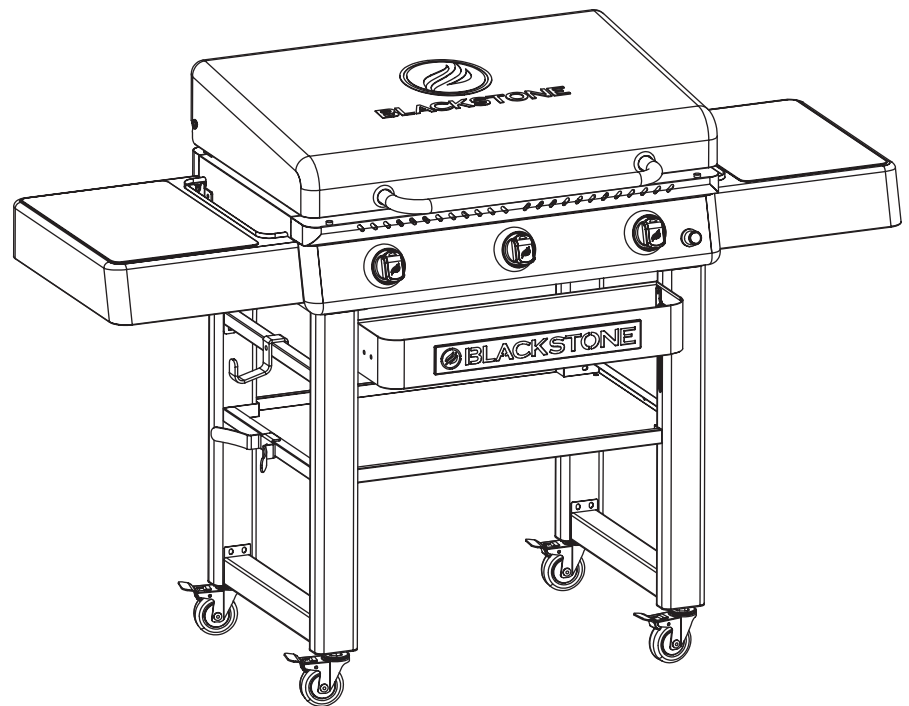


STEP 18 Connect the 20 lb propane tank (not included) and hook it on the upper propane hanger so that it nestles against the lower propane holder. (Please reference the Connection & Removal section of the Fuel chapter.)



STEP 19 Proceed to the Griddle Seasoning Instructions section of the Care & Maintenance chapter.

Enjoy cooking outdoors on your Blackstone!



NEED HELP?

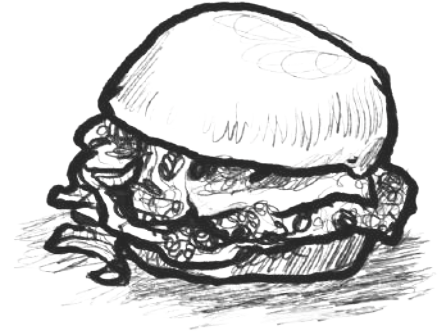
Register your Blackstone product at blackstoneproducts.com/register and visit us online at blackstoneproducts.com/support for missing parts, assembly and operation questions.





RECIPES FOR LUNCH & DINNER

OKLAHOMA FRIED ONION BURGER



STEP 01 Pre-heat your Blackstone to high heat.

STEP 02 Make four 2 oz loosely packed meatballs with the ground beef and place on the hot griddle. Add a pinch of salt over each and using your **Blackstone Burger Press**, smash them very thin.

STEP 03 Add 2-3 ounces of thinly sliced onion over each patty.

STEP 04 Cook for 60-90 seconds and flip so that the onion's are under the patty. Add 1 slice of American cheese to each patty and then place the top bun over the cheese and then the bottom bun on top of the top bun. Cook for another 60 seconds.

STEP 05 To plate, remove the bottom bun from the top, using your spatula, lift the burger with top bun and add to the bottom bun.

STEP 06 Serve hot with a few dill pickle chips.

🍴 Serves 4 | ⌚ 7 min.

Ingredients

- 1/2 lb of 80/20 ground beef
- 1 Vidalia (or sweet) onion (sliced paper thin)
- 4 slices American cheese
- 1/4 cup of dill pickle chips
- Salt

VIDEO RECIPES:

Find more inspiration and recipes at blackstoneproducts.com/blogs/recipes



youtube.com/c/BlackstoneGriddles



@blackstoneproducts

**⚠ WARNING**

Turn off LP supply at cylinder when appliance is not in use.

FUEL | 20 LB. PROPANE TANK

Section 01

20 LB. LIQUID PROPANE CYLINDER

LP (LIQUEFIED PETROLEUM GAS)

LP gas is nontoxic, odorless and colorless when produced. For safety and easy detection, LP gas has been given an odor similar to rotten cabbage.

LP gas is highly flammable and may ignite unexpectedly when mixed with air.

20 LB. LIQUID PROPANE CYLINDER REQUIREMENTS

- Check to be sure that cylinders have a D.O.T. Certification and that they have been date tested by a LP gas supplier within five years of use.
- All LP tank supply systems must include a collar to protect the cylinder valve.
- Use only a 18 x 12 inch, 20lb LP cylinder.
- The cylinder must be constructed and marked in accordance with the Specifications for LP - Gas Cylinders of the U.S. Department of Transportation (D.O.T.) or the National Standard of Canada, CAN/CSA-B339, Cylinders, Spheres, and Tubes or Transportation of Dangerous Goods; and Commission, as applicable.

CANADIAN LIQUID PROPANE CYLINDER REQUIREMENTS

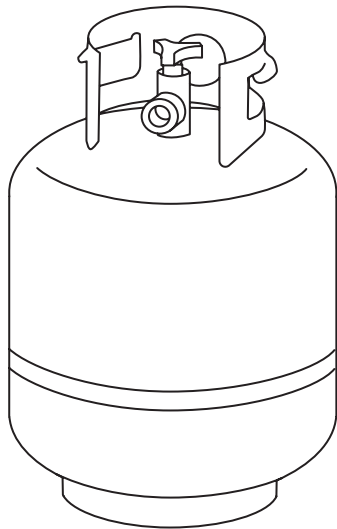
- The LP cylinder must be constructed and marked in accordance with the specifications for LP gas cylinders, T.C.

20 LB. LP TANK

The 20 lb. LP Tank used with your griddle must meet the following requirements:

LP Tanks must be constructed and marked in accordance with specifications for LP Tanks of the U.S. Department of Transportation (DOT) or for Canada, CAN/CSA-B339, tanks, spheres and tubes for transportation of dangerous goods. Transport Canada (TC).

See LP Tank collar for marking.





LP Tank valve must have:

- Type 1 outlet compatible with regulator of appliance.
- Safety relief valve.
- UL listed Overfill Protection Device (OPD). This OPD safety feature is identified by a unique triangular hand wheel. Use only LP Tanks equipped with this type of valve.



OPD Hand Wheel

- LP Tank must be arranged for vapor withdrawal and include collar to protect LP Tank valve.

Always keep new and exchanged LP Tanks in upright position during use, transit or storage.

LP TANK FILLING

Use only licensed and experienced dealers. LP dealer must purge new tank before filling.

Volume of propane in tank will vary by temperature. A frosty regulator indicates gas overfill. Immediately close LP Tank valve and call local LP gas dealer for assistance.

Do not release liquid propane (LP) gas into the atmosphere.

To remove gas from LP Tank, contact a certified LP dealer or local fire department for assistance.

LP TANK EXCHANGE

Leak test new and exchanged LP tanks BEFORE connecting to appliance. Please reference the Leak Test Instructions section.

Many retailers offer the option of replacing empty LP tanks through an exchange service.

Use only those reputable exchange companies that inspect, precision fill, test and certify their tanks.

Exchange tank only for an OPD safety feature-equipped tank.

Place dust cap on cylinder valve outlet whenever the cylinder is not in use.

Only install the type of dust cap on the cylinder valve outlet that is provided with the cylinder valve.

Other types of caps or plugs may result in leakage of propane.

⚠ DANGER

- **NEVER** store a spare LP cylinder/bottle under or near the appliance or in an enclosed area.
- **NEVER** fill a LP cylinder/ bottle beyond 80% full.
- **DO NOT** store an LP tank/ bottle in an area where children play.
- **LP cylinder should only be stored outside and in a cool, dry place.**
- **NEVER** leave an LP tank/ bottle inside a vehicle which may become overheated by the sun.

If the information above is not followed exactly, a fire causing death or serious injury may occur.

An overfilled or improperly stored cylinder is a hazard due to possible gas release from the safety relief valve. This could cause intense fire with risk of property damage, serious injury or death.

If you see, smell or hear gas escaping, immediately get away from the LP cylinder and appliance and call fire department.

PLEASE NOTE: Your retailer can help you match a replacement tank to your griddle.



⚠ DANGER

Do not insert any tool or foreign objects into the valve outlet or safety relief valve. The valve may be damaged resulting in a leak. **Leaking propane may result in explosion, fire, severe personal injury, or death.**

If a leak is detected at any time, STOP and call the fire department.

If unable to stop a gas leak, immediately close LP tank valve and immediately contact an LP gas supplier or fire department.

⚠ WARNING

Do not insert a POL transport plug (plastic part with external threads) into the Type 1 tank valve outlet. It will defeat the Safety Relief Valve feature.



ENGLISH

Section 02

CONNECTION & REMOVAL

REGULATOR SAFETY

If regulator fails in unit, it must be replaced with a Blackstone approved model and must only be replaced by a professionally licensed, authorized dealer. Failure to comply will void the warranty.

FITTINGS & HOSES

- Annual checking and tightening of metal fittings is recommended.
- Cylinder supply system must be arranged for vapor withdrawal.

Before each use, check to see if hoses are cut or worn. Replace damaged hoses before using appliance. Use only Blackstone approved replacement parts for valve, hose, or regulator.

20 LB. LP TANK REMOVAL FOR TRANSPORT OR STORAGE

STEP 01 Turn OFF all control knobs. Turn LP cylinder OFF by turning hand-wheel clockwise to a full stop.

STEP 02 Turn coupling nut counterclockwise by hand only. Do not use tools to disconnect.

STEP 03 Lift LP tank up and off of support bracket.

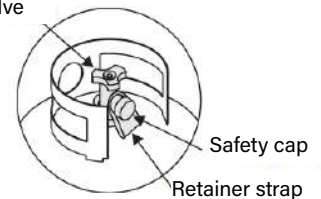
STEP 04 Install safety cap onto LP tank valve.

Always use cap and strap supplied with valve.

Failure to use safety cap as directed may result in serious personal injury and/or property damage.

A disconnected LP tank in storage or during transportation must have a safety cap installed (as shown).

LP Tank valve





CONNECTING THE REGULATOR TO THE 20 LB. LP TANK

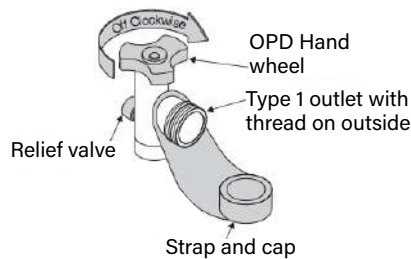
Leak test new and exchanged LP tanks BEFORE connecting to griddle. Please reference the Leak Test Instructions section.

STEP 01 LP tank must be properly secured to griddle. (Please reference the Assembly Guide chapter.)

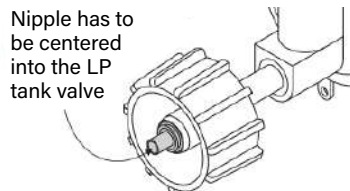
STEP 02 Turn all control knobs to the OFF position.

STEP 03 Turn LP tank OFF by turning OPD hand wheel clockwise to a full stop.

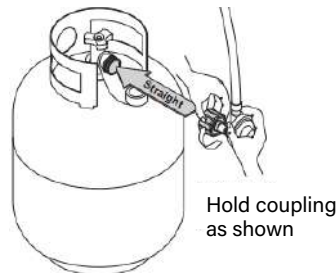
STEP 04 Remove protective cap from LP tank valve.



STEP 05 Hold regulator and insert nipple into LP tank valve.



STEP 06 Hand-tighten the coupling nut, holding regulator in a straight line with LP tank valve so as not to cross thread the connection.



STEP 07 Turn the coupling nut clockwise and tighten to a full stop. The regulator will seal on the back-check feature in the LP tank valve, resulting in some resistance.

STEP 08 An additional one-half to three-quarters turn is required to complete the connection. Tighten by hand only – do not use tools.

⚠ WARNING

Keep the fuel supply hose away from any heated surface(s).

⚠ WARNING

Never attempt to attach this griddle to the self-contained LP gas system of a camper trailer, recreational vehicle or motor home.

Do not use the LP Tank until it has been leak-tested.

NOTE: If connection cannot be completed, disconnect regulator and repeat steps 5 and 6.

If still unable to complete connection, do not use this regulator!

NEED HELP?

Register your Blackstone product at blackstoneproducts.com/register and visit us online at blackstoneproducts.com/support for missing parts, assembly and operation questions.



**WARNING**

If "growing" bubbles appear during leak test, do not use or move the LP bottle. Immediately contact an LP gas supplier or fire department.

CAUTION

DO NOT USE HOUSEHOLD CLEANING AGENTS. Damage to gas valve, hose, and regulator components may result.

ENGLISH

Section 03

LEAK TEST INSTRUCTIONS**LEAK TEST SAFETY**

- Leak test must be repeated each time LP tank is exchanged or refilled.
- Do not smoke during leak test.
- Do not use an open flame to check for gas leaks.
- Appliance must be leak tested outdoors in a well-ventilated area, away from ignition sources such as gas fired or electrical appliances.
- During leak test, keep appliance away from open flames or sparks.

LEAK TEST: VALVES, HOSE & REGULATOR

STEP 01 Turn all griddle control knobs OFF.

STEP 02 Be sure regulator is tightly connected to LP tank.

STEP 03 Completely open LP tank valve by turning OPD hand wheel counterclockwise.

If you hear a rushing sound, turn gas off immediately. There is a major leak at the connection. Correct before proceeding.

Please visit **blackstoneproducts.com/support** for customer support and replacement parts.

STEP 04 Brush soapy solution onto areas where bubbles are shown in figure 02.

If "growing" bubbles appear, there is a leak. Close LP tank valve immediately and re-tighten connections. If leaks cannot be stopped **DO NOT TRY TO REPAIR.**

Please visit **blackstoneproducts.com/support** for customer support and replacement parts.

STEP 05 Always close LP bottle valve after performing leak test by turning hand wheel clockwise.

FIGURE 01

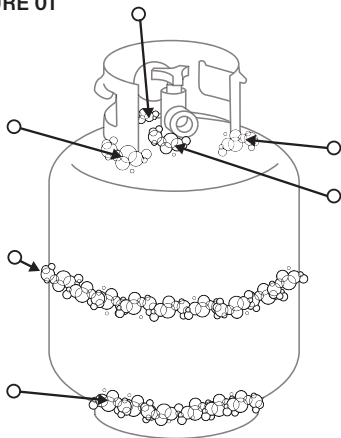
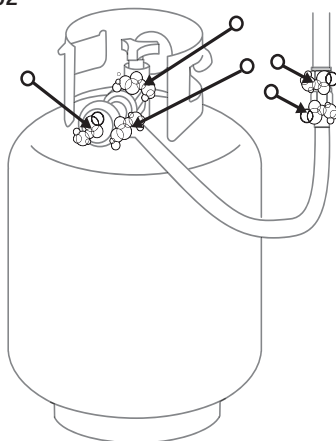


FIGURE 02





RECIPES FOR BREAKFAST

STRAWBERRIES AND CREAM PANCAKES

Recipe by Danielle Zechmann

STEP 01 In a mixing bowl, combine all dry ingredients.

STEP 02 In a separate bowl, mix egg yolk, milk, ricotta, butter, vanilla. Slowly, add dry ingredients and mix on low until combined.

STEP 03 Whisk egg white until stiff peaks form, and gently fold into pancake mix. Then gently fold in strawberry bits.

STEP 04 Set to the side while you prepare your filling and syrup.

Cream Cheese Filling

- 12 oz cream cheese, room temperature
- 1/4 cup sugar
- 1 cup whipping cream
- 2 tbs lemon juice

Strawberry Syrup

- 1 pint of strawberries cut into to chunks
- 1/4 cup sugar
- 2 tbs lemon Juice

STEP 05 In a stand up mixer, whisk together cream cheese, sugar, and lemon juice. Turn to low speed and add in whipped cream. Place in refrigerator until your syrup is done.

STEP 06 In a sauce pan add chopped strawberries, sugar, lemon juice and simmer until juices have slightly thickened. About 20-25 mins.

STEP 07 Preheat Griddle to medium. Melt a tablespoon of butter on griddle. Pour 1/4 cup of pancake mix onto griddle and let cook until bubbles start to form and edges are slightly browned. About 3-4 minutes. Flip and cook another 3 minutes.

STEP 08 Once all of your pancakes are cooked, grab a plate and start layering your pancakes. Begin with a pancake, then spread some of the cream cheese filling, and top with some of the strawberry chunks. Repeat steps until you have a nice stack. Top with remaining strawberry syrup and a dollop of whipped cream.



🍴 Serves 6 | ⌚ 45 min.

Pancake Ingredients

- 2/3 cup all purpose flour
- 2 tsp baking powder
- 1 tbs sugar
- a pinch of salt
- 2 tsp lemon zest
- 5 strawberries chopped into bits
- 1 egg, separated
- 1/2 cup milk
- 1/3 cup ricotta cheese
- 2 tbs melted butter
- 1tsp pure vanilla extract
- Whipped cream (for finishing)

VIDEO RECIPES:

Find more inspiration and recipes at blackstoneproducts.com/blogs/recipes



youtube.com/c/BlackstoneGriddles



@blackstoneproducts

**⚠ WARNING**

When not in use, turn unit controls and gas source OFF.

⚠ WARNING

The appliance must be isolated from the gas supply piping system by closing its individual manual shutoff valve during any pressure testing of the gas supply piping system at test pressures equal to or less than 1/2 psi (3.5 kPa).

⚠ WARNING

This appliance will be hot during and after use. Use insulated oven mitts or gloves for protection from hot surfaces or splatter from cooking liquids.

⚠ CAUTION

NEVER handle hot parts with unprotected hands.

⚠ CAUTION

DO NOT use Citrisol, abrasive cleaners, de-greasers or a concentrated cleaner on plastic parts. **Damage to and failure of parts may result.**

CARE & MAINTENANCE

Regularly clean your appliance between uses, especially after extended periods of storage. In order to extend the life and condition of unit, follow best practices detailed in this manual.

Section 01

GENERAL CARE

VALVE CHECK

Ensure gas is off at the supply shut off valve before checking appliance valves. Knobs must be locked in OFF position.

STEP 01 To check valves, push in knobs and release. Knobs should spring back.

If knobs do not spring back, replace valve assembly before using appliance.

STEP 02 Rotate knobs to LOW position then turn back to OFF position. Knobs should turn smoothly.

GENERAL CLEANING

Ensure that the appliance and its components are sufficiently cool before cleaning.

- Clean your appliance often, preferably after each use.
- Be sure to keep the ventilation opening(s) of the cylinder enclosure free and clear from debris.
- Baked-on grease deposits may require the use of an abrasive plastic cleaning pad. Use only in direction of brushed finish to avoid damage.
- DO NOT use abrasive pad on areas with graphics.
- If a bristle brush is used to clean any of the cooking surfaces, ensure no loose bristles remain on cooking surfaces prior to cooking.



AFTER EACH USE

PLASTIC PARTS: Wash with warm soapy water and wipe dry.

PAINTED SURFACES: Wash with mild detergent or nonabrasive cleaner and warm soapy water. Wipe dry with soft nonabrasive cloth.

STAINLESS STEEL SURFACES: To maintain appliance frame's high quality appearance, wash with mild detergent and warm soapy water. Wipe dry with a soft cloth after each use.

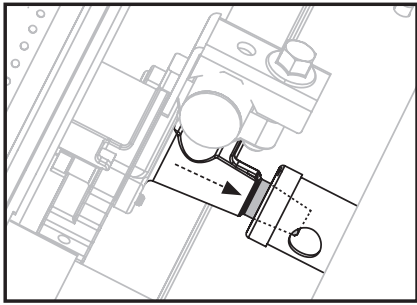
STORAGE

- In order to extend and maintain the life and condition of your appliance, we strongly recommend that the unit be covered when left outside for any length of time, especially during the winter months.
- Cover the burners with aluminum foil in order to prevent insects or other debris from collecting in the burner holes.
- When gas supply is connected to appliance, store appliance outdoors in a well-ventilated space and out of reach of children.
- Store appliance indoors ONLY if gas supply is turned off, disconnected, removed from appliance and stored outdoors.
- When removing appliance from storage, clean burner assembly before starting appliance. (Please reference the Cleaning the Burner Assembly section.)



WARNING

Ensure that the fuel nozzle is housed within the burner opening.



Section 02

CLEANING THE BURNER ASSEMBLY

Unit burners vary, however these instructions apply to all units. Clean burner assembly and check burner for damage. If any large cracks or holes are found, replace burner.

STEP 01 Ensure that the gas is turned OFF at control knobs and gas supply. Remove the cooking top.

STEP 02 Carefully detach and remove the burner.

STEP 03 Run a narrow bottle brush through each burner tube several times. (DO NOT use wire brushes)

Additional Methods Include:

- a** Run a stiff wire bent into a small hook through each burner tube several times.
- b** Use an air hose to force air into burner tube and out burner ports. Check that air blows through each hole. (Wear eye protection)

STEP 04 Brush entire outer surface of burner to remove grime.

STEP 05 Clean any blocked ports with stiff wire such as an open paper clip. Then, carefully replace burners and reattach.

VERY IMPORTANT: Burner tubes must be reengaged with the valve openings.



VIDEO TUTORIAL

How to Clean Your Burner Tube | Blackstone Griddle



youtube.com/watch?v=xKQTCrFCzf8





BURNER MAINTENANCE

In most circumstances, burning residue off after cooking will keep burner clean.

- Ensure that the flow of combustion and ventilation air is not obstructed.
- Burner should be removed and cleaned annually or whenever heavy build-up or insects/insect nests are found in order to ensure that there is no blockage in the burner portholes or venturi tubes.
- Use pipe cleaner to clear obstructions. A wire brush may be used to remove corrosion from the burner surfaces.

MATCH LIGHTING INSTRUCTIONS

Before beginning, check for gas leaks. (Please reference the Leak Test Instructions in the Fuel chapter.)

STEP 01 Ensure control knob is in OFF position.

STEP 02 Remove cooking top.

STEP 03 Light a match (or long lighter) no shorter than 11 inches long. Place the flame on the right or left side of the burner.

STEP 04 Push in and turn the control knob to the HIGH position. Ensure burner lights and stays lit.

BURNER FLAME CHECK

Always check burner flame before use.

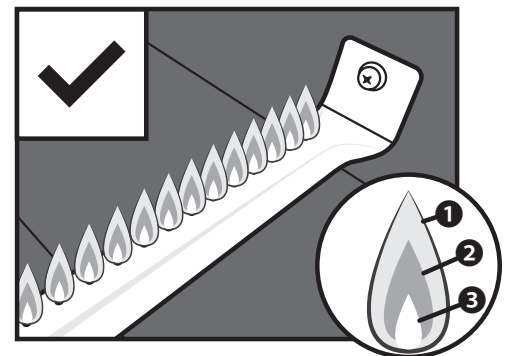
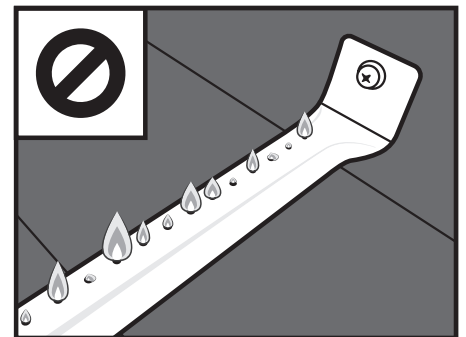
STEP 01 Light burners and rotate knobs from high to low. When knob is at high, flames should be larger than when knob is at low.

STEP 02 Perform burner flame check by looking below cooking top on the side of unit to view burners below.

If there is a sudden drop or low flame issue, please reference the Troubleshooting chapter.

⚠ WARNING

A clogged burner tube can lead to a fire beneath the appliance.



Healthy flames might have a few flickers of yellow color **1**, then a dark blue color **2**, followed by a vibrant blue by the burner tube **3**.

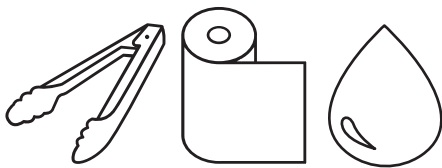


VIDEO TUTORIAL

How to Season a New Blackstone Griddle | Blackstone Griddle



[youtube.com/watch?v=VspmDVnj2pl&t=3s](https://www.youtube.com/watch?v=VspmDVnj2pl&t=3s)



TOOLS NEEDED: Cooking tongs, Paper towels, and Cooking oil

PLEASE NOTE: Small variations in manufacturing and raw materials can cause some griddles to be slightly warped. A slight warp will disappear when the griddle is heated in preparation for cooking.

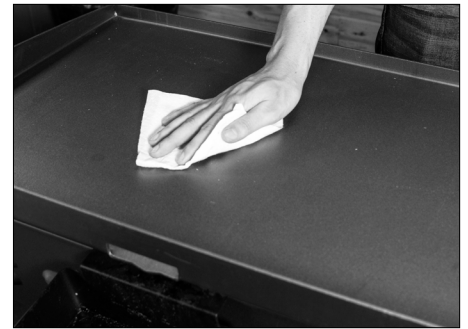
Section 03

GRIDDLE SEASONING INSTRUCTIONS

For best results, we recommended seasoning the griddle before cooking on griddle top.

STEP 01 Make sure griddle top is wiped clean of debris. (For first time cleaning, please reference the Cleaning Your Griddle Top section.)

Blackstone griddle tops are pre-treated with soy oil as a protective coating. This coating may leave a discoloration on the griddle top. This is normal and will not affect the seasoning process.



STEP 02 Set your griddle to high heat until your griddle top changes color. Use tongs to hold a paper towel or cotton cloth and spread 2-3 tablespoons of your seasoning oil across the griddle surface.

When seasoning your griddle top, remember to use a thin and even layer of oil—the thinner the layer of oil, the easier it will be to burn it off.



STEP 03 You will know it is done when it stops smoking. You will want to repeat this 3-4 times for your initial seasoning.

The heat of the griddle will break down the oil and bond it to the metal, creating a new polymer that acts as a stick resistant and protective layer over the griddle.





WHY DO I NEED TO SEASON MY GRIDDLE?

Seasoning leaves a hard protective layer bonded to the steel surface.

- Natural stick resistance.
- Prevents rust and corrosion.



⚠ CAUTION

Customers in humid or coastal climates may require more frequent seasonings and the use of heavier cooking oils to avoid rusting and corrosion.

GRIDDLE SEASONING TROUBLESHOOTING

SYMPTOMS

01. After seasoning, there is a brownish residue on the griddle surface.

POSSIBLE CAUSES	SOLUTION
01. Too much oil was used.	First, turn your griddle on high and let it heat for 10-15 minutes.
02. You turned off the heat too soon.	Next, scrape off as much of the thickened and partially cooked oil as you can. Then, re-season with a very thin layer of oil.

SYMPTOMS

01. After seasoning, the griddle surface is not black.
02. Food is sticking to the griddle surface.

POSSIBLE CAUSES	SOLUTION
01. The corners and edges do not have the same access to the direct heat of the burners, making it harder for the seasoning to darken like the rest of the griddle top.	Apply a thin layer of oil between cooks to maintain seasoned cooking surface. (Please reference the Cleaning your Griddle Top section.) After using your griddle for multiple cooks, the seasoning will even out and improve.

For additional troubleshooting, please reference the Troubleshooting and F.A.Q. chapters.

WHAT OIL IS BEST TO USE?

The **Blackstone Seasoning and Cast Iron Conditioner** is the best and easiest way to get consistent results. This unique blend of oils combines the best of many different cooking oils.



Can I use any food grade oil?

Yes, but different oils can vary in the process from the burn time, smoke point, and durability once finished.

If you prefer to use an animal fat for seasoning, do not use bacon. Pure lard will work as it does not have the same additives as bacon.



⚠ DANGER

DO NOT place flammable items on side shelves near the griddle. Aerosol containers are particularly hazardous because **they can overheat and result in an explosion, fire, severe personal injury, or death.**

⚠ WARNING

DO NOT place oily or greasy towels near the griddle unit as they can spontaneously combust.

⚠ CAUTION

The grease tray must be removed and emptied after each use.

Do not remove grease tray until griddle has completely cooled.

Section 04

CLEANING YOUR GRIDDLE TOP

CLEANING THE GRIDDLE COOKING SURFACE

STEP 01 To clean griddle after each use, cool griddle below 300° F. Scrape food debris with spatula or straight metal scraper.



STEP 02 Wipe down griddle surface with paper towel.



STEP 03 Divide griddle surface into approximately 6" sections (width of scraper tool). Apply a small amount of water onto first section with a bottle and then scrape the water and debris toward the grease trap. Move to the next 6" section and repeat.



DO NOT USE MORE THAN TWO TABLESPOONS OF WATER AT A TIME.

1/4 cup of table salt may be used to buff off stuck food residue.

STEP 04 Wipe again with a paper towel and dry completely.



STEP 05 Apply thin coat of cooking oil to maintain seasoning and protect the griddle top.





PROTECTING YOUR GRIDDLE TOP

Store griddle in a cool, dry location. Always cover griddle if stored outdoors. Choose from a variety of griddle covers offered by Blackstone.

When protecting griddle with soft cover, use the “tenting” method to prevent water from accumulating on griddle top. “Tenting” involves placing an object (a bowl, tennis ball or PVC pipe) beneath soft cover in the center of griddle in order to allow water to slide off. “Tenting” helps prevent rust.

FIRST TIME CLEANING

GRIDDLE COOKING SURFACE:

Blackstone Griddles are pre-treated with cooking oil to prevent rust and damage during shipping. For first time use, wash griddle with hot, soapy water.

THIS IS THE ONLY TIME YOU SHOULD USE SOAP ON THE GRIDDLE COOKING SURFACE.

Rinse and dry completely. Proceed with seasoning instructions. (Please reference the Griddle Seasoning Instructions section.)

⚠ WARNING

NEVER APPLY COLD WATER ACROSS THE WHOLE SURFACE OF A HOT GRIDDLE AT ONCE.

This may cause warping.

Adding a large amount of cold or frozen food (or food with significant water content) to a hot griddle may cause griddle to warp.

⚠ CAUTION

DO NOT USE SOAP ON THE GRIDDLE COOKING SURFACE. This will destroy the griddle's seasoning.

NEED HELP?

Register your Blackstone product at blackstoneproducts.com/register and visit us online at blackstoneproducts.com/support for missing parts, assembly and operation questions.





⚠ WARNING

Do not lean over the appliance while lighting.

⚠ WARNING

If ignition does NOT occur in 5 seconds, turn burner controls OFF, wait 5 minutes and repeat lighting procedure.

If burner does not ignite with open valve, gas will continue to flow out of burner and could accidentally/inadvertently ignite with risk of injury.

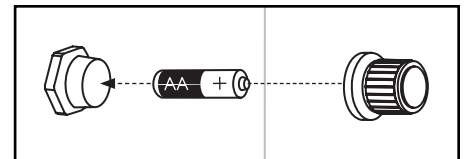
ENGLISH

IGNITION | BATTERY POWERED

PROPANE BURNER OPERATION

For proper ignition and operation of the appliance follow the steps below.

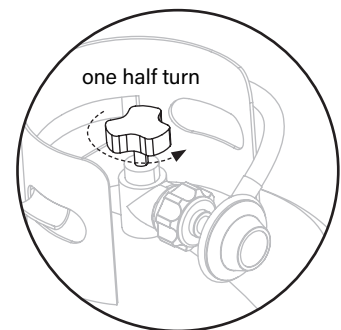
STEP 01 In order for the ignitor button to work properly, ensure that the battery is installed correctly.



STEP 02

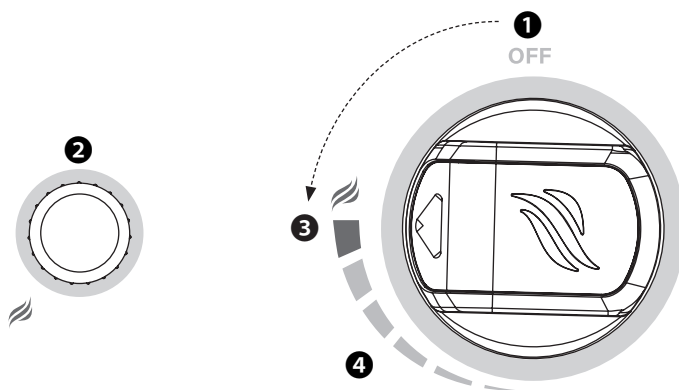
1 Ensure that the control knob is turned to OFF.

STEP 03 Ensure that the LP tank is properly connected to the unit. Turn gas ON at the LP cylinder by slowly turning the OPD hand-wheel halfway.



STEP 04

- 2** Push and hold the ignitor button.
- 3** Push and turn the control knob counter-clockwise to HIGH. (Release the ignitor button when the burner lights.)
- 4** Adjust the temperature to desired level.





TROUBLESHOOTING

Section 01 BATTERY POWERED IGNITION

SYMPTOMS

01. Burner will not Light with ignition system
02. Pressing the ignitor button does not result in a clicking sound

If ignition does not occur in 5 seconds, turn the burner controls off, wait 5 minutes and repeat the lighting procedure.

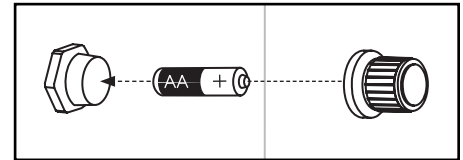
If this does not work, to determine the cause, please try to ignite your griddle with a match. (Please reference the Match Lighting Instructions in the Cleaning the Burner Assembly section of the Care & Maintenance chapter.)

If you CAN ignite your griddle with a match

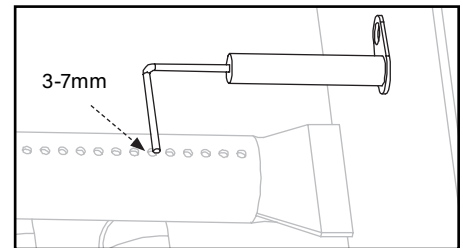
POSSIBLE CAUSES	SOLUTION
01. Dead battery or no battery.	Replace with new battery.
02. Battery installed incorrectly.	Ensure that the battery is installed negative end first.
03. Ignitor wire misaligned.	Ensure that the ignition needle is positioned 1/8" to 1/4" away from the burner tube, positioned above a burner hole.
04. Damage to the ignition system.	Contact customer service for replacement parts.

If you CAN NOT ignite your griddle with a match

POSSIBLE CAUSES	SOLUTION
05. Burner tubes are not receiving fuel.	Please reference the Gas Flow section of the Troubleshooting Chapter.



Insert one (1) AA battery (not included) into the battery socket with the positive terminal facing out, then screw on the ignitor button until tight. Be careful to not over tighten.



Ensure that the ignition needle is positioned 3-7mm away from the burner tube, positioned above a burner hole.



Section 02 GAS FLOW

SYMPTOMS

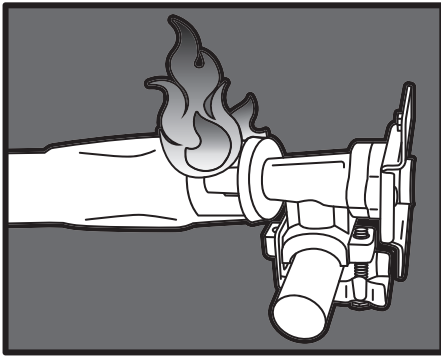
- 01. A flame is coming out of the air gate.

POSSIBLE CAUSES

- 01. Something is blocking the venturi in the burner tube. This is not allowing the propane to flow through the burner, causing the flame to back out the air gate.

SOLUTION

Clean the burner assembly to remove the obstruction. (Please reference the Cleaning the Burner Assembly section of the Care & Maintenance chapter.)



SYMPTOMS

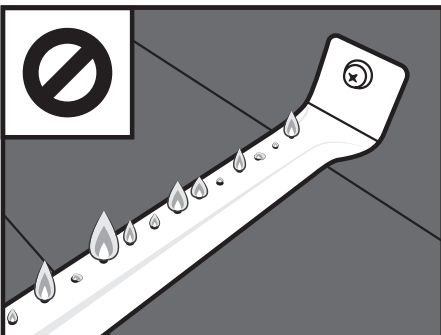
- 01. Burner flames are yellow or irregular.

POSSIBLE CAUSES

- 01. Something is blocking the air gate for the burner. This is blocking oxygen from mixing with the propane correctly to get healthy flames.

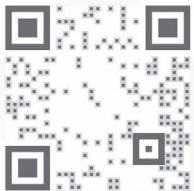
SOLUTION

Check the air gates in your burner. If you have adjustable air shutters over your air gates, make sure that they are completely open. If your burners have bug shields, clean any spider webs, soot, or debris off the bug shield. Clean any other obstructions out of air gates.



TECHNICAL SUPPORT:

Scan QR code for more videos or visit the Blackstone YouTube channel at youtube.com/blackstonegriddles





SYMPTOMS

- 01. Appliance will not achieve a high heat or heats unevenly.
- 02. Burner flames start strong, then immediately drop to low even when burner is set to high position.
- 03. Flame height drops when a second burner is lit.
- 04. Flames do not extend the full length of the burner, or only run on one side of the burner.
- 05. Burner flames are inconsistent.

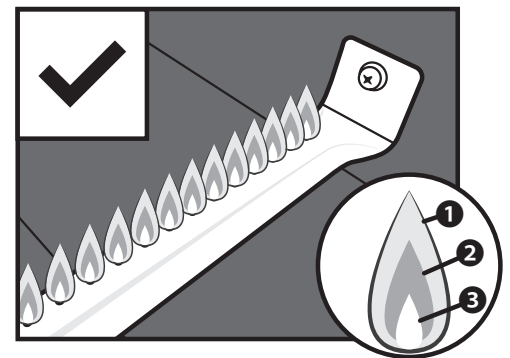
POSSIBLE CAUSES

SOLUTION

<p>01. United States regulations require that all regulators contain a flow limiting device for consumer safety. This device measures the amount of propane going through the regulator to ensure the levels are safe. If the flow rate through the regulator is too high (a symptom of a large leak), the flow limiting device will trigger, restricting the flow of propane to reduce the chance of a dangerous fire. This safety system can accidentally be tripped by opening a propane tank too quickly or opening the propane tank when a burner knob is not in the off position.</p>	<p>This safety system can be reset by moving the burner knobs to the off position, closing the propane tank, and disconnecting the regulator from the propane tank. Wait five minutes to allow the pressure to dissipate, then reconnect the regulator to the propane tank and slowly open the OPD handwheel one half turn. Ignite your appliance as described in the Care & Maintenance chapter.</p>
<p>02. LP gas cylinder is empty or low.</p>	<p>Refill or replace the propane tank.</p>
<p>03. Obstructions in the burner, gas jets, or fuel rail.</p>	<p>Clean the burner, jets, and gas hose. (Please reference the Cleaning the Burner Assembly section of the Care & Maintenance chapter.)</p>
<p>04. Regulator stuck in safety position.</p>	<p>Contact customer service for replacement parts.</p>

BURNER FLAME PATTERN

Your appliance's burners are designed to mix oxygen and propane at a rate that allows for optimal flames. Should the burner's holes, air gate, or venturi get blocked, it will affect the propane and air mixture, causing low or inconsistent flames, or flames coming from the air gate.



Healthy flames might have a few flickers of yellow color **1**, then a dark blue color **2**, followed by a vibrant blue by the burner tube **3**.



F.A.Q.

Q. What types of cooking oils can I use to season my griddle?

A. We recommend the following oils for seasoning purposes: olive oil, vegetable oil, canola oil, coconut oil, flax seed oil and sesame oil. (Please reference the Griddle Seasoning Instructions section of the Care & Maintenance chapter.)

Q. Can I use dish detergent to clean my griddle?

A. Grease cutting dish detergents will erase the seasoning on the griddle and should not be used after griddle is seasoned. For tough spots use table salt and hot water and always coat with a thin layer of oil once you are finished cleaning. (For griddle cleaning instructions, please reference the Cleaning Your Griddle Top section of the Care & Maintenance chapter.)

Q. Why does my griddle surface look dull and dry instead of shiny and black?

A. Seasoning is a continuous process. Over time and the more often you use your griddle top, the more shiny, black and non-stick it will become.

Q: Can I cut directly on the griddle top?

A: Yes, you can. Cutting on the griddle top will not harm it.

Q. What if my griddle starts to rust?

A. If rust appears on the griddle surface, rub it off with steel wool or low grit sandpaper and re-season the surface.

[youtube.com/watch?v=thPE2lgnSil](https://www.youtube.com/watch?v=thPE2lgnSil)

Take care to always completely dry your griddle before storing and keep away from rain and sprinklers. It is also important to keep your griddle covered. (For proper storage techniques, please reference the General Care section of the Care & Maintenance chapter.)

For more FAQ's visit **[blackstoneproducts.com/faq](https://www.blackstoneproducts.com/faq)**

OUR CUSTOMER SERVICE STAFF IS HERE TO HELP YOU!

Register your Blackstone product at **[blackstoneproducts.com/register](https://www.blackstoneproducts.com/register)** and visit us online at **[blackstoneproducts.com/support](https://www.blackstoneproducts.com/support)**



We are pleased to help you with any questions concerning appliance use, replacement parts, or your warranty.

Customer Service Hours:
Monday - Friday
7:00 am - 5:00 pm
Mountain Standard Time



NORTH ATLANTIC IMPORTS LLC 1-YEAR WARRANTY

North Atlantic Imports, the manufacturer, will warranty for one year from purchase all parts, workmanship, and finishes. It will be the manufacturer's option as to whether to repair or replace any of the above items. All warranties are limited to the original purchaser only. This warranty does not cover any liability on the part of North Atlantic Imports, its agents or employees, for any indirect or consequential damages for breach of warranty. The purchaser must follow the manufacturer's usage instructions.

Under no circumstances is the manufacturer responsible for damages from the failure to operate the cooking station properly. It is the responsibility of the purchaser to establish the warranty period by verifying the original purchase date with original sales receipt.

For more detailed explanation of the warranty, read below:

North Atlantic Imports LLC warrants to the owner that the product covered by this agreement is free from defects in material and workmanship under normal use and service for which it was intended if, but only if, it has been operated in accordance with North Atlantic Imports LLC instructions exclusively for domestic use, and not for private or public club, institutional or commercial purposes.

North Atlantic Imports LLC's obligation under this warranty is limited to replacing or repairing, free of charge, any part or parts that may prove, to the satisfaction of North Atlantic Imports LLC, to be defective under normal home use and service within the following stated periods of time from the date of purchase; for one year from purchase, all parts, finish, and workmanship. Should any failure to conform to this warranty become apparent during applicable warranty periods stated above, the original purchaser must notify North Atlantic Imports LLC

of breach of warranty within the applicable warranty period.

North Atlantic Imports LLC shall upon notice and compliance by the original purchaser with such instructions, correct such nonconformity by repair or replacement of the defective part or parts. Correction in the manner provided above shall constitute a fulfillment of all obligations of North Atlantic Imports LLC with respect to the quality of the product.

North Atlantic Imports LLC does not warrant this equipment to meet the requirement of any safety code of any state, municipality or other jurisdiction, and the original purchaser assumes all risk and liability whatsoever resulting from the use thereof, whether used in accordance with North Atlantic Imports LLC instructions or otherwise.

This warranty does not cover and is intended to exclude any liability on the part of North Atlantic its agents,

servants or employees whether under this warranty or implied by law for any indirect or consequential damages for breach on any warranty. The purchaser must establish all applicable warranty periods pursuant to this warranty by verifying the original purchase date by producing the dated sales receipt. This warranty shall not apply to this product or any other part thereof which has been subject to accident, negligence, alteration, abuse, or misuse or which has been repaired or altered without North Atlantic written consent, outside of North Atlantic Imports LLC factory.

North Atlantic Imports LLC makes no warranty whatsoever in respect to accessories or parts not supplied with it. This warranty shall apply only within the boundaries of the United States of America. This warranty gives the original purchaser specific rights, and the original purchaser may also have other rights, which vary from state to state.

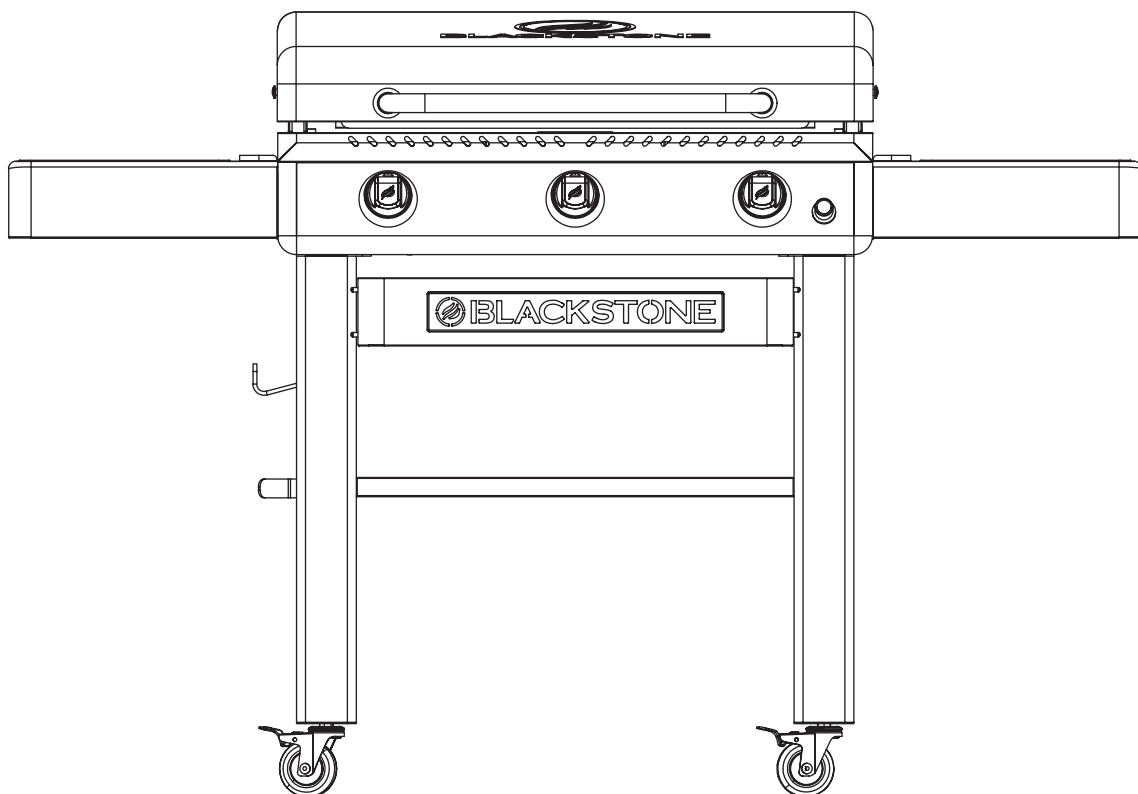
Modèle 1934

PLAQUE CHAUFFANTE DE 30 PO

AVEC CAPOT PIVOTANT ET AMOVIBLE



CONFORME À ANSI STD. Z 21.58-2018
CERTIFIÉ À CSA STD. 1.6-2018
EXTÉRIEUR APPAREILS DE CUISSON AU GAZ.



Veillez consulter blackstoneproducts.com/support pour obtenir la dernière version de ce manuel et suivre les vidéos d'assemblage.

**⚠ DANGER**

N'utilisez jamais cet appareil sans surveillance.

⚠ ATTENTION**INSTALLATEUR/
ASSEMBLEUR:**

Laissez ces instructions au consommateur.

CONSOMMATEUR:

Conservez ce manuel pour vous y référer ultérieurement.

⚠ ATTENTION

Ce manuel d'instructions contient des informations importantes nécessaires pour un assemblage correct et une utilisation sûre de l'appareil.

Lisez tous les avertissements et instructions avant d'assembler l'appareil.

⚠ ATTENTION

Suivez tous les avertissements et instructions lors de l'utilisation de l'appareil.

⚠ ATTENTION

Ce produit peut vous exposer à des produits chimiques, notamment le phtalate de Di(2-éthylhexyle) (DEHP), qui sont connus de l'État de Californie pour provoquer le cancer et des malformations congénitales ou d'autres troubles de la reproduction. Pour plus d'informations, rendez-vous sur www.P65Warnings.ca.gov.

⚠ DANGER

Ne pas stocker ni utiliser d'essence ou d'autres liquides ou vapeurs inflammables à proximité de cet appareil ou de tout autre appareil.

Une bouteille de GPL non connectée pour utilisation ne doit pas être stockée à proximité de cet appareil ou de tout autre appareil.

⚠ DANGER

Lorsque vous cuisinez avec de l'huile ou de la graisse, ayez un extincteur de type BC ou ABC à portée de main.

⚠ DANGER

En cas d'incendie, éloignez-vous de l'appareil et appelez immédiatement votre service d'incendie. N'essayez pas d'éteindre un feu d'huile ou de graisse avec de l'eau.

⚠ DANGER**SI VOUS SENTEZ DU GAZ:**

1. Coupez le gaz à l'appareil.
2. Éteignez toute flamme nue.
3. Ouvrez le couvercle.
4. Si l'odeur persiste, éloignez-vous de l'appareil et appelez immédiatement votre fournisseur de gaz ou votre service d'incendie.

Le non-respect de ces instructions peut entraîner un incendie ou une explosion pouvant entraîner des dommages matériels, des blessures corporelles ou la mort.

⚠ DANGER

- Cet appareil est destiné à un usage extérieur uniquement et ne doit pas être utilisé dans un bâtiment, un garage ou tout autre espace clos.
- Cet appareil ne doit pas être utilisé dans ou sur des véhicules de loisirs ou des bateaux.
- Cet appareil ne doit pas être utilisé sur ou sous un appartement ou un balcon ou une terrasse en copropriété.

⚠ DANGER

- N'utilisez jamais cet appareil à moins de 3 m (10 pi) de toute structure ou matériau combustible ou d'une autre bouteille de gaz.
 - Ne faites jamais fonctionner cet appareil à moins de 7,5 m (25 pi) de tout liquide inflammable.
- Si ces précautions ne sont pas respectées, cela pourrait provoquer un incendie, une explosion ou des brûlures pouvant causer des dommages matériels, des blessures ou la mort.



CONSEILS DE CUISINE

À FEU DOUX:

Cuit lentement et nécessite plus de temps.

Décompose le tissu conjonctif et la graisse pour un repas tendre et moelleux.

- Coupes de viande grasses et épaisses. (par exemple: épaule de porc, poitrine de poitrine, cuisses de poulet, côtes courtes)
- Fruits de mer délicats (ex: poulpe, calmar)

TEMPÉRATURE DE CUISSON MOYENNE:

Chaleur stable, prend le temps moyen que vous attendez pour des crêpes, des œufs, des toasts et plus encore.

Pour les aliments plus sensibles à la chaleur. Saisir sans trop cuire.

- Poisson (entier ou en morceaux)
- La plupart des fruits de mer
- Légumes (à la vapeur avec le **Blackstone Basting Dome** pour une meilleure saveur)
- Crêpes
- Des œufs

FORTE CHALEUR:

Cuit les repas rapidement et en peu de temps.

Une cuisson lente dessécherait ces coupes et les rendrait horribles à manger car elles sont plus faibles en gras.

- Coupes maigres de viande.
(par exemple: poitrine de poulet, filet mignon, steak, flanc)

RECETTES VIDÉO:

Trouvez plus d'inspiration et de recettes sur blackstoneproducts.com/blogs/recipes



youtube.com/c/BlackstoneGriddles



@blackstoneproducts



TABLE DES MATIÈRES

Il incombe au consommateur de s'assurer que l'unité est correctement assemblée, installée et entretenue. Si vous ne suivez pas les instructions de ce manuel, vous risquez des blessures corporelles et/ou des dégâts matériels.

CONTENU

01. ENREGISTRER VOTRE PRODUIT	01
02. POUR VOTRE SÉCURITÉ	02
Section 01. Sécurité alimentaire	02
Section 02. Sécurité de appareil à gaz	03
03. GUIDE DE MONTAGE	04
04. RECETTES	15
05. CARBURANT RÉSERVOIR DE PROPANE DE 9,1 KG (20 LB) ...	16
Section 01. Réservoir de propane liquid de 9,1 kg (20 lb)	16
Section 02. Raccordement et retrait	18
Section 03. Instructions d'essai d'étanchéité	20
06. RECETTES	21
07. ENTRETIEN ET MAINTENANCE	22
Section 01. Entretien général	22
Section 02. Nettoyage du brûleur	24
Section 03. Instructions d'assaisonnement plaque chauffante	26
Section 04. Nettoyer le dessus de votre plaque chauffante	28
08. ALLUMAGE ALIMENTÉ PAR BATTERIE	30
09. DÉPANNAGE	31
Section 01. Allumage alimenté par batterie	31
Section 02. Flux du gas	32
10. FAQ	34
11. GARANTIE	35

MESSAGES RELATIFS À LA SÉCURITÉ

Lisez et suivez tous les avertissements qui se trouvent dans ce manuel.

DANGER

Indique une situation extrêmement dangereuse qui, si elle n'est pas évitée, peut entraîner des blessures graves, voire mortelles.

ATTENTION

Indique la possibilité de blessures corporelles graves si les instructions ne sont pas suivies.

MISE EN GARDE

Indique une situation potentiellement dangereuse qui, si elle n'est pas évitée, peut entraîner des blessures légères ou modérées.



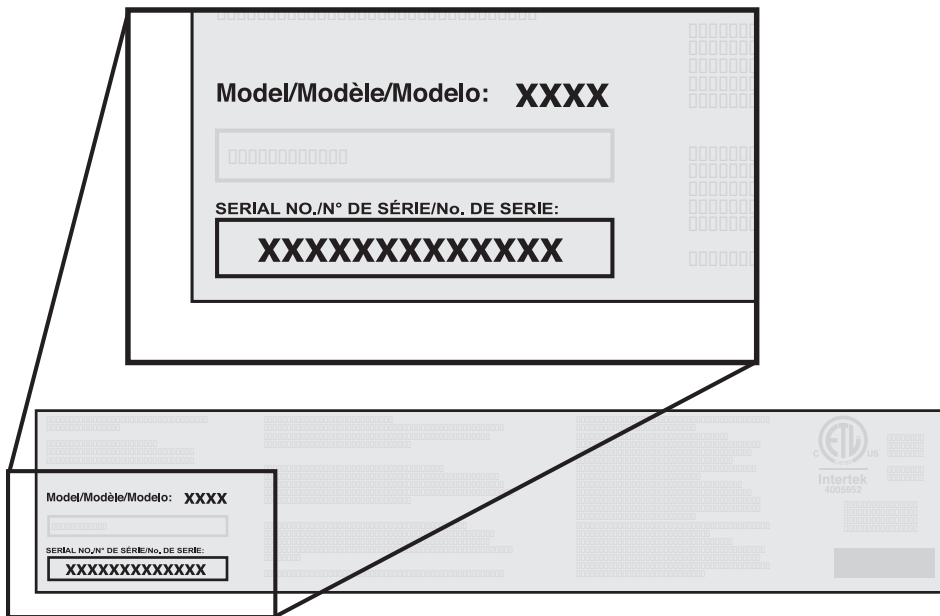
ENREGISTRER VOTRE PRODUIT

L'enregistrement permet à nos représentants du service client de fournir rapidement une assistance avec votre produit Blackstone si nécessaire.

La garantie d'un an de North Atlantic Imports LLC couvre les pièces de rechange jusqu'à un an après la date d'achat. (Veuillez consulter le chapitre Garantie pour plus d'informations.) Pour activer cette garantie, vous devrez fournir:

- Preuve d'achat / réception / détails de la commande
- Numéro de série de votre produit Blackstone
- Numéro de modèle de votre produit Blackstone

Les numéros de série et de modèle de votre produit Blackstone se trouvent sur l'étiquette d'origine de votre plaque chauffante. (L'étiquette d'origine est un grand autocollant argenté qui se trouve sur le corps de votre appareil.)



NOTRE PERSONNEL DU SERVICE À LA CLIENTÈLE EST LÀ POUR VOUS AIDER!

Enregistrez votre produit Blackstone sur **blackstoneproducts.com/register** et visitez-nous en ligne sur **blackstoneproducts.com/support**



Nous sommes heureux de vous aider pour toute question concernant l'utilisation de l'appareil, les pièces de rechange ou votre garantie.

*Heures de service à la clientèle:
Lundi au vendredi
7 h à 17 h
Heure normale des Rocheuses.*

Numéro de modèle _____

Numéro de sérier _____

Date d'achat _____

FRANÇAIS

**ATTENTION**

NE JAMAIS cuire partiellement la viande ou la volaille pour terminer la cuisson plus tard. Faites cuire les aliments complètement pour détruire les bactéries nocives.

POUR VOTRE SÉCURITÉ

Avant de poursuivre, assurez-vous de bien comprendre la section « POUR VOTRE SÉCURITÉ » de ce manuel. Le non-respect des instructions peut provoquer un incendie ou une explosion.

Section 01

SÉCURITÉ ALIMENTAIRE

La salubrité des aliments est un élément important pour profiter de l'expérience de cuisson en plein air. Pour protéger les aliments contre les bactéries nocives, suivez les quatre étapes suivantes:

NETTOYEZ: Lavez vos mains, vos ustensiles et vos surfaces avec de l'eau chaude savonneuse avant et après la manipulation de viandes crues.

SÉPAREZ: Séparez les viandes crues des aliments prêts à consommer pour éviter la contamination croisée. Utilisez des assiettes et des ustensiles propres pour retirer les aliments cuits de l'appareil.

CUISEZ: Laissez cuire la viande entièrement pour tuer les bactéries. Utilisez un thermomètre pour vérifier que les températures internes sont adéquates.

RÉFRIGÉREZ: Réfrigérez rapidement les aliments préparés et les restes.

Pour plus d'informations, visitez foodsafety.gov ou le Partenariat canadien pour la sensibilisation des consommateurs à la salubrité des aliments sur befoodsafec.ca

COMMENT SAVOIR SI UNE VIANDE EST BIEN CUITE

La viande et la volaille cuites avec cet appareil brunissent souvent très rapidement à l'extérieur.

Utilisez un thermomètre à viande pour vous assurer que les aliments ont atteint une température interne sécuritaire et coupez les aliments pour vérifier qu'ils présentent des signes de cuisson.

Lorsque vous réchauffez des plats à emporter ou des viandes bien cuites, comme des hot dogs, faites-les cuire à 74°C (165° F) ou jusqu'à ce qu'ils soient chauds.

TEMPÉRATURES DE CUISSON DE LA VIANDE



Volaille

74° C ou 165° F

Les jus qui en sortent doivent être transparents et la chair ne doit pas être rose.

Hamburger de bœuf ou de volaille

71° C ou 160° F

Les jus ne doivent pas être roses et la chair doit être brune au milieu.

Steaks/côtelettes de bœuf, de veau et d'agneau

63° C ou 145° F

Rôtis de bœuf, de veau et d'agneau

63° C ou 145° F

TOUS les morceaux de porc

71° C ou 160° F

Les jus ne doivent pas être roses.



Section 02

SÉCURITÉ DE APPAREIL À GAZ**PRÉCAUTIONS DE SÉCURITÉ LORS DE L'INSTALLATION**

Cet appareil est certifié pour une utilisation aux États-Unis et au Canada. Ne pas modifier pour une utilisation dans un autre pays. Toute modification entraînerait un risque pour la sécurité.

Utilisez cet appareil, tel qu'il a été acheté, uniquement avec du gaz et un ensemble régulateur / vanne fourni.

L'installation de l'appareil doit être conforme aux normes locales ou, en l'absence de normes locales, aux codes américains relatifs au gaz combustible (National Fuel Gas Code), l'ANSI Z223.1/NFPA 54, à l'installation de gaz naturel et propane (Natural Gas and Propane Installation Code) CSA B149.1, à l'entreposage et la manipulation du propane (Propane Storage and Handling Code) B149.2 ou les normes pour les véhicules de loisirs (Standard for Recreational Vehicles) NFPA 1192, et la CSA Z240 RV Series, le code pour les véhicules récréatifs (Recreational Vehicle Code), le cas échéant.

ÉTEINDRE VOTRE APPAREIL

- Lorsqu'il n'est pas utilisé, éteignez l'appareil en tournant les boutons de commande de l'appareil en position d'arrêt et en fermant le robinet de carburant.

Si les informations contenues dans les avertissements ci-dessus ne sont pas suivies à la lettre, des blessures graves, un incendie ou la mort pourraient survenir.

CONSEILS DE SÉCURITÉ

- Ne déplacez pas l'appareil en cours d'utilisation.
- Utilisez des ustensiles de cuisine à long manche et des gants de cuisine pour vous protéger des brûlures et des éclaboussures.
- Ne placez pas de récipients de cuisson vides sur la surface de cuisson pendant le fonctionnement.
- Soyez prudent lorsque vous placez quoi que ce soit dans le récipient de cuisson pendant que l'appareil est en marche. Laissez le récipient de cuisson refroidir à 45° C (115° F) avant de le déplacer ou de le ranger.

Si de la graisse ou d'autres matières chaudes coulent de l'appareil sur la vanne, le tuyau ou le régulateur:

ÉTAPE 01 Fermez immédiatement l'alimentation en gaz.

ÉTAPE 02 Déterminez la cause et corrigez-la.

ÉTAPE 03 Nettoyez et inspectez la vanne, le tuyau et le régulateur avant de continuer.

ÉTAPE 04 Effectuez un test de fuite. (Veuillez vous référer aux instructions de test de fuite dans le chapitre Carburant.)

Pour les problèmes appareil, veuillez vous référer au chapitre Dépannage.

⚠ DANGER

Ne placez jamais d'articles à moins de 3 pouces de la surface de cuisson pendant l'utilisation. Cette zone peut devenir très chaude et potentiellement endommager les objets accessoires placés trop près.

⚠ ATTENTION

Gardez les enfants et les animaux éloignés de l'appareil à tout moment.

Cet appareil n'est pas destiné à être utilisé par des enfants.

Une surveillance étroite est nécessaire lorsqu'un appareil est utilisé par ou à proximité d'enfants.

⚠ ATTENTION

Cet appareil n'est pas destiné à être un appareil de chauffage et ne doit jamais être utilisé comme tel.

Ne l'utilisez pas à des fins autres que celles prévues.

⚠ ATTENTION

L'utilisation d'alcool, de médicaments sur ordonnance ou en vente libre peut nuire à la capacité du consommateur d'assembler correctement ou d'utiliser cet appareil en toute sécurité.

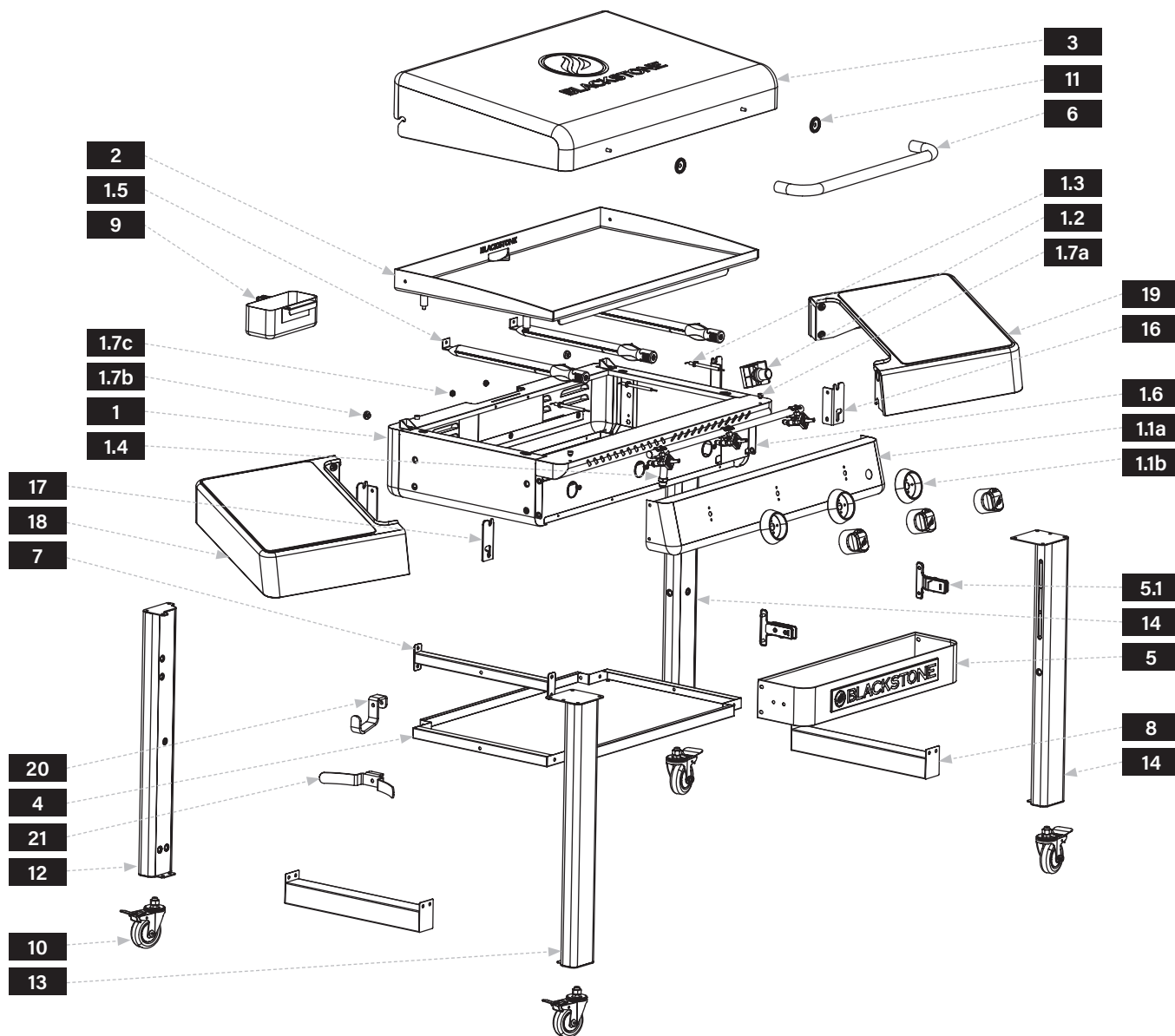
⚠ MISE EN GARDE

Pour usage résidentiel et domestique seulement. Ne pas utiliser à des fins commerciales.



GUIDE DE MONTAGE

VUE ÉCLATÉE



FRANÇAIS

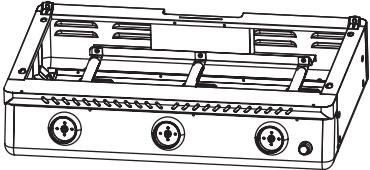
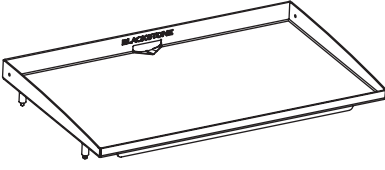

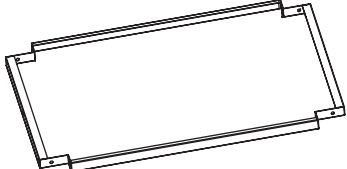
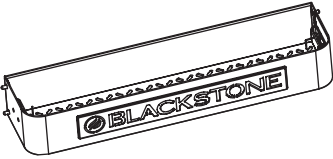
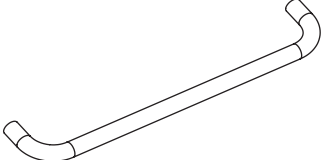
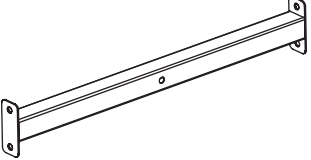
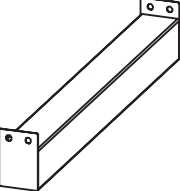
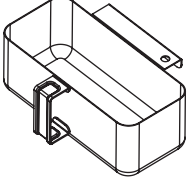
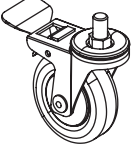

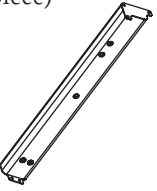
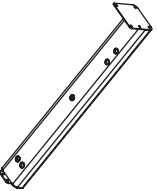
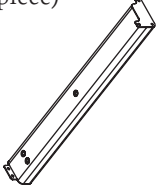

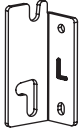

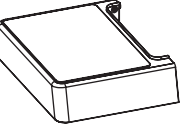
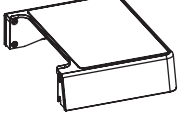
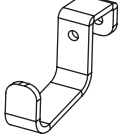
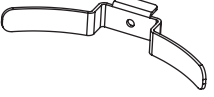
PIÈCES	QTÉ
1.1a Panneau de commande	1
1.1b Cadres de bouton de commande	3
1.2 Allumage	1
1.3 Aiguilles d'allumage	3

PIÈCES	QTÉ
1.4 Rampe à gaz	1
1.5 Brûleurs tubulaires	3
1.6 Panneau déflecteur	1
1.7a Coussins de capot avant	2

PIÈCES	QTÉ
1.7b Coussins de capot arrière	2
1.7c Coussins de godet à graisse	2
5.1 Clips de plateau	2



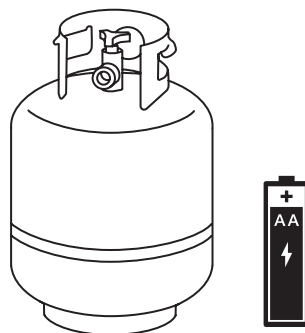
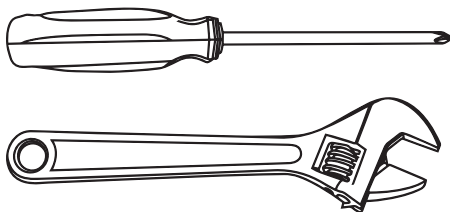
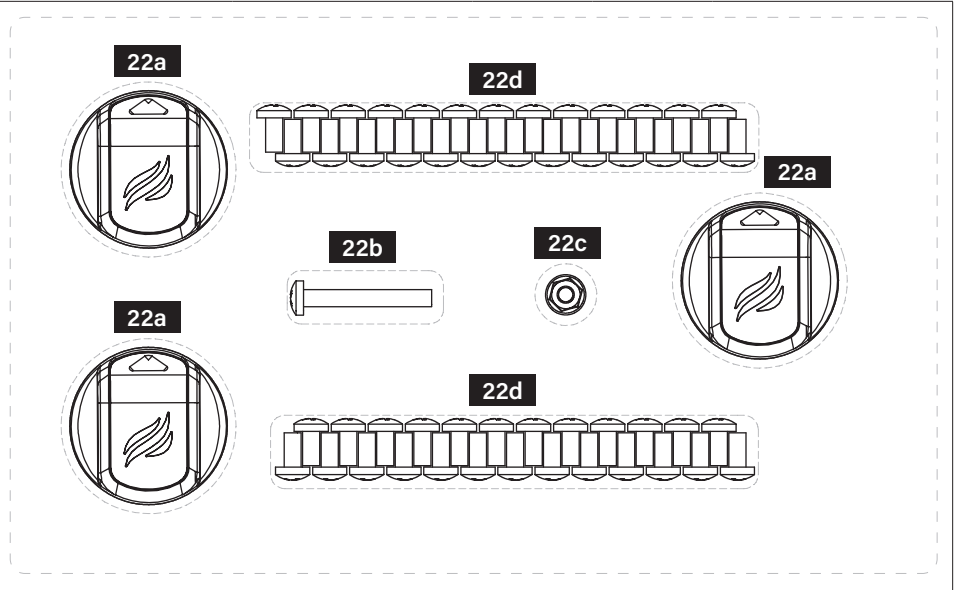
LISTE DES PIÈCES ILLUSTRÉES

<p>1 Corps de plaque chauffante (1 pièce)</p> 	<p>2 Plaque chauffante (1 pièce)</p> 	<p>3 Capuche (1 pièce)</p> 			
<p>4 Tablette inférieure (1 pièce)</p> 	<p>5 Plateau avant (1 pièce)</p> 	<p>6 Poignée (1 pièce)</p> 			
<p>7 Renfort de jambe supérieur (1 pièce)</p> 	<p>8 Bretelles inférieures (2 pièces)</p> 	<p>9 Coupe à graisse (1 pièce)</p> 			
<p>10 Roues (4 pièces)</p> 	<p>11 Lunettes de poignée (2 pièces)</p> 	<p>12 Jambe arrière gauche (1 pièce)</p> 	<p>13 Jambe avant gauche (1 pièce)</p> 	<p>14 Jambe arrière droite (1 pièce)</p> 	<p>15 Jambe avant droite (1 pièce)</p> 
<p>16 Support de tablette latérale L (2 pièces)</p> 	<p>17 Support de tablette latérale R (2 pièces)</p> 	<p>18 Tablette latérale gauche (1 pièce)</p> 	<p>19 Tablette latérale droite (1 pièce)</p> 	<p>20 Support de réservoir de propane (1 pièce)</p> 	<p>21 Support de réservoir de propane (1 pièce)</p> 



22 Pack matériel (1 pièce)

- a.** Boutons de contrôle (1 pièce) (1 pièce) (1 pièce)
- b.** Boulon M6x45 (1 pièces)
- c.** Écrou M6 (1 pièce)
- d.** Vis M6x16 (26 pièces) (25 pièces)



OUTILS NÉCESSAIRES:
Tournevis cruciforme et Clé à molette

NON INCLUS:
Réservoir de gaz LP de 20 lb et Pile AA



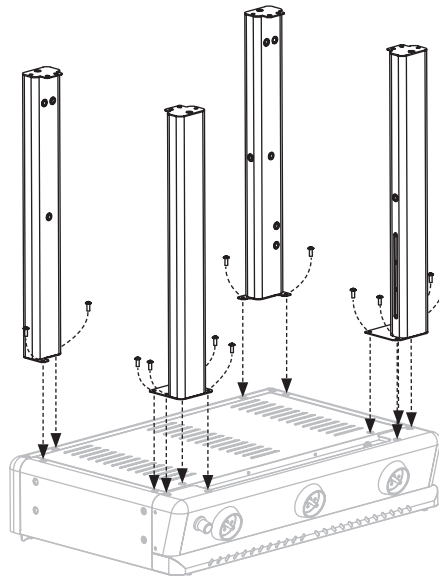
INSTRUCTIONS DE MONTAGE

Veillez lire attentivement toutes les instructions avant de continuer. Assurez-vous que tout le matériel d'emballage en plastique est enlevé avant de procéder à l'assemblage.

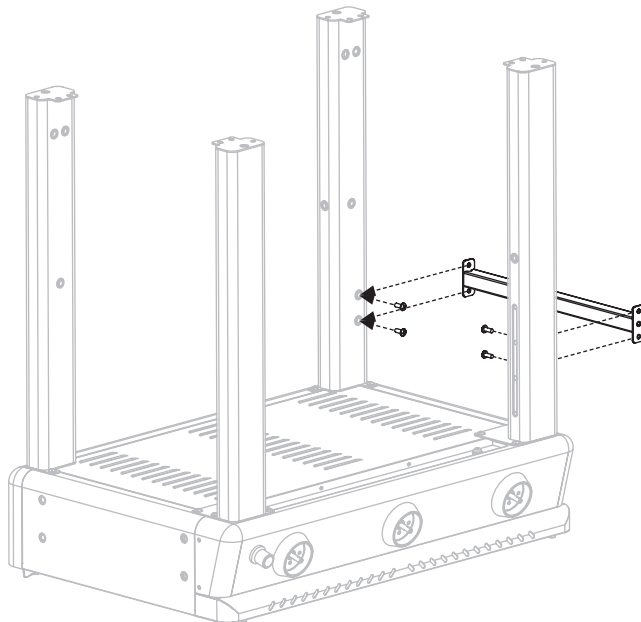
Trouvez une grande surface propre pour assembler votre gril. Veuillez vous référer à la liste des pièces et aux schémas d'assemblage si nécessaire.

ÉTAPE 01 Avec l'aide d'une autre personne, retirez le corps de la plaque chauffante de l'emballage et posez-le à l'envers sur une surface lisse et plane.

Utilisez douze (12) vis M6x16 pour fixer les quatre (4) pieds.



ÉTAPE 02 Utilisez quatre (4) vis M6x16 pour fixer le renfort de pied supérieur à l'assemblage de pied gauche.



⚠ ATTENTION

Le fabricant a tout mis en œuvre pour éliminer les bords tranchants. Cependant, vous devez manipuler tous les éléments avec soin pour éviter les blessures accidentelles.

Certaines pièces peuvent comporter des bords tranchants, notamment celles indiquées dans ces instructions. Portez des gants de protection si nécessaire.

⚠ ATTENTION

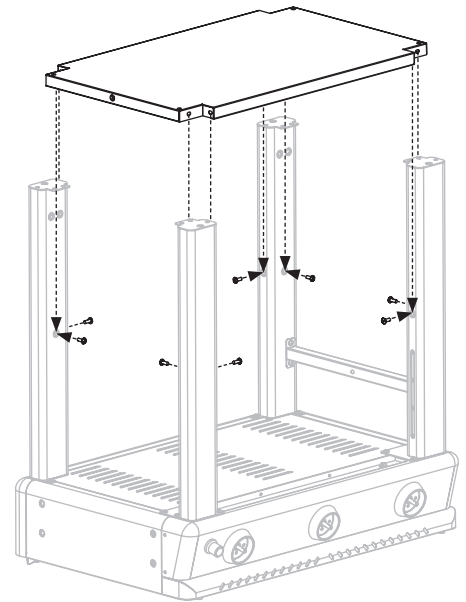
L'utilisation d'alcool, de médicaments sur ordonnance ou en vente libre peut nuire à la capacité du consommateur d'assembler correctement ou d'utiliser cet appareil en toute sécurité.

⚠ MISE EN GARDE

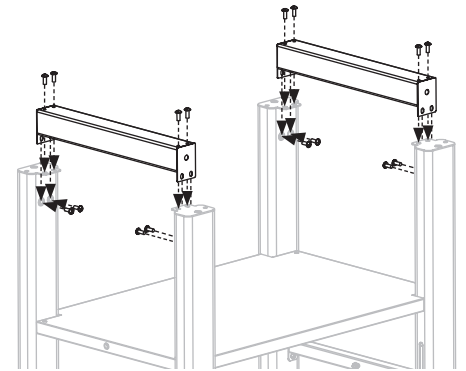
Il est recommandé de monter ce produit à deux personnes.



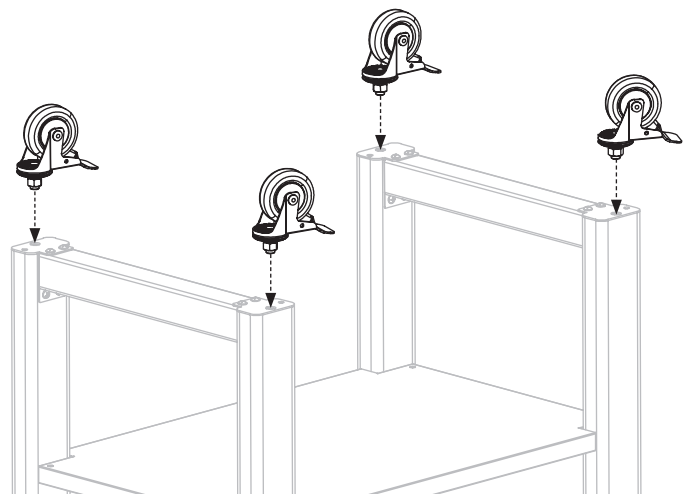
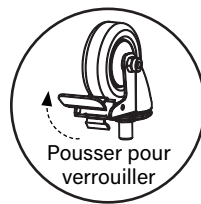
ÉTAPE 03 Utilisez huit (8) vis M6x16 pour fixer la tablette inférieure aux pieds.



ÉTAPE 04 Utilisez huit (8) vis M6x16 pour fixer les deux (2) entretoises de pied inférieur aux côtés des pieds de la plaque chauffante. Utilisez huit (8) vis M6x16 pour fixer les entretoises au bas des pieds.



ÉTAPE 05 Utilisez une clé pour fixer les quatre (4) roulettes au bas des pattes. Assurez-vous que les roues sont bloquées.

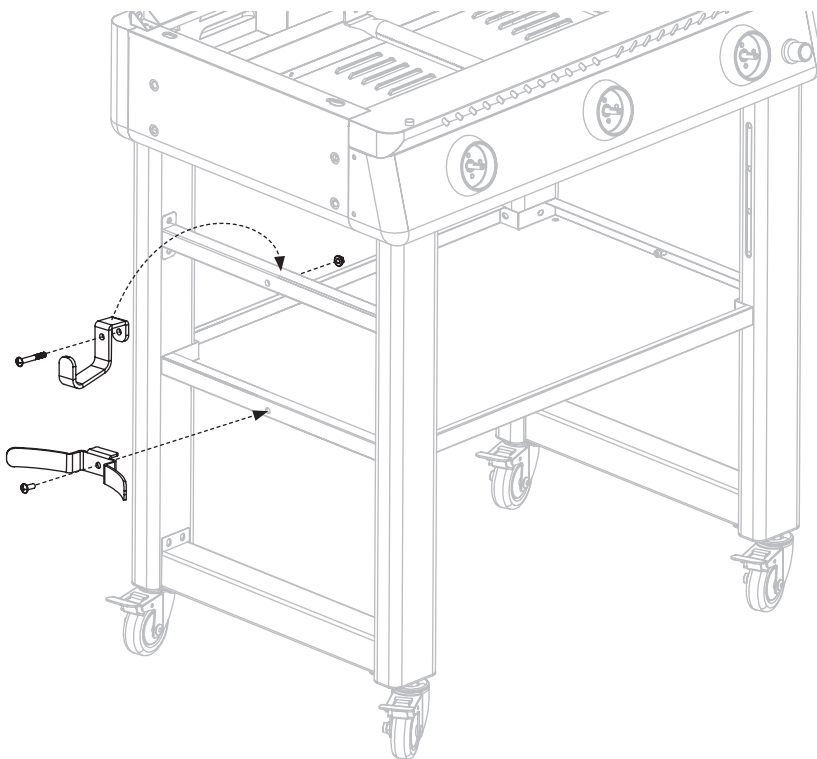




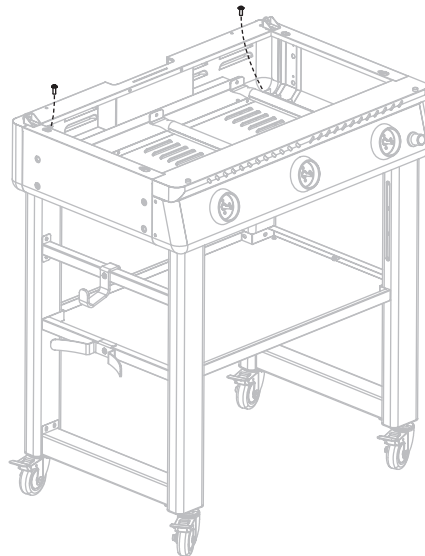
ÉTAPE 06 Avec l'aide d'une autre personne, mettez la plaque chauffante sur ses pieds.

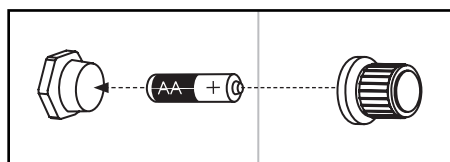
Accrocher le support supérieur du réservoir de propane sur le renfort de pied supérieur et le fixer avec une (1) vis M6x45 et un (1) écrou M6.

Utilisez une (1) vis M6x16 pour fixer le support inférieur du réservoir de propane à l'étagère inférieure.



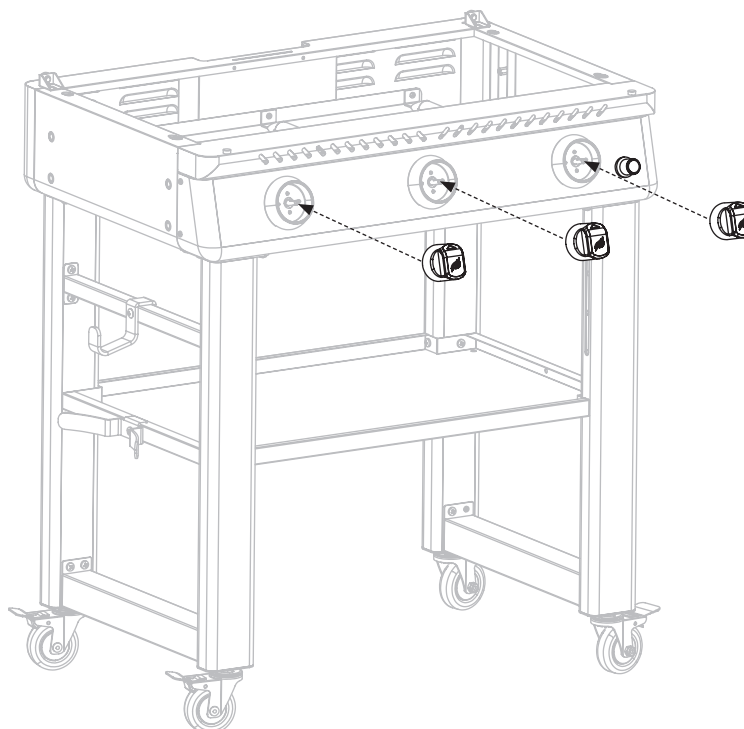
ÉTAPE 07 Utilisez deux (2) vis M6x16 pour fixer le corps de la plaque chauffante aux pieds arrière.





Insérez une pile AA (non fournie) dans le support de pile avec la borne positive tournée vers l'extérieur, puis vissez le bouton d'allumage à fond; faites attention à ne pas trop serrer.

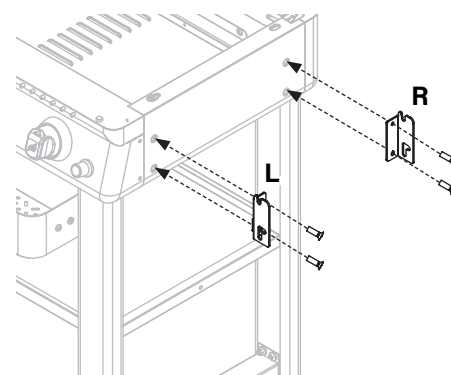
ÉTAPE 08 Placez les trois (3) boutons de commande sur les tiges de soupape en position OFF. Insérez une pile AA sous le bouton d'allumage.



ÉTAPE 09 Utilisez quatre (4) vis M6x16 pour installer un (1) support de tablette latérale **L** et un (1) support de tablette latérale **R** sur le côté droit du corps de la plaque chauffante.

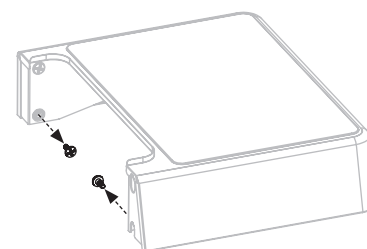
Répétez cette étape sur le côté gauche du corps de la plaque chauffante.

(Remarque: il existe deux types de supports. Assurez-vous que les deux côtés de la plaque de cuisson en utilisent un de chaque.)



ÉTAPE 10 Retirez les deux (2) boulons de marche préinstallés du bas de la tablette latérale droite.

Répétez cette étape avec la tablette latérale gauche.

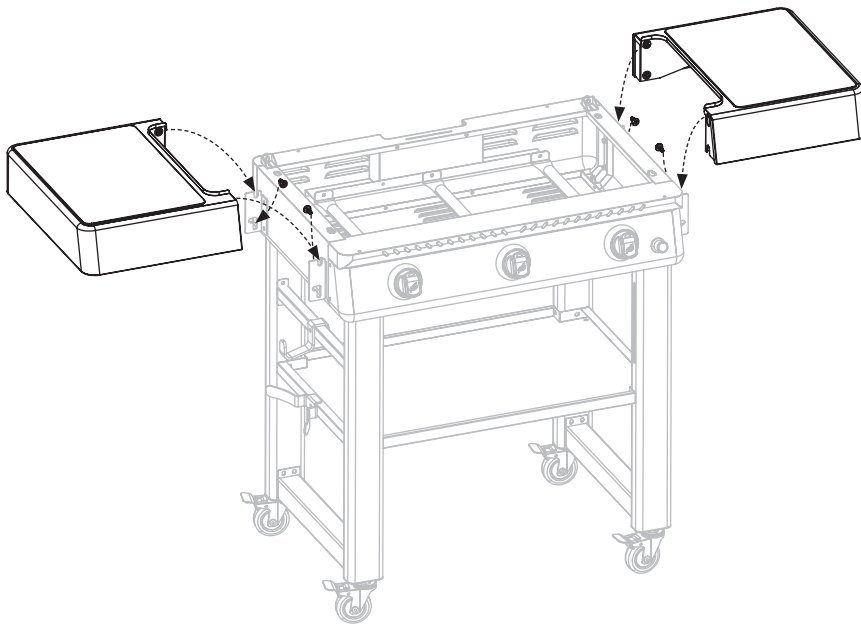




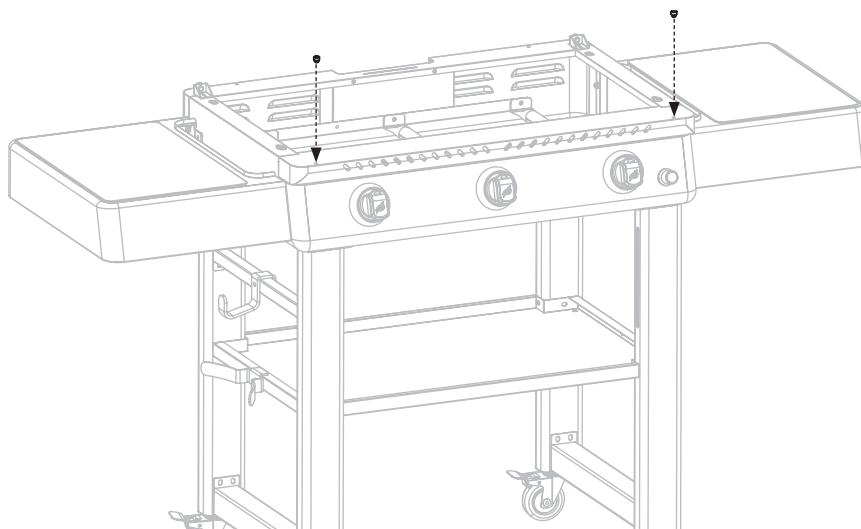
ÉTAPE 11 Accrochez les boulons de marche de la tablette latérale droite sur les supports de la tablette sur le côté droit de la plaque chauffante.

Fixez l'étagère avec les boulons d'étagère retirés précédemment dans les trous inférieurs des supports d'étagère.

Répétez cette étape avec la tablette latérale gauche.

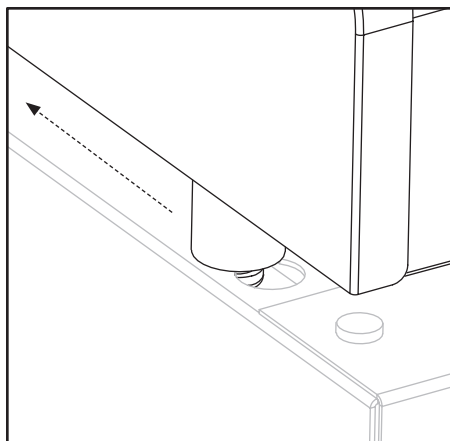
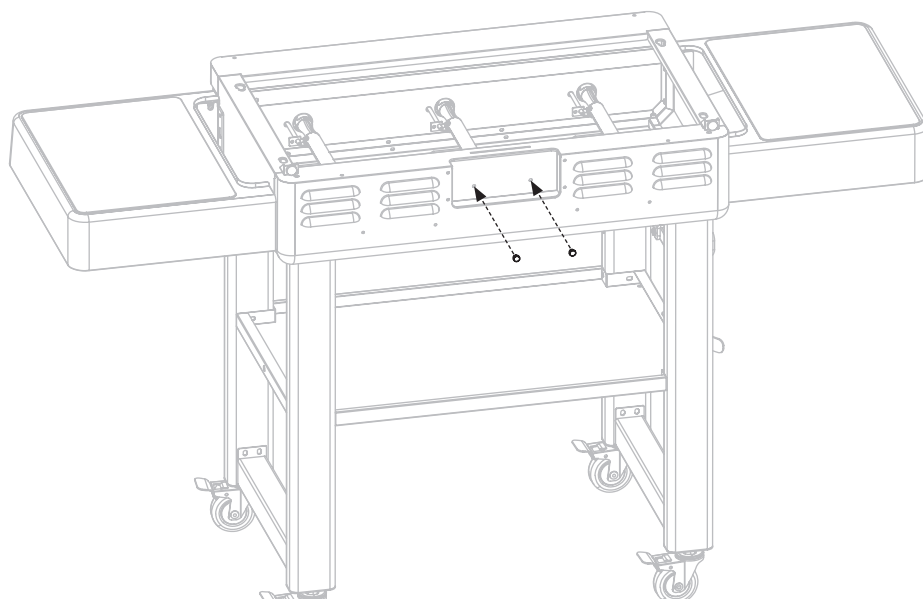


ÉTAPE 12 Fixez les deux (2) coussins de capot avant sur le dessus du corps de la plaque chauffante.



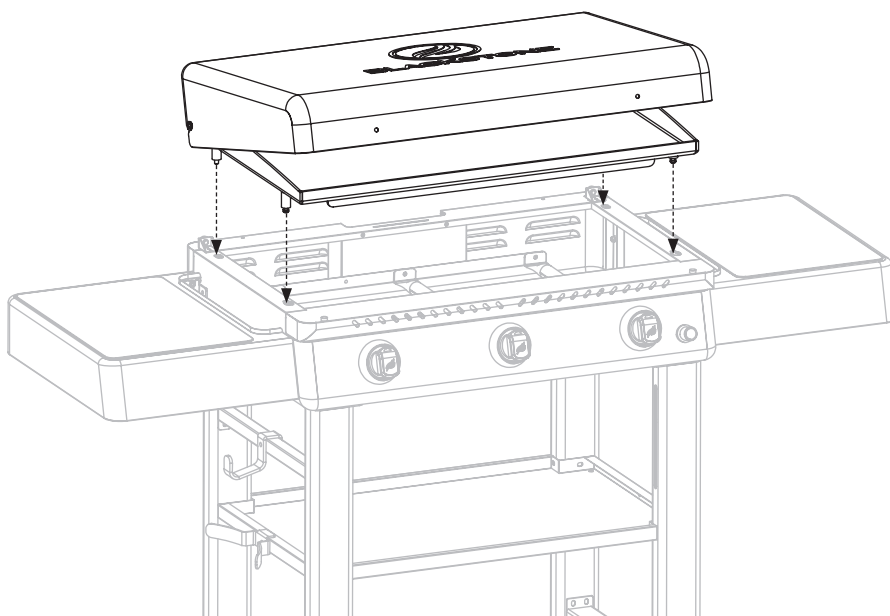


ÉTAPE 13 Fixez les deux (2) coussins de tasse à graisse à l'arrière du corps de la plaque chauffante.



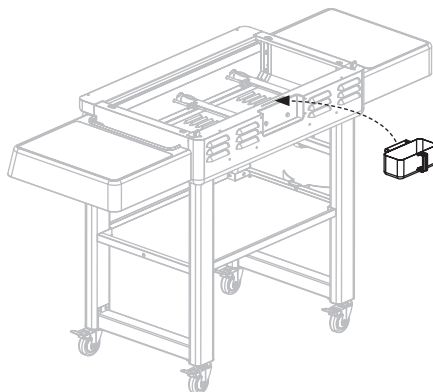
Assurez-vous que les broches avant sont bien insérées dans les trous, puis poussez le dessus de la plaque chauffante vers l'arrière pour verrouiller la plaque chauffante en place.

ÉTAPE 14 Avec l'aide d'une autre personne, placez le dessus de la plaque chauffante sur le corps de la plaque chauffante en alignant les quatre broches sur les trous sur le dessus de l'unité. Assurez-vous que les goupilles avant sont bien insérées dans les trous, puis poussez le dessus de la plaque chauffante vers l'arrière pour la verrouiller en place.

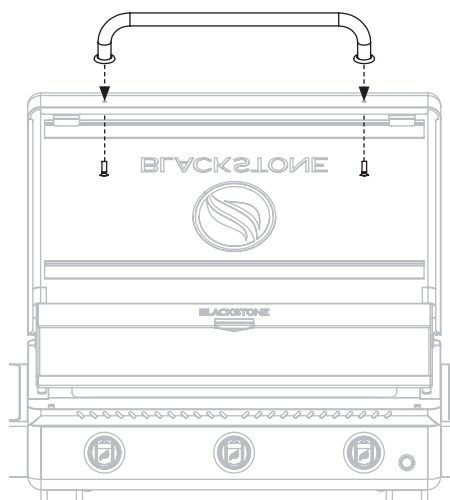




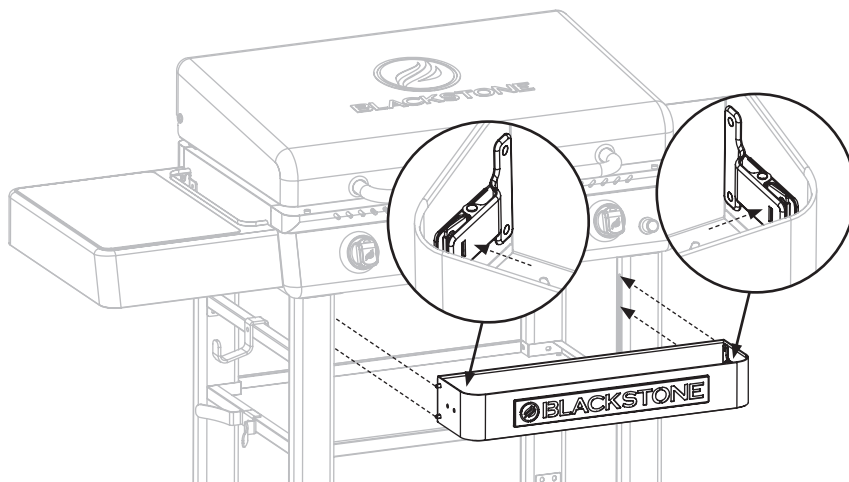
ÉTAPE 15 Accrochez le godet à graisse à l'arrière du corps de la plaque chauffante.



ÉTAPE 16 Utilisez les deux (2) vis M6x12 préinstallées dans la poignée pour fixer la poignée et deux (2) cadres de poignée à la hotte.



ÉTAPE 17 Tenez les deux clips sur les côtés intérieurs du plateau avant pour rétracter les broches de réglage. Alignez les broches avec les trous du cadre de jambe à la hauteur désirée et relâchez les clips. Réglez le plateau jusqu'à ce que les quatre broches se verrouillent en place.

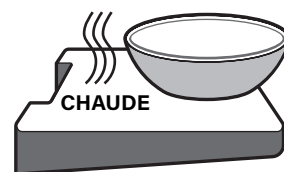


⚠ ATTENTION

Ne laissez pas la hotte fermée plus de 15 minutes pendant la cuisson.

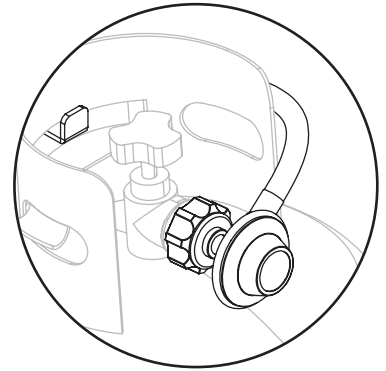
⚠ MISE EN GARDE

- Le poids maximum sur la tablette latérale est de de 4,5 kg (10 lb).
- La tablette latérale est une zone de chaleur élevée.

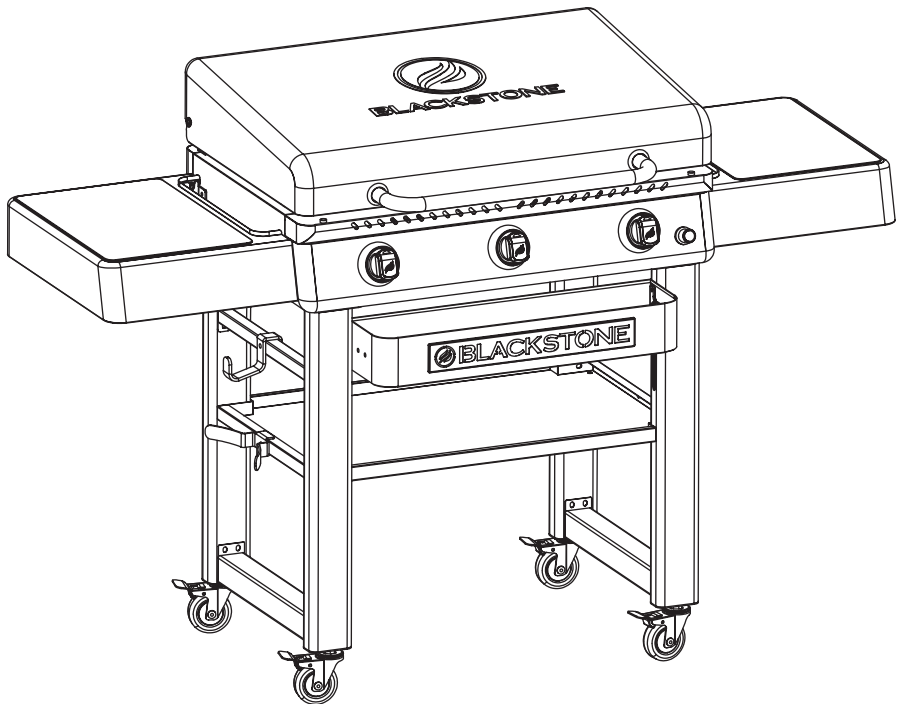




ÉTAPE 18 Connectez le réservoir de propane de 20 lb (non inclus) et accrochez-le sur le support de propane supérieur de sorte qu'il se bloque contre le support de propane inférieur. (Veuillez consulter la section Raccordement et retrait du chapitre Carburant.)



ÉTAPE 19 Passez à la section Instructions d'assaisonnement plaque chauffante du chapitre Entretien et maintenance. Profitez de cuisiner à l'extérieur avec votre Blackstone!



BESOIN D'AIDE?

Enregistrez votre produit Blackstone sur blackstoneproducts.com/register et visitez-nous en ligne sur blackstoneproducts.com/support pour les questions manquantes sur les pièces, l'assemblage et le fonctionnement.





RECETTES POUR LE DÉJEUNER ET LE DÎNER

BURGER À L'OIGNON FRIT OKLAHOMA



ÉTAPE 01 Préchauffez votre Blackstone à feu vif.

ÉTAPE 02 Faire quatre 2 oz boulettes de viande légèrement tassées avec le bœuf haché et placer sur la plaque chauffante chaude. Ajoutez une pincée de sel sur chacun et à l'aide de votre **Blackstone Burger Press**, écrasez-les très finement.

ÉTAPE 03 Ajouter 2-3 onces d'oignon émincé sur chaque galette.

ÉTAPE 04 Faites cuire pendant 60 à 90 secondes et retournez-les pour que l'oignon soit sous la galette. Ajoutez 1 tranche de fromage américain à chaque galette, puis placez le pain supérieur sur le fromage, puis le pain inférieur sur le pain supérieur. Faites cuire encore 60 secondes.

ÉTAPE 05 Pour assiette, retirez le pain du bas du haut, à l'aide de votre spatule, soulevez le hamburger avec le pain du haut et ajoutez-le au pain du bas.

ÉTAPE 06 Servir chaud avec quelques chips de cornichon à l'aneth.

🍴 Pour 4 | ⌚ 7 minutes

Ingrédients

- 1/2 livre de boeuf haché 80/20
- 1 oignon Vidalia (ou doux) (tranché finement en papier)
- 4 tranches de fromage américain
- 1/4 tasse de chips de cornichon à l'aneth
- Sel

RECETTES VIDÉO:

Trouvez plus d'inspiration et de recettes sur blackstoneproducts.com/blogs/recipes



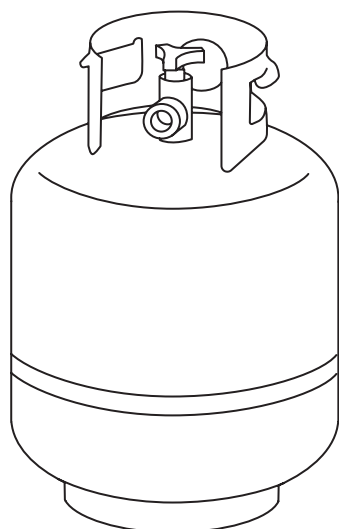
youtube.com/c/BlackstoneGriddles



@blackstoneproducts

**ATTENTION**

Coupez l'alimentation en gaz propane à la bouteille lorsque l'appareil n'est pas utilisé.



CARBURANT | RÉSERVOIR DE PROPANE DE 9,1 KG (20 LB)

Section 01

RÉSERVOIR DE PROPANE LIQUIDE DE 9,1 KG (20 LB)

GPL (GAZ DE PÉTROLE LIQUÉFIÉ)

Le GPL est non toxique, inodore et incolore lorsqu'il est produit. Pour des raisons de sécurité et pour faciliter sa détection, le GPL est doté d'une odeur similaire à celle du chou pourri.

Le gaz de pétrole liquéfié est hautement inflammable et peut s'enflammer de manière inattendue lorsqu'il est mélangé à l'air.

EXIGENCES RELATIVES À LA BOUTEILLE DE PROPANE LIQUIDE DE 9,1 KG (20 LB)

- Assurez-vous que les bouteilles ont une certification du DOT américain et qu'elles ont été testées par un fournisseur de GPL dans un délai de cinq ans à compter du début de leur utilisation.
- Tous les systèmes d'alimentation des réservoirs de GPL doivent comporter un collet pour protéger la vanne de la bouteille.
- Utilisez uniquement une bouteille de GPL de 45 cm sur 30 cm et 9,1 kg.
- La bouteille doit être construite et classée conformément aux caractéristiques pour les bouteilles de GPL (Specifications for LP - Gas Cylinders) du Département des Transports (DOT ou Department of Transportation) américain ou à la Norme nationale du Canada CAN/CSA-B339,

Bouteilles à gaz cylindriques et sphériques et tubes pour le transport des marchandises dangereuses; et la Commission, le cas échéant.

EXIGENCES RELATIVES À LA BOUTEILLE DE PROPANE LIQUIDE POUR LE CANADA

- La bouteille de GPL doit être construite et classée conformément aux caractéristiques sur les bouteilles de GPL de Transports Canada.

RÉSERVOIR DE GPL DE 9,1 KG (20 LB)

Le réservoir de GPL de 9,1 kg utilisé avec votre plaque de cuisson doit répondre aux exigences suivantes:

Les réservoirs de GPL doivent être construits et classés conformément aux caractéristiques pour les réservoirs GPL du département des transports (DOT) des États-Unis ou selon la norme CAN/CSA-B339 sur les bouteilles à gaz cylindriques et sphériques et tubes pour le transport des marchandises dangereuses de Transports Canada).

Se reporter au collet du réservoir de GPL pour le marquage.



La vanne du réservoir de GPL doit avoir:

- Prise de type 1 compatible avec le régulateur de l'appareil.
- Soupape de sûreté-décharge.
- Dispositif antidébordement homologué UL. Cette caractéristique du dispositif antidébordement est identifiée par un robinet triangulaire unique. Utilisez uniquement des réservoirs de GPL équipés de ce type de vanne.

Robinet du dispositif antidébordement



- Le réservoir de GPL doit être prévu pour l'élimination de la vapeur et inclure un collet pour protéger la vanne du réservoir de GPL.

Gardez toujours les réservoirs de GPL neufs et de remplacement en position verticale pendant l'utilisation, le transport ou le stockage.

REPLISSAGE DE RÉSERVOIR DE GPL

Faites uniquement appel à des détaillants agréés et expérimentés. Le détaillant de GPL doit purger le réservoir neuf avant le remplissage.

Le volume de propane dans le réservoir varie en fonction de la température. Un régulateur givré indique un réservoir de gaz trop rempli. Fermez immédiatement la vanne du réservoir de GPL et appelez un détaillant local de GPL pour obtenir de l'aide.

Ne libérez pas de gaz de pétrole liquéfié (GPL) dans l'atmosphère.

Pour retirer le gaz du réservoir de GPL, contactez un détaillant de GPL agréé ou le service d'incendie local.

ÉCHANGE DE RÉSERVOIR DE GPL

Effectuez un essai d'étanchéité pour les réservoirs de GPL neufs et de remplacement AVANT de les brancher à la plaque de cuisson.

De nombreux détaillants offrent la possibilité de remplacer les réservoirs de GPL vides dans le cadre d'un service d'échange.

Faites uniquement appel à des sociétés réputées qui inspectent, remplissent avec précision, testent et certifient leurs réservoirs.

Remplacez le réservoir uniquement par un réservoir équipé d'un dispositif de sécurité OPD.

Placez le capuchon anti-poussière sur la sortie de la vanne de la bouteille lorsque la bouteille n'est pas utilisée.

Installez sur la sortie de la valve de la bouteille uniquement le type de capuchon anti-poussière fourni avec la valve de la bouteille.

L'utilisation d'autres types de capuchon ou de bouchons peut entraîner des fuites de propane.

⚠ DANGER

- **Ne rangez JAMAIS une bouteille de GPL de recharge sous ou près de l'appareil ou dans un lieu clos.**
- **Ne remplissez JAMAIS une bouteille de GPL au-delà de 80%.**
- **NE rangez PAS de bouteille de GPL dans un lieu où des enfants jouent.**
- **La bouteille de GPL ne doit être stockée qu'à l'extérieur et dans un endroit frais et sec.**
- **Ne laissez JAMAIS un réservoir ou une bouteille de GPL à l'intérieur d'un véhicule pouvant surchauffer à cause du soleil.**

Si les informations ci-dessus ne sont pas suivies à la lettre, un incendie pouvant provoquer des blessures graves, voire mortelles, pourrait survenir.

Une bouteille trop remplie ou mal entreposée constitue un danger, en raison du dégagement possible de gaz par la soupape de sûreté-décharge. Cela pourrait provoquer un violent incendie et causer des dommages matériels, des blessures graves ou la mort.

Si vous voyez, sentez ou entendez du gaz s'échapper, éloignez-vous immédiatement de la bouteille de propane et de l'appareil et appelez le service d'incendie.

REMARQUE : Votre revendeur peut vous aider à trouver un réservoir de remplacement pour votre plaque de cuisson.

**⚠ DANGER**

N'insérez aucun outil ou objet dans la sortie de la vanne ou la soupape de sûreté-décharge. La vanne peut être endommagée et provoquer une fuite. **Une fuite de propane peut provoquer une explosion, un incendie, des blessures graves, voire la mort.**

Si, à tout moment, une fuite est détectée, **ARRÊTEZ** ce que vous faites et appelez le service d'incendie. Si vous ne pouvez pas arrêter une fuite de gaz, fermez immédiatement la vanne du réservoir de propane et appelez votre fournisseur de gaz propane ou le service d'incendie!

⚠ ATTENTION

Ne pas insérer de bouchon de transport POL (pièce en plastique avec fil extérieur) dans la sortie de la vanne du réservoir de type 1. Cela annulera la fonction de la soupape de sûreté-décharge.

**Section 02****RACCORDEMENT ET RETRAIT****SÉCURITÉ DU RÉGULATEUR**

En cas de défaillance du régulateur, celui-ci doit être remplacé par un modèle approuvé par Blackstone, et le remplacement doit être effectué par un professionnel agréé. Le non-respect annulera la garantie.

RACCORDS ET TUYAUX

- Il est recommandé d'effectuer une vérification et un serrage des raccords métalliques chaque année.
- Le système d'alimentation en bouteilles doit être conçu pour le retrait de la vapeur.
- Avant chaque utilisation, vérifiez l'absence d'entailles ou d'usure sur les tuyaux. Remplacez les tuyaux endommagés avant d'utiliser la plaque de cuisson. Utilisez uniquement des pièces approuvées par Blackstone pour le remplacement d'une vanne, d'un tuyau ou du régulateur.

RETRAIT DU RÉSERVOIR DE GPL POUR LE TRANSPORT OU LE STOCKAGE

ÉTAPE 01 Éteignez tous les boutons de commande. Éteindre la bouteille de GPL en tournant le volant dans le sens des aiguilles d'une montre jusqu'à un arrêt complet.

ÉTAPE 02 Tourner manuellement l'écrou de raccordement dans le sens antihoraire. N'utilisez pas d'outils pour le débranchement.

ÉTAPE 03 Soulevez le réservoir de GPL et retirez-le du support.

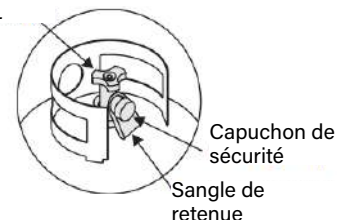
ÉTAPE 04 Installez le capuchon de sécurité sur la vanne du réservoir de GPL.

Utilisez en permanence le capuchon et la sangle fournis avec la vanne.

Ne pas utiliser le capuchon de sécurité comme indiqué peut entraîner des blessures graves ou des dommages matériels importants.

Un réservoir de GPL débranché stocké ou en cours de transport doit être muni d'un capuchon de sécurité (comme indiqué).

Vanne de réservoir de GPL





RACCORD DU RÉGULATEUR AU RÉSERVOIR DE 9,1 KG (20 LB)

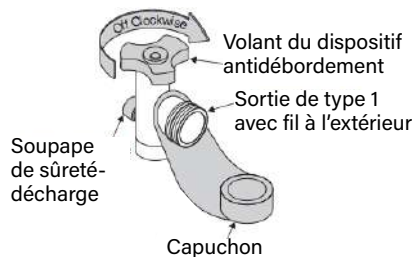
Testez les fuites des réservoirs de PL neufs et échangés AVANT de les connecter à la plaque chauffante. Veuillez consulter la section Instructions de test de fuite.

ÉTAPE 01 Le réservoir de GPL doit être correctement fixé à la plaque de cuisson. (se reporter à la section sur l'assemblage)

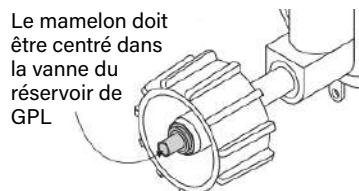
ÉTAPE 02 Placez toutes les molettes de commande sur la position OFF.

ÉTAPE 03 FERMEZ le réservoir de GPL en tournant le robinet antidébordement dans le sens horaire jusqu'à l'arrêt complet.

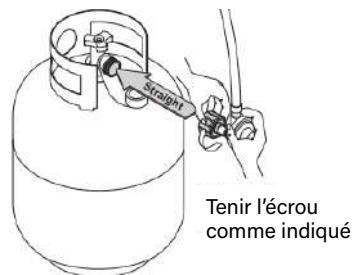
ÉTAPE 04 Retirez le capuchon de protection de la vanne du réservoir de GPL.



ÉTAPE 05 Maintenir le régulateur et insérer l'embout dans la vanne du réservoir de GPL.



ÉTAPE 06 Tourner manuellement l'écrou de raccordement en tenant le régulateur droit par rapport à la vanne du réservoir de GPL pour éviter de fausser le filetage du raccord.



ÉTAPE 07 Tourner l'écrou de raccordement dans le sens horaire et serrer complètement. Le régulateur scelle la fonction de vérification arrière de la vanne du réservoir de GPL, ce qui crée une certaine résistance.

ÉTAPE 08 Un demi-tour supplémentaire aux trois quarts est nécessaire pour terminer le raccord. Serrer à la main uniquement - ne pas utiliser d'outils.

⚠ ATTENTION

Gardez le tuyau d'alimentation en carburant éloigné de toute surface chauffée.

⚠ ATTENTION

N'essayez jamais de fixer cette plaque de cuisson au système de gaz propane indépendant d'une roulotte, d'un véhicule récréatif ou d'une autocaravane.

N'utilisez pas le réservoir de GPL avant d'avoir effectué un essai d'étanchéité.

REMARQUE : Si le raccord ne peut pas être terminé, débranchez le régulateur et répétez les étapes 5 et 6.

Si vous ne pouvez pas terminer le raccord, n'utilisez pas ce régulateur!

BESOIN D'AIDE?

Enregistrez votre produit Blackstone sur blackstoneproducts.com/register et visitez-nous en ligne sur blackstoneproducts.com/support pour les questions manquantes sur les pièces, l'assemblage et le fonctionnement.



**ATTENTION**

Si des bulles apparaissent, n'utilisez pas et ne déplacez pas le réservoir de GPL. Contactez immédiatement un fournisseur de gaz propane ou un service d'incendie.

MISE EN GARDE

NE PAS UTILISER DE PRODUITS D'ENTRETIEN MÉNAGER. Cela pourrait endommager les composants de la vanne, du tuyau et du régulateur.

Section 03

INSTRUCTIONS D'ESSAI D'ÉTANCHÉITÉ**SÉCURITÉ PENDANT L'ESSAI D'ÉTANCHÉITÉ**

- L'essai d'étanchéité doit être répété chaque fois que le réservoir de GPL est remplacé ou rempli.
- Ne pas fumer pendant l'essai d'étanchéité.
- Ne pas utiliser de flamme pour vérifier les fuites de gaz.
- La plaque de cuisson doit faire l'objet d'un essai d'étanchéité à l'extérieur, dans un endroit bien ventilé, à l'écart de sources d'inflammation telles que des appareils à gaz ou électriques.
- Pendant l'essai d'étanchéité, maintenez la plaque de cuisson à l'écart des flammes ou des étincelles.

TEST D'ÉTANCHÉITÉ: RÉSERVOIR

ÉTAPE 01 Utilisez un pinceau propre et une solution à base d'eau et de savon doux à 10/90.

ÉTAPE 02 Appliquez la solution savonneuse sur les joints du réservoir (Indiqué par les flèches sur la figure 01).

Les fuites seront mises en évidence par l'apparition de bulles.

TEST D'ÉTANCHÉITÉ: VANNES, TUYAU ET RÉGULATEUR

ÉTAPE 01 Fermez toutes les molettes de commande de la plaque de cuisson.

ÉTAPE 02 Assurez-vous que le régulateur est bien connecté au réservoir de GPL.

ÉTAPE 03 Ouvrez complètement la vanne du réservoir de GPL en tournant le robinet du dispositif antidébordement dans le sens antihoraire.

Si vous entendez un bruit important, fermez immédiatement le gaz. Il y a une fuite majeure au niveau du raccord. Corrigez la situation avant de continuer. Veuillez visiter blackstoneproducts.com/support pour le support client et les pièces de rechange.

ÉTAPE 04 Appliquez une solution savonneuse sur les zones où se trouvent les bulles, tel qu'illustré à la figure 02.

Si des bulles apparaissent, il y a une fuite. Fermez immédiatement la vanne du réservoir de GPL et resserrez les raccords. Si les fuites ne peuvent être arrêtées, **NE PAS ESSAYER D'EFFECTUER UNE RÉPARATION.** Veuillez visiter blackstoneproducts.com/support pour le support client et les pièces de rechange.

ÉTAPE 05 Fermez toujours la vanne du réservoir de GPL après avoir effectué l'essai d'étanchéité, en tournant le robinet dans le sens horaire.

FIGURE 01

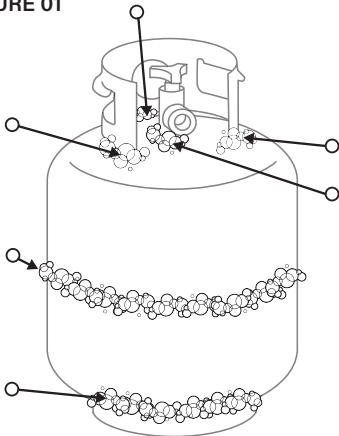
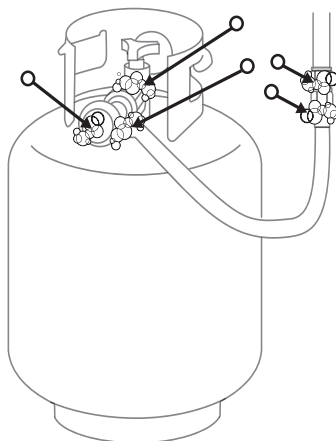


FIGURE 02





RECETTES POUR LE PETIT DÉJEUNER

CRÊPES AUX FRAISES ET À LA CRÈME

Recette de Danielle Zechmann



ÉTAPE 01 Dans un bol à mélanger, mélanger tous les ingrédients secs.

ÉTAPE 02 Dans un autre bol, mélanger le jaune d'œuf, le lait, la ricotta, le beurre et la vanille. Lentement, ajoutez les ingrédients secs et mélangez à feu doux jusqu'à homogénéité.

ÉTAPE 03 Fouetter le blanc d'œuf jusqu'à la formation de pics fermes et incorporer délicatement au mélange à crêpes. Puis incorporez doucement les morceaux de fraise.

ÉTAPE 04 Mettez sur le côté pendant que vous préparez votre garniture et votre sirop.

Garniture au fromage à la crème

- 12 oz de fromage à la crème, température ambiante
- 1/4 tasse de sucre
- 1 tasse de crème à fouetter
- 2 cuillères à soupe de jus de citron

Sirop de fraise

- 1 pinte de fraises coupées en morceaux
- 1/4 tasse de sucre
- 2 cuillères à soupe de jus de citron

ÉTAPE 05 Dans un batteur sur socle, fouetter ensemble le fromage à la crème, le sucre et le jus de citron. Tournez à basse vitesse et ajoutez la crème fouettée. Placez au réfrigérateur jusqu'à ce que votre sirop soit cuit.

ÉTAPE 06 Dans une casserole, ajoutez les fraises hachées, le sucre, le jus de citron et laissez mijoter jusqu'à ce que le jus ait légèrement épaissi. Environ 20-25 minutes.

ÉTAPE 07 Préchauffer la plaque chauffante à feu moyen. Faites fondre une cuillère à soupe de beurre sur la plaque chauffante. Versez 1/4 tasse de mélange à crêpes sur la plaque chauffante et laissez cuire jusqu'à ce que des bulles commencent à se former et que les bords soient légèrement dorés. Environ 3-4 minutes. Retourner et cuire encore 3 minutes.

ÉTAPE 08 Une fois que toutes vos crêpes sont cuites, prenez une assiette et commencez à superposer vos crêpes. Commencez par une crêpe, puis étalez une partie de la garniture au fromage à la crème et garnissez de quelques morceaux de fraises. Répétez les étapes jusqu'à ce que vous ayez une belle pile. Garnir du reste du sirop de fraise et d'une cuillerée de crème fouettée.

🍴 Pour 6 | ⌚ 45 minutes

Ingrédients pour crêpes

- 2/3 tasse de farine tout usage
- 2 cuillères à café de levure chimique
- 1 cuillère à soupe de sucre
- une pincée de sel
- 2 cuillères à café de zeste de citron
- 5 fraises coupées en morceaux
- 1 œuf, séparé
- 1/2 tasse de lait
- 1/3 tasse de fromage ricotta
- 2 cuillères à soupe de beurre fondu
- 1 cuillère à soupe d'extrait de vanille pure
- Crème fouettée (pour la finition)

RECETTES VIDÉO:

Trouvez plus d'inspiration et de recettes sur blackstoneproducts.com/blogs/recipes



youtube.com/c/BlackstoneGriddles



@blackstoneproducts

**⚠ ATTENTION**

Lorsqu'il n'est pas utilisé, placez les molettes de l'appareil en position OFF et fermez l'alimentation en gaz.

⚠ ATTENTION

L'appareil doit être isolé du système de tuyauterie d'alimentation en gaz en fermant son robinet d'arrêt manuel individuel pendant tout test de pression du système de tuyauterie d'alimentation en gaz à des pressions d'essai égales ou inférieures à 1/2 psi (3,5 kPa).

⚠ ATTENTION

Cet appareil sera chaud pendant et après l'utilisation. Utilisez des gants isolants ou des gants de protection pour vous protéger des surfaces chaudes ou des éclaboussures de liquides de cuisson.

⚠ MISE EN GARDE

Ne jamais toucher les parties chaudes sans protection adaptée.

ENTRETIEN ET MAINTENANCE

Nettoyez régulièrement votre appareil entre les utilisations, en particulier après de longues périodes de stockage. Pour prolonger la durée de vie et conserver l'état de l'unité, suivez les meilleures pratiques détaillées dans ce manuel.

Section 01

ENTRETIEN GÉNÉRAL

CLAPET DE NON-RETOUR

Assurez-vous que le gaz est coupé au niveau de la bouteille de GPL avant de vérifier les vannes. Les molettes doivent être verrouillées en position OFF.

ÉTAPE 01 Pour vérifier les vannes, enfoncez les molettes et relâchez-les. Les molettes devraient revenir en place elles-mêmes.

Si les boutons ne retournent pas à leur position initiale, remplacez la vanne avant d'utiliser la plaque de cuisson.

ÉTAPE 02 Tournez les molettes vers la position de faible intensité puis revenez en position OFF. Les molettes doivent tourner facilement.

NETTOYAGE GÉNÉRAL

Ensure that the appliance and its Assurez-vous que la plaque de cuisson et ses composants sont suffisamment froids avant le nettoyage.

- Nettoyez souvent votre appareil, de préférence après chaque utilisation.
- Assurez-vous de garder les ouvertures de ventilation du boîtier de la bouteille libres et exemptes de débris.
- Les dépôts de graisse cuits peuvent nécessiter l'utilisation d'un tampon nettoyeur en plastique abrasif. Utilisez-le uniquement dans le sens du fini brossé pour éviter les dommages.
- NE PAS utiliser de tampon abrasif sur les zones comportant des représentations graphiques.
- Si une brosse à poils est utilisée pour nettoyer l'une des surfaces de cuisson, assurez-vous qu'aucun poil lâche ne reste sur les surfaces de cuisson avant la cuisson.



APRÈS CHAQUE UTILISATION

PIÈCES EN PLASTIQUE: Laver à l'eau tiède savonneuse et essuyer.

SURFACES PEINTES: Laver avec un détergent doux ou un nettoyant non abrasif et de l'eau savonneuse tiède. Essuyer avec un chiffon doux non abrasif.

SURFACES EN ACIER

INOXYDABLE: Pour maintenir l'aspect haut de gamme du cadre de la plaque de cuisson, lavez-le avec un détergent doux et de l'eau savonneuse tiède. Essuyez avec un chiffon doux après chaque utilisation.

STOCKAGE

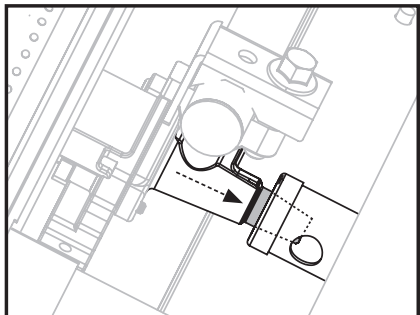
- Afin de prolonger et de maintenir la durée de vie et l'état de votre appareil, nous recommander que l'unité soit couverte lorsqu'elle est laissée à l'extérieur pour une durée quelconque, en particulier pendant les mois d'hiver.
- Couvrir les brûleurs avec du papier d'aluminium afin d'empêcher les insectes ou autres débris de s'accumuler dans les trous des brûleurs.
- Lorsque l'alimentation en gaz est raccordée à l'appareil, rangez l'appareil à l'extérieur dans un espace bien ventilé et hors de portée des enfants.
- Stockez l'appareil à l'intérieur **UNIQUEMENT** si l'alimentation en gaz est coupée, déconnectée, retirée de l'appareil et entreposée à l'extérieur.
- Lorsque vous retirez l'appareil du stockage, nettoyez l'ensemble du brûleur avant de démarrer l'appareil. (Veuillez consulter la section Nettoyage du brûleur.)

MISE EN GARDE

Ne pas utiliser de Citrisol, de nettoyants abrasifs, de dégraissants ou de nettoyeurs concentrés pour plaques de cuisson sur les pièces en plastique. **Des dommages et une défaillance des pièces pourraient en résulter.**

**ATTENTION**

Assurez-vous que la buse de carburant est logée dans l'ouverture du brûleur.

**Section 02****NETTOYAGE DU BRÛLEUR**

Suivez ces instructions pour nettoyer ou remplacer des pièces du brûleur, ou en cas de difficulté à allumer la plaque de cuisson. Pendant le nettoyage, vérifiez que le brûleur n'est pas endommagé. Si vous trouvez des fissures ou des trous importants, remplacez le brûleur.

ÉTAPE 01 Assurez-vous que le gaz est coupé au niveau des boutons de commande et de l'alimentation en gaz. Retirer le dessus de cuisson.

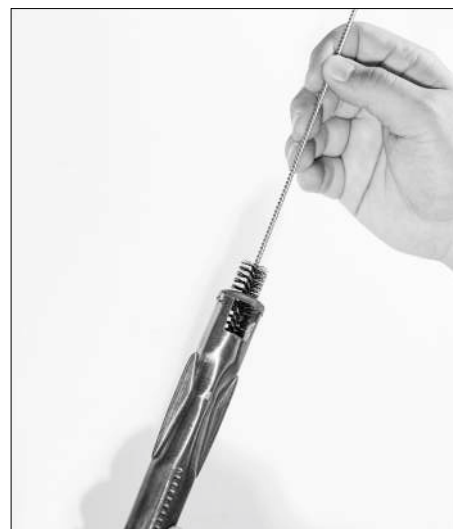
ÉTAPE 02 Détachez et retirez avec précaution le brûleur.



ÉTAPE 03 Passez plusieurs fois un goupillon à bouteille fin dans chaque tube du brûleur (n'utilisez pas de brosses métalliques).

Autres méthodes:

- a** Passez plusieurs fois un fil rigide plié en forme de petit crochet à travers chaque tube de brûleur.
- b** Utilisez un tuyau à air pour forcer l'air à entrer dans le tube du brûleur et à sortir par les orifices du brûleur. Vérifiez que l'air passe à travers chaque trou (portez des lunettes de protection).



ÉTAPE 04 Brossez toute la surface extérieure du brûleur pour enlever la saleté.



ÉTAPE 05 Nettoyez tous les ports bloqués avec un fil rigide, par exemple un trombone ouvert. Ensuite, remplacez soigneusement les brûleurs et rattachez-les.



TRÈS IMPORTANT: Les tubes de brûleur doivent être réintroduits dans les orifices de la vanne.

DIDACTICIEL VIDÉO

How to Clean Your Burner Tube
| Blackstone Griddle



[youtube.com/watch?v=xKQTCrFCzf8](https://www.youtube.com/watch?v=xKQTCrFCzf8)





ENTRETIEN DU BRÛLEUR

Dans la plupart des cas, brûler les résidus après la cuisson gardera le brûleur propre.

- Assurez-vous que le flux d'air de combustion et de ventilation n'est pas obstrué.
- Le brûleur doit être retiré et nettoyé chaque année ou chaque fois qu'une accumulation importante ou des insectes / nids d'insectes sont détectés afin de s'assurer qu'il n'y a pas de blocage dans les hublots du brûleur ou les tubes de venturi.
- Utilisez un cure-pipe pour éliminer les obstructions. Une brosse métallique peut être utilisée pour éliminer la corrosion sur la surface des brûleurs.

INSTRUCTIONS POUR L'ALLUMAGE AVEC ALLUMETTES

Avant de commencer, vérifiez s'il y a des fuites de gaz. (Veuillez vous référer aux instructions de test de fuite dans le chapitre Carburant.)

ÉTAPE 01 Assurez-vous que la molette de commande est en position OFF.

ÉTAPE 02 Retirer le dessus de cuisson.

ÉTAPE 03 Allumez une allumette (ou un briquet long) d'au moins 27 cm (11 po) de long. Placez la flamme sur le côté droit ou gauche du brûleur.

ÉTAPE 04 Enfoncez et tournez la molette de commande jusqu'à la position HAUTE. Assurez-vous que le brûleur s'allume et reste allumé.

VÉRIFICATION DE LA FLAMME DU BRÛLEUR

Vérifiez toujours la flamme du brûleur avant utilisation.

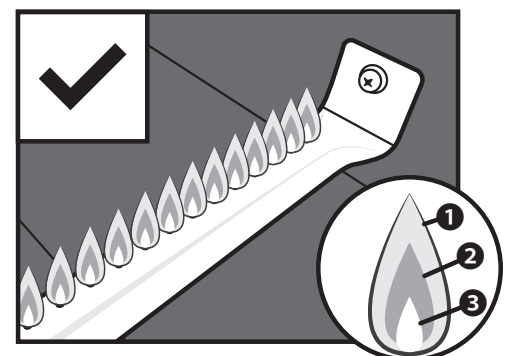
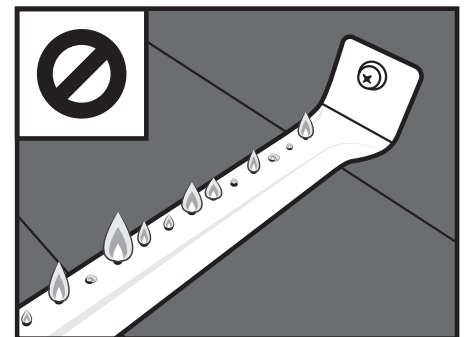
ÉTAPE 01 Allumez les brûleurs et tournez les molettes de l'intensité élevée à faible. Lorsque la molette est placée sur intensité élevée, les flammes doivent être plus grosses que lorsque le bouton est en position d'intensité faible.

ÉTAPE 02 Effectuez une vérification de la flamme du brûleur en regardant sous le dessus de cuisson sur le côté de l'appareil pour voir les brûleurs ci-dessous.

S'il y a une chute soudaine ou un problème de flamme faible, veuillez vous référer au chapitre Dépannage.

⚠ ATTENTION

Un tube de brûleur bouché peut provoquer un incendie sous l'appareil.



Les flammes saines peuvent avoir quelques scintillements de couleur jaune **1**, puis de couleur bleu foncé **2**, suivis d'un bleu vif par le tube du brûleur **3**.

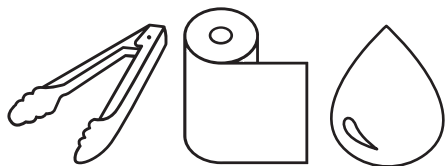
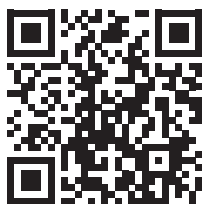


DIDACTICIEL VIDÉO

How to Season a New Blackstone Griddle | Blackstone Griddle



[youtube.com/watch?v=VspmDVnj2pl&t=3s](https://www.youtube.com/watch?v=VspmDVnj2pl&t=3s)



OUTILS NÉCESSAIRES : Pinces de cuisine, essuie-tout et huile de cuisson

NOTEZ S'IL VOUS PLAÎT: De petites variations dans la fabrication et les matières premières peuvent entraîner une légère déformation de certaines plaques. Une légère déformation disparaîtra lorsque la plaque chauffante sera chauffée en préparation de la cuisson.

Section 03

INSTRUCTIONS D'ASSAISONNEMENT
PLAQUE CHAUFFANTE

Pour de meilleurs résultats, nous avons recommandé d'apprêter la plaque de cuisson avant de commencer à s'en servir.

ÉTAPE 01 Assurez-vous que le dessus de la plaque chauffante est nettoyé des débris. (Pour le premier nettoyage, veuillez consulter la section Nettoyer le dessus de votre plaque chauffante)

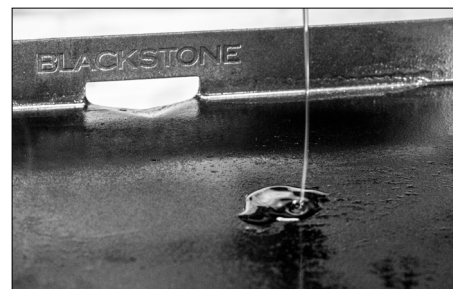
Les plaques de cuisson Blackstone sont prétraitées avec de l'huile de soja comme revêtement protecteur. Ce revêtement peut laisser une décoloration sur le dessus de la plaque chauffante. Ceci est normal et n'affectera pas le processus d'assaisonnement.

ÉTAPE 02 Réglez votre plaque chauffante à feu vif jusqu'à ce que le dessus de votre plaque change de couleur. Utilisez des pinces pour tenir une serviette en papier ou un chiffon en coton et étalez 2-3 cuillères à soupe de votre huile d'assaisonnement sur la surface de la plaque chauffante.

Lorsque vous assaisonnez votre plaque chauffante, n'oubliez pas d'utiliser une couche d'huile fine et uniforme - plus la couche d'huile est fine, plus il sera facile de la brûler.

ÉTAPE 03 Vous saurez que c'est fait quand il arrête de fumer. Vous voudrez répéter cela 3-4 fois pour votre assaisonnement initial.

La chaleur de la plaque chauffante décomposera l'huile et la liera au métal, créant un nouveau polymère qui agit comme une couche antiadhésive et protectrice sur la plaque chauffante.





POURQUOI DOIS-JE ASSAISONNER MA PLAQUE CHAUFFANTE?

L'assaisonnement laisse une couche protectrice dure collée à la surface de l'acier.

- Résistance naturelle au bâton.
- Empêche la rouille et la corrosion.



DÉPANNAGE DE L'ASSAISONNEMENT DE LA PLAQUE CHAUFFANTE

SYMPTÔMES

01. Après l'assaisonnement, il y a un résidu brunâtre sur la surface de la plaque chauffante.

CAUSES POSSIBLES

01. Trop d'huile a été utilisée.
02. Vous avez éteint le chauffage trop tôt.

SOLUTION

Tout d'abord, allumez votre plaque chauffante et laissez-la chauffer pendant 10 à 15 minutes.

Ensuite, grattez autant d'huile épaissie et partiellement cuite que possible.

Ensuite, assaisonnez de nouveau avec une très fine couche d'huile.

SYMPTÔMES

01. Après l'assaisonnement, la surface de la plaque chauffante n'est pas noire.
02. La nourriture colle à la surface de la plaque chauffante.

CAUSES POSSIBLES

01. Les coins et les bords n'ont pas le même accès à la chaleur directe des brûleurs, ce qui rend l'assaisonnement plus difficile à assombrir comme le reste de la plaque chauffante.

SOLUTION

Appliquez une fine couche d'huile entre les cuissons pour maintenir la surface de cuisson assaisonnée. (Veuillez consulter la section Nettoyer le dessus de votre plaque chauffante.)

Après avoir utilisé votre plaque chauffante pour plusieurs cuisiniers, l'assaisonnement s'égalisera et s'améliorera.

Pour un dépannage supplémentaire, veuillez consulter les chapitres Dépannage et FAQ.

⚠ MISE EN GARDE

Les clients des climats humides ou côtiers peuvent avoir besoin d'assaisonnements plus fréquents et d'utiliser des huiles de cuisson plus lourdes pour éviter la rouille et la corrosion.

QUELLE HUILE EST PRÉFÉRABLE D'UTILISER?

Le conditionneur **Blackstone Seasoning and Cast Iron Conditioner** est le moyen le meilleur et le plus simple d'obtenir des résultats uniformes. Ce mélange unique d'huiles combine le meilleur de nombreuses huiles de cuisson différentes.



Puis-je utiliser une huile de qualité alimentaire?

Oui, mais différentes huiles peuvent varier dans le processus de la durée de combustion, du point de fumée et de la durabilité une fois terminé.

Si vous préférez utiliser une graisse animale pour l'assaisonnement, n'utilisez pas de bacon. Le saindoux pur fonctionnera car il ne contient pas les mêmes additifs que le bacon.

**⚠ DANGER**

Ne placez pas d'objets inflammables sur les étagères latérales près de la plaque de cuisson. Les aérosols sont particulièrement dangereux, car ils peuvent surchauffer et provoquer une explosion, un incendie, des blessures graves, voire la mort.

⚠ ATTENTION

Ne placez pas de serviettes huileuses ou graisseuses près de la plaque à frire car elles peuvent brûler spontanément.

⚠ MISE EN GARDE

Le bac à graisse doit être retiré et vidé après chaque utilisation.

Ne retirez pas le bac à graisse tant que la plaque chauffante n'est pas complètement refroidie.

Section 04**NETTOYER LE DESSUS DE VOTRE PLAQUE CHAUFFANTE****NETTOYAGE DE LA SURFACE DE CUISSON DE LA PLAQUE**

ÉTAPE 01 Pour nettoyer la plaque après chaque utilisation, laissez-la refroidir à une température inférieure à 150 °C. Grattez les débris alimentaires avec une spatule ou un grattoir droit.



ÉTAPE 02 Essuyez la surface de la plaque de cuisson avec de l'essuie-tout.



ÉTAPE 03 Divisez la surface de la plaque chauffante en sections d'environ 15 cm (6 po) (largeur du grattoir). Appliquez de l'eau sur la première section à l'aide d'une bouteille compressible, puis raclez l'eau et les débris vers le bac à graisse. Passez à la section de 15 cm suivante et répétez l'opération.

**N'UTILISEZ PAS PLUS DE DEUX CUILLÈRES À SOUPE D'EAU À LA FOIS.**

75 g (1/4 de tasse) de sel de table peut être utilisé pour éliminer les résidus d'aliments collés.

ÉTAPE 04 Essuyez à nouveau avec de l'essuie-tout et laissez sécher complètement.



ÉTAPE 05 Appliquez une fine couche d'huile de cuisson pour maintenir l'apprêtage.





PROTÉGER VOTRE PLAQUE CHAUFFANTE

Stockez la plaque de cuisson dans un endroit frais et sec. Gardez toujours la plaque de cuisson couverte si elle est stockée en extérieur. Choisissez parmi la gamme de couvertures de plaques de cuisson offerte par Blackstone.

Lorsque vous protégez une plaque de cuisson avec une couverture souple, créez une forme de « tente » pour empêcher l'eau de s'accumuler sur le dessus de la plaque de cuisson. Créer une forme de « tente » consiste à placer un objet (un bol, une balle de tennis ou un tuyau en PVC) sous une couverture souple au centre de la plaque de cuisson afin de permettre à l'eau de glisser. Former une « tente » aide à prévenir la rouille.

PREMIER NETTOYAGE

SURFACE DE CUISSON SUR LA PLAQUE: Les plaques Blackstone sont pré-traitées avec de l'huile de cuisson pour éviter la rouille et les dommages pendant le transport. Pour la première utilisation, lavez la plaque à l'eau chaude savonneuse.

C'EST LE SEUL MOMENT OÙ VOUS DEVRIEZ UTILISER DU SAVON SUR LA SURFACE DE CUISSON DE LA PLAQUE.

Rincez et laissez sécher complètement. Continuez en suivant les instructions d'apprêtage. (Veuillez vous référer à la section Instructions d'assaisonnement pour plaque chauffante)

⚠ ATTENTION

N'APPLIQUEZ JAMAIS D'EAU FROIDE SUR UNE PLAQUE DE CUISSON CHAUDE. Cela peut provoquer une déformation.

L'ajout d'une grande quantité d'aliments froids ou congelés (ou d'aliments avec une teneur en eau importante) sur une plaque de cuisson chaude peut la déformer.

⚠ MISE EN GARDE

NE PAS UTILISER DE SAVON SUR LA SURFACE DE CUISSON DE LA PLAQUE. Cela éliminera l'apprêtage de la plaque de cuisson.

BESOIN D'AIDE?

Enregistrez votre produit Blackstone sur blackstoneproducts.com/register et visitez-nous en ligne sur blackstoneproducts.com/support pour les questions manquantes sur les pièces, l'assemblage et le fonctionnement.



**⚠ ATTENTION**

Ne vous penchez pas au-dessus de la plaque de cuisson pendant l'allumage.

⚠ ATTENTION

Si l'allumage ne se produit PAS dans les 5 secondes, éteignez les commandes du brûleur, attendez 5 minutes et répétez la procédure d'allumage.

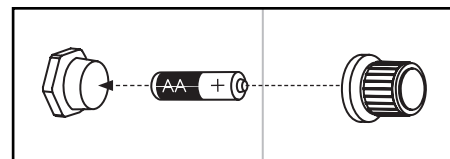
Si le brûleur ne s'allume pas avec la vanne ouverte, le gaz continuera de sortir du brûleur et pourrait s'enflammer accidentellement/ par inadvertance et engendrer un risque de blessure.

ALLUMAGE | ALIMENTÉ PAR BATTERIE

FONCTIONNEMENT DU BRÛLEUR AU PROPANE

Pour un allumage et un fonctionnement corrects de l'appareil, suivez les étapes ci-dessous.

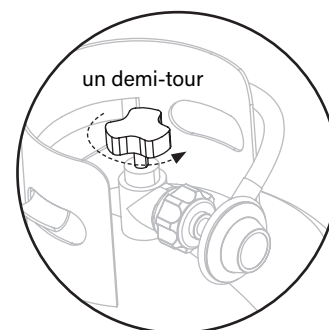
ÉTAPE 01 Pour que le bouton d'allumage fonctionne correctement, assurez-vous que la batterie est correctement installée.



ÉTAPE 02

➊ Assurez-vous que le bouton de commande est sur OFF.

ÉTAPE 03 Assurez-vous que le réservoir de GPL est correctement connecté à l'unité. Activez le gaz au niveau de la bouteille de GPL en tournant lentement le volant de l'OPD à mi-course.

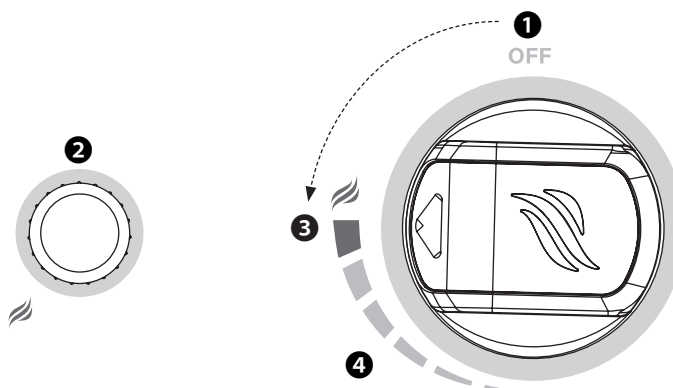


ÉTAPE 04

➋ Appuyez sur le bouton d'allumage et maintenez-le enfoncé.

➌ Poussez et tournez le bouton de commande dans le sens inverse des aiguilles d'une montre jusqu'à HAUT. (Lâchez le bouton d'allumage lorsque le brûleur s'allume.)

➍ Réglez la température au niveau souhaité.





DÉPANNAGE

Section 01

ALLUMAGE ALIMENTÉ PAR BATTERIE

SYMPTÔMES

- 01. Le brûleur ne s'allume pas avec le système d'allumage
- 02. Une pression sur le bouton d'allumage n'entraîne pas de clic

Si l'allumage ne se produit pas dans les 5 secondes, éteignez les commandes du brûleur, attendez 5 minutes et répétez la procédure d'allumage.

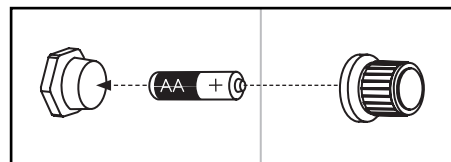
Si cela ne fonctionne pas, pour en déterminer la cause, veuillez essayer d'allumer votre appareil avec une allumette. (Veuillez vous référer aux instructions d'allumettes correspondantes dans la section Nettoyage du brûleur du chapitre Entretien et maintenance)

Si vous **POUVEZ** allumer votre appareil avec une allumette

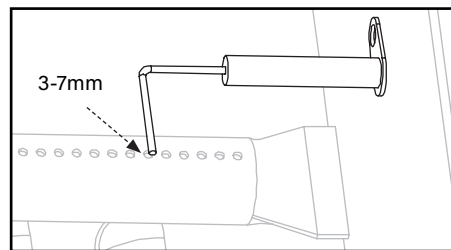
CAUSES POSSIBLES	SOLUTION
01. Batterie morte ou pas de batterie dans les unités équipées d'un allumage électrique alimenté par batterie.	Remplacez-la par une nouvelle pile.
02. Batterie mal installée.	Assurez-vous que la batterie est installée l'extrémité négative en premier.
03. Fil d'allumeur mal aligné.	Assurez-vous que le fil de l'allumeur est positionné de 1/8 po à 1/4 po du tube du brûleur, positionné au-dessus d'un trou de brûleur.
04. Endommagement du système d'allumage.	Contactez le service client pour les pièces de rechange.

Si vous **NE POUVEZ PAS** allumer votre appareil avec une allumette

CAUSES POSSIBLES	SOLUTION
05. Les tubes de brûleur ne reçoivent pas de carburant.	Veuillez consulter la section Flux du gas du chapitre Dépannage.



Insérez une pile AA (non fournie) dans le support de pile avec la borne positive tournée vers l'extérieur, puis vissez le bouton d'allumage à fond; faites attention à ne pas trop serrer.

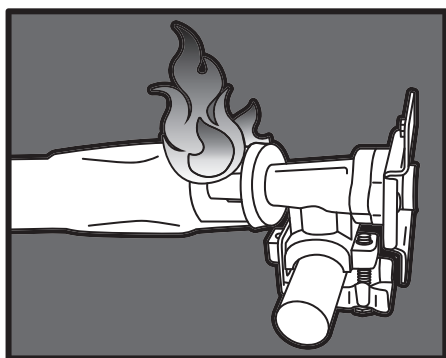


Assurez-vous que l'aiguille d'allumage est positionnée à 3-7 mm du tube du brûleur, positionnée au-dessus d'un trou du brûleur.



Section 02

FLUX DU GAS



SYMPTÔMES

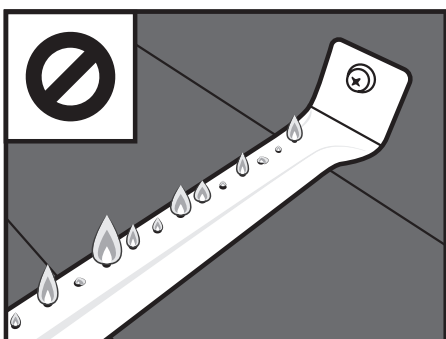
01. Une flamme sort de la porte d'air.

CAUSES POSSIBLES

01. Quelque chose bloque le venturi dans le tube du brûleur. Cela ne permet pas au propane de s'écouler à travers le brûleur, ce qui fait reculer la flamme par la porte d'air.

SOLUTION

Nettoyez l'ensemble du brûleur pour éliminer l'obstruction. (Voir Entretien et maintenance > Entretien général > Nettoyage de l'ensemble du brûleur)



SYMPTÔMES

01. Les flammes des brûleurs sont jaunes ou irrégulières.

CAUSES POSSIBLES

01. Quelque chose bloque l'entrée d'air du brûleur. Cela empêche l'oxygène de se mélanger correctement avec le propane pour obtenir des flammes saines.

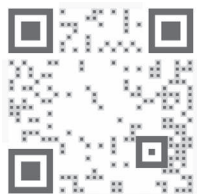
SOLUTION

Vérifiez les grilles d'aération de votre brûleur. Si vous avez des volets d'air réglables au-dessus de vos grilles d'aération, assurez-vous qu'ils sont complètement ouverts. Si vos brûleurs ont des boucliers anti-insectes, nettoyez les toiles d'araignées, la suie ou les débris du bouclier anti-insectes. Nettoyez tout autre obstacle des grilles d'aération.

ASSISTANCE TECHNIQUE:

Numérisez le code QR pour plus de vidéos ou visitez la chaîne YouTube de Blackstone à l'adresse

[youtube.com/blackstonegriddles](https://www.youtube.com/blackstonegriddles)





SYMPTÔMES

01. L'appareil n'atteindra pas une chaleur élevée ou chauffe de manière inégale.
02. Les flammes du brûleur démarrent fortement, puis tombent immédiatement à bas même lorsque le brûleur est réglé en position haute.
03. La hauteur de la flamme diminue lorsqu'un deuxième brûleur est allumé.
04. Les flammes ne s'étendent pas sur toute la longueur du brûleur, ou ne courent que d'un côté du brûleur.
05. Les flammes des brûleurs sont incohérentes.

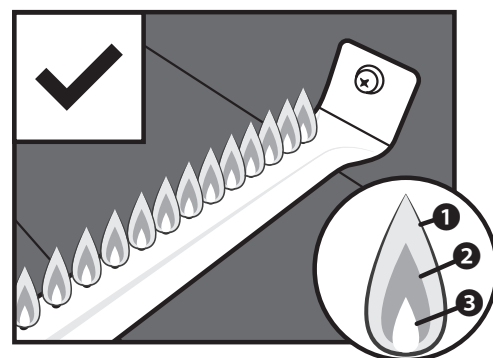
CAUSES POSSIBLES

SOLUTION

01. Les réglementations des États-Unis exigent que tous les régulateurs contiennent un dispositif de limitation de débit pour la sécurité des consommateurs. Cet appareil mesure la quantité de propane passant par le régulateur pour s'assurer que les niveaux sont sûrs. Si le débit à travers le régulateur est trop élevé (symptôme d'une fuite importante), le dispositif de limitation de débit se déclenchera, limitant le débit de propane pour réduire les risques d'incendie dangereux. Ce système de sécurité peut se déclencher accidentellement en ouvrant un réservoir de propane trop rapidement ou en ouvrant le réservoir de propane lorsqu'un bouton de brûleur n'est pas en position d'arrêt.	Ce système de sécurité peut être réinitialisé en déplaçant les boutons des brûleurs en position d'arrêt, en fermant le réservoir de propane et en débranchant le régulateur du réservoir de propane. Attendez cinq minutes pour permettre à la pression de se dissiper, puis reconnectez le régulateur au réservoir de propane et ouvrez lentement le volant OPD d'un demi-tour. Allumez votre appareil comme décrit dans le chapitre Entretien et maintenance.
02. La bouteille de gaz propane est vide ou basse.	Remplissez ou remplacez le réservoir de propane.
03. Obstructions dans le brûleur, les jets de gaz ou la rampe d'alimentation.	Nettoyez le brûleur, les jets et le tuyau de gaz. (Veuillez consulter la section Nettoyage de votre plaque chauffante du chapitre Entretien et maintenance.)
04. Régulateur coincé en position de sécurité.	Contactez le service client pour les pièces de rechange.

MODÈLE DE FLAMME DE BRÛLEUR

Les brûleurs de votre appareil sont conçus pour mélanger l'oxygène et le propane à une vitesse qui permet des flammes optimales. Si les trous, le registre d'air ou le venturi du brûleur sont bouchés, cela affectera le mélange de propane et d'air, provoquant des flammes faibles ou incohérentes, ou des flammes du registre d'air.



Les flammes saines peuvent avoir quelques scintillements de couleur jaune **1**, puis de couleur bleu foncé **2**, suivis d'un bleu vif par le tube du brûleur **3**.



FAQ

Q. Quels types d'huiles de cuisson puis-je utiliser pour apprêter ma plaque de cuisson?

R. Nous recommandons les huiles suivantes pour l'apprêtage : huile d'olive, huile végétale, huile de canola, huile de coco, huile de graines de lin et huile de sésame. (Veuillez vous référer à la section Instructions d'assaisonnement pour plaque chauffante du chapitre Entretien et maintenance.)

Q. Puis-je utiliser un détergent liquide pour nettoyer ma plaque de cuisson?

R. Les détergents liquides supprimeront l'apprêtage de la plaque de cuisson et ne doivent pas être utilisés une fois la plaque traitée. Pour les endroits difficiles, utilisez du sel de table et de l'eau chaude et enduisez toujours la plaque d'une fine couche d'huile une fois le nettoyage terminé. (Pour les instructions de nettoyage de la plaque chauffante, veuillez consulter la section Nettoyer le dessus de votre plaque chauffante du chapitre Entretien et maintenance.)

Q. Pourquoi la surface de ma plaque de cuisson a-t-elle un aspect terne et sec au lieu d'être brillante et noire?

R. L'apprêtage est un processus continu. Plus vous utiliserez votre plaque de cuisson, plus elle deviendra brillante, noire et antiadhésive au fil du temps.

Q. Puis-je découper les aliments directement sur la plaque de cuisson?

R. Oui, vous pouvez. Découper les aliments sur le dessus de la plaque de cuisson ne l'endommagera pas.

Q : Quel type de pile l'allumeur nécessite-t-il?

R. Si de la rouille apparaît sur la surface de la plaque de cuisson, frottez-la avec une laine d'acier ou un papier sablé à grain réduit, puis apprêtez de nouveau la surface. [youtube.com/watch?v=thPE2IgnSil](https://www.youtube.com/watch?v=thPE2IgnSil)

Veillez à toujours sécher complètement votre plaque de cuisson avant de la stocker, et gardez-la à l'abri de la pluie et des gicleurs. Il est également important de garder votre plaque de cuisson couverte. (Pour les techniques de stockage appropriées, veuillez vous référer à la section Entretien général du chapitre Entretien et maintenance.)

Pour plus d'informations, visitez blackstoneproducts.com/faq

NOTRE PERSONNEL DU
SERVICE À LA CLIENTÈLE
EST LÀ POUR VOUS
AIDER!

Enregistrez votre produit
Blackstone sur
blackstoneproducts.com/register
et visitez-nous en ligne sur
blackstoneproducts.com/support



Nous sommes heureux de vous aider
pour toute question concernant
l'utilisation de l'appareil, les pièces de
rechange ou votre garantie.

Heures de service à la clientèle:
Lundi au vendredi
7 h à 17 h
Heure normale des Rocheuses.



GARANTIE D'UN AN DE NORTH ATLANTIC IMPORTS LLC

North Atlantic Imports, le fabricant, garantira toutes les pièces, la fabrication et les finitions pendant un an. Le fabricant aura le choix de réparer ou de remplacer l'un des éléments ci-dessus. Toutes les garanties sont limitées à l'acheteur d'origine uniquement. Cette garantie ne couvre pas la responsabilité de North Atlantic Imports, de ses agents ou de ses employés, pour les dommages indirects ou consécutifs résultant d'une violation de garantie. L'acheteur doit suivre les instructions d'utilisation du fabricant.

Le fabricant n'est en aucun cas responsable des dommages résultant de l'incapacité à utiliser correctement l'appareil de cuisson. Il incombe à l'acheteur d'établir la période de garantie en vérifiant la date d'achat d'origine à l'aide du reçu de vente.

Pour une explication plus approfondie de la garantie, lisez le message ci-dessous:

North Atlantic Imports LLC garantit au propriétaire que le produit couvert par le présent contrat est exempt de vices de matériau et de fabrication dans les conditions normales d'utilisation et de service auxquels il est destiné si, et seulement si, il a été utilisé conformément aux instructions de North Atlantic Imports LLC, et exclusivement dans le cadre d'un usage domestique et non d'une utilisation au sein d'un club privé ou public, dans un cadre institutionnel ou commercial.

En vertu de cette garantie, l'obligation de North Atlantic Imports LLC est limitée au remplacement ou à la réparation gratuite de toute pièce ou partie de l'appareil qui pourrait, à la satisfaction de North Atlantic Imports LLC, se révéler défectueuse dans les conditions normales d'utilisation et de service dans un cadre domestique, dans les délais indiqués à partir de la date d'achat; pendant un an à partir de l'achat, toutes les pièces, la fabrication et la finition. Si le non-respect de cette garantie devient apparent au cours des périodes de garantie applicables indiquées ci-dessus, l'acheteur

d'origine doit avertir North Atlantic Imports LLC de toute violation de la garantie pendant la période de garantie applicable.

North Atlantic Imports LLC s'engage, après avis émanant de l'acheteur d'origine et en cas de respect de ces instructions, à corriger une telle non-conformité en réparant ou en remplaçant la ou les pièce(s) défectueuse(s). Une correction telle qu'indiquée ci-dessus respecte toutes les obligations de North Atlantic Imports LLC en ce qui concerne la qualité du produit.

North Atlantic Imports LLC ne garantit pas que cet appareil respecte les exigences de tout code de sécurité de tout État, de toute municipalité ou de toute autre juridiction, et l'acheteur d'origine assume tous les risques et la responsabilité résultant de son utilisation, que celle-ci soit en conformité avec les instructions de North Atlantic Imports Instructions LLC ou non.

Cette garantie ne couvre pas et est destinée à exclure toute responsabilité de la part de North Atlantic, de ses agents, préposés ou employés,

que ce soit en vertu de la présente garantie ou implicitement par la loi pour tout dommage indirect ou consécutif à une violation de la garantie. L'acheteur doit établir toutes les périodes de garantie applicables conformément à la présente garantie en vérifiant la date d'achat d'origine en fournissant le reçu daté. Cette garantie ne s'applique pas à ce produit ou à tout élément de celui-ci ayant été impliqué dans un accident, une négligence, une altération, un usage abusif ou inadéquat, ou ayant été réparé ou modifié sans autorisation écrite de l'atelier de North Atlantic Imports LLC.

North Atlantic Imports LLC n'offre aucune garantie concernant les accessoires ou les pièces non fournies avec le produit. Cette garantie ne s'applique qu'à l'intérieur des frontières des États-Unis d'Amérique. Cette garantie confère à l'acheteur d'origine des droits spécifiques, et celui-ci peut également disposer d'autres droits, qui varient d'un État à un autre.

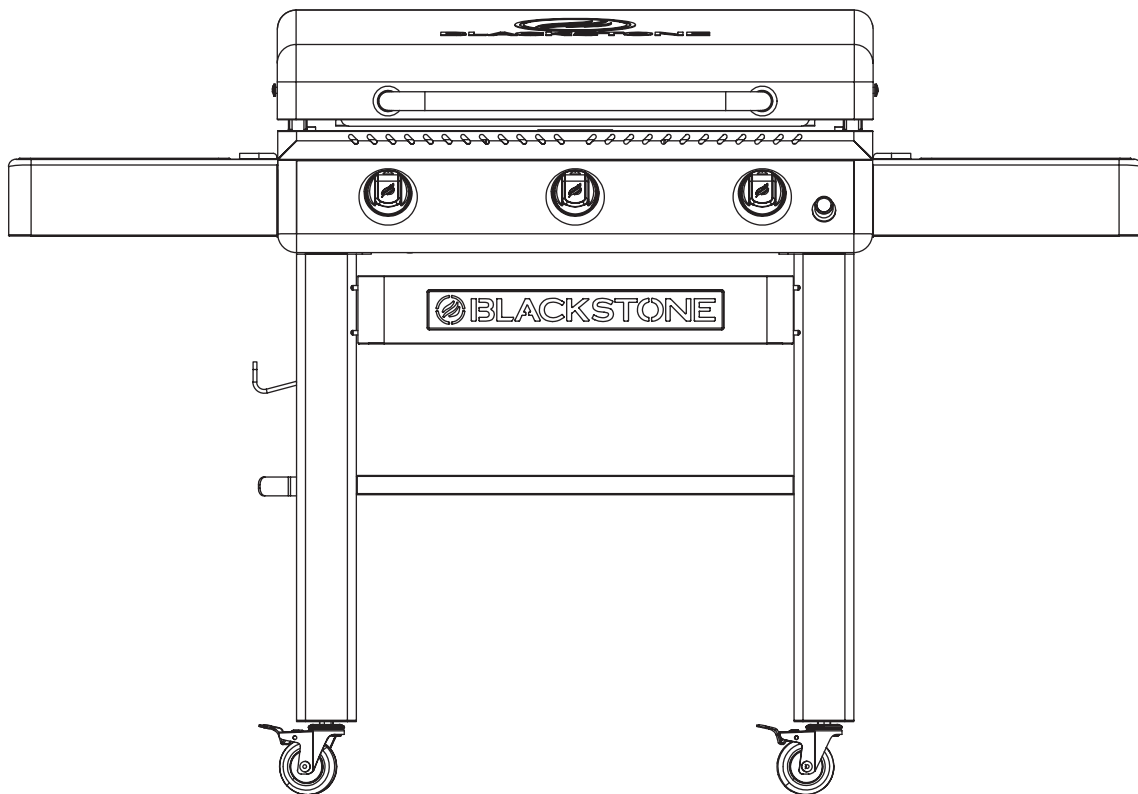
Modelo 1934

PLANCHA DE 30"

CONGIRO Y EXTRACCIÓN DE LA CAMPANA



CONFORME A ANSI STD. Z 21.58-2018
CERTIFICADO A CSA STD. 1.6-2018
AL AIRE LIBRE APARATOS DE COCINA A GAS.



Consulte blackstoneproducts.com/support para obtener la última versión de este manual y seguir los videos de montaje.

**⚠ PELIGRO**

Nunca opere este aparato sin supervisión.

⚠ ADVERTENCIA**INSTALADOR / ENSAMBLADOR:**

Dé estas instrucciones al consumidor.

CONSUMIDOR:

Guarde este manual para futuras referencias.

⚠ ADVERTENCIA

Este manual de instrucciones contiene información importante necesaria para el montaje adecuado y el uso seguro del aparato.

Lea todas las advertencias e instrucciones antes de armar el aparato y mientras lo usa.

⚠ ADVERTENCIA

Siga todas las advertencias e instrucciones mientras usa el aparato.

⚠ ADVERTENCIA

Este producto puede exponerlo a sustancias químicas, incluyen di (2-etilhexil) ftalato (DEHP), que el Estado de California sabe que causan cáncer y defectos de nacimiento u otros daños reproductivos. Para más información, vaya a www.P65Warnings.ca.gov.

⚠ PELIGRO

No almacene ni use gasolina u otros líquidos o vapores inflamables cerca de este o cualquier otro electrodoméstico.

Un cilindro de LP que no esté conectado para su uso no debe almacenarse cerca de este o cualquier otro electrodoméstico.

⚠ PELIGRO

Cuando cocine con aceite o grasa, tenga a mano un extintor de incendios tipo BC o ABC.

⚠ PELIGRO

Si se produjera un incendio, manténgase alejado del aparato y llame de inmediato a su departamento de bomberos. No intente extinguir un aceite o grasa con agua.

⚠ PELIGRO**SI HUELES GAS:**

1. Cierre el gas al electrodoméstico.
2. Extinga cualquier llama abierta.
3. Tapa abierta.
4. Si el olor persiste, manténgase alejado del electrodoméstico e inmediatamente llame a su proveedor de gas o al departamento de bomberos.

El incumplimiento de estas instrucciones podría provocar un incendio o una explosión que podría causar daños a la propiedad, lesiones personales o la muerte.

⚠ PELIGRO

- Este electrodoméstico es solo para uso en exteriores y no debe usarse en un edificio, garaje o cualquier otra área cerrada.
- Este dispositivo no debe usarse en vehículos recreativos o embarcaciones.
- Este electrodoméstico no se debe usar sobre o debajo de un balcón o terraza de apartamentos o condominios.

⚠ PELIGRO

- **NUNCA** opere este aparato a menos de 3.0 m (10 pies) de cualquier estructura, material combustible u otro cilindro de gas.
- **NUNCA** opere este aparato a menos de 7 m (25 pies) de cualquier líquido inflamable. El incumplimiento de estas instrucciones puede provocar incendios, explosiones o quemaduras que podrían causar daños a la propiedad, lesiones personales o la muerte.



CONSEJOS DE COCINA

FUEGO LENTO:

Cocina lentamente y requiere más tiempo.

Descompone el tejido conectivo y la grasa para una comida tierna y húmeda.

- Cortes de carne grasos y gruesos.
(por ejemplo: paleta de cerdo, pechuga, muslos de pollo, costillas)
- Mariscos delicados (por ejemplo: pulpo, calamar)

FUEGO MEDIO:

Calor estable, toma el tiempo promedio que esperaría para panqueques, huevos, tostadas y más.

Para alimentos más susceptibles al calor. Dorar sin cocinar demasiado.

- Pescado (entero o en trozos)
- La mayoría de los mariscos
- Verduras (cocine al vapor con la **Blackstone Basting Dome** para obtener el mejor sabor)
- Panqueques
- Huevos

CALOR ALTO:

Cocina las comidas rápido y en poco tiempo.

La cocción lenta secaría estos cortes y los haría horribles de comer ya que son bajos en grasa.

- Cortes magros de carne.
(por ejemplo: pechuga de pollo, lomo, bistec de falda, flanc)

RECETAS EN VIDEO:

Encuentra más inspiración y recetas en blackstoneproducts.com/blogs/recipes



youtube.com/c/BlackstoneGriddles



@blackstoneproducts



TABLA DE CONTENIDO

Es responsabilidad del consumidor asegurarse de que la unidad esté correctamente ensamblada, instalada y mantenida. El incumplimiento de las instrucciones de este manual puede provocar lesiones corporales y / o daños a la propiedad.

CONTENIDO

- 01. REGISTRE SU PRODUCTO.....01**
- 02. POR SU SEGURIDAD.....02**
 - Sección 01. Seguridad alimenticia.....02
 - Sección 02. Seguridad del aparato de gas.....03
- 03. GUÍA DE MONTAJE.....04**
- 04. RECETAS.....15**
- 05. COMBUSTIBLE | CILINDRO DE PROPANO DE 20 LB.....16**
 - Sección 01. Cilindros de propano líquido de 20 lb.....16
 - Sección 02. Conexión y remoción.....18
 - Sección 03. Instrucciones de prueba de fugas.....20
- 06. RECETAS.....21**
- 07. CUIDADO Y MANTENIMIENTO.....22**
 - Sección 01. Cuidado general.....22
 - Sección 02. Limpieza del conjunto del quemador.....24
 - Sección 03. Instrucciones de curación de la plancha.....26
 - Sección 04. Limpieza de la parte superior su plancha.....28
- 08. ENCENDIDO | BATERÍA.....30**
- 09. SOLUCIÓN DE PROBLEMAS.....31**
 - Sección 01. Encendido batería.....31
 - Sección 02. Flujo de gas.....32
- 10. PREGUNTAS FRECUENTES.....34**
- 11. GARANTÍA.....35**

LLAVE DE ALERTA DE SEGURIDAD

Lea y siga todos los avisos que se encuentran en el manual.

PELIGRO

Indica una situación de peligro inminente que, si no se evita, puede causar la muerte o lesiones graves.

ADVERTENCIA

Indica la posibilidad de lesiones corporales graves si no se siguen las instrucciones.

PRECAUCIÓN

Indica una situación potencialmente peligrosa que, si no se evita, puede resultar en una lesión moderada.



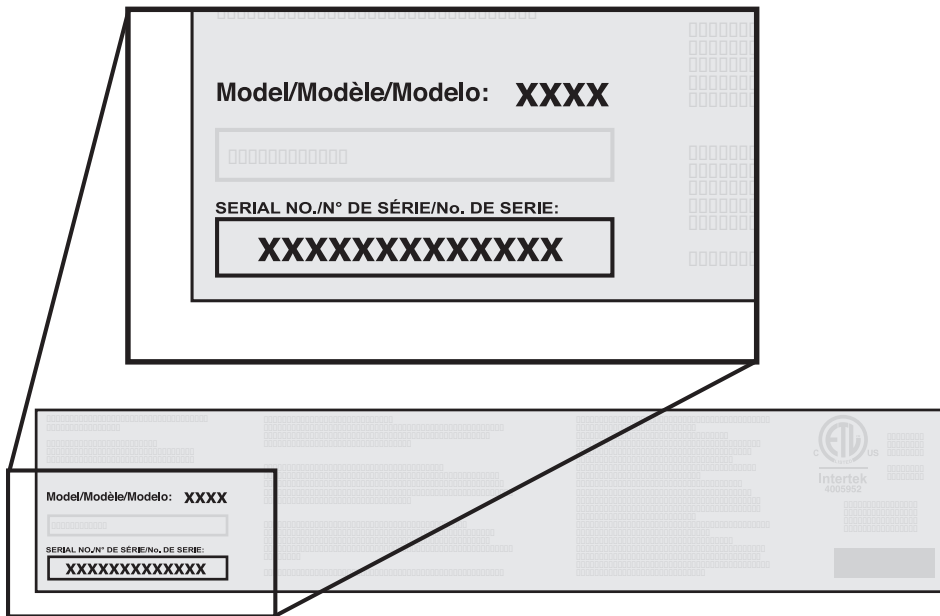
REGISTRE SU PRODUCTO

El registro permite a nuestros Representantes de Servicio al Cliente brindar asistencia rápidamente con su producto Blackstone si es necesario.

La garantía de 1 año de North Atlantic Imports LLC cubre piezas de repuesto hasta un año después de la fecha de compra. (Consulte el capítulo Garantía para obtener más información). Para habilitar esta garantía, deberá proporcionar:

- Prueba de compra / recibo / detalles del pedido
- El número de serie de su producto Blackstone
- El número de modelo de su producto Blackstone

Los números de serie y modelo de su producto Blackstone se pueden encontrar en la etiqueta de origen de su plancha. (La etiqueta de origen es una pegatina plateada grande que se encuentra en el cuerpo de su electrodoméstico).



¡NUESTRO PERSONAL DE SERVICIO AL CLIENTE ESTÁ AQUÍ PARA AYUDARLO!

Registre su producto Blackstone en **blackstoneproducts.com/register** y visítenos en línea en **blackstoneproducts.com/support**



Nos complace ayudarlo con cualquier pregunta relacionada con el uso del aparato., las piezas de repuesto o su garantía.

*Horario de atención al cliente:
Lunes a viernes
7:00 a.m. a 5:00 p.m
Hora estándar de la montaña*

Número de Modelo _____

Número de Serie _____

Fecha de Compra _____

**⚠ ADVERTENCIA**

NUNCA ase parcialmente la carne o las aves y termine de cocinarlas más tarde. Cocine los alimentos completamente para destruir las bacterias dañinas.

POR SU SEGURIDAD

*Antes de continuar, asegúrese de comprender la sección **POR SU SEGURIDAD** de este manual. Se pueden producir incendios o explosiones peligrosas si se ignoran las instrucciones.*

Sección 01

SEGURIDAD ALIMENTICIA

La seguridad alimenticia es una parte importante de disfrutar la experiencia de cocinar al aire libre. Para mantener los alimentos a salvo de bacterias dañinas, siga estos cuatro pasos básicos:

LIMPIAR: Lávese las manos, los utensilios y las superficies con agua jabonosa caliente antes y después de manipular carne y aves crudas.

SEPARAR: Separe las carnes y aves crudas de los alimentos listos para comer para evitar la contaminación cruzada. Use un plato y utensilios limpios cuando retire los alimentos cocidos de la plancha.

COCINAR: Cocine la carne y las aves exhaustivamente para matar las bacterias. Use un termómetro para asegurar la temperatura interna adecuada de los alimentos.

FRÍO: Refrigere los alimentos preparados y las sobras a la brevedad.

Para obtener más información, visite foodsafety.gov o Canadian Partnership for Consumer Food Safety Education en línea en befoodsafe.ca

CÓMO DECIR SI LA CARNE ESTÁ ASADA COMPLETAMENTE

Las carnes y aves cocinadas con este aparato a menudo se doran muy rápido en el exterior.

Use un termómetro para carne para asegurarse de que los alimentos hayan alcanzado una temperatura interna segura y córtelos para verificar si hay signos visuales de cocción.

Al recalentar alimentos para llevar o carnes totalmente cocidas como hot dogs, cocine a 74°C (165 °F), o hasta que estén al vapor.

TEMPERATURAS DE COCCIÓN DE LA CARNE



Aves de corral

165° F or 74° C

Los jugos deben correr claros y la carne no debe ser rosa.

Hamburguesa de carne de res o de aves de corral

160° F or 71° C

Los jugos no deben ser rosados y la carne debe ser marrón en el medio.

Filetes/Chuletas de carne de res, Ternera y cordero

145° F or 63° C

Asados de res, ternera y cordero

145° F or 63° C

TODOS los cortes de cerdo

160° F or 71° C

Los jugos no deben ser de color rosa.



Sección 02

SEGURIDAD DEL APARATO DE GAS

PRECAUCIONES DE SEGURIDAD PARA LA INSTALACIÓN

Esta plancha tiene certificación de seguridad para su uso en los Estados Unidos y/o Canadá únicamente. No la modifique para usar en ninguna otra ubicación. La modificación resultará en un peligro para la seguridad.

Use este electrodoméstico, tal como la compró, solo con el gas y el conjunto de regulador/válvula suministrado.

La instalación del dispositivo debe cumplir con los códigos locales, o en ausencia de códigos locales, con el Código nacional de gas combustible, ANSI Z223.1/NFPA 54, el Código de instalación de gas natural y propano, CSA B149.1, o el Código de almacenamiento y manejo de propano, B149.2, o la norma para Vehículos Recreativos, NFPA 1192, y la Serie CSA Z240 RV, Código de Vehículos Recreativos, según corresponda.

APAGADO SU APARATO

- Cuando no esté en uso, APAGUE el artefacto girando las perillas de control del artefacto a la posición APAGADO y cerrando la válvula de combustible.

Si no se sigue exactamente la información en las declaraciones anteriores, pueden ocurrir lesiones graves, incendios o la muerte.

CONSEJOS DE SEGURIDAD

- No mueva el aparato cuando esté en uso.
- Use utensilios de cocina de mango largo y guantes de cocina para protegerse contra quemaduras y salpicaduras.
- No coloque recipientes de cocción vacíos sobre la superficie de cocción mientras esté en funcionamiento.
- Tenga cuidado al colocar cualquier cosa en el recipiente de cocción mientras el aparato está en funcionamiento. Deje que el recipiente de cocción se enfríe a 115° F (45° C) antes de moverlo o almacenarlo.

Si la grasa u otro material caliente gotea del electrodoméstico sobre la válvula, manguera o regulador:

PASO 01 Apague el suministro de gas inmediatamente.

PASO 02 Determine la causa y corríjala.

PASO 03 Limpie e inspeccione la válvula, la manguera y el regulador antes de continuar.

PASO 04 Realice una prueba de fugas. (Consulte las Instrucciones de prueba de fugas en el capítulo Combustible.)

Para problemas con este dispositivo, consulte el capítulo Solución de problemas.

PELIGRO

Nunca coloque ningún artículo a menos de 3 pulgadas de la superficie de cocción mientras esté en uso. Esta área puede calentarse mucho y dañar potencialmente cualquier accesorio que se coloque demasiado cerca.

ADVERTENCIA

Mantenga a los niños y las mascotas alejados del aparato en todo momento. Este aparato no está diseñado para que lo utilicen niños.

Es necesaria una estrecha supervisión cuando cualquier aparato sea utilizado por niños o cerca de ellos.

ADVERTENCIA

Este aparato no está diseñado para ser usado como un calentador.

No lo utilice para fines distintos a los previstos.

ADVERTENCIA

El uso de alcohol, medicamentos recetados o sin receta puede afectar la capacidad del consumidor para ensamblar u operar el aparato de manera segura.

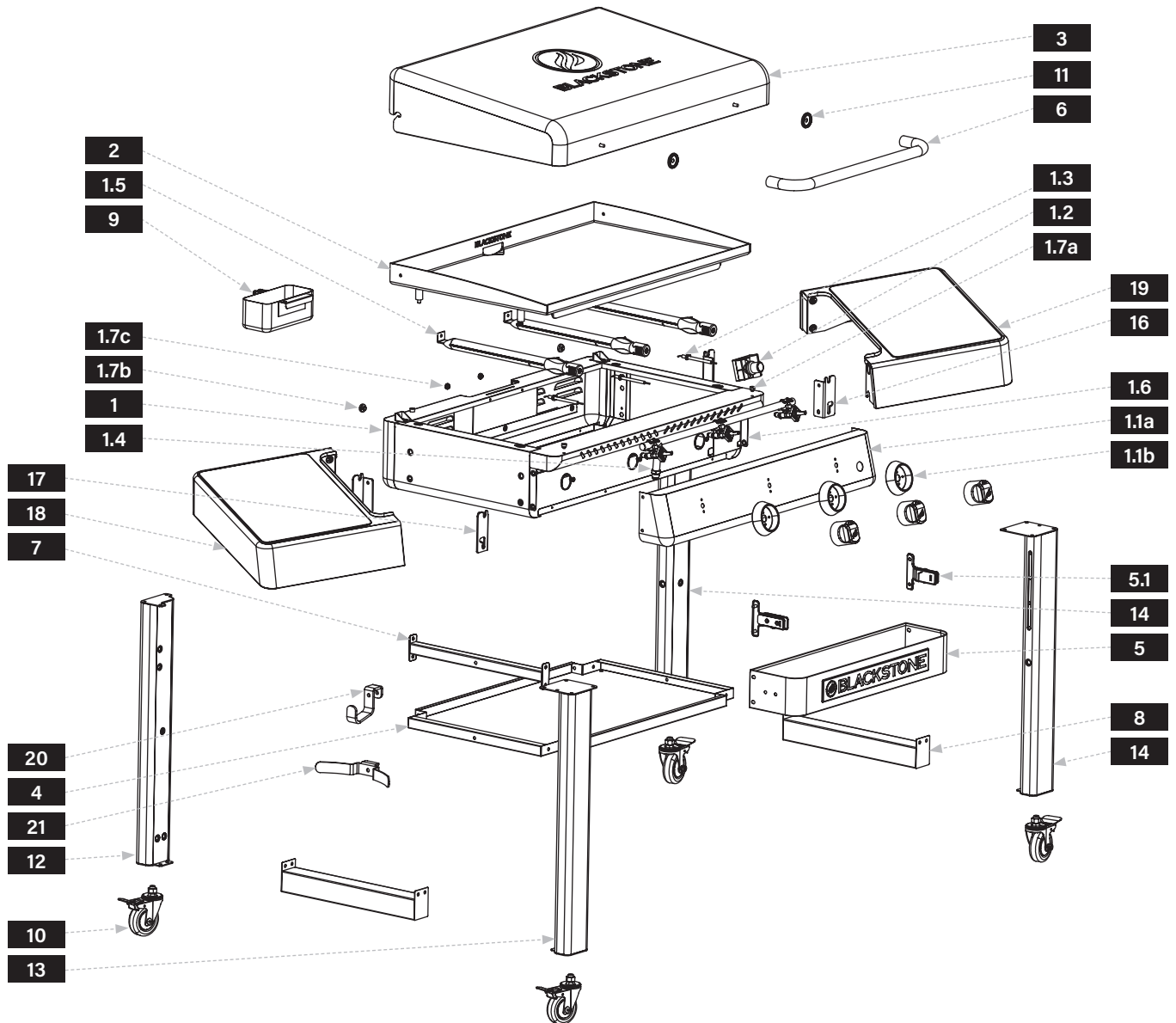
PRECAUCIÓN

Sólo para uso residencial y doméstico. No usar en una cocina comercial.



GUÍA DE MONTAJE

VISTA EN DESPIECE ORDENADO



ESPAÑOL

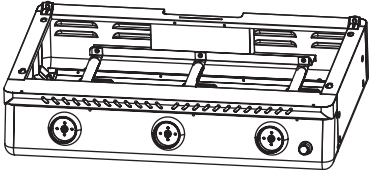
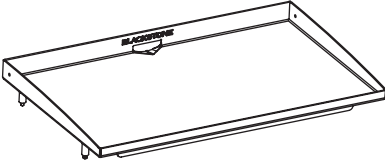
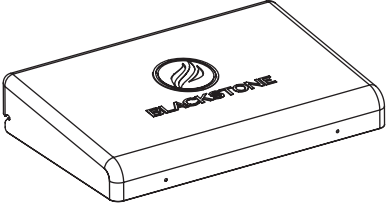
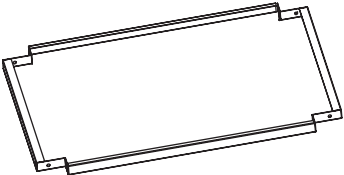

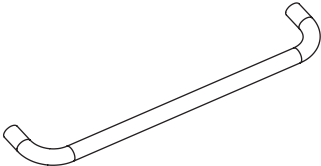
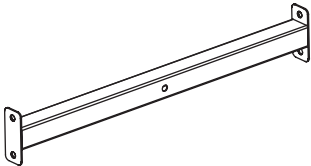
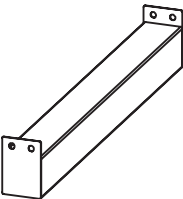
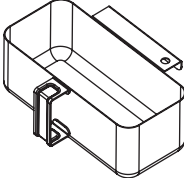
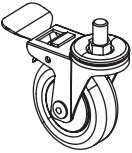

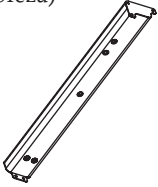
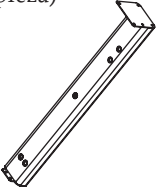
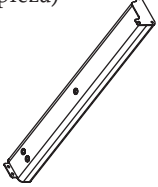

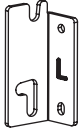

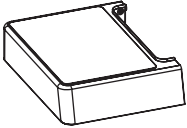
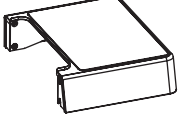
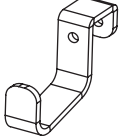
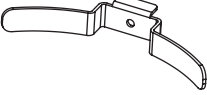
PIEZAS	CTD
1.1a Panel de control	1
1.1b Biseles de perilla de control	3
1.2 Encendido	1

PIEZAS	CTD
1.3 Agujas de encendido	3
1.4 Raíl de gas	1
1.5 Quemadores tubulares	3
1.6 Panel deflector	1

PIEZAS	CTD
1.7a Cojines del capó delantero	2
1.7b Cojines del capó trasero	2
1.7c Cojines de la taza de grasa	2
5.1 Clips de bandeja	2



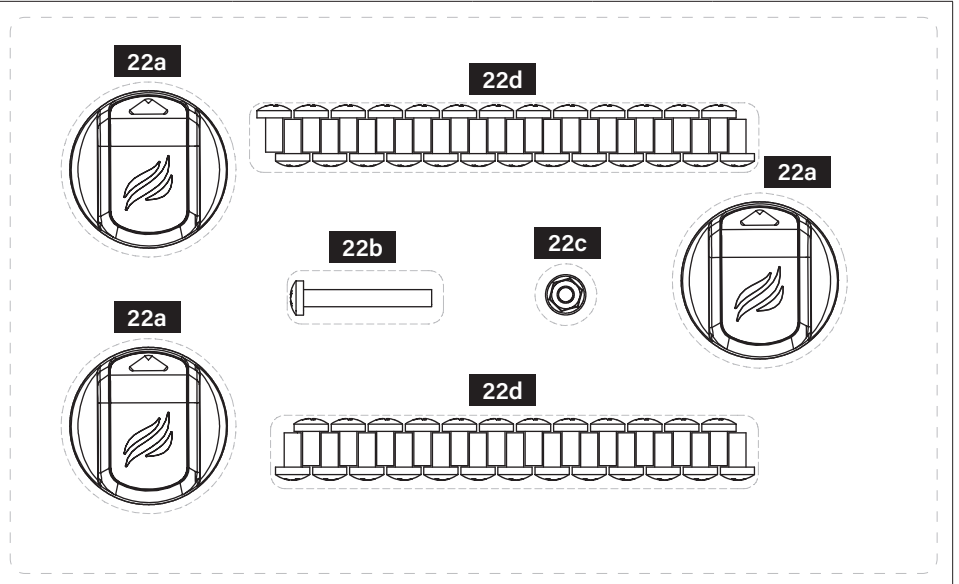
LISTA DE PIEZAS ILUSTRADA

<p>1 Cuerpo de plancha (1 pieza)</p> 	<p>2 Tapa de plancha (1 pieza)</p> 	<p>3 Capucha (1 pieza)</p> 			
<p>4 Balda inferior (1 pieza)</p> 	<p>5 Bandeja frontal (1 pieza)</p> 	<p>6 Mango (1 pieza)</p> 			
<p>7 Ortesis de pierna (1 pieza)</p> 	<p>8 Tirantes para piernas (2 piezas)</p> 	<p>9 Vaso de grasa (1 pieza)</p> 			
<p>10 Ruedas (4 piezas)</p> 	<p>11 Manejar biseles (2 piezas)</p> 	<p>12 Pierna trasera izquierda (1 pieza)</p> 	<p>13 Pata delantera izquierda (1 pieza)</p> 	<p>14 Pierna trasera derecha (1 pieza)</p> 	<p>15 Pata delantera derecha (1 pieza)</p> 
<p>16 Soporte de estante lateral L (2 piezas)</p> 	<p>17 Soporte de estante lateral R (2 piezas)</p> 	<p>18 Repisa lateral izquierda (1 pieza)</p> 	<p>19 Repisa lateral derecha (1 pieza)</p> 	<p>20 Colgador de tanque de propano (1 pieza)</p> 	<p>21 Soporte para tanque de propano (1 pieza)</p> 

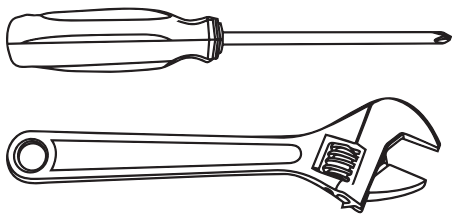


22 Paquete de hardware (1 pieza)

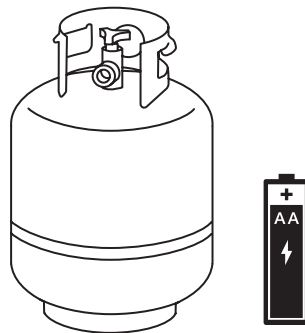
- a. Perillas de control (1 pieza) (1 pieza) (1 pieza)
- b. Perno M6x45 (1 pieza)
- c. Tuerca M6 (1 pieza)
- d. Tornillos M6x16 (26 piezas) (25 piezas)



ESPAÑOL



HERRAMIENTAS NECESARIAS:
Destornillador Phillips y Llave ajustable



NO INCLUIDO:
Tanque de gas LP de 20 lb y Batería AA



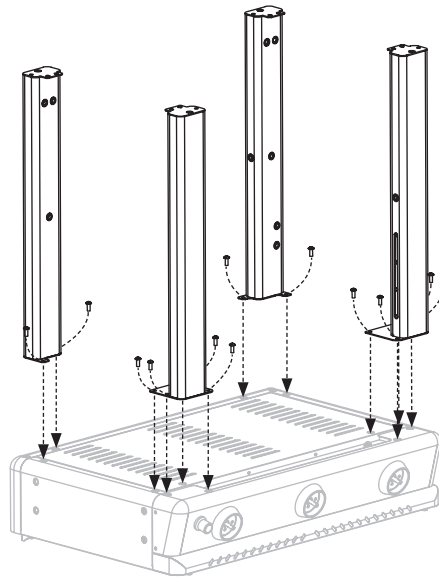
INSTRUCCIONES DE MONTAJE

Lea atentamente todas las instrucciones antes de continuar. Asegúrese de retirar todo el material de embalaje de plástico antes de ensamblarlo.

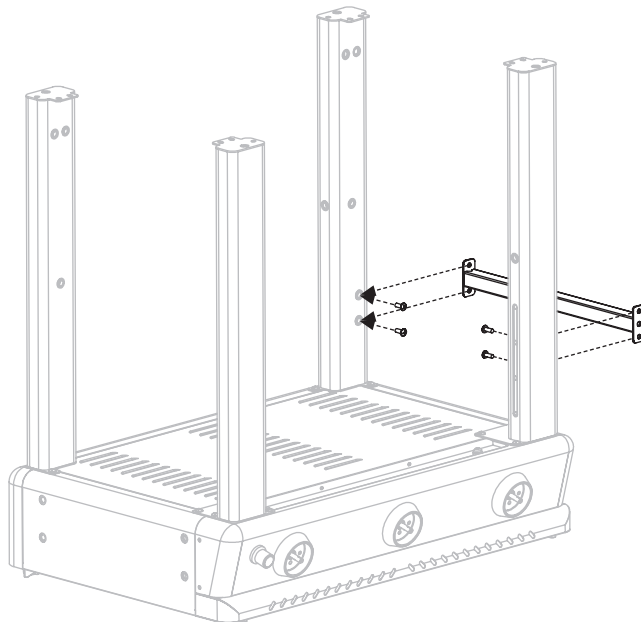
Encuentre un área grande y limpia para ensamblar su unidad. Consulte la lista de piezas y los diagramas de ensamblaje según sea necesario.

PASO 01 Con la ayuda de otra persona, retire el cuerpo de la plancha del embalaje y colóquelo boca abajo sobre una superficie lisa y plana.

Utilice doce (12) tornillos M6x16 para fijar las cuatro (4) patas.



PASO 02 Utilice cuatro (4) tornillos M6x16 para sujetar la abrazadera de la perna superior al conjunto de la perna izquierda.



⚠ ADVERTENCIA

El fabricante ha hecho todo lo posible para eliminar los bordes afilados. Sin embargo, debe manejar todos los componentes con cuidado para evitar lesiones accidentales.

Algunas partes pueden contener bordes afilados, especialmente como se indica en estas instrucciones. Use guantes de protección si es necesario.

⚠ ADVERTENCIA

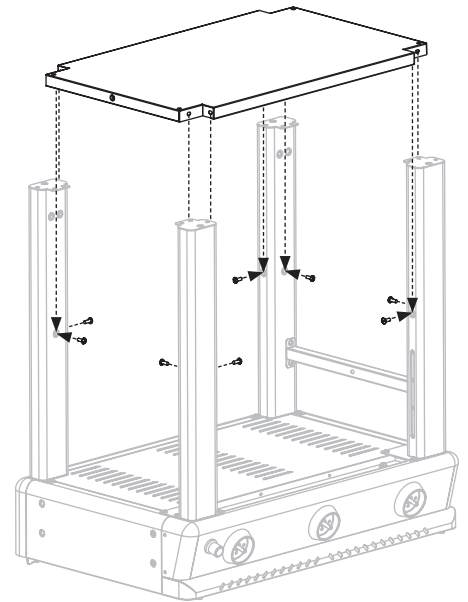
El uso de alcohol, medicamentos recetados o sin receta puede afectar la capacidad del consumidor para ensamblar u operar el aparato de manera segura.

⚠ PRECAUCIÓN

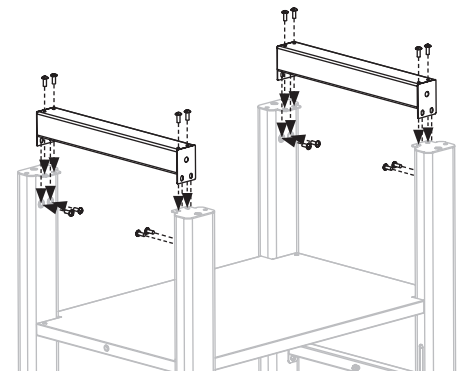
Se recomiendan dos personas para el montaje de este producto.



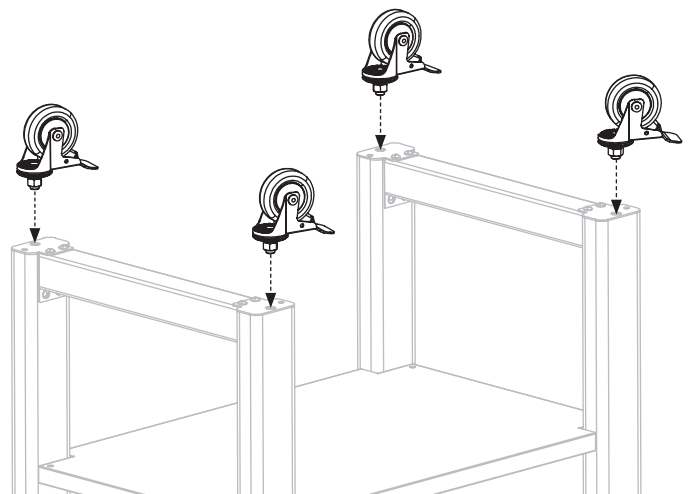
PASO 03 Utilice ocho (8) tornillos M6x16 para sujetar el estante inferior a las patas.



PASO 04 Utilice ocho (8) tornillos M6x16 para sujetar los dos (2) soportes de las patas inferiores a los lados de las patas de la plancha. Utilice ocho (8) tornillos M6x16 para asegurar los tirantes a la parte inferior de las patas.



PASO 05 Use una llave para sujetar las cuatro (4) ruedas giratorias a la parte inferior de las patas. Asegúrese de que las ruedas estén bloqueadas.

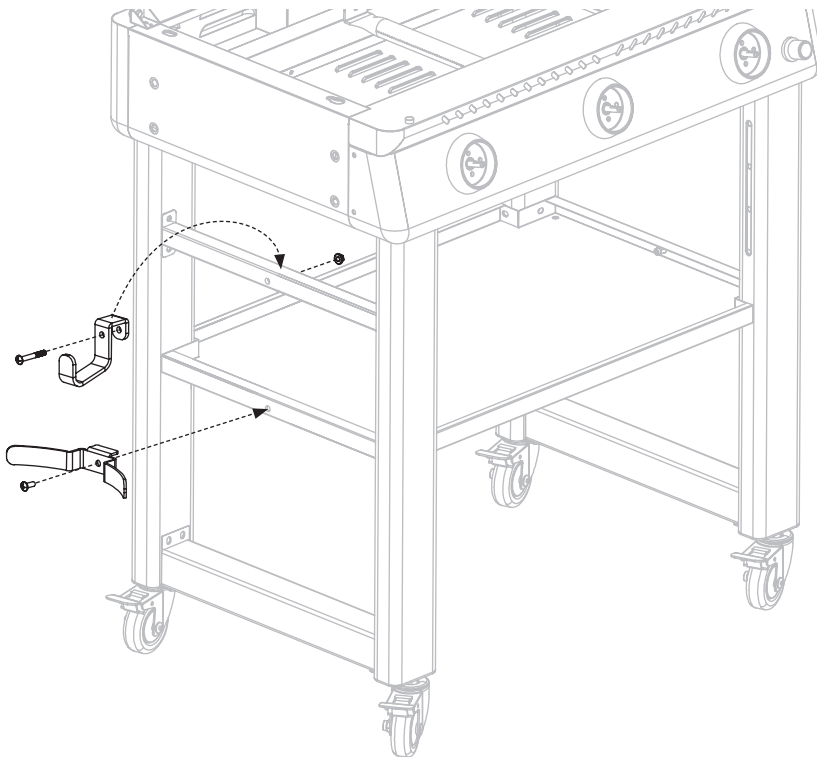




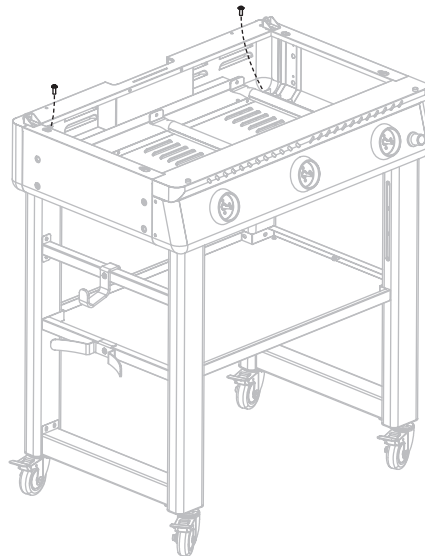
PASO 06 Con la ayuda de otra persona, coloque la plancha sobre sus patas.

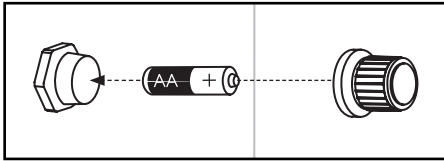
Enganche el colgador superior del tanque de propano en la abrazadera de la pierna superior y asegúrelo con un (1) tornillo M6x45 y una (1) tuerca M6.

Utilice un (1) tornillo M6x16 para fijar el soporte del tanque de propano inferior al estante inferior.



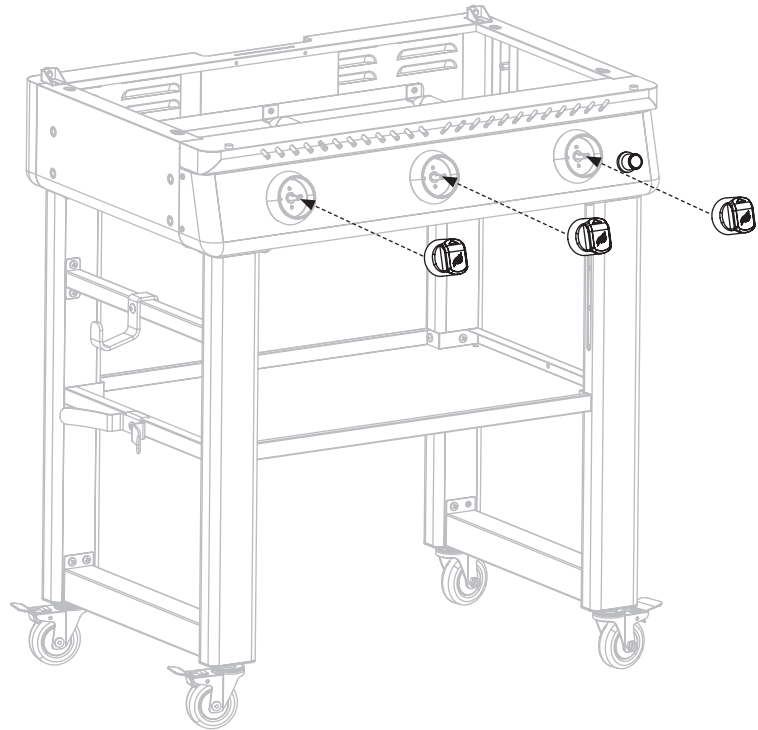
PASO 07 Utilice dos (2) tornillos M6x16 para asegurar el cuerpo de la plancha a las patas traseras.





Inserte una batería AA (no incluida) en el zócalo de la batería con el terminal positivo hacia afuera y luego atornille el botón de encendido hasta que esté apretado; tenga cuidado de no apretar demasiado.

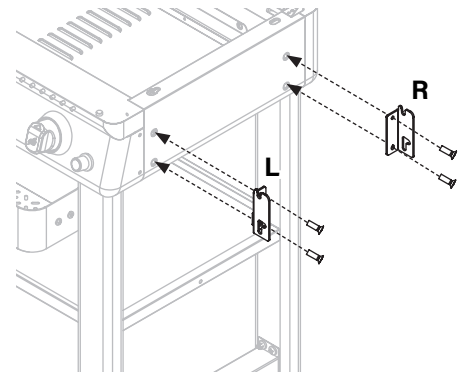
PASO 08 Coloque las tres (3) perillas de control en los vástagos de la válvula en la posición de APAGADO. Inserte una batería AA debajo del botón de encendido.



PASO 09 Utilice cuatro (4) tornillos M6x16 para instalar un (1) soporte de estante lateral **L** y un (1) soporte de estante lateral **R** en el lado derecho del cuerpo de la plancha.

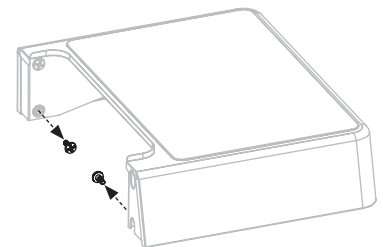
Repita este paso en el lado izquierdo del cuerpo de la plancha.

(Nota: Hay dos tipos de soportes. Asegúrese de que ambos lados de la plancha utilicen uno de cada uno).



PASO 10 Retire los dos (2) pernos de escalón preinstalados de la parte inferior del estante del lado derecho.

Repita este paso con el estante del lado izquierdo.

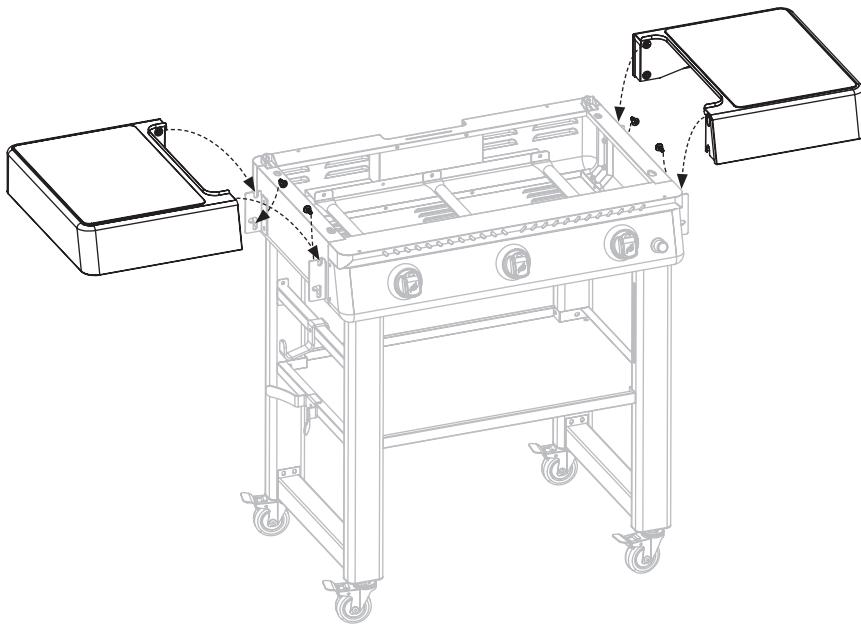




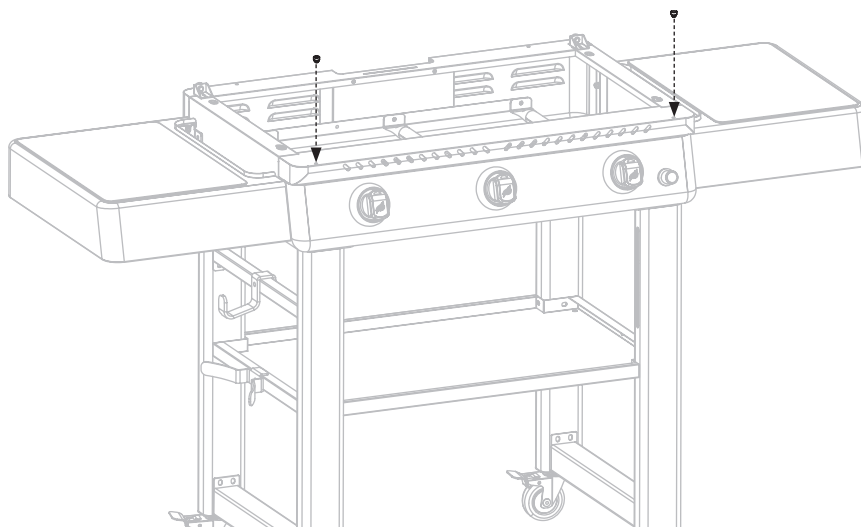
PASO 11 Enganche los pernos de escalón del estante del lado derecho en los soportes del estante en el lado derecho de la plancha.

Asegure el estante con los pernos escalonados que quitó anteriormente en los orificios inferiores de los soportes del estante.

Repita este paso con el estante del lado izquierdo.

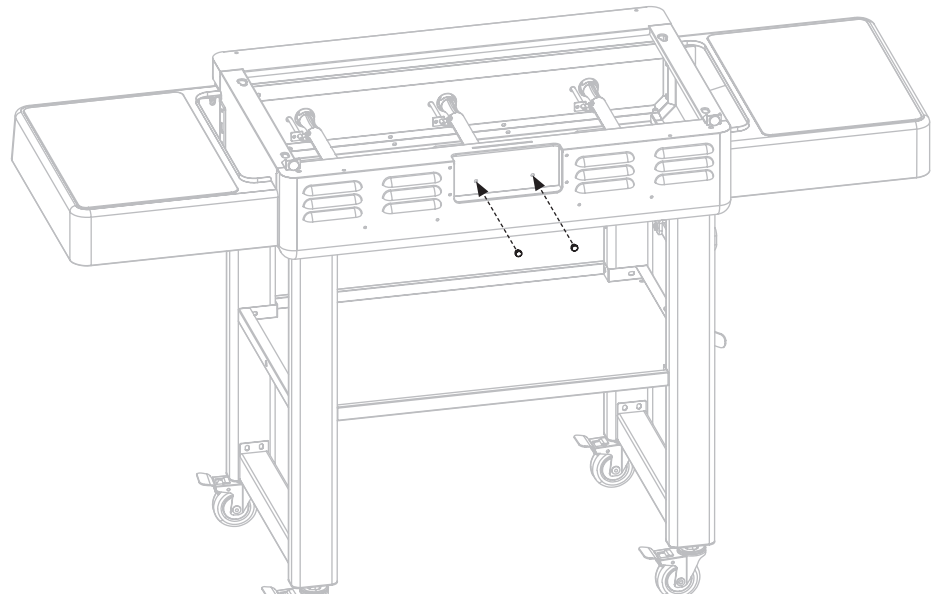


PASO 12 Coloque los dos (2) cojines del capó delantero en la parte superior del cuerpo de la plancha.

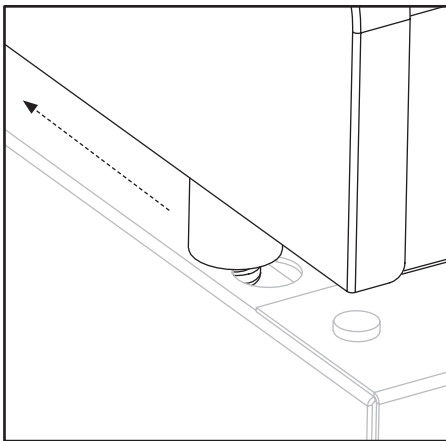




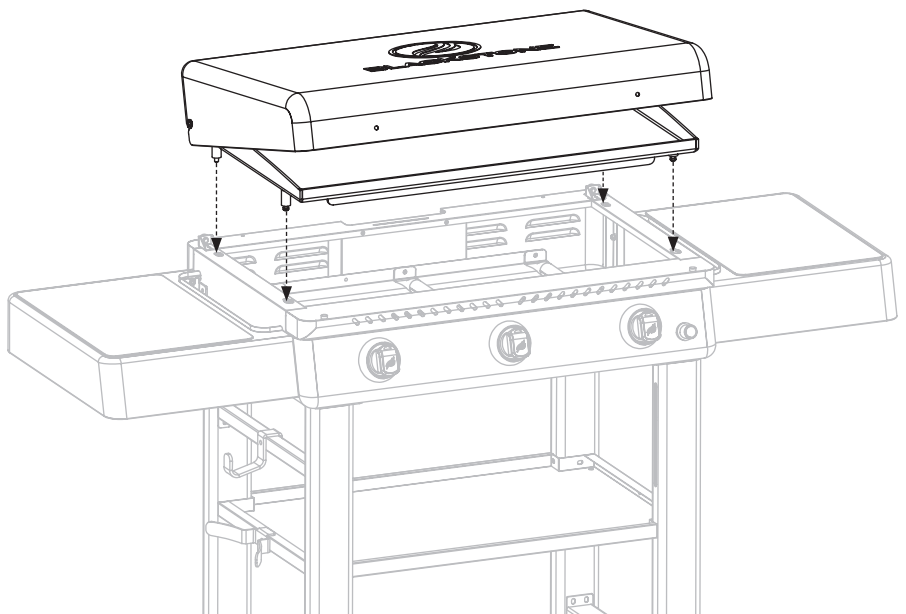
PASO 13 Coloque las dos (2) almohadillas de la taza de grasa en la parte posterior del cuerpo de la plancha.



PASO 14 Con la ayuda de otra persona, coloque la parte superior de la plancha sobre el cuerpo de la plancha alineando las cuatro clavijas con los orificios en la parte superior de la unidad. Asegúrese de que los pasadores delanteros estén completamente asentados en los orificios, luego empuje la parte superior de la plancha hacia atrás para bloquear la plancha en su lugar.

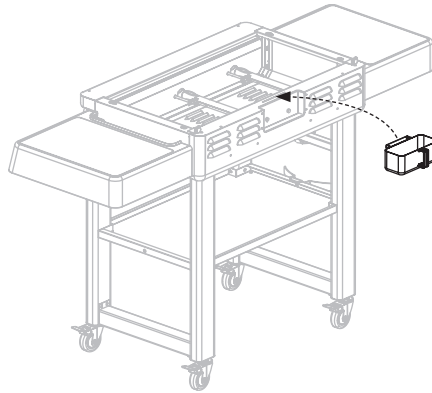


Asegúrese de que los pasadores delanteros estén completamente asentados en los orificios, luego empuje la parte superior de la plancha hacia atrás para bloquear la plancha en su lugar.

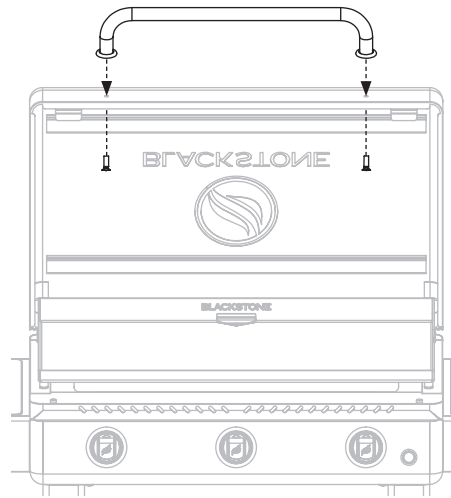




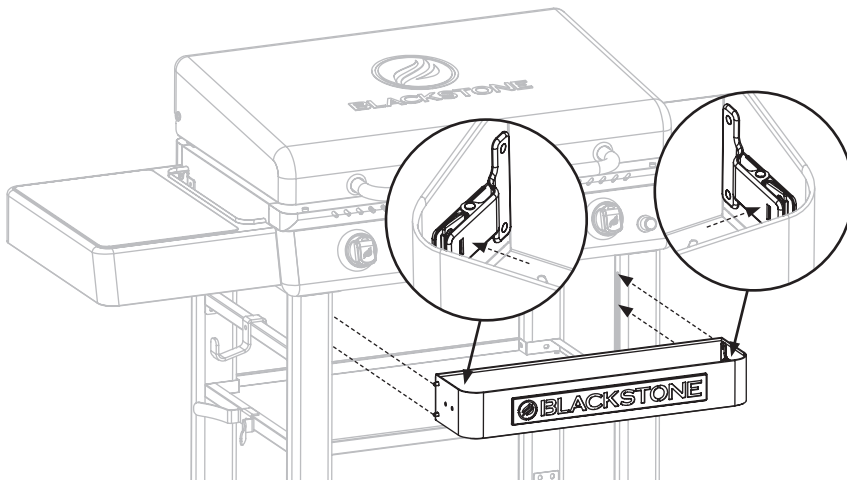
PASO 15 Cuelgue la taza de grasa en la parte posterior del cuerpo de la plancha.



PASO 16 Utilice los dos (2) tornillos M6x12 preinstalados en la manija para sujetar la manija y los dos (2) biseles de la manija al capó.



PASO 17 Sostenga ambos clips en los lados internos de la bandeja frontal para retraer los pasadores de ajuste. Alinee los pasadores con los orificios del marco de las patas a la altura deseada y suelte los clips. Ajuste la bandeja hasta que las cuatro clavijas encajen en su lugar.



⚠ ADVERTENCIA

No deje la campana cerrada por más de 15 minutos mientras cocina.

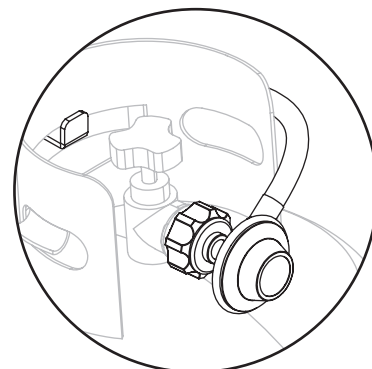
⚠ PRECAUCIÓN

- El peso máximo en el estante lateral es de 4.5 kg (10 libras).
- El estante lateral es un área de alta temperatura.

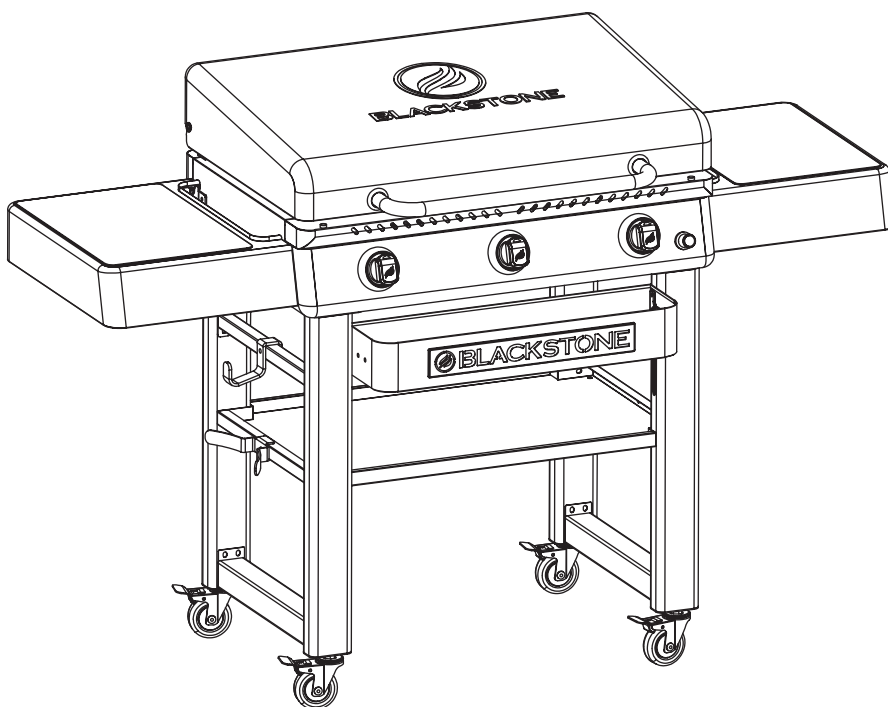




PASO 18 Conecte el tanque de propano de 20 libras (no incluido) y engánchelo en la percha de propano superior para que se apoye contra el soporte de propano inferior. (Consulte la sección Conexión y remoción del capítulo Combustible.)



PASO 19 Vaya a la sección de Instrucciones de curación de la plancha del capítulo Cuidado y mantenimiento.
¡Disfrute cocinando al aire libre en su Blackstone!



¿NECESITA AYUDA?

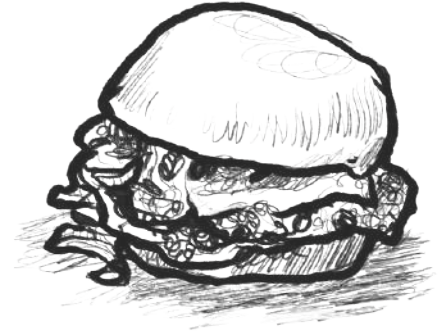
Registre su producto Blackstone en blackstoneproducts.com/register y visítenos en línea en blackstoneproducts.com/support si tiene preguntas sobre piezas faltantes, ensamblaje y operación.





RECETAS PARA ALMUERZO Y CENA

HAMBURGUESA DE CEBOLLA FRITA DE OKLAHOMA



PASO 01 Precalienta tu Blackstone a fuego alto.

PASO 02 Haga cuatro de 2 oz Albóndigas sin apretar con la carne molida y colocar en la plancha caliente. Agregue una pizca de sal sobre cada uno y, usando su **Blackstone Burger Press**, rómpalos muy finos.

PASO 03 Agregue 2-3 onzas de cebolla en rodajas finas sobre cada hamburguesa.

PASO 04 Cocine durante 60-90 segundos y dé la vuelta para que las cebollas queden debajo de la hamburguesa. Agregue 1 rebanada de queso americano a cada hamburguesa y luego coloque el bollo superior sobre el queso y luego el bollo inferior sobre el bollo superior. Cocine por otros 60 segundos.

PASO 05 Para colocar en un plato, retire el bollo inferior de la parte superior, con su espátula, levante la hamburguesa con el bollo superior y agréguelo al bollo inferior.

PASO 06 Sirva caliente con unas hojuelas de pepinillo encurtido.

🍴 Para 4 | ⌚ 7 minutos

Ingredientes

- 1/2 libra de 80/20 carne molida
- 1 cebolla Vidalia (o dulce) (en rodajas finas como papel)
- 4 lonchas de queso americano
- 1/4 taza de chips de pepinillo en vinagre
- Sal

RECETAS EN VIDEO:

Encuentra más inspiración y recetas en blackstoneproducts.com/blogs/recipes



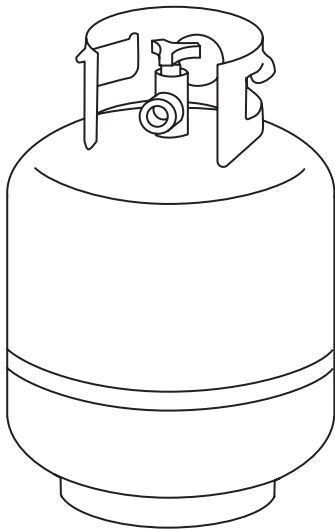
youtube.com/c/BlackstoneGriddles



@blackstoneproducts

**⚠ ADVERTENCIA**

Cierre el suministro de gas LP en el cilindro cuando el electrodoméstico no esté en uso.



COMBUSTIBLE | CILINDRO DE PROPANO DE 20 LB

Sección 01

CILINDROS DE PROPANO LÍQUIDO DE 20 LB

LP (GAS DE PETRÓLEO LICUADO)

El gas LP no es tóxico, es inodoro e incoloro cuando se produce. Por seguridad y para una fácil detección, al gas LP se le ha dado un olor similar al del repollo podrido.

El gas LP es altamente inflamable y puede encenderse inesperadamente cuando se mezcla con el aire.

REQUISITOS DEL CILINDRO DE PROPANO LÍQUIDO DE 20 LB

- Asegúrese de que los cilindros tengan una Certificación DOT y que hayan sido probados por un proveedor de gas LP dentro de los cinco años de uso.
- Todos los sistemas de suministro por tanques de LP deben incluir un cuello para proteger la válvula del cilindro.
- Use solo un cilindro de 43.2 cm x 28.8 cm (18 x 12 pulgadas), de 20 lb de LP.
- El cilindro debe estar construido y marcado de acuerdo con las especificaciones para LP: Cilindros de gas del Departamento de Transporte (D.O.T.) de los Estados Unidos o la Norma Nacional de Canadá, CAN/CSA-B339, Cilindros, Esferas y Tubos o Transporte de Mercancías Peligrosas; y la Comisión, según corresponda.

REQUISITOS DEL CILINDRO DE PROPANO LÍQUIDO DE CANADÁ

El cilindro de gas LP debe construirse y marcarse de acuerdo con las especificaciones de los cilindros de gas LP, T.C.

TANQUE DE LP DE 20 LB

El tanque de LP de 20 lb. que se utiliza con su plancha debe cumplir con los siguientes requisitos:

Los tanques de LP deben construirse y marcarse de acuerdo con las especificaciones para tanques de LP del Departamento de Transporte de los Estados Unidos (DOT) o para Canadá, CAN/CSA-B339, tanques, esferas y tubos para el transporte de mercancías peligrosas. Transporte Canadá (TC).

Busque la marca en el cuello del tanque.



La válvula del tanque de LP debe tener:

- Salida tipo 1 compatible con el regulador del aparato.
- Válvula de seguridad.
- Dispositivo de protección de sobrelenado (OPD) listado por UL. Esta característica de seguridad OPD se identifica mediante un exclusivo volante triangular. Utilice únicamente tanques de LP equipados con este tipo de válvula.

Volante OPD



- El tanque de LP debe estar dispuesto para la extracción de vapor e incluir un cuello para proteger la válvula del tanque de LP.

Mantenga siempre los tanques de LP nuevos e intercambiados en posición vertical durante el uso, el tránsito o el almacenamiento.

LLENADO DE TANQUE DE LP

Utilice únicamente distribuidores autorizados y con experiencia. El distribuidor de LP debe purgar el tanque nuevo antes de llenar.

El volumen de propano en el tanque variará según la temperatura. Un regulador helado indica un llenado excesivo de gas. Cierre inmediatamente la válvula del tanque de LP y llame al distribuidor local de gas LP para obtener ayuda.

No libere gas propano líquido (LP) a la atmósfera.

Para retirar el gas del tanque de LP, comuníquese con un distribuidor de LP certificado o el departamento de bomberos local para obtener ayuda.

CAMBIO DEL TANQUE DE LP

Realice pruebas para detectar fugas de los tanques de LP nuevos y cambiados ANTES de conectarlos a la plancha.

Muchos minoristas ofrecen la opción de reemplazar los tanques de LP vacíos a través de un servicio de intercambio.

Utilice solo las empresas de cambio de buena reputación que inspeccionan, llenan con precisión, prueban y certifican sus tanques.

Cambie el tanque solo por un tanque equipado con la función de seguridad OPD.

Coloque la tapa contra el polvo en la salida de la válvula del cilindro siempre que el cilindro no esté en uso.

Solo instale el tipo de tapa antipolvo en la salida de la válvula del cilindro que se proporciona con la válvula del cilindro. Otros tipos de tapas o tapones pueden provocar fugas de propano.

⚠ PELIGRO

- **NUNCA** almacene un cilindro/botella de LP de repuesto debajo o cerca del aparato o en un área cerrada.
- **NUNCA** llene un cilindro/botella de LP más del 80% de su capacidad.
- **NO** almacene un tanque/botella de LP en un área donde los niños jueguen.
- El cilindro de propano líquido solo debe almacenarse en el exterior y en un lugar fresco y seco.
- **NUNCA** deje un tanque/botella de LP dentro de un vehículo que pueda sobrecalentarse con el sol. Si no se sigue exactamente la información anterior, puede ocurrir un incendio que cause la muerte o lesiones graves. Un cilindro sobrecargado o almacenado incorrectamente es un peligro debido a la posible liberación de gas de la válvula de seguridad. Esto podría causar un incendio intenso con riesgo de daños a la propiedad, lesiones graves o la muerte. Si ve, huele o escucha que el gas se escapa, aléjese inmediatamente del cilindro de LP y del aparato y llame al departamento de bomberos.

TENGA EN CUENTA: Su distribuidor puede ayudarlo a hacer coincidir un tanque de reemplazo con su plancha.

**⚠ PELIGRO**

No inserte herramientas u objetos extraños en la salida de la válvula o en la válvula de alivio de seguridad. La válvula puede dañarse y provocar una fuga. **Una fuga de propano puede provocar una explosión, incendio, lesiones personales graves o la muerte.**

Si se detecta una fuga en cualquier momento, **DETÉNGASE** y llame al departamento de bomberos. Si no puede detener una fuga de gas, cierre inmediatamente la válvula del tanque de LP y llame al proveedor de gas LP o al departamento de bomberos.

⚠ ADVERTENCIA

No inserte un tapón de transporte POL (pieza de plástico con roscas externas) en la salida de la válvula del tanque Tipo 1. Vencerá la característica de la válvula de alivio de seguridad.



Sección 02

CONEXIÓN Y REMOCIÓN

SEGURIDAD DEL REGULADOR

Si el regulador falla en la unidad, debe reemplazarse con un modelo aprobado por Blackstone y solo debe ser reemplazado por un distribuidor autorizado con licencia profesional. De lo contrario, se anulará la garantía.

ACCESORIOS Y MANGUERAS

- Se recomienda un control anual y el ajuste de los accesorios de metal.
- El sistema de suministro del cilindro debe estar dispuesto para la extracción de vapor.
- Antes de cada uso, verifique si las mangueras están cortadas o desgastadas. Reemplace las mangueras dañadas antes de usar el aparato. Use solo piezas de repuesto aprobadas por Blackstone para válvula, manguera o regulador.

REMOCIÓN DE TANQUE DE LP DE 20 LB PARA TRANSPORTE O ALMACENAMIENTO

PASO 01 Apague todas las perillas de control. APAGUE el cilindro de propano líquido girando el volante en el sentido de las agujas del reloj hasta que se detenga por completo.

PASO 02 Gire la tuerca de acoplamiento en sentido antihorario solo con la mano. No utilice herramientas para desconectar.

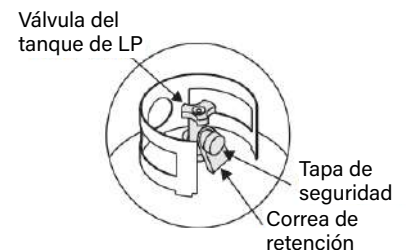
PASO 03 Levante el tanque de LP hacia arriba y afuera del soporte de apoyo.

PASO 04 Instale la tapa de seguridad en la válvula del tanque de gas LP.

Utilice siempre la tapa y la correa suministradas con la válvula.

Si no se usa la tapa de seguridad como se indica, se pueden producir lesiones personales graves y/o daños a la propiedad.

Un tanque de LP desconectado en almacenamiento o durante el transporte debe tener una tapa de seguridad instalada (como se muestra).





CONECTAR EL REGULADOR AL TANQUE DE LP DE 20 LB

Haga una prueba de fugas en los tanques LP nuevos y reemplazados ANTES de conectarlos a la plancha. Consulte la sección Instrucciones para la prueba de fugas.

PASO 01 El tanque de gas LP debe estar correctamente asegurado a la plancha. (Consulte la sección de instalación)

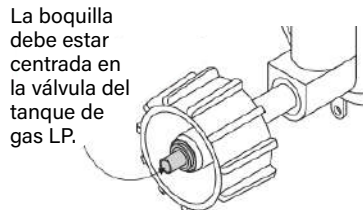
PASO 02 Gire todas las perillas de control a la posición Apagado.

PASO 03 Apague el tanque de LP girando el volante OPD en sentido horario hasta que se detenga por completo.

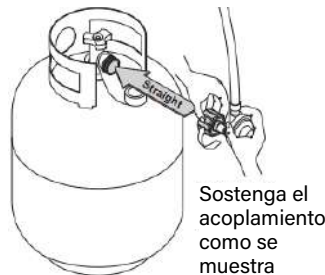
PASO 04 Retire la tapa protectora de la válvula del tanque de gas LP.



PASO 05 Sostenga el regulador e inserte la boquilla en la válvula del tanque de gas LP.



PASO 06 Apriete a mano la tuerca de acoplamiento, sujetando el regulador en línea recta con la válvula del tanque de gas LP para no dañar la conexión.



PASO 07 Gire la tuerca de acoplamiento en sentido horario y apriétela hasta el tope. El regulador sellará la función de verificación posterior en la válvula del tanque de LP, lo que resultará en cierta resistencia.

PASO 08 Se requiere un giro adicional de media a tres cuartos de vuelta para completar la conexión. Apriete solo con la mano, no use herramientas.

⚠ ADVERTENCIA

Mantenga la manguera de suministro de combustible alejada de cualquier superficie calentada.

⚠ ADVERTENCIA

Nunca intente conectar esta plancha al sistema de gas LP autónomo de un remolque, vehículo recreativo o autocaravana.

No use el tanque de LP hasta que haya sido probado para detectar fugas.

NOTA: Si no se puede completar la conexión, desconecte el regulador y repita los pasos 5 y 6.

Si no puede completar la conexión, ¡no use este regulador!

¿NECESITA AYUDA?

Registre su producto Blackstone en blackstoneproducts.com/register y visítenos en línea en blackstoneproducts.com/support si tiene preguntas sobre piezas faltantes, ensamblaje y operación.



**⚠ ADVERTENCIA**

Si aparecen burbujas “en crecimiento”, no utilice ni mueva el tanque de gas LP. Póngase en contacto con un proveedor de gas LP o con el departamento de bomberos.

⚠ PRECAUCIÓN

NO UTILICE AGENTES DE LIMPIEZA DEL HOGAR. Podría dañarse la válvula de gas, la manguera y los componentes del regulador.

FIGURA 01

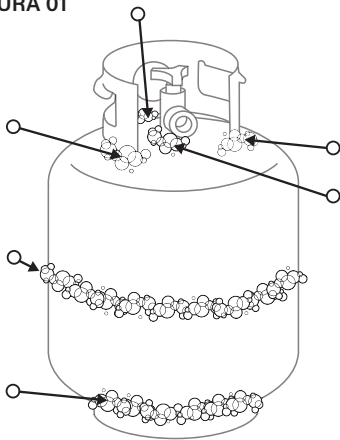
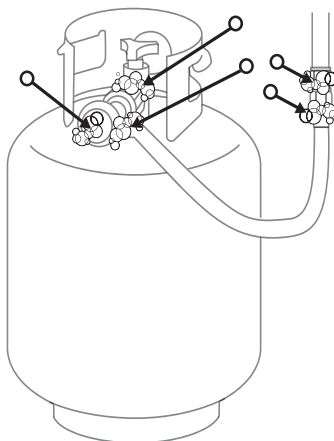


FIGURA 02



Sección 03

INSTRUCCIONES DE PRUEBA DE FUGAS**SEGURIDAD DURANTE LA PRUEBA DE FUGAS**

- La prueba de fugas debe repetirse cada vez que se cambie o rellene el tanque de LP.
- No fume durante la prueba de fugas.
- No use una llama abierta para verificar si hay fugas de gas.
- Se debe realizar la prueba de detección de fugas de la plancha al aire libre en un área bien ventilada, lejos de fuentes de ignición, tales como aparatos a gas o eléctricos.
- Durante la prueba de detección de fugas, mantenga la plancha alejada de llamas o chispas.

PRUEBA DE DETECCIÓN DE FUGAS

PASO 01 Use un pincel limpio y una solución de agua y jabón suave en la proporción 10/90.

PASO 02 Cepille la solución jabonosa en las áreas de unión del tanque/botella. (Indicado por flechas en la figura 01)

Las fugas se indican mediante burbujas en crecimiento.

VÁLVULAS DE PRUEBA DE FUGAS, MANGUERA Y REGULADOR

PASO 01 Apague todas las perillas de control de la plancha.

PASO 02 Asegúrese de que el regulador esté bien conectado al tanque de gas LP.

PASO 03 Abra completamente la válvula del tanque de LP girando el volante OPD en sentido antihorario.

Si escucha un sonido de escape, apague el gas inmediatamente. Hay una fuga importante en la conexión. Corrija antes de proceder.

Visite blackstoneproducts.com/support para obtener asistencia al cliente y piezas de repuesto.

PASO 04 Cepille la solución jabonosa en las áreas donde se muestran las burbujas en la siguiente imagen figura 02.

Si aparecen burbujas “en crecimiento”, hay una fuga. Cierre la válvula del tanque de LP inmediatamente y vuelva a apretar las conexiones. Si no se pueden detener las fugas, **NO TRATE DE REPARARLO.**

Visite blackstoneproducts.com/support para obtener asistencia al cliente y piezas de repuesto.

PASO 05 Siempre cierre la válvula del tanque de LP después de realizar la prueba de detección de fugas girando el volante en sentido horario.



RECETAS PARA DESAYUNO

PANQUEQUES DE FRESAS Y CREMA

Receta de Danielle Zechmann

PASO 01 En un tazón, combine todos los ingredientes secos.

PASO 02 En un recipiente aparte, mezcle la yema de huevo, la leche, la ricota, la mantequilla y la vainilla. Poco a poco, agregue los ingredientes secos y mezcle a fuego lento hasta que se combinen.

PASO 03 Bate la clara de huevo hasta que se formen picos rígidos y dóblala suavemente en la mezcla para panqueques. Luego, doble suavemente los trozos de fresa.

PASO 04 Déjelo a un lado mientras prepara el relleno y el almíbar.

Relleno de queso crema

- 12 oz de queso crema, temperatura ambiente
- 1/4 taza de azúcar
- 1 taza de nata para montar
- 2 cucharadas de jugo de limón

Jarabe de fresa

- 1 litro de fresas cortadas en trozos
- 1/4 taza de azúcar
- 2 cucharadas de jugo de limón

PASO 05 En una batidora de pie, mezcle el queso crema, el azúcar y el jugo de limón. Gire a velocidad baja y agregue la crema batida. Coloque en el refrigerador hasta que su almíbar esté listo.

PASO 06 En una cacerola agregue las fresas picadas, el azúcar, el jugo de limón y cocine a fuego lento hasta que los jugos se hayan espesado un poco. Aproximadamente 20-25 minutos.

PASO 07 Precaliente la plancha a fuego medio. Derretir una cucharada de mantequilla en la plancha. Vierta 1/4 taza de mezcla para panqueques en la plancha y deje cocinar hasta que comiencen a formarse burbujas y los bordes estén ligeramente dorados. Aproximadamente 3-4 minutos. Voltee y cocine otros 3 minutos.

PASO 08 Una vez que todos sus panqueques estén cocidos, tome un plato y comience a colocarlos en capas. Comience con un panqueque, luego esparza un poco del relleno de queso crema y cubra con algunos de los trozos de fresa. Repita los pasos hasta que tenga una buena pila. Cubra con el almíbar de fresa restante y una cucharada de crema batida.



🍴 Para 6 | ⌚ 45 minutos

Ingredientes para panqueques

- 2/3 taza de harina para todo uso
- 2 cucharaditas de levadura en polvo
- 1 cucharada de azúcar
- una pizca de sal
- 2 cucharaditas de ralladura de limón
- 5 fresas picadas en trozos
- 1 huevo, separado
- 1/2 taza de leche
- 1/3 taza de queso ricotta
- 2 cucharadas de mantequilla derretida
- 1 cucharadita de extracto puro de vainilla
- Nata montada (para terminar)

RECETAS EN VIDEO:

Encuentra más inspiración y recetas en blackstoneproducts.com/blogs/recipes



youtube.com/c/BlackstoneGriddles



@blackstoneproducts

**⚠ ADVERTENCIA**

Cuando no esté en uso, apague los controles de la unidad y la fuente de gas.

⚠ ADVERTENCIA

El aparato debe aislarse del sistema de tuberías de suministro de gas cerrando su válvula de cierre manual individual durante cualquier prueba de presión del sistema de tuberías de suministro de gas a presiones de prueba iguales o inferiores a 1/2 psi (3,5 kPa).

⚠ ADVERTENCIA

Este aparato estará caliente durante y después de su uso. Use guantes o guantes aislantes para horno para protegerse de superficies calientes o salpicaduras de líquidos de cocción.

⚠ PRECAUCIÓN

NUNCA manipule piezas calientes con manos desprotegidas.

CUIDADO Y MANTENIMIENTO

Limpie regularmente su electrodoméstico entre usos, especialmente después de largos períodos de almacenamiento. Para extender la vida útil y las condiciones de la unidad, siga las mejores prácticas detalladas en este manual.

Sección 01

CUIDADO GENERAL

CONTROL DE LA VÁLVULA

Asegúrese de que el gas esté apagado en el cilindro de LP antes de revisar las válvulas. Las perillas deben estar bloqueadas en la posición OFF (Apagado).

PASO 01 Para revisar las válvulas, presione las perillas y suéltelas. Las perillas deben saltar hacia atrás.

Si las perillas no retroceden, reemplace el conjunto de la válvula antes de usar la plancha.

PASO 02 Gire las perillas a la posición baja y luego vuelva a la posición OFF (Apagado). Las perillas deben girar suavemente.

LIMPIEZA GENERAL

Asegúrese de que el aparato y sus componentes estén suficientemente fríos antes de limpiarlos.

- Limpie su aparato con frecuencia, preferiblemente después de cada uso.
- Asegúrese de mantener la (s) abertura (s) de ventilación del recinto del cilindro libres y libres de escombros.
- Los depósitos de grasa horneados pueden requerir el uso de un paño de plástico de limpieza abrasivo. Úselo solo en la dirección del acabado del cepillado para evitar daños.
- NO use un paño abrasivo en áreas con gráficos.
- Si se usa un cepillo de cerdas para limpiar cualquiera de las superficies de cocción, asegúrese de que no queden cerdas sueltas en las superficies de cocción antes de cocinar.



DESPUÉS DE CADA USO

PARTES PLÁSTICAS: Lave con agua tibia jabonosa y seque.

SUPERFICIES PINTADAS: Lave con detergente suave o limpiador no abrasivo y agua tibia jabonosa. Seque con un paño suave no abrasivo.

SUPERFICIES DE ACERO

INOXIDABLE: Para mantener el aspecto de alta calidad del marco de la plancha, lave con detergente suave y agua tibia jabonosa. Seque con un paño suave después de cada uso.

ALMACENAMIENTO

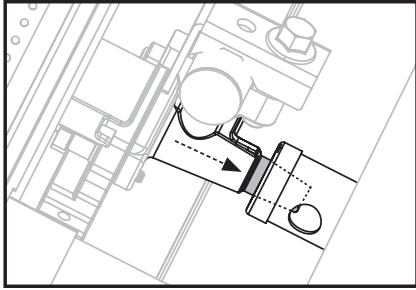
- Para extender y mantener la vida útil y el estado de su electrodoméstico, recomendamos enfáticamente que cubra la unidad cuando la deje afuera por un período de tiempo prolongado, especialmente durante los meses de invierno.
- Cubra los quemadores con papel de aluminio para evitar que se acumulen insectos u otros desechos en los orificios del quemador.
- Cuando el suministro de gas esté conectado al electrodoméstico, guárdelo al aire libre en un espacio bien ventilado y fuera del alcance de los niños.
- Almacene el electrodoméstico en interiores SOLAMENTE si el suministro de gas está apagado, desconectado, retirado del electrodoméstico y almacenado al aire libre.
- Cuando retire el electrodoméstico del almacenamiento, limpie el conjunto del quemador antes de encender el electrodoméstico (Consulte la sección Limpieza del conjunto del quemador).

PRECAUCIÓN

No use Citrisol, limpiadores abrasivos, desengrasantes o limpiadores concentrados para planchas en piezas de plástico. **Se pueden producir daños y fallas en las piezas.**

**ADVERTENCIA**

Asegúrese de que la boquilla de combustible esté alojada dentro de la abertura del quemador.



Sección 02

LIMPIEZA DEL CONJUNTO DEL QUEMADOR

Siga estas instrucciones para limpiar y/o reemplazar pieza del conjunto del quemador o si tiene problemas para encender la plancha. Mientras limpia, revise el quemador para detectar daños. Si encuentra grietas u orificios grandes, reemplace el quemador.

PASO 01 Asegúrese de que el gas esté apagado en las perillas de control y en el suministro de gas. Retire la placa de cocción.

PASO 02 Separe con cuidado y retire el quemador.



PASO 03 Pase un cepillo de botella estrecho a través de cada tubo del quemador varias veces. (No utilice cepillos de alambre)

Se incluyen los siguientes métodos adicionales:

- a** Pase un alambre rígido doblado en un pequeño gancho a través de cada tubo del quemador varias veces.
- b** Use una manguera de aire para forzar el aire dentro del tubo del quemador y por fuera de los puertos del quemador. Compruebe que el aire sopla a través de cada agujero. (Use protección para los ojos)



PASO 04 Cepille toda la superficie exterior del quemador para eliminar la suciedad.



PASO 05 Limpie los puertos bloqueados con un cable rígido, como un clip de papel abierto. Luego, reemplace con cuidado los quemadores y vuelva a colocarlos.



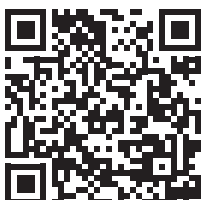
MUY IMPORTANTE: Los tubos del quemador se deben volver a conectar con las aberturas de la válvula.

VIDEO TUTORIAL

How to Clean Your Burner Tube | Blackstone Griddle



[youtube.com/watch?v=xKQTCrFCzf8](https://www.youtube.com/watch?v=xKQTCrFCzf8)





MANTENIMIENTO DE QUEMADORES

En la mayoría de las veces, quemar los residuos después de la cocción mantendrá el quemador limpio.

- Asegúrese de que el flujo de aire de combustión y ventilación no esté obstruido.
- El quemador debe retirarse y limpiarse anualmente o siempre que se encuentren grandes acumulaciones o insectos / nidos de insectos para garantizar que no haya obstrucciones en los ojos de buco o los tubos venturi del quemador.
- Use limpiador de tuberías para despejar las obstrucciones. Se puede usar un cepillo de alambre para eliminar la corrosión de las superficies del quemador.

INSTRUCCIONES DE ENCENDIDO CON FÓSFOROS

Antes de comenzar, verifique si hay fugas de gas. (Consulte las Instrucciones de prueba de fugas en el capítulo Combustible).

PASO 01 Asegúrese de que la perilla de control esté en la posición OFF (Apagado).

PASO 02 Retire la placa de cocción.

PASO 03 Encienda un fósforo (o un encendedor largo) que no mida menos de 26.4 cm (11") de largo. Coloque la llama en el lado derecho o izquierdo del quemador.

PASO 04 Presione y gire la perilla de control a la posición ALTO. Asegúrese de que el quemador se enciende y permanece encendido.

CONTROL DE LLAMA DEL QUEMADOR

Siempre revise la llama del quemador antes de usar.

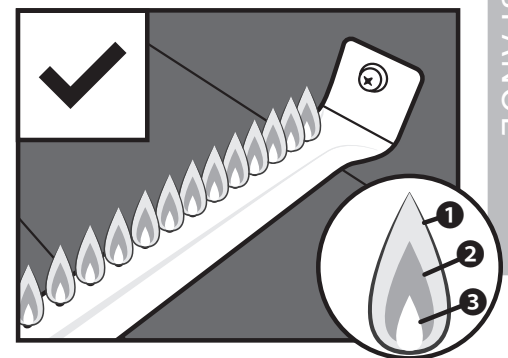
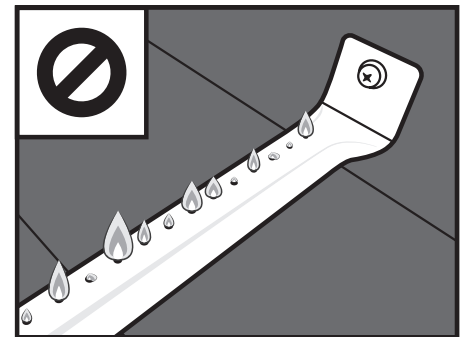
PASO 01 Encienda los quemadores y gire las perillas de alto a bajo. Cuando la perilla está en alta, las llamas deben ser más grandes que cuando la perilla está en bajo.

PASO 02 Realice la verificación de la llama del quemador mirando debajo de la parte superior de la cocina en el costado de la unidad para ver los quemadores debajo.

Si hay una caída repentina o un problema de baja llama, consulte el capítulo Solución de problemas.

⚠ ADVERTENCIA

Un tubo de quemador obstruido puede provocar un incendio debajo del aparato.



Las llamas saludables pueden tener algunos parpadeos de color amarillo **1**, luego un color azul oscuro **2**, seguido de un azul vibrante por el tubo del quemador **3**.



VIDEO TUTORIAL

How to Season a New Blackstone Griddle | Blackstone Griddle



[youtube.com/watch?v=VspmDVnj2pl&t=3s](https://www.youtube.com/watch?v=VspmDVnj2pl&t=3s)



Sección 03

INSTRUCCIONES DE CURACIÓN DE LA PLANCHA

Para obtener los mejores resultados, recomendamos curar la plancha antes de cocinar en la parte superior de la plancha.

PASO 01 Asegúrese de que la parte superior de la plancha esté limpia de escombros. (Para la primera limpieza, consulte la sección Limpieza de la parte superior su plancha)

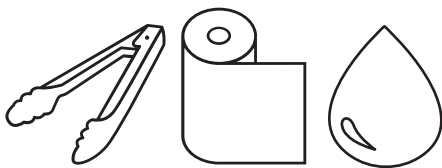
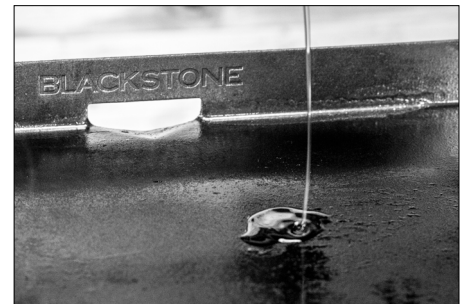
Las planchas de Blackstone están pretratadas con aceite de soja como capa protectora. Este recubrimiento puede dejar una decoloración en la superficie de la plancha. Esto es normal y no afectará el proceso de curado.

PASO 02 Pon tu plancha a fuego alto hasta que la parte superior de la plancha cambie de color. Usa unas pinzas para sostener una toalla de papel o un paño de algodón y esparce 2-3 cucharadas de tu aceite condimentado sobre la superficie de la plancha.

Quando sazone la superficie de su plancha, recuerde usar una capa fina y uniforme de aceite; cuanto más fina sea la capa de aceite, más fácil será quemarla.

PASO 03 Sabrá que está listo cuando deje de fumar. Deberá repetir esto 3-4 veces para su condimento inicial.

El calor de la plancha descompondrá el aceite y lo adherirá al metal, creando un nuevo polímero que actúa como una capa protectora y resistente a las adherencias sobre la plancha.



HERRAMIENTAS NECESARIAS: Pinzas de cocina, toallas de papel y aceite de cocina

TENGA EN CUENTA: Pequeñas variaciones en la fabricación y las materias primas pueden causar una ligera deformación de algunas placas. Una ligera deformación desaparecerá cuando la placa caliente se caliente como preparación para cocinar.



¿POR QUÉ NECESITO SAZONAR MI PLANCHA?

El condimento deja una capa protectora dura adherida a la superficie del acero.

- Resistencia natural a la adherencia.
- Evita la oxidación y la corrosión.



SOLUCIÓN DE PROBLEMAS DEL CONDIMENTO DE LA PLANCHA

SÍNTOMAS

01. Después de sazonar, hay un residuo marrón en la superficie de la plancha.

POSIBLES CAUSAS

01. Se utilizó demasiado aceite.
02. Apagaste la calefacción demasiado pronto.

SOLUCIÓN

Primero, encienda la plancha a fuego alto y déjela calentar durante 10-15 minutos. Luego, raspe la mayor cantidad de aceite espesado y parcialmente cocido que pueda. Luego, vuelva a sazonar con una capa muy fina de aceite.

SÍNTOMAS

01. Después del secado, la superficie de la plancha no es negra.
02. La comida se pega a la superficie de la plancha.

POSIBLES CAUSAS

01. Las esquinas y los bordes no tienen el mismo acceso al calor directo de los quemadores, lo que dificulta que el condimento se oscurezca como el resto de la superficie de la plancha.

SOLUCIÓN

Aplique una capa fina de aceite entre cocciones para mantener la superficie de cocción sazonada. (Consulte la sección Limpieza de la parte superior su plancha). Después de usar la plancha para varias cocciones, el condimento se nivelará y mejorará.

Para solucionar problemas adicionales, consulte los capítulos Resolución de problemas y Preguntas frecuentes.

⚠ PRECAUCIÓN

Los clientes en climas húmedos o costeros pueden requerir condimentos más frecuentes y el uso de aceites de cocina más pesados para evitar la oxidación y la corrosión.

¿QUÉ ACEITE ES MEJOR USAR?

El acondicionador **Blackstone Seasoning and Cast Iron Conditioner** es la mejor y más fácil manera de obtener resultados consistentes. Esta mezcla única de aceites combina lo mejor de muchos aceites de cocina diferentes.



¿Puedo usar cualquier aceite de grado alimenticio?

Sí, pero diferentes aceites pueden variar en el proceso desde el tiempo de combustión, el punto de humo y la durabilidad una vez terminado.

Si prefiere usar grasa animal para condimentar, no use tocino. La manteca de cerdo pura funcionará, ya que no tiene los mismos aditivos que el tocino.

**⚠ PELIGRO**

No coloque artículos inflamables en estantes laterales cerca de la plancha. Los contenedores de aerosol son particularmente peligrosos porque **pueden sobrecalentarse y provocar una explosión, incendio, lesiones personales graves o la muerte.**

⚠ ADVERTENCIA

No coloque toallas aceitosas o grasosas cerca de la unidad de la plancha, ya que pueden quemarse espontáneamente.

⚠ PRECAUCIÓN

La bandeja de grasa debe retirarse y vaciarse después de cada uso.
No retire la bandeja de grasa hasta que la plancha se haya enfriado por completo.

Sección 04**LIMPIEZA DE LA PARTE SUPERIOR SU PLANCHA****LIMPIEZA DE LA SUPERFICIE DE COCCIÓN DE LA PLANCHA**

PASO 01 Para limpiar la plancha después de cada uso, enfríe la plancha a una temperatura inferior a 150 °C (300 °F). Raspe los restos de comida con una espátula o un raspador de metal recto.



PASO 02 Limpie la superficie de la plancha con una toalla de papel.



PASO 03 Divida la superficie de la plancha en secciones de aproximadamente 14 cm (6") (ancho de la herramienta raspadora). Aplique agua en la primera sección con una botella de agua y luego raspe el agua y los residuos hacia la trampa de grasa. Pase a la siguiente sección de 14 cm (6") y repita.

**NO USE MÁS DE DOS CUCHARADAS DE AGUA POR VEZ.**

Se puede usar 1/4 taza de sal de mesa para pulir los residuos de alimentos pegados.

PASO 04 Limpiar de nuevo con una toalla de papel y deje secar completamente.



PASO 05 Aplique una fina capa de aceite de cocina para mantener el curado.





PROTEGIENDO LA PARTE SUPERIOR DE SU PLANCHA

Siga estos sencillos pasos de limpieza para garantizar un rendimiento óptimo y la longevidad de la Plancha Blackstone.

Cuando proteja la plancha con una cubierta suave, use el método de “carpa” para evitar que el agua se acumule en la parte superior de la plancha. Formar una “tienda” implica colocar un objeto (un tazón, una pelota de tenis o una tubería de PVC) debajo de la cubierta suave en el centro de la plancha para permitir que el agua se deslice. La formación de la “tienda” ayuda a prevenir la oxidación.

LA PRIMERA LIMPIEZA

SUPERFICIE DE COCCIÓN DE LA PLANCHA: Las planchas Blackstone están pretratadas con aceite de cocina para evitar la oxidación y daños durante el envío. Por primera vez, lave la plancha con agua caliente y jabón.

ESTA ES LA ÚNICA VEZ QUE DEBE USAR JABÓN EN LA SUPERFICIE DE COCCIÓN DE LA PLANCHA.

Enjuague y seque completamente. Continúe con las instrucciones de curado. (Consulte la sección de Instrucciones curación de la plancha)

⚠ ADVERTENCIA

NUNCA APLIQUE AGUA FRÍA EN TODA LA SUPERFICIE DE UNA PLANCHA CALIENTE DE UNA VEZ. Esto puede causar deformaciones.

Agregar una gran cantidad de alimentos fríos o congelados (o alimentos con un contenido importante de agua) a una plancha caliente puede hacer que la plancha se deforme.

⚠ PRECAUCIÓN

NO UTILICE JABÓN EN LA SUPERFICIE DE COCCIÓN DE LA PLANCHA. Esto destruirá el curado de la plancha.

¿NECESITA AYUDA?

Registre su producto Blackstone en blackstoneproducts.com/register y visítenos en línea en blackstoneproducts.com/support si tiene preguntas sobre piezas faltantes, ensamblaje y operación.



**⚠ ADVERTENCIA**

No se incline sobre la plancha mientras se enciende.

⚠ ADVERTENCIA

Si la ignición NO ocurre en 5 segundos, apague los controles del quemador, espere 5 minutos y repita el procedimiento de encendido.

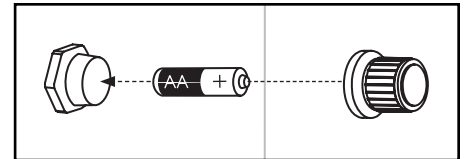
Si el quemador no se enciende con la válvula abierta, el gas continuará saliendo del quemador y podría encenderse accidental o inadvertidamente con riesgo de lesiones.

ENCENDIDO | BATERÍA

FUNCIONAMIENTO DEL QUEMADOR DE PROPANO

Para un encendido y funcionamiento adecuados del aparato, siga los pasos a continuación.

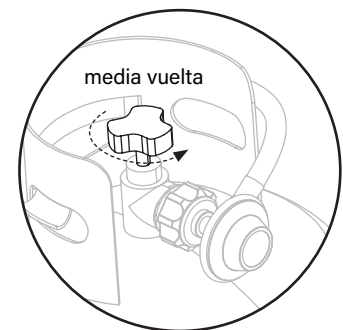
PASO 01 Para que el botón de encendido funcione correctamente, asegúrese de que la batería esté instalada correctamente.



PASO 02

1 Asegúrese de que la perilla de control esté apagada.

PASO 03 Asegúrese de que el tanque de propano líquido esté correctamente conectado a la unidad. Encienda el gas en el cilindro de propano líquido girando lentamente el volante OPD hasta la mitad.

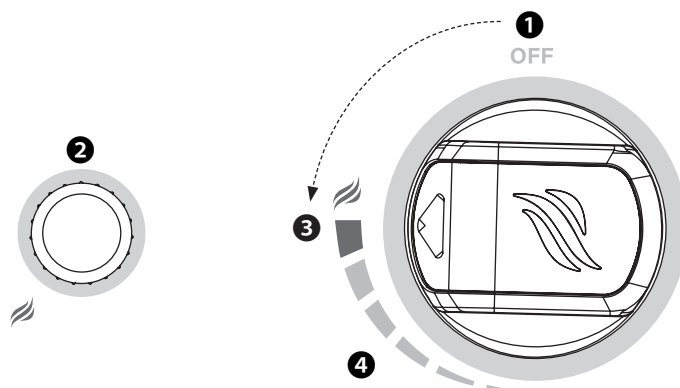


PASO 04

2 Mantenga pulsado el botón de encendido.

3 Presione y gire la perilla de control en sentido antihorario hasta ALTO. (Suelte el botón de encendido cuando se encienda el quemador).

4 Ajuste la temperatura al nivel deseado.





SOLUCIÓN DE PROBLEMAS

Sección 01

ENCENDIDO BATERÍA

SÍNTOMAS

01. El quemador no se enciende con el sistema de encendido
 02. Al presionar el botón de encendido no se produce un clic
 03. El quemador no se encenderá con el sistema de encendido piezoeléctrico.
- Si el encendido no ocurre en 5 segundos, apague los controles del quemador, espere 5 minutos y repita el procedimiento de encendido.

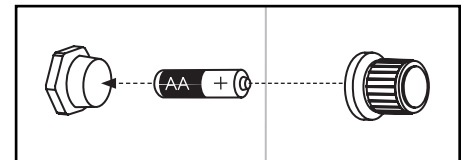
Si esto no funciona, para determinar la causa, intente encender su aparato con un fósforo. (Consulte las Instrucciones de encendido de fósforos en la sección Limpieza del conjunto del quemador del capítulo Cuidado y mantenimiento.)

Si **PUEDES** encender su aparato con un fósforo

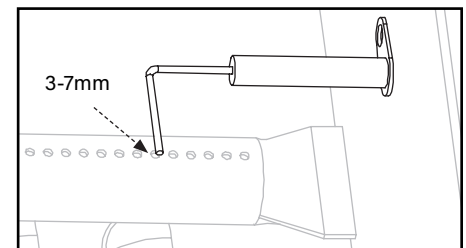
POSIBLES CAUSAS	SOLUCIÓN
01. Batería agotada o sin batería en unidades equipadas con un encendido eléctrico a batería.	Reemplace con una batería nueva.
02. Batería instalada incorrectamente.	Asegúrese de que la batería esté instalada en el extremo negativo primero.
03. El cable del encendedor está desalineado.	Asegúrese de que el cable del encendedor esté colocado a 1/8" a 1/4" del tubo del quemador, colocado sobre un orificio del quemador.
04. Daño al sistema de encendido.	Póngase en contacto con el servicio al cliente para obtener piezas de repuesto.

Si **NO PUEDES** encender su aparato con un fósforo

POSIBLES CAUSAS	SOLUCIÓN
05. Los tubos de los quemadores no reciben combustible.	(Consulte la sección Instrucciones de encendido con fósforos del capítulo Solución de problemas.)



Inserte una batería AA (no incluida) en el zócalo de la batería con el terminal positivo hacia afuera y luego atornille el botón de encendido hasta que esté apretado; tenga cuidado de no apretar demasiado.



Asegúrese de que la aguja de encendido esté colocada a 3-7 mm de distancia del tubo del quemador, colocada sobre un orificio del quemador.

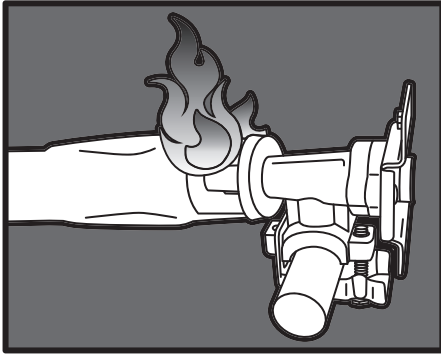


Sección 02

FLUJO DE GAS

SÍNTOMAS

01. Una llama sale de la puerta de aire.



POSIBLES CAUSAS

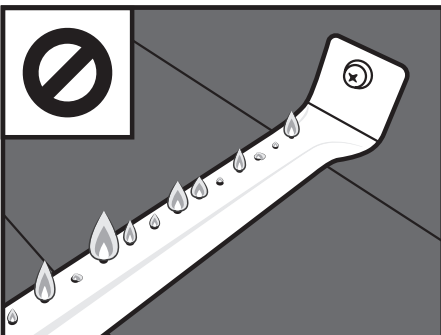
01. Algo está bloqueando el venturi en el tubo del quemador. Esto no permite que el propano fluya a través del quemador, haciendo que la llama retroceda por la puerta de aire.

SOLUCIÓN

Limpie el conjunto del quemador para eliminar la obstrucción. (Consulte la sección Limpieza de la plancha del capítulo Cuidado y mantenimiento.)

SÍNTOMAS

01. Las llamas de los quemadores son amarillas o irregulares.



POSIBLES CAUSAS

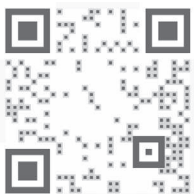
01. Algo está bloqueando la puerta de aire para el quemador. Esto impide que el oxígeno se mezcle correctamente con el propano para obtener llamas saludables.

SOLUCIÓN

Verifique las compuertas de aire en su quemador. Si tiene persianas de aire ajustables sobre sus compuertas de aire, asegúrese de que estén completamente abiertas. Si sus quemadores tienen protectores contra insectos, limpie cualquier telaraña, hollín o desechos del protector contra insectos. Limpie cualquier otra obstrucción de las compuertas de aire.

SOPORTE TÉCNICO:

Escanee el código QR para ver más videos o visite el canal de Blackstone en YouTube en [youtube.com/blackstonegriddles](https://www.youtube.com/blackstonegriddles)





SÍNTOMAS

01. El aparato no alcanzará una temperatura alta o se calienta de manera desigual.
02. Las llamas del quemador comienzan con fuerza, luego caen inmediatamente a bajo incluso cuando el quemador está en posición alta.
03. La altura de la llama cae cuando se enciende un segundo quemador.
04. Las llamas no se extienden en toda la longitud del quemador, o solo se ejecutan en un lado del quemador.
05. Las llamas de los quemadores son inconsistentes.

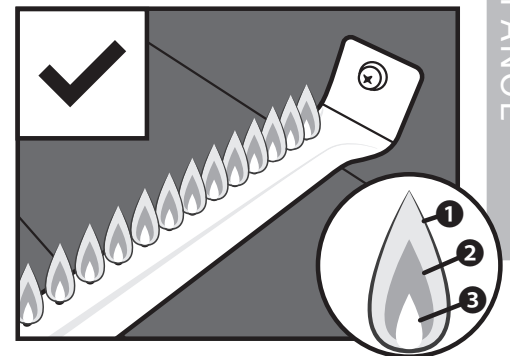
POSIBLES CAUSAS

SOLUCIÓN

<p>01. Las regulaciones de los Estados Unidos requieren que todos los reguladores contengan un dispositivo limitador de flujo para la seguridad del consumidor. Este dispositivo mide la cantidad de propano que pasa por el regulador para garantizar que los niveles sean seguros. Si la tasa de flujo a través del regulador es demasiado alta (un síntoma de una fuga grande), el dispositivo limitador de flujo se activará, restringiendo el flujo de propano para reducir la posibilidad de un incendio peligroso. Este sistema de seguridad puede activarse accidentalmente al abrir un tanque de propano demasiado rápido o al abrir el tanque de propano cuando la perilla de un quemador no está en la posición de apagado.</p>	<p>Este sistema de seguridad se puede restablecer moviendo las perillas de los quemadores a la posición de apagado, cerrando el tanque de propano y desconectando el regulador del tanque de propano. Espere cinco minutos para permitir que la presión se disipe, luego vuelva a conectar el regulador al tanque de propano y abra lentamente el volante OPD media vuelta. Encienda su electrodoméstico como se describe en el capítulo Cuidado y mantenimiento.</p>
<p>02. El cilindro de gas LP está vacío o bajo.</p>	<p>Rellene o reemplace el tanque de propano.</p>
<p>03. Obstrucciones en el quemador, chorros de gas o riel de combustible.</p>	<p>Limpie el quemador, los chorros y la manguera de gas. (Consulte la sección Limpieza de la plancha del capítulo Cuidado y mantenimiento.)</p>
<p>04. Regulador atascado en posición de seguridad.</p>	<p>Póngase en contacto con el servicio al cliente para obtener piezas de repuesto.</p>

PATRÓN DE LLAMA DE QUEMADOR

Los quemadores de su aparato están diseñados para mezclar oxígeno y propano a una velocidad que permita llamas óptimas. Si los orificios, la compuerta de aire o el venturi del quemador se bloquean, afectará la mezcla de propano y aire, causando llamas bajas o inconsistentes, o llamas provenientes de la compuerta de aire.



Las llamas saludables pueden tener algunos parpadeos de color amarillo **1**, luego un color azul oscuro **2**, seguido de un azul vibrante por el tubo del quemador **3**.



PREGUNTAS FRECUENTES

P. ¿Qué tipos de aceites de cocina puedo usar para curar mi plancha?

R. Recomendamos los siguientes aceites para curar: aceite de oliva, aceite vegetal, aceite de canola, aceite de coco, aceite de semilla de lino y aceite de sésamo. (Consulte la sección Instrucciones de curación de la plancha del capítulo Cuidado y mantenimiento.)

P. ¿Puedo usar detergente para platos para limpiar mi plancha?

R. Los detergentes para platos que cortan la grasa borrarán el curado de la plancha y no deben utilizarse después de que se cure la plancha. Para lugares difíciles, use sal de mesa y agua caliente y siempre cubra con una capa delgada de aceite una vez que haya terminado de limpiar. (Para instrucciones de limpieza de la plancha, consulte la sección Limpieza de la parte superior su plancha del capítulo Cuidado y mantenimiento.)

P. ¿Por qué la superficie de mi plancha se ve opaca y seca en lugar de brillante y negra?

R. El curado es un proceso continuo. Con el tiempo y cuanto más use la superficie de la plancha, esta se volverá más brillante, negra y antiadherente.

P. ¿Puedo cortar directamente en la parte superior de la plancha??

A: Sí, puedes. Cortar sobre la parte superior de la plancha no la dañará.

P. ¿Qué pasa si mi plancha comienza a oxidarse?

R. Si aparece óxido en la superficie de la plancha, frótela con lana de acero o papel de lija de grano bajo y vuelva a curar la superficie.

[youtube.com/watch?v=thPE2IgnSil](https://www.youtube.com/watch?v=thPE2IgnSil)

Tenga cuidado de siempre secar completamente su plancha antes de guardarla y manténgala alejada de la lluvia y los rociadores. También es importante mantener su plancha cubierta. (Para conocer las técnicas de almacenamiento adecuadas, consulte la sección Cuidado general del capítulo Cuidado y mantenimiento.)

Para consultar más preguntas frecuentes visite **blackstoneproducts.com/faq**

¡NUESTRO PERSONAL DE SERVICIO AL CLIENTE ESTÁ AQUÍ PARA AYUDARLO!

Registre su producto Blackstone en **blackstoneproducts.com/register** y visítenos en línea en **blackstoneproducts.com/support**



Nos complace ayudarlo con cualquier pregunta relacionada con el uso del aparato., las piezas de repuesto o su garantía.

Horario de atención al cliente:
Lunes a viernes
7:00 a.m. a 5:00 p.m
Hora estándar de la montaña



NORTH ATLANTIC IMPORTS LLC

GARANTÍA DE 1 AÑO

North Atlantic Imports, el fabricante, garantizará por un año a partir de la compra a todas las piezas, mano de obra y acabados. Será la opción del fabricante en cuanto a si reparar o reemplazar cualquiera de los elementos anteriores. Todas las garantías están limitadas únicamente al comprador original. Esta garantía no cubre ninguna responsabilidad por parte de North Atlantic Imports, sus agentes o empleados, por cualquier daño indirecto o consecuente por incumplimiento de la garantía. El comprador debe seguir las instrucciones de uso del fabricante.

Bajo ninguna circunstancia, el fabricante es responsable de los daños causados por el hecho de no operar correctamente la estación de cocción. Es responsabilidad del comprador establecer el período de garantía al verificar la fecha de compra original con el recibo de compra original.

Para obtener una explicación más detallada de la garantía, lea a continuación:

North Atlantic Imports LLC garantiza al propietario que el producto cubierto por este acuerdo está libre de defectos en el material y la mano de obra bajo el uso y servicio normales para los cuales fue diseñado, pero solo si ha sido operado de acuerdo con las instrucciones de North Atlantic Imports LLC exclusivamente para uso doméstico, y no para fines de clubes privados o públicos, institucionales o comerciales.

La obligación de North Atlantic Imports LLC bajo esta garantía se limita a reemplazar o reparar, sin cargo alguno, cualquier parte o partes que se puedan demostrar, a satisfacción de North Atlantic Imports LLC, que son defectuosas en el uso y servicio normales en el hogar dentro de los siguientes períodos indicados de tiempo desde la fecha de compra; por un año desde la compra, todas las piezas, el acabado y la mano de obra. Si el incumplimiento de esta garantía se hace evidente durante los períodos de garantía aplicables mencionados anteriormente, el comprador original debe notificar a North Atlantic Imports LLC sobre el incumplimiento

de la garantía dentro del período de garantía correspondiente.

North Atlantic Imports LLC deberá, previa notificación y cumplimiento por parte del comprador original de tales instrucciones, corregir dicha no conformidad mediante la reparación o reemplazo de la pieza o piezas defectuosas. La corrección en la forma provista anteriormente constituirá un cumplimiento de todas las obligaciones de North Atlantic Imports LLC con respecto a la calidad del producto.

North Atlantic Imports LLC no garantiza que este equipo cumpla con el requisito de ningún código de seguridad de ningún estado, municipio u otra jurisdicción, y el comprador original asume todos los riesgos y responsabilidades que resulten del uso de los mismos, ya sean utilizados de acuerdo con las instrucciones de North Atlantic Imports LLC o de otra manera.

Esta garantía no cubre y tiene la intención de excluir cualquier responsabilidad por parte de North Atlantic a sus agentes, trabajadores o empleados, ya sea en virtud de esta

garantía o de la ley implícita por cualquier daño indirecto o consecuente por incumplimiento de cualquier garantía. El comprador debe establecer todos los períodos de garantía aplicables de conformidad con esta garantía verificando la fecha de compra original al presentar el recibo de venta con fecha. Esta garantía no se aplicará a este producto ni a ninguna otra parte del mismo que haya sido objeto de accidente, negligencia, alteración, abuso o mal uso, o que haya sido reparada o alterada sin el consentimiento por escrito del North Atlantic, fuera de la fábrica de North Atlantic Imports LLC.

North Atlantic Imports LLC no ofrece ninguna garantía con respecto a los accesorios o piezas no suministrados por ellos. Esta garantía se aplicará solo dentro de los límites de los Estados Unidos de América. Esta garantía otorga al comprador original derechos específicos, y el comprador original también puede tener otros derechos, que varían de un estado a otro.

