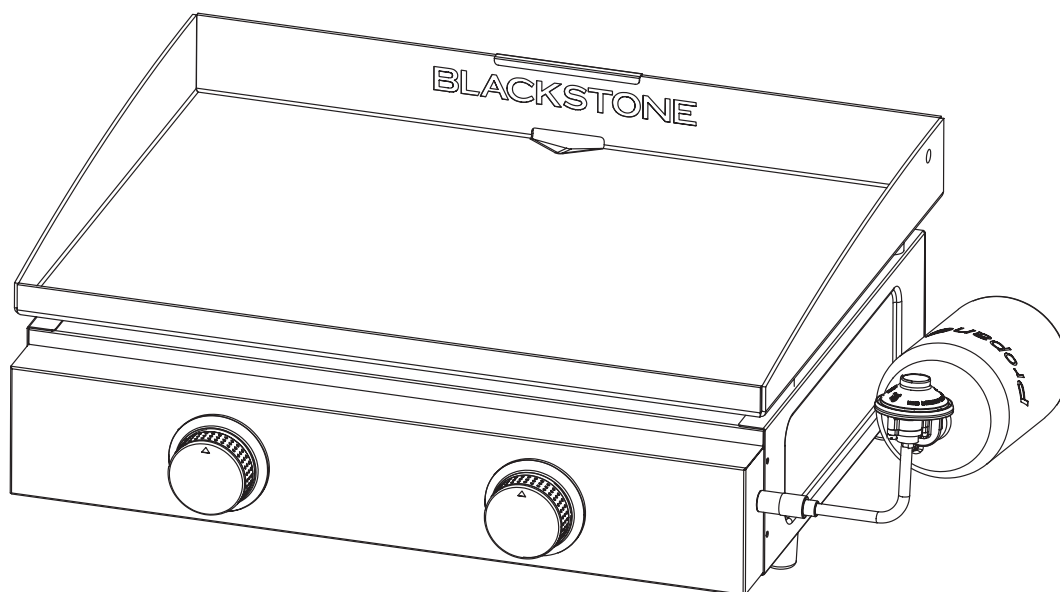




**MODELS: 1666 · 1840 · 1842 · 1895** v08



ENGLISH

OWNER'S MANUAL

# 22" GRIDDLE

TABLE OF CONTENTS	
IMPORTANT SAFETY INFORMATION .....	02
ACTIVATE YOUR WARRANTY .....	03
ASSEMBLY GUIDE .....	04
USING YOUR BLACKSTONE .....	06
TROUBLESHOOTING .....	12



For the latest version of this manual, scan this code or visit [BlackstoneProducts.com/support](http://BlackstoneProducts.com/support)

### IMPORTANT:

This instruction manual contains important information necessary for the proper assembly and safe use of the appliance.

Read and follow all warnings and instructions before assembling and using the appliance.

Follow all warnings and instructions when using the appliance.

Keep this manual for future reference.

Installer/Assembler: Leave these instructions with the consumer.

### SAFETY ALERT KEY

**⚠ DANGER**

Indicates a hazardous situation that, if not avoided, will result in death or serious injury.

**⚠ CAUTION**

Indicates a hazardous situation that, if not avoided, could result in minor or moderate injury.

**⚠ WARNING**

Indicates a hazardous situation that, if not avoided, could result in death or serious injury.

**NOTICE**

Indicates information considered important, but not hazard-related (e.g. messages related to property damage).

# IMPORTANT SAFETY INFORMATION

## ⚠ DANGER

If you smell gas:

- Shut off gas to the appliance.
- Extinguish any open flame.
- If odor continues, keep away from the appliance and immediately call your gas supplier or your fire department.

Failure to follow these instructions could result in fire or property damage, personal injury or death.

## ⚠ DANGER

- NEVER operate this appliance unattended.
- NEVER operate this appliance within 10 ft (3.0 m) of any structure, combustible material or other gas cylinder.
- NEVER operate this appliance within 25 ft (7.5 m) of any flammable liquid.
- If a fire should occur, keep away from the appliance and immediately call your fire department. DO NOT attempt to extinguish an oil or a grease fire with water.

Failure to follow these instructions could result in fire or property damage, personal injury or death.

## ⚠ WARNING

- DO NOT store or use gasoline or other flammable liquids or vapors in the vicinity of this or any other appliance.
- An LPG cylinder not connected for use shall not be stored in the vicinity of this or any other appliance.

## GAS APPLIANCE SAFETY

- The use of alcohol, prescription, or non-prescription drugs may impair the consumer's ability to properly assemble or safely operate the appliance.
- Keep children and pets away from the appliance at all times.
- Have a type BC or ABC fire extinguisher readily available.

### DO NOT USE FOR PURPOSES OTHER THAN INTENDED:

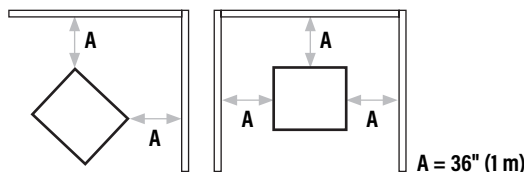
- DO NOT modify this appliance.
- DO NOT use for commercial cooking.
- DO NOT use this appliance as a heater.

### THIS APPLIANCE SHALL BE USED OUTDOORS ONLY.

- DO NOT use this appliance inside buildings, garages, or any other enclosed area.
- DO NOT install this appliance in or on a boat.
- DO NOT install this appliance in or on a recreational vehicle.

### MAINTAIN PROPER CLEARANCES FROM COMBUSTIBLE MATERIAL:

- DO NOT use this appliance on or under any apartment or condominium balcony or deck.
- DO NOT use this appliance under overhead combustible construction.
- DO NOT obstruct the flow of combustion and ventilation air.
- DO NOT operate this appliance any closer than 36 in (1 m) from the sides and back of the appliance.



## INSTALLATION MUST CONFORM WITH LOCAL CODES

In the absence of local codes, installation must conform with:

- National Fuel Gas Code, ANSI Z223.1/NFPA 54, Storage and Handling of Liquefied Petroleum Gases, ANSI/NFPA 58; or*
- Natural Gas and Propane Installation Code, CSA B149.1; Propane Storage and Handling, CSA B149.2; or*
- The Standard for Recreational Vehicles, ANSI A119.2/NFPA 1192; and Recreational Vehicle Code, CSA Z240 RV Series, as applicable.*



# ACTIVATE YOUR WARRANTY

The North Atlantic Imports LLC 1-Year Warranty covers replacement parts up to one year after the date of purchase.

**TO ENABLE THIS WARRANTY, YOU WILL NEED TO PROVIDE:**

👉 Your appliance's Serial Number



The Serial Number can be found on your appliance's Manufacturer Label.  
 (The Manufacturer Label is a large silver sticker found on the body of your appliance.)



Register your appliance at  
[BlackstoneProducts.com/register](https://BlackstoneProducts.com/register)

**WARRANTY OVERVIEW**

North Atlantic Imports, the manufacturer, will warranty for one year from purchase all parts, workmanship, and finishes. It will be the manufacturer's option as to whether to repair or replace any of the above items. All warranties are limited to the original purchaser only. This warranty does not cover any liability on the part of North Atlantic Imports, its agents or employees, for any indirect or consequential damages for breach of warranty. The purchaser must follow the manufacturer's usage instructions.

Under no circumstances is the manufacturer responsible for damages from the failure to operate the cooking station properly. It is the responsibility of the purchaser to establish the warranty period by verifying the original purchase date with original sales receipt.



**DETAILED EXPLANATION OF THE WARRANTY**

North Atlantic Imports LLC warrants to the owner that the product covered by this agreement is free from defects in material and workmanship under normal use and service for which it was intended if, but only if, it has been operated in accordance with North Atlantic Imports LLC instructions exclusively for domestic use, and not for private or public club, institutional or commercial purposes.

North Atlantic Imports LLC's obligation under this warranty is limited to replacing or repairing, free of charge, any part or parts that may prove, to the satisfaction of North Atlantic Imports LLC, to be defective under normal home use and service within the following stated periods of time from the date of purchase; for one year from purchase, all parts, finish, and workmanship. Should any failure to conform to this warranty become apparent during applicable warranty periods stated above, the original purchaser must notify North Atlantic Imports LLC of breach of warranty within the applicable warranty period.

North Atlantic Imports LLC shall upon notice and compliance by the original purchaser with such instructions, correct such nonconformity by repair or replacement of the defective part or parts.

Correction in the manner provided above shall constitute a fulfillment of all obligations of North Atlantic Imports LLC with respect to the quality of the product.

North Atlantic Imports LLC does not warrant this equipment to meet the requirement of any safety code of any state, municipality or other jurisdiction, and the original purchaser assumes all risk and liability whatsoever resulting from the use thereof, whether used in accordance with North Atlantic Imports LLC instructions or otherwise.

This warranty does not cover and is intended to exclude any liability on the part of North Atlantic its agents, servants or employees whether under this warranty or implied by law for any indirect or consequential damages for breach on any warranty. The purchaser must establish all applicable warranty periods pursuant to this warranty by verifying the original purchase date by producing the dated sales receipt. This warranty shall not apply to this product or any other part thereof which has been subject to accident, negligence, alteration, abuse, or misuse or which has been repaired or altered without North Atlantic written consent, outside of North Atlantic Imports LLC factory. The full manufacturer warranty is not valid for griddles purchased from unlicensed, third-party resellers, purchased at a discount due to missing or damaged parts, or purchased as a floor model; at the discretion of North Atlantic Imports.

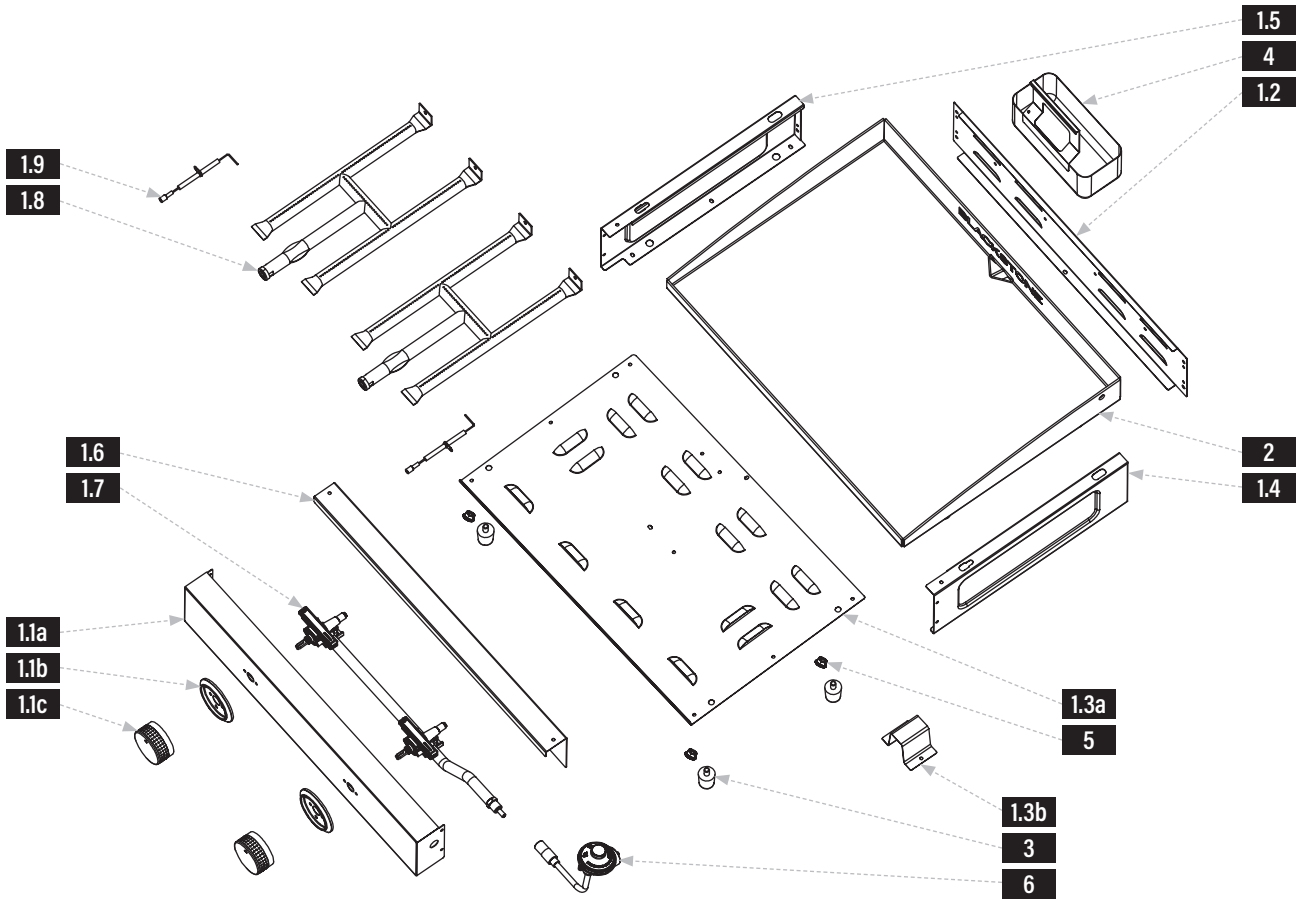
North Atlantic Imports LLC makes no warranty whatsoever in respect to accessories or parts not supplied with it. This warranty shall apply only within the boundaries of the United States of America and Canada. This warranty gives the original purchaser specific rights, and the original purchaser may also have other rights, which vary from state to state.

ENGLISH

# ASSEMBLY GUIDE

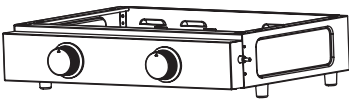
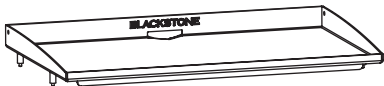

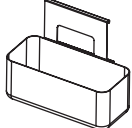
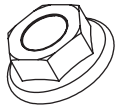

## EXPLODED VIEW

ENGLISH



## PARTS LIST

PARTS	QTY
1.1a Front panel	1
1.1b Control knob bezels	2
1.1c Control knobs	2
1.2 Back panel	1
1.3a Bottom panel	1
1.3b Hat channel	1
1.4 Right panel	1
1.5 Left panel	1
1.6 Front baffle panel	1
1.7 Gas rail	1
1.8 H burners	2
1.9 Ignition needles	2

<b>1</b> Body (1 piece) 		<b>2</b> Griddle Top (1 piece) 	
<b>3</b> Feet (4 pieces) 	<b>4</b> Grease cup (1 piece) 	<b>5</b> M8 Flange nuts (4 pieces) 	<b>6</b> Regulator (1 piece) 



# ASSEMBLY INSTRUCTIONS

Find a large, clean area to assemble your appliance.  
Remove all packing material before assembling.

**CAUTION**

Sharp edges. Wear gloves while assembling.



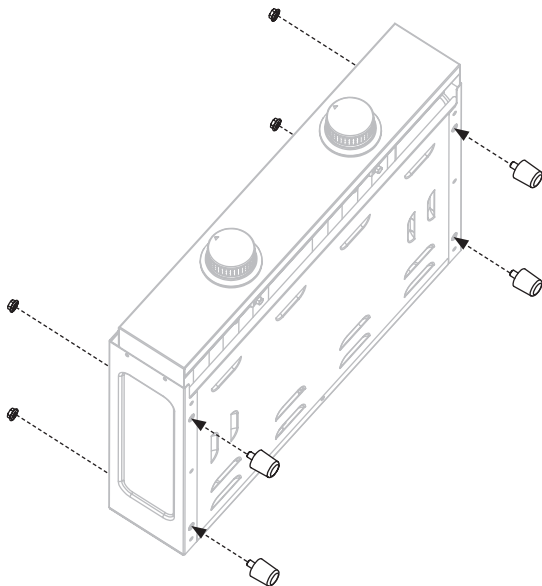
**NOT INCLUDED:**

LPG cylinder  
Size: 4 x 8 in (10 x 20 cm), 1 lb (453 g)

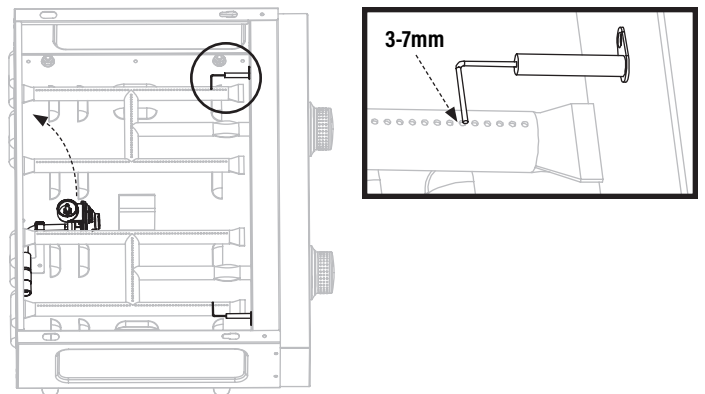
**TOOL NEEDED:**

Adjustable wrench

**STEP 01** Use four (4) M8 flange nuts to attach four (4) griddle feet to the bottom of the griddle.

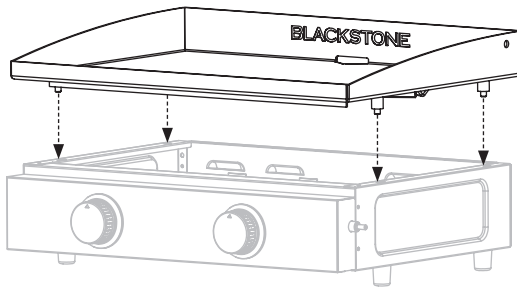


**STEP 02** Set the griddle on its feet. Ensure that the ignition needle is set 3-7mm above the burner tube. Take the regulator out and set aside.

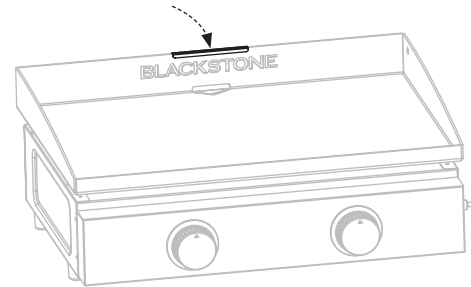


ENGLISH

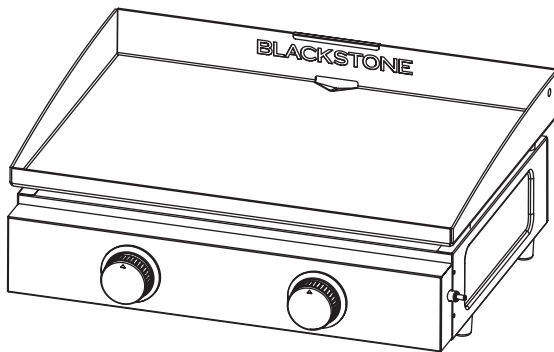
**STEP 03** Place the griddle top on the griddle body. Make sure the four positioning pegs on the griddle top are seated into the griddle body.



**STEP 04** Hang the grease cup on the rear of the griddle top.



**STEP 05** Proceed to **USING YOUR BLACKSTONE**.



**NOTICE**

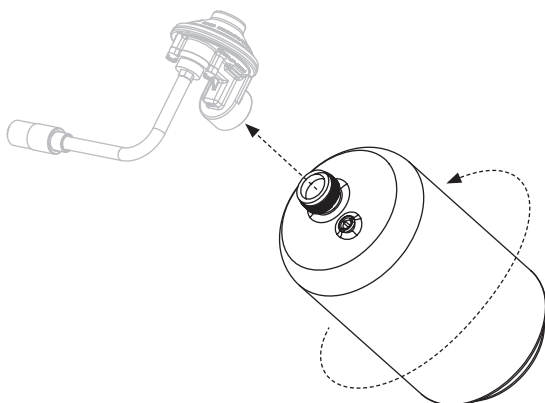
Place appliance on a heat-resistant and flame-resistant surface while in use.

## USING YOUR BLACKSTONE

### CONNECT THE LPG CYLINDER 1 LB (453 G)

**STEP 01** Screw in the LPG cylinder into the gas regulator, turning the cylinder clockwise.

The regulator may make a humming or whistling noise during operation. This will not affect safety or use of the appliance.



#### REGULATOR SAFETY

**⚠ WARNING**

Cross threading can occur if you force thread a connection at an improper angle. This will damage the threads, lead to propane leaking, and potentially result in a build-up of fuel that can ignite.

DO NOT cross thread the connection between your LPG cylinder and regulator or regulator and gas rail.

**⚠ WARNING**

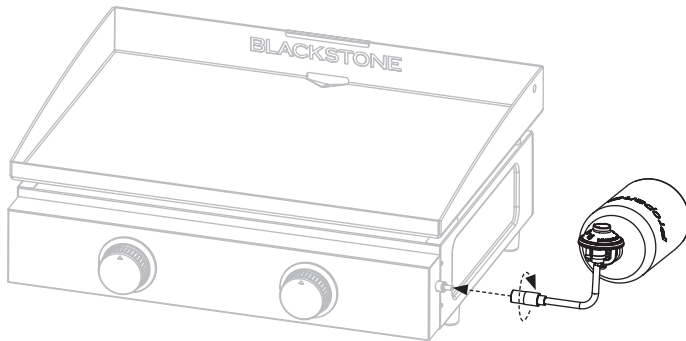
If you can not connect the regulator, DO NOT use the regulator.

Regulator must be replaced with a Blackstone approved model by a professionally licensed, authorized dealer.

Use this appliance, as purchased, only with gas and regulator/valve assembly supplied.

If regulator fails in unit, it must be replaced with a Blackstone approved model (found on your Manufacturer label) by a professionally licensed, authorized dealer. Failure to comply will void the warranty.

**STEP 02** Insert the regulator and LPG cylinder into the gas line of the appliance. Turn the collar of the regulator clockwise to secure it to the gas line.

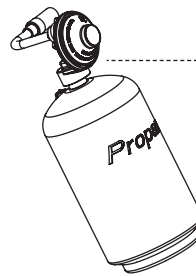


**LPG CYLINDER SAFETY**

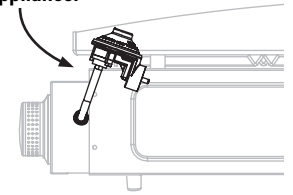
- The LPG supply cylinder to be used must be constructed and marked in accordance with the specifications for LP gas cylinders, U.S. Department of Transportation (DOT) or the Standard for Cylinders, Spheres and Tubes for the Transportation of Dangerous Goods, CAN/CSA-B339.
- Only LPG cylinders marked "propane" shall be used.
- The cylinder used, if in excess of 2.2 lb (1.00 kg) propane capacity, must include a collar to protect the cylinder valve.
- The LPG cylinder supply system must be arranged for vapor withdrawal.

Always keep new LPG cylinders in upright position during use, transit or storage.

Ensure that the LPG cylinder is positioned below the regulator. (If the liquid level of the propane is above the regulator, the regulator will frost.)



The gas regulator is intended to be used at an angle towards the rear of the appliance.



**IF FROSTING PERSISTS AFTER BOTTLE IS ANGLED CORRECTLY:**

**STEP 01** Turn off the appliance and disconnect LPG cylinder immediately.

This indicates a problem with the LPG cylinder and it should not be used on any product.

**STEP 02** Return LPG cylinder to supplier.

**LEAK TEST INSTRUCTIONS**

**NOTICE**

DO NOT use household cleaning agents. Damage to gas valve and regulator components may result. Use a clean paintbrush and a 10/90 mild soap and water solution to perform the leak test.

**STEP 01** Turn the control knobs to OFF.

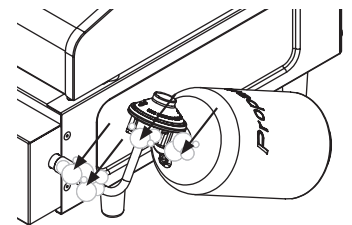
**STEP 02** Connect the LPG cylinder to the regulator. Connect the regulator to the appliance.

The regulator may make a humming or whistling noise during operation. This will not affect safety or use of the appliance.

**STEP 03** Brush soapy solution onto joint areas of valves and regulator.

Leaks are indicated by growing bubbles.

**STEP 04** If growing bubbles appear, re-tighten connections.



**WARNING**

If leaks cannot be stopped, DO NOT try to repair. Regulator must be replaced with a Blackstone approved model.

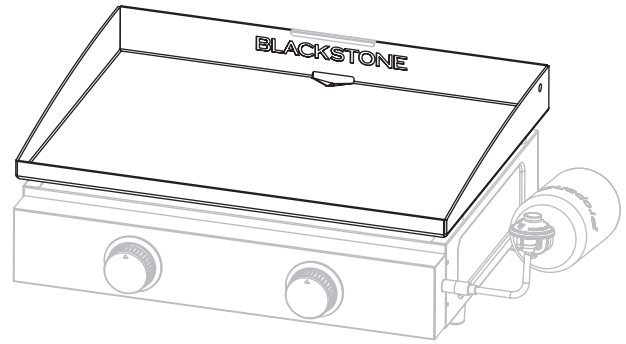
# FIRST TIME CLEANING

## CLEANING YOUR GRIDDLE TOP

**NOTICE**

Soap will ruin a seasoned griddle. This is the only time you should use soap on the griddle cooking surface.

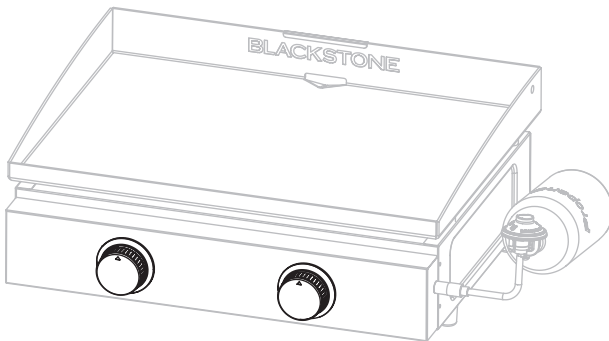
- STEP 01** Wash the griddle cooking surface with hot, soapy water.
- STEP 02** Rinse and dry completely.



# IGNITION INSTRUCTIONS

## 1. CHECK VALVES

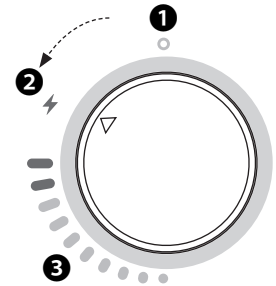
- STEP 01** Turn knob to OFF position.
- STEP 02** Push in knob and release. Knob should spring back. If knobs DO NOT spring back, replace valve assembly before using appliance.
- STEP 03** Rotate knob to LOW then turn back to OFF. Knob should turn smoothly.



## 2. PIEZO-ELECTRIC GRIDDLE IGNITION

⚠ DO NOT lean over the appliance while lighting.

- ➊ Push the control knob in to start gas flowing.
- ➋ Turn the control knob counter-clockwise to activate the starter.
- ➌ Adjust the temperature to desired level.



## 3. CHECK BURNER FLAME

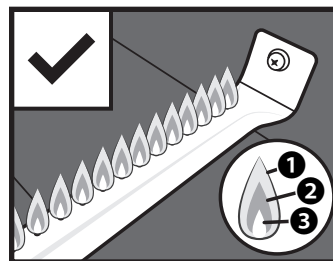
Always check burner flame before use.

- STEP 01** Light burners and rotate knobs from HIGH to LOW.
- STEP 02** Look below the cooking top to view burners. When knob is at HIGH, flames should be larger than when knob is at LOW.

**⚠ WARNING**

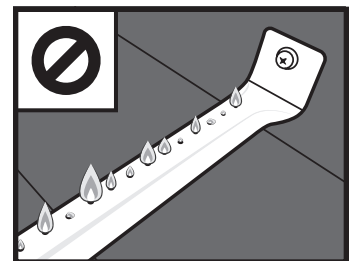
A clogged burner can lead to a fire beneath the appliance. Burner should be removed and cleaned annually or whenever heavy build-up or insects/insect nests are found.

### HEALTHY BURNER FLAME PATTERN



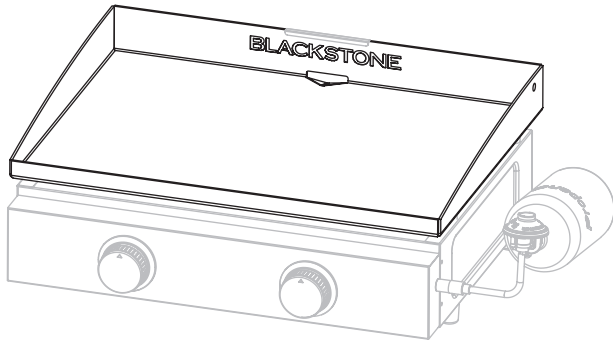
- ➊ Flickers of yellow color.
- ➋ Dark blue color.
- ➌ Vibrant blue.

### BURNER FLAMES ARE YELLOW OR IRREGULAR



If there is a sudden drop or low flame issue, please reference the Troubleshooting chapter.

# GRIDDLE SEASONING INSTRUCTIONS



- WHAT OIL IS BEST TO USE?**
- Blackstone Seasoning and Cast Iron Conditioner.
  - Any plant-based cooking oil.
  - Rendered animal fat with no additives.



**VIDEO TUTORIAL**  
 How to Season a New Blackstone Griddle  
 ▶ [youtube.com/watch?v=VspmDVnj2pl&t=3s](https://www.youtube.com/watch?v=VspmDVnj2pl&t=3s)

**STEP 01** Wipe any debris off griddle top.



**STEP 02** Set your griddle to high heat until your griddle top changes color. (~10 min)



**STEP 03** Use tongs to hold a paper towel or cotton cloth and spread 2-3 tablespoons of your seasoning oil across the entire griddle top.  
 When seasoning your griddle top, remember to use a thin and even layer of oil—the thinner the layer of oil, the easier it will be to burn it off.



**STEP 04** The griddle top is ready for another layer of oil when it stops smoking. Repeat **STEP 03** 3-4 times, or until the griddle surface is black.



## SEASONING TROUBLESHOOTING

**THERE IS A BROWNISH RESIDUE ON THE GRIDDLE SURFACE:**

POSSIBLE CAUSES	SOLUTION
<ul style="list-style-type: none"> <li>• Too much oil was used.</li> <li>• You turned off the heat too soon.</li> </ul>	<p><b>STEP 01</b> Turn your griddle on high and let it heat for 10-15 minutes.</p> <p><b>STEP 02</b> Scrape off as much of the thickened and partially cooked oil as you can.</p> <p><b>STEP 03</b> Re-season with a very thin layer of oil.</p>

**THE EDGES OF THE GRIDDLE SURFACE ARE NOT BLACK:**

After using your griddle for multiple cooks, the seasoning will even out and improve.

## PREVENTING RUST

Use your griddle frequently. Every time you cook, you are adding to the seasoning, which makes rust less likely.

**NOTICE**

If you live in a humid or coastal climate, your griddle may require more frequent seasonings between uses.

If rust appears on the griddle surface, rub it off with steel wool, low grit sandpaper or the **Blackstone Pumice Stone** and re-season the surface.



**VIDEO TUTORIAL**  
 Recovering your Blackstone Griddle Top  
 ▶ [youtube.com/watch?v=thPE2lgnSil](https://www.youtube.com/watch?v=thPE2lgnSil)

## COOKING ON YOUR BLACKSTONE

### ⚠ DANGER

Flammable items can spontaneously combust if placed near the appliance. DO NOT place flammable items such as aerosol containers, oily or greasy towels near the cooking surface.

### ⚠ CAUTION

This appliance will be hot during and after use. DO NOT handle hot parts with unprotected hands. Use long-handled cooking utensils and oven mitts.

### NOTICE

DO NOT store any items within 3 in (8 cm) of the cooking surface while in use.

### IF GREASE OR OTHER HOT MATERIAL DRIPS ONTO VALVE, HOSE OR REGULATOR:

**STEP 01** Turn off gas supply immediately.

**STEP 02** Determine the cause and correct it.

**STEP 03** Clean and inspect valve, hose and regulator.

**STEP 04** Perform a leak test. (Please reference the Leak Test Instructions in **USING YOUR BLACKSTONE.**)

### VIDEO RECIPES

Find recipes and cooking tips at:

🌐 [BlackstoneProducts.com/blogs/recipes](https://BlackstoneProducts.com/blogs/recipes)

📺 [youtube.com/c/BlackstoneGriddles](https://youtube.com/c/BlackstoneGriddles)

📱 [@blackstoneproducts](https://www.instagram.com/blackstoneproducts)



**STRAWBERRIES AND CREAM PANCAKES**  
Breakfast

**OKLAHOMA FRIED ONION BURGER**  
Lunch



**TACOS BORRACHOS**  
Dinner

## CLEANING YOUR APPLIANCE

Clean your appliance after each use, after it is cool to the touch.

- DO NOT use abrasive pad on areas with graphics.
- If a bristle brush is used to clean any of the cooking surfaces, ensure no loose bristles remain on cooking surfaces prior to cooking.

### ⚠ WARNING

Grease build up can cause a fire. Clean any part of the appliance that gets hot and experiences grease build up after each use.

### PLASTIC PARTS & PAINTED SURFACES:

Wash with warm soapy water and wipe dry with a non-abrasive cloth.

### NOTICE

DO NOT use Citrisol, abrasive cleaners, or a concentrated cleaner on plastic parts. This may result in damage to and failure of parts.

### FOR EVERY SURFACE

The **Blackstone Degreaser and Cleaning Spray** is gentle enough to clean every surface of your appliance. Use it on the cooking surface, the appliance frame, or anywhere that experiences a build up of grease.



## APPLIANCE STORAGE

### ⚠ WARNING

DO NOT move the appliance when in use. Allow the appliance to cool to 115°F (45°C) before moving or storing.

### COVER FIT GUIDE

Always cover your appliance when stored outdoors.



To find a cover that will fit your appliance, visit [BlackstoneProducts.com/support](https://BlackstoneProducts.com/support).



## CLEANING YOUR GRIDDLE TOP

Clean griddle top after each use, while still warm.

- DO NOT use soap on the griddle top. This will destroy the griddle's seasoning.
- The grease cup must be removed and emptied after each use.

### ⚠ CAUTION

Grease cup will be hot during and after use. DO NOT remove the grease cup until the griddle has completely cooled.



### VIDEO TUTORIAL

How to Clean your Blackstone Griddle  
 ▶ [youtube.com/watch?v=-ledu9z6NPY](https://www.youtube.com/watch?v=-ledu9z6NPY)

**STEP 01** Push loose food debris into the grease cup with spatula or straight metal scraper.



**STEP 02** Wipe down griddle top with paper towel.



**STEP 03** Apply a few tablespoons of water to the griddle surface, then scrape the water and debris into the grease cup.

(For stuck-on food residue, use a bit of coarse salt.)



**STEP 04** Wipe again with a paper towel and dry completely.



**STEP 05** Apply thin coat of cooking oil to maintain seasoning and protect the griddle top.



## DISCONNECT THE LPG CYLINDER 1 LB (453 G)

**STEP 01** Ensure that the control knob(s) are turned to OFF.

**STEP 02** Once the appliance has cooled, disconnect the regulator from the gas line by unscrewing the collar.

**STEP 03** Unscrew the LPG cylinder from the regulator.

**STEP 04** Place dust cap on LPG cylinder valve outlet whenever cylinder is not in use.

Only install the type of dust cap on cylinder valve outlet that is provided with the cylinder valve. Other types of caps or plugs may result in leakage of propane.

### STORING LPG CYLINDERS

### ⚠ WARNING

- DO NOT store a spare LPG cylinder under or near this appliance.
  - DO NOT fill an LPG cylinder beyond 80% full.
- If the information above is not followed exactly, a fire causing death or serious injury may occur.

- The LPG cylinder must be disconnected when the appliance is not in use.
- Only store the appliance indoors if the LPG cylinder is disconnected and removed from the appliance.

# TROUBLESHOOTING

## IGNITION TROUBLESHOOTING

### BURNER WILL NOT IGNITE:

If ignition does not occur in 5 seconds:

**STEP 01** Turn the burner control knob OFF.

**STEP 02** Wait 5 minutes.

**STEP 03** Repeat the lighting procedure.

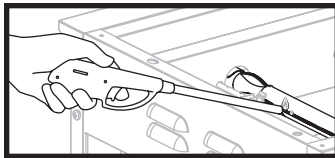
If this does not work, to determine the cause, please try to ignite your appliance with a match.

### MATCH LIGHTING INSTRUCTIONS

Before beginning, check for gas leaks. Open hood (if applicable).

**STEP 01** Turn control knob to OFF position.

**STEP 02** Light a match (or long lighter) no shorter than 11 inches long.



**STEP 03** Place the flame next to the burner.

**STEP 04** Push in and turn the control knob to start gas flowing. Ensure burner lights and stays lit.

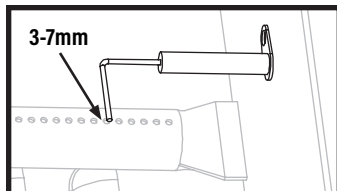
### IF YOU CAN IGNITE YOUR APPLIANCE WITH A MATCH:

#### POSSIBLE CAUSES

Ignitor wire misaligned.

#### SOLUTION

Ensure that the ignition needle is positioned 3-7mm away from the burner tube, and above a burner hole.



Damage to the ignition system.

Contact customer service for replacement parts.

### IF YOU CAN NOT IGNITE YOUR APPLIANCE WITH A MATCH:

#### POSSIBLE CAUSES

Burner tubes are not receiving fuel.

#### SOLUTION

Clean the burner assembly to remove the obstruction.

## GAS FLOW TROUBLESHOOTING

### BURNER FLAMES ARE YELLOW OR IRREGULAR:

- Appliance will not achieve a high heat or heats unevenly.
- Burner flames start strong, then immediately drop to low even when burner is set to high position.
- Flame height drops when a second burner is lit.
- Flames DO NOT extend the full length of the burner, or only run on one side of the burner.
- Burner flames are inconsistent.

#### POSSIBLE CAUSES

Obstructions in the burner, gas jets, or fuel rail.

LPG cylinder is empty or low.

The regulator's flow limiting device was triggered.

#### SOLUTION

Clean the burner, jets, and gas hose.

Refill or replace the LPG cylinder.

Reset the safety system:

**STEP 01** Turn OFF the appliance, close the LPG cylinder valve, and disconnect the regulator from the LPG cylinder.

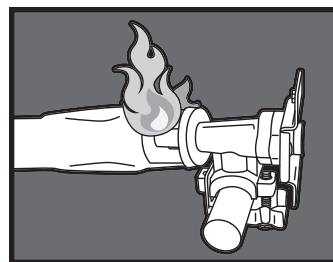
**STEP 02** Wait five minutes to allow the pressure to dissipate, then reconnect the regulator to the LPG cylinder and slowly open the OPD hand wheel one half turn.

**STEP 03** Ignite your appliance.

Regulator stuck in safety position.

Contact customer service for replacement parts.

### A FLAME IS COMING OUT OF THE AIR GATE:



#### POSSIBLE CAUSES

Something is blocking the venturi in the burner.

#### SOLUTION

Clean the burner assembly to remove the obstruction.

ENGLISH



## CLEANING THE BURNER ASSEMBLY



### VIDEO TUTORIAL

How to Clean Your Burner Tube

▶ [youtube.com/watch?v=xKQTCrFCzf8](https://www.youtube.com/watch?v=xKQTCrFCzf8)

**STEP 01** Ensure that the gas is turned OFF at control knobs and gas supply. Remove the cooking top.

**STEP 02** Carefully detach and remove the burner.



**STEP 03** Clean the inside of the burner:

- Run a narrow bottle brush through each burner tube several times. (DO NOT use wire brushes)
- Run a stiff wire bent into a small hook through each burner tube several times.
- Use compressed air to blow through the burner tube and out the burner ports. Check that air blows through each hole. (Wear eye protection)



**STEP 04** Brush entire outer surface of burner to remove grime.

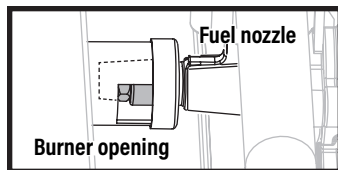


**STEP 05** Clean any blocked ports with stiff wire such as an open paper clip.



**STEP 06** Carefully replace burners and reattach.

⚠ The gas rail fuel nozzle must be reengaged within the burner opening.



## CUSTOMER SERVICE

Visit us online at [BlackstoneProducts.com/support](https://www.BlackstoneProducts.com/support) for assistance concerning appliance use, replacement parts, or your warranty.

### CUSTOMER SERVICE HOURS:



Monday - Friday  
7:00 am - 5:00 pm (MST)

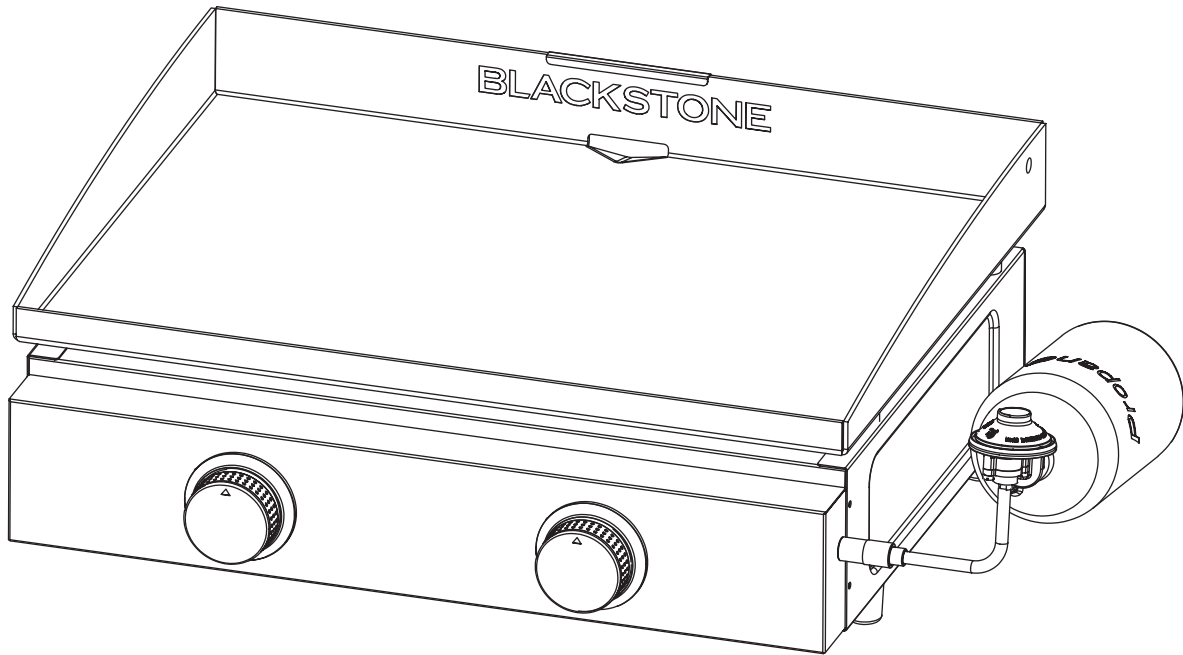
This page intentionally left blank



This page intentionally left blank



This product may be covered by one or more issued U.S. and/or international patents and may include patent applications pending. For more information, please visit: [BlackstoneProducts.com/patents](https://BlackstoneProducts.com/patents)



MANUEL DU PROPRIÉTAIRE

# PLAQUE CHAUFFANTE DE 22 PO

## TABLE DES MATIÈRES

INFORMATIONS DE SÉCURITÉ IMPORTANTES .....	02
ACTIVEZ VOTRE GARANTIE.....	03
GUIDE D'ASSEMBLAGE.....	04
UTILISATION DE VOTRE BLACKSTONE .....	06
DÉPANNAGE.....	12



Pour obtenir la dernière version de ce manuel, scannez ce code ou visitez [BlackstoneProducts.com/support](https://BlackstoneProducts.com/support)

### IMPORTANT:

Ce manuel d'instructions contient des informations importantes nécessaires au montage correct et à l'utilisation en toute sécurité de l'appareil.

Lisez et suivez tous les avertissements et instructions avant d'assembler et d'utiliser l'appareil.

Suivez tous les avertissements et instructions lors de l'utilisation de l'appareil.

Conservez ce manuel pour référence ultérieure.

Installateur/Assembleur : Laisser ces instructions au consommateur.

### CLÉ D'ALERTE DE SÉCURITÉ

#### ⚠ DANGER

Indique une situation dangereuse qui, si elle n'est pas évitée, entraînera la mort ou des blessures graves.

#### ⚠ ATTENTION

Indique une situation dangereuse qui, si elle n'est pas évitée, pourrait entraîner des blessures mineures ou modérées.

#### ⚠ AVERTISSEMENT

Indique une situation dangereuse qui, si elle n'est pas évitée, peut entraîner la mort ou des blessures graves.

#### AVIS

Indique des informations considérées comme importantes, mais non liées à un danger (par exemple, des messages liés à des dommages matériels).

# INFORMATIONS DE SÉCURITÉ IMPORTANTES

## ⚠ DANGER

Si vous sentez une odeur de gaz:

- Fermez le gaz vers l'appareil.
- Éteignez toute flamme nue.
- Si l'odeur persiste, éloignez-vous de l'appareil et appelez immédiatement votre fournisseur de gaz ou votre service d'incendie.

Le non-respect de ces instructions peut entraîner un incendie ou des dommages matériels, des blessures ou la mort.

## ⚠ DANGER

- **NE FAITES** jamais fonctionner cet appareil sans surveillance.
- **NE FAITES** jamais fonctionner cet appareil à moins de 10 pieds (3,0 m) de toute structure, matériau combustible ou autre bouteille de gaz.
- **NE FAITES** jamais fonctionner cet appareil à moins de 25 pi (7,5 m) de tout liquide inflammable.
- En cas d'incendie, éloignez-vous de l'appareil et appelez immédiatement les pompiers. **N'ESSAYEZ PAS** d'éteindre un feu d'huile ou de graisse avec de l'eau.

Le non-respect de ces instructions peut entraîner un incendie ou des dommages matériels, des blessures ou la mort.

## ⚠ AVERTISSEMENT

- **Ne stockez pas et N'UTILISEZ PAS** d'essence ou d'autres liquides ou vapeurs inflammables à proximité de cet appareil ou de tout autre appareil.
- Une bouteille de GPL non connectée pour utilisation ne doit pas être stockée à proximité de cet appareil ou de tout autre appareil.

## SÉCURITÉ DES APPAREILS À GAZ

- L'utilisation d'alcool, de médicaments sur ordonnance ou en vente libre peut nuire à la capacité du consommateur à assembler correctement ou à utiliser l'appareil en toute sécurité.
- Gardez les enfants et les animaux domestiques éloignés de l'appareil à tout moment.
- Ayez à portée de main un extincteur de type BC ou ABC.

### NE PAS UTILISER À DES FINS AUTRES QUE CELLES PRÉVUES:

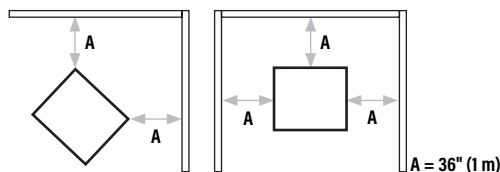
- NE MODIFIEZ PAS cet appareil.
- NE PAS utiliser pour la cuisine commerciale.
- N'UTILISEZ PAS cet appareil comme appareil de chauffage.

### CET APPAREIL DOIT ÊTRE UTILISÉ À L'EXTÉRIEUR UNIQUEMENT.

- N'UTILISEZ PAS cet appareil à l'intérieur de bâtiments, de garages ou de tout autre espace clos.
- N'INSTALLEZ PAS cet appareil dans ou sur un bateau.
- N'INSTALLEZ PAS cet appareil dans ou sur un véhicule récréatif.

### MAINTENEZ DES DÉGAGEMENTS APPROPRIÉS PAR RAPPORT AUX MATÉRIAUX COMBUSTIBLES:

- N'UTILISEZ PAS cet appareil sur ou sous un balcon ou une terrasse d'appartement ou de copropriété.
- N'UTILISEZ PAS cet appareil sous une construction combustible suspendue.
- NE PAS obstruer le flux d'air de combustion et de ventilation.
- N'UTILISEZ PAS cet appareil à moins de 36 po (1 m) des côtés et de l'arrière de l'appareil.



### L'INSTALLATION DOIT ÊTRE CONFORME AUX CODES LOCAUX

En l'absence de codes locaux, l'installation doit être conforme à:

- Code national des gaz combustibles, ANSI Z223.1/NFPA 54, *Stockage et manutention des gaz de pétrole liquéfiés*, ANSI/NFPA 58; ou
- Code d'installation du gaz naturel et du propane, CSA B149.1; *Entreposage et manutention du propane*, CSA B149.2; ou
- La Norme pour les véhicules récréatifs, ANSI A119.2/NFPA 1192; et Code des véhicules récréatifs, CSA Z240 RV Series, aSérie RV, selon le cas.

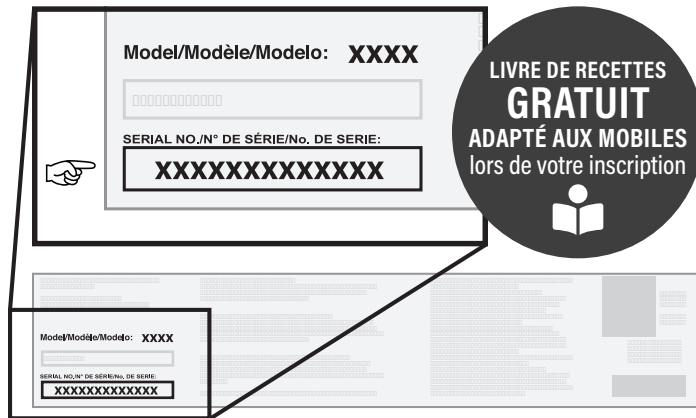


# ACTIVEZ VOTRE GARANTIE

La garantie d'un an de North Atlantic Imports LLC couvre les pièces de rechange jusqu'à un an après la date d'achat.

## POUR ACTIVER CETTE GARANTIE, VOUS DEVREZ FOURNIR:

☞ Numéro de série de votre appareil



Le numéro de série se trouve sur l'étiquette du fabricant de votre appareil. (L'étiquette du fabricant est un grand autocollant argenté apposé sur le corps de votre appareil.)



Enregistrez votre appareil sur [BlackstoneProducts.com/register](https://BlackstoneProducts.com/register)

## PRÉSENTATION DE LA GARANTIE

North Atlantic Imports, le fabricant, garantira pendant un an à compter de l'achat toutes les pièces, la fabrication et les finitions. Ce sera l'option du fabricant de réparer ou de remplacer l'un des éléments ci-dessus. Toutes les garanties sont limitées à l'acheteur d'origine uniquement. Cette garantie ne couvre aucune responsabilité de la part de North Atlantic Imports, de ses agents ou employés, pour tout dommage indirect ou consécutif résultant d'une violation de la garantie. L'acheteur doit suivre les instructions d'utilisation du fabricant.

Le fabricant n'est en aucun cas responsable des dommages résultant d'une mauvaise utilisation de la station de cuisson. Il est de la responsabilité de l'acheteur d'établir la période de garantie en vérifiant la date d'achat originale avec le reçu de vente original.

## EXPLICATION DÉTAILLÉE DE LA GARANTIE

North Atlantic Imports LLC garantit au propriétaire que le produit couvert par cet accord est exempt de défauts de matériaux et de fabrication dans des conditions normales d'utilisation et de service pour lesquelles il était destiné si, mais seulement si, il a été utilisé conformément à North Atlantic Imports LLC instructions exclusivement pour un usage domestique, et non pour un club privé ou public, à des fins institutionnelles ou commerciales.

L'obligation de North Atlantic Imports LLC en vertu de cette garantie est limitée au remplacement ou à la réparation, sans frais, de toute pièce ou pièces qui peuvent s'avérer, à la satisfaction de North Atlantic Imports LLC, défectueuses dans le cadre d'une utilisation et d'un entretien domestiques normaux dans les périodes indiquées ci-dessous, de temps à compter de la date d'achat ; pendant un an à compter de l'achat, toutes les pièces, la finition et la fabrication. En cas de non-conformité à cette garantie pendant les périodes de garantie applicables indiquées ci-dessus, l'acheteur d'origine doit informer North Atlantic Imports LLC de la violation de la garantie pendant la période de garantie applicable.

North Atlantic Imports LLC doit, sur notification et conformité de l'acheteur d'origine avec ces instructions, corriger cette non-conformité en réparant ou en remplaçant la ou les pièces défectueuses.

La correction de la manière indiquée ci-dessus constituera l'accomplissement de toutes les obligations de North Atlantic Imports LLC en ce qui concerne la qualité du produit.

North Atlantic Imports LLC ne garantit pas que cet équipement réponde aux exigences de tout code de sécurité d'un état, d'une municipalité ou d'une autre juridiction, et l'acheteur d'origine assume tous les risques et responsabilités résultant de son utilisation, qu'il soit utilisé conformément à North Atlantic Imports instructions LLC ou autrement.

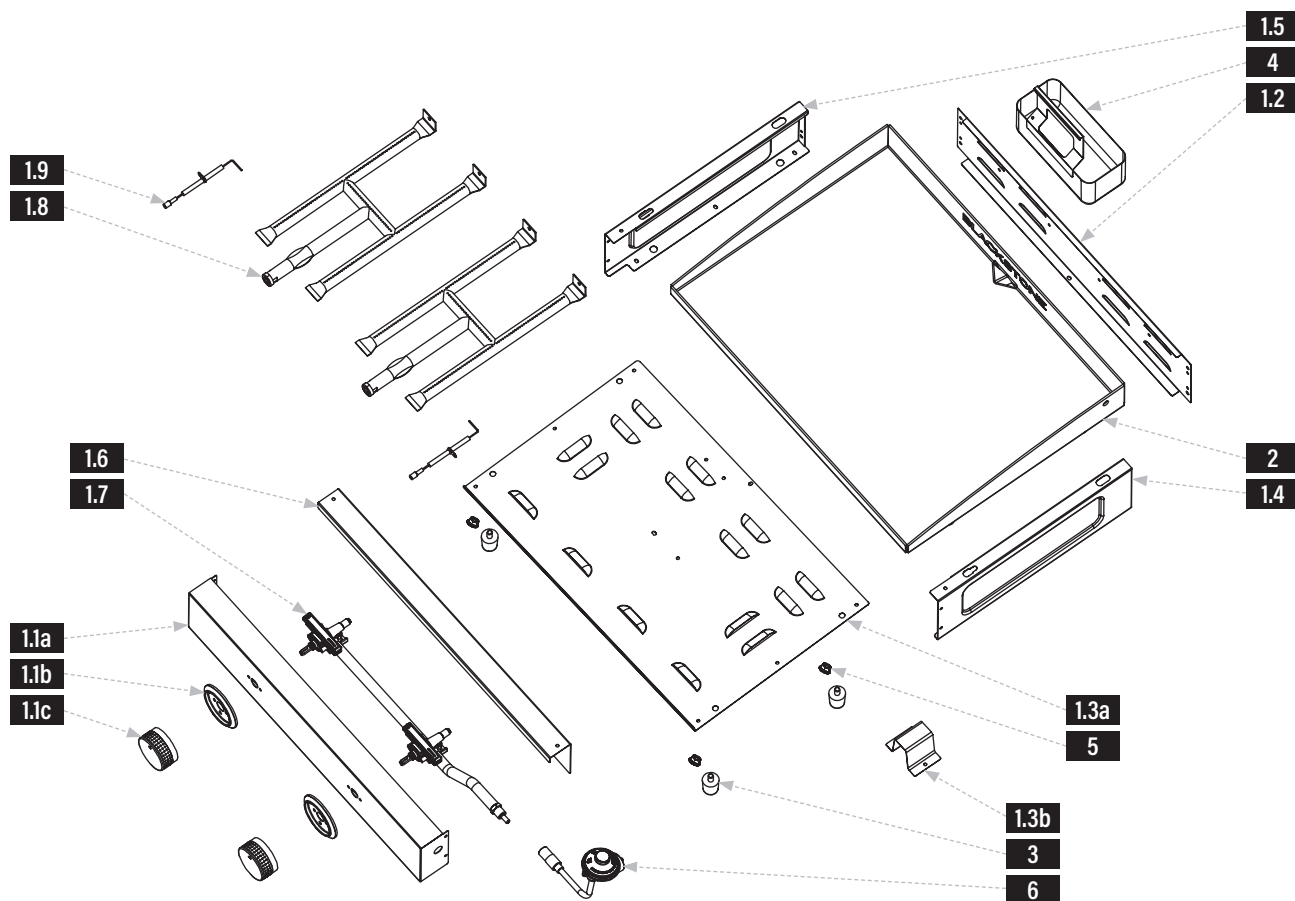
Cette garantie ne couvre pas et est destinée à exclure toute responsabilité de la part de North Atlantic, ses agents, préposés ou employés, que ce soit en vertu de cette garantie ou implicite par la loi pour tout dommage indirect ou consécutif en cas de violation de toute garantie. L'acheteur doit établir toutes les périodes de garantie applicables conformément à cette garantie en vérifiant la date d'achat originale en produisant le reçu de vente daté. Cette garantie ne s'applique pas à ce produit ou à toute autre partie de celui-ci qui a fait l'objet d'un accident, d'une négligence, d'une altération, d'un abus ou d'une mauvaise utilisation ou qui a été réparé ou modifié sans le consentement écrit de North Atlantic, en dehors de l'usine de North Atlantic Imports LLC. La garantie complète du fabricant n'est pas valable pour les plaques chauffantes achetées auprès de revendeurs tiers sans licence, achetées à prix réduit en raison de pièces manquantes ou endommagées, ou achetées en tant que modèle de plancher ; à la discrétion de North Atlantic Imports.

North Atlantic Imports LLC n'offre aucune garantie quant aux accessoires ou pièces non fournis avec. Cette garantie ne s'applique qu'à l'intérieur des frontières des États-Unis d'Amérique et du Canada. Cette garantie donne à l'acheteur d'origine des droits spécifiques, et l'acheteur d'origine peut également avoir d'autres droits, qui varient d'un état à l'autre.



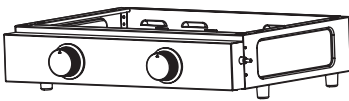


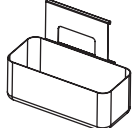


# GUIDE D'ASSEMBLAGE

## VUE ÉCLATÉE



## LISTE DES PIÈCES

PIÈCES	QTÉ	
1.1a	Panneau avant	1
1.1b	Lunette de bouton de commande	2
1.1c	Boutons de commande	2
1.2	Panneau arrière	1
1.3a	Panneau du bas	1
1.3b	Chapeau canal	1
1.4	Panneau de droite	1
1.5	Panneau de gauche	1
1.6	Panneau déflecteur avant	1
1.7	Rampe de gaz	1
1.8	Brûleurs H	2
1.9	Aiguilles d'allumage	2

<b>1</b> Body (1 piece) 	<b>2</b> Griddle Top (1 piece) 
<b>3</b> Feet (4 pieces) 	<b>4</b> Grease cup (1 piece) 
<b>5</b> M8 Flange nuts (4 pieces) 	<b>6</b> Regulator (1 piece) 

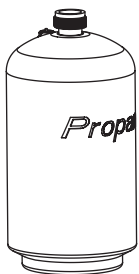


## INSTRUCTIONS DE MONTAGE

Trouvez une grande surface propre pour assembler votre appareil.  
Retirez tous les matériaux d'emballage avant l'assemblage.

### ⚠ ATTENTION

Bouts pointus. Portez des gants lors de l'assemblage.



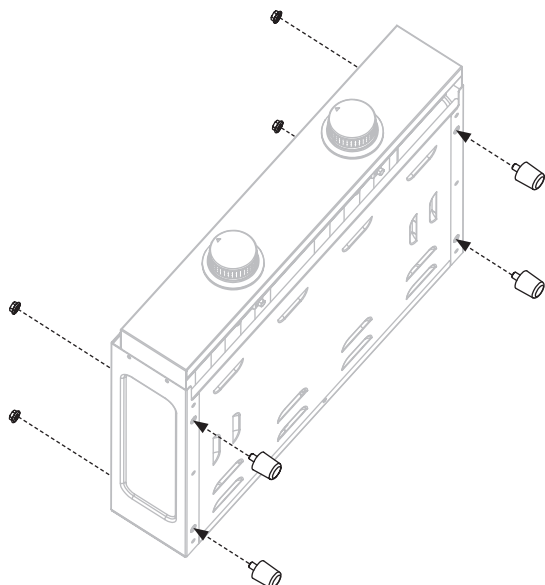
#### NON INCLUS:

Bouteille GPL  
Taille: 10 x 20 cm (4 x 8 po), 453 g (1 lb)

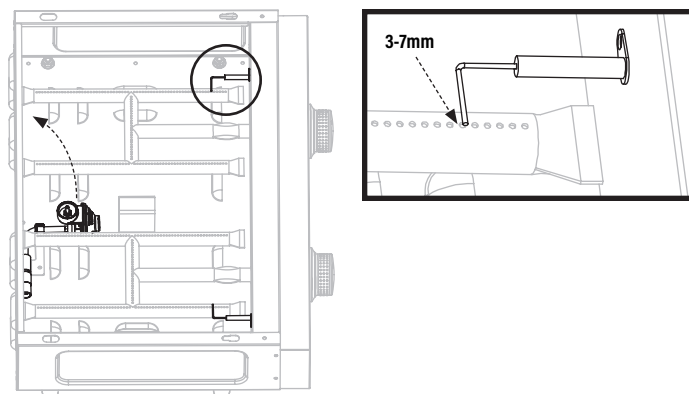
#### OUTIL NÉCESSAIRE:

Clé à molette

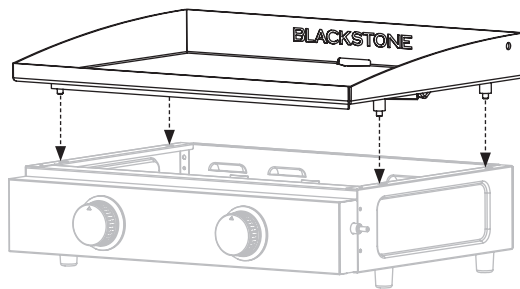
**ÉTAPE 01** Utilisez quatre (4) écrous à embase M8 pour fixer quatre (4) pieds de plaque chauffante au bas de la plaque chauffante.



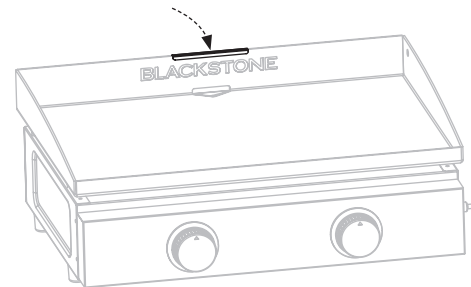
**ÉTAPE 02** Placez la plaque chauffante sur ses pieds. Assurez-vous que l'aiguille d'allumage est placée à 3-7 mm au-dessus du tube du brûleur. Sortez le régulateur et mettez-le de côté.



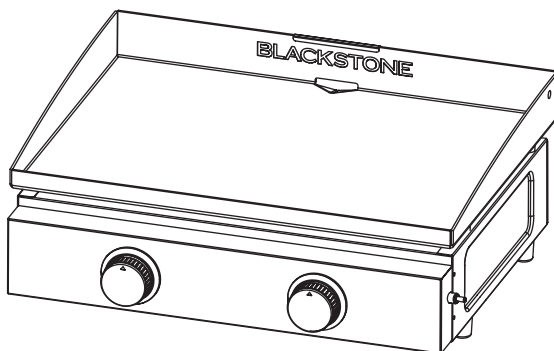
**ÉTAPE 03** Placez le dessus de la plaque chauffante sur le corps de la plaque chauffante. Assurez-vous que les quatre chevilles de positionnement sur le dessus de la plaque chauffante sont bien en place dans le corps de la plaque chauffante.



**ÉTAPE 04** Accrochez le bac à graisse à l'arrière du dessus de la plaque chauffante.



**ÉTAPE 05** Passez à **UTILISATION DE VOTRE BLACKSTONE.**



**AVIS**

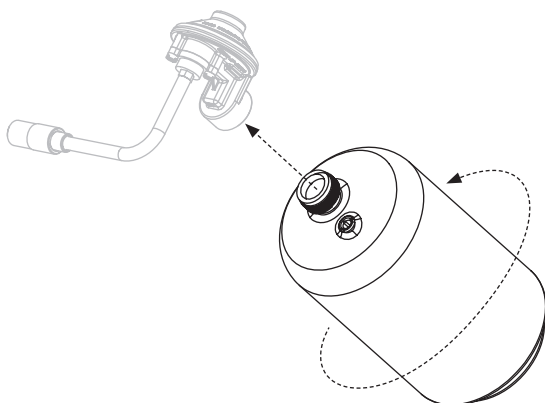
Placez l'appareil sur une surface résistante à la chaleur et aux flammes pendant son utilisation.

## UTILISATION DE VOTRE BLACKSTONE

### CONNECTEZ LA BOUTEILLE DE GPL 453 G (1 LB)

**ÉTAPE 01** Vissez la bouteille de GPL dans le régulateur de gaz en tournant la bouteille dans le sens des aiguilles d'une montre.

Le régulateur peut émettre un bourdonnement ou un sifflement pendant le fonctionnement. Cela n'affectera pas la sécurité ou l'utilisation de l'appareil.



### SÉCURITÉ DU DÉTENDEUR

**⚠ AVERTISSEMENT**

Un filetage croisé peut se produire si vous forcez le filetage d'une connexion à un angle incorrect. Cela endommagera les filetages, entraînera une fuite de propane et pourrait entraîner une accumulation de carburant qui peut s'enflammer. NE PAS fausser le filetage de la connexion entre votre bouteille de GPL et le régulateur ou le régulateur et la rampe de gaz.

**⚠ AVERTISSEMENT**

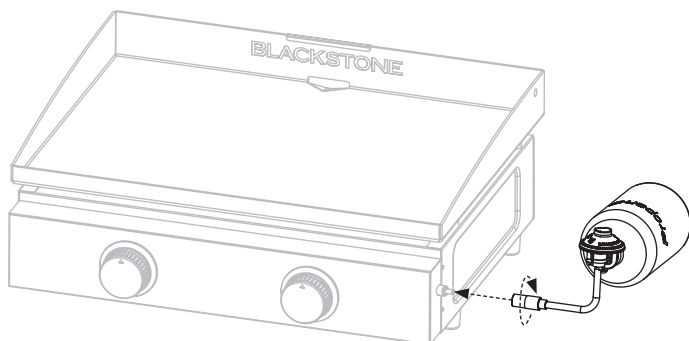
Si vous ne pouvez pas connecter le régulateur, NE PAS utiliser le régulateur. Le régulateur doit être remplacé par un modèle approuvé par Blackstone par un revendeur professionnel agréé.

Utilisez cet appareil, tel qu'il a été acheté, uniquement avec le gaz et l'ensemble régulateur/valve fournis.

Si le régulateur tombe en panne dans l'unité, il doit être remplacé par un modèle approuvé par Blackstone (qui se trouve sur l'étiquette de votre fabricant) par un revendeur professionnel agréé. Le non-respect de cette consigne annulera la garantie.



**ÉTAPE 02** Insérez le régulateur et la bouteille de GPL dans la conduite de gaz de l'appareil. Tournez le collier du régulateur dans le sens des aiguilles d'une montre pour le fixer à la conduite de gaz.

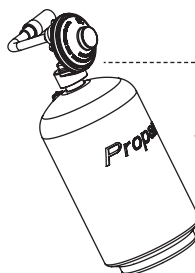


**SÉCURITÉ DES BOUTEILLES DE GPL**

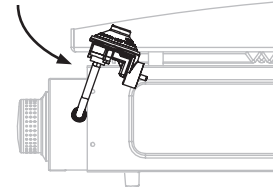
- La bouteille d'alimentation en GPL à utiliser doit être construite et marquée conformément aux spécifications pour les bouteilles de GPL, U.S. Department of Transportation (DOT) ou à la norme pour les bouteilles, les sphères et les tubes pour le transport des marchandises dangereuses, CAN/CSA-B339 .
- seules les bouteilles de GPL marquées « propane » doivent être utilisées.
- La bouteille utilisée, si elle dépasse 1,00 kg (2,2 lb) de capacité de propane, doit inclure un collier pour protéger le robinet de la bouteille.
- Le système d'alimentation de la bouteille de GPL doit être prévu pour le prélèvement de vapeur.

**Gardez toujours les nouvelles bouteilles de GPL en position verticale pendant l'utilisation, le transport ou le stockage.**

Assurez-vous que la bouteille de GPL est positionnée sous le régulateur. (Si le niveau liquide du propane est au-dessus du régulateur, le régulateur givrera.)



Le régulateur de gaz est destiné à être utilisé incliné vers l'arrière de l'appareil.



**SI LE GIVRAGE PERSISTE APRÈS QUE LA BOUTEILLE A ÉTÉ CORRECTEMENT INCLINÉE:**

**ÉTAPE 01** Éteignez l'appareil et débranchez immédiatement la bouteille de GPL. Cela indique un problème avec la bouteille de GPL et elle ne doit être utilisée sur aucun produit.

**ÉTAPE 02** Renvoyez la bouteille de GPL au fournisseur.

**INSTRUCTIONS DE TEST DE FUITE**

**AVIS**

N'UTILISEZ PAS de produits de nettoyage ménagers. Des dommages aux composants de la vanne de gaz et du régulateur peuvent en résulter. Utilisez un pinceau propre et une solution d'eau et de savon doux 10/90 pour effectuer le test de fuite.

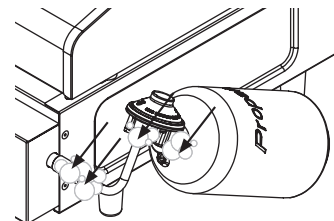
**ÉTAPE 01** Tournez les boutons de commande sur OFF.

**ÉTAPE 02** Connectez la bouteille de GPL au régulateur. Connectez le régulateur à l'appareil. Le régulateur peut émettre un bourdonnement ou un sifflement pendant le fonctionnement. Cela n'affectera pas la sécurité ou l'utilisation de l'appareil.

**ÉTAPE 03** Appliquez une solution savonneuse sur les joints des vannes et du régulateur.

Les fuites sont indiquées par des bulles en croissance.

**ÉTAPE 04** Si des bulles en croissance apparaissent, resserrez les connexions.



**⚠ AVERTISSEMENT**

Si les fuites ne peuvent pas être arrêtées, N'ESSEYEZ PAS de les réparer.

Le régulateur doit être remplacé par un modèle approuvé par Blackstone.

## PREMIER NETTOYAGE

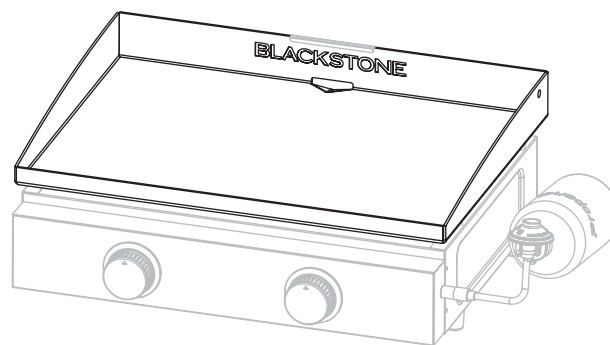
### NETTOYER LE DESSUS DE VOTRE PLAQUE CHAUFFANTE

#### AVIS

Le savon ruinerait une plaque chauffante assaisonnée. C'est la seule fois où vous devez utiliser du savon sur la surface de cuisson de la plaque chauffante.

**ÉTAPE 01** Lavez la surface de cuisson de la plaque chauffante avec de l'eau chaude savonneuse.

**ÉTAPE 02** Rincez et séchez complètement.



## INSTRUCTIONS D'ALLUMAGE

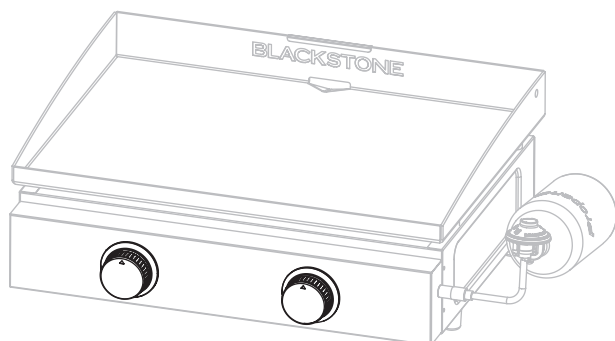
### 1. CLAPETS ANTI-RETOUR

**ÉTAPE 01** Tourner le bouton en position OFF.

**ÉTAPE 02** Appuyez sur le bouton et relâchez. Le bouton devrait revenir en arrière.

Si les boutons ne reviennent pas, remplacez l'assemblage de la valve avant d'utiliser l'appareil.

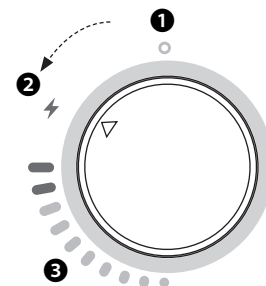
**ÉTAPE 03** Tournez le bouton sur LOW puis remettez-le sur OFF. Le bouton doit tourner en douceur.



### 2. ALLUMAGE PIÉZO-ÉLECTRIQUE DE LA PLAQUE CHAUFFANTE

⚠ Ne vous penchez pas sur l'appareil pendant l'allumage.

- 1 Appuyez sur le bouton de commande pour démarrer l'écoulement du gaz.
- 2 Tournez le bouton de commande dans le sens antihoraire pour activer le démarreur.
- 3 Réglez la température au niveau souhaité.



### 3. VÉRIFIER LA FLAMME DU BRÛLEUR

Vérifiez toujours la flamme du brûleur avant utilisation.

**ÉTAPE 01** Allumez les brûleurs et tournez les boutons de HAUT à BAS.

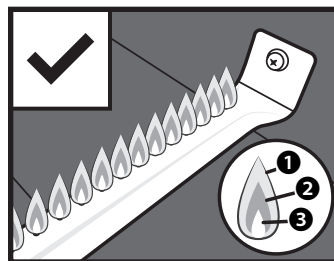
**ÉTAPE 02** Regardez sous la table de cuisson pour voir les brûleurs. Lorsque le bouton est sur HAUT, les flammes doivent être plus grandes que lorsque le bouton est sur BAS.

#### ⚠ AVERTISSEMENT

Un brûleur obstrué peut provoquer un incendie sous l'appareil.

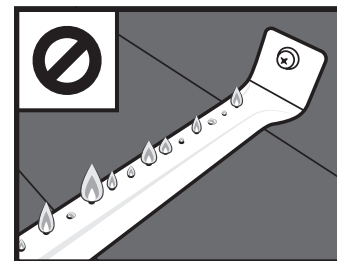
Le brûleur doit être retiré et nettoyé chaque année ou chaque fois qu'une forte accumulation ou des insectes/nids d'insectes sont trouvés.

#### MODÈLE DE FLAMME DE BRÛLEUR SAIN



- 1 Scintillement de couleur jaune.
- 2 Couleur bleu foncé.
- 3 Bleu vif.

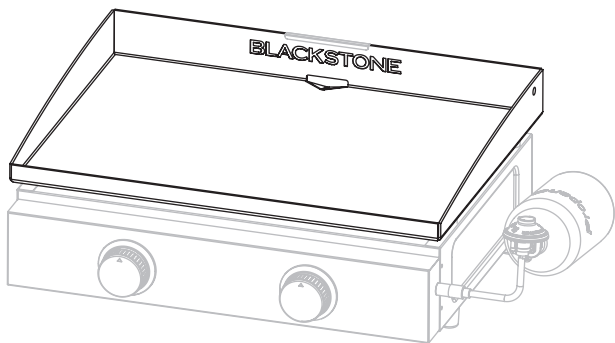
#### LES FLAMMES DU BRÛLEUR SONT JAUNES OU IRRÉGULIÈRES



En cas de chute soudaine ou de problème de flamme faible, veuillez consulter le chapitre Dépannage.



# INSTRUCTIONS D'ASSAISONNEMENT POUR PLAQUE CHAUFFANTE



## QUELLE HUILE EST PRÉFÉRABLE D'UTILISER?

- Blackstone Seasoning and Cast Iron Conditioner.
- Toute huile de cuisson à base de plantes.
- Graisse animale fondue sans additifs.



### DIDACTICIEL VIDÉO

Comment assaisonner une nouvelle plaque chauffante Blackstone

▶ [youtube.com/watch?v=VspmDVnj2pl&t=3s](https://www.youtube.com/watch?v=VspmDVnj2pl&t=3s)

**ÉTAPE 01** Essayez tous les débris du dessus de la plaque chauffante.



**ÉTAPE 02** Réglez votre plaque chauffante à feu vif jusqu'à ce que le dessus de votre plaque chauffante change de couleur. (~10 minutes)



**ÉTAPE 03** Utilisez des pinces pour tenir une serviette en papier ou un chiffon en coton et étalez 2 à 3 cuillères à soupe de votre huile d'assaisonnement sur tout le dessus de la plaque chauffante.

Lorsque vous assaisonnez le dessus de votre plaque chauffante, n'oubliez pas d'utiliser une couche d'huile fine et uniforme - plus la couche d'huile est fine, plus il sera facile de la brûler.



**ÉTAPE 04** Le dessus de la plaque chauffante est prêt pour une autre couche d'huile lorsqu'il cesse de fumer. Répétez **L'ÉTAPE 03** 3 à 4 fois ou jusqu'à ce que la surface de la plaque chauffante soit noire.



## DÉPANNAGE DE L'ASSAISONNEMENT

### IL Y A UN RÉSIDU BRUNÂTRE SUR LA SURFACE DE LA PLAQUE CHAUFFANTE:

#### CAUSES POSSIBLES

- Trop d'huile a été utilisée.
- Vous avez éteint le chauffage trop tôt.

#### LA SOLUTION

**ÉTAPE 01** Allumez votre plaque chauffante à feu vif et laissez-la chauffer pendant 10 à 15 minutes.

**ÉTAPE 02** Grattez autant que possible l'huile épaissie et partiellement cuite.

**ÉTAPE 03** Réassaisonnez avec une très fine couche d'huile.

### LES BORDS DE LA SURFACE DE LA PLAQUE CHAUFFANTE NE SONT PAS NOIRS:

Après avoir utilisé votre plaque chauffante pour plusieurs cuisiniers, l'assaisonnement s'uniformisera et s'améliorera.

## PRÉVENTION DE LA ROUILLE

Utilisez fréquemment votre plancha. Chaque fois que vous cuisinez, vous ajoutez de l'assaisonnement, ce qui rend la rouille moins probable.

### AVIS

Si vous vivez dans un climat humide ou côtier, votre plancha peut nécessiter des assaisonnements plus fréquents entre les utilisations.

Si de la rouille apparaît sur la surface de la plaque chauffante, frottez-la avec de la laine d'acier, du papier de verre à faible grain ou la **Blackstone Pumice Stone** et ré-assaisonnez la surface.



### DIDACTICIEL VIDÉO

Récupération de votre plaque chauffante Blackstone

▶ [youtube.com/watch?v=thPE2lgnSii](https://www.youtube.com/watch?v=thPE2lgnSii)

## CUISINER SUR VOTRE BLACKSTONE

### ⚠ DANGER

Les objets inflammables peuvent s'enflammer spontanément s'ils sont placés à proximité de l'appareil. Ne placez pas d'objets inflammables tels que des bombes aérosols, des serviettes huileuses ou grasses près de la surface de cuisson.

### ⚠ ATTENTION

Cet appareil sera chaud pendant et après utilisation. Ne manipulez pas les pièces chaudes avec les mains non protégées. Utilisez des ustensiles de cuisine à long manche et des gants de cuisine.

### AVIS

Ne rangez aucun article à moins de 3 po (8 cm) de la surface de cuisson pendant son utilisation.

### SI DE LA GRAISSE OU UN AUTRE MATÉRIAU CHAUD S'ÉGOUTTE SUR LA VANNE, LE TUYAU OU LE RÉGULATEUR:

**ÉTAPE 01** Coupez immédiatement l'alimentation en gaz.

**ÉTAPE 02** Déterminez la cause et corrigez-la.

**ÉTAPE 03** Nettoyez et inspectez la vanne, le tuyau et le régulateur.

**ÉTAPE 04** Effectuez un test de fuite. (Veuillez vous référer aux instructions de test de fuite dans le **UTILISATION DE VOTRE BLACKSTONE.**)

### RECETTES VIDÉO

Trouvez des recettes et des conseils de cuisine sur:

[BlackstoneProducts.com/blogs/recipes](https://www.blackstoneproducts.com/blogs/recipes)

[youtube.com/c/BlackstoneGriddles](https://www.youtube.com/c/BlackstoneGriddles)

[f](https://www.facebook.com/blackstoneproducts) [p](https://www.pinterest.com/blackstoneproducts) [@blackstoneproducts](https://www.instagram.com/blackstoneproducts)



**PANCAKES AUX FRAISES ET À LA CRÈME**  
Petit-déjeuner

**BURGER AUX OIGNONS FRITS DE L'OKLAHOMA**  
Déjeuner



**TACOS BORRACHOS**  
Dîner

## NETTOYAGE DE VOTRE APPAREIL

Nettoyez votre appareil après chaque utilisation, après qu'il soit froid au toucher.

- N'UTILISEZ PAS de tampon abrasif sur les zones comportant des graphiques.
- Si une brosse à poils est utilisée pour nettoyer l'une des surfaces de cuisson, assurez-vous qu'aucun poil lâche ne reste sur les surfaces de cuisson avant la cuisson.

### ⚠ AVERTISSEMENT

L'accumulation de graisse peut provoquer un incendie. Nettoyez toute partie de l'appareil qui devient chaude et qui subit une accumulation de graisse après chaque utilisation.

### PIÈCES EN PLASTIQUE ET SURFACES PEINTES:

Laver à l'eau chaude savonneuse et essuyer avec un chiffon non abrasif.

### AVIS

N'UTILISEZ PAS de Citrisol, de nettoyants abrasifs ou de nettoyant concentré sur les pièces en plastique. Cela peut entraîner des dommages et une défaillance des pièces.

### POUR CHAQUE SURFACE

Le **Blackstone Degreaser and Cleaning Spray** est assez doux pour nettoyer toutes les surfaces de votre appareil. Utilisez-le sur la surface de cuisson, le cadre de l'appareil ou partout où il y a une accumulation de graisse.



## STOCKAGE D'APPAREILS

### ⚠ AVERTISSEMENT

Ne déplacez pas l'appareil pendant son utilisation. Laissez l'appareil refroidir à 115°F (45°C) avant de le déplacer ou de le ranger.

### GUIDE D'AJUSTEMENT DE COUVERTURE

Couvrez toujours votre appareil lorsqu'il est rangé à l'extérieur.



Pour trouver une housse adaptée à votre appareil, visitez [BlackstoneProducts.com/support](https://www.blackstoneproducts.com/support).



## NETTOYER LE DESSUS DE VOTRE PLANCHA

Nettoyez le dessus de la plaque chauffante après chaque utilisation, pendant qu'il est encore chaud.

- N'UTILISEZ PAS de savon sur le dessus de la plaque chauffante. Cela détruira l'assaisonnement de la plaque chauffante.
- Le bac à graisse doit être retiré et vidé après chaque utilisation.

### ⚠ ATTENTION

Le bac à graisse sera chaud pendant et après l'utilisation. Ne retirez pas le bac à graisse tant que la plaque chauffante n'est pas complètement refroidie.



### DIDACTICIEL VIDÉO

Comment nettoyer votre plaque chauffante Blackstone  
[youtube.com/watch?v=-ledu9z6NPY](https://www.youtube.com/watch?v=-ledu9z6NPY)

**ÉTAPE 01** Poussez les débris alimentaires dans le bac à graisse avec une spatule ou un grattoir métallique droit.



**ÉTAPE 02** Essayez le dessus de la plaque chauffante avec une serviette en papier.



**ÉTAPE 03** Appliquez quelques cuillères à soupe d'eau sur la surface de la plaque chauffante, puis raclez l'eau et les débris dans le bac à graisse. (Pour les résidus alimentaires collés, utilisez un peu de gros sel.)



**ÉTAPE 04** Essayez à nouveau avec une serviette en papier et séchez complètement.



**ÉTAPE 05** Appliquez une fine couche d'huile de cuisson pour maintenir l'assaisonnement et protéger le dessus de la plaque chauffante.



## DÉBRANCHEZ LA BOUTEILLE DE GPL 453 G (1 LB)

**ÉTAPE 01** Assurez-vous que le(s) bouton(s) de commande sont sur OFF.

**ÉTAPE 02** Une fois l'appareil refroidi, déconnectez le régulateur de la conduite de gaz en dévissant le collier.

**ÉTAPE 03** Dévissez la bouteille de GPL du régulateur.

**ÉTAPE 04** Placez le capuchon anti-poussière sur la sortie du robinet de la bouteille de GPL chaque fois que la bouteille n'est pas utilisée.

N'installez que le type de capuchon anti-poussière sur la sortie du robinet de bouteille qui est fourni avec le robinet de bouteille. D'autres types de bouchons ou de bouchons peuvent entraîner des fuites de propane.

### STOCKAGE DES BOUTEILLES DE GPL

#### ⚠ AVERTISSEMENT

- Ne stockez pas de bouteille de GPL de rechange sous ou à proximité de cet appareil.
- Ne remplissez pas une bouteille de GPL à plus de 80%. Si les informations ci-dessus ne sont pas suivies à la lettre, un incendie causant la mort ou des blessures graves peut se produire.

- La bouteille de GPL doit être déconnectée lorsque l'appareil n'est pas utilisé.
- Ne rangez l'appareil à l'intérieur que si la bouteille de GPL est débranchée et retirée de l'appareil.

# DÉPANNAGE

## DÉPANNAGE D'ALLUMAGE

### LE BRÛLEUR NE S'ALLUME PAS:

Si l'allumage ne se produit pas dans les 5 secondes:

**ÉTAPE 01** Éteignez le bouton de commande du brûleur.

**ÉTAPE 02** Attendez 5 minutes.

**ÉTAPE 03** Répétez la procédure d'allumage.

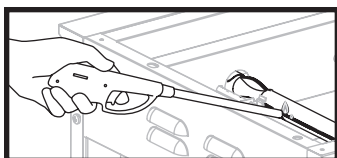
Si cela ne fonctionne pas, pour en déterminer la cause, essayez d'allumer votre appareil avec une allumette.

### INSTRUCTIONS D'ALLUMAGE DES ALLUMETTES

Avant de commencer, vérifiez les fuites de gaz. Ouvrez le capot (le cas échéant).

**ÉTAPE 01** Tourner le bouton de commande en position OFF.

**ÉTAPE 02** Allumez une allumette (ou un long briquet) d'au moins 11 pouces de long.



**ÉTAPE 03** Placez la flamme sur le côté droit ou gauche du brûleur.

**ÉTAPE 04** Poussez et tournez le bouton de commande pour faire couler le gaz. Assurez-vous que le brûleur s'allume et reste allumé.

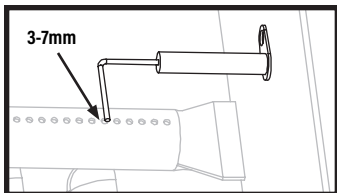
### SI VOUS POUVEZ ALLUMER VOTRE APPAREIL AVEC UNE ALLUMETTE:

#### CAUSES POSSIBLES

Fil d'allumage mal aligné.

#### LA SOLUTION

Assurez-vous que l'aiguille de l'allumeur est positionnée à 3-7 mm du brûleur et alignée avec les trous du brûleur.



Dommages au système d'allumage.

Contactez le service client pour les pièces de rechange.

### SI VOUS NE PARVEZ PAS À ALLUMER VOTRE APPAREIL AVEC UNE ALLUMETTE:

#### CAUSES POSSIBLES

Les tubes de brûleur ne reçoivent pas de combustible.

#### LA SOLUTION

Nettoyez l'ensemble du brûleur pour éliminer l'obstruction.

## DÉPANNAGE DU DÉBIT DE GAZ

### LES FLAMMES DU BRÛLEUR SONT JAUNES OU IRRÉGULIÈRES:

- L'appareil n'atteint pas une chaleur élevée ou chauffe de manière inégale.
- Les flammes du brûleur commencent à être fortes, puis chutent immédiatement au niveau bas même lorsque le brûleur est réglé en position haute.
- La hauteur de la flamme diminue lorsqu'un deuxième brûleur est allumé.
- Les flammes ne s'étendent pas sur toute la longueur du brûleur ou ne circulent que d'un côté du brûleur.
- Les flammes du brûleur sont irrégulières.

#### CAUSES POSSIBLES

Obstructions dans le brûleur, les jets de gaz ou la rampe de carburant.

La bouteille de GPL est vide ou faible.

Le limiteur de débit du régulateur s'est déclenché.

#### LA SOLUTION

Nettoyez le brûleur, les jets et le tuyau de gaz.

Remplissez ou remplacez la bouteille de GPL.

Réinitialisez le système de sécurité:

**ÉTAPE 01** Éteignez l'appareil, fermez le robinet de la bouteille de GPL et déconnectez le régulateur de la bouteille de GPL.

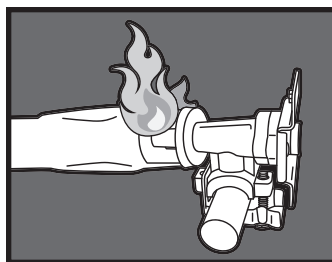
**ÉTAPE 02** Attendez cinq minutes pour permettre à la pression de se dissiper, puis reconnectez le régulateur à la bouteille de GPL et ouvrez lentement le volant OPD d'un demi-tour.

**ÉTAPE 03** Allumez votre appareil.

Détendeur bloqué en position de sécurité.

Contact customer service for replacement parts.

### UNE FLAMME SORT DE LA GRILLE D'AÉRATION:



#### CAUSES POSSIBLES

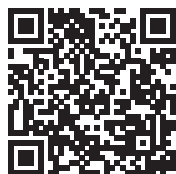
Quelque chose bloque le venturi dans le tube du brûleur.

#### LA SOLUTION

Nettoyez l'ensemble du brûleur pour éliminer l'obstruction.



## NETTOYAGE DE L'ENSEMBLE BRÛLEUR



### DIDACTICIEL VIDÉO

Comment nettoyer votre tube de brûleur  
 ▶ [youtube.com/watch?v=xKQTCrFCzf8](https://www.youtube.com/watch?v=xKQTCrFCzf8)

**ÉTAPE 01** Assurez-vous que le gaz est éteint au niveau des boutons de commande et de l'alimentation en gaz. Retirez la plaque de cuisson.

**ÉTAPE 02** Détachez et retirez soigneusement le brûleur.



**ÉTAPE 03** Nettoyez l'intérieur du brûleur:

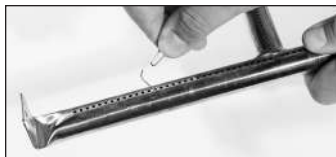
- Passez plusieurs fois une brosse à bouteille étroite dans chaque tube de brûleur. (NE PAS utiliser de brosses métalliques)
- Faites passer un fil rigide plié en un petit crochet à travers chaque tube de brûleur plusieurs fois.
- Utilisez de l'air comprimé pour souffler à travers le tube du brûleur et sortir par les orifices du brûleur. Vérifiez que l'air souffle à travers chaque trou. (Porter des lunettes de protection)



**ÉTAPE 04** Brossez toute la surface extérieure du brûleur pour enlever la saleté.

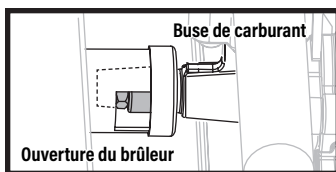


**ÉTAPE 05** Nettoyez tous les ports bloqués avec un fil rigide tel qu'un trombone ouvert.



**ÉTAPE 06** Remplacez soigneusement les brûleurs et rattachés-les.

⚠ La buse de carburant de la rampe de gaz doit être réengagée dans l'ouverture du brûleur.



## SERVICE CLIENTS

Visitez-nous en ligne sur [BlackstoneProducts.com/support](https://www.BlackstoneProducts.com/support) pour obtenir de l'aide concernant l'utilisation de l'appareil, les pièces de rechange ou votre garantie.

### HEURES D'OUVERTURE DU SERVICE CLIENT:



Lundi vendredi  
 7h00 - 17h00 (HNR)

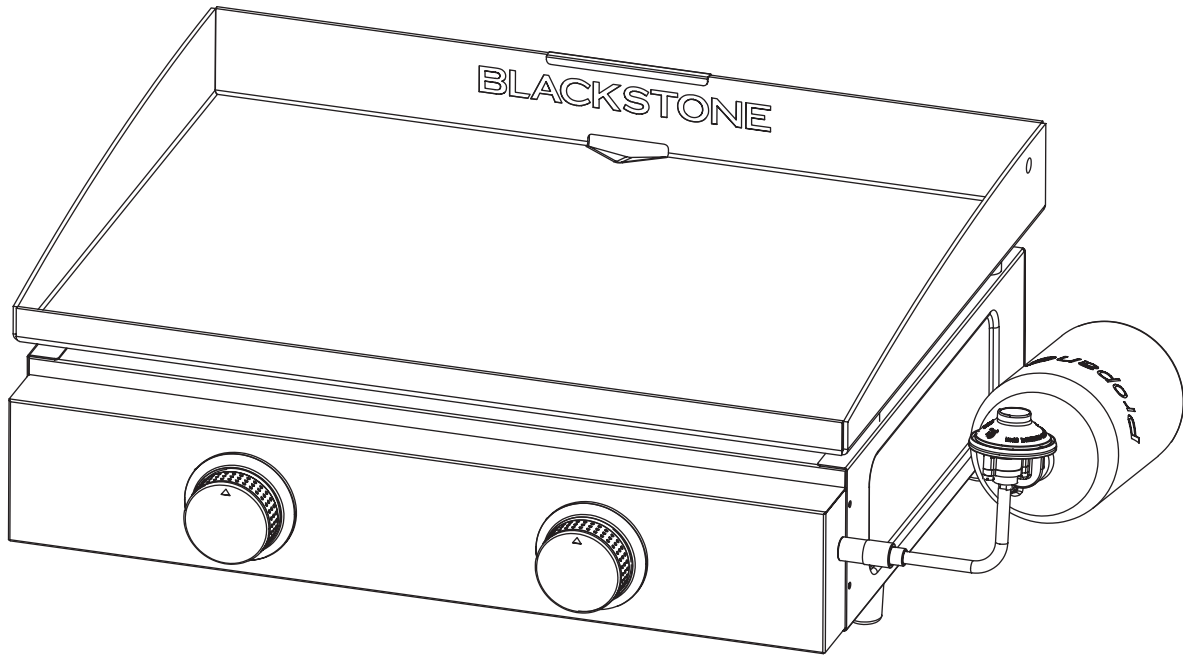
Cette page a été intentionnellement laissée vierge



Cette page a été intentionnellement laissée vierge



Ce produit peut être couvert par un ou plusieurs brevets américains et/ou internationaux délivrés et peut inclure des demandes de brevet en instance. Pour plus d'informations, rendez-vous sur: [BlackstoneProducts.com/patents](https://BlackstoneProducts.com/patents)



MANUAL DEL PROPIETARIO

# PLANCHA DE 22"

## TABLA DE CONTENIDO

INFORMACION DE SEGURIDAD IMPORTANTE .....	02
ACTIVA TU GARANTÍA .....	03
GUÍA DE MONTAJE .....	04
USANDO SU BLACKSTONE .....	06
SOLUCIÓN DE PROBLEMAS .....	12



Para obtener la última versión de este manual, escanee este código o visite [BlackstoneProducts.com/support](http://BlackstoneProducts.com/support)

### IMPORTANTE:

Este manual de instrucciones contiene información importante necesaria para el correcto montaje y uso seguro del aparato.

Lea y siga todas las advertencias e instrucciones antes de ensamblar y usar el aparato.

Siga todas las advertencias e instrucciones cuando utilice el aparato.

Guarde este manual para referencia futura.

Instalador/Ensamblador: Deje estas instrucciones con el consumidor.

### CLAVE DE ALERTA DE SEGURIDAD

#### ⚠ PELIGRO

Indica una situación peligrosa que, si NO SE evita, provocará la muerte o lesiones graves.

#### ⚠ ATENCIÓN

Indica una situación peligrosa que, si NO SE evita, podría provocar lesiones leves o moderadas.

#### ⚠ ADVERTENCIA

Indica una situación peligrosa que, si NO SE evita, podría provocar la muerte o lesiones graves.

#### AVISO

Indica información que se considera importante, pero no relacionada con peligros (por ejemplo, mensajes relacionados con daños a la propiedad).

# INFORMACION DE SEGURIDAD IMPORTANTE

## ⚠ PELIGRO

Si huele a gas:

- Cierre el suministro de gas al aparato.
- Apague cualquier llama abierta.
- Si el olor continúa, manténgase alejado del aparato y llame inmediatamente a su proveedor de gas o al departamento de bomberos.

El incumplimiento de estas instrucciones podría provocar incendios o daños a la propiedad, lesiones personales o la muerte.

## ⚠ PELIGRO

- **NUNCA** opere este aparato sin supervisión.
- **NUNCA** opere este aparato a menos de 10 pies (3,0 m) de cualquier estructura, material combustible u otro cilindro de gas.
- **NUNCA** opere este aparato a menos de 25 pies (7,5 m) de cualquier líquido inflamable.
- Si ocurriera un incendio, manténgase alejado del aparato y llame inmediatamente a los bomberos. **NO INTENTE** extinguir un incendio de aceite o grasa con agua.

El incumplimiento de estas instrucciones podría provocar incendios o daños a la propiedad, lesiones personales o la muerte.

## ⚠ ADVERTENCIA

- **No almacene ni use gasolina u otros líquidos o vapores inflamables cerca de este o cualquier otro aparato.**
- **Un cilindro de GLP que no esté conectado para su uso no debe almacenarse cerca de este ni de ningún otro aparato.**

## SEGURIDAD DE LOS APARATOS DE GAS

- El uso de alcohol, medicamentos recetados o de venta libre puede afectar la capacidad del consumidor para ensamblar correctamente u operar de manera segura el electrodoméstico.
- Mantenga a los niños y las mascotas alejados del aparato en todo momento.
- Tenga a mano un extintor de incendios tipo BC o ABC.

### NO LO USE PARA FINES DISTINTOS A LOS PREVISTOS:

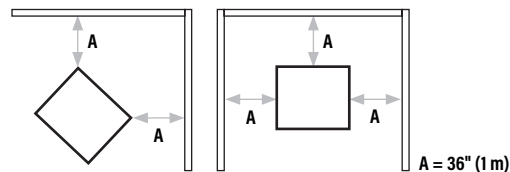
- NO MODIFIQUE este aparato.
- NO LO USE para cocinar comercialmente.
- NO UTILICE este aparato como calentador.

### ESTE APARATO SE DEBE UTILIZAR AL AIRE LIBRE SOLAMENTE.

- NO USE este aparato dentro de edificios, garajes o cualquier otra área cerrada.
- NO INSTALE este aparato dentro o sobre un barco.
- NO INSTALE este aparato dentro o sobre un vehículo recreativo.

### MANTENGA LAS DISTANCIAS ADECUADAS DEL MATERIAL COMBUSTIBLE:

- NO USE este electrodoméstico sobre o debajo de ningún apartamento o balcón o terraza de condominio.
- NO UTILICE este aparato bajo construcciones combustibles elevadas.
- NO OBSTRUYA el flujo de aire de combustión y ventilación.
- NO OPERE este aparato a menos de 36 pulgadas (1 m) de los lados y la parte posterior del aparato.



## LA INSTALACIÓN DEBE CUMPLIR CON LOS CÓDIGOS LOCALES

En ausencia de códigos locales, la instalación debe cumplir con:

- Código Nacional de Gas Combustible*, ANSI Z223.1/NFPA 54, *Almacenamiento y Manejo de Gases Licuados de Petróleo*, ANSI/NFPA 58; o
- Código de instalación de gas natural y propano*, CSA B149.1; *Almacenamiento y manejo de propano*, CSA B149.2; o
- La *Norma para vehículos recreativos*, ANSI A119.2/NFPA 1192; y *Código de vehículos recreativos*, CSA Z240 serie RV, según corresponda.

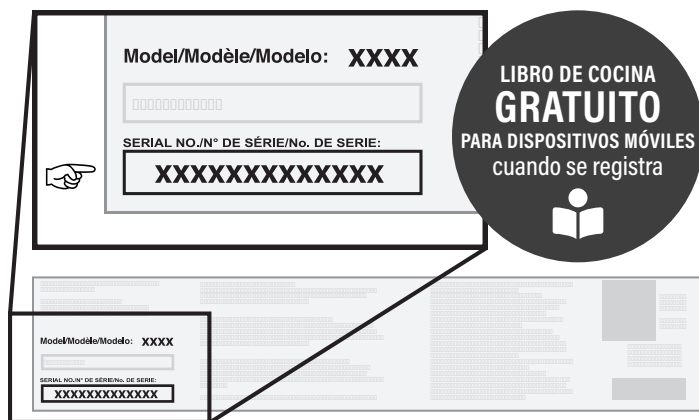


# ACTIVA TU GARANTÍA

La garantía de 1 año de North Atlantic Imports LLC cubre las piezas de repuesto hasta un año después de la fecha de compra.

## PARA HABILITAR ESTA GARANTÍA, DEBERÁ PROPORCIONAR:

☞ Número de serie de su electrodoméstico



El número de serie se puede encontrar en la etiqueta del fabricante de su electrodoméstico.

(La etiqueta del fabricante es una calcomanía plateada grande que se encuentra en el cuerpo de su electrodoméstico).



Registre su electrodoméstico en [BlackstoneProducts.com/register](https://BlackstoneProducts.com/register)

## DESCRIPCIÓN GENERAL DE LA GARANTÍA

North Atlantic Imports, el fabricante, garantizará durante un año desde la compra todas las piezas, la mano de obra y los acabados. Será opción del fabricante reparar o reemplazar cualquiera de los elementos anteriores. Todas las garantías se limitan únicamente al comprador original. Esta garantía no cubre ninguna responsabilidad por parte de North Atlantic Imports, sus agentes o empleados, por daños indirectos o consecuentes por incumplimiento de la garantía. El comprador debe seguir las instrucciones de uso del fabricante.

Bajo ninguna circunstancia, el fabricante es responsable de los daños causados por la falta de operación adecuada de la estación de cocción. Es responsabilidad del comprador establecer el período de garantía verificando la fecha de compra original con el recibo de compra original.

## EXPLICACIÓN DETALLADA DE LA GARANTÍA.

North Atlantic Imports LLC garantiza al propietario que el producto cubierto por este acuerdo está libre de defectos de material y mano de obra en condiciones normales de uso y servicio para el que fue diseñado si, pero solo si, ha sido operado de acuerdo con North Atlantic Imports LLC instrucciones exclusivamente para uso doméstico, y no para club privado o público, instituciones o fines comerciales.

La obligación de North Atlantic Imports LLC en virtud de esta garantía se limita a reemplazar o reparar, sin cargo, cualquier pieza o piezas que puedan resultar, a satisfacción de North Atlantic Imports LLC, como defectuosas bajo el uso y servicio doméstico normal dentro de los siguientes períodos establecidos de tiempo a partir de la fecha de compra; durante un año a partir de la compra, todas las piezas, el acabado y la mano de obra. En caso de que se manifieste alguna falta de conformidad con esta garantía durante los períodos de garantía aplicables mencionados anteriormente, el comprador original debe notificar a North Atlantic Imports LLC sobre el incumplimiento de la garantía dentro del período de garantía aplicable.

North Atlantic Imports LLC, previa notificación y cumplimiento por parte del comprador original de dichas instrucciones, corregirá dicha falta de conformidad mediante la reparación o el reemplazo de la pieza o piezas defectuosas.

La corrección en la forma prevista anteriormente constituirá el cumplimiento de todas las obligaciones de North Atlantic Imports LLC con respecto a la calidad del producto.

North Atlantic Imports LLC no garantiza que este equipo cumpla con los requisitos de ningún código de seguridad de ningún estado, municipio u otra jurisdicción, y el comprador original asume todos los riesgos y responsabilidades que resulten del uso del mismo, ya sea que se use de acuerdo con North Atlantic Imports Instrucciones de LLC o de otra manera.

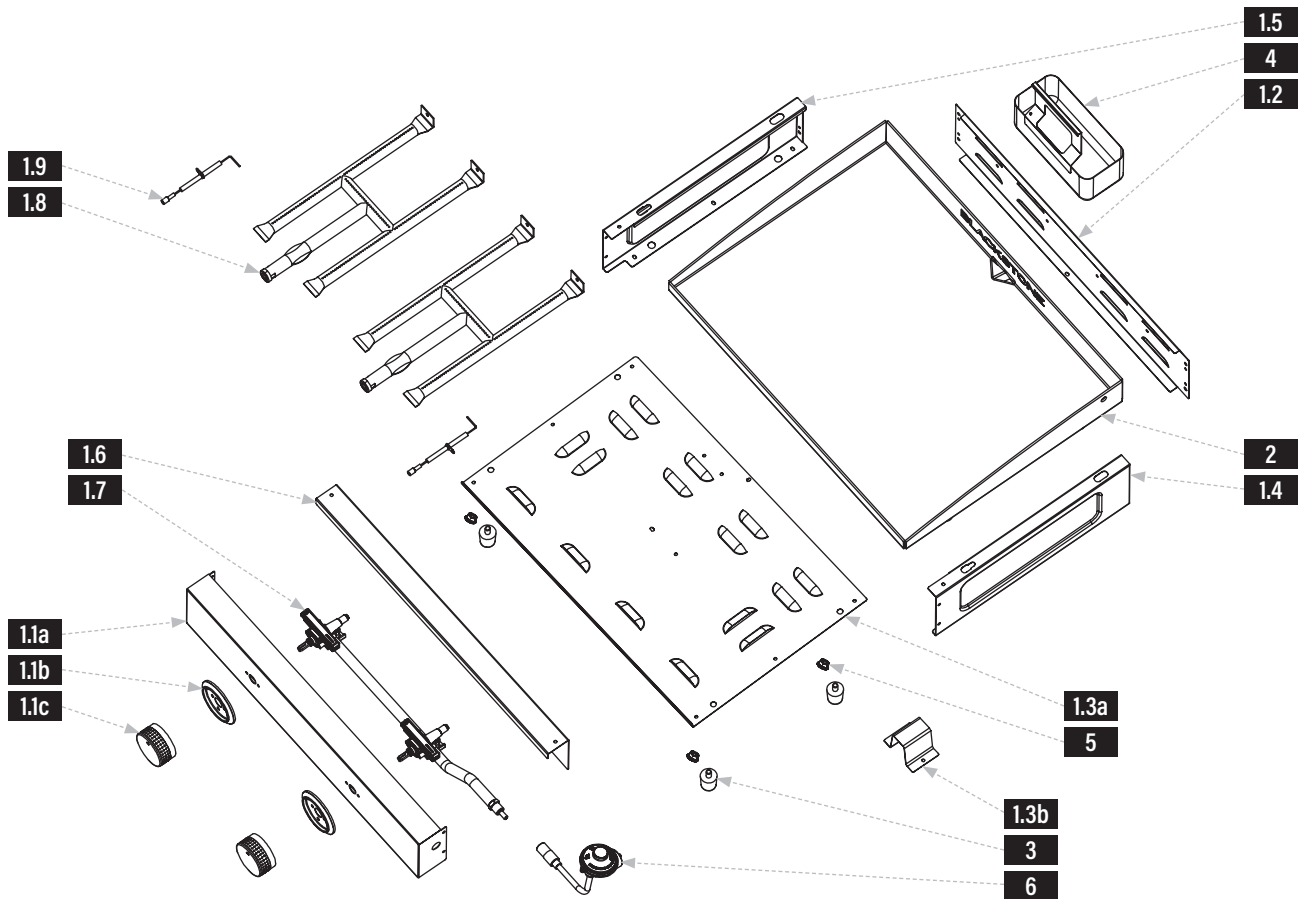
Esta garantía no cubre y pretende excluir cualquier responsabilidad por parte de North Atlantic, sus agentes, empleados o empleados, ya sea en virtud de esta garantía o implícitos por ley, por cualquier daño indirecto o consecuente por incumplimiento de cualquier garantía. El comprador debe establecer todos los períodos de garantía aplicables de conformidad con esta garantía al verificar la fecha de compra original al presentar el recibo de compra fechado. Esta garantía NO SE aplicará a este producto ni a ninguna otra parte del mismo que haya sido objeto de accidente, negligencia, alteración, abuso o mal uso, o que haya sido reparado o alterado sin el consentimiento por escrito de North Atlantic, fuera de la fábrica de North Atlantic Imports LLC. La garantía completa del fabricante no es válida para planchas compradas a revendedores externos sin licencia, compradas con descuento debido a piezas faltantes o dañadas, o compradas como modelo de piso; a discreción de North Atlantic Imports.

North Atlantic Imports LLC no ofrece garantía alguna con respecto a los accesorios o piezas que NO SE suministren con él. Esta garantía se aplicará únicamente dentro de los límites de los Estados Unidos de América y Canadá. Esta garantía otorga derechos específicos al comprador original, y el comprador original también puede tener otros derechos, que varían de un estado a otro.



# GUÍA DE MONTAJE

## VISTA EN DESPIECE ORDENADO



### LISTA DE PARTES

PIEZAS	CTD
<b>1.1a</b> Panel frontal	1
<b>1.1b</b> Biseles de las perillas de control	2
<b>1.1c</b> Perillas de control	2
<b>1.2</b> Panel posterior	1
<b>1.3a</b> Panel inferior	1
<b>1.3b</b> Canal de sombrero	1
<b>1.4</b> Panel derecho	1
<b>1.5</b> Panel izquierdo	1
<b>1.6</b> Panel deflector delantero	1
<b>1.7</b> Riel de gas	1
<b>1.8</b> Quemadores H	2
<b>1.9</b> Agujas de encendido	2

<b>1</b> Body (1 piece) 	<b>2</b> Griddle Top (1 piece) 
<b>3</b> Feet (4 pieces) 	<b>4</b> Grease cup (1 piece) 
<b>5</b> M8 Flange nuts (4 pieces) 	<b>6</b> Regulator (1 piece) 



# INSTRUCCIONES DE MONTAJE

Encuentre un área grande y limpia para ensamblar su electrodoméstico.  
Retire todo el material de embalaje antes de ensamblar.

## ⚠ ATENCIÓN

Bordes afilados. Use guantes durante el montaje.



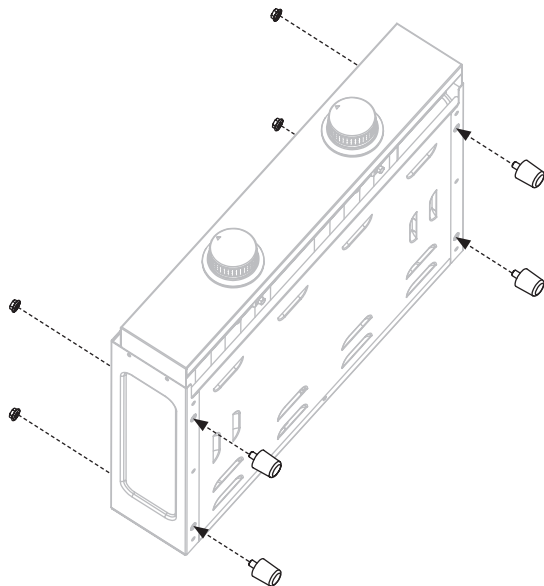
### NO INCLUIDO:

Cilindro de GLP  
Tamaño: 3,8 x 7,8 pulgadas, 1 libra (453 g)

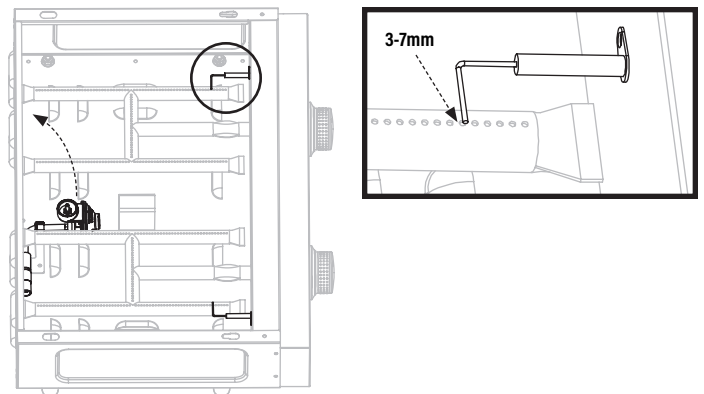
### HERRAMIENTA NECESARIA:

Llave ajustable

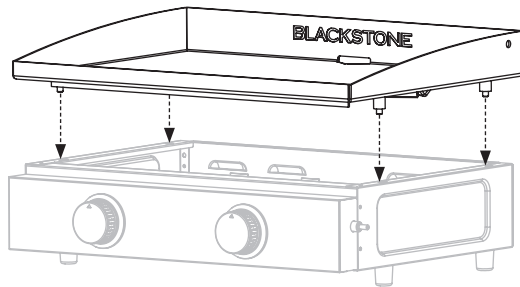
**PASO 01** Use cuatro (4) tuercas con reborde M8 para unir cuatro (4) patas de la plancha a la parte inferior de la plancha.



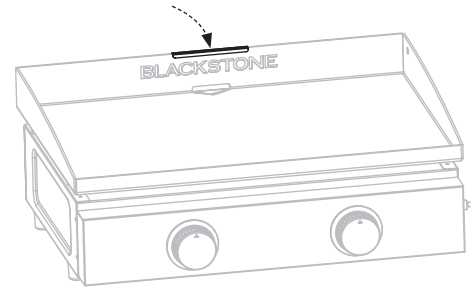
**PASO 02** Coloque la plancha sobre sus pies. Asegúrese de que la aguja de encendido esté colocada entre 3 y 7 mm por encima del tubo del quemador. Saque el regulador y déjelo a un lado.



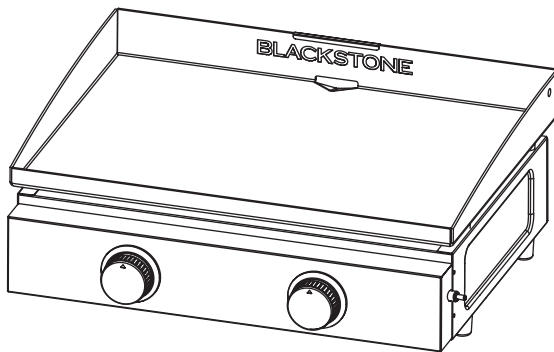
**PASO 03** Coloque la parte superior de la plancha sobre el cuerpo de la plancha. Asegúrese de que las cuatro clavijas de posicionamiento en la parte superior de la plancha estén asentadas en el cuerpo de la plancha.



**PASO 04** Cuelgue el recipiente para grasa en la parte trasera de la parte superior de la plancha.



**PASO 05** Continúe con **USANDO SU BLACKSTONE**.



**AVISO**

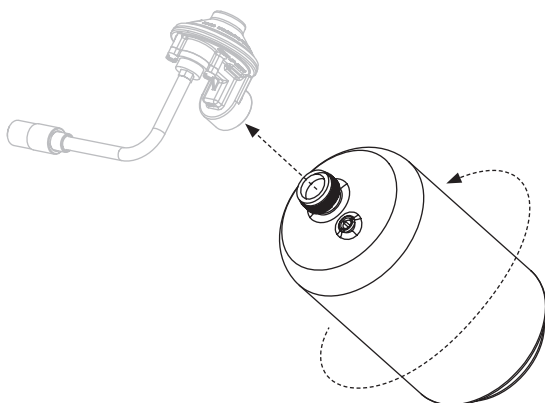
Coloque el aparato sobre una superficie resistente al calor y a las llamas mientras esté en uso.

## USANDO SU BLACKSTONE

### CONECTAR EL CILINDRO DE GLP 1 LB (453 G)

**PASO 01** Enrosque el cilindro de GLP en el regulador de gas, girando el cilindro en el sentido de las agujas del reloj.

El regulador puede emitir un zumbido o silbido durante el funcionamiento. Esto no afectará la seguridad ni el uso del aparato.



### SEGURIDAD DEL REGULADOR

**⚠ ADVERTENCIA**

El enhebrado cruzado puede ocurrir si fuerza el enhebrado de una conexión en un ángulo inadecuado. Esto dañará las roscas, provocará una fuga de propano y, potencialmente, provocará una acumulación de combustible que puede encenderse.

No cruce la conexión entre el cilindro de GLP y el regulador o el riel de gas.

**⚠ ADVERTENCIA**

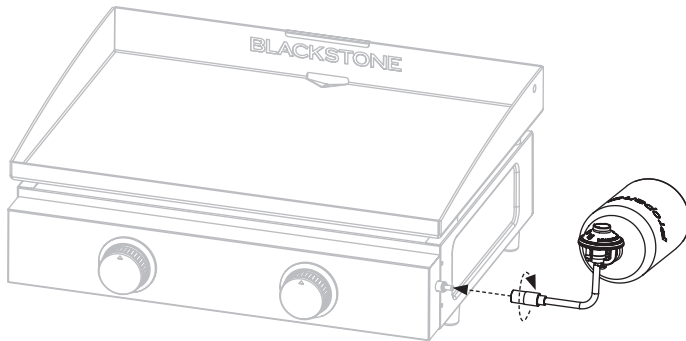
Si no puede conectar el regulador, no use el regulador. El regulador debe ser reemplazado por un modelo aprobado por Blackstone por un distribuidor autorizado con licencia profesional.

Use este electrodoméstico, tal como lo compró, solo con el conjunto de gas y válvula/regulador suministrado.

Si el regulador falla en la unidad, debe ser reemplazado por un modelo aprobado por Blackstone (que se encuentra en la etiqueta del fabricante) por un distribuidor autorizado con licencia profesional. El incumplimiento anulará la garantía.



**PASO 02** Inserte el regulador y el cilindro de GLP en la línea de gas del aparato. Gire el collar del regulador en el sentido de las agujas del reloj para asegurarlo a la línea de gas.

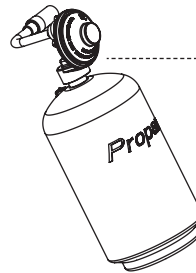


**SEGURIDAD DE CILINDROS DE GLP**

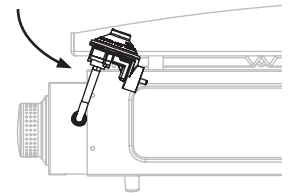
- El cilindro de suministro de GLP que se utilizará debe estar construido y marcado de acuerdo con las especificaciones para cilindros de gas LP, Departamento de Transporte de EE. UU. (DOT) o el Estándar para Cilindros, Esferas y Tubos para el Transporte de Mercancías Peligrosas, CAN/CSA-B339.
- solo se deben usar cilindros de GLP marcados como "propano".
- El cilindro utilizado, si tiene una capacidad de propano superior a 2,2 lb (1,00 kg), debe incluir un collar para proteger la válvula del cilindro.
- El sistema de suministro de cilindros de GLP debe estar preparado para la extracción de vapor.

Mantenga siempre los cilindros de GLP nuevos en posición vertical durante su uso, transporte o almacenamiento.

Asegúrese de que el cilindro de GLP esté colocado debajo del regulador. (Si el nivel de líquido del propano está por encima del regulador, el regulador se congelará).



El regulador de gas está diseñado para usarse en ángulo hacia la parte trasera del aparato.



**SI EL GLASEADO PERSISTE DESPUÉS DE COLOCAR LA BOTELLA EN EL ÁNGULO CORRECTO:**

**PASO 01** Apague el aparato y desconecte el cilindro de GLP inmediatamente. Esto indica un problema con el cilindro de GLP y no debe usarse en ningún producto.

**PASO 02** Devuelva el cilindro de GLP al proveedor.

**INSTRUCCIONES DE PRUEBA DE FUGAS**

**AVISO**

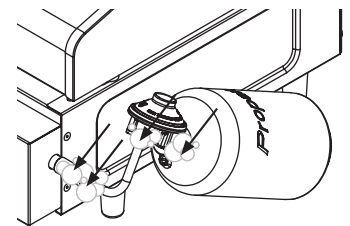
NO UTILICE agentes de limpieza domésticos. Se pueden dañar la válvula de gas y los componentes del regulador. Use una brocha limpia y una solución de agua y jabón suave 10/90 para realizar la prueba de fugas.

**PASO 01** Gire las perillas de control a APAGADO.

**PASO 02** Conecte el cilindro de GLP al regulador. Conecte el regulador al aparato. El regulador puede emitir un zumbido o silbido durante el funcionamiento. Esto no afectará la seguridad ni el uso del aparato.

**PASO 03** Cepille la solución jabonosa en las áreas de unión de las válvulas y el regulador. Las fugas se indican mediante burbujas en crecimiento.

**PASO 04** Si aparecen burbujas en crecimiento, vuelva a apretar las conexiones.



**⚠ ADVERTENCIA**

Si NO SE pueden detener las fugas, NO INTENTE repararlas. El regulador debe ser reemplazado por un modelo aprobado por Blackstone.

## LIMPIEZA POR PRIMERA VEZ

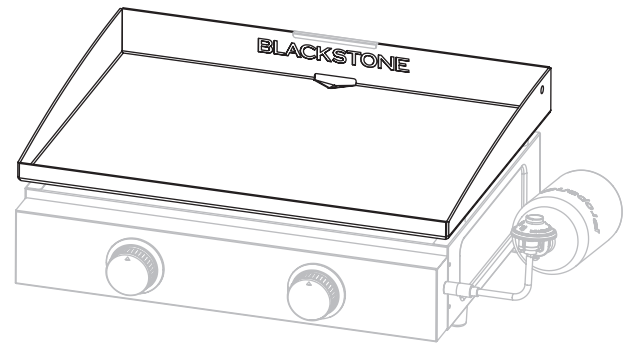
### LIMPIEZA DE LA PARTE SUPERIOR DE SU PLANCHA

#### AVISO

El jabón arruinará una plancha experimentada. Esta es la única vez que debe usar jabón en la superficie de cocción de la plancha.

**PASO 01** Lave la superficie de cocción de la plancha con agua caliente y jabón.

**PASO 02** Enjuague y seque completamente.



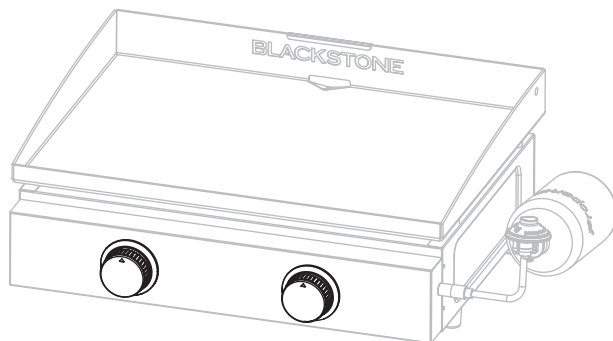
## INSTRUCCIONES DE ENCENDIDO

### 1. VÁLVULAS DE RETENCIÓN

**PASO 01** Gire la perilla a la posición de APAGADO.

**PASO 02** Empuje la perilla y suelte. La perilla debe retroceder. Si las perillas no retroceden, reemplace el ensamblaje de la válvula antes de usar el aparato.

**PASO 03** Gire la perilla a BAJO y luego vuelva a APAGADO. La perilla debe girar suavemente.



### 3. VERIFIQUE LA LLAMA DEL QUEMADOR

Siempre revise la llama del quemador antes de usar.

**PASO 01** Encienda los quemadores y gire las perillas de ALTO a BAJO.

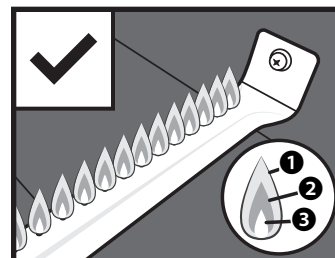
**PASO 02** Mire debajo de la superficie de cocción para ver los quemadores. Cuando la perilla está en ALTO, las llamas deben ser más grandes que cuando la perilla está en BAJO.

#### ⚠ ADVERTENCIA

Un quemador obstruido puede provocar un incendio debajo del aparato.

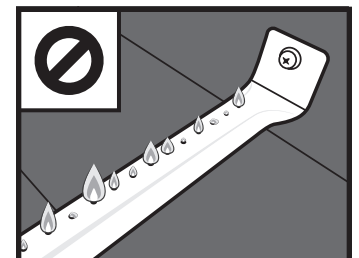
El quemador debe retirarse y limpiarse anualmente o siempre que se encuentren acumulaciones pesadas o insectos/nidos de insectos.

#### PATRÓN DE LLAMA DE QUEMADOR SALUDABLE



- 1 Parpadeos de color amarillo.
- 2 Color azul oscuro.
- 3 Azul vibrante.

#### LAS LLAMAS DEL QUEMADOR SON AMARILLAS O IRREGULARES

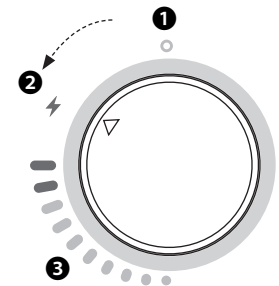


Si hay una caída repentina o un problema de llama baja, consulte el capítulo Solución de problemas.

### 2. ENCENDIDO PIEZOELÉCTRICO DE LA PLANCHA

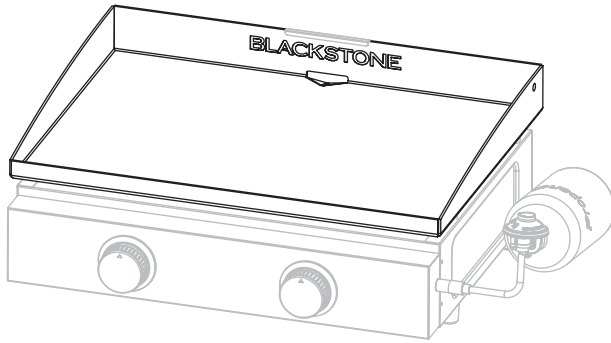
⚠ NO SE incline sobre el aparato mientras lo enciende.

- 1 Presione la perilla de control para que comience a fluir el gas.
- 2 Gire la perilla de control en sentido antihorario para activar el motor de arranque.
- 3 Ajuste la temperatura al nivel deseado.





# INSTRUCCIONES PARA SAZONAR LA PLANCHA



## ¿QUÉ ACEITE ES MEJOR USAR?

- Blackstone Seasoning and Cast Iron Conditioner.
- Cualquier aceite de cocina de origen vegetal.
- Grasa animal fundida sin aditivos.



### VIDEOTUTORIAL

Cómo sazonar una nueva plancha Blackstone  
[youtube.com/watch?v=VspmDVnj2pl&t=3s](https://www.youtube.com/watch?v=VspmDVnj2pl&t=3s)

**PASO 01** Limpie cualquier residuo de la parte superior de la plancha.



**PASO 02** Configura tu plancha a fuego alto hasta que la parte superior de la plancha cambie de color. (~10 minutos)



**PASO 03** Use pinzas para sostener una toalla de papel o un paño de algodón y extienda 2-3 cucharadas de su aceite de condimento en toda la parte superior de la plancha. Cuando sazone la parte superior de su plancha, recuerde usar una capa delgada y uniforme de aceite: cuanto más delgada sea la capa de aceite, más fácil será quemarla.



**PASO 04** La parte superior de la plancha está lista para otra capa de aceite cuando deja de humear. Repita el **PASO 03** 3-4 veces, o hasta que la superficie de la plancha esté negra.



## SOLUCIÓN DE PROBLEMAS DE CONDIMENTOS HAY UN RESIDUO MARRÓN EN LA SUPERFICIE DE LA PLANCHA:

### POSIBLES CAUSAS

- Se usó demasiado aceite.
- Apagaste la calefacción demasiado pronto.

### SOLUCIÓN

- PASO 01** Encienda su plancha a temperatura alta y déjela calentar durante 10-15 minutos.
- PASO 02** Raspe la mayor cantidad de aceite espesado y parcialmente cocido que pueda.
- PASO 03** Vuelva a sazonar con una capa muy fina de aceite.

## LOS BORDES DE LA SUPERFICIE DE LA PLANCHA NO SON NEGROS:

Después de usar su plancha para cocinar varias veces, el condimento se nivelará y mejorará.

## PREVENCIÓN DEL ÓXIDO

Use su plancha con frecuencia. Cada vez que cocina, está agregando condimentos, lo que hace que la oxidación sea menos probable.

### AVISO

Si vive en un clima húmedo o costero, su plancha puede requerir curaciones más frecuentes entre usos.

Si aparece óxido en la superficie de la plancha, frótelo con lana de acero, papel de lija de grano bajo o **Blackstone Pumice Stone** y vuelva a secar la superficie.



### VIDEOTUTORIAL

Recuperación de la tapa de su plancha Blackstone  
[youtube.com/watch?v=thPE2lgnSil](https://www.youtube.com/watch?v=thPE2lgnSil)

## COCINAR EN TU BLACKSTONE

### ⚠ PELIGRO

Los artículos inflamables pueden entrar en combustión espontáneamente si se colocan cerca del aparato. No coloque artículos inflamables como envases de aerosol, toallas aceitosas o grasientas cerca de la superficie de cocción.

### ⚠ ATENCIÓN

Este aparato estará caliente durante y después de su uso. No manipule piezas calientes con las manos sin protección. Use utensilios de cocina de mango largo y guantes para horno.

### AVISO

No guarde ningún artículo a menos de 8 cm (3 pulgadas) de la superficie de cocción mientras está en uso.

### SI GOTEA GRASA U OTRO MATERIAL CALIENTE SOBRE LA VÁLVULA, LA MANGUERA O EL REGULADOR:

**PASO 01** Cierre el suministro de gas inmediatamente.

**PASO 02** Determine la causa y corríjala.

**PASO 03** Limpie e inspeccione la válvula, la manguera y el regulador.

**PASO 04** Realice una prueba de fugas. (Consulte las instrucciones de prueba de fugas en la **USANDO SU BLACKSTONE**).

## VÍDEO RECETAS

Encuentre recetas y consejos de cocina en:

🌐 [BlackstoneProducts.com/blogs/recipes](https://blackstoneproducts.com/blogs/recipes)

📺 [youtube.com/c/BlackstoneGriddles](https://youtube.com/c/BlackstoneGriddles)

📱 [@blackstoneproducts](https://www.instagram.com/blackstoneproducts)



**TORTITAS DE FRESAS Y CREMA**  
Desayuno

**HAMBURGUESA DE CEBOLLA  
FRITA DE OKLAHOMA**  
Almuerzo



**TACOS BORRACHOS**  
Cena

## LIMPIEZA DE SU ELECTRODOMÉSTICO

Limpie su aparato después de cada uso, después de que esté frío al tacto.

- NO USE una almohadilla abrasiva en áreas con gráficos.
- Si se usa un cepillo de cerdas para limpiar cualquiera de las superficies de cocción, asegúrese de que no queden cerdas sueltas en las superficies de cocción antes de cocinar.

### ⚠ ADVERTENCIA

La acumulación de grasa puede provocar un incendio. Limpie cualquier parte del aparato que se caliente y experimente acumulación de grasa después de cada uso.

### PIEZAS DE PLÁSTICO Y SUPERFICIES PINTADAS:

Lave con agua jabonosa tibia y seque con un paño no abrasivo.

### AVISO

NO UTILICE Citrisol, limpiadores abrasivos ni limpiadores concentrados en las piezas de plástico. Esto puede resultar en daños y fallas en las piezas.

### PARA CADA SUPERFICIE

El **Blackstone Degreaser and Cleaning Spray** es lo suficientemente suave para limpiar todas las superficies de su electrodoméstico. Úselo en la superficie de cocción, el marco del electrodoméstico o en cualquier lugar donde se acumule grasa.



## ALMACENAMIENTO DE ELECTRODOMÉSTICOS

### ⚠ ADVERTENCIA

No mueva el aparato cuando esté en uso. Deje que el aparato se enfríe a 115°F (45°C) antes de moverlo o almacenarlo.

### GUÍA DE AJUSTE DE LA CUBIERTA

Siempre cubra su electrodoméstico cuando lo guarde al aire libre.



Para encontrar una cubierta que se ajuste a su electrodoméstico, visite [BlackstoneProducts.com/support](https://blackstoneproducts.com/support).



## LIMPIEZA DE LA PARTE SUPERIOR DE SU PLANCHA

Limpie la parte superior de la plancha después de cada uso, mientras aún esté caliente.

- NO USE jabón en la parte superior de la plancha. Esto destruirá el condimento de la plancha.
- El recipiente para la grasa debe retirarse y vaciarse después de cada uso.

### ⚠ ATENCIÓN

La taza de grasa estará caliente durante y después del uso. NO RETIRE la taza de grasa hasta que la plancha se haya enfriado por completo.



### VIDEOTUTORIAL

HCómo limpiar su plancha Blackstone

▶ [youtube.com/watch?v=-ledu9z6NPY](https://www.youtube.com/watch?v=-ledu9z6NPY)

**PASO 01** Empuje los restos de comida sueltos en el recipiente para la grasa con una espátula o un raspador de metal recto.



**PASO 02** Limpie la parte superior de la plancha con una toalla de papel.



**PASO 03** Aplique unas cuantas cucharadas de agua a la superficie de la plancha, luego raspe el agua y los residuos en el recipiente para la grasa. (Para los residuos de comida pegados, use un poco de sal gruesa).



**PASO 04** Limpie nuevamente con una toalla de papel y seque completamente.



**PASO 05** Aplique una fina capa de aceite de cocina para mantener la sazón y proteger la parte superior de la plancha.



## DESCONECTE EL CILINDRO DE GLP 1 LB (453 G)

**PASO 01** Asegúrese de que la(s) perilla(s) de control estén en la posición APAGADO.

**PASO 02** Una vez que el aparato se haya enfriado, desconecte el regulador de la línea de gas desenroscando el collar.

**PASO 03** Desenrosque el cilindro de GLP del regulador.

**PASO 04** Coloque la tapa contra el polvo en la salida de la válvula del cilindro de GLP cuando el cilindro no esté en uso. Instale únicamente el tipo de tapa antipolvo en la salida de la válvula del cilindro que se proporciona con la válvula del cilindro. Otros tipos de tapas o taponos pueden provocar fugas de propano.

### ALMACENAMIENTO DE CILINDROS DE GLP

#### ⚠ ADVERTENCIA

• No almacene un cilindro de GLP de repuesto debajo o cerca de este aparato.

No llene un cilindro de GLP más allá del 80% de su capacidad. Si NO SE sigue exactamente la información anterior, se puede producir un incendio que cause la muerte o lesiones graves.

- El cilindro de GLP debe estar desconectado cuando el aparato no esté en uso.
- Guarde el aparato en interiores únicamente si el cilindro de GLP está desconectado y retirado del aparato.

# SOLUCIÓN DE PROBLEMAS

## SOLUCIÓN DE PROBLEMAS DE ENCENDIDO

### EL QUEMADOR NO SE ENCIENDE:

Si NO SE enciende en 5 segundos:

**PASO 01** Apague la perilla de control del quemador.

**PASO 02** Espere 5 minutos.

**PASO 03** Repita el procedimiento de encendido.

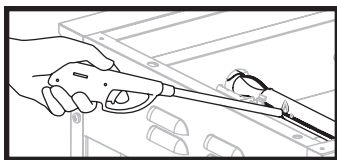
Si esto no funciona, para determinar la causa, intente encender su aparato con una cerilla.

### INSTRUCCIONES PARA ENCENDER FÓSFOROS

Antes de comenzar, compruebe si hay fugas de gas. Abra el capó (si corresponde).

**PASO 01** Gire la perilla de control a la posición APAGADO.

**PASO 02** Encienda un fósforo (o un encendedor largo) de no menos de 11 pulgadas de largo.



**PASO 03** Coloque la llama en el lado derecho o izquierdo del quemador.

**PASO 04** Presione y gire la perilla de control para que empiece a fluir el gas. Asegúrese de que el quemador se encienda y permanezca encendido.

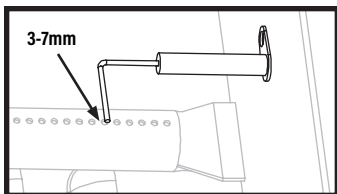
### SI PUEDE ENCENDER SU ELECTRODOMÉSTICO CON UN FÓSFORO:

#### POSIBLES CAUSAS

Cable de encendido desalineado.

#### SOLUCIÓN

Asegúrese de que la aguja del encendedor esté colocada entre 3 a 7 mm del quemador y alineada con los orificios del quemador.



Daños en el sistema de encendido.

Póngase en contacto con el servicio de atención al cliente para obtener piezas de repuesto.

### SI NO PUEDE ENCENDER SU APARATO CON UN FÓSFORO:

#### POSIBLES CAUSAS

Los tubos de los quemadores no reciben combustible.

#### SOLUCIÓN

Limpie el conjunto del quemador para eliminar la obstrucción.

## SOLUCIÓN DE PROBLEMAS DE FLUJO DE GAS

### LAS LLAMAS DEL QUEMADOR SON AMARILLAS O IRREGULARES:

- El aparato no alcanzará una temperatura alta o calentará de manera desigual.
- Las llamas del quemador comienzan con fuerza, luego bajan inmediatamente a nivel bajo incluso cuando el quemador está en la posición alta.
- La altura de la llama desciende cuando se enciende un segundo quemador.
- Las llamas NO SE extienden por toda la longitud del quemador, o solo corren por un lado del quemador.
- Las llamas del quemador son inconsistentes.

#### POSIBLES CAUSAS

Obstrucciones en el quemador, chorros de gas o riel de combustible.

#### SOLUCIÓN

Limpie el quemador, los surtidores y la manguera de gas.

El cilindro de GLP está vacío o bajo.

Rellene o reemplace el cilindro de GLP.

Se activó el dispositivo limitador de caudal del regulador.

Restablecer el sistema de seguridad:

**PASO 01** Apague el aparato, cierre la válvula del cilindro de GLP y desconecte el regulador del cilindro de GLP.

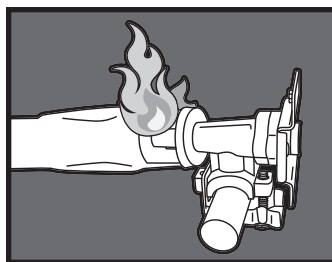
**PASO 02** Espere cinco minutos para permitir que se disipe la presión, luego vuelva a conectar el regulador al cilindro de GLP y abra lentamente el volante OPD media vuelta.

**PASO 03** Encienda su electrodoméstico.

Regulador atascado en posición de seguridad.

Póngase en contacto con el servicio de atención al cliente para obtener piezas de repuesto.

### UNA LLAMA SALE DE LA PUERTA DE AIRE:



#### POSIBLES CAUSAS

Algo está bloqueando el venturi en el tubo del quemador.

#### SOLUCIÓN

Limpie el conjunto del quemador para eliminar la obstrucción.



## LIMPIEZA DEL CONJUNTO DEL QUEMADOR



### VIDEOTUTORIAL

Cómo limpiar el tubo de su quemador  
 ▶ [youtube.com/watch?v=xKQTCrFCzf8](https://www.youtube.com/watch?v=xKQTCrFCzf8)

**PASO 01** Asegúrese de que el gas esté CERRADO en las perillas de control y el suministro de gas. Retire la superficie de cocción.

**PASO 02** Separe y retire con cuidado el quemador.



**PASO 03** Limpie el interior del quemador:

- Pase un cepillo angosto para botellas a través de cada tubo de quemador varias veces. (NO use cepillos de alambre)
- Pase un alambre rígido doblado en un pequeño gancho a través de cada tubo de quemador varias veces.
- Use aire comprimido para soplar a través del tubo del quemador y sacar los puertos del quemador. Verifique que el aire sople a través de cada orificio. (Use protección para los ojos)



**PASO 04** Cepille toda la superficie exterior del quemador para eliminar la suciedad.

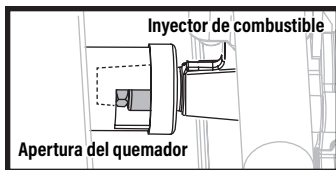


**PASO 05** Limpie los puertos bloqueados con un alambre rígido, como un sujetapapeles abierto.



**PASO 06** Vuelva a colocar con cuidado los quemadores y vuelva a colocarlos.

⚠ La boquilla de combustible del riel de gas debe volver a conectarse dentro de la abertura del quemador.



## SERVICIO AL CLIENTE

Visítenos en línea en [BlackstoneProducts.com/support](https://www.BlackstoneProducts.com/support) para obtener ayuda sobre el uso del aparato, las piezas de repuesto o la garantía.

### HORARIO DE ATENCIÓN AL CLIENTE:



Lunes Viernes  
 7:00 am a 5:00 pm (MST)

Esta página se dejó en blanco intencionalmente



Esta página se dejó en blanco intencionalmente



Este producto puede estar cubierto por una o más patentes estadounidenses y/o internacionales emitidas y puede incluir solicitudes de patentes pendientes.  
Para obtener más información, visite: [BlackstoneProducts.com/patents](https://BlackstoneProducts.com/patents)