

# BLACKSTONE®

MODEL #1504

Français p. 21  
Español p. 40

Owner's Manual

# Single Burner Rec Stove



**FOR OUTDOOR USE ONLY**




**WARNING**





Please read manual carefully before assembly  
Retain this manual for future reference



## Safety Symbols

The symbols and boxes shown below explain what each heading means. Read and follow all of the messages found throughout the manual.

	<b>DANGER</b>	
<p><b>DANGER:</b> Indicates an imminently hazardous situation which, if not avoided, will result in death or serious injury.</p>		



	<b>CAUTION</b>	
<p><b>CAUTION:</b> Indicates a potentially hazardous situation which, if not avoided, may result in minor or moderate injury.</p>		



	<b>WARNING</b>	
<p><b>WARNING:</b> Be alert to the possibility of serious bodily injury if the instructions are not followed. Be sure to read and carefully follow all of the messages.</p>		

	<b>CALIFORNIA PROPOSITION 65 WARNING</b>	
<p><b>WARNING:</b> This product contains chemicals known to the State of California to cause cancer and birth defects or other reproductive harm. (California law requires this warning be given to customers in the State of California.) For more information: <a href="http://www.watts.com/prop65">www.watts.com/prop65</a></p>		

This instruction manual contains important information necessary for the proper assembly and safe use of the appliance. Read all warnings and instructions before assembling and using the appliance. Follow all warnings and instructions when assembling and using the appliance.

**FAILURE TO FOLLOW THESE INSTRUCTION COULD RESULT IN FIRE OR EXPLOSION WHICH COULD CAUSE PROPERTY DAMAGE, PERSONAL INJURY, OR DEATH.**

	<b>DANGER</b>	
<p>If you smell gas:</p> <ol style="list-style-type: none"><li>1. Shut off gas to the appliance.</li><li>2. Extinguish any open flame.</li><li>3. If odor continues, keep away from the appliance and immediately call your gas supplier or your fire department.</li></ol>		

	<b>WARNING</b>	
<ol style="list-style-type: none"><li>1. Do not store or use gasoline or other flammable liquids or vapors in the vicinity of this or any other appliance.</li><li>2. An LP cylinder not connected for use shall not be stored in the vicinity of this or any other appliance.</li></ol>		

Before proceeding, make certain that you understand the IMPORTANT INFORMATION section of this manual. This instruction manual contains important information necessary for the proper assembly and safe use of the appliance. Read and follow all warnings and instructions before assembling and using the appliance.

***Hazardous fire or explosion may result if instructions are ignored.***

It is the consumer's responsibility to see that the BLACKSTONE Single Burner Rec Stove is properly assembled, installed, and maintained. Failure to follow the instructions in this manual could result in bodily injury and/or property damage.

**FOR YOUR SAFETY IF YOU SMELL GAS:**

1. Turn off gas supply at tank.
2. Extinguish all open flames; do not operate any electrical appliances.
3. Ventilate the area.
4. Check for leaks as detailed in this manual.

**PRECAUTIONS:**

1. Leak test all connections after each tank refill.
2. Never check for leaks with a match or open flame.
3. Do not store gasoline or other flammable vapors and liquids in the vicinity of this or any other appliance.
4. Any LP cylinder not connected for use shall not be stored in the vicinity of this or any other appliance.

5. Do not store a spare LP gas cylinder under or near this appliance.
6. Never fill the cylinder beyond 80 percent full.
7. If the information in the above two statements is not followed exactly, a fire causing death or serious injury may occur.
8. Do not operate BLACKSTONE Single Burner Rec Stove any closer than 36 inches from any combustible construction, including walls and ceilings. Never use indoors.
9. Do not use this appliance under overhead combustible surfaces.
10. The regulator used in this unit is ZHENDAR T3. If this regulator fails, it must be replaced with the exact model and must only be replaced by a professionally licensed, authorized dealer.
11. Perform a visual inspection the gas path, from the tank connection through to the element orifices for any breaks, leaks, cracks or intrusions. Begin at the tank connection and continue to the connection with the metal piping behind the temperature dial cover. Visually inspect the knob mechanism for similar defects. Follow the metal piping behind the temperature dials to the elements. Look for abnormalities or cracks on the element or orifices at the center of the grill box. Please contact customer service with any questions or concerns.



# WARNING



- This appliance shall be used only outdoors, and shall not be used in a building, garage or any other enclosed area
- This appliance is not intended to be installed in or on recreational vehicles.
- Keep the fuel supply hose away from any heated surface
- The use of alcohol, prescription or non-prescription drugs may impair the consumer's ability to properly assemble or safely operate the appliance.
- In the event of an oil or grease fire do not attempt to extinguish with water. Immediately call the fire department. A Type BC or ABC fire extinguisher may, in some circumstances contain the fire.
- Do not leave the appliance unattended. Keep children and pets away from the appliance at all times.
- This appliance is not intended for and should never be used as a heater
- This appliance will be hot during and after use. Use insulated oven mitts or gloves for protection from hot surfaces or splatter from cooking liquids.



# WARNING



1. Do not store or use gasoline or other flammable liquids or vapors in the vicinity of this or any other appliance.
2. An LP Tank not connected for use shall not be stored in the vicinity of this or any other appliance.

## Call the BLACKSTONE Griddle Information Center for Help and Parts

Missing Parts? Assembly Questions? Operation Problems? Before returning BLACKSTONE Products to store, call: USA (435) 252-3030 | Canada 1.801.656.2041 or email us at [support@blackstoneproducts.com](mailto:support@blackstoneproducts.com)

Model Number \_\_\_\_\_

Serial Number \_\_\_\_\_

Date Purchased \_\_\_\_\_

### To Installer/Assembler:

Leave these instructions with consumer.

### To Consumer:

Keep this manual for future reference.



# CAUTION



Some parts may contain sharp edges, especially as noted in these instructions. Wear protective gloves if necessary.



# CAUTION



For outdoor residential use only. Do not use for commercial cooking.

## Installation Safety Precautions

- Use BLACKSTONE Single Burner Rec Stove, as purchased, only with LP (propane) gas and the regulator/valve assembly supplied.
- BLACKSTONE Single Burner Rec Stove installation must conform with local codes, or in the absence of local codes, with either the National Fuel Gas Code, ANSI Z223.1/ NFPA 54, Natural Gas and Propane Installation Code, CSA B149.1, or Propane Storage and Handling Code, B149.2, or the Standard for Recreational Vehicles, ANSI A 119.2/NFPA 1192, and CSA Z240 RV Series, Recreational Vehicle Code, as applicable.
- The Single Burner Rec Stove is not for use in or on recreational vehicles and/or boats.
- This product is safety certified for use in the United States and/or Canada only. Do not modify for use in any other location. Modification will result in a safety hazard.
- The pressure regulator and hose assembly supplied with the appliance must be used. Replacement pressure regulators and hose assemblies must be those specified by the appliance manufacturer.
- Place dust cap on cylinder valve outlet whenever the cylinder is not in use. Only install the type of dust cap on the cylinder valve outlet that is provided with the cylinder valve. Other types of caps or plugs may result in leakage of propane.
- This appliance shall be used only outdoors, and shall not be used in a building, garage or any other enclosed area.
- This appliance is not intended to be installed in or on recreational vehicles.
- Keep the fuel supply hose away from any heated surface.
- The use of alcohol, prescription or non-prescription drugs may impair the consumer's ability to properly assemble or safely operate the appliance.

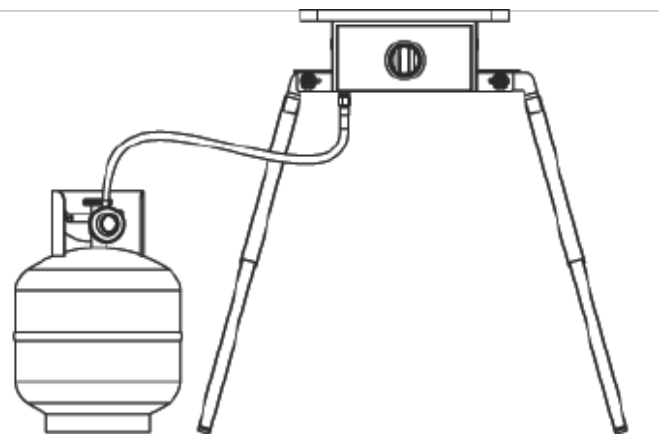
- In the event of an oil or grease fire do not attempt to extinguish with water. Immediately call the fire department. A Type BC or ABC fire extinguisher may, in some circumstances contain the fire.
- Do not leave the appliance unattended. Keep children and pets away from the appliance at all times.
- This appliance is not intended for and should never be used as a heater.
- This appliance will be hot during and after use. Use insulated oven mitts or gloves for protection from hot surfaces or splatter from cooking liquids.

## Safety Maintenance

- Keep appliance area clear and free from combustible materials, gasoline and other flammable vapors and liquids.
- Do not obstruct the flow of combustion and ventilation air flow.
- Keep the ventilation opening of the cylinder enclosure free and clear from debris.
- Visually check burner flames.
- Clean appliance, including special surfaces, with recommended cleaning agents, if necessary.
- Check and clean burner/venturi tube for insects and insect nests. A clogged tube can lead to a fire beneath the appliance.

## Tank Placement

The LP tank connects to the BLACKSTONE Single Burner Rec Stove on the left side and is placed next to the legs as shown.



## TABLE OF CONTENTS

For Your Safety.....	2-5
Grill Warranty.....	6
LP Tank Use & Safety .....	7-12
Assembly.....	13-15
Lighting Instructions.....	16
Care and Maintenance.....	17
Limited Warranty.....	18
Customer Service.....	19

## GRILL WARRANTY

### **90 Days full warranty on BLACKSTONE Single Burner Rec Stove Combo parts**

If this BLACKSTONE Product fails due to a defect in material or workmanship within 90 days from the date of purchase, call **(435) 252-3030** to arrange for replacement parts.

Please retain a copy of your proof of purchase to validate your warranty. You may be requested to send in a copy of your receipt to confirm any warranty requests.

After the first year from the date of purchase, or if a valid proof of purchase cannot be provided, you can purchase replacement parts call **(435) 252-3030**. (Part purchase price with shipping and handling to be paid by customer.)

All warranty coverage excludes BLACKSTONE Product part paint loss, discoloration or surface rusting, which are either expendable parts that can wear out from normal use within the warranty period, or are conditions that can be the result of normal use, accident or improper maintenance.

After expiration of your warranty, you can call **(435) 252-3030** for help, free of charge, with assembly or operation questions.

All warranty coverage is void if this BLACKSTONE Product is ever used for commercial or rental purposes.



# DANGER



- **NEVER** store a spare LP cylinder under or near the appliance or in an enclosed area.
- **NEVER** fill a cylinder beyond 80% full.
- If the information in the two points above is not followed exactly, a fire causing death or serious injury may occur.
- An overfilled or improperly stored cylinder is a hazard due to possible gas release from the safety relief valve. This could cause an intense fire with risk of property damage, serious injury or death.
- If you see, smell or hear gas escaping, immediately get away from the LP cylinder and appliance and call your fire department.

## LP Tank valve must have:

- Type 1 outlet compatible with regulator or grill.
- Safety relief valve.
- UL listed Overfill Protection Device (OPD). This OPD safety feature is identified by a unique triangular hand wheel. Use only LP Tanks equipped with this type of valve.



Safety Cap

LP Tank must be arranged for vapor withdrawal and include collar to protect LP Tank valve. Always keep LP Tanks in upright position during use, transit or storage.

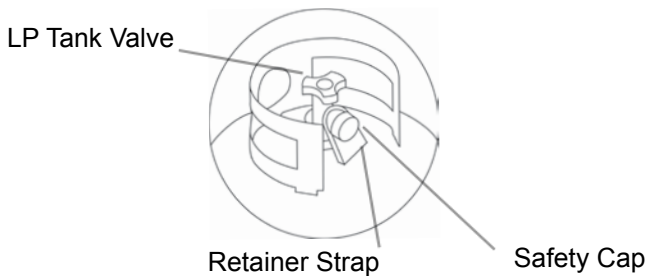


LP Tank in upright position for vapor withdrawal

## LP Tank Removal, Transport And Storage

- Turn OFF all control knobs and LP tank valve. Turn coupling nut counterclockwise by hand only - do not use tools to disconnect. Lift LP tank wire upward off of LP tank collar, then lift LP tank up. Install safety cap onto LP tank valve. Always use cap and strap supplied with valve.

Failure to use safety cap as directed may result in serious personal injury and/or property damage.



- A disconnected LP tank in storage or being transported must have a safety cap installed (as shown). Do not store an LP tank in enclosed spaces such as a carport, garage, porch, covered patio or other building. Never leave an LP tank inside a vehicle which may become overheated by the sun.
- Do not store an LP tank in an area where children play.

## LP Tank

The LP Tank used with your grill must meet the following requirements:

- LP Tanks must be constructed and marked in accordance with specifications for LP Tanks of the U.S. Department of Transportation (DOT) or for Canada, CAN/CSA-B339, 20 lb tanks (LP tank dimension: 12.3 inches wide x 18 inches tall), spheres and tubes for transportation of dangerous goods. Transport Canada (TC).
- See LP Tank collar for marking.

## LP (Liquefied Petroleum Gas)

- LP gas is nontoxic, odorless and colorless when produced.
- For Your Safety, LP gas has been given an odor (similar to rotten cabbage) so that it can be smelled.
- LP gas is highly flammable and may ignite unexpectedly when mixed with air.

## LP Tank Filling

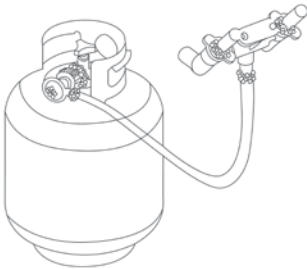
- Use only licensed and experienced dealers.
- LP dealer must purge new tank before filling.
- Dealer should NEVER fill LP Tank more than 80% of LP Tank volume. Volume of propane in tank will vary by temperature.
- A frosty regulator indicates gas overfill. Immediately close LP Tank valve and call local LP gas dealer for assistance.
- Do not release liquid propane (LP) gas into the atmosphere. This is a hazardous practice.
- To remove gas from LP Tank, contact an LP dealer or call a local fire department for assistance. Check the telephone directory under "Gas Companies" for nearest certified LP dealers.



## LP Tank Exchange

- Many retailers that sell grills offer you the option of replacing your empty LP tank through an exchange service. Use only those reputable exchange companies that inspect, precision fill, test and certify their tanks. Exchange your tank only for an OPD safety feature-equipped tank as described in the “LP Tank” section of this manual.
- Always keep new and exchanged LP tanks in upright position during use, transit or storage.
- Leak test new and exchanged LP tanks BEFORE connecting to grill.
- Place dust cap on cylinder valve outlet whenever the cylinder is not in use. Only install the type of dust cap on the cylinder valve outlet that is provided with the cylinder valve. Other types of caps or plugs may result in leakage of propane.

## LP Tank Leak Test For Your Safety

- Leak test must be repeated each time LP tank is exchanged or refilled.
- Do not smoke during leak test.
- Do not use an open flame to check for gas leaks.
- The Rec Stove must be leak tested outdoors in a well-ventilated area, away from ignition sources such as gas fired or electrical appliances.
- During leak test, keep Rec Stove away from open flames or sparks.
- Use a clean paintbrush and a 50/50 mild soap and water solution. Brush soapy solution onto areas indicated in figure below. Leaks are indicated by growing bubbles.

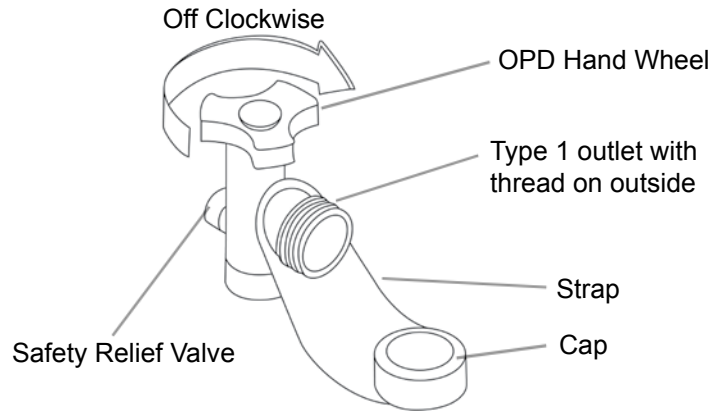


	<b>WARNING</b>	
<p>If “growing” bubbles appear do not use or move the LP tank. Contact an LP gas supplier or your fire department.</p>		

**Do not use household cleaning agents.** Damage to gas valve/hose/regulator components can result.

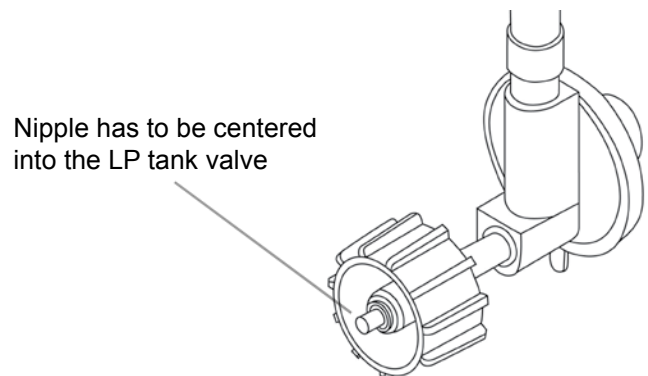
## Connecting Regulator To The LP Tank

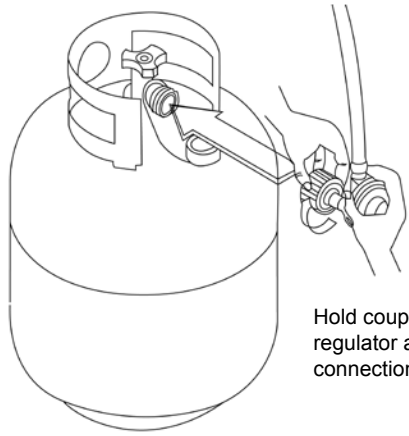
1. Place the LP tank on the right side of the Single Burner Rec Stove between the supporting right side legs.
2. Turn all control knobs to the OFF position.
3. Turn LP tank OFF by turning OPD hand wheel clockwise to a full stop.
4. Remove the protective cap from LP tank valve. Always use cap and strap supplied with valve.



Do not insert a POL transport plug (plastic part with external threads) into the Type 1 tank valve outlet. It will defeat the Safety Relief Valve feature.

5. Hold regulator and insert nipple into LP tank valve. Hand-tighten the coupling nut, holding regulator in a straight line with LP tank valve so as not to cross thread the connection.





Hold coupling nut and regulator as shown for proper connection to LP tank valve.

6. Turn the coupling nut clockwise and tighten to a full stop. The regulator will seal on the back-check feature in the LP tank valve, resulting in some resistance. **An additional one-half to three-quarters turn is required to complete the connection. Tighten by hand only – do not use tools.**

**NOTE:** If you cannot complete the connection, disconnect regulator and repeat steps 5 and 6. If you are still unable to complete the connection, do not use this regulator.

Call (435) 252-3030 for identical replacement parts.

!	<b>WARNING</b>	!
<ul style="list-style-type: none"> <li>• Never attempt to attach this grill to the self-contained LP gas system of a camper trailer or motor home.</li> <li>• Do not use grill until leak-tested.</li> </ul>		

### Leak Testing Valves, Hose and Regulator

1. Turn control knob to OFF.
2. Be sure regulator is tightly connected to LP tank.
3. Completely open LP tank valve by turning OPD hand wheel counterclockwise. If you hear a rushing sound, turn gas off immediately. There is a major leak at the connection. Correct before proceeding by calling for replacement parts at (435) 252-3030.
4. Brush soapy solution onto areas where bubbles are shown in picture below:



5. If “growing” bubbles appear, there is a leak. Close LP tank valve immediately and retighten connections. If leaks cannot be stopped do not try to repair. Call for replacement parts at (435) 252-3030.
6. Always close LP tank valve after performing leak test by turning hand wheel clockwise.

!	<b>DANGER</b>	!
<ul style="list-style-type: none"> <li>• Do not insert any tool or foreign objects into the valve outlet or safety relief valve. You may damage the valve and cause a leak. Leaking propane may result in explosion, fire, severe personal injury, or death.</li> <li>• If a leak is detected at any time, STOP and call the fire department.</li> <li>• If you cannot stop a gas leak, immediately close LP tank valve and call LP gas supplier or your fire department.</li> </ul>		

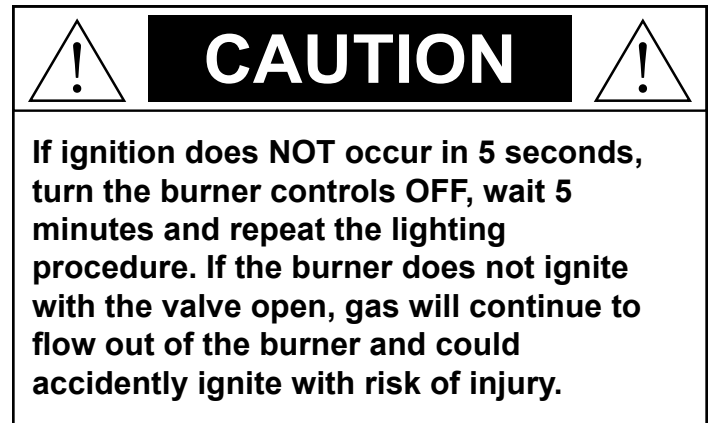
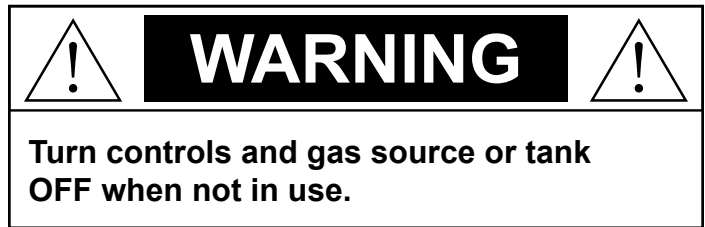
## Disconnecting Regulator From The LP Tank

1. LP tank must be properly secured onto Single Burner Rec Stove. (Refer to assembly section.)
2. Turn all control knobs to the OFF position.
3. Turn LP tank OFF by turning OPD hand wheel clockwise to a full stop.
4. Remove the connector valve by unscrewing the coupling nut.

## Safety Tips

1. Before opening LP cylinder valve, check the coupling nut for tightness.
2. When Rec Stove is not in use, turn off control knob and LP cylinder valve.
3. Never move BLACKSTONE Single Burner Rec Stove while in operation or still hot.
4. Use long-handled barbecue utensils and oven mitts to avoid burns and splatters.
5. Keep unit at least 36" away from walls, buildings, vehicles or other structures when in use.
6. Clean your Rec Stove often, preferably after each cookout. If a bristle brush is used to clean the cooking surface, ensure no loose bristles remain on cooking surfaces prior to cooking.
7. If you notice grease or other hot material dripping from BLACKSTONE Single Burner Rec Stove onto valve, hose or regulator, turn off gas supply at once. Determine the cause, correct it, then clean and inspect valve, hose and regulator before continuing. Perform a leak test.
8. Keep ventilation openings in cylinder enclosure free and clear of debris.
9. The regulator may make a humming or whistling noise during operation. This will not affect safety or use of BLACKSTONE Single Burner Rec Stove.
10. If you have a problem see the "Troubleshooting Section".

11. If the regulator frosts, turn off Rec Stove and LP cylinder valve immediately. This indicates a problem with the cylinder and it should not be used on any product. Return to supplier!



## Match-Lighting

Do not lean over BLACKSTONE Single Burner Rec Stove while lighting. Make sure there is no leakage at the tube. Insure that valve knob and regulator knob are in the "OFF" position. If your appliance has a griddle top, grill box, or stock pot on it, they must be removed first. If ignition does not occur in 5 seconds, turn the burner control(s) off, wait 5 minutes and repeat the lighting procedure.

1. Place match into match holder(hanging from side panel of griddle). Light match: then light burner by placing match next to the holes in the burner.
2. Push in and turn burner knob to the HIGH position, depending on match light hole selected. Be sure burner lights and stays lit.

## Burner Flame Check

Light burner, rotate knob from high to low. You should see a smaller flame in low position than seen on high. Perform burner flame check on side burner, also. Always check flame prior to each use. If only low flame is seen refer to “Sudden drop or low flame” in the Troubleshooting.

## Turning the Single Burner Rec Stove Off

Turn knob to the OFF position. Turn LP cylinder OFF by turning hand-wheel clockwise to a full stop.

## Valve Check

Important: Make sure gas is off at LP cylinder before checking valves. Knobs lock in OFF position. To check valve, first push in knob and release, knob should spring back. If knob does not spring back, replace valve assembly before using the Rec Stove. Turn knob to low position then turn back to OFF position. Valve should turn smoothly.

## Hose Check

Clean and inspect the hose before each use of the appliance. If there is evidence of abrasion, wear, cuts or leaks, the hose must be replaced prior to the appliance being put into operation. Use only identical replacement part valve/hose/regulator as specified in the Parts List of this Use and Care Guide.

## General Cleaning

- Do not mistake brown or black accumulation of grease and smoke for paint. Interiors of gas ovens are not painted at the factory (and should never be painted). Apply a strong solution of detergent and water or use an oven cleaner with scrub brush on insides of oven lid and bottom. Rinse and allow to completely air dry. Do not apply a caustic griddle/oven cleaner to painted surfaces.
- Plastic parts: Wash with warm soapy water and wipe dry. Do not use Citrisol, abrasive cleaners, de-greasers or a concentrated oven cleaner on plastic parts. Damage to and failure of parts can result.
- Painted surfaces: Wash with mild detergent or nonabrasive cleaner and warm soapy water. Wipe dry with a soft nonabrasive cloth.
- Baked-on grease deposits may require the use of an abrasive plastic cleaning pad. Use gently to avoid damage. Do not use abrasive pad on areas with graphics.

## Storing Your Product

Store in dry location.

- When an LP cylinder is connected to the Rec Stove, store outdoors in a well-ventilated space and out of reach of children.
- Cover Rec Stove if stored outdoors. Choose from a variety of covers offered by Blackstone Products.
- Store Rec Stove indoors **ONLY** if LP cylinder is turned off and disconnected, removed from Rec Stove and stored outdoors.
- When removing BLACKSTONE Single Burner Rec Stove from storage, follow “Cleaning the Burner Assembly” instructions before starting the Rec Stove.

## Cleaning the Burner Assembly

Follow these instructions to clean and/or replace parts of burner assembly or if you have trouble igniting BLACKSTONE Single Burner Rec Stove.

1. Turn gas OFF at control knob and make sure LP cylinder is disconnected.
2. Turn the Rec Stove upside down.
3. Remove the two screws holding the burner to the body of the stove.
4. Carefully lift burner up and away from valve openings and visually inspect to see if there is any obvious blockage.
5. We suggest three ways to clean the burner. Use the one or all. (A) Bend a stiff wire (a light weight coat hanger works well) into a small hook. Run the hook through burner tube several times.(B) Use a narrow bottle brush with a flexible handle (do not use a brass wire brush), run the brush through burner several times. (C) Wear eye protection: Use an air hose to force air into the burner and out the burner ports. Check each port to make sure air comes out each hole.
6. Wire brush entire outer surface of burner to remove food residue and dirt.
7. Clean any blocked ports with a stiff wire such as an open paper clip.
8. Check burner for damage, due to normal wear and corrosion some holes may become enlarged. If any large cracks or holes are found replace burner.
9. Carefully replace the burner and ensure burner reengages the valve opening. Reattach the burner to the body of the Rec Stove with the two screws.

## Food Safety

Food safety is a very important part of enjoying the outdoor cooking experience. To keep food safe from harmful bacteria, follow these four basic steps:

**Clean:** Wash hands, utensils, and surfaces with hot soapy water before and after handling raw meat and poultry.

**Separate:** Separate raw meats and poultry from ready-to eat foods to avoid cross contamination. Use a clean platter and utensils when removing cooked foods.

**Cook:** Cook meat and poultry thoroughly to kill bacteria. Use a thermometer to ensure proper internal food temperatures.

**Chill:** Refrigerate prepared foods and leftovers promptly. For more information Visit the Canadian partnership for Consumer Food Safety Education- [www.befoodsafe.ca](http://www.befoodsafe.ca).

## How To Tell If Meat Is Grilled Thoroughly

- Meat and poultry cooked on a griddle or oven often browns very fast on the outside. Use a meat thermometer to be sure food has reached a safe internal temperature, and cut into food to check for visual signs of being done.
- Whole poultry should reach 165° F/74°C. Juices should run clear and flesh should not be pink.
- Hamburgers made of any ground meat or poultry should reach 160° F/71°C , and be brown in the middle with no pink juices. Beef, veal and lamb steaks, roasts and chops can be cooked to 145° F/63°C . All cuts of pork should reach 160° F/71°C.
- NEVER partially grill meat or poultry and finish cooking later. Cook food completely to destroy harmful bacteria.
- When reheating takeout foods or fully cooked meats like hot dogs, grill to 165° F/64°C , or until steaming hot dogs, grill to 165°F/74°C, or until steaming hot.



## WARNING



The manufacturer has made every effort to eliminate any sharp edges. However, you should handle all components with care to avoid accidental injury. No tools are required for assembly.

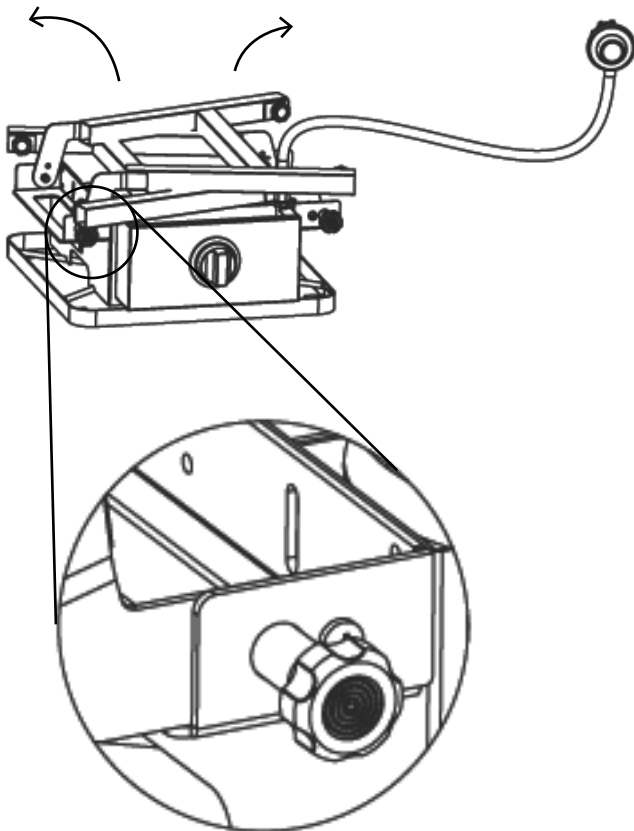
### ASSEMBLY:

Please read all instructions thoroughly before proceeding. Find a large, clean area in which to assemble your BLACKSTONE Single Burner Rec Stove.

**NOTICE:** Make sure all the plastic protection is removed before assembling

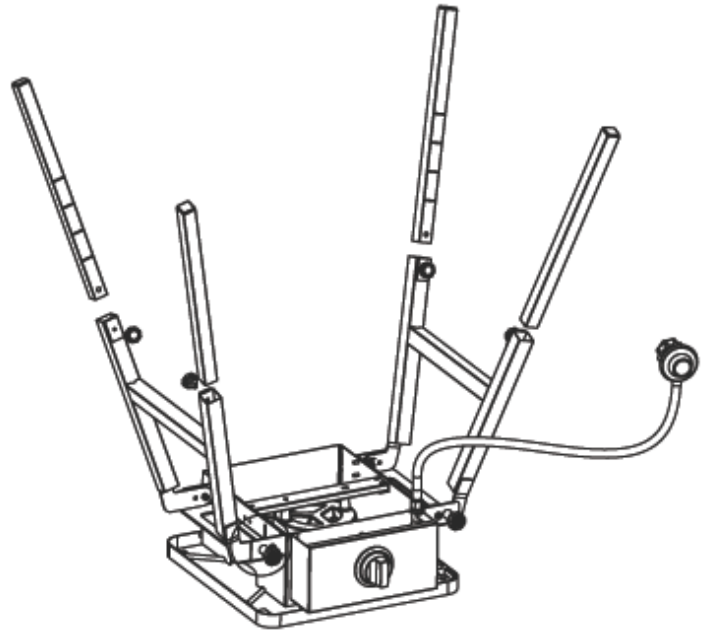
### Step 1

Take out the main body carefully, pull out the upper legs from right and left side, you can hear a click when the legs are opened fully.



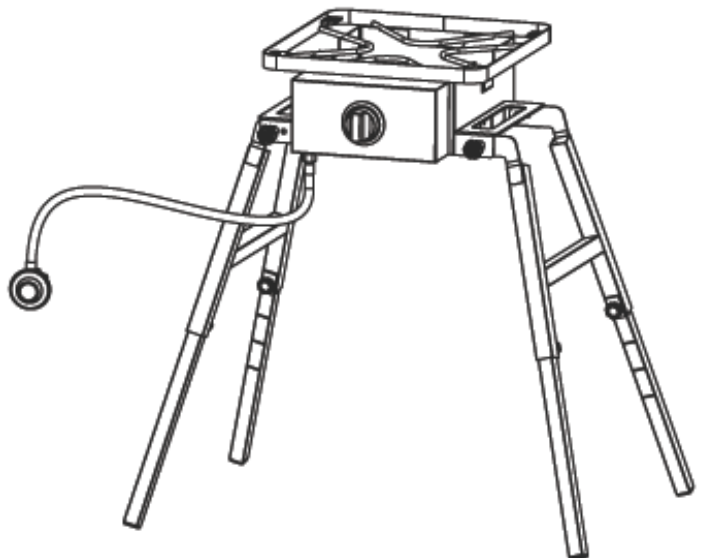
### Step 2

Insert the lower feet into the upper legs. Adjust the height by the markings on the lower feet and then tighten the thumb screws when you have the feet adjusted to the height you want.



### Step 3

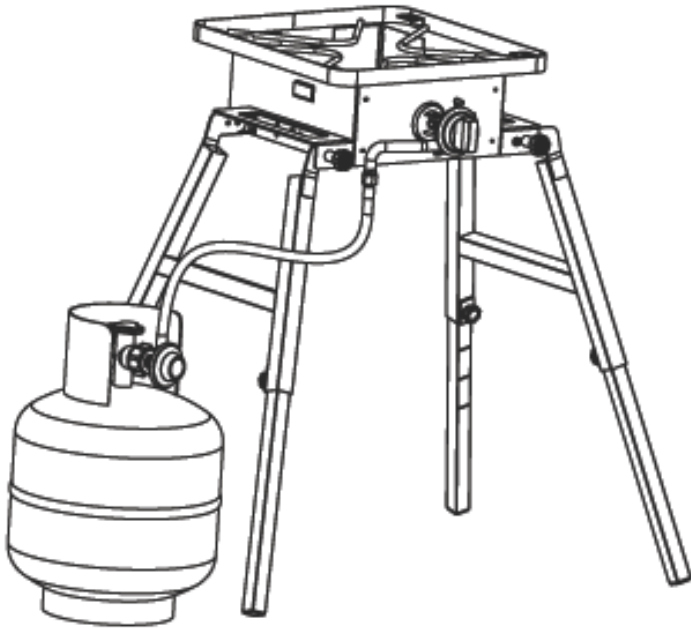
Flip the assembled body over onto the legs, make sure it is stable. If it is unstable adjust the height of the legs until it is stable.



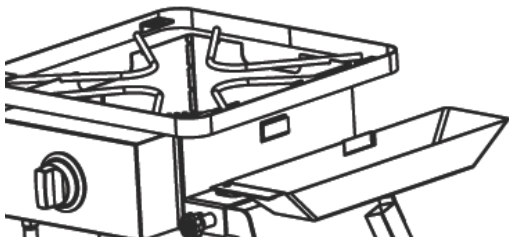
## Step 4

Connecting regulator to the LP tank tightly, turn all control knobs to the OFF position, fine to turn the LP tank and use your Single Burner Rec Stove after ensuring the connectors no leak.

(For the leak testing, please see more instruction on the warning section).



**NOTE:** The grease tray can attach to either side of the Rec Stove body depending on which optional accessory you are using with it or it can be used to hold cooking utensil while cooking. If using the optional Griddle Top attach the grease tray to the right side of the body. If using the optional Grill Box attach the grease tray to the left side of the body.



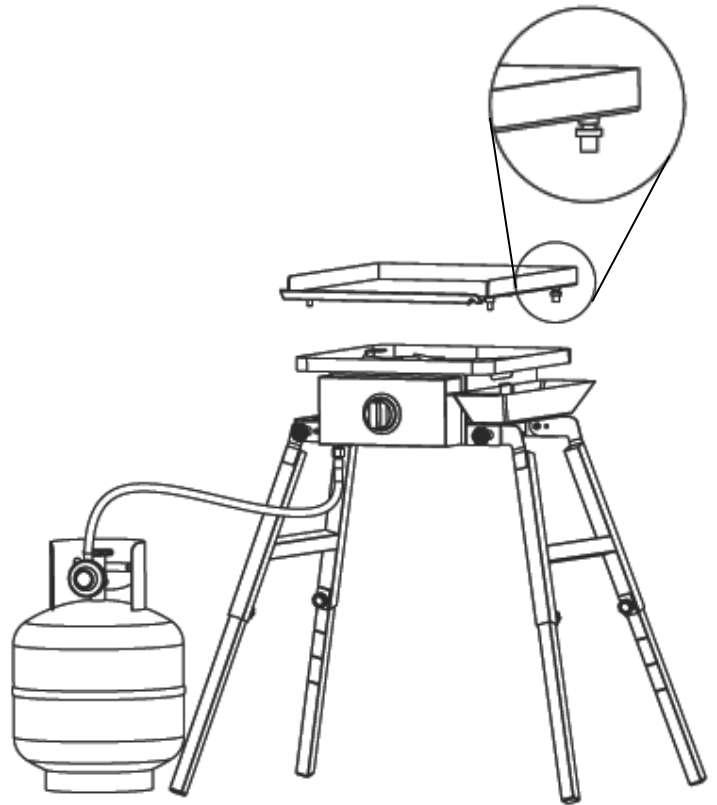
## Step 5

### Optional Griddle Plate Accessory

If you want to cook in griddle plate, align griddle plate legs to cooking grate sockets. Seat griddle plate into grate sockets. Adjustable screws on back griddle plate allow for leveling cooking surface.

The grease tray has a punched out tab for hanging. Locate the hook tab on the right side of the body.

Socketing the grease tray to the right side of the body will place it directly below the griddle plate grease runoff.



## Step 6

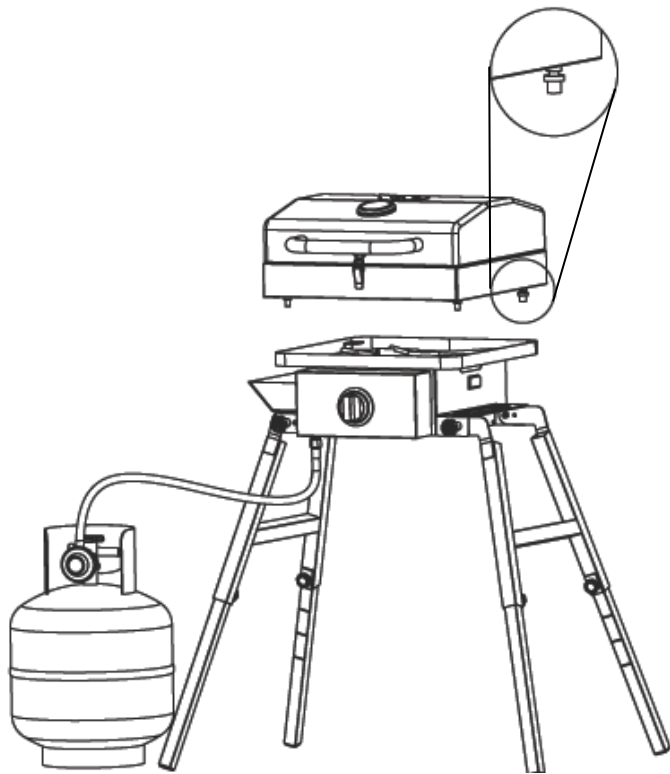
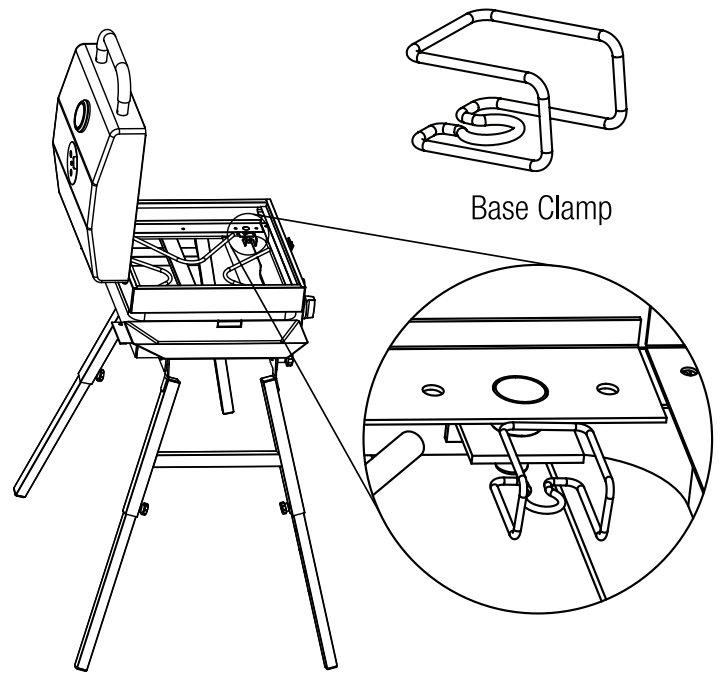
### Optional Grill Box Accessory

If you want to cook in Grill Box, align grill box legs to cooking grate sockets. Seat grill box into grate sockets. Adjustable screws on back grill box allow for leveling cooking surface.

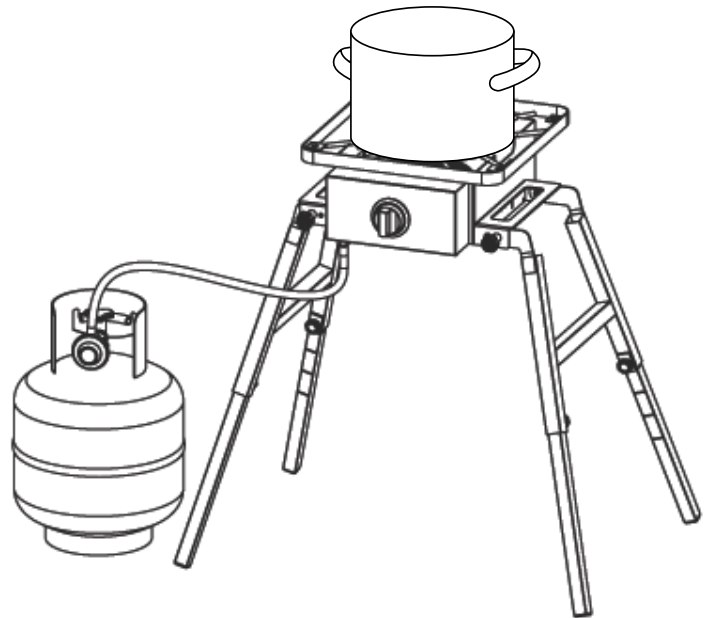
The grease tray has a punched out tab for hanging. Locate the hook tab on the left side of the body.

Socketing the grease tray to the left side of the body will place it directly below the grill box grease runoff.

**NOTE:** If using the Grill Box, ensure that it is secured to the body of the Single Burner Rec Stove with the included Base Clamps



The Single Burner Rec Stove is great for cooking soup or boiling water in a pot.



# LIGHTING INSTRUCTION

## Lighting The BLACKSTONE Single Burner Rec Stove

Do not lean over the grill when lighting.  
Read instructions before lighting.

1. Turn the control knobs to OFF position.
2. Open valve at tank fully by turning counterclockwise.
3. Push in the control knob to start gas flowing.
4. Turn the control knob counterclockwise to activate the piezoelectric starter. You will hear a snap and the starter will emit a spark at the end of the ignition needle next to the burner.
5. If ignition does not occur, turn the burner control off, wait a few seconds and repeat the lighting procedure or refer to match lighting instructions below.

### Match Lighting (lighting hook located above right knob)

If your appliance has a griddle top, grill box, or stock pot on it, they must be removed first. If ignition does not occur in 5 seconds, turn the burner control(s) off, wait 5 minutes and repeat the lighting procedure.

1. Place match into match holder(hanging from side panel of griddle). Light match: then light burner by placing match next to the holes in the burner.
2. Push in and turn burner knob to the HIGH position, depending on match light hole selected. Be sure burner lights and stays lit.

## CARE AND MAINTENANCE

Regularly clean your BLACKSTONE Single Burner Rec Stove between uses and especially after extended periods of storage. Ensure that the Rec Stove and its components are sufficiently cool before cleaning.

- Never handle hot parts with unprotected hands.
- In order to extend and maintain the life and condition of your BLACKSTONE Product, we strongly recommend that the unit be covered when left outside for any length of time, especially during the winter months.

### Burner maintenance:

In most circumstances, burning off the residue after cooking will keep the burner clean. The burner should be removed and cleaned annually or whenever heavy build-up is found in order to ensure that there is no blockage (debris, insects) in either the burner portholes. Use pipe cleaner to clear obstructions. A wire brush can be used to remove corrosion from the burner surface.

### Fittings and Storage:

Annual checking and tightening of metal fittings is recommended. Store the BLACKSTONE Single Burner Rec Stove in a cool dry place. Cover the burners with aluminum foil in order to prevent insects or other debris from collecting in the burner holes. If the Rec Stove is to be stored indoors, the gas bottle must be disconnected and left outside. The gas bottle should always be stored outside, out of reach of children, and in a dry, well-ventilated area away from any sources of heat or ignition.

## TROUBLE SHOOTING

PROBLEM	POSSIBLE CAUSE	SOLUTION
Burner will not light using the piezoelectric system.	<ol style="list-style-type: none"><li>1. LP gas cylinder is empty.</li><li>2. Faulty regulator.</li><li>3. Obstructions in the burner.</li><li>4. Obstructions in gas jets or gas hose.</li><li>5. Electrode is damaged/faulty push button igniter.</li></ol>	<ol style="list-style-type: none"><li>1. Replace with full cylinder.</li><li>2. Have the regulator checked or replaced.</li><li>3. Clean burner.</li><li>4. Clean jets and gas hose.</li><li>5. Change electrode and wire change igniter.</li></ol>
Burner will not light with a match.	<ol style="list-style-type: none"><li>1. LG gas cylinder is empty.</li><li>2. Faulty Regulator.</li><li>3. Obstructions in burner.</li><li>4. Obstructions in gas jets or gas hose.</li></ol>	<ol style="list-style-type: none"><li>1. Replace with full cylinder.</li><li>2. Have the regulator checked or replaced.</li><li>3. Clean Burner.</li><li>4. Clean jets and gas hose.</li></ol>
Fire in burner has a low flame or flashback (a hissing or roaring noise may be heard)	<ol style="list-style-type: none"><li>1. LP gas cylinder is empty.</li><li>2. Obstructions in burner.</li><li>3. Obstructions in gas jets or gas hose.</li><li>4. Windy conditions.</li></ol>	<ol style="list-style-type: none"><li>1. Use larger cylinder.</li><li>2. Clean burner.</li><li>3. Clean jets and gas hose.</li><li>4. Use grill in a more sheltered position.</li></ol>

## **North Atlantic Imports LLC, 1 Year & Limited Warranty**

North Atlantic Imports LLC the manufacturer, will warranty, for 1 year from purchase, all parts, workmanship, and finishes (against rust).

It will be the manufacturer's option as to whether to repair or replace any of the above items.

All warranties are limited to the original purchaser only. This warranty does not cover any liability on the part of North Atlantic Imports LLC, its agents or employees, for any indirect or consequential damages for breach of warranty.

The purchaser must follow the manufacturer's usage instructions.

Under no circumstances is the manufacturer responsible for damages from the failure to operate the BLACKSTONE Single Burner Rec Stove properly.

It is the responsibility of the purchaser to establish the warranty period by verifying the original purchase date with original sales receipt.

### **For more detailed explanation of the warranty, read below:**

North Atlantic Imports LLC warrants to the owner that the product covered by this agreement is free from defects in material and workmanship under normal use and service for which it was intended if, but only if, it has been operated in accordance with North Atlantic Imports LLC instructions exclusively for domestic use, and not for private or public club, institutional, or commercial purposes. North Atlantic Imports LLC obligation under this warranty is limited to replacing or repairing, free of charge, any part or parts that may prove, to the satisfaction in North Atlantic Imports LLC, to be defective under normal home use and service within the following stated periods of time from the date of purchase; a) for 1 year from purchase, all parts, finish, and workmanship. Should any failure to conform to this warranty become apparent during applicable warranty periods stated above, the original purchaser must notify North Atlantic Imports LLC of breach or warranty within the applicable warranty period. North Atlantic Imports LLC shall upon notice and compliance by the original purchaser with such instructions, correct such nonconformity by repair or replacement of the defective part or parts. Correction in the manner provided above shall constitute a fulfillment of all obligations of North Atlantic Imports LLC with respect to the quality of the product.

North Atlantic Imports LLC does not warrant this equipment to meet the requirement of any safety code of any state, municipality or other jurisdiction, and the original purchaser assumes all risk and liability whatsoever resulting from the use thereof, whether used in accordance with North Atlantic Imports LLC instructions or otherwise. This warranty does not cover and is intended to exclude any liability on the part of North Atlantic Imports LLC its agents, servants or employees whether under this warranty or implied by law for any indirect or consequential damages for breach on any warranty. The purchaser must establish all applicable warranty periods pursuant to this warranty by verifying the original purchase date by producing the dated sales receipt. This warranty shall not apply to this product or any other part thereof which has been subject to accident, negligence, alteration, abuse, or misuse or which as been repaired or altered without North Atlantic Imports LLC written consent, outside of North Atlantic Imports LLC factory. North Atlantic Imports LLC makes no warranty whatsoever in respect to accessories or parts not supplied with it. This warranty shall apply only within the boundaries of the United States of America. This warranty gives the original purchaser specific rights, and the original purchaser may also have other rights, which vary from state to state.

# **Our Customer Service staff is here to help you!**

For questions regarding your BLACKSTONE Single Burner Rec Stove,  
or if in need of replacement parts, contact us at:

**USA Support call: 435.252.3030 | Canada Support call: 1.801.656.2041**

**or**

**[support@blackstoneproducts.com](mailto:support@blackstoneproducts.com)**

We're pleased to help you with any questions concerning replacement parts or your warranty. Our customer service staff can be reached Monday through Friday from 9:00 am to 5:00 pm Mountain Standard Time. If all operators are busy or you call after hours, you may leave a message and your call will be returned.