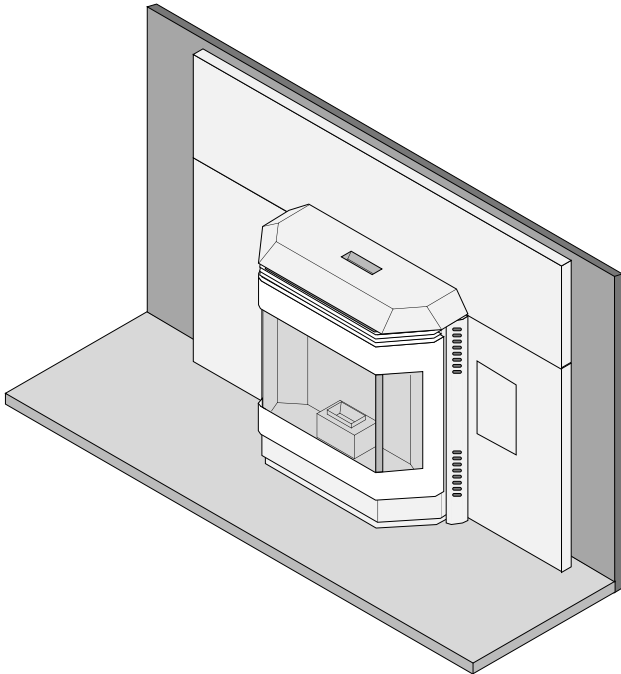




AVALONTM
Firestyles for Life



Newport Bay Pellet Insert (Avanti PI)

- *Masonry Fireplace*
- *Factory Built (Metal) Fireplace*

Tested and Listed by



Omni-Test Laboratories, Inc.
Beaverton, Oregon
ASTME-1509 1995, ULCC 1482

- **Please read this entire manual before installation and use of this pellet fuel-burning room heater. Failure to follow these instructions could result in property damage bodily injury or even death.**
- **Contact local building or fire officials about restrictions and installation inspection requirements in your area.**
- **Save these instructions**

Installer: After installation give this manual to the homeowner and explain operation of this stove.

\$10.00 © Copyright 2007, T.I. Part # 93508075

4051012



**TRAVIS INDUSTRIES
HOUSE OF FIRE**

4800 Harbour Pointe Blvd. SW
Mukilteo, WA 98275

Introduction

We welcome you as a new owner of a Newport Bay (Avanti PI) pellet heater. In purchasing a Newport Bay you have joined the growing ranks of concerned individuals whose selection of an energy system reflects both a concern for the environment and aesthetics. The Newport Bay is one of the finest home heaters the world over. This manual will explain the installation, operation, and maintenance of this pellet-burning heater. Please familiarize yourself with the Owner's Manual before operating your heater and save the manual for future reference. Included are helpful hints and suggestions which will make the installation and operation of your new heater an easier and more enjoyable experience. We offer our continual support and guidance to help you achieve the maximum benefit and enjoyment from your heater.

Important Information

No other Newport Bay (Avanti PI) heater has the same serial number as yours. On the Newport Bay the serial number is on the hopper cover.

This serial number will be needed in case you require service of any type.

Model: Newport Bay (Avanti PI)

Serial Number: _____

Purchase Date: _____

Purchased From: _____

Mail your Warranty Card Today, and Save Your Bill of Sale.

To receive full warranty coverage, you will need to show evidence of the date you purchased your heater. Do not mail your Bill of Sale to us.

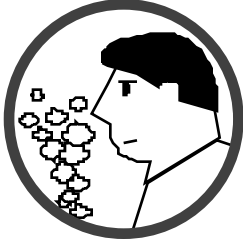
We suggest that you attach your Bill of Sale to this page so that you will have all the information you need in one place should the need for service or information occur.



We suggest that our pellet hearth products be installed and serviced by professionals who are certified in the U.S. by the National Fireplace Institute® (NFI) as NFI Pellet Specialists or who are certified in Canada by Wood Energy Technical Training (WETT).



Safety Precautions



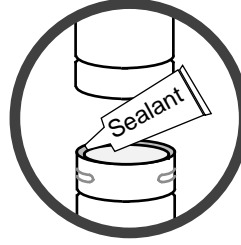
- Do not operate the heater if you smell smoke coming from the heater. Turn the **POWER switch to "OFF"**, monitor your heater, and call your dealer.



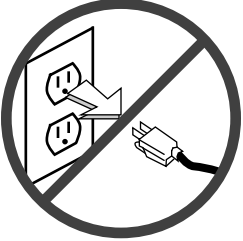
- Contact your local building officials to obtain a permit and information on any installation restrictions or inspection requirements in your area. Notify your insurance company of this heater as well.



- Never use gasoline, gasoline-type lantern fuel, kerosene, charcoal lighter fluid, or similar liquids to start or 'freshen up' a fire in this heater. Keep all such liquids well away from the heater while it is in use.



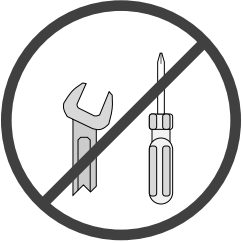
- The exhaust system **must** be completely airtight and properly installed. The pellet vent joints must be sealed with RTV 500° F. (260° C.) silicone sealant.



- Do not unplug the heater if you suspect a malfunction. Turn the **MODE SWITCH to "OFF"** and periodically inspect the heater.



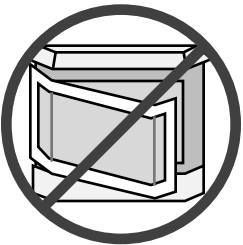
- This unit must be properly installed to prevent the possibility of a house fire. The instructions must be strictly adhered to. Do not use makeshift methods or compromise in the installation.



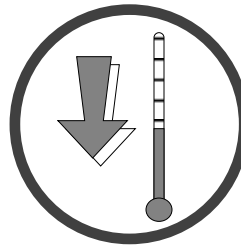
- Never try to repair or replace any part of the heater unless instructions are given in this manual. All other work should be done by a trained technician.



- Your heater requires periodic maintenance and cleaning (see "Maintaining Your Heater"). Failure to maintain your heater may lead to smoke spillage in your home.



- The viewing door and ashpan must be closed and latched during operation.
- Never block free airflow through the open vents of the unit.



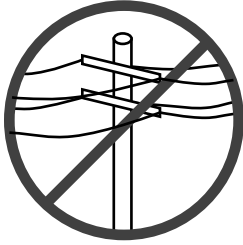
- Allow the heater to cool before carrying out any maintenance or cleaning. Ashes must be disposed in a metal container with a tight lid and placed on a non-combustible surface well away from the home or structure.



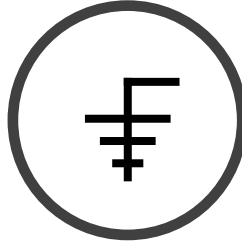
- Do not operate the heater if the flame becomes dark & sooty or if the firepot overfills with pellets. Turn the **MODE SWITCH to "OFF"** and periodically inspect the heater (see "Running Your Heater").



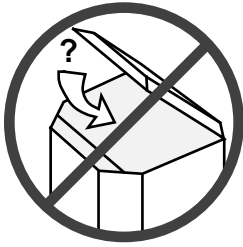
- This heater is designed and approved for pelletized wood fuel only. Any other type of fuel burned in this heater will void the warranty and safety listing.



- The heater will not operate during a power outage. If a power outage does occur, check the heater for smoke spillage and open a window if any smoke spills into the room.



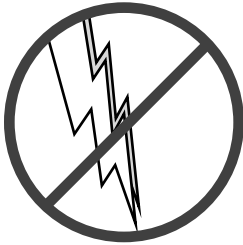
- This heater must be connected to a standard 115 V., 60 Hz grounded electrical outlet. Do not use an adapter plug or sever the grounding plug. Do not route the electrical cord underneath, in front of, or over the heater.



- Keep foreign objects out of the hopper.

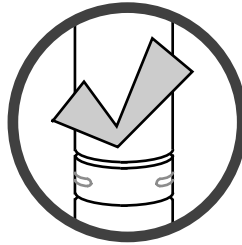


- When installed in a mobile home, the heater must be bolted to the floor, have outside air, and **NOT BE INSTALLED IN THE BEDROOM** (Per H.U.D. requirements). Check with local building officials.



- Disconnect the power cord before performing any maintenance.

NOTE:
Turning the Mode Switch to "OFF" does not disconnect all power to the heater.



- The exhaust system should be checked twice a year minimum for any build-up of soot or creosote.



- Do not throw this manual away. This manual has important operating and maintenance instructions that you will need at a later time. Always follow the instructions in this manual.



- Do not touch the hot surfaces of the heater. Educate all children of the danger of a high-temperature heater. Young children should be supervised when they are in the same room as the heater.



- Do not place clothing or other flammable items on or near the heater. Because this heater can be controlled by a thermostat there is a possibility of the heater turning on and igniting any items placed on or near it.



- **Travis Industries, Inc. grants no warranty, implied or stated, for the installation or maintenance of your heater, and assumes no consequential damage(s).**

Introduction

| | |
|-----------------------------|---|
| Introduction..... | 1 |
| Important Information | 1 |

Safety Precautions

| | |
|--------------------------|---|
| Safety Precautions | 2 |
|--------------------------|---|

Specifications

| | |
|--------------------------------|---|
| Heating Specifications..... | 5 |
| Dimensions..... | 5 |
| Electrical Specifications..... | 5 |
| Fuel..... | 5 |
| EPA Compliance..... | 5 |

Installation

| | |
|----------------------------------------------------------|----|
| Before you Begin | 6 |
| Packing List..... | 6 |
| Installation Options..... | 6 |
| Planning the Installation..... | 6 |
| Minimum Fireplace Size..... | 6 |
| Clearances..... | 7 |
| Mantel Requirements..... | 7 |
| Hearth Requirements..... | 7 |
| Facing Requirements..... | 7 |
| Placing the Insert..... | 7 |
| Venting the Pellet Stove..... | 8 |
| Maximum Venting Distance | 8 |
| Pellet Vent Type..... | 8 |
| Installing the Pellet Vent..... | 8 |
| Pellet Vent Termination..... | 8 |
| Mobile Home Requirements..... | 9 |
| Outside Air | 9 |
| Restrictor Adjustment..... | 10 |
| Surround Panel & Circuit Board Installation | 11 |
| Installation into a Masonry Fireplace..... | 12 |
| Installation into a Factory Built (Metal) Fireplace..... | 13 |

Operation

| | |
|---------------------------------------------|----|
| Safety Notice..... | 14 |
| Location of Controls | 14 |
| Starting the Heater for the First Time..... | 14 |
| Curing the Paint | 14 |
| Priming the Auger..... | 14 |
| Loading Pellets..... | 15 |
| The Two Modes of Operation | 15 |

Operation (continued)

| | |
|------------------------------|----|
| Manual Mode..... | 16 |
| Auto Mode..... | 17 |
| Restrictor Adjustment..... | 18 |
| Adjusting the Fan Speed..... | 18 |
| Start-Up Sequence..... | 19 |
| "AUGER ON" Light..... | 19 |
| "FAULT" Light..... | 19 |
| Power Outages..... | 19 |

Maintenance

| | |
|------------------------------------------------------|----|
| Daily Maintenance (whenever using the heater)..... | 20 |
| Inspect the Burn | 20 |
| Make Sure Pellets are not Piling Up..... | 20 |
| Check Firepot for Clinkers..... | 21 |
| Cleaning the Firepot..... | 21 |
| Bi-Weekly Maintenance (or every 10 bags pellets).... | 22 |
| Clean the Heat Exchange Tubes..... | 22 |
| Vacuum Hopper | 22 |
| Clean the Gold Door..... | 22 |
| Opening the Door | 23 |
| Check Ashbox and Ashpan, Dispose..... | 24 |
| Clean the Glass | 24 |
| Sweep Ash Into Ashpan..... | 25 |
| Yearly Maintenance (or every two tons)..... | 26 |
| Clean the Exhaust Duct..... | 26 |
| Clean the Exhaust Blower | 27 |
| Clean the Vent..... | 27 |
| Check for Air Leaks - Door, Glass and Ashpan | 28 |
| Replacement Parts..... | 29 |

Normal Operating Sounds

| | |
|------------------------------|----|
| Normal Operating Sounds..... | 30 |
|------------------------------|----|

Safety Label

| | |
|--------------------|----|
| Safety Label | 31 |
|--------------------|----|

Warranty

| | |
|---------------|----|
| Warranty..... | 32 |
|---------------|----|

Optional Equipment

| | |
|-------------------------|----|
| Gold Grill..... | 33 |
| Thermostat..... | 34 |
| Remote Thermostat..... | 35 |
| Optional Log | 35 |
| Optional Gold Door..... | 35 |

Index

| | |
|------------|----|
| Index..... | 36 |
|------------|----|

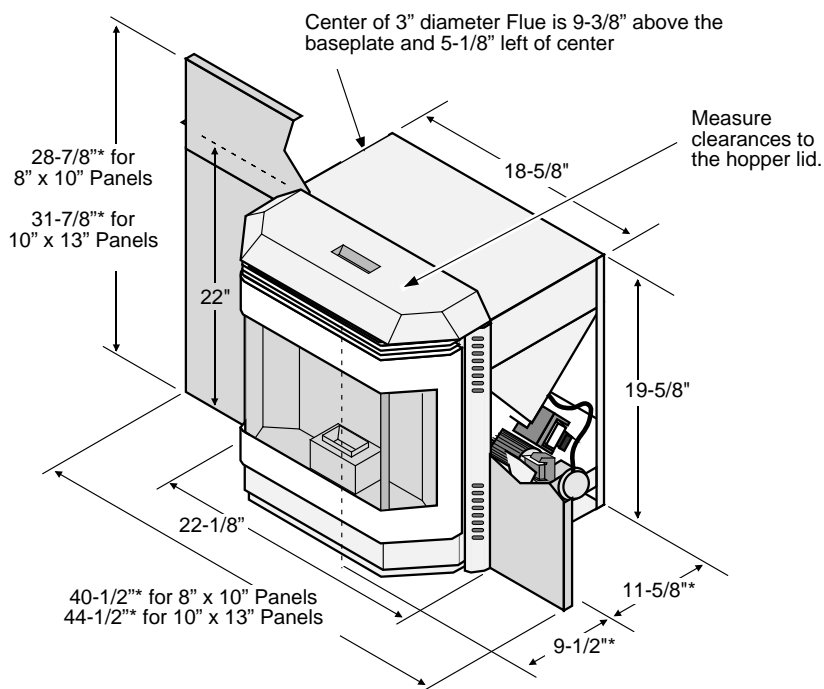
Heating Specifications:

| | |
|--------------------------------------------------------------|-----------------------|
| Approximate Maximum Heating Capacity (in square feet)* | 800 to 1,600 Sq. Feet |
| Burn Rate (Pounds per Hour)** | 1.0 to 3.5 |
| Maximum Burn Time on Low Burn** | 10 - 30 Hours |
| Hopper Capacity | 35 Pounds |

* Heating capacity will vary depending on the home's floor plan, degree of insulation, and the outside temperature. It is also affected by the fuel size, quality, and moisture level.

** Small pellets will increase or decrease the stated burn rates and burn times. Differences of plus or minus 20% depending on fuel quality may occur.

Dimensions:



* Includes trim and the required 3/8" gap between the surround panels and fireplace.

Electrical Specifications:

| | |
|--------------------------------------|----------------------------|
| Electrical Rating | 115 Volts, 3.6 Amps, 60 Hz |
| Watts During Start-Up Sequence | 400 (approximately) |
| Watts During Operation | 180 (approximately) |

Fuel:

The unit is designed for wood pellets that comply with the standards set by the Association of Pellet Fuel Industry (density of at least 40 lbs. per cubic foot, 1/4" to 5/16" diameter, length no greater than 1-1/2", 8200 BTU's/lb., moisture under 8% by weight, ash under 1% by weight, and salt under 300 parts per million). If the fuel does not comply to this standard, the unit may not operate as designed.

EPA Compliance:

This heater is EPA exempt from Phase II requirements, but has been tested for emissions using EPA test methods by OMNI Test Labs.

Before You Begin

READ THIS ENTIRE MANUAL BEFORE YOU INSTALL AND USE THIS HEATER. FAILURE TO FOLLOW THE INSTRUCTIONS MAY RESULT IN PROPERTY DAMAGE, BODILY INJURY, OR EVEN DEATH.

Check with local building officials for any permits required for installation of this pellet heater and notify your insurance company before proceeding with installation.

Packing List

- Newport Bay
- Manual
- Door Latch Tool
- Fuses (2)
- Leveling Bolts (2)
- Brush

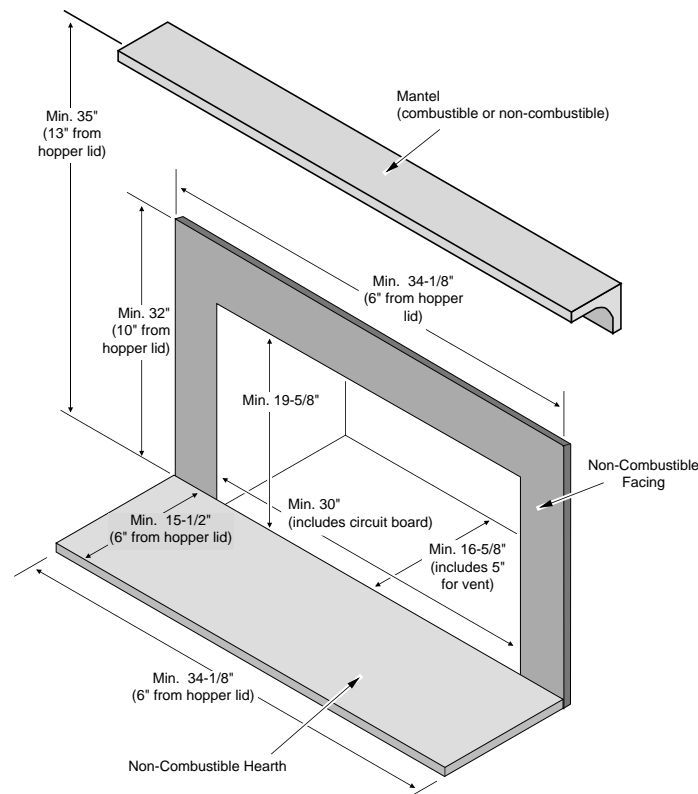
Installation Options:

- Masonry Fireplace
- Factory Built (Metal) Wood-Burning Fireplace
- Outside Air Compatible

Planning The Installation

- HINT:** Have an authorized Travis Industries dealer install this heater. If you install the heater yourself, have your dealer review your installation plans.
- HINT:** Place the heater outside and load 10 pounds of pellets inside the hopper. Plug the heater in and let it run on HIGH until the pellets run out. This will cure the paint and burn off any oil on the steel, eliminating any smell inside the home.
- HINT:** Paint the interior of the fireplace with latex paint to prevent fireplace odors from entering the home (the convection blower circulates air around the insert).

Minimum Fireplace Size



Clearances

- Insert must be placed so that no combustibles are within, or can swing within (e.g. drapes, doors), 36" of the front of the heater.
- Insert must be placed a minimum 9" from a side wall (or combustible protruding more than 3/4").

Mantel Requirements

- The mantel (combustible or non-combustible) must be a minimum 13" above the hopper lid (NOTE: measure clearance to the location where the mantel protrudes 3/4" or greater).

Hearth Requirements

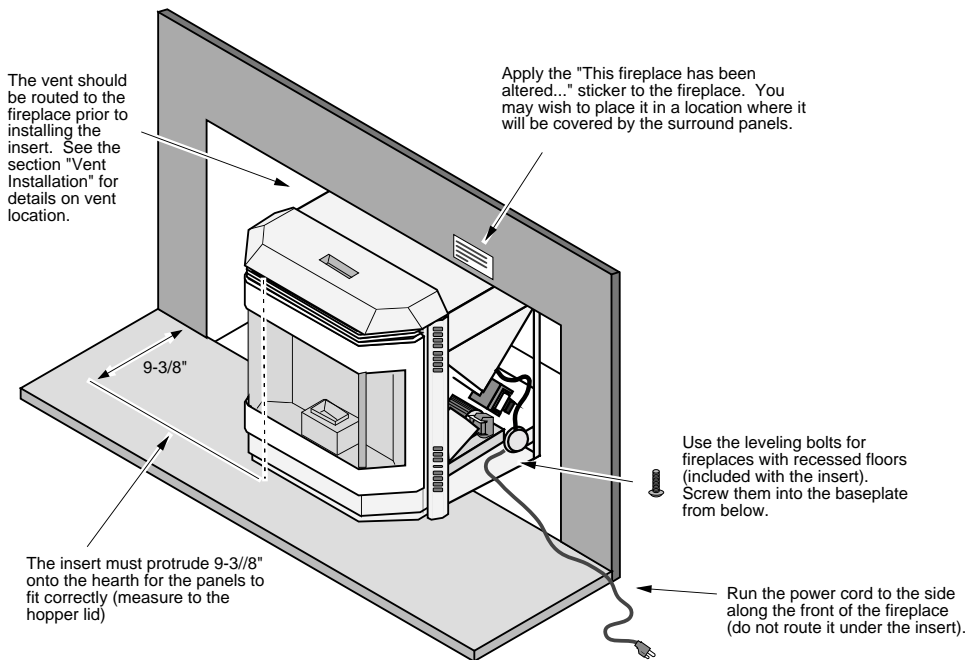
- The non-combustible hearth must extend 6" to the front and 6" to each side of the insert (measure to the hopper lid).

Facing Requirements

- The non-combustible facing must extend 6" to the side and 10" above the hopper lid.

Placing the Insert

- The insert must be placed within an undamaged masonry or factory built (metal) wood-burning fireplace. Loose bricks or other damage must be fixed. Clean the fireplace before installing.
- A 3/8" gap must be allowed between the surround panels and the face of the fireplace.



Venting the Pellet Stove

- PELLET VENT MUST MAINTAIN A MINIMUM 3" CLEARANCE TO ANY COMBUSTIBLE (INSTALL VENT AT CLEARANCES SPECIFIED BY THE VENT MANUFACTURER).
- DO NOT CONNECT THE PELLET VENT TO A VENT SERVING ANY OTHER APPLIANCE OR STOVE.
- DO NOT INSTALL A FLUE DAMPER IN THE EXHAUST VENTING SYSTEM OF THIS UNIT.

Maximum Venting Distance:

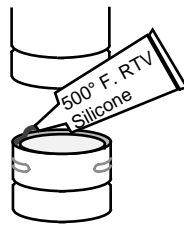
- Maximum venting height is 33' (maximum horizontal offset is 10')
- Use no more than 180° of elbows (two 90° elbows, or two 45° & one 90° elbow, etc.).

Pellet Vent Type

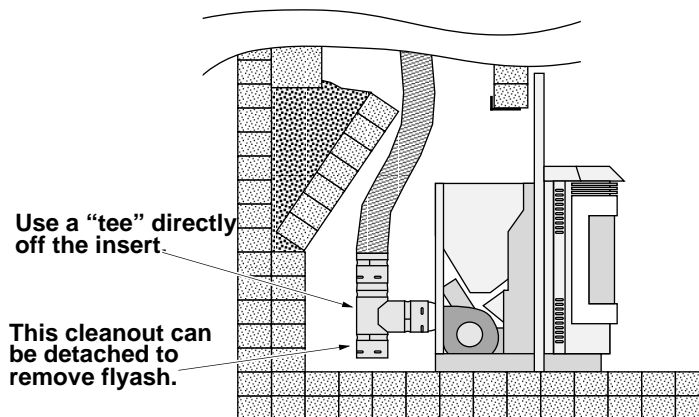
- Must be Type "L" vent and/or Type "L" chimney liner.
- Use 4" dia. vent if vent height is over 15' or if installation is over 4,000' above sea level.

Installing the Pellet Vent

- Pellet vent connections must be sealed airtight with 500° F. RTV silicone and screwed together with at least three sheet metal screws.
- Use a "tee" directly off of the insert - this allows for an easy "cleanout" for flyash.



Seal each vent section by injecting a liberal amount of 500° F. RTV silicone into the gap between sections.



Pellet Vent Termination

- Termination must be a minimum 6" above the top of the chimney (NOTE: the chimney must meet local codes for height above the roof or other obstructions).
- Must have an approved cap (to prevent water from entering).
- Must not be located where it will become plugged by snow or other material.

Mobile Home Requirements

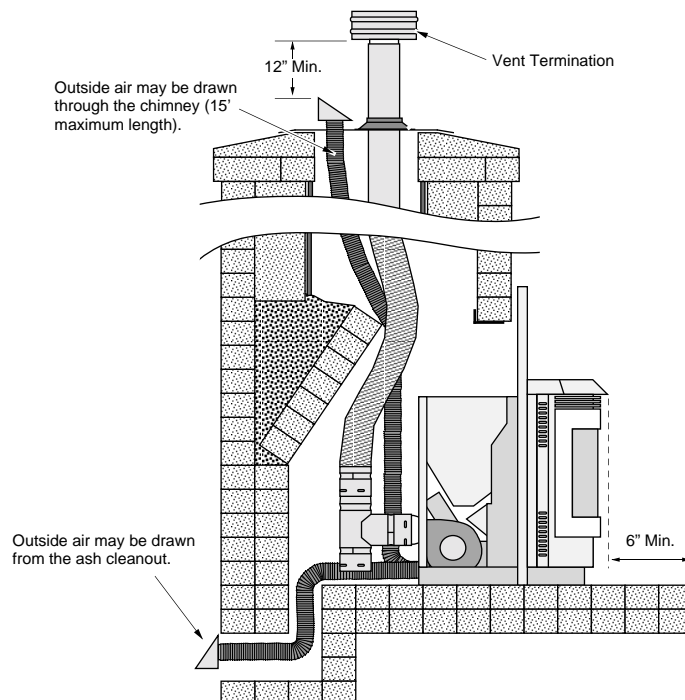
- Outside air is required (used for combustion) - see the directions below.
- The heater must be bolted to the floor (Some states do not require this; check with your local building department).
- The heater must be grounded to the steel chassis of the mobile home (Some states do not require this; check with your local building department).

WARNING: DO NOT INSTALL IN SLEEPING ROOM.

CAUTION: THE STRUCTURAL INTEGRITY OF THE MANUFACTURED HOME FLOOR, WALL, AND CEILING/ROOF MUST BE MAINTAINED.

Outside Air (used for combustion)

- Outside air is optional (except in mobile homes or when required by local building codes).
- Must not be drawn from an enclosed space (garage, unventilated crawl space).
- Must not be over 15' long.
- Must be made with 1 3/4" diameter or larger metal or aluminum duct with a metal screen attached to the end to keep out rodents (P.V.C. or other combustible materials may not be used). Use the Travis Industries Outside Air Kit (part # 99200136).
- Must not terminate above or within 1' of the chimney termination.
- Must have a rain cap or down-turned elbow to prevent water from entering.
- Must be located so that it will not become plugged by snow or other material.



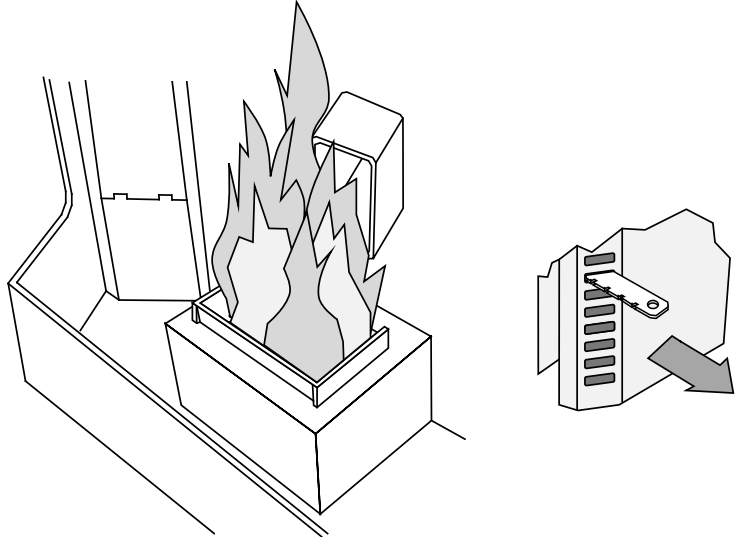
Restrictor Adjustment

The restrictor “fine tunes” your appliance, ensuring it pulls the correct amount of air through the firebox. Altitude, vent configuration, and other factors make restrictor adjustment necessary for every installation.

NOTE: the optimal restrictor position will vary over time as soot builds up inside the exhaust system – make sure the homeowner knows how to visually inspect the flame and adjust the restrictor.

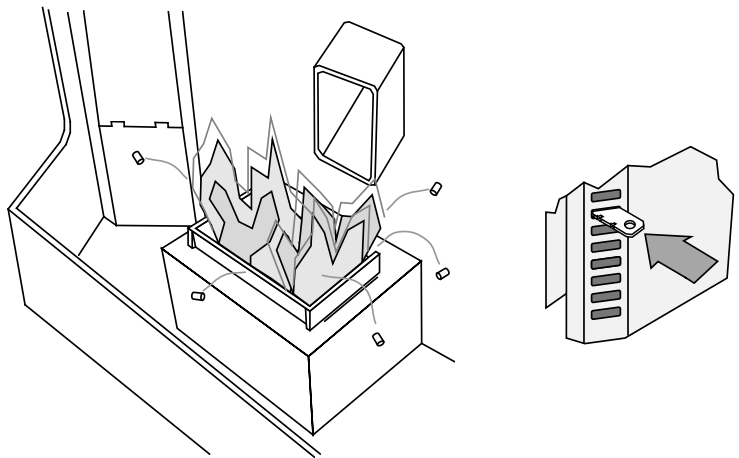
Not Enough Air:

If clinkers develop or the flame appears lazy and slow to blow the ash out of the firepot, pull the restrictor outward until the flame becomes active and the firepot holes remain clean. **NOTE:** If the restrictor is fully out yet the firepot does not remain clean, the stove needs to be cleaned and checked for air leaks (see “Maintenance” section of this manual).



Too Much Air:

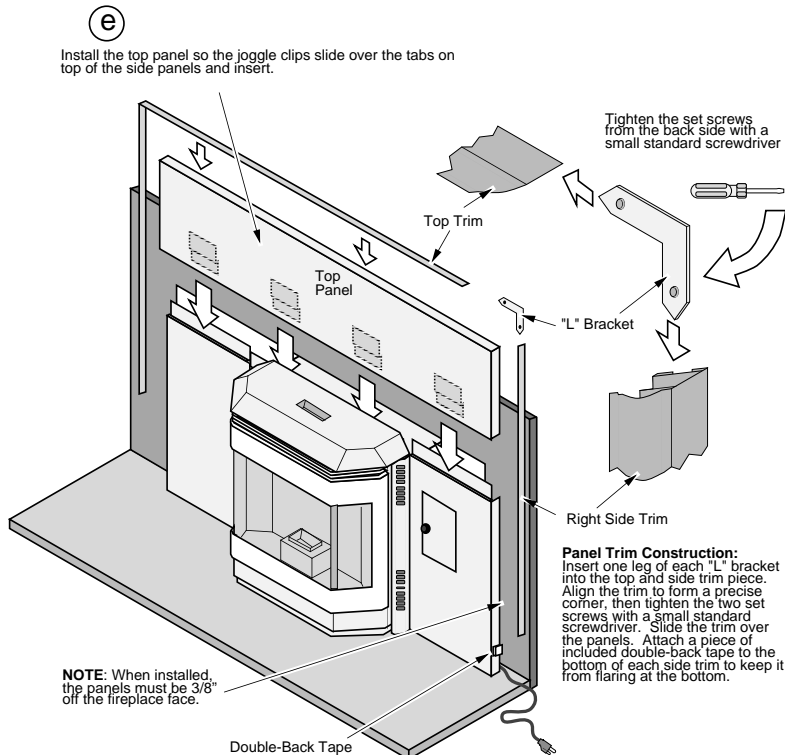
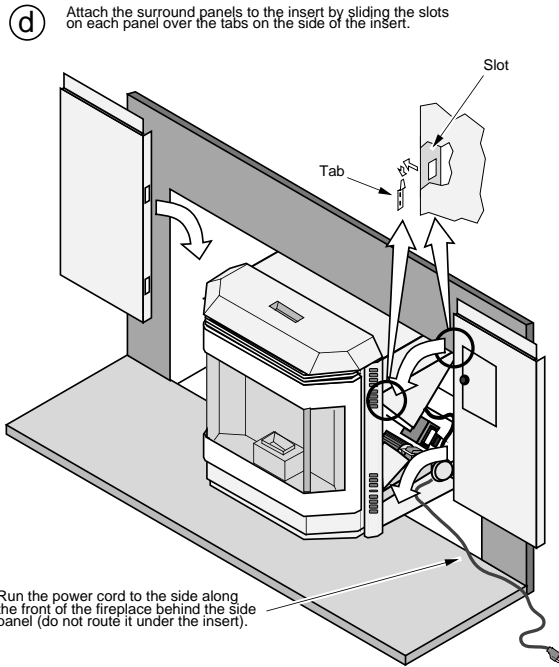
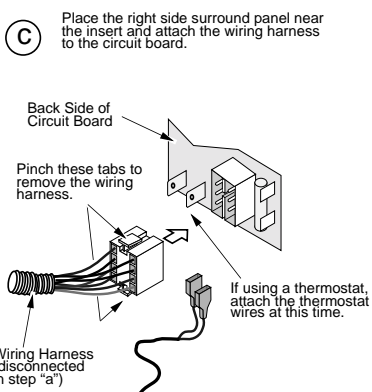
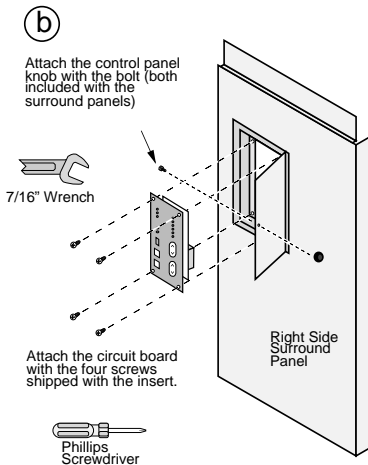
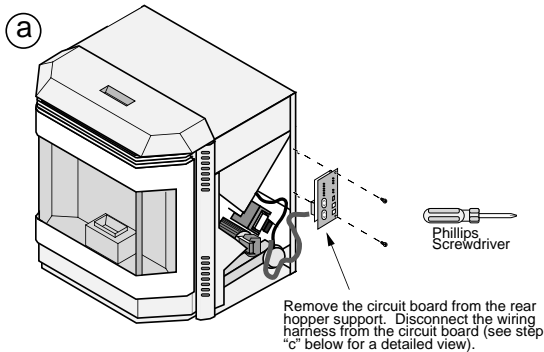
If the flames are too active (small, flickering flames) or if burning pellets are expelled from the firepot, move the restrictor rod inwards until the flame slows down and no burning pellets are expelled. Another symptom of too much air is the heater “blowing the fire out” – a condition in which the pellets burn faster than they are fed (this is most common on low).



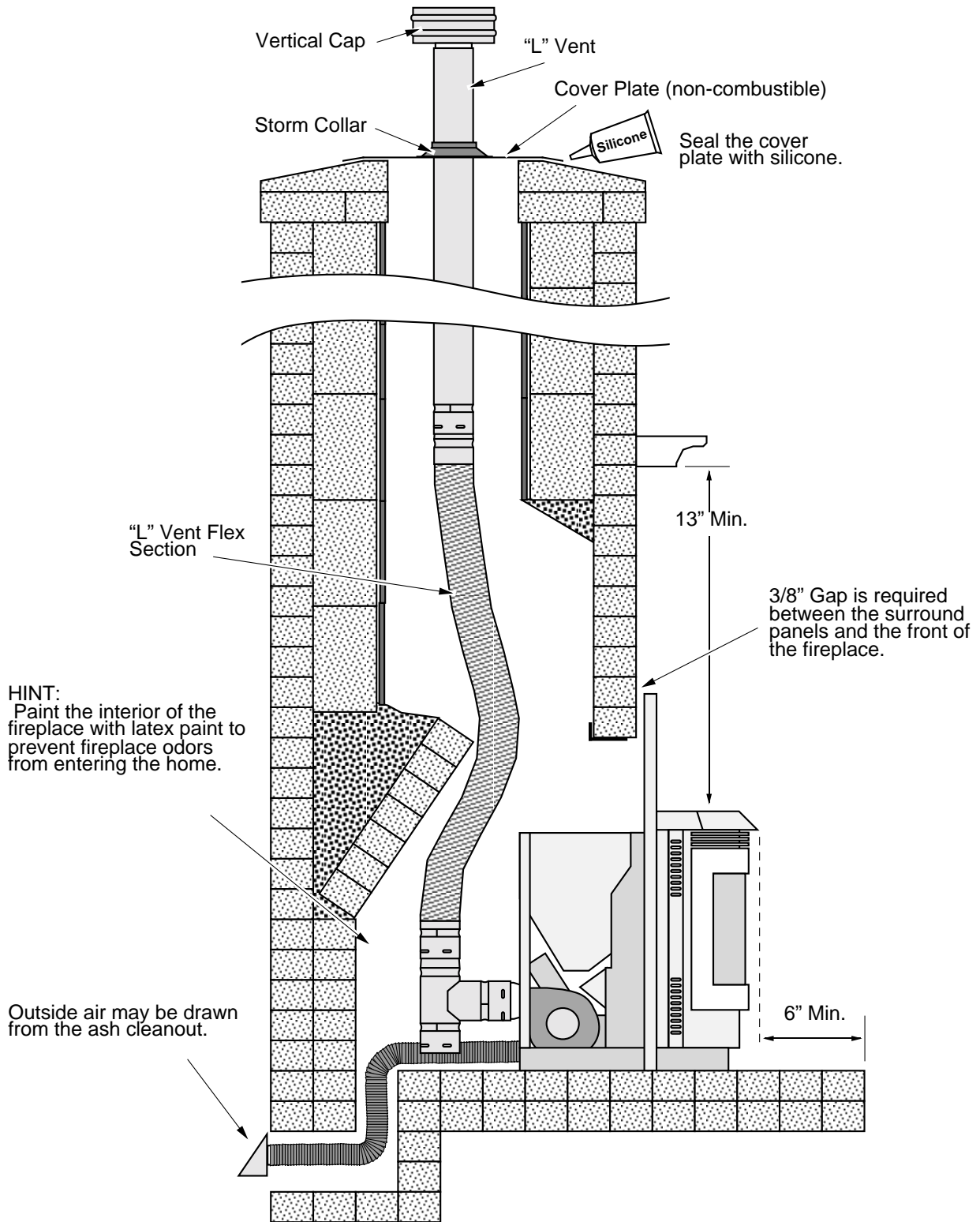
Surround Panel & Circuit Board Installation

- **NOTE:** Attach the vent prior to installing the surround panels (& circuit board).
- * The panels are offered in the two sizes shown below:

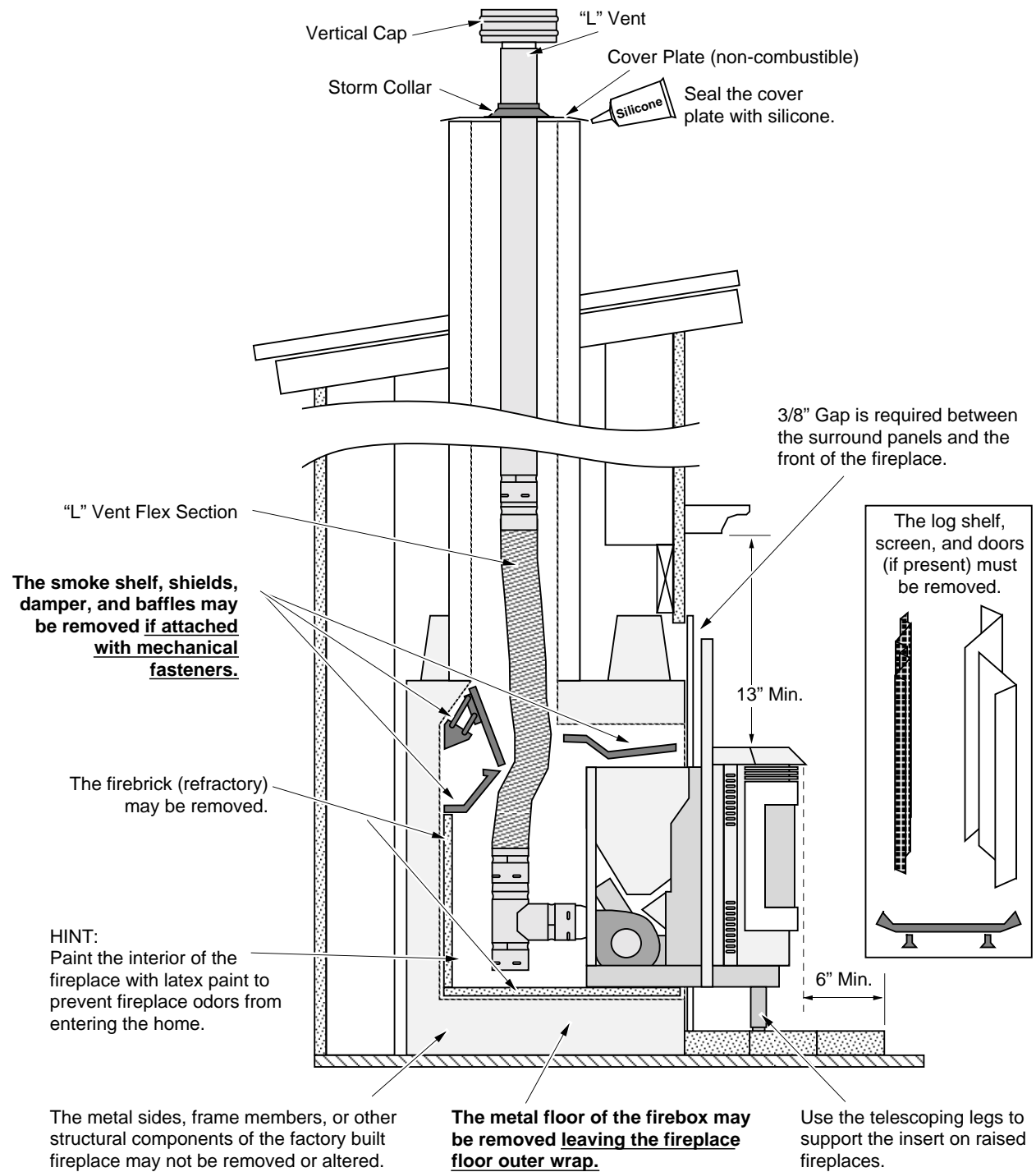
| Size | Brass Trim # | Black Trim # | Width | Height |
|----------------|--------------|--------------|---------|---------|
| 8 x 10 Panels | 99300703 | 99300709 | 40-1/2" | 28-7/8" |
| 10 x 13 Panels | 99300704 | 99300710 | 44-1/2" | 31-7/8" |



Installation into a Masonry Fireplace



Installation into a Factory Built (Metal) Fireplace

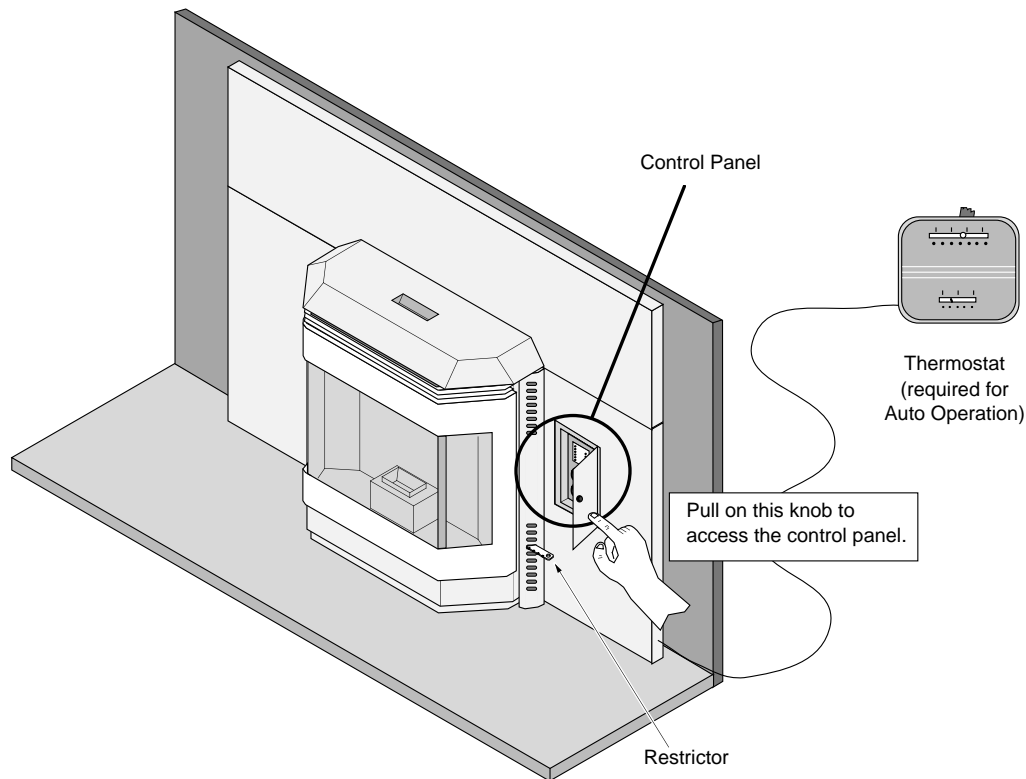


Safety Notice

Read this entire manual (especially the "Safety Precautions" on pages 2 and 3) before using this heater. Failure to follow the instructions may result in property damage, bodily injury, or even death.

- ! Do not unplug the heater to turn it off. This heater relies upon electricity to push the flue gases out the pellet vent – unplugging it may lead to smoke entering your room.
- ! Failure to maintain your heater will lead to a restricted combustion air system, leading to poor performance and in some cases, smoke spillage into the room. See the "Maintenance" section for details.

Location of Controls



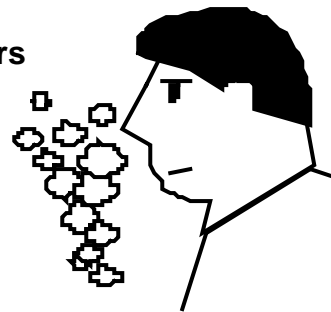
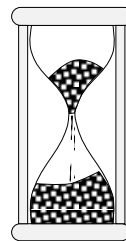
Starting the Heater for the First Time

Curing the Paint

This heater uses a heat-activated paint that will emit some fumes while starting the first fire. Open doors and windows to the room to vent these fumes. You may also notice oil burning off of the interior of the heater. This rust-stopping agent will soon dissipate.

Priming the Auger

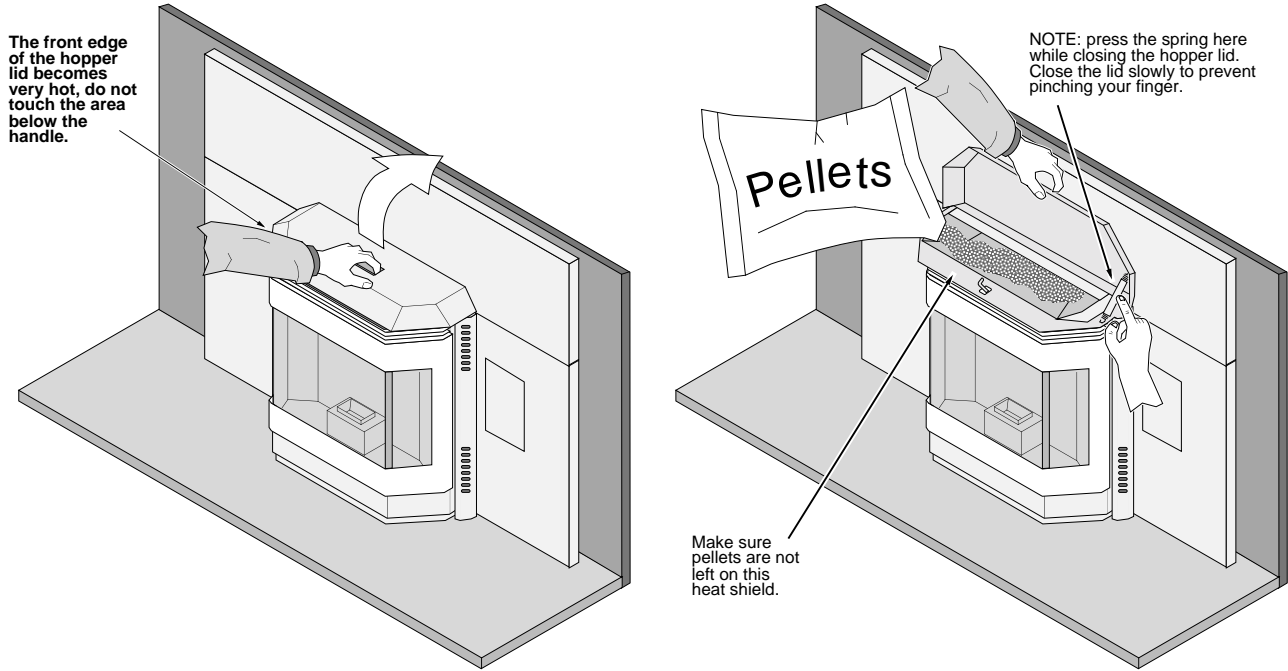
2 to 4 hours



Because of its electronic control panel, this heater does not require priming. If you run out of pellets you may notice it will take approximately 5 minutes longer for the heater to start.

Loading Pellets

Lift the hopper lid to its vertical position. Pour pellets into the hopper until full. NOTE: The hopper holds approximately 35 pounds of pellets.



The Two Modes of Operation:

Manual

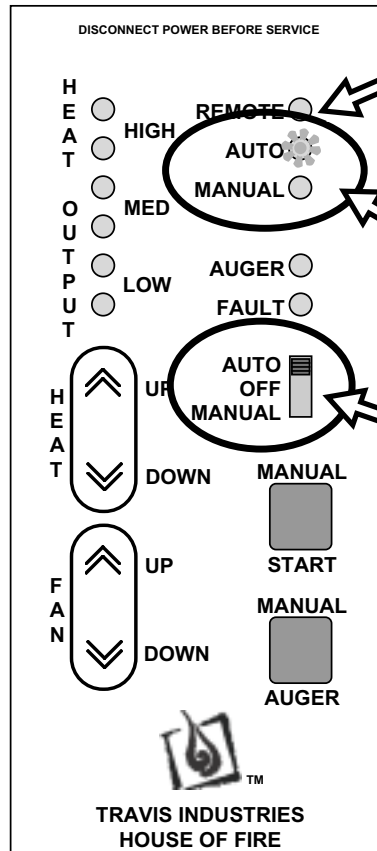
Manual mode requires the user to turn the heater on and off manually.

Auto (requires a thermostat)

Auto mode allows you to use a thermostat to control room temperature. The stove automatically turns on when the temperature drops below the thermostat setting. Once the stove reaches operating temperature, the stove then runs at the heat output setting selected.

Switching Modes While in Operation

Whenever the stove is switched from one mode to another while in operation, the stove will enter the "start-up" sequence for a minimum of 20 minutes.



NOTE: if using a modulating remote, this light will come on to indicate the remote is controlling the heater.

These indicator lights are used to determine which mode you are in.

Use the mode switch to determine the mode.

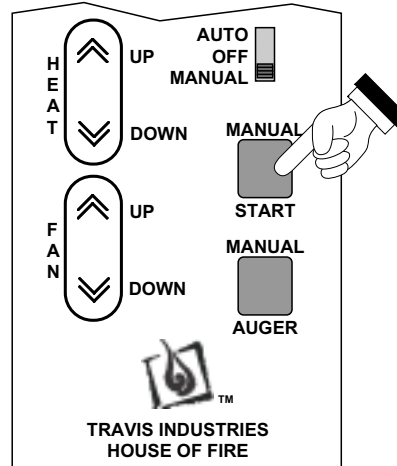
Manual Mode

Manual mode requires the user to turn the heater on and off manually.

To Start

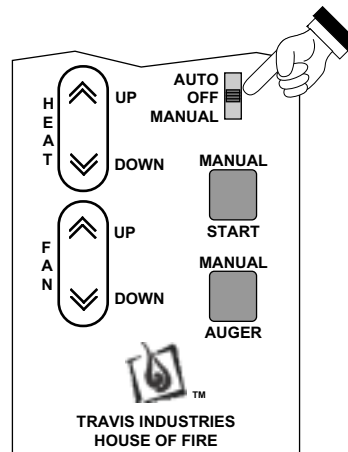
Press the "Manual Start" button. That's it. The stove automatically goes to a medium burn rate and high fan while the igniter starts the fire burning within 10 minutes. During this period the lowest "HEAT OUTPUT" light will flash. If the stove does not start in 30 minutes, the stove turns off.

Once up to temperature, the stove will then run at the heat output setting selected on the control panel (see "To Adjust the Heat" below).



To Shut Down

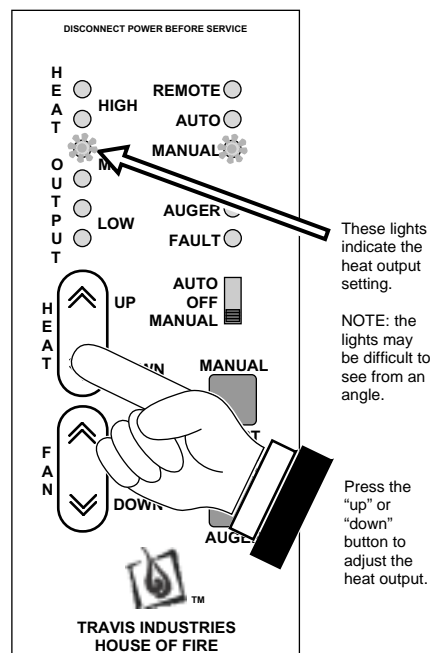
Move the mode switch to "OFF". The exhaust blower will still run until the heater cools down.



To Adjust the Heat

Press the "Heat" buttons to adjust the heat output.

NOTE: During start-up you may adjust the heat setting. This heat setting will take affect once the start-up sequence is complete.

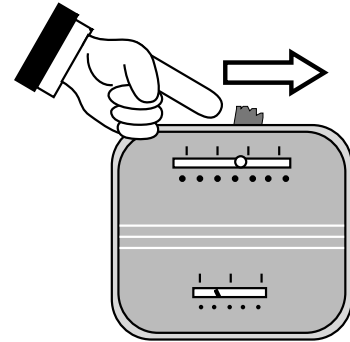


Auto Mode

Auto mode allows you to use a thermostat to control room temperature. The stove automatically turns on when the temperature drops below the thermostat setting. Once the stove reaches operating temperature, the stove then runs at the heat output setting selected.

To Adjust Room Temperature (or Start the Stove)

Move the thermostat to the heat setting desired. If the room is cooler than the setting, the stove will go through the start-up sequence for approximately 10 minutes. During this period the lowest "HEAT OUTPUT" light will flash. Once up to temperature, the stove will then run at the heat output setting selected on the control panel. If the room is too hot, move the thermostat to a lesser setting.



To Adjust the Heat

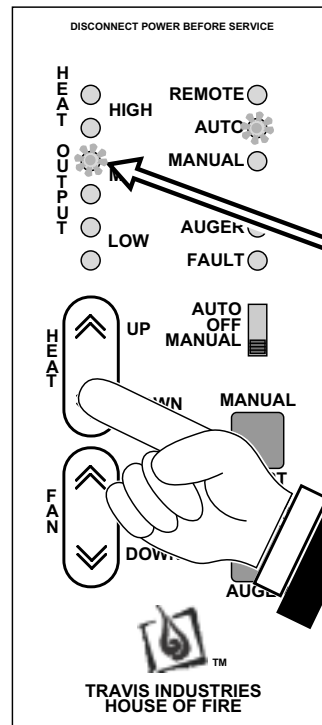
Press the "Heat" buttons to adjust the heat output.

HINT:

If you find that the stove turns on and off repeatedly, you may wish to turn the heat output to a lesser setting. The lower setting will provide a more consistent heat output over time, eliminating the need for the thermostat to repeatedly turn the stove off.

NOTE:

If the thermostat calls for heat while the stove is still cooling down, the stove will go through the start-up sequence (for a minimum of 20 minutes).

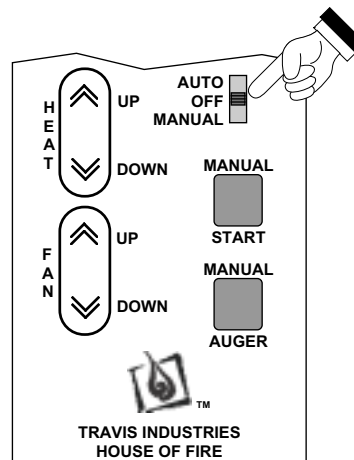


These lights indicate the heat output setting.
NOTE: the lights may be difficult to see from an angle.

Press the "up" or "down" button to adjust the heat output.

To Shut Down

Move the mode switch to "OFF". The exhaust blower will still run until the heater cools down.



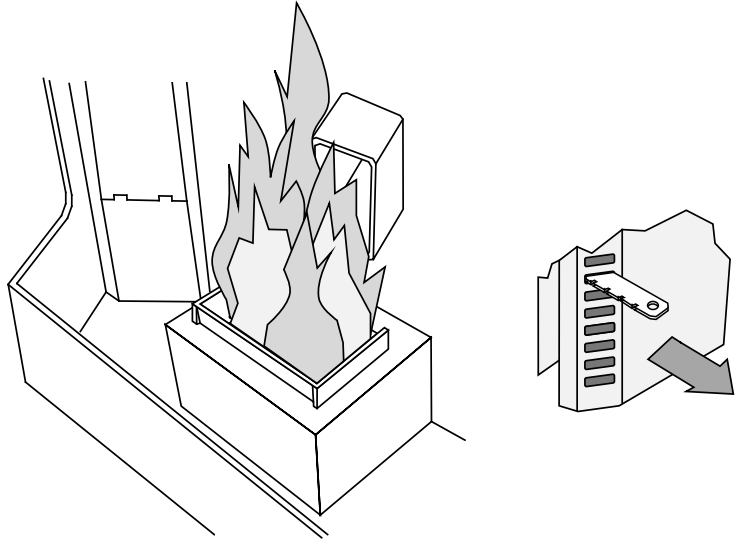
Restrictor Adjustment

The restrictor “fine tunes” your appliance, adjusting the amount of air flowing to the flame.

NOTE: the optimal restrictor position will vary over time as soot builds up inside the exhaust system.

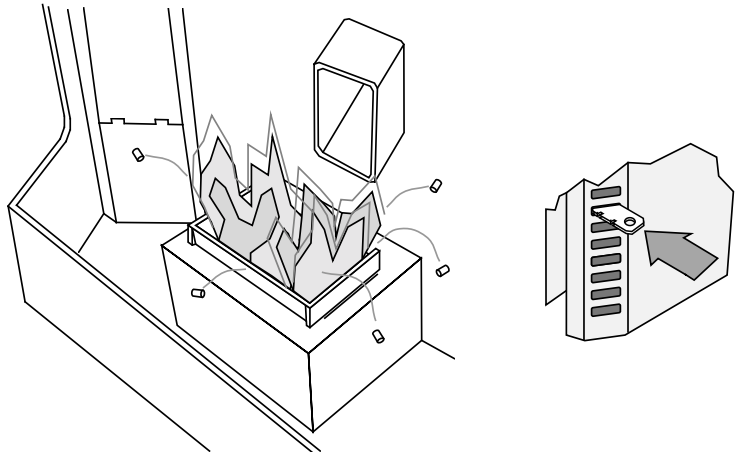
Not Enough Air:

If clinkers develop or the flame appears lazy and slow to blow the ash out of the firepot, pull the restrictor outward until the flame becomes active and the firepot holes remain clean. **NOTE:** If the restrictor is fully out yet the firepot does not remain clean, the stove needs to be cleaned and checked for air leaks (see “Maintenance” section of this manual).

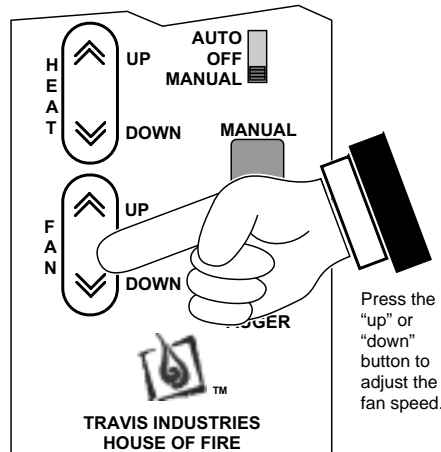


Too Much Air:

If the flames are too active (small, flickering flames) or if burning pellets are expelled from the firepot, move the restrictor rod inwards until the flame slows down and no burning pellets are expelled. Another symptom of too much air is the heater “blowing the fire out” – a condition in which the pellets burn faster than they are fed (this is most common on low).



Adjusting the Fan Speed



Start-Up Sequence

This stove utilizes a start-up sequence whenever the mode switch is changed or the heater is started when cold. This is to ensure proper operation through all possible settings and operational states (hot or cold, pellets burning or not burning, etc.). This sequence over-rides all user settings (except the "OFF" position) to set the auger feed rate to medium, the exhaust blower to high, and the igniter on. During this period the lowest "HEAT OUTPUT" light will flash.

"MANUAL AUGER" Button

This button turns the auger on. It is used to "prime" the auger after the hopper has run out of pellets.

"AUGER ON" Light

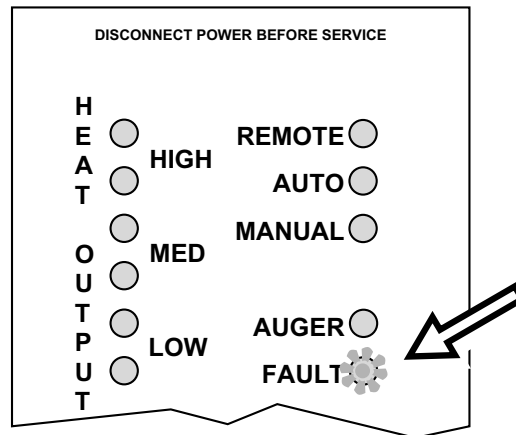
This light comes on when the auger is turning. This allows the operator to determine when the auger is turning.

"FAULT" Light

This light comes on when an error occurs:

- The stove runs out of pellets
- During initial start-up (for a split second) or for improper electrical frequency
- A start-up sequence that does not result in the heater coming up to temperature

To reset the fault light, turn the mode switch to off and re-start the stove.



Fault Codes (for qualified service personnel only)

Fault and #2 (LOW) Light Flash = Flow Switch Fault

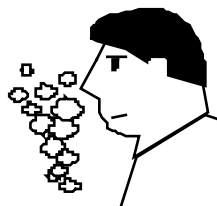
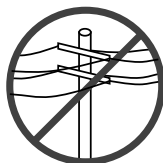
Fault and # 4 (MID) Light Flash = System Snap Disk Fault (pellets run out & stove goes cold)

Fault and # 6 (HIGH) Light Flash = Safety Snap Disk Fault

Power Outages

If a sustained power outage occurs while in "Manual", the heater will go to a "cool down" mode to vacate smoke once power returns. If the power outage was short, the heater will go to the start-up sequence. If in "Auto", the heater will re-start (if the room is cool).

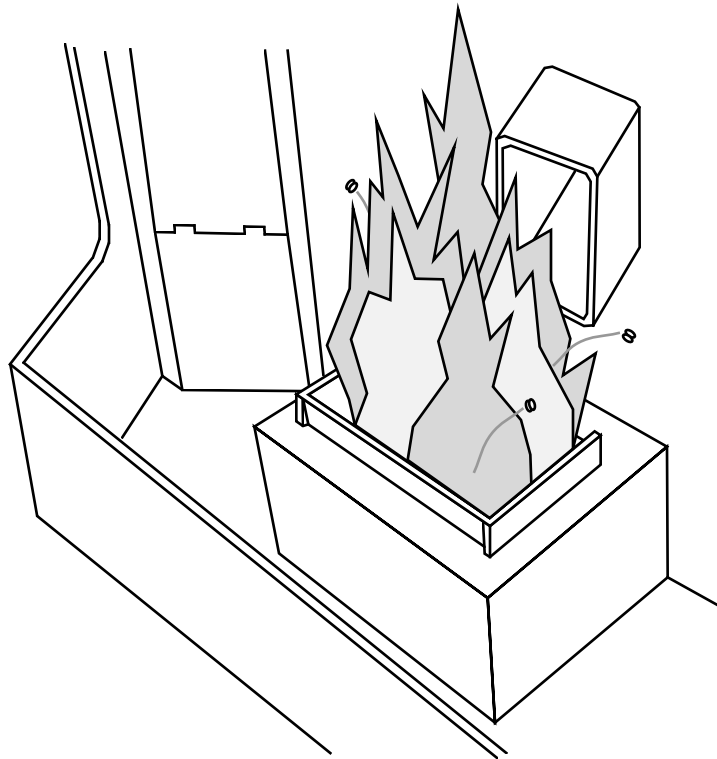
! Because this heater relies upon a blower to evacuate the smoke, some smoke may enter the home during a power outage. To keep to a minimum, leave the door closed.



Daily Maintenance (whenever using the heater)

Inspect the Burn

When burning, the flames should be bright orange with an occasional ember jumping from the firepot.

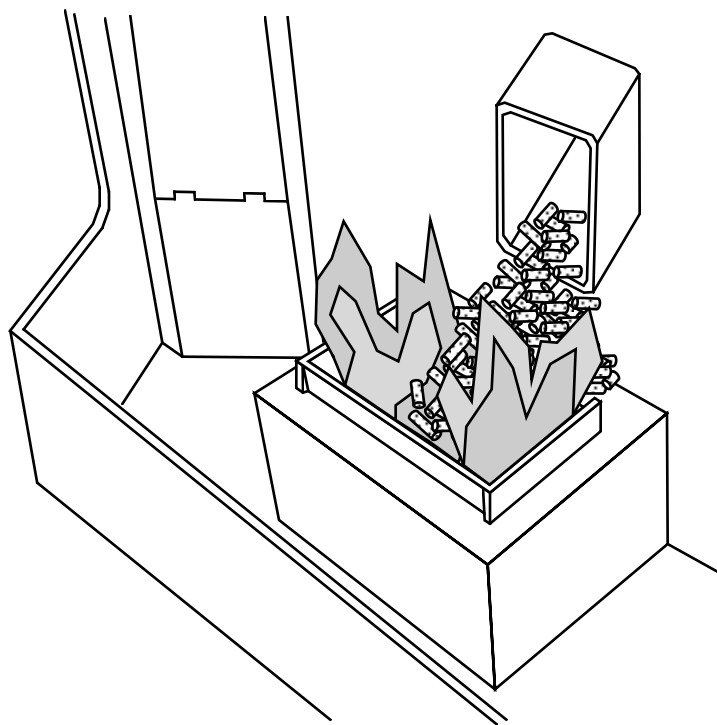


Make Sure Pellets are Not Piling Up

If the pellets pile up over the burn pot, turn the mode switch to "OFF".

The most likely causes are:

- The door, glass, or ashpan is open or has an air leak
- The firepot requires cleaning
- The exhaust system requires cleaning
- The heater requires adjustment



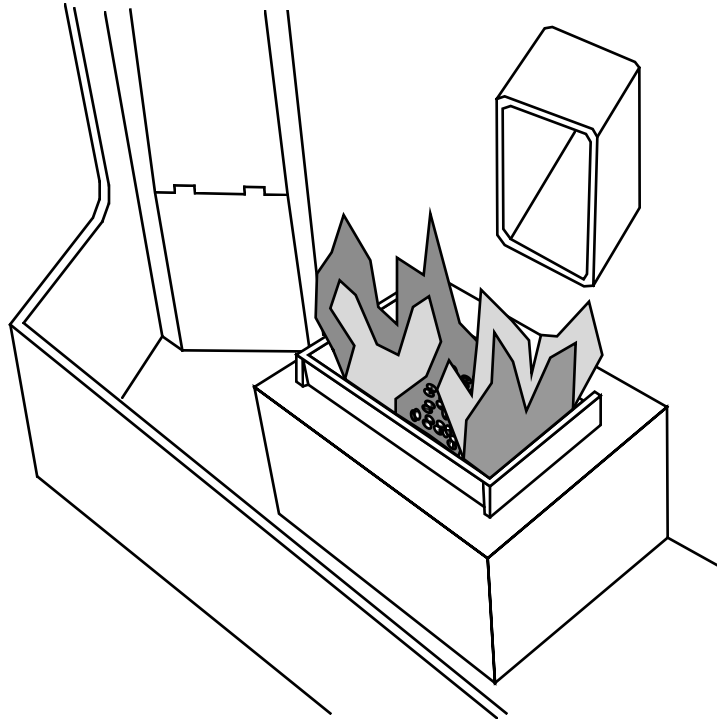
Daily Maintenance (whenever using the heater) - Continued

Check Firepot for Clinkers

If the flames seem to be coming only from the sides, or are orange/black, turn the heater off and check for clinkers.

The most likely causes are:

- Poor pellet quality
- The door or glass has an air leak
- The exhaust system requires cleaning
- The heater requires adjustment

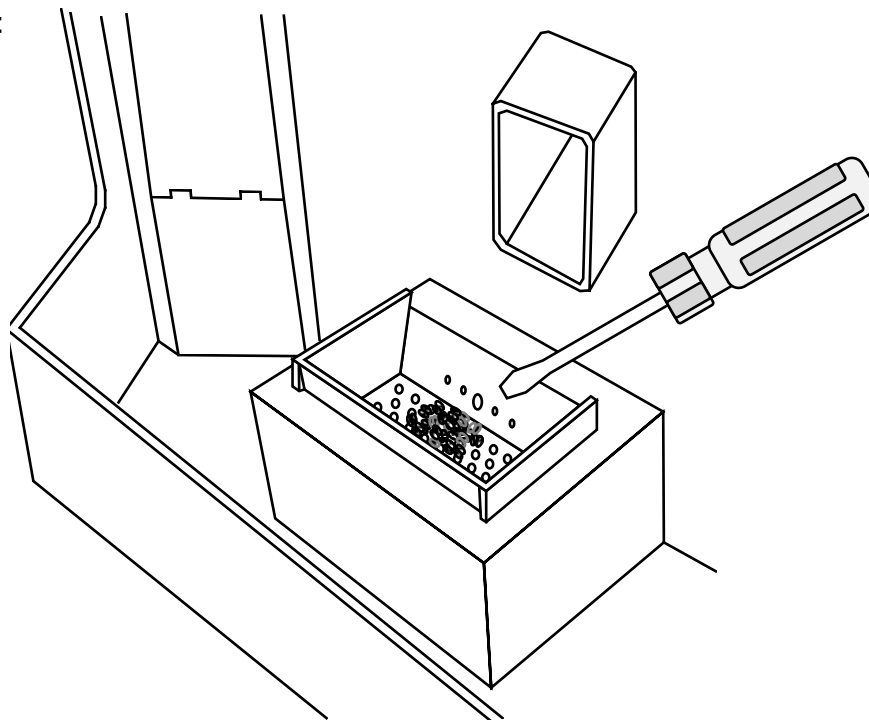


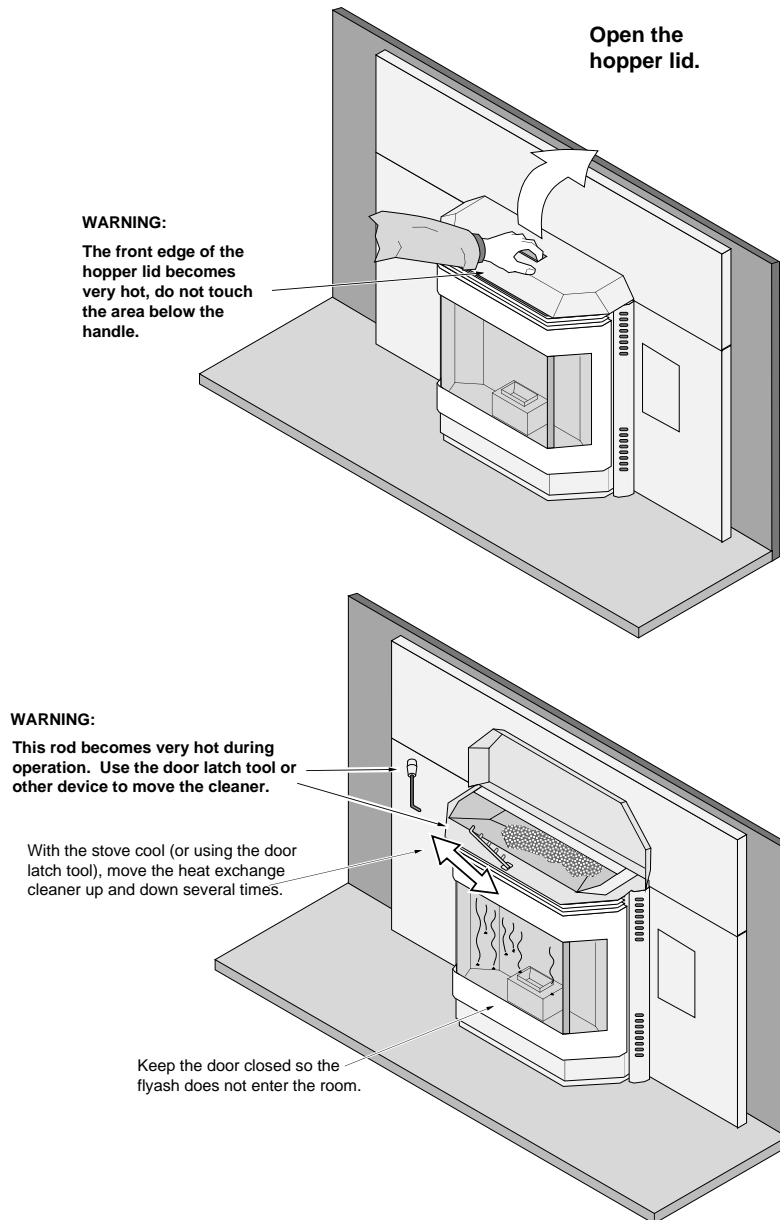
Cleaning the Firepot

WARNING:

Make sure the heater has fully cooled (approximately 25 minutes) before opening the door and conducting service.

To clean the firepot, open the door (see page 23) and knock away any debris on the firepot with a screwdriver. If severely clogged, remove the firepot to gain better access.



Bi-Weekly Maintenance (or every 10 bags of pellets)**Clean the Heat Exchange Tubes****Vacuum Hopper**

Run the heater until the pellets run out. Open the hopper and vacuum out the entire hopper. The dust and any other debris near the bottom should be removed to prevent excessive build-up.

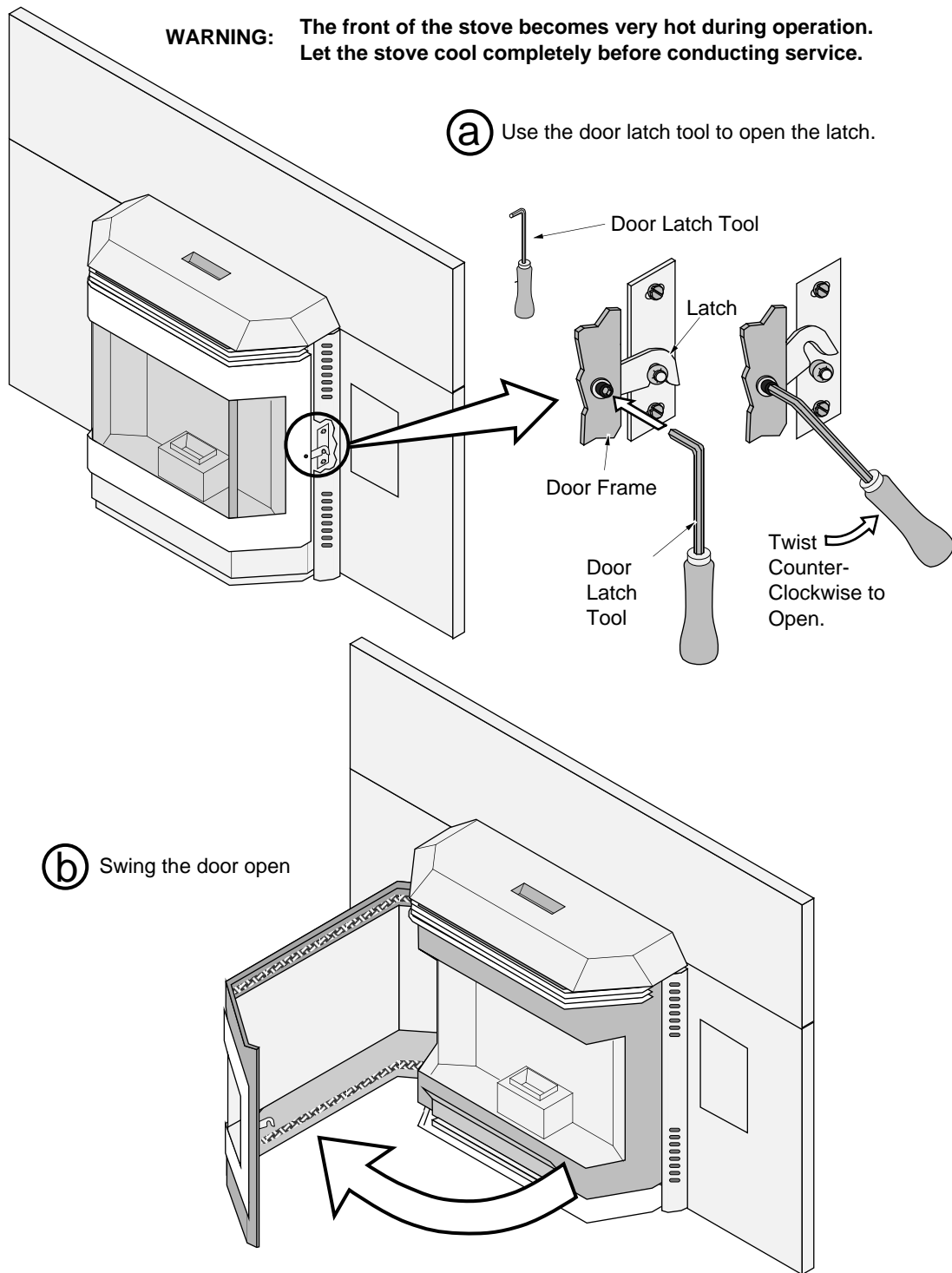
Cleaning the Optional Gold Surfaces (Door and optional Grill)

Fingerprints or other marks left on gold surfaces may become etched in place if they are not wiped clean prior to turning the stove on. Clean the gold with denatured alcohol and a soft cloth (make sure the heater is cool). Other cleaners may leave a film that may become etched into the gold.

Bi-Weekly Maintenance (or every 10 bags of pellets) - Continued

Opening The Door

WARNING: The front of the stove becomes very hot during operation. Let the stove cool completely before conducting service.



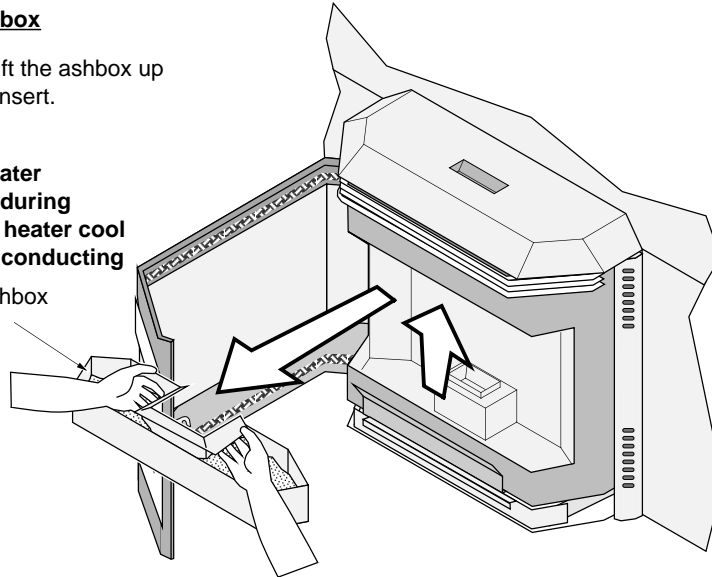
Bi-Weekly Maintenance (or every 10 bags of pellets) - Continued**Check Ashbox, Ashpan, Dispose Ash If Necessary****Removing the Ashbox**

Use both hands to lift the ashbox up and away from the insert.

WARNING:

The front of the heater becomes very hot during operation. Let the heater cool completely before conducting service.

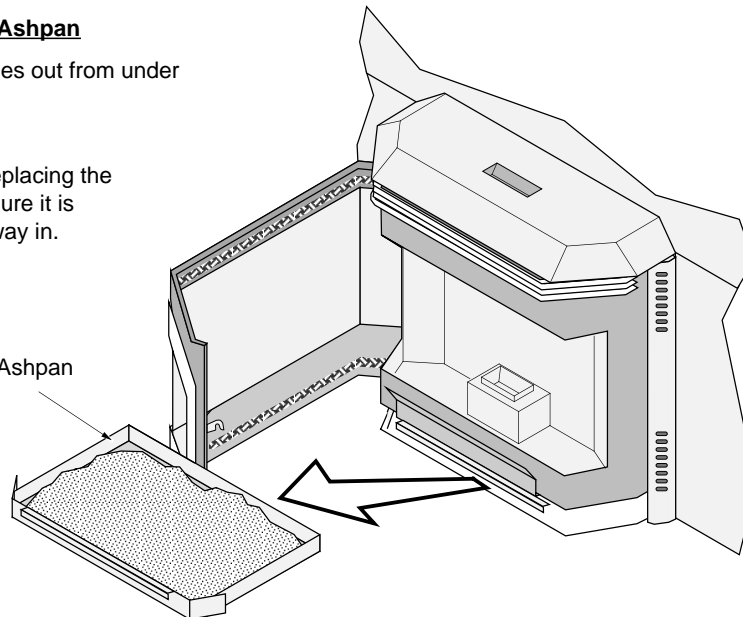
Ashbox

**Removing the Ashpan**

The ashpan slides out from under the firebox.

NOTE: When replacing the ash pan make sure it is pushed all the way in.

Ashpan



Disposal of Ashes – Ashes should be placed in a metal container with a tight fitting lid. The closed container of ashes should be placed on a non-combustible floor or on the ground, well away from all combustible materials, pending final disposal. If the ashes are disposed of by burial in soil or otherwise locally dispersed, they should be retained in the closed container until all cinders have been thoroughly cooled.

Clean the Glass

Open the door and clean the glass with a non-abrasive glass cleaner and rag. This will increase the amount of light and heat given off by the heater.

Bi-Weekly Maintenance (or every 10 bags of pellets) - Continued

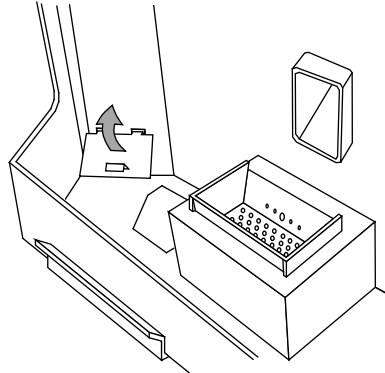
Sweep Ash Into Ashpan

HINT: The more often you clean out the flyash, the more efficient your heater will burn.

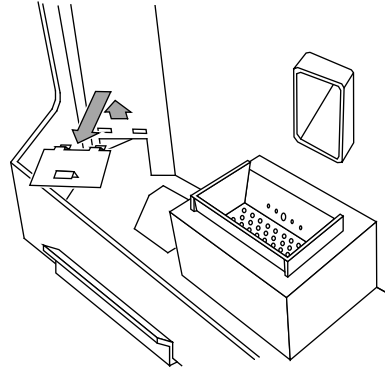
WARNING: The firebox becomes very hot during operation. Let the stove cool completely before conducting service.

a Remove the Ashbox by following the instructions on the previous page.

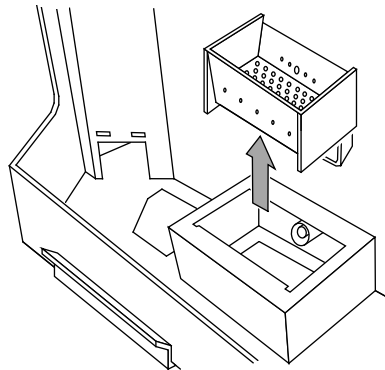
b Swing the side ash trap door up.



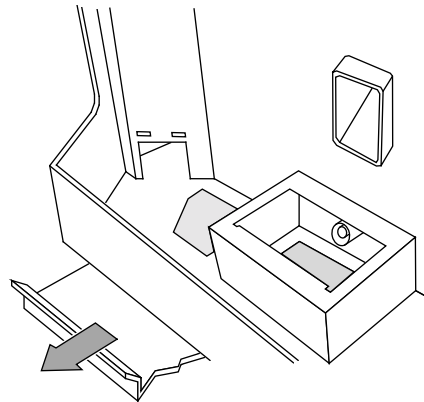
c Lift it up and away from the firebox. Repeat for the opposite side.



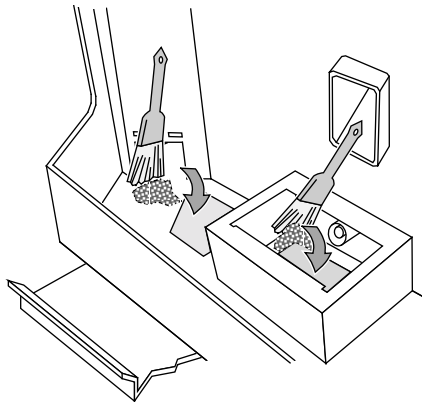
d Lift the firepot out of its holder.



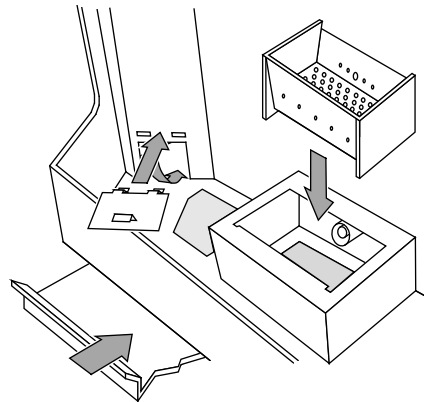
e Slide the ash pan trap door forward to expose the ash dumps.



f Brush all flyash into the ash dumps, including the flyash inside the firepot holder.



g Replace the ash trap doors and firepot. Slide the ash pan trap door forward.



HINT: To empty the ashpan, see the instructions on the previous page.

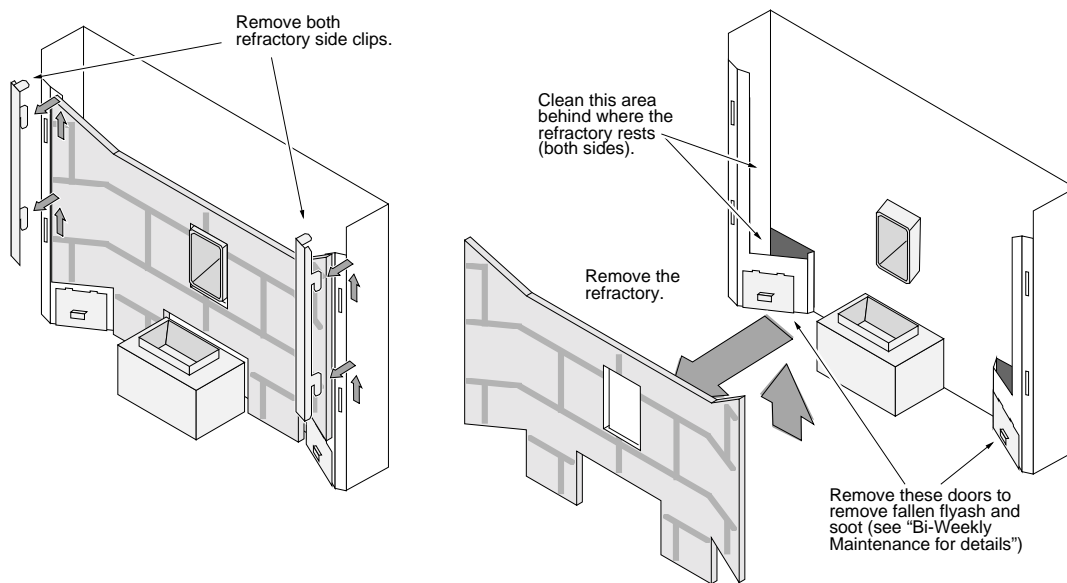
Yearly Maintenance (or every two tons)

WARNING: Disconnect the power cord prior to conducting service.

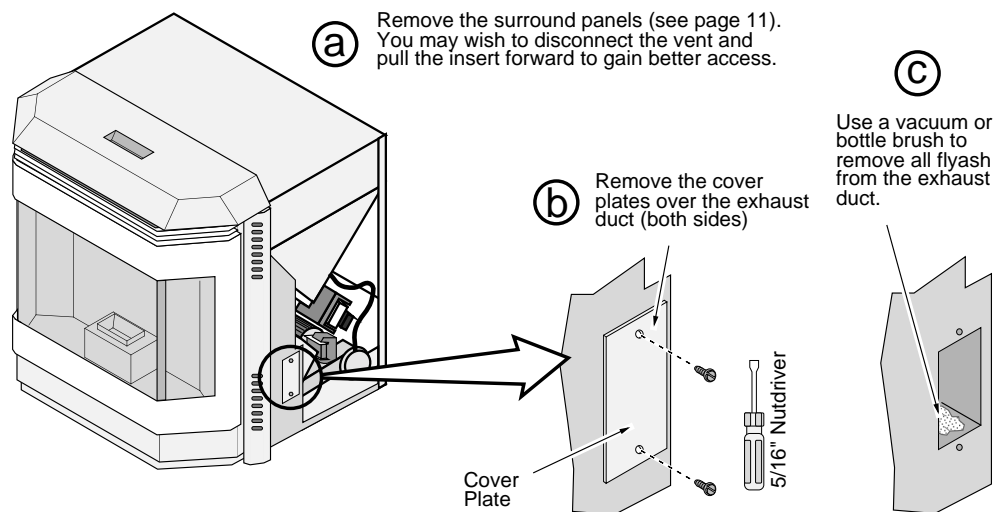
The following section details extensive maintenance procedures. We strongly suggest these items be carried out by a trained service technician, possibly by a service agreement set up with your dealer.

Soot and Flyash: Formation and Need for Removal – The products of combustion will contain small particles of flyash. The flyash will collect in the exhaust venting system and restrict the flow of the flue gases. Incomplete combustion, such as occurs during startup, shutdown, or incorrect operation of the room heater will lead to some soot formation which will collect in the exhaust venting system. The exhaust venting system should be inspected at least once every year to determine if cleaning is necessary.

Clean the Vertical Exhaust Duct (the stove must be cool and unplugged)



Clean the Exhaust Duct (make sure the heater is cool and unplugged)

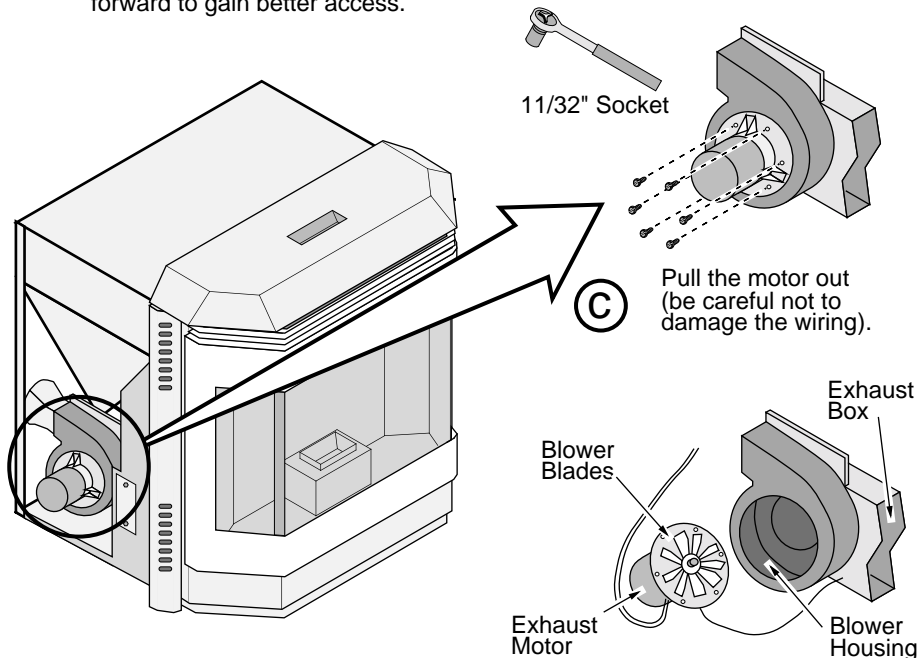


Yearly Maintenance (or every two tons) - Continued

Clean the Exhaust Blower (make sure the heater is cool and unplugged)

(a) Remove the surround panels (see page 11). Disconnect the vent and pull the insert forward to gain better access.

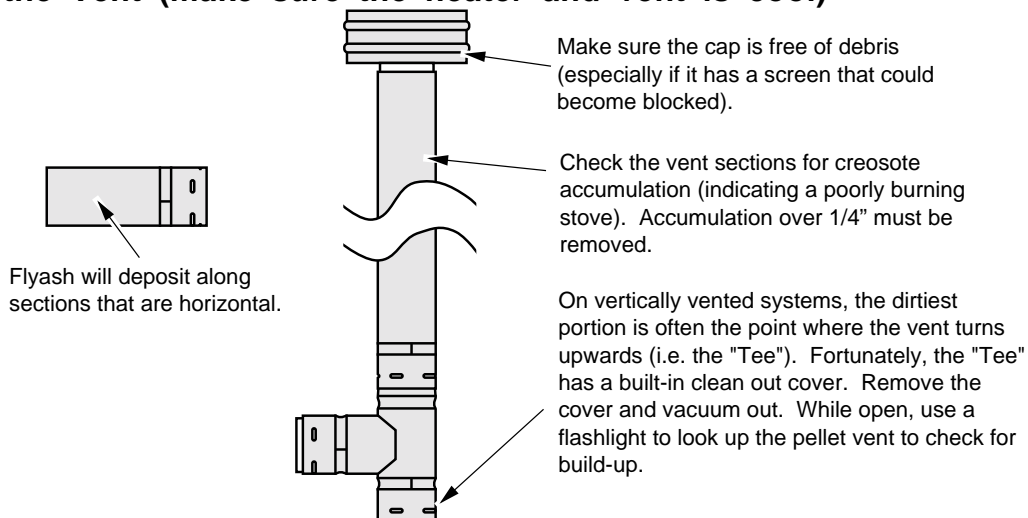
(b) Remove the six screws holding the exhaust blower motor in place.



(c) Pull the motor out (be careful not to damage the wiring).

(d) Clean the blower blades, blower housing, and exhaust box.

Clean the Vent (make sure the heater and vent is cool)

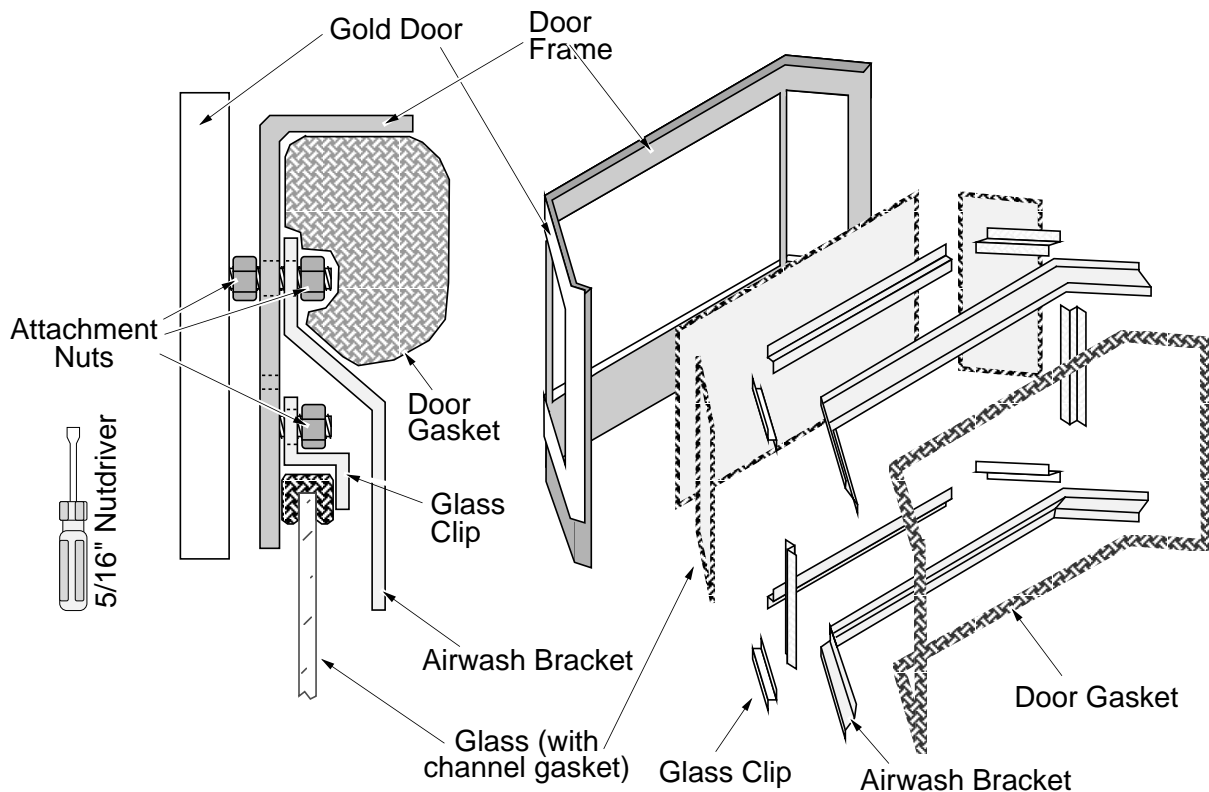


Warning: Whenever any portion of the pellet vent is disconnected, the joints must be sealed with RTV 500° F. silicone sealant.

Yearly Maintenance (or every two tons) - Continued

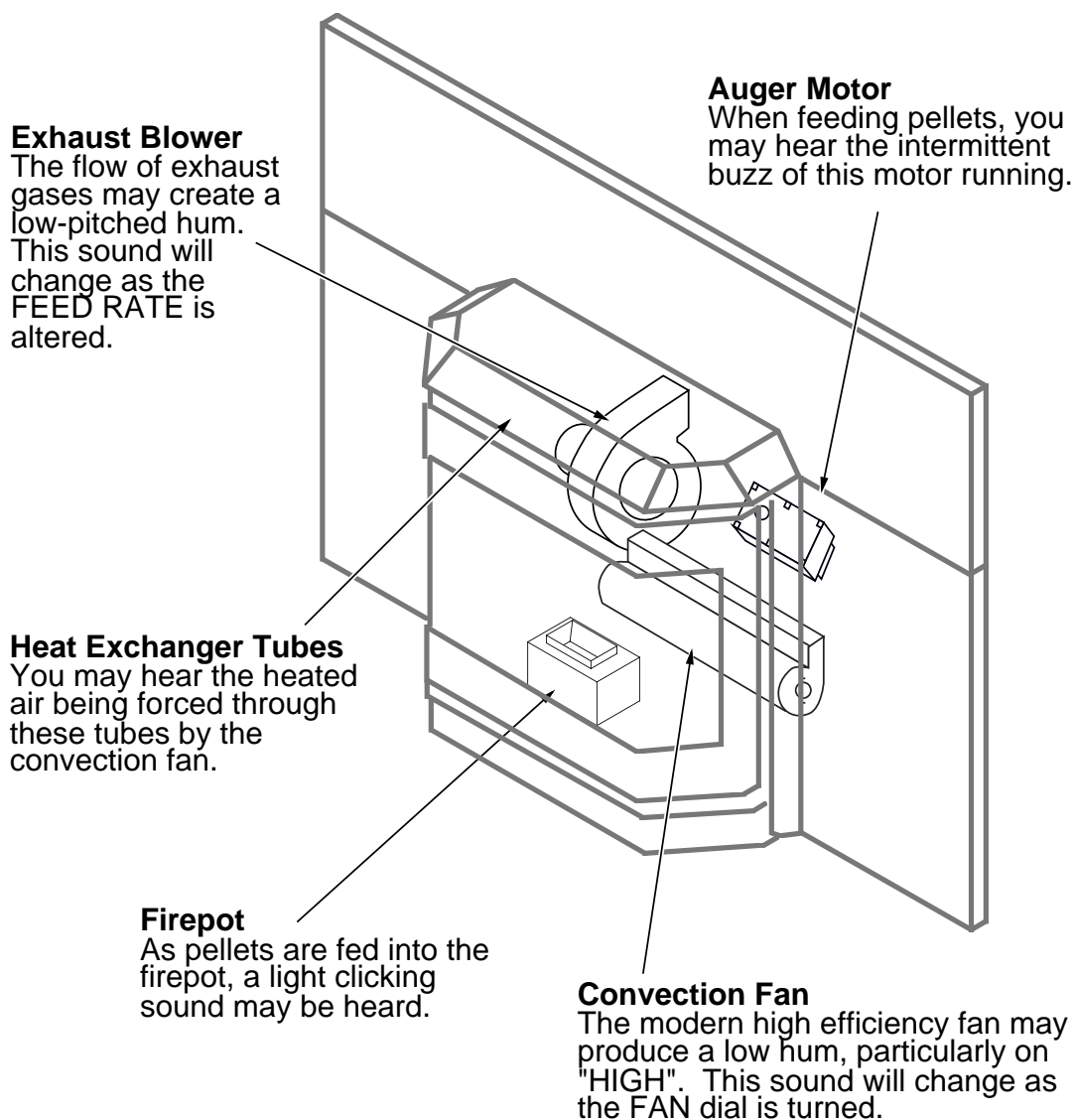
Check for Air Leaks Around the Door, Glass, and Ashpan

- ! Air leaks into the firebox will decrease the stove's performance greatly, leading to excessive sooting, inefficient burning, and perhaps a malfunction.
- Test the door seal by shutting the door on a dollar bill in various locations. If the bill can be easily slid out, air may be leaking around the door seal – inspect the door gasket and door catch carefully.
- Inspect the door gasket to make sure it is fully attached. Use heater gasket cement to re-attach if necessary. If the door gasket is worn or flattened, replace.
- Check the door to make sure it latches correctly. Slight adjustments can be made to the door catch if necessary (do not over-tighten this catch, an over-tightened catch will damage the door). The latch should engage with a slight amount of resistance, yet not be difficult to engage.
- If the glass is cracked, replace. The glass is held in place by glass clips that are underneath the airwash brackets. See the illustration below for details.
- Remove the ashpan and inspect the gasket around the perimeter of the ashpan. Re-attach, or replace the gasket if necessary.



Replacement Parts List

| | |
|--------------------------------------------------|-----------|
| Air Control Restrictor | 93005061 |
| Ash Door, Dump Plate | 93005051 |
| Ash Dump Seal Plate | 93005052 |
| Ashbox | 93005055 |
| Ashpan, Pellet, 1997, Insert | 93005053 |
| Ashtrap Clean Out Doors | 93005054 |
| Auger Assembly, Complete | 93005092 |
| Auger Bushing, Lower, With Plate | 93005094 |
| Auger Bushing, Upper, With Plate | 93005093 |
| Auger, Flight Only | 93005091 |
| Auger Motor | 90-0191 |
| Blower, Convection | 98900755a |
| Blower Convection, Mounting Grommets | 93005017 |
| Blower, Convection, Mounting Plate | 93005016 |
| Blower, Exhaust | 90-0391 |
| Brush, Pellet Stove, Bottle Brush Style | 93005531 |
| Brush, Pellet Stove, Broom Style | 93005530 |
| Burn Pot, Pellet, Removable | 99300170 |
| Control Board, Pellet, Electronic | 93005000 |
| Door Gasket, Pellet | 93005085 |
| Door, Newport (Avanti) Pellet, Complete | 99300522 |
| Door Key | 93005010 |
| Door Roller Plate Assembly | 93005012 |
| Draft Flow Switch | 93005060 |
| Draft Flow Tubing, 1/4" Dia, High Heat | 99300164 |
| Exhaust Blower Gasket (Between Blower & Stove) | 90-0392 |
| Fireback, Cast Steel, Brick Pattern, 1998 Pellet | 93005057 |
| Fuse Holder, Pellet | 99300570 |
| Fuses, Pellet, 5-Amp, Pkg Of 5 | 93-0695 |
| Gasket, Exhaust Blower (Between Motor & Housing) | 99300135 |
| Glass, Pellet, Front | 93005080 |
| Glass, Pellet, Side | 93005081 |
| Grill, Pellet, Black | 93005035 |
| Grill, Pellet, Gold | 93005034 |
| Handle, Hopper Lid | 93005040 |
| Hinge Plate Assembly, Pellet | 93005082 |
| Igniter, Pellet | 99300148 |
| Leveling Bolts | 93005500 |
| Manual, Newport Bay (Avanti PI) | 93508075 |
| Motor Stop | 93005095 |
| Outside Air Kit | 99200136 |
| Snap Disk, 120 Degree - 2 Prong | 98900720 |
| Snap Disk, Ceramic, 120 Degree, 2 Prong | 100-00232 |
| Snap Disk, Pellet, Hopper, 200 Deg. | 91-1791 |
| Thermostat, Wall Mounted | 99300650 |
| Wiring, Electric Power Cord | 93005015 |
| Wiring Harness | 93005013 |



WARNING - DO NOT REMOVE OR COVER THIS LABEL

Listed Pelletized Solid Fuel Burning Appliance
For use in masonry or factory built (ZC) fireplaces.

Warnock Hersey



AVALON™

Travis Industries, Inc.
10850 117th Pl. NE
Kirkland, WA 98033

Serial No. [REDACTED]

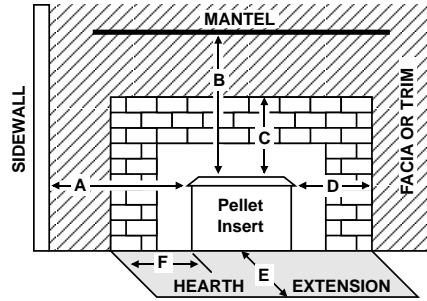
Model: Avanti PI Electrical Rating : 115 V., 60 Hz., 3 Amp
Report Date: June, 1997
Tested to: UL 1482/ULC S627/CSA B366.2/ASTM E1509-95
Maximum Input Rating: 3.5 lbs (1.60 kg)/hr
This pellet appliance has been tested and listed for use in manufactured homes in accordance with Oregon Administrative Rules 814-23-900 through 814-23-909.

Install and use only in accordance with the installation and operating instructions. Contact local building or fire officials about restrictions and installation inspection in your area. Do not remove bricks or mortar from masonry fireplace or alter factory built fireplace.

Combustible floor beyond hearth extension must be protected by a non-combustible material, extending 6 in/150 mm (E) to the front and 6 in/150 mm (F) to the sides of door opening. Do Not Connect This Unit to a Chimney Flue Serving Another Appliance. Components Required for Masonry Fireplace and Factory Built Fireplace Installation: Listed 3 in/75 mm or 4 in/100 mm diameter flue liner.

For use with 1/4 in/6 mm to 5/16 in/7 mm diameter pelletized wood fuels only. Replace glass only with 5 mm ceramic glass. Do not route power cord beneath heater. The space beneath the heater must not be obstructed. Do not obstruct combustion air openings. Operate only with viewing door closed and ash tray in place. Keep all furnishings well away from heater. Do Not Overfire - If Heater or Chimney Connector Glows, You Are Overfiring. Inspect And Clean Chimney Frequently - Under Certain Conditions of Use, Creosote Buildup May Occur Rapidly.

INSERT CLEARANCE DIAGRAM



Minimum Clearance to Combustible Materials
(Measured from insert top)

| | | |
|-------------------|---|--------------|
| Adjacent Sidewall | A | 9 in/230 mm |
| Mantel | B | 13 in/330 mm |
| Top Facing | C | 10 in/255 mm |
| Side Facing | D | 6 in/150 mm |



CAUTION

- HOT WHILE IN OPERATION.
- DO NOT TOUCH, KEEP CHILDREN, CLOTHING AND FURNITURE AWAY.
- CONTACT MAY CAUSE SKIN BURNS. SEE THE OWNER'S MANUAL.

DATE OF MANUFACTURE

| | | | |
|--------|--------|--------|--------|
| ■ 1997 | ■ Jan. | ■ May | ■ Sep. |
| ■ 1998 | ■ Feb. | ■ Jun. | ■ Oct. |
| ■ 1999 | ■ Mar. | ■ Jul. | ■ Nov. |
| ■ 2000 | ■ Apr. | ■ Aug. | ■ Dec. |

To register your TRAVIS INDUSTRIES, INC. 7 Year Warranty, complete the enclosed warranty card and mail it within **ten (10)** days of the appliance purchase date to: TRAVIS INDUSTRIES, INC., 10850 117th Place N.E., Kirkland, Washington 98033. TRAVIS INDUSTRIES, INC. warrants this appliance (appliance is defined as the equipment manufactured by Travis Industries, Inc.) to be defect-free in material and workmanship to the original purchaser from the date of purchase as follows:

Years 1 & 2 - COVERAGE: PARTS & LABOR

Firebox Assembly:

Firepot, Firepot Holder, Ash Cleanout Doors, Ashbox or Ash Dump, Cast Fireback, Heat Exchanger Tubes, Exhaust Manifold, Exhaust Box

Door Assembly:

Door Frame, Latch Assembly, Glass Retainers

Auger Assembly

Auger Flight, Auger Tube, Auger Bushings

Exclusions: Paint, Gasketing

Ceramic Glass

Glass (breakage from thermal shock)

Igniter System

Igniter, Igniter Leads

Electrical System

Auger Motor, Convection Blower, Exhaust Blower, Circuit Board, Snap Disks, Wiring Harness, Vacuum Switch

Accessories

Panels, Legs, Pedestal, Gold Trim, Ceramic Log with Log Shelf, Gold Door (See # 9 below)

Re-Installation Allowance

In cases where heater must be removed from home for repairs, a partial cost of re-installation is covered (pre-authorization required)

One-Way Freight Allowance

One-way freight allowance on pre-authorized repair done at factory is covered.

Years 3 Through 5 - COVERAGE: PARTS & LABOR

Firebox Assembly:

Firepot, Firepot Holder, Ash Cleanout Doors, Ashbox or Ash Dump, Cast Fireback, Heat Exchanger Tubes, Exhaust Manifold, Exhaust Box

Door Assembly:

Door Frame, Latch Assembly, Glass Retainers

Auger Assembly

Auger Flight, Auger Tube, Auger Bushings

Exclusions: Paint, Gasketing, Ceramic Glass, Igniter System, Electrical System, Accessories (panels, legs, pedestal, gold trim, ceramic log, gold door), Re-Installation Allowance

One-Way Freight Allowance

One-way freight allowance on pre-authorized repair done at factory is covered.

Years 6 & 7 - COVERAGE: PARTS ONLY

Firebox Assembly:

Firepot, Firepot Holder, Ash Cleanout Doors, Ashbox or Ash Dump, Cast Fireback, Heat Exchanger Tubes, Exhaust Manifold, Exhaust Box

Door Assembly:

Door Frame, Latch Assembly, Glass Retainers

Exclusions: Paint, Gasketing, Ceramic Glass, Igniter System, Electrical System, Accessories (panels, legs, pedestal, gold trim, ceramic log, gold door), Auger Assembly, Re-Installation Allowance, One-Way Freight Allowance, Labor

CONDITIONS & EXCLUSIONS

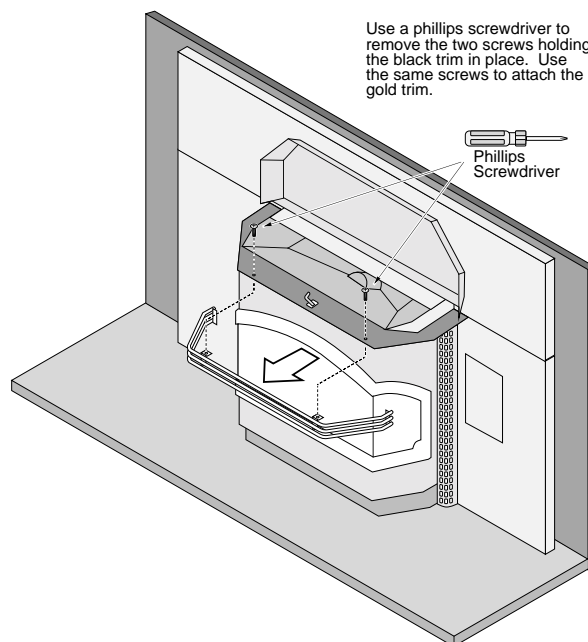
- This new appliance must be installed by a qualified installer. It must be installed, operated, and maintained at all times in accordance with the instructions in the Owner's Manual. Any alteration, willful abuse, accident, neglect, or misuse of the product shall nullify this warranty.
- This warranty is nontransferable, and is made to the ORIGINAL purchaser, provided that the purchase was made through an authorized Travis dealer.
- Discoloration and some minor expansion, contraction, or movement of certain parts and resulting noise, is normal and not a defect and, therefore, not covered under warranty.
- The warranty, as outlined within this document, does not apply to the chimney components or other Non-Travis accessories used in conjunction with the installation of this product. If in doubt as to the extent of this warranty, contact your authorized Travis retailer before installation.
- Travis Industries will not be responsible for inadequate performance caused by environmental conditions such as nearby trees, buildings, roof tops, wind, hills or mountains or negative pressure or other influences from mechanical systems such as furnaces, fans, clothes dryers, etc.
- This Warranty is void if:
 - The unit has been operated in atmospheres contaminated by chlorine, fluorine or other damaging chemicals.
 - The unit is subject to submersion in water or prolonged periods of dampness or condensation.
 - Any damage to the unit, combustion chamber, heat exchanger or other components due to water, or weather damage which is the result of, but not limited to, improper chimney/venting installation.
- Exclusions to this 7 Year Warranty include: injury, loss of use, damage, failure to function due to accident, negligence, misuse, improper installation, alteration or adjustment of the manufacturer's settings of components, lack of proper and regular maintenance, damage incurred while the appliance is in transit, alteration, or act of God.
- This 7 Year warranty excludes damage caused by normal wear and tear, such as paint discoloration or chipping, worn or torn gasketing, chipped or cracked firebrick, etc. Also excluded is damage to the unit caused by abuse, improper installation, modification of the unit, or the use of fuel other than that for which the unit is configured.
- Damage to gold or nickel surfaces caused by fingerprints, scratches, melted items, or other external sources left on the gold or nickel from the use of cleaners other than denatured alcohol is not covered in this warranty.
- TRAVIS INDUSTRIES, INC. is free of liability for any damages caused by the appliance, as well as inconvenience expenses and materials. Incidental or consequential damages are not covered by this warranty. In some states, the exclusion of incidental or consequential damage may not apply.
- This warranty does not cover any loss or damage incurred by the use or removal of any component or apparatus to or from the Travis appliance without the express written permission of TRAVIS INDUSTRIES, INC. and bearing a TRAVIS INDUSTRIES, INC. label of approval.
- Any statement or representation of Travis products and their performance contained in Travis advertising, packaging literature, or printed material is not part of this 7 year warranty.
- This warranty is automatically voided if the appliance's serial number has been removed or altered in any way. If the appliance is used for commercial purposes, it is excluded from this warranty.
- No dealer, distributor, or similar person has the authority to represent or warrant Travis products beyond the terms contained within this warranty. TRAVIS INDUSTRIES, INC. assumes no liability for such warranties or representations.
- Travis Industries will not cover the cost of the removal or re-installation of hearths, facing, mantels, venting or other components.
- If for any reason any section of this warranty is declared invalid, the balance of the warranty remains in effect and all other clauses shall remain in effect.
- This 7 year warranty is the only warranty supplied by Travis Industries, Inc., the manufacturer of the appliance. All other warranties, whether express or implied, are hereby expressly disclaimed and purchaser's recourse is expressly limited to the warranties set forth herein.

IF WARRANTY SERVICE IS NEEDED:

- If you discover a problem that you believe is covered by this warranty, you MUST REPORT it to your Travis dealer WITHIN 30 DAYS, giving them proof of purchase, the purchase date, and the model name and serial number.
- Travis Industries has the option of either repairing or replacing the defective component.
- If your dealer is unable to repair your appliance's defect, he may process a warranty claim through TRAVIS INDUSTRIES, INC., including the name of the dealership where you purchased the appliance, a copy of your receipt showing the date of the appliance's purchase, and the serial number on your appliance. At that time, you may be asked to ship your appliance, freight charges prepaid, to TRAVIS INDUSTRIES, INC. TRAVIS INDUSTRIES, INC., at its option, will repair or replace, free of charge, your appliance if it is found to be defective in material or workmanship within the time frame stated within this 7 year warranty. TRAVIS INDUSTRIES, INC. will return your appliance, freight charges (years 1 to 5) prepaid by TRAVIS INDUSTRIES, INC., to your regional distributor, or dealership.
- Check with your dealer in advance for any costs to you when arranging a warranty call. Dealers may require you to pay a service or trip charges for any warranty work. This charge can vary from store to store.

Gold Grill (Part # 93005034)

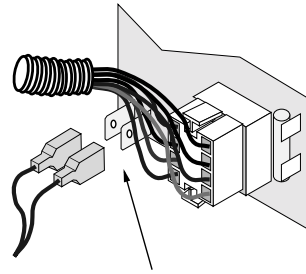
The decorative gold grill replaces the black grill, accenting the shape of the insert. Follow the directions below to install.



Thermostat (Part # 99300650)

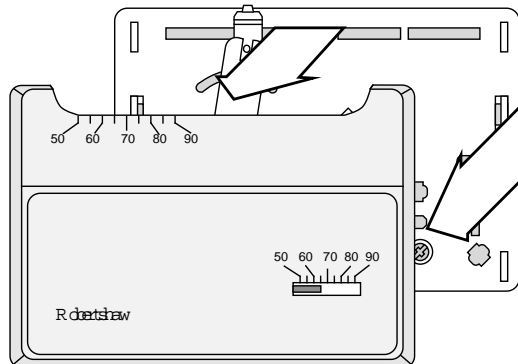
! Do not connect 120 VAC to the thermostat circuit of this heater (do not use a household thermostat used for a wall-board or other electrical heater).

1 Attach the thermostat wire to the circuit board (see the illustration to the right). Route the wire through the back of the heater (away from any hot or moving components).



Attach the quick-connects to the two posts near the molex connector on the circuit board (orientation does not matter).

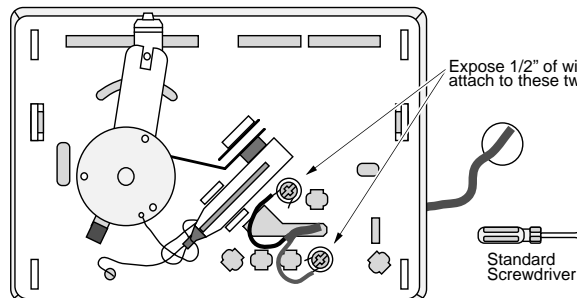
2 Determine a location for the thermostat that is within range of the 20' length of thermostat wire. It should be centralized in the room and away from the heater. The wire may be routed externally on the wall or behind the wall (preferred).



Pull the cover off the thermostat

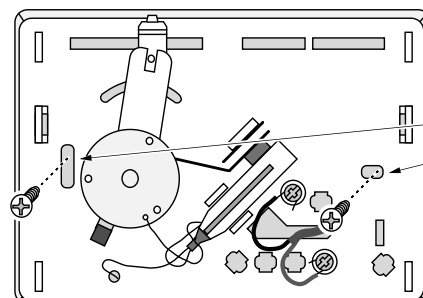
Run the thermostat wires through the wall (cut off excess wire, leaving 6" of slack).

3 Follow the directions to the right to attach the thermostat and thermostat wires.



Expose 1/2" of wire and attach to these two posts.

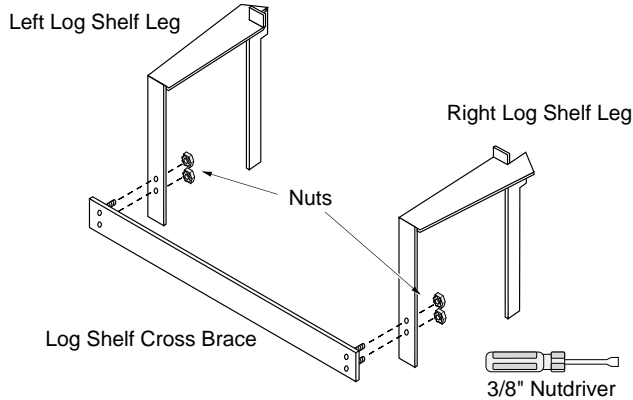
Standard Screwdriver



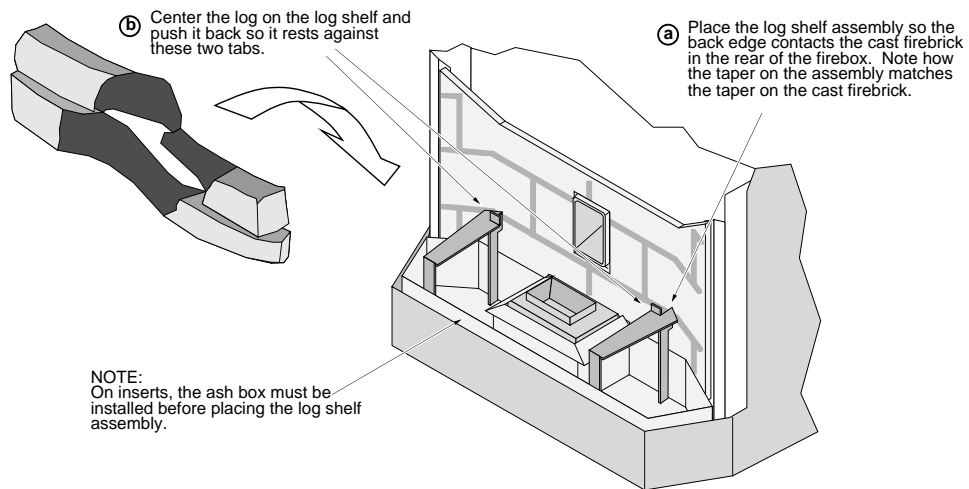
Attach the thermostat to the wall through these two holes.

Optional Log (Part # 98900126)

- ! Make sure the heater has fully cooled before installation.
- 1 Assemble the log shelf following the directions below.



- 2 Remove the firepot from the pellet stove. Center the log shelf assembly (with extender attached) over the burnpot holder. Replace the burnpot. Place the log on the log shelf extender. When in place, the log should appear as shown in the photograph to the right.

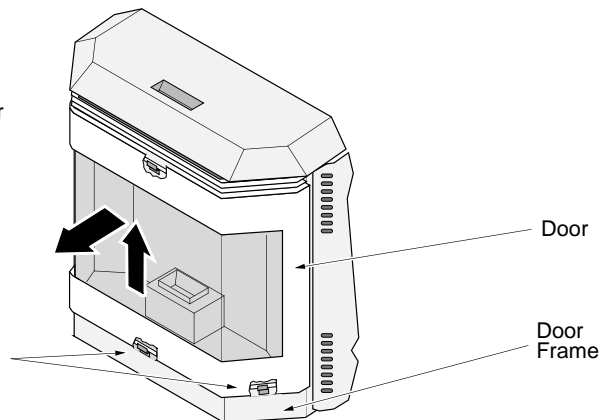


Optional Gold Door (part # 99300531)

Remove the door by sliding it up and off the door frame.

Slide the new door onto the door frame.

HINT: align the bottom joggle clips over the brackets on the door and slide into place. Then lift up slightly on the door to attach the upper clip. The door is held in place with 4 joggle clips.



| | | | |
|-------------------------------------------------------|----|---------------------------------------------------------|------|
| Adjusting the Fan Speed..... | 18 | Gold (cleaning)..... | 22 |
| Air Leaks..... | 28 | Hearth Requirements..... | 7 |
| Ashpan (Opening and Disposing Ashes)..... | 24 | Heat Exchange Tubes (cleaning)..... | 22 |
| AUGER ON Light..... | 18 | Heating Specifications..... | 5 |
| Auto Mode..... | 17 | Hopper Cleaning (Vacuum Hopper)..... | 22 |
| Bi-Weekly Maintenance (or every 10 bags pellets)..... | 22 | Important Information..... | 1 |
| Blower (Exhaust Blower Cleaning)..... | 27 | Index..... | 36 |
| Blower Speed Adjustment..... | 18 | Installation Options..... | 6 |
| Cap (Pellet Vent Termination)..... | 8 | Installation Warnings (Before you Begin)..... | 6 |
| Check for Air Leaks - Door, Glass and Ashpan..... | 28 | Introduction..... | 1 |
| Clean the Exhaust Blower..... | 27 | Listing Label..... | 31 |
| Clean the Exhaust Duct..... | 26 | Loading Pellets..... | 15 |
| Clean the Glass..... | 24 | Mantel Requirements..... | 7 |
| Clean the Heat Exchange Tubes..... | 22 | Manual Mode..... | 16 |
| Clean the Vent..... | 27 | Masonry Fireplace Requirements..... | 12 |
| Cleaning Ashpan (Opening and Disposing Ashes)..... | 24 | Metal (Factory Built) Fireplace Requirements..... | 13 |
| Cleaning the Firebox (Sweep Ash Into Ashpan)..... | 25 | Mobile Home Requirements..... | 9 |
| Cleaning the Firepot..... | 21 | Modes of Operation..... | 15 |
| Cleaning the Hopper (Vacuum Hopper)..... | 22 | Noise (Normal Operating Sounds)..... | 29 |
| Clearances..... | 7 | Normal Operating Sounds..... | 29 |
| Clinkers (Check Firepot for Clinkers)..... | 21 | Opening the Door..... | 23 |
| Controls..... | 14 | Outside Air..... | 9 |
| Curing the Paint..... | 14 | Parts List..... | 29 |
| Daily Maintenance (whenever using the heater)..... | 20 | Pellet Vent Termination..... | 8 |
| Dimensions..... | 5 | Pellets (Fuel)..... | 5 |
| Door (cleaning the gold)..... | 22 | Pellets (loading)..... | 15 |
| Door (Opening)..... | 23 | Pellets Piling Up..... | 20 |
| Door Gasket (inspection, removal)..... | 28 | Placing the Stove..... | 6 |
| Electrical Specifications..... | 5 | Planning the Installation..... | 6 |
| Emissions (EPA Compliance)..... | 5 | Power Outages..... | 19 |
| EPA Compliance..... | 5 | Priming the Auger..... | 14 |
| Exhaust Blower (Cleaning)..... | 27 | Remote Thermostat..... | 35 |
| Exhaust Duct (Cleaning)..... | 26 | Restrictor..... | 10 |
| Factory Built (Metal) Fireplace Requirements..... | 13 | Safety Label..... | 30 |
| Fan (Adjusting the Fan Speed)..... | 18 | Safety Precautions..... | 2, 3 |
| FAULT Light..... | 19 | Serial Number Label..... | 31 |
| Firebox (Cleaning)..... | 24 | Smell in Home (Starting Heater for the First Time)..... | 14 |
| Fireplace Sizing..... | 6 | Start-Up Sequence..... | 18 |
| Fireplace Preparation..... | 6 | Thermostat Operation (Auto Mode)..... | 17 |
| Firepot Cleaning..... | 21 | Vent (Cleaning)..... | 27 |
| Firepot Inspection (Inspect the Burn)..... | 20 | Vent Type..... | 8 |
| Flames (Inspect the Burn)..... | 20 | Venting Distance..... | 8 |
| Floor Protection Requirements (Hearth)..... | 6 | Venting the Pellet Stove..... | 8 |
| Fuel..... | 5 | Warnings..... | 2, 3 |
| Gasket (door, glass - inspection & removal)..... | 28 | Warranty..... | 32 |
| Glass (Cleaning)..... | 24 | Yearly Maintenance (or every two tons)..... | 26 |
| Glass Removal..... | 28 | Zero-Clearance (Metal) Fireplaces..... | 13 |