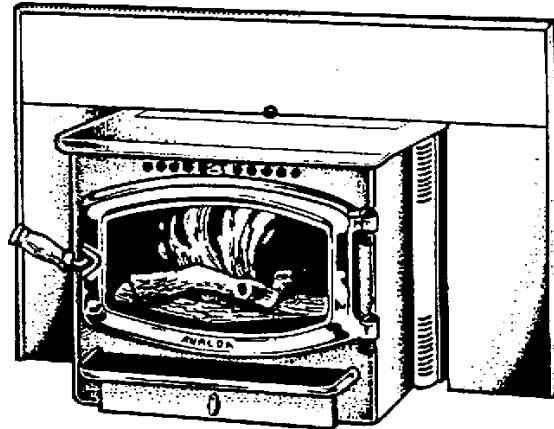
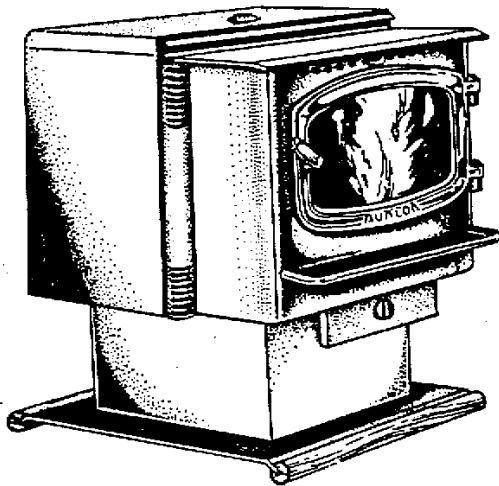


# AVALON

## OWNER'S MANUAL

Preparation, Installation, Operation & Maintenance

KEEP THIS MANUAL  
May 1992



**Model 900 PS - Pellet Stove**  
**Model 900 PI - Pellet Insert**

Manufactured  
**Travis Industries, Inc.**  
10850 117th Place N.E. • Kirkland, WA 98033

# SAFETY PRECAUTIONS

- VIEWING DOOR AND ASHPAN MUST BE CLOSED AND LATCHED DURING OPERATION.
- THIS UNIT MUST BE PROPERLY INSTALLED IN ORDER TO PREVENT THE POSSIBILITY OF A HOUSE FIRE. FOR YOUR SAFETY THE INSTALLATION INSTRUCTIONS MUST BE STRICTLY ADHERED TO. DO NOT USE MAKESHIFT METHODS OR COMPROMISE INSTALLATION.
- CONTACT YOUR LOCAL BUILDING OFFICIALS TO OBTAIN A PERMIT AND INFORMATION ON ANY INSTALLATION RESTRICTIONS OR INSPECTION REQUIREMENTS IN YOUR AREA. ALSO, NOTIFY YOUR INSURANCE COMPANY THAT YOU ARE INSTALLING A PELLET BURNING APPLIANCE.
- THIS UNIT'S EXHAUST SYSTEM WORKS WITH A NEGATIVE COMBUSTION CHAMBER PRESSURE AND A LOW POSITIVE CHIMNEY PRESSURE. IT IS VERY IMPORTANT THAT THE EXHAUST SYSTEM BE COMPLETELY AIRTIGHT AND PROPERLY INSTALLED. THE CHIMNEY JOINTS SHOULD BE SEALED WITH RTV 500 DEGREES FAHRENHEIT (500° F) (260° C) SILICONE SEALANT. IMPROPERLY INSTALLED STOVES ARE THE MAJOR CAUSE OF HOME FIRES.
- NEVER BLOCK FREE AIRFLOW THROUGH THE OPEN VENTS OF THE UNIT.
- NEVER TRY TO REPAIR OR REPLACE ANY PART OF THE APPLIANCE UNLESS INSTRUCTIONS ARE GIVEN IN THIS MANUAL. ALL OTHER WORK SHOULD BE DONE BY A TRAINED TECHNICIAN.
- WAIT UNTIL THE APPLIANCE HAS COOLED BEFORE CARRYING OUT MAINTENANCE PROCEDURES.
- TRAVIS INDUSTRIES, INC. GRANTS NO WARRANTY, IMPLIED OR STATED, FOR THE INSTALLATION OR MAINTENANCE OF YOUR STOVE, AND ASSUMES NO RESPONSIBILITY FOR ANY CONSEQUENTIAL DAMAGE(S).
- DO NOT INSTALL IN A BEDROOM OF A MOBILE HOME.
- KEEP FOREIGN OBJECTS OUT OF THE HOPPER.
- ALWAYS FOLLOW THE INSTRUCTIONS IN THE OWNER'S MANUAL.
- KEEP THIS MANUAL FOR LATER USE.
- THE **AVALON 900** APPLIANCE IS DESIGNED AND APPROVED FOR THE BURNING OF PELLETIZED WOOD FUEL ONLY. THE BURNING OF ANY TYPE OF FUEL OTHER THAN THAT LISTED WILL VOID ALL WARRANTIES AND THE SAFETY LISTING OF THE UNIT. DO NOT ATTEMPT TO BURN ANY OTHER FUEL THAN SPECIFIED IN THIS MANUAL.
- THE EXHAUST SYSTEM SHOULD BE CHECKED TWICE A YEAR MINIMUM FOR ANY BUILD-UP OF SOOT OR CREOSOTE.
- GASOLINE OR OTHER FLAMMABLE LIQUIDS MUST NEVER BE USED TO START THE FIRE OR "FRESHEN UP" THE FIRE. DO NOT STORE OR USE GASOLINE OR OTHER FLAMMABLE LIQUIDS IN THE VICINITY OF THIS APPLIANCE.
- ASHES MUST BE DISPOSED OF IN A METAL CONTAINER WITH A TIGHT FITTING LID, AND PLACED ON A NON-COMBUSTIBLE SURFACE BEFORE FINAL DISPOSAL.
- THIS UNIT MUST BE CONNECTED TO A GROUND-ED, STANDARD 110 VOLT, 60 HZ ELECTRICAL OUTLET. NEVER ROUTE THE POWER CORD UNDER OR IN FRONT OF THE UNIT.
- DO NOT, UNDER ANY CIRCUMSTANCES, CUT OR REMOVE THE GROUNDING PRONG FROM THE POWER CORD.
- DO NOT USE AN ADAPTOR PLUG.
- BEFORE REMOVING PANELS, DISCONNECT THE POWER CORD FROM THE ELECTRICAL OUTLET. NOTE: TURNING THE CONTROL SWITCH OFF DOES NOT DISCONNECT THE POWER TO ALL ELECTRICAL COMPONENTS.
- WHEN INSTALLED IN A MOBILE HOME, THE UNIT MUST BE GROUNDED TO THE STEEL CHASSIS OF THE MOBILE HOME AND BOLTED TO THE FLOOR IN COMPLIANCE WITH AND ACCORDING TO H.U.D. REQUIREMENTS.
- THE APPLIANCE WILL NOT OPERATE USING NATURAL DRAFT OR WITHOUT A POWER SOURCE FOR THE BLOWERS AND FUEL-FEEDING SYSTEMS.

Introduction and Important Information -----	1
Safety Precautions -----	2
Features and Specifications - Stove & Insert -----	4
<b>STOVE INSTALLATION:</b>	
Preparation for Installation -----	5
Freestanding Installation Specifications -----	8
Horizontal Corner Installation -----	9
Vertical Exterior Flue Installation -----	11
Inside Vertical Installation with Roof Termination -----	12
Hearth Stove Installation into existing Masonry Fireplace or Zero Clearance (Metal) Fireplace -----	13
Vertical Installation into existing Factory-Built Chimney -----	14
Horizontal Installation -----	15
Freestanding Mobile Home Installation -----	16
Freestanding Residential Alcove Installation -----	17
<b>INSERT INSTALLATION:</b>	
Preparation For Installation -----	18
Insert Installation Specifications -----	20
Insert Installation into Existing Masonry Fireplaces -----	23
Insert Installation into Existing Zero Clearance (Metal) Fireplaces -----	25
Insert Installation - Zero Clearance (Built-In) Installation -----	26
<b>USE AND CARE: Pellet Stove and Pellet Insert</b>	
Location and Use of Controls -----	28
Operating your Pellet Appliance -----	29
Normal Operating Sounds -----	31
Care and Maintenance Schedule -----	32
Care & Maintenance Instructions -----	33
Before Calling for Service -----	39
Replacement Parts List -----	40
Limited Warranty -----	43
Product Listing Information -----	44

# FEATURES AND SPECIFICATIONS

- |  |   |
|--|---|
| <ul style="list-style-type: none"> <li>* FREESTANDING</li> <li>* ALCOVE</li> <li>* MOBILE HOME</li> <li>* MASONRY FIREPLACE INSERT</li> <li>* FACTORY-BUILT (Z.C.)<br/>FIREPLACE INSERT</li> </ul> | <ul style="list-style-type: none"> <li><u>CONVENIENT</u></li> <li><u>LONG BURN TIME</u></li> <li><u>VERSATILE</u></li> <li><u>CLOSE CLEARANCES</u></li> <li><u>DURABLE</u></li> <li><u>POWERFUL EFFICIENT FANS</u></li> <li><u>SUPERIOR AUGER SYSTEM</u></li> <li><u>HUGE HOPPER</u></li> <li><u>STAINLESS STEEL FIREPOT</u></li> <li><u>QUIET OPERATION</u></li> </ul> |
|--|---|

<u>Stove</u>	<u>Insert</u>
Heating Capacity SQ/FT ..... 800 to 2000 Maximum	..... 800 to 2000 Maximum
Burn Rate lbs/hr ..... 1.2 to 4.7	..... 1.2 to 4.7
Emissions Grams/per hour..... .8 (EPA Exempt)	..... .8 (EPA Exempt)
Maximum Burning Time (Hours) ..... Up to 50	..... Up to 40
Flue Opening Diameter ..... 3.0" (76 mm)	..... 3.0" (76mm)
Height from floor to top of stove on:	
Pedestal ..... 31 3/4" (806 mm)	Depth Into Fireplace ..... 12 1/4 " (311mm)
Legs, Brass ..... 27 7/8" (708 mm)	Extension on to Hearth ..... 12 7/8" (326mm)
Legs, Cast ..... 27 7/8" (708 mm)	Width into Fireplace * ..... See Page 20
Legs, Black ..... 26 3/8" (670 mm)	Overall Height (Add 1" for flue)....19 " (483mm)
Overall Width ..... 24" (610 mm)	..... 24 1/4" (616 mm)
Overall Depth (Add 2 1/4" for flue) ..... 25 1/4" (641 mm)	..... 25 3/16 " (640 mm)
Hopper Capacity (lbs) ..... 60 (27 KG) (Estimated)	..... 50 (23 KG) (Estimated)
Unit Weight (lbs)..... 260 (118 KG)	..... 240 (109 KG)
Electrical Rating ..... 115 Volts, 3 Amps, 60 HZ	..... 115 Volts, 3 Amps, 60 HZ
Watts ..... 180 (Approx.)	..... 180 (Approx.)

\* See Page 20 for exact fireplace sizing

**FUEL:** The unit is designed to operate using 1/4 inch diameter pellets that comply with A.P.F.I. standards. If the fuel does not comply to this standard, the unit may not operate as designed. If the pellets are larger than 1/4 inch diameter the unit may need adjustments; consult with your dealer.

- NOTE:**
- Store pellets in a clean dry place.
  - Emissions information and efficiency information based on tests conducted by E.E.M.C. Laboratory. BTU. output will vary depending on pellet size, moisture content, burn rate and pellet type. Heating capacity is subject to variations due to pellet type, relative moisture content, floor plan, degree of home insulation, and temperature zone.
  - A.F.P.I. - Association of Pellet Fuel Industries.
  - Heating Capacity is based on maximum burn rate.
  - Maximum burn time is based on low burn rate.

# PREPARATION FOR INSTALLATION — PELLET STOVE

**READ THIS ENTIRE MANUAL BEFORE YOU INSTALL AND USE YOUR NEW APPLIANCE. FAILURE TO FOLLOW INSTRUCTIONS MAY RESULT IN PROPERTY DAMAGE, BODILY INJURY, OR EVEN DEATH.**

## PREPARATION:

1. Remove all tape and packaging.
  2. Remove the wood shipping frame from around and under the appliance.
  3. Check that no parts have become loose and the appliance has not been damaged during shipping.
  4. Remove the hardware pack from the appliance.
  5. **READ THE OWNER'S MANUAL BEFORE PROCEEDING.**
- \* Appliance should be located such that no doors, drapes, furniture or other combustibles can be placed close or swing closer than the minimum stated clearances.
  - \* The appliance must be installed in a level, secure position.

### \* Required Floor Protection:

Minimum size 26 1/8"W x 31 1/2"D (664mmW x 800 mmD)  
of non-combustible material with a minimum thickness  
of 26 gauge (.018", .5mm) floor protection must extend

Front - 6" (152 mm)  
Sides - 0" ( 0 mm)  
Back - 0" ( 0 mm)

Chimney Lengths	Maximum	Minimum
Vertical	33' (10.06 m)	Subject to installation. See Fig. 9
Horizontal	10' (3.05 m)	Subject to installation. See Fig. 4&9
Combined Horizontal & Vertical	4' Horizontal 30' Vertical 10' Horizontal 25' Vertical	Any Lesser Combination is Acceptable.

NOTE #1: On chimneys with vertical heights that exceed 15' and/or horizontal runs that exceed 4', a 4" diameter pellet vent is recommended.

NOTE #2: When this unit is installed above 4000' in altitude, 4" diameter pellet vent should be used.

- \* Do not obtain combustion air from attic, garage, unventilated crawl space or any other enclosed space. Do not locate combustion air inlet at an elevation higher than exhaust termination.
- \* Outside air (combustion air intake) is recommended, but not required, for all residential installations, but is required for mobile home installations. If an outside air intake (combustion air intake) is used, it must be connected to a 1-3/4", or larger, metal or aluminium duct with a rodent screen fixed to the termination.  
**Do not use P.V.C .duct.**

NOTE: TRAVIS INDUSTRIES, INC., recommends that an outside air (combustion air) intake be used in all installations. If one is not used, there is a possibility of combustion gases (smoke) being released into your home, if there is a power outage while the unit is in operation.

- \* The **AVALON 900** pellet stove exhaust vent accepts 3" diameter pellet vent pipe. Some of the brands available for use with the **AVALON 900** are:

- |  |   |  |
|--|---|--|
| <ol style="list-style-type: none"> <li>1. Duravent Model PL-Vent<br/>Simpson Dura-Vent<br/>P.O. Box 1510<br/>Vacaville, CA 95688<br/>(707) 446-1786 or<br/>1-800-227-8846</li> </ol> | <ol style="list-style-type: none"> <li>2. James A. Ryder MFG Model PL-Vent<br/>Ryder Mfg., Inc.<br/>241 Arvin Avenue<br/>Stoney Creek, Ontario Canada<br/>(416) 662-1701</li> </ol> | <ol style="list-style-type: none"> <li>3. MetalFab Model Pellet Vent<br/>P.O. Box 1138<br/>Wichita, KS 67201<br/>(316) 943-2351</li> </ol> |
|--|---|--|

NOTE: 4" diameter may be substituted when a 3" to 4" adapter is used.

See manufacturer's installation instructions for precautions required for passing vent through a combustible wall or ceiling. Do not connect this appliance to a vent serving another appliance.

All sections of pellet vent must be fastened to each other with sheet metal screws and silicone sealed with type 500 degree Fahrenheit (260°C) RTV (high heat) silicone sealer, to ensure that the joints are airtight.

# PREPARATION FOR INSTALLATION – PELLET STOVE (cont.)

Your Pellet Stove appliance comes completely assembled. Options are available for the different types of installations. The options are listed below and are boxed separately from the appliance. They require assembly.

1. Pedestal.
2. Leg Kit, Black.
3. Leg Kit, Brass.
4. Leg Kit, Cast Black
5. Vertical Pipe Adapter

When lifting the appliance, you may choose to remove the interior components to make it lighter. Refer to the care & maintenance instructions in this manual for the proper sequence of removal and replacement of internal components.

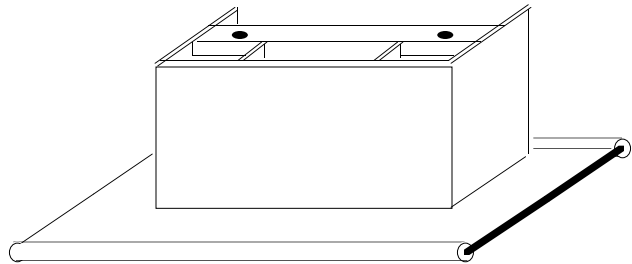
## **1. Pedestal Assembly:**

Open the box marked **Pedestal** and remove the pedestal and the two attachment bolts and washers (3/8" diameter - 16 X 3/4" hex. head bolt).

Lift the stove onto the pedestal. Line up the threaded bolt holes in the bottom of the stove with the two holes in the mounting angle of the pedestal (some models use clips that attach to the side of the pedestal -- the same directions apply).

Using a 9/16" open-end or socket wrench, fasten the pedestal to the stove with the supplied bolts and washers.

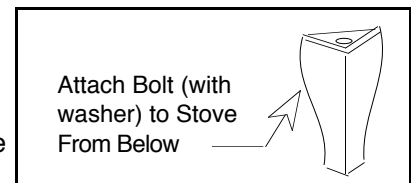
NOTE: Keep the two front leg bolts in place when installing on a pedestal -- otherwise air will enter through these holes.



## **2. Leg Kit, Black Assembly:**

Open the box marked **Leg Kit, Black** and remove the four 6-1/2" high black steel legs, complete with rubber-tipped leveling bolts (on certain models they are not rubber tipped – the same directions apply), the four attachment bolts (3/8" diameter - 16 X 3/4" hex. head bolt) and the washers.

Raise the stove on some pieces of lumber to a height of about 7". Make sure to level the stove at this point using shims under the pieces of lumber. Line up the hole in the top of the leg with the threaded bolt hole in each corner of the stove bottom. Using a 9/16" open end or socket wrench, fasten the leg to the stove with the supplied attachment bolts and washers, making sure the legs are flush with the corners of the stove.

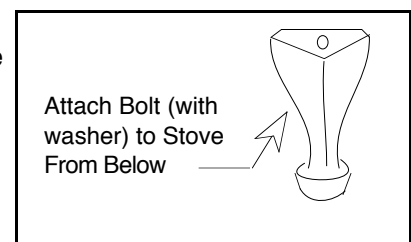


To level the stove, first make sure the leveling bolts with the rubber ends (some models come with steel bolts -- the same directions apply) are screwed into position and backed off just enough to penetrate below the steel portion of the leg. Unscrew each leveling bolts just enough so each leveling bolt is an equal distance from the floor. You may wish to use a piece of wood or other spacer to measure this distance. As long as the lumber holding the stove in place is properly leveled, the stove will be level when the leveling bolts are adjusted properly and the lumber is removed. Next, lower the stove onto the ground and check for a level position. If slight adjustments need to be made, make sure to first raise the stove before turning the leveling bolts. The rubber tips of the leveling bolts will tear if they are adjusted while weight is applied to them.

## **3. & 4. Leg Kit, Brass or Cast Black Assembly:**

Open the box marked **Leg Kit, Brass (or Cast)** and remove the four 7-7/8" high legs, complete with rubber-tipped leveling bolts (on certain models they are not rubber tipped – the same directions apply), the four attachment bolts (3/8" diameter - 16 X 3/4" hex. head bolt) and the washers.

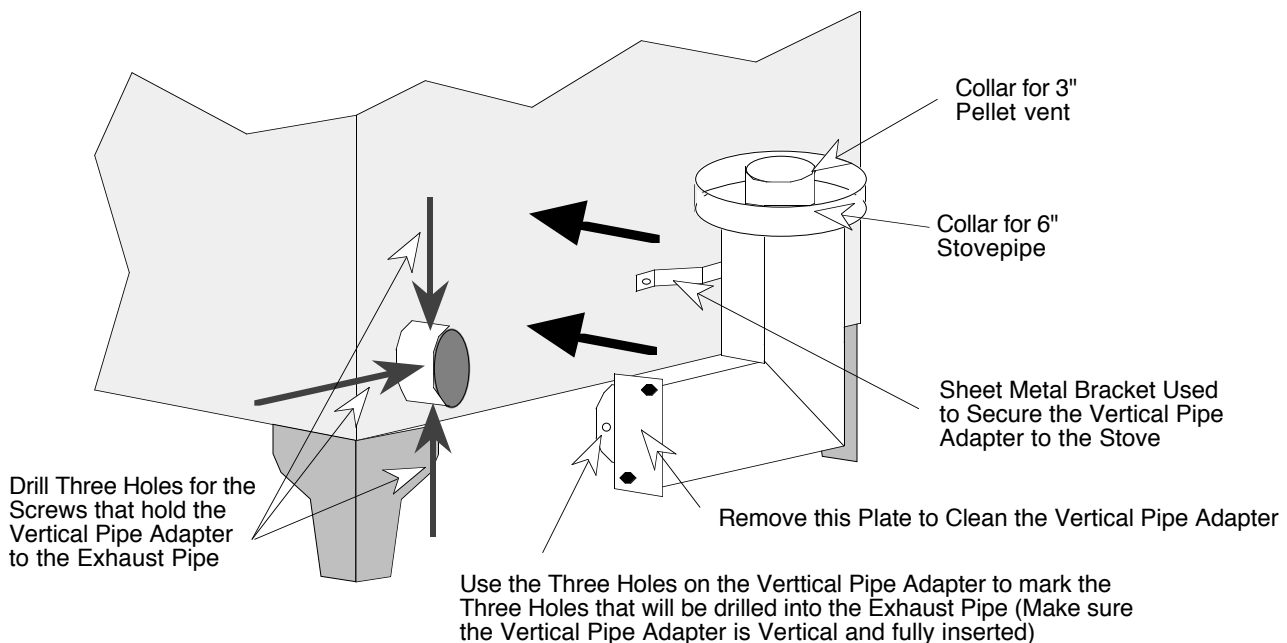
Use the same directions listed above for the Leg Kit, Black assembly. The one difference is that the Brass (or Cast) legs are taller, and the stove should be lifted approximately 8 1/2" above the floor before attachment.



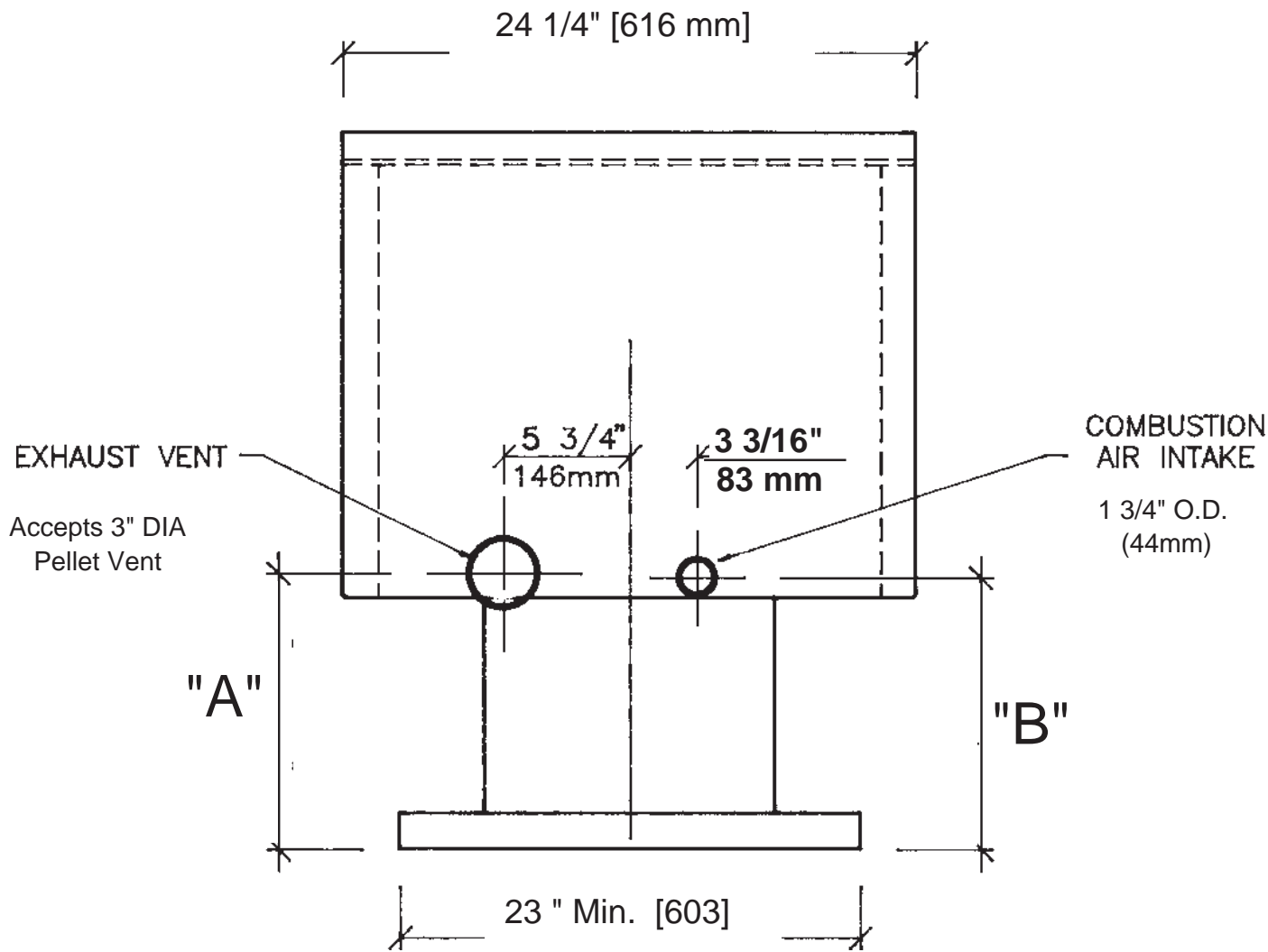
## 5. Vertical Pipe Adapter:

The vertical pipe adapter is an optional item used to center the pellet vent on the pellet stove. It allows for a more compact installation then using offsets on the pellet vent. To install the vertical pipe adapter, follow the directions below.

1. Take the vertical pipe adapter, along with the 5 screws, out of the box and inspect for any damage.
2. When determining the final position of the stove, take into consideration the location of the vertical pipe adapter once it is installed. It is best to install the vertical pipe adapter before determining the location of the stove, making the final alignment with the pellet vent more accurate.
3. The vertical pipe adapter allows for the use of 3" pellet vent or 6" singlewall or doublewall stovepipe. Use the appropriate collar for the vent type used.
4. Insert the vertical pipe adapter onto the pellet stove and align it so the length of the adapter is vertical. On the the vertical pipe adapter where it connects to the exhaust pipe there are three holes. One is on the outward side, one is on the top, and one is located on the bottom. Make a mark on the exhaust tube where these holes line up. Make sure the pipe adapter is all the way against the exhaust pipe and properly aligned when making these marks. Take the vertical pipe adapter off and drill a 9/64" hole where the three marks where placed on the exhaust pipe.
5. Apply a high-temperature silicone sealant (type 500 degree RTV) around the outside perimeter of the exhaust pipe near the end and slide the vertical pipe adapter into place. Attach the vertical pipe adapter to the exhaust pipe by sliding it into place and screwing in the three sheet-metal screws through the vertical pipe adapter and into the holes that were drilled in step 4. Inspect the connection between the exhaust pipe and vertical pipe adapter for an airtight seal. Apply more high-temperature silicone sealant if necessary.
6. The vertical pipe adapter has a sheet metal bracket used to secure the vertical pipe adapter to the stove. It attaches to the back of the stove in two locations. Drill the 9/64" holes in the back of the stove. Drill only enough to penetrate the first layer of metal. Screw in the remaining two sheet-metal screws with a phillips-head screwdriver.
7. The vertical pipe adapter can now be attached to the vent. Make sure to seal the connection between the vertical pipe adapter and vent with a high-temperature silicone sealant (type 500 degree RTV).



# FREESTANDING INSTALLATION - SPECIFICATIONS



	<u>"A"</u>	<u>"B"</u>
PEDESTAL	13 3/4" (348mm)	14 7/8" (387mm)
LEGS, BRASS	9 3/4" (248mm)	10 7/8" (276mm)
LEGS, CAST	9 3/4" (248mm)	10 7/8" (276mm)
LEGS, BLACK	8 3/8" (213mm)	9 1/2" (241mm)

FIGURE 1

# FREESTANDING INSTALLATION SPECIFICATIONS (cont.)

## FLOOR PROTECTION: (Fig. 2 & 3)

G.	Front	6" (152 mm)	NOTE: Front floor protection is measured from the door opening.
H.	Sides	0" (0mm)	
H.	Back	0" (0mm)	

NOTE: Floor protector should extend to areas below and 2" (50 mm) to each side of a "tee" when used (See Fig. 6).

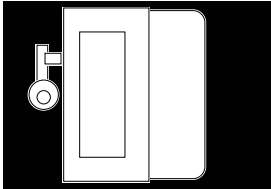
## CLEARANCE TO COMBUSTIBLES:

### INTERIOR VERTICAL FLUE INSTALLATION

Figures 2 & 3

<b>A</b>	Sidewall to unit	9" - (229 mm)
<b>B</b>	Backwall to unit	11" - (279 mm)
<b>C</b>	Corner wall to unit	2" - ( 51 mm)
<b>D</b>	Flue vent/chimney	3" - ( 76 mm)

VERTICAL  
PIPE  
ADAPTER



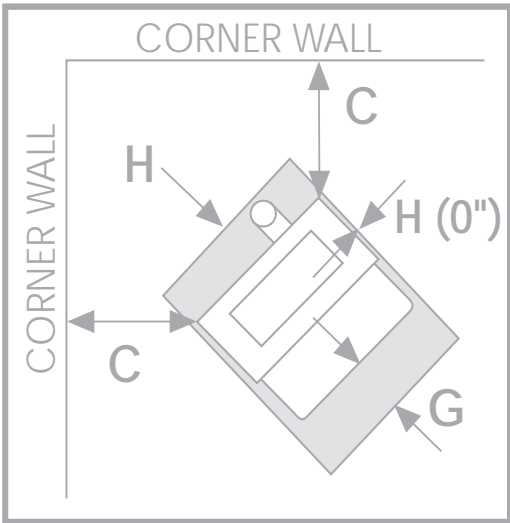
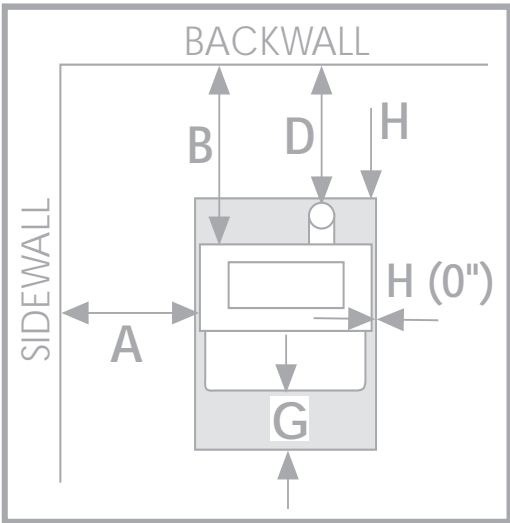
<b>3" Pellet Vent</b>	<b>6" Stovepipe</b>
9" - (229 mm)	9" - (229 mm)
7" - (178 mm)	9" - (229 mm)
2" - ( 51 mm)	2" - ( 51 mm)
3" - ( 76 mm)	3" - ( 76 mm)

NOTE: Dimension "C" , corner to unit, and "B", backwall to unit, will vary depending on the type and brand of pellet vent or interior connector used. Always maintain the "D" dimension, pellet vent/interior connector clearance, when installing this unit. Check your pellet vent/interior connector instructions for information on its size and clearance required to combustibles. NOTE: Singlewall interior connectors require a minimum 3" clearance to combustibles.

### HORIZONTAL THROUGH THE WALL INSTALLATION OR VERTICAL EXTERIOR INSTALLATION

Figures 2 & 3

<b>A</b>	Sidewall to unit	9" - (229 mm)
<b>B</b>	Backwall to unit	3" - ( 76 mm)
<b>C</b>	Corner Wall to unit	2" - ( 51 mm)
<b>D</b>	Flue vent/chimney	3" - ( 76 mm)



FIGURES 2 & 3

# HORIZONTAL CORNER INSTALLATION

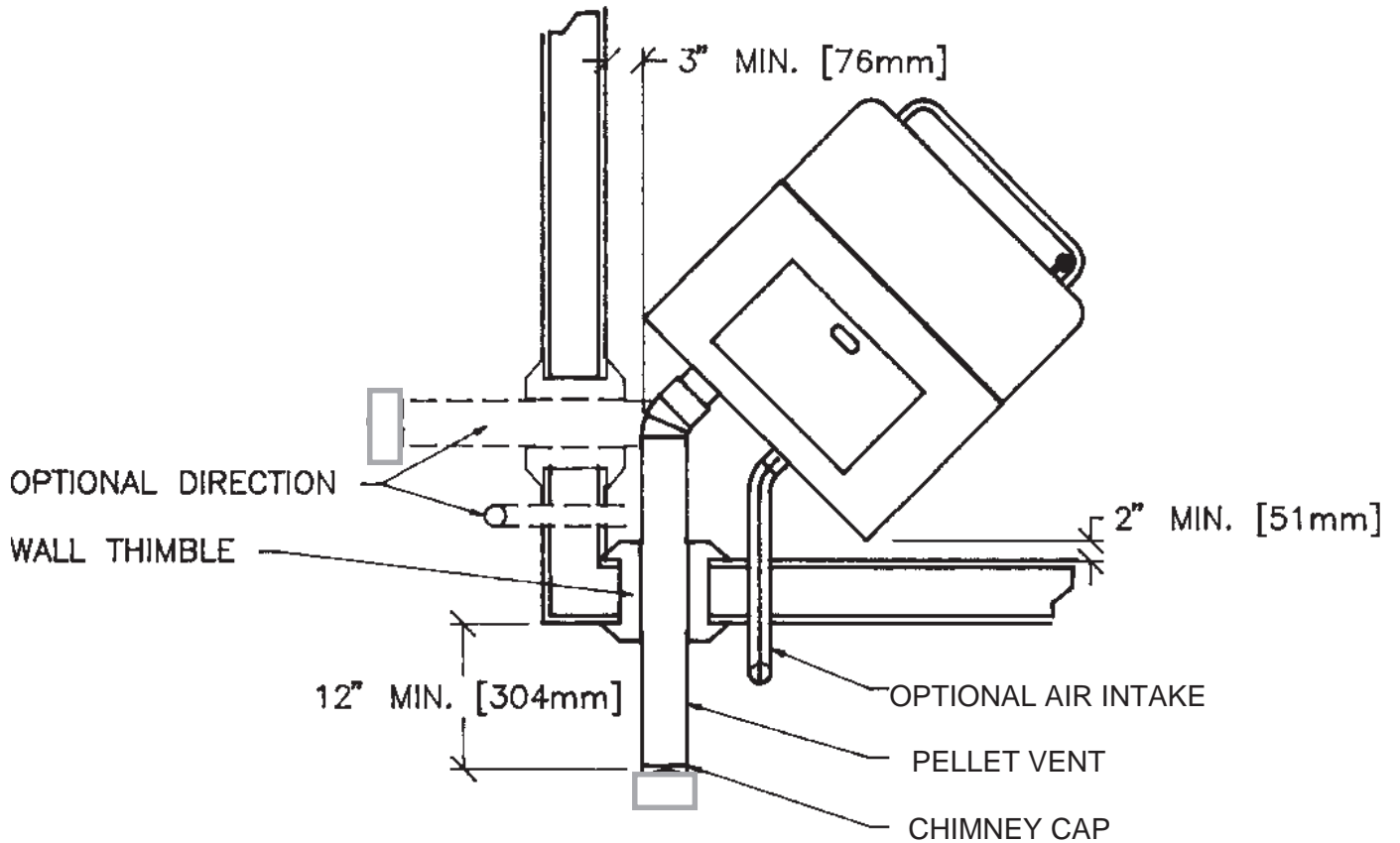


FIGURE 4

The exhaust vent termination on either vertical or horizontal installations shall be located as follows:

- A minimum of 4 feet (1219 mm) below or beside and a minimum of 1 foot (305 mm) above any door or window that opens, or any opening into a building.
- A minimum of 2 feet (610 mm) from any adjacent building.
- A minimum of 7 feet (2134 mm) above grade, when located adjacent to public walkways.
- A minimum of 2 feet (610 mm) above grass, plants or other combustible surfaces.

# VERTICAL EXTERIOR FLUE SYSTEM

NOTE: FOR STANDARD OR CORNER INSTALLATION, STANDARD INSTALLATION SHOWN.

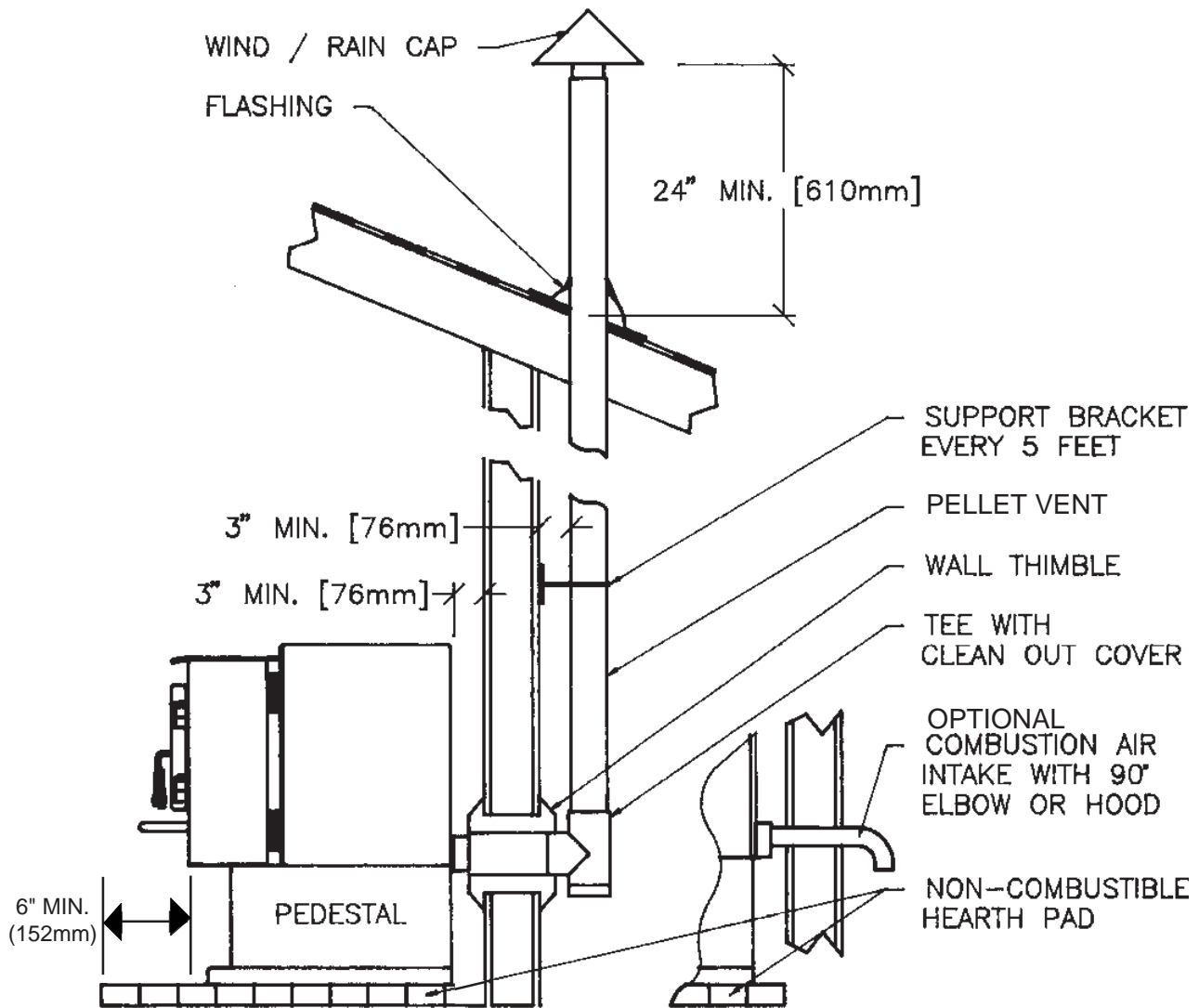


FIGURE 5

The exhaust vent termination on either vertical or horizontal installations shall be located as follows:

- A minimum of 4 feet (1219 mm) below or beside and a minimum of 1 foot (305 mm) above any door or window that opens, or any opening into a building.
- A minimum of 2 feet (610 mm) from any adjacent building.
- A minimum of 7 feet (2134 mm) above grade, when located adjacent to public walkways.
- A minimum of 2 feet (610 mm) above grass, plants or other combustible surfaces.

# INSIDE VERTICAL INSTALLATION WITH ROOF TERMINATION

NOTE: FOR STANDARD OR CORNER INSTALLATION, STANDARD INSTALLATION SHOWN.

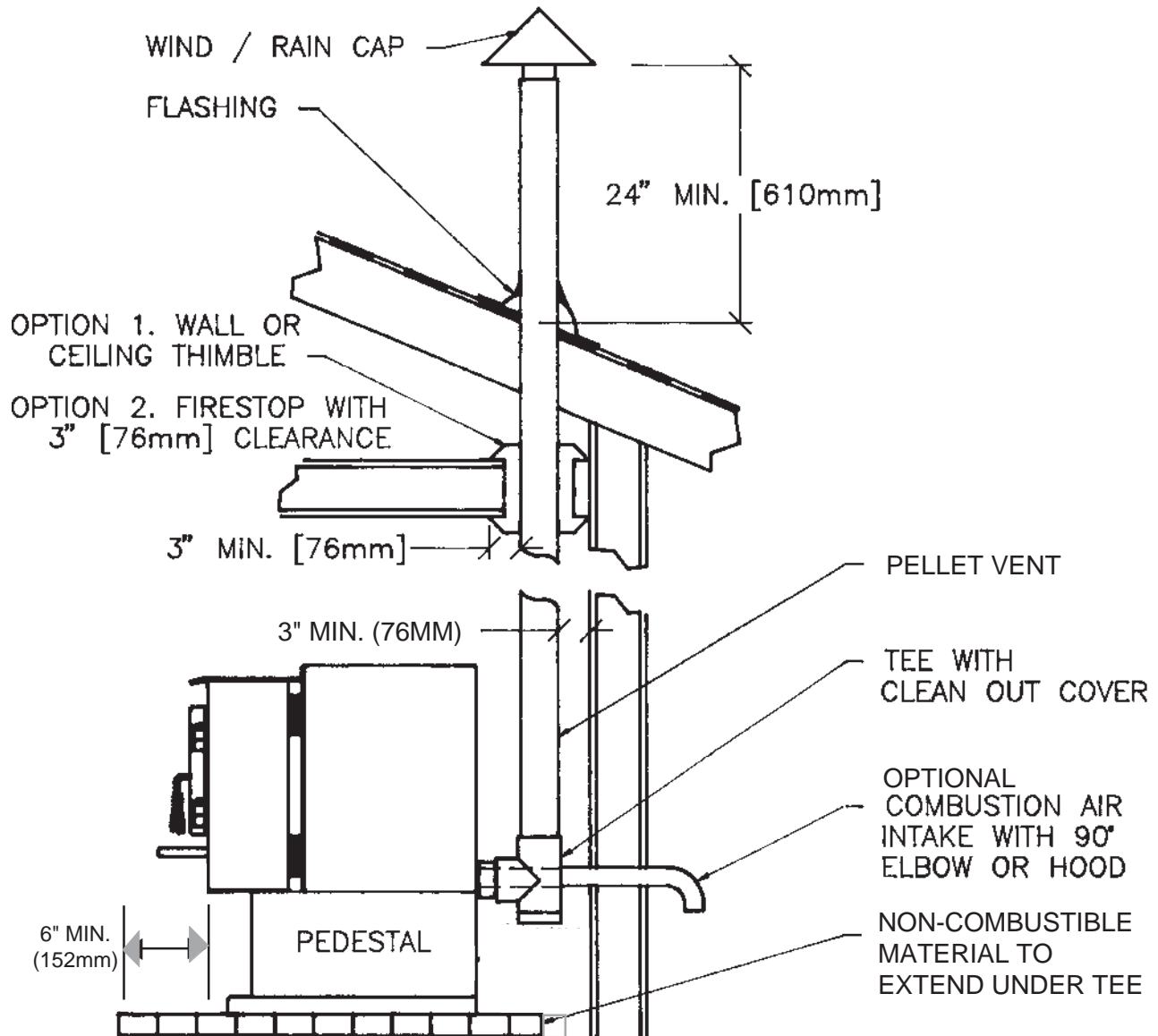


FIGURE 6

The exhaust vent termination on either vertical or horizontal installations shall be located as follows:

- A minimum of 4 feet (1219 mm) below or beside and a minimum of 1 foot (305 mm) above any door or window that opens, or any opening into a building.
- A minimum of 2 feet (610 mm) from any adjacent building.
- A minimum of 7 feet (2134 mm) above grade, when located adjacent to public walkways.
- A minimum of 2 feet (610 mm) above grass, plants or other combustible surfaces.

# HEARTH STOVE INSTALLATION INTO EXISTING MASONRY & ZERO CLEARANCE (METAL) FIREPLACE

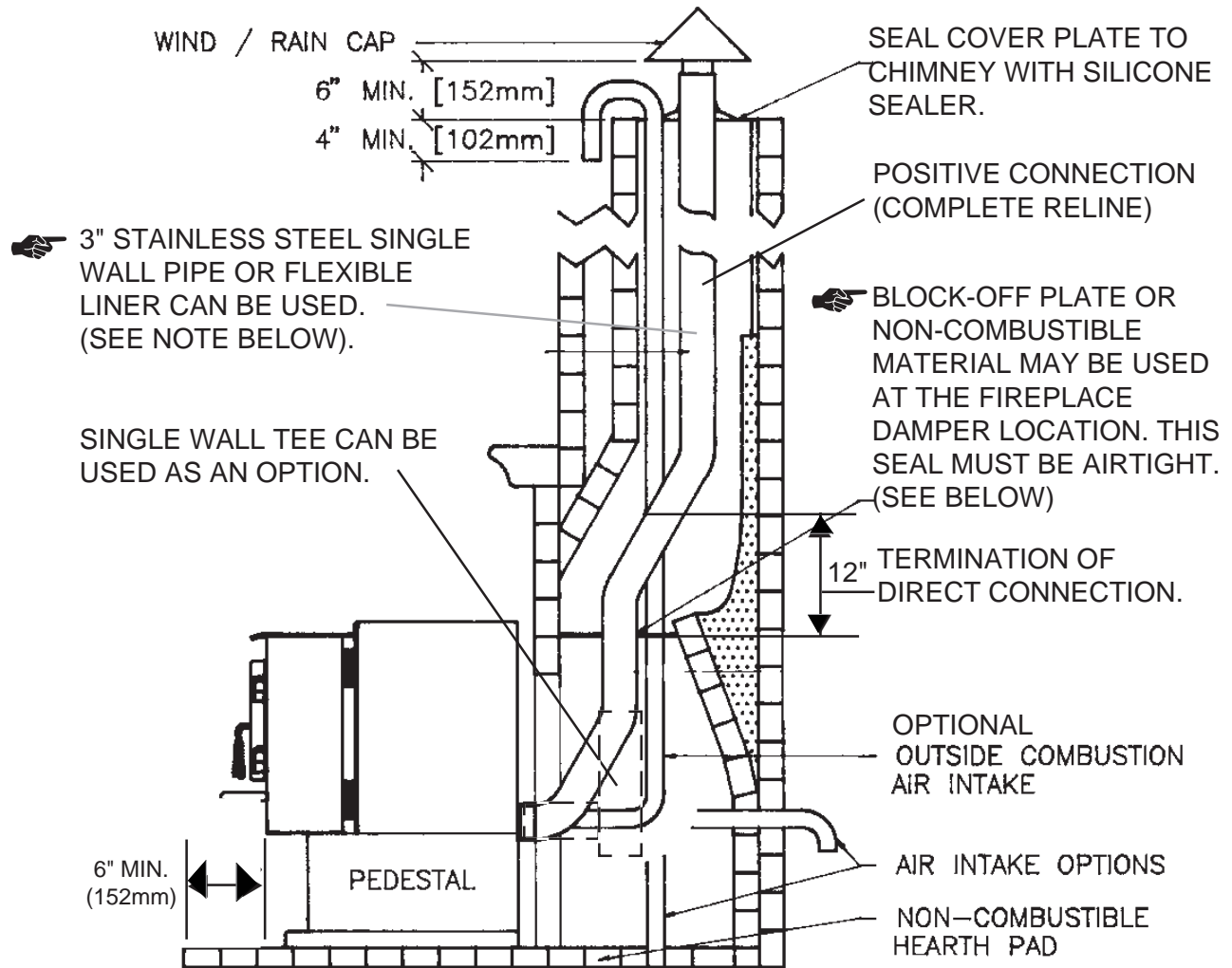


FIGURE 7

**NOTE:** Masonry fireplace installations require a direct connection or positive (complete reline) connection to the chimney flue. With a direct connection a block-off plate made of metal or other non-combustible material (i.e. Kaowool or high temperature fiberglass insulation) must be used at the damper location and sealed airtight. The singlewall pipe or flexible liner must extend past the block-off plate or insulation by one (1) foot (305 mm) or to the first flue tile if the chimney has a tile lining.

With a positive connection, the block-off plate at the damper location is optional, but a sealed cover plate is required at the top of the chimney. A positive connection (complete reline) is recommended for ease of cleaning. Zero clearance (metal) fireplace installations require a complete reline to top of chimney.

# VERTICAL INSTALLATION INTO EXISTING FACTORY BUILT CHIMNEY

NOTE: FOR STANDARD OR CORNER INSTALLATION, STANDARD INSTALLATION SHOWN.

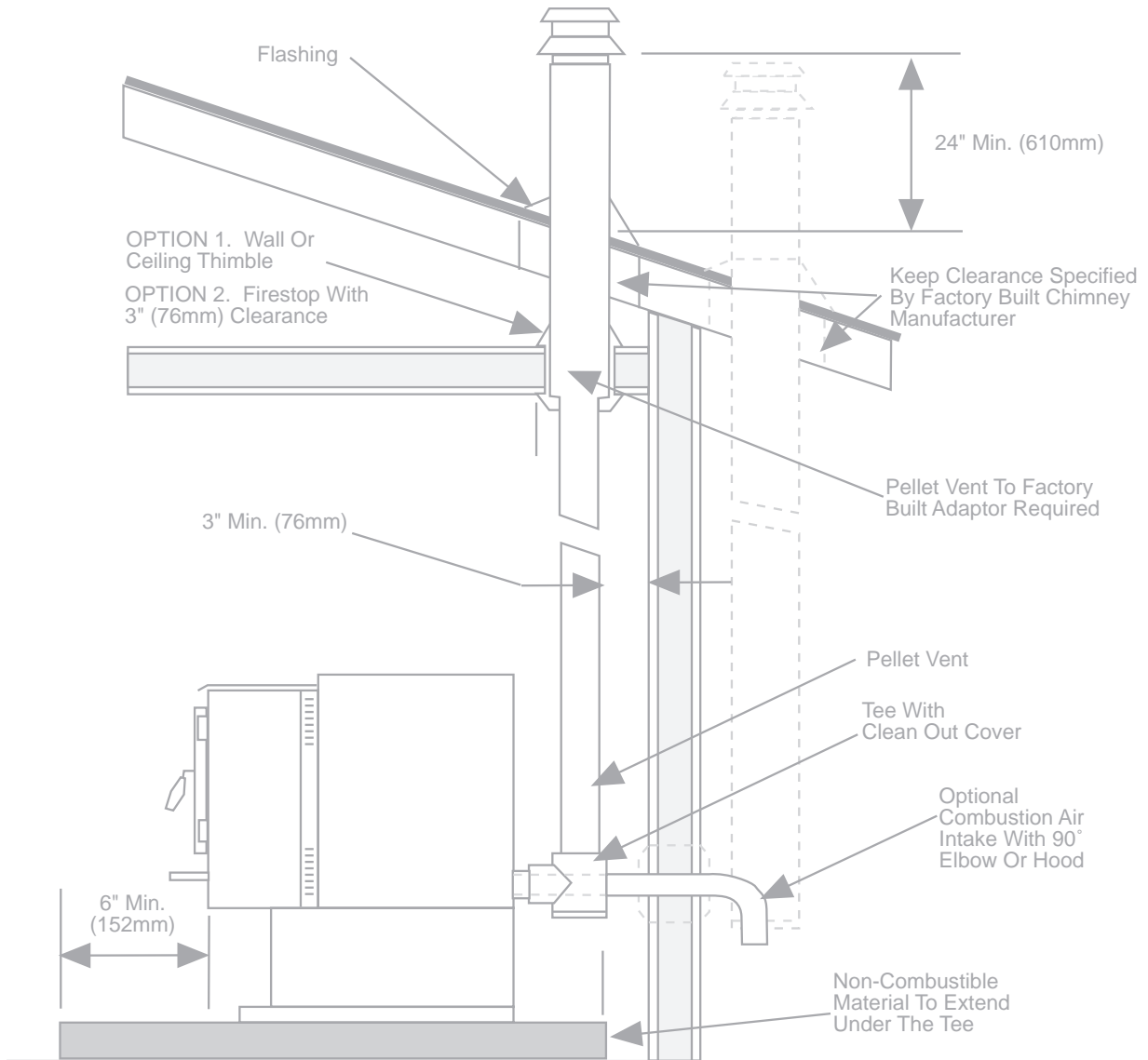


FIGURE 8

The exhaust vent termination on either vertical or horizontal installations shall be located as follows:

- A minimum of 4 feet (1219 mm) below or beside and a minimum of 1 foot (305 mm) above any door or window that opens, or any opening into a building.
- A minimum of 2 feet (610 mm) from any adjacent building.
- A minimum of 7 feet (2134 mm) above grade, when located adjacent to public walkways.
- A minimum of 2 feet (610 mm) above grass, plants or other combustible surfaces.

# HORIZONTAL INSTALLATION

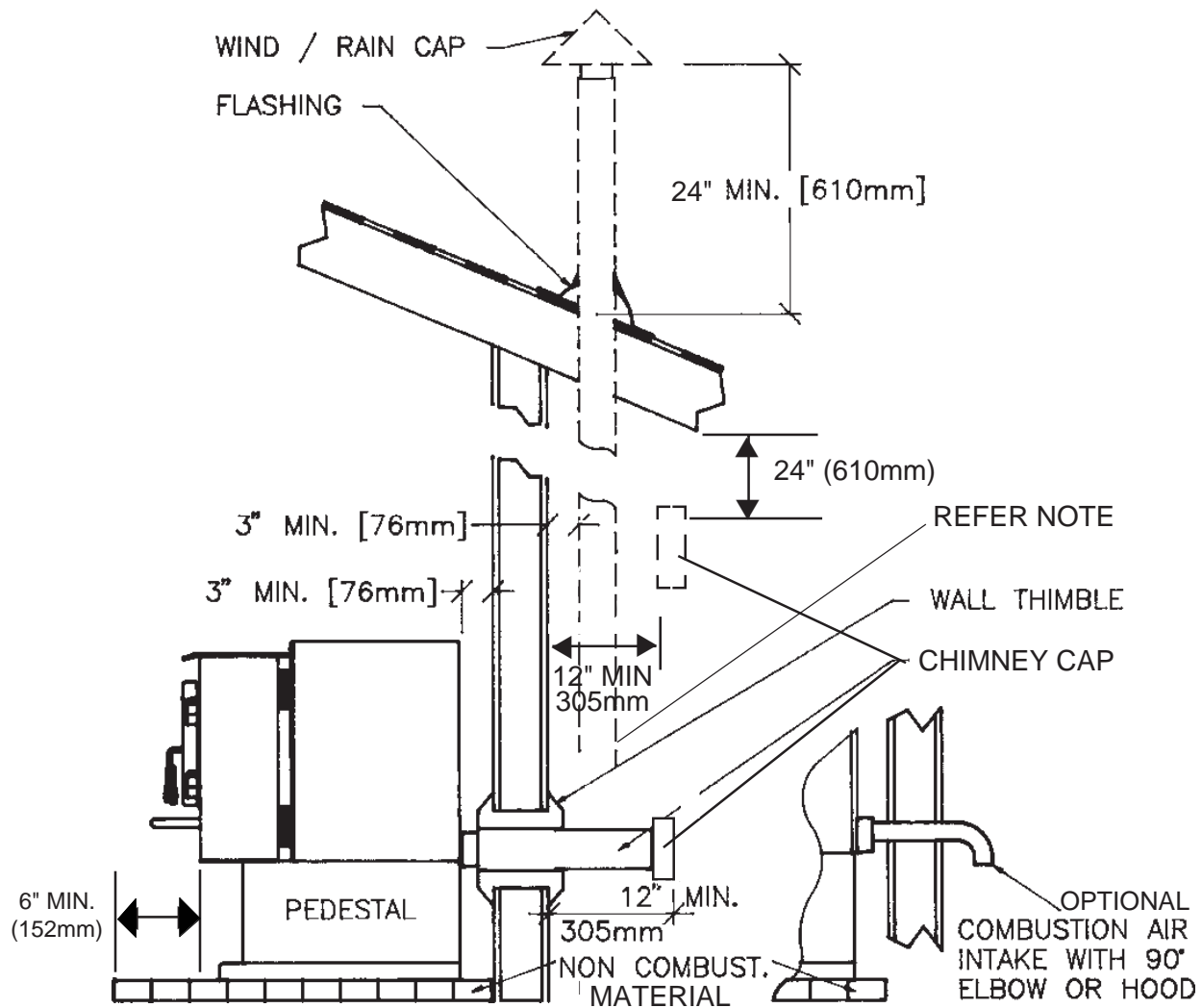


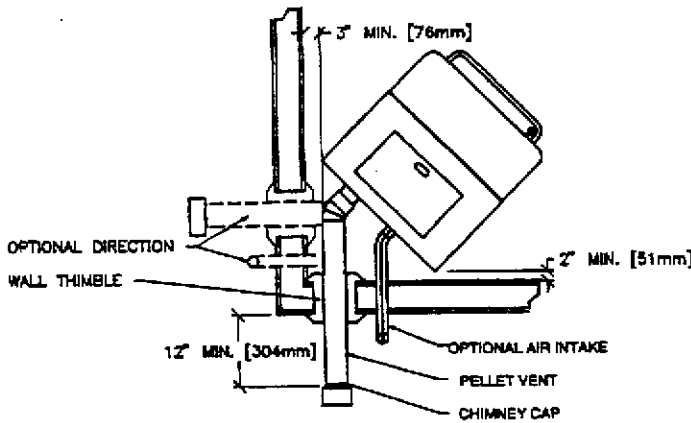
FIGURE 9

NOTE: A 6 ft. (1829mm) vertical rise is recommended to maintain a better draft. However, a shorter rise may be used. Vertical installation as in Figure 5 is preferred. If a shorter rise is used and the termination is under an eave or overhang, the termination must be at least 24" (610mm) from the combustible material, and the chimney must be vented at least 12" (305mm) from the dwelling.

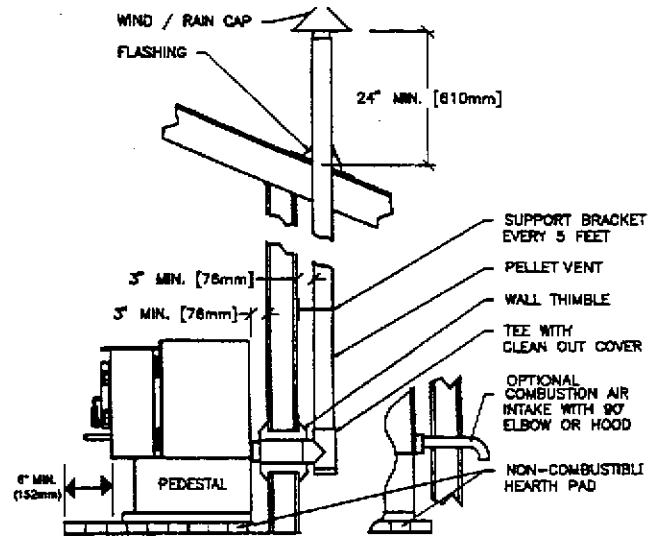
The exhaust vent termination on either vertical or horizontal installations shall be located as follows:

- A minimum of 4 feet (1219 mm) below or beside and a minimum of 1 foot (305 mm) above any door or window that opens, or any opening into a building.
- A minimum of 2 feet (610 mm) from any adjacent building.
- A minimum of 7 feet (2134 mm) above grade, when located adjacent to public walkways.
- A minimum of 2 feet (610 mm) above grass, plants or other combustible surfaces.

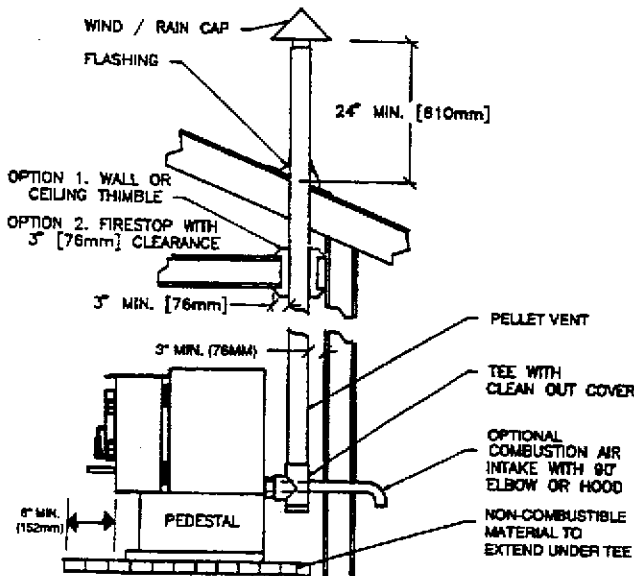
# MOBILE HOME INSTALLATION



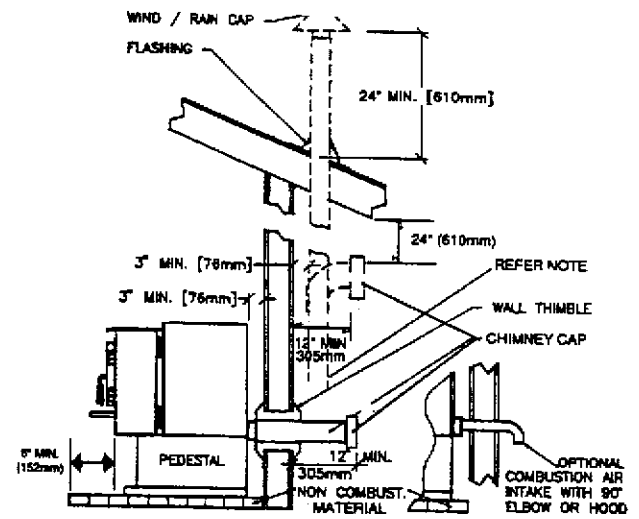
HORIZONTAL CORNER INSTALLATION



VERTICAL EXTERIOR FLUE SYSTEM



INSIDE VERTICAL INSTALLATION WITH ROOF TERMINATION



HORIZONTAL INSTALLATION

**CAUTION:** The structural integrity of the mobile home floor, wall, ceiling and roof must be maintained.

In addition to the **FREESTANDING RESIDENTIAL INSTALLATION** requirements, the following requirements are mandatory for installation into a mobile home:

1. The stove must be permanently bolted to the floor of the mobile home.  
(Some states do not require this; check with your local building department.)
2. The stove must have permanent outside air (combustion air) intake.
3. The stove must be grounded to the steel chassis of the mobile home.  
(Some states do not require this; check with your local building department.)

# RESIDENTIAL ALCOVE INSTALLATION

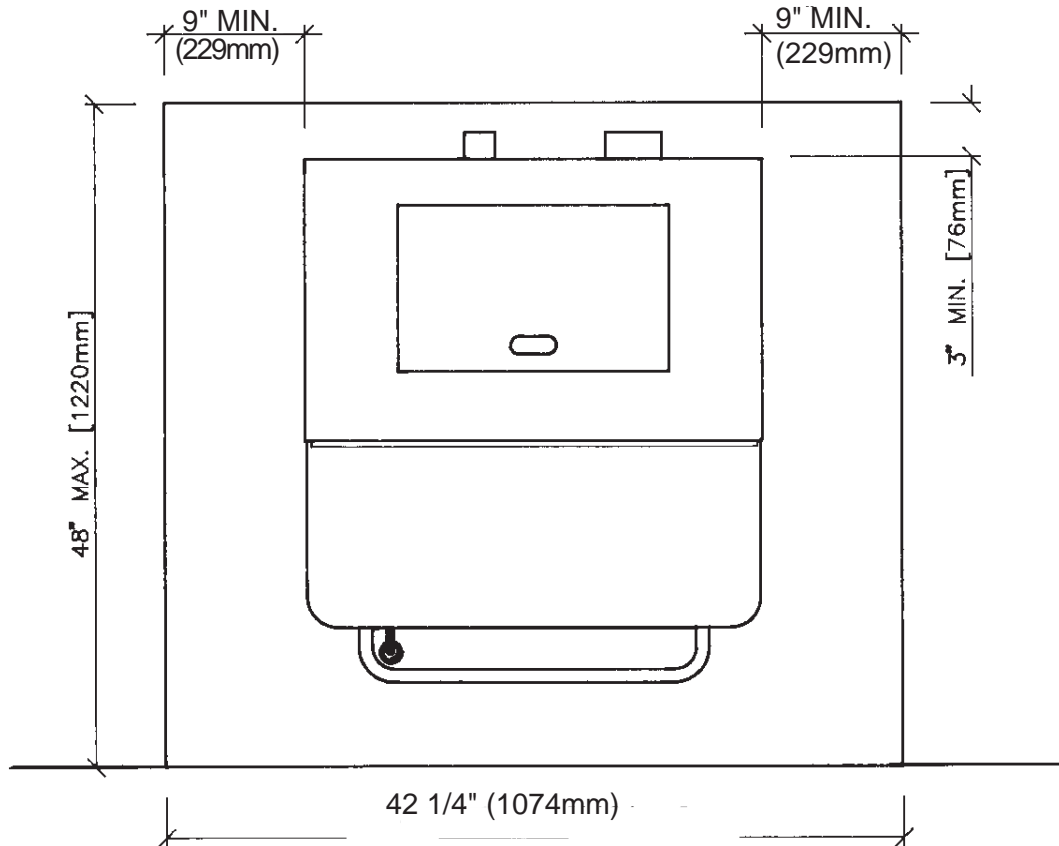


FIGURE 11

MINIMUM ALCOVE HEIGHT 60" - (1524mm)  
MAXIMUM ALCOVE DEPTH 48" - (1219mm)

# PREPARATION FOR INSTALLATION — PELLET INSERT

**READ THIS ENTIRE MANUAL BEFORE YOU INSTALL AND USE YOUR NEW APPLIANCE. FAILURE TO FOLLOW INSTRUCTIONS MAY RESULT IN PROPERTY DAMAGE, BODILY INJURY, OR EVEN DEATH.**

## PREPARATION:

1. Remove all tape and packaging.
  2. Remove the wood shipping frame from around and under the appliance.
  3. Check that no parts have become loose and the appliance has not been damaged during shipping.
  4. Remove the hardware pack from the appliance.
  5. **READ THE OWNER'S MANUAL BEFORE PROCEEDING.**
- \* Appliance should be located such that no doors, drapes, furniture or other combustibles can be placed close or swing closer than the minimum stated clearances.
  - \* The appliance must be installed in a level, secure position.
  - \* **Required Floor Protection:** (Fig. 10)

NOTE: Minimum hearth extension 24" W (610 mm) x 16" D (406 mm) from fireplace opening.

Chimney Lengths	Maximum	Minimum
Vertical	33' (10.06 m)	Subject to installation. See Fig. 9
Horizontal	10' (3.05 m)	Subject to installation. See Fig. 4&9
Combined Horizontal & Vertical	4' Horizontal 30' Vertical 10' Horizontal 25' Vertical	Any Lesser Combination is Acceptable.

NOTE #1: On chimneys with vertical heights that exceed 15' and/or horizontal runs that exceed 4', a 4" diameter pellet vent is recommended.

NOTE #2: When this unit is installed above 4000' in altitude, 4" diameter pellet vent should be used.

- \* Do not obtain combustion air from attic, garage, unventilated crawl space or any other enclosed space. Do not locate combustion air inlet at an elevation higher than exhaust termination.
- \* Outside air (combustion air intake) is recommended, but not required, for all residential installations, but is required for mobile home installations. If an outside air intake (combustion air intake) is used, it must be connected to a 1-3/4", or larger, metal or aluminum duct with a rodent screen fixed to the termination.  
**Do not use P.V.C .duct.**

NOTE: TRAVIS INDUSTRIES, INC., recommends that an outside air (combustion air) intake be used in all installations. If one is not used, there is a possibility of combustion gases (smoke) being released into your home, if there is a power outage while the unit is in operation.

- \* The **AVALON 900** pellet insert exhaust vent accepts 3" diameter pellet vent pipe. Some of the brands available for use with the **AVALON 900** are:

- |  |   |  |
|--|---|--|
| <ol style="list-style-type: none"> <li>1. Duravent Model PL-Vent<br/>Simpson Dura-Vent<br/>P.O. Box 1510<br/>Vacaville, CA 95688<br/>(707) 446-1786 or<br/>1-800-227-8846</li> </ol> | <ol style="list-style-type: none"> <li>2. James A. Ryder MFG Model PL-Vent<br/>Ryder Mfg., Inc.<br/>241 Arvin Avenue<br/>Stoney Creek, Ontario Canada<br/>(416) 662-1701</li> </ol> | <ol style="list-style-type: none"> <li>3. MetalFab Model Pellet Vent<br/>P.O. Box 1138<br/>Wichita, KS 67201<br/>(316) 943-2351</li> </ol> |
|--|---|--|

NOTE: 4" diameter may be substituted when a 3" to 4" adapter is used.

See manufacturer's installation instructions for precautions required for passing vent through a combustible wall or ceiling. Do not connect this appliance to a vent serving another appliance.

All sections of pellet vent must be fastened to each other with sheet metal screws and silicone sealed with type 500 degree Fahrenheit (260°C) RTV (high heat) silicone sealer, to ensure that the joints are airtight.

# PREPARATION FOR INSTALLATION — PELLET INSERT (cont.)

**NOTE:** The fireplace cavity must be thoroughly cleaned prior to installation. It should be cleaned with a wire brush or scraper and then painted with a latex paint to eliminate the possibility of odors from the fireplace being circulated into the house by the room air fan of the pellet insert.

**For your safety,** examine the fireplace and chimney prior to installation of the pellet insert to determine that they are free from cracks, loose mortar, creosote deposits, blockages, or other signs of deterioration. If evidence of deterioration is noted, the pellet insert should **not** be installed until after repairs have been made. Any opening between the masonry of the fireplace and the facing masonry must be **permanently sealed**.

Your pellet insert is listed for installation into masonry fireplaces, and is approved to be installed with or without positive or direct chimney connection.

Your pellet insert is also approved for installation into **metal** or **zero-clearance (Z.C.)** fireplaces. Metal or Z.C. installation requires a **full reline** with a 3" stainless steel single-wall pipe or a flexible liner.

Your **Avalon 900 Pellet Insert** appliance comes completely assembled, with the exception of the switch box, panels and panel trim. Options available for the different types of installations are:

1. Adjustable Front Insert Support.
2. Panels - 8", 10", or 12"
3. Ceramic Log

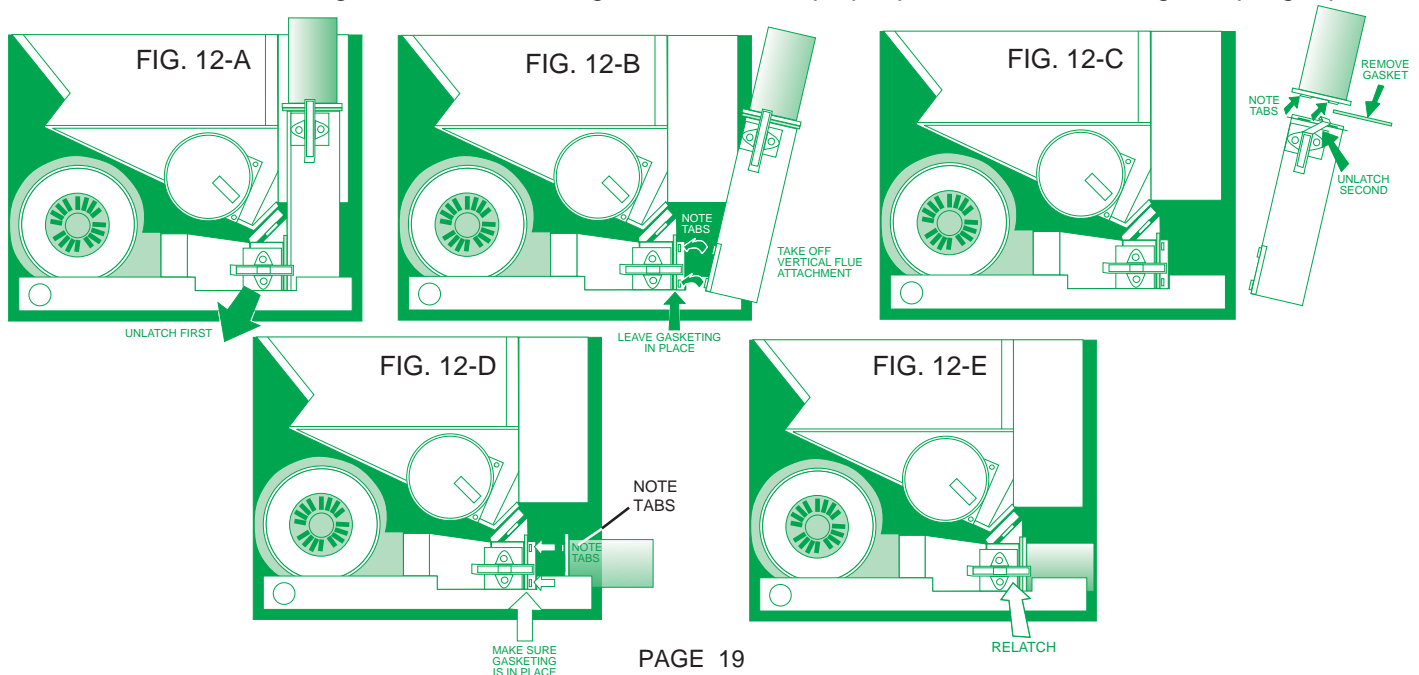
The above items come boxed separately and require assembly.

## VENT CONFIGURATION:

The 900 Pellet Insert is equipped with a dual vent configuration. It can be vented vertically or horizontally. Before installing, you must determine which configuration will best suit your installation.

The unit comes set up for a vertical installation (Fig. 12-A). To change it to a horizontal venting configuration, remove the 1/4" hex head bolt and clamp holding the vertical vent to the base of the unit, next release the spring clip on the side of the lower vent duct, (Fig. 12-B) and remove the vent assembly then release the spring clip holding the round portion of the vent to the rectangular portion (Fig. 12-C). To complete the change over, clip the round portion into the lower vent duct bracket (Figs. 12 D & E).

**NOTE:** Make sure that the gaskets are not damaged and are in the proper position before latching the spring clip.



# INSERT INSTALLATION SPECIFICATIONS

LOCATION OF EXHAUST VENT AND OUTSIDE COMBUSTION AIR INTAKE, DIMENSIONS REQUIRED FOR INSTALLATION INTO FIREPLACE AND PANEL SIZING.

## AVALON 900 PANEL SIZING:

### 8" PANELS

A - WIDTH 40 3/8"(1025mm)

B - HEIGHT 26 7/8"(683mm)

### 10" PANELS

A - WIDTH 44 3/8"(1130mm)

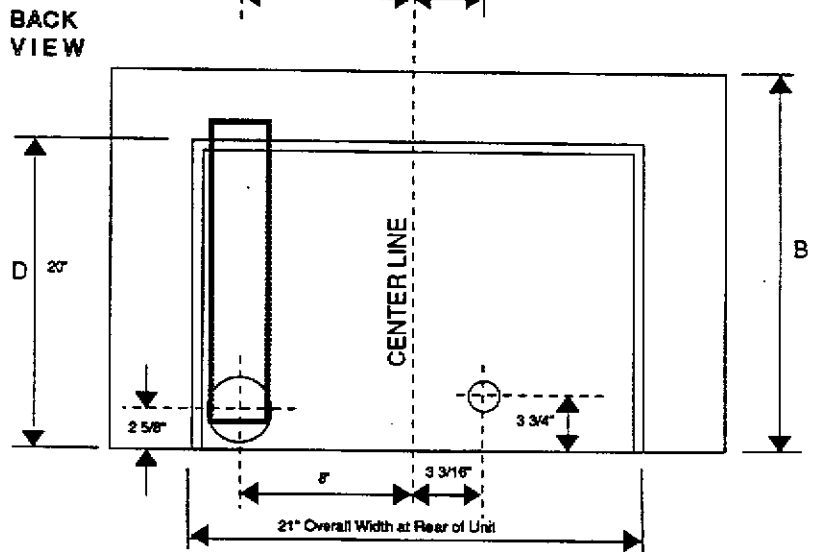
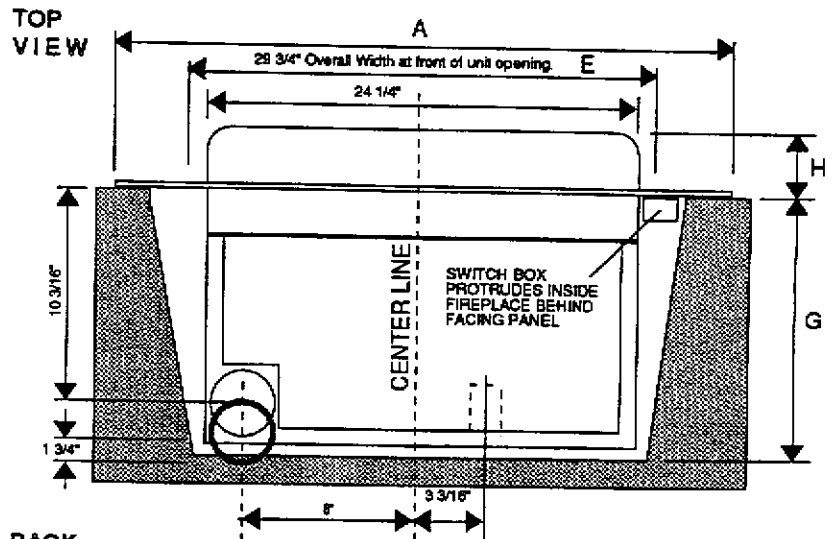
B - HEIGHT 28 7/8"(734mm)

### 12" PANELS

A - WIDTH 48 3/8"(1235mm)

B - HEIGHT 30 7/8"(786mm)

EXHAUST VENT  
ACCEPTS 3" FLEXIBLE  
OR RIGID STAINLESS  
STEEL EXHAUST VENT  
  
4" CAN BE USED WHEN A 3"  
TO 4" ADAPTOR IS USED



## AVALON 900 FIREPLACE SIZING:

NOTE: DUE TO THE POSITION OF THE SWITCH BOX THE REQUIRED FIREPLACE OPENING MUST EXCEED THE ACTUAL WIDTH OF THE UNIT. MEASURE AND CENTER THE UNIT INTO FIREPLACE BASED ON THE PROVIDED MEASUREMENTS.

C - MINIMUM HEIGHT(FRONT) 19" (480mm)

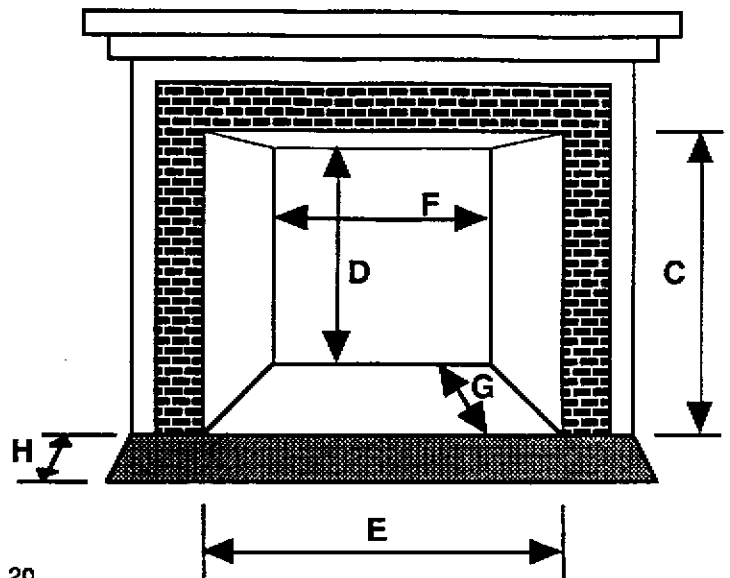
D - MINIMUM HEIGHT (BACK) 20"(505mm)

E - MINIMUM WIDTH (FRONT) 29 3/4"(756mm)

F - MINIMUM WIDTH (BACK) 21"(534mm)

G - DEPTH INTO FIREPLACE 12 1/4" (311mm)

H - EXTENSION ONTO HEARTH 12 7/8" (327mm)



# INSERT INSTALLATION SPECIFICATIONS (Cont.)

## FLOOR PROTECTION: (Fig.10 )

E.	Front	0" (0mm)
F.	Sides	0" (0mm)

NOTE: Although a non-combustible hearth extension is not required to extend past the front and sides of the insert, the insert must be installed on a non-combustible hearth that extends to the front and side edges of the insert.

## CLEARANCE TO COMBUSTIBLES: (Fig. 10)

A.	Adjacent Sidewall	9" (229mm)
B.	Side Facing	8" (203mm)
C.	Top Facing	12" (305mm)
D.	Mantle	13" (330mm)

NOTE: For clearances, use this clearance diagram (fig. 10 ) or the clearance diagram on the safety label attached to the back of the appliance.

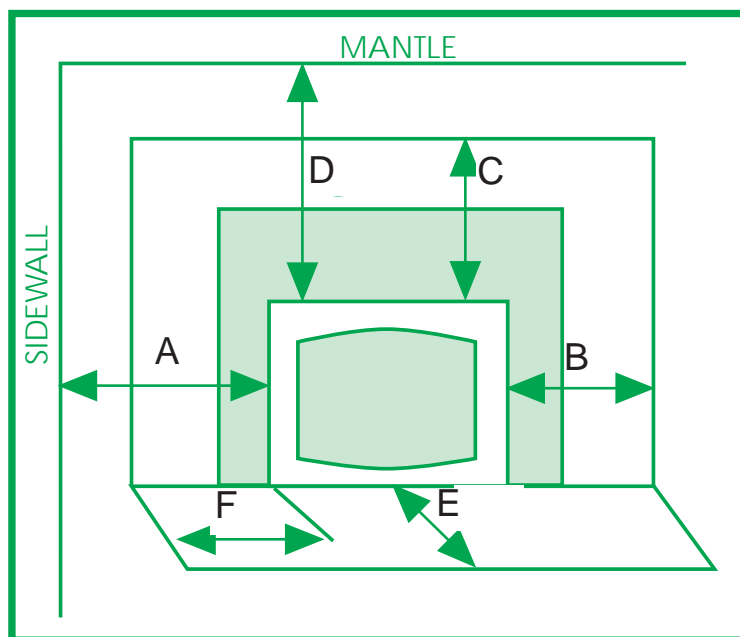


Figure 10

## DIRECT CONNECTION:

1. Make sure the fireplace and chimney are thoroughly cleaned, inspected and repaired where necessary to make it safe. Paint with a latex paint as explained on Pg. 19.
2. Wire open or remove the firebox damper.
3. Measure the area of the firebox below the damper opening and above the lintel. Transfer these measurements to a piece of galvanized sheet metal (min. 24 gauge) and add 2" to each side. Mark the position of several holes on each side, to suit your specific installation, and drill 1/4" diameter holes. Next bend the 2" extended side to a 45° angle. The 2" lip with the 1/4" diameter holes will allow you to screw the plate to the firebox walls.

# INSERT INSTALLATION SPECIFICATIONS - (cont.)

## DIRECT CONNECTION: (Continued)

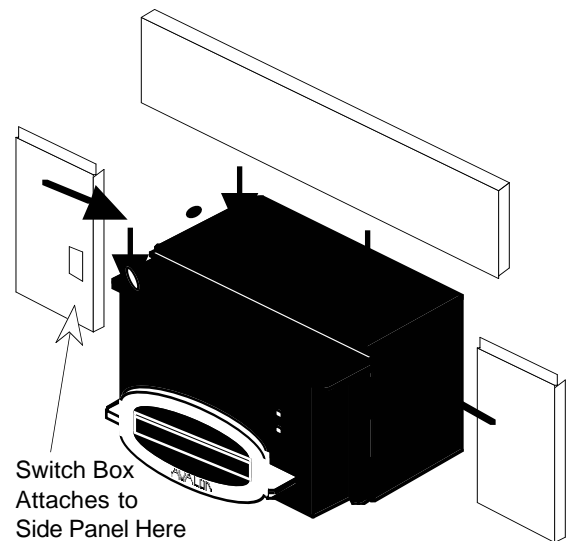
4. A hole must be cut in the plate to allow the chimney connector to pass through from the appliance into the chimney. Mark the hole position on the plate so that the center of the hole is in line with the center line of the appliance flue. A flexible stainless steel connector works best if an offset is required.
5. Position the plate in the firebox where the measurements were taken. Secure the plate with screws through the holes in the lip, and seal around the outside edges of the plate with fiberglass insulation, furnace cement, or both.
6. Insert the chimney connector (flexible or rigid single-wall stainless steel, 3" diameter and at least 24" long) up through the hole in the plate and damper opening into the chimney. Seal where vent passes through block-off plate. This should be done on completion of connection.

NOTE: Masonry fireplace installations require a direct connection or positive (complete reline) connection to the chimney flue. With a direct connection a block-off plate made of metal or other non-combustible material (i.e. Kaowool or high temperature fiberglass insulation) must be used at the damper location and sealed airtight. The singlewall pipe or flexible liner must extend past the block-off plate or insulation by one (1) foot (305 mm) or to the first flue tile if the chimney has a tile lining.

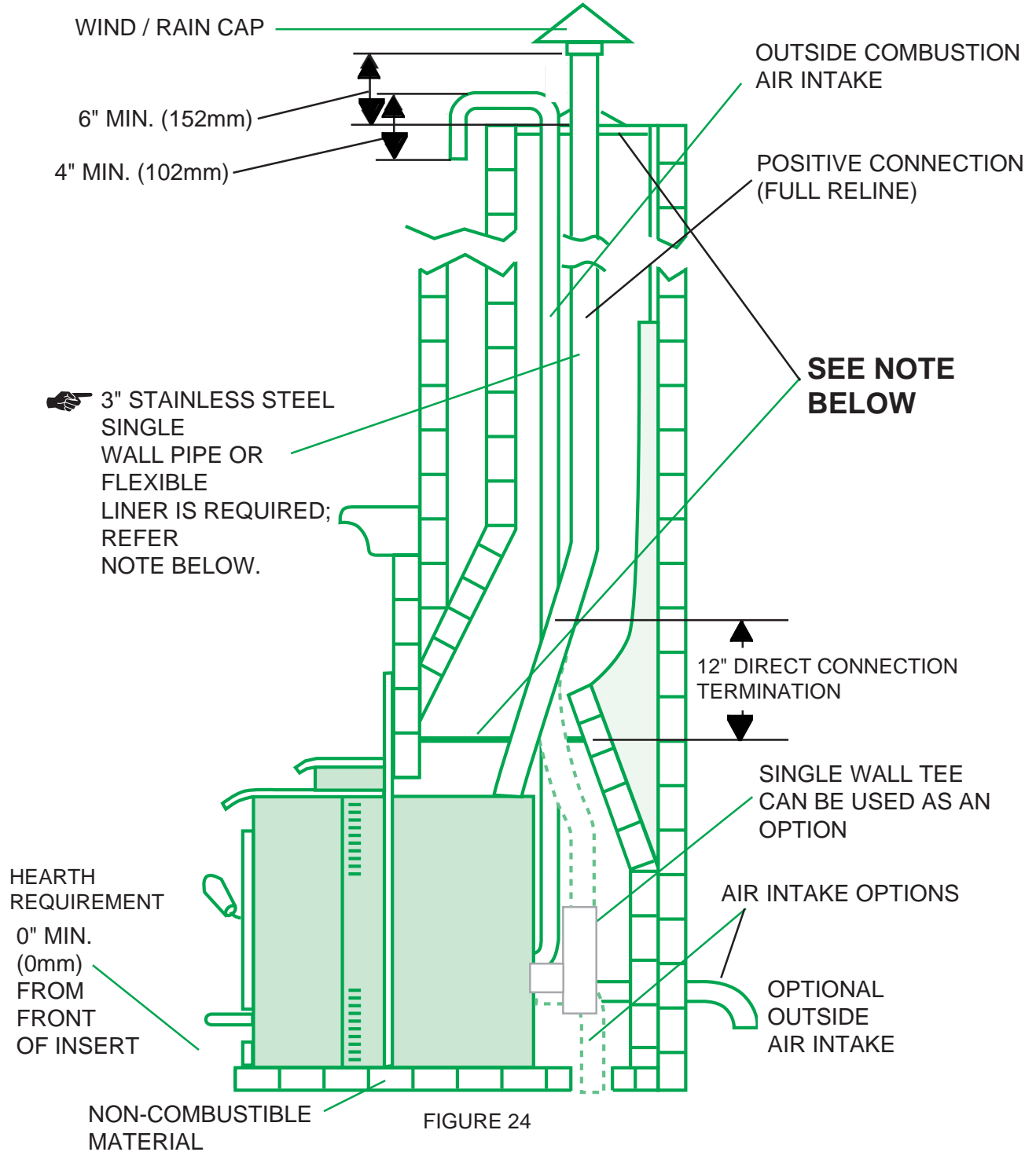
With a positive connection, the block-off plate at the damper location is optional, but a sealed cover plate is required at the top of the chimney. A positive connection (complete reline) is recommended for ease of cleaning.

## PANEL INSTALLATION:

7. Lay a protective covering such as a towel or blanket on the floor to protect the floor and the panel finish. Remove, from the box marked **Panels**, one top panel and two side panels. Make sure that the panels are large enough to cover the fireplace opening. NOTE: Route the power cord out of the fireplace so it exits through the lower outside front corner of the fireplace opening. DO NOT ROUTE THE POWER CORD UNDER THE UNIT.
8. Align the side panels with the sides of the unit. The panels are notched and simply clip onto the sides of the unit.
9. Unwrap the Switch Box (shipped inside the firebox of the appliance) and clip it into the panel. The Power Switch should be at the top and the Blower Control at the bottom. This must be done prior to the installation of the top panel.
10. Position the top panel over the unit. Align the clips and slide the top panel over the side panel flanges and the top of the unit. Press down firmly to make a secure fit.
11. Place the trim face down on the floor, as it would appear on the unit. Place the corner brackets in the appropriate slots, insert the set screws and tighten firmly.
12. Slide the completed trim assembly over the panels. You may wish to use two-sided tape at the ends of the trim to hold it firmly against the bottom of the side panels.
13. Push the assembled insert, panels and trim into the fireplace until the spacers make contact with the face of the fireplace. Be careful not to scratch the hearth. NOTE: Maintain at least a 3/8" air gap around the outside edge of the panels. This allows air to flow around the unit. If this gap is not maintained, the unit could overheat.
14. Make sure that the insert is square in the fireplace opening.



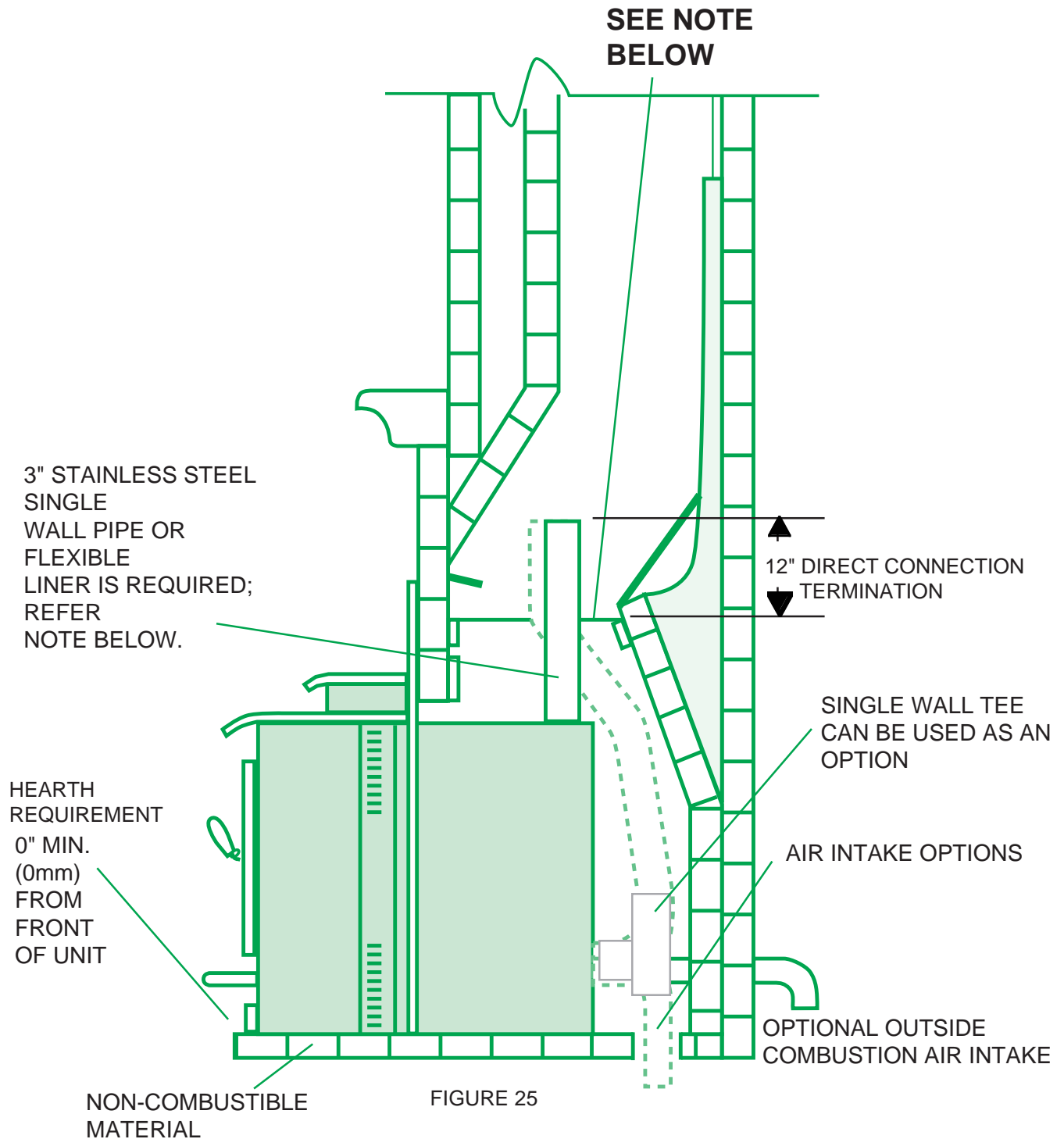
# INSERT INSTALLATION INTO EXISTING MASONRY FIREPLACE



**NOTE:** Masonry fireplace installations require a direct connection or positive (complete reline) connection to the chimney flue. With a direct connection a block-off plate made of metal or other non-combustible material (i.e. Kaowool or high temperature fiberglass insulation) must be used at the damper location and sealed airtight. The singlewall pipe or flexible liner must extend past the block-off plate or insulation by one (1) foot (305 mm) or to the first flue tile if the chimney has a tile lining.

With a positive connection, the block-off plate at the damper location is optional, but a sealed cover plate is required at the top of the chimney. A positive connection (complete reline) is recommended for ease of cleaning.

# INSERT INSTALLATION INTO EXISTING MASONRY FIREPLACE (cont.)



**NOTE:** Masonry fireplace installations require a direct connection or positive (complete reline) connection to the chimney flue. With a direct connection a block-off plate made of metal or other non-combustible material (i.e. Kaowool or high temperature fiberglass insulation) must be used at the damper location and sealed airtight. The singlewall pipe or flexible liner must extend past the block-off plate or insulation by one (1) foot (305 mm) or to the first flue tile if the chimney has a tile lining.

With a positive connection, the block-off plate at the damper location is optional, but a sealed cover plate is required at the top of the chimney. A positive connection (complete reline) is recommended for ease of cleaning.

# INSERT INSTALLATION INTO METAL (Z.C.) FIREPLACE

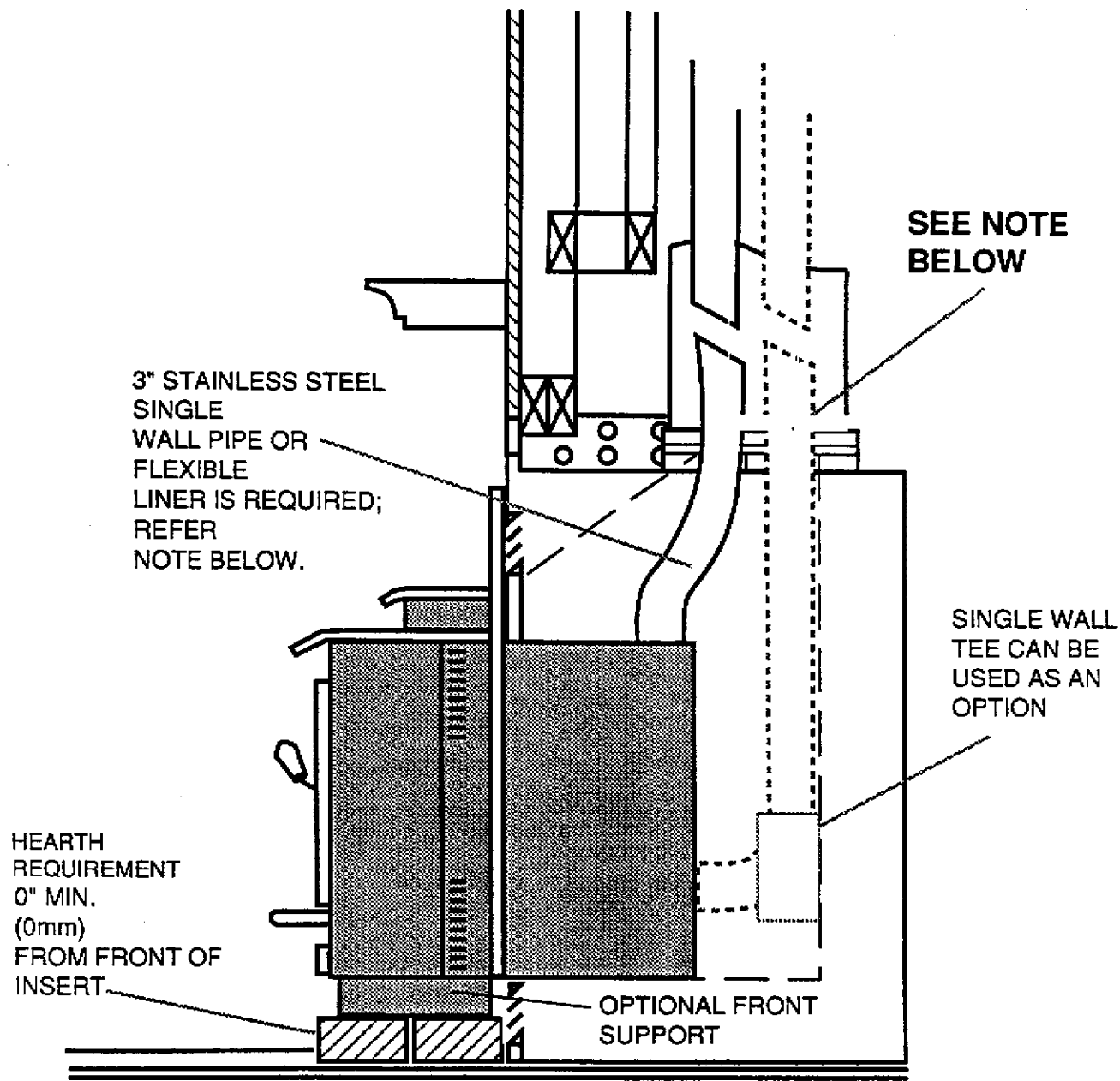


FIGURE 20

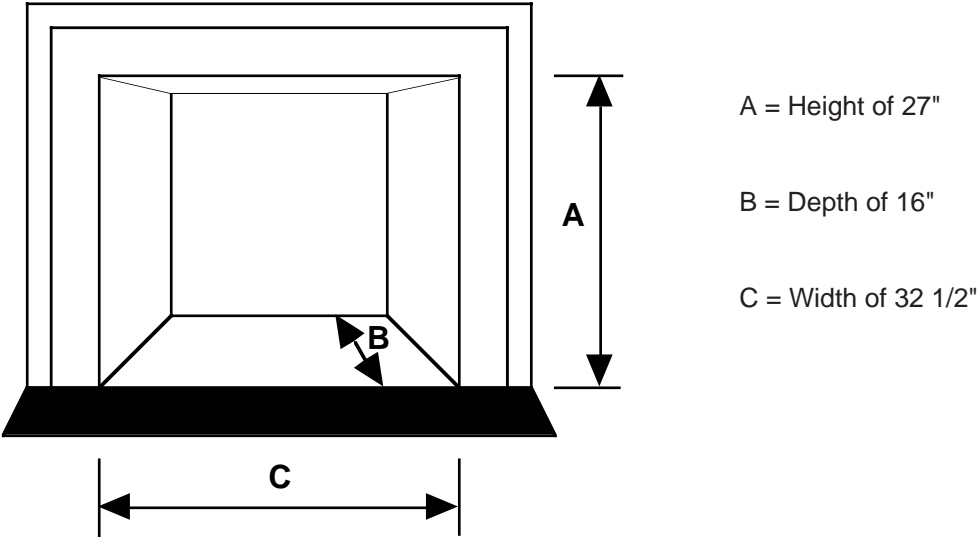
NON-COMBUSTIBLE MATERIAL

NOTE: A 3" stainless steel single wall pipe or a flexible liner is required to extend to the top of the existing chimney for metal (Z.C.) fireplaces. The existing chimney should be sealed at the bottom or the top with a sheet metal plate or other non-combustible material (i.e. Kaowool or high-temperature fiberglass insulation).

NOTE: Outside air is optional unless it is installed in a mobile home where it is required. If outside air is to be installed it must be obtained by running an outside air duct from the top of the chimney to the unit. NO MODIFICATION TO THE FIREBOX OF THE Z.C. (METAL) FIREPLACE IS ALLOWED.

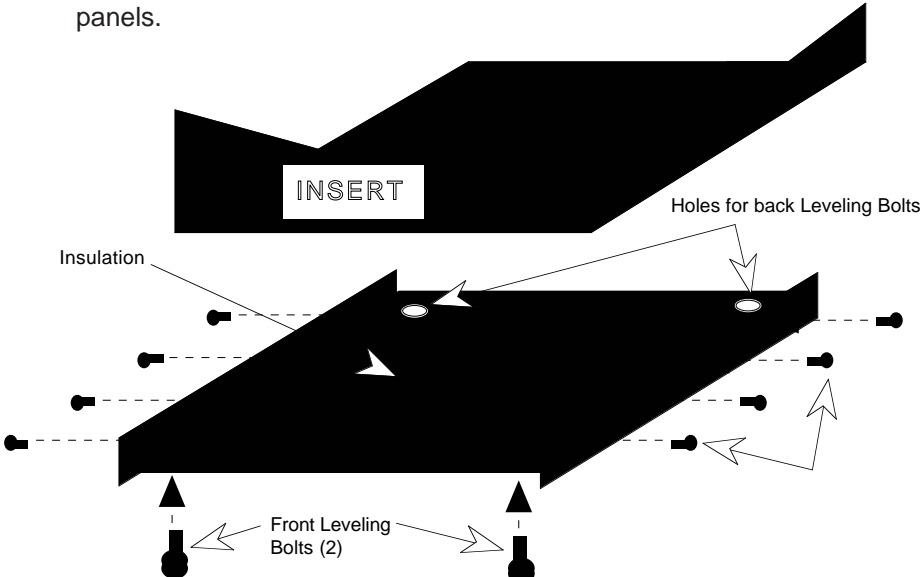
# INSERT INSTALLATION - ZERO CLEARANCE (BUILT-IN)

The minimum combustible framing dimensions using 3" diameter type "L" listed pellet vent is listed below:



This type of installation requires the use of the floor shield kit. The floor shield is boxed separately and can be installed by following the directions below:

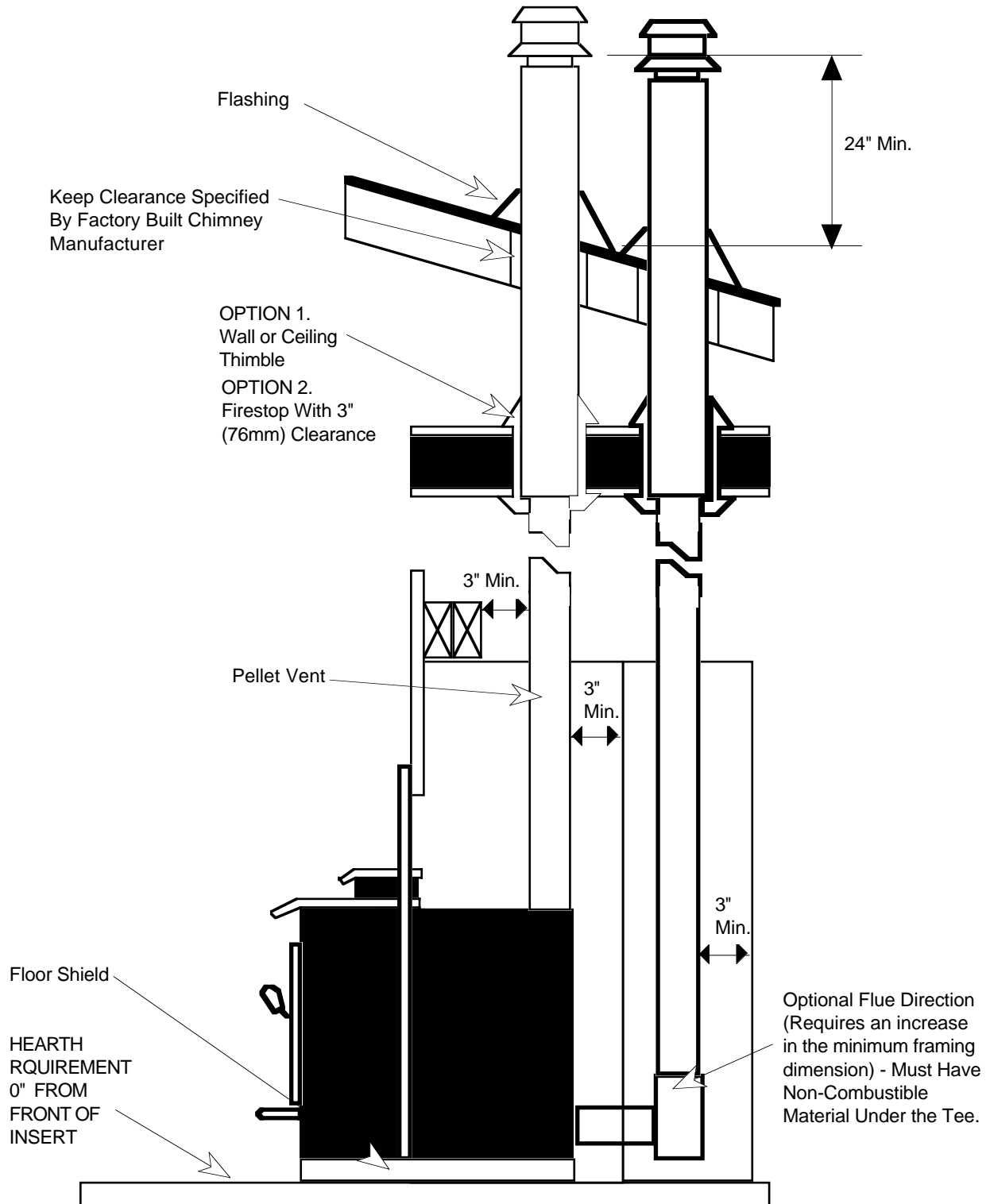
1. Take the floor shield out of the box and make sure the insulation is still placed on the floor shield. The box contains the floor shield, the bottom panel extension, 8 self-tapping screws, and 2 front leveling bolts.
2. Prop up the front of the insert approximately one foot so that it rests on its rear edge. Remove the front leveling bolts already attached to the insert and discard. Remove the rear leveling bolts (if attached). Attach the floor shield to the bottom of the insert by screwing in the eight screws with a phillip-head screwdriver. Attach the two front leveling bolts included with the floor shield to the floor shield. Then re-attach the two rear leveling bolts through the floor shield and into the insert.
3. Return the stove to the upright position.
4. The insert can then be placed in the zero clearance cavity and leveled. To level, first measure the step-down before placing the insert into the cavity. Adjust the front and rear leveling bolts to accomodate any difference. Final leveling can be done by lifting the insert and turning the leveling bolts to accomodate the level installation. The magnetized bottom panel extension comes with the floor shield and can be attached by placing it against the insert panels.



# INSERT INSTALLATION - ZERO CLEARANCE (BUILT-IN)

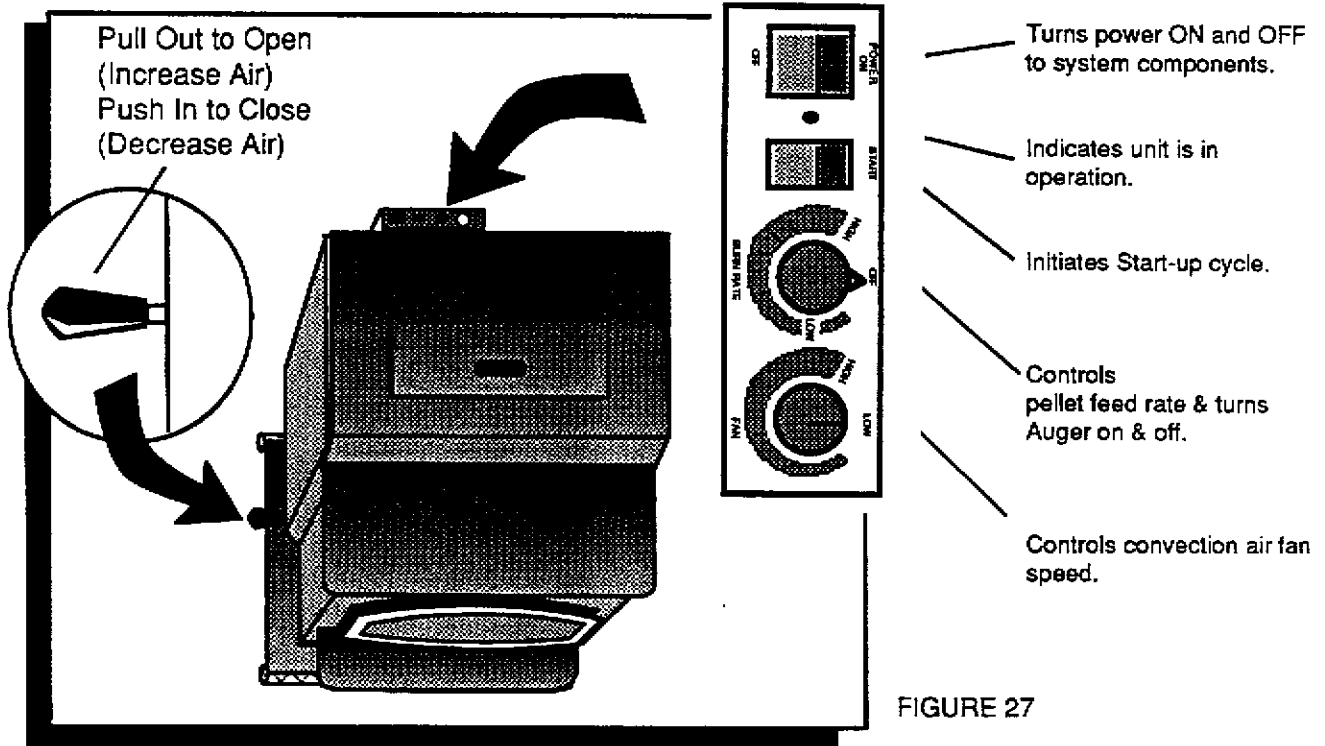
(CONTINUED)

The pellet vent must maintain a 3" clearance from any combustible. Make sure to follow the clearance specified by the manufacturer for the factory built chimney when making the opening in the roof. Whenever a ceiling or floor is penetrated an approved thimble or firestop with 3" clearance must be used. See the illustration below for other specifications that must be met.

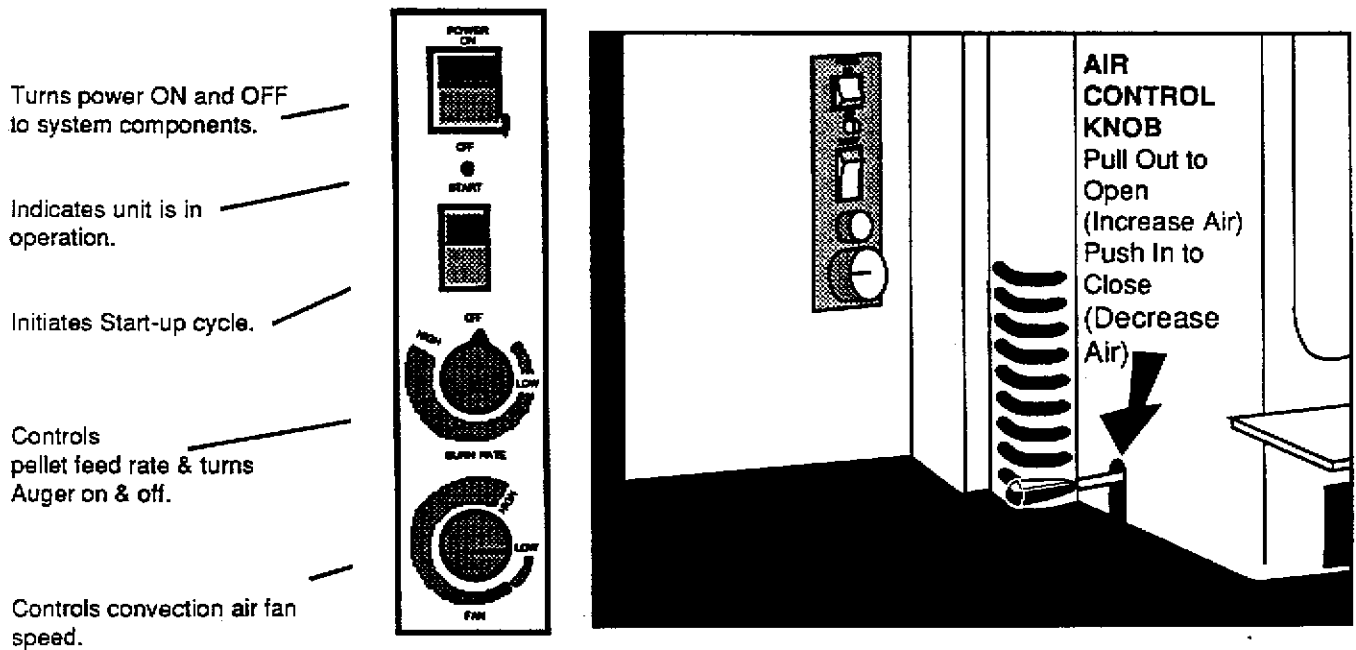


# LOCATION AND USE OF CONTROLS

## Pellet Stove Controls



## Pellet Insert Controls



# OPERATING YOUR PELLET APPLIANCE

## STEP 1. RECOMMENDED FUEL TYPES & SIZES:

The unit is designed to operate using 1/4" diameter pellets that comply with A.P.F.I. \* standards. If the fuel does not comply to this standard, the unit may not operate as designed. If the pellets are larger than 1/4" diameter, the unit may need adjustments. Consult with your dealer. NOTE: Store pellets in a clean, dry place. Check frequently for foreign objects that may get mixed in with the pellets.

\* A.P.F.I. = Association of Pellet Fuel Industries.

## STEP 2. PRIMING THE AUGER:

Priming the auger is only required when the unit is new or when the hopper has completely run out of pellets.

- A. Load the hopper with pellets.
- B. Set the burn rate control knob to "HIGH".
- C. Switch the power switch to "ON".
- D. Press the start switch and release when indicating light comes on.

This will start the auger and begin the priming process. Once pellets are feeding into the firepot (about ten minutes), turn the power switch "OFF." You are now ready to start a fire.

## STEP 3. STARTING YOUR APPLIANCE:

- A. Open the door and place a wax-impregnated wood fire starter or add gelled firestarter on a few pellets in the center of the firepot and light. When the fire starter is burning, close the door.
- B. Push the black "AIR CONTROL KNOB" in to the closed position. (Located on the lower left side of the unit). Press the power switch "ON." Adjust the burn rate control to the "OFF" position and press the start switch. The amber indicator light will come on.
- C. Once the pellets are burning and you have established a fire, set the burn rate to the "HIGH" position. Then pull the black "AIR CONTROL KNOB" out to the open position.
- D. Before turning the unit to a lower burn setting, it is necessary to run the unit on "HIGH" for at least 15-20 minutes after a fire has been established. This allows the unit to reach proper operating temperature. Failure to do this could result in an inadequate operating temperature and the unit will turn itself off. If this happens, you will have to repeat the entire start-up procedure.
- E. The convection blower will be OFF for approximately 15 minutes after start-up of the appliance. This is to allow the appliance to reach operating temperature before the convection fan comes on. The fan will also continue to run after the stove has been shut off until the unit has cooled down.  
NOTE: The first couple of times the unit is operated it will emit an odor and smoke for the first few hours of operation while the paint and oils on the metal cure.

## STEP 4. RUNNING YOUR APPLIANCE:

- A. Burn rate control and air control settings for normal operation when the burn rate setting is set on:

"HIGH",	Air Control knob is pulled completely out for fully "Open" position.
"MEDIUM RANGE",	Air Control knob is between fully "Closed" and "Open."
"LOW BURN",	Air Control knob is pushed completely in for fully "Closed" position.

NOTE: The Air Control knob settings for your unit could vary due to type and quality of fuel used. Therefore, it is suggested that you establish the settings that best suit your particular fuel needs. This is done by adjusting the air control knob "OPEN" or "CLOSED" to allow more or less combustion air. Flame should be yellow in color and brisk with a gentle agitation of pellets in the burn pot.

# OPERATING YOUR PELLET APPLIANCE (cont.)

## STEP 5. TURNING THE UNIT OFF:

- A. Turn the power switch to the "OFF" position. The unit will automatically turn the convection and combustion fans off when the temperatures have reached the shut down range.

## AUTOMATIC SAFETY FEATURES:

### 1. POWER OUTAGES

During a power outage the unit will shut itself down safely. It will not restart unless there is a sufficient firepot temperature to sustain combustion.

### 2. OVERHEATING

This unit is equipped with an overheat sensor. If the unit becomes overheated, it will shut itself down safely. The appliance will not restart until it has cooled to a safe level. It may be necessary to restart the unit if this occurs. If this happens frequently, turn the unit off and consult with your dealer to determine the problem.

### 3. BLOCKED FLUE OR DOWN DRAFT PROTECTION

This unit is equipped with a draft flow switch. If a draft restriction or back draft occurs, the unit will automatically shut itself off. If the restriction or back draft is momentary, it will automatically resume operation. If not, you will need to locate the restriction and correct it before restarting your unit.

# NORMAL OPERATING SOUNDS

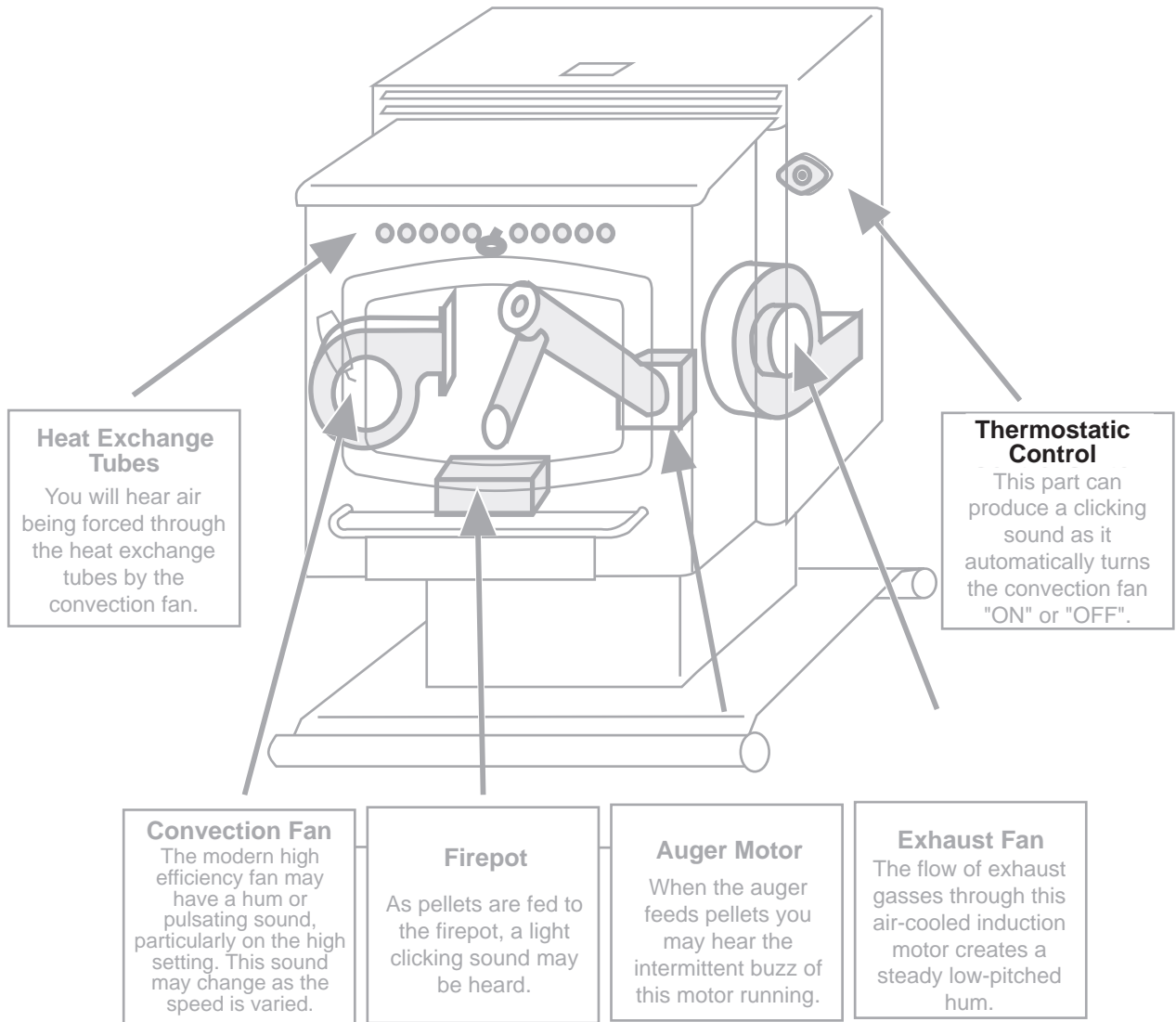


FIGURE 29

# CARE AND MAINTENANCE

SEE THE CARE & MAINTENANCE INSTRUCTIONS FOR DETAILS ON THESE PROCEDURES.

## **Weekly Maintenance:**

There are several areas and parts of the unit that must be inspected and cleaned at least once a week during operation. However, depending on fuel quality and burning habits, this maintenance may have to be performed more frequently. These are:

- A. Heat exchanger tubes.
- B. Ceramic log set. (Optional)
- C. Brick refractory.
- D. Firepot and holder.
- E. Ashpan.
- F. Glass and door maintenance.

## **1000 Pounds (1/2 ton) of Fuel Used Maintenance:**

There are several areas and parts of the unit that should be inspected and cleaned after every 1000 pounds (1/2 ton) of fuel used. These are:

Repeat items **A** through **F**.

- G. Exhaust ducts.
- H. Hopper and auger tube area.

## **6000 Pounds (3 tons) of Fuel Used Maintenance:**

The 6000 pounds (3 tons) of fuel used maintenance requires disassembly of the unit and its components. We recommend this procedure be carried out by a trained service person or your dealer. The following areas should be inspected, cleaned and serviced after every 6000 pounds (3 tons) of fuel used.

Repeat Items **A** through **H**.

- I. Exhaust fan (including exhaust duct system).
- J. Convection fan.
- K. Chimney system.

# CARE & MAINTENANCE INSTRUCTIONS

PRIOR TO CARRYING OUT MAINTENANCE, ENSURE THE APPLIANCE IS UNPLUGGED AND HAS COOLED DOWN SUFFICIENTLY TO HANDLE THE PARTS WITH SAFETY.

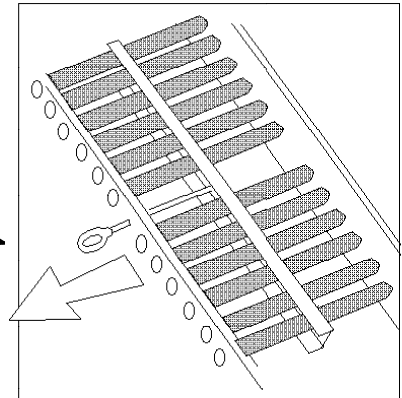
## A. HEAT EXCHANGER TUBES

To clean the heat exchange tubes, push the built-in cleaner located above the door back and forth a couple of times.

Make sure to keep the door closed while doing this to eliminate any flyash from coming out.

After performing this procedure, you may wish to brush any loose flyash into the ash pan.

Built in  
Cleaner  
Handle



## B. CERAMIC LOG SET (OPTIONAL)

Remove the ceramic log and log holder from the firebox and brush off any flyash that may have accumulated using a stiff brush.

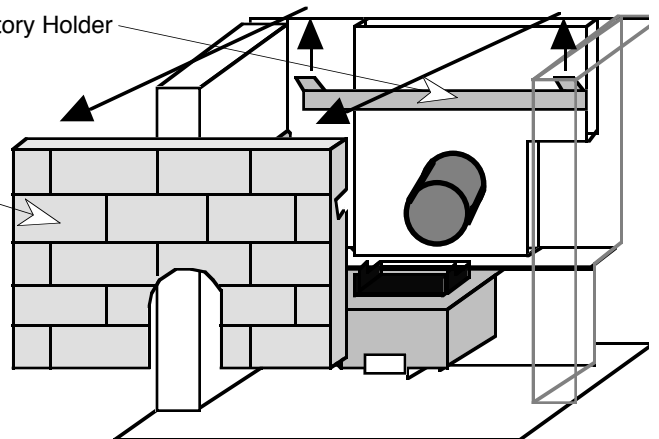
## C. FIREBRICK REFRACTORY

Remove the firebrick refractory by grasping it on either side, lifting it up approximately 1/4 to 1/2", tilting it towards the front of the stove and lifting it through the doorway out of the unit.

Brush away any flyash that may have accumulated on the firebrick. Then vacuum or dump the flyash into a suitable disposal container.

Firebrick Refractory Holder

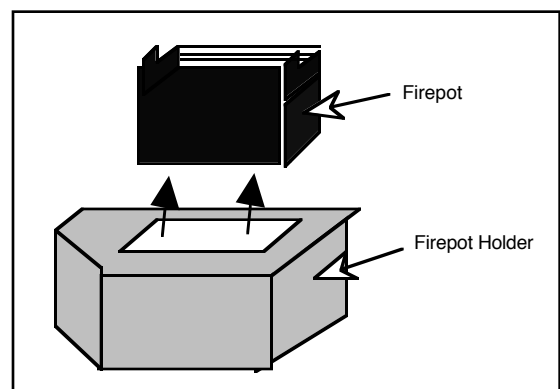
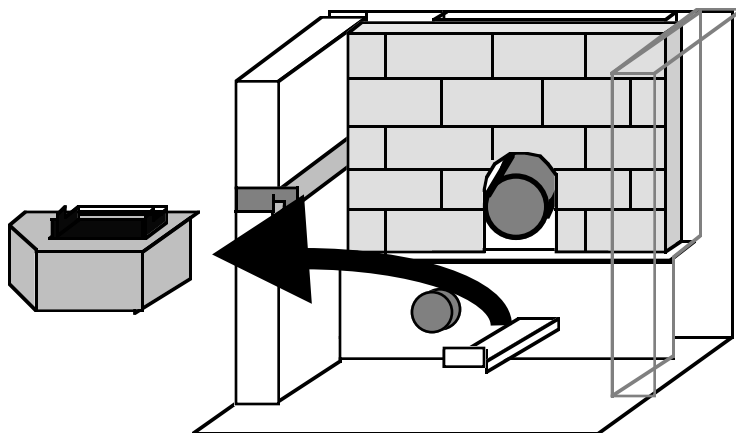
Firebrick Refractory



## D. FIREPOT AND HOLDER

Remove the firepot holder by pulling it towards the front of the unit while lifting up. Once the firepot holder is removed, the firepot can be removed by pulling it straight up and out of the holder.

Brush away any flyash that may have attached to the bottom of the firepot or firepot holder. Then vacuum or dump the flyash into a suitable disposal container.

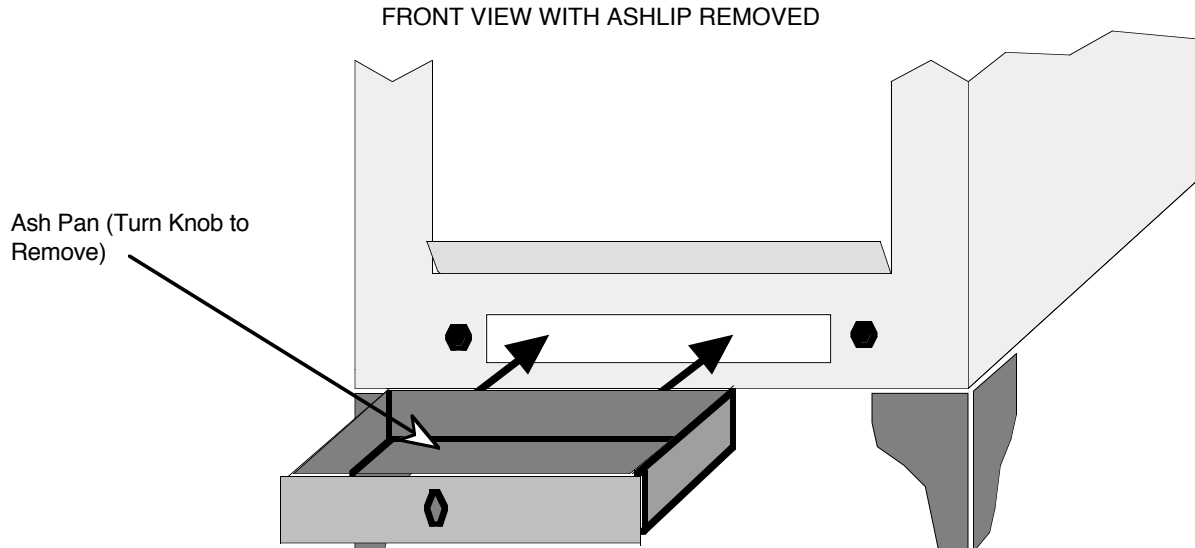


# CARE & MAINTENANCE INSTRUCTIONS (Cont.)

## E. ASHPAN

Remove the ash pan by twisting the knob left or right and pulling the ashpan straight away from the unit.

Brush away any flyash that may have accumulated on the bottom of the pan with a brush. Then vacuum or dump the flyash into a suitable disposal container.



## F. GLASS MAINTENANCE

Should soot or creosote deposits accumulate on the glass during operation, clean when the stove is cold with a non-abrasive glass cleaner.

Inspect the gaskets on the door, glass and ashpan. If they show signs of deterioration, replace them. See your dealer for the proper type and size of gaskets.

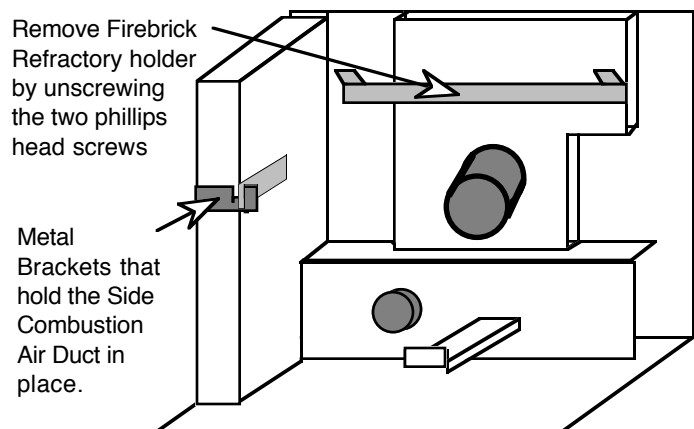
If the glass should break, wait until the stove and glass is cool before removing. Do not leave the fire unattended during this cool down period as sparks could escape through the broken glass. Do not operate appliance with broken glass.

To replace the glass, simply remove the door and unscrew the glass clips. Replace the broken glass with Travis Industries Inc. replacement glass only (available at your dealer). The replacement glass is high temperature, high shock ceramic glass 5 mm thick. Under normal operating conditions the glass will not break.

## G. EXHAUST DUCTS

To inspect and clean the exhaust ducts, it is first necessary to remove the ashpan, firepot assembly, and firebrick refractory.

Remove the Firebrick Refractory holder by unscrewing the two phillips head screws that hold it in place.



# CARE & MAINTENANCE INSTRUCTIONS (Cont.)

## G. EXHAUST DUCTS (Cont.)

The next step is to remove the left or right side exhaust duct:

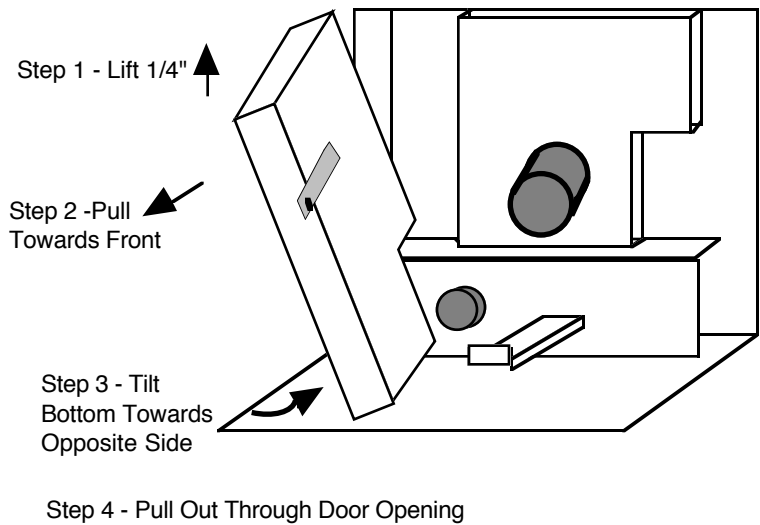
Step 1 • Lift the side exhaust duct up 1/4"

Step 2 • Pull it towards the front of the unit

Step 3 • Tilt the bottom towards the opposite side of the unit

Step 4 • Pull it through the door opening

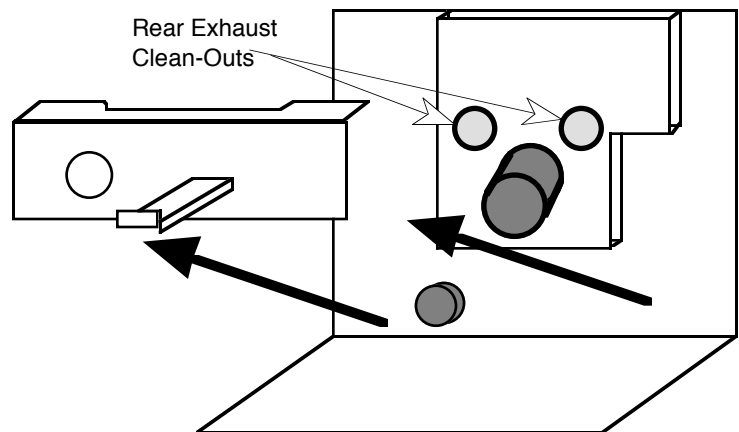
Repeat these steps for removing the opposite side exhaust duct.



Remove the lower exhaust duct to complete the removal of internal firebox components.

Remove the two rear exhaust clean-outs by prying them loose with a screwdriver (only on certain models). They are held in place with expanding metal clips that are attached to the clean-outs.

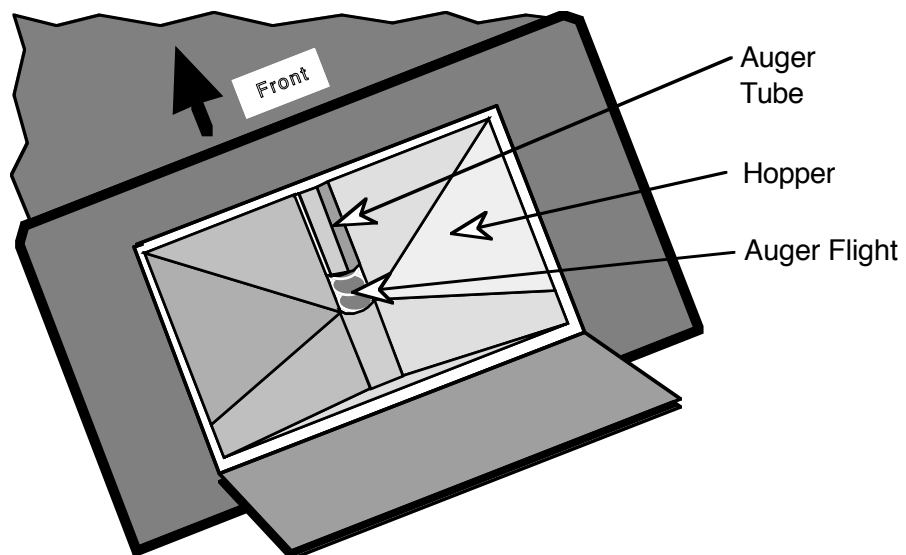
Bend a piece of piano wire or other similar wire into an "L" shape. Use this to insert into the space behind the rear exhaust clean-outs and remove any blocking flyash. There should be very little (if any).



Then brush away any flyash that may have accumulated on the floor of the firebox or on the exhaust ducts with a brush. Then vacuum or dump the flyash into a suitable disposal container.

## H. HOPPER AND AUGER TUBE AREA

Vacuum the inside of the hopper area and remove any foreign objects that may have wedged between the auger flight and auger tube.

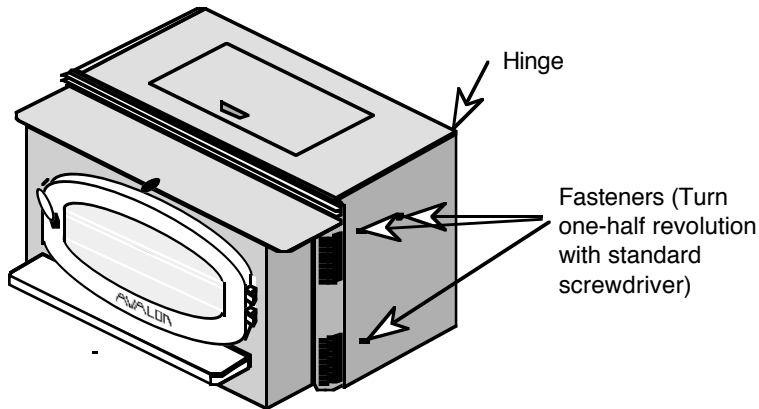


# CARE & MAINTENANCE INSTRUCTIONS (Cont.)

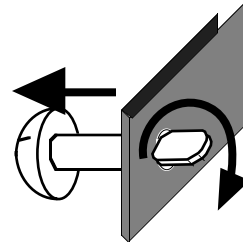
## I. EXHAUST FAN

Open the left side panel by taking a standard screwdriver and turning the three screws located on the left side one-half turn counter-clockwise. These screws are actually cogs that hold the panel in place, and only need to be turned slightly to release. Then swing the panel back on the hinge located on the very back of the left side.

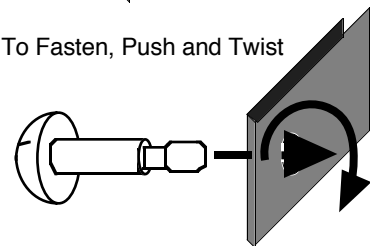
To re-attach, use a screwdriver to turn the screws one-half turn while pressing them against their sockets. See the illustration below.



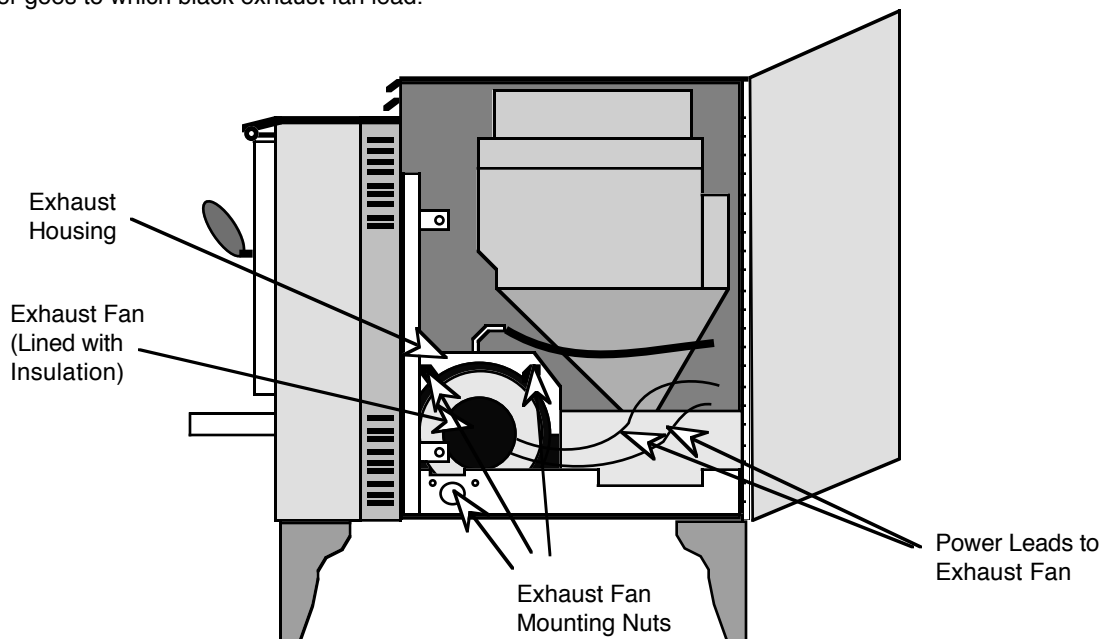
To Remove, Twist and Pull



To Fasten, Push and Twist



Next, disconnect the pellet vent/interior connector that connects to the back of the stove. With the left panel opened, use a 3/8" nut driver to remove the three mounting nuts that hold the exhaust fan in place. Two of the nuts are located on the top of the exhaust fan while one is on the lower left and can only be accessed through a hole in the sheet metal. See the illustration below for reference. Disconnect the two power leads going to the exhaust fan. Remove the insulation surrounding the exhaust fan. Tilt the exhaust fan outwards and slide towards the opening to remove. With the exhaust fan removed, check the gasketing that insulates the connection between the exhaust fan and the exhaust housing. If the gasket has deteriorated, replace. Follow directions in reverse order to re-attach the exhaust fan. NOTE: The two electrical leads coming from the exhaust fan are black. They are connected to a green wire and a brown wire. It does not matter which color goes to which black exhaust fan lead.

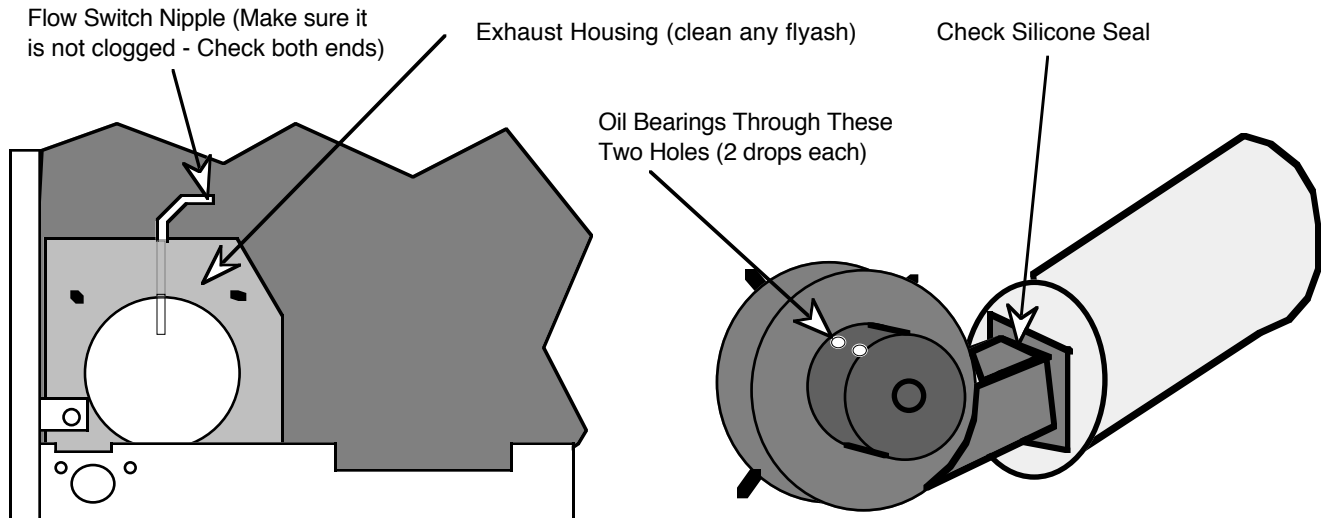


Once the exhaust fan is removed, place it so the side that holds the gasket is up. Check the impeller blades for any damage and replace if necessary. Use a vacuum cleaner or brush to clear away any flyash that may have accumulated. Lubricate the exhaust fan bearings located on both sides of the fan motor with two drops of light machine oil.

# CARE & MAINTENANCE INSTRUCTIONS (Cont.)

## I. EXHAUST FAN (Cont.)

At this time you should also clean away any flyash that is on or in the exhaust housing and check to make sure the flow switch nipple is not clogged or dirty. See the illustration below for reference.



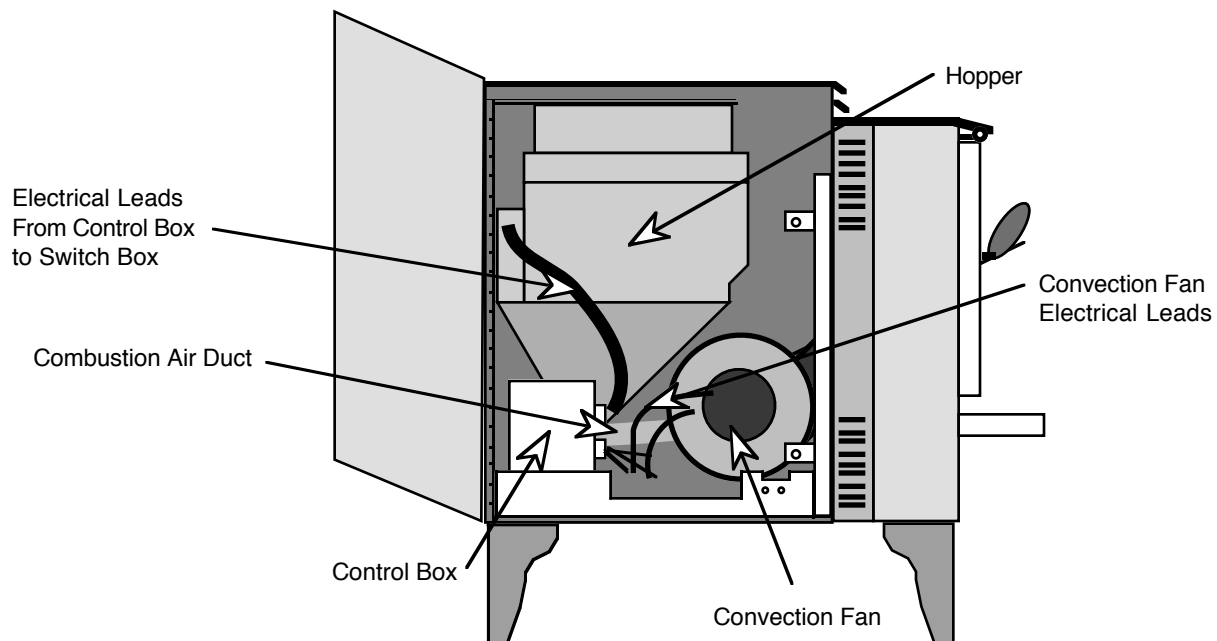
Prior to replacing the fan assembly, check that the silicone seal at the fan and exhaust tube. If fractured, use Type RTV 500 degree silicone sealant to reseal the joint.

## J. CONVECTION FAN

Open the right side panel by taking a standard screwdriver and turning the three screws located on the right side one-half turn counter-clockwise.

These screws are actually cogs that hold the panel in place, and only need to be turned slightly to release. Then swing the panel back on the hinge located on the very back of the left side.

To re-attach, use a screwdriver to turn the screws one-half turn while pressing them against their sockets. See the illustration in the exhaust fan section for reference.



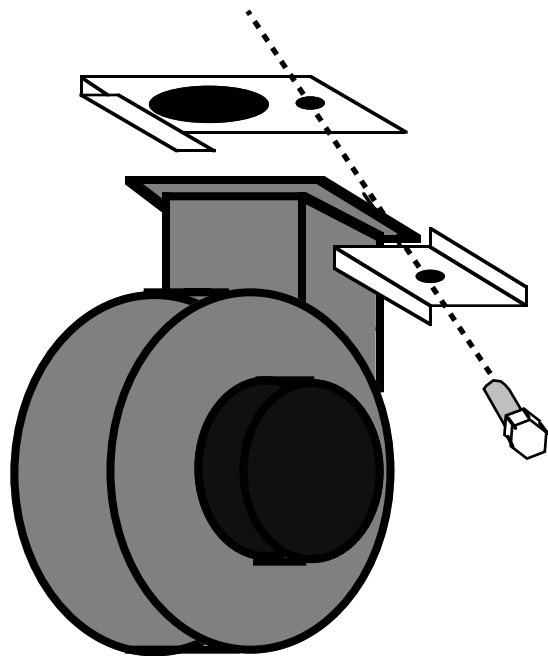
# CARE & MAINTENANCE INSTRUCTIONS (Cont.)

## J. CONVECTION FAN (Cont.)

With the right side panel open, disconnect the two black power leads coming from the motor. These two wires must be connected to the convection fan during assembly, but their orientation does not matter.

Take a 7/16" socket or wrench and remove the single bolt located at the top of the convection fan.

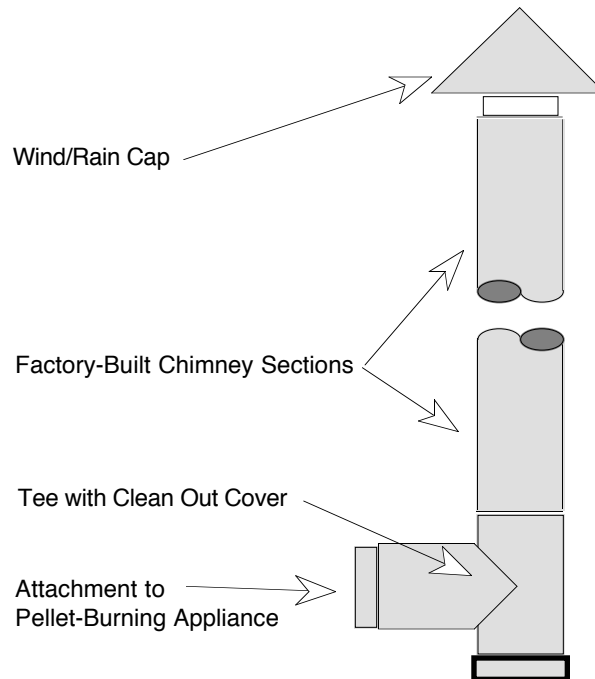
The convection fan can now be pulled out of the unit for cleaning and servicing. With the convection fan removed, check the gasketing that insulates the connection between the convection fan and the appliance. If the gasket has deteriorated, replace. Follow directions in reverse order to re-attach the convection fan.



Once the convection fan is removed, place it so the impeller blades are facing up. Check the impeller blades for any damage and replace if necessary. Use a vacuum cleaner or brush to clean away any flyash that may have accumulated. Lubricate the convection fan bearings by dropping two drops of light machine oil into the two holes located on the outward side. Over-oiling can damage your fan.

## K. CHIMNEY SYSTEM

Check the chimney system for soot and creosote build-up, and have it cleaned by a certified chimney sweep if necessary.



# BEFORE CALLING FOR SERVICE

SAVE TIME AND MONEY - CHECK THIS LIST BEFORE YOU CALL FOR SERVICE.

To eliminate unnecessary service calls, first read all the instructions in this manual carefully. The following checklist provides possible solutions to common occurrences that are not the result of defective workmanship or materials in this appliance. Always make sure unit is plugged in and that the circuit breaker has not tripped.

If you do have a problem that you cannot fix yourself, call the dealer where you purchased your appliance. When calling, have this manual handy with the model, serial number and purchase date of your appliance.

Problem	Possible Cause	Don't Call for Service Until You Check
Firepot overfills on start-up.	Starting appliance on "HIGH BURN" range.	Burn rate control is set to the "OFF" position.
Start-up fire extinguishes itself.	Combustion air inlet blocked. Door ajar. Ashpan open or ajar. Firepot not in correct position. Lack of ignition.	Inlet tube is not blocked outside house. Door is latched securely. Ashpan is latched and sealed. Firepot is in correct position. Ensure firestarter is ignited.
Lazy orange flame, smoking exhaust or firepot overfills with pellets.	Restriction in combustion intake tube. Door or ashpan open or ajar. Firepot plugged.	Combustion tube intake is not blocked. Door and ashpan are latched. Firepot is clean.

Problem	Possible Cause	Don't Call for Service Until You Check
<p>Lazy orange flame, smoking exhaust or firepot overfills with pellets. (cont.)</p>	<p>Incorrect air control setting.</p> <p>Exhaust duct restricted.</p> <p>Fuel.</p> <p>Power outage.</p> <p>Restricted exhaust.</p>	<p>Air control is set to suit burn rates. (Open control until fire brightens up).</p> <p>Flyash buildup behind exhaust ducts is removed.</p> <p>Fuel is not poor quality or wet.</p> <p>Unit has power.</p> <p>Exhaust is not restricted.</p>
<p>Fire smolders.</p>	<p>Firepot overfilled.</p> <p>Pellets are wet.</p>	<p>Refer to previous check items.</p> <p>Pellets in hopper are dry and all stored pellets are dry.</p>
<p>Pellets not feeding.</p>	<p>Auger not primed.</p> <p>Hopper empty.</p> <p>Start switch not pressed.</p> <p>Power switch not "ON".</p> <p>Appliance not plugged into power outlet or no power available at outlet.</p> <p>Auger flight jammed by foreign object.</p>	<p>Auger is primed.</p> <p>Hopper has pellets.</p> <p>Start switch is pressed and amber indicating light is on.</p> <p>Power switch is "ON".</p> <p>Appliance is plugged into outlet. Circuit breaker or fuse has not tripped.</p> <p>Remove pellets from hopper and check for foreign objects jammed in auger flights.</p>

# BEFORE CALLING FOR SERVICE

(Cont.)

Problem	Possible Cause	Don't Call for Service Until You Check
<p>Smoke smell in house and unit has gone off.</p>	<p>Intermittent power failure has shut unit off.</p> <p>Automatic safety feature has shut unit off.</p> <p>Unit was unplugged while under full operation.</p>	<p>Power is on.</p> <p>Refer to "Operating Your Pellet Stove", page 30, "Automatic Safety Features" or wait 1/2 hour and re-light. If unit won't light consult your dealer.</p> <p>Re-plug unit in and restart if necessary.</p>
<p>Unit has shut off and hopper is full of pellets.</p>	<p>Automatic safety feature has shut unit off.</p> <p>Auger flights jammed with foreign object.</p>	<p>Refer to "Operating Your Pellet Stove", page 30, "Automatic Safety Features" or wait 1/2 hour and re-light. If unit won't light consult your dealer.</p> <p>Remove pellets from hopper and check for foreign objects.</p>
<p>Fire goes out on low burn</p>	<p>Air control setting is too high, blowing flame out.</p> <p>NOTE: Pellets dropping into burn pot will cause the flame to be knocked down but the flame should come back; this is normal.</p> <p>Firepot may not be in proper position.</p>	<p>Check air control. Make adjustment to match feed amount; low feed for low air, high feed for high air.</p> <p>To adjust it properly, look in the burn pot; there should be a slight movement of pellets.</p> <p>Firepot is in correct position.</p>

# REPLACEMENT PARTS LIST

All parts listed may be ordered from your **AVALON 900** dealer. When ordering replacement parts, always give the following information:

1. Part Number
2. Part Description
3. Serial Number
4. Date of Purchase

<u>PART NUMBER</u>	<u>PARTS DESCRIPTION</u>
90-0191	Auger Motor
91-0291	Auger Assembly
90-0391	Exhaust Fan
90-0491	Convection Fan
92-0591*	Control Panel with Switches -- FREESTANDING 92-0591, INSERT 92-0592
91-0691	Power Control Box
91-0791	Draft Flow Switch
90-0991	120° Degrees F N.O. Snap Disc
90-1091	Power Cord
90-1191	Draft Flow Switch Tube
92-1292	Firepot
90-1391	Ashpan & Door Gasket Set
A91-1491	Door Glass
92-1591	Ceramic Log
91-1691	Brick Refractory
91-1791	200° F. N. C., Snap Disc

# LIMITED WARRANTY

TRAVIS INDUSTRIES, INC. warrants the **AVALON 900-PS or PI** pellet appliance to be defect-free in material and workmanship for five (5) years from the date of purchase, with the exception of the electrical components, fans, gaskets, refractory, auger assembly, firepot and moving parts. This does not include service call cost or any other additional charges. Check with your dealer for all costs if arranging a warranty call. The exceptions listed are warranted for one (1) year from the date of purchase to be defect-free in material and workmanship.

Exclusions to this limited warranty include: Injury malfunction to the product, loss, damage, defect, failure to function due to accident, negligence, misuse, improper installation, alteration or adjustment of the manufacturers settings of components, lack of proper and regular maintenance, damage incurred while the unit is in transit, alteration, or act of God.

This limited warranty excludes damage caused by normal wear and tear, such as paint discoloration or chipping, worn or torn gasketing, eroded or cracked refractory, etc. Also excluded is damage to the unit caused by abuse, improper installation, the use of fuel or fuel loads other than specified by the manufacturer or use not set forth in the Owner's Manual. An overfired condition will cause warped metal parts and discolored or burned-off paint.

TRAVIS INDUSTRIES, INC. is free of liability for any damages caused by the unit, as well as inconvenience expenses, material and labor charges incurred by the removal or reinstallation of any **AVALON 900-PS or PI** unit. Incidental or consequential damages are not covered by this warranty. In some states, the exclusion of incidental or consequential damage may not apply.

This warranty does not cover any loss or damage incurred by the use or removal of any component or apparatus to or from the **AVALON 900-PS or PI** unit without the express written permission of TRAVIS INDUSTRIES, INC. and bearing a TRAVIS INDUSTRIES, INC. label of approval.

Any statement or representation of **AVALON 900-PS or PI** products and their performance contained in **AVALON 900-PS or PI** advertising, packaging literature, or printed material is not part of this limited warranty.

This warranty is automatically voided if the unit's serial number has been removed or altered in any way.

Only the original purchaser of an **AVALON 900-PS or PI** appliance is covered by this warranty. If the unit is used for commercial purposes, it is excluded from this warranty.

No dealer, distributor, or similar person has the authority to represent or warrant **AVALON 900-PS or PI** products beyond the terms contained within this warranty. TRAVIS INDUSTRIES, INC. assumes no liability for such warranties or representations.

THIS LIMITED WARRANTY IS THE ONLY WARRANTY SUPPLIED BY TRAVIS INDUSTRIES, INC., THE MANUFACTURER OF THE UNITS. ALL OTHER WARRANTIES, WHETHER EXPRESS OR IMPLIED, ARE HEREBY EXPRESSLY DISCLAIMED AND PURCHASER'S RECOURSE IS EXPRESSLY LIMITED TO THE WARRANTIES SET FORTH HEREIN.

This warranty is limited to the time frame set forth above. In some states, time limitations on warranties do not apply.

**HOW TO USE YOUR AVALON 900-PS or PI FIVE-YEAR WARRANTY:** If you find your unit to be defective in workmanship or material within a 5-year period from the date of purchase contact your local authorized **AVALON 900-PS or PI** dealer. If your dealer is unable to repair your unit's defect, he may process a warranty claim through TRAVIS INDUSTRIES, INC., including the name of the dealership where you purchased the unit, a copy of your receipt showing the date of the unit's purchase, and the serial number on your unit. At that time, you will be asked to ship your unit, freight charges prepaid, to TRAVIS INDUSTRIES, INC. TRAVIS INDUSTRIES, INC., at its option, will repair or replace, free of charge, your **AVALON 900-PS or PI** unit if it is found to be defective in material or workmanship within the time frame stated within this limited warranty. TRAVIS INDUSTRIES, INC. will ship your unit, freight charges prepaid by TRAVIS INDUSTRIES, INC., to your regional distributor, or dealership.

To register your TRAVIS INDUSTRIES, INC. Five-Year Warranty, complete the enclosed warranty card and mail it within ten (10) days of the unit purchase date to: TRAVIS INDUSTRIES, INC., 10850 117th Place N.E., Kirkland, Washington 98033.

**OTHER RIGHTS:**

This warranty provides you with certain legal rights. You may have additional rights, which vary from state to state, in regards to this warranty.

UNIT SERIAL NUMBER \_\_\_\_\_

DATE OF PURCHASE \_\_\_\_\_

DEALER NAME AND ADDRESS : \_\_\_\_\_  
\_\_\_\_\_  
\_\_\_\_\_

Complete and  
save for your  
records



Travis Industries, Inc. reserves the right to change, without notice, product features or specifications described.

**Travis Industries, Inc.**

**10850 117TH PLACE N.E. KIRKLAND, WA 98033**

# PRODUCT LISTING INFORMATION

## WARNING—DO NOT REMOVE OR COVER THIS LABEL

Warnock Hersey



Listed Pelletized  
Solid Fuel Burning Appliance  
Also for Use in Mobile Homes  
Model: 900-PS

Serial No: [REDACTED]

I.C.B.O. No. NER-QA 219

Report No: 5820 (MAY 1991)

Tested to: UL1482/ULC S627/CSA B366.2/ASTM E-91 Draft

Maximum Input Rating: 5.0 lbs/hr-2.27 kg/hr

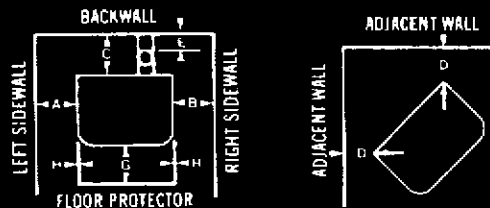
Electrical Rating: 115 V, 60 Hz, 3 Amp

This pellet fired appliance has been tested and listed for use in manufactured homes in accordance with Oregon Administrative Rules 814-23-900 through 814-23-909.

Install and use only in accordance with the installation and operating instructions. Contact local building or fire officials about restrictions and installation inspection in your area. Use only listed 3 in./75 mm or 4 in./100 mm diameter listed type "L" Vent complete with components. See manufacturer's installation instructions for precautions required for passing a vent through a combustible wall or ceiling. Do not connect this appliance to a vent serving another appliance.

### Minimum Clearance to Combustible Materials (Measured to Stove Top)

		Interior Vertical Flue Installation	Horizontal Through the Wall Installation
Left Sidewall	A	9 in./225 mm	9 in./225 mm
Right Sidewall	B	9 in./225 mm	9 in./225 mm
Backwall	C	11 in./280 mm	3 in./75 mm
Corner	D	2 in./50 mm	2 in./50 mm
Flue Vent	E	3 in./75 mm	3 in./75 mm



Maximum alcove depth 48 in./1220 mm, min ceiling height 60 in./1525 mm.  
Combustible floor must be protected by a non-combustible material, extending to the front (G) 6 in./150 mm and to the sides (H) 0 in./0 mm.

For use with 1/4 in./6 mm to 5/16 in./7 mm diameter pelletized wood fuels only.

Replace glass only with 5 mm ceramic glass.

Do not route power cord beneath heater. The space beneath the heater must not be obstructed. Outside combustion air is mandatory for mobile home installation. Do not obstruct combustion air openings. Operate only with viewing door and ash removal tray tightly closed. Keep all furnishings well away from heater.

Mfg. by TRAVIS INDUSTRIES, INC.  
10850 117th Pl. N.E.  
Kirkland, WA 98033

**AVALON**  
HEATING SYSTEMS™



**CAUTION:** HOT WHILE IN OPERATION. DO NOT TOUCH. CONTACT MAY CAUSE SKIN BURNS. KEEP FURNISHINGS AND COMBUSTIBLE MATERIAL A CONSIDERABLE DISTANCE AWAY. SEE NAMEPLATE AND INSTRUCTIONS. DO NOT OVERFIRE. IF HEATER OR CHIMNEY CONNECTOR GLOWS, YOU ARE OVERFIRING. INSPECT AND CLEAN CHIMNEY AND CONNECTOR FREQUENTLY. UNDER CERTAIN CONDITIONS OF USE, CREOSOTE BUILDUP MAY OCCUR RAPIDLY. DO NOT OVERFIRE. IF UNIT SHUTS DOWN OFTEN YOU ARE OVERFIRING. TYPE OF FUEL: PELLETIZED WOOD FUEL ONLY.

## WARNING - DO NOT REMOVE OR COVER THIS LABEL

Listed Pelletized Solid Fuel Burning Appliance  
For use in masonry/factory built (ZC) fireplaces/zero clearance (built-in) installations.

Warnock Hersey



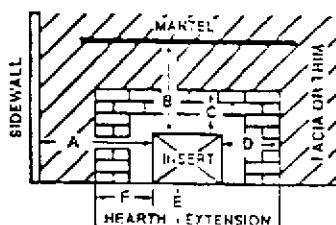
Serial No. WH- [REDACTED]

**AVALON**  
WOODSTOVES™

Model: 900-PI Electrical Rating: 115 V, 60 Hz, 3 Amp  
Report No: 6254 (JULY 1991) Tested to: UL 1482/ASTM/ULC S628  
Maximum Input Rating: 5.0 lbs./hr-2.27 kg/hr

Install and use only in accordance with the installation and operating instructions. Contact local building or fire officials about restrictions and installation inspection in your area. Do not remove bricks or mortar from masonry fireplace or alter factory built fireplace.

### INSERT CLEARANCE DIAGRAM



Minimum Clearance to Combustible  
Materials (Measured from insert Top)

Adjacent Sidewall	A	9 in./230 mm
Mantle	B	13 in./330 mm
Top Facing	C	12 in./305 mm
Side Facing	D	8 in./205 mm

Combustible floor beyond hearth extension must be protected by a non-combustible material, extending 0 in./0 mm (E) to the front and 0 in./0 mm (F) to the sides of door opening.  
Components Required for Masonry Fireplace Installation: Direct flue connection.  
Components Required for Factory Built Fireplace Installation: Listed 3 in./75 mm or 4 in./100 mm diameter flue liner.  
Components Required for Zero Clearance (Built-in) Installation: Floor Shield Kit No. 99300142. Minimum Framing Dimensions: Height 27 in., width 32 1/2 in., Depth 16 in. See owner's manual for complete installation requirements regarding this type of installation.

For use with 1/4 in./6 mm to 5/16 in./7 mm diameter pelletized wood fuels only.  
Replace glass only with 5 mm ceramic glass.  
Do not route power cord beneath heater. The space beneath the heater must not be obstructed. Do not obstruct combustion air openings. Operate only with viewing door and ash removal tray tightly closed. Keep all furnishings well away from heater.

Manufactured by  
**Travis Industries, Inc.**  
10850 117th Pl. N.E., Kirkland, WA 98033