

# Owner's Operation and Instruction Manual



## HEARTH PRODUCTS

MODEL: AP5780

SAVE THESE INSTRUCTIONS

THIS MANUAL WILL HELP YOU TO OBTAIN EFFICIENT, DEPENDABLE SERVICE FROM THE HEATER, AND ENABLE YOU TO ORDER REPAIR PARTS CORRECTLY. KEEP IN A SAFE PLACE FOR FUTURE REFERENCE.

- Please read this entire manual before installation and use of this appliance. Failure to follow these instructions could result in property damage, bodily injury, or even death.
- Contact your local building or fire officials about obtaining permits, restrictions and installation inspection requirements in your area.
- Save these instructions.
- If your heater is not properly installed, a house fire may result. For everyone's safety, follow all Installation and Operating Directions. Never use makeshift compromises during the installation of this appliance. Contact your local building or fire officials about restrictions and installation inspection requirements in your area.



Report #: F19-550

Certified to ASTM E 1509, 2012 (2017), and Certified to ULC S627, 2000, and (UM) 84-HUD

This unit is not intended to be used as a primary source of heat.

**U.S. Environmental Protection Agency**  
Certified to comply with 2020 particulate emissions standards.

**! CALIFORNIA PROPOSITION 65 WARNING:**

This product can expose you to chemicals including carbon monoxide, which is known to the State of California to cause cancer, birth defects and/or other reproductive harm. For more information, go to [www.P65warnings.ca.gov](http://www.P65warnings.ca.gov)

**UNITED STATES  
STOVE CO.**  
EST<sup>®</sup> 1889

United States Stove Company  
PO Box 151, 227 Industrial Park Rd.,  
South Pittsburg, TN 37380  
PH: (800) 750-2723  
[www.usstove.com](http://www.usstove.com)

852925G-0503J

# Safety Precautions

This manual describes the installation and operation of the Ashley, AP5780 wood heater. This heater meets the 2020 U.S. Environmental Protection Agency's crib wood emission limits for wood heaters sold after May 15, 2020. Under specific test conditions this heater has been shown to deliver heat at rates ranging from 12,293 to 26,386 Btu/hr. This heater achieved a particulate emissions rate of 1.3 g/hr when tested to method ASTM E2779-10 (\*and an efficiency of 72%).

- **IMPORTANT:** Read this entire manual before installing and operating this product. Failure to do so may result in property damage, bodily injury, or even death. Proper installation of this stove is crucial for safe and efficient operation.
- Install vent at clearances specified by the vent manufacturer.
- Do not connect the pellet vent to a vent serving any other appliance or stove.
- Do not install a flue damper in the exhaust venting system of this unit.
- Use of outside air is not required for this unit.
- Contact your local building officials to obtain a permit and information on any additional installation restrictions or inspection requirements in your area.
- Do not throw this manual away. This manual has important operating and maintenance instructions that you will need at a later time. Always follow the instructions in this manual.
- This appliance is designed for the use of pelletized fuel that meet or exceed the standard set by the Pellet Fuel Institute(PFI).
- Never use gasoline, gasoline-type lantern fuel, kerosene, charcoal lighter fluid, or similar liquids to start or 'freshen up' a fire in this stove. Keep all such liquids well away from the stove while it is in use.
- A working smoke detector must be installed in the same room as this product.
- Install a smoke detector on each floor of your home; in case of accidental fire from any cause it can provide time for escape.
- The smoke detector must be installed at least 15 feet (4,57 M) from the appliance in order to prevent undue triggering of the detector when reloading.
- Do not unplug the stove if you suspect a malfunction. Turn the ON/OFF SWITCH to "OFF" and contact your dealer.
- Your stove requires periodic maintenance and cleaning (see "MAINTENANCE "). Failure to maintain your stove may lead to improper and/or unsafe operation.
- Disconnect the power cord before performing any maintenance! NOTE: Turning the ON/OFF Switch to "OFF" does not disconnect all power to the electrical components of the stove.
- Never try to repair or replace any part of the stove unless instructions for doing so are given in this manual. All other work should be done by a trained technician.
- Do not operate your stove with the viewing door open. The auger will not feed pellets under these circumstances and a safety concern may arise from sparks or fumes entering the room.
- Allow the stove to cool before performing any maintenance or cleaning. Ashes must be disposed in a metal container with a tight fitting lid. The closed container of ashes should be placed on a non-combustible surface or on the ground, well away from all combustible materials, pending final disposal.
- The exhaust system should be checked monthly during the burning season for any build-up of soot or creosote.
- Do not touch the hot surfaces of the stove. Educate all children on the dangers of a high-temperature stove. Young children should be supervised when they are in the same room as the stove.
- The hopper and stove top will be hot during operation; therefore, you should always use some type of hand protection when refuelling your stove.
- A power surge protector is required. This unit must be plugged into a 110 - 120V, 60 Hz grounded electrical outlet. Do not use an adapter plug or sever the grounding plug. Do not route the electrical cord underneath, in front of, or over the heater. Do not route the cord in foot traffic areas or pinch the cord under furniture.
- The heater will not operate during a power outage. If a power outage does occur, check the heater for smoke spillage and open a window if any smoke spills into the room.
- The feed door must be closed and sealed during operation.
- Never block free airflow through the open vents of the unit.
- Keep foreign objects out of the hopper.
- The moving parts of this stove are propelled by high torque electric motors. Keep all body parts away from the auger while the stove is plugged into an electrical outlet. These moving parts may begin to move at any time while the stove is plugged in.
- Do not place clothing or other flammable items on or near this stove.
- When installed in a mobile home, the stove must be grounded directly to the steel chassis and bolted to the floor. **WARNING—THIS UNIT MUST NOT BE INSTALLED IN THE BEDROOM** (per HUD requirements). **CAUTION—**The structural integrity of the mobile home floor, wall, and ceiling/roof must be maintained.
- This appliance is not intended for commercial use.
- **CAUTION:** Burning fuel creates carbon monoxide and can be hazardous to your health if not properly vented.

\*This appliance is a freestanding heater. It is not intended to be attached to any type of ducting. It is not a furnace.

# Specifications

Heating Specifications	
Fuel Burn Rate* (lowest setting)	1.4lbs per hr
Burn Time (lowest setting)	32 hrs
Hopper Capacity	46lbs
Flue Size	3" or 4" (77mm to 102mm)

\* Pellet size may effect the actual rate of fuel feed and burn times. Fuel feed rates may vary by as much as 20%. Use PFI listed fuel for best results.

Dimensions	
Height	37.16" (944mm)
Width	20.81" (529mm)
Depth	22.25" (566mm)
Weight	162lbs

Electrical Specifications	
Electrical Rating	120 Volts AC, 60 HZ, 3 Amps
Watts (operational)	125W
Watts (igniter running)	310W

## **FUEL CONSIDERATIONS**

Your pellet stove is designed to burn premium hardwood pellets that comply with the Pellet Fuel Institute (PFI) (minimum of 40 lbs density per cubic ft, 1/4" to 5/16" diameter, length no greater than 1.5", not less than 8,200 BTU/lb, moisture under 8% by weight, ash under 1% by weight, and salt under 300 parts per million). Pellets that are soft, contain excessive amounts of loose sawdust, have been, or are wet, will result in reduced performance.

Store your pellets in a dry place. DO NOT store the fuel within the installation clearances of the unit or within the space required for refuelling and ash removal. Doing so could result in a house fire.

Do not over fire or use volatile fuels or combustibles, doing so may cause a personal and property damage hazards.

## **SAFETY AND EPA COMPLIANCE**

**WARNING:** It is against federal regulations to operate this wood heater in a manner inconsistent with the operating instructions in the owner's manual.

Your pellet stove has been approved for installation in the USA and Canada. It may also be installed in a manufactured or mobile home. Your stove conforms to ASTM E 1509-12, and Certified to ULC S627-00, and(UM) 84-HUD.

Note: Register your product on line at [www.usstove.com](http://www.usstove.com). Save your receipt with your records for any claims.

# Installation

**ATTENTION: DO NOT** vent under any porch, deck, awning, or in any semi enclosed or roofed area. Doing so may result in unpredictable airflow at the vent cap under certain conditions and can affect the performance of your stove, as well as, other unforeseeable issues.

## INSTALLATION OPTIONS

Read this entire manual before you install and use your pellet stove. Failure to follow instructions may result in property damage, bodily injury, or even death!

(See specific installation details for clearances and other installation requirements)

A Freestanding Unit—supported by pedestal/legs and placed on a non-combustible floor surface in compliance with clearance requirements for a freestanding stove installation.

Your pellet stove may be installed to code in either a conventional or mobile home (see SPECIAL MOBILE HOME REQUIREMENTS). The installation must comply with the Manufactured Home and Safety Standard (HUD), CFR3280, Part 24.

It is recommended that only a authorized technician install your pellet stove, preferably an NFI certified specialist. **DO NOT CONNECT THIS UNIT TO ANY AIR DISTRIBUTION DUCT OR SYSTEM.**

The use of other components other than stated herein could cause bodily harm, heater damage, and void your warranty.

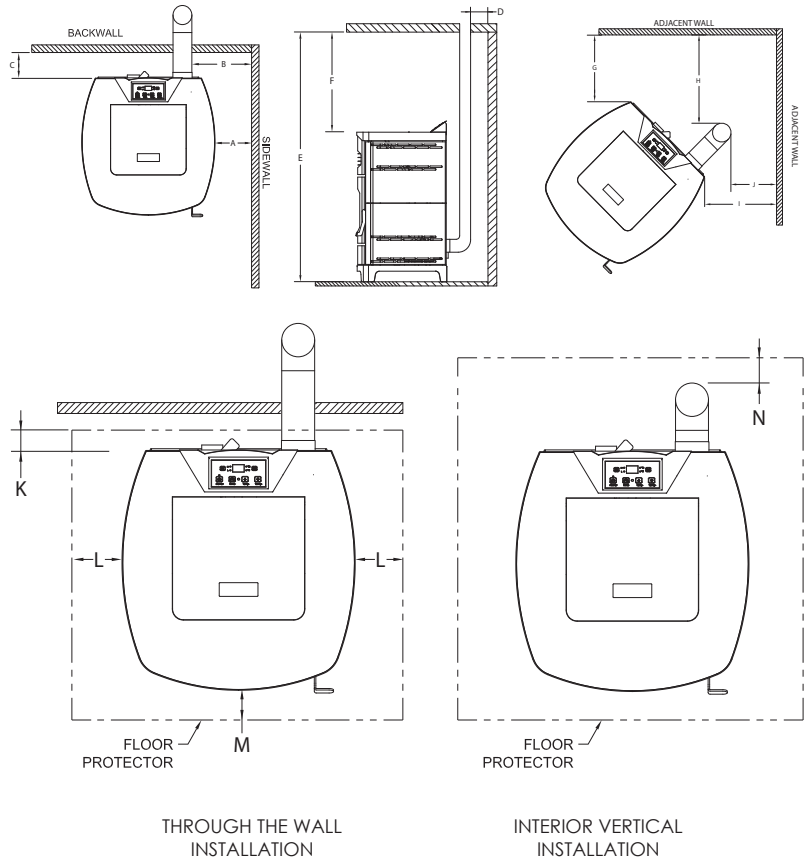
**IMPROPER INSTALLATION:** The manufacturer will not be held responsible for damage caused by the malfunction of a stove due to improper venting or installation. Call (800) 750-2723 and/or consult a professional installer if you have any questions.

## CLEARANCES

Your pellet stove has been tested and listed for installation in residential, mobile home in accordance with the clearances given below. For safety reasons, please adhere to the installation clearances and restrictions. Any reduction in clearance to combustibles may only be done by means approved by a regulatory authority.

CLEARANCES			
		inches	mm
A	Side Wall to Stove	8	204
B	Side Wall to Vent Pipe	12	305
C	Back Wall to Stove	12	305
D	Back Wall to Vent Pipe	3	77
E	Ceiling to Floor	84	2134
F	Ceiling to Stove	46.875	1191
CORNER CLEARANCES			
G	Side Wall to Stove	10	254
H	Side Wall to Vent Pipe	3	77
I	Back Wall to Stove	10	254
J	Back Wall to Vent Pipe	3	77

FLOOR PROTECTOR DIMENSIONS		
K	Back to Stove	1" (26mm) U.S. (8" (204mm) Can.)
L	Side to Stove	6" (153mm) U.S. (8" (204mm) Can.)
M	Front to Stove	6" (153mm) U.S. (18" (458mm) Can.)
N	Back and Sides to Flue	6" (153mm)



## FLOOR PROTECTION

This heater must have a non-combustible floor protector (UL1618 ember protection) installed beneath it if the floor is of combustible material. US: Floor protector should be UL listed or equal too, needs to extend 16" to the front, 8" to each side, 1" to the rear of the unit. Under and 2" beyond each side of the cleanout tee if an interior vertical installation.

Canada: Floor protector should comply with CAN/ULC standards. Needs to extend 18" to the front, 8" beyond each side of the unit.

# Installation

## **VENTING REQUIREMENTS**

- Install vent at clearances specified by the vent manufacturer.
- Do not connect the pellet vent to a vent serving any other appliance or stove.
- Do not install a flue damper in the exhaust venting system of this unit.
- The following installation guidelines must be followed to ensure conformity with both the safety listing of this stove and to local building codes. Do not use makeshift methods or compromise in the installation.

IMPORTANT: This unit is equipped with a negative draft system that pulls air through the burn pot and pushes the exhaust out of the dwelling. If this unit is connected to a flue system other than the way explained in this manual, it will not function properly.

## **MAXIMUM VENTING DISTANCE**

Installation MUST include at least 3-feet of vertical pipe outside the home. This will create some natural draft to reduce the possibility of smoke or odor during appliance shutdown and keep exhaust from causing a nuisance or hazard by exposing people or shrubs to high temperatures. The maximum recommend vertical venting height is 12-feet for 3-inch type "PL" vent. Total length of horizontal vent must not exceed 4-feet. This could cause back pressure. Use no more than 180 degrees of elbows (two 90-degree elbows, or two 45-degree and one 90-degree elbow, etc.) to maintain adequate draft.

## **IMPORTANCE OF PROPER DRAFT**

Draft is the force which moves air from the appliance up through the chimney. The amount of draft in your chimney depends on the length of the chimney, local geography, nearby obstructions and other factors. Too much draft may cause excessive temperatures in the appliance. Inadequate draft may cause backpuffing into the room and 'plugging' of the chimney.

Inadequate draft will cause the appliance to leak smoke into the room through appliance and chimney connector joints. An uncontrollable burn or excessive temperature indicates excessive draft.

Take into account the chimney's location to ensure it is not too close to neighbours or in a valley which may cause unhealthy or nuisance conditions.

## **PELLET VENT TYPE**

A UL listed 3-inch or 4-inch type "PL" pellet vent exhaust system must be used for installation and attached to the pipe connector provided on the back of the stove (use a 3-inch to 4-inch adapter for 4-inch pipe). Connection at back of stove must be sealed using Hi-Temp RTV. Use 4-inch vent if the vent height is over 12-feet or if the installation is over 2,500 feet above sea level. We recommend the use of Simpson Dura-Vent® or Metal-Fab® pipe (if you use other pipe, consult your local building codes and/or building inspectors). Do not use Type-B Gas Vent pipe or galvanized pipe with this unit. The pellet vent pipe is designed to disassemble for cleaning and should be checked several times during the burning season. Pellet vent pipe is not furnished with the unit and must be purchased separately.

## **PELLET VENT INSTALLATION**

The installation must include a clean-out tee to enable collection of fly ash and to permit periodic cleaning of the exhaust system. 90-degree elbows accumulate fly ash and soot thereby reducing exhaust flow and performance of the stove. Each elbow or tee reduces draft potential by 30% to 50%.

All joints in the vent system must be fastened by at least 3 screws, and all joints must be sealed with Hi-Temp RTV silicone sealant to be airtight. The area where the vent pipe penetrates to the exterior of the home must be sealed with silicone or other means to maintain the vapor barrier between the exterior and the interior of the home. Vent surfaces can get hot enough to cause burns if touched by children. Noncombustible shielding or guards may be required.

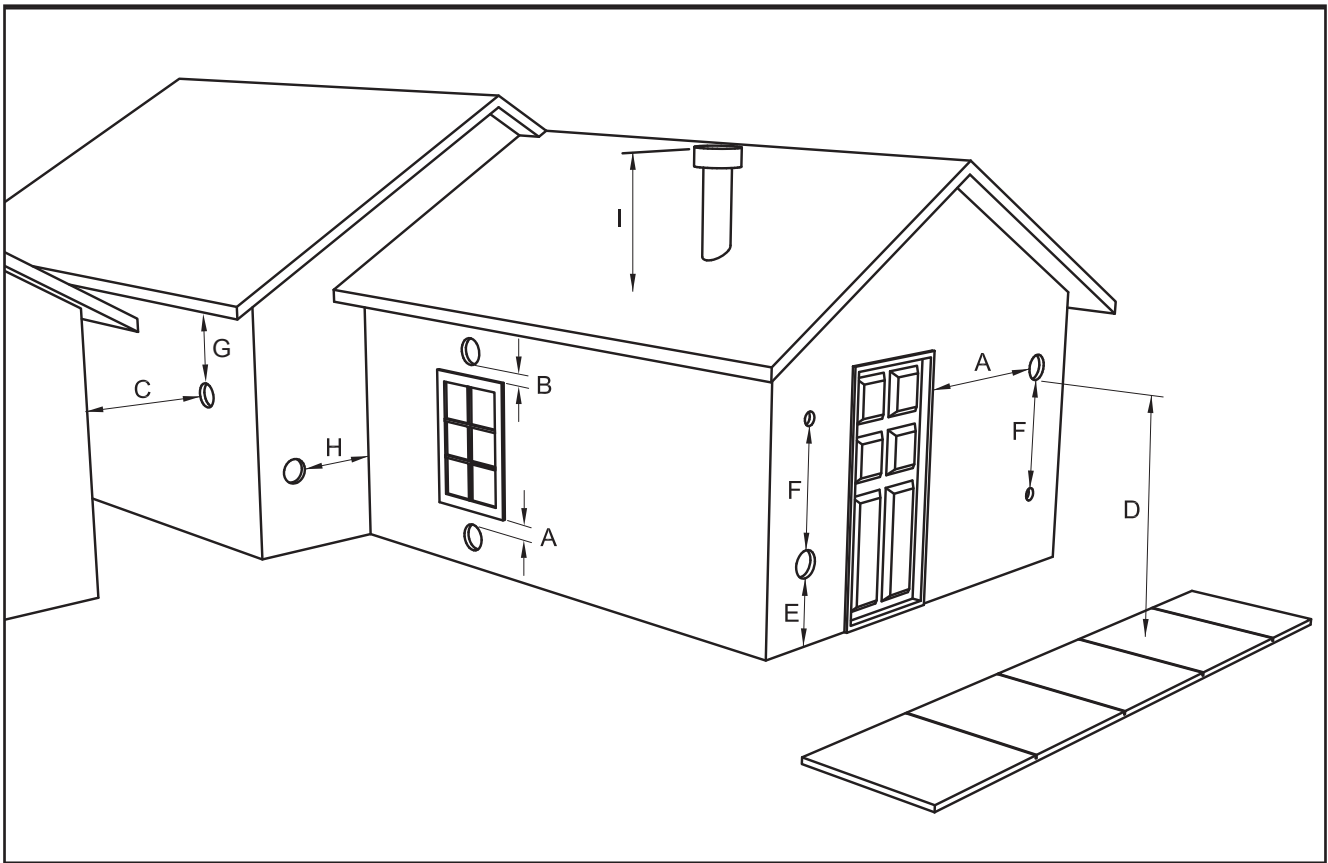
## **PELLET VENT TERMINATION**

Do not terminate the vent in an enclosed or semi-enclosed area, such as; carport, garage, attic, crawl space, under a sun deck or porch, narrow walkway, or any other location that can build up a concentration of fumes. Termination in one of these areas can also lead to unpredictable pressure situations with the appliance, and could result in improper performance and/or malfunction. The termination must exhaust above the outside air inlet elevation. The termination must not be located where it will become plugged by snow or other materials. Do not terminate the venting into an existing steel or masonry chimney.

# Installation

## VENT TERMINATION CLEARANCES

- A. Minimum 4-foot (1.22m) clearance below or beside any door or window that opens.
- B. Minimum 1-foot (0.3m) clearance above any door or window that opens.
- C. Minimum 3-foot (0.91m) clearance from any adjacent building.
- D. Minimum 7-foot (2.13m) clearance from any grade when adjacent to public walkways.
- E. Minimum 2-foot (0.61m) clearance above any grass, plants, or other combustible materials.
- F. Minimum 3-foot (0.91m) clearance from an forced air intake of any appliance.
- G. Minimum 2-foot (0.61m) clearance below eaves or overhang.
- H. Minimum 1-foot (0.3m) clearance horizontally from combustible wall.
- I. Must be a minimum of 3 foot (0.91m) above the roof and 2 foot (0.61m) above the highest point or the roof within 10 feet (3.05m).



VENT TERMINATION  
CLEARANCES

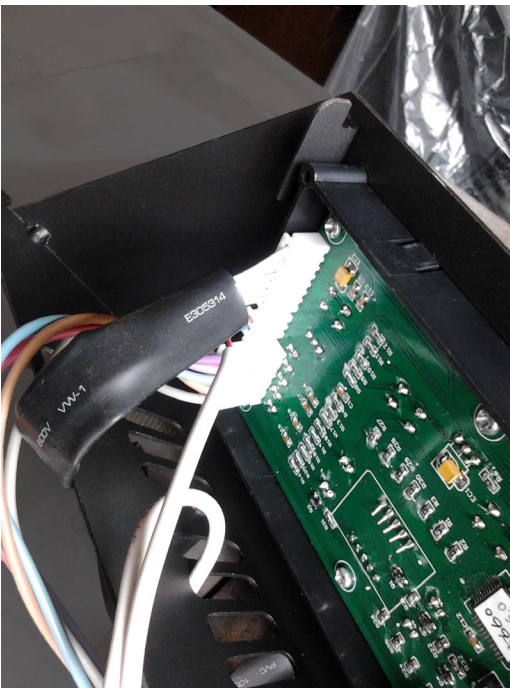
# Assembly Instructions



Step 1  
Pull the factory installed wires out of the top of the stove.  
There will be two wire harnesses, as shown.



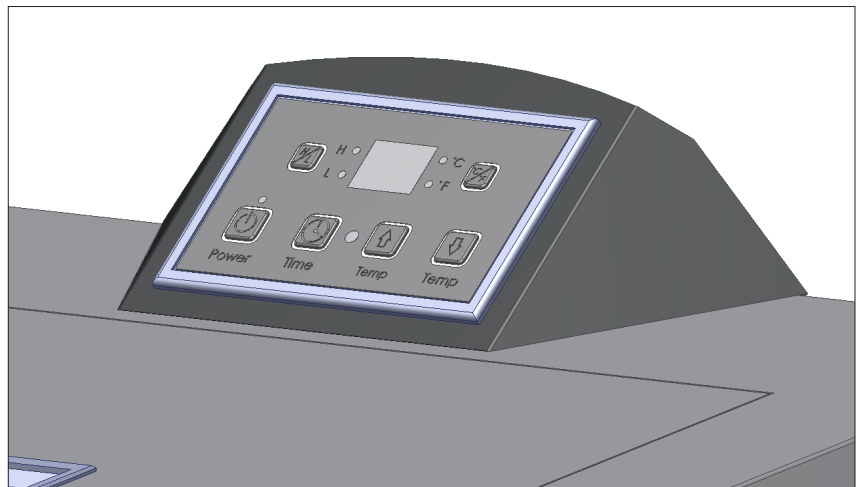
Step 2  
Unpack the top mount controls and ensure that the wiring harness shown is attached securely.



Step 3  
Connect the factory installed wiring harnesses to the control panel as shown.

Step 4  
Attach the control panel to the top of the stove, as shown.

Step 5  
Secure with two sheet metal screws.



# Installation

## **THROUGH THE WALL INSTALLATION (RECOMMENDED INSTALLATION)**

Canadian installations must conform to CAN/CSA-B365.

To vent the unit through the wall, connect the pipe adapter to the exhaust motor adapter. If the exhaust adapter is at least 18 in.(457mm) above ground level, a straight section of pellet vent pipe can be used through the wall.

Your heater dealer should be able to provide you with a kit that will handle most of this installation, which will include a wall thimble that will allow the proper clearance through a combustible wall. Once outside the structure, a 3 in.(76mm) clearance should be maintained from the outside wall and a clean out tee should be placed on the pipe with a 90-degree turn away from the house. At this point, a 3ft (0.91m) (minimum) section of pipe should be added with a horizontal cap, which would complete the installation.

A support bracket should be placed just below the termination cap or one every 4ft (1.22m) to make the system more stable. If you live in an area that has heavy snowfall, it is recommended that the installation be taller than 3ft (0.91m) to get above the snowdrift line. This same installation can be used if your heater is below ground level by simply adding the clean-out section and vertical pipe inside until ground level is reached. With this installation you have to be aware of the snowdrift line, dead grass, and leaves. We recommend a 3ft (0.91m) minimum vertical rise on the inside or outside of the house.

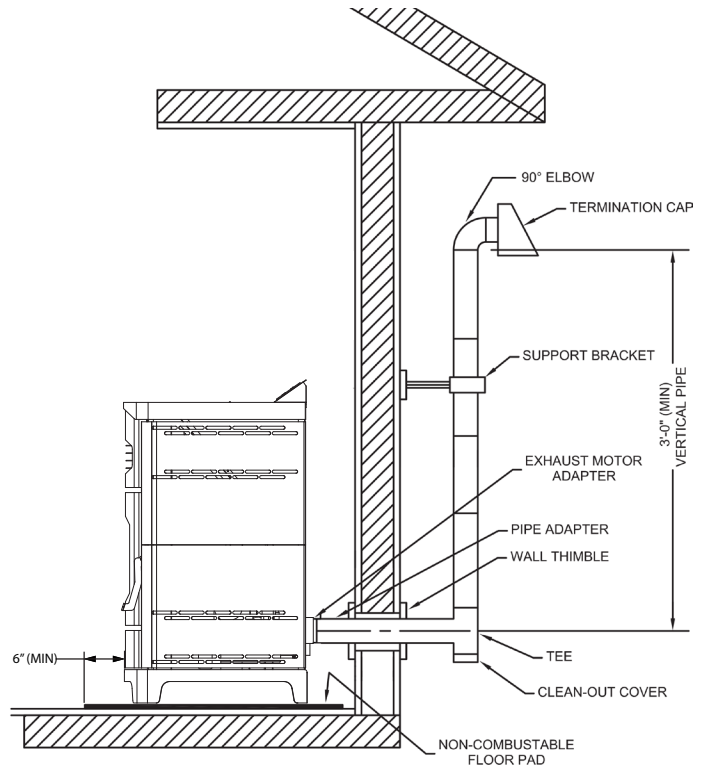
The “through the wall” installation is the least expensive and simplest installation. Never terminate the end vent under a deck, in an alcove, under a window, or between two windows. We recommend Simpson Dura-Vent® or Metal-Fab® kits.

## **THROUGH THE ROOF/CEILING INSTALLATION**

When venting the heater through the ceiling, the pipe is connected the same as through the wall, except the clean-out tee is always on the inside of the house, and a 3 in.(76mm) adapter is added before the clean-out tee.

You must use the proper ceiling support flanges and roof flashing (supplied by the pipe manufacturer; follow the pipe manufacturer’s directions). It is important to note that if your vertical run of pipe is more than 12ft (3.7m), the pellet vent pipe size should be increased to 4 in. (102mm) in diameter.

Do not exceed more than 4ft (1.22m) of pipe on a horizontal run and use as few elbows as possible. If an offset is required, it is better to install 45-degree elbows rather than 90-degree elbows.



TYPICAL THROUGH THE WALL  
INSTALLATION

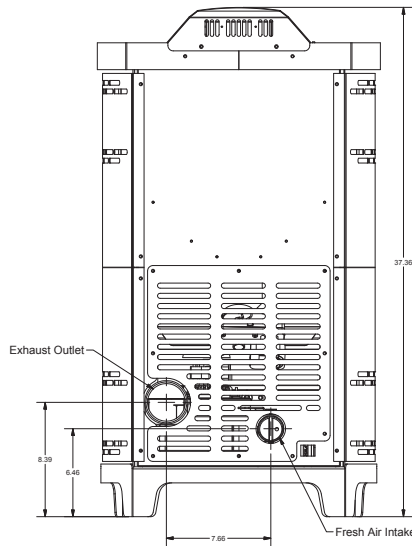
# Installation

## **OUTSIDE AIR SUPPLY (OPTIONAL, UNLESS INSTALLING IN A MOBILE HOME)**

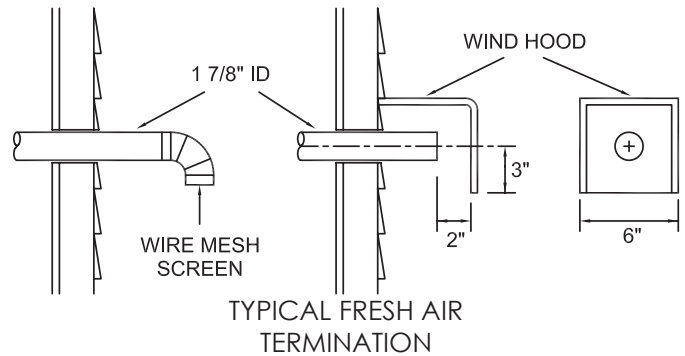
Adequate ventilation air is required to operate this heater. During operation, the heater draws air for combustion which can be assisted by the installation of outside combustion air inlets. However, certain weather conditions such as icing or use of kitchen exhaust fans may impact and reduce the effectiveness of vents. It is important to note that room air starvation will negatively impact the operation of the heater.

Depending on your location and home construction, outside air may be necessary for optimal performance. Metal pipe (solid or flexible) must be used for the outside air installation. PVC pipe is NOT approved and should NEVER be used. A wind shield over the termination of the outside air pipe or a 90-degree elbow or bend away from the prevailing winds MUST be used when an outside air pipe is installed through the side of a building. The outside air termination MUST be at least 1ft (0.305m) away from the exhaust system termination.

The outside air pipe on your heater is 2" (50.8mm) OD. The outside air connecting pipe must be at least 2" (50.8mm) ID. The outside air connection used MUST NOT restrict the amount of air available to your heater. The outside air connecting pipe must be as short and free of bends as possible, and it must fit over, not inside, the outside air connection to the heater.



EXHAUST/INLET LOCATIONS



TYPICAL FRESH AIR TERMINATION

NOTE: Dimensions from the floor to your stoves inlet/exhaust pipes are approximate and may vary depending on your installation.

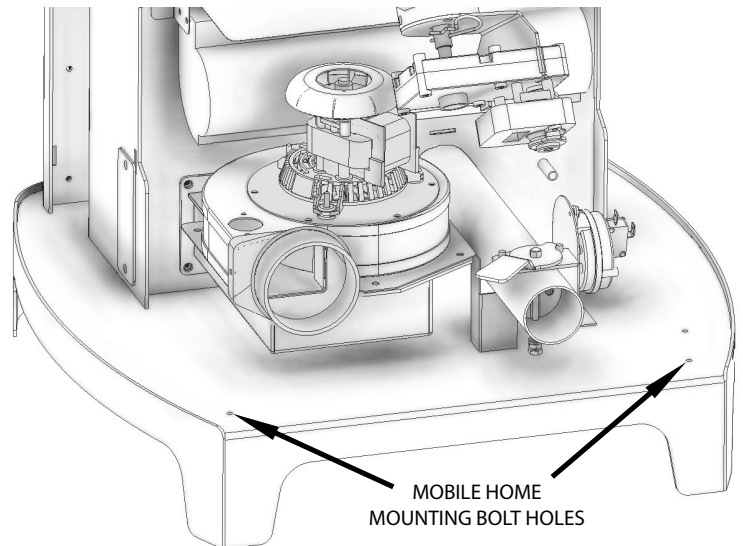
## **SPECIAL MOBILE HOME REQUIREMENTS**

- **WARNING!** - Do not install in a sleeping room
- **CAUTION!** - The structural integrity of the mobile home floor, wall, and ceiling/roof must be maintained.

NOTE: Installation should be in accordance with the Manufactured Home and Safety Standard (HUD), CFR 3280, Part 24.

In addition to the previously detailed installation requirements, mobile home installations must meet the following requirements:

- This stove must be securely fastened to the floor of the mobile home through the two holes in the rear of the stove using 2, 1/4" lag bolts that are long enough to go through both a hearth pad, if used, and the floor of the home.
- The heater must be electrically grounded to the steel chassis of the mobile home with 8 GA copper wire using a serrated or star washer to penetrate paint or protective coating to ensure grounding.
- Vent must be 3 or 4-inch "PL" Vent and must extend a minimum of 36 in. (914mm) above the roof line of the mobile home and must be installed using a UL listed ceiling fire stop and rain cap.
- When moving your mobile home, all exterior venting must be removed while the mobile home is being relocated. After relocation, all venting must be reinstalled and securely fastened.
- Outside Air is mandatory for mobile home installation. See Outside Air Supply section and your dealer for purchasing.
- Check with your local building officials as other codes may apply.



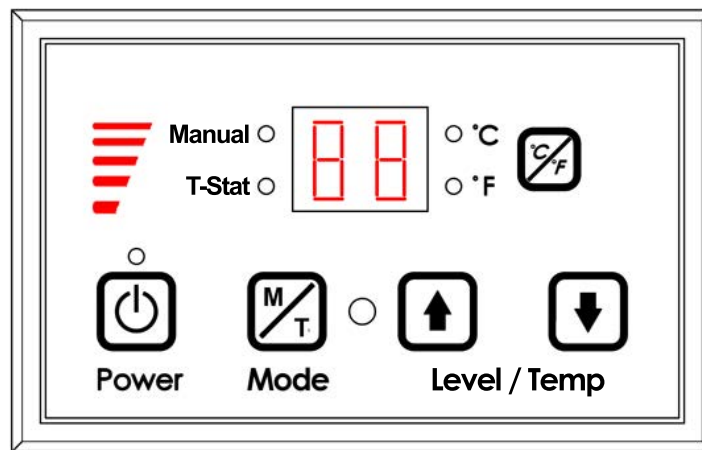
# Control Panel

## PANEL CONTROLS

The blowers and automatic fuel supply are controlled from a panel on the top of this unit. The control panel functions are as follows.

### A. ON/OFF SWITCH ("POWER" BUTTON)

- When pushed, the stove will automatically ignite. No other fire starter is necessary. The igniter will stay on for at least 10 and up to 12 minutes, depending on when Proof of Fire is reached. The fire should start in approximately 5 minutes.
- The red light located above the "POWER" button will turn green when pressed and remain green until the stove is turned off.
- After pushing "POWER", the auger motor is on for 3.5 minutes, off for 1 minute. During the remainder of the start-up period, the auger motor operates on the heat range "1" setting.
- During start-up the heat level advance (Up and Down keys) will change the heat range indicator level accordingly, but there is no change in the stove's operating conditions until start-up is completed.
- During start-up ignition must occur within 12 minutes or the stove will error out and show E4.
- During the start-up phase, the Mode key does not function.



CONTROLS

### B. LEVEL / TEMP ARROW BUTTONS

- These buttons when pushed will set the pellet feed rate, hence the heat output or heat range of your stove.
- The levels of heat output will incrementally change on the bar graph starting from heat range "1" to heat range "5".

### C. °C / °F Button

- The °C / °F button changes the two digit display from degrees Celsius to degrees Fahrenheit.

### D. MODE (M/T) BUTTON

- The Mode of the stove can be switched between manual and controlled with a Thermostat. Separate LEDs to the left of the two digit display indicate the mode of operation – Manual or T-Stat. The stove has to be in normal operation to be switched from Manual to T-Stat mode.
- Manual mode operates according to the 5 set levels of feed on the bar graph from heat range "1" to heat range "5".
- T-Stat mode works as follows:
  - The stove has a built in Thermostat into the controls of the appliance. The temperature sensor for the T-Stat is located on the back of the stove behind the display board.
  - Once the stove has gone into run mode the stove can be switched into T-Stat mode.
  - The Up and Down Level / Temp Arrow buttons are used to change the desired set-point temperature. Once the desired temperature is reached the two digit display will flash for four seconds and reset to the actual room temperature.
  - Once the stove reaches within 3°F of the desired temperature set point, it returns to the heat range that the stove was set on before it was switched to T-Stat mode (if the stove was running on heat range "5" when switched to T-stat mode when it gets within 3°F of the set point it will return to heat range "5").
  - Once the stove reaches the desired set-point, the stove will drop to heat range "1".
  - When room temperature drops below desired set-point the stove will ramp back up until it reaches the desired temperature.

# Operation

- Do not use chemicals or fluids to start the fire - never use gasoline, gasoline-type lantern fuel, kerosene, charcoal lighter fluid, or similar liquids to start or "freshen up" a fire in this stove. Keep all such liquids well away from the stove while it is in use.
  - Hot while in operation. Keep children, clothing and furniture away. Contact may cause skin burns.
- This heater is designed to burn only PFI Premium grade pellets. This appliance can also burn pellets rated as standard after May 16, 2015.

## DO NOT BURN:

1. Garbage;
2. Lawn clippings or yard waste;
3. Materials containing rubber, including tires;
4. Materials containing plastic;
5. Waste petroleum products, paints or paint thinners, or asphalt products;
6. Materials containing asbestos;
7. Construction or demolition debris;
8. Railroad ties or pressure-treated wood;
9. Manure or animal remains;
10. Salt water driftwood or other previously salt water saturated materials;
11. Unseasoned wood; or
12. Paper products, cardboard, plywood, or particleboard. The prohibition against burning these materials does not prohibit the use of fire starters made from paper, cardboard, saw dust, wax and similar substances for the purpose of starting a fire in an affected wood heater.

Burning these materials may result in release of toxic fumes or render the heater ineffective and cause smoke.

## **PROPER FUEL**

This stove is approved for burning pelletized wood fuel only ! Factory-approved pellets are those 1/4" or 5/16" in diameter and not over 1" long. Longer or thicker pellets sometimes bridge the auger flights, which prevents proper pellet feed. Burning wood in forms other than pellets is not permitted. It will violate the building codes for which the stove has been approved and will void all warranties. The design incorporates automatic feed of the pellet fuel into the fire at a carefully prescribed rate. Any additional fuel introduced by hand will not increase heat output but may seriously impair the stoves performance by generating considerable smoke. Do not burn wet pellets. The stove's performance depends heavily on the quality of your pellet fuel. Avoid pellet brands that display these characteristics:

1. Excess Fines – "Fines" is a term describing crushed pellets or loose material that looks like sawdust or sand. Pellets can be screened before being placed in hopper to remove most fines.
2. Binders – Some pellets are produced with materials to hold the together, or "bind" them.
3. High ash content – Poor quality pellets will often create smoke and dirty glass. They will create a need for more frequent maintenance. You will have to empty the burn pot plus vacuum the entire system more often. Poor quality pellets could damage the auger. We cannot accept responsibility for damage due to poor quality pellet.

## **PRE-START-UP CHECK**

Remove burn pot, making sure it is clean and none of the air holes are plugged. Clean the firebox, and then reinstall burn pot. Clean door glass if necessary (a dry cloth or paper towel is usually sufficient). Never use abrasive cleaners on the glass or door. Check fuel in the hopper, and refill if necessary.

## **BUILDING A FIRE**

Never use a grate or other means of supporting the fuel. Use only the burn pot supplied with this heater.

Hopper lid must be closed in order for the unit to feed pellets.

During the start-up period:

1. Make sure burn pot is free of pellets.
2. DO NOT open the viewing door.
3. Damper may need to be closed during start up.
4. DO NOT add pellets to the burn pot by hand.

NOTE: During the first few fires, your stove will emit an odor as the high temperature paint cures or becomes seasoned to the metal. Maintaining smaller fires will minimize this. Avoid placing items on stove top during this period because paint could be affected. Attempts to achieve heat output rates that exceed heater design specifications can result in permanent damage to the heater.

# Operation

## **AUTOMATIC IGNITER**

Fill hopper and clean burn pot.

1. Press "On/Off" button. Make sure green light comes on.
2. The damper should be completely closed or open no more than ¼ of the way during start-up. This will vary depending on your installation and elevation. Once fire is established adjust for desired flame increasing the amount the damper is open as the heat setting is increased. (See "DAMPER CONTROL")
3. Adjust feed rate to desired setting by pressing "Heat Level Advance" button.

If fire doesn't start in 12 minutes, press "On/Off", wait a few minutes, clear the burn pot, and start procedure again.

## **DAMPER CONTROL**

The damper control lever is located on the back of the stove on the lower left side. The damper adjusts the combustion air. This control is necessary due to the varied burn characteristics of individual installations, different pellet brands and pellet feed rates. It allows you to improve the efficiency of your stove. Providing correct combustion air will reduce the frequency of cleaning your glass door and prevent the rapid buildup of creosote inside your stove and chimney. You should adjust the damper based on the fire's appearance. A low, reddish, dirty fire can be improved by turning the damper slightly to the right. A "blow torch" fire can be improved by turning the damper to the left a little bit. As a general rule, on lower feed rate settings, the damper should be farther to the left closing it off. On higher feed rates, the damper should be open more by having it set more towards the right. Through trial and error, you will find the best setting. Consult your dealer if you need help.

NOTE: On heat range "1", damper should be either completely closed or open no more than a ¼ of the way. If damper is open to far, it can cause the fire to go out.

## **OPENING DOOR**

If the door is opened while the stove is in operation it must be closed within 30 seconds or the stove will shut down. If the stove shuts down push the "On/Off" button to re-start your stove. The stove will have to fully shut down and turn off before you will be able to restart the stove.

## **ROOM AIR FAN**

When starting your stove the Room Air Fan will not come on until the stove's heat exchanger warms up. This usually takes about 10 minutes from start-up.

## **IF STOVE RUNS OUT OF PELLETS**

The fire goes out and the auger motor and blowers will run until the stove cools. This will take 30 minutes or longer depending on the heat remaining in the appliance. After the stove components stop running all lights on the display will go out and the two digit display will begin flashing "E3"

## **REFUELLING**

- The hopper and stove top will be hot during operation; therefore, you should always use some type of hand protection when refuelling your stove.
- Never place your hand near the auger while the stove is in operation. We recommend that you not let the hopper drop below 1/4 full.

## **TAMPER WARNING**

This wood heater has a manufacturer-set minimum low burn rate that must not be altered. It is against federal regulations to alter this setting or otherwise operate this wood heater in a manner inconsistent with operating instructions in this manual.

**KEEP HOPPER LID CLOSED AT ALL TIMES EXCEPT WHEN REFILLING. DO NOT OVERFILL HOPPER.**

# Operation / Maintenance

## **SHUTDOWN PROCEDURE**

Turning your stove off is a matter of pressing the "POWER" button on the display board. The green light will turn back to red when the "POWER" button is pushed. The auger motor will stop, and the blowers will continue to operate until the internal firebox temperatures have fallen to a preset level.

WARNING: Never shut down this unit by unplugging it from the power source.

1. Your stove is equipped with a high temperature thermodisc. This unit has a manual reset thermodisc. This safety switch has two functions.
  - A. To recognize an overheat situation in the stove and shut down the fuel feed or auger system.
  - B. In case of a malfunctioning convection blower, the high-temperature thermodisc will automatically shut down the auger, preventing the stove from overheating.

NOTE: On some units, once tripped, like a circuit breaker, the reset button will have to be pushed before restarting your stove. On other units the thermodisc has no reset button and will reset itself once the stove has cooled. The manufacturer recommends that you call your dealer if this occurs as this may indicate a more serious problem. A service call may be required.

2. If the combustion blower fails, an air pressure switch will automatically shut down the auger.

NOTE: Opening the stove door for more than 30 seconds during operation will cause enough pressure change to activate the air switch, shutting the fuel feed off. The stove will shut down and show "E2" on the two digit display. The stove has to fully shut down before restarting.

- Failure to clean and maintain this unit as indicated can result in poor performance, safety hazards, fire, and even death.
- Unplug your stove's electrical cord prior to removing the back panel or opening the exhaust system for any inspection, cleaning, or maintenance work.
- Never perform any inspections, cleaning, or maintenance on a hot stove.
- Do not operate stove with broken glass, leakage of flue gas may result.

## **EXHAUST SYSTEM**

**Creosote Formation** – When any wood is burned slowly, it produces tar and other organic vapors, which combine with expelled moisture to form creosote. The creosote vapors condense in the relatively cool chimney flue or a newly started fire or from a slow-burning fire. As a result, creosote residue accumulates on the flue lining. When ignited, this creosote makes an extremely hot fire, which may damage the chimney or even destroy the house. Despite their high efficiency, pellet stoves can accumulate creosote under certain conditions.

**Fly Ash** – This accumulates in the horizontal portion of an exhaust run. Though non-combustible, it may impede the normal exhaust flow. It should therefore be periodically removed.

**Inspection and Removal** – The chimney connector and chimney should be inspected by a qualified person annually or per ton of pellets to determine if a creosote or fly ash build-up has occurred. If creosote has accumulated, it should be removed to reduce the risk of a chimney fire. Inspect the system at the stove connection and at the chimney top. Cooler surfaces tend to build creosote deposits quicker, so it is important to check the chimney from the top as well as from the bottom. The creosote should be removed with a brush specifically designed for the type of chimney in use. A qualified chimney sweep can perform this service. It is also recommended that before each heating season the entire system be professionally inspected, cleaned and, if necessary, repaired. To clean the chimney, disconnect the vent from the stove.

# Maintenance

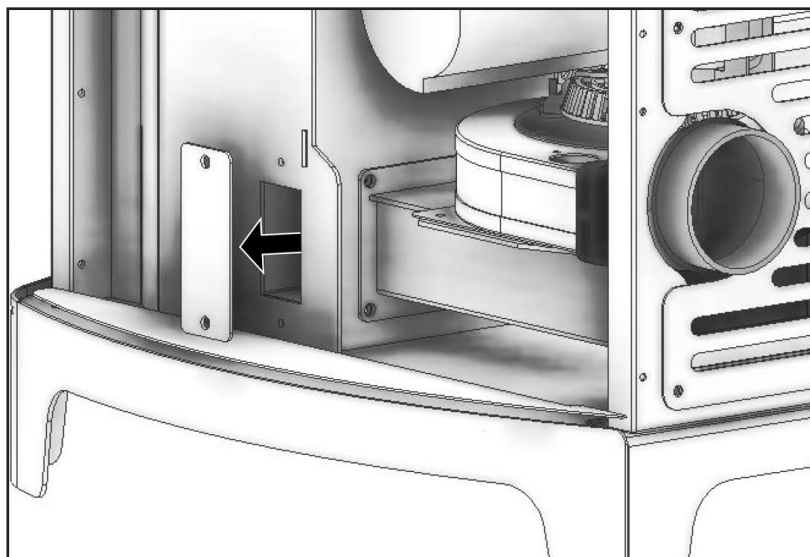
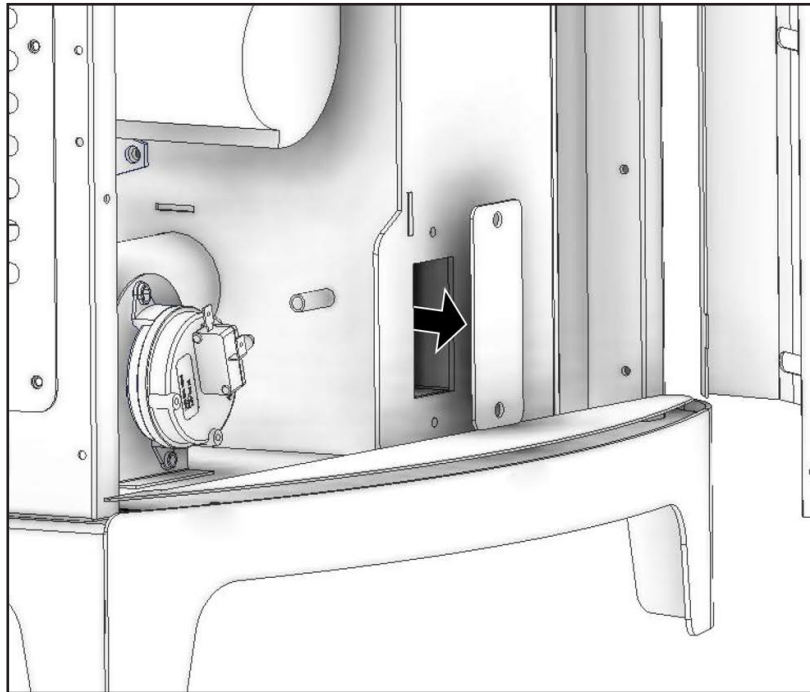
**WARNING: FAILURE TO PROPERLY MAINTENANCE THE CLEAN OUTS WILL RESULT IN POOR PERFORMANCE OF THIS STOVE.**

## INTERIOR CHAMBERS

- Burn Pot: Periodically remove and clean the burn pot and the area inside the burn pot housing. In particular, it is advisable to clean out the holes in the burn pot to remove any build up that may prevent air from moving through the burn pot freely.
- Heat Exchanger: There is a clean out plate on both sides of the heat exchanger that need to be removed to clean fly ash out of the heat exchanger. The cleanouts are located inside the cabinet doors, on the lower front corners of the heat exchanger. To access these clean outs, you must remove both side panels. The clean outs are secured to the firebox with (2) 5/16" screws. Remove the clean outs and vacuum out any accumulated ash. This should be done at least once per month or more frequently if large amounts of ash are noticed while cleaning or if the stove does not seem to be burning properly.

If a vacuum is used to clean your stove, we suggest using a vacuum designed for ash removal. Some regular vacuum cleaner (i.e. shop vacs) may leak ash into the room.

**DO NOT VACUUM HOT ASH**



# Maintenance

## **ASH DISPOSAL**

Remove ashes when unit has cooled. Ashes should be placed in a metal container with a tight fitting lid. The closed container of ashes should be placed on a noncombustible floor or on the ground, well away from all combustible materials, pending final disposal. If the ashes are disposed of by burial in soil or otherwise locally dispersed, they should be retained in the closed container until all embers have been thoroughly cooled. The container shall not be used for other trash or waste disposal. If combined with combustible substances, ashes and embers may ignite.

## **ASH REMOVAL**

Remove the ashes periodically to avoid unnecessary ash build up. Ash removal is as follows:

1. Let fire burn out and allow unit cool to room temperature.
2. Clean the heat exchanger tubes (see Heat Exchanger Cleaning section) – Make sure Pellet Stove is at room temperature before touching .
3. Open the ash pan door, remove the burn pot and empty into metal container.
4. Vacuum to remove ashes from the firebox.
5. BE SURE THAT ASHES ARE COOL TO THE TOUCH BEFORE VACUUMING. Some vacuum cleaners may leak ash into the room. Your vacuum cleaner should have a special filter or bag to eliminate leakage.
6. Remove ash pan and dispose of ashes into metal container.
7. Reinstall ash pan.
8. Reinstall burn pot.

## **SMOKE AND CO MONITORS**

Burning wood naturally produces smoke and carbon monoxide(CO) emissions. CO is a poisonous gas when exposed to elevated concentrations for extended periods of time. While the modern combustion systems in heaters drastically reduce the amount of CO emitted out the chimney, exposure to the gases in closed or confined areas can be dangerous. Make sure you stove gaskets and chimney joints are in good working order and sealing properly to ensure unintended exposure. It is recommended that you use both smoke and CO monitors in areas having the potential to generate CO.

## **CHECK AND CLEAN THE HOPPER**

Check the hopper periodically to determine if there is any sawdust (fines) that is building up in the feed system or pellets that are sticking to the hopper surface. Clean as needed.

## **DOOR AND GLASS GASKETS**

Inspect the main door and glass window gaskets periodically. The main door may need to be removed to have frayed, broken, or compacted gaskets replaced by your authorized dealer. This unit's door uses a 5/8" diameter rope gasket.

## **BLOWER MOTORS**

Clean the air holes on the motors of both the exhaust and distribution blowers annually. Remove the exhaust blower from the exhaust duct and clean out the internal fan blades as part of your fall start-up. If you have indoor pets your power motors should be inspected monthly to make sure they are free of animal hair build up. Animal hair build up in blowers can result in poor performance or unforeseen safety hazards.

## **PAINTED SURFACES**

Painted surfaces may be wiped down with a damp cloth. If scratches appear, or you wish to renew your paint, contact your authorized dealer to obtain a can of suitable high-temperature paint.

## **GLASS - CLEANING, REMOVAL AND REPLACEMENT OF BROKEN DOOR GLASS**

Cleaning - We recommend using a high quality glass cleaner. Should a buildup of creosote or carbon accumulate, you may wish to use 000 steel wool and water to clean the glass.

- DO NOT use abrasive cleaners.
- DO NOT perform the cleaning while the glass is HOT.
- DO NOT abuse the door glass by striking, slamming or similar trauma.
- DO NOT operate the stove with the glass removed, cracked or broken.

ONLY high temperature ceramic glass of the correct size and thickness may be used. DO NOT substitute alternative materials for the glass. Replacement glass must be 0.197" thick tempered ceramic glass with a working service temperature of 1400° F. Replacement glass may be purchased from your U.S. Stove Pellet Burning Room Heater Dealer. In the event you need to replace the glass follow these removal procedure:

# Maintenance

1. Once the heater has cooled, remove the door from the heater.
2. Remove the rope gasket from the door along with the four (4) screws holding the glass retainer in place and the glass retainer.
3. While wearing leather gloves (or any other gloves suitable for handling broken glass), carefully remove any loose pieces of glass from the door frame. Dispose of all broken glass properly.
4. Replace the glass and gasket, making sure the gasket runs the full perimeter of the glass edge.
5. Re-install the new glass by re-attaching the retainers and screws, be careful not to over tighten the screws for this could damage the glass.

## **FALL START UP**

Prior to starting the first fire of the heating season, check the outside area around the exhaust and air intake systems for obstructions. Clean and remove any fly ash from the exhaust venting system. Clean any screens on the exhaust system and on the outside air intake pipe. Turn all of the controls on and make sure that they are working properly. This is also a good time to give the entire stove a good cleaning throughout.

## **SPRING SHUTDOWN**

After the last burn in the spring, remove any remaining pellets from the hopper and the auger feed system. Scoop out the pellets and then run the auger until the hopper is empty and pellets stop flowing (this can be done by pressing the "ON" button with the viewing door open). Vacuum out the hopper. Thoroughly clean the burn pot, and firebox. It may be desirable to spray the inside of the cleaned hopper with an aerosol silicone spray if your stove is in a high humidity area. The exhaust system should be thoroughly cleaned.

## **MAINTENANCE SCHEDULE**

Use the following as a guide under average use conditions. Gaskets around door and door glass should be inspected and repaired or replaced when necessary.

	Daily	Weekly	Monthly or as needed
Burn Pot	Stirred	Empty	
Combustion Chamber		Brushed	
Ashes		Check	Empty
Interior Chambers			Vacuumed
Combustion Blower Blades			Vacuumed / Brushed
Convection Blower Impeller			Vacuumed / Brushed
Vent System			Cleaned
Gaskets			Inspected
Glass	Wiped	Cleaned	
Hopper (end of season)			Empty and vacuumed

# Trouble Shooting Guide

When your stove acts out of the ordinary, the first reaction is to call for help. This guide may save time and money by enabling you to solve simple problems yourself. Problems encountered are often the result of only five factors: 1) poor fuel; 2) poor operation or maintenance; 3) poor installation; 4) component failure; 5) factory defect. You can usually solve those problems related to 1 and 2. Your dealer can solve problems relating to 3, 4 and 5. Refer to diagrams on page 25 to help locate indicated parts. For the sake of troubleshooting and using this guide to assist you, look at your heat level setting to see which light is flashing.

- Disconnect the power cord before performing any maintenance! NOTE: Turning the ON/OFF Switch to "OFF" does not disconnect all power to the electrical components of the stove.
- Never try to repair or replace any part of the stove unless instructions for doing so are given in this manual. All other work should be done by a trained technician.

Display is Flashing "E1"	
Possible Causes	Possible Remedies: (Unplug stove first when possible)
1. The convection blower is overheating and tripping the internal temperature shutoff.	Clean any dust off of the windings and fan blade. If oiling the blower does not help, the blower may be bad.
2. The stove is being left on the highest setting for extended periods of time.	If operating the heater on the highest heat setting, the room temperature could increase enough and lead to potential overheating situations. If this happens try operating at a lower heat setting.
3. Fuel other than wood pellets is being burned in the stove.	This pellet stove is designed and tested to use wood pellets. Check for signs of fuel other than wood pellets. No other types of fuel have been approved for this pellet stove. If there are signs of other types of fuel being used, stop using them immediately.
4. Power surge or brown out situation.	A power surge, spike, or voltage drop could cause the high limit switch to trip. Check to see if a surge protector is being used on the stove. If not, recommend one to the customer.
5. High Limit Switch is malfunctioning.	If the other items check out OK, replace the high limit switch.

ATTENTION: This wood heater needs periodic inspection and repair for proper operation. It is against federal regulations to operate this wood heater in a manner inconsistent with operating instructions in this manual.

# Trouble Shooting Guide

Display is Flashing "E2"	
Possible Causes	Possible Remedies: (Unplug stove first when possible)
1. Airflow switch hose or stove attachment pipes for hose are blocked.	Unhook air hose from the air switch and blow through it. If air flows freely, the hose and tube are fine. If air will not flow through the hose, use a wire coat hanger to clear the blockage.
2. The air inlet, burnpot, interior combustion air chambers, combustion blower, or exhaust pipe are blocked with ash or foreign material.	Follow all cleaning procedures in the maintenance section of the owner's manual.
3. The firebox is not properly sealed.	Make sure the door is closed and that the gasket is in good shape.
4. Vent pipe is incorrectly installed.	Check to make sure vent pipe installation meets criteria in owner's manual.
5. The airflow switch wire connections are bad.	Check the connectors that attach the gray wires to the air switch.
6. Combustion blower failure.	With the stove on, check to see if the combustion blower is running. If it is not, you will need to check for power going to the combustion blower. It should be a full current. If there is power, the blower is bad. If there is not, see #8.
7. Control board not sending power to combustion blower.	If there is no current going to the combustion blower, check all wire connections. If all wires are properly connected, you have a bad control board.
8. Control board not sending power to air switch.	There should be a 5-volt current (approximately) going to the air switch after the stove has been on for 30 seconds.
9. Air switch has failed.	To test the air switch, you will need to disconnect the air hose from the body of the stove. With the other end still attached to the air switch, very gently suck on the loose end of the hose (you may want to remove the hose entirely off the stove and the air switch first and make sure it is clear). If you hear a click, the air switch is working. BE CAREFUL TOO MUCH VACUUM CAN DAMAGE THE AIR SWITCH.

# Trouble Shooting Guide

Display is Flashing "E3"	
Possible Causes	Possible Remedies: (Unplug stove first when possible)
1. The hopper is out of pellets	Refill the hopper.
2. The air dampener is too far open for a low feed setting	If on the low setting, you may need to close the dampener all the way.
3. The burnpot holes are blocked.	Remove the burnpot and thoroughly clean it.
4. The air inlet, the interior chambers, or exhaust system has a partial blockage.	Follow all cleaning procedures in the maintenance section of the owner's manual
5. The hopper safety switch has failed or hopper is open.	When operating the unit, be sure the hopper lid is closed so that the hopper safety switch will activate. Check the wires leading from the hopper safety switch to the control panel and auger motor for secure connections. Use a continuity tester to test the hopper safety switch; replace if necessary.
6. The auger shaft is jammed.	"Start by emptying the hopper. Then remove the auger motor by removing the auger pin, then remove the two bolts that hold the auger bracket to the auger tube. The auger bracket will now be able to be removed from the auger tube. Remove the two bolts on the side of the auger tube to remove the lower bearing of the auger. Pull the auger out of the tube to free the jam.
7. The auger motor has failed.	Remove the auger motor from the auger shaft and try to run the unit. If the motor will turn the shaft is jammed on something. If the motor will not turn, the motor is bad.
8. The Proof of Fire (POF) thermomdisc has malfunctioned.	Temporarily bypass the POF thermomdisc by disconnecting the two wires and connecting them with a short piece of wire. Then plug the stove back up. If the stove comes on and works, you need to replace the POF thermomdisc. This is for testing only. <b>DO NOT LEAVE THE THERMODISC BYPASSED.</b> Your blowers will never shut off and if the fire went out the auger will continue to feed pellets until the hopper is empty if you leave the POF thermomdisc bypassed.
9. The control board is not sending power to the POF thermomdisc or other auger system components.	There should be a 5-volt (approximately) current going to the POF thermomdisc after the stove has been on for 10 minutes.

# Trouble Shooting Guide

Display is Flashing "E4"	
Possible Causes	Possible Remedies: (Unplug stove first when possible)
1. The air inlet, burnpot, interior combustion air chambers, combustion blower, or exhaust pipe are blocked with ash or foreign material.	Follow all cleaning procedures in the maintenance section of the owner's manual.
2. The Proof of Fire (POF) thermodisc has come unplugged	Check the (POF) thermodisc to see if the wires are connected properly.
3. The Proof of Fire (POF) thermodisc has malfunctioned.	Temporarily bypass the POF thermodisc by disconnecting the two wires and connecting them with a short piece of wire. Then plug the stove back up. If the stove comes on and works, you need to replace the POF thermodisc. This is for testing only. <b>DO NOT LEAVE THE THERMODISC BYPASSED.</b> Your blowers will never shut off and if the fire went out the auger will continue to feed pellets until the hopper is empty if you leave the POF thermodisc bypassed.
4. The hopper is out of Pellets.	Refill the hopper.
5. The hopper safety switch has failed or hopper is open.	When operating the unit, be sure the hopper lid is closed so that the hopper safety switch will activate. Check the wires leading from the hopper safety switch to the control panel and auger motor for secure connections. Use a continuity tester to test the hopper safety switch; replace if necessary.
6. The auger shaft is jammed.	Start by emptying the hopper. Then remove the auger motor by removing the auger pin. Remove the auger shaft inspection plate in the hopper so that you can see the auger shaft. Gently lift the auger shaft straight up so that the end of the auger shaft comes up out of the bottom auger bushing. Next, remove the two nuts that hold the top auger biscuit in. Then rotate the bottom end of the auger shaft up towards you until you can lift the shaft out of the stove. After you have removed the shaft, inspect it for bent flights, burrs, or broken welds. Remove any foreign material that might have caused the jam. Also, check the auger tube for signs of damage such as burrs, rough spots, or grooves cut into the metal that could have caused a jam.
7. The auger motor has failed.	Remove the auger motor from the auger shaft and try to run the unit. If the motor will turn the shaft is jammed on something. If the motor will not turn, the motor is bad.

Display is Flashing "E5"	
Possible Causes	Possible Remedies: (Unplug stove first when possible)
1. The stove automatically flashes "E5" when turned on	The T-stat sensor has come unplugged form the control board. Check to see if the sensor is unplugged. If the sensor is not unplugged then the sensor is damaged or has a short. If the sensor is damaged or has a short it will need to be replaced.

# Trouble Shooting Guide

Stove Feeds Pellets, But Will Not Ignite	
Possible Causes	Possible Remedies: (Unplug stove first when possible)
1. Air damper open too far for ignition.	Push the air damper in closer to the side of the stove for startup. In some situations it may be necessary to have the damper completely closed for ignition to take place. After there is a flame, the damper can then be adjusted for the desired feed setting.
2. Blockage in igniter tube or inlet for igniter tube.	Find the igniter housing on the backside of the firewall. The air intake hole is a small hole located on bottom side of the housing. Make sure it is clear. Also, look from the front of the stove to make sure there is not any debris around the igniter element inside of the igniter housing.
3. The burnpot is not pushed completely to the rear of the firebox.	Make sure that the air intake collar on the burnpot is touching the rear wall of the firebox.
4. Bad igniter element.	Put power directly to the igniter element. Watch the tip of the igniter from the front of the stove. After about 2 minutes the tip should glow. If it does not, the element is bad.
5. The control board is not sending power to the igniter.	Check the voltage going to the igniter during startup. It should be a full current. If the voltage is lower than full current, check the wiring. If the wiring checks out good, the board is bad.

Smoke Smell Coming Back Into The Home	
Possible Causes	Possible Remedies: (Unplug stove first when possible)
1. There is a leak in the vent pipe system.	Inspect all vent pipe connections. Make sure they are sealed with RTV silicone that has a temperature rating on 500 degree F or higher. Also, seal joints with UL-181-AP foil tape. Also, make sure the square to round adapter piece on the combustion blower has been properly sealed with the same RTV.
2. The gasket on the combustion blower has gone bad.	Inspect both gaskets on the combustion blower to make sure they are in good shape.
<p>Because it is a wood-burning device, your pellet heater may emit a faint wood-burning odor. If this increases beyond normal, or if you notice an unusual soot build-up on walls or furniture, check your exhaust system carefully for leaks. All joints should be properly sealed. Also clean your stove, following instructions in "MAINTENANCE". If problem persists, contact your dealer.</p>	

Convection Blower Shuts Off And Comes Back On	
Possible Causes	Possible Remedies: (Unplug stove first when possible)
1. The convection blower is overheating and tripping the internal temperature shutoff.	Clean any dust off of the windings and fan blades. If cleaning the blower does not help, the blower may be bad.
2. Circuit board malfunction.	Test the current going to the convection blower. If there is power being sent to the blower when it is shut off, then the control board is fine. If there is NOT power being sent to the blower when it shuts off during operation, then you have a bad control board.

# Trouble Shooting Guide

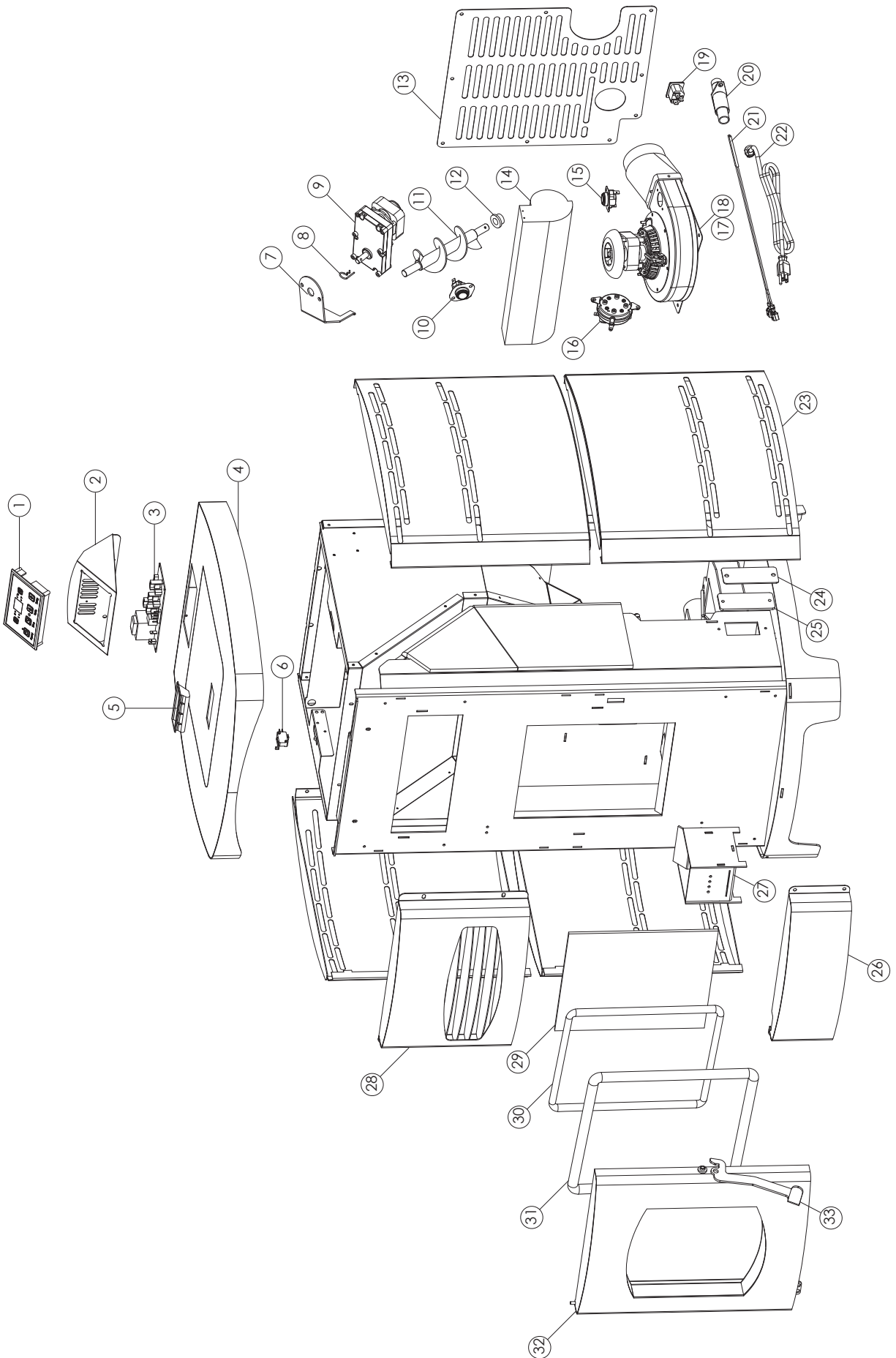
Stove Will Not Feed Pellets, But Fuel Feed Light Comes On As Designed	
Possible Causes	Possible Remedies: (Unplug stove first when possible)
1. High limit switch has tripped or is defective.	Wait for the stove to cool for about 30 - 45 minutes. Locate the High Limit thermodisc and press the reset button on the back of it. If the heater will not restart, check the thermodisc to see if it's bad. To test if the thermodisc is bad, you can bypass it as described previously for the POF thermodisc.
2. Bad Auger Motor.	Remove the auger motor from the auger shaft and try to run the unit. If the motor will turn the shaft is jammed on something. If the motor will not turn, the motor is bad.
3. Auger Jam.	Start by emptying the hopper. Then remove the auger motor by removing the auger pin. Remove the auger shaft inspection plate in the hopper so that you can see the auger shaft. Gently lift the auger shaft straight up so that the end of the auger shaft comes up out of the bottom auger bushing. Next, remove the two nuts that hold the top auger biscuit in. Then rotate the bottom end of the auger shaft up towards you until you can lift the shaft out of the stove. After you have removed the shaft, inspect it for bent flights, burrs, or broken welds. Remove any foreign material that might have caused the jam. Also, check the auger tube for signs of damage such as burrs, rough spots, or grooves cut into the metal that could have caused a jam.
4. Loose wire or connector.	Check all wires and connectors that connector to the auger motor, high limit switch, and the Molex connector.
5. Bad control board.	If the fuse is good, the wires and connectors check out good, and the high limit switch did not trip, test for power going to the auger motor. If there is not a full current going to the auger motor when the fuel feed light is on, you have a bad control board.

High Limit Switch Keeps Tripping	
Possible Causes	Possible Remedies: (Unplug stove first when possible)
1. The convection blower is overheating and tripping the internal temperature shutoff.	Clean any dust off of the windings and fan blades. If oiling the blower does not help, the blower may be bad.
2. The stove is being left on the highest setting for extended periods of time.	If operating the heater on the highest heat setting, the room temperature could increase enough and lead to potential overheating situations. If this happens, try operating at a lower heat setting.
3. Fuel other than wood pellets is being burned in the stove.	This pellet stove is designed and tested to use wood pellets. Check for signs of fuel other than wood pellets. No other types of fuel have been approved for this pellet stove. If there are signs of other types of fuel being used, stop using them immediately.
4. Power surge or brown out situation.	A power surge, spike, or voltage drop could cause the high limit switch to trip. Check to see if a surge protector is being used on the stove. If not, recommend one to the consumer.
5. High limit switch is malfunctioning.	If the other items check out OK, replace the high limit switch.

# Trouble Shooting Guide

<ul style="list-style-type: none"> <li>• Glass "Soot's" Up At A Very Fast Rate</li> <li>• Flame Is Lazy, Dark, And Has Black Tips</li> <li>• After Stove Has Been On For A While, The Burnpot Overfills</li> </ul>	
Possible Causes	Possible Remedies: (Unplug stove first when possible)
1. Stove or vent pipe is dirty, which restricts airflow through the burnpot.	Follow all cleaning procedure in the maintenance section of the owner's manual.
2. Vent pipe installed improperly.	Check to make sure the vent pipe has been installed according to the criteria in the owner's manual.
3. Air damper is set too far in (closed) for a higher setting.	Pull the damper knob farther out away from the side of the stove and try to burn the unit again.
4. Burnpot holes are blocked.	Remove the burnpot and thoroughly clean it.
5. Air damper is broken.	Visually inspect the damper assembly. Make sure the damper plate is attached to the damper rod. When the damper rod is moved the plate should move with it.
6. Blockage in air intake pipe.	Visually inspect the air intake pipe that leads into the burnpot for foreign material.
7. Combustion blower is not spinning fast enough.	Test the RPM on the blower after the blades have been cleaned. The RPM should be approximately 3000 RPM.
8. Bad Pellets. (Applies to GLASS "SOOT'S" UP AT A VERY FAST RATE Only)	The brand of pellets or the batch of pellets that are being used may be of poor quality. If possible, try a different brand of pellets. You might also want to try a brand that is made from a different type of wood (softwood vs. hardwood). Different woods have different characteristics when being burned.

# Replacement Parts

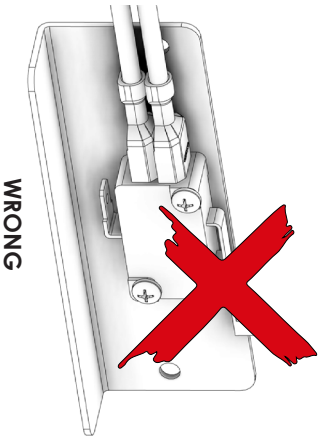
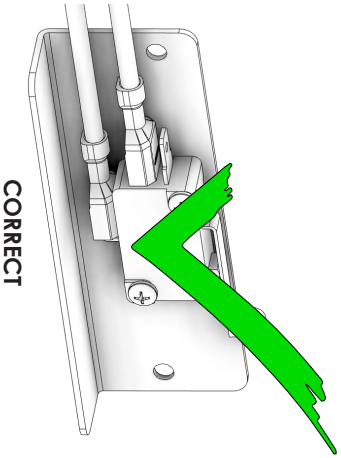
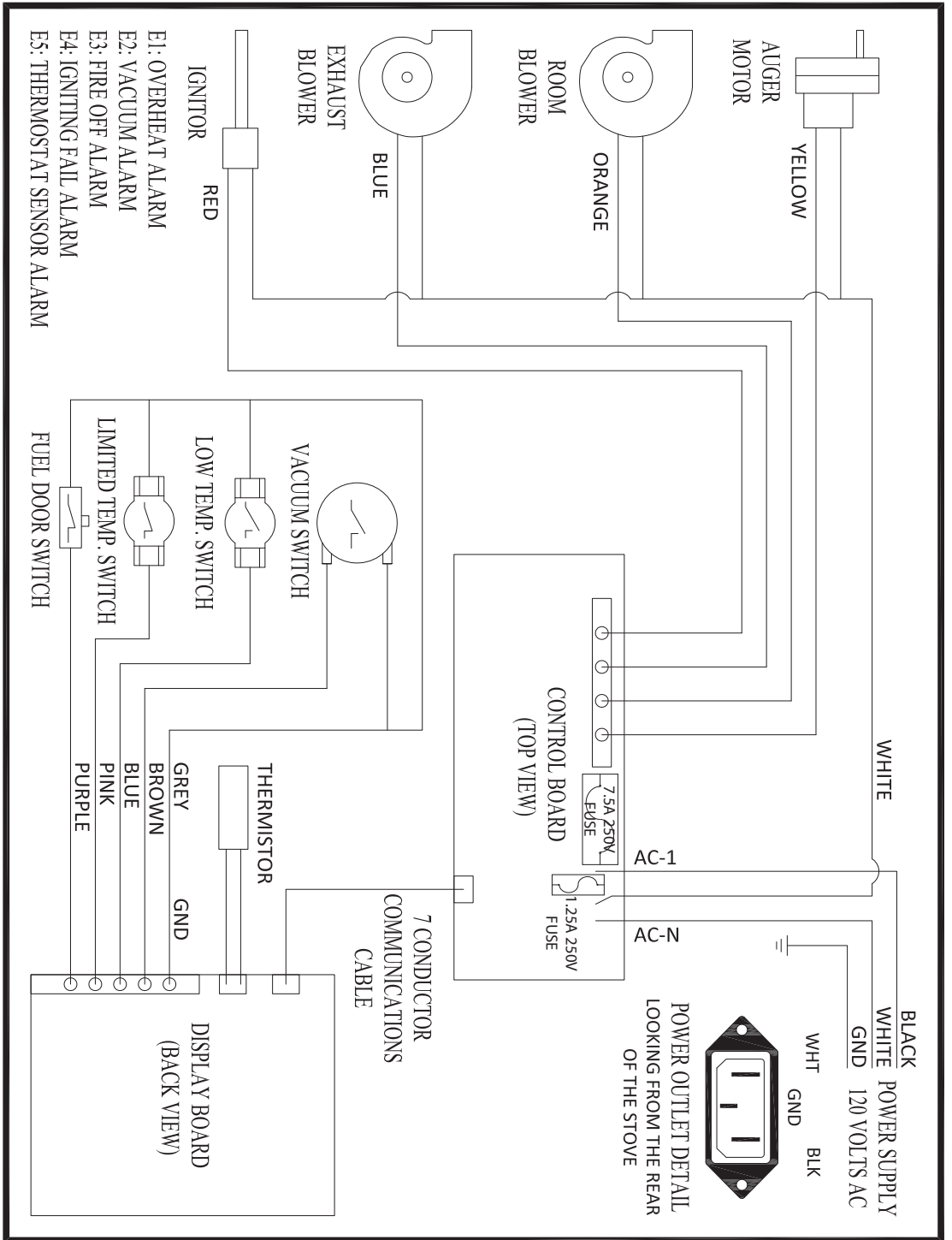


# Replacement Parts

Key	Part No.	Description	Qty
1	80630	PCBA, Controller	1
2	892199	Housing, PCBA Controller	1
3	80631	PCBA	1
4	892771	Top Assembly	1
5	891148	Hopper Handle	1
6	80491	Hopper Switch	1
7	892188	Auger Motor Bracket	1
8	83529	Hair Pin	1
9	80488	Auger Motor	1
10	80599	T-disc Exhaust	1
11	892187	Auger	1
12	891132	Auger Bushing	1
13	892776	Vented Back Panel	1
14	80709	Convection Blower	1
15	80455	High Limit T-disc	1
16	80549	Vacuum Switch	1
17	80602	Exhaust Blower	1
18	88166	Gasket, Exhaust Blower	1
19	80462	3 Prong Receptacle	1
20	86633	Ignitor Tube	1
21	80607	Ignitor	1
22	80461	Power Cord	1
23	892764	Side Panels - Set of 2, Gloss Black	1
	892765	Side Panels - Set of 2, Polished Stainless	1
	892766	Side Panels - Set of 2, Brushed Stainless	1
24	892770	Ash Covers	2
25	88266	Ash Cover Gaskets	2
26	892773	Front Lower Plate	1
27	86624	Burn Pot	1
28	892774	Front Louver	1
29	892775	Door Glass	1
30	88267	Glass Gasket	41"
31	88082	Door Gasket	45"
32	892772	Door Assy.	1
33	892663	Door Handle	1

In order to maintain warranty, components must be replaced using original manufacturers parts purchased through your dealer or directly from the appliance manufacturer.  
Use of third party components will void the warranty.

# Wiring Diagram



Ensure the wires are connected to the bottom two prongs of the hopper switch as shown.

# Notes

# Service Record

It is recommended that your heating system is serviced regularly and that the appropriate Service Interval Record is completed.

## **SERVICE PROVIDER**

Before completing the appropriate Service Record below, please ensure you have carried out the service as described in the manufacturer's instructions. Always use the manufacturer's specified spare part when replacement is necessary.

<b>Service 01</b>	Date: _____
Engineer Name: _____	
License No.: _____	
Company: _____	
Telephone No.: _____	
Stove Inspected: <input type="checkbox"/>	Chimney Swept: <input type="checkbox"/>
Items Replaced: _____	

<b>Service 02</b>	Date: _____
Engineer Name: _____	
License No.: _____	
Company: _____	
Telephone No.: _____	
Stove Inspected: <input type="checkbox"/>	Chimney Swept: <input type="checkbox"/>
Items Replaced: _____	

<b>Service 03</b>	Date: _____
Engineer Name: _____	
License No.: _____	
Company: _____	
Telephone No.: _____	
Stove Inspected: <input type="checkbox"/>	Chimney Swept: <input type="checkbox"/>
Items Replaced: _____	

<b>Service 04</b>	Date: _____
Engineer Name: _____	
License No.: _____	
Company: _____	
Telephone No.: _____	
Stove Inspected: <input type="checkbox"/>	Chimney Swept: <input type="checkbox"/>
Items Replaced: _____	

<b>Service 05</b>	Date: _____
Engineer Name: _____	
License No.: _____	
Company: _____	
Telephone No.: _____	
Stove Inspected: <input type="checkbox"/>	Chimney Swept: <input type="checkbox"/>
Items Replaced: _____	

<b>Service 06</b>	Date: _____
Engineer Name: _____	
License No.: _____	
Company: _____	
Telephone No.: _____	
Stove Inspected: <input type="checkbox"/>	Chimney Swept: <input type="checkbox"/>
Items Replaced: _____	

<b>Service 07</b>	Date: _____
Engineer Name: _____	
License No.: _____	
Company: _____	
Telephone No.: _____	
Stove Inspected: <input type="checkbox"/>	Chimney Swept: <input type="checkbox"/>
Items Replaced: _____	

<b>Service 08</b>	Date: _____
Engineer Name: _____	
License No.: _____	
Company: _____	
Telephone No.: _____	
Stove Inspected: <input type="checkbox"/>	Chimney Swept: <input type="checkbox"/>
Items Replaced: _____	

# How To Order Repair Parts / Comment Commander Les Pièces De Rechange

THIS MANUAL WILL HELP YOU OBTAIN EFFICIENT, DEPENDABLE SERVICE FROM YOUR PELLET STOVE, AND ENABLE YOU TO ORDER REPAIR PARTS CORRECTLY.

KEEP THIS MANUAL IN A SAFE PLACE FOR FUTURE REFERENCE.

WHEN WRITING, ALWAYS GIVE THE FULL MODEL NUMBER WHICH IS ON THE NAMEPLATE ATTACHED TO THE HEATER.

WHEN ORDERING REPAIR PARTS, ALWAYS GIVE THE FOLLOWING INFORMATION AS SHOWN IN THIS LIST /

CE GUIDE VOUS AIDERA A OBTENIR UN SERVICE EFFICACE ET FIABLE POUR CE POELE A GRANULES ET VOUS PERMETTRA DE COMMANDER CORRECTEMENT LES PIECES DE RECHANGE.

VEUILLEZ CONSERVER CE GUIDE DANS UN ENDROIT SUR POUR VOUS Y REFERER.

LORSQUE VOUS NOUS ÉCRIVEZ, VEUILLEZ INDIQUER LE NUMÉRO COMPLET DU MODÈLE AFFICHÉ SUR LA PLAQUE SIGNALÉTIQUE DE L'APPAREIL DE CHAUFFAGE.

LORSQUE VOUS COMMANDEZ DES PIECES DE RECHANGE, VEUILLEZ TOUJOURS FOURNIR LES RENSEIGNEMENTS SUIVANTS QUI FIGURENT DANS CETTE NOMENCLATURE:

1. The part number / Le numero de reference de la piece \_\_\_\_\_
2. The part description / La description de la piece \_\_\_\_\_
3. The model number / Le numero de modele \_\_\_\_\_
4. The serial number / Le numero de serie \_\_\_\_\_

# Enregistrement De Service

Il est recommandé que votre système de chauffage est desservi régulièrement et que le Service Intervall enregistrement approprié est terminée.

## FURNISSEUR DE SERVICES

Avant de terminer l'enregistrement de service approprié ci-dessous, s'il vous plaît vous assurer que vous avez effectué le service tel que décrit dans les instructions du fabricant. Toujours utiliser pièce de rechange indiquée par le fabricant lors de remplacement est nécessaire.

**Service de 01**  
Date: \_\_\_\_\_  
Nom de l'ingénieur: \_\_\_\_\_  
N° de licence: \_\_\_\_\_  
Compagnie: \_\_\_\_\_  
N° de téléphone: \_\_\_\_\_  
Poêle inspecté:  Cheminée balayée:   
Articles Remplacés: \_\_\_\_\_

**Service de 02**  
Date: \_\_\_\_\_  
Nom de l'ingénieur: \_\_\_\_\_  
N° de licence: \_\_\_\_\_  
Compagnie: \_\_\_\_\_  
N° de téléphone: \_\_\_\_\_  
Poêle inspecté:  Cheminée balayée:   
Articles Remplacés: \_\_\_\_\_

**Service de 03**  
Date: \_\_\_\_\_  
Nom de l'ingénieur: \_\_\_\_\_  
N° de licence: \_\_\_\_\_  
Compagnie: \_\_\_\_\_  
N° de téléphone: \_\_\_\_\_  
Poêle inspecté:  Cheminée balayée:   
Articles Remplacés: \_\_\_\_\_

**Service de 04**  
Date: \_\_\_\_\_  
Nom de l'ingénieur: \_\_\_\_\_  
N° de licence: \_\_\_\_\_  
Compagnie: \_\_\_\_\_  
N° de téléphone: \_\_\_\_\_  
Poêle inspecté:  Cheminée balayée:   
Articles Remplacés: \_\_\_\_\_

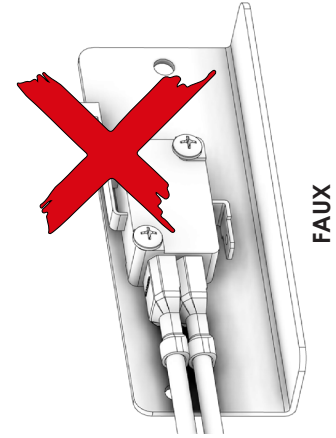
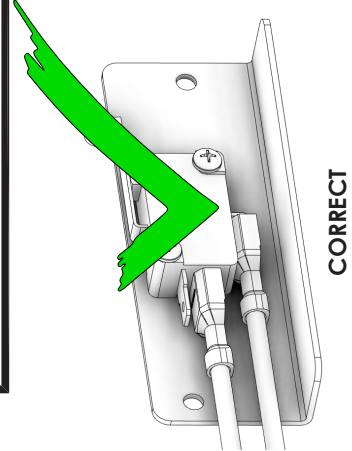
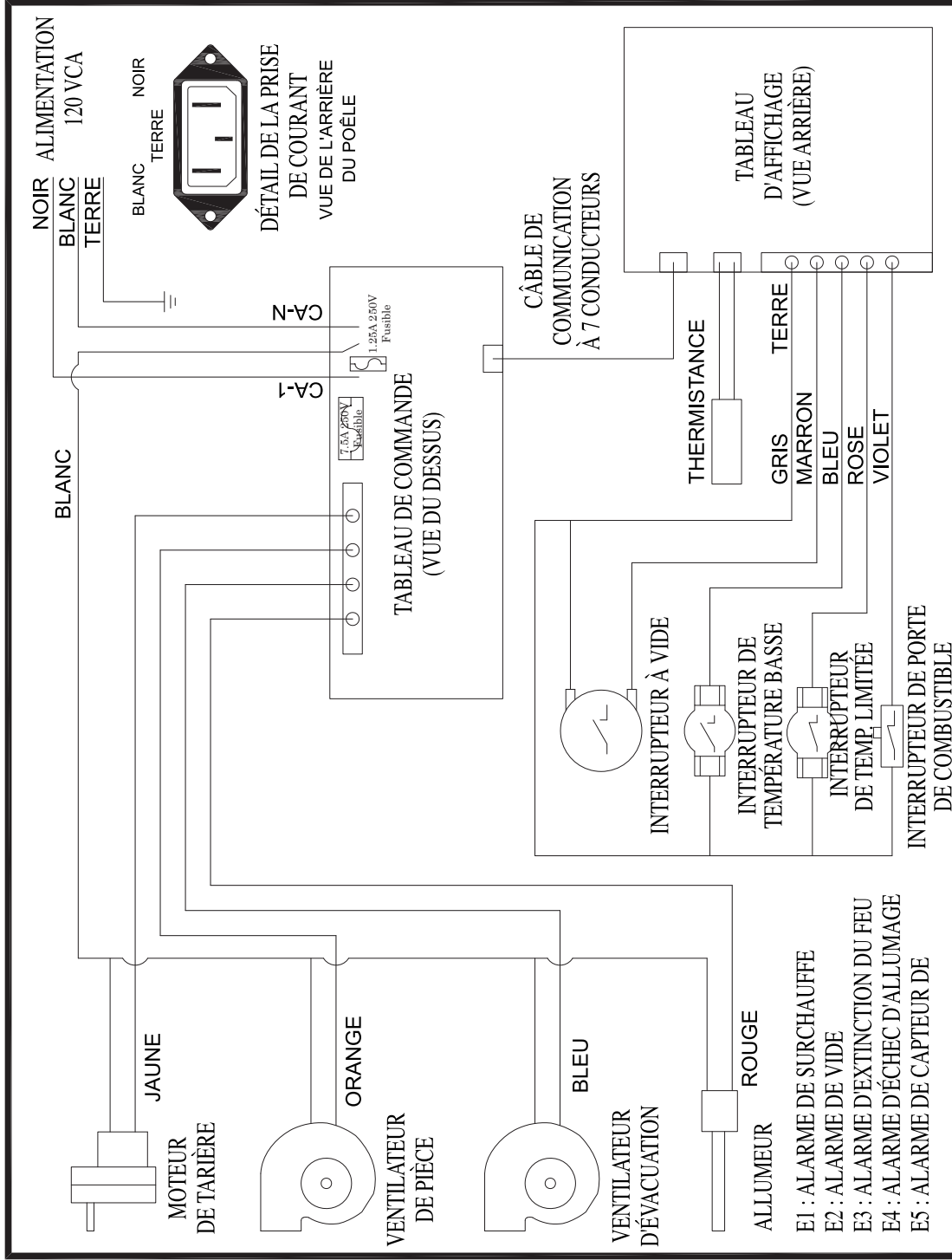
**Service de 05**  
Date: \_\_\_\_\_  
Nom de l'ingénieur: \_\_\_\_\_  
N° de licence: \_\_\_\_\_  
Compagnie: \_\_\_\_\_  
N° de téléphone: \_\_\_\_\_  
Poêle inspecté:  Cheminée balayée:   
Articles Remplacés: \_\_\_\_\_

**Service de 06**  
Date: \_\_\_\_\_  
Nom de l'ingénieur: \_\_\_\_\_  
N° de licence: \_\_\_\_\_  
Compagnie: \_\_\_\_\_  
N° de téléphone: \_\_\_\_\_  
Poêle inspecté:  Cheminée balayée:   
Articles Remplacés: \_\_\_\_\_

**Service de 07**  
Date: \_\_\_\_\_  
Nom de l'ingénieur: \_\_\_\_\_  
N° de licence: \_\_\_\_\_  
Compagnie: \_\_\_\_\_  
N° de téléphone: \_\_\_\_\_  
Poêle inspecté:  Cheminée balayée:   
Articles Remplacés: \_\_\_\_\_

**Service de 08**  
Date: \_\_\_\_\_  
Nom de l'ingénieur: \_\_\_\_\_  
N° de licence: \_\_\_\_\_  
Compagnie: \_\_\_\_\_  
N° de téléphone: \_\_\_\_\_  
Poêle inspecté:  Cheminée balayée:   
Articles Remplacés: \_\_\_\_\_

# Schéma De Câblage



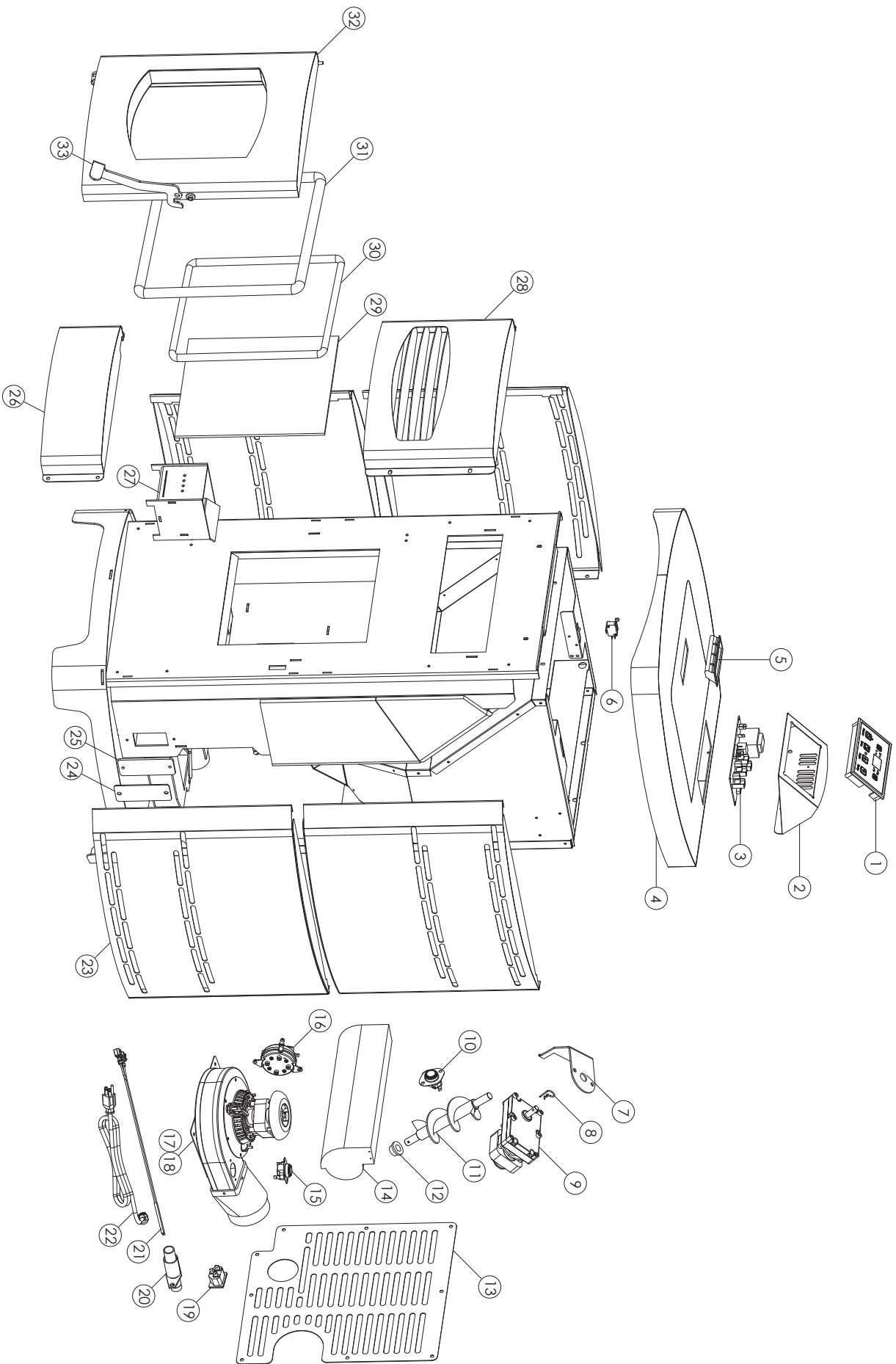
Assurez-vous que les fils sont connectés aux deux broches inférieures de l'interrupteur de la trémie, comme illustré.

## Pièces De Remplacement

Ciè	Partie#	La Description	Qté
1	80630	PCBA, contrôleur	1
2	892199	Boîtier, contrôleur PCBA	1
3	80631	PCBA	1
4	892771	Assemblée supérieure	1
5	891148	Poignée de la trémie	1
6	80491	Commutateur de trémie	1
7	892188	Support de moteur de tarrière	1
8	83529	Épingle à cheveux	1
9	80488	Moteur de tarrière	1
10	80599	T-disc d'échappement	1
11	892187	Tarrière	1
12	891132	Douille de vis sans fin	1
13	892776	Panneau arrière ventilé	1
14	80709	Ventilateur à convection	1
15	80455	Disque T haute limite	1
16	80549	Commutateur de vide	1
17	80602	Ventilateur d'échappement	1
18	88166	Joint d'étanchéité, ventilateur d'échappement	1
19	80462	Prise à 3 griffes	1
20	86633	Tube d'allumage	1
21	80607	Allumeur	1
22	80461	Cordon d'alimentation	1
23	892764	Panneaux latéraux - Ensemble de 2, Noir brillant	1
	892765	Panneaux latéraux - Ensemble de 2, Inox poli	1
	892766	Panneaux latéraux - Ensemble de 2, Inox brossé	1
24	892770	Couvre Cendres	2
25	88266	Joints De Cendres	2
26	892773	Plaque inférieure avant	1
27	86624	Pot de combustion	1
28	892774	Paralume avant	1
29	892775	Verre de porte	1
30	88267	Joint en verre	41"
31	88082	Joint de porte	45"
32	892772	Porte Assy.	1
33	892663	Poignée de porte	1

Afin de maintenir la garantie, les composants doivent être remplacés par des pièces d'origine du fabricant achetées auprès de votre revendeur ou directement auprès du fabricant de l'appareil. L'utilisation de composants tiers annulera la garantie.

# Pièces De Remplacement



# Guide De Dépannage

L'interrupteur de surchauffe se déclenche tout le temps	
Causes possibles	Solutions possibles: (Débranchez le poêle avant toute chose quand c'est possible.)
1. Le ventilateur de convection surchauffe et déclenche l'arrêt de température interne.	Enlevez la poussière des bobinages et pales de ventilateur. Si le graissage du ventilateur ne suffit pas, il se peut que le ventilateur soit défectueux.
2. Le poêle est resté sur le réglage le plus élevé pendant de longues périodes.	En cas d'utilisation du poêle sur le réglage de chauffage le plus élevé, il se peut que la température de la pièce s'élève au point de créer une situation de surchauffe potentielle. Dans ce cas, essayez d'utiliser un réglage de chauffage inférieur.
3. Un autre combustible que les granulés de bois est brûlé dans le poêle.	Ce poêle à granulés a été conçu et testé pour brûler des granulés de bois. Recherchez la présence de combustibles autres que des granulés de bois. Aucun autre type de combustible n'a été approuvé pour ce poêle à granulés. En présence de signes d'utilisation d'autres types de combustible, cessez immédiatement de les utiliser.
4. Surtension ou baisse de tension.	Une surtension, un pic ou une chute de tension peut provoquer le déclenchement du l'interrupteur de surchauffe. Vérifiez si une protection contre les surtensions est installée sur le poêle. Sinon, il est conseillé d'en installer une.
5. L'interrupteur de surchauffe fonctionne mal.	Si tous les autres éléments paraissent corrects, remplacez l'interrupteur de surchauffe.

<ul style="list-style-type: none"> <li>LA VITRE NOIRCIT TRÈS RAPIDEMENT</li> <li>LA FLAMME EST MOLLE, FONCÉE ET SES POINTES SONT NOIRES</li> <li>APRÈS UN CERTAIN TEMPS D'UTILISATION DU POÊLE, LE POT DE COMBUSTION DÉBORDE</li> </ul>	
Causes possibles:	Solutions possibles: (Débranchez le poêle avant toute chose quand c'est possible.)
1. Le poêle ou le conduit d'évacuation est sale, ce qui limite la circulation d'air dans le pot de combustion.	Suivez toutes les procédures de nettoyage de la section d'entretien du Guide d'utilisation.
2. Le conduit d'évacuation est mal installé.	Assurez-vous que le conduit d'évacuation ait été installé conformément aux critères énoncés dans le Guide d'utilisation.
3. Le registre de tirage est trop fermé pour un réglage de chauffage élevé.	Tirez le bouton du registre de tirage plus loin vers le côté du poêle et essayez de rallumer l'appareil.
4. Les orifices du pot de combustion sont bouchés.	Retirez le pot de combustion et nettoyez-le à fond.
5. Amortisseur Air est cassé.	Inspecter visuellement l'amortisseur. Assurez-vous que la plaque d'amortissement est fixée à la tige d'amortisseur. Lorsque la tige de l'amortisseur est déplacée la plaque doit se déplacer avec elle.
6. Blocage du conduit d'admission d'air.	Inspecter visuellement le conduit d'admission d'air qui entre dans le pot de combustion en recherchant des corps étrangers.
7. Le ventilateur de combustion ne tourne pas assez vite.	Testez la vitesse de rotation du ventilateur après avoir nettoyé les pales. La vitesse de rotation doit être d'environ 3000 t/min.
8. Granulés de mauvaise qualité. (Ne s'applique qu'au problème « LA VITRE NOIRCIT TRÈS RAPIDEMENT ».)	La marque ou le lot de granulés utilisés est peut-être de mauvaise qualité. Si possible, essayez une autre marque de granulés. Essayez aussi une marque composée d'un autre type de bois (résineux plutôt que feuillus). Des bois différents présentent des caractéristiques différentes qui affectent la combustion.

# Guide De Dépannage

## LE VENTILATEUR DE CONVECTION S'ARRÊTE PUIS REDÉMARRE

1. Causes possibles:	Solutions possibles: (Débranchez le poêle avant toute chose quand c'est possible.)
2. Le ventilateur de convection surchauffe et déclenche l'arrêt de température interne.	Enlevez la poussière des bobinages et pales de ventilateur. Si le nettoyage du ventilateur ne suffit pas, il se peut que le ventilateur soit défectueux.
3. Dysfonctionnement de la carte de circuit imprimé.	Testez la tension arrivant au ventilateur de convection. Si le courant arrive au ventilateur quand il est arrêté, le tableau de commande fonctionne normalement. Si aucun courant n'arrive au ventilateur quand il est arrêté pendant le fonctionnement du poêle, le tableau de commande est défectueux.

LE POÊLE N'EST PAS ALIMENTÉ EN GRANULÉS, MAIS LE TÉMOIN D'ALIMENTATION EN COMBUSTIBLE S'ALLUME COMME PRÉVU	Causes possibles:
--	-------------------

1. L'interrupteur de surchauffe s'est déclenché ou est défectueux.	Attendez que le poêle refroidisse pendant environ 30 à 45 minutes. Localisez le thermostat de surchauffe et appuyez sur le bouton de réinitialisation situé à l'arrière de celui-ci. Si le poêle ne redémarre pas, vérifiez que le thermostat ne soit pas défectueux. Pour tester si le thermostat est défectueux, vous pouvez le contourner comme décrit précédemment pour le thermostatique POF.
2. Moteur de tarière défectueux.	Retirez le moteur de l'arbre de la tarière et essayez de le faire fonctionner. Si le moteur tourne, c'est l'arbre qui est coincé sur quelque chose. Si le moteur ne tourne pas, il est défectueux.

3. Tarière bloquée.	Commencez par vider la trémie. Puis retirez le moteur de la tarière en retirant la goupille de la tarière. Retirez la plaque d'inspection de l'arbre de la tarière dans la trémie pour pouvoir examiner l'arbre de la tarière. Soulevez légèrement l'arbre de la tarière de sorte que l'extrémité de l'arbre sorte du manchon inférieur de tarière. Retirez ensuite les deux écrous qui tiennent la pastille supérieure de la tarière. Puis faites pivoter l'extrémité inférieure de l'arbre de la tarière vers vous, jusqu'à ce que vous puissiez soulever l'arbre et le sortir du poêle. Après avoir sorti l'arbre, recherchez des pales déformées, des bavures ou des soudures cassées. Retirez tout corps étranger susceptible d'avoir provoqué le blocage. Vérifiez également le tube de la tarière, en recherchant des signes de dommage, tels que des bavures, des zones rugueuses, ou des rainures creusées dans le métal qui pourraient être à l'origine du blocage.
---------------------	---

4. Fil débranché ou connecteur desserré.	Vérifiez tous les fils et connecteurs branchés sur le moteur de tarière, l'interrupteur de surchauffe et le connecteur Molex.
5. Tableau de commande défectueux.	Si le fusible est bon, les fils et connecteurs bien raccordés, et que l'interrupteur de surchauffe ne s'est pas déclenché, testez la tension qui arrive au moteur de tarière. En l'absence de tension nominale arrivant au moteur de tarière lorsque le témoin d'alimentation en combustible est allumé, c'est le tableau de commande qui est défectueux.

# Guide De Dépannage

LE POÊLE EST BIEN ALIMENTÉ EN GRANULES, MAIS NE S'ALLUME PAS

Causes possibles:		Solutions possibles: (Débranchez le poêle avant toute chose quand c'est possible.)
1.	Le registre de tirage est trop ouvert pour l'allumage.	Poussez le registre de tirage plus près du côté du poêle pour le démarrage. Dans certaines situations, il peut être nécessaire de fermer complètement le registre pour permettre l'allumage. Après l'apparition d'une flamme, le registre peut être réglé en fonction du réglage d'alimentation souhaité.
2.	Le tube d'allumeur ou l'entrée d'air du tube d'allumeur est obstrué.	Localisez le boîtier de l'allumeur à l'arrière du pare-feu. L'orifice d'entrée d'air est un petit trou situé sur le côté, en bas du boîtier. Vérifiez qu'il soit dégagé. Regardez aussi depuis l'avant du poêle pour vérifier l'absence de tout débris autour de l'élément d'allumage à l'intérieur du boîtier de l'allumeur.
3.	Le pot de combustion n'est pas poussé à fond vers l'arrière du foyer.	Vérifiez que le collet de prise d'air du pot de combustion touche la paroi arrière du foyer.
4.	Élément allumeur défectueux.	Envoyez directement le courant à l'allumeur. Observez l'extrémité de l'allumeur, depuis l'avant du poêle. Au bout de 2 minutes, cette extrémité doit rougeoier. Sinon, c'est que l'élément est défectueux.
5.	Le tableau de commande n'envoie pas de courant à l'allumeur.	Vérifiez la tension qui arrive à l'allumeur lors du démarrage. Ce doit être la tension nominale. Si la tension est inférieure à la valeur nominale, vérifiez le câblage. Si le câblage est bon, c'est le tableau qui est défectueux.

UNE ODEUR DE FUMÉE EST REFOUÉE DANS LA PIÈCE

Causes possibles:		Solutions possibles: (Débranchez le poêle avant toute chose quand c'est possible.)
1.	Il y a une fuite dans le système de conduit d'évacuation.	Inspectez tous les raccords de tuyaux d'évacuation. Assurez-vous qu'ils soient tous scellés avec du silicone RTV supportant une température de 500 °F (260 °C) ou plus. En outre, scellez les joints avec du ruban métallique UL-181-AP. Vérifiez également que la pièce d'adaptation carré/cercle du ventilateur de combustion ait été correctement scellée avec le même silicone RTV.
2.	Le joint d'étanchéité du ventilateur de combustion est défectueux.	Inspectez les deux joints du ventilateur de combustion qui doivent être en bon état.

S'agissant d'un appareil qui brûle du bois, ce poêle à granulés peut émettre une faible odeur de feu de bois. Si cette odeur devient anormale, ou si vous remarquez qu'un peu de suie s'accumule sur les murs ou les meubles, vérifiez soigneusement le système d'évacuation des fumées en recherchant des fuites. Tous les joints doivent être correctement scellés. Nettoyez également le poêle en suivant les instructions de la section « ENTRETIEN ». Si le problème persiste, prenez contact avec votre revendeur.

# Guide De Dépannage

L'écran affiche « E4 » clignotant		Solutions possibles: (Débranchez le poêle avant toute chose quand c'est possible.)		1. L'entrée d'air, le pot de combustion, les chambres de combustion internes, les ventilateurs de combustion ou le conduit d'évacuation sont bouchés par des cendres ou des corps étrangers.		Suivez toutes les procédures de nettoyage de la section d'entretien du Guide d'utilisation.		Vérifiez si les fils du thermostatique POF sont correctement branchés.		Contournez temporairement le thermostatique POF en débranchant les deux fils et en les raccordant avec un petit morceau de fil. Puis rebranchez le poêle. Si le poêle s'allume et fonctionne, vous devez remplacer le thermostatique POF. Cette manœuvre est réservée aux tests. NE LAISSEZ PAS LE THERMODYNAMIQUE HORS CIRCUIT. Si le thermostatique POF restait hors circuit, les ventilateurs ne s'arrêteraient jamais et si le feu s'éteignait, la tarrière continuerait à envoyer les granulés jusqu'à ce que la trémie soit vide.		4. La trémie est vide de granulés.		Remplissez la trémie.		Lors de l'utilisation de l'appareil, vérifiez que le couvercle de la trémie soit fermé pour permettre à l'interrupteur de sécurité de la trémie de s'activer. Vérifiez le branchement des fils qui partent de l'interrupteur de sécurité de la trémie jusqu'au tableau de commande et au moteur de la tarrière. Utilisez un testeur de continuité pour tester l'interrupteur de sécurité de la trémie; remplacez-le si nécessaire.		Commencez par vider la trémie. Puis retirez le moteur de la tarrière en retirant la goupille de la tarrière. Retirez la plaque d'inspection de l'arbre de la tarrière dans la trémie pour pouvoir examiner l'arbre de la tarrière. Soulevez légèrement l'arbre de la tarrière de sorte que l'extrémité de l'arbre sorte du manchon inférieur de tarrière. Retirez ensuite les deux écrous qui tiennent la pastille supérieure de la tarrière. Puis faites pivoter l'extrémité inférieure de l'arbre de la tarrière vers vous, jusqu'à ce que vous puissiez soulever l'arbre et le sortir du poêle. Après avoir sorti l'arbre, recherchez des pales déformées, des bavures ou des soudures cassées. Retirez tout corps étranger susceptible d'avoir provoqué le blocage. Vérifiez également le tube de la tarrière, en recherchant des signes de dommage, tels que des bavures, des zones rugueuses, ou des rainures creusées dans le métal qui pourraient être à l'origine du blocage.		6. L'arbre de la tarrière est coincé.		Retirez le moteur de l'arbre de la tarrière et essayez de le faire fonctionner. Si le moteur tourne, c'est l'arbre qui est coincé sur quelque chose. Si le moteur ne tourne pas, il est défectueux.		7. Le moteur de la tarrière est affecté d'une défaillance.		Solutions possibles: (Débranchez le poêle avant toute chose quand c'est possible.)		L'écran affiche « E5 » clignotant	
L'écran affiche « E5 » clignotant		Solutions possibles: (Débranchez le poêle avant toute chose quand c'est possible.)		1. Le poêle affiche automatiquement « E5 » en clignotant lorsqu'il est allumé.		Le capteur du thermostat a été débranché du tableau de commande. Vérifiez si le capteur est débranché. Si le capteur n'est pas débranché, c'est le capteur qui est endommagé ou en court-circuit. Dans ce cas, le capteur doit être remplacé.																							

# Guide De Dépannage

L'écran affiche « E3 » clignotant	
Solutions possibles: (Débranchez le poêle avant toute chose quand c'est possible.)	
1. La trémie est vide de granulés.	Rempissez la trémie.
2. Le registre de réglage d'air est trop ouvert pour un réglage de chauffage trop bas.	Si le réglage de chauffage est réduit, vous devrez peut-être fermer complètement le registre.
3. Les orifices du pot de combustion sont bouchés.	Retirez le pot de combustion et nettoyez-le à fond.
4. L'entrée d'air, les chambres intérieures, ou le système d'évacuation sont partiellement obstrués.	Suivez toutes les procédures de nettoyage de la section d'entretien du Guide d'utilisation
5. L'interrupteur de sécurité de la trémie est affecté d'une défaillance ou la trémie est ouverte.	Lors de l'utilisation de l'appareil, vérifiez que le couvercle de la trémie soit fermé pour permettre à l'interrupteur de sécurité de la trémie de s'activer. Vérifiez les connexions des fils qui partent de l'interrupteur de sécurité de la trémie jusqu'au tableau de commande et au moteur de la trémie. Utilisez un testeur de continuité pour tester l'interrupteur de sécurité de la trémie; remplacez-le si nécessaire.
6. L'arbre de la tarière est coincé.	Commencez par vider la trémie. Retirez ensuite le moteur de la tarière en retirant la goupille de la tarière, puis retirez les deux boulons qui fixent le support de tarière au tube de tarière. Vous pouvez maintenant retirer le support du tube de tarière. Retirez les deux boulons du côté du tube de tarière pour déposer le roulement inférieur de la tarière. Tirez sur la tarière pour la sortir du tube afin de lever le blocage.
7. Le moteur de la tarière est affecté d'une défaillance.	Retirez le moteur de l'arbre de la tarière et essayez de le faire fonctionner. Si le moteur tourne, c'est l'arbre qui est coincé sur quelque chose. Si le moteur ne tourne pas, il est défectueux.
8. Le thermostat de détection de feu (POF) a mal fonctionné.	Contournez temporairement le thermostat POF en débranchant les deux fils et en les raccordant avec un petit morceau de fil. Puis rebranchez le poêle. Si le poêle s'allume et fonctionne, vous devez remplacer le thermostat POF. Cette manœuvre est réservée aux tests. NE LAISSEZ PAS LE THERMOSTAT HORS CIRCUIT. Si le thermostat POF restait hors circuit, les ventilateurs ne s'arrêteraient jamais et si le feu s'éteignait, la tarière continuerait à envoyer les granulés jusqu'à ce que la trémie soit vide.
9. La tableau de commande n'envoie pas le courant au thermostat POF ou aux autres composants du système de tarière.	Une tension approximative de 5 V doit arriver au thermostat POF après 10 minutes de fonctionnement du poêle.

# Guide De Dépannage

L'écran affiche « E2 » clignotant	
Causes possibles:	Solutions possibles: (Débranchez le poêle avant toute chose quand c'est possible.)
1. Le tuyau souple de l'interrupteur de débit d'air ou les tuyaux de fixation au poêle pour le tuyau souple sont bouchés.	Débranchez le tuyau souple d'air de l'interrupteur de débit d'air et soufflez dans le tuyau. Si l'air ne circule pas dans le tuyau souple, utilisez un cintre à vêtements métallique pour le déboucher.
2. L'entrée d'air, le pot de combustion, les chambres de combustion internes, les ventilateurs de combustion ou le conduit d'évacuation sont bouchés par des cendres ou des corps étrangers.	Suivez toutes les procédures de nettoyage de la section d'entretien du Guide d'utilisation.
3. Le foyer n'est pas correctement scellé.	Vérifiez que la porte est fermée et que le joint est en bon état.
4. Le conduit d'évacuation est mal installé.	Vérifiez que l'installation du conduit d'évacuation satisfait aux critères du Guide d'utilisation.
5. Les connexions du fil de l'interrupteur de débit d'air sont défectueuses.	Vérifiez les connecteurs qui relient les fils gris à l'interrupteur de débit d'air.
6. Panne du ventilateur de combustion.	Lorsque le poêle est en marche, vérifiez si le ventilateur de combustion est en fonctionnement. Sinon, vérifiez l'alimentation électrique du ventilateur de combustion. Ce doit être la tension nominale. Si l'alimentation électrique est bonne, c'est le ventilateur qui est défectueux. Si l'alimentation est absente, reportez-vous au point No. 8.
7. Le tableau de commande n'envoie pas le courant au ventilateur de combustion.	Si l'alimentation électrique n'arrive pas au ventilateur de combustion, vérifiez toutes les connexions des fils électriques. Si tous les fils sont bien connectés, c'est le tableau de commande qui est défectueux.
8. Le tableau de commande n'envoie pas le courant à l'interrupteur de débit d'air.	Après 30 secondes de fonctionnement du poêle, la tension d'alimentation de l'interrupteur de débit d'air doit atteindre environ 5 V.
9. Panne de l'interrupteur d'air.	Pour vérifier l'interrupteur de débit d'air, débranchez le tuyau souple d'air du corps du poêle. L'autre extrémité restant branchée sur l'interrupteur d'air, aspirez très doucement depuis l'extrémité libre du tuyau (vous pouvez débrancher entièrement le tuyau souple du poêle et de l'interrupteur d'air pour vérifier qu'il ne soit pas bouché). Si vous entendez un clic, c'est que l'interrupteur de débit d'air fonctionne. ATTENTION, UNE DÉPRESSION TROP IMPORTANTE PEUT ENDOMMAGER L'INTER interrupteur DE DÉBIT D'AIR.

# Guide De Dépannage

Lorsque le poêle ne fonctionne pas comme d'ordinaire, la première réaction est de demander à l'aide. Ce guide peut vous faire gagner du temps et économiser de l'argent en vous permettant de résoudre les problèmes simples par vous-même. Les problèmes rencontrés sont souvent le résultat de cinq facteurs seulement: 1) mauvais combustible; 2) mauvaise utilisation ou mauvais entretien; 3) mauvaise installation; 4) défaillance d'un composant; 5) défaut de fabrication. Vous pouvez en général résoudre les problèmes liés aux causes 1 et 2. Votre concessionnaire peut quant à lui régler les problèmes liés aux causes 3, 4 et 5. Reportez-vous aux schémas de la page 25 pour aider à localiser des pièces indiquées.

Pour le dépannage et en vous aidant de ce guide, observez le réglage du niveau de chauffage pour voir quel témoin clignote.

- Débranchez le cordon d'alimentation avant toute opération d'entretien ! REMARQUE: Le fait de placer l'interrupteur ON/OFF en position « Off » ne coupe pas entièrement l'alimentation des composants électriques du poêle.
- Ne tentez jamais de réparer ou de remplacer une pièce du poêle sans indication contraire dans les directives de ce guide. Tous les autres travaux doivent être effectués par un technicien qualifié.

L'écran affiche « E1 » clignotant

Causes possibles:		Solutions possibles: (Débranchez le poêle avant toute chose quand c'est possible.)
1. Le ventilateur de convection surchauffe et déclenche l'arrêt de température interne.	Enlevez la poussière des bobinages et pales de ventilateur. Si le graissage du ventilateur ne suffit pas, il se peut que le ventilateur soit défectueux.	
2. Le poêle est demeuré sur le réglage le plus élevé pendant de longues périodes.	En cas d'utilisation du poêle sur le réglage de chauffage le plus élevé, il se peut que la température de la pièce s'élève au point de créer une situation de surchauffe potentielle. Dans ce cas, essayez d'utiliser un réglage de chauffage intérieur.	
3. Un autre combustible que les granulés de bois est brûlé dans le poêle.	Ce poêle à granulés a été conçu et testé pour brûler des granulés de bois. Recherchez la présence de combustibles autres que des granulés de bois. Aucun autre type de combustible n'a été approuvé pour ce poêle à granulés. En présence de signes d'utilisation d'autres types de combustible, cessez immédiatement de les utiliser.	
4. Surtension ou baisse de tension.	Une surtension, un pic ou une chute de tension peut provoquer le déclenchement du l'interrupteur de surchauffe. Vérifiez si une protection contre les surtensions est installée sur le poêle. Sinon, il est conseillé d'en installer une.	
5. L'interrupteur de surchauffe fonctionne mal.	Si tous les autres éléments paraissent corrects, remplacez l'interrupteur de surchauffe.	

ATTENTION: Cet appareil de chauffage au bois a besoin d'inspection périodique et la réparation pour un fonctionnement correct. Il est contre les règlements fédéraux pour faire fonctionner ce poêle à bois d'une manière incompatible avec les instructions de ce manuel.

# Entretien

1. Une fois que le chauffage a refroidi, retirez la porte du réchauffeur.
2. Retirez le joint de la corde de la porte avec les quatre (4) vis qui maintiennent le dispositif de retenue du verre en place et le dispositif de retenue du verre.
3. Tout en portant des gants en cuir (ou tout autre gant adapté à la manipulation du verre cassé), retirez soigneusement les morceaux de verre en vrac du cadre de la porte. Éliminer correctement tout le verre cassé.
4. Remplacez le verre et le joint d'étanchéité, en vous assurant que le joint d'étanchéité dépasse le périmètre du bord du verre.
5. Réinstallez le nouveau verre en remontant les fixations et les vis, veillez à ne pas trop serrer les vis car cela pourrait endommager le verre.

## MISE EN MARCHÉ À L'AUTOMNE

Avant de démarrer le premier feu de la saison de chauffage, vérifiez que la zone à l'extérieur des systèmes d'évacuation et d'admission d'air ne soit pas obstruée. Nettoyez et retirez les cendres volantes du système d'évacuation. Nettoyez tous les filtres du système d'évacuation et du tuyau d'entrée d'air extérieur. Activez toutes les commandes et vérifiez qu'elles fonctionnent correctement. C'est aussi le bon moment pour nettoyer à fond la totalité du poêle.

## ARRÊT AU PRINTEMPS

Après la dernière flambee du printemps, retirez tous les granulés restants de la trémie et du système d'alimentation à tarière. Enlevez tout d'abord les granulés avec une pelle, puis faites fonctionner la tarière jusqu'à ce que la trémie soit vide et que les granulés cessent de couler (il suffit pour cela d'appuyer sur l'interrupteur ON en gardant la porte d'observation ouverte). Passez l'aspirateur dans la trémie. Nettoyez soigneusement le pot de combustion et la chambre de combustion. Si le poêle est dans un endroit humide, il peut être souhaitable de pulvériser du silicone en aérosol à l'intérieur de la trémie nettoyée. Le système d'évacuation doit être soigneusement nettoyé.

## CALENDRIER D'ENTRETIEN

Suivez le calendrier ci-dessous dans des conditions d'utilisation moyennes. Les joints autour de la porte et de la vitre doivent être inspectés et réparés ou remplacés si nécessaire.

Tous les mois ou selon les besoins	Toutes les semaines	Tous les jours	Pot de combustion
	Vide	Agité	Chambre de combustion
	Brossée		Cendres
	Vidées	Vérifiées	Chambres intérieures
	Aspirées		Pales du ventilateur de combustion
	Aspirées / Brossées		Turbine du ventilateur de convection
	Aspirée / Brossée		Système d'évacuation
	Nettoyé		Joints
	Inspectés		Vitre
	Nettoyée	Essuyée	Trémie (fin de saison)
Vidée et aspirée			

## **ÉLIMINATION DES CENDRES**

Retirez les cendres lorsque l'appareil a refroidi. Les cendres doivent être placées dans un récipient métallique doté d'un couvercle hermétique. Le récipient à cendres fermé doit être déposé sur un sol en matériau combustible ou à même la terre, bien à l'écart de tout matériau combustible, en attendant l'élimination définitive. Si vous éliminez les cendres en les enterrant ou en les dispersant localement, elles doivent demeurer dans un récipient fermé jusqu'à ce qu'elles soient complètement refroidies. Le récipient ne doit pas être utilisé pour l'élimination d'autres déchets ou rebut. En cas de mélange avec des matières combustibles, les cendres et les braises peuvent s'enflammer.

## **SMOKE AND CO MONITEURS**

La combustion du bois produit naturellement le monoxyde de carbone (CO) et de la fumée. CO est un gaz toxique lorsqu'il est exposé à des concentrations élevées pendant des périodes de temps prolongées. Alors que les systèmes de combustion modernes réduisent considérablement la quantité de CO émise par la cheminée, l'exposition aux gaz dans des zones fermées ou confinées peut être dangereuse. Assurez-vous que vous les joints du poêle et les joints de cheminée sont en bon état de fonctionnement et d'étanchéité correctement pour assurer une exposition involontaire. Il est recommandé d'utiliser les deux écrans de fumée et de CO dans les zones ayant le potentiel de générer CO.

## **VÉRIFICATION ET NETTOYAGE DE LA TRÉMIE**

Inspectez périodiquement les joints de la porte principale et des vitres. Il faudra peut-être retirer la porte principale pour que les distributeurs effilochés, cassés ou compactés soient remplacés par votre revendeur agréé. La porte de cette unité utilise un joint de corde de 5/8 «de diamètre.

## **JOINTS DE PORTE ET DE VITRE**

Inspecter régulièrement les principales portes et fenêtres en verre joints. La porte principale peut avoir besoin d'être enlevé pour avoir des joints effilochés, brisés ou compactés remplacés par votre revendeur agréé. La porte de cet appareil utilise un joint 5/8 corde de diamètre

## **MOTEURS DES VENTILATEURS**

Nettoyez tous les ans les orifices des moteurs des ventilateurs d'évacuation et de distribution. Retirez le ventilateur d'évacuation du conduit d'évacuation et nettoyez ses pales dans le cadre des opérations de mise en marche en automne.

## **SURFACES PEINTES**

Les surfaces peintes peuvent être essuyées avec un chiffon humide. Si des rayures apparaissent, ou si vous souhaitez rénover la peinture, adressez-vous au revendeur agréé qui vous fournira un bidon de peinture à haute température adaptée.

## **VERRE - NETTOYAGE, ENLEVEMENT ET REMPLACEMENT DU VERRE DE PORTE CASSE**

Nettoyage - Nous recommandons d'utiliser un nettoyant vitre de haute qualité. Si une accumulation de crésote ou de carbone s'accumule, vous pouvez utiliser 000 laines d'acier et de l'eau pour nettoyer le verre.

- NE PAS utiliser de nettoyeurs abrasifs.
- NE PAS effectuer le nettoyage pendant que le verre est CHAUD.
- NE PAS abuser du verre de la porte en frappant, en claquant ou en traumatisant similaire.
- NE PAS faire fonctionner le poêle avec le verre enlevé, fissuré ou cassé.

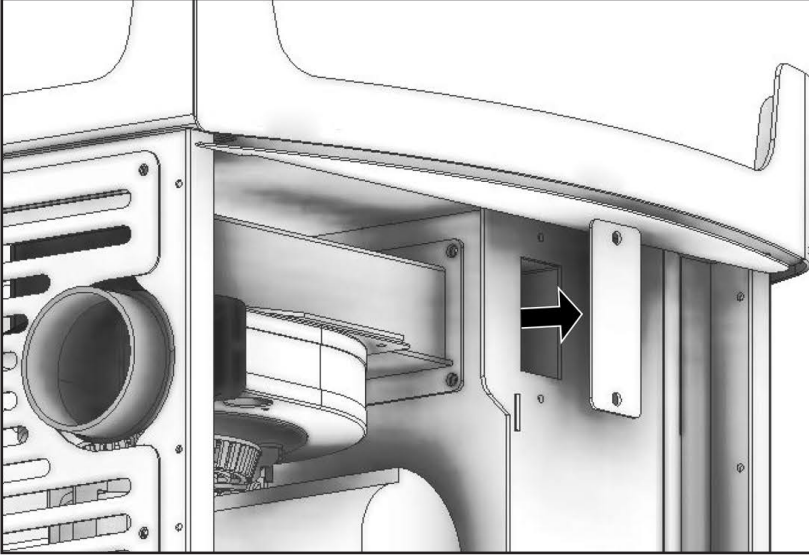
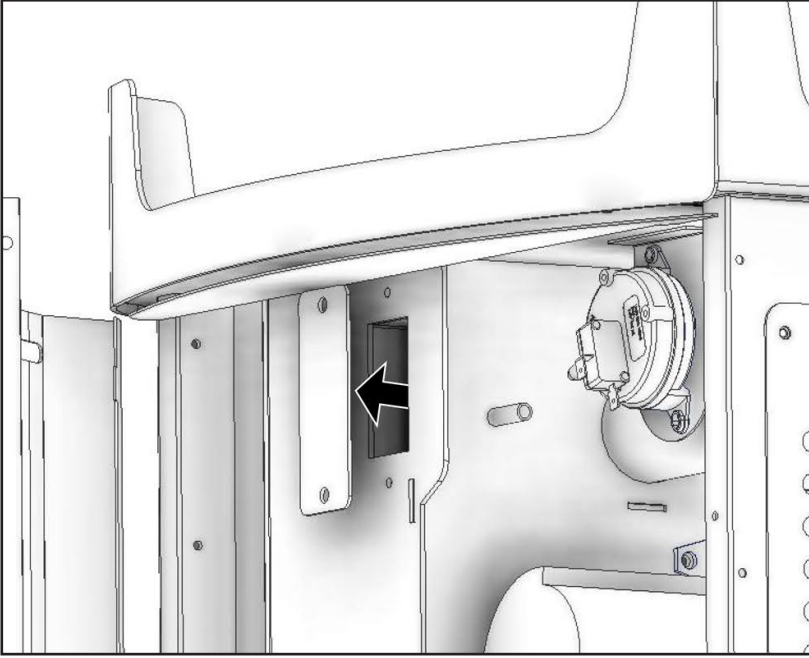
Seul le verre céramique à haute température de la taille et de l'épaisseur appropriées peut être utilisé. NE PAS substituer les matériaux alternatifs pour le verre. Le verre de rechange doit être en verre céramique trempé d'une épaisseur de 0,197 po avec une température de service de 1400 ° F. Le verre de remplacement peut être acheté auprès de votre revendeur de chauffage de salle de combustion de granulés de poêle aux États-Unis. Dans le cas où vous devez remplacer le verre, procédez comme suit:

# AVERTISSEMENT: L'ENSEMBLE DE MAINTENANCE L'ENTRETIEN PROPRE DETERMINANT UNE PERFORMANCE DE CE POELE.

## Entretien

### CHAMBRES INTERIEURES

- Graver Pot: Périodiquement enlever et nettoyer le pot de combustion et la zone à l'intérieur du logement du pot de combustion. En particulier, il est conseillé de nettoyer les trous dans le pot de combustion pour éliminer toute accumulation qui peut empêcher l'air de se déplacer à travers le pot de combustion librement.
  - Echangeur de chaleur: Il y a une plaque à nettoyer des deux côtés de l'échangeur de chaleur qui ont besoin d'être enlevé pour le nettoyage des cendres volantes hors de l'échangeur de chaleur. Les regards de nettoyage sont situés à l'intérieur des portes d'armoires, sur les coins avant intérieurs de l'échangeur de chaleur. Pour accéder à ces outils propres, vous devez retirer les deux panneaux latéraux. Les sorties propres sont fixées à la chambre de combustion avec (2) vis 5/16 ". Retirez les feuilles propres et aspirer les cendres accumulées. Cela devrait être fait au moins une fois par mois ou plus fréquemment si de grandes quantités de cendres sont remarqués lors du nettoyage ou si le poêle ne semble pas être brûler correctement.
- Si le vide est utilisé pour nettoyer votre poêle, nous vous suggérons d'utiliser un aspirateur conçu pour l'élimination des cendres. Certains aspirateur classique (à savoir la bouteille de vacs) peut fuir la cendre dans la pièce.
- NE PAS ASPIRER HOT ASH



# Entretien

## PROCÉDURE D'ARRÊT

Pour arrêter le poêle, il suffit d'appuyer sur la touche « POWER » du tableau d'affichage. Le témoin vert repasse au rouge lorsqu'on appuie sur la touche « POWER ». Le moteur de la tarrière s'arrête et les ventilateurs continuent de fonctionner jusqu'à ce que la température de la chambre de combustion interne ait baissé jusqu'à un niveau prédéfini.

AVERTISSEMENT: N'arrêtez jamais cet appareil en le débranchant de la source d'alimentation électrique.

1. Ce poêle est équipé d'un thermostat haute température. Cet appareil comporte un thermostat à réarmement manuel. Cet interrupteur de sécurité a deux fonctions:

B. Détecter une surchauffe du poêle et arrêter le système d'alimentation en combustible ou la tarrière.

C. En cas de dysfonctionnement du ventilateur de convection, le thermostat haute température arrête automatiquement la tarrière, ce qui prévient une surchauffe du poêle.

REMARQUE: Sur certains appareils, une fois le bouton de réinitialisation déclenché, comme un disjoncteur, il faut appuyer dessus pour redémarrer le poêle. Sur d'autres appareils, le thermostat ne comporte pas de bouton de réinitialisation et se réinitialise lorsque le poêle a refroidi. Le fabricant vous recommande de vous adresser au revendeur si cela se produit car cela peut indiquer un problème plus grave. Il peut s'avérer nécessaire d'appeler le service de réparation.

En cas de défaillance du ventilateur de combustion, un interrupteur pneumatique interrompt automatiquement la tarrière.

REMARQUE: L'ouverture de la porte du poêle pendant plus de 30 secondes pendant le fonctionnement provoque un changement de pression suffisant pour activer l'interrupteur pneumatique qui arrête l'alimentation en combustible. Le poêle s'éteint et la mention « E2 » s'affiche sur l'écran à deux chiffres. Le poêle doit s'arrêter complètement avant de pouvoir être redémarré.

• Le défaut de nettoyage et d'entretien de cet appareil comme indiqué peut entraîner une baisse des performances et un risque pour la sécurité.

• Débranchez le cordon électrique du poêle avant de retirer le panneau arrière ou d'ouvrir le système d'évacuation pour toute tâche d'inspection, de nettoyage ou d'entretien.

• Ne procédez jamais à l'inspection, au nettoyage ou à l'entretien sur un poêle chaud.

• N'utilisez pas le poêle si la vitre est cassée, il pourrait en résulter une fuite de gaz de combustion.

## SYSTÈME D'ÉVACUATION

Formation de crésote – Lorsque le bois brûle lentement, il produit du goudron et d'autres vapeurs organiques qui se combinent avec l'humidité rejetée pour former la crésote. Les vapeurs de crésote se condensent dans un conduit de cheminée relativement froid ou si le feu vient de démarrer ou brûle lentement. Ainsi, les résidus de crésote s'accumulent sur le boisseau. Si elle prend feu, cette crésote produit un feu extrêmement chaud qui peut endommager la cheminée, voire détruire la maison. En dépit de leur grande efficacité, les poêles à granulés peuvent accumuler de la crésote dans certaines conditions.

Cendres volantes – Elles s'accumulent dans la portion horizontale du conduit d'évacuation. Bien qu'elles ne soient pas combustibles, elles peuvent générer le flux normal d'évacuation. Elles doivent donc être périodiquement éliminées.

Inspection et élimination – Le raccord et le conduit de cheminée doivent être inspectés par une personne qualifiée une fois par an ou par tonne de granulés pour déterminer si une accumulation de crésote ou de cendres volantes s'est produite. Si la crésote s'est accumulée, elle doit être enlevée pour réduire le risque de feu de cheminée. Inspectez le système au niveau du raccord avec le poêle et en haut de la cheminée. Les surfaces froides ont tendance à accumuler les dépôts de crésote plus rapidement; il est donc important de vérifier la cheminée par le haut ainsi que par le bas. La crésote doit être éliminée avec une brosse spécialement conçue pour le type de cheminée utilisée. Un ramonneur qualifié peut fournir ce service. Il est également conseillé d'inspecter, de nettoyer et si nécessaire de réparer la totalité du système avant chaque saison de chauffage. Pour nettoyer la cheminée, déconnecter l'évacuation du poêle.

# Fonctionnement

température durcit ou se décolore sur le métal. Maintenir de plus petits incendies minimisera cela. Évitez de placer des objets sur la cuisinière pendant cette période car la peinture pourrait en être affectée. Toute tentative visant à atteindre des débits calorifiques supérieurs aux spécifications de conception du chauffage peut entraîner des dommages permanents au chauffage.

## **AUTOMATIQUE**

Remplissez la trémie et nettoyez la casserole.

1. Appuyez sur le bouton «On / Off». Assurez-vous que le voyant vert s'allume.
2. L'amortisseur doit être complètement fermé ou ouvert au maximum ¼ de la voie pendant le démarrage. Cela dépendra de votre installation et de votre élévation. Une fois le feu réglé, ajustez la flamme désirée en augmentant la quantité d'amortisseur ouverte à mesure que le réglage de la chaudière augmente. (Voir «DAMPER CONTROL»)
3. Réglez la vitesse d'avance sur le réglage désiré en appuyant sur la touche «Avance du niveau de chaudière». Si le feu ne démarre pas en 12 minutes, appuyez sur «On / Off», attendez quelques minutes, effacez la casserole et recommencez la procédure.

## **RÉGLAGE DU REGISTRE DE TIRAGE**

Le levier de commande du registre de tirage se trouve à l'arrière du poêle, en bas du côté gauche. Le registre règle l'air de combustion. Ce réglage est nécessaire en raison des différentes caractéristiques de combustion des installations individuelles, des différences marquées de granulés et de la vitesse d'alimentation en granulés. Il permet d'améliorer l'efficacité du poêle. L'apport suffisant d'air pour la combustion permet de réduire la fréquence de nettoyage de la porte vitrée et prévient l'accumulation rapide de résidu à l'intérieur du poêle et de la cheminée. Réglez le registre de tirage en fonction de l'aspect de la flamme. Une flamme basse, rougeâtre, peut être améliorée en tournant légèrement le registre vers la droite. Une flamme « en torche » peut être améliorée en tournant légèrement le registre vers la gauche. En règle générale, en cas de réglage pour une faible vitesse d'alimentation, le registre doit être réglé vers la gauche, dans le sens de fermeture. Pour une vitesse d'alimentation élevée, le registre doit être plus ouvert en le réglant vers la droite. Vous trouverez le réglage optimal par tâtonnements. Consultez votre revendeur si vous avez besoin d'aide. REMARQUE: Sur le réglage de chaudière « 1 », le registre de tirage doit être soit complètement fermé, soit ouvert au maximum au quart de sa course. Si le registre est trop ouvert, le feu pourrait s'éteindre.

## **OUVERTURE DE LA PORTE**

Si la porte est ouverte pendant le fonctionnement du poêle, elle doit être refermée dans les 30 secondes, sinon le poêle s'éteint. Si le poêle s'éteint, appuyez sur l'interrupteur ON/OFF pour le redémarrer. Le poêle doit être complètement arrêté et débranché avant de pouvoir être redémarré.

## **VENTILATEUR DE LA PIÈCE**

Lors du démarrage du poêle, le ventilateur de la pièce ne se met pas en marche tant que l'échangeur thermique du poêle n'est pas chaud. Cela prend habituellement environ 10 minutes après le démarrage.

## **SI LE POÊLE MANQUE DE GRANULÉS**

Le feu s'éteint, le moteur de la trémie et les ventilateurs restent en fonctionnement jusqu'à ce que le poêle ait refroidi. Cela peut prendre 30 minutes ou plus, en fonction de la chaleur résiduelle dans l'appareil. Après l'arrêt des composants du poêle, tous les témoins de l'écran s'éteignent et l'écran à deux chiffres affiche « E3 » en clignotant.

## **RECHARGE EN COMBUSTIBLE**

- La trémie et le couvercle du poêle sont chauds pendant le fonctionnement; vous devez toujours protéger vos mains lors du remplissage du poêle.
  - Ne placez jamais la main près de la trémie pendant le fonctionnement du poêle.
- Nous recommandons de ne pas laisser la trémie se vider à moins d'un quart de sa capacité.

## **AVERTISSEMENT DE SABOTAGE**

Ce chauffe-bois a un taux minimal de brûlure minimum établi par le fabricant qui ne doit pas être modifié. Il est contraire aux règlements fédéraux de modifier ce réglage ou de faire fonctionner ce chauffe-bois d'une manière incompatible avec les instructions d'utilisation de ce manuel.

**GARDEZ LE COUVERCLE DE LA TRÉMIE FERMÉ À TOUT MOMENT, SAUF PENDANT LE REMPLISSAGE. NE REMPLISSEZ PAS TROP LA TRÉMIE.**

# Fonctionnement

- N'utilisez pas de produits chimiques ou autres liquides pour démarrer le feu – n'utilisez jamais d'essence, de combustible à lanterne de type essence, d'allume-feu liquide pour charbon ou d'autres liquides similaires pour allumer ou raviver le feu dans ce poêle. Gardez tous ces liquides éloignés du poêle lorsqu'il est en marche.
- Ne brûlez pas de déchets, de liquides inflammables tels qu'essence, kérosène ou huile pour moteur. Chaud lors du fonctionnement. Gardez les enfants, les vêtements et les meubles éloignés de l'appareil. Un contact peut causer des brûlures de la peau. Cet appareil est conçu pour brûler uniquement PFI pellets Premium qualité. Cet appareil peut également brûler des granulés notés en standard après le 16 mai 2015.

## NE PAS BRÛLER:

1. Des déchets;
  2. coupures de gazon ou les déchets de jardin;
  3. Les matériaux contenant du caoutchouc, y compris les pneumatiques;
  4. Les matériaux contenant de la plastique;
  5. produits pétroliers des déchets, des peintures ou des diluants de peinture ou de produits d'asphalte;
  6. Les matériaux contenant de l'amiante;
  7. Les débris de construction ou de démolition;
  8. liens ou de bois traité sous pression Railroad;
  9. Fumier ou restes d'animaux;
- Brûler ces matériaux peut entraîner la libération de fumées toxiques ou de rendre l'appareil de chauffage de la fumée inefficace et cause.

## COMBUSTIBLE APPROPRIÉ

Cet appareil n'est homologué que pour brûler du carburant sous forme de granulés de bois ! Les granulés approuvés mesurent 1/4 po. Ou 5/16 po. De diamètre et pas plus de 1 po. De long. Les granulés plus longs ou plus épais peuvent bloquer les ailettes de la tarrière, ce qui empêche une bonne alimentation en granulés. Il est interdit de brûler du bois sous d'autres formes que des granulés. Il s'agit d'une violation des codes du bâtiment pour lesquels le poêle a été approuvé, et cela annulerait toutes les garanties. La conception du poêle intègre l'alimentation automatique des granulés dans le feu selon un rythme soigneusement calculé. Un autre combustible introduit à la main n'augmenterait pas la production de chaleur, mais pourrait nuire gravement aux performances du poêle en générant beaucoup de fumée. Ne brûlez pas de granulés mouillés. Les performances du poêle dépendent fortement de la qualité des granulés. Évitez les marques de granulés qui présentent les caractéristiques suivantes:

1. Un excès de fines – Le terme « fines » décrit les granulés écrasés ou les matériaux libres qui ressemblent à de la sciure ou à du sable. Il est possible de tamiser les granulés avant de les placer dans la trémie pour éliminer la plupart des fines.
2. Des liants – Certains granulés sont produits avec des matériaux liants qui les agglutinent, les « lient ».
3. Un contenu élevé en cendres – Ces granulés de mauvaise qualité créent souvent de la fumée et salissent la vitre. L'entretien devra être plus fréquent. Il faudra vider le pot de combustion et aspirer la totalité du système plus fréquemment. Des granulés de mauvaise qualité pourraient endommager la tarrière. Nous ne pouvons accepter aucune responsabilité en cas de dommages dus à des granulés de mauvaise qualité.

## VÉRIFICATION AVANT LA MISE EN MARCHÉ

Retirez le pot de combustion, vérifiez qu'il soit propre et qu'aucun des orifices d'air ne soit bouché. Nettoyez la chambre de combustion puis réinstallez le pot de combustion. Nettoyez la vitre de la porte si nécessaire (un chiffon sec ou une serviette en papier suffit généralement). N'utilisez jamais de produits nettoyants abrasifs sur la vitre ou la porte. Vérifiez le combustible dans la trémie, et rempissez-la si nécessaire.

## BÂTIR UN FEU

Ne jamais utiliser une grille ou un autre moyen de supporter le carburant. Utilisez uniquement le pot de combustion fourni avec cet appareil de chauffage. Le couvercle de la trémie doit être fermé pour que l'unité puisse alimenter les pellets. Pendant la période de démarrage:

1. Assurez-vous que le pot de combustion est exempt de pellets.
2. NE PAS ouvrir la porte de visualisation.
3. L'amortisseur devra peut-être être fermé pendant le démarrage.
4. NE PAS ajouter de granulés dans le pot de combustion à la main.

REMARQUE: lors des premiers incendies, votre poêle émettra une odeur à mesure que la peinture à haute

# Panneau De Contrôle

## COMMANDES DU TABLEAU

Les ventilateurs et le système d'alimentation automatique en combustible sont contrôlés à partir d'un tableau à partie supérieure cette unité. Les fonctions du tableau de commande sont les suivantes:

### A. INTERRUPTEUR ON/OFF (BOUTON DE MISE EN MARCHÉ)

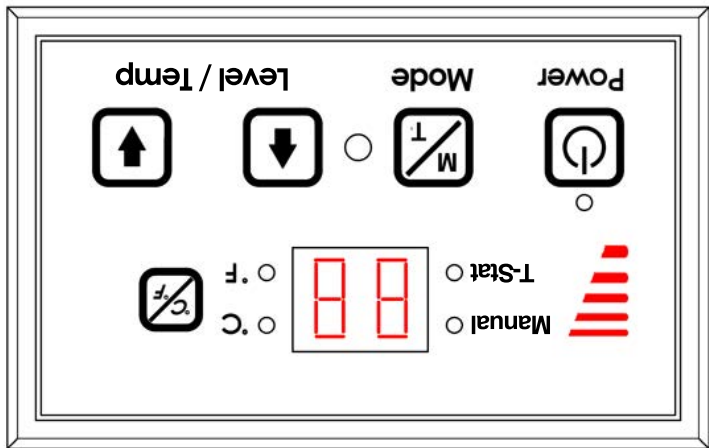
- En appuyant sur ce bouton, le poêle s'allume automatiquement. Aucun autre allume-feu n'est nécessaire. L'allumeur reste activé pendant au moins 10 minutes et jusqu'à 12 minutes en fonction du moment où le seuil de détection de feu est atteint. Le feu devrait démarrer en 5 minutes environ.
- Le témoin rouge situé au-dessus du bouton « POWER » passe au vert lorsqu'il est enfoncé et reste vert jusqu'à l'arrêt du poêle.
- Après l'appui sur le bouton « POWER », le moteur de la tarrière fonctionne pendant 3,5 minutes, puis s'arrête pendant 1 minute. Pendant le reste de la période de démarrage, le moteur de la tarrière fonctionne sur le réglage « 1 » de niveau de chauffage.
- Pendant le démarrage, le réglage du niveau de chauffage (touches H et L) modifie le niveau du témoin de plage de chaleur, mais les conditions de fonctionnement du poêle ne changent pas avant la fin de la période de démarrage.
- Pendant la période de démarrage, le feu doit démarrer en 12 minutes, sinon le poêle passe en mode d'erreur et affiche le code E4.
- Pendant la phase de démarrage, la touche Mode n'est pas fonctionnelle.

### B. TOUCHES FLÊCHÉES DE NIVEAU / TEMPÉRATURE

- Ces touches permettent de régler le débit d'alimentation des granulés, et par conséquent la production ou la plage de chaleur du poêle.
- Les niveaux de production de chaleur changent progressivement sur le diagramme en barres, passant du niveau « 1 » au niveau « 5 » de chauffage.
- La touche °C / °F fait passer l'affichage à deux chiffres des degrés Celsius aux degrés Fahrenheit et vice-versa.

### D. TOUCHE MODE (M/T)

- Le Mode de fonctionnement du poêle peut être Manuel ou commandé par un Thermostat. Des diodes distinctes, à gauche de l'écran à deux chiffres, indiquent le mode de fonctionnement – Manuel ou T-stat. Le poêle doit être en mode de fonctionnement normal pour pouvoir passer du mode Manuel au mode T-stat.
- Le mode Manuel fonctionne conformément aux 5 niveaux de réglage d'alimentation sur le diagramme, du niveau de chauffage « 1 » au niveau « 5 ».
- Le mode T-stat fonctionne de la manière suivante: Le poêle est équipé d'un thermostat intégré dans ses commandes. Le capteur de température du thermostat se trouve à l'arrière du poêle, derrière le panneau d'affichage.
- Une fois le poêle en mode de fonctionnement, il est possible de le placer en mode T-stat. Les touches fléchées Haut et Bas de Niveau / Température permettent de modifier la température de déclenchement (point de consigne).
- Une fois la température souhaitée atteinte, l'écran à deux chiffres clignote pendant quatre secondes et indique la température réelle de la pièce.
- Lorsque le poêle atteint une plage de 3 °F autour du point de consigne souhaité, il revient à la plage de chaleur pour laquelle il était réglé avant de passer en mode T-stat (si le poêle était réglé sur le niveau de chauffage « 5 » avant de passer en mode T-stat, il revient à niveau de chauffage « 5 » lorsqu'il atteint la plage de 3 °F autour du point de consigne.
- Lorsque le poêle atteint le point de consigne souhaité, il passe au niveau de chauffage « 1 ».
- Lorsque la température ambiante passe sous le point de consigne souhaité, le poêle chauffe de nouveau jusqu'à la température souhaitée.



# Installation

## PRISE D'AIR EXTÉRIEUR (FACULTATIVE, SAUF EN CAS D'INSTALLATION DANS UNE MAISON MOBILE)

Une ventilation adéquate est nécessaire au fonctionnement de ce poêle. Pendant le fonctionnement, le poêle aspire de l'air pour la combustion; ce processus peut être facilité par l'installation de prises d'air extérieur. Cependant, certaines conditions atmosphériques, comme le gel ou l'utilisation de ventilateurs d'extraction de cuisine peuvent avoir un impact en diminuant l'efficacité des prises d'air. Il est important de noter que le défaut d'aération de la pièce aurait un impact négatif sur le fonctionnement du poêle.

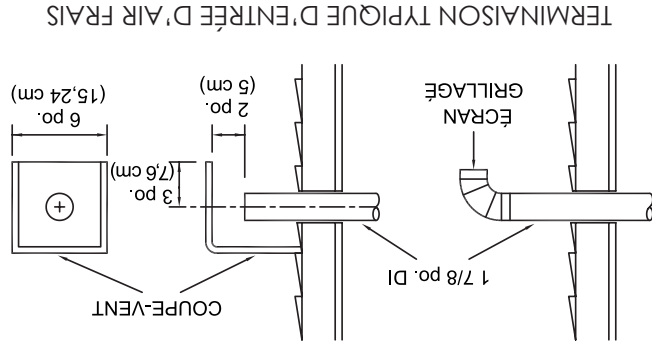
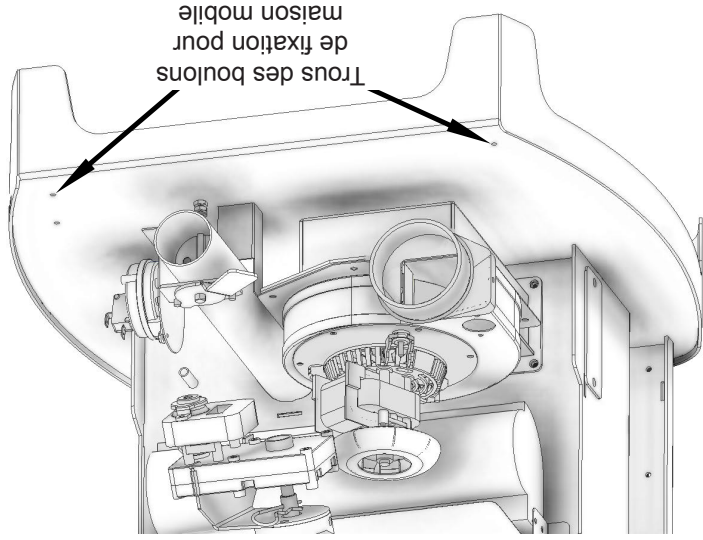
En fonction de l'endroit et de la construction de la maison, l'admission d'air extérieur peut être nécessaire pour des performances optimales. Utilisez un tuyau métallique (rigide ou flexible) pour l'installation de prise d'air extérieur. L'utilisation d'un tuyau en PVC n'est PAS approuvée. N'utilisez JAMAIS de tuyau en PVC. Il convient d'installer un coupe-vent au-dessus de la terminaison d'entrée du tuyau d'air extérieur ou un coude/une courbure à 90 degrés dans la direction opposée aux vents dominants lorsque le tuyau d'entrée d'air extérieur est installé dans le mur d'un bâtiment. La terminaison d'admission d'air extérieur DOLL se trouve à au moins 1 pi. (0,305 m) de la sortie du système d'évacuation des fumées. Le diamètre extérieur du branchement du poêle est de 2 po. (50,8 mm). Le diamètre intérieur du tuyau de raccordement doit mesurer au moins 2 po. (50,8 mm). Le branchement d'air extérieur utilisé ne doit PAS limiter la quantité d'air disponible pour l'appareil. Le tuyau de raccordement doit être aussi court et rectiligne que possible et doit s'adapter par-dessus, et non pas à l'intérieur, du branchement d'air extérieur du poêle.

## CONDITIONS SPÉCIALES D'INSTALLATION DANS UNE MAISON MOBILE

- Avertissement ! - N'installez pas l'appareil dans une chambre à coucher
- Attention ! - L'intégrité structurelle du plancher de la maison mobile, des murs et du toit doit être préservée.

Outre les critères d'installations détaillés ci-dessus, l'installation dans une maison mobile soit satisfaire aux conditions suivantes:

- L'appareil doit être fixé au sol à l'aide des tire-fond dans les trous prévus à cet effet dans le socle.
- Le poêle doit être mis à la terre sur le châssis d'acier de la maison mobile en utilisant un fil de cuivre de 8 GA avec une rondelle striée ou en étoile pour attaquer la peinture ou le revêtement protecteur afin d'assurer la mise à la masse.
- L'évacuation doit être de type « PL » de 3 ou 4 po. (76 ou 101 mm) et doit dépasser d'au moins 36 po. (914 mm) au-dessus de la faîtière de la maison mobile; elle doit être installée avec un pare-feu de plafond et un chapeau anti-pluie homologués UL.
- En cas de déplacement de la maison mobile, toutes les sorties extérieures doivent être déposées pendant ce déplacement. Après la réimplantation, toutes les sorties extérieures doivent être réinstallées et fixées. Une prise d'air extérieur pour l'installation dans une maison mobile. Consultez la section Admission d'air extérieur et votre concessionnaire pour l'achat.
- Vérifiez auprès de votre municipalité si d'autres codes sont applicables.



TERMINAISON TYPIQUE D'ENTRÉE D'AIR FRAIS

REMARQUE: Les dimensions entre le sol et les tuyaux d'admission d'air/d'évacuation du poêle sont approximatives et peuvent varier en fonction de l'installation.

# Installation

## INSTALLATION AU TRAVERS DU MUR (INSTALLATION RECOMMANDÉE)

Au Canada, l'installation doit être conforme à la norme CAN/CSA-B365.

Pour évacuer l'appareil par le mur, raccordez l'adaptateur de tuyau à l'adaptateur d'échappement du moteur. Si l'adaptateur d'échappement se trouve à 18 po. (762 mm) ou moins au-dessus du sol, il est possible de traverser le mur avec une section droite de conduit d'évacuation pour poêle à granulés.

Le concessionnaire revendeur du poêle devrait pouvoir vous fournir un kit adapté à la plupart des cas pour cette installation, dont une bague murale permettant de préserver le dégagement nécessaire dans un mur en matériau combustible. Une fois à l'extérieur de la structure, un dégagement de 3 po. (76 mm) doit être conservé par rapport au mur extérieur et un T de nettoyage doit être placé sur le tuyau selon un angle de 90 degrés en s'éloignant de la maison. Puis une section de tuyau d'au moins 3 pi. (0,91 m) doit être ajoutée, avec un chapeau horizontal pour achever l'installation (voir la FIGURE 7).

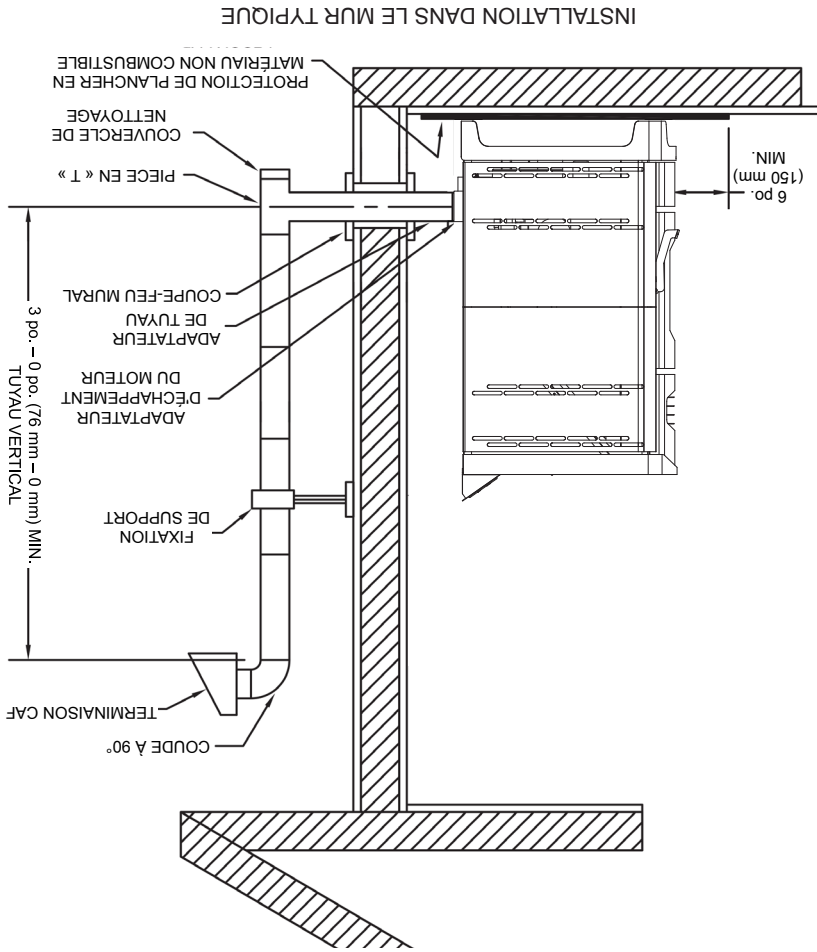
Un support doit être placé juste au-dessus du chapeau de sortie, ou à raison d'un support tous les 4 pi. (1,22 m) pour rendre le système plus stable. Si vous vivez dans une région où la neige est abondante, il est recommandé que la sortie de l'installation se trouve à plus de 3 pi. (0,91 m) pour échapper à la ligne de congère. Cette même installation peut être utilisée si le poêle se trouve sous le niveau du sol en ajoutant simplement la section de nettoyage et un tuyau vertical à l'intérieur jusqu'au niveau du sol. Avec cette installation, il faut tenir compte de la ligne de congère, des herbes et des feuilles mortes. Nous recommandons une élévation verticale minimum de 3 pi. (0,91 m) à l'intérieur ou à l'extérieur de la maison. L'installation « à travers le mur » est la moins chère et la plus simple. Ne jamais placer la sortie d'évacuation sous une terrasse, dans une alcôve, sous une fenêtre ou entre deux fenêtres. Nous recommandons les kits Simpson Dura-Vent® ou Metal-Fab®.

## INSTALLATION PAR LE TOIT/LE PLAFOND

En cas d'évacuation des fumées du poêle par le plafond, le tuyau est raccordé comme pour l'évacuation par le mur, mais le T de nettoyage est toujours à l'intérieur de la maison et un adaptateur de 3 po. (76 mm) est ajouté avant le T de nettoyage.

Vous devez toujours utiliser les brides de support de plafond et le solin de toit adaptés (fournis par le fabricant de conduit; suivez les instructions du fabricant). Il est important de noter que si la longueur de tuyau vertical est supérieure à 12 pi. (3,7 m), la taille du conduit d'évacuation pour poêle à granulés doit être de 4 po. (102 mm) de diamètre.

Ne dépassez pas 4 pi. (1,22 m) de longueur horizontale de tuyau et utilisez le moins de coudes possible. S'il est nécessaire de décaler l'axe du tuyau, il est préférable d'installer des coudes à 45 degrés plutôt qu'à 90 degrés.



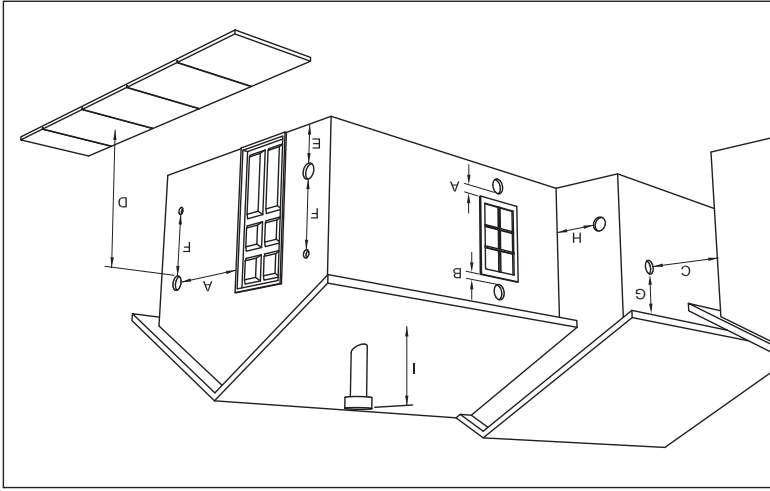
INSTALLATION DANS LE MUR TYPIQUE

# Installation

## D'ÉVACUATION POUR LA SORTIE

### D'ÉVACUATION

- A. Dégagement minimum 4 pi. (1,22 m) sous ou à côté de toute porte ou fenêtre ouvrante.
- B. Dégagement minimum de 1 pi. (0,3 m) au-dessus de toute porte ou fenêtre ouvrante.
- C. Dégagement minimum de 3 pi. (0,91 m) de tout bâtiment adjacent.
- D. Dégagement minimum de 7 pi. (2,13 m) au-dessus de tout passage public.
- E. Dégagement minimum de 2 pi. (0,61 m) au-dessus de toute plante, herbe ou autre matériau combustible.
- F. Dégagement minimum de 3 pi. (0,91 m) autour de l'entrée d'air forcée de tout appareil.
- G. Dégagement minimum de 2 pi. (0,61 m) sous les avancées de toiture ou surplombs.
- H. Dégagement minimum de 1 pi. (0,3 m) à l'horizontale de tout mur en matériau combustible.
- I. Doit se trouver au minimum à 3 pi. (0,91 m) au-dessus du toit et à 2 pi. (0,61 m) au-dessus de toute fatièrre du toit située à moins de 10 pi (3,05 m).



DÉGAGEMENTS POUR LA SORTIE  
D'ÉVACUATION POUR POÊLE À GRANULES

# Instructions De Montage

## Étape 1

Tirer les fils installés en usine sur le dessus du poêle. Il y aura deux faisceaux de câbles, comme illustré.



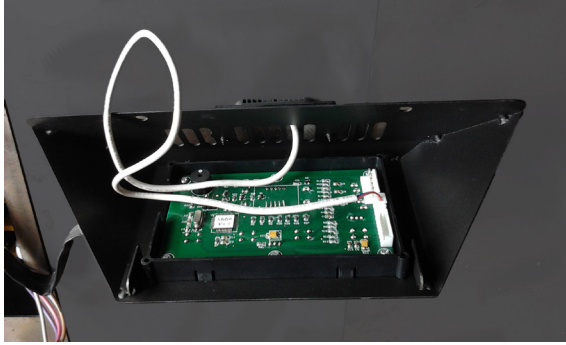
## Étape 3

Connecter les installés en usine faisceaux de câblage sur le panneau de commande comme indiqué.



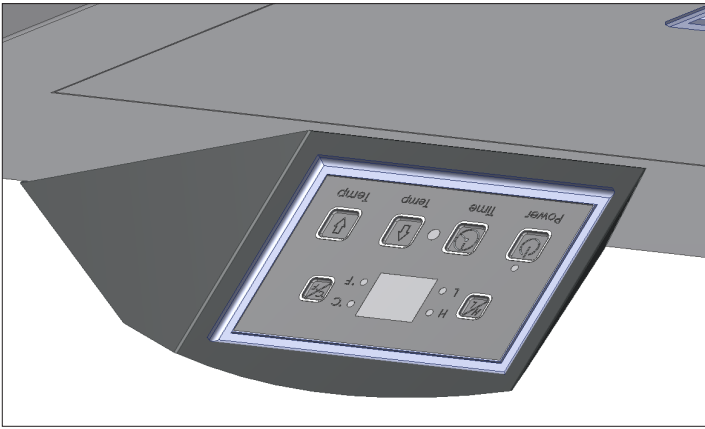
## Étape 2

Déballiez les meilleurs contrôles de montage et de veiller à ce que le faisceau de câblage illustré est fixé.



## Étape 4

Fixez le panneau de commande au dessus du poêle, comme indiqué.



## Étape 5

Fixer avec deux vis à tôle.

# Installation

## DISTANCE D'EVACUATION MAXIMALE

L'installation DOTT comporte au moins 3 pi. (91 cm) de conduit vertical hors de la maison. Ceci crée un appel d'air naturel qui limite le risque de fumée ou d'odeur lors de l'arrêt de l'appareil et évite que l'évacuation ne provoque des nuisances et un danger en exposant les personnes ou les bûissons à des températures élevées. La hauteur verticale recommandée pour l'évacuation des fumées est de 12 pi. (3,66 m) pour une évacuation de type « PL » de 3 po. (76 mm). La longueur totale de l'évacuation horizontale NE DOTT PAS dépasser 4 pi. (1,22 m). Ceci pourrait provoquer une contre-pression. N'utilisez pas plus de 180 degrés de cou dage (deux coudes à 90 degrés, ou deux coudes à 45 degrés et un coude à 90 degrés, etc.) pour conserver un tirage adéquat.

## IMPORTANCE DU PROJET CORRECTE

Le tirage est la force qui déplace l'air de l'appareil à travers la cheminée. Le montant du projet dans votre cheminée dépend de la longueur de la cheminée, la géographie locale, les obstructions avoisinantes et d'autres facteurs. Trop projet peut causer des températures excessives dans l'appareil. Un tirage inadéquat peut provoquer un retour de fumée dans la pièce et «brancher» de la cheminée. Un tirage inadéquat entraînera l'appareil à une fuite de fumée dans la pièce par appareil et le connecteur de cheminée joints. Une combustion incontrôlable ou une température excessive indique un tirage excessif. Prendre en compte l'emplacement de la cheminée pour assurer qu'il ne soit pas trop proche de voisins ou dans une vallée qui peut causer des conditions insalubres ou nuisibles.

## TYPE D'EVACUATION POUR POELE A GRANULES

Utilisez pour l'installation un système d'évacuation pour poêle à granulés de type « PL » de 3 ou 4 po. (76 à 102 mm) homologué UL et fixé-le au raccord de tube installé à l'arrière du poêle (utilisez un adaptateur de 3 ou 4 po. pour un tuyau de 4 po.). Le raccord à l'arrière du poêle doit être étanchéifié avec du RTV haute température (composé de caoutchouc de silicone résistant aux variations de température). Utilisez une évacuation de 4 po. si sa hauteur doit dépasser 12 pi. (3,66 m) ou si l'installation se trouve à plus de 2 500 pi. (762 m) d'altitude. Nous recommandons l'utilisation de conduits Simpson Dura-Vent® ou Metal-Fab® (si vous utilisez d'autres tuyaux, consultez les codes de construction locaux et/ou les inspecteurs en bâtiment). N'utilisez pas de tuyaux d'évacuation de gaz de type B ni de tuyaux galvanisés avec cet appareil. Le conduit d'évacuation pour poêle à granulés est conçu pour être démonté aux fins de nettoyage et doit être vérifié plusieurs fois au cours de la saison de chauffage. Le conduit d'évacuation pour poêle à granulés n'est pas fourni avec l'appareil et doit être acheté séparément.

## INSTALLATION DE L'EVACUATION POUR POELE A GRANULES

L'installation doit comprendre un T de nettoyage pour permettre la collecte des cendres volantes et le nettoyage périodique du système d'évacuation des fumées. Les coudes à 90 degrés accumulent les cendres volantes et la suie, réduisant par là même le débit de l'évacuation et les performances du poêle. Chaque coude ou T réduit le potentiel de tirage de 30 à 50 %. Tous les raccords du système d'évacuation doivent être fixés par au moins 3 vis, et scellés avec une colle de silicone RTV haute température pour les rendre étanches à l'air. La zone où le conduit d'évacuation sort de la maison doit être scellée au silicone ou un autre moyen pour préserver le pare-vapeur entre l'extérieur et l'intérieur de la maison. Les surfaces d'évacuation peuvent devenir assez chaudes pour provoquer des brûlures si des enfants venaient à y toucher. Un blindage ou des protections non combustibles peuvent s'avérer nécessaires.

## SORTIE DE L'EVACUATION POUR POELE A GRANULES

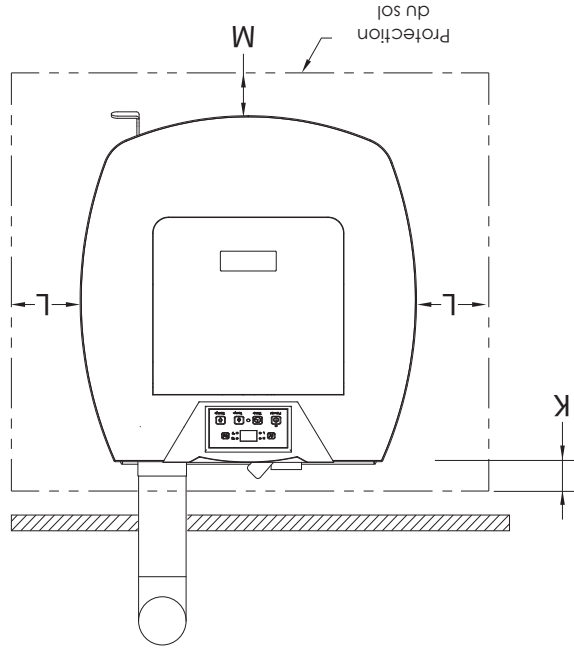
Ne pas faire sortir l'évacuation dans un endroit clos ou semi clos, tel qu'un abri pour voiture, garage, grenier, vide sanitaire, sous une terrasse ou un porche, dans un passage étroit ou tout autre endroit susceptible de permettre à la fumée de s'accumuler. La sortie dans un endroit de ce type peut aussi provoquer des conditions de pression impossibles à prévoir pour l'appareil, et entraîner de mauvaises performances et/ou un dysfonctionnement. La sortie doit s'évacuer plus haut que l'entrée d'air extérieur. La sortie ne doit pas être placée là où elle pourrait être obstruée par la neige ou d'autres matériaux. Ne faites pas sortir l'évacuation dans une cheminée en acier ou en maçonnerie existante.

# Installation

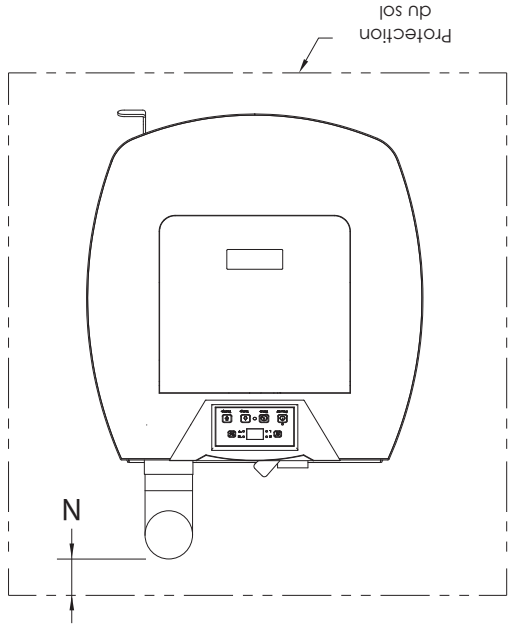
## PROTECTION DU SOL

Cet appareil de chauffage doit avoir un protecteur de plancher non-combustible (UL 1618 protection de braises) installé au-dessous si le plancher est en matériau combustible. US: protection de sol doit être UL ou égale aussi, a besoin d'étendre 6" à l'avant, 6" de chaque côté, 1" à l'arrière de l'appareil. Sous et 2" au-delà de chaque côté du té de nettoyage si un installation vertical intérieur.

Canada: Protecteur de plancher doit se conformer à la norme CAN / ULC. Besoins d'étendre 18" à l'avant, 8" au-delà de chaque côté de l'unité.



PAR L'INSTALLATION DU MUR



INSTALLATION  
INTÉRIEUR VERTICALE

DÉGAGEMENTS PLANCHER DE PROTECTION	
K	Retour au poêle 1" (26mm) U.S. (8" (204mm) Can.)
L	Côté au poêle 6" (153mm) U.S. (8" (204mm) Can.)
M	Avant au poêle 6" (153mm) U.S. (18" (458mm) Can.)
N	Dos et côtés à la cheminée 6" (153mm)

## EXIGENCES POUR L'ÉVACUATION

Installez l'évacuation des fumées en respectant les dégagements spécifiés par le fabricant d'évacuations. Ne reliez pas l'évacuation pour poêle à granulés à une évacuation utilisée pour un autre appareil ou un autre poêle.

N'installez pas de registre de tirage sur le système d'évacuation de cet appareil. Les directives d'installation ci-dessous doivent être respectées pour garantir la conformité tant avec la liste de sécurité de ce poêle qu'avec les codes de construction locaux. Ne pas recourir à des méthodes de fortune ou à des compromis lors de l'installation.

IMPORTANT ! Cet appareil est équipé d'un système de tirage négatif qui extrait l'air au travers de la chambre de combustion et repousse la fumée hors du logement. Si cet appareil est branché à un système d'évacuation des fumées autrement que de la manière expliquée dans ce guide, il ne peut fonctionner correctement.

# Installation

**ATTENTION:** NE PAS expier sous un porche, un pont, un auvent ou dans une zone semi-fermée ou couverte. Cela pourrait entraîner un flux d'air imprévisible sur le bouchon de ventilation sous certaines conditions et peut affecter les performances de votre poêle, ainsi que d'autres problèmes imprévisibles.

## OPTIONS D'INSTALLATION

Lisez la totalité de ce guide avant d'installer et d'utiliser ce poêle à granulés. Le non-respect des directives peut entraîner des dommages matériels, des blessures et même la mort !

(Voir les détails spécifiques de l'installation pour les dégagements et autres directives d'installation.)

Un appareil autoportant reposant sur des pieds et placé sur une surface au sol non combustible en respectant les exigences de dégagement pour l'installation d'un poêle autoportant.

Un appareil en alcôve reposant sur des pieds posés sur une surface au sol non combustible en respectant les exigences de dégagement pour l'installation d'un poêle en alcôve.

Le poêle à granulés peut être installé selon les codes dans une maison conventionnelle ou une maison mobile (voir CONDITIONS SPÉCIALES POUR L'INSTALLATION DANS UNE MAISON MOBILE). L'installation doit être conforme à la norme HUD (Manufactured Home and Safety Standard), CFR3280, partie 24.

Il est recommandé de faire installer le poêle à granulés par un technicien autorisé, de préférence un spécialiste agréé NFI.

NE BRANCHEZ PAS CET APPAREIL À UN CONDUIT OU À UN SYSTÈME DE DISTRIBUTION D'AIR.

L'utilisation de composants autres que ceux qui sont indiqués ici pourrait provoquer des blessures, endommager le poêle et annuler la garantie.

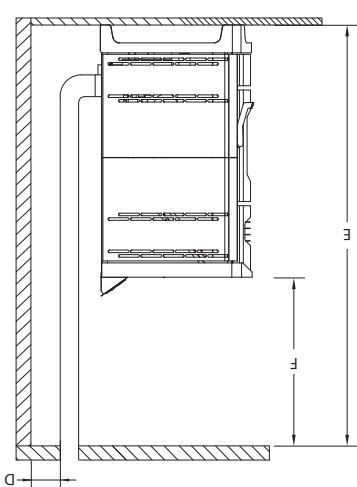
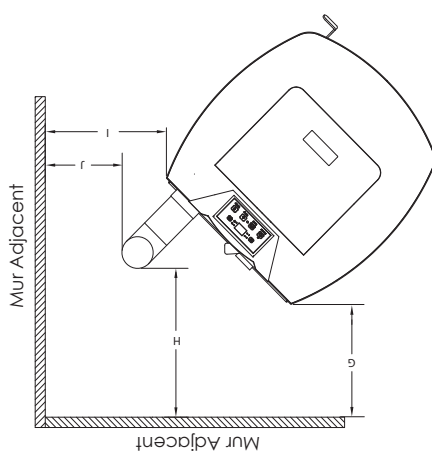
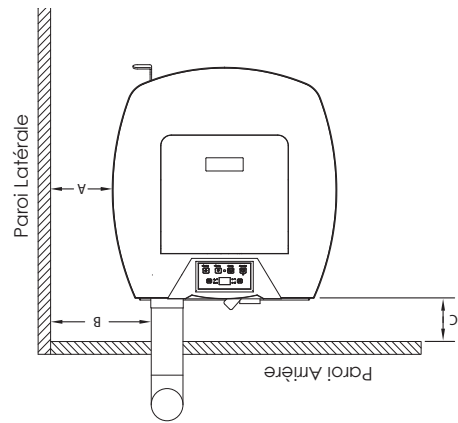
Installation inadéquate: Le fabricant ne pourra être tenu responsable des dommages causés par le mauvais fonctionnement d'un poêle dû à une mauvaise évacuation ou installation. Pour toute question, appelez le (800) 750-2723 et/ou consultez un installateur professionnel.

## DÉGAGEMENTS

Ce poêle a été testé et homologué pour une installation dans des applications résidentielles, dans une maison mobile et en alcôve, en respectant les dégagements indiqués par les FIGURES 3 à 6 et le TABLEAU 1. Pour des raisons de sécurité, veuillez respecter les dégagements et restrictions d'installation. Toute diminution du dégagement entre le poêle et des produits combustibles ne peut être réalisée que par des moyens approuvés par une autorité de réglementation.

DÉGAGEMENTS		DÉGAGEMENTS	
	poches	mm	poches
A	Mur Side à Poêle	8	204
B	Mur latéral tuyau d'évent	12	305
C	Mur Retour à Stove	12	305
D	Paroi arrière tuyau d'évent	3	77
E	Sol au plafond	84	2134
F	Plafond à Poêle	46,875	1191

ESPACES DE COIN			
	poches	mm	
G	Mur Side à Poêle	10	254
H	Mur latéral tuyau d'évent	3	77
I	Mur Retour à Stove	10	254
J	Paroi arrière tuyau d'évent	3	77



# Specifications

Caractéristiques de chauffage	
Taux de combustion du combustible* (à bas régime)	1,4 livres par heure
Temps de combustion (à bas régime)	32 heures
Capacité de la trémie	46lbs
Flue Taille	3po ou 4po (77mm à 102mm)

\* La taille des granulés peut influencer le débit réel d'alimentation en combustible et le temps de combustion. Le taux d'alimentation en combustible peut varier de près de 20%. Pour les meilleurs résultats, utilisez un combustible homologué PFI.

Dimensions	
Hauteur	37,16po (944mm)
Largeur	20,81po (529mm)
Profondeur	22,25po (566mm)
Poids	162lbs

Caractéristiques électriques	
Puissance électrique	120 volts AC, 60 HZ, 3 Amps
Watts (en fonctionnement)	125W
Watts (allumeur en fonctionnement)	310W

## CONSIDERATIONS CONCERNANT LES COMBUSTIBLES

Votre poêle à granulés est conçu pour brûler des granulés de bois de qualité supérieure conformes au Pellet Fuel Institute (PFI) (minimum de 40 livres par pied cube densité, 1/4po à 16/5po de diamètre, la longueur ne dépasse pas 1,5po, non inférieure à 8200 Btu / lb humidité inférieure à 8% en poids, de cendre de moins de 1% en poids, et le sel à moins de 300 parties par million). Pellets qui sont doux, contenir des quantités excessives de la scierie de bois en vrac, ont été ou sont mouillés, se traduira par une réduction des performances. Stockez vos pellets dans un endroit sec. NE PAS entreposer le carburant dans les autorisations d'installation de l'unité ou à l'intérieur de l'espace nécessaire pour le ravitailllement et l'élimination des cendres. Cela pourrait provoquer un incendie de maison. Ne pas sur le feu ou utiliser des combustibles volatiles ou combustibles, cela peut causer un danger de dommages personnels et matériels.

## SECURITE ET CONFORMITE EPA

Votre poêle à granulés a été approuvé pour l'installation dans les Etats-Unis et au Canada. Il peut également être installé dans une maison préfabriquée ou mobile. Votre poêle est conforme à la norme ASTM E 1509-12 et certifié à la norme ULCS 5627-00, et (UM) 84-HUD.

**AVERTISSEMENT:** Il est contre les règlements fédéraux pour faire fonctionner ce poêle à bois d'une manière incompatible avec les instructions d'utilisation dans le manuel du propriétaire.

Remarque: Enregistrez votre produit en ligne à [www.usstove.com](http://www.usstove.com). Conservez votre reçu avec vos dossiers pour toute réclamation.

# Consignes De Sécurité

Ce manuel décrit l'installation et le fonctionnement du chauffe-bois Ashley, AF5780. Cet appareil de chauffage satisfait aux limites d'émissions de bois de bûche de l'Agence de protection de l'environnement des États-Unis de 2020 pour les appareils de chauffage de bois vendus après le 15 mai 2020. Dans des conditions d'essai spécifiques, ce radiateur a fourni de la chaleur à des taux variant de 12 293 à 26 386 Btu/h. Ce dispositif de chauffage a obtenu un taux d'émission de particules de 1,3 g/hr lorsqu'il a été testé selon la méthode ASTM E2779-10 (\* et un rendement de 72%).

- **IMPORTANT:** Veuillez lire entièrement ce guide avant d'installer et d'utiliser le produit. Le non-respect de cette consigne peut entraîner des dommages matériels, des blessures et même la mort. L'installation appropriée de ce poêle est essentielle pour un fonctionnement efficace en toute sécurité.
- Installez l'évacuation des fumées en respectant les dégagements spécifiés par le fabricant de conduits d'évacuation.
- Ne reliez pas l'évacuation pour poêle à granulés à une évacuation utilisée pour un autre appareil ou un autre poêle.
- N'installez pas de registre de tirage sur le système d'évacuation de cet appareil.
- L'utilisation d'air extérieur n'est pas nécessaire pour cet appareil.
- Adressez-vous aux autorités locales de l'urbanisme pour obtenir un permis et des renseignements sur toute autre restriction à l'installation et sur les exigences d'inspection dans votre région.
- Ne jetez pas ce guide. Ce guide contient des directives d'utilisation et d'entretien importantes dont vous pourriez avoir besoin. Suivez toujours les directives du guide.
- L'appareil est conçu pour être utilisé avec du combustible en granulés conforme à ou excédant la norme établie par le Fuel Institute (FI). L'utilisation d'autres combustibles annule la garantie.
- N'utilisez jamais d'essence, de combustible à lantène de type essence, de kérosène, d'allume-feu ou d'autres liquides similaires pour allumer ou raviver le feu dans ce poêle. Gardez tous ces liquides éloignés du poêle lorsqu'il est en marche.
- Un détecteur de fumée fonctionnel doit être installé dans la pièce où se trouve le poêle.
- Installez un détecteur de fumée à chaque étage de votre maison, en cas d'incendie accidentel dû à n'importe quelle cause, ce dispositif peut laisser le temps de s'échapper.
- Le détecteur de fumée doit être installé à au moins 15 pieds (4,57 m) de l'appareil afin d'éviter qu'il ne se déclenche inutilement lors du rechargement du poêle.
- Ne débarrachez pas le poêle si vous soupçonnez un dysfonctionnement. Placez le contacteur ON/OFF sur « OFF » puis prenez contact avec le concessionnaire.
- Ce poêle doit être régulièrement entretenu et nettoyé (voir la section « ENTRETIEN »). Le défaut d'entretien du poêle peut entraîner un fonctionnement inapproprié et dangereux.
- Débranchez le cordon d'alimentation avant toute opération d'entretien ! **REMARQUE:** Le fait de placer l'interrupteur ON/OFF en position « Off » ne coupe pas entièrement l'alimentation des composants électriques du poêle.
- Ne tentez jamais de réparer ou de remplacer une pièce du poêle sans l'indication contraire dans les directives de ce guide. Tous les autres travaux doivent être effectués par un professionnel de chauffage autonome. Il n'est pas conçu pour être relié à des conduits de distribution d'air.

\*Cet appareil est un appareil de chauffage autonome. Il n'est pas conçu pour être relié à des conduits de distribution d'air.

Cet appareil n'est pas destiné à un usage commercial. Il doit être respecté.

- Cet appareil n'est pas destiné à un usage commercial. Il doit être respecté.
- Ne faites pas fonctionner le poêle lorsque la porte d'observation est ouverte. Dans ce cas, la tarrière ne se pose en raison des étincelles ou des fumées pénétrant dans la pièce.
- Laissez le poêle refroidir avant d'effectuer tout entretien ou nettoyage. Les cendres doivent être évacuées dans un récipient métallique doté d'un couvercle hermétique. Le récipient à cendres fermé doit être déposé sur une surface non combustible ou sur le sol, bien à l'écart de toute matière combustible, avant l'élimination définitive.
- L'accumulation de suie ou de créosote dans le système d'évacuation des fumées doit être vérifiée mensuellement au cours de la saison de chauffage.
- Ne touchez pas aux surfaces chaudes du poêle. Enseignez aux enfants les dangers des poêles à haute température. Les jeunes enfants doivent être surveillés lorsqu'ils se trouvent dans la même pièce que le poêle.
- La ténie et le couvercle du poêle sont chauds pendant le fonctionnement ; vous devez toujours protéger vos mains lors du remplissage du poêle.
- Un dispositif de sécurité doit être installé. Cet appareil doit être branché sur une prise murale avec terre de 110-120 V, 60 Hz. N'utilisez pas d'adaptateur de prise et ne coupez pas la fiche de terre. N'achetez pas le cordon électrique sous, devant ou sur le poêle. Ne faites pas courir le cordon électrique dans les zones de passage et ne le coincez pas sous les meubles.
- Le poêle ne fonctionne pas pendant les coupures de courant. En cas de panne de courant, veuillez aux évacuations de fumée du poêle et ouvrez une fenêtre si la fumée se répand dans la pièce.
- La porte de remplissage doit être fermée et ébranchée pendant le fonctionnement.
- N'observez jamais la circulation de l'air des grilles d'aération ouvertes de l'appareil.
- Eloignez tout objet étranger de la ténie.
- Les pièces mobiles de ce poêle sont mues par des moteurs électriques au couple élevé. Éloignez toutes les parties du corps de la tarrière lorsque le poêle est branché sur la prise électrique. Ces pièces mobiles peuvent commencer à bouger à tout moment lorsque le poêle est branché.
- Ne placez aucun vêtement ou autre objet inflammable sur ou près du poêle.
- En cas d'installation dans une maison mobile, le poêle doit être mis à la terre directement sur le châssis d'acier et boulonné au sol. Avertissement – cet appareil ne doit pas être installé dans la chambre (conformément aux exigences de HUD). Attention – l'intégrité structurelle du sol, des murs et du toit/du plafond de la maison mobile doit être respectée.
- Cet appareil n'est pas destiné à un usage commercial. Il doit être respecté.

# Mode d'emploi et mode d'emploi du propriétaire



## HEARTH PRODUCTS

MODÈLE: AP5780

CONSERVEZ CES INSTRUCTIONS

CE MANUEL VOUS AIDERA À OBTENIR UN SERVICE EFFICACE ET FIABLE À PARTIR DU RADIATEUR ET VOUS PERMETTRA DE COMMANDER CORRECTEMENT LES PIÈCES DE RÉPARATION. GARDEZ DANS UN ENDROIT SÛR

POUR RÉFÉRENCE FUTURE.

- Veuillez lire ce manuel en entier avant l'installation et l'utilisation de cet appareil. Le non-respect de ces instructions peut entraîner des dommages matériels, des blessures corporelles ou même la mort.
- Contactez votre maire ou les pompiers locaux pour obtenir les permis, les restrictions et les exigences d'inspection d'installation dans votre région.
- Sauvegardez ces instructions.
- Si votre appareil de chauffage n'est pas installé correctement, un incendie peut se produire. Pour la sécurité de tous, suivez toutes les instructions d'installation et d'utilisation. N'utilisez jamais de composants improvisés pendant l'installation de cet appareil. Contactez les autorités locales du bâtiment ou des pompiers au sujet des restrictions et des exigences d'inspection de l'installation dans votre région.

Certifié selon la norme ASTM E 1509, 2012 et Certifié UL C 5627, 2000 et (UM) 84-HUD  
Cet appareil n'a pas été conçu pour être utilisé en tant que source principale de chaleur.  
Rapport #: F19-550



**US Environmental Protection Agency**  
Certifié conforme aux normes d'émissions de 2020 à particules

**AVERTISSEMENT CONCERNANT LA PROPOSITION 65 DE L'ÉTAT DE LA CALIFORNIE :**  
Ce produit peut vous exposer à des agents chimiques, y compris au monoxyde de carbone, lesquels sont reconnus dans l'État de la Californie comme causant le cancer et des malformations congénitales ou autres dommages au fœtus. Pour obtenir plus de renseignements, veuillez consulter le site [www.P65warnings.ca.gov](http://www.P65warnings.ca.gov)

ESTD 1889  
**UNITED STATES**  
**STOVE CO**

United States Stove Company  
PO Box 151, 227 Industrial Park Rd.,  
South Pittsburg, TN 37380  
PH: (800) 750-2723  
[www.usstove.com](http://www.usstove.com)