

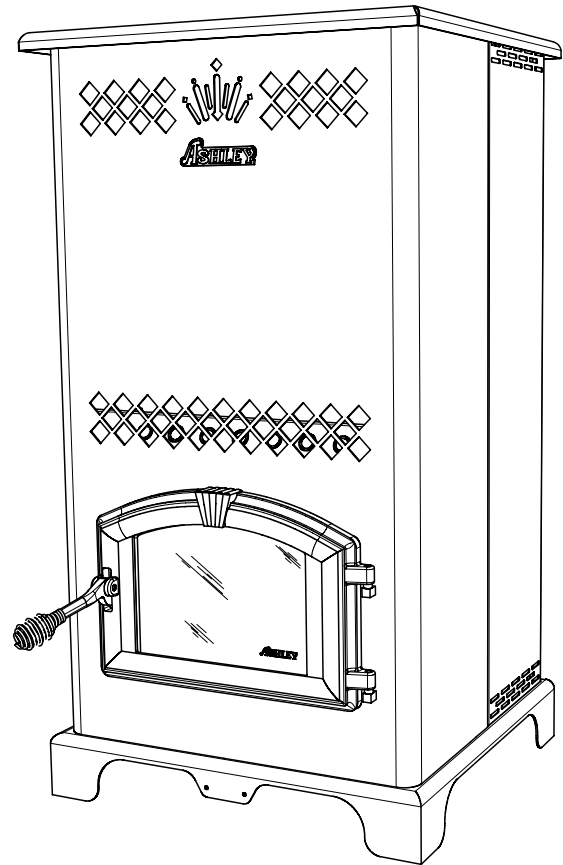
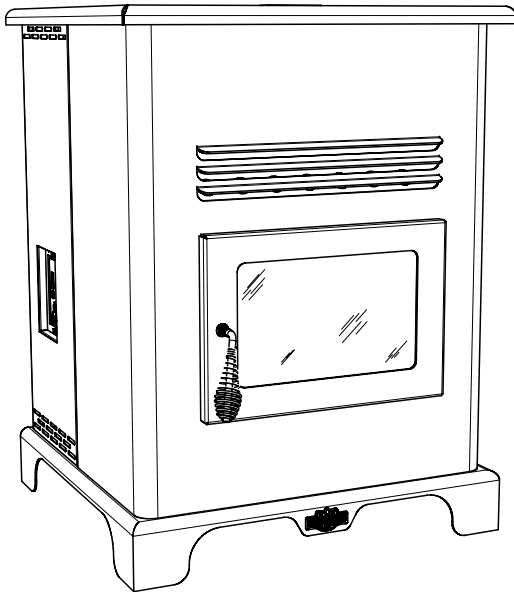


**UNITED STATES STOVE COMPANY**

"Keeping North America Warm Since 1869"

# *King/Ashley Pellet Stove*

model 5500/5500XL



## Owner's Manual

- △ Please read this entire manual before installation and use of this appliance. Failure to follow these instructions could result in property damage, bodily injury, or even death.
- △ Contact your local building or fire officials about restrictions and installation inspection requirements in your area.
- △ Save these instructions.



UNITED STATES STOVE COMPANY • 227 INDUSTRIAL PARK ROAD • SOUTH PITTSBURG, TENNESSEE 37380 • WWW.USSTOVE.COM  
FOR TECHNICAL ASSISTANCE: PHONE: (800) 750-2723 FAX: (423) 837-2109

# Table of Contents

<b>TABLE OF CONTENTS</b> .....	<b>2</b>
<b>SAFETY PRECAUTIONS</b> .....	<b>3</b>
<b>SPECIFICATIONS</b> .....	<b>4</b>
Heating Specifications .....	4
Dimensions .....	4
Electrical Specifications .....	4
Fuel Considerations .....	4
Safety and EPA Compliance .....	4
<b>INSTALLATION</b> .....	<b>5</b>
Installation Options .....	5
Floor Protection .....	5
Clearances .....	6
Venting Requirements .....	7
Maximum Venting Distance .....	7
Pellet Vent Type .....	7
Pellet Vent Installation .....	7
Pellet Vent Termination .....	7
Vent Termination Clearances .....	8
Through the Wall Installation .....	9
Through the Roof/Ceiling Installation .....	9
Outside Air Supply .....	10
Special Mobile Home Requirements .....	10
<b>OPERATION</b> .....	<b>11</b>
How Your Stove Works .....	11
Control Panel .....	12
Unit Preparation .....	12
Performing a “Dry Run” .....	12
Start-Up Procedure .....	13
Shut Down Procedure .....	13
Daily Operation .....	14
Safety and Convenience Features .....	14
<b>MAINTENANCE</b> .....	<b>14</b>
Exhaust System .....	14
Interior Chambers .....	15
Ash Disposal .....	15
Check and Clean the Hopper .....	15
Main Door Gaskets .....	15
Fan Motors .....	15
Painted Surfaces .....	15
Glass .....	15
Fall Start-Up .....	15
Spring Shut Down .....	15
Yearly Servicing .....	15
<b>TROUBLE SHOOTING</b> .....	<b>16</b>
<b>REPAIR PARTS DIAGRAM/LIST</b> .....	<b>17-18</b>
<b>REPAIR PARTS LIST</b> .....	<b>18-19</b>
<b>WIRING DIAGRAM</b> .....	<b>19</b>

## Safety Precautions

- △ **IMPORTANT:** Read this entire manual before installing and operating this product. Failure to do so may result in property damage, bodily injury, or even death. Proper installation of this stove is crucial for safe and efficient operation.
- △ Install vent at clearances specified by the vent manufacturer.
- △ Do not connect the pellet vent to a vent serving any other appliance or stove.
- △ Do not install a flue damper in the exhaust venting system of this unit.
- △ Use of outside air is required for this unit.
- △ Contact your local building officials to obtain a permit and information on any additional installation restrictions or inspection requirements in your area.
- △ Do not throw this manual away. This manual has important operating and maintenance instructions that you will need at a later time. Always follow the instructions in this manual.
- △ This heater is designed and approved for premium hardwood pellet fuel only. Any other type of fuel burned in this heater will void the warranty and safety listing.
- △ Never use gasoline, gasoline-type lantern fuel, kerosene, charcoal lighter fluid, or similar liquids to start or 'freshen up' a fire in this stove. Keep all such liquids well away from the stove while it is in use.
- △ A working smoke detector must be installed in the same room as this product.
- △ The use of outside air is mandatory for safe operation of this unit.
- △ Do not unplug the stove if you suspect a malfunction. Turn the ON/OFF SWITCH to "OFF" and contact your dealer.

Your stove requires periodic maintenance and cleaning (see "MAINTENANCE"). Failure to maintain your stove may lead to improper and/or unsafe operation.
- △ Disconnect the power cord before performing any maintenance! NOTE: Turning the ON/OFF Switch to "OFF" does not disconnect all power to the electrical components of the stove.
- △ Never try to repair or replace any part of the stove unless instructions for doing so are given in this manual. All other work should be done by a trained technician.
- △ Allow the stove to cool before performing any maintenance or cleaning. Ashes must be disposed in a metal container with a tight fitting lid. The closed container of ashes should be placed on a non-combustible surface or on the ground, well away from all combustible materials, pending final disposal.
- △ The exhaust system should be checked monthly during the burning season for any build-up of soot or creosote.
- △ Do not touch the hot surfaces of the stove. Educate all children on the dangers of a high-temperature stove. Young children should be supervised when they are in the same room as the stove.
- △ The hopper and stove top will be hot during operation; therefore, you should always use some type of hand protection when refueling your stove.
- △ A power surge protector is required. This unit must be plugged into a 110 - 120V, 60 Hz grounded electrical outlet. Do not use an adapter plug or sever the grounding plug. Do not route the electrical cord underneath, in front of, or over the heater. Do not route the cord in foot traffic areas or pinch the cord under furniture.
- △ The heater will not operate during a power outage. If a power outage does occur, check the heater for smoke spillage and open a window if any smoke spills into the room.
- △ The feed door must be closed and sealed during operation.
- △ Never block free airflow through the open vents of the unit.
- △ Keep foreign objects out of the hopper.
- △ The moving parts of this stove are propelled by high torque electric motors. Keep all body parts away from the auger while the stove is plugged into an electrical outlet. These moving parts may begin to move at any time while the stove is plugged in.
- △ Do not place clothing or other flammable items on or near this stove.
- △ When installed in a mobile home, the stove must be grounded directly to the steel chassis and bolted to the floor. **WARNING—THIS UNIT MUST NOT BE INSTALLED IN THE BEDROOM** (per HUD requirements). **CAUTION—THE STRUCTURAL INTEGRITY OF THE MOBILE HOME FLOOR, WALL, AND CEILING/ROOF MUST BE MAINTAINED.**
- △ This appliance is not intended for commercial use.

# Specifications

## Heating Specifications

Heat Output <sup>1</sup>	48,000 BTU/hr.
Heating Capacity <sup>2</sup>	800 - 2,000 sq. ft.
Fuel Burn Rate <sup>3</sup>	2.0 - 6.0 lbs./hr.
Burn Time (lowest setting)	<b>5500</b> - 60 hrs. <b>5500XL</b> - 160 hrs.
Hopper Capacity	<b>5500</b> - 150 lbs. <b>5500XL</b> - 320 lbs.

<sup>1</sup> BTU output will vary depending on the quality of fuel. Use PFI listed fuels for the best results.

<sup>2</sup> Heating capacity will vary depending on floor plan layout of your home, degree of insulation, and the outside temperature.

<sup>3</sup> Pellet size may effect the actual rate of fuel feed and burn times. Fuel feed rates may vary by as much as 20%. Use PFI listed fuel for best results.

## Dimensions

	<b>5500</b>	<b>5500XL</b>
Height	34 in.	47 1/4 in.
Width	26 in.	26 in.
Depth	25 in.	25 in.
Weight	250 lbs.	275 lbs.

## Electrical Specifications

Electrical Rating	110-120 volts, 60 HZ, 3.0 Amps
Watts (operational)	175 (approx.)
Watts (igniter running)	425 (approx.)

## FUEL CONSIDERATIONS

Your **King/Ashley** stove is designed to burn premium hardwood pellets that comply with Association of Pellet Fuel Industries standards. (Minimum of 40 lbs density per cubic ft, 1/4" to 5/16" diameter, length no greater than 1.5", not less than 8,200 BTU/lb, moisture under 8% by weight, ash under 1% by weight, and salt under 300 parts per million). Pellets that are soft, contain excessive amounts of loose sawdust, have been, or are wet, will result in reduced performance.

## SAFETY AND EPA COMPLIANCE

Your **King/Ashley** stove has been safety tested and listed to ASTM E 1509, (UM) 84-HUD by OMNI-Test Laboratories, Inc. Beaverton, Oregon, USA. It is also exempt from EPA Phase II requirements.

# Installation

## INSTALLATION OPTIONS

△ Read this entire manual before you install and use your *King/Ashley* stove. Failure to follow instructions may result in property damage, bodily injury, or even death!

(See specific installation details for clearances and other installation requirements)

A **Freestanding Unit**—supported by pedestal/legs and placed on a non-combustible floor surface in compliance with clearance requirements for a freestanding stove installation.

An **Alcove Unit**—supported by pedestal/legs and placed on a non-combustible floor surface in compliance with clearance requirements for an alcove installation.

Your *King/Ashley* stove may be installed to code in either a **conventional** or **mobile home** (see SPECIAL MOBILE HOME REQUIREMENTS).

It is recommended that only a authorized technician install your *King/Ashley* stove, preferably an NFI certified specialist.

**IMPROPER INSTALLATION:** The manufacturer will not be held responsible for damage caused by the malfunction of a stove due to improper venting or installation. Call (800) 750-2723 and/or consult a professional installer if you have any questions.

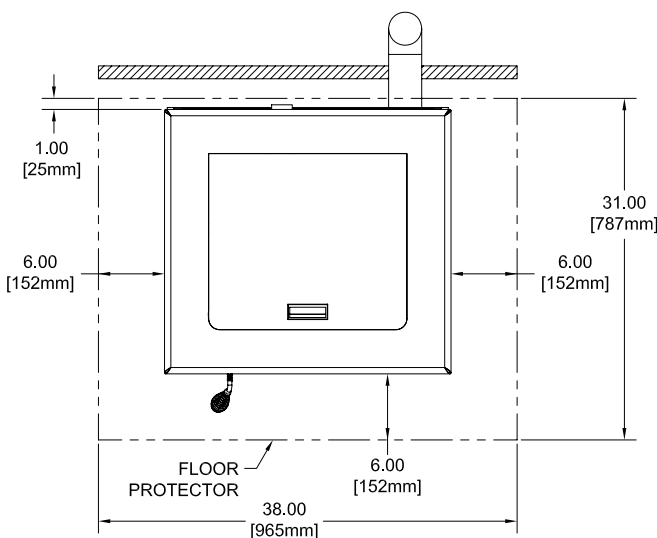
## FLOOR PROTECTION

This unit must be installed on a non-combustible floor surface. If a floor pad is used, it should be UL listed or equal. The floor pad or non-combustible surface should be large enough to extend a minimum of 6-inches in front, 6-inches on each side, and 1-inch behind the stove (see FIGURE 1).

Floor protection must extend under and 2-inches to each side of the chimney tee for an interior vertical installation (see FIGURE 2).

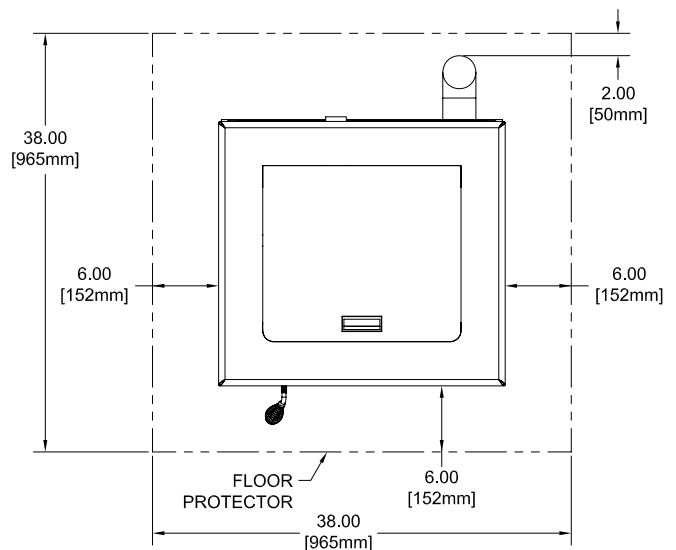
Your *King/Ashley* stove will need a minimum 31" x 38" floor protector.

A Floor Protector of 1 inch thick is recommended for this installation.



**FIGURE 1**

THROUGH THE WALL INSTALLATION



**FIGURE 2**

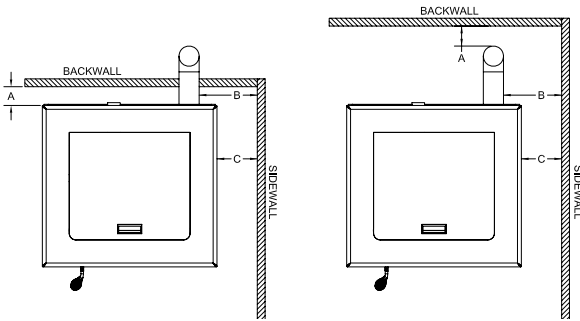
INTERIOR VERTICAL INSTALLATION

# Installation

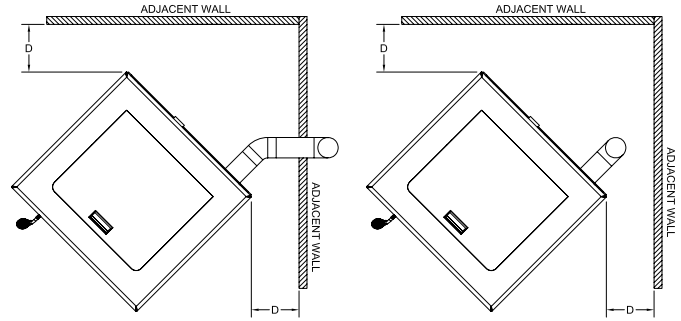
## CLEARANCES

Your King/Ashley stove has been tested and listed for installation in residential, mobile home, and alcove applications in accordance with the clearances given in FIGURES 3-5 and TABLE 1.

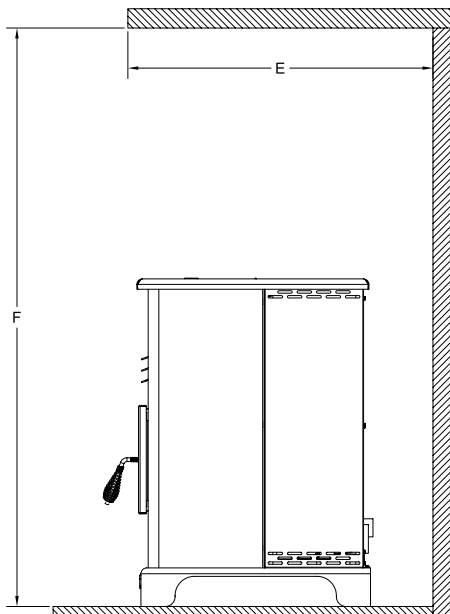
**NOTE:** Distance "C" on the left-hand side of your *King/Ashley* stove may need to be greater than the minimum required clearance for suitable access to the control panel.



**FIGURE 3**  
SIDEWALL CLEARANCES  
PARALLEL INSTALLATION



**FIGURE 4**  
SIDEWALL CLEARANCES  
CORNER INSTALLATION



**FIGURE 5**  
ALCOVE CLEARANCES

PARALLEL	A - Backwall to unit	2.00 / 50mm
	B - Sidewall to flue	13.00 / 330mm
	C - Sidewall to top edge of unit	8.00 / 203mm
CORNER ALCOVE (5500 only)	D - Adjacent wall to unit	8.00 / 203mm
	E - Alcove depth	36.00 - 914 mm
	F - Alcove Hieght	60.00 - 1520mm

**TABLE 1**  
CLEARANCES

**ALCOVE INSTALLATION**  
*THIS INSTALLATION IS NOT APPLICABLE  
FOR MODEL 5500XL.*

# Installation

## **VENTING REQUIREMENTS**

- △ Install vent at clearances specified by the vent manufacturer.
- △ Do not connect the pellet vent to a vent serving any other appliance or stove.
- △ Do not install a flue damper in the exhaust venting system of this unit.

The following installation guidelines must be followed to ensure conformity with both the safety listing of this stove and to local building codes.

**IMPORTANT!** This unit is equipped with a negative draft system that pulls air through the burn pot and pushes the exhaust out of the dwelling. If this unit is connected to a flue system other than the way explained in this manual, it will not function properly.

## **MAXIMUM VENTING DISTANCE**

Installation MUST include at least 3-feet of vertical pipe. This will create some natural draft to reduce the possibility of smoke or odor during appliance shutdown and keep exhaust from causing a nuisance or hazard by exposing people or shrubs to high temperatures. The maximum recommend vertical venting height is 12-feet for 3-inch type "PL" vent. Total length of horizontal vent MUST NOT exceed 4-feet. Use no more than 180 degrees of elbows (two 90-degree elbows, or two 45-degree and one 90-degree elbow, etc.) to maintain adequate draft.

## **PELLET VENT TYPE**

A UL listed 3-inch or 4-inch type "PL" pellet vent exhaust system must be used for installation and attached to the pipe connector provided on the back of the stove (use a 3-inch to 4-inch adapter for 4-inch pipe). Use 4-inch vent if the vent height is over 12-feet or if the installation is over 2,500 feet above sea level.

We recommend the use of Simpson Dura-Vent® or Metal-Fab® pipe (if you use other pipe, consult your local building codes and/or building inspectors). Do not use Type-B Gas Vent pipe or galvanized pipe with this unit. The pellet vent pipe is designed to disassemble for cleaning and should be checked several times during the burning season. Pellet vent pipe is not furnished with the unit and must be purchased separately.

## **PELLET VENT INSTALLATION**

The installation must include a clean-out tee to enable collection of fly ash and to permit periodic cleaning of the exhaust system. 90-degree elbows accumulate fly ash and soot thereby reducing exhaust flow and performance of the stove. Each elbow or tee reduces draft potential by 30% to 50%.

All joints in the vent system must be fastened by at least 3 screws, and all joints must be sealed with HI-TEMP RTV silicone sealant to be airtight. The area where the vent pipe penetrates to the exterior of the home must be sealed with silicone or other means to maintain the vapor barrier between the exterior and the interior of the home.

Vent surfaces can get hot enough to cause burns if touched by children. Noncombustible shielding or guards may be required.

## **PELLET VENT TERMINATION**

Do not terminate the vent in an enclosed or semi-enclosed area, such as; carport, garage, attic, crawl space, under a sundeck or porch, narrow walkway, or any other location that can build up a concentration of fumes.

The termination must exhaust above the outside air inlet elevation.

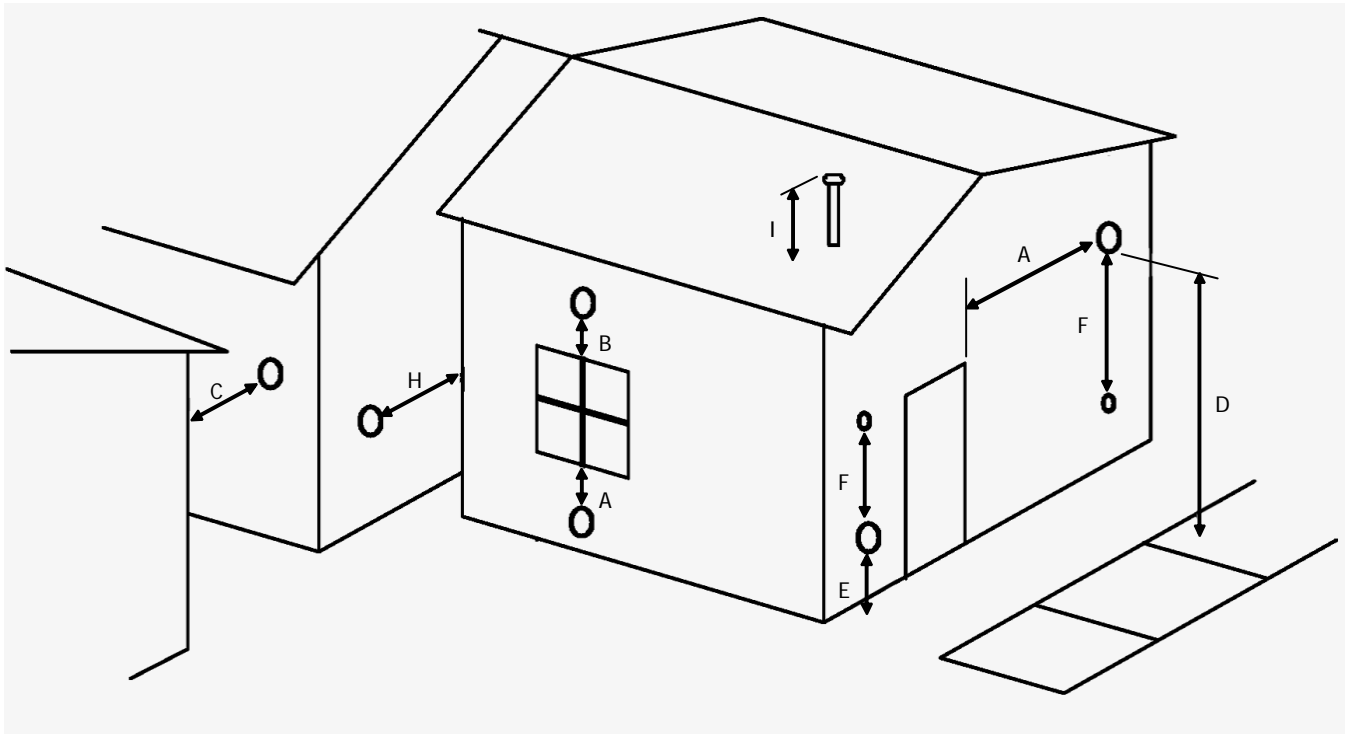
The termination must not be located where it will become plugged by snow or other materials.

# Installation

## **VENT TERMINATION CLEARANCES:**

- A) Minimum 4-foot clearance below or beside any door or window that opens.
- B) Minimum 1-foot clearance above any door or window that opens.
- C) Minimum 3-foot clearance form any adjacent building.
- D) Minimum 7-foot clearance from any grade when adjacent to public walkways.
- E) Minimum 2-foot clearance above any grass, plants, or other combustible materials.
- F) Minimum 3-foot clearance from an forced air intake of any appliance.
- G) Minimum 2-foot clearance below eaves or overhang.
- H) Minimum 1-foot clearance horizontally from combustible wall.

Must be a minimum of 36-inches above the roof and 24-inches above the highest point or the roof within 10-feet.



**FIGURE 6**  
VENT TERMINATION CLEARANCES

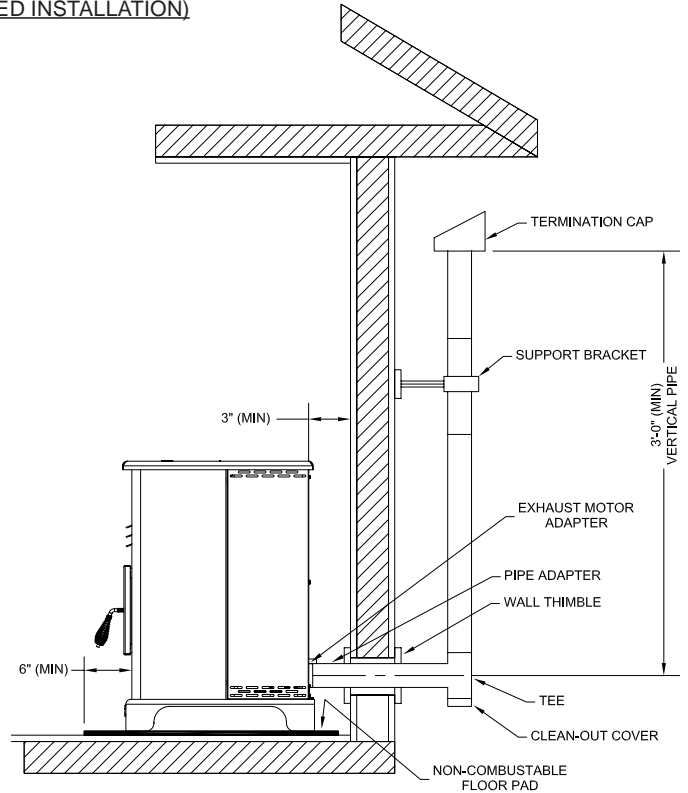
# Installation

## **THROUGH THE WALL INSTALLATION** (RECOMMENDED INSTALLATION)

To vent the unit through the wall, connect the pipe adapter to the exhaust motor adapter. If the exhaust adapter is at least 18-inches above ground level, a straight section of pellet vent pipe can be used through the wall.

Your **King/Ashley** dealer should be able to provide you with a kit that will handle most of this installation, which will include a wall thimble that will allow the proper clearance through a combustible wall. Once outside the structure, a 3-inch clearance should be maintained from the outside wall and a clean out tee should be placed on the pipe with a 90-degree turn away from the house. At this point, a 3-foot (minimum) section of pipe should be added with a horizontal cap, which would complete the installation (see FIGURE 7).

A support bracket should be placed just below the termination cap or one every 4-feet to make the system more stable. If you live in an area that has heavy snowfall, it is recommended that the installation be taller than 3-feet to get above the snowdrift line. This same installation can be used if your stove is below ground level by simply adding the clean-out section and vertical pipe inside until ground level is reached. With this installation you have to be aware of the snowdrift line, dead grass, and leaves. We recommend a 3-foot minimum vertical rise on the inside or outside of the house.



**FIGURE 7**

TYPICAL THROUGH THE WALL INSTALLATION

The “through the wall” installation is the least expensive and simplest installation. Never terminate the end vent under a deck, in an alcove, under a window, or between two windows. We recommend Simpson Dura-Vent® or Metal-Fab® kits.

## **THROUGH THE ROOF/CEILING INSTALLATION**

When venting the stove through the ceiling, the pipe is connected the same as through the wall, except the clean-out tee is always on the inside of the house, and a 3-inch adapter is added before the clean-out tee.

You must use the proper ceiling support flanges and roof flashing (supplied by the pipe manufacturer; follow the pipe manufacturer’s directions). It is important to note that if your vertical run of pipe is more than 15-feet, the pellet vent pipe size should be increased to 4-inches in diameter.

Do not exceed more than 4-feet of pipe on a horizontal run and use as few elbows as possible. If an offset is required, it is better to install 45-degree elbows rather than 90-degree elbows.

# Installation

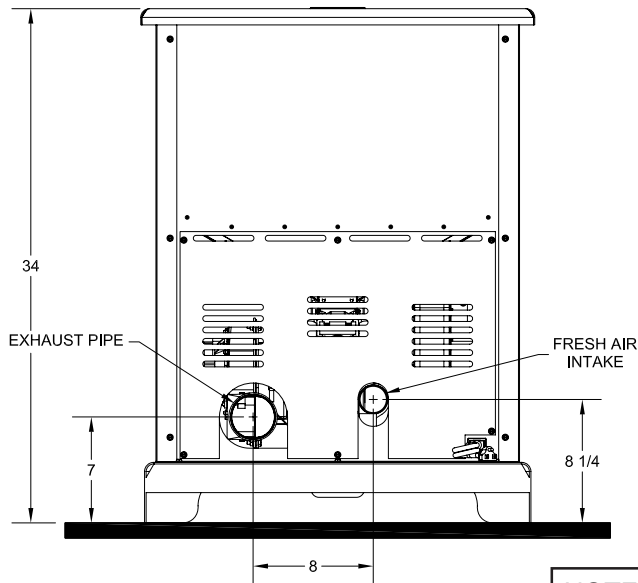
## **OUTSIDE AIR SUPPLY** (optional)

Depending on your location and home construction, outside air may be necessary for optimal performance.

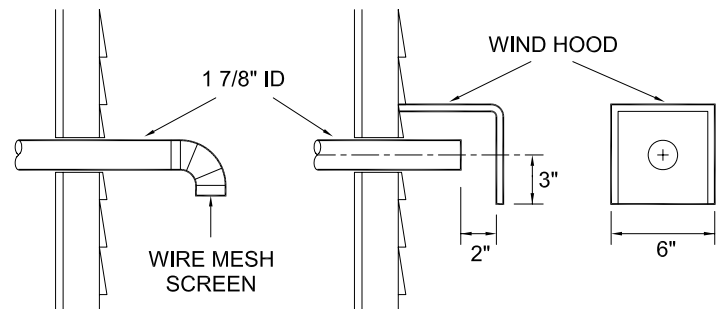
Metal pipe (solid or flexible) must be used for the outside air installation. PVC pipe is NOT approved and should NEVER be used.

A wind shield over the termination of the outside air pipe or a 90-degree elbow or bend away from the prevailing winds MUST be used when an outside air pipe is installed through the side of a building. The outside air termination MUST be at least 1-foot away from the exhaust system termination.

The outside air pipe on your **King/Ashley** stove is 1 7/8" OD. The outside air connecting pipe must be at least 1 7/8" ID. The outside air connection used MUST NOT restrict the amount of air available to your stove. The outside air connecting pipe must be as short and free of bends as possible, and it must fit over, not inside, the outside air connection to the stove.



**FIGURE 8**  
EXHAUST/INLET LOCATIONS



**FIGURE 9**  
TYPICAL FRESH AIR TERMINATION

NOTE: Dimensions from the floor to your stoves inlet/exhaust pipes are approximate and may vary depending on your installation.

## **SPECIAL MOBILE HOME REQUIREMENTS**

**⚠ WARNING! - DO NOT INSTALL IN A SLEEPING ROOM**

**⚠ CAUTION! - THE STRUCTURAL INTEGRITY OF THE MOBILE HOME FLOOR, WALL, AND CEILING/ROOF MUST BE MAINTAINED.**

In addition to the previously detailed installation requirements, mobile home installations must meet the following requirements:

- The stove must be permanently attached to the floor.
- The stove must be electrically grounded to the steel chassis of the mobile home with 8 GA copper wire using a serrated or star washer to penetrate paint or protective coating to ensure grounding.
- Vent must be 3 or 4-inch "PL" Vent and must extend a minimum of 36-inches above the roofline of the mobile home and must be installed using a UL/ULC listed ceiling fire stop and rain cap.
- When moving your mobile home, all exterior venting must be removed while the mobile home is being relocated. After relocation, all venting must be reinstalled and securely fastened.
- Check with your local building officials as other codes may apply.

## Operation

- △ Do not operate your stove with the viewing door open. The auger will not feed pellets under these circumstances and a safety concern may arise from sparks or fumes entering the room.
- △ This heater is designed and approved for premium hardwood pellet fuel only. Any other type of fuel burned in this heater will void the warranty and safety listing.
- △ A working smoke detector must be installed in the same room as this product.

### HOW YOUR STOVE WORKS

Your *King/Ashley* stove utilizes a inclined auger fuel feed system that is operated by a microprocessor controlled digital circuit board. The digital circuit board allows the inclined auger fuel feed system to run in a timer-based, non-continuous cycle; this cycling allows the auger to run for a predetermined period of seconds. The auger pushes pellets up a chute located at the front/bottom of the hopper which in turn falls through another chute into the burnpot . As pellets enter the burn pot, outside air is drawn across the fuel and heated during the combustion process. This heated combustion air is then pulled through the heat exchanger by the exhaust blower, where it is used to heat air that is drawn into the heat exchanger system by the room air fan.

Because a forced draft pressure is required for the combustion process inside your stove, it is extremely important that the exhaust system be properly installed and maintained. And, that when operating your stove, you make sure that the viewing door is properly sealed.

Your stove's heat output can vary from hi to low by adjusting the settings on the control panel (located on the lower right-hand side of the stove). The "**HEAT RANGE**" setting will vary the auger systems feed rate and the exhaust blower speed (i.e. combustion air). The "**BLOWER SPEED**" setting will adjust the room air fan speed (i.e. convection air). Each setting has a range of 1 to 9 (lowest to highest). Any combination of "**HEAT RANGE**" and "**BLOWER SPEED**" can be used during the operation of your stove.

Your stove can run efficiently over extended periods of time and at different heat output levels as long as the fuel supply is uninterrupted and **proper cleaning and maintenance is performed**. (NOTE: Operating your stove on a high "**HEAT RANGE**" setting and a low "**BLOWER SPEED**" setting for extended periods of time may cause your stove to reach an over-temperature condition, in which case, the stove will automatically reduce the fuel feed rate and/or increase the room air fan speed. This is a safety precaution that has been designed into your stove and is not a malfunction)

## Operation

### **CONTROL PANEL**

Turning the stove OFF/ON, as well as adjustments for the fuel feed rate and room air fan speed are performed by pressing the appropriate button(s) on the control panel which is located on the lower left-hand side of your *King/Ashley* stove (see FIGURE 10).

Pressing the “ON” button on the control panel will begin the start-up sequence for the stove. Fuel will begin to feed through the auger feed system and, once an adequate amount of fuel has been deposited into the burn pot, the **auto-start igniter** will ignite the fuel.

Pressing the up/down arrow buttons beneath the “HEAT RANGE” and “BLOWER SPEED” will adjust the amount of fuel that is fed to the burnpot and the amount of room air drawn through the stove to be heated, respectively. Either value can be set from 1 to 9 (lowest to highest).

Pressing the “OFF” button on the control panel will cause the stove to enter its shut-down sequence. The fuel feed system will stop pulling fuel from the hopper and, once the fire goes out and the stove cools down, the blowers will stop running.

The “A”, “B”, and “C” buttons on the control panel are reserved for diagnostic use only. These controls are disabled by default when the unit is shipped from our factory.

### **UNIT PREPARATION**

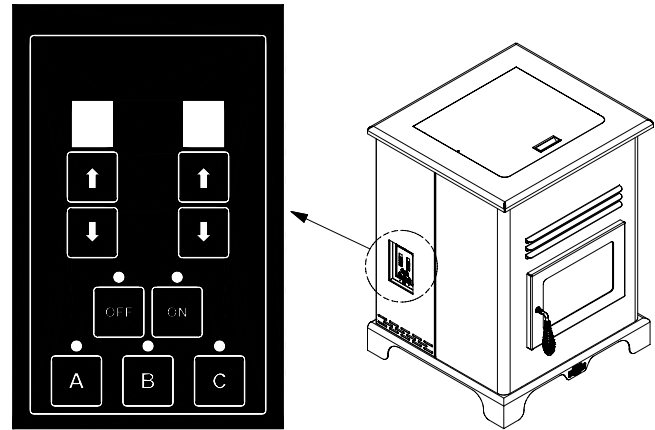
After carefully unpacking and reading the instructions for installing your stove, you will need to perform the following steps:

- 1.) Attach the included spring handle to the door handle by screwing it on in a respective location.  
Attach the electrical cord to the back of the stove first; then plug it into a 110-volt outlet (an outlet surge protector is highly recommended).

### **PERFORMING A “DRY RUN”**

Perform a “dry run” on your stove prior to making the exhaust/inlet connections and starting your stove for the first time.

- 1.) Check that there is NO fuel in the hopper or burn-pot.
- 2.) Check that the viewing door is securely closed.
- 3.) Press the “ON” button on the control panel. This will start the auger and exhaust blower.
- 4.) Check that the auger and the exhaust blower are operating (the room air blower will not start at this time). **DO NOT** open the viewing door, the **auto-start igniter** will get very hot during this test. The stove will automatically shut down after approximately 23 minutes.



**FIGURE 10**  
DIGITAL CONTROL PANEL

# Operation

## **START-UP PROCEDURE**

**Δ Never use gasoline, gasoline-type lantern fuel, kerosene, charcoal lighter fluid, or similar liquids to start or “freshen up” a fire in this stove. Keep all such liquids well away from the stove while it is in use.**

- 1.) Verify that the hopper is clean and free of foreign matter.
- 2.) Verify that all of the required exhaust/inlet connections have been made in accordance with this manual and that the stove is plugged into an outlet (an outlet surge protector is highly recommended).
- 3.) Fill the hopper with wood pellets; do not allow any part of the bag or any other foreign material into the hopper, as this may jam the auger.
- 4.) Ensure that all pellet matter is cleared from the hopper seating surface.
- 5.) Close the hopper lid.
- 6.) Make sure that the viewing door is securely closed (the safety pressure switch will not allow the stove to feed fuel if there is no draft pressure inside the stove) .
- 7.) Press the **“ON”** button on the control pad and set the **“HEAT SETTING”** to your desired setting.
- 8.) The stove will begin to feed fuel and the **auto-start igniter** will ignite the fuel in approximately 3 minutes.

Once a consistent flame has been established, you can adjust the **“HEAT RANGE”** and **“BLOWER SPEED”** on the control pad to your desired settings. (Note: The room air fan will not function until the heat exchanger in the stove reaches the factory preset temperature).

**First Fire:** Adjust the **“HEAT RANGE”** and **“BLOWER SPEED”** to a **“5”** setting and allow the stove to operate in this manner for approximately three (3) hours (or more if necessary), allowing the stove to “cure out” as the paint and oils from the manufacturing process burn off. We recommend that you open doors and windows in your home during this process. Adjust setting to desired setting.

## **SHUT DOWN PROCEDURE**

**WARNING: Never shut down this unit by unplugging it from the power source.**

Press the **“OFF”** button on the control pad to put the stove in shut down mode. At this time, the red light above the pad will illuminate. Once this is done, the auger will stop feeding pellets, but the room air fan, exhaust blower, and bottom auger will continue to operate. When the internal temperature of the unit drops below the factory preset temperature, the room air fan and exhaust blower will cease to operate. The red light will then shut off and the unit will be completely shut down.

The hotter the unit is during its operation, the longer it will take for the stove to complete the shut down cycle. If the stove stays on for more than 2 hours after pressing the **“OFF”** button and you are sure that the fire is out, the stove can be unplugged from the outlet. After approximately 10 seconds, the unit can be re-connected to the power source and the control board will be reset.

## Operation

### DAILY OPERATION

- △ **The hopper and stove top will be hot during operation; therefore, you should always use some type of hand protection when refueling your stove.**
- △ **Never place your hand near the auger while the stove is in operation.**

This unit should be filled when the hopper level drops below 3-inches.

In the event of a **power outage**, the stove WILL NOT function. It is very important that unit be vented properly (with outside air), as the natural draft is needed to clear the smoke from the stove during a power outage. If the unit was “**ON**” when the power outage occurred, one of the following will take place:

- 1.) If the stove is still warm, it will resume feeding fuel and continue to operate normally. If the fire has gone out, you will have to press the “**OFF**” button and then the “**ON**” button again to begin a new start-up sequence.
- 2.) If the stove has cooled-off, it will reset to its “**OFF**” condition. At this point, you may press the “**ON**” button and the unit will begin a new start-up sequence.

NOTE: The unit will also shut down in the event of an exhaust blower failure; if this is the case, the unit will not re-start and you must contact Customer Service at (800) 750-2723.

### SAFETY AND CONVENIENCE FEATURES

Your **King/Ashley** incorporates a **safety pressure switch** that helps ensure that everything is in proper working order before feeding fuel to the burn pot. Because the stove works using an induced draft pressure, the stove will not continue to operate if the viewing door is left open; or if the combustion blower fails or the exhaust system is blocked.

The **temperature limit control** will prevent your stove from operating at abnormally high temperatures. Should the stove temperature begin to approach the factory pre-set limit, the temperature limit control will automatically slow down the auger feed rate until the temperature returns to a normal condition. Even though the heater will operate on setting “9” (HI), we recommend to operate your heater on this setting for only a short period of time. (1 hour etc.)

Your **King/Ashley** stove also includes an **auto-start igniter** as a standard feature. The use of other fire starter materials (wood chips, starter gel, etc.) is not necessary. By simply pressing the “**ON**” button on the digital control panel, your stove will begin to feed fuel and automatically start within 5 minutes.

## Maintenance

- △ **Failure to clean and maintain this unit as indicated can result in poor performance and safety hazards.**
- △ **Unplug your stove’s electrical cord prior to removing the back panel or opening the exhaust system for any inspection, cleaning, or maintenance work.**
- △ **Never perform any inspections, cleaning, or maintenance on a hot stove.**
- △ **Do not operate stove with broken glass , leakage of flue gas may result.**

### EXHAUST SYSTEM

The by products of combustion contain small particles of fly ash. Fly ash will collect in the exhaust venting system and restrict the flow of flue gases. Incomplete combustion, such as during startup, shutdown, or incorrect operation of the stove will lead to soot formation which will collect in the exhaust system. Therefore, it is important that the exhaust system be **inspected and cleaned at least monthly** during the burning season.

Check the clean out tees periodically to determine the required cleaning schedule. 3 or 4-inch chimney brushes are available for chimney cleaning. If the exhaust system or outside air pipes have screens on them, frequently clean the screen. A plugged screen will shut off combustion air and cause a fire to die or burn poorly.

# Maintenance

## **INTERIOR CHAMBERS**

Periodically remove and clean the burnpot and the area inside the burnpot housing. In particular it is advisable to clean out the holes in the burnpot to remove any build up that may prevent air from moving through the burn pot freely.

If a vacuum is used to clean your stove, we suggest using a vacuum designed for ash removal. Some regular vacuum cleaner (i.e. shop vacs) may leak ash into the room.

## **ASH DISPOSAL**

Ashes should be placed in a metal container with a tight fitting lid. The closed container of ashes should be placed on a noncombustible floor or on the ground, well away from all combustible materials, pending final disposal. If the ashes are disposed of by burial in soil or otherwise locally dispersed, they should be retained in the closed container until all cinders have been thoroughly cooled.

## **CHECK AND CLEAN THE HOPPER**

Check the hopper periodically to determine if there is any sawdust or pellets that are sticking to the hopper surface. Clean as needed.

## **MAIN DOOR GASKETS**

Inspect the main door and glass window gaskets periodically. The main door may need to be removed to have frayed, broken, or compacted gaskets replaced by your Authorized "**King/Ashley**" Dealer.

## **FAN MOTORS**

Clean the air holes on the motors of both the exhaust and room air fans annually. Remove the exhaust blower from the exhaust duct and clean out the internal fan blades as part of your fall start-up.

## **PAINTED SURFACES**

Painted surfaces may be wiped down with a damp cloth. If scratches appear, or you wish to renew your paint, contact your Authorized "**King/Ashley**" Dealer to obtain a can of suitable high-temperature paint.

## **GLASS**

We recommend using a high quality glass cleaner. Should a build up of creosote or carbon accumulate, you may wish to use 000 steel wool and water to clean the glass. In the event you need to replace the glass, only high temperature ceramic glass of the correct size and thickness may be used. Contact your Authorized "**King/Ashley**" Dealer to obtain this glass.

## **FALL START UP**

Prior to starting the first fire of the heating season, check the outside area around the exhaust and air intake systems for obstructions. Clean and remove any fly ash from the exhaust venting system. Clean any screens on the exhaust system and on the outside air intake pipe. Turn all of the controls on and make sure that they are working properly. This is also a good time to give the entire stove a good cleaning throughout.

## **SPRING SHUTDOWN**

After the last burn in the spring, remove any remaining pellets from the hopper and the auger feed system. Scoop out the pellets and then run the auger until the hopper is empty and pellets stop flowing (this can be done by pressing the "**ON**" button with the viewing door open). Vacuum out the hopper. Thoroughly clean the burnpot, and firebox. It may be desirable to spray the inside of the cleaned hopper with an aerosol silicone spray if your stove is in a high humidity area. The exhaust system should be thoroughly cleaned.

## **YEARLY SERVICING**

A yearly servicing and cleaning by your Authorized "**King/Ashley**" Dealer is recommended. A fee may be charged for this service.

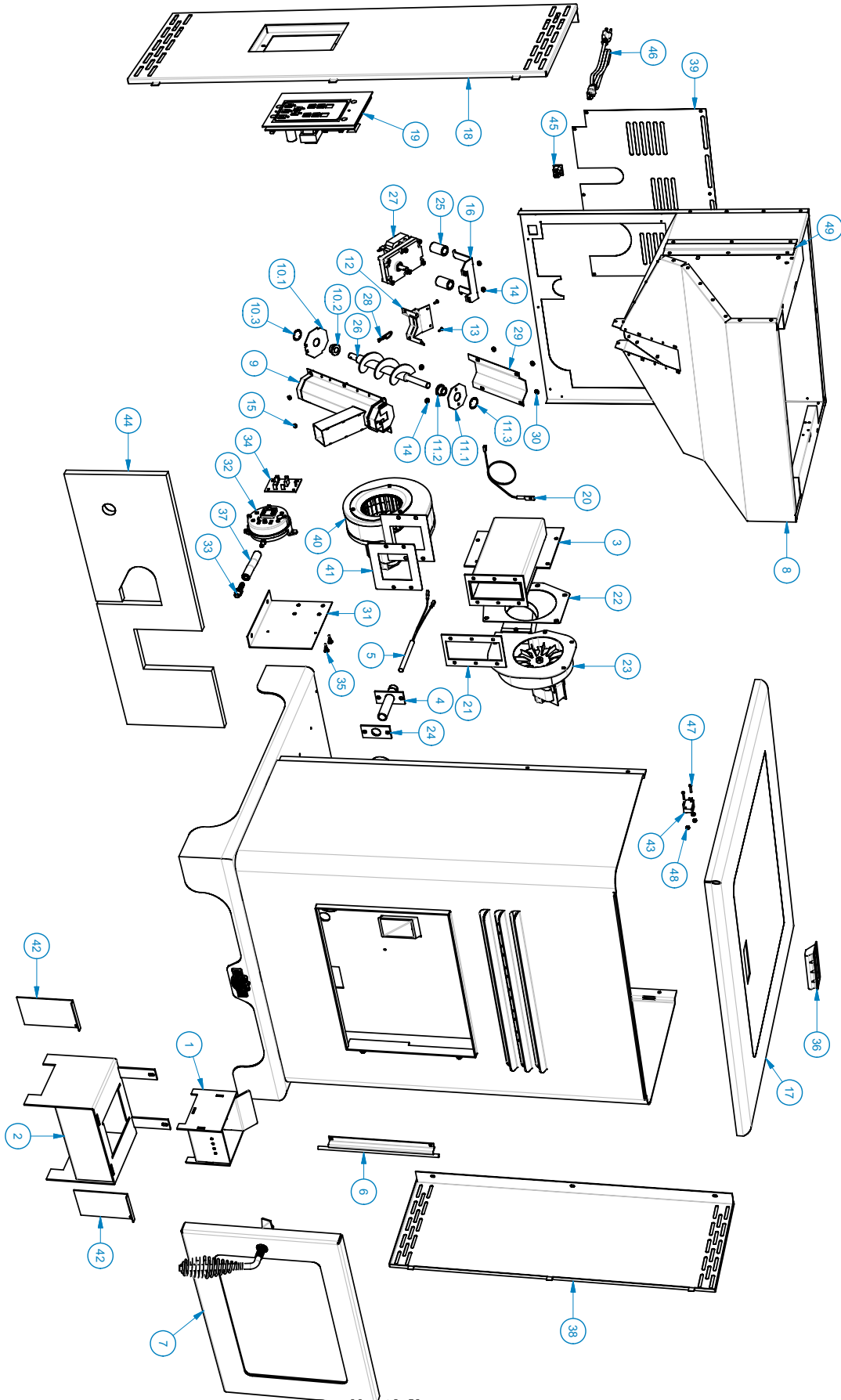
## Trouble Shooting

- △ **Disconnect the power cord before performing any maintenance! NOTE: Turning the ON/OFF Switch to "OFF" does not disconnect all power to the electrical components of the stove.**
- △ **Never try to repair or replace any part of the stove unless instructions for doing so are given in this manual. All other work should be done by a trained technician.**

<b>PROBLEM</b>	<b>CAUSE:</b> To rich air/fuel mixture
Orange, lazy flame_excessive fuel build-up in the burnpot	<ul style="list-style-type: none"> <li>• Clean out the burnpot and burnpot housing</li> <li>• Make sure that the viewing door is closed and sealed properly. If not, adjust door catch and/or replace door gaskets.</li> <li>• Check that all outside connections are clear of any obstructions.</li> <li>• Check the exhaust system; clean as needed.</li> </ul>
<b>PROBLEM</b>	<b>CAUSE:</b> Burnpot burns out of fuel
Fire goes out or stove shuts down.	<ul style="list-style-type: none"> <li>• Hopper is empty, refill the hopper.</li> <li>• Loss of draft pressure. Make sure that the viewing door is closed and sealed properly. If not, adjust door catch and/or replace door gaskets. Check that all outside connections are clear of any obstructions. Check the exhaust system; clean as needed.</li> <li>• Check that the pressure switch connection to the firebox is free of ash or clear of obstructions.</li> <li>• Auger system is jammed or there is a "bridging" of the fuel in the hopper, preventing fuel from flowing into the auger feed system.</li> </ul>
<b>PROBLEM</b>	<b>CAUSE:</b> Auto-Start Igniter fails to ignite the fuel in the burn pot.
Stove does not start a fire when the "ON" button is pushed	<ul style="list-style-type: none"> <li>• Turn the stove "OFF". Clear the unburnt fuel from the burnpot and try again.</li> <li>• Check the pellet quality. Replace if moist, wet, or dirty.</li> <li>• Loss of draft pressure. Make sure that the viewing door is closed and sealed properly. If not, adjust door catch and/or replace door gaskets. Check that all outside connections are clear of any obstructions. Check the exhaust system; clean as needed.</li> <li>• Check that the auto-start igniter is not blocked with ash or soot. (The igniter is located behind the burnpot on the back wall of the firebox.)</li> <li>• Check that the pressure switch connection to the firebox is free of ash or clear of obstructions.</li> <li>• The auto-start igniter gets "red hot" during start-up. If you can not visibly see the igniter glowing during start-up, then the igniter may need to be replaced or there is a problem with the electrical control system.</li> </ul>

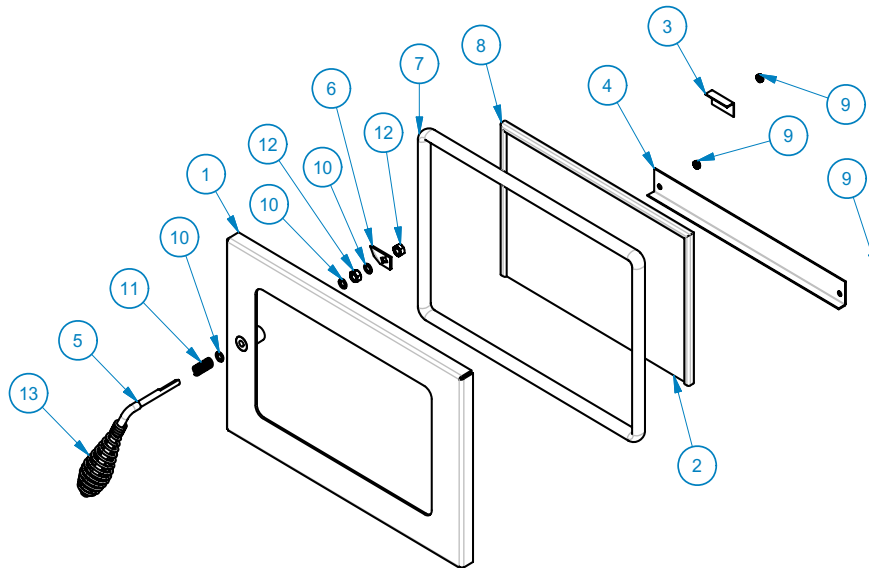
# Parts Diagram model 5500 and 5500XL

Note: All repair parts (other than Cabinet Sides, Hopper Assy., and Door Assy.) are same for models 5500 and 5500XL.



# Parts Diagram/List models 5500 & 5500XL

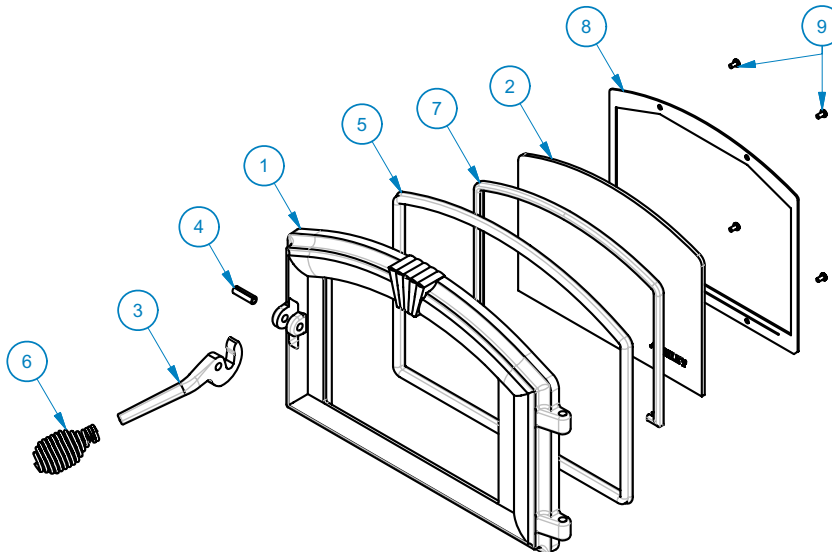
## Model 5500



PARTS LIST

Item	Part No.	Title	Qty.	Item	Part No.	Title	Qty.
1	25490	Door Weldment	1	8	88087	Glass Gasket	1
2	891166	Ceramic Glass	1	9	83297	8-32 Hex Nut	3
3	891185	Glass Retainer, Top	1	10	83045	Washer, 5/16 ID x 1/2 OD x 3/64 TK	3
4	891186	Glass Retainer, Bottom	1	11	83903	Spring	1
5	891160	Handle, Door	1	12	83206	5/16 x 18 Hex Nut	2
6	891168	Latch, Door	1	13	891167	Spring Handle	1
7	88082	3/4" Rope Gasket	1				

## Model 5500XL



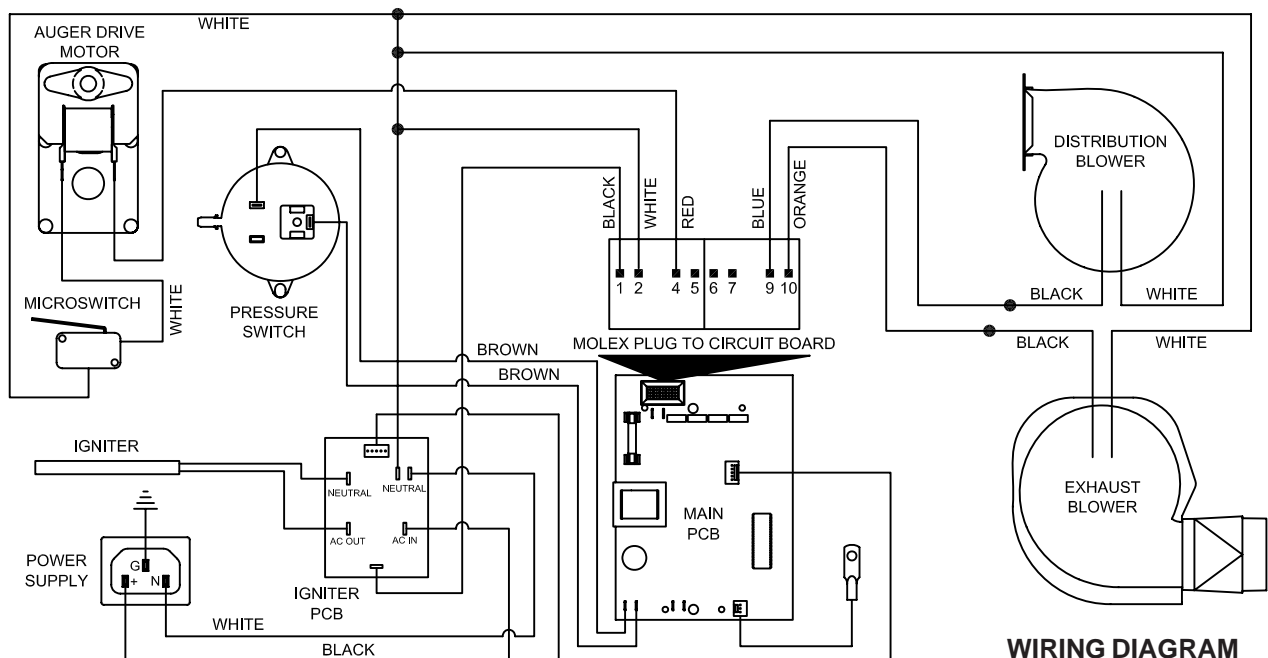
PARTS LIST

Item	Part No.	Title	Qty.	Item	Part No.	Title	Qty.
1	25266	Feed Door	1	8	25393	Retainer, Glass	1
2	891067	Door Glass w/ Ashley Logo	1	9	83202	Machine Screw	4
3	25452	Handle, Door	1	N/S	25080MB	Door Latch	1
4	83506	3/8 x 1 1/4 Roll Pin	1	N/S	83508	5/16-18 x 1-3/4 Bolt	1
5	88066	5/8" Rope Gasket	1	N/S	83338	5/16-18 Lock-Nut	1
6	89574	Handle, Spring Brass	1	N/S - Not Shown			
7	88087	Glass Gasket (1 x 1 3/16)	1				

# Parts List model 5500 & 5500XL

## PARTS LIST

Item	Part No.	Title	Qty.	Item	Part No.	Title	Qty.
1	86624	Burnpot Assembly	1	23	80473	Blower, Exhaust	1
2	86625	Housing Assy, Burnpot	1	24	88118	Gasket, Igniter Flange	1
3	86628	Weldment, Exhaust Duct	1	25	891169	Hose, Heater	1.5in
4	86633	Weldment, Igniter Tube	1	26	891141	Auger	1
5	80481	Igniter Cartridge	1	27	80488	Drive Motor	1
6	25506	Weldment, Door Hinge	1	28	83529	Hairpin	1
7	69512	Door Assembly	1	29	891180	Cover, Auger	1
8	69518	Hopper Assembly (5500)	1	30	83297	8-32 Hex Nut	4
-	69522	Hopper Assembly (5500XL)	1	31	891187	Bracket, Pressure Switch/PCB	1
9	891164	Weldment Auger Housing	1	32	80478	Pressure Switch	1
10	69513	Assy., Bushing Retainer Bottom	1	33	89586	Nipple	1
10.1	891190	Plate, Bottom Bushing	1	34	80489	PCB, Igniter	1
10.2	891132	Bushing	1	35	83902	Standoff, PCB	4
10.3	83534	Retaining Ring	1	36	891148	Handle, Plastic	1
11	69514	Assy., Bushing Retainer Top	1	37	891121	Silicone Tube	3 in.
11.1	891189	Plate, Top Bushing	1	38	25512	Side, Right Cabinet (5500)	1
11.2	891132	Bushing	1	-	25516	Side, Right Cabinet (5500XL)	1
11.3	83534	Retaining Ring	1	39	25510	Panel, Access	1
12	891161	Weld., Bot. Plate Retainer	1	40	80472	Blower, Distribution	1
13	83543	6-32 x 3/8 Machine Screw	2	41	88106	Gasket, Distribution Blower	1
14	83356	10-32 Hex Nut	4	42	25513	Cleanout, Ash	2
15	83299	6-32 Hex Nut	2	43	80491	Microswitch	1
16	891195	Bracket, Drive Motor	1	44	88119	Insulation, Blanket	2
17	25498	Weldment, Top Lid	1	45	80462	Recepticle, 3 Prong	1
18	25511	Weld, Left Side Cabinet (5500)	1	46	80461	Power Supply Cord	1
-	25515	Weld, Left Side Cabinet (5500XL)	1	47	83516	#4-40 Machine Screw	2
19	80487	Circuit Board Assembly	1	48	83542	#4-40 Nylon Lock Nut	2
20	80480	Thermistor	1	49	89390A	Rubber Grommet	1
21	88117	Gasket, Exhaust Duct	1	N/S	80490	Wiring Harness	1
22	88100	Gasket, Exhaust Blower	1	N/S	80492	PCB Connector Cable Harness	1



**WIRING DIAGRAM**

## HOW TO ORDER REPAIR PARTS

THIS MANUAL WILL HELP YOU OBTAIN EFFICIENT, DEPENDABLE SERVICE FROM YOUR KING OR ASHLEY, AND ENABLE YOU TO ORDER REPAIR PARTS CORRECTLY.

KEEP THIS MANUAL IN A SAFE PLACE FOR FUTURE REFERENCE.

WHEN WRITING, ALWAYS GIVE THE FULL MODEL NUMBER WHICH IS ON THE NAMEPLATE ATTACHED TO THE HEATER.

WHEN ORDERING REPAIR PARTS, ALWAYS GIVE THE FOLLOWING INFORMATION AS SHOWN IN THIS LIST:

1. THE PART NUMBER
2. THE PART DESCRIPTION
3. THE MODEL NUMBER: 5500  5500XL
4. THE SERIAL NUMBER: \_\_\_\_\_



United States Stove Company  
227 Industrial Park Road  
P.O. Box 151  
South Pittsburg, TN 37380  
(423) 837-2100  
WWW.USSTOVE.COM

PelletKing.com