

# KOZI CONTROL BOARD CBDKZ001 INSTALLATION INSTRUCTIONS

---

## Before Installing

- **ALWAYS** unplug the unit before beginning any work and wait at least 5 minutes for internal components to discharge.
  - Allow the unit to cool completely if recently used, interior surfaces can retain heat for over an hour.
  - Work in a well-lit area on a clean, flat surface.
- 

## Installation Steps

### 1. Disconnect Power

- Ensure the unit is completely powered down.
- Unplug the stove's power cord from the power source.

### 2. Access the Unit

- Locate the control panel in the unit's wiring compartment. Location varies by model, it is most commonly on the side of the stove. Refer to your stove's owner's manual for the exact panel location on your model.
- Remove the screws securing the rear wiring access panel and set them aside in a small container so they don't get lost.
- Carefully lift the panel away. Some models have wiring tethered to the panel itself, pull slowly and check before fully removing.

### 3. Disconnect Wiring

- Before disconnecting anything, take clear photos of all wiring connections from multiple angles. This is the single best way to avoid mistakes during reassembly.

- Label each connector with masking tape and a marker as you remove it.
- Unplug all stove wiring from the control board, including the main connector for the wiring harness.
  - **Note:** Always pull on the connector body, never on the wires themselves, pulling on wires can damage the connector or break the crimp.

#### 4. Remove Old Circuit board

- Remove the set screws holding the control board to the control panel mount and set them aside.
- Gently pull the old control board out of the stove.
  - **Note:** If you are replacing the control board in a Kozi Model 100, make sure to verify if the stove does NOT have a timer control before removal of the control board; this control board is not compatible with Kozi Model 100 units that incorporate a timer control.

#### 5. Install New Circuit Board

- Carefully insert the new control board into the control panel mount, ensuring it sits flush against the mounting surface.
  - **NOTE:** Hold the board by the edges, touching the metal on the bare silicone board could damage the component.
- Secure the control board using the screws removed in Step 4. Tighten until snug, do not overtighten, as excessive force can crack the circuit board.

#### 6. Connect Wiring

- Using the reference photos and labels from Step 3, plug all stove wiring into the new control board.
- Reconnect the main wiring harness connector, thermostat, and any remaining connectors.

- Ensure each connector is fully seated, you should feel or hear it click into place. A loose connection is the most common cause of post-installation issues.

*Please refer to pages 4 and 5 for the wiring diagram.*

## 7. Connect Power

- Replace the wiring access panel and secure it with the screws removed in Step 2.
- Plug the stove's power cord into the power source.
- Your new control board is installed and ready to use.

---

## Post-Installation Check

- Verify all connections are secure and the access panel is fully reinstalled
- Power on the unit. The control board display should illuminate within a few seconds.
- Confirm the display reads correctly and responds to button inputs
- Run the unit through a normal startup cycle and listen for proper fan and auger operation.
- Check for any unusual noises, vibrations, or smells, if any are present, immediately unplug the unit and review your wiring connections
- If the display shows an error code, refer to your manuals troubleshooting section.

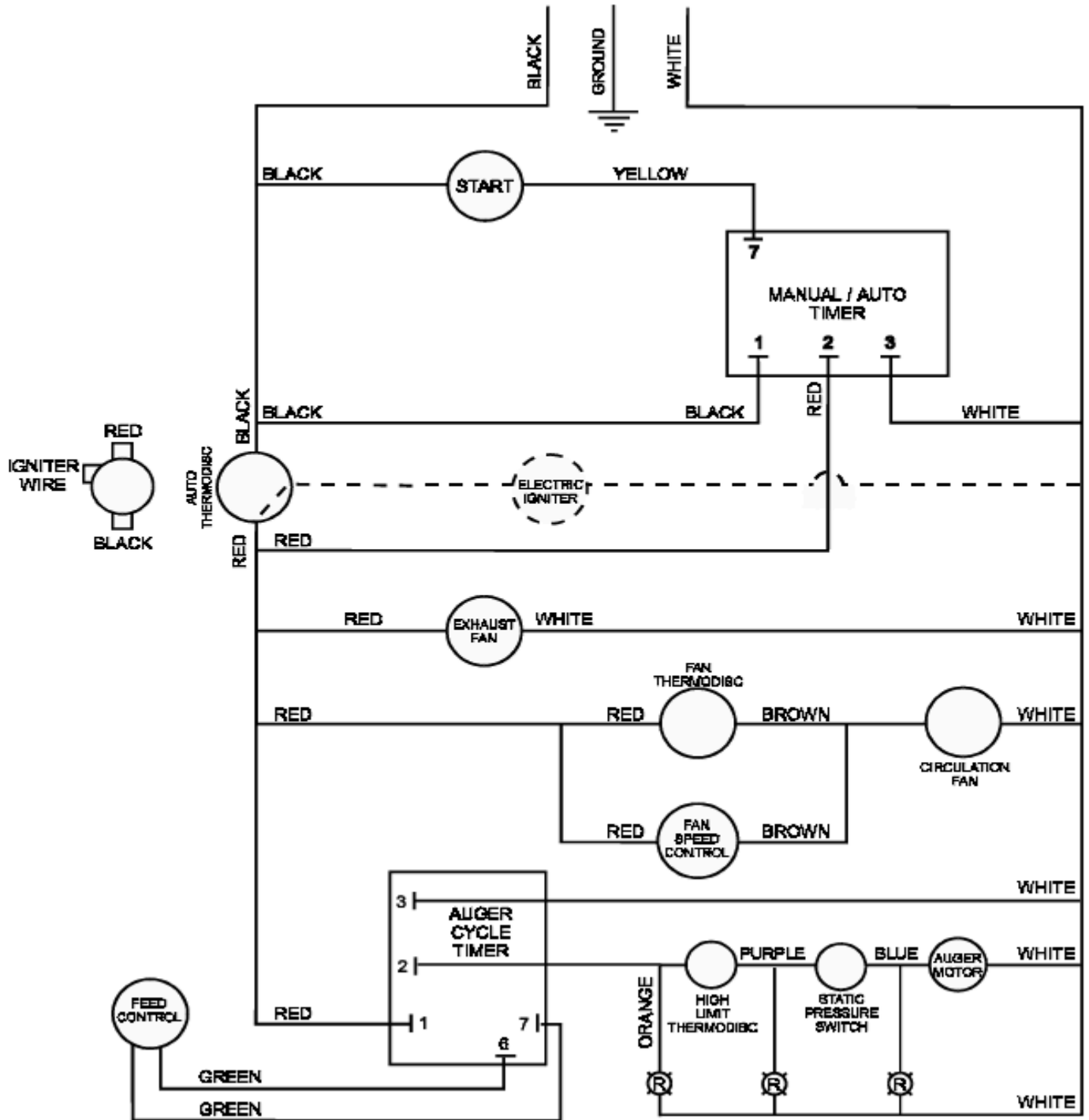
---

## Support

If you encounter any issues during installation, consult your owner's manual or contact technical support via our contact form.

# Wiring Diagram

## Baywin, Model 100, Shop Heater



Previa

