

# ENVIRO CONTROL BOARD 50-1929

## INSTALLATION INSTRUCTIONS

---

### Before Installing

- **ALWAYS** unplug the unit before beginning any work and wait at least 5 minutes for internal components to discharge.
  - Allow the unit to cool completely if recently used, interior surfaces can retain heat for over an hour.
  - Work in a well-lit area on a clean, flat surface
- 

### Installation Steps

#### 1. Disconnect Power

- Ensure the unit is completely powered down.
- Unplug the stove's power cord from the power source.

#### 2. Access the Unit

- Locate the control panel in the unit's wiring compartment. Location varies by model, it is most commonly on the side of the stove. Refer to your stove's owner's manual for the exact panel location on your model.
- Remove the screws securing the rear wiring access panel and set them aside in a small container so they don't get lost.
- Carefully lift the panel away. Some models have wiring tethered to the panel itself, pull slowly and check before fully removing.

#### 3. Disconnect Wiring

- Before disconnecting anything, take clear photos of all wiring connections from multiple angles. This is the single best way to avoid mistakes during reassembly.

- Label each connector with masking tape and a marker as you remove it.
- Unplug all stove wiring from the control board, including the main connector for the wiring harness.
  - **Note:** Always pull on the connector body, never on the wires themselves, pulling on wires can damage the connector or break the crimp.

#### 4. Remove Old Control Board

- Compare the decal on the old board to the decal on the new board to confirm you have the correct replacement part before proceeding.
  - **Note:** This board features a vertical positioned On/Off/Thermostat slide switch, and if your current decal does not have a Fan button then you will need to replace it with the updated decal (part number 50-1930).
- Remove the set screws holding the control board to the control panel mount and set them aside.
  - **Note:** Some models require the mounting to be removed from the stove along with the control board. Unfasten and remove the control panel mount with the decal when replacing the control board in these models.
- Gently pull the old control board out of the stove. Remove the set screws holding the control board to the control panel mount.

#### 5. Install New Control Board

- Ensure the decal matches to the new control board before installation.
- If you are upgrading to a new control panel mount and decal, insert and secure the new mount and decal to the stove with screws removed prior.
- Carefully insert the new control board into the control panel mount, ensuring it sits flush against the mounting surface.
  - **NOTE:** Hold the board by the edges, touching the metal on the bare silicone board could damage the component.

- Secure the control board using the screws removed in Step 4. Tighten until snug, do not overtighten, as excessive force can crack the circuit board.

## 6. Connect Wiring

- Using the reference photos and labels from Step 3, plug all stove wiring into the new control board.
- Reconnect the main wiring harness connector, thermostat, and any remaining connectors.
- Ensure each connector is fully seated, you should feel or hear it click into place. A loose connection is the most common cause of post-installation issues.

*Please refer to pages 5 through 9 for the wiring diagram by model.*

## 7. Connect Power

- Replace the wiring access panel and secure it with the screws removed in Step 2.
- Plug the stove's power cord into the power source.
- Your new control board is installed and ready to use.

---

## Post-Installation Check

- Verify all connections are secure and the access panel is fully reinstalled
- Power on the unit. The control board display should illuminate within a few seconds.
- Confirm the display reads correctly and responds to button inputs
- Run the unit through a normal startup cycle and listen for proper fan and auger operation.
- Check for any unusual noises, vibrations, or smells, if any are present, immediately unplug the unit and review your wiring connections
- If the display shows an error code, refer to your manual's troubleshooting section.

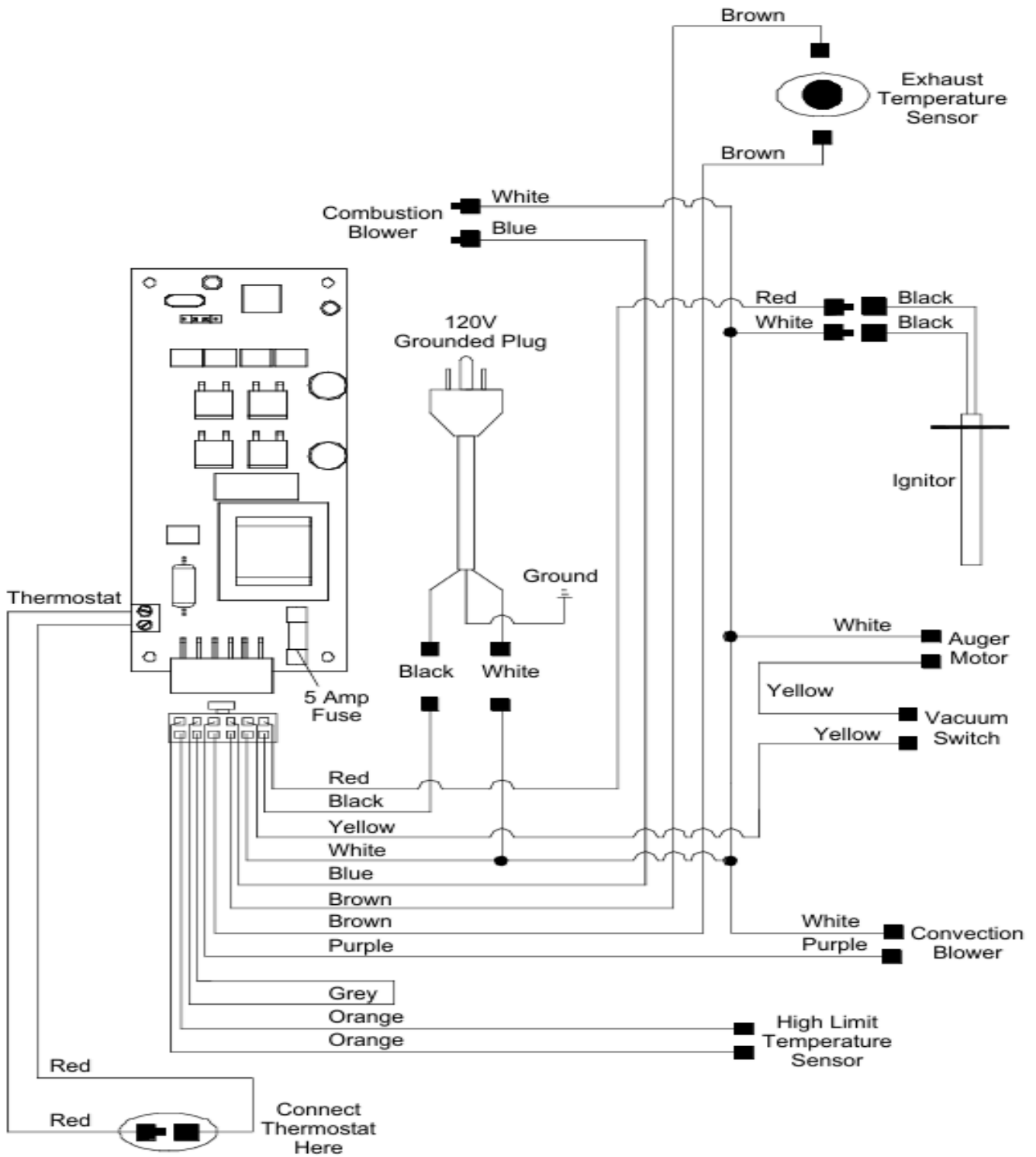
---

## **Support**

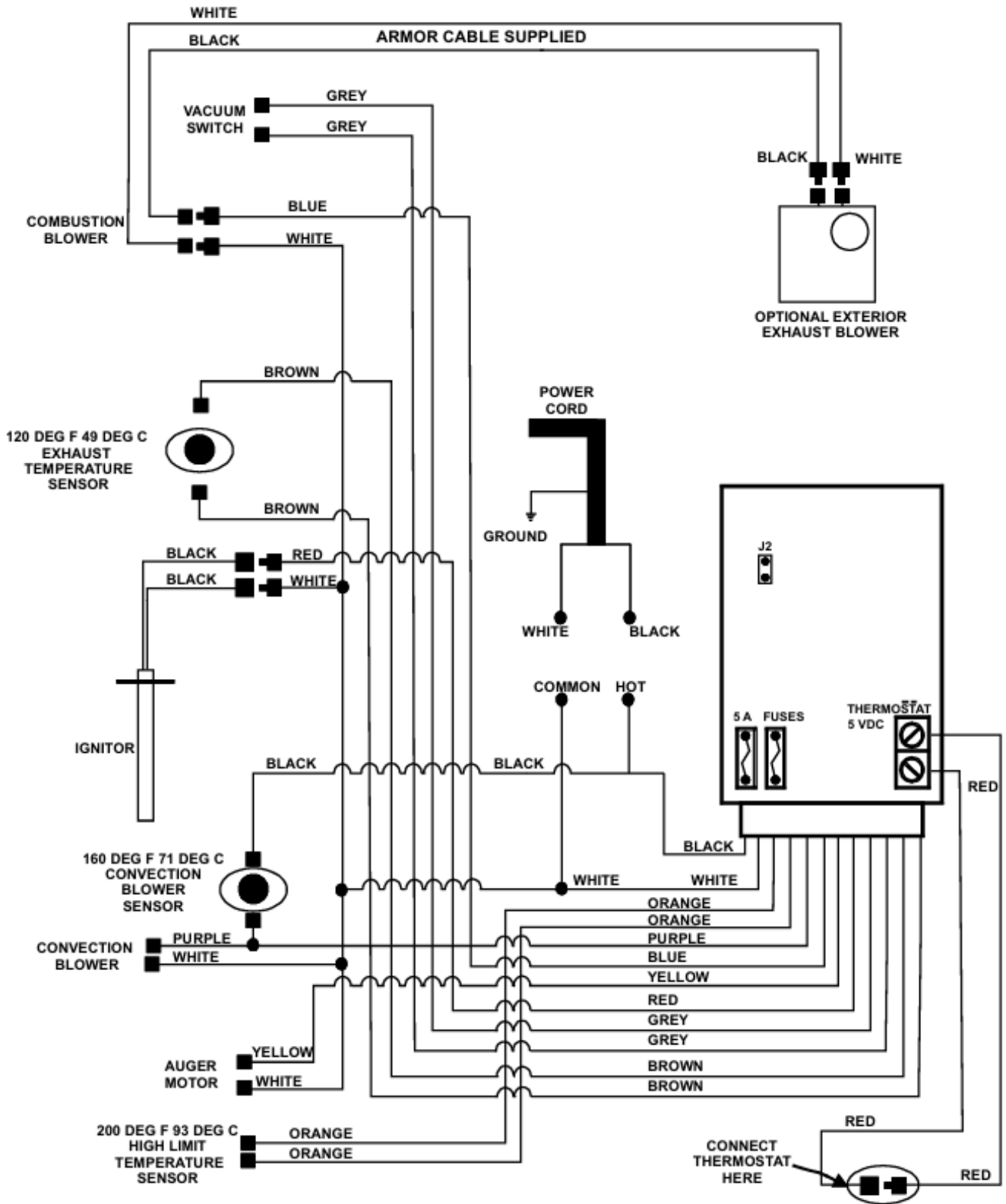
If you encounter any issues during installation, consult your owner's manual or contact technical support via our contact form.

# Wiring Diagram

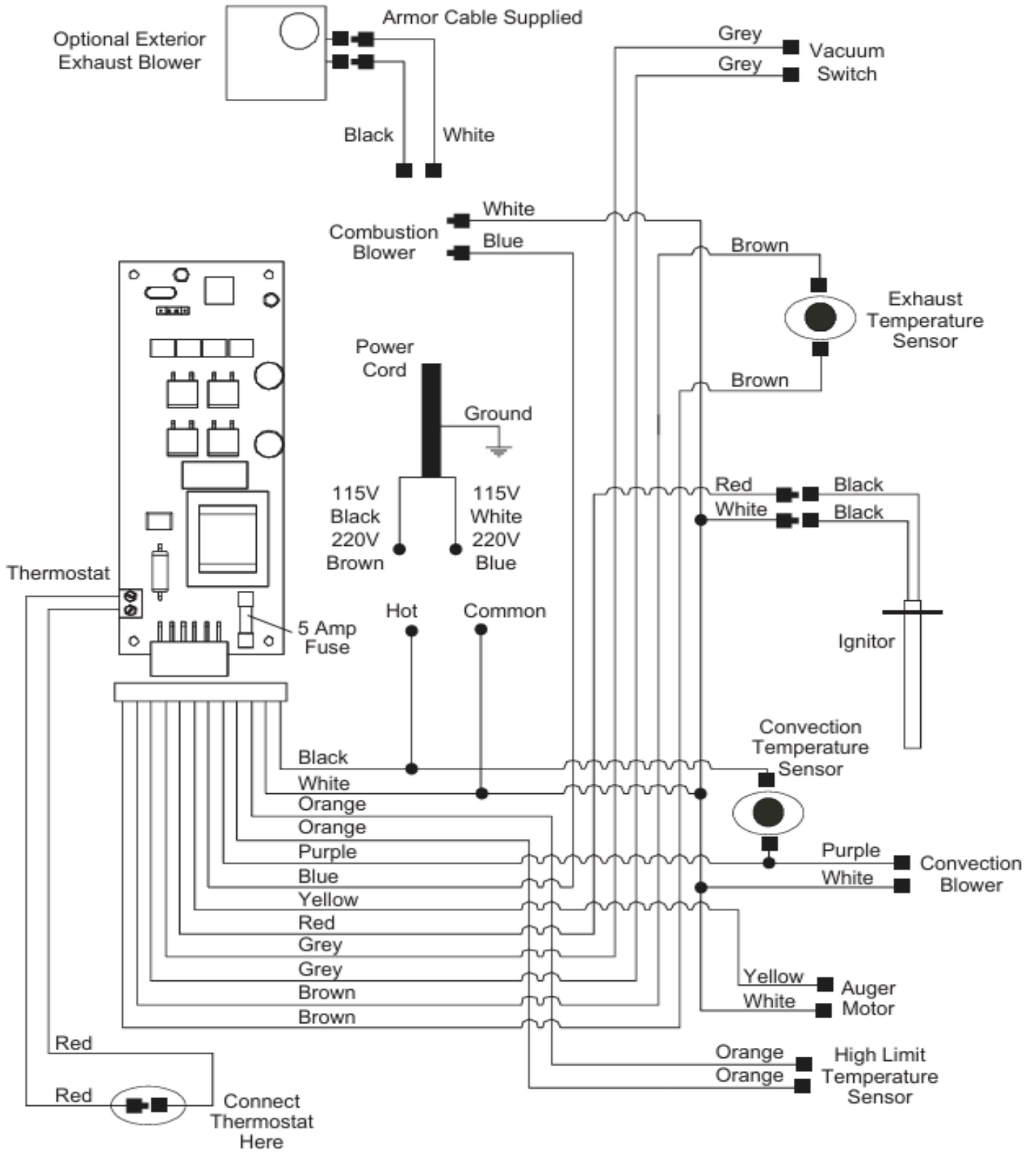
## MAXX-1 & MAXX-B



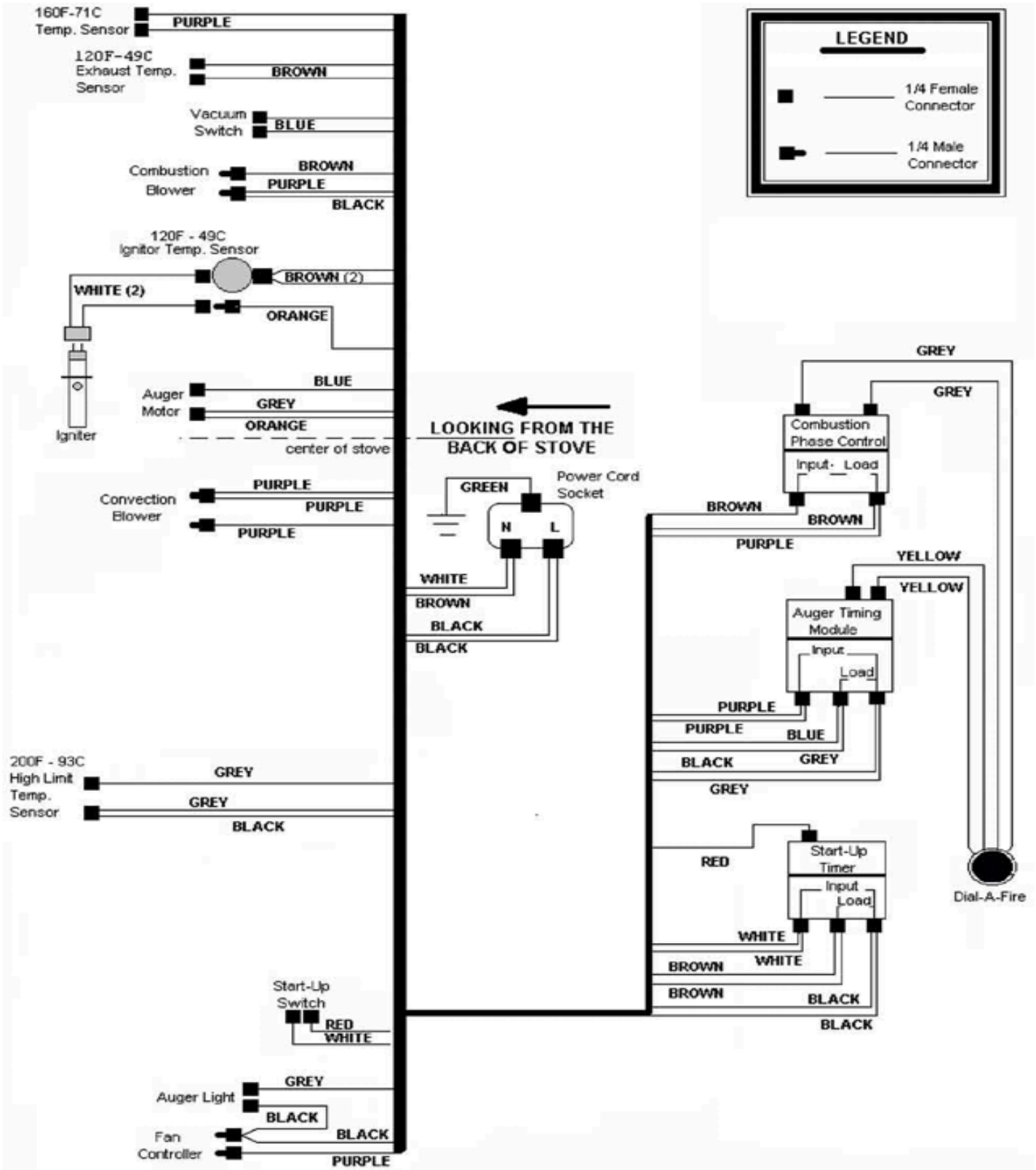
# Windsor



### Meridian-2, Mini & Empress



# Solus



# EF5 Evolution

